



Second Edition



DESIGNING EMBEDDED SYSTEMS WITH PIC MICROCONTROLLERS

Principles and Applications



Tim Wilmshurst

Newnes is an imprint of Elsevier
The Boulevard, Langford Lane, Kidlington, Oxford OX5 1GB, UK
30 Corporate Drive, Suite 400, Burlington, MA 01803, USA

First edition 2010

Copyright © 2010, Tim Wilmschurst. Published by Elsevier Ltd. All rights reserved

The right of Tim Wilmschurst to be identified as the author of this work has been asserted in accordance with the Copyright, Designs and Patents Act 1988

No part of this publication may be reproduced, stored in a retrieval system or transmitted in any form or by any means electronic, mechanical, photocopying, recording or otherwise without the prior written permission of the publisher

Permissions may be sought directly from Elsevier's Science & Technology Rights Department in Oxford, UK: phone (+44) (0) 1865 843830; fax (+44) (0) 1865 853333; email: permissions@elsevier.com. Alternatively you can submit your request online by visiting the Elsevier web site at <http://elsevier.com/locate/permissions>, and selecting *Obtaining permission to use Elsevier material*

Notice

No responsibility is assumed by the publisher for any injury and/or damage to persons or property as a matter of products liability, negligence or otherwise, or from any use or operation of any methods, products, instructions or ideas contained in the material herein. Because of rapid advances in the medical sciences, in particular, independent verification of diagnoses and drug dosages should be made

British Library Cataloguing in Publication Data

A catalogue record for this book is available from the British Library

Library of Congress Cataloging-in-Publication Data

A catalog record for this book is available from the Library of Congress

ISBN: 978 1 85617 750 4

For information on all Newnes publications
visit our web site at books.elsevier.com

Printed and bound in the Great Britain

10 10 9 8 7 6 5 4 3 2 1

Working together to grow
libraries in developing countries

www.elsevier.com | www.bookaid.org | www.sabre.org

ELSEVIER

BOOK AID
International

Sabre Foundation

Introduction to the first edition

This is a book about embedded systems, introduced primarily through the application of three PIC microcontrollers. Starting from an introductory level, the book aims to make the reader into a competent and independent practitioner in the field of embedded systems, to a level whereby he or she has the skills necessary to gain entry to professional practice in the embedded world.

The book achieves its aims by developing the underlying knowledge and skills appropriate to today's embedded systems, in both hardware and software development. On the hardware side, it includes in-depth study both of microcontroller design, and of the circuits and transducers to which the microcontroller must interface. On the software side, programming in both Assembler and C is covered. This culminates in the study and application of a Real Time Operating System, representing the most elegant way that an embedded system can be programmed.

The book is divided into introductory and concluding sections and three main parts, and develops its themes primarily around three example PIC microcontrollers, which form the basis of each part. These are the 16F84A, the 16F873A and the 18F242. It works through these in turn, using each to develop the sophistication of the ideas introduced. Nevertheless, the book should not be viewed just as a manual on PIC microcontrollers. Using these as the medium of study, the main issues of embedded design are explored. The skills and knowledge acquired through the study of this set of microcontrollers can readily be transferred to others.

A distinctive feature of the book is its combination of practical and theoretical. The vast majority of topics are directly illustrated by practical application, in hardware or in program simulation. Thus, at no point is there abstract theory presented without application. The main project in the book is the Derbot AGV (Autonomous Guided Vehicle). This is a customisable design, which can be used as a self-contained development platform. As an AGV it can be developed into many different forms. It can also be adapted into plenty of other things as well, for example a waveform generator, an electronic tape measure or a light meter. Before the Derbot is introduced, use is made of a very simple project, the electronic ping-pong game. The example projects can be built by the reader, with design information being given on the book's companion website. Alternatively, projects can simply be used as theoretical case studies.

This book is aimed primarily at second- or third-year undergraduate engineering or technology students. It will also be of interest to the informed hobbyist, and parts to the practising professional. Readers are expected to have a reasonable knowledge of electronics, equivalent to, say, a first-year undergraduate course. This will include an understanding of the operation of transistors and diodes, and simple analog and digital electronic subsystems. It is also beneficial to have some knowledge of computer architecture, for example gained by an introductory course on microprocessors.

Because the book moves in three distinct stages from the introductory to the advanced, it will in general provide material for more than one course or module. The first six chapters can be used for a short and self-contained one-semester course, covering an introduction to microcontrollers and their programming in Assembler. The 16F84A is chosen as the example for these chapters. It is an excellent introductory microcontroller, due to its simplicity. Chapters 7–11 can form an intermediate course, using Assembler to program more complex systems. This leads to a detailed knowledge of microcontroller peripherals and their use, as exemplified by the 16F873A. Chapters 12–20 can then be used to form an advanced course, working with C and the 18F242, and leading up to use of the RTOS. Alternatively, lecturers may wish to ‘pick and choose’ in Chapters 7–20, depending on their preference for C or Assembler, and their preference for the microcontroller used. Having worked through Chapters 1–6, it is just possible to go directly to Chapter 12, thereby apparently skipping Chapters 7–11. The detail of the middle chapters is missed, but this approach can also work. Using C demands less detailed knowledge of the peripherals than is required if using Assembler, and cross-reference is made to the middle chapters where it is needed.

Whatever sequence of reading is chosen, the reader is expected as a minimum to have ready access to the Microchip MPLAB Integrated Development Environment, which is available on the book’s companion website. This allows the example programs in the book to be simulated and then modified and developed. Almost inevitably the book starts with some study of hardware, so that the reader has a basic knowledge of the system that the software will run on. To some extent the first few chapters, on PIC microcontroller architecture, represent a steep learning curve for the beginner. The fun then starts in Chapter 4, when programming and simulation can begin. From here, with the foundations laid, hardware and software run more or less in parallel, each gaining in sophistication and complementing the other. For the final third of the book, the Microchip C18 C compiler should be used. The student version of this is also available on the book’s companion website. For Chapter 19, the ‘Lite’ version of the Salvo RTOS can be installed, again from the book’s companion website.

Beyond program simulation, it is hoped that the reader has access to electronic build and test facilities, whether at home, college, university or workplace. With these, it is possible to build up some of the example project material or work on equivalent systems. By so doing, the satisfaction of actually implementing real embedded systems will be achieved. When working

through the middle or later chapters, the best thing a lecturer or instructor can do is to get a Derbot printed circuit board into the hands of every student on the course, along with a basic set of components. Guide them through initial development and then give them suggestions for further customisation. It is wonderful what ideas they then come up with. Design details are on the book's companion website.

An essential skill of any professional designer in this field is the ability to work with the manufacturer's data sheets. These are the main source of information when designing with microcontrollers and the ultimate point of reference in the professional world. It is in general *not* desirable to work from intermediate drawings by a third party, even if these are meant to simplify the information. Therefore, this book unashamedly uses (with permission) a large number of diagrams straight from the Microchip data sheets. Many are made more accessible by the inclusion of supplementary labelling. The reader is encouraged to download the full version of the data sheet in use and to refer directly to it.

A complete knowledge of the field of embedded systems requires both breadth and depth. This is particularly true of embedded systems, which combine elements of hardware and software, semiconductor technology, analog and digital electronics, computer architecture, sensors and actuators, and more. With its focus on the PIC microcontroller this book cannot cover all these areas. For the wider contextual background, the author's earlier book, *An Introduction to the Design of Small-Scale Embedded Systems*, is recommended. With whole chapters on memory technology, power supply, numerical algorithms, interfacing to transducers and the design process, it provides a ready complement to this book.

I hope that you enjoy working through this book. In particular I hope you go on to enjoy the challenge and pleasure of designing and building embedded systems.

Tim Wilmshurst
University of Derby, UK

Introduction to the second edition

It was not so long after the first edition that the need for a second edition began to be felt. Embedded technology was moving fast, and Microchip had come up with a whole set of new 16- and 32-bit microcontrollers, just as the first edition was being finalised. Big developments were meanwhile taking place in the 8-bit field, for example with the increasing application of nanoWatt technology and more advanced peripherals.

This edition has the same starting point as the first edition, but aims to include some recent developments. The awkward question arises: what microcontrollers do we use as examples – the newest or the easiest to grasp? I took the choice to stick with the old favourite, the 16F84A, as the first example device. This makes such a good and simple starting point that it is hard to beat, even with a more recent product. From here the path moves to the larger but still well-established 16 Series microcontroller, the 16F873A. This launches us into larger microcontrollers and the many interesting issues surrounding their peripherals. So far, things are similar to the first edition, though with more detail on introductory programming. The book then takes in advances seen in two rather recent 16 Series microcontrollers, the 16F88 and 16F883. These are used to introduce, among other things, the important topics of low-power technology and more advanced oscillator design. The chapters using the C programming language are then based on the 18F2420, replacing the 18F242 of the earlier edition. The final chapter is new, giving an introduction to the Microchip 16- and 32-bit microcontrollers.

Much of the book continues to use the Derbot Autonomous Guided Vehicle as its main design example. As before, the book can be read with complete benefit whether or not a build is completed. In the past few years at Derby University we have seen several generations of the Derbot spring to life, and kits have been sent to different parts of the world. A host of variations and refinements have thus appeared, many reported on the book's companion web site: www.elsevierdirect.com/companions/9781856177504.

To conclude, I simply repeat the end of the introduction to the first edition: I hope that you enjoy working through this book. In particular I hope you go on to enjoy the challenge and pleasure of designing and building embedded systems.

Tim Wilmshurst
University of Derby.

Note to Instructors

End of chapter questions are included for chapters 1–3, 6–13, and 21.

Chapters 4, 5 and 14–20 include programming exercises and tutorials within the chapter and no further questions are set for these chapters.

Acknowledgements

Grateful acknowledgements to all who have corresponded with me by email about the book and the Derbot project. Your comments are hugely important and this second edition has benefited from them. Thanks to those students at the University of Derby who have taken the Embedded Systems module over the years and who have taken part in the Derbot Challenge event in recent years. Your good humour, energy and inventiveness are a great source of inspiration. Thanks again to staff at Microchip Technology who have answered numerous questions, both technical and on copyright and related issues. Especial thanks to Tom Spenceley, Derby graduate and currently Research Assistant at the University. Tom has painstakingly read all the draft chapters and come up with many corrections and refinements. Any oversights that remain are, however, mine. Finally my greatest thanks are to my family, which has grown only by the addition of a small puppy, Rosie, since the first edition was written. My thanks and love to all of them. They keep the dedication for the second edition!

Figures 1.11, 1.13, 2.2–2.8, 2.10, 2.11, 3.10–3.12, 3.14–3.16, 4.4, 4.18, 6.2, 6.3, 6.8–6.10, 7.1–7.4, 7.6, 7.7, 7.9–7.11, 7.14–7.16, 7.25, 7.26, 9.1, 9.2, 9.4, 9.5, 9.7–9.9, 9.11, 10.7–10.10, 10.14–10.21, 10.25–10.28, 11.6–11.10, 12.1–12.12, 13.1–13.10, 13.13–13.16, 13.19–13.25, 20.10, 21.1–21.8, 21.10–21.13, Tables 13.4, 13.7, A1.1, A5.1, A5.2 are reprinted with permission of the copyright holder, Microchip Technology Incorporated. All rights reserved. No further reprints or reproductions may be made without Microchip Technology Inc.'s prior written consent.

The following are registered trademark of Microchip Technology: dsPIC[®], MPLAB[®], PIC[®], PICmicro[®], PICSTART[®], and the Microchip name and logo.

The following are trademarks of Microchip Technology: ECAN[™], ICSP[™], In-Circuit Serial Programming[™], MPASM[™], MPLIB[™], MPLINK[™], MPSIM[™], nanoWatt XLP[™], PICkit[™].

Section 1

Getting Started with Embedded Systems

This preliminary chapter introduces embedded systems and the microcontroller, leading to a survey of the Microchip range of PIC microcontrollers.

Tiny computers, hidden control

We are living in an age of information revolution, with computers of astonishing power available for our use. Computers find their way into every realm of activity. Some are developed to be as powerful as possible, without concern for price, for high-powered applications in industry and research. Others are designed for the home and office, less powerful but also less costly. Another category of computer is little recognised, partly because it is little seen. This is the type of computer that is designed into a product, in order to provide its control. This computer is hidden from view, such that the user often doesn't know it's even there. This sort of product is called an embedded system, and it is what this book is about. These little computers we generally call microcontrollers; it is one extended family of these that this book studies.

In this chapter you will learn about:

- The meaning of the term 'embedded system'.
- The microcontroller which lies at the heart of the embedded system.
- The Microchip PIC family.
- An early PIC microcontroller, the 12F508.

1.1 The main idea – embedded systems in today's world

1.1.1 What is an embedded system?

The basic idea of an embedded system is a simple one. If we take any engineering product that needs control, and if a computer is incorporated within that product to undertake the control, then we have an embedded system. An embedded system can be defined as [Ref. 1.1]:

A system whose principal function is not computational, but which is controlled by a computer embedded within it.

These days embedded systems are everywhere, appearing in the home, office, factory, car or hospital. [Table 1.1](#) lists some example products that are likely to be embedded systems, all chosen for their familiarity. While many of these examples seem very different from each other, they all draw on the same principles as far as their characteristics as embedded systems are concerned.

TABLE 1.1 Some familiar examples of embedded systems

Home	Office and commerce	Motor car
Washing machine	Photocopier	Door mechanism
Fridge	Checkout machine	Climate control
Burglar alarm	Printer	Brakes
Microwave	Scanner	Engine control
Central heating controller		In car entertainment
Toys and games		

The vast majority of users will not recognise that what they are using is controlled by one or more embedded computers. Indeed, if they ever saw the controlling computer they would barely recognise it as such. Most people, after all, recognise computers by their screen, keyboard, disc drives and so on. These embedded computers would have none of those.

1.2 Some example embedded systems

Let's take a look at some example embedded systems, first from everyday life and then from the projects used to illustrate this book.

1.2.1 The domestic refrigerator

A simple domestic refrigerator is shown in [Figure 1.1](#). It needs to maintain a moderately stable, low internal temperature. It does this by sensing its internal temperature and comparing it with the temperature required. It lowers the temperature by switching on a compressor. The temperature measurement requires one or more sensors, and then whatever signal conditioning and data acquisition circuitry that is needed. Some sort of data processing is required to compare the signal representing the measured temperature to that representing the required temperature and deduce an output. Controlling the compressor requires some form of

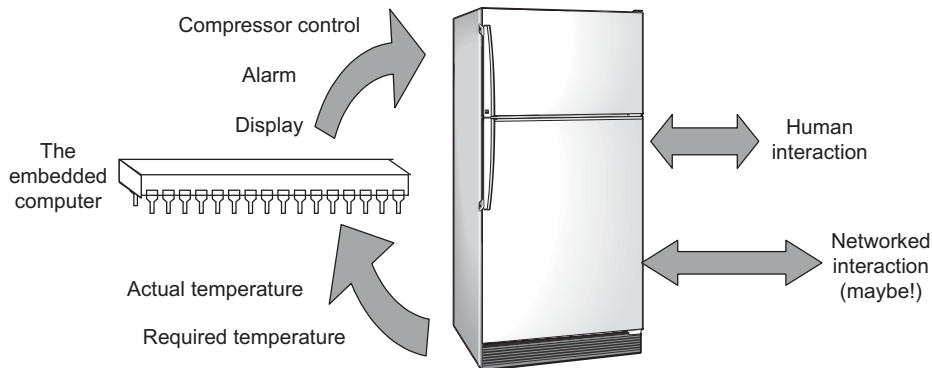


Figure 1.1: Embedded system example 1: the refrigerator

electronic interface, which accepts a low-level input control signal and then converts this to the electrical drive necessary to switch the compressor power.

This process of control can be done by a conventional electronic circuit or it can be done by a small embedded computer. If used, the embedded computer could be designed simply to replicate the minimalist control process described above. Once a little computer is in place, however, there is tremendous opportunity for ‘added value’. With the signal in digital form and processing power now readily available, it is an easy step to add features like intelligent displays, more advanced control features, a better user control mechanism and so on.

Taking the idea of added value one step further, once an embedded computer is in place it is possible to network it to other computers, embedded or otherwise. This opens up wide new horizons, allowing a small system to become a subset of a much larger system and to share information with that system. This is now happening with domestic products, like the refrigerator, as well as much more complex items.

The diagram of [Figure 1.1](#), while specific to a fridge, actually represents very well the overall concept of an embedded system. There is an embedded computer, engaged in reading internal variables, and outputting signals to control the performance of the system. It *may* have human interaction (but in general terms does not have to) and it *may* have networked interaction. Generally, the user has no idea that there’s a computer inside the fridge!

1.2.2 A car door mechanism

A very different example of an embedded system is the car door, as shown in [Figure 1.2](#). Once again there are some sensors, some human interaction and a set of actuators that must respond to the requirements of the system. One set of sensors relates to the door lock and another to the window. There are two actuators, the window motor and the lock actuator.

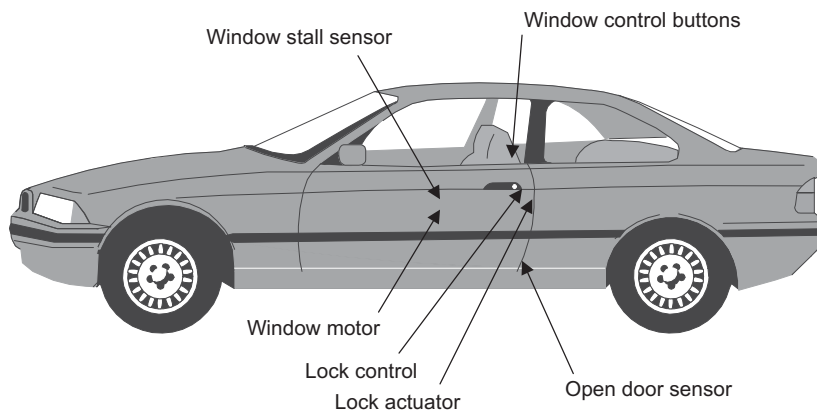


Figure 1.2: Embedded system example 2: the car door

It might appear that a car door could be designed as a self-contained embedded system, in a similar way to the fridge. Initially, one might even question whether it is worthy of any form of computer control whatsoever, as the functions seem so simple. Once again, by creating it as an embedded system, we see the opportunity to enhance functionality. Now we have the door status and actuators under electronic control, they can be integrated with the rest of the car. Central locking can be introduced or an alarm sounded if the door is not locked when the driver tries to pull away. There is therefore considerable advantage in having a network which links the humble actions of the door control to other functions of the car. We will see in later chapters that networked interaction is an important feature of the embedded system.

1.2.3 The electronic ‘ping-pong’ game

This little game, shown in Figure 1.3, is one of several projects used to illustrate the material of this book. It is a game for two players, who each have a push-button ‘paddle’. Either player can start the game by pressing his/her paddle. The ball, represented by the row of eight LEDs (light-emitting diodes), then flies through the air to the opposing player, who must press his paddle only when the ball is at the end LED and at no other time. The ball continues in play until either player violates this rule. Once this happens, the non-violating player scores and the associated LED is briefly lit up. When the ball is out of play, an ‘out-of-play’ LED is lit.

All the above action is controlled by a tiny embedded computer, a microcontroller, made by a company called Microchip [Ref. 1.2]. It takes the form of an 18-pin integrated circuit (IC), and has none of the visible features that one would normally associate with a computer. Nevertheless, electronic technology is now so advanced that inside that little IC there are a Central Processing Unit (CPU), a complex array of memories, and a set of timing and interface circuits. One of the memories contains a stored program, which it executes to run the game. It is able to read in as inputs the positions of the switches (the player paddles) and calculate the required LED positions. It then has the output capability to actually power the LEDs to which it is connected. All of this computing action is powered from only two AAA cells!

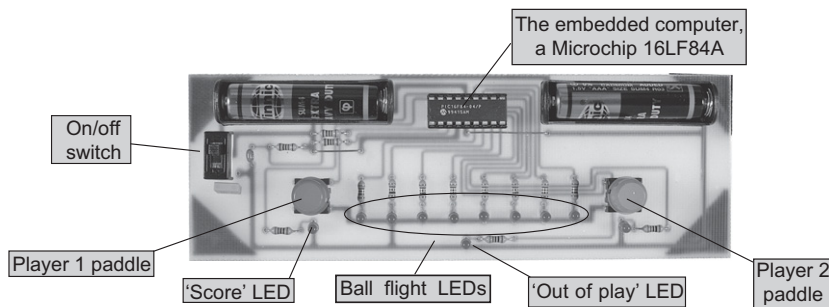


Figure 1.3: The electronic ‘ping-pong’ game

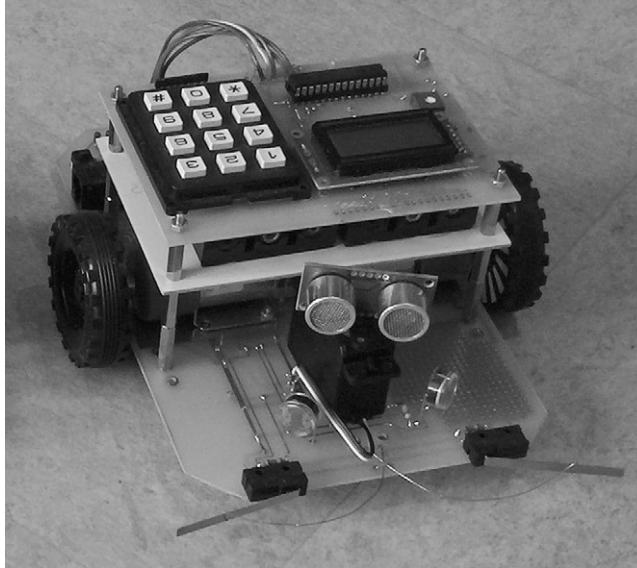


Figure 1.4: A Derbot Autonomous Guided Vehicle

1.2.4 The Derbot Autonomous Guided Vehicle

Another project used later in this book is the Derbot Autonomous Guided Vehicle (AGV), pictured in Figure 1.4. How do its features compare with the examples seen thus far? Looking at the photograph, we can see from the front that it bristles with sensors and actuators. Two microswitch bump detectors sense if the Derbot hits an obstacle. An ultrasound detector, mounted on a servo actuator, is there with the aim of ensuring that the Derbot never has an unexpected collision! Two light sensors on either side of the servo are used for light tracking applications; a third, not seen in the photo, is mounted at the rear. A further navigational option is a compass, so that direction can be determined from the earth's magnetic field. Locomotion is provided by two geared DC motors, while a sensor on each (again not seen in this picture) counts wheel revolutions to calculate actual distance moved. Steering is achieved by driving the wheels at different speeds. A piezo-electric sounder is included for the AGV to alert its human user. The Derbot is powered from six AA alkaline cells, which it carries on a power pack almost directly above its wheels. Its block diagram is shown in Figure 1.5.

As with earlier examples, the Derbot operates as an embedded system, reading in values from its diverse sensors and computing outputs to its actuators. It is controlled by another Microchip microcontroller, hidden from view in the picture by the battery pack. This microcontroller is seemingly more powerful than the one in the ping-pong game, as it needs to interface with far more inputs and drive its outputs in a more complex way.

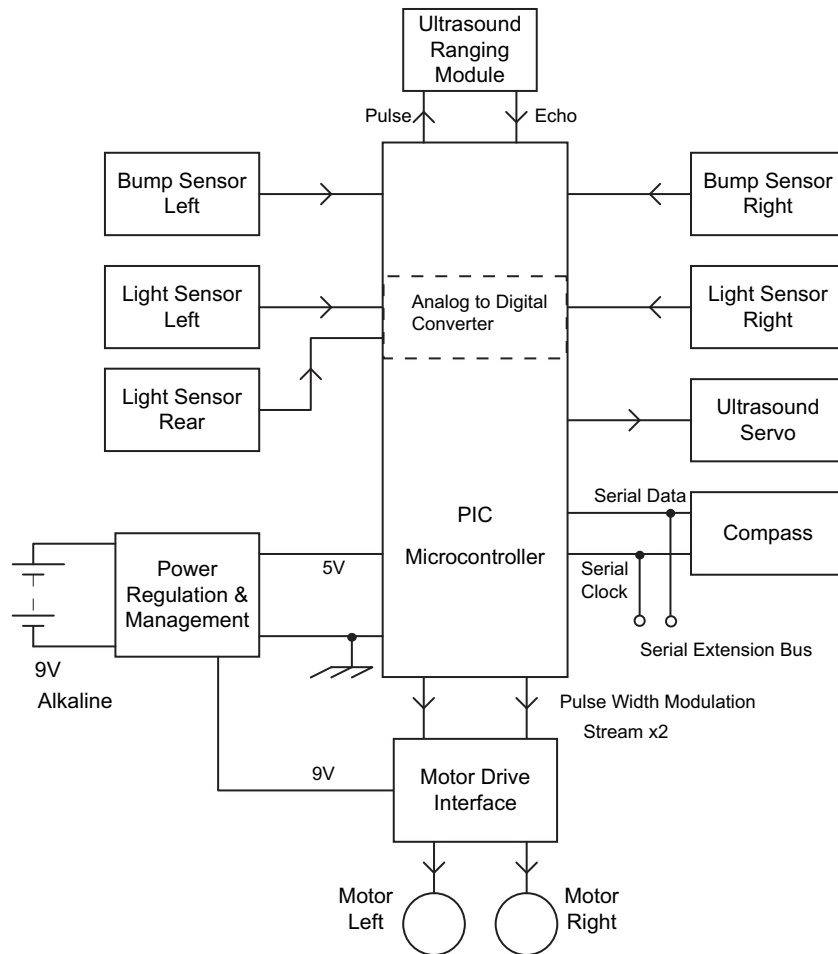


Figure 1.5: The Derbot block diagram

Interestingly, as we shall see, the CPU of each microcontroller is the same. They are differentiated primarily by their interface capabilities. It is this difference that gives the Derbot microcontroller its far greater power.

1.3 Some computer essentials

When designing embedded systems we usually need to understand in some detail the features of the embedded computer that we are working with. This is quite unlike working with a desktop computer used for word processing or computer-aided design, where the internal workings are skilfully hidden from the user. As a preliminary to developing our knowledge, let us undertake a rapid survey of some important computer features.

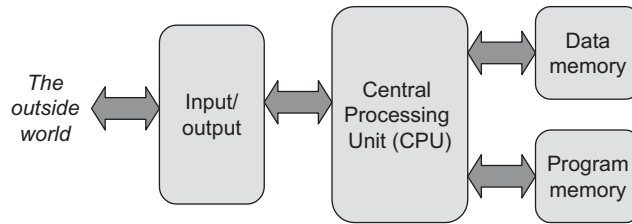


Figure 1.6: Essentials of a computer

1.3.1 Elements of a computer

Figure 1.6 shows the essential elements of any computer system. Fundamentally, it must be able to perform arithmetic or logical calculations. This function is provided by the Central Processing Unit (CPU). It operates by working through a series of instructions, called a program, which is held in its memory. Any one of these instructions performs a very simple function. However, because the typical computer runs so incredibly fast, the overall effect is one of very great computational power. Many instructions cause mathematical and logical operations to occur. These take place in a part of the CPU called the ALU, the Arithmetic Logic Unit.

To be of any use the computer must be able to communicate with the outside world, and it does this through its input/output. On a personal computer this implies human interaction, through the keyboard, VDU (Visual Display Unit) and printer. In an embedded system the communication is likely to be primarily with the physical world around it, through sensors and actuators.

The computer revolution that is taking place is due not only to the incredible processing power now at our disposal, but also to the equally incredible ability that we now have to store and access data. Broadly speaking there are two main applications for memory in a computer, as shown in Figure 1.6. One type of memory holds the program that the computer will execute. This memory needs to be permanent. If it is, then the program is retained indefinitely, whether power is applied or not, and it is ready to run as soon as power is applied. The other type of memory is used for holding temporary data, which the program works on as it runs. This memory type need not be permanent, although there is no harm if it is.

Finally, there must be data paths between each of these main blocks, as shown by the block arrows in the diagram.

1.3.2 Instruction sets – the Complex Instruction Set Computer and the Reduced Instruction Set Computer

Any CPU has a set of instructions that it recognises and responds to; all programs are built up in one way or another from this instruction set. We want computers to execute code as fast as

possible, but how to achieve this aim is not always an obvious matter. One approach is to build sophisticated CPUs with vast instruction sets, with an instruction ready for every foreseeable operation. This leads to the CISC, the Complex Instruction Set Computer. A CISC has many instructions and considerable sophistication. Yet the complexity of the design needed to achieve this tends to lead to slow operation. One characteristic of the CISC approach is that instructions have different levels of complexity. Simple ones can be expressed in a short instruction code, say one byte of data, and execute quickly. Complex ones may need several bytes of code to define them and take a long time to execute.

Another approach is to keep the CPU very simple and have a limited instruction set. This leads to the RISC approach – the Reduced Instruction Set Computer. The instruction set, and hence overall design, is kept simple. This leads to fast operation. One characteristic of the RISC approach is that each instruction is contained within a single binary word. That word must hold all information necessary, including the instruction code itself, as well as any address or data information also needed. A further characteristic, an outcome of the simplicity of the approach, is that every instruction normally takes the same amount of time to execute.

1.3.3 Memory types

Traditionally, memory technology has been divided into two categories:

- *Volatile*. This is memory that only works as long as it is powered. It loses its stored value when power is removed, but can be used as memory for temporary data storage. Generally, this type of memory uses simple semiconductor technology and is easier to write to from an electrical point of view. For historical reasons it has commonly been called RAM (Random Access Memory). A slightly more descriptive name is simply ‘data memory’.
- *Non-volatile*. This is memory that retains its stored value even when power is removed. On a desktop computer this function is achieved primarily via the hard disk, a huge non-volatile store of data. In an embedded system it is achieved using non-volatile semiconductor memory. It is a greater challenge to make non-volatile memory, and sophisticated semiconductor technology is applied. Generally, this type of memory has been more difficult to write to electrically, for example in terms of time or power taken, or complexity of the writing process. Non-volatile memory is used for holding the computer program and for historical reasons has commonly been called ROM (Read-Only Memory). A more descriptive name is ‘program memory’.

With the very sophisticated memory technology that is now available, we will see that the division of function between these two memory categories is becoming increasingly blurred. We return to the issue of memory technology and its applications in Chapter 2.

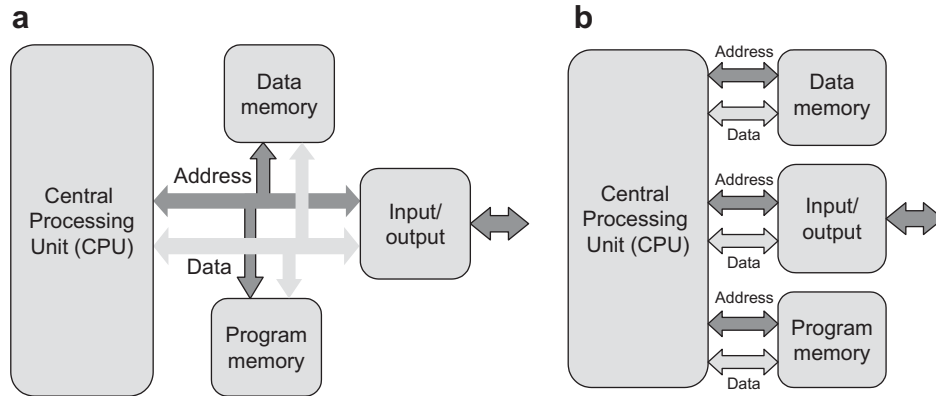


Figure 1.7: Organising memory access. (a) The Von Neumann way. (b) The Harvard way

1.3.4 Organising memory

To interact with memory, there must be two types of number moved around: the address of the memory location required and the actual data that belongs in the location. These are connected in two sets of interconnections, called the address bus and the data bus. We must ensure that the data bus and address bus (or a subset of it) reach every memory area.

A simple way of meeting the need just described is shown in Figure 1.7(a). It is called the Von Neumann structure or architecture, after its inventor. The computer has just one address bus and one data bus, and the same address and data buses serve both program and data memories. The input/output may also be interconnected in this way and made to behave like memory as far as the CPU is concerned.

An alternative to the Von Neumann structure is seen in Figure 1.7(b). Every memory area gets its *own* address bus and its *own* data bus. Because this structure was invented in the university of the same name, this is called a Harvard structure.

The Von Neumann structure is simple and logical, and gives a certain type of flexibility. The addressable memory area can be divided up in any way between program memory and data memory. However, it suffers from two disadvantages. One is that it is a ‘one size fits all’ approach. It uses the same data bus for all areas of memory, even if one area deals with large words and another deals with small. It also has the problem of all things that are shared. If one person is using it, another can’t. Therefore, if the CPU is accessing program memory, then data memory must be idle and vice versa.

In the Harvard approach we get greater flexibility in bus size, but pay for it with a little more complexity. With program memory and data memory each having their own address and data buses, each can be a different size, appropriate to their needs, *and* data and program can be accessed simultaneously. On the minus side, the Harvard structure reinforces the distinction

between program and data memory, even when this distinction is not wanted. This disadvantage may be experienced, for example, when data is stored in program memory as a table, but is actually needed in the data domain.

1.4 Microprocessors and microcontrollers

1.4.1 Microprocessors

The first microprocessors appeared in the 1970s. These were amazing devices, which for the first time put a computer CPU onto a single IC. For the first time, significant processing power was available at rather low cost, in a comparatively small space. At first, all other functions, like memory and input/output interfacing, were outside the microprocessor, and a working system still had to be made of a good number of ICs. Gradually, the microprocessor became more self-contained, with the possibility, for example, of including different memory types on the same chip as the CPU. At the same time, the CPU was becoming more powerful and faster, and moved rapidly from 8-bit to 16- and 32-bit devices. The development of the microprocessor led very directly to applications like the personal computer.

1.4.2 Microcontrollers

While people quickly recognised and exploited the computing power of the microprocessor, they also saw another use for them, and that was in control. Designers started putting microprocessors into all sorts of products that had nothing to do with computing, like the fridge or the car door that we have just seen. Here the need was not necessarily for high computational power, huge quantities of memory, or very high speed. A special category of microprocessor emerged that was intended for control activities, *not* for crunching big numbers. After a while this type of microprocessor gained an identity of its own, and became called a ‘microcontroller’. The microcontroller took over the role of the embedded computer in embedded systems.

So what distinguishes a microcontroller from a microprocessor? Like a microprocessor, a microcontroller needs to be able to compute, although not necessarily with big numbers. But it has other needs as well. Primarily, it must have excellent input/output capability, for example so that it can interface directly with the ins and outs of the fridge or the car door. Because many embedded systems are both size- and cost-conscious, the microcontroller must be small, self-contained and low cost. Further, it will not sit in the nice controlled environment that a conventional computer might expect. No, the microcontroller may need to put up with the harsh conditions of the industrial or motor car environment, and be able to operate in extremes of temperature.

A generic view of a microcontroller is shown in [Figure 1.8](#). Essentially, it contains a simple microprocessor core, along with all necessary data and program memory. To this it adds all the peripherals that allow it to do the interfacing it needs to do. These may include digital and

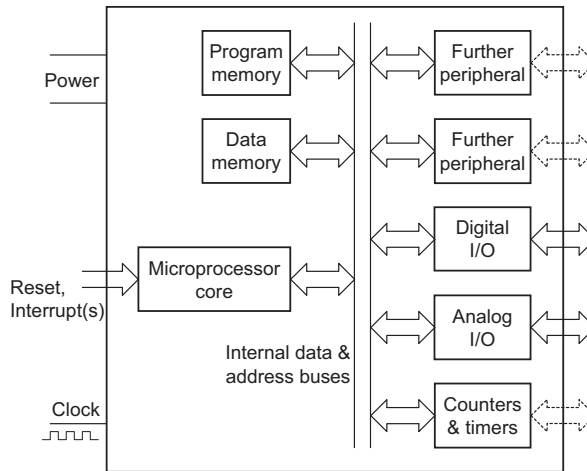


Figure 1.8: A generic microcontroller

analog input and output, or counting and timing elements. Other more sophisticated functions are also available, which you will encounter later in the book. Like any electronic circuit the microcontroller needs to be powered, and needs a clock signal (which in some controllers is generated internally) to drive the internal logic circuits.

1.4.3 Microcontroller families

There are thousands of different microcontroller types in the world today, made by numerous different manufacturers. All reflect in one way or another the block diagram of Figure 1.8. A manufacturer builds a microcontroller ‘family’ around a fixed microprocessor core. Different family members are created by using the *same* core, including with it *different* combinations of peripherals and different memory sizes. This is shown symbolically in Figure 1.9. This manufacturer has three microcontroller families, each with its own core. One core might be 8-bit with limited power, another 16-bit and another a sophisticated 32-bit machine. To each core are added different combinations of peripherals and memory size, to make a number of family members. Because the core is fixed for all members of one family, the instruction set is fixed and users have little difficulty in moving from one family member to another.

While Figure 1.9 suggests only a few members of each family, in practice this is not the case; there can be more than 100 microcontrollers in any one family, each one with slightly different capabilities and some targeted at very specific applications.

1.4.4 Microcontroller packaging and appearance

Integrated circuits are made in a number of different forms, usually using plastic or ceramic as the packaging material. Interconnection with the outside world is provided by the pins on the

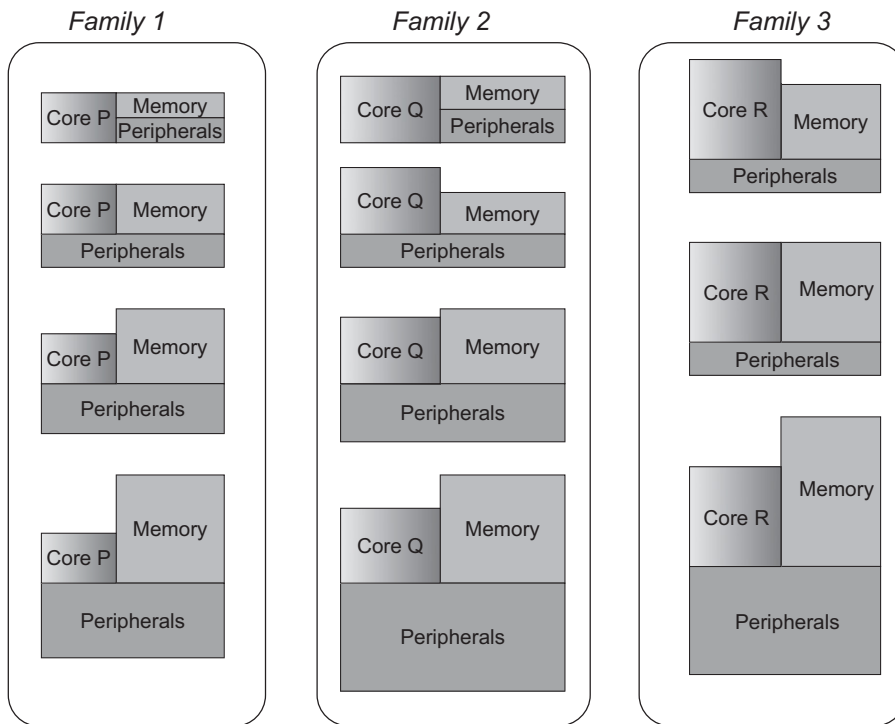


Figure 1.9: A manufacturer's microcontroller portfolio

package. Where possible microcontrollers should be made as physically small as possible, so it is worth asking: what determines the size? Interestingly, it is not usually the size of the IC chip itself, in a conventional microcontroller, which determines the overall size. Instead, this is set by the number of interconnection pins provided on the IC and their spacing.

It is worth, therefore, pausing to consider what these pins carry in a microcontroller. The point has been made that a microcontroller is usually input-/output-intensive. It is reasonable then to assume that a good number of pins will be used for input/output. Power must also be supplied and an earth connection made. It is reasonable to assume for the sort of systems we will be looking at that the microcontroller has all the memory it needs on-chip. Therefore, it will not require the huge number of pins that earlier microprocessors needed, simply for connecting external data and address buses. It will, however, be necessary to provide pin interconnections to transfer program information into the memory and possibly provide extra power for the programming process. There is then usually a need to connect a clock signal, a reset and possibly some interrupt inputs.

Figure 1.10, which shows a selection of microprocessors and microcontrollers, demonstrates the stunning diversity of package and size that is available. On the far right, the massive

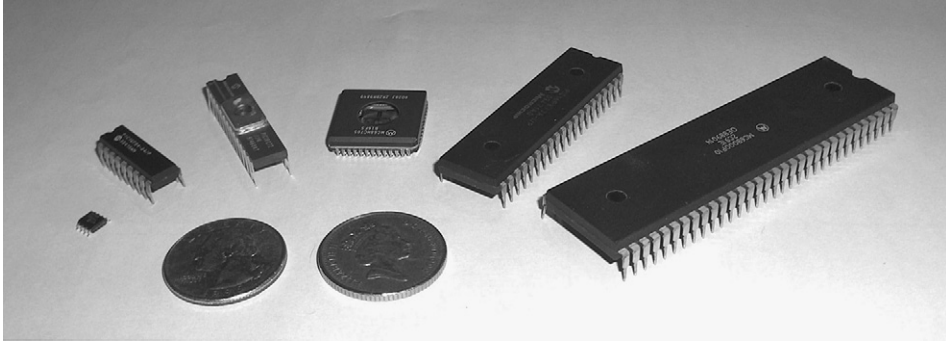


Figure 1.10: A collection of microprocessors and microcontrollers – old and new. From left to right: PIC 12F508, PIC 16F84A, PIC 16C72, Motorola 68HC705B16, PIC 16F877, Motorola 68000

(and far from recent) 64-pin Motorola 68000 dwarfs almost everything else. Its package is a dual-in-line package (DIP), with its pins arranged in two rows along the longer sides of the IC, the pin spacing being 0.1 inches. Because the 68000 depends on external memory, many of its pins are committed to data and address bus functions, which forces the large size. Second from right is the comparatively recent 40-pin PIC 16F877. While this looks similar to the 68000, it actually makes very different use of its pins. With its on-chip program and data memory it has no need for external data or address buses. Its high pin count is now put to good use, allowing a high number of digital inputs/outputs and other lines. In the middle is the 52-pin Motorola 68HC705. This is in a square ceramic package, windowed to allow the on-chip EPROM (Erasable Programmable Read-Only Memory) to be erased. The pin spacing here is 0.05 inches, so the overall IC size is considerably more compact than the 68000, even though the pin count is still high. To the left of this is a 28-pin PIC 16C72. Again, this has EPROM program memory and thus is also in a windowed ceramic DIP package. On the far left is the tiny 8-pin surface-mounted PIC 12F508 and to the right of this is an 18-pin PIC 16F84A.

1.5 Microchip and the PIC microcontroller

1.5.1 Background

The PIC was originally a design of the company General Instruments. It was intended for simple control applications, hence the name – Peripheral Interface Controller. In the late 1970s General Instruments produced the PIC 1650 and 1655 processors. Although the design was comparatively crude and unorthodox, it was completely stand-alone, and contained some important and forward-looking features. The simple CPU was a RISC structure, with a single Working register and just 30 instructions. The output pins could source or sink much more current than most other microprocessors of the time. Already the trademark characteristics of the PIC were emerging – simplicity, stand-alone, high speed and low cost.

General Instruments sold off its semiconductor division to a group of venture capitalists, who must have realised the immense potential of these odd little devices. Throughout the 1990s the range of available PIC microcontrollers grew, and as they did they gradually overtook many of their better-established competitors. In many cases PIC microcontrollers could run faster, needed a simpler chip-set and were quicker to prototype with than their competitors. Despite the huge advances that were made, however, it was still possible to see features of the old General Instruments microcontroller. Unlike many competitors, Microchip made their development tools simple and low-cost or free. Moreover, Microchip stayed for a long while firmly entrenched in the 8-bit world. It has only been in the past few years that they have branched out beyond 8-bit devices. This book remains primarily concerned with the 8-bit PIC devices, as these provide such a useful entry into the world of embedded systems. The 16- and 32-bit Microchip devices will, however, be surveyed in Chapter 21.

1.5.2 PIC 8-bit microcontrollers today

Without looking any wider than the range of 8-bit PIC microcontrollers today, anyone can be forgiven for a sense of bewilderment. There are hundreds of different devices, offered in different packages, for different applications. Let us therefore try to identify the characteristics that all of these have in common. At the time of writing, all 8-bit PIC microcontrollers are low-cost, self-contained, pipelined, RISC, use the Harvard structure, have a single accumulator (the Working, or W, register), with a fixed reset vector.

Today, Microchip offer 8-bit microcontrollers with four different prefixes, 10-, 12-, 16-, and 18-, for example 10F200, or 18F242. In this book we shall call each of these a ‘Series’, for example ‘12 Series’, ‘16 Series’, ‘18 Series’. A 17 Series has been discontinued; a few are still sold, but most will only be found in legacy systems. Each Series is identified by the first two digits of the device code. The alphabetic character that follows gives some indication of the technology used. The ‘C’ insert implies CMOS technology, where CMOS stands for Complementary Metal Oxide Semiconductor, the leading semiconductor technology for implementing low-power logic systems. The ‘F’ insert indicates incorporation of Flash memory technology (still using CMOS as the core technology). An ‘A’ after the number indicates a technological upgrade on the first issue device. An ‘X’ indicates that a certain digit can take a number of values, the one taken being unimportant to the overall number quoted. For example, the 16C84 was the first of its kind. It was later reissued as the 16F84, incorporating Flash memory technology. It was then reissued as the 16F84A, with certain further technological upgrades.

While it is reasonable to expect that each Series defines a distinct architecture, in fact it is more useful to classify them into three distinct groups, using Microchip terminology, as shown in [Table 1.2](#). In this book we shall refer to each of these groups as ‘families’. What complicates the picture, as the table shows, is that in some cases microcontrollers of one Series can fall into more than one family. For example some 12 Series microcontrollers are baseline, others are

TABLE 1.2 Comparison of 8-bit PIC families

Family	Example devices	Instruction word size	Stack size (words)	Number of instructions	Interrupt vectors
Baseline	10F200, 12F508, 16F57	12 bit	2	33	None
Mid range	12F609, 16F84A, 16F631, 16F873A	14 bit	8	35	1
High Performance	18F242, 18F2420	16 bit	32	75, including hardware multiply	2 (prioritised)

mid-range. This is a complexity we must learn to live with, and which actually will cause us little difficulty.

Following the pattern of Figure 1.9, every member of any one family shares the same core architecture and instruction set. The processing power is defined to some extent by the parameters quoted, for example the instruction word size, and the number of instructions. It is possible to see clear evolution from one family to the next, so knowledge of one readily leads to knowledge of another. The families will be described in further detail below.

The baseline family of PIC microcontrollers

The baseline PIC microcontroller family represents the most direct descendant of the General Instruments ancestors, and displays the core features of the original PIC design. The first Microchip baseline microcontrollers were coded 16C5X, following the General Instruments 1650 and 1655 numbering. Now, however, there are also 10 and 12 Series microcontrollers which fall into this category. With only a two-level stack and no interrupts, there are real limits to the program and hardware complexity that can be developed. For example, without interrupts there is restriction on the type of on-chip peripheral that can be included, as most peripherals use interrupts to enhance their interface with the CPU.

Baseline devices are ideal for really tiny applications, being packaged in small ICs (right down to only six pins, for example). Despite their small size and simple architecture, baseline microcontrollers carry some interesting peripherals, including analog-to-digital converters and EEPROM (Electrically Erasable Programmable Read-Only Memory) data memory.

Baseline devices include all of the 10 Series, and some of the 12 Series. There is strong interest in this end of the size range, and further additions to the family can be expected.

The PIC mid-range family

The mid-range family contains several simple but important developments, when compared to the baseline devices. Interrupts (albeit with a single interrupt vector) are introduced and the stack size is increased. The instruction set is a slight extension of the baseline set.

The introduction of interrupts allows interfacing both with more sophisticated peripherals and with larger numbers of peripherals.

Mid-range devices include all of the 16 Series except those coded 16C5XX or 16F5XX, and some of the 12 Series. A very wide range has been developed, with many different peripherals and technical enhancements. The larger devices, with multiple peripherals and significant on-chip memory, are both powerful and versatile.

The high-performance family

In this family Microchip has come to grips with some of the issues of sophisticated processors. The instruction set is significantly increased, now to 75 instructions, and is designed to facilitate use of the C programming language. In certain versions there is also an ‘extended’ instruction set, with a further small set of instructions. There are two interrupt vectors, which can be prioritised.

The high-performance family is made up only of 18 Series microcontrollers. It is a powerful family and new members are continuously being added to the range.

1.6 An introduction to PIC microcontrollers using the Baseline Series

As the simplest of the PIC microcontroller types, this is a useful family with which to introduce the range. The features identified here will be recognisable in the more advanced PIC microcontrollers, where they appear alongside the more advanced features that have been added.

We will look at the PIC 12F508/509, the pin connection diagram of which is shown in Figure 1.11. The only difference between the 508 and 509 is that the latter has slightly larger

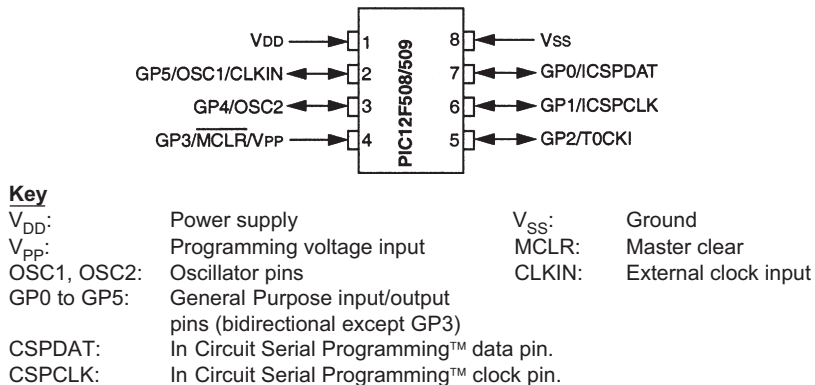


Figure 1.11: PIC 12F508/509 pin connection diagram

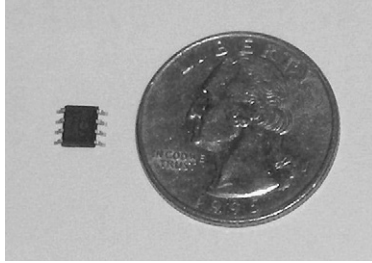


Figure 1.12: How small is a 12F508?!

program and data memories. Most (if not all) labels on the pins in the diagram may initially make no sense – don't worry; their meanings will emerge.

The staggeringly small size of this microcontroller is reinforced in [Figure 1.12](#). While the 12F508 has been chosen as a simple microcontroller for introductory purposes, we also need to recognise that we are also almost looking at a conjuring trick. Remember that it has been said earlier that a microcontroller should be input-/output-intensive. Then consider: how can a microcontroller be useful if it has only eight pins interconnecting with the outside world? We will attempt to answer this question as we look at the microcontroller's architecture.

1.6.1 The architecture of the 12F508

The annotated block diagram of the 12F508 appears in [Figure 1.13](#). This may be the first Microchip diagram that you have ever looked at. Don't worry if it initially appears complex – we will aim to break it into digestible pieces.

Let's start by finding the microcontroller essentials identified in [Figure 1.8](#): the core (containing the CPU), program memory, data memory (or RAM), data paths and any peripherals. We should be able to relate some of these features to the microcontroller pins of [Figure 1.11](#).

The CPU, enclosed in a dotted line bottom right, is made up essentially of the ALU, the Working register (W Reg) and the Status register. This register carries a number of bits that give information on the outcome of the instruction most recently carried out. A multiplexer (MUX) selects from two sources which data is presented to the ALU.

The data memory is just 25 bytes for the 508 or 41 for the 509. Notice that Microchip call the RAM memory locations 'file registers' or elsewhere just 'registers'. Program memory appears top left, with 512 12-bit words for the 12F508 or 1024 for the 509.

A distinctive feature of the PIC architecture is that it is Harvard structure, as discussed above. We should therefore be able to find *two* address buses (one for program memory, and the other

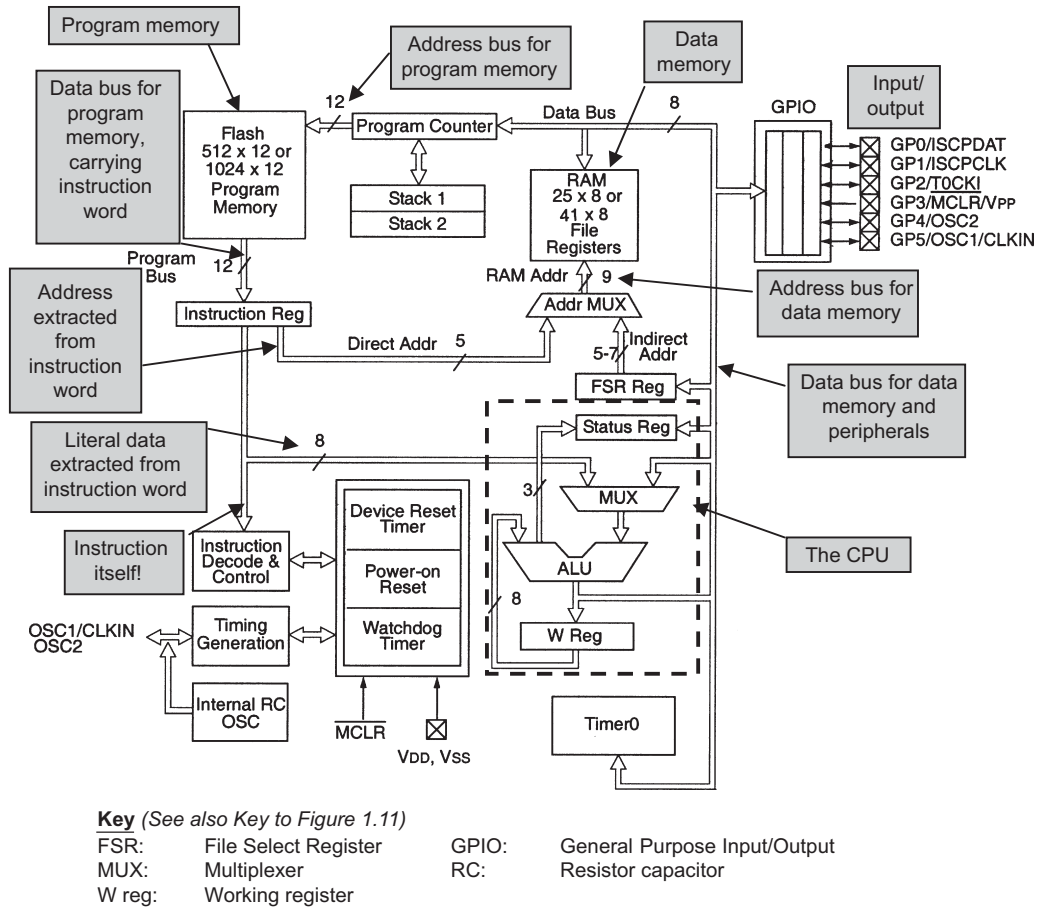


Figure 1.13: PIC12F508/509 block diagram (supplementary labels in shaded boxes added by the author). The 12F508 has the smaller Program Memory and RAM

for data memory and all peripherals) and *two* data buses (again, one for program memory, and one for data memory and peripherals). The easiest to find is the data bus for data memory and peripherals. This is simply labelled ‘data bus’ and is seen to the right of the diagram. It is 8-bit, and primarily serves the data memory, the General-Purpose Input/Output (GPIO) and the ‘Timer 0’ peripheral. The address bus for data memory is labelled ‘RAM Addr’ and feeds into the RAM data memory. It is derived from the address multiplexer (‘Addr MUX’), which selects the address from one of two sources.

The program address bus arises from the Program Counter and goes only to the program memory, as shown. It is 12-bit, and hence can address 2^{12} memory locations, or 4096 locations. As the program memory itself is given as only 512 or 1024 words, we recognise that the address bus is larger than necessary for this memory size. Coming from the program memory

we see the 12-bit ‘Program bus’. This carries the instruction words from the memory to the ‘Instruction register’.

It is interesting to track the way the instruction word from the program memory is divided up. As this microcontroller is a RISC computer, each instruction word must carry not only the instruction code itself, but also any address or data information needed. In the diagram the Instruction register receives the instruction word and then starts the process of dividing this up into its component parts. Depending on the instruction itself, five bits of the instruction word *may* carry address information and hence be sent down the ‘Direct Addr’ bus to the address multiplexer (‘Addr MUX’). Eight bits of the instruction word *may* carry a data byte that is to be used as literal data for the execution of that instruction. This goes to the multiplexer (‘MUX’), which feeds into the ALU. Finally, there is the instruction data itself, which feeds into the ‘Instruction Decode and Control’ unit.

This microcontroller has only two on-chip peripheral devices, a Timer (‘Timer 0’) and the General-Purpose Input/Output port, with pins GP0 to GP5. The IC pins themselves appear in the block diagram as squares with crosses inside. Each of these pins is dual or triple function, so each has a second function identified in the diagram. We do not need to understand now, what each of these is, but we soon will.

Towards the bottom left of the diagram are a number of functions relating to the clock oscillator, power supply and reset. Power supply and ground are connected via pins V_{DD} and V_{SS} respectively. A ‘Power-on Reset’ function detects when power is applied and holds the microcontroller in a Reset condition while the power supply stabilises. The **MCLR** input can be used to place the CPU in a Reset condition and to force the program to start again. An internal clock oscillator (‘Internal RC OSC’) is provided so that no external pins whatsoever need be committed to this function. External oscillator connections *can*, however, be made, using input/output pins GP4 and GP5. The oscillator signal is conditioned for use through the microcontroller in the ‘Timing Generation’ unit. The ‘Watchdog Timer’ is a safety feature, used to force a reset in the processor if it crashes.

Having worked through this section, it should be possible for you to appreciate that the diagram of [Figure 1.13](#) is a direct embodiment of the generic microcontroller shown in [Figure 1.8](#). While the detail at this stage is incomplete, it will fall into place in the coming chapters.

Summary

- An embedded system is a product that has one or more computers embedded within it, which primarily exercise a control function.
- The embedded computer is usually a microcontroller: a microprocessor adapted for embedded control applications.

- Microcontrollers are designed according to accepted electronic and computer principles, and are fundamentally made up of microprocessor core, memory and peripherals; it is important to be able to recognise their principal features.
- Microchip offers a wide range of microcontrollers, divided into a number of different families. Each family has identical (or very similar) central architecture and instruction sets. However, common features also appear across all their microcontrollers, and knowledge of one family can lead with ease to knowledge of another.
- The Microchip 12F508 is a good microcontroller with which to introduce a range of features of microcontrollers in general and of PIC microcontrollers in particular.

References

- 1.1 Wilmshurst, T. (2001). *An Introduction to the Design of Small-Scale Embedded Systems*. Palgrave. ISBN 978-0-333-92994-0.
- 1.2 Website of Microchip Technology Inc.: www.microchip.com

Questions and exercises

1. List five possible embedded systems in each of the following: a child's bedroom/playroom, the kitchen, and the office.
2. Consider a domestic washing machine. Sketch its control system as a block diagram in a similar manner to Fig. 1.5, identifying as best you can its sensors and actuators. Assume it is controlled by a single microcontroller. (Note: the main point of this exercise is to visualise a product in terms of an embedded system, not to achieve technical accuracy.)
3. Repeat exercise 2 for a desktop printer.
4. An application is to use either the 12F508 or the 12F509. It must retain a scratchpad area of memory of 12 bytes, and also be able to store in RAM three variables of 4 bytes each, and 36 single bits of data. How many bytes does this amount to, and can the smaller device be used?
5. Access the 12F508/9 data sheet from the Microchip web site (Ref. 1.2), and by reading the first few pages answer the following questions for the 12F508:
 - (a) What is the clock frequency range?
 - (b) What is the frequency of the internal oscillator?
 - (c) What is the operating voltage range?
 - (d) What is the technology of the program memory?

- (e) What support tools are available for program development?
- (f) What types of operation is the ALU capable of?
- (g) What are claimed to be the key advantages of this microcontroller?
- (h) What bits in the Status register may be affected by the execution of an instruction?

Section 2

Minimum Systems and the PIC 16F84A

This section of five chapters develops the main concepts of a microcontroller, using a 'small' mid-range PIC microcontroller. Emphasis is placed on understanding the core architecture and using simple digital peripherals. Programming is in Assembler, as this allows the closest possible contact with the underlying hardware.

Introducing the PIC mid-range family and the 16F84A

In Chapter 1 we introduced embedded systems and surveyed the different PIC microcontroller families that are available, using the 12F508 as an introductory device. We are now going to step up a gear and begin to look at the detail of the PIC ‘mid-range’ family. As an example device we will mainly use the 16F84A. We chose this because compared to most microcontrollers it is small and simple and therefore easy to learn from, even though it is not the most recent device. Six chapters later the focus of study will change to the 16F873A, a larger member of the same family. Note carefully that the ‘F84A is an almost direct subset of the ‘F873A. Therefore, don’t worry if you are more interested in the latter device. Everything you learn about the smaller microcontroller is directly applicable to the larger, and forms part of it. Indeed, just about everything we meet in the following chapters applies to all of the mid-range family of microcontrollers, and to all microcontrollers in general.

We will explore the overall architecture of the device and take time to go into some detail about its memory – both the technology and the memory maps.

In this chapter you will therefore learn about:

- The PIC mid-range family, in overview.
- The overall architecture of the 16F84A.
- The 16F84A memory system, along with a review of memory technologies.
- Other hardware features of the 16F84A, including the reset system.

2.1 The main idea – the PIC mid-range family

2.1.1 A family overview

The PIC mid-range family is growing rapidly, with a huge and almost bewildering diversity of members. Therefore, when we talk of ‘family’ here, we are applying the concept of ‘extended family’, and a very large one at that. Nevertheless, the mid-range group stays true to the concept that all family members have identical core and instruction sets, with the difference

arising from different peripherals and other features being implemented and different package sizes. Hence, the pattern of Figure 1.9 is followed.

A good example of Figure 1.9 is [Table 2.1](#), which summarises those members of the mid-range family that we meet, in one place or another, in this book. Even with a limited number of microcontrollers, it is a formidable table. Let's begin to make some sense of it.

Within the listing shown, we find four groupings of closely related controllers: the 16F84A and its clones; the 16F87 with its near-twin, the '88; the 16F87XA cluster; and the 16F88X. What is a little less obvious is that two of these groups are somewhat older, and two newer.

The 16F84A is listed first, with features we are about to explore in detail. [Table 2.1](#) shows the number of pins, a modest 18, and clock frequency range. Like all the other microcontrollers in the list, it has three types of memory. The underlying technology of these will be outlined in the next few pages. In the final column we have the peripherals, a listing that is modest in the extreme – two input/output ports and a timer. The sheer simplicity of this little fellow makes it a compelling choice as an introductory device to work with. A variant is the 16LF84A, whose extended supply voltage range allows operation at lower voltages, attractive indeed for battery-powered products. Either of these controllers is available in different packages, different operating temperature ranges and different clock speed ranges. For example, the 16F84A is available in 4 and 20 MHz versions.

Coming in with the same package size as the 16F84A is the 'F87/88 duo. These have a very similar internal structure to the 'F84A, and are pin-for-pin compatible. Nevertheless they carry a number of extra peripherals, as the final column of the table shows. The fact that they are more recent is hinted by the 'software selectable oscillator block', and 'nanoWatt technology'. The latter is a collection of features which allow these two to operate in extremely power-conscious applications. We return to these in Chapter 12.

The 16F87XA is a diverse grouping, as can be seen. There are two package sizes and two memory sizes. It is easy to see that package size is linked directly to the number of input/outputs that are available. The 40-pin versions have five parallel ports (which translates to 33 lines of parallel digital input/output), as well as more analog input, compared with their 28-pin relatives. There is otherwise not much difference. Each package size, however, comes with two different memory sizes. The bigger memory of course gives the opportunity for longer programs and more data storage, but also costs a little more.

The 16F88X is effectively an upgrade of the 16F87XA group. There is the same pattern of two package sizes, with input/output matching the greater or lesser number of pins. Each package size also has several memory size options. There are again the new technology features that were mentioned with the 16F87/88 duo. This group carries very similar peripherals to the 16F87XA clan. Several of these appear in an 'enhanced' version, adding further capability to already powerful extras.

TABLE 2.1 Some members of the PIC mid-range family (shading applied to highlight groups and aid readability)

Device number	Number of pins*	Clock speed	Memory (K = Kbytes, i.e. 1024 bytes)	Peripherals/special features
16F84A	18	DC to 20 MHz	1K program memory, 68 bytes RAM, 64 bytes EEPROM	1 8 bit timer, 1 5 bit parallel port, 1 8 bit parallel port, ICSP
16LF84A	18	DC to 20 MHz	as above	as above, with extended supply voltage range
16F84A 04	18	DC to 4 MHz	as above	as above
16F87	18	DC to 20 MHz	4K program memory, 368 bytes RAM, 256 bytes EEPROM	2 parallel ports, 3 counters/timers, 2 capture/compare/PWM modules, 2 serial communication modules, 2 analog comparators, nanoWatt technology, software selectable oscillator block, ICSP
16F88	18	DC to 20 MHz	as above	as above, and 7 10 bit ADC channels
16F873A	28	DC to 20 MHz	4K program memory, 192 bytes RAM, 128 bytes EEPROM	3 parallel ports, 3 counters/timers, 2 capture/compare/PWM modules, 2 serial communication modules,
16F876A	28	DC to 20 MHz	8K program memory 368 bytes RAM, 256 bytes EEPROM	5 10 bit ADC channels, 2 analog comparators, ICSP
16F874A	40	DC to 20 MHz	4K program memory 192 bytes RAM, 128 bytes EEPROM	5 parallel ports, 3 counters/timers, 2 capture/compare/PWM modules,
16F877A	40	DC to 20 MHz	8K program memory 368 bytes RAM, 256 bytes EEPROM	2 serial communication modules, 8 10 bit ADC channels, 2 analog comparators, ICSP

Continued

TABLE 2.1 Some members of the PIC mid-range family (shading applied to highlight groups and aid readability)—Cont'd

Device number	Number of pins*	Clock speed	Memory (K = Kbytes, i.e. 1024 bytes)	Peripherals/special features
16F882	28	DC to 20 MHz	2K program memory 128 bytes RAM, 128 bytes EEPROM	3 parallel ports, plus one bit 3 counters/timers, enhanced capture/compare/ PWM module,
16F883	28	DC to 20 MHz	4K program memory 256 bytes RAM, 256 bytes EEPROM	2 serial communication modules, 11 10 bit ADC channels,
16F886	28	DC to 20 MHz	8K program memory 368 bytes RAM, 256 bytes EEPROM	2 analog comparators, nanoWatt technology, software selectable oscillator block, ICSP
16F884	40	DC to 20 MHz	4K program memory 256 bytes RAM, 256 bytes EEPROM	5 parallel ports, 3 counter/timers, enhanced capture/compare/ PWM module,
16F887	40	DC to 20 MHz	8K program memory 368 bytes RAM, 256 bytes EEPROM	2 serial communication modules, 14 10 bit ADC channels, 2 analog comparators, nanoWatt technology, software selectable oscillator block, ICSP

ADC, analog to digital converter; PWM, pulse width modulation; ICSP, in circuit serial programming.

*For DIP package only.

As is normal Microchip practice, each member or group of the mid-range family has its own comprehensive data sheet, available from Microchip's website. Reference 2.1 is the data sheet for the 16F84A. As well as this, there is a manual covering the features that are common to all members of the family [Ref. 2.2]. While it is not necessary to refer to these while reading this chapter, it is worth knowing they are there, and they are extremely useful for looking up the finer details of a microcontroller's design and use.

If the last group described, the 16F88X, is the biggest, best and most recent of the list, why don't we immediately use its members as our introductory examples? The answer is that they are also pretty complicated. It will be well worth learning basic concepts from smaller and simpler devices. Once these have been understood, it is easy to make the transfer up the food chain to the more complex device. Nothing is lost in this approach, and there is less risk of being overwhelmed with excessive detail.

2.1.2 The 16F84A

The 16F84A, along with its direct predecessors, has been one of many PIC success stories. It first appeared as the 16C84. At a time when most microcontroller manufacturers were trying to make their products bigger, more sophisticated and more complex, Microchip took the bold decision to stay small, simple and easy to use. While many microcontrollers of the day did have on-chip program memory, it was usually EPROM (Erasable Programmable Read-Only Memory), with the attendant time-consuming EPROM erase cycle. With the 16C84, Microchip chose to use EEPROM (Electrically Erasable Programmable Read-Only Memory) for program memory. Thus, it could be programmed rapidly and repeatedly changed. Then, as Flash memory technology became more accessible, the 'C84 was reissued as the 16F84 with the new memory technology. With further upgrading it became the 16F84A. At the time of writing, this is the current version. A 16LF84A, intended for low-power applications, is also available.

2.1.3 A caution on upgrades

As technological expertise develops, any microcontroller design is inevitably upgraded. These upgrades are normally spelled out in documentation published by the manufacturer (e.g. Ref. 2.3). While each upgrade is generally to be welcomed, the changes introduced need to be watched with care. Some are of obvious benefit. For example, the 'A' version of the 16F84 can run at a higher speed than before (20 MHz maximum instead of 10 MHz). However, the technical upgrade sometimes has side-effects. These are of no direct advantage and sometimes make it difficult to replace a microcontroller in an existing product with its upgraded version. For example, operating power supply voltages and logic input thresholds are different between the 'F84 and the 'F84A.

2.2 An architecture overview of the 16F84A

The pin connection diagram of the 16F84A is shown in [Figure 2.1](#) and its block diagram in [Figure 2.2](#). A comparison of these figures with the equivalent ones for the PIC 12F508 in Chapter 1 shows some interesting similarities and differences. With 18 pins in play, there isn't the intense pressure to squeeze several functions onto each pin. Separate and dedicated pins are now provided, for example, for clock oscillator (pins 15 and 16) and Reset (pin 4 – **MCLR**). Nevertheless, compared to most, the 'F84A remains a small microcontroller.

Architecturally there is clear similarity between the 12F508 and the 16F84A. In fact, the former is a direct subset of the 'F84A, with near identical CPU, memory, bus structure and counter/timer (TMR0) peripheral. Notice first, however, that the address bus sizes have been increased to meet the needs of the whole PIC mid-range family. As a smaller member of that family, the 'F84A doesn't fully exploit all these developments. The program address bus is now 13-bit and the instruction word size is 14-bit. Therefore, 2^{13} (i.e. 8192) memory locations

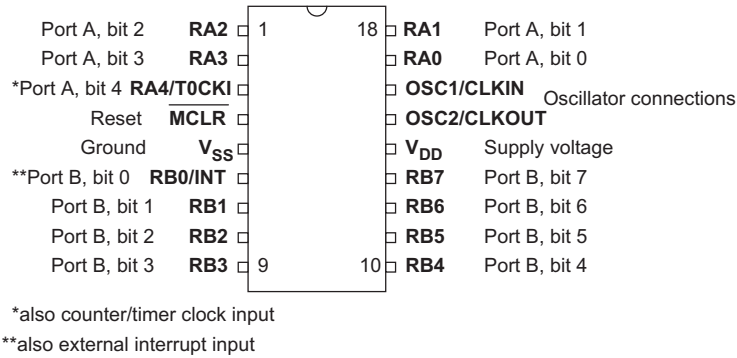
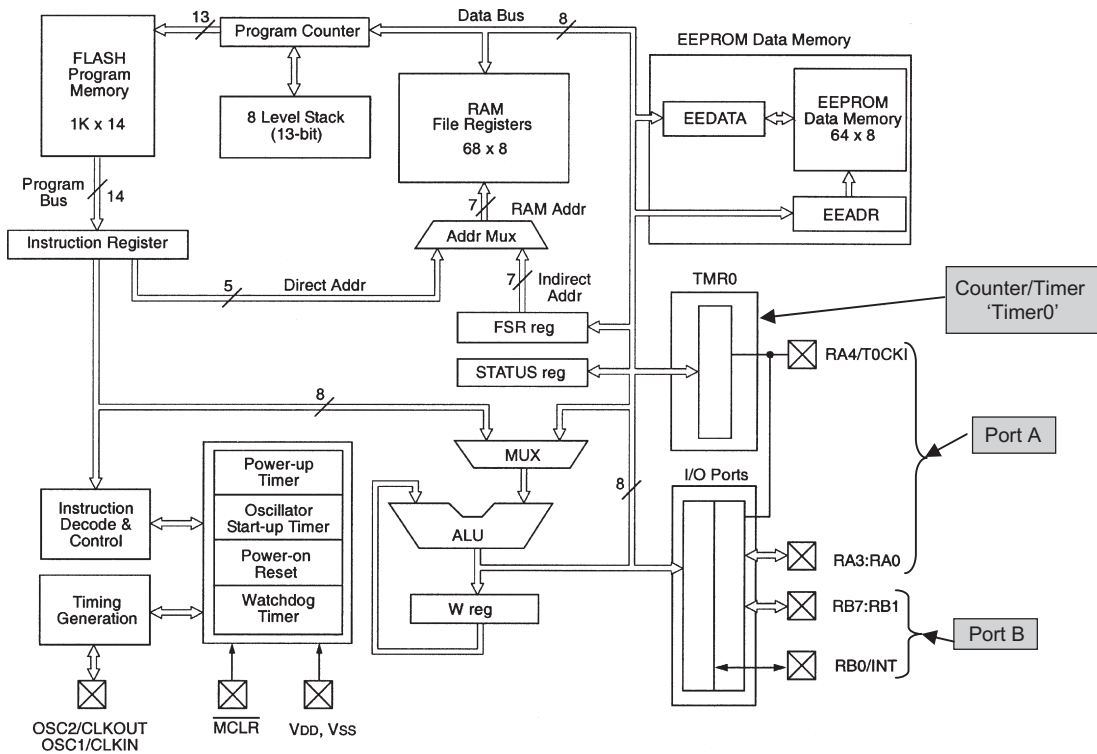


Figure 2.1: The PIC 16F84A pin connection diagram



For Key, see Figures 1.11 and 1.13

Figure 2.2: Block diagram of the 16F84A (supplementary labels in shaded boxes added by the author)

could be addressed. Program memory size, at 1K, is however only one eighth of this. The larger bus size will prove to be useful in the larger mid-range devices, as can be seen in the program memory size of the 16F876A and 16F877A (Table 2.1). RAM size has crept up cautiously to 68 locations and the stack to 8 locations.

A number of important new additions have appeared. The inclusion of an EEPROM memory gives the valuable capability of being able to store data values even when the chip is powered down. There are now two digital input/output ports. These are Port A, with five pins, and Port B, with eight. Importantly, there is the addition of an interrupt capability (which we explore in detail in Chapter 6). This can be seen externally on pin 6, where bit 0 of Port B is shared with the external interrupt input. We will also see that there are three further internal interrupt sources, generated by the peripherals.

Overall, we have a microcontroller that, while only modestly more complex than the 12F508, has proved incredibly diverse and useful in small applications.

2.2.1 The Status register

The result of any CPU operation is held in the Working register, but this does not necessarily tell everything about the operation that has just occurred. What if, for example, the 8-bit range has been exceeded in an addition instruction, for example by adding binary numbers 1000 0000 and 1111 1101? The Working register has no way of indicating this and would simply hold an incorrect result. Therefore, a set of logic bits, sometimes called ‘condition code’ flags, is built into any computer CPU. These are used to carry extra information about the result of the instruction most recently executed, for example whether the result is zero, negative or positive. For the 16F84A, these flags are held in the Status register, shown in Figure 2.3. Only three of these Status register bits genuinely fall into the category of condition codes. These are bits 0 to 2, i.e. bits **C**, **DC** and **Z**. As the key to the figure shows, these indicate respectively whether a Carry or Digit Carry has been generated, or if the result is Zero. Their use is explored further in Chapters 4 and 5.

2.3 A review of memory technologies

In order to examine the memory capabilities of the 16F84A, and to work with embedded systems in general, it is important to have some knowledge of the characteristics of the memory technologies in use. A detailed survey can be found in Chapter 4 of Ref. 1.1. The following section gives just a brief overview of the different memory technologies currently used by Microchip.

An ideal memory reads and writes in negligible time, retains its stored value indefinitely, occupies negligible space and consumes negligible power. In practice no memory technology meets all these happy ideals! In general, different technologies are strong in one or

	R/W-0	R/W-0	R/W-0	R-1	R-1	R/W-x	R/W-x	R/W-x	
	IRP	RP1	RP0	\overline{TO}	\overline{PD}	Z	DC	C	
	bit 7								bit 0
bit 7-6	Unimplemented: Maintain as '0'								
bit 5	RP0: Register Bank Select bits (used for direct addressing) 01 = Bank 1 (80h - FFh) 00 = Bank 0 (00h - 7Fh)								
bit 4	\overline{TO}: Time-out bit 1 = After power-up, CLRWDT instruction, or SLEEP instruction 0 = A WDT time-out occurred								
bit 3	\overline{PD}: Power-down bit 1 = After power-up or by the CLRWDT instruction 0 = By execution of the SLEEP instruction								
bit 2	Z: Zero bit 1 = The result of an arithmetic or logic operation is zero 0 = The result of an arithmetic or logic operation is not zero								
bit 1	DC: Digit Carry/ $\overline{\text{borrow}}$ bit (ADDWF, ADDLW, SUBLW, SUBWF instructions) (for $\overline{\text{borrow}}$, the polarity is reversed) 1 = A carry-out from the 4th low order bit of the result occurred 0 = No carry-out from the 4th low order bit of the result								
bit 0	C: Carry/ $\overline{\text{borrow}}$ bit (ADDWF, ADDLW, SUBLW, SUBWF instructions) (for $\overline{\text{borrow}}$, the polarity is reversed) 1 = A carry-out from the Most Significant Bit of the result occurred 0 = No carry-out from the Most Significant Bit of the result occurred								
	Note: A subtraction is executed by adding the twos complement of the second operand. For rotate (RRF, RLF) instructions, this bit is loaded with either the high or low order bit of the source register.								

Figure 2.3: The 16F84A Status register

more of these characteristics and weaker in others. There is not one best memory technology, and different technologies are therefore applied for different applications, according to their needs.

Any memory is made up of an 'array' of memory 'cells', where each cell holds one bit of data. The characteristics of the single cell reflect the characteristics of the overall array; therefore, each technology is described here simply in terms of its cell design.

2.3.1 Static RAM (SRAM)

Here each memory cell is designed as a simple flip-flop, using two pairs of transistors connected back-to-back. Two further transistors allow the cell to connect into the main array. Data is held only as long as power is supplied. Hence the SRAM technology is volatile. With each cell taking six transistors, SRAM is not a high-density technology. However, if made from CMOS (Complementary Metal Oxide Semiconductor) it can be made to consume *very* little power, and can retain its data down to a low voltage (around 2 V). It has thus been

a popular technology in battery-powered systems. SRAM is mainly used for data memory (RAM) in a microcontroller.

2.3.2 EPROM (Erasable Programmable Read-Only Memory)

In this technology each memory cell is made of a single MOS transistor – but with a difference. Within the transistor there is embedded a ‘floating gate’. Using a technique known as hot electron injection (HEI), the floating gate can be charged. When it is *not* charged, the transistor behaves normally and the cell output takes one logic state when activated. When it *is* charged, the transistor no longer works properly and it no longer responds when it is activated. The charge placed on the floating gate is totally trapped by the surrounding insulator. Hence EPROM technology is non-volatile. EPROM can, however, be erased by exposing it to intense ultraviolet light. This gives the trapped electrons the energy to leave the floating gate.

A special version of EPROM is OTP (One Time Programmable). Here the EPROM is packaged in plastic, without a window. Therefore, OTP can be programmed only once and never erased.

With a single transistor for a cell, EPROM is very high density and robust. Its requirement of a quartz window and ceramic packaging, to enable erasing, raises its price and reduces its flexibility. EPROM used to be integrated onto many microcontrollers for program memory, forcing the whole microcontroller to be ceramic-packaged with a quartz window (as seen in Figure 1.10). As a technology, EPROM has now almost completely given way to Flash, which follows shortly, but you may come across it in older systems.

2.3.3 EEPROM (Electrically Erasable Programmable Read-Only Memory)

EEPROM also uses floating gate technology. Its dimensions are finer, so that it can exploit another means of charging its floating gate. This is known as Nordheim–Fowler tunnelling (NFT). With NFT, it is possible to electrically erase the memory cell as well as write to it. To allow this to happen, a number of switching transistors need to be included around the memory element itself, so the high density of EPROM is lost.

Generally, EEPROM can be written to and erased on a byte-by-byte basis. This makes it especially useful for storing single items of data, like television settings or mobile phone numbers. Both writing and erasing take finite time, up to several milliseconds, although a read can be accomplished at normal semiconductor memory access times, i.e. within microseconds or less. Again, like EPROM, because the charge on the floating gate is totally trapped by the surrounding insulator, EEPROM is non-volatile. Because the EEPROM structure is now so fine, it suffers from certain wear-out mechanisms. Manufacturers usually therefore define a guaranteed minimum number of erase/write cycles that their memory can successfully undergo.

2.3.4 Flash

Flash represents a further evolution of floating-gate technology. With a single transistor per memory cell, it uses both HEI and NFT to allow electrical writing and erasing. It does not include the extra switch transistors that EEPROM has, so can only erase in blocks. It therefore returns to the exceptionally high density of EPROM. Like EEPROM, it has wear-out mechanisms, so cannot be written and erased indefinitely.

Apart from its inability to erase byte-by-byte, Flash is an incredibly powerful technology. It is now a central feature of a huge range of products, including digital cameras, ‘memory sticks’, laptop computers and microcontroller program memory.

2.4 The 16F84A memory

As Figure 2.2 shows, there are no less than *four* areas of memory in the 16F84A, as summarised in Table 2.2. Each memory has its own distinct function and means of access.

2.4.1 Program memory and the stack

The 16F84A program memory map is shown in Figure 2.4. Looking at this diagram, we can see that it actually shows three things: the Program Counter, the Stack and the actual program memory. The three work inextricably together. The program memory is loaded with the program code that the microcontroller executes. The program is in the form of a list of instructions and the Program Counter holds the address of the next instruction that is to be executed by the microcontroller. Therefore, it acts as a pointer to program memory, as indicated in the diagram. We can see that the address range of the program memory is from 0000 to 03FF_H. With its 13-bit Program Counter, the microcontroller can theoretically address a range from 0000 to 1FFF_H. The extra address space is shown (in grey), although it is of no use here.

TABLE 2.2 16F84A memory features

Memory function	Technology	Size	Volatile/non volatile	Special characteristics*
Program	Flash	1K × 14 bits	Non volatile	10 000 erase/write cycles, typically
Data memory (file registers)	SRAM	68 bytes	Volatile	Retains data down to supply voltage of 1.5 V
Data memory (EEPROM)	EEPROM	64 bytes	Non volatile	10 000 000 erase/write cycles, typically
Stack	SRAM	8 × 13 bits	Volatile	

*Information obtained from full 16F84A data sheet [Ref. 2.1].

A 'Stack', in general computing terms, defines a particular type of temporary memory. Its main feature is that it is structured as a LIFO memory – last in, first out. Think of a pile of dinner plates in a small restaurant; the person drying the dishes keeps adding to the pile, while the waiter keeps taking dishes from the pile. Whenever the waiter takes a plate, he takes from the top, taking the last one that the dish-dryer has put there. This is the basis of a LIFO memory. Data words can be transferred to it (often called a 'push' to stack), and they can be taken from it (often called a 'pop' from stack). Whatever is 'popped' is always the last word to have been pushed there. That word is effectively removed from the stack, and the next most recent one will be popped next, unless another push occurs. In some microcontrollers the programmer can control the Stack. In the 16 Series microcontrollers it is under automatic hardware control, only. Here, the value of the Program Counter can be moved onto the Stack. This occurs when either a subroutine or an interrupt occurs. The instructions indicated in the diagram, **CALL**, **RETURN**, **RETFIE** and **RETLW**, all relate to subroutines and interrupts. We will meet them in the coming chapters – don't worry if they have no meaning to you at present!

The very first location in the program memory is labelled the 'reset vector'. When the program starts running for the first time, for example on power-up, the Program Counter is set to 0000. Therefore, the first memory location that it points to is the reset vector. The programmer

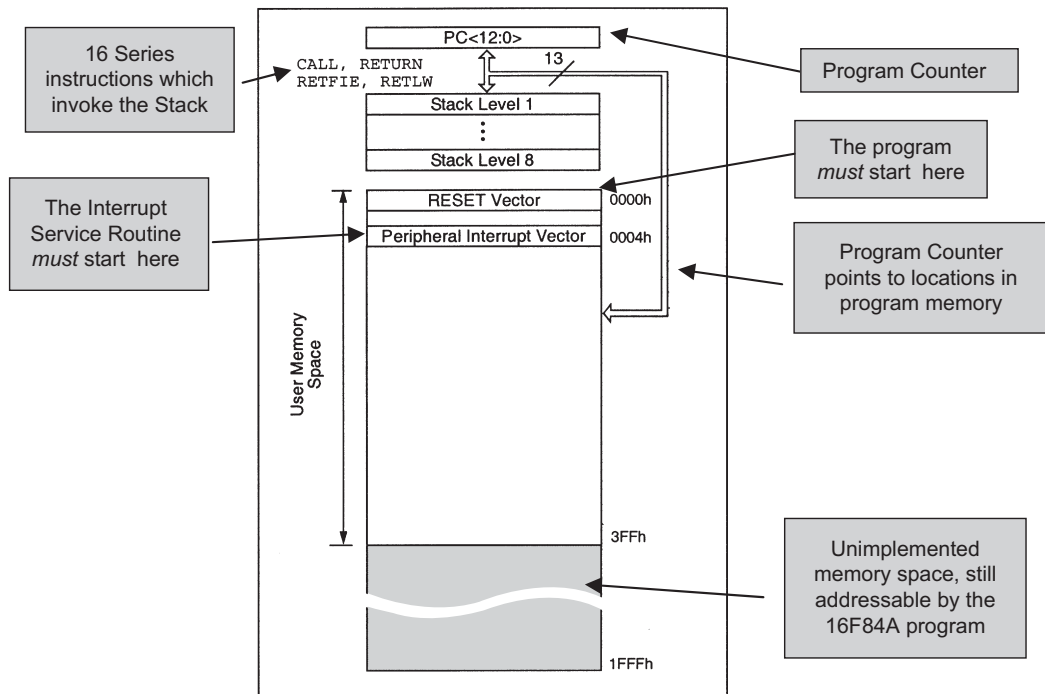


Figure 2.4: The 16F84A – program memory and Stack (supplementary labels in shaded boxes added by the author)

must therefore place his/her first instruction at this location. The ‘peripheral interrupt vector’ acts in a similar way for interrupt service routines, as we shall see in Chapter 6.

2.4.2 Data and Special Function register memory (RAM)

The RAM memory map is shown in Figure 2.5. The memory area is ‘banked’, and is divided into two important areas. The first is the general-purpose data memory, which occupies locations 0C_H to 4F_H. Above that are the Special Function registers (SFRs). Let us explore the two concepts just mentioned, as they are likely to be unfamiliar.

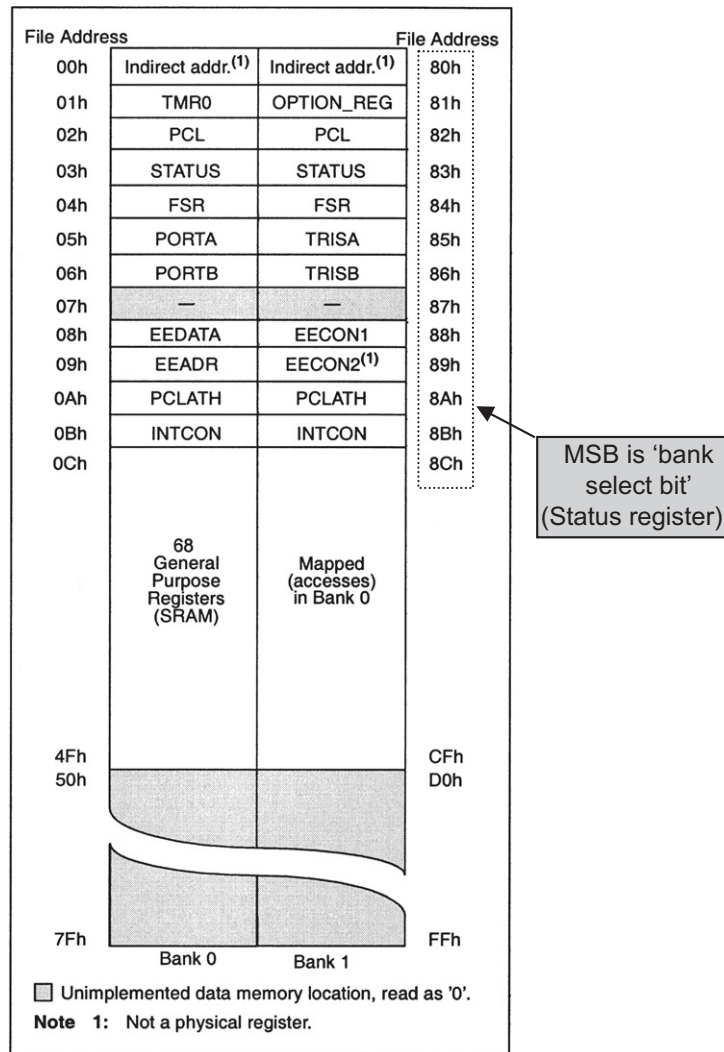


Figure 2.5: Data memory and Special Function register map of the 16F84A (supplementary labels in shaded boxes added by the author)

'Banked' addressing

A problem with any memory space is that the larger the memory is, the larger the address bus must be. One way of avoiding big address buses is to divide the memory into a number of smaller blocks – called banks – each identical in size. Now a smaller address bus can be used. It can access all banks in an identical way, with just one of the banks being identified at any one time as the target of the address specified.

PIC microcontrollers adopt a banked structure for their RAM, with the 16F84A having just two banks. The address of either bank is the 7-bit RAM address ('RAM addr') seen in [Figure 2.2](#). The active bank is selected by bit 5 in the Status register ([Figure 2.3](#)). The programmer must ensure that the bank bit in the Status register is correctly set before making any access to memory.

Special Function registers

The SFRs are the gateway to interaction between the CPU and the peripherals, and we will get to know them very well. To the CPU, an SFR acts more or less like a normal memory location – you can usually write to it or read from it. What makes it 'special' is that the bits of that memory location have a dual purpose. Each bit is wired across to one or other of the microcontroller peripherals. Each is then used either to set up the operating mode of the peripheral or to transfer data between the peripheral and the microcontroller core. As we get to know the peripherals of the 16F84A, we will get to know each of the SFRs shown in [Figure 2.5](#). Note that four SFRs appear in [Figure 2.2](#). Can you identify what they are?

RAM addressing

[Figure 2.2](#) shows that there are two possible sources of the RAM address, selected through the address multiplexer ('Addr Mux'). One possibility is that the address forms part of the instruction and is routed across to the address multiplexer from the Instruction register. This is called 'direct' addressing. Alternatively, the address is taken from the File Select Register, or FSR, which can be found as one of the SFRs in [Figure 2.5](#). If the user loads an address into the FSR, that can then be used as an address to data memory, a technique known as 'indirect' addressing. This will be described in Chapter 5.

The actual memory addresses are shown in [Figure 2.5](#), labelled as 'file address'. These addresses, at least in the right-hand column, appear to be 8-bit. We know, however, from [Figure 2.2](#), that the RAM address bus is only 7-bit, or only 5 valid bits if direct addressing is used. It is important to understand that the addresses shown are made up of this 7-bit RAM address, with the bank select bit from the Status register inserted as the eighth, most significant, bit. When programming it is necessary to separate the two, ensuring that the MSB in [Figure 2.5](#) is used for the bank select bit. This will become clear as we start to program.

2.4.3 The Configuration Word

A special part of the 16F84A program memory is its ‘Configuration Word’ (Figure 2.6). This allows the user to define certain configurable features of the microcontroller, at the time of program download. These are fixed until the next time the microcontroller is programmed. This is distinct from those many selectable features, like the setting of SFRs, which are under normal program control. While the Configuration Word is part of program memory, it is not accessible within the program or in any way while the program is running. The actual features it controls, which can be read on the diagram, are explained in this and later chapters.

2.4.4 EEPROM

The EEPROM is non-volatile and is particularly useful for holding data variables that can be changed but are likely to be needed for the medium to long term. Examples include TV tuner settings, phone numbers stored in a cell phone or calibration settings on a measuring instrument.

In the 16F84A (and indeed any PIC microcontroller), the EEPROM is not placed in the main data memory map. Instead (as the top right of Figure 2.2 neatly shows) it is addressed through the **EEADR** register and data is transferred through the **EEDATA** register. These are both SFRs, seen in Figure 2.5.

As the earlier review of memory technology suggests, reading from EEPROM is a simple process but writing to it is not. The latter takes significant time in electronic terms (i.e. milliseconds) and care must be taken to avoid accidental writes. A set of controls is therefore

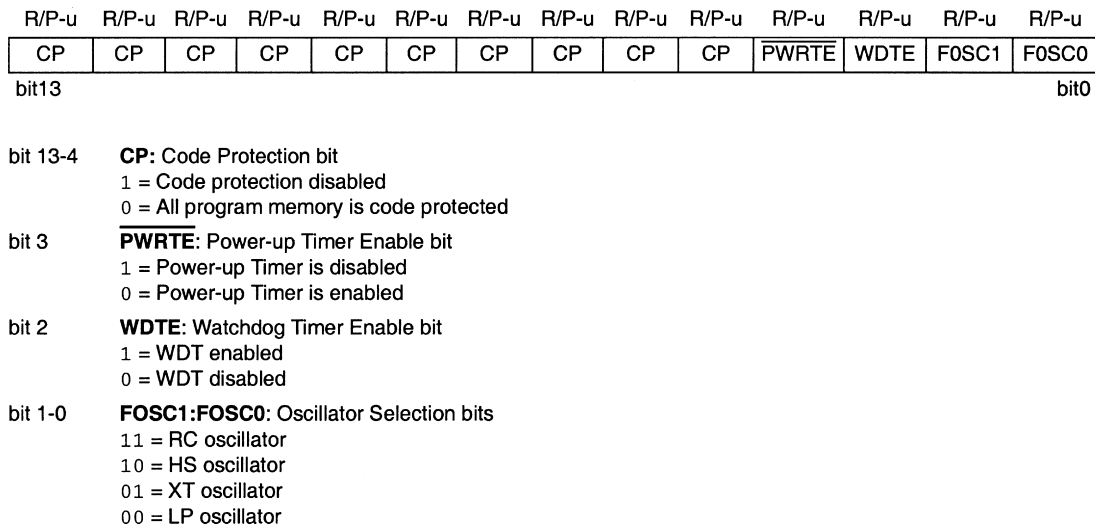


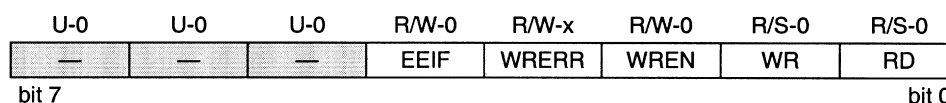
Figure 2.6: 16F84A Configuration Word

required to start the process and (for write) to detect when it is ended. These are found in the bits of the **EECON1** register; see Figure 2.7. To *read* an EEPROM location, the required address must be placed in **EEADR** and the **RD** bit set in **EECON1**. The data in that memory location is then copied to the **EEDATA** register and can be read immediately. To *write* to an EEPROM location, the required data and address must be placed in **EEDATA** and **EEADR** respectively. The write process is enabled by the **WREN** (Write Enable) bit being set high, followed by the bytes 55_H followed by AA_H being sent to the **EECON2** register. The built-in requirement for these codes helps to ensure that accidental writes do not take place, for example on power-up or -down. The **WR** bit is then set high and writing actually commences. The write completion is signalled by the setting of bit **EEIF** in **EECON1**.

2.5 Some issues of timing

2.5.1 Clock oscillator and instruction cycle

Any microprocessor or microcontroller is a complex electronic circuit, made up of sequential and combinational logic. At fantastic speed it steps in turn through a series of complex states,



- bit 7-5 **Unimplemented:** Read as '0'
- bit 4 **EEIF:** EEPROM Write Operation Interrupt Flag bit
 - 1 = The write operation completed (must be cleared in software)
 - 0 = The write operation is not complete or has not been started
- bit 3 **WRERR:** EEPROM Error Flag bit
 - 1 = A write operation is prematurely terminated
 (any MCLR Reset or any WDT Reset during normal operation)
 - 0 = The write operation completed
- bit 2 **WREN:** EEPROM Write Enable bit
 - 1 = Allows write cycles
 - 0 = Inhibits write to the EEPROM
- bit 1 **WR:** Write Control bit
 - 1 = Initiates a write cycle. The bit is cleared by hardware once write is complete. The WR bit can only be set (not cleared) in software.
 - 0 = Write cycle to the EEPROM is complete
- bit 0 **RD:** Read Control bit
 - 1 = Initiates an EEPROM read RD is cleared in hardware. The RD bit can only be set (not cleared) in software.
 - 0 = Does not initiate an EEPROM read

Figure 2.7: The **EECON1** Special Function register (address 88_H)

each state being dependent on the instruction sequence it is executing. While the detail of this process is invisible to us, it is still necessary to provide the ‘clock’ signal, a continuously running fixed-frequency logic square wave. The overall speed of the microcontroller operation is entirely dependent on this clock frequency. It is not just the CPU that is dependent on the clock. In most microcontrollers many essential timing functions are also derived from it, ranging from counter/timer functions to serial communications. Furthermore, the overall power consumption of the microcontroller has a strong dependence on clock frequency, with high-speed operation being much more power-hungry than low-speed.

As [Table 2.1](#) shows, every microcontroller has a specified range for its clock frequency. It is up to the designer to determine the clock frequency needed and to select a means of generating the clock source. With so many things depending on the clock frequency and its stability, these can be challenging decisions. These are taken further in [Chapter 3](#).

Within any microprocessor, the main clock signal is immediately divided down by a fixed value into a lower-frequency signal. Each cycle of this slower signal is called either a ‘machine cycle’ or an ‘instruction cycle’. Microchip use the latter terminology. The instruction cycle becomes the primary unit of time in the action of the processor, for example being used as a measure for how long an instruction takes to execute. The original clock signal is retained to create phases or time stages within the instruction cycle. In PIC mid-range microcontrollers the main oscillator signal is divided by four to produce the instruction cycle time.

[Table 2.3](#) gives some popular clock frequencies, with their resulting instruction cycle durations. For the fastest clock frequency, 20 MHz, the instruction cycle frequency is 5 MHz, with a period of 200 ns. The slightly cheaper version of the controller, the 16F84-04, with maximum clock frequency of 4 MHz, has at this frequency an instruction cycle time of 1 μ s. As we will see, this unsurprisingly is a convenient value for a range of simple timing applications, using software delay loops and the counter/timer. A popular clock frequency for very low-power applications, including wristwatches, is 32.768 kHz. This has an instruction cycle period of 122.07 μ s. The result is very low power, but strictly no high-speed calculations!

2.5.2 Pipelining

The combination of the RISC instruction set and the Harvard memory map used by PIC microcontrollers has an added advantage: instructions can be ‘pipelined’. Every instruction in a computer’s program memory has first to be fetched and then executed. In many CPUs these two steps are done one after the other – first the CPU fetches and then it executes. If, however, program memory has its own address and data bus, separate from data memory (i.e. a Harvard structure), then there is no reason why a CPU cannot be designed so that while it is executing one instruction, it is already fetching the next. This is called ‘pipelining’. Pipelining works best

TABLE 2.3 PIC mid-range instruction cycle durations for various clock frequencies

Clock frequency	Instruction cycle	
	Frequency	Period
20 MHz	5 MHz	200 ns
4 MHz	1 MHz	1 μs
1 MHz	250 kHz	4 μs
32.768 kHz	8.192 kHz	122.07 μs

if fetch and execute cycles are always of the same duration, such as a RISC structure gives. This fairly simple design upgrade gives a doubling in execution speed!

All PIC microcontrollers implement pipelining, which is one of the reasons for their comparatively high speed of operation. Each instruction is fetched while the previous one is being executed. Pipelining fails only for instructions that cause the value in the Program Counter to be changed, for example a program branch or jump. In this case, the instruction fetched is no longer the one needed. The pipelining process must then start again, with the consequent loss of an instruction cycle.

A diagram representing the pipelining process in mid-range microcontrollers is shown in Figure 2.8. Here we can see that while instruction 1 is being executed, instruction 2 is already being fetched, the same happening as instruction 2 is executed, and so on. An example sequence of instructions is shown to the left of the diagram. It is not, however, necessary to understand their meaning to understand the diagram, except to know that the **CALL** instruction causes a program branch. The instruction following it, instruction 4, is fetched while instruction 3 is being executed. Due to the program branch, however, instruction 4 is no longer needed, and a cycle has to be lost while the new instruction is fetched.

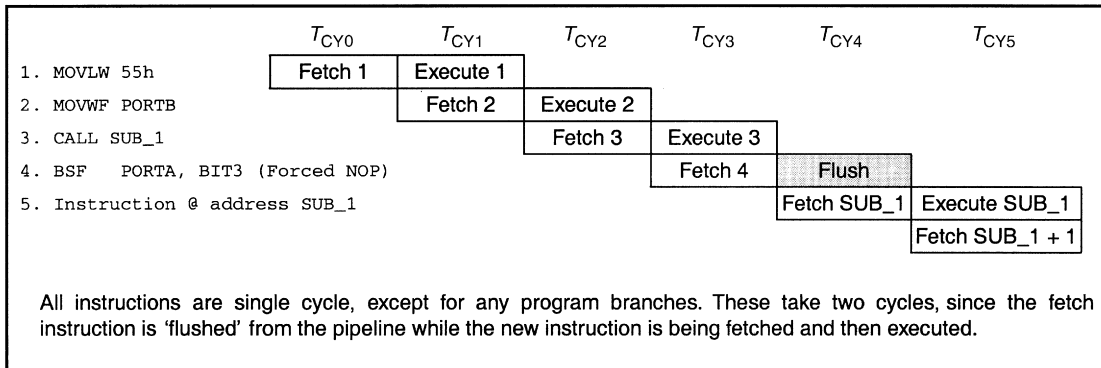


Figure 2.8: Instruction pipelining

2.6 Power-up and Reset

When the microcontroller powers up, it must start running its program from its beginning (i.e. for the 16F84A from its reset vector, seen in Figure 2.4). This will only happen if explicit circuitry is built in to detect power-up and force the Program Counter to zero. Along with this, it is also very useful to set SFRs so that peripherals are initially in a safe and disabled state. This ‘ready-to-start’ condition is called ‘Reset’. The CPU starts running its program when it leaves the Reset condition.

In the 16F84A there is a Reset input, $\overline{\text{MCLR}}$ (‘Master Clear’), on pin 4. this can be seen in Figure 2.1. As long as this is held low, the microcontroller is held in Reset. When it is taken high, program execution starts. If the pin is taken low while the program is running, then program execution stops immediately and the microcontroller is forced back into Reset mode.

There remains the question of when program execution should actually be allowed to start. The moment power is applied is a dangerous one for any embedded system. Both the power supply and the clock oscillator take a finite amount of time to stabilise, and in a complex system power to different parts of the circuit may become stable at different times. Clearly, this situation takes some careful handling. How can the start of program execution be delayed until power has stabilised?

A simple way to resolve the ‘what do we do as power is applied?’ question is shown in Figure 2.9(a), illustrated here for any microcontroller which has an active low Reset input. If a resistor capacitor circuit is connected to the Reset input, then when power is applied the capacitor voltage rises according to the RC time constant, which can be made as big as is wanted. For a certain time, because it is rising comparatively slowly, the $\overline{\text{Reset}}$ input is at

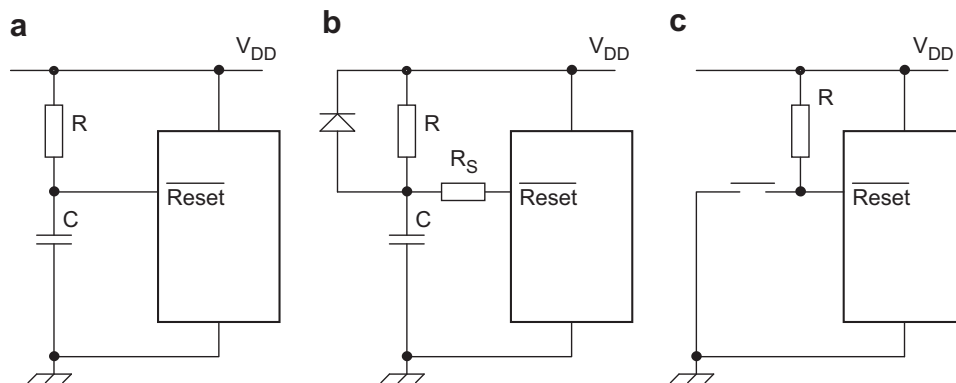


Figure 2.9: External Reset circuits – generic microcontroller with $\overline{\text{Reset}}$ input. (a) Power-on Reset, simplest possible. (b) Power-on Reset, with discharge diode and protective resistor. (c) User Reset button

Logic 0. Thus, the microcontroller can be held in Reset while its power supply stabilises and while the clock oscillator starts up.

A small problem arises with this circuit if the power is switched off and then on again quickly (a cruel and challenging thing to do to any electronic device). With the circuit of Figure 2.9(a) the capacitor wouldn't have time to discharge and the Reset condition might not be properly applied when power is applied again. More dangerously, the capacitor voltage might exceed the voltage supplied to the microcontroller and excessive current could then flow from the capacitor into the $\overline{\text{Reset}}$ input. By adding a simple discharge diode, as shown in the circuit in Figure 2.9(b), we can ensure that the capacitor discharges more or less at the same rate as the V_{DD} supply. The resistor R_S is also included to limit current into the $\overline{\text{Reset}}$ input if the capacitor voltage does inadvertently exceed the voltage supplied to the microcontroller or another fault condition occurs.

If the designer wishes to include a Reset button, then the circuit of Figure 2.9(c) can be applied. This is particularly useful for prototype circuits, where a large amount of testing is expected. Then it is convenient to be able to reset a program that may have crashed. R is a pull-up resistor, whose value can be in the range 10–100 k Ω . In a commercial device it is usually not desirable to have a Reset button; the aim here is to design the product so that reset by the user is never needed.

One of Microchip's goals is to minimise the number of external components needed for their microcontrollers, and the components of Figure 2.9 fall exactly into this category. Therefore, the 16F84A includes some clever on-chip reset circuitry, which in many situations makes the components of Figure 2.9(a) or (b) unnecessary. A Power-up Timer is included on-chip, which can be enabled by the user with bit 3 of the Configuration Word (Figure 2.6). The 16F84A detects that power has been applied and the Power-up Timer then holds the controller in Reset for a fixed time. Once this is over the microcontroller leaves Reset and program execution begins. Using this Timer, the circuit of Figure 2.9(b) need only be applied if the supply voltage rises very slowly. The Power-up Timer, and further details of the internal Reset circuit, are covered in greater detail in Section 2.8.

So what should be done with the 16F84A $\overline{\text{MCLR}}$ input if we don't want to make use of it? It is essential to recognise that this input must not just be left unconnected. The simplest thing to do is to tie it to the supply rail and then forget about it.

2.7 Taking things further – the 16F84A on-chip reset circuit

Let's take a closer look at the 16F84A on-chip reset circuitry, shown in simplified form in Figure 2.10. This takes some understanding, but it is worth doing.

The actual reset to the CPU, $\overline{\text{Chip-Reset}}$, is generated by a flip-flop, which appears to the right of the diagram. This has two inputs, **S** (Set) and **R** (Reset). The CPU enters Reset mode when

Chip_Reset goes low, which is caused by the **S** line going high. It stays there until the flip-flop is cleared, caused by the **R** line going high.

So what causes a reset? The **S** input to the flip-flop goes high, via a three-input OR gate, if any of the following goes high:

- External Reset, from the $\overline{\text{MCLR}}$ line, as we have already seen.
- Time-out Reset, from the Watchdog Timer (WDT); this is designed to occur if a program crash occurs – the details are given in Chapter 6.
- Power-on Reset, output of the circuit that detects power being applied ('V_{DD} Rise Detect’).

Once any of these occurs, the flip-flop is set, the $\overline{\text{Chip_Reset}}$ line goes low and the PIC microcontroller is held in Reset.

The $\overline{\text{Chip_Reset}}$ line returns to 1 (and the PIC microcontroller is enabled) if the **R** input to the flip-flop is activated. The three requirements to be satisfied here, determined by the inputs to the associated AND gate, are that both power supply and oscillator have stabilised, and that any demand for Reset has been cleared. The first two of these requirements are achieved by two interesting timers, the Power-up Timer (PWRT) and the Oscillator Start-up

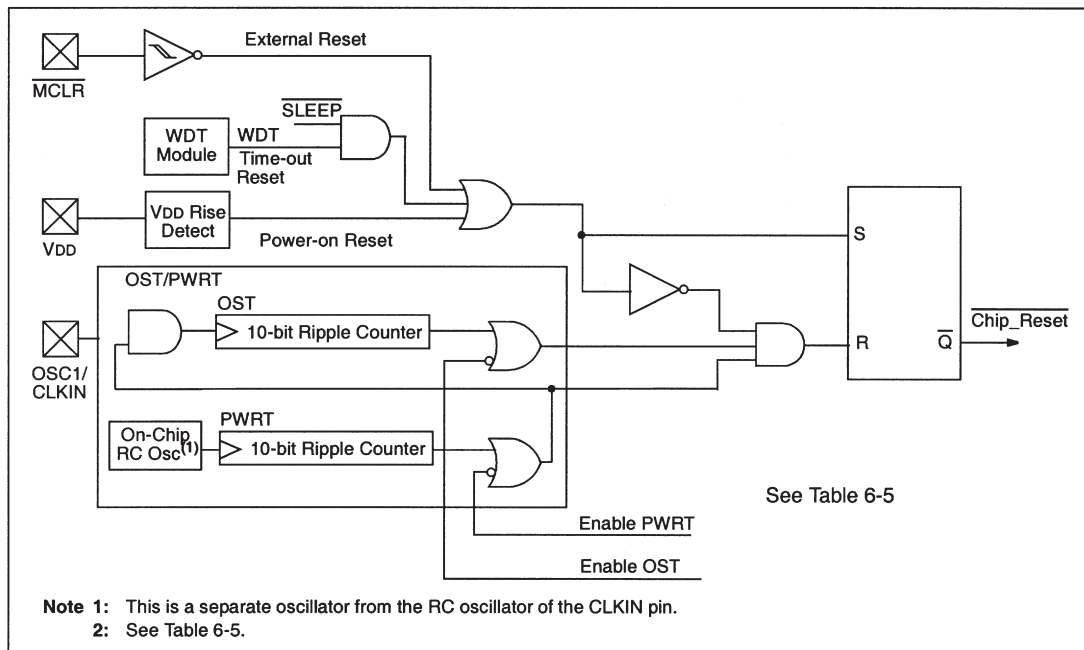


Table 6-5 of Ref. 2.1 gives example reset delay times for different settings of oscillator, and PWRT and OST enable lines.

Figure 2.10: The 16F84A reset circuitry

Timer (OST). The Power-up Timer can be enabled by setting its bit in the Configuration Word (Figure 2.6). The Oscillator Start-up Timer is enabled via the **Enable OST** line. This is set automatically by the user oscillator setting in the Configuration Word, which enables it for all oscillator modes except RC. The Power-up Timer is clocked by its own on-chip RC oscillator, and when enabled counts 1024 cycles of its oscillator before setting its output to 1. This time duration turns out to be around 72 ms. This is long enough for the average power supply to have stabilised, though is not enough for a slowly rising supply. Once the Power-up Timer has completed its count, the Oscillator Start-up Timer is then activated, which in turn counts 1024 cycles of the main oscillator signal. This tests for a reliably running clock oscillator – if the oscillator isn't running, then of course it can't count. The outputs of both counters, and the inverse of the **S** input to the flip-flop, are ANDed together to form the **R** input to the flip-flop. If all lines are high, i.e. both counters have completed their count and there is no demand for a Reset, then the flip-flop is cleared. The CPU accordingly leaves the Reset condition and starts running.

The reset sequence just described is shown in Figure 2.11 for the common situation of $\overline{\text{MCLR}}$ being tied to V_{DD} . Try to follow this, relating it to Figure 2.10. The application of power is seen in the rise of the V_{DD} trace, which brings the $\overline{\text{MCLR}}$ line with it. This change is detected, as seen in the change of state of the 'internal POR' line. This in turn triggers the Power-up Timer, which runs for a period T_{PWRT} . When T_{PWRT} is up, the Oscillator Start-up Timer, whose time delay is T_{OST} , is activated. Notice that T_{OST} depends on the main oscillator running successfully and also on its frequency. For a 4 MHz oscillator, it will be 1024×250 ns, or 256 μs . When T_{OST} is complete, the **R** line in Figure 2.11 goes high and the microcontroller leaves the Reset state.

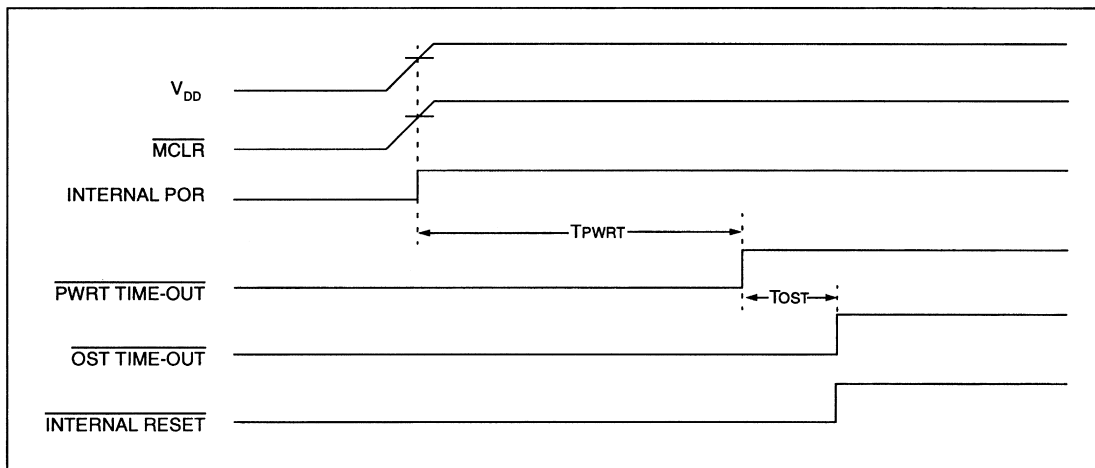


Figure 2.11: Reset sequence on power-up, with $\overline{\text{MCLR}}$ tied to V_{DD}

Summary

- The PIC mid-range is a diverse and effective family of microcontrollers.
- The 16F84A architecture is representative of all mid-range microcontrollers, with Harvard structure, pipelining and a RISC instruction set.
- The PIC 16F84A has a limited set of peripherals, chosen for small and low-cost applications. It is thus a smaller member of the family, with features that are a subset of any of the larger ones.
- The 16F84A uses three distinct memory technologies for its different memory areas.
- A particular type of memory location is the Special Function register, which acts as the link between the CPU and the peripherals.
- Reset mechanisms ensure that the CPU starts running when the appropriate operating conditions have been met, and can be used to restart the CPU in case of program failure.

References

- 2.1. PIC 16F84A Data Sheet (2001). Microchip Technology Inc., Reference no. DS35007B; www.microchip.com
- 2.2. PICmicro Mid-Range MCU Family Reference Manual (1997). Microchip Technology Inc., Reference no. DS33023A; www.microchip.com
- 2.3. PIC16F84 to PIC16F84A Migration (2001). Microchip Technology Inc., Reference no. DS30072B; www.microchip.com
- 2.4. PIC 16F87/88 Data Sheet (2005). Microchip Technology Inc., Reference no. DS30487C; www.microchip.com

Questions and exercises

1. From the 16F84A data sheet, Ref. 2.1, find out:
 - (a) how many read/write cycles each of EEPROM and Flash memory can be expected to undertake in their lifetime;
 - (b) the data retention duration for the EEPROM memory;
 - (c) the value of SFRs **STATUS** and **PCL** on power-up.
2. A non-technical friend asks you why his digital camera can ‘remember’ pictures, and a mobile phone can ‘remember’ numbers and text messages. In a simple way explain EEPROM and Flash program technology and their differences.

3. The pairs of numbers shown below are added in a 16F84A program. What is the result in each case and the value of the Status register bits **Z**, **DC** and **C** after each addition?
0101 1101 added to 0001 0011; 1110 1001 added to 0001 0111; 0001 0101 added to 0100 1001.
4. The Configuration Word of a 16F84A is read as 11 1111 1111 0010. Identify and explain the settings.
5. For a precise timing application, an instruction cycle time of 1.973 μs is required. What clock frequency will give this?
6. In a certain design, based on the 16F84A, the $\overline{\text{MCLR}}$ line is tied to the power supply. The clock oscillator is 8 MHz. The power supply rises nearly instantaneously. Both Power-up Timer and Oscillator Start-up Timer are enabled. How long is it before the microcontroller leaves the reset condition?

Parallel ports, power supply and the clock oscillator

So far we have looked a little at the theory of microcontroller architecture and its implementation in PIC microcontrollers. This chapter now begins to move from that theory to the practice of small-scale hardware design.

As we have seen, the microcontroller core has internal data and address buses. In a way these are like motorways, or inter-state freeways, carrying large amounts of traffic in both directions to a variety of different destinations. The microcontroller needs to be provided with a way of allowing that data flow to connect with the outside world, so that it can read in external digital values or output other values. In other words, it needs the equivalent of motorway junctions, where data can leave (or enter) the bus at designated times and locations. In the microcontroller world these junctions have many forms, as there are many different ways in which data can be input or output. The most general purpose of these is the parallel input/output port. This is one of the microcontroller's most essential peripherals, and is the opening subject of this chapter.

Given a working car engine, two essentials that it needs to run are fuel and a stream of sparks from the plugs. A microcontroller has similar needs. Its fuel is the low-level electrical power supply that it requires and, instead of a flow of sparks, it needs a regular sequence of clock oscillator pulses. A study of these forms the second half of this chapter.

By putting together our background knowledge already gained, an ability to work with digital input/output, and an ability to design a power supply and clock oscillator, we will be in the happy position of being able to start to design real systems.

In this chapter you will learn about:

- Why we need parallel input/output.
- How simple logic circuits can be developed to give a flexible interface between the microcontroller data bus and the outside world – these are the parallel ports.
- How external devices can be connected to the parallel port.
- The parallel input/output available on the PIC 16F84A.

- The essential hardware features of the power supply and clock oscillator.
- The Microchip approach to power supply and oscillator, with the 16F84A.
- The hardware design of the electronic ping-pong game.

3.1 The main idea – parallel input/output

Almost any embedded system needs to transfer digital data between its CPU and the outside world. This transfer falls into a number of categories, which can be summarised as:

- *Direct user interface*, including switches, keypads, light-emitting diodes (LEDs) and displays.
- *Input measurement information*, from external sensors, possibly being acquired through an analog-to-digital converter.
- *Output control information*, for example to motors or other actuators.
- *Bulk data transfer* to or from other systems or subsystems, moving in serial or parallel form, for example sending serial data to an external memory.

With this plethora of data coming and going, it is likely we will need to have a variety of digital inputs and/or outputs. These are divided broadly into serial and parallel. In serial data transfer, the information is transferred one bit at a time. Only a single interconnection is used to carry the data itself, although other lines are usually included for synchronisation and control. In parallel data transfer, a set (for example, eight) of interconnections is used. Each of these can carry 1 bit, and each works in parallel with the others. Data can thus be transferred in groups of bits, for example in bytes. Parallel input/output (I/O) is the workhorse for all the basic data interchange of a microcontroller, including interfacing with switches, LEDs, displays and so on. A group of parallel I/O interconnections, appearing on the pins of the microcontroller, is called a ‘parallel port’.

3.2 The technical challenge of parallel input/output

Our immediate challenge is how to provide the required interface between the microcontroller data and address buses and the outside world. As suggested above, we start with the data bus, a multi-purpose data highway. How can we grab the data we want from the bus, and transfer it to the outside world, via the parallel port? Alternatively, how can we take external input data and introduce it onto the data bus, at the right time and place, so that it gets to the right place within the microcontroller? Finally, given a port that can do these things, how can we make it really flexible, so that it can be used for input, or output, or a mixture of both, and can transfer a combination of data with possibly very different end uses?

3.2.1 Building a parallel interface

It should be simple to create a set of output pins to create an ‘output’ port (Figure 3.1). Let us assign an address in the memory map to the port. Whenever that address is selected by an instruction in the program, it activates a line called ‘Port Select’. A further line, ‘Read/Write’, indicates whether the CPU is undertaking a Read (line is high) or Write (line is low) operation. This is gated with the Port Select line. Each line of the data bus is connected to a bistable, and all of these are clocked by the Port Select line. Then the value of the data bus is latched into the bistable whenever the port memory location is addressed, in Write mode. The outputs of the bistables are made available for connection to the outside world.

It is equally simple to create a set of input pins (Figure 3.2). All that is needed is a tristate buffer gate connected between an external pin and a line of the data bus. When the buffer is enabled, again by a logical combination of Port Select line and Read/Write control, the logic value of the external pin is briefly connected to the data bus line, and can be read by the CPU. Note that in this design the external data is not latched by the port; it must be held at a stable value by the external source.

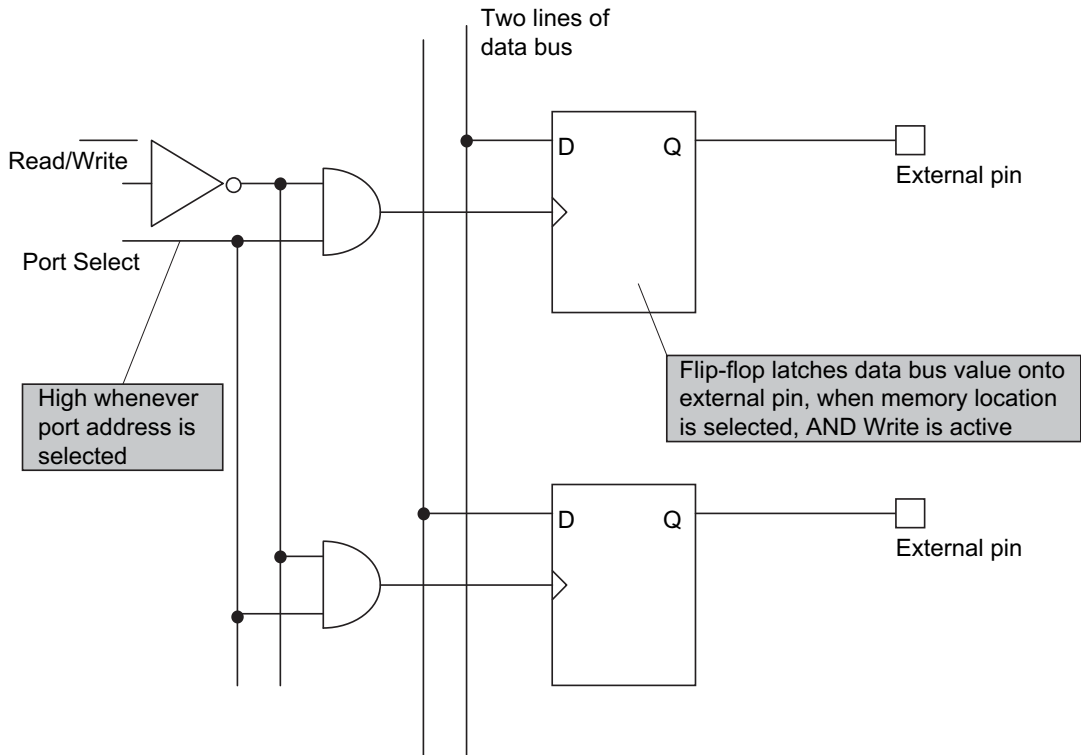


Figure 3.1: Two bits of a possible digital output port

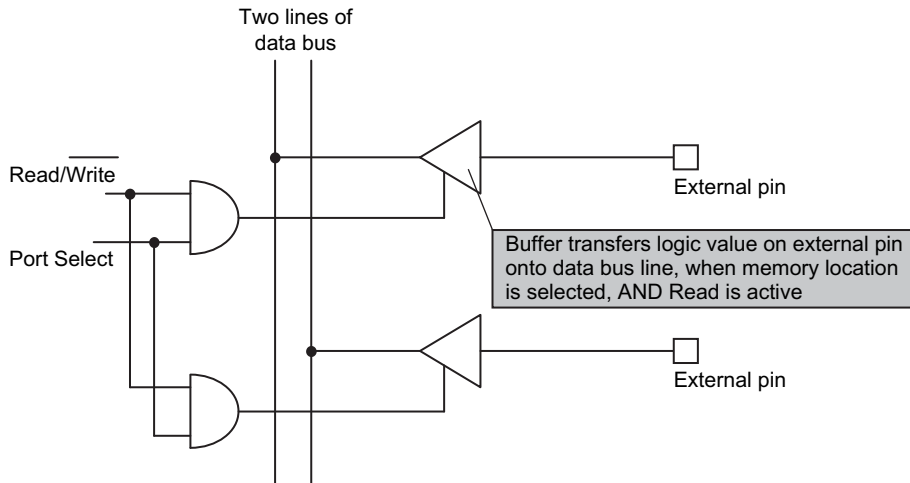


Figure 3.2: Two bits of a possible digital input port

These ideas are quite attractive, but the reality is that it is inflexible to limit an external pin of an IC to just one function, whether input or output. It would be much neater to combine somehow the two circuits used for input and output, and let the user decide in which direction he/she wants the data to move. The diagram of Figure 3.3 does just that. It shows a possible ‘pin driver’ circuit for one bit of a parallel port. It is easy to pick out in it the circuits of Figures 3.1 and 3.2. What must be added, however, is a further flip-flop (‘Direction’), which is set to determine whether this microcontroller pin is to act as an input or output. The state of this flip-flop is set by the program. It controls the ‘Output buffer’, which is enabled when the port bit is in output mode.

This circuit forms the basis for a very useful bi-directional input/output pin driver, and it is easy to find versions of it in many popular microcontrollers. Sets of I/O pins are grouped together to form a parallel I/O port. Each ‘Data’ flip-flop then forms one bit of a ‘Data’ SFR (Special Function register), and each ‘Direction’ flip-flop forms one bit of a ‘Direction’ SFR, as seen in Figure 3.3. Each SFR is memory mapped, with its own unique address. Derived from that address is its select line, which goes high when that location is addressed. ‘Port Select’ selects the Data SFR and ‘Direction Select’ selects the Direction SFR.

By writing to the Direction SFR the user can determine which bits are to be input and which are to be output. By writing to the Data SFR he/she can set the value of *all* Data flip-flops, whether that pin is actually set as an output or not. This value is transferred to the I/O pin through the buffer for those pins which are enabled as outputs. By reading from the Data SFR the program can acquire the logical value of the I/O pin. If the pin is set as output, this value is simply the value held by the Data flip-flop and asserted on the I/O pin through the Output buffer. If the pin is set as an input, then an external signal should be connected to the pin, and the controller will read its value.

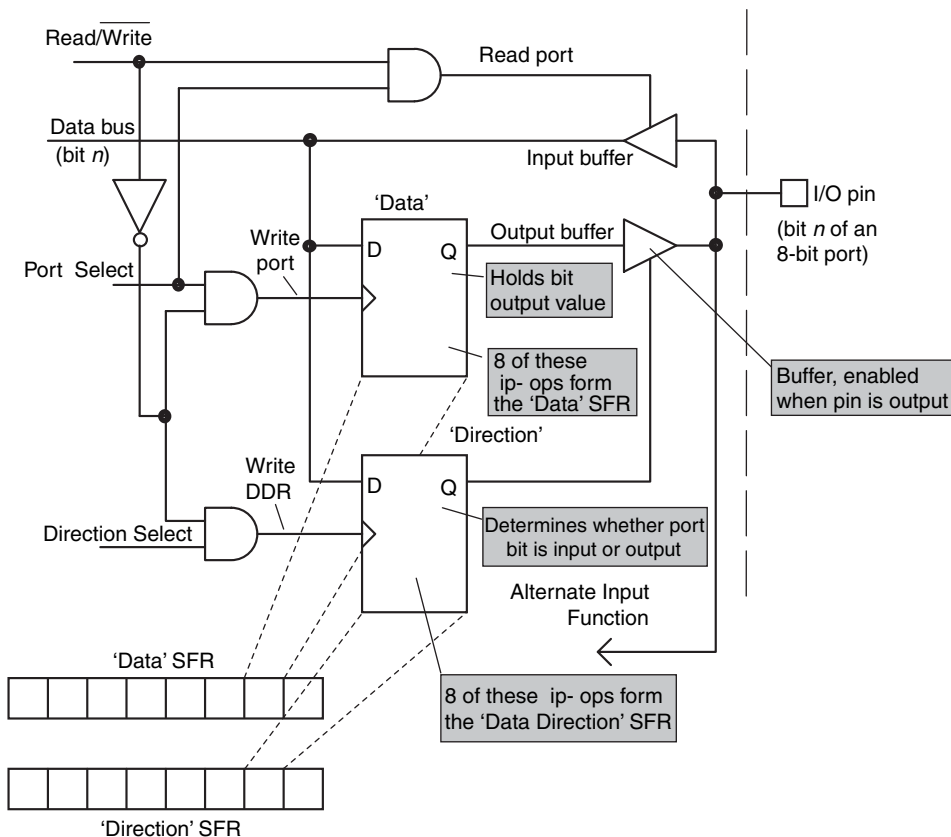


Figure 3.3: A bi-directional port pin driver circuit

Having established this basic design, it is possible to extend it further to add other features. We will see this when we look at some PIC microcontroller examples. One simple extension is already indicated in Figure 3.3, however. This is the ‘Alternate Input Function’ line, which allows an internal peripheral to share the I/O pin.

3.2.2 Port electrical characteristics

Logic gates are designed to interface easily with each other, and if we connect logic gates from just one family together then we usually don’t need to worry about the electrical details of what is going on. If, however, we are connecting logic devices (in this case microcontroller port bits) to *non*-logic elements (like LEDs or switches) then we *do* need to understand the electrical characteristics of the logic. In particular, we need to understand their input and output characteristics.

The output of a logic gate *can* be visualised, or ‘modelled’, as in Figure 3.4(a). Purists will recognise the limitations of this model, but for our purposes it will suffice. If the output is at

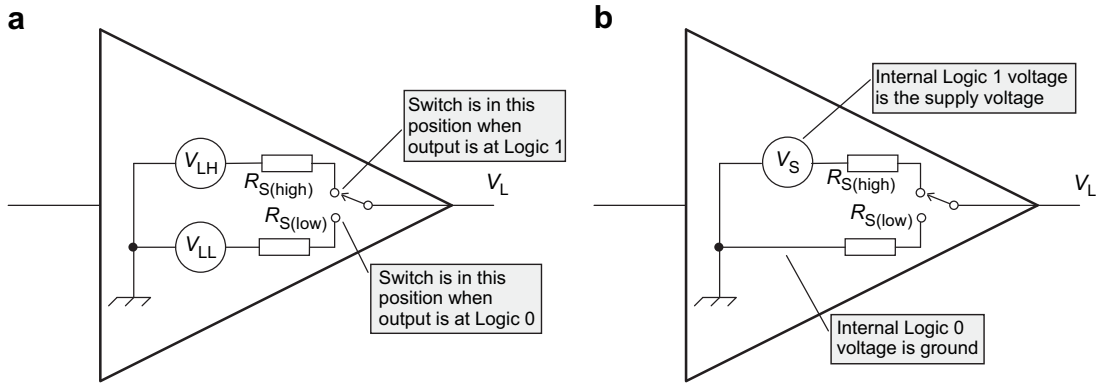


Figure 3.4: Modelling a logic gate output. (a) Generalised model. (b) Model of Complementary Metal Oxide Semiconductor (CMOS) logic gate output

Logic high (or ‘1’), then the internal switch is in the upper position. It is in the lower position for Logic 0. In either case, the output is modelled as a voltage source in series with a resistor (in circuit theory this is called a ‘Thevenin equivalent’ circuit). V_{LH} is the logic high-output voltage, with an output resistance of $R_{S(\text{high})}$. V_{LL} is the logic low-output voltage, with an output resistance of $R_{S(\text{low})}$.

In the case of CMOS (Complementary Metal Oxide Semiconductor) the situation is quite simple, as V_{LH} is equal to the supply voltage and V_{LL} is equal to 0 V. This is illustrated in Figure 3.4(b). Thus, if the supply voltage is 5 V, then Logic 0 and 1 will be 0 and 5 V respectively, if no current is being drawn from the gate output.

In practice, $R_{S(\text{high})}$ and $R_{S(\text{low})}$ are not constant, but depend to some extent on the current being sourced or sunk from the gate output. Therefore, manufacturers frequently publish graphical information on the output characteristics. We will see this shortly for the 16F84A.

3.2.3 Some special cases

We review now two special types of I/O characteristic, which will be important as we explore the 16F84A parallel ports.

Schmitt trigger inputs

A Schmitt trigger (Figure 3.5) is a certain type of logic gate input which is designed to ‘clean up’ a corrupted logic signal. It has two input thresholds, with the ‘positive-going’ higher than the ‘negative-going’. A signal starting from a low value has to pass the negative-going threshold (at which point nothing happens) and then cross the ‘positive-going’ threshold, at which point the output changes state. The output will not reverse until the input (now negative-going) has returned to the negative-going threshold. Thus, small fluctuations which recross a threshold just crossed do not cause any change in output.

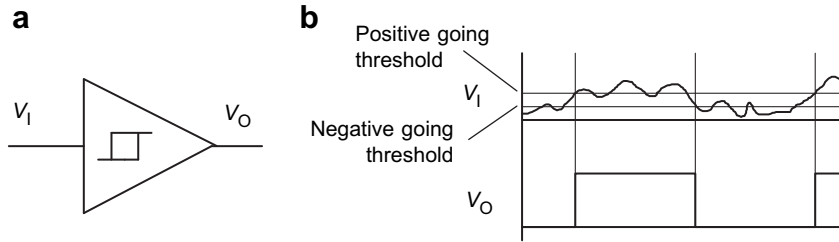


Figure 3.5: Schmitt trigger characteristics. (a) Buffer with Schmitt trigger input. (b) Input/output characteristic

The ‘Open Drain’ output

The Open Drain output is a flexible style of output that can be adapted either as a standard logic output, as a direct drive for small loads, or used for a special logic function known as ‘Wired-OR’. The output itself is as illustrated in Figure 3.6(a). A logic gate drives the gate of a MOSFET (Metal Oxide Semiconductor Field Effect Transistor), whose unconnected Drain terminal forms the output. When the MOSFET gate drive is high, the FET conducts and a logic zero is asserted at the terminal. When the gate is low the FET will not conduct and (with no other connection) the terminal will be at an undefined voltage. If a pull-up resistor is connected from the Drain to the supply voltage, then the output acts more or less as a normal logic output. Without the active pull-up of a normal logic output, however, its rise time will be a little sluggish and the amount of current it can source will be limited by the resistor value.

The Open Drain output can also be used to drive a simple load, acting as illustrated in Figure 3.6(b). Usefully, the load does not have to be supplied from the same voltage as the logic supply, although it would have to be of the same polarity. Therefore, for example, a microcontroller supplied from 5 V (V_{S1} in the diagram) could drive a load supplied from 12 V (V_{S2} in the diagram), if all operating requirements are met.

Another important application of the Open Drain output is the ‘Wired-OR’ connection, shown in Figure 3.6(c). Here several Open Drain outputs are connected together and tied high through a single pull-up resistor, R_{PU} . If all outputs are off, then the common line (V_O) is high. If *any* one output goes low, then the common line is pulled low. This is a possible way of achieving the OR or NOR logic function, and important for certain types of serial link, as we shall see later.

3.3 Connecting to the parallel port

3.3.1 Switches

Switches are extensively used in embedded systems. Our main initial interest is not to switch directly a voltage or current, but to convert the switch position to a logic level that can be read

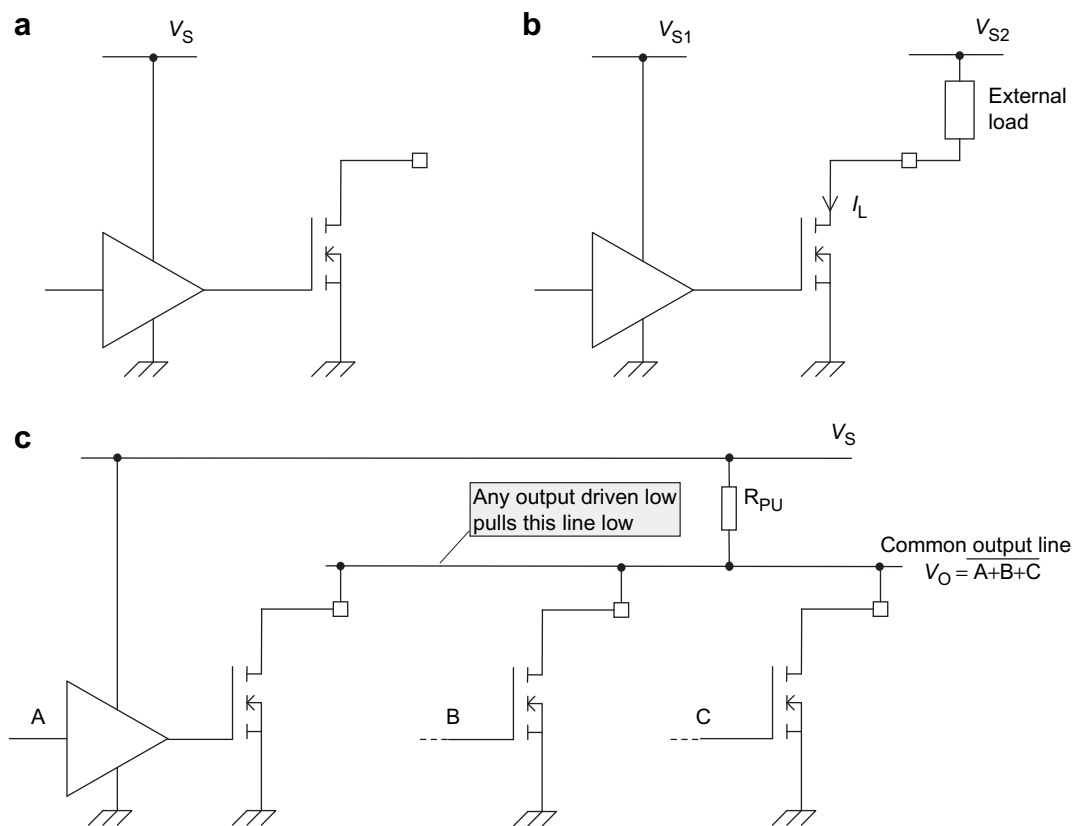


Figure 3.6: The Open Drain output and some applications. (a) An Open Drain output. (b) Open Drain output driving load resistor. (c) The Wired-OR connection

by a microcontroller port bit. Switches are used as a direct user interface in the form of push-buttons, toggle switches, slide switches, or as thumbwheel or rotary switches. They are also used, in the form of microswitches, to detect certain types of mechanical movement.

The simplest way of deriving a logic level from a switch is shown in Figure 3.7(a). This shows a Single-Pole, Double-Throw (SPDT) switch, with one terminal connected to ground and the other to the supply. The switch wiper simply selects one of these two as the logic input. Some logic families advise against direct connection of a logic input to the supply voltage, so a series resistor (shown dotted) might be in order.

There is a slight disadvantage to the connection of Figure 3.7(a) as it requires the SPDT switch. A simpler option, using just a Single-Pole, Single-Throw (SPST) switch, for example a push-button, is shown in Figure 3.7(b). Here a pull-up resistor is connected to one terminal of the switch, with the other terminal connected to ground. If the switch is closed, then the input to the logic gate, V_I , is 0 V and a current V_S/R flows to ground. If the switch is open then V_O is equal to V_S . To reduce wasted current when the switch is closed, the value of R should be high.

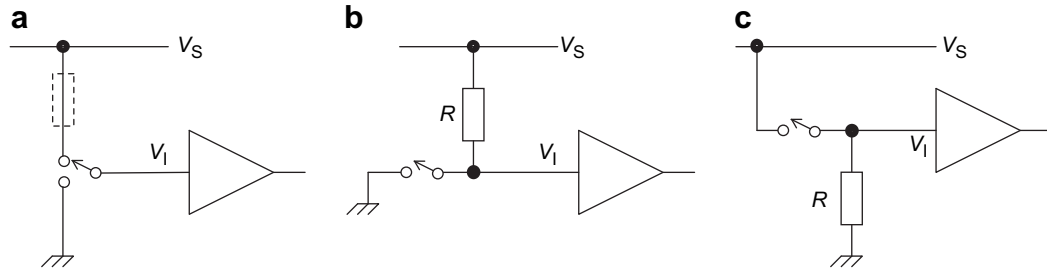


Figure 3.7: Connecting switches to logic inputs. (a) SPDT connection. (b) SPST with pull-up resistor. (c) SPST with pull-down resistor

If it is too high, however, then the Logic 1 level that it is meant to define may not be properly sustained. To evaluate the upper limit of the pull-up resistor, the input leakage current and logic thresholds need to be applied (as demonstrated in Chapter 2 of Ref. 1.1). For PIC microcontrollers, pull-up values in the range 10–100 k Ω are usually appropriate. The circuit of Figure 3.7(b) is very useful and widely applied, as many simple switches (e.g. PCB (Printed Circuit Board) mounting slide switches and push-buttons) are only available as SPST.

The switch circuit of Figure 3.7(b) can be reconnected as in Figure 3.7(c). The characteristics of some logic families (for example, TTL (Transistor–Transistor Logic)) do, however, place restrictions on the use of this circuit, as the current sourced from the gate input significantly affects the action of the pull-down resistor. The circuit can be applied with PIC microcontrollers.

3.3.2 Light-emitting diodes

In certain semiconductor materials light is emitted as current flows across a forward-biased p–n junction. LEDs exploit this phenomenon. LEDs made of gallium arsenide (GaAs) emit light in the infrared, and if phosphorus is added in increasing proportions the light moves to visible red and ultimately to green. LEDs are widely available in red, green and yellow, as single devices, and as arrays, bargraphs and alphanumeric displays.

Because they are diodes, LEDs display the normal voltage–current relationship of a forward-biased diode. This means that, to a reasonable approximation, the voltage across an LED is constant if it is conducting. Note, however, that this forward voltage is considerably higher for GaAs than it is for silicon. Example LED characteristics, for red and green Kingbright LEDs, are shown in Figure 3.8. From these graphs it can be seen that the voltage across the red LED changes from 1.90 to 2.00 V if the current increases from 5 to 20 mA. For the green it changes from 1.95 to 2.20 V for the same current range. These voltage values are typical for all LEDs of similar type, with red having a slightly lower forward voltage compared to green or yellow.

The different colours do not give equal intensities for equal drive currents, as shown by the data in Figure 3.8. Red is the most efficient, which may account for its greater popularity. For a single LED to be comfortably visible, it typically requires around 10mA of current.

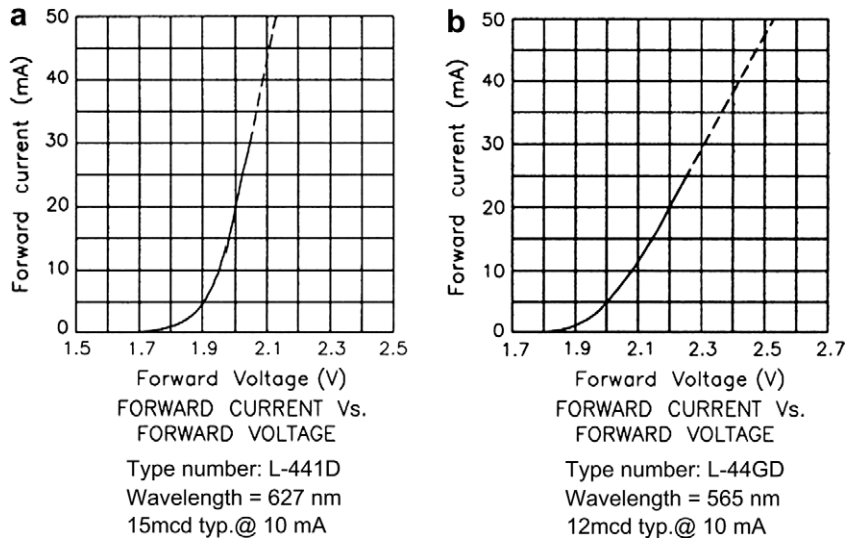


Figure 3.8: Example Kingbright LED characteristics [Ref. 3.1]. (a) High-efficiency red. (b) Green. Reproduced with permission of Kingbright Elec. Co. Ltd

Brighter ones may require up to 20 mA, but special low-power devices (such as the high-efficiency red) need as little as 1 or 2mA to be seen.

An LED can be driven from a logic output, for example a microcontroller port, as long as its current requirements can be met. Depending on the capabilities of the port output they can be connected so that the output is sourcing current (Figure 3.9(a)) or sinking current (Figure 3.9(b)).

CMOS logic families have symmetrical outputs and can source or sink almost equally well, so either of these circuits can be applied. In contrast, TTL logic can source little current but can sink a comparatively large amount, and therefore the configuration of Figure 3.9(b) is preferred in this case.

A current-limiting resistor must normally be included in series with the LED. This is calculated as shown below by considering the voltages in the circuit. Precise values are not usually required.

$$\text{For current source: } V_{OH} = RI_D + V_D$$

$$R = \frac{V_{OH} - V_D}{I_D} \quad (3.1)$$

$$\text{For current sink: } V_S = V_{OL} + RI_D + V_D$$

$$R = \frac{V_S - V_D - V_{OL}}{I_D} \quad (3.2)$$

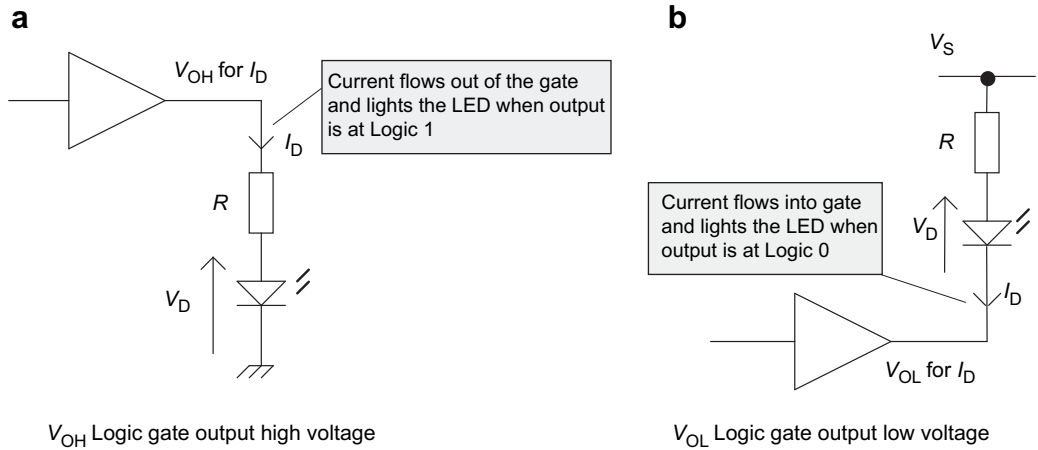


Figure 3.9: Driving LEDs from logic gates. (a) Gate output sourcing current to LED. (b) Gate output sinking current from LED

An exception to the need for a series resistor, which must be cautiously applied, is when the logic is powered from a comparatively low voltage, and its internal output resistance itself forms an appropriate value for the current-limiting resistor.

3.4 The PIC 16F84A parallel ports

We saw in Chapter 2 that the 16F84A has two ports, A and B. A is 5-bit, while B is 8-bit. Notice from Figure 2.1 that some port bits have more than one function. We will see that the 16F84A adapts the generic pin driver circuit of Figure 3.3 and cleverly weaves in these extra functions.

The SFRs that relate to the ports are seen in Figure 2.5. In each case the port data itself appears in the **PORTA** or **PORTB** register (i.e. these act as the ‘Data’ SFR of Figure 3.3), while the data direction is determined by the bit values set in the **TRISA** or **TRISB** registers (i.e. these act as the ‘Direction’ SFR of Figure 3.3).

We will now explore the ports in further detail. Perhaps the most straightforward is Port B, with which we accordingly start.

3.4.1 16F84A Port B

This is a general-purpose 8-bit bi-directional port, with a pin driver circuit similar to that in Figure 3.3. The simplest bits, 0 to 3, are illustrated in Figure 3.10(a). The data latch can be seen in each circuit, while the ‘TRIS latch’ in Figure 3.10 replaces the ‘Direction’ latch of the earlier diagram. It can be seen that if the ‘TRIS latch’ output is set to 0, then the buffer that it drives is enabled and the port bit is in output mode.

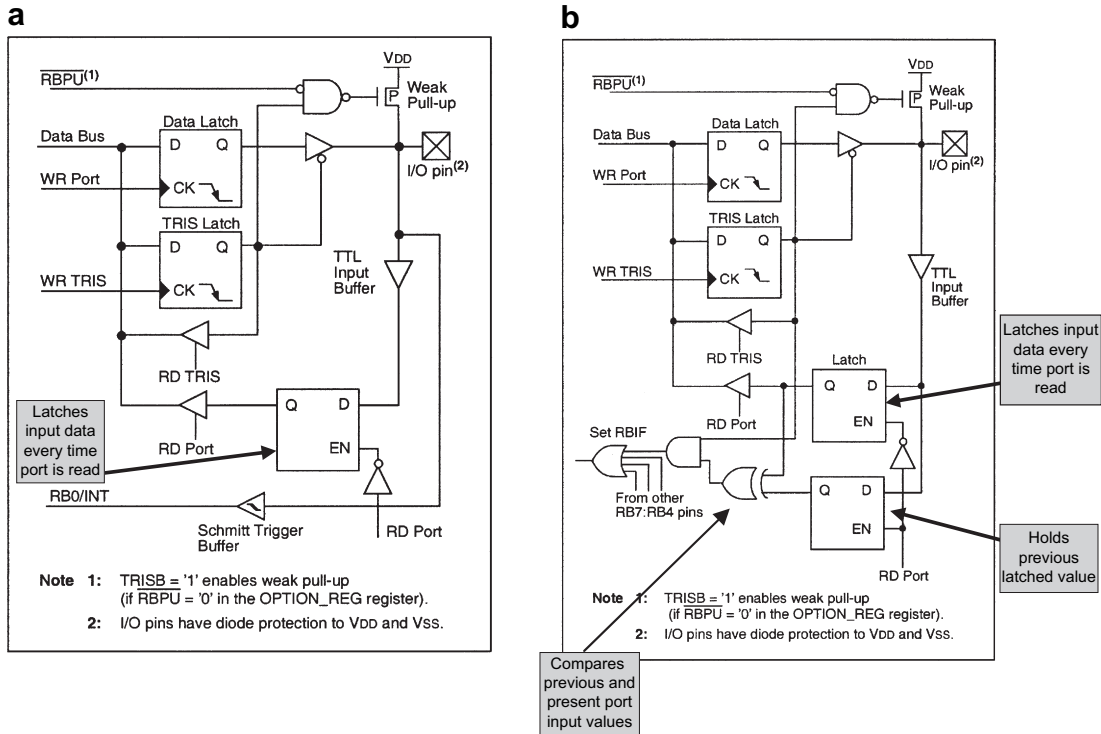


Figure 3.10: Block diagram of Port B pin driver circuits. (a) Pins RB3 to RB0. (b) Pins RB7 to RB4 (supplementary labels in shaded boxes added by the author)

There are four enhancements to the simple pin driver circuit we saw earlier:

- The incoming data is latched, through the lowest latch in the diagram, rather than just its instantaneous value being read.
- The state of the ‘TRIS latch’ can be read via the buffer controlled by the **RD TRIS** line. It follows that the **TRIS** register acts as a normal read/write memory location, and the program can check if necessary the values previously stored there.
- Bit 0 is also the external interrupt input and has a Schmitt trigger interface.
- ‘Weak pull-up’ resistors can be switched on for all port bits used as inputs. These can be applied to replace the resistor in circuits like in [Figure 3.7\(b\)](#). The pull-up is implemented with a p-channel MOSFET, seen at the top of the diagram. They are enabled for all port bits set as input by clearing the bit **RBPU** in the **OPTION** register. (This is seen memory-mapped in [Figure 2.5](#) or in full in [Figure 6.9](#).)

Bits 4 to 7 of Port B are seen in [Figure 3.10\(b\)](#). They have a useful ‘interrupt on change’ facility. As with the lower-numbered bits, the data value is latched as input data is read. On

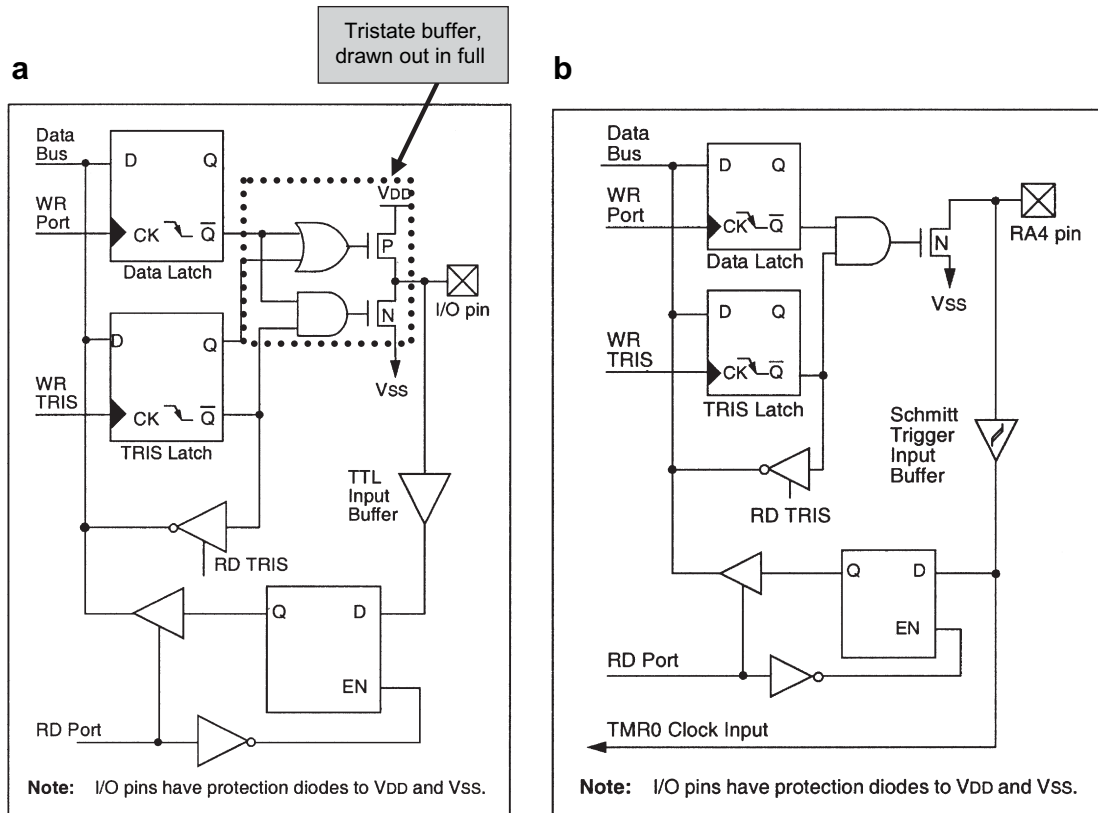


Figure 3.11: Block diagram of Port A pin driver circuits. (a) Pins RA0, 1, 2 and 3. (b) Pin RA4/T0CKI (supplementary labels in shaded boxes added by the author)

these bits, however, the previous input value, from the last time the port was read, is retained on another latch. Its stored value is compared with the current input value. Any difference is detected by an Exclusive OR gate, whose output can generate an interrupt. This capability will be considered in detail in Chapter 6.

3.4.2 16F84A Port A

Like Port B, this can be used as a general-purpose bi-directional digital port. The basic port pin driver (Figure 3.11(a)) is very similar to the Port B pin. The diagram this time draws out in full the output tristate buffer. Bit 4 (Figure 3.11(b)) doubles as the Timer 0 clock input. It also has a Schmitt trigger input characteristic and an Open Drain output, as described in Section 3.2.3. The full device data indicates that the absolute maximum permissible voltage applied to this Open Drain pin is 8.5 V. Therefore, the ability to drive an external load from a supply higher than the microcontroller itself can only be applied in a limited way.

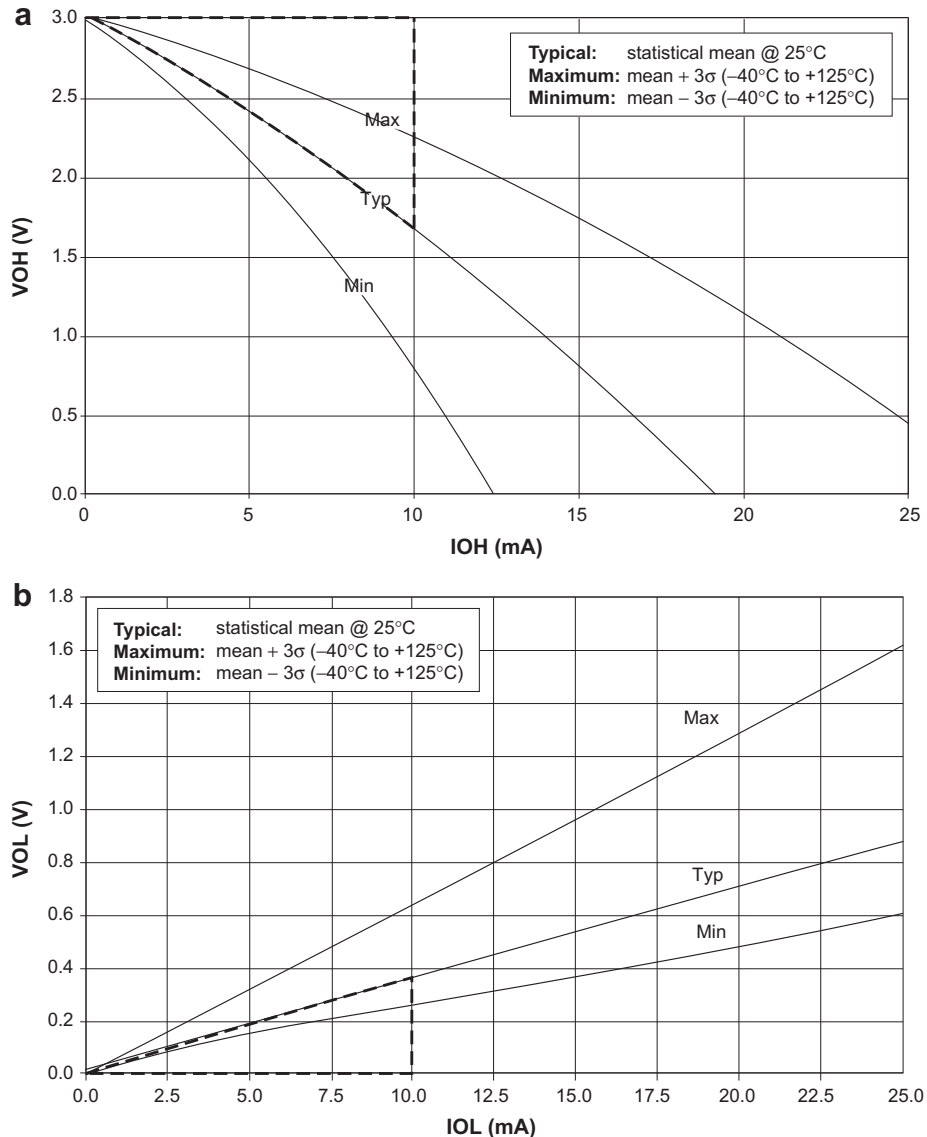


Figure 3.12: 16F84A port output characteristics. (a) V_{OH} vs. I_{OH} ($V_{DD} = 3$ V, -40 to 125°C). (b) V_{OL} vs. I_{OL} ($V_{DD} = 3$ V, -40 to 125°C) (dashed lines added by the author)

3.4.3 Port output characteristics

The 16F84A port output characteristics are shown in Figure 3.12 for a supply voltage of 3.0 V. In Figure 3.12(a) we see (at 25°C) how the output voltage for Logic 1 is 3 V when the output current is 0, but falls to around 1.7 V when the output current is 10 mA, flowing out of the gate. Similarly, in Figure 3.12(b) we see (at 25°C) how the output voltage for Logic 0 is

0 V when the output current is 0, but *rises* to around 0.8 V when the output current is 22.5 mA (flowing into the gate). It is curves like these that can be used to find the V_{OL} and V_{OH} values used in equations (3.1) and (3.2) once a value for I_D is known. Graphs are also given in the full data for characteristics with a 5 V supply.

Another way of applying these curves is to deduce from them an approximate output resistance. This can be done by measuring the gradient of the curve at a particular point. A simple construction to do this has been added to each plot. By dividing vertical (voltage) by horizontal (current) for each of these, output resistances of *approximately* 130 Ω when at Logic high and 36 Ω when at Logic 0 can be deduced. If we call these two values R_{OH} and R_{OL} respectively, equations (3.1) and (3.2) can be written in a different form:

$$\begin{aligned} \text{For current source: } V_S &= (R + R_{OH})I_D + V_D \\ R &= \frac{V_S - V_D}{I_D} - R_{OH} \end{aligned} \quad (3.3)$$

$$\begin{aligned} \text{For current sink: } V_S &= (R + R_{OH})I_D + V_D \\ R &= \frac{V_S - V_D}{I_D} - R_{OL} \end{aligned} \quad (3.4)$$

3.5 The clock oscillator

The choice of microcontroller clock source determines some of its fundamental operating characteristics. While ‘faster is better’ in terms of operating speed and program execution, faster is definitely worse in terms of power consumption, and also possibly in terms of electromagnetic interference. All timed elements within the microcontroller almost invariably depend on the clock characteristics. If stable and accurate timing is required, then the clock oscillator must be stable and accurate. With these points in mind, the clock source must be chosen with care and understanding. This section starts with a review of the clock technologies available, before moving on to looking at the options offered with the 16F84A.

3.5.1 Clock oscillator types

Broadly, there are two types of oscillator circuit in common use in microcontrollers, as illustrated in Figure 3.13. In the resistor–capacitor (RC) type (Figure 3.13(a)), a capacitor is charged through a resistor from the supply rail. The capacitor voltage drives the input of a Schmitt trigger buffer. When the Schmitt trigger threshold is exceeded, its output goes high, switching on the MOSFET transistor to which it is connected. The capacitor is quickly discharged, the Schmitt output goes low, the MOSFET is switched off and the charging process starts again. This continues for as long as power is maintained. The clock

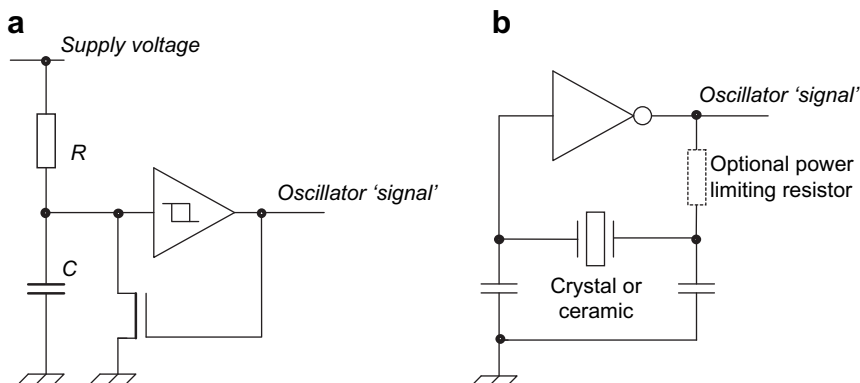


Figure 3.13: Microcontroller oscillator generator circuits. (a) Resistor–capacitor (RC). (b) Crystal or ceramic

signal is taken from the rectangular waveform generated at the Schmitt output. This simple circuit is integrated onto many larger ICs requiring a clock signal. Users are then usually required to connect resistor and capacitor externally, choosing these to set the desired frequency. It is important to note, however, that RC oscillators can be implemented entirely on-chip. They are very low-cost and produce a clock signal very reliably. As resistor, capacitor, power supply and Schmitt trigger threshold values all vary with temperature, their frequency is not very stable. They cannot therefore be used where precise timing is required.

The crystal oscillator (Figure 3.13(b)) depends on the piezo-electric properties of quartz crystal. Any mechanical distortion of the material causes a voltage to be produced across opposite sides of it; similarly, if a voltage is applied to the material, a mechanical distortion results. Crystals are carefully cut into very thin slices (usually discs), have tiny electrodes attached and are mounted so that they can vibrate. When connected in the feedback path across a logic inverter, as the figure shows, the crystal can be forced through piezo-electric action into mechanical vibration. This translates into electrical oscillation, an oscillation that is sustained by the action of the logic gate. Small-value capacitors connected from either side of the crystal to ground optimise the electrical conditions needed for this oscillation.

Crystal vibration occurs at a fixed and remarkably stable frequency – this is the great advantage of the crystal oscillator. The crystals themselves tend to be on the expensive side (although cost continues to fall) and mechanically fragile. An alternative is the ceramic resonator. This has similar piezo-electric properties to the crystal and is connected in an identical way. It is, however, both lower in cost and rather less stable in frequency. Crystals are the only option when precise timing functions, derived from the clock oscillator, are required.

3.5.2 Practical oscillator considerations

All microcontroller manufacturers go a long way towards making it easy to create a clock waveform for their microcontrollers. Usually, this is done by including the circuits of [Figure 3.13](#), possibly in merged form, on-chip. One may be forgiven, therefore, for thinking that setting up the oscillator on a microcontroller is a straightforward thing – in fact it isn't, and unreliable or non-functioning oscillators are a cause of real frustration with novice builders. Oscillator frequency shows greater or lesser dependence on supply voltage, temperature, humidity, PCB layout and possibly other factors. Crystals in particular are sensitive to poor PCB layout. It is important to exclude parasitic resistance, capacitance or inductance by having very short PCB tracks, therefore locating the crystal close to the body of the microcontroller.

3.5.3 The 16F84A clock oscillator

The 16F84A can be configured to operate in four different oscillator modes, allowing implementation of RC, crystal or ceramic oscillators. These are detailed below. It can also accept an external clock source. The user selects which mode is to be used by setting bits in the Configuration Word ([Figure 2.6](#)).

- *XT – crystal*. This is the standard crystal configuration. It is intended for crystals or resonators in the range 1–4 MHz.
- *HS – high speed*. This is a higher drive version of the XT configuration. It recognises that higher-frequency crystals, and ceramic resonators in general, require a higher drive current. It is intended for crystal frequencies in the region of 4 MHz or greater, and/or ceramic resonators. It leads to the highest current consumption of all the oscillator modes.
- *LP – low power*. This mode is intended for low-frequency crystal applications and gives the lowest power consumption possible. In many cases this will be 32.768 kHz (i.e. 2^{15}), which is the most popular frequency for low-power, time-sensitive applications, for example wristwatches. It will, however, operate at any frequency below around 200 kHz.
- *RC – resistor–capacitor*. For this an external resistor and capacitor must be connected to pin 16, replicating the circuit of [Figure 3.13\(a\)](#). This is the lowest-cost way of getting an oscillator, but should not be used when any timing accuracy is required. The nominal frequency of oscillation can be predicted with limited accuracy only, and even then it will drift with changing temperature, supply voltage and time. An example of a use of the RC oscillator appears in the electronic ping-pong game case study at the end of this chapter.

As seen in [Figure 3.1](#), the 16F84A has two oscillator pins, OSC1 (pin 16) and OSC2 (pin 15). Between these lies a logic inverter and associated circuitry. [Figure 3.14](#) shows the possible oscillator configurations that can be connected using these pins. Either a crystal or a ceramic

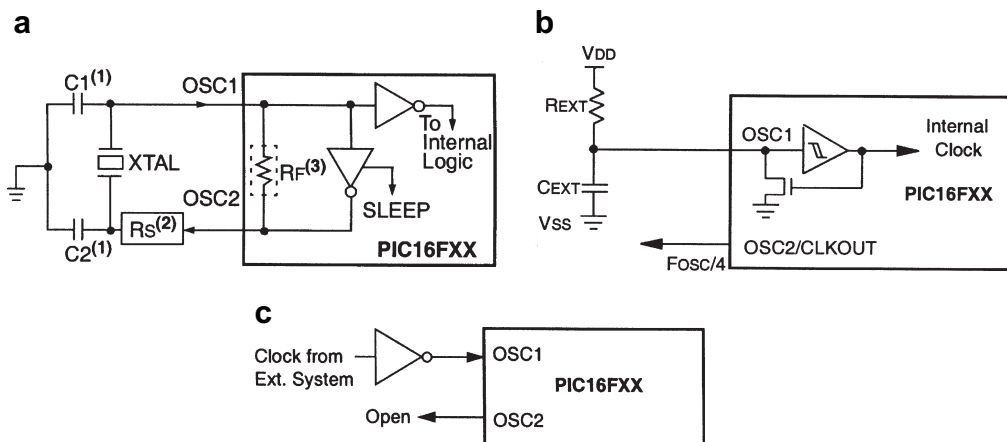


Figure 3.14: Ways of supplying a clock waveform to the 16F84A. (a) Crystal or ceramic, HS, XT or LP. (b) Resistor–capacitor. (c) Externally supplied clock

can be connected to create the oscillator circuit of Figure 3.14(a). Any of the three speed ranges outlined above can be invoked through the Configuration Word. An RC oscillator can also be used, as shown in Figure 3.14(b). The approximate oscillation frequency can be selected by consulting graphical information given in the ‘Electrical Characteristics’ section of the data sheet, for example as seen in Figure 3.15. Finally, an external clock source can simply be connected to the OSC1 pin (Figure 3.14(c)). Further guidance on oscillator design for Microchip microcontrollers can be found in Ref. 3.2.

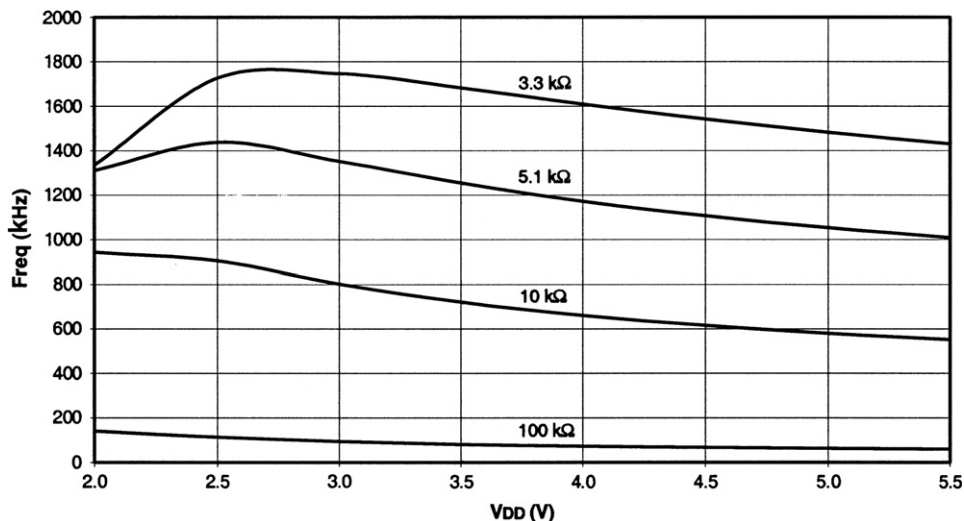


Figure 3.15: Average resistor–capacitor oscillator frequency vs. V_{DD} for variable R , $C = 100 \text{ pF}$, 25°C

3.6 Power supply

3.6.1 *The need for power, and its sources*

Like any electronic circuit, a microcontroller and the overall embedded system need to be supplied with electrical power. Traditionally, much logic circuitry is supplied at 5 V, arising from the voltage specified for the TTL family. With the growth in battery-powered equipment and developments in electronic technology, supply voltages have been pushed down, and 3.3 and 3.0 V supplies are now common.

Operating conditions for electronic components are specified in the manufacturer's data sheet. In terms of power supply there are two important issues: the supply voltage required and the current that the device will then take from the supply. This supply current will be dependent on operating frequency. Also given are 'absolute maximum ratings', which give voltage and power dissipation levels beyond which the device must not be taken.

3.6.2 *16F84A operating conditions*

The essential operating conditions of the 16F84A are shown in [Figure 3.16](#). From this it can be seen that a supply voltage of between 4.0 and 5.5 V is required, unless the HS oscillator mode is used. In this case the supply voltage must not be below 4.5 V. In 'Sleep' mode (when all program execution is suspended and the oscillator is switched off), the supply voltage can be dropped right down to 1.5 V and the data in RAM is still retained. If operation from lower supply voltages is required, then the 16LF84A should be used.

Looking further down the table, we see how much supply current depends on oscillator frequency. A typical supply current of 1.8 mA can be expected when running at 4 MHz with a supply voltage of 5.5 V. If the oscillator frequency is increased to 20 MHz, then the supply current rises to 10 mA. It's worth mentioning that both these values are actually very good, and compare well with many other, more power-hungry microcontrollers. If we want to operate at really low currents, however, then look what the 16LF84A offers at low frequency – a staggering 15 μA !

You may recognise that, for a battery-powered system, the required supply voltage of the 16F84A makes a three-cell alkaline battery supply a useful option. This gives a supply of around 4.5 V. Suppose you powered the system with three AA cells, each with a nominal capacity of 800 mAh. Running at 1.8 mA would give a battery life of 444 hours, or 18.5 days. Running at 10 mA would give 80 hours, or 3.3 days, while 15 μA consumption would lead to 53 333 hours, equivalent to 2222 days or just over six years! In this case battery self-discharge would potentially be significant. The above calculations of course only take account of the consumption of the microcontroller, and not of any other parts of the circuit.

Param No.	Symbol	Characteristic	Min	Typ†	Max	Units	Conditions
D001	V _{DD}	Supply Voltage					
		16LF84A	2.0	—	5.5	V	XT, RC, and LP osc configuration
D001		16F84A	4.0	—	5.5	V	XT, RC and LP osc configuration
D001A			4.5	—	5.5	V	HS osc configuration
D002	V _{DR}	RAM Data Retention Voltage (Note 1)	1.5	—	—	V	Device in SLEEP mode
D003	V _{POR}	V_{DD} Start Voltage to ensure internal Power-on Reset signal	—	V _{SS}	—	V	See section on Power-on Reset for details
D004	S _{VDD}	V_{DD} Rise Rate to ensure internal Power-on Reset signal	0.05	—	—	V/ms	
D010	I _{DD}	Supply Current (Note 2)					
		16LF84A	—	1	4	mA	RC and XT osc configuration (Note 3) FOSC = 2.0 MHz, V _{DD} = 5.5V
		16F84A	—	1.8	4.5	mA	RC and XT osc configuration (Note 3) FOSC = 4.0 MHz, V _{DD} = 5.5V
		D010A	—	3	10	mA	RC and XT osc configuration (Note 3) FOSC = 4.0 MHz, V _{DD} = 5.5V (During FLASH programming)
		D013	—	10	20	mA	HS osc configuration (PIC16F84A-20) FOSC = 20 MHz, V _{DD} = 5.5V
D014		16LF84A	—	15	45	μA	LP osc configuration FOSC = 32 kHz, V _{DD} = 2.0V, WDT disabled

Note 1: This is the limit to which V_{DD} can be lowered without losing RAM data.

Note 2: Gives further information on factors that influence supply current.

Note 3: Gives guidance on how to calculate current consumed by the external RC network, when this is used.

Figure 3.16: The 16F84A basic operating conditions

An important opportunity for conserving power is through Sleep mode. This is introduced in Section 6.6 of Chapter 6.

3.7 The hardware design of the electronic ping-pong game

The electronic ping-pong game project was introduced in Chapter 1. Its circuit diagram can be seen in Appendix 2, Figure A2.1. We are now in a position to understand every detail of its circuit design, with the exception only of the programming connections, which appear top right of the diagram. These should be disregarded for now. Power is supplied from two AAA cells, which are connected to the V_{SS} and V_{DD} pins of the microcontroller via an on off switch. Because the power supply is only 3 V, an LF version of the microcontroller is used. A 100 nF decoupling capacitor across the power supply smooths voltage spikes which may be induced as a result of the action of the microcontroller internal circuitry. MCLR is simply tied to the supply rail, as no Reset function is needed for this simple game.

It can be seen that an RC oscillator is used. This is reasonable, as it is a cost-conscious application with no time-critical elements. Figure 3.15 shows that for the values used, and with a supply voltage of 3.0 V nominal, the oscillator frequency will be 800 kHz.

Let us now look at the use of the parallel ports. It can be seen that the two player paddles, connected to bits 3 and 4 of Port A, follow the pattern of Figure 3.7(b), with 10-k Ω pull-up resistors. The score and out-of-play LEDs take up the remaining bits of Port A, and the ‘ball flight’ LEDs are all connected to Port B. All LEDs are high-efficiency types and are connected according to Figure 3.9(a). Noting the approximate 130 Ω output resistance derived in Section 3.4.3 of this chapter, the total resistance in series with each LED is (560 + 130) Ω . With a forward voltage across the LED of around 1.8 V, the current is given by applying equation (3.3), i.e.

$$I = (3 - 1.8)/(560 + 130) = 1.7 \text{ mA approx.}$$

This current value is just adequate for this type of application and LED, where only close-up viewing is expected. It would in general be viewed as low.

We will be using the ping-pong hardware in the chapters which follow to develop a number of programs. It is helpful, though not essential, to have your own ping-pong hardware in order to run these. If you do this, you will also need access to a programming tool, as described in Chapter 4. The ping-pong hardware can be built at low cost by using a prototyping kit, or on stripboard or PCB. Check the book web site if you want to find a way of building your own.

Summary

- The parallel port allows ready exchange of digital data between the outside world and the controller CPU.
- It is important to understand the electrical characteristics of the parallel port and how they interact with external elements.
- While there is considerable diversity in the logic design of ports, they tend to follow similar patterns. The internal circuitry is worth understanding, as it leads to effective use of ports.
- The 16F84A has diverse and flexible parallel ports.
- A microcontroller needs a clock signal in order to operate. The characteristics of the clock oscillator determine speed of operation and timing stability, and strongly influence power consumption. Active elements of the oscillator are usually built in to

a microcontroller, but the designer must select the oscillator type, and its frequency and configuration.

- A microcontroller needs a power supply in order to operate. The requirements need to be understood and must be met by a supply of the appropriate type.

References

- 3.1. Kingbright Elec. Co. Ltd. Taiwan; <http://www.kingbright.com.tw>
- 3.2. Overview, Design Tips and Troubleshooting of the PICmicro Microcontroller Oscillator (2001). Microchip Technology Inc., Reference no. DS33023A; www.microchip.com

Questions and exercises

Note: The first three questions provide useful insight into the workings of a port driver circuit. If you have a limited electronics background you may wish to skip them, or seek assistance from an instructor or colleague.

1. For the logic diagram of Figure 3.1, complete the timing diagram of Figure 3.17. The bus line indicated is either line of Figure 3.1, and the ext. pin is its corresponding input/output pin.
2. For the logic diagram of Figure 3.2, complete the timing diagram of Figure 3.18. The bus line indicated is either line of Figure 3.2, and the ext. pin is its corresponding input/output pin. The hatched area at the beginning of the bus line trace indicates here that the value cannot be determined from the information available. You will need to use this symbolism again later in the same trace.
3. For the logic diagram of Figure 3.3, complete the timing diagram of Figure 3.19. $Q_{Dim.}$ is the Q output of the bistable labelled 'Direction', and Q_{Data} is the Q output of the bistable labelled 'Data'.

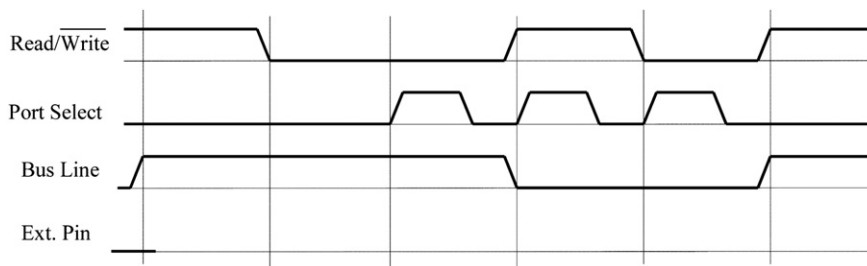


Figure 3.17: Timing diagram for Question 1

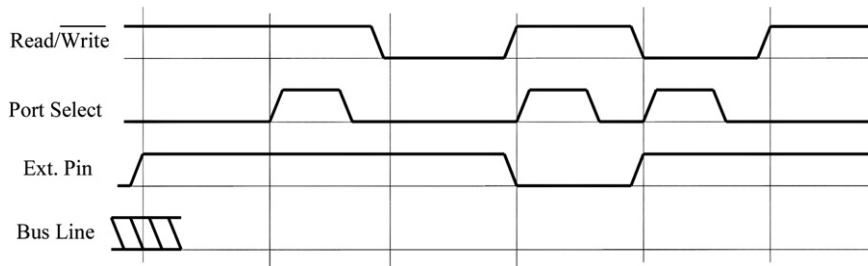


Figure 3.18: Timing diagram for Question 2

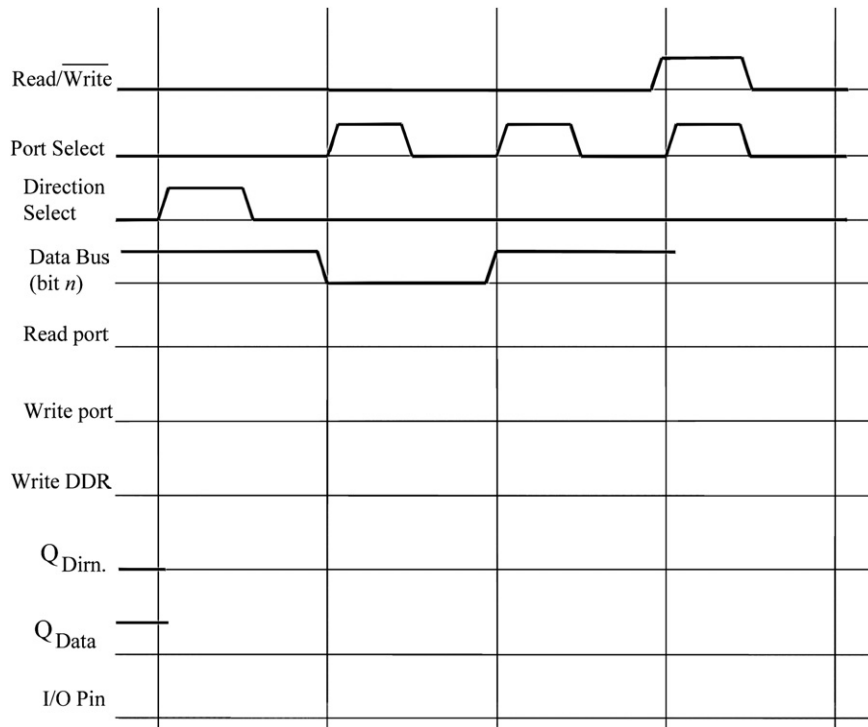


Figure 3.19: Timing diagram for Question 3

4. A CMOS port output is modelled as shown in Figure 3.4(b). It is powered from 5V. The value of $R_{S(\text{high})}$ is estimated to be $120\ \Omega$ and the value of $R_{S(\text{low})}$ $70\ \Omega$. One port pin will light an LED when it is at Logic 1, and another will light an LED when it is at Logic 0. An LED current of 4 mA is required; for this the LEDs have a forward voltage of 1.8 V. Sketch a circuit showing how each LED is connected and calculate appropriate resistor values.
5. Looking at the ping-pong circuit diagram in Figure A2.1, determine what words should be placed in each of **TRISA** and **TRISB** in order for each port bit to act correctly as input or output.

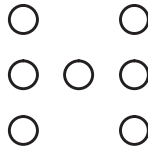


Figure 3.20: LED pattern for electronic device

6. A push-button switch is connected to a microcontroller port input, using an external pull-up resistor. The supply voltage is 3.3 V.
 - (a) Sketch the circuit of this arrangement.
 - (b) As it is a power-conscious application, the current drawn when the switch is closed should not be more than 20 μA . What is the minimum pull-up resistor value?
 - (c) The port input is known to have a worst-case input leakage current of 5 μA , flowing into the input. What is the actual input voltage for the resistor value calculated above when the switch is not pressed?
7. Four Port B bits of a 16LF84A are used as outputs; two will drive green LEDs and two will drive red. Kingbright LEDs are to be used, with characteristics as shown in [Figure 3.8](#). The red LEDs are to be lit with a current of 5 mA when the associated port bit is at Logic 1. The green are to be lit with a current of 12 mA when the bit is at Logic 0. The power supply is 3 V. Calculate the values of the series resistors needed. Is there a reason why the green LEDs are lit with a Logic 0 output?
8. Propose which oscillator type should be chosen for each of the 16F84A-based applications listed below, giving reasons.
 - (a) Scientific instrument control system, requiring intensive calculations and precisely timed outputs.
 - (b) Low-cost toy, timing not of high significance.
 - (c) Hand-held, battery-powered stopwatch.
 - (d) Human interface controller for mains-powered studio mixing desk; some precise timing required, but speed requirements modest.
9. Draw a complete design for the hardware of a hand-held electronic die, based on a PIC 16F84A. The output should be 7 LEDs, in the pattern shown in [Figure 3.20](#). There should be one push-button to initiate a die 'roll', and an on-off slide switch. Do not include any programming interconnection.

Starting to program – an introduction to Assembler

Embedded system design is made up of two main aspects, the hardware and the software. In the early days of microprocessors, systems were built up laboriously using a large number of integrated circuits (ICs). Memory was very limited, so only small programs could be written. Slowly the available ICs became more and more sophisticated, and the designer had to do less to get a working hardware system. Meanwhile memory was growing, so longer programs could be written. Now we are in a situation where memory is plentiful and cheap and the hardware is sophisticated and readily available. Complex hardware systems can be built up with comparative ease, and in many projects software development is now the main creative activity. In this chapter we start down the long but exciting road to developing good programs. We start that road using the Assembler programming language, but later in the book continue it using the high-level language C.

We have one problem if we are to start programming. What will the program run on? Ultimately of course embedded systems programs are written to run on the target system hardware. You may be working with an educational PIC hardware system, or you may have the electronic ping-pong hardware. In many cases, however, we don't want to be dependent on hardware to try out a programming idea. What can really cause a study of programming to spring to life is a simulator – a program running on a desktop computer that will run the program we have developed. Therefore we make it a priority in this chapter to introduce the Microchip MPLAB Integrated Development Environment, and the simulator in it. Once you have the skills to use this, most program ideas can be tried out very quickly, and you should be able to make rapid progress in the noble but tricky art of microcontroller programming!

In this chapter you will learn about:

- Some aspects of the underlying issues of computer programming.
- The essentials of Assembler programming, and how to write simple Assembler programs.
- Development environments for programming, and the Microchip MPLAB Integrated Development Environment.
- The PIC 16 Series instruction set in overview.

- The use of certain PIC 16 Series instructions.
- Simulating software, and the MPLAB software simulator MPSIM.
- Program download to a target system.

You will also, if you wish, be able to learn about:

- The details of how the PIC 16 Series instruction word is constructed.

4.1 The main idea – what programs do and how we develop them

The four main ideas of computer programming, according to this author, are listed here:

- A computer has an ‘instruction set’; it can recognise each instruction and ‘execute’ it.
- The program that the computer executes is a list of instructions drawn from its instruction set; it reads these in binary from its program memory. The program in this form is called ‘machine code’.
- To execute, the computer works relentlessly through the instructions of the program from the beginning, doing exactly what each instruction tells it to do – nothing more, nothing less – except when temporarily diverted by an interrupt.

So far this is simple, but here is the difficult one:

- The programmer must find a means of breaking down and translating his/her ideas into steps that the computer can undertake, where each step ultimately must be an instruction from its instruction set.

4.1.1 *The problem of programming and the Assembler compromise*

The problem of programming is summarised in [Figure 4.1](#). We as humans express our ideas in complex and often loosely defined linguistic forms. A computer reads and ‘understands’ binary, and responds in a precise way to precise instructions. It is ruthlessly logical and does exactly what it is told.

Given this linguistic divide, how can a programmer write programs for a computer? Three ways of bridging the gap present themselves.

1. *The human learns machine code.* This is what programmers used to do sometimes in the very early days, laboriously writing each instruction in the binary code of the computer, directly as the computer then read it. This is incredibly slow, tedious and error-prone, but at least the programmer relates directly to the needs and capabilities of the computer.

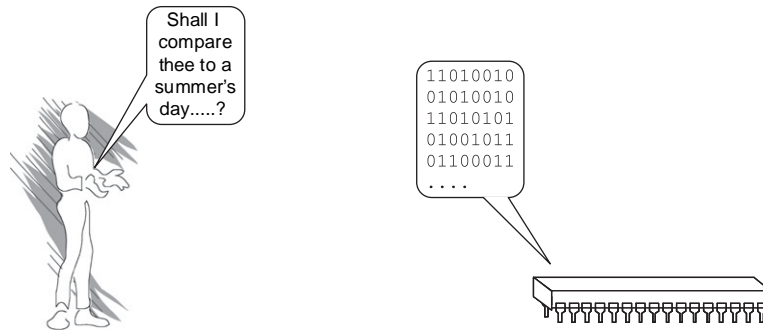


Figure 4.1: The problem of programming

2. *Use a high-level language (HLL).* This is as if we go some way to asking the computer to learn our language. In a HLL instructions are written in a form that relates in a recognisable way to our own language, in the case of people reading this book probably English. Another computer program, either a compiler or an interpreter, then converts that program into the machine code that the computer can comprehend. The programmer now has a much easier time and can write very sophisticated programs. He/she is now, however, separated from the resources of the computer and the program may be comparatively inefficient in terms of its use of memory and in its execution speed.
3. *Use Assembler.* This is a compromise position. Every instruction is given a ‘mnemonic’. This is usually a three- or four-letter word that can be used to represent directly one instruction from the instruction set. The programmer then writes the program using the instruction mnemonics. The programmer has to think at the level of the computer, as he/she is working directly with its instructions, but at least the programmer has the mnemonics to use, rather than actually working with the computer machine code. A special computer program called a ‘Cross-Assembler’, usually these days run on a PC, converts the code written in mnemonics to the machine code that the computer will see. Because there is a computer doing the conversion from the Assembler code to machine code, a number of other benefits can be built into the process. For example the Cross-Assembler can look after most of the business of allocating memory space in program memory and it can accept labels for numbers and memory locations, greatly easing the programmer’s task.

In the early days of computing, programmers used Assembler to program almost any type of computer. These days, however, it is pretty much the preserve of embedded designers, particularly when using smaller 8-bit devices. For the embedded designer Assembler offers the huge advantage that it allows him/her to work directly with the resources of the computer, and leads to efficient code which executes quickly. Because it is so directly linked to the computer structure, working in Assembler helps the user to learn the structure of the computer. Programming in Assembler has the disadvantage that it is rather slow and error-prone, and does not always

produce well-structured programs. This conundrum we will aim to resolve in later chapters. For now, in order to write simple programs and understand the microcontroller more, we will learn Assembler.

4.1.2 The process of writing in Assembler

The actual process of writing in Assembler is illustrated in Figure 4.2. The programmer writes in the microprocessor or microcontroller Assembly language. This *can* be done using nothing more than a text editor. We will soon recognise the two lines of Assembler program in Figure 4.2 as being from the PIC 16 Series instruction set. The computer that is being used for writing runs the Cross-Assembler. The terminology *Cross-Assembler* implies that one computer is assembling code for a computer of another type, not for itself. Usually, and somewhat confusingly, Cross-Assembler is shortened simply to Assembler. The Cross-Assembler ‘assembles’ the program, i.e. it converts it from Assembler mnemonics into machine code ready for the microcontroller. In Figure 4.2 the Cross-Assembler is seen converting the two lines of assembler code into the 14-bit machine code words of the PIC 16 Series. For most microcontrollers there are then special programming tools which can download the program in machine code from the main computer and program it into the microcontroller program memory.

4.1.3 The program development cycle

The process of writing in Assembler needs to be placed in the broader context of project development. The possible stages in the development process for the program of a simple

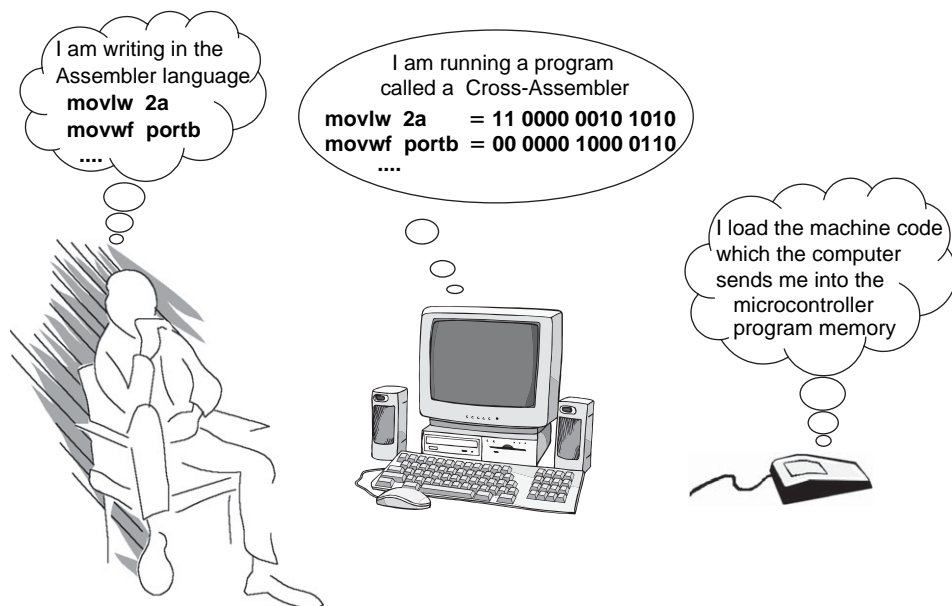


Figure 4.2: Programming in Assembler

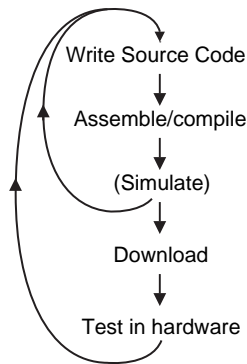


Figure 4.3: Developing a simple project

embedded system project are shown in Figure 4.3. The programmer writes the program, called the ‘Source Code’, in Assembler language. This is then assembled by the Cross-Assembler running on the host computer. If the programmer has access to a simulator then he/she may choose to test the program by simulation. This is likely to lead to program errors being discovered, which will require alteration to the original source code. When satisfied with the program, the developer will then download it to the program memory of the microcontroller itself, using either a stand-alone ‘programmer’ linked to the host computer or a programming facility designed into the embedded system itself. He/She will then test the program running in the actual hardware. Again, this may lead to changes being required in the source code.

Clearly, to develop even a simple project, a selection of different software tools is beneficial. These are usually bundled together into what is called an ‘Integrated Development Environment’ (IDE).

4.2 The PIC 16 Series instruction set, with a little more on the ALU

Before looking at the 16 Series instruction set, it is worth taking a more detailed look at its ALU (Arithmetic Logic Unit). Understanding this will help in understanding the instruction set.

4.2.1 More on the PIC 16 Series ALU

Looking at the ALU, shown in Figure 4.4, we see that it can operate on data from *two* sources. One is the W (or ‘Working’) register. The other is either a literal value, or a value from a data memory (whose memory locations Microchip call ‘register files’). A literal value is a byte of data that the programmer writes in the program and is associated with a particular instruction. Thus we can expect to see some instructions that call on data memory, and others that require literal data to be specified whenever they are used. Examples of all will follow! The data that the instruction operates on, or uses, is called the ‘operand’. Operands can be

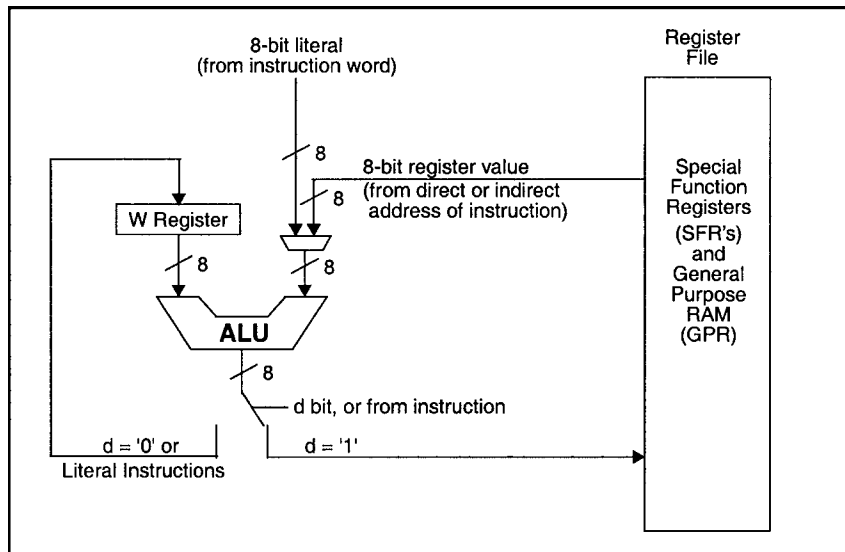


Figure 4.4: Block diagram of the PIC 16 Series ALU

data or addresses. We will see that some types of instruction always need an operand to be specified with them; others do not.

Once an instruction has been executed, where is the result stored? For many instructions Microchip offer a choice, whereby the result can either be held in the W register or stored back in data memory. The one that is used is fixed by certain instructions; in others it is determined by the state of a special **d** bit, which is specified within the instruction.

4.2.2 The PIC 16 Series instruction set – an introduction

Turn now to the PIC 16 Series instruction set, which can be found in Appendix 1. Take a long hard look at it – we are aiming to get to know it extremely well! You can see that the table is divided into six columns, and each of the 35 instructions gets one line. The first column gives the actual mnemonic, together with the code specifying the type of operand it acts on. There are four such operand codes:

- f** for file (i.e. memory location in RAM), a 7-bit number;
- b** for bit, to be found within a file also specified, a single bit;
- d** for destination, as described above, a single bit;
- k** for literal, an 8-bit number if data or 11-bit if an address.

The second column summarises what the instruction does. In some cases this gives adequate information. A much fuller description of how each instruction works can also be found in the

full microcontroller data [Ref. 2.1]. The third column shows how many cycles the instruction takes to execute. With a RISC processor, we expect this to be a single cycle. This turns out to be the case, apart from those instructions that cause a branch in the program. We discuss their use in Chapter 5. The fourth column gives the actual 14-bit opcode of each instruction. This is the code that the Cross-Assembler produces as it converts the original program in Assembler language to machine code. It is interesting to see here how the operand codes, listed above, become embedded within the opcode. The fifth column shows which bits in the Status register (Figure 2.3) are affected by each instruction.

Let us immediately look at six representative example instructions, to see how the information is presented. As an aside, let us note now that Assembler programming does not have to be case-sensitive, and that all the examples in this book are *not* case-sensitive. Therefore do not worry if you see instruction mnemonics and operands appearing in either upper or lower case in different references. In this book, for stylistic reasons, we choose to write Assembler programs in lower case. Find now each of the instructions below in the Instruction Set table in the appendix.

clrw This clears the value in the **W** register to zero. There are no operands to specify. Column 5 tells us that the Status register **Z** bit is affected by the instruction. As the result of this instruction is always zero, the bit is always set to 1. No other Status register bits are affected.

clrf f This clears the value of a memory location, symbolised as **f**. It is up to the programmer to specify a value for **f**, which will need to be a valid memory address. Again, because the result is zero, the Status register **Z** bit is affected.

addwf f,d This adds the contents of the **W** register to the contents of a memory location symbolised by **f**. It is up to the programmer to specify a value for **f**. There is a choice of where the result is placed, as discussed above. This is determined by the value of the operand bit **d**. Because of the different values that the result can take, all three condition code bits, i.e. **Z**, the Carry bit **C**, and the Digit Carry bit **DC** are affected by the instruction.

addlw k This instruction adds a ‘literal’, i.e. an 8-bit number written into the program and represented by **k**, to the value held in the **W** register. Like the **addwf** instruction, The **Z**, **C** and **DC** Status register bits can all be affected by the instruction.

bcf f,b This instruction clears a single bit in a memory location. Both the bit and the location must be specified by the programmer. The memory location is symbolised by **f**. The bit number **b** will take a value from 0 to 7 to identify any one of the 8 bits in a memory location. No Status register flags are affected, even though it is possible to imagine that the result of the instruction could be to set a memory location to zero.

goto k This instruction causes the program execution to jump to another point in the program, whose address is given by the constant **k**. It is up to the programmer to give a value for **k**. No Status bits are affected.

4.3 Assemblers and Assembler format

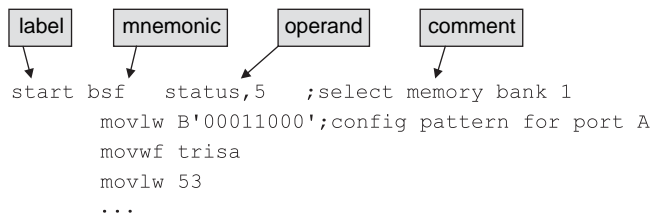
4.3.1 Introducing Assemblers and the Microchip MPASM Assembler

For any microprocessor or microcontroller, there are a large number of (Cross-)Assemblers available. Some are distributed free by the makers of the processors to encourage people to buy their products. Others, usually more sophisticated, are written by specialist software houses and sold commercially. Many these days come as part of an IDE, as mentioned in Section 4.1.3. This book uses MPASM, the Assembler offered by Microchip. It is usually used as part of the MPLAB IDE, and both MPASM and MPLAB are introduced in some detail later in this chapter and the next.

While many aspects of Assembler programming are common across all Cross-Assemblers, some are specific to the particular Assembler that is in use.

4.3.2 Assembler format

Having taken a first look at the instruction set, we need now to understand how we can build these instructions into a line of code and then into a program. Assembler programs have a simple format, which must be understood and followed. This is shown in Program Example 4.1.



Program Example 4.1: Assembler format

There are four possible elements to an Assembler line of code:

- *Label*. A label for a line is optional. When it is first specified, the label must start in the left-most space of the line. The Assembler will interpret anything starting in this space as a label. Once defined in this way, a label can be used as an operand. Labels must start with an alphabetic character or underscore, but not a number. Labels can stand alone on a line, in which case the label is adopted by the next line that contains an instruction.
- *Instruction mnemonic*. This is drawn from the instruction set. It may be placed anywhere on the line, except starting at the far left. It should be separated from any label by at least one blank space.

- *Operand*. These must conform exactly to the format specified in the instruction set. For better intelligibility, labels are often used rather than numbers. If there is more than one operand they are separated by a comma.
- *Comment*. This is optional, and is used to add information to the program and improve its intelligibility to the human reader. A comment must always start with a semi-colon. The Cross-Assembler ignores everything that follows a semi-colon in any line. Comments can follow instructions on a line; alternatively a whole line can be used just for commenting.

A line of an assembler program can contain an instruction, properly formatted as above. Alternatively it can be a comment only, or it can be left completely blank – this sometimes helps to improve layout and readability.

4.3.3 Assembler directives

While the Assembler program is written for the target microcontroller, it has to be processed by the Assembler first. To aid this process and make it more powerful and flexible, a way is needed of passing information and instructions to the Assembler such that it recognises them as being for its attention only. These instructions are called ‘Assembler directives’. They are used for very diverse applications, for example defining the target processor or specifying where the program must be placed in memory. A few MPASM examples are shown in Table 4.1. These are written in the code, and appear almost like mnemonics from the instruction set. Their very distinct role must, however, be recognised.

4.3.4 Number representation

One of the things about working close to the inner operations of a microcontroller is that sometimes one is thinking in binary, sometimes in decimal, and sometimes in hexadecimal or

TABLE 4.1 Some common MPASM Assembler directives

Assembler directive	Summary of action
list	Implement a listing option*
#include	Include another file within the source file; the included file is embedded within the source file
org	Set program origin; this defines the start address where code which follows is placed in memory
equ	Define an assembly constant; this allows us to assign a value to a label
end	End program block

*Listing options include setting of radix and microcontroller type.

TABLE 4.2 Number representation in MPASM Assembler

Radix	Example representation
Decimal	D'255'
Hexadecimal	H'8d' or 0x8d
Octal	O'574'
Binary	B'01011100'
ASCII	'G' or A'G'

even octal. Therefore it is helpful for the Assembler program to be able to recognise and respond to different number bases. MPASM does this first by allowing a default to be set. Thus for example if one wants to work only (or mainly) in hexadecimal, then all numbers can be interpreted as such. Any number that the programmer wants to represent in an alternative radix must be prefixed, as shown in Table 4.2. In Program Example 4.1, for example, the programmer is writing for a default radix of hexadecimal. In the second line of the example, however, he wishes to specify a number in binary, so therefore uses the appropriate format from Table 4.2. In the fourth line he is using the hexadecimal number 53 as an operand. As hexadecimal is the default radix, its number base does not need to be explicitly specified.

Note that a hexadecimal number must not start with an alphabetic character; otherwise, it might be interpreted as a label. Therefore any hexadecimal number starting with a, b, c, d, e or f must be preceded with a zero. Thus for example the number $b2_H$ must be entered as $0b2$, or $0xb2$.

4.3.5 A very first program

Let's now look at Program Example 4.2. This is a simple but complete program and contains the key Assembler features which have just been described. It uses only instructions from those introduced in Section 4.2.2 and directives from Table 4.1.

```

;*****
;Very first program
;This program repeatedly adds a number to the Working Register.
;TJW 1.11.08                                     Tested 1.11.08
;*****
;
; use the org directive to force program start at reset vector
    org    00
;program starts here
    clrw           ;clear W register
loop  addlw 08     ;add the number 8 to W register
      goto loop
      end          ;show end of program with "end" directive

```

Program Example 4.2: A first program

The program starts with a header made up of five comment lines, each starting with a semi-colon. These give the program title, briefly describe what the program does, and give the date it was written and its author. They are not essential, but become increasingly important as program length grows.

Before the actual program starts the **org** directive must be used to define the start address. We have no choice over this – it must be the Reset Vector address, as seen in Figure 2.4. If the address is fixed, you may ask why it can't be stored within MPLAB to save the trouble of having to state it. In longer programs we may need to write program blocks at different locations; hence the control over start address is left with the programmer.

The program which follows uses only three instructions. It first clears the W register. The following instruction has been given the label **loop**. It adds the number 8, embedded into the instruction as a 'literal' value, to the W register. The following **goto** instruction, using the label **loop** as its operand, causes the program to return to the add instruction, which it does repeatedly. The W register therefore repeatedly increments by the value 8. The end of the program is defined with an **end** directive.

This is a complete program and we will soon try assembling and simulating it. It has little practical use of course, mainly because there is neither input nor output of data. That is what we explore later in the chapter.

4.4 Adopting a development environment

4.4.1 Introducing MPLAB

MPLAB is an IDE that can be downloaded free from Microchip's web site [Ref. 1.2]. There is also a copy on the book's companion website. It contains all the software tools necessary to write a program in Assembler, assemble it, simulate it, and then download it to a programmer. The latter must be built, bought or designed into the target system. Further software tools can be bought and then integrated with MPLAB, both from Microchip and from other suppliers. This includes alternatives to what MPLAB already offers – e.g. assemblers or simulators, as well as tools which offer much greater development power, like C compilers or emulator drivers.

MPLAB is a continuously evolving package, with its own manuals [Refs. 4.1 and 4.2] and online help facility. Therefore this book does not aim to act as a full MPLAB manual. It will, however, aim to give a clear introduction to its use so that you can begin to apply it with confidence. Screen images from MPLAB Version 8.10 are used in this chapter and the next.

4.4.2 The elements of MPLAB

MPLAB is made up of a number of distinct elements which work together to give the overall development environment. These are:

- *Project Manager.* The preferred way of developing programs in MPLAB is by creating a project. An MPLAB project groups all the files together that relate to the project and ensures that they interact with each other in an appropriate way and are updated as needed.
- *Text Editor.* This allows entry of the source code. It behaves to some extent like a simple text editor such as Notepad, but it can recognise the main elements of the programming language that is being used. Thus in Assembler it codes instructions in one colour, labels in another and comments in a third. In this way the programmer can immediately see if there is a misconception in his placing or use of text within the Assembler line.
- *Assembler and Linker.* The function of the Assembler has already been discussed. So far we have assumed that there is a single source file. In advanced projects, however, the code may be created from a number of different files. The role of the Linker is to put these together, give each its correct location in memory, and ensure that branches and calls from one file to the other are correctly established.
- *Software Simulator and Debugger.* A software simulator allows a program to be tested by running it on a simulated CPU in the host computer. Inputs can also be simulated and outputs and memory values can be observed. The debugger contains the tools which allow program execution to be fully examined, for example by single stepping through the program, running at slow speed, or halting at a particular location.

4.4.3 The MPLAB file structure

Even with simple projects, a significant number of files are rapidly generated in MPLAB. Each type is designated by the file extension used, of which examples are given in [Table 4.3](#). Whenever a project is set up, files of type `.mcp` and `.mcw` are created. When using Assembler, the original source code is written in a file with the `.asm` extension. The source code may include an `.inc` file, to be described in Chapter 5. When the source code is assembled successfully, the output appears in `.lst`, and `.hex` files. If there is an error, is placed in an `.err` file.

4.5 An introductory MPLAB tutorial

This tutorial takes you through the stages of creating a project, writing simple source code and assembling it to create output files. To follow the tutorial, you should download

TABLE 4.3 Some file extensions used in MPLAB IDE

File extension	Function
.asm	Assembly language source file
.err	Error file
.hex	Machine code in hex format file
.inc	Assembly language Include File
.lib	Library file
.lst	Absolute listing file
.o	Object file
.mcp	Project information file
.mcw	Workspace information file

and install the current version of MPLAB if it is not available in your place of work or study.

Open the MPLAB IDE, which should appear as [Figure 4.5](#). If a blank Output window also opens, close it. The main screen is blank, apart from the Workspace window at the top left. It is a good idea to leave this permanently open, as it will give essential information about the project you are working on. If it does not appear, or if you close it, you can display it again by clicking View > Project.

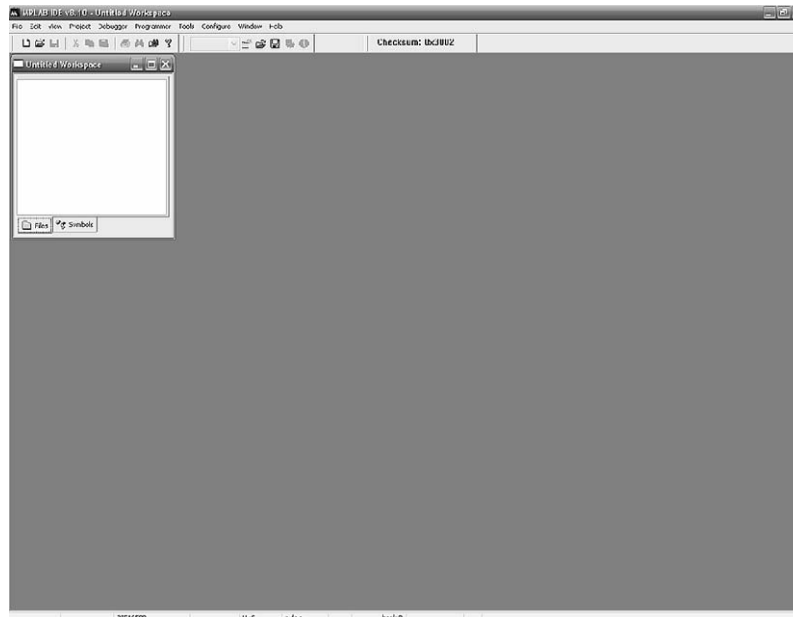


Figure 4.5: The MPLAB IDE screen

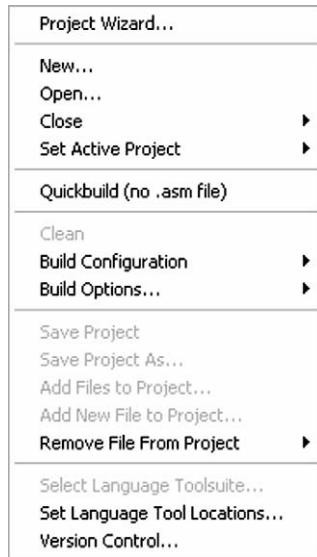


Figure 4.6: Project pull-down menu

4.5.1 Creating a project

Click the Project button on the toolbar to access the pull-down menu, as shown in Figure 4.6.

There are two ways to create a project, both accessible from this menu. One is by using the Project Wizard, and the other is by selecting New... . Try following the Project Wizard route, making the following selections as you work through the dialogue boxes:

Step One

Device: **PIC16F84A** (click **Next**)

Step Two

Active Toolsuite: **Microchip**

MPASM Toolsuite

which will display:

MPASM Assembler

MPLINK Object Linker

MPLIB Librarian

as Toolsuite Contents

(click **Next**)

Step Three

Click **Browse** to select a folder, enter the name of the project you want, and click **Save**

(click **Next**)

Step Four

Do not add any further files

(click **Next**)

Summary

The essential project features which you have just chosen will be displayed.

(click **Finish**)

When you click Finish, the workspace window should be updated to show the filename you have selected, as seen in [Figure 4.7\(a\)](#) for a project called fred. If the window does not display, click View > Project.

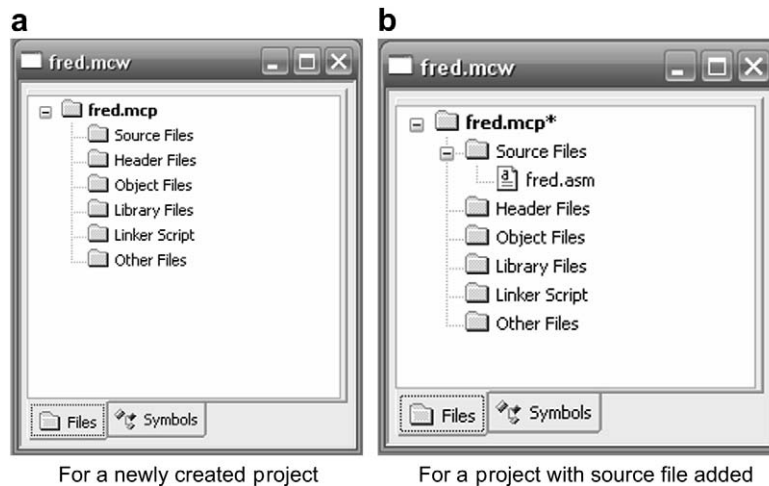


Figure 4.7: Workspace window

4.5.2 Entering source code

Now open a new file by clicking File > New and start to enter into it the program of Program Example 4.2. After a few lines save this using File > Save As.... Select file type Assembly Source File and save as <your project name>.asm. Continue entering the code, and notice now that MPLAB has identified this file as an Assembler Source File. It applies colour-coding to labels, instruction mnemonics, numerical data, assembler directives and comments. When complete, go to the Project menu again, click Add Files to Project... and select the one you have just saved. Your workspace window should now appear as [Figure 4.7\(b\)](#), with of course your own file names. You will now begin to appreciate how valuable this window is to become, as it shows a complete picture of the files associated with your project.

4.5.3 Selecting the microcontroller and setting the Configuration Word

There are two important settings to be checked or made, which both appear under the Configure tag on the toolbar at the top of the MPLAB screen. The first of these is device

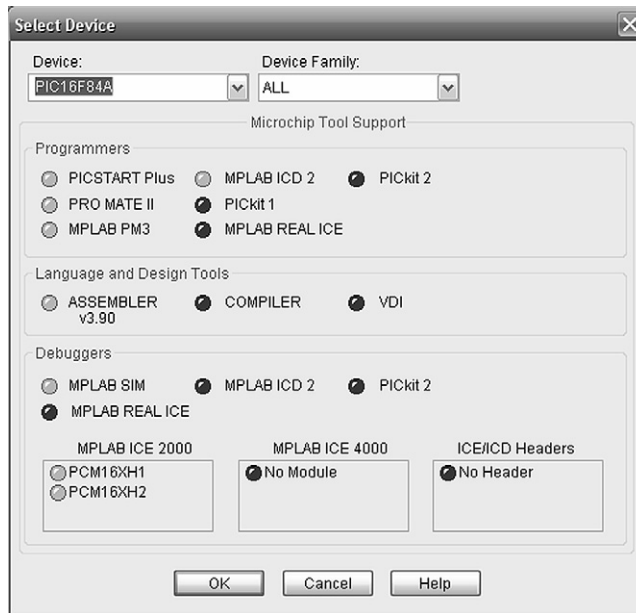


Figure 4.8: Selecting the device

selection. Click `Configure > Select Device` to get the screen shown in [Figure 4.8](#). If you set up the project by using the Project Wizard, you will have already selected the microcontroller, and at this point it should show the 16F84A. Also shown on the screen are the development tools which are available to work with that device, indicated by green ‘LEDs’. If you didn’t select the device through the Project Wizard, ensure that the correct microcontroller is selected. It is always worth checking this setting, even if defined in the project set-up, as it is possible for it to be changed accidentally. If the wrong device is selected there may be problems with the assembly process.

Under the `Configure` pull-down menu you can also select `Configuration Bits`, as shown in [Figure 4.9](#). These are very important when you actually download to a microcontroller; they are less so when just simulating. For our early program simulations, just ensure that the Watchdog Timer is turned off, as shown in the figure.

4.5.4 Assembling the project

Now comes one of the testing moments in the development of any project. You have entered new source code and you need to know if it assembles correctly. The Assembler subjects your code to a series of checks. It returns errors if it finds incorrect use of Assembler format, instruction mnemonics, labels, or a range of other things. Remember, however, that the Assembler can effectively only check that your program is correct grammatically; it cannot assure you that it is a viable program. Above all else, it has no knowledge of the target

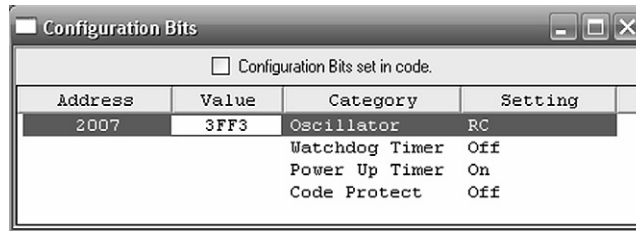


Figure 4.9: Setting the configuration bits

hardware, beyond the fact that the microcontroller has been specified. Correct assembly does not guarantee correct program operation!

Check that the default radix is correctly set by clicking Project > Build Options > Project > MPASM Assembler, and ensuring that Hexadecimal is selected in the dialog box. In the same dialog box you can enable or disable case sensitivity for all the source codes. This is not necessary if you have directly copied Program Example 4.2. You may need to use it in future, however.

Invoke the MPASM Assembler by selecting Project > Build All. This also ensures all files are updated as needed. The Output window will open, reporting on the progress of the build. In the output window you will either get a BUILD SUCCEEDED or BUILD FAILED, message together with a fleeting box showing a green bar (for success) or red (for errors).

If you get neither green nor red bar and the message in the Output window suggests that the process has failed to start properly, then it is worth checking that the software tools are properly selected and located. Select Project > Select Language Toolsuite, and ensure Microchip MPASM Toolsuite is selected. If there are still problems, select Project > Set Language Tool Locations, and ensure that the different elements of the MPASM Toolsuite are shown as being in the locations where they are installed on your computer.

4.5.5 The list file and identifying errors

Whether your build has initially succeeded or failed, open the file *<your project name>.lst*. This should be in the directory you specified for the project. Use File > Open and ensure you select All Files in the dialog box against Files of Type. The .lst file is very informative. Part of the list file for Program Example 4.2 is shown as Program Example 4.3. The file gives first the original source code; each line is numbered, beginning with number 00001. To the left of this, once the actual instruction mnemonics appear, is the assembled machine code and the memory location in which it is placed. Thus the **clrw** instruction is assembled to code 0103 and placed in memory location 0000. Because of the quantity of information displayed, there is some line overflow in the figure. The number of errors and warnings that may have been generated is shown below.

```

LOC  OBJECT CODE      LINE SOURCE TEXT
VALUE
                                00001 ;*****
                                00002 ;Very first_program
Register.                        00003 ;This program repeatedly adds a number to the Working
                                00004 ;TJW 1.11.08                                Tested 1.11.08
                                00005 ;*****
                                00006 ;
                                00007 ; use the org directive to force program start at reset

vector
0000                                00008          org          00
                                00009 ;program starts here
0000  0103                        00010          clrw          ;clear W register
0001  3E08                        00011 loop  addlw 08          ;add the number 8 to W register
0002  2801                        00012          goto  loop
                                00013          end          ;show end of program with "end" directive

...

Program Memory Words Used:      3
Program Memory Words Free:    1021

Errors      :      0
Warnings   :      0 reported,    0 suppressed
Messages   :      0 reported,    0 suppressed
.....etc

```

Program Example 4.3: Part of the introductory program list file

Programming Exercise 4.1

Insert a deliberate error in this file by changing the **goto loop** line to **goto loop1**. Build the project and look at the list file again. You will see that Error 113 has been invoked. Click the MPLAB Help and follow Topics > MPASM Assembler > Index. Then select Errors > Assembler. You will see all error numbers and their descriptions displayed. Return to your program and correct the error.

In many cases errors are simply typographical and can easily be fixed by correcting the source code and building again. A few may require careful study of the error description, and exploration of the underlying cause.

In general, once you have a source file which builds correctly, you are in a position either to download to microcontroller memory or to simulate. For now we continue on the simulation path. At the end of your development session, close the current project using Project > Close.

4.6 An introduction to simulation

The following section introduces the MPLAB simulator, MPSIM, by means of a tutorial, simulating Program Example 4.2.

4.6.1 Getting started

In MPLAB, open your project for Program Example 4.2 by clicking Project > Open. Then select the Simulator by invoking Debugger > Select Tool > MPLAB SIM. The simulator menu, as seen in Figure 4.10, will now appear under Debugger.

4.6.2 Viewing microcontroller features

You can observe a number of microcontroller features during simulation, including program memory, SFRs, data memory, and so on. It is possible to open a window for each of these, using the View menu. If you do this, however, you will find that the screen very quickly becomes cluttered.

A Watch window allows you to make selections of only those variables you want to see, while leaving out the others. Open a Watch window by clicking View > Watch. Items for the window are then selected by using the pull-down menus at the top of the window. Using the Add SFR menu, select **WREG**, **PCL**, and **STATUS**. The Watch window should appear as seen in Figure 4.11, although you are likely to have arranged the windows differently. In this image we see the source file in the centre, with the Watch window below it.

4.6.3 Resetting and running a program

When a microcontroller is powered up, it first enters a Reset state, as explained in Section 2.6. This ensures that when the program starts running, it does so from the Reset Vector. Similarly,



Figure 4.10: Simulator menu

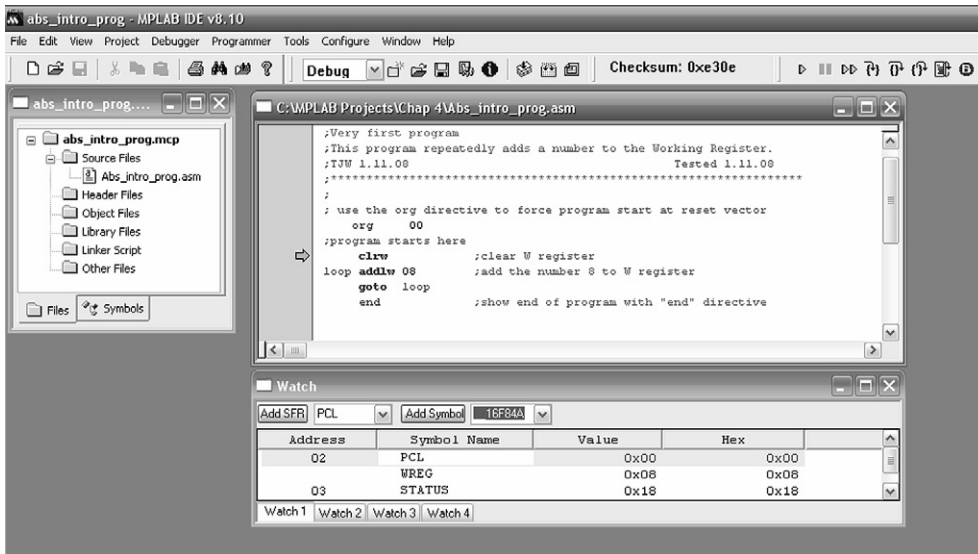


Figure 4.11: MPSIM set up to simulate Program Example 4.2

when using the simulator you need to start from Reset. You can reset the simulated CPU either using the F6 button or by clicking Debugger > Reset. Using the latter, four Reset categories are offered, reflecting the Reset capabilities of the PIC microcontroller (Section 2.7). Alternatively (and more simply) you can use the Reset button of the Debugger toolbar (Figure 4.12). If this is not displayed, invoke it by selecting View > Toolbars > Debug. The simulated CPU of Figure 4.11 has just been reset, so the arrow representing the program counter is pointing to the first instruction. This can be confirmed by checking the **PCL** value in the Watch window.

There are three ways to run the program. Each can be selected via the Debugger pull-down menu or by clicking the buttons on the tool-bar. These are:

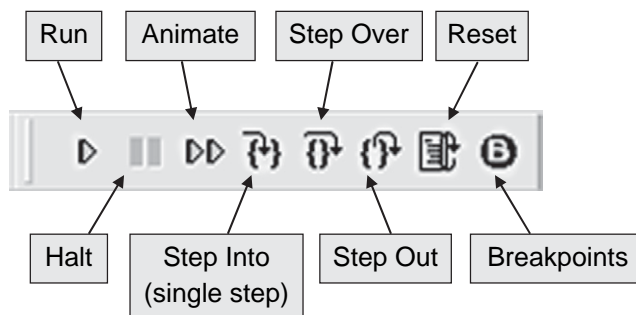


Figure 4.12: MPSIM software simulator Debugger toolbar

- *Single step.* This allows you to step through the program one instruction at a time. This version of MPLAB uses the terminology Step Into for this mode.
- *Animate.* This is like an automated single step. The program runs slowly but continuously, with the screen being updated after each instruction.
- *Run.* This runs the program, but does not update on-screen windows as it runs. It does, however, accept stimulus input.

It is also possible to Step Over a subroutine, or Step Out of one. Each of these also has a button on the toolbar. These are especially useful for delay routines, which on a simulator may take an unacceptably long time to simulate.

Now, by repeated pressing of the **Step Into** button, single-step through the program. As you do this, you will see the **PCL** value being incremented in the Watch window, and the other register values changing. Program execution then circles around the loop formed by the last two instructions. Try now pressing the Animate button. Notice that the program runs continuously, updating the W register as it does so. Stop the animation with the Halt button. Try changing the animation speed by clicking Debugger > Settings > Animation/Realtime Updates, and modifying the Animate Step Time.

This is a useful moment to take a first look at the operation of the Status register (Figure 2.3), which we have already placed in the Watch window. It is easier to read this if the value is presented in binary, so right click on the Value button in the Watch window and then click on Binary. Binary equivalents to the Hex data already displayed should now show in a further column. Reset the program and start stepping through it using Step Into. Watch the least significant three bits of the Status register, which are the Zero, Digit Carry and Carry bits. Notice that when the W register value goes from 8 to 16_D, and then on every alternate addition, the Digit Carry bit is set. This is because there is a carry from the less significant digit (i.e. the least significant 4 bits), to the more significant. Keep looping until the W register holds 248_D. Make a further addition of 8, which should lead to a value of 256_D. However, this is a 9-bit number, and we have now overflowed the 8-bit range. Therefore the Carry bit (effectively a ninth bit when adding) is set. The Zero and Digit Carry bits are also set, as the W register now holds zero, and because there was a carry between digits.

4.7 A larger program – using data memory and moving data

The next example, Program Example 4.4, makes use of data memory, simple addition and data move instructions. It generates a Fibonacci series, as described in the header.

To use data memory, the first thing to check is the memory map, as seen for the 16F84A in Figure 2.5. In this program four memory locations are needed, three to hold the most recent numbers in the series and one to hold temporary data. While there are a number of ways of

allocating data memory, a simple and effective one is to reserve certain locations permanently for certain variables. This is what is done here. The memory map shows that memory locations in the address range $0C_H$ to $4F_H$ are available. In this program the locations from 20_H to 23_H have been arbitrarily chosen. Labels corresponding to memory location addresses have been defined using the **equ** directive, for example:

```
fib0    equ    20    ;lowest number
```

The action of this line of code is only this: wherever the word **fib0** is used after this line, it will be replaced by the number 20_H . It is worth observing here that we have now seen label values being assigned in two different ways. Some, like **porta** or **fib0**, are assigned a specific value by the programmer, using the **equ** directive as we have just seen. Others, like the label **forward**, are inserted into the program, and the Assembler itself allocates them a value.

Aside from the instructions introduced in Section 4.2.2, this program makes use of these move instructions:

movwf f This moves the contents of the W register to the memory location **f**.

movf f,d This instruction moves the contents of the memory location **f** to the W register, *if* the **d** bit is set to 0; if it is set to 1 then the contents of **f** are just returned to **f** (but the Z bit may still change).

movlw k This instruction moves the literal value **k**, an 8-bit number which accompanies the instruction, into the W register.

The program starts by preloading the three first numbers in the series, 0,1,1, into the reserved memory locations. Location **fib0** is simply cleared using a **clrf** instruction. The value 1 is loaded into **fib1** and **fib2**. To do this we need to specify a number and load it into a memory location. There is, however, no way of doing this in just one instruction. The number must first be moved into the W register with a **movlw** instruction, before being transferred to the memory location with a **movwf** instruction. We will often see these two instructions working together to make this sort of data transfer.

Starting at the label **forward**, the program starts calculating the next value in the series by adding the two most recent numbers. The instruction set does not allow the direct addition of two memory locations. One location therefore, **fib1**, is moved first to the W register. This is done using a **movf** instruction, with the **d** bit set to 0. The W register is then added to **fib2**. Because the **d** bit is set to 0 again, the result is saved in the W register. The next instruction moves it to **fibtemp**. The program then shuffles the numbers held in the memory locations, retaining the three most recent values and discarding the oldest. Using a **goto** instruction, the program then loops back to **forward**, and starts to calculate a new member of the series.

```

;*****
;Fibo_simple
;In a Fibonacci series each number is the sum of the two previous ones,
;e.g. 0,1,1,2,3,5,8,13,21...
;This program calculates Fibonacci numbers within an 8-bit range.
;Program intended for simulation only, hence no input/output.
;TJW 6.11.08                               Tested by simulation 6.11.08
;*****

;these memory locations hold the Fibonacci series
fib0 equ 20 ;lowest number
fib1 equ 21 ;middle number
fib2 equ 22 ;highest number
fibtemp equ 23 ;temporary location for newest number

        org 00
;preload initial values
        clrf fib0           ;clear location fib0
        movlw 1             ;move value 1 to W register
        movwf fib1         ;move W register to fib1
        movwf fib2         ;move W register to fib2
;
forward movf fib1,0        ;move the contents of fib1 to W register
        addwf fib2,0       ;add W reg to fib2
        movwf fibtemp      ;move new number formed to fibtemp
;now shuffle numbers held, discarding the oldest (ie fib0)
        movf fib1,0        ;move fib1 to W register
        movwf fib0         ;move W register to fib0
        movf fib2,0        ;move fib2 to W register
        movwf fib1         ;move W register to fib1
        movf fibtemp,0     ;move fibtemp to W register
        movwf fib2         ;move W register to fib2
        goto forward
        end

```

Program Example 4.4: Generating a Fibonacci series

Programming Exercise 4.2

Create a project around this program, copying the source code from the book's companion website. Simulate it in a manner similar to that already described. In the Watch window observe the W register, and **fib0**, **fib1**, **fib2** and **fibtemp**. These can be selected using the Add Symbol menu.

This is a useful program to illustrate certain instructions and also to simulate. Without input and output it still does not have practical value. This we come to in the section that follows.

4.8 Programming for a target piece of hardware – a simple data transfer program

While the first two example programs we have seen are just written for simulation, in reality we will be writing for a target piece of hardware. A number of things become important. The configuration bits (see Figure 2.6) will need to be set. This can be done within the MPLAB IDE, or actually in the program itself. In addition to this, as we will now be moving data in and

out of the microcontroller, we will inevitably need to use one or more peripherals; these will need to be set up in the program.

We now look at a program written for a target piece of hardware, in this case the electronic ping-pong game (Appendix 2). The program appears as Program Example 4.5.

```

;*****
;Ping-pong data move
;This program moves push button switch values from Port A to the
;leds on Port B
;TJW 21.2.05                               Tested 22.2.05
;*****
;
;Configuration Word: WDT off, power-up timer on,
;                      code protect off, RC oscillator
;
;specify SFRs
status equ    03
porta  equ    05
trisa  equ    05
portb  equ    06
trisb  equ    06
;
    org    00
;Initialise
start  bsf    status,5      ;select memory bank 1
        movlw B'00011000'
        movwf trisa        ;port A according to above pattern
        movlw 00
        movwf trisb       ;all port B bits output
        bcf    status,5    ;select bank 0
;
;The "main" program starts here
        clrf  porta        ;clear all bits in ports A
loop   movf  porta,0       ;move port A to W register
        movwf portb       ;move W register to port B
        goto loop
        end

```

Program Example 4.5: A simple data transfer program

The program starts with a header made up of six comment lines, similar to the earlier programs. Information on the configuration setting, fundamental to the running of the microcontroller, is then given. Following this approach, it is up to the programmer to set the Configuration Word correctly in MPLAB, as described in Section 4.5.3.

A section follows which uses the **equ** directive to define the memory locations of the SFRs that will be used. It comes as some surprise to many people that it is necessary to do this. Don't we 'tell' the IDE what the processor is, so shouldn't it 'know'? The answer is that it doesn't, so we must supply this information. This program just uses the Status register, Ports A and B, and their control registers **TRISA** and **TRISB**. Labels for these are therefore defined, taking memory addresses directly from the memory map of Figure 2.5. Remember (from Section 2.4.2) that the Bank Select bit is held in the Status register. Once this is removed from the SFR addresses shown in Figure 2.5, the labels **porta** and **trisa**, and **portb** and **trisb**, have the same values. In the program it would make some sense to use just one label for each of these

pairs, instead of the two. We choose not to do this in this program example for better clarity when the different locations are used.

The actual program, following the **org** line, makes use of seven instructions. The two which have not so far been used are:

bcf f,b This clears (i.e. sets to logic 0) the bit **b** in memory location **f**.

bsf f,b This sets to logic 1 the bit **b** in memory location **f**.

The program starts with an initialisation section – we will see this as a pattern in all future programs. This sets up the direction of each bit in the two ports that are used; it requires access to the port control registers **TRISA** and **TRISB**. As these are placed in RAM memory bank 1, it is necessary first of all to set bit 5 of the Status register to 1 (as explained in Section 2.4.2). This is done in the first program line, labelled **start**, using the **bsf** instruction. The label **status** can be used because it was defined earlier in the program. If this had not been done, then it would have been necessary to write:

```
start      bsf  3,5;  select memory bank 1
```

which would have an identical effect but would have been somewhat less intelligible.

The port pin directions needed are derived from the circuit diagram, Figure A2.1. From this we can see that the two push buttons connect to bits 3 and 4 of Port A, which must accordingly be set up as inputs. The three other bits of Port A are all connected to LEDs, so must be set up as outputs. As described in Section 3.4, to be an output a port pin must have a 0 in its corresponding TRIS register bit. It must have a 1 for the bit to be an input. Therefore we must send the word 00011000 to **TRISA**. Note that **TRISA** is an 8-bit location, even though Port A only has 5 bits. It is therefore necessary to specify a complete 8-bit word to be sent, even for those three bits that are not implemented. The binary radix is used (Table 4.2) instead of the default hexadecimal. A similar process is followed for setting up Port B. A quick look at the circuit diagram shows that all Port B pins are connected to LEDs, so all must be set as output. Therefore the word sent to **trisb** is 00_H. From here on the ports will be accessed; their locations are in bank 0. The initialisation section therefore ends with memory bank 0 being selected in the Status register.

Finally we reach the effective program itself, all four lines of it! The program continuously reads the value of Port A and transfers it to Port B. By reading the value of the Port SFR, we are actually directly reading the input state of the port pins for all pins set as inputs. If either push button is pressed, this should be seen on the LEDs connected to bits 3 and 4 of Port B. When Port A is read, all of its 5 bits are read, even though three are set as outputs. For these, the values of the internal data latches (Figure 3.11) are read. All Port A bits are therefore initially cleared to 0 in the program, using a **clrf** instruction.

The actual data transfer part of the program uses a **movf** instruction to move the value of Port A to the W register, followed by a **movwf** instruction to move the W register value to Port B. A **goto** instruction creates a continuous loop, making use of the earlier defined label **loop**. As before, the program must end with an **end** directive.

4.8.1 Tutorial: simulating Program Example 4.5

Create a new project for this example, copying code from the book's companion website. Assemble the project and open the simulator, as described for Program Example 4.2.

This program applies the ping-pong hardware, so to simulate we will need to create simulated inputs for the two ping-pong paddles on Port A pins 3 and 4. Select Debugger > Stimulus > New Workbook. The dialog box that appears is shown as part of Figure 4.13. Select **Asynch** – this allows you to set up different types of inputs at the port pins, which are initiated by pressing the Fire button at the appropriate moment. Under Pin/SFR, select **RA3** and then **RA4**, with Toggle under Action for each. When you close the project you are invited to save your stimulus settings as an.sbs file. Open a Watch window and select **PCL**, **TRISA**, **PORTA**, **TRISB**, and **PORTB**.

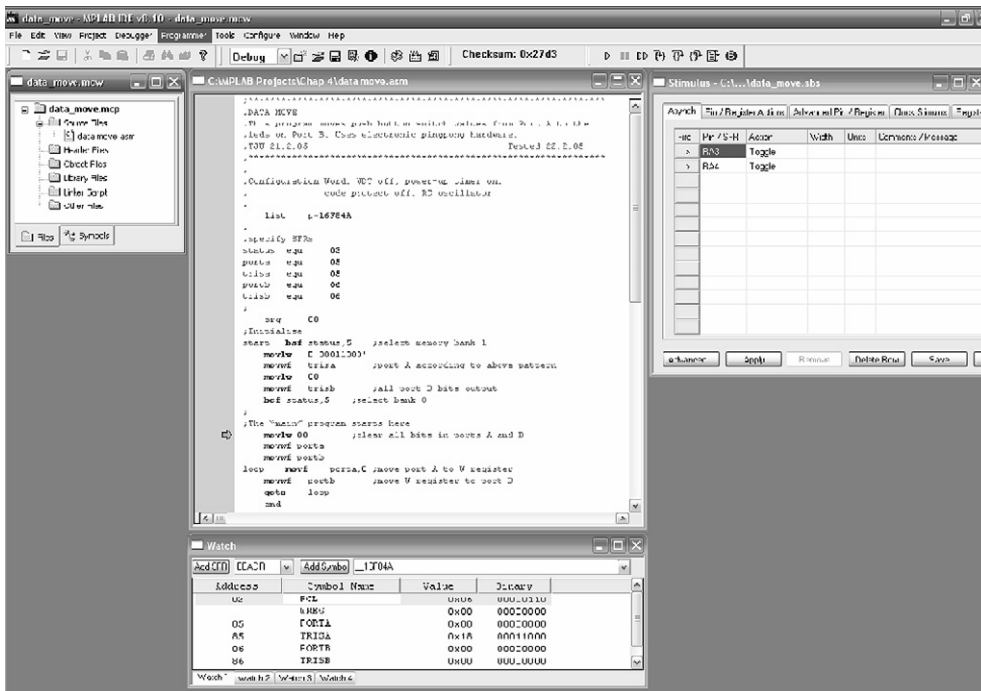


Figure 4.13: MPLAB set up to simulate Program Example 4.5

You should now have a computer screen similar to that shown in [Figure 4.13](#), although you are likely to have arranged the windows differently. In the middle of this image we see the source file, with the Watch window below it and the Stimulus controller top right. The arrow representing the program counter shows that the program has already been stepped through to the **movlw 00** instruction. This can be confirmed by checking the **PCL** value in the Watch window.

Now, by repeated pressing of the Step Into button, single-step through the program. As the program moves through the initialisation, you will see the SFR values being changed in the Watch window, and the **PCL** value being incremented. Program execution then circles around the loop formed by the last three instructions. Now try ‘firing’ RA3 or RA4. Display windows are not updated with the new value until the next instruction execution. Observe Port A and Port B being updated as you continue to execute the program. Try now pressing the Animate button. Notice that the program runs continuously but still responds to stimulus inputs.

4.9 Downloading to a microcontroller

Almost all microcontrollers these days have on-chip program memory, using Flash technology. The process of programming requires data to be transferred into the chip in a precisely timed way, applying certain programming voltages, usually higher than the normal supply voltage. Certain microcontroller pins therefore have a secondary function, being used in programming mode to transfer the program data into the chip, and transmit the programming voltages.

In times past, the process of programming always required the IC carrying the memory (whether a stand-alone device or memory in a microcontroller) to be placed in a ‘programmer’. This was linked to a desktop computer for the programming process to be carried out. As memory technology has improved, however, the process has become simpler, and it has become increasingly easy to design the necessary programming circuitry into the target system. This means that most microcontrollers can now be programmed *in situ*, i.e. within the target system. We will expand on these techniques in later chapters. In this chapter we will introduce one traditional programmer, the PICSTART Plus, and one in-circuit programmer, the PICkit 2.

4.9.1 Conventional programming – using the PICSTART Plus

A popular and low-cost programmer, supplied by Microchip, is the PICSTART Plus, shown in [Figure 4.14](#). There are many alternatives to this, including many designs intended for home-build, which are available on the web. The PICSTART programmer is connected to the host computer by a serial cable, and MPLAB has the software to communicate with it. To use it the microcontroller must be removed from the target circuit and placed into the programmer. The programmer can accept a wide range of dual-in-line microcontroller packages, from 8 to 40 pins. With adaptors it can program other package types.

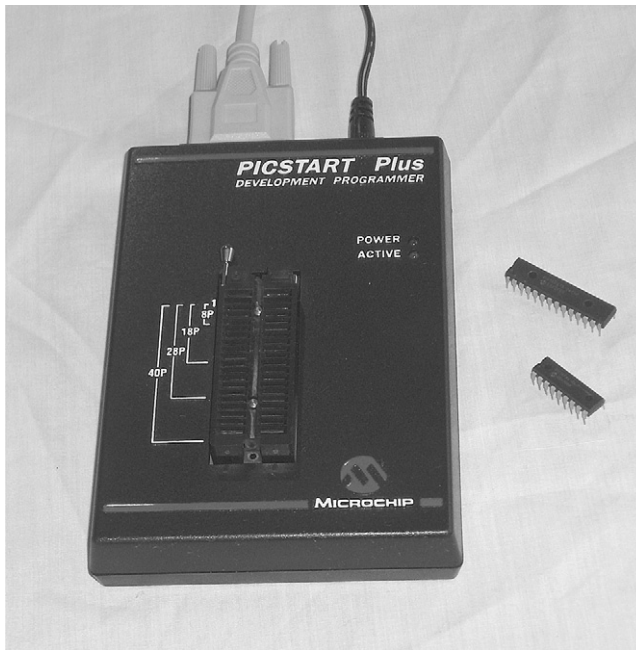


Figure 4.14: The PICSTART Plus programmer

The following steps take you through actually downloading code to the microcontroller, using the PICSTART Plus programmer. If you have a programmer and the ping-pong hardware, you can immediately download the program you have just created in the preceding tutorial.

You will need to power your PICSTART programmer and connect it to the serial port of your computer (note that this therefore excludes most laptops). From within MPLAB IDE, select Programmer > Select Programmer > PICSTART Plus. Then enable the programmer with **Programmer > Enable Programmer**. A positive response should be given via the Output window. If there is a problem, you may need to check Programmer > Settings > Communications. Ensure the programmer toolbar, Figure 4.15, is displayed. If not, find it with View > Toolbars > Picstart.

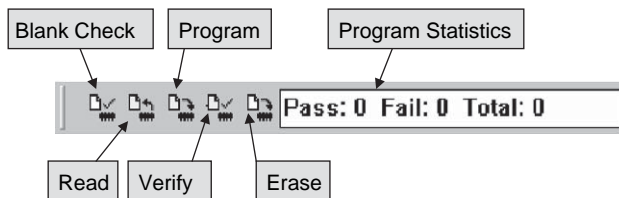


Figure 4.15: The MPLAB programmer toolbar

Put the Zero Insertion Force (ZIF) socket on the PICSTART programmer in the Open position. Place a 16F84A into it, ensuring from the legend that the chip is in the right place and is the right way round. Then close the ZIF with the lever. With the project you want open on MPLAB, you should now be able to apply the features available to you, as summarised in Figure 4.15. The Output window in MPLAB will give you feedback on the success or otherwise of all PICSTART actions undertaken, with a useful summary provided in the Program Statistics of Figure 4.15.

4.9.2 In-circuit programming – using the PICkit 2

The PICkit 2 is a very simple and low-cost programmer and debugger, which exploits the In Circuit Serial Programming (ICSP) capability of many PIC microcontrollers. It is pictured in Figure 4.16, alongside a ping-pong unit. The PICkit 2 connects to the target board using a 6-way connector. It also connects to the USB port of a host computer. The PICkit 2 can be driven from MPLAB itself or it can be driven from its own software control package.

The 16F84A and 16LF84A both have ICSP capability, and recent versions of the ping-pong hardware design have interconnections to allow ICSP connection to the microcontroller.

The following description takes you through downloading a program to a target device using the ping-pong, loaded with a 16LF84A microcontroller, as an example. It assumes that you have already successfully assembled the code for a program suitable for download, such as Program Example 4.5. The standalone PICkit 2 user interface, version 2.11, is used. For use in other modes, and further details, consult Ref. 4.3.

Connect the PICkit pod to the ping-pong board and to your computer USB port. The PICkit 2 allows programming power to be supplied from the target board or from the USB via the programmer pod. In this case the user can set a chosen voltage value. The ping-pong board only has a 3 V supply, which is not adequate for some of the programming and erase processes. Therefore leave the ping-pong supply switched off, as we will use power supplied from the PICkit 2.

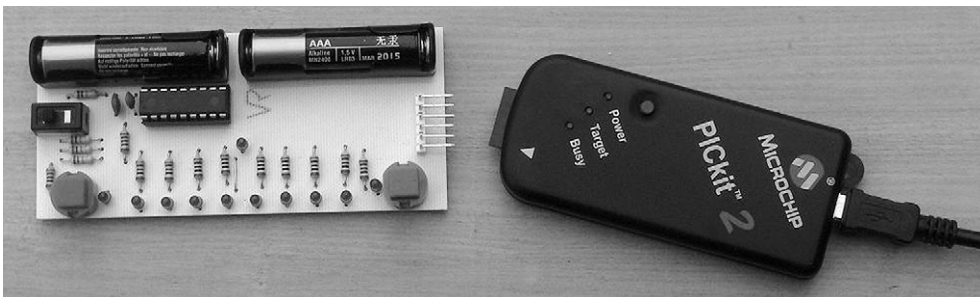


Figure 4.16: A ping-pong unit awaiting connection to a PICkit 2

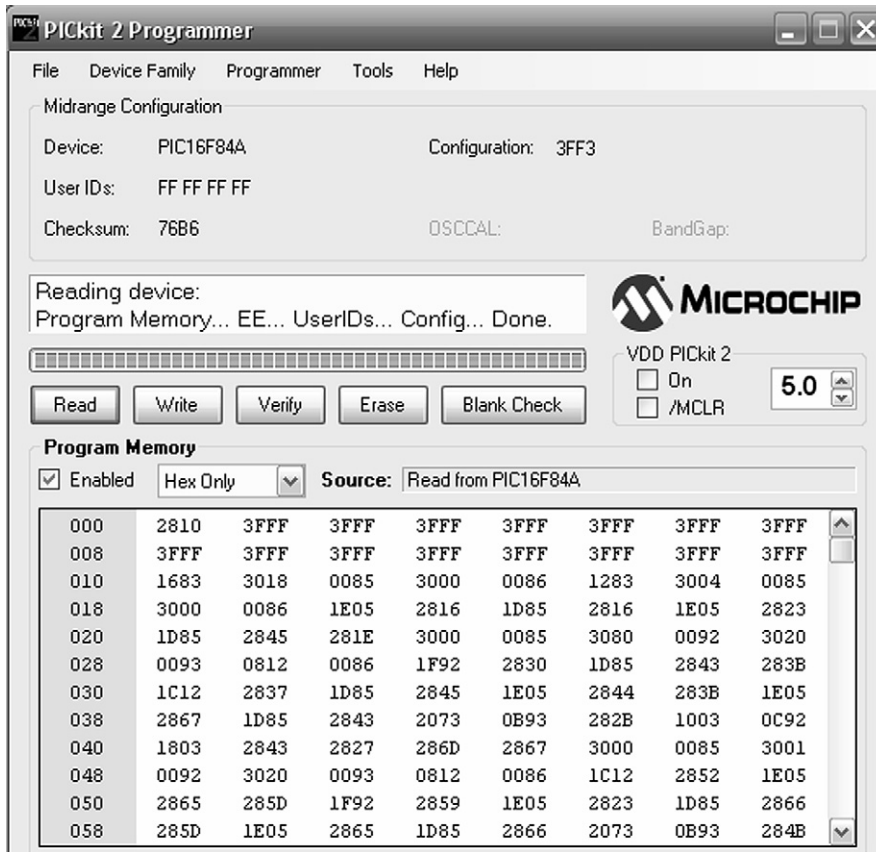


Figure 4.17: Part of the PICkit 2 control screen

Start up the application software. You should see a screen similar to Figure 4.17. Notice that the PICkit has identified the microcontroller. It cannot distinguish between 16F84A and 16LF84A, so the former is shown. Notice also that the functionality on the push buttons is very similar to that of Figure 4.15. In the case of Figure 4.17, a read has just been completed from a microcontroller which has already been programmed.

To program the ping-pong hardware, you need to ‘import’ the correct hex file to the PICkit 2. Depending on how the configuration bits have been set, however, it may be necessary first to ‘export’ the file from MPLAB. Do this in the MPLAB screen by selecting File > Export Hex. Accept the defaults you are offered, and then select the file you wish to export (i.e. the one you want to download to the ping-pong board). Return to the PICkit 2 window, select File > Import Hex from the top left menu and select the Hex file you wish to import. You should get a message to say that the file has been successfully imported. All that remains to be done now is to click the **Write** button and watch the fleeting messages on the screen. These should lead

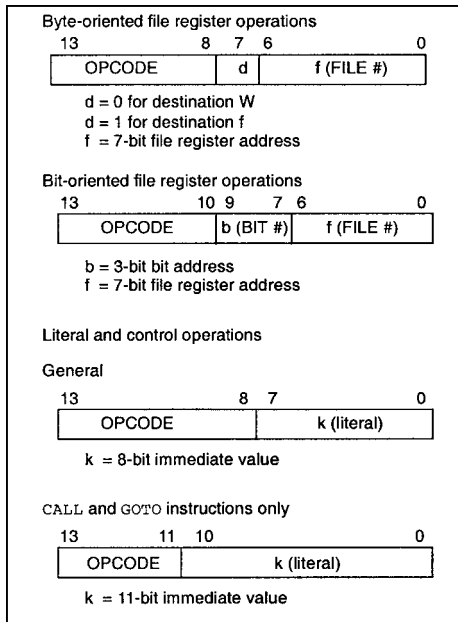


Figure 4.18: Instruction formats of the PIC mid-range microcontrollers

to a ‘Programming Successful’ message. The file import and programming can be run automatically by clicking the Auto Import Hex + Write Device button.

4.10 Taking things further: the 16 Series instruction set format

It is interesting to take a little time here to understand further the way the instruction code is made up of different component parts, as first discussed with the 12F508/9 in Chapter 1. The PIC 16 Series has four possible instruction word formats, as shown in Figure 4.18. The instruction word, which is transferred down the Program Bus (Figure 2.2), is made up of 14 bits. These appear as bits 0 to 13 in the figure. The opcode, the actual instruction part of the instruction word, always occupies the highest bits of the instruction word. This is the part of the instruction word that ends up in the ‘Instruction Decode and Control’ unit of Figure 2.2, but it is not always the same length.

If the instruction is the type that contains a file address, then it is of the first format shown. The most significant 6 bits hold the opcode, while the least significant 7 bits are used to hold the address. These bits are transferred onto the ‘Direct Addr’ bus of Figure 2.2. In fact, because the ’F84A only has a small memory, only the least significant 5 bits are used, as can be seen from the ‘Direct Addr’ bus size indicated. Bit 7 holds the **d** bit. Different instruction word patterns are used for the other instruction categories. These can be seen and understood by reading the information in the figure.

Summary

If you have followed the material of this chapter then you have taken an enormous step forward – you are on your way to becoming a programmer of embedded systems! The key points are:

- Assembler is a programming language that is part of the toolset used in embedded systems programming. It comes with its own distinct set of rules and techniques.
- It is essential to adopt and learn an IDE when developing programs. The MPLAB IDE is an excellent tool for PIC microcontrollers, both for learners and professionals. And it can't be beaten on price!
- While some people are eager to get programs into the hardware immediately, it is extremely useful to learn the features of a simulator. The simulator in MPLAB allows the user to test program features with great speed and is an invaluable learning tool.

References

- 4.1. MPASM Assembler, MPLINK Object Linker, MPLIB Object Librarian User's Guide (2009). Microchip Technology Inc., Document no. DS33014K.
- 4.2. MPLAB User's Guide (2006). Microchip Technology Inc., Document no. DS51519B.
- 4.3. PICkit 2 Programmer/Debugger User's Guide (2008). Microchip Technology Inc., Document no. DS51553E.

Building Assembler programs

In Chapter 4 the basic rules of Assembler programming were introduced, along with some of the instructions from the PIC 16 Series instruction set. It's as if we have now learned some introductory skills in bricklaying. We need to develop those skills further, but we need to begin to think about the structures that the bricks are going to be built into. Therefore we now need to develop this introductory knowledge, so that we can actually build up programs that have structure and are functional and reliable.

In this chapter you will learn:

- How to visualise a program and represent it diagrammatically.
- How to use program branching and subroutines.
- How to implement delays.
- How to use look-up tables.
- Logical instructions.
- How to simplify and optimise Assembler programming.
- More advanced features of software simulators.

5.1 The main idea – building structure into programs

When we actually design a program that is to do anything more than some minimal task, it is important to think about and plan its structure, *before* starting to write the code. This is especially true in Assembler – Chapter 4 warned that one of the problems of Assembler programming was that it leads to unstructured ‘spaghetti’ programs. Therefore we must consider means of representing the program diagrammatically. Let us consider how we might do this, with two examples of commonplace domestic products.

5.1.1 Flow diagrams

A well-established diagramming technique is the flow diagram. While this has many symbols that can be used, we can develop good flow diagrams with just two! We will use rectangles for processes or actions and diamonds for decisions.

Figure 5.1 is a simple flow diagram example, showing a refrigerator controller. The user has a single control, an adjustable potentiometer that allows him/her to set a desired temperature. Within the fridge there is a temperature sensor. Temperature is controlled by switching the compressor on or off – the temperature will fall when it is running. The program reads both the actual and demand temperatures and determines which is higher. If it is the actual temperature, then the compressor is switched on. If the difference between the two is very great, then an alarm will sound. The flow diagram shows this action, using just the two symbols mentioned above. Notice how each diamond decision symbol contains a question within it with a yes/no answer. Its two exit points then correspond to the two possible answers. It can be

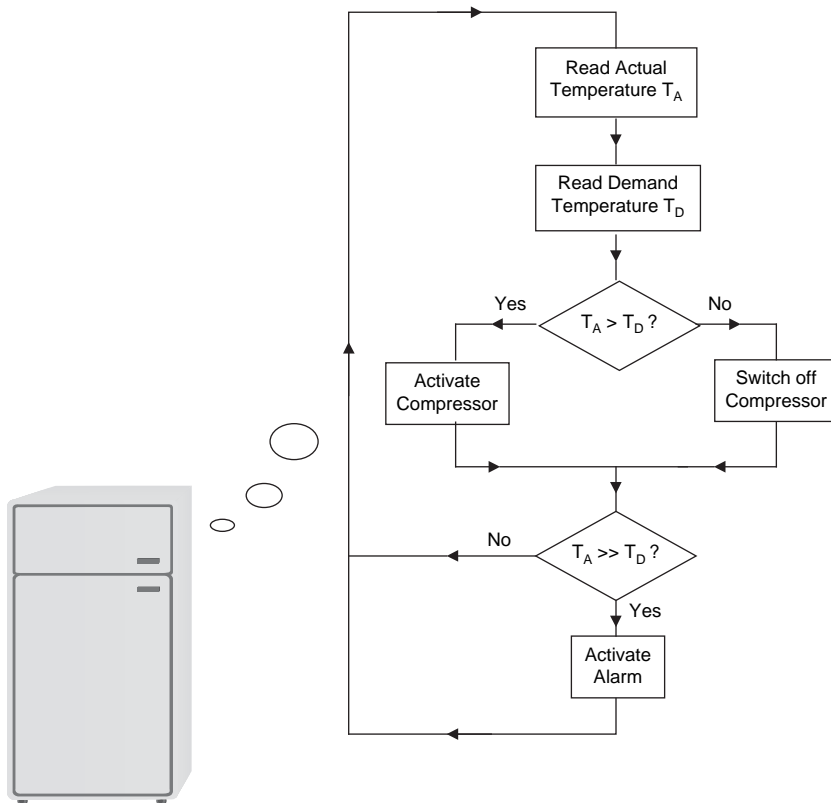


Figure 5.1: Flow diagram of simple refrigerator controller

seen that this example program will loop indefinitely. This is a common embedded system program structure and is sometimes called a ‘super loop’.

It is possible to draw flow diagrams with too much detail or too little. With care and experience, however, it is possible to draw them at a level such that the diagram can be converted to an Assembler program without too much difficulty. In some cases, an overview flow diagram might be appropriate, with different sections within it then developed as separate diagrams.

Flow diagramming is considered by some to be an old-fashioned technique as, somewhat like Assembler itself, it does not encourage a structured program. Nevertheless, it is easy to learn and use and it can clearly represent simple program ideas. Therefore for our purposes we will make use of it.

5.1.2 State diagrams

The flow diagram views life as a series of actions or events which are rapidly passed through. Many products, however, behave in a different sort of way. They tend to move from one state to another, maybe spending a significant time in that state, and leaving it only when a period is completed or a specific event occurs. These are best represented by a ‘state diagram’, which forms an alternative to the flow diagram. As with flow diagrams, there is some sophistication in using state diagrams in their full form. For our purposes, however, all we need to do is to draw each state as a labelled circle and interconnect these with arrows. These show under what condition(s) one state can move to another. Each arrow is labelled with the condition that causes the state to change.

Figure 5.2 shows the function of a domestic washing machine represented as a simple state diagram. When switched on, the machine first enters a Ready state. If the door is closed and the user initiates a wash, then the machine first loads with water. A level sensor detects when this is complete; however, the machine will also measure the time taken to fill. If it does not fill within the allotted time then a fault is assumed. This may be due to inadequate water pressure or a faulty valve mechanism. The use of timeout is a low-cost alternative to sensing the water flow or pressure itself. The fill state is followed by a water-heating state. Again, a timeout occurs if the water is not heated in an allotted time. The process continues as shown, each state having a ‘successful’ exit condition as well as one which leads to the fault state.

From a programming point of view, state diagrams are more abstract than flow diagrams and cannot so easily be translated directly into assembler code. In fact, it is often useful to convert each state into its own flow diagram. To retain clarity of structure and ensure good programming practice, each state should have very clearly defined entry and exit points. The use of both flow diagrams and a state diagram to represent program structure is illustrated later in this chapter with the electronic ping-pong program.

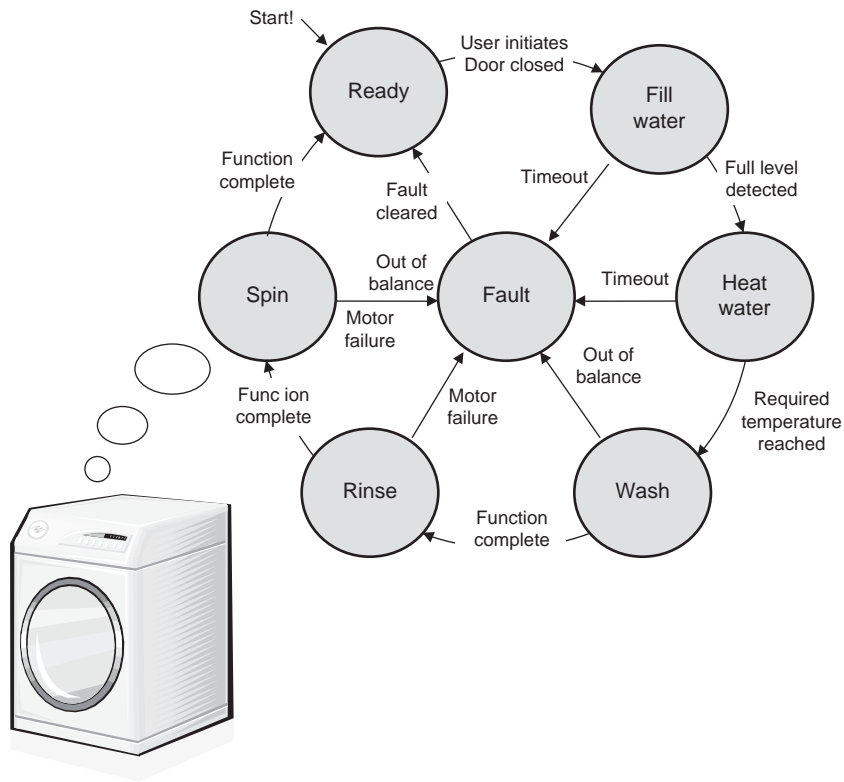


Figure 5.2: A washing machine control program – visualised as a state diagram

5.2 Conditional branching and working with bits

One of the most important features of any microprocessor or microcontroller program is its ability to make ‘decisions’, i.e. to act differently according to the state of logical variables. Microprocessors generally have within their instruction sets a number of instructions which allow them to test a particular bit, and either continue program execution if a condition is not met or branch to another part of the program if it is. This is illustrated in Figure 5.3. These variables are often bit values in condition code or Status registers.

The PIC 16 Series microcontrollers are a little unusual when it comes to conditional branching as they do not have branch instructions as such. They have instead four conditional ‘skip’ instructions. These test for a certain condition, skipping just one instruction if the condition is met and continuing normal program execution if it is not. The most versatile and general-purpose of these are the instructions:

btfsc **f,b**

btfss **f,b**

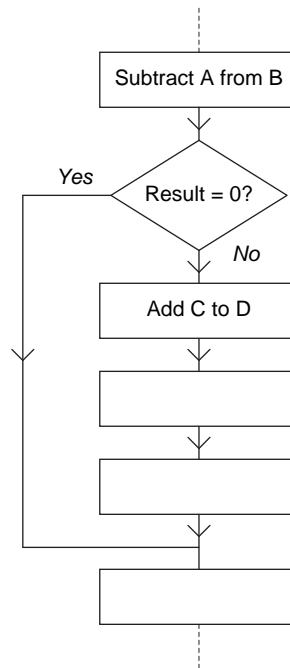


Figure 5.3: Conditional branching

The first of these tests bit **b** in memory location **f** and skips just one instruction if the bit is clear (i.e. at Logic 0). The second does a similar thing but skips if the tested bit is set (i.e. at Logic 1). Let us explore this in an example program.

5.2.1 Working with bits – the data transfer program

Suppose in Program Example 4.5 we don't want to move the whole of Port B to Port A. Maybe we wanted to transfer just one bit, or move a bit from one position in Port B to a different position in Port A. Then we could use the 'bit-oriented' instructions of the 16 Series instruction set. There are four of these: the two mentioned directly above and two which we used in Program Example 4.5, **bsf** and **bcf**.

The program fragment in Program Example 5.1 performs a similar function to that of Program Example 4.5, but now applies the bit manipulation instructions. As just single bits are manipulated, however, it does not affect any of the other bits in the port to which it is writing. It lights an LED if the associated microswitch is pressed. Even this simple task requires some thought, however – the instruction set does not allow us to move or invert single bits, which would be so convenient here. As the port input goes low when the button is pressed, the program needs to 'set' the output bit (to light the LED) if the input is low, and

‘clear’ it if it is high. This implies a selection process – in a high-level language we might call this an ‘if...else’ structure. The simple skip instruction is not able to do this on its own. One way to do this is to ‘preset’ the output bit with one value and then change it if we find it has been set wrong.

```

;The "main" program starts here
    movlw 00          ;clear all bits in port A and B
    movwf porta
    movwf portb
loop  bcf  portb, 3    ;preclear port B, bit 3
      btfss porta, 3
      bsf  portb, 3    ;but set it if button pressed
;
      bcf  portb, 4    ;preclear port B, bit 4
      btfss porta, 4
      bsf  portb, 4    ;but set it if button pressed
      goto loop
    end

```

Program Example 5.1: Testing and manipulating single bits

Programming Exercise 5.1

Open a new project under the suggested name Bit Set, or choose your own name. Copy Program Example 4.5 into it as a source file but replace the main section of code with Program Example 5.1. Build the project and simulate. With the Stimulus Controller create input signals for Port A, pins 3 and 4, selecting Toggle for Action. Open a Watch window with **PCL**, **PORTA**, **PORTB** and **W register** as observed variables. Step through the program ‘firing’ the inputs at appropriate moments, noting the effect. Change the program so that:

- (1) Port B, bits 3 and 4, are ‘set’ if the respective buttons are pressed;
- (2) different bits in Port B are set when the buttons are pressed.

Download your revised program to the ping-pong hardware, if you have the means.

5.2.2 Branching on Status register bits

We saw when simulating Program Example 4.2 how the Status register bits Zero, Carry and Digit Carry respond to certain arithmetic instructions. In many cases we will need to test these and branch according to the result. Such tests often follow an arithmetic instruction.

The 16 Series instruction set has six arithmetic instructions: **addwf**, **addlw**, **subwf**, **sublw**, **incf** and **decf**. Their use is central to any arithmetic processing that the microcontroller may have to do. We have already made use of the first two of these. The Subtract instructions follow a similar pattern to the Add. The Carry bit now, however, acts as

a Borrow, except the polarity is reversed (see the Status register, Figure 2.3). Therefore if a subtract occurs and the result is positive, then the Carry bit is 'set'. If the result is negative, then the Carry bit is 'clear'.

We return now to developing the Fibonacci program, which we first met as Program Example 4.4. One problem with that program was that it overran the microcontroller's 8-bit range without this being detected. Let us therefore develop the program so that it remains within the 8-bit range and steps back down the series when that range has been fully exploited.

The revised program is shown as Program Example 5.2. A counter has been included to show how many numbers in the series have been calculated. The program tests for range overflow by checking the Carry bit after each addition. When the 8-bit range is exceeded, it reverses the series by subtracting. You will notice that **c** and **z** are defined as labels in the opening equates section. There is of course no problem in doing this, just as labels are used for both SFR and memory location.

The program starts as before by preloading the first three numbers in the series into the memory store. It starts moving up the series from the label **forward**. The two most recent numbers are added and the Carry bit then checked. If it is set, the 8-bit range has been exceeded and the program will need to reverse. Assuming Carry was not set, the program then increments the counter and shuffles the numbers in the memory store, discarding the oldest. The program then loops up to **forward**. If, however, the Carry had been set, the program branches to **reverse**. Now it works down the series by subtraction. It tests the counter number to determine when it should return to **forward**.

Programming Exercise 5.2

Create a project in MPLAB called Fibonacci Full. Copy from the book's companion website the source file of Program Example 5.2 into it, and simulate. In the Watch window display **counter**, **fib0**, **fib1**, **fib2**, **fibtemp**, **WREG**, and **STATUS**. Single-step initially and watch the Fibonacci series develop, in **fib0**, **fib1**, and **fib2**. How many numbers in the series fit into the 8-bit range? Watch the Carry bit being set as the range is exceeded, and see the program reverse down the series. Notice now that the Carry bit (now acting as |Borrow) is 'set' after each subtraction. Try halting the program at **reverse** and forcing two values for **fib0** and **fib1** that will give a negative result. Single-step through the subtraction, check the result in the W register, and notice that the Carry bit is clear. See how the comparison of **counter** with the literal number 3 is achieved, and see the program return to **forward**.

```

;*****
;Fibonacci_full
;In a Fibonacci series each number is the sum of the two previous
;ones, e.g. 0,1,1,2,3,5,8,13,21....
;This program calculates Fibonacci numbers within an 8-bit range,
;first going up and then down.
;Program intended for simulation only, hence no input/output.
;The program demonstrates addition, subtraction, compare.
;TJW 17.3.05. Tested by simulation 18.3.05
;*****

;no i/o ports used
status equ 03
c equ 0
z equ 2
;these memory locations hold the three highest values of the Fibonacci series
fib0 equ 10 ;lowest number (oldest when going up,
;newest when reversing down)
fib1 equ 11 ;middle number
fib2 equ 12 ;highest number
fibtemp equ 13 ;temporary location for newest number
counter equ 14 ;indicates value reached, opening value is 3

org 00
;preload initial values
movlw 0
movwf fib0
movlw 1
movwf fib1
movwf fib2
movlw 3
movwf counter;we have preloaded the first three numbers,
;so start count at 3

;
forward movf fib1,0
addwf fib2,0
btfsc status,c ;test if we have overflowed 8-bit range
goto reverse ;here if we have overflowed, hence reverse down
movwf fibtemp ;latest number now placed in fibtemp
incf counter,1
;now shuffle numbers held, discarding the oldest
movf fib1,0 ;first move middle number, to overwrite oldest
movwf fib0
movf fib2,0
movwf fib1
movf fibtemp,0
movwf fib2
goto forward
;when reversing down, subtract fib0 from fib1 to form new fib0
reverse movf fib0,0
subwf fib1,0
movwf fibtemp ;latest number now placed in fibtemp
decf counter,1
;now shuffle numbers held, discarding the oldest
movf fib1,0 ;first move middle number, to overwrite oldest
movwf fib2
movf fib0,0
movwf fib1
movf fibtemp,0
movwf fib0
;test if counter has reached 3, in which case return to forward
movf counter,0
sublw 3
btfsc status,z
goto forward
goto reverse

;
end

```

Program Example 5.2: A better Fibonacci program

The PIC 16 Series subroutine call and return instructions can be seen in Appendix 1, and are simply called **call** and **return**. A special return instruction, **retlw**, is also available; we meet this later in the chapter.

A subroutine called from *within* another subroutine is called a nested subroutine. In doing this, it must be remembered that every time a subroutine is called one Stack location is taken up, which becomes free again upon the subroutine return. If we call a subroutine from within another, then two Stack locations are used up, or three if there is another nested call. As the 16 Series microcontrollers only have an 8-level stack, care must be taken that there is not ‘stack overflow’.

5.3.1 Adapting the Fibonacci program to use subroutines

Program Example 5.3 shows a very simple subroutine example. It rewrites the Fibonacci program, now replacing two code sections with subroutines. The example program is written just to illustrate the mechanics of subroutines. Because each is used only once the main benefit of subroutines, the fact that they can be used repeatedly, is not realised. Comparison with Program Example 5.2 shows that each subroutine has been created simply by taking out a block of code from the main body of the program, labelling the first subroutine line, and terminating the block with a **return** instruction. The label effectively becomes the name of the subroutine. The subroutines have been grouped together and placed after the end of the main program. Each subroutine is called at the appropriate place in the program, using the **call** instruction and invoking the subroutine name.

Programming Exercise 5.3

Create a project with recommended name Fibonacci SRs, and use Program Example 5.3 as source code. Build and simulate the program. In the Watch window display **PCL**, **fib0**, **fib1**, **fib2**, and **fibtemp**. Also Open the Hardware Stack window, as seen in Figure 5.5, using View > Hardware Stack.

Step through the program and be sure you understand all features. Notice that when the first **call** instruction is reached, the program counter shows 0D_H. On the following step it has changed to 19_H. Meanwhile, the address of the instruction immediately following the **call**, 0D_H, is loaded into the stack. The stack pointer (indicated by TOS – Top of Stack) is incremented. These addresses can be checked by looking at the program list file. Step to the end of the subroutine, and the program counter shows 1F_H as the **return** instruction is reached. This is the moment shown in Figure 5.5. One further step invokes the **return** instruction. The program counter is reloaded from the stack and program execution continues from the instruction following the **call**.

A common beginner’s error is not to use **call** and **return** instructions correctly when using subroutines. Try replacing the **call shuffle up** instruction with **goto shuffle up**, leaving all else unchanged. Build, simulate and step through as before. Can you explain what is happening?


```

;*****
;Fibonacci_SRs
;This program rewrites the Full Fibonacci program to illustrate the use of
;subroutines.
;Program intended for simulation only, hence no input/output.
;TJW 17.11.08                               Tested by simulation 17.11.08
;*****
...
(initial program sections omitted)
...
;
forward movf  fib1,0
          addwf fib2,0
          btfsc status,c      ;test if we have overflowed 8-bit range
          goto  reverse      ;here if we have overflowed,
                              ;hence reverse down the series
                              ;latest number now placed in fibtemp
          movwf fibtemp
          incf counter,1
;now shuffle numbers held, discarding the oldest
          call shuffle_up
          goto forward
;when reversing down, we will subtract fib0 from fib1 to form new fib0
reverse movf  fib0,0
          subwf fib1,0
          movwf fibtemp      ;latest number now placed in fibtemp
          decf counter,1
;now shuffle numbers held, discarding the oldest
          call shuffle_down
;test if counter has reached 3, in which case return to forward
          movf counter,0
          sublw 3
          btfsc status,z
          goto forward
          goto reverse
;*****
;Subroutines
;*****
;Shuffles numbers in series, moving fib1 to fib0, fib2 to fib1, fibtemp to fib2
shuffle_up movf  fib1,0      ;first move middle number, to overwrite oldest
          movwf fib0
          movf  fib2,0
          movwf fib1
          movf  fibtemp,0
          movwf fib2
          return
;Shuffles numbers in series, moving fib1 to fib2, fib0 to fib1, fibtemp to fib0
shuffle_down movf fib1,0    ;first move middle number, to overwrite oldest
          movwf fib2
          movf  fib0,0
          movwf fib1
          movf  fibtemp,0
          movwf fib0
          return
          end

```

Program Example 5.3: Using subroutines in the Fibonacci program

5.4 Generating time delays and intervals

A recurring theme of embedded systems is how we deal with time – how systems respond in a timely way to external events and how they can measure time and generate time delays. Even with only a limited grasp of programming, we can begin to address the issue of timing by developing program loops that give time delays of known and accurate duration.

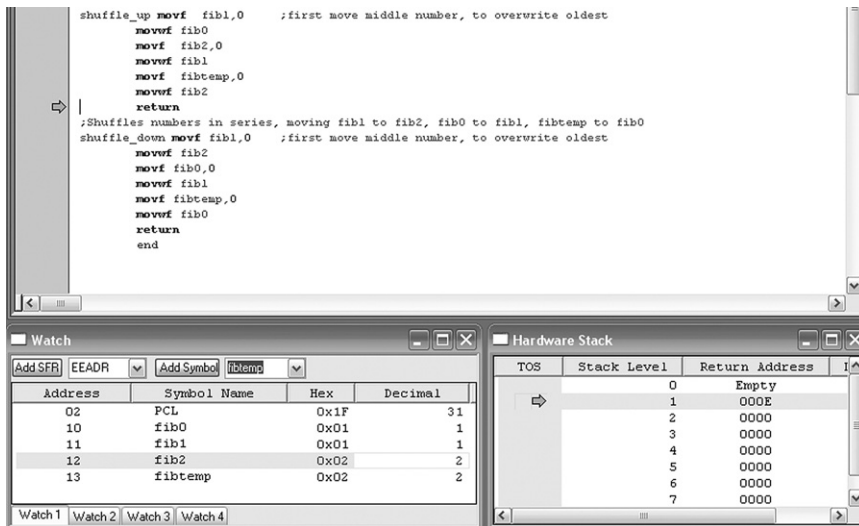


Figure 5.5: Subroutine calling

The initial concept is simple. A memory location is set up to act as a counter, loaded with a certain value and then decremented repeatedly in a loop until it reaches zero. The time taken will depend on the number first placed in the counter and then the time taken for each program loop.

To implement accurate delays the oscillator frequency needs to be accurate and stable and we need to know what that frequency is. Here lies one advantage of using a crystal oscillator, as it gives a frequency of excellent accuracy and stability. Approximate delays can of course be implemented with other oscillator sources, as we do with the ping-pong program. With the PIC microcontroller, we need to remind ourselves that each instruction cycle takes four oscillator cycles, as described in Section 2.5.1.

A simple example of a delay loop, taken from the ping-pong program, is shown in Program Example 5.4. It takes the form of a subroutine called **delay5**. The subroutine opens by moving a number into a memory location which has been previously labelled **delcntr1**. In this case the number is 200_D , although this can be varied to produce delays of different lengths (up to a maximum, for an 8-bit location, of 255_D). The actual delay loop is that section of code starting with the label **del1**. Two **nop** instructions, which do nothing at all but take up time, are used to extend the time taken for one loop iteration. The **decfsz** instruction is then implemented. This decrements memory location **delcntr1**. If the result of the decrement is zero, then the instruction following is skipped and program execution moves on to the **return** instruction. For 199 cycles, however, the decrement result will not be zero, there will be no skip and program execution will go back to **del1**.

```

;Delay of 5ms approx. Instruction cycle time is 5us.
delay5 movlw    D'200'      ;200 cycles called,each taking 5x5=25us
      movwf    delcntr1
del1   nop      ;1 inst. cycle
      nop      ;1 inst. cycle
      decfsz   delcntr1,1  ;1 inst. cycle, when no skip
      goto    del1        ;2 inst. cycles
      return

```

Program Example 5.4: A delay subroutine

The duration of this delay subroutine can be worked out with ease by considering the time taken by each instruction in the loop (taken from the Instruction Set, Appendix 1). This is shown in the program comments. While **delcntr1** is counting down from its initial value, the loop is made up of two **nop** instructions, a **decfsz** and a **goto**. As the **decfsz** instruction does not skip, it takes only one cycle, whereas the **goto** always takes two. Therefore the total per loop is five. The electronic ping-pong program has a clock frequency of 800 kHz approximately, therefore an instruction cycle frequency of 200 kHz, or instruction cycle period of 5 μ s. Therefore each loop, with its five instruction cycles, takes 25 μ s. Two hundred loops are called; hence the overall duration is 5 ms.

For a precise delay, it is necessary also to take into account the duration of the final cycle, and the entry to and exit from the subroutine. On the final loop iteration, for example, the **decfsz** causes a skip and hence takes two cycles. The **goto** is, however, missed.

The simple delay loop of Program Example 5.4 is useful for comparatively short delays, say up to tens of milliseconds. There are many situations, however, when we want something much longer. One way of extending it is to create a second subroutine which is similar to the first but which calls the first from within its loop. An example is shown in Program Example 5.5. This loop makes 100_D calls to the subroutine **delay5**, which we have just seen. The resultant delay is therefore around 500 ms. It is of course essential to ensure that each loop has its own dedicated counter: in this case **delcntr1** and **delcntr2** are used; disaster otherwise ensues! A further way of writing a longer delay loop, using a 'loop within a loop' within a single subroutine, appears in Program Example 5.6.

```

;500ms delay (approx)      ;100 calls to delay5
delay500 movlw   D'100'
      movwf    delcntr2
del2     call    delay5
      decfsz   delcntr2,1
      goto    del2
      return

```

Program Example 5.5: Nested subroutines for greater delay

Program Example 5.6 shows a simple application of a delay subroutine. It is written for the ping-pong hardware and simply flashes the LEDs in two patterns, one after the other. To give a suitable flashing effect, a delay of 500 ms is inserted between each change of pattern.

```

;*****
;Flashing LEDs 1.
;This program continuously outputs a series of LED patterns,
;using ping-pong hardware. LED patterns are listed within
;the program.
;TJW 9.11.08                      Tested in simulation 9.11.08
;*****
;Clock is 800kHz
;Configuration Word: WDT off, power-up timer on,
;                      code protect off, RC oscillator
;
;specify SFRs
pcl      equ 02
status  equ 03
trisa   equ 05
portb   equ 06
trisb   equ 06
;
delcntr1 equ 11
delcntr2 equ 12
;
      org 00
;Initialise
start bsf      status,5      ;select memory bank 1
      movlw B'00011000' ;set port A right for hardware,
      movwf trisa ;even tho not used in this program.
      movlw 00
      movwf trisb ;all port B bits output
      bcf      status,5      ;select bank 0
;
;The "main" program starts here
loop  movlw B'01010101'
      movwf portb ;set up new output pattern
      call delay
      movlw B'10101010'
      movwf portb ;set up new output pattern
      call delay
      goto loop ;loop again
;
;*****
;Subroutine
;*****
;Introduces delay of 500ms approx, for 800kHz clock
delay movlw D'100'
      movwf delcntr2 ;will do the outer loop 100 times
outer movlw D'200'
      movwf delcntr1 ;will do the inner loop 200 times,
      ;at 5cycles = 25us, this is 5ms
inner nop ;1 cycle
      nop ;1 cycle
      decfsz delcntr1,1 ;normally 1cycle
      goto inner ;2 cycles
      decfsz delcntr2,1
      goto outer
      return
;
      end

```

Program Example 5.6: Using a delay subroutine

Programming Exercise 5.4

Create a project with recommended name Flashing LEDs 1. Use Program Example 5.6 as source code. Build and simulate the program. Step through it and be sure you understand all features. You will find that a disadvantage of simulating delay loops is that unless they are very short you tend to get stuck in them. Therefore be ready to use the Step Out (to step out of a subroutine) and Step Over (to skip a subroutine) buttons in the debugger toolbar (Figure 4.12).

Download the program to the ping-pong hardware, if you have the means. Investigate the effect of changing delay duration and LED pattern. Try introducing a third or fourth pattern.

It should not be difficult to understand this program from knowledge already gained. As we have already seen, the delay subroutine is called with a **call** instruction, using as operand the label of the opening instruction of the subroutine. The subroutine is correctly terminated with a **return** instruction.

Delay routines are very useful things and are widely used. However, they need to be used with care as, when the delay routine is running, the CPU can do nothing else. A delay routine is a bit like asking Einstein to sit and count beans – it's just not very good use of a powerful resource. In Chapter 6 we begin to meet other ways of creating time delays.

5.5 More use of the MPLAB simulator

We have already seen the enormous value of the software simulator as a means of running through a program and observing outputs. We did this just using the simple controls of single step, animate or run. As programs grow, however, we need greater sophistication in the way we can run them and how we observe their behaviour.

5.5.1 Breakpoints

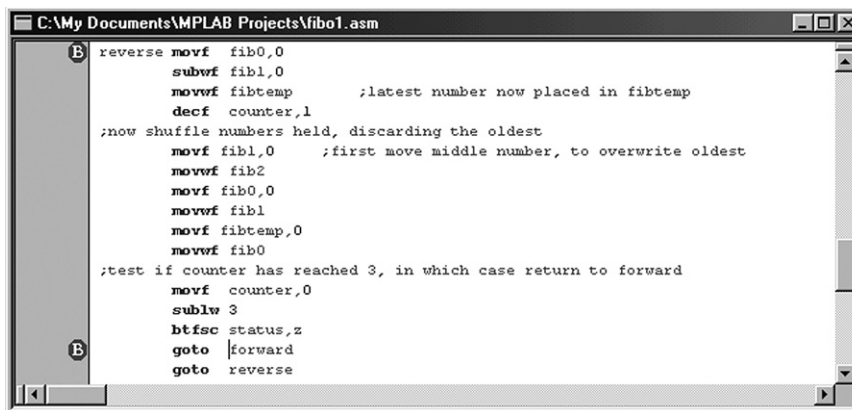
Once programs become long, it becomes increasingly tedious to step through them when simulating. We need a means of getting them to run through the code that we may not be interested in, but stopping where we need to take a closer look at what is happening.

Breakpoints let this happen. In their simplest form, breakpoints allow you to run a program up to a specified instruction. Program execution then stops and memory and register values can be

inspected. In MPSIM you can set a breakpoint simply by double clicking on an instruction in the program window, and remove it in the same way. The number of breakpoints is unlimited, so they can be used freely.

Programming Exercise 5.5

The full Fibonacci program is perhaps the longest example we have looked at so far, and it is annoying to have to step through it if we wish to see something happen deep inside the program. Open the full Fibonacci project you created earlier (or create it for the first time), and enable the MPLAB simulator using Debug > Select Tool > MPLAB SIM. Scroll through the source file and double click on the line labelled **reverse**. A breakpoint symbol should appear, as seen in Figure 5.6. Check that you can remove this by double-clicking again. Reset the simulator, and run. See how the program stops at the breakpoint. You can inspect all windows at this point and then proceed any way you wish, for example by single-stepping. Try setting another breakpoint at the second place shown in Figure 5.6 and running to here.



```

C:\My Documents\MPLAB Projects\fibo1.asm
reverse movf  fib0,0
        subwf  fib1,0
        movwf  fibtemp      ;latest number now placed in fibtemp
        decf  counter,1
;now shuffle numbers held, discarding the oldest
        movf  fib1,0      ;first move middle number, to overwrite oldest
        movwf fib2
        movf  fib0,0
        movwf fib1
        movf  fibtemp,0
        movwf fib0
;test if counter has reached 3, in which case return to forward
        movf  counter,0
        sublw 3
        btfs  status,z
        goto  forward
        goto  reverse
  
```

Figure 5.6: Breakpoints inserted in Fibonacci program

5.5.2 Stopwatch

A weakness of the software simulator is that it does not run in real time, yet in embedded systems we have a strong desire to understand the timing behaviour of our programs. The Stopwatch facility of the simulator allows accurate time measurements to be simulated.

It simply requires that the simulator 'knows' what the oscillator frequency is. As it can record the number of instruction cycles executed, it can then calculate time taken.

In MPSIM the oscillator frequency is set through the *Simulator Settings* window, found using Debugger > Settings > Osc/Trace and seen in Figure 5.7(a). The Stopwatch, seen in Figure 5.7(b), is displayed using Debugger > Stopwatch.

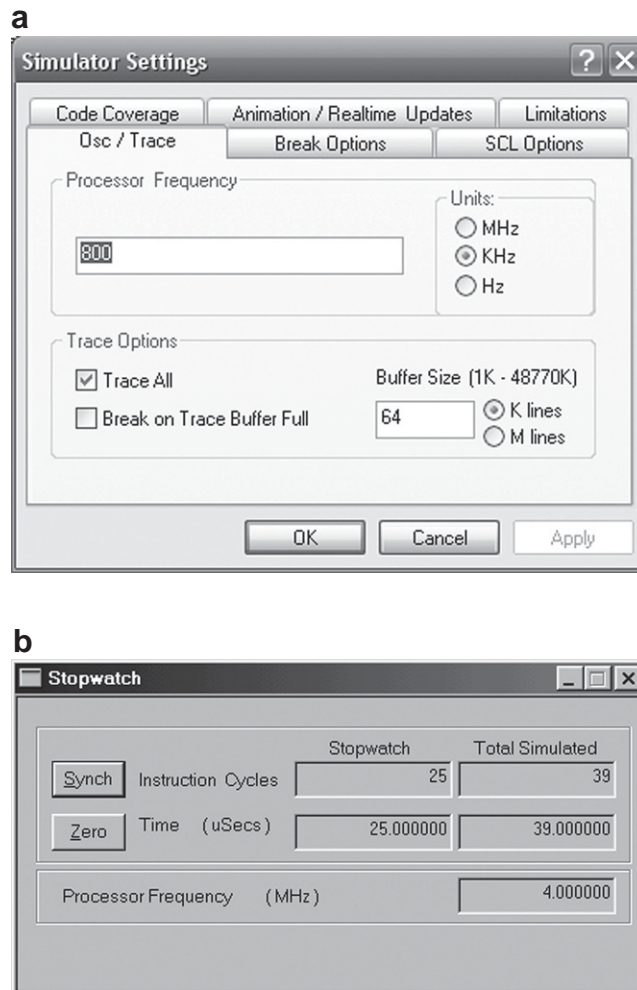


Figure 5.7: Using the stopwatch. (a) Simulator Settings window. (b) Stopwatch window

Programming Exercise 5.6

Still with the full Fibonacci project open, set the processor frequency to 4 MHz. This usefully gives an instruction cycle time of 1 μ s. Leave the breakpoints as set in Programming Exercise 5.5. Press Debugger > Stopwatch and Zero the Stopwatch. Reset the simulator and run the program to the breakpoint. The Stopwatch should show 166 μ s. Can you account for this value?

Programming Exercise 5.7

The Stopwatch is an excellent way of measuring durations of delay subroutines. Open the 'Flashing LEDs 1' project, i.e. Program Example 5.6. Place one breakpoint at the **call delay** line and another at the line after. Set the processor frequency to 800 Hz, open the Stopwatch and run to the first breakpoint. Now zero the time on the Stopwatch and run to the second. The value displayed should be approximately 500 ms. Can you explain the actual Stopwatch time you read? Can you adjust the subroutine to give a more accurate delay?

5.5.3 Trace

The various windows available in MPSIM give a good picture of the state of the processor status and memory locations at any time, but they do not tell us the history of program execution. Even if program execution has halted at a breakpoint, there may have been a number of program paths for it to go down to reach that point. The 'Trace' function is there to give a record of the recent past of the program execution. In Trace memory the simulator keeps a continuous record of all instructions that have been executed. This can be inspected when program execution stops.

MPLAB has a Trace function, with memory size of 32 767 lines. The Trace function is enabled in the Simulator Settings window, seen in [Figure 5.7\(a\)](#), found by following Debugger > Settings > Osc/Trace. Note that it slows down simulator speed somewhat if it is enabled. The Trace window is viewed using View > Simulator Trace, as seen in [Figure 5.8](#). Here the columns are all self-explanatory, except for:

SA = Source Address – address or symbol of the source data

SD = Source Data – value of the source data

DA = Destination Address – address or symbol of the destination data

DD = Destination Data – value of the destination data.

The image shows two windows from a debugger. The left window is titled 'Trace' and displays a list of instructions with columns for Line, Addr, Op, Label, Instruction, SA, SF, DA, DD, and Cycles. The right window is titled 'C:\MPLAB Projects\Chap 5\Fibonacci Full.asm' and shows the assembly code with comments.

Line	Addr	Op	Label	Instruction	SA	SF	DA	DD	Cycles
-16	UJ05	1E05		S.TSC UX3, U	UU03	1E	----	----	JUUUUUUUU95
-15	0D0A	0C00	MOV	MOVW 0x0, 0	0000	0C	----	----	000000000094
-14	0D0B	0C92	MOVWF	MOVWF 0x13, W	----	----	CO13	29	000000000097
-13	0D0C	0A94	INCF	INCF 0x14, F	0014	0E	CO14	0E	000000000098
-12	0D0D	0E11	MOVWF	MOVWF 0x11, W	0011	5F	CO11	59	000000000099
-11	UJ0E	UL90	MOVWF	MOVWF 0x10, W	----	----	LU10	59	JUUUUUUUU9A
-10	0D0F	0E12	MOVWF	MOVWF 0x12, W	0012	0C	CO12	00	00000000009B
-9	0D10	0C91	MOVWF	MOVWF 0x11, W	----	----	CO11	90	00000000009C
-8	0D11	0E13	MOVWF	MOVWF 0x13, W	0013	5F	CO13	29	000000000099
-7	0D12	0C92	MOVWF	MOVWF 0x12, W	----	----	CO12	29	00000000009E
-6	UJ13	2E07	WOTO	WOTO UX7, W	----	----	----	----	JUUUUUUUU9F
-5	0D14	0C00	reverse	reverse MOV	----	----	----	----	0000000000A0
-4	0D07	0E11	forward	MOVWF 0x11, W	0011	9C	CO11	90	0000000000A1
-3	0D08	0712	ADDFWF	ADDFWF 0x12, W	0012	5F	CO12	79	0000000000A2
-2	0D09	1E03	S.TSC	S.TSC 0x3, 0	0003	1F	----	----	0000000000A3
-1	0D01	2E14	GOTO	GOTO 0x14, W	----	----	----	----	0000000000A4
0	0D08	0C00	MOV	MOVW 0x0, 0	----	----	----	----	0000000000A5

```

30      movwf fib1
31      movwf fib2
32      movlw 3
33      movwf counter ;have preloaded the first three numbers, so
34      ;
35      forward movf fib1,0
36      addwf fib2,w
37      btfc status,c ;test if we have overflowed 8-bit range
38      goto reverse ;here if we have overflowed, hence reverse
39      movwf fibtemp ;latest number now placed in fibtemp
40      ;
41      ;now shuffle numbers held, discarding the oldest
42      movf fib1,0 ;first move middle number, to overwrite old
43      movwf fib1
44      movf fib2,0
45      movwf fib1
46      ;
47      ;
48      ;
49      ;
50      ;
51      ;
52      ;
53      ;
54      ;
55      ;
56      ;
57      ;
58      ;
59      ;
60      ;
61      ;
62      ;
63      ;
64      ;
65      ;
66      ;
67      ;
68      ;
69      ;
70      ;
71      ;
72      ;
73      ;
74      ;
75      ;
76      ;
77      ;
78      ;
79      ;
80      ;
81      ;
82      ;
83      ;
84      ;
85      ;
86      ;
87      ;
88      ;
89      ;
90      ;
91      ;
92      ;
93      ;
94      ;
95      ;
96      ;
97      ;
98      ;
99      ;
100     ;
101     ;
102     ;
103     ;
104     ;
105     ;
106     ;
107     ;
108     ;
109     ;
110     ;
111     ;
112     ;
113     ;
114     ;
115     ;
116     ;
117     ;
118     ;
119     ;
120     ;
121     ;
122     ;
123     ;
124     ;
125     ;
126     ;
127     ;
128     ;
129     ;
130     ;
131     ;
132     ;
133     ;
134     ;
135     ;
136     ;
137     ;
138     ;
139     ;
140     ;
141     ;
142     ;
143     ;
144     ;
145     ;
146     ;
147     ;
148     ;
149     ;
150     ;
151     ;
152     ;
153     ;
154     ;
155     ;
156     ;
157     ;
158     ;
159     ;
160     ;
161     ;
162     ;
163     ;
164     ;
165     ;
166     ;
167     ;
168     ;
169     ;
170     ;
171     ;
172     ;
173     ;
174     ;
175     ;
176     ;
177     ;
178     ;
179     ;
180     ;
181     ;
182     ;
183     ;
184     ;
185     ;
186     ;
187     ;
188     ;
189     ;
190     ;
191     ;
192     ;
193     ;
194     ;
195     ;
196     ;
197     ;
198     ;
199     ;
200     ;
201     ;
202     ;
203     ;
204     ;
205     ;
206     ;
207     ;
208     ;
209     ;
210     ;
211     ;
212     ;
213     ;
214     ;
215     ;
216     ;
217     ;
218     ;
219     ;
220     ;
221     ;
222     ;
223     ;
224     ;
225     ;
226     ;
227     ;
228     ;
229     ;
230     ;
231     ;
232     ;
233     ;
234     ;
235     ;
236     ;
237     ;
238     ;
239     ;
240     ;
241     ;
242     ;
243     ;
244     ;
245     ;
246     ;
247     ;
248     ;
249     ;
250     ;
251     ;
252     ;
253     ;
254     ;
255     ;
256     ;
257     ;
258     ;
259     ;
260     ;
261     ;
262     ;
263     ;
264     ;
265     ;
266     ;
267     ;
268     ;
269     ;
270     ;
271     ;
272     ;
273     ;
274     ;
275     ;
276     ;
277     ;
278     ;
279     ;
280     ;
281     ;
282     ;
283     ;
284     ;
285     ;
286     ;
287     ;
288     ;
289     ;
290     ;
291     ;
292     ;
293     ;
294     ;
295     ;
296     ;
297     ;
298     ;
299     ;
300     ;
301     ;
302     ;
303     ;
304     ;
305     ;
306     ;
307     ;
308     ;
309     ;
310     ;
311     ;
312     ;
313     ;
314     ;
315     ;
316     ;
317     ;
318     ;
319     ;
320     ;
321     ;
322     ;
323     ;
324     ;
325     ;
326     ;
327     ;
328     ;
329     ;
330     ;
331     ;
332     ;
333     ;
334     ;
335     ;
336     ;
337     ;
338     ;
339     ;
340     ;
341     ;
342     ;
343     ;
344     ;
345     ;
346     ;
347     ;
348     ;
349     ;
350     ;
351     ;
352     ;
353     ;
354     ;
355     ;
356     ;
357     ;
358     ;
359     ;
360     ;
361     ;
362     ;
363     ;
364     ;
365     ;
366     ;
367     ;
368     ;
369     ;
370     ;
371     ;
372     ;
373     ;
374     ;
375     ;
376     ;
377     ;
378     ;
379     ;
380     ;
381     ;
382     ;
383     ;
384     ;
385     ;
386     ;
387     ;
388     ;
389     ;
390     ;
391     ;
392     ;
393     ;
394     ;
395     ;
396     ;
397     ;
398     ;
399     ;
400     ;
401     ;
402     ;
403     ;
404     ;
405     ;
406     ;
407     ;
408     ;
409     ;
410     ;
411     ;
412     ;
413     ;
414     ;
415     ;
416     ;
417     ;
418     ;
419     ;
420     ;
421     ;
422     ;
423     ;
424     ;
425     ;
426     ;
427     ;
428     ;
429     ;
430     ;
431     ;
432     ;
433     ;
434     ;
435     ;
436     ;
437     ;
438     ;
439     ;
440     ;
441     ;
442     ;
443     ;
444     ;
445     ;
446     ;
447     ;
448     ;
449     ;
450     ;
451     ;
452     ;
453     ;
454     ;
455     ;
456     ;
457     ;
458     ;
459     ;
460     ;
461     ;
462     ;
463     ;
464     ;
465     ;
466     ;
467     ;
468     ;
469     ;
470     ;
471     ;
472     ;
473     ;
474     ;
475     ;
476     ;
477     ;
478     ;
479     ;
480     ;
481     ;
482     ;
483     ;
484     ;
485     ;
486     ;
487     ;
488     ;
489     ;
490     ;
491     ;
492     ;
493     ;
494     ;
495     ;
496     ;
497     ;
498     ;
499     ;
500     ;
501     ;
502     ;
503     ;
504     ;
505     ;
506     ;
507     ;
508     ;
509     ;
510     ;
511     ;
512     ;
513     ;
514     ;
515     ;
516     ;
517     ;
518     ;
519     ;
520     ;
521     ;
522     ;
523     ;
524     ;
525     ;
526     ;
527     ;
528     ;
529     ;
530     ;
531     ;
532     ;
533     ;
534     ;
535     ;
536     ;
537     ;
538     ;
539     ;
540     ;
541     ;
542     ;
543     ;
544     ;
545     ;
546     ;
547     ;
548     ;
549     ;
550     ;
551     ;
552     ;
553     ;
554     ;
555     ;
556     ;
557     ;
558     ;
559     ;
560     ;
561     ;
562     ;
563     ;
564     ;
565     ;
566     ;
567     ;
568     ;
569     ;
570     ;
571     ;
572     ;
573     ;
574     ;
575     ;
576     ;
577     ;
578     ;
579     ;
580     ;
581     ;
582     ;
583     ;
584     ;
585     ;
586     ;
587     ;
588     ;
589     ;
590     ;
591     ;
592     ;
593     ;
594     ;
595     ;
596     ;
597     ;
598     ;
599     ;
600     ;
601     ;
602     ;
603     ;
604     ;
605     ;
606     ;
607     ;
608     ;
609     ;
610     ;
611     ;
612     ;
613     ;
614     ;
615     ;
616     ;
617     ;
618     ;
619     ;
620     ;
621     ;
622     ;
623     ;
624     ;
625     ;
626     ;
627     ;
628     ;
629     ;
630     ;
631     ;
632     ;
633     ;
634     ;
635     ;
636     ;
637     ;
638     ;
639     ;
640     ;
641     ;
642     ;
643     ;
644     ;
645     ;
646     ;
647     ;
648     ;
649     ;
650     ;
651     ;
652     ;
653     ;
654     ;
655     ;
656     ;
657     ;
658     ;
659     ;
660     ;
661     ;
662     ;
663     ;
664     ;
665     ;
666     ;
667     ;
668     ;
669     ;
670     ;
671     ;
672     ;
673     ;
674     ;
675     ;
676     ;
677     ;
678     ;
679     ;
680     ;
681     ;
682     ;
683     ;
684     ;
685     ;
686     ;
687     ;
688     ;
689     ;
690     ;
691     ;
692     ;
693     ;
694     ;
695     ;
696     ;
697     ;
698     ;
699     ;
700     ;
701     ;
702     ;
703     ;
704     ;
705     ;
706     ;
707     ;
708     ;
709     ;
710     ;
711     ;
712     ;
713     ;
714     ;
715     ;
716     ;
717     ;
718     ;
719     ;
720     ;
721     ;
722     ;
723     ;
724     ;
725     ;
726     ;
727     ;
728     ;
729     ;
730     ;
731     ;
732     ;
733     ;
734     ;
735     ;
736     ;
737     ;
738     ;
739     ;
740     ;
741     ;
742     ;
743     ;
744     ;
745     ;
746     ;
747     ;
748     ;
749     ;
750     ;
751     ;
752     ;
753     ;
754     ;
755     ;
756     ;
757     ;
758     ;
759     ;
760     ;
761     ;
762     ;
763     ;
764     ;
765     ;
766     ;
767     ;
768     ;
769     ;
770     ;
771     ;
772     ;
773     ;
774     ;
775     ;
776     ;
777     ;
778     ;
779     ;
780     ;
781     ;
782     ;
783     ;
784     ;
785     ;
786     ;
787     ;
788     ;
789     ;
790     ;
791     ;
792     ;
793     ;
794     ;
795     ;
796     ;
797     ;
798     ;
799     ;
800     ;
801     ;
802     ;
803     ;
804     ;
805     ;
806     ;
807     ;
808     ;
809     ;
810     ;
811     ;
812     ;
813     ;
814     ;
815     ;
816     ;
817     ;
818     ;
819     ;
820     ;
821     ;
822     ;
823     ;
824     ;
825     ;
826     ;
827     ;
828     ;
829     ;
830     ;
831     ;
832     ;
833     ;
834     ;
835     ;
836     ;
837     ;
838     ;
839     ;
840     ;
841     ;
842     ;
843     ;
844     ;
845     ;
846     ;
847     ;
848     ;
849     ;
850     ;
851     ;
852     ;
853     ;
854     ;
855     ;
856     ;
857     ;
858     ;
859     ;
860     ;
861     ;
862     ;
863     ;
864     ;
865     ;
866     ;
867     ;
868     ;
869     ;
870     ;
871     ;
872     ;
873     ;
874     ;
875     ;
876     ;
877     ;
878     ;
879     ;
880     ;
881     ;
882     ;
883     ;
884     ;
885     ;
886     ;
887     ;
888     ;
889     ;
890     ;
891     ;
892     ;
893     ;
894     ;
895     ;
896     ;
897     ;
898     ;
899     ;
900     ;
901     ;
902     ;
903     ;
904     ;
905     ;
906     ;
907     ;
908     ;
909     ;
910     ;
911     ;
912     ;
913     ;
914     ;
915     ;
916     ;
917     ;
918     ;
919     ;
920     ;
921     ;
922     ;
923     ;
924     ;
925     ;
926     ;
927     ;
928     ;
929     ;
930     ;
931     ;
932     ;
933     ;
934     ;
935     ;
936     ;
937     ;
938     ;
939     ;
940     ;
941     ;
942     ;
943     ;
944     ;
945     ;
946     ;
947     ;
948     ;
949     ;
950     ;
951     ;
952     ;
953     ;
954     ;
955     ;
956     ;
957     ;
958     ;
959     ;
960     ;
961     ;
962     ;
963     ;
964     ;
965     ;
966     ;
967     ;
968     ;
969     ;
970     ;
971     ;
972     ;
973     ;
974     ;
975     ;
976     ;
977     ;
978     ;
979     ;
980     ;
981     ;
982     ;
983     ;
984     ;
985     ;
986     ;
987     ;
988     ;
989     ;
990     ;
991     ;
992     ;
993     ;
994     ;
995     ;
996     ;
997     ;
998     ;
999     ;
1000    ;

```

Figure 5.8: Trace window for a section of the Fibonacci program

Programming Exercise 5.8

Return to the program and settings of Programming Exercise 5.6, i.e. the full Fibonacci program. Ensure that Trace is enabled as described above, reset the simulator and run to the breakpoint at label **reverse**. Now open the Trace window, which should appear as in Figure 5.8. See that it is a list of all the instructions recently executed, finishing (in line -1) with the **goto** instruction which takes execution to the breakpoint line. Looking back over the **SD** and **DD** columns, we see (in the numbers 59_H, 90_H, and E9_H – the highest numbers in the series that an 8-bit register can hold) the Fibonacci series being formed and saved. The value of the Status register in line -2 is 19_H, or 0001 1001_B. This shows that bit 0, the Carry flag, has been set, and the **goto** instruction has therefore been invoked.

5.6 Introducing logical instructions

So far we have seen a good selection of the 16 Series instructions, but have yet to see any logical ones. These instructions, like **andwf**, **andlw**, **iorwf**, or **xorwf**, perform logical operations between the contents of the W register and either a literal value or a value held in a memory location. They do it on a ‘bitwise’ basis. For example, if the **andlw k** instruction was applied, then bit 0 of the literal value is ANDed with bit 0 of the W register, bit 1 is ANDed with bit 1, and so on. These instructions are useful for actual logical operations. Commonly

```

;*****
;Flashing LEDs 2.
;This program continuously outputs a series of LED patterns,
;using ping-pong hardware. LED patterns are derived using
;logical instructions. These are placed in different
;subroutines, of which one should be chosen.
;TJW 9.11.08          Tested in HW and simulation 9.11.08
;*****
;Clock is 800kHz
;Configuration Word: WDT off, power-up timer on,
;                    code protect off, RC oscillator
;
;specify SFRs and bits
c      equ    0
pcl    equ    02
status equ    03
trisa  equ    05
portb  equ    06
trisb  equ    06
;
delcntr1 equ 11    ;used as counter in delay subroutine
delcntr2 equ 12    ;used as counter in delay subroutine
flags    equ 13    ;bit 0 will be set once initial pattern is op
;
                org    00

;Initialise
start bsf      status,5      ;select memory bank 1
      movlw   B'00011000'    ;set port A right for hardware,
      movwf   trisa          ;even tho not used in this program.
      movlw   00
      movwf   trisb         ;all port B bits output
      bcf    status,5      ;select bank 0
      clrf   flags

;
;The "main" program starts here
;insert below one of pattern_XOR, pattern_RRF, pattern_IOR to be the
;target of this subroutine call
loop  call    pattern_IOR ;select SR to be called here
      call    delay
      goto   loop

;
;*****
;Subroutines
;*****
;Changes led pattern, using XOR instruction
pattern_XOR btfsf flags, 0
          goto  patt_XOR1    ;here if first visit to SR
          bsf   flags,0
          movlw B'10101010'
          movwf portb        ;set up initial output pattern
          return
patt_XOR1 movf portb,0       ;here if 2nd or later visit to SR
          xorlw B'11111111'
          movwf portb
          return

;Changes led pattern, using rrf instruction
pattern_RRF btfsf flags,0
          goto  patt_RRF1    ;here if first visit to SR
          bsf   flags,0
          movlw B'10000000'
          movwf portb        ;set up initial output pattern
          return
;here if 2nd or later visit to SR
patt_RRF1 bcf status,c      ;clear carry flag
          rrf   portb,1
          btfsf status,c     ;has pattern reached carry flag?

```

Program Example 5.7: Applying logical instructions

```

        bsf,   portb,7      ;if yes, reset msb
        return

;Changes led pattern, using OR and rrf instructions
pattern_IOR btfscl flags,0
        goto  patt_IOR1    ;here if first visit to SR
        bsf   flags,0
        clrf  portb        ;set up initial output pattern
        return
patt_IOR1 rrf  portb,0      ;here if 2nd or later visit to SR
        iorlw B'10000000'  ;add another 1 bit to pattern
        btfscl status,c    ;has pattern reached carry flag?
        clr   W             ;if yes, clear W
        movwf portb
        return

;Introduces delay of 500ms approx, for 800kHz clock
...
(delay subroutine omitted)
...
        end

```

Program Example 5.7 cont'd

also, **and** instructions are used for suppressing unwanted bits in a word, and **or** instructions are used for setting individual bits in a word.

Program Example 5.7 shows the use of a number of logical instructions. It is based on the ‘Flashing LEDs 1’ program of Program Example 5.6, but instead of embedding the LED patterns in the program it derives them using logical instructions. Patterns are generated within subroutines, of which one should be inserted in the subroutine call (in the line labelled **loop**) for any one build. Each pattern subroutine is divided into two parts. The first part is only visited the very first time the subroutine is called; it sets up an initial pattern. The program then sets a bit in the **flags** memory location, so that next time this part of the routine is skipped. The second half of the routine then manipulates the current pattern.

Programming Exercise 5.9

Create a project with recommended name Flashing LEDs 2. Use Program Example 5.7 as source code. Try single-stepping through the program as it is, noting carefully how the W register and Port B change in the **pattern IOR** subroutine. Try at the line labelled **loop** replacing this subroutine with the other two, in turn. Again, step through and understand how the logical instructions determine the port output values.

Download the different version of the program to the ping-pong hardware, if you have the means to do this.

5.7 Look-up tables

The instruction **movlw** allows us to introduce within the program a byte of constant data. We have already seen this in previous programs, for example with the instruction combination:

```
movlw    D'100'  
movwfb   delcntr2
```

This is fine for introducing single bytes of data into a program, or just a few. But suppose we want to place in the program a whole list of numbers, maybe to generate a waveform or to produce output patterns on a display. Suppose also that we want to be able to record where we are in the list with some sort of marker. The **movlw** instruction is then not really up to the job, and we need to apply a way of setting up and accessing a block of data. This is called a 'look-up table'.

5.7.1 Introducing the look-up table

A look-up table is a block of data that is held in the program memory and which can be accessed by the program and used within it. In a Von Neumann structure (Figure 1.7(a)), with its single address and data buses, it is rather easy to set up and use look-up tables, as all memory locations are of equal size and all can be accessed with equal ease. In a Harvard structure (Figure 1.7(b)) it is more difficult, as data must be moved from one distinct memory map to another. The situation is made worse by the difference in memory location size that usually exists between data and program memories. Therefore in a Harvard structure, like the PIC's, a special technique is used to create look-up tables. This introduces several important new ideas.

The PIC 16 Series approach to look-up tables is shown in [Figure 5.9](#). The table is formed as a subroutine. Every byte of data in the table is accompanied by a special instruction, **retlw**. This instruction is another 'return from subroutine' but with a difference – it requires an 8-bit literal operand. As it implements the subroutine return, it picks up its operand and puts it into the W register. The table is essentially a list of **retlw** instructions, each with its byte of data.

What we need now is a technique which allows just one of those **retlw** instructions to be selected from the list. We use something called 'computed go to'. Look carefully at the very first instruction in the subroutine, **addwfb pcl**. The contents of the W register are added to **pcl**, which is the lower byte of the program counter. This sounds like a pretty dangerous sort of thing to do, and certainly it must be done with care. The effect, however, is that, once a number has been added to the program counter, program execution jumps forward by whatever that number was. If the number added is zero, then the *next* instruction is executed. In this example the CPU executes the **retlw** instruction it lands on, and thus goes back to the main program.

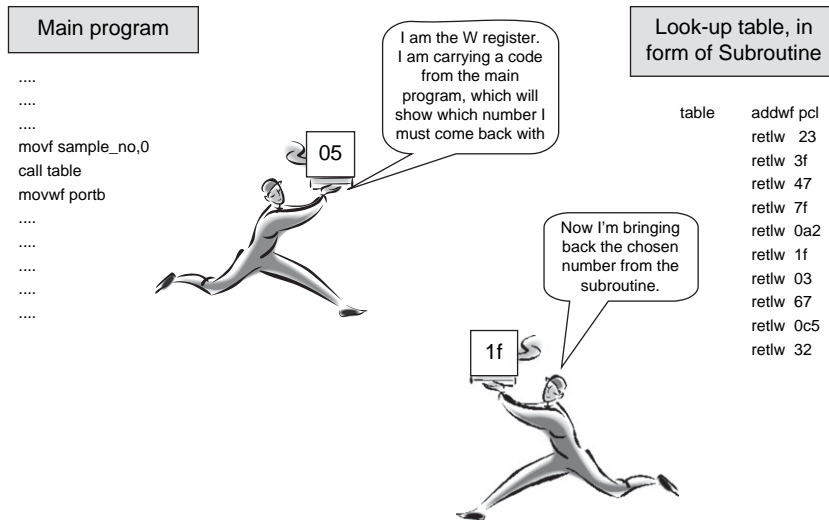


Figure 5.9: Fetching data from a look-up table

Note carefully that however long the subroutine appears, on any one iteration *only two instructions are executed*, the **addwf pcl** and the chosen **retlw**. It is obviously up to the programmer to ensure that, as the subroutine is called, the W register is already loaded with the offset that is needed.

Let's see this at work in the example of [Figure 5.9](#). Using the **movf** instruction, the main program transfers into the W register the contents of a memory location called **sample no**. It then calls the subroutine **table**. In this example it is assumed that **sample no** was holding the number 5, which the W register then holds as the subroutine is entered. As the subroutine starts program execution, the number 5 is added to **pcl**. Program execution therefore jumps forward by 5, to instruction **retlw 1f**. This causes a return from the subroutine, with the number **1f** now placed in the W register. The main program immediately makes use of this number, in this case transferring it to Port B.

In summary, the W register is like a messenger being sent to the subroutine. It goes to the subroutine carrying a code (which acts as a pointer) showing which line in the table is wanted. It comes back carrying the number stored in that line.

There is one possible problem with this approach – by manipulating only the lower byte of the program counter we can only operate within the first 256 words of program memory, or within any page following. If the lookup table is very long, or if it is situated across a page boundary, then problems with the computed go to will occur. In this case it is essential to calculate a fuller version of the computed go to (for how to do this, see [Ref. 5.1](#)).

```

;*****
;Flashing LEDs 3.
;This program continuously outputs a series of LED patterns,
;using simulation or ping-pong hardware.
;TJW 5.3.05.      Tested in simulation 11.3.05.
;*****
;Clock is 800kHz
;Configuration Word: WDT off, power-up timer on,
;                    code protect off, RC oscillator
;
;
;specify SFRs
pcl      equ 02
status  equ 03
porta   equ 05
trisa   equ 05
portb   equ 06
trisb   equ 06
;
pointer equ 10
delcntr1 equ 11
delcntr2 equ 12
;
        org 00
;Initialise
start  bsf  status,5      ;select memory bank 1
        movlw B'00011000'
        movwf trisa      ;port A according to above pattern
        movlw 00
        movwf trisb     ;all port B bits output
        bcf  status,5    ;select bank 0
;
;The "main" program starts here
        movlw 00        ;clear all bits in port A
        movwf porta
        movwf pointer   ;also clear pointer
loop    movf  pointer,0  ;move pointer to W register
        call table
        movwf portb     ;move W register, updated from table SR, to port B
        call delay
        incf pointer,1
        btfsf pointer,3 ;test if pointer has incremented to 8
        clrf  pointer   ;if it has, clear pointer to start over
        goto loop
;
;*****
;Subroutines
;*****
;Introduces delay of 500ms approx, for 800kHz clock
...
        (delay subroutine omitted)
...

;Holds Lookup Table
table  addwf pcl
        retlw 23
        retlw 3f
        retlw 47
        retlw 7f
        retlw 0a2
        retlw 1f
        retlw 03
        retlw 67
;
        end

```

Program Example 5.8: Using a look-up table

5.7.2 Example program with look-up table

Program Example 5.8 demonstrates the use of a look-up table, applied to the ping-pong hardware. It takes 8-bit values from a table and transfers them to the ping-pong LEDs with a delay between each data transfer. The overall effect is a display of randomly flashing LEDs. The opening sections are very similar to other programs written for the ping-pong hardware, although now we need to specify the address for **pcl**; see Figure 2.5. Also specified is a RAM location, called **pointer**, whose address is chosen to lie within the available range of 0C to 4F (also Figure 2.5).

The core of the program starts at the label **loop**. Just as in Figure 5.9, the value of **pointer** is moved to the W register and a subroutine called **table** is called. Upon return from the subroutine, the value held in the W register is transferred to Port B. This lights a certain pattern of LEDs. The delay subroutine which follows is taken from Program Example 5.6. The value of **pointer** is then incremented and tested to see whether it has reached its maximum value. If so, it is reset to zero before continuing. The program loops continuously.

Programming Exercise 5.10

People often find the concept of the PIC look-up table quite difficult to understand. It is therefore a particularly good idea to simulate an example. Create a project called Flashing LEDs 3, copy the source code of Program Example 5.8 from the book's companion website and include it in the project. Then simulate. Open a Watch window with **PCL**, **PORTB**, **WREG** and **pointer** as observed variables. Step through the program and see carefully how the value of the W register changes as the subroutine is entered and left. Use 'step over' to avoid getting stuck in the delay subroutine. Ensure that you understand all stages of the program and the new instructions that have been used.

This is an entertaining program to download to the ping-pong hardware. Try changing output patterns and the delay time.

5.7.3 Resetting the look-up table pointer with an AND instruction

As a further example of logical instructions, let's look at an alternative way of resetting the pointer in Program Example 5.8. Remember, every time the pointer increments to value 8 (0000 1000) it needs to be reset to 0. Instead of doing this, why not just suppress the higher five bits of the word, which are of no use in this application?

The alternative, using logical instruction **andlw**, is shown in Program Example 5.9. Instead of testing the value of **pointer** every time it is incremented, it is now 'ANDed' with the

number 7, or 0000 0111_B. Now when it increments to 0000 1000_B, bit 3 (which has been set to 1) is ANDed to 0, and the value of **pointer** returns to zero.

```

...
loop  movf  pointer,0      ;move pointer to W register
      call  table
      movwf portb         ;move W register, updated from table SR, to port B
      call  delay
      incf  pointer,0     ;increment pointer, place result in W reg
      andlw 07
      movwf pointer
      goto loop
...

```

Program Example 5.9: Using an AND instruction to reset the pointer

5.8 Taming Assembler complexity

You are now beginning to see that even a simple Assembler program can become complex. We need every means possible of keeping the program short and understandable. A few options are now described.

5.8.1 Include Files

The Assembler directive **#include** allows any file to be embedded within a program, thereby saving the trouble and space of pasting in large program sections which already exist elsewhere. A file so included is called an ‘Include File’. Initially the most useful way to use this is to replace all the microcontroller-specific memory definitions that occur at the start of a program. Like other Assemblers, MPLAB contains Include Files for each microcontroller, containing **equ** statements for all SFRs and their bits.

Use of an Include File is useful for a small microcontroller like the 16F84A, where the file is several pages long. It becomes almost essential for larger processors, which have a huge array of SFRs and hence very long Include Files. Once an Include File is used, it is of course essential to ensure that the microcontroller-specific labels that are referenced in the program are identical to the ones in the Include File. The advantage of an Include File, even for a very small application, is illustrated in Program Example 5.10.

```

;specify SFRs
timer    equ    01
status  equ    03
porta   equ    05
trisa   equ    05
portb   equ    06
trisb   equ    06
intcon  equ    0B
                                     #include p16f84A.inc

```

Program Example 5.10: Using Include Files

5.8.2 Macros

We are finding in every program we see that program development for a RISC processor is laborious, due to the limited function of each individual instruction. A CISC instruction set, with its somewhat more powerful instructions, offers some modest advantage, but not much. Is there a way we can get around the minimalist nature of the instruction set, while remaining in the Assembler environment?

One answer to this problem is the use of ‘macros’. A macro is a grouping of instructions, defined by the programmer and given a name. Once defined, the macro can be used in the program at any time. In some ways a macro offers the convenience of a subroutine, but it is used differently. When the source code is assembled, the macro is expanded out into the original instructions that made it up. Therefore using macros is a form of shorthand in programming, rather than a way of structuring the program.

Program Example 5.11 shows three macros inserted at the start of the ping-pong program (Appendix 2). The macro itself is contained within the directives **macro** and **endm**. ‘Arguments’ are defined for the macro, which are data values that the macro can apply. The macro **movlf** moves a data constant into a memory location. It applies two arguments, **const** and **address**. The macros **bfbset** (branch if file bit set) and **bfbclr** (branch if file bit clear) are similarly defined. All three macros are then applied within the first few lines of program, each time saving one line of code. Thus the eight original lines of code in loop **wait** are reduced to four.

```

;now ready for action
;macro to move a literal value to a file
movlf      macro const,address
            movlw  const
            movwf  address
            endm
;macro to branch if a specified bit is set
bfbset macro file,bit,target
            btfsc file,bit
            goto  target
            endm
;macro to branch if a specified bit is clear
bfbclr macro file,bit,target
            btfss file,bit
            goto  target
            endm
wait       movlf  04,porta      ;at rest, "out of play"
            movlf  00,portb     ;all play leds off
;both paddles must initially be clear before play allowed to commence
            bfbclr porta,4,wait ;go to wait if right paddle pressed
            bfbset porta,3,wait ;go to wait if left paddle pressed
;

```

Program Example 5.11: Applying macros to the ping-pong program

Programming Exercise 5.11

Open a project for the ping-pong program, taking the source code from the book's companion website. Insert the code of Program Example 5.11 into the program, removing the lines of code it replaces. Assemble the code and open the list file. Notice how the original macro definition occupies no memory space and observe how the macro is expanded out into its original form whenever it is invoked, thus replicating the original ping-pong program. Continue through the program, applying these two macros wherever you can. How many times can you do this and how many lines of code do you save? Are there other macros that could usefully be defined?

5.8.3 MPLAB special instructions

Microchip further eases the problem of the limited RISC instruction set by defining a set of 'special instructions'. These are recognised by the Assembler and expanded out to the equivalent instructions shown. Examples are given in Table 5.1, while a full listing appears in Appendix B.11 of Ref. 4.1. Most are operations using or manipulating the **Z** or **C** bits in the Status register. Some, like **bc** or **bnc**, offer no saving in lines of code, but improve the clarity of programming. Others, like **addcf**, create new and useful functions not originally available in the instruction set, which are very similar to CISC instructions.

5.8.4 Using the LIST directive

Section 4.5.3 described how microcontroller choice can be done through Configure > Select Device in MPLAB. Another way of doing this is by use of the LIST directive,

TABLE 5.1 Example MPASM 'Special' Instructions

Mnemonic	Description	Equivalent	Status flags affected
addcf f,d	Add Digit Carry to File	btjsc 3,1 incf f,d	Z
bc k	Branch on Carry	btjsc 3,0 goto k	
bnc k	Branch on No Carry	btjss 3,0 goto k	
clrc	Clear Carry	bcf 3,0	
movfw f	Move File to W	movf f,0	Z
subcf f,d	Subtract Carry from File	btjsc 3,0 decf f,d	Z
tstf f	Test File	movf f,1	Z

seen in Table 4.1. When the List directive is used with the ‘p’ option, for example in the line

```
list    p=16F84A
```

it has a similar effect to the device selection just described. Use of the directive does not, however, override the selection made in MPLAB, which remains the one applied. Hence this directive is of limited use when working only within MPLAB. It is commonly seen, however, and is a requirement when certain other Assembler environments are used; it is therefore worth knowing about.

5.9 The ping-pong program

It is useful now to look at the full ping-pong program, as seen in Appendix 2. It is never simple looking at Assembler code written by someone else (in fact it’s often difficult looking at your own Assembler code!), so you should not feel worried if initially it appears difficult.

5.9.1 A Structure for the ping-pong program

Let us first of all try to get a feel for the overall structure. For this program a state diagram gives a clear overall representation, which would be difficult to achieve with a flow diagram. This is seen in Figure 5.10. The program starts in the ‘Initialise’ state. When this has completed it immediately enters a ‘Wait’ state, where it stays until play commences. If the left player presses a paddle then a ‘left-to-right’ state is entered. In this the ‘ball’ begins at the left-most position and starts moving towards the right. Exit from the state occurs either if there is a rule violation (for which definitions are given) or if there is a successful return hit when the ball has reached the right-most position. With no rule violation play continues, with the state alternating between ‘left-to-right’ and ‘right-to-left’. When either player makes a mistake it is classified as a rule violation and the game enters a ‘Score’ state. It leaves this when scoring is complete, and returns to the ‘Wait’ state.

Having grasped the ping-pong state diagram, try to find each state in the Assembler listing. Three of the five states, Initialise, Wait and Score, should by now be easy to follow. The two states where play is actually in progress, left-to-right and right-to-left, are a little more difficult to grasp. Each is a mirror image of the other, so when one is understood, the other immediately follows.

While the program overview is best represented as a state diagram, the actual left-to-right/right-to-left states are essentially looping structures and are most easily represented as a flow diagram (Figure 5.11). Here we are confronted, perhaps for the first time, with the detailed complexity that such a program requires, even in a product that appears so simple. There are certainly a number of requirements to be met within the state. The ‘ball’ is to ‘move’ by lighting a series of LEDs, each to be illuminated for a set period. The state of the paddles is to be continuously

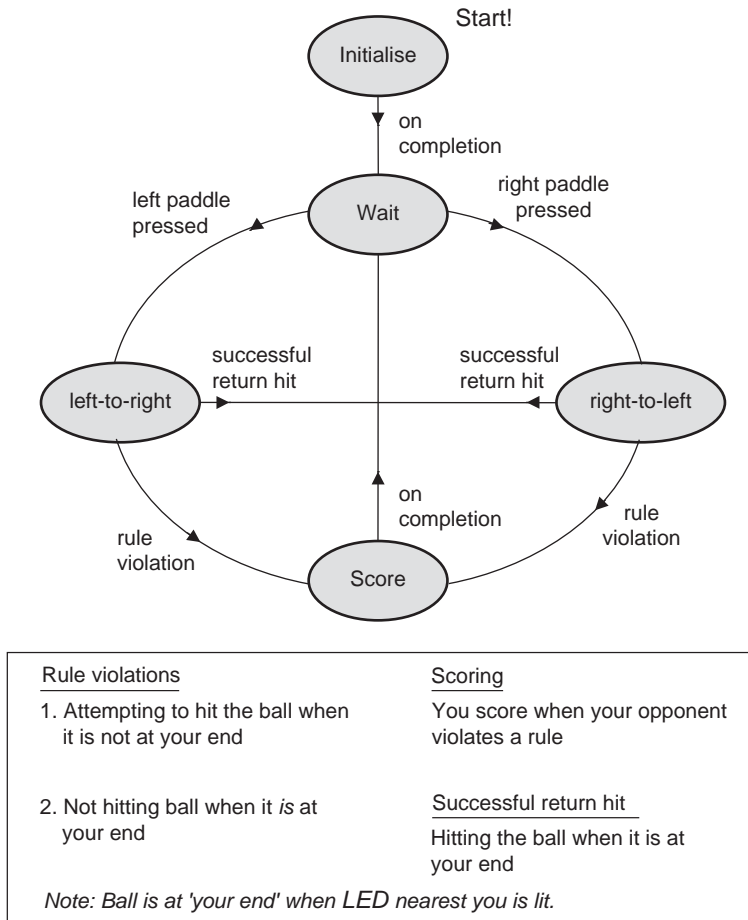


Figure 5.10: The ping-pong program visualised as a state diagram

checked; at certain times a paddle press is a legal action, at others it represents a rule violation. If timing were to be achieved simply by entering a timing loop, the function of input checking could not be carried out. Hence each LED illumination duration is made up of a certain number of loop iterations – within each the inputs are tested, followed by a short delay.

5.9.2 Exploring the ping-pong program code

As an aid to further understanding, certain sections of the ping-pong code are now described.

Opening section and memory allocation

In the opening comments the program gives detail on hardware allocation. This is followed by a section on memory allocation. Here names are given to memory locations in the

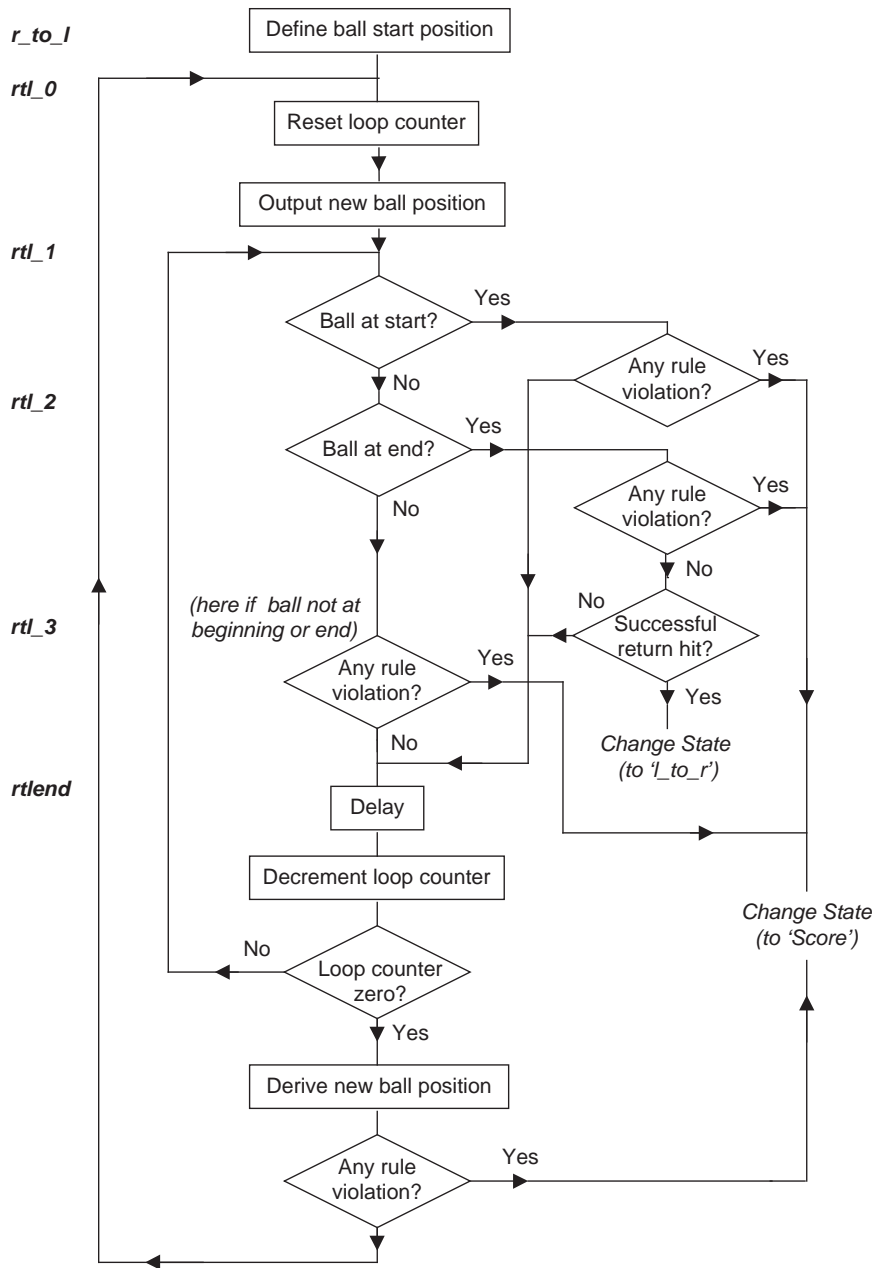


Figure 5.11: Flow diagram of left-to-right/right-to-left states

general-purpose RAM area. The names used, **delcntr1** etc., are chosen by the programmer and are placed as labels, i.e. starting fully left on the program line. The **equ** directive is used and the memory location is chosen from the memory map of Figure 2.5, which shows that available memory locations range from address 0C_H to address 4F_H.

The Wait state

Let's explore this by looking at the opening part of the actual ping-pong program, which follows the initialisation section.

In the first four lines the program switches on the 'out of play' LED and switches off all others. It then tests the state of both paddles. Remember that, when pressed, the switch input bit goes to logic 0. If neither is pressed program execution skips forward to **wait1**. However, if one or both are pressed, program execution just returns to **wait** and loops until the button is released. This is to stop a 'false start' to play, which would otherwise occur if a player switched on the game while a paddle was pressed. As this is the point where play restarts after a score, it also ensures that the previous round of play is completed before starting again. Note that the loop execution includes the setting of the LEDs. This is not strictly necessary, but does no harm and minimises the number of labels used.

Program execution then enters another loop, **wait1**. Both buttons have been cleared, so the game can now start proper. Again both paddles are tested. This time, however, if a button is pressed, instead of looping back play goes forward, to either **l to r** or **r to l**.

The main play states

Let us start by looking at the **r to l** section. This opens with the 'out-of-play' LED being switched off and the opening LED position being defined. The larger loop then starts at the line labelled **rtl 0**. Here the loop counter **loop cntr** is loaded with the number **led durn**. This number was defined in the opening section of the program and represents the number of times the inner loop is to be iterated. This inner loop starts at line **rtl 1**. Much of it is concerned with checking for rule violation, the interpretation of which depends on the position of the ball. The general structure is shown in the flow diagram, while the actual rule interpretation can be determined from looking at the source code. Scoring occurs when any rule violation is detected. At the end of the loop the 5 ms delay subroutine is called. The loop counter is decremented. If zero, then a new ball position is set up by rotating the **led posn** memory location. A score occurs if this causes the ball to go off the end of the 8-bit number; this happens if there has not been a successful return hit while the ball was at the end position.

The Score state is divided into two parts and is simple. It lights the appropriate score LED, calls a half-second delay and switches off the LED. The state is then left, and execution returns to the Wait state.

5.10 Simulating the ping-pong program – tutorial

The ping-pong program is not exactly complex, but it is full of loops and delays and therefore illustrates the problems of thoroughly testing a program with a simulator. The art lies in using each feature where needed. Generally, for a program segment that is to be explored in detail, you will single-step or animate. For the sections of code you want to get through quickly, you will simply run through, heading for a breakpoint you have already inserted. The following is a tutorial that guides you through the simulation of this program.

Ensure that you have created and built a project which contains a copy of the ping-pong program. We will aim to set up the simulation environment indicated in Figure 5.12.

Setting up input stimulus

The ping-pong program has two digital inputs, the two player paddles, which need to be simulated. Go to Debugger > Stimulus > New Workbook, and ensure the Asynch page is selected in the window which opens. Under Pin select **RA3**, the left paddle. Note that when either switch is pressed, the line it controls is set to logic 0; therefore under Action select Pulse **Low**. Set the duration to 50 ms, which is representative of a fast switch push. Repeat this for **RA4**. Can you work out from the program what is the maximum theoretical duration of a player pressing a button? Create two more lines, for **RA3** and **RA4** again, this time with Set High as the action for each.

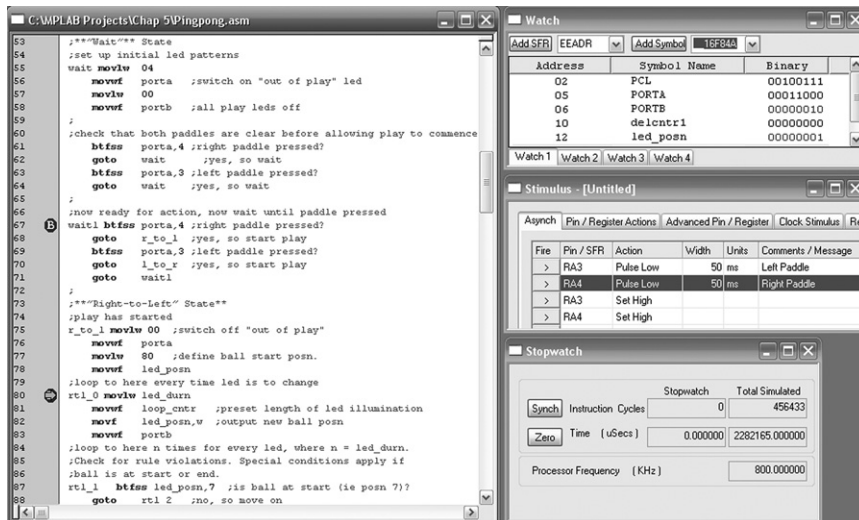


Figure 5.12: Simulating the ping-pong program

Setting up the Watch window

Click View > Watch to set up a Watch window. A useful selection of registers for display is **PCL** (to track where you are in the program), **PORTA** and **PORTB** using the Add SFR button, and **led_posn** and **delcntr1** using the Add Symbol button. Familiarise yourself with the digital representation in the Watch window of the two paddles, and the various LEDs, by looking at the circuit diagram of Figure A2.1.

Single-stepping

Reset the program counter on the simulator toolbar and then try single-stepping the ping-pong program. You will be able to see registers changing under program instruction, with the changes highlighted in red.

If one or both of the user paddles are set low (i.e. ‘pressed’), then the simulation will get stuck in the first wait loop. (You can see the logic state by inspecting the Port A display in the Watch window.) Set these lines high by pressing the Fire buttons on the Stimulus window. You should see the change reflected in the Watch Window.

Now you should be able to single-step on to the **wait1** loop. Having looped round here once or twice, fire the **RA3** pulse. You should now exit the loop and move on to **l to r**. See the Port B value change to 1 as the ball position is set up. You can continue stepping from here, and either step over, or enter, the **delay5** subroutine. Once in, you can step out of it at any time. Clearly it would be tedious to single-step all the way through this subroutine. Even if we step over it, the loop repetitions become endless and the limitations of single-stepping are revealed.

Run

If you select Run there does not seem to be much to watch as the memory windows are no longer updated as the program runs. Therefore it is helpful to start using breakpoints.

Breakpoints

Set breakpoints at the instructions associated with each of following labels: **wait1**, **ltr 0**, **rtl 0**, **score left** and **score right**. This places at least one breakpoint in each of the states of Figure 5.10, except for Initialise. Now reset the simulated CPU and press Run. You will first stop at the **wait1** breakpoint. Fire the pulse on RA3 and press Run again. The program should then halt at **ltr 0**. In the Watch window you see the LED pattern has just been initialised, with the rightmost bit of **led_posn** being set. Every time you now press Run one loop of Figure 5.11 is executed, and you will see the ‘ball’ moving across **led_posn** and Port B. When it reaches the far end you can fire RA4 for a return hit. With this set of breakpoints, you can easily make successful return hits, as well as rule violations, as shown in

Figure 5.10. Make the program visit all parts of the state diagram of that figure, ensuring you understand what is going on.

Stopwatch

Using Debugger > Settings > Osc/Trace, set the processor frequency to 800 kHz, which is the nominal frequency for the ping-pong game. Run the program and fire a paddle pulse so that you arrive at **ltr 0** or **rtl 0**. Now press Debugger > Stopwatch. Zero the stopwatch and press run again, executing one loop of the program. What is the Stopwatch reading? Can you explain it?

Set a breakpoint at the first line of the **delay5** subroutine, and run to there. Zero the Stopwatch again and insert a breakpoint at the **Return** instruction of that subroutine. Run the program to there. Does the Stopwatch value agree with the calculated value of the delay routine? This is a very useful facility for measuring durations of program execution.

5.11 A glance at graphical simulators

These past two chapters have aimed to give a good introduction to MPLAB and its simulator, MPSIM. While powerful in their own way, it is worth reminding oneself that they are free. What if we are willing to spend some money on a simulator?

There are a number of simulators available which go well beyond the simple text-based interface of MPSIM. An example is the simulator found in Ref. 5.2, pictured in Figure 5.13. Here a 16F84 microcontroller is being simulated. The W register, pipelined instruction, current instruction, Stack, Status register, ports and program listing are all displayed. The

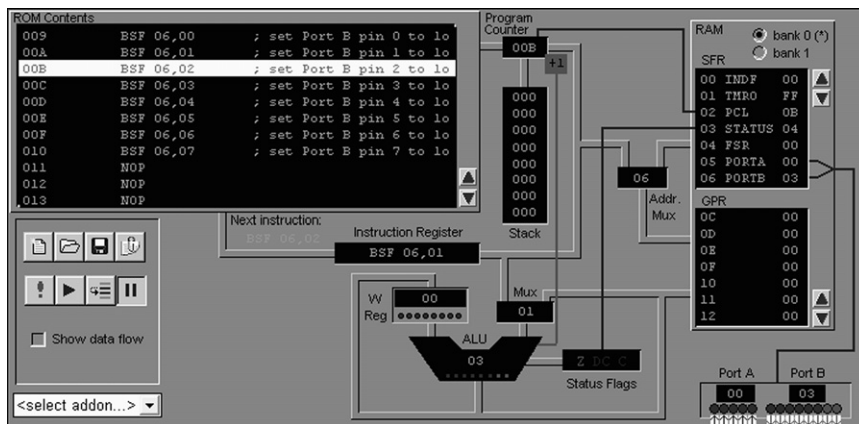


Figure 5.13: The “Virtual PICmicro” screen, Matrix Multimedia

program can be run, or be single-stepped, with the internal status being clearly updated and displayed.

5.12 Taking things further: indirect addressing and the File Select register

In both Figures 2.2 and 2.5 we see a register called **FSR**, the File Select register. As Figure 2.2 suggests, instead of embedding a memory address in the instruction word, the number stored in the FSR can be used as the address for data memory. This is called an ‘Indirect Address’. The FSR is invoked whenever the memory location **INDF** is addressed. **INDF** doesn’t actually exist as a register; its use simply forces the CPU to implement the indirect addressing mode. The beauty of this mode is that the FSR register can be manipulated as a normal memory location to point to anywhere in data memory that is wanted. When **INDF** is invoked, the instruction used acts on the memory location pointed to by the FSR. Indirect addressing is useful when working with programs that create lists of data that need to be stored in data memory.

5.12.1 Using indirect addressing to save a Fibonacci series

Program Example 5.12 extends the Fibonacci series program to incorporate storage of the series, using indirect addressing. The main section of the program is shown; the extra lines of code are highlighted in bold. The data block is stored in data memory, starting at location 20_H. The first three numbers in the series are entered using conventional addressing (indirect addressing could already be used here, but this would require slightly more lines of code). The FSR is then loaded with 23_H, the address of the next location in the data block to be loaded. Entering the main loop, it can be seen that every time a new number is generated, it is stored in the data block, using the **movwf indf** instruction. The value of the FSR is then incremented until it reaches a predetermined maximum value.

Programming Exercise 5.12

Create a project in MPLAB called Fibo+storage, or a name of your choice. Copy into it from the source file of Program Example 5.12 (found on the book’s companion website), and simulate. Display the File Registers window using View > File Registers. Using ‘Step Into’ single-step through the program and watch the Fibonacci series being built up in the data memory block starting at location 20_H. On completion you should have a window similar to Figure 5.14. Notice how closely this reflects Figure 2.5, showing two banks of SFRs, and how **PCL**, **STATUS** and **FSR** are mirrored across both banks. Try changing the definition of the top of the block, by reducing the literal value in the instruction **sublw 30**. Note the change in program action as you do this.

```

...
(opening lines of program omitted)
...
;these memory locations hold the most recent numbers in the Fibonacci series
fib0 equ 10 ;lowest number (oldest when going up; newest when reversing down)
fib1 equ 11 ;middle number
fib2 equ 12 ;highest number
fibtemp equ 13 ;temporary location for newest number
counter equ 14 ;indicates which value we have reached, opening value is 2

    org 00
;preload initial values
    movlw 0
    movwf fib0
    movwf 20 ;save at start of list
    movlw 1

    movwf fib1
    movwf 21 ;save in list
    movwf fib2
    movwf 22 ;save in list
    movlw 3
    movwf counter;have preloaded the first three numbers, so start at 3
    movlw 23 ;Initialise File Select Register, with next location for
    movwf fsr ;list of numbers to be saved
;
forward movf fib1,0
    addwf fib2,0
    btfsc status,c ;test if we have overflowed 8-bit range
    goto reverse;here if we have overflowed, hence reverse down the series
    movwf fibtemp;latest number now placed in fibtemp
    movwf indf ;save by indirect addressing
    movf fsr,0 ;test to see if FSR is at top of range
    sublw 30
    btfss status,z
    incf fsr,1 ;increment FSR, if available range not full
    incf counter,1
;now shuffle numbers held, discarding the oldest
    movf fib1,0 ;first move middle number, to overwrite oldest
    movwf fib0
    movf fib2,0
    movwf fib1
    movf fibtemp,0
    movwf fib2
    goto forward
...

```

Program Example 5.12: Storing the Fibonacci series with indirect addressing

Summary

- It is important to devise good structures for programs as they are developed. Flow and state diagrams can help with this.
- A number of techniques assist in producing clear and well-structured programs. These include subroutines, look-up tables, macros, and the use of Include Files.
- The full 16 Series instruction set can be applied to build large and sophisticated programs.
- More complex programs require greater expertise in the use of simulation techniques.

Address	00	01	02	03	04	05	06	07	08	09	0A	0B	0C	0D	0E	0F
00	--	00	00	19	2E	00	00	--	00	00	00	00	00	00	00	00
10	15	22	37	0D	0A	00	00	00	00	00	00	00	00	00	00	00
20	00	01	01	02	03	05	08	0D	15	22	37	59	90	E9	00	00
30	00	00	00	00	00	00	00	00	00	00	00	00	00	00	00	00
40	00	00	00	00	00	00	00	00	00	00	00	00	00	00	00	00
50	--	--	--	--	--	--	--	--	--	--	--	--	--	--	--	--
60	--	--	--	--	--	--	--	--	--	--	--	--	--	--	--	--
70	--	--	--	--	--	--	--	--	--	--	--	--	--	--	--	--
80	--	FF	00	19	2E	1F	FF	--	00	00	00	00	00	00	00	00
90	15	22	37	0D	0A	00	00	00	00	00	00	00	00	00	00	00
A0	00	01	01	02	03	05	08	0D	15	22	37	59	90	E9	00	00
B0	00	00	00	00	00	00	00	00	00	00	00	00	00	00	00	00
C0	00	00	00	00	00	00	00	00	00	00	00	00	00	00	00	00
D0	--	--	--	--	--	--	--	--	--	--	--	--	--	--	--	--
E0	--	--	--	--	--	--	--	--	--	--	--	--	--	--	--	--
F0	--	--	--	--	--	--	--	--	--	--	--	--	--	--	--	--

Figure 5.14: The Fibonacci series stored in a data block starting at address 20_H

References

- 5.1. Implementing a Table Read (2000). Microchip Technology Inc., Application Note AN556, Ref. no. DS00556E.
- 5.2. Assembly for PICmicro Microcontrollers. V3.0. John Becker. Matrix Multimedia Ltd. <http://www.matrixmultimedia.co.uk> or <http://www.labvolt.com/>

Working with time: interrupts, counters and timers

Apart from the lucky few, our daily lives are ruled by time. We have alarm clocks to wake us in the morning, stopwatches to measure time duration, timers to start off single events (such as a VCR recording) and timers to maintain periodic events (such as a house heating system coming on at the same time every day). For the young and those who teach, the working day is ruled by a school timetable – a complex series of timed events.

For embedded systems, time is similarly of the essence. At a simple level the system needs to respond in a timely manner to external events. It may also need to measure time between external events and generate time-based activity. These requirements are met primarily by two differing, but related, features of a microcontroller: the interrupt and the counter/timer. While each is a stand-alone element in its own right, both are so useful that they have become ubiquitous, finding their way into many other microcontroller features. Interrupts are to be found generated by almost every microcontroller peripheral. Counters/timers provide the timing for a range of activity, from motor control with pulse width modulation to baud rate generation in serial communications. The principles of each are introduced in this chapter and need to be understood with care. Because they are used both at a simple level and in advanced and sophisticated ways, we return to them on a number of occasions throughout the book. Ultimately, we find that interrupts and counters/timers all form part of the exciting techniques that underpin real-time programming.

In this chapter you will learn about:

- Why we need interrupts and counters/timers.
- The underlying interrupt hardware structure.
- The 16F84A interrupt structure.
- How to program with interrupts.
- The underlying microcontroller counter/timer hardware structure.
- The 16F84A Timer 0 structure.
- Simple applications of the counter/timer.
- The Sleep mode.

If you wish you will also be able to get deeper into 16F84A interrupt issues, in particular its interrupt latency.

6.1 The main idea – interrupts

As we know, a computer CPU is a deeply orderly entity, following the instructions of the program one by one and doing what it is told in a precise and predictable fashion. An interrupt disturbs this order. Coming maybe when least expected, its function is to alert the CPU in no uncertain terms that some significant external event has happened, to stop it from what it is doing and force it (at the greatest speed possible) to respond to what has happened. Originally interrupts were applied to allow emergency external events, such as power failure, the system overheating or major failure of a subsystem to get the attention of the CPU. But the concept of interrupts was recognised as being very powerful. As time went on, more and more subsystems gained the power to generate interrupts. This forced increasing complexity in interrupt structures and a need to recognise that not all interrupts were equal.

To work successfully with interrupts, we need to understand both the hardware interrupt structure and the programming techniques needed to program successfully with them. An introduction to these now follows.

6.1.1 Interrupt structures

Different microcontrollers have rather different interrupt structures. Inevitably they have more than one interrupt source, usually with some maskable internally generated and others external. A generic structure, which illustrates the main hardware principles, is shown in Figure 6.1. On the left we see one of several sources, ‘Interrupt X’. If an interrupt occurs, it sets an S–R bistable. The occurrence of the interrupt, even if it is only momentary, is thus recorded. The output of the bistable, the latched version of the interrupt, is called the ‘interrupt flag’. This is then gated with an enable signal, ‘Interrupt X Enable’. If this is high, then the interrupt signal progresses to an OR gate. If it is low, the interrupt signal gets no further. If enabled, it is

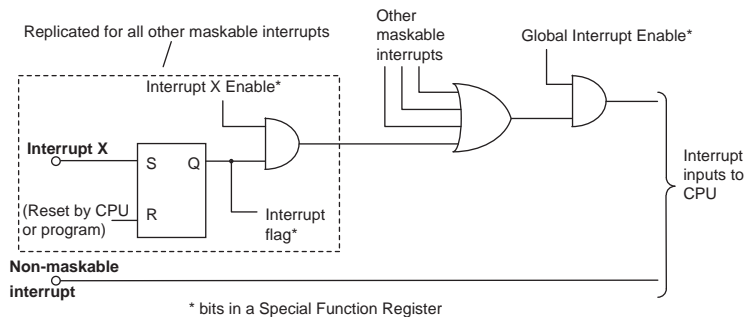


Figure 6.1: A simple generic interrupt structure

ORed with other enabled interrupt inputs of the microcontroller. The OR gate output will go high if *any* interrupt input is high. There is then a further gating of the OR gate output, this time with a ‘Global Interrupt Enable’. Only if that value is high can any interrupt signal reach the CPU. When the CPU has responded to an interrupt, it is necessary to clear the interrupt flag. In some processors this is done automatically by the CPU, in others it must be done within the program.

The action of disabling an interrupt is sometimes called ‘masking’. It seems strange, however, to be able to switch off a capability which is so important and which is meant to be there to report emergencies. Therefore, some microcontrollers have interrupts that cannot be masked. These are always external (i.e. not from an internal peripheral) and are used to connect to external interrupt signals of the greatest importance. A non-maskable interrupt is shown in [Figure 6.1](#). As the CPU always responds if it occurs, there is less point in storing it as a flag, and this is sometimes therefore not done.

6.1.2 The 16F84A interrupt structure

The 16F84A has four interrupt sources, all of which can be individually enabled or disabled:

- *External interrupt*. This is the only external interrupt input. It shares a pin with Port B, bit 0 ([Figure 2.1](#)). It is edge triggered.
- *Timer overflow*. This is an interrupt caused by the Timer 0 module, which is the subject of the second half of this chapter. It occurs when the timer’s 8-bit counter overflows.
- *Port B interrupt on change*. This interrupts when a change is detected on any of the higher four bits of Port B. The mechanism was described in [Section 3.4.1](#).
- *EEPROM write complete*. This interrupts when a write instruction to the EEPROM memory is completed.

The interrupt structure is shown in [Figure 6.2](#) and the SFR that controls it, **INTCON**, in [Figure 6.3](#). It is useful to study the two diagrams in parallel, as every bit in the **INTCON** register appears in the structure logic diagram. The four sources appear labelled on the left of [Figure 6.2](#). When comparing this diagram with [Figure 6.1](#), it is interesting to note the absence of the interrupt flag flip-flops. These exist, but are not shown in the Microchip diagram. Each source has an enable line (labelled ...**E**) and a flag line (labelled ...**F**).

Thus, the lines **TOIF**, **INTF** and so on are actually the interrupt flags rather than the interrupt inputs themselves. All can be seen as bits in the **INTCON** register, with the exception of the EEPROM write complete flag and enable. Note that the external interrupt is edge triggered. The edge it responds to is controlled by the setting of the **INTEDG** bit of the **OPTION** register (shown later, as it mainly relates to Timer 0, in [Figure 6.9](#)).

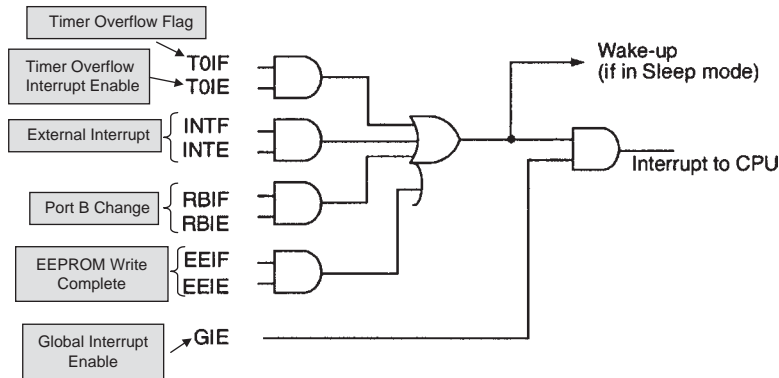


Figure 6.2: The 16F84A interrupt structure (supplementary labels in shaded boxes added by the author)

As in Figure 6.1, each flag is ANDed with a corresponding Enable input (**TOIE**, **INTE**, **RBIE** and **EEIE**). The enable bits are located in the **INTCON** register and can be set by the programmer. The outputs of the four AND gates are then ORed together, before passing on to the Global Enable gate. Interrupt flags must be cleared by manipulating their **INTCON** bits in the program. The 16F84A has no non-maskable interrupt input.

R/W-0	R/W-0	R/W-0	R/W-0	R/W-0	R/W-0	R/W-0	R/W-x	
GIE	EEIE	TOIE	INTE	RBIE	TOIF	INTF	RBIF	
bit 7								bit 0

bit 7	GIE: Global Interrupt Enable bit 1 = Enables all unmasked interrupts 0 = Disables all interrupts
bit 6	EEIE: EE Write Complete Interrupt Enable bit 1 = Enables the EE Write Complete interrupts 0 = Disables the EE Write Complete interrupt
bit 5	TOIE: TMR0 Overflow Interrupt Enable bit 1 = Enables the TMR0 interrupt 0 = Disables the TMR0 interrupt
bit 4	INTE: RB0/INT External Interrupt Enable bit 1 = Enables the RB0/INT external interrupt 0 = Disables the RB0/INT external interrupt
bit 3	RBIE: RB Port Change Interrupt Enable bit 1 = Enables the RB port change interrupt 0 = Disables the RB port change interrupt
bit 2	TOIF: TMR0 Overflow Interrupt Flag bit 1 = TMR0 register has overflowed (must be cleared in software) 0 = TMR0 register did not overflow
bit 1	INTF: RB0/INT External Interrupt Flag bit 1 = The RB0/INT external interrupt occurred (must be cleared in software) 0 = The RB0/INT external interrupt did not occur
bit 0	RBIF: RB Port Change Interrupt Flag bit 1 = At least one of the RB7:RB4 pins changed state (must be cleared in software) 0 = None of the RB7:RB4 pins have changed state

Figure 6.3: The 16F84A **INTCON** register

6.1.3 The CPU response to an interrupt

Let us assume that an interrupt has occurred, and both its local enable and the global enable are set. The interrupt is therefore detected by the CPU and it executes a special section of program called the Interrupt Service Routine (ISR). It is important to understand the underlying detail of what goes on, and this is illustrated in the flow diagram of Figure 6.4. The CPU completes the instruction it is currently executing and saves the value of the Program Counter on the top of the Stack. Thus, it will ‘know’ where to come back to when the ISR is complete. To avoid other interrupts possibly interrupting this interrupt, it also clears the Global Interrupt Enable.

In the PIC 16 Series, the ISR *must* start at the interrupt vector, program memory location 0004 (Figure 2.4). Therefore, when an interrupt occurs, this value is loaded into the Program Counter and program execution then continues from the reset vector. In any processor, the ISR *must* end with a special ‘return from interrupt’ instruction. In the 16 Series this is the **retfie** instruction. When this is detected, the CPU sets the **GIE** to 1, loads the Program Counter from the top of the Stack and then resumes program execution. Thus, it returns to the instruction which follows the instruction during which the interrupt was detected.

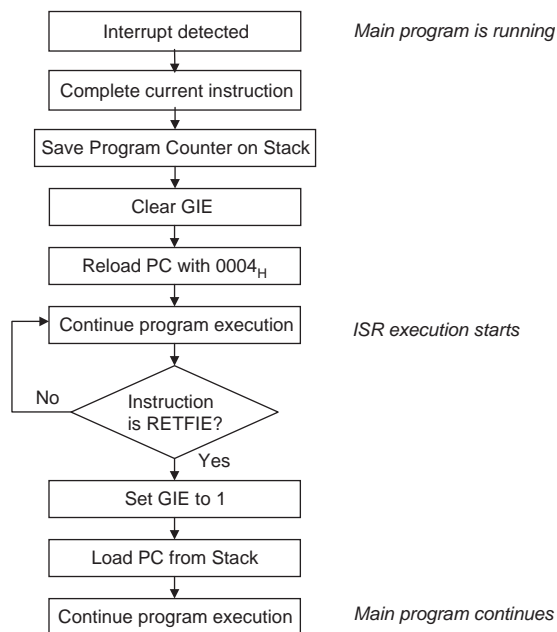


Figure 6.4: The 16F84A interrupt response sequence of events

6.2 Working with interrupts

6.2.1 Programming with a single interrupt

It is comparatively easy to write simple programs with just one interrupt. For success, the essential points to watch are:

- Start the ISR at the interrupt vector, location 0004.
- Enable the interrupt that is to be used by setting the enable bit in the **INTCON** register.
- Set the Global Enable bit, **GIE**.

```

;*****
;Int_Demo1
;This program demonstrates simple interrupts.
;Intended for simulation.
;tjw rev.14.2.09          Tested in simulation 14.9.09
;*****
;
;       include pl6f84A.inc
;Port A all output
;Port B: bit 0 = Interrupt Input
;
;       org    00
;       goto   start
;
;       org    04      ;here if interrupt occurs
;       goto   Int_Routine
;
;       org    0010
;Initialise
start   bsf    status,rp0  ;select bank 1
        movlw 01
        movwf trisb      ;portb bits 1-7 output
                           ;      bit 0 is input
        movlw 00
        movwf trisa      ;porta bits all output
;Comment in or out following instruction to change
;interrupt edge
;       bcf    option_reg,intedg
;       bcf    status,rp0  ;select bank 0
;       bsf    intcon,inte ;enable external interrupt
;       bsf    intcon,gie  ;enable global int

wait   movlw 0a      ;set up initial port output values
        movwf porta
        nop
        movlw 15
        movwf porta
        goto   wait
;
;       org    0080
Int_Routine
        movlw 00
        movwf porta
        bcf    intcon,intf ;clear the interrupt flag
        retfie
        end

```

Program Example 6.1: Simple interrupt application

- Clear the interrupt flag within the ISR.
- End the ISR with a **retfie** instruction.
- Ensure that the interrupt source, for example Port B or Timer 0, is actually set up to generate interrupts!

Program Example 6.1 gives a very simple interrupt example, intended for simulation. The interrupt guidelines in the list above are applied. The program starts as usual at the reset vector 0000; however, the interrupt vector is now also in use. The first action of the program is to branch over the reset vector to location **start**, where initialisation takes place. Within this we see the **GIE** and **INTE** bits being set. These bit labels can be used because they appear in the 16F84A Include File. The main program simply outputs the bit patterns 0A_H and 15_H to Port A in turn.

When an interrupt occurs the interrupt vector address is loaded into the Program Counter, from where program execution continues. The first action of the ISR is to jump to location **Int Routine**. This is placed at program memory location 0080_H to give clarity to the simulation. The ISR simply clears Port A before clearing its interrupt flag and returning to the main program.

Programming Exercise 6.1

Copy Program Example 6.1 from the book's companion website into MPLAB and create a project around it. Build the project and enable the simulator. Open a Watch window, displaying **PORTA**, **PORTB**, **INTCON** and **PCL**. Open the Hardware Stack window (under **View**) to observe the contents of the Stack. Open a new stimulus workbook (as described in Section 4.8.1) and set Pin **RB0** to Toggle. Single-step through the program, and observe and understand the change to each observed variable on every instruction. Now 'fire' the **RB0** pin, setting **RB0** high, and an interrupt sequence should be instigated as you single-step further. See the Hardware Stack change, program execution transfer to the ISR and on ISR completion the program resuming after the instruction where it was interrupted. Fire the **RB0** pin again (returning it to 0), and continue stepping. This will cause no change to program execution, as the interrupt edge response will be positive-edge triggered only (the **INTEDG** bit has been left at a Reset value of 1). Try changing the **INTEDG** bit (to 0), as shown in the program, to change the edge to which the interrupt responds.

When you have implemented the above program successfully, try inserting the errors below into the program. They are commonly made by novices. Observe and explain the effect.

- Fail to clear the interrupt flag by removing the instruction **bcf intcon,intf**.
- Terminate the ISR incorrectly by replacing **retfie** with **return**.

6.2.2 Moving to multiple interrupts – identifying the source

Using one interrupt in a program is generally quite easy, but be warned – once we start using more than one, interrupts can interact with each other in ways which are far from simple. Complexity then seems to rise approximately in proportion to the *square* of the number of interrupts used!

As we have seen, the 16F84A has four interrupt sources but only one interrupt vector. Therefore, if more than one interrupt is enabled, it is not obvious at the beginning of an ISR which interrupt has occurred. In this case the programmer must write the ISR so that at its beginning it tests the flags of all possible interrupts and determines from this which one has been called. An example piece of code that does this, assuming all four interrupt sources are enabled, is shown in Program Example 6.2.

```

interrupt btfsc intcon,0      ;test RBIF
        goto portb_int
        btfsc intcon,1      ;test external interrupt flag
        goto ext_int
        btfsc intcon,2      ;test timer overflow flag
        goto timer_int
        btfsc eecon1,4      ;test EEPROM write complete flag
        goto eeprom_int

portb_int
...
place portb change ISR here
...
        bcf    intcon,0      ;and clear the interrupt flag
        retfie

ext_int
...
place external interrupt ISR here
...
        bcf    intcon,1      ;and clear the interrupt flag
        retfie

timer_int
...
place timer overflow ISR goes here
...
        bcf    intcon,2      ;and clear the interrupt flag
        retfie
        eeprom_int
...
place EEPROM write complete ISR here
...
        bcf    eecon1,4      ;and clear the interrupt flag
        retfie

```

Program Example 6.2: Interrupt source identification

6.2.3 Stopping interrupts from wrecking your program 1 – context saving

Because an interrupt can occur at any time, it has the power to be extremely destructive. Program Example 6.3 is written to illustrate this. It applies a 16-bit addition subroutine.

For the purposes of the example, the 16-bit number 9999_H is added to itself, with an expected 17-bit result 13332_H. In the subroutine, the lower two bytes, **qlo** and **plo**, are added. Any Carry generated is then added into one of the higher bytes, and the higher two bytes are added. An ISR is written which affects both the Carry flag and the W register, as most ISRs would.

```

;*****
;Int_context
;This program demonstrates the need for context saving.
;Intended for simulation.

;TJW 15.4.05                                Tested 17.4.05
;*****
;Port A not used. Port B bit 0 used for external interrupt input
#include p16f84A.inc
;
rhi      equ 10
rlo      equ 11
phi      equ 12
plo      equ 13
qhi      equ 14
qlo      equ 15

org 00
goto start
org 04 ;here if interrupt occurs
goto Int_Routine ;
start    org 0010
        bsf   intcon,inte ;enable external interrupt
        bsf   intcon,gie  ;enable global int
loop     movlw 99
        movwf phi    ;preload numbers to be added
        movwf plo
        movwf qhi
        movwf qlo
        call Double_add
        movlw 00    ;clear result
        movwf rhi
        movwf rlo
        goto loop
;This subroutine adds two 16-bit numbers, stored in phi-plo, and qhi-qlo,
;and stores result in rhi-rlo. 16-bit overflow in Carry flag at end.
Double_add
        movf  plo,0    ;move plo to the W reg
        addwf qlo,0    ;add lower bytes
        movwf rlo
        btfsc status,0

        incf  phi,1    ;add in Carry
        movf  phi,0
        addwf qhi,0    ;add upper bytes
        movwf rhi
        return
Int_Routine
        bcf   status,0    ;clear the Carry flag
        movlw 0ff        ;change W reg value
        bcf   intcon,intf
        retfie
        end

```

Program Example 6.3: Impact of interrupts

Suppose the interrupt occurs immediately after the first subroutine **movf** instruction, where the W register is holding the value of **plo**. The ISR changes the W register so, when program execution returns to the subroutine, it will be with the incorrect W register value. Suppose the interrupt occurs immediately after the first **addwf** instruction. The value of the Carry bit is essential to the success of the addition, but again is lost in the ISR.

Programming Exercise 6.2

Copy the program Int Context from the book's companion website into MPLAB and create a project around it. Build the project and enable the simulator. Open a Watch window, displaying **qhi, qlo, phi, plo, rhi, rlo, STATUS** and **WREG**. Open the Stimulus Controller and set Pin **RB0** to Toggle. Single-step through the program, and check that the addition works correctly and the expected result is achieved. Now try inserting interrupts at different points in the program. Note how at many points the occurrence of the ISR destroys the validity of the addition's result.

The temporary data being used in a particular activity in the CPU is called its 'context'. In the PIC 16 Series this includes at least the W register value and the Status register. It is clearly important to save the context when an interrupt occurs. Some microcontrollers do this automatically, but PIC 16 Series microcontrollers do not. Therefore, it is up to the programmer to ensure that whatever context saving that is needed is done in the program.

Program Example 6.4 shows the recommended Microchip method for saving the W register into a pre-designated memory location **W_TEMP** and the Status register into a location called **STATUS_TEMP**. The **swapf** and **movwf** instructions are used because they do not affect any Status register bits.

```

PUSH  movwf w_temp          ;Copy W to W_TEMP register,
      swapf status,0       ;Swap status to be saved into W
      movwf status_temp    ;Save status to STATUS_TEMP register
ISR
...
      actual ISR goes here
...
POP   swapf status_temp,0  ;Swap nibbles in STATUS_TEMP register
      ;and place result into W
      movwf status        ;Move W into STATUS register ;sets bank to original
      ;state

      swapf w_temp,1      ;Swap nibbles in W_TEMP and keep result in W_TEMP
      swapf w_temp,0      ;Swap nibbles in W_TEMP and place result into W
...
      clear interrupt flag(s) here
...
      retfie

```

Program Example 6.4: Context saving

Programming Exercise 6.3

Adapt the context saving shown in Program Example 6.4 and insert it into the Int Context program (Program Example 6.3). You will need to define memory locations for **w temp** and **status temp**. Check that the program now operates correctly wherever you force an interrupt to occur.

6.2.4 Stopping interrupts from wrecking your program 2 – critical regions and masking

We can resolve *some* of the problems of an interrupt occurring in a program section like the subroutine discussed above by appropriate context saving. Unfortunately, we can't resolve them all, at least not just with context saving.

What if an interrupt occurred in a software delay routine, for example that of Program Example 5.2? The delay length would be increased by the duration of the ISR, which could be disastrous, and no amount of context saving would improve the situation.

Consider a more subtle problem. The ISR shown in Program Example 6.5 takes the word held in **rhi-rlo**, calculated in the subroutine of Program Example 6.3, and outputs it to a 12-bit digital-to-analog converter (DAC) connected to Ports A and B. We assume that the overall program constrains the word in **rhi-rlo** to 12 bits. Suppose the ISR shown in Program Example 6.5 occurs during the subroutine of Example 6.3. Context saving is implemented, so should there be a problem?

Unfortunately, there is a problem. The ISR is making use of a result that is being calculated in a program section that it is interrupting. Suppose **rlo** has just been updated and not **rhi** when the interrupt occurs. The ISR outputs the new value of **rlo** and the old one of **rhi**. Together, they might make a number that has no sense, with potentially disastrous consequences.

```

Int_Routine
    movwf W_temp      ;Copy W to TEMP register,
    swapf status,0   ;Swap status to be saved into W
    movwf status_temp ;Save status to STATUS_TEMP register
    bcf  status,5    ;ensure we are in Bank 0
    movf  rhi,0      ;output higher 4 bits to DAC
    movwf porta
    movf  rlo,0      ;output lower 8 bits to DAC
    movwf portb
    swapf status_temp,0 ;Swap nibbles in STATUS_TEMP register
                          ;and place result into W
    movwf status     ;Move W into STATUS register ;set bank to original
                          ;state
    swapf W_temp,1   ;Swap nibbles in W_TEMP and place result in W_TEMP
    swapf W_temp,0   ;Swap nibbles in W_TEMP and place result into W
    bcf  intcon,intf
    retfie

```

Program Example 6.5: An interrupt using data calculated in the program

Therefore, we must accept the fact that in certain program areas we will not want to accept the intrusion of an interrupt under any circumstances, with or without context saving. We call these ‘critical regions’. We can disable, or ‘mask’, the interrupts for their duration by manipulating the enable bits in the **INTCON** register. Critical regions may include:

- times when the microcontroller is simply not readied to act on the interrupt (for example during initialization – hence, only enable interrupts after initialization is complete);
- time-sensitive activities, including timing loops and multi-instruction setting of outputs;
- any calculation made up of a series of instructions where the ISR makes use of the result.

By properly applying the techniques of context saving and critical regions, we can make good use of interrupts without them displaying the more destructive side of their nature.

6.3 The main idea – counters and timers

6.3.1 The digital counter reviewed

It is very easy to make a digital counter using flip-flops. Counters can be made which count up, count down, can be cleared back to zero, pre-loaded to a certain value, and which by the provision of an overflow output can be cascaded with other counters. A simple example is shown in Figure 6.5. Eight negative edge-triggered J–K bistables are interconnected, so that the Q-output of one drives the clock input of the next. With J and K both tied to Logic 1, the flip-flop toggles on every input negative edge. The counter holds an 8-bit binary number, made up of the eight Q-outputs of the bistables, where Q_7 is the most significant and Q_0 the least significant. It counts up by one on the negative edge of every incoming clock cycle.

The output timing diagram is shown in the lower part of the figure. It can be seen that after one input cycle Q_0 has gone to Logic 1. After 16 input cycles have been completed (i.e. during cycle 17) the 8-bit word forms 00010000_B , i.e. 16_D , and after 31 cycles it forms 00011111_B , i.e. 31_D . When 255 input cycles have been completed the counter holds the word 11111111_B , or FF_H . If another input cycle comes along, then all flip-flops ripple through to 0 and the output returns to 00000000_B . The negative-going edge of Q_7 can be used to indicate that the counter has overflowed.

The counter of Figure 6.5 can be reset to zero if the clear line is activated. With a little more complexity it is possible to add the facility to pre-load the counter with any number desired. By so doing we gain a versatile digital subsystem which becomes the basis for a microcontroller counter. This can be represented as in Figure 6.6. The only interconnections of significance are the clock input, the overflow output and the 8-bit Read or Load capability, which can be gated to share a single bi-directional data path.

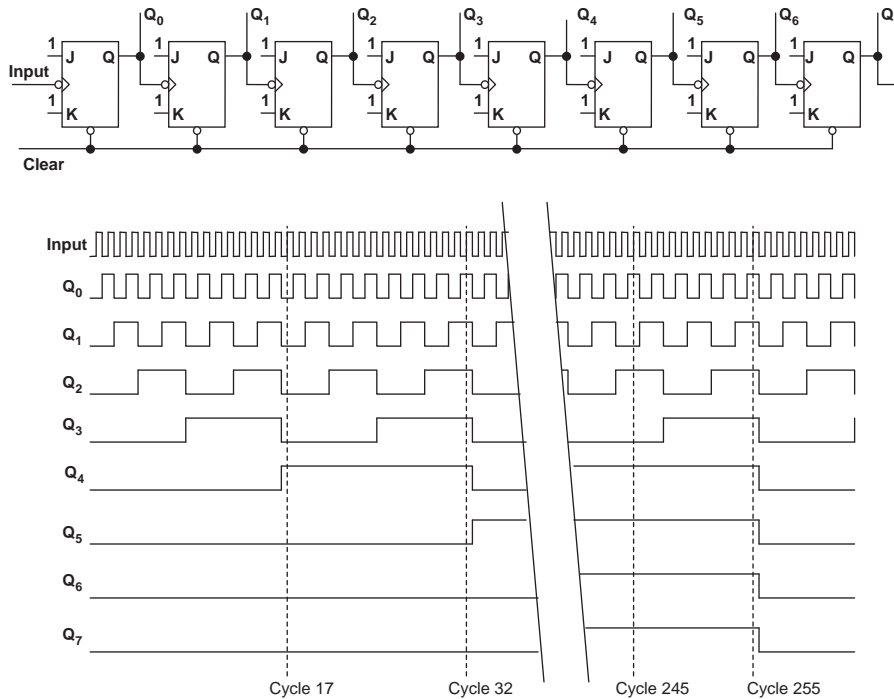


Figure 6.5: A digital counter made of eight flip-flops

6.3.2 The counter as a timer

It is extremely useful for a microcontroller to be able to count – widgets passing on a conveyor belt, for example, coins in a slot machine, or people going through a door. It is, however, especially useful if it can measure time, and the counter allows us to do this.

Suppose the input signal of Figure 6.5 was a stable 1 kHz clock frequency. Then the counter would increment exactly every 1 ms. After 16 clock cycles, exactly 16 ms would have elapsed, after 31 cycles 31 ms and so on. By starting the clock input at a moment of choice, it is therefore possible to measure elapsed time. The resolution of the measurement is determined

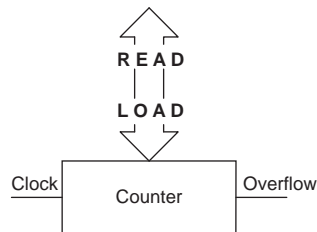


Figure 6.6: The digital counter in block diagram form

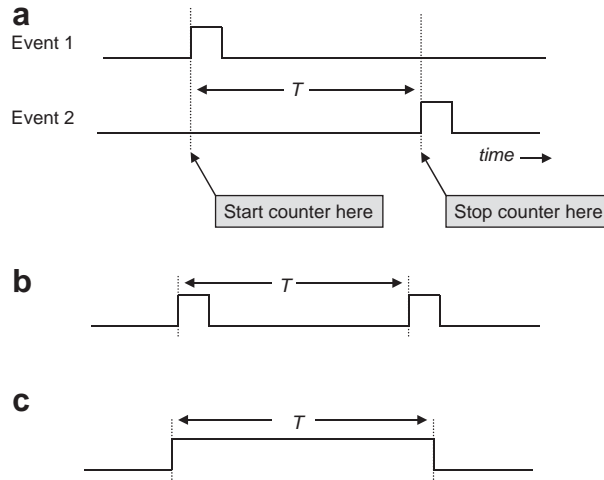


Figure 6.7: The challenge of time measurement

by the period of the clock. In this example the resolution is 1 ms and we can't measure anything less than that, or a fraction of it! Again, for the 1 ms input period, the 8-bit counter can measure up to 255 ms before overflowing. The use of counters as timers is so important that the counter is often called a counter/timer (C/T), or simply a timer, to reflect this importance.

An obvious application of the counter/timer is to measure the time between two 'events'. These events may both be externally generated. Alternatively, the first is generated by the microcontroller and the second happens some time later, as a response. It may also be necessary to measure the time between two pulses or the duration of a single pulse. The general requirement is illustrated in Figure 6.7. The actual measurement seems easy – start the counter/timer running when the first event occurs and stop it at the moment of the second. In practice, this poses a number of challenges. For an accurate measurement, the start and stop of the counter/timer must be perfectly synchronised with the events. The best way of doing this is by using an interrupt. If we don't have an interrupt, then we will have to continuously scan the input to detect when the event occurs – in which case it's hardly worth using the counter/timer, as we might as well do the timing in the software. If there are two external events on two different lines then we still have a problem as, with the PIC 16 Series, we only have one external interrupt.

We will see a good example of this sort of time measurement in Chapter 10. We will also see enhancements to the counter/timer that get over the problem of accurately synchronising the start and stop of the counter/timer with the events it is measuring.

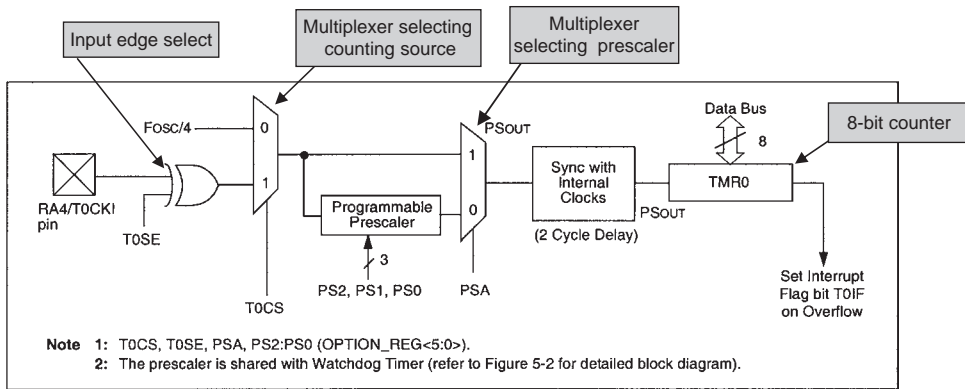


Figure 6.8: The 16F84A Timer 0 module (supplementary labels in shaded boxes added by the author)

6.3.3 The 16F84A Timer 0 module

The 16F84A Timer 0 is typical of many simple counters/timers in smaller-scale micro-controllers. It takes an 8-bit counter like the one in Figure 6.5, connects it as an SFR in the memory map and packages it with some useful extra features. Its block diagram representation is shown in Figure 6.8, with the actual 8-bit counter labelled **TMR0**. Looking back to Figure 2.5, we can see that this appears as register **TMR0** at memory location 01 in bank 0. Like all good microcontroller peripherals, Timer 0 is configurable, controlled by a number of bits that appear in the **OPTION** register, as shown in Figure 6.9.

Looking to the left of Figure 6.8, we can see that there are two possible sources of the clock input to the **TMR0** counter. One is the **RA4** pin (i.e. pin 3 of the 16F84A – see Figure 2.1). The other is the internal instruction cycle frequency, labelled **Fosc/4**. The selection of the input source is made by the multiplexer controlled by bit **T0CS**, which appears in the Option register. The external input path includes the option of inverting the signal with the Exclusive OR gate, the inversion being controlled by bit **T0SE**. The output of the first multiplexer branches before reaching a second multiplexer. This selects either a direct path or the path taken through a programmable prescaler. The choice is controlled by bit **PSA** of the Option register. A complication here is that the prescaler is actually shared with the Watchdog Timer (WDT), which we meet a little later in this chapter. For now we just need to recognise that if **PSA** is set to 1, then the prescaler is assigned to the WDT and the multiplexer selects the input path which avoids the prescaler. The prescaler itself is controlled by bits **PS2**, **PS1** and **PS0** of the Option register. Inspection of these bits in Figure 6.9 shows that they allow a choice of frequency divisions of the incoming clock signal. The output

	R/W-1	R/W-1	R/W-1	R/W-1	R/W-1	R/W-1	R/W-1
	RBPUP	INTEDEG	T0CS	T0SE	PSA	PS2	PS0
bit 7							bit 0
bit 7	RBPUP: PORTB Pull-up Enable bit 1 = PORTB pull-ups are disabled 0 = PORTB pull-ups are enabled by individual port latch values						
bit 6	INTEDEG: Interrupt Edge Select bit 1 = Interrupt on rising edge of RB0/INT pin 0 = Interrupt on falling edge of RB0/INT pin						
bit 5	T0CS: TMR0 Clock Source Select bit 1 = Transition on RA4/T0CKI pin 0 = Internal instruction cycle clock (CLKOUT)						
bit 4	T0SE: TMR0 Source Edge Select bit 1 = Increment on high-to-low transition on RA4/T0CKI pin 0 = Increment on low-to-high transition on RA4/T0CKI pin						
bit 3	PSA: Prescaler Assignment bit 1 = Prescaler is assigned to the WDT 0 = Prescaler is assigned to the Timer 0 module						
bit 2-0	PS2:PS0: Prescaler Rate Select bits						
	Bit Value	TMR0 Rate	WDT Rate				
	000	1 : 2	1 : 1				
	001	1 : 4	1 : 2				
	010	1 : 8	1 : 4				
	011	1 : 16	1 : 8				
	100	1 : 32	1 : 16				
	101	1 : 64	1 : 32				
	110	1 : 128	1 : 64				
	111	1 : 256	1 : 128				

Figure 6.9: The 16F84A OPTION register

of the second multiplexer is synchronised with the internal clock, before becoming the input to the actual counter. When the counter overflows, it sets the timer overflow flag, one of the PIC microcontroller's four interrupt sources, which we met in Figure 6.2.

6.4 Applying the 16F84A Timer 0, with examples using the electronic ping-pong program

A simple counter/timer like the Timer 0 can be used for many applications. We will look at two examples. Both are based on the electronic ping-pong program and can be readily simulated.

6.4.1 Object or event counting

The simplest application of Timer 0 is to use it as a counter, counting pulses entering the microcontroller through the external input. Looking at the electronic ping-pong circuit (Appendix 2, Figure A2.1), we see that the right paddle is connected to Pin 3 of the 16F84A. The program of Program Example 6.6 is a very simple counting example. It enables the

counter appropriately and uses the right paddle as the counter input, continuously displaying the current value on the LEDs connected to Port B.

To configure Timer 0, we'll need to select its external input, i.e. **T0CS** = 1. The input edge that we trigger from is not too important. As there is a risk of switch bounce, however, we will choose the edge associated with switch release, i.e. the rising edge, as there is less likelihood of bounce. Therefore, **T0SE** = 0. We will not want the prescaler, as we wish to count the exact number of switch presses; therefore, **PSA** = 1. Hence the values of **PS2**, **PS1** and **PS0** do not matter (as this application does not make use of the WDT). All Option register bits that have not been mentioned in this paragraph are not of importance to the ping-pong program, so will be arbitrarily set to 0. A final value for the Option register setting is thus 00101000_B.

```

;*****
;cntr_demo                               Counter Demonstration
;This program demos Timer 0 as counter, using ping-pong hardware
;TJW 15.4.05                               Tested 15.4.05
;*****
;Clock freq 800kHz approx (RC osc.)
;Port A 4   right paddle (ip) Counter input.
;         2   "out of play" led (op)
;Port B 7-0 "play" leds (all op)
;Interrupts not used
;Config Word: RC oscillator, WDT off, PU timer on, code protect off
;
;       #include p16f84A.inc
;
;       org    00
; Initialise
;       bsf    status,rp0    ;select memory bank 1
;       movlw B'00011000'
;       movwf trisa         ;port A according to above pattern
;       movlw 00
;       movwf trisb        ;all port B bits output
;       movlw B'00101000'  ;set up TMR0 for external input, +ve edge,
;                               ;no prescale
;
;       movwf TMR0         ;as we are in Bank 1, this addresses OPTION
;       bcf    status,rp0  ;select bank 0
;
;       movlw 04          ;switch on "out of play" led to show power is on
;       movwf porta
loop   movf    TMR0,0      ;Continuously display Timer 0 on Port B
;       movwf portb
;       goto  loop
;       end

```

Program Example 6.6: Using Timer 0 as a counter

This program can be run on the ping-pong hardware, in which case every press of the right paddle causes a binary display on the play LEDs to increment by one.

Programming Exercise 6.4

Copy the program Cntr Demo from the book's companion website into MPLAB and create a project around it. Build the project and enable the simulator. Open a Watch window, displaying **PORTB** and **TMR0**. Open the Stimulus Controller and set Pin **RA4** to Pulse high, with a pulse width of one cycle. Animate the program, 'fire' the input pulse and see how the Timer 0 and Port B SFRs count up.

Download the program to the pingpong hardware and run it, if you have the means to do this.

6.4.2 Hardware-generated delays

In the original ping-pong program software-generated delays are used to time how long the LEDs are to be illuminated. This is only acceptable in simple programs, as in software-generated delays the CPU is doing nothing useful during the whole of the delay. Now that we have a counter/timer at our disposal, we can use it to generate the delay and if necessary the CPU can busy itself with other things. This seems quite simple, but a small problem presents itself: how do we know when the delay period is up? If we have to keep checking the timer value, then we will have made little progress. This is where the 'interrupt on overflow' comes into its own. If things are set up so that an interrupt is generated as the delay ends, then we have a powerful means of creating efficient delays.

As a first step, let's replace the 5 ms software delay subroutine in the ping-pong program with a delay controlled by Timer 0. The internal clock is approximately 800 kHz and the instruction cycle rate ($F_{osc}/4$) is therefore 200 kHz, or a period of 5 μ s. Now with this clock frequency, Timer 0 would count up to its maximum value (255) in $255 \times 5 \mu$ s, or 1275 μ s, and would overflow on the next cycle, i.e. after 1280 μ s. We can, however, make use of the prescaler here. If the incoming signal is divided by 4 (i.e. **PS2**, **PS1**, **PS0** set to 001), then Timer 0 will overflow after $256 \times 4 \times 5 \mu$ s, or 5.120 ms. This is very close to the 5 ms we're looking for, but it's not quite exact.

Although the ping-pong program does not need accurate timing, suppose we genuinely needed a delay very close to 5 ms? Let us divide the incoming clock by 8 instead of 4, which gives a divided frequency of 25 kHz, or a period of 40 μ s. Now 125 Timer 0 input cycles will cause a delay of $40 \times 125 \mu$ s, or 5.00 ms, which is exactly our target. If we arrange for this prescaling, and at the start of each delay pre-load Timer 0 with $256 - 125$, i.e. 131_D, then an exact delay, terminated by the interrupt on overflow, is possible.

An implementation of this approach is shown in the program sections in Program Example 6.7. This includes both the initialisation section and the revised delay subroutine. Interrupts are *not*

```

...
;Initialise
    org    0010
start bsf    status,5    ;select memory bank 1
      movlw B'00011000'
      movwf trisa        ;port A according to above pattern
      movlw 00
      movwf trisb        ;all port B bits op
      movlw B'00000010' ;set up TMR0 for internal input, prescale by 8
      movwf TMR0         ;as we are in Bank 1, this addresses OPTION
      bcf    status,5    ;select bank 0
...
...
;introduces delay of 5ms approx
      delay5 movlw D'131' ;preload counter, so that 125 cycles, each
                                ;of 40us, occur before timer overflow

      movwf TMR0
dell  btfss intcon,2      ;test for Timer Overflow flag
      goto dell           ;loop if not set
      bcf    intcon,2     ;clear Timer Overflow flag
      return

```

Program Example 6.7: Using Timer 0 in the 'delay5' subroutine

enabled and the subroutine determines when the delay is complete by testing the overflow interrupt flag. The advantage to the programmer is that timing is now achieved by manipulating the Timer 0 settings, rather than by adjusting the software routine. The 'interrupt on overflow' has not been enabled, as it would in this instance offer little advantage. In a more demanding program, however, the interrupt could be enabled and the time spent in the delay used to undertake other CPU activities.

Programming Exercise 6.5

Modify the ping-pong program to include the changes given in Program Example 6.7. Using Debugger > Settings ensure that the clock frequency is set to 800 kHz. Use the Stopwatch facility to check the time duration of the new delay subroutine. How much do the **call**, **return** and Timer loading instructions add to the delay? Can you fine-tune it to improve its accuracy?

6.5 The Watchdog Timer

There is another timer in the 16F84A that we need to take note of, even though it is not normally used in simple applications. This is the Watchdog Timer (WDT). A big danger with any computer-based system is that the software fails in some way and that the system locks up or becomes unresponsive. In a desktop computer such a lock-up can be annoying and one would normally have to reboot. In an embedded system it can be disastrous, as there may be no user to notice that there is something wrong and maybe no user interface anyway. The WDT offers a fairly brutal 'solution' to this problem. It is

a counter, internal to the microcontroller, which is continually counting up. If it ever overflows, it forces the microcontroller into Reset (Figure 2.10). It is up to the programmer to ensure that within the program the WDT is repeatedly cleared. This is done with the instruction **clrwdt**. It is only when the program ceases to run correctly that these instructions are no longer executed and the overflow occurs.

A WDT Reset is generally not good news for an embedded system, as all current settings are of course destroyed and the program starts again. It is, however, better than a program which is not running at all. Note that the WDT leaves one clue of its action behind, and that is through the **TO** bit in the Status register (Figure 2.3). It is possible to test this bit towards the beginning of a program and hence distinguish between a Power-on Reset and a WDT Reset.

The 16F84A WDT is enabled by one of the configuration bits, as seen in Figure 2.6. Thus, it either runs or it doesn't for the duration of the time the microcontroller is switched on. It is driven by an internal RC oscillator, which gives a nominal time-out period of 18 ms. This, however, is to some extent dependent on temperature, supply voltage and variation from device to device. It can be extended by applying the Timer 0 prescaler to it, in which case the time-out period can be stretched up to 128×18 ms, or around 2.3 seconds.

6.6 Sleep mode

Although we are considering timing in this chapter, it is an appropriate moment to consider one aspect of microcontroller operation when time is almost suspended – the Sleep mode. This represents an important way of saving power. The microcontroller can be put into this mode by executing the instruction **SLEEP**, seen in Appendix 1. Once in Sleep mode, the microcontroller almost goes into suspended animation. The clock oscillator is switched off, the WDT is cleared, program execution is suspended, all ports retain their current settings, and the **PD** and **TO** bits in the Status register (Figure 2.3) are cleared and set respectively. If enabled, the WDT continues running. Under these conditions, power consumption falls to a negligible amount – Ref. 2.1 quotes a typical value of 1 μ A, under specific ideal operating conditions.

Once asleep, the microcontroller of course needs something to wake it up again. The 16F84A wakes from Sleep in the following situations:

- *External reset through MCLR pin.* While this causes a wake-up, it also resets the microcontroller; therefore, its use seems limited to complete program restarts. It is possible, however, to detect that the microcontroller has just been in Sleep mode, due to the state of the **PD** pin in the Status register.
- *WDT wake-up.* The function of the WDT is a little different in Sleep. Looking at Figure 2.10, it can be seen that the WDT is blocked from causing a reset when in

Sleep. Instead, on overflow it just causes a wake-up from Sleep, and the microcontroller continues program execution from the instruction following the Sleep mode.

- *Occurrence of interrupt.* As Figure 6.2 indicates, any individually enabled interrupts cause wake-up from Sleep, regardless of the state of the Global Interrupt Enable. Timer 0 cannot, however, generate an interrupt, as the internal clock is disabled.

On wake-up, the oscillator circuit is restarted. For any crystal oscillator mode this means that the T_{OST} timer, seen in Figure 2.10, is also activated. It must complete its count before program execution can resume. Therefore, like a human being, the 16F84A takes a finite time to wake up and be ready for action.

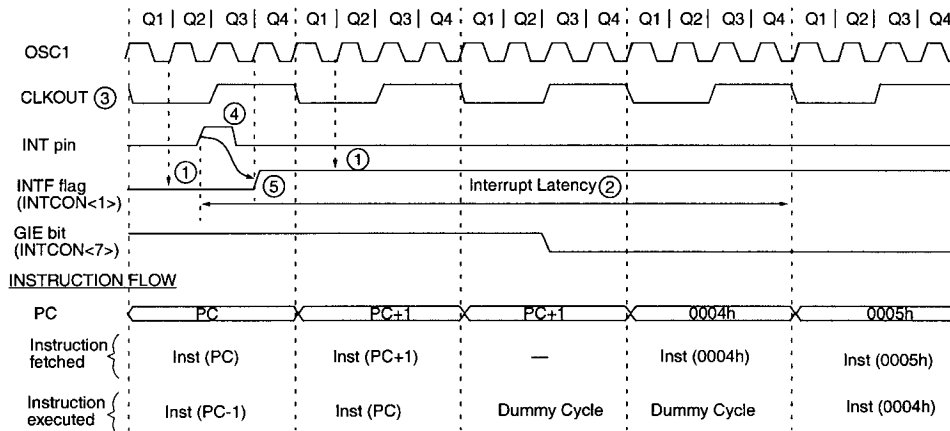
The Sleep mode is extremely powerful for products that must be designed in a power-conscious way. Many devices are not continuously active when powered. If put into Sleep when not in use, their power consumption can be dramatically reduced.

6.7 Taking things further – interrupt latency

The purpose of the interrupt is to attract the attention of the CPU quickly, but how quickly does this actually happen? The time between the interrupt occurring and the CPU responding to it is called the ‘latency’. The latency is dependent on certain aspects of hardware and ultimately can also depend on the characteristics of the program running. The timing diagram of Figure 6.10 shows how the mid-range PIC family responds to an enabled external interrupt. The interrupt itself can be seen as a positive-going pulse on the INT pin line. This causes the interrupt flag INTF to be set. This flag is sampled on the Q1 cycle of the internal oscillator clock. Once this is done, the CPU has detected the interrupt and the sequence then follows that of Figure 6.4. Two dummy cycles are needed to save the Program Counter to the Stack, reload it with 0004_H and fetch the instruction at that address.

Programming Exercise 6.6

Working with the `int_demo1` program again, set the clock frequency to 4 MHz using **Debugger > Settings**. Enable the Stopwatch (under Debugger) and single-step through the program. See how the Stopwatch updates elapsed time in a predictable way. Now instigate the interrupt. Notice how the Stopwatch records a latency of two instruction cycles. At the end of the ISR see that the **retfie** instruction also takes two cycles.



- Note 1: INTF flag is sampled here (every Q1).
 2: Interrupt latency = 3-4 T_{CY} where T_{CY} = instruction cycle time.
 Latency is the same whether Instruction (PC) is a single cycle or a 2-cycle instruction.
 3: CLKOUT is available only in RC oscillator mode.
 4: For minimum width of INT pulse, refer to AC specs.
 5: INTF is enabled to be set anytime during the Q4-Q1 cycles.

Figure 6.10: 16F84A external interrupt latency

Summary

- Interrupts and counters/timers are important hardware features of almost all microcontrollers.
- They both carry a number of important hardware and software concepts, which must be understood.
- The basic techniques of using interrupts and counters/timers have been introduced in this chapter. There is considerably increased sophistication in their use in more advanced applications.

Questions and exercises

Try to complete Programming Exercises 6.1 to 6.6 and the questions below.

- (a) The **INTCON** register in a certain 16F84A application is found to read 10110000. What interrupts are enabled?
- (b) As the program executes, it is found to read 00110010, 00110000, 10110000 in sequence. Explain the likely cause of each of these changes.

2. An inexperienced programmer has written the code shown below for a 16F84A microcontroller, where the interrupt source is Timer 0 overflow. Identify all errors and rewrite the program fragment correctly.

```

        org    0000
        goto  start
        org    0014
        goto  my_interrupt
;Program starts here
start bsf status,5
...
;this is the interrupt routine
my_interrupt movlw 0f
        addwf  counter1,1
        btfsc flags,2      ;test motor run flag
        clrf  overflow
        return
...

```

3. The Timer 0 module of a 16F84A is initiated by loading the **OPTION** register with value 00000011. The oscillator frequency is 8 MHz.
- Under these conditions, what is the frequency at the input to the Timer?
 - If the counter is initially cleared to zero, how long does it take before it first overflows?
 - If **INTCON** was initially cleared to 0, what is its value immediately after this overflow occurs?
4. A machine counts envelopes which are being packaged in packs of 150. The machine is controlled by a PIC 16F84A. A sensor connected to the **RA4/T0CK1** pin produces a logic pulse every time an envelope passes it.
- Describe how you would configure the Timer 0 to count the envelopes. Indicate what value you would set in the **OPTION** register.
 - Explain what strategy could be used to allow the microcontroller program to detect when the number 150 had been reached.
5. In an application using the 16F84A, a regular timed interrupt is required. The clock oscillator frequency is 4 MHz and an interrupt frequency in the region of every 2 ms is required. Describe how you would configure the Timer 0 module.

6. The following program fragment is for a 16F84A-based system, with a clock frequency of 10 MHz. Explain in as much detail as possible how the counter/timer and interrupts are being used.

```
        bsf     status,5      ;select register bank 1
movlw   07
movwf   option
bcf     status,5      ;select bank 0 for later
                        ;memory transfers

bcf     intcon,2      ;
bsf     intcon,5      ;
bsf     intcon,7      ;
wait    goto    wait    ;wait for next Interrupt
```

7. An application requires use of the WDT, with timeout period around 150 ms. Describe all settings which must be used in order to achieve this. If a timeout does occur, how can this be detected by the program?

Section 3

Larger Systems and the PIC 16F873A

This section of six chapters focuses on developing a good understanding of microcontroller peripherals and their underlying principles. It makes use of the same microcontroller core as the earlier chapters but applies a 'large' PIC 16 Series microcontroller. All peripherals introduced are also directly applicable to the 18 Series. Emphasis is placed on understanding the peripherals and using them in increasingly sophisticated applications. Program examples are in Assembler. Chapter 12, the last in this section, moves us on to some more advanced microcontrollers, still 16 Series, and some more advanced concepts.

Larger Systems and the PIC 16F873A

Over the previous five chapters the PIC 16F84A has been used as the example microcontroller. It, and other microcontrollers like it, are fine devices for the smaller product. However, there are many things they cannot do, and for more demanding applications we need to look to a more powerful microcontroller. But what does ‘more powerful’ actually mean? Remember what was said in Chapter 1, that a microcontroller is essentially made up of:

Microprocessor core *plus* memory *plus* peripherals

More ‘power’ can be added to a microcontroller by enhancing any of these areas. The core, containing the CPU, can be made more powerful by making it faster or enhancing the internal architecture or instruction set. The memory can be made ‘more powerful’ by updating its technology or increasing its capacity and speed. Alternatively, or in addition, more peripherals can be added or the current peripherals enhanced.

In many cases in embedded systems, the most dramatic advance is not made by enhancing the core. Instead, it is the addition of new peripherals, perhaps accompanied by memory upgrades, which give the main sense of progress. With the addition of appropriate peripherals, suddenly analog-to-digital conversion, serial communication, or complex timing functions, become readily available.

In this section of the book, Chapters 7–12, we stay with the PIC 16 Series. We move, however, from a small member of the family to larger ones, mainly the PIC 16F873A. As the 16F84A and 16F873A are both members of the same family, the core and instruction set remain constant, but the ability to engage in embedded control is dramatically enhanced by the addition of an excellent range of ‘new’ peripherals. In the last chapter of the section we look at potential upgrade paths for both the 16F84A and 16F873A.

In these chapters the material is illustrated by application to the Derbot Autonomous Guided Vehicle (AGV). If you are not building a Derbot, don’t worry; it will still act as a perfect case study for introducing the many new concepts that we will meet. We remain with Assembler programming, but will begin to experience the limitations both of using Assembler and of some of the hardware features of the 16 Series. This will lead in a logical way to the final section of the book, where we take on the challenge of an advanced microcontroller, programming in C, and the development of complex, multi-tasking programs.

As we move to larger systems, it is important to develop greater ability to get them working and to get them working reliably. Therefore, this chapter introduces new and important diagnostic tools and techniques, which are applied in the chapters that follow.

By the end of the chapter, you should have a good grasp of:

- The architecture of the 16F87XA family, of which the 16F873A is a member.
- The 16F87XA memory map and interrupt structure.
- Some of the more advanced tools used for the testing and commission of an embedded system.
- The use of the Microchip in-circuit debugger.

If you are building the Derbot AGV, this chapter will also give you guidance on the first step of a staged construction, which will continue over several chapters.

7.1 The main idea – the PIC 16F87XA

The 16F873A, our example microcontroller, is part of a family group that was briefly introduced at the beginning of Chapter 2. The group is made up of the 16F873A, the 16F874A, the 16F876A and the 16F877A. Generically, we can refer to them as 16F87XA. Each microcontroller in the group also has an LF version, for example 16LF873A, which can run at a lower power supply voltage than the standard device.

The features of this group are summarised in [Table 2.1](#). Looking back at that table, it is easy to see that the four group members are distinguished simply by different memory sizes and different package sizes, whereas the larger package allows more parallel input/output ports to be used. This is illustrated in the pin connection diagrams of [Figure 7.1](#). The ‘extra’ pins on the larger devices are enclosed in a dotted line. It can be seen that a primary difference is the Port D and Port E that the ’874A and ’877A have.

The descriptions that follow in this chapter, and in all chapters up to 11, tend to use the 16F873A as the example device, as this is used in the Derbot AGV project that we will study. The other members of the group are, however, mentioned at times, particularly if they have a feature not found in the ’873A.

7.2 The 16F873A block diagram and CPU

The block diagrams of both the 16F873A and the ’876A are shown in [Figure 7.2](#). The difference between the two microcontrollers lies in memory size, as detailed in the table at the bottom of the diagram. It is worth studying this diagram carefully and comparing it in

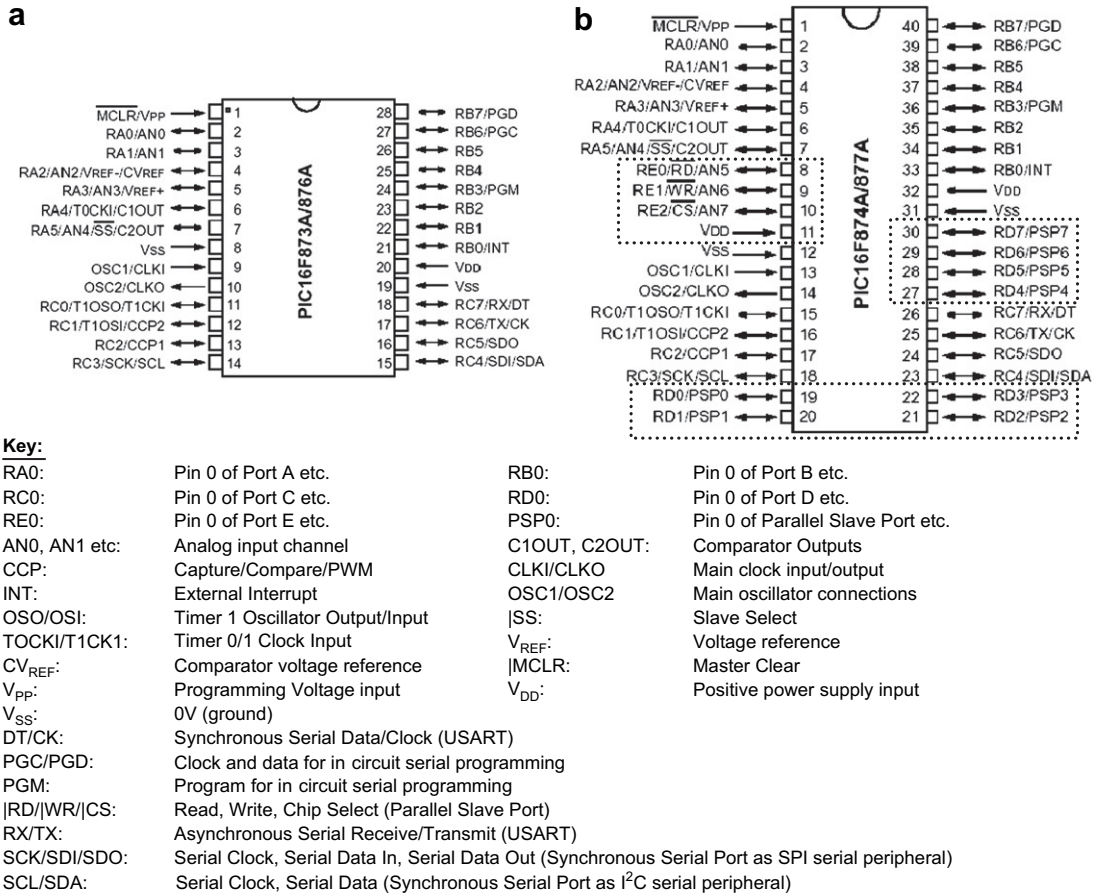
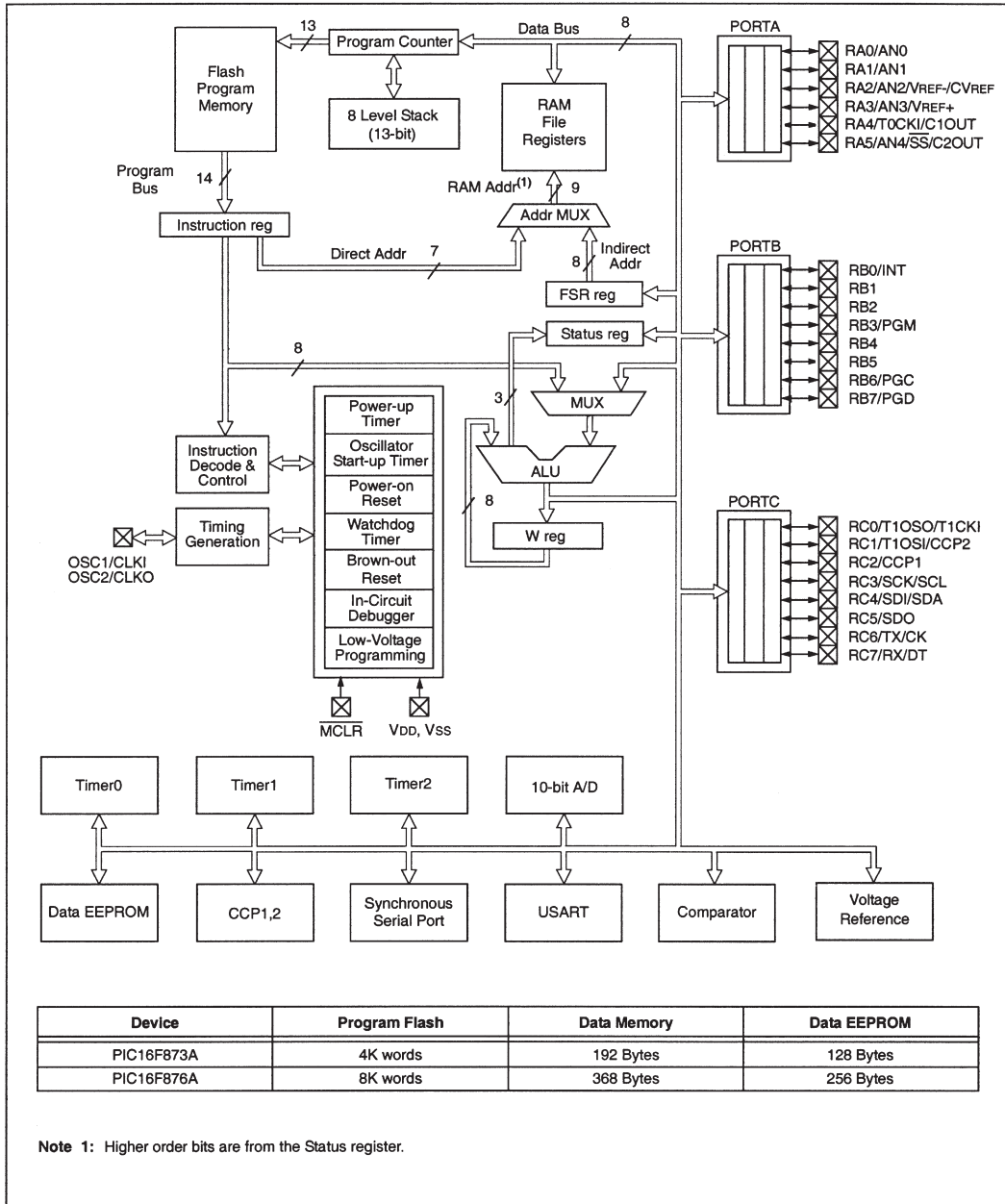


Figure 7.1: The PIC 16F87XA pin connection diagrams. (a) 16F873A/876A. (b) 16F874A/877A ('extra' pins enclosed in dotted boxes)

detail with the 16F84A block diagram of Figure 2.2. This will show that there are some areas that are identical, others where there has been slight incremental change, others where the diagram is effectively the same but has been drawn in a different way, and others where there are a large number of additions.

7.2.1 Overview of the Central Processing Unit and core

Let us note first that the CPU structure, made up essentially of the ALU, Working register and Status register, remains, as expected, like the 'F84A. The addition in this diagram of three lines from the ALU to the Status register is simply an acknowledgement of the three status bits in the Status register, **Z**, **DC** and **C**, which are controlled from the ALU. The lines could be included in Figure 2.2.



Key: Peripherals

A/D: Analog to digital converter CCP: Capture/compare/PWM module
 USART: Universal Synchronous/Asynchronous Receiver/Transmitter

Figure 7.2: The 16F873A/876A block diagram

One difference that does occur in the CPU is in the Status register. With the 16F84A Status register (Figure 2.3), the upper two bits are not used, while bit 5 is used to select between the two banks of data memory. Figure 7.3 shows the Status register for the 16F873A. With its much bigger data memory, the higher three bits of the Status register are now all used for memory bank selection. Apart from this, the Status register remains unchanged.

7.2.2 Overview of memory

Further to the CPU being similar to the 16F84A, it is easy to see that the whole memory structure is also the same, with some slight adjustments. The 13 program address lines from the Program Counter, which can address 2^{13} (i.e. 8192) memory locations, are now fully exploited in the 16F876A with its 8K of program memory, and half used in the '873A.

One bus size which *has* changed is the 'Direct Addr', shown here as seven bits. This is to accommodate the much larger RAM size, which we see in the next section. The apparent change is not, however, a 'stretching' of the 16 Series structure. Those seven bits are

	R/W-0	R/W-0	R/W-0	R-1	R-1	R/W-x	R/W-x	R/W-x
	IRP	RP1	RP0	$\overline{\text{TO}}$	$\overline{\text{PD}}$	Z	DC	C
				bit 7				bit 0
bit 7	IRP: Register Bank Select bit (used for indirect addressing) 1 = Bank 2, 3 (100h-1FFh) 0 = Bank 0, 1 (00h-FFh)							
bit 6-5	RP1:RP0: Register Bank Select bits (used for direct addressing) 11 = Bank 3 (180h-1FFh) 10 = Bank 2 (100h-17Fh) 01 = Bank 1 (80h-FFh) 00 = Bank 0 (00h-7Fh) Each bank is 128 bytes.							
bit 4	$\overline{\text{TO}}$: Time-out bit 1 = After power-up, CLRWDI instruction or SLEEP instruction 0 = A WDT time-out occurred							
bit 3	$\overline{\text{PD}}$: Power-down bit 1 = After power-up or by the CLRWDI instruction 0 = By execution of the SLEEP instruction							
bit 2	Z: Zero bit 1 = The result of an arithmetic or logic operation is zero 0 = The result of an arithmetic or logic operation is not zero							
bit 1	DC: Digit carry/borrow bit (ADDWF, ADDLW, SUBLW, SUBWF instructions) (for borrow, the polarity is reversed) 1 = A carry-out from the 4th low order bit of the result occurred 0 = No carry-out from the 4th low order bit of the result							
bit 0	C: Carry/borrow bit (ADDWF, ADDLW, SUBLW, SUBWF instructions) 1 = A carry-out from the Most Significant bit of the result occurred 0 = No carry-out from the Most Significant bit of the result occurred							
	Note: For borrow, the polarity is reversed. A subtraction is executed by adding the two's complement of the second operand. For rotate (RRF, RLF) instructions, this bit is loaded with either the high, or low order bit of the source register.							

Figure 7.3: The 16F873A Status register

extracted from the instruction word (Figure 4.13). We can see from this diagram that seven bits are reserved for the ‘file register address’, so the larger microcontroller is simply exploiting what is available to it.

7.2.3 Overview of peripherals

The 16F84A and 16F873A share three peripherals that are the same (or almost the same). These are the Timer 0, Port A and Port B. The big difference between the two microcontrollers is of course the extra peripherals, as listed in Table 2.1 and seen in Figure 7.2. With the exception of the parallel ports, which are described in this chapter, we meet all of these peripherals in subsequent chapters.

The increased number of peripherals brings with it two significant challenges – how do they interface with the CPU and how do they interface with the outside world? We have seen a preliminary answer to the second of these questions in the greater pin count of the 16F873A and the increased sharing of functions on many pins. To provide interfacing with the CPU, we will expect to see a greatly increased number of Special Function Registers (SFRs) and interrupt sources.

Three important extra features found in the 16F873A and seen in Figure 7.2 are brown-out detect, the in-circuit debugger and low-voltage programming. These will be considered later in this chapter.

7.3 16F873A memory and memory maps

The 16F873A has a memory structure very similar to the 16F84A. It is, however, greatly increased in capacity, as has already been noted, *and* there are some important technical developments as well, notably in terms of in-circuit programming.

7.3.1 The 16F873A program memory

The map of the program memory is seen in Figure 7.4. Comparing this to Figure 2.4, we see that it differs from the 16F84A only in size. As it has already been deduced that the 13-bit Program Counter word is adequate to address the whole memory space, it is surprising to see in the figure that there are two ‘pages’ of program memory. The situation is worse for the 16F876A/877A controllers, each of which have four pages of program memory.

The fact that program memory has to be paged in this way is due to the way the program address, held in the Program Counter, is generated in different situations. The Program Counter is 13 bits long. Its lower 8 bits form the **PCL** register, one of the SFRs that can be accessed and manipulated just like any data memory location. The upper five bits of the

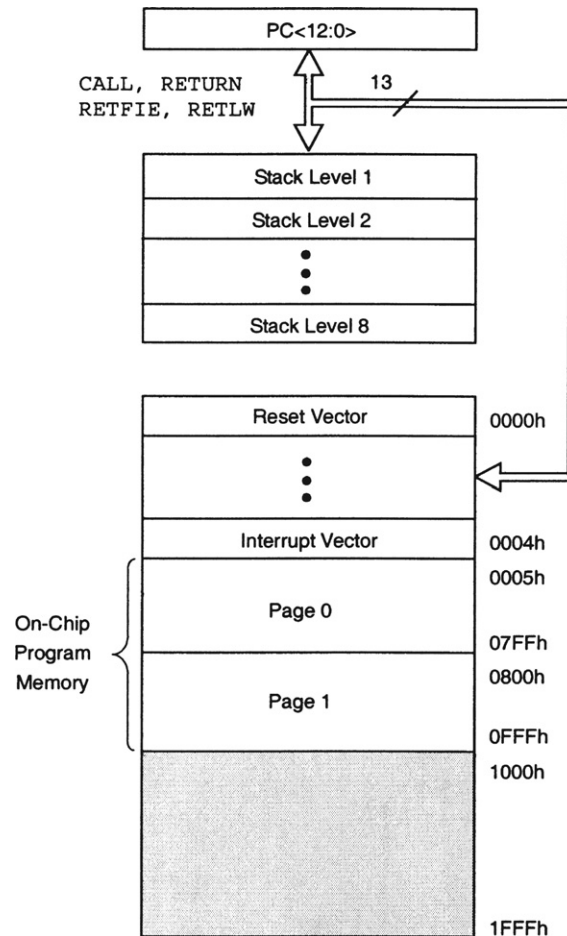


Figure 7.4: PIC 16F873A/874A program memory map and Stack

Program Counter are not readable, but can be written to via the lower five bits of the **PCLATH** register, another SFR. The contents of **PCLATH** are transferred to the upper bits of the Program Counter whenever **PCL** is written to.

In normal program execution, the Program Counter is incremented after every instruction. However, there are three other ways by which the program can change the Program Counter value. Each is described below, and also illustrated in [Figure 7.5](#).

By Stack transfers

The Stack is a full 13 bits wide. Therefore any instruction, such as **return**, which uses the Stack causes a full 13-bit value to be transferred between Stack and Program Counter – there is no need to worry about looking after any missing bits.

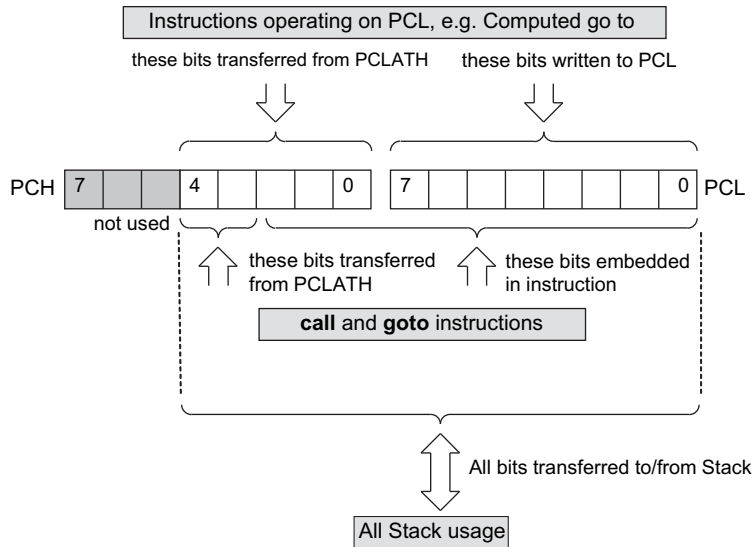


Figure 7.5: Three ways of manipulating the Program Counter

By *call* and *goto* instructions

As the instruction word format in Figure 4.18 shows, these two instructions are formatted to provide only 11 bits of addressing. These 11 bits can address a range of 2^{11} , or 2K words, and thus represent the pages in Figure 7.4. When these instructions are used, the two ‘missing’ address bits are taken from bits 4 and 3 of the **PCLATH** register. It is up to the programmer to recognise if a branch over a page is to occur, and to set the bits appropriately. The data sheet [Ref. 7.1] contains an example of how to do this.

By writing to the **PCL** register

The **PCL** is written to directly in situations like the ‘computed go to’, as described in Section 5.4. Now only the lower eight bits of the Program Counter, in **PCL**, are adjusted directly and it is as if the programmer is working with 256-word pages. If an address boundary is to be crossed in a computed go to, then **PCLATH** must be set to the right value. For larger look-up tables this can be quite challenging; Ref. 5.1 gives examples of how to do it.

7.3.2 The 16F873A data memory and Special Function Registers

The 16F873A/874A data memory map, including all the SFRs, is shown in Figure 7.6. The sight of all those SFRs is initially unnerving. How is it possible to make sense of them all? Even more unnerving is the thought that most contain eight active bits, each of which has a function that probably needs to be understood. As always, we will find that a carefully staged

File Address		File Address		File Address		File Address	
Indirect addr. ^(*)	00h	Indirect addr. ^(*)	80h	Indirect addr. ^(*)	100h	Indirect addr. ^(*)	180h
TMR0	01h	OPTION_REG	81h	TMR0	101h	OPTION_REG	181h
PCL	02h	PCL	82h	PCL	102h	PCL	182h
STATUS	03h	STATUS	83h	STATUS	103h	STATUS	183h
FSR	04h	FSR	84h	FSR	104h	FSR	184h
PORTA	05h	TRISA	85h		105h		185h
PORTB	06h	TRISB	86h	PORTB	106h	TRISB	186h
PORTC	07h	TRISC	87h		107h		187h
PORTD ⁽¹⁾	08h	TRISD ⁽¹⁾	88h		108h		188h
PORTE ⁽¹⁾	09h	TRISE ⁽¹⁾	89h		109h		189h
PCLATH	0Ah	PCLATH	8Ah	PCLATH	10Ah	PCLATH	18Ah
INTCON	0Bh	INTCON	8Bh	INTCON	10Bh	INTCON	18Bh
PIR1	0Ch	PIE1	8Ch	EEDATA	10Ch	EECON1	18Ch
PIR2	0Dh	PIE2	8Dh	EEADR	10Dh	EECON2	18Dh
TMR1L	0Eh	PCON	8Eh	EEDATH	10Eh	Reserved ⁽²⁾	18Eh
TMR1H	0Fh		8Fh	EEADRH	10Fh	Reserved ⁽²⁾	18Fh
T1CON	10h		90h		110h		190h
TMR2	11h	SSPCON2	91h				
T2CON	12h	PR2	92h				
SSPBUF	13h	SSPADD	93h				
SSPCON	14h	SSPSTAT	94h				
CCPR1L	15h		95h				
CCPR1H	16h		96h				
CCP1CON	17h		97h				
RCSTA	18h	TXSTA	98h				
TXREG	19h	SPBRG	99h				
RCREG	1Ah		9Ah				
CCPR2L	1Bh		9Bh				
CCPR2H	1Ch	CMCON	9Ch				
CCP2CON	1Dh	CVRCON	9Dh				
ADRESH	1Eh	ADRESL	9Eh				
ADCON0	1Fh	ADCON1	9Fh				
	20h		A0h		120h		1A0h
General Purpose Register		General Purpose Register		accesses 20h-7Fh		accesses A0h - FFh	
96 Bytes		96 Bytes			16Fh		1EFh
					170h		1F0h
	7Fh		FFh		17Fh		1FFh
Bank 0		Bank 1		Bank 2		Bank 3	

■ Unimplemented data memory locations, read as '0'.

* Not a physical register.

Note 1: These registers are not implemented on the PIC16F873A.

Note 2: These registers are reserved; maintain these registers clear.

Figure 7.6: PIC 16F873A/874A register file map

approach will allow a good understanding to be developed. Most of these SFRs will be introduced and used, in the right context, over the next few chapters.

Structurally the memory is divided into four banks, which are selected by the values set in bits 6 and 5 of the Status register (Figure 7.3). The 7-bit ‘Direct Addr’ of Figure 7.2 is drawn from either of the first two instruction patterns of Figure 4.13. It gives the potential to address the 2^7 , i.e. 128, memory locations which make up each bank. It is this 7-bit address, concatenated with the two bank select bits in the Status register, which form the 9-bit ‘RAM Addr’ seen in Figure 7.2, equivalent to the ‘File Address’ of Figure 7.6.

The first two data memory banks use this memory range to the full, the first one, for example, having 32 SFRs and 96 general-purpose memory locations. The higher two banks are of limited use in the 16F873A/874A. There is no general-purpose memory and most of the SFRs are just mirrored over from the other banks. Check carefully which SFRs are unique to Banks 3 and 4. What are they?

7.3.3 The Configuration Word

The Configuration Word of a 16 Series PIC microcontroller determines some of the programmable features of the microcontroller, which can be changed only when the device is programmed. The Configuration Word of the 16F87XA is shown in summary form in Figure 7.7. This reveals some of the underlying features of the microcontroller. The lower four bits, and the highest, are already familiar from the Configuration Word of the 16F84A (Figure 2.6). The two ‘new’ operating modes, of in-circuit programming and in-circuit debugging, are enabled through the Configuration Word. Similarly, the new and flexible code protect features and the detection of partial loss of power – a ‘brown-out’ – enabled by bit **BOREN**. These are described in the sections which follow.

7.4 ‘Special’ memory operations

A conventional microcontroller reads its instructions from non-volatile program memory and uses volatile RAM for storing temporary data. With the introduction of Flash memory, these distinctions between traditional memory usages are diminishing. This is because Flash memory technology is non-volatile and hence used for program memory. It can, however, also be very easily written to, so there is a temptation to use it for other forms of storage.

Because of its Flash memory technology, the 16F87XA allows – under certain restrictions – program memory to be written to while the program is running. It also allows the program memory to be programmed serially, if wanted, while the IC is in the target location. It also of course allows its EEPROM data memory to be accessed, through its special control registers. It is these memory functions that are covered in this section.

R/P-1	U-0	R/P-1	R/P-1	R/P-1	R/P-1	R/P-1	R/P-1	U-0	U-0	R/P-1	R/P-1	R/P-1	R/P-1
CP	—	DEBUG	WRT1	WRT0	CPD	LVP	BOREN	—	—	PWRTEN	WDTEN	Fosc1	Fosc0
bit 13													bit0

Bit 13. **CP**: Flash program memory Code Protection bit

Bit 12. **Unimplemented**: Read as '1'

Bit 11. **DEBUG**: In-circuit debugger mode bit

Bit 10-9. **WRT1**, **WRT0**: Flash program memory Write Enable bits

These bits determine which sections of program memory can be written to during program execution:

WRT1:WRT0	PIC16F876A/877A		PIC16F873A/874A	
	This area write-protected	This area writeable	This area write-protected	This area writeable
11	none	all	none	all
10	0000h to 00FFh	0100h to 1FFFh	0000h to 00FFh	0100h to 0FFFh
01	0000h to 07FFh	0800h to 1FFFh	0000h to 03FFh	0400h to 0FFFh
00	0000h to 0FFFh	1000h to 1FFFh	0000h to 07FFh	0800h to 0FFFh

Bit 8. **CPD**: Data EEPROM memory Code Protection bit

Bit 7. **LVP**: Low-Voltage (single-supply) In-Circuit Serial Programming Enable bit

Bit 6. **BOREN**: Brown-out Reset Enable bit

Bits 5-4. **Unimplemented**: Read as '1'

Bit 3. **PWRTEN**: Power-up Timer Enable bit

Bit 2. **WDTEN**: Watchdog Timer Enable bit

Bit 1-0. **FOSC1**, **FOSC0**: Oscillator Selection bits. 11 = RC, 10 = HS, 01 = XT, 00 = LP.

Note: The erased state of all bits is Logic 1.

Figure 7.7: PIC 16F87XA Configuration Word

7.4.1 Accessing EEPROM and program memory

The ability to write to program memory, as just mentioned, is controlled by the settings of the **WRT1** and **WRT0** bits in the Configuration Word. It is worth looking back at these in Figure 7.7. It can be seen that they permit writing access to different blocks of program memory.

Interaction with program memory is through the same data and address registers that are used for EEPROM (**EEDATA** and **EEADR**), which were described in Section 2.4. These are only 8-bit registers, however, and program memory holds 14-bit words. Furthermore, it requires a 13-bit address to access the full 8K words (of the 16F876A and '877A), or 12 bits to access 4K (of the 16F873A and '874A). Therefore, a 'high-byte' register is added to each of **EEDATA** and **EEADR**. These extra registers are called **EEDATH** and **EEADRH** respectively, and are used for accessing program memory only.

The arrangement is depicted in Figure 7.8, with program memory at the top of the diagram and EEPROM at the bottom. The register pair formed by **EEADRH** and **EEADR** addresses program memory, while only **EEADR** addresses EEPROM. The situation is similar for data transfer, with **EEDATH** and **EEDATA** carrying data to and from program memory, and **EEDATA** alone being used for EEPROM data memory.

If a section of program memory is enabled, then blocks of four words must be written at the same time. This process is described in full in Ref. 7.1. Single word reads are, however, possible.

All data transfers are controlled by the **EECON1** register, shown in Figure 7.9. It can be seen first of all that the MSB of this controls whether EEPROM or program memory is to be accessed. The other bits are similar to Figure 2.7 and therefore familiar. A major difference, however, is that the interrupt flag bit, **EEIF**, has been relocated, now being found in the **PIR2** register (Figure 7.13).

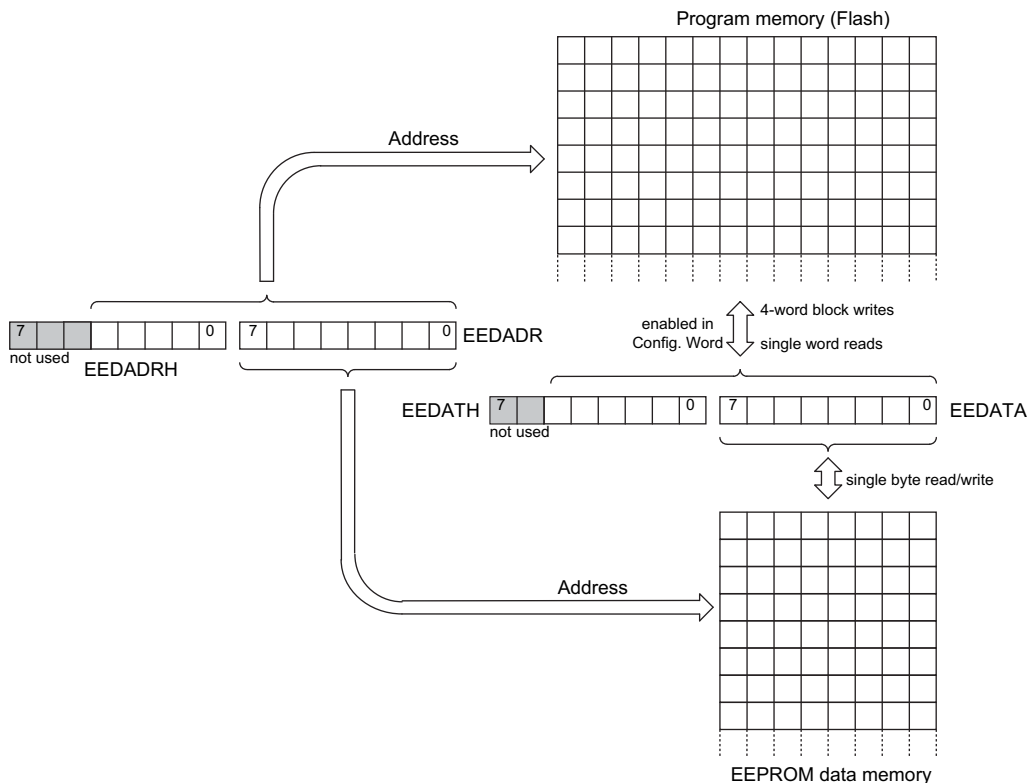


Figure 7.8: Writing to program memory and EEPROM

Accessing EEPROM and program memory is not entirely simple, and requires care in sequencing the actions correctly. Writing to each requires the codes 55_H followed by AA_H to be sent to the virtual **EECON2** register. This adds further security to the process, aiming to ensure that accidental writes are not made. Code examples are given in Ref. 7.1. These can be adapted as appropriate.

If the **CP** bit of the Configuration Word is cleared, then it is impossible to read the program memory externally, for example using a programmer like the PICSTART Plus. This protects the intellectual property of the designer or maker of a product. This bit does not, however, affect internal access to program memory. Similar comments apply to the EEPROM memory, which is protected from external access by the **CPD** bit of the Configuration Word.

7.4.2 In-Circuit Serial Programming (ICSP)

All the 16F87XA microcontrollers can be programmed while in the target circuit. This is of great importance. In a development environment, it means that test programs can be downloaded straight to the microcontroller in the target system, without the need to remove it and put it in a programmer. In a production environment, it allows the microcontroller to be programmed in place, just before it leaves the factory. The very latest software can therefore be installed. Once the product is in use, it allows program updates to be made, possibly via the Internet and without the owner even knowing about it!

	R/W-x	U-0	U-0	U-0	R/W-x	R/W-0	R/S-0	R/S-0
	EEPGD	—	—	—	WRERR	WREN	WR	RD
	bit 7							bit 0
bit 7	EEPGD: Program/Data EEPROM Select bit 1 = Accesses program memory 0 = Accesses data memory Reads '0' after a POR; this bit cannot be changed while a write operation is in progress.							
bit 6-4	Unimplemented: Read as '0'							
bit 3	WRERR: EEPROM Error Flag bit 1 = A write operation is prematurely terminated (any $\overline{\text{MCLR}}$ or any WDT Reset during normal operation) 0 = The write operation completed							
bit 2	WREN: EEPROM Write Enable bit 1 = Allows write cycles 0 = Inhibits write to the EEPROM							
bit 1	WR: Write Control bit 1 = Initiates a write cycle. The bit is cleared by hardware once write is complete. The WR bit can only be set (not cleared) in software. 0 = Write cycle to the EEPROM is complete							
bit 0	RD: Read Control bit 1 = Initiates an EEPROM read; RD is cleared in hardware. The RD bit can only be set (not cleared) in software. 0 = Does not initiate an EEPROM read							

Figure 7.9: The **EECON1** register

TABLE 7.1 Pins used in In-Circuit Serial Programming

Pin	Description
RB3	Control input in Low Voltage Programming mode (LVP configuration bit is 1)
RB6	Clock input
RB7	Data input/output
MCLR	Program mode select, programming voltage connection
V _{DD}	Power supply
V _{SS}	Ground

The disadvantage of in-circuit programming is that some pins have to be committed to the function, or at least must be carefully designed to be dual purpose, in such a way that the normal function of the pin does not impede the programming function. ICSP uses the pins shown in Table 7.1. The Derbot AGV uses ICSP – we will see it designed into the circuit.

Under normal programming mode a high voltage, of around 13 V, is applied to the **MCLR** pin. A special case of ICSP dispenses with this high voltage, however. It is called the Low-Voltage Programming mode (LVP). This is enabled by the **LVP** bit in the Configuration Word, and allows the memory to be programmed using just the normal power supply V_{DD}. Its disadvantage is that an extra pin, **RB3**, must be used, as Table 7.1 indicates. The pin is used just to control entry to and exit from this programming mode.

Aside from the hardware interconnection, ICSP requires very specific software routines to transfer the data serially into the microcontroller. These are not described further here, but full information can be found in Ref. 7.2.

7.5 The 16F873A interrupts

7.5.1 The interrupt structure

As a member of the 16 Series family of microcontrollers, the 16F873A is expected to fit into the structure of that family. This design strategy works well in places, but elsewhere tests the 16 Series structure to its limits. An example of this is the 16F873A interrupt structure, shown in Figure 7.10. Here we see the minimalist structure of the 16F84A (Figure 6.2) replicated to the right of the diagram. The EEPROM write complete interrupt is, however, replaced by a line linking across to the huge requirements of the larger microcontroller, with no less than 11 more interrupt sources connected. All of these are routed ultimately through to the single interrupt vector that we are familiar with, seen in the program memory map of Figure 7.4.

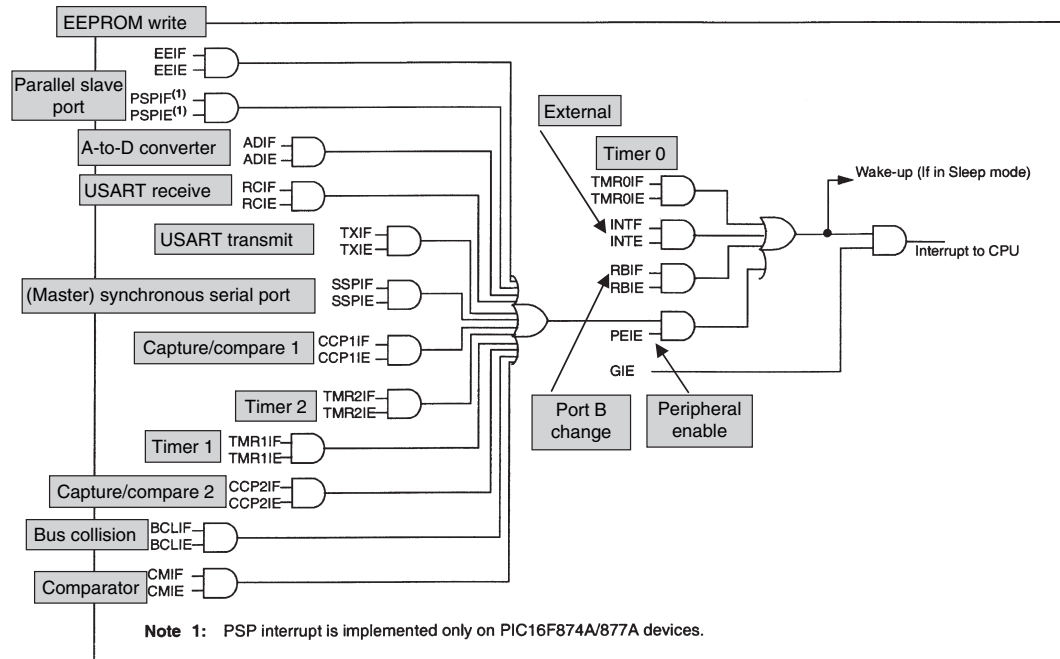


Figure 7.10: PIC 16F87XA interrupt structure (supplementary labels in shaded boxes added by the author)

7.5.2 The interrupt registers

With 15 interrupt sources, the single **INTCON** register introduced in Figure 6.3 for the smaller 16 Series microcontroller can now only hold a small proportion of the overall number of flags and enable bits. The 16F87XA version is shown in Figure 7.11. Essentially it remains unchanged, *except* that the **EEIE** (EEPROM write complete enable) bit is replaced by the bit **PEIE**, seen in Figure 7.10. **PEIE** is the ‘Peripheral Interrupt Enable’ bit, acting as a subsidiary Global Enable, to all those interrupt sources upstream of the AND gate it drives. It must be set to 1 if *any* of the ‘upstream’ interrupts are to be used.

To augment the **INTCON** register, *four* new SFRs are added – **PIE1** Peripheral Interrupt Enable and **PIE2**, which hold the enable bits and are located in memory bank 1, and **PIR1** Peripheral Interrupt Request and **PIR2**, which hold the flag bits and are in memory bank 0. These are shown, in summary form, in Figures 7.12 and 7.13. It can be seen that **PIE1** and **PIR1** each follow the same pattern, as do **PIE2** and **PIR2**. As would be expected, all active bits are reset to 0 on any form of power-up.

7.5.3 Interrupt identification and context saving

If more than one interrupt source is enabled, it will be necessary for the ISR to contain a program section at its beginning to identify which is the calling interrupt. This is similar to

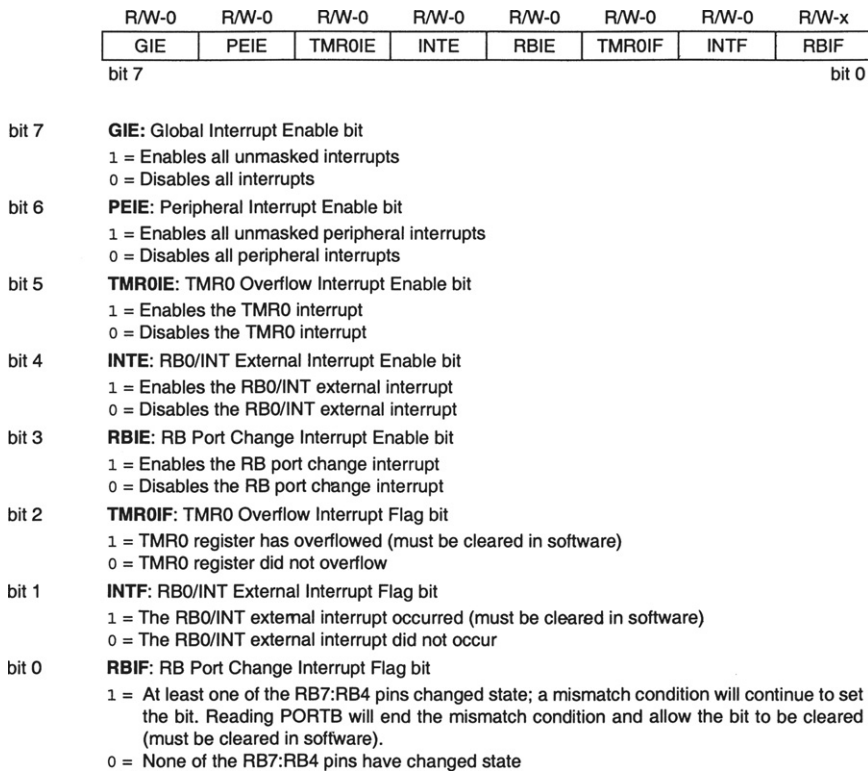


Figure 7.11: The PIC 16F87XA INTCON register

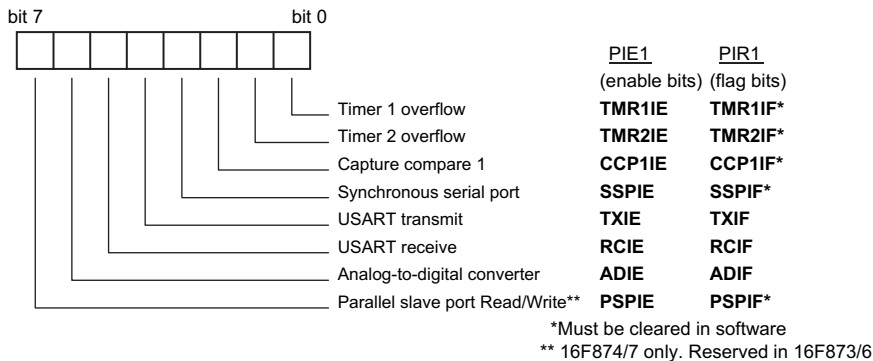


Figure 7.12: The 16F87XA PIE1/PIR1 (Peripheral Interrupt Enable/Peripheral Interrupt Request) registers

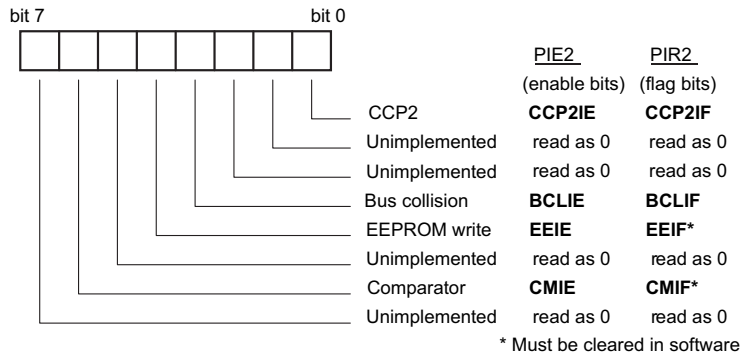


Figure 7.13: The 16F87XA PIE2/PIR2 registers

the case of the 16F84A, and the principle of Program Example 6.2 can be applied to meet this need.

When it comes to context saving, the 16F87XA again acts like the 16F84A, with only the return address being saved on the stack when an ISR is called. It is up to the programmer to save any other registers that are needed, usually the W and Status registers, at the start of the ISR, and retrieve them at the end. Program Example 6.4 can be adapted for this.

7.6 The 16F873A oscillator, reset and power supply

7.6.1 The clock oscillator

The 1687XA has exactly the same oscillator structure and range of options as the 16F84A, described in Section 3.5. The oscillator type is again selected by settings in the Configuration Word (Figure 7.7). It may be of interest at this point to look forward to Figure 7.19 and its accompanying description, to see actual oscilloscope traces of oscillator waveforms.

7.6.2 Reset and power supply

The reset structure is extremely similar to that of the 16F84A (Figure 2.10), with the exception that a new source has been added: the Brown-out Reset. A brown-out is a dip in the supply voltage. This form of power loss can be particularly dangerous, because it can pass unnoticed. Part of a circuit or system may keep going, whereas another part may temporarily fail or lose data. This reset is intended to ensure that the device is fully reset if a brown-out occurs. It is enabled by the **BOREN** bit of the Configuration Word. If **BOREN** is set high and a brown-out occurs, then the microcontroller is forced into reset. The device data [Ref. 7.1] quotes 4 V as being the typical voltage that triggers this form of reset. Apart from this the 16F87XA has almost identical power supply requirements to the 16F84A, as seen in Figure 3.16. A difference is that the minimum supply voltage is now clearly defined by the Brown-out Reset, if this is enabled.

With multiple sources of reset now available, it can be useful when programming to know which form of reset has most recently occurred. A Watchdog Timer reset is indicated by the $\overline{\text{TO}}$ bit of the Status register (Figure 7.3). Further information is provided by the $\overline{\text{POR}}$ and $\overline{\text{BOR}}$ bits of the PCON register (which has no other active bits). The first of these is set to 0 if a Power-on Reset occurs, the second if a brown-out occurs.

7.7 The 16F873A parallel ports

It can be seen from Figure 7.2 that the PIC 16F873A has three ports, A, B and C. Ports A and B are similar to the ports of the 16F84A, except that more alternate functions are crowded onto the pins and Port A is now 6-bit, a 1-bit advance on the five bits of the 16F84A Port A. At reset all port bits are set to input. The port pin output characteristics, for a supply of 5 V, are shown in Figure 7.14. It can be deduced, following the same procedure as applied in Section 3.4.3, that the ‘typical’ output resistance at Logic 1 is approximately 70 Ω and around 22 Ω at Logic 0.

The port characteristics are now surveyed in turn.

7.7.1 The 16F873A Port A

The six bits of Port A appear on pins 2–7 of the 16F873A, as can be seen in Figure 7.1. It is worth checking the accompanying key to work out the connections made to the pins. The port can be used for general-purpose bi-directional digital data. It is also shared with the Analog functions, notably the analog-to-digital converter (ADC) module and the comparators. While we meet both of these in Chapter 11, it is very important to note that on power-up the port bits are set as analog inputs. To use the port for digital purposes the **ADCON1** register, described in Chapter 11, must be set appropriately. As with the 16F84A, the important Timer 0 input is on bit 4 of Port A.

Two of the Port A pin driver circuits are shown in Figure 7.15. It is useful to compare these with the equivalent 16F84A circuits, shown in Figure 3.11. With the added functionality of most pins, it is interesting to see how the peripherals that share the pins begin to ‘invade’ the pin driver circuit. A simple example is in Figure 7.15(a). This is almost the same as Figure 3.11(a), except the ADC peripheral, via the ‘Analog Input Mode’ line, can disable the digital input path of the port. A more extreme case is seen in Figure 7.15(b). Here a multiplexer is introduced in the digital output path. Now the peripheral, in this case the comparator circuit, can disable the normal port output and claim the output for its own purposes. In this case the microcontroller pin can be configured as the output of comparator 2 (**C2OUT**), rather than as the port bit output.

The pin driver circuit for pin 4 is not shown. It is based on the circuit of Figure 3.11(b), but has added to it the multiplexer arrangement in the output path, as just described, for comparator 1. It keeps the Open Drain output of Figure 3.11(b).

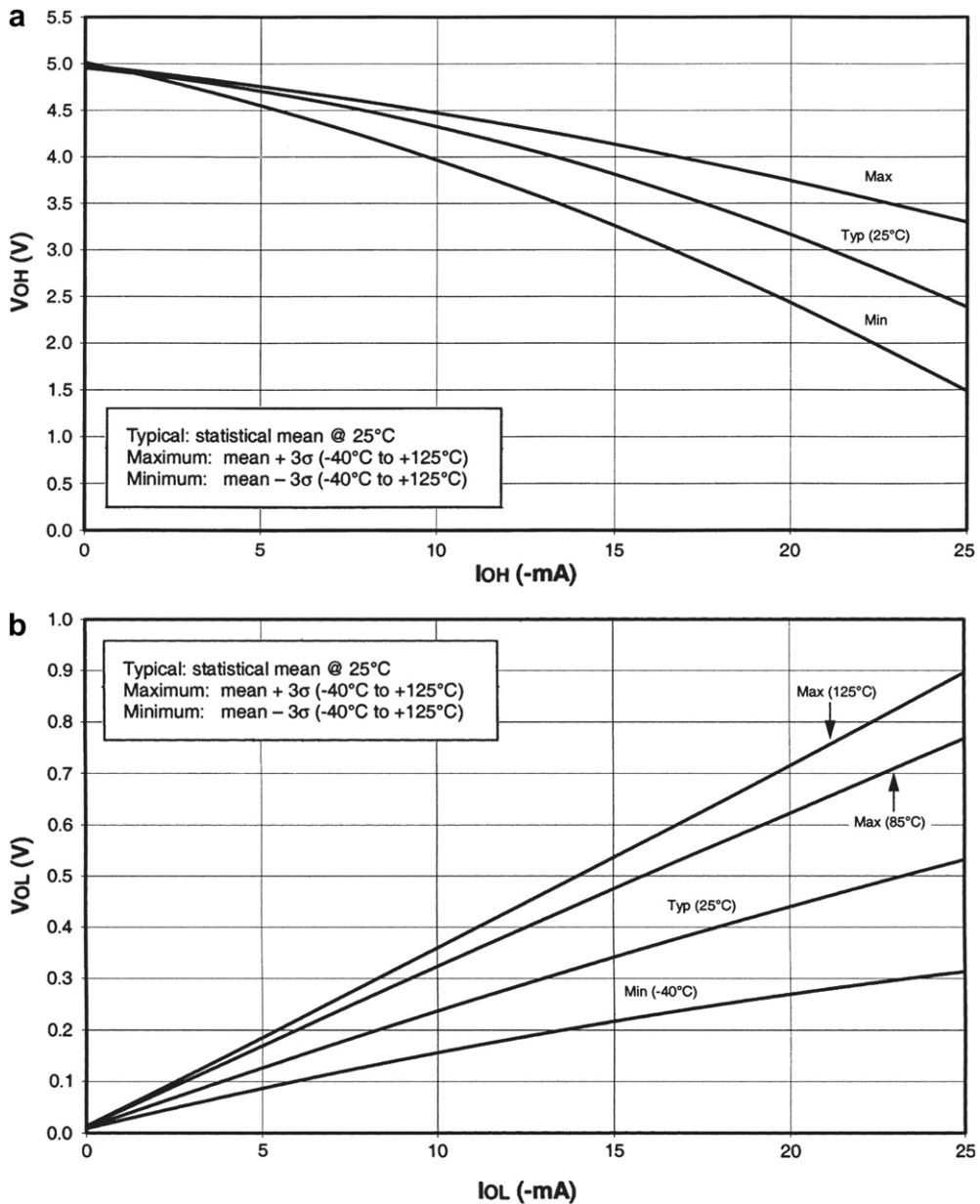


Figure 7.14: PIC 16F87XA port output characteristics. (a) Typical V_{OH} vs. I_{OH} ($V_{DD} = 5\text{ V}$, -40 to 125°C). (b) Typical V_{OL} vs. I_{OL} ($V_{DD} = 5\text{ V}$, -40 to 125°C)

An important point is emerging in this exploration of the pin driver circuits. The port pins are no longer simply controlled by the port 'TRIS' register. Other SFRs can have a major impact, disabling or reallocating a resource. This can lead to considerable programming frustration.

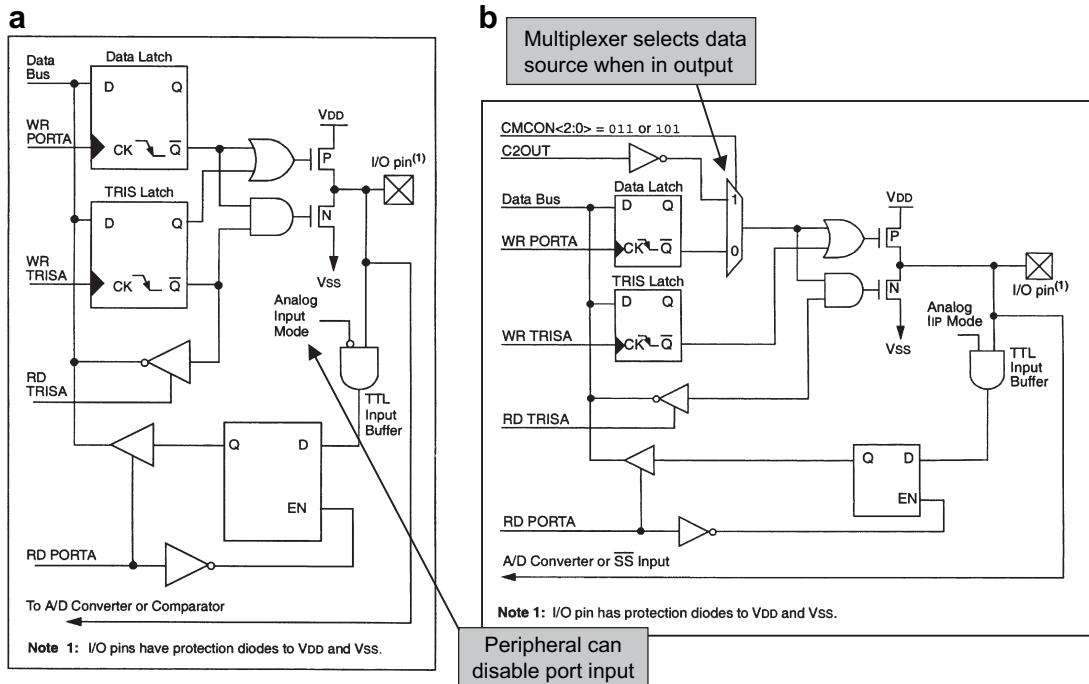


Figure 7.15: Block diagram of Port A pin driver circuits. (a) Pins RA0, 1, 2 and 3. (b) Pin RA5 (supplementary labels in shaded boxes added by the author)

A port may appear not to work because a peripheral SFR setting has reallocated its function. Let the programmer beware!

7.7.2 The 16F873A Port B

The interconnection of Port B can be seen in Figure 7.1 on pins 21–28 of the 16F873A. It remains a simple port, almost identical to that of the 16F84A. The pin driver circuits are effectively the same as those shown for the 16F84A in Figure 3.10. As seen in Figure 7.1 and Table 7.1, bits 3, 6 and 7 are used for ICSP. If ICSP is to be used, the designer must either not use these pins for any other purpose or use them in such a way that they are still available for the ICSP function.

7.7.3 The 16F873A Port C

The Port C interconnection can be seen on pins 11–18 of the 16F873A (Figure 7.1). It is the most complex of the 16F873A ports. Its pins can simply be used as general-purpose digital input/output (I/O). Interestingly, *all* inputs now have Schmitt trigger characteristics. Aside

from general-purpose digital I/O, Port C pins are shared with some of the more complex microcontroller peripherals, including those dealing with serial communication.

Diagrams of the Port C pin driver circuits are shown in Figure 7.16. At the heart of both of them it should still be possible to find the standard digital I/O port capability, such as we saw in the simple 16F84A pin drivers. To this is added the multiplexer on the output path, as seen just now for Port A. A further feature is that the peripheral can now take over the TRIS function, through the 'Peripheral OE' line, and the OR gate that it drives, as labelled in the diagram. A final modification of the standard port pin circuit is seen in Figure 7.16(b). Because the SMBus (system management bus) has defined input characteristics, there are now alternative input paths, one with standard Schmitt trigger inputs and the other with SMBus characteristics. This is not the end of the added complexity that serial I/O brings. Not appearing in Figure 7.15(b), but available on these pins if needed, is the full I/O interfacing capability of the inter-integrated circuit (I²C) serial standard. This can be glimpsed by looking forward to Figure 10.19.

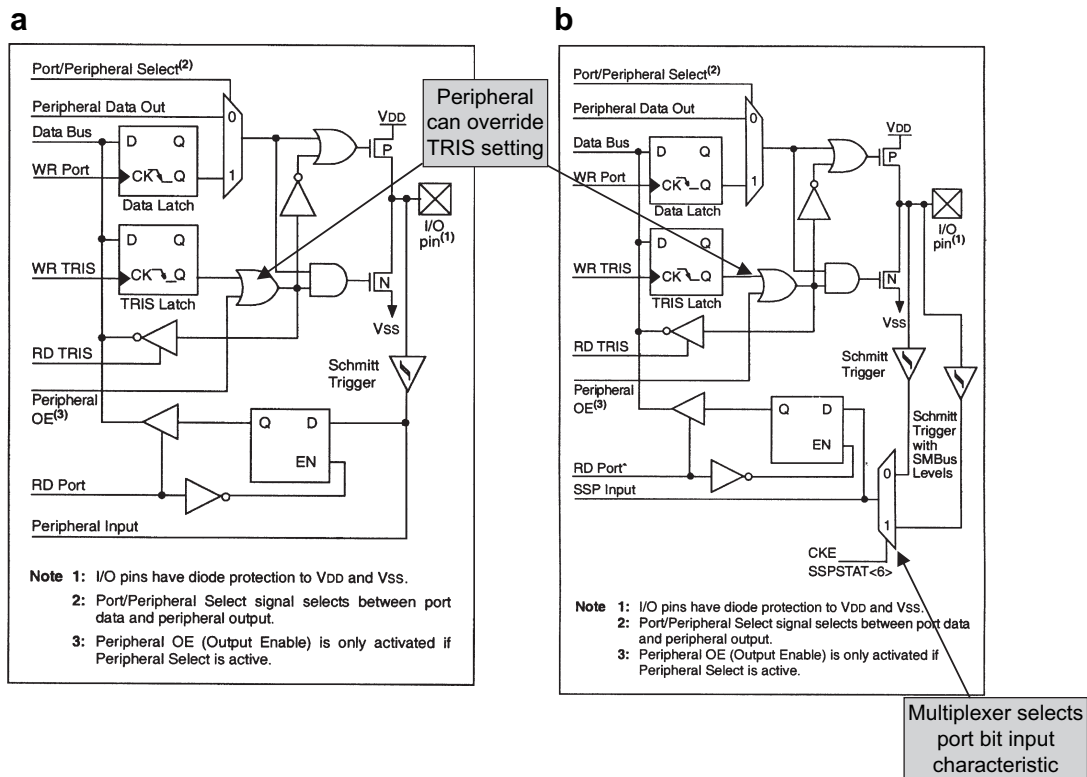


Figure 7.16: Block diagram of Port C pin driver circuits. (a) Pins RC7 to RC5, RC2 to RC0. (b) Pins RC4, 3 (supplementary labels in shaded boxes added by the author)

7.8 Test, commission and diagnostic tools

As we are moving to a distinctly more complicated family of microcontrollers, it follows that we will be developing distinctly more complicated systems. It is therefore necessary to take time to consider here how we will test and commission such systems. The following sections explore equipment and techniques that can be used for such activities, and which will be applied as we develop the Derbot AGV design.

7.8.1 *The challenge of testing an embedded system*

Section 4.1.3 outlined the program development process, which included the use of a software simulator. When the program is downloaded to the hardware, however, our problems can increase. This is particularly the case if both hardware and program are untested. Then the developer can be left in the unhappy position experienced by all embedded systems developers at some time – of being confronted with a totally inanimate system, not having any idea of where the problem lies.

In the test procedure, the developer is confronted with broadly two types of problem:

- *Design problems.* These are problems in the design of hardware or software, leading to partial or total system non-function.
- *Implementation problems.* These are due to the way the design, which may be perfectly good, has been implemented. They include things like broken PCB tracks, failed or corrupted program download, or configuration bits not set in the download process. These problems can similarly lead to partial or total system non-function.

Each problem type can have the same sort of symptoms, yet it is important to be able to distinguish between the two, as the solution to each can be quite different.

Let us therefore try to establish a commissioning hierarchy, such that a systematic approach to testing and commissioning can be made. The layers of dependency that exist between different elements in an embedded system are shown in an informal way in [Figure 7.17](#). Generally, in a test procedure one moves from the bottom to the top of this diagram. If a car does not have petrol it does not run. Similarly, if a microcontroller does not have the correct power supply, it does not run, however good the circuit or program may be. Nor will it run in any way if its oscillator is not running, if its Reset pin ($\overline{\text{MCLR}}$ for a PIC) is active, or if the program has not downloaded properly. Once these four essential conditions are met, there is a chance of the program *starting* to run. *If a system is entirely inactive, these must be the conditions that are tested first.* Faults in this area are most likely to be in implementation, for example the crystal is not properly soldered to the board or program download has failed for some reason.

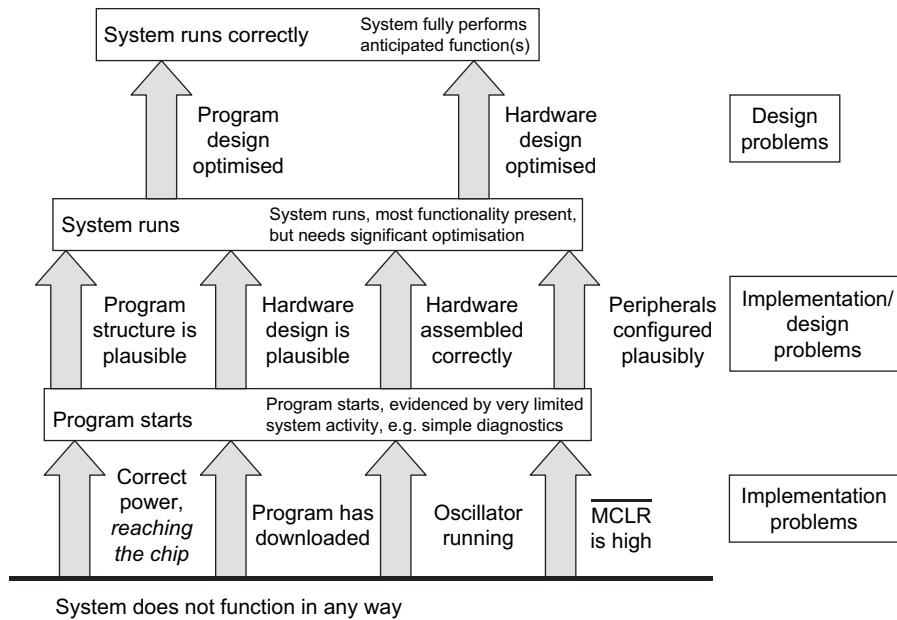


Figure 7.17: Layers of dependence in an embedded system

Once these fundamental conditions have been satisfied, a further set applies if the system is to run continuously and achieve a moderate level of functionality. As indicated, these include plausible circuit and program designs, correct hardware assembly and all the peripherals being configured appropriately to the situation. Here the word plausible is used to indicate that the design does not have fatal flaws, although it might have some features that need improvement. As the conditions indicated are met, the system should progress to a stage of optimisation. Now it shows a good level of functionality, although it is still imperfect in some areas. From here it is likely that further tests must be accompanied by ongoing incremental design development, which may lie in either the hardware or the program. Finally, one expects to see a system functioning to the full anticipated level of performance.

Given an understanding of the layers of dependence in an embedded system, how should the test procedure be implemented, particularly once the basic tests indicated by the bottom layer of Figure 7.17 have been completed? In Ref. 1.1, three ‘golden rules’ were identified for testing. These were:

- *Divide and rule.* Divide the system, both hardware and program, up into modules or subsystems which can be isolated as much as possible from each other, and test these separately. The system can then be put back together from ‘known good’ subsystems.
- *Guilty until proven innocent.* Make no assumptions that any part of the system is working correctly until you have demonstrated that it is. In other words, assume it

doesn't work correctly until you have demonstrated that it does. This is the opposite of the court of law, where the accused is innocent until proven guilty.

- *Work systematically, document ruthlessly.* This can be expanded out to:
 - Plan your test procedure ensuring that things are tested in a sensible and logical order. A starting point for the sequence is to some extent indicated in [Figure 7.17](#). Start at the bottom of the diagram and work upwards.
 - Work from good documents, updating them as necessary. As you work on your embedded system, have the up-to-date circuit diagram and program listing beside you. *Always* test by reference to these. Have appropriate data sheets (especially for the microcontroller in use) within easy reach. Update diagrams as needed, ensuring each new version has the revision date on it.
 - Record your test results. This becomes increasingly important as the system becomes more complex. It is too easy, in a series of tests, to forget what the outcome of a single test was. However good your memory, in a week or two you will have forgotten anyway. With the result, record the circuit and program version in use.

To be successful in the test process, we need instruments that allow us to control and see what is going on. A number of these are now surveyed.

7.8.2 Oscilloscopes and logic analysers

An oscilloscope is the most powerful general-purpose instrument available in the electronics world. It allows simple and reasonably accurate measurements of voltage and time to be made, especially if they are DC or periodic. A standard oscilloscope is greatly enhanced by the addition of a storage facility. In this case it is possible to examine aperiodic signals, or single events, with reasonable ease. An oscilloscope is essential in the embedded world for examining the basic conditions of power supply, oscillator and simple port activity. With expertise, a good 'scope can be used for looking at more complex signals.

A logic analyser has some of the characteristics of an oscilloscope, in that it can also display the value of an input signal against time. The input signal, however, is assumed to be digital, so the display can only take one of two values, Logic 0 or Logic 1. The threshold applied is determined by the logic analyser, and is for many instruments adjustable. A usual characteristic of the logic analyser is that it has many inputs, for example 16, 32 or 48. Thus, it can be used to look at activity in data and/or address buses. Logic analysers usually carry a range of extra features, including memories that can store a history of the input values, and a complex triggering capability, which allows defined combinations of inputs to be identified and to cause a trigger. Logic analysers were most prominent in the days when systems were built of multiple ICs and there was a need to study bus activity. Now in many systems the ICs are very

complex and the buses no longer accessible. They can still be very useful, however, in looking at complex digital activity, for example a parallel port or serial data flow.

This book makes use of a wonderful instrument which combines features of both oscilloscope and logic analyser. This is the Agilent Mixed Signal Oscilloscope, with the 54622D model used here and pictured in Figure 7.18. It has two conventional oscilloscope inputs and 16 logic analyser inputs. Any combination of inputs can be displayed simultaneously. The ‘oscilloscope’ has fantastic triggering, signal analysis and storage facilities. Its combination of analog and digital capability reflects the mixture of analog and digital in most embedded systems. It thus forms a natural tool to undertake a comprehensive range of tests in the embedded environment.

Two screen images of oscillator signals, using the analog inputs of the Agilent ‘scope, are shown in Figure 7.19. Note from information on the screen border that the vertical scales of both channels 1 and 2 are 2 V/cm and the horizontal scale is 1 μ s/cm. The two small arrowheads appearing on the left of the screen indicate the 0 V reference position for each trace.

The first screen is of an RC oscillator, applying the circuit of Figure 3.14(b). The upper trace shows the OSC1 microcontroller terminal, i.e. the junction of R_{EXT} and C_{EXT} . The characteristic rising voltage of a capacitor charging through a resistor is seen, followed by

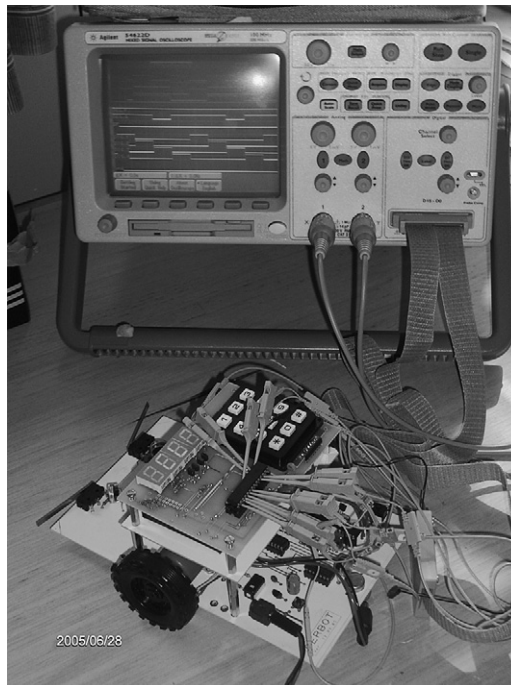


Figure 7.18: An Agilent 54622D Mixed Signal Oscilloscope connected to the Derbot

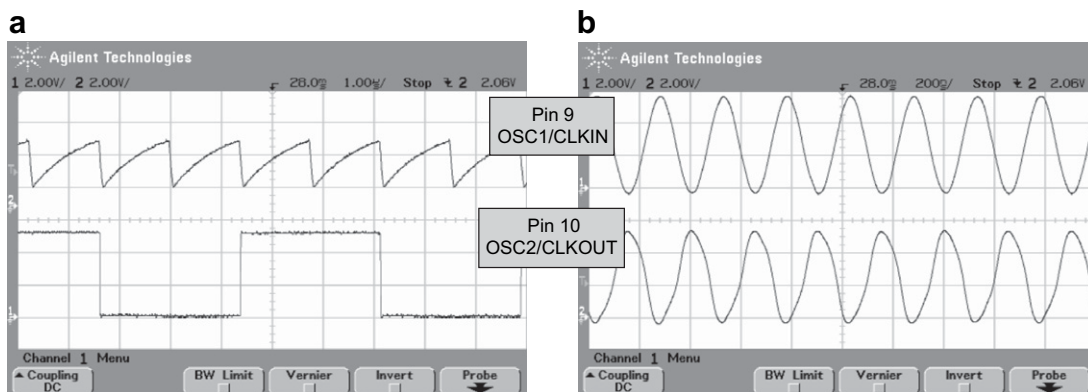


Figure 7.19: Oscillator traces from 16F873A devices. (a) RC oscillator, 800 kHz nominal. (b) Crystal oscillator, 4 MHz

its rapid discharge as the oscillator Schmitt trigger output switches to logic high. As Figure 3.14(b) indicates, the signal at the OSC2 pin is $F_{osc}/4$. This can be seen in the lower trace. Component values of $R_{EXT} = 8.2 \text{ k}$ and $C_{EXT} = 100 \text{ pF}$ are chosen to give a nominal oscillator frequency of 700 kHz (i.e. a period of 1.43 μs). The actual signal can be seen to have a period of close to 1.4 μs (just over 700 kHz), with the $F_{osc}/4$ having a period of 5.6 μs. This is in reasonably good agreement with what is expected. It should be noted, however, that when the 'scope probe was removed from the OSC1 pin, the $F_{osc}/4$ period fell to 5.0 μs. Herein lies a pitfall of oscilloscope use – the probe plus oscilloscope input adds a loading capacitance (and resistance) to the circuit under test. Whether it has any impact of significance depends on the test circuit itself. In this case the loading is 15 pF approximately, which is placed directly in parallel with R_{EXT} , increasing its value by over 10 per cent! The measurement itself has introduced an error.

The second trace is of the microcontroller in HS crystal mode, and applies the circuit of Figure 3.14(a). Both microcontroller pins have similar, approximately sinusoidal, signals of the same frequency. One is the inverse of the other. It can be seen that the signal clearly has a period of 250 ns, confirming a frequency of 4 MHz.

7.8.3 In-circuit emulators

Oscilloscopes and logic analysers are very good for testing signals that are accessible and when the system is running. There are many situations, however, when we need to be able to undertake the same sort of tests we were doing with the software simulator in Chapter 5, for example testing specific sections of code or single-stepping, but now with the code running in the target hardware.

The solution to this need has been the 'in-circuit emulator' (ICE). This is a device which replaces the microcontroller in the circuit, replicating its action as closely as possible, but

which remains linked back to a host computer. The host computer has the power to control program execution in much the same way as the software simulator does.

In-circuit emulators represent one of the most powerful ways of testing and commissioning an embedded system. They come with just a few disadvantages:

- They are very sophisticated pieces of equipment and hence expensive.
- They replicate one microcontroller or processor only, and hence a different one is needed for every different microcontroller used.
- There are areas where their action is imperfect, for example they are not usually good at replicating the action of the microcontroller in terms of the clock oscillator, and they may have power supply requirements which are less flexible than the microcontroller itself.
- They do not allow the genuine final operating condition of the system to be fully replicated – after all, the microcontroller itself has been removed.

7.8.4 On-chip debuggers

Given the benefits of the ICE, but also its disadvantages, it was natural for IC designers to ask themselves if they could actually design features of the ICE into the microcontroller itself. A good part of the ICE, after all, is a replica circuit of the microcontroller itself. Thus, a variety of on-chip test facilities came into being. Motorola (now Freescale) used the terminology ‘background debug mode’ (BDM), while Microchip uses the terminology ‘in-circuit debugger’ (ICD). We will explore this facility in detail, as it is now available on many PIC microcontrollers, including the 16F873A.

The *advantages* of the ICD approach can be summarised as:

- Testing is done with the target system substantially undisturbed.
- The ICD can also act as a programmer, downloading program code to the target microcontroller.
- The ICD approach is more flexible – connection, test and further download can be done ‘in the field’ as well as in the development lab.

The *disadvantages* of the ICD approach can be summarised as:

- Some microcontroller resources are taken by the ICD function; this includes a few I/O pins, some program memory and other internal resources.
- The target microcontroller must be functioning and with its clock running.
- It is generally less powerful than a fully fledged ICE system.

- Testing of certain aspects may still be imperfect. For example, when microcontroller operation has been halted by the ICD, peripherals may continue running, leading to erroneous results.

7.9 The Microchip in-circuit debugger (ICD 2)

The features of the Microchip ICD 2 system [Ref. 7.3] are illustrated in diagrammatic form in [Figure 7.20](#); the host computer is linked to the target system via a special adaptor unit or pod. This is seen in a real system in [Figure 7.21](#), where an ICD 2 pod is shown linked to a Derbot AGV. The ICD is controlled from the host computer, which must be running MPLAB. The ICD 2 pod links to the host computer via a USB cable. An RS232 link may also be used. It then connects to the target system via another cable, having five interconnections. These are shown in the diagram and are the same as those for ICSP, except that the low-voltage programming pin, bit 3 of Port B, is not used. The internal microcontroller resources needed by the ICD are also shown in the diagram, and include elements of program memory, data memory and the Stack.

The ICD 2 can be used as a debugger, in which case it can program the microcontroller, at the same time downloading its own ‘debug executive’, which is loaded into the high end of the program memory. Running from MPLAB it can then execute all the functions of the MPLAB simulator, as introduced in Chapters 4 and 5, except that now the program is actually running in the hardware. The ICD 2 can also be used simply as a programmer, in which case it replicates the action of programmers like the PICSTART Plus, described in Chapter 4. The operating mode is selected from within MPLAB.

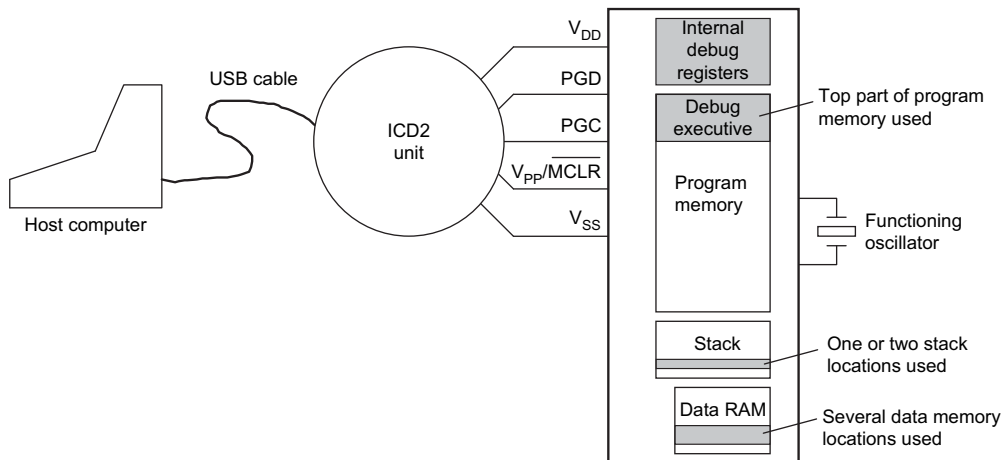


Figure 7.20: The ICD 2 system and internal resource demand



Figure 7.21: ICD 2 connected to a Derbot AGV

The normal use of the ICD 2 in the development cycle is to download the program under test to the microcontroller with the ICD in debug mode. The program is then debugged using all the facilities of the ICD. When a fully functioning version has been developed, the ICD is switched to programmer mode. The program is then downloaded again, this time without the special features of the debugger, and the microcontroller can run in its normal operating mode.

Use of the ICD 2 will be described in a simple Derbot-based tutorial following description of the first Derbot build.

7.10 Applying the 16F873A: the Derbot AGV

Following the descriptions earlier in this chapter, we turn now to seeing the 16F873A applied in a practical situation, the Derbot AGV. The Derbot block diagram is shown in Figure 1.5 and its circuit diagram in Figure A3.1. Some of the underlying considerations in the design and application of the Derbot are described in Appendix 4.

7.10.1 Power supply, oscillator and reset

The power needs of the Derbot are twofold: to power the motors and to power the microcontroller circuit and all associated sensors and displays. While low-voltage motors, running from 2 or 3 V, are available, it is less easy to arrange the necessary switching circuits to run at this voltage. Experimentation with several motors, however, showed that adequate torque and speed could be obtained from a motor running from around 9 V, with a tolerable supply current. This voltage fitted well with currently available motor interface ICs, like the L293D, which is used. The second power supply need is for the microcontroller circuit. While this could have been supplied unregulated, as in the ping-pong project, there are a number of sensors, particularly the light-dependent resistors and reflective

opto-sensors, which require stable operating conditions for correct results. Therefore, a regulated supply was chosen.

The Derbot is therefore normally supplied from six 'AA' Alkaline cells, giving an overall nominal supply of 9 V. This voltage is used 'raw' for the motor supply. For supply to the microcontroller and associated circuit it is regulated down to 5 V, using a National Semiconductors LP2950 low-power voltage regulator. A number of the system elements, for example the opto-sensors, rely on this regulated voltage to operate correctly.

As there are precise timing requirements in the application, a crystal oscillator was selected; 4 MHz was chosen as the oscillator frequency, to allow simple timing functions to be derived from the resulting 1 μ s instruction cycle time.

7.10.2 Use of the parallel ports

As can be seen, Derbot has extensive I/O requirements, although not all of these may be implemented in any one version of it. They are listed in Table 7.2. Some simply require general-purpose parallel I/O. Others, as indicated, are special-purpose functions that link to specific peripherals or I/O through uniquely identified pins. These functions were therefore allocated immediately to their special-purpose pins. Like the port pins themselves, there are some shared functions apparent in the table. These are mainly used in the short term for demonstration purposes.

The Derbot general-purpose I/O can be allocated with some degree of flexibility. The choice is only influenced by the opportunity of Schmitt trigger input, internal pull-up resistor (Port B) and of course the physical position on the microcontroller IC. The implementation of Derbot switch and LED interfacing is considered here; other interfacing is considered in later chapters.

Switch interfacing

The Derbot AGV uses the mode switch, a user control which can cause the robot to switch between two modes, and a couple of microswitches, which are used for bump sensing. Electrically these switches are the same, being SPST, and so can be connected using the diagram of Figure 3.7(b). A regular pull-up resistor or the Port B pull-up can be used. In the latter case, it is worth noting that pull-ups will be switched on for all Port B bits used as inputs, regardless of whether they are wanted or not. As only three pull-ups are required, it was decided to use external components and not activate those of Port B.

LED driving

Two general-purpose diagnostic LEDs are included in the circuit. These can be used for any purpose that the programmer wishes. The high-efficiency red type chosen gives excellent

TABLE 7.2 Derbot I/O needs

Function	Data direction	Microcontroller peripheral used	Port and pin allocation
In circuit debug	Bi directional	Parallel port	Port B, 6 and 7
'Bump' microswitches	Input	Parallel port	Port B, 4 and 5
Servo drive	Output	Parallel port	Port B, 3
Opto sensor enable	Output	Parallel port	Port B, 2
Piezo sounder	Output	Parallel port	Port B, 1
Interrupt	Input	Parallel port/interrupt	Port B, 0
Mode switch, also USART RX	Input	Parallel port	Port C, 7
Diagnostic LED, also ultrasound echo, also USART TX	Output Input Output	Parallel port	Port C, 6
Diagnostic LED, also ultrasound pulse	Output	Parallel port	Port C, 5
I ² C, serial data	Bi directional	Synchronous serial port	Port C, 4
I ² C, serial clock	Bi directional	Synchronous serial port	Port C, 3
Right motor PWM drive, also PWM demo, TPs 1 and 2	Output	PWM	Port C, 2
Left motor PWM drive	Output	PWM	Port C, 1
Reflective opto sensor	Input	Timer 1	Port C, 0
Left motor enable	Output	Parallel port	Port A, 5
Reflective opto sensor	Input	Timer 0	Port A, 4
Light sensor, rear	Input	Analog to digital converter (ADC)	Port A, 3
Right motor enable	Output	Parallel port	Port A, 2
Light sensor, left	Input	ADC	Port A, 1
Light sensor, right	Input	ADC	Port A, 0

output at very low currents. Tests showed that adequate visibility could be obtained with a current in the region of 3.5 mA. Using the characteristics of Figure 3.8(a), the forward voltages across the LED for this current will be around 1.88 V, and from Figure 7.14(a) the port bit output voltage will be around 4.7 V. Hence, applying equation (3.1):

$$R = \frac{4.7 - 1.88}{0.0035} = 806 \Omega$$

820 Ω is a close 'preferred value' and was found to provide good visibility.

7.10.3 Assembling the hardware

If you are building up a Derbot AGV, then use the component layout diagram on the book's companion website and assemble the following:

- All components in the power supply path, including decoupling capacitors.
- Reset switch and pull-up resistor.
- Crystal and load capacitors.
- Diagnostic LEDs with current-limiting resistors.
- Two front microswitches with pull-up resistors.
- Mode switch and pull-up resistor.
- (Optionally) the piezo sounder and drive transistor.
- The ICD connector, if you have an ICD 2 unit.

Having done this, you will have a PCB assembled with the circuit shown in [Figure 7.22](#).

7.11 Downloading, testing and running a simple program with ICD 2

Let us now attempt running a program for the new hardware design and, if you have access to one, the ICD 2.

7.11.1 A first Derbot program

Program Example 7.1 is a very simple test program for the embryonic Derbot AGV, as just constructed. It simply tests the states of the front microswitches and sets or clears the diagnostic LEDs accordingly. If both switches are pressed, the sounder comes on.

In MPLAB create a project `Dbt_sw2led` (or name of your choice) and copy the program `Dbt_sw2led.asm` from the book's companion website, or enter it by hand; it is shown in its entirety in the printed example. Build the project in the usual way. If you do not have an ICD 2, then download the program to the PIC, using your usual programmer, for example the PICSTART Plus, as described in Chapter 4.

7.11.2 Applying the ICD 2

The following assumes you have an ICD 2 or later a version of it. It is a very brief introduction, written in the expectation that you already have knowledge of the MPLAB simulator, whose features are used by the ICD 2. Further expertise can then be gained by experimentation and reading the full manual [Ref. 7.3].

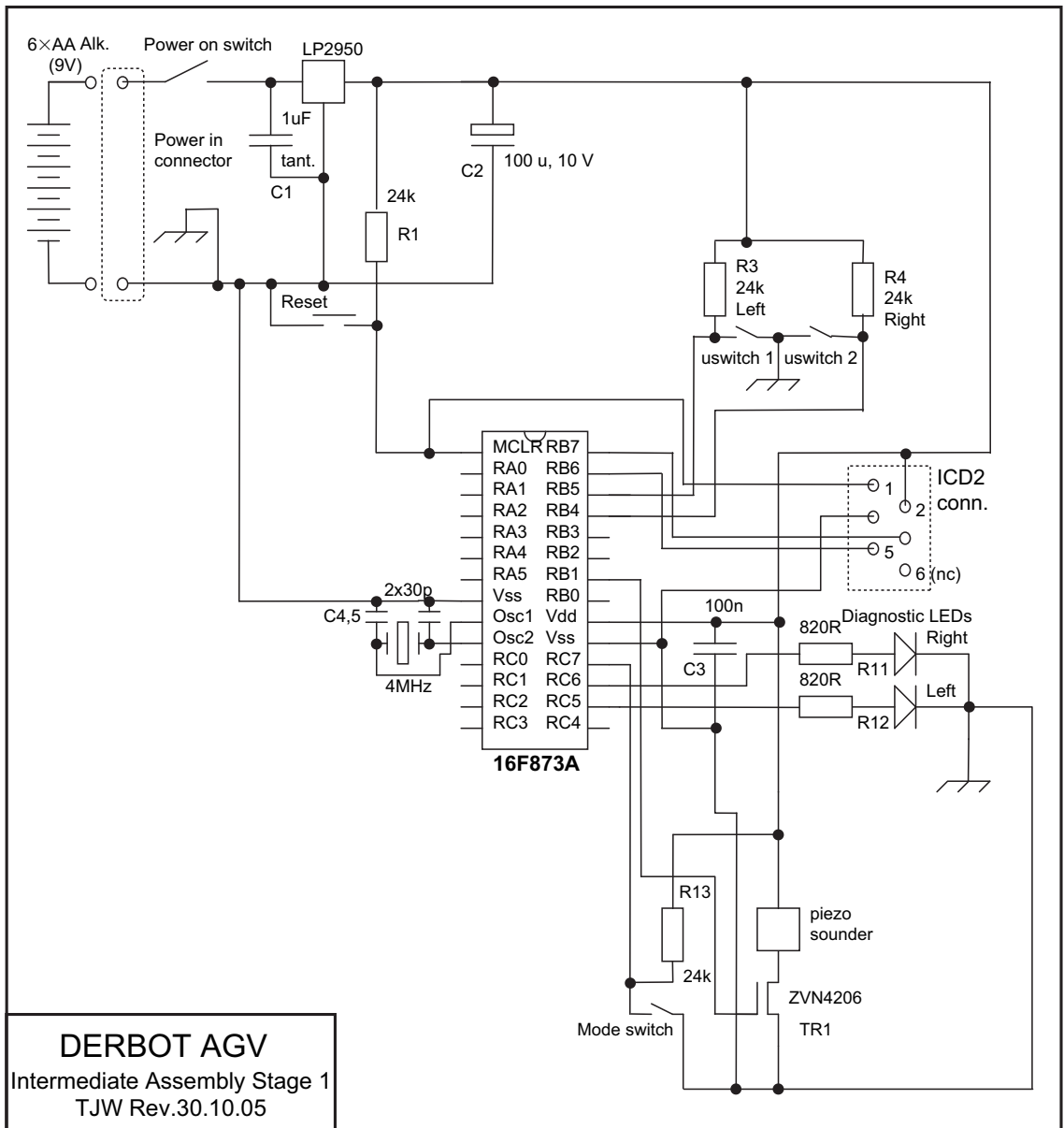


Figure 7.22: Derbot intermediate build stage 1

Ensure, by reading the ‘Getting Started’ section of the manual, that the ICD 2 is configured correctly for your computer and operating system. Connect it between computer and AGV, as illustrated in Figure 7.20. Open MPLAB and open the project that you have created, containing Program Example 7.1. Set the ICD to operate initially in debug mode, by clicking Debugger > Select Tool > MPLAB ICD 2. Then complete the connection to the AGV by

```

;*****
;Dbt_sw2led
;Moves state of front microswitches to diagnostic leds.
;If both switches on then buzzer goes on.
;TJW 24.3.05          Tested & working 20.8.05
;*****
;
        list p=16f873a
        include p16f873a.inc

;Specify RAM labels
delcntr1 equ 20      ;used in delay SR
delcntr2 equ 21
;
;Set Configuration Word: crystal oscillator HS, WDT off,
;      power-up timer on, code protect off, LV Program off.

        __CONFIG _HS_OSC & _WDT_OFF & _PWRTE_ON & _LVP_OFF
org 00
;Initialise
start bsf  status,5      ;select memory bank 1
        movlw B'00000011' ;all port A bits op
        movwf trisa
isb   movlw B'11111000'
        ;port B bits

        movlw B'10000000'
        movwf trisc      ;port C bits
        movlw B'00000110'
        movwf adcon1     ;set port A for digital function
        bcf  status,5    ;select bank 0
;
;The "main" program starts here

;Switch all outputs off
        clrf  porta
        clrf  portb
        clrf  portc
;diagnostic, switch leds on for half a second
        bsf  portc,6
        bsf  portc,5
        call delay500
        bcf  portc,6
        bcf  portc,5
        call delay500

;move microswitch states to leds. LED is OFF when switch pressed
loop bcf  portc,6      ;preclear port C, bit 6 (rt led off)
        btfsc portb,4  ;jump if right switch pressed
        bsf  portc,6   ;led on if switch not pressed
;
        bcf  portc,5   ;preclear port C, bit 5 (left led off)
        btfsc portb,5  ;jump if left switch pressed
        bsf  portc,5   ;led on if switch not pressed
;
        btfsc portb,4
        goto loop1
        btfsc portb,5
        goto loop1
        bsf  portb,1   ;switch on sounder if both pressed
        goto loop     ;sounder stays on until one switch released
loop1 bcf  portb,1     ;switch off sounder
        goto loop

```

Program Example 7.1: Simple bit moving with the Derbot

```

;*****
;SUBROUTINES
;*****
;introduces delay of 1ms approx
delay1 movlw D'250'      ;250 cycles called,
                        ;each taking 4us

        movwf delcntr1

del1    nop             ;4 inst cycles in this loop, ie 4us
        decfsz delcntr1,1
        goto del1
        return;

;500ms delay (approx)      ;500 calls to delay1
delay500 movlw D'250'
        movwf delcntr2

del5    call delay1
        call delay1
        decfsz delcntr2,1
        goto del5
        return
        end

```

Program Example 7.1 cont'd

pressing Debugger > Connect. The ICD will run a self-test, which checks for the presence of power supply, as well as its ability to apply the correct voltages to the lines it controls. If the target system is powered and working, the ICD 2 should pass the self-test and will be able to identify the microcontroller. It will display a message indicating whether it has passed the test and issue an MPLAB ICD 2 Ready message. The drop-down menu under Debugger will then become active, as will the toolbar, as seen in [Figure 7.23](#). An extra toolbar, unique to the ICD 2, will also appear. This appears to the right of the figure, and allows the user to read program memory, download to it and reset the ICD. Notice, however, that if on the main toolbar Programmer > Select Programmer is pressed, the menu will indicate that no programmer is selected. This is because in this mode the ability to program is only available within the ICD debugger facility.

Ensuring that the Derbot is switched on, download the program memory, using either the toolbar button of [Figure 7.23](#) or Debugger > Program. Open a Watch window, as described in Chapter 4, and display registers **PCL**, **PORTB** and **PORTC**. Then start single-stepping through the program, using the Step Over function to skip the delay routines. Once in the main loop, try pressing the microswitches in turn, and see the response of the Port values in the

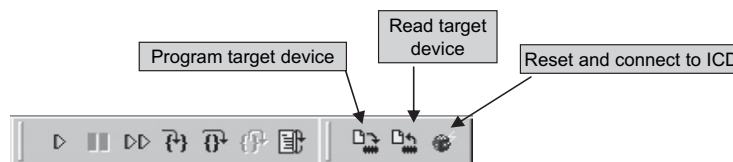


Figure 7.23: Debug toolbars for the ICD 2 – Standard debug, with extra ICD program features

Watch window as you step. Unlike when using the simulator, it is actual values from the hardware that are being transmitted back to the display you are seeing. Try setting or clearing port bits from your computer, and see how you can switch the Derbot LEDs themselves on and off in this way. As with the simulator, breakpoints can be set in the program by double-clicking on any line.

To finally program a product, the ICD 2 should be switched to programmer mode. On the top toolbar click Programmer > Select Programmer > MPLAB ICD 2 and then Programmer > Connect (an automatic connection mode is also possible). A check back at the Debugger menu will show that there is now no debugger selected. It is now possible to program and read the memory. The pull-down menu and programmer toolbar are available, as shown in Figure 7.24. Notice that Reset can be controlled from the screen. When programming is complete, Reset is left active. It can be released using the toolbar button shown, and the program then runs immediately.

7.11.3 Setting the configuration bits within the program

The 16F873A has more configuration bits than the 16F84A and it is easy to make an error when setting them in the MPLAB window. Incorrect settings can lead to very odd behaviour in the target embedded system or to no behaviour at all! It is, however, possible to set the configuration bits in the program by using the **CONFIG** assembler directive. This directive uses symbols that are defined in the microcontroller Include File. The relevant section for the 16F873A is shown as Program Example 7.2. It can be seen that each hexadecimal value that a symbol equates to is derived from the Configuration Word setting shown in summary in

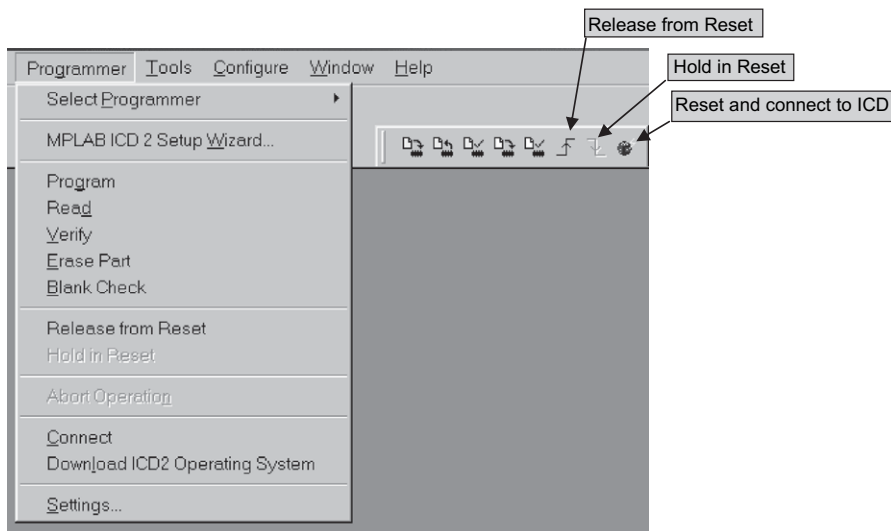


Figure 7.24: Programmer features for ICD 2 – pull-down menu and toolbar

Figure 7.7. As combinations of these are ANDed together, a final setting for the Configuration Word is formed. The setting used, seen in the program excerpt shown here, can be applied to all Derbot programs based on the 16F873A.

```
; Set Configuration Word: crystal oscillator HS, WDT off,
;   power up timer on, code protect off, LV Program off.
    __CONFIG _HS_OSC & _WDT_OFF & _PWRTE_ON & _LVP_OFF
```

Even with this setting in the program, there is a danger that a change could be made inadvertently in the MPLAB Configuration Bits window. You can demonstrate this by building Program Example 7.1. Look at the configuration bit settings in the window – they are correct. However, it is possible at this stage to introduce an error by making a change in the window. Whatever is now shown in the window will be downloaded to the program memory on the next program download. This danger can be removed by clicking Configure > Settings > Program Loading and checking the ‘Clear configuration bits upon loading the program’ box. Now, on program download, the window setting is cleared and the configuration bits defined in the program are downloaded.

```

;=====
;
;           Configuration Bits
;
;=====
_CP_ALL           EQU    H'1FFF'
_CP_OFF          EQU    H'3FFF'
_DEBUG_OFF       EQU    H'3FFF'
_DEBUG_ON        EQU    H'37FF'
_WRT_OFF         EQU    H'3FFF' ;No prog memory write protection
_WRT_256         EQU    H'3DFF' ;First 256 prog memory write protected
_WRT_1FOURTH     EQU    H'3BFF' ;First 1/4 prog memory write protected
_WRT_HALF        EQU    H'39FF' ;First half memory write protected
_CPD_OFF         EQU    H'3FFF'
_CPD_ON          EQU    H'3EFF'
_LVP_ON          EQU    H'3FFF'
_LVP_OFF         EQU    H'3F7F'
_BODEN_ON        EQU    H'3FFF'
_BODEN_OFF       EQU    H'3FBF'
_PWRTE_OFF       EQU    H'3FFF'
_PWRTE_ON        EQU    H'3FF7'
_WDT_ON          EQU    H'3FFF'
_WDT_OFF         EQU    H'3FFB'
_RC_OSC          EQU    H'3FFF'
_HS_OSC          EQU    H'3FFE'
_XT_OSC          EQU    H'3FFD'
_LP_OSC          EQU    H'3FFC'

```

Program Example 7.2: Defining configuration bits in the 16F873A Include File

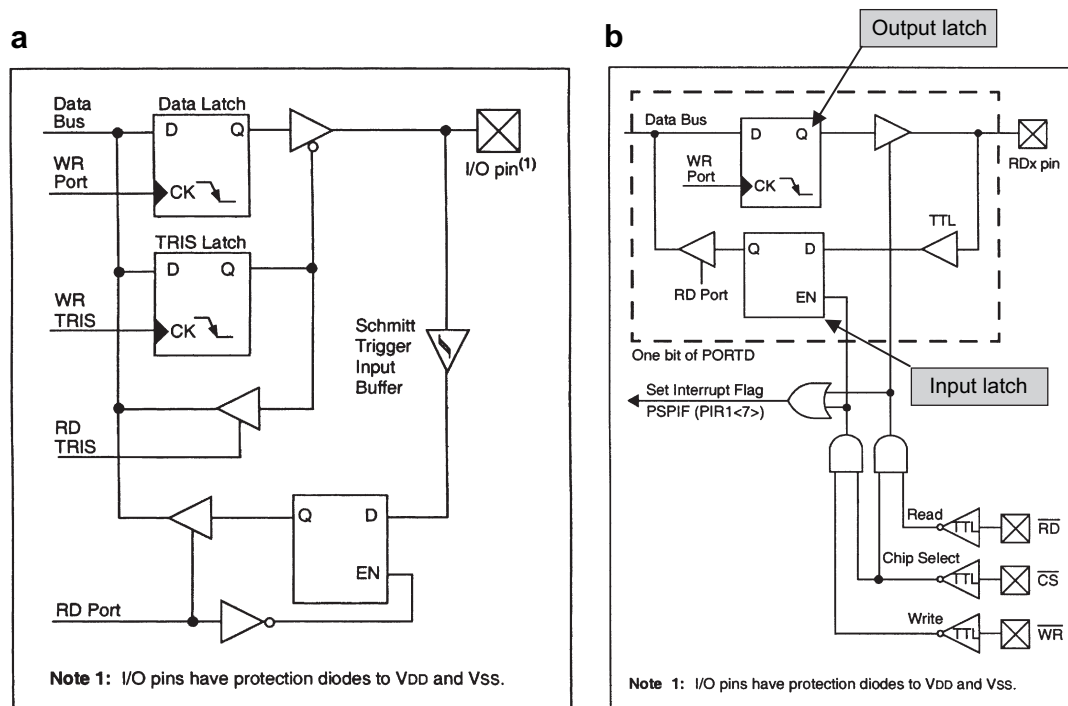


Figure 7.25: Block diagrams of Port D pin driver circuits. (a) In I/O mode. (b) As parallel slave port (supplementary labels in shaded boxes added by the author)

7.12 Taking things further – the 16F874A/16F877A Ports D and E

Looking at Figure 7.1(b), one can see that the 16F874A and 16F877A have two extra ports, the 8-bit Port D and the 3-bit Port E. Either port can be used for general-purpose I/O, like any of the other ports. The block diagram of Port D, when configured for normal digital I/O, is shown in Figure 7.25(a). An alternative function for Port E is to provide three further analog inputs. Because of this, Port E is also under the control of one of the registers that control the ADC, **ADCON1**. The setting of this determines whether the port is used for digital or analog signals.

Together, Ports D and E can also form the parallel slave port. The ports are put into this mode by setting the **PSPMODE** bit in the **TRISE** register (Figure 7.26). The purpose of this mode is to allow the microcontroller to interface as a slave to a data bus, controlled perhaps by a microprocessor. The Port E bits must be set as inputs (with digital mode selected in **ADCON1**); the state of **TRISD** is, however, immaterial. Ports D and E are then configured as in Figure 7.25(b). The diagram shows 1 bit of Port D, together with the three control lines, **CS**, **WR** and **RD**. These are the three bits of Port E, now configured for this purpose. Notice that there is an output latch and an input latch for each Port D bit.

	R-0	R-0	R/W-0	R/W-0	U-0	R/W-1	R/W-1	R/W-1
	IBF	OBF	IBOV	PSPMODE	—	Bit 2	Bit 1	Bit 0
bit 7								bit 0
Parallel Slave Port Status/Control Bits:								
bit 7	IBF: Input Buffer Full Status bit 1 = A word has been received and is waiting to be read by the CPU 0 = No word has been received							
bit 6	OBF: Output Buffer Full Status bit 1 = The output buffer still holds a previously written word 0 = The output buffer has been read							
bit 5	IBOV: Input Buffer Overflow Detect bit (in Microprocessor mode) 1 = A write occurred when a previously input word has not been read (must be cleared in software) 0 = No overflow occurred							
bit 4	PSPMODE: Parallel Slave Port Mode Select bit 1 = PORTD functions in Parallel Slave Port mode 0 = PORTD functions in general purpose I/O mode							
bit 3	Unimplemented: Read as '0'							
PORTE Data Direction Bits:								
bit 2	Bit 2: Direction Control bit for pin RE2/ $\overline{\text{CS}}$ /AN7 1 = Input 0 = Output							
bit 1	Bit 1: Direction Control bit for pin RE1/ $\overline{\text{WR}}$ /AN6 1 = Input 0 = Output							
bit 0	Bit 0: Direction Control bit for pin RE0/ $\overline{\text{RD}}$ /AN5 1 = Input 0 = Output							

Figure 7.26: The TRISE register

An example application for the parallel slave port appears in Figure 7.27. Here the port is connected to a data bus and control lines that form part of a larger system, controlled by a microprocessor. The 16F874A program can write data to the port, in which case bit **OBF** of **TRISE** is set. If $\overline{\text{CS}}$ and $\overline{\text{RD}}$ are taken low by the external circuit, then the port outputs the data held on its output latches onto the external bus. This action clears **OBF**. If $\overline{\text{CS}}$ and $\overline{\text{WR}}$ are taken low, the port latches data from the bus into its input latches, and bit **IBF** of **TRISE** is set. **IBF** is cleared when the port is read by the microcontroller program. If, however, the external circuit writes to the port again, before the previous word has been read, then the **IBOV** bit of **TRISE** is set. The interrupt flag **PSPIF** (Figure 7.10) is set when either a slave write or read is completed by the external circuit. This flag must be cleared in the software.

Summary

- The 16F87XA group of microcontrollers is an important subset of the 16 Series family. Its added capability is achieved by the inclusion of a powerful set of peripherals, along with memory upgrades.

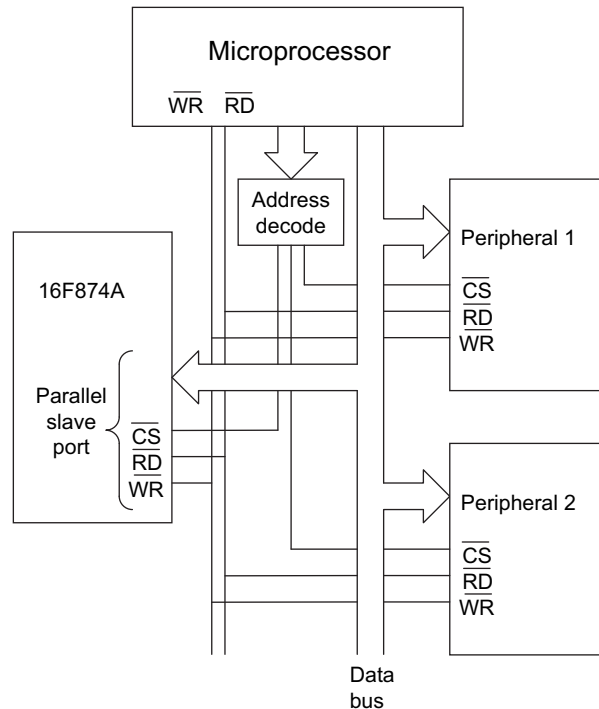


Figure 7.27: A parallel slave port connected to a system bus

- The central architecture of the 16F87XA group is the same as other microcontrollers in the PIC 16 Series of microcontrollers, with the same instruction set.
- Testing of an embedded system must be undertaken systematically, applying the best tools that are available to do the job.
- In-circuit debugging is a powerful technique for testing and commissioning both program and hardware, allowing minimum invasiveness.

References

- 7.1. PIC 16F87XA Data Sheet (2003). Microchip Technology Inc., Reference no. DS39582B; www.microchip.com
- 7.2. PIC 16F87XA Flash Memory Programming Specification (2002). Microchip Technology Inc., Reference no. DS39589. www.microchip.com
- 7.3. MPLAB ICD 2 In-Circuit Debugger User's Guide (2005). Microchip Technology Inc., Reference no. DS51331B. www.microchip.com

Question and exercises

1. What are the values in the *W* register, and of the **Z**, **DC** and **C** bits of the 16F873A Status register, after each of the following pairs of operations:
 - (a)


```
movlw 3f
addlw 01
```
 - (b)


```
movlw B'11100111'
addlw 23
```
 - (c)


```
movlw 12
sublw 33
```
 - (d)


```
movlw 4f
sublw 3f
```
 - (e)


```
movlw 3f
addlw 0d1
```
2. At a certain moment in a 16F873A program execution, the readings shown in the table below were noted. Deduce the interrupt settings that have been made, and suggest at what possible moment in program execution this sample has been taken.

SFR	Value	SFR	Value
INTCON	01010010		
PIE1	00001000	PIE2	01000000
PIR1	00000000	PIR2	00000000

3. An application using the 16F873A requires three interrupts to be enabled: Timer 0 overflow, External Interrupt, and A-to-D converter. Which registers should be set for this, and how?
4. Four Port B bits of a 16F873A are used as outputs; two will drive green LEDs and two will drive red. Kingbright LEDs are to be used, with characteristics as shown in Figure 3.8. The red LEDs are to be lit with a current of 5 mA when the associated port bit is at Logic 1. The green are to be lit with a current of 12 mA when the bit is at Logic 0. The

power supply is 5 V. Calculate the values of the series resistors needed. *Note: this is a repeat of Question 3.7, applying a different microcontroller and different supply voltage.*

5. Program Example 7.1 is written for the circuit of Figure 9.22. Rewrite the initialization section of that Program Example, starting from the label **loop**, so that it is appropriate for the circuit diagram of Figure 9.20.
6. You have just constructed a Derbot to build stage 1 (Figure 7.22) using a microcontroller known to be loaded with Program Example 7.1. Identify possible causes of each of the following faults, each occurring just after power-up. Explain how the fault could be confirmed and possibly corrected.
 - Nothing at all happens.
 - Power appears to be reaching the voltage regulator, but its output is 0 V. The regulator is possibly warm to the touch.
 - Smoke is seen to come from the electrolytic or tantalum capacitors.
 - The program appears to start executing. Suddenly, it starts again, doing this periodically.
 - As directly above, but program restart appears to happen randomly, possibly associated with you touching the board.
 - You press one microswitch and both LEDs come on.
 - One or both LEDs come on, apparently at random, possibly associated with you touching the board. The microswitch, however, does not influence the LED condition.

The human and physical interfaces

Figure 1.1 illustrates a typical embedded system. It shows an embedded computer reading in signals, outputting control signals, interacting with a human user and possibly interacting with an external system via a network. All of these activities fall under the broad heading of interfacing, which forms a very large part of the hardware design of embedded systems. In this chapter we look at some aspects of interfacing, including both the human and the physical interfaces.

In order to design the interface we need to know something about the sensors and actuators that can be used. These lie between the wider system and the electronic domain of the microcontroller circuit. There are input devices, sensors for measurement or data entry devices for human interaction. There are also output devices, displays or alarms for the human being, and motors or other actuators for the physical system. There are thousands of these devices to choose from; we take just a few as examples.

Further to this knowledge of the sensors and actuators themselves, we will need to know how they can be connected to the microcontroller. Sensor signals may need amplification to connect to the microcontroller; motor control output signals may need to drive powerful switching circuits to get the motor turning, at the right speed and the right time.

Finally, and crucially, there is a need to understand how programs can be written to effect this interfacing.

In this chapter you will therefore learn about:

- Human interfacing needs and some simple means of meeting these.
- Some simple example sensors.
- Some ways of interfacing between sensor signals and the microcontroller.
- Some simple example actuators.
- Some ways of interfacing between the microcontroller and the actuator.
- The Derbot application of some of its sensors and actuators.

Many of these topics will be illustrated by examples from the Derbot AGV.

It is important to note that important elements of interfacing do not appear in this chapter. The whole process of the input of analog signals gets its own chapter (Chapter 11). Networking concepts, through an exploration of serial communication, are introduced in Chapter 10.

8.1 The main idea – the human interface

The human has to interface with any machine that he/she works with. This is almost inevitably in some form of closed-loop interaction. The user perceives what the current status of the machine and perhaps the wider environment is. In so doing, he/she receives information from the system. Then, based on what he/she wants to happen, the user interacts with the machine to cause some change in action. This interaction may be purely in the form of information exchange. For example, the user of the fridge may read the current temperature on the display, decide he/she wants it colder and thus enter a new demand temperature on the keypad. Alternatively, the user may have to input some physical actuation of his/her own. This is very much what happens in driving a car, where the driver receives information from the dashboard but still turns this into physical actuation, in the form of movements of the steering wheel, gear stick or accelerator.

Figure 8.1 shows examples of human interfaces found in everyday products, which are also embedded systems of one form or other. The fridge can operate in one of two modes, ‘super’ or ‘eco’. It displays the actual temperature of its freezer and main compartments. Demand temperatures for each of these can be set. An acoustic alarm sounds if the freezer temperature rises above a certain value. This alarm can, however, be disabled. All the control input is by simple push-buttons, while the display information is by two two-digit numerical displays with polarity indicators.

The photocopier control is somewhat more complex. There is a wide range of operating modes available, with different paper sources and image adjustment capabilities available. Information is conveyed by a customised display. As this is touch-sensitive, it also acts as an input of control information. A more conventional numerical keypad allows input of purely numerical data, such as codes and the number of copies required.

The detail from the car dashboard represents a further increase in complexity. Its central feature is car speed – as the car in this instance is stationary this shows a big zero. Around this, one can see a range of status information, including things as diverse as engine r.p.m., radio station, temperature, door status and fuel. Despite the complexity and diversity of information, it is all conveyed in simple forms. Again, there is considerable use of numerical display. To this are added bar graphs, simple illuminated symbols and simple diagrammatic information. No user input is seen in this picture.

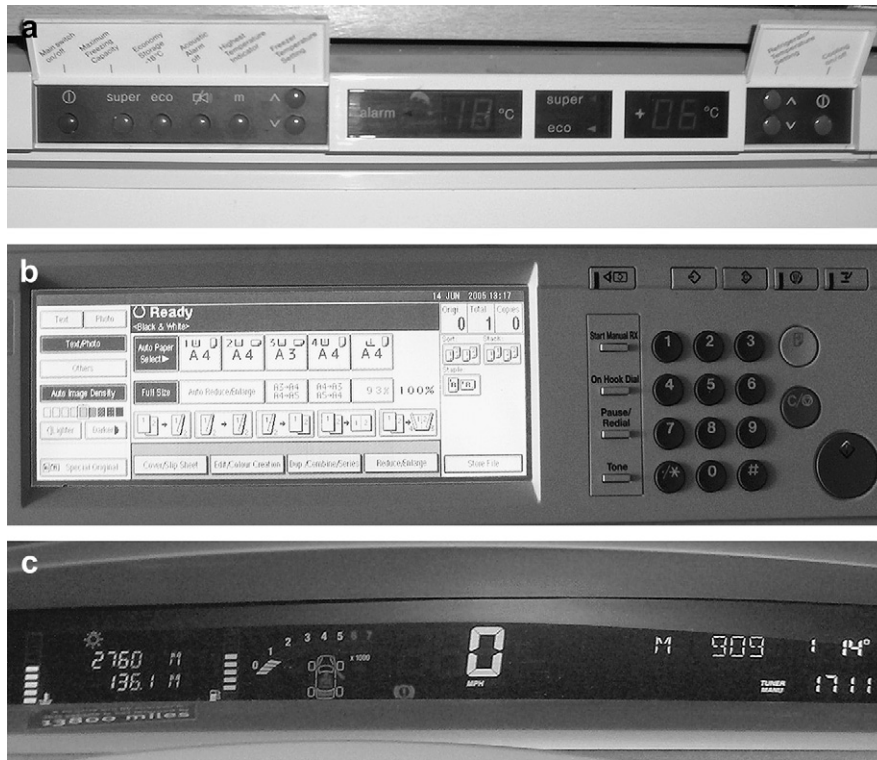


Figure 8.1: The human interface in some familiar products. (a) Domestic fridge. (b) Photocopier. (c) Car dashboard (detail)

What is striking in each of these three very diverse interfaces is the strands which unite them. Each has significant need to convey numerical information and status information; means are found to achieve both of these in simple ways. The main sense invoked is sight. Sound is also used, especially in alarm situations.

We will be exploring means of information exchange between the embedded system and user in the section that follows. This will be done through a study of the keypad, seven-segment LED (light-emitting diode) display and the liquid crystal display (LCD), as these are more or less ubiquitous in simple embedded systems. These will be illustrated with the Derbot ‘hand controller’ module. This is an optional unit that can be hand-held or fitted above the battery pack, as seen in Figure A3.3. The hand controller is available in two versions, one for an LED display and one for an LCD. These are shown in Figure 8.2. The hand controller is designed as a ‘dumb terminal’ which interfaces directly with the main Derbot AGV. It can, however, be used in stand-alone form, which is the case in this chapter. In Chapter 10 it is linked to the AGV and used to illustrate serial communications. Its circuit diagram is given in Figure A3.2.

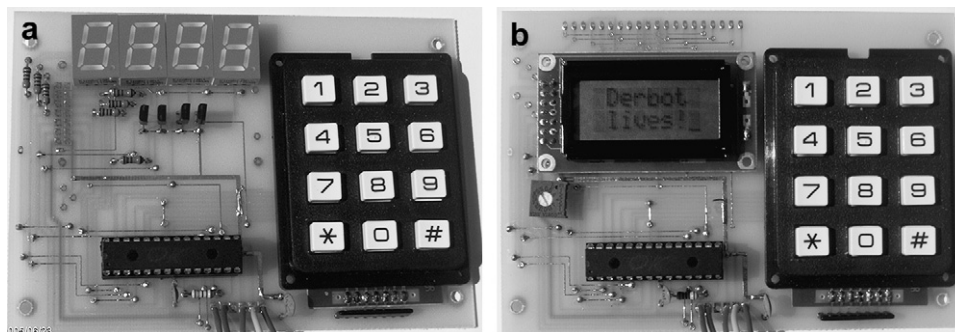


Figure 8.2: The Derbot hand controller. (a) LED version. (b) LCD version

8.2 From switches to keypads

The humble switch, mainstay of so many human interfaces, was introduced in Chapter 3. Switches are good for conveying information of a digital nature – they are two-state, but can be used in multiples, each one taking one port bit. In more complex situations it becomes inappropriate to keep adding switches. For one thing, the demand on port bits becomes excessive, and their relentlessly two-state nature often does not meet the need.

8.2.1 The keypad

A useful step forward from the simple switch is given by the keypad, as seen in the photocopier interface and the Derbot hand controllers in Figure 8.2. The keypad allows numeric or alphanumeric information to be entered. It is widely used in photocopiers, burglar alarms, central heating controllers and so on.

A keypad is based on switches, yet it would be extremely resource-intensive if each of these switches were allocated to a port bit. Instead, to make good use of resources, each switch is connected in a matrix. Figure 8.3 shows the electrical connections for the keypad of Figure 8.2, which has 12 keys. It can be seen that these are arranged in a 4×3 matrix, with four rows and three columns. Now only seven interconnections are needed, rather than 12. Whenever a key is pressed, it connects its row with its column.

In an embedded environment the keypad is usually connected to the bits of a microcontroller input/output (I/O) port. Example port bit connections are shown in the figure, as well as the necessary pull-up resistors. The challenge is how to detect efficiently which key has been pressed.

The technique usually used to read a keypad follows the flow diagram of Figure 8.4(a). First the column bits are set to output, with the row bits as input. The output column bits are set to 0. If no button is pressed all row line inputs will read 1, due to the action of the pull-up

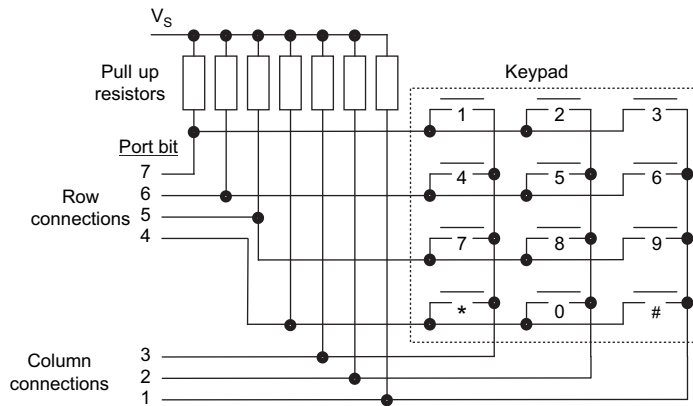


Figure 8.3: Keypad circuit diagram, with pull-up resistors

resistors. If, however, a button is pressed then its corresponding switch will connect column and row lines, and the corresponding row line will be pulled low. If the same process is repeated instantaneously, but with outputs exchanged for inputs, then the column line for the key pressed can be found and the key fully identified.

Output values for the keypad connection shown in Figure 8.3 are shown in Figure 8.4(b). For example, suppose key 7 was pressed. In the first phase of the flow diagram, with row connections as inputs, the third row line (port bit 5) would read low. In the second phase, with column bits as inputs, the first column (port bit 3) would read low. The final pattern is as shown, with bit 0 showing a ‘don’t care’ condition, as it is unused.

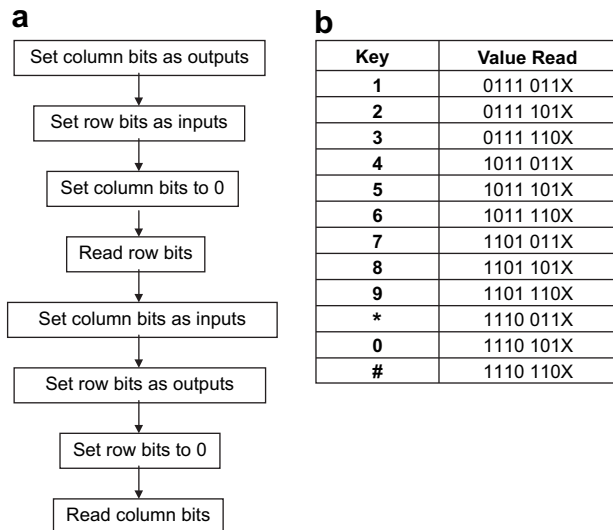


Figure 8.4: Reading a keypad with a microcontroller port. (a) Flow diagram. (b) Outputs for keypad of Figure 8.3

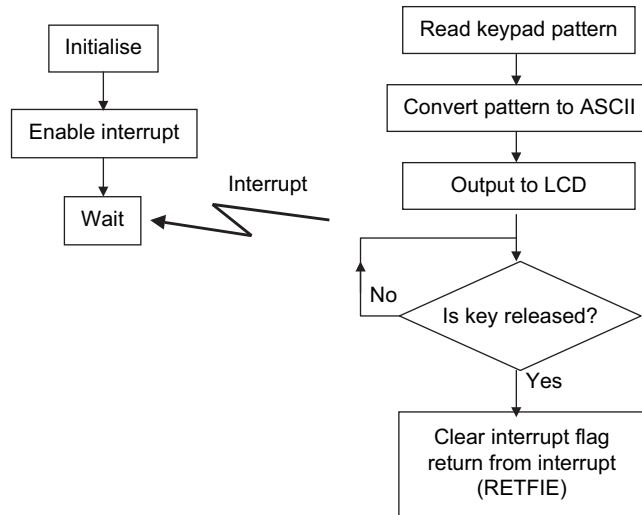


Figure 8.5: Flow diagram of Program Example 8.1

8.2.2 Design example: use of a keypad in the Derbot hand controller

The flow diagram just described is only the starting point for working with keypads. How, for example, do we detect when the keypad is actually pressed and what do we do with the code appearing in the table?

Program Example 8.1 illustrates a practical application of keypad reading in a program called **keypad test**. The program is used to illustrate use of both keypad and LCD. It is too long to print in its entirety, so the keypad-related sections only are reproduced here. The book's companion website contains the full program.

The program flow diagram is shown in Figure 8.5. To detect keypad action, it uses the 'interrupt on change' facility, available on the higher four bits of Port B. Following initialisation, all program activity is contained in the Interrupt Service Routine, called **keypad to lcd**. This does essentially four things. It reads a pattern from the keypad, converts this to ASCII code, sends the code to the LCD and waits for the key to be released, before leaving the ISR.

Try following the program through, matching it with the flow diagrams shown. In the opening initialisation Port B is set up so that row bits are input and column bits are output. We could start the other way round, but to make use of the 'interrupt on change', the higher four bits must be set as input. All output bits are subsequently set to zero and the 'interrupt on change' interrupt is enabled. We have at this stage already entered the flow diagram of Figure 8.4(a).

An interrupt occurs when a key is pressed and the Interrupt Service Routine, labelled **kpad to lcd**, is invoked. This immediately calls the subroutine **kpad rd**, which continues the flow diagram of Figure 8.4(a), started in the initialisation section. The value of Port B is read and stored in memory location **kpad pat**. Column and row roles are then reversed, and the row bits are then read. These are ORed into **kpad pat**, ensuring that any unwanted bits are removed by ANDing with 0. The routine then resets Port B to its initial value, ready for the next keypad read.

The value held in **kpad pat**, on completing the **kpad rd** subroutine, is not in a very useful format. It is a 7-bit number, with possible values shown in Figure 8.4(b). The program therefore calls subroutine **kp code conv**, which converts this number into the keypad code that caused it. The way this is done is described in the next paragraph. This value is then output to the LCD, using subroutine **lcd write**. This is not shown in this example, but is described later in the chapter. The program then sits in a loop, waiting for release of the key, invoking the **kpad rd** subroutine again. This is because the user *letting go* of the keypad will also cause an ‘interrupt on change’, which would lead to a second, unwanted keypad read.

The **kp code conv** subroutine converts the patterns derived from reading the keypad, as seen in Figure 8.4(b), into the ASCII code of the key pressed. It does this by deriving an address, held in memory location **kpad add**, which is used to access the look-up table **kp table**. The address follows the format shown in Figure 8.6. The subroutine tests the bits of the pattern in turn, finding out which row and column has been active. It sets up the address bits according to the outcome of its tests. The look-up table is then called, as described in Chapter 5.

8.3 LED displays

The first part of this chapter showed how very important displays are, in almost any system which has a human interface. We look at two types of display here, the seven-segment LED and the liquid crystal.

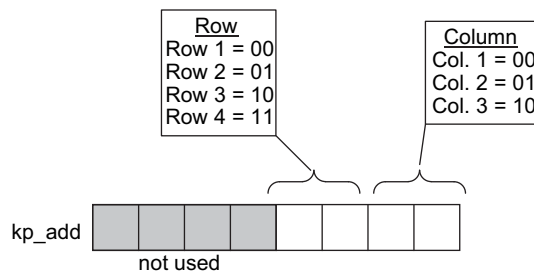


Figure 8.6: Format of look-up table address

```

;*****
; keypad_test
; Tests keypad, writing key pressed to lcd display on
; Derbot Hand Controller.
; TJW 23.6.05
; ***** Tested 24.6.05
; *****
...
(opening program sections omitted)
...
; Initialise
    bsf    status,rp0    ;select memory bank 1
...
    movlw B'11110000'    ;Port B initially Row bits ip, column op
    movwf trisb          ;(port B not used)
    bcf    status,rp0    ;select bank 0
...
(lcd initialisation omitted)
...
    clrf   portb ;initialise keypad value
;enable interrupt
    bcf    intcon,rbif
    bsf    intcon,rbie
    bsf    intcon,gie
loop   goto   loop      ;await keypad entries

;*****
; Interrupt Service Routine.
;*****
; Keypad press has been detected through Port B Interrupt on Change.Gets
; keypad pattern, converts to character, stores in kpad_char, sends to lcd,
; and awaits key release,
kpad_to_lcd call    kpad_rd
; now convert code to character, forming address used in lookup table
    call   kp_code_conv
; now send to lcd
    bsf    portc,lcd_RS ;set for character op
    movwf lcd_op
    call   lcd_write ;test
now for keypad release
rel_test call kpad_rd
    movf   kpad_pat,0
    andlw 0fe          ;suppress lsb, which is not used
    sublw 0fe          ;test if inactive
    btfss status,z
    goto  rel_test
    bcf    intcon,rbif ;clear interrupt flag
    retfie

;
;*****
; SUBROUTINES
;*****
; Reads keypad, places pattern into kpad_pat, and resets keypad interface
kpad_rd movf portb,w          ;read portb value, this will be row pattern
        andlw B'11110000'    ;ensure unwanted bits are suppressed
        movwf kpad_pat
        bsf    status,rp0    ;set row to op, column to ip
        movlw B'00001110'
        movwf trisb
        bcf    status,rp0
        movlw 00
        movwf portb          ;ensure output values still zero
        movf   portb,w       ;read portb value, this will be column pattern

```

Program Example 8.1: Keypad reading on the Derbot hand controller

```

        andlw B'00001110' ;ensure unwanted bits are suppressed
        iorwf kpad_pat,1 ;OR those results into the pattern
;reset keypad interface
        bsf status,rp0 ;set row to ip, column to op
        movlw B'11110000'
        movwf trisb
        bcf status,rp0
        clrf portb ;ensure output values still zero
        return

;Converts keypad pattern held in kpad_pat to ASCII character, first forming
;address (in kpad_add) that is used in lu table. Returns with character held
;in kpad_char
kp_code_conv bcf status,c
            rrf kpad_pat,1 ;discard bit 0 which is not used
            clrf kpad_add
;deduce row
            btfsc kpad_pat,6
            goto kp1
            goto col_find ;here if row 1, kpad_add stays as is
kp1        btfsc kpad_pat,5
            goto kp2
            movlw B'00000100' ;here if row 2
            iorwf kpad_add,1 ;form table address
            goto col_find kp2
btfsc kpad_pat,4
            goto kp3
            movlw B'00001000' ;here if row 3
            iorwf kpad_add,1 ;form table address
            goto col_find kp3
btfsc kpad_pat,3
            goto kp4
            movlw B'00001100' ;here if row 3
            iorwf kpad_add,1 ;form table address
            goto col_find
kp4        movlw D'16' ;no row detected, return "E" via Table
            goto keypad_op ;now deduce column
col_find btfsc kpad_pat,2
            goto cf1
            goto keypad_op ;here if column 1, kpad_add stays as is
cf1        btfsc kpad_pat,1
            goto cf2
            movlw B'00000001' ;here if column 2
            iorwf kpad_add,1 ;form table address
            goto keypad_op
;assume now column 3 cf2
movlw B'00000010'
            iorwf kpad_add,1 ;form table address
keypad_op movf kpad_add,0
            call kp_table
            movwf kpad_char ;save the character
            return

```

Program Example 8.1 cont'd


```

;
;Table called to convert pattern recd from keypad to actual character. Note that
;ASCII codes will be returned, as each digit is in format 'D'.
kp_table addwfpcl,1
    retlw '1'           ;row 1
    retlw '2'
    retlw '3'
    retlw 'A'           ;Error code
    retlw '4'           ;row 2
    retlw '5'
    retlw '6'
    retlw 'B'           ;Error code
    retlw '7'           ;row 3
    retlw '8'
    retlw '9'
    retlw 'C'           ;Error code
    retlw '*'           ;row 4
    retlw '0'
    retlw '#'
    retlw 'D'           ;Error code
    retlw 'E'           ;Error code
...

```

Program Example 8.1 cont'd

8.3.1 LED arrays: seven-segment displays

Along with the switch, the simple LED was introduced in Chapter 3. We saw that LEDs are visually attractive, are an efficient source of light, can be driven from a logic gate or port bit output and are thus exceptionally useful for conveying simple information. Yet the single LED, or even groups of LEDs, are restricted in the information they can give, and as their number increases they become increasingly complex to drive. There are therefore a number of standard configurations in which LEDs are packaged, including bar-graph, seven-segment display, dot matrix and ‘star-burst’.

The seven-segment display is a particularly versatile configuration, seen already in [Figures 8.1\(a, c\) and 8.2\(a\)](#). We explore the LED implementation of it in some more detail here. A single digit, made by Kingbright [Ref. 8.1], is shown in [Figure 8.7](#). This is the display used in the Derbot hand controller ([Figure 8.2\(a\)](#)). By lighting different combinations of the seven segments, all numerical digits can be displayed, as well as a surprising number of alphabetic characters. A decimal point is usually included, as shown. The problem arises that if each segment is illuminated by an LED, then 14 connections are required, and that is just for one digit. If multiple digits are required, then the number of connections soars. Therefore, two clever and simple techniques are used to tame the number of connections used.

The common anode/common cathode connection

When using multiple LEDs in simple configurations, it is almost certain that one ‘side’ of all the LED terminals will be connected to all others of the same type. In other words, all LED anodes are likely to be connected together, or all LED cathodes. This is what is done in

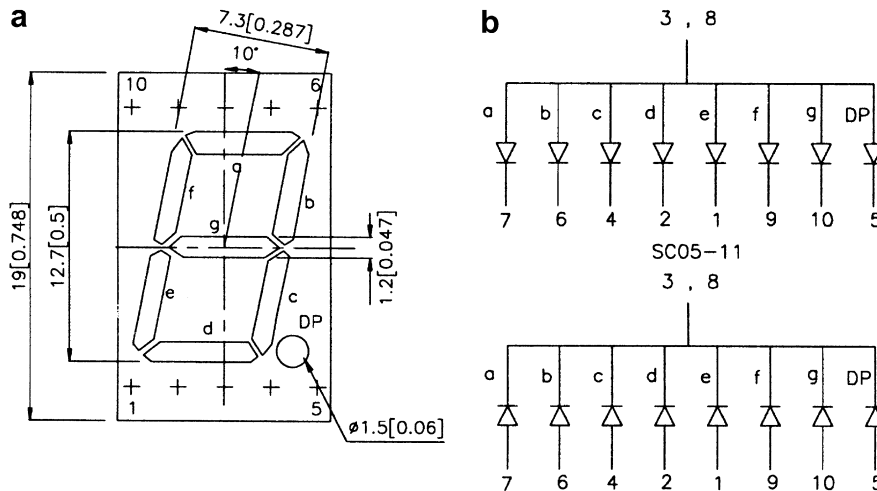


Figure 8.7: The seven-segment display. (a) A seven-segment digit (Kingbright, 12.7 mm). (b) Electrical connection (upper: common anode; lower: common cathode). Reproduced with permission of Kingbright Elec. Co. Ltd

the seven-segment digit, as seen in Figure 8.7(b). The digit is available either in common cathode or common anode form. There are eight LEDs in the digit (including the decimal point), but instead of 16 connections being needed, there are now only nine, one for each segment and one for the common connection. The actual pin connections in the example shown lie in two rows, at the top and bottom of the digit. There are 10 pins in all, with the common anode or cathode taking two pins.

Multiplexing of digits

By making a common cathode or common anode connection, the number of connections to a single digit is reduced. But a digit on its own is rarely used and multiple digits will still require many connections. A four-digit display, for example, with decimal points on each digit, would require 36 connections. Furthermore, a multi-digit display would have power supply requirements that are quite excessive. With all segments on, and each taking 5 mA, it would draw 160 mA. Therefore, a second, important technique is introduced, that of digit ‘multiplexing’. While this enables us to develop a practical display, it also poses an interesting early challenge in handling some real-time issues. The technique is illustrated in the design example that follows.

8.3.2 Design example: the Derbot hand controller seven-segment display

The circuit diagram of the Derbot hand controller in Figure A3.2 is comparatively complex, as the controller can be used in the LED version or LCD version (but not both). The seven-segment LED display section alone is shown in Figure 8.8(a), and from this an

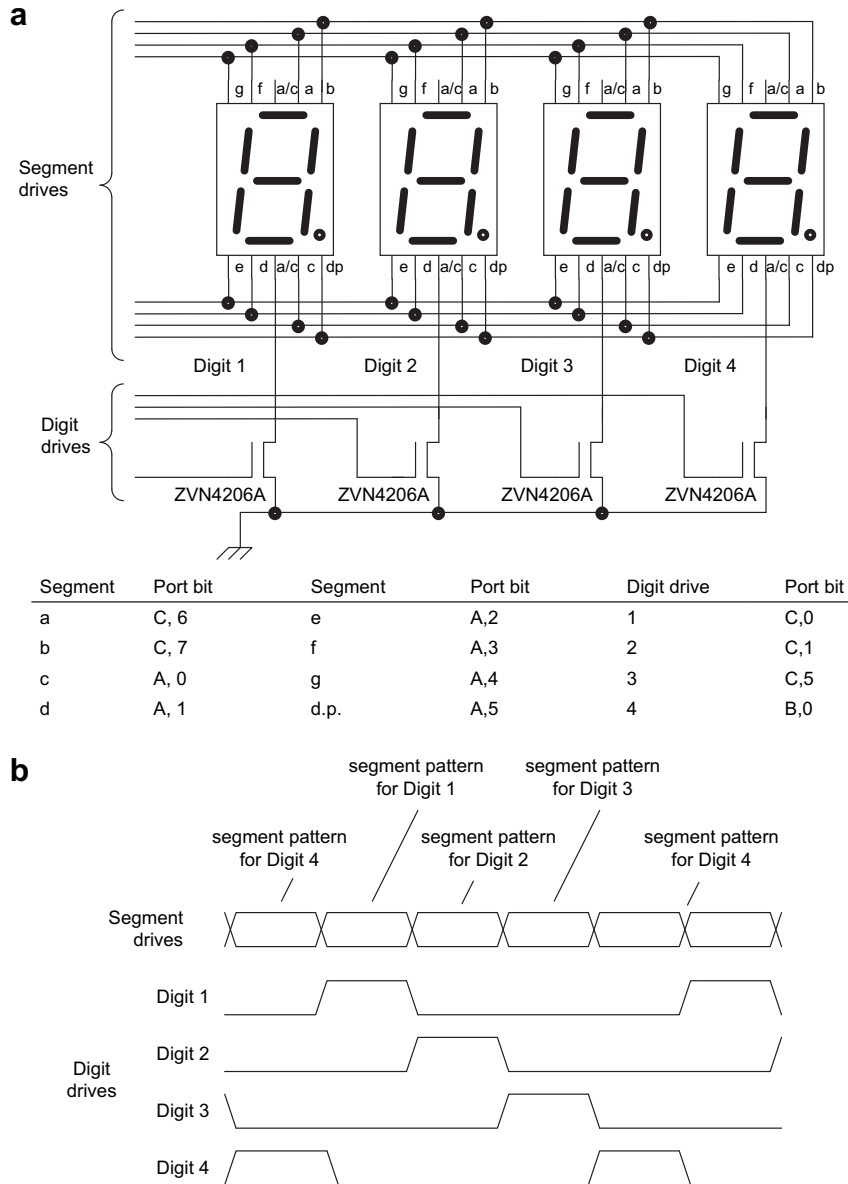


Figure 8.8: Seven-segment display part of the Derbot ‘hand controller’. (a) Detail of display circuit diagram. (b) Timing diagram for driving the digits

understanding of digit multiplexing can be developed. It can be seen that all equivalent segment lines are connected together, so that, for example, segment ‘a’ of Digit 1 is connected to segment ‘a’ of Digit 2 and so on. Each of these segment lines is connected via a resistor (1.2 k Ω ; not shown) to a port bit. Kingbright ‘high-efficiency red’ common cathode displays are used [Ref. 8.1].

Each of the digit common cathode lines is connected to a ‘logic-compatible’ MOSFET transistor. When the gate voltage of the transistor goes high, the transistor conducts and the common cathode terminal goes low. (Further details on transistor switching are given later in the chapter.) Any segment whose anode is at logic high then illuminates. The value of the series resistors is selected experimentally to minimise the current while maintaining reasonable visibility. Noting from the data that each LED has a forward voltage when in conduction of around 1.9 V, the current I flowing per segment can be calculated as:

$$I = (5.0 - 1.9)/(1200) \quad I = 1.3\text{mA}$$

This calculation neglects the ‘on’ resistance of the switching transistor and the output resistance of the port. Both of these are small compared with the 1.2 k Ω value of the series resistance.

The way this display is driven is shown in the timing diagram (Figure 8.8(b)). The digits are activated continuously in turn. If this is done at the right speed, the eye is tricked into thinking that all digits are being continuously lit. The timing diagram shows the segments for Digit 4 being set and the Digit 4 common cathode being set to 1. Digit 4 is therefore switched on, while all other digits are off. This is held for a time (around 5–20 ms is generally appropriate) and then Digit 2 is illuminated in a similar way. Each digit is lit in turn and the cycle recommences.

If driven from a microcontroller, a program must be written to recreate the timing diagram. Let us see how this is done in practice, in Program Example 8.2. This is a very simple program, which runs on the LED version of the hand controller, and does nothing but display the word HELP on the digits. Figure 8.7(a) shows that, for the letter H, segments b, c, e, f and g should be illuminated. After a simple initialisation, the bit pattern for the letter H is set up on Ports A and C, by setting high each of the bits connected to the ‘on’ segments. The common cathode of Digit 1 is also set high and a 5 ms delay called. The H segments, and the Digit 1 common cathode drive, are then replaced by the segments for the letter E and the common cathode drive for Digit 2. The program continues through all four letters, before looping back to start again.

Figure 8.9 shows a screen print from the logic analyser section of the Agilent Mixed Signal Oscilloscope, with the program running. All segment lines are shown, together with the four digit drives. When any digit common cathode drive is high, the associated common cathode connection itself is taken low and the digit is activated. For Digit 1, it is easy to see the segments b, c, e, f and g are on, forming the letter H. Similarly, for Digit 2, the segments a, d, e, f and g form the letter E, and so on. The process repeats continuously and the word HELP is spelt out. It can be seen that segments e and f are continuously on, while the decimal point (d.p.) is always off.

```

;*****
;led_disp_tst
;Tests led display on Derbot Hand Controller by writing
;word "HELP" to 4-digit display.
;TJW 17.6.05
;*****
;Clock is 1MHz approx
;Configuration Word: WDT off, power-up timer on,
;                      code protect off, RC oscillator
;
;   Port A           Port B           Port C
;   -----           ----           ----
;0 led seg c         led cc digit 4   led cc digit 2
;1 led seg d         keypad col 3     led cc digit 1
;2 led seg e         keypad col 2     Interrupt op
;3 led seg f         keypad col 1     SCL
;4 led seg g         keypad row 4     SDA
;5 led seg dp        keypad row 3     led cc digit 3
;6      -            keypad row 2     led seg a
;7      -            keypad row 1     led seg b

        list    p=16F873A
        #include p16f873A.inc

;Specify RAM
delcntrl equ 20      ;used in delay5
;Specify some port bits
;Port C

dig1_cc equ 1        ;digit common cathode drives
dig2_cc equ 0
dig3_cc equ 5
;Port B
dig4_cc equ 0
;
        org 00
;Initialise
        bcf    status,rp1
        bsf    status,rp0      ;select memory bank 1
        movlw B'00000000'     ;setall port bits op
        movwf trisa
        movwf trisb
        movwf trisc
        bcf    status,rp0      ;select bank 0
;
;set digit1
loop bcf portb,dig4_cc
      movlw B'00011101'      ;turn on segments for H
      movwf porta
      bcf    portc,6
      bsf    portc,7
      bsf    portc, dig1_cc   ;enable digit once segments set
      call delay5

```

Program Example 8.2: Driving the seven-segment display on the Derbot ‘hand controller’

```

;digit2
    bcf   portc, dig1_cc
    movlw B'00011110' ;turn on segments for E
    movwf porta
    bsf   portc,6
    bcf   portc,7
    bsf   portc,dig2_cc ;enable digit
    call delay5
;digit3
    bcf   portc,dig2_cc
    movlw B'00001110' ;turn on segments for L
    movwf porta
    bcf   portc,6
    bcf   portc,7
    bsf   portc,dig3_cc ;enable digit
    call delay5
;digit4
    bcf portc,dig3_cc
    movlw B'00011100' ;turn on segments for P
    movwf porta
    bsf portc,6
    bsf portc,7
    bsf portb,dig4_cc ;enable digit
    call delay5
    goto loop
;
;SUBROUTINE: Introduces delay of 5ms approx
delay5 movlw D'250' ;250 cycles called
        movwf delcntr1
dell   nop                ;5 inst cycles in this loop, ie 20us
        nop
        decfsz delcntr1,1
        goto dell
        return
        end

```

Program Example 8.2 cont'd

Light-emitting diodes are enormously useful, but they suffer from several drawbacks: they are power-hungry, at least for battery-powered designs, and it is difficult, if not impossible, to form them into complex multi-digit or graphical displays. Therefore, it is essential to look elsewhere for sophisticated displays, with the solution being readily found in liquid crystal technology.

8.4 Liquid crystal displays

The liquid crystal display (LCD) has been one of the enabling technologies of the current electronic revolution. It is an essential part of every mobile phone, every laptop and every personal organiser.

Liquid crystal is an organic compound that polarises any light that passes through it. Liquid crystal also responds to an applied electric field by changing the alignment of its molecules, and in so doing changing the direction of the light polarisation that it introduces. Liquid crystal can be trapped between two parallel sheets of glass, with a matching pattern of transparent

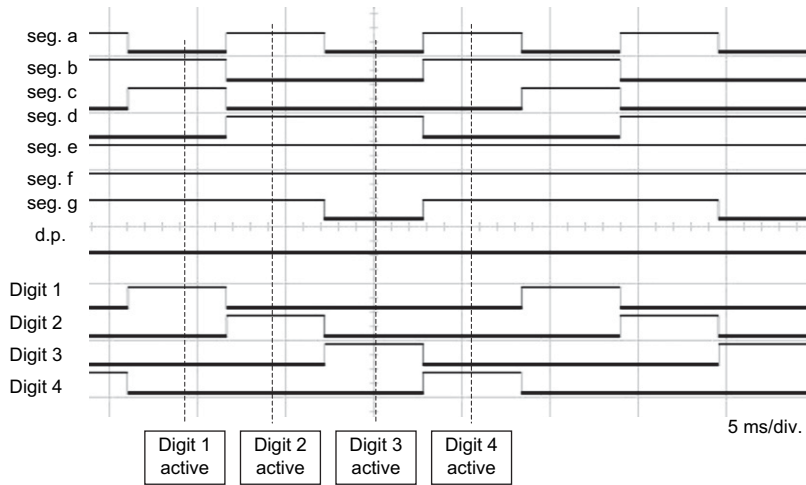


Figure 8.9: Seven-segment display output waveforms – ‘HELP’ displayed

electrode on each sheet. When a voltage is applied to the electrodes, the optical character of the crystal changes and the electrode pattern appears in the crystal.

A huge range of LCDs has been developed, including those based on seven-segment digits or dot matrix formats, as well as a variety of graphical forms. Many general-purpose displays are available commercially, while customised displays are made for large-volume products. The Derbot hand controller uses an example of a very popular and useful general-purpose format, as seen in [Figure 8.2\(b\)](#). The display shown has two lines, of eight digits each, where each digit is a liquid crystal dot matrix. Larger displays in this format are common, with more digits and more lines.

Driving LCDs directly is not entirely simple. That need not concern us too much here, however, as most displays, like the one shown in [Figure 8.2\(b\)](#), contain their own drive electronics, designed to be interfaced to a microcontroller. The need is then to understand how to interface to the drive electronics.

8.4.1 The HD44780 LCD driver and its derivatives

Some few years back the electronics giant Hitachi developed a microcontroller specially designed to drive LCD alphanumeric modules such as the one shown in [Figure 8.2\(b\)](#). In turn, it had a simple interface that could be connected to general-purpose microprocessors and microcontrollers. This microcontroller, the HD44780 [Ref. 8.2], defined an interface that has become something of an informal standard for this type of display. Many manufacturers of displays integrated it into their products. A generation of derivatives now exists which has replaced the original Hitachi device but retained most of its features. These include the S6A009 and KS0066U devices made by Samsung. As these derivatives tend to be so similar to

the original Hitachi device, the HD44780 features will be described. When designing with a display it is important, however, to ensure that you are working with the correct data for the device.

The HD44780 interface has some peculiarities, partly due to the time-scale laid down by the display itself. It has the following highlights:

- Data is transferred on a 4- or 8-bit data bus, determined by the user. Data may be instruction or character information. Using the 4-bit mode allows the whole interface to be contained within just seven bits, but the data transfer process is a little slower. Bit 7 of the data bus doubles as a ‘busy flag’, indicating whether the device is ready to accept new data. This is very important, as many operations of the HD44780 take finite time and must be completed before another instruction can be accepted.
- Control is exercised by three control lines:
 - Register Select (RS), which determines whether an instruction or character data is being transferred.
 - Read/Write ($\overline{R/W}$), which determines data direction.
 - Enable (E), which provides a clock function to synchronise data transfer.
- There is a simple instruction set which allows control of operating characteristics – this includes initialising and clearing the display, and controlling the position and characteristics of the cursor.
- The user can access two registers, depending on the state of the RS line:
 - An instruction register, used to transfer instructions (RS = 0).
 - A data register, used to transfer display data, for example character codes (RS = 1).
- Internal resources include 80 bytes of display RAM and a character generator ROM.

On power-up, the HD44780 must undergo a very specific initialisation process. It is important to get this absolutely right, or any HD44780-driven display may just sit inactive. An instruction sequence is given in the data accompanying any commercially available display based on this interface. An example is reproduced in Ref. 8.3. The early initialisation instructions are independent of whether the display is in 4- or 8-bit mode and the busy flag is not initially available. Therefore, these initialisation instructions are usually separated by delay routines of appropriate duration, to ensure that one action is completed before the next is started.

The HD44780, constrained as it is by the timing requirements of the LCD itself, tends to operate at a slower speed than most microcontrollers. Interfacing with it therefore carries some

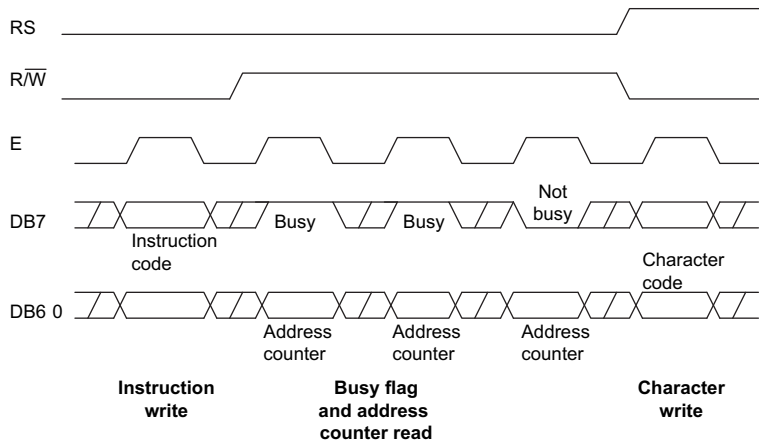


Figure 8.10: HD44780 timing diagram, 8-bit interface

unique timing problems. An example timing diagram, for an 8-bit interface, is shown in Figure 8.10. Every data transfer to the LCD controller is made by a pulse on the E line. With RS initially set low, the data placed by the microcontroller on the data bus is interpreted as an instruction, which the HD44780 receives and starts to execute. The microcontroller needs to know when that instruction has been completed. $\overline{R/W}$ is therefore taken high, so on the next cycle of E the LCD controller outputs to the data bus a word made of the busy flag as MSB, with lower bits made up of the internal RAM address counter. No further data can be sent to the LCD controller until the busy flag is cleared, so it is checked repeatedly. When it goes low, RS in this example is taken high, $\overline{R/W}$ is taken low and the next data transfer is therefore a character code.

8.4.2 Design example: use of LCD display in the Derbot hand controller

The Derbot hand controller, in its LCD version, uses a Powertip PC0802-A display [Ref. 8.4]. This display has two lines, each of eight characters. It is controlled by the S6A0069 LCD driver microcontroller, which has the features of the HD44780 just described. It is used in 8-bit interface mode. The full circuit diagram is given in Figure A3.2, with the LCD-only detail given in Figure 8.11.

The program used to demonstrate the LCD display is **keypad test**, which has already been quoted in Program Example 8.1. When a keypad key is pressed, this program identifies it and transfers the key number, in ASCII, to the LCD. The subroutines to write an instruction or character code to the display controller, **lcd write**, and to check the busy flag, **busy check**, are shown in Program Example 8.3. The initialisation process can be seen by checking the full program listing on the book's companion website.

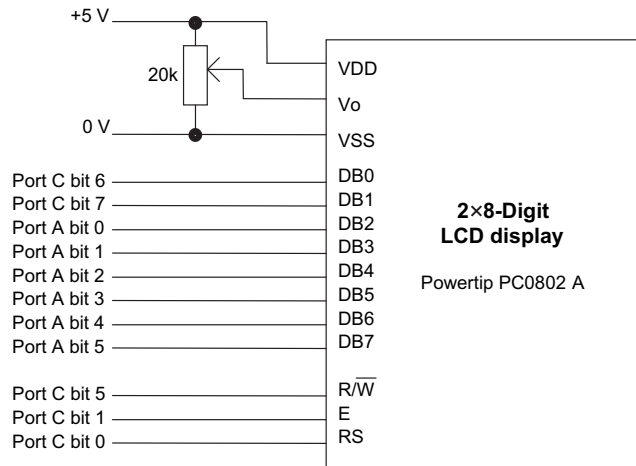


Figure 8.11: Connections to the Powertip PC0802 LCD display, showing connections for the Derbot hand controller

The **lcd write** subroutine starts with a call to the **busy check** subroutine, so that no attempt is made to write to the display controller unless it is ready to receive. The subroutine then sets the $\overline{R/W}$ line low, to indicate a write process is about to occur. The subroutine is rendered a little more complex as the hardware design splits the 8-bit bus to the LCD controller across two ports (Figure 8.11), so two shifts right must be undertaken. Once the correct data value is set up on the port, the enable line, labelled **lcd E**, is pulsed high to complete the transfer.

The **busy check** routine first sets Port A to input. The value of RS, which can be in either logic state, is saved. This line is then set low, and $\overline{R/W}$ set high, which sets the condition for a read of the busy flag. The E line is then strobed high and a test of the busy flag occurs. The subroutine loops until the busy flag is cleared.

Liquid crystal displays such as the one just described are enormously useful in the world of small to medium embedded systems. They are low-power and comparatively flexible in their use. On the downside, interfacing to them can be tiresome, with not insignificant blocks of code required just to transfer simple messages. Because their interface is slow, they can become a limiting factor in high-speed systems.

8.5 The main idea – interfacing to the physical world

Whether or not the embedded microcontroller has a human interface, it will certainly interface with the physical world. To do this it must be able to detect the state of physical variables and it must be able to control those variables. This interaction with the physical world is done by

```

;Waits until busy clear, and writes word held in lcd_op to display.
;RS must be preset to required value, this status is preserved.
lcd_write call busy_check
          bcf portc,lcd_rw
          bcf status,c
          rrf lcd_op,1 ;form output bits, op word sits
;across ports a & c
          bcf portc,6 ;set value of bit 0 of bus
          btfsc status,c
          bsf portc,6
          bcf status,c
          rrf lcd_op,1
          bcf portc,7 ;set value of bit 1 of bus
          btfsc status,c
          bsf portc,7
          movf lcd_op,0
          movwf porta
          bsf portc,lcd_E
          bcf portc,lcd_E
          return
;
;Test Busy Flag, and wait till cleared
busy_check bsf status,rp0 ;select memory bank 1
          movlw B'00111111' ;set port A all ip
          movwf trisa
          bcf status,rp0
          bcf flags,0
          btfsc portc,lcd_RS ;save RS bit in flags, 0
          bsf flags,0
          bcf portc,lcd_RS ;access instruction register
          bsf portc,lcd_RW ;set to read

busy_loop bcf portc,lcd_E
          bsf portc,lcd_E
          btfsc porta,lcd_busy ;test the busy flag, loop if still busy
          goto busy_loop
          bcf portc,lcd_E
          bsf status,rp0 ;select memory bank 1
          movlw B'00000000';set port A all op,
          movwf trisa
          bcf status,rp0
          bcf portc,lcd_RS
          btfsc flags,0 ;reinstate RS bit
          bsf portc,lcd_RS
          return

```

Program Example 8.3: Keypad test program – LCD drive subroutines

means of transducers, a major field of study in themselves. ‘*Input transducers*’, also called sensors, detect and convert physical variables into electrical variables. Examples include light or temperature sensors, or sensors which detect physical position, including measurement of distance or rotary displacement. *Output transducers* convert electrical variables to physical. Ones which cause physical movement, our main interest here, are also called actuators. Examples include solenoids and motors.

In our study of embedded systems, we need knowledge of what transducers are available, what they can do and how we can interface to them. In the remaining part of this chapter, therefore, some interfacing techniques essential to embedded systems are introduced. The transducers used in the Derbot AGV are also introduced. While this might seem an arbitrary choice, they are as good a selection as any – it would be impossible in this book to attempt to undertake a comprehensive survey of all transducers.

8.6 Some simple sensors

There is an enormous range of sensors available today, some with a long history and others based on very recent technology. These include ‘smart’ or ‘intelligent’ sensors, which are integrated onto an IC and have on-chip signal processing. All are based on one or an other physical phenomenon that leads to the conversion of physical variables to electrical, sometimes via an intermediate variable. The sensors introduced here include electromechanical, optical and ultrasonic. Some are shown in [Figure 8.12](#).

8.6.1 The microswitch

The microswitch has been the mainstay of mechanical position sensing over many years, and is likely to retain that position in years to come. Usually, it is in the form of a single-pole, double-throw switch, with a lever or roller for actuation. Microswitches are available from the



Figure 8.12: Some of the Derbot’s sensors and actuators – an ultrasonic distance sensor mounted on a Futaba servo, behind a light-dependent resistor and microswitch

sub-miniature to the large and rugged, for heavy-duty industrial applications. Electrically they can be interfaced just like a normal toggle switch, using one of the circuits shown in Figure 3.7. In industrial applications further precautions may be taken to minimise electrical interference. On the Derbot two microswitches are used as ‘bump’ sensors, one of which is seen in Figure 8.12.

8.6.2 Light-dependent resistors

A light-dependent resistor (LDR) is made from a piece of exposed semiconductor material. When light falls on it, it creates hole-electron pairs in the material, which improve the conductivity. When light is removed, the hole-electron pairs recombine and conductivity falls. The overall effect is that as illumination increases, the LDR resistance falls.

The LDR used in the Derbot is the NORP12, made by Silonex [Ref. 8.5], with a resistance when completely dark of at least 1.0 M Ω , falling to a few hundred ohms when very brightly illuminated. It can be connected in a simple potential divider to give a voltage output, as shown in Figure 8.13. The Derbot has three of these sensors, which it uses when in light-seeking mode. These can be seen in Figure A3.1. They are connected to the 16F873A analog-to-digital converter inputs described in Chapter 11.

8.6.3 Optical object sensing

Optical methods are very useful in sensing objects and surfaces. In one configuration the presence of an object can be sensed if it breaks a light beam, in another if it reflects the beam.

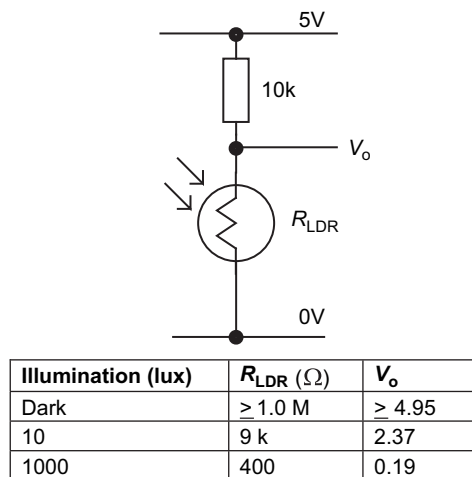


Figure 8.13: The NORP12 LDR connected in a potential divider, with indicative output values

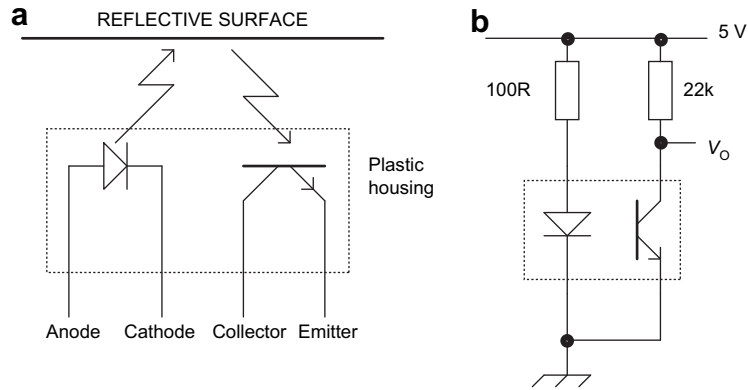


Figure 8.14: The reflective optical sensor. (a) Principle of operation. (b) Electrical connection

Many sensors are available with both light source and sensor integrated into the same package. The Derbot AGV uses reflective opto-sensors made by Optek, type OPB608A [Ref. 8.6].

The principle of this sensor is illustrated in Figure 8.14(a). The sensor consists of an infrared LED and phototransistor mounted side by side in the same plastic package. The package material allows infrared light to pass, but filters ambient visible light. When a reflective surface is placed at a suitable distance in front of the sensor, some of the emitted light is reflected back to the phototransistor, which then conducts. If the sensor is connected in the circuit of Figure 8.14(b), then the circuit output V_O is at Logic 1 when no reflection occurs and goes to Logic 0 if a reflective surface is present. Resistor values are dependent on sensor characteristics, the ones given here being indicative. The distance from sensor to reflective surface is critical in many such sensors, with preferred distances around 3 mm being common.

8.6.4 The opto-sensor applied as a shaft encoder

In the Derbot, the reflective opto-sensors just described are used to create very simple shaft encoders, as can be seen in Figure 8.15. A card with a simple black/white pattern (Figure A3.4) is fixed to the wheel, with the sensor face positioned around 3 mm away from it. As the wheel rotates, the sensor produces an approximate square wave, with logic high every time a black section of the pattern goes by. (An actual waveform is shown in Figure 8.20, where the conditioning requirements of the signal are investigated.) If these pulses are counted, they can be used as the basis for distance measurement, or odometry, in the AGV. This is developed further in later chapters. It should be mentioned that the handmade shaft encoder developed here is very crude compared to commercially available units. Whereas the Derbot shaft encoder generates 16 pulses per revolution, a commercial unit can generate hundreds of cycles, giving a far improved resolution.



Figure 8.15: A reflective opto-sensor used as a shaft encoder on the Derbot

8.6.5 Ultrasonic object sensor

Ultrasound is widely used for sensing and measurement, from simple distance measurement to complex medical imaging. The Derbot AGV uses an ultrasonic reflective sensor to detect obstacles in its path or to allow it to run parallel to a wall. The sensor, a Devantech SRF04 [Ref. 8.7], is seen in Figure 8.12. A SRF05 has very similar performance, and can also be used.

The sensor consists of a transmitter and receiver and, to the extent that it is based on a reflective principle, is initially similar to the reflective opto-sensor. The big difference lies in the fact that the ultrasound source is pulsed and the time taken for the echo to return is measured; from this a distance can be calculated. The timing diagram of the sensor is shown in Figure 8.16. A logic pulse is input to the module trigger input. This causes an eight-cycle ultrasonic burst to be generated. The echo output of the module then goes high and remains high until an echo is detected, at which point it goes low. If the duration of the pulse is measured, then the distance of the object that caused the reflection can be calculated.

8.7 More on digital input

If a microcontroller is to receive logic signals, then it is essential that those signals are at voltage levels which are recognised by it as being either Logic 0 or Logic 1. These voltage levels are usually defined by a logic family, for example TTL (Transistor Transistor Logic) or CMOS (Complementary Metal Oxide Semiconductor). When one device is connected to

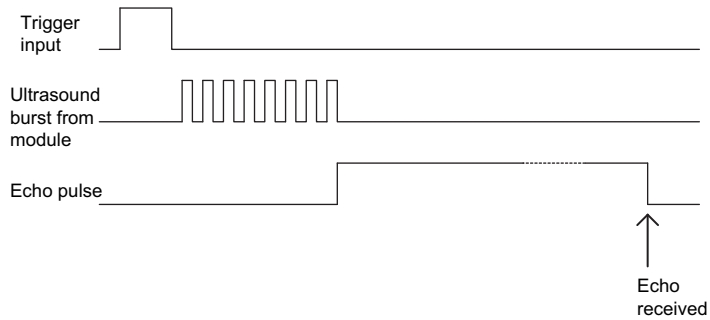


Figure 8.16: Simplified timing diagram for the SRF04 ultrasonic ranger

another, and each is supplied by the same voltage and is of the same logic family, then it is usually safe to assume that logic levels will be safely and reliably transferred. However, if signals are generated from a non-logic source, e.g. a sensor, or if they have been received over a long communication link, or have been subject to interference, then it may be that they are not correctly interpreted by the receiver.

8.7.1 16F873A input characteristics

To determine whether a signal will be properly received by a logic device, it is first necessary to understand its input characteristics. The characteristics for a 16F873A port bit, taken from Ref. 7.1, are shown diagrammatically in Figure 8.17. From this it can be seen

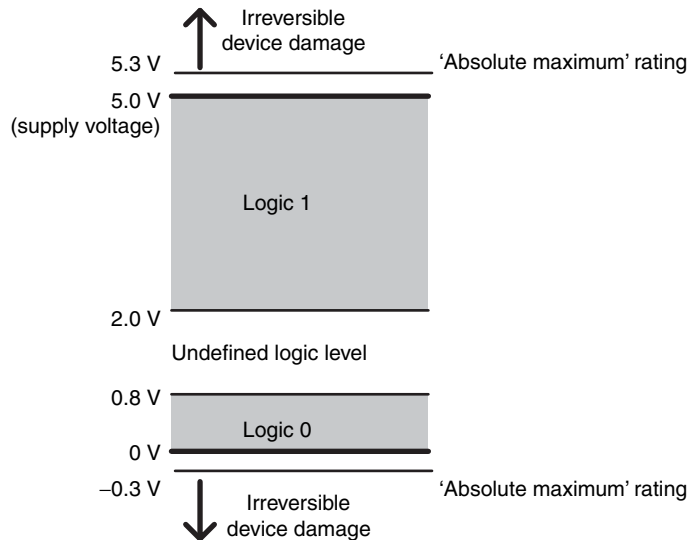


Figure 8.17: Port bit input voltage levels, 5 V supply

that any input voltage lying between 0 and 0.8 V is interpreted as a Logic 0, and any lying between 2 and 5 V is interpreted as a Logic 1. An input voltage lying between these two regions is not defined.

If the input voltage exceeds 5 V, then there is a danger of damage to the device. Logic inputs, however, almost invariably have internal protection diodes, one connected from input to ground, the other from input to supply rail. This arrangement can be seen by looking forward to [Figure 8.19\(a\)](#). Both diodes are connected so that in normal operation they are reverse-biased. However, if the input voltage exceeds the supply rail by a voltage adequate to cause diode conduction, then the diode connected between them will start to conduct and the input voltage will be clamped at that voltage. Similarly, if the input falls sufficiently below 0 V, then the other diode will start to conduct. This mechanism offers some protection to the input circuit.

For the 16F873A, input protection diodes come into action at +5.3 or -0.3 V. These do not, however, have limitless capability; the maximum input clamp current is specified as ± 20 mA. If the absolute maximum voltages are significantly exceeded, then damage will occur, probably starting with the destruction of a protection diode.

8.7.2 Ensuring legal logic levels and input protection

It is up to the designer to ensure that the input voltage is only ever steady-state in one of the recognised logic levels, i.e. one of the shaded zones of [Figure 8.17](#). It can pass quickly through the intermediate undefined zone, but must not linger there. It must never exceed the maximum ratings. It will meet these conditions if signals are generated locally, by another logic device of the same family. If, however, the signal has been transmitted over a long distance, maybe from a remote sensor, if there is interference, or if it was never a proper logic signal in the first place, then problems may arise.

[Figure 8.18](#) shows sketches of a number of forms that a corrupted signal can take. Signal (a) has acquired positive-going spikes, which are potentially damaging to the input circuit. Signal (b) has similarly acquired voltage spikes. While these are not at a level that will damage the input circuit, they may well lead to misleading results, particularly if the signal is to be input to a counter, or is a serial clock or data signal. Signal (c) has very slow edges, perhaps due to the filtering effect of a long cable or because the source is from a sensor. Finally, signal (d) looks like a reasonably healthy logic signal, but it has picked up a voltage offset. This could be due to long-distance transmission, with a voltage differential between the earth references at transmitter and receiver.

A variety of techniques are available to try to correct problems like these and to ensure legal logic levels. These are found in any good electronics textbook. [Figure 8.19](#) illustrates three of them.

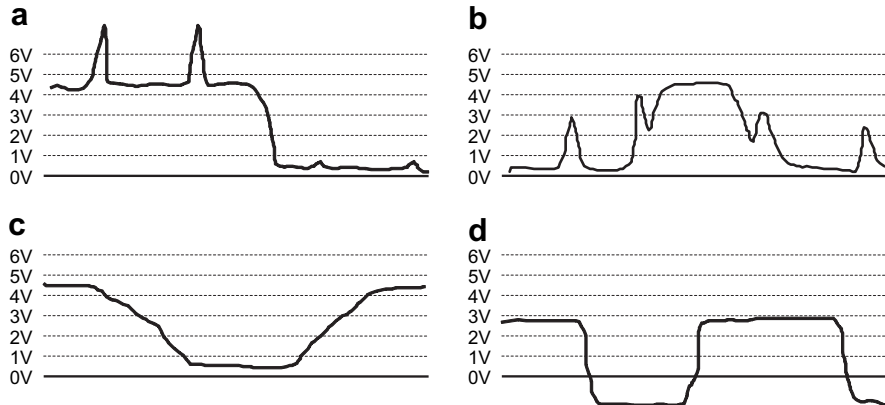


Figure 8.18: Different forms of signal corruption. (a) Spikes in signal, potentially harmful to device input. (b) Spikes in signal. (c) Excessively slow edges. (d) DC offset in signal

Clamping voltage spikes – with current-limiting resistor

It has been mentioned that, if too much current flows in the protection diodes, they will themselves burn out. Therefore, if there is a chance of the protection diodes being invoked, then it is worth including a series resistor to limit the current that may flow in them. This is shown in [Figure 8.19\(a\)](#). Such a method would correct the corrupted signal of [Figure 8.18\(a\)](#) if the magnitude of the spikes was not too great.

Suppose in [Figure 8.19\(a\)](#) that the maximum permissible diode current was 20 mA, R_{prot} was 1 k Ω and the upper protection diode started to conduct when the input voltage was 5.3 V. Then the maximum permissible voltage spike would have a peak value of $[(20 \text{ mA} \times 1 \text{ k}\Omega) + 5.3]$, or around 25 V.

Schmitt trigger

The Schmitt trigger was described in Chapter 3. It provides an easy means of speeding up slow logic edges, such as are seen in [Figure 8.18\(c\)](#).

Analog input filtering

Sometimes a logic signal picks up interference that is not potentially damaging to the microcontroller but can cause problems in the system operation. For example, if the signal is the input to a counter, then spurious counts will occur if there are voltage spikes in the signal. A simple RC filter, as seen in [Figure 8.19\(b\)](#), is sometimes enough to remove low-level interference. The edges of the signal, which will have been slowed by the filter, can be recovered by means of the Schmitt trigger. This approach could solve the problem seen in the signal of [Figure 8.18\(b\)](#).

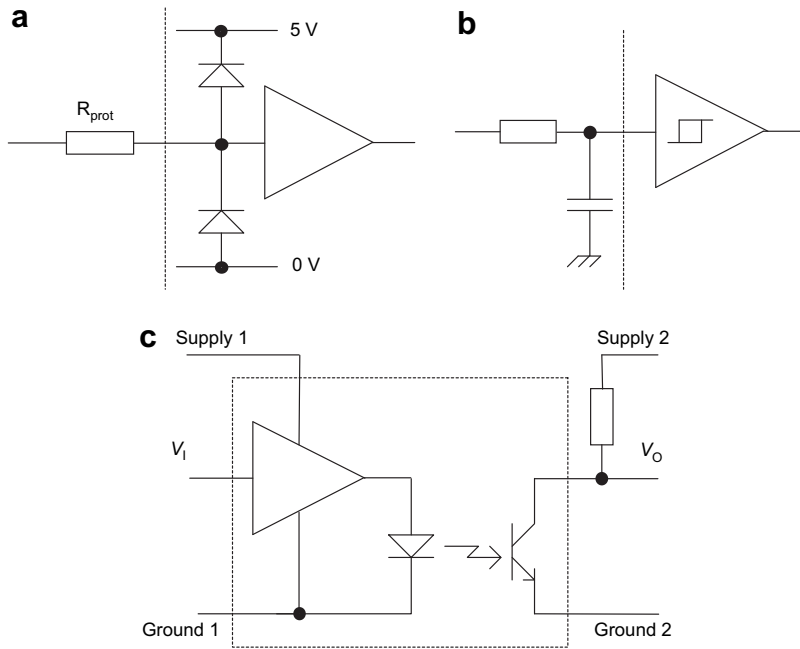


Figure 8.19: Some simple methods to condition a digital input. (a) Invoking protection diodes. (b) Filtering spikes with Schmitt trigger. (c) Isolation or level shifting with the opto-isolator

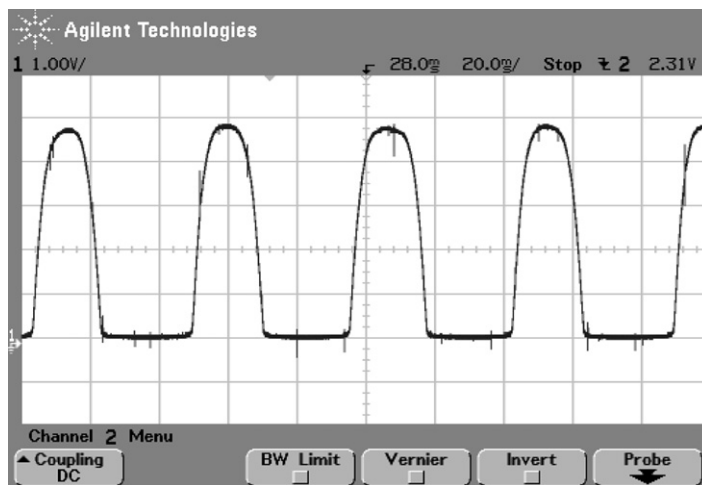


Figure 8.20: Signal from the Derbot reflective opto-sensor

Figure 8.20 shows the oscilloscope trace at the output of one of the reflective opto-sensors on the Derbot AGV. The connections to this run close to the motors, which being brushed DC motors are a rich source of interference. The signals are connected to the inputs of Timer 0 and Timer 1. While the signal does not look severely corrupted, it was found that the little voltage spikes that are present are quite enough to introduce spurious counts.

As the circuit diagram of Figure A3.1 shows, an RC filter having component values $R = 11\text{ k}\Omega$, $C = 10\text{ nF}$ (i.e. cut-off frequency close to 1.4 kHz) is inserted in the signal path. This is well above the maximum frequency of 40 Hz expected from the shaft encoder, but proved adequate to remove the effects of the voltage spikes. The Schmitt trigger inputs of both timers then serve to correct the slow rate of change of the incoming signal.

Opto-isolation

The opto-isolator, as seen in Figure 8.19(c), is a very useful means of protecting a logic input, especially when a signal has been received over a distance. The incoming signal drives an LED, whose light output activates an opto-transistor. There is no electrical connection between input and output, so problems such as the earth differential, seen in Figure 8.18(d), can be resolved.

Digital input filtering

Many ICs designed to accept signals that may carry interference have some form of digital input filtering designed into their input circuits. This is the case with the 16F873A, as we shall see in Chapter 10 with the asynchronous serial input. A simple digital filtering strategy is to sample the input three times in succession and then use a ‘majority vote’ circuit to determine the logic value to be accepted. Thus, if two ones and one zero are detected, the Logic 1 will be accepted and the zero – possibly representing a glitch due to interference – discarded. The sampling must of course occur at a faster rate than any intended rate of genuine input change.

8.7.3 Switch debouncing

A particular problem with mechanical switches is the property that the switch contacts literally bounce as they close. This leads to a short period, generally less than 10 ms, when the switch state bounces between open and closed. When switching on a conventional electrical load, like a light, this is not a problem and is not even noticed. When connected to a digital circuit, particularly one that has a rapid response or is counting, the effect can be disastrous.

A number of standard methods exist to eliminate the effect of switch bounce. Hardware techniques, generally based on bistables or Schmitt triggers, can be found in any good electronics textbook and in Ref. 1.1. It is interesting to explore software techniques briefly here, as these can be implemented in a system without extra cost. Figure 8.21 shows two possibilities. In (a) and (b), a switched input is being polled (i.e. read periodically), with the

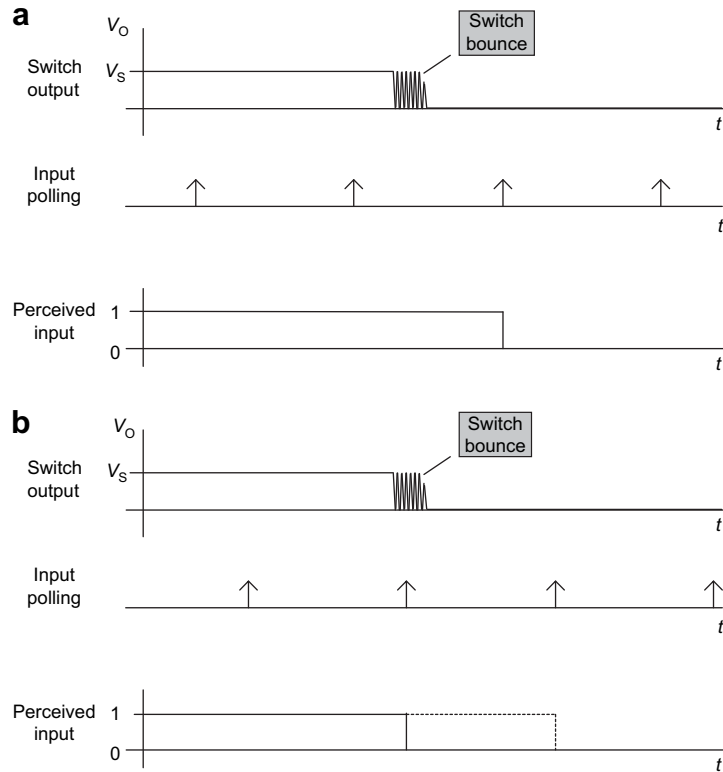


Figure 8.21: Eliminating switch bounce by polling. (a) Input poll misses bounce. (b) Input poll hits bounce

polling period being greater than the period of switch bounce. If, as in (a), the switch change and bounce occurs between input polls, then a clean transition is perceived. If the input is polled as the switch bounce occurs, as in (b), then the logic value read is unpredictable. Either the previous logic state is detected and retained for another poll interval (dotted line) or the new logic state is detected (solid line), a value repeated at the next poll. In either case the transition is clean.

Sometimes the programmer does not want to poll an input, but may instead use it to force an interrupt. If the interrupt is caused by a single switch changing to a known state (for example, always switching from high to low), then switch bounce is unlikely to cause a problem. The interrupt could, however, be caused by one of several switches, for example the keypad read described earlier in this chapter. If the switch states were read immediately the interrupt occurred, then the read would probably occur during the period of switch bounce. In this case a short programmed delay, following the first detection of change, can be introduced. Switch states can then be read at the end of the delay, when the bounce has completed.

8.8 Actuators: motors and servos

A common requirement in an embedded system is to cause physical movement. This is usually either linear, i.e. movement in a straight line, or rotary. Many of the actuators used to create these movements are electrical. Solenoids can be used for linear movement, ‘servos’ for angular only, and DC or stepper motors for angular or rotary. Other actuation methods, particularly for high forces, include pneumatic and hydraulic.

8.8.1 DC and stepper motors

DC and stepper motors are very widely used in embedded systems. While based on very different operating principles, they tend to compete for similar applications. Given the right operating environment, both can be used for continuous rotary motion or for precise angular displacement.

DC motors range from the extremely powerful to the very small. DC motors drive huge electric trains but also tiny mechatronic systems. Their popularity is due to their wide, useful speed range, the ability to control this speed and their potentially good efficiency. When used with a feedback potentiometer or shaft encoder, they can be used to provide accurate angular positioning. Small DC motors, such as are used in embedded systems, are usually of the permanent magnet type, i.e. the magnetic field within which the armature rotates is provided by one or more permanent magnets. This leads to one of the attractive features of the DC motor – its operating simplicity. Only the armature winding needs to be driven.

The big attraction of stepper motors is their ability to interface very directly with a digital system. Each digital pulse sent to a stepper controller can be used to advance the motor shaft position by a known angle. Therefore, in theory, a microprocessor or microcontrollers can control speed and angular position of the motor shaft to a high level of accuracy, without feedback. In practice this happy position is not completely achieved. Stepper motors have awkward start-up characteristics, show mechanical resonance in a particular speed range and lose torque at high speed, with a limited top speed. Any of these factors can cause the motor to lose synchronisation with its digital drive. On top of this, stepper motors tend to be less efficient and more complex to drive than DC motors.

The choice between stepper and DC motors is not always an obvious one. In general, if precise and limited rotary motion is required, and power consumption is not of primary importance, then stepper motors usually win. If less precision is needed, and perhaps higher speed and/or higher efficiency, then a DC motor may be the choice.

The Derbot AGV needs controllable rotary actuation to drive its wheels. It steers by these, and needs to exercise speed and distance control. All these functions could be achieved by

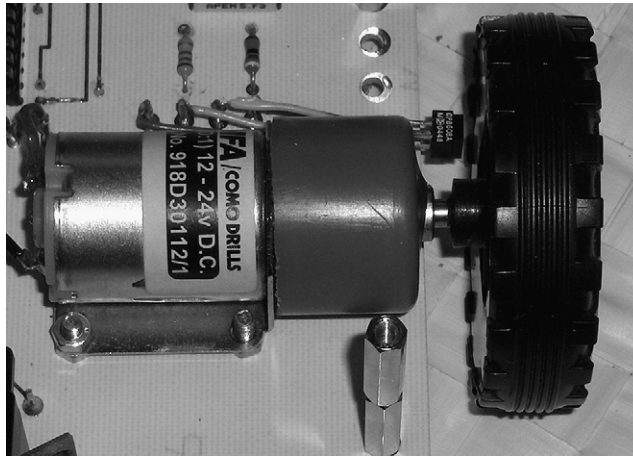


Figure 8.22: The Derbot geared motor MFA/Como RE280/1

stepper motors. However, the simplicity of driving DC motors, coupled with their good efficiency – essential for the Derbot battery operation – led to the choice of this type of motor. To effect control some form of feedback was necessary. For this the simple shaft encoder already described was implemented. The version of the Derbot described in this book uses a geared motor made by MFA/Como Drills [Ref. 8.8]. The motor is pictured in Figure 8.22, with basic data provided in Tables A3.1 and A3.2.

8.8.2 Angular positioning: the ‘servo’

The ‘servo’ is a device that has claimed the generic title of servomechanism for its own! Widely used in radio-controlled modelling and robotics, it allows precise angular positioning. The servo output is a shaft that can take an angular position over a range of around 180° . The input to the servo is a pulse stream, generally of repetition rate 50 Hz (i.e. period of 20 ms). The ‘width’ of the input pulse determines the angular position of the output shaft. In the example of Figure 8.23, a pulse width of 1.25 ms leads to an output shaft position of 0° , 1.5 ms to an output shaft position of 90° and 1.75 ms to an output shaft position of 180° . This is an example of pulse width modulation, which we shall meet in later chapters.

In some of its configurations the Derbot uses the Futaba S3003 servo [Ref. 8.9] to rotate the ultrasonic sensor, thus allowing a single sensor to make measurements in different directions. The servo draws significant current as it turns, and for this reason it is helpful to add a larger capacitor across the supply lines to help maintain the supply voltage. See the book website for more details.

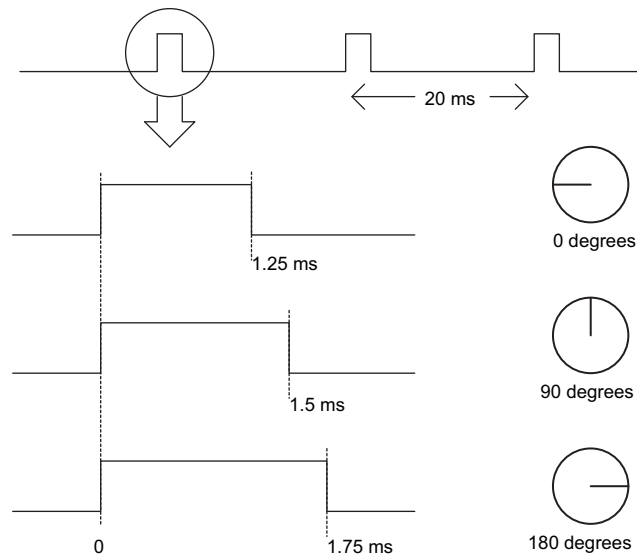


Figure 8.23: Servo input and output characteristics

8.9 Interfacing to actuators

8.9.1 Simple DC switching

Only very small electrical loads, like LEDs, can be driven directly by a microcontroller port bit. Larger loads, drawing beyond 10 or 20 mA or powered from a voltage higher than the logic supply voltage, need to be interfaced via power-switching devices.

Transistor switches provide an easy way of switching DC loads. Figure 8.24 shows two types applied, MOSFET and bipolar, interfacing a controller port bit or logic gate output to a resistive load R_L . In both circuits a logic high from the microcontroller causes current to flow in the load. As with the Open Drain output shown in Figure 3.6, the load supply voltage V_S does not have to be the same as the microcontroller supply. In many cases it is greater; for example, a microcontroller powered from 5 V can drive a load powered from 12 or 24 V.

A bipolar transistor (Figure 8.24(a)) requires a small base *current* to switch a much larger collector current. MOSFETs (Figure 8.24(b)) require a modest gate *voltage*, with negligible current, to switch a large drain current. As the MOS device is purely voltage-controlled, its gate can be connected directly to the port bit output. This output must then just comfortably exceed the gate-to-source threshold voltage necessary for the MOSFET to switch on. This simplicity of connection makes the MOSFET a very attractive option for load switching in the microcontroller environment, as long as the threshold voltage just mentioned can be exceeded.

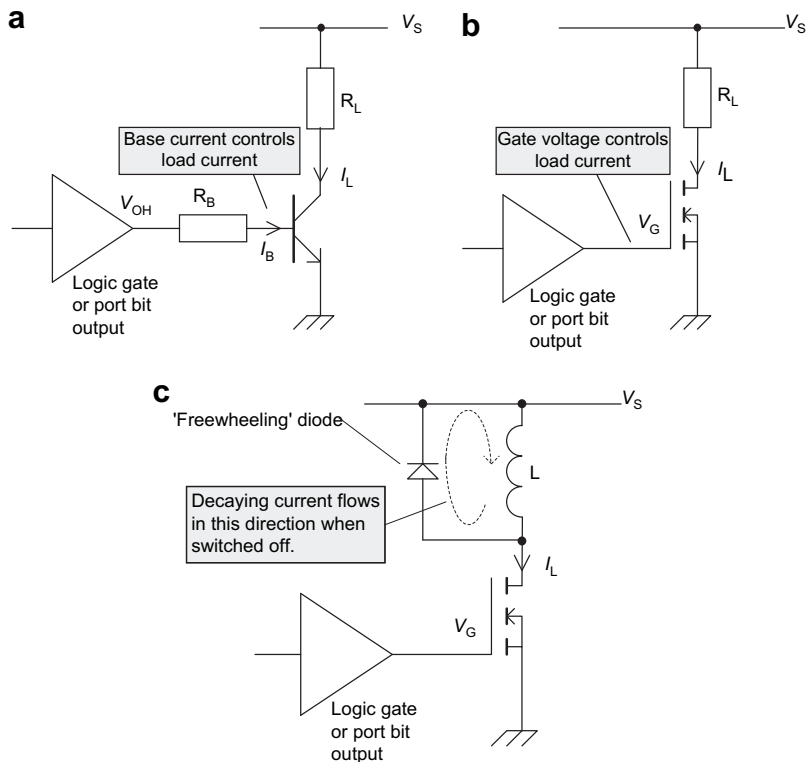


Figure 8.24: Transistor switching of DC loads. (a) Resistive, bipolar transistor. (b) Resistive, MOSFET. (c) Inductive, MOSFET

Special families of MOSFETs, designed for direct interface to logic levels, are available. Two examples, made by the company Zetex [Ref. 8.10], are shown in Table 8.1. For either transistor, it can be seen that if their gate-to-source voltage V_G exceeds 3 V, then their drain-to-source resistance falls from near infinity to a low value. How low it goes depends on the type and internal construction. The ZVN4306A has the lower maximum 'on'

TABLE 8.1 Characteristics of two popular logic-compatible MOSFETs

Characteristic	ZVN4206A	ZVN4306A
Maximum drain to source voltage, V_{DS} (V)	60	60
Maximum gate to source threshold, $V_{GS(th)}$ (V)	3	3
Maximum drain to source resistance when 'on', $R_{DS(on)}$ (Ω)	1.5	0.33
Maximum continuous drain current, I_D	600 mA	1.1 A
Maximum power dissipation (W)	0.7	1.1
Input capacitance (pF)	100	350

resistance of $0.33\ \Omega$. Its input capacitance is, however, $350\ \text{pF}$. The slightly lower-priced ZVN4206A has an ‘on’ resistance of $1.5\ \Omega$, but a lesser input capacitance of $100\ \text{pF}$. This input capacitance has to be charged by the drive circuit as it switches from Logic 0 to 1. For high current-capacity MOSFETs it becomes a significant factor, in many cases needing its own drive circuit.

If the load is inductive – like a DC motor, the winding on a stepper motor, a solenoid or electromechanical relay – then special precautions must be taken. The inductance stores energy when current is flowing in its magnetic field. If the applied voltage is switched off, it is essential for a path to be provided for the current to decay to zero, by which process the inductance returns the stored energy to the circuit. This is normally done by the inclusion of a ‘freewheeling’ diode, as seen in Figure 8.24(c).

8.9.2 Simple switching on the Derbot

The Derbot AGV uses transistor switching in a number of places, both on the main AGV as well as on the hand controller, to switch loads on and off. Two of these are shown in Figure 8.25, taken from the main Derbot circuit diagram of Figure A3.1.

The piezo sounder is rated at $9\ \text{mA}$, $3\text{--}20\ \text{V}$. As such, it can be driven directly from the $5\ \text{V}$ supply, so does not demand its own drive transistor. Nevertheless, to minimise loading on the microcontroller, it was decided to include one. The opto-sensors tend to be a little more power-hungry. To minimise overall current consumption, the two sensor LEDs are connected in series, as seen in the figure. Experimentally, the sensors were found to operate well if the

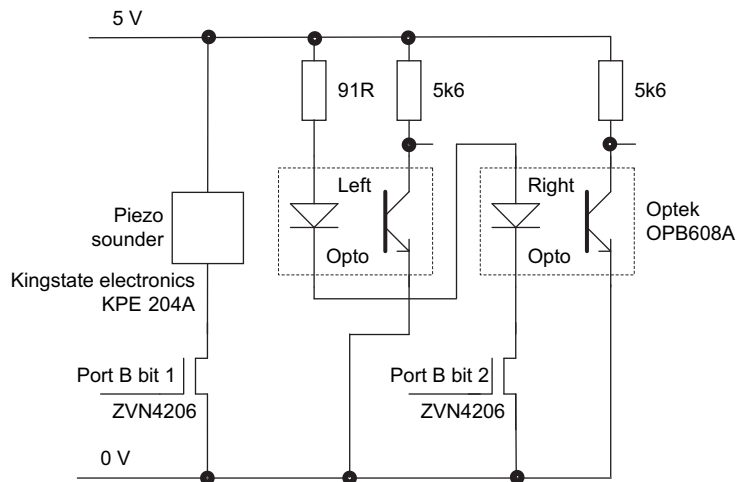


Figure 8.25: Section of the Derbot circuit diagram – opto-sensors and piezo sounder

resistor in series with the LEDs was $91\ \Omega$. With (from the device data) a forward voltage across each diode of around $1.7\ \text{V}$, this indicates a current of:

$$I = (5 - 3.4)/91$$

$$I = 17.6\ \text{mA}$$

As with the piezo sounder, a PIC microcontroller port output would be able to switch this, although it is closer to the $25\ \text{mA}$ ‘absolute maximum’ limit. Again, however, it was decided to use transistor switching to minimise microcontroller loading.

8.9.3 Reversible switching: the H-bridge

As we have seen, it is easy to switch loads on and off, with the current always going in the same direction. Some loads, however, for example DC or stepper motors, need to have a reversible voltage applied, even if only a unipolar supply voltage is available. The way this is usually achieved is by a simple yet ingenious circuit connection called the H-bridge, shown in Figure 8.26.

In the H-bridge two pairs of switching devices, usually transistors, are connected between the supply rail and $0\ \text{V}$. For simplicity the switching devices are shown in the diagram as switches, with a control input assumed to close the switch if the control is at Logic 1. The switch pairs are labelled A and B. Each pair has a ‘high-side’ and a ‘low-side’ switch. The load is connected between the two pairs to form an overall H configuration. Clearly, the switches in a pair must never be on at the same time or the supply will be shorted to ground. Therefore, it is common to drive them through a logic inverter, as shown, to ensure that only one can be on at any time.

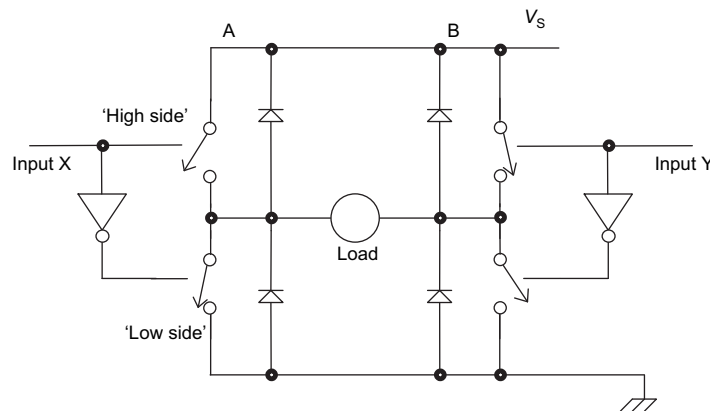
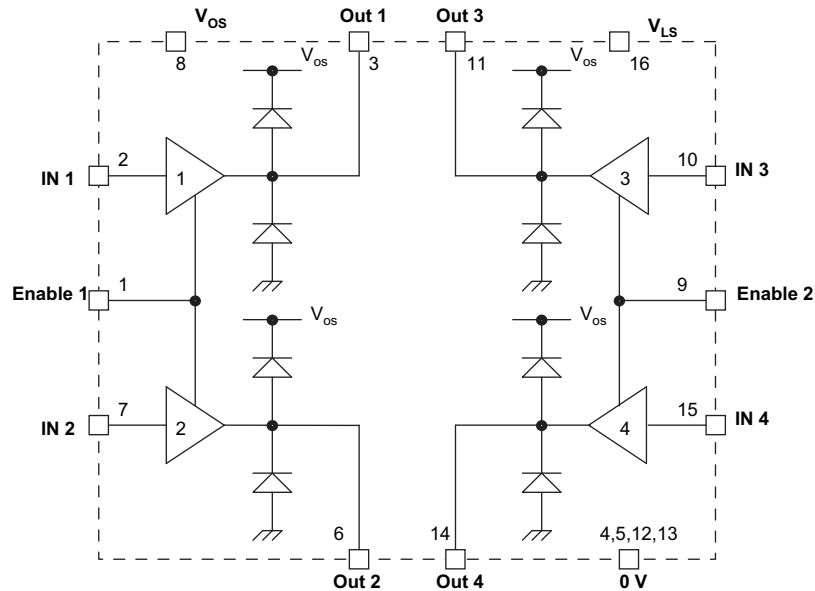


Figure 8.26: The principle of the H-bridge

If input X is switched low and input Y high, then the switch positions will be as shown in the diagram, with upper right and lower left closed and the other two open. Current will then have a path through the high-side of Pair B, through the load and through the low-side of pair A. If the two inputs are reversed, then all switches will change state and current flows in the opposite direction. Reversible current drive has been achieved. If the load is inductive, freewheeling diodes must be connected as shown. This circuit, and derivations of it, is used in many applications – from low power to very high power indeed.

A low-power, practical realisation of the H-bridge is available in the L293D IC, made by ST Microelectronics [Ref. 8.11]. This contains four half-bridges, so that two full H-bridges can be configured. A simplified diagram is shown in Figure 8.27. This is drawn so that each half-bridge is depicted as a logic buffer. This may not seem immediately obvious, but consider in the previous diagram that when input X is high, then the voltage output from transistor pair A is high, or low when input X is low.

Buffers 1 and 2 can form one complete H-bridge, as can buffers 3 and 4. Two power supplies, V_{LS} and V_{OS} , are used. The former supplies the input logic, while V_{OS} supplies the bridge itself. These two supplies can be of different values, although V_{OS} must not be less than V_{LS} . The logic supply could, for example, be at 5 V, with the load supply at 12 V. An enable is provided



Operating Conditions – Highlights
 600 mA output current per channel
 Over temperature protection

1.2 A peak output current (non-repetitive) per channel
 High noise immunity (Logic 0 input voltage to 1.5 V)

Figure 8.27: The L293D dual H-bridge

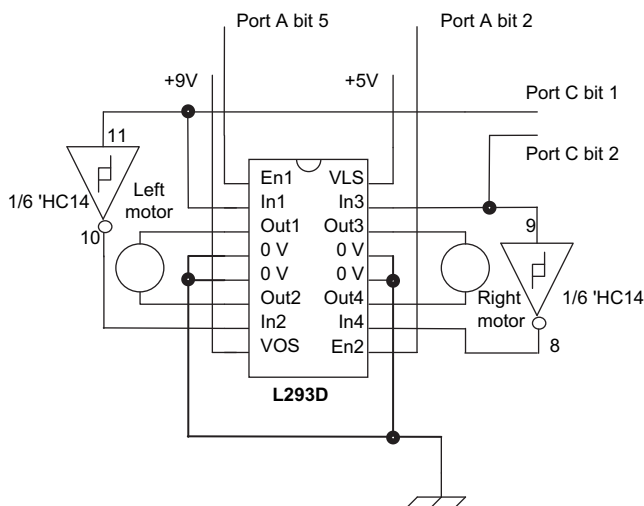


Figure 8.28: The L293D applied in the Derbot motor drive circuit

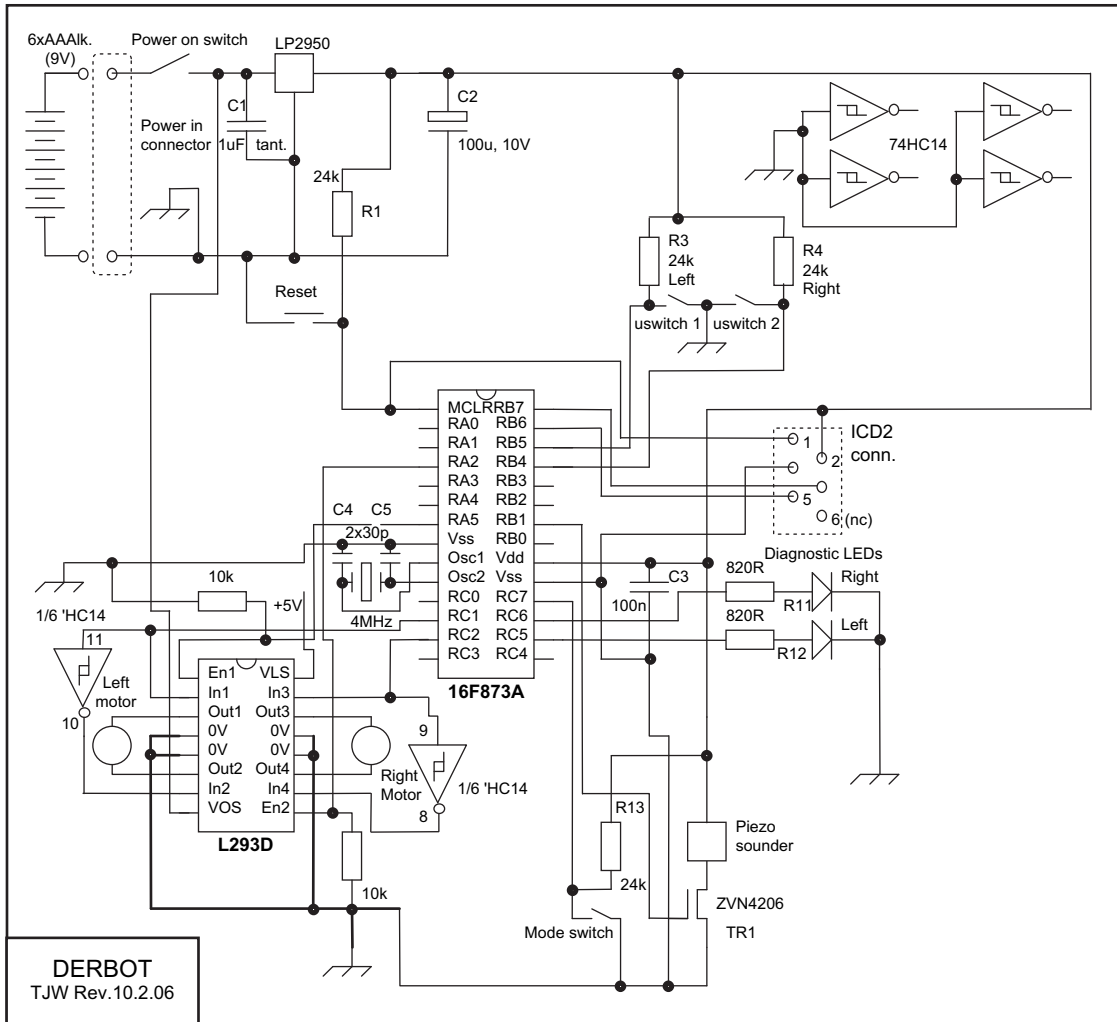
to pairs of buffers, so that all switches in the bridge can be easily switched off. Internal freewheeling diodes are included. The L293D has four ground pins, which can be soldered to a copper plane on the PCB to provide a limited amount of heat sinking.

8.9.4 Motor switching on the Derbot

The Derbot AGV uses the L293D to drive its two motors, with the circuit detail shown in Figure 8.28. Instead of having separate drives to each logic input, it uses an inverter between each. Thus, the motor is always driven in one direction or the other. However, the enable lines are each driven from a port bit, so that each motor can be disabled. The logic supply is connected to the main 5 V supply, while the output supply is taken directly from the incoming battery voltage, meaning that 9 V is available for driving the motors. Internal voltage drops in the IC, however, reduce this to closer to 7 V. The enable lines each have a pull-down resistor of value 10 k Ω , connected between them and ground, not shown in this diagram (but seen in Appendix 3). These have the important function of disabling the motors when the microcontroller is not driving these lines, for example during initialisation.

8.10 Building the Derbot

If you are building the Derbot it is suggested that you now add the motors and their drive, based around the L293D, leading to the circuit shown in Figure 8.29. If you want



Note: Piezo sounder is optional.

Figure 8.29: Derbot intermediate build stage 2

a running AGV, then you will also need to build the battery pack using the separate PCB and mount the spacing pillars. Further build guidance is given on the book's companion website.

You can also at this time build up a hand controller card, either in its LED or its LCD version. The programs used in the first sections of this chapter can then be downloaded and tested. These programs do not yet cause the hand controller to interact with the AGV; this will come in later chapters.

```

;*****
;Dbt_blind_Nav
;Derbot moves by "blind" navigation.
;Moves forward, and reverses and turns on bump.
;Fixed rate PWM applied to set reasonable speeds.
;
;TJW 5.5.05                                Tested 9.5.05
;*****
...
(Memory Allocation and Initialisation omitted)
...
;start motors
start call leftmot_fwd    ;sets left motor running forward
      call rtmot_fwd      ;sets right motor running forward
;test for bumps - reverse and turn if either microswitch closes
loop  btfss portb,us_rt   ;test right microswitch
      goto rev_rt
      btfss portb,us_left ;test left microswitch
      goto rev_left
      call delay100
      goto loop
;
rev_rt bsf portc,led_rt
      bcf porta,mot_en_left ;stop motors
      bcf porta,mot_en_rt
      bsf portb,sounder     ;small bleep from sounder
      call delay200
      bcf portb,sounder
;reverse both motors
      call leftmot_rev
      call rtmot_rev
      call delay500
      call delay500
      call delay500
      call leftmot_fwd     ;left motor forward to turn
      call delay500
      call delay500
      bcf portc,led_rt
      goto start ; rev_left
bsf portc,led_left
      bcf porta,mot_en_rt ;stop motors
      bcf porta,mot_en_left
      bsf portb,sounder   ;small bleep from sounder
      call delay200
      bcf portb,sounder
;reverse both motors
      call leftmot_rev
      call rtmot_rev
      call delay500
      call delay500
      call delay500
      call rtmot_fwd      ;right motor forward to turn
      call delay500
      call delay500
      bcf portc,led_left
      goto start
...
(subroutines omitted)
...

```

Program Example 8.4: Derbot blind navigation (section)

8.11 Applying sensors and actuators – a ‘blind’ navigation Derbot program

With the Derbot build as just described, it is possible to run the program **Dbt blind Nav**, as found on the book’s companion website, with the main features appearing in Program Example 8.4. This program sends the AGV running forward until it hits an obstacle, detected by its front microswitches. At this point it reverses, turns and runs forward again in a new direction.

The main program runs from the label **start**, by setting the motors running forward. It should be easy to do this simply by switching the motors on. However, they are chosen to give a good top speed, which is excessive for this simple application. Therefore, pulse width modulation is applied to set a slower speed. The detail of this is hidden in the subroutines **leftmot fwd** and **rtmot fwd**, which are called in turn. These are not included in the program example below, but can be found in the full book listing and will be fully explored in a later chapter. The program then enters a loop, at label **loop**. Here it repeatedly tests its microswitches and continues running until one or other is detected as being activated. When a microswitch is hit, the AGV stops, sounds the piezo sounder and reverses for 1.5 s approximately, again calling pulse width modulation subroutines to do this. It then turns, driving one motor forward while the other continues to reverse, before returning to running forward in the main program loop.

Summary

- An embedded microcontroller must be able to interface with the physical world and possibly the human world as well.
- Much human interfacing can be done with switches, keypads and displays.
- To interface with the physical world, the microcontroller must be able to interface with a range of transducers. The designer needs an understanding of the main sensors and actuators available, and must be ready to keep abreast of current technology in the field.
- Interfacing with sensors requires a reasonable knowledge of signal-conditioning techniques.
- Interfacing with actuators requires a reasonable knowledge of power-switching techniques.

References

- 8.1. 12.7 mm (0.5 inch) Single Digit Numeric Displays (2003). Kingbright, Spec. no. DSAD0006; <http://www.kingbright.com.tw>

- 8.2. HD44780 data. Available from a number of websites, including <http://www.alldatasheet.com/>
- 8.3. Interfacing PICmicro MCUs to an LCD Module (1997). Microchip Technology Inc., Application Note AN587, Ref. no. DS00587B.
- 8.4. Powertip; <http://www.powertip.com.tw/>
- 8.5. Silonex; <http://www1.silonex.com/>
- 8.6. Optek; <http://www.optekinc.com/>
- 8.7. Devantech. SRF04/5 data available on <http://www.robot-electronics.co.uk/> and other supplier sites.
- 8.8. MFA/Como Drills; <http://www.comodrills.com/>
- 8.9. Futaba; <http://www.futaba-rc.com/>
- 8.10. Zetex; <http://www.diodes.com/>
- 8.11. STMicroelectronics; <http://www.st.com/stonline/>

Questions and exercises

1. A PIC 16F84A powered from 5 V is to drive a pulse counter display able to show 000 to 199, with the pulse input connected to pin 3. All other port pins are available for use. The two lesser digits are common-cathode 7-segment LED displays, where each segment is made up of just one LED. The '1' is made up of 2 LEDs in series. All LEDs require a current of 5 mA, and at this current they have a forward voltage across them of 1.8 V. Decimal points are not used. Draw a circuit diagram for the display drive.
2. Two NORP12 LDRs are placed back-to-back in a capsule which is used to measure light direction. They are connected electrically in series, as shown in Figure 8.30, and an output voltage is taken from the junction between them. Estimate V_o :
 - (a) when both LDRs are equally illuminated;
 - (b) when the left illumination is 10Lux and the right is 100Lux. Note: you will need to access the NORP12 data sheet from the Internet to complete this question.

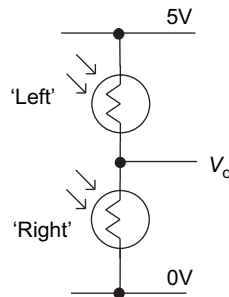


Figure 8.30: LDR configuration for Question 2

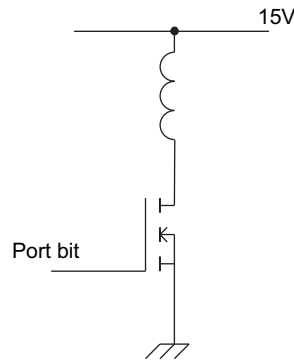


Figure 8.31: Switching circuit for Question 4

3. Tests on a batch of OPB608A opto sensors indicate that, under ideal reflective conditions, a forward diode current of 10 mA leads to a collector current of 1.5 mA. The forward voltage across the diode is 1.7 V.
 - (a) Applying the circuit of Figure 8.14(b), powered from 5 V, calculate resistor values in order to give this diode current, and for this collector current to give an output voltage of 0.5 V.
 - (b) If the distance to the reflective surface is allowed to vary from optimum up to 0.1 inch, estimate the new collector voltage. Note: You will need to access the OPB608A data sheet to complete this part of the question.
4. The circuit of Figure 8.31 shows a solenoid being switched by a ZVN4206A MOSFET, whose gate is controlled by a microcontroller port bit. The characteristics of the MOSFET are shown in Table 8.1. The resistance of the solenoid is $18.0\ \Omega$; however, the transistor is found to fail repeatedly. Recommend changes to the circuit to make it operate reliably.
5. Design a ping-pong game, similar to the one described in Appendix 2, which displays the score of each player, based around a 16F873A microcontroller. Use Ports A and B, the same as in Appendix 2. Use a single-digit 7-segment LED display for each player, multiplexing them from Port C.
6. A model boat carries a 9 V battery and is controlled by a PIC 16F873A microcontroller. The boat has one propeller and a rudder controlled by a Futaba 3003 servo. The propeller is driven by a variable-speed DC motor with a rated maximum supply voltage of 9 V. There are two tilt switches set at right angles to each other which detect whether the boat is tilted too far from the horizontal. If the tilt is too great, the motor must be switched off. Each switch acts as an SPST (single pole single throw) switch, which is closed when no tilt is detected. Draw a design for the microcontroller circuit, in the form of a detailed circuit diagram. Include all aspects necessary to make a complete and working circuit.

Taking timing further

We began to see in Chapter 6 how important counting and timing are in the embedded environment. We also saw how easy it is to count digitally and to convert that counting ability to an ability to measure time. We need now to take this capability much further, especially in the timing arena. Once we have good tools for timing, we can use them to underpin other microcontroller functions, like the generation of serial data or of pulse width modulation. We can also use those timing tools to facilitate complex external activity, generating, for example, the timing signals for an engine management system.

This chapter will explore counting and timing needs in the embedded environment and develop capabilities to meet those needs, to a comparatively sophisticated level. While counting remains the underlying technique, it is its timing function that emerges as the predominant activity.

A central theme of this chapter will be the exploration of enhanced counter/timer structures. This will lead to the microcontroller being able to hand over much of its time-based activity to this hardware. Program execution can then continue doing other things while the hardware looks after timing issues. This activity will include:

- Maintaining continuous counting functions.
- Recording (‘capturing’) in timer hardware the time an event occurs.
- Using timer hardware to trigger events at particular times.
- Setting up an environment whereby repetitive time-based events can be generated.
- Measuring frequency, and hence physical variables that can be expressed as frequencies, for example motor speed.

The structures examined will be those of the 16F873A microcontroller. This will lead both to increased expertise in using this device and its relatives, and to an understanding of the underlying concepts, applicable to any microcontroller system. Many aspects will be illustrated with examples from the Derbot AGV. The necessary build for this is outlined in the final section of this chapter.

Note that Microchip tend to use the terminology ‘timer’ when referring to their counter/timer modules. In this chapter, ‘timer’ and ‘counter/timer’ will be used more or less interchangeably.

9.1 The main ideas – taking counting and timing further

Building on the material of Chapter 6, we need now to move on to more advanced applications of counting and timing, as shown in the bullet-point list above. The ability to do these things depends very much on extending the basic counter/timer hardware. Therefore, in this chapter each new counting or timing technique will be introduced alongside a description of the hardware that enables it to happen.

The Timer 0 of the PIC[®] 16 Series was introduced in Section 6.3 of Chapter 6. Take a moment to look at Figure 6.8 and remind yourself of its principal features, if there is any chance you have forgotten. At the heart is a digital counter which is memory mapped and can be written to and read from. The clock input to the counter can be selected from two sources. Either an external input can be chosen, in which case the module is often viewed as being in ‘counter’ mode. Alternatively, the internal oscillator signal can be connected to the counter, in which case it is viewed as being in ‘timer’ mode. A prescaler can be applied, which divides down the frequency of the incoming clock signal. When the counter counts up to its maximum value and then overflows to zero, an interrupt can be generated.

The PIC 16F873A has three timers, with some important accessories, which we now explore. The comparatively simple structure just reviewed forms the basis of the more advanced designs that we shall see.

9.2 The 16F87XA Timer 0 and Timer 1

9.2.1 Timer 0

The 16F873A uses the standard mid-range Timer 0 module. This is therefore the same counter/timer design as used by the 16F84A. Hence the description of Chapter 6, Section 6.3.3 fully applies.

9.2.2 Timer 1

The PIC mid-range Timer 0 is limited by being only 8-bit. Timer 1, shown in Figure 9.1, builds directly on the concepts of Timer 0 but has a number of important differences. First of all, it is 16-bit. As the figure shows, it is made up of two 8-bit registers, **TMR1H** and **TMR1L**. These are Special Function Registers (SFRs), which in the usual way are readable and writeable. They can be seen in the register file map of Figure 7.6. Together, they can count from 0000 to FFFF_H, or 65536_D. When the count rolls over from FFFF_H back to 0, the interrupt flag **TMR1IF** (seen in the interrupt structure diagram of Figure 7.10) is set. This can be enabled to form an interrupt on overflow.

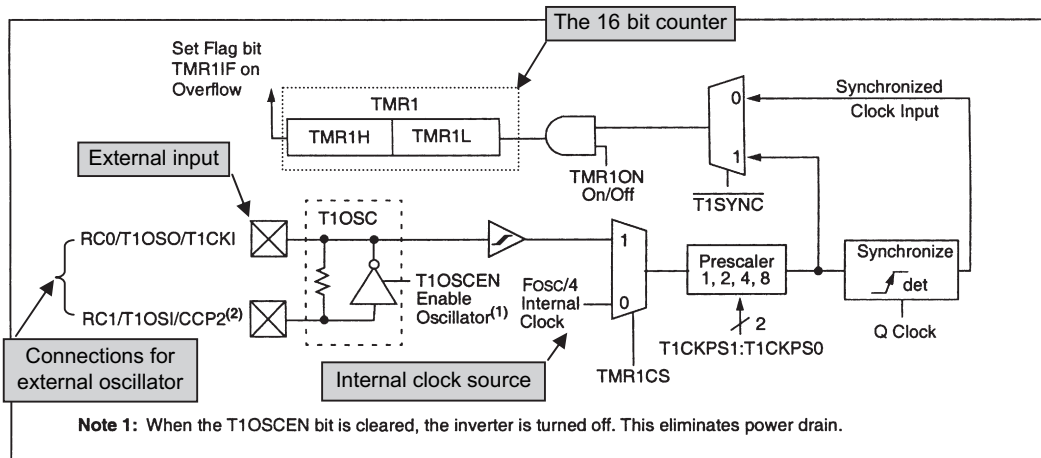


Figure 9.1: The 16F87XA Timer 1 block diagram (supplementary labels in shaded boxes added by the author)

Timer 1 is controlled by the **T1CON** register, shown in Figure 9.2. The timer is switched on and off with bit **TMR1ON**. The timer has three distinct clock sources, which can be traced on Figure 9.1. For counting functions, the external input **T1CKI**, shared with pin 0 of Port C, must be used. For timing functions, there remains the option of the internal clock oscillator, $F_{osc}/4$. Selection between these two is made by the **TMR1CS** bit in the control register. A third possible clock source is made available due to the possibility of setting up a dedicated Timer 1 external oscillator, connected to the two external pins shown. This removes the dependence of working with the main oscillator frequency. The external oscillator can operate at a frequency entirely distinct from the main oscillator, and can also run when the main one is shut down in Sleep mode. The external oscillator is enabled with the **T1OSCEN** bit. The oscillator input for Timer 1 is identical to the main LP oscillator (Section 3.5.3 of Chapter 3). It is intended for lower-frequency oscillation, up to around 200 kHz. Typically it is used with a 32.768 kHz crystal, which can be divided down to provide a one-second time base.

Whichever clock source is chosen, there is the option of applying the prescaler. With only two control bits, **T1CKPS1** and **T1CKPS0**, this does not have the range of scaling options offered by Timer 0, with only three effective division values, of 2, 4 and 8. Finally, synchronisation of the external input is enabled by bit **T1SYNC**. The timer must run synchronously if either the Capture or Compare modes, described in the coming sections, are to be used. If operating asynchronously, however, it can continue to run when the microcontroller is in Sleep mode.

When the external clock source is chosen, the counter is always incremented on a rising edge (on Timer 0, a rising *or* falling edge can be chosen). However, the counter must first have a falling edge before it starts to count. There is a danger, therefore, that the first pulse might be lost. We will see in the Derbot program that follows how to get over this little problem.

	U-0	U-0	R/W-0	R/W-0	R/W-0	R/W-0	R/W-0	R/W-0	
	—	—	T1CKPS1	T1CKPS0	T1OSCEN	$\overline{\text{T1SYNC}}$	TMR1CS	TMR1ON	
	bit 7								bit 0
bit 7-6	Unimplemented: Read as '0'								
bit 5-4	T1CKPS1:T1CKPS0: Timer1 Input Clock Prescale Select bits								
	11 = 1:8 prescale value								
	10 = 1:4 prescale value								
	01 = 1:2 prescale value								
	00 = 1:1 prescale value								
bit 3	T1OSCEN: Timer1 Oscillator Enable Control bit								
	1 = Oscillator is enabled								
	0 = Oscillator is shut-off (the oscillator inverter is turned off to eliminate power drain)								
bit 2	$\overline{\text{T1SYNC}}$: Timer1 External Clock Input Synchronization Control bit								
	<u>When TMR1CS = 1:</u>								
	1 = Do not synchronize external clock input								
	0 = Synchronize external clock input								
	<u>When TMR1CS = 0:</u>								
	This bit is ignored. Timer1 uses the internal clock when TMR1CS = 0.								
bit 1	TMR1CS: Timer1 Clock Source Select bit								
	1 = External clock from pin RC0/T1OSO/T1CKI (on the rising edge)								
	0 = Internal clock (Fosc/4)								
bit 0	TMR1ON: Timer1 On bit								
	1 = Enables Timer1								
	0 = Stops Timer1								

Note: In the 18 Series register of this name, bit 7 is called **RD16**. If set to 1 it enables the '16 bit Read/Write' mode

Figure 9.2: The Timer 1 control register, T1CON (address 10_H)

9.2.3 Application of Timer 0 and Timer 1 as counters for Derbot odometry

Having suggested that timing is to be the dominant theme of this chapter, our first example is of counting! A fundamental need of any vehicle is an ability to measure how far it has travelled, a technique known as 'odometry'. This is done in the Derbot by using its handmade optical shaft encoders, as described in Section 8.6.4 of Chapter 8. By counting pulses from the shaft encoder and calculating from the wheel geometry the distance represented by each pulse, a measure of total distance travelled can be obtained.

Program Example 9.1 applies the shaft encoder to implement simple odometry with the Derbot. The outputs of the two optical sensors are connected on the Derbot PIC to the inputs of Timer 0 and Timer 1, as shown in Figure A3.1. Both of these are used in Counting mode. For the wheel diameters used in the prototype, and applying the shaft encoders described in Appendix 3, the program drives the Derbot forward for 1 m. It then completes a 180° turn on the spot and runs forward for 1 m again. The program loops continuously in this manner.

As before, to save space, the full program listing is not reproduced in the book, but can be found on the book's companion website. It is instructive to look at a number of features of the

```

;*****
;odometry_test
;Runs forward a fixed distance, turns by 180 degrees,
;and returns - looping continuously.
;
;TJW 19.5.05                                Tested 20.5.06
;*****
...
(comments, and memory definition omitted)
...
    org 00
;set up SFRs in Bank 1
...
(set up Tris A, B, C)
...
    movlw B'01000100'
    movwf adcon1 ;set port A for right analog/digital mix
    movlw B'11101000' ;set up Timer 0: external input, low to high
                                ;transition,no prescale

    movwf option_reg
    movlw D'250'                ;set PWM prd
    movwf pr2

;set up SFRs in Bank 0
    bcf status,rp0                ;select bank 0
    movlw B'00000011' ;set up Timer 1: no prescale, oscillator
    movwf t1con                ;disabled, external sync input
...
further initialisation, and opening section of program
...
;*****
;run forward fixed distance, then turn and return
;*****
opto_move clrf tmr0                ;clear timers
    clrf tmr1l
    clrf tmr1h
    clrf flags
    btfss portc,0                ;increment T1 if ip is zero, as first rising edge
                                ;isn't detected

    incf tmr1l
    call leftmot_fwd ;start motors running
    call rtmot_fwd

opto_loop call opto_to_led ;transfer opto states to diagnostic leds
;move forward set distance (1m)
    movlw D'91'                ;test if counter has reached this value
    subwf tmr0,0
    btfsc status,z
    bcf porta,mot_en_left ;disable motor if value reached
    movlw D'91'
    subwf tmr1l,0
    btfsc status,z
    bcf porta,mot_en_rt ;if both motors stopped, proceed to turn, otherwise

loop
    btfsc porta,mot_en_left
    goto opto_loop
    btfsc porta,mot_en_rt
    goto opto_loop ;now turn
    call delay500 ;ensure AGV is at rest
    movlw 00

```

Program Example 9.1: Application of odometry with the Derbot

```

    movwf   tmr0           ;clear timers and flags
    movwf   tmr11
    btfss   portc,0       ;increment T1 if it is zero,
    incf    tmr11
    call    leftmot_fwd   ;turn on spot, left motor forward, right back
    call    rtmot_rev     ;execute the turn
opt_loop1 call opto_to_led ;transfer opto states to diagnostic leds ;rotate by 180 degrees
    movlw   D'23'         ;test if counter has reached this value
    subwf   tmr0,0
    btfsc   status,z
    bcf     porta,mot_en_left ;disable motor if value reached
    movlw   D'23'
    subwf   tmr11,0
    btfsc   status,z
    bcf     porta,mot_en_rt ;if both motors stopped, proceed to straight line, otherwise loop
    btfsc   porta,mot_en_left
    goto    opt_loop1
    btfsc   porta,mot_en_rt
    goto    opt_loop1
    call    delay500      ;ensure we're at rest
    goto    opto_move

;*****
;SUBROUTINES
;*****
...
motor control and delay subroutines
...
;transfers opto sensor state to leds
opto_to_led bcf portc,led_left ;preclear left led
            btfss porta,4
            bsf portc,led_left ;but set it if opto on
            bcf portc,led_rt ;preclear right led
            btfss portc,0
            bsf portc,led_rt ;but set it if opto on
            return
            end

```

Program Example 9.1 cont'd

program. Port bits are set up in the normal way, to reflect Derbot bit usage. **ADCON1** controls whether the Port A bits are to be used for analog input or digital input/output. It is initialised here for the final expected analog/digital distribution of the Port A bits, even though the analog input is not used in this program.

By checking the Option register diagram in Figure 6.9, the Timer 0 settings described in the comment can be verified. Similarly, a look at Figure 9.2 should verify the setting for Timer 1.

At the program section **opto move**, both timers are cleared to zero. The input to Timer 1 is, however, tested. If it is zero, then the timer value is incremented to one, as the first rising edge is not detected in the hardware. The two motors are then set running forward, using the same subroutines used in Program Example 8.4. Program execution then moves to the loop **opto loop**. Here the timer values are continuously tested. A count of 91 represents a distance

travelled of 1 m, for an encoder pattern of 16 black/white cycles per wheel revolution, as described in Appendix 3. When the timer value reaches 91, the respective motor enable bit is cleared to zero and the motor stops.

When both motors have stopped, the Derbot executes a turn on the spot, running the motors in opposite directions. The distance that each wheel must cover is calculated by applying the geometry described in Appendix 4, which equates to the count of 23 that is found in the program. In program execution, the arc travelled by each wheel in the turn is measured with the shaft encoder and the motors stop running when the distance is complete. The AGV then runs the same fixed distance back to its starting point and the process continues.

This program demonstrates the application of counting to odometry, and also its weaknesses. The resolution of the distance measurement using this simple home-made shaft encoder is poor and suitable for demonstration purposes only – interesting though these are. The AGV can execute only approximate 180° turns and an approximate return home. If it is allowed to continue its back and forth trajectory, its return becomes increasingly approximate, as a cumulative error builds up. Moreover, there is no speed control on the motors. Although driven from the same voltage, any two motors are rarely identical and the AGV tends to run in a curve, albeit slight. We will be able to resolve this problem when speed measurement is implemented later in this chapter, and that of speed control in Chapter 11.

9.2.4 Using Timer 0 and Timer 1 to generate repetitive interrupts

An important use of a counter/timer is often for it to generate a continuously running series of accurately timed interrupts. These can be used for a host of timing applications, including forming the basis of a sophisticated programming framework known as a ‘real-time operating system’ – but that’s the business of Chapter 18! Sometimes such a series of interrupts is called a ‘clock tick’. This can be a little misleading, as we already have a clock oscillator and now we are talking about something different. However, such a clock tick can become almost as fundamental as the microcontroller clock oscillator itself, and can be used as the basis for almost as many time-based operations.

Timer 0 and Timer 1 can readily be used to generate such a clock tick, as both can produce an interrupt on overflow. The principle is illustrated in Figure 9.3. The timer is set to run continuously, in Timer mode, with interrupts enabled. Its value is represented by the stepped waveform in the diagram. It repeatedly counts up to its maximum value and overflows back to zero. Every time it does this, an interrupt is generated.

In general, if the timer is n -bit, then it will count 2^n cycles, from one zero to the next. The time between the interrupts, T_{int} , is then given by:

$$T_{\text{int}} = 2^n \times t_{\text{clk}}$$

where t_{clk} is the period of the clock input to the timer.

Design Example 9.1

Assuming an oscillator frequency of 4 MHz, what is the slowest ‘clock tick’ rate that can be obtained from Timer 0 and Timer 1? What is the next fastest in each case?

For Timer 0, refer to Figures 6.8 and 6.9. To achieve the slowest interrupt rate, the prescaler is set to $\div 256$. The input clock frequency to the timer itself is therefore 1 MHz/256, or 3.906 kHz. The action of the 8-bit timer itself is to divide this frequency by 256 to produce the clock tick frequency, which will be 3.906 kHz/256, or 15.26 Hz. The next frequency up would be if the prescaler were set to $\div 128$. In this case, the interrupt rate would be 30.52 Hz.

For Timer 1, refer to Figures 9.1 and 9.2. The maximum prescale rate is $\div 8$. Using this, the clock input to the timer itself will be 125 kHz. The action of the timer is to divide this by 2^{16} , leading to an interrupt frequency of 1.91 Hz. The next highest frequency would be if the prescaler were set to $\div 4$, leading to an interrupt frequency of 3.81 Hz.

It is interesting to see that there is not a major difference between the slowest rates of each timer. Although Timer 0 is only 8-bit, the fact that it has a very effective prescaler compensates in this sort of application for its smaller size.

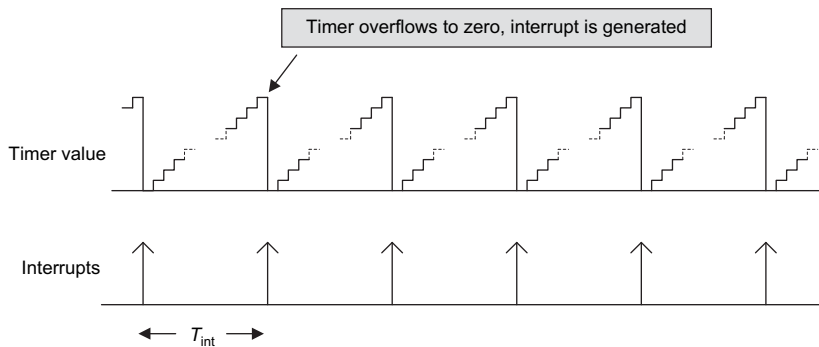


Figure 9.3: Generating a ‘clock tick’ – a repetitive interrupt stream

9.3 The 16F87XA Timer 2, comparator and PR2 register

9.3.1 Timer 2

The 16F87XA Timer 2 is a simple 8-bit device. It is shown in block diagram form in Figure 9.4. Only two of the elements in the diagram, the **TMR2** register and the prescaler, actually relate to the conventional timer function. Timer 2 is a pure timer so is driven only from the internal oscillator, shown at the right of the diagram. No external input is possible. The 8-bit Timer register is readable and writeable, and can be seen at memory location 11_H in Figure 7.6. Modest prescaling opportunities are possible.

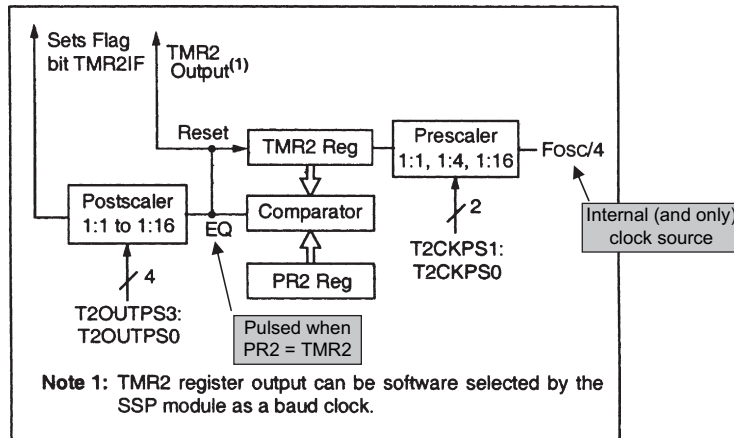


Figure 9.4: The 16F87XA Timer 2 block diagram (supplementary labels in shaded boxes added by the author)

The control register for Timer 2, **T2CON**, appears in Figure 9.5. The explanations in the figure give a good description of the role of each bit.

Despite its seeming simplicity, Timer 2 begins to emerge as a powerful module when its add-on elements, described now, are brought into play. Its usefulness is increased further when the Capture and Compare register, with its pulse width modulation (PWM) capability, is introduced.

U-0	R/W-0	R/W-0	R/W-0	R/W-0	R/W-0	R/W-0	R/W-0
—	TOUTPS3	TOUTPS2	TOUTPS1	TOUTPS0	TMR2ON	T2CKPS1	T2CKPS0
bit 7							bit 0

- bit 7 **Unimplemented:** Read as '0'
- bit 6-3 **TOUTPS3:TOUTPS0:** Timer2 Output Postscale Select bits
 - 0000 = 1:1 postscale
 - 0001 = 1:2 postscale
 - 0010 = 1:3 postscale
 -
 -
 -
 - 1111 = 1:16 postscale
- bit 2 **TMR2ON:** Timer2 On bit
 - 1 = Timer2 is on
 - 0 = Timer2 is off
- bit 1-0 **T2CKPS1:T2CKPS0:** Timer2 Clock Prescale Select bits
 - 00 = Prescaler is 1
 - 01 = Prescaler is 4
 - 1x = Prescaler is 16

Figure 9.5: The Timer 2 control register, T2CON

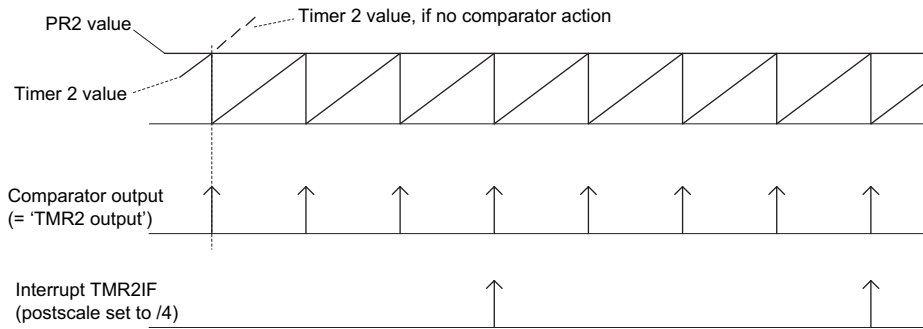


Figure 9.6: The PR2 and comparator action

9.3.2 The PR2 register, comparator and postscaler

Timer 2 has a Period register **PR2**, at memory location 92_H in the memory map (Figure 7.6), which can be preset by the programmer. When the timer is running, its value is continuously compared with the **PR2** register by the comparator. When it reaches the value held in **PR2**, it resets to 0 on the next input cycle.

This process is illustrated in Figure 9.6. The **PR2** value is shown fixed, although it can be changed within the program. The Timer 2 value is now just represented as a sawtooth, although its underlying stepped nature (as shown in Figure 9.3) should still be recognised. It counts up to the **PR2** value. When they are equal, a reset is generated and Timer 2 is cleared to zero. This occurs on the increment cycle *after* the equality has been detected, so there are (**PR2** + 1) cycles between each reset. Figure 9.4 shows that this reset forms an output of the module, labelled 'TMR2 output'. This can be selected as a baud rate generator by the Synchronous Serial Port (SSP), as described in the following chapter.

Design Example 9.2

The Derbot AGV has an oscillator frequency of 4MHz. What is the slowest Timer 2 interrupt rate that it can generate?

To achieve the slowest rate, **PR2** and the post- and prescalers must be set to maximum. If the prescale is set to $\div 16$ then the frequency of the clock driving Timer 2 will be $1 \text{ MHz} \div 16$, or 62.5 kHz. If **PR2** is set to 255, then Timer 2 will be able to clock up to its maximum value (i.e. 255) before returning to 0. Therefore, the reset frequency will be $62.5/256 \text{ kHz}$, or 244.14 Hz. If this is further postscaled by 16, then the interrupt frequency will be 15.26 Hz. This is the slowest possible interrupt frequency for this source.

The series of resets just described also forms an input to the postscaler, whose output can be used as an interrupt source. The postscaler is controlled by the **TOUTPSX** bits of the control register. Notice that it can take any division value up to 16 – it is not just

limited to binary powers. Figure 9.6 shows the case in which the postscaler divides by four. The outcome of this is a stream of interrupts, whose frequency can be adjusted across a range of values.

9.4 The capture/compare/pulse width modulation (CCP) modules

9.4.1 A capture/compare/pulse width modulation overview

At the beginning of Chapter 6 it was suggested that embedded systems have timing needs which are equivalent in some ways to various timing needs in everyday life. The embedded system does need the equivalent of setting an alarm and of recording the time of an event. These and other requirements are neatly resolved by the addition of one or more registers to a basic counter/timer. A register that can record the time of an event is called a ‘Capture’ register. One that can generate an alarm does this by holding a preset value and comparing it with the value of a running timer (as we have seen already with **PR2**). The alarm occurs when the two are equal. Such registers are called ‘Compare’ registers. The PIC 16 Series microcontrollers combine these different functions, and more besides, in their capture/compare/PWM (CCP) modules.

The CCP modules are very versatile and interact with both Timer 1 and Timer 2. The 16F873A has two such modules and they are well worth understanding. Each module has two 8-bit registers, called **CCPRxL** and **CCPRxH**, where x is 1 or 2. Together they form a 16-bit register that can be used for capture, compare or to form the duty cycle of a PWM stream. The CCP modules are controlled by their respective **CCPxCON** registers (Figure 9.7). It is the least significant four bits of these that determine the mode of operation of the module. It can be seen that they can be switched off, set for PWM or set for one of four possible configurations in either Capture or Compare mode. We will examine each operating mode in turn.

9.4.2 Capture mode

A Capture register operates something like a stopwatch. When an event occurs, the value indicated by a running clock is recorded. In a stopwatch, the watch then stops running. In a Capture register, the clock goes on running, but its value at the instant when the event occurred is recorded.

The CCP1 in Capture mode is shown in Figure 9.8. CCP2 will act the same as CCP1 in this mode, but will share its input with Port C bit 1. Because the input pin is shared with Port C, it must be set as an input in **TRISC**. An external signal, representing an ‘event’, is connected to the microcontroller pin RC2/CCP1. The purpose of the Capture mode is to record in **CCPR1L** and **CCPR1H** the value of Timer 1 when the event occurs. Further flexibility can be

	U-0	U-0	R/W-0	R/W-0	R/W-0	R/W-0	R/W-0	R/W-0
	—	—	CCPxX	CCPxY	CCPxM3	CCPxM2	CCPxM1	CCPxM0
bit 7								bit 0

bit 7-6 **Unimplemented:** Read as '0'

bit 5-4 **CCPxX:CCPxY:** PWM Least Significant bits
Capture mode:
 Unused.
Compare mode:
 Unused.
PWM mode:
 These bits are the two LSBs of the PWM duty cycle. The eight MSBs are found in CCPxL.

bit 3-0 **CCPxM3:CCPxM0:** CCPx Mode Select bits
 0000 = Capture/Compare/PWM disabled (resets CCPx module)
 0100 = Capture mode, every falling edge
 0101 = Capture mode, every rising edge
 0110 = Capture mode, every 4th rising edge
 0111 = Capture mode, every 16th rising edge
 1000 = Compare mode, set output on match (CCPxIF bit is set)
 1001 = Compare mode, clear output on match (CCPxIF bit is set)
 1010 = Compare mode, generate software interrupt on match (CCPxIF bit is set, CCPx pin is unaffected)
 1011 = Compare mode, trigger special event (CCPxIF bit is set, CCPx pin is unaffected); CCP1 resets TMR1; CCP2 resets TMR1 and starts an A/D conversion (if A/D module is enabled)
 11xx = PWM mode

Figure 9.7: The CCP1CON/CCP2CON registers (addresses 17_H and 1D_H respectively)

built in, as the external signal can be prescaled by 4 or 16, and the rising or falling edge can be selected. The possible options can be seen in Figure 9.7. As well as causing a capture to occur, the occurrence of the event also causes an interrupt, represented by the **CCP1IF** flag in the interrupt structure diagram of Figure 7.10. Module CCP2 has an equivalent interrupt, represented by **CCP2IF**.

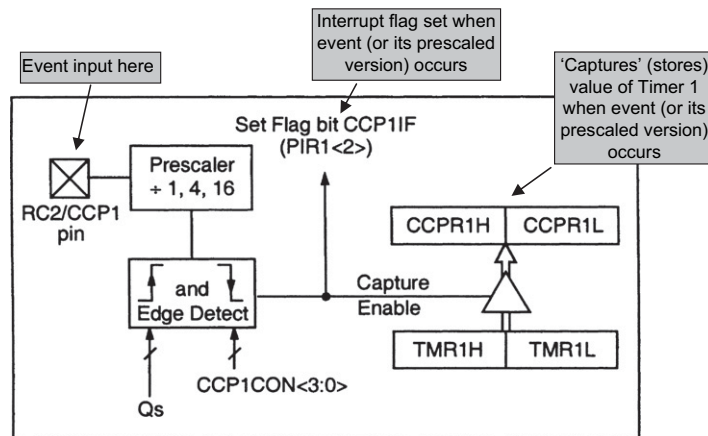


Figure 9.8: Capture mode block diagram (CCP1) (supplementary labels in shaded boxes added by the author)

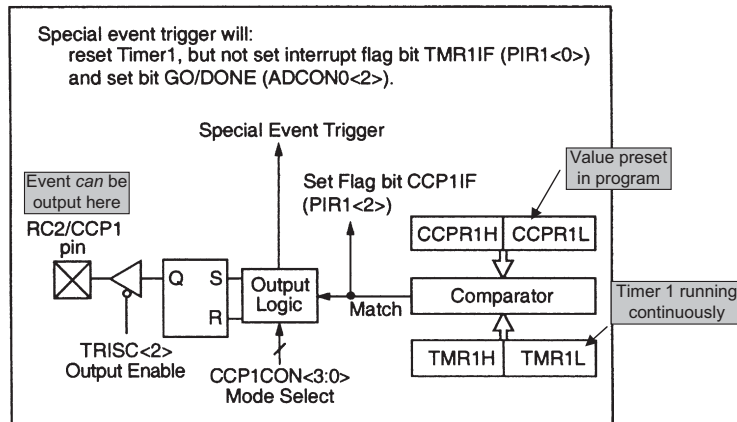


Figure 9.9: Compare mode block diagram (CCP1) (supplementary labels in shaded boxes added by the author)

9.4.3 Compare mode

The CCP1 module configured in Compare mode is shown in Figure 9.9. Here a digital comparator is designed into the hardware which continuously compares the value of Timer 1 and the 16-bit register made up of **CCPR1H** and **CCPR1L**. Timer 1 must be running in Timer mode or in synchronised Counter mode. The module is connected to an external pin, which must be configured as an output in **TRISC**. When a match occurs, one of several things may happen, depending on the setting of the control register (Figure 9.7). The associated output bit can be set or cleared (with the interrupt flag bit set in both cases). This allows external events to be started or terminated. Alternatively, the interrupt may be set with *no* change to the output. Finally, a ‘special event’ may be triggered. For both modules this includes clearing Timer 1 and leaving the output pin unchanged. Module CCP2 also initiates an analog-to-digital conversion, if the converter is enabled.

9.5 Pulse width modulation

Pulse width modulation is a very powerful technique which allows analog variables to be controlled from a purely digital output, and with only a single data connection!

9.5.1 The principle of pulse width modulation

An understanding of a typical application of PWM requires a little bit of background electronics. This is so important that we will review it briefly, by reference to Figure 9.10.

The voltage–current relationship in an inductor is given by the equation:

$$V = Ldi/dt$$

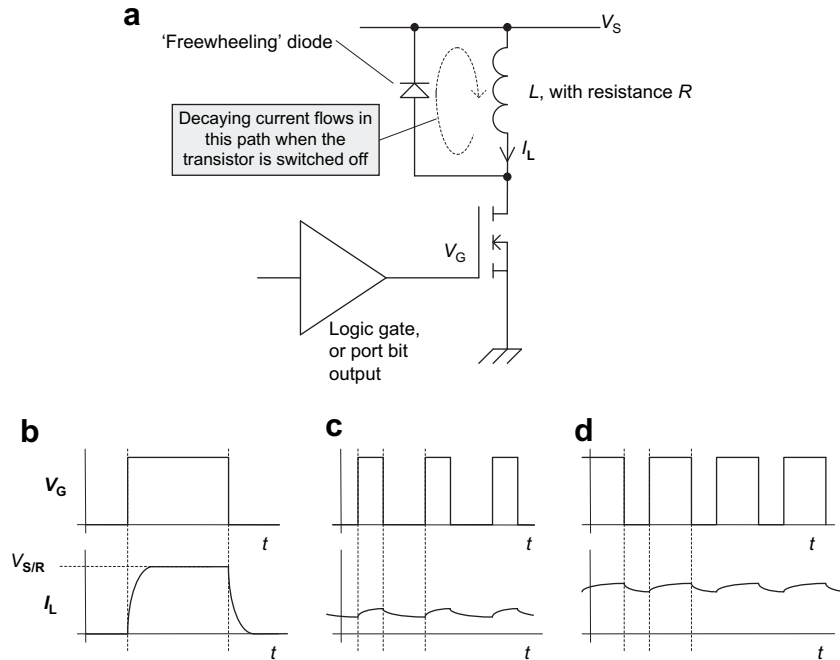


Figure 9.10: The principle of pulse width modulation. (a) Example circuit. (b) Time constant small compared to ‘on’ time. (c) Time constant large compared to ‘on’ time, narrow pulse. (d) Time constant large compared to ‘on’ time, wide pulse

where V is the voltage across the inductor, i the current through it and L its inductance. Derived from this, if a step change in voltage is applied, then the current rises exponentially to a steady-state value of V/R , where R is the resistance of the inductor. The rate of rise depends on a circuit quantity known as the ‘time constant’, which for an inductor is given by L/R . It can be shown that, for a step change in applied voltage, the current rises from 10 to 90 per cent of its final value in time $2.2L/R$. If the voltage is removed, the time taken for it to fall (assuming there is a circuit for it to flow in) is the same.

Let us imagine an inductive load is switched on and off by a transistor switch, as shown in Figure 9.10(a). When the transistor is switched off, the decaying current flows in the freewheeling diode. If the time duration it is on is much greater than the circuit time constant, then the current rise and fall times will just be a small proportion of the overall time, and the current waveform will appear as shown in Figure 9.10(b). If, however, the switching is repetitive, with a period less than the inductor time constant, then the current has no chance to reach steady state. It rises a little when the switch is on and falls a little (flowing through the freewheeling diode) when it is off. If the switching is continuous, the current rises to an average value which is dependent on the Mark : Space ratio of the switching waveform. This is represented in Figure 9.10(c, d).

The great thing about this is that the average current flowing in the inductor can be controlled by the Mark : Space ratio of the switching waveform. PWM is born!

A PWM waveform generally has a fixed period T , with a variable pulse width t_{on} . It can be shown, for the circuit of [Figure 9.10\(a\)](#), that the average current flowing in the inductor, I_{ave} , is given by:

$$I_{\text{ave}} = \frac{t_{\text{on}}}{T} \times \frac{V}{R} \quad (9.1)$$

9.5.2 Generating pulse width modulation signals in hardware – the 16F87XA pulse width modulation

The beauty of PWM lies in its simplicity and the way in which it acts as a gateway between the digital and analog worlds. It is easy to generate a PWM waveform in digital hardware. We will use the PIC 16 Series as an example to explain this. Although the principle is straightforward, the useful ‘extras’ introduced by Microchip add to the complexity. A little care is therefore needed in its understanding.

The simplified block diagram of the CCP configured to generate PWM is shown in [Figure 9.11](#), with example waveforms in [Figure 9.12](#). It can be seen that [Figure 9.11](#) contains the central features of [Figure 9.4](#), with Timer 2, comparator and the **PR2** register working together. Although not now shown, Timer 2 is still driven from the on-chip oscillator, through its own prescaler. With Timer 2 free-running, it is reasonable to expect the waveforms of [Figure 9.6](#) to be found in the PWM process. This is indeed the case – the waveforms of [Figure 9.6](#) are extended to become those of [Figure 9.12](#). The comparator output, however, now drives an R–S flip-flop. When the value in **PR2** equals Timer 2, then the comparator clears the timer and *sets* the flip-flop, whose output goes high. This is seen in [Figure 9.12](#). This action sets the PWM period.

Having established the PWM period, let us consider how the pulse width is determined. A second Compare register arrangement is introduced to do this. This is made up of the **CCPR1H** register, plus a second comparator. As the logic of the diagram shows, every time this comparator finds equal input values, it *resets* the output flip-flop, clearing the output to zero. It is this comparator that determines the pulse width. Again, this is shown in [Figure 9.12](#). To change the pulse width, the programmer writes to the **CCPR1L** register, which acts as a buffer. Its value is transferred to **CCPR1H** only when a PWM cycle is complete, to avoid output errors in the process.

The block diagram is made more complex because three of the registers are ‘stretched’, to make them potentially 10-bit instead of 8-bit. This increases the resolution. **CCPR1L** uses two bits of the **CCP1CON** register (as already seen in [Figure 9.7](#)). **CCPR1H** is extended with

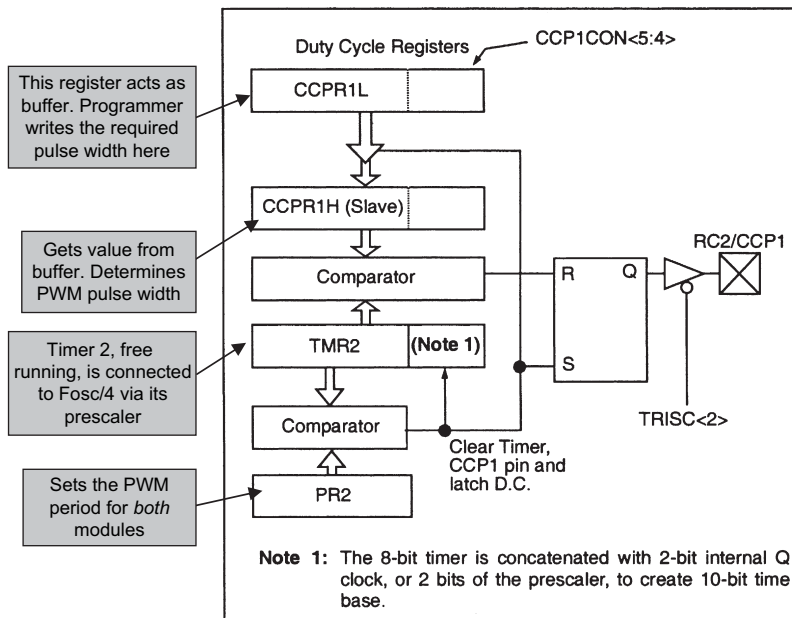


Figure 9.11: Simplified pulse width modulation block diagram (for CCP1 – CCP2 is equivalent) (supplementary labels in shaded boxes added by the author)

an internal 2-bit latch, while the extension to Timer 2 is as described in Note 1 of Figure 9.11. Because of these two extra bits, in its 10-bit version it is effectively clocked direct from the internal oscillator signal, undivided. If the prescaler is used, then it acts on this frequency, not the usual $F_{osc}/4$. Notice, however, that the **PR2** register remains at eight bits. This means that the PWM period has only an 8-bit equivalent resolution.

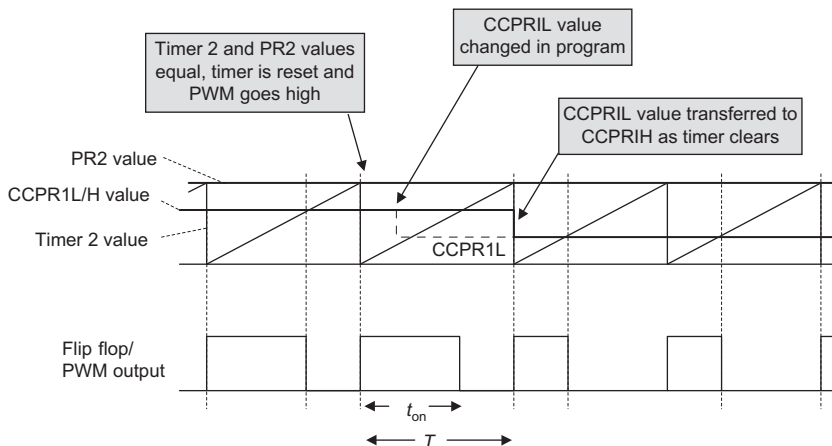


Figure 9.12: Example waveforms for the 16F873A pulse width modulation generator

The PWM period T is determined by the interaction of the **PR2** register and the eight bits of Timer 2. It may be calculated as follows:

$$\begin{aligned} T &= (\mathbf{PR2} + 1) \times (\text{Timer 2 input clock period}) \\ &= (\mathbf{PR2} + 1) \times \{T_{\text{osc}} \times 4 \times (\text{Timer 2 prescale value})\} \end{aligned} \quad (9.2)$$

The PWM pulse width t_{on} is determined by the interaction of the extended **CCPR1H** register (all 10 bits of it) and the extended (10-bit) Timer 2. It may be calculated as follows:

$$t_{on} = (\text{pulse width register}) \times (\text{PWM timer input clock period})$$

where ‘PWM timer input clock period’ is the period of the clock input to the extended Timer 2 and ‘pulse width register’ is the value in the extended **CCPR1H** register. Hence,

$$t_{on} = (\text{pulse width register}) \times \{T_{\text{osc}} \times (\text{Timer 2 prescale value})\} \quad (9.3)$$

Note that there is *not* here a factor of four with the T_{osc} term, as explained above.

9.5.3 Pulse width modulation applied in the Derbot for motor control

Let us now explore an application of the 16F873A PWM to the Derbot AGV. We need first of all to understand how PWM is applied in the circuit design. We saw in Chapter 8 how an H-bridge could be used for reversible drive. If PWM, rather than just on/off drive, is applied to an H-bridge, then continuously variable reversible drive can be achieved.

The Derbot circuit diagram for the left motor is shown in [Figure 9.13\(a\)](#). Half of the L293D IC ([Figure 8.27](#)) is used to form an H-bridge, with outputs driving the motor. The two inputs of the H-bridge are connected with a logic inverter between them, so that whenever one is at Logic 1, the other is at Logic 0, and vice versa. If the input labelled ‘Bridge Drive’ is held at Logic 1, the motor will run in one direction; if at Logic 0, it will run in the other.

If now the Bridge Drive is connected to a PWM source, interesting things happen. If it is an exact square wave of sufficiently high frequency, the motor stands still, as the average current is zero. This is illustrated in [Figure 9.13\(b\)](#). If the Bridge Drive changes to a Mark : Space ratio of less than 1, the current takes up a negative average value. With a Mark : Space ratio of greater than 1 it takes up a positive average value. This is also seen in [Figure 9.13\(b\)](#). By varying the PWM pulse width across its full range, from absolute minimum to absolute maximum, the motor speed can be continuously varied, in both directions.

Looking at the full circuit diagram in [Figure A3.1](#), it should be possible to work out that CCP1 drives the right motor, while CCP2 drives the left. Enable signals come from bits 2 and 5 of Port A.

The simplest program that we have available to look at PWM use in the Derbot AGV is the ‘blind navigation’ program of Chapter 8, appearing in part as Program Example 8.4. The parts of the program relating to PWM, omitted in the earlier chapter, now appear as [Program Example 9.2](#).

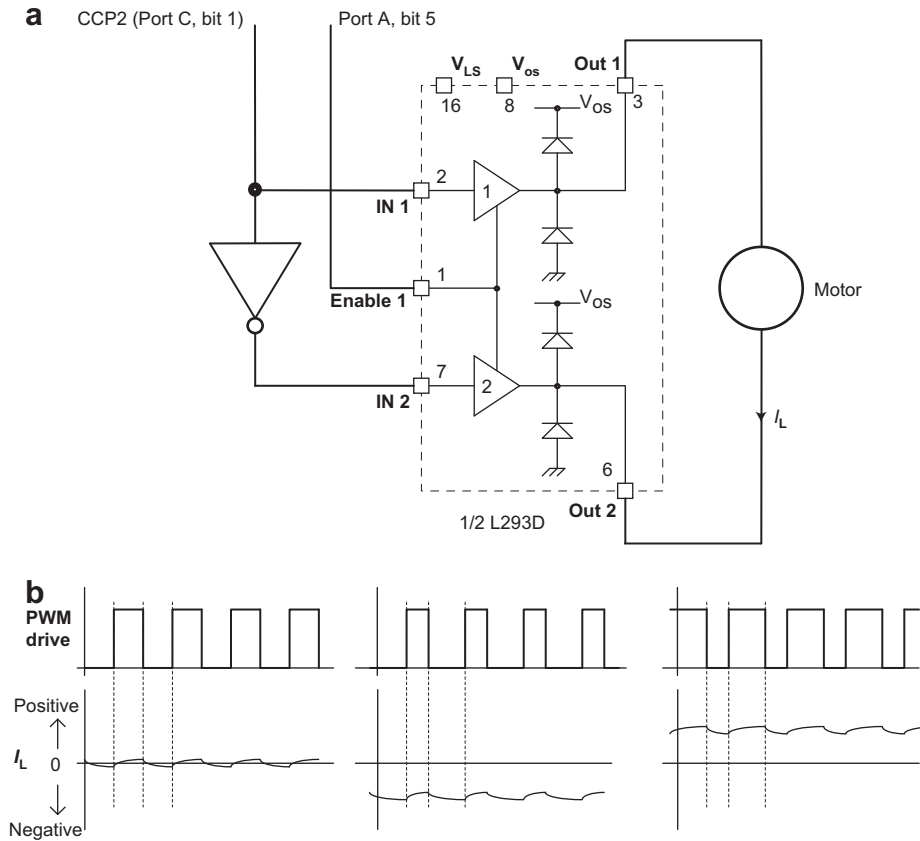


Figure 9.13: Applying pulse width modulation with an H-bridge to the Derbot Autonomous Guided Vehicle – achieving continuously variable bi-directional control. (a) Circuit diagram (left motor). (b) Example waveforms

The example program sections start with initialisation of the PWM. By writing to the **T2CON** register (Figure 9.5), Timer 2 is switched on, with neither pre- nor postscale (see Figure 9.4). Applying the **CCPxCON** registers, the two CCP control registers are set up in PWM mode. Finally, the **PR2** register is loaded with 249_D. Noting that the clock oscillator frequency is 4 MHz, we can deduce from Equation (9.2) that the PWM period is:

$$\begin{aligned}
 T &= (\mathbf{PR2} + 1) \times \{T_{\text{osc}} \times 4 \times (\text{Timer 2 prescale value})\} \\
 &= 250 \times (250 \text{ ns} \times 4 \times 1) \\
 &= 250 \mu\text{s}
 \end{aligned}$$

i.e. PWM frequency = 4.00 kHz.

This is a convenient frequency value, which we shall use for other things later. It retains almost the full resolution of the PWM system.

```

;*****
;Dbt_blind_Nav
;Derbot moves by "blind" navigation.
;Moves forward, and reverses and turns on bump.
;Fixed rate PWM applied to set reasonable speeds.
;
;TJW 5.5.05                                     Tested 9.5.05
;*****
...
(opening program sections omitted)
...
;Specify some port bits
;For Port A
mot_en_rt    equ    2        ;right enable input to L293D ic
mot_en_left  equ    5        ;left enable input to L293D ic
...
        bcf    status,rp0        ;select bank 0
;set up PWM
        movlw  B'00000100'    ;switch on Timer2, no pre or postscale
        movwf  t2con
        movlw  B'00001100'    ;enable PWM

        movwf  ccplcon
        movwf  ccp2con
        movlw  0f9
        movwf  pr2 ...
(main program omitted - appears as Program Example 8.4) ...
;motor drive subroutines
leftmot_fwd  ;sets left motor running forward
        bsf    porta,mot_en_left
        movlw  D'176'
        movwf  CCPR2L
        return

rtmot_fwd bsf porta,mot_en_rt
        movlw  D'176'
        movwf  CCPR1L
        return

leftmot_rev bsf porta,mot_en_left
        movlw  D'80'
        movwf  CCPR2L
        return

rtmot_rev bsf porta,mot_en_rt
        movlw  D'80'
        movwf  CCPR1L
        return

```

Program Example 9.2: Pulse width modulation – related sections of ‘blind navigation’ program

Also shown in [Program Example 9.2](#) are the subroutines used to set the motors running forward and back, **leftmot fwd**, **rtmot fwd** and so on. Each of these starts by enabling the respective motor drive, by setting the port bit **mot en rt** or **mot en left** high. A number is then loaded into **CCPR1L** or **CCPR2L** which determines the PWM pulse width. For simplicity, the two least significant bits of the pulse width setting, held in **CCPxCON**, are preset to zero and not further used in this program. Therefore, the pulse width setting can range from 00 to 250_D loaded into **CCPRxL**, where 00 gives full reverse, 250_D gives full forward and 125_D gives no

rotation. The numbers actually loaded in the program, 176_D and 80_D , were found experimentally to give gentle forward and reverse speeds. Later in this chapter, and then later in the book, programs are developed to exploit the PWM capability to give variable speed drive.

9.6 Generating pulse width modulation in software

While hardware PWM sources are versatile and simple to use, they are not always available. Perhaps a cost-conscious application has chosen a microcontroller without a PWM source. Alternatively, an application may have used up all its PWM sources and still need more. PWM is a classic case of a capability that can be developed *either* in hardware *or* in software – if using a software solution, the only hardware resource that is needed is a single port I/O pin, set to output!

PWM outputs can be generated based on software delay loops only, such as those described in Chapter 5. A possible flow diagram appears in Figure 5.4 of Ref. 1.1. This approach, however, ties up the CPU almost completely, so is likely to be of only limited use in practice.

An alternative to using a purely programming approach to generating a PWM stream, still without requiring a PWM hardware module, is to use a timer interrupt to set the period. This can simplify programming complexity, and allows the CPU to be used in part for other activities. All that is needed is to set a timer interrupt on overflow running at an appropriate speed, as described in Section 9.3.3 of this chapter. On every interrupt the PWM output should be set high and a programmed delay initiated. At the end of the delay the PWM output is cleared. This is illustrated in Figure 9.14.

9.6.1 An example of software-generated pulse width modulation

A good example of the technique just described is found in Program Example 9.3. This drives the Derbot servo, which is used to rotate the ultrasound detector. The 16F873A has only two

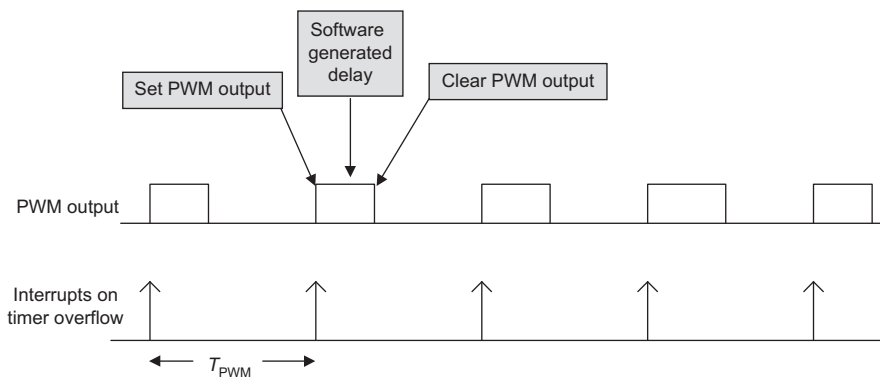


Figure 9.14: Generating pulse width modulation with timer interrupt

```

;*****
;Dbt_servo_tst
;Rotates servo position in 45 degree steps from 0 degs to 180 degs.
;Servo PWM drive period, is generated with interrupt on overflow
;(Timer 2), with pulse width in software.
;Ramp between each step is generated.
;TJW 26.5.05                                     Tested 30.8.05
;*****
...
(opening comments omitted)
        cblock 20
delcntr1      ;used in delay5 & delayADC SRs
delcntr2
temp          ;a temp location, to be used only in consecutive instructions
int_cntr     ;counts incoming interrupts
pulse_cntr   ;counts how many pwm pulses sent to servo, before moving to
              ;next posn.
pw_cntr      ;counter used to set width of pulse to servo
servo_dirn   ;little counter which determines direction servo points, used
              ;as look-up table pointer
past_pulse   ;holds value of most recent pulse width, used with demand value
              ;to determine actual
        endc
...
        org 00
        goto begin
;
        org 04
        goto ISR
;Initialise
;set up SFRs in Bank 1
begin   bcf   status,rp1
        bsf   status,rp0      ;select memory bank 1
...
        movlw B'11110001' ;set port B bits, bit 3 is servo PWM op
        movwf trisb
...
        movlw D'249'          ;set Timer 2 Overflow period
        movwf pr2
;set up SFRs in Bank 0
        bcf   status,rp0      ;select bank 0
        movlw B'0111100' ;switch on Timer2, no prescale, /16 postscale
                          ;giving 4ms interrupt prd (with pr2=250)
        movwf t2con
;
;Initialise counter values
        movlw D'5' ;preset interrupt counter
        movwf int_cntr
        movlw D'200'
        movwf pulse_cntr ;preload pulse counter
        movlw D'60' ;start with intermediate pulse width
        movwf past_pulse
...
(opening program section omitted)
...
;Enable interrupts
        bcf   pir1,tmr2if      ;clear pending interrupts
        bsf   status,rp0      ;select memory bank 1
        bsf   pie1,tmr2ie     ;enable Timer 2 interrupt
        bcf   status,rp0      ;select memory bank 0
        bsf   intcon,peie     ;enable peripheral interrupts
        bsf   intcon,gie
wait goto wait      ;let ISR do the work
;
;*****
;ISR is here. Interrupts occur every 4ms. Count 5, and on 5th
;emit pulse to Servo. Pulse length will depend on servo_dirn setting
;*****

```

Program Example 9.3: Pulse width modulation generated in software

```

ISR    decfsz int_cntr    ;decrement interrupt counter. Action occurs
                                ;only if it is 0.

        goto    intend
        decfsz pulse_cntr ;here if a pulse to be output, test if pulse
                                ;width is to change

        goto    ISR1
        incf    servo_dirn,1 ;here if pulse width changing, point to new
                                ;duration
        movlw   D'200'      ;reload pulse counter, 200 pulses will be emitted
        movwf   pulse_cntr ;at new pulse width
;now determine pulse width, calculating ramp value if needed
ISR1   movf    servo_dirn,0 ;get demand pulse duration from Table
        andlw   07          ;use only 3 lsbs of servo_dirn
        call   int_table
        movwf   pw_cntr     ;this is demand value, may need to ramp towards it
;now determine ramp value, if needed
        subwf   past_pulse,0 ;compare demand value with most recent pulse
        btfsc  status,z
        goto   pulse_op      ;if equal, go direct to pulse
        btfsc  status,c      ;if carry clear, demand>past
        goto   $+3
        incf   past_pulse,1 ;here if demand>past, hence ramping up
        goto   $+2
        decf   past_pulse,1 ;here if demand<past, hence ramping down
        movf   past_pulse,0 ;and save new value for next time round
        movwf  pw_cntr
;now send pulse
pulse_op bsf   portb,3      ;set pulse high
pw_loop call  delay20u
        decfsz pw_cntr
        goto   pw_loop
        bcf   portb,3      ;clear pulse
        movlw D'5'        ;reload interrupt counter
        movwf int_cntr
intend bcf   pirl,tmr2if ;clear interrupt flag
        retfie
;Table for servo positions
int_table addwf pcl
        retlw  D'20'      ;400us delay, 0 degrees
        retlw  D'40'      ;800us delay, 45 degrees
        retlw  D'60'      ;1200us delay, 90 degrees
        retlw  D'80'      ;1600us delay, 135 degrees
        retlw  D'100'     ;2000us delay, 180 degrees
        retlw  D'80'      ;1600us delay, 135 degrees
        retlw  D'60'      ;1200us delay, 90 degrees
        retlw  D'40'      ;800us delay, 45 degrees
;
;*****
;SUBROUTINES
;*****
;introduces delay of 20us
delay20u movlw 5 ;5 cycles called, each taking 3us,
                                ;plus call, return (2 ea), and 2 move insts
;
                                less one cycle lost when last goto is hopped
        movwf  delcntrl
dela    decfsz delcntrl,1 ;3 inst cycles in this loop, ie 3us
        goto  dela
        return
;
...
(other delay subroutines omitted)
...
end

```

Program Example 9.3 cont'd

PWM sources and these are committed to the motors. The servo requires the pulse waveform shown in Figure 8.23. This is particularly appropriate for a program-generated technique, as the pulse width is always small compared to the period, so the CPU is committed for only a comparatively short period. The program moves the servo shaft position in 45° steps, from a reference 0° to 180° . Because the current consumption is very high if an instantaneous step movement is demanded of the servo, a ramp is generated between each step position.

With Timers 0 and 1 committed to the shaft encoder function, only Timer 2 is possibly available for timer overflow use. However, it appears to be tied up with the PWM function. Here we see how a timer can be used for two apparently unrelated things. The timer can be left in its PWM role, but its interrupt on overflow, via the postscaler (Figure 9.4), can be evaluated for this new application. The two applications are in some conflict – the servo needs a period of 20 ms, while the PWM frequency needs to remain in the region of several kilohertz. The flexibility of the postscaler is an advantage here. As with the motor PWM setting, it can be seen that if the contents of **PR2** are set to 249_{D} , then the Timer 2 overflow rate is 4 kHz. With the postscaler set to $\div 16$, the interrupt frequency becomes 250 Hz, or a period of 4 ms. This is not the 20 ms we want, but it is easy in the program to output a pulse every five interrupts.

The settings just described can be seen in the program example. Register **PR2** is loaded with 249_{D} and the Timer 2 postscaler set to $\div 16$. Three software counters are then preset – **int cnt** counts the incoming interrupts, **pulse cnt** counts the number of pulses sent at each pulse width, while **past pulse** holds the pulse width of the previous pulse and is used to determine whether ramping is needed between one pulse width and the next. The Timer 2 interrupt is then enabled and the program moves to sit in a wait loop. All subsequent program action is then in the ISR (Interrupt Service Routine).

Within the ISR, the value of **int cnt** is first decremented to test whether a pulse is to be output. If it is, the value of **pulse cnt** is then decremented to test if the pulse width is to be changed. In this case, the value of **servo dirn** is incremented. This acts as a pointer to the look-up table, from which the new period is taken. At label **ISR1**, the look-up table is accessed and the ‘demand’ pulse width is read. This is stored in memory location **pw cnt**. The value stored determines how many times a 20 μs delay routine is called, setting the pulse width.

The ramp, if needed, is now generated. The value in **pw cnt** is compared with the previous value, in memory location **past pulse**. If they are equal, the pulse is immediately output. If not, a test of the Carry flag determines which was the greater. The value of **pw cnt** is then incremented or decremented accordingly, to set the new pulse width. The pulse is then output using a simple delay loop.

This little program was found to work well, with the position change being incremented smoothly.

9.6.2 Further Assembler directives for memory definition and branching

Notice the use in the program of two useful additions to our Assembler coding repertoire. Early in the program, the directive pair **cblock** and **endc** are used to define the list of data memory locations. This saves the use of a long list of **equ** statements. In the ISR, branching is achieved with instructions such as the following:

```

btfsc status,c; if carry clear, demand>past
goto $+3
incf past_pulse,1 ;here if demand>past, hence ramping up
goto $+2

```

Here the dollar symbol \$ represents the current Program Counter value. Its usage in the line **goto \$+3** therefore forces a forward jump of three lines. Negative values can also be used. This technique is invaluable for local branches of a few lines forward or back, reducing the need for line labels. It is less useful with longer jumps, as a program change may be made some distance from the **goto** instruction, making the indicated jump value invalid.

9.7 Pulse width modulation used for digital-to-analog conversion

While PWM is perhaps primarily used for load control, it allows a simple but very effective digital-to-analog converter (DAC). If a PWM stream of fixed Mark : Space ratio is low-pass filtered, with a suitable cut-off frequency, then the digital stream becomes a DC voltage, with a little residual ripple. If the PWM Mark : Space ratio is modulated, then a varying-output voltage can be produced.

This idea is illustrated in simple form in [Figure 9.15](#). The PWM stream is taken through an RC filter, which has the smoothing effect shown. The filter characteristic, in [Figure 9.15\(b\)](#), is chosen so that the PWM frequency is well into the filter stop-band. If the modulation frequency is in the filter pass-band, then the PWM is effectively blocked and the modulating frequency passed. The effect can be quite dramatic.

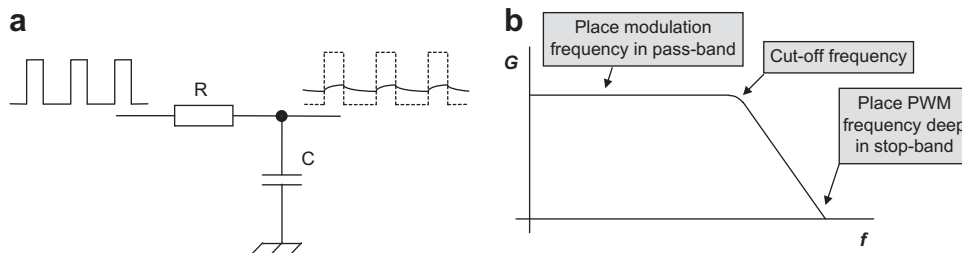


Figure 9.15: Filtering a pulse width modulation stream to produce an analog voltage. (a) The low-pass filter with input and output signals. (b) Filter characteristics

9.7.1 An example of pulse width modulation used for digital-to-analog conversion

The Derbot has two low-pass RC filter sections in its circuit, with outputs at TP1 and TP2 (Figure A5.1). These are simply there to demonstrate analog voltage generation with PWM and are nothing whatever to do with the operation of the AGV. If used experimentally for this purpose, the motor enable bits should be set to 0!

The program **dbt_pwm_qrtr_sinwave** on the book's companion website is a simple illustration of this technique. It is reproduced in part in [Program Example 9.4](#). The program uses the full 10-bit width available for setting the PWM time period. It generates a quarter sine wave by taking samples in turn from a look-up table called **Sin Table**. A memory location

```

;*****
;dbt_pwm_qrtr_sinwave
;Demonstrates quarter sin wave output, on CCP1
;Uses full ten bits of PWM period setting
;TJW 9.7.05                               Tested 11.7.05
;*****
...
(all opening sections of program omitted)
...
    clrf   pointer sin_loop
movf pointer,0
    call  sin_table    ;get more significant byte of sample
movwf ccpr1l         ;move it to the PWM output
incf  pointer,1      ;increment the pointer
movf  pointer,0
    call  sin_table    ;get the less significant byte
andlw B'11000000'    ;we only use ms 2 bits of this
movwf temp
bcf   status,c       ;adjust for CCP1CON
rrf   temp,1
rrf   temp,0
iorlw B'00001100'    ;ensure other bits of CCP1CON are set
                        ;correctly, ie PWM mode remains selected
movwf ccplcon        ;and output
incf  pointer,1
movf  pointer,0
sublw D'92'          ;test for end of table
btfsc status,z
clrf  pointer        ;reset pointer
call  delay1
goto  sin_loop
;
Sin_Table
    addwf pcl,1
    retlw 00          ;0 degrees, higher byte
    retlw 00          ;0 degrees, lower byte
    retlw 03          ;2 degrees, higher byte
    retlw 5A          ;2 degrees, lower byte
    retlw 06          ;4 degrees, higher byte
    retlw 0B2        ;4 degrees, lower byte
    ...

```

Program Example 9.4: Generating a quarter sine wave with pulse width modulation

called **pointer** indicates where in the look-up table the program currently is. There are 45 samples, held as 16-bit values, in two bytes each. These give a binary, scaled sine value for 0° , 2° , 4° and so on up to 90° . Only the most significant two bits of the lower byte are used, however.

Once initialisation is complete, the program is structured as a simple loop, starting at **sin loop**. The more significant sample byte is transferred directly to **CCPR1L**. The less significant byte has to be adjusted to fit the two target bits in **CCP1CON**. At the same time, the other bits of this register must not be affected. It should be possible to follow through in the program listing the way this is done. A 1 ms delay is inserted for each sample, using the **delay1** subroutine. It is this, along with the execution time of the remainder of the program, which determines the sine wave frequency.

Also on the book's companion website is a program called **dbt pwm full sinwave**. This uses the same look-up table to generate the full sine wave, but is slightly more complex than the quarter sine wave version. It adds all samples to a midway value of 125d. This represents the offset zero value of the sine wave. In the first quadrant it steps up through the table, in the second it steps backwards. In the third it steps forward again, but subtracts the samples from 125d. In the fourth it steps backwards and subtracts. This can be seen in the full program listing.

The output of the **dbt pwm full sinwave** program can be seen in Figure 9.16(a), with the output taken through the 100 nF/20 k Ω filter section (cut-off frequency of 80 Hz approximately). Notice the vertical and horizontal settings in each. Channel 2 displays the sine wave in both cases. Image (a) appears to show a very satisfactory sine wave. Image (b) shows a detail of the very same waveform, along with the PWM stream that creates it. The PWM period can be seen to be exactly 250 μ s (i.e. a frequency of 4 kHz) in image (b). The characteristic (but small) sawtooth-like rise and fall of the analog waveform that accompanies it is very evident in the analog trace, with the overall rise in the signal voltage being just evident.

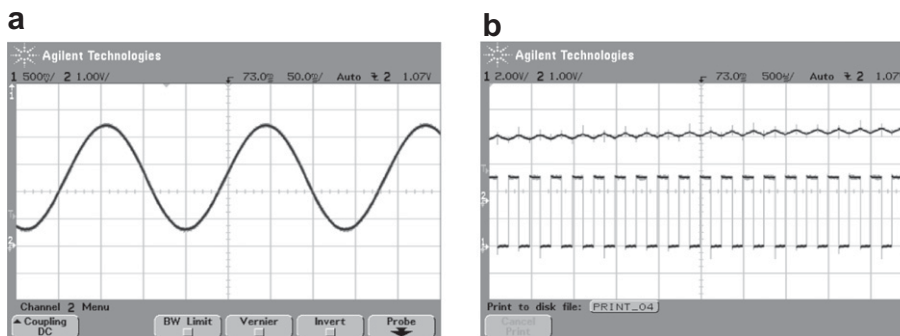


Figure 9.16: A sine wave generated with pulse width modulation. (a) The output sine wave. (b) Lower: the PWM stream. Upper: detail of analog output

With a PWM frequency of 4 kHz and the **delay1** subroutine in use, there will be just four or five PWM cycles per sample. The overall sine wave period can be seen to be approximately 3.8 divisions, at 50 ms each, i.e. 190 ms. This is accounted for by 180 samples making up the sine wave, each with a 1 ms delay, plus further program execution time.

The use of PWM for digital-to-analog conversion, as just described, can be simple and effective. It does, however, come with some weaknesses, which need to be understood if the technique is to be used. In brief, these are:

- The output analog voltage is directly dependent on the logic levels of the PWM stream. These in turn are dependent on the accuracy of the power supply voltage, cleanness of the ground path and logic technology in use. Overall, accurate D-to-A conversion cannot normally be expected from this technique.
- The impact of the low-pass filter is such that the technique is of little use to generate fast-changing signals. The situation can be improved by use of a higher-order filter and/or running the PWM faster. This can be achieved by reducing the value stored in register **PR2**. By increasing the PWM speed in this way, however, it should be noted that the resolution is decreased. In general, we can see that any demand for high PWM frequency conflicts with a demand for high resolution.
- There will always be some residual ripple on the analog output.

9.8 Frequency measurement

9.8.1 The principle of frequency measurement

Frequency measurement is a very important application of both counting and timing. Fundamentally, frequency measurement is a measure of how many times something happens within a certain known period, as illustrated in [Figure 9.17](#). The use can be as diverse as how many counts are received per minute in a Geiger counter, how many cycles per second (i.e. Hertz) there are in an electronic or acoustic measurement, or how many wheel

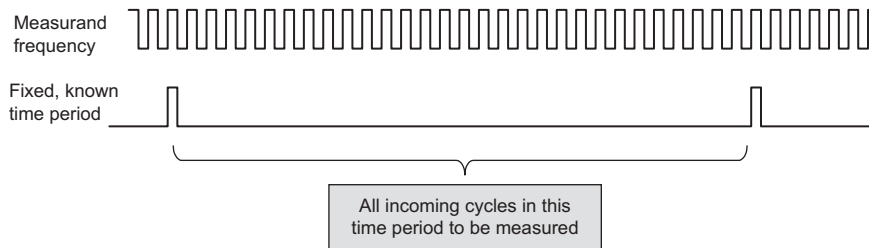


Figure 9.17: The principle of frequency measurement

revolutions there are per unit of time in a speed measurement. Both a counter and a timer are needed, the timer to measure the reference time and the counter to count the number of events within that time.

9.8.2 Frequency (speed) measurement in the Derbot

The Derbot AGV applies frequency measurement techniques to measure the speed of travel of the machine, later applying this to speed control. As Figure 9.17 indicates, what is needed first is an accurate timebase against which measurement can be made. Although any of the 16F873A timers could be used for this, Timers 0 and 1 are both used in counting mode for the wheel shaft encoders, so are not available. Timer 2 appears to be committed to the PWM function but, just as with the software-generated PWM in Section 9.6, further inspection shows that it can still be used. It was explained in that section how a 4 ms interrupt period could be achieved without impeding the PWM action. This is too short a period for most frequency measurements, but if we build a measurement period based on a certain number of iterations of this clock tick period, then we have the basis of a good period for frequency measurement.

Program Example 9.5 shows sections of the program **Dbt speed meas**, a simple speed measurement program, which can be found in full on the book's companion website. The program simply switches on the motors and runs them at fixed PWM rate. The program is structured according to the simplified diagram of Figure 9.18. The system is initialised, and motors and Timer 2 interrupt are enabled. The Timer 2 interrupt occurs every 4 ms, and every 250th occurrence of this (i.e. every second), the count accumulated in Timers 0 and 1 is measured.

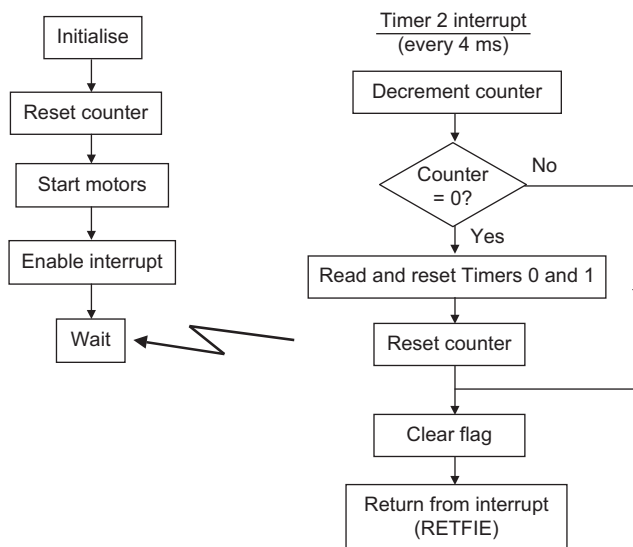


Figure 9.18: Derbot speed measurement program – simplified structure

```

;*****
;dbt_speed_meas
;Derbot wheel speed is measured by frequency counting. This is a demo
;program. The frequency measurement concept can be embedded into larger
;programs, eg for speed control.
;TJW 7.7.05                                     Tested 7.7.05
;*****
...
    #include p16f873A.inc
...
(opening program sections omitted)
...
;Initialise
;set up SFRs in Bank 1
main bcf status,rp1
...
    bsf    status,rp0    ;select memory bank 1
    movlw B'11101000'    ;set up Timer 0: external input,
    movwf option_reg     ;low to high transition, no prescale
    movlw D'249'         ;set PWM prd
    movwf pr2
    bsf    pie1,tmr2ie   ;enable Timer 2 interrupt ;set up SFRs in Bank 0
    bcf    status,rp0   ;select bank 0
    movlw B'00000011'    ;set up Timer 1: no prescale, oscillator
    movwf tlcon          ;disabled, external sync input
    movlw B'01111100'    ;switch on Timer2, no prescale, /16 postscale
    movwf t2con
    movlw B'00001100'    ;select PWM
    movwf ccplcon
    movwf ccp2con ...
(further initialisation and startup omitted) ...
;clear timers
    clrf   tmr0
    clrf   tmr1l
    clrf   tmr1h ;enable interrupts
    movlw D'250' ;load interrupt counter
    movwf int_cntr
    bcf    pirl,tmr2if ;clear pending interrupt
    bsf    intcon,peie ;enable peripheral interrupt
    bsf    intcon,gie  ;enable global interrupt ;
;start running, then wait for Timer interrupt
    movlw D'200' ;set PWM rate for reasonable forward speed
    movwf ccpr1l
    movwf ccpr2l
    bsf    portb,2    ;switch on optos
    bsf    porta,mot_en_left ;enable motors
    bsf    porta,mot_en_rt
wait goto wait
;
;*****
;ISR is here. Interrupts occur every 4ms. Count 250 (i.e.1.0s), then
;measure pulse count on each wheel.
;*****
Timer2_Int    bsf portc,5    ;diagnostic
              decfsz int_cntr
              goto int_end
;here if making a measurement

```

Program Example 9.5: Frequency measurement applied to the Derbot

```

movf   tmr0,0 ;save counter values
movwf  tmr0_temp
movf   tmr1,0
movwf  tmr1_temp
clrf   tmr0           ;clear counters
clrf   tmr1
btfss  portc,0       ;but increment T1 if it is zero, as first
incf   tmr1         ;rising edge won't be seen
movlw  D'250' ;reload interrupt counter
movwf  int_cntr
int_end bcf  p1r1,tmr2if
bcf    portc,5       ;diagnostic
retfie ...

```

Program Example 9.5 cont'd

The timer settings applied can be explored through the program listing. The settings of Timers 0 and 1 are the same as for [Program Example 9.1](#), and the setting of Timer 2 the same as for [Program Example 9.3](#). Following the initialisation, the enabling of interrupts and motors can be seen, as can the setting of the interrupt counter **int_cntr**. The motors are set running forward at a modest speed.

At the beginning of the ISR, the value of **int_cntr** is first of all decremented. If it is non-zero, then the ISR is terminated. However, if the counter has decremented to zero, then one second exactly has elapsed, and the values of Timer 0 and 1 are read and saved. A frequency measurement is thus made. In this simple demonstration program nothing further is done with that measurement. It is used, however, in the next section of this chapter to implement Derbot speed control.

9.9 Speed control applied to the Derbot

Embedded systems are about control, and now for the first time we will apply some closed-loop control!

The **Dbt speed control** program, shown in part in [Program Example 9.6](#), uses the frequency measurement just discussed to implement closed-loop speed control on the AGV's motors. It is based on the principles of a simple closed-loop control system [Ref. 9.1], in that an output variable (motor speed, as represented by shaft encoder frequency) is compared with a demand value. The difference between the two is amplified and used to modify the drive to the motors. The control algorithm is identical for each motor and is embedded within the program ISR, following the comment line **adjust left motor speed**.

The program is effectively an extension of [Program Example 9.5](#), except that the contents of **PR2**, governing the maximum PWM period, have been set to 255_D . This just makes the data manipulation simpler and the program easier to follow. It does, however, mean that the Timer 2 interrupt period is now 4.096 ms, not 4.000 ms, so the frequency measurements made


```

;*****
;dbt_speed_control
;Derbot wheel speed is measured by frequency counting. Derbot
;runs forward at fixed speed - demonstrates simple speed control.
;
;TJW 7.7.05                                     Tested, 24.7.05
;*****
...
    bsf    status,rp0                ;select bank 0
...
    movlw  B'11101000' ;set up Timer 0: external input, increment
    movwf  option_reg      ; on low to high transition,no prescale
    movlw  0ff             ;set PWM prd to its maximum.
    movwf  pr2
    bsf    pie1,tmr2ie ;enable Timer 2 interrupt ;set up
SFRs in Bank 0
    bcf    status,rp0 ;select bank 0
    movlw  B'00000011' ;set up Timer 1: no prescale, oscillator disabled,
    movwf  tlcon      ;external input, sync with int clock
    movlw  B'01111100' ;switch on Timer2, no prescale, /16 postscale.
    movwf  t2con      ;Timer int prd is 4.096ms, freq is 244.14Hz
...
;*****
;ISR is here. Interrupts occur every 4.096ms. Count 125 (0.512s), then
;measure pulse count on each wheel, and calculate new PWM setting
;*****
Timer2_Int  bsf    portc,5 ;diagnostic
            decfsz int_cntr
            goto  int_end ;here if
checking speed
    movf   tmr0,0 ;save counter values
    movwf  tmr0_temp
    movf   tmr1l,0
    movwf  tmr1_temp
    clrf   tmr0 ;clear counters
    clrf   tmr1l
    btfss  portc,0 ;but increment T1 if it is zero, as first
    incf   tmr1l ;rising edge isn't seen
;Adjust left motor speed. Find "error" frequency by subtraction
    movf   tmr0_temp,0
    sublw  D'10' ;this is demand speed
    movwf  tmr0_temp
    btfss  status,c ;check for polarity of result, skip if +ve
    goto   left_err_neg
    bcf    status,c ;here if result positive,
;"Amplify" result by shifting left.
;Check for over-range, bit 7 is initially 0 (from numbers used)
    btfss  tmr0_temp,6 ;check for possible over-range,
            ;don't shift if bit 6 set

    rlf    tmr0_temp,f
    bcf    status,c
    btfss  tmr0_temp,6 ;shift again
    rlf    tmr0_temp,f
    bcf    status,c
    btfss  tmr0_temp,6 ;shift again
    rlf    tmr0_temp,f
    movf   tmr0_temp,w
    addwf  ccpr2l,0 ;add in current PWM value, result to W
    movwf  tmr0_temp ;test and correct for over-range
    btfsc  status,c

```

Program Example 9.6: Derbot speed control program

```

        goto set_l_max      ;carry set, so set max op
        movf tmr0_temp,0 ;output calculated result to PWM
        movwf ccpr2l
        goto rt_adj        ;and proceed
set_l_max movlw D'255' ;here if output value has saturated,
        movwf ccpr2l      ;hence output max value
        goto rt_adj      ;and proceed
left_err_neg comf tmr0_temp,0 ;this will be holding a negative no,
        addlw 1          ;therefore correct by taking 2's comp.
        movwf tmr0_temp
        btfss tmr0_temp,6 ;check for possible over-range,
        rlf tmr0_temp,f ;don't shift if bit 6 set
        bcf status,c
        btfss tmr0_temp,6 ;shift again
        rlf tmr0_temp,f
        bcf status,c
        btfss tmr0_temp,6 ;shift again
        rlf tmr0_temp,f
        movf tmr0_temp,w
        subwf ccpr2l,1 ;and subtract from current PWM value.
                                ;Over-range testing not included
;
;now adjust right motor speed
...

```

Program Example 9.6 cont'd

are not exactly per half second or second. As data is not displayed in human-friendly form, this does not really matter.

To comprehend the settings within this program, an understanding of how the motor speed relates to the shaft encoder frequency is needed. A shaft encoder of 16 cycles per wheel revolution was used. With a supply of 9 V applied to the L293D drive IC, the free-running gearbox output speed was measured to be approximately 154 r.p.m. This is in reasonable agreement with Table A3.1, bearing in mind the losses that occur in the drive electronics. This speed converts to a maximum shaft encoder frequency of $(154 \times 16)/60$, or 41 Hz. To test this program a speed of approximately half this maximum was chosen, implying that over a period of 0.512 s a count of 10 cycles (nearest integer) is expected. This value is embedded within the program.

The control algorithm itself follows the flow diagram of Figure 9.19. It should be possible to follow the program listing through, by cross-reference to the flow diagram. The motors' PWM rates are initially set to mid-range (i.e. zero speed) at the start of the program and the ISR adjusts them thereafter. The program listing shows the left motor only being controlled in this way. The setting for the right motor can be found in the complete listing on the book's companion website.

This program was found to run well, with the controlled speed being measured first 'on the bench' by testing the frequency of the output waveform of the reflective opto-sensors. With the Derbot running on the floor, for the first time it was seen to run in a reasonably true straight line, rather than the gradual curve that occurs when the two motors just run freely.

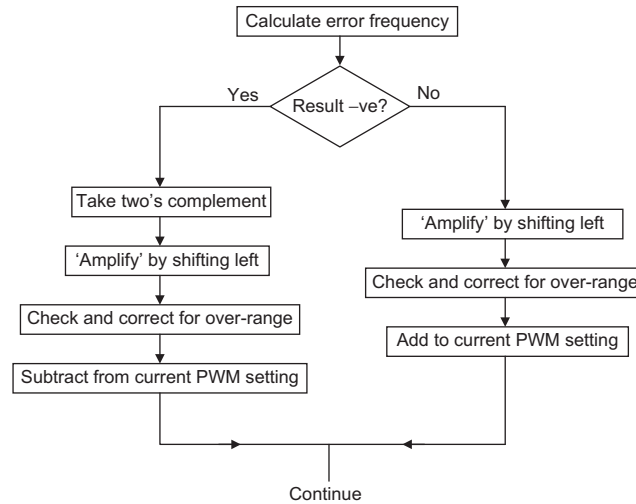


Figure 9.19: Flow diagram of the motor control algorithm

It is worth reminding ourselves that all features of this program, from setting the motor speed to measurement and control of the same, have been achieved using counting and timing techniques.

9.10 When there is no timer

While we have seen the power of the hardware timer, situations will continue to arise in which they are not available. Maybe there are no timers on the microcontroller in use or maybe they have all been used up. This is the case with the Derbot AGV, where all timers are committed, yet if the ultrasound sensor is applied then a further timer is needed. The solution adopted here is to return to the software timing loop described in Chapter 5. The disadvantage of such a loop is that it wholly commits the CPU. It is justified in this case, as the ultrasound measurement is not made continuously and the measurement time is a comparatively small proportion of time overall.

[Program Example 9.7](#) shows part of a program which measures the distance between the ultrasound sensor described in Section 8.6.5 of Chapter 8 and an object in its range. When we get to Chapter 11, the distance will be displayed in centimetres on the hand controller LCD and the circuit can be adapted as an ultrasonic tape measure. This second section of the program is not shown here, as it depends on data manipulation routines described in that chapter. The whole program is on the book's companion website. The ultrasound sensor shares pins with the diagnostic LEDs. Therefore, if the sensor is used, the LEDs are no longer available for independent use, although they still light in response to the ultrasound drive pulses.

```

;*****
;Dbt_US_tst
;Tests derbot ultrasound sensor.
;Measures distance between sensor and object, converts and sends
;measured distance to lcd display,
;Sound travels 1mm/3us. For range of 1m require timing up to 6ms,
;2m up to 12ms.
;
;TJW 10.9.05, rev 17.5.09                      Tested 12.9.05
;*****
...
;
;Specify RAM
    cblock 20
...
echo_time    ;counter measuring time for echo to return
...
    endc ;
    org 00
    goto begin
; (opening program sections omitted)
...
;*****
;The "main" program loop starts here
;*****
us_loop clrf  echo_time    ;clear counter used to measure time
        bsf    portc,5    ;output us pulse. 10us minimum required
        call  delay20u
        bcf    portc,5
        btfss portc,6     ;wait until echo pulse goes high
        goto  $-1
;this loop takes 30us per cycle, ie 10mm there and back, or 5mm one way;
;hence 8-bit range is 255x5mm = 1275mm. Max duration in loop is 30x255=7.6ms
echo    call  delay24u
        incf  echo_time,1
        btfsc status,z    ;test for overflow,which indicates no target found
        goto  no_tgt
        btfsc portc,6     ;test echo pulse, skip if cleared (ie echo recd.)
        goto  echo
;here if target detected
        bsf    portb,1    ;indicate with short bleep
        call  delay200
        bcf    portb,1
        call  delay200
...
(data processing, and transfer to lcd inserted here)
...
        goto  us_loop
no_tgt bsf    portb,1    ;indicate with long bleep
        call  delay500
        call  delay500
        bcf    portb,1
        call  delay200
        goto  us_loop
...
(most subroutines omitted)
...
;This subroutine introduces delay of 24us
delay24u movlw 6        ;6 cycles called, each taking 3us,
        ;plus call (2), & 2 opening insts (2) + 2 at end
        ;less one cycle lost when last goto is hopped
        movwf delcntrl
del21  decfsz delcntrl,1 ;3 inst cycles in this loop, ie 3us
        goto del21
        nop
        return

```

Program Example 9.7: Ultrasound timing in software

The main program applies the timing diagram of Figure 8.16 and is structured as a continuous loop, starting at the label **us loop**. The ultrasound pulse is initiated by the pulse on Port C bit 5. The program then waits until the echo pulse rises. Once this happens, the program enters a timing loop, within which the counter **echo time** is incremented on every cycle. The duration of this loop is designed to be exactly 30 μs . With sound travelling at 1 mm/3 μs , this implies that the sound will travel 10 mm for every iteration of the loop. As the sound must travel to the target and return, this implies in turn a measurement resolution of 5 mm. The state of the echo pulse is tested on every loop iteration, and if and when it is found to fall to zero, the loop is terminated. If the counter overflows, however, then no object has been detected. A short beep on the AGV sounder is emitted if an object is detected and a long one if none is detected. The full program goes on to convert the reading in **echo time** to a distance value expressed in centimetres.

It is suggested that this program is just looked at as a theoretical example at this time, as the subroutines necessary to complete it are introduced in Chapters 10 and 11.

9.11 Sleep mode

As with Chapter 6 we embed Sleep mode, when time appears to be suspended, in a chapter on timing. The Sleep mode of the 16F87XA follows exactly the principles of the Sleep mode of the 16F84A, described in Section 6.6 of Chapter 6. A possible limitation of the 16F84A Sleep mode was the limited range of wake-up opportunities. A significant example of this is the lack of a periodic timed wake-up. (Although the WDT seems to offer this, its frequency of operation is imprecise and the range of overflow periods not particularly wide.)

The 16F87XA in contrast offers a wide range of wake-up opportunities, including a number from peripherals. The interrupt structure diagram of Figure 7.10 suggests that *all* peripherals can cause a wake-up from Sleep. In practice, of course, some of these stop functioning as they depend on the clock oscillator, which is turned off during Sleep. An interesting case now is Timer 1, which can run with its own oscillator. This can be left running while in Sleep, with a periodic wake-up derived from its overflow interrupt. Peripheral wake-up opportunities are available from the following:

- Timer 1, when operating in asynchronous mode.
- The CCP Capture mode interrupt.
- The special event trigger, with Timer 1 operating in asynchronous mode with the external clock.
- The synchronous serial port.
- The USART (Addressable Universal Synchronous Asynchronous Receiver Transmitter) port.

- The ADC, when running with a RC clock oscillator.
- EEPROM write complete.
- The comparator output change.
- The parallel slave port read or write (for the 16F874A or '877A).

9.12 Where do we go from here?

We have seen in the last few pages a wealth of tools and techniques that allow time-based activities to be developed. Life has been kept simple, however, as most examples have been introduced as if the activity in question will be the only one it will do. In practice this is not the case, of course – the Derbot AGV will need to run its motors while it measures the motor speed, while it controls the servo, and so on. The number of time-based tasks will become many, and possibly conflicting. We have already seen, for example, the case of one timer being used for two different and potentially conflicting tasks. This challenge of marshalling time-based activity in an embedded system is common in many systems and needs a systematic approach to resolve it. That systematic approach will be seen in the real-time operating system, a subject for Chapter 18.

9.13 Building the Derbot

To run most of the programs used as examples in this chapter, you will need to add the reflective opto-sensors to the Derbot and the shaft encoder patterns to the wheels. The circuit will then have reached the stage shown in [Figure 9.20](#). To run [Program Example 9.3](#), the servo will need to be added. This is not shown in [Figure 9.20](#), but can be seen in [Figure A3.1](#).

Summary

- Timing is an essential element of embedded system design – both in its own right and to enable other embedded activities, like serial communication and pulse width modulation.
- A range of timers is available, with clever add-on facilities which extend their capability to capture, compare, create repetitive interrupts or generate PWM pulse streams.
- In applications of any complexity, a microcontroller is likely to have several timers running simultaneously, for quite different and possibly conflicting applications. The question remains open at this stage: how can these different time-based activities be marshalled and harmonised?

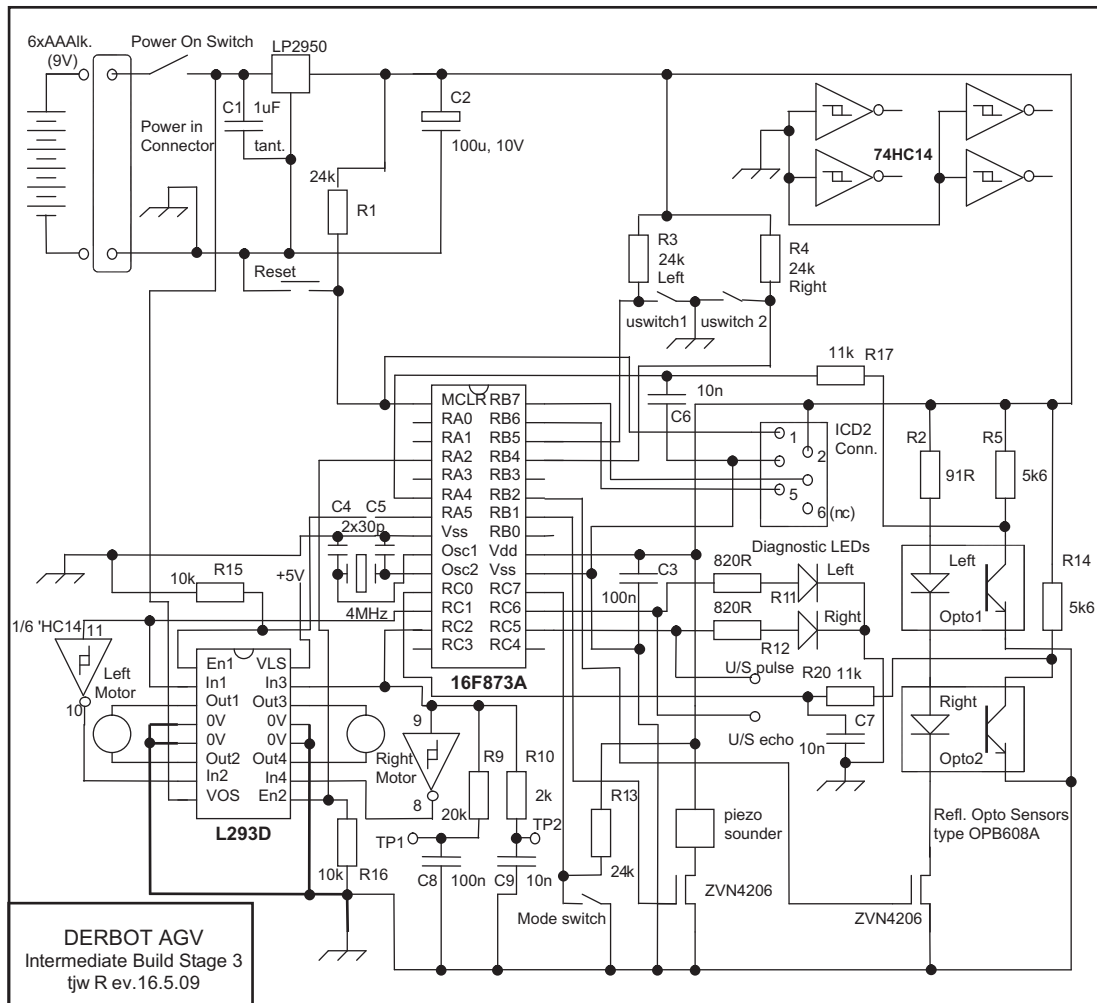


Figure 9.20: Derbot intermediate build stage 3

References

- 9.1. Bolton, W. (1998). *Control Engineering Pocket Book*. Newnes, Oxford, UK. ISBN 0 75063928 8.

Questions and exercises

1. The Timer 0 module of a 16F873A is to be used to generate a regular interrupt. The interrupt must occur every 5 ms. Crystal oscillators are available at the following frequencies: 1.0 MHz, 1.8432 MHz, 2.0 MHz, 2.457 MHz, 3.276 MHz, 3.579 MHz and

- 4.0 MHz. Recommend one crystal, and indicate how the Option register should be set in order to achieve this objective.
2. The **T1CON** register of a 16F873A is loaded with 0011 0101. The microcontroller clock oscillator is running at 16 MHz and there is a 320 kHz logic compatible signal connected to pin 11. If the Timer is initially cleared, how long does it take before it overflows for the first time?
 3. A 16F873A microcontroller is running from a clock oscillator frequency of 8 MHz. The **T2CON** register has been set to 0011 1101 and the **PR2** loaded with 1111 1001. With what frequency (or period) is the **TMR2IF** interrupt flag set?
 4. The Timer 1 of a 16F873A is connected to an external crystal of frequency 131.072 kHz, and **T1CON** loaded with 0010 1011. The register **CCP1CON** is loaded with 0000 0110. Timer 1 is cleared to zero and left to run. Ten ms after this, and then every 10 ms, a positive-going pulse is applied at pin 13. What values are held in **CCPR1H** and **CCPR1L** after 45 ms?
 5. The Timer 2 and PWM module of a 16F873A are operating in an application with a clock oscillator frequency, F_{OSC} , of 4 MHz. The Timer 2 prescaler is initially set to 1:4, the **PR2** register is loaded with a value 240 (decimal), and **CCPR1H** with a value of 30 (decimal).
 - (a) Which register controls the period of the PWM waveform, and which register controls the 'on' time?
 - (b) For the settings described, what is the resulting PWM period?
 - (c) For the settings described, what is the approximate resulting 'on' time?
 6. Estimate the pulse width and period of the PWM signal generated by the program fragment of [Program Example 9.8](#), assuming a 4 MHz oscillator frequency.

```

...
pwm_width   equ   D'20'
pwm_prd     equ   D'240'
...
outer_loop  bsf   portb,1
            clrf  counter
inner_loop  incf  counter
            movf  counter,0 ;move contents of counter to W
            sublw pwm_width ;subtract counter from pwm_width
            btfsc status,z
            bcf   portb,1
            movf  counter,0 ;move contents of counter to W
            sublw pwm_prd ;subtract counter from pwm_prd
            btfsc status,z
            goto  outer_loop ;go to outer_loop if counter=pwm_prd
            goto  inner_loop ;go to inner_loop if counter<pwm_prd
...

```

Program Example 9.8: Program Fragment for Question 6

Starting with serial

An essential activity within any microprocessor system is the movement of data, between say CPU and memory. Equally important is the transfer of data between subsystems, say computer and keyboard. Data is sent by ordering bits into words (often bytes, but not always) and then sending those words.

Broadly speaking, there are two ways of transferring the data. In parallel transfer, all the bits of the word are transmitted at the same time, each bit over its own connection. The alternative is to send each bit in turn, over a single connection. This is called serial communication. It is easy to see the first relative advantages. Parallel takes more wires and connections, but is faster. Serial needs fewer wires, is slower, and generally requires more complex hardware to transmit and receive.

Therefore, in the past, over short distances data transfer has been mainly parallel. Over long distances, where running a large number of wires would be bulky and expensive, it has been serial. Now, however, that distinction has been challenged, and nowhere more so than in the field of embedded systems, where things must be very small. The advantage of serial transmission, with its fewer wire links, has in many situations become overwhelming. Serial communication has therefore become very important and great ingenuity has been applied to overcoming its main apparent disadvantages – its low speed and more complex hardware.

This chapter introduces the main ideas of serial data communication, both in principle and practice. This includes:

- Describing the principles of synchronous serial communication.
- Exploring the implementation of synchronous serial communication with the PIC 16F873A, notably with the SPI (Serial Peripheral Interface) and I²C (Inter-Integrated Circuit) protocols.
- Describing the principles of asynchronous serial communication.
- Exploring the implementation of asynchronous serial communication with the PIC 16F873A.

As always, a good proportion of the material is illustrated with example code. This is written for the Derbot AGV and its hand controller board, and will be of interest whether or not one has the hardware to run the programs. A number of oscilloscope traces of serial data are also included. At the time of writing it is effectively not possible to simulate the programs in this chapter with the MPLAB simulator, as the serial ports are not supported in the simulator.

10.1 The main idea – introducing serial

The introduction above identified one of the main advantages of serial communication, the fact that it saves space. Figure 10.1 shows one way that this happens. Both of the memory ICs pictured can store the same amount of data. However, the one with parallel interconnect needs thirteen address lines and eight for data, which dominate the chip size. The one using serial interconnect has *two* lines (SCL – serial clock; SDA – serial data) for data address and *three* (S0, $\overline{S1}$, S2) for address. This incidentally is an example of an I²C chip, of which we shall learn much more soon. The space saving at the IC level is clearly dramatic. To this is added the space saving in PCB tracks, ribbon cable and so on.

While serial communication has a number of clear advantages, it is important to recognise the challenges it also presents. With just a single wire to carry the data how do we know when one bit starts or ends, or where a word starts or ends? These questions are resolved in a number of interesting ways. Two different ways are used to identify the individual bits. The simple way is to send a clock signal to accompany the data; every clock cycle is used to indicate one bit of data. This is called ‘synchronous’ serial data communication. Instead of

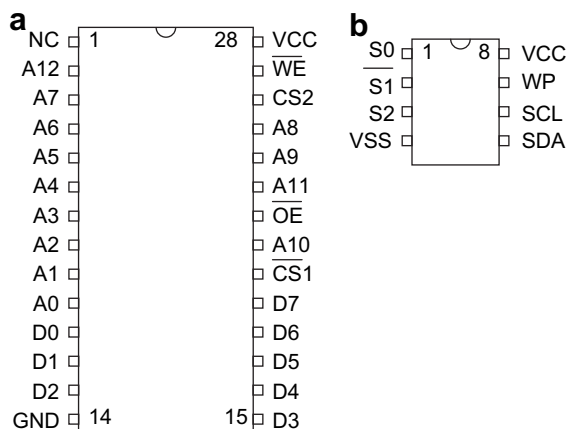


Figure 10.1: Example dual-in line packages required for 8 Kbyte memory, approximately to scale. (a) Parallel address and data buses. (b) Serial address and data buses

sending a clock signal everywhere, certain timing requirements can be placed on the data itself. In this case, it can be possible to do without the clock and the data bits can still be properly identified. This is called ‘asynchronous’ serial data communication. We look at both of these in some detail during this chapter.

To identify the start and end of a whole word, it is common to package the data in a certain format. Data synchronisation and formatting implies certain sets of rules will be needed, in order to ensure coherent communication. These sets of rules are called ‘protocols’ and are very important in the serial world. Some are comparatively simple, while others are very complicated. We will come across a number in this chapter.

In a serial link, we generally use the idea of a ‘transmitter’, the device outputting data onto a serial link, and ‘receiver’, the device receiving the data. In general terms, any device on a serial link is sometimes called a ‘node’.

To illustrate our study of serial communication, we will be looking at the serial capabilities of the 16F873A. This has two serial ports, as mentioned in Chapter 7. Both are extremely flexible and can be configured in different ways. Therefore, both are quite complex! The Master Synchronous Serial Port (MSSP) is designed for different forms of serial communication, while the Addressable Universal Synchronous Asynchronous Receiver Transmitter (USART) can operate in both synchronous and asynchronous modes.

10.2 Simple serial links – synchronous data communication

10.2.1 Synchronous basics

To understand how data can be sent serially, it is helpful to explore the underlying hardware. Data within a microprocessor or memory is still likely to be used and formatted in parallel. Therefore, a serial transmitter needs to be able to accept data in parallel format, but then transmit it serially; a serial receiver needs to be able to do the reverse. The classic way of doing this is with a shift register.

A simple 8-bit shift register is shown in [Figure 10.2](#). It is made up of eight flip-flops connected together so that the Q-output of one becomes the data input of the next. All are driven from the same clock, and on every clock cycle the data is moved one flip-flop to the right. If a new bit of data appears at the D_{IN} input on every clock cycle, then in eight clock cycles one byte will be clocked through such that it can be read as a parallel word from outputs Q_A to Q_H . This simple circuit can act as a ‘receiver’ of serial data.

It is not difficult to enhance the circuit so that parallel data can not only be read from the shift register, it can also be ‘loaded’ with a parallel word. It’s not worth drawing the full logic diagram of such a shift register, but instead we can represent it in block diagram form, as

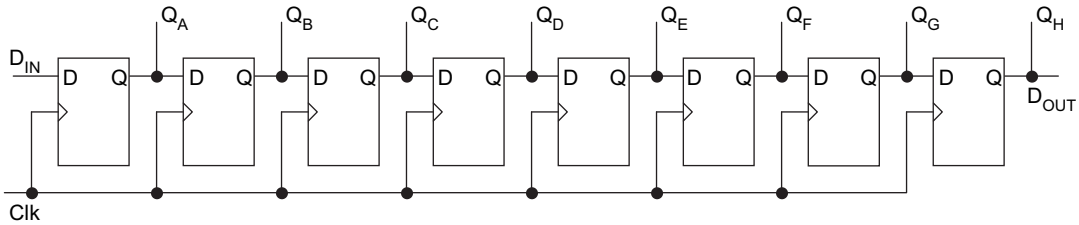


Figure 10.2: An 8-bit shift register – a possible ‘receiver’ of serial data

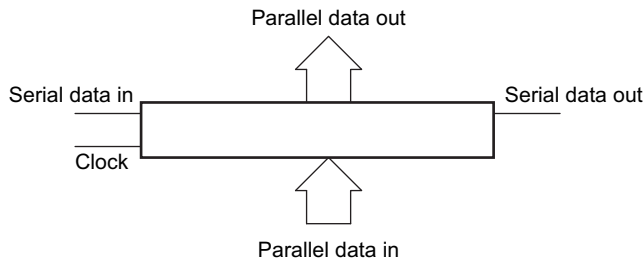


Figure 10.3: Block diagram of a general-purpose shift register

in Figure 10.3. With this general-purpose shift register, we can clock serial data into it or out of it, and can read parallel data or load parallel data.

At this point we already have the basis for a serial communication link. If two of the shift registers shown in Figure 10.3 are taken and clocked from the same source, then data from one can be transferred serially to the other using the connection shown in Figure 10.4. Effectively, the two 8-bit shift registers act as one 16-bit shift register, with output connected back to input. After eight clock cycles the data in one shift register is moved to the other. Therefore, *either*

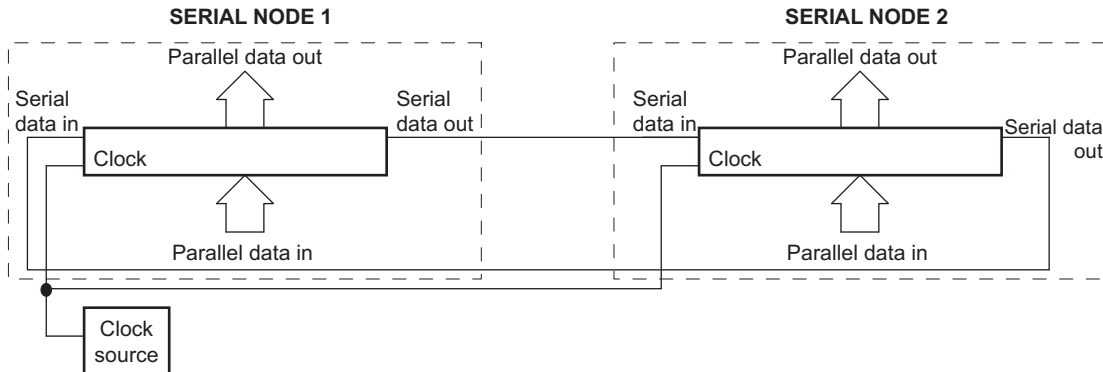


Figure 10.4: A general-purpose serial communication link

can be viewed as the transmitter and either as the receiver. The action of data transfer is actually controlled by the clock. The link is called a ‘synchronous’ link because the data transfer is synchronised to a common clock signal.

10.2.2 Implementing synchronous serial I/O in the microcontroller

The synchronous serial link just described can be readily implemented in a microcontroller, as shown in Figure 10.5. The clock source is placed in the microcontroller, and as the clock controls data flow, this node is called the ‘master’. The other node is called the ‘slave.’ The slave device could be another microcontroller, a memory device or one of a range of other peripherals.

This sort of connection is the basis of many simple embedded serial links. The shift register is memory mapped, and can be read from and written to.

10.2.3 Microwire and Serial Peripheral Interface

In the late 1970s and early 1980s, National Semiconductor, Motorola and others were developing microprocessors and microcontrollers that had built-in synchronous serial capability. They needed to define the associated operating characteristics so that other manufacturers could make devices that could interface reliably with their products. Both National and Motorola were producing serial ports that worked in the way described above. From their designs, two standards were produced. National called theirs Microwire and Motorola called theirs Serial Peripheral Interface (SPI). These are similar to and can communicate with each

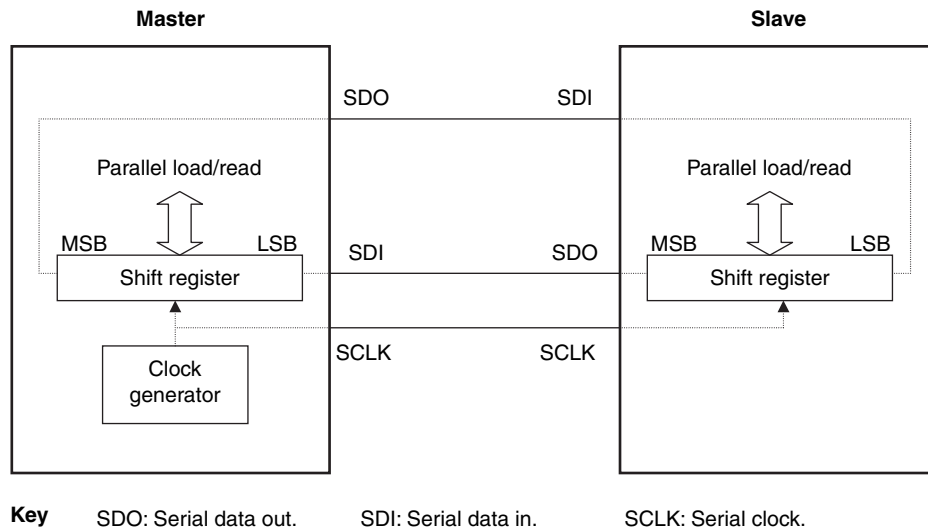


Figure 10.5: The synchronous serial link implemented in a microcontroller

other. Each has the flexibility to adjust its characteristics, for example to determine whether data is transferred on the rising or falling edge of the clock. Both have now been going for many years and are well established, with new chips still being produced which interface with them. We will see an implementation of SPI in the following sections.

10.2.4 Introducing multiple nodes

The diagram of Figure 10.5 gives an effective serial link, but it only connects two nodes. How could we extend it? The answer is simple. If a means is introduced of selecting which slave device the master is to communicate with, then more than one slave can be connected to the serial data lines, as shown in Figure 10.6. Each slave input now requires a means of enabling it, sometimes labelled ‘Slave Select’ (SS) or ‘Chip Select’. The exact function of the SS line varies somewhat from one device to another, but to a greater or lesser extent it causes the slave to disconnect all or part of itself from the serial connection. The master now has to have a dedicated line for each slave with which it communicates; these can be port bit outputs.

10.3 The 16F87XA Master Synchronous Serial Port module in SPI mode

The MSSP module is designed for synchronous communication and can be configured as a simple synchronous port (called SPI mode, but compatible with both SPI and Microwire), or as an I²C port (Inter-Integrated Circuit). It has three SFRs dedicated to it, **SSPCON1**, **SSPCON2** and **SSPSTAT**, which can be found in the register file map diagram of Figure 7.6. It also has a register for data transfer, **SSPBUF**, and is the source of an interrupt, as seen in Figure 7.10. In this section we look at the module in SPI mode.

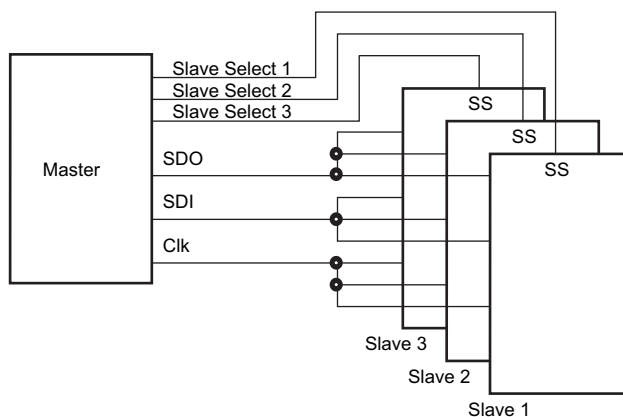


Figure 10.6: Single synchronous master with multiple slaves

operation. This, for example, allows a received byte to be held temporarily, while the next one is already being clocked in.

10.3.2 Port configuration

The two SFRs that control the action of the port in SPI mode are **SSPCON1** and **SSPSTAT**. Their use differs somewhat between the SPI and I²C modes. They are shown, when used in SPI mode, in Figures 10.8 and 10.9 respectively. In them there are bits to do the following:

- Enable and configure the port.
- Set clock rate and clock characteristics.
- Manage data transfer and buffering.

R/W-0	R/W-0	R/W-0	R/W-0	R/W-0	R/W-0	R/W-0	R/W-0
WCOL	SSPOV	SSPEN	CKP	SSPM3	SSPM2	SSPM1	SSPM0
bit 7				bit 0			

- bit 7 **WCOL:** Write Collision Detect bit (Transmit mode only)
 1 = The SSPBUF register is written while it is still transmitting the previous word. (Must be cleared in software.)
 0 = No collision
- bit 6 **SSPOV:** Receive Overflow Indicator bit
SPI Slave mode:
 1 = A new byte is received while the SSPBUF register is still holding the previous data. In case of overflow, the data in SSPSR is lost. Overflow can only occur in Slave mode. The user must read the SSPBUF, even if only transmitting data, to avoid setting overflow. (Must be cleared in software.)
 0 = No overflow
Note: In Master mode, the overflow bit is not set, since each new reception (and transmission) is initiated by writing to the SSPBUF register.
- bit 5 **SSPEN:** Synchronous Serial Port Enable bit
 1 = Enables serial port and configures SCK, SDO, SDI, and \overline{SS} as serial port pins
 0 = Disables serial port and configures these pins as I/O port pins
Note: When enabled, these pins must be properly configured as input or output.
- bit 4 **CKP:** Clock Polarity Select bit
 1 = Idle state for clock is a high level
 0 = Idle state for clock is a low level
- bit 3-0 **SSPM3:SSPM0:** Synchronous Serial Port Mode Select bits
 0101 = SPI Slave mode, clock = SCK pin. \overline{SS} pin control disabled. \overline{SS} can be used as I/O pin.
 0100 = SPI Slave mode, clock = SCK pin. \overline{SS} pin control enabled.
 0011 = SPI Master mode, clock = TMR2 output/2
 0010 = SPI Master mode, clock = FOSC/64
 0001 = SPI Master mode, clock = FOSC/16
 0000 = SPI Master mode, clock = FOSC/4
Note: Bit combinations not specifically listed here are either reserved or implemented in I²C mode only.

Figure 10.8: The SSPCON1 register (address 14_H) in Serial Peripheral Interface mode

	R/W-0	R/W-0	R-0	R-0	R-0	R-0	R-0	R-0
	SMP	CKE	D/ \bar{A}	P	S	R/ \bar{W}	UA	BF
								bit 0
bit 7	SMP: Sample bit <u>SPI Master mode:</u> 1 = Input data sampled at end of data output time 0 = Input data sampled at middle of data output time <u>SPI Slave mode:</u> SMP must be cleared when SPI is used in Slave mode.							
bit 6	CKE: SPI Clock Select bit 1 = Transmit occurs on transition from active to Idle clock state 0 = Transmit occurs on transition from Idle to active clock state Note: Polarity of clock state is set by the CKP bit (SSPCON1<4>).							
bits 1 to 5 not used in SPI mode								
bit 0	BF: Buffer Full Status bit (Receive mode only) 1 = Receive complete, SSPBUF is full 0 = Receive not complete, SSPBUF is empty							

Figure 10.9: The SSPSTAT register (address 94_H) in Serial Peripheral Interface mode

The port is enabled with bit 5 (**SSPEN**) of **SSPCON1**, and its operating mode selected with the lower four bits of the same register. It can be seen that these bits determine whether the port is to work as master or slave. If in Master mode, four clock sources are available. As can be seen, these are either the clock oscillator signal divided by 4, 16 or 64, *or* the Timer 2 output, as described in Chapter 9 and seen in Figure 9.4.

If in Slave mode, the Slave Select input pin \overline{SS} can be enabled, through the four lower bits of **SSPCON1**. In this case, an external \overline{SS} signal can control the tristate buffer that drives the **SDO** pin and the clock to the shift register. The \overline{SS} input then effectively enables the serial port action and the port can be used in a multi-node configuration, such as in Figure 10.6.

For all pins through which data or clock transfer is to take place, the data direction bits must be set as needed. Therefore, for the **SDO** pin, which is shared with Port C bit 5, bit 5 of **TRISC** must be cleared to make the pin an output. Similarly, for **SCK**, in Master mode bit 3 of **TRISC** must be cleared (to make it an output), while in Slave mode it should be set (to make it an input). The **SDI** pin, however, is under the direct control of the MSSP module.

10.3.3 Setting the clock

Figure 10.10 shows the relationship between clock and data waveforms available when the module is in Master mode. If bit **CKP** is set to 1, then the clock idles at Logic 1. The clock

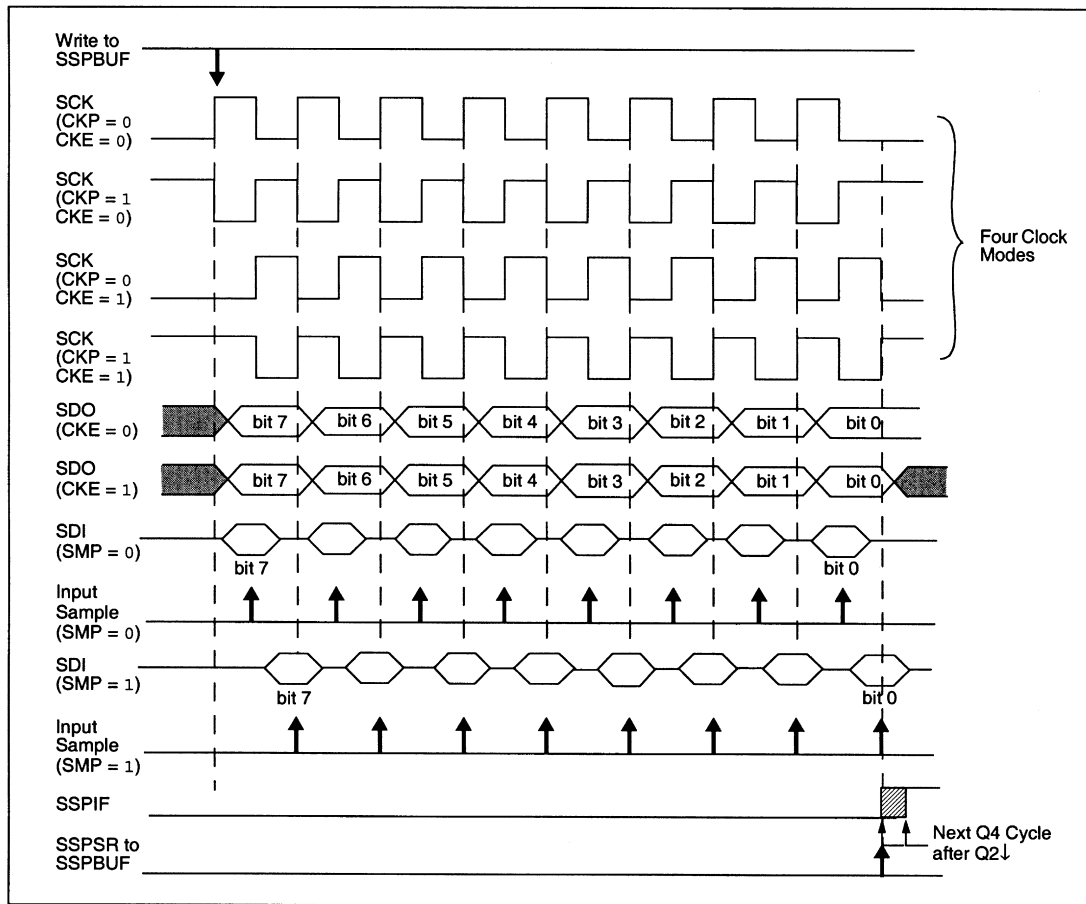


Figure 10.10: Serial Peripheral Interface timing diagram, Master mode

edge on which data is transmitted is determined by bit **CKE**. For incoming data, the instant when data is sampled is determined by bit **SMP**. The way these are set may be determined by the particular requirements of the slave device that is being used. It is, of course, essential to maintain consistency throughout a single interconnected system.

10.3.4 Managing data transfer

A synchronous serial port such as the one we are looking at can be set as master or slave. Within either of these, the application software can use it as receiver or transmitter, or both. Whatever the application, data is always clocked out from one end of the shift register and in at the other. It is up to the user to determine which data is to be used.

Use of a serial port therefore brings with it some interesting challenges in terms of timing and control. If the port is set as Slave, then an external device causes the transfer, but the slave port must be alerted to this. It must move data into and/or out of the port buffer, according to which direction data is moving. If it is a master, it initiates the transfer and must also move data to and/or from the buffer. In either case, the serial port hardware can be undertaking a data transfer while the program is doing something completely different. To assist in managing the process, the port has a number of Status bits in its SFRs, as well as the interrupt.

If the port is set as Master, a write to the buffer register **SSPBUF** automatically starts a transfer, clocking out whatever data has been loaded into **SSPBUF** and clocking in whatever data is present at the **SDI** pin. On completion of eight clock cycles, the interrupt flag **SSPIF** is set and data in the shift register **SSPSR** is automatically transferred to the buffer **SSPBUF**. The **SSPIF** flag can be used as an interrupt to alert the CPU that the transfer is complete. If there is a write to **SSPBUF** before the previous word has been completely sent, then the write collision bit **WCOL** is set.

If it is set as Slave, then, when the **SCK** input starts switching, the port clocks data into the **SSPSR** shift register through the **SDI** pin. At the same time, data is clocked out of it from the other end through the **SDO** pin. It is, of course, up to the system designer to ensure that valid data is ready in the **SSPSR** register and/or is available at the **SDI** input, according to the requirement. When eight cycles are complete, the interrupt flag **SSPIF** is set and, again, data in **SSPSR** is automatically transferred to the buffer **SSPBUF**. If the previous byte has *not* been read from **SSPBUF**, then the **SSPOV** bit is set, indicating a receive overflow.

10.4 A simple Serial Peripheral Interface example

The Derbot AGV, in the version described in this book, does not use SPI data communication. Nevertheless, Program Example 10.1 provides a simple example program that runs on the Derbot hardware. As always, a full listing appears on the book's companion website, while only the features of direct interest are shown in the example. In this case, it is such a short program that almost all of it is reproduced. It should be possible to cross-check all initialisation settings with the control registers in [Figures 10.8 and 10.9](#).

The program enables the Derbot microcontroller SPI by writing to **SSPCON1** (for reasons of backward compatibility the Assembler Include File calls this **SSPCON**) and sets it up as a master, with clock frequency $F_{osc}/16$. Clock control bits **SMP** and **CKE** are both set to zero here. Clock and data output pins are set up as outputs via **TRISC**. The program then transmits two bytes in turn repeatedly on the serial link, with a 40 μ s delay in between.

```

;*****
;sync_ser_demo
;Program to demonstrate MSSP serial output.
;Program sends same two digits repeatedly from serial port, with delay.
;serial data appears on Port C bit 5, serial clock on Port C bit 3.
;2.7.05. TJW                                     Tested 2.7.05
;*****
...
(early comments and initialisation omitted)
...
;
    bsf     status,rp0      ;select memory bank 1 ...
    movlw  B'10000000' ;Set port C bits, SDO and SCK set as op.(SDI line,
    movwf  trisc          ;bit 4, is controlled by SPI module, so leave)
...
    bcf     status,rp0      ;select memory bank 1
    movlw  B'00000000'
    movwf  sspstat        ;SMP=0, CKE=0, other bits don't apply
    movlw  B'00110001'    ;enable serial port, master mode, clock is fosc/16
    movwf  sspcon         ;& idles high.
;Switch all outputs off
    clrf   porta
    clrf   portb
    clrf   portc
loop  movlw B'11010101'
    movwf  ssbuf
    call   delay40u
    movlw  B'00101010'
    movwf  ssbuf
    call   delay40u
    goto  loop ;
;Subroutine: introduces delay of 40us approx
delay40u  movlw  D'10'      ;10 cycles called, each taking 4us
    movwf  delcntrl
dell     nop                ;4 inst cycles in this loop, ie 4us
    decfsz delcntrl,1
    goto  dell
    return
end

```

Program Example 10.1: Serial Peripheral Interface demonstration program

Figure 10.11 shows oscilloscope traces of the data and clock lines of Program Example 10.1, for **CKE** = 1 and **CKE** = 0. These are a practical confirmation of some of the waveforms of Figure 10.10. With the horizontal scale set at 10 μ s per division, the clock period can be seen to be exactly 4 μ s, i.e. a frequency of 250 kHz. This corresponds with the clock setting made in **SSPCON1**, of F_{osc} (4 MHz) divided by 16. The two data bytes 11010101, followed by 00101010, can clearly be seen, being transmitted MSB first. With bit **CKP** (in **SSPCON1**) in both cases set high, the clock is seen to idle at Logic 1. When bit **CKE** (in **SSPSTAT**) is set high, we see the output data changing on the positive-going edge of the clock, i.e. from its 'active' (Logic 0 in this case) to its idle state. The reverse is true when **CKE** is zero. Notice that the idle state of the data line is not fixed.

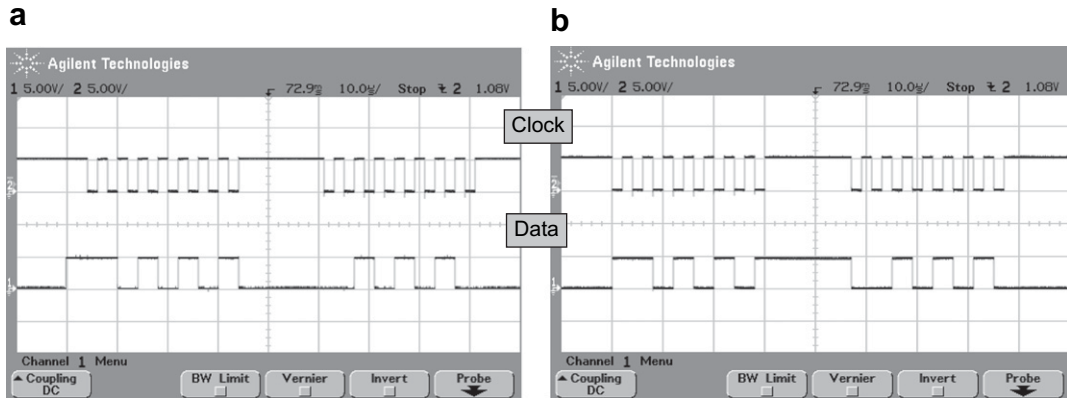


Figure 10.11: Synchronous serial output. (a) CKP 1, CKE 1. (b) CKP 1, CKE 0

The timing between bytes is also of interest. Notice that the program calls a delay of 40 μ s between sending bytes, but that the apparent gap is less than 20 μ s. This is because the data transmission process is initiated by the program when it writes to `SSPBUF`. The delay subroutine is then called by the program and much of it runs *while* the data transmission is taking place.

10.5 The limitations of Microwire and Serial Peripheral Interface, and of simple synchronous serial transfer

From what we have seen so far, synchronous links like Microwire and SPI provide a simple and reliable data connection, yet they have limitations. These include:

- They don't cater well for situations where more than one master may be required.
- They don't address.
- They don't acknowledge – the transmitter simply doesn't know whether the message has been received.
- They are not very flexible – it may not be that easy to add another node, even just one more slave, as for each new slave (at least in the configuration of [Figure 10.6](#)) an extra Slave Select line is needed.

10.6 Enhancing synchronous serial and the Inter-Integrated Circuit bus

The Inter-Integrated Circuit (I^2C) protocol was developed by Philips to provide a serial communication standard to overcome some of the shortcomings of Microwire or SPI. As its name suggests, it is meant to provide communication between ICs within a single system. It is intended to be flexible and tolerant of different technologies and speeds. Like all good

standards, it has been exploited well beyond its original intended application. The full I²C specification can be found in Ref. 10.1, with a useful commentary on it in Ref. 10.2.

10.6.1 Main Inter-Integrated Circuit features and physical interconnection

Like SPI or Microwire, I²C is based on a master–slave relationship between nodes. The master controls all bus usage. The current specification [Ref. 10.1] names four bus speeds: Standard-mode (with bit rate up to 100 kbps), Fast-mode (with bit rate to 400 kbps), Fast-mode Plus (with bit rate to 1 Mbps) and High-speed mode (with maximum bit rate of 3.4 Mbps).

The I²C bus uses only two lines for *all* interconnection, called SDA (serial data) and SCL (serial clock). The output of each node connects to the bus using an Open Drain or Open Collector output, as shown in Figure 10.12, while the node input is through a standard logic buffer. The two interconnect lines each have a pull-up resistor. Both lines are bi-directional, but the SCL clock signal is always generated by the current master.

When no node is accessing the bus the Open Drain outputs are all inactive and the lines idle at Logic 1. The number of nodes connected to the bus is limited just by the number of addresses that are available (see below) and the loading capacitance that each adds. Too much capacitance ultimately will mean that the clock or data rise time will exceed the specified maximum value.

10.6.2 The pull-up resistor

With neither line having an active pull-up, it is the pull-up resistor in conjunction with the line capacitance that determines the rise time. The specification states a maximum line capacitance

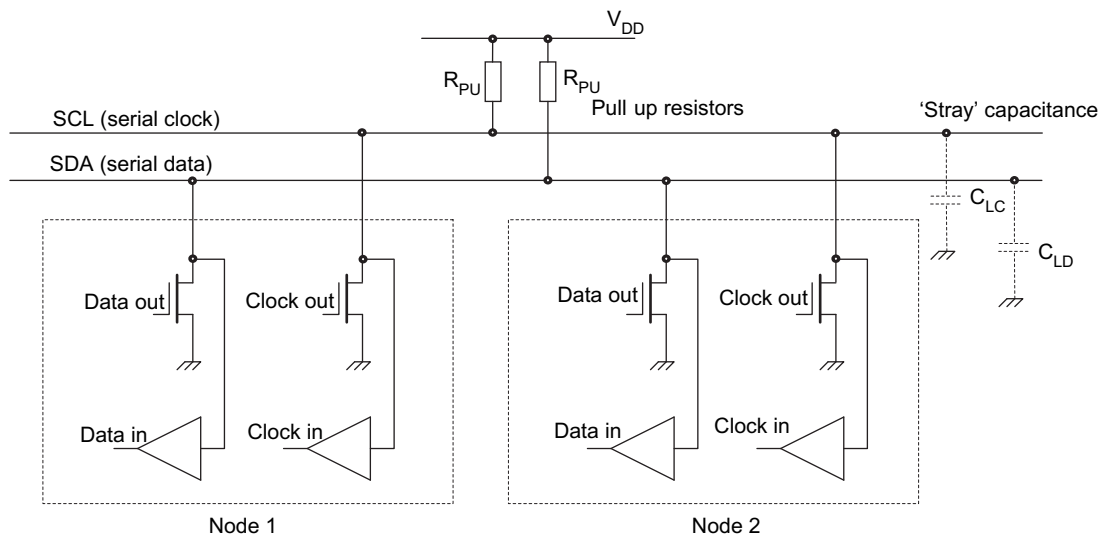


Figure 10.12: The basis of Inter-Integrated Circuit interconnection

of 400 pF and a maximum rise time (from Logic 0 to Logic 1) in standard mode of 1000 ns. The value of the resistor is chosen to achieve the rise time requirement, dependent on this line capacitance. A low value of resistor reduces the rise time but increases current consumption. A value of 4.7 k Ω is widely used; the value must, however, be lowered if the line capacitance is high or can be increased if line capacitance is low. Reference 1.1 gives example calculations for this.

10.6.3 Inter-Integrated Circuit signal characteristics

The I²C protocol follows a very clear format for data transfer, as shown in Figure 10.13. It is initiated by a Start condition, in which the SDA line is taken low, while the SCL line stays high. It is terminated by a Stop condition, in which the SDA line goes high while the clock is held high. The Start and Stop conditions are asserted by the current master, as is the clock.

Between the Start and the Stop, data is transferred in bytes. During this time, the SDA value can only change when SCL is low; data must remain stable when the clock line is high. This allows data transfer and Start or Stop to be distinguished. The first byte of any transfer contains address information. The standard allows for either a 7-bit address, within a single byte, or a 10-bit address spread across two bytes. The figure shows the 7-bit version. In either mode the eighth bit of the first byte is a Read/Write bit. This determines direction of data flow for the message that follows. At the end of every byte, the transmitter releases the SDA line and the receiver must send an acknowledge bit, pulling the SDA line low. Any number of bytes can be sent within one message (i.e. between single Start and Stop bits).

There are two slight exceptions to the pattern just described. A ‘general call’ address is allowed, for which all address bits are zero. This is used to address all nodes on the bus simultaneously. If a master wants to start a new message when it is still within a message, then a ‘Repeated Start’ condition is available.

Importantly, the I²C protocol allows for more than one master, and a node can switch from being a slave to being a master. If the bus is idle, then any of the potential masters can take

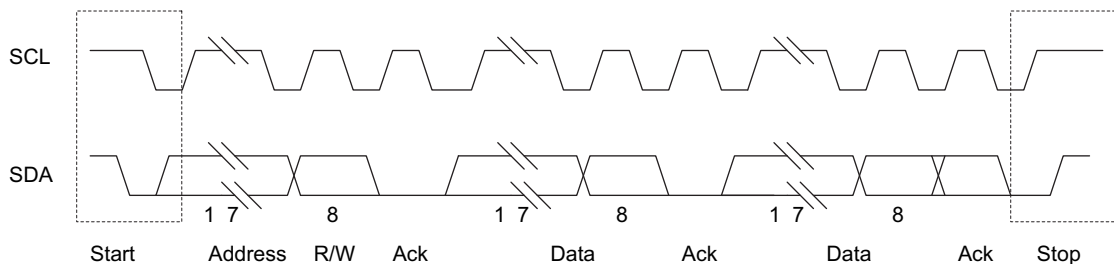


Figure 10.13: Inter-Integrated Circuit signal characteristics

control of it. If two try to take control of the bus at the same time, an arbitration process is applied, as described in Ref. 10.1.

10.7 The Master Synchronous Serial Port configured for Inter-Integrated Circuit

The 16F873A MSSP can be configured for I²C operation. In this case the **SCL** line is shared with bit 3 of Port C and **SDA** with bit 4 of Port C. In I²C mode the port is significantly more complex than when in SPI mode, and care needs to be taken to understand it. The first indication of the increased complexity is the whole extra control register, **SSPCON2**, needed for I²C mode.

We will aim to introduce this complex but interesting serial application incrementally, and illustrate it with programs for the Derbot AGV.

10.7.1 The MSSP Inter-Integrated Circuit registers and their preliminary use

As with the MSSP in SPI mode, the two registers central to the module hardware are the shift register **SSPSR** and the buffer **SSPBUF**. To these are added an address register, **SSPADD**. This is used to hold the slave address when in Slave mode; while in Master mode it forms part of the baud rate generator. Block diagrams of the module hardware, one for each of the slave and master, follow shortly.

When in I²C mode, the MSSP uses the two control registers already introduced, **SSPCON1** and **SSPSTAT**. Most bits in these are, however, used for different functions, so they must effectively be viewed almost as different SFRs, from the point of view of learning about them. They are reproduced in [Figures 10.14 and 10.15](#). To cope with the greater I²C complexity, there is a further control register, **SSPCON2**, shown in [Figure 10.16](#). There is thus a total of six registers that the programmer uses directly for I²C operation, in addition to the registers relating to Port C and interrupts.

As in SPI mode, the MSSP is enabled for I²C by setting the **SSPEN** bit in the **SSPCON1** register. The mode of operation, notably whether master or slave, and the address length used, is then determined by the setting of the least significant four bits of **SSPCON1**. It can be seen from [Figure 10.14](#) that there are six possible I²C modes of operation.

While the bits of the **SSPSTAT** register mostly give information about the current status of the port, the bits in the new **SSPCON2** register ([Figure 10.16](#)) initiate one or other of the I²C activities. Setting **SEN**, for example, initiates a Start condition, **PEN** a Stop condition and **RSEN** a Repeated Start. We shall see examples of this soon.

To gain an insight into how these bits are used and their timing, it is more or less essential to study the timing diagrams that appear in the data sheets. There are many of these, one for each of the possible modes of operation. Two of these are shown a little later in this chapter. The art

	R/W-0	R/W-0	R/W-0	R/W-0	R/W-0	R/W-0	R/W-0	
	WCOL	SSPOV	SSPEN	CKP	SSPM3	SSPM2	SSPM1	SSPM0
	bit 7						bit 0	
bit 7	WCOL: Write Collision Detect bit							
	<u>In Master Transmit mode:</u>							
	1 = A write to the SSPBUF register was attempted while the I ² C conditions were not valid for a transmission to be started. (Must be cleared in software.)							
	0 = No collision							
	<u>In Slave Transmit mode:</u>							
	1 = The SSPBUF register is written while it is still transmitting the previous word. (Must be cleared in software.)							
	0 = No collision							
	<u>In Receive mode (Master or Slave modes):</u>							
	This is a “don’t care” bit.							
bit 6	SSPOV: Receive Overflow Indicator bit							
	<u>In Receive mode:</u>							
	1 = A byte is received while the SSPBUF register is still holding the previous byte. (Must be cleared in software.)							
	0 = No overflow							
	<u>In Transmit mode:</u>							
	This is a “don’t care” bit in Transmit mode.							
bit 5	SSPEN: Synchronous Serial Port Enable bit							
	1 = Enables the serial port and configures the SDA and SCL pins as the serial port pins							
	0 = Disables the serial port and configures these pins as I/O port pins							
	Note: When enabled, the SDA and SCL pins must be properly configured as input or output.							
bit 4	CKP: SCK Release Control bit							
	<u>In Slave mode:</u>							
	1 = Release clock							
	0 = Holds clock low (clock stretch). (Used to ensure data setup time.)							
	<u>In Master mode:</u>							
	Unused in this mode.							
bit 3-0	SSPM3:SSPM0: Synchronous Serial Port Mode Select bits							
	1111 = I ² C Slave mode, 10-bit address with Start and Stop bit interrupts enabled							
	1110 = I ² C Slave mode, 7-bit address with Start and Stop bit interrupts enabled							
	1011 = I ² C Firmware Controlled Master mode (Slave Idle)							
	1000 = I ² C Master mode, clock = Fosc/(4 * (SSPADD + 1))							
	0111 = I ² C Slave mode, 10-bit address							
	0110 = I ² C Slave mode, 7-bit address							
	Note: Bit combinations not specifically listed here are either reserved or implemented in SPI mode only.							

Figure 10.14: The SSPCON1 register (address 14_H) in Inter-Integrated Circuit mode

of developing software to drive the MSSP in I²C mode is very much a case of ensuring that these diagrams are satisfied – completely. That does not mean that every bit displayed in the diagram has to be used; sometimes one does not need to use them all. The flow of events depicted must, however, be followed. The diagrams are not entirely simple and in many cases it is preferable to use or adapt software already written, rather than to start from scratch.

R/W-0	R/W-0	R-0	R-0	R-0	R-0	R-0	R-0
SMP	CKE	D/A	P	S	R/W	UA	BF
bit 7						bit 0	

- bit 7 **SMP:** Slew Rate Control bit
In Master or Slave mode:
 1 = Slew rate control disabled for standard speed mode (100 kHz and 1 MHz)
 0 = Slew rate control enabled for high-speed mode (400 kHz)
- bit 6 **CKE:** SMBus Select bit
In Master or Slave mode:
 1 = Enable SMBus specific inputs
 0 = Disable SMBus specific inputs
- bit 5 **D/A:** Data/Address bit
In Master mode:
 Reserved.
In Slave mode:
 1 = Indicates that the last byte received or transmitted was data
 0 = Indicates that the last byte received or transmitted was address
- bit 4 **P:** Stop bit
 1 = Indicates that a Stop bit has been detected last
 0 = Stop bit was not detected last
Note: This bit is cleared on Reset and when SSPEN is cleared.
- bit 3 **S:** Start bit
 1 = Indicates that a Start bit has been detected last
 0 = Start bit was not detected last
Note: This bit is cleared on Reset and when SSPEN is cleared.
- bit 2 **R/W:** Read/Write bit information (I²C mode only)
In Slave mode:
 1 = Read
 0 = Write
Note: This bit holds the $\overline{R/W}$ bit information following the last address match. This bit is only valid from the address match to the next Start bit, Stop bit or not ACK bit.
In Master mode:
 1 = Transmit is in progress
 0 = Transmit is not in progress
Note: ORing this bit with SEN, RSEN, PEN, RCEN or ACKEN will indicate if the MSSP is in Idle mode.
- bit 1 **UA:** Update Address (10-bit Slave mode only)
 1 = Indicates that the user needs to update the address in the SSPADD register
 0 = Address does not need to be updated
- bit 0 **BF:** Buffer Full Status bit
In Transmit mode:
 1 = Receive complete, SSPBUF is full
 0 = Receive not complete, SSPBUF is empty
In Receive mode:
 1 = Data Transmit in progress (does not include the \overline{ACK} and Stop bits), SSPBUF is full
 0 = Data Transmit complete (does not include the \overline{ACK} and Stop bits), SSPBUF is empty

Figure 10.15: The SSPSTAT register (address 94_H) in Inter-Integrated Circuit mode

R/W-0	R/W-0	R/W-0	R/W-0	R/W-0	R/W-0	R/W-0	R/W-0
GCEN	ACKSTAT	ACKDT	ACKEN	RCEN	PEN	RSEN	SEN
						bit 0	
bit 7							

- bit 7 **GCEN:** General Call Enable bit (Slave mode only)
 1 = Enable interrupt when a general call address (0000h) is received in the SSPSR
 0 = General call address disabled
- bit 6 **ACKSTAT:** Acknowledge Status bit (Master Transmit mode only)
 1 = Acknowledge was not received from slave
 0 = Acknowledge was received from slave
- bit 5 **ACKDT:** Acknowledge Data bit (Master Receive mode only)
 1 = Not Acknowledge
 0 = Acknowledge
Note: Value that will be transmitted when the user initiates an Acknowledge sequence at the end of a receive.
- bit 4 **ACKEN:** Acknowledge Sequence Enable bit (Master Receive mode only)
 1 = Initiate Acknowledge sequence on SDA and SCL pins and transmit ACKDT data bit. Automatically cleared by hardware.
 0 = Acknowledge sequence Idle
- bit 3 **RCEN:** Receive Enable bit (Master mode only)
 1 = Enables Receive mode for I²C
 0 = Receive Idle
- bit 2 **PEN:** Stop Condition Enable bit (Master mode only)
 1 = Initiate Stop condition on SDA and SCL pins. Automatically cleared by hardware.
 0 = Stop condition Idle
- bit 1 **RSEN:** Repeated Start Condition Enabled bit (Master mode only)
 1 = Initiate Repeated Start condition on SDA and SCL pins. Automatically cleared by hardware.
 0 = Repeated Start condition Idle
- bit 0 **SEN:** Start Condition Enabled/Stretch Enabled bit
In Master mode:
 1 = Initiate Start condition on SDA and SCL pins. Automatically cleared by hardware.
 0 = Start condition Idle
In Slave mode:
 1 = Clock stretching is enabled for both slave transmit and slave receive (stretch enabled)
 0 = Clock stretching is enabled for slave transmit only (PIC16F87X compatibility)

Figure 10.16: The SSPCON2 register (address 91_H) in Inter-Integrated Circuit mode

10.7.2 The Master Synchronous Serial Port in Inter-Integrated Circuit Slave mode

When configured in I²C Slave mode, the MSSP operates as shown in Figure 10.17. This diagram is not too complex and indeed has many similarities to the SPI mode diagram of Figure 10.7. The central features of the SSPSR shift register and the SSPBUF buffer are there. The shift register clock is provided by the external pin SCL and data is shifted out or in via the SDA pin.

The role of the slave is brutally simple, to wait until it is addressed and then to do what it is told to do. Therefore, a special logic circuit detects when a Start condition occurs, and an address

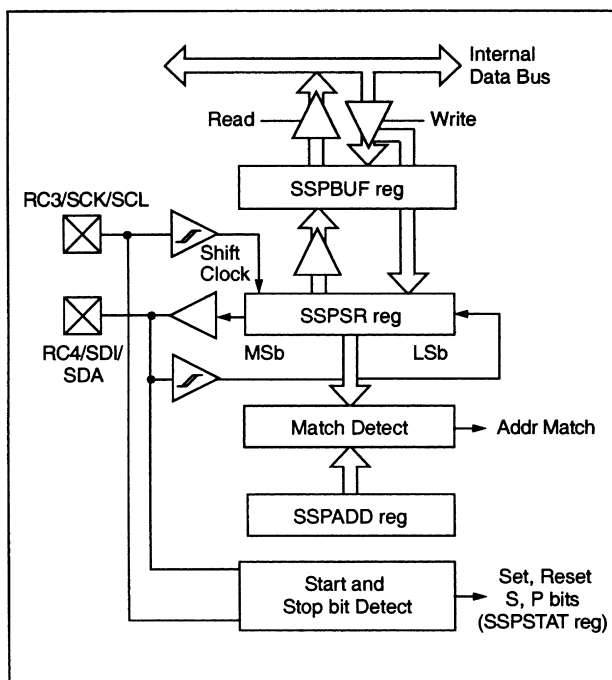


Figure 10.17: Inter-Integrated Circuit Slave mode block diagram

match comparator indicates whether the address that follows matches the internal address of the node, held in the **SSPADD** control register. If there is an address match, then the MSSP interrupt flag **SSPIF**, in register **PIR1**, is set. The programmer uses this to initiate the slave response. This will depend primarily on the value of the $\overline{\mathbf{R}/\mathbf{W}}$ bit in the address word, which is transferred to the $\overline{\mathbf{R}/\mathbf{W}}$ bit in the **SSPSTAT** register, and can be tested in the program.

If a Write is detected, the slave is to act as receiver. The relevant timing diagram, for a 7-bit address, is shown in Figure 10.18(a). The buffer full flag **BF**, set because the address byte has been received, must be cleared by a dummy read of **SSPBUF**. If used, the **SSPIF** flag should be cleared. The slave then clocks in a byte of data, under control of the master clock. If all is operating correctly, an Acknowledge is automatically generated by the slave. Figure 10.18(a) goes on to illustrate the case when the first data byte is not read from **SSPBUF**. The **BF** flag (in **SSPSTAT**) remains high, leading to the overflow flag, **SSPOV**, being set. An Acknowledge is then *not* sent by the slave, and the master terminates the message with a Stop condition.

If a Read is detected in the first byte of the message, the slave must act as a transmitter. The sequence is shown in Figure 10.18(b). When the slave recognises that it has been addressed and a Read demanded, it must write a byte of data into the **SSPBUF** register, which automatically sets the **BF** flag high. Of course, it may take a little time to respond to this, so it holds the clock line low until this transfer is complete. This blocks *any* further

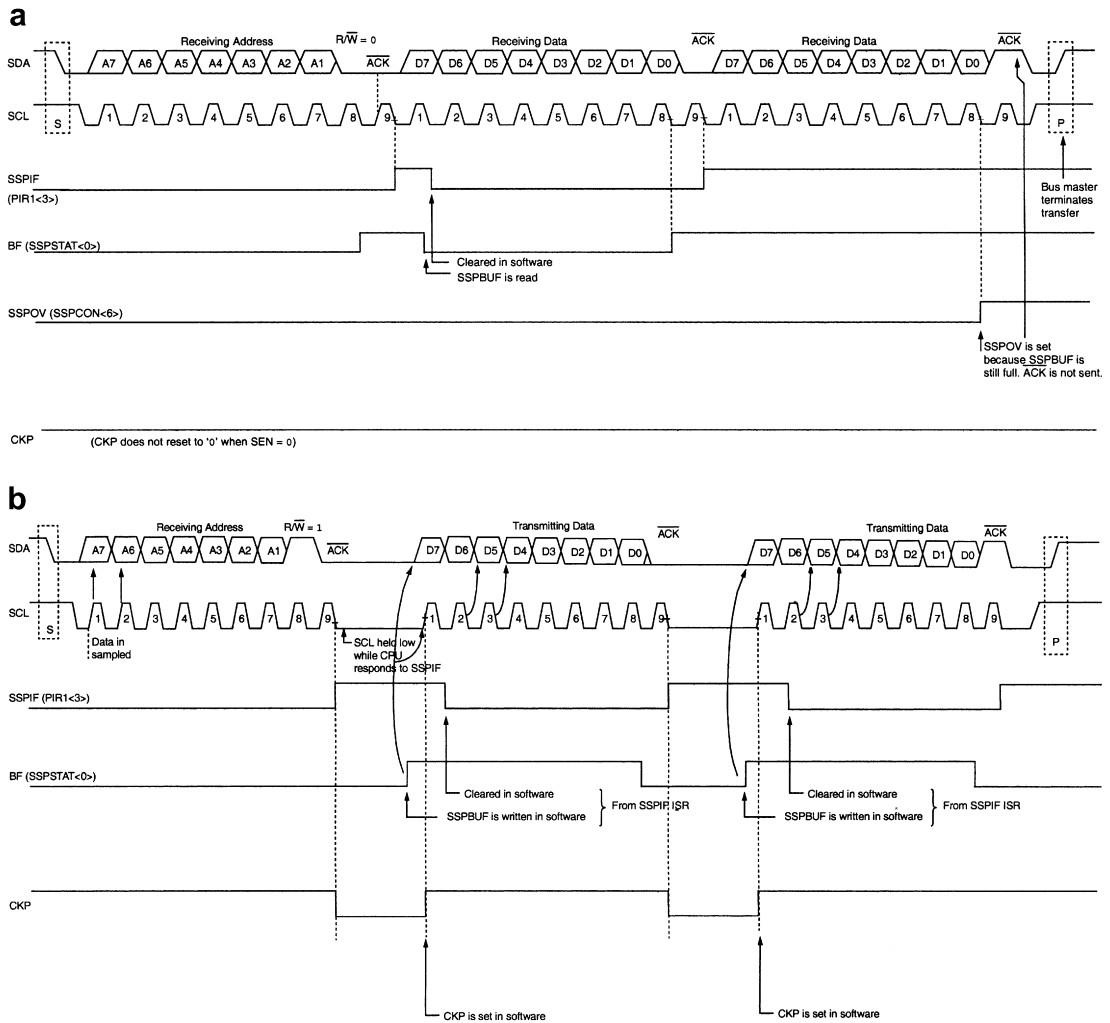


Figure 10.18: Inter-Integrated Circuit Slave mode timing, 7-bit address, SEN = 0. (a) Reception. (b) Transmission

action on the serial link – the slave has power at last! It releases the serial line, in the software, by setting bit **CKP** high. The hardware automatically returns this low (if **BF** is low) on completion of nine bits of transmission. This is an example of ‘clock stretching’ – one of the few ways that a slave can influence the activity of the serial link. It is automatically implemented in Transmit mode, and optionally implemented in Receive mode, by the setting of the **SEN** bit in the **SSPCON2** register.

With the **SCK** released, the master clocks the data out and should generate an Acknowledge in response. Further status information can be derived from the state of flags in the Status register

SSPSTAT. The I²C message is terminated when a stop bit from the master is detected. It should be possible to follow this full sequence in the figure.

10.7.3 The Master Synchronous Serial Port in Inter-Integrated Circuit Master mode

The MSSP in Master mode is altogether more complex, as can be seen in Figure 10.19. The master must after all control all bus transactions. At the heart of things, however, we still find the **SSPSR** shift register and the **SSPBUF** buffer. Electrical interface with the two serial lines shows the classic I²C connection already seen, with Open Drain for output and Schmitt trigger for input. The clock is now internally generated, by the baud rate generator. It is routed both to the shift register and to the external bus via the **SCL** pin. The node must be able to generate and detect Start, Stop and Acknowledge conditions. It also, by means of the Exclusive OR gate connected to the **SDA** output, detects a bus collision. This occurs when the master is transmitting but the logic state on the bus does *not* accord with the intended transmitted value. A collision sets the bus collision interrupt flag, **BCLIF** (Figure 7.10). The master port can also engage in arbitration if it finds itself in contention with another master.

The baud rate generator, which appears at the top right of Figure 10.19, is shown in further detail in Figure 10.20. It consists of a Down Counter that is reloaded with the value held in

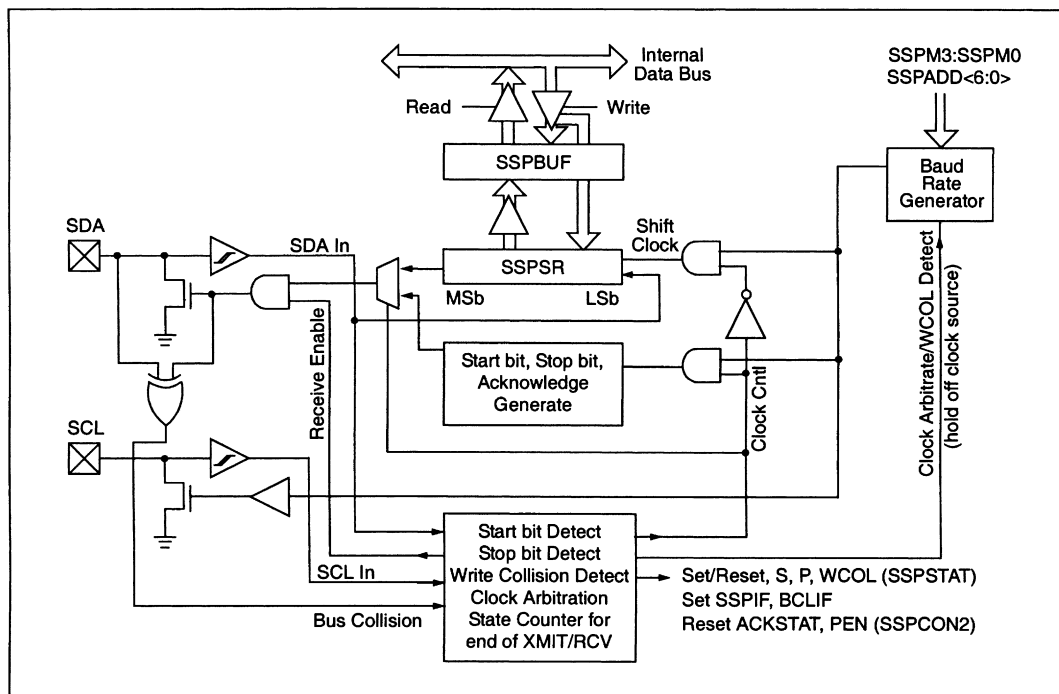


Figure 10.19: The Master Synchronous Serial Port block diagram, Inter-Integrated Circuit Master mode

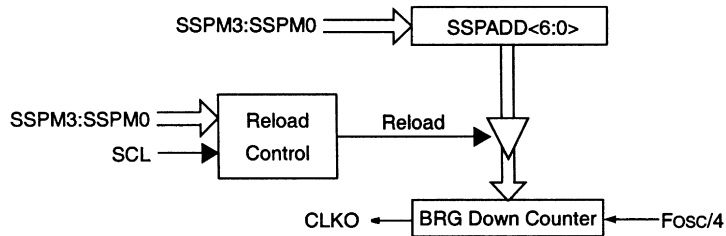


Figure 10.20: The Inter-Integrated Circuit baud rate generator

the **SSPADD** register when it has counted down to zero. Note clearly that the **SSPADD** register has nothing to do with addresses when the module is in Master mode – masters don't have addresses. The user selects the desired baud rate by the value placed in **SSPADD**. The formula which determines the value, quoted from Ref. 10.3, is:

$$[\text{SSPADD}] = \frac{F_{\text{osc}}}{4 \times F_{\text{SCL}}} - 1 \quad (10.1)$$

where **[SSPADD]** is the value loaded into the **SSPADD** register, F_{osc} is the microcontroller clock frequency and F_{SCL} is the desired I²C clock frequency.

Figure 10.21 shows the timing diagram for the port as I²C master, when transmitting a byte of data. The **SEN** bit is seen being used to initiate a Start condition and the **PEN** bit to initiate

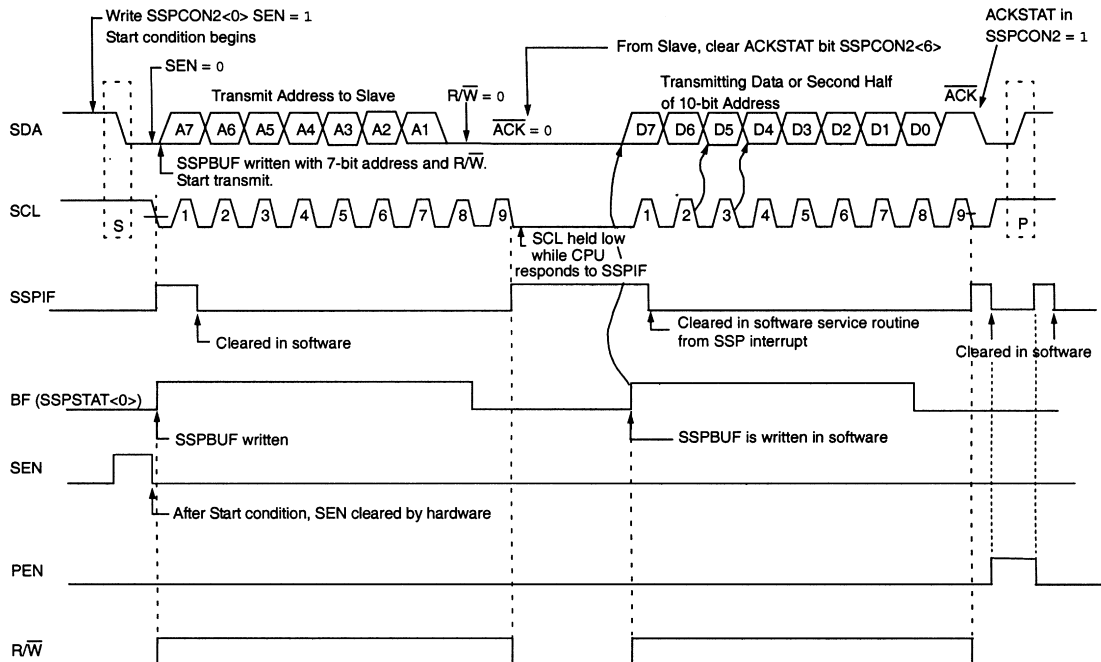


Figure 10.21: Inter-Integrated Circuit Master mode timing – transmission, 7- or 10-bit address

a Stop. Both are in the **SSPCON2** register. The $\overline{\mathbf{R/W}}$ bit, in **SSPSTAT**, is used to indicate that transmission is in progress. This sequence of events will be illustrated in the forthcoming Derbot example.

10.8 Inter-Integrated Circuit applied in the Derbot Autonomous Guided Vehicle

10.8.1 The Derbot hand controller as a serial node

The Derbot AGV is designed to interface with its hand controller via an I²C link, with the AGV being set as master and the hand controller as slave. Many data transfers are, however, initiated by the hand controller when the user presses a key on the keypad. An I²C slave cannot, however, initiate a transfer! Therefore, an interrupt line is connected from controller to AGV which forms the external interrupt input of the AGV microcontroller. The full interaction is programmed so that when a keypad press is detected, the controller sends an interrupt to the AGV, which then requests data via the I²C link.

The two program examples that follow, 10.2 and 10.3, are written respectively for the Derbot AGV acting as master and the hand controller acting as slave. When working together, a keypad press on the hand controller causes an interrupt to be sent to the AGV. This then initiates an I²C message in which the AGV as master requests a byte of data (the character) from the hand controller. The AGV then echoes the character back to the controller, which sends it to the display. Full program versions can be found on the book's companion website. The subroutines and ISRs can be used as the basis of any communication between hand controller, AGV and any other I²C peripheral the user may wish to design. It is worth noting, however, that they are comparatively simple routines and do not test or respond to all possible fault conditions.

10.8.2 The Autonomous Guided Vehicle as an Inter-Integrated Circuit master

Program Example 10.2 runs on the Derbot AGV and applies the I²C port as a master. The key SFR settings are Port C (where I²C port bits must be set as inputs), **SSPADD** (which determines the clock frequency) and **SSPCON1** (which determines the overall setting). Equation (10.1) is used to determine the value for **SSPADD**. The detail of the **SSPCON1** setting should be explored by comparing it with the register details in [Figure 10.14](#).

All major I²C actions in the program are undertaken with the use of subroutines and it is instructive to look at these. The program starts, from comment **;send opening string**, by transmitting the character message 'Derbot' to the hand controller. This is done in a single multiple-byte message. First the address is sent, using subroutine **I2C send add**. The address 52_{H} is arbitrarily chosen; this must be shifted left by one to fit into the address word. With $\overline{\mathbf{R/W}}$ set to 0, the transmitted word becomes $A4_{\text{H}}$.


```

;*****
;Dbt_kybd_echo_mstr
;This program exercises I2C bus in several ways:
; * sends an opening multi-byte message to the hand controller
; * on interrupt receives a single digit from the Hand Controller,
; * stores it, and echoes it back.
;Routines can be embedded into any program to provide user control of AGV.
;TJW 20.7.05                               Tested and working 21.7.05
;*****
...
(opening program sections omitted)
...
;Specify RAM
I2C_RX_word    equ    23    ;holds most recent I2C word recd
I2C_add        equ    24    ;holds address used in I2C message
I2C_TX_word    equ    25    ;holds word to be transmitted on I2C
...
    org 00
    goto start
    org 04
    goto          Interrupt_SR
;Initialise SFRs in Bank 1
start    bcf    status,rp1
        bsf    status,rp0    ;select memory bank 1
...
        movlw B'10011000'    ;set port C bits, I2C bits are both set as ip
        movwf trisc
        movlw 07             ;set up 125kHz baud rate
        movwf sspadd
;Initialise SFRs in Bank 0
        bcf    status,rp0
        movlw B'00101000'    ;SSPCON1:MSSP on, I2C Master
        movwf sspcon
...
;Send opening string
        clrf   pointer
        movlw 0a4            ;send slave address, R/W is write
        movwf I2C_add
        call  I2C_send_add
loop_str1 movf pointer,0
        call  table1
        movwf I2C_TX_word
        sublw 0ff           ;test and move on if end marker reached
        btfsc status,z
        goto  string_end
        call  I2C_send_word
        incf  pointer,1
        call  delay1        ;give LCD time to write
        call  delay1
        call  delay1
        goto  loop_str1
string_end call I2C_send_stop
;Enable interrupts
        bcf   intcon,intf    ;clear pending interrupts
        bsf   intcon,inte    ;enable external interrupt
        bsf   intcon,gie
;Wait for interrupts from Hand Controller
loop    goto  loop
;
;*****
;ISR. On external interrupt, SSP reads byte from Hand Controller,
;and echoes it back, ie two I2C messages.
;Received Byte stored in I2C_RX_word for further action.
;*****

```

Program Example 10.2: Derbot Inter-Integrated Circuit interchange Autonomous Guided Vehicle to hand controller – master (excerpts)

```

Interrupt_SR
    bsf    portc,6        ;diagnostic
;Start new I2C message, requesting word from slave.
    movlw 0a5            ;this is slave address, R/W is read
    movwf I2C_add
    call  I2C_send_add
;now wait for byte to come in
    call  I2C_rec_word
    call  I2C_send_stop
    bcf   status,rp0
    call  delay20u
;Now echo byte - start new message
    movlw 0a4            ;this is slave address, R/W is write
    movwf I2C_add
    call  I2C_send_add
;send the echoed character
    movf  I2C_RX_word,0 ;move received word to transmit store
    movwf I2C_TX_word
    call  I2C_send_word
    call  I2C_send_stop
    bcf   status,rp0
    bcf   portc,6        ;clear diag led
    bcf   intcon,intf
    retfie

;*****
;SUBROUTINES
;*****
;initiates I2C message, by sending the word found in I2C_add, which ;must include R/W bit.
;Waits for all acknowledgement and completion
;states. Leaves RAM in Bank 0.
I2C_send_add
    bsf   status,rp0
    bsf   sspcon2,sen    ;force start bit
    btfsc sspcon2,sen    ;check for its completion
    goto $-1
    bcf   status,rp0
    movf  I2C_add,0      ;load address and data dirn bit
    movwf sspbuf         ;and send
    bcf   pirl,sspif     ;will test this soon
    bsf   status,rp0
    btfsc sspstat,bf     ;test for write complete
    goto $-1
    btfsc sspcon2,ackstat ;wait for 0 acknowledge bit
    goto $-1
    bcf   status,rp0
    btfss pirl,sspif     ;test for int flag to show completion
    goto $-1
    bcf   pirl,sspif
    return
;
;Receives (single) word from I2C bus, and stores in I2C_RX_word. Returns Ack of 1
;signalling this is last byte. Leaves RAM in Bank 0
I2C_rec_word bsf status,rp0
    bsf   sspcon2,rcen   ;set receive enable bit
    btfss sspstat,bf     ;wait for buffer full
    goto $-1
    bcf   status,rp0     ;read the data
    movf  sspbuf,0
    movwf I2C_RX_word    ;store it for use somewhere
    bcf   pirl,sspif     ;preclear int flag, as we are about to use it
    bsf   status,rp0

```

Program Example 10.2 cont'd

```

        bsf    sspcon2,ackdt ;set required acknowledge state, 1 as it's
                        ;last byte
        bsf    sspcon2,acken ;and enable it
        bcf    status,rp0
        btfss  pir1,sspif    ;use interrupt flag to test for end of ack
        goto   $-1
        bcf    status,rp0
        return
;
;Sends word on I2C bus, and awaits acknowledgement. Leaves RAM in Bank 0.
I2C_send_word bcf status,rp0
        movf   I2C_TX_word,0 ;get the word
        movwf  sspbuf ;this starts the transfer
        bsf    status,rp0
        btfsc  sspstat,r_w   ;test for write complete
        goto   $-1
        btfsc  sspcon2,ackstat ;check for 0 acknowledge bit
        goto   $-1
        bcf    status,rp0
        return
;
;Sends I2C stop bit, and awaits completion. Leaves RAM in Bank 0.
I2C_send_stop bsf status,rp0
        bsf    sspcon2,pen   ;force stop bit
        btfss  sspstat,p     ;test for stop bit completion
        goto   $-1
        bcf    status,rp0
        return
...

```

Program Example 10.2 cont'd

Within the ongoing I²C message, the characters are then read in turn from Table 1 (not shown, but on the book's companion website) and sent serially, using subroutine **I2C send word**. This transfer applies the timing diagram of Figure 10.21. A delay is called between each character, to allow time for the hand controller to write to the LCD display. The end of the character string is marked with the code FF_H. When this is detected, the Stop condition is asserted with subroutine **I2C send stop**.

All subsequent program activity is in the ISR, which is initiated by receipt of an external interrupt from the hand controller. The ISR starts an I²C message, addressed to the hand controller, requesting a read. This is done with subroutines **I2C send add** and **I2C rec word**. With the **R/W** bit now set to 1, the address word is A5_H. It should be possible to follow the sequence of the subroutines and their use of the control registers. This message ends with a Stop condition, implemented by subroutine **I2C send stop**. The return message, where the received word is echoed back to the hand controller, is done with the subroutine sequence **I2C send add**, followed by **I2C send word**, followed by **I2C send stop**.

10.8.3 The hand controller as an Inter-Integrated Circuit slave

Program Example 10.3 runs on the Derbot hand controller. It is an extension of the program **keypad test**, which appeared in Program Example 8.1, with the I²C transfer to the AGV now inserted. Notice first the way the control registers are used, compared to the Master mode.

```

;*****
;dbt_kypd_echo_slave          for Derbot Hand Controller
;Reads keypad value when pressed and sends interrupt to main AGV.
;Transmits on I2C keypad character when asked, and receives echo back.
;Displays anything sent from AGV.
;TJW 13.7.05                      tested 15.7.05
;*****
...
(opening program sections omitted)
...
;Initialise SFRs in Bank 1
main   bcf     status,rp1
        bsf     status,rp0    ;select memory bank 1
...
        movlw  B'00011000'    ;I2C bits of Port C to ip
        movwf  trisc
        movlw  B'10100100'
        movwf  sspadd        ;our address to be 52H
                                ;(it's shifted by one in sspadd)
        bsf    pie1,sspie    ;enable I2C interrupt
;
;Initialise SFRs in Bank 0
        bcf    status,rp0    ;select bank 0
        movlw  B'00110110'    ;SSPCON1:MSSP on, I2C Slave, 7 bit address,
                                ;interrupts off, no clock stretch on Receive
        movwf  sspcon
...
;enable global interrupts
        clrf   portb        ;initialise keypad value
        bsf   intcon,gie
        bsf   intcon,peie
loop   goto   loop        ;await keypad and I2C interrupts
;
;*****
;This is ISR, caused by keypad or I2C address match.
;Does not context save, as all action is in ISRs.
;*****
Interrupt_SR   btfscl intcon, rbif ;is it keypad interrupt?
                goto    kpad_ISR
;Here if interrupt is I2C, either address match (Ack sent automatically)
;OR further received byte has been detected.
;check whether this byte was address or data
        bsf    status,rp0
        btfscl sspstat,d_a
        goto   ISR1        ;go if word was data
        bcf    status,rp0
        movf   sspbuf,0    ;dummy read of the address byte, to clear flag
;check if read, if so load and send byte
        bsf    status,rp0
        btfscl sspstat,r_w
        goto   Send_I2C
        bcf    status,rp0    ;otherwise exit ISR, to await incoming data byte
        bcf    pirl,sspif    ;clear interrupt bit, and end ISR
        retfie
;Here if data byte has been detected, word is hence already in buffer.
ISR1 call dig_pntr_set    ;sort display pointer
        bcf    status,rp0    ;read word
        movf   sspbuf,0
        movwf  I2C_RX_word    ;save word
        movwf  lcd_op        ;prepare to send word to display

```

Program Example 10.3: Derbot Inter-Integrated Circuit interchange Autonomous Guided Vehicle to hand controller – slave (excerpts)

```

        bsf    portc,lcd_rs
        call   lcd_write
;transfer to lcd is done, end ISR.
        bcf    pirl,sspif    ;clear interrupt bit
        retfie
;here if sending I2C word. Send byte held in kpad_char
Send_I2C bcf    status,rp0
        bcf    pirl,sspif
        movf   kpad_char,0    ;move character to sspbuf
        movwf  sspbuf
        bsf    sspcon,ckp    ;release clock
        btfss  pirl,sspif    ;wait for completion of transfer
        goto   $-1
;transfer is complete, end ISR.
        bcf    pirl,sspif    ;clear interrupt bit
        retfie
;
;Keypad press has been detected through Port B Interrupt on Change.
;Gets value, converts to character, stores in kpad_char, awaits key release,
;and sends interrupt to AGV
kpad_ISR call   kpad_rd
        ...

```

Program Example 10.3 cont'd

SSPCON1 sets the node as slave and **SSPADD** is now used to hold the slave address. **SSPADD** holds the slave address, 52_H , rotated left by one bit. The I²C bits of Port C again must be set as input. Two interrupts are enabled – Port B interrupt on change, to detect the keypad being pressed, and the MSSP interrupt, to alert the microcontroller to the arrival of the first byte of an I²C message. Interrupt control bits **GIE**, **PEIE**, **SSPIE** and **RBIE** are accordingly set.

An MSSP interrupt occurs when an address match is detected on an address byte. The interrupt routine first determines the interrupt source. If it is an I²C interrupt, the $\overline{D/A}$ bit in **SSPSTAT** is first tested, to determine whether the byte just received was address or data. If address, the **SSPBUF** register (which will be holding the address byte) is read – simply to clear the **BF** flag in **SSPSTAT**. A test is then made of the $\overline{R/W}$ bit in **SSPSTAT**. If the master is requesting a Write, then the ISR is quit. The program waits for the next interrupt, which will indicate the expected incoming data byte. If the master is requesting a Read, then program execution stays in the ISR and goes to the label **Send I2C**. The timing diagram of Figure 10.18(b) is followed. The byte held in **kpad char** is moved to **SSPBUF**, the **CKP** bit in **SSPCON1** is set high to release the clock, and the interrupt flag is monitored to determine completion.

If in the test of the $\overline{D/A}$ bit an incoming data byte had been detected, then program execution moves to the label **ISR1**. The data will by then already be in **SSPBUF**. This is accordingly read and the character is sent to the display, using the **lcd write** subroutine. A subroutine **dig pntn set** is also invoked, seen only in the full listing on the book's companion web site. This manages the LCD pointer, ensuring that characters are not sent to positions which do not appear on the size of display used.

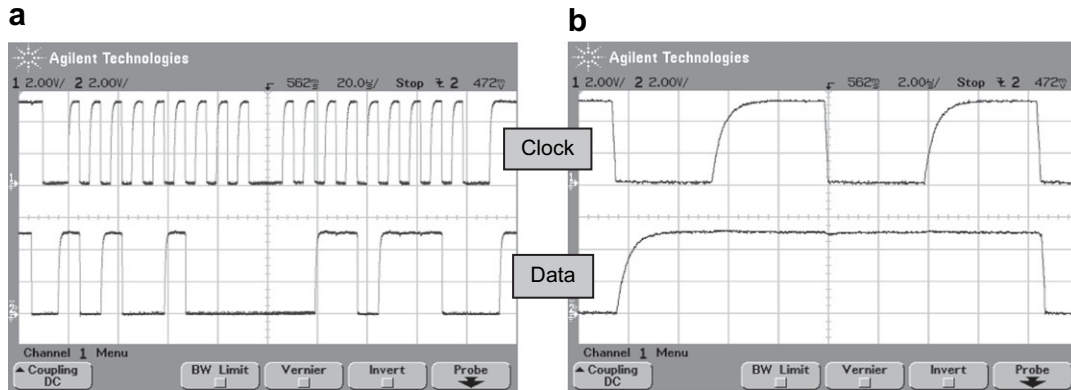


Figure 10.22: Actual Inter-Integrated Circuit waveforms. (a) A complete, single-byte message. (b) Detail, showing signal edges

10.8.4 Evaluation of the Derbot Inter-Integrated Circuit programs

Figure 10.22 shows some of the waveforms of the I²C exchange, when the programs above are running. In (a), we see the characteristic nine clock cycles per word of an I²C data exchange. The clock frequency can be seen to be just a little lower than the expected frequency of 125 kHz. The master starts a message, with the address byte 10100100_B (i.e. A4_H) being sent. As we know, the LSB of this is the $\overline{\mathbf{R/W}}$ bit, indicating a Write is requested. The slave then replies with the word 00110111_B (i.e. 37_H, or the ASCII character 7, meaning that the keypad key ‘7’ has just been pressed). The master is seen to Acknowledge and then exert a Stop condition.

The detail of Figure 10.22(b) is characteristic of an Open Drain output driving a logic line. The transition from Logic 1 to 0 is fast, and caused by the transistor output switching on. When it switches off, however, the line only rises to Logic 1 through the action of the pull-up resistor, and the slower, exponential rise of this is clearly seen.

The two programs just discussed are useful and show the use of I²C in an application that is reasonably constrained. It’s worth noting that they don’t take account of every state an I²C node can get into, nor do they take corrective action if the serial link is not working properly. In the master program, for example, if no Acknowledge is received, the program simply loops indefinitely.

10.9 Evaluation of synchronous serial data communication and an introduction to asynchronous serial data communication

Synchronous serial communication, as discussed, is an incredibly useful way of moving data around, but the question remains: do we really need to send that clock signal wherever the data

goes? Although it allows an easy way of synchronising the data, it does have these disadvantages:

- An extra line is needed to go to every data node.
- The bandwidth needed for the clock is always twice the bandwidth needed for the data; therefore, it is demands of the clock which limit the overall data rate.
- Over long distances, clock and data themselves could lose synchronisation.

10.9.1 Asynchronous principles

For the reasons just listed, a number of serial standards have been developed which do not require a clock signal to be sent with the data. This is generally called ‘asynchronous’ serial communication. It is now up to the receiver to extract all timing information directly from the signal itself. This has the effect of laying new and different demands on the signal, and making transmitter and receiver nodes somewhat more complex than comparable synchronous nodes.

A common approach (but not the only one – the diversity of asynchronous links has been limited only by human ingenuity) to resolving the challenges of asynchronous communication is based on this:

- Data rate is predetermined – both transmitter and receiver are preset to recognise the same data rate. Hence each node needs an accurate and stable clock source from which the baud rate can be generated. Small variations from the theoretical value can, however, be accommodated.
- Each byte or word is ‘framed’ with a Start and Stop bit. These allow synchronisation to be initiated before the data starts to flow.

An asynchronous data format, of the sort used by such standards as RS-232, is shown in Figure 10.23. The line idles in a predetermined state. The start of a data word is initiated by

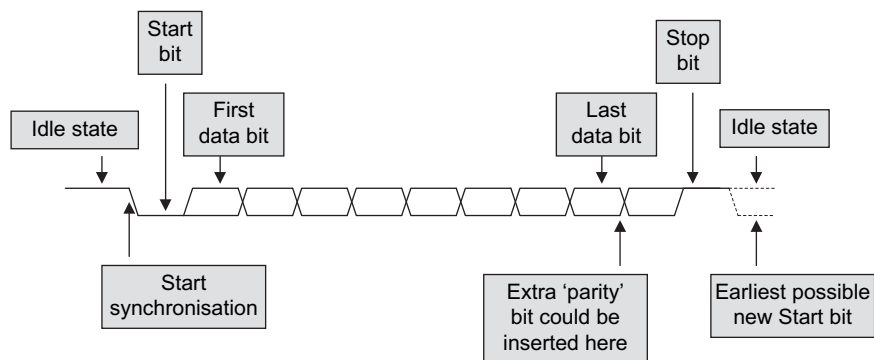


Figure 10.23: A common asynchronous serial data format

a *Start* bit, which has polarity opposite to that of the idle state. The leading edge of the *Start* bit is used for synchronisation. Eight data bits are then clocked in. A ninth bit, for parity checking, is also sometimes used. The line then returns to the idle state, which forms a *Stop* bit. A new word of data can be sent immediately, following the completion of a single *Stop* bit, or the line may remain in the idle state until it is needed again.

10.9.2 Synchronising serial data – without an incoming clock

In order to correctly receive an incoming data stream with no accompanying clock, the receiver must be able to detect the start of the byte or word and the moment in each bit when the data is valid. With the data rate predetermined, one might think that this is not a difficult problem, but it is impossible for different microcontrollers to have clock frequencies that are precisely the same.

The principle of how this timing can be done is shown in Figure 10.24. The receiver runs an internal clock whose frequency is an exact multiple of the anticipated bit rate. Usually, a multiple of 16 is chosen, but this is not essential. The receiver monitors the state of the incoming data on the serial receive line. When a *Start* bit is detected, a counter begins to count clock cycles until the midpoint of the anticipated *Start* bit is reached, i.e. eight clock cycles when a $\times 16$ clock is being used. It tests the state of the incoming data line again, to confirm a *Start* bit is present. If not, the receive is aborted. If the *Start* bit is confirmed as present, the clock counter counts a further 16 cycles, to the middle of the first data bit. At this point, it clocks that bit into the main receive shift register. In this manner it continues to clock in bits, waiting each time for a bit width before clocking in the next. Depending on the setting of the receiver, it clocks in eight or nine bits (or whatever the expected word length is). After a further bit width, it tests for a *Stop* bit. If this is of the correct value, then a valid reception can be flagged and the received data can be latched into a buffer.

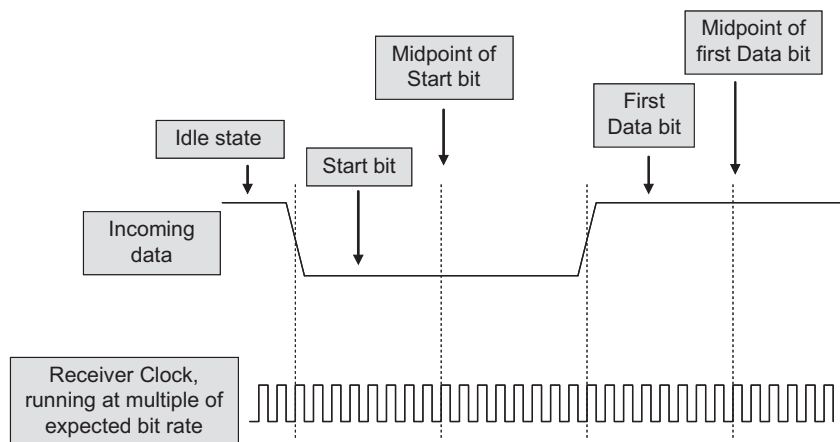


Figure 10.24: Synchronising the asynchronous data signal

If the Stop bit is not present, then a ‘framing error’ is flagged. The receiver can then be readied to receive the next word.

10.10 The 16F87XA Addressable Universal Synchronous Asynchronous Receiver Transmitter (USART)

10.10.1 Port overview

The second serial port that the 16F87XA family has is an Addressable Universal Synchronous Asynchronous Receiver Transmitter (USART). This rather forbidding title tells us that it can operate in both synchronous and asynchronous modes, and that it can receive and transmit. The inclusion of the word ‘Universal’ reflects traditional titles and simply implies that it can be configured in all major operating modes needed. The ‘Addressable’ term indicates a mode of use whereby an incoming byte can be designated and interpreted as an address.

The USART can be configured as synchronous master, synchronous slave or in asynchronous mode. In the latter case it is full duplex – that is, it can transmit and receive at the same time. Thus, it has both a receive shift register and a transmit shift register, which can operate simultaneously. Both sections share the same baud rate generator and have the same data format. As can be seen from Figure 7.10, it has interrupt sources for both receive and transmit. The USART shares pins with Port C, the Receive line being on bit 7 and the Transmit on bit 6.

Operation of the USART is controlled by two registers, **TXSTA** (Figure 10.25) and **RCSTA** (Figure 10.26). The port is enabled by the **SPEN** bit of **RCSTA**, and selection of synchronous or asynchronous modes is by the **SYNC** bit of the **TXSTA** register.

We will consider each operating mode in turn, with a small example from the Derbot AGV.

10.10.2 The USART asynchronous transmitter

The block diagram of the USART transmitter section is shown in Figure 10.27. It is controlled mainly by the **TXSTA** control register. To start with the familiar, we see in the block diagram that central feature of a serial port – a shift register, ‘**TSR** register’. Notice that data is transmitted LSB first, unlike the MSSP port. The shift register is buffered by the **TXREG** register, an addressable SFR linked to the data bus. It is to this register that the program writes. The shift register is driven by a clock, ‘baud rate CLK’, which is enabled by the **TXEN** bit. The clock frequency is set by the baud rate generator, depending on the value held in the **SPBRG** register. The output of the shift register is connected to the microcontroller pin via the ‘Pin Buffer and Control’ circuit. This is enabled by the Serial Port Enable bit, **SPEN**, in the **RCSTA** control register.

Data to be transmitted must be loaded into the **TXREG** buffer by the program. It is transferred immediately to the **TSR** shift register if no transmission is taking place, *or* after the Stop bit if

	R/W-0	R/W-0	R/W-0	R/W-0	U-0	R/W-0	R-1	R/W-0
	CSRC	TX9	TXEN	SYNC	—	BRGH	TRMT	TX9D
bit 7								bit 0
bit 7	CSRC: Clock Source Select bit <u>Asynchronous mode:</u> Don't care. <u>Synchronous mode:</u> 1 = Master mode (clock generated internally from BRG) 0 = Slave mode (clock from external source)							
bit 6	TX9: 9-bit Transmit Enable bit 1 = Selects 9-bit transmission 0 = Selects 8-bit transmission							
bit 5	TXEN: Transmit Enable bit 1 = Transmit enabled 0 = Transmit disabled Note: SREN/CREN overrides TXEN in Sync mode.							
bit 4	SYNC: USART Mode Select bit 1 = Synchronous mode 0 = Asynchronous mode							
bit 3	Unimplemented: Read as '0'							
bit 2	BRGH: High Baud Rate Select bit <u>Asynchronous mode:</u> 1 = High speed 0 = Low speed <u>Synchronous mode:</u> Unused in this mode.							
bit 1	TRMT: Transmit Shift Register Status bit 1 = TSR empty 0 = TSR full							
bit 0	TX9D: 9th bit of Transmit Data, can be Parity bit							

Figure 10.25: The transmit status and control register, TXSTA (address 98_H)

a transmission is already under way. Status information is provided by two bits, the interrupt flag **TXIF** and the **TRMT** bit. The former indicates the status of **TXREG**. When the data transfer between **TXREG** and the shift register occurs, then the interrupt flag **TXIF** (in register **PIR1**, Figure 7.12) is set. This cannot be cleared in the software and is only cleared when **TXREG** is reloaded. The bit **TRMT** monitors the state of the shift register and can be polled by the program. It is set when the shift register is empty, i.e. a transmit has been completed.

A ninth data bit, **TX9D**, enabled by bit **TX9**, can be inserted into the transmitted word. Both these bits appear in the **TXSTA** control register. This ninth bit *can* be used as a parity bit. Unlike some serial ports, however, the parity value is not generated automatically in the hardware – it is up to the programmer to do this within the program. If the ninth bit is to be used, it should be set up *before* its associated data word is written to **TXREG**. If this is not

R/W-0	R/W-0	R/W-0	R/W-0	R/W-0	R-0	R-0	R-x
SPEN	RX9	SREN	CREN	ADDEN	FERR	OERR	RX9D
bit 7							bit 0

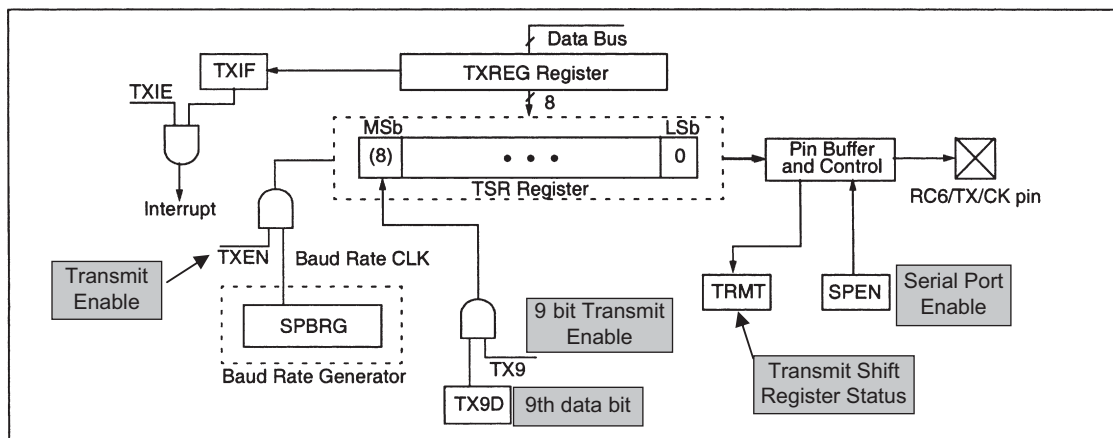
bit 7	SPEN: Serial Port Enable bit 1 = Serial port enabled (configures RC7/RX/DT and RC6/TX/CK pins as serial port pins) 0 = Serial port disabled
bit 6	RX9: 9-bit Receive Enable bit 1 = Selects 9-bit reception 0 = Selects 8-bit reception
bit 5	SREN: Single Receive Enable bit <u>Asynchronous mode:</u> Don't care. <u>Synchronous mode – Master:</u> 1 = Enables single receive 0 = Disables single receive This bit is cleared after reception is complete. <u>Synchronous mode – Slave:</u> Don't care.
bit 4	CREN: Continuous Receive Enable bit <u>Asynchronous mode:</u> 1 = Enables continuous receive 0 = Disables continuous receive <u>Synchronous mode:</u> 1 = Enables continuous receive until enable bit CREN is cleared (CREN overrides SREN) 0 = Disables continuous receive
bit 3	ADDEN: Address Detect Enable bit <u>Asynchronous mode 9-bit (RX9 = 1):</u> 1 = Enables address detection, enables interrupt and load of the receive buffer when RSR<8> is set 0 = Disables address detection, all bytes are received and ninth bit can be used as parity bit
bit 2	FERR: Framing Error bit 1 = Framing error (can be updated by reading RCREG register and receive next valid byte) 0 = No framing error
bit 1	OERR: Overrun Error bit 1 = Overrun error (can be cleared by clearing bit CREN) 0 = No overrun error
bit 0	RX9D: 9th bit of Received Data (can be parity bit but must be calculated by user firmware)

Figure 10.26: The RCSTA register (address 18H), receive status and control register

done, then a transfer to **TXREG** will start a serial data transfer before the ninth bit is in place. An alternative use for the ninth bit is to indicate an address in the accompanying byte, as described in Section 10.10.6.

10.10.3 The USART baud rate generator

The baud rate generator is used in both synchronous and asynchronous modes of the USART. It is built round a free-running 8-bit counter, controlled by the **SPBRG** register. The counter is



Key: For TXIF, TXIE, see Figure 7.12.
All other control bits in TXSTA (Fig. 10.25) except for SPEN.

Figure 10.27: The USART transmit block diagram (supplementary labels in shaded boxes added by the author)

clocked by the internal microcontroller oscillator frequency, and the action of the counter is effectively to divide this frequency down by the amount predetermined by the value in **SPBRG**. The division rate is further modified in asynchronous mode by a prescaler bit, **BRGH**, in register **TXSTA**. The resulting baud rate frequencies are as follows, where **[SPBRG]** is the value in the register of the same name:

Asynchronous

$$\text{For } \mathbf{BRGH} = 0 \quad \text{Baud rate} = \frac{f_{\text{osc}}}{64([\mathbf{SPBRG}] + 1)} \quad (10.2)$$

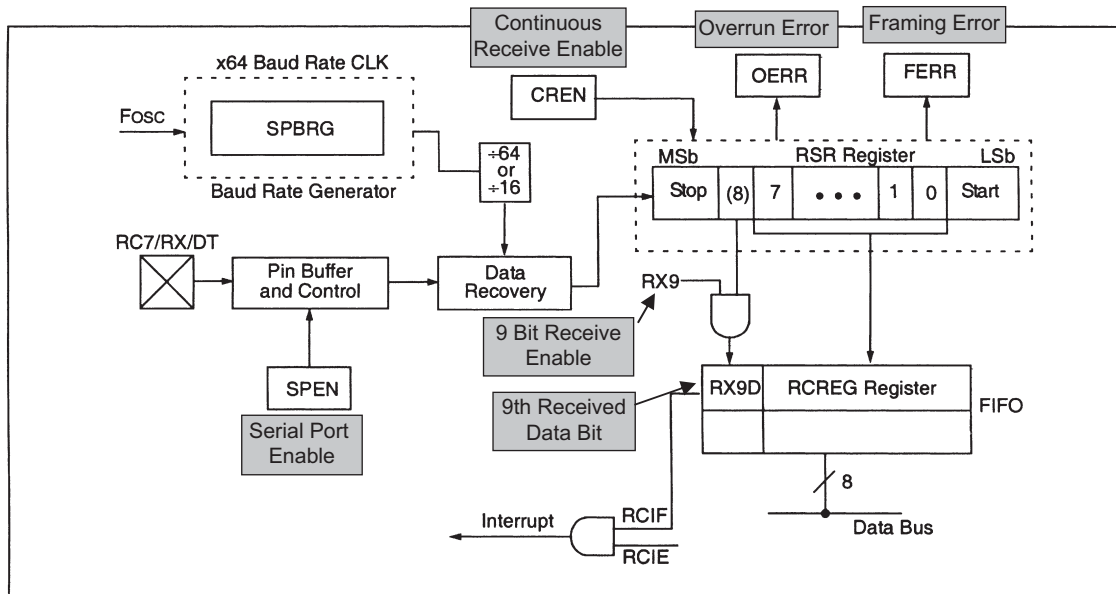
$$\text{For } \mathbf{BRGH} = 1 \quad \text{Baud rate} = \frac{f_{\text{osc}}}{16([\mathbf{SPBRG}] + 1)} \quad (10.3)$$

Synchronous

$$\mathbf{BRGH} = \text{don't care} \quad \text{Baud rate} = \frac{f_{\text{osc}}}{4([\mathbf{SPBRG}] + 1)} \quad (10.4)$$

10.10.4 The USART asynchronous receiver

The block diagram of the USART receiver section is shown in Figure 10.28. It is controlled mainly by the **RCSTA** register (Figure 10.26). In some ways the diagram is a mirror image of the transmitter diagram of Figure 10.27. Some features are, however, distinctly



Key: FIFO: First in First Out.
 For RCIF, RCIE, see Fig. 7.12.
 All other control bits in RCSTA (Fig. 10.26).

Figure 10.28: The USART receive block diagram (supplementary labels in shaded boxes added by the author)

different due to the differing requirements of the receiver and transmitter. Data enters the Port C bit 7 pin of the microcontroller. The data recovery circuit is included to minimise interference. Every time a data value is to be determined three samples are taken and the majority value transferred. Central to the receiver we see a shift register, 'RSR register'. This is driven by a clock from the baud rate generator. The shift register is *double*-buffered by a FIFO (first in, first out) buffer. The upper byte in this is the **RCREG** register, an addressable SFR. This double-buffer can hold the most recent two data bytes that have been received and thereby allow a third incoming byte to be clocked in to the shift register. The port is enabled overall by the **SPEN** bit. Subserving to this is a Single Receive Enable bit, **SREN** (not to be confused with **SPEN**!), or a Continuous Receive Enable bit, **CREN**. This allows choice between accepting a single incoming word or a continuous series.

When a complete word has been received correctly, including the Stop bit, the main eight data bits are transferred to the FIFO, if it is clear to receive, and interrupt flag bit **RCIF** is set. If a ninth bit is used (determined by the state of **RX9**), then it is transferred to bit **RX9D**. This bit has the same level of buffering as the main incoming data bytes.

If an incoming data byte is clocked in, but the Stop bit is detected as Logic 0, then a framing error is indicated by bit **FERR**. As with **RCREG** and **RX9D**, this bit is

double-buffered, so the framing status of each buffered bit can be tested. If both buffers of **RCREG** are full and the RSR register has received a further complete byte, then the overrun error bit, **OERR**, is set. The word in the RSR register is lost and further transfers from the RSR register to **RCREG** are then blocked. The **OERR** flag must be cleared in the software before further reception can take place. When reading a data value, the action of reading **RCREG** causes the **FERR** and **RX9D** bits to be updated with new values. These bits should therefore be read first.

10.10.5 An asynchronous example

In this section we extend Program Example 10.2, described earlier in this chapter, to include an asynchronous communication link. Now when the keypad is pressed on the Derbot hand controller, the keypad character is sent to the AGV, which then sends it out on its asynchronous transmitter. This is looped back to its asynchronous receiver and the word is finally echoed back to the hand controller. While this extra serial link provides no extra functionality whatsoever, it does give a good opportunity to develop a simple test program and look at more serial data! Program Example 10.4 shows the detail relating to the asynchronous communication. The full program is on the book's companion website.

It should be possible to follow the initial setting of the **TXSTA** and **RCSTA** registers as shown, by reading the program comments and comparing with the control registers in [Figures 10.25 and 10.26](#). The baud rate of 50 kbps was chosen arbitrarily.

As with Program Example 10.2, all data transfer occurs within the main ISR. For this reason the asynchronous interrupts are not used. The ISR starts with a byte being read from the hand controller on the I²C port and stored in **I2C RX word**. The point where data is sent on the asynchronous transmitter is shown. The word just received is transferred to the **TXREG** register. As it transfers out, the asynchronous receiver will simultaneously begin to clock it in. The program simply waits for the receive interrupt flag to be set, indicating that a word has been received and a transfer is complete. The received word is then echoed back to the hand controller, via the I²C link.

Waveforms from this program example can be seen in [Figure 10.29](#). Panel (a) shows a byte of asynchronous data, with the display in oscilloscope mode. With the horizontal time base at 50 μ s/division, a bit period of exactly 20 μ s can be seen, relating exactly to the selected baud rate of 50 kbps. The idle state of Logic 1 and the opening Start bit at Logic 0 can clearly be seen. The data runs 'backwards', LSB first, and can be seen to be 00110101_B, or 35 in hexadecimal. This is ASCII character 5, indicating that this was the keypad button pressed. The Stop bit merges into the next idle period, being simply its first 20 μ s, so it cannot be seen explicitly.

[Figure 10.29\(b\)](#) shows the same asynchronous word, but now with part of the preceding and following I²C messages. The oscilloscope is here in logic analyser mode. The first I²C message

```

;*****
;Dbt_kybd_echo_async
;This program receives a digit from the Hand Controller on the I2C
;bus, stores it, sends it through the asynchronous serial link,
;and echoes it back to the I2C. Each I2C message one byte only.
;Routines can be adapted and embedded into any Derbot program.
;TJW 18.7.05                               Tested and working 19.7.05
;*****
...
(early program sections omitted)
...

        bcf          status,rp0
;Initialise USART in both banks
        movlw       B'10010000' ;set up async channel: port is on, 8-bit transfer,
        movwf       rcsta        ;continuous receiving, no address detect
        bsf         status,rp0
        movlw       B'00100100' ;set up async channel:transmit enabled, 8-bit,
        movwf       txsta        ;high speed baud rate
        movlw       04           ;set up baud rate of 50k
        movwf       spbrg
        bcf         status,rp0 ...
(program sections omitted) ...
;***** ;ISR. On
external interrupt, SSP reads byte from Hand Controller, ;sends it out on
USART, receives it back through USART
;and echoes it back to keypad.
;Received Byte stored in I2C_RX_word for further action.
;*****
Interrupt_SR
...
;send out via async comm channel
        bcf         pirl,rcif    ;preclear receive interrupt flag
        movf        I2C_RX_word,0 ;get word, and move to txreg
        movwf       txreg
        btfss       pirl,rcif    ;test for receive interrupt flag,
                                ;indicating receive complete

        goto        $-1
        movf        rcreg,0      ;get and store received word
        movwf       async_RX_word ...
;send the echoed character
        movf        async_RX_word ;move async received word to transmit store
        movwf       I2C_TX_word
        call        I2C_send_word ...

```

Program Example 10.4: Asynchronous data transfer on the Derbot

shows just the data byte, again 00110101_B, which is repeated by the asynchronous link, although of course in its own format. The following I²C message is just the address byte of the hand controller, which can be read as 10100100_B. The $\overline{\text{R}/\text{W}}$ bit is low (i.e. the master will write to the slave) and an Acknowledge can just be seen on the ninth clock cycle.

10.10.6 Using address detection with the USART receive mode

The USART may be used in a way that allows an address to be embedded in the received data. Multiple nodes can then be connected to the serial line and a node can recognise its own address. The USART receiver must be set in 9-bit mode (bit **RX9** = 1) and the address enable bit

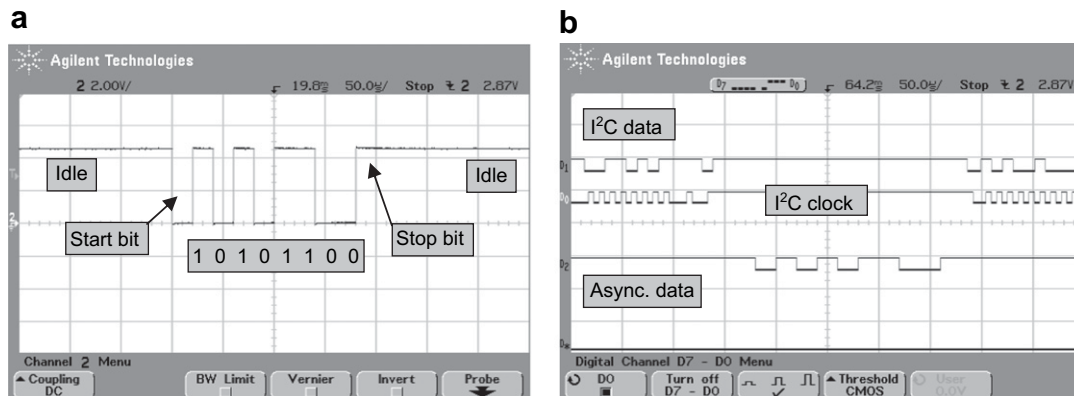


Figure 10.29: Serial waveforms. (a) Single byte, asynchronous. (b) Single byte, passed from Inter-Integrated Circuit to asynchronous

ADDEN, in **RCSTA**, should be set to 1. Once in this mode, a Logic 1 in the ninth bit indicates that the accompanying byte is an address. Initially, all data whose ninth bit is 0 is ignored. When a byte is detected whose ninth bit is 1, the program can read the accompanying byte and determine (in software) whether an address match has occurred. If this is the case, the program can revert the port to normal reception by setting **ADDEN** to 0, and further words will be read as data. This continues until a further address word is detected, which may be for another node.

10.10.7 The USART in synchronous mode

Aside from its essential asynchronous capability, the USART can also be used in synchronous mode, which is selected by setting the **SYNC** bit in the **TXSTA** register. The port must be enabled with **RCSTA** bit **SPEN**. Port C bit 7 is then used for serial data and bit 6 for serial clock. Given an understanding of the SPI mode of the MSSP port, as described earlier in this chapter, the underlying concepts of this mode of USART operation will not present any major difficulty. It is therefore left to the reader to read the data on this, if you wish to use it.

10.11 Implementing serial without a serial port – ‘bit banging’

The foregoing pages seem to imply that, to make use of serial communication, it is absolutely essential to use a microcontroller with one or more serial ports. This is not absolutely true, as it is possible to generate and receive serial data streams in software only, using standard port bits for input/output. This can be a comparatively simple, even attractive (from a cost-saving point of view), option for a simple synchronous link, especially if it is only occasionally used. It remains a possibility for more advanced protocols like I²C, but becomes increasingly difficult to implement. Chapter 6 of Ref. 1.1 gives further information and an example for the PIC 16F84 microcontroller.

10.12 Building the Derbot

To run most of the programs used as examples in this chapter, you will need to have a working LCD version of the hand controller. The ‘bus’ connector on the AGV will have to be in place, as well as the I²C pull-up resistors. The circuit will then be very close to that shown in Figure A3.1, but without the light-dependent resistors and the ultrasound detector.

Summary

- Serial communication is an increasingly important aspect of embedded systems. A good understanding is essential to the aspiring designer.
- There are two broad types of serial communication: synchronous and asynchronous.
- There are a very large number of different standards and protocols for serial communication, ranging from the very simple to the seriously complicated. It is important to match the right protocol with the right application.
- The 16F873A microcontroller has two extremely flexible serial ports. The cost of flexibility is a significant level of complexity in grasping their use. Therefore, it is often worth adapting publicly available routines to use, rather than starting from scratch in writing new code.

References

Note: Reference 10.2 remains useful, even though reference titles seem to indicate that it is superseded by Reference 10.1, published later.

- 10.1. The I²C Bus Specification and User Manual, Rev. 03 (2007). NXP Semiconductors, Document no. UM10204.
- 10.2. I²C Manual (2003). Philips Semiconductors, Application Note AN10216–01.
- 10.3. Using the PICmicro MSSP Module for Master I²C Communications (2000). Microchip Technology Inc., Application Note AN735, Ref. no. DS00735A.
- 10.4. Using the PICmicro SSP Module for Slave I²C Communications (2000). Microchip Technology Inc., Application Note AN734, Ref. no. DS00734A.
- 10.5. Asynchronous Communications with the PICmicro USART (2003). Microchip Technology Inc., Application Note AN774, Ref. no. DS00774A.

Questions and exercises

1. A 16F873A microcontroller is running with a 12 MHz clock oscillator. At a particular moment of program operation, the **SSPCON1** register is read to be 1011 0000. Deduce how it is set up, and any recent event that has occurred.

2. Two 16F873A microcontrollers are to be connected together with a synchronous serial link, operating in SPI (Serial Peripheral Interface) mode. One is to act as Master, the other as Slave. No other nodes are required. Data needs to be sent in both directions. A serial bit rate of 2MHz is required. Each microcontroller is running with an 8 MHz crystal oscillator.
 - (a)
 - (i) Draw a simple block diagram, showing the two microcontrollers and indicating how the serial connection is made. Clearly label the pins being used. Show on your diagram which is Master and which Slave. You need show only the connections necessary for the serial link; no other connections need be shown.
 - (ii) For each microcontroller, indicate how **SSPCON1** should be configured. Consider only bits 0 to 5, and use X to show 'don't care' for bits which have no impact on this particular requirement.
 - (iii) Briefly explain each selection made.
 - (b) Explain briefly the *disadvantages* of a simple serial protocol like this, for example in situations where multiple nodes and high reliability are required.
3. Pin and timing diagrams of an 8-bit serial Digital to Analogue Converter (DAC) are shown in Figure 10.30. It is intended to connect it to the Master Synchronous Serial Port (MSSP) module of a PIC 16F873A microcontroller, when configured in SPI mode. Draw a simple block diagram that shows how the digital interconnection can be made. Show only the detail necessary to complete this interconnection, and nothing else.
4. In a development of the application described in Question 3, four of the same DACs are now required. All are driven from the same 16F873A serial port, but each must be enabled individually. Draw a simple diagram to show how the interconnection can be achieved.
5. In a prototype embedded system, the capacitance to ground of the serial lines and master microcontroller are estimated as 90 pF per line. To satisfy the I²C standard, the time constant of either serial line should not exceed 830 ns.
 - (a) What value of pull-up resistor should be connected to each I²C line, if this condition is just satisfied?
 - (b) The PCF8574 is an I²C compatible serial to parallel converter integrated circuit. A number of PCF8574s are to be connected to the I²C bus described above. Each PCF8574 places a further load capacitance on each serial line of 15 pF. For power supply and dissipation considerations, the pull-up resistors should not be less than 4.7 kΩ. What is the maximum number of PCF8574s that can be added to the bus?

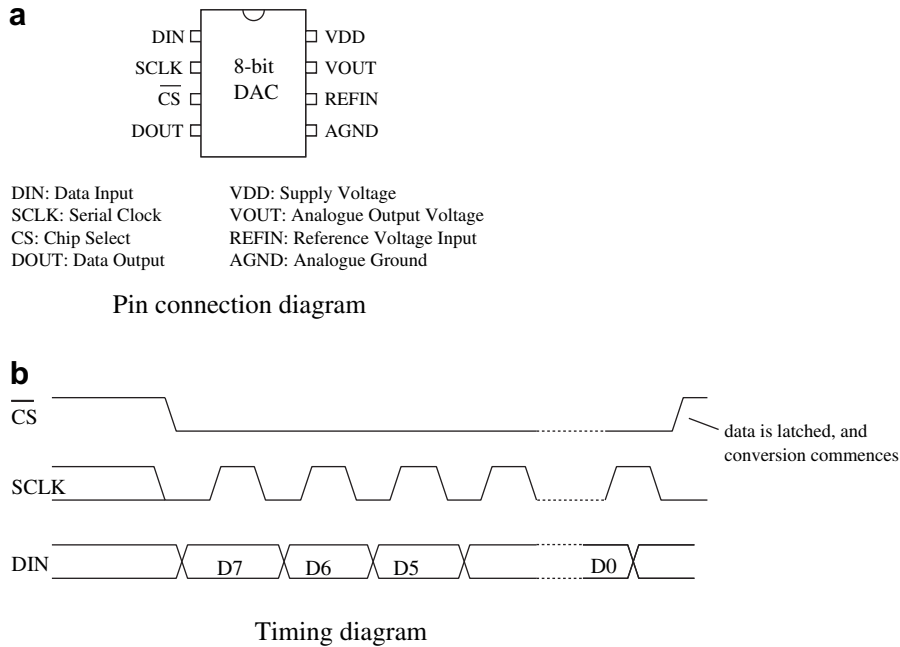


Figure 10.30: An example 8-bit digital to analogue converter (a) Pin connection diagram (b) Timing diagram

6. Three 16F873A microcontrollers are interconnected on an I²C bus. Each is running from a 10 MHz clock oscillator. Some of their control register settings are shown below. Deduce what effect each microcontroller is having on the bus, and its relevant settings.

	Microcontroller 1	Microcontroller 2	Microcontroller 3
SSPCON1	0011 0110	28 _H	36 _H
SSPADD	0011 0010	0000 0111	46 _H

Data acquisition and manipulation

In the early chapters of this book we limited ourselves to a world that is almost entirely digital. While we want to benefit from the advantages that digital signals can offer us, we need to recognise that most real variables are analog in nature. They are continuously variable and can take an infinite range of different values, whether we are talking about temperature, sound level, frequency or other variables. It is necessary, therefore, for the microcontroller to be able to read values that are analog and if necessary generate output values that are analog, even though internally the microcontroller is relentlessly a digital device. The process of converting an analog signal to digital, along with all the attendant signal manipulation, is usually called 'data acquisition'.

Once data from the outside world has been acquired, it needs to be processed and put to use. It may also need to be averaged, scaled, linearised or stored. Quite possibly it will be used for some form of control purpose and it may need to be displayed, or transmitted to another device.

Data acquisition, and the use of the data acquired, is the business of this chapter. In the chapter you will learn about:

- The main features of a data acquisition system.
- The characteristics of an analog-to-digital converter.
- The characteristics of the 16F873A analog-to-digital converter.
- How the 16F873A analog-to-digital converter can be applied.
- Some simple data manipulation techniques.
- The use of comparators and the 16F873A comparator capability.

Once we have the ability to acquire data and manipulate it in simple ways, we are in the powerful position of being able to make a variety of measuring devices. The chapter therefore ends with a number of illustrative projects. These use the Derbot either as an AGV or else simply use the core design as the basis for other projects, which have no need for wheels!

11.1 The main idea – analog and digital quantities, their acquisition and use

Most transducers produce output signals that are an *analog* of the quantity they represent. Thus, the voltage output from a temperature sensor represents the temperature as faithfully as it can, increasing or decreasing as the temperature does. Similarly, a microphone output signal represents the precise characteristics of the sound wave as best it can, in amplitude, frequency and waveform. Analog signals are fine things, but they suffer from a number of big disadvantages, as Table 11.1 shows. *Digital* signals, on the other hand, as the table indicates, perform better on most counts and with today's technology are easier to work with. In many cases the advantage is dramatic and overwhelming.

It is possible fairly readily to convert a signal from analog to digital form, using an Analog-to-Digital Converter (ADC). The circuits available to do this conversion are comparatively

TABLE 11.1 Some properties of analog and digital quantities

Property	Analog	Digital
Means of (electrical) representation	A continuously variable voltage, or current, represents the variable.	Variable is represented by a binary number.
Precision of representation	Can take an infinite range of values; absolute precision is theoretically possible, as long as the signal is kept completely uncorrupted.	Only a fixed number of digit combinations are available to represent measure; for example, an 8 bit number has only 256 different combinations. 'Continuously variable' quality of analog signal cannot be replicated.
Resistance to signal degradation	Almost inevitably suffers from drift, attenuation, distortion, interference. Cannot completely recover from these.	Digital representation is intrinsically tolerant of most forms of signal degradation. Error checking can also be introduced and with appropriate techniques complete recovery of a corrupted signal can be possible.
Processing	Analog signal processing using op amps and other circuits has reached sophisticated levels, but is ultimately limited in flexibility and always suffers from signal degradation.	Fantastically powerful computer based techniques available.
Storage	Genuine analog storage for any length of time is almost impossible.	All major semiconductor memory technologies are digital.

complex. Their design is a mature art form, however, and they are available as ready-to-use integrated circuits or modules within a microcontroller.

As embedded designers, we will need to understand the characteristics of the ADC, so that we can choose the right one and use it effectively.

11.2 The data acquisition system

When converting an analog signal to digital form, it is usually not enough just to find a suitable ADC. Usually, more than one input is required and the signal needs processing before it can be converted. In most cases, therefore, it is necessary to build up a complete 'data acquisition system'. The elements of such a system are shown in Figure 11.1. This shows, in block diagram form, a system with multiple inputs, amplification, filtering, source selection, Sample and Hold, and finally the ADC itself. The different elements are outlined in the sections which follow.

11.2.1 The analog-to-digital converter

The task of the ADC is to determine a digital output number that is the equivalent of its input voltage. The design of such circuits is a non-trivial task. Many very different ADC circuits have been developed, targeted towards different applications. Some, like the dual ramp ADC, are slow but with very high accuracy, and useful for precision measurements such as digital voltmeters. Others, like the Flash converter (not to be confused with Flash memory

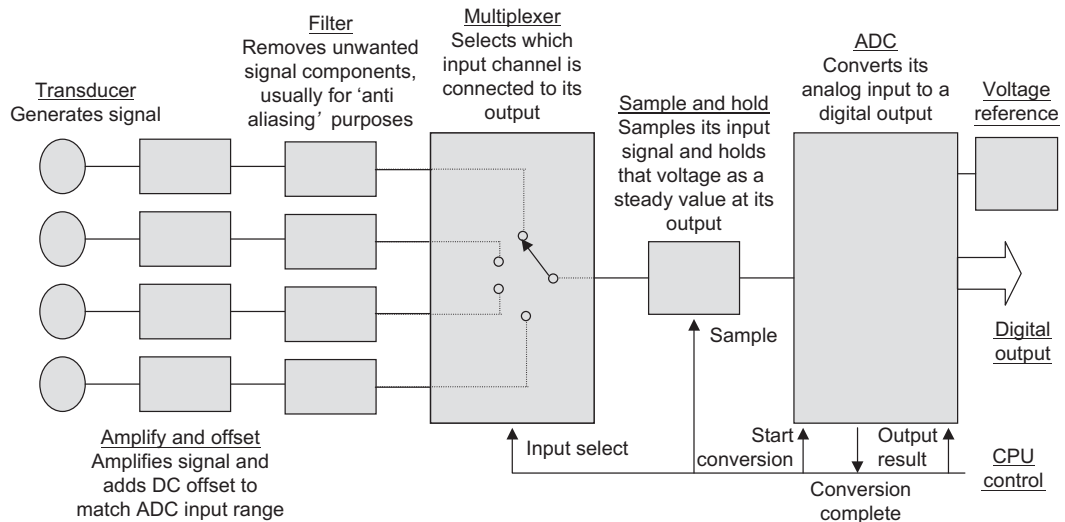


Figure 11.1: Elements of a (four-channel) data acquisition system

technology), are fast but of lesser accuracy, and are used to convert high-speed signals such as video or radar. Others, like the successive approximation ADC, are of medium speed and medium accuracy, and useful for general-purpose industrial applications. This is the type most commonly found in embedded systems. Descriptions of how this type of ADC circuit works can be found in most electronics textbooks [see Ref. 1.1].

An ADC is characterised principally by the following features.

Conversion characteristic

The ADC accepts an input voltage that is infinitely variable. It converts this to one of a fixed number of output values. An example ADC conversion characteristic is shown in Figure 11.2, where the input voltage is represented on the horizontal axis and digital output on the vertical. If the ADC is converting continuously and the input voltage is gradually increased from zero, the output is also initially zero. At a certain value of input, the output changes to ...001. It stays at this same value as the input increases further, until at another input value the output switches to ...010. If the input voltage increases continuously, the output at some point reaches its maximum value. The input has then traversed its full 'range'. The output will have moved stepwise up to its maximum value. For an n -bit ADC, the maximum output value will be $(2^n - 1)$. For example, for an 8-bit ADC, the final value will be $(2^8 - 1)$, or 1111111_B, or 255_D.

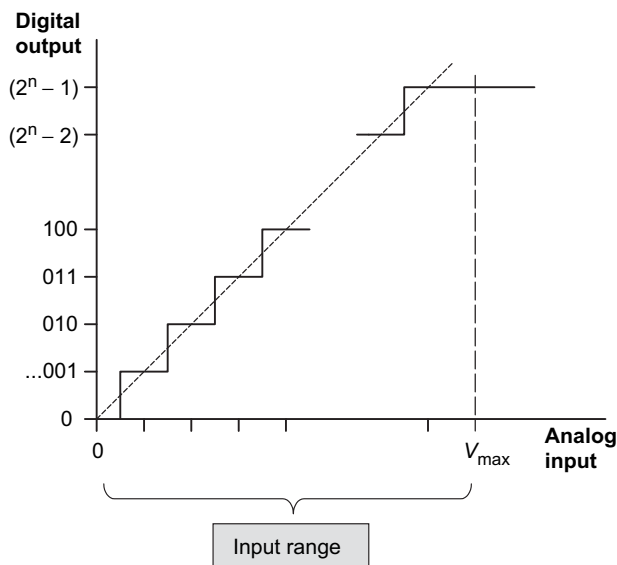


Figure 11.2: The ideal analog-to-digital converter input/output characteristic

The input range shown in [Figure 11.2](#) starts from zero and goes up to the value V_{\max} . This is placed a little to the right of where one might expect it, at the centre of where a step for 2^n would occur. This positioning allows the horizontal axis to be divided into exactly 2^n equal segments, each centred on an output transition.

Many ADCs have a characteristic like that in [Figure 11.2](#), for example with an input range of 0–5 V. Others, however, have a bipolar range, with the input voltage taking both positive and negative values, for example –5 to +5 V. In every case the input range V_r is the difference between maximum input voltage and minimum input voltage. The range usually relates in a direct way to the value of the voltage reference, which forms part of the ADC.

It can be seen intuitively from the diagram that the higher the number of output bits, the higher will be the number of output steps and the finer is the conversion. A measure of the fineness of conversion is called the ‘resolution’. This is the amount by which the input has to change to go from one output value up to the next. In the diagram, the resolution is the width of one step in the conversion characteristic. An ADC with n output bits can take 2^n possible output values, from 0 up to $2^n - 1$. It therefore has a resolution of $V_r/2^n$, where V_r is the input voltage range. An incoming signal should use as much of the input range as possible, without exceeding it. If it only uses a part of it, then the effective resolution is degraded and the ADC is not being put to best use.

Conversion speed

An ADC takes time to do its work. That time is called the conversion time. A slow ADC, with a high conversion time, will only be able to convert low-frequency signals, as Nyquist’s criterion ([Section 11.2.2](#)) must always be satisfied. The conversion time of an ADC defines which type of signal it can be used to convert. As suggested earlier, high-accuracy ADCs generally take longer to complete a conversion.

Digital interface

The digital interface is made up of the control signals and the data output. Typical control signals are shown in [Figure 11.1](#). Generally, there is a signal to the ADC that causes a conversion to start. When the conversion is complete, the ADC signals that completion with an output signal. A further signal causes the ADC to output its data. Depending on the type of interface required, the ADC has a parallel or serial data interface.

An ADC always works in conjunction with a ‘voltage reference’. This is a device or circuit that maintains a very precise and stable voltage, and is based around a zener diode or a band-gap reference. The ADC effectively uses the voltage reference as the ruler with which it measures the incoming voltage. An ADC is only as good as its voltage reference. For accurate A-to-D conversion, a good ADC must be used with a good reference.

11.2.2 Signal conditioning – amplification and filtering

To make best use of the ADC, the input voltage should traverse as much of its input range as possible, without exceeding it. Yet most signal sources, say a microphone or thermocouple, produce very small voltages. Therefore, in many cases amplification is needed to exploit the range to best effect. Voltage level shifting may also be required, for example if the signal source is bipolar while the ADC input is unipolar (voltage is positive only).

If the signal being converted is periodic, then a fundamental requirement of conversion is that the conversion rate must be at least twice the highest signal frequency. This is known as the Nyquist sampling criterion. If this criterion is not met, then a deeply unpleasant form of signal corruption takes place, known as ‘aliasing’ (see Ref. 1.1 or signal processing text for further details). Anti-aliasing filtering may therefore be required to ensure that the Nyquist criterion is satisfied.

11.2.3 The analog multiplexer

If there are to be multiple inputs, then an analog multiplexer is used. The alternative, of multiple ADCs, is both costly and space-consuming. The multiplexer acts as a selector switch, choosing which input out of several is connected to the ADC at any one instant. The multiplexer is built around a set of semiconductor switches. It is important to know that the semiconductor switch is an imperfect device. In particular, when switched ‘on’, it has internal series resistance, which can range from tens to thousands of ohms. This can impact on the data acquisition process, as we shall see.

11.2.4 Sample and Hold, and acquisition time

Because most ADCs are unable to accurately convert a changing voltage, a ‘Sample and Hold’ (S&H) circuit is often found. This takes a sample of the voltage, like a snapshot, and holds it steady for the duration of the conversion. A circuit of a simple but practical S&H is shown in Figure 11.3. At its heart are just a semiconductor switch and a capacitor. When the switch is closed, the capacitor charges up to the input voltage V_S . At this moment, ideally $V_O = V_C = V_S$, as the

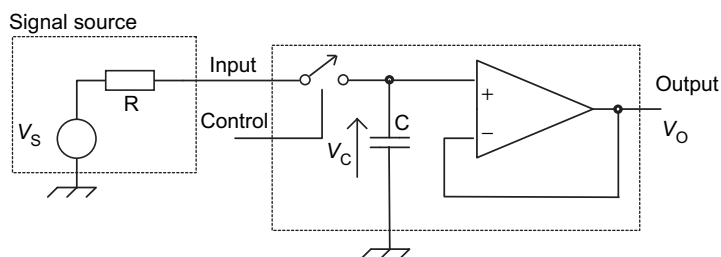


Figure 11.3: A simple form of Sample and Hold circuit

buffer amplifier just has unity gain. When the switch opens, the charge is left on the capacitor and V_C (and hence V_O) remains at a fixed value. In practice there is some leakage from the capacitor, so the output voltage drifts. This circuit is sometimes also called ‘track and hold’, as when the switch is closed the output voltage follows, or tracks, the input.

One problem with this simple circuit is that there is inevitably series resistance in the signal path. This is represented by the resistor in the circuit. When the switch closes, therefore, the capacitor voltage V_C does not take on the signal voltage immediately, but rises towards it exponentially. This is shown in Figure 11.4. The voltage rise is given by:

$$V_C = V_S \{1 - \exp(-t/RC)\} \quad (11.1)$$

Our interest from a data acquisition point of view is to ensure that the voltage has risen sufficiently close to its final value with the switch closed, before the switch is opened (the signal is then ‘held’) and a conversion allowed to start. The time that V_C (and hence V_O) takes to reach a value deemed to be acceptable is called the ‘acquisition time’.

Let us suppose that V_C must rise to 90 per cent of its final value, V_S . Then, substituting into Equation (11.1):

$$\begin{aligned} 0.9V_S &= V_S \{1 - \exp(-t/RC)\} \\ \exp(-t/RC) &= 1 - 0.9 \\ t &= RC \ln(0.1) \\ t &= 2.3RC \end{aligned}$$

This is shown in Figure 11.4. It is, however, an undemanding requirement. To ensure good accuracy in data conversion, the error introduced by this process should be less than the equivalent of half of one LSB. Hence, for 8-bit conversion, this implies that the acquired voltage value V_C must reach $\geq (511/512)V_S$, or $0.9980V_S$. For 10-bit conversion it must be $\geq (2047/2048)V_S$, or $0.9995V_S$.

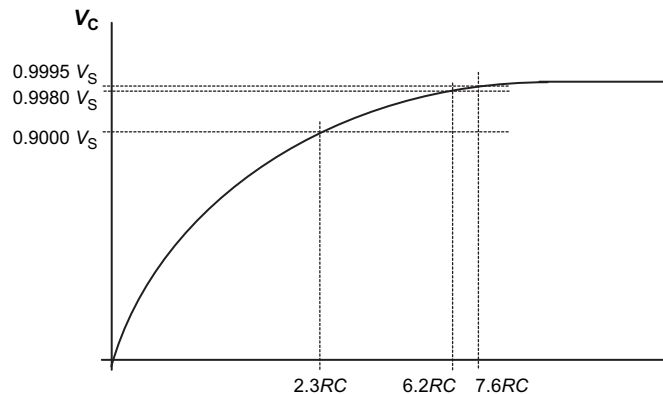


Figure 11.4: Exploring acquisition time (not to scale)

Following the calculation above, but substituting in the 10-bit value, we get:

$$t = RC \ln(1/2048)$$

$$t = 7.6RC$$

The resulting acquisition times are shown in Figure 11.4. It is clear that acquisition time increases with increasing resistance, capacitance *and* with accuracy required. We will meet practical application of this calculation later in the chapter.

It is worth noting that the multiplexer circuit and S&H circuit can be merged into one, with the multiplexer switches forming the S&H switch. This is common practice.

11.2.5 Timing and microprocessor control

Usually, a data acquisition system is under the control of a microprocessor or microcontroller. This can control the overall system timing, including which input is being selected, when the selected signal is sampled and when the conversion starts.

The process of a single conversion can be represented as a flow diagram, as shown in Figure 11.5. Two major time requirements need to be satisfied – the acquisition time (of the S&H) and the conversion time (of the ADC).

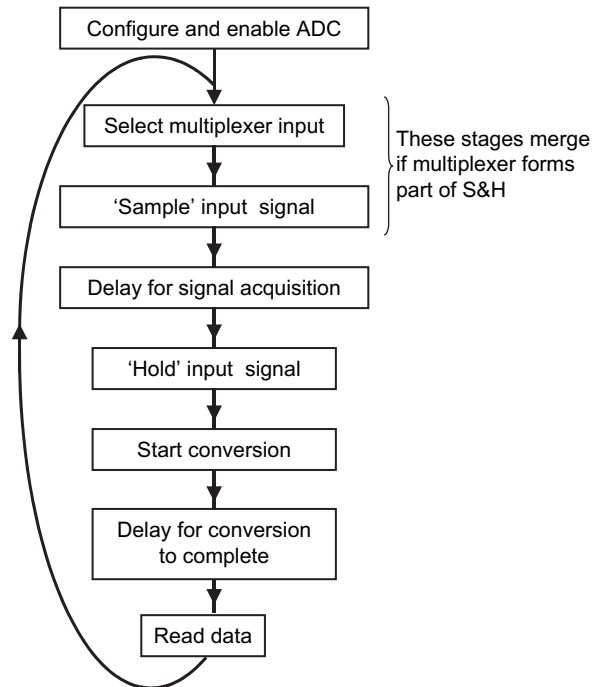


Figure 11.5: Typical timing requirement of one analog-to-digital conversion

Once the system is initialised, the multiplexer switch can be set. The S&H can then start its sample process. A period equal to or greater than the required S&H acquisition time must elapse. The ADC can then start its conversion. Again, this takes finite time. The ADC flags when it has completed a conversion and the microprocessor can read the output data.

11.2.6 Data acquisition in the microcontroller environment

Embedded systems need ADCs, so it is natural to expect to find an ADC integrated onto a microcontroller as one of its peripherals. It is important, however, to realise that ADCs and microcontrollers do not make happy bedfellows. To operate to a good level of accuracy, an ADC needs a quiet life (electronically speaking), with excellent and clean power supply and ground, and freedom from electromagnetic interference. A microcontroller, on the other hand, being a digital device, tends to corrupt its power supply and ground with a voltage spike on every switching edge. As a consequence, with all its intensive internal digital activity, it radiates a smog of local interference. Therefore, to integrate an ADC onto a microcontroller is at best a compromise and high accuracy is not usually possible.

Despite this, ADCs are widely available in the microcontroller environment, with many microcontrollers having an on-chip ADC. These are mostly 8- or 10-bit.

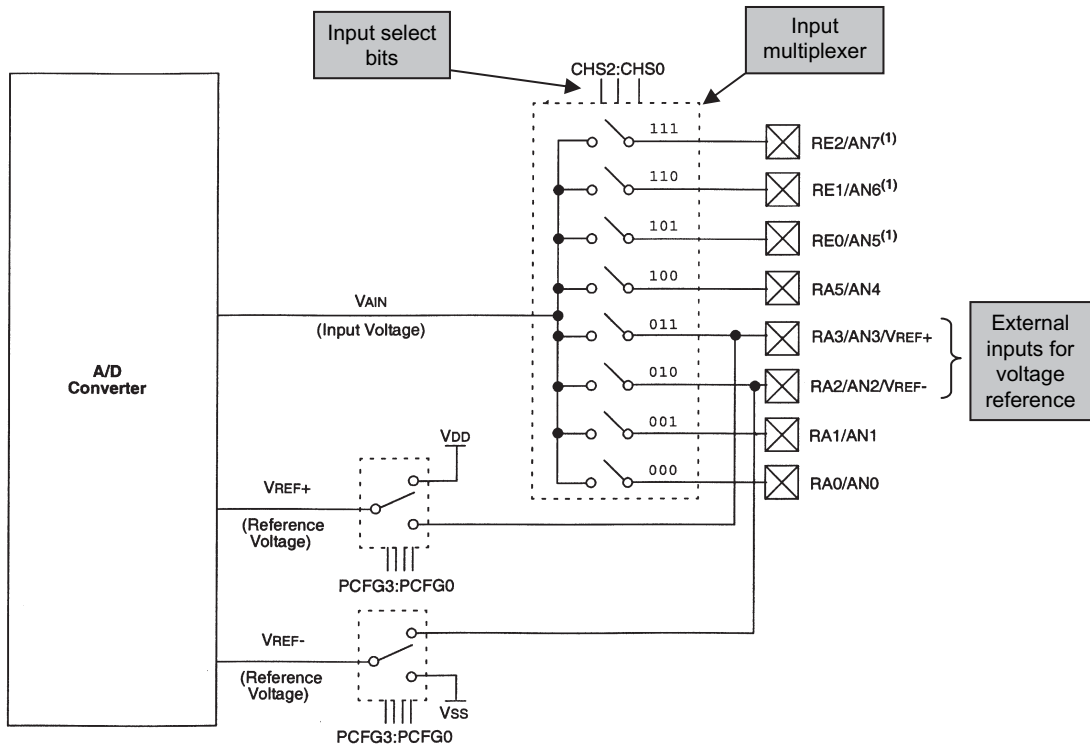
11.3 The PIC 16F87XA ADC module

11.3.1 Overview and block diagram

The 16F87XA has a versatile and powerful 10-bit ADC module, shown in [Figure 11.6](#). This provides a subset of the overall data acquisition system shown in [Figure 11.1](#), having an ADC, a multiplexer and the possibility of using the supply voltage as the voltage reference. The particular ADC design used incorporates in an interesting way the function of Sample and Hold, discussed further in [Section 11.3.3](#).

The input multiplexer, seen to the right of the diagram, has five channels for the 16F873A and 'F876A, and eight for the 16F874A and 'F877A. The inputs are shared with five of the six Port A bits, and three of the eight Port E (for 16F874 and 'F877) bits. Only Port A bit 4 is not used, as it already shares with the important Timer 0 input. Port bits can be allocated in a flexible way to analog or digital input, according to settings in an SFR.

An external voltage reference can be used for applications requiring reasonable accuracy, with terminals for both positive and negative connections provided. Provision of the negative connection means that the reference does not have to be referred to system ground. For lower-cost, lower-accuracy conversions, the power supply voltage can be used as the reference. The input range is equal to whatever voltage reference is chosen.



Note 1: Not available on 28-pin devices.

Figure 11.6: The 16F87XA analog-to-digital converter (supplementary labels in shaded boxes added by the author)

11.3.2 Controlling the ADC

The ADC is controlled by two SFRs, **ADCON0** (Figure 11.7) and **ADCON1** (Figure 11.8). The result of the conversion is placed in two further SFRs, **ADRESH** and **ADRESL**. These four registers can all be seen in Figure 7.6. Other SFRs also have an important impact on the ADC. These include **TRISA** and (for the 40-pin devices) **TRISE**. Any bits used for analog input must be set as inputs in these. Registers **PIR1** and **PIE1**, which contain the ADC interrupt flag and interrupt enable bits respectively, are also used.

The control possibilities are now described, in the approximate sequence they would be used.

Switching on

The ADC is switched on and off by the **ADON** bit of **ADCON0**. Switching it off when not needed offers a slight power-saving advantage.

R/W-0	R/W-0	R/W-0	R/W-0	R/W-0	R/W-0	U-0	R/W-0
ADCS1	ADCS0	CHS2	CHS1	CHS0	GO/DONE	—	ADON
bit 7							bit 0

bit 7-6 **ADCS1:ADCS0**: A/D Conversion Clock Select bits (ADCON0 bits in **bold**)

ADCON1 <ADCS2>	ADCON0 <ADCS1:ADCS0>	Clock Conversion
0	00	Fosc/2
0	01	Fosc/8
0	10	Fosc/32
0	11	FRC (clock derived from the internal A/D RC oscillator)
1	00	Fosc/4
1	01	Fosc/16
1	10	Fosc/64
1	11	FRC (clock derived from the internal A/D RC oscillator)

bit 5-3 **CHS2:CHS0**: Analog Channel Select bits

000 = Channel 0 (AN0)
 001 = Channel 1 (AN1)
 010 = Channel 2 (AN2)
 011 = Channel 3 (AN3)
 100 = Channel 4 (AN4)
 101 = Channel 5 (AN5)
 110 = Channel 6 (AN6)
 111 = Channel 7 (AN7)

Note: The PIC16F873A/876A devices only implement A/D channels 0 through 4; the unimplemented selections are reserved. Do not select any unimplemented channels with these devices.

bit 2 **GO/DONE**: A/D Conversion Status bit

When ADON = 1:

1 = A/D conversion in progress (setting this bit starts the A/D conversion which is automatically cleared by hardware when the A/D conversion is complete)
 0 = A/D conversion not in progress

bit 1 **Unimplemented**: Read as '0'

bit 0 **ADON**: A/D On bit

1 = A/D converter module is powered up
 0 = A/D converter module is shut-off and consumes no operating current

Figure 11.7: The ADCON0 register (address 1F_H)

Setting the conversion speed

Operation of the 16F87XA ADC is governed by the ADC clock, which has a period T_{AD} . A full 10-bit conversion takes around 12 T_{AD} cycles, depending slightly on which clock source is chosen. The user can select the clock frequency from a number of options. Although one generally wants a conversion to take place as quickly as possible, there is an upper limit to the clock frequency. For the 16F87XA the minimum clock period for correct operation is specified as 1.6 μ s (from the 'Electrical Characteristics' of Ref. 7.1), or a frequency of 625 kHz. This implies a fastest conversion time of 19.2 μ s. At the other extreme, if conversion is too slow, charge leaks from the storage capacitance and the conversion becomes inaccurate. Best practice is therefore to set the ADC clock frequency such that it has a period equal to or just more than 1.6 μ s.

R/W-0	R/W-0	U-0	U-0	R/W-0	R/W-0	R/W-0	R/W-0
ADFM	ADCS2	—	—	PCFG3	PCFG2	PCFG1	PCFG0
bit 7							bit 0

bit 7 **ADFM:** A/D Result Format Select bit

1 = Right justified. Six (6) Most Significant bits of ADRESH are read as '0'.
0 = Left justified. Six (6) Least Significant bits of ADRESL are read as '0'.

bit 6 **ADCS2:** A/D Conversion Clock Select bit (ADCON1 bits in shaded area and in **bold**)

ADCON1 <ADCS2>	ADCON0 <ADCS1:ADCS0>	Clock Conversion
0	00	Fosc/2
0	01	Fosc/8
0	10	Fosc/32
0	11	FRC (clock derived from the internal A/D RC oscillator)
1	00	Fosc/4
1	01	Fosc/16
1	10	Fosc/64
1	11	FRC (clock derived from the internal A/D RC oscillator)

bit 5-4 **Unimplemented:** Read as '0'

bit 3-0 **PCFG3:PCFG0:** A/D Port Configuration Control bits

PCFG <3:0>	AN7	AN6	AN5	AN4	AN3	AN2	AN1	AN0	VREF+	VREF-	C/R
0000	A	A	A	A	A	A	A	A	VDD	VSS	8/0
0001	A	A	A	A	VREF+	A	A	A	AN3	VSS	7/1
0010	D	D	D	A	A	A	A	A	VDD	VSS	5/0
0011	D	D	D	A	VREF+	A	A	A	AN3	VSS	4/1
0100	D	D	D	D	A	D	A	A	VDD	VSS	3/0
0101	D	D	D	D	VREF+	D	A	A	AN3	VSS	2/1
011x	D	D	D	D	D	D	D	D	—	—	0/0
1000	A	A	A	A	VREF+	VREF-	A	A	AN3	AN2	6/2
1001	D	D	A	A	A	A	A	A	VDD	VSS	6/0
1010	D	D	A	A	VREF+	A	A	A	AN3	VSS	5/1
1011	D	D	A	A	VREF+	VREF-	A	A	AN3	AN2	4/2
1100	D	D	D	A	VREF+	VREF-	A	A	AN3	AN2	3/2
1101	D	D	D	D	VREF+	VREF-	A	A	AN3	AN2	2/2
1110	D	D	D	D	D	D	D	A	VDD	VSS	1/0
1111	D	D	D	D	VREF+	VREF-	D	A	AN3	AN2	1/2

A = Analog input D = Digital I/O

C/R = # of analog input channels/# of A/D voltage references

Figure 11.8: The ADCON1 register (address 9FH)

Selection of the ADC clock source is controlled by bits **ADCS2** in **ADCON1**, and **ADCS1** and **ADCS0** in **ADCON0**, as seen in [Figure 11.7](#). This shows that various divisions of the main clock frequency are possible. There is also a dedicated RC oscillator which can be chosen. This has a typical period of 4 μ s, but may range from 2 to 6 μ s.

If the system clock is fast, it is usually appropriate to use it to derive the clock source. If the system clock is slow, however, it is better to use the RC oscillator. The dividing line between

a ‘slow’ and ‘fast’ clock oscillator here is around 500 kHz. With an internal oscillator running at this speed, the fastest ADC clock that can be derived from it is 250 kHz. This gives a period of 4 μ s, equal to the typical RC oscillator period. If the main oscillator is lower than this frequency, it will then generally be advisable to use the RC oscillator.

Configuring the input channels and selecting the voltage reference

The way the input port bits are used is defined by the setting of bits **PCFG3** to **PCFG0** of **ADCON1**. It is worth looking at this closely in [Figure 11.8](#). The variety of opportunity is impressive, both in terms of input channels and voltage reference. We can see that it ranges from just a single Port A channel used for input (**PCFG3: PCFG0** = 1110) to all eight analog inputs in play (**PCFG3: PCFG0** = 0000). Many combinations which include an external reference are also possible. Note again that any port pin that is to be used as an analog input must be set as an input in its **TRIS** register. Otherwise, the pin will act as an output and the (unintended) digital output value will be converted!

Selecting the input channel

The input channel is selected by the channel select bits **CHS2** to **CHS0** in **ADCON0**. These bits determine which switch in [Figure 11.6](#) is closed. Making this selection is usually the first step in the data acquisition process, as we shall see below.

Starting a conversion and flagging its end

A conversion is initiated by setting bit **GO/DONE** in register **ADCON0**. When the conversion is complete the bit is returned to zero by the hardware. Completion of conversion is also signalled by an ADC interrupt flag **ADIF**, as seen in [Figure 7.10](#). Completion of conversion may therefore be detected by testing either of the bits **GO/DONE** or **ADIF**, or by enabling the interrupt and responding to it in an ISR.

Formatting the result

The result of the conversion is placed in registers **ADRESH** and **ADRESL**. Two possible result formats are possible, as shown in [Figure 11.9](#). The result can be left justified, in which case the eight most significant bits appear in **ADRESH**. This is useful if only an 8-bit result is required, as the contents of **ADRESL** can then be ignored. In most other cases a right-justified result will be the more useful. The formatting is controlled by bit **ADFM** in **ADCON1**.

11.3.3 The analog input model

It was demonstrated earlier in this chapter that an understanding of the actual signal path is necessary in order to understand and predict system characteristics. [Figure 11.10](#) is a diagram

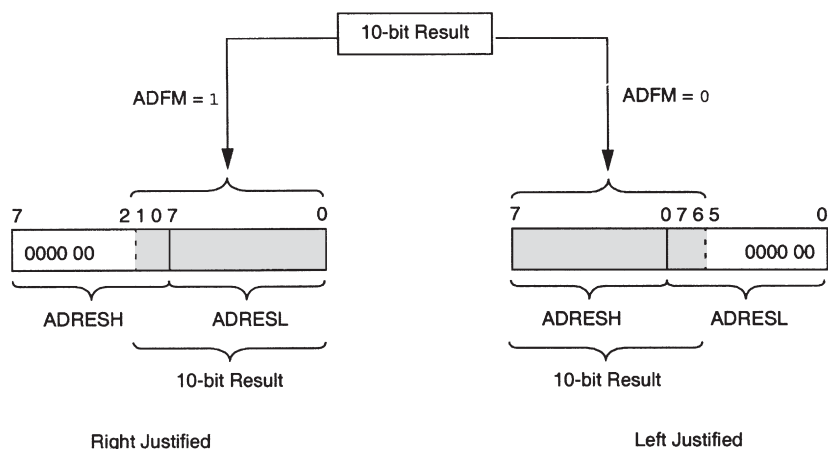


Figure 11.9: Formatting the analog-to-digital converter conversion result

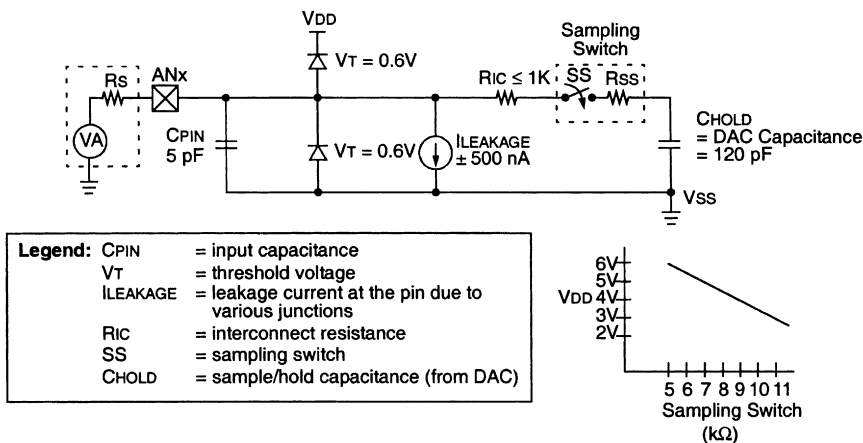


Figure 11.10: The 16F87XA analog-to-digital converter input model

of the signal path for this ADC – and what an obstacle course it appears to be! This diagram is effectively a real-life representation of parts of Figure 11.6, shown from the signal's point of view.

The signal source, together with internal resistance, is depicted to the left of the diagram, modelled as voltage source in series with internal resistance. The signal voltage enters the microcontroller through the pin labelled ANx. There is a small input capacitance (5 pF), and the input protection diodes and other input circuitry clearly have the potential to leak current into the signal path. The signal then passes through the interconnect resistance, R_{IC} , before reaching the multiplexer switch. This is one of the switches of the analog input multiplexer in Figure 11.6. The internal resistance of this switch, R_{SS} , is shown. The approximate value of this is dependent on supply voltage and is given by the small graph on the bottom right of

Figure 11.10. From this we see that the switch resistance is a sobering 7 k Ω approximately, when the supply voltage is 5 V.

The ADC itself is a so-called switched capacitor type (Ref. 1.1, Chapter 5). First of all, that means that the ADC has internal capacitance, which must be charged up to the input voltage before a conversion can start. Neatly, however, this capacitance takes on the function of the S&H capacitor. On the downside, the capacitance, all 120 pF of it, must be charged up in the first place.

11.3.4 Calculating acquisition time

In Ref. 7.1 Microchip define three sources of time delay in their calculations for acquisition time, t_{ac} , as shown:

$$t_{ac} = \text{Amplifier setting time} + \text{Hold capacitor charging time} + \text{Temperature coefficient} \quad (11.2)$$

The reference specifies the amplifier settling time as a fixed 2 μs . The temperature coefficient applies only when temperature is above 25°C and is specified as:

$$\text{Temperature coefficient} = (\text{Temperature} - 25^\circ\text{C})(0.05 \mu\text{s}/^\circ\text{C})$$

It can be seen that this creates a time delay of only 0.5 μs for every 10° above 25°, so its impact in most cases is slight.

It is the capacitor charging time that dominates the acquisition time, which we now explore. The analog input model of Figure 11.10 can be related back to the S&H diagram of Figure 11.3 and Equation (11.1). To analyse this, we neglect the effects of the input leakage current and the small input capacitance. Actual values for R and C in Figure 11.3 for the 16F87XA ADC can be extracted from Figure 11.10. R is made up of ($R_{SS} + R_{IC} + R_S$), or (1k + 7k + R_S), for a supply voltage of 5 V. C is the 120 pF shown. Calculations made for Figure 11.4 showed us that, for 10-bit accuracy, an acquisition time of $7.6RC$ was needed. Substituting values in, assuming at first negligible source resistance, gives:

$$\begin{aligned} t_{ac} &= 7.6RC \\ &= 7.6(1\text{k} + 7\text{k})120 \text{ pF} \\ &= 7.3 \mu\text{s} \end{aligned}$$

If amplifier settling time is added to this, as it must be, the acquisition time rises to 9.3 μs .

This represents a best possible value. To determine the overall time needed to complete a single conversion, this acquisition time must be added to the conversion time, discussed in

Section 11.3.2. There, a best possible conversion time of 19.2 μs was deduced. Adding this to the best possible acquisition time leads to a total time to complete a conversion of $(2 + 7.3 + 19.2) \mu\text{s}$, i.e. 28.5 μs .

In many cases the source resistance is not negligible and any external series resistance will degrade the acquisition time calculated above. In Ref. 7.1 Microchip *recommend* a maximum source resistance of 2.5 k Ω . In this case:

$$\begin{aligned}t_{\text{ac}} &= 7.6(1\text{k} + 7\text{k} + 2.5\text{k})120 \text{ pF} \\ &= 9.6 \mu\text{s}\end{aligned}$$

Note that this is not the highest acquisition time that may be encountered, as the maximum *allowed* source resistance is specified in Ref. 7.1 as being 10 k Ω .

11.3.5 Repeated conversions

When a conversion is complete, the converter waits for a period of $2 \times T_{\text{AD}}$ before it is available to start a new conversion cycle. Once this time is up, either the same input channel may be converted again, or a new one (which may already have been selected) may be converted.

A best possible conversion time of 28.5 μs was calculated in Section 11.3.4. If a period of $2 \times T_{\text{AD}}$ is added to this, i.e. 3.2 μs for fastest possible, then the complete conversion cycle time becomes 31.7 μs . If successive conversions are intended, this implies a maximum sampling rate of around 30 kHz. Note, however, that this figure takes no account of software overheads, which would tend to slow the conversion rate.

11.3.6 Trading off conversion speed and resolution

The conversion times deduced above are not particularly fast by today's standards and there will be occasions when a faster conversion time is needed. While one option is to use an external ADC, another is to consider whether the full 10-bit resolution is needed. If it is not, then the conversion time can be reduced. One technique, described in Ref. 11.1, is to start a conversion with a valid ADC clock frequency and then to switch it during the conversion to a faster speed, which violates the clock specification. The higher-order bits converted before the switch will be valid and can be used. Those converted after will not be valid. A lower-resolution conversion, at higher speed, has thus been achieved. It is up to the programmer, however, to determine when the switch should take place.

An alternative approach is to reduce the acquisition time, as suggested in Figure 11.4, so that, for example, the acquisition is only to 8-bit accuracy. The conversion can then be allowed to run its full course. The switching of the ADC clock frequency, as just described, can still be implemented.

11.4 Applying the analog-to-digital converter in the Derbot light meter program

The Derbot AGV has three light-dependent resistors, used as light sensors, as seen in Figure A3.1. Two are at the front and one at the rear of the vehicle. The Derbot uses the 16F873A ADC to measure light intensity, for both a light meter program and a light-seeking program.

Program Example 11.1 shows sections of the program **Dbt light meter**, reproduced in full on the book's companion website. The program reads the LDR output values and displays these on the LCD of the hand controller unit. There are, however, several data manipulation challenges on the way. The result of the ADC must be scaled to a true voltage reading and then converted to a format suitable for the LCD. Therefore, the reading is converted to Binary Coded Decimal and then to ASCII. The resulting characters are then transferred to the LCD. Let us explore how this is done.

11.4.1 Configuration of the analog-to-digital converter

The initial setting of the ADC control registers, **ADCON0** and **ADCON1**, can be seen in the program example. Figure A3.1 shows that the right LDR is connected to Port A bit 0, the left to Port A bit 1 and the rear to Port A bit 3. No external reference voltage is available, so the power supply is used. These connections lead to the **PCFG** bits in **ADCON1** (Figure 11.8) being set to 0100.

With a main clock period of 250 ns (4 MHz), but a minimum specified T_{AD} time of 1.6 μ s, it is necessary to divide the clock frequency by at least eight. This value is chosen, giving a T_{AD} of 2 μ s. A right-justified result is selected.

11.4.2 Acquisition time

The operation of the data acquisition can be examined by looking further down the program example.

The acquisition time needs to be calculated for the worst-case condition, which is when ambient light is low and the LDR resistance high. This may be checked in the LDR data [Ref. 8.5]. In the worst case the LDR resistance will be very high and the source resistance will tend towards the value of the 10 k Ω resistor in series with the LDR. Note that this is at the limit of the maximum allowed source resistance. However, under normal lighting conditions the source resistance will be considerably lower. From Figure 11.4, acquisition time is given by:

$$\begin{aligned} t &= 7.6RC \\ &= 7.6(10\text{k} + 1\text{k} + 7\text{k})120\text{ pF} \\ &= 16.4\ \mu\text{s} \end{aligned}$$

Adding in the amplifier settling time gives 18.4 μ s.

```

;*****
;Dbt_light_meter
;Dbt reads LDR values to 10-bit resolution, scales to a voltage reading,
;converts to 4 digits of BCD, and displays on Hand Controller LCD.
;Rear LDR is scaled to be a true millivolt reading, displayed to tens of mV.
;Requires Hand Controller loaded with corresponding program.
;TJW 19.7.05                               Tested 20.7.05
;*****
...
(early program sections omitted)
...
    bsf     status,rp0
    movlw  B'00001011' ;set port A bits according to their function,
    movwf  trisa      ;ADC channels set as inputs
    movlw  B'10000100' ;select port A bits 0,1,3 for analog input
    movwf  adcon1     ;right justify result
...
    bcf     status,rp0
    movlw  B'01000001' ;set up ADC: clock Fosc/8, switch ADC on but not
                                ;converting,
    movwf  adcon0     ;input channel selection currently irrelevant
...
;read and store ldrs main_loop movlw B'01000001' ;select channel 0 as input (left
front ldr)
    movwf  adcon0
    call   delay20u   ;acquisition time
    bsf    adcon0,go   ;start conversion
    btfsc  adcon0,go_done ;wait for conversion to complete
    goto  $-1
    movf   adresh,0    ;read and store ADC output data, high byte
    movwf  ldr_left_hi
    bsf    status,rp0
    movf   adresl,0   ;read and store ADC output data, low byte
    bcf    status,rp0
    movwf  ldr_left_lo ;select
channel 1 (right ldr)
    movlw  B'01001001'
    movwf  adcon0     ;select channel 1 as input (right front ldr)
    call   delay20u
...
(samples other two LDRs)
...
(scales, converts to BCD, and outputs values to display)
...
goto  main_loop
...

```

Program Example 11.1: Applying the analog-to-digital converter in the Derbot light meter program

11.4.3 Data conversion

The actual operation of the ADC can be seen by checking further down the program example, from the label **main loop**. The three LDRs are sampled in turn. For the first (front left), it can be seen that the appropriate input channel is selected, with the GO/DONE bit of **ADCON0** left low. A delay of 20 μ s is introduced for signal acquisition, which just covers the calculated worst-case value of 18.4 μ s. The actual conversion is then initialised by setting the GO/DONE bit high. Completion of conversion is awaited by testing the

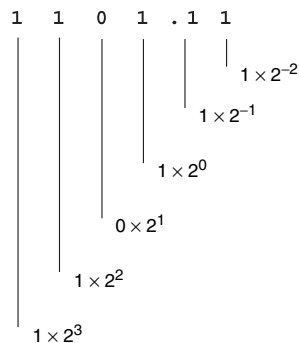
same bit. The result of the conversion is then transferred from **ADRESH** and **ADRESL** to the two stores in memory, and the program moves on to sample the next input. The data manipulation that follows is omitted in this program example, but is described later in the chapter.

11.5 Some simple data manipulation techniques

Almost as soon as data is acquired in a program there follows the need to manipulate it in some way. This could include simple addition and subtraction, as we have already done, or other arithmetic operations like multiplication and division. As the data processing demand rises, so most certainly does the Assembler complexity, creating a strong motivation for a move to a high-level programming language. Nevertheless, it should not be necessary to write a program or subroutine for any standard mathematical operation in Assembler. Many are already available, for example in Ref. 11.2.

11.5.1 Fixed- and floating-point arithmetic

We have already repeatedly used the fact that an n -bit binary number can represent any integer number value from 0 to $2^n - 1$. For example, an 8-bit number can represent from 0 to 255_D , a 12-bit number from 0 to 4095_D , and a 16-bit number from 0 to $65\,535_D$. For larger numbers, more bits just need to be added. We could even represent fractional numbers in this way, by inserting a *binary point*. Then the digits to the right of the binary point represent negative powers of two. This is seen in the example of Figure 11.11, where the binary number 1101.11 is evaluated to 13.75_D . As long as the binary point remains in the same fixed place in all numbers being used (in fact, we only need to imagine it there), then it is possible to undertake a range of arithmetic operations with a set of numbers.



$$1101.11_B = 8+4+0+1+0.5+0.25 = 13.75_D$$

Figure 11.11: A fractional binary number

This type of binary number representation is called ‘fixed point’. The binary point is not used, or else is assumed to be in a fixed place in the number. Such representation can solve the need to represent integers and non-integer numbers. It does not, however, solve the problem of dealing with number values that range from the very small to the very large. The smallest non-zero number that the 6-bit fixed-point number of Figure 11.11 can represent, for example, is 0.25_D , while the maximum number is 15.75_D . It could neither represent 0.0004_D nor 2.3×10^6 .

The solution to this problem lies in ‘floating-point’ representation. This represents the number with a ‘sign bit’, ‘mantissa’ and ‘exponent’. A huge range of numbers can be represented, but processing complexity is greater. While floating-point routines are available in Assembler, they are most commonly found in high-level languages, where they are used for all precision calculation. In this chapter we apply only fixed-point arithmetic.

11.5.2 Binary to Binary Coded Decimal conversion

While all fixed-point arithmetic is done in binary, where there is human interaction, there will be a marked preference for decimal. How do we move data between the binary domain and the decimal?

A simple halfway house between binary and decimal is Binary Coded Decimal (BCD). This uses a 4-bit number to represent a decimal digit, as shown in Table 11.2. The only thing that distinguishes BCD from hexadecimal is that in BCD the binary equivalents of hex. A_H , B_H , C_H , D_H , E_H or F_H are not allowed. Thus, Table 11.2 shows all legal BCD codes for a single decimal digit. The table also shows the ASCII (American Standard Code for Information Interchange) code for each of the numbers. For numeric characters, it can be seen that this is simply a single-byte code in which the number itself occupies the lower nibble and the number 3 forms the higher.

Given this simple coding, multi-digit decimal numbers can be represented in BCD. In ‘packed BCD’, which is commonly used, a byte is used to represent two decimal digits. An example is shown in Figure 11.12.

TABLE 11.2 Binary, Binary Coded Decimal and American Standard Code for Information Interchange

Decimal	Binary (BCD)	ASCII (in hex.)	Decimal	Binary (BCD)	ASCII (in hex.)
0	0000	30	5	0101	35
1	0001	31	6	0110	36
2	0010	32	7	0111	37
3	0011	33	8	1000	38
4	0100	34	9	1001	39

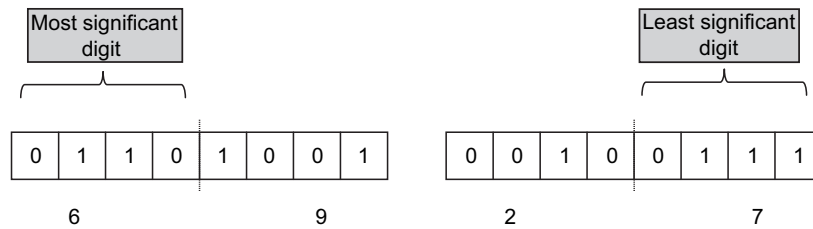


Figure 11.12: Packed Binary Coded Decimal representation of the decimal number 6927

Despite this simple representation, it is not completely straightforward to convert between BCD and binary. Standard algorithms are available, however, such as are used in Ref. 11.3. The Derbot light meter example uses a subroutine taken from this reference that converts a 16-bit number into a five-digit BCD number. This is used to prepare the data for the display. The underlying algorithm can be found in many books on computer arithmetic and in Ref. 1.1.

11.5.3 Multiplication

After addition and subtraction, multiplication is the next most common arithmetic requirement that is usually needed in computer arithmetic. Some processors have hardware multipliers in them and hence a multiply instruction. For the simpler ones, like the PIC 16 Series, multiplication must be achieved by software routines. The standard algorithm for this is a repeated shift and add process [Ref. 1.1]. A very wide range of standard routines are available, in both fixed point and floating point. The fixed-point ones come in different sizes, depending on the number size to be used. Inevitably, those with longer word length take more time to execute. Reference 11.2 has fixed-point multiply routines for 8-bit \times 8-bit (with 16-bit result), 8-bit \times 16-bit (with 24-bit result), and 16-bit \times 16-bit up to 32-bit \times 32-bit (with 64-bit result).

The Derbot light meter example uses a 16-bit \times 16-bit multiply subroutine taken from Ref. 11.3, as is now described.

11.5.4 Scaling and the Derbot light meter example

A common application of multiplication is for scaling of input data, perhaps to convert it into a standard unit. The Derbot example is interesting in this respect.

The Derbot uses the power supply voltage of 5 V as its reference. Hence the 10-bit resolution is $(5/1024) = 4.883$ mV. Thus, the ADC least significant bit, when using this voltage reference, is 'worth' 4.883 mV. If the ADC output value is multiplied by 4.883, then the result will give a true millivolt reading. Yet it is awkward to introduce and track a binary point. A possible workaround is to scale the fractional number up by a binary power and then – after the multiplication – divide by the same number. It's easy to do this, as binary division is a straightforward process of shifting a number right, effectively discarding less significant bits.

For example, for the Derbot light meter, we want to do the calculation:

$$\text{ADC output} \times 4.883 = \text{Millivolt reading}$$

While we can't multiply by 4.883, we note that $4.883 \times 256 = 1250.048$ and we *can* do the following multiplication using integers only:

$$\text{ADC output} \times 1250 = \text{Intermediate result}$$

With the ADC output being a 10-bit number and 1250_{D} (i.e. $04\text{E}2_{\text{H}}$) an 11-bit number, the result will be at most 21 bits. This defines the type of multiply routine needed.

If the intermediate result is then divided by 256, which can be done simply by discarding its least significant byte, then our scaling process is complete. The outcome is the voltage input to the ADC, given in millivolts.

One is justified in asking how the multiplying factor of 256 was chosen, rather than say 128 or 512. This depends on the rounding or truncation error introduced. The error in taking 1250 instead of 1250.048 is very small, well below 0.05 per cent, and so is acceptable when dealing with 10-bit numbers. In fact, it would have been acceptable to use 128 as the multiplying factor, but then the convenience of dropping the least significant byte for the division stage would have been lost.

Remember that all of this is a workaround. We could alternatively convert 4.883 directly to binary, which turns out to be 100.11100010 , or $4.\text{E}2_{\text{H}}$. With a bit of thought, and comparing this number with the multiplier we found above, it can be seen that the two methods are essentially equivalent.

The process described above is applied in Program Example 11.2, which scales the value of the rear LDR. It uses two subroutines: **mult16x16** to multiply two 16-bit numbers and **Bin2BCD16** to convert a 16-bit number to a five-digit BCD output. The program section starts after the ADC conversions have been made. The stored output of the ADC conversion, held in memory locations **ldr rear hi** and **ldr rear lo**, is transferred into **aargb0** and **aargb1**, one of the 16-bit inputs to the multiplier subroutine. The other input to the subroutine is the word formed by **bargb0** and **bargb1**. Into this is loaded the word $04\text{E}2_{\text{H}}$, the hexadecimal equivalent of 1250_{D} . The **mult16x16** subroutine is then called, with the result being placed in **aargb0:aargb1:aargb2:aargb3**. As the result can only be 21-bit, the most significant byte **aargb0** will be empty and is ignored. The least significant byte is similarly ignored, as the result needs to be divided by 256. The next byte up, **aargb2**, is the less significant byte of the required result and is therefore transferred into the lower byte (**templ**) of the 16-bit input to the **Bin2BCD16** subroutine. Similarly, **aargb1** is transferred to the upper byte, **temph**. The **Bin2BCD16** subroutine is then called. The output bytes of this are immediately used for transfer to the LCD, by the subroutine **four dig disp**. This sends the BCD characters in turn on the I²C link, for display on the hand controller LCD.

```

(ADC conversions have been undertaken for all three LDRs)
...
;scale rear
    movf  ldr_rear_hi,0    ;get higher byte of ADC conversion result
    movwf aargb0          ;this is multiplier higher byte
    movf  ldr_rear_lo,0
    movwf aargb1          ;this is multiplier lower byte
    movlw 04              ;higher byte of scaling factor
    movwf bargb0
    movlw 0e2             ;lower byte of scaling factor
    movwf bargb1
    call  mult16x16       ;call the multiply subroutine
    movf  aargb1,0        ;discard highest and lowest bytes
    movwf tempb          ;second highest byte for BCD conversion
    movf  aargb2,0        ;third highest byte for BCD conversion
    movwf temp1
    call  Bin2BCD16       ;call Binary to BCD conversion subroutine
    call  four_dig_disp   ;call subroutine which sends BCD bytes to display
...

```

Program Example 11.2: Data processing sequence for rear light-dependent resistor, Derbot light meter program

All subroutines appear in the complete program listing on the book's companion website.

11.5.5 Using the voltage reference for scaling

The fact that the ADC output in the Derbot example immediately needs to be scaled, in order to provide a true voltage reading, can be annoying, and of course use of the multiply routine itself is time-consuming in program execution.

In some cases a judicious choice of voltage reference value can significantly simplify further calculations that need to be made. For example, if the Derbot ADC was fitted with a reference of 4.096 V, then 1 LSB of the output would represent 4 mV exactly and complex scaling would not be needed. Similarly, if the reference voltage was 1.024 V, then 1 LSB of the output would represent exactly 1 mV. Voltage references with values such as these are readily available for this very purpose.

11.6 The Derbot light-seeking program

This program gives another example of use of the 16F873A ADC. By comparing measurements between the three LDRs, the AGV finds the source of brightest light and moves towards it. It moves at a speed dependent on the light difference between its sensors, so comes to a halt when all three are at similar levels of illumination. As only comparative measurements are being made, the application does not require high accuracy. Therefore, only an 8-bit ADC result is used in the program. It is therefore more convenient to left-format the result (Figure 11.9), so that the result can be taken from just the eight bits of register **ADRESH**. This can be seen in the changed setting for **ADCON1** in this example.

With only an 8-bit result in use, the opportunity presents itself to shorten the acquisition time, notionally to $6.2RC$ (Figure 11.4). As the program will only operate in reasonable levels of ambient light, the highest LDR resistance is estimated to be $10\text{ k}\Omega$, giving a revised maximum source resistance of $5\text{ k}\Omega$. The ADC input capacitance remains at 120 pF , as do the internal series resistances of the ADC. The acquisition time is therefore $6.2 \times 13\text{ k} \times 120\text{ pF}$, or $9.7\text{ }\mu\text{s}$. An $11\text{ }\mu\text{s}$ delay subroutine is used.

```

;*****
;Dbt_light_seek
;Derbot seeks light. PWM applied. Speed is dependent on
;light difference (front to back), so Derbot comes to a
;halt when light difference is minimal. Microswitches used
;for bump detection.
;TJW 19.5.05                               Tested 19.5.05
;*****
...
(initial program sections omitted)
...
    bsf    status,rp0    ;select memory bank 1
    movlw B'00001011'   ;set port A bits so that ADC bits are input
    movwf trisa
    ...
    movlw B'00000100'   ;Set up ADC, left justified result,
    movwf adcon1        ;port A bits 0,1,3 for analog input
    ...
    bcf    status,rp0    ;select bank 0
    ...
    movlw B'01000001'   ;Set up ADC, clock Fosc/8, ADC on but not running,
    movwf adcon0        ;input channel selection currently irrelevant.
    ...
;initiate a conversion
    movlw B'01001001'   ;select channel 1 (right ldr)
    movwf adcon0
    call  delay11u
    bsf    adcon0,go     ;start conversion
adc2  btfsc adcon0,go    ;wait for conversion to complete
      goto adc2
      movf  adresh,0
      movwf ldr_rt
    ...

```

Program Example 11.3: Applying the analog-to-digital converter in Derbot light-seeking program

The actual control algorithm is represented in Figure 11.13 and is repeated approximately every 200 ms. The full listing can be found on the book's companion website. Having read each LDR value, it makes some preliminary calculations of average and difference values, used later if a forward speed is to be calculated. It then determines the brightest LDR and takes appropriate action. If front left or front right are brightest, it moves forward, turning in the brighter direction, with a speed and turn dependent on the relative light intensities. If the rear is brightest, however, it rotates on the spot for a fixed period, in the direction of the front LDR that is brighter.

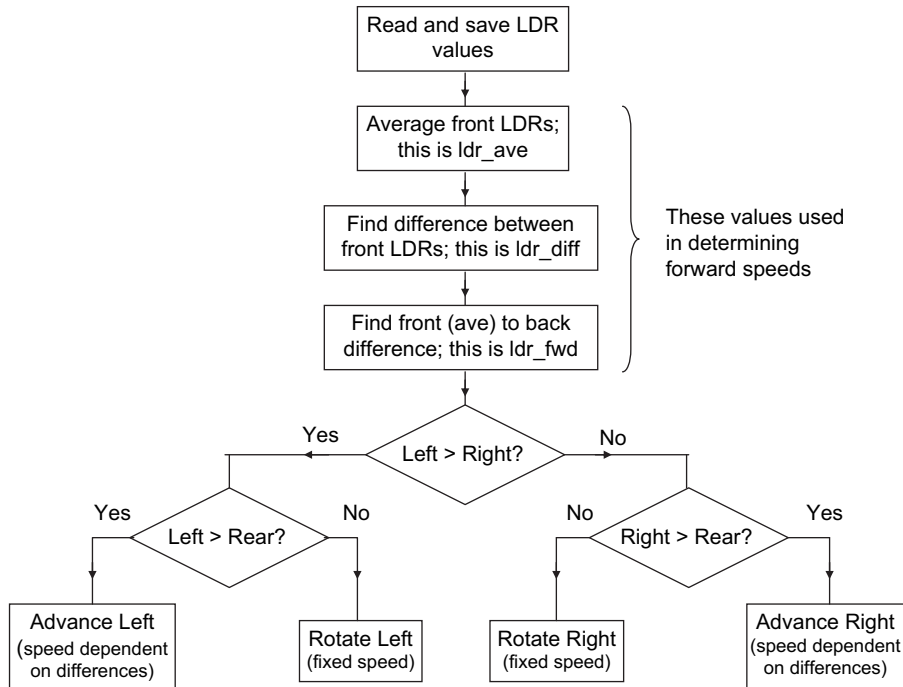


Figure 11.13: Flow diagram – Derbot light-seeking program

To configure the Derbot as a light-seeking AGV, the LDRs and their resistors should be added to the board. Download the **Dbt light seek** project from the book's companion website and create an MPLAB project around it. Adjust the program initialisation to match your build, setting all unused port bits to output. Build the program and download to the microcontroller. The Derbot should be immediately ready to run in light-seeking mode. This works well in a space where there is a clear variation of light. The Derbot will struggle in a space where the light is mottled or patchy, and will sit completely still in a space that is uniformly lit!

11.7 The comparator module

Having explored the intricacies of the ADC, we end the chapter with one of the simplest interfaces between the analog and digital world – the comparator. This important circuit element acts a little like a 1-bit ADC. It is usually used to compare an input voltage with a reference. If the input is higher than the reference, the comparator output goes high; if it is lower, the output goes low. There are many applications for comparators in embedded systems. These include cleaning up corrupted digital signals (in which case their use is very close to a Schmitt trigger), testing battery voltage, setting an alarm if a temperature or other variable reaches a certain value and so on.

11.7.1 Review of comparator action

A comparator is shown in Figure 11.14(a). The comparator simply compares its two inputs, shown in the diagram as V_+ and V_- . If V_+ is greater than V_- , then the comparator output goes to a positive voltage value, usually the maximum ‘saturated’ voltage level. If V_+ is less than V_- , then the output goes to a negative or zero voltage value. With suitable design of output circuit, the output voltage levels can easily be made to be recognisable logic levels.

An example of input and output voltages is shown in Figure 11.14(b). V_- has been set to a fixed voltage, shown by the dotted line, while V_+ is varying. Whenever V_+ is greater than V_- , the output goes to Logic 1; when it is less, the output goes to Logic 0.

11.7.2 The 16F87XA comparators and voltage reference

The 16F87XA has two comparators, which share inputs with the ADC inputs. Comparator 1 has inputs on AN0 and AN3, and comparator 2 on AN1 and AN2. They are controlled by the **CMCON** register, seen at address $9C_H$ in Figure 7.6. A number of different configurations are possible. For example, comparator outputs can be routed externally, to pins RA4 and RA5, or they can simply appear as bits in the **CMCON** register. These can be easily looked up in the Microchip data [Ref. 7.1] and are not enumerated here. Importantly, the comparators also form an interrupt source. A change in state of either comparator will set the **CMIF** flag, seen in Figure 7.10.

The 16F873A also has a voltage reference module, under the control of the **CVRCON** register (address $9D_H$). This is a resistor ladder, connected at one end to the supply voltage (via a switching transistor), which allows different voltage values to be selected as the reference. The voltage reference can be used as an input to one or both comparators, and can be output through pin 4 of the 16F873A. In this case, it can be used as a very crude ADC output.

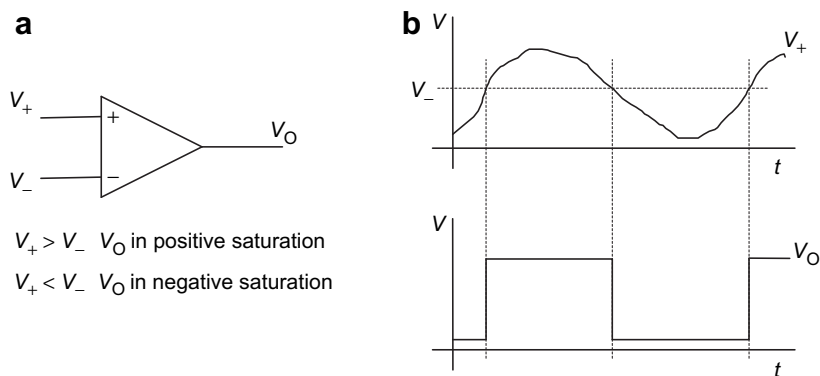


Figure 11.14: Comparator. (a) The comparator symbol. (b) Example signals

11.8 Applying the Derbot circuit for measurement purposes

We have now reached a stage where we can acquire input analog voltages, process the data acquired and then display it. This is a very powerful position, as it is the basis of many a measurement system. This section describes how the Derbot PCB and hand controller can be used to create certain measurement tools, using programs already described. The hand controller connects to the Derbot ‘bus’ connector, which lies physically at the lower end of the microcontroller IC holder. It should be loaded with its standard program, i.e. that of Program Example 10.3.

These projects can be created as stand-alone devices or incorporated into the AGV. If stand-alone, then of course the end product is a little bulkier than one would wish. The option remains to redesign the hardware to create a more compact outcome. The circuit required, if stand-alone projects are being made, is shown in [Figure 11.15](#). This shows the components and connections needed for all three items. The sections below will indicate which ones are needed for any single build.

When programming, ensure as always that all unused port bits are set as outputs. Check, therefore, *your* build against the program initialisation in use and adjust if necessary.

11.8.1 *The electronic tape measure*

The ultrasound test program, shown in part in Program Example 9.7, forms the basis of an ultrasonic ‘tape measure’, displaying in centimeters the distance from the sensor to a reflecting surface. It processes data in a similar way to the light meter program of Program Example 11.1 and therefore shares a number of features with it.

To build the tape measure as a stand-alone unit, the circuit of [Figure 11.15](#) needs to be built on the Derbot PCB, but without the LDRs and their resistors. A Devantech SRF04 or SRF05 ultrasonic sensor should be used. A set of connection points for this is available just forward of the motor locations on the Derbot PCB. Terminal pins should be soldered in here, or a PCB-mounting screw-terminal block used. Applying the sensor data [Ref. 8.7], connect 0 V, 5 V, pulse and echo to the pins, and glue or attach the sensor to a place of your choosing on the PCB. A completed unit is shown in [Figure 11.16](#). Power is supplied from a 9 V PP3 battery held between main and hand controller boards. It connects with a flying lead to the main power input.

Complete the build as described and create an MPLAB project around the **Dbt US Test** program, shown in part in Program Example 9.7. Adjust the initialisation to match your build, setting all unused port bits to output. Build the program and download to the microcontroller. Point the sensor at a reflective surface, and the distance between sensor and surface should be continuously displayed in centimetres on the hand controller display.

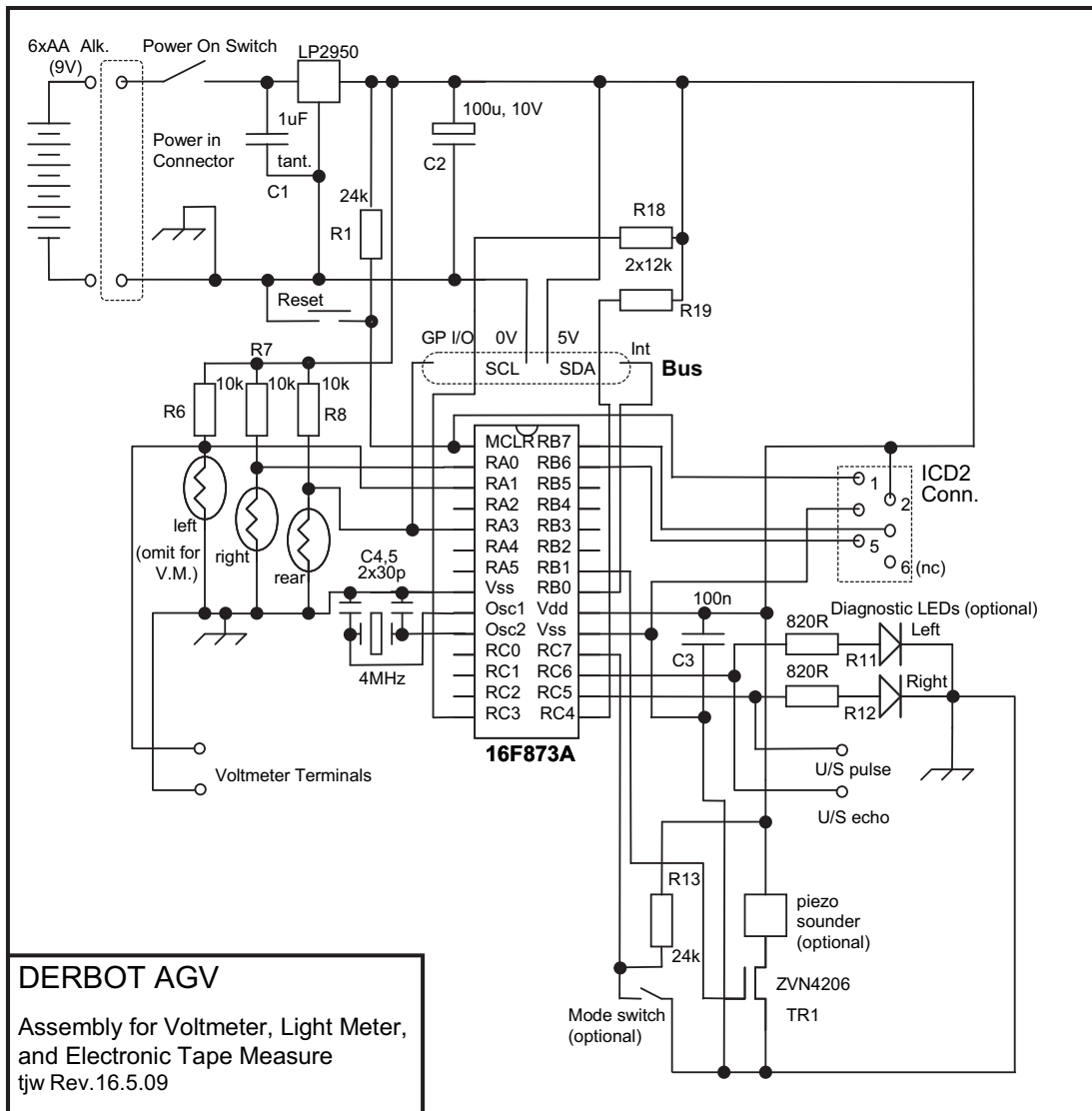


Figure 11.15: Derbot assembly for voltmeter, light meter and electronic tape measure

11.8.2 The light meter

To create the light meter, build the circuit of Figure 11.15 without the ultrasonic sensor. Download the **Dbt light meter** project from the book's companion website and create an MPLAB project around it. Adjust the program initialisation to match your build, setting all unused port bits to output. Build the program and download to the microcontroller. Run the program and see how all LDR readings are displayed. As discussed, each reading is in

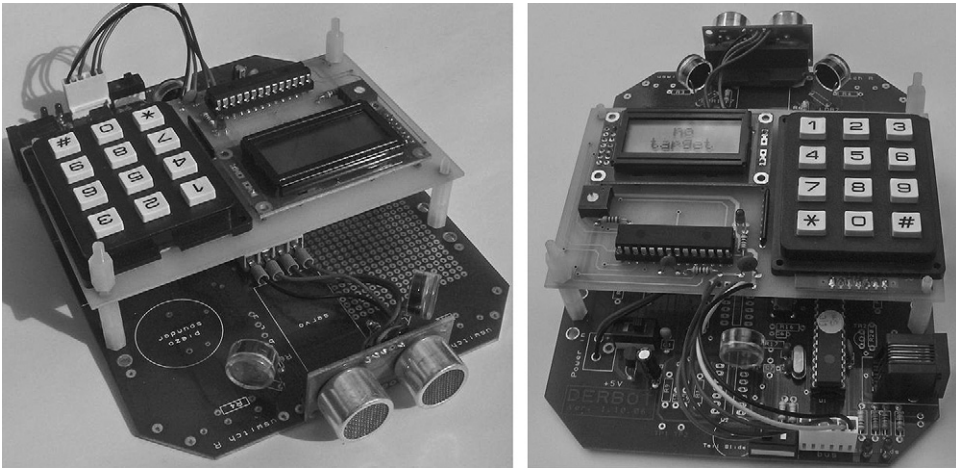


Figure 11.16: Derbot configured for light meter and electronic tape measure

millivolts, but gives an indication of light intensity. Notice that the reading goes down as the light intensity increases.

11.8.3 The voltmeter

It is a simple matter to adapt the light meter program to a voltmeter. In this case, the LDRs should not be built onto the board. The voltmeter input is shown connected across the left LDR, although any other LDR connection points can be chosen. Input terminals for the voltmeter can be placed in the prototype area and connected appropriately.

Download the **Dbt light meter** project from the book's companion website and create an MPLAB project around it, giving it a name appropriate to this project. Adjust the program initialisation to match your build, setting all unused port bits to output (and noting that two ADC inputs are now no longer used). The program can otherwise be used as it is. It is better, however, to remove the two unused ADC readings and the two redundant displayed values, which will now have no meaning, unless a multi-input voltmeter is wanted. To test, connect a variable DC voltage input to your voltmeter input and connect a digital voltmeter across this. Check whether the two voltmeter readings agree.

This adaptation of the Derbot core design leads to a fairly inaccurate voltmeter, as the voltage reference is the power supply. The place of the rear LDR can, however, be taken by a voltage reference of appropriate value. It can be seen from [Figures 11.6](#) or [11.8](#) that this input can be reconfigured as a reference input. The software scaling will need to change to reflect any change in reference value. By making these changes, a voltmeter of reasonable accuracy can be developed.

11.8.4 Other measurement systems

It is very easy to adapt the ideas already applied here to other measurement systems. This applies to any sensor that has a voltage output. There is, for example, a range of semiconductor temperature sensors that have a voltage output directly dependent on temperature. One of these could be used, either on a flying lead or soldered into the prototyping area. With the scaling adjusted, a digital thermometer can readily be developed.

Summary

- Most signals produced by transducers are analog in nature, while all processing done by a microcontroller is digital.
- Analog signals can be converted to digital form using an analog-to-digital converter (ADC). The ADC generally forms just one part of a larger ‘data acquisition system’. ADCs represent a fascinating interface between the analog and digital worlds.
- Considerable care needs to be taken in applying ADCs and data acquisition systems, using knowledge of among other things timing requirements, signal conditioning, grounding and the use of voltage references.
- The 16F873A has a 10-bit ADC module that contains the features of a data acquisition system. An understanding of such systems is essential in applying this module.
- Data values, once acquired, are likely to need further processing, including offsetting, scaling and code conversion. Standard algorithms exist for all of these, and Assembler libraries are published.
- A simple interface between the analog and digital world is the comparator, which is commonly used to classify an analog signal into one of two states.

References

- 11.1. PICmicro Mid-Range MCU Family Reference Manual (1997). Microchip Technology Inc., Section 23, DS31023A.
- 11.2. Fixed Point Routines (1996). Microchip Technology Inc., Application Note 671, Document no. DS00617B.
- 11.3. Watt-Hour Meter using PIC16C923 and CS5460 (2000). Microchip Technology Inc., Application Note 671, Document no. DS00220A.

Questions and exercises

1. A Sample and Hold circuit, of the form shown in [Figure 11.3](#), is connected to a signal of source resistance $2\text{ k}\Omega$; its output is connected in turn to an ADC. The Sample and Hold capacitor is 90 pF .
 - (a) What acquisition time should be allowed if 10-bit resolution is required by the ADC?
 - (b) An improved system is developed, with a Sample and Hold capacitor of 8 pF and a 12-bit ADC in use. What acquisition time is now required?
2. A 16F873A microcontroller is supplied with 5 V . Its ADC is connected so that the voltage reference is taken from its supply voltage and ground.
 - (a) What is the ADC resolution, and what is the value of the ADC digital output, for each of 1.000 V , 2.000 V and 2.500 V ?
 - (b) Repeat (a) for if the voltage reference has been changed to an external one, of value 4.096 V .
3. In a certain application all available channels of a 16F873A ADC are used for analog input, except that an external voltage reference is required. The 0 V side of this is connected to system earth. The internal ADC oscillator is to be used as the clock source, and the result is to be right-justified.
 - (a) What is the setting of the **ADCON0** and **ADCON1** registers if input channel 2 is selected and the ADC is switched on but not running?
 - (b) Approximately how long will one conversion take?
4. A 16F873A microcontroller is operating from a supply of 4 V and a clock frequency of 1 MHz . The ADC is used, but only 8-bit accuracy is required. The signal source resistance is $5\text{ k}\Omega$.
 - (a) Estimate the acquisition time required.
 - (b) What is the fastest conversion time that is available, assuming each conversion is allowed to run to completion.
 - (c) Hence estimate the maximum sampling rate possible.
5. A temperature sensor is connected to a 16F873A ADC input. The sensor has an output of $40\text{ mV}/^\circ\text{C}$. The ADC operates with a 4.096 V reference.
 - (a) For a certain temperature value, the ADC output reads 1010011100. What is the equivalent temperature for this reading?
 - (b) The measured temperature is to be displayed on a digital display, showing values in the range 00.0°C to 99.9°C . Describe what data manipulation steps can be taken to achieve this, using fixed-point arithmetic only.

Some PIC microcontroller advances

The world of embedded systems is one of relentless change. Higher speed, more flexibility, lower cost and lower power consumption are being demanded continuously. So far, we have picked up the fundamental techniques and technologies of embedded systems, using microcontrollers chosen because they demonstrate well the principles that we need to know about. There are of course any number of more sophisticated features which they do not carry. As we move to a more advanced level of study, it becomes useful to know about some of these features. That is the purpose of this chapter. It aims:

- To introduce in overview two microcontrollers which show some enhanced features, the 16F88 and the 16F883 – these can be viewed as upgrade paths for the microcontrollers used to date.
- To introduce some enhanced power management and oscillator techniques.
- To introduce some enhanced peripherals.

It is worth noting that in this chapter we appear to remain rooted in the world of the 16 Series. Many of the concepts and features introduced here are, however, used in the more advanced PIC microcontrollers, and in the world of embedded systems in general. You can read this chapter with a view to looking for upgrade paths, and/or to learn about developments that are available, to apply when you come to want them.

In general, the features introduced in this chapter are given in overview form only. The idea here is to give a taste of some things that are possible or available, rather than to give full design information. This may also accompany a shift in your own approach. In general, the beginner strives to know one or two microcontrollers well, and draws his/her confidence and understanding from that knowledge. But the embedded world is a complex and shifting place. Therefore the intermediate and advanced player in the field knows the principles well and has experience in using them, and applies these readily to each new microcontroller or system that he/she works on. There is less dependence on detailed knowledge of just one device. At this stage in the book, it is possible that you are moving to this outlook. Of course, for the full detail of a microcontroller, it remains essential to consult the data supplied by the manufacturer. Relevant data sheets are hence, as always, referenced at the end of the chapter.

12.1 The main idea – higher performance, more flexibility

Microcontrollers are wonderfully flexible things, but face inexorably opposing forces in their design. We want them small, cheap and of low power consumption, yet flexible, fast and functionally powerful. Small and low power consumption implies a limited number of IC pins and few features, but flexible and powerful seems to imply many pins and many features. As part of this chapter we see how Microchip squares up to these opposing forces, in answering the questions:

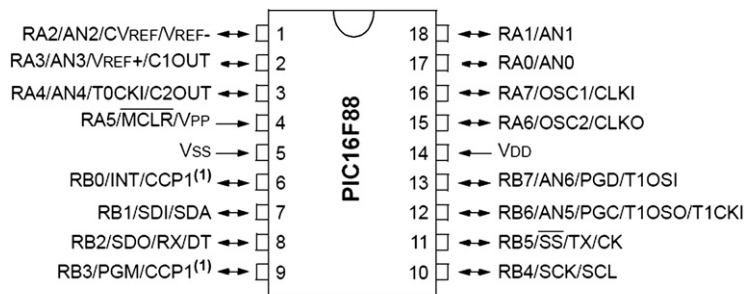
- Can we add flexibility by loading on more peripherals, and increasing their configuration options?
- At the same time, can we constrain the pin count by making pins more multi-functional?
- Can we reduce the overall system component count and hence free up pins by making more things completely ‘on-chip’?
- Can we conserve power, applying every trick possible with clock manipulation and selective power-down?
- Can we respond to specialist protocols and applications, for example in the world of networking or machine control?
- Can we still make a new microcontroller backward-compatible with devices it aims to replace?

12.2 The 16F87/88

In Chapters 2 to 6 we used the 16F84A, a faithful PIC workhorse. One of its attractions is its comparatively small, 18-pin footprint. Yet the 16F84A is quite limited in what it can do. Can we keep with this scale of microcontroller, but add to what it can do? One answer lies with the 16F88, which we first met in Table 2.1, along with its kid brother, the ‘F87. Let’s see now what this microcontroller can do.

12.2.1 *Architecture overview*

Figures 12.1 and 12.2 show the pin connection and block diagrams of the ‘F88, taken from Reference 12.1. Carefully compare these two figures with 2.1 and 2.2. In the architecture, the big difference is the block of peripherals that lie across the bottom of the ‘F88 diagram. The EEPROM shown top right of Figure 12.2 is relegated to being one of these peripheral blocks in Figure 12.2. An alternative comparison to make is with the 16F873A structure, Figure 7.2. Almost all the peripherals seen in the larger ‘F873A can also be seen in the ‘F88; only Port C and one CCP are missing. It is worth noting that both the 16F873A and the 16F88 have



Note 1: The CCP1 pin is determined by the CCPMX bit in Configuration Word 1 register.

Figure 12.1: The 16F88 (18-pin version) pin connection diagram. For key to abbreviations, see Figure 7.1

two comparators and a voltage reference, even though Figure 7.2 seems to imply a single comparator, and Figure 12.2 does not show a voltage reference.

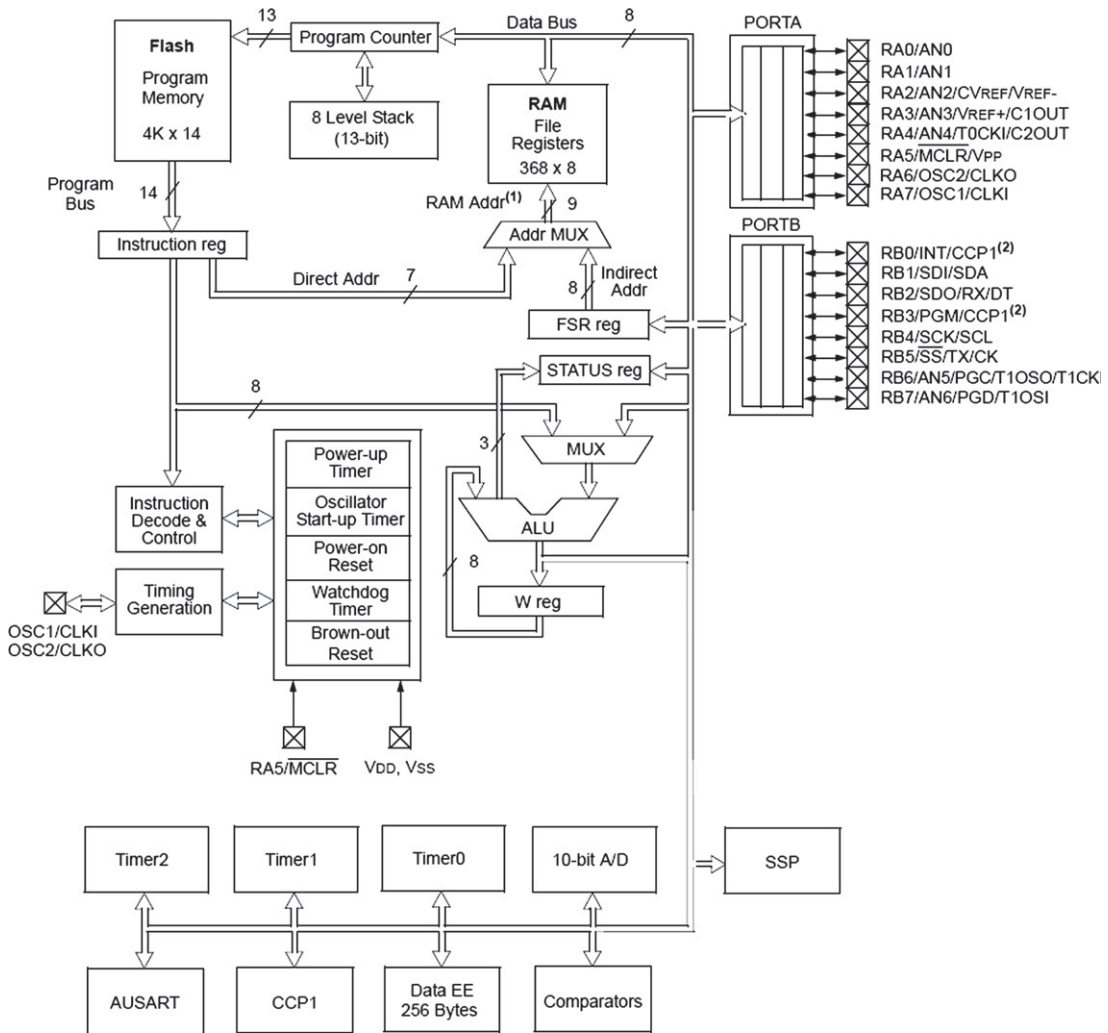
With all these extra peripherals, the mere 18 pins of the 'F88 are very busy indeed. It remains of course up to the programmer to decide which function a pin is actually used for. Notice, however, that in all the complexity of the 'F88, each connection of the 'F84A can be found in the same place. Aside from anything else, we have a chance therefore to use the 'F88 as a direct upgrade for the 'F84A in an existing design.

While the 16F88 has the same pin-count as the 'F84A, in many ways it appears more like a 16F873A. Table 2.1 shows that it has the same program memory size as the 'F873A. It comes as no surprise therefore that these two have the same program memory maps, i.e. Figure 7.4. With similar peripheral count, the data memory map of the 'F88 is similar to that of the 'F873A, i.e. Figure 7.6. Small changes are there of course, for example due to the larger data memory of the 'F88 and the fact that it needs SFRs for only two parallel ports. Direct Address, Indirect Address and RAM Address buses are also all of the same size, and larger than the 'F84A.

So is the 16F88 just the same as the 'F873A, squeezed into an 18-pin IC? To some extent the answer is 'yes', but later in the chapter we find some important advances contained within it, relating mainly to the interconnected themes of power and clock management.

12.2.2 The 16F88 peripherals

With the 16F88 having more functions loaded onto each pin, there is an inevitable increase in the complexity of the pin driver circuits. In the familiar pattern, each parallel port retains a register for data transfer (**PORTA**, **PORTB**), and a register to define data direction (**TRISA**, **TRISB**). Now more or less every pin, however, has its own unique pin driver circuit, and the comparative simplicity of (for example) Figures 3.10 and 3.11 is lost. Just one pin driver



- Note** 1: Higher order bits are from the STATUS register.
 2: The CCP1 pin is determined by the CCPMX bit in Configuration Word 1 register.

Key: (see also Figure 1.13)

- A/D: Analog to Digital Converter CCP: Capture/Compare/PWM Module
 AUSART: Addressable Universal Synchronous/Asynchronous Receiver/Transmitter
 EE: Electrically Erasable (Programmable Read Only Memory)
 SSP: Synchronous Serial Port

Figure 12.2: The 16F88 block diagram

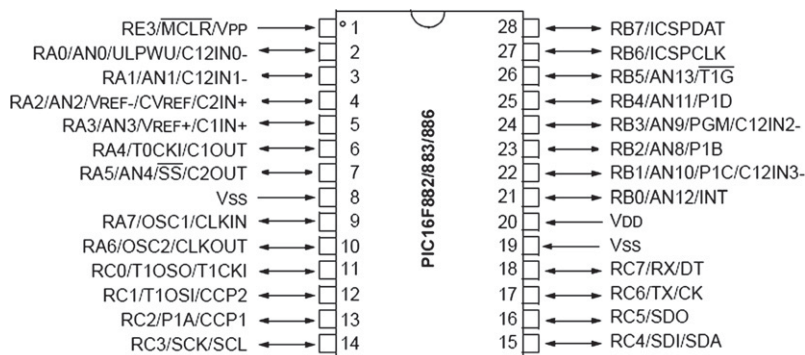
TABLE 12.1 Differences between the 16F88 and 16F873A peripherals

16F88 peripheral	Difference from 16F873A implementation
Timer 1	Timer 1 oscillator can provide system clock, useful in providing a low speed low power mode.
CCP	There is only one module.
Synchronous Serial Port	Does not implement I ² C Master mode, although this can be done in firmware.
ADC	Introduces the ANSEL register, to select whether input pins are analog or digital (see Section 12.6.5).

comparison with Figure 7.1(a) shows that, like the 16F88, the pins are more loaded. Most of them now pick up three, four or even five alternative functions. It can be seen, however, that in all the complexity of the 'F883, each pin connection of the 'F873A can be found in the same place.

The block diagram of the 16F883 is shown in Figure 12.5. Not surprisingly, there are big similarities with the 'F873A diagram of Figure 7.2. The general structure, including all bus sizes, is the same. Ancillary features, like power supply and clock source, look similar, although the in-circuit debugger has migrated to a position connected to the data bus. We will find that the internal oscillator block is an important addition.

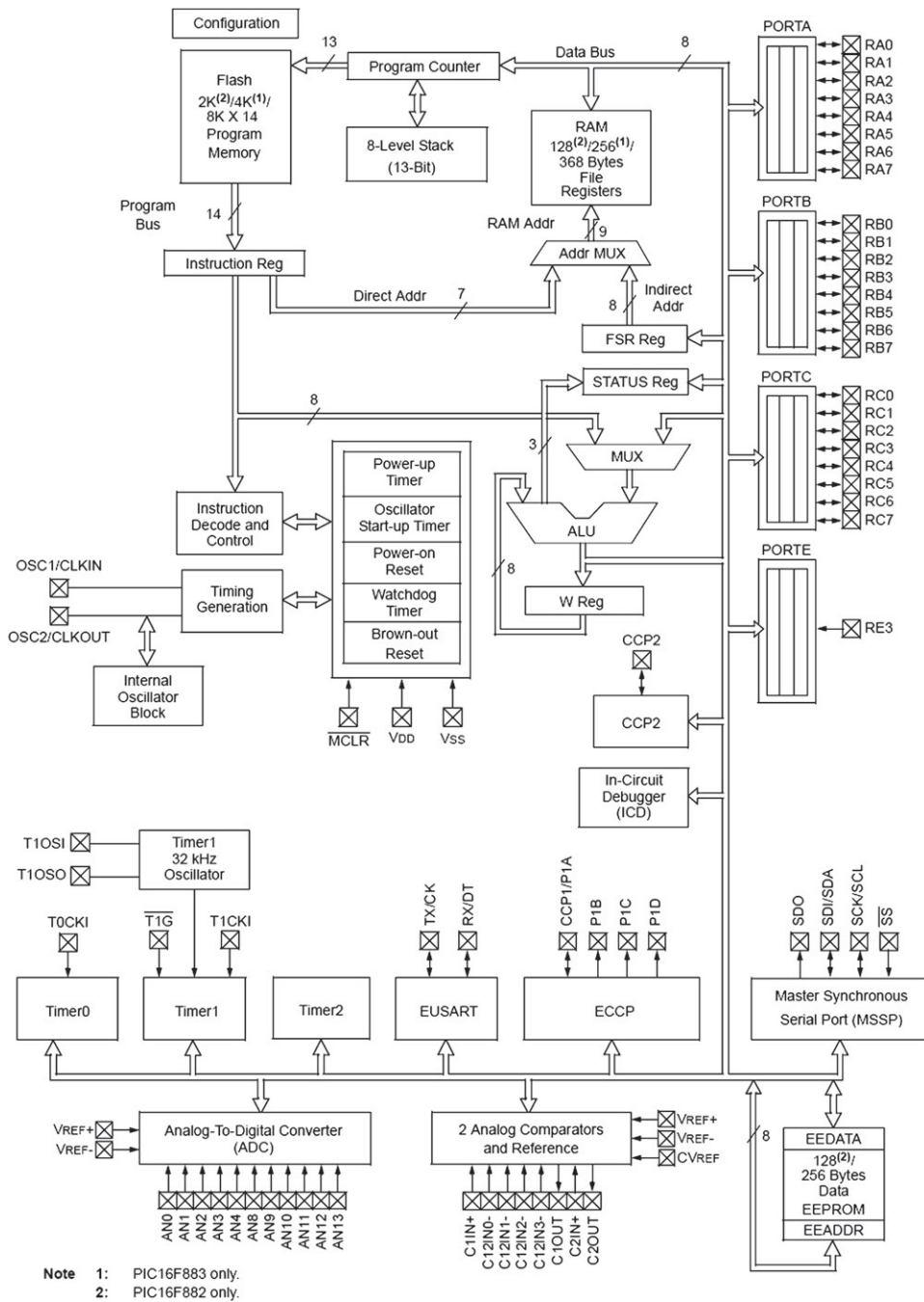
A reading of Ref. 12.2 shows that data and program memory maps for the 16F883 are very similar to the 'F873A, but reflect the small differences in memory sizes. The data memory map also includes the extra SFRs needed for the enhanced peripherals and other features. These are added into the memory map of Figure 7.6, making use of the previously unimplemented



Key (in addition to Key of Fig. 7.1):

C12IN0 :	Comparator C1 or C2 negative input etc.	C2IN :	Comparator C2 negative input etc.
C2IN+ :	Comparator C2 positive input etc.	CLKOUT :	FOSC/4 output.
CLKIN :	External clock input.	T1G :	Timer1 Gate input.
P1A/B/C/D :	PWM outputs A, B, C, D.	ICSPDAT :	Serial Programming Data
ICSPCLK :	Serial Programming Clock.		
ULPWU :	Ultra Low Power Wake up input.		

Figure 12.4: The PIC 16F882/883/886 pin connection diagram



Key: (Peripherals)

CCP: Capture/Compare/PWM Module ECCP: Enhanced CCP Module
 EUSART: Enhanced Universal Synchronous/Asynchronous Receiver/Transmitter

Figure 12.5: The PIC 16F882/883/886 block diagram

memory locations. The number of configuration bits of the 'F883 has gone up, now contained in two Configuration Words.

Compared with the 16F873A, the port bits have been extended cleverly in number and flexibility. If the internal oscillator is used (see Section 12.5) Port A can have a full eight bits, or seven if certain oscillator modes are used. In Port B, a weak pull-up can be individually enabled on each pin. This is in contrast to the old 'all or nothing' approach, as controlled by bit 7 of the Option register (Figure 6.9). In a similar way, *each* Port B bit can be individually enabled to generate an interrupt on change. A single Port E bit is available if the $\overline{\text{MCLR}}$ function isn't used. Like the 16F88, the pin function is selected using the **MCLRE** configuration bit. If the port bit is selected it is input only, with $\overline{\text{MCLR}}$ then internally tied high.

Looking at the other peripherals, we find further differences. Usefully, the 'F883 diagram indicates which pin connections relate to each peripheral. We see that the CCP1 is replaced by an enhanced CCP (ECCP), and the USART is replaced by an enhanced USART (EUSART). These enhanced peripherals are outlined later in the chapter. Some of the SFRs associated with peripherals have been changed, for example those controlling the ADC. For this reason, the 'F883 is not necessarily exactly code-compatible with the 'F873A, if used as an upgrade for an existing design.

The diagram of Figure 7.10 shows that the 16F873A has 15 interrupt sources, all gated together to form a single interrupt to the CPU. The 16F883 interrupt structure takes this even further. Now there are eight possible Port B interrupt on change sources. There is also an ultra-low-power wake-up interrupt (outlined in Section 12.4), and a clock monitor interrupt. This brings the grand total of interrupt sources to a breath-taking 24, all still feeding into a single interrupt vector. This high number of interrupts increases by far the challenge of identifying the interrupt source by checking the flags, as we did back in Program Example 6.2.

12.4 NanoWatt technology

Many embedded systems are battery-powered and it is essential for them to consume as little power as possible. Techniques to reduce power are many and various. A fundamental point to recognise is that a logic circuit, particularly one made from CMOS (complementary metal-oxide semiconductor), consumes almost all its power on clock transitions. Therefore a system running from a low clock frequency consumes much less power than when it is running at high frequency. Explanation of this can be found in Ref. 1.1, or similar sources. The three main strategies for reduction of power consumption, for a given circuit and technology, are:

- Reducing the supply voltage.
- Minimising the clock frequency, possibly applying different frequencies at different times.
- Switching off unused circuit sections, or disconnecting them from the clock.

TABLE 12.2 Power down (Sleep) current and power consumption
 'Typical' values, $V_{DD} = 3\text{ V}$, 40°C to $+85^{\circ}\text{C}$, with WDT disabled

Microcontroller	Sleep mode current	Power consumption
16F873A	0.9 μA	2.7 μW
16LF88	0.3 μA	900 nW
16F883	0.15 μA	450 nW

Manufacturers aim to minimise power consumption in their devices by providing features which facilitate the above points, for example the use of Sleep mode, introduced in Sections 6.6 and 9.11. They also aim to reduce internal power consumption by applying semiconductor technology which has very low internal leakage, and which has minimal consumption during any clock transition.

Microchip Technology introduced the nanoWatt Technology terminology in 2003, initially to identify and promote microcontrollers whose power consumption was measurable in nanoWatts (i.e. less than one microWatt) when in Sleep mode. This is illustrated in simple form in Table 12.2, drawn from Microchip data. The power consumption while in Sleep mode of both the 16LF88 and 16F883 is less than 1 μW , and hence qualifies for the nanoWatt technology tag. On the other hand the power consumption of the 16F873A under the same operating conditions is 2.7 μW ; hence it does not qualify.

To the nanoWatt technology baseline definition are added a number of other possible features, like Idle mode, internal switchable oscillator, phase-locked loop, WDT with extended time-out, ultra-low-power wake-up, and others. These are used in varying combinations in microcontrollers which carry the nanoWatt technology label. The ones which appear in the 16F88 and 16F883 are shown in Table 12.3.

As Table 12.3 shows, the 16F883 carries a number of nanoWatt technology features. For example, it has an extended range of WDT time-out periods, going up to 268 seconds. These can be used as for periodic wake-up when in Sleep mode. As long as the WDT is

TABLE 12.3 NanoWatt technology features found in the 16F88 and 16F883

NanoWatt technology feature	16F88	16F883
Sleep	✓	✓
Internal oscillator block with switchable clock frequency	✓	✓
Two speed clock start up	✓	✓
Alternative clock source from Timer 1	✓	X
Extended WDT time out	✓	✓
Ultra low power wake up	X	✓

running, however, it consumes power. The 16F883 gives an alternative to this, the ultra-low-power wake-up (ULPWU), another of the nanoWatt technology special features. It uses the Port A bit 0 pin; the connection can be seen in [Figure 12.4](#). Instead of a running clock, time is measured by the discharge of a capacitor, connected to this pin. While the microcontroller is awake, it charges the capacitor. When asleep, the capacitor very slowly discharges, with a current in the region of 100 to 200 nA, controlled by the pin driver circuitry. A comparator monitors the capacitor voltage and causes a wake-up when it has dropped to a certain value.

In 2009 Microchip introduced a new version of nanoWatt technology, called nanoWatt technology XLP (eXtra Low Power). This introduced a new mode called Deep Sleep, and took power consumption into new realms of efficiency. For more details on both versions of nanoWatt technology, see Ref. 12.3; further information on ultra-low-power wake-up can be found in Ref. 12.4.

12.5 Clock sources and their management

Microcontroller performance is intimately linked to its clock oscillator, as discussed in Section 3.5. Therefore, flexibility of the clock oscillator can be a key to successful design. The 16F88 and the 16F883 show similar innovations in clock oscillator design. Both contain an ‘internal oscillator block’ within the microcontroller, giving a high degree of flexibility and the chance to run the microcontroller with no external clock connections. An internal oscillator in itself is not so extraordinary; RC clock sources have been integrated within microcontrollers for many years, for example the WDT clock in the 16F84A. To date such oscillators have been very low-precision, however – their frequency is not guaranteed with any accuracy and they are subject to temperature drift.

12.5.1 Clock sources

The block diagram of the 16F883 internal oscillator is shown in [Figure 12.6](#). We see the conventional and familiar clock oscillator connections top left. Below these there are two internal oscillators: a high-frequency internal oscillator (HFINTOSC) and a low-frequency internal oscillator (LFINTOSC). The high-frequency oscillator is factory-calibrated, so a fair degree of accuracy is available. It is these internal oscillators, and their associated frequency division and selection circuits, which make the internal oscillator block, seen in [Figure 12.5](#).

There is now some cleverness with how the clock source is chosen. It can be from the external oscillator, the internal high-frequency oscillator, from a divided-down version of the high-frequency oscillator, or the low-frequency oscillator. Choice of external oscillator type remains with the configuration bits, as seen in [Figure 12.7\(a\)](#). Control of the internal oscillator block lies, however, with the **OSCCON** register, seen in [Figure 12.7\(b\)](#).

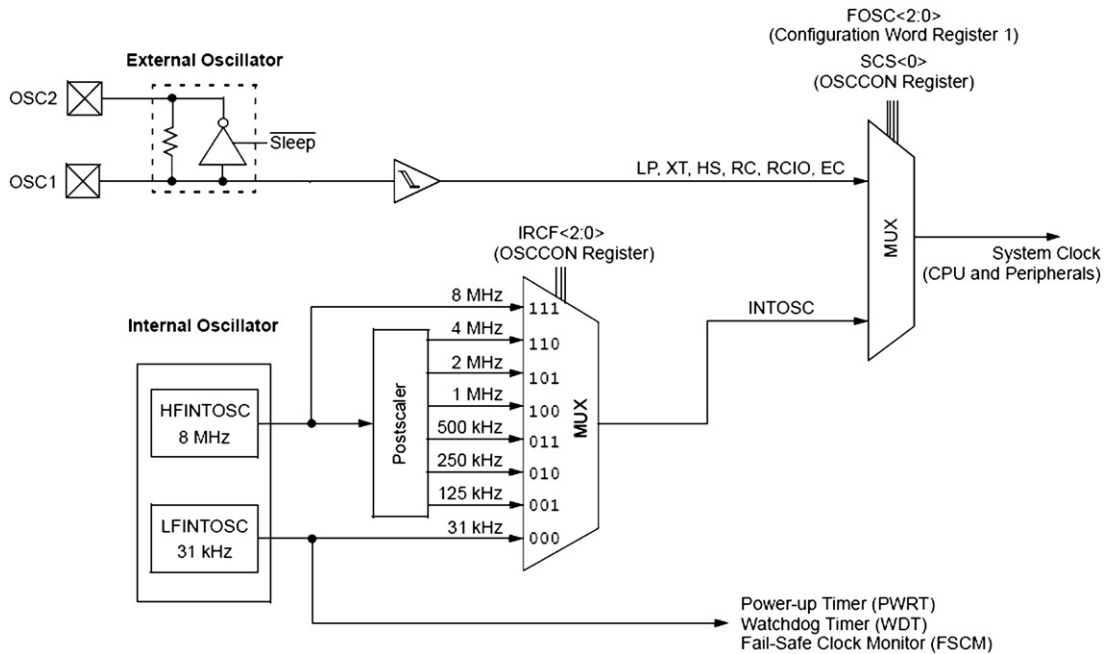


Figure 12.6: Clock source block diagram

The 16F883 has six possible external clock modes. These are all identified in both Figures 3.6 and 3.7(a). The four ‘traditional’ modes, of LP, XT, HS and RC, are still there. These modes of operation are as described in Section 3.5.3. In the EC (external clock) mode of oscillator operation, an external clock source is connected to the OSC1 pin, a concept seen already in Figure 3.14(c). As this mode needs only one pin as input, the OSC2 pin is taken to create an extra bit for Port A, bit RA6. A similar approach is taken with the RCIO mode – the RC clock oscillator only uses one pin, leaving pin OSC2 again available to be used as a port pin.

The configuration settings allow two further oscillator modes. The first of these, INTOSC, uses the internal oscillator and gives an output of $F_{osc}/4$ on the OSC2 pin. The second, INTOSCIO, uses the internal oscillator but does not make use of the OSC1 or OSC2 pins at all. These are thus both available for other purposes, and are used as bits 6 and 7 of Port A.

So how is clock source selected? Bit 0 of the **OSCCON** register, **SCS**, plays an important role. It can select between internal oscillator and the oscillator defined by the configuration bits. On reset this bit has a value of 0, so the clock source is initially defined by the configuration bits. These bits can of course be set to choose the internal oscillator, in which case **SCS** has little effect, and **OSCCON** can be set to choose the required clock speed. A more powerful combination is, however, to have an external oscillator, available for higher-speed, precision program sections, with the possibility to use **SCS** to switch over to an

a

bit 2-0

FOSC<2:0>: Oscillator Selection bits

111 = RC oscillator: CLKOUT function on RA6/OSC2/CLKOUT pin, RC on RA7/OSC1/CLKIN

110 = RCIO oscillator: I/O function on RA6/OSC2/CLKOUT pin, RC on RA7/OSC1/CLKIN

101 = INTOSC oscillator: CLKOUT function on RA6/OSC2/CLKOUT pin, I/O function on RA7/OSC1/CLKIN

100 = INTOSCIO oscillator: I/O function on RA6/OSC2/CLKOUT pin, I/O function on RA7/OSC1/CLKIN

011 = EC: I/O function on RA6/OSC2/CLKOUT pin, CLKIN on RA7/OSC1/CLKIN

010 = HS oscillator: High-speed crystal/resonator on RA6/OSC2/CLKOUT and RA7/OSC1/CLKIN

001 = XT oscillator: Crystal/resonator on RA6/OSC2/CLKOUT and RA7/OSC1/CLKIN

000 = LP oscillator: Low-power crystal on RA6/OSC2/CLKOUT and RA7/OSC1/CLKIN

External oscillator selection bits within the configuration register

b

U-0	R/W-1	R/W-1	R/W-0	R-1	R-0	R-0	R/W-0
—	IRCF2	IRCF1	IRCF0	OSTS ⁽¹⁾	HTS	LTS	SCS
bit 7							bit 0

bit 7 **Unimplemented:** Read as '0'bit 6-4 **IRCF<2:0>**: Internal Oscillator Frequency Select bits

111 = 8 MHz

110 = 4 MHz (default)

101 = 2 MHz

100 = 1 MHz

011 = 500 kHz

010 = 250 kHz

001 = 125 kHz

000 = 31 kHz (LFINTOSC)

bit 3 **OSTS:** Oscillator Start-up Time-out Status bit⁽¹⁾

1 = Device is running from the clock defined by FOSC<2:0> of the CONFIG1 register

0 = Device is running from the internal oscillator (HFINTOSC or LFINTOSC)

bit 2 **HTS:** HFINTOSC Status bit (High Frequency – 8 MHz to 125 kHz)

1 = HFINTOSC is stable

0 = HFINTOSC is not stable

bit 1 **LTS:** LFINTOSC Stable bit (Low Frequency – 31 kHz)

1 = LFINTOSC is stable

0 = LFINTOSC is not stable

bit 0 **SCS:** System Clock Select bit

1 = Internal oscillator is used for system clock

0 = Clock source defined by FOSC<2:0> of the CONFIG1 register

Note 1: Bit resets to '0' with Two-Speed Start-up and LP, XT or HS selected as the Oscillator mode or Fail-Safe mode is enabled.

OSCCON, the oscillator control register

Figure 12.7: Oscillator selection in the 16F883. (a) External oscillator selection bits within the configuration register. (b) OSCCON, the oscillator control register

internal oscillator for lower-speed, lower-precision program sections. This offers a big step forward in controlling power consumption.

Due to its calibration, the high-frequency internal oscillator can be viewed as a possible complete replacement for an external crystal or RC combination. The data sheet states that HFINTOSC is accurate to within $\pm 1\%$ of nominal value at 25°C and with a supply voltage of 3.5 V. It is accurate to within $\pm 2\%$ between 0°C and 85°C, and $\pm 5\%$ between 0°C and 125°C.

These are useful values, though nowhere near the accuracy available from a good crystal oscillator. For these, ± 50 ppm (parts per million) initial tolerance at 25°C and ± 50 ppm frequency drift over an operating temperature range of -20°C to 70°C are readily available. The frequency of the internal oscillator can, however, be adjusted using the **OSCTUNE** register (not shown).

The low-frequency oscillator is not calibrated; the data states that its frequency may lie between 15 kHz and 45 kHz. Its use as a system clock source should therefore be reserved for low-speed, low-power applications or modes of operation, with no accuracy of timing required. As the diagram shows, it remains the clock source for watchdog and power-up timers, and the Fail-Safe Clock Monitor.

The 16F88 uses an internal oscillator block such as this one, but adds one further feature. The Timer 1 clock, if enabled, can be used as a further clock source option. This is particularly useful, as this can be a low-frequency crystal clock. Therefore, an accurate low-speed clock becomes available as an alternative to the main high-speed oscillator.

12.5.2 The Fail-Safe Clock Monitor

One of the less reliable parts of a microcontroller system can be its external clock oscillator. Soldered joints have a small inherent unreliability (hence *everything* external to the microcontroller chip can be considered to have a small reliability concern); moreover, a quartz crystal is a delicate item susceptible to mechanical shock. This is unfortunate, considering that without the clock oscillator the system will immediately fail. However, an internal RC oscillator has high reliability. With the choice of clock sources now available, and the reliability concerns just mentioned, it is worth monitoring any external clock oscillator, and arranging a source switch if the primary one fails.

The Fail-Safe Clock Monitor (FSCM) does just this, repeatedly checking that the external oscillator is running. It monitors any of the external oscillator modes. If the oscillator is found to have failed, the FSCM forces a switch to the internal clock source defined by the **IRCF** bits in the **OSCON** register. This allows operation to continue, though probably at a slower rate and with less precision. (A similar mode is poetically called ‘limp-home’ in some Freescale microcontrollers.) Clock failure also causes an interrupt. A response to this failure condition can therefore be programmed into the system firmware. The FSCM is enabled by setting the **FCMEN** configuration bit.

12.6 Some enhanced peripherals

While many peripherals in the 16F883 are unchanged from their equivalents in the 'F873A, others experience either minor changes or major enhancements. These are reviewed below.

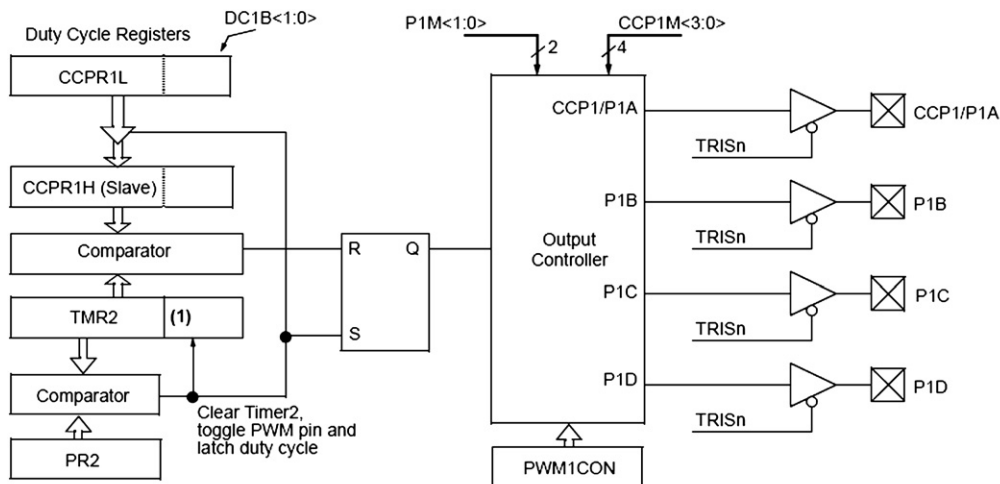
12.6.1 The timers

The 16F883 Timers 0 and 2 are broadly the same as the 'F873A. A small but important change to Timer 1 is that it can be gated (i.e. enabled or disabled). This can be through the $\overline{\text{TIG}}$ input (pin 26, Figure 12.4), which can be used to time digital events like pulse widths. Alternatively it can be gated through the output of Comparator 2. In this case the duration of analog voltage excursions can be timed, for example for how long a particular input moves above a reference voltage.

12.6.2 The enhanced capture, compare and pulse width modulation module

There are two CCP modules in the 16F883. This can be seen in Figure 12.5. Module CCP2 is standard, but CCP1 is enhanced and is labelled 'ECCP' in the figure. In either module, capture and compare are unchanged, so Figures 9.8 and 9.9 continue to apply. The enhancement lies only with how the PWM pulse streams can be manipulated and output.

The enhanced CCP is shown in block diagram form in Figure 12.8. The PWM source now has an output controller, and *four* PWM outputs. These are labelled PIA to PID, and can be seen in Figure 12.4. The actual generation of the PWM stream in the enhanced CCP is unchanged, so Figures 9.11 and 9.12 and Equations (9.2) and (9.3) continue to apply. The enhancement allows a range of features that are required when applying PWM in advanced motor control applications. This includes direct driving of half and full bridges, the introduction of 'dead time' between pulses, the ability to easily to reverse motor direction, and auto-shutdown. A full



Note 1: The 8-bit timer TMR2 register is concatenated with the 2-bit internal Q clock, or 2 bits of the prescaler to create the 10-bit time base.

Figure 12.8: The enhanced capture, compare and pulse width modulation module

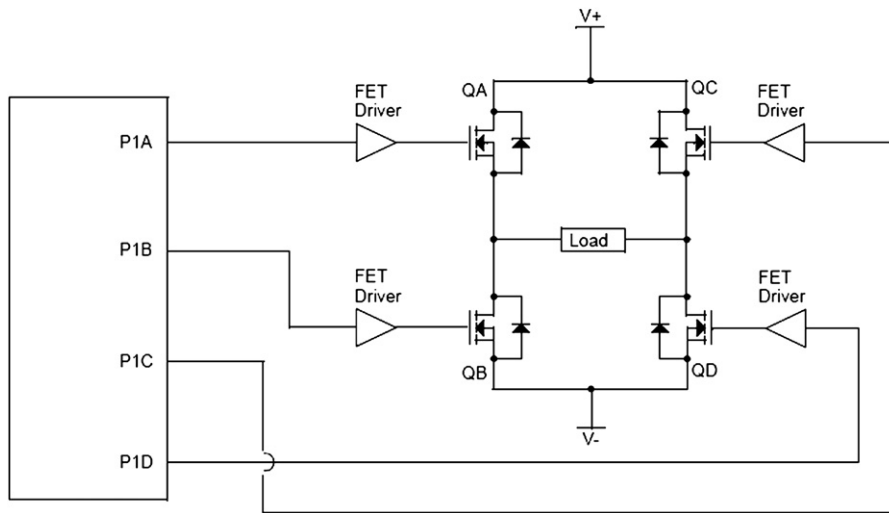


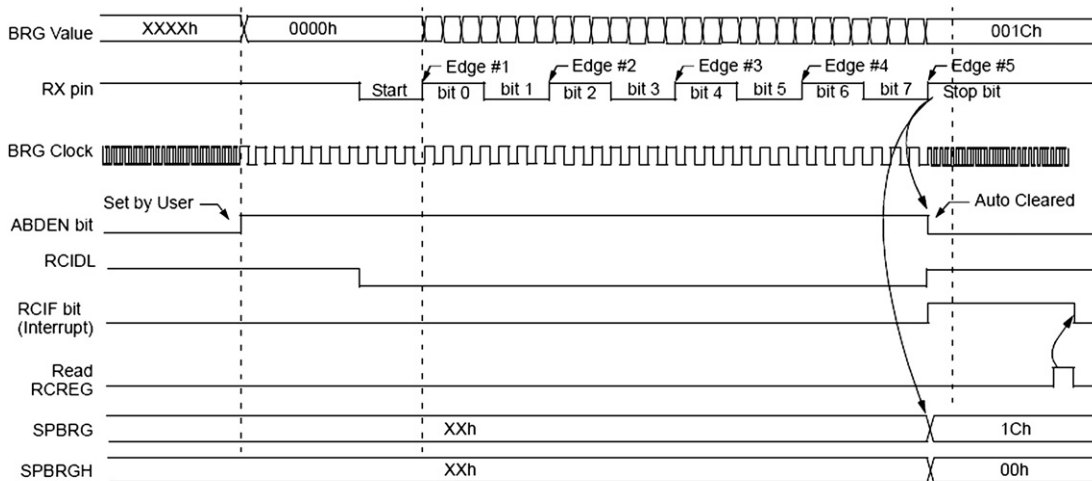
Figure 12.9: The enhanced capture, compare and pulse width modulation output driving a full bridge

H-bridge can for example be connected as in [Figure 12.9](#), with the ability to exert considerable control over each individual signal. The price of course is that four microcontroller pins are now committed to just one H-bridge circuit. The ability to control PWM signals here is for advanced applications, and goes well beyond the simple approach used for the Derbot motor drive.

12.6.4 The enhanced addressable USART

In basic operation this module acts like the standard USART, described in [Section 10.10](#). It also has some interesting developments. One of these is automatic baud rate detection, useful in the Local Interconnect Network protocol (LIN, see [Chapter 20](#)) and other applications. The process is illustrated in the timing diagram of [Figure 12.10](#). To undertake detection, the **ABDEN** bit (of the Baud control register, **BAUDCTL**) is set by the user. At this point, the frequency of the Baud Rate Generator (BRG) clock is reduced to one-eighth of its current setting. To operate correctly, the byte 55_{H} , or $1010\ 1010_{\text{B}}$, must be received. This incidentally is the SYNC character of the LIN protocol. The duration from first rising edge on the RX pin to the last is then timed. This is done using the slowed BRG clock. A 16-bit counter configured within the baud rate generator (made of registers **SPBRGH:SPBRG**) is used to count BRG clock cycles. On the final rising edge, the **ABDEN** bit is automatically cleared. Because the counter measures the duration of eight incoming serial bits, and it is running temporarily at one-eighth of its current setting, a measurement has effectively been made of one bit duration. This can then be used to set the baud rate for further reception of serial data.

Another enhancement in the EUSART is its automatic wake-up. It would be useful if the EUSART could cause a wake from Sleep, but with all clocks to it suspended in Sleep this



Note 1: The ABD sequence requires the **EUSART** module to be configured in Asynchronous mode

Figure 12.10: Automatic baud rate detection

seems impossible. Once automatic wake-up is enabled, however (through bit **WUE** of the **BAUDCTL** register), the EUSART waits for a high to low transition on the Receive line, i.e. the transition from idle to start. This happens whether or not the CPU is in Sleep mode. When the transition occurs it generates an interrupt, which can be used to wake from Sleep. The EUSART module returns to normal operation when the next low to high transition occurs. Therefore the characters used for wake-up should be all zeros, otherwise the rising edge will be detected within the word and the remainder of the word will be detected incorrectly as a new character. Once again, this facility is useful in LIN applications, and is another mechanism for adapting the microcontroller to the extreme low-power environment.

12.6.5 The analog-to-digital converter module

The ADC of the 16F883 is shown in Figure 12.11. While it is drawn differently, it is in fact similar to Figure 11.6: the ADC of the 16F873A. A big difference however, is the larger number of inputs. These occupy Port A, as with the 'F873A, but also now spread across Port B (as Figure 12.4 shows). Aside from regular analog inputs, it is also possible to select an internal 0.6 V fixed voltage reference as input, or the comparator reference, CVREF. The voltage reference is shown connected to the top of the ADC block. This can be derived from the power supply, or from external connections coming in through inputs 2 and 3.

ADC operation is controlled by registers **ADCON0** and **ADCON1**, but these are *not* the same as in Figures 11.7 and 11.8. Notably, configuration of the input is now controlled by a new pair of registers, **ANSEL** and **ANSELH**, as has already been mentioned in connection with port bit

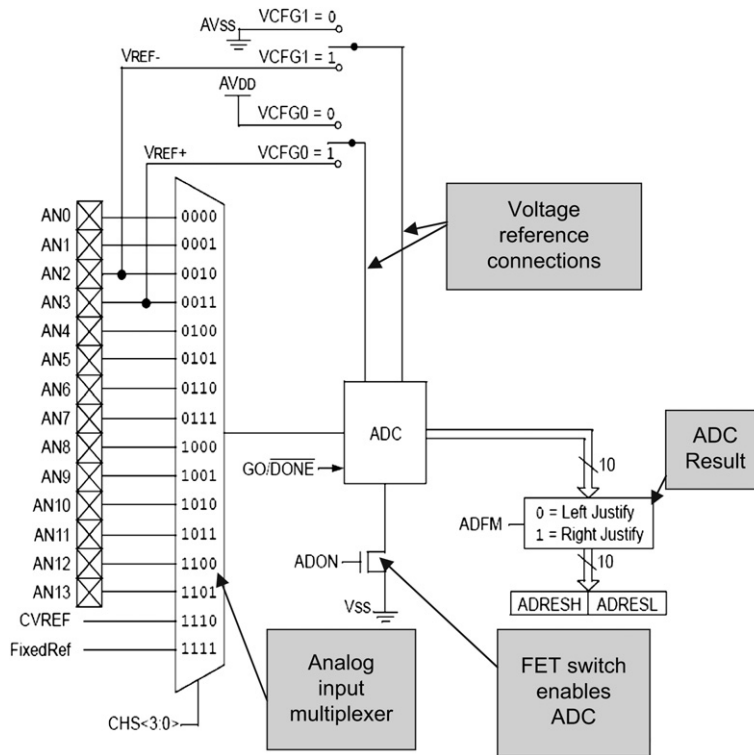


Figure 12.11: The 16F883 analog-to-digital converter

R/W-1	R/W-1	R/W-1	R/W-1	R/W-1	R/W-1	R/W-1	R/W-1
ANS7 ⁽²⁾	ANS6 ⁽²⁾	ANS5 ⁽²⁾	ANS4	ANS3	ANS2	ANS1	ANS0
bit 7							bit 0

bit 7-0 **ANS<7:0>**: Analog Select bits
 Analog select between analog or digital function on pins AN<7:0>, respectively.
 1 = Analog input. Pin is assigned as analog input⁽¹⁾.
 0 = Digital I/O. Pin is assigned to port or special function.

Note 1: Setting a pin to an analog input automatically disables the digital input circuitry, weak pull-ups, and interrupt-on-change if available. The corresponding TRIS bit must be set to Input mode in order to allow external control of the voltage on the pin.

2: Not implemented on PIC16F883/886.

Figure 12.12: ANSEL, the Analog Select register

control. This marks a change from the 16F873A, where it is register **ADCON1** which configures the input pins. The **ANSEL** register is shown in Figure 12.12. It is easy to see that each register bit controls one analog input bit. When the bit is low the pin is available for digital input, and analog when it is high. One bit is seen in action in Figure 12.3, where it is labelled ‘Analog Input Mode’.

A weakness of the 16F873A ADC module is its relatively long acquisition time, as discussed in Section 11.3.4. This is determined by the resistance of source and input path and the hold capacitance, seen in the input model of Figure 11.10. If multiple inputs are being scanned, as is now possible, this lengthy acquisition time is a real disadvantage. It is interesting to note therefore that although the ADC under discussion keeps the input model of Figure 11.10, the hold capacitance is reduced dramatically, from 120 pF to 10 pF. The acquisition time formulae derived in Section 11.2.4 continues to apply, but acquisition time is now effectively one-twelfth of the values calculated in that chapter.

Summary

This short chapter has aimed to introduce some enhancements to the PIC microcontroller range, and in so doing to illustrate some more advanced techniques in embedded systems. All enhancements are applicable to the 16 Series microcontrollers, but many also find their place in other families, for example in the 18 Series. The main points are:

- The 16F87/88 microcontrollers represent a possible upgrade path for the 16F84A.
- The 16F88X group represents a possible upgrade path for the 16F87XA; in this and the above case, the upgrade group brings greater sophistication, but also greater complexity.
- NanoWatt technology is a grouping of technologies and techniques which allows absolute minimisation of power consumption.
- The enhanced peripherals bring greater flexibility and higher performance, at the cost of greater complexity; they also facilitate specialist applications, e.g. motor control or LIN applications.

References

- 12.1. PIC 16F87/88 Data Sheet (2005). Microchip Technology Inc., Document no. DS30487C; www.microchip.com
- 12.2. PIC16F882/883/884/886/887 Data Sheet (2008). Microchip Technology Inc., Document no. DS41291E; www.microchip.com
- 12.3. nanoWatt and nanoWatt XLP Technologies: an Introduction to Microchip's Low-Power Devices (2009). Microchip Technology Inc., Application Note AN1267, Document no. DS01267A.
- 12.4. Using the Microchip Ultra Low-Power Wake-Up Module (2008). Microchip Technology Inc., Application Note AN879, Document no. AN00879D.

Questions and exercises

Note: Access to Reference 12.1 will be required for most or all of these questions.

- In a 16F883 the **TICON** register is set to 1101 1111, and **CM2CON1** is set to 0000 0010. Inputs to Timer 1 are connected to a 32.768 kHz crystal. Timer 1 is cleared to zero and a short while later a positive-going pulse occurs on pin 26, which was previously at Logic 0. When the pulse has returned to zero, Timer 1 is read and found to hold the value 01011100 10100011. If Timer 1 did not overflow during the pulse, what was its duration?
- An 8.000 MHz crystal is connected to pins 9 and 10 of a 16F883, and the **FOSC<2:0>** bits in the configuration register are set to 010. At one moment in the program's operation the **OSCCON** register reads 0011 1110, and a little later it reads 0011 0111. What is the system clock frequency in each case?
- The WDT of a 16F883 is configured to overflow approximately every 67 seconds, to wake the microcontroller from sleep. It is then awake for 12 ms, during which time it consumes 2.4 mA. The 16F883 is powered from 3 V and consumes 5.5 μ A when in Sleep mode, with WDT running.
 - What is the average current consumption?
 - The WDT is replaced with an ultra-low-power wake-up. For this the capacitor discharge current is 135 nA. The current consumption of the microcontroller itself while in Sleep is otherwise 1.5 μ A. All other conditions are adjusted to be the same. What is the new average current consumption? (Note that the current needed to charge the ULPWU capacitor is neglected in this example.)
- A 16F883 microcontroller is operating from a supply of 4 V. The ADC is used, but only 8-bit accuracy is required. The signal source resistance is 5 k Ω . Estimate the acquisition time required. (Note the similarity of this question to Question 4 of Chapter 11.)
- The BRG clock of a 16F883 EUSART is free running at 614.4 kHz when the **ABDEN** bit is set high. The digit 55_H is subsequently received. When the **RCIF** flag goes high, the **SPBRGH:SPBRG** counter is found to hold 0040_H. What was the measured bit rate?
- A 16F883 is powered from 4.8V. Its ADC is set as follows:

CHS<3:0> = 1111; **VCFG1** = 0; **VCFG0** = 0; **ADFM** = 1; **ADON** = 1.

What are the values of **ADRESH** and **ADRESL** on completion of the conversion? Use only the information given in [Figure 12.11](#) and the accompanying description.

Section 4

Smarter Systems and the PIC 18F2420

This section moves to more sophisticated processing power and matching programming techniques. The PIC 18 Series family is introduced and used as the underlying hardware. The section is, however, mainly concerned with software. The C programming language is introduced and applied. The issues of multitasking and real time, essential in the embedded world, are introduced, and the Salvo real-time operating system is adopted and applied.

Smarter systems and the PIC 18F2420

In this book so far we have studied microcontrollers from the PIC 16 Series, large and small. While these are good microcontrollers, certain tensions and limitations have emerged. Some aspects of the hardware are limiting, for example the small size of the stack or the way all those interrupt sources have to share a single interrupt vector. As far as the instruction set is concerned, we recognise the value of the RISC approach. The absence of certain styles of instruction is, however, frustrating. Branch instructions, for example, have to be made out of a combination of **skip** and **goto**. Furthermore, the prospect of crafting major programs out of all those little Assembler instructions is becoming increasingly daunting.

Many of these limitations are experienced because the 16 Series has retained a core which was designed with only modest applications in mind. Now the number of peripherals has increased dramatically and memory sizes have soared. It is worth having a new beginning, addressing the issues that limit the 16 Series and rethinking the design of the microcontroller core. This is the basis of the PIC 18 Series.

When advancing from the 16F84A, we found that the 16F873A and then the 16F883 kept the core and enhanced the peripherals. We will now find that the 18 Series devices advance the core, while keeping peripherals reasonably constant. A very new style of microcontroller is produced as a result. The distinctive advantages of the PIC structure – RISC architecture, high speed and so on – are of course retained. New features appear, however, that allow the PIC microcontroller to move into a bigger arena – features which enhance real-time operation, ease the use of high-level languages and allow interaction with much larger memories. Other important developments, like the move to nanoWatt technology, appear in both 16 and 18 Series.

This chapter anticipates that the reader is upgrading from a 16 Series device, although it doesn't matter significantly if he/she is not. It draws on knowledge of the 16 Series and makes comparisons, as it is interesting to see how design concepts have evolved. The description of the instruction set in particular is developed through such a comparison.

From this chapter onwards the book will use mainly the C language for programming, rather than Assembler. It is therefore less important to know the microcontroller hardware in intimate detail. The C compiler looks after that side of things. This comes as quite a relief, as the 18 Series devices are not simple. For this reason, you will find that some topics in this

chapter are introduced with a 'lighter touch' than equivalent sections in, say, Chapter 7. This is particularly the case with the peripherals. We will find C library functions to undertake all interaction with the peripherals, and in normal usage we just won't need an intimate knowledge of them. Energies previously spent (while programming in Assembler) in learning every fine detail of a peripheral can therefore be diverted to the creative task of writing working programs. This is a liberating step.

Of the 18 Series the 18F2420, along with its close relations in the 18FXX20 sub-family (i.e. 18F2520, 18F4420, 18F4520), are chosen for detailed study. We use the 18F2420 as it is a comparatively simple example of the 18 Series.

This chapter aims to introduce:

- The architecture of the 18 Series microcontroller, focusing on the 18F2420.
- The 18 Series instruction set.
- The memory structure, and how it is accessed and addressed.
- The 18FXX20 interrupt structure.
- The 18FXX20 power supply, reset and oscillator.
- The 18FXX20 peripherals, in most cases drawing on knowledge of their 16 Series equivalents.

13.1 The main idea – the PIC 18 Series and the 18F2420

The PIC 18 Series microcontrollers dramatically enhance the PIC core, making it suitable for more advanced embedded projects. Despite many features which are new, it has been designed to make upwards migration from a 16 Series device easy, so that the designer making this move will find many things which are familiar. The principal characteristics we shall see are as follows.

Similar to the 16 Series

- RISC (Reduced Instruction Set Computer), pipelined, 8-bit CPU, with single Working (W) and Status registers.
- Many peripherals identical or very similar.
- Similar packages and pinouts.
- Many Special Function Register (SFR) and bit names unchanged.
- All but one of the 16 Series instructions are part of the 18 Series instruction set.
- Instruction cycle made up of four oscillator cycles.

New for the 18 Series

- The number of instructions has more than doubled, with a 16-bit instruction word.
- Enhanced Status register.
- Hardware 8×8 multiply.
- More external interrupts.
- Two prioritised interrupt vectors.
- Radically different approach to memory structures, with increased memory size.
- Enhanced address generation for program and data memory.
- Bigger Stack, with some user access and control.
- Phase-locked loop (PLL) clock generator.

The 18FXX20 microcontrollers form a set of four closely related devices, whose main characteristics are represented in Table 13.1. In many ways this table is similar to the 16F87XA microcontrollers in Table 2.1. All 18FXX20 devices have an instruction set of

TABLE 13.1 The 18FXX20 sub-family

Device number	No. of pins*	Memory	Peripherals/special features
18F2420	28	16KB program memory (8K instructions**) 768 bytes RAM, 256 bytes EEPROM	3 parallel ports, 4 counter/timers, 2 capture/compare/PWM modules, 2 serial communication modules, 10 10 bit ADC channels
18F2520	28	32KB program memory (16K instructions**) 1536 bytes RAM, 256 bytes EEPROM	3 parallel ports, 4 counter/timers, 2 capture/compare/PWM modules, 2 serial communication modules, 10 10 bit ADC channels
18F4420	40	16KB program memory (8K instructions**) 768 bytes RAM, 256 bytes EEPROM	5 parallel ports, 4 counter/timers, 2 capture/compare/PWM modules (one enhanced), 2 serial communication modules, 13 10 bit ADC channels
18F4520	40	32KB program memory (16K instructions**) 1536 bytes RAM, 256 bytes EEPROM	5 parallel ports, 4 counter/timers, 2 capture/compare/PWM modules, 2 serial communication modules (one enhanced), 13 10 bit ADC channels

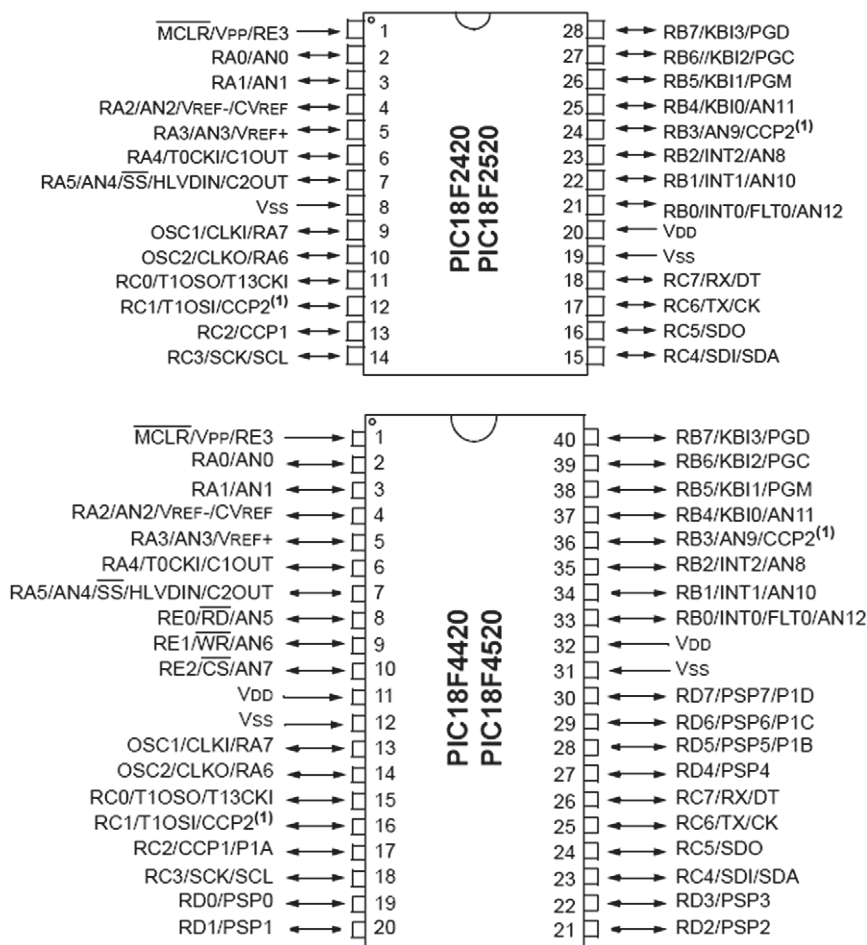
*For DIP package only.

**Single word instructions, noting that some are two words.

ADC, analog to digital converter; PWM, pulse width modulation.

75 instructions, with a clock oscillator that can run from DC to 40 MHz. There are also 'low-power' versions of each microcontroller available, coded 18LFXX20. The full manufacturer's data on this family is found in Ref. 13.1.

The pin connections of the 18FXX20 family, for the dual-in-line packages, are shown in Figure 13.1. The figure is very similar to Figure 7.1, with the ports, power supply, oscillator and reset lying in the same places. This of course allows upgrade with minimum change.



Note 1: RB3 is the alternate pin for CCP2 multiplexing.

Key: (see also Fig. 7.1)

FLT0: PWM Fault input

HLVDIN:

High/Low Voltage Detect input

KBI_n: Interrupt on change input

P1A:

Enhanced CCP1 output

Figure 13.1: PIC 18FXX20 pin diagrams for DIL packages. (a) 18F2420 and 18F2520. (b) 18F4420 and 18F4520

13.2 The 18F2420/2520 block diagram and Status register

The block diagram of the 18F2X20 microcontrollers, which are the 28-pin devices of Figure 13.1(a), is shown in Figure 13.2. Take some time to identify the principal features of this important diagram.

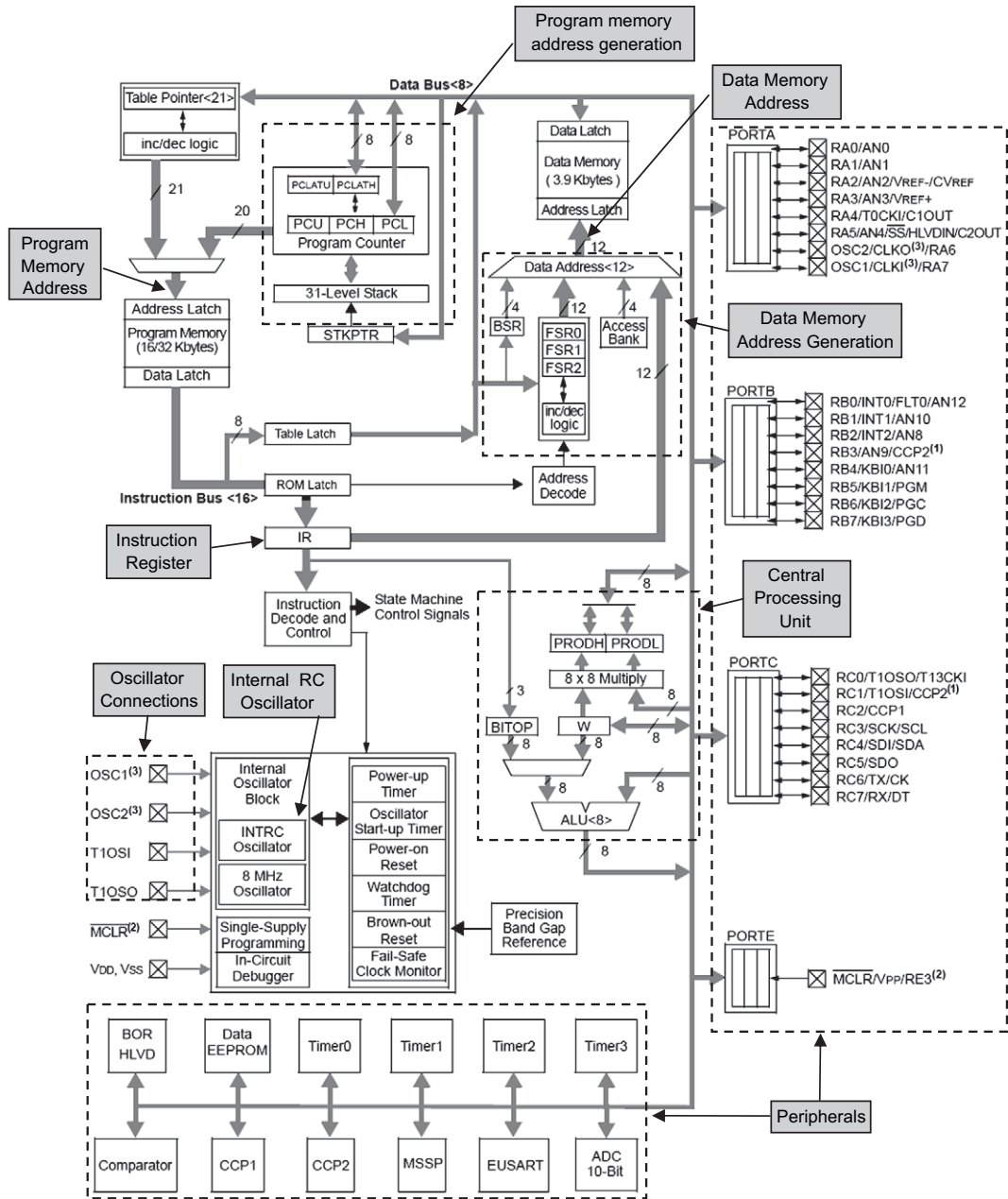
Almost central to the diagram is the CPU (Central Processing Unit), containing the 8-bit ALU (Arithmetic Logic Unit), the Working register 'W' (sometimes called the accumulator) and an 8-bit \times 8-bit hardware multiply unit. CPU action is determined by the instruction received from the program memory, which is transferred through the Instruction register. This is seen above and to the left of the CPU block. An important element of the CPU, though not shown in this diagram, is the Status register.

Program memory is seen to the top left of the diagram. Its address bus enters the memory 'Address Latch'. With its 21 bits, it is possible to address 2^{21} locations, i.e. 2 097 152 (2 Mbyte) locations. Table 13.1 shows that the 18F2420 only needs to address 16K locations, which require only 14 bits. The other lines are therefore redundant here. The 16-bit bus carrying the instruction word is seen leaving the 'program memory data latch'. This can be seen working its way down to, among other places, the Instruction register, already mentioned. To the right of the program memory is an area labelled 'program memory address generation'. Central to this of course is the Program Counter. Below the Program Counter is the Stack, which contains 31 locations. A table pointer provides a means of accessing tables or other data in program memory, under user program control.

The data memory is seen almost top centre of the diagram. Like the program memory, its address generation forms a significant block of the diagram overall, with a bank of File Select Registers (FSR0, for example) and a Bank Select Register (BSR). The data memory address is 12 bits, which can address 4096 bytes. Again, Table 13.1 shows us that this address bus is not fully exploited. Data transfer to and from the data memory is through the main data bus.

With the separate address bus and data input/output for each of program memory and data memory, we can at this point confirm the underlying Harvard structure of the microcontroller.

Power supply connections for the microcontroller, V_{DD} and V_{SS} , appear towards the bottom left of the diagram. A Look back at Figure 13.1 shows that *two* pins are dedicated to the V_{SS} connection for either of the two packages shown. This ensures a good 0 V connection. The smaller package has a single V_{DD} connection, while the larger has two. Associated with power supply is the Power-on Reset, which ensures reset when power is switched on; the Power-up Timer, which can be used to maintain the microcontroller in a state of reset for a fixed time after power-up; and the Brown-out Reset, which will force the microcontroller into reset if the power supply dips.



- Note** 1: CCP2 is multiplexed with RC1 when Configuration bit, CCP2MX, is set, or RB3 when CCP2MX is not set.
 2: RE3 is only available when MCLR functionality is disabled.
 3: OSC1/CLK1 and OSC2/CLKO are only available in select oscillator modes and when these pins are not being used as digital I/O.

Figure 13.2: The PIC 18F2420/2520 block diagram (supplementary labels in shaded boxes added by the author)

Oscillator inputs, both for the main oscillator and for Timer 1, are seen at the left of the diagram. To the right of these is the internal oscillator block, containing the 8 MHz oscillator and internal RC oscillator. Again, to the right of this is a block of functions which deal with start-up and system reliability, like the Power-up and Watchdog Timers.

Finally, the parallel ports, containing both their input/output function and all interconnection with the peripherals, are placed on the right-hand side. The other peripherals appear along the bottom of the diagram. Among these is another memory block, using EEPROM technology.

As an important part of the CPU, the Status register is shown in Figure 13.3. It contains a full five bits of status information on the operation most recently performed by the

U-0	U-0	U-0	R/W-x	R/W-x	R/W-x	R/W-x	R/W-x
—	—	—	N	OV	Z	DC ⁽¹⁾	C ⁽²⁾
bit 7							bit 0

bit 7-5 **Unimplemented:** Read as '0'

bit 4 **N:** Negative bit

This bit is used for signed arithmetic (2's complement). It indicates whether the result was negative (ALU MSB = 1).

- 1 = Result was negative
- 0 = Result was positive

bit 3 **OV:** Overflow bit

This bit is used for signed arithmetic (2's complement). It indicates an overflow of the 7-bit magnitude which causes the sign bit (bit 7) to change state.

- 1 = Overflow occurred for signed arithmetic (in this arithmetic operation)
- 0 = No overflow occurred

bit 2 **Z:** Zero bit

- 1 = The result of an arithmetic or logic operation is zero
- 0 = The result of an arithmetic or logic operation is not zero

bit 1 **DC:** Digit Carry/borrow bit⁽¹⁾

For ADDWF, ADDLW, SUBLW and SUBWF instructions:

- 1 = A carry-out from the 4th low-order bit of the result occurred
- 0 = No carry-out from the 4th low-order bit of the result

bit 0 **C:** Carry/borrow bit⁽²⁾

For ADDWF, ADDLW, SUBLW and SUBWF instructions:

- 1 = A carry-out from the Most Significant bit of the result occurred
- 0 = No carry-out from the Most Significant bit of the result occurred

Note 1: For borrow, the polarity is reversed. A subtraction is executed by adding the 2's complement of the second operand. For rotate (RRF, RLF) instructions, this bit is loaded with either bit 4 or bit 3 of the source register.

2: For borrow, the polarity is reversed. A subtraction is executed by adding the 2's complement of the second operand. For rotate (RRF, RLF) instructions, this bit is loaded with either the high or low-order bit of the source register.

Figure 13.3: The PIC 18FXX20 Status register

microcontroller. The limited number of Status bits (Figure 7.3) is arguably one of the weaknesses of the 16 Series microcontroller. The 18 Series adds two new bits. These are **OV** (bit 3), which signals an overflow of the 7-bit two's complement range, and **N**, which indicates that a two's complement number is negative. As the sign bit in a two's complement number is the MSB, the **N** bit is simply the MSB of the result. These extra bits allow improved program branching and better mathematical capability. The other information in the figure is self-explanatory.

13.3 The 18 Series instruction set

The instruction set of the PIC 18 Series is shown in Appendix 5, with 75 distinct instructions! It is a super-set of the PIC 16 and 17 Series instruction sets, so any program which runs on one of those microcontrollers can be expected to run on the 18 Series. With this many instructions, the set begins to have a CISC (Complex Instruction Set Computer – see Chapter 1) feel to it, losing some of the simplicity we expect of RISC. There is also an 'extended' 18 Series instruction set, which adds a number of instructions. These are described below.

Looking at Table A5.1, it seems a daunting prospect to get to know all those instructions. The good news is: we don't need to! After this chapter, almost all the programming we do will be in C, so someone else can worry about Assembler. However, an overview is still useful – we do, after all, need Assembler inserts in C sometimes.

For those migrating to the 18 Series from the 16 Series, Table 13.2 will be interesting. This gives a brief comparison of the two instruction sets. The first column lists all 16 Series instructions, approximately in the order given in Appendix 1. The second column gives the 18 Series equivalent, where there is one, and also lists all instructions that are completely 'new'.

To explore the 18 Series instructions, let's start by looking at the first two columns of Table A5.1. These give the Assembler mnemonic of the instruction with its operands, followed by what the instruction does. The symbols used for the operands, for example **a**, **d** or **f**, are explained in Table A5.2. While some of these are familiar from the 16 Series, the operand bit **a** is new and leads to the possibility of instructions with three operands. This defines the memory area called 'Access RAM' described later in this chapter. Through this bit, the programmer now has a choice of whether to use Access RAM or not.

The third column of Table A5.1 indicates how many instruction cycles the instruction takes to execute. As we expect with a RISC and pipelined structure, all normal instructions execute in a single cycle. Those which cause a program branch take two. Skip instructions take one cycle if there is no skip, two if followed by a single-word instruction and three if

TABLE 13.2 Comparison of 16 Series and 18 Series instruction sets

16 Series instruction	18 Series equivalents	Description
<i>Byte-oriented file register operations</i>		
addwf f,d	addwf f,d,a addwfc f,d,a	Add W and f Add W and f with Carry
andwf f,d	andwf f,d,a	And W and f
clrf f	clrf f,a	Clear f
clrw		Clear W
comf f,d	comf f,d,a	Complement f
	cpfseq f,a cpfsgt f,a cpfslt f,a	Compare f with W, skip if equal Compare f with W, skip if greater than Compare f with W, skip if less than
decf f,d	decf f,d,a	Decrement f
decfsz f,d	decfsz f,d,a decfsnz f,d,a	Decrement f, skip if zero Decrement f, skip if not zero
incf f,d	incf f,d,a	Increment f
incfsz f,d	incfsz f,d,a incfsnz f,d,a	Increment f, skip if zero Increment f, skip if not zero
iorwf f,d	iorwf f,d,a	Inclusive OR f with W
movf f,d	movf f,d,a movff f_s,f_d	Move f Move source file f _s to destination file f _d
movwf f	movwf f,a	Move W to f
nop	nop nop	No operation — an intentional instruction The second word of a two word instruction, which is encoded to execute as a nop if it is accidentally interpreted as an instruction
	mulwf f,a	Multiply W and f
	negf f,a	Negate f
rlf f,d	rlcf f,d,a rlncf f,d,a	Rotate left through Carry Rotate left, no Carry
rrf f,d	rrcf f,d,a rrncf f,d,a	Rotate right through Carry Rotate right, no Carry
	set f	Set f
subwf f,d	subwf f,d,a subwfb f,d,a	Subtract W from f Subtract W from f with borrow
	subfwb f,d,a	Subtract f from W with borrow
swapf f,d	swapf f,d,a	Swap nibbles in f
	tstfsz f,a	Test f, skip if zero
xorwf f,d	xorwf f,d,a	Exclusive OR W with f
<i>Bit-oriented file register operations</i>		
bcf f,b	bcf f,b,a	Clear bit b in register f
bsf f,b	bsf f,b,a	Set bit b in register f

Continued

Table 13.2 Comparison of 16 Series and 18 Series instruction sets—Cont'd

16 Series instruction	18 Series equivalents	Description
	btg f,d,a	Toggle bit b in register f
btfsc f,b	btfsc f,b,a	Test bit b in f, skip if clear
btfss f,b	btfss f,b,a	Test bit b in f, skip if set
<i>Literal operations</i>		
addlw k	addlw k	Add literal to W
andlw k	andlw k	And literal with W
iorlw k	iorlw k	Inclusive OR literal with W
movlw k	movlw k	Move literal to W
	movlb	Move literal to BSR
	lfsr f,k	Load FSR f with 12 bit literal k
	mullw	Multiply literal with W
sublw k	sublw k	Subtract W from literal
xorlw k	xorlw k	Exclusive OR literal with W
<i>Control operations</i>		
call k	call n,s	Call subroutine, with (s = 1) or without (s = 0) saving context to Stack Relative call to subroutine
	rcall n	
clrwdt	clrwdt	Clear Watchdog Timer
	daw	Decimal adjust W
goto k	goto n	Go to absolute address, where k/n address anywhere in program memory space
	pop	Pop top of return stack (TOS)
	push	Push top of return stack (TOS)
	reset	Software reset
retfie	retfie s	Return from interrupt, with (s = 1) or without (s = 0) retrieving context from Stack
retlw k	retlw k	Return with literal in W
return	return s	Return from subroutine, with (s = 1) or without (s = 0) retrieving context from Stack
sleep	sleep	Go into standby mode
	bc, bn, bnc, bnn, bnov, bnz, bov, bz	Eight conditional branch instructions, one for each state of Status register bits N, OV, Z, C, all with 8 bit twos complement relative address n
	bra n	Branch unconditionally 8 bit twos complement relative address n
<i>Program memory Table Read/Write operations</i>		
	tblrd*, tblrd*+, tblrd*, tblrd*+	Four Table Read instructions, with pointer change respectively no change, post increment, post decrement, pre increment
	tblwt*, tblwt*+, tblwt*-, tblwt*+	Four Table Write instructions, with pointer change respectively: no change, post increment, post decrement, pre increment

followed by a two-word instruction. A small number of complex instructions also take more than one cycle.

The next column (column 4) shows the actual coding of the instruction. Fortunately, it is the assembler or compiler that generates this code. Most instructions are contained in a single 16-bit word, while just four occupy two 16-bit words. These are **call**, **goto**, **movff** and **lfsr**. Take a look at the machine code of these instructions itself. It is interesting to see that while the second word of any of them carries useful information, if taken alone it encodes as a **nop** instruction. This is because the most significant four bits form the **nop** machine code, for which the less significant bits are ‘don’t care’. This arrangement allows program execution to realign itself, if at any time the microcontroller tries to interpret this second word as a stand-alone instruction.

The second to last column of Table A5.1, ‘Status affected’, indicates which bits of the Status register (Figure 13.3) are affected by the action of the instruction. It is interesting from this point of view to compare ‘identical’ instructions, as they appear in the 16 Series (Appendix 1) and 18 Series instructions sets. For example, **addwf** in the 16 Series only affects the **C**, **DC** and **Z** bits. In the 18 Series, the same bits are affected, as well as **OV** and **N**. While the instruction is unchanged in its function, it has become more powerful by its effect on more Status bits.

In relation to the 16 Series, and looking at Table 13.2, it can be seen that the 18 Series instructions fall into the categories listed below.

Instructions which are unchanged

These are instructions whose function and form is identical to the 16 Series. Many examples lie in the literal instructions, for example **addlw k** and **andlw k**. The only difference is the effect on the increased number of Status bits.

Instructions which have been upgraded

These instructions are almost the same as their 16 Series predecessors, but have added functionality or flexibility, due in part to changes in architecture. The most widespread example of this is the ability to select Access RAM as the target memory area, as mentioned above. It can be seen that this change is implemented in a large number of the byte-oriented arithmetic and logical operations, for example **addwf f,d,a** and **andwf f,d,a**.

Another interesting development is the flexibility attached to the **call**, **return** and **retfie** instructions. A new operand **s** allows a choice to be made over whether the context is saved to the Stack, and then retrieved from it or not.

To ensure upward compatibility, all these instructions assemble to valid 18 Series code, even if presented in 16 Series format.

New, variant, instructions

Some of the 16 Series instructions felt limited, and for effective use in certain situations had to be used in direct association with other instructions. The 18 Series instruction set adds variants to many of these instructions to ease these limitations. For example, the simple add instruction **addwf** is now also available as add with carry, **addwfc**. This simplifies an enormous number of 16-bit or greater additions. Similarly, subtract with borrow is also available, as are rotates with or without Carry and **incfsnz** (increment f, skip if *not* zero).

New instructions

Finally, there are many instructions that are just plain new. These derive in many cases from enhanced hardware or memory addressing techniques. Significant among arithmetic instructions is the multiply, available as **mulwf** (multiply W and f) and **mullw** (multiply W and literal). These invoke the hardware multiplier, seen already in Figure 13.2. Multiplier and multiplicand are viewed as unsigned, and the result is placed in the registers **PRODH** and **PRODL**. It is worth noting that the multiply instructions cause no change to the Status flags, even though a zero result is possible.

Other important additions to the instruction set are a whole block of Table Read and Write instructions, data transfer to and from the Stack, and a good selection of conditional branch instructions, which build upon the increased number of condition flags in the Status register. There are also instructions that contribute to conditional branching. These include the group of compares, for example **cpfseq**, and the test instruction, **tstfsz**.

A useful new move instruction is **movff**, which gives a direct move from one memory location to another. This codes in two words and takes two cycles to execute. Therefore, its advantage over the two 16 Series instructions which it replaces may seem slight. It does, however, save the value of the W register from being overwritten.

Some of these new instructions will be explored in the program example and exercises of Section 13.10.

13.3.1 The extended instruction set

Most 18 Series microcontrollers also have an optional set of eight extra instructions, seen in Table A5.3. These must be enabled by setting an **XINST** bit in the configuration setting. When using these instructions, the microcontroller is said to be operating in ‘extended mode’.

The extra instructions are intended to enhance the efficiency of a C compiler; it is unlikely that a programmer would use them in an Assembler program. They enhance the ability of the

microcontroller to undertake indirect and indexed addressing, and hence improve the capability of the compiler in working with the software stack and other features. It is important to recognise the existence of the extended instruction set, as the C18 C compiler, which we are about to use, offers it as an option.

13.4 Data memory and Special Function Registers

Table 13.1 showed the different memory sizes in the 18FXX20 family. In the next sections, where we look at memory, we will use the 18F2420 as the main example. The other devices in the family are similar, but all have larger memory capability in one way or another. Those upgrading from the PIC 16 Series will need to be ready for some new approaches to memory structure.

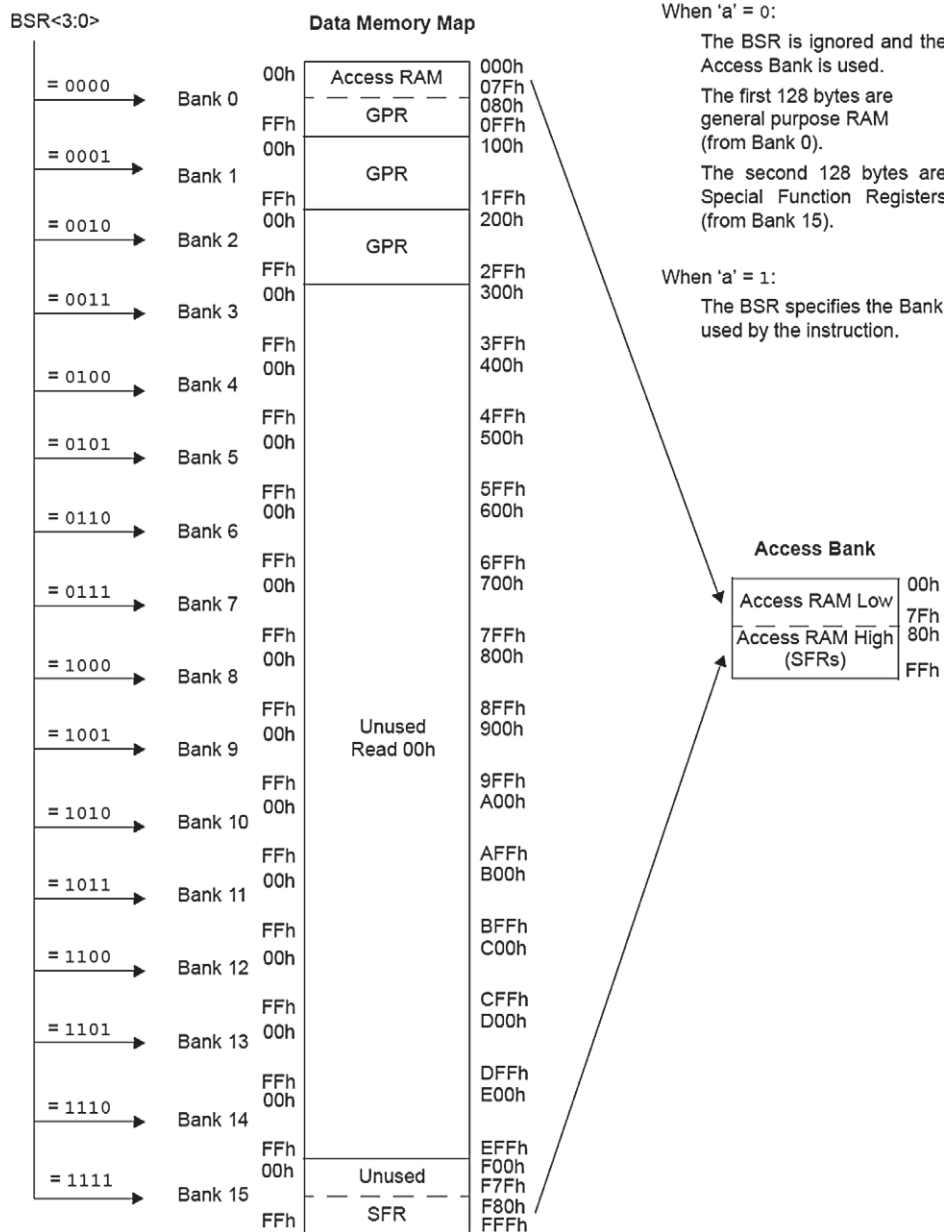
13.4.1 The data memory map

The general data memory map of the 18F2420 is shown in Figure 13.4. Each memory location is one byte, while the address is 12-bit, with the capability to address up to 4096 locations. The structure of the memory is effectively made up of 16 banks, each of 256 bytes. A special register, the Bank Select Register (BSR), holds the bits that select the bank. These bits are seen in the figure, and form the highest four bits of the 12-bit memory address. Figure 13.4 shows that only the lowest three banks are implemented as ‘general-purpose registers’ (i.e. general-purpose RAM) in the 18F2420. These make the 768 (3×256) bytes of data memory indicated in Table 13.1.

While the lower three banks of data memory are used for general-purpose RAM, the SFRs are contained in a block at the *top* end of the memory, in the upper half of the top bank. They are shown in Figure 13.5. Note that the four columns shown are not themselves memory banks. In fact, taken together they only form part of the highest bank, as already seen in Figure 13.4.

13.4.2 Access Random Access Memory

We have already come across mentions of ‘Access RAM’ while looking at the instruction set. Figure 13.4 shows two areas of memory that carry this name. These are the lowest and highest 128 bytes of memory. The lowest is general-purpose RAM, while the highest contains all the SFRs. The Access RAM concept provides a way of addressing a part of RAM quickly. While the two halves of Access RAM are at opposite ends of the memory map, when used as Access RAM they are treated as one continuous block of memory. The bits of the BSR are ignored and they then have just an 8-bit address, with the SFR addresses following directly on from the lower Access RAM addresses.



Key

BSR: Bank Select Register GPR: General purpose Register SFR: Special Function Register

Figure 13.4: The PIC 18F2420 data memory map

Address	Name	Address	Name	Address	Name	Address	Name
FFFh	TOSU	FDFh	INDF2 ⁽¹⁾	FBFh	CCPR1H	F9Fh	IPR1
FFEh	TOSH	FDEh	POSTINC2 ⁽¹⁾	FBEh	CCPR1L	F9Eh	PIR1
FFDh	TOSL	FDDh	POSTDEC2 ⁽¹⁾	FBDh	CCP1CON	F9Dh	PIE1
FFCh	STKPTR	FDCh	PREINC2 ⁽¹⁾	FBCh	CCPR2H	F9Ch	___ ⁽²⁾
FFBh	PCLATU	FDBh	PLUSW2 ⁽¹⁾	FBBh	CCPR2L	F9Bh	OSCTUNE
FFAh	PCLATH	FDAh	FSR2H	FBAh	CCP2CON	F9Ah	___ ⁽²⁾
FF9h	PCL	FD9h	FSR2L	FB9h	___ ⁽²⁾	F99h	___ ⁽²⁾
FF8h	TBLPTRU	FD8h	STATUS	FB8h	BAUDCON	F98h	___ ⁽²⁾
FF7h	TBLPTRH	FD7h	TMR0H	FB7h	PWM1CON ⁽³⁾	F97h	___ ⁽²⁾
FF6h	TBLPTRL	FD6h	TMR0L	FB6h	ECCP1AS ⁽³⁾	F96h	TRISE ⁽³⁾
FF5h	TABLAT	FD5h	T0CON	FB5h	CVRCON	F95h	TRISD ⁽³⁾
FF4h	PRODH	FD4h	___ ⁽²⁾	FB4h	CMCON	F94h	TRISC
FF3h	PRODL	FD3h	OSCCON	FB3h	TMR3H	F93h	TRISB
FF2h	INTCON	FD2h	HLVDCON	FB2h	TMR3L	F92h	TRISA
FF1h	INTCON2	FD1h	WDTCON	FB1h	T3CON	F91h	___ ⁽²⁾
FF0h	INTCON3	FD0h	RCON	FB0h	SPBRGH	F90h	___ ⁽²⁾
FEFh	INDF0 ⁽¹⁾	FCFh	TMR1H	FAFh	SPBRG	F8Fh	___ ⁽²⁾
FEeh	POSTINC0 ⁽¹⁾	FCEh	TMR1L	FAEh	RCREG	F8Eh	___ ⁽²⁾
FEDh	POSTDEC0 ⁽¹⁾	FCDh	T1CON	FADh	TXREG	F8Dh	LATE ⁽³⁾
FECh	PREINC0 ⁽¹⁾	FCCh	TMR2	FACH	TXSTA	F8Ch	LATD ⁽³⁾
FEBh	PLUSW0 ⁽¹⁾	FCBh	PR2	FABh	RCSTA	F8Bh	LATC
FEAh	FSR0H	FCAh	T2CON	FAAh	___ ⁽²⁾	F8Ah	LATB
FE9h	FSR0L	FC9h	SSPBUF	FA9h	EEADR	F89h	LATA
FE8h	WREG	FC8h	SSPADD	FA8h	EEDATA	F88h	___ ⁽²⁾
FE7h	INDF1 ⁽¹⁾	FC7h	SSPSTAT	FA7h	ECON2 ⁽¹⁾	F87h	___ ⁽²⁾
FE6h	POSTINC1 ⁽¹⁾	FC6h	SSPCON1	FA6h	EECON1	F86h	___ ⁽²⁾
FE5h	POSTDEC1 ⁽¹⁾	FC5h	SSPCON2	FA5h	___ ⁽²⁾	F85h	___ ⁽²⁾
FE4h	PREINC1 ⁽¹⁾	FC4h	ADRESH	FA4h	___ ⁽²⁾	F84h	PORTE ⁽³⁾
FE3h	PLUSW1 ⁽¹⁾	FC3h	ADRESL	FA3h	___ ⁽²⁾	F83h	PORTD ⁽³⁾
FE2h	FSR1H	FC2h	ADCON0	FA2h	IPR2	F82h	PORTC
FE1h	FSR1L	FC1h	ADCON1	FA1h	PIR2	F81h	PORTB
FE0h	BSR	FC0h	ADCON2	FA0h	PIE2	F80h	PORTA

Note 1: This is not a physical register.
2: Unimplemented registers are read as '0'.
3: This register is not available on 28-pin devices.

Figure 13.5: The PIC 18FXX20 Special Function Registers

Access RAM is available to all instructions which have the **a** operand, as seen in Appendix 5 or Table 13.2. If **a** is set to 0, then only Access RAM is available and it is accessed as described above.

13.4.3 Indirect addressing and accessing tables in data memory

The idea of indirect addressing in the 16 Series was introduced in Section 5.12. This described how a File Select Register (FSR) can be used to hold an address. If the program addresses the

TABLE 13.3 ‘Virtual’ registers used in indirect addressing

‘Virtual’ register addressed $n = 0, 1$ or 2	Action following instruction invoking FSR
INDF $_n$	No change to FSR $_n$
POSTINC $_n$	The FSR is automatically incremented following access
POSTDEC $_n$	The FSR is automatically decremented following access
PREINC $_n$	The FSR is automatically incremented preceding access
PLUSW $_n$	The value in WREG is added to FSR $_n$, to form indirect address. Neither FSR nor WREG is changed

(virtual) register **INDF**, then the address placed in the **FSR** is used as the address for that instruction.

This concept continues to apply in the 18 Series, but is extended to match the larger memory sizes involved, and with multiple **FSR** and **INDF** registers. To begin with, there are now three FSRs, which appear in Figure 13.2. Because of the much larger data memory size, each one needs to have 12 bits. They are therefore each made up of two memory locations and with care can be found in the SFR map of Figure 13.5, as **FSR2H:FSR2L**, **FSR1H:FSR1L** and **FSR0H:FSR0L**.

To further complicate matters, there are *five* equivalents to the **INDF** register. These are shown in Table 13.3. They can also be found in the SFR map of Figure 13.5.

Now if an instruction addresses any of the locations shown in Table 13.3, then the 12-bit number held in the corresponding FSR is used as an indirect address, accessing a location in the data memory upon which the instruction operates. During instruction execution the value of the FSR is modified as shown.

Does all this sound complicated? Don’t worry; you shouldn’t have to apply the above knowledge directly. The C compiler will look after these complexities and provide you with a powerful programming tool in a usable form.

13.5 Program memory

13.5.1 The program memory map

The program memory map for all 18FXX20 microcontrollers is shown in Figure 13.6. It can be seen that implemented memory occupies only a modest proportion of the overall capacity offered by the 21-bit bus. Each memory location has a size of one byte. With the normal instruction word being 16 bits, each instruction therefore takes two or four bytes. The less significant byte is stored in a location with an even address. The reset vector, where the program starts, is shown as memory location 0000, and the two interrupt vectors at locations 0008_H and 0018_H. Interrupt Service Routines (ISRs) must be written to start at one of these locations.

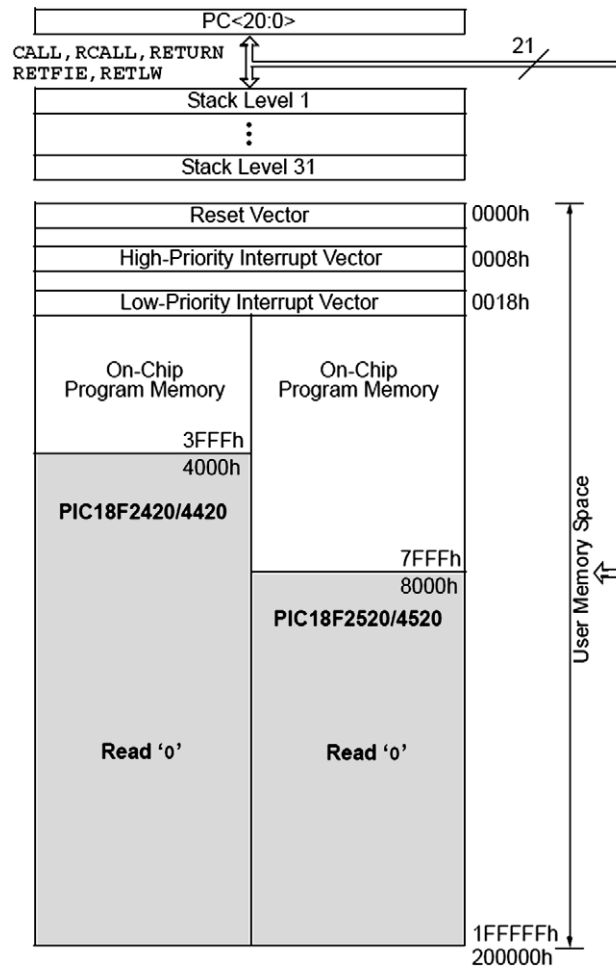


Figure 13.6: The PIC 18FXX20 program memory maps and Return Address Stack

13.5.2 The Program Counter

The Program Counter, seen at the top of Figure 13.6, is 21 bits wide. With each instruction stored as two or four bytes, the Program Counter increments twice, or four times, every instruction.

Access to the Program Counter is available through SFRs in the memory map. The least significant byte is called **PCL**. It is readable and writeable, and can be seen as memory location FF9_H in Figure 13.5. The middle program counter byte, and the higher five bits, are not directly readable or writeable. Updates to these may, however, be made through the **PCLATH** and **PCLATU** registers, seen in both Figures 13.2 and 13.5. The contents of these locations are transferred to the Program Counter by any operation that writes to **PCL**.

Similarly, any operation that reads **PCL** will cause the relevant higher bits of the Program Counter to be transferred to **PCLATH** and **PCLATU**.

13.5.3 Upgrading from the 16 Series and computed goto instructions

With the 16 Series, we used the computed **goto** as a means of retrieving data from a look-up table, as we did for example in Figure 5.9 or Program Example 5.8. An offset was added to the Program Counter to cause a jump to one of a list of **retlw** instructions. That instruction then caused a return to the main program, with the selected byte of data carried in the W register. This is still possible in the 18 Series, but it is important to remember that each instruction now takes two bytes in program memory. Therefore, any offset added to the Program Counter in a 16 Series program must be doubled to create the same effect in an 18 Series program. An example of how to do this is given in Ref. 13.2.

13.5.4 The Configuration registers

Whereas the 16 Series microcontrollers have a single 14-bit Configuration Word, the 18 Series has a whole set of Configuration registers, reflecting the greater complexity and flexibility of the device. The registers are shown in Table 13.4 and a summary of the function of each bit in Table 13.5. It is easy to see that the usual features – oscillator settings, Watchdog Timer, power-up timing, Brown-out Reset and code protection – are there. Most of these have grown

TABLE 13.4 18FXX20 Configuration registers and device identifications

File Name	Bit 7	Bit 6	Bit 5	Bit 4	Bit 3	Bit 2	Bit 1	Bit 0	Default/ Unprogrammed Value	
300001h	CONFIG1H	IESO	FCMEN	—	—	FOSC3	FOSC2	FOSC1	FOSC0	00-- 0111
300002h	CONFIG2L	—	—	—	BORV1	BORV0	BOREN1	BOREN0	PWRTE $\overline{\text{N}}$	---1 1111
300003h	CONFIG2H	—	—	—	WDTPS3	WDTPS2	WDTPS1	WDTPS0	WDTEN	---1 1111
300005h	CONFIG3H	MCLR $\overline{\text{E}}$	—	—	—	—	LPT1OSC	PBADEN	CCP2MX	1--- -011
300006h	CONFIG4L	DEBUG	XINST	—	—	—	LVP	—	STVREN	10-- -1-1
300008h	CONFIG5L	—	—	—	—	CP3 ⁽¹⁾	CP2 ⁽¹⁾	CP1	CP0	---- 1111
300009h	CONFIG5H	CPD	CPB	—	—	—	—	—	—	11-- ----
30000Ah	CONFIG6L	—	—	—	—	WRT3 ⁽¹⁾	WRT2 ⁽¹⁾	WRT1	WRT0	---- 1111
30000Bh	CONFIG6H	WRD $\overline{\text{T}}$	WRTB	WRTC	—	—	—	—	—	111- ----
30000Ch	CONFIG7L	—	—	—	—	EBTR3 ⁽¹⁾	EBTR2 ⁽¹⁾	EBTR1	EBTR0	---- 1111
30000Dh	CONFIG7H	—	EBTRB	—	—	—	—	—	—	-1-- ----
3FFFFEh	DEVID1	DEV2	DEV1	DEV0	REV4	REV3	REV2	REV1	REV0	xxxx xxx ⁽²⁾
3FFFFFh	DEVID2	DEV10	DEV9	DEV8	DEV7	DEV6	DEV5	DEV4	DEV3	xxxx xxx ⁽²⁾

Legend: x = unknown, u = unchanged, — = unimplemented, q = value depends on condition.
Shaded cells are unimplemented, read as '0'.

Note 1: Unimplemented in PIC18F2420/4420 devices; maintain this bit set.

2: See Register 23-12 for DEVID1 values. DEVID registers are read-only and cannot be programmed by the user.

TABLE 13.5 18 Series Configuration Words: 18FXX20 summary of configuration bits and device identifications

Configuration bit(s)	Summary of function (unprogrammed value is 1, active (enabled) value generally 0)
IESO	Internal/External Oscillator Switchover bit
FCMEN	Fail Safe Clock Monitor Enable bit
FOSC3:FOSC0	Selects one of 12 oscillator modes (see Table 12.6)
BORV1, BORV0	Selects Brown out Reset voltage
BOREN1, BOREN0	Selects Brown out mode
PWRTEN	Power up Timer Enable bit
WDTPS3:WDTPS0	Watchdog Timer Postscale bits, eight values from 1:1 to 1:32 768
WDTEN	Watchdog Timer Enable bit
MCLRE	MCLR Pin Enable bit
LPT1OSC	Low Power Timer 1 Oscillator Enable bit
PBADEN	PORTB A/D Enable bit
CCP2MX	CCP2 Multiplex, selects RC1 (1) or RB3 (0)
DEBUG	Background Debug Enable bit
XINST	Extended Instruction Set Enable bit
LVP	Low Voltage Program Enable bit
STVREN	Stack Full/Underflow Reset Enable bit
CP3:CP0	Code Protection bits
CPD	Data EEPROM Code Protection bit
CPB	Boot Block Code Protection bit
WRT3:WRT0	Program Memory Write Protection bits
WRTD	Data EEPROM Write Protection bit
WRTB	Boot Block Write Protection bit
WRTC	Configuration Register Write Protection bit
EBTR3:EBTR0	Table Read Protection bits
EBTRB	Boot Block Table Read Protection bit
DEV2:DEV0	Device ID bits: 000 = 18F2520, 010 = 18F2420, 100 = 18F4520, 110 = 18F4420
REV4:REV0	Revision ID bits
DEV10:DEV3	Further Device ID bits

in the options they offer. There are now, for example, 12 oscillator settings, more Watchdog options and more brown-out settings. More bits are therefore needed.

The Configuration registers are mapped in program memory starting at memory location 300000_H. Like program memory, they are 8-bit locations. The two device identification registers, **DEVID1** and **DEVID2**, are readable only and contain pre-programming information identifying the device and its revision number.

13.6 The Stacks

The Stack in an advanced microprocessor is a versatile memory block, which can be used both automatically – say, for saving a return address in a subroutine call – as well as by the

programmer, for short-term data storage. Indeed, in many cases multiple Stacks are used. The 16 Series Stack seen earlier was, however, a small and mechanistic structure. With only eight levels, it is linked directly to the Program Counter, and just saves or returns its value under certain subroutine call or interrupt conditions.

The 18 Series Stack moves some way to taking on the features of the larger microprocessor. The automatic functions remain, for subroutine call and so on, but there is also some user access. There is also limited stacking, in another memory area, of key data registers.

13.6.1 Automatic Stack operations

The main Stack is called, in the 18 Series, the ‘Return Address Stack’. This distinguishes it from the other smaller Stack locations that also exist. It is seen as part of Figure 13.6. It consists of 31 Read/Write memory locations, each of 21 bits. This figure also shows the Assembler mnemonics of those instructions that cause automatic access to the stack. All of these relate to subroutine call or return, with the exception of **retfie**, the return from interrupt instruction.

13.6.2 Programmer access to the Stack

Not shown in Figure 13.6 is the Stack Pointer, which holds the current Stack address. It is set to zero on all resets and its value is changed by all automatic Stack accesses. Thus, it is incremented when a value is pushed onto the Stack and decremented when a value is popped off. It is *also* configured as part of an SFR, called **STKPTR**. As with all SFRs, this is readable and writeable by the programmer. **STKPTR** is seen as memory location FFC_H in Figure 13.5. The five lower bits of **STKPTR** form the Stack Pointer. The register also contains bits that flag Stack overflow or underflow – respectively **STKOVF** (also called **STKFUL**, bit 7) and **STKUNF** (bit 6).

The value held in the top location of the Stack is accessible to the programmer, and is both readable and writeable. Being 21 bits, it occupies three register locations, **TOSU**, **TOSH** and **TOSL**. These can again be seen in the register map of Figure 13.5, above **STKPTR**. The instructions **push** and **pop** allow the programmer respectively to push the current Program Counter value onto the Stack, or to simply discard the top of the stack, adjusting the Stack Pointer in each case. These are made available primarily to allow the user to set up and manage a software stack.

13.6.3 The Fast Register Stack

The 18 Series structure provides not only a Stack for the Program Counter, but also (in primitive form) a separate ‘Stack’ for the **STATUS**, **WREG** and **BSR** registers. These are single memory locations, not directly accessible to the programmer, which together are called the ‘Fast Register Stack’. When any interrupt occurs the values of the three registers listed are saved. The stacked values are returned if a ‘fast’ return from interrupt is selected. In other

words, the **retfie** instruction should be used with the **s** operand set to 1. Section 13.7.7 returns to this issue.

The Fast Register Stack can also be used with subroutine calls and returns. As Appendix 5 shows, both **call** and **return** instructions can be used with the **s** bit set, invoking use of the Fast Register Stack. It is of course only safe to do this if interrupts are not being used. Otherwise, an interrupt occurring during a subroutine will cause the Fast Register Stack to be overwritten.

13.7 The interrupts

The 18 Series microcontrollers offer a sophisticated interrupt structure that shows considerable advance over its 16 Series predecessors. Improvements include the introduction of a second interrupt vector, allowing high- and low-priority vectors. This has already been seen in the program memory map of Figure 13.6. All interrupts but one can be allocated to high or low priority. There are more external interrupts, and the possibility of automatic context saving by use of the Fast Register Stack, described in the previous section.

13.7.1 An interrupt structure overview

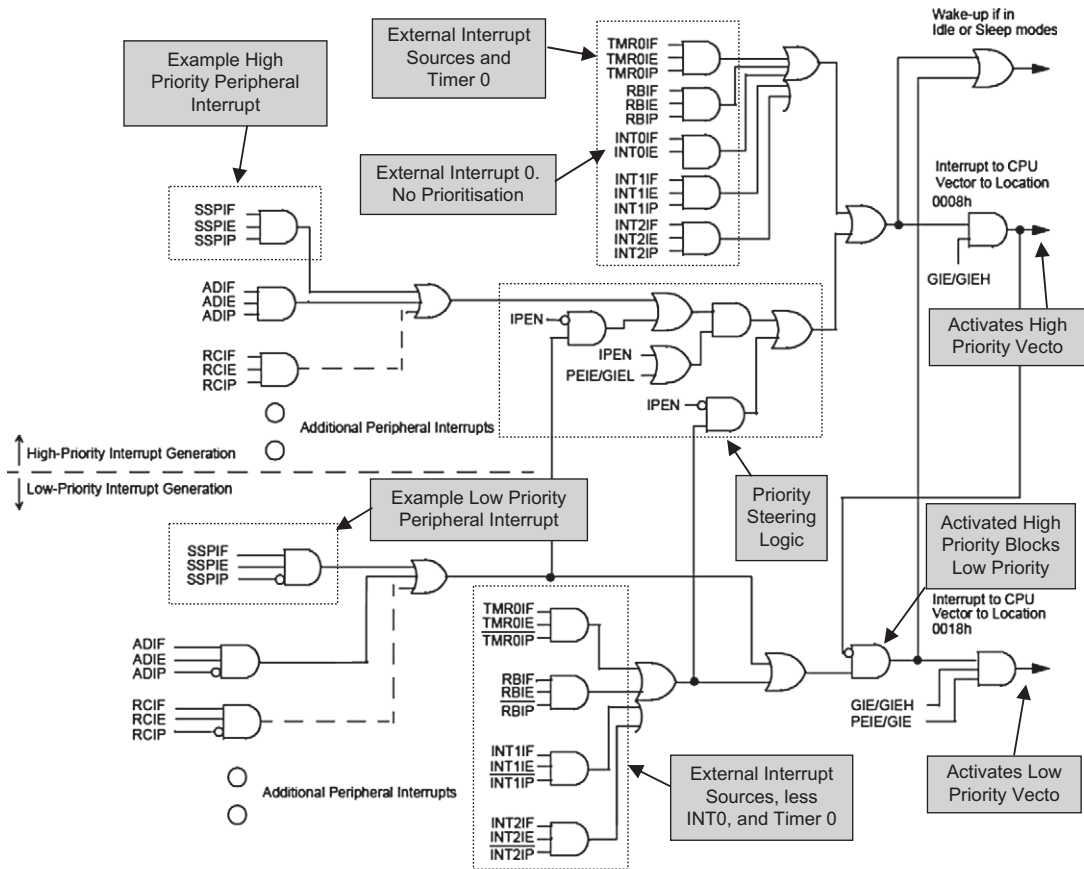
The interrupt structure is shown in Figure 13.7. Compared to Figure 6.2, where we first met interrupts, it is fairly complex. An understanding of it will, however, lead to effective use of the microcontroller interrupts. Interrupt sources tend to appear from the left of the diagram. The three major outputs are to the right. Two of these lead to the interrupt vectors. Activation of either of these outputs causes a CPU interrupt, with an Interrupt Service Routine (ISR) starting at one or other of the interrupt vectors seen in Figure 13.6. There is also a ‘Wake-up’ output, implemented if in Sleep mode.

As we explore the diagram, we will look for these features:

- The interrupt sources (noting, however, that not all are shown).
- The source enabling logic.
- The source prioritisation logic.
- The overall prioritisation enabling logic.
- The overall (global) enabling logic.

13.7.2 The interrupt sources, their enabling and prioritisation

Let us start by identifying some of the interrupt sources. A useful first block to look at has been labelled ‘External interrupt sources and Timer 0’. This block contains five AND gates,



Key

GIEH: Global Interrupt Enable High (priority) GIEL: Global Interrupt Enable Low (priority)

IPEN: Interrupt Priority Enable bit

Figure 13.7: The PIC 18F2420 interrupt logic (supplementary labels in shaded boxes added by the author)

with all but one having three inputs. Look at the top one, with inputs labelled **TMR0IF**, **TMR0IE** and **TMR0IP**. This is the Timer 0 input and it displays a pattern that is repeated many times over. The input ...**IF** is the Interrupt Flag bit, set if the Timer 0 interrupt has occurred; the input ...**IE** is the Enable bit, a bit in an SFR which can be set or cleared by the program. The input ...**IP** is the Priority bit, also in an SFR and set or cleared by the program. If *all* these inputs are high – i.e. the interrupt is enabled, it is selected as high priority and the interrupt flag has been set – then the output of the AND gate goes high and the interrupt is routed through to the next stage of gating. Notice that the outputs of all AND gates in this block are ORed together.

The block just described is repeated towards the bottom of the diagram. Now, however, the third input to the Timer 0 AND gate is **TMR0IP**. It is possible to see that *every* interrupt source (except one, which we will mention below) appears once in the top half of the diagram and once in the bottom. In the top half, it is enabled if its priority bit is high; in the bottom half, it is enabled if the bit is low. Again, the outputs of all AND gates in this block are ORed together.

The one source that is not prioritised is the External Interrupt 0. This is always high priority and is labelled as such in the diagram.

The interrupts from the microcontroller peripherals, towards the left of the diagram, follow a similar pattern to the external interrupts. Again, they can be selected for high or low priority. They are not all shown, as there are so many. Three examples of high-priority sources appear towards the top left of the diagram, and are repeated for low priority towards the bottom left. As before, the logic ensures that for any one interrupt source, *either* high priority *or* low priority can be selected. Again, the outputs of all AND gates in each block are ORed together.

13.7.3 Overall interrupt prioritisation enabling

While we have seen that it is possible to prioritise individual interrupt sources, we may not want to do this. Therefore, it is possible to enable or disable the whole prioritisation process. This is done by **IPEN**, the Interrupt Priority Enable bit. **IPEN** is the MSB of **RCON**, a register devoted mainly to recording recent reset events. It appears in part in [Figure 13.14](#).

Look now at the block towards the centre of [Figure 13.7](#), labelled ‘priority steering logic’. The line **IPEN** appears three times in this block. If it is *low*, then interrupts from the lower half of the diagram, coming either from peripheral sources or from external sources, are routed up to the upper half of the diagram through the two AND gates in the block. All interrupts in this case are routed through to the high-priority vector and there is no effective prioritisation. There is one more piece of enabling in this state, which we return to soon. When **IPEN** is low, as just described, the interrupt system is compatible with the 16 Series, although with a different vector address.

If **IPEN** is *high*, then high-priority and low-priority interrupts are each routed towards their own vector. Interrupt prioritisation is enabled and individual interrupt sources can be placed in the low- or high-priority domain, with their individual priority control bits.

13.7.4 Global enabling

There are two levels of global interrupt enabling, controlled by bits **GIE/GIEH** and **PEIE/GIEL**. These have a somewhat dual function, depending on the state of **IPEN** – hence the dual nature of their names.

It can be seen that **GIE/GIEH** controls both of the AND gates leading to the interrupt vectors. Through this it plays its ‘global interrupt enable’ role. If **GIE/GIEH** is low, there will be no interrupt, whatever the state of **IPEN**. When **IPEN** is low, all interrupts are routed towards the high interrupt vector, so it genuinely acts as a ‘global enable’. When **IPEN** is high, it still has the power to disable both high- and low-priority interrupts. However, it cannot on its own enable the low-priority one, as **PEIE/GIEL** is also involved. Therefore, it acts as *enable* for only the high-priority path.

When **IPEN** is low, **PEIE/GIEL** acts as an enable line for all unmasked peripheral interrupts. It performs this function through the OR gate at the centre of the ‘priority steering logic’. When **IPEN** is high, it acts as ‘global enable’ for the lower-priority inputs, through its connection to the output AND gate for the lower-priority vector. Interrupt enabling and prioritisation are explored in Programming Exercise 13.3.

13.7.5 Other aspects of the interrupt logic

Two final elements in this circuit are the line going from the high-priority interrupt output down to the lower-priority control logic. We can see that the action of this is that if a high-priority interrupt is asserted, then the low-priority path is blocked. The reverse is not true, however, and a high-priority interrupt *can* interrupt a low-priority interrupt. There are also lines from either interrupt path up to an OR gate which leads to Wake-up from Sleep. The action of these lines is independent of the state of the two ‘global enable’ lines.

13.7.6 The Interrupt registers

With the formidable number of bits seen in [Figure 13.7](#), it is clear that a good number of registers will be needed to hold them all. Each interrupt source but one now needs a Flag bit, an Enable bit and a Priority bit, and all the control bits are needed as well. Beyond this, there is further control over some inputs, for example setting the active edge on external interrupts.

The design approach in creating the Interrupt registers has been to retain as far as possible those registers that are used in the 16 Series. This allows a comparatively easy upgrade path for the system designer. Therefore, the 16F87XA **INTCON** register, appearing in [Figure 7.11](#), is almost exactly replicated in the 18 Series **INTCON** register, seen in [Figure 13.8](#). Some small retitling of bits has taken place, and the role of **GIE** and **PEIE** has been extended, as just discussed.

To the **INTCON** register are added two further Interrupt control registers, **INTCON2** and **INTCON3**. These are shown in [Figures 13.9](#) and [13.10](#) respectively. They contain the control bits for the interrupts that appear in the **INTCON** register. The bits are

	R/W-0	R/W-0	R/W-0	R/W-0	R/W-0	R/W-0	R/W-0	R/W-x
	GIE/GIEH	PEIE/GIEL	TMR0IE	INT0IE	RBIE	TMR0IF	INT0IF	RBIF ⁽¹⁾
bit 7								bit 0
bit 7	GIE/GIEH: Global Interrupt Enable bit <u>When IPEN = 0:</u> 1 = Enables all unmasked interrupts 0 = Disables all interrupts <u>When IPEN = 1:</u> 1 = Enables all high-priority interrupts 0 = Disables all interrupts							
bit 6	PEIE/GIEL: Peripheral Interrupt Enable bit <u>When IPEN = 0:</u> 1 = Enables all unmasked peripheral interrupts 0 = Disables all peripheral interrupts <u>When IPEN = 1:</u> 1 = Enables all low-priority peripheral interrupts 0 = Disables all low-priority peripheral interrupts							
bit 5	TMR0IE: TMR0 Overflow Interrupt Enable bit 1 = Enables the TMR0 overflow interrupt 0 = Disables the TMR0 overflow interrupt							
bit 4	INT0IE: INT0 External Interrupt Enable bit 1 = Enables the INT0 external interrupt 0 = Disables the INT0 external interrupt							
bit 3	RBIE: RB Port Change Interrupt Enable bit 1 = Enables the RB port change interrupt 0 = Disables the RB port change interrupt							
bit 2	TMR0IF: TMR0 Overflow Interrupt Flag bit 1 = TMR0 register has overflowed (must be cleared in software) 0 = TMR0 register did not overflow							
bit 1	INT0IF: INT0 External Interrupt Flag bit 1 = The INT0 external interrupt occurred (must be cleared in software) 0 = The INT0 external interrupt did not occur							
bit 0	RBIF: RB Port Change Interrupt Flag bit ⁽¹⁾ 1 = At least one of the RB<7:4> pins changed state (must be cleared in software) 0 = None of the RB<7:4> pins have changed state							

Note 1: A mismatch condition will continue to set this bit. Reading PORTB will end the mismatch condition and allow the bit to be cleared.

Figure 13.8: The PIC 18FXX20 INTCON register

self-explanatory. It can be seen that the ‘odd one out’ is **RBPU**, which is not an interrupt bit at all, but controls the Port B pull-ups. In the 16 Series it was placed in the Option register, which does not exist in the 18 Series.

Enable bits, Flag (or ‘Request’) bits and Priority bits for the peripheral interrupt sources are placed in the **PIE1**, **PIE2**, **PIR1**, **PIR2**, **IPR1** and **IPR2** registers. These are summarised in [Figures 13.11 and 13.12](#). Again, to improve upward compatibility, they are very similar to the 16 Series registers of the same names, excluding of course the priority registers. It is interesting to compare them, by looking back at [Figures 7.12 and 7.13](#). By doing this, you

R/W-1	R/W-1	R/W-1	R/W-1	U-0	R/W-1	U-0	R/W-1
$\overline{\text{RBPU}}$	INTEDG0	INTEDG1	INTEDG2	—	TMR0IP	—	RBIP
bit 7							bit 0

- bit 7 **$\overline{\text{RBPU}}$** : PORTB Pull-up Enable bit
 1 = All PORTB pull-ups are disabled
 0 = PORTB pull-ups are enabled by individual port latch values
- bit 6 **INTEDG0**: External Interrupt 0 Edge Select bit
 1 = Interrupt on rising edge
 0 = Interrupt on falling edge
- bit 5 **INTEDG1**: External Interrupt 1 Edge Select bit
 1 = Interrupt on rising edge
 0 = Interrupt on falling edge
- bit 4 **INTEDG2**: External Interrupt 2 Edge Select bit
 1 = Interrupt on rising edge
 0 = Interrupt on falling edge
- bit 3 **Unimplemented**: Read as '0'
- bit 2 **TMR0IP**: TMR0 Overflow Interrupt Priority bit
 1 = High priority
 0 = Low priority
- bit 1 **Unimplemented**: Read as '0'
- bit 0 **RBIP**: RB Port Change Interrupt Priority bit
 1 = High priority
 0 = Low priority

Figure 13.9: The PIC 18FXX20 INTCON2 register

can see which interrupts have been added, for example Timer 3 and High/Low Voltage Detect. Further details on the operation of some individual peripheral interrupts are given in the sections on those peripherals, later in this chapter.

13.7.7 Context saving with interrupts

With the Fast Register Stack, described in Section 13.6.3, context saving can in some circumstances be delightfully easy. The programmer must decide first if the three registers saved on this stack, **WREG**, **STATUS** and **BSR**, are adequate for the purpose. If not, or if the fast return from interrupt is not used, then the programmer will need to write code to save all necessary registers at the start of the ISR and retrieve them at the end (as demonstrated in Program Example 6.4). It is important also to remember that a high-priority interrupt can interrupt one of lower priority. In so doing, the interrupt of high priority would overwrite the contents of the Fast Register Stack, and the low-priority interrupt lose its context! In such cases it is not safe to use the Fast Register Stack for low-priority interrupts; context for these should be saved in the software. These issues are explored in Programming Exercises 13.4 and 13.5.

R/W-1	R/W-1	U-0	R/W-0	R/W-0	U-0	R/W-0	R/W-0
INT2IP	INT1IP	—	INT2IE	INT1IE	—	INT2IF	INT1IF
bit 7							bit 0

- bit 7 **INT2IP:** INT2 External Interrupt Priority bit
1 = High priority
0 = Low priority
- bit 6 **INT1IP:** INT1 External Interrupt Priority bit
1 = High priority
0 = Low priority
- bit 5 **Unimplemented:** Read as '0'
- bit 4 **INT2IE:** INT2 External Interrupt Enable bit
1 = Enables the INT2 external interrupt
0 = Disables the INT2 external interrupt
- bit 3 **INT1IE:** INT1 External Interrupt Enable bit
1 = Enables the INT1 external interrupt
0 = Disables the INT1 external interrupt
- bit 2 **Unimplemented:** Read as '0'
- bit 1 **INT2IF:** INT2 External Interrupt Flag bit
1 = The INT2 external interrupt occurred (must be cleared in software)
0 = The INT2 external interrupt did not occur
- bit 0 **INT1IF:** INT1 External Interrupt Flag bit
1 = The INT1 external interrupt occurred (must be cleared in software)
0 = The INT1 external interrupt did not occur

Figure 13.10: The PIC 18FXX20 INTCON3 register

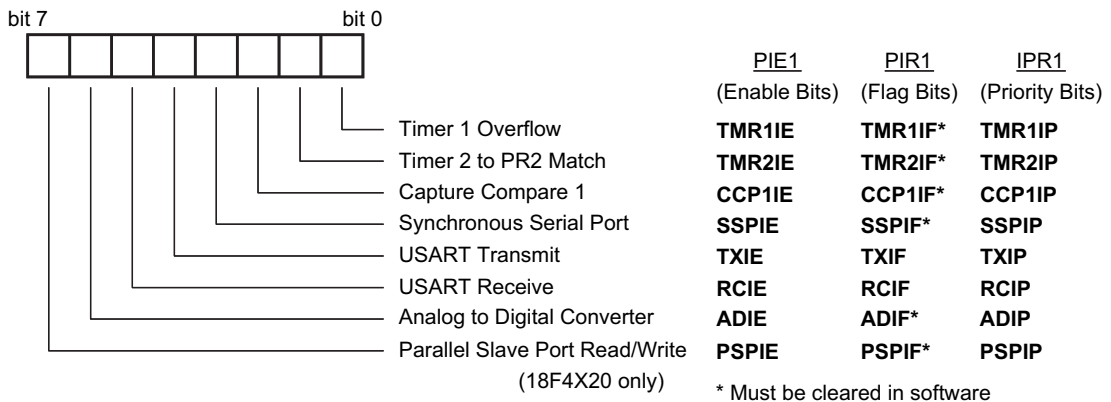


Figure 13.11: 18FXX20 PIE1/PIR1/IPR1 (Peripheral Interrupt Enable/Peripheral Interrupt Request/Peripheral Interrupt Priority) registers

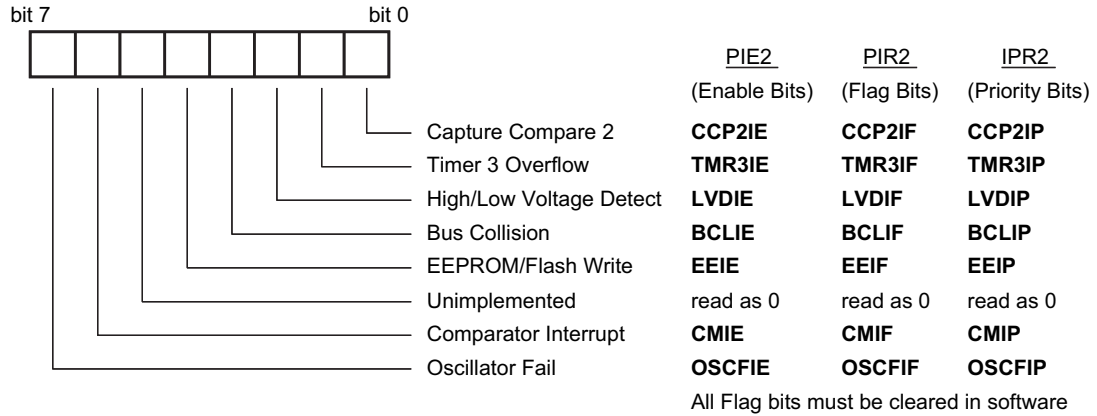


Figure 13.12: 18FXX20 PIE2/PIR2/IPR2 (Peripheral Interrupt Enable/Peripheral Interrupt Request/Peripheral Interrupt Priority) registers

PIC18LF2420/2520/4420/4520 (Industrial)		Standard Operating Conditions (unless otherwise stated) Operating temperature -40°C ≤ TA ≤ +85°C for industrial						
PIC18F2420/2520/4420/4520 (Industrial, Extended)		Standard Operating Conditions (unless otherwise stated) Operating temperature -40°C ≤ TA ≤ +85°C for industrial -40°C ≤ TA ≤ +125°C for extended						
Param No.	Symbol	Characteristic	Min	Typ	Max	Units	Conditions	
D001	VDD	Supply Voltage						
		PIC18LF2X2X/4X20	2.0	—	5.5	V	HS, XT, RC and LP Oscillator mode	
		PIC18F2X20/4X20	4.2	—	5.5	V		
D002	VDR	RAM Data Retention Voltage⁽¹⁾	1.5	—	—	V		
D003	VPOR	VDD Start Voltage to Ensure Internal Power-on Reset Signal	—	—	0.7	V	See section on Power-on Reset for details	
D004	SVDD	VDD Rise Rate to Ensure Internal Power-on Reset Signal	0.05	—	—	V/ms	See section on Power-on Reset for details	
D005	VBOR	Brown-out Reset Voltage						
		PIC18LF2X2X/4X20						
		BORV<1:0> = 11	2.00	2.11	2.22	V		
		BORV<1:0> = 10	2.65	2.79	2.93	V		
D005		All Devices						
		BORV<1:0> = 01 ⁽²⁾	4.11	4.33	4.55	V		
		BORV<1:0> = 00	4.36	4.59	4.82	V		

Legend: Shading of rows is to assist in readability of the table.

Note 1: This is the limit to which VDD can be lowered in Sleep mode, or during a device Reset, without losing RAM data.

Note 2: With BOR enabled, full-speed operation (Fosc = 40 MHz) is supported until a BOR occurs. This is valid although VDD may be below the minimum voltage for this frequency.

Figure 13.13: The PIC 18FXX20 power supply parameters

13.8 Power supply and reset

13.8.1 Power supply

The supply voltage requirements of the 18LFXX20 and the 18FXX20 are shown in [Figure 13.13](#). This shows that the 18LFXX20 devices can operate with a supply from 2.0 to 5.5 V, and the 18FXX20 from 4.2 to 5.5 V. The low-power device cannot, however, run at full speed at the lower voltage. The data [Ref. 13.1] shows that its maximum clock frequency at minimum supply voltage is 4 MHz. This rises to 40 MHz at 4.2 V.

13.8.2 Power-up and reset

In Section 2.8 of Chapter 2 we explored the reset circuitry of a simple PIC microcontroller, the 16F84A. The 18FXX20 controllers have a reset structure built directly on the model of [Figure 2.10](#), with just a few extra sources of reset. These are Stack over- or under-flow, Brown-out (already seen in the 16F873A) and use of the instruction **reset**.

Besides adding further sources of reset, the 18 Series goes beyond this in an interesting way, by providing some history of what the source of reset was. Therefore, coming out of the Reset condition is not the completely fresh start that it is with simple microcontrollers. Now we can find out why we were forced into reset. In certain circumstances this can be very valuable, say if the Watchdog Timer has timed out. This information is provided through the **RCON** register, whose bits indicate what type of reset has occurred most recently. We have already met **RCON**, as its MSB is the interrupt **IPEN** bit.

A listing of all 18FXX20 resets is given in [Figure 13.14](#). This also shows the value of the Program Counter, the **RCON** register bits and the two Stack overflow bits after the reset has occurred. Now at the restart of a program it is possible to test the state of **RCON**, with the chance of introducing customised action if a particular type of reset has occurred.

The Software Reset indicated in [Figure 13.14](#) is caused by execution of the instruction **reset** (Table A5.1). This replicates an external reset caused by a Logic 0 on input **MCLR**. The outline conditions to ensure Power-on Reset are given in [Figure 13.13](#), along with the different possible settings for the Brown-out Reset.

13.9 The oscillator sources

The clock sources and selection possibilities of the 18F2420 are shown in [Figure 13.15](#). This extends the concepts already introduced in Section 12.5 and [Figure 12.6](#). Important

Condition	Program Counter	RCON Register					STKPTR Register	
		RI	TO	PD	POR	BOR	STKFUL	STKUNF
Power-on Reset	0000h	1	1	1	0	0	0	0
RRESET Instruction	0000h	0	u	u	u	u	u	u
Brown-out Reset	0000h	1	1	1	u	0	u	u
MCLR Reset during Power-Managed Run Modes	0000h	u	1	u	u	u	u	u
MCLR Reset during Power-Managed Idle Modes and Sleep Mode	0000h	u	1	0	u	u	u	u
WDT Time-out during Full Power or Power-Managed Run Mode	0000h	u	0	u	u	u	u	u
MCLR Reset during Full-Power Execution	0000h	u	u	u	u	u	u	u
Stack Full Reset (STVREN = 1)	0000h	u	u	u	u	u	1	u
Stack Underflow Reset (STVREN = 1)	0000h	u	u	u	u	u	u	1
Stack Underflow Error (not an actual Reset, STVREN = 0)	0000h	u	u	u	u	u	u	1
WDT Time-out during Power-Managed Idle or Sleep Modes	PC + 2	u	0	0	u	u	u	u
Interrupt Exit from Power-Managed Modes	PC + 2 ⁽¹⁾	u	u	0	u	u	u	u

Legend: u = unchanged

Note 1: When the wake-up is due to an interrupt and the GIEH or GIEL bits are set, the PC is loaded with the interrupt vector (008h or 0018h).

Figure 13.14: The PIC 18FXX20 sources of reset, and subsequent Program Counter and Flag values

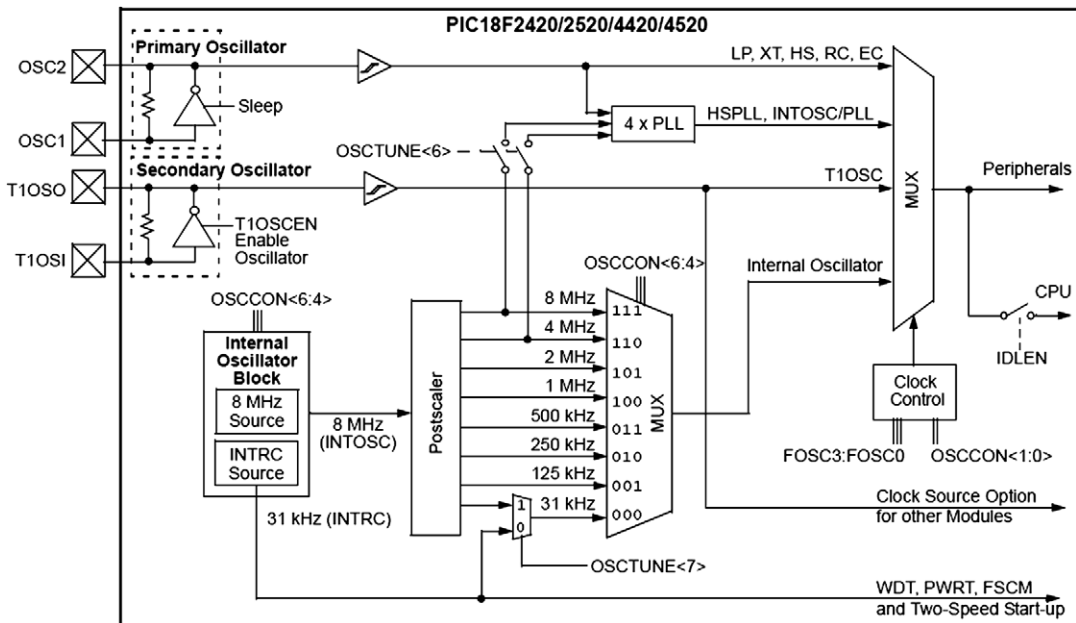


Figure 13.15: The 18FXX20 clock sources

TABLE 13.6 Oscillator modes

Mode	Description	Config. bits FOSC3:FOSC0
LP	Low power crystal	0000
XT	Crystal/resonator	0001
HS	High speed crystal/resonator	0010
RC	External resistor/capacitor, Fosc/4 output on OSC2	0011
EC	External clock, CLKO function on OSC2	0100
ECIO	External clock with OSC2 configured as RA6	0101
HSPLL	High speed crystal/resonator with phase locked loop	0110
RCIO	External resistor/capacitor with OSC2 configured as RA6	0111
INTIO2	Internal oscillator block, port function on RA6 and RA7	1000
INTIO1	Internal oscillator block, Fosc/4 output on OSC2 ; port function on RA7	1001
RC	External RC oscillator, CLKO function on OSC2	101x
RC	External RC oscillator, CLKO function on OSC2	11xx

developments are the addition of a phase-locked loop (PLL) and Idle modes. Clocking options are summarised in [Table 13.6](#). Oscillator selection is under the control of configuration bits ([Table 13.4](#)) and an **OSCCON** register, seen in [Figure 13.16](#).

13.9.1 HSPLL oscillator mode

A phase-locked loop is a clever piece of analog and digital circuitry that can be used, among other things, to multiply by an integer number the frequency of a signal. PLLs are finding increasing usage in microcontrollers to manipulate the frequency of clock signals. This can allow certain sections of the microcontroller to run faster than others, or to run the microcontroller at a clock frequency faster than the oscillator itself. The 18FXX20 PLL can be enabled if the microcontroller is set in HSPLL mode, and then multiplies the oscillator signal (or internal oscillator) by a factor of four. Therefore, for example, the oscillator can run at 10 MHz, but with the PLL running the internal clock frequency will be 40 MHz. This can have the effect of reducing external electromagnetic interference.

13.9.2 Power-managed modes

The 18FXX20 microcontrollers embrace the nanoWatt technology concept, introduced in [Section 12.4](#). Many of their low-power features fall under the title of power-managed modes, neatly summarised in [Table 13.7](#). The last three of these modes are ‘Idle’ modes, where the CPU is switched off but the peripherals allowed to run.

R/W-0	R/W-1	R/W-0	R/W-0	R ⁽¹⁾	R-0	R/W-0	R/W-0
IDLEN	IRCF2	IRCF1	IRCF0	OSTS	IOFS	SCS1	SCS0
bit 7							bit 0

- bit 7 **IDLEN**: Idle Enable bit
 1 = Device enters an Idle mode on *SLEEP* instruction
 0 = Device enters Sleep mode on *SLEEP* instruction
- bit 6-4 **IRCF<2:0>**: Internal Oscillator Frequency Select bits
 111 = 8 MHz (INTOSC drives clock directly)
 110 = 4 MHz
 101 = 2 MHz
 100 = 1 MHz⁽³⁾
 011 = 500 kHz
 010 = 250 kHz
 001 = 125 kHz
 000 = 31 kHz (from either INTOSC/256 or INTRC directly)⁽²⁾
- bit 3 **OSTS**: Oscillator Start-up Timer Time-out Status bit⁽¹⁾
 1 = Oscillator Start-up Timer (OST) time-out has expired; primary oscillator is running
 0 = Oscillator Start-up Timer (OST) time-out is running; primary oscillator is not ready
- bit 2 **IOFS**: INTOSC Frequency Stable bit
 1 = INTOSC frequency is stable
 0 = INTOSC frequency is not stable
- bit 1-0 **SCS<1:0>**: System Clock Select bits
 1x = Internal oscillator block
 01 = Secondary (Timer1) oscillator
 00 = Primary oscillator
- Note 1:** Reset state depends on state of the IESO Configuration bit.
Note 2: Source selected by the INTSRC bit (OSCTUNE<7>), see text.
Note 3: Default output frequency of INTOSC on Reset.

Figure 13.16: The 18FXX20 OSCCON register

An Idle mode is entered by presetting the Idle Enable bit **IDLEN** in the **OSCCON** register, and then executing the **sleep** instruction. The **IDLEN** bit effectively controls connection of the oscillator to the CPU, as seen to the right of [Figure 13.15](#). In Idle mode all peripherals can continue running, retaining the clock source which was in use before entering sleep. The different Idle modes correspond to the different clock sources available. Exit from Idle mode is generally the same as from sleep, i.e. by enabled interrupt, WDT time-out, or Reset. Running in Idle mode from a slow clock source results in a very striking reduction in power consumption.

It is of course important, when switching between two unsynchronised oscillators of different frequency, to ensure that unwanted glitches do not occur in the clock signal. Therefore, the 18FXX20 contains circuitry to ensure error-free switching and proper transition between the clock sources.

TABLE 13.7 Power-managed modes

Mode	OSCCON<7,1:0> Bits		Module Clocking		Available Clock and Oscillator Source
	IDLEN ⁽¹⁾	SCS<1:0>	CPU	Peripherals	
Sleep	0	N/A	Off	Off	None – All clocks are disabled
PRI_RUN	N/A	00	Clocked	Clocked	Primary – LP, XT, HS, HSPLL, RC, EC and Internal Oscillator Block ⁽²⁾ . This is the normal full-power execution mode.
SEC_RUN	N/A	01	Clocked	Clocked	Secondary – Timer1 Oscillator
RC_RUN	N/A	1x	Clocked	Clocked	Internal Oscillator Block ⁽²⁾
PRI_IDLE	1	00	Off	Clocked	Primary – LP, XT, HS, HSPLL, RC, EC
SEC_IDLE	1	01	Off	Clocked	Secondary – Timer1 Oscillator
RC_IDLE	1	1x	Off	Clocked	Internal Oscillator Block ⁽²⁾

Note 1: IDLEN reflects its value when the SLEEP instruction is executed.

Note 2: Includes INTOSC and INTOSC postscaler, as well as the INTRC source.

13.10 Introductory programming with the 18F2420

While most programming in this part of the book is to be done with the C language, it is worth simulating some trial programs in Assembler, in order to gain an initial familiarity with the instruction set. If you have followed this book from the beginning, you will be familiar with the MPLAB development environment and the simulator MPSIM. Let us use MPLAB to develop some simple Assembler programs. Review Section 4.5 for a refresher if needed.

13.10.1 Using the MPLAB IDE for the 18 Series

Try opening MPLAB and, using **Configure > Select Device**, select the 18F2420. See that all familiar development tools remain available. Then, using **Configure > Configuration Bits**, see the considerably increased number of bits that are available. These were seen in Tables 13.4 and 13.5, and in MPLAB form are shown in Figure 13.17.

13.10.2 The Fibonacci program

Back in Chapter 5 we met a program that calculates a Fibonacci series, Program Example 5.2. This is not an obvious program for embedded systems, but it allowed us to exercise some simple arithmetic functions in an interesting way on the simulator.

If you continue single-stepping you are likely to find that this version of the program causes an overflow of the 8-bit range. Can you determine the reason and correct it?

Address	Value	Category	Setting
300001	07	Oscillator	EXT RC-Port on RA6
		Fail-Safe Clock Monitor Enable	Disabled
		Internal External Switch Over Mode	Disabled
300002	1F	Power Up Timer	Disabled
		Brown Out Detect	Enabled in hardware, SBOREN disabled
		Brown Out Voltage	2.0V
300003	1F	Watchdog Timer	Enabled
		Watchdog Postscaler	1:32768
300005	83	CCP2 Mux	RC1
		PortB A/D Enable	PORTB<4:0> configured as analog inputs on RESET
		Low Power Timer1 Osc enable	Disabled
		Master Clear Enable	MCLR Enabled, RE3 Disabled
300006	85	Stack Overflow Reset	Enabled
		Low Voltage Program	Enabled
		Extended Instruction Set Enable bit	Disabled
300008	03	Code Protect 00800-01FFF	Disabled
		Code Protect 02000-03FFF	Disabled
300009	C0	Code Protect Boot	Disabled
		Data EEPROM Code Protect	Disabled
30000A	03	Table Write Protect 00800-01FFF	Disabled
		Table Write Protect 02000-03FFF	Disabled
30000B	E0	Config. Write Protect	Disabled
		Table Write Protect Boot	Disabled
		Data EEPROM Write Protect	Disabled
30000C	03	Table Read Protect 00800-01FFF	Disabled
		Table Read Protect 02000-03FFF	Disabled
30000D	40	Table Read Protect Boot	Disabled

Figure 13.17: Setting the 18F2420 Configuration Word in MPLAB – all values shown are default

Programming Exercise 13.1 shows that an 18 Series device can run using just 16 Series instructions. However, this wastes the powerful new features of the 18 Series CPU. Program Example 13.1 adapts the Fibonacci program in a modest way to the 18 Series, with the changes highlighted in bold. This illustrates use of some of the new instructions. It is worth mentioning that because we are not aiming to go deep into Assembler programming of the 18 Series, the slight complexities of using the Bank Select Register and the Ram Access bit (see Table A5.2) have deliberately been avoided. Indeed, for a simple program like this they are not worth worrying about.

Programming Exercise 13.1

Create a project in MPLAB called Fibonacci-18. Copy into it the source file of Program Example 5.2 from the book's companion website. Using **Configure > Select Device**, set the chosen microcontroller to be the 18F2420. You should be able to 'build' the program without change or problem. Simulate, using the same Watch window settings as in Programming Exercise 5.2. It should be possible to single-step through the program, initially without any problems. By doing this, you are illustrating that the 18 Series instruction appears to be a super-set of the 16 Series.


```

;*****
;Fibo_18
;In a Fibonacci series each number is the sum of the two
;previous ones, e.g. 0,1,1,2,3,5,8,13,21....
;This program calculates Fibonacci numbers within an 8-bit range,
;first going up and then down.
;Program intended for simulation only, hence no input/output.
;The program demonstrates addition, subtraction, compare, and conditional
;branching.
;TJW 10.10.05. rev. 18.5.09                      Tested 10.10.05
;*****
;Configuration bits need not be set

#include P18F2420.inc

;no i/o ports used

;these memory locations hold the Fibonacci series.
fib0 equ 10 ;lowest number (oldest when going up, newest when reversing
;down)
fib1 equ 11 ;middle number
fib2 equ 12 ;highest number
fibtemp equ 13 ;temporary location for newest number
counter equ 14 ;indicates which value we have reached, opening value is 3

    org 00
;Initialise BSR
    movlb 00 ;clear BSR
;preload initial values
    movlw 0
    movwf fib0
    movlw 1
    movwf fib1
    movwf fib2
    movlw 3
    movwf counter ;have preloaded the first three numbers, so start at 3
;
forward movf  fib1,0
    addwf fib2,0
    bc      reverse ;reverse down the series if we have overflowed
    movwf fibtemp ;latest number now placed in fibtemp
    incf counter,1
;now shuffle numbers held, discarding the oldest
    movff  fib1,fib0
    movff  fib2,fib1
    movff  fibtemp,fib2
    goto  forward
;when reversing down, we will subtract fib0 from fib1 to form new fib0
reverse movf  fib0,0
    subwf  fib1,0
    movwf  fibtemp ;latest number now placed in fibtemp
    decf  counter,1
;now shuffle numbers held, discarding the oldest
    movff  fib1,fib2
    movff  fib0,fib1
    movff  fibtemp,fib0
;test if counter has reached 3, in which case return to forward
    movlw 3
    cpfseq counter
    goto  reverse
    goto  forward
end

```

Program Example 13.1: The Fibonacci series generator, adapted for the 18F2420

Programming Exercise 13.2

From the book's companion website take the source file of Program Example 13.1. Create a project around it and build it. Simulate the program, and use **View > Special Function Registers and View > File Registers** to view these two areas of memory. Notice how their structure differs from the 16 Series. Scroll the Special Function Registers window to see **WREG** (address FE8) and **PCL** (address FF9). Step through the program and see how **PCL** increments twice for every instruction, as described in Section 13.5.2. Also see the Fibonacci numbers appearing in the data registers.

13.10.3 Applying the interrupts

To gain an understanding of the 18F2420 interrupt structure, it is interesting to write and simulate a program which makes use of them. Program Example 13.2 does just this. Read through it carefully, checking how the Interrupt control registers are set up.

```

;*****
;int_demo_18
;This program demonstrates setting of high and low priority interrupts,
;and context saving.
;External Interrupt 1 is set as high priority, Port B change is set as low.
;Intended for simulation only.
;TJW 14.2.09                                     Tested by simulation 23.2.09
;*****
;Set configuration bit PBADEN (Port B bit A/D enable) to digital I/O

    #include P18F2420.inc
;
    org     00
    goto   init
;high priority interrupt vector
    org     08
    goto   hi_pr
;low priority interrupt vector
    org     18
    goto   lo_pr
;
;Initialise interrupts
init   bcf     intcon2,rbip    ;set port B change to low priority
       movlw  B'01001000'    ;enable Int 1, hi priority
       movwf  intcon3
       bsf     rcon,ipen      ;enable interrupt priority
       movlw  B'11001000'    ;set Global enable high and low, and port B change
       movwf  intcon
;Main loop
loop   movlw  55              ;store a test value in W reg
       nop
       nop
       goto  loop
;High priority ISR
hi_pr  movlw  11              ;change value in W reg
       bcf     intcon3,intlif ;clear interrupt flag
       retfie
;Low priority ISR
lo_pr  movlw  33              ;change value in W reg
       movf   portb,1;a dummy read must be made to Port B before the flag is cleared
       bcf     intcon,rbif ;clear interrupt flag
       retfie
       end

```

Program Example 13.2: Applying interrupts with the 18F2420

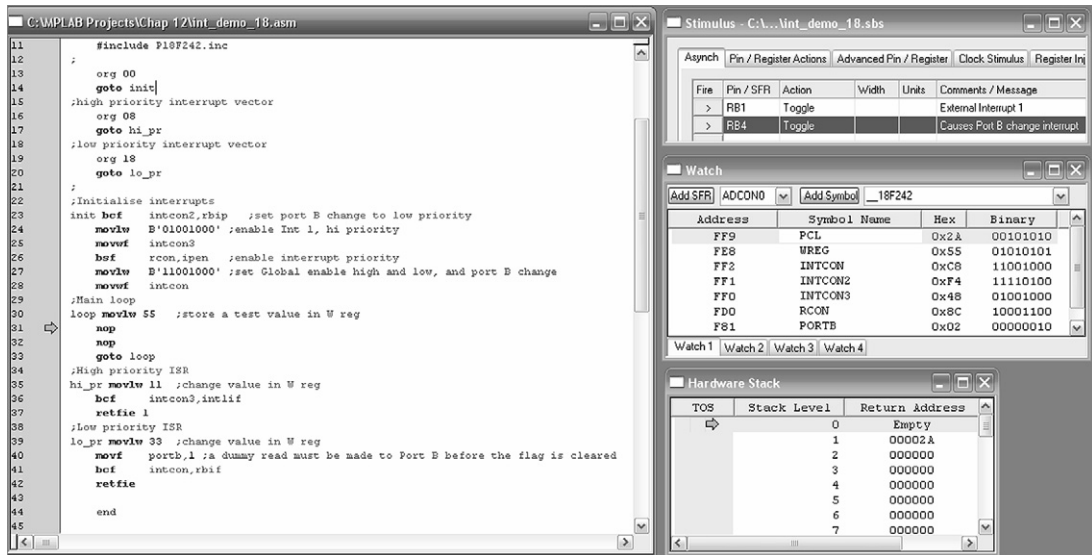


Figure 13.18: Simulation set-up for Programming Exercise 13.3

Programming Exercise 13.3: Setting up prioritised interrupts

From the book's companion website take the source file of Program Example 13.2. Create a project around it and build it. Set the PORTB A/D Enable bit (**PBADEN**) configuration bit for digital I/O. Simulate the program with MPLAB SIM. Open a Watch window, and display all SFRs shown in Figure 13.18. Also view the Hardware Stack. Open a stimulus workbook and select RB1 and RB4 as asynchronous inputs. Single-step through the program and see the Interrupt control registers being set up. Once in the loop, force each interrupt in turn. See how the return address (i.e. current program counter + 2) is placed on the Hardware Stack, the interrupt vector address is placed in **PCL**, and execution moves to the interrupt vector. Observe the reverse process as the ISR comes to an end.

Programming Exercise 13.4: Context saving using the Fast Register Stack

Notice in Program Example 13.2 that the W register is set to a certain value in the main loop and to a different value in each of the ISRs. This is included to illustrate in a simple way the impact that an ISR can have on another section of code. In the simulation set-up described in Programming Exercise 13.3, now try invoking the Fast Register Stack, described in Section 13.6.3, by changing one or both **retfie** instructions to **retfie 1**. See now that, if an interrupt is forced, the original context, as represented by the W register value, is retrieved as program execution returns to the main program.

Programming Exercise 13.5: Nested interrupts

Still in the simulation set-up described in Programming Exercise 13.3, try forcing a high-priority interrupt. When in the high-priority ISR, force a low-priority interrupt. The low-priority flag is set, but the high-priority ISR completes before the low-priority one can run. Try now forcing a low-priority interrupt first. Then, within its ISR, force the high-priority interrupt. The low-priority interrupt is itself interrupted and the high-priority ISR runs, before returning to the low-priority, and hence to the main program. Explore the impact and limitations of invoking the Fast Register Stack in each of these scenarios.

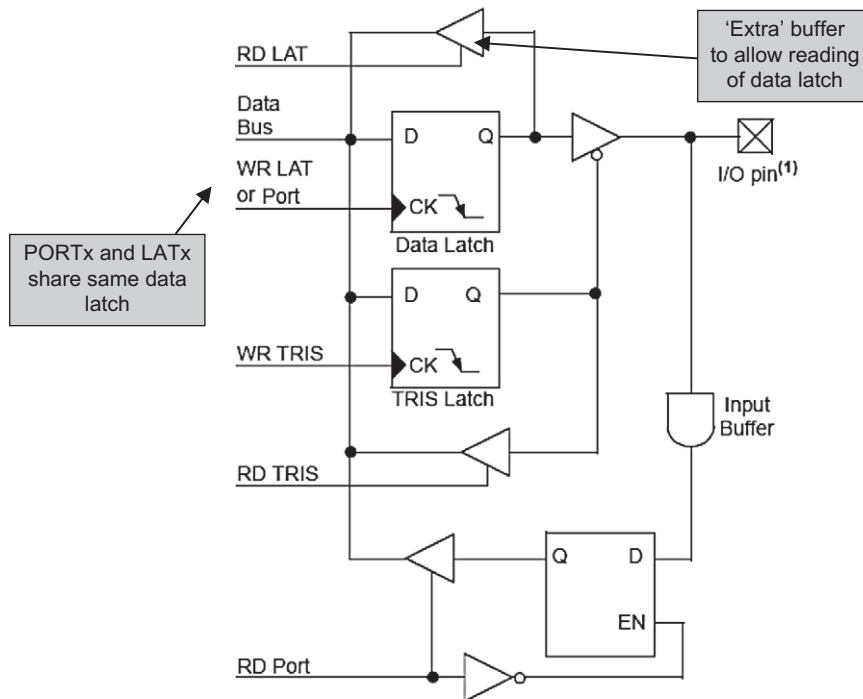
13.13 A peripheral review and the parallel ports

The peripherals of the 18FXX20 microcontrollers are summarised in [Table 13.1](#) and seen for the 18F2420/2520 pair in [Figure 13.2](#). When comparing them to the peripherals of the 16F87XA, in [Figure 7.2](#), it can be seen that, in almost every case, the same peripherals appear with the same name and in the same pattern. A difference to note is that the 18 Series controllers claim an extra timer, Timer 3.

Turning to the parallel ports, we find they are very similar to those of the 16 Series, both in structure and interfacing. They each have a **PORTX** register for data transfer and a **TRISX** register to set data direction. There is just one significant difference we need to take note of, described now.

When working with a port we may need to do four things: set the data direction, read an input value, set an output value and read back an output value previously written. The 16 Series designs had one weakness in all of this – they were not good at doing the fourth in this list. Suppose a port bit such as the one in [Figure 7.15\(a\)](#) was set to output and a bit value written to it. If the port was then read by the CPU, it was impossible to be certain that the value read was equal to the value previously written. This is because the reading is of the actual port bit pin value. This could be the value output by the bit circuitry or it could be a different value forced by an external device connected to the pin.

To get round this small problem, the 18 Series ports introduce an interesting development. Each port has a third register, **LATA** for Port A, **LATB** for Port B and so on, which holds the value of the latched output port bit. This can be read by the program, and the programmer can have complete confidence that he/she is reading the value previously stored at the port and nothing else. The working of the extra data latch register **LATA** is illustrated in [Figure 13.19](#). This diagram is very similar to its 16 Series equivalent, [Figure 7.15\(a\)](#). With the new register **LATA** introduced, one expects to see an extra bistable in the circuit somewhere. Interestingly, this is not the case. A quick look at the diagram shows that **LATA** and **PORTA** share the same data latch; a write to one is



Note 1: I/O pins have diode protection to VDD and VSS.

Figure 13.19: Generic 18FXX20 port pin driver circuit (supplementary labels in shaded boxes added by the author)

equivalent to a write to the other. The only real difference in the circuit is the **LATA** buffer appearing at the top of the diagram. A read to **LATA** activates this buffer and the value held on the **PORTA/LATA** data latch is transferred to the data bus. Therefore, the **LATA** is not really a different register at all – but addressing it allows a direct reading of the output of the **PORTA** data latch.

We will now survey the 18F2420 ports, taking note of this and other small changes.

13.13.1 The 18F2420 Port A

The position of the Port A pins can be seen in the pin layout diagram of Figure 13.1. Unsurprisingly, the pattern is almost the same as the 16F873A, with the digital I/O features of the port being shared with the ADC (analog-to-digital converter) inputs, comparator outputs and a few other features. The Timer 0 input is shared with bit 4 of the Port, which has an Open Drain output. There is the possibility of extra port bits, RA6 and RA7, if certain of the oscillator modes are used, as described in Section 13.9. The three registers associated with Port A – **PORTA**, **TRISA** and **LATA** – can be seen in the fourth column of the register map (Figure 13.5).

13.13.2 The 18F2420 Port B

The position of the Port B pins can be seen in the pin layout diagram of [Figure 13.1](#) and its three primary registers – **PORTB**, **TRISB** and **LATB** – in [Figure 13.5](#). **LATB** plays an identical function to **LATA**, discussed above.

The port keeps most of the characteristics of the 16 Series, but with significant increase in the number of shared functions, for example with the introduction of more external interrupt sources. Importantly, bits 4–0 come under the control of the **PBADEN** configuration bit; this determines whether those bits are to be used as analog inputs or normal digital input/output. It can be seen that bits 5–7 share with the in-circuit debug functions of **PGD**, **PGC** and **PGM**, the last of these having moved from its 16 Series position. The three external interrupt inputs share with the lower three bits of the port. An interesting addition is the introduction of an alternative CCP2 connection, on bit 3. This relieves pressure on the very ‘busy’ pin of Port C bit 1, and allows the Timer 1 external oscillator to be used at the same time as CCP2.

Internal pull-ups are still available on all pins, with the controlling bit, $\overline{\text{RBP}}\overline{\text{U}}$, now placed in register **INTCON2** ([Figure 13.9](#)). The interrupt on change function, whereby a change on any of pins 4–7 causes an interrupt flag to be set, is also in place. The Enable and Flag bits, **RBIE** and **RBIF**, are in the **INTCON** register ([Figure 13.8](#)).

13.13.3 The 18FXX20 Ports C and E

As with the other ports, the position of the Port C pins can be seen in the pin layout diagram of [Figure 13.1](#) and that of its three primary registers – **PORTC**, **TRISC** and **LATC** – in [Figure 13.5](#). As with the 16F87XA, this port shares its pins with the serial ports and the CCP functions, while bit 0 is shared with the Timer 1 input. This bit and bit 1 can also be used for an external oscillator input for Timer 1. Because of these shared functions, the port pin driver circuits are comparatively complex. The pin function can, moreover, be taken over by peripheral functions – care is therefore needed. This override does not, however, include the reading of the **LATC** register. This can be read whatever mode a port pin is operating in.

Finally, notice that one bit of Port E is squeezed onto the 18F2420, on pin 1, if **MCLR** is disabled. This can only be done through the **MCLRE** configuration bit, seen in [Tables 13.4](#) and [13.5](#). You then get bit 3 of Port E. This is input only, so no **TRISE** or **LATE** bits are provided.

13.14 The timers

All versions of the 18FXX20 have no less than four programmable timers, as well as a Watchdog Timer. We will survey the timers in turn, making extensive use of information already provided for their 16 Series equivalents.

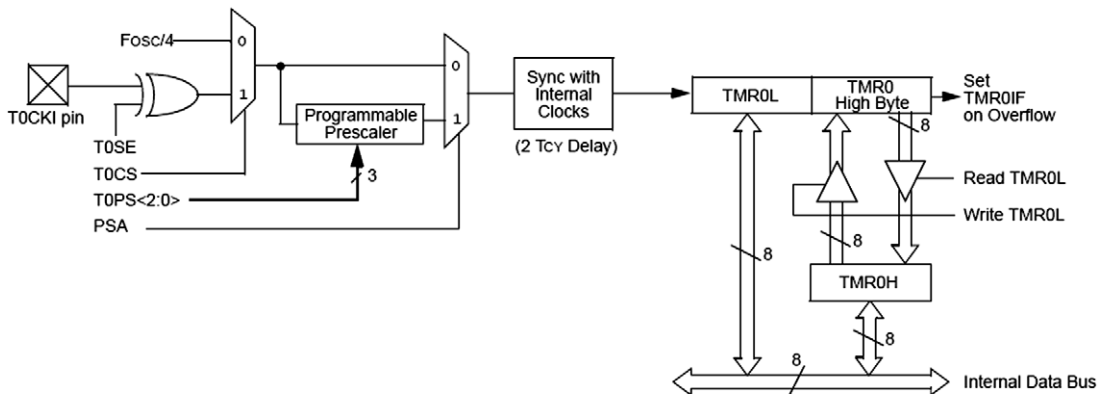
13.14.1 Timer 0

The 18FXX20 Timer 0 draws its roots clearly from the 16 Series Timer 0. It can, however, operate either in 8-bit or in 16-bit mode. In 8-bit mode the action of Timer 0 is effectively the same as the 16 Series Timer 0 of Figure 6.8. Unlike the 16 Series Timer 0, which shares its prescaler with the WDT, the prescaler is entirely assigned to the timer.

In 16-bit mode the action of the timer is as shown in Figure 13.20. The lower byte of the counter itself is called **TMR0L**, while the higher byte is simply called **TMR0**, as it is the same register location as the 8-bit version.

An interesting problem occurs in 16-bit timers when operating in the 8-bit environment. Suppose the program needs to read the value held in the timer. The two bytes are read in turn. It is possible, however, that an increment occurs after the first byte has been read, maybe causing an overflow from lower to higher byte. The value of the two bytes that have been read can therefore be seriously in error.

The solution to this problem is seen in Figure 13.20. A buffer, **TMR0H**, is included alongside the timer higher byte, **TMR0**. It is impossible to access the higher byte directly. Whenever the lower byte is read, however, the value of **TMR0** is simultaneously transferred to **TMR0H**. This can be read in a later instruction. Its value is guaranteed to correspond exactly to the value of the lower byte when it was read. Similarly, if the programmer wishes to write to the timer, the program should *first* write the required higher byte to **TMR0H**. When the lower byte is written to **TMR0L**, then the value stored in **TMR0H** is transferred simultaneously to **TMR0**. Again, the 16-bit value being loaded into the timer is guaranteed to be correct, and uncorrupted by increments occurring within a two-byte transfer.



Note: Upon Reset, Timer0 is enabled in 8-bit mode with clock input from T0CKI max. prescale.

Figure 13.20: Timer 0 operating in 16-bit mode

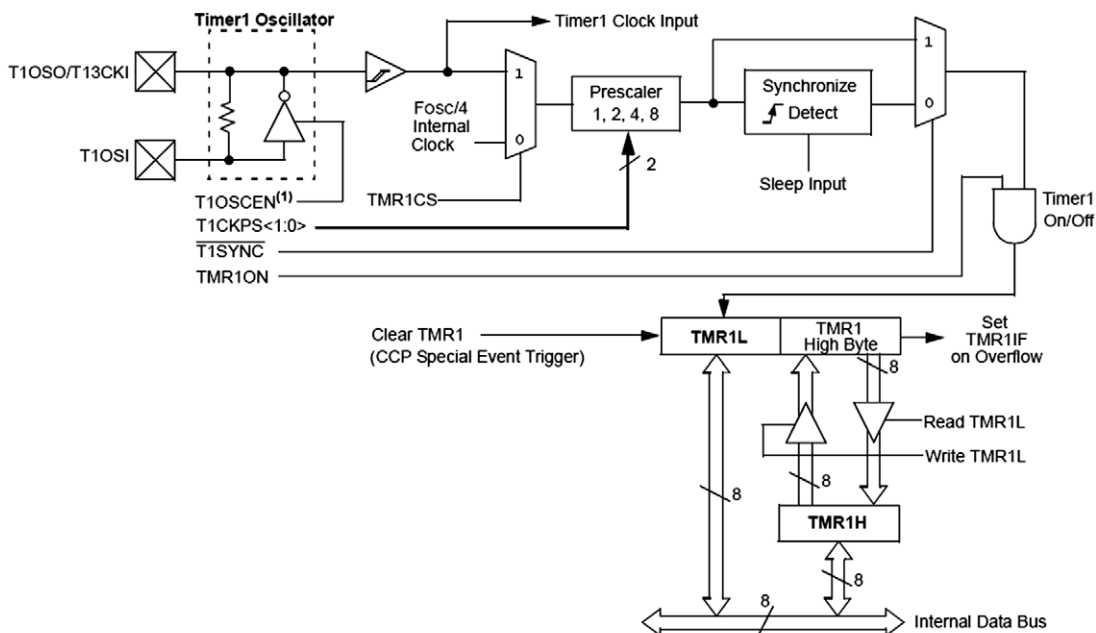
In either mode of Timer 0, an interrupt is generated when the counter overflows from its maximum value (FF_H for the 8-bit and $FFFF_H$ for the 16-bit). The same bit, **TMR0IF**, seen in Figure 13.7, is used for both interrupts.

Timer 0, in 16-bit mode and with interrupt, is used in a number of the C example programs in later chapters.

13.14.2 Timers 1 and 2

The 18FXX20 Timer 1 in its basic form is nearly identical to the 16 Series Timer 1, as seen in Figure 9.1. However, as the clock source diagram of Figure 13.15 shows, its oscillator can now be selected as the microcontroller clock source. The timer is also now equipped with the ‘16-bit Read/Write’ mode. This is just as described for Timer 0 and when enabled operates as shown in Figure 13.21. There is now a buffer register **TMR1H** for the higher byte, allowing synchronised data transfer to or from the timer. A small further difference with the 16 Series Timer 1 is the ability to clear the timer through a ‘special event’ from the CCP module. This is also seen in Figure 13.21 and is described in Section 13.15.

The 18F2420 Timer 2 is the same as the 16 Series Timer 2, shown in Figure 9.4. Similarly, it has a control register **T2CON**, the same as in Figure 9.5.



Note 1: When enable bit, T1OSCEN, is cleared, the inverter and feedback resistor are turned off to eliminate power drain.

Figure 13.21: Timer 1 operating in 16-bit Read/Write mode

13.14.3 Timer 3

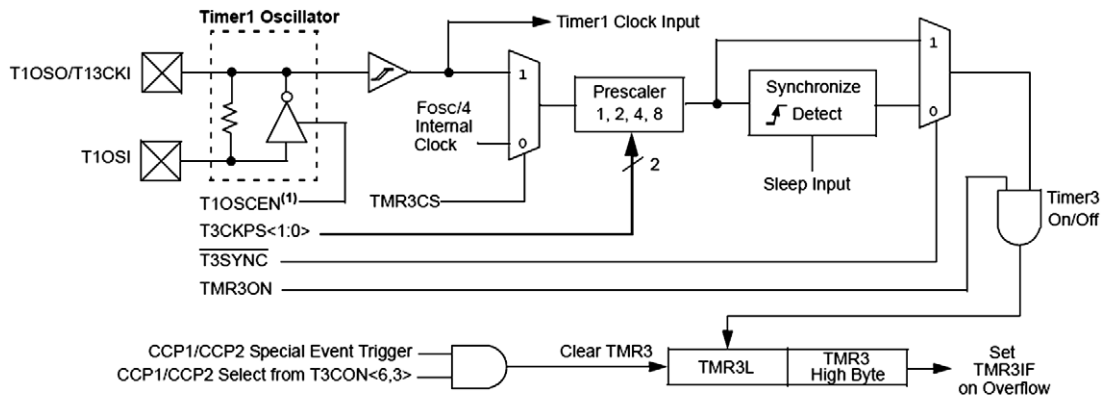
Timer 3 is structurally the same as Timer 1, so is easy to understand. It is shown in its basic form in Figure 13.22. As with Timer 1, this one can be operated as a timer with internal clock source input, as a counter with external input or as a timer with external oscillator input. For the last two, inputs are shared with Timer 1. Thus, if an external oscillator is used, it is that of Timer 1, which must be enabled with the **T1OSCEN** bit in **T1CON**. If external input is used, it is the same input as Timer 1, i.e. pin 11 in the case of the 18F2X20.

Like Timers 0 and 1, Timer 3 also has a ‘16-bit Read/Write’ mode. Figure 13.22 shows the timer when this mode is not selected. If it is selected, the timer’s interface with the data bus takes the form shown in Figure 13.21. Reading or writing to the higher byte is then buffered, with the buffer being memory mapped as **TMR3H**.

We will see that the timer can be linked to a CCP (capture/compare/PWM) module and used for capture and compare instead of, or alongside, Timer 1. The ‘CCP special trigger’ is seen coming in to Figure 13.22, as a possible source of reset for the timer. These functions are described further in Section 13.15.

13.14.4 The Watchdog Timer

The Watchdog Timer (WDT) is identical in concept to the 16 Series WDT, as described in Section 6.5. It is a free-running counter which, if enabled and allowed to time out, will cause the microcontroller to be reset. It is enabled by the **WDTEN** configuration bit (Table 13.4). It has its own dedicated postscaler (unlike the 16 Series, where it is shared with Timer 0), whose setting is determined by configuration bits **WDTPS3** to **WDTPS0**. Reference 13.1 indicates that the nominal time-out period is 4 ms, for a postscaler value of 1. If the postscaler is set to



Note 1: When enable bit, T1OSCEN, is cleared, the inverter and feedback resistor are turned off to eliminate power drain.

Figure 13.22: The Timer 3 block diagram

32 768, the nominal time-out value rises to 131 s. Both WDT and postscaler are cleared by execution of the **clrwdt** instruction. This lengthened timeout duration was recognised in Section 12.4 as an important element of nanoWatt technology.

A further development in the design strategy for the WDT is the inclusion of a software WDT enable bit, **SWDTEN**. This is the LSB, and the only active bit, in the register **WDTCON**, seen at memory location $FD1_H$ in Figure 13.5. If the WDT has been *disabled* in the Configuration register, then it can be *enabled* by setting the **SWDTEN** bit. If the WDT is enabled in the Configuration register, then the **SWDTEN** bit has no effect. The ability to switch the WDT on and off goes rather against the whole concept of the WDT – how wise is it to have a safety feature that can be switched off? However, it allows the WDT to be enabled for certain modes of operation and disabled for others. As with all safety or reliability features, it should be used with caution.

13.15 The capture/compare/pulse width modulation modules

The 28-pin 18F2420/2520 microcontrollers have two CCP modules, as seen in Figure 13.2. These are very similar to the 16 Series modules, applying exactly the principles described in Section 9.4.1. The CCP modules work with Timers 1, 2 and 3 to provide capture, compare and PWM operation. An important difference to the 16 Series, and a big step forward in terms of flexibility of operation, lies with the addition of Timer 3 and its interlinking with the CCP modules. The 18F4420/4520 microcontrollers also have two CCP modules, one standard and one enhanced, the latter as described in Section 12.6.3.

13.15.1 Capture mode

The CCP configured for Capture mode is shown in Figure 13.23. This is a direct equivalent of Figure 9.8 and applies the principles described in Section 9.4.2. Both inputs are, however, drawn out here. The major structural difference is that both Timers 1 and 3 are available to be used. This allows two input signals of rather different time characteristics to be ‘captured’. Selection of the timer to be used is determined by the Timer 3 control register, **T3CON**. Once this selection is made, capture operation is the same as for the 16 Series.

13.15.2 Compare mode

The CCP configured for Compare mode is shown in Figure 13.24. This is a direct equivalent of Figure 9.9 and applies the principles described in Section 9.4.3. As with the Capture mode above, both inputs are drawn out here. The major structural difference, of both Timers 1 and 3 being available, is shown. Selection of the timer to be used is again determined by bits within the **T3CON** register.

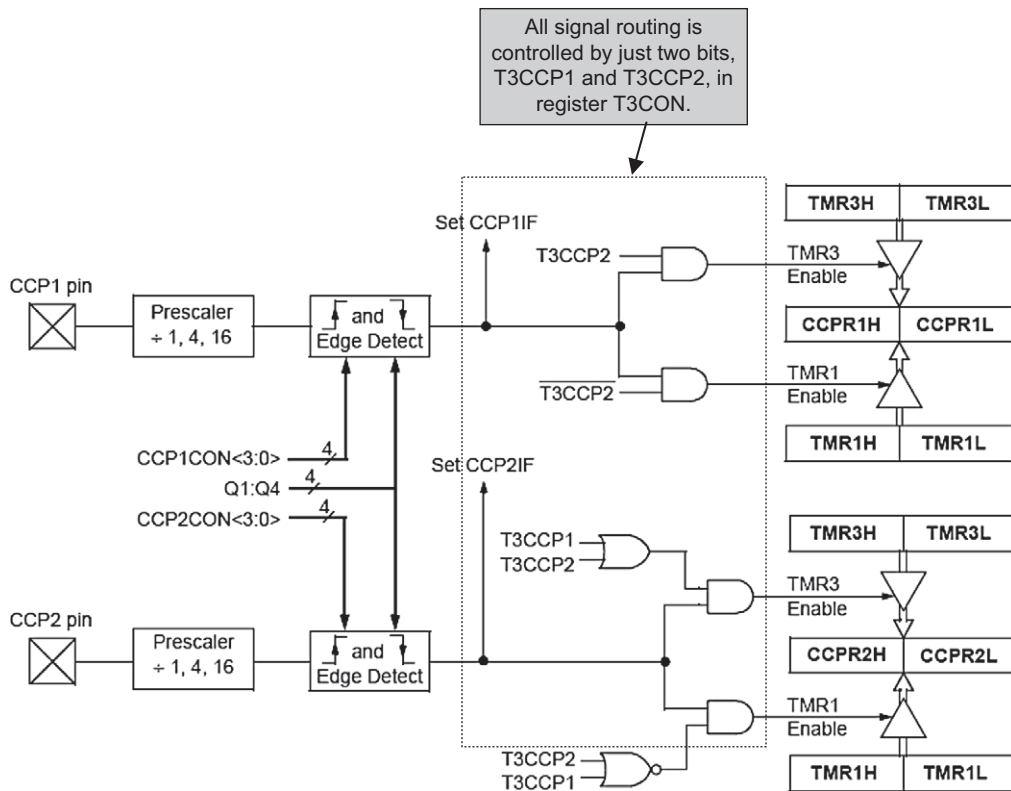


Figure 13.23: Capture mode operation (supplementary label in shaded box added by the author)

13.15.3 Pulse width modulation

The CCP modules configured for PWM follow the principles described in Section 9.5.1. They behave like the 16 Series module, hence acting as described in Section 9.5.2 and as seen in Figure 9.11.

13.16 The serial ports

The 18FXX20 has two serial modules, the Master Synchronous Serial Port (MSSP) and the Enhanced Addressable Universal Synchronous Asynchronous Receiver Transmitter (EUSART), as seen in Figure 13.2. The MSSP is very similar to the 16 Series peripheral of the same name, with the same SFRs, and can thus be configured either in SPI or I²C mode. The EUSART has already been outlined in Section 12.6.4. Of course the operating environment of the 18 Series is different, so interrupts can be prioritised, peripherals can be kept running in Idle modes, and so on, but all operating principles described in Chapters 10 or 12 continue to apply.

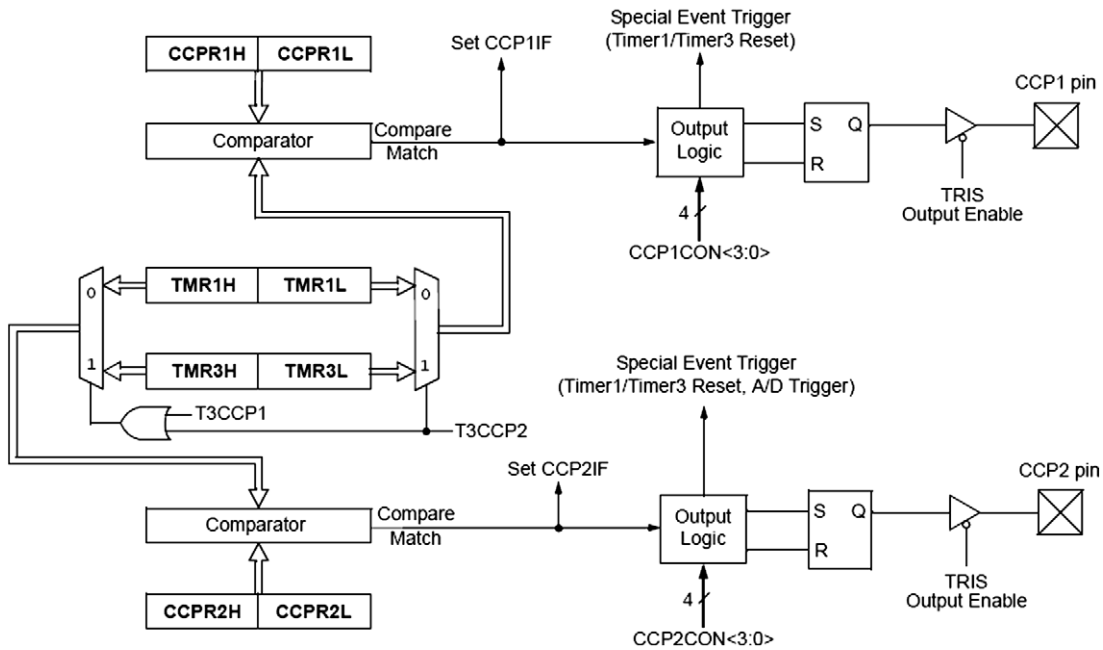


Figure 13.24: Compare mode operation

13.17 The analog-to-digital converter

The 18FXX20 ADC module now has an amazing 10 possible inputs for 28-pin versions and 13 for 40- or 44-pin versions. It retains the input model of Figure 11.10, but with the hold capacitor reduced from 120 pF to 25 pF, and the sampling switch resistance also reduced (to around 2 k Ω for a 5 V supply). These reductions lead to significant saving in acquisition time, offering considerably faster overall acquisition and conversion time. Interestingly, the hold capacitor reduction is not as low as the 10 pF quoted for the 16F883, discussed in Section 12.6.5. If we apply these values to the Derbot data acquisition, as we did in Section 11.6, we get, for 10-bit accuracy:

$$\begin{aligned}
 \text{acquisition time} &= 7.6RC \\
 &= 7.6 \times (\text{source} + \text{interconnect} + \text{switch resistances}) \\
 &\quad \times \text{hold capacitance} \\
 &= 7.6 \times (5\text{k} + 1\text{k} + 2\text{k}) \times 25 \text{ pF} \\
 &= 1.5 \mu\text{s}
 \end{aligned}$$

A further development is the ability to introduce automatic delays for acquisition time instead of using software delays, as we did for example in Program Example 11.1. Speed can be further increased because the minimum value for the clock period, T_{AD} , is also reduced. This is dependent on operating conditions, but is 0.7 μs for conditions applied in the Derbot. With changes to the CCP modules, it is also possible to set up a repetitive acquisition sequence with minimal program interaction.

The ADC is controlled by the **ADCON0**, **ADCON1** and **ADCON2** registers. While these are the same names as used in the 16F873A, they are not structured the same internally. The conversion result is placed in **ADRESL** and **ADRESH**. All these registers can be found in a block in [Figure 13.5](#); the detail of **ADCON1** is shown in [Figure 13.25](#).

As we will be applying the C programming language soon, we won't need to attend to the details of the control registers, except to note one important difference. While **ADCON1** still controls the selection of ADC input channels, it does not follow the pattern of [Figure 11.8](#), and the input combination we have used for the 16F873A in the Derbot is not available.

U-0	U-0	R/W-0	R/W-0	R/W-0	R/W-q ⁽¹⁾	R/W-q ⁽¹⁾	R/W-q ⁽¹⁾
—	—	VCFG1	VCFG0	PCFG3	PCFG2	PCFG1	PCFG0
bit 7							bit 0

bit 7-6 **Unimplemented:** Read as '0'

bit 5 **VCFG1:** Voltage Reference Configuration bit (VREF- source)

1 = VREF- (AN2)

0 = VSS

bit 4 **VCFG0:** Voltage Reference Configuration bit (VREF+ source)

1 = VREF+ (AN3)

0 = VDD

bit 3-0 **PCFG<3:0>:** A/D Port Configuration Control bits:

PCFG3: PCFG0	AN12	AN11	AN10	AN9	AN8	AN7 ⁽²⁾	AN6 ⁽²⁾	AN5 ⁽²⁾	AN4	AN3	AN2	AN1	AN0
0000 ⁽¹⁾	A	A	A	A	A	A	A	A	A	A	A	A	A
0001	A	A	A	A	A	A	A	A	A	A	A	A	A
0010	A	A	A	A	A	A	A	A	A	A	A	A	A
0011	D	A	A	A	A	A	A	A	A	A	A	A	A
0100	D	D	A	A	A	A	A	A	A	A	A	A	A
0101	D	D	D	A	A	A	A	A	A	A	A	A	A
0110	D	D	D	D	A	A	A	A	A	A	A	A	A
0111 ⁽¹⁾	D	D	D	D	D	A	A	A	A	A	A	A	A
1000	D	D	D	D	D	D	A	A	A	A	A	A	A
1001	D	D	D	D	D	D	D	A	A	A	A	A	A
1010	D	D	D	D	D	D	D	D	A	A	A	A	A
1011	D	D	D	D	D	D	D	D	D	A	A	A	A
1100	D	D	D	D	D	D	D	D	D	D	A	A	A
1101	D	D	D	D	D	D	D	D	D	D	D	A	A
1110	D	D	D	D	D	D	D	D	D	D	D	D	A
1111	D	D	D	D	D	D	D	D	D	D	D	D	D

A = Analog input

D = Digital I/O

Note 1: The POR value of the PCFG bits depends on the value of the PBA DEN Configuration bit. When PBA DEN = 1, PCFG<2:0> = 000; when PBA DEN = 0, PCFG<2:0> = 111.

2: AN5 through AN7 are available only on 40/44-pin devices.

Figure 13.25: The analog-to-digital converter ADCON1 register

This can be seen in [Figure 13.25](#). Therefore a small change has to be made to the Derbot PCB if the 18F2420 is to be used in the light-seeking program.

13.18 Applying the 18 Series in the Derbot

The Derbot loaded with an 18F2420 microcontroller is used in the chapters that follow for all program examples. To indicate this change of microcontroller, it is called ‘Derbot-18’. A small hardware modification which is implemented is described in Appendix 3.

From a hardware point of view there is little that is done with the 18F2420 that could not have been done with the 16F873A. The big step forward lies in the use of C, which works much better with the 18 Series. This in its turn leads to the use of the real-time operating system; we meet this towards the end of the book.

Summary

- The 18 Series microcontrollers represent a very clear step forward in the PIC design strategy. The CPU and memory structure are radically redeveloped, while many peripherals are retained.
- The standard instruction set is increased to 75 distinct instructions, with big new capabilities in arithmetic, program branching, table access and memory usage.
- Data memory is structured to give a much greater RAM capacity and a separate grouping of Special Function Registers.
- Program memory has greatly increased capacity, with a larger address bus, and the 16-bit instructions are now split into two bytes for storage. The Stack is deeper and more flexible.
- 18 Series microcontrollers adopt the peripherals of the 16 Series, with some upgrades; generally, peripherals are designed to power-up in the mode closest to the 16 Series version.

References

- 13.1. PIC18F2420/2520/4420/4520 Data Sheet (2008). Microchip Technology Inc., Document no. DS39631E; www.microchip.com
- 13.2. Migrating designs from PIC16C74A/74B to PIC18C442, Application Note AN716. Document no. DS00716A. Microchip Technology Inc. 1999.

Questions and exercises

Aim to complete Programming Exercises 13.1 to 13.5 and the questions below.

1. By reading the 18F2420 data sheet, Ref. 13.1, answer the questions below.
 - (a) What are the relative advantages of higher capacitance values connected to the primary crystal oscillator?
 - (b) How many cycles does the Oscillator Start-up Timer (OST) provide after power-up? What is the purpose of this?
 - (c) What value is held in **INTCON3** after power-up?
2. An embedded systems company estimates that 10% of the instructions in its programs are two-word (e.g. **movff**). For this proportion, how many instructions can the 18F2420 program memory hold?
3. Although many 18F2420 instructions have a direct equivalent in the 16 Series family, and others do not. The instructions **cpseq**, **movff**, **negf**, **subfwb**, and **tsfesz** are 'new'. Write a macro for each of these, using only 16 Series instructions, so that the same function is performed. Compare the number of instruction cycles each takes to execute and comment on the benefit of the new instruction.
4. Rewrite the opening section of Program Example 13.2, enabling External Interrupt 0 and Timer 0 interrupt on overflow with equal priority. External Interrupt 0 should interrupt on the rising edge.
5. The Interrupt control registers at a certain moment in an 18F2420's program execution are found to read:

INTCON = 11100100

INTCON2 = 10000100

INTCON3 = 00000000

PIE2 = 00000001

PIR2 = 00000001

IPR2 = 00000000

RCON = 10000000

Deduce the interrupt set-up and what the program is doing.

6. A designer wants to use an 18F2420 microcontroller in an application which requires four interrupts. Timer 1 overflow and Low Voltage Detect are to be high priority, and Port B interrupt on change and USART receive are to be low priority. What interrupt-related SFRs need to be preset and to what value?
7. A designer new to the 18 Series microcontrollers is designing an application to run from three nickel metal hydride cells in series. There is no supply regulation, but he wants a means of detecting when the battery voltage has fallen to around 3.5 V, and for the system to then go into a safe shutdown mode. Describe the options, and give your advice on the best solution to this design problem. (Note that access to Ref. 13.1 may be needed.)
8. A certain product has two distinct modes of operation, 'user control' and 'unattended'. It has been decided that the Watchdog Timer (WDT) should be enabled when unattended, but not enabled if under user control. The program structure in unattended mode is a single continuous loop, whose maximum execution time is 50 ms. Write notes giving design guidance on how the WDT should be implemented, including program action which can be taken if a WDT timeout does occur. (Note that access to Ref. 13.1 may be needed.)

Introducing C

In recent chapters we have developed increasingly complicated programs; in doing this, it has become more and more difficult to apply Assembler programming. It was difficult to manage the complexity of the program, program errors were hard to find, program flow was difficult to control and even quite simple mathematical tasks (like the scaling in the light meter program) were laborious to implement.

The alternative is to change the programming strategy. Figure 4.1 showed the programmer's dilemma, and three alternative approaches were described. We initially adopted the third of these approaches, Assembler, as it represented a way of writing programs which very directly controlled the system hardware. Because of the problems just described, however, it is now sensible to explore another option. High-level languages were invented to cope with program complexity and simplify debugging. Can we apply one to the embedded environment? The answer is yes – for now we choose C, a language with outstanding credentials for our purpose.

This chapter, and the three which follow, aim to introduce C from first principles, leading to a working knowledge of its key features as they apply to the embedded environment. Not every aspect of C is covered, particularly not its more advanced features.

The Microchip C18 compiler, which is designed to work within the MPLAB™ environment, is used as a vehicle for this study. This can be purchased, or a free student version downloaded from the Microchip website. It is also on the book's companion website. It is assumed that readers have access to this.

Our study will operate at several levels. First of all, the language C itself is introduced. This knowledge is fairly independent of embedded systems and can be applied at the desktop computer or elsewhere. In parallel with this we explore how C is applied to the embedded system and particularly in the PIC® environment. To allow these two strands to move forward in parallel, the C18 compiler is introduced at an early stage in the chapter. The practice of writing C programs is then developed through graded examples, applied in part to the Derbot-18 AGV. It does not take long, in this introduction to C, to begin to recognise some of its advantages over Assembler.

At the end of this chapter you should have developed an understanding of:

- The core features of the programming language C.
- The core features of the MPLAB C18 C compiler, including its libraries.

Readers with experience of C may wish to skip the first three sections of the chapter and will find some of the later sections easy going.

14.1 The main idea – why C?

Section 4.1 of Chapter 4 briefly introduced the concept of the High-Level Language (HLL). An HLL is a programming language that makes use of language and structures that are easy for us human beings to understand. At the same time it has clearly defined rules, so that a program can be written which has the precision to be converted to machine code.

Whatever the HLL used, an intermediary computer program is required to convert the program as written into the computer machine code. If the program is converted *before* program execution, then the converting program is called a ‘compiler’. C is an example of a language that uses a compiler. If it is converted as the program executes, it is called an ‘interpreter’. Basic is an example of a language that uses an interpreter.

One great advantage of the HLL is that it allows ‘portability’. The program that the programmer writes does not depend on the computer that it is going to run on. It is the compiler or interpreter that is machine-dependent and creates the actual machine code. Thus, the same source code can (again theoretically – we must stress this) be used to run on entirely different computers. This is, of course, quite unlike the Assembler approach, which is entirely dependent on the target computer.

When adopting an HLL for embedded applications, we want the benefits that it can bring, of simpler and more reliable coding. At the same time, however, we want to retain as far as possible the benefits of working close to the hardware, which Assembler programming allowed us. C was written for the much simpler computers of the 1970s. While it has in many cases been overtaken by other languages for applications on desktops and workstations, it remains a very powerful language for working close to the computer hardware, as we do in embedded systems. It shows the features that we want of an HLL, but still allows hardware elements to be accessed.

14.2 An introduction to C

Although a comparatively simple language in today’s terms, C can lead to complex and sophisticated programs. This section aims to provide the very basics of C, using a simple example program. The intention is that the reader can then move on as soon as possible to using the MPLAB C18 compiler and start writing simple programs for PIC 18 Series microcontrollers.

14.2.1 A little history

C was developed in the late 1970s at the Bell Labs in New Jersey, USA. Its first publicly available documentation was in a publication by Brian Kernighan and Dennis Ritchie in 1978. This became so well known that it is often called the ‘K&R’ version. In 1989 a version of C was adopted by the

American National Standards Institute (ANSI), as standard X3.159-1989. It is important to recognise this standard, as it is the one that the Microchip C18 compiler is based upon. This standard became very widely recognised and adopted, and one finds many references to ‘ANSI C’. In 1990, the International Organisation for Standards (ISO) adopted the same version as an International Standard, with amendments made in 1995 and 1999. The 1999 version contains extensions which are not implemented in many compilers targeted at embedded systems.

14.2.2 A first program

A tradition has developed that books about C should start with an example program which outputs the words ‘Hello world’ to a display. In many embedded systems we won’t have such a display to write to. As an alternative, an early need in almost any embedded system is to be able to output data to a port. Therefore, our first example program will just increment a number and output it to Port B of an 18 Series microcontroller. This program is seen in Program Example 14.1.

```

/*****
Example1.
Introductory Example of C Programming, with PIC 18 Series Microcontroller.
8-bit value output by Port B is continuously incremented.
Files c018i.o and p18f2420.lib are included by the Linker Script.
TJW 21.10.05                               Tested 23.10.05
*****/

//Include 18F2420 header file, for all processor-specific declarations
#include <p18f2420.h>

unsigned char counter;    //specify counter as unsigned character

void main (void)         //main function starts here
{
    TRISB = 0;           // initialise all bits of PORTB as output
    counter = 1;         //counter value is initialised to 1

    while (1)
    {
        PORTB = counter;    // Move 'counter' value to Port B
        counter = counter + 1; //Increment counter
    }
}

```

Program Example 14.1: Incrementing the output value of Port B

14.2.3 Laying out the program – declarations, statements, comments and space

C is a so-called free-form programming language. That means that there is not a strict layout format to which programs must adhere. This is unlike Assembler, where the position of a word on the line can be crucial.

Crudely speaking, a C program is made up of: ‘declarations’, which set the scene and initialise things; ‘statements’, where the programming action takes place; ‘comments’, which provide

a commentary to the human reader on what is going on; and ‘space’, which provides essential gaps between the words and symbols used and is also used to improve clarity through the way the code is laid out. Let us look at each of these in turn.

Comments

Comments start with the combination `/*` and end with `*/`. In this form they can run over more than one line and can follow or precede statements or declarations.

It can be seen that the first seven lines of the program example are made up of comments, even though the comment delimiters merge somewhat with the lines of asterisks. Following the title block there is a blank line. This is not a problem with C – such lines can be used to improve the intelligibility of the program.

An alternative comment format is to precede the comment with a double slash, `//`. Such a comment lasts only for the remainder of the line in which it appears and needs no terminating symbol. It is convenient to use both comment styles, the first for major blocks of comment, the second for single lines. This is the practice adopted in this book; it can be seen in the example program.

As with Assembler programming, it is good to make liberal use of comments, indicating clearly but briefly what is meant to be going on in the program.

Declarations

Declarations are used in a number of ways to create program elements, like variables and functions, and to indicate their properties. This is important, as all variables and functions in C must be declared before they can be applied. Characteristics specified include the type of data element (for example, whether fixed or floating point), the allocation of memory storage or the characteristics of a function. A declaration is terminated with a semicolon.

In the example program, the line

```
unsigned char counter;    //specify counter as unsigned character
```

is a declaration, whose meaning will shortly be explained.

In simple programs, declarations tend to appear as one of the first things in the program, which seems to make sense. As we meet more complex programs, however, we will see that declarations can occur within the program, with significance attached to the location of the declaration.

Statements

Statements are where the action of the program takes place. They perform mathematical or logical operations and establish program flow. Every statement which is not a block (see below) ends with a semicolon.

There are a number of different categories of statement. The commonest is the ‘expression’ statement, which includes mathematical manipulations. Example expression statements from Program Example 14.1 are:

```
TRISB = 0;    //initialise all bits of PORTB as output
counter = 1;
//counter value is initialised to 1
```

Statements are executed in the sequence they appear in the program, except where program branches take place.

Code blocks

Declarations and statements can be grouped together into ‘blocks’. A block is contained within braces (curly brackets). An example block from Program Example 14.1 is seen here:

```
while (1)
{
PORTB = counter;    //Move ‘counter’ value to Port B
counter = counter + 1; //Increment counter
}
```

Blocks can be written within other blocks, each within its own pair of braces. Keeping track of these pairs of braces is an important pastime in C programming, as in a complex piece of software there can be numerous ones nested within each other. It is common, and very good, practice to indent them such that matching pairs fall directly below each other on the page, with each nested pair being indented deeper into the page. In this way it is possible to keep track of brace pairs.

Space

The judicious use of space in a C program can make a big difference to its clarity. A space is required to separate words which would otherwise merge into one, for example in the example declaration quoted above. Further space, including blank lines, is ignored by the compiler and is used by the programmer to optimise the program layout. This applies both to blank lines and to indents within lines. For example, in the example block seen directly above, the braces are separated out onto their own lines and placed directly above each other. The program would compile the same if it were written:

```
while (1){PORTB = counter;    //Move ‘counter’ value to Port B
counter = counter + 1;}    //Increment counter
```

It would, however, be less clear to read, in particular when looking for where the code block ended. The need for good layout increases dramatically as program complexity increases.

14.2.4 C keywords

C has a set of just 32 ‘keywords’. These are shown in Tables A6.1–A6.3, each with a summary description. It can be seen that a good number relate to data type. In our example program, the declaration

```
unsigned char counter;    //specify counter as unsigned character
```

declares a variable called **counter** and uses the keywords **unsigned char** to specify its type as an unsigned character.

Other keywords (Table A6.2) relate to program flow. In this example the **while** keyword sets up a continuous loop, as described in Section 14.2.8.

Keywords are recognised by the compiler, which expects them to be applied within a defined context. They cannot be used for any other purpose, for example as the name of a variable.

14.2.5 The C function

C programs are structured from ‘functions’. Every program must have at least one function, called ‘main’. Program execution starts with this function and the program is contained within it.

Apart from the main function, functions are in some ways similar to Assembler subroutines. They are used in a similar way, generally to contain an identifiable program action. Good program structures tend to have much of the program contained within functions, with the main function calling subsidiary ones. Any function may call another.

What distinguishes a C function from an Assembler subroutine is the control exercised in how data is passed between calling program and function. Data elements, called ‘arguments’, can be passed to a function. They must, however, be of a type which is declared in advance. Only one return variable is allowed, whose data type must also be declared. The data passed to the variable is a ‘copy’ of the original. Therefore, the function does not itself modify the value of the variable named. The impact of the function should thus be predictable and controlled. The terminology ‘parameter’ is often used in place of ‘argument’. Distinction between the two terms is made in detailed specifications of the C language. In these chapters we will, however, use them interchangeably.

A function is defined in a program by a block of code having particular characteristics. Its first line forms the function header. The function header from the example program, shown in Figure 14.1, illustrates the general format:

The return type is given first. In this example, the keyword **void** is used to indicate that there is no return value expected. This is common practice for the **main** function – after all, to where or what would it return a value? After the function name, in brackets, one or more data types may be listed, which identify the arguments which must be passed *to* the function. In this case

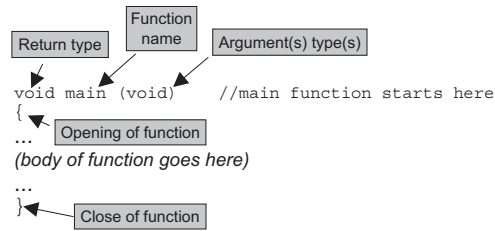


Figure 14.1: Function header from Program Example 14.1

(again as may be expected with **main**) there are no arguments transferred and the keyword **void** is again used to indicate this.

Following the function header, a pair of braces encloses the code which makes up the function itself. This could be anything from a single line to many pages. The final statement of the function may be a **return**, which will specify the value returned to the calling program. This is not essential if no return value is required.

It can be seen that, for clarity, the program is laid out so that the braces which enclose the **main** function are aligned fully left and the braces containing the **while** statement are indented.

In Program Example 14.1 the **main** function is the only one. A number of further issues arise when multiple functions are used. These are introduced in later chapters.

14.2.6 Data type and storage

Variables within a C program have four attributes: their name, type, value and storage location. It has already been said that the type (for example, whether signed or unsigned, fixed or floating point) must be declared before use. Once the type has been specified, the compiler can determine the amount of memory needed to store the variable. Its value can then, if needed, be initialised.

The words used to define data type are shown in Table A6.1. The actual memory size applied to each data type can vary between compilers. The data types available in the MPLAB C18 compiler, along with their storage size, are shown in Table A6.4. For example, in Program Example 14.1 the variable **counter** is defined as being an unsigned character. Table A6.4 shows that the C18 compiler will assign it an 8-bit memory location. Although the name implies it must be a character, in fact it can be used for any 8-bit number. This is a useful data type for the many single-byte variables that we use in the PIC environment. We will see later that **PORTB** and **TRISB** are also defined as unsigned characters.

Data names must start with a letter or underscore. When writing complex programs it is common practice to start the name with a letter or letters which identify the type of the variable, for example the name **counter** in the example program could be changed to **uicounter**, to remind the programmer

that it is an unsigned integer. This helps the programmer remember its type and reduces programming errors. This practice is not, however, adopted in the example programs in this book.

When writing numbers in a program, the default radix for integers is decimal, with no leading 0 (zero). Octal numbers are identified with a leading 0. Hexadecimal numbers are prefixed with 0x.

14.2.7 C operators

C recognises a diverse set of operators, which are shown in Table A6.5. The symbols used are familiar, but their application is *not* always the same as in conventional algebra. For example, a single ‘equals’ symbol, ‘=’, is used to assign a value to a variable. A double equals sign, ‘==’, is used to represent the conventional ‘equal to’. Thus, in Program Example 14.1, the line

```
TRISB = 0;    //initialise all bits of PORTB as output
```

means that the variable called **TRISB** is assigned the value 0. This can be read as ‘the variable **TRISB** takes the value 0’. In the 18F2420 header file **TRISB** has been defined as an unsigned character, hence an 8-bit number. Due to the port action, the program line quoted above causes all bits of Port B to be set as outputs.

Operators have a certain order of precedence, shown in the table. The compiler applies this order when it evaluates a statement. If more than one operator at the same level of precedence occurs in a statement, then those operators are evaluated in turn, either left to right or right to left, as shown in Table A6.5.

As a very simple example, the line in the example program

```
counter = counter + 1;
```

contains two operators. Table A6.5 shows that the addition operator has precedence level 4, while the assign operator has precedence 14. The addition is therefore evaluated first, followed by the assign. The outcome is that the variable **counter** is incremented by 1.

14.2.8 Control of program flow and the ‘while’ keyword

All the keywords of Table A6.2 are associated with program flow, for example looping and branching. As a first example, the **while** keyword allows a statement, or block of statements, to be executed repeatedly, as long as a particular condition holds true. This is the first of a number of branching and looping structures that we will meet.

The general **while** structure is:

```
while (conditional expression) statement;
```

This will cause the **statement** to be executed repeatedly, as long as the conditional expression evaluates ‘true’ (i.e. non-zero). If it is no longer true, then program execution after the loop proceeds.

If more than one statement needs to be associated with the **while**, then a series of statements can be enclosed in curly brackets, as shown:

```
while (conditional expression)
{
    statement 1;
    statement 2;
    statement 3;
}
```

Note that the **while** condition is evaluated at the *beginning* of loop execution. If it holds true, then the whole loop is executed, even if the condition changes as the loop executes.

In this example, a continuous loop is forced by putting ‘1’ for the conditional expression.

```
while (1)
{
    PORTB = counter;    //Move ‘counter’ value to Port B
    counter = counter + 1;
}
```

The two statements which fall within the **while** braces thus repeat indefinitely.

14.2.9 The C preprocessor and its directives

The process of compiling is made up of a number of distinct stages. The first of these is undertaken by the ‘preprocessor’. This responds to any preprocessor ‘directives’ which it finds. These act in a way similar to Assembler directives, giving instructions to the compiler itself. Example preprocessor directives appear in Table A6.6. The format of the preprocessor directive requires that each directive occupies a line to itself. It is not terminated with a semicolon.

The line in the example program

```
#include <pl8f2420.h>    //for all l8F2420 declarations
```

uses the **#include** directive to include a processor-specific header file. This file, specific to the C18 compiler, contains the declarations necessary for this particular 18 Series processor and saves having to spell them out in the source code. It contains declarations for all the SFRs (Special Function Registers), including those for Port B used in this program.

14.2.10 Use of libraries and the Standard Library

Because C is a simple language, much of its functionality derives from standard functions and macros which are available in the libraries accompanying any compiler. A C library is a set of precompiled functions, in the form of object files, which can be linked in to the application. The contents of the ‘Standard Library’ are defined in the ANSI standard. It includes functions for input and output, a range of mathematical functions (for example, all trigonometric functions) and other data handling functions.

In addition to the Standard Library, as we shall see, a compiler may have its own library of functions, intended specifically for its target environment.

14.3 Compiling the C program

When the C source code is complete, it is ‘compiled’. This process leads eventually to the production of a file containing the machine code equivalent of the source, which the target computer can execute.

We have already met the concept of header files and library files. These are extensively used, with the result that hardly any C source files are stand-alone. Once the ‘extra’ files are incorporated, the final executable program is built up from a number of contributing files, often in quite a complex way. In turn, the process of compiling a C program creates a range of output files.

The process of compiling, along with the files used and generated, is illustrated in a general way in Figure 14.2. The main program, the C source file, is written in the C language, in a file with the extension `.c`. This is very likely to include (using the preprocessor `#include` directive) other standard files, for example the processor-specific header file we have already seen. A source file, together with any included header files, is known as a ‘translation unit’. When the source program is complete, it is compiled using the C compiler to produce an ‘object file’. This consists of relocatable code, not yet fully mapped to the processor memory map. Other files can also be developed, including those in Assembler, and all compiled or assembled in a similar way, leading to object files containing (mainly) relocatable code.

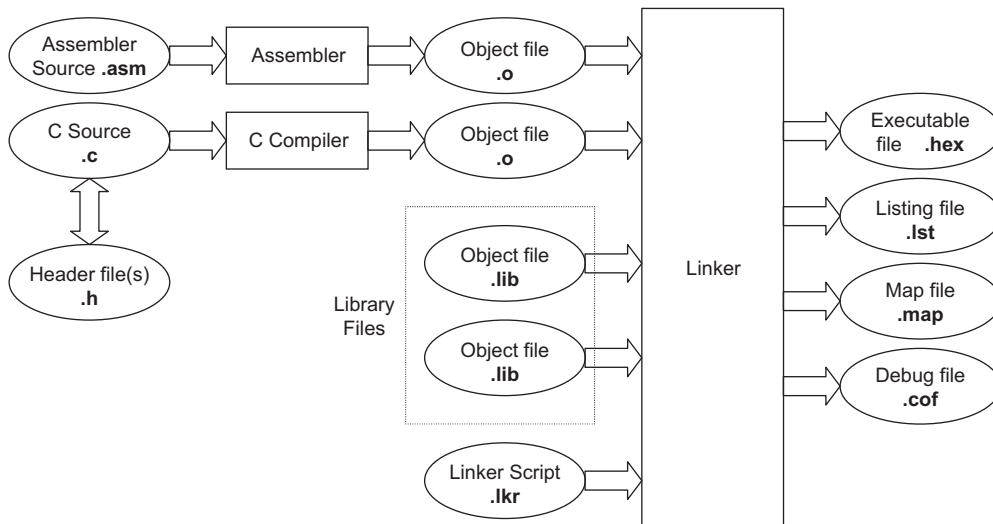


Figure 14.2: Compiling and linking the C program, with C18 file extensions

At this stage, in all but the simplest programs, it is likely to be combined with other files, which already exist at the object file stage. These may be from the libraries which accompany the compiler or they may be previously developed files of the programmer or company. It is the task of the ‘Linker’ to combine these different files to create one single executable file. In doing this, it is guided by the ‘Linker Script’, a file which defines the processor memory map and provides other information, including the possibility of drawing in further precompiled files. The opening title block in Program Example 14.1 makes reference to two object files, **c018i.o** and **p18f2420.lib**, which are linked in to the program by the Linker. How this is done, and the role they play, is explained in Chapter 17.

After the linking process is complete, and assuming there are no errors in the process, a series of output files is produced. Those for the Microchip C18 compiler are detailed in Section 14.5.4.

14.4 The MPLAB C18 compiler

The MPLAB C18 compiler is Microchip’s own C compiler, written especially for the PIC 18 Series microcontroller. It follows the ANSI X3.159-1989 standard, except that it also contains a number of extensions, designed to optimise its use with the PIC microcontroller. At the time of writing, Microchip are in the process of renaming the compiler ‘MPLAB C Compiler for PIC18 MCUs’. For simplicity, we will continue here using the earlier, shorter name.

The C18 compiler operates within the main MPLAB IDE environment, working alongside its Assembler, Linker and Librarian. Once installed, it can be linked in to this tool suite. Unlike MPLAB, the compiler must be purchased, at a cost in the region of \$150. At the time of writing, a student version is available free, as a download from the Microchip website. There is also a copy on the book’s companion website.

The compiler is reasonably well documented, primarily through References 14.1 and 14.2. These are available from the Microchip website. In the sections which follow, the compiler is introduced to a level adequate to run all the example programs given. Further details can then be found from this reference information.

14.4.1 Specification of radix

MPLAB C18 recognises the C radix specifications mentioned in Section 14.2.6. It also introduces the very useful ‘0b’ prefix for binary numbers. For example:

```
TRISA = 0b10000110;    //initialise PORTA
TRISB = 0x86;         //initialise PORTB
TRISC = 134;         //initialise PORTC
```

puts the same values into each TRIS register.

14.4.2 Arithmetic operations

The ISO/ANSI C standard requires that all arithmetic operations are done at **int** precision (i.e. 16 bits) or higher. The C18 compiler, reflecting the 8-bit world it serves, steps outside this requirement and undertakes arithmetic with **char** data types.

In the sections which follow it is assumed that the reader has installed MPLAB IDE and the MPLAB C18 compiler, following the simple procedure given in Ref. 14.1. Version 3.22 of the student edition of the C18 compiler is used.

14.5 A C18 tutorial

Having described a simple yet plausible C program, let us try to compile it and simulate. In MPLAB open a new project with a suitable name; the images which follow use `c_example1` as the entirely unoriginal name. Whatever your habit in the past, it is best to use the Project Wizard from here, as this helps define the operating environment of the project from the beginning. Open a new file and enter into it the code of Program Example 14.1. Save this with a file name of your choice, identifying it as a C source file by using the `.c` extension, for example `example1.c`. Add it to the project, using `Project > Add Files`. The project window should now appear as [Figure 14.3](#).

If you have not used the Project Wizard, ensure now that the C18 compiler has been selected as the toolsuite to be used; click `Project > Select Language Toolsuite`. When the dialog box of [Figure 14.4](#) appears, open the pull-down menu as shown and select `Microchip C18 Toolsuite`. By using `Configure > Select Device` ensure also that the correct microcontroller, the 18F2420, is selected.

14.5.1 The linker, header and library files

The compile process automatically uses the Linker, and this needs a Linker Script. We examine the form of this in Chapter 17. In previous versions of MPLAB tools (and in the

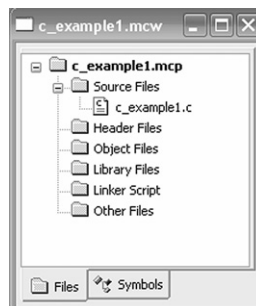


Figure 14.3: The project window

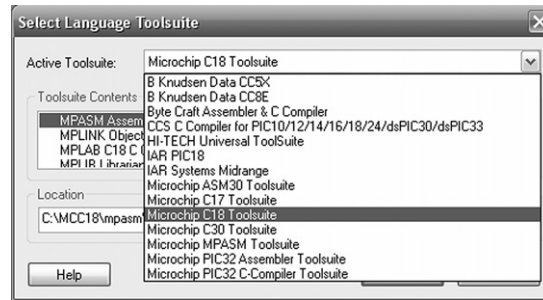


Figure 14.4: Selecting the Toolsuite

previous edition of this book) we used to have to specify the Linker Script. For standard scripts, this is no longer necessary; the compiler will find it automatically.

While we are only compiling a tiny program, it does invoke a header file, through the line

```
#include <pl8f2420.h>
```

It is therefore important to ensure that the compiler knows where to find this. This is done by specifying the right ‘search path’. The Linker Script also calls up other library files, which must also be found. Check that these paths are set up correctly, using Project > Build Options > Project > Directories. The window of Figure 14.5 should then appear. The pull-down menu in this window allows you to see the search path setting for Include, Library and Linker Script

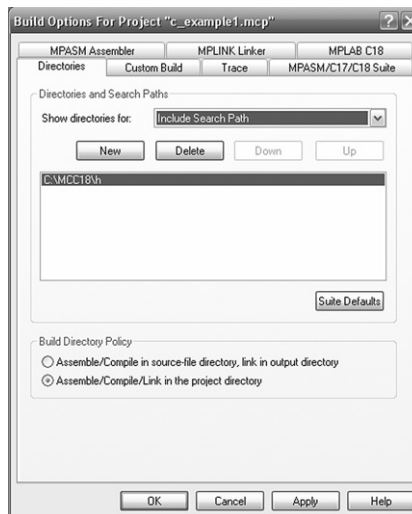


Figure 14.5: Setting search paths for header files

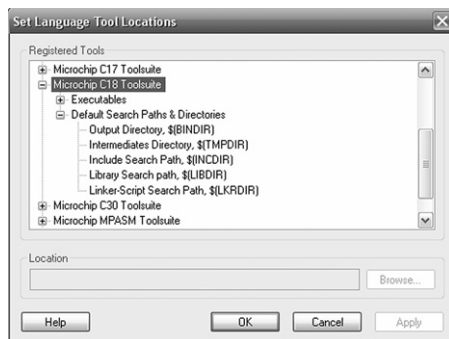


Figure 14.6: Setting search paths for header files

files. Click through each of these. If all is already correctly set, and assuming the compiler is installed in the C drive, you will see:

Include Search Path	C:\mcc18\h
Library Search Path	C:\mcc18\lib
Linker-Script Search Path	C:\mcc18\lkr

If this is not the case, you can set these manually, by clicking on New and entering the location for each. Alternatively, set up your defaults for all future projects by selecting Project > Set Language Tool Locations. This will show the screen of Figure 14.6. Make the selection shown in the figure and then enter in turn the settings listed above, for each search path. These can then be applied to the current project by clicking on Suite Defaults in the window of Figure 14.5.

14.5.2 Building the project

It should now be possible to build the project. As with Assembler, click on Project > Build All. If all is correctly entered and linked, the Build Succeeded message should ultimately appear in the Output window, as seen in Figure 14.7. Notice that the build process takes longer than Assembler, even for a tiny program like this, and that there are a number of distinct stages. These are shown in the figure. At the compile stage the window shows that a number of compile options, indicated by -Ou- -Ot- -Ob- and so on, are being implemented. These are the compiler defaults and are not of interest at this early stage of compiler use.

If the project did not build successfully, which is quite likely first time round, it will be necessary to explore the resulting error messages. The compiler first checks that the program has correct syntax, i.e. it is written to obey the formatting rules of C. Even if you did not get any errors, try removing a semicolon or inserting some other small error, and check the response of the compiler on build. If there is a syntax error, the compiler reports this in

```

Output
Build | Version Control | Find in Files

Clean: Deleting intermediary and output files.
Clean: Done.
Executing: "C:\MCC18\bin\mcc18.exe" -p=18F242 /I"C:\MCC18\lib" "c_example1.c" -fo="c_example1.o" -D__DEBUG -Ou -Ot -Ob -Op -Or -Od -Opa-
MPLAB C18 v3.22 (feature limited)
Copyright 2000-2008 Microchip Technology Inc.
This version of MPLAB C18 does not support the extended mode
and will not perform all optimizations. To purchase a full
copy of MPLAB C18, please contact your local distributor or
visit buy.microchip.com.

Executing: "C:\MCC18\bin\mplink.exe" /p18F242 /I"C:\MCC18\lib" /K"C:\MCC18\kr" "c_example1.o" /u_CRUNTIME /u__DEBUG /z__MPLAB_BUILD=1 /z_
MPLINK 4.22, Linker
Copyright (c) 2008 Microchip Technology Inc.
Errors : 0

HP2HEX 4.22, COFF to HEX File Converter
Copyright (c) 2008 Microchip Technology Inc.
Errors : 0

Loaded C:\MPLAB Projects\Chap 14\c_example1.cof.

Debug build of project 'C:\MPLAB Projects\Chap 14\c_example1.mcp' succeeded.
Preprocessor symbol '__DEBUG' is defined.
Mon May 18 15:48:19 2009

BUILD SUCCEEDED

```

Figure 14.7: Output window following successful build

the Output window, with a line number. Line numbers may be switched on using Edit > Properties > Editor in the MPLAB window and clicking the Line Numbers box. It is worth noting that the line number where the compiler perceives the error may not be the exact one where correction is needed. As a simple example, try ‘commenting out’ the opening brace of **main**. You will see that the syntax error is reported as being in the line which follows – which on its own is a perfectly good piece of C code!

When all syntax errors are removed, the compiler checks for other errors and reports an error reference number. The error numbers, with brief descriptions of the error and possible solutions, are listed in Ref. 14.2.

A successfully built project yields the following files:

- *Source file* (.c). This is the original source file, written in C.
- *COFF object module file* (.cof). This file provides debugging information for MPLAB IDE v6.xx or later.
- *Executable file* (.hex). This is the actual program code, which can be downloaded to the microcontroller or used for simulation or emulation purposes.
- *Listing file* (.lst). This file shows the original source code alongside the object code. Symbol values, memory usage information, and error and warning information are also provided.
- *Object file* (.o). This file contains the relocatable code. It is the output of the compiler or Assembler, and forms the input to the Linker. Object files are also found in the library.

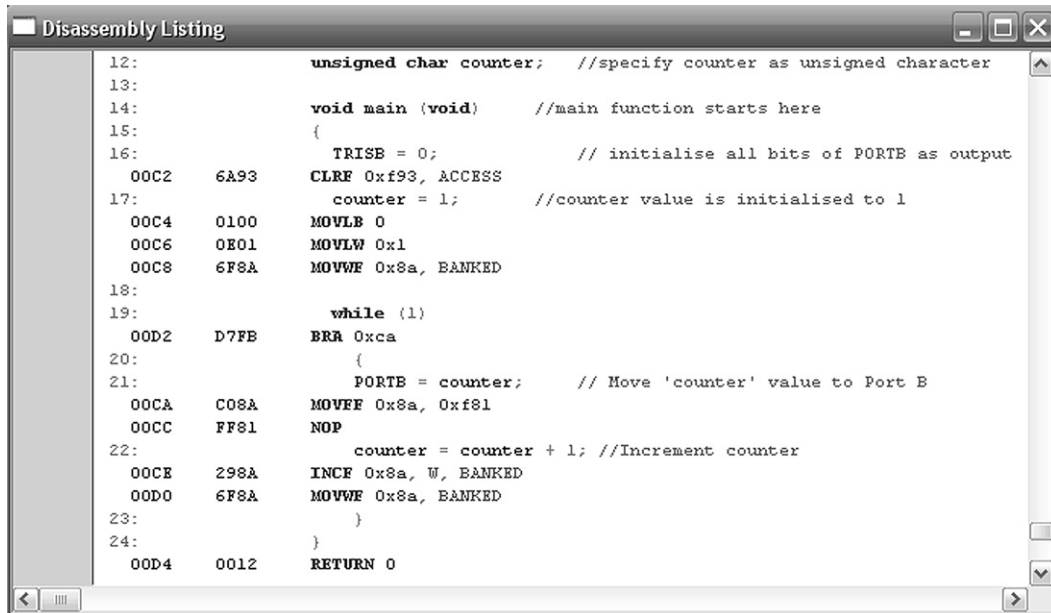
14.6 Simulating a C program

Explore now the simulation of Program Example 14.1. While the program itself is exceedingly simple, the simulation will reveal a number of interesting things about how the overall C program is built, and will bring us back again to [Figure 14.2](#).

As in Section 4.6 of Chapter 4, select MPLAB's simulator by invoking **Debugger > Select Tool > MPLAB SIM**. Using **View > Watch**, open a Watch window and display the values of **counter**, **PORTB** and **PCL** (Program Counter, lower byte). Using the debugger toolbar (Figure 4.12), reset the program counter, noticing that it clears to zero in the Watch window, as expected. Another program window opens on the screen, however, entirely unasked! This is **c018i.c**, a start-up program which the Linker has invoked. It contains a certain processor initialisation essential for the correct operation of C. We return to it in Chapter 17.

Single-step through the program (or use **Animate**) and you will find that execution transfers ultimately to the source program. It is then possible to see in the Watch window the values of **counter** and **PORTB** being incremented. From here, program execution stays indefinitely in the **while** loop.

An interesting way of seeing how the C program has been created is by viewing the 'Disassembly Listing', by selecting **View > Disassembly Listing**. In this window (as seen in [Figure 14.8](#)) it is possible to see both the original C source code and the Assembler which replaces it. It can be seen that some lines of C code translate to a single line of Assembler.



```

Disassembly Listing
12:          unsigned char counter; //specify counter as unsigned character
13:
14:          void main (void) //main function starts here
15:          {
16:              TRISE = 0; // initialise all bits of PORTB as output
00C2  6A93  CLRf 0xf93, ACCESS
17:              counter = 1; //counter value is initialised to 1
00C4  0100  MOVLB 0
00C6  0E01  MOVLW 0x1
00C8  6F8A  MOVWF 0x8a, BANKED
18:
19:              while (1)
00D2  D7FB  BRRA 0xca
20:              {
21:                  PORTB = counter; // Move 'counter' value to Port B
00CA  C08A  MOVWF 0x8a, 0xf81
00CC  FF81  NOP
22:                  counter = counter + 1; //Increment counter
00CE  298A  INCF 0x8a, W, BANKED
00D0  6F8A  MOVWF 0x8a, BANKED
23:              }
24:          }
00D4  0012  RETURN 0
  
```

Figure 14.8: The Disassembly Listing for part of Program Example 14.1

In most cases, however, a single line of C must be replaced by several lines of Assembler. This is an early indication that programming in C will lead to simpler source files. As more complex lines of C are introduced, the scale factor between the C code and the Disassembly Listing will become more marked.

In Figure 14.8, it can be seen that the address of **TRISB**, 0F93_H, is correctly applied, as seen in Figure 13.5. The memory location 8A_H in Bank 0 has been allocated to **counter**. The transfer of the **counter** value to **PORTB** can be seen in the instruction

```
MOVFF 0x8a, 0xf81
```

where 0xf81 is the address of Port B. The incrementing of **counter** can similarly be seen. Notice that the Assembler instructions, as indicated by their memory locations, are placed out of sequence. The branch instruction, at memory location 00D2_H, actually forms the continuous loop and should lie at the end of the listing.

14.7 A second C example – the Fibonacci program

Let's now take our C programming a step further, with a program of slightly increased complexity. Program Example 14.2 provides a C version of a program already familiar to us, the Fibonacci series generator. This calculates a Fibonacci series, first by going up to a certain level and then working backwards again. This action is repeated indefinitely.

14.7.1 Program preliminaries – more on declaring variables

Following the opening comments, the early program lines declare five unsigned character variables, while the first three lines within **main** initialise three of these to certain values. There are certain ways in which this process can be shortened. Firstly, a declaration of one data type need not be confined to a single variable. Therefore, the five variables *could* all be declared together, as

```
unsigned char fib0, fib1, fib2, fibtemp, counter;
```

It would be up to the programmer to decide whether this format was preferable. One disadvantage is that it is less easy to add a comment per variable, should this be desired.

It is also possible to initialise a variable at the time of declaration. The following would be a possible format:

```
unsigned char fib0 = 0;    //lowest number
unsigned char fib1 = 1;    //middle number
unsigned char fib2 = 1;    //highest number
```

Again, it would be up to the programmer to decide whether this format gave any advantage.

```

/*****
Fibonacci
In a Fibonacci series each number is the sum of the two previous numbers.
This program calculates Fibonacci numbers within an 8-bit range,
Files c018i.o and p18f2420.lib are included by the Linker Script.
Program intended for simulation only, hence no input/output.
TJW 21.10.05                               Tested 23.10.05
;*****/

#include <p18f2420.h>

//these memory locations hold the Fibonacci series
unsigned char fib0; //lowest number
//              (oldest when going up, newest when reversing down)
unsigned char fib1; //middle number
unsigned char fib2; //highest number
unsigned char fibtemp; //temporary location for newest number
unsigned char counter; //indicates which value series has reached
void main (void)
{
    fib0 = 0;
    fib1 = 1;
    fib2 = 1;
    counter = 3; //have preloaded the first three numbers, so start at 3
    loop:
    do
    {
        fibtemp = fib1 + fib2;
        counter = counter + 1;
//now shuffle numbers held, discarding the oldest
        fib0 = fib1; //first move middle number, to overwrite oldest
        fib1 = fib2;
        fib2 = fibtemp;
    }
    while (counter<12);
//when reversing down, we will subtract fib0 from fib1 to form new fib0
    do
    {
        fibtemp = fib1 - fib0; //latest number now placed in fibtemp
        counter = counter - 1;
//now shuffle numbers held, discarding the oldest
        fib2 = fib1; //first move middle number, to overwrite oldest
        fib1 = fib0;
        fib0 = fibtemp;
    }
    while (fib0>0);
    goto loop;
}

```

Program Example 14.2: The Fibonacci series generator

14.7.2 The ‘do-while’ construct

There are two loops in the Fibonacci program. These are constructed here using the **do** and **while** keywords. The block of code following the **do** word is executed as long as the **while** condition (**counter** < **12** for the first loop) is ‘true’, i.e. it has a non-zero value. In such a loop, the **do** code is always executed at least once before the **while** condition is tested. This is different from a **while** loop, which will not execute even once if its condition is not true on entry.

When reversing down the series, the loop is repeated until **fib0** has been found to have reached a value of 0, using another test in a **while** statement.

14.7.3 Labels and the 'goto' keyword

Immediately before the first **do** loop there appears the expression **loop:**. This is a label, identified by its terminating colon. The last line of the program returns execution to **loop:**, using the keyword **goto**. The only application of such labels is as targets for **goto** instructions; they are not used for any other purpose. A **goto** causes unconditional branching within a given function; it cannot branch to another function. The **goto** branch is not much loved in C circles, as its uncontrolled use leads to unstructured programs. We will see a better way to construct continuous loops in Section 15.4.1.

14.7.4 Simulating the Fibonacci program

As always, it is worth simulating this program. Copy the program from the book's companion website into an appropriate project and simulate with MPLAB SIM. Open a Watch window, with **PCL** and all variables displayed. Single-step through the program and, once in **main**, observe how the looping is controlled. Notice that when **counter** reaches 12, the **do** code block is completed before execution moves to the lower loop. An alternative structure for this loop is explored in Chapter 15 and seen in Program Example 15.2.

14.8 The MPLAB C18 libraries

We close this chapter with a survey of the library functions available in the C18 compiler. The compiler has an extensive set of libraries, which reflects both the C Standard Library, as well as many functions specific to the PIC environment. Most programs written using the compiler will almost inevitably use at least one of these functions, if not many. Certainly, *all* example programs from this point on use library functions.

Each library function has its own entry in the libraries reference manual [Ref. 14.3]. This indicates the action of the function, the arguments to be passed, the return type and any header file which must be included. The functions fall into the categories described in the following sections.

14.8.1 Hardware peripheral functions

These are a set of functions which relate to the microcontroller peripherals. There are functions for enabling and configuring a peripheral, changing its mode of operation, reading it and disabling it. For the ADC, for example, the functions shown in Table 14.1 are available. It can be seen (by reference to Section 11.3 of Chapter 11 if necessary) that these provide all the functionality which would normally be required when using the ADC. The actual setting is conveyed in the function arguments, which are detailed in the libraries manual [Ref. 14.3]. A number of these functions are used in program examples in Chapter 16.

TABLE 14.1 C18 library analog-to-digital converter functions

Function	Action
<code>OpenADC()</code>	Configures the ADC
<code>SetChanADC()</code>	Selects the channel to be used
<code>ConvertADC()</code>	Starts an ADC conversion
<code>BusyADC()</code>	Tests whether ADC is currently busy
<code>ReadADC()</code>	Reads the result of an ADC conversion
<code>CloseADC()</code>	Disables the ADC

The peripherals can, of course, still be manipulated directly through their SFRs, but usually the library function makes programming easier, more visible and more reliable. Knowledge of the detail of the SFRs remains important and in some cases still essential. This helps to interpret how the function parameters should be set.

These functions are unique to the C18 compiler and do not exist in the C Standard Library.

14.8.2 The software peripheral library

This library provides drive functions for a number of external devices which can be included in a system. These include the Hitachi HD44780 LCD driver (see Chapter 8), the MCP2510 CAN (Controller Area Network – described in Chapter 20) interface, as well as functions for generating serial interchange in software.

Like the hardware peripheral library, these functions are unique to the C18 compiler and do not exist in the C Standard Library.

14.8.3 The general software library

The functions in this library are a mix of functions from the C Standard Library and ones specific to Microchip. They fall into the following categories:

Character classification

These functions match the requirements of the Standard C **ctype** Library and provide tests for characters to determine their nature. Examples are shown in Table 14.2.

TABLE 14.2 Example character classification functions

Function	Action
<code>isalnum()</code>	Determines if character is alphanumeric
<code>isalpha()</code>	Determines if character is alphabetic
<code>iscntrl()</code>	Determines if character is control
<code>isdigit()</code>	Determines if character is decimal digit

TABLE 14.3 Example string/character conversion functions

Function	Action
<code>atop()</code>	Converts string to signed byte
<code>atof()</code>	Converts string to floating point value
<code>atoi()</code>	Converts string to 16 bit signed integer
<code>atol()</code>	Converts string to long integer
<code>itoa()</code>	Converts 16 bit signed integer to string

Data conversion

These functions provide conversion between one form of data representation and another. This can be extremely useful in the embedded environment, as we convert data from binary form to a string of characters for display, or alternatively read a string in from a keypad and convert to binary. Examples are shown in [Table 14.3](#). They represent a mix of standard C functions and C18 ‘specials’.

Memory and string manipulation

This set of functions allows the manipulation of memory. Most are drawn from the C Standard Library, although there are some small differences. Example functions are shown in [Table 14.4](#).

Delays

All the delay functions available are listed in [Table 14.5](#). The first is a fixed single-cycle delay, compiling just as a **nop** (no operation) instruction. All the others allow a programmable delay,

TABLE 14.4 Example C18 general software library memory functions

Function	Action
<code>memchr()</code>	Searches for a value in a specified memory area
<code>memcmp()</code>	Compares the contents of two arrays
<code>memcpy()</code>	Copies a buffer from data or program memory to data
<code>memset()</code>	Initialises an array with repeated memory value

TABLE 14.5 C18 general software library delay functions

Function	Action
<code>Delay1TCY()</code>	Delay in one instruction cycle
<code>Delay10TCYx()</code>	Delay in multiples of 10 instruction cycles
<code>Delay100TCYx()</code>	Delay in multiples of 100 instruction cycles
<code>Delay1KTCYx()</code>	Delay in multiples of 1000 instruction cycles
<code>Delay10KTCYx()</code>	Delay in multiples of 10 000 instruction cycles

TABLE 14.6 Example C18 general software library reset functions

Function	Action
isBOR()	Determines if brown out was the cause of reset
isLVD()	Determines if low voltage was the cause of reset
isMCLR()	Determines if master clear was the cause of reset
isPOR()	Determines if power on was the cause of reset

TABLE 14.7 Example C18 maths library functions

Function	Action
sin()	Computes the sine
cos()	Computes the cosine
tan()	Computes the tangent
sqrt()	Computes the square root
log10()	Computes the log to the base 10
pow()	Computes the exponential x^y

based on the instruction cycle time of the microcontroller. This provides a very useful facility in the embedded environment.

Reset

These functions allow the programmer to test a source of reset, from information provided in the 18 Series **RCON** register (Figure 12.14). Example functions are shown in Table 14.6.

14.8.4 The maths library

This library provides the mathematical functions required in the C Standard Library. Variables are generally floating point. Examples are shown in Table 14.7.

14.9 Further reading

When studying C, it is worth noting the different types of references that are available, which can be used to broaden one's knowledge of the language. Some, like Ref. 14.4, give a general introduction to C.

Often, these are very much in the context of programming with a desktop computer, with emphasis on data input from keyboard and output to computer screen. There are also a number

of useful reference books, like Ref. 14.5. These give complete reference information on the language without attempting to structure the material as a teaching text. It can be very useful to have easy access to one of these, to check details of syntax and so on. There are also a number of books targeted at the embedded environment, such as Refs 14.6 and 14.7. These get much closer to our interest here. They do, however, tend to be microcontroller- or compiler-specific, and in their detail are somewhat less useful when applied to a different processor.

Summary

- Although it is a high-level language, C contains features that allow it to be extremely effective at the embedded system level. It remains the high-level language of choice for many embedded applications.
- The core features of C are comparatively simple and logical, and can be learned without too much difficulty.
- The MPLAB C18 C compiler is a powerful software tool, drawing on the strengths of the C language but optimised for the PIC 18 Series.
- The MPLAB C18 C compiler can be used as a tool within the MPLAB IDE. Thus, all the expertise that a developer has with this environment can immediately be applied to the development of C programs.
- Writing in C requires a combination of knowledge of the language itself, along with the library functions that are available for the compiler and processor that are in use. There is a rich collection of library functions in the C18 compiler, providing general utilities, peripheral control, data manipulation and mathematical functions.

References

- 14.1. MPLAB C18 C Compiler Getting Started (2005). Microchip Technology Inc., Document no. DS51295F.
- 14.2. MPLAB C18 C Compiler User's Guide (2005). Microchip Technology Inc., Document no. DS51288J.
- 14.3. MPLAB C18 C Compiler Libraries (2005). Microchip Technology Inc., Document no. DS51297F
- 14.4. Austin, M. and Chancogne, D. (1999). *Engineering Programming in C, Matlab and Java*. Wiley. ISBN 978-0-471-00116-4.
- 14.5. Prinz, P. and Kirch-Prinz, U. (2003). *C Pocket Reference*. O'Reilly. ISBN 978-0-596-00436-1.
- 14.6. Pont, M. J. (2002). *Embedded C*. Addison-Wesley. ISBN 978-0-201-79523-3.
- 14.7. Van Sickle, E. (2003). *Programming Microcontrollers in C*, 2nd edn. Elsevier. ISBN 978-1-878707-57-4.

C and the embedded environment

The C programming language was introduced, in overview, in Chapter 14. This chapter now aims to start applying that skill to writing real embedded C programs. It begins with that most essential of embedded requirements, the manipulation of individual bits, and then moves on to interaction with peripherals. While doing this, many more details of C are introduced, as they come up in example programs.

Examples in this chapter are mostly applied to the Derbot-18 AGV. They can all be simulated, so it does not matter too much whether or not you have the hardware. Most are unashamed reworkings of the Assembler programs which have appeared earlier in the book. By adapting Assembler programs, a comparison can be made between the different programming languages, and the reader who is working through the book is on familiar territory as far as the target hardware is concerned.

By working through this chapter, you should develop a good understanding of:

- How to access and manipulate single bits.
- How to write simple functions and call them.
- How to invoke library functions, including those for control of the microcontroller peripherals.
- How to give some structure to C programs, making appropriate use of functions, and looping and branching constructs.

15.1 The main idea – adapting C to the embedded environment

Now we have adopted a high-level language (HLL), it is as if we are seeking the best of both worlds. We want the benefits of the HLL, but we retain our determination to work close to the hardware – setting up peripherals, setting or clearing individual port bits, and ultimately setting up and responding to multiple interrupts. This tension is resolved in interesting ways, which we now begin to explore.

15.2 Controlling and branching on bit values

Program Example 14.1 illustrated in a very simple way the use of the microcontroller ports. This relied on the port SFRs (Special Function Registers) being declared in the header file, the data direction being set up by writing to the TRIS register, and then moving data to the port by writing a whole byte.

Fundamental to developing programs for embedded systems is, of course, the ability to read and set single bits. Program Example 15.1, which moves the state of the microswitches on the Derbot to the LEDs, demonstrates how this is done in C. Essentially, it rewrites Program Example 7.1. As it must, the program contains a **main** function. It also contains two user-defined functions, **initialise()** for initialisation and **diagnostic()** for diagnostics. Both can be seen in the program listing. In implementing the diagnostic flashing of the LEDs, the program also makes use of a C18 library function. The way the functions are used will be discussed in Section 15.3.

15.2.1 Controlling individual bits

The bits of each port are defined in the microcontroller header file, using a C structure that is described in Section 17.9. For the purposes of this program, it is enough to recognise that a port bit can be specified by the format **PORTxbits.Rxy**, where **x** indicates the port and **y** the bit in that port. As an example, the diagnostic function lies at the end of the program listing. In it, we see bits 5 and 6 of Port C being set to Logic 1 in the lines:

```
PORTCbits.RC6 = 1;
PORTCbits.RC5 = 1;
```

With this simple step we now have the ability to set or clear individual bits in a register, as long as they have been previously declared. As all microcontroller SFRs and their bits are declared in the header file, this represents a great step forward.

15.2.2 The ‘if’ and ‘if–else’ conditional branch structures

The action in this program is built around a conditional **if–else** branching structure. This allows a program to contain a choice between two separate paths of action. An example of the structure appears in the **main** function, as quoted here:

```
if (PORTBbits.RB4 == 0) PORTCbits.RC6 = 0;
else PORTCbits.RC6 = 1;
```

This can be interpreted as: *if bit 4 of Port B is at Logic 0, then set bit 6 of Port C to 0; otherwise (else) set it to 1.* A block of code, rather than just a single line, can also be

```

/*****
Sw_to_led_18C
Runs on Derbot-18. Moves state of front microswitches to leds
Files c018i.o and p18f2420.lib are included by the Linker Script.
TJW 22.10.05 rev. 24.5.09          retested 24.5.09
*****/
Clock is 4MHz
Configuration Word all default, except: crystal oscillator (HS),
power-up timer on, brown-out detect off, WDT off, LV Program disabled*/

#include <p18F2420.h>
#include <delays.h>          //header file for delays

//Function Prototypes (Library prototypes are in Header files)
void initialise (void);
void diagnostic (void);

void main (void)
{
    initialise();          //call initialise function
    diagnostic();         //call diagnostic function

//move microswitch states to diag leds loop:
    if (PORTBbits.RB4 == 0)
        PORTCbits.RC6 = 0;
    else PORTCbits.RC6 = 1;

    if (PORTBbits.RB5 == 0)
        PORTCbits.RC5 = 0;
    else PORTCbits.RC5 = 1;

    goto    loop;
}

//Initialises SFRs, and sets initial outputs.
//Assumes hardware is "Build Stage 1". All unused port bits set to output.
//Mod. in App. 3 optional here, and makes no difference.
void initialise (void)
{
    TRISA = 0b00000000; //All bits output (none used in this program)
    TRISB = 0b00110000; //Bits 5 and 4 (microswitches) only are input
    TRISC = 0b10000000; //All bits output, except bit 7 (mode switch)
                                //Switch all
outputs off
    PORTA = 0;
    PORTB = 0;
    PORTC = 0;
}

//Diagnostic: switches leds on for 1s (Tcy = 1us)
void diagnostic (void)
{
    PORTCbits.RC6 = 1;
    PORTCbits.RC5 = 1;
    Delay10KTCYx (100);
    PORTCbits.RC6 = 0;
    PORTCbits.RC5 = 0;
    Delay10KTCYx (100);
}

```

Program Example 15.1: Derbot – moving microswitch states to LEDs

associated with either the **if** and/or the **else**, in which case it must be enclosed in curly brackets. For example:

```
if (PORTBbits.RB4 == 0)
{
    PORTCbits.RC6 = 0;
    PORTCbits.RC0 = 1;
}
else PORTCbits.RC6 = 1;
```

This would cause two Port C bits to change, if Port B bit 4 was found to be zero.

It is also possible to use the **if** structure on its own. In this case there is no alternative action if the condition tested is not true. An example is:

```
if (PORTBbits.RB4 == 0) PORTCbits.RC6 = 0;
if (PORTBbits.RB5 == 0) PORTCbits.RC5 = 0;
```

In this case, Port C bit 6 is set to 0 if Port B bit 4 is at 0, but no action is taken if Port B bit 4 is at Logic 1. The same can be seen to happen in the line which follows, with bit 5 of each port.

Notice in these examples how the assignment operator '=' and the equal to operator '==' are used. As we have seen, the first is used to assign a value to a variable. The second is used, within the **if** construct, to test whether a variable is equal to a particular value.

15.2.3 *Setting the configuration bits*

Settings for the configuration bits are indicated in the program listing. For the time being, these should be set in the MPLAB Configuration Bits window, as seen in Figure 13.17. Don't forget to 'unclick' the 'Configuration bits set in Code' option. This is not, of course, a very satisfactory procedure and in Chapter 17 we will see a way of embedding the settings in the program. Note that the settings in the window can be returned to their default conditions by right-clicking in the window and clicking Reset to Defaults in the dialogue box.

15.2.4 *Simulating and running the example program*

It is interesting to simulate this program in the MPLAB simulator. Having created and built the project, set up the simulation with the following steps.

- In MPLAB, select the simulator with Debugger > Select Tool > MPLAB SIM.
- Open a Watch window and select Port B and Port C as variables for display.

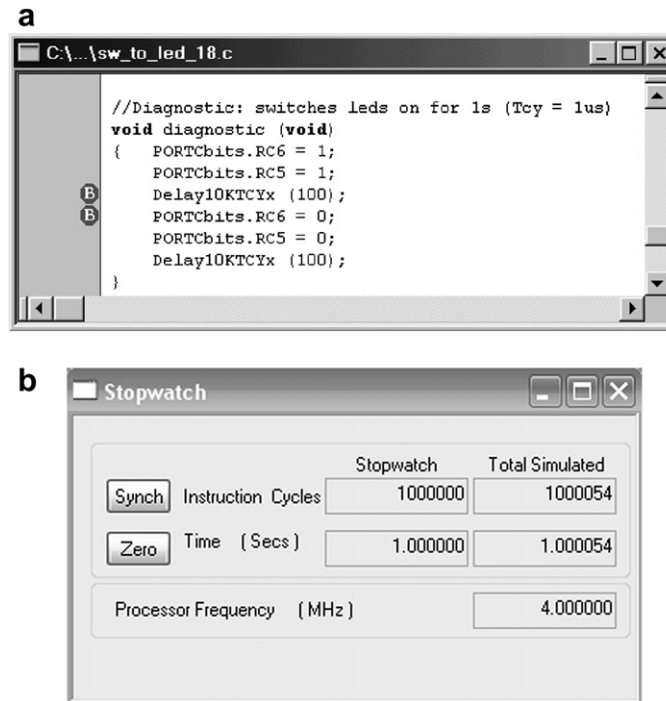


Figure 15.1: Simulation settings for Program Example 15.1. (a) Suggested breakpoints in diagnostic function. (b) Stopwatch, after completion of delay function

- Set up a stimulus controller and simulate inputs for the microswitch inputs, RB5 and RB4, with Toggle as the Action.
- Place breakpoints in the **diagnostic()** function, as shown in Figure 15.1(a).
- Use Debugger > Settings > Osc/Trace, to set the Processor Frequency to 4 MHz.
- Use Debugger > Stopwatch to display the Stopwatch window, as shown in Figure 15.1(b).

Now reset and run the program to the first breakpoint, which will be the first in Figure 15.1(a). At this point zero the Stopwatch and then run to the next breakpoint. This is just the line below. To get there, however, the program has to execute the **Delay10KTCYx()** function. The Stopwatch should now be exactly as shown in Figure 15.1(b). Exactly one second of simulated time has elapsed in execution of the function. This is a satisfying confirmation of the accuracy of this function.

Now set one further breakpoint in the line below the label **loop:**. Run the program to here and then single-step through the loop. Using the stimulus controller, change the values of the microswitch inputs (Port B bits 4 and 5) and observe how the program loop responds.

If you have the Derbot-18 hardware, download the program in the usual way. The program function is simple; the satisfaction comes from seeing your first C program running in hardware!

15.3 More on functions

Now that we have a program example with several functions, it is useful to pause to explore further the way functions are used. In particular, we need to know how a function is written, how it is called, how data is passed to it and how it is returned.

15.3.1 The function prototype

When **main** is not the only function in the program, it is necessary to include for every function a *function prototype*. This is a declaration which informs the compiler of the type of the function's argument(s), if any, and its return type. It is similar to the function header seen earlier and has the same general format. For example, the **Delay10KTCYx()** library function, described below, has the prototype shown in Figure 15.2. It can be seen that one argument is sent, an unsigned character, while no return value is expected.

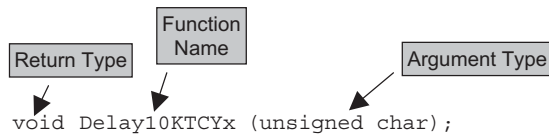


Figure 15.2: The **Delay10KTCYx()** prototype

Prototypes for library functions appear in the library header files and do not need to be repeated in the user code. In this case, the prototype just discussed can be found in the **delays.h** header file. Prototypes for the two user-defined functions in the program example can be seen towards the top of the program. This shows that neither expects a return value and neither carries any arguments.

15.3.2 The function definition

The actual code of a function is called the 'function definition'. It follows the format described in Section 14.2.5 of Chapter 14. The definition for the **Delay10KTCYx()** function is contained within the general software library (Table 14.5) and is merged with the main program at the time of linking.

The definitions for the two user-defined functions can be seen towards the end of the program listing. They are placed here for clarity. They can, however, be placed anywhere in the program listing, as long as they are not inside another function definition. These definitions are easy to follow.

The **initialise** function sets up the SFRs and initialises the ports to 0. Strictly speaking, initialising variables to 0 should be unnecessary as the ANSI standard requires it anyway. With C18 this is only done if the **c018iz.o** start-up utility is used (described later, in Section 17.7.1 of Chapter 17). We do *not* use this in the example programs in this book and variables are hence not initialised to zero as a matter of course. The **diagnostic** function sets bits 5 and 6 of Port C (the two LED output bits) to 1 and calls the delay function. It then clears the same bits to zero, before calling the same delay again.

15.3.3 Function calls and data passing

A function is called by quoting its name and placing the necessary arguments in the brackets which must follow. Where there are no arguments, the brackets must still be there, but can be left empty. The function calls in Program Example 15.1 are simple and self-explanatory. Notice that the parameter `100D` is passed to the delay function.

It is important to be aware of a number of features of function calls which are not evident from this particular example. Importantly, *a function call has the type and value of its return type*. This is an assertion of some significance! It means that a call can be inserted into an expression; the function is evaluated and its return value acts in its place in the expression. This is done several times in Program Example 16.1 and the programs which follow. An example from there is as follows:

```
ldr_rt = ReadADC( )&0x03FF;    // read it, AND out unwanted bits
```

Here the function call **ReadADC()** is placed within a statement. It is evaluated first and its return value then takes its place in the statement.

Remember also that any parameters passed to the function are *copied* to it, with the original value (if a declared variable) retained. It uses these in its internal execution to generate the return value. It does not in itself modify the value of the variable.

15.3.4 Library delay functions and 'Delay10KTCYx()'

All the delay functions available in the C18 general software library are shown in Table 14.5. These all have a function prototype of the form seen already for **Delay10KTCYx()**, with an unsigned character (i.e. 8-bit word) acting as the multiplier to set the actual delay.

The **Delay10KTCYx()** function used here allows the longest of the delays. It introduces a software delay in multiples of 10 000 instruction cycles, with a maximum of 255×10^4 cycles. Thus, with a clock running at 4 MHz and the variable expressed as 100 (as in this example), the total delay is $10\,000 \times 100 \times 1\ \mu\text{s}$, i.e. 1 second.

The `delays.h` header file, required for this function, can be seen included in the early stages of this program.

15.4 More branching and looping

15.4.1 Using the ‘break’ keyword

Now that we have a mechanism in C which gives access to individual register bits, we can make use of this in further bit testing and setting operations.

Returning to the Fibonacci program of Program Example 14.2, let us explore another way of constructing the first loop. The purpose of this loop is to generate the Fibonacci series, within the limits of the 8-bit number used (specified as type **unsigned char**). In Program Example 14.2 we did this in a rather artificial way, by limiting the number of values calculated to a known ‘safe’ maximum.

Try now replacing the first loop with the program section in Program Example 15.2. This establishes what appears to be a continuous loop, using a **while (1)** construct. Within the loop, however, is a possible exit strategy, based on the **break** keyword. The statement that it is part of tests the value of the Carry bit and causes an exit if it is high. If you simulate with this revised version, you will see that an exit from the loop is forced immediately following this statement, once the Carry bit goes high.

```

while (1)
{
    fibtemp = fib1 + fib2;
    if (STATUSbits.C == 1) break; //exit loop if Carry bit set
    counter = counter + 1;
    //now shuffle numbers held, discarding the oldest
    fib0 = fib1; //first move middle number, to overwrite oldest
    fib1 = fib2;
    fib2 = fibtemp;
}

```

Program Example 15.2: Alternative first loop for the Fibonacci program

Given a way of testing the Carry bit, one might ask – why not make this the **while** condition? The loop could then be started:

```

while (STATUSbits.C != 1) //loop while the Carry bit is not 1
{
    fibtemp = fib1 + fib2;
    ...
}

```

The problem here is that the condition is only tested at the end of the loop. By this time the addition has overflowed and incorrect numbers will have been loaded into at least one

location in the Fibonacci series. The loop could, of course, be restructured so that the addition was at the bottom of the loop and the test of the Carry bit then took immediate effect.

15.4.2 Using the 'for' keyword

The **for** keyword provides another means of 'packaging' conditions for a loop. It has the general format:

```
for (initialisation; condition; modification)  
    statement, or statements in braces
```

The three expressions within the **for** brackets, called here **initialisation**, **condition** and **modification**, are all defined by the programmer. Moving immediately to an example, the first loop in Program Example 14.2 could be rewritten as shown here:

```
for (counter = 0; counter < 12; counter = counter + 1)  
{  
    fibtemp = fib1 + fib2;  
    //now shuffle numbers held, discarding the oldest  
    fib0 = fib1; //first move middle number, to overwrite oldest  
    fib1 = fib2;  
    fib2 = fibtemp;  
}
```

In the first expression, **counter** is initialised to 0. This occurs only once, when the loop is entered. The condition tested is whether **counter** is less than 12, and the modification caused is an increment to the value of **counter**. This does not occur on the first loop iteration. When the program runs, the loop is repeatedly executed, with **counter** being incremented each time. When it is incremented to 12, this is immediately detected by the condition expression and no further loop iterations occur.

It is interesting to modify the Fibonacci program to contain this code, and simulate.

Any of the three expressions associated with **for** can be omitted. If the condition is left out, then there is no test and the loop is continuous. Initialisation and modifications can still, however, apply. A simple way of creating a continuous loop is by entering no expressions at all, giving:

```
for(;;)  
{...
```


This is a direct alternative to:

```
while(1)
{...
```

15.5 Using the timer and pulse width modulation peripherals

We turn now to controlling microcontroller peripherals through the use of library functions. To do this we will use the Derbot ‘blind navigation’ program, first introduced as Program Example 8.4. It is shown in a C version in Program Example 15.3. The program makes use of library functions for Timer 2 and PWM, and writes a number of functions of its own. These tend to replicate the subroutines of the original program.

The program simply causes the Derbot to run forward until it hits an obstacle, detected by a microswitch. It then reverses and turns, turning right if the left microswitch was hit and vice versa for the right microswitch. After this it returns to running forward. These simple moves require the use of the microcontroller PWM facility, which in turn requires the setting of Timer 2.

15.5.1 Using the timer peripherals

There are four 18FXX20 timers and for each of these there are four library functions. These are shown in Table 15.1, where *x* can be 0, 1, 2 or 3. Full details of their associated arguments are given in Ref. 14.3.

This program uses just one timer-related function, **OpenTimer2()**. It represents a style of peripheral drive library function that we shall see again. In this, the argument is made up of a bit mask, created by performing a logical AND of a number of settings. These are specified in the library reference [Ref. 14.3] and for this function are reproduced in Table 15.2. In this case three such settings must be chosen, for interrupt enable, prescale and postscale. These can be seen applied in the function call, as quoted here:

```
OpenTimer2 (TIMER_INT_OFF & T2_PS_1_1 & T2_POST_1_1);
```

This enables the timer, disables its interrupt and sets pre- and postscaler to divide-by-one. It effectively replaces the two Assembler lines shown below, quoted from Program Example 9.2:

```
movlw B'00000100' ; switch on Timer2, no pre or postscale
movwf t2con
```

```

/*****
Dbt_blind_Nav_PWM_C
Derbot moves by "blind" navigation.
Moves forward, and reverses and turns on bump.
Files c018i.o and p18f2420.lib are included by the Linker Script.
Fixed rate PWM applied to set reasonable speeds.
18F2420 mod applied (App.3)
TJW 22.10.05, rev. 24.5.09                      retested 24.5.09
*****/
Clock is 4MHz
Configuration Word all default, except: crystal oscillator (HS),
power-up timer on, brown-out detect off, WDT off, LV Program disabled*/

#include <p18F2420.h>
#include <delays.h>           //header file for delays
#include <timers.h>          //header file for Timers
#include <pwm.h>             //header file for PWM

/*function prototypes, reproduced from Header Files for information
void OpenPWM1 (char);
void OpenPWM2 (char);
void OpenTimer2 (unsigned char);
void Delay10KTCYx (unsigned char); */

//User-defined function prototypes
void diagnostic (void);
void leftmot_fwd (void);
void rtmot_fwd (void);
void rev_left (void);
void rev_rt (void);

void main (void)
{
/*Initialises SFRs, and sets initial outputs. Assumes hardware is "Build Stage 2", with 18F2420 mod.
applied. All unused port bits set to output.*/
TRISA = 0b00000000;    //All bits output, 5 is L motor enable.
TRISB = 0b00110000;    //Bits 5,4 are microswitches, 2 is R motor enable.
TRISC = 0b10000000;    //All bits output except 7 (mode switch),
ADCON1 = 0b00001111; //Set Port A for digital i/o

//Switch all outputs off
PORTA = 0;
PORTB = 0;
PORTC = 0;
//call diagnostic function
diagnostic(); //Enable PWM
OpenTimer2 (TIMER_INT_OFF & T2_PS_1_1 & T2_POST_1_1);
OpenPWM1 (0xFF); //Enable PWM1 and set period

OpenPWM2 (0xFF); //Enable PWM2 and set period

while (1)
{
//start motors
leftmot_fwd ();
rtmot_fwd ();

//test for bumps - reverse and turn if either microswitch closes
if (PORTBbits.RB4 == 0) //Test right uswitch
rev_left ();
if (PORTBbits.RB5 == 0) //Test left uswitch
rev_rt ();
Delay10KTCYx (10);
}
}

```

Program Example 15.3: Derbot 'blind navigation' program

```

/***** Motor
Drive Functions
*****/
void leftmot_fwd (void) //sets left motor running forward
{
CCPR2L = 196;
PORTAbits.RA5 = 1; //enable motor
}

void rtmot_fwd (void) //sets right motor running forward
{
CCPR1L = 196;
PORTAbits.RA2 = 1; //enable motor
}

void leftmot_rev (void) //sets left motor running in reverse
{
CCPR2L = 60;
PORTAbits.RA5 = 1; //enable motor
}

void rtmot_rev (void) //sets right motor running in reverse
{
CCPR1L = 60;
PORTAbits.RA2 = 1; //enable motor
}

void rev_rt (void) //reverses and then turns to right
{
PORTCbits.RC6 = 1; //set right led
PORTAbits.RA5 = 0; //stop motors
PORTBbits.RB2 = 0;
PORTBbits.RB1 = 1; //small bleep from sounder
Delay10KTCYx (50);
PORTBbits.RB1 = 0; //clear sounder
leftmot_rev (); //reverse both motors
rtmot_rev ();
Delay10KTCYx (200);
leftmot_fwd (); //left motor forward to turn
Delay10KTCYx (100);
PORTCbits.RC6 = 0; //clear led
}

void rev_left (void) //reverses and then turns to left
{
PORTCbits.RC5 = 1; //set left led
PORTAbits.RA5 = 0; //stop motors
PORTBbits.RB2 = 0;
PORTBbits.RB1 = 1; //small bleep from sounder
Delay10KTCYx (50);
PORTBbits.RB1 = 0;
leftmot_rev (); //reverse both motors
rtmot_rev ();
Delay10KTCYx (200);
rtmot_fwd (); //right motor forward to
turnDelay10KTCYx (100);
PORTCbits.RC5 = 0; //clear led
}

...
diagnostic function same as Program Example 15.1.
...

```

Program Example 15.3 cont'd

TABLE 15.1 Timer library functions

Function	Action
OpenTimerx()	Configures Timer <i>x</i>
ReadTimerx()	Reads Timer <i>x</i>
WriteTimerx()	Writes to Timer <i>x</i>
CloseTimerx()	Closes Timer <i>x</i>

In terms of code lines saved, the C version gives little advantage. The benefit lies elsewhere, however. Using library functions like these, the programmer no longer needs to get into the detail of the peripheral structure or of its SFR bits. Once the requirements of the function are understood, then a peripheral can be applied with limited understanding of its internal working.

15.5.2 Using pulse width modulation

The concept of PWM and the use of the peripheral were described in Section 9.5 of Chapter 9. The hardware is built around Timer 2 and can initially be difficult to understand. However, it ends up being easy to use. Table 15.3 shows the PWM library functions that are available for the 18FXX20 microcontroller, where *x* can take the value 1 or 2.

The **OpenPWMx()** function is used in Program Example 15.3, in the two lines copied here:

```
OpenPWM1 (0xFF); //Enable PWM1 and set period
OpenPWM2 (0xFF); //Enable PWM2 and set period
```

The function enables the CCP module in PWM mode and loads the **PR2** register, seen in Figure 9.11. Of course, the **PR2** register is shared between the CCP modules and can only be set to one value. Therefore, it is to be expected that the argument to both function calls is the

TABLE 15.2 Settings options for 'OpenTimer2()'

Value	Effect
Interrupt	
TIMER INT ON	Interrupt enabled
TIMER INT OFF	Interrupt disabled
Prescaler	
T2 PS 1 1	1:1 prescale
T2 PS 1 4	1:4 prescale
T2 PS 1 16	1:16 prescale
Postscaler	
T2 POST 1 1	1:1 postscale
T2 POST 1 2	1:2 postscale
...	...
T2 POST 1 16	1:16 postscale

TABLE 15.3 Pulse width modulation library functions

Function	Action
OpenPWMx()	Configures period and timebase of PWM <i>x</i>
SetDCPWMx()	Writes a 10 bit duty cycle value to PWM <i>x</i>
ClosePWMx()	Disables PWM <i>x</i>

same. To set the repetition rate, Equation (9.2) is applied. In this case, with no prescale on Timer 2 and a function argument of FF_H , a PWM frequency of 3.906 kHz results.

In this program example the **SetDCPWMx()** function is not used to set and change speed. As only 8-bit resolution is applied, the **CCPR1L** and **CCPR2L** registers are written to directly.

15.5.3 The main program loop

The main program loop is formed again with a **while (1)** construct. The microswitches are tested in turn with an **if** statement, as shown here:

```
if (PORTBbits.RB4 == 0)    //Test right uswitch
    rev_left ();
if (PORTBbits.RB5 == 0)    //Test left uswitch
    rev_rt ();
```

If either microswitch is activated, its associated input value is 0. Then either **rev left** or **rev rt** is called. It should not be too difficult to follow either of these functions through. The AGV pauses and both motors are then set in reverse for a fixed period. Then one or the other is set forward (while the other continues in reverse) to cause a turn. Program execution then returns to the main loop and the AGV moves forward again. This loop makes use of the motor drive functions, as well as the **Delay10KTCYx()** function.

Summary

This chapter has begun to show how C can, in a practical way, be applied to the embedded environment and the PIC 18 Series microcontroller.

- Individual bits in memory registers can easily be accessed and manipulated.
- There are a variety of branching and looping constructs which allow clearly defined program flow.
- It is easy to identify and use library functions; these greatly simplify interaction with the microcontroller peripherals.
- It is not difficult to write and use functions; a well-structured program will locate distinct tasks in functions, with the main program showing a high number of function calls.

Acquiring and using data with C

Having established a grounding in the world of embedded C, it is now appropriate to explore how C can be applied to the acquisition – and then the manipulation – of data.

The first point of interest will be to interface to the ADC peripheral with C. We will find that there are a number of useful library functions that ease this task. Having acquired some data, we will need to consider how it can be stored and manipulated. This will lead us into the field of C arrays and strings. As we will need to move data around, it will be appropriate to look at how to use the I²C peripheral. As overall this can become a complex field of study, and we are only working at an introductory level, only integer data manipulation will be considered.

As in the previous chapter, examples will mostly be applied to the Derbot-18 AGV, but all can be simulated to good effect.

At the end of the chapter, you should have a good understanding of:

- How to invoke library functions for use with the 18FXX20 ADC and I²C peripherals.
- How to work with arrays, strings and pointers.
- How to invoke library functions which facilitate string manipulation.

16.1 The main idea – using C for data manipulation

One of the strengths of C lies in its ability to work with data. It defines data types, controls data movement and protects data from unwanted changes. In its use in the desktop computer environment, it has many library functions that are designed to make it easy to move blocks of data around. We will see a few of these capabilities in this chapter, applied to the embedded environment. While it has already been mentioned that we will be using only integer data in this chapter for reasons of simplicity, it is also worth stating that floating-point routines on an 8-bit microcontroller like the 18 Series are rather time-consuming in execution. This gives another reason to avoid them, except in situations where it is absolutely necessary.

16.2 Data acquisition in C

Program Example 16.1 provides a more substantial example of C programming, again for the Derbot-18 AGV. It is the light-seeking program, first introduced in Assembler as Program Example 11.3. With its three light-dependent resistors (LDRs), the Derbot seeks light, coming to a halt when all sensors are at a similar light level. The program provides useful further examples of conditional branching and introduces use of the ADC. Note that some line numbers are embedded within the comments.

16.2.1 *The light-seeking program structure*

With this increase in program complexity, it is useful to pause to look at the program layout. There are varied practices adopted for this; the goal of each is program clarity. The practice adopted here, where there are nested code blocks, is for the opening brace of each nested block to be indented one step to the right. Notice first the opening brace of the **main** function, which is fully left. Then note the position of the opening brace of the major **while** loop starting at line 83. This is indented one tab to the right. Further code blocks within this are indented further right again, with matching braces always lying directly below each other. The end of the **while** loop and end of **main** are both commented, and in this layout fairly easy to see. The position of a ‘fully left’ pair of braces in this book is generally reserved for the **main** function. Therefore, the braces for the smaller functions are indented, but still paired vertically. Major comments are given a full line or lines, while smaller comments are just placed to the right of the code.

This program, with around 20 functions, illustrates how functions proliferate as complexity increases. Around half are from the libraries, while the rest are user-defined. Function prototypes for the library functions appear in the associated header files and are thus not needed in the source file. They are, however, copied in as comments here, just for information. Prototypes for the others are included for real.

The **main** function starts with initialisation followed by the diagnostic function, in the usual way. The program then enters a continuous loop, making use of the **while** keyword. Within this it first tests the front microswitches, responding if necessary in the way seen in Program Example 15.3. It then follows broadly the flow diagram of Figure 11.13.

16.2.2 *Using the 18F2420 analog-to-digital converter*

The 18F2420 ADC was described in overview in Section 13.17; the C functions we can use to control it are shown in Table 14.1. Some of these are different for different 18 Series ADC versions, so it is important to choose the correct one by consulting Ref. 14.3.

```

/*****
Dbt_light_seek_c
Derbot seeks light. PWM applied. Speed is dependent on light difference
(front to back), so Derbot comes to a halt when light difference is minimal.
Microswitches used for bump detection. 18F2420 mod. applied (App.3).
Files c018i.o and p18f2420.lib are included by the Linker Script.
TJW 12.11.05, rev. 31.5.09                      Tested 17.5.09
*****
Clock is 4MHz. Configuration Word, to be set in MPLAB: crystal oscillator (HS),
WDT off, power-up timer on, low voltage program disabled, code protect off,
all others default*/

#include <p18F2420.h>
#include <adc.h>
#include <timers.h>
#include <pwm.h>
#include <delays.h>

/*function prototypes, reproduced from Header Files for information
void OpenPWM1 (char);
void OpenPWM2 (char);
void OpenTimer2 (unsigned char);
void Delay10KTCYx (unsigned char);
void Delay10TCYx (unsigned char);
void OpenADC (unsigned char config,unsigned char config2,unsigned char portconfig);
void SetChanADC (unsigned char);
void ConvertADC(void);
char BusyADC(void);
int ReadADC(void);                               */

//User-defined function prototypes
void leftmot_fwd (void);
void rtmot_fwd (void);
void leftmot_rev (void);
void rtmot_rev (void);
void rev_left (void);
void rev_rt (void);
void rotate_rt (void);
void rotate_left (void);
void diagnostic (void);
void fwd_to_light (void);

//Declare Variables
int ldr_rt;           //right ldr value
int ldr_left;        //left ldr value
int ldr_rear;        //rear ldr value
int ldr_ave;         //computed average of front ldrs
int ldr_diff;        //difference between front ldrs, left - right
int ldr_fwd;         //ave fwd speed required
int fwd_dr_left;     //offset added to left PWM for fwd motion
int fwd_dr_rt;       //offset added to right PWM for fwd motion

//Main Program
void main (void)
{
//Initialise. Active bits identified. Unused bits set as outputs.
TRISA = 0b00001111; //4 ADC channels set as inputs, tho ch 2 is unused
//bit 5 is motor enable
TRISB = 0b00110000; //bits 4 & 5 are uswitch inputs, bit 2 rt motor enable
TRISC = 0b10000000; //bit 7 is mode switch, 1 & 2 are PWM
//Enable Timer 2, with pre- and post-scalers divide-by-1
OpenTimer2 (TIMER_INT_OFF & T2_PS_1_1 & T2_POST_1_1);
OpenPWM1 (0xFF); //Enable PWM1 and set period
OpenPWM2 (0xFF); //Enable PWM2 and set period
//Enable ADC. oscillator divided by 4, right justify result, ac time is 2TAD,
//interrupt off, internal reference, Port A bits 0-3 are analog input
OpenADC(ADC_FOSC_4&ADC_RIGHT_JUST&ADC_2_TAD,ADC_CH0&ADC_INT_OFF&ADC_VREFPLUS_VDD&
ADC_VREFMINUS_VSS,11);

```

Program Example 16.1: Derbot light-seeking program


```

//Switch all outputs off
    PORTA = PORTB = PORTC = 0;
//call diagnostic function
    diagnostic();
//enable motors at idle speed
    CCP1L = CCP2L = 0x80;
    PORTAbits.RA5 = 1;
    PORTBbits.RB2 = 1;

//*****
//this is main loop.
//*****
while (1)
{
//Line 83 check first for collisions
    if (PORTBbits.RB4 == 0) //Test right uswitch
        rev_left ();
    if (PORTBbits.RB5 == 0) //Test left uswitch
        rev_rt ();
//Read and store all ldr values
//left channel
    SetChanADC (ADC_CH0);
    ConvertADC();
    while (BusyADC()); //wait for conversion to complete
    ldr_left = ReadADC()&0x03FF; // read it, AND out unwanted bits
    ldr_left = 1024 - ldr_left; //reverse polarity
//right channel
    SetChanADC (ADC_CH1);
    ConvertADC();
    while (BusyADC());
    ldr_rt = ReadADC()&0x03FF; // read it, AND out unwanted bits
    ldr_rt = 1024 - ldr_rt; //reverse polarity
//rear channel
    SetChanADC (ADC_CH3);
    ConvertADC();
    while (BusyADC());
    ldr_rear = ReadADC()&0x03FF; // read it, AND out unwanted bits ;
    ldr_rear = 1024 - ldr_rear; //reverse polarity
//Line 107 Compute some intermediate variables
    ldr_diff = (ldr_left - ldr_rt); //difference between ldrs
    ldr_ave = (ldr_left + ldr_rt); //average front two ldrs
    ldr_ave = (ldr_ave>>1); //divide this +ve no. by 2
    ldr_fwd = ldr_ave - ldr_rear; //front to back differential - to set forward speed
    if (ldr_fwd < 0) ldr_fwd = 0; //set minimum value
//determine action, by comparing LDR readings
    if (ldr_left > ldr_rt)
    {
        if (ldr_left > ldr_rear)
            fwd_to_light(); //ldr_left is brightest, go forward left
        else rotate_left (); //rear is brightest, rotate towards light
    }
    else
    {
        if (ldr_rt > ldr_rear)
            fwd_to_light(); //ldr_rt is brightest, go forward right
        else rotate_rt (); //rear is brightest, rotate towards light
    }
    Delay10KTCYx (10);
} //end of while
} //end of main

//*****
Movement Functions
One of these functions selected every loop iteration
//*****
/*light is somewhere in front, hence move towards it.
A high reading on the right LDR leads to a strong drive to left
motor, and vice versa. Algorithm is:

```

```

fwd drive left = ldr_fwd - ldr_diff, fwd drive right = ldr_fwd + ldr_diff*/
void fwd_to_light (void)
{
    fwd_dr_left = ldr_fwd - ldr_diff;
    if (fwd_dr_left < 0) fwd_dr_left = 0; //set to zero if -ve
    fwd_dr_left = fwd_dr_left>>1;      //rotate right to scale down drive value
    if (fwd_dr_left > 127) fwd_dr_left = 127; //limit maximum value
    fwd_dr_rt = ldr_fwd + ldr_diff;
    if (fwd_dr_rt < 0) fwd_dr_rt = 0;    //set to zero if -ve
    fwd_dr_rt = fwd_dr_rt>>1;          //rotate right to scale down drive value
    if (fwd_dr_rt > 127) fwd_dr_rt = 127; //limit maximum value
    CCP1L = 0x80 + fwd_dr_rt;    //set right motor
    CCP2L = 0x80 + fwd_dr_left;  //set left motor
}

//fixed speed left rotation (light is at rear left)
void rotate_left (void)
{
    rtmot_fwd ();
    leftmot_rev ();
}

//fixed speed right rotation (light is at rear right)
void rotate_rt (void)
{
    leftmot_fwd ();
    rtmot_rev ();
}

/*****
Motor Drive Functions
*****/
...
(same functions as Program Example 15.3 - blind navigation program) ...

```

Program Example 16.1 cont'd

This program uses all but one of the ADC functions. The most complex of these is **OpenADC**, whose function prototype is quoted early in the program and repeated here:

```
void OpenADC (unsigned char, unsigned char, unsigned char);
```

The three unsigned characters required as arguments are made up of bit masks, in a way similar to that described for the **OpenTimer2()** function in Section 15.5.1. The options for the ADC are more complex than for Timer 2. They are not reproduced here, but can easily be looked up in Ref. 14.3.

The function is used here as follows:

```
OpenADC (ADC_FOSC_4&ADC_RIGHT_JUST&ADC_2_TAD, ADC_CHO&ADC_INT
_OFF&ADC_VREFPLUS_VDD&ADC_VREFMINUS_VSS, 11);
```

This function makes the following settings:

- The ADC conversion speed is set. With a minimum specified conversion clock cycle time (T_{AD}) of 0.7 μ s, the 4 MHz internal oscillator is divided by four to give a T_{AD} value of 1.0 μ s.
- The result is right-justified, as seen in Figure 11.9.

- The acquisition time was calculated in Section 13.17 as 1.5 μ s; this is therefore set to 2 T_{AD} .
- Channel 0 is currently selected. This has no impact on the program that follows.
- The interrupt is turned off.
- The power supply rails are selected as the reference voltage.
- Four channels are used for input, though channel 2 is not used. This sets up the lower four bits in register **ADCON1** to be 1011 (i.e. 11_D), as seen in Figure 13.25.

The use of this function has the same purpose as these 16F873A Assembler lines:

```
bsf          status, rp0
...
movlw       B'10000100' ;select port A bits 0,1,3 for analog input
movwlf     adcon1 ;right justify result
bcf          status, rp0
movlw       B'01000001' ;set up ADC: clock Fosc/8, switch ADC on but
           not ;converting,
movwlf     adcon0 ;input channel selection currently irrelevant
```

The conversion process which follows reflects the data acquisition flow diagram of Figure 11.5. It is repeated for each LDR and appears as reproduced here, in this case for channel 0:

```
SetChanADC (ADC_CHO);
ConvertADC();
while (BusyADC()); //wait for conversion to complete
ldr_left = ReadADC() & 0x03FF; //reverse polarity
ldr_left = 1024 - ldr_left; //reverse polarity
```

Here the functions used are fairly straightforward: **SetChanADC()** selects the input channel and the conversion is initiated with **ConvertADC()**. The **BusyADC()** function tests whether the conversion is still ongoing and returns a 1 if it is. Recall from Section 15.3.3 that a function call acts as its return value. Here the function call is embedded within the **while** construct. Its use causes the program to loop at that point until the conversion is complete.

The result of the conversion is then read with the **ReadADC()** function. The function is embedded within an expression, acting as its return value, which is the ADC result. This is a 10-bit value, with a consequent maximum possible value of 1023_D. The result is ANDed with 03FF_H to ensure that no higher bits are present in the reading. While this is probably an unnecessary move, it helps to illustrate how the function can be placed within an expression.

Due to the hardware configuration of the LDRs, the magnitude of the result *decreases* with increasing light intensity. To make the subsequent arithmetic simple, the result is then subtracted from its 10-bit maximum, 1024_D , so that the value of **ldr_left** increases with increasing light.

16.2.3 Further use of ‘if-else’

Following the data conversions, and having undertaken some intermediate calculations, the program then determines, from line 116, which (out of four) possible paths of action to take. In doing this, it is following the flow diagram of Figure 11.13. If one of the front LDRs is brightest, it will veer in that direction. If the rear LDR is brightest, it will rotate, either clockwise or anticlockwise. These decisions are made with three **if-else** tests, repeated below. It can be seen that the first **if** has an **if-else** nested within it, as does the corresponding **else**.

```
//determine action, by comparing LDR readings
if (ldr_left > ldr_rt)
{
  if (ldr_left > ldr_rear)
  fwd_left();    //ldr_left is brightest, go forward left
  else rotate_left ();    //rear is brightest, rotate towards light
}
else
{
  if (ldr_rt > ldr_rear)
  fwd_rt();    //ldr_rt is brightest, go forward right
  else rotate_rt ();
}
}
```

16.2.4 Simulating the light-seeking program

It is interesting to simulate this program with the MPLAB simulator, whether or not you have a Derbot. This allows examination of the branching that is used and the operations that are applied. Set up the simulation with the following steps.

- In MPLAB, select the simulator with Debugger > Select Tool > MPLAB SIM.
- Open a Watch window and select the variables shown in Figure 16.1 for display.
- Set up a stimulus controller and simulate inputs for the microswitch inputs, RB5 and RB4.

Address	Symbol Name	Hex	Decimal	Binary
0082	ldr_left	0028	40	00000000 00101000
0080	ldr_rt	0050	80	00000000 01010000
0084	ldr_rear	0064	100	00000000 01100100
008A	ldr_fwd	0000	0	00000000 00000000
0088	ldr_diff	FFD8	65496	11111111 11011000
0086	ldr_ave	003C	60	00000000 00111100
008C	fwd_dr_left	0000	0	00000000 00000000
008E	fwd_dr_rt	007F	127	00000000 01111111
0FB8	CCPR1L	50	80	01010000
0FBB	CCPR2L	B0	176	10110000
0FB1	PORTB	30	48	00110000

Figure 16.1: Watch window for ‘light-seeking’ simulation

- Using Debugger > Settings > Osc/Trace, set the Processor Frequency to 4 MHz. This is only important here because, if set too high, the simulator is clever enough to recognise and flag that the converter cycle time, T_{AD} (Chapter 11, Section 11.3.2), is too short.
- Insert breakpoints at lines 84 and 108.

Run the program to the first breakpoint. With the stimulus controller, ‘fire’ bits 4 and 5 of Port B to 1, to simulate the microswitches being inactive. Now run the program again to the breakpoint at line 108. The Output window will warn ‘No stimulus file attached to ADRESL for A/D’. Don’t worry about this.

Now enter in the Watch window the first set of trial values, for **ldr left**, **ldr right** and **ldr rear**, from Table 16.1. (Enter the decimal value for each and the other columns will follow.) From here, single-step through the program, using the ‘Step Into’ Debugger button. See how the correct function is chosen, **fwd to light** in this first case, and in the Watch window see the outcome of the calculations made. The results for each set of input figures are shown in the table. When you reach the first set of results, run the program back to the first breakpoint and then down to the second and enter another set of results. Continue to loop in this way, entering different trial results and observing the program response in terms of its calculations and looping.

TABLE 16.1 Trial values in the ‘light-seeking’ simulation

Condition	Input values from ADC (decimal)			Resulting action and values (decimal)		
	ldr left	ldr rt	ldr rear	Function selected	fwd dr left	fwd dr rt
left>right>rear	0100	0080	0040	fwd to light	015	035
right>left>rear	0080	0100	0040	fwd to light	035	015
left>>right>rear	0200	0040	0020	fwd to light	00	127
rear>left>right	0080	0040	0100	rotate left		
rear>right>left	0040	0080	0100	rotate right		

If you have a Derbot AGV, this is an entertaining program to run. It is enhanced later in this chapter by the addition of a display capability.

16.3 Pointers, arrays and strings

We saw in Chapter 14 how data elements were declared and used. Much data exists, however, in the form of ‘sets’ of variables, for example in a string of data being prepared to send to a display. In this section we look therefore at how sets of data can be defined and used, introducing ‘arrays’ and ‘strings’, and the ‘pointers’ which access them.

16.3.1 Pointers

Instead of specifying a variable by name, we can specify its address. In C terminology such an address is called a ‘pointer.’ A pointer can be loaded with the address of a variable by using the unary operator ‘&’, like this:

```
my_pointer = &fred;
```

This loads the variable **my pointer** with the ‘address’ of the variable **fred**; **my pointer** is then said to ‘point’ to **fred**.

Doing things the other way round, the value of the variable pointed to by a pointer can be specified by prefixing the pointer with the ‘*’ operator. For example, ***my pointer** can be read as ‘the value pointed to by **my pointer**’. The * operator, used in this way, is sometimes called the ‘dereferencing’ or ‘indirection’ operator. The indirect value of a pointer, for example ***my pointer**, can be used in an expression just like any other variable.

A pointer is declared by the data type it points to. Thus,

```
int *my_pointer;
```

indicates that **my pointer** points to a variable of type **int**.

Reflecting the Harvard memory structure of the PIC microcontroller, the C18 compiler allows pointers to be set up both for program memory and for data memory. The resulting size of the pointer is shown in [Table 16.2](#). The meanings of ‘near’ and ‘far’ in this context are described in [Section 17.6.5](#) of Chapter 17.

16.3.2 Arrays

An ‘array’ in C is defined as a set of data elements, each of which has the same type. Any data type can be used. Array elements are stored in consecutive memory locations. An array is declared with its name and data type. The number of elements can also be specified; for example, the declaration

TABLE 16.2 C18 pointer sizes

Pointer type	Pointer size
Data memory	16 bit
Near program memory	16 bit
Far program memory	24 bit

```
unsigned char message1[8];
```

defines an array called **message1**, containing eight characters. Alternatively it can be left to the compiler to deduce the array length, for example in the line here:

```
char item1[] = "Apple";
```

It is easy to recognise arrays by the use of the square brackets which follow the name.

Elements within an array can be accessed with an index, starting with value 0. Therefore, for the above array, **message[0]** selects the first element and **message[7]** the last. The index can be replaced by any variable which represents the required value.

Importantly, *the name of an array is set equal to the address of the initial element*. Therefore, when an array name is passed in a function, what is passed is this address.

16.3.3 Using pointers with arrays

Pointers can be set up to point at arrays using the operators just introduced. For example, the statement

```
ADC_val_ptr = &ADC_val_BCD[0];
```

assigns the address of the first element of the array **ADC val BCD** to the pointer **ADC val ptr**. This assignment, if desired, can be combined with the pointer declaration itself, as follows:

```
int *ADC_val_ptr = &ADC_val_BCD[0];
```

Following this assignment, the value of **ADC val BCD[0]** (the first element in the array) is equal to ***ADC val ptr** (the value pointed to by **ADC val ptr**). It follows that the values of **ADC val BCD[1]** and ***(ADC val ptr + 1)** are also equal, as are **ADC val BCD[2]** and ***(ADC val ptr + 2)**, and so on.

Because the name of the array is also its first address, the above assignment could be written as

```
ADC_val_ptr = ADC_val_BCD;
```

It follows further that `ADC val BCD[i]` is equivalent to `*(ADC val BCD + i)`, the name of the array effectively now being used as the pointer.

A further notational development is that the pointer can be used with an index. Thus, `ADC val ptr[i]` is the same as `*(ADC val ptr + i)`. It seems like the pointer and the array name are almost interchangeable, and that the pointer may be barely necessary. Remember, however, that the array name is a constant – the array is fixed in memory, whereas the pointer is a genuine variable, with all the properties of the variable.

16.3.4 Strings

A ‘string’ is a particular type of array, made of characters of type `char`, ending with the null character ‘\0’. The size of the string array must therefore be at least one byte more than the string itself, to accommodate this final character.

16.3.5 An example program: using pointers, arrays and strings

The slightly improbable [Program Example 16.2](#) demonstrates some of the ways in which arrays, strings and pointers are used. It has nothing to do with embedded systems and is for simulation only. An array of characters, called `list`, is declared, with each value preset to zero. A string, called `item1`, is declared, containing the word ‘Apple’. A similar one is declared, with the word ‘Pear’. A *single* character is declared, with the name `plural`. Notice that strings are contained within double inverted commas and characters within a single. Two pointers are defined. The first, `pntr1`, is set to the address of the first element of the `item1` string. The second, `pntr2`, is set to the address of the variable `number`.

16.3.6 A word on evaluating the ‘while’ condition

The `while` keyword was introduced in Section 14.2.8 of Chapter 14. While we have used it a number of times for endless loops, this is the first time that we use it in a conditional sense, in the line:

```
while (item1[counter] != 0) //indicate type of item
```

There is a similar usage a few lines later. Here we have spelled out the condition for looping: that the array element identified by the value of `counter` must not be equal to zero. We can in fact simplify this, as was explained in Chapter 14. The loop will continue executing as long as the conditional expression is ‘true’ (i.e. non-zero) and will be left when the expression is zero. Therefore, a simpler way of writing the `while` statement is:

```
while (item1[counter]) //indicate type of item
```

This will have an effect in the program identical to the original version of the line.


```

/*****
Strings&chars_c
This program, for simulation only, explores characters, strings and pointers.
Different combinations of fruit are calculated, always to a total of 9.
Files c018i.o and p18f2420.lib are included by the Linker Script.
TJW 29.11.05. rev. 17.5.09                      Tested 17.5.09
*****/

#include <p18F2420.h>

//data type definitions
char counter;                                //index for list
char list[9] = {0,0,0,0,0,0,0,0,0};
char number = 0;
char item1[] = "Apple";
char item2[] = "Pear";
char plural = 's';
char *pntr1 = &item1[0]; //Pointer to "Apple" string
char *pntr2 = &number;

// Main function
void main (void)
{
while (1)
{
    counter = 0;                                //Do apples
    list[counter] = number;                    //set index to list
    list[counter] = list[counter]|0x30;        //indicate number of apples
    list[counter+1] = 0x20;                    //convert to ASCII code
    while (item1[counter] != 0)                //insert a space
    {                                           //loop to indicate type of item
        list[counter+2] = *(pntr1+counter);
        counter = counter + 1;
    }
    if (number > 1) list[counter+2] = plural; // test and indicate if item is plural
    else list[counter+2] = 0x20;               //return item to single, with ASCII space

//Do pears
    counter = 0;                                //set index to list
    list[counter] = 9-number;                  //indicate number of pears
    list[counter] = list[counter]|0x30;
    while (item2[counter] != 0)                //loop to indicate type of item
    {
        list[counter+2] = *(item2+counter);
        counter = counter + 1;
    }
    if ((9-number)> 1) list[counter+2] = plural; //test and indicate if item is plural
    else list[counter+2] = 0x20;               //return item to single, with ASCII space
    list[counter+3] = 0x20;                    //insert further ASCII space
    number = *pntr2 + 1;
    if (number > 9)number = 0;
}
}

```

Program Example 16.2: Working with pointers, arrays and strings

16.3.7 Simulating the program example

Create a project round [Program Example 16.2](#) (the source code is on the book's companion website), build it and simulate with the MPLAB simulator.

Open a Watch window, showing the variables seen in [Figure 16.2](#). This gives an opportunity to see how the simulator handles the display of arrays. The figure shows that they can be displayed by name only, as with **item2**, or they can be expanded to a full listing, as with **list**

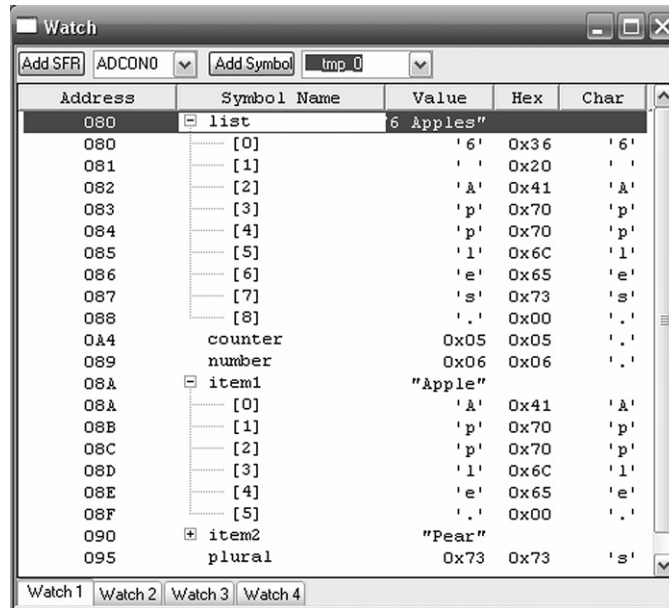


Figure 16.2: The Watch window for simulation of Program Example 16.2

and **item1**. Notice that **item1** has been created with six elements, the last one being a null character which the compiler has inserted.

Set breakpoints at the locations shown in Figure 16.3 and run the program down to the first. Then single step carefully through the program, noting the action of each line. There are two program sections, identified by the comments ‘Do apples’ and ‘Do pears’. The action of each section is essentially to populate the array **list** with a number and the type of commodity, i.e. apple or pear.

After initialising **counter**, the number is transferred to the first location in the array, with the line

```
list[counter] = number; //indicate number of items
```

```

B //Do apples
  counter = 0; //set index to list
  list[counter] = number; //indicate number of apples
  list[counter] = list[counter]|=0x30; //convert to ASCII code
  list[counter+1] = 0x20; //insert a space
  while (item1[counter] != 0) //loop to indicate type of item
  {list[counter+2] = *(ptr1+counter);
  counter = counter + 1;
  }
  if (number > 1) list[counter+2] = plural; // test and indicate if item is plural
  else list[counter+2] = 0x20; //return item to single, with ASCII space

B //Do pears
  counter = 0; //set index to list
  list[counter] = 9-number; //indicate number of pears
  list[counter] = list[counter]|=0x30;
  while (item2[counter] != 0) //loop to indicate type of item

```

Figure 16.3: Suggested breakpoint locations for Program Example 16.2

This uses the simplest form of array accessing, where the number contained in the square brackets indicates the array element. In this case, the first element of the array is assigned the value **number**. The following line converts this to ASCII code, by ORing with 30_H. An ASCII space is then inserted.

A **while** loop is now set up. A string is known to terminate with a null character, so a test is made for this. The ‘not equal to’ operator is used in this line:

```
while (item1[counter] != 0) //indicate type of item
```

As long as the character is not null, it is transferred from the string **item1** to the array **list**, in this line:

```
list[counter+2] = *(ptr1+counter);
```

The list element is again determined with an index in the squared bracket. Now the value of **counter** is offset by two, as its first two elements are already populated. The value assigned to it is the indirect value of **ptr1**, offset by the value of **counter**. When the end of the string has been reached, a test follows for whether the number of apples is greater than one. If so, an ‘s’ must be added to the commodity type. Otherwise, a space is inserted.

Notice that in the ‘Pears’ section of the program, the string is transferred in a different way. Now the array element in the **item2** string is determined using the array name as the base address, offset in turn by the value of **counter**. It is the indirect value of this calculated address which is transferred to the list.

Towards the end of the loop the value of **number** is incremented. On the right-hand side of the assignment, **number** is accessed by using the indirect value of its pointer, i.e. **number** itself.

```
number = *ptr2 + 1;
```

Single-step through this program until you understand what each line of code is doing. Then run it from breakpoint to breakpoint and see how the contents of the **list** array updates in each loop iteration.

One thing may strike you as a little odd – that the strings we have defined have found their way into data memory, as the Watch window indicates. Normally, we expect to find such strings in program memory. We return to this issue in the next chapter, when we explore how it is possible to control in which memory type strings and other constants are placed.

16.4 Using the Inter-Integrated Circuit peripheral

We saw in Chapter 8 that I²C is a useful standard for serial communication, but with some complexity in use. The C18 compiler library provides us with some very useful functions, which allow most I²C functionality to be implemented in a simple and reliable way. Reference 14.3 lists no less than 15 functions for use with I²C, although some are synonyms of others. Examples are shown in Table 16.3 in the order in which they might be used.

TABLE 16.3 Example Inter-Integrated Circuit library functions

Function	Action
OpenI2C()	Configures the SSP module for I ² C
StartI2C()	Generates an I ² C Start condition
WriteI2C()	Writes a single byte to the I ² C
ReadI2C()	Reads a single byte from the I ² C
StopI2C()	Generates an I ² C Stop condition

16.4.1 An example Inter-Integrated Circuit program

A simple program which uses the I²C microcontroller capability, and applies the functions of Table 16.3, is shown in Program Example 16.3. The program is intended for the Derbot AGV and sends a single character, followed by a string, to the hand controller.

```

/*****
Dbt_I2C_test.c
Sends single character, and then string, periodically on I2C.
Set up as Master.
Files c018i.o and p18f2420.lib are included by the Linker Script.
TJW 12.11.05                                     Tested 4.12.05
*****/
Clock is 4MHz.
Configuration Word all default, except: crystal oscillator (HS),
power-up timer on, brown-out detect off, WDT off, LV Program disabled*/

#include <p18F2420.h>
#include <i2c.h>           //header file for I2C

#include <delays.h>       //header file for delays
#define slave_addr1 0xA4 //Address of Derbot Hand Controller I2C node.

//Function Prototypes. Library function prototypes are found in Header file
void diagnostic(void);

//constants & variables
unsigned char message[] = " Derbot";
unsigned char *i = &message[0]; //pointer to message[]
char loop_cntr = 0;
/*****
This is main function.
*****/
void main (void)
{
//Initialise Ports
TRISA = 0b00000000; //Port A unused and set as outputs
TRISB = 0b11001000;
TRISC = 0b10011000; //I2C bits are both set as ip
//Switch all outputs off

PORTA = PORTB = PORTC = 0;
//call diagnostic function (flash leds)
diagnostic(); //Initialise I2C
OpenI2C (MASTER, SLEW_OFF);
SSPAD = 0x07; //set up 125kHz baud rate

```

Program Example 16.3: Using an Inter-Integrated Circuit to send a character and string to the Derbot hand controller

```

loop:
//Send single character
i = &message[0];
StartI2C();
WriteI2C (slave_addr1); //send start condition
                        //send address word, function waits until
                        //write is complete
loop_cntr = loop_cntr|0x30; //convert counter to ASCII
WriteI2C (loop_cntr);
loop_cntr = loop_cntr&0x0F; //retrieve counter from ASCII
StopI2C(); //send stop condition
Delay10KTCYx (100); //Send a string
StartI2C(); //send start condition
WriteI2C (slave_addr1); //send address word, function waits until
                        //write is complete
while (*i) //Test for null character
{
WriteI2C (*i);
i++;
Delay1KTCYx (5); //delay needed for hand controller
}
StopI2C(); //send stop condition
Delay10KTCYx (100);
loop_cntr++;
if (loop_cntr == 10) loop_cntr = 0;
goto loop;
} //end of main

//Diagnostic: switches leds on for 1s (Tcy = 1us)
void diagnostic (void)
...
(same as diagnostic function, Program Example 15.1)
...

```

Program Example 16.3 cont'd

The opening lines of the program indicate which header files are to be included and define A4H as being the address of the hand controller slave node, as described in Section 10.8 of Chapter 10. They also declare the character string which forms the message that is to be sent and declare a pointer for it.

The I²C port is partially initialised with the **OpenI2C()** function. This has two arguments, detailed in Ref. 14.3, which determine the operating mode (whether Slave or Master) and select the slew rate. Note that it is still necessary to set the baud rate by writing to the **SSPADD** register. An I²C message is initiated with the **StartI2C()** function, which puts an I²C Start condition on the serial link. This is followed by the address byte being sent, being passed as an argument to the **WriteI2C()** function. This sets the **R/W** bit in the transmitted word low, as seen in Figure 10.13. The ASCII version of the loop counter value is formed, which is then sent through another use of the **WriteI2C()** function. The message is terminated with a **StopI2C()** function.

The string is sent by techniques which are mainly familiar, although certain developments of these are applied. A new I²C message is initiated with the **StartI2C()** function, followed by another sending of the slave address. A **while** loop is then set up, with the condition

```
while (*i)
```

With **i** as the pointer to the string, ***i** indicates an element of the string. Remembering that the last string element is always a null character, the loop will be repeated until the end is reached, whereupon it will be exited.

16.4.2 Use of ++ and -- operators

Towards the end of the program example we see the ++ operator applied to both the index **i** and to **loop_ctr**. The operator, which causes an increment to the variable to which it is applied, can be seen in Table A6.5. Therefore,

i++; is apparently the same as **i = i + 1**;

There are, however, some important differences. This operator can be placed *before* the variable, in which case it indicates ‘pre-increment’. If it is placed after the variable, it indicates ‘post-increment’. The difference is not of significance in this program. It can, however, be understood by looking at these two examples:

```
index = 4;           index = 4;
new_val = index++;  new_val = ++index;
```

In the example on the left, **new_val** takes the value 4 and **index** is then incremented. In the example on the right, **index** is (pre-)incremented and **new_val** then takes the value 5.

The decrement operator, --, is applied in exactly the same way.

16.5 Formatting data for display

We have seen now how characters and character strings can be sent over an I²C link to an LCD display. What we have not yet done is generate some meaningful data to be displayed. This section develops the Derbot ‘light-seeking’ program (Program Example 16.1), so that the values read by the light-dependent resistors are shown on the hand controller display.

16.5.1 Overview of example program

In Program Example 16.1, values are read from the ADC as 10-bit numbers. To convert this to a character string we need to convert the value to BCD and then to ASCII. We did this in Assembler, in Program Example 11.2, and very laborious it proved to be. Can C work better for us?

The answer to this question is a resounding ‘yes’. C has many functions that are designed to convert data from one format to another. A few examples are shown in Table 14.3. What we need for this application is a function that will take our 10-bit ADC output and convert it into a character string. This is very conveniently provided by the function **itoa** (read this as i-to-a – integer to ASCII), seen in the table.

Program Example 16.4 shows sections of the program **light seek & disp**, which appears in full on the book's companion website. The sections shown are extensions to Program Example 16.1. Two new functions have been written. One, **disp int()**, formats the ADC output value and sends the resulting character string on the I²C link. The other, **send space()**, simply sends a series of spaces to the display, to optimise information layout on the LCD.

The data is displayed only once every 10 iterations of the main loop. To do it any faster makes the data flicker in an annoying way. A loop counter, **loop cntr**, has been inserted in the main loop and is incremented for every loop iteration. When data is to be displayed, it can be seen that **disp int()** is called three times, once for each of the LDRs. These two results will be placed on the first line of the two-line display. Spaces are sent before and after the display of the rear LDR to centre it on the second display line.

16.5.2 Using library functions for data formatting

Let's take a close look at the function **disp int()**, in Program Example 16.4, as it includes some important features. Notice first that an array, a pointer and a character variable are declared at the beginning. These will exist only for the duration of the function. The array is set for five locations, as the maximum digit count from a 10-bit number will be four (1023_D) and a fifth byte is needed for the terminating null character. The argument transferred to the function is labelled **op int**. The pointer is initialised to point to the start of the array.

The **itoa()** function is then called. This has the function prototype:

```
char * itoa (int value, char * string);
```

where **value** is the integer to be converted, **string** is the string where the result is to be placed and the return value is the pointer to the string. Its implementation is in the line:

```
itoa (op_int, disp_val_ptr); //first convert to a BCD string
```

It can be seen that **op int** is the variable to be converted and that the resulting string is to be placed, by use of its previously declared pointer **disp val ptr**, in the array **disp val**.

It would seem that this character string could be sent straight away to the display. It may, however, be of any length from one to four digits. To ensure that it always occupies the same location on the display, it is necessary first to find out how long it is. This is done with the **strlen()** function, found in the general software library. The function measures the length of a string and returns its value. Its prototype is:

```
size_t strlen(const char *string);
```

Here **string** is the string to be measured and the return value, **size t**, contains the string length. The function is used to compute a value for **space no**, which holds the number of spaces

```

...
#include <stdlib.h>          //for itoa function
#include <string.h>         //for strlen function
...
(this program section is placed within the main program loop, after the ADC values
have been read)
//Display ldr values every 10 loops
if (loop_cntr == 10)
{
disp_int (ldr_left);       //display left ldr value on lcd
disp_int (ldr_rt);        //display right ldr value on lcd
send_space (2);           //centre rear display
disp_int (ldr_rear);      //display rear ldr value on lcd
send_space (2);           //fills second line, forcing line feed
loop_cntr = 0;
} ...
/*****
Display Functions
*****/
//Converts an integer to string, and sends to lcd via I2C, filling with spaces to ensure
//4 digits are always sent
void disp_int (int op_int)
{
char disp_val[5];         //will hold the string representation of
                          //any ldr value
char *disp_val_ptr;      //pointer to disp_val[]
char space_no;           //number of spaces to be inserted
disp_val_ptr = &disp_val[0];
itoa (op_int, disp_val_ptr); //first convert to a BCD string
space_no = 4 - strlen(disp_val_ptr); //find how many spaces needed
                          //Now send the message
StartI2C();              //send start condition
WriteI2C (slave_addr1);  //send address word
while (space_no)         //fill up with leading spaces
{
WriteI2C (' ');
Delay1KTCYx(5);         //little delay needed by hand controller
space_no--;
}
//send the string
while (*disp_val_ptr)
{
WriteI2C (*disp_val_ptr);
disp_val_ptr++;
Delay1KTCYx(5);         //delay needed for hand controller
}
StopI2C();              //send stop condition
}

//Sends space to lcd via I2C
void send_space (char space_no)
{
StartI2C();             //send start condition
WriteI2C (slave_addr1); //send address word,
                          //send space
while (space_no)
{
WriteI2C (' ');

Delay1KTCYx(5);         //delay needed for hand controller
space_no--;
}
StopI2C();             //send stop condition
}

```

Program Example 16.4: Formatting data for LCD display

which must be sent to make up the value to four digits. These are sent before the data itself. The string is then sent and the function terminates.

16.5.3 Program evaluation

This program combines the function of the earlier light meter (Program Example 11.2) and light-seeking programs in one. It can be simulated in a similar way to that described in Section 16.2.4, inserting trial values into **ldr left**, **ldr rt** and **ldr rear**, observing their conversion to a string and the string length being tested.

It is also a very satisfying program to run on the Derbot, as both its action and the data displayed provide a very explicit demonstration of what the program is doing.

Summary

This chapter aimed to show how C can be applied in acquiring and using integer data in embedded systems. The main points were:

- The 18FXX20 ADC and the I²C serial port can be driven in a straightforward way using library functions.
- Arrays and strings, with their associated pointers, provide powerful ways of dealing with sets of data. Some care is needed in understanding the way C deals with these.
- There are a number of library functions for manipulating data strings. These are particularly useful for formatting data in readiness for display.

More C and the wider C environment

We have now reached a stage at which we should have some level of confidence in writing simple C programs for the PIC microcontroller. There still remain gaps in our knowledge, however. One of these is the use of interrupts. An exploration of this takes us to the very boundary of how C is used and actually makes us step outside the language altogether. Furthermore, as our programs become bigger, it is useful to know about the wider environment in which we are programming, for example those other files which we link in or include. We have used these so far with little knowledge of how they work.

The aims of this chapter are therefore twofold. One is to develop knowledge of language aspects which enable closer working with the hardware. This includes use of Assembler inserts and interrupts. The other is to expand our knowledge of the wider context within which C operates. To allow this to happen, we will need to develop our knowledge of certain other aspects of C itself.

On completion of this chapter you should have developed a good understanding of:

- The use of Assembler inserts.
- The use of interrupts.
- Further aspects of data definition and storage, and how memory usage can be controlled.
- The files usually linked in to an application, including header and start-up files.
- The Linker and Linker Script.

As in other chapters, examples are used as widely as possible.

17.1 The main idea – more C and the wider C environment

While this chapter is meant to develop your expertise further in C, the one thing it will probably not do much is develop your skill in writing C code itself. Instead, we meet C at its limits, confronting the need to work very close to the hardware through interrupts or out-of-the-ordinary memory maps. We will also look at those files outside the source code, as well as the Linker, which pulls them all together.

To help relate these different elements to each other, a number of examples will be taken from the file which starts all the C program examples in this book, the **c018i.c** start-up file. This contains a number of interesting programming features. Through studying these, we will at the same time learn something about this important program component. It is not simple code, however, and you don't need to understand it all. It is suggested that you print out the source version of it and have it to hand as you work through the chapter. It is a comparatively short piece of code – a print-out will require about two and a half pages. To find it, simulate any C file in this book with MPLAB and it automatically pops up on the screen as the simulation starts. Otherwise, find it in the `mcc18\src\traditional\startup` folder of the C18 installation.

17.2 Assembler inserts

Despite the usefulness of C in the embedded environment, there remain times when it is still better to use Assembler. These times include:

- When certain instructions cause very processor-specific actions, for which C simply has no equivalent – in the PIC world these include the instructions **SLEEP** or **CLRWDI**.
- Where the timing requirements of program execution are very specific and the programmer needs to have direct control over how a certain program section is written.
- Where a section of program must execute very fast and the programmer wishes to write it in the most efficient way possible.

It is therefore useful to be able to switch to Assembler programming, when necessary, within a C program. This is called 'in-line assembler'. It presents an opportunity distinct from writing a whole program section in Assembler and linking it into the main program through the build process, as illustrated in Figure 14.2.

The MPLAB C18 compiler allows Assembler inserts to be placed in a C program. These can range from a single instruction to a whole block. One might expect the C compiler to refer blocks of in-line assembler code back to MPASM, the regular MPLAB Assembler. However, it doesn't. The C18 compiler has its own internal assembler, which is applied to these sections of in-line code.

The C18 in-line assembler differs from the regular MPLAB Assembler in a number of significant ways. The major differences are:

- The Assembler section must be contained between the identifiers **asm** and **endasm**.
- Assembler directives may not be used.
- Comments must be in C or C++ format.
- No operand defaults are applied; operands must be fully specified.

- Full text versions of Table Read/Write instructions (as seen at the end of Table A5.1) must be used.
- The default radix is decimal.
- Literals are specified using C radix notation.
- Labels must end with a colon.

An example of in-line assembler code is given in Program Example 17.1. While at first glance it looks like a regular piece of code, there are in fact no fewer than six of the characteristics of in-line assembler coding applied. All are labelled and relate directly to the list above. The example is taken from the start-up file `c018i.c`.

```

_asm ← Start of Assembler insert
// determine if we have any more bytes to copy ← C style comment
movlb curr_byte
movf curr_byte, 1, 1 ← Label ends with colon
copy_loop: ←
    bnz 2 // copy_one_byte
    movf curr_byte+1, 1, 1
    bz 7 // done_copying

copy_one_byte: ← Full text version of TBLRD*+
    tblrdpostinc ←
    movf TABLAT, 0, 0
    movwf POSTINC0, 0

    // decrement byte counter ← Default operand value specified
    decf curr_byte, 1, 1
    ...
_endasm ← End of Assembler insert

```

Program Example 17.1: A fragment of the start-up code `c018i.c`

In-line assembler should be used with some care, especially if the block of Assembler is of any length. As we know, Assembler imposes less discipline than C. It is easy to step outside this discipline, even unknowingly, while writing a section in Assembler, and in so doing corrupt the structure of the host program. As a beginner it is unwise to write inserts that impact on variables or functions that are declared in the C file. If a big block of Assembler is to be written, it is better to write it as a separate file, assemble it with the MPASM Assembler and link it into the main program. This will help to ensure that order is maintained in memory mapping, usage of variables and calling of functions.

17.3 Controlling memory allocation

One of the benefits of working with a high-level language should be that the programmer does not need to worry about the memory map or how memory is allocated. The C compiler will, if we want it to, look after almost all of this. Somewhere, of course, the compiler needs to be

given information about the memory of the computer for which it is compiling. This is hidden in the Linker Script, which is described in Section 17.10.

There are situations in the embedded environment, however, when we want to take back control of memory allocation. These include those very hardware-specific activities, like dealing with interrupts or configuration bits, as well as the broader issues of optimising use of the memory map.

The techniques that are available in the C18 compiler for control of memory allocation are varied. Some are complex and should only be used by experienced programmers. A few need to be recognised by all. These are now explored.

17.3.1 Memory allocation pragmas

We have already (in Section 14.2.9) come across the concept of the preprocessor directive. A special type of directive is the **#pragma**. This allows C to be customised by a specific compiler – every time **#pragma** is used, the statement which follows it is specific for that compiler.

The C18 compiler has four pragmas to control memory allocation. These change the ‘section’ (i.e. a specifically identified memory block) into which the compiler puts data. They are shown in Table 17.1. The full format of each allows for a number of different options, given in full in Ref. 14.2. These can be quite complex, so we only go into limited detail here.

The **#pragma** met most often is the first in the table, which has the general format of:

```
#pragma code(section name)(= address)
```

This acts in a way like the **org** directive in Assembler, specifying – if it is needed – where program code should be placed in memory. Both the terms in brackets are optional. It is one of these pragmas which starts every C18 program we write, coming at the beginning of the **c018i.c** start-up file. The opening lines are shown here:

```
#pragma code _entry_scn=0x00
void _entry (void)
{
  _asm goto _startup _endasm
}
#pragma code _startup_scn
void
_startup (void)
{
  ...
```

TABLE 17.1 Pragas for memory allocation

Pragma	Effect
# pragma code ...	Locates program code in program memory
# pragma romdata ...	Locates data in program memory
# pragma udata ...	Locates uninitialised user variables in data memory
# pragma idata ...	Locates initialised user variables in data memory

Here the specified format for **#pragma code** is applied with a section name of **entry scn** and the address of 0x00. A few lines down the pragma is used again, with a section name of **startup scn**, although this time an address is not specified. This allows the Linker to set the address. Both **entry scn** and **startup scn** are names reserved by C18, the former to locate the reset vector and the latter to hold the start-up code.

17.3.2 Setting the Configuration Words

With the large number of configuration bits in the PIC 18 Series microcontrollers, it is attractive to set them within the program. Version 3.0 of the C18 compiler allows Configuration Words to be set simply, using the **#pragma config** directive. The actual settings to be used are processor-specific. The options, even for one microcontroller, are surprisingly extensive. Therefore they are not reproduced here, but can be found for all 18 Series PIC microcontrollers in Ref. 17.1, or from the Help facility in MPLAB.

Program Example 17.2 illustrates settings appropriate for the Derbot-18. It is useful to look back at Table 13.4 to see the configuration options. One **#pragma config** line is used per Configuration Word, with the format of the directive drawn from Ref. 14.2. Any configuration bits not defined are left at their default values, shown in Figure 13.17.

```
#pragma config OSC = HS           //HS oscillator
#pragma config PWRT = ON, BOREN = OFF //power up timer on, brown out detect off
#pragma config WDT = OFF          //watchdog timer off
#pragma config LVP = OFF          //low voltage programming off
```

Program Example 17.2: Setting configuration bits for the Derbot

Once a configuration bit is set with a pragma directive, it overrides any setting in the MPLAB IDE Configuration Bits window. During a project build, the compiler sets the bits according to their setting in the program. It is interesting to check this in practice by setting some configuration bits ‘wrong’ in the Configuration Bits window and then building the program. Note, however, that if a bit is not specified in the source code, but is set in a particular way in the Configuration Bits window, then the build process does *not* force the bits back to their default values. As described in Section 7.11.3, click Configure > Settings > Program Loading

in MPLAB and check the 'Clear configuration bits upon loading the program' box. This ensures that on program download the window setting is cleared, and that it is only the configuration bits defined in the program which are downloaded.

17.4 Interrupts

Interrupts present a number of challenges in the C environment. When working with interrupts we are working very close to the hardware, yet a high-level language tends to distance us from it. A number of distinct and important actions must be taken in order to allow the 18 Series interrupts to work successfully. The interrupt must be enabled and allocated to the desired priority. The ISR must be located in program memory at the right start address (noting that there are two interrupt vectors in the 18 Series structure) and context saving must be managed. Check Figure 12.7 and the accompanying description for a reminder of these points if needed.

17.4.1 *The Interrupt Service Routine*

Interrupt Service Routines in C are similar to C functions, except of course they are called by occurrence of an interrupt and terminate with a return from interrupt instruction. They can have local variables (i.e. variables declared within the ISR) and access global ones. Global variables which are accessed by an ISR should, however, be designated **volatile**. This indicates that the variable value can be changed outside normal program operation. As the ISR can be called anywhere, it is not allowed to transfer any parameters or return values.

17.4.2 *Locating and identifying the Interrupt Service Routine*

The C18 compiler uses several pragmas, first to locate the start of the ISR at the reset vector and then to distinguish the ISR from a regular function.

Like the reset vector, the C18 compiler does not automatically start the ISR at the high or low interrupt vector in program memory. This requires the use of the **#pragma code**, already described. This is used to locate the start of the ISR correctly.

The ISR is identified in the program through use of a pragma. Two are available for ISR definition:

- **#pragma interrupt** *function name* (**save** = *save list*). This pragma declares *function name* to be a high-priority ISR. The Fast Register Stack (Section 13.6.3) is used to save the minimum context – the **STATUS**, **WREG** and **BSR** registers. The interrupt is ended with a fast return from interrupt.

- **#pragma interruptlow** *function name* (**save** = *save list*). This pragma declares *function name* to be a low-priority ISR. The software stack is used to save the minimum context. This slows response to the interrupt. The interrupt is ended with a normal return from interrupt.

Further context saving, beyond the minimum, can be achieved in either interrupt type by specifying register(s) to be saved in the optional **save** section of the pragma.

17.5 Example with interrupt on overflow – flashing LEDs on the Derbot

Program Example 17.3 uses the 18F2420 Timer 0 interrupt on overflow to flash the LEDs on the Derbot. This seemingly simple application allows us to take some useful further steps in C programming.

It can be seen that the **main** function of this program is very short – once initialisation is complete all significant action is contained within the ISR. All the **main** function does is to initialise Port C and set its value to zero, initialise Timer 0 (see below), set the Global Interrupt Enable and finally enter an endless **while** loop, waiting for interrupts to occur.

17.5.1 Using Timer 0

We have already met the library functions available for the 18 Series timers in Section 13.14.1. Timer 0 itself is described in Section 13.14.1, with its various modes of operation evident from Figure 13.20. The timer's header file **timers.h** must be included in any program that will use it, as we see here.

This program uses the function **OpenTimer0** in the initialisation section of **main**, as shown below:

```
OpenTimer0 (TIMER_INT_ON & TO_SOURCE_INT & TO_16BIT & TO_PS_1_4);
```

Timer set-up data is specified in the argument of this function. Information on the full range of options for this can be found in Ref. 14.3. This implementation enables the timer interrupt on overflow, sets the clock source to be the internal oscillator, selects 16-bit operation (as opposed to 8-bit) and sets the prescaler to be divide-by-four. Once this is set, the timer free runs and generates a series of interrupts to which the microcontroller can respond. With these settings, the counter requires 65 536 cycles to count through its range and each input cycle has a duration of 4 μ s. The interval between interrupts is therefore $65\,536 \times 4 \mu\text{s}$, or 262.144 ms.


```

/*****
Flashing LEDES
Flashes Derbot LEDs, driven by Timer 0 interrupt on overflow.
Demonstrates: Use of Timer 0 peripheral, Interrupts, and inline assembly.
TJW 30.10.05
*****/

#include <pl18F2420.h>
#include <timers.h>
#pragma config OSC = HS           //HS oscillator
#pragma config PWRT = ON, BOREN = OFF //power-up timer on, brown-out detect off
#pragma config WDT = OFF         //watchdog timer off
#pragma config LVP = OFF         //low voltage programming off

//function prototype, repeated for info
void timer0_isr (void);

unsigned char counter = 0;

//Define the high interrupt vector to be at 0008h
#pragma code high_vector=0x08
void interrupt (void)
{
    __asm GOTO timer0_isr_endasm //jump to ISR
}
#pragma code //Return to default code section

//Function timer0_isr specified as high-priority ISR
#pragma interrupt timer0_isr

//timer0_isr function. No transfer of parameters, as required by ISRs
void timer0_isr (void)
{
    counter = counter + 1;
    PORTC = counter<<5; //Shift Counter left, and move to PORT C
    INTCONbits.TMR0IF = 0; //Clear TMR0 interrupt flag
}

void main (void)
{
    //Initialise
    TRISC = 0b10000000;
    PORTC = 0; //Switch outputs off

    /*Initialise TMR0: interrupt enabled,16-bit operation, internal clock, prescaler
    divide by 4, hence (with 4MHz clock)period of 1usx64kx4 = 262ms*/

    OpenTimer0 (TIMER_INT_ON & TO_SOURCE_INT & TO_16BIT & TO_PS_1_4);
    INTCONbits.GIE = 1; //Enable global interrupt

    while (1) //Await interrupts
    {
    }
}

```

Program Example 17.3: ‘Flashing LEDs’ program, using Timer 0 interrupts

17.5.2 Using interrupts, and the Interrupt Service Routine action

This program example uses a single interrupt, from Timer 0. Prioritisation has not been enabled, so by default the high-priority vector is used. As mentioned, the interrupt vectors need

to be specified in the program listing, making use of the **#pragma code** option. To set the high-priority vector (Figure 13.6), the following is used:

```
#pragma code high_vector = 0x08
```

This specifies that the code section which follows is to be placed in code memory starting at memory location 08_H. It has been named **high vector** by the programmer. This is not a reserved name and another could be chosen. Alternatively, for the low-priority vector:

```
#pragma code low_vector=0x18
```

specifies that code which follows is to be located at code memory location 18_H. It has been named **low vector** by the programmer.

With the vector correctly placed, there follows in the program a single line of in-line assembler code, forcing a jump to the main body of the ISR:

```
_asm GOTO timer0_isr _endasm //jump to ISR
```

To ‘undo’ the action of the earlier pragmas, and allow the compiler to control code location again, the pragma:

```
#pragma code
```

is applied. This returns the code location to the default.

The ISR, **timer0_isr**, appears as a function prototype near the start of the program. The action of the ISR is simple. The value of **counter** is first incremented. It is then shifted left five times and assigned to Port C. The effect of this is to transfer the least significant two bits of **counter** to the LEDs, which are located at bits 5 and 6 of Port C. The Timer 0 interrupt flag is then cleared. The compiler automatically ends the ISR with a **retfie** (return from interrupt) instruction.

This simple interrupt example uses just a single interrupt and does not enable the 18 Series interrupt prioritisation. The use of two, prioritised, interrupts is illustrated in Program Example 19.6.

17.5.3 *Simulating the flashing LEDs program*

It is interesting to simulate Program Example 17.3, whether or not it is downloaded to hardware. Create a project around the program using the source code on the book’s companion website. Build it and simulate with the MPLAB simulator. Open a Watch window and display **PCL**, **counter**, **PORTC**, **INTCON** and **TMR0**, as seen in Figure 17.1(a). Step quickly through the early stages of the program, noting how the **OpenTimer0** function appears. Once **main** is entered and the user initialisation is complete, the program enters the continuous **while** loop, waiting for the interrupt.

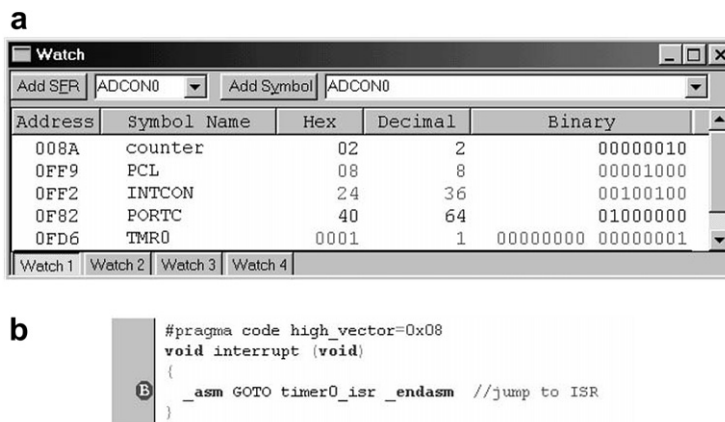


Figure 17.1: Suggested settings for the ‘flashing LEDs’ simulation. (a) Watch window. (b) Breakpoint location

Now force an interrupt by setting high the Timer 0 interrupt flag (bit 2 of the **INTCON** register) in the Watch window. With further single-stepping, program execution jumps to the ISR, via the assembler insert at the high-priority interrupt vector. The actions of the ISR can be observed by continued single-stepping.

Let us now examine the action of the timer interrupt. First, place a breakpoint at the very start of the interrupt routine, as shown in [Figure 17.1\(b\)](#). If run, the program will now stop whenever it reaches this point, i.e. every time the timer interrupt occurs. From the toolbar, select **Debugger > Settings > Osc/Trace** and set the oscillator frequency to 4 MHz. Open the Stopwatch window, as seen in [Figure 17.2](#), from the Debugger pull-down menu.

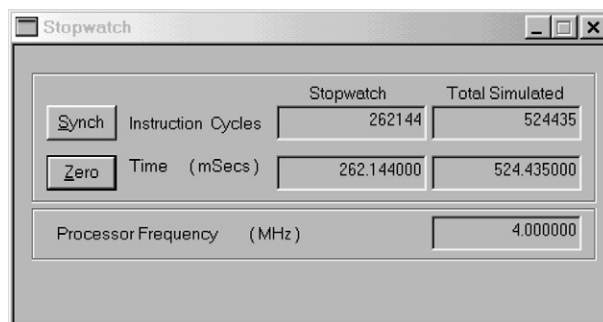


Figure 17.2: Stopwatch for the ‘flashing LEDs’ simulation

From wherever you are in the program, run to the breakpoint. Zero the Stopwatch and run again. After a moment, program execution should again stop at the breakpoint. The Stopwatch time displayed should be 262.144 ms, exactly as shown in [Figure 17.2](#). This confirms the calculated time between overflows. At the same time, the Watch window values should appear similar to [Figure 17.1\(a\)](#). Timer 0 has just overflowed and is beginning to step up from zero again; the lower byte of the Program Counter (**PCL**) has been set to the high-priority reset vector, 08_H, and the timer interrupt flag, bit 2 of **INTCON**, is set.

If you have the Derbot-18 hardware, then you can use this program to provide a pleasing display of flashing LEDs.

17.6 Storage classes and their application

The rest of this chapter aims to look at the wider environment within which a C source file is placed. Notable among these are three files used by just about every program: the microcontroller header file, the start-up file and the Linker Script. To understand these, it is necessary to explore a few more aspects of C. We start that process here, with storage classes.

17.6.1 Storage classes

As we have begun to see, the C language controls the use of data carefully, in terms of how it is declared and how it can be used. This is necessary partly because C programs can be complex things: made up of different files and functions, written at different times by different people and saved in different stages of compilation. Functions and data may, for example, be declared in one file, but need to be accessible to others.

A characteristic of data used in C is therefore its ‘storage class’. This defines its status within and across blocks of code, functions and files. Table A6.3 shows the four C keywords which are used in connection with this.

The C18 compiler uses only three of these, **auto**, **static** and **extern**. These are somewhat peculiar terms and don’t seem to make much sense, even when we realise that **auto** is short for automatic and **extern** for external. It is useful to know that the use of the word ‘automatic’ was borrowed from other computer languages, and implies a variable which comes into existence for a particular purpose within a certain function but does not exist at other times. Static, on the other hand, implies a variable which has some form of continuous existence. External implies a variable which has continuous existence and that can be accessed by any function.

TABLE 17.2 Storage classes: effect of specifier and position

Storage class specifier	Declared outside all functions	Declared inside a function
none	File scope, Static duration, External linkage	Block scope, Automatic duration, No linkage
auto		Block scope, Automatic duration, No linkage
static	File scope, Static duration, Internal linkage	Block scope, Static duration, No linkage
extern	File scope, Static duration, External linkage	Block scope, Static duration, External linkage

Let us return to the storage class. It determines three things: the ‘scope’, ‘duration’ and ‘linkage’ of the data. We will examine each of these in turn. Table 17.2 summarises the points made, for all possible combinations of applications. Some of these are, of course, more widely used than others and we only make use of a selection in the example programs of this book.

17.6.2 Scope

The scope of a variable determines the part of the program in which it can be used. Two possible scopes are:

- *Block scope.* The variable can only be used in the block of code within which it is declared, starting with the point of declaration. Variables of this type are called ‘local’ variables. The same name for local variables can be used in different blocks of the program and they will be unrelated.
- *File scope.* The variable can only be used in the file within which it is declared, starting with the point of declaration. The variable must be declared outside all blocks.

17.6.3 Duration

The duration of a variable can be one of two possibilities:

- *Automatic storage duration.* An automatic variable is declared within a block of code and is recreated every time program execution enters that block. When the block ends, the variable ceases to exist and the memory occupied by it is freed. The C keyword **auto** defines this storage duration. As it is the default duration when a variable is defined within a block, the keyword is not often used.
- *Static storage duration.* A static variable exists throughout program execution and is identified by the keyword **static**. Static variables may still be local to a block, but retain their existence outside that block. Variables declared outside all blocks, whether or not the keyword is explicitly used, are interpreted as static.

17.6.4 Linkage

Both within files, and in the case that several files are used, it is important to consider how variable names can be recognised as referring to the same variable. There are thus three possible types of ‘linkage’:

- *External linkage.* If a variable or function is externally linked, it is recognised throughout the program, wherever it is declared. The name is recognised by the Linker. A variable has external linkage if it is declared with the storage class specifier **extern**, or if it is declared outside all functions, with no storage class specified.
- *Internal linkage.* A variable has internal linkage if it is declared **static**, outside all functions. The variable remains internal to the translation unit but is recognised throughout it. The Linker has no ‘knowledge’ of it.
- *No linkage.* This is the state of all other variables, for example those with automatic duration.

17.6.5 Working with 18 Series memory

A further complication – or opportunity – arises with the specification of storage in the C18 compiler. Due to its Harvard memory structure and flexible use of memory, the PIC microcontroller presents a challenge to how C treats memory allocation. The C18 compiler therefore introduces the storage qualifiers **far** and **near**. These act as keywords and are effectively C18-specific extensions to C. They indicate the microcontroller memory size or the way memory should be used. Each can be applied to two more keyword extensions, **rom** and **ram**. These are used if the type of memory must be specified in the declaration of a variable or constant. When data is declared without storage qualification, the default is **ram** and **far**. The action of all of these is summarised in Table A6.8, along with a brief description.

Two memory models can also be specified, ‘small’ and ‘large’. The properties of each of these are summarised in Table A6.9. They are selected by command line options, with small being the default. The only difference is in pointer size needed. Only the small model, which is the default, is needed for programs of introductory or medium length.

17.6.6 Storage class examples

The first of two code fragments from the **c018i.c** file is copied below, taken from towards the beginning. In it we see variables being declared. Here the word **extern** is explicitly being used, indicating variables which have external linkage. All three variables also appear in the **18f2420.h** header file. The use of the qualifier **near** indicates that they are to be placed in

Access RAM. The data types, some of which we have not met before, can be checked by reference to Table A6.4.

```
extern volatile near unsigned long short TBLPTR;
extern near unsigned FSRO;
extern near char FPFLAGS;
```

The second example, below, shows the start of the `do cinit()` function, with comments removed. Four variables are declared at the head of the function. Each is **static**, so it will have continuous existence. Being declared within a block, i.e. the function, they will be local to that function.

```
void _do_cinit (void) {
    static short long prom;
    static unsigned short curr_byte;
    static unsigned short curr_entry;
    static short long data_ptr; ...
```

The implication of the way these variables are declared is explored further when we come to simulate the `c018i.c` file, in Section 17.7.3.

17.7 Start-up code: `c018i.c`

We come now at last to viewing the `c018i.c` file in its entirety. It comes as a surprise when simulating a first C program that the simulator doesn't go straight to **main**. Surely this is what all the textbooks tell us, and shouldn't **main** just start at the reset vector? There are, however, things which need to be set up for the C program to run correctly, even before it starts. These include anything needed for correct operation of the C program, for example software stacks for transfer of data, and the initialisation of all variables and constants. This may be due to a requirement of C itself, or because values have been initialised in the program itself.

Initialisation routines that perform these functions are included with every compiler and may be nearly invisible to the programmer. If we depend on something, however, it is worth developing at least some sort of acquaintance with it.

17.7.1 *The C18 start-up files*

The C18 compiler provides three start-up program files, at varying levels of complexity. These are available as pre-compiled object files, which are linked to the main program at the build stage. They are normally linked in to the user application with the Linker Script.

A source file version is also available. The start-up routine is the program element that is placed at the reset vector, so it is the very first thing that the CPU executes. It initialises the software stack and initialises all data which has a defined starting value. It then jumps to the user's **main** function.

The programs illustrated so far have all made use of the **c018i.c** file. When you simulate any of the example C programs with MPSIM, this is what you see if you start to single-step through the program. It is intended for programs with the processor operating in non-extended mode. The **c018i e.c** version is for extended-mode operation.

A simpler version of the start-up file is **c018.c**. This simply sets up the software stack and jumps to main, without any data memory initialisation. A more complex version is **c018iz.c**. This does the same as **c018i.c**, but also sets all uninitialised variables to zero, as required in strict ANSI C. These two versions are for non-extended-mode operation. Their extended-mode equivalents are **c018 e.c** and **c018iz e.c**.

17.7.2 The **c018i.c** structure

The opening of the **c018i.c** program section has already been quoted in [Section 17.3.1](#).

Its first action is to initialise **FSR1** and **FSR2**, which are used for the software stack (and hence not available to the programmer). It then calls a function named **do cinit**. This initialises variables in RAM, if there are any that need it. At the end of this function, the **main** function is called, in the lines shown below.

```
loop:
// Call the user's main routine
main ();
goto loop;
```

It is interesting to see from this that if **main** ever executes a return, then it is immediately called again.

17.7.3 Simulating **c018i.c**

You will have passed through **c018i.c** many times if you are simulating the programs in this book. Let us now, however, step through it with a little more interest as to what is going on. We can also use it to check up on the storage class of certain variables that we have already seen in examples.

Open the project you made for Program Example 14.1 and enable the MPLAB simulator. Open the Watch window and select the variables shown in [Figure 17.3](#). Reset the simulator. It is interesting to observe that the variables declared in the source code appear to be valid, as does **TBLPTR**, declared towards the beginning of the program. The other variables in the Watch window, those declared *inside* the **do cinit** function, are specified as being 'out of scope', as

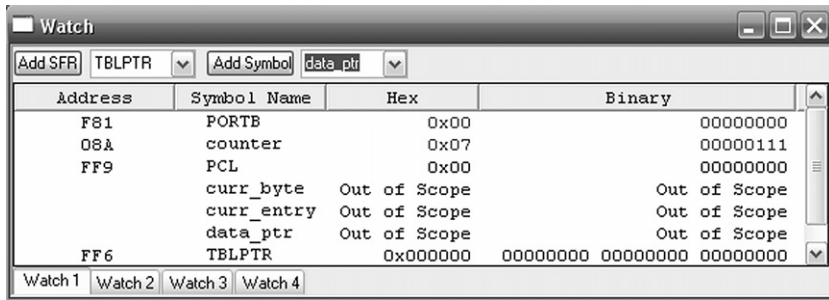


Figure 17.3: Watch window for c018i.c execution, Program Example 14.1

seen in the figure. This is in accordance with the description of Section 17.6.2. Single-step through the program until the **do cinit** function is entered. Notice how these three variables suddenly come into scope and take on a (zero) value. If you continue to single-step through the program, you will see that execution returns from the function at an early stage. This simple program requires no initialisation. The **main** function is then called.

Now, in the source code, move the declaration of **counter**, in the line

```
unsigned char counter; //specify counter as unsigned character
```

to just *inside* the **main** function. Build the program again and simulate. Notice now that, at the beginning of program execution, **counter** is 'out of scope'. By declaring it within a function, it has lost its external linkage, as shown in Table 17.2. If you single-step through the program, you will find it becomes in scope once **main** is entered.

Now open the project of Program Example 16.2, which has plenty of lists to initialise. Set up a Watch window with the variables shown in Figure 17.4. The lowest three variables will again initially be out of scope.

Single-step through the program, into the **do cinit** function. As before, the lower three variables take on numerical values. Continue single-stepping and notice that program execution enters a major loop within the function. Ultimately, you will see the character strings being populated as data is moved over into data memory from program memory. The figure shows the 'Apple' string partially completed.

The character strings we have been looking at are only placed in data memory because that is the default location, as Section 17.6.5 has indicated. Let us explore using the **rom** extension keyword to put (or in fact leave) one of them in program memory, which is much more sensible. In the declaration of the 'Apple' string in the source file, insert the word **rom** as follows:

```
rom char item1[] = "Apple";
```

Rebuild the program and reset the simulator. Notice now (from the addresses used) that the 'Apple' string has been placed into program memory, as seen in Figure 17.5. It is immediately

Address	Symbol Name	Value	Hex	Binary
0A4	counter	0x00	0x00	00000000
089	number	0x00	0x00	00000000
08A	item1	"App"		
08A	[0]	'A'	0x41	01000001
08B	[1]	'p'	0x70	01110000
08C	[2]	'p'	0x70	01110000
08D	[3]	'.'	0x00	00000000
08E	[4]	'.'	0x00	00000000
08F	[5]	'.'	0x00	00000000
090	item2	""		
090	[0]	'.'	0x00	00000000
091	[1]	'.'	0x00	00000000
092	[2]	'.'	0x00	00000000
093	[3]	'.'	0x00	00000000
094	[4]	'.'	0x00	00000000
09D	curr_byte	0x000D	0x000D	00000000 00001101
09F	curr_entry	0x0001	0x0001	00000000 00000001
0A1	data_ptr	0x000014	0x000014	00000000 00010100

Figure 17.4: Watch window for c018i.c execution, Program Example 16.2

Address	Symbol Name	Value	Hex	Binary
080	list	""		
09E	counter	0x00	0x00	00000000
089	number	0x00	0x00	00000000
031A	item1	"Apple"		
031A	[0]	'A'	0x41	01000001
031B	[1]	'p'	0x70	01110000
031C	[2]	'p'	0x70	01110000
031D	[3]	'l'	0x6C	01101100
031E	[4]	'e'	0x65	01100101
031F	[5]	'.'	0x00	00000000
08A	item2	""		
08A	[0]	'.'	0x00	00000000
08B	[1]	'.'	0x00	00000000
08C	[2]	'.'	0x00	00000000
08D	[3]	'.'	0x00	00000000
08E	[4]	'.'	0x00	00000000
	curr_byte	Out of Scope	Out of Scope	Out of Scope
	curr_entry	Out of Scope	Out of Scope	Out of Scope
	data_ptr	Out of Scope	Out of Scope	Out of Scope

Figure 17.5: Watch window for Program Example 16.2 – use of rom keyword

available and no initialisation of memory is needed for it. The “P” symbol in the Watch window indicates the specified location is in Program Memory.

17.8 Structures, unions and bit-fields

In the section that follows this, we will be looking at microcontroller header files. A large part of these apply certain data types which we have yet to meet. These are therefore now introduced.

‘Structures’ and ‘unions’ are both sets of related variables, defined through the C keywords **struct** and **union**. In a way they are like arrays, but in both cases they can be of data elements of *different* types.

Structure elements, called ‘members’, are arranged sequentially, with the members occupying successive locations in memory. A structure is declared by invoking the **struct** keyword, followed by an optional name (called the structure ‘tag’), followed by a list of the structure members, each of these itself forming a declaration. For example:

```
struct resistor {int val; char pow; char tol;};
```

declares a structure with tag **resistor**, which holds the value (**val**), power rating (**pow**) and tolerance (**tol**) of a resistor.

Structure elements are identified by specifying the name of the variable and the name of the member, separated by a full stop (period). Therefore, **resistor.val** identifies the first member of the example structure above.

Like a structure, a union can hold different types of data. Unlike the structure, union elements all begin at the same address. Hence the union can represent only one of its members at any one time, and the size of the union is the size of the largest element. It is up to the programmer to track which type is currently stored! Unions are declared in a format similar to that of structures.

Unions, structures and arrays can occur within each other. We will see an example of this in the following section.

In embedded systems we are very interested in identifying and accessing individual bits. The bit-field capability of C assists with just that, where a bit-field is a set of adjacent bits within a single word. Bit-fields can only be declared as members of a structure or union. The format for declaring the bit-field is:

```
type [name]:width
```

Here ‘type’ is either a signed or unsigned integer, ‘width’ is the number of bits and ‘name’ is an optional name.

17.9 Processor-specific header files

The processor-specific header files are very important in embedded C. They include definitions for all the Special Function Registers (SFRs) and their bits, as well as some useful extras, for example extra features for working with Assembler. It is instructive to look further at one of the processor header files. We will do this with the **18f2420.h** file. You can find it in the **mcc18\h** folder of the C18 software.

17.9.1 Special Function Register definitions

An excerpt of the 18F2420 header file is shown as Program Example 17.4. In this we see Port B and its bits being declared. The first line of the excerpt uses no less than four of the C keywords to define the **PORTB** type. Use of **unsigned char** specifies it as single byte, while **volatile** indicates that it can be changed outside program control; **extern** indicates that the variable can be accessed outside this file. Finally, the use of **near** indicates that it is placed within Access RAM.

By looking carefully at this program example it is possible to see that the declaration of port bits is arranged as a union named **PORTBbits**, containing three structures (two are shown here). Like Port B the union is specified as **extern volatile near**. It can be seen that the first structure within the union is a list of the conventional names of the port bits, each declared as a single-bit bit-field.

The second and third structures list the alternative uses of the port bits, each again being a bit-field. As both these structures belong to a union, they effectively occupy the same memory space and can be used as alternatives to each other.

```
extern volatile near unsigned char PORTB;
extern volatile near union {
    struct {
        unsigned RB0:1;
        unsigned RB1:1;
        unsigned RB2:1;
        unsigned RB3:1;
        unsigned RB4:1;
        unsigned RB5:1;
        unsigned RB6:1;
        unsigned RB7:1;
    };
    struct {
        unsigned INT0:1;
        unsigned INT1:1;
        unsigned INT2:1;
        unsigned CCP2:1;
        unsigned KBI0:1;
        unsigned KBI1:1;
        unsigned KBI2:1;
        unsigned KBI3:1;
    };
    struct {
        ...
    };
} PORTBbits;
```

Program Example 17.4: Port B declaration – part of the 18F2420.h file

We are now at last in a position to understand the format we have used for several chapters to identify port and other SFR bits. When we write, for example

```
PORTBbits.RB7 = 1;
```

we now know that this invokes the member **RB7** (a bit-field) of a structure, which in turn is a member of the union **PORTBbits**.

17.9.2 Assembler utilities in the header file

Program Example 17.5 shows the **#define** preprocessor directive being used to define certain 18 Series Assembler instructions. By doing this they can be used in a C program, without even invoking the usual in-line assembler procedure. To the casual observer their use will appear as functions. We find this technique applied again in Chapter 19, with the Salvo real-time operating system.

```
...
#define Nop()      {_asm nop _endasm}
#define ClrWdt()  {_asm clrwdt _endasm}
#define Sleep()   {_asm sleep _endasm}
#define Reset()   {_asm reset _endasm}
...
```

Program Example 17.5: Part of the 18F2420.h file – Assembler utilities

17.10 Taking things further – the MPLAB Linker and the .map file

Figure 14.2 shows the central part that the Linker plays in any build process. For straightforward applications it is not necessary to understand how the Linker works. An approximate understanding of the Linker is, however, useful even in simple applications to appreciate how a program is put together, particularly in terms of finding and understanding those ‘hidden’ files which are linked in. For more advanced applications the programmer may want to modify or rewrite the Linker file provided. This section introduces the MPLAB Linker, MPLINK. Reference information on this can be found in Ref. 17.2.

17.10.1 What the Linker does

As the build process of Figure 14.2 shows, the Linker takes object files as its input and combines these to create executable code, which can be downloaded to the microcontroller. It also provides background information on how it has allocated memory, which can be used for debug purposes. The object files may be application code, generated first as C or Assembler. Alternatively, they may be general-purpose library files. In either case, the code they contain is largely ‘relocatable’. This means that addresses in memory, whether data or program, have not yet been assigned. It is the function of the Linker to locate all the object files into memory and ensure that they link across to each other correctly. It can also control allocation of the software stack. It is guided in all this by the Linker Script, which contains essential information about the memory map of the microcontroller that is to be used. In undertaking its task, the Linker may well uncover programming faults, for example addresses which clash, or inadequate information.

17.10.2 The Linker Script

The Linker Script is a text file made up of a series of Linker directives which tell the Linker where the available memory is and how it should be used. Thus, they reflect exactly the memory resources and memory map of the target microcontroller. Standard Linker Scripts are provided in MPLAB for all available PIC 18 Series microcontrollers. In a standard C18 installation they can be found in the `mcc\lkr` folder. The script for the 18F2420, the **18f2420.lkr** file, is used in every C program example in this book. It is reproduced as Program Example 17.6. An alternative but very similar version, not specific to a C18 implementation, can also be found in any MPLAB installation.

```
// File: 18f2420.lkr
// Sample linker script for the PIC18F2420 processor

LIBPATH .

FILES c018i.o
FILES clib.lib
FILES pl8f2420.lib

CODEPAGE  NAME=page      START=0x0          END=0x3FFF
CODEPAGE  NAME=idlocs   START=0x200000    END=0x200007      PROTECTED
CODEPAGE  NAME=config   START=0x300000    END=0x30000D      PROTECTED
CODEPAGE  NAME=devid    START=0x3FFFE     END=0x3FFFFF      PROTECTED
CODEPAGE  NAME=eedata   START=0xF0000     END=0xF000FF      PROTECTED

ACCESSBANK NAME=accessram START=0x0          END=0x7F
DATABANK  NAME=gpr0     START=0x80        END=0xFF
DATABANK  NAME=gpr1     START=0x100       END=0x1FF
DATABANK  NAME=gpr2     START=0x200       END=0x2FF
ACCESSBANK NAME=accesssfr START=0xF80       END=0xFFF          PROTECTED

SECTION   NAME=CONFIG   ROM=config

STACK SIZE=0x100 RAM=gpr2
```

Program Example 17.6: Linker Script for the 18F2420

Let us now explore this example Linker Script. Our goal at this stage is to appreciate what it is saying, not to write a new file. Therefore, we will not worry about exact formats.

- Linker comments. All comments are preceded by `//`. All text following this on a line is ignored by the Linker. As may be expected, the comments seen here provide title and version information.
- Directive **LIBPATH**. This provides an optional search path for files to be included. It is not used in this example.
- Directive **FILES**. This directive specifies object files for linking. Three files are specified here:
 - **c018i.o**. This is the object code version of the start-up file, already described in this chapter.

- **clib.lib**. This contains the standard C library supported by the C18 compiler.
- **p18f2420.lib**. This file contains processor-specific information and effectively works alongside the processor-specific header file.
- Directive **CODEPAGE**. This directive is used to allocate program memory. It is used no less than five times in this example, with the primary purpose of conveying the microcontroller memory maps. The main block of memory, to which the Linker can allocate program code, is located from address 00_H to 03FFF_H. This accords with the memory map of Figure 13.6. Blocks for configuration data and device identification are also reserved, corresponding to the locations shown in Table 13.4. Further space is reserved for EEPROM and identification.
- Directive **ACCESSBANK**. This directive, used twice in this example, allocates access data memory. The first time it is used, the RAM located in access memory is labelled **accessram** and is correctly located in the address range 0 to 7F_H. In the second, the SFR memory block is identified, located in the memory map and labelled **accesssfr**. This memory block is specified as being protected, which stops the Linker allocating it for general-purpose usage. The absolute memory allocations made elsewhere for the SFRs are thus preserved.
- Directive **DATABANK**. This directive is similar to **ACCESSBANK** and uses the same format. It is used to specify banked RAM. Its implementation in this example can be seen to follow exactly the data memory map seen in Figure 13.4. Each block is available to be used by the Linker, so none is protected.
- Directive **SECTION**. This directive allows a name identified in the source code with a **#pragma** directive to be linked across to a block of memory identified in the Linker Script. In this case the connection is being made for configuration memory, so that data generated by use of **#pragma config** (as illustrated in Program Example 17.2) is placed in the right location.
- Directive **STACK SIZE**. This directive allows the software stack location and size to be specified. In this example it can be seen that a stack of size 100_H is specified, located in RAM Bank 2.

17.10.3 The .map file

The result of the Linker's action is that all code is mapped correctly into the different categories of memory. How can this be checked? The answer lies in the .map file, an optional file which we can ask the compiler to generate. This file shows all memory allocation. For a given project, it can be generated by clicking Project > Build Options > Project > MPLINK Linker > Generate map File.

Following a successful project build, the `.map` file can be found along with other output files, with name `project name.map`. The `.map` file is not a pretty sight for the casual observer, as it contains *all* the address locations of *all* symbols used, as well as the memory mapping derived from the Linker Script. However, it can be useful as a diagnostic tool if one is having trouble working out how a variable has been treated, or what has happened to a memory location or block of memory. Another useful feature of the `.map` file is that it shows the proportion of memory used. This, of course, becomes very important as programs grow.

Fragments of the `.map` file for Program Example 14.1 are shown in Program Example 17.7. It shows where some of the main program sections are placed and goes on to indicate that program memory usage is a modest one per cent!

```

                Section Info
      Section   Type      Address      Location  Size(Bytes)
-----
 _entry_scn   code      0x000000    program   0x000006
   .cinit     romdata   0x000006    program   0x000002
 _cinit_scn   code      0x000008    program   0x00000e
 _startup_scn code      0x0000a6    program   0x00001c...

                Program Memory Usage
                Start      End
-----
                0x000000    0x0000e5
230 out of 16664 program addresses used, program memory utilization is 1%

```

Program Example 17.7: Fragments of `.map` file for Program Example 14.1

Summary

- It may still be necessary from time to time to step outside the strict confines of C to make use of Assembler.
- It is not difficult to use interrupts in C, but an understanding is needed of how the interrupt vectors are defined and how the service routine is constructed.
- To work with larger programs, it is useful to develop further knowledge of different data types and storage classes.
- The development of a program in C involves far more than simply writing source code. A wide selection of other files can (and effectively must) be used. It is useful to have some understanding of what these are, how they work and how they relate to each other.
- The Linker brings the various contributing files together. Knowledge of the Linker at an appreciation level is useful for simple programs. A detailed knowledge becomes important when writing major pieces of software.

At the end of these four chapters on C, we have reached an introductory but useful understanding of the C language, as applied to embedded systems. This should allow you to go on to write increasingly complex C programs, as indeed is done in Chapter 19. While the basics of C have been introduced, there are plenty of features of C which haven't. A deeper and wider knowledge of C can be gained by more programming experience, studying good example programs and reading from the various specialist C books that are available.

References

- 17.1. PIC18 Configuration Settings Addendum (2005). Microchip Technology Inc., Document no. DS51537C.
- 17.2. MPASM Assembler, MPLINK Object Linker, MPLIB Object Librarian User's Guide (2009). Microchip Technology Inc., Document no. DS33014K;
www.microchip.com

Multi-tasking and the real-time operating system

Almost every embedded system has more than one activity that it needs to perform. A program for the Derbot AGV, for example, may need to sense its environment through bump and light sensors, measure the distance it has moved, and hence calculate and implement drive values for its motors. As a system becomes more complicated, it becomes increasingly difficult to balance the needs of the different things it does. Each will compete for CPU time and may therefore cause delays in other areas of the system. The program needs a way of dividing its time ‘fairly’ between the different demands laid upon it.

An important parallel aspect of the need to time-share the CPU is the need to ensure that things are happening in time. This is very important in almost every embedded system, and the problem just gets worse when there are multiple activities competing for CPU attention.

This chapter explores the demands of systems which have many things on their minds. It investigates the underlying challenges and comes up with a strategy for dealing with them – the real-time operating system. This leads to a completely new approach to programming – it’s no longer the program sequence which determines what happens next, but the operating system that is controlling it!

Once you have worked through the chapter, you should have a good understanding of:

- The challenges posed by multi-tasking.
- The meaning and implication of ‘real time’.
- How simple multi-tasking can be achieved through sequential programming.
- The principles of the real-time operating system.

As this chapter forms a broad introduction to real-time programming, there are no actual program examples in it. However, the chapter acts as preparation for Chapter 19, which has a number of significant examples.

18.1 The main ideas – the challenges of multi-tasking and real time

Many of us in this busy modern world feel we spend our lives multi-tasking. A parent may need to get two or three children ready for school – one has lost a sock, one feels sick and the other has spilt the milk. And the dog needs feeding, the saucepan is boiling over, the mailman is at the door and the phone is ringing. Many things need to be done, but we can only do one thing at a time. The microcontroller in an embedded system can feel similarly harassed. It can be surrounded by many things, each demanding its attention. It will need to decide what to do first and what can be left till later.

Let us start this chapter by exploring the nature both of multi-tasking and of real time.

18.1.1 Multi-tasking – tasks, priorities and deadlines

Figure 18.1 shows a simplified flow diagram of a program we were looking at in Chapter 16, the Derbot light-seeking program. This program was used at the time primarily to introduce certain concepts in C, and we did not spend much time thinking about its structure.

The program is made up of a number of distinct activities, each of which appears in the figure. Let us immediately adopt the practice of calling such activities ‘tasks’. A task is a program strand or section which has a clear and distinct purpose and outcome. Multi-tasking simply describes a situation where there are many tasks which need to be performed, ideally simultaneously. Four tasks are identified in this example.

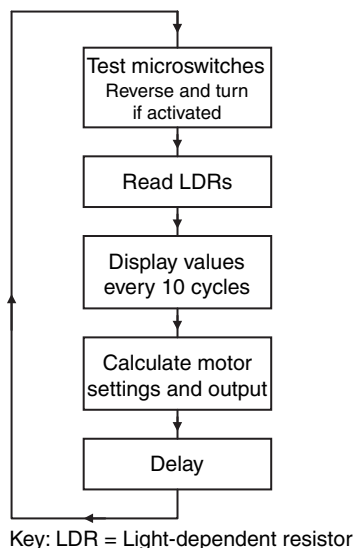


Figure 18.1: Simplified flow diagram of the Derbot light-seeking program

The program is structured so that each task is placed in a super loop and each is executed in turn. One task, the display (where data is sent to the hand controller for display on the LCD), executes only once every 10 cycles of the loop. The loop is ended by a delay, which determines the loop repetition rate and hence influences the program timing characteristics.

This is a very simple multi-tasking example. The program has a number of tasks. It performs them strictly in rotation, taking a little rest before it starts over again.

In reality, of course, the tasks are not all of equal importance. Going back to the harassed parent: if the phone rings, the dog probably has to wait for its dinner. Therefore, we recognise that different tasks have different *priorities*. A high-priority task should have the right to execute before a low-priority task. Each task also has a *deadline*, or could have one estimated for it. The phone *has* to be answered within 30 seconds, otherwise the caller rings off; the children *have* to be ready to leave home by 8.30 a.m., otherwise they miss the bus, and so on. The concept of priorities is linked to that of deadlines. Generally, a task with a tight deadline requires a high priority – but more of that later.

The tasks of this example program are shown in Table 18.1, together with some preliminary classification. Three levels of priority are used, with three estimated deadlines. In assigning these priorities, a microswitch being pressed is viewed as an emergency; the AGV has collided with something and the motor has probably stalled. It is therefore of high priority. In contrast, the human user will barely notice if the display function is delayed by a second or so. It can therefore be of lower priority.

18.1.2 So what is ‘real time’?

How does the Derbot light-seeking program, or indeed the harassed parent, relate to the concept of ‘real time’? The concept is widely talked about, but seems often to be surrounded by a certain mystique.

A simple but completely effective definition of operating in real time, already adopted in Ref. 1.1, is as follows:

A system operating in real time must be able to provide the correct results at the required time deadlines.

TABLE 18.1 Tasks in the Derbot light-seeking program

Task	Priority	Deadline (ms)
Respond to microswitches	1	20
Read LDRs	2	50
Calculate and set motor speed	2	50
Display	3	500

Notice that this definition carries no implication that working in real time implies high speed, although this can often help. It simply states that what is needed must be ready at the time it is needed. Therefore, if the parent gets all the children to school on time, feeds the dog before it starts to howl, opens the door to the postman before he goes away and answers the phone before the caller hangs up, then the real-time requirements of this environment have been met. Similarly, if the Derbot meets all deadlines quantified in [Table 18.1](#), it too is operating in real time.

Underlying this simple definition, and all it implies, lies a multitude of program design challenges. The rest of this chapter forms an introduction to these, and to how they can be resolved.

18.2 Achieving multi-tasking with sequential programming

The type of programming we have engaged in to date, whether in Assembler or C, is sometimes called ‘sequential programming’. This simply implies that the program executes in the normal way, each instruction or statement following the one before, unless program branches, or subroutine or function calls, take place. Later in this chapter we will make a departure from this type of program. For now, let us explore how we can optimise it for multi-tasking applications, addressing some of the weaknesses of the program structure of [Figure 18.1](#).

18.2.1 Evaluating the super loop

This program appears to run quite well, but that is mainly because it is not very demanding in its needs. Let us consider some of its drawbacks, all related to each other:

- *Loop execution time is not constant.* The time it takes to run through the loop once is equal to the sum of the times taken by each task, plus the delay time. Clearly, this could vary. If, for example, a microswitch is activated, the Derbot reverses and then turns. This results in a particularly long loop execution, which may upset some other activity in the loop.
- *Tasks interfere with each other.* Once a task gets the chance to execute, it will keep the CPU busy until it has completed what it needs to do. Agreed, each is written so that it shouldn’t take too long. Suppose, however, that the display task starts to execute and the AGV suddenly hits a wall. The processor will continue sending data to the display and will then complete the delay routine before it finds out that an emergency has occurred.
- *High-priority tasks don’t get the attention they need.* We have already recognised that some tasks are more important than others. They should therefore have higher priority,

a concept we have already met in the context of interrupts. In this continuous loop structure, every task has the same priority.

We need to find a way of structuring programs to recognise the nature and needs of the tasks they contain, and to meet their real-time demands.

18.2.2 Time-triggered and event-triggered tasks

It is easy to recognise that some tasks are ‘time-triggered’ and others ‘event-triggered’. A time-triggered task occurs on completion of a certain period and is usually periodic. An example of this is the reading of the LDRs in this program. Event-triggered tasks occur when a certain event takes place. In this case the pressing of a microswitch is a good example.

18.2.3 Using interrupts for prioritisation – the foreground/background structure

To address the problem of lack of prioritisation among the tasks in the light-seeking program, it would be possible to transfer high-priority task(s) to interrupts. These would then gain CPU attention as soon as it was needed, particularly if only one interrupt was used. The program structure would then appear as in Figure 18.2. It is quite likely that tasks in the loop would be time-triggered, and would therefore be able to use the repetition rate of the loop as a time base. Tasks driven by interrupts are likely to be event-triggered.

With this simple program structure we have achieved a reliable repetition rate for tasks in the loop, and prioritisation for tasks that need it. This is sometimes called a ‘foreground/background program structure’. Tasks with higher priority and driven by interrupts are in the foreground (when they need to be), while the lower-priority tasks in the loop can run almost continuously in the background.

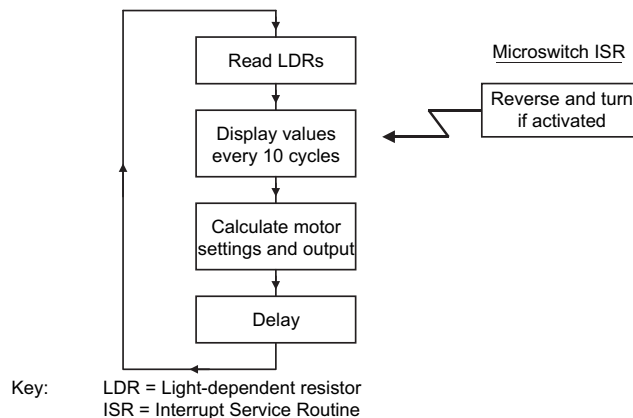


Figure 18.2: Using an interrupt for prioritisation in the Derbot light-seeking program

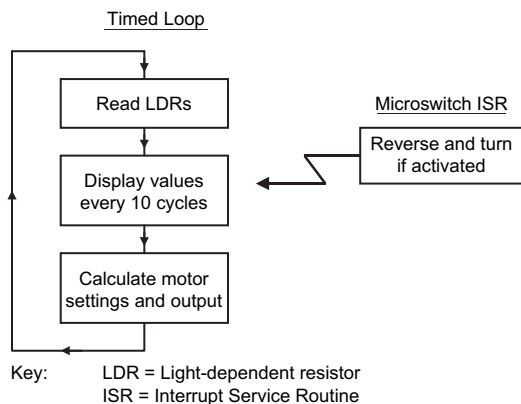


Figure 18.3: Using a timed interrupt in the Derbot light-seeking program

18.2.4 Introducing a ‘clock tick’ to synchronise program activity

To minimise the impact of the variable task execution times on the overall loop execution time, it is possible to trigger the whole loop from a timed interrupt, say from a timer overflow. The program would then have the structure of Figure 18.3. The main loop is now triggered by a timer overflow, so occurs at a fixed and reliable rate. Time-triggered tasks can base their own activity on this repetition rate. Event-triggered tasks, through the interrupts, can occur when needed. Task timings, of course, have to be calculated and controlled, so that the loop has adequate time to execute within the time allowed and the event-triggered tasks do not disturb too much the repetitive nature of the loop timing.

The idea of a regular timer interrupt used in this way to synchronise program activity was introduced in Chapter 9 and illustrated in Figure 9.3. As mentioned there, it is usually called a ‘clock tick’. The idea is simple, but it becomes fundamental to many program structures we are about to consider. The clock tick should not be confused with the clock oscillator itself, even though the tick is usually derived from the oscillator.

18.2.5 A general-purpose ‘operating system’

The structure which emerges in Figure 18.3 can be abstracted into a general-purpose ‘operating system’, as shown to the right in Figure 18.4. Here the main loop contains a series of low- or medium-priority tasks. It is driven by a ‘clock tick’. The general structure of each task is shown on the left. As needed, each task has an enable flag (a bit in a memory location) and each has a task counter. Tasks which need to execute every clock tick will do so. Many will only need to execute less frequently, at an interval set by the value of their task counter. Tasks can be enabled or disabled by the setting or clearing of their enable flag, by each other or by the ISRs.

This general-purpose operating system structure can be adapted to form the framework of a multi-tasking program. Its general concepts are applied in practical designs in Refs 18.1 and

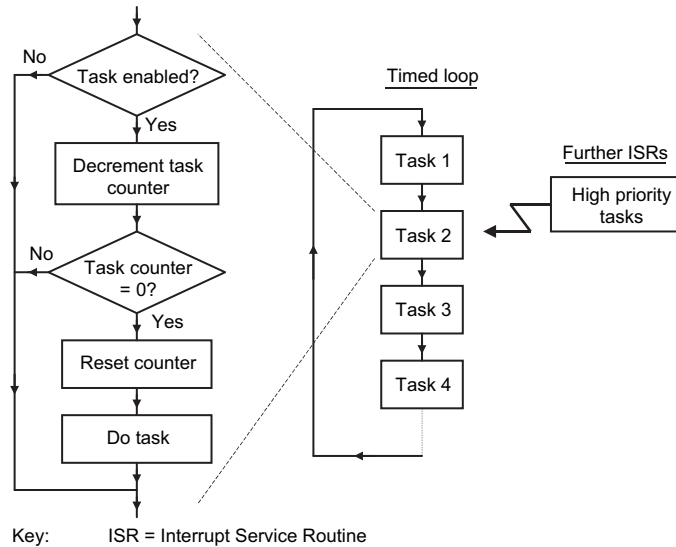


Figure 18.4: A general-purpose ‘operating system’ structure, using sequential programming

18.2. The former describes the complete design of a multi-tasking metronome based on the PIC 16F84.

If several tasks are allocated to interrupts, then interrupt latency obviously suffers, as one ISR has to wait for another to complete. This must be analysed carefully in a very time-sensitive system. Reference 1.1 explores this topic in some depth.

18.2.6 The limits of sequential programming when multi-tasking

The approach to programming for multi-tasking just described will generally be acceptable, as long as:

- There are not too many tasks.
- Task priorities can be accommodated in the structure.
- Tasks are moderately well behaved, for example their requirement for CPU time is always reasonable and interrupt-driven tasks don’t occur too often.

If these conditions are not met, it is necessary to consider a radically different programming strategy. The natural candidate is the real-time operating system.

18.3 The real-time operating system

When using a true operating system, we move away from the assumptions of normal sequential programming, as outlined in Section 18.2 above. Instead, we hand over

control of the CPU and all system resources to the operating system. It is the operating system which now determines which section of the program is to run and for how long, and how it accesses system resources. The application program itself is subservient to the operating system and is written in a way that recognises the requirements of the operating system. Because we are concerned to meet real-time needs, we make use of a particular type of operating system which meets this requirement, the ‘real-time operating system’ (RTOS).

A program written for an RTOS is structured into tasks, usually (but not always) prioritised, which are controlled by the operating system. The RTOS performs three main functions:

- It decides which task should run and for how long.
- It provides communication and synchronisation between tasks.
- It controls the use of resources shared between the tasks, for example memory and hardware peripherals.

An RTOS itself is a general-purpose program utility. It is adapted for a particular application by writing tasks for it and by customising it in other ways. While you can write your own RTOS, it is generally done by specialists. There are a number of companies which develop and supply such operating systems, usually targeted towards one particular type of market and scale of processor. If you buy one of these, then you are buying a ‘COTS RTOS’ – a commercial off-the-shelf real-time operating system! We explore using such an RTOS in Chapter 19.

18.4 Scheduling and the scheduler

A central part of the RTOS is the ‘scheduler’. This determines which task is allowed to run at any particular moment. Among other things, the scheduler must be aware of what tasks are ready to run and their priorities (if any). There are a number of fundamentally different scheduling strategies, which we consider now.

18.4.1 Cyclic scheduling

Cyclic scheduling is simple. Each task is allowed to run to completion before it hands over to the next. A task cannot be discontinued as it runs. This is almost like the super loop operation we saw earlier in this chapter.

A diagrammatic example of cyclic scheduling is shown in [Figure 18.5](#). Here the horizontal band represents CPU activity and the numbered blocks the tasks as they execute. Tasks are seen executing in turn, with Task 3 initially the longest and 2 the shortest. In the third iteration, however, Task 1 takes longer and the overall loop time is longer. Cyclic scheduling



Figure 18.5: Cyclic scheduling – Tasks 1, 2 and 3 execute in turn

carries the disadvantages of sequential programming in a loop, as outlined above. At least it is simple.

18.4.2 Round-robin scheduling and context switching

In round-robin scheduling the operating system is driven by a regular interrupt (the ‘clock tick’). Tasks are selected in a fixed sequence for execution. On each clock tick, the current task is discontinued and the next is allowed to start execution. All tasks are treated as being of equal importance and wait in turn for their slot of CPU time. Tasks are *not* allowed to run to completion, but are ‘pre-empted’, i.e. their execution is discontinued mid-flight. This is an example of a ‘pre-emptive’ scheduler.

The implications of this pre-emptive task switching, and its overheads, are not insignificant and must be taken into account. When the task is allowed to run again, it must be able to pick up operation seamlessly, with no side-effect from the pre-emption. Therefore, complete context saving (all flags, registers and other memory locations) must be undertaken as the task switches. Time-critical program elements should not be interrupted, however, and this requirement will need to be written into the program.

A diagrammatic example of round-robin scheduling is shown in Figure 18.6. The numbered blocks once more represent the tasks as they execute, but there is a major difference from Figure 18.5. Now each task gets a slot of CPU time, which has a fixed length. The clock tick, which causes this task switch, is represented in the diagram by an arrow. When that time is up, the next task takes over, whether the current one has completed or not. At one stage Task 2 completes and does not need CPU time for several time slices. It then becomes ready for action again and takes its turn in the cycle.

As the task and context are switched, there is an inevitable time overhead, which is represented by the black bars. This is the time taken serving the requirements of the RTOS, which is lost to the application program.

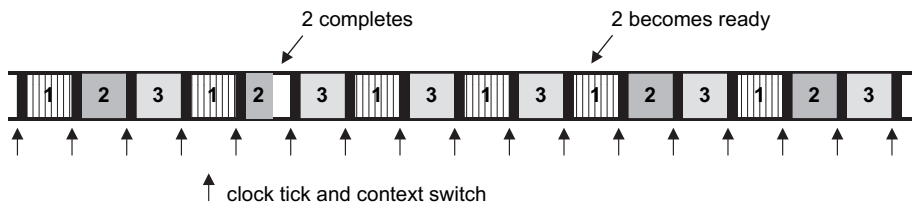


Figure 18.6: Round-robin scheduling

18.4.3 Task states

It is worth pausing at this moment to consider what is happening to the tasks now they are being controlled by a scheduler. Clearly, only one task is running at any one time. Others may need to run, but at any one instant do not have the chance. Others may just need to respond to a particular set of circumstances and hence only be active at certain times during program execution.

It is important, therefore, to recognise that tasks can move between different states. A possible state diagram for this is shown in Figure 18.7. The states are described below. Note, however, that the terminology used and the way the state is affected vary to some extent from one RTOS to another. Therefore, in some cases several terms are used to describe a certain state.

- *Ready (or eligible)*. The task is ready to run and will do so as soon as it is allocated CPU time. The task leaves this state and enters the active state when it is started by the scheduler.
- *Running*. The task has been allocated CPU time and is executing. A number of things can cause the task to leave this state. Maybe it simply completes and no longer needs CPU time. Alternatively, the scheduler may pre-empt it, so that another task can run. Finally, it may enter a blocked or waiting state for one of the reasons described below.
- *Blocked/waiting/delayed*. This state represents a task which is ready to run but for one reason or another is not allowed to. There are a number of distinct reasons why this may be the case, and indeed this single state on the diagram could be replaced by several, if greater detail was wanted. The task could be waiting for some data to arrive or for

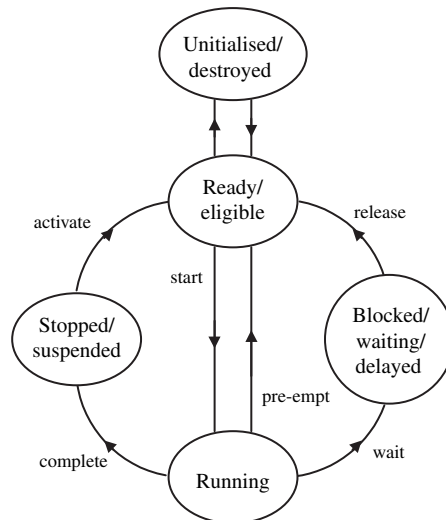


Figure 18.7: Task states

a resource that it needs that is currently being used by another task, or it could be waiting for a period to be up. The state is left when the task is released from the condition which is holding it there.

- *Stopped/suspended/dormant.* The task does not at present need CPU time. A task leaves this state and enters the ready state when it is activated again, for whatever reason.
- *Uninitialised/destroyed.* In this state the task no longer exists as far as the RTOS is concerned. An implication of this is that a task does not need to have continuous existence throughout the course of program execution. Generally, they have to be created or initialised in the program before they can run. If necessary they can later be destroyed and possibly another created instead. Removing unneeded tasks from the task list simplifies scheduler operation and reduces demands on memory.

18.4.4 Prioritised pre-emptive scheduling

We return now to our survey of scheduling strategies, armed with a greater understanding of the lifestyle of tasks. In round-robin scheduling tasks become subservient to a higher power – the operating system – as we have seen. Yet all tasks are of equal priority, so an unimportant task gets just as much access to the CPU as one of tip-top priority. We can change this by prioritising tasks.

In the ‘prioritised pre-emptive scheduler’, tasks are given priorities. High-priority tasks are now allowed to complete before any time whatsoever is given to tasks of lower priority. The scheduler is still run by a clock tick. On every tick it checks which ready task has the highest priority. Whichever that is gets access to the CPU. An executing task which still needs CPU time and is highest priority keeps the CPU. A low-priority task which is executing is replaced by one of higher priority, if it has become ready. The high-priority task becomes the ‘bully in the playground’. In almost every case it gets its way.

The way this scheduling strategy works is illustrated in the example of [Figure 18.8](#). This contains a number of the key concepts of the RTOS and is worth understanding well. The diagram shows three tasks, each of different priority and different execution duration. At the beginning, all are ready to run. Because Task 1 has the highest priority, the scheduler selects it to run. At the next clock tick, the scheduler recognises that Task 1 still needs to run, so it is allowed to continue. The same happens at the next clock tick and the task completes during the following time slice. Task 1 does not now need CPU time and becomes suspended. At the next clock tick the scheduler therefore selects the ready task which has the highest priority, which is now Task 3. This also runs to completion.

At last Task 2 gets a chance to run! Unfortunately for it, however, during its first time slice Task 1 becomes ready again. At the next clock tick the scheduler therefore selects Task 1 to run again. Once more, this is allowed to run to completion. When it has, and only because

thereby releasing a task from a blocked state (Figure 18.7). The ISRs themselves are not normally used as tasks.

18.5 Developing tasks

Having established the concept of tasks and how they are scheduled, let us now consider how they are written.

18.5.1 Defining tasks

It is an interesting early requirement of the programmer to actually choose which activities of the system will be defined as tasks. The number of tasks created should not be too many. More tasks generally imply more programming complexity, and for every task switch there is a time and memory overhead.

A useful starting point is to consider what the deadlines are and then to allocate one task per deadline. A set of activities which are closely related in time are likely to serve a single deadline and should therefore be grouped together into a single task. A set of activities which are closely related in function and interchange a large amount of data should also be grouped into a single task.

For example, in the Derbot light-seeking program of Figure 18.1, the super loop at one stage reads the three LDRs, then makes some calculations, then sets the motor speed. It also periodically sends data to the display. At any time, the microswitches may be activated. How many RTOS tasks should there be? The central activities are closely related in time and in function, and do share data. Writing to the display could be set as a distinct task – it occurs less often than the others and is of comparatively low priority. As the reading of the LDRs supplies data directly to the motor calculations and the motor control, all these activities could be grouped into a single task. Alternatively, the LDR reading could be separated into its own task. Finally, the microswitch response could be allocated as a further task.

18.5.2 Writing tasks and setting priority

Tasks should be written as if they are to run continuously, as self-contained and semi-autonomous programs, even though they may be discontinued by the scheduler. They cannot call on a section of another's code, but can access common code, for example C libraries. They may depend on services provided by each other and may need to be synchronised with each other. In either case, the RTOS will have special services to allow this to happen.

In all cases but the most simple, the RTOS allows the programmer to set task priorities. In the case of 'static' priority, priorities are fixed. In the case of 'dynamic' priority, priorities may be changed as the program runs. One way of looking at priority is to consider how important

a task is to the operation and well-being of the system, its user and environment. Priority can then be allocated:

- Highest priority: tasks essential for system survival.
- Middle priority: tasks essential for correct system operation.
- Low priority: tasks needed for adequate system operation – these tasks might occasionally be expendable or a delay in their completion might be acceptable.

Priorities can also be considered by evaluating the task deadlines. In this case high priority is given to tasks which have very tight time deadlines. If, however, a task has a demanding deadline, but just isn't very important in the overall scheme of things, then it may still end up with a low priority.

18.6 Data and resource protection – the semaphore

Several tasks may need to access the same item of shared resource. This could be hardware (including memory or peripheral) or a common software module. This requires some care. A method for dealing with this is by the 'semaphore'. A semaphore is allocated to each shared resource, which is used to indicate if it is in use.

In a 'binary semaphore', the first task needing to use the resource will find the semaphore in a GO state and will change it to WAIT before starting to use the resource. Any other task in the meantime needing to use the resource will have to enter the blocked state ([Figure 18.7](#)). When the first task has completed accessing the resource, it changes the semaphore back to GO. This leads to the concept of 'mutual exclusion'; when one task is accessing the resource, all others are excluded.

The 'counting semaphore' is used for a set of identical resources, for example a group of printers. Now the semaphore is initially set to the number of units of resource. As any task uses one of the units, it decrements the semaphore by one, incrementing it again on completion of use. Thus, the counting semaphore holds the number of units that are available for use.

As an effect of setting a semaphore to the WAIT state is that another task becomes blocked, they can be used as a means of providing time synchronisation and signalling between different tasks. One task can block another by setting a semaphore and can release it at a time of its choosing by clearing the semaphore.

Remember the 'bully in the playground', the high-priority task mentioned in [Section 18.4.4](#)? By using a semaphore, a low-priority task can turn the tables on the bully! If a low-priority task sets a semaphore for a resource that the high-priority task needs, it can block that task. This leads to a dangerous condition known as 'priority inversion'. This is beyond the scope of this book, but is also illustrative of the many finer details in the world of real-time

programming, which are well worth further exploration. Reference 18.3 is a useful starting point for more detailed reading.

18.7 Where do we go from here?

The theory of the RTOS goes well beyond what has been discussed in this chapter and becomes specialised to different types of application. As with so many things, the theory takes on meaning when applied to a real situation. This is what happens in the chapter that follows.

Summary

- The requirement of multi-tasking, common to almost every embedded system, carries with it some valuable concepts – tasks, deadlines and priorities.
- A system operating in real time is one that is able to meet its deadlines.
- Simple multi-tasking real-time systems can be achieved using conventional sequential programming.
- More sophisticated multi-tasking real-time systems require the use of a real-time operating system.
- Use of a real-time operating system requires that programs are structured in a different way, with the programmer clearly understanding the underlying principles of the operating system.

References

- 18.1. Wilmshurst, T. (2002). Exploring real-time programming. *Electronics World*, pp. 54–60, January; <http://www.softcopy.co.uk/electronicsworld/>
- 18.2. A Real-Time Operating System for PICmicro Microcontrollers (1997). Microchip Technology Inc., Application Note 585.
- 18.3. Simon, D. E. (1999). *An Embedded Software Primer*. Addison-Wesley. ISBN 978-0-201-61569-2.

The Salvo real-time operating system

All the concepts introduced about the RTOS (real-time operating system) in Chapter 18 are theoretical niceties unless we can apply them to a working system. Preferably, this should be one that can be run on a PIC-based embedded system. Our chance to do this comes with Salvo – ‘the RTOS that runs in tiny places’. Salvo is a commercially available RTOS specially intended for the small embedded system, with a version which works with the Microchip C18 compiler. Best of all, there is a free Salvo Lite version! This gives us the opportunity to enter the exciting yet challenging world of the RTOS, and, without too much trouble, to write simple, illustrative and working programs.

The main aim of this chapter is to provide an introduction to Salvo, to a level at which effective yet simple programs can be written. The purpose of this is to see a real RTOS applied to practical situations, rather than to become an expert user of Salvo. Therefore, the deeper detail of using Salvo is left to the user’s guide.

This chapter is essentially built around three example programs, which progress through applications of key RTOS concepts. Having reached the end of the chapter, you should have a good understanding of:

- The basics of Salvo, an example RTOS.
- The operation of a real RTOS from a practical point of view.
- The advantages and disadvantages of working with an RTOS.

19.1 The main idea – Salvo, an example RTOS

Salvo was originally developed, in Assembler, for the data-acquisition system of a racing car. Once it was recognised that it could be applied more widely, it was rewritten in C and adapted for general use. Its target application is the small embedded system. Salvo now needs to run with a C compiler; it no longer works with Assembler. Versions of it are available for many of the major embedded system compilers. Salvo is supplied by Pumpkin Real Time Software Inc.

Selected information on Salvo is given in the sections that follow; it is intended to be enough to write some interesting introductory programs. For full details on Salvo, you should refer to the supplier's reference information, notably Refs 19.1–19.3.

19.1.1 Basic Salvo features

Salvo works with a cooperative scheduler and can run multiple prioritised tasks. This is one of the keys to its low memory demands – as discussed in Section 18.4.5, cooperative scheduling is less demanding of memory. The number of tasks (in the fully featured version) is limited only by the available RAM, while 16 priority levels are available. Tasks can also share priority levels. Salvo supports a range of different 'events', including binary and counting semaphores, messages and message queues.

Salvo is supplied as an extensive set of files – source, header, library and others. These effectively act as extra services that are added to the host compiler. The programmer works with the host compiler in the usual way, but incorporates the Salvo files as needed. In so doing, he/she must of course follow the requirements of the Salvo RTOS. The program as developed by the programmer is finally a combination of original source code, header and source files from Salvo and the compiler, and Salvo and compiler library files. The build process and the main contributory files are summarised in Figure 19.1. The output is an executable file, which can be downloaded to program memory.

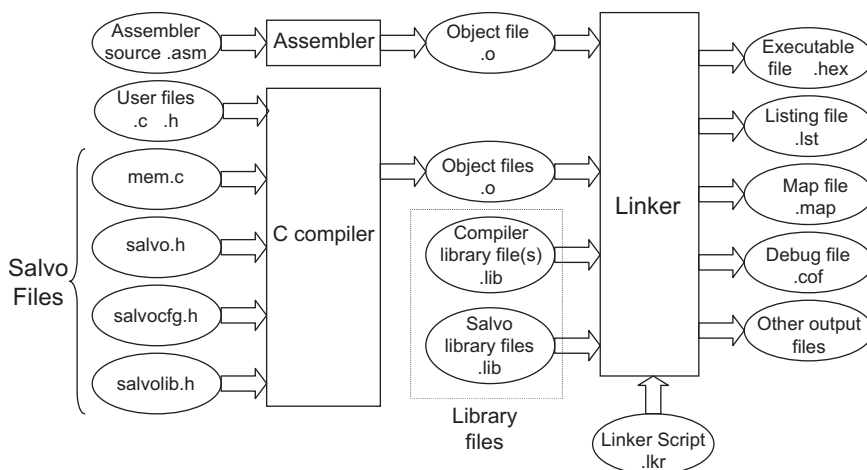


Figure 19.1: Salvo build process

19.1.2 *Salvo versions and references*

There are a number of versions of Salvo available. At the de luxe end is Salvo Pro, a highly configurable, fully featured version. The freeware version of Salvo, called Salvo Lite, contains a subset of Salvo functionality. At the time of writing this may be downloaded from the Pumpkin website: <http://www.pumpkininc.com/> – a copy is also available on the book's companion website. The version which matches the compiler in use, in our case the Microchip C18 compiler, must be chosen. Salvo Lite permits three tasks and five events. This sounds like a modest limit. In fact, it allows surprisingly useful and advanced programs to be developed.

Salvo comes with a big but readable user manual [Ref. 19.1]. This is written to support use of all versions of Salvo, right up to Salvo Pro. For the beginner, aiming to use Salvo Lite, some of it can be daunting. Nevertheless, it has good and informative introductory chapters. It contains all general information for the RTOS but nothing that is compiler-specific. This is contained within further reference manuals. For the Microchip C compiler the important ones are (at the time of writing) Refs 19.2 and 19.3.

19.2 **Configuring the Salvo application**

One of Salvo's principal features is that it is highly reconfigurable. It is therefore important early on to have a picture of how this configuration takes place. This section introduces some of the essential features of Salvo's files and configuration, and will lead to a better understanding of the build process shown in [Figure 19.1](#).

19.2.1 *Building Salvo applications – the library build*

There are two main ways to build a Salvo application: 'library build' and 'source-code build'. The latter requires manipulation of the Salvo source code and is for advanced players only. Anyway, it can only be undertaken with Salvo Pro, so we will not consider it here. That leaves us with library build – building the application using the library features available.

Different libraries are available for use, each one with a different set of features. For a given application, the most suitable library must be chosen. Once this is done, the library services are fixed. The user source code then makes calls to the Salvo functions contained in the chosen library.

Apart from the library files, certain other source and header files must be incorporated, as seen in [Figure 19.1](#). The most important ones are as follows.

TABLE 19.1 Library services available for each library configuration

	Library configuration				
	a	d	e	m	t
Multi tasking	+	+	+	+	+
Delays	+	+			+
Events	+		+		+
Idling	+	+	+		+
Task priorities	+	+	+		+
Time outs					+

+ enabled; not enabled.

Salvo website and the usual installation procedure followed. This is straightforward, but is detailed in Ref. 19.1 and on the book's companion website. The installation will result in the set of folders shown in Figure 19.3.

19.3 Writing Salvo programs

This section gives an introduction to programming with the Salvo RTOS, before we look at a first program example in the section which follows.

19.3.1 Initialisation and scheduling

Many of the features of the Salvo RTOS are contained within its C functions, found in the Salvo libraries. Part of the skill of programming with Salvo lies in knowing these functions and understanding what they do. Some examples, exactly the ones that will be used in our first program example, are given in Table 19.2. This gives the name of the function or service, a summary of its action and the parameters (if any) that it takes. The contents of the table will be referred to and explained repeatedly over the next few pages – do not worry if all its details are not immediately clear.

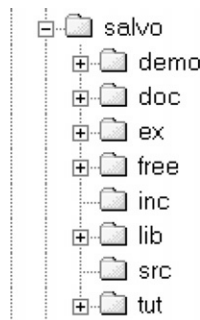


Figure 19.3: Salvo Lite folders

TABLE 19.2 Example core Salvo services

Function/service	Action and parameter(s)
OSInit()	Initialises the operating system, including data structures, pointers and counters. Must be called before any other Salvo function. No parameters.
OSSched()	The Salvo scheduler. On every call it chooses from those which are eligible the next task to run. Multi tasking can occur when this is called repeatedly. No parameters.
OS Yield()*	Unconditional return to scheduler (1) Context switch label, often defined through use of OSLabel() .
OSCreateTask(, ,)	Creates a task <i>and</i> starts it (i.e. makes it eligible). (1) Pointer to task starting address usually the task's name. (2) Pointer to task TCB (task control block). (3) Priority a number from 0 (highest) to 15 (lowest).
OSStartTask()	Makes a stopped task eligible. (1) Pointer to the task TCB (task control block).
OSLabel()	Defines a unique label required for each context switch. (1) Label name.
OSTCBP()	Defines a pointer to specified control block, in this case to the task control block. (1) An integer from 1 to OSTASKS , where OSTASKS appears in the salvocfg.h file and specifies the number of tasks.

*Can cause a context switch.

Some of the functions shown can cause a context switch; by this means the cooperative scheduling is implemented. All Salvo functions that the user can call are prefixed with 'OS' or 'OS '. The latter is used if the service contains a conditional or unconditional context switch.

To enable and initialise the RTOS the function **OSInit()** must be called before any other Salvo function. Tasks can then be created with a call to **OSCreateTask()**, ensuring that all arguments are properly specified.

The scheduler is contained within the **OSSched()** function. On every call, this does three things, as listed below:

- It processes the event queue, if events are being used. Remember, events include semaphores and messages. As a result of this, certain tasks may become eligible to run.
- It processes the delay queue, where delays in Salvo are an important means of controlling when a task executes. Again, a task may become eligible to run.
- It then selects and runs the most eligible (i.e. highest priority) task. Tasks with the same priority are run on a round-robin basis.

19.3.2 Writing Salvo tasks

Each Salvo task is written as a C function and follows the general pattern for the writing of tasks described in Section 18.5 of Chapter 18. There are further important requirements, specific to Salvo. These are summarised below:

- All tasks are initially ‘destroyed’. Tasks must be created using the Salvo **OSCreateTask()** function. They can be created anywhere in the program. In practice, many are created early in the **main** function.
- Tasks are generally made up of an optional initialisation followed by an infinite loop, which must contain at least one context switch.
- The context switch *can* be provided by a call to the function **OS Yield()**, although there are other functions which also cause a switch. With this (or equivalent) call, the task relinquishes access to the CPU and hands control back to the scheduler. This is the basis of the cooperative scheduling used by Salvo.
- Tasks cannot take any parameters.
- Tasks use **static** variables; therefore, task data is unchanged when the task is not running. Variables of type **auto** *can* be used if the data does not need to be retained following a context switch.

The operating characteristics of a task are contained within its task control block (TCB). This is a block of memory allocated uniquely to the task, which contains (among other things) the task’s start address, state and priority.

Tasks can, in general, follow the state diagram of Figure 18.7, with Salvo-specific interpretations of each state. These are introduced in the following pages.

19.4 A first Salvo example

A first example of a Salvo-based program is shown in Program Example 19.1. It uses the Salvo services summarised in Table 19.2. It contains just two tasks, of equal priority. One, **Count Task**, increments a counter. The other, **Display Task**, displays two bits of the counter value on two bits of Port C. As the Derbot hardware can be used, the two least significant bits of the counter are shifted over to the Derbot LEDs, which are on bits 5 and 6 of Port C.

19.4.1 Program overview and the main function

Looking down the program listing, this example looks at first like a regular small C program. The first indication that it is a Salvo program comes in the inclusion of **salvo.h**. A few lines

```

/*****
rtos_ex1                An introductory Salvo example.

There are two tasks, of equal priority. One counts, the other
displays the count.
Salvo Lite RTOS with sfcl8sfm.lib library used.
Mainly for simulation but can run on Derbot.
TJW 21.12.05, rev. 10.6.09                Retested 10.6.09
*****/

#include <salvo.h>
#undef OSC        //necessary for this version of Salvo, as it also defines this name
#include <p18f2420.h>

#pragma config OSC = HS            //HS oscillator
#pragma config PWRT = ON, BOREN = OFF //power-up timer on, brown-out detect off
#pragma config WDT = OFF          //watchdog timer off
#pragma config LVP = OFF          //low voltage programming off

//function prototypes. These functions are tasks.
void Count_Task( void );
void Display_Task( void );

//Define labels for context switches
_OSLabel(Count_Task1)
_OSLabel(Display_Task1)

//Define and initialise variable
unsigned char counter = 0;

/*****
Task Definitions (configured as functions)
*****/
void Count_Task( void )
{
    for (;;)                //infinite loop
    {
        counter++;
        OS_Yield(Count_Task1); //context switch
    }
}
//
void Display_Task( void )
{
    for (;;)
    {
        PORTC = counter<<5; //Shift Counter left, and move to PORT C
        OS_Yield(Display_Task1);
    }
}

/*****
Main
*****/
void main( void )
{

```

Program Example 19.1: A first Salvo real-time operating system application


```

//Initialise
    TRISC = 0b10000000; //Set all Port C bits to output, except bit 7.
    PORTC = 0;         //Set all Port C outputs low
//Initialise the RTOS
    OSInit();
//Create Tasks
    OSCreateTask(Count_Task, OSTCBP(1), 10);
    OSCreateTask(Display_Task, OSTCBP(2), 10);
//Set up continuous loop, within which scheduling will take place.
    for (;;)
        OSSched();
}

```

Program Example 19.1 cont'd

lower, the **OSLabel** macro is applied twice. This provides a means of defining labels that are used in the task context switches. There are only two context switches in this program, one in each task. We will see that the labels chosen, **Count Task1** and **Display Task1**, are applied for this purpose within the tasks.

The **main** function starts conventionally enough, with a little initialisation for Port C, the only port to be used. It then calls the **OSInit()** function, which initialises the operating system and sets the scene for all RTOS action to come. The tasks themselves are then created, with two calls to **OSCreateTask()**. The format of this is summarised in [Table 19.2](#), where we see that *three* arguments must be provided. The task start address is identified simply by the task name, from its function prototype. The TCB start address is defined using the **OSTCBP()** macro. Numbering the argument to this from one upwards allocates a TCB block to each task. Both tasks are then set to the same priority. Any value from 1 to 16 could be chosen; arbitrarily the value 10 is used. A continuous loop is then established, causing a repeated call to the scheduler **OSSched()**. The action of this will be to activate the most eligible task.

Configuration bits can be set in the program in the way described in Chapter 17. The version of Salvo used leads to a small clash, however, as the name **OSC** is defined for two different purposes in **salvo.h** and **p18F2420.h**. Pumpkin Inc. advise that it is not needed for the C18 implementation. Therefore, it is undefined, using the **#undef** preprocessor directive in the line before **p18F2420.h** is included.

19.4.2 Tasks and scheduling

It can be seen that the tasks themselves are written as functions. Each is a continuous loop, with each loop containing an **OS Yield()** function call. The argument to this function call is the context switch label, already defined at the top of the program. Every time the task is activated, it will execute until it reaches the **OS Yield()** call. Here it returns control back to the scheduler, and the task moves from the 'running' state to the 'ready' or 'eligible' state ([Figure 18.7](#)). When the scheduler activates the task again, it picks up execution at the line immediately following the **OS Yield()** call and returns to the 'running' state.

19.4.3 Creating a Salvo/C18 project

Creating a project with Salvo is initially just like creating any other C18 project. The steps outlined here are similar to those described in Ref. 19.3, where some troubleshooting advice is given as well. This is an application note for MPLAB version 6, but is reasonably applicable to version 8. At the time of writing, there is not an application note for this later version.

If you wish to build this project for yourself, and you are strongly encouraged to do so, you should start by creating an MPLAB project in the normal way. The name **rtos_ex1** was used for this project. Create a folder just for this project (there will be a number of files in it), and copy to it the source file and **salvocfg.h** file from the folder on the book's companion website. From the salvo/lib folder, add the **sfc18sfm.lib** library. Also from the salvo/src folder, add the **mem.c** file. Your MPLAB project window should then appear as shown in Figure 19.4.

Look back at Figure 19.2 and Table 19.1 to determine the characteristics of the **sfc18sfm.lib** library. It should not be difficult to work out that this is a freeware library for the C18 compiler, applying the small memory model, with capability for multi-tasking only. This is an appropriate choice for this very simple program.

19.4.4 Setting the configuration file

The Salvo RTOS is configured for a particular application by the settings in the **salvocfg.h** file, written by the programmer. The file is made up of a series of C define

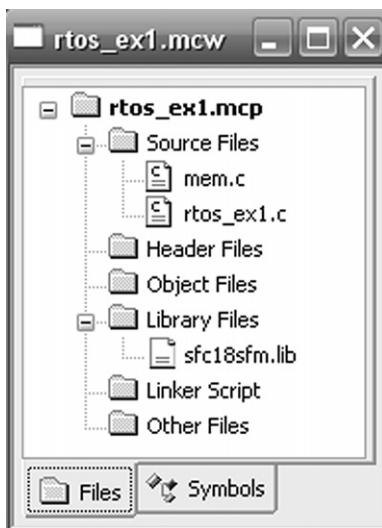


Figure 19.4: Files applied in Program Example 19.1

statements. A limited set of these is available in Salvo Lite, while many more are available in the fully featured versions. There are default values for every configuration option, so some (or all) of these can be adopted. The more tightly the configuration file matches the actual application, however, the more efficient is the final coding likely to be. There is, for example, no point in having memory set up for six tasks when only three are required.

The `salvocfg.h` file used for the `rtos_ex1` project is shown in Program Example 19.2. Comments are written to explain each line. It can be seen that the settings in this simple file relate either to library configuration or to program features, the latter including tasks, events and messages. The first line selects the fundamental option that pre-compiled libraries are to be used. It is important that the further library configuration options that follow actually match the library that has been selected. In this case, the `sfc18sfm.lib` library already selected is matched by the corresponding configuration setting, using the `OSM` code.

```

/*****
salvocfg.h file for rtos_ex1
TJW 8.1.06
*****/
//Library configuration
#define OSUSE_LIBRARY      TRUE //Use precompiled Salvo library
#define OSLIBRARY_TYPE    OSF //use freeware library
                               //(OSL is standard library) #define
OSLIBRARY_GLOBALS  OSF //Salvo objects far, in banked RAM #define
OSLIBRARY_CONFIG   OSM //Set library configuration,
                               //OSM = support multitasking only #define
OSLIBRARY_VARIANT  OSNONE //No library variant

//Tasks, Events and Messages Configuration
#define OSEVENTS        0 //define maximum number of events
#define OSEVENT_FLAGS   0 //define maximum number of event flags
#define OSMESSAGE_QUEUES 0 //define maximum number of message queues
#define OSTASKS         2 //define maximum number of tasks

```

Program Example 19.2: The `salvocfg.h` file for Program Example 19.1

19.4.5 Building the Salvo example

A build using Salvo follows the same process as a normal C18 build. There are, however, more things which must be right for the program to build. Alongside all the possible errors of writing and linking a C program are the further requirements of a Salvo configuration. The file structure should be set up as already described and shown in Figure 19.4. The correct search path for Salvo Include Files should be specified in the Build Options dialogue box, as shown in Figure 19.5.

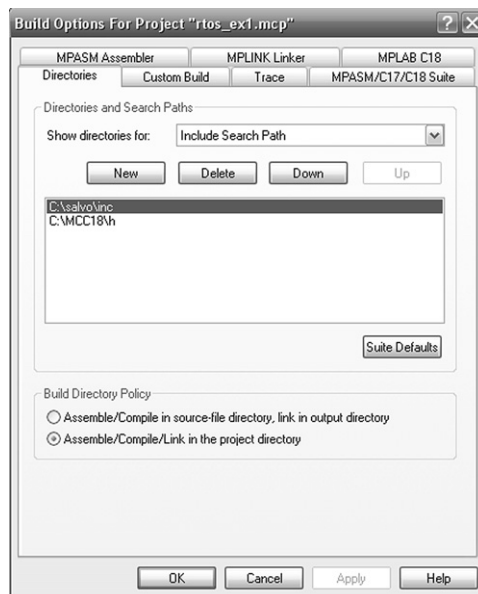


Figure 19.5: Setting the Include Search Path for Salvo

If the files provided on the book’s companion website are applied, then a build should proceed without problems. If errors persist, it may be necessary to refer to Salvo reference material or the Salvo User Forum (at the Pumpkin website). Also check the book website (www.embedded-knowhow.co.uk).

19.4.6 Simulating the Salvo program

This first example RTOS program can be simulated just like any other. Having successfully built the program, select MPLAB SIM.

Open a Watch window, and select **counter** and **PORTC** for display. Insert the breakpoints shown in Figure 19.6. These are placed at the key points in this simple RTOS program. Then run the simulator to the first breakpoint, which is just before the RTOS initialises. Run it again, which takes you to the **OSSched()** call. A further run will move to **Count Task**, which runs first as it was created first. If you single-step from here, you will see that execution remains sequentially within the task, until the **OS Yield()** function call is reached.

Further presses of ‘run’ cause execution to alternate between tasks, visiting **OSSched()** in between each task call. Every time execution returns to a task, it picks up exactly where it left off. As the tasks are of equal priority, they are executed in round-robin scheduling.

Every time **Count Task** runs, the value of **counter** in the Watch window increments, and every time **Display Task** runs, the value of Port C is updated. In terms of functionality, we

```

void Count_Task( void )
{
  B   for (;;) {           //infinite loop
      counter++;
      OS_Yield(Count_Task1); //context switch
    }
  //
void Display_Task( void )
{
  B   for (;;) {
      PORTC = counter<<5;      //Shift Counter left, and move to PORT C

      OS_Yield(Display_Task1);
    }
}
/*****
Main
*****/
void main( void )
{
  //Initialise
  TRISC = 0b10000000; //Set all Port C bits to output, except bit 7.
  PORTC = 0;          //Set all Port C outputs low
  //Initialise the RTOS
  B   OSInit();
  //Create Tasks
  OSCreateTask(Count_Task, OSTCBP(1), 10);
  OSCreateTask(Display_Task, OSTCBP(2), 10);
  //Set up continuous loop, within which scheduling will take place.
  B   for (;;)
      OSSched();
}

```

Figure 19.6: Setting breakpoints for the real-time operating system simulation

have achieved nothing startling. In terms of the way the program executes, it is a major new departure.

The program can also be run on the Derbot hardware. It is not particularly interesting to run it this way, however. As it is running at effectively uncontrolled speed, the LEDs just appear to be continuously on.

19.5 Using interrupts, delays and semaphores with Salvo

A key feature of any *real-time* operating system is, of course, its ability to manage real-time activity. To do this, it is more or less essential to set up a continuous ‘clock tick’, at a fixed and reliable frequency, which can be used as the time base against which other things can happen. Once the clock tick is there, many Salvo features become possible.

To establish the clock tick we need to use a timer interrupt, and we then need services to count and respond to tick-based durations. Table 19.3 gives examples of Salvo services related to interrupts and timing which we will be using.

19.5.1 An example program using an interrupt-based clock tick

Program Example 19.3, called **rtos ex2**, is a development of our first RTOS example. It keeps the same two tasks, still of equal priority, but introduces an interrupt-driven clock tick,

a delay and a binary semaphore. Each of these is discussed in detail in the sections that follow. The ISR for the clock tick appears in the program example that follows.

The program is structured in a way that should be recognisable, even though new features are added. The **main** function initialises the microcontroller through a call to the function **Micro Init()**. This is followed by the RTOS initialisation, through a call to **OSInit()**. After creating tasks and semaphore, the program enters the expected scheduling loop.

```

/*****
rtos_ex2                A further Salvo example.

Applies Timer interrupt, clock tick, delays, and binary semaphore.
There are two tasks, of equal priority. One counts, the other displays the count.
Salvo Lite RTOS, with Library sfcl8sfa used.
Can be simulated, or run on Derbot.
TJW 28.12.05                Tested 15.6.09
*****/
#include <salvo.h>
#undef OSC //necessary for this Salvo version, as it also defines this name
#include <pl18f2420.h>
#include <timers.h>
#pragma config OSC = HS, OSCS = OFF //HS oscillator, oscillator switch off
#pragma config PWRT = ON, BOR = OFF //pwr-up timer on, brown-out detect off
#pragma config WDT = OFF //watchdog timer off
#pragma config STVR = ON, LVP = OFF //Stack overflow reset enable on,
//low voltage programming off

#define BINSEM_Display OSECBP(1)

//function prototypes.
void Micro_Init(void);

//These functions are tasks.
void Count_Task( void );
void Display_Task( void );

//Define variable char
unsigned char counter;

//Define labels for context switches
_OSLabel(Count_Task1)
_OSLabel(Display_Task1)

/*****
User-defined Functions, including RTOS Tasks.
*****/
void Count_Task(void)
{
    for (;;) { //infinite loop
        counter++;
        OSSignalBinSem(BINSEM_Display);
        OS_Delay (20,Count_Task1); //Task switch, delay for 20x10ms, (200ms)
        //Use smaller delay for simulation
    }
}

```

Program Example 19.3: Applying delays and semaphores

```

void Display_Task(void)
{
    for (;;) { //infinite loop
        OS_WaitBinSem(BINSEM_Display, 100, Display_Task1);
        PORTC = counter<<5; //Shift Counter left, and move to PORT C
        OS_Yield(Display_Task1);
    }
}

void Micro_Init(void)
{
    //Initialise Port C
    TRISC = 0b10000000;
    PORTC = 0; //Switch outputs off
    /*Initialise TMR0: interrupt enabled, 16-bit operation, internal clock,
    prescaler divide by 16, hence (with 4MHz clock) input cycle period of 16us*/
    OpenTimer0 (TIMER_INT_ON & T0_SOURCE_INT & T0_16BIT & T0_PS_1_16);
    counter = 0;
}
/*****
Main
*****/
void main( void )
{
    //Initialise Microcontroller
    Micro_Init();
    //Initialise RTOS
    OSInit();
    OSCreateTask(Count_Task, OSTCBP(1), 10); //Create the Count_Task Task
    OSCreateTask(Display_Task, OSTCBP(2), 10); //Create the Display_Task Task
    OSCreateBinSem(BINSEM_Display, 0); //Create the Binary Semaphore
    //Enable interrupts
    OSEi();
    //Scheduling Loop
    for (;;)
        OSSched();
}

```

Program Example 19.3 cont'd

TABLE 19.3 Example Salvo functions and services used with interrupts, timers and delays

Function/service	Action and parameter(s)
OSTimer()	Checks to see if any delayed or waiting tasks have timed out. If yes, they are rendered eligible. Must be called at the desired tick rate if delay, time out or elapsed time services are required. Often placed within timer interrupt ISR.No parameters.
OS Delay(,)*	Causes current task to return to scheduler and delay by amount specified. Requires OSTimer() to be in use. (1) Integer giving desired delay in system ticks, 8 bit value only. (2) Context switch label, often defined through use of OSLabel() .
OSEi()	Enables interrupts (sets GIE and PEIE in INTCON ; see Figure 13.8).
OSDi()	Disables interrupts.

* Can cause a context switch.

19.5.2 Selecting the library and configuration

In the **rtos ex1** example, the **sfc18sfm.lib** library was used. Now, however, we want to introduce delays and semaphores, the latter being a type of ‘event’. Looking at [Table 19.1](#) tells us that the ‘m’ suffix library is no longer adequate. The best we can do is to go to an ‘a’ suffix library, even though this gives idling and priority capability, which we do not yet need.

With a different library, and new features, a new **salvocfg.h** file is needed for this project. This is the same as the one for **rtos ex1**, except that two differences, the changed library and the inclusion of a semaphore (an ‘event’), must be identified. The lines shown below are therefore inserted in place of similar lines in the previous file. The full file is available on the book’s companion website.

```
#define OSLIBRARY_CONFIG OSA //Set library configuration,
//OSA = support multitasking, delays & events
...
#define OSEVENTS 1 //define maximum number of events
```

19.5.3 Using interrupts and establishing the clock tick

Interrupts can be introduced to a Salvo-based program in the way described in Section 17.4. Program Example 19.4 shows the ISR for **rtos ex2**. It follows the pattern of Program Example 17.3, except that it includes the all-important call to **OSTimer()**. This function, seen in [Table 19.3](#), allows the time-based features of Salvo to work. A variable **tick counter** is also incremented on every ISR iteration. This is used in the simulation.

A clock tick period of 10 ms was chosen (somewhat arbitrarily) for this example program. It is established using the Timer 0 interrupt on overflow. This is enabled and configured through the **OpenTimer0()** call, with settings as shown in the comments. With a 4 MHz clock oscillator and the prescaler set to divide-by-16, the clock input to the timer has a period of 16 μ s. Theoretically, it therefore needs 625 cycles to produce the 10 ms period. The value reloaded into the timer must therefore be $65\,536 - 625$, or 64 911. After the program was simulated and measurements made using the Stopwatch feature, this number was adjusted upwards to take into account the not inconsiderable interrupt latency that was observed.

The timer interrupt is enabled within the call to **OpenTimer0()**. The Global Interrupt Enable is set within the call to **OSEi()**, in the **main** function. There is nothing Salvo-specific within this macro; it is just used here for convenience.


```

/*****
ISR for rtos_ex2
Timer 0 interrupt is high priority source.
Reloads Timer, and calls OSTimer()
TJW 30.12.05
Retested 15.6.09
*****/

#include <salvo.h>
#include <pl8F2420.h>
#include <timers.h>

//function prototype(s)
void timer0_isr (void);

static unsigned int tick_counter = 0;

//Define the high priority interrupt vector to be at 0008h
#pragma code high_vector=0x08

void interrupt (void)
{
    _asm GOTO timer0_isr_endasm //jump to ISR
}

#pragma code //Return to default code section

//Function timer0_isr specified as high-priority ISR
#pragma interrupt timer0_isr

//timer0_isr function.
void timer0_isr (void)
{
    WriteTimer0 (64918); //Reload value gives 625 cycles to overflow,
                        //less compensation for interrupt latency
    OSTimer( );
    tick_counter++; //increment tick counter, (for simulation)
    INTCONbits.TMR0IF = 0; //Clear TMR0 interrupt flag
}

```

Program Example 19.4: Interrupt Service Routine for ‘clock tick’

While we have now established a useful, if not essential, clock tick feature, we need to remember that in this form it will only be approximate. The RTOS does routinely disable interrupts, for example during **OSSched()**. This worsens the interrupt latency and will cause a delay in the response to the timer ISR. A timer with hardware auto-reload would give a more accurate time base. In either case, the time base formed is an approximation as, due to the cooperative scheduling, tasks can only respond to the clock tick when allowed by the action of other tasks. We will be able to assess the extent of this approximation in the simulation that is coming up.

19.5.4 Using delays

Now that we have a clock tick, we can synchronise tasks to it. One way of doing this is by using the **OS Delay()** function, with parameters as shown in [Table 19.3](#). This function forces a context switch when called and can thus replace **OS Yield()**. It also introduces a delay before the next time the task can run, determined by the setting of the first parameter.

The **OS Delay()** function call is seen in the **Count Task** function in Program Example 19.3, used in the following way:

```
OS_Delay(20, Count_Task1); //Task switch, delay for 20x10ms, (200ms)

//Use smaller delay for simulation
```

As the comment indicates, use of this delay causes the **Count Task** function to occur periodically, every 200 ms.

19.5.5 Using a binary semaphore

The concept of the semaphore was introduced in Section 18.6. It can be used for resource protection or simply for signalling between tasks. It is a powerful feature, as it is effectively the simplest way of establishing inter-task communication. Program Example 19.3 uses a binary semaphore.

Salvo semaphores, like tasks, must first be created in the program. This allocates them an ‘event control block’ (ECB) in memory, similar to the TCB for tasks. Here, essential information on the semaphore is stored. Semaphores can then be written to by one task and waited on by another. The functions that do these three things are shown in Table 19.4.

Our program example uses a single semaphore. As it is the only event in the program, it is allocated the ECB pointer **OSECBP(1)**. The ECB pointer is used more than the TCB pointer

TABLE 19.4 Example Salvo functions and services for binary semaphores

Function	Action and parameter(s)
OSCreateBinSem(,)	Creates binary semaphore. (1) Pointer to ECB (event control block). (2) Initial value (0 or 1).
OSSignalBinSem()	Signals a binary semaphore. If no task is waiting it increments. If one or more tasks are waiting, then the one with highest priority is made eligible. (1) Pointer to semaphore ECB.
OS WaitBinSem(, ,)*	Task waits (in ‘wait’ state) until binary semaphore is signalled. Wait state is exited when semaphore signals and task is highest priority, or if time out expires. Semaphore is then automatically cleared. Time out must be specified. (1) Pointer to ECB. (2) Time out value (in system ticks). (3) Context switch label.
OSECBP()	Defines pointer to specified control block, in this case to the event control block. Similar to OSTCBP() in Table 19.2. (1) An integer from 1 to OSEVENTS , where OSEVENTS defines the number of events in the salvocfg.h file.
OSNO TIMEOUT	Entered as time out value in OS WaitBinSem() if time out is not required.

*Can cause a context switch.

in function calls, so it is worth allocating it a name. It is therefore given the name **BINSEM Display** in this program line:

```
#define BINSEM_Display OSECBP(1)
```

The semaphore is created in the **main** function immediately after the tasks are created, in the line:

```
OSCreateBinSem(BINSEM_Display, 0);
```

This uses the ECB pointer name previously defined. The semaphore is initially set to 0.

The actual mechanics of this simple use of the binary semaphore can be understood by looking at the two tasks. Remember first of all that **Count Task** only runs every 20 clock ticks, due to its use of **OS Delay()**. When it runs, it signals to the semaphore through its call to **OSSignalBinSem()**. The action of signalling to the semaphore sets its value high. If a task is waiting for it, then that task becomes ready to run and the semaphore is cleared.

Meanwhile, **Display Task** is waiting for the semaphore to go high, with the line:

```
OS_WaitBinSem(BINSEM_Display, 100, Display_Task1);
```

This indicates the name of the semaphore awaited, the time-out value and the context switch label. If no timeout is required, then a value of **OSNO TIMEOUT** can be entered. The overall effect is that as soon as the count is updated in **Count Task**, it is then displayed by **Display Task**.

With the steps just taken, we have established simple inter-task communication and synchronisation. This is a great step forward, but there is a further advantage. A task that is waiting for a semaphore is not activated in any way by the scheduler. Hence CPU usage is made much more efficient.

19.5.6 *Simulating the program*

It is interesting to simulate this program and see how clock tick, tasks and the semaphore interact. Create a new project and copy the source (**rtos ex2.c**), the ISR (**isr.c**) and the **salvocfg.h** files from the book's companion website. Three source files should be selected in the project window (as seen earlier in [Figure 19.4](#)): **isr.c**, **mem.c** and **rtos ex2.c**. Select the **sfc18sfa.lib** library, ensure Build Options are set as described for Program Example 19.1, and build the program.

The following simulation settings are then suggested. Select MPLAB SIM as the Debugger and insert three breakpoints, one within each task and one in the ISR. Open a Watch window and select for display the variables shown in [Figure 19.7](#). From the toolbar, select Debugger > Settings > Osc/Trace and set the oscillator frequency to 4 MHz. Open the Stopwatch window, as seen in the upper half of [Figure 19.7](#), from the Debugger pull-down menu.

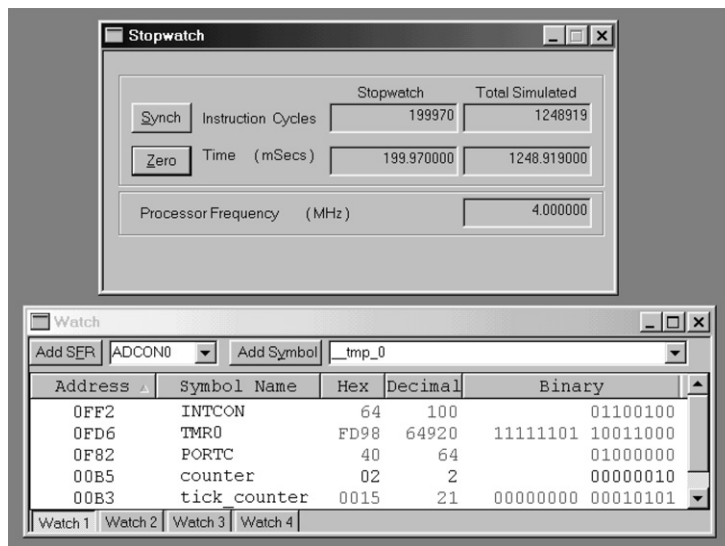


Figure 19.7: Watch window and Stopwatch used to track real-time operating system clock ticks

Using the simulator controls, run the program. It will halt at the first breakpoint it encounters. Assuming the timer interrupt has not yet occurred, this will be the breakpoint within **Count Task**. This is the task created first, and the delay does not take effect until the first iteration of **OS Delay()**. The value of **counter** is incremented to 1. The semaphore is then set and a further run will reach the breakpoint in **Display Task**. The value of Port C here is set by the program to 20_H. The next run will find the breakpoint in the timer ISR. The time to reach the first interrupt is longer than subsequent intervals, as Timer 0 has not been preloaded and so counts up from zero.

At this point, Zero the time in the Stopwatch window. Further runs will repeatedly return to the timer ISR. These are the clock ticks. It can be seen that the Stopwatch time increments by almost exactly 10 ms every time. It is interesting to note that the error is not constant, but depends on other activities of the program, which are asynchronous with the timer. This reflects the approximation discussed in Section 19.5.3. After 20 clock ticks, the **Count Task** delay is up and the task is revisited. In turn it sets its semaphore and **Display Task** follows. It can be seen from the Stopwatch that both of these occur comfortably within one time slice.

This general pattern of behaviour, as just described, is illustrated in Figure 19.8. This shows the broad overall sequencing of activity within the program; a precise horizontal time axis is not implied.

The two screen shots in Figure 19.7 were taken from within a program simulation. From the information given, can you deduce where program execution has halted?

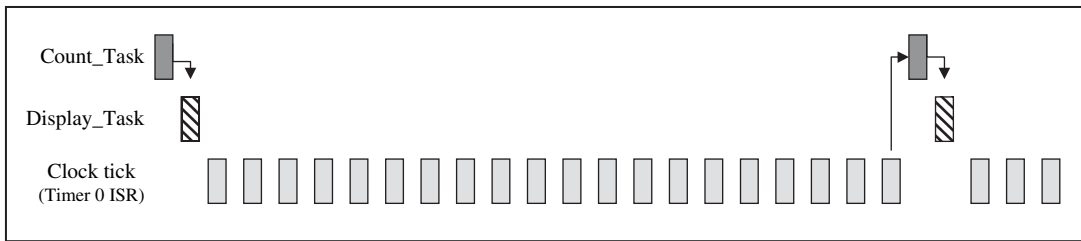


Figure 19.8: Breakpoint occurrences in program simulation

19.5.7 Running the program

If you have a Derbot, download the program and run it. The LEDs will flash in a pleasing manner. As you watch this, remember: each LED change is due to an accumulation of clock ticks taking place, leading to a task being released, leading to a counter being incremented, leading to a semaphore being switched, leading to an LED display being changed. We have achieved a very simple outcome, but the elegance and power of the underlying process is extremely satisfying. This elegance and power is also available for much more challenging applications.

19.6 Using Salvo messages and increasing real-time operating system complexity

The next step we take involves learning about just one new Salvo resource, the message. This leads us, however, into a program of significantly greater complexity than the earlier ones, in which we can exercise the RTOS features in a more practical and realistic way.

Messages provide a convenient way both of transferring data between tasks and of synchronising activity between them. They have some characteristics similar to semaphores – they need to be created and can then take a piece of data from one point in the program and transfer it to another, possibly releasing a task at the same time.

Terminology with messages can be a little confusing. We can create a ‘message’ (i.e. a Salvo data-carrying structure), which can then carry any number of messages (i.e. pieces of data moved from one part of the program to another). Therefore, we call the actual Salvo service the message and then talk about ‘signalling’ the message when a piece of data is actually attached to it.

In Salvo the message signal itself can be of any data type, from character to array. The information that is actually passed is the ‘pointer’ to the signal. It is up to the programmer to ensure that this is pointing to the data required when it is signalled and that it is dereferenced properly at the receiving end. Note that a message can be sent from anywhere in the program. Thus, for example, an interrupt can signal a message, which is then received by a task.

TABLE 19.5 Example Salvo functions and services for messages

Function/service	Action and parameter(s)
OSCreateMsg(,)	Creates message, with ECB (event control block) pointer and initial value. (1) Pointer to message ECB. (2) Pointer to message.
OSSignalMsg(,)	Signals a message, i.e. attaches a data element to it. If more than one task is waiting for the message, then the one with highest priority is made eligible. (1) Pointer to message ECB. (2) Pointer to message.
OS WaitMsg(, , ,)*	Task waits (in 'wait' state) until message is signalled. Then makes message pointer (param. 2) point to it; waiting task then continues with execution. Task also continues if timed out. Time out must be specified. (1) Pointer to message ECB. (2) Pointer for message. (3) Time out value (in system ticks). (4) Label.
OSECBP()	As in Table 19.4.
OSNO TIMEOUT	As in Table 19.4.
OStypeMsgP	Define data type as message pointer. One of a number of predefined Salvo data types, which must be used as appropriate.

*Can cause a context switch.

Sample Salvo message functions and services are given in Table 19.5. These will all be applied in Program Example 19.5. As a Salvo message is a type of 'event', an ECB is set up for each message, just as it was for a semaphore.

19.7 A program example with messages

Program Example 19.5 gives the listing of a fairly substantial Salvo-based program. It builds on the Derbot 'blind navigation' program of Program Example 15.3, but includes the use of an ultrasound sensor of the type described in Section 8.6.5. This was mounted pointing upwards, as shown in Figure 19.9. Note that the sensor shares port bits with the LEDs, so these are not available in this program. The program acts as the 'blind navigation' program, except that when the Derbot runs under an overhanging object, for example under a chair, it detects this, rotates and moves away.

The program has two tasks, now of different priorities, and two interrupts, also of different priorities. Unlike earlier examples, each task forms a substantial block of code and each contains more than one context switch. A single 'message' is defined; this is used to carry signals to the motor control task from both an interrupt and from the other task. A number of delays are also used.

```

/*****
rtos_ex3
Implements Derbot Blind Navigation, with upward-looking US sensor to
detect if AGV is going under an overhang.
Tasks are: Ultrasound Sensor (higher priority), Motor_set (lower priority).
Interrupts are: Microswitch (Low priority) & Timer 0 (High, for clock tick).
One message and numerous delays are also used. 18F2420 mod. applied (App.3).
Applies Salvo LITE with Library sfc18sfa. Can run on Derbot, or be simulated.
TJW 3.1.06. Rev. 10.6.09 Retested 13.6.09
*****/
//Clock is 4MHz

#include <salvo.h>
#undef OSC //necessary for this Salvo version, as it also defines this name
#include <p18f2420.h>
#include <timers.h> //header file for timers
#include <delays.h> //header file for delays
#include <pwm.h> //header file for PWM

#pragma config OSC = HS //HS oscillator
#pragma config PWRT = ON, BOREN = OFF //power-up timer on, brown-out detect off
#pragma config WDT = OFF //watchdog timer off
#pragma config LVP = OFF //low voltage programming off

//User-defined function prototypes
void Micro_Init(void);
void leftmot_fwd (void);
void rtmot_fwd (void);
void leftmot_rev (void);
void rtmot_rev (void);
Line 32
//These functions are tasks.
void Motor_Task( void ); //Sets motor according to messages received
void USnd_Task( void ); //Fires Ultrasound Sensor periodically

//Define labels for context switches
_OSLabel(Motor_Task1)
_OSLabel(Motor_Task2)
_OSLabel(Motor_Task3)
_OSLabel(Motor_Task4)
_OSLabel(Motor_Task5)
_OSLabel(USnd_Task1)
_OSLabel(USnd_Task2)
_OSLabel(USnd_Task3)
_OSLabel(LED_Task1)
_OSLabel(LED_Task2)

//Carries messages from microswitch and ultrasound
#define Msg_to_Motor OSECBP(1)
char Hole = 0x18; //This value used, but never tested
Line 53
/*****
User-defined Functions, including RTOS Tasks.
*****/
//This task controls motor action, determined by messages recd from elsewhere
void Motor_Task( void )
{
    static char msge; //hold message once recd
    OStypeMsgP msgP; //Declare msgP as special Salvo pointer type
    for (;;) //set up the infinite Task loop
    {
        rtmot_fwd (); //set motors running forward. This is status quo
    }
}

```

Program Example 19.5: Derbot ‘blind navigation’ with ultrasound overhang detector

```

leftmot_fwd ();                //until message arrives
//Wait for message
OS_WaitMsg(Msg_to_Motor,&msgP,OSNO_TIMEOUT,Motor_Task1);
// Line 67 Proceed when message arrives
msg = *(char*)msgP;
PORTAbits.RA5 = 0; //stop motors for 500ms
PORTBbits.RB2 = 0;
OS_Delay (50,Motor_Task1);
if( (msg == 0x80) | (msg == 0x01) ) //was it a microswitch?
{
    rtmot_rev ();                //Yes, so both motors reverse
    leftmot_rev ();
    OS_Delay (100,Motor_Task2);
    if(msg == 0x80) //was left uswitch hit?
    {leftmot_fwd (); //Yes, so turn right
      OS_Delay (80,Motor_Task3);
    }
    else //right uswitch was hit
    {rtmot_fwd (); //so turn left
      OS_Delay (80,Motor_Task4);
    }
}
Line 86 else //We're under an overhang, hence turn on spot
{rtmot_rev ();
leftmot_fwd ();
OS_Delay (200,Motor_Task5);
}
} //end of "for" loop
}

Line 93
/*Task periodically pulses Ultrasound, and sends a message if an overhang detected.
In this case, it suspends pulsing, to allow Derbot to exit*/
void USnd_Task(void)
{
    int echo_time = 0; //counts ultrasound distance measurement
    for (;;) //set up the infinite Task loop
    {
        OS_Delay (20,USnd_Task1); //Task switch, and delay for 20x10ms, (200ms)
        OSDis(); //disable interrupts, this measurement is time sensitive
        echo_time = 0;
        PORTCbits.RC5 = 1; //output us pulse.
        Delay10TCYx(2); //20us delay approx, gives pulse width
        PORTCbits.RC5 = 0;
        Delay10TCYx(90); //pause 900us for op to be set high; ie blank for 15cm
Line 107
//Values in this loop are adjusted experimentally to give detection threshold
//of 30cm approx
        while (echo_time < 50) //limit the measurement to close objects
        {Delay10TCYx(1); //10us delay
          echo_time++; //increment the counter
          if(PORTCbits.RC6 == 0) //send message if target detected
          {OSSignalMsg(Msg_to_Motor, (OStypeMsgP)&Hole);
            OSEi(); //enable interrupts before delay
            OS_Delay (250,USnd_Task2); //Suspend the USnd,
            //to allow Derbot to exit "hole"

```

Program Example 19.5 cont'd


```

        OS_Delay (250,USnd_Task3);
        break;
    }
    OSEi();          //enable interrupts
    OS_Yield(USnd_Task2);
}
//end of "for" loop
}

// Line 126 This function initialises the Microcontroller peripherals
void Micro_Init(void)
{
//Initialise Ports
    TRISA = 0b00000000; //All bits output, 5 is L motor enable.
    TRISB = 0b00110000; //bits 4 & 5 are uswitch inputs, bit 2 rt motor enable
    TRISC = 0b11000000; //All bits o.p. except 7 (mode switch) & 6 (USnd echo)
                                //1 & 2 used for PWM
    ADCON1 = 0b00001111; //Set Port A for digital i/o
//Switch all outputs off
    PORTA = PORTB = PORTC = 0;
Line 137
/*Initialise Timer 0: interrupt enabled, 16-bit operation, internal clock, prescaler divide by 16,
hence (with 4MHz clock) input cycle period of 16us*/
    OpenTimer0 (TIMER_INT_ON & T0_SOURCE_INT & T0_16BIT & T0_PS_1_16);
    WriteTimer0 (64918); //and initialise
//Initialise PWM
    OpenTimer2 (TIMER_INT_OFF & T2_PS_1_1 & T2_POST_1_1);
    OpenPWM1 (0xFF); //Enable PWM1 and set period
    OpenPWM2 (0xFF); //Enable PWM2 and set period
//Set Port B Interrupt on change to be low priority
    RCONbits.IPEN = 1; //Enable low priority interrupts
    INTCON2bits.RBIP = 0; //Set port change bit to be low priority
    INTCONbits.RBIE = 1; //Enable Port B change interrupt
}
Line 151
/*****
Main
*****/
void main( void )
{
//Initialise Microcontroller
    Micro_Init();
    Delay10KTCYx (250); //pause 2.5secs with conventional delay
//Initialise RTOS
    OSInit( );
//Create Tasks and Message
    OSCreateTask(Motor_Task, OSTCBP(1), 4);
    OSCreateTask(USnd_Task, OSTCBP(2), 2);
    OSCreateMsg(Msg_to_Motor, (OStypeMsgP)0);
//Enable Global interrupts
    OSEi( );
//Scheduling Loop
    for (;;)
        OSSched();
}

/*****
Motor Drive Functions
*****/
...
(Same motor drive functions as Program Example 15.3.

```

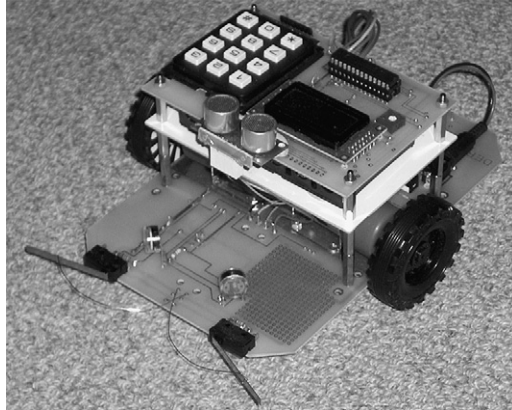


Figure 19.9: Derbot with upward-facing ultrasound sensor

The **main** function is very similar to that of the previous program example, except that a message is created instead of a semaphore.

19.7.1 *Selecting the library and configuration*

As far as configuration is concerned, this program is no different from the previous one. They both have two tasks and one event. In this case the event is a message. Therefore, the **sfc18sfa.lib** library remains the right one to use and the **salvocfg.h** file from **rtos ex2** can be copied in to this project.

19.7.2 *The task: USnd Task*

This task periodically pulses the ultrasound sensor, to detect whether there is an overhang above the AGV. If an overhang is detected, it sends a message, which is received by the **Motor Task** task. As the action of the motors depends on a measurement made in this task, it was accordingly given the higher priority.

The structure of the **USnd Task** is drawn from Program Example 9.7, using software delays to first generate the pulse and then to time the response. It starts from line 96 in the listing. The task uses the **OS Delay()** function, placed at the start of its ‘infinite’ loop, to make the function occur every 20 clock ticks. When a delay period is up, it outputs a pulse by setting Port C bit 5 high, calling a delay of 20 μ s and then setting it low again.

The measurement timing loop, from line 110, need be approximate only, and is only used for short-range measurement. Therefore, an effective time-out of 50 cycles is incorporated in the **while** loop. If the echo pulse (on Port C, bit 6) is seen to fall low during this timing loop, a message is generated. In this case the task then enters a significant delay. This uses two iterations of the **OS Delay()** function, as it can only apply 8-bit delay values. This inhibits the

ultrasound action while the Derbot turns (under the control of the other task) and moves away from the overhang that it has detected. If, however, the echo pulse does not fall low, then the timing loop simply times out and the task yields through a call to **OS Yield()**.

19.7.3 The task: Motor Task

The **Motor Task** task undertakes all motor settings, doing this based on the messages it receives from the Port B interrupt and the **USnd Task** task. It starts from line 58 in the listing. The task opens by declaring the variable **msgP**, where the incoming message will be stored. It then defines the message pointer **msgP** using a special Salvo data type **OStypeMsgP** (Table 19.5).

Having started the two motors, the task waits for a message to arrive, through a call to the **OS WaitMsg()** function. Depending on the message received, execution moves to different states. As new motor states are set up, delays are forced using the **OS Delay()** function. During waiting for both message and delay, the task is completely inactive, as it is the scheduler which initially receives the message and determines whether the task should be enabled.

19.7.4 The use of messages

Part of the power of this program lies in its use of messages. Significant lines are replicated below. In every case they make use of the services summarised in Table 19.5. Only one Salvo message, **Msg to Motor**, is created, but it is used to carry different messages from different places in the program. All are received by the **Motor Task** function.

```

...
//Carries messages from microswitch and ultrasound
#define Msg_to_Motor OSECBP(1)
...
From main
OSCreateMsg(Msg_to_Motor, (OStypeMsgP)0);
...
From Motor_Task Function
static char msgP; //hold message once recd
OStypeMsgP msgP; //Declare msgP as special Salvo pointer type
...
//Wait for message
OS_WaitMsg(Msg_to_Motor, &msgP, OSNO_TIMEOUT, Motor_Task1);

```

```
//Proceed when message arrives  
msgP = *(char*)msgP;  
...
```

Early in the program listing (line 50) the name of the message, **Msg to Motor**, is defined. As with the semaphore, it is actually the pointer to the ECB (event control block) which is being named, as this is used to identify the message in all three of the Salvo functions that are used.

The message is created in **main** using **OSCreateMsg()**. Very early in the first call to **Motor Task()**, program execution reaches an **OS WaitMsg()** call. This causes a context switch and forces the task to wait until the message identified, **Msg to Motor**, is signalled. Time-out is explicitly not applied, through use of the **OSNO TIMEOUT**. The pointer for the incoming message signal is specified as **msgP**, which is declared at the beginning of the function.

The message is signalled from within the **uswitch_isr** (one example shown below) and from the **USnd Task** function. The format is as shown. The predefined name, **Msg to Motor**, is again used to supply the message pointer. The value of the message signal, named **Rt usw**, has been defined earlier. The pointer to the message signal is then supplied, using the special Salvo **OStypeMsgP** data type.

```
From uswitch_isr Function  
...  
char Rt_usw = 0x01;  
...  
if (PORTBbits.RB4 == 0) //Test right uswitch  
    OSSignalMsg(Msg_to_Motor, (OStypeMsgP)&Rt_usw); //Send message  
...
```

19.7.5 The use of interrupts and the Interrupt Service Routines

This is the first (and only) example in the book where both a high- and a low-priority 18 Series interrupt are applied, so it is worth checking the settings. A Timer 0 interrupt is used, exactly as in Program Example 19.3, to establish a 10 ms clock tick. To this is added a Port B interrupt on change, to detect microswitch presses.

The interrupts are configured mainly at the end of the **Micro Init()** function. The registers applied are seen in Figures 13.8–13.10 and the role of the **IPEN** bit is seen in Figure 13.7. This bit is first set high (line 147), enabling the low-priority interrupt path. In the next two lines the Port Change Interrupt is enabled and set to low priority. The Global Interrupt is enabled through the call to **OSEi()** in **main**.

```

/*****
ISR for rtos_ex3
There are two interrupt sources:
High Priority: Timer 0 for "clock tick",
Low Priority: microswitch (Port B change)for collision

TJW 3.1.06                                     Tested 5.1.06
*****/
#include <salvo.h>
#include <p18F2420.h>
#include <timers.h>           //header file for timers
#include <delays.h>          //header file for delays

//function prototypes
void timer0_isr (void);
void uswitch_isr (void);

static unsigned int tick_counter = 0;

//These are values for messages
char Rt_usw = 0x01;
char Left_usw = 0x80;

//Carries messages from microswitch and ultrasound
#define Msg_to_Motor OSECBP(1)
/*****
Timer Interrupt (High Priority)
*****/
//Define the high priority interrupt vector to be at 0008h
#pragma code high_vector=0x08
void interrupt_at_high (void)
{
    _asm GOTO timer0_isr _endasm //jump to ISR
}

#pragma code //Return to default code section

//Function timer0_isr specified as high-priority ISR
#pragma interrupt timer0_isr

//timer0_isr function.
void timer0_isr (void)
{
    WriteTimer0 (64918); //Timer reload value gives 625 cycles to
        //overflow, less compensation for interrupt latency
    OSTimer();
    tick_counter++; //increment tick counter, (for simulation)
    INTCONbits.TMR0IF = 0; //Clear TMR0 interrupt flag
}
/*****
Microswitch Interrupt (Low Priority)
*****/
//Define the low priority interrupt vector to be at 0018h
#pragma code low_vector=0x18
void interrupt_at_low (void)
{
    _asm GOTO uswitch_isr _endasm //jump to ISR
}
#pragma code //Return to default code section

//Function uswitch_isr specified as low-priority ISR
#pragma interruptlow uswitch_isr

```

Program Example 19.6: Interrupt Service Routines for Program Example 19.5

```
//uswitch_isr function.
void uswitch_isr (void)
{
    Delay1KTCYx(8);           //8ms delay to ensure debounce
    if (PORTBbits.RB4 == 0)   //Test right uswitch
        OSSignalMsg(Msg_to_Motor, (OStypeMsgP)&Rt_usw); //Send message
    if (PORTBbits.RB5 == 0)   //Test left uswitch
        OSSignalMsg(Msg_to_Motor, (OStypeMsgP)&Left_usw); //Send message
    //quite possible to land here with neither switch low any more, as interrupt
    //will sense switch release
    INTCONbits.RBIF = 0;     //Clear Port B interrupt flag
}
```

Program Example 19.6 cont'd

The two ISRs are shown in Program Example 19.6. The Microswitch ISR, `uswitch_isr()`, starts with a delay call of 8 ms to allow microswitch bounce to settle. Both switches are then tested. If one is found to be low, the corresponding message is generated. It is quite possible that neither is found to be low, as the ISR is called on switch release as well as switch activation. The ISR ends with the interrupt flag being cleared.

19.7.6 Simulating or running the program

This is a very pleasing program to run if you have a Derbot AGV. With its dependence on the ultrasound sensor and its extensive use of delays, it is less easy to simulate in a satisfactory way.

19.8 The real-time operating system overhead

This chapter has aimed to give an introduction to the power of working with an RTOS. It is important to recognise that in making use of Salvo Lite we have only used a limited subset of what Salvo has to offer, or what is available in the wider world of the RTOS.

While appreciating the power of this type of programming, it is important also to recognise the costs. These fall into three categories:

- (1) *Financial cost.* Once we move beyond using a free RTOS like Salvo Lite or equivalent, it will be necessary to buy a commercially available RTOS or else to spend time (and hence money) in designing an RTOS from scratch.
- (2) *Program size cost.* A program written with an RTOS tends to occupy more memory space.
- (3) *Execution time cost.* With significantly more code to execute, due to the RTOS overheads, the program will run slower.

These costs are similar to those experienced in moving from Assembler to C programming. The programming technique is more powerful, but it comes with a cost. The last two of the above list, of course, determine the actual performance of the program. It is desirable, but

not easy, to quantify these. The difficulty lies in the fact that both code size and execution time are dependent on the precise implementation of the program in question. One cannot, for example, simply say that an RTOS-based program occupies twice as much memory as a conventional sequential program or runs at half the speed. A practice that is applied sometimes is to use ‘benchmark’ programs to allow comparisons to be drawn between different programming implementations of the same functional outcome.

The Salvo user manual [Ref. 19.1] has a useful chapter on ‘Performance’ (Chapter 9). This gives, in some detail, performance characteristics of the Salvo RTOS and its component parts.

As far as this book is concerned, we have a small number of programs that could be used as informal benchmarks. The Derbot ‘blind navigation’ program appeared in Assembler version as Program Example 8.4 and in C as Program Example 15.3, albeit with a different microcontroller. An interrupt-based ‘flashing LEDs’ program appeared first in a conventional C version as Program Example 17.3 and then in an RTOS-based version as Program Example 19.3. One simple comparison can be made between each of these pairs by looking at their memory usage, as seen in their .map files, described in Section 17.10.3. If you do this, you may then like to go on to explore optimising either the C or the RTOS-based versions. There is scope to do this in both cases, with some options being described in both the C compiler manual and the Salvo manual.

Summary

- Salvo is an effective real-time operating system for the small embedded environment; it illustrates in a practical way all key RTOS features and is very well suited to the PIC environment.
- Working with an RTOS leads to a new approach to programming, where tasks, priorities and events become the key features.
- There are costs associated with using the RTOS, including financial, memory space and execution time. These need to be understood and evaluated when deciding whether to use an RTOS.

References

- 19.1. Salvo – The RTOS that runs in tiny places, User Manual, Version 3.2.2. Pumpkin Inc.; <http://www.pumpkininc.com>
- 19.2. Salvo Compiler Reference Manual – Microchip MPLAB-C18 (2003, rev. 2007). Code RM-MCC18. Pumpkin Inc.; <http://www.pumpkininc.com>
- 19.3. Building a Salvo Application with Microchip’s MPLAB-C18 C Compiler and MPLAB IDE v. 6 (2004). Pumpkin Inc., Application Note AN-25.2004; <http://www.pumpkininc.com>

Section 5

Where Can We Go from Here? Distributed Systems, Bigger Systems

The book ends with two chapters which in a way reflect the style of Chapter 1, which provided the first overview of embedded systems and PIC microcontrollers. These last chapters return to overview mode, looking at some options for more advanced systems. The focus of the book overall has been on 8-bit PIC microcontrollers. That of course is only a tiny subset of the overall world of embedded systems, and the ambitious reader will want to know where he or she could move to next. Advanced systems often mean networked systems, so Chapter 20 surveys that field. Alternatively, advanced systems imply larger and more powerful microcontrollers, and Chapter 21 provides a first introduction to the 16- and 32-bit PIC microcontrollers.

Connectivity and networks

Despite all that has been covered in the past 19 chapters, there are still important areas in embedded systems which have been little mentioned. One area is so important that this chapter is dedicated to it.

If you implemented the hand controller board on the Derbot AGV, and maybe another I²C device, then you created a little network. This approach is being replicated in every sort of situation, where different systems or subsystems are communicating with each other. In the home, workplace, motor vehicle, factory and across the world, thinking things are organising themselves into networks. Their means of communication are becoming increasingly diverse: not just electrical, but also optical fibre, infrared or radio.

This chapter deals with issues of connectivity and networking – the medium of connection used to create data links and the means by which data is actually formatted, moved and interpreted over those links. Essentially, the chapter is a survey of certain communication techniques and technologies. Like the diverse life-forms which inhabit the earth, we will find that network mechanisms are incredibly varied, each adapting itself to the needs of its very particular environment.

In this chapter, you will learn about:

- Some underlying concepts of setting up a network.
- Alternatives for connectivity, including the wireless options of infrared and radio.
- A range of network protocols.
- How PIC microcontrollers can be applied in these areas.

As each topic is a major field in itself, the chapter does not aim to provide complete solutions. It just gives overviews and ideas for further exploration. There are no design examples.

20.1 The main idea – networking and connectivity

There are many situations in which we need to provide connection between different systems or subsystems. In the domestic environment, the automated household is in the process of becoming a reality. Here different household appliances and gadgets may all be connected

together, for example through the Internet. Elsewhere, there are other needs for networking. The modern motor vehicle may contain dozens of embedded systems, all engaged in very specific activity, but all interconnected. In the home or car situation, connections may be long-term and stable. However, other networks or connections are transitory, for example when data is downloaded from a personal organiser to a laptop over a wireless link. All of these are of interest to the embedded designer and they pose very diverse challenges.

The traditional means of providing network connectivity has been through cabling, allowing electrical signals to flow from one subsystem to another. The computer I am currently writing at, no longer one of the newest, is festooned with cables, linking mouse, printer, scanner, Internet connection, speakers and all my PIC development tools! This need not be the only way. It is, of course, possible to make a data connection without any physical link. The most common alternatives to a cable connection are light or radio. There are many variations on each. We have long had TV remote controls, communicating by infrared. We have also had radio communication for many years; this has been adapted most effectively for data links within the computer environment.

Providing a network is about much more than just providing connectivity, important though this is. In a complex system it is also essential to deal in depth with how data is formatted and interpreted, how addressing is achieved, and how error correction can be implemented. All of this is pretty much independent of the physical interconnection itself. In order for different nodes to communicate on a network, there must therefore be very clear rules about how they create and interpret messages. We have already seen aspects of this with definitions of standards like I²C. This set of rules is called a ‘protocol’, taking the word from its diplomatic and legal origins. Let us explore the concept of the protocol.

20.1.1 A word on protocols

With large networked systems, protocols can become incredibly complex, defining every aspect of the communication link. Some of these aspects are obvious and others less so. To aid in the complex process of defining a protocol, the International Organisation for Standardisation (ISO) devised a ‘protocol for protocols’, called the ‘Open Systems Interconnect’ (OSI) model. This is shown in [Figure 20.1](#). The OSI model sweeps up from the mundane and physical (defining what type of connectors we use or what voltages are recognised), to the more abstract (defining, for example, how data is encrypted and how error correction can be achieved).

Each layer of the OSI model provides a defined set of services to the layer above, and each therefore depends on the services of the layer below. The lowest three layers depend on the network itself and are sometimes called the ‘media layers’. The physical layer defines the physical and electrical link, specifying, for example, what sort of connector is used and how the data is represented electrically. The link layer is meant to provide reliable data flow, and

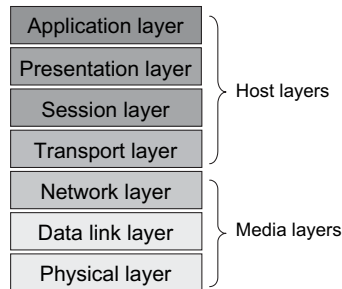


Figure 20.1: The ISO Open Systems Interconnect model

includes activities such as error checking and correcting. The network layer places the data within the context of the network and includes activities such as node addressing.

The upper layers of the OSI model are all implemented in software. This takes place on the host computer, and the layers are sometimes called the ‘host layers’. The software implementation is often called a ‘protocol stack’. For a given protocol and hardware environment, it can be supplied as a standard software package. A designer adopting a protocol stack may need to interface with it at the bottom end, providing physical interconnection, and at the top end, providing a software interface with the application.

This model forms a framework against which new protocols can be defined and a useful point of reference when studying the various protocols already available. Further information on the ISO OSI model may be found in Ref. 20.1. In practice, any one protocol is unlikely to prescribe for every layer of the OSI model, or it may only follow it in an approximate way.

A number of network protocols and means of connection are outlined in the sections that follow. To implement any of these, a physical and a software system will, of course, be required. We will look at a number of options for these, focusing on available hardware subsystems and available software drivers.

20.2 Infrared connectivity

Infrared (IR) data communication has been with us for many years, becoming widely seen first in applications like TV remote controls. Infrared signals are easy to generate and detect, using low-cost semiconductor devices. Being out of the visible spectrum, it is comparatively easy to apply optical filters which exclude visible light, and hence to avoid interference.

The characteristics of all IR links are that data is communicated by a modulated beam of light. The link must therefore be line of sight. It is generally short range and communication is on a one-to-one basis. In this simple characterisation lie a number of interesting advantages

and disadvantages. Because it is directional and local, the risk of interference is little and security is good. Because it must be line of sight, however, the ability to engage in wider networks is restricted. Infrared communication can be very low cost and enjoys the advantage of not being regulated by law.

While the early applications were mainly in control, like the TV remote, it was equally evident that IR was good for data communication. This has become a huge growth area for the technology, particularly in situations where a single cable can be replaced, for example in transfers of data from a hand-held device (like a personal organiser or digital camera) to a computer, or between computer and printer.

The Infrared Data Association (IrDA) [Ref. 20.2] is a group of manufacturers who have defined a series of standards for IR links, ranging from simple control to intensive data transfer.

20.2.1 The Infrared Data Association and the PIC microcontroller

Infrared communication is a natural area of activity for the small embedded system. Microchip offers several IR encoder/decoder ICs. An example is the MCP2122 [Ref. 20.3], whose pin connections are shown in Figure 20.2. This is intended to interface between a microcontroller on one side, and an infrared source and receiver on the other. Thus, the **TXIR** pin can directly drive an IR LED, while the **RXIR** can connect to a sensor. Four interconnections are required with the host microcontroller: **TX**, **RX**, **Reset** and **16x Clock**. The **TX** and **RX** lines connect to the USART of the host microcontroller, just as described in Section 10.10 of Chapter 10. A clock source, running at 16 times the intended baud rate, is also required. This is connected to the **16x Clock** line. It can be generated through the microcontroller CCP module, as described in Ref. 20.4. A **Reset** input allows the host microcontroller to return the IC to its reset condition.

The previous paragraph demonstrates that the physical connection of an infrared port to a PIC microcontroller is simple, and from this stage informal links can be explored between two such nodes. The usual application is to implement data communication under an IrDA standard. The detail of this is beyond the scope of this book, but can be found in a number of Microchip application notes, for example Ref. 20.5.

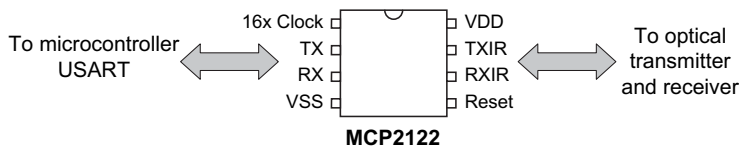


Figure 20.2: The Microchip MCP2122 infrared encoder/decoder

20.3 Radio connectivity

While IR communication has some clear advantages, its need for line-of-sight communication is in many cases a significant disadvantage. Therefore, radio links are of very great interest. A low-power radio system can have local connectivity and can communicate through walls or other (non-conductive) obstructions. Yet now it is not line of sight, there is a major risk of interference between networks trying to occupy the same space. Imagine a place, say a hotel lobby, full of people with radio-enabled data communication devices. How do we avoid the risk of massive interference between them all? This section surveys a couple of approaches used.

20.3.1 Bluetooth

A major player in the field of radio data communication is Bluetooth, which faces the challenges of data communication by radio in an interesting way. The development of Bluetooth is controlled by a group of electronics manufacturers, the Bluetooth Special Interest Group [Ref. 20.6]. It operates between 2.402 and 2.480 GHz, a band originally reserved by international agreement for industrial, scientific and medical (ISM) applications, but now also widely used for local wireless data networks.

Bluetooth provides data links between such devices as cell phones, computers, digital cameras and headphones. It has these characteristics:

- A low-power radio link – power is around 1mW whereas that of a mobile phone is 3 W.
- A typical range of 10 m.
- A data rate originally of 1 Mbps and currently (Bluetooth 2.0) of 3 Mbps.
- Up to eight devices can be linked simultaneously.
- Spread-spectrum frequency hopping is applied, with the transmitter changing frequency in a pseudo-random manner 1600 times per second.

When Bluetooth devices detect one another, they determine automatically whether they need to interact with each other, for example through data exchange. This is without any user interaction. Each device has an address, and it is by the address that it determines whether another device that it has detected is of interest to it. Bluetooth systems in contact with each other in this way then form a piconet. Once communication is established, members of the piconet synchronise their frequency hopping, so they remain in contact. A single room could contain several piconets, each containing devices which relate to each other. Each piconet is switching together. For the occasions of momentary clash, there is software that can detect and reject the corrupted data.

There is considerable cleverness in Bluetooth, in the way it can autonomously configure a network and maintain high data rates. This does, however, make it costly and complex for the small or simple system. Therefore, we turn to look at an alternative, Zigbee. This carries some of the Bluetooth attributes, but is far simpler.

20.3.2 Zigbee

Zigbee is a recent standard, managed by members of the Zigbee Alliance [Ref. 20.7]. It gains its inspiration from Bluetooth, but aims to be simpler and cheaper, with a smaller software overhead requirement. It applies the IEEE 802.15.4 Low-Rate Wireless Personal Area Network standard. Like Bluetooth it operates in the ISM bands of the radio spectrum.

Zigbee is particularly appropriate for home automation, and other measurement and control systems, with the ability to use small, cheap microcontrollers. Data rates are low and power consumption minimal.

There are two Zigbee device types, the Full Function Device (FFD) and the Reduced Function Device (RFD). An FFD can pass data from other devices, so can take on a routing role. Each network must have a coordinator, and only an FFD can take on this role. An RFD has minimal memory and functionality, and can communicate with an FFD but not pass data on. The minimal power requirement of a Zigbee network is possible because an RFD node can spend most of its time in Sleep mode. They wakes up briefly, just to confirm they are still part of the network.

20.3.3 Zigbee and the PIC microcontroller

Zigbee is an interesting standard to engage with, and a natural one to apply with PIC microcontrollers. A possible physical implementation of a Zigbee node is illustrated in Figure 20.3.

The link is through a single-chip radio transceiver, such as the Chipcon (now acquired by Texas Instruments) CC2420 [Ref. 20.8]. A microcontroller interfaces to this through an SPI

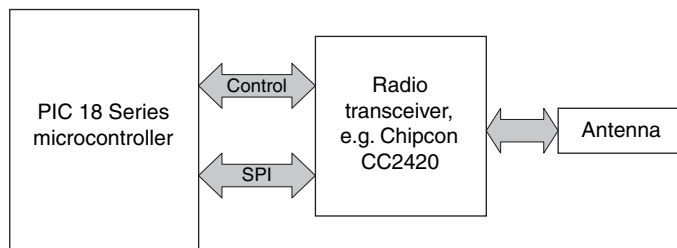


Figure 20.3: Possible PIC-based Zigbee implementation

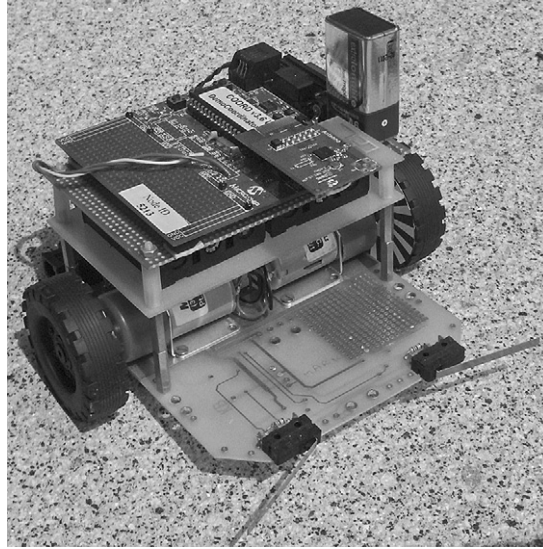


Figure 20.4: A Derbot implemented as a Zigbee coordinator using a Microchip demo card

link and certain control lines. Microchip has produced extensive firmware which can be adapted to apply the protocol. An example, described in Ref. 20.9, allows a Zigbee Coordinator or RFD to be implemented. Figure 20.4 shows a Derbot implementation of the Zigbee protocol, making use of a Microchip demo card.

20.4 Controller Area Network and Local Interconnect Network

We met in Chapter 10 the three main ‘work horses’ of serial communication in the embedded environment – SPI, I²C and asynchronous. While these are good standards, they each have their own limitations. In particular, none is fault-tolerant. This section looks at two serial standards which are developed for very specific applications, where high reliability is a key requirement.

20.4.1 The Controller Area Network

The concept of the Controller Area Network (CAN) was developed as the demand was growing for data communication in the motor vehicle environment. With its high level of electromagnetic interference and wide temperature and humidity range, this is a hostile environment for any signal and indeed for any electronic device. Moreover, very high reliability is essential. The serial standards developed for the benign environment of home or office were completely inappropriate and a new standard was therefore needed. Initially, CAN was developed by the German company Bosch. They published Version 2.0 of the standard in

1991, and in 1993 it was adopted by the ISO as an international standard, ISO 11898. At the time of writing, CAN specification Version 2.0B can be downloaded from the Bosch website [Ref. 20.10].

The CAN standard addresses only the lower two levels of the ISO/OSI model of [Figure 20.1](#), but takes some fairly revolutionary approaches in so doing. With its very high level of data security, it is inevitably complex and just the briefest overview is given here. The main features are listed below:

- Communication is asynchronous, half duplex, with (for a given system) a fixed bit rate. The maximum for this is 1 Mbit/s.
- The configuration is ‘peer to peer’, i.e. all nodes are viewed as equals. There is, however, a mechanism for prioritisation. Master and slave designation is not used.
- Logic values on the bus are defined as ‘dominant’ or ‘recessive’, where dominant overrides recessive. Physical interconnect is not otherwise defined.
- The bus access is flexible. With all nodes being peers, any can start a message. An ingenious arbitration process is applied in the case of simultaneous access, which does not lead to loss of time or data. The arbitration process recognises prioritisation.
- There are an unlimited number of nodes.
- Bus nodes do not have addresses, but apply ‘message filtering’ to determine whether data on the bus is relevant to them.
- Data is transferred in frames, which have a complex format. This starts with identifier bits, during which arbitration can take place. Eight data bytes are allowed per frame.
- There is an exceptionally high level of data security, with exhaustive error checking. A node that recognises that it is faulty can disconnect itself from the bus.

CAN is now very widely applied in the motor vehicle environment. [Figure 20.5](#) shows the block diagram of just part of a hypothetical car network. Each of the blocks represents a small embedded system – the radio, door, seat and so on. One of these, the door, we met right at the very beginning of the book, in [Figure 1.2](#). All subsystems are networked together by the CAN bus. Another network, not shown, also connects to the Central Control module. It controls the vehicle locomotion – for example, engine, brakes and transmission

20.4.2 Controller Area Network and the PIC microcontroller

Just as we have seen PIC microcontrollers with I²C or SPI ports, so there are others with on-chip CAN modules. The current version of the Microchip CAN module is called the ECAN – the Enhanced CAN module, which distinguishes it from earlier Microchip

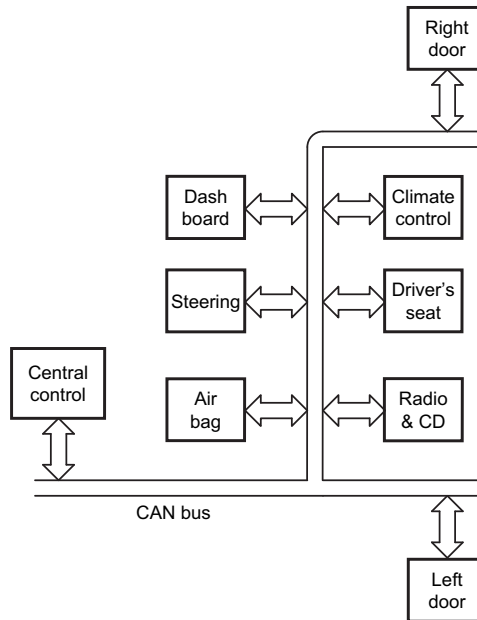


Figure 20.5: Part of car body control network

CAN modules. An example is the PIC 18F2480. Its data sheet [Ref. 20.11] contains details of the ECAN module.

The ECAN module is complex, containing features to buffer data, to format it in the required way and to check for errors. It has numerous control registers. It would be extremely time-consuming to write code for it from scratch. Therefore, Microchip supplies a set of C routines, described in Ref. 20.12, which can immediately be used to build up a program.

Whichever microcontroller is used, it must still be interfaced to the physical bus, meeting the electrical needs of the connection. This is usually done with a special interface IC, of which the Microchip MCP2551 is an example. Its pin connection diagram is shown in Figure 20.6 and data in Ref. 20.13. The CAN bus implementation used is differential, and connects to the **CANH** and **CANL** pins. An external resistor connected at **Rs** controls the slew rate of the data signal, with a slower rate minimising electromagnetic interference. The microcontroller connects from its ECAN module to the **RXD** and **TXD** pins.

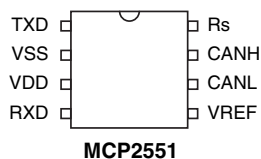


Figure 20.6: The MCP2551 Controller Area Network transceiver

20.4.3 The Local Interconnect Network

While CAN has proved itself as the provider of very high-reliability data communication, it is also complex and costly. Not all links in the motor vehicle environment actually require the full capability of CAN. Therefore, the Local Interconnect Network (LIN) was developed to work alongside CAN. The standard, first released in 1999, is managed by the LIN consortium [Ref. 20.14].

The LIN bus is intended to be small and slow, communicating mainly with intelligent sensors and actuators. The network topology is fixed. There is a single master and all other nodes are slaves. The master consequently has greater processing power. The slaves need only have very limited processing power or can just be dedicated hardware. This makes them potentially very low-cost. An interesting way that cost is minimised is that slaves can use simple RC oscillators, continuously resynchronising themselves as data is exchanged. The maximum data rate is a very modest 20 Kbit/s. The master initiates all data transfers and only one slave may respond. There is no mechanism to cope with multiple access to the bus. The data link is single wire, with the concept shown in Figure 20.7. Like the CAN bus, logic states are recessive (logic high) and dominant (logic low).

A LIN data frame consists of ‘header’ and ‘response’. The header is always from the master and data response from a single slave. The speed can be chosen from 1 to 20 Kbit/s. The header consists of:

- A ‘Break’ field, which alerts the slaves to an incoming message.
- A ‘Sync’ byte at the intended data rate, containing the value 55_{H} , against which slaves calibrate their own clock period.
- an ‘Identifier’, which identifies a slave or slaves and specifies an action to be undertaken.

The response is a message of up to eight bytes, placed on the bus by just one slave. This is followed by a ‘Checksum’. In earlier versions of the bus only data bytes were checked; in the most recent the Identifier value is included in the checking process.

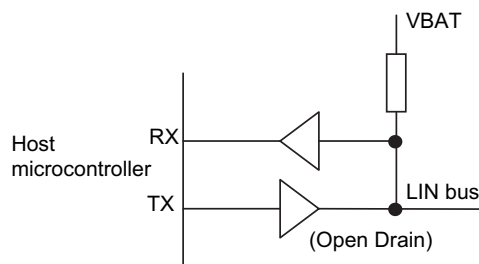


Figure 20.7: The Local Interconnect Network physical interface

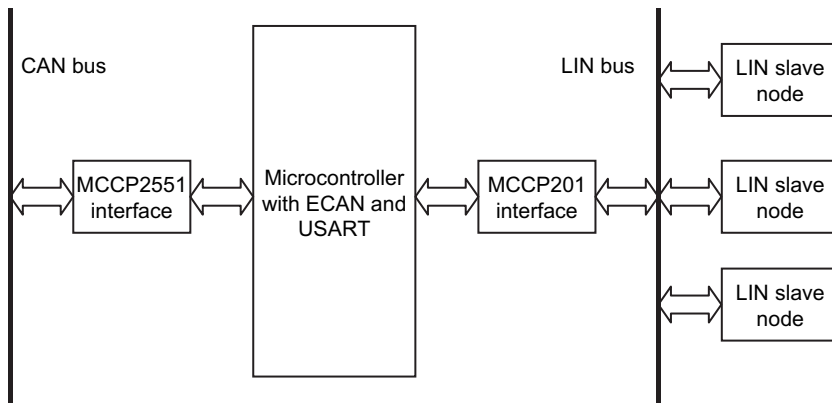


Figure 20.8: A communication system using Controller Area Network and Local Interconnect Network buses

There are two bus states, ‘Sleep’ and ‘Active’. Nodes enter Sleep after a time-out period and can be reactivated by the ‘Wakeup’ frame.

Interestingly, the LIN standard also includes software elements. The LIN API (Application Programmers Interface) provides a set of standard C function calls, which between them implement all LIN functionality. This makes it easy to develop the software and then to test it.

In many environments, a LIN bus system may be designed to interface with a CAN bus system. A possible LIN/CAN system is shown in [Figure 20.8](#). Central to this is a microcontroller, such as the 18F2480, which has both CAN and USART capability. The microcontroller shown acts both as the LIN master for the LIN network and as a peer node on the CAN bus.

20.4.4 The Local Interconnect Network and the PIC microcontroller

To implement a LIN master or slave in hardware, all that is needed is a microcontroller with USART capability and a bus interface IC. An example is the Microchip MCP201, shown in [Figure 20.9](#). This implements the buffering seen in [Figure 20.7](#). Connection is made between the host microcontroller’s USART and the **RXD** and **TXD** pins of the MCP201. Power is

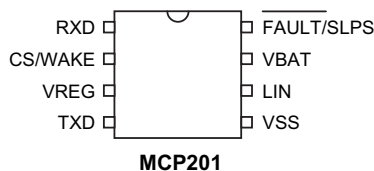


Figure 20.9: Example interface chip, the MCP201

supplied to the '201 via the **VBAT** pin. There is an internal voltage regulator on board and the interface chip is able to supply power from its **VREG** pin to the host microcontroller. The **Fault/SLPS** pin is used both to flag a fault, in which case it acts as output, and to set the data slope. The **LIN** line connects to the LIN bus. Full data on this device can be found in Ref. 20.15.

As with most other standards discussed, Microchip has published example firmware as a starting point for developing code. Reference 20.16 provides code for both master and slave, in the 2.0 version of the bus.

20.5 The Universal Serial Bus

In 'the old days' of personal computers we had a complex assortment of parallel and serial data links to hook up printer, mouse, keyboard and so on. USB was originally introduced to provide a more flexible interconnection system, whereby items could be added or removed without the need for reconfiguration of the whole system. USB is now ubiquitous and very familiar, widely used for its original purpose but also to connect all manner of devices, for example digital cameras, MP3 players, webcams and memory sticks, to the PC.

USB is managed by the USB Implementers Forum, whose web site is given as Ref. 20.17. USB specifications can be downloaded from this site. They are formidable documents, but parts of them make interesting reading. The specification for Version 2.0 is given in Ref. 20.18. While there is the more recent Version 3.0 (2008), current Microchip implementations remain with Version 2.0.

A USB network has one host, and can have one or many 'functions', i.e. USB-compatible devices which can interact with the host. It is also possible to include hubs, which can have a number of functions connected to them and which in turn link back to the host. Three data rates are recognised, high-speed at 480 Mb/s, full-speed at 12 Mb/s and low speed at 1.5 Mb/s. The last of these is for very limited-capability devices, where only a small amount of data will be transferred.

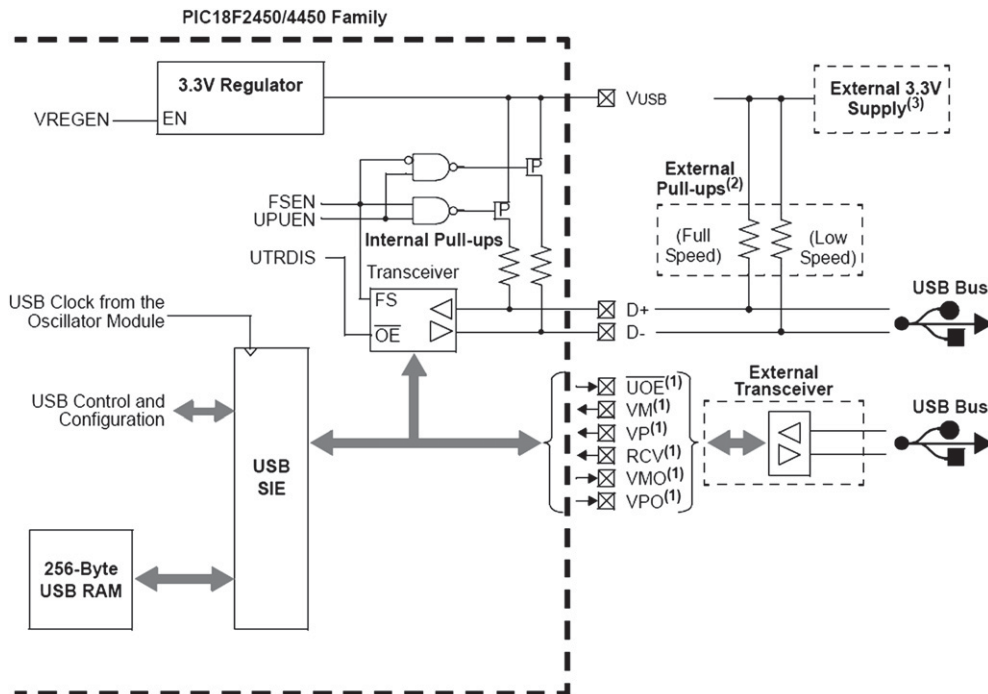
USB uses a four-wire interconnection. Two, labelled D+ and D⁻, carry the differential signal and two are for power and earth. Within certain limits USB devices can draw power from the bus, taking up to 100 mA at a nominal 5 V. A higher power demand can also be requested. This is supplied by the host. Alternatively they can be self-powered.

When a device is first attached to the bus the host resets it, assigns it an address and interrogates it (a process known as enumeration). It thus identifies it and gathers basic operating information, for example device type, power consumption and data rate. All subsequent data transfers are initiated only by the host. It first sends a data packet which specifies the type and direction of data transfer and the address of the target device.

The addressed device responds as appropriate. Generally there is then a handshake packet, to indicate success (or otherwise) of the transfer.

20.5.1 Using PIC microcontrollers with USB

A number of PIC microcontrollers have USB ports as peripherals. An example is the 18F2450, whose USB peripheral is shown in Figure 20.10. This versatile little port can link to a host, offering full- and low-speed connection. Some of the key control signals, establishing different operating conditions, appear in the diagram. An internal transceiver can be used for simple applications. However, connections to an external transceiver are available, for example if electrical isolation from the microcontroller is required. Similarly, an internal voltage



Note 1: This signal is only available if the internal transceiver is disabled (UTRDIS = 1).

Note 2: The pull-ups can be supplied either from the VUSB pin or from an external 3.3V supply.

Note 3: Do not enable the internal regulator when using an external 3.3V supply.

Key

FSEN: Full Speed Enable bit

SIE: Serial Interface Engine

UPUEN: USB On Chip Pull up Enable bit

VM: Input from the single ended D- line

VP: Input from the single ended D+ line

RCV: Input from the differential receiver

UOE: Output enable

UTRDIS: On Chip Transceiver Disable bit

VMO: Output to the differential line driver

VPO: Output to the differential line driver

Figure 20.10: The 18F2450/4450 USB Peripheral, with configuration options

regulator can be enabled to power the bus. Internal and external pull-up resistors are connected as needed, to meet the different operating requirements.

20.5.2 USB On-the-Go

The whole concept of USB depends on a host device, normally a PC, with other devices connected to it at will. However, as its popularity and technology developed, the need arose to connect portable devices directly, to each other, without the need for a host. This is the basis for USB On-the-Go, which is defined as a supplement to USB 2.0. The On-the-Go standard allows the addition of limited host capability to devices which have traditionally been peripheral only. Devices can act as either host or peripheral, or switch between roles. The standard also makes special consideration for low-power requirements. All of these are of course of particular interest in the embedded world.

20.6 Embedded systems and the Internet

Needless to say, the Internet has transformed communication worldwide over the past decade. The interest of this book is very much with the small embedded system, and the internet is viewed commonly as being something linked to the latest of desktop computers. Do the two have anything in common? The answer, maybe surprisingly, is yes! It *is* possible to link the small embedded system to the Internet and thence to network devices which are under embedded control. Once the link is there, it can be used for many things: to monitor status or exert control, or even to cause program or data downloads. Examples include the washing machine that can alert the repair man to an impending fault, the vending machine that can tell the Head Office it is empty, the manufacturer who can download a new version of firmware to an installed burglar alarm, or the home owner who can switch on the oven from the office or check that the garage door is closed.

Internet communication makes use of a suite of protocols, usually called collectively after the two most important: TCP/IP (Transmission Control Protocol/Internet Protocol). An example Internet protocol stack is shown in [Figure 20.11](#). The relationship of this to the ISO/OSI model is also shown.

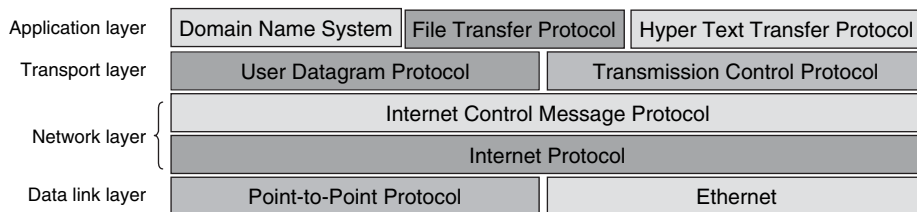


Figure 20.11: Internet protocol stack

20.6.1 Connecting to the Internet with the PIC microcontroller

The Internet is the most complex of the protocols reviewed in this chapter. Microchip, however, provides good support, in terms of Application Notes, demonstration hardware (the PICDEM.net board) and, importantly, a modular TCP/IP stack. This is implemented in C with a version available for 18 Series microcontrollers. It can be downloaded from the Microchip website and is described in Ref. 20.20. The great benefit of this is that the user does not need to get involved in the fine detail of the protocol. The stack forms a set of utilities that service the needs of the TCP/IP protocol, forming an equivalent to Figure 20.11. It is responsive to both the user's program and to events on the external connection. The stack occupies around 20 Kbytes of code.

To gain familiarity with networking PIC microcontrollers to the Internet, use of the PICDEM.net board and/or its accompanying documentation is recommended.

Summary

- Modern systems place very great demands on the need to communicate and network. The characteristic of the chosen network will be driven by the application. Considerations of flexibility, reliability, ease of use, data speed, power consumption and cost are all very important.
- Embedded systems often, but not exclusively, have an interest in low-speed, low-data-volume systems. High reliability is essential in a number of situations.
- Interconnection traditionally is electrical. Other techniques are possible and frequently advantageous. These include infrared and radio.
- In some situations embedded systems need to access small and local networks, and in other cases major networks, including the Internet.
- Small networks may be dedicated and fixed, like a LIN system, or they may be flexible and possibly transitory, like a Bluetooth or Zigbee system.
- Very high reliability, accompanied by some complexity, is available in the CAN network.
- Microchip supply valuable support to implement a range of networks and interconnections, in the form of microcontrollers with dedicated communication modules, recommended circuits and free published firmware.

References

- 20.1. Freeman, R. L. (2001). *Practical Data Communication*, 2nd edn. Wiley. ISBN 978-0-471-39273-6.

- 20.2. Infrared Data Association (IrDA) website: <http://www.irda.org/>
- 20.3. MCP2122 Infrared Encoder/Decoder Data Sheet (2004). Microchip Technology Inc., Document no. DS21894B.
- 20.4. Interfacing the MCP2122 to the Host Controller (2004). Microchip Technology Inc., Application Note AN946, Document no. DS00946A.
- 20.5. Programming the Pocket PC OS for Embedded IR Applications (2004). Microchip Technology Inc., Document no. DS00926A.
- 20.6. The official Bluetooth website: <http://www.bluetooth.com/>
- 20.7. The Zigbee Alliance website: <http://www.zigbee.org/>
- 20.8. CC2420 2.4 GHz IEEE 802.15.4/ZigBee-ready RF Transceiver Data Sheet (2007). Texas Instruments, Document no. SWRS041B; <http://www.ti.com/>
- 20.9. Microchip ZigBee-2006 Residential Stack Protocol (2008). Microchip Technology Inc., Application Note AN1232, Document no. DS01232A.
- 20.10. The CAN section of the Bosch website: www.can.bosch.com/
- 20.11. PIC18F2480/2580/4480/4580 Data Sheet (2003). Microchip Technology Inc., Document no. DS21667D.
- 20.12. PIC18C ECAN 'C' Routines (2003). Microchip Technology Inc., Application Note AN878, Document no. DS00878A.
- 20.13. MCP2551 High-Speed CAN Transceiver Data Sheet (2003). Microchip Technology Inc., Document no. DS21667D.
- 20.14. The LIN Consortium website: <http://www.lin-subbus.org/>
- 20.15. MCP201 LIN Transceiver with Voltage Regulator (2003). Microchip Technology Inc., Document no. DS21730E.
- 20.16. LIN 2.0 Compliant Driver Using the PIC18XXXX Family Microcontrollers (2003). Microchip Technology Inc., AN1009, Document no. DS01009A.
- 20.17. The USB Implementers Forum website: <http://www.usb.org/>
- 20.18. Universal Serial Bus Specification. Revision 2.0 (April, 2000). Compaq, Hewlett-Packard, Intel, Lucent, Microsoft, NEC, Philips.
- 20.19. PIC18F2450/4450 Data Sheet (2008). Microchip Technology Inc., Document no. DS39760D.
- 20.20. The Microchip TCP/IP Stack (2008). Microchip Technology Inc., AN833, Document no. DS00833C.

Moving beyond 8-bit: a survey of larger PIC microcontrollers

For many years Microchip Technology was the pillar of the 8-bit embedded world. While all other microcontroller manufacturers were moving up to 16- or 32-bit, Microchip made a virtue of staying loyal to the smaller size. They explored the minimalist microcontroller in the 10 and 12 Series, and developed something fast and sophisticated in the 18 Series.

But 8-bit is, well, just 8-bit, and once you get past single-bit variables like switches or LEDs, or low precision numbers or simple calculations, then you do feel the need for more bits. So Microchip took the plunge, with truly impressive speed offering us both 16- and 32-bit microcontrollers, and entered the world of Digital Signal Processing as well.

The aim of this chapter is for you to get an overview of the wealth of possibilities that are on offer with the larger PIC microcontrollers. In a single chapter it is impossible to go into anything like the detail that we did with the 8-bit devices, so the emphasis is on overview. There is, however, more attention given to the 16-bit devices, as these represent the most direct upgrade path from the 18 Series.

At the end of this chapter you will have gained an overview understanding of:

- The 16-bit PIC microcontrollers.
- The dsPIC digital signal controllers.
- The 32-bit PIC microcontrollers.

It is worth mentioning that in moving to these larger microcontrollers we take a major step forward in the computer science which is applied; the 32-bit core, for example, is very sophisticated indeed. Therefore we will touch on, sometimes only in passing, a number of new and clever computer concepts. In so doing, you may wish to do some background reading about these topics, by accessing one of the several good texts on computer design. Reference 21.1 is a classic in the field, and is suggested as a reading option.

21.1 The main idea – why we need more than 8-bit

Table A6.4 shows the memory sizes required to represent C variables. It is only **char** that is single-byte, and this of course only gives an integer range of 0 to 255, or -128 to +127. Most numbers we use will need a bigger range than this, and many will need something much bigger. Section 11.5.1 introduces briefly the idea of floating-point arithmetic, essential for representing wide-ranging fractional numbers. This requires 4 bytes to represent a single number, and all calculations will be with multi-byte numbers. Attempting such calculations on an 8-bit machine is of course possible, but it involves the stitching together of numerous instructions. This in turn results in slow calculations, and further delays as large numbers are sent over limited data buses. With the requirements for more sophisticated data manipulation in embedded systems, coupled with the ready availability of complex semiconductors, the move to 16- or 32-bit can be an attractive one. A progression route is now available from Microchip. At the time of writing they offer 16-bit microcontrollers with the prefix PIC24-, 16-bit ‘Digital Signal Controllers’ with the prefix dsPIC-, and 32-bit microcontrollers with the prefix PIC32-. We start by looking at the 16-bit devices.

21.2 A 16-bit PIC overview

There are four closely-related 16-bit families of microcontrollers offered by Microchip. These are summarised in [Table 21.1](#). There are two microcontrollers, the PIC24F and the PIC24H families, and two Digital Signal Controllers, the dsPIC30 and dsPIC33 families. The table shows that these are distinguished by, among other things, operating speed and power-supply voltage. Just one of the families, the dsPIC30F, has a traditional 5 V supply; all others drop to a 3.6 V maximum. The ability to migrate easily between devices is a big advantage of the Microchip portfolio. Therefore it is encouraging to know that features of the 8-bit microcontrollers, notably the 18F Series, can readily be found in these 16-bit devices. Both the PIC24F and PIC24H microcontrollers form natural progression routes from the PIC 18 Series.

The labelling convention of the 24 Series is shown in [Figure 21.1](#). There is rather more useful information embedded here, compared to an 8-bit device, but it does make for a long name. The device illustrated has a program memory size of 64 Kbytes and a pin count of 44. A 28-pin version, the PIC24FJ64GA002, is also available. We take this very device as an opening example, to gain an overview of the family, in the next few pages. See Ref. 21.2 for the full data sheet; Ref. 21.3 is useful for those migrating from the 18 Series.

21.3 The PIC24F family

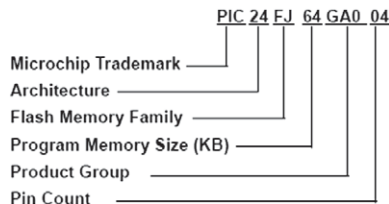
The block diagram of the PIC24FJ64GA004, our example device, is shown in [Figure 21.2](#). While the complexity is not to be ignored, it is reassuring to see a structure not entirely dissimilar from Figures 7.2 or 13.2. One can even dare to look back to

TABLE 21.1 Comparison of 16-bit PIC microcontroller characteristics

16 bit PIC family	Shared features	Distinctive features	Memory
PIC24F	Same core instruction set, same peripheral set, flash program memory, same development tools,	Low cost, low power, 16 MIPS at 3.3 V, 2.0 V to 3.6 V operation, Packages from 28 to 100 pins.	To 256K program, to 16K data.
PIC24H	universal bit manipulation, single cycle multiply, 32/16 and 16/16 divide support, optimised for C language,	40 MIPS at 3.3 V, DMA, dual port RAM, 3.0 V to 3.6 V operation, Packages from 18 to 100 pins, compatible pin outs with PIC24F.	To 256K program, to 16K data.
dsPIC30F	nanoWatt technology.	30 MIPS at 3.3 V, 2.5 V to 5.5 V operation, Packages from 18 to 80 pins.	‘DSP engine’ added to PIC24 CPU, with DSP instructions added to instruction set. To 144K program, to 8K data, data EEPROM.
dsPIC33F		40 MIPS at 3.3 V, 3.0 V to 3.6 V operation, Packages from 18 to 100 pins, compatible pin outs with dsPIC30F.	To 256K program, to 30K data.

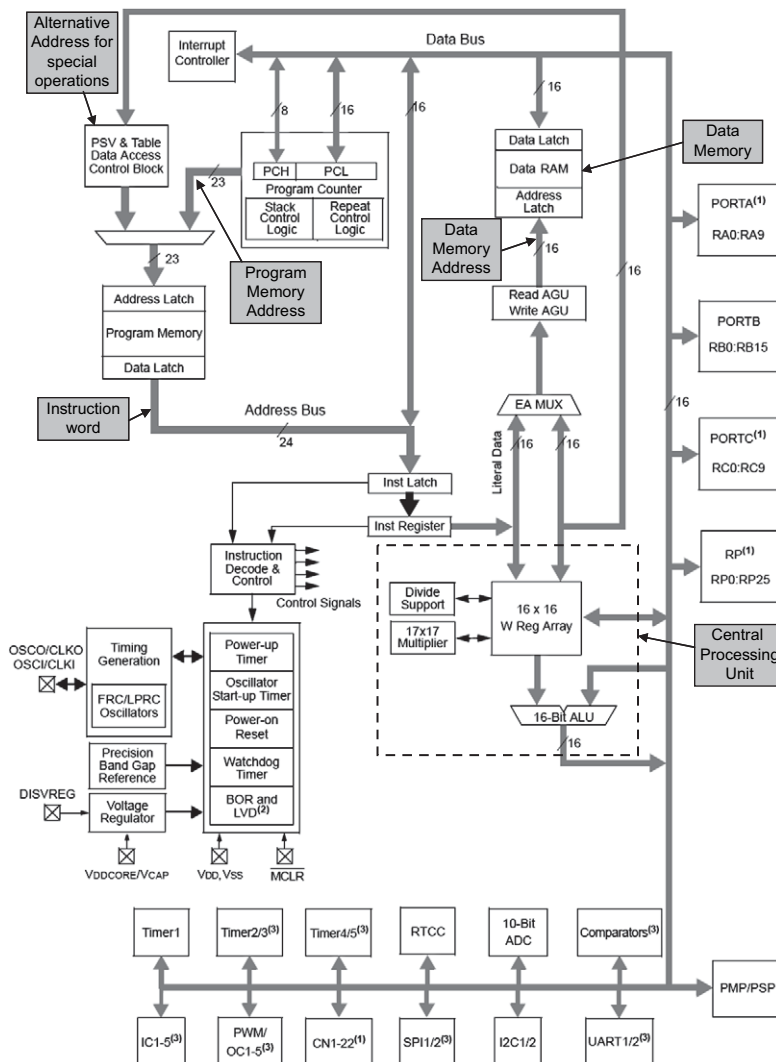
DMA, direct memory access; DSP, digital signal processing; MIPS, million instructions per second.

Figure 1.13 and see some similarities with that tiny device. Peripherals lie across the bottom of the diagram and up the right-hand side, all linked by the 16-bit data bus. The program memory lies towards the top left, with its Program Counter a little above it to the right; this forms a 23-bit address. An alternative address can be derived from the ‘PSV and Table Data Access’ block to its left. Data memory lies top right. Its 16-bit address is formed from Read and Write Address Generation Units (AGUs). The CPU,



GA0 = general purpose microcontroller.
Pin Count: 02 = 28 pin, 04 = 44 pin, 06 = 64 pin, 08 = 80 pin, 10 = 100 pin.

Figure 21.1: Coding of 16-bit PIC microcontrollers



- Note
- 1: Not all pins or features are implemented on all device pinout configurations.
 - 2: BOR and LVD functionality is provided when the on-board voltage regulator is enabled.
 - 3: Peripheral I/Os are accessible through remappable pins.

Key (abbreviations not already introduced)

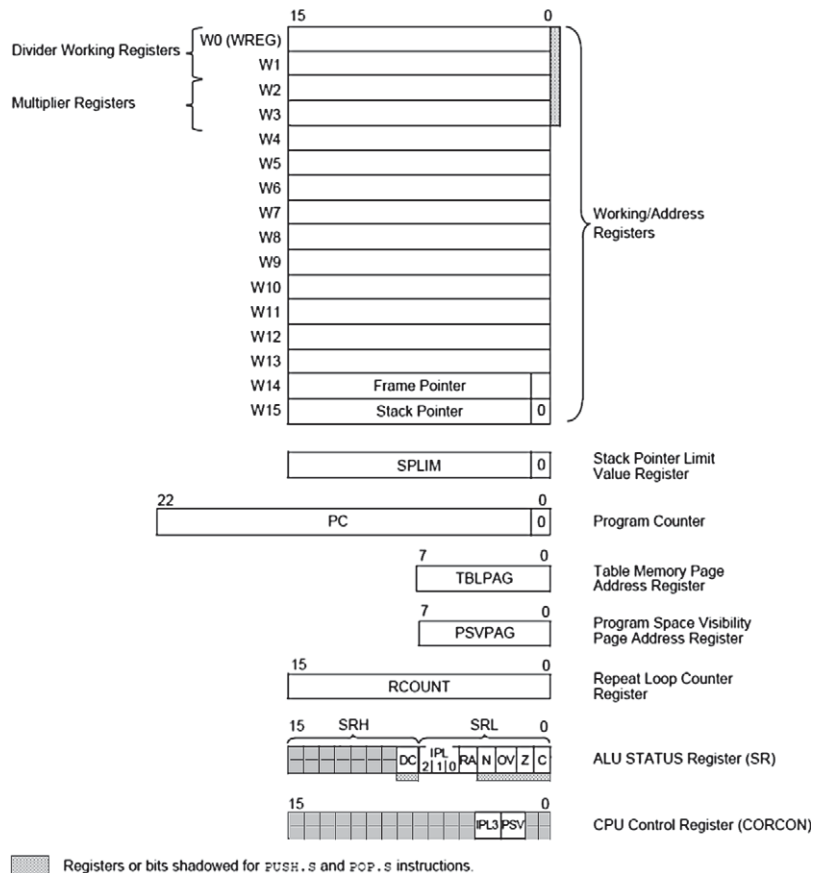
AGU:	Address Generation Unit	BOR:	Brown-out Reset
CN1-22:	Interrupt on change inputs	DISVREG:	Disable voltage regulator
EA MUX:	Effective Address Multiplexer	FRC:	Fast Internal RC Oscillator
IC1-5:	Input Capture	LPRC:	Low Power Internal RC Oscillator
LVD:	Low Voltage Detect	OC1-5:	Output Compare
PMP:	Parallel Master Port	PSP:	Parallel Slave Port
PSV:	Program Space Visibility	RP0:RP25:	Remappable pins
RTCC:	Real Time Clock and Calendar	V _{DDCORE} /V _{CAP} :	Core supply, capacitor connection

Figure 21.2: Block diagram of the PIC24FJ64GA004 (supplementary labels in shaded boxes added by the author)

made up of ALU, register array, multiplier and divide support, is seen middle-right. Finally, oscillator and power management functions are placed middle left. Let's turn first to the CPU to get some more detail.

21.3.1 The CPU

The 16-bit nature of the microcontroller is ultimately defined by the 16-bit ALU and data bus, seen in the block diagram. In this we see that instead of just one Working (W) register, there are now sixteen, all of 16-bit. An alternative view of the CPU is given by the Programmer's Model, in Figure 21.3. This represents the registers that the programmer works with the most. All W registers can act as both address and data, and it is up to the instruction to select which



Register Bits

- | | | | |
|-----|----------------------|------|---------------------------------|
| DC: | Half Carry/Borrow | IPL: | Interrupt Priority Level |
| RA: | REPEAT Loop Active | N: | Negative |
| OV: | Overflow | Z: | Zero |
| C: | MCU ALU Carry/Borrow | PSV: | Program Space Visibility Enable |

Figure 21.3: Programmer's model

one is used. Some registers have important secondary functions, for example as multiplier or divider operands, or Stack Pointer. The Status register also appears in the figure. Most of its bits will be familiar from their 16 or 18 Series equivalents, as seen for example in Figure 13.3. Those that are new are mentioned later in this chapter.

The PIC24F instruction word is 24 bits, as Figure 21.2 shows. It operates a pipelined instruction flow similar to Figure 2.8. Only two clock oscillator cycles per instruction are required, however. This makes it twice as fast, for a given clock speed, when compared with any of the 8-bit devices. Instructions generally execute in a single cycle, except those which cause branching or certain Table and Move instructions.

Any advanced CPU needs to offer arithmetic operations beyond simple addition and subtraction. The 18 Series microcontrollers do this with an 8-bit \times 8-bit multiplier. In the PIC24 we see a 17-bit \times 17-bit hardware multiplier and support for divide operations, though not actually a hardware divider. Sixteen-bit numbers entering the multiplier may be in signed or unsigned format. They are extended to 17 bits, allowing a uniform multiplication process (the detail of which is beyond the scope of this book; Ref. 21.1 is useful in this area). Whatever the operand format, the result is always within 32 bits and is stored back in the register array.

Turning to division, in software this is done with one of several possible looping algorithms, variants of which are nicely described in Ref. 21.1. Division of 32-bit or 16-bit numbers is possible, in either case divided by a 16-bit number (the divisor). The PIC24 applies an algorithm which requires one cycle per bit of divisor. The CPU provides support for implementing this algorithm, by providing the **RCOUNT** register seen in Figure 21.3. This works in conjunction with the **RA** bit in the Status register. Divide instructions are provided in the instruction set. They must be placed in a loop, with the **RCOUNT** register acting as the loop counter. Effectively the instruction replicates one loop of the divide algorithm. Interestingly, an attempt to divide by zero, which would cause a theoretical result of infinity, causes an arithmetic Trap to occur, as described in Section 21.3.3.

21.3.2 Memory

The program memory map of the PIC24FJ64GA004 is shown in Figure 21.4(a). Each memory location is 16 bits, yet instruction words are 24 bits. Each 24-bit instruction is therefore placed across two memory locations, with the upper byte of the upper word being unimplemented. The Program Counter therefore increments by two as every instruction executes. The lower word of each instruction has an even address, while the upper has an odd. This 16-bit organisation helps to keep program memory compatible with data memory, for example when accessing data from program memory.

As with earlier PIC microcontrollers, the reset vector is placed at location 00. Here, because the memory immediately following is made up of interrupt vectors, the user must program

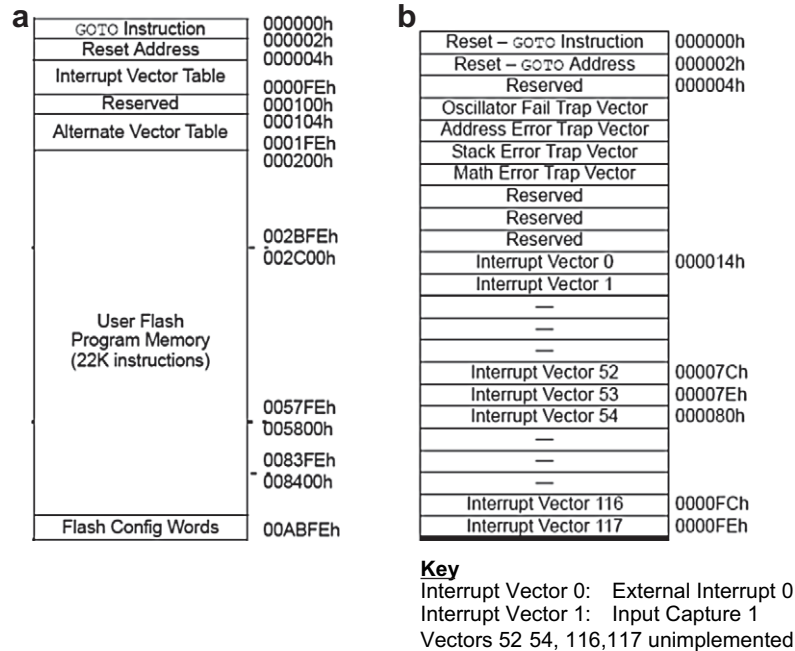
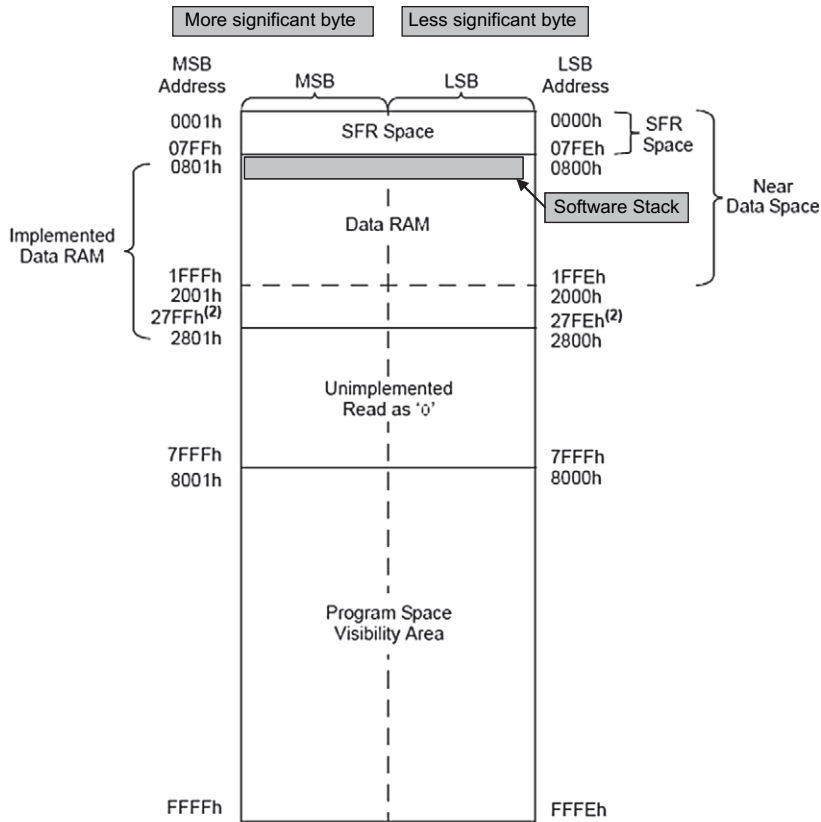


Figure 21.4: (a) Program memory, PIC24FJ64GA004. (b) Interrupt vector table

a **goto** instruction, directing program execution to the start of the program. However **goto** is a two-word instruction, with the first word being the instruction code and the second the target address. Hence it occupies four memory locations. The first two memory locations are used for the instruction itself and the actual reset address is placed at location 02, as shown. The reset vector is followed by a whole table of interrupt vectors, as seen in [Figure 21.4\(b\)](#). These are described in the section which follows.

Finally, how do the 64 Kbytes of program memory embedded in the microcontroller number ([Figure 21.1](#)) relate to the addresses shown in the memory map? The address range indicated, up to 0ABFE_H, translates to 44030_D words, or 88060_D bytes. Bearing in mind that one byte of every alternate word is not implemented, this translates approximately to the figure of 64 Kbytes that we are expecting.

The data memory map is shown in [Figure 21.5](#). It is made up of 16-bit words, but each byte has its own address. This allows some compatibility with 8-bit devices. The data memory address is 16 bits wide, meaning 2^{16} (64K) bytes can be addressed, or 2^{15} (32K) words. The diagram shows that the less significant byte of any word has an even address, while the more significant has an odd. Address information can come from several sources, including from within an instruction or from a W register. The address is finalised in Address Generation Units (AGUs), seen in [Figure 21.2](#), with one for Read and one for Write.



Note 1: Data memory areas are not shown to scale.

Note 2: Upper memory limit for PIC24FJ16GAXXX devices is 17FFh.

Figure 21.5: Data memory (supplementary labels in shaded boxes added by the author)

Looking at the general layout of the memory map, we can see that Special Function Registers are placed in the lowest two Kbytes. General purpose memory is placed above this, up to memory location 27FF_H. This gives eight Kbytes of data memory.

Unlike the 8-bit PIC microcontrollers, there is no hardware stack. Instead, a software stack is implemented. This is placed in data memory, starting at 0800_H (i.e. just above SFR space) and in address value growing upwards. Figure 21.3 shows that **W15** is the Stack Pointer, in addition to its possible use as a W register. The upper stack limit is user-defined and is held in the **SPLIM** register, also seen in Figure 21.3. Stack errors occur if a **push** or **pop** instruction forces the stack to go beyond the limits defined by 0800_H and **SPLIM**. The following section explains how this is flagged.

It can be seen from the data memory map that the whole upper half of the memory address range is reserved for a feature called ‘Program Space Visibility’ (PSV). In this interesting

option, the programmer may select any 16 Kword block of program memory to be read through the PSV area. This allows a useful mechanism for transferring data from program memory to data memory, always a challenge in the Harvard structure. It is only the lower 16 bits of any instruction which are mapped across. This is enabled by setting the **PSV** bit in the **CORCON** register, seen at the bottom of [Figure 21.3](#). The block of program memory is selected through the **PSVPAG** register (Program Space Visibility Page Address), again seen in [Figure 21.3](#). This effectively acts as the upper eight bits of the program memory address.

21.3.3 Traps and interrupts

The interrupt structure is a sophisticated one, with numerous interrupts and priority levels. It comprehensively addresses a potential weak point in the 8-bit PIC microcontrollers, which is that the 16 Series only has one interrupt vector and the 18 Series only two. We have already seen the Interrupt Vector Table (IVT) in [Figure 21.4\(b\)](#), with its place in program memory shown in the neighbouring diagram. The Table contains 118 possible vectors for interrupts and 8 for Traps. To explain this new terminology: a ‘Trap’ is a non-maskable interrupt source designed to detect hardware or software problems, for example oscillator failure or stack error. [Figure 21.4\(b\)](#) shows the four Traps implemented in this processor. Of these, the possibilities of stack error and arithmetic error (in division) have already been mentioned. Trap Service Routines (TSRs) are written in a similar way to ISRs.

Every interrupt source is allocated a unique and fixed vector in the Table. Our example processor has 39 interrupt sources, so most of the 118 possible vectors are not used. [Figure 21.4\(b\)](#) shows vectors for External Interrupt 0 and Input Capture 1 only. The other vectors appearing in the figure are actually unallocated for this device. Any vector that is to be used must be programmed with the 24-bit start address of the relevant ISR or TSR.

Interrupt prioritisation for each source is applied by setting a 3-bit value within the relevant SFR. There are seven priority levels; level seven is the highest and one the lowest. More than one interrupt can be assigned to the same priority level. If two interrupts of the same assigned priority occur simultaneously, it is the position of the vector in the vector table which determines priority. In this case lower-value vector addresses claim higher priority. By this reckoning, External Interrupt 0 has the highest priority. This ranking cannot be changed, but is only applied to arbitrate between two simultaneously occurring interrupts whose priority has been set the same. Priority levels for Traps are determined in hardware and fixed; there is only one Trap per level. While interrupts occupy priority levels one to seven, Traps occupy levels eight to 15. For example, the Stack Error Trap is level 12 and the Oscillator Failure Trap is level 14. Thus all Traps have priority over all interrupts.

Nested interrupts are by default allowed, although this can be disabled. If enabled, any interrupt can be interrupted by another with higher user-assigned priority. When an ISR or

TSR is being executed, its priority level is indicated by bits **IPL<2:0>** in the Status register and bit **IPL3** in the **CORCON** register, as seen in [Figure 21.3](#). With priority levels of eight and higher, we can deduce that when **IPL** bit 3 is set, a TSR is in progress. If an interrupt occurs whose assigned priority level is higher than that currently displayed in the **IPL** bits, then it will be actioned and a nested interrupt will occur. The user can also write to these **IPL** bits, setting a level below which interrupts cannot occur. Hence all user interrupts are disabled if **IPL<2:0>** are set to 111. On the other hand, an interrupt source prioritised to level zero is effectively permanently disabled.

There is also an Alternate Vector Table, which can be seen in [Figure 21.4\(a\)](#). This can be enabled in place of the IVT, generally to support emulation or debug, allowing alternative interrupt prioritisations or strategies to be explored.

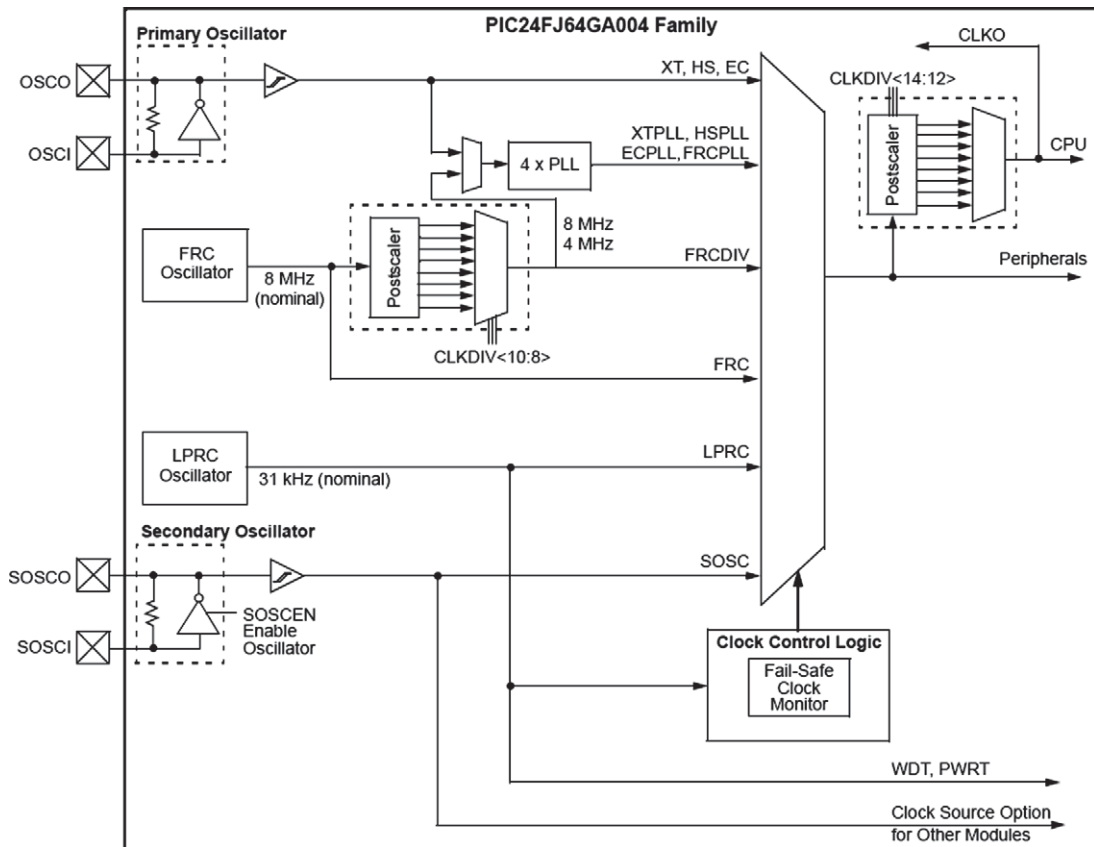
21.3.4 Clock sources

[Figure 21.6](#) shows the 24FJ64GA004 clock source structure. This demonstrates another evolutionary step in the development already seen in [Figures 12.6](#) and [13.15](#). Four possible clock sources are evident, two external and two internal, lying above each other to the left of the diagram. The external sources are the primary oscillator connected to pins OSCO/OSCI and the secondary oscillator on pins SOSCO/SOSCI. The secondary oscillator also connects to Timer 1 and the Real Time Clock and Calendar, as we shall see. Internal clock sources are provided by the FRC and LPRC oscillators. The FRC oscillator frequency can be divided down by binary values, up to 256. It and the primary oscillator can also be multiplied by four, by the Phase Locked Loop. An interesting development is that, after the clock multiplexer, the clock to the CPU can be optionally divided down, by binary values up to 128, leaving a faster clock running to the peripherals. This postscaler is used by entering the ‘Doze’ mode. Finally, there is a Fail Safe Clock Monitor. This important feature was described in [Section 12.5.2](#).

21.3.5 Power supply

A close look at [Figure 21.2](#) shows that there are two supply voltage inputs, V_{DDCORE} and V_{DD} . Broadly, these supply respectively the core and the peripherals. The voltage requirements for each are summarised in [Table 21.2](#). This shows a much lower operating voltage than found in the PIC 8-bit microcontrollers. As we see, the microcontroller core can operate down to 2.0 V, though it needs at least 2.35 V to run at full clock frequency. Within the limits specified, V_{DD} and V_{DDCORE} may be supplied at the same voltage or V_{DD} may be greater than V_{DDCORE} ; it must never be less.

An internal regulator is available, of nominal output 2.5 V. It draws its input from V_{DD} and can be used to power V_{DDCORE} . The regulator is enabled or disabled by the DISVREG pin, also seen in [Figure 21.2](#).



Key: (abbreviations not already introduced)
 FRC: Fast Internal RC Oscillator
 PLL: Phase Locked Loop
 SOSCO/SOSCL: Secondary Oscillator In/out

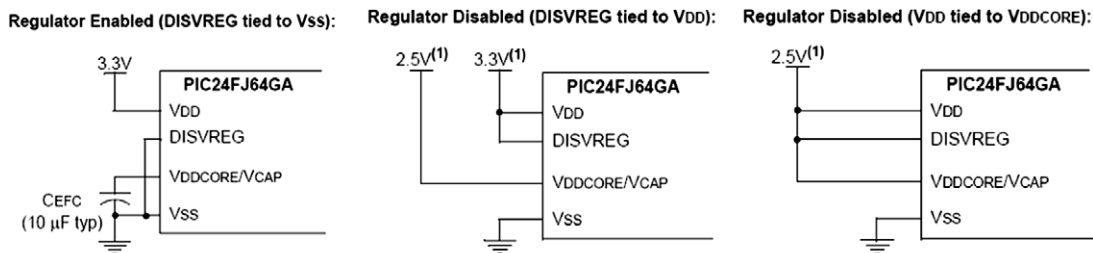
LPRC: Low Power Internal RC Oscillator
 SOSCEN: Secondary Oscillator Enable

Figure 21.6: The clock sources

The three possible power supply operating modes are shown in Figure 21.7. In the first, the voltage regulator is enabled by tying DISVREG low. The regulator powers the core, drawing its supply from the main V_{DD} input. An external capacitor must then be connected to the V_{DDCORE}/V_{CAP} pin. In the second, the regulator is disabled by tying DISVREG high; V_{DD} and V_{DDCORE} are then independently powered from external supplies. In this configuration, it is

TABLE 21.2 Power supply voltages

Supply voltage	Minimum (operating frequency restricted)	Maximum	Absolute maximum
V_{DDCORE} with respect to V_{SS}	2.0 V	2.75 V	3.0 V
V_{DD} with respect to V_{SS}	The higher of 2.0 V or V_{DDCORE}	3.6 V	4.0 V



Note: These are typical operating voltages.

Figure 21.7: Power supply modes

important that V_{DD} remains greater than or equal to V_{DDCORE} . In the third the regulator is again disabled, and V_{DD} and V_{DDCORE} are both supplied from a single 2.5 V supply.

21.3.6 The pins and ports

Figure 21.2 shows Port A having 10 bits, Port B with 16 and Port C with 10. Like the 18 Series, each port and hence each port pin driver circuit has three SFRs relating to it, **TRISx**, **PORTx** and **LATx**. The general structure of a port pin driver circuit is shown in Figure 21.8. The data direction is set by **TRISx**, with a Logic 1 on this causing the port to act as an input. A write to either **PORTx** or **LATx** determines the state of the data latch. However, a read from **PORTx** reads the actual port bit value, while a read from **LATx** reads the data latch value. All ports share pins with peripherals, and these can claim precedence over port settings. Therefore if the port function is to be used it is important to ensure that the pin has not already been allocated to a peripheral role.

The PIC24 series gives an important step forward by allowing the user to select which pin connects to certain input/output functions. Thus one is no longer constrained to the pin-out predetermined by the manufacturer. This is called the ‘peripheral pin select’ feature. It is available on up to 26 pins, seen as RP0:RP25 in Figure 21.2. The actual number of any microcontroller is dependent on its pin count. Peripheral pin select is not available on analog input/output, but does include comparator outputs, which are of course digital. The selection of pin connections to peripherals is controlled by SFRs, mapping inputs and outputs independently.

A concern when designing with this family of microcontrollers is that the lower supply voltage may make it difficult to interface with external devices supplied from 5 V. It is interesting to note therefore that digital-only pins accept up to 5.5 V as input. Their lower output voltage can still cause an interfacing problem, however. A useful solution proposed by Microchip is to tie the output to 5 V with an external pull-up resistor and set the data latch (of Figure 21.8) to Logic 0. If the bit is then set to input by writing a Logic 1 to the **TRISx** register, the pull-up resistor will raise the output to Logic 1. If the bit is set to output, it will assert the Logic 0

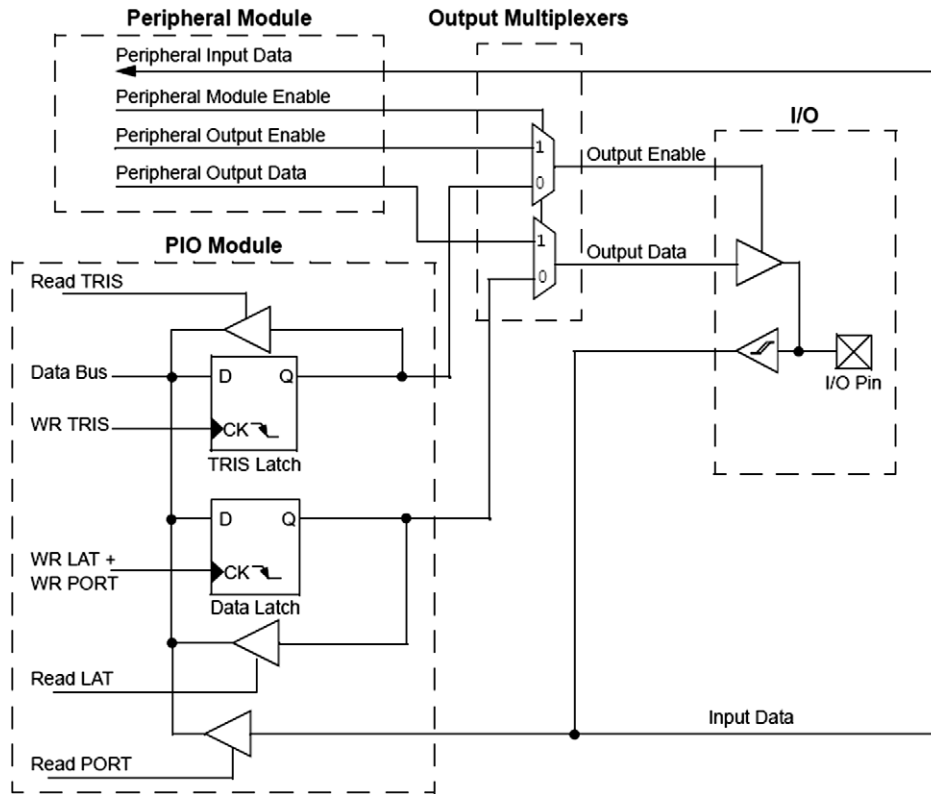


Figure 21.8: A typical shared port structure

already placed in the data latch. The bit value held in the **TRIS_x** register effectively becomes the bit output value. Of course this doesn't lead to ideal operating characteristics. Without an active pull-up, the rise-time of the 0 to 1 transition will depend on the time constant formed by the pull-up resistor and the line capacitance (as we saw with I²C lines in Section 10.6); when the line is at Logic 0 the pull-up resistor will cause an unfortunate current drain.

21.3.7 Peripherals and the Real-Time Clock and Calendar

The block diagram of Figure 21.2 shows a wide range of peripherals. We are familiar, from earlier chapters, with the concepts of almost all of these, so we do not go into detail here. A survey of Ref. 21.2 shows that most have grown in complexity, while continuing to apply the principles already covered. The quantity of peripherals has increased, with five Timers, two SPI ports, two I²C ports, and so on. The peripherals are summarised in Table 21.3.

An interesting and important peripheral not yet seen in this book is the 100-year RTCC (Real-Time Clock and Calendar). It is designed to show times and dates over 100 years, storing seconds, minutes, hours, day of week, date, month and year, running from midnight on 1 January 2000 to midnight on 31 December 2099, with leap-year correction. Alarms can be

TABLE 21.3 16-bit peripherals summary

Peripheral	Brief description
Timer 1	16 bit timer with connections for external crystal (SOSC0/1); built in digital comparator and period register allow easy set up of periodic interrupts.
Timer 2/3	Can be configured as a single 32 bit timer, or as two 16 bit timers, both options with built in comparator and period register.
Timer 4/5	As Timer 2/3.
Input Capture	Captures a Timer value (Timer 2 or 3) at instant of selected edge applied to input pin; input can be optionally divided by 4 or 16; captured values can be held in a four level FIFO buffer.
Output Compare	Generates an output pulse when the value of a selected Timer is equal to a compare register, with the added option of interrupt on compare match.
Serial Peripheral Interface (SPI)	Operates in 8 bit or 16 bit mode (both receive and transmit), with eight level receive and transmit buffers.
I ² C	I ² C module with independent Master and Slave logic, supporting 100 kHz and 400 kHz bit rates.
UART	8 or 9 bit UART, with four level receive and transmit buffers and support for LIN and IrDA.
Parallel Master Port/Parallel Slave Port	Highly configurable 8 bit I/O parallel port with up to 16 bits of address, suitable for interfacing with conventional addressed parallel buses, configurable also as slave port.
Real Time Clock and Calendar	Calendar and clock with one second resolution, suitable for timing over long durations, optimised for low power applications.
ADC	10 bit ADC with up to 16 analog inputs and up to 500K samples per second, 16 word results buffer.
Comparator	Highly configurable analog comparators with a scalable voltage reference.

set, to initiate actions at certain moments. It is designed to run from a 32.768 kHz oscillator connected to the secondary oscillator and is optimised for low power use.

21.3.8 Conclusion on the PIC24F family

Although this has been a quick overview, it is still possible to draw some conclusions. The PIC24F family represents a fairly direct, though substantial, upgrade from the 18 Series. Everything has got bigger, everything has got better. The overall architecture is recognisably

'PIC', with a Harvard structure and familiar patterns of memory structure, and data and information flow. Significant developments have of course been made in the memory structure, for example the Program Space Visibility feature. The CPU is a recognisable PIC descendant, though now 16-bit and with the 16 W registers. The interrupt strategy has taken a leap forward and abandoned the rather modest structures used in the 8-bit PIC world. All peripherals have adapted to the 16-bit environment, but all carry and apply the concepts we have found in earlier chapters. Importantly, we have emulated the world of programmable logic devices by introducing remappable pins. Finally, there has been a further refinement of ancillary features, like the power supply and clock. With these it is possible to design a system which makes truly optimal use of power supply. Do we need anything more? Well, let's now envisage a situation in which we have a very demanding signal-processing application, or where 16-bit data representation is not enough.

21.4 The dsPIC digital signal controller

21.4.1 What is Digital Signal Processing?

Way back in Section 1.4 we talked about the microcontroller as a general-purpose single-chip computer. The Section went on to describe how the microcontroller formed an evolutionary branch from the microprocessor, responding to the need for small-scale intelligent control. Of course there were other requirements placed upon the microprocessor. It was already recognised that a signal could be repeatedly digitised, and that the stream of samples so produced could be processed digitally. The resulting digital signal could then if needed be converted back to analog form, with the sequence in simplest form shown in Figure 21.9. This led to a huge range of possibilities, among other things replicating and improving on a number of processes traditionally done in analog form, such as filtering. This body of technology and expertise came to be called Digital Signal Processing (DSP), and became an important specialism in its own right. Some microprocessors became customised to the very particular demands of DSP. Major textbooks have been published on DSP, for example Ref. 21.4.

Digital Signal Processing is used for a range of activities. Many of these replace functions already available in analog form, like amplifying, filtering or waveform generation. In general, DSP undertakes these functions better, for example with more precision in frequency and voltage. As a very simple example, a gain control can be implemented by multiplying each incoming sample by a fixed value before outputting the result. DSP also delivers performance



Figure 21.9: Digital signal processing – simplest form!

beyond the capability of an analog system, for example by producing a filter that is of an order higher than an analog system allows. DSP is also widely used for transformation from the time to the frequency domain, for example to analyse a vibration signal to pinpoint the component vibration frequencies, and more advanced applications like convolution and correlation. For more information on these, read Ref. 21.4 or its equivalents.

Generally a DSP process depends on a continuous stream of samples; the algorithm in use operates on the most recent sample, along with a set of the previous samples stored in memory. The data sequence is often held in a circular buffer; every time a new sample is stored the oldest is discarded. Each sample needs to be multiplied by a coefficient determined by the algorithm, with the final result deduced by making additions or subtractions with the results of the multiplications. The algorithm is run every time a new sample is taken. Taking audio sampling as an example, a common frequency is 44.1 kHz. This allows a mere 22.7 μ s between samples in which, to take and save the new sample, run the algorithm and output the result before the next sample must be made. This implies a requirement for high-speed data conversion and high-speed memory access and processing.

So what do we expect to find in a digital signal processor? A hardware multiplier is essential; a software multiply solution will be just too slow. Recall here that an m -bit number multiplied by an n -bit number produces an $(n + m)$ bit result. In many cases the multiply result needs to be added into an accumulation of results. The process of making a series of multiplications, and accumulating the result through addition or subtraction, is a classic DSP process, often abbreviated to MAC (Multiply Accumulate). As they may add a long sequence of numbers together, accumulate stores may be far larger than the size of the multiply result, which itself is probably twice the size of the ALU. With all these complex numerical processes going on, there is a risk of signal overload, which can be a source of error. Therefore some means of sensing and correcting for this can also be expected.

For many years DSP and embedded systems evolved separately and seemed two rather independent activities. Embedded systems were input/output intensive and with modest processing requirements, while DSP devices focused on the high-speed processing of a small number of signals. But now the two fields have converged. Many embedded systems need to process signals with some sophistication. On the other hand, what are primarily DSP systems may need to deal with other inputs and outputs and generate control signals.

In their Digital Signal Controllers, the dsPIC family, Microchip have recognised and responded to this convergence of DSP and embedded system technology. Put another way, they recognise the increasing need in embedded systems for DSP capability. The Harvard architecture, as used by Microchip in all its products to date, is a natural for DSP, in that it allows simultaneous access to program and data memory. A RISC-based instruction set is also preferred, due to the high-speed operation that this allows. Therefore Microchip architectures seem well-placed to incorporate DSP capability.

21.4.2 The dsPIC30F and dsPIC33F

The dsPIC30F and dsPIC33F are two closely related families of PIC microcontrollers which have a powerful DSP capability. Table 21.1 has already summarised their main characteristics. The block diagram of the dsPIC30F3010 is almost the same as that of the PIC24F family, for example, as seen in Figure 21.2. It is therefore not reproduced in this introductory overview. There are, however, several important differences. One is that data memory is split into two parts, called X and Y. Each has its own address generator and data bus. Most operations act only on the X memory, and it remains the main microcontroller data memory. Certain DSP instructions, however, access both X and Y buses. The second difference is the presence of a ‘DSP engine’ alongside the main CPU. The DSP engine is an extra processing unit designed to provide DSP capability; it links to the W register block and responds to the specialist DSP instructions.

21.4.3 The Digital Signal Processing engine

Let’s trace through the structure of the DSP engine, and see how it relates to some DSP issues already discussed. Its block diagram is shown in Figure 21.10. In the DSP engine we see the main elements of a digital processor, in its multiplier, adder (and, along with the ‘Negate’ unit, a subtracter) and its accumulators. The DSP engine links to the main CPU through the W registers, seen at the bottom of Figure 21.10. A link is also made here to the X and Y data buses mentioned above. Data can be pre-fetched from memory through these and placed in the W registers. Some of the W registers are allocated specific roles; for example registers W4 to W7 are used as operands and W8 to W11 as addresses. The multiplier is shared with the main CPU and has already been mentioned in that context. It can interpret numbers as integer or fractional. To facilitate this process, the multiplier is able to extend the 16-bit number representation to 17 bits. The 33-bit result of the multiply action is usually added into one of the 40-bit accumulators. The multiply result is therefore extended to this size, using the *Sign Extend* unit. This ensures that the data representation and value of the number is correctly retained, while it is expanded to the larger representation.

We can follow now how the multiplier output makes its way to one of the accumulators. A multiplexer selects the input to the barrel shifter from either one of the accumulators, or from the extended multiplier output. The barrel shifter allows shifts of up to 16 bits left or right in a single instruction. One use of this is to scale a number, by multiplying or dividing by powers of two. Following the 40-bit route out of the barrel shifter, data can be transferred via another multiplexer to the adder, going via the optional Negate unit. Here it can be added to (or subtracted from) the contents of one of the accumulators. Data paths for the addition of the two accumulators can also be seen. Accumulator results can be transferred to the X data bus, and hence back to data memory and the 16-bit environment, through a path shown to the right of the diagram.

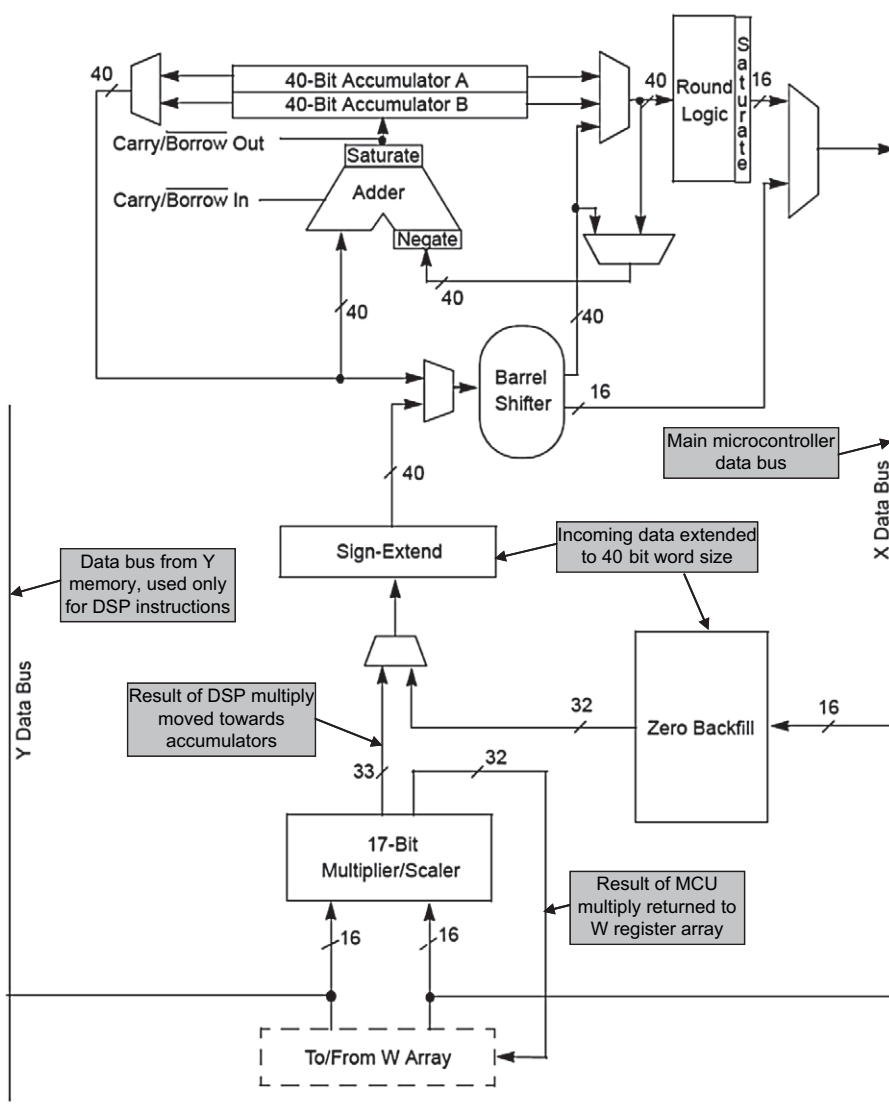


Figure 21.10: The Digital Signal Processing engine block diagram (supplementary labels in shaded boxes added by the author)

The accumulators themselves can be viewed as 32-bit numbers, with eight guard bits added to avoid overflow. When a number is sign-extended, these upper eight bits simply hold eight sign bits, one for negative, zero for positive. The presence of these extra bits allows the results of additions or subtractions to overflow into the guard bits. This overflow can be detected and corrected, for example by right-shifting.

At a number of stages in the DSP engine data flow, we see implementation of Saturation or Rounding. These are standard numerical processes, which become particularly important in

applications in which a large amount of data processing takes place. Both of these processes can be enabled, or disabled, through bits in the **CORCON** (Core Control) register. This is seen in [Figure 21.3](#) for the PIC24F microcontroller; more bits are added for the dsPIC family. Saturation applies if a calculation produces a result that is beyond the range defined by the word size and the data representation used. If such an over-range is detected, then the maximum or minimum value, as appropriate, is substituted in its place. Rounding is applied when a word size is being reduced, for example from 32-bit to 16-bit.

The dsPIC devices use the instruction set of the PIC 16-bit microcontrollers, expanded by the addition of a set of DSP instructions. Examples of these instructions are given in [Table 21.4](#).

TABLE 21.4 Some example Digital Signal Processing instructions

Instruction mnemonic	Summary	Note
add	Add accumulators OR Sign extend and zero backfill a 16 bit number, optionally shift it, and add to specified accumulator; i.e. original 16 bit number is added to the more significant word of accumulator.	
lac	Optionally shift the contents of a W register, zero backfill and sign extend, and store in specified accumulator.	The data is assumed to be in fractional format.
mac	Multiply the contents of one W register by another, sign extend to 40 bits, and add to specified accumulator*.	The IF bit of CORCON determines fractional or integer multiply.
movsac	Round specified (40 bit) accumulator, and store in specified (16 bit) W register*.	
mpy	Multiply the contents of one W register by another, sign extend to 40 bits, and store in specified accumulator*.	The IF bit of CORCON determines fractional or integer multiply.
mpy.n	Multiply the contents of one W register by the negative of another, sign extend to 40 bits, and store in specified accumulator*.	The IF bit of CORCON determines fractional or integer multiply.
msc	Multiply the contents of one W register by another, sign extend to 40 bits, and subtract from specified accumulator*.	The IF bit of CORCON determines fractional or integer multiply.
sac.r	Optionally shift specified accumulator, and store rounded version of higher byte to W register.	Accumulator contents are unchanged after this operation.
sftac	Shift the 40 bit accumulator contents by up to 16 bits left or right, result stored back in accumulator.	Saturation is implemented, if enabled in the CORCON register.

*Optionally pre fetches operands for a subsequent operation.

Notice first the simple data transfer instructions, like **lac** and **movsac**. These allow direct data transfer between the 16-bit registers and the 40-bit accumulators, making flexible use of techniques already mentioned to change the word size. Simple multiply instructions are represented by **mpy** and **mpy.n**, with settings in the **CORCON** register determining exact implementation of the instruction. Classic DSP instructions are represented by **mac** and **msc**. In both of these we see most elements of the DSP engine put to use, in the single instruction. Note also that these and other instructions allow operands to be pre-fetched into the W registers, simultaneously with the execution of the main instruction. This important capability allows greatly increased execution speed.

It is important to stress that the instructions shown are complex, each having a number of different options. Only summaries of their actions are given here. When programming, at least in Assembler, it is essential to refer to the *Programmer's Manual*, Ref. 21.6.

21.4.4 Conclusion on the dsPIC family

So now we have a powerful and fully featured microcontroller, with an embedded DSP capability thrown in. Experts of DSP will be quick to point out that with the dsPIC we do not get the full power of a dedicated DSP device and that some of its features are limited, but this is hardly the point. What we are getting is the added value of DSP capability in the embedded application. Microchip's special calling, of making digital processing capability available in smaller scale and at lower cost than was previously thought possible, has been delivered again.

21.5 The PIC32 32-bit microcontroller

The PIC32 32-bit microcontrollers are by far the most sophisticated of the Microchip range. They incorporate some features of smaller PIC microcontrollers, for example the peripherals, oscillator or power management design. Yet they also include features of large-scale digital systems, like JTAG (a digital system test protocol, of which more below) and DMA (Direct Memory Access). Notably, they used a CPU licensed from MIPS Technology, their MIPS32 M4K core, which of course is completely different from all Microchip offerings.

At the time of writing there is a limited number of microcontrollers in this range, with all PIC32 microcontrollers being described within a single data sheet, Ref. 21.7. There is also a family reference manual, Ref. 21.8. Coding for PIC32 microcontrollers is shown in [Figure 21.11](#), with features of the largest and smallest in the range seen in [Table 21.5](#).

21.5.1 Overview of PIC32 architecture

The block diagram of the PIC32MX4XX microcontroller group is shown in [Figure 21.12](#). Microcontrollers within the group are available with different data and program memory sizes, and differ from the PIC32MX3XX only in that the '4XX has a USB port.

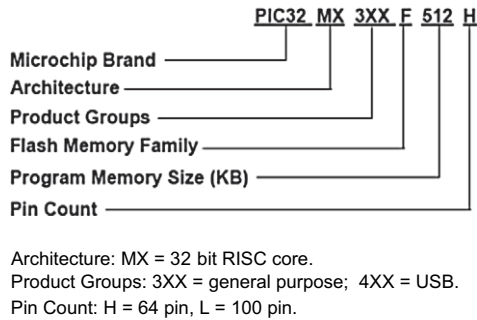


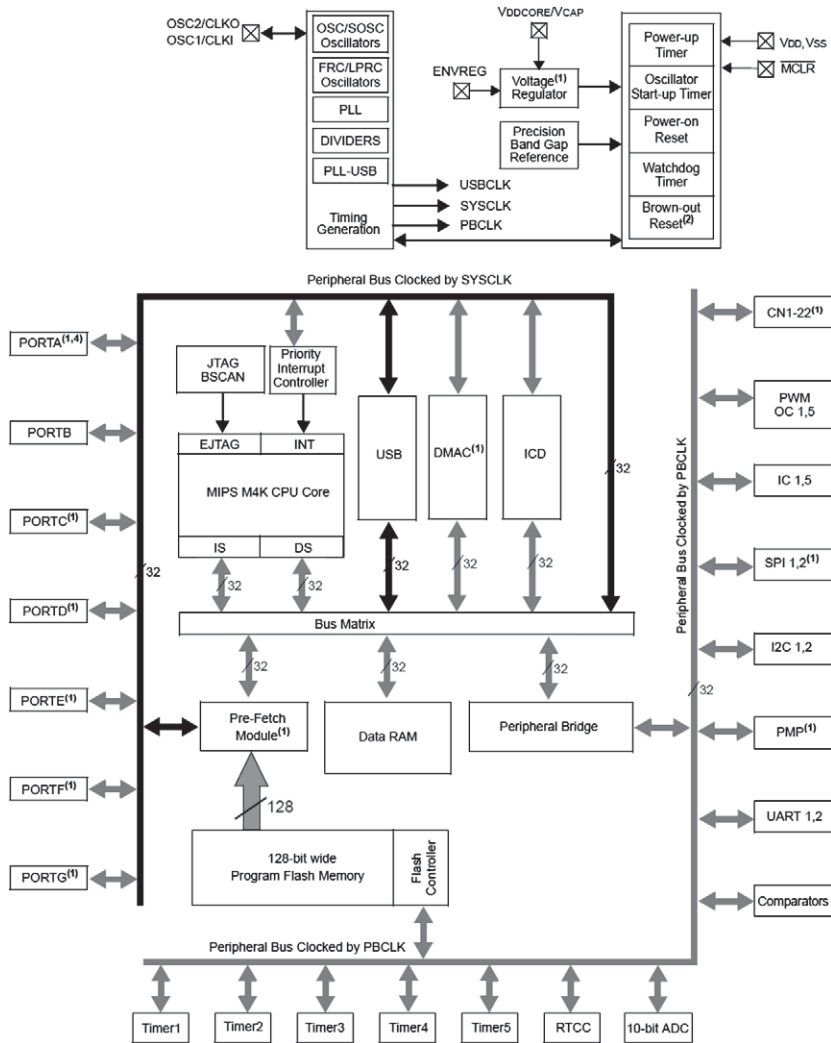
Figure 21.11: Current coding of 32-bit PIC microcontrollers

TABLE 21.5 Example 32-bit PIC microcontrollers

PIC32 device	Shared features	Unique features
PIC32MX320F032H (smallest in range)	32 bit MIPS M4K Core, 32 bit data paths, 16 or 32 bit instructions, 2.3 to 3.6 V supply, single cycle hardware multiply,	32 Kbytes of program memory, 8 Kbytes of data memory, DC 40 MHz clock, 64 pin.
PIC32MX460F512L (largest in range)	wide range of peripherals, pin and peripheral compatible with PIC24 devices, MPLAB available as development environment, with C32 C compiler and other third party offerings.	512 Kbytes of program memory, 32 Kbytes of data memory, USB On the Go, DC 80 MHz clock, 100 pin.

The blocks at the top of the diagram, dealing with clock and power management, should be familiar to anyone progressing through this chapter. The oscillator block is similar in concept to Figure 21.6 but includes provision for USBCLK. The main system clock (SYSCLK) and the peripheral bus clock (PBCLK) appear at this point. Like the 16-bit microcontroller, there are separate supplies for V_{DD} and V_{DDCORE} , and an internal regulator controlled by the ENVREG pin. This acts with inverse logic to the DISVREG pin seen in Figure 21.7. Aside from this, the principles of the first two circuits of that diagram apply. The nominal value for V_{DDCORE} is 1.8 V (with absolute maximum of 2.0 V), and 2.3 V to 3.6 V for V_{DD} .

Looking round the sides of the diagram, the names of all peripherals should be familiar. It is gratifying to recognise that, in all the complexity of the 32-bit PIC microcontroller, the peripherals are compatible and very similar to the 16-bit versions. Therefore Table 21.3 applies. A USB On-the-Go port, with capability as outlined in Section 20.5.2, is included in the larger PIC32 microcontrollers.



- Note 1: Not all pins or features are implemented on all device pin out configurations.
- 2: Some features are not available on certain devices.
- 3: BOR functionality is provided when the on board voltage regulator is enabled.
- 4: PORTA is not present on 64 pin devices

Key: (abbreviations not already introduced)

BStCAN:	Boundary Scan	DMAC:	Direct Memory Access Controller
DS:	(CPU) Data Bus	EJTAG:	Enhanced Joint Test Action Group
ENVREG:	Enable Voltage Regulator	JTAG:	Joint Test Action Group
ICD:	In Circuit Debug	IS:	(CPU) Instruction Bus
PBCLK:	Peripheral Bus Clock	SOSC:	Secondary Oscillator
SYSCLK:	System Clock	USBCLK:	USB clock

Figure 21.12: Block diagram of the PIC32MX4XX

It is the central features of this microcontroller which appear entirely new and different. Gone are the usual familiar Microchip features. To make sense of the structure, try starting with the ‘Bus Matrix’. This is the meeting point of all major system components and data paths. In one way the Bus Matrix is like a very sophisticated data bus, in that all data transfers pass through it. However, in reality it is a switching system which can establish one or more point-to-point contacts between different system elements at any one time; through these contacts data transfer can take place.

The CPU has two buses linking to the Bus Matrix. One is for instructions (IS) and the other for data (DS). The SYSCLK Peripheral Bus connects directly to the Bus Matrix, and in turn connects the DMA controller, USB, ICD and the parallel ports. This bus runs at the same speed as the CPU, and is used for peripherals which have high data throughput or which must run fast. A data transfer in the Bus Matrix can be initiated by either of the two CPU buses, the DMA controller, the USB or the ICD; these are called ‘Bus Masters’. Another bus, clocked by PBCLK, connects all other peripherals. This is potentially the slower bus, and connects to the Bus Matrix through the Peripheral Bridge; PBCLK can be run at the same speed as SYSCLK, or at the SYSCLK frequency divided by two, four or eight.

21.5.2 The Central Processing Unit

At the heart of the microcontroller lies the MIPS Technology 32-bit core. It is interesting to get a picture of the many other applications this core is used for by checking the MIPS Technology website, Ref. 21.9. The architecture was developed by John Hennessy of Stanford University. Interestingly, Hennessy is co-author of Ref. 21.1, which uses the MIPS core as an example. That book is therefore particularly appropriate as background reading for this device.

The MIPS CPU is a complex thing. It contains an ‘execution unit’ for mainstream CPU operations, a ‘multiply/divide unit’, doing just what its name suggests, and a ‘system control coprocessor,’ which handles some of the operational features like interrupts, address translation and debug. The execution unit has 32-bit registers, holding data and address information. There is also a ‘shadow set’ of register files, to ease context saving during interrupts.

The multiply/divide unit can execute 16-bit \times 16-bit or 16-bit \times 32-bit multiplications in one clock cycle, or 32-bit \times 32-bit in two. Divide operations replicate the looping algorithm mentioned in Section 21.3.1. In addition to regular multiply instructions, the instruction set contains two instructions, **madd** (multiply and add) and **msub** (multiply and subtract), intended for DSP applications.

The CPU has a five-stage pipeline, illustrated in [Figure 21.13](#). Most instructions execute in these five stages, each stage taking one instruction cycle. Notice the difference between this figure and the simple two-stage pipeline of [Figure 2.8](#). There, fetch and execute were the only two pipeline stages. Here, fetch and execute remain broadly speaking the first two stages, but

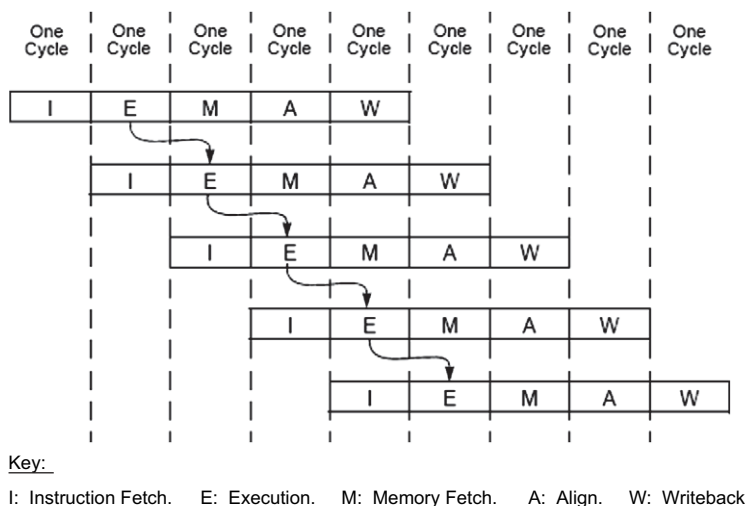


Figure 21.13: The five-stage PIC32 pipeline

other useful housekeeping and data transfers (including load and store transfers) take place in the later stages, in parallel with other activities from other instructions.

The CPU has three modes of operation, ‘kernel’, ‘user’ and ‘debug’. On reset, the CPU is in kernel mode, which is the most general-purpose and powerful. This gives access to the whole memory space and all peripherals. User mode restricts access to a range of resources. It does not have to be used at all, but it can be viewed as a safer operational mode for some activities, with transfer to kernel mode where needed. Debug mode is of course used by debuggers; it allows access to all kernel mode resources, including those specifically for debug.

An important feature of the microcontroller is its JTAG capability. JTAG, the Joint Test Action Group, was formed in the mid 1980s. At this time digital systems were becoming increasingly complex and it was no longer possible to access test points within a system. Therefore it became necessary to design test points and test facilities into the hardware itself. JTAG wished to develop an approach which was compatible across all manufacturers. Their proposal was adopted as IEEE Standard 1149.1, although the terminology JTAG is still commonly used. Integral to the approach is a ‘boundary scan’ mechanism, whereby signals at component boundaries are monitored or controlled. At chip level, the JTAG interface is implemented with a 4- or 5-wire interface. An enhanced JTAG standard is applied here.

21.5.2 The memory

Figure 21.12 shows separate blocks for program and data memory. All memory in the PIC32 microcontroller, including data, program, configuration and SFRs, is, however, mapped into

a single memory space, with a 32-bit data width and 32-bit address bus. Thus, in theory a total memory space of four Gwords is available. One outcome of this is that program execution can take place from data memory. While all locations have physical addresses, a virtual address space is also set up, with a mapping translation unit to map between the two.

A potential bottleneck in program execution is program memory access time. Therefore a 'prefetch cache', or module, is introduced between the program memory and the Bus Matrix. This is a memory type which allows faster access than the program memory. Instructions can be fetched from memory and held in readiness for use. Speed is increased because the prefetch cache has a 128-bit data path from program memory, allowing four 32-bit words to be transferred simultaneously.

21.5.3 Conclusion on the PIC32 family

This is the very last microcontroller to be described in this book, and it is so complex that we can do it little justice in these few pages. What we have seen is Microchip leaping into this demanding field by buying the licence to a highly sophisticated 32-bit processor and placing it within a peripheral, clock and power supply context, which is a distinct evolutionary step from earlier Microchip designs.

Way back in Figures 1.8 and 1.9 and their accompanying text, we defined the microcontroller and microcontroller families. It is pleasing to see that, through all the advancing levels of complexity that we have been through, we have remained more or less true to those ideas and diagrams.

21.6 A last and final conclusion

We have covered a remarkable range of ground over the past 20 chapters. Starting from almost nowhere, we have gradually developed a sophisticated picture of the structure of a microcontroller. We have programmed it in both Assembler and C, have interfaced it to a range of sensors and actuators, and linked it with a second microcontroller, itself linked to another microcontroller, thus creating a tiny network. We have gone on to place our programs under the discipline of a real-time operating system. We have successfully powered all of this from a modest battery supply. All this represents a tremendous achievement and, if you have followed it all, you have done well. The final two chapters have given some possible directions for future activity.

I hope you have enjoyed this voyage of exploration in the world of embedded systems, and wish you much enjoyment as you go on to design, build and program many more 'thinking things' of your own.

Summary

- There are many situations in the embedded world where 8-bit microcontrollers do not offer adequate performance.
- The PIC24F and 24H series represent an evolutionary progression route from the 18 Series into the 16-bit domain.
- The dsPIC30F and dsPIC33F families neatly add DSP capability to the 16-bit microcontrollers.
- The PIC32 microcontrollers represent a step function change from the 16-bit PIC microcontrollers; with their licensed 32-bit core and advanced features, they take working with PIC microcontrollers into a new domain of advanced digital systems.
- The peripherals, clock source and power supply management of the PIC32 microcontrollers are similar to those of the 16-bit PIC microcontrollers, so represent evolutionary development in that area.

References

- 21.1. Patterson, D. and Hennessey, J. (2008). *Computer Organization and Design*, 4th edn. Morgan Kaufman. ISBN 978-0-123-74493-7.
- 21.2. PIC24FJ64GA004 Family Data Sheet (2008). Microchip Technology Inc., Document No. DS39881C.
- 21.3. PIC18F to PIC24F Migration (2006). Microchip Technology Inc., Document No. DS39764A.
- 21.4. Bateman, A. and Paterson-Stephens, I. (2002). *The DSP Handbook*. Pearson Education. ISBN 978-0-201-39851-9.
- 21.5. dsPIC30F3010/3011 Data Sheet (2008). Microchip Technology Inc., Document No. DS70141E.
- 21.6. dsPIC Programmer's Reference Manual (2005). Microchip Technology Inc., Document No. DS70030F.
- 21.7. PIC32MX3XX/4XX Family Data Sheet (2008). Microchip Technology Inc., Document No. DS61143E.
- 21.8. PIC32MX Family Reference Manual (2008). Microchip Technology Inc., Document No. DS61132B.
- 21.9. The MIPS Technologies website: <http://www.mips.com/>

Questions

Note: All information to answer these questions should be available from this chapter; the data sheets make useful background reading, however.

1. Make a list of some embedded products available today, trying to identify some very simple ones, others of medium complexity, and others of high complexity (where complexity relates to processing and interface needs). Speculate on and explain which PIC microcontroller would be appropriate to power each device. Include for consideration all devices covered in the book.
2. At one moment in program execution the **IPL<4:0>** bits in a PIC24FJ64GA004 read 1100. What recent event is likely to have happened?
3. (a) What is the lowest frequency that can be supplied to the PIC24FJ64GA004 CPU:
 - (i) If the FRC oscillator is used?
 - (ii) If the LPRC oscillator is used?(b) What is the highest frequency that can be supplied to a Timer through internal clock distribution if a 16 MHz clock is used as the primary oscillator?
4. (a) Sketch a circuit diagram of a PIC24FJ64GA004 port output interfaced to a 5 V system, as described in Section 21.3.6.
 - (b) If eight such lines are interfaced, and pull-up resistors of 24 k Ω are used, what is the worst-case extra power drain that they add?
5. In the DSP engine of Figure 21.10, trace the paths that data is likely to take and the system elements used for each of the DSP instructions **lac**, **sac**, **msc** and **movsac**.
6. (a) How many data and program memory locations would you expect to find in a PIC32MX460F512L?
 - (b) If SYSCLK is running at 24MHz, what is the slowest that PBCLK can run at?
7. (a) Why can the third circuit of Figure 21.7 not be applied to a PIC32 microcontroller?
 - (b) A PIC32 microcontroller is to be supplied from a single voltage only. Sketch a circuit showing all necessary connections.

The PIC 16 Series instruction set

TABLE A1.1 PIC 16 Series Instruction Set Summary

Mnemonic, operands	Description	Cycles	14 Bit opcode				Status affected	Notes	
			MSb			LSb			
BYTE ORIENTED FILE REGISTER OPERATIONS									
ADDWF	f,d	Add W and f	1	00	0111	dfff	fff	C,DC,Z	1,2
ANDWF	f,d	AND W with f	1	00	0101	dfff	fff	Z	1,2
CLRF	f	Clear f	1	00	0001	lfff	fff	Z	2
CLRW		Clear W	1	00	0001	0xxx	xxx	Z	
COMF	f,d	Complement f	1	00	1001	dfff	fff	Z	1,2
DECF	f,d	Decrement f	1	00	0011	dfff	fff	Z	1,2
DECFSZ	f,d	Decrement f, Skip if 0	1(2)	00	1011	dfff	fff		1,2,3
INCF	f,d	Increment f	1	00	1010	dfff	fff	Z	1,2
INCFSZ	f,d	Increment f, Skip if 0	1(2)	00	1111	dfff	fff		1,2,3
IORWF	f,d	Inclusive OR W with f	1	00	0100	dfff	fff	Z	1,2
MOVF	f,d	Movef	1	00	1000	dfff	fff	Z	1,2
MOVW	f	Move W to f	1	00	0000	lfff	fff		
NOP		No Operation	1	00	0000	0xx0	0000		
RLF	f,d	Rotate Left f through Carry	1	00	1101	dfff	fff	C	1,2
RRF	f,d	Rotate Right f through Carry	1	00	1100	dfff	fff	C	1,2
SUBWF	f,d	Subtract W from f	1	00	0010	dfff	fff	C,DC,Z	1,2
SWAPF	f,d	Swap nibbles in f	1	00	1110	dfff	fff		1,2
XORWF	f,d	Exclusive OR W with f	1	00	0110	dfff	fff	Z	1,2
BIT ORIENTED FILE REGISTER OPERATIONS									
BCF	f,b	Bit Clear f	1	01	00bb	bfff	fff		1,2
BSF	f,b	Bit Set f	1	01	0lbb	bfff	fff		1,2
BTFSZ	f,b	Bit Test f, Skip if Clear	1(2)	01	l0bb	bfff	fff		3
BTFSZ	f,b	Bit Test f, Skip if Set	1(2)	01	llbb	bfff	fff		3
LITERAL AND CONTROL OPERATIONS									
ADDLW	k	Add literal and W	1	11	llx	kkk	kkk	C,DC,Z	
ANDLW	k	AND literal with W	1	11	1001	kkk	kkk	Z	
CALL	k	Call subroutine	2	10	0kkk	kkk	kkk		
CLRWDZ		Clear Watchdog Timer	1	00	0000	0110	0100	TO.PD	
GOTO	k	Go to address	2	10	lkkk	kkk	kkk		
IORLW	k	Inclusive OR literal with W	1	11	1000	kkk	kkk	Z	

Continued

Table A1.1 PIC 16 Series Instruction Set Summary—Cont'd

Mnemonic, operands	Description	Cycles	14 Bit opcode				Status affected	Notes
			MSb			LSb		
MOVL	k	Move literal to W	1	11	00xx	kkk	kkk	
RETFIE		Return from interrupt	2	00	0000	0000	1001	
RETLW	k	Return with literal in W	2	11	0lxx	kkk	kkk	
RETURN		Return from Subroutine	2	00	0000	0000	1000	
SLEEP		Go into standby mode	1	00	0000	0110	0011	TO.PD
SUBLW	k	Subtract W from literal	1	11	110x	kkk	kkk	C.DC.Z
XORLW	k	Exclusive OR literal with W	1	11	1010	kkk	kkk	Z

Note 1: When an I/O register is modified as a function of itself (e.g., `MOVF PORTB, ·1`), the value used will be that value present on the pins themselves. For example, if the data latch is '1' for a pin configured as input and is driven low by an external device, the data will be written back with a '0'.

2: If this instruction is executed on the TMR0 register (and, where applicable, `d = 1`), the prescaler will be cleared if assigned to the Timer 0 module.

3: If Program Counter (PC) is modified or a conditional test is true, the instruction requires two cycles. The second cycle is executed as a NOP.

The electronic ping-pong program

This small embedded system is a game for two players, each of whom has a push-button 'paddle'. Either player can start the game by pressing his/her paddle. The ball, represented by the row of eight LEDs, then flies through the air to the opposing player, who must press his/her paddle only when the ball is at the end LED and at none other. The ball continues in play until either player violates this rule of play. Once this happens, the non-violating player scores and the associated LED is briefly lit up. When the ball is out of play, an 'out-of-play' LED is lit.

A picture of the ping-pong game is shown in [Figure 1.3](#). Its circuit diagram appears in [Figure A2.1](#), with its program listing forming the remainder of this appendix.

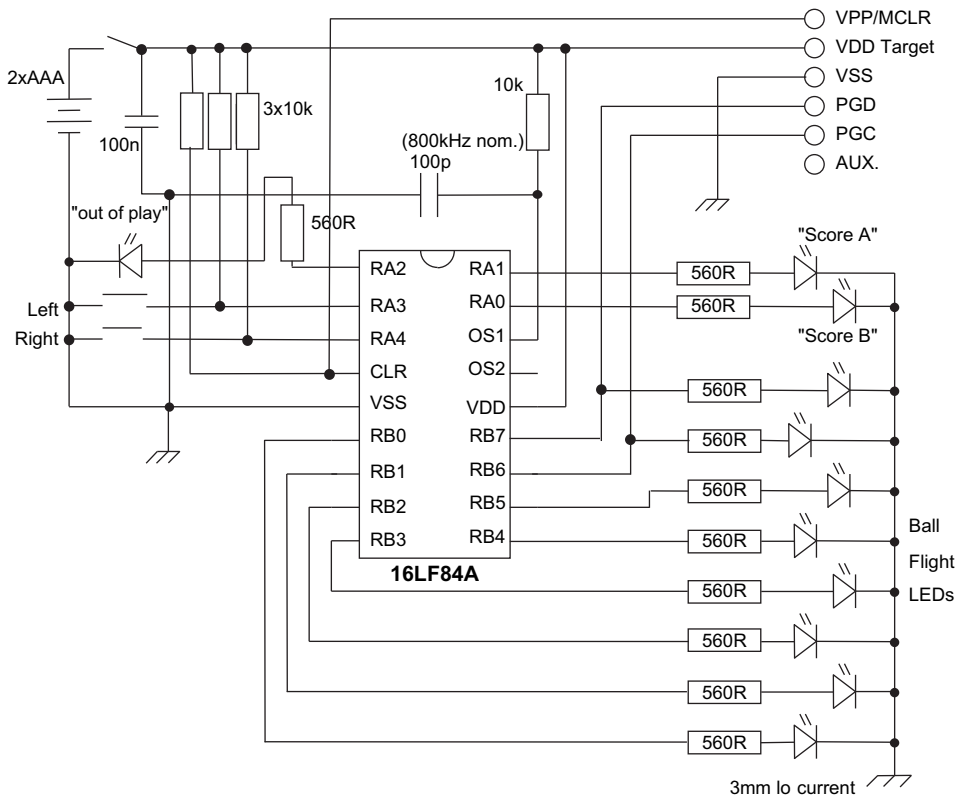


Figure A2.1: The electronic ping-pong circuit diagram

```

;*****
;ELECTRONIC PING-PONG!
;This program drives the electronic ping-pong game,
;fixed speed, single mode of play.
;TJW 21.6.01
;*****
;
;Clock freq 800kHz approx (RC osc.)
;Port A 4  right paddle (ip)
;      3  left paddle (ip)
;      2  "out of play" led (op)
;      1  "Score Left" led (op)
;      0  "Score Right" led (op)
;Port B 7-0 "play" leds (all op)
;
;Config Word:   RC oscillator, WDT off,
;               power-up timer on, code protect off
;No Interrupts used
;
;               list p=16F84A
;specify SFRs
status equ      03
porta equ       05
trisa equ       05
portb equ       06
trisb equ       06
;
;specify a constant
led_durn equ    20 ;no. of time inner loop is iterated, hence
                  ;time duration each led is lit.
;
;specify RAM locations
delcntr1 equ 10 ;used in 5ms delay SR
delcntr2 equ 11 ;used in 500ms delay SR
led_posn equ 12 ;holds current ball led posn.
loop_cntr equ 13 ;preloaded with value led_durn for every
                 ;led illumination, and counts down to 0 before
                 ;ball moves on
;
;               org 00
;               goto start
;
;***"Initialise" State**
; Initialise
;               org 0010
start bsf  status,5 ;select memory bank 1
        movlw B'00011000'
        movwf trisa ;port A according to above pattern
        movlw 00
        movwf trisb ;all port B bits op
        bcf  status,5 ;select bank 0
;

```

Program Example A2.1: The electronic ping-pong program

```

;***Wait*** State
;set up initial led patterns
wait movlw 04
        movwf porta ;switch on "out of play" led
        movlw 00
        movwf portb ;all play leds off
;
;check that both paddles are clear before allowing play to commence
        btfss porta,4 ;right paddle pressed?
        goto wait ;yes, so wait
        btfss porta,3 ;left paddle pressed?
        goto wait ;yes, so wait
;
;now ready for action, now wait until paddle pressed
waitl btfss porta,4 ;right paddle pressed?
        goto r_to_l ;yes, so start play
        btfss porta,3 ;left paddle pressed?
        goto l_to_r ;yes, so start play
        goto waitl
;
;***Right-to-Left** State**
;play has started
r_to_l movlw 00 ;switch off "out of play"
        movwf porta
        movlw 80 ;define ball start posn.
        movwf led_posn
;loop to here every time led is to change
rtl_0 movlw led_durn
        movwf loop_cntr ;preset length of led illumination
        movf led_posn,w ;output new ball posn
        movwf portb
;loop to here n times for every led, where n = led_durn.
;Check for rule violations. Special conditions apply if
;ball is at start or end,
rtl_1 btfss led_posn,7 ;is ball at start (ie posn 7)?
        goto rtl_2 ;no, so move on
        ;yes, it's OK if right paddle still pressed, so don't test
        btfss porta,3 ;left paddle pressed?
        goto rt_myscore ;yes, so score
        goto rtlend
rtl_2 btfss led_posn,0 ;is ball at end (ie posn 0)?
        goto rtl_3 ;no, so move on
;here if ball at end, left paddle can force direction change
        btfss porta,3 ;left paddle pressed?
        goto l_to_r ;yes, so change direction - **state exit**
        btfss porta,4 ;right paddle pressed?
        goto rt_yrscore ;yes, so left scores
        goto rtlend
;here if neither start nor end posn.
rtl_3 btfss porta,4 ;right paddle pressed?
        goto score_left ;yes, so score
        btfss porta,3 ;left paddle pressed?
        goto rt_myscore ;yes, so score

```

Program Example A2.1 Cont'd


```

;at then end of each loop call a delay
rtlend call delay5
        decfsz loop_cntr ;decrement loop counter, check if led is to move
        goto rtl1
;here if ball moving on
        bcf status,0
        rrf led_posn,1
        btfsc status,0 ;ball off end?
        goto rt_myscore ;yes, right's point
        goto rtl0
; **state exit**
rt_myscore goto score_right
rt_yrscore goto score_left
;
;***"Left-to-Right" State**
ltr_0 movlw 00 ;switch off "out of play"
        movwf porta
        movlw 01 ;define ball start posn.
        movwf led_posn
ltr_0 movlw led_durn
        movwf loop_cntr ;determine length of led illumination
;go round this loop "duration" times, for every ball position
ltr_1 movf led_posn,w ;output new ball posn
        movwf portb
        btfss led_posn,0 ;is ball at start (ie posn 0)?
        goto ltr_2 ;no, so move on
        ;yes, OK if left paddle still pressed (so only test rt paddle)
        btfss porta,4 ;right paddle pressed?
        goto lft_myscore ;yes, so score
        goto ltrnd
ltr_2 btfss led_posn,7 ;is ball at end (ie posn 7)?
        goto ltr_3 ;no, so move on
;here if ball at end, right paddle will change dirn, score right if left paddle
        btfss porta,4 ;right paddle pressed?
        goto r_to_1 ;yes, so change direction
        btfss porta,3 ;left paddle pressed?
        goto lft_yrscore ;yes, so right score
        goto ltrnd
;here if neither start nor end posn.
ltr_3 btfss porta,4 ;right paddle pressed?
        goto lft_myscore ;yes, so score
        btfss porta,3 ;left paddle pressed?
        goto lft_yrscore ;yes, so score
ltrnd call delay5
        decfsz loop_cntr ;decrement loop counter, check if led is to move
        goto ltr_1
;here if ball moving on
        bcf status,0 ;Clear Carry, as rlf rotates through it
        rlf led_posn,1
        btfsc status,0 ;ball off end?
        goto lft_myscore ;yes, left's point
        goto ltr_0

```

Program Example A2.1 Cont'd

```

; **state exit**
;
lft_myscore goto score_left
lft_yrscore goto score_right
;
; **"Score" State**
; here if Left has scored
score_left
    movlw 00
    movwf portb ;all play leds off
    bsf  porta,1
    call delay500
    bcf  porta,1
    goto wait
; here if Right has scored
score_right
    movlw 00
    movwf portb ;all play leds off
    bsf  porta,0
    call delay500
    bcf  porta,0
    goto wait ;
;
; *****
; SUBROUTINES
; *****
; Delay of 5ms approx. Instruction cycle time is 5us.
delay5 movlw D'200' ;200 cycles called,
; each taking 5x5=25us
    movwf delcntr1
del1  nop ;5 inst cycles in this loop
    nop
    decfsz delcntr1,1
    goto del1
    return
;
; Delay of 500ms (approx) - 100 calls to delay5
delay500 movlw D'100'
    movwf delcntr2
del2  call delay5
    decfsz delcntr2,1
    goto del2
    return
;
end

```

Program Example A2.1 Cont'd

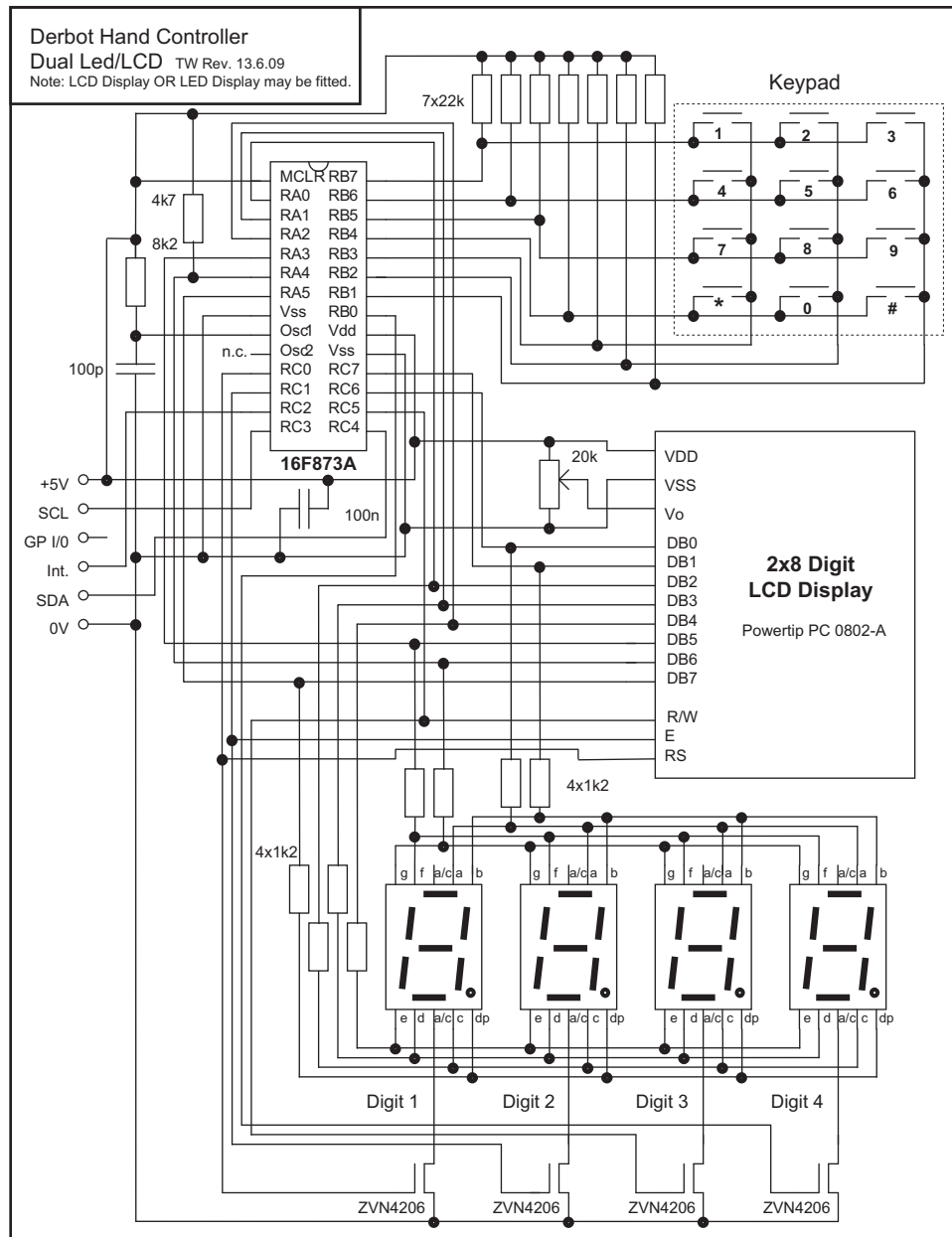


Figure A3.2: The Derbot 'hand controller' circuit diagram

Figure A3.3. Further build details, including PCB layout, are given on the book's companion website. Additional build options and examples are given on the book web site.

Due to the pin compatibility between the 16F873A and the 18F2420, the Derbot is almost immediately compatible with the 18 Series device. Section 13.17 describes, however, the need

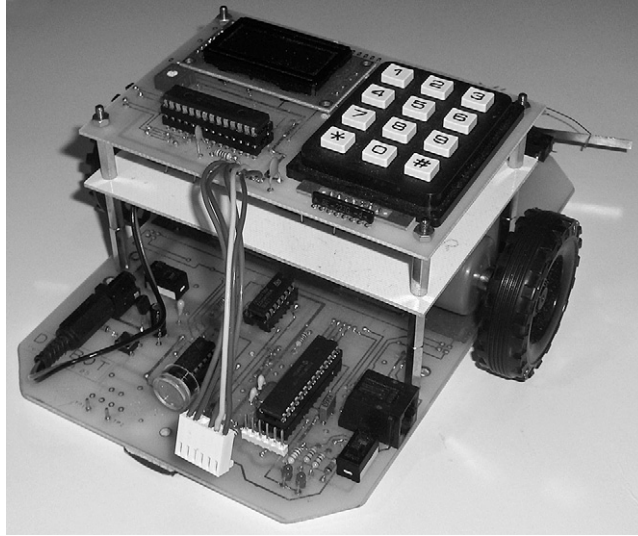


Figure A3.3: A Derbot with hand controller fitted (hand controller connector is disconnected to show mating connector detail)

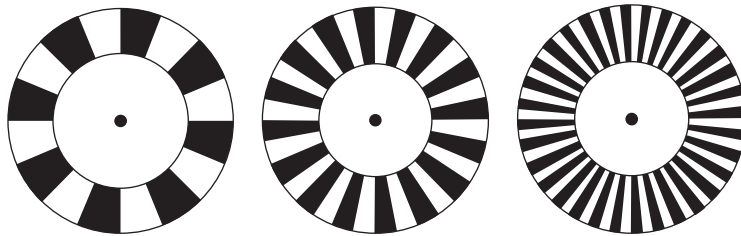


Figure A3.4: Patterns for incremental shaft encoder: 8, 16 and 32 cycles

for one change, as the 16F873A ADC input configuration used in the Derbot is not available on the 18F2420. Several solutions are possible, but for minimal changes the following is chosen. As Port B bit 2 is only lightly used, this is reallocated to the right-hand motor control function, previously on Port A bit 2. To achieve this in a Derbot build, a small wire link should be inserted between these two bits. Port A bits 0 to 3 are then configured when needed in the 18F2420 for ADC input, although bit 2 is not used. The LDR PCB connections do not then need to be changed. This modification is implemented as appropriate where the 18F2420 is used.

The Derbot incremental shaft encoder

Chapter 8 describes how a reflective opto-sensor is used to create a simple incremental shaft encoder. Three patterns are shown in Figure A3.4, with 8, 16 and 32 black/white cycles. All can be used, although the spacing between wheel pattern and sensor must be very carefully

TABLE A3.1 Published data for MFA/Como motor/gearbox type 918D30112 RE280/1 motor characteristics

Operating voltage	No load		At maximum efficiency					Stall torque (g cm)
	Speed (r.p.m.)	Current (A)	Speed (r.p.m.)	Current (A)	Torque (g cm)	Output (W)	Efficiency (%)	
12 V	8400	0.1	6300	0.3	25.0	1.62	45	100

TABLE A3.2 Published data for MFA/Como motor/gearbox type 918D30112 with 30:1 reduction gearbox: speed variation with supply voltage

6 V	12 V	18 V	24 V
140	280	420	560

controlled for the 32-cycle pattern. The wheel diameter used in all prototypes is 56.0 mm and circumference hence 176.0 mm. The wheel patterns therefore provide forward resolutions of $176.0/8 = 22.0$ mm, $176.0/16 = 11.0$ mm and $176.0/32 = 5.5$ mm respectively. Furthermore, if the wheel is rotating at n r.p.m. and the 16-cycle encoder disc is used, then the shaft encoder frequency is $16n/60$.

Reference data [Ref. 8.8] for the motor used in the Derbot prototype, reproduced in Tables A3.1 and A3.2, indicates that the motors run at 210 r.p.m when supplied with 9 V. This is therefore the expected maximum motor speed for the Derbot. The resulting maximum shaft encoder frequency, using the 16-cycle disc, would be $16 \times 210/60 = 56$ Hz. In practice, the free-running in-circuit motor speed was measured to be 154 r.p.m., when supplied from 9 V. This translates to a maximum shaft encoder frequency of 41 Hz. The fact that the speed is less than the value predicted for a 9 V supply is primarily due to the voltage drops in the L293D drive IC.

Some basics of Autonomous Guided Vehicles

This appendix covers certain introductory aspects of Autonomous Guided Vehicle design, important for developing the Derbot project.

Locomotion and wheel layout

It is interesting to take note of wheeled vehicles around us before speculating on the optimum arrangement for a small AGV. We note, of course, in passing that wheels are not our only option for locomotion – there are tracked and walking vehicles of different sorts, but these are either too complex or inefficient for our purposes. The most common wheel layout is certainly the motor car, generally with two fixed driven wheels at the back and two steerable wheels at the front. This gives very high stability, attractive for a vehicle that carries humans. It also gives moderate, but not outstanding, manoeuvrability – remember all those difficulties with parking a car in a narrow space.

Of the many wheel configurations possible (see Ref. A4.1), a very popular one has been chosen for the Derbot. The vehicle is supported at three points (Figure A4.1). Two are independently driven wheels and the third a low-friction roller-ball or slider. The latter could be replaced by a castor, but this tends to influence steering so is worth avoiding if possible.

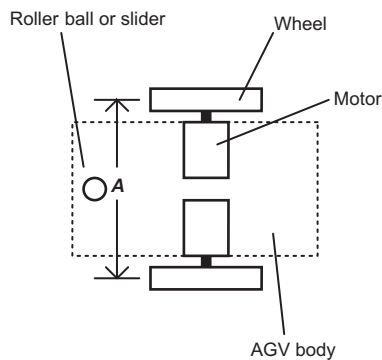


Figure A4.1: The Derbot wheel layout

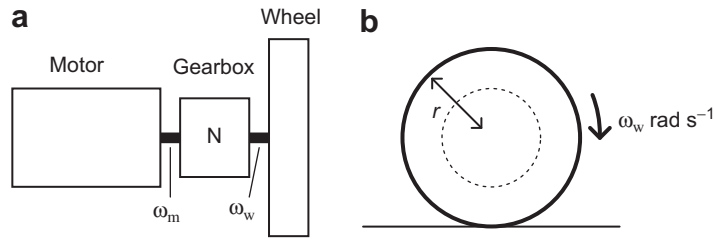


Figure A4.2: Interaction between motor, gearbox and wheel

The centre of gravity is placed just behind the wheels. To the spacing between the centre-line of the wheels we give the variable A .

The advantage of this configuration is its simplicity, combined with its extreme manoeuvrability. A disadvantage is its limited stability; with only three points of support, it is not too difficult to tip it over. A second slider can be placed at the opposite end of the vehicle, in front of the wheels. In this case, if the vehicle tilts forward, its front simply rests on this other slider.

Motor, gearbox and wheel

The Derbot uses small DC motors for its drive. Stepper motors, the alternative, are more power-hungry and were therefore not selected. DC motors generally rotate at a speed that is too high for the purposes of the application. A step-down gearbox is therefore used. This is depicted in Figure A4.2.

An AGV having motors running at a steady speed of $\omega_m \text{ rad s}^{-1}$, with gearbox ratio of N and wheel radius r , will move forward at a steady speed v , given by:

$$v = (\omega_m/N)r \text{ m s}^{-1}$$

Turning geometries

The generalised diagram of a vehicle such as the Derbot making a turn, by driving the wheels at different speeds, is shown in Figure A4.3. The wheels are each driven a certain different amount, with the left wheel travelling distance d_L and the right wheel distance d_R . The result is that the vehicle turns through the arc of a circle, centred on point θ and with radius R . It turns an angle θ . As d_L and d_R are the variables that can be controlled as the wheels are driven, it is useful to relate other variables back to them.

As the angles subtended by arcs d_L and d_R are the same, we can say:

$$\frac{d_L}{(R + A/2)} = \frac{d_R}{(R - A/2)} = \theta$$

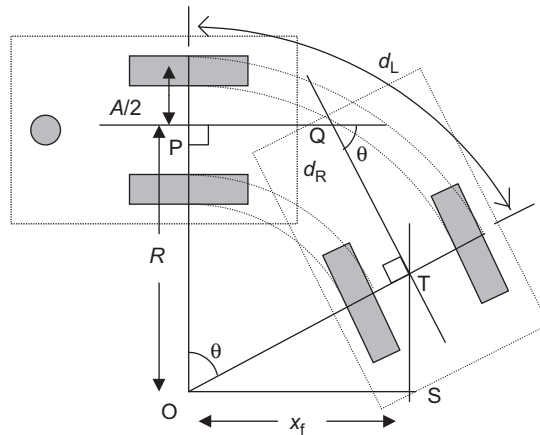


Figure A4.3: Derbot turning through θ° (final position of slider not shown)

leading to:

$$d_L \times (R + A/2) = d_R \times (R + A/2)$$

and finally:

$$R = \frac{A}{2} \times \frac{(d_L + d_R)}{d_L - d_R}$$

Moreover, knowing

$$\theta = \frac{d_L}{(R + A/2)}$$

we substitute for R into this, to get:

$$\theta = \frac{(d_L - d_R)}{A}$$

Also, by inspecting triangle OTS, the distance moved ‘forward’ from the initial frame of reference, x_f , can be seen to be $R \sin \theta$.

There are two important special cases of this turn, illustrated in Figure A4.4. One is when only one wheel is driven and the AGV rotates approximately round the other wheel. The radius of rotation is A . For a turn of 90° , d_L is $\pi A/2$ and d_R is zero. The approximation is due to the asymmetry of the AGV mass about the point of rotation and the drag of the slider, which may cause some slippage. A 90° turn is shown, though any angle can easily be implemented.

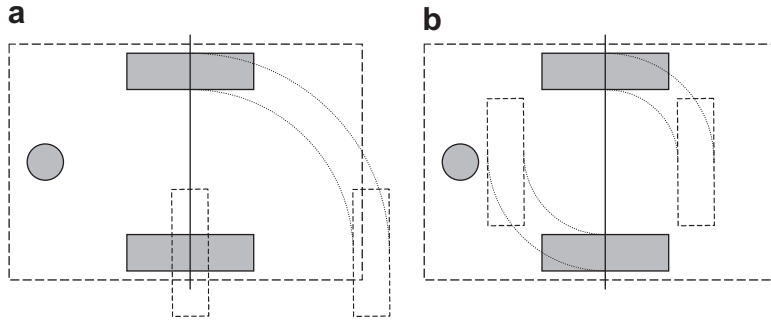


Figure A4.4: Derbot turning through 90° . (a) Pivoting on one wheel. (b) Turning on the spot – wheels turning equally (final positions of chassis outline and slider not shown in either case)

The other special case of a turn, shown in Figure A4.4(b), is when both wheels rotate equally in opposite directions. Again, some slippage may occur. The AGV rotates theoretically about a point midway between the wheels, and $d_L = -d_R$. The radius of rotation is $A/2$.

In the current implementation of the Derbot, distance A is measured as 16 cm. For a 180° turn on the spot, $R = 0$ and $d_L = d_R = \pi A/2 = 25.1$ cm.

Odometry

Odometry is the technique of measuring distance travelled by a vehicle, generally by measuring wheel revolutions or parts thereof. A shaft encoder, as described in Appendix 3, is able to measure angular displacement of a wheel. By knowing the wheel dimensions it is not difficult to calculate the actual distance moved. It is a simple technique and reasonably accurate. However, it can take no account of wheel slippage, or inaccuracies in wheel dimension or other parts of the measurement chain. Odometry can be used both for measuring forward motion and for implementing controlled turns, such as are described above.

In Appendix 3 the circumference of the Derbot wheel was calculated to be 176.0 mm. With a 16-cycle pattern adopted on the ‘home-made’ shaft encoder, each resultant pulse represents a forward move of 11 mm. Applying this, forward displacement or controlled turns can be implemented, the latter using the formulae derived above.

References

- A4.1 Siegwart, R. and Nourbaksh, I. (2004). *Introduction to Autonomous Mobile Robots*. MIT Press. ISBN 978-0-262-19502-7.

The PIC 18 Series instruction set

TABLE A5.1 The PIC 18 Series Standard Instruction Set Summary

Mnemonic, operands	Description	Cycles	16 bit instruction word				Status affected	Notes
			Msb		Lsb			
BYTE ORIENTED FILE REGISTER OPERATIONS								
ADDWF	f,d,a		0010	01da0	ffff	ffff	C, DC, Z, OV, N	1,2
ADDWFC	f,d,a		0010	0da	ffff	ffff	C, DC, Z, OV, N	1,2
ANDWF	f,d,a		0001	01da	ffff	ffff	Z, N	1,2
CLRF	f,a		0110	101a	ffff	ffff	Z	2
COMF	f,d,a		0001	11da	ffff	ffff	Z, N	1,2
CPFSEQ	f,a	1 (2 or 3)	0110	001a	ffff	ffff	None	4
CPFSGT	f,a	1 (2 or 3)	0110	010a	ffff	ffff	None	4
CPFSLT	f,a	1 (2 or 3)	0110	000a	ffff	ffff	None	1,2
DECF	f,d,a		0000	01da	ffff	ffff	C, DC, Z, OV, N	1,2,3,4
DECFSZ	f,d,a	1 (2 or 3)	0010	11da	ffff	ffff	None	1,2,3,4
DCFSNZ	f,d,a	1 (2 or 3)	0100	11da	ffff	ffff	None	1,2
INCF	f,d,a		0010	10da	ffff	ffff	C, DC, Z, OV, N	1,2,3,4
INCFSZ	f,d,a	1 (2 or 3)	0011	11da	ffff	ffff	None	4
INFSNZ	f,d,a	1 (2 or 3)	0100	10da	ffff	ffff	None	1,2
IORWF	f,d,a		0001	00da	ffff	ffff	Z, N	1,2
MOVF	f,d,a		0101	00da	ffff	ffff	Z, N	1
MOVFF	f _s ,f _d	2	1100	ffff	ffff	ffff	None	
				f _d (destination) 2nd word	1111	ffff	ffff	ffff
MOWWF	f,a		0110	111a	ffff	ffff	None	
MULWF	f,a		0000	001a	ffff	ffff	None	
NEGF	f,a		0110	110a	ffff	ffff	C, DC, Z, OV, N	1,2
RLCF	f,d,a		0011	01da	ffff	ffff	C,Z, N	
RLNCF	f,d,a		0100	01da	ffff	ffff	Z, N	1,2
RRCF	f,d,a		0011	00da	ffff	ffff	C, Z,N	
RRNCF	f,d,a		0100	00da	ffff	ffff	Z, N	
SETF	f,a		0110	100a	ffff	ffff	None	
SUBFWB	f,d,a		0101	01da	ffff	ffff	C, DC, Z, OV, N	1,2
				with borrow				
SUBWF	f,d,a		0101	11da	ffff	ffff	C, DC, Z, OV, N	
SUBWFB	f,d,a		0101	10da	ffff	ffff	C, DC, Z, OV, N	1,2
				with borrow				
SWAPF	f,d,a		0011	10da	ffff	ffff	None	4
TSTFSZ	f,a	1 (2 or 3)	0110	011a	ffff	ffff	None	1,2
XORWF	f,d,a		0001	10da	ffff	ffff	Z, N	

BIT ORIENTED FILE REGISTER OPERATIONS

BCF	f,b,a	Bit Clear f		1001	bbba	ffff	ffff	None	1,2
BSF	f,b,a	Bit Set f		1000	bbba	ffff	ffff	None	1,2
BTFSC	f,b,a	Bit Test f, Skip if Clear	1 (2 or 3)	1011	bbba	ffff	ffff	None	3,4
BTFSS	f,b,a	Bit Test f, Skip if Set	1 (2 or 3)	1010	bbba	ffff	ffff	None	3,4
BTG	f,d,a	Bit Toggle f		0111	bbba	ffff	ffff	None	1,2

CONTROL OPERATIONS

BC	n	Branch if Carry	~U2)	1110	0010	nnnn	nnnn	None	
BN	n	Branch if Negative	1(2)	1110	0110	nnnn	nnnn	None	
BNC	n	Branch if Not Carry	1(2)	1110	0011	nnnn	nnnn	None	
BNN	n	Branch if Not Negative	1(2)	1110	0111	nnnn	nnnn	None	
BNOV	n	Branch if Not Overflow	1(2)	1110	0101	nnnn	nnnn	None	
BNZ	n	Branch if Not Zero	2	1110	0001	nnnn	nnnn	None	
BOV	n	Branch if Overflow	1(2)	1110	0100	nnnn	nnnn	None	
BRA	n	Branch Unconditionally	1(2)	1101	0nnn	nnnn	nnnn	None	
BZ	n	Branch if Zero	1(2)	1110	0000	nnnn	nnnn	None	
CALL	n,s	Call subroutine 1st word	2	1110	110s	kkkk	kkkk	None	
		2nd word		1111	kkkk	kkkk	kkkk		
CLRWDT	—	Clear Watchdog Timer	1	0000	0000	0000	0100	TO, PD	
DAW	—	Decimal Adjust WREG	1	0000	0000	0000	0111	C	
GOTO	n	Go to address 1st word	2	1110	1111	kkkk	kkkk	None	
		2nd word		1111	kkkk	kkkk	kkkk		
NOP	—	No Operation	1	0000	0000	0000	0000	None	
NOP	—	No Operation	1	1111	xxxx	xxxx	xxxx	None	4
POP	—	Pop top of return stack (TOS)	1	0000	0000	0000	0110	None	
PUSH	—	Push top of return stack (TOS)	1	0000	0000	0000	0101	None	
RCALL	n	Relative Call	2	1101	1nnn	nnnn	nnnn	None	
RESET	—	Software device RESET	1	0000	0000	1111	1111	All	
RETFIE	s	Return from interrupt enable	2	0000	0000	0001	000s	GIE/GIEH, PEIE/GIEL	
RETLW	k	Return with literal in WREG	2	0000	1100	kkkk	kkkk	None	
RETURN	s	Return from Subroutine	2	0000	0000	0001	001s	None	
SLEEP	—	Go into Standby mode	J	0000	0000	0000	0011	TO, PD	

LITERAL OPERATIONS

ADDLW	k	Add literal and WREG	1	0000	1111	kkkk	kkkk	C, DC, Z, OV, N	
ANDLW	k	AND literal with WREG	1	0000	1011	kkkk	kkkk	Z, N	
IORLW	k	Inclusive OR literal with WREG	1	0000	1001	kkkk	kkkk	Z, N	
LFSR	f,k	Move literal (12 bit) 2nd word	2	1110	1110	00ff	kkkk	None	
		toFSRxlstword		1111	0000	kkkk	kkkk		
MOVLB	k	Move literal to BSR<3:0>	1	0000	0001	0000	kkkk	None	
MOVLW	k	Move literal to WREG	1	0000	1110	kkkk	kkkk	None	
MULLW	k	Multiply literal with WREG	1	0000	1101	kkkk	kkkk	None	

Continued

TABLE A5.1 The PIC 18 Series Standard Instruction Set Summary—Cont'd

Mnemonic, operands	Description	Cycles	16 bit instruction word		Status affected	Notes
			Msb	LSb		
RETLW k	Return with literal in WREG	2	0000 1100	kkkk kkkk	None	
SUBLW k	Subtract WREG from literal	1	0000 1000	kkkk kkkk	C, DC, Z, OV, N	
XORLW k	Exclusive OR literal with WREG	1	0000 1010	kkkk kkkk	Z, N	
DATA MEMORY↔PROGRAM MEMORY OPERATION*						
TBLRD*	Table Read	2	0000 0000	0000 1000	None	
TBLRD*+	Table Read with post increment		0000 0000	0000 1001	None	
TBLRD*	Table Read with post decrement		0000 0000	0000 1010	None	
TBLRD+*	Table Read with pre increment		0000 0000	0000 1011	None	
TBLWT*	Table Write	2(5)	0000 0000	0000 1100	None	
TBLWT*+	Table Write with post increment		0000 0000	0000 1101	None	
TBLWT*	Table Write with post decrement		0000 0000	0000 1110	None	
TBLWT+*	Table Write with pre increment		0000 0000	0000 1111	None	

Note 1: When a PORT register is modified as a function of itself (e.g., `MOVWF PORTB, 1, 0`), the value used will be that value present on the pins themselves. For example, if the data latch is '1' for a pin configured as input and is driven low by an external device, the data will be written back with a '0'.

2: If this instruction is executed on the TMR0 register (and, where applicable, $d = 1$), the prescaler will be cleared if assigned.

3: If Program Counter (PC) is modified or a conditional test is true, the instruction requires two cycles. The second cycle is executed as a NOP.

4: Some instructions are two word instructions. The second word of these instructions will be executed as a NOP, unless the first word of the instruction retrieves the information embedded in these 16 bits. This ensures that all program memory locations have a valid instruction.

5: If the Table Write starts the write cycle to internal memory, the write will continue until terminated.

TABLE A5.2 Summary of opcode operand symbols

Symbol	Description (MPLAB Assembler default value underlined>)
a	RAM Access bit. a = 0: Memory location is in Access RAM. a = 1: RAM Bank specified by Bank Select Register (BSR) *.
b	Bit number in byte.
d	Destination select bit. d = 0: result stored in W register. d = 1: result stored in file register f (i.e. data memory location).
f	8 bit data memory address.
fd	12 bit data memory address, destination address in a data move.
fs	12 bit data memory address, source address in a data move.
k	Literal value, constant data or label (8, 12 or 20 bit).
n	Relative address (two's complement) for relative branch instructions, OR direct address for Call and Return instructions.
s	Fast Call/Return mode select bit. s = 0: do not update into or from shadow registers. s = 1: update W, Status and BSR registers into or from shadow registers.

* If the 'a' bit is not specified, the Assembler may also determine it depending on the memory location being addressed.

TABLE A5.3 Extensions to the PIC 18 Series Instruction Set

Mnemonic, operands	Description	Cycles	16 Bit instruction word				Status affected	
			MSb		LSb			
ADDFSR	f, k	Add Literal to FSR	1	1110	1000	ffkk	kkkk	None
ADDULNK	k	Add Literal to FSR2 and Return	2	1110	1000	11kk	kkkk	None
CALLW		Call Subroutine using WREG	2	0000	0000	0001	0100	None
MOVSF	Zs, fd	Move Z _s (source) to 1st word f _d (destination) 2nd word	2	1110	1011	0zzz	zzzz	None
MOVSS	Zs, Zd	Move Z _s (source) to 1st word Z _d (destination) 2nd word	2	1110	1011	1zzz	zzzz	None
PUSHL	k	Store Literal at FSR2, Decrement FSR2	1	1110	1010	kkkk	kkkk	None
SUBFSR	f, k	Subtract Literal from FSR	1	1110	1001	ffkk	kkkk	None
SUBULNK	k	Subtract Literal from FSR2 and Return	2	1110	1001	11kk	kkkk	None

Essentials of C

This appendix provides summary information on key aspects of the C programming language as a set of tables. Example usage and further explanations of most of these features appear in Chapters 14–19 of this book.

TABLE A6.1 C keywords associated with data type and structure definition

Word.	Summary meaning.	Word.	Summary meaning.
char	A single character, usually 8 bit.	signed	A qualifier applied to char or int (default for char and int is signed).
const	Data that will not be modified.	sizeof	Returns the size in bytes of a specified item, which may be variable, expression or array.
double	A ‘double precision’ floating point number.	struct	Allows definition of a data structure.
enum	Defines variables that can only take certain integer values.	typedef	Creates new name for existing data type.
float	A ‘single precision’ floating point number.	union	A memory block shared by two or more variables, of any data type.
int	An integer value.	unsigned	A qualifier applied to char or int (default for char and int is signed).
long	An extended integer value; if used alone, integer is implied.	void	No value or type.
short	A short integer value; if used alone, integer is implied.	volatile	A variable which can be changed by factors other than the program code.

TABLE A6.2 C keywords associated with program flow

Word.	Summary meaning.	Word.	Summary meaning.
break	Causes exit from a loop.	for	Defines a repeated loop loop is executed as long as condition associated with for remains true.
case	Identifies options for selection within a switch expression.	goto	Program execution moves to labelled statement.
continue	Allows a program to skip to the end of a for , while or do statement.	if	Starts conditional statement; if condition is true, associated statement is executed.
default	Identifies default option in a switch expression, if no matches found.	return	Returns program execution to calling routine, also causing return of any data value specified by function.
do	Used with while to create loop in which statement following do is repeated as long as while condition is true.	switch	Used with case to allow selection of a number of alternatives; switch has an associated expression which is tested against a number of case options.
else	Used with if and precedes alternative statement used if if condition is not true.	while	Defines a repeated loop loop is executed as long as condition associated with while remains true.

TABLE A6.3 C keywords associated with data storage class

Word.	Summary meaning.	Word.	Summary meaning.
auto	Variable exists only within block within which it is defined. This is the default class.	register	Variable to be stored in a CPU register; thus, address operator (&) has no effect.
extern	Declares data defined elsewhere.	static	Declares variable which exists throughout program execution; the location of its declaration affects in what part of the program it can be referenced.

TABLE A6.4 C data types, as implemented by the MPLAB C18 C compiler

Data type	Description	Length (bytes)	Range
char	Character	1	128 to +127
signed char	Character	1	128 to +127
unsigned char	Character	1	0 to 255
int	Integer	2	32 768 to +32 767
unsigned int	Integer	2	0 to 65 535
short	Integer	2	32 768 to +32 767
unsigned short	Integer	2	0 to 65 535
short long	Integer	3	8 388 608 to 8 388 607
unsigned short long	Integer	3	0 to 16 777 215
long	Integer	4	2 147 483 648 to 2147 483 647
unsigned long	Integer	4	0 to 4 294 967 295
float	Floating point	4	From 1.17549×10^{-38} to $6.80565 \times 10^{+38}$
double	Floating point, double precision	4	From 1.17549×10^{-38} to $6.80565 \times 10^{+38}$

TABLE A6.5 C operators

Prec. and order	Operation	Symbol	Prec. and order	Operation	Symbol
Parentheses and array access operators					
1, L to R	Function calls	()	1, L to R	Point at member	X >Y
1, L to R	Subscript	[]	1, L to R	Select member	X.Y
Arithmetic operators					
4, L to R	Add	X+Y	3, L to R	Multiply	X*Y
4, L to R	Subtract	X Y	3, L to R	Divide	X/Y
2, R to L	Unary plus	+X	3, L to R	Modulus	%
2, R to L	Unary minus	X			
Relational operators					
6, L to R	Greater than	X>Y	6, L to R	Less than or equal to	X<=Y
6, L to R	Greater than or equal to	X>=Y	7, L to R	Equal to	X= =Y
6, L to R	Less than	X<Y	7, L to R	Not equal to	X!=Y
Logical operators					
11, L to R	AND (1 if both X and Y are not 0)	X&&Y	2, R to L	NOT (1 if X=0)	!X
12, L to R	OR (1 if either X or Y are not 0)	X Y			
Bitwise operators					

Continued

Table A6.5 C operators—Cont'd

Prec. and order	Operation	Symbol	Prec. and order	Operation	Symbol
8, L to R	Bitwise AND	X&Y	2, L to R	Ones complement (bitwise NOT)	≈X
10, L to R	Bitwise OR	X Y	5, L to R	Right shift; X is shifted right Y times	X »Y
9, L to R	Bitwise XOR	X^Y	5, L to R	Left shift; X is shifted left Y times	X «Y
Assignment operators					
14, R to L	Assignment	X=Y	14, R to L	Bitwise AND assign	X&=Y
14, R to L	Add assign	X+=Y	14, R to L	Bitwise inclusive OR assign	X =Y
14, R to L	Subtract assign	X -=Y	14, R to L	Bitwise exclusive OR assign	X^=Y
14, R to L	Multiply assign	X *=Y	14, R to L	Right shift assign	X »=Y
14, R to L	Divide assign	X/=Y	14, R to L	Left shift assign	X «=Y
14, R to L	Remainder assign	X%=Y			
Increment and decrement operators					
2, R to L	Preincrement	++X	2, R to L	Postincrement	X++
2, R to L	Predecrement	X--	2, R to L	Postdecrement	X--
Conditional operators					
13, R to L	Evaluate <i>either</i> X (if Z≠0) <i>or</i> Y (if Z=0)	Z?X:Y	15, L to R	Evaluate X first, followed by Y	X,Y
'Data interpretation' operators					
2, R to L	The object or function pointed to by X	*X	2, R to L	The address of X	&X
2, R to L	Cast the value of X with (scalar) type specified	(<i>type</i>) X	2, R to L	The size of X, in bytes	sizeof X

Key: Prec. = precedence; L = left; R = right.

TABLE A6.6 Example preprocessor directives

Directive	Summary description	Directive	Summary description
#if	Used for conditionally compiling code, based on evaluation of associated expression. Must be terminated by #endif .	#define	Defines string constants which are used in source code and are substituted before code line is compiled.
#ifdef	Similar to #if , but tests if specified symbol has been defined. Terminated by #endif .	#error	Generates user defined error message.
#ifndef	Identical to #ifdef , but tests if specified symbol has not been defined.	#include	Include at this point the full text from file specified, which may contain unlimited C code, and is then compiled with the source program.
#else	Used with #if to provide alternative section for compilation.	#line	Allows user to specify line number within code.
#elif	Used within an #if section to test a new expression.	#pragma	Allows further directive like information to be sent to the preprocessor, generally compiler specific.
#endif	Terminates an #if section.	#undef	Reverses the action of #define , on string constant specified.

TABLE A6.7 Some applications of punctuation marks

Symbol	Application	Example
:	Terminates a label	loop:
:	Used in bit field format (seen also in Table A6.5)	unsigned RB0:1;
;	Terminates a statement or declaration	unsigned RB0:1;
.	Denotes member of a structure or union (seen also in Table A6.5)	PORTAbits.RA2 = 1;
\	Next line is continuation of this one	
{ }	Defines block of code	

TABLE A6.8 MPLAB C18 additional storage qualifiers

	rom	ram
far	Variable can be anywhere in program memory.	Variable can be anywhere in data memory; bank switching instruction needed to access; far and ram is the default combination.
near	Variable is in program memory, with address <64K.	Variable is in Access RAM.

TABLE A6.9 MPLAB C18 memory models

Memory model	Pointer size	Default ROM qualifier	Memory size
small (default)	16 bit	near	Program memory \leq 64K
large	24 bit	far	Program memory $>$ 64K

Index

- 8-bit shift register, 297 298
- 12F508/509 pin, 18 21
- 14-bit opcode, 81
- 16-bit PIC microcontrollers:
 - clock sources of, 600, 601
 - coding of, 593
 - comparison of, 593
 - CPU of, 595 596
 - digital signal controllers, *see* Digital signal controllers
 - instruction set of, 619 620
 - peripherals of, 603 604
 - PIC24FJ64GA004
 - block diagram of, 592, 594
 - data memory map of, 597 598
 - interrupt vector table of, 596 597
 - program memory map of, 596 597
 - pins and ports, 602 603
 - power supply of, 600 602
 - RTCC of, 603 604
 - software stack, 598
 - traps and interrupts, 599 600
- 16C5X Microchip baseline microcontroller, 17
- 16F84A
 - architecture overview, 31 33
 - basic operating conditions, 69
 - block diagram of, 32
 - clock oscillator and instruction cycle, 41 42, 67 68
 - Configuration Word, 40
 - Data and Special Function Register memory ('RAM'), 38 39
 - EEPROM (Electrically Erasable Programmable Read-Only Memory), 35, 40 41
 - EPROM (Erasable Programmable Read-Only Memory), 35
 - Flash, 36
 - on-chip reset circuit, 45 47
 - PIC parallel port A, 63
 - PIC parallel port B, 61 63
 - pipelining, 42 43
 - Port A and Port B, 33
 - port output characteristics, 63 65
 - power-up, 44 45
 - program memory and the stack, 36 38
 - 'ready-to-start' condition, 44 45
 - sleep mode, 291 292
 - static RAM (SRAM), 34 35
 - status register, 34
 - upgraded version, 31
 - ways of supplying a clock waveform, 68
- 16F84A *INTCON* register, 148
- 16F84A Timer 0 module, 159 160, 258
 - application as counters for Derbot odometry, 260 263
 - to generate repetitive interrupts, 263
 - hardware-generated delays, 162 163
 - object or event counting, 160 161
- 16F84A Timer 1 module, 258 260
 - application as counters for Derbot odometry, 260 263
 - to generate repetitive interrupts, 263
- 16F87XA Addressable Universal Synchronous Asynchronous Receiver Transmitter (USART)
 - asynchronous receiver, 330 332
 - asynchronous transmitter, 327 329
 - baud rate generator, 329 330
 - example, 332 333
 - port overview, 327
 - receive mode, 333 334
 - synchronous mode, 334
- 16F87XA comparators and voltage reference, 364
- 16F87XA Master Synchronous Serial Port (MSSP) module
 - clock, 303 304

- 16F87XA Master Synchronous Serial Port (MSSP) module (*Continued*)
 - data transfer, 304 305
 - overview, 301 302
 - port configuration, 301 302
 - 16F87XA Timer 2, 264 265
 - 16F88:
 - architecture
 - comparators and voltage reference, 373
 - pin connection and block diagrams, 372 373, 374
 - internal oscillator block, 383
 - peripherals
 - pin use optimisation, 375
 - register for data transfer, 373
 - 16F88 Port A 3 pin driver circuit, block diagram of, 375
 - 16F873A:
 - and 16F88 peripherals, 376
 - architecture, 372 373
 - block diagram, 173
 - CPU structure, 173 175
 - memory structure, 175 176
 - peripherals, 176
 - program memory, 176 178
 - 16F873A/874A data memory map, 178 180
 - 16F883:
 - block diagram of, 376, 377
 - data and program memory maps for, 376
 - interrupt sources, 378
 - nanoWatt technology features of, 379
 - oscillator selection in, 380, 381 383
 - peripherals, 378, 383
 - ADC modules, 386 388
 - CCP modules, 384 385
 - enhanced addressable USART, 385 386
 - timers, 384
 - port bits, 378
 - 16F883 internal oscillator:
 - block diagram of, 380
 - 18F2450/4450 USB Peripheral, 587
 - 18FXX20 microcontrollers:
 - ADC module, 438 440
 - characteristics of, 396
 - clock sources, 422
 - configuration registers and device identifications, 410
 - INTCON register, 417
 - INTCON2 register, 418
 - INTCON3 register, 419
 - OSCCON Register, 424
 - PIE1/PIR1/IPR1 registers, 419
 - PIE2/PIR2/IPR2 registers, 420
 - pin diagrams for DIL packages, 397
 - Port C and E, 432
 - power supply parameters, 420 421
 - program memory map for, 408 409
 - serial modules, 437
 - Special Function Registers, 407
 - Status register, 399
 - supply voltage requirements of, 421
 - timers, 433 434
 - 18FXX20 Port Pin Driver Circuit, 431
 - 32-bit PIC microcontrollers:
 - coding of, 610
 - connecting to Internet with, 589
 - features of, 610
 - JTAG capability of, 614
 - memory of, 614 615
 - PIC32MX4XX microcontroller
 - block diagram, 611, 612
 - CPU, 613 614
 - 182420 ports:
 - Port A, 431
 - Port B, 432
 - Port C and E, 432
- A**
- AA Alkaline cells, 7
 - Access RAM concept:
 - PIC 18F2420, 405
 - Acquisition time:
 - for 8-bit conversion, 345 346
 - calculation of 16F87XA ADC module, 354 355
 - definition of, 345
 - Actuators:
 - DC or stepper motors, 243 244
 - interfacing, 245 250
 - servos, 244 245

- ADC, *see* Analog-to-digital converter
- ADC clock:
 - frequency, switching of, 354
 - period, 349
 - source selection, 350
- ADCON0 register, 349
- ADCON1 register, 188, 350
- Added value, idea of, 5
- Addr MUX, 20
- Address bus, 11
- Address Generation Units (AGUs), 597
- Addressable Universal Synchronous Asynchronous Receiver Transmitter (USART):
 - asynchronous receiver, 330 332
 - asynchronous transmitter, 327 329
 - automatic baud rate detection, 385
 - baud rate generator, 329 330
 - example, 332 333
 - port overview, 327
 - receive mode, 333 334
 - synchronous mode, 334
- AGUs, *see* Address Generation Units
- Aliasing, 344
- 'Alternate Input Function' line, of I/O pin, 55
- Alternative radix, 84
- Analog input filtering, 239 241
- Analog input model:
 - signal path, 351
 - signal source, 352
 - switch resistance, 353
- Analog multiplexer:
 - as selector switch, 344
- Analog signals, 340
- Analog-to-digital converter (ADC), 340
 - of 16F883
 - acquisition time of, 388
 - analog inputs, 386
 - 18F2420, 482 487
 - of 18FXX20 microcontrollers, 438 440
 - applications of, 341
 - conversion characteristics of
 - input range, 343
 - input/output, 342 343
 - measure of, 343
 - conversion time of, 343
 - in Derbot light meter program
 - acquisition time, 355 356
 - data conversion, 356
 - setting of control registers, 355
 - digital interface of, 343
 - integrated onto microcontroller, 347
 - module, 188
 - voltage reference of, 343
- AND instruction, 131 132
- andlw instruction, 131
- Anti-aliasing filtering, 344
- AQ6 configuration register:
 - oscillator selection bits within, 382
- Arguments, 133
- Arithmetic Logic Unit (ALU), 19, 79 80
- .asm extension, 86
- Assembler complexities, programs:
 - Include File, 132
 - macros, 133
 - MPLAB special instructions, 134
 - use of LIST directive, 134 135
- Assemblers, 77
 - directives, 83
 - format, 82 83
 - MPASM, 83 84
 - in MPLAB, 86, 91
 - number representation, 83 84
 - process of writing, 78
 - program example, 84 85
 - programming in, 78
- Asynchronous principles, 325
- Automated household, 575 576
- Automatic baud rate detection, 385
- Automatic wake-up, 385 386
- Autonomous guided vehicle design:
 - locomotion and wheel layout, 631 632
 - motor, gearbox and wheel, 632
 - odometry, 634
 - turning geometries, 632 634
- B**
- Background debug mode (BDM), 197
- BCD, *see* Binary Coded Decimal
- bcf f,b instruction, 99
- Binary code, of the computer, 76
- Binary Coded Decimal (BCD), 358 359
- Binary point, 357
- Binary radix, 99

- Binary semaphore, 538, 559
- Binary to binary coded decimal conversion, 358 359
- Bit values, controlling, 468
- Bitwise basis, 125
- Block scope, 512
- Bluetooth, 579 580
- BOREN bit, 187
- Breakpoints, 140 141
- bsf f,b instruction, 99
- Bulk data transfer, of parallel input/output (I/O), 52
- busy check, 230
- busy check routine, 231
- C**
- C compiler, 502, 503 506
- C library, 451
- C program:
 - code blocks, 447
 - comments, 446
 - compilation of:
 - C source file, 452
 - Fibonacci series generator, 459 461
 - object file, 453
 - preprocessor directives for, 451
 - process of, 452 453
 - using MPLAB C18 compiler, 454 457
 - data type, 449
 - declarations, 446
 - examples, 445, 492
 - 'flashing LEDs' program:
 - simulation, 509 511
 - using ISR action, 508 509
 - using Timer 0 interrupts, 507 508
 - flow control, 450
 - functions, 448 449
 - moving microswitch states to LEDs:
 - controlling individual bits, 468
 - if and if else conditional branch structures, 468, 470
 - running, 471 472
 - settings configuration bits, 470
 - simulation of, 470 471
 - scope of variable, 512
 - simulation of, 458 459
 - space in, 447
 - statements, 446 447
 - storage location, 449 450
 - variables within, 449
- C programming language, 18
 - arrays, 489 491
 - assembler inserts, 502
 - branching and looping using:
 - break keyword, 474 475
 - for keyword, 475 476
 - data acquisition in
 - 18F2420 ADC, 482 487
 - if else tests, 487
 - light-seeking program structure, 482
 - for data manipulation, 481
 - data types, 643
 - duration of variable, 512
 - function calls and data passing, 473
 - function definition, 472 473
 - function prototype, 472
 - history, 444 445
 - interrupts in:
 - Interrupt Service Routines, 506 507
 - on overflow, 507 511
 - keywords, 448
 - keywords associated with:
 - data storage class, 642
 - data type and structure definition, 641
 - program flow, 642
 - library delay functions, 473 474
 - linkage of variable/function, 513
 - operators, 450, 643 644
 - pointer, 489 491
 - preprocessor directives, 645
 - punctuation marks, 645
 - storage classes, 511 512
 - strings, 491
 - structures and unions, 218
 - while structure, 450 451, 491
- C radix specifications, 453 454
- C Standard Library, 462
- C18 compiler:
 - c018i.c file (start-up program file), 514
 - simulation, 515 517
 - structure, 515
 - storage classes, 511 512, 513 514
 - storage qualifiers, 513

- C18 in-line assembler:
 - and MPLAB Assembler, difference between, 502 503
 - CAN, *see* Controller Area Network
 - Capture/compare/PWM (CCP) modules:
 - of 18F2420, 436 437
 - capture mode, 267 268
 - compare mode, 269
 - enhanced:
 - block diagram of, 384
 - output of, 385
 - overview, 267
 - Car door mechanism, 5 6
 - CCP modules, *see* Capture/compare/PWM modules
 - CCPRxL registers, 267
 - CCPxCON registers, 267
 - Central locking, 6
 - Central Processing Unit (CPU), 6
 - of 18F2X20 microcontrollers, 395
 - of PIC24F family microcontroller, 593, 596
 - of PIC32MX4XX microcontroller, 613 614
 - Chip Select, 300
 - Chip Reset mode, of 16F84A, 45 46
 - Clamping voltage spikes, 239
 - Clock oscillator:
 - 16F84A, 67 68
 - design of 16F88 and 16F883, 380
 - parallel input/output, 65 68
 - Clock source:
 - of 24FJ64GA004, 600
 - block diagram, 381
 - external, 381
 - selection of, 380 381
 - clrf instruction, 99
 - Comments, 446
 - Communication link, 576
 - Comparators:
 - applications of, 363
 - and voltage reference, 364
 - Compiler, 444
 - Complementary Metal Oxide Semiconductor (CMOS), 56, 236
 - logic families, 60
 - Compressor control, in domestic refrigerator, 4 5
 - Computed go to, 128
 - Computer, embedded, 5
 - elements, 9
 - Harvard structure, 11
 - memory technology, 10 11
 - organising memory, 11
 - RISC and CISC approach, 9 10
 - Von Neumann structure, 11
 - Computer programming:
 - Cross-Assembler, 77
 - ideas of, 76
 - instruction mnemonics, 77
 - problem of programming, 76 78
 - process of writing in Assembler, 78
 - program development cycle, 78 79
 - using high-level language (HLL), 77
 - Condition code flags, 33
 - Conditional branching, 110 111
 - Configuration registers:
 - of 18F2X20 microcontrollers, 410 411
 - Configuration Word, of a 16 Series PIC microcontroller, 180
 - Configured as output of comparator 2 (C2OUT), 188
 - Controller Area Network (CAN):
 - concept of, 581
 - features of, 582
 - in motor vehicle environment, 582, 583
 - and PIC microcontrollers, 582 583
 - Cooperative scheduling, 536
 - Counters:
 - digital, 156 157
 - as timer, 157 159
 - Counter/timer (C/T), 158
 - Counting semaphore, 538
 - Count Task function, 558
 - Cross-Assembler, 77, 78
 - Crystal oscillator, 66
 - Crystal vibration, 66
 - Crystals, piezo-electric properties, 66
 - Cyclic scheduling, 532 533
- D**
- Data acquisition:
 - definition of, 339
 - in microcontroller environment, 347
 - Data acquisition system:
 - ADC, *see* Analog-to-digital converter (ADC)

- Data acquisition system: (*Continued*)
 - elements of, 341
 - S&H circuit of:
 - leakage from capacitor, 345
 - schematic representation of, 344
 - series resistance in signal path, 345
 - signal conditioning of, 344
 - timing and microprocessor control, 346 347
- Data bus, 11, 20
- 'Data' flip-flop forms, 54
- Data manipulation techniques:
 - binary to binary coded decimal conversion, 358 359
 - Derbot light meter, 359 361
 - fixed- and floating-point arithmetic, 357 358
 - multiplication, 359
 - scaling of input data, 359
 - voltage reference for scaling, 361
- Data memory:
 - of 18F2X20 microcontrollers, 396
 - of PIC24FJ64GA004, 597 598
- Data move instructions, 95 97
- Data transfer programs, 97 101
- Dbt speed control program, 286 289
- Dbt speed meas program, 284
- DC and stepper motors, 243 244
- Debugger, 86
- Declarations, 446
- Deep Sleep mode, 380
- Default radix, 84
- Derbot Autonomous Guided Vehicle (AGV), 7 8
 - building up, 250 252
 - 'flashing LEDs' on
 - simulation of, 509 511
 - using ISR action, 508 509
 - using Timer 0 interrupts, 507 508
 - hand controller board on, 575
 - hardware design details
 - circuit diagram using 16F873A microcontroller, 627
 - hand controller circuit diagram, 628
 - I²C applications, 495 497
 - Inter-Integrated Circuit (I²C) protocol, 318 324
 - L293D dual H-bridge, 250
 - program Dbt blind Nav, 253
 - program for, 525
 - pulse width modulation (PWM), 273 276
 - simple switching, 247 248
- Derbot 'blind navigation' program, 477 478
 - with ultrasound overhang detector, 563 566
- Derbot incremental shaft encoder, 629 630
- Derbot light meter program:
 - 10-bit resolution of, 359 360
 - ADC in, applying:
 - acquisition time, 355 356
 - data conversion, 356
 - setting of control registers, 355
 - data processing sequence for rear LDR, 361
 - multiplication by, 359
 - scaling of input data by, 359 360
- Derbot light-seeking program:
 - applying ADC in, 361 363
 - flow diagram, 363, 526
 - formatting data for display using, 497 500
 - and real time concept, 527 528
 - simulation of, 487 489
 - structure, 482
 - tasks in, 527
 - using timed interrupt in, 530
- Derbot-18, 440
- Desktop computer, 8
- Digital input filtering, 241
- Digital interface of ADC, 343
- Digital signal controllers:
 - DSP engine:
 - block diagram, 607, 608
 - data flow, 608 609
 - multiplier output and accumulators, 607
 - dsPIC30F and dsPIC33F, 606 607
- Digital signal processing:
 - applications of, 605 606
 - definition of, 605
 - instructions, 608 609
- Digital signals, 340
- 'Direct Addr' bus, 21
- Direct user interface, of parallel input/output (I/O), 52
- 'Direction' flip-flop forms, 54
- 'Direction' latch, 61
- Domestic refrigerator, 4 5

E

- Electrically Erasable Programmable Read-Only Memory (EEPROM), 17, 31, 147
- Electronic ping-pong:
 - circuit diagram, 621
 - program, 98
 - program listing of, 622 625
- Electronic tape measure:
 - Derbot assembly for, 365 366
 - Derbot configured for, 367
- Embedded systems, 371
 - definition, 3
 - examples of, 4 8
 - and Internet, 588 589
- Enhanced CAN module, 582 583
- Erasable Programmable Read-Only Memory (EPROM), 31
- EUSART automatic wake-up, 385 386
- Event-triggered tasks, 530
- External Reset mode, of 16F84A, 46

F

- Fail-Safe Clock Monitor (FSCM), 383
- Fast Register Stack:
 - context saving with, 418
 - of PIC 18 Series microcontrollers, 412 413
- FFD, *see* Full Function Device
- Fibonacci series, 95, 425 427
- Fibonacci series generator:
 - compilation of:
 - do while construct, 460
 - labels and goto keyword, 461
 - variables, 459
 - simulation of, 461
- File scope, 512
- File Select Register (FSR), 143, 407 408
- Fixed-point arithmetic, 357 358
- Flags memory location, 127
- Flash converter, 341 342
- Flash memory technology, 180 181
- Floating-point representation, 358
- Foreground/background program structure, 529
- Free-form programming language, *see* C programming language

Frequency measurement:

- in the Derbot, 284 286
 - principles, 283 284
- FSCM, *see* Fail-Safe Clock Monitor
 - FSR, *see* File Select Register
 - Full Function Device (FFD), 580
 - Function calls and data passing, 473
 - Function definition, 472 473
 - Function prototype, 472
 - Futaba S3003 servo, 244

G

- General-Purpose Input/Output (GPIO), 20
- General-purpose operating system:
 - using sequential programming, 530 531
- Global Interrupt Enable, 147
- Global interrupt enabling, 415 416
- goto instruction, 85

H

- Hardware timer, 289 291
- Hardware-generated delays, 162 163
- Harvard structure, 128
- H-bridge, 248 250
- HD44780, 228 230
- Hex file, 104
- Hexadecimal number, 84
- HFINTOSC, *see* High-frequency internal oscillator
- Higher-frequency crystal applications, 67
- High-frequency internal oscillator (HFINTOSC), 380, 382
- High-level language (HLL), 77, 443, 444
- HLL, *see* High-level language
- Host layers, 577
- Human computer interface, concept, 214 215

I

- I²C peripheral, 494 495
- I²C program:
 - ++ and operators uses, 497
 - sending character and string to Derbot AGV using, 495 497
- I2C RX word, 332
- In Circuit Serial Programming (ICSP), 103
- In-circuit debugger (ICD), 197

In-circuit emulator (ICE), 196 197
In-Circuit Serial Programming (ICSP), 190
Include File, 132
Indirect Address (INDF), 142
Information revolution, age of, 3
Infrared Data Association (IrDA), 578
Infrared (IR) data communication:
 characteristics of, 577 578
 IrDA and PIC microcontroller, 578
Initialise function, 473
In-line assembler, 502 503
Input channels:
 configuring, 351
 selecting, 351
Input measurement information, of parallel
 input/output (I/O), 52
Input multiplexer:
 inputs, 347
Input transducers, 232
Instruction mnemonics, 77, 82
'Instruction Reg' bus, 21
INTCON register, 147 148, 150, 185
Integrated circuit (IC), 6
Integrated development environment (IDE), 79
Interface, with physical world, 231 233
Inter-Integrated Circuit (I²C) protocol:
 in the Derbot AGV, 318 324
 features and physical interconnection, 308
 MSSP configuration for:
 master mode, 316 318
 registers and their preliminary use, 310 313
 slave mode, 313 316
 pull-up resistor, 308 309
 signal characteristics, 309 310
Internal oscillator, 380, 383
'Internal RC OSC' internal clock oscillator, 21
Internet communication, 588 589
Interrupt registers, 416 418
Interrupt Service Routine (ISR), 149
 for 'clock tick,' 557
Interrupt structure of 18 Series microcontrollers:
 context saving with, 418
 global enabling, 415 416
 interrupt registers, 416 418
 interrupt sources, 413 415
 overall interrupt prioritisation enabling, 415

 PIE1/PIR1/IPR1, 419
 PIE2/PIR2/IPR2, 420
Interrupt Vector Table (IVT), 599
Interrupt X Enable, 146
Interrupt-based clock tick, 553 555
Interrupt(s):
 16F84A structures, 147 148
 in 16F84A Timer 1 module, 263
 and context saving, 152 154
 CPU responses, 149
 critical regions and masking, 155 156
 flag, 146
 idea of, 146
 int cntr, 286
 latency, 165
 non-maskable, 147
 occurrence of, 165
 PIC 16F873A, 184 187
 programming with multiple, 152
 programming with single, 150 151
 stopping of, 152 156
 structures, 146 147
 Timer 2, 284
IrDA, *see* Infrared Data Association

K

Keypad:
 in an embedded environment, 216
 idea, 216
 output values, 217
 use in Derbot hand controller, 218 222
Keypad test, 218, 230
Kpad pat, 219
Kpad rd subroutine, 219
Kpad to lcd, 218, 219
Kp code conv, 219
 subroutine, 219

L

L293D dual H-bridge, 249
 in the Derbot motor drive circuit, 250
Label loop, 85, 253
Labels, 82
LCD display:
 formatting data for, 497 500
Lcd write, 230
Led posn memory location, 138

-
- LEDs, *see* Light-emitting diodes (LEDs)
 - Leftmot fwd subroutine, 253
 - LFINTOSC, *see* Low-frequency internal oscillator
 - Library build, 543
 - Light meter:
 - Derbot assembly for, 366
 - Derbot configured for, 367
 - Light-dependent resistor (LDR), 234
 - Light-emitting diodes (LEDs), 59 61, 131, 138
 - common anode/common cathode connection, 222 223
 - multiplexing of digits, 223
 - seven-segment displays, 222 223
 - version of Derbot hand controller, 223 227
 - LIN, *see* Local Interconnect Network
 - Link layer, 576 577
 - Linker, 86
 - Linker Script, 521 522
 - Liquid crystal, 227
 - Liquid crystal display (LCD), 215
 - control lines, 229
 - general-purpose displays, 228
 - HD44780, 228 230
 - use in Derbot hand controller, 230 231
 - Local Interconnect Network (LIN):
 - API, 585
 - and CAN buses, communication system using, 585
 - data frame, 584
 - network topology, 584
 - physical interface, 584
 - and PIC microcontroller, 585 586
 - ‘Logic-compatible’ MOSFET transistor, 225
 - Look-up table, 128 132
 - Low-frequency crystal applications, 67
 - Low-frequency internal oscillator (LFINTOSC), 380
 - Low-frequency oscillator:
 - calibration of, 383
 - Low-power radio system, 579
- M**
- Macros, 133
 - .map file, 522 523
 - Masking, 147
 - MCLR (‘Master Clear’) input, 44 45, 47, 70
 - MCP2122, 578
 - MCP2551, 583
 - Memory allocation, controlling:
 - pragmas for, 504 505
 - setting configuration bits, 505 506
 - Memory models, 513
 - MFA/Como Drills, 244
 - Microchip, 6, 372
 - Microchip C18 compiler, 443, 445
 - Microchip ICD 2 system, 198 199
 - application in Derbot AGV, 199 202
 - application of, 202 206
 - Microchip Technology, 379, 591
 - Microcontrollers, 3, 12 13
 - Derbot, 8
 - design issues, 372
 - downloading to, 101 105
 - families, 13
 - header files, 517 518
 - keypad, 217
 - Microchip, 7
 - packaging and appearance, 13 15
 - performance, 380
 - peripherals control using library functions, 476
 - PIC, 15 18
 - PIC 16 Series, 110
 - Microphone output signal, 340
 - Microprocessors, 12, 110
 - Microswitches, 233 234
 - Microwire, 299 300
 - limitations, 307
 - MOSFET (Metal Oxide Semiconductor Field Effect Transistor), 57, 65, 245, 246, 247
 - Movf f,d instruction, 96
 - Movlw instruction, 128
 - Movlw k instruction, 96
 - Movwf f instruction, 96
 - MPASM, 83 84
 - elements, 86
 - file structure, 86
 - tutorial, 86 92
 - MPLAB:
 - Assembler, 86, 91
 - Debugger toolbar, 94 95
 - file extensions used, 87
 - IDE Screen, 87

MPLAB: (Continued)

- simulator, 121 125
 - Zero, Digit Carry and Carry bits, 95
- MPLAB C18 compiler, 425 426**
- arithmetic operations, 454
 - assembler inserts, 502
 - C program compilation using:
 - building project, 456 457
 - linker, header and library files, 455 456
 - project window, 454
 - C radix specifications, 453 454
 - delay functions in, 473
 - libraries:
 - ADC functions, 462
 - character classification functions, 462
 - general software library functions, 462 464
 - hardware peripheral functions, 461 462
 - maths library functions, 464
 - software peripheral functions, 462
 - string/character conversion functions, 463
 - memory models, 645
 - program simulation with, 492 494
 - storage qualifiers, 645
- MPLAB Linker:**
- build process, 520
 - Linker Script, 521 522
 - and .map file, 522 523
- MPSIM, 141**
- Multiplexer ('MUX'), 19**
- Multiplication, 359**
- Multi-tasking:**
- definition of, 526
 - examples, 527
 - with sequential programming, 528 531
- N**
- NanoWatt technology:**
- features in 16F88 and 16F883, 379 380
 - objective of, 379
 - XLP (eXtra Low Power), 380
- Network connectivity, 576**
- Network layer, 577**
- Network protocols, 577**
- Non-volatile memory, 10**
- NORP12, 234**
- Nyquist sampling criterion, 344**

O

- Odometry, 634
- Open Drain output, 57
- Open Systems Interconnect (OSI) model, 576 577
- OpenPWMx() function, 479
- Operands, 79 80, 83
 - operand codes, 80
- Optical object sensing, 234 235
 - applied as a shaft encoder, 235 236
 - ultrasound, 236
- OPTION register, 147, 159 160
- Opto-isolator, 241
- Org directive, 85
- Oscillator control register, 382
- Oscillator frequency, 66 67
- Oscillator modes, 381
- Oscillator Start-up Timer, 46 47
- OS Delay() function, 557 558
- 'Out-of-play' LED, 6
- Output control information, of parallel input/output (I/O), 52

P

- Parallel input/output:**
- building of, 53 55
 - clock oscillator, 65 68
 - light-emitting diodes (LEDs), 59 61
 - notion, 52
 - Open Drain output, 57
 - port electrical characteristics, 55 56
 - Schmitt trigger inputs of, 56 57
 - switch position, 57 59
 - technical challenges, 52 57
- PCL register, 176, 178**
- PCLATH register, 177, 178**
- PCON register, 188**
- Period register PR2, 266 267**
- Peripheral Interface Controller:**
- 8-bit microcontrollers, 16 18
 - 12F508/509, 18 19
 - baseline family, 17
 - 'mid-range' family, 17 18 (*see also* PIC mid-range family)
 - PIC 1650 and 1655 processors, 15
- Peripheral Interrupt Enable bit (PEIE), 185**

- Peripheral pin select, 602
- Peripherals:
 - of 18FXX20 microcontrollers, 430 431
 - control using:
 - main program loop, 480
 - PWM, 479 480
 - of PIC24 series, 603 604
- Photocopier control, 214
- Physical layer, 576
- PIC 16 Series instruction set, 78
 - 14-bit machine code words, 78
 - addlw k, 81
 - addwf f,d, 81
 - Appndix 1, 80
 - Arithmetic Logic Unit (ALU), 79 80
 - bcf f,b, 81
 - case-sensitivity, 81
 - clrf f, 81
 - clrw, 81
 - format, 105
 - goto k, 81
 - operand codes, 80
- PIC 16F84 microcontroller, 334
- PIC 16F87XA, 172
- PIC 16F873A:
 - clock oscillator, 187
 - configuration bits, 206 207
 - EEPROM and program memory, 181 183
 - Flash memory technology, 180 181
 - in-circuit emulator (ICE), 196 197
 - In-Circuit Serial Programming (ICSP), 183 184
 - input characteristics, 237 238
 - interrupts, 184 187
 - legal logic levels, and input protection, 238 241
 - on-chip debuggers, 197 198
 - oscilloscopes and logic analysers, 194 196
 - parallel port A, 188 190
 - parallel port B, 190
 - parallel port C, 190 191
 - parallel port D, 307 309
 - parallel port E, 307 309
 - reset and power supply, 187 188
 - switch debouncing, 241 242
 - testing of, 192 194
- PIC 16F882/883/886 block diagram, 377
- PIC 16F882/883/886 pin connection diagram, 376
- PIC 18 Series microcontrollers:
 - 18F2X20 microcontrollers:
 - block diagram and 28-pin devices of, 395, 397
 - Configuration registers, 410 411
 - CPU, 395
 - data memory, 396
 - goto instructions, 410
 - indirect addressing in, 407 408
 - oscillator inputs, 399
 - power supply connections, 396 397
 - Program Counter, 396, 409 410
 - program memory, 395 396
 - program memory map, 408 409
 - Special Function Registers, 407
 - Status register, 399 400
 - sub-family, 396
 - ADC of, 438 440
 - basis of, 393
 - instruction set of, 400 405, 636 639
 - interrupts:
 - context saving with, 418
 - global enabling, 415 416
 - interrupt registers, 416 418
 - interrupt sources, 413 415
 - overall interrupt prioritisation enabling, 415
 - PIE1/PIR1/IPR1, 419
 - PIE2/PIR2/IPR2, 420
 - peripherals of, 430 431
 - power supply, 421
 - power-up and reset, 421
 - principal characteristics of, 394 395
 - serial modules of, 437
 - stacks, 411
 - automatic functions, 412
 - Fast Register Stack, 412 413
 - programmer access to, 412
 - Return Address Stack, 412
 - timers of, 432
 - 18FXX20 Timer 0, 433 434

- PIC 18 Series microcontrollers: (*Continued*)
 - 18FXX20 Timer 1 and 2, 434
 - 18FXX20 Timer 3, 435
 - WDT, 435 436
- PIC 18F2420:
 - Access RAM concept, 405
 - block diagram for, 398
 - CCP modules of, 436 437
 - clock sources and selection possibilities of, 422 423
 - HSPLL oscillator mode, 423
 - power-managed modes, 423 424
 - data memory map of, 405, 406
 - Derbot loaded with, 440
 - introductory programming with:
 - applying interrupts, 428 430
 - Fibonacci series, 425 427
 - using MPLAB IDE, 425
 - pin diagrams for, 397
- PIC 18F4520:
 - block diagram for, 398
 - pin diagrams for, 397
- PIC microcontrollers, 371
 - 16-bit, *see* 16-bit PIC microcontrollers
 - 32-bit, *see* 32-bit PIC microcontrollers
 - and CAN, 582 583
 - and IR data communication, 578
 - and LIN, 585 586
 - and radio connectivity, 580 581
 - and USB, 587 588
- PIC mid-range family:
 - 16F84A, 31
 - family overview, 27 30
 - upgrades, 31
- PIC24F family:
 - block diagram of, 592, 594
 - data memory map of, 597 598
 - interrupt vector table of, 596 597
 - program memory map of, 596 597
- PIC-based Zigbee implementation, 580 581
- PICKit pod, 103
- PIC 16F87XA ADC module:
 - acquisition time calculation, 353 354
 - ADC control possibilities:
 - conversion initiation, 351
 - formatting result, 351, 352
 - input channels, configuring and selecting, 351
 - setting conversion speed, 349 351
 - switching on, 348 349
 - analog input model:
 - signal path, 351
 - signal source, 352
 - switch resistance, 353
 - conversion time of, 354
 - external voltage reference, 347
 - input multiplexer, 347
 - operation of, 349
- PICSTART Plus programmer, 102
- PICSTART programmer, 101 103
- Piezo-electric sounder, 7
- Pin 4 MCLR, 31
- Ping-pong, *see* Electronic ping-pong
- Ping-pong code, 136 138
- Ping-pong program:
 - hardware-generated delays, 162 163
 - main play state, 138
 - object or event counting, 160 161
 - opening section, and memory allocation, 136 138
 - structure, 135 136
 - tutorial, 139 141
 - wait state, 138
- 'Ping-pong,'electronic, 6 7
- Port A, 16F84A, 63
- Port B, 16F84A, 61 63
- Port Select, 53
- PORTB register, 61
- Power consumption:
 - power down (sleep) current and, 379
 - strategies for reduction of, 378
- Power down (Sleep) current and power consumption, 379
- Power supply:
 - of 18LFXX20 and 18FXX20, 421
 - connections for microcontroller, 396
 - of PIC24 series, 600 602
- Power-on Reset mode, of 16F84A, 46
- Powertip PC0802-A display, 230
- Power-up Timer, 45
- Prioritised pre-emptive scheduling, 535 536
- Priority inversion, 538

- Processor-specific header files:
 - assembler utilities in, 520
 - SFR definitions, 519
- Program Counter, 20, 151
 - of 18F2X20 microcontrollers, 409 410
- Program memory, 10
- Program memory map:
 - of 18F2X20 microcontrollers, 408 409
 - of PIC24FJ64GA004, 596
- Program Space Visibility (PSV), 598 599
- Programs:
 - Assembler complexities, 132 135
 - branching, 110 111
 - breakpoints, 140 141
 - Fibonacci series, 143
 - flow diagrams, 108 109
 - generation of time delays and intervals, 117 121
 - indirect addressing, 142 143
 - logical instructions, 125 127
 - look-up table, 128 132
 - ping-pong, 135 141
 - running of, 140
 - single-stepping, 140
 - state diagrams, 109 110
 - subroutines, 115 117
 - working with bits, 111 112
 - working with status register bits, 112 115
 - see also* simulating Program
- Project Manager, 86
- Project Wizard, 88
- Protocol:
 - definition of, 576
 - stack, 577
- Pull-up resistors, 216 217
- Pulse width modulation (PWM):
 - 16F87XA, 271 273
 - controlling microcontroller peripherals through, 479 480
 - in the Derbot for motor control, 273 276
 - library functions, 480
 - memory functions and branching, 280
 - principles, 269 271
 - in software, 276 279
 - used for digital-to-analog conversion, 280 283
- R**
- Radio connectivity:
 - Bluetooth, 579 580
 - PIC microcontrollers, 580 581
 - Zigbee, 580 581
- RAM Addr, 20
- RAM (Random Access Memory), 10
- RC resistor capacitor, frequency of oscillation, 67
- RC oscillator, 350 351
- RC time constant, 44
- Read/Write control, 53
- Real time concept:
 - Derbot light-seeking program and, 527 528
- Real-time operating system (RTOS):
 - functions of, 532
 - overhead, 570 571
 - program written for, 532
 - Salvo, *see* Salvo RTOS
 - scheduling:
 - cooperative, 536
 - cyclic, 532 533
 - prioritised pre-emptive, 535 536
 - role of interrupts in, 536
 - round-robin, 533
 - task states, 534 535
 - simulation, setting breakpoints for, 552 553
 - tasks:
 - defining, 537
 - setting priority of, 537 538
 - writing, 537
- Reduced Function Device (RFD), 580
- Reduced Instruction Set Computer (RISC), 10
 - approach, 393
 - processor, 81
- Register files, 79
- Reset input, 16F84A, 44 45
- Retfie instruction, 149
- Retlw instructions, 128
- Return Address Stack, 412
- Return instruction, 141
- RFD, *see* Reduced Function Device
- ROM (Read-Only Memory), 10
- Round-robin scheduling and context switching, 533

Rtmot fwd subroutine, 253
RTOS, *see* Real-time operating system

S

Salvo Lite, 551

Salvo RTOS:

- build using, 551 552
- with C18 compiler, 544 545
- configuring, 543 545, 550
- development of, 541
- features of, 542
- message signal, 561 562
- programming with:
 - initialisation and scheduling, 545 546
 - Salvo task, 547
- standard libraries of, 544
- using binary semaphore, 558 559
- using delay, 557 558
- using interrupts, 556
- versions and references, 543

Salvo-based program, 548

- interrupt-based clock tick,
 - 553 555, 556 557
- main function of, 549
- with message signal, 562 570
- running of, 561
- Salvo/C18 project, 550
- salvo.h., 547
- simulation of, 552 553, 559 560, 570
- tasks and scheduling, 549

Sample and hold (S&H) circuit:

- acquisition time, 345 346
- leakage from capacitor, 345
- schematic representation of, 344
- series resistance in signal path, 345

Sample no memory location, 129

Scheduling:

- cooperative, 536
- cyclic, 532 533
- prioritised pre-emptive, 535 536
- role of interrupts in, 536
- round-robin, 533
- task states, 534 535

Schmitt trigger, 239

- buffer, 65
- inputs, 56 57

Semaphore, 538 539

Semiconductor temperature sensors, 368

Sequential programming:

- 'clock tick' for program activity
 - synchronisation, 530
- definition of, 528
- general-purpose operating system using,
 - 530 531
- limits of, 531
- super loop evaluation, 528 529
- time-triggered and event-triggered tasks,
 - 529
- using interrupts for prioritisation, 529 530

Serial communication, 296 297

SetDCPWMx() function, 479

S&H circuit, *see* Sample and hold (S&H) circuit

Signal conditioning:

- amplification, 344
- filtering, 344

Signal conversion process, 346

Simulating Program:

- getting started, 93
- graphical, 141 142
- ping-pong, 139 141
- resetting and running function, 93 95
- viewing microcontrollers, 93
- see also* programs

Single-pole, double-throw (SPDT) switch, 58

Single-pole, single-throw (SPST) switch, 58

Slave Select (SS), 300

Sleep mode, 164 165

Software simulator, 86

Source Code, 79, 86

Special Function Registers (SFRs), 176

SPI (Serial Peripheral Interface), 299 300

16F87XA MSSP module, 301 305

example, 305 307

limitations, 307

SSPBUF buffer register, 305

SSPSR register, 305

Stack and Program Counter, 177

Stack in PIC 18 Series microcontrollers,

- 411 413

Stand-alone 'programmer,' 79

Standard Library, 452

StartI²C() function, 496

- Statements, 446 447
- Steering of wheel, in embedded vehicle, 7
- Stopwatch reading, 122 123, 141
- Subroutine table, 129
- Successive approximation ADC, 342
- Switch debouncing, of PIC 16F873A, 241 242
- Switches, of parallel port, 57 61
- Synchronising serial data, 326
- Synchronous data communication:
- basics, 297 299
 - Microwire, 299 300
 - multiple modes, 300
 - serial I/O, 299
 - SPI (Serial Peripheral Interface), 299 300
- T**
- Tasks:
- defining, 537
 - setting priority of, 537 538
 - writing, 537
- Text Editor, 86
- Thevenin equivalent circuit, 56
- Time-out Reset mode, of 16F84A, 46
- Timer:
- 16F883, 384
 - 18FXX20 Timer 0, 433 434
 - 18FXX20 Timer 1 and 2, 434
 - 18FXX20 Timer 3, 435
 - controlling microcontroller peripherals through, 476, 479
 - WDT, 435 436
- Time-triggered tasks, 530
- Timing diagram, output, 156 157
- Trace function, 124 125
- Track and hold circuit, *see* Sample and hold (S&H) circuit
- Transducers, output signals of, 340
- Transistor Transistor Logic (TTL), 236
- TRIS latch, 61 62
- 'TRIS' register, 189
- TRIS register bit, 99
- TTL (Transistor Transistor Logic) logic family, 68 69
- TXSTA register, 334
- U**
- ULPWU, *see* Ultra-low-power wake-up
- Ultra-low-power wake-up (ULPWU), 380
- Ultrasonic object sensor, 236, 289
- Ultrasound detector, 7
- Ultrasound test program, 365
- USB On-the-Go standard, 588
- USB (Universal Serial Bus):
- 4-wire interconnection, 586
 - concept of, 586 587
 - specifications, 586
 - using PIC microcontrollers with, 587 588
- V**
- Volatile memory, 10
- Voltmeter:
- Derbot assembly for, 366
 - input terminals for, 367
- Von Neumann structure, 128
- W**
- W register, 129
- Watchdog Timer (WDT), 21, 435 436
- 16F84A, 164
 - Reset, 164
 - Sleep mode, 164 165
 - wake-up, 164
- WDT, *see* Watchdog Timer
- Working register ('W Reg'), 19
- WriteI²C() function, 496
- X**
- XT crystal configuration, 67
- Z**
- Zero Insertion Force (ZIF) socket, 103
- Zigbee, 580 581
- ZVN4306A, 246 247