

Revisions				217618	A
LAL	Rev	Description	Chk	Date	Approved
	A	ENGRG RELEASE	BN	3-26-79	

NTBAT1-PWASSY.SIL (PNTBAT-PWASSY.DM)				Dist Code SPG		
<p>These drawings and specifications and the data contained therein, are the exclusive property of Xerox Corporation and/or Rank Xerox, Ltd. Issued in strict confidence and shall not, without the prior written permission of Xerox Corporation or Rank Xerox, Ltd. be reproduced, copied or used for any purpose whatsoever except the manufacture of articles for Xerox Corporation or Rank Xerox.</p>	Notes Unless Specified		Drawn NISHIMURA	Xerox Corporation El Segundo, California		
	1. Tolerances .xx \pm .03 Angular .xxx \pm .010 \pm 1/2°		Check BN 3-26-79	XEROX ASSEMBLY, PRINTED WIRING- BATTERY MODULE (NOTETAKER)		
	2. Break All Sharp Edges .010 Approx — 3. Mach. Surfaces ✓ 4. All Dim. In Inches		Appr.			
			Material			
Model No. First Use	NOTETAKER	Finish	Code Ident 18338	Size A	Dwg. No. 217618	Change Letter A
Next Assy. First Use	217684		Scale NONE	Do Not Scale Drawing	Sheet 1 OF 5	

NOTES: UNLESS OTHERWISE SPECIFIED

1. ASSEMBLE PER MODULE ASSEMBLY SPEC 216207.
2. BATTERY PACK ASSY (ITEM 5) MAY BE PURCHASED FROM GOULD INC, ST PAUL, MINNESOTA P/N 405285.
3. INSTALL (SWAGE) SOLDER TERMINAL (ITEM 4) 2 PLACES AS SHOWN ON SHEET 3.
4. WIRE LIST FOR BATTERY PACK TO MODULE CONNECTION IS LISTED BELOW:

WIRE NO.	FROM	TO	WIRE TYPE	REMARKS
1	BATTERY (+)	30V	25	WHITE
2	BATTERY (-)	GND	26	ORANGE
3				

5. AFTER SOLDERING WIRES FROM BATTERY TO MODULE (PER NOTE 4) INSTALL INSULATOR (ITEM 28) OVER BATTERY PACK (ITEM 5).
6. REMOVE SELF-CLINCHING NUT FROM ONE LEG OF ITEM 3 CLOSEST TO Q2 ON ITEM 1. APPLY SILICONE HEATSINK COMPOUND TO MATING SURFACES OF Q2, MICA WASHER, HEATSINK BRACKET AND BATTERY HOLDER. SEE DETAIL 'A' FOR ASSEMBLY INSTRUCTIONS.

NTBAT2-PWASSY.SIL

These drawings and specifications, and the data contained therein, are the exclusive property of Xerox Corporation and or Rank Xerox, Ltd. Issued in strict confidence and shall not, without the prior written permission of Xerox Corporation Rank Xerox, Ltd., be reproduced, copied or used for any purpose whatsoever, except the manufacture of articles for Xerox Corporation or Rank Xerox, Ltd.

Title

**ASSY, PRINTED WIRING-
BATTERY MODULE
(NOTETAKER)**

Xerox Corporation
El Segundo, California

XEROX

217618

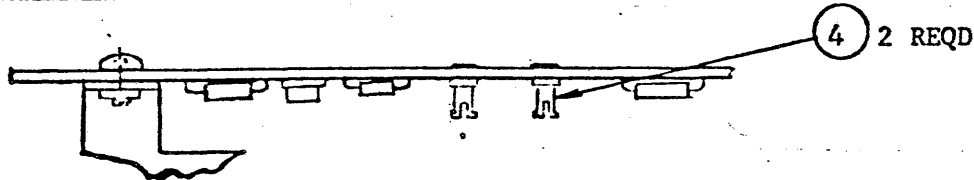
A

Sheet

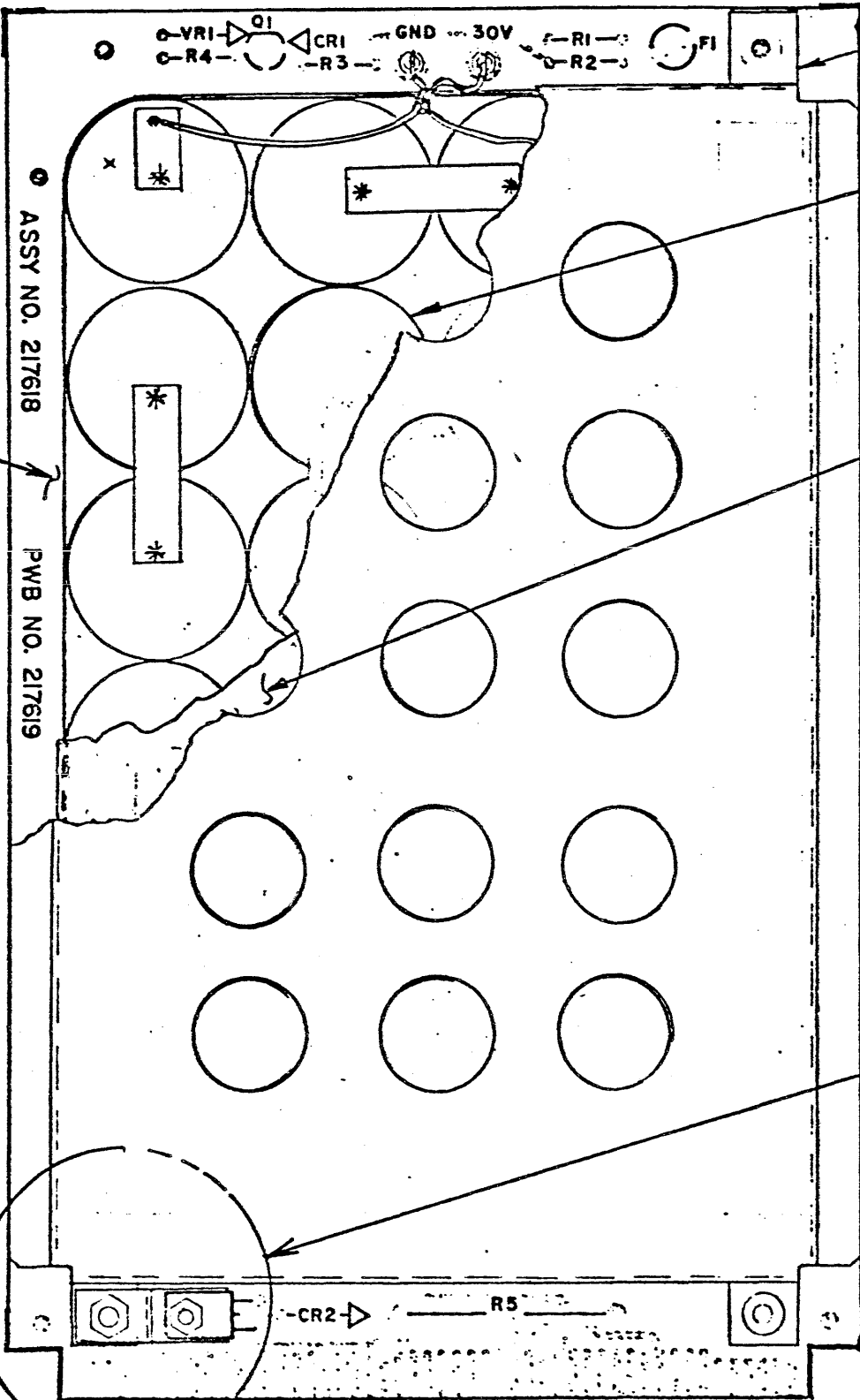
2

Of

5



4 2 REQD



ASSY NO. 217618

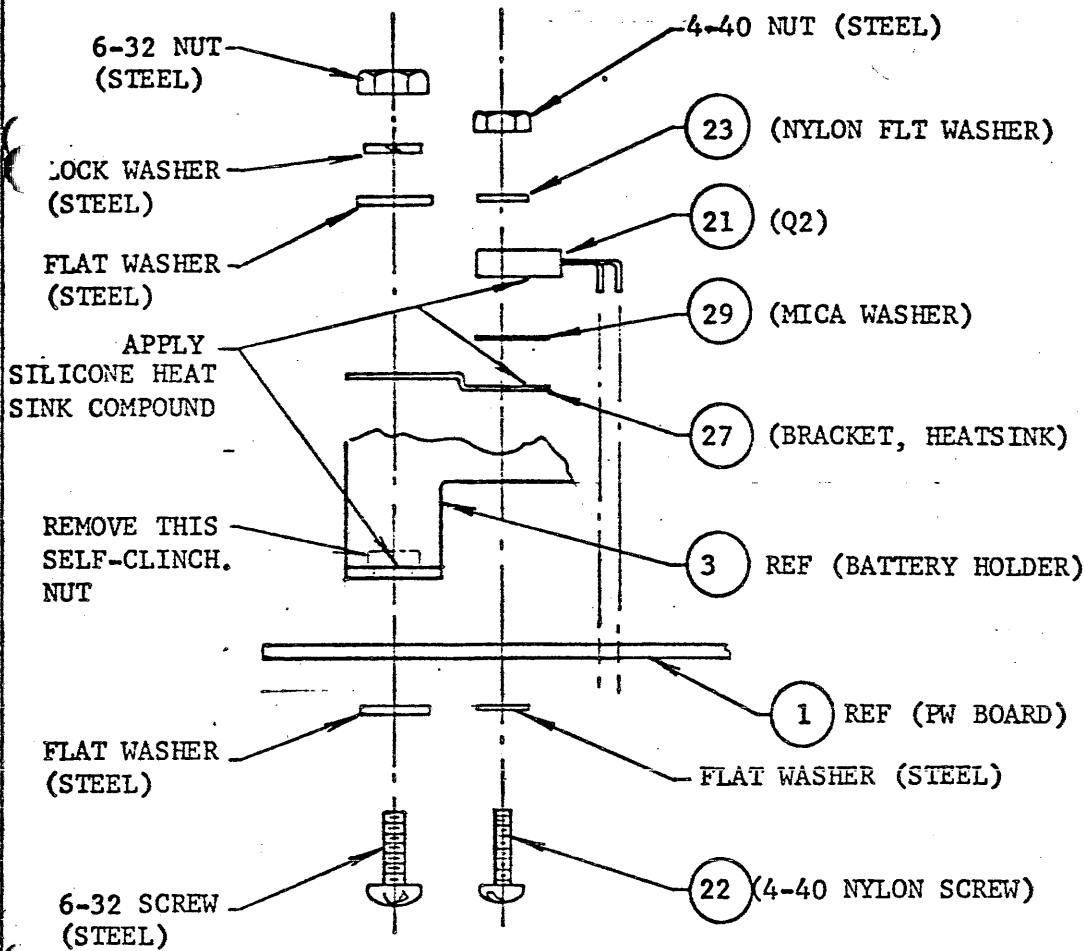
PWB NO. 217619

SEE DETAIL A
(SEE SH 4)

Drawings and specifications, and the data contained therein, are the exclusive property of Xerox Corporation and/or Rank Xerox, Ltd. issued in strict confidence and shall not, without the prior written permission of Xerox Corporation or Rank Xerox, Ltd., be reproduced, copied or used for any purpose whatsoever, except the manufacture of articles for Xerox Corporation or Rank Xerox, Ltd.

Title
**ASSY, PRINTED WIRING-
 BATTERY MODULE**

Xerox Corporation El Segundo, California		XEROX	
217618		A	
Sheet	3	of	5



DETAIL A

These drawings and specifications, and the data contained therein, are the exclusive property of Xerox Corporation and/or Rank Xerox, Ltd. issued in strict confidence and shall not, without the prior written permission of Xerox Corporation or Rank Xerox, Ltd., be reproduced, copied or used for any purpose whatsoever, except the manufacture of articles for Xerox Corporation or Rank Xerox, Ltd.

Title
 ASSY, PRINTED WIRING-
 BATTERY MODULE

Xerox Corporation
 El Segundo, California

XEROX

Sheet 4 of 5

A

ML	Drawing No. 217618	Rev. A
----	-----------------------	-----------

MATERIAL LIST

Rev. A wg. o. 2 1 7 6 1 8	Drawing Title ASSEMBLY, PRINTED WIRING- BATTERY MODULE		These drawings and specifications, and the data contained therein, are the exclusive property of Xerox Corporation and or Rank Xerox, Ltd. Issued in strict confidence and shall not, without the prior written permission of Xerox Corporation Rank Xerox, Ltd., be reproduced, copied or used for any purpose whatsoever, except the manufacture of articles for Xerox Corporation or Rank Xerox, Ltd.		
	NTBAT3-PWASSY.SIL		Model No. NOTETAKER	Date 3-26-79	Sheet 5 of 5
ML	Item No.	Drawing Title	Drawing No.	No. Req.	Remarks
	1	BOARD, PW- BATTERY MODULE	217619	1	
	2				
	3	HOLDER, BATTERY	217604	1	
	4	TERMINAL, SOLDER CAMBION # 1028-2		2	
	5	BATTERY PACK (24) GOULD # 405285		1	
	6	HOLDER, FUSE LITTLEFUSE # 281007		1	
	7	FUSE, 1 AMP LITTLEFUSE # 273001		1	
	8				
	9				
	10	RESISTOR, 10K 1/4 W	116447-103	2	R1, R3
	11	RESISTOR, 510 OHM 1/4W	116447-511	1	R2
	12	RESISTOR, 1K 1/4W	116447-102	1	R4
	13	RESISTOR, 5 OHM 5W (ALLIED #962-8050)		1	R5
	14				
	15	DIODE 1N4148 (MOTOROLA)		1	CR1
	16	DIODE 1N4004 (TI)		1	CR2
	17	DIODE, ZENER 1N4372A (MOTOROLA)		1	VR1
	18				
	19				
	20	TRANSISTOR NPN 2N4410 (TI)		1	Q1
	21	TRANSISTOR PNP 2N4920 (TI)		1	Q2 SEE DETAIL A
	22	SCREW, NYLON 4-40, 3/8 LONG	101685-206	1	SEE DETAIL A
	23	WASHER, FLAT NYLON # 4	100204-100	1	SEE DETAIL A
	24	NUT, NYLON 4-40		1	SEE DETAIL A
	25	WIRE, STR TEFLON INS, 20 AWG (WHT)		A/R	
	26	WIRE, STR TEFLON INS, 20 AWG (ORN)		A/R	
	27	BRACKET, HEATSINK	217688	1	SEE DETAIL A
	28	INSULATOR, BATTERY PACK	217689	2	
	29	WASHER, MICA		1	SEE DETAIL A
	30				