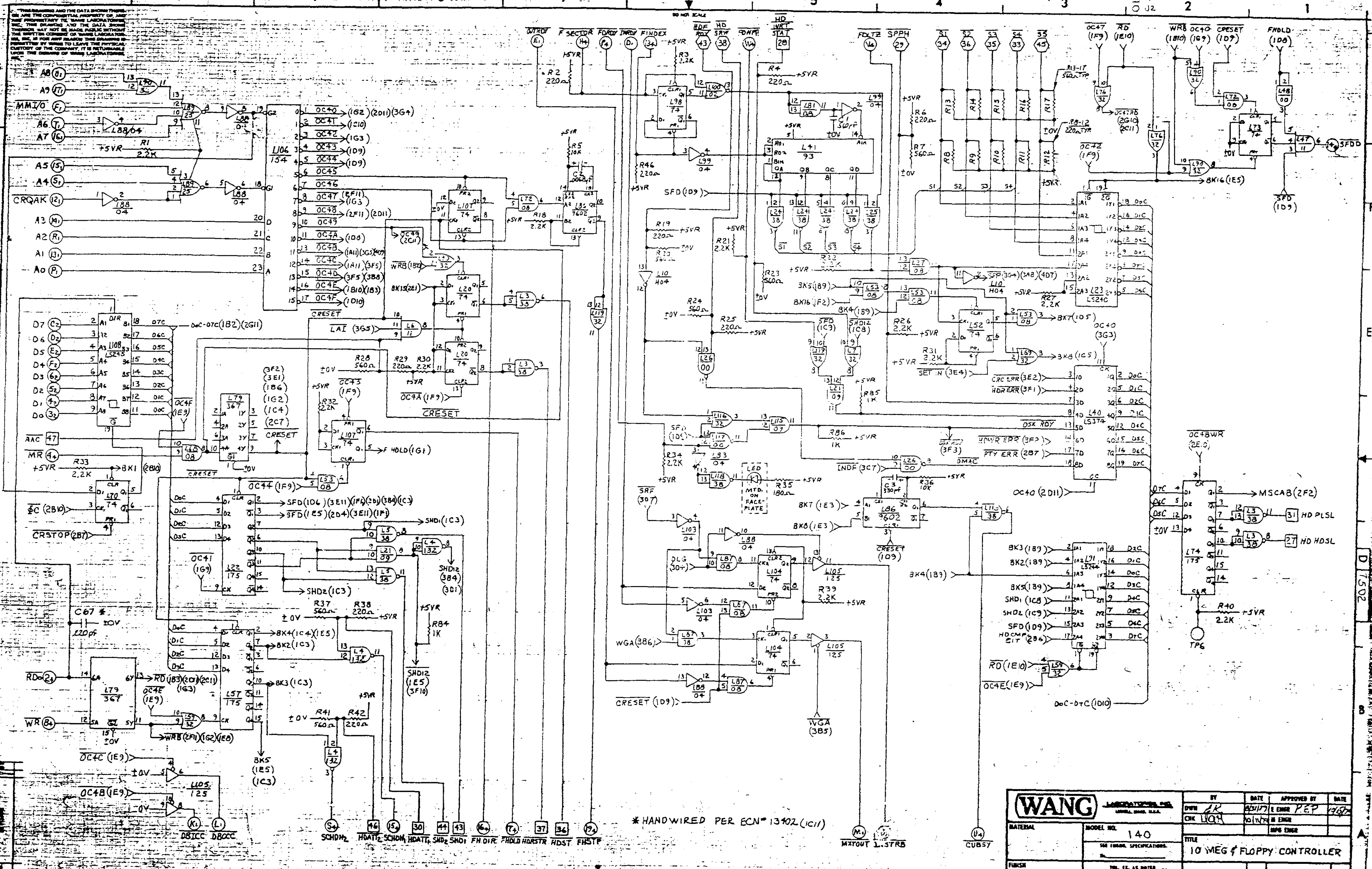


1400
32
1349

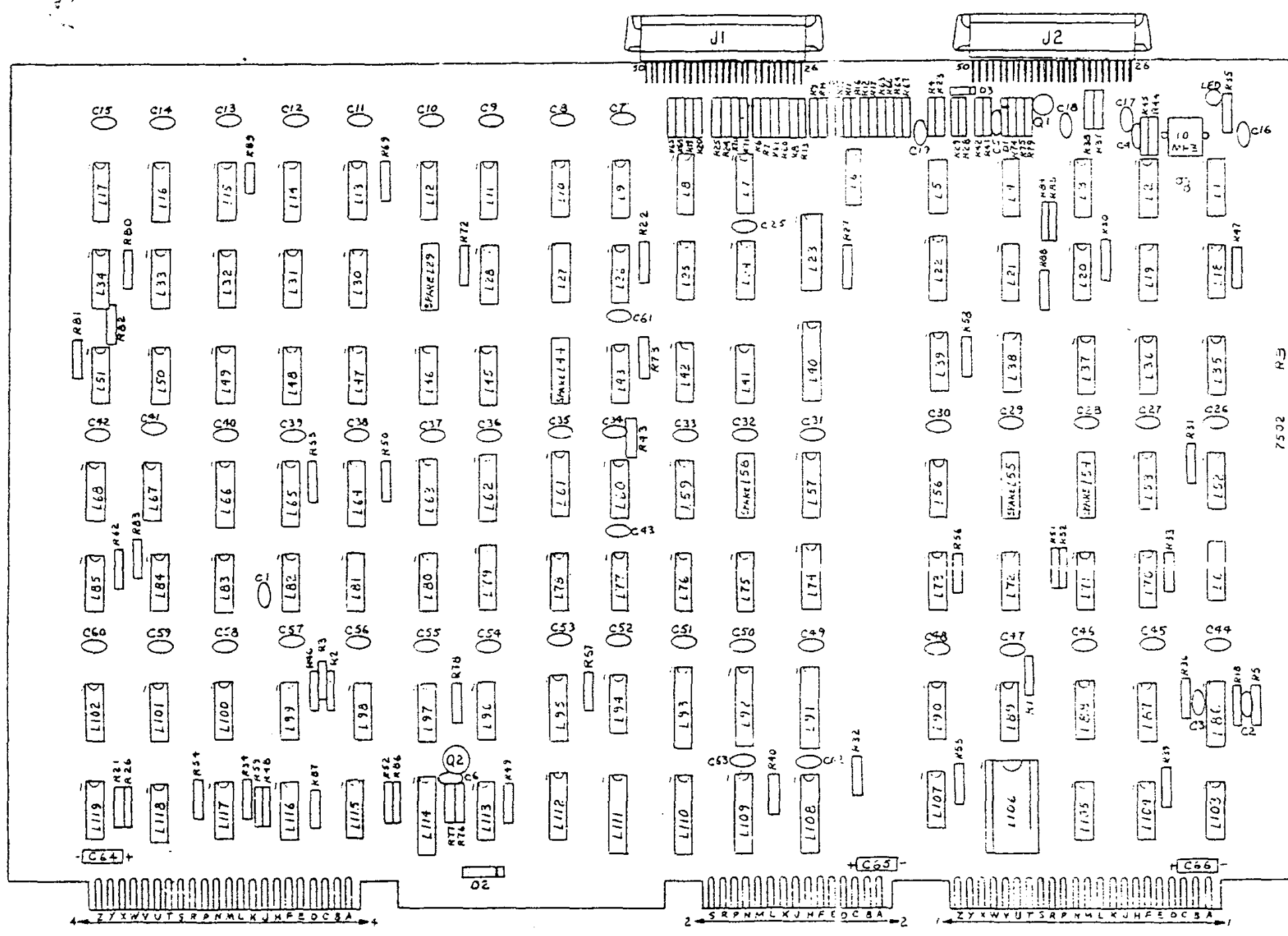


* HANDWIRED PER ECN# 13402 (1C11)

WANG LABORATORIES, INC. ANN ARBOR, MICH. U.S.A.		BY	DATE	APPROVED BY	DATE
MODEL NO. 140		DWR	12/17/75	W.P.P.	12/17/75
TITLE		CHK	W.C.H.	W.P.P.	12/17/75
10 MEG FLOPPY CONTROLLER					
PART NO. 210-7502 D					
REV. 7					

DO NOT SCALE

THIS DRAWING AND THE DATA THEREON OR ARE THE CONFIDENTIAL PROPERTY OF AND ARE PROPRIETARY TO, WANG LABORATORIES, INC. THE DRAWING AND THE DATA THEREON MAY NOT BE MADE PUBLIC WITHOUT THE WRITTEN CONSENT OF WANG LABORATORIES, INC. BY RETURNING THIS DRAWING TO THE DEMANDS OF WANG LABORATORIES, INC. YOU AGREE TO RETURN IT TO THE DEMANDS OF WANG LABORATORIES, INC.



COMPONENT LAYOUT

REV	DATE	BY	CHKD
1			

WANG LABORATORIES, INC. LOWELL, MASS. U.S.A.		BY DWN CHKD LHJ	DATE 8-2-77 10/1/77	APPROVED BY E ENGR PEP M ENGR	DATE 10/27/77
MATERIAL	MODEL NO. 140 SEE ENGINE SPECIFICATIONS	TITLE 10MEG FLOPPY CONTROLLER			
FINISH	TOL. AS NOTED SEE ENG. SPEC. FOR DIM. & FINISH SCALE 1/8" = 1"	210-7502	D	7502	7
		WANG PART NUMBER	SIZE	DRAWING NUMBER	REV

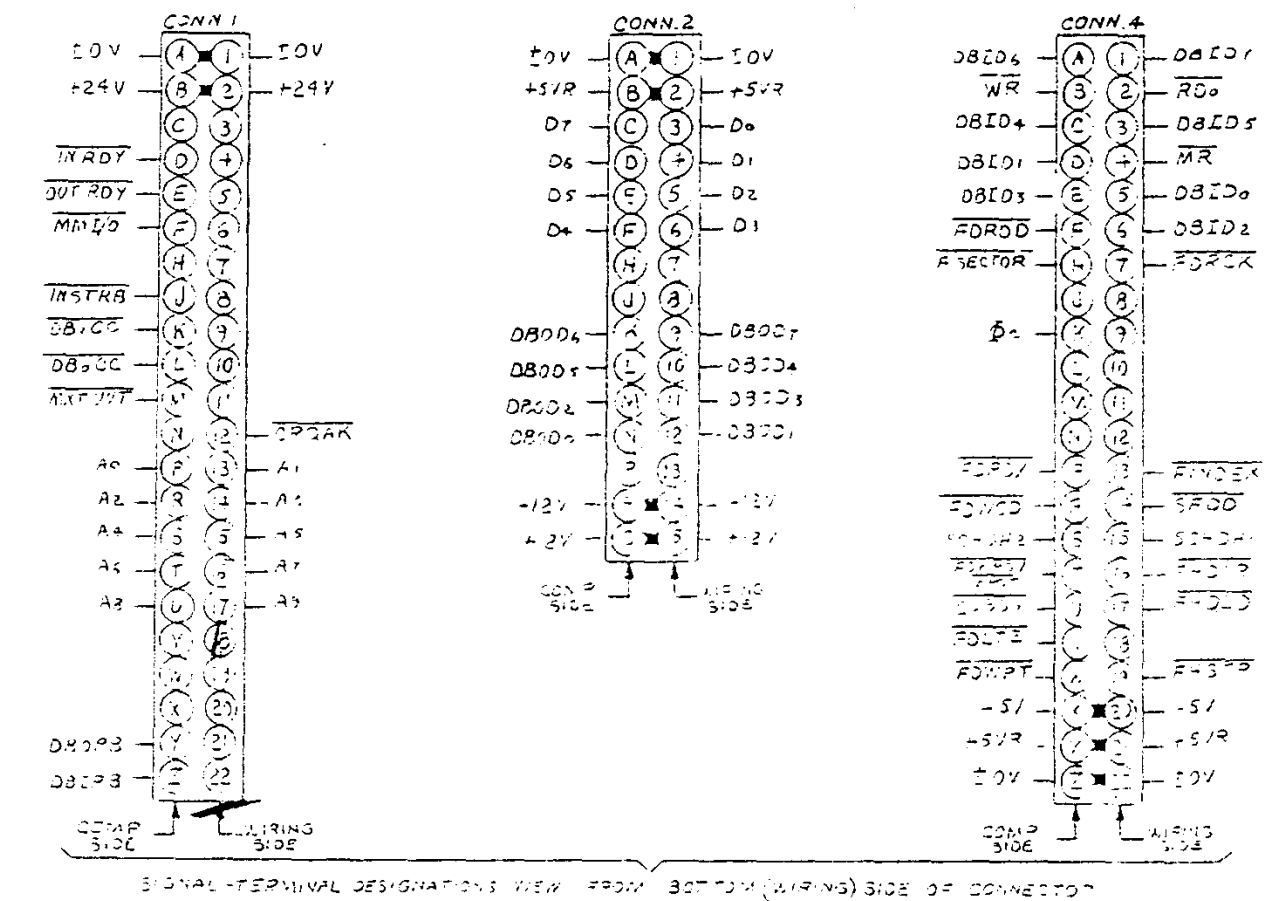
THIS DRAWING AND THE DATA SHOWN THEREON ARE PROPRIETARY TO WANG LABORATORIES, INC. THE DRAWING AND THE DATA THEREON MAY NOT BE MADE PUBLIC WITHOUT THE WRITTEN CONSENT OF WANG LABORATORIES, INC. REPRODUCED BY HAND TO LEAVE THE PHYSICAL CUSTODY OF THE COMPANY, IF RETURNABLE AND THE DESIGN OF WANG LABORATORIES, INC.

LOCATION	TYPE	PART NO.
L1, 12, 15, 20, 28, 34, 37, 39, 42, 45, 51, 52, 60, 62, 67, 70, 73, 84, 98, 104, 107, 71	7474	376-0000
L2, 10	74H04	376-0045
L3, 5, 8, 9, 24, 25, 118	7438	376-0128
L11, 17, 26, 35, 43, 97, 117	7400	376-0002
L6, 30, 47, 49, 77, 80, 101	7411	376-0194
L7, 33, 38, 59, 69, 75, 76, 90, 116, 119	7432	376-0093
L13, 32	7420	376-0004
L14, 16, 27, 36, 43, 53, 68, 72, 78, 81, 82, 87	7408	376-0081
L18, 64, 65, 66	74161	376-0094
L19, 50, 100	7402	376-0016
L22, 57, 74	74175	376-0119
L23	74LS240	376-0297
L31, 46, 63, 102	7410	376-0003
L40, 92, 110	74LS374	376-0286
L41	7493	376-0011
L56, 105	74125	376-0324
L61	7442	376-0008
L91, 93, 109, 111, 114	74LS244	376-0288
L79	74367	376-0176
L83, 88, 103, 99	7404	376-0010
L85	9401	376-0440
L86	9602	376-0104
L89	7425	376-0092
L94	74LS280	376-0242
L95, 112	74195	376-0097
L96, 113	8242	376-0040
L106	74154	376-0090
L108	74LS245	376-0285
L29	SPARE	
L44	SPARE	
L54	SPARE	
L55	SPARE	
L58	SPARE	
L21, 115	7409	376-0085
L9	74132	376-0266

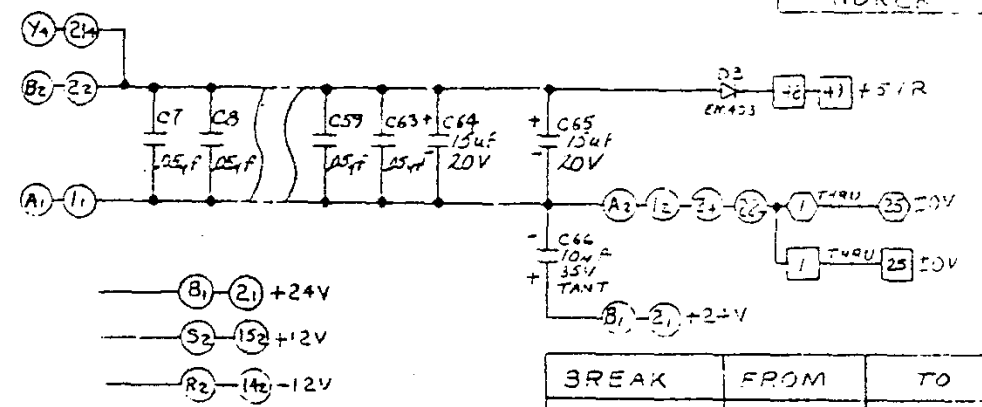
COMPONENT	PART NO.	TYPE
R1, 3, 18, 21, 22, 26, 27, 30-34, 39, 40, 43, 47, 56, 51, 53-58, 63, 72-74, 77, 80, 81, 82, 83, 85	330-3022	2.2K, 1/4W, 10%
R2, 4, 6, 8-12, 19, 25, 29, 38, 42, 61, 63, 64, 65, 70, 76	330-2022	220Ω, 1/4W, 10%
R5, 36, 62	330-4010	10K, 1/4W, 10%
R7, 13-17, 20, 23, 24, 28, 37, 41, 40, 67, 68, 71, 88, 87, 90, 92	330-2056	560Ω, 1/4W, 10%
R35	330-2013	180Ω, 1/4W, 10%
R44, 45	330-2132	320Ω, 1/4W, 10%
R47, 75, 76, 82, 84, 85, 86	330-3010	1K, 1/4W, 10%
R59, 43	330-2010	100Ω, 1/4W, 10%
C2	300-1911	0.068μF, 100V
C1	300-1560	560pF, 50V
C3	300-1330	330pF, 50V
C4	300-1903	0.01μF, 25V
C5, 6	300-1901	1μF
CT-63	300-1920	0.047μF, 12V
C66	300-4132	100μF, 35V, 50% RZ
C69, 65	300-4022	150μF, 20V, 70%
Q1, 2	375-1009	2N2270
Q1, 2	375-9001	TRANSISTOR USE
LED 1	370-0026	AM5624 RED
D1, 2	330-2120	ZEN INT59A
D3	380-4000	EM402
XTAL	321-0003	10MHZ
J1, J2	350-1045	50 PIN CONN

MNEMONIC	COORD.
A0-A9	1F11
AAC	1D11
CRQAK	1F11
CUB3Y	1A4
D0-D7	1D11
DBICC	1A10
DBID0-DBID7	2A6
DBIPB	2A3
DBICC	1A10
DR000-DR007	2D11
DBOPB	2B11
FDLT2	1G5
FDRCK	3G11
FDRDD	3F11
FDRDY	1G7
FDRWD	3D1
FDRWG/ERGT	3B1
FDRD	1A7
FHDLD	1A7
FHSPT	1A7
FINDEX	1G6
FDRPT	1G5
FSECTOR	1G7
HDATT1	1A8
HDATT2	1A8
HDPRDY	1G5
HDPLSL	1D1
HDPLSL	1D1
HDRCK	3F11

MNEMONIC	COORD.
HORDD	3F11
HORSTR	1A7
HDRDG	4F1
HDRSW	1G6
HDST	1A7
HDT0-HDT3	2G1
HDWCD	3D1
HDWRT/ERGT	3A5
HD WRT STAT	1G8
INPROB	1G6
INSTRE	1A4
IC	2B11
LAI	3G5
MMI/O	1G11
MR	1D11
NXT OUT	1A4
RD0	EH
S1-S5	1G4
S4D0-1	4B
S4D0m2	4A
S4D0	4B
S4D1	4B
S4D2	1A8
SIE	3G6
SPPH	1G4
WCE	3G6
WR	1B11

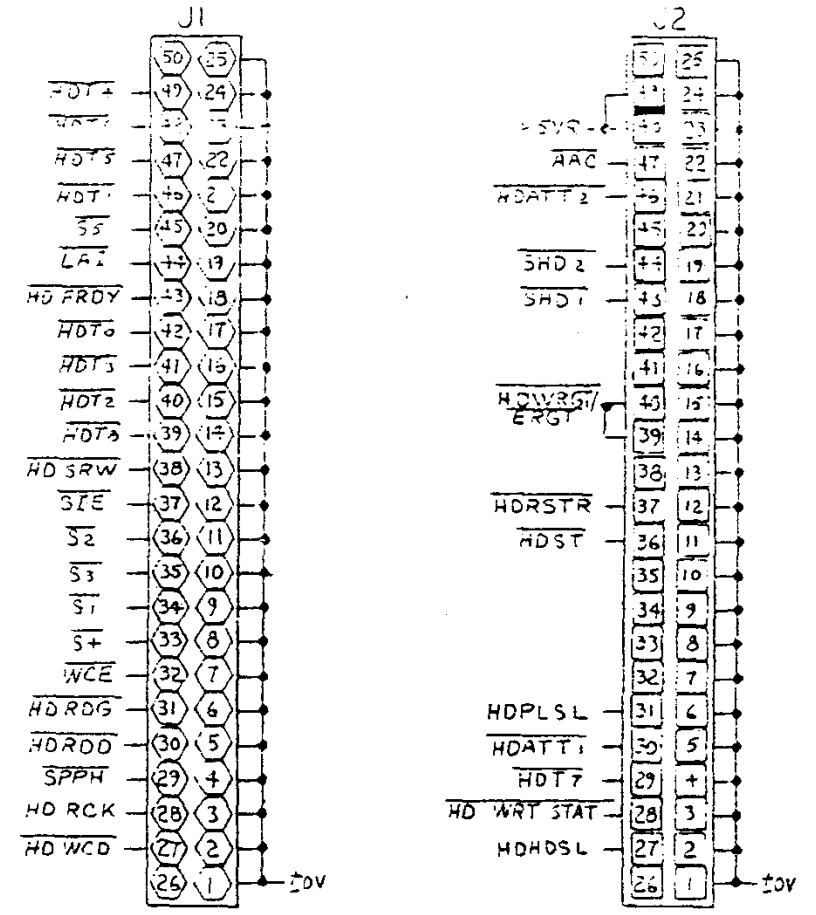


SIGNAL TERMINAL DESIGNATIONS VIEW FROM BOTTOM (WIRING) SIDE OF CONNECTOR



BREAK	FROM	TO
1	1D10	2B10
2	1C3	139
3	1C3	139
4	139	1C4, 1E5
5	139	1C3, 1E5
6	+86	2C5
7	1E3	1D5
8	1E3	1C5
9	2C9	2E11
10	3A6	4F5
11	4D2	3D3, 3D6
12	3C1	3F8
13	4E6	3G10
14	3C2	3E10
15	1E8	2E1
16	1F2	1E5

LOCATION	TYPE	SPARES
L2	74H04	2
L4	74132	1
L5	7413	1
L7	7432	1
L19	7492	3
L35	7438	1
L35	7400	2
L50	7402	1
L52	7474	1
L56	74125	2
L69	7432	3
L79	74367	3
L83	7404	1
L100	7402	1
L103	7404	1
L118	7438	2



REVISION	DATE	BY	DESCRIPTION
1	11-17-77	WJ	ORIGINATED PER
2	11-17-77	WJ	DESIGNED PER
3	11-17-77	WJ	APP'D PER
4	11-17-77	WJ	REVISED PER
5	11-17-77	WJ	REVISED PER
6	11-17-77	WJ	REVISED PER
7	11-17-77	WJ	REVISED PER
8	11-17-77	WJ	REVISED PER
9	11-17-77	WJ	REVISED PER
10	11-17-77	WJ	REVISED PER
11	11-17-77	WJ	REVISED PER
12	11-17-77	WJ	REVISED PER
13	11-17-77	WJ	REVISED PER

WANG LABORATORIES, INC.
 MODEL NO. 140
 TITLE: 10 MEG & FLOPPY CONTROLLER
 BY: DWN
 DATE: 03-77
 APPROVED BY: E ENGR
 DATE: 11-77
 MATERIAL: SEE ENGR. SPECIFICATIONS
 FINISH: SEE ENGR. SPECIFICATIONS
 SCALE: 1:1
 WANG PART NUMBER: 210-7502
 SIZE: D
 DRAWING NUMBER: 7502
 REV: 7