

**COMMAND TEST**

This program consists of a series of tests that check the functions of the instructions on the 1219 Computer. These tests are connected and controlled by an executive routine (COMA). Included within the command executive routine is a sequential updating of the ICR, thereby enabling one cycle of the command executive to check all instruction except Input/Output and the Enable Real Time Clock instructions, and the operational validity of all index registers.

The operator has the option of selecting either or both a computer console error display or an error typeout. If PROGRAM STOP 0 is set and an error is detected, the test, will stop and display the function code in the uppermost bits of the CO register. In those tests which use test patterns, correct versus incorrect bit information will be displayed in the AU and AL registers. AU will contain the correct bit configuration and AL will contain the incorrect bit configuration. However, on the tests for function codes 10, 11 and 62 the display will be reversed with AL containing the correct bit configuration and AU the incorrect. The shift function codes have shift count and bit error display. If PROGRAM SKIP 4 is not set, Typeout Subroutines will provide the operator with a typeout of the status of the Command Test. If an error is detected and PROGRAM SKIP 4 is not set, the function code of the erring instruction will be buffered out in an error message. All messages are buffered out in field data code via channel 0.

The Command Test may be run separately or as a part of the Integrated Command-Arithmetic test. If it is run separately PROGRAM SKIP 2 must be set to remain in Command Test.

The following is the operating procedure for the COMMAND TEST:

- a. Disconnect the RTC
- b. Load the COMMAND TEST PROGRAM or the INTEGRATED TEST PROGRAM. The jumps and stops for this program are as specified in the following table.

PROGRAM SWITCH	PROGRAM ACTION
PROGRAM SKIP 0	Set to recycle current function code subroutine upon error detection
PROGRAM SKIP 2	Set to remain in COMMAND TEST
PROGRAM SKIP 4	Set to suppress typeouts
PROGRAM STOP 0	Set for computer console error display
PROGRAM STOP 2	Set to end COMMAND TEST after a selected number of cycles of the command executive routine. (The number in address NYMB).

- c. Set PROGRAM SKIPS and STOPS as desired according to the above table.

SHEET

166

REVISION

D

SPECIFICATION SYMBOL

SB-10163

- d. Master Clear the Computer.
- e. Set the 1232/1532 channel number in AL bits 6 to 3.
- f. Set bit AL bit 8 if the I/O Console is a 1532.
- g. Set AL bits 17-15 as follows:
  - Set bit 17 if computer is in 1218 normal mode
  - Set bit 16 if computer is in 1218 NTDS mode
  - Set bit 15 if computer is in 1219 normal mode
- h. Insert (if necessary) the plug-in printed wiring assembly 7104010 in the location specified as follows:
  - A4ALJ5G if computer is in 1218 normal mode
  - A4ALJ5F if computer is in 1218 NTDS mode
  - A4ALJ4G if computer is in 1219 normal mode
- i. Set P=1501.
- j. Start the Computer.

# UNIVAC PROGRAM DATA PAGE

## SPECIFICATION SHEET

SHEET	167	REVISION	D
-------	-----	----------	---

SPECIFICATION SYMBOL
SB-10163

TITLE: COMA - 1219B COMMAND TEST EXECUTIVE

DECK IDENTIFIER: FACT

CS-1 LABEL: COMA KEY: \_\_\_\_\_ IS LABEL DUPLICATE? No

PROGRAMMER: H W M modified by TLR DATE: 8 Dec. 67

NUMBER OF L<sub>4</sub> OUTPUT INSTRUCTIONS: 161

### DESCRIPTION:

This routine is the Executive Control Routine for the 1219 Command Test. Upon entry into this routine as an individual program or as a subroutine, references are made to all subroutines which test the various instructions of the 1219B Computer. This routine sequentially updates the ICR, thereby ensuring the modification capability and the operational validity of all index registers Input/Output and the real time clock instructions are not covered by this program.

The program is initiated by setting P to 1501 if this routine is to be used as an individual program, or using address 1500 as the subroutine entrance if this routine is to be used as a subroutine. Upon entering this routine the following header is typed if PROGRAM SKIP 4 is not set: COMMAND TEST, ERROR DISPLAY AU, AL. Upon referencing each subroutine and at the completion of the subroutine run, the control is returned to COMA where PROGRAM SKIP 0 is checked for the test to continue. If PROGRAM SKIP 0 is set, the subroutine previously run is re-cycled until PROGRAM SKIP 0 is released. PROGRAM SKIP 0 may be set upon receiving an error stop during the running of an error display subroutine. COMA operates in 8 cycle runs, one for each index register. The 8 cycle runs are counted and when the number of runs is equal to the contents of address NYMB an error flag is checked to determine if an error occurred. If an error occurred, FAILED RECYCLE is typed. If no error occurred OK END is typed. After one of these typeouts, PROGRAM STOP 2 is referenced. If set the test is ended. If not set, PROGRAM SKIP 2 is referenced. If PROGRAM SKIP 2 is set, the program will remain in COMA. If it is not set, the program exits from COMA.

The typeouts are suppressed in the subroutines TYPEC, TYPEF, TYPEO, TFDIS, and TSDIS, if PROGRAM SKIP 4 is set. PROGRAM STOP 0 is set during the running of COMA if an error stop is wanted in the error display subroutines TEDIS and TSDIS.

TITLE: COMA - 1219B COMMAND TEST EXECUTIVE

## INPUT PARAMETERS (Listed Sequentially):

SPERRF (Error Flag) from TFDIS and TSDIS

## OUTPUT PARAMETERS (Listed Sequentially):

## ABNORMAL EXITS (Listed Sequentially):

## NEXT LEVEL PROCEDURES OR SUBROUTINES (Keys of Duplicate Labels Specified):

TYPT IOSET TYPE TFDIS TSDIS ALL COMMAND TEST SUBROUTINES: TF10, TF11, TF12, TF13, TF32, TF33, TF36, TF37, TF70, TS73, TF46, TF47, TF44, TF45, TF42, TF43, TF74, TF75, TF40, TF41, TF14, TF15, TF20, TF21, TF71, TF16, TF17, TF22, TF23, TF24, TF25, TF26, TF27, TF02, TF03, TF06, TF07, TF04, TF05, TF51, TF52, TF53, TF34, TF60, TF61, TF62, TF63, TF64, TF65, TF66, TF67, TF35, TF55, TF76, TF30, TF31, TF73, TF56, TF57, IC61, IC65, IC67, TS62, TS61, TS63, TS60, TS41, TS42, TS43, TS45, TS46, TS47, TS44, TS51, TS52, TS53, TS54, and TS55.

## ALARMS AND/OR REMARKS:

## SYSTEM DATA REFERENCES:

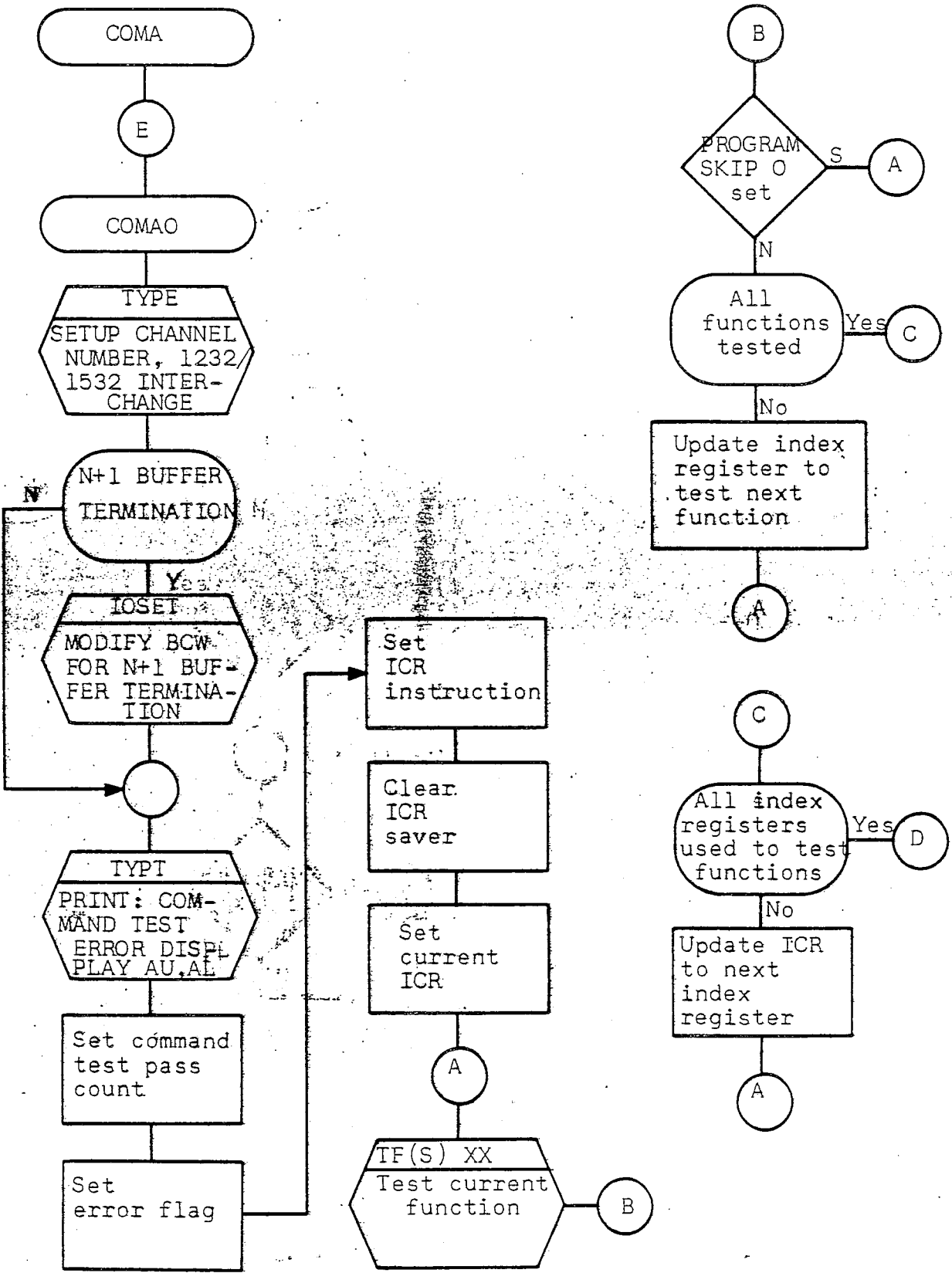
PROGRAM SKIP 0: Previously referenced subroutines will recycle until PROGRAM SKIP 0 is set.

PROGRAM SKIP 2: set: Remain in the COMA routine, i.e., do not exit as from a subroutine

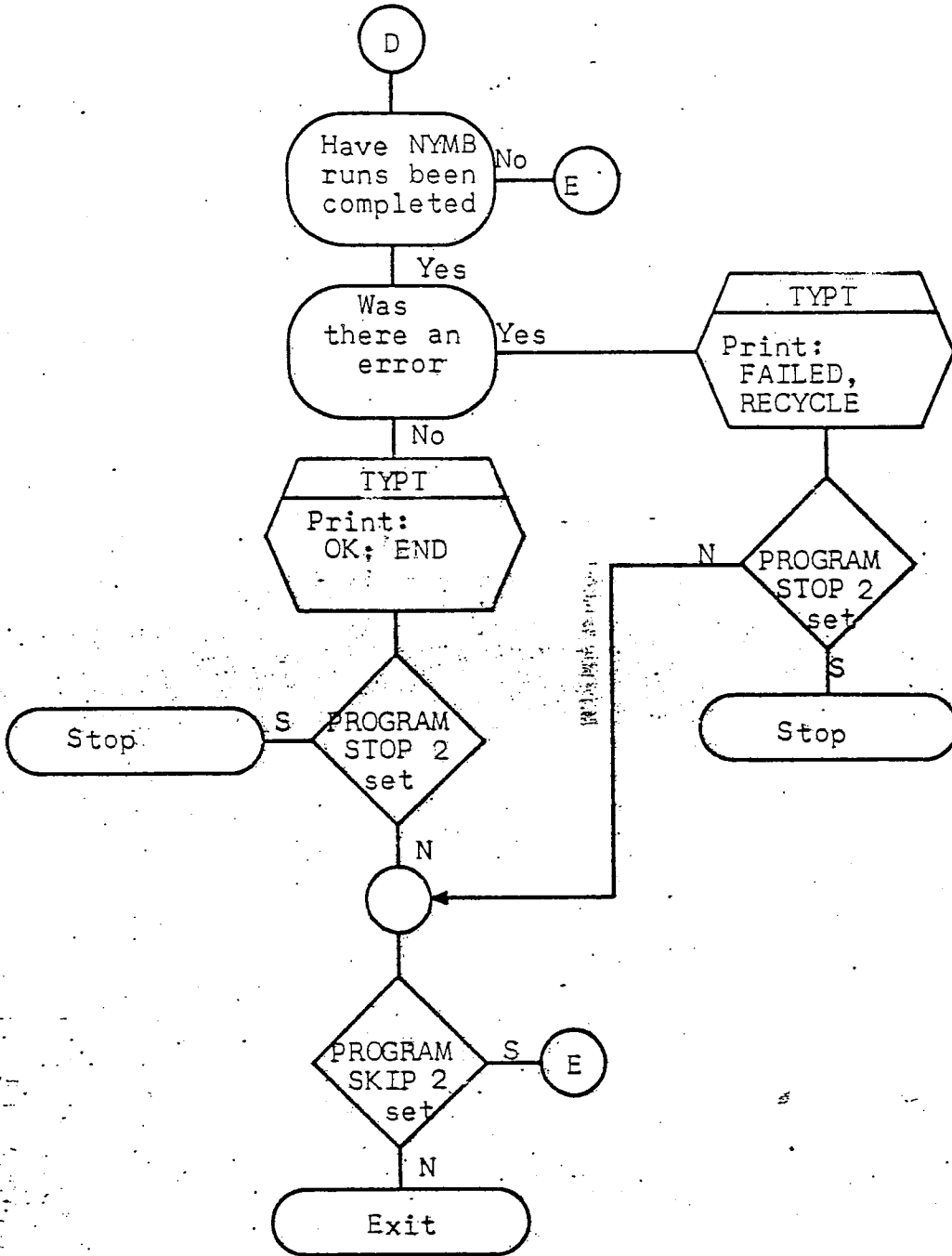
PROGRAM STOP 2 set: STOP TEST at the completion of one 8 cycle run.



SHEET 169	REVISION
SPECIFICATION SYMBOL SB -10163	



COMA - 1219B COMMAND TEST EXECUTIVE



COMA - 1219B COMMAND TEST EXECUTIVE (Cont.)

### PROGRAM DATA PAGE

SHEET 171

REVISION —

SPECIFICATION SYMBOL  
SB-10163

TITLE: TYPE - SETUP CHANNEL NUMBER, 1232/1532 INTERCHANGE

DECK IDENTIFIER: FACT

CS-1 LABEL: TYPE KEY: \_\_\_\_\_ IS LABEL DUPLICATE? No

PROGRAMMER: TLR DATE: 8 Dec. 67

NUMBER OF L<sub>4</sub> OUTPUT INSTRUCTIONS: 25

#### DESCRIPTION:

This subroutine inserts the 1232/1532 channel number in all I/O instructions. It also modifies the TYPT subroutine so as to accept either 1232 or 1532 coded data.

TITLE: TYPE

**INPUT PARAMETERS (Listed Sequentially):**

ALPARM - Initial AL input parameter

**OUTPUT PARAMETERS (Listed Sequentially):**

T\$1  
T\$2  
T\$3  
T\$4

} I/O instructions with channel number inserted

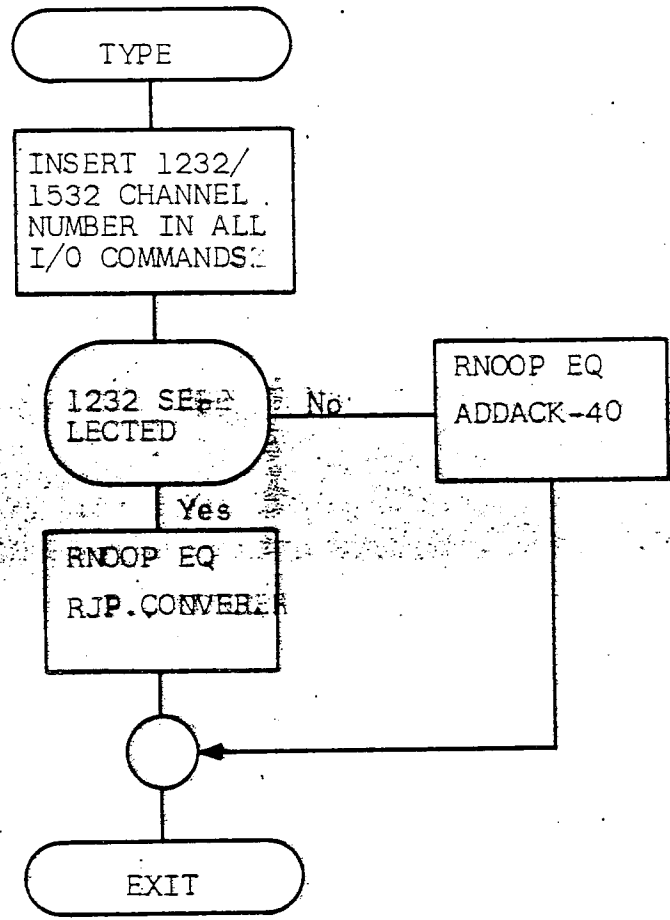
RNOOP { RJP·CONVER if 1232 selected  
ADDALK·40 if 1532 selected

**ABNORMAL EXITS (Listed Sequentially):**

**NEXT LEVEL PROCEDURES OR SUBROUTINES (Keys of Duplicate Labels Specified):**

**SYSTEM DATA REFERENCES:**

**ALARMS AND/OR REMARKS:**



### PROGRAM DATA PAGE

SHEET 174

REVISION —

SPECIFICATION SYMBOL  
SB-10163

TITLE: IOSET

DECK IDENTIFIER: FACT

CS-1 LABEL: IOSET KEY: \_\_\_\_\_ IS LABEL DUPLICATE? No

PROGRAMMER: TLR DATE: 8 DEC. 67

NUMBER OF L<sub>4</sub> OUTPUT INSTRUCTIONS: 10

#### DESCRIPTION:

This subroutine modifies output and external function buffers for N+1 Termination.

SPECIFICATION SYMBOL

SB-10163

TITLE: IOSET

**INPUT PARAMETERS (Listed Sequentially):**

TS1+2

TS2+2

**OUTPUT PARAMETERS (Listed Sequentially):**

TS1+2

TS2+1

**ABNORMAL EXITS (Listed Sequentially):**

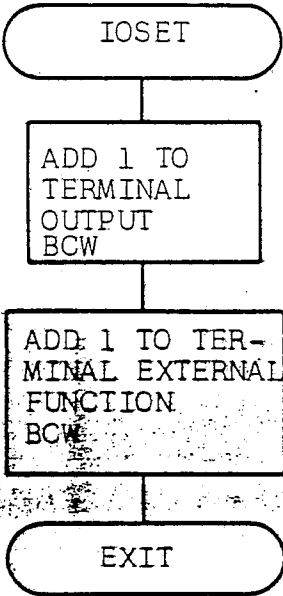
**NEXT LEVEL PROCEDURES OR SUBROUTINES (Keys of Duplicate Labels Specified):**

**SYSTEM DATA REFERENCES:**

**ALARMS AND/OR REMARKS:**

SHEET 176	REVISION —
-----------	------------

SPECIFICATION SYMBOL  
SB-10163





## PROGRAM DATA PAGE

SHEET 177

REVISION —

SPECIFICATION SYMBOL  
SB-10163TITLE: TFDIS - Error display for type 1 instructionsDECK IDENTIFIER: FACTCS-1 LABEL: TFDIS KEY: \_\_\_\_\_ IS LABEL DUPLICATE? NoPROGRAMMER: TLR DATE: 8 Dec. 67NUMBER OF L<sub>4</sub> OUTPUT INSTRUCTIONS: 58

## DESCRIPTION:

This subroutine, TFDIS, displays errors for type 1 instructions.

PROGRAM SKIP 4 is referenced when TFDIS is entered. If PROGRAM SKIP 4 is set the error display will be in the CO, AU, and AL registers only. If PROGRAM SKIP 4 is not set there will be an error timeout followed by the console register error display. The console register error display displays the errors if PROGRAM STOP 0 is set.

If PROGRAM SKIP 4 is set, CO is entered with the function code in error and PROGRAM STOP 0 is referenced. If PROGRAM STOP 0 is set, the program stops, displaying the function code in CO and appropriate patterns in AU and AL. Upon restarting, or if PROGRAM STOP 0 is not set, CO is cleared and an exit is made from the subroutine. If PROGRAM SKIP 4 is not set, the error flag in COMA is set, the printer is enabled and Function Code XX typed. The printer is disabled and the console register display portion of TFDIS is entered.

**TITLE:** TFDIS - Error display subroutine for type 1 instructions

**INPUT PARAMETERS (Listed Sequentially):**

ALL Type 1 Instructions

BUFF<sub>1</sub>BUFF<sub>2</sub>

TFX

**OUTPUT PARAMETERS (Listed Sequentially):**

SPERRF (Error Flag)

Buffer BUFF to BUFF2 (FUNCTION CODE XX)

**AENORMAL EXITS (Listed Sequentially):****NEXT LEVEL PROCEDURES OR SUBROUTINES (Keys of Duplicate Labels Specified):**

COMA

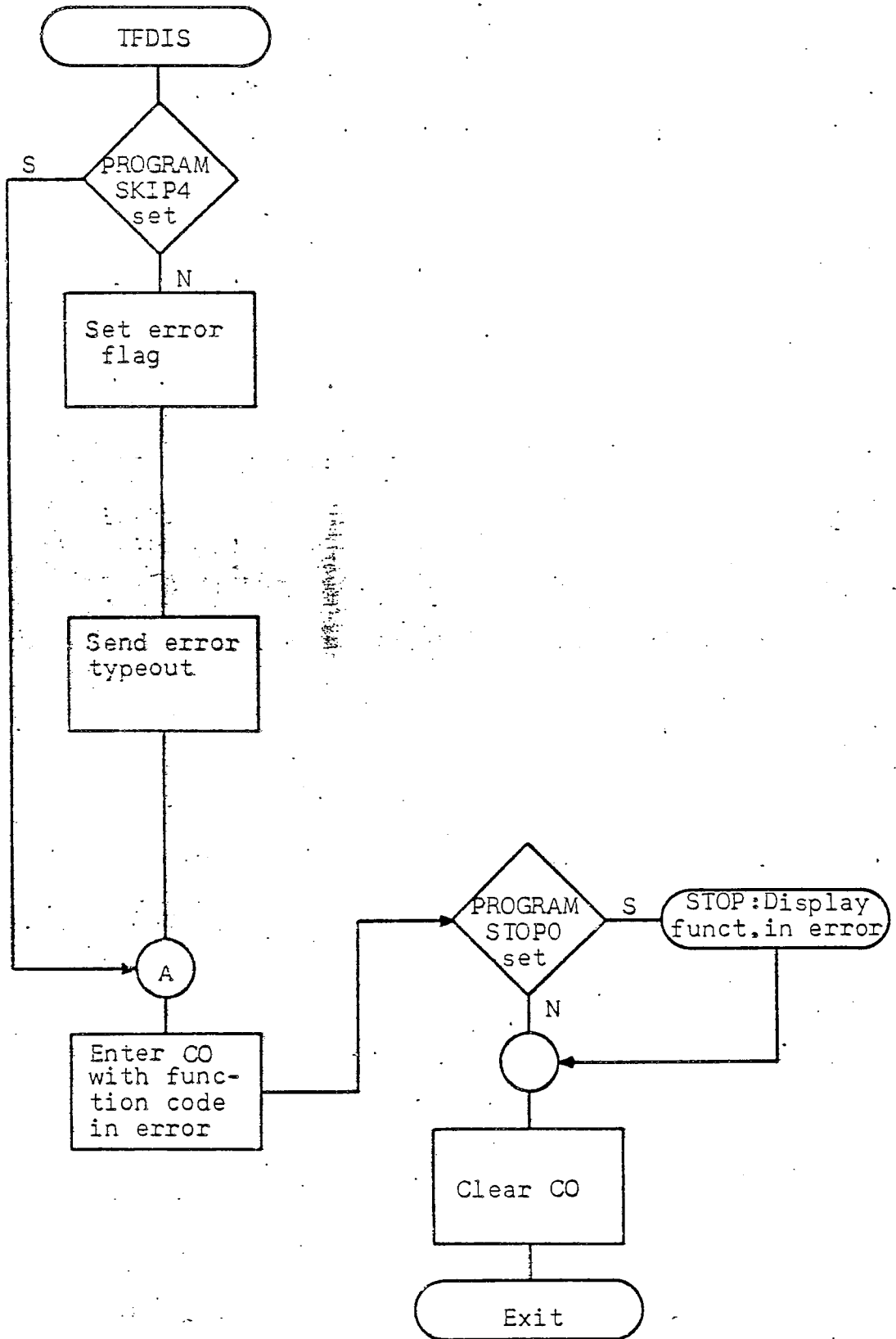
ALL COMMAND TEST SUBROUTINES

**SYSTEM DATA REFERENCES:**

PROGRAM SKIP 4 set: error timeout not wanted, continue with console  
error display not set: error timeout  
(Function Code XX)

PROGRAM STOP 0 set: stop for console error display

**ALARMS AND/OR REMARKS:**



TFDIS - ERROR DISPLAY SUBROUTINE FOR TYPE 1 INSTRUCTIONS

## PROGRAM DATA PAGE

SHEET 180

REVISION     

SPECIFICATION SYMBOL

SB-10163

TITLE: TSDIS - Error display for type 2 instructionsDECK IDENTIFIER: FACTCS-1 LABEL: TSDIS KEY:      IS LABEL DUPLICATE? NoPROGRAMMER: TLR DATE: 8 Dec. 67NUMBER OF L<sub>4</sub> OUTPUT INSTRUCTIONS: 27

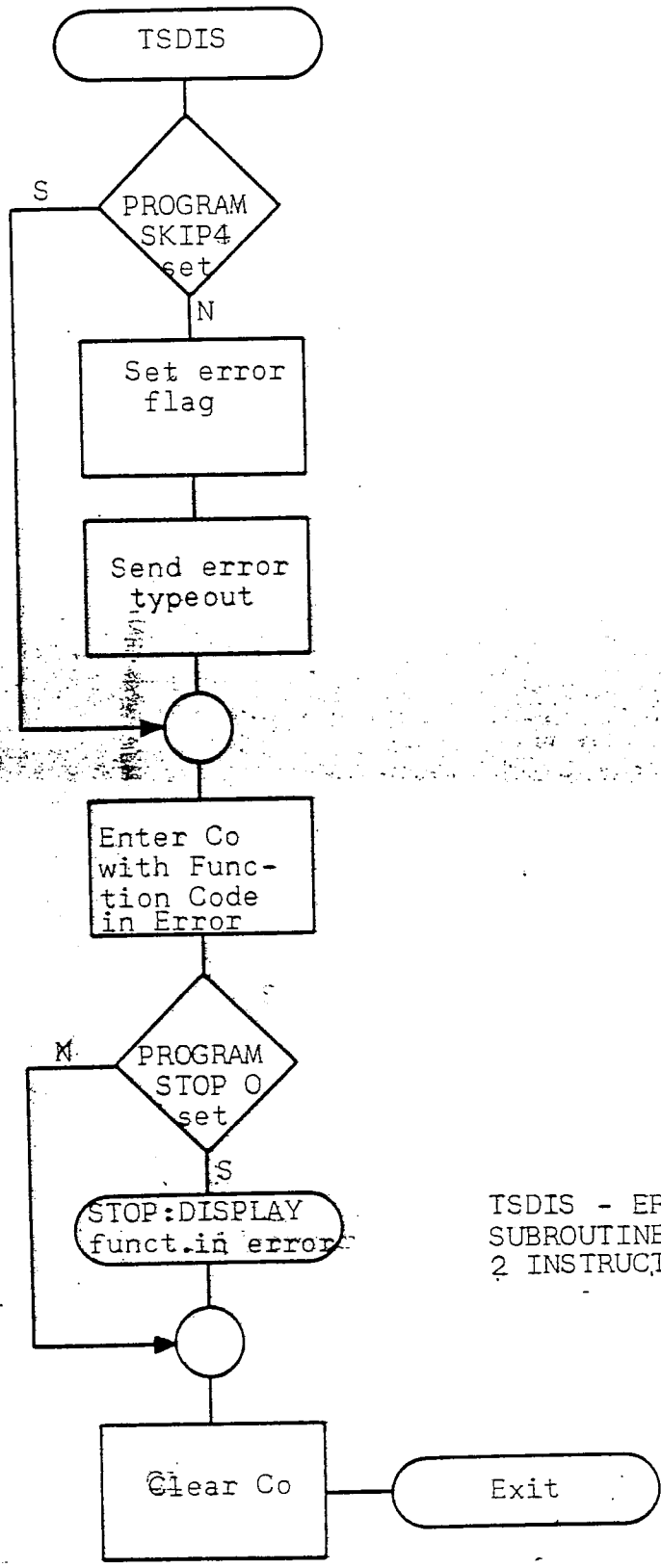
## DESCRIPTION:

This subroutine, TSDIS, displays errors for type 2 instructions.

PROGRAM SKIP 4 is referenced when TSDIS is entered. If PROGRAM SKIP 4 is set the error display will be in the CO, AU and AL registers only. If PROGRAM SKIP 4 is not set there will be an error typeout followed by the console register error display. The console register error display displays the errors if PROGRAM STOP 0 is set.

If PROGRAM SKIP 4 is set, CO is entered with the function code in error and PROGRAM STOP 0 is referenced. If PROGRAM STOP 0 is set the program stops, displaying the function code in CO and appropriate patterns in AU and AL. Upon restarting or if PROGRAM STOP 0 is not set, CO is cleared and an exit is made from the subroutine. If PROGRAM SKIP 4 is not set the error flag in COMA is set. The printer is enabled and the message, Function Code 50XX, typed. The printer is disabled and the console register display portion of TSDIS is entered.





TSDIS - ERROR DISPLAY  
SUBROUTINE FOR TYPE  
2 INSTRUCTIONS

## PROGRAM DATA PAGE

SHEET 183

REVISION -

SPECIFICATION SYMBOL

SB-10163

TITLE: TPAT - TEST PATTERNS FOR COMADECK IDENTIFIER: FACTCS-1 LABEL: TPAT KEY: \_\_\_\_\_ IS LABEL DUPLICATE? NoPROGRAMMER: P M C modified by TLR DATE: 8 Dec. 67NUMBER OF L<sub>4</sub> OUTPUT INSTRUCTIONS: 83

## DESCRIPTION:

This subroutine contains all the normal test patterns and constants used in COMA.

Also contained within TPAT are the shift set up (17 & 22) for the testing of shift instructions.

**PROGRAM DATA PAGE (Cont)**

SHEET 184

REVISION

SPECIFICATION SYMBOL

SB-10163

TITLE: TPAT - TEST PATTERNS FOR COMA

INPUT PARAMETERS (Listed Sequentially):

OUTPUT PARAMETERS (Listed Sequentially):

ABNORMAL EXITS (Listed Sequentially):

NEXT LEVEL PROCEDURES OR SUBROUTINES (Keys of Duplicate Labels Specified):

All COMA Subroutines

SYSTEM DATA REFERENCES:

ALARMS AND/OR REMARKS:



SHEET 185

REVISION —

SPECIFICATION SYMBOL

SB-10163

TITLE: TF02-COMPARE A LOWER WITH Y (02xxxx)DECK IDENTIFIER: FACTCS-1 LABEL: TF02 KEY: \_\_\_\_\_ IS LABEL DUPLICATE? NoPROGRAMMER: F W S modified by TLR DATE: 8 Dec. 67NUMBER OF L<sub>4</sub> OUTPUT INSTRUCTIONS: 45

## DESCRIPTION:

This subroutine tests the Compare A Lower with Y instruction (Function Code 02). Patterns are entered into AL and shifted for a sliding ones and sliding zero patterns. A CMAL instruction is then executed utilizing an associated pattern. The jump equals and jump not equals instructions are used for checking validity of each execution. If all execution is correct an exit is made to the executive routine (COMA). If an error is detected, the correct bit configuration is entered into A Upper, the incorrect into A Lower, and an exit is made to the display subroutine (TFDIS). Upon return from TFDIS an exit is made to the executive routine (COMA) for continuing the test or recycling this subroutine.

SPECIFICATION SYMBOL

SB-10163

TITLE: TF02 - COMPARE A LOWER WITH Y (02xxxx)

## INPUT PARAMETERS (Listed Sequentially):

COMA.	TEST PATTERNS
	TPAT1 -00.0000
	TPAB1 -00.0001
	TCO -77.7776

## OUTPUT PARAMETERS (Listed Sequentially):

BUFF1  
BUFF2  
IFX

## ABNORMAL EXITS (Listed Sequentially):

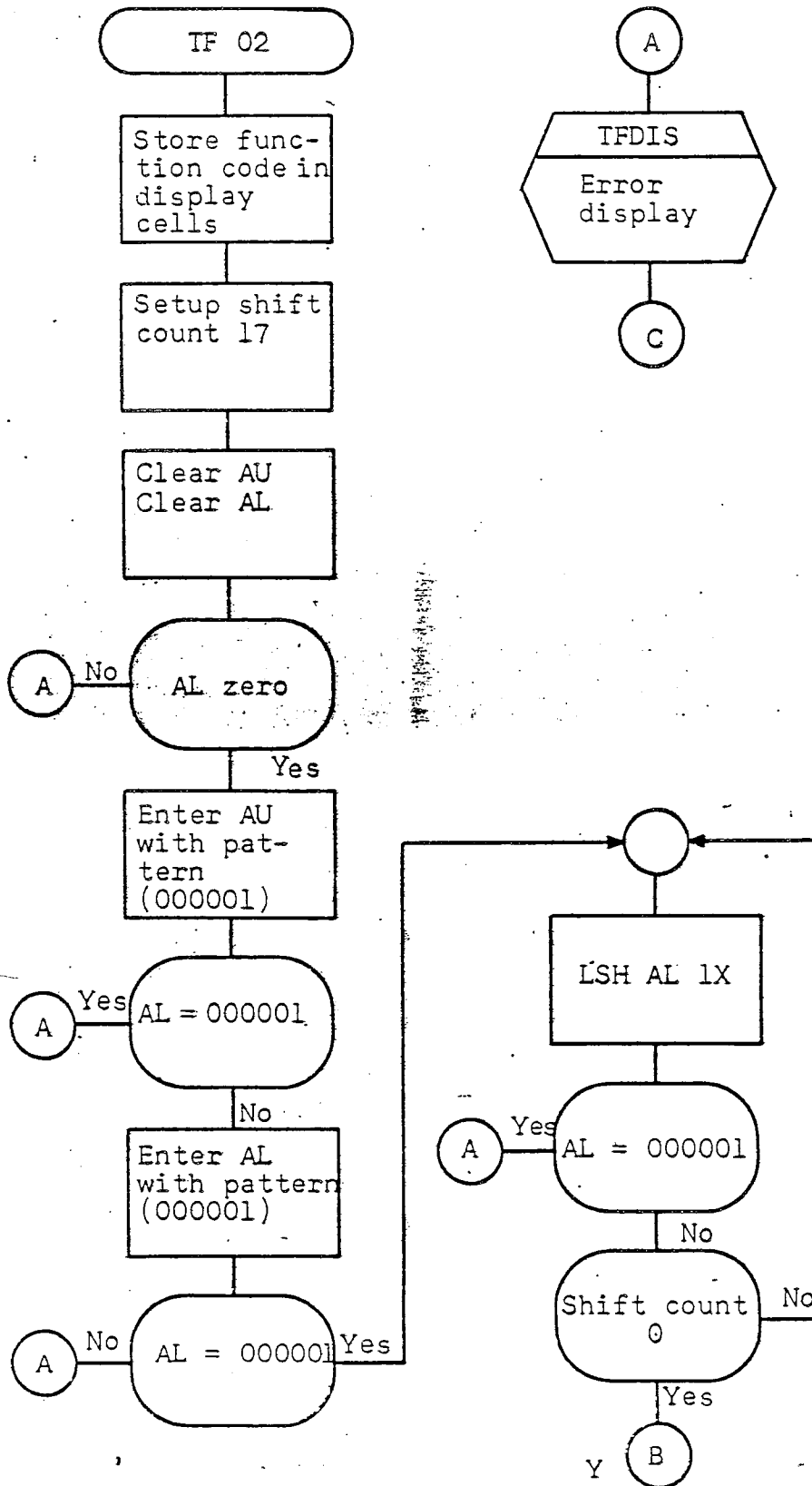
## NEXT LEVEL PROCEDURES OR SUBROUTINES (Keys of Duplicate Labels Specified):

COMA  
TFDIS (Error Display)

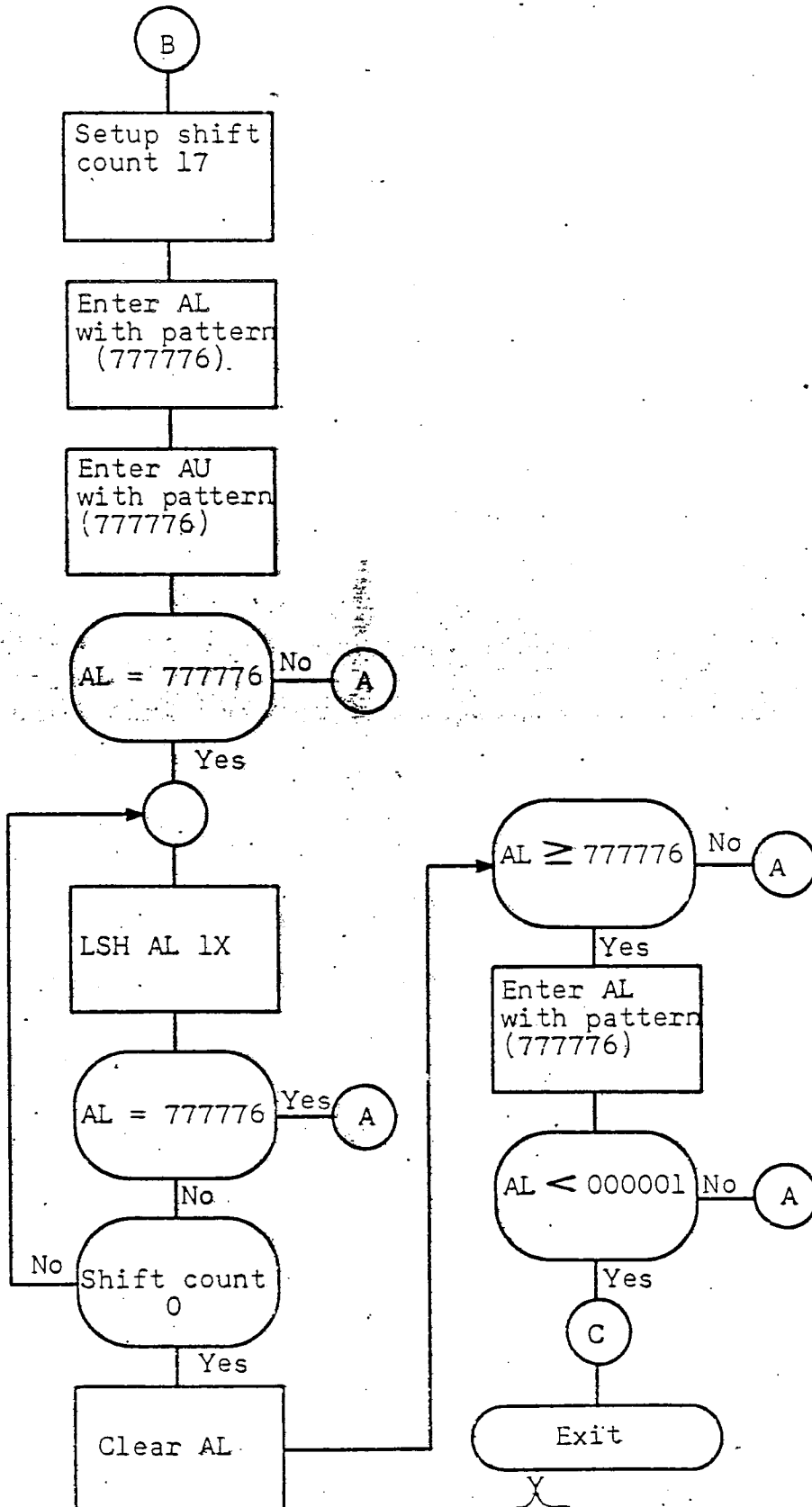
## SYSTEM DATA REFERENCES:

## ALARMS AND/OR REMARKS:

PROGRAM SKIP 4 - set for error display only  
not set for error timeout (Function Code 02)  
PROGRAM STOP 0 - A Upper contains correct information  
A Lower contains incorrect information  
CO contains the function code (02xxxx)  
PROGRAM SKIP 0 - not set to continue test  
set to recycle subroutine(TF02)



TF02 - COMPARE AL WITH Y 02XXXX



TF02 - COMPARE AL WITH Y 02XXXX (Cont.)

## PROGRAM DATA PAGE

SHEET 189

REVISION —

SPECIFICATION SYMBOL  
SB-10163TITLE: IF03 - TEST COMPARE AL TO Y+B (03xxxx)DECK IDENTIFIER: FACTCS-1 LABEL: IF03 KEY: \_\_\_\_\_ IS LABEL DUPLICATE? NoPROGRAMMER: F W S modified by TLR DATE: 8 Dec. 67NUMBER OF  $L_4$  OUTPUT INSTRUCTIONS: 32

## DESCRIPTION:

This subroutine checks the Compare A Lower To Y + B instruction (Function Code 03). A Lower is entered with a pattern after which a CMALB is executed and verified with a Jump Equals instruction. If correct, the pattern is shifted and the 03 instruction is again executed and verified. If correct a B Skip instruction is used to update B while patterns are entered into AL as a result of an add ALK. These patterns are also utilized for the execution of an 03 instruction and verified with a Jump Equals. If an error is detected during verification, the correct information is entered into A Upper, the incorrect into A Lower, and an exit is made to the Display subroutine (TFDIS). Upon returning to this subroutine (IF03), an exit is made to the Executive routine (COMA) for continuing the test or recycling this subroutine.

## PROGRAM DATA PAGE (Cont)

SHEET 190

REVISION —

SPECIFICATION SYMBOL  
SB-10163TITLE: TF03 - TEST COMPARE AL TO Y+B (03xxxx)

## INPUT PARAMETERS (Listed Sequentially):

COMA

TEST PATTERNS

ICO -777776

TPAB7 -000022

## OUTPUT PARAMETERS (Listed Sequentially):

BUFF 1

BUFF 2

TFX

## ABNORMAL EXITS (Listed Sequentially):

## NEXT LEVEL PROCEDURES OR SUBROUTINES (Keys of Duplicate Labels Specified):

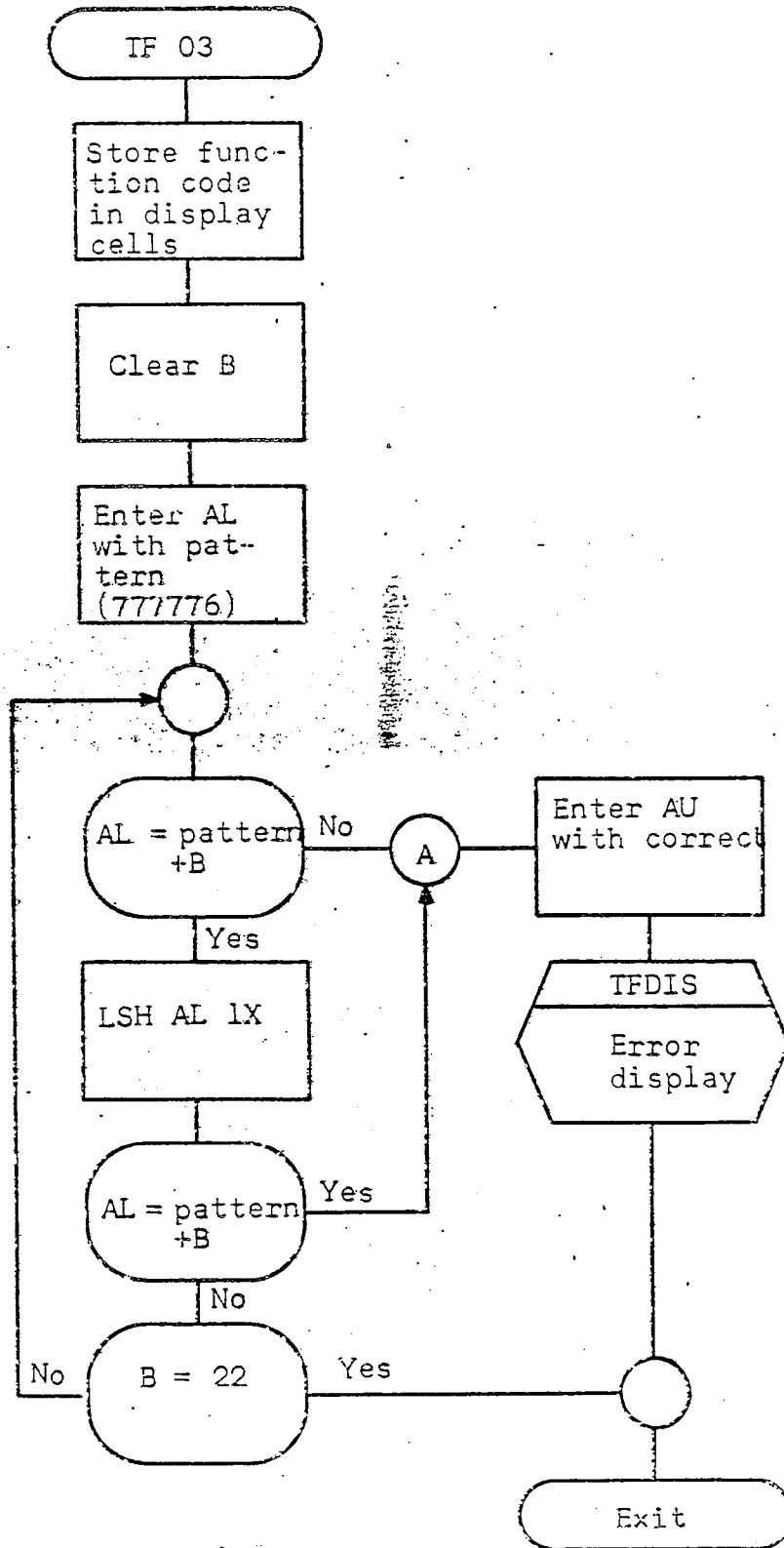
COMA (EXEC)

TFDIS (Error Display)

## SYSTEM DATA REFERENCES:

## ALARMS AND/OR REMARKS:

- ERROR DISPLAY - set for error display only  
PROGRAM SKIP 4 - not set for error typeout (Function Code 03)  
PROGRAM STOP 0 - Correct information in A Upper  
                  incorrect information in A Lower  
                  Function code (03xxxx) in CO  
PROGRAM SKIP 0 - not set to continue test  
                  set to recycle subroutine (TF03)



TF03: COMPARE AL WITH Y+B 03XXX  
Y

SPECIFICATION SYMBOL  
SB-10163TITLE: TF04 - SELECTIVE SUBSTITUTE (04xxxx)DECK IDENTIFIER: FACTCS-1 LABEL: TF04 KEY: \_\_\_\_\_ IS LABEL DUPLICATE? NoPROGRAMMER: P M C modified by TLR DATE: 8 Dec. 67NUMBER OF L<sub>1</sub> OUTPUT INSTRUCTIONS: 44

## DESCRIPTION:

This subroutine checks the Selective Substitute command. A variety of patterns are brought into AU and AL with a SLSU executed using a test pattern. At the completion of the Selective Substitute the result is checked for validity by comparing AL with the correct information. If correct, the subroutine goes to the next pattern; when all patterns are complete the subroutine returns to the executive routine (COMA). If the validity check detects an error, the correct information is entered into AU; AL will contain the incorrect. A return jump is then made to the display subroutine where, with PROGRAM STOP O set, the display may be evaluated.



SPECIFICATION SYMBOL  
SB-10163

TITLE: TF04 - SELECTIVE SUBSTITUTE (04xxxx)

**INPUT PARAMETERS (Listed Sequentially):**

COMA

**TEST PATTERNS**

TPAT1	000000	TPAT7	070707
TPAT2	252525	TPAB1+1	777776
TPAT2+1	252525	TPAT4	770000
TPAT5	007777	TPAK7	777070
TPAT4	770000		
TPAT	777777		
TPAT3	525252		
TPAT3+1	525252		

**OUTPUT PARAMETERS (Listed Sequentially):**

BUFF1  
BUFF2  
TFX

**ABNORMAL EXITS (Listed Sequentially):**

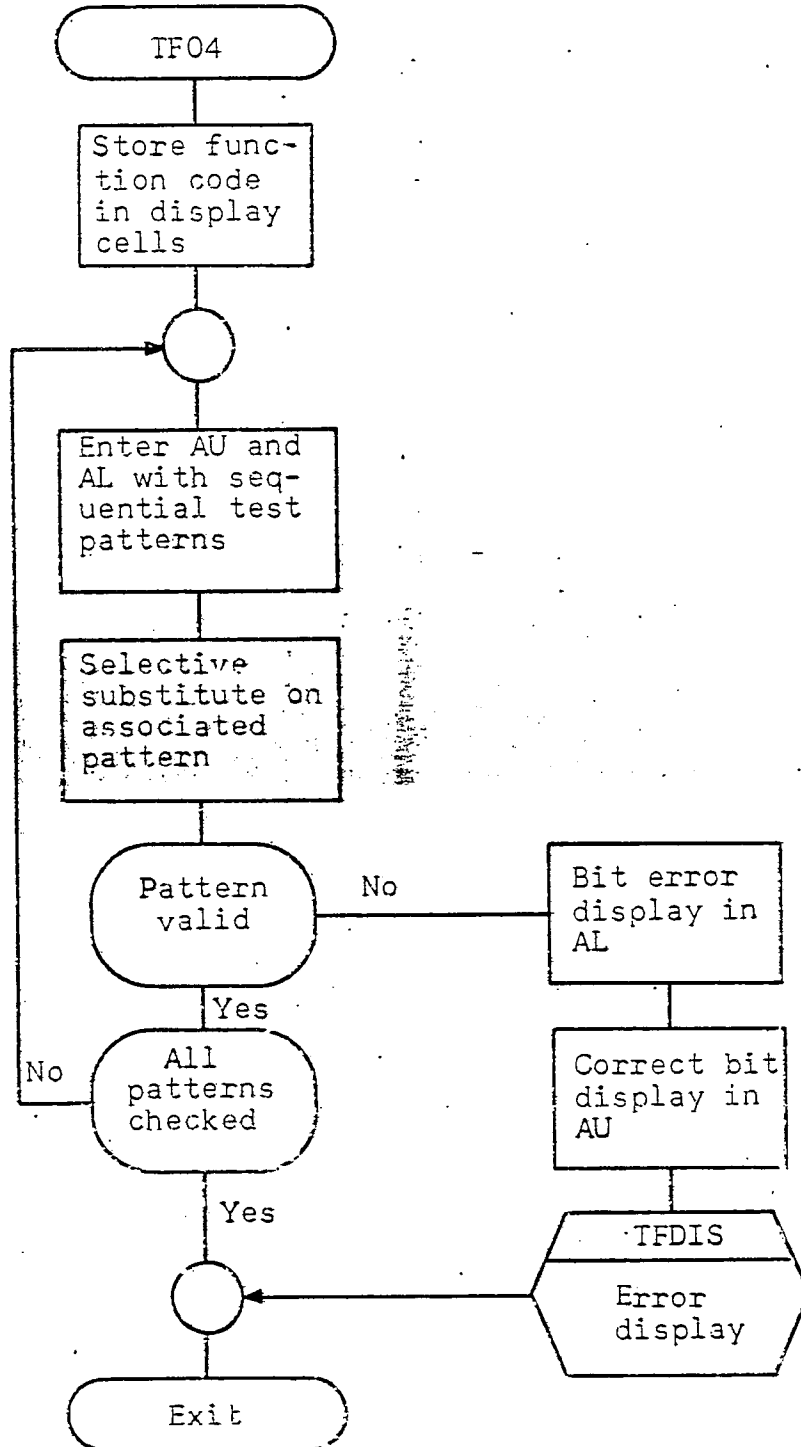
**NEXT LEVEL PROCEDURES OR SUBROUTINES (Keys of Duplicate Labels Specified):**

COMA - RETURN TO EXEC  
TFDIS - ERROR DISPLAY

**SYSTEM DATA REFERENCES:**

**ALARMS AND/OR REMARKS:**

- ERROR DETECTION - PROGRAM STOP 0 set display of bit error in AL-  
correct bit configuration in AU - function code  
in CO (04)
- PROGRAM SKIP 4 - set for console error display only,  
not set for error timeout (Function Code 04)
- PROGRAM SKIP 0 - set to recycle subroutine (TF04)  
not set to continue test



TF04: SELECTIVE SUBSTITUTE

SHEET 195

REVISION

SPECIFICATION SYMBOL  
SB-10163TITLE: TF05 - TEST SELECTIVE SUBSTITUTE PLUS B (05xxxx)DECK IDENTIFIER: FACTCS-1 LABEL: TF05 KEY: \_\_\_\_\_ IS LABEL DUPLICATE? NoPROGRAMMER: P M C modified by TLR DATE: 8 Dec. 67NUMBER OF L<sub>4</sub> OUTPUT INSTRUCTIONS: 50

## DESCRIPTION:

This subroutine tests the Selective Substitute Plus B command (Function Code 05). A variety of patterns are entered into the B Register, A Upper, and A Lower. Then the SLSUB instruction is executed and checked for proper execution by a comparison with an associated pattern. If execution was proper, the next set of patterns is used. This continues until all sets have been used and verified. If all are correct an exit is made to the Executive routine (COMA). If an error is detected, the correct information is entered in A Upper, A Lower contains the incorrect information, and an exit is made to the Display subroutine (TFDIS). Upon returning to this subroutine (TF05) an exit is made to the Executive routine (COMA) for continuing the test or recycling this subroutine (TF05).

SPECIFICATION SYMBOL  
SB-10163

TITLE: TF05 - TEST SELECTIVE SUBSTITUTE PLUS B (05xxx)

INPUT PARAMETERS (Listed Sequentially):

COMA	TEST PATTERNS			
	TPAB1	-000001	TPAS4	-000002
	TPAT1	-000000	TPAS7	-777775
	TPAT2+1	-252525	TPAS5	-000004
	TPAT3	-525252	TPAT7	-070707
	TPAT5	-007777	TPAK7	-077070
	TPAT4	-770000		
	TPAT	-777777		
	TPAB1+1	-777776		

OUTPUT PARAMETERS (Listed Sequentially):

BUFF1  
BUFF2  
TFX

ABNORMAL EXITS (Listed Sequentially):

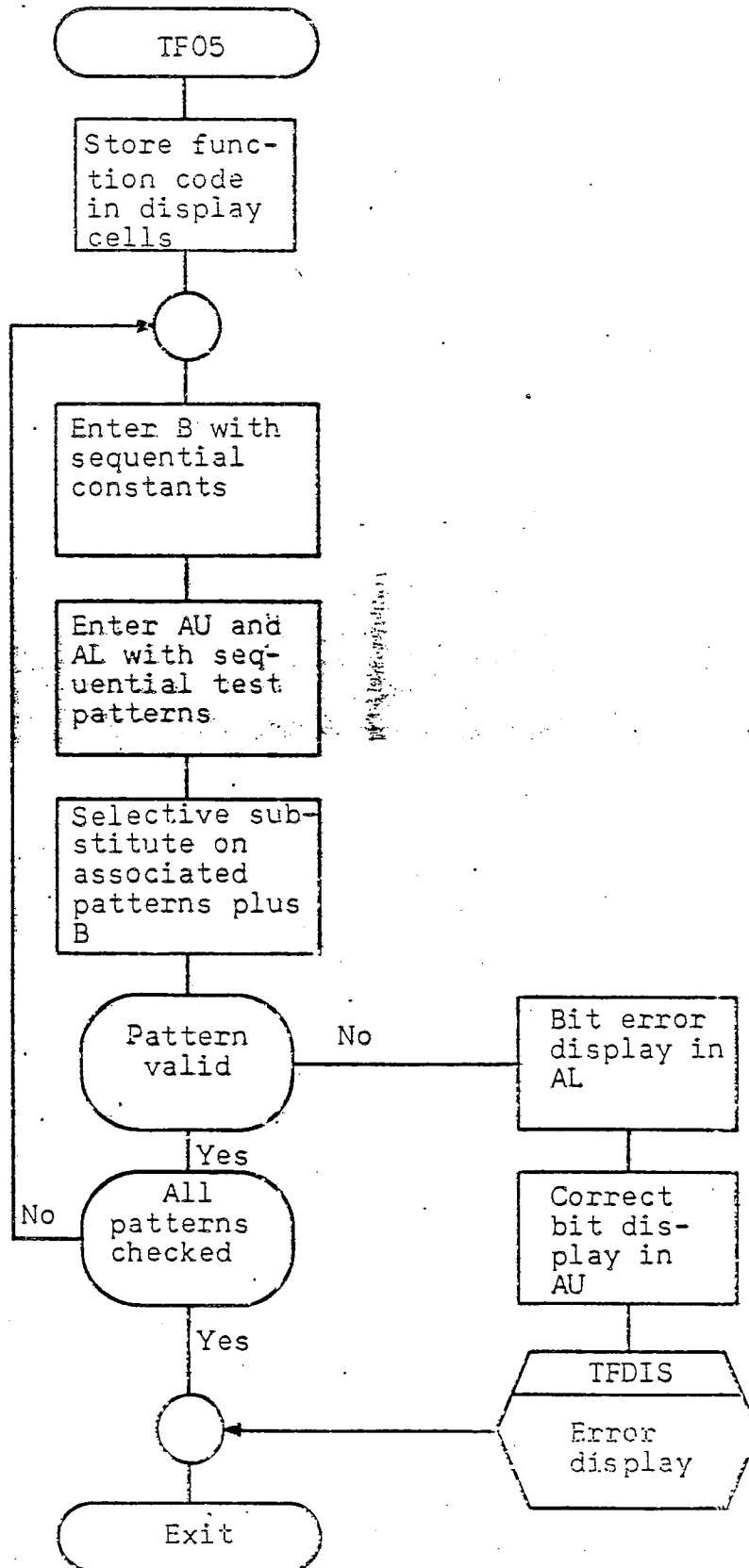
NEXT LEVEL PROCEDURES OR SUBROUTINES (Keys of Duplicate Labels Specified):

COMA (EXEC)  
TFDIS (Error Display)

SYSTEM DATA REFERENCES:

ALARMS AND/OR REMARKS:

- ERROR DISPLAY
- PROGRAM STOP 0 - Correct information in A Upper  
Incorrect information in A Lower  
Function code (05xxxx) in CO
  - PROGRAM SKIP 4 - Set for console error display only  
Not set for error timeout (Function code 05)
  - PROGRAM SKIP 0 - Not set to continue test  
Set to recycle S/R (TF05)



TF05: SELECTIVE SUBSTITUTE PLUS B

### PROGRAM DATA PAGE

SHEET 198

REVISION

SPECIFICATION SYMBOL  
SB-10163

TITLE: TF06 - TEST COMPARE MASK (06xxxx)

DECK IDENTIFIER: FACT

CS-1 LABEL: TF06 KEY: \_\_\_\_\_ IS LABEL DUPLICATE? No

PROGRAMMER: F W S modified by TLR DATE: 8 Dec. 67

NUMBER OF L OUTPUT INSTRUCTIONS: 33

#### DESCRIPTION:

This subroutine tests the Compare Mask instruction (Function Code 06). A mask is entered into A Upper and, utilizing sliding zero patterns in A Lower, the CMSK instruction is executed and checked for proper execution. If each execution is correct and all patterns have been checked an exit is made to the executive routine (COMA). If an error is detected in one of the checks, the correct pattern is entered into A Upper; A Lower contains the incorrect pattern, and an exit is made to the display subroutine (TFDIS). Upon returning to this subroutine (TF06) an exit is made to the executive routine (COMA) to check for continuing the test or recycling this subroutine (TF06).

ALARMS AND/OR REMARKS:

PROGRAM SKIP 0 - Not set to continue  
PROGRAM SKIP 1 - Set for error type  
PROGRAM SKIP 2 - Set for console error  
Function code (06xxxx)  
Incorrect information  
PROGRAM STOP 0 - Correct information in  
ERROR DISPLAY

SPECIFICATION SYMBOL  
SB-10163TITLE: TF06 - TEST COMPARE MASK (06xxxx)

## INPUT PARAMETERS (Listed Sequentially):

COMA                    TEST PATTERNS  
                          TPAT            777777

## OUTPUT PARAMETERS (Listed Sequentially):

BUFF1  
BUFF2  
TFX

## ABNORMAL EXITS (Listed Sequentially):

## NEXT LEVEL PROCEDURES OR SUBROUTINES (Keys of Duplicate Labels Specified):

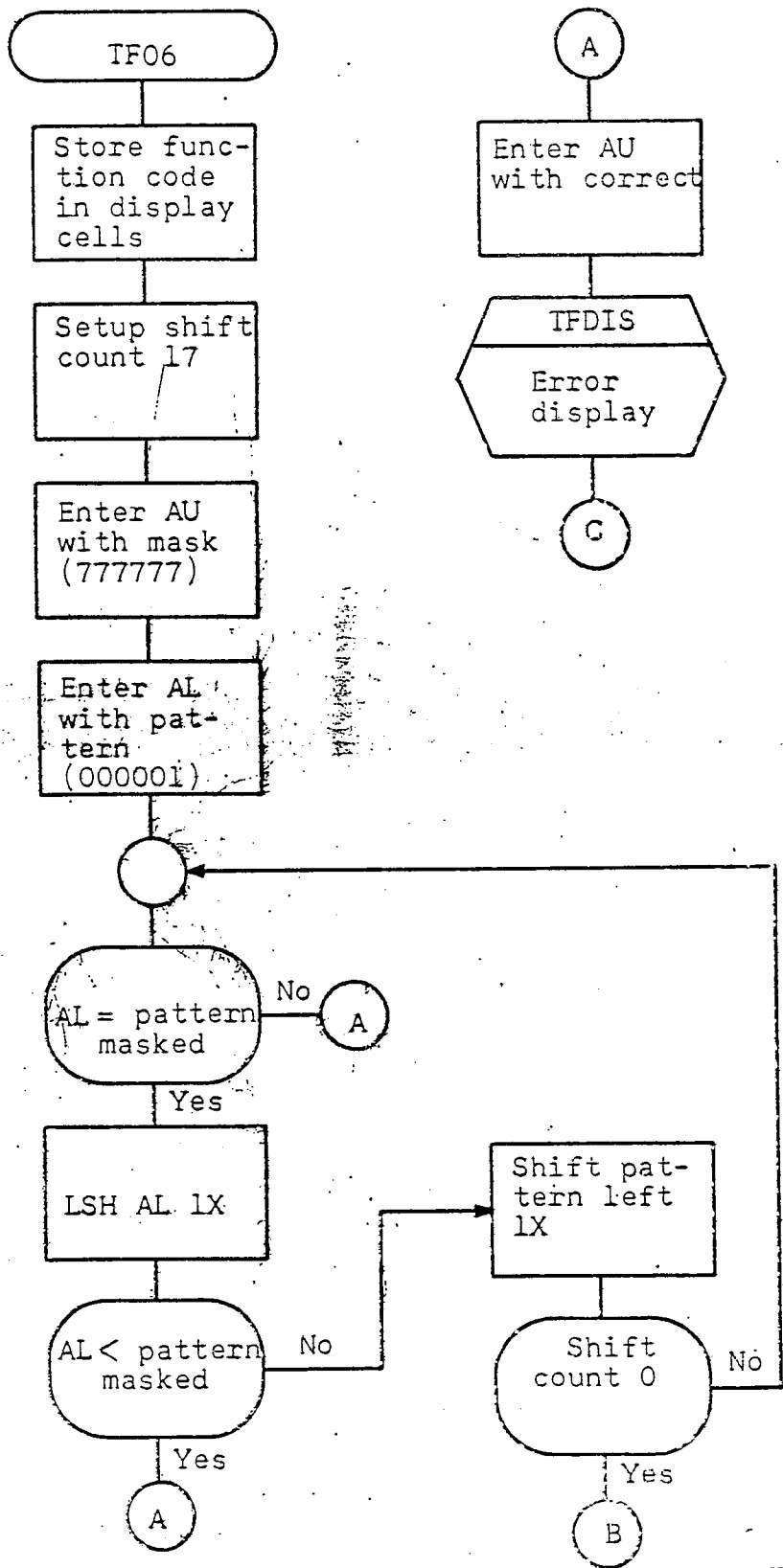
COMA  
TFDIS (Error Display)

## SYSTEM DATA REFERENCES:

## ALARMS AND/OR REMARKS:

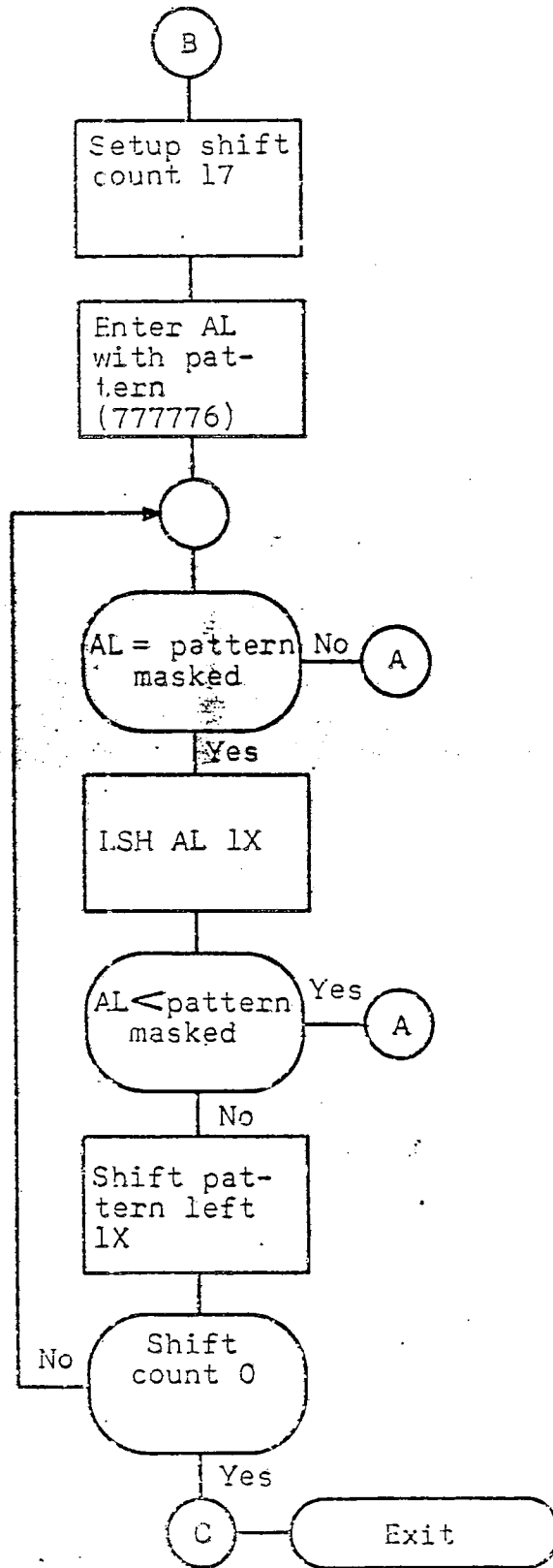
## ERROR DISPLAY

PROGRAM STOP 0 - Correct information in A Upper  
                          Incorrect information in A Lower  
                          Function code (06xxxx) in CO  
PROGRAM SKIP 4 - Set for console error display only  
                          Not set for error timeout (Function code 06)  
PROGRAM SKIP 0 - Not set to continue test  
                          Set to recycle subroutine (TF06)



TF06: MASK COMPARE AL WITH L(Y) (AU) 06XXXX





TF06: MASK COMPARE AL WITH L(Y) (AU) 06XXXX

Y.

SHEET 202

REVISION —

SPECIFICATION SYMBOL  
SB-10163TITLE: TF07 -- TEST COMPARE MASK PLUS B (07xxxx)DECK IDENTIFIER: FACTCS-1 LABEL: TF07 KEY: \_\_\_\_\_ IS LABEL DUPLICATE? NoPROGRAMMER: F W S modified by TLR DATE: 8 Dec. 67NUMBER OF L<sub>4</sub> OUTPUT INSTRUCTIONS: 35

## DESCRIPTION:

This subroutine tests the Compare Mask Plus B instruction (function code 07). A mask is entered into A Upper and utilizing a sliding ones pattern in A Lower, A CMSKB instruction is executed and checked for proper execution. If correct the next sequential pattern is checked with the B Register being updated with a B skip instruction. If all patterns are correct an exit is made to the executive routine (COMA). If the check on the 07 instruction shows it to be improper, A Upper is entered with the correct pattern, A Lower contains the incorrect, and an exit is made to the display subroutine (TFDIS). Upon returning to this subroutine (TF07) an exit is made to the executive routine (COMA) to check for continuing the test or recycling this subroutine (TF07).

SPECIFICATION SYMBOL SB-10163
----------------------------------

TITLE: TF07

INPUT PARAMETERS (Listed Sequentially):

COMA

OUTPUT PARAMETERS (Listed Sequentially):

BUFF1  
BUFF2  
TFX

ABNORMAL EXITS (Listed Sequentially):

NEXT LEVEL PROCEDURES OR SUBROUTINES (Keys of Duplicate Labels Specified):

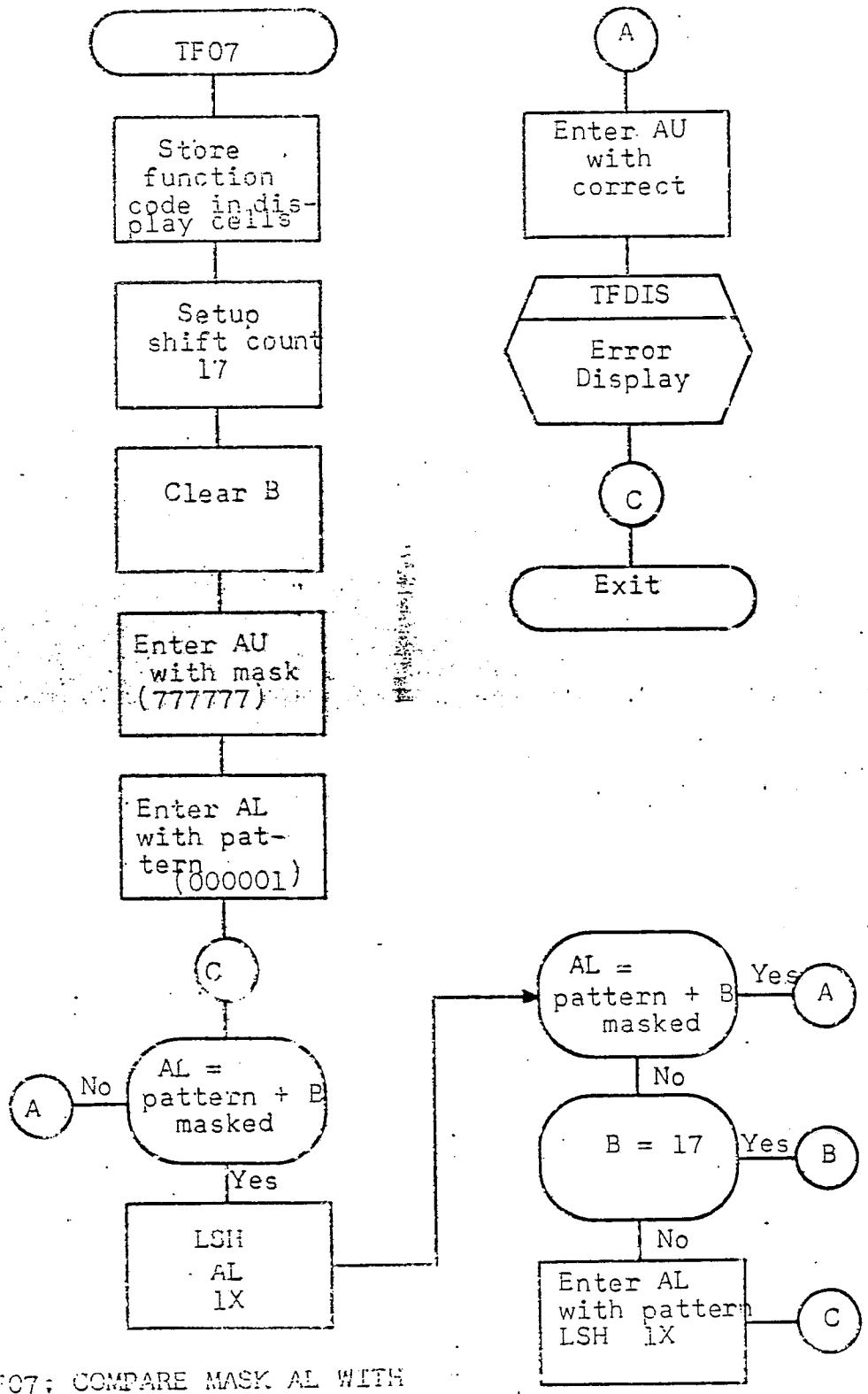
COMA  
TFDIS (Error Display)

SYSTEM DATA REFERENCES:

ALARMS AND/OR REMARKS:

ERROR DISPLAY

- PROGRAM STOP O - A Upper contains correct information  
                  A Lower contains incorrect information  
                  CO contains function code (07xxxx)
- PROGRAM SKIP 4 - Set for console error display only  
                  Not set for error typeout (Function Code 07)
- PROGRAM SKIP Q - Not set to continue test  
                  Set to recycle subroutine (TF07)



TF07: COMPARE MASK AL WITH  
L(Y+B)(AU)  
07XXXX

SPECIFICATION SYMBOL

SB-10163

TITLE: TF10 - TEST ENTER A UPPER (10xxxx)DECK IDENTIFIER: FACTCS-1 LABEL: TF10 KEY: \_\_\_\_\_ IS LABEL DUPLICATE? NoPROGRAMMER: P M C modified by TLR DATE: 8 Dec. 67NUMBER OF L<sub>1</sub> OUTPUT INSTRUCTIONS: 41

## DESCRIPTION:

This subroutine checks the Enter A Upper command. A variety of patterns are entered into AU with an Enter A Upper command. The result of the ENTAU command is checked for validity by entering AL with an associated test pattern and comparing A with a constant. If correct, the subroutine goes to the next pattern. When all patterns have been checked, the subroutine returns to the executive routine (COMA). If the validity check detects an error, AU will contain incorrect information and AL will contain the correct information. An exit is then made to the display subroutine where, with PROGRAM STOP 0 set, the function code will be displayed in CO and the error may be evaluated. Upon returning to this subroutine (TF10) an exit is made to the executive routine (COMA) to check for continuing the test or recycling this subroutine.

SPECIFICATION SYMBOL  
SB-10163

TITLE: TF10

INPUT PARAMETERS (Listed Sequentially):

COMA

TEST PATTERNS

TPAT	777777	TPAT4	770000
TPAT+1	777777	TPAT4+1	770000
TPAT1	000000	TPAT5	007777
TPAT1+1	000000	TPAT5+1	007777
TPAT2	252525	TPAT6	707070
TPAT2+1	252525	TPAT6+1	707070
TPAT3	525252	TPAT7	070707
TPAT3+1	525252	TPAT7+1	070707

OUTPUT PARAMETERS (Listed Sequentially):

BUFF1:  
BUFF2  
TFX

ABNORMAL EXITS (Listed Sequentially):

NEXT LEVEL PROCEDURES OR SUBROUTINES (Keys of Duplicate Labels Specified):

COMA - (EXEC)  
TFDIS - (Error Display)

SYSTEM DATA REFERENCES:

ALARMS AND/OR REMARKS:

ERROR DISPLAY  
PROGRAM STOP 0

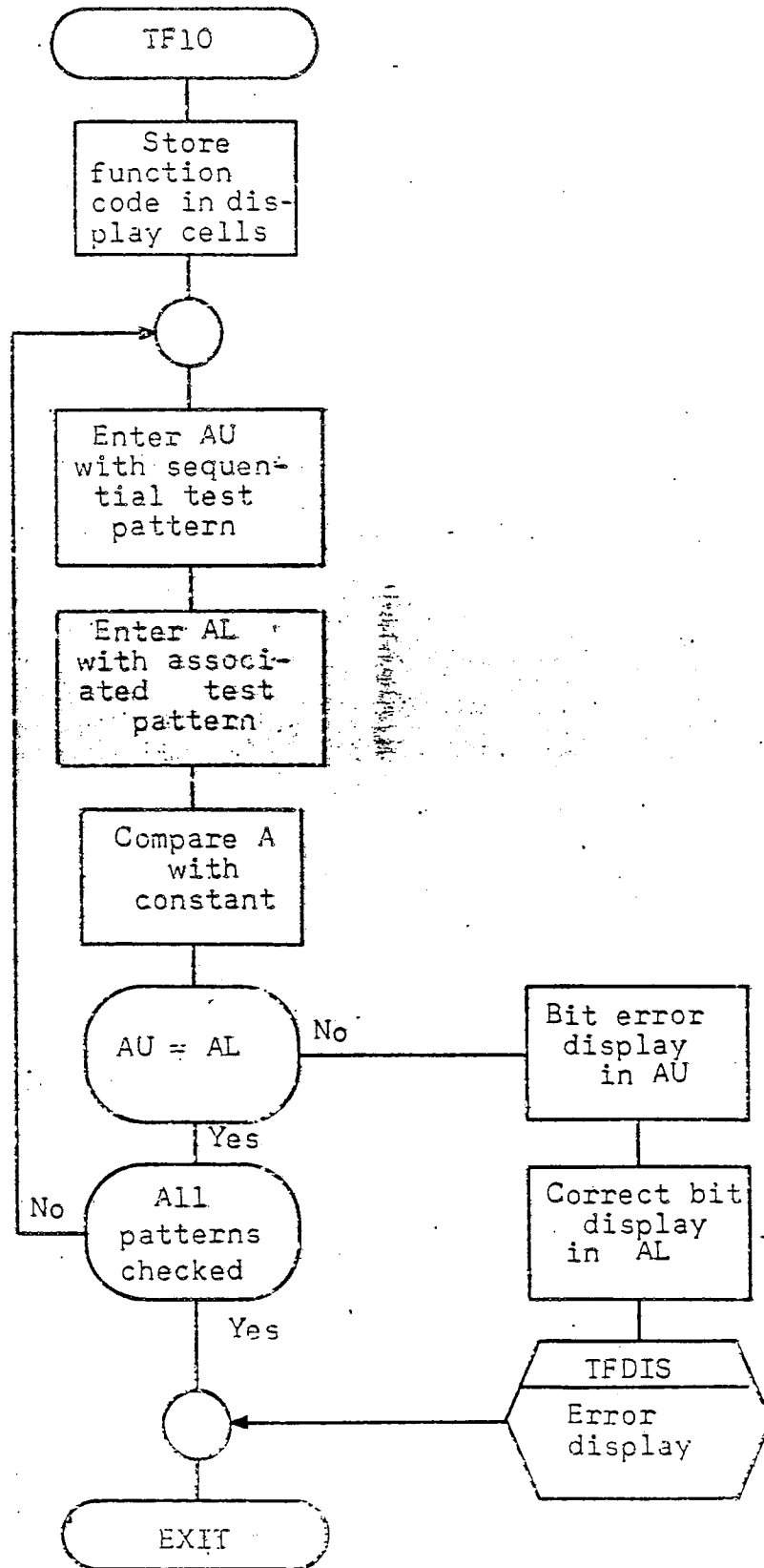
Incorrect information in A Upper  
Correct information in A Lower  
Function code (10xxxx) in CO

PROGRAM SKIP 4

- Set for console error display only  
Not set for error timeout (Function Code 10)

PROGRAM SKIP 0

- Not set to continue program  
Set to recycle test (TF10)



TF10: TEST FUNC ENTER A UPPER

SHEET

208

REVISION

SPECIFICATION SYMBOL  
SB-10163TITLE: TF11 - TEST ENTER A UPPER PLUS B (11xxxx)DECK IDENTIFIER: FACTCS-1 LABEL: TF11 KEY: \_\_\_\_\_ IS LABEL DUPLICATE? NoPROGRAMMER: P M C modified by TLR DATE: 8 Dec. 67NUMBER OF L OUTPUT INSTRUCTIONS: 44

## DESCRIPTION:

This subroutine checks the Enter A Upper Plus B command. A B constant is entered into B and then a pattern is entered into AU with an Enter AU Plus B command.

The result of the ENTIAUB command is checked for validity by entering AL with an associated pattern and comparing A with a constant. If correct, the subroutine goes to the next pattern using a different B constant. When all patterns have been checked, the subroutine returns to the Executive routine (COMA). If the validity check detects an error, AU will contain the incorrect information and AL the correct information. An exit is then made to the display subroutine where, with PROGRAM STOP 0 is set, the function code will be displayed in CO, and the error display may be evaluated. Upon returning to this subroutine (TF11) an exit is made to the Executive routine (COMA) to check for continuing the test or recycling this subroutine.



TITLE: TF11

INPUT PARAMETERS (Listed Sequentially):

COMA

TEST PATTERNS

TPAT	777777	TPAT6	707070
TPAT+1	777777	TPAT6+1	707070
TPAT1	000000	B BOX	CONSTANTS
TPAT1+1	000000	TPAB1	000001
TPAT2	252525	TPAB1+1	777776
TPAT2+1	252525	TPAS4	000002
TPAT3	525252	TPAT1	000000
TPAT3+1	525252	TPAS5	000004
		TPAS6	000007
		TPAS7	777775

OUTPUT PARAMETERS (Listed Sequentially):

BUFF1  
BUFF2  
TFX

ABNORMAL EXITS (Listed Sequentially):

NEXT LEVEL PROCEDURES OR SUBROUTINES (Keys of Duplicate Labels Specified):

COMA - (EXEC)  
TFDIS - (Error Display)

SYSTEM DATA REFERENCES:

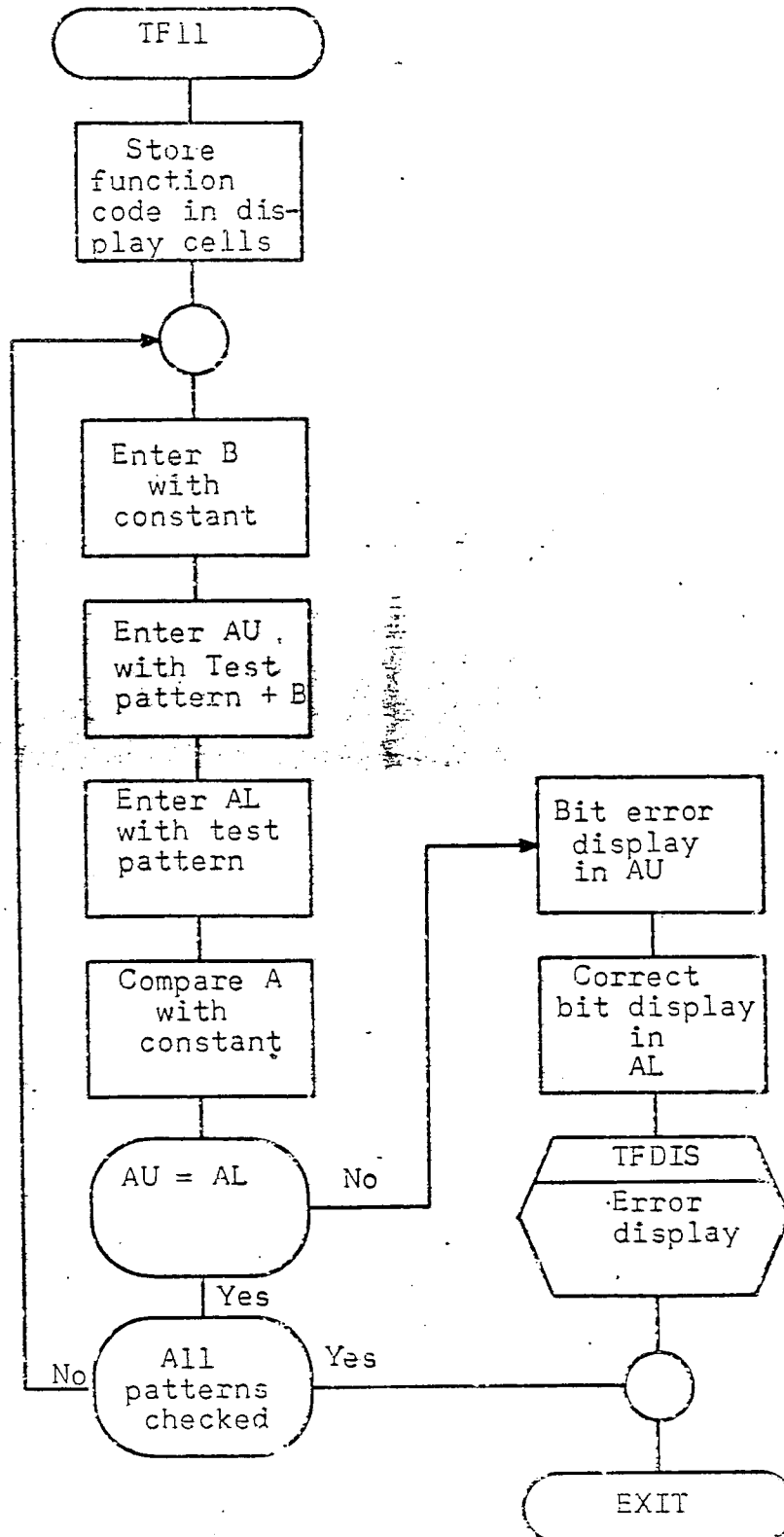
ALARMS AND/OR REMARKS:

ERROR DISPLAY

PROGRAM STOP 0 - Incorrect information in A Uoper  
Correct information in A Lower  
Function code (11xxxx) in CO

PROGRAM SKIP 4 - Set for error console error display only  
Not set for error typeout (Function Code 11)

PROGRAM SKIP 0 - Not set to continue test  
Set to recycle subroutine (TF11)



TF11: TEST FUNC ENTER A UPPER PLUS B

SHEET

211

REVISION

—

SPECIFICATION SYMBOL

SB-10163

TITLE: TF12 - TEST ENTER A LOWER (12xxxx)DECK IDENTIFIER: FACTCS-1 LABEL: TF12 KEY: \_\_\_\_\_ IS LABEL DUPLICATE? NoPROGRAMMER: P M C modified by TLR DATE: 8 Dec. 67NUMBER OF L<sub>4</sub> OUTPUT INSTRUCTIONS: 41

## DESCRIPTION:

This subroutine checks the Enter A Lower command. A variety of patterns are entered into AL with an Enter A Lower command. The result of the ENTAL command is checked for validity by entering AU with an associated pattern and then comparing A with a constant. If correct, the subroutine goes to the next pattern. When all patterns have been checked, the subroutine returns to the Executive routine (COMA). If the validity check detects an error, AL will contain the incorrect information and AU the correct information. An exit is then made to the display subroutine where with PROGRAM STOP O set, the function code will be displayed in CO, and the error may be evaluated. Upon returning to this subroutine (TF12) an exit is made to the executive routine (COMA) to check for continuing the test or recycling this subroutine.

## PROGRAM DATA PAGE (Cont)

SHEET

212

REVISION

—

SPECIFICATION SYMBOL

SB-10163

TITLE: TF12

## INPUT PARAMETERS (Listed Sequentially):

COMA

## TEST PATTERNS

TPAT	777777	TPAT4+1	770000
TPAT+1	777777	TPAT5	007777
TPAT1	000000	TPAT5+1	007777
TPAT1+1	000000	TPAT6	707070
TPAT2	252525	TPAT6+1	707070
TPAT2+1	252525	TPAT7	070707
TPAT3	525252	TPAT7+1	070707
TPAT3+1	525252		
TPAT4	770000		

## OUTPUT PARAMETERS (Listed Sequentially):

BUFF 1  
BUFF 2  
TFX

## ABNORMAL EXITS (Listed Sequentially):

## NEXT LEVEL PROCEDURES OR SUBROUTINES (Keys of Duplicate Labels Specified):

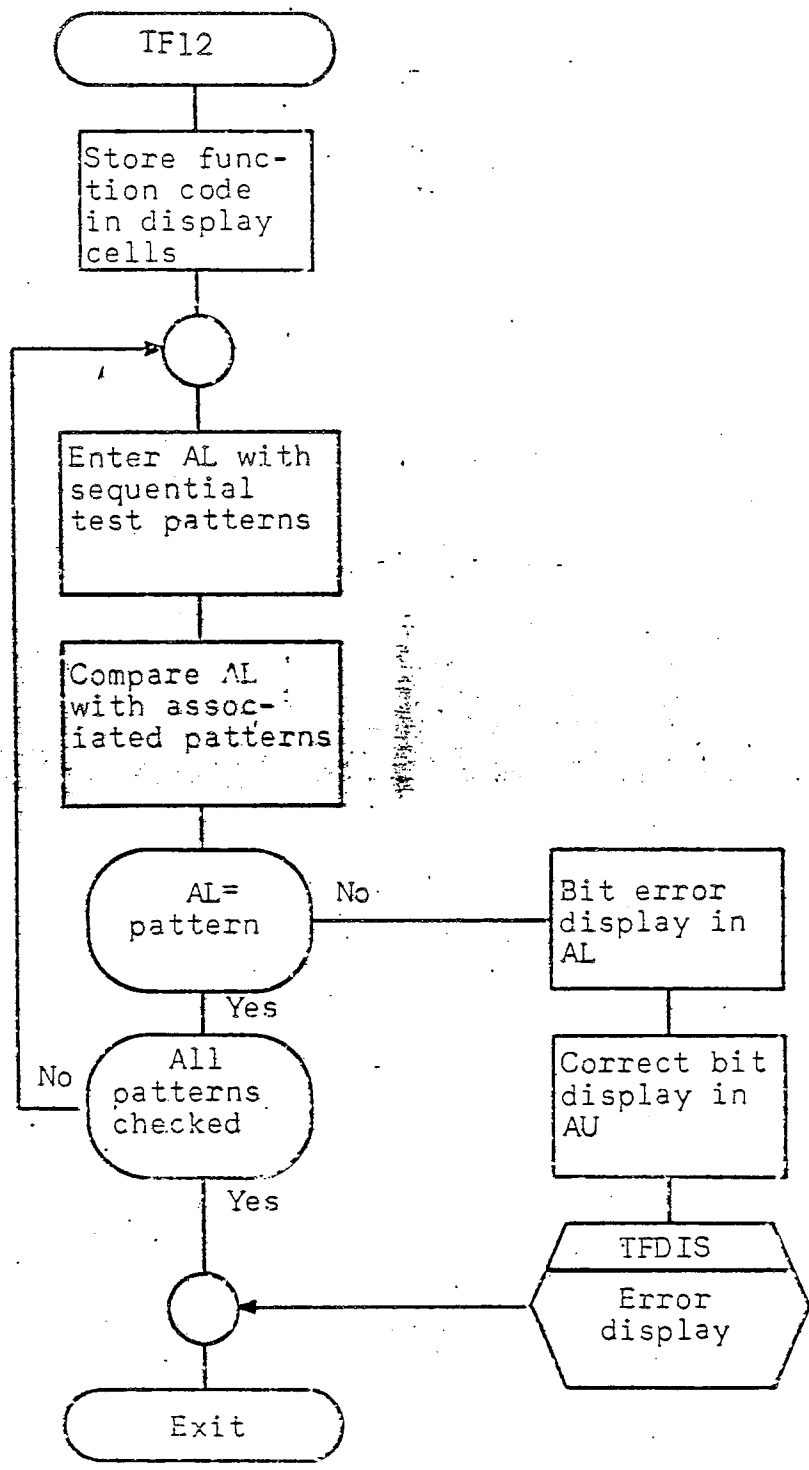
COMA - (EXEC)  
TFDIS - Error Display

## SYSTEM DATA REFERENCES:

## ALARMS AND/OR REMARKS:

## ERROR DISPLAY

PROGRAM STOP 0 - Incorrect information in A Lower  
Correct information in A Upper  
Function code (12xxxx) in CO  
PROGRAM SKIP 4 - Set for console error display only  
Not set for error timeout (Function Code 12)  
PROGRAM SKIP 0 - Not to continue test  
Set to recycle subroutine (TF12)



TF12: TFST FUNC ENTER A LOWER

SHEET 214

REVISION ..

SPECIFICATION SYMBOL  
SB-10163

TITLE: TF13 - TEST ENTER AL MODIFIED BY B (13xxxx)

DECK IDENTIFIER: FACT

CS-1 LABEL: TF13 KEY: \_\_\_\_\_ IS LABEL DUPLICATE? No

PROGRAMMER: P M C modified by TLR DATE: 8 Dec.. 67

NUMBER OF L<sub>4</sub> OUTPUT INSTRUCTIONS: 43

## DESCRIPTION:

This subroutine checks the Enter A Lower Modified By B command. A constant is entered into B and then a pattern is entered into AL with the Enter AL Plus B command. The execution of the ENTIALB command is checked for validity by entering AU with an associated test pattern and then comparing A with a constant. If correct, the subroutine goes on to the next pattern using a different, B-modifying constant. When all patterns have been checked, the subroutine returns to the Executive routine (COMA). If the validity check detects an error, AL will contain the incorrect information and AU the correct information. An exit then is made to the display subroutine where, with PROGRAM STOP 0 set, the function code will be displayed in CO, and the error display may be evaluated. Upon returning to this subroutine (TF13) an exit is made to the Executive routine (COMA) to check for continuing the test or recycling this subroutine.

SPECIFICATION SYMBOL SB-10163
----------------------------------

TITLE: TF13

## INPUT PARAMETERS (Listed Sequentially):

COMA	TEST PATTERNS					
	TPAT	777777	TPAT6+1	707070	TPAS6	000007
	TPAT+1	777777	TPAT7	070707	TPAS7	777775
	TPAT1	000000	TPAT7+1	070707		
	TPAT1+1	000000	B BOX	CONSTANTS		
	TPAT2	252525	TPAB1	000001		
	TPAT2+1	252525	TPAB1+1	777776		
	TPAT3	525252	TPAS4	000002		
	TPAT3+1	525252	TPAT1	000000		
	TPAT6	707070	TPAS5	000004		

## OUTPUT PARAMETERS (Listed Sequentially):

BUFF1  
BUFF2  
IFX

## ABNORMAL EXITS (Listed Sequentially):

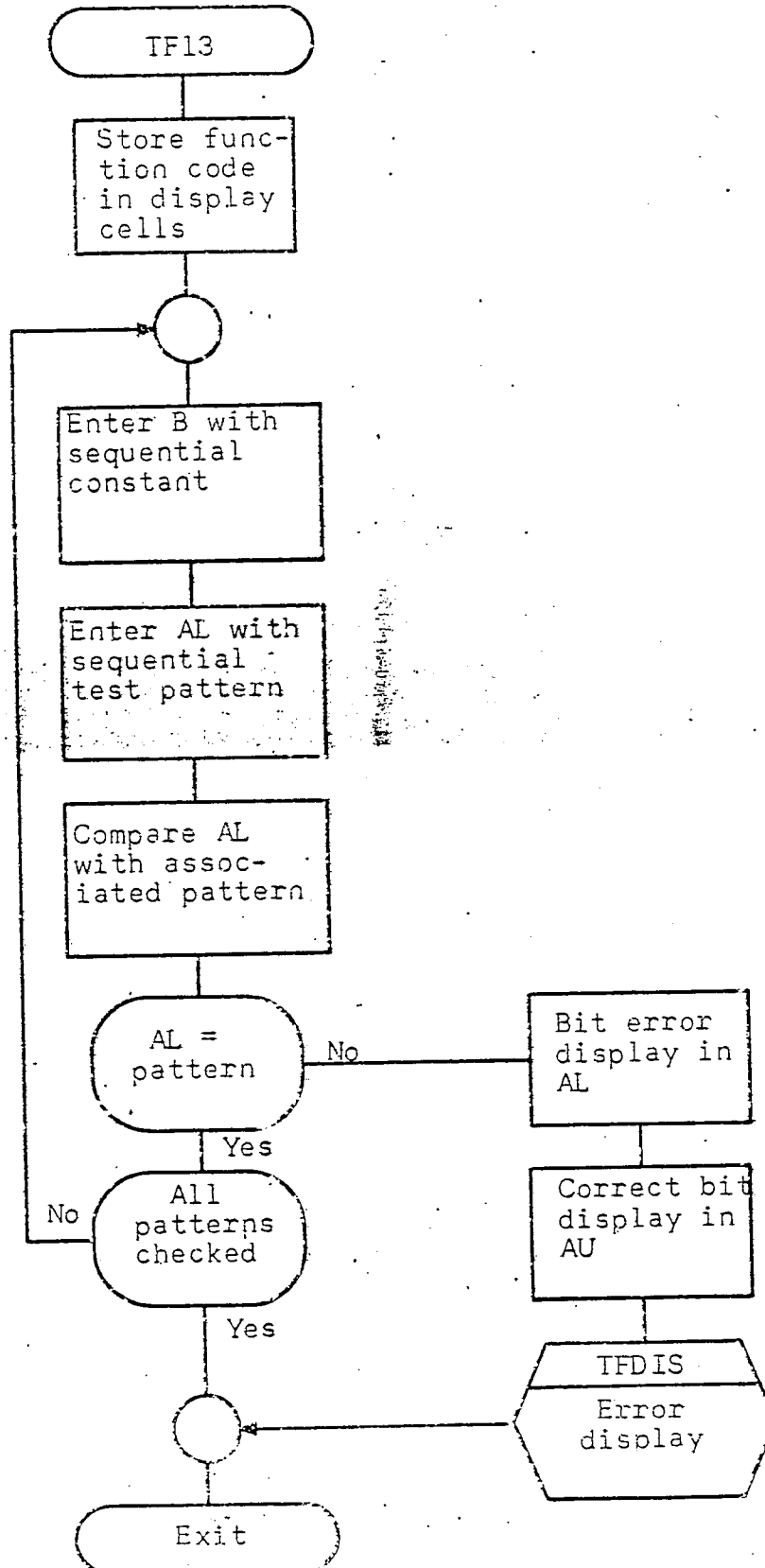
## NEXT LEVEL PROCEDURES OR SUBROUTINES (Keys of Duplicate Labels Specified):

COMA - (EXEC)  
TFDIS - Error Display

## SYSTEM DATA REFERENCES:

## ALARMS AND/OR REMARKS:

ERROR DISPLAY  
PROGRAM STOP 0 - Incorrect information in A Lower  
Correct information in A Upper  
Function code (13xxxx) in CO  
PROGRAM SKIP 4 - Set for console error display only  
Not set for error timeout (Function Code 13)  
PROGRAM SKIP 0 - Not set to continue test  
Set to recycle subroutine (TF13)



TF13: TEST FUNC ENTER AL MODIFIED BY B



## PROGRAM DATA PAGE

SHEET 217

REVISION —

SPECIFICATION SYMBOL  
SB-10163TITLE: TF14 - ADD A LOWER PLUS Y (14xxxx)DECK IDENTIFIER: FACTCS-1 LABEL: TF14 KEY: \_\_\_\_\_ IS LABEL DUPLICATE? NoPROGRAMMER: F W S modigied by TLR DATE: 8 Dec. 67NUMBER OF L<sub>4</sub> OUTPUT INSTRUCTIONS: 21

## DESCRIPTION:

This subroutine checks the Add A Lower Plus Y command. A test-pattern constant is entered into AL, and then an ADDAL command is executed (Y being another test pattern constant). Then a Jump command is performed if A is equal to zero, and B is entered with a constant. (TC03 containing 377777.) Following this, a B jump command takes the program to an Add AL plus Y (Y is TPAB1 which contains a 00001 constant), and then a Jump back is made to the B Jump command. This is repeated until B is equal to zero. (377777 Add AL plus Y commands). Then a compare is made between AL and a test pattern at TCO 3 containing 377777. If AL is correct, the subroutine is returned to the executive routine (COMA). If either the Jump or A equal zero or the Compare command detects an error, AU will contain the correct information and the incorrect information will be in AL. An exit is then made to the display subroutine where, with PROGRAM STOP 0 set, the function code will be displayed in CO, and the error display may be evaluated. Upon returning to this subroutine (TF14) an exit is made to the Executive routine (COMA) to check for continuing the test or recycling this subroutine.

SPECIFICATION SYMBOL  
SB-10163TITLE: TF14

## INPUT PARAMETERS (Listed Sequentially):

COMA	TEST PATTERNS
	TPAT1      000000
	TPAT2      252525
	TPAT3      525252
	TPAB1      000001
	ICO3       377777

## OUTPUT PARAMETERS (Listed Sequentially):

BUFF1  
BUFF2  
TFX

## ABNORMAL EXITS (Listed Sequentially):

## NEXT LEVEL PROCEDURES OR SUBROUTINES (Keys of Duplicate Labels Specified):

COMA - (EXEC)  
TFDIS - Error Display

## SYSTEM DATA REFERENCES:

## ALARMS AND/OR REMARKS:

ERROR DISPLAY  
PROGRAM STOP 0 - Incorrect information in A Lower  
                  Correct information in A Upper  
                  Function code (14xxxx) in CO  
PROGRAM SKIP 4 - Set for console error display only  
                  Not set for error timeout (Function Code 14)  
PROGRAM SKIP 0 - Not set to continue test  
                  Set to continue test



## PROGRAM DATA PAGE

SHEET 220

REVISION —

SPECIFICATION SYMBOL  
SB-10163

TITLE: TF15 - ADD A LOWER PLUS (Y+B) (15xxxx)

DECK IDENTIFIER: FACT

CS-1 LABEL: TF15 KEY: IS LABEL DUPLICATE? No

PROGRAMMER: F W S modified by TLR DATE: 8 Dec. 67

NUMBER OF L<sub>2</sub> OUTPUT INSTRUCTIONS: 26

## DESCRIPTION:

This subroutine checks the Add A Lower plus (Y+B) command. A constant is entered into B and AL, then the ADDALB command is executed, using a test-pattern constant (Y+B) of the same value as B. AU is then entered with the correct information from a test pattern, followed by a compare of AL to that same test pattern to check the validity of the ADDALB command. If the result is correct, the next constant is entered into B and AL. This cycle is repeated until AL is equal to 000010. At this point the subroutine returns to the Executive routine (COMA). If the validity check detects an error an exit is made to the display subroutine where, with PROGRAM STOP 0 set, AU will contain the correct information, AL the incorrect information, the function code will be displayed in CO, and the error may be evaluated. Upon returning to this subroutine (TF15) an exit is made to the Executive routine (COMA) to check for continuing the test or recycling this subroutine.

SPECIFICATION SYMBOL  
SB-10163

TITLE: TF15

## INPUT PARAMETERS (Listed Sequentially):

COMA	TEST PATTERNS
	TPAB1        000001
	TPAS4       000002
	TPAS5       000004
	TPAS        000010

## OUTPUT PARAMETERS (Listed Sequentially):

BUFF1  
BUFF2  
TFX

## ABNORMAL EXITS (Listed Sequentially):

## NEXT LEVEL PROCEDURES OR SUBROUTINES (Keys of Duplicate Labels Specified):

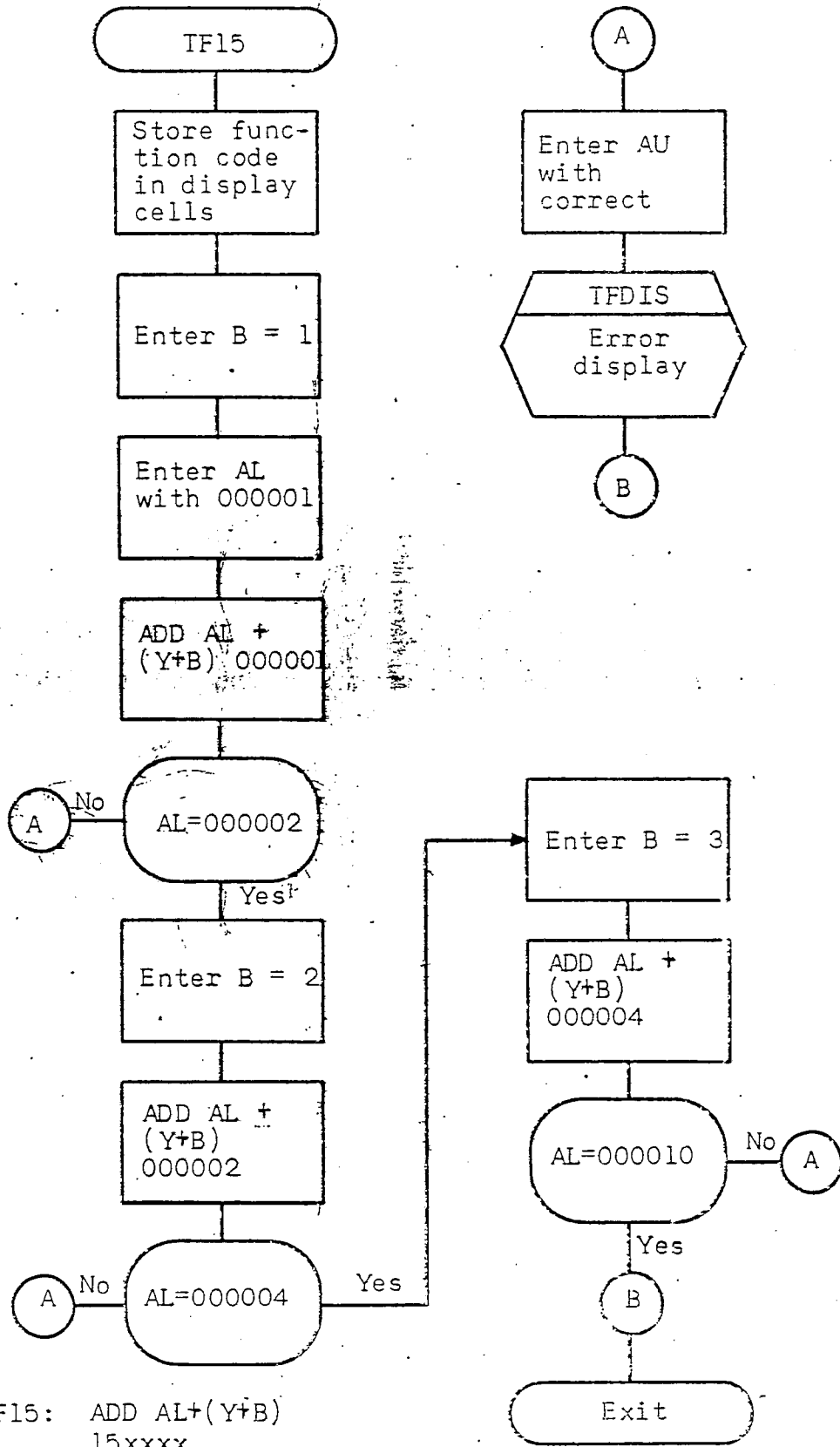
COMA - (COMA)  
TFDIS - Error Display

## SYSTEM DATA REFERENCES:

## ALARMS AND/OR REMARKS:

ERROR DISPLAY  
PROGRAM STOP 0 - Incorrect information in A Lower  
                  Correct information in A Upper  
                  Function code (15xxxx) in CO  
PROGRAM SKIP 4 - Set for console error display only  
                  Not set for error typeout (Function Code 15)  
PROGRAM SKIP 0 - Not set to continue test  
                  Set to recycle subroutine (TF15)

SPECIFICATION SYMBOL  
SB-10163



TF15: ADD AL+(Y+B)  
15xxxx  
Y

SPECIFICATION SYMBOL  
SB-10163TITLE: TF16 - SUBT A LOWER MINUS Y (16xxxx)DECK IDENTIFIER: FACTCS-1 LABEL: TF16 KEY: \_\_\_\_\_ IS LABEL DUPLICATE? NoPROGRAMMER: F W S modified by ILR DATE: 8 Dec.. 67NUMBER OF L<sub>4</sub> OUTPUT INSTRUCTIONS: 28

## DESCRIPTION:

This subroutine checks the Subtract A Lower Minus Y command. A constant is entered into AL, and a test-pattern constant into AU (the correct information). Then the subtract A lower minus Y (Y is another test pattern) is executed. If A is equal to zero, another SUBAL command is executed and compared to another constant. If the validity check detects no error, another test-pattern constant is entered into AL and the sequence is repeated until the comparison shows that AL and the test pattern are equal to 700000. The subroutine then returns to the Executive routine (COMA). If an error is detected at any point in the subroutine, AU will contain the correct information, AL the incorrect information, and an exit will be made to the display subroutine. If PROGRAM STOP Q is set, the function code will be displayed in CO and the error may be evaluated. Upon returning to this subroutine (TF16) an exit is made to the executive routine (COMA) to check for continuing the test or recycling the subroutine.

SPECIFICATION SYMBOL SB-10163
----------------------------------

TITLE: TF16

## INPUT PARAMETERS (Listed Sequentially):

## TEST PATTERNS

TPAT1	000000
TPAB1	000001
TPAB4+1	277777
TCO	777776
TCO1+1	177777
TCO4+1	200000
TCUT4	700000

## OUTPUT PARAMETERS (Listed Sequentially):

BUFF1  
BUFF2  
TFX

## ABNORMAL EXITS (Listed Sequentially):

## NEXT LEVEL PROCEDURES OR SUBROUTINES (Keys of Duplicate Labels Specified):

COMA - (EXEC)  
TFDIS - Error Display

## SYSTEM DATA REFERENCES:

## ALARMS AND/OR REMARKS:

## ERROR DISPLAY

PROGRAM STOP 0 - Incorrect information in A Lower  
Correct information in A Upper.  
Function code (16xxxx) in CO

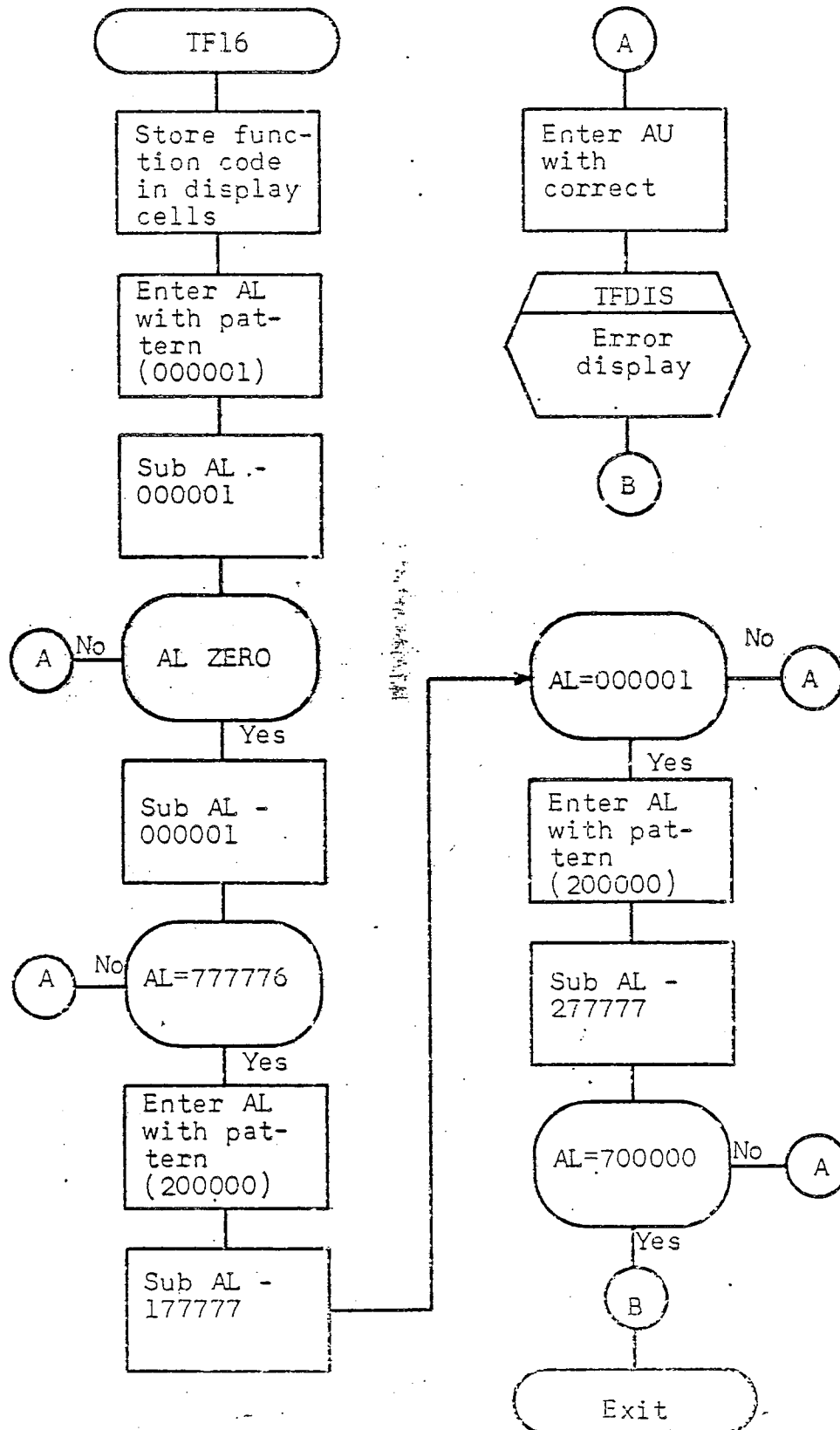
PROGRAM SKIP 4 - Set for console error display only  
Not set for error typeout (Function Code 16)

PROGRAM SKIP 0 - Not set to continue test  
Set to recycle subroutine (TF16)

TF16

111101





TITLE: TF17 - SUBTRACT AL MINUS (Y+B) (17xxxx)DECK IDENTIFIER: FACTCS-1 LABEL: TF17 KEY: \_\_\_\_\_ IS LABEL DUPLICATE? NoPROGRAMMER: F.W.S modified by TLR DATE: 8 Dec. 67NUMBER OF L OUTPUT INSTRUCTIONS: 21

## DESCRIPTION:

This subroutine checks the Subtract A Lower Minus (Y+B) command. Constants are entered into AL, B and AU (AU being the correct information as the result of the command). Then the SUBALB command is executed and validity is checked if AL is equal to zero. AL and B are entered with two different constants. Another Subtract AL minus (Y+B) command is executed and AU is entered with the correct information from a test-pattern constant. A compare is executed between AL and the correct information of a test pattern constant for validity. If correct, an exit is made to the executive routine (COMA) to continue the program. If an error is detected by the validity checks, an exit is made to the display subroutine. AU will contain the correct information, AL the incorrect information, and if PROGRAM STOP 0 is set, CO will contain the function code, and the error may be evaluated. Upon return to this subroutine (TF17) an exit is made to the executive routine (COMA) to check for continuing the test or recycling this subroutine (TF17).

TITLE: TF17

## INPUT PARAMETERS (Listed Sequentially):

COMA	TEST PATTERNS
	TPAT1        000000
	TPAB2        200001
	TPAB1-11    000001
	TCO           777776
	TCO4+1      200000

## OUTPUT PARAMETERS (Listed Sequentially):

BUFF1  
BUFF2  
TFX

## ABNORMAL EXITS (Listed Sequentially):

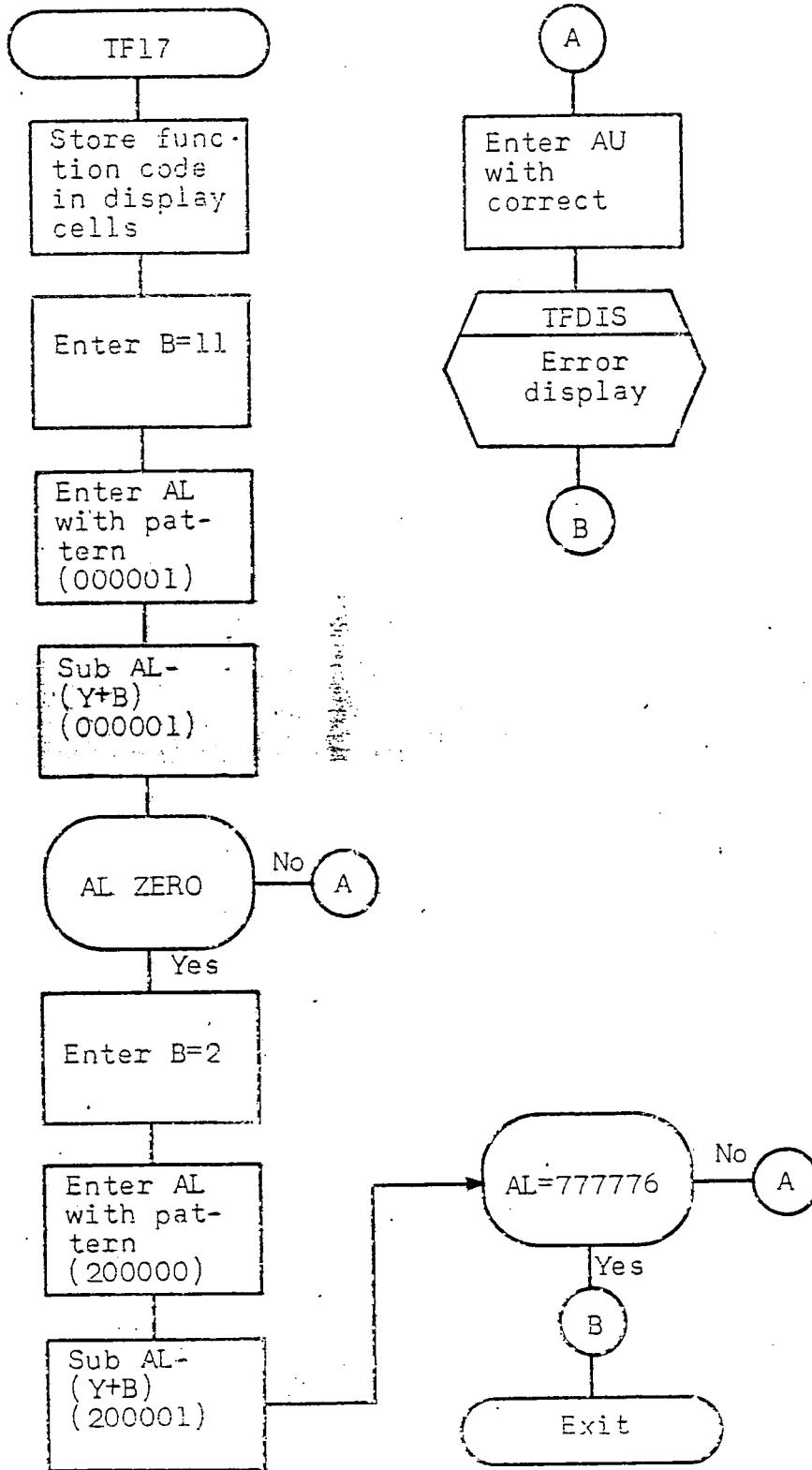
## NEXT LEVEL PROCEDURES OR SUBROUTINES (Keys of Duplicate Labels Specified):

COMA (EXEC)  
TFDIS - Error Display

## SYSTEM DATA REFERENCES:

## ALARMS AND/OR REMARKS:

ERROR DISPLAY  
PROGRAM STOP 0 - Correct information in A Upper  
                  Incorrect information in A Lower  
                  Function code (17xxxx) in CO  
PROGRAM SKIP 4 - Set for console error display only  
                  Not set for error timeout (Function Code 17)  
PROGRAM SKIP 0 - Not set to continue test  
                  Set to recycle subroutine



TF17: SUBT AL-(Y+B) 17xxx  
Y

TITLE: TF20 - ADD A PLUS (Y) AND (Y+1) (20xxxx)DECK IDENTIFIER: FACTCS-1 LABEL: TF20 KEY: \_\_\_\_\_ IS LABEL DUPLICATE? NoPROGRAMMER: F W S modified by TLR DATE: 8 Dec. 67NUMBER OF L<sub>4</sub> OUTPUT INSTRUCTIONS: 31

## DESCRIPTION:

This subroutine checks the Add A Plus (Y) and (Y+1) command. AU and AL are entered with a test pattern, and an Add A plus Y (Y being another, test-pattern constant) is executed. The execution is checked by jumping and entering the next sequential, test-pattern constant into AU if A is equal to zero. ADDA is again executed, and validity checked by a compare of A to the image, test-pattern constant. Then an exchange of registers is accomplished by left shifting A and comparing AL to the respective pattern and thereby checking for validity of the AU bits. By left shifting A again, the bits are replaced in their original positions and another Add A command is executed and the results in AL are compared to a test pattern. If correct, another left shifting and compare sequence is performed. If correct, an exit is made to the executive routine (COMA) to continue the program. If an error is detected by any of the validity checks, an exit is made to the error display subroutine with the sum of the ADD in AU and AL. With PROGRAM STOP 0 set, CO will contain the function code and the error may be evaluated. Upon return to this subroutine (TF20) an exit is made to the executive routine (COMA) to check for continuing the test or recycling this subroutine (TF20).

TITLE: TF20

**INPUT PARAMETERS (Listed Sequentially):**

COMA	TEST PATTERNS		
	TPAT1	000000	000000
	TCO	777777	777776
	TCO+1		777777
	TCO1	177777	777777
	TCO1+i	177777	
	TCO3	377777	
	TCO4+1	200000	

**OUTPUT PARAMETERS (Listed Sequentially):**

BUFF1  
 BUFF2  
 TFX

**ABNORMAL EXITS (Listed Sequentially):**

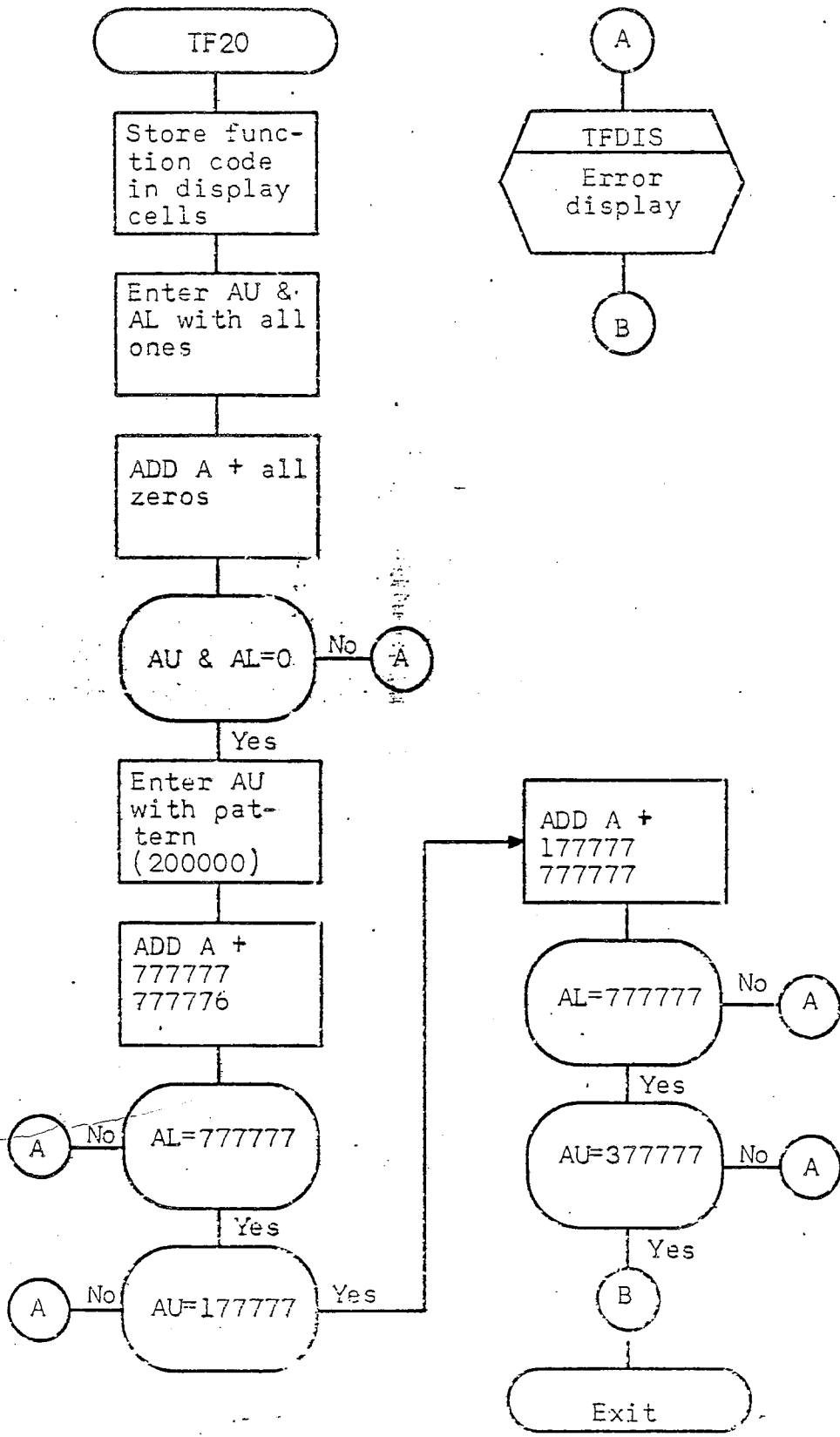
**NEXT LEVEL PROCEDURES OR SUBROUTINES (Keys of Duplicate Labels Specified):**

COMA - (EXEC)  
 TFDIS - Error Display

**SYSTEM DATA REFERENCES:**

**ALARMS AND/OR REMARKS:**

ERROR DISPLAY  
 PROGRAM STOP 0 - AU and AL = sum of Add  
                   CO = function code (20xxxx)  
 PROGRAM SKIP 4 - Set for console error display only  
                   Not set for error typeout (Function Code 20)  
 PROGRAM SKIP 0 - Not set to continue test  
                   Set to recycle subroutine (TF20)



TF20: ADD A+(Y)&(Y+1) 20xxxx

## PROGRAM DATA PAGE

SHEET

232

REVISION —

SPECIFICATION SYMBOL  
SB-10163TITLE: TF21 - ADD A PLUS (Y+B) (Y+B+1) (21xxxx)DECK IDENTIFIER: FACTCS-1 LABEL: TF21 KEY: \_\_\_\_\_ IS LABEL DUPLICATE? NoPROGRAMMER: F W S modified by TLR DATE: 8 Dec. 67NUMBER OF L<sub>4</sub> OUTPUT INSTRUCTIONS: 27

## DESCRIPTION:

This subroutine checks the Add A Plus (Y+B) (Y+1+B) command. AU and AL are entered with a test-pattern constant, B is entered with a constant, and an ADDAB command is executed. Validity is checked if A is equal to zero and another constant is entered into AU and B. Another ADDAB command is executed, and if a borrow is generated, AL is compared to the proper test pattern. If no borrow is generated, an Add A to Y command is executed and AL is compared to the above test pattern. If correct, a left shift A command is executed and AL is compared to a test pattern as a validity check for AU bits. If correct, an exit is made to the executive routine (COMA) to continue the program. If an error is detected by any of the validity checks, an exit is made to the error display subroutine. With PROGRAM STOP O set, AU and AL will contain the sum of the Add A command, CO will contain the function code, and the error may be evaluated. Upon return to this subroutine (TF21) an exit is made to the executive routine (COMA) to check for continuing the test or recycling this subroutine (TF21)



TITLE: TF21

**INPUT PARAMETERS (Listed Sequentially):**

CCMA

TEST PATTERNS

TPAT1-1	000000	000000
TCO	777777	777776
TCO+1	777777	
TCO1-4	177777	777777
TCO3	377777	
TCO4+1	200000	

**OUTPUT PARAMETERS (Listed Sequentially):**

BUFF1  
BUFF2  
TFX

**ABNORMAL EXITS (Listed Sequentially):**

**NEXT LEVEL PROCEDURES OR SUBROUTINES (Keys of Duplicate Labels Specified):**

CCMA - (EXEC)  
TFDIS - Error Display

**SYSTEM DATA REFERENCES:**

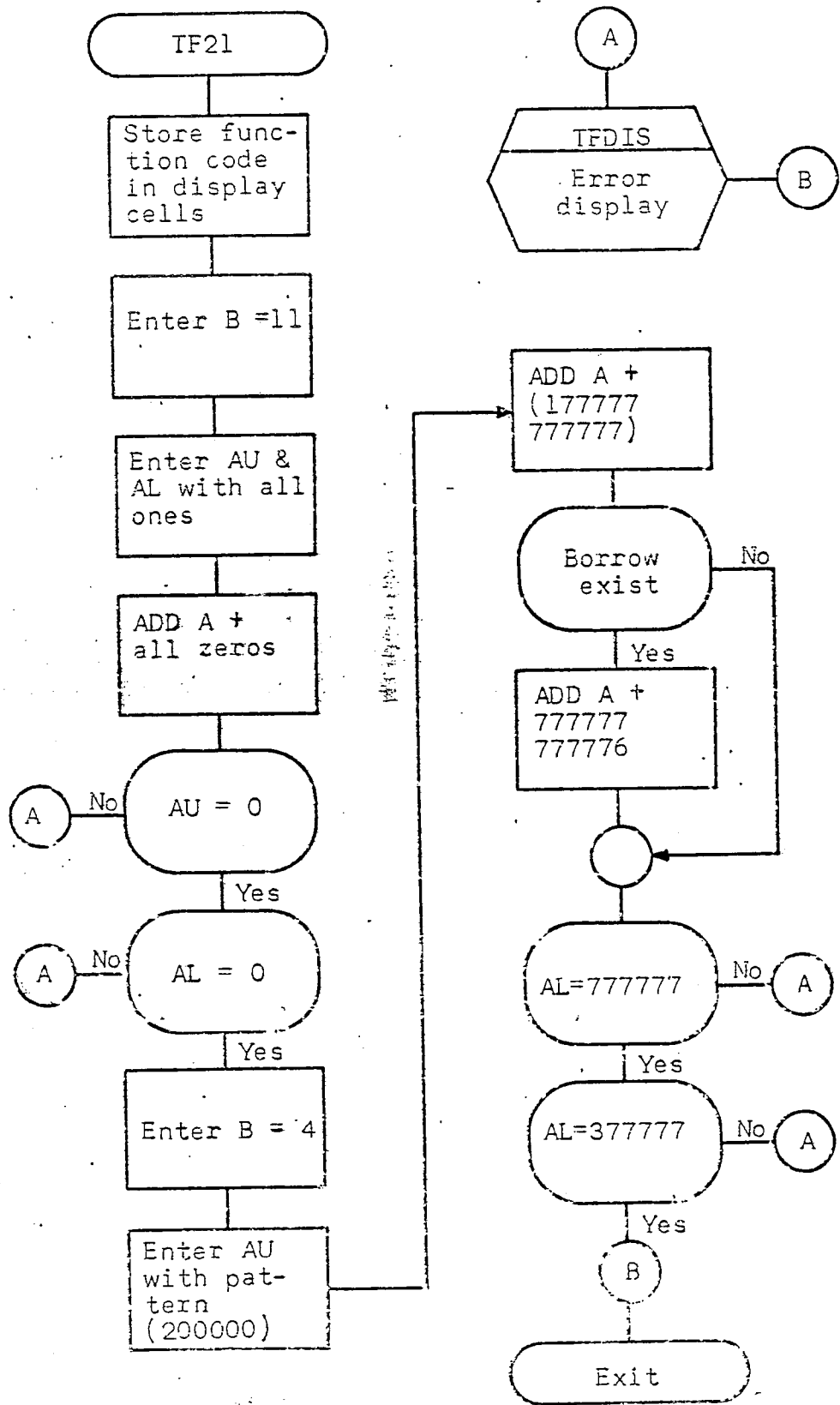
**ALARMS AND/OR REMARKS:**

ERROR DISPLAY

PROGRAM STOP 0 - AU and AL = sum of Add A  
CO = function code (21xxxx)

PROGRAM SKIP 4 - Set for console error display only  
Not set for error timeout (Function Code 21)

PROGRAM SKIP 0 - Not set to continue test  
Set to recycle subroutine (TF21)



TF21: ADD A+(Y+B)(Y+B+1) 21xxxx

## PROGRAM DATA PAGE

SHEET 235

REVISION —

SPECIFICATION SYMBOL  
SB-10163TITLE: TF22 - SUBTRACT A MINUS (Y) (22xxxx)DECK IDENTIFIER: FACTCS-1 LABEL: TF22 KEY: \_\_\_\_\_ IS LABEL DUPLICATE? NoPROGRAMMER: F W S modified by TLR DATE: 8 Dec. 67NUMBER OF L<sub>4</sub> OUTPUT INSTRUCTIONS: 31

## DESCRIPTION:

This subroutine checks the Subtract A Minus (Y) command. Test patterns are entered into AU and AL, and a SUBA command is executed. The validity of the result is checked by jumping to another enter AU, AL, and Subtract A commands sequence. Then left shift A and compare commands are executed to check validity of the bits that were in AU. If no error is detected the next pattern is entered into AU and AL, and this cycle is repeated. If correct, an exit is made to the executive routine (COMA) to continue the program. If an error is detected, the remainder of the subtract will be contained in AU and AL. An exit is then made to the display subroutine where with PROGRAM STOP 0 set, CO will contain the function code and the error may be evaluated. Upon return to this subroutine (TF22) an exit is made to the executive routine (COMA) to check for continuing the test or recycling this subroutine.

TITLE: TF22

INPUT PARAMETERS (Listed Sequentially):

COMA

TEST PATTERNS

TPAT	777777	
TC01	177777	777777
TC01+1	177777	
TC04	200000	000000
TC04+1	200000	
TPAB1	000001	

OUTPUT PARAMETERS (Listed Sequentially):

BUFF1  
BUFF2  
TFX

ABNORMAL EXITS (Listed Sequentially):

NEXT LEVEL PROCEDURES OR SUBROUTINES (Keys of Duplicate Labels Specified):

COMA - (EXEC)  
TFDIS - Error Display

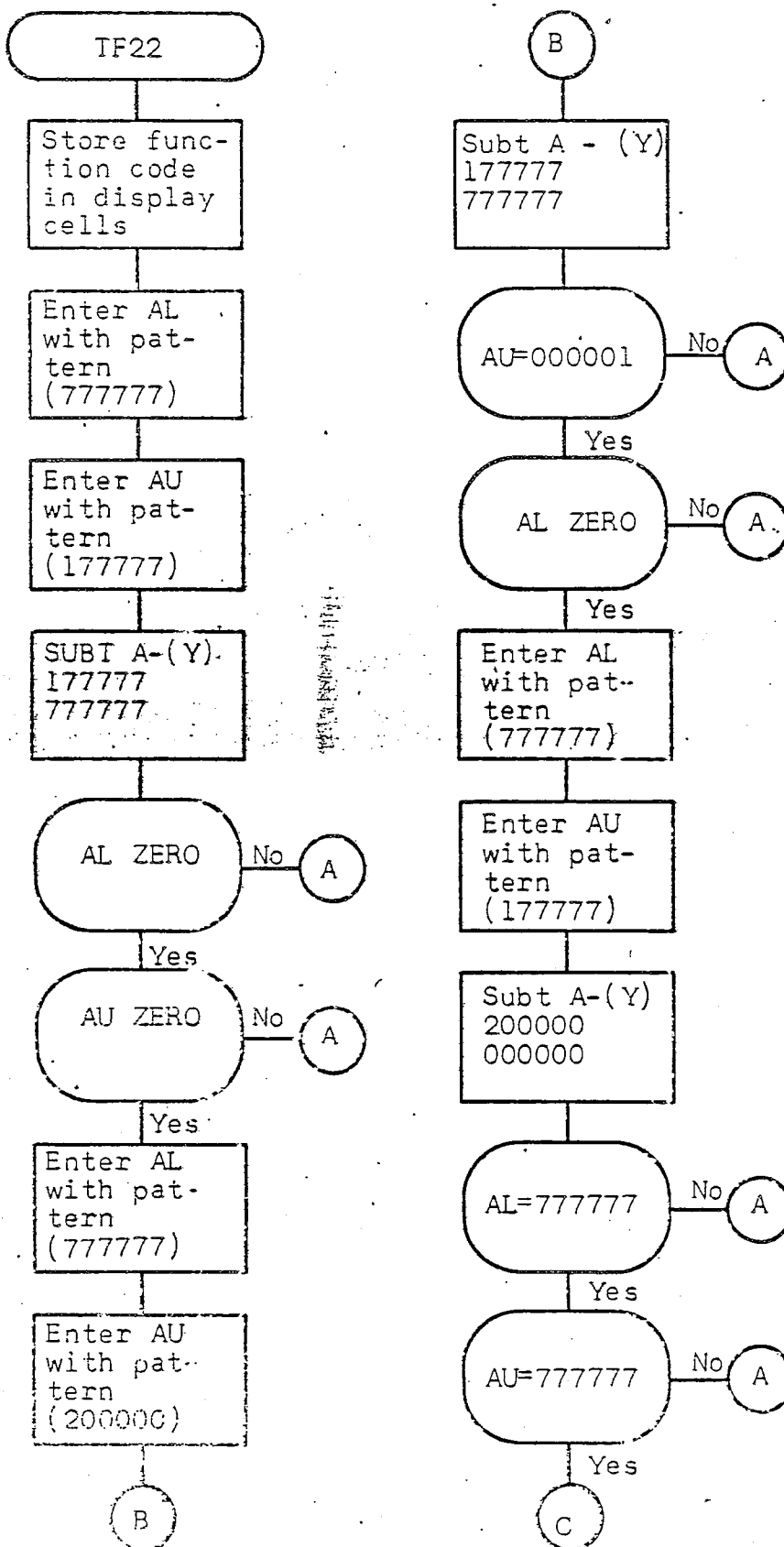
SYSTEM DATA REFERENCES:

ALARMS AND/OR REMARKS:

ERROR DISPLAY

PROGRAM STOP 0 - AU and AL = remainder  
CO = function code (22xxxx)  
PROGRAM SKIP 4 - Set for console error display only  
Not set for error timeout (Function Code 22)  
PROGRAM SKIP 0 - Not set to continue test  
Set to recycle subroutine (TF22)

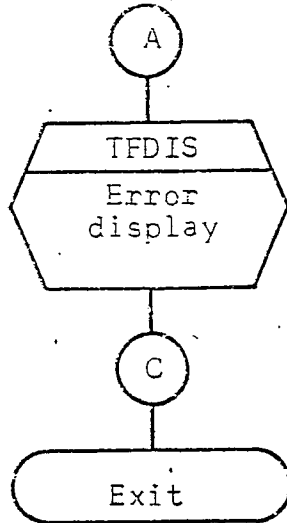
SPECIFICATION SYMBOL  
SB-10163



SHEET 238

REVISION —

SPECIFICATION SYMBOL  
SB-10163



TF22: SUBI A-(Y) 22xxxx

Y

## PROGRAM DATA PAGE

SHEET 239

REVISION —

SPECIFICATION SYMBOL

SB-10163

TITLE: TF 23 - SUBTRACT A MINUS Y+B AND Y+1+B (23xxxx)DECK IDENTIFIER: FACTCS-1 LABEL: TF23 KEY: \_\_\_\_\_ IS LABEL DUPLICATE? NoPROGRAMMER: F W S modified by TLR DATE: 8 Dec. 67NUMBER OF L<sub>4</sub> OUTPUT INSTRUCTIONS: 25

## DESCRIPTION:

This subroutine checks the Subtract A Minus Y+B and Y+1+B command, AL, AU, and B are entered with constants and a SUBAB command is executed; validity is checked if A is equal to zero. The above is repeated with different constants and AL is compared to a constant for validity and then checked for a borrow. If correct, an exit is made to the executive routine (COMA) to continue the program. If an error is detected by any of the validity checks, an exit is made to the display subroutine. AU and AL will contain the remainder of the subtract and, if PROGRAM STOP 0 is set, CO will display the function code and the error may be evaluated. Upon return to this subroutine (TF23) an exit is made to the executive routine (COMA) to check for continuing the test or recycling this subroutine.

TITLE: TF23

## INPUT PARAMETERS (Listed Sequentially):

COMA

## TEST PATTERNS

TPAT	777777	
TPAT1	000000	
TPAB1	000001	
TCO+1	177777	
TCO1-11	177777	777777
TCO4+1	200000	
TCO1-32	177777	777777

## OUTPUT PARAMETERS (Listed Sequentially):

BUFF 1  
BUFF 2  
TFX

## ABNORMAL EXITS (Listed Sequentially):

## NEXT LEVEL PROCEDURES OR SUBROUTINES (Keys of Duplicate Labels Specified):

COMA - (EXEC)  
TFDIS - Error Display

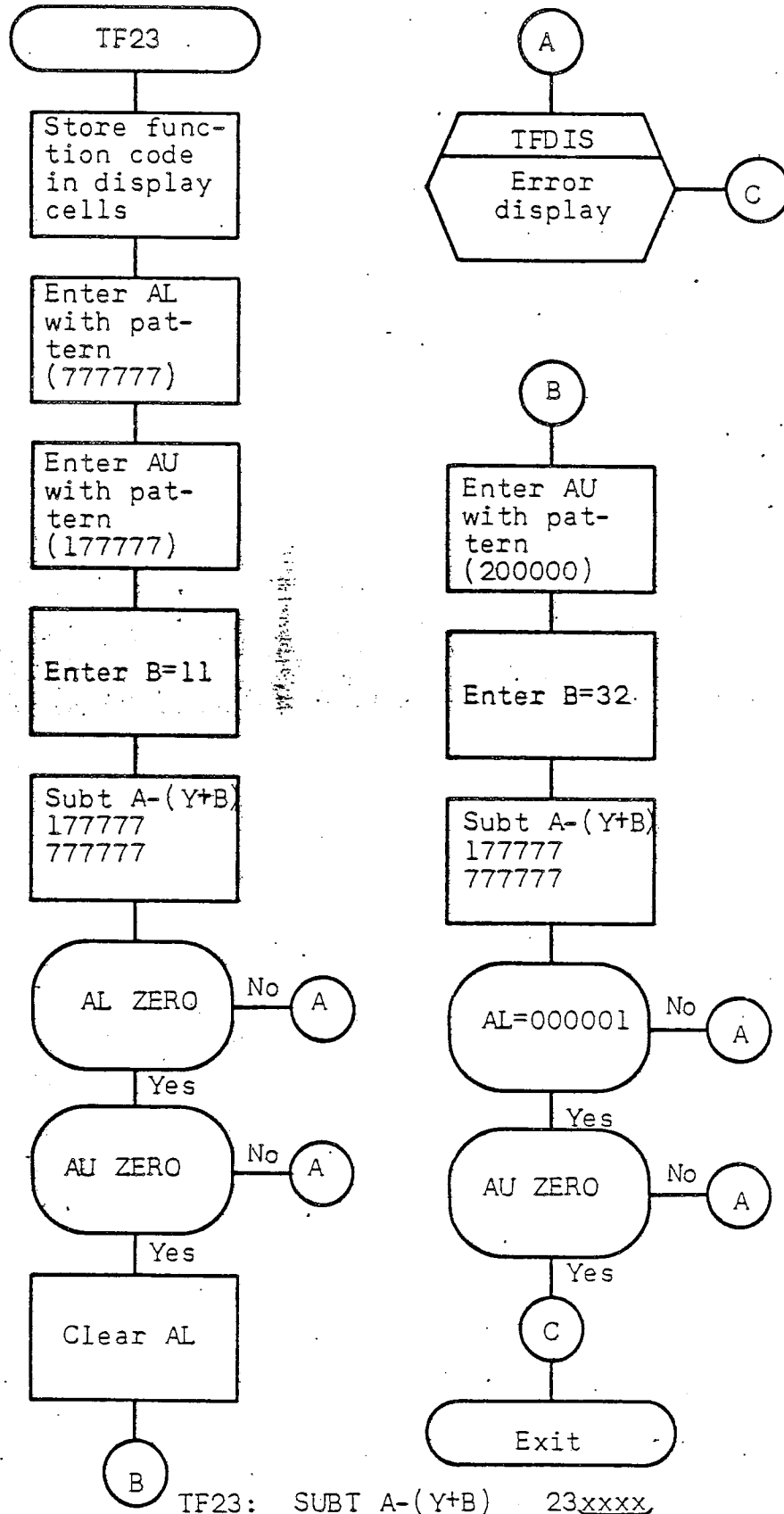
## SYSTEM DATA REFERENCES:

## ALARMS AND/OR REMARKS:

## ERROR DISPLAY

PROGRAM STOP 0 - AU and AL = remainder  
CO = function code (23xxxx)  
PROGRAM SKIP 4 - Set for console error display only  
Not set for error timeout (Function Code 23)  
PROGRAM SKIP 0 - Not set to continue test  
Set to recycle subroutine (TF23)





TITLE: TF24 MULTIPLY A LOWER BY Y (24xxxx)

DECK IDENTIFIER: FACT

CS-1 LABEL: TF 24 KEY: \_\_\_\_\_ IS LABEL DUPLICATE? \_\_\_\_\_

PROGRAMMER: F W S modified by TLR DATE: 8. Dec. 67

NUMBER OF L<sub>4</sub> OUTPUT INSTRUCTIONS: 33

DESCRIPTION:

This subroutine checks the Multiply AL by Y command. AL is entered with a constant and a MULAL by a test-pattern constant command is executed. A validity check is made by jumping if A is equal to zero, and entering a different constant into AL. Another 24 command is executed and validity again checked. Then a MULAL command is executed and validity is checked by comparing the result in AL to a test-pattern constant. AU is checked by left shifting AU into AL and doing another compare of AL to a different test pattern. If correct the above cycle (with shifting) is repeated with a different test pattern and if correct, an exit is made to the executive routine (COMA) to continue the program. If an error is detected by any of the validity checks an exit is made to the display subroutine. AU and AL will contain the product of the multiply and, with PROGRAM STOP O set, CO will display the function code and the error may be evaluated. Upon return to this subroutine (TF24) an exit is made to the executive routine (COMA) to check for continuing the test or recycling the subroutine.

TITLE: TF24

## INPUT PARAMETERS (Listed Sequentially):

COMA	TEST PATTERNS
	TPAT3        525252
	TPAB1        000001
	TCO1+1      177777
	TCO3        377777
	TCUT5       343434
	TCUT6       113663
	TCUT7       664114

## OUTPUT PARAMETERS (Listed Sequentially):

BUFF1  
BUFF2  
TFX

## ABNORMAL EXITS (Listed Sequentially):

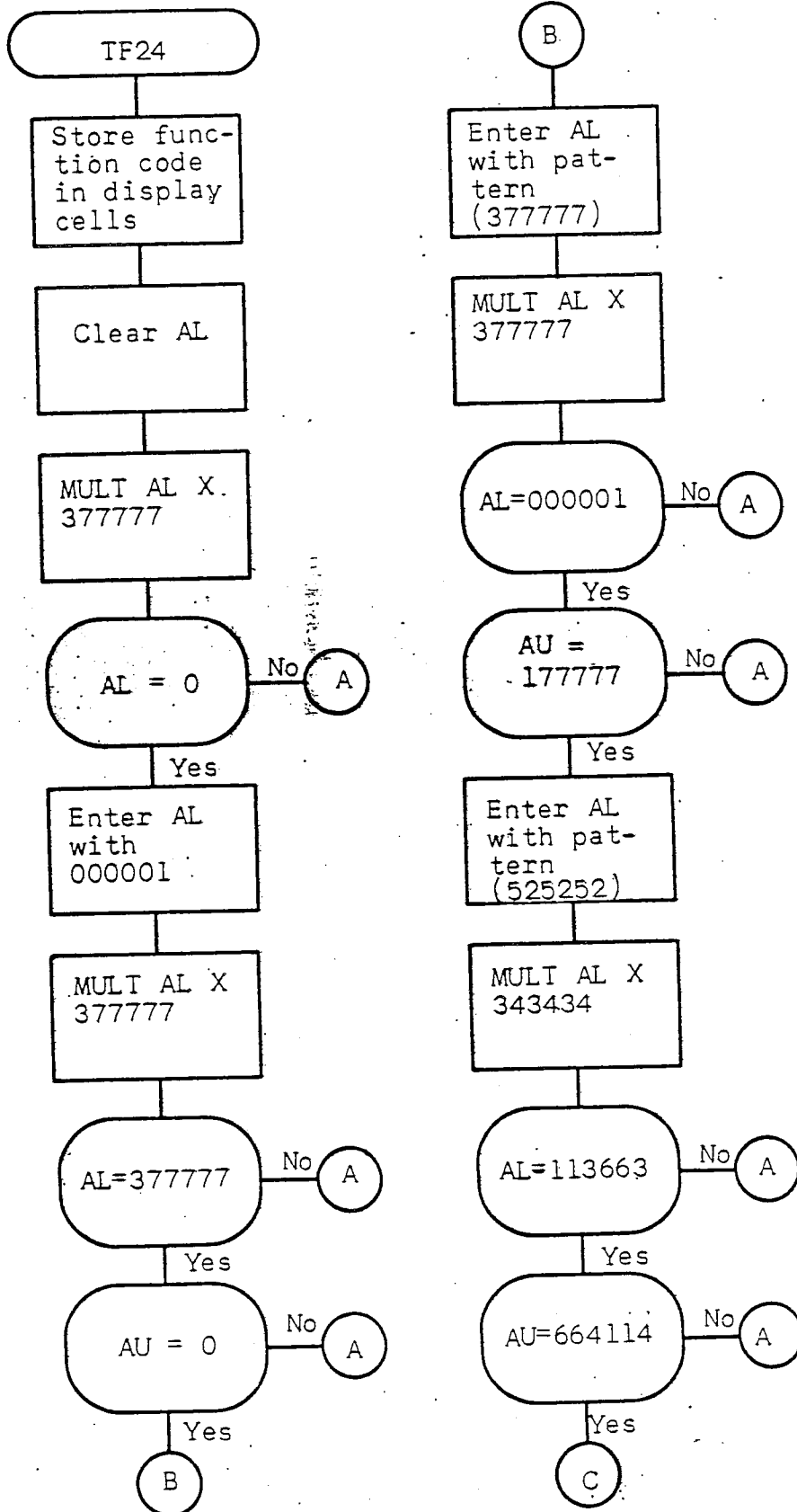
## NEXT LEVEL PROCEDURES OR SUBROUTINES (Keys of Duplicate Labels Specified):

COMA - (EXEC)  
TFDIS - Error Display

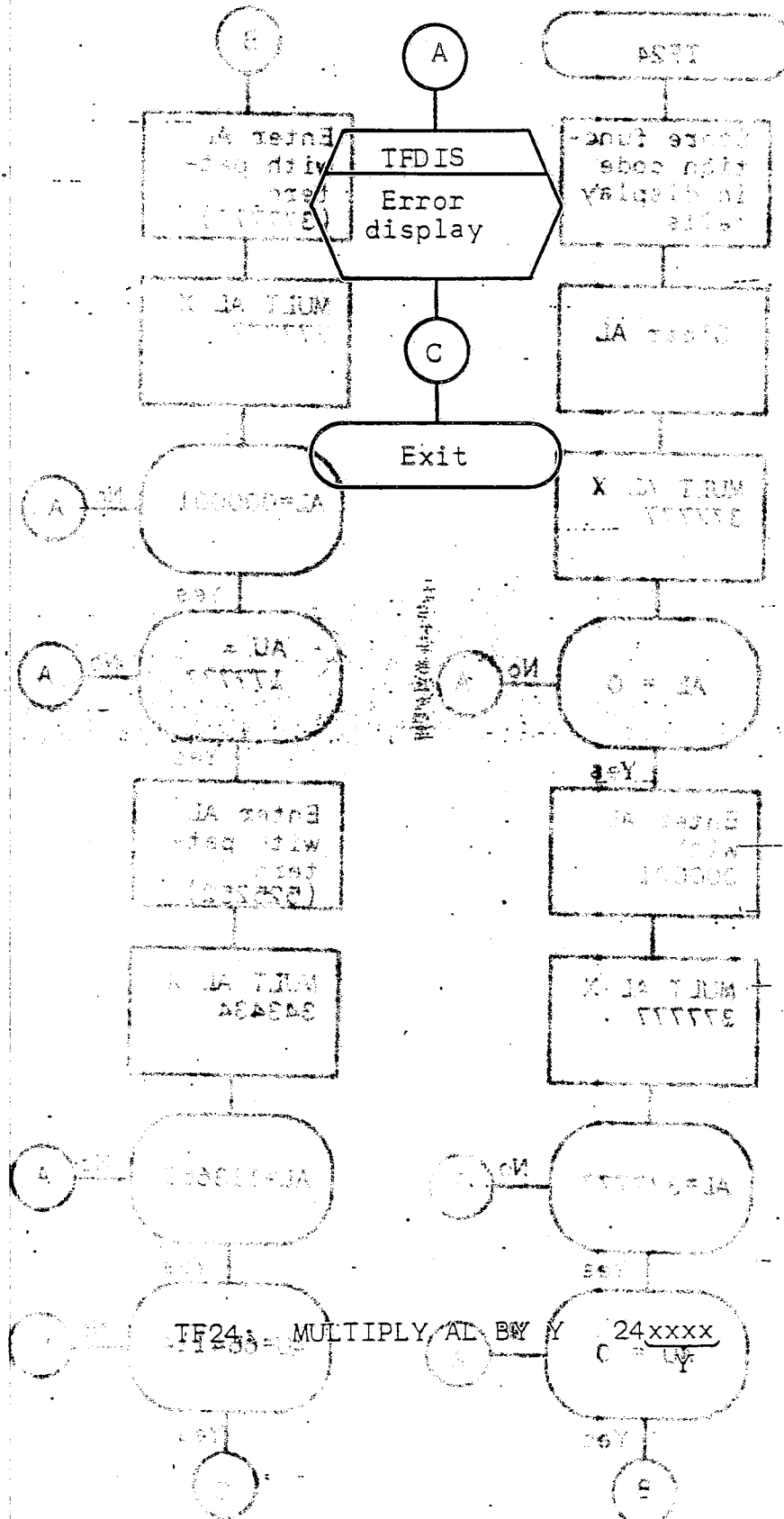
## SYSTEM DATA REFERENCES:

## ALARMS AND/OR REMARKS:

ERROR DISPLAY  
PROGRAM STOP 0 - AU and AL = product  
                  CO = function code (24xxxx)  
PROGRAM SKIP 4 - Set for console error display only  
                  Not set for error timeout (Function Code 24)  
PROGRAM SKIP 0 - Not set to continue test  
                  Set to recycle subroutine (TF24)



8A10-93



## PROGRAM DATA PAGE

SHEET

246

REVISION

SPECIFICATION SYMBOL  
SB-10163TITLE: TF25 - MULTIPLY A LOWER BY Y PLUS B (25xxxx)DECK IDENTIFIER: FACTCS-1 LABEL: TF25 KEY: \_\_\_\_\_ IS LABEL DUPLICATE? NoPROGRAMMER: F W S modified by TLR DATE: 8 Dec. 67NUMBER OF L OUTPUT INSTRUCTIONS: 31

## DESCRIPTION:

This subroutine checks the Multiply A Lower By Y Plus B command. Constants are entered into AL and B and a MULALB command is executed using a test-pattern constant. Validity is checked by entering another test pattern into AL and a constant into B if A is equal to zero. Then another 25 command is executed, and AL validity is checked. If AL is equal to zero, A is left shifted and a compare of AL with a test pattern is executed to check the validity of AU. If no error is detected, the above cycle (with the left shift) is repeated with different constants. If no error is detected by any of the validity checks, an exit is made to the executive routine (COMA) to continue the program. If an error is detected an exit is made to the display subroutine. AL and AU will contain the product of the multiply and, with PROGRAM STOP O set, CO will contain the function code and the error may be evaluated. Upon return to this subroutine (TF25) an exit is made to the executive routine (COMA) to check for continuing the test or recycling the subroutine.

**PROGRAM DATA PAGE (Cont)**

SHEET 247

REVISION —

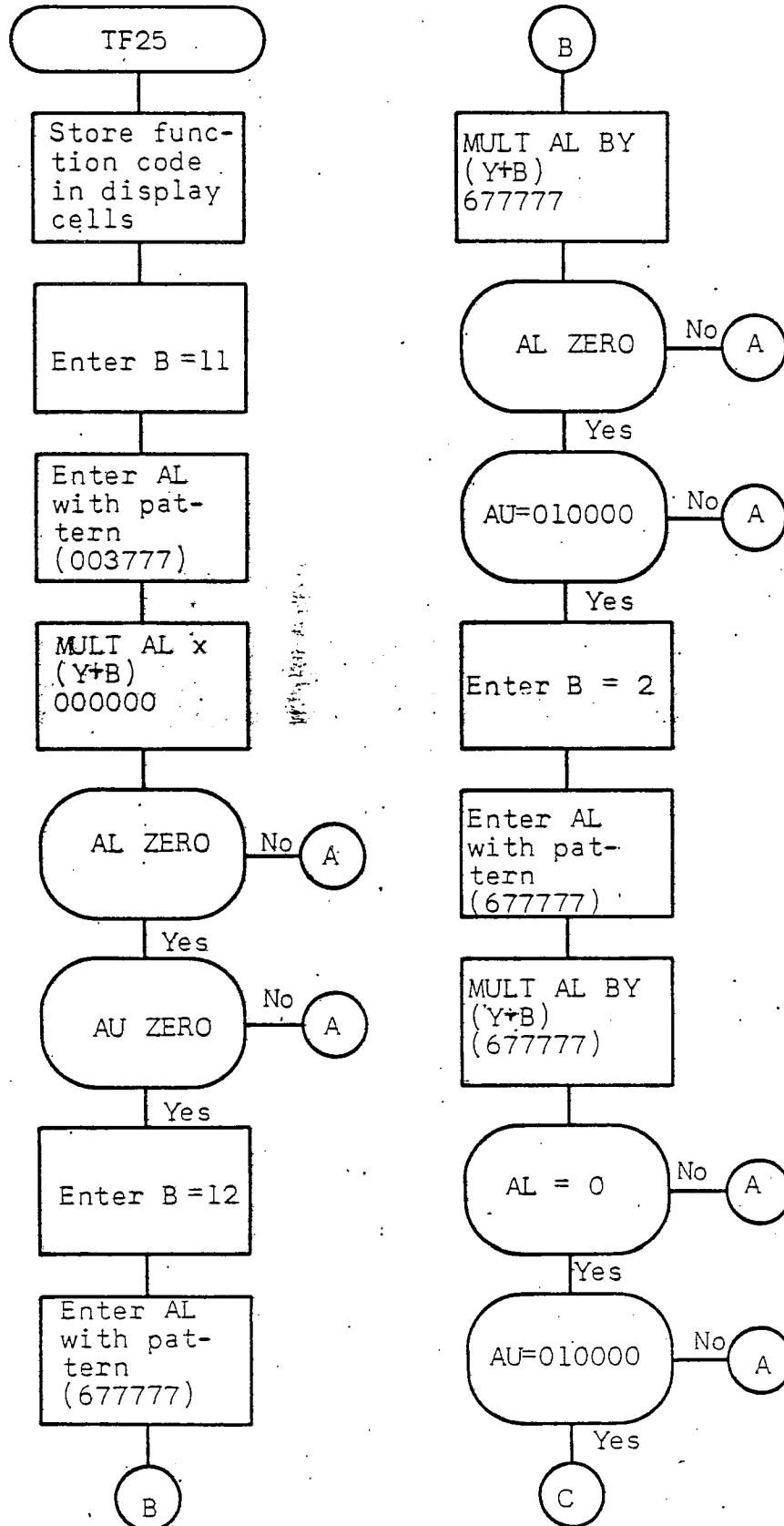
SPECIFICATION SYMBOL  
SB-10163TITLE: TF25**INPUT PARAMETERS (Listed Sequentially):**

COMA	TEST PATTERNS	
	TPAB5+1	677777
	TCO2	010000
	TCO4	000000

**OUTPUT PARAMETERS (Listed Sequentially):**BUFF 1  
BUFF 2  
TFX**ABNORMAL EXITS (Listed Sequentially):****NEXT LEVEL PROCEDURES OR SUBROUTINES (Keys of Duplicate Labels Specified):**COMA - (EXEC)  
TFDIS - Error Display**SYSTEM DATA REFERENCES:****ALARMS AND/OR REMARKS:**

ERROR DISPLAY  
PROGRAM STOP 0 - AU and AL = product  
                  --CO = function code (25xxxx)  
PROGRAM SKIP 4 - Set for console error display only  
                  Not set for error typeout (Function Code 25)  
PROGRAM SKIP 0 - Not set to continue test  
                  Set to recycle subroutine (TF25)

SPECIFICATION SYMBOL  
SB-10163







SHEET 250

REVISION     SPECIFICATION SYMBOL  
SB-10163TITLE: TF26 - DIVIDE A BY Y (26xxxx)DECK IDENTIFIER: FACTCS-1 LABEL: TF26 KEY:      IS LABEL DUPLICATE? NoPROGRAMMER: EWS modified by TLR DATE: 8 Dec. 67NUMBER OF L OUTPUT INSTRUCTIONS: 41**DESCRIPTION:**

This subroutine checks the Divide A By Y command. AU and AL are entered with test-pattern constants and a DIVA command is executed using another test-pattern constant. A validity check is executed by comparing AL to a test-pattern constant. If correct, A is left shifted and another comparing of AL to check AU is executed. If correct, AU is entered with a different, test-pattern constant and another 26 command is executed, AL is checked for validity by another comparison. AU validity is checked by entering AL and AU if A is equal to zero. A DIVA command is then executed and validity is checked the same as the first time. This is repeated one more time with different test patterns, and if no error is detected, an exit is made to the executive routine (COMA) to continue the program. If an error is detected by any of the validity checks, an exit is made to the display subroutine. AU will contain the remainder and AL the quotient, and if PROGRAM STOP 0 is set, CO will display the function code and the error may be evaluated. Upon return to this subroutine (TF26) an exit is made to the executive routine (COMA) to check for continuing the test or recycling the subroutine (TF26).

TITLE: TF26

**INPUT PARAMETERS (Listed Sequentially):**

COMA

**TEST PATTERNS**

TPAT	777777	TCUT	500000
TPAT1	000000	TCUT1	477777
TPAB+1	300000	TCUT2	670000
TPAB4	107777	TCUT3	077777
TPAB4+1	277777		
TPAS4	000002		
TCO	777776		
TCO4+1	200000		

**OUTPUT PARAMETERS (Listed Sequentially):**

BUFF1  
BUFF2  
TFX

**ABNORMAL EXITS (Listed Sequentially):**

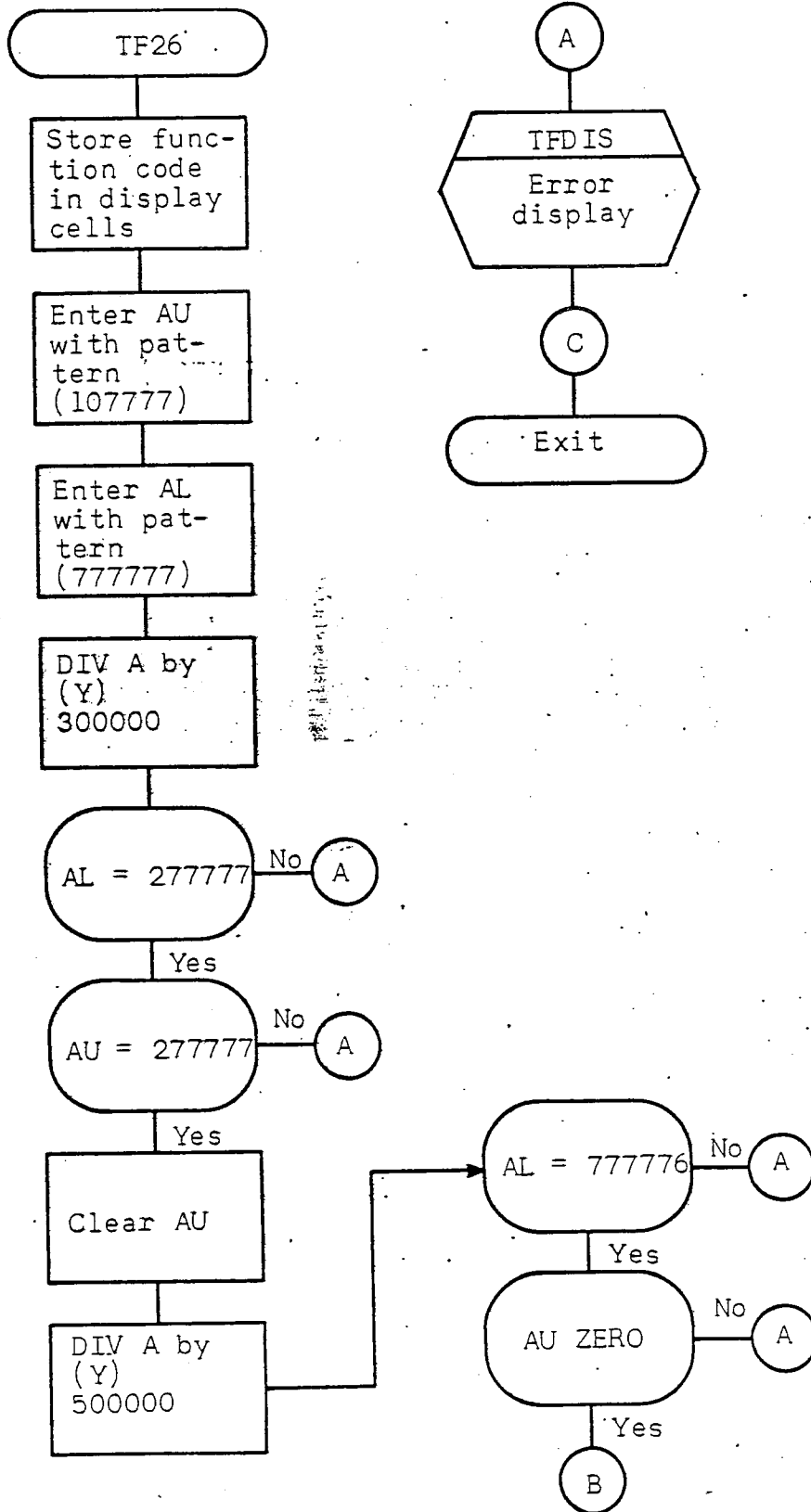
**NEXT LEVEL PROCEDURES OR SUBROUTINES (Keys of Duplicate Labels Specified):**

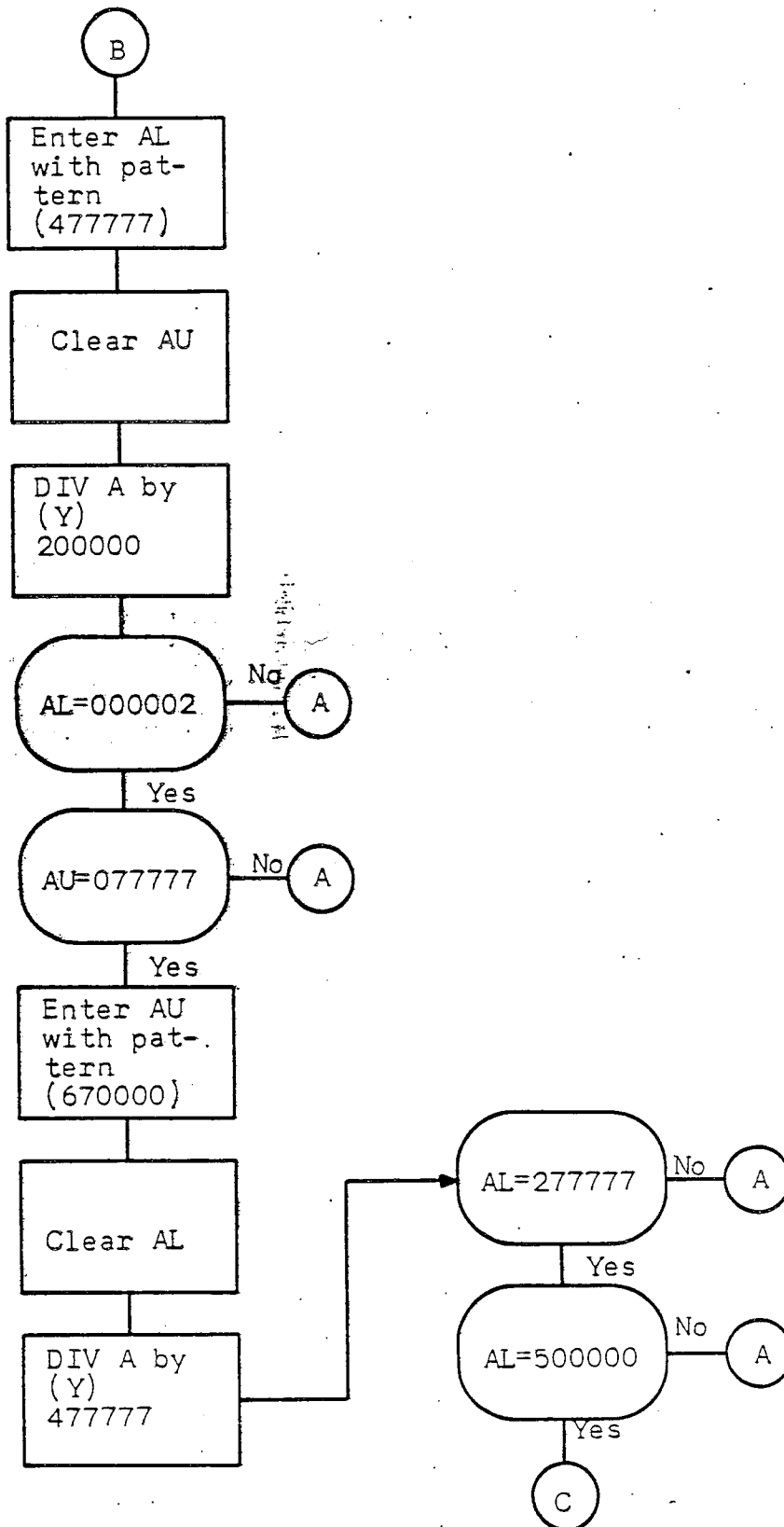
COMA (EXEC)  
TFDIS - Error Display

**SYSTEM DATA REFERENCES:**

**ALARMS AND/OR REMARKS:**

ERROR DISPLAY  
PROGRAM STOP 0 - Remainder in AU  
                  Quotient in AL  
                  Function code (26xxxx) in CO  
PROGRAM SKIP 4 - Set for console error display only  
                  Not set for error typeout (Function Code 26)  
PROGRAM SKIP 0 - Not set to continue test  
                  Set to recycle subroutine (TF26)





IF26: DIVIDE A BY (Y) 26xxxx

## PROGRAM DATA PAGE

SHEET 254

REVISION —

SPECIFICATION SYMBOL

SB-10163

TITLE: TF27 - DIVIDE A BY Y+B (27xxxx)DECK IDENTIFIER: FACTCS-1 LABEL: TF27 KEY: \_\_\_\_\_ IS LABEL DUPLICATE? NoPROGRAMMER: FWS modified by TLR DATE: 8 Dec. 67NUMBER OF  $L_4$  OUTPUT INSTRUCTIONS: 22

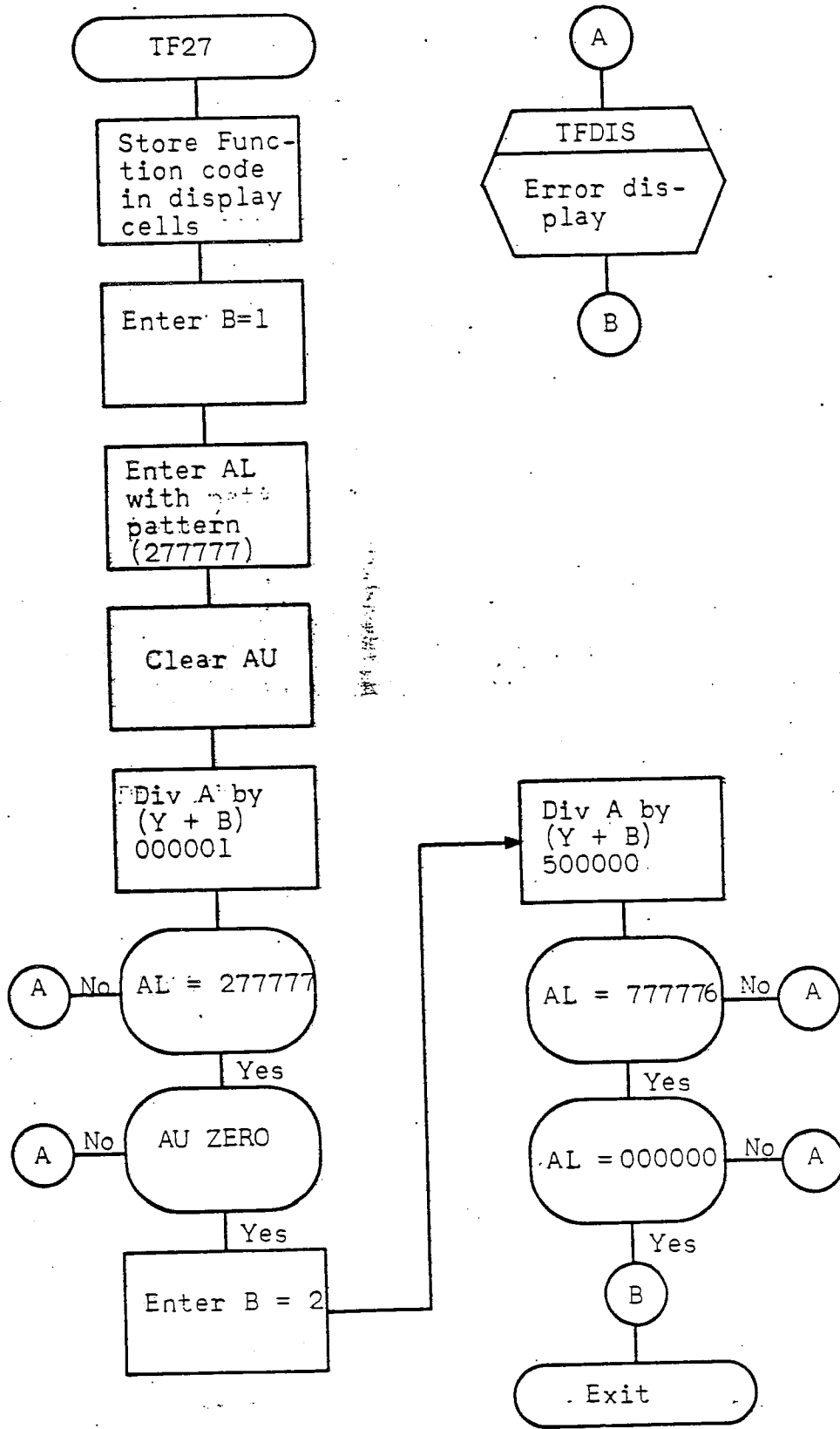
## DESCRIPTION:

This subroutine checks the Divide A By A+B command. AL and AU are entered with test-pattern constants and B with a constant, and a DIVAB command is executed. The validity of the result is checked by comparing AL to a test pattern, and if correct the validity of AU is checked by entering a new constant in B if A equals zero. Another 27 command is executed and validity checked as before except for different test-pattern constants. If no error is detected by any of the validity checks, an exit is made to the executive routine (COMA) to continue the program. If an error is detected an exit is made to the display subroutine. AU will contain the remainder of the divide, and AL the quotient; if PROGRAM STOP 0 is set, CO will display the function code and the error may be evaluated. Upon return to this subroutine (TF27) an exit is made to the executive routine (COMA) to check for continuing the test or recycling this subroutine (TF27).

TITLE: TF27**INPUT PARAMETERS (Listed Sequentially):**

COMA	TEST PATTERNS
	TPAT1 000000
	TPAB1 000001
	TPAB4+1 277777
	TCO 777776
	TCUT 500000

**OUTPUT PARAMETERS (Listed Sequentially):**BUFF1  
BUFF2  
TFX**ABNORMAL EXITS (Listed Sequentially):****NEXT LEVEL PROCEDURES OR SUBROUTINES (Keys of Duplicate Labels Specified):**COMA - (EXEC)  
TFDIS - Error Display**SYSTEM DATA REFERENCES:****ALARMS AND/OR REMARKS:**ERROR DISPLAY  
PROGRAM STOP 0 - Remainder in AU  
                  Quotient in AL  
                  Function code (27xxxx) in CO  
PROGRAM SKIP 4 - Set for console error display only  
                  Not set for error typeout (Function Code 27)  
PROGRAM SKIP 0 - Not set to continue test  
                  - Set to recycle subroutine (TF27)

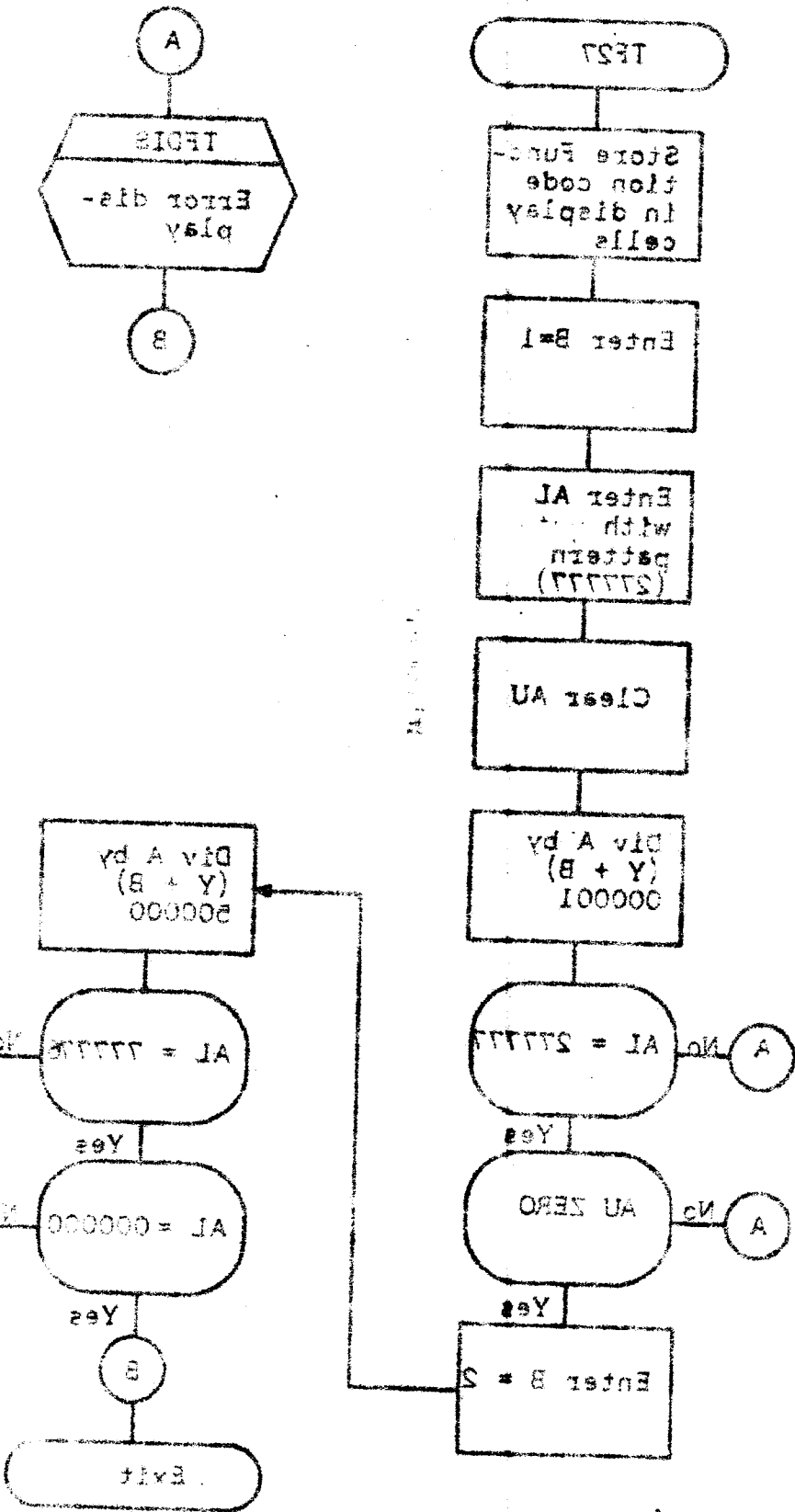


TF27: DIVIDE A BY (Y+B) 27xxxx



SHEET 256 REVISION

25-10103 SPECIFICATION SYMBOL



TEST: DIVIDE A BY (Y+B) STXXXX

SHEET 257

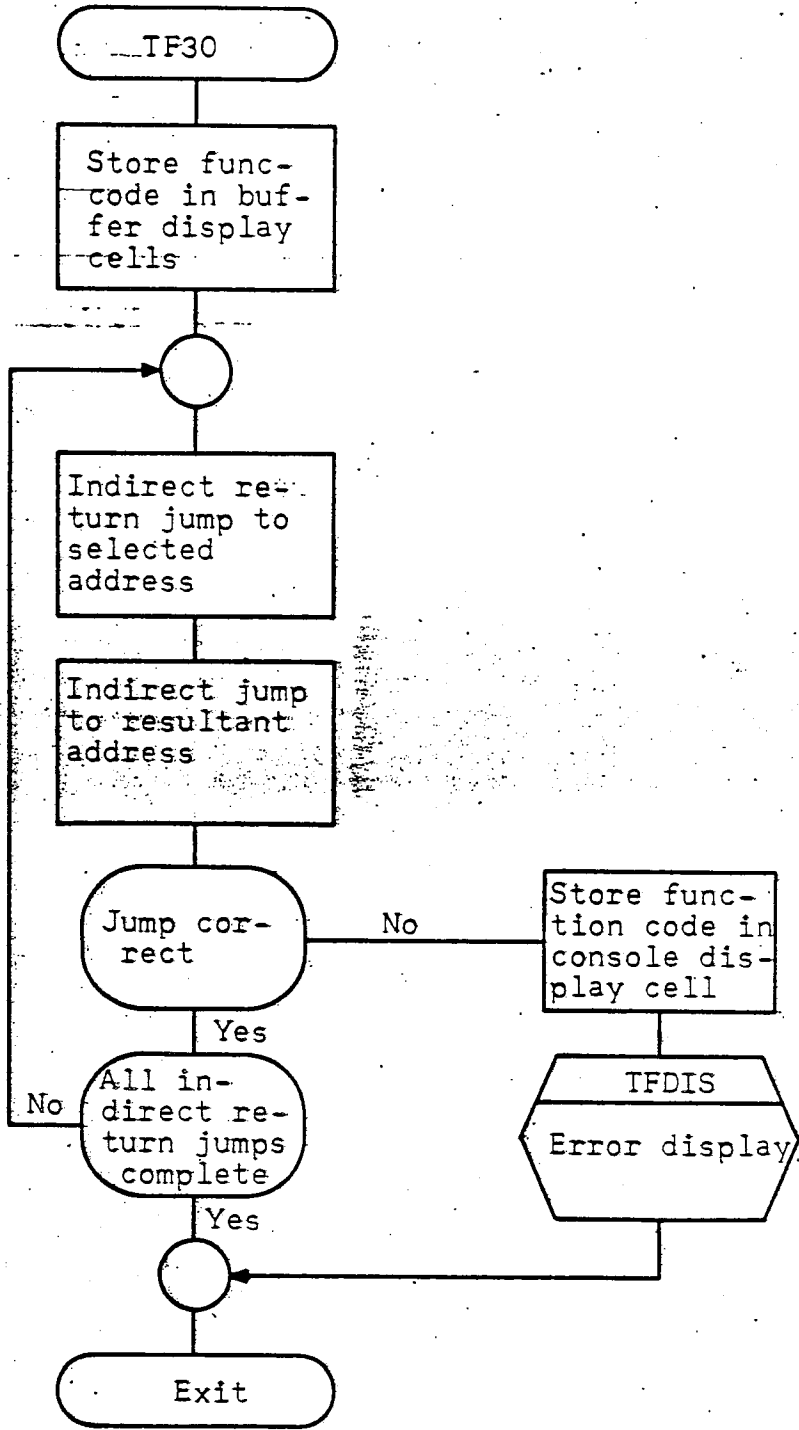
REVISION —

SPECIFICATION SYMBOL  
SB-10163TITLE: TF30 - INDIRECT RETURN JUMP (30xxxx)DECK IDENTIFIER: FACTCS-1 LABEL: TF30 KEY: \_\_\_\_\_ IS LABEL DUPLICATE? NoPROGRAMMER: PMC modified by TBR DATE: 8 Dec 67NUMBER OF L<sub>4</sub> OUTPUT INSTRUCTIONS: 21

## DESCRIPTION:

This subroutine checks the Indirect Return Jump command. An IRJP command is executed to a subroutine which updates the address of its entry return jump address by one, and returns the routine to the next, sequential, 30 command. If correct, this is repeated until all Indirect Jump commands have been executed, then an exit is made to the executive routine (COMA). If an error is detected, an exit is made to the display subroutine. If PROGRAM STOP 0 is set, CO will contain the function code and the error may be evaluated. (There is no error display in AU or AL.) Upon return to this subroutine (TF30) an exit is made to the executive routine (COMA) to check for continuing the test or recycling this subroutine (TF30).





TF30: INDIRECT RETURN JUMP

## PROGRAM DATA PAGE

SHEET 260

REVISION —

SPECIFICATION SYMBOL

SB-10163

TITLE: TF31 - INDIRECT RETURN JUMP PLUS B (31xxxx)DECK IDENTIFIER: FACTCS-1 LABEL: TF31 KEY: \_\_\_\_\_ IS LABEL DUPLICATE? NoPROGRAMMER: PMC modified by TLR DATE: 8 Dec. 67NUMBER OF L<sub>4</sub> OUTPUT INSTRUCTIONS: 36

## DESCRIPTION:

This subroutine checks the Indirect Return Jump Plus B command. B is entered with a constant and then an IRJPB command is executed followed by an indirect jump to the resultant address (the entry to a subroutine). If the execution is proper, the next, sequential, test constant is checked by exiting from the subroutine and is entered into B, and the foregoing sequence is repeated until the prescribed number of 31- commands have been executed. If an error is detected an exit is made to the display subroutine. If PROGRAM STOP 0 is set, CO will display the function code and the error may be evaluated. (There is no error display in AU or AL). Upon return to this subroutine (TF31) an exit is made to the executive routine (COMA) to check for continuing the test or recycling this subroutine (TF31).

SPECIFICATION SYMBOL SB-10163
----------------------------------

TITLE: TF31

**INPUT PARAMETERS (Listed Sequentially):**

COMA	TEST PATTERNS	
	TPAT1	000000
	ICO	777776

**OUTPUT PARAMETERS (Listed Sequentially):**

BUFF1  
BUFF2  
IFX

**ABNORMAL EXITS (Listed Sequentially):**

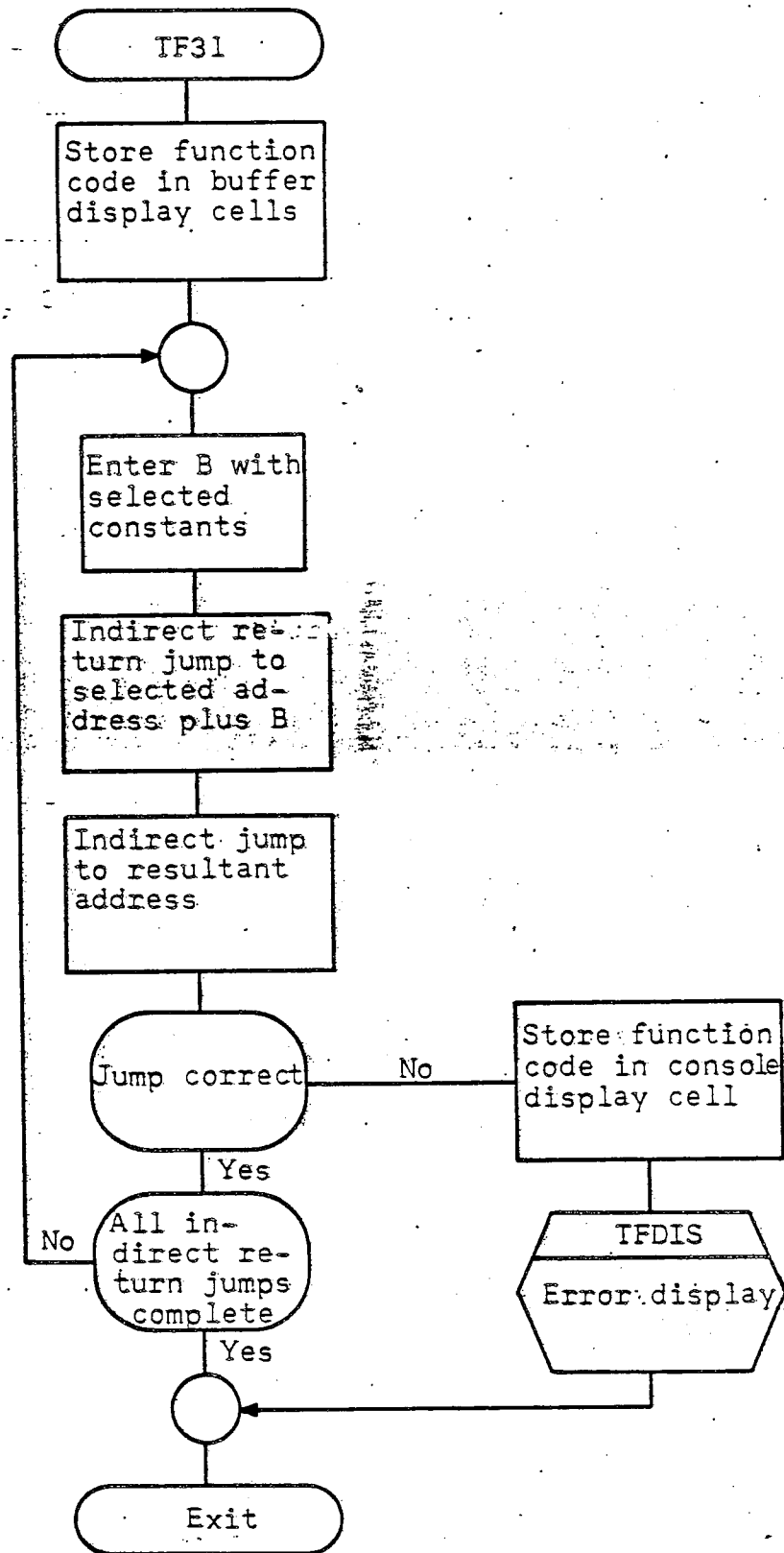
**NEXT LEVEL PROCEDURES OR SUBROUTINES (Keys of Duplicate Labels Specified):**

COMA - (EXEC)  
TFDIS - Error Display

**SYSTEM DATA REFERENCES:**

**ALARMS AND/OR REMARKS:**

ERROR DISPLAY  
PROGRAM STOP 0 - No display in AU or AL  
Function code (31xxxx) in CO  
PROGRAM SKIP 4 - Set for console error display only  
Not set for error timeout (Function Code 31)  
PROGRAM SKIP 0 - Not set to continue test  
Set to recycle subroutine (TF31)



SPECIFICATION SYMBOL

SB-10163

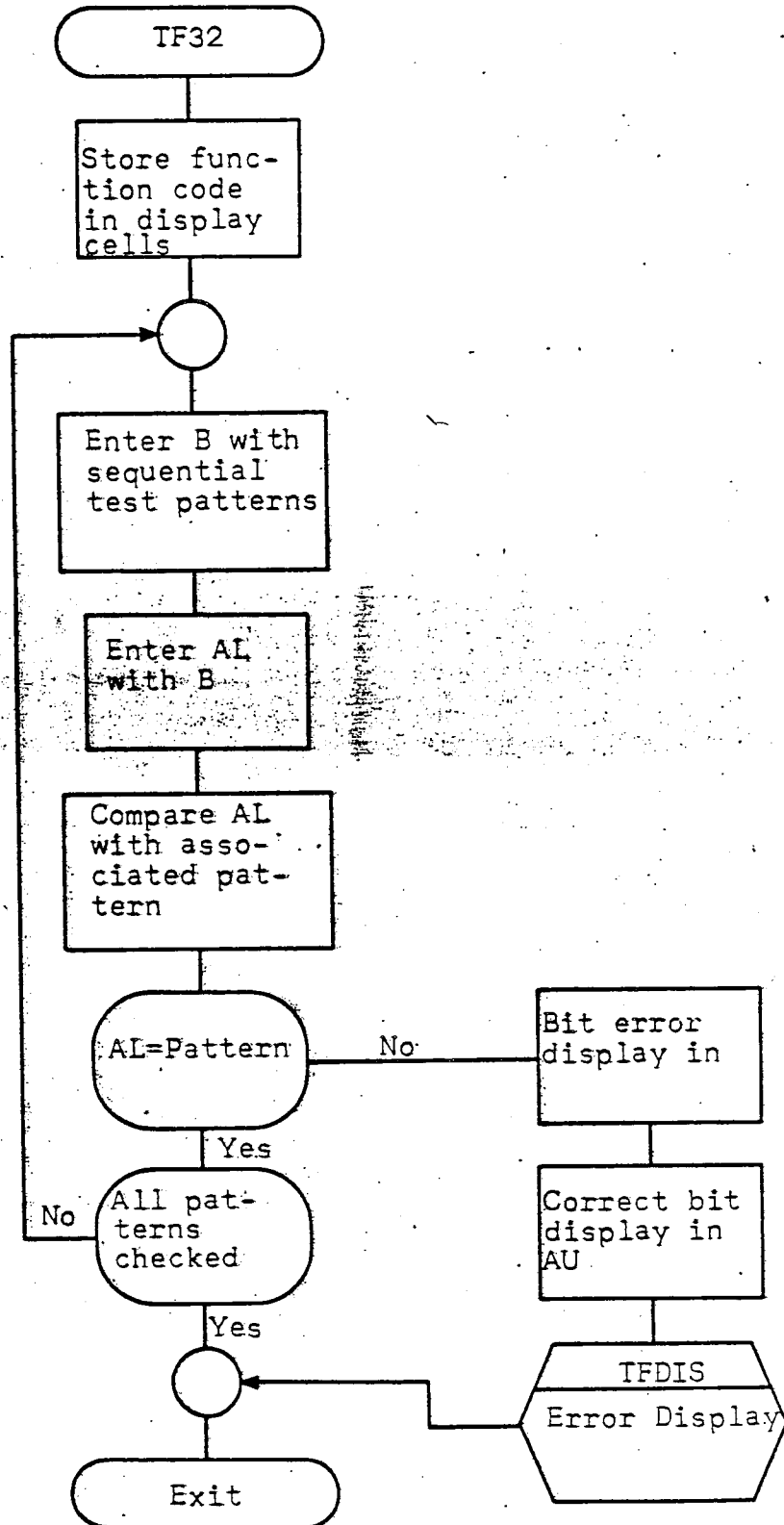
TITLE: TF32 - ENTER B (32xxxx)DECK IDENTIFIER: EACTRCS-1 LABEL: TF32 KEY: \_\_\_\_\_ IS LABEL DUPLICATE? NoPROGRAMMER: PMC modified by TLR DATE: 8 Dec. 67NUMBER OF L<sub>4</sub> OUTPUT INSTRUCTIONS: 57

## DESCRIPTION:

This subroutine checks the Enter B command. An ENTB command with a test-pattern constant is executed. Then, AL is entered with B and AU with the test-pattern used in the 32 command. Validity is checked by comparing AL to an associated, test-pattern constant. If correct, the next test-pattern constant is entered into B with an ENTB command and the above cycle is repeated until all of the test patterns have been checked. An exit is then made to the executive routine (COMA). If an error is detected by any validity check, AU will contain the correct pattern, AL the incorrect pattern, and an exit is made to the display subroutine. With PROGRAM STOP 0 set, CO will contain the function code and the error may be evaluated. Upon return to this subroutine (TF32), an exit is made to the executive routine (COMA) to check for continuing the test or recycling this subroutine (TF32).







TF32: ENTER B

SPECIFICATION SYMBOL  
SB-10163TITLE: TF33 - ENTER B MODIFIED BY B (33xxxx)DECK IDENTIFIER: FACTCS-1 LABEL: TF33 KEY: \_\_\_\_\_ IS LABEL DUPLICATE? NoPROGRAMMER: PMC modified by TLR DATE: 8 Dec. 67NUMBER OF L<sub>4</sub> OUTPUT INSTRUCTIONS: 58

## DESCRIPTION:

This subroutine checks the Enter B Modified By B command. A test-pattern constant is entered into B and an ENTBB command is executed. Validity is checked by entering AL with the constants of B, AU with the test pattern of the Enter B plus B command, and comparing AL with an associated test pattern. If correct, the next constant is entered into B and cycle is repeated until all patterns have been checked. An exit is then made to the executive routine (COMA). If an error is detected, an exit is made to the display subroutine. AU will contain the correct pattern, AL the incorrect pattern and, with PROGRAM STOP 0 set, CO will contain the function code and the error may be evaluated. Upon return to this subroutine (TF33) an exit is made to the executive routine (COMA) to check for continuing the test or recycling this subroutine (TF33).

TITLE: TF33

**INPUT PARAMETERS (Listed Sequentially):**

COMA	TEST PATTERNS			
	TPAT	777777	TPAT5+1	007777
	TPAT+1	777777	TPAT6	707070
	TPAT1	000000	TPAT7	070707
	TPAT2	252525	TPAB1	000001
	TPAT3	525252	TPAB1+1	777776
	TPAT3+1	525252	TPAS4	000002
	TPAT4	770000	TPAS5	000004
	TPAT5	007777	TPAS7	777775

**OUTPUT PARAMETERS (Listed Sequentially):**

BUFF2  
BUFF1  
TFX

**ABNORMAL EXITS (Listed Sequentially):**

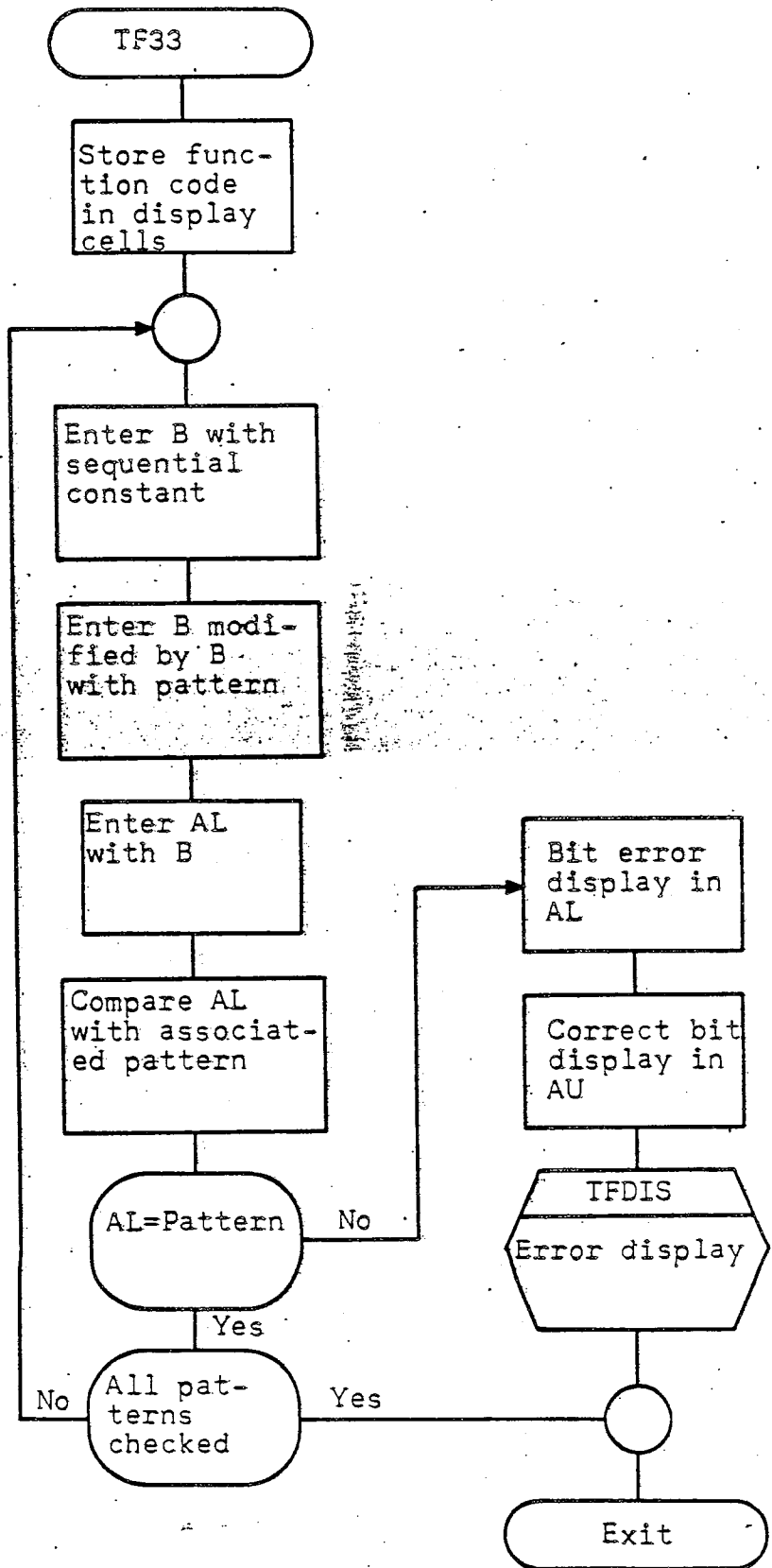
**NEXT LEVEL PROCEDURES OR SUBROUTINES (Keys of Duplicate Labels Specified):**

COMA - (EXEC)  
TFDIS - Error Display

**SYSTEM DATA REFERENCES:**

**ALARMS AND/OR REMARKS:**

ERROR DISPLAY  
PROGRAM STOP 0 - Correct information in AU  
                  Incorrect information in AL  
                  Function code (33xxxx) in CO  
PROGRAM SKIP 4 - Set for console error display only  
                  Not set for error typeout (Function Code 33)  
PROGRAM SKIP 0 - Not set to continue test  
                  Set to recycle subroutine (TF33)



TF33: ENTER B MODIFIED BY B

PROGRAM DATA PAGE

SHEET	269	REVISION	—
-------	-----	----------	---

SPECIFICATION SYMBOL
SB-10163

TITLE: TF34 - DIRECT JUMP (34xxxx)

DECK IDENTIFIER: FACT

CS-1 LABEL: TF34 KEY: \_\_\_\_\_ IS LABEL DUPLICATE? No

PROGRAMMER: PMC modified by TLR DATE: 8 Dec. 67

NUMBER OF L<sub>4</sub> OUTPUT INSTRUCTIONS: 24

DESCRIPTION:

This subroutine checks a series of Direct Jump commands (JP). If no error occurs, an exit is made to the executive routine (COMA). If an error occurs, an exit is made to the display subroutine (AU and AL will have no error display) where, if PROGRAM STOP 0 is set, the function code will be contained in CO and the error may be evaluated. Upon return to this subroutine (TF34) an exit is made to the executive routine (COMA) to check for continuing the program or recycling the subroutine (TF34).

TITLE: TF34

## INPUT PARAMETERS (Listed Sequentially):

COMA	TEST PATTERNS
	TPAT1 000000

## OUTPUT PARAMETERS (Listed Sequentially):

BUFF1  
BUFF2  
IFX

## ABNORMAL EXITS (Listed Sequentially):

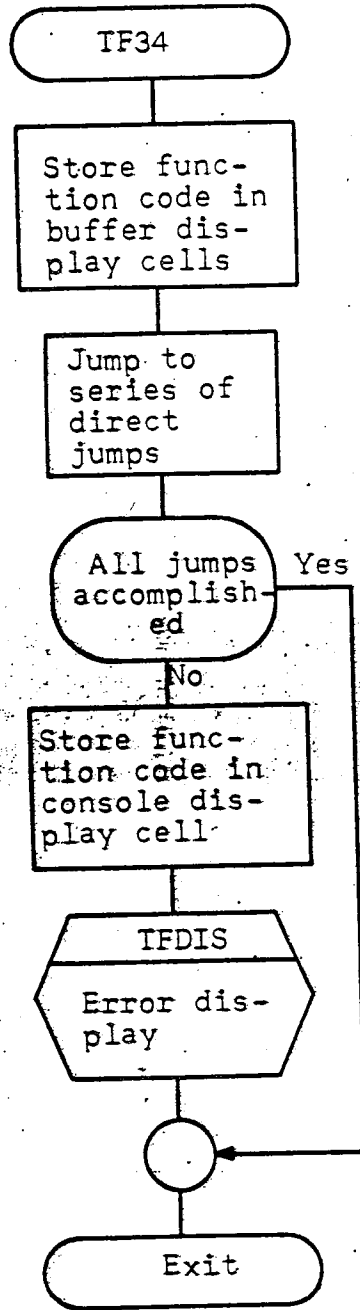
## NEXT LEVEL PROCEDURES OR SUBROUTINES (Keys of Duplicate Labels Specified):

COMA - (EXEC)  
TFDIS-Error Display

## SYSTEM DATA REFERENCES:

## ALARMS AND/OR REMARKS:

ERROR DISPLAY  
PROGRAM STOP 0 - No display in AU or AL  
Function code (34xxxx) in CO  
PROGRAM SKIP 4 - Set for console error display only  
Not set for error typeout (Function Code 34)  
PROGRAM SKIP 0 - Not set to continue test  
Set to recycle subroutine (TF34)



TF34: DIRECT JUMP



## PROGRAM DATA PAGE

SHEET 272

REVISION —

SPECIFICATION SYMBOL

SB-10163

TITLE: TF35 - JUMP PLUS B (35xxxx)DECK IDENTIFIER: FACTCS-1 LABEL: TF35 KEY: \_\_\_\_\_ IS LABEL DUPLICATE? NoPROGRAMMER: PMC modified by TLR DATE: 8 Dec. 67NUMBER OF L<sub>4</sub> OUTPUT INSTRUCTIONS: 21

## DESCRIPTION:

This subroutine checks the Jump Plus B command. B is entered with a constant and then a JPB is executed to a test address. If the Jump is correct the next Enter B with a constant is executed; this cycle is repeated until the prescribed number of 35-commands have been executed. An exit is then made to the executive routine (COMA). If the Jump is in error, an exit is made to the display subroutine. If PROGRAM STOP O is set, CO will contain the function code and the error may be evaluated. (AL and AU will not contain error information). Upon return to this subroutine (TF35) an exit is made to the executive routine (COMA) to check for continuing the test or recycling this subroutine (TF35).

TITLE: TF35

## INPUT PARAMETERS (Listed Sequentially):

COMA

TEST PATTERNS

TPAT1 000000

## OUTPUT PARAMETERS (Listed Sequentially):

BUFF1

BUFF2

TFX

## ABNORMAL EXITS (Listed Sequentially):

## NEXT LEVEL PROCEDURES OR SUBROUTINES (Keys of Duplicate Labels Specified):

COMA - (EXEC)

TFDIS - Error Display

## SYSTEM DATA REFERENCES:

## ALARMS AND/OR REMARKS:

ERROR DISPLAY

PROGRAM STOP 0 - No display in AU or AL

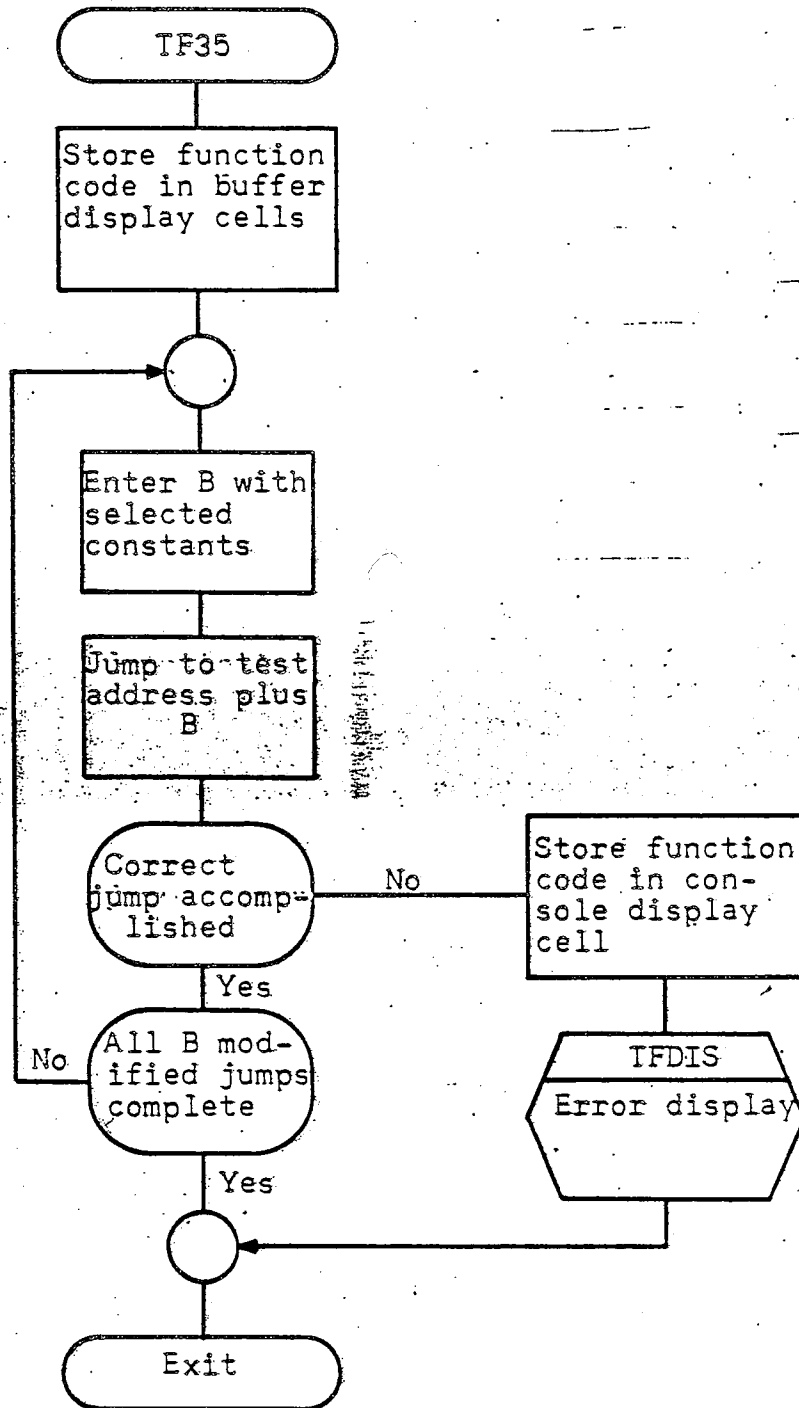
Function code (35xxxx) in CO

PROGRAM SKIP 4 - Set for console error display only

Not set for error timeout (Function Code 35)

PROGRAM SKIP 0 - Not set to continue test

Set to recycle subroutine (TF35)



TF35: JUMP PLUS B

TITLE: IF36 - ENTER B WITH CONSTANT (SIGN EXTENDED) (36xxxx)DECK IDENTIFIER: FACTCS-1 LABEL: IF36 KEY: \_\_\_\_\_ IS LABEL DUPLICATE? NoPROGRAMMER: PMC modified by TLR DATE: 8 Dec. 67NUMBER OF L OUTPUT INSTRUCTIONS: 56

## DESCRIPTION:

This subroutine checks the Enter B With Constant (Sign Extended) command. A ENTBK command is executed, then validity is checked by entering AL with B and the correct, test-pattern in AU. An Enter B with the next constant is executed if AL is equal to zero and validity is checked by entering AL with B, AU with the associated test-pattern, and comparing AL with the associated test-pattern. If correct, the above cycle with compare is repeated until all patterns have been checked. An exit is then made to the executive routine (COMA). If an error is detected by any of the validity checks, an exit is made to the display subroutine. AU will contain the correct pattern, AL the incorrect pattern and, with PROGRAM STOP 0 set, CO will contain the function code and the error may be evaluated. Upon return to this subroutine (IF36), an exit is made to the executive routine (COMA) to check for continuing the test or recycling this subroutine (IF36).

TITLE: TF36

**INPUT PARAMETERS (Listed Sequentially):**

COMA

**TEST PATTERNS**

TPAT	777777
TPAT1	000000
TPAB1	000001
TPAB2+1	000505
TPAK	002020
TPAK5	775252
TPAK6	002525
TPAK7	777070

**OUTPUT PARAMETERS (Listed Sequentially):**

BUFF1  
BUFF2  
TFX

**ABNORMAL EXITS (Listed Sequentially):**

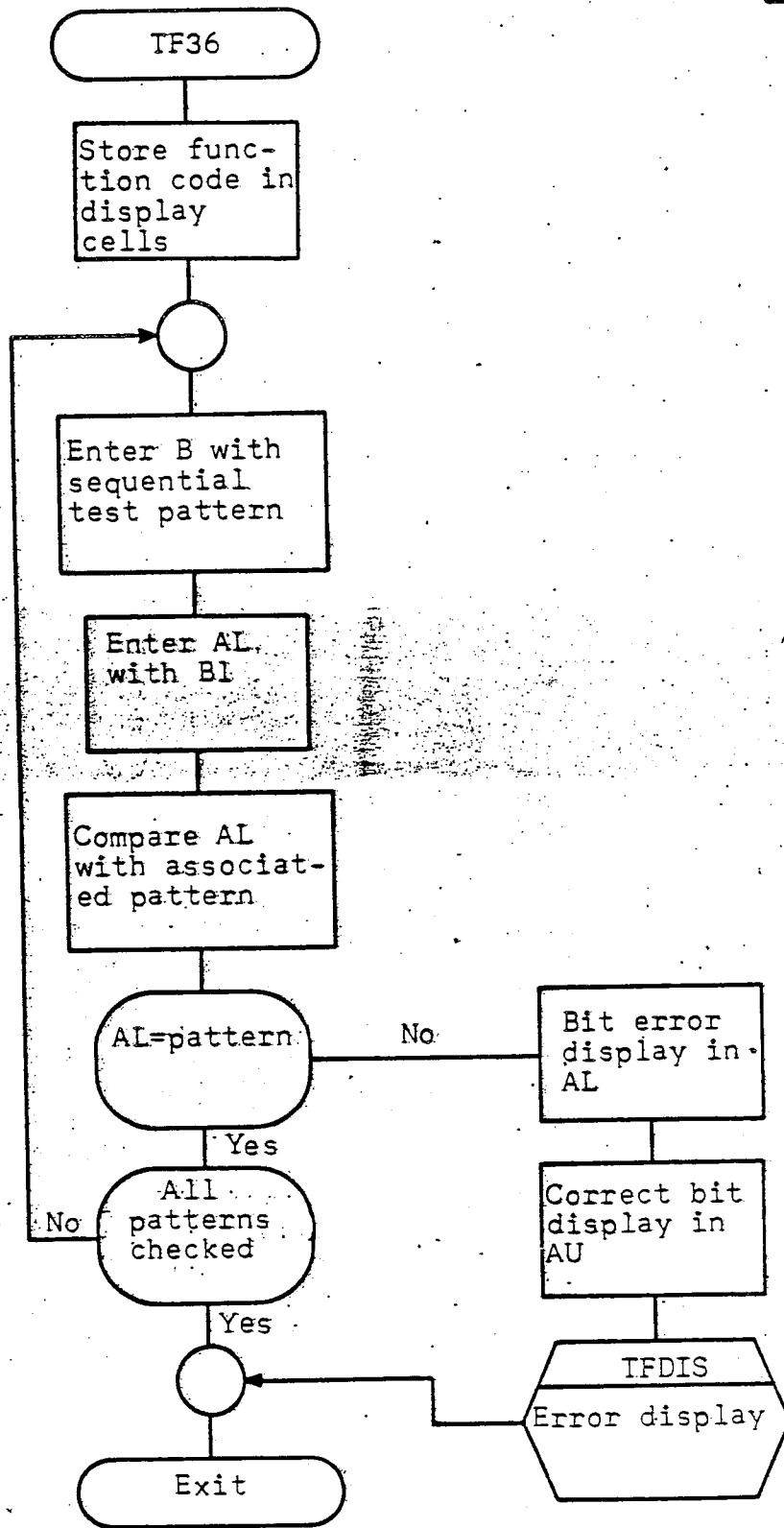
**NEXT LEVEL PROCEDURES OR SUBROUTINES (Keys of Duplicate Labels Specified):**

COMA - (EXEC)  
TFDIS - Error Display

**SYSTEM DATA REFERENCES:**

**ALARMS AND/OR REMARKS:**

ERROR DISPLAY  
PROGRAM STOP 0 - Correct information in AU  
                  Incorrect information in AL  
                  Function code (36xxxx) in CO  
PROGRAM SKIP 4 - Set for console error display only  
                  Not set for error typeout (Function Code 36)  
PROGRAM SKIP 0 - Not set to continue test  
                  Set to recycle subroutine (TF36)



TF36: ENTER B WITH CONSTANT SIGN EXTENDED

### PROGRAM DATA PAGE

SHEET

278

REVISION

SPECIFICATION SYMBOL

SB-10163

TITLE: TF37 - ENTER B WITH CONSTANT PLUS B (SIGN EXT.) (37xxxx)

DECK IDENTIFIER: FACT

CS-1 LABEL: TF37 KEY: \_\_\_\_\_ IS LABEL DUPLICATE? No

PROGRAMMER: PMC modified by TLR DATE: 8 Dec. 67

NUMBER OF L<sub>4</sub> OUTPUT INSTRUCTIONS: 59

#### DESCRIPTION:

This subroutine checks the Enter B With Constant Plus B (Sign Extended) command. B is entered with a constant, and an ENTBKB is executed using another constant. Validity is checked by entering AL with the result of the ENTBKB command, and AU with the correct, test-pattern constant; AL and the associated test pattern are compared, and if correct, the next sequential constant is entered into B, and the cycle repeated until all test patterns have been checked. An exit is then made to the executive routine (COMA). If an error is detected by any of the validity checks, an exit is made to the display subroutine. AU will contain the correct pattern, AL the incorrect pattern. If PROGRAM STOP 0 is set, CO will contain the function code and the error may be evaluated. Upon return to this subroutine (TF37) an exit is made to the executive routine (COMA) to check for continuing the test or recycling this subroutine (TF37).

TITLE: TF37

## INPUT PARAMETERS (Listed Sequentially):

COMA

## TEST PATTERNS

TPAT1	000000
TPAK6	002525
TPAK7+1	000707
TPAS1	000017
TPAS2	000015
TPAS3	000012
TPAS4	000002

## OUTPUT PARAMETERS (Listed Sequentially):

BUFF1  
BUFF2  
TFX

## ABNORMAL EXITS (Listed Sequentially):

## NEXT LEVEL PROCEDURES OR SUBROUTINES (Keys of Duplicate Labels Specified):

COMA - (EXEC)  
TFDIS - Error Display

## SYSTEM DATA REFERENCES:

## ALARMS AND/OR REMARKS:

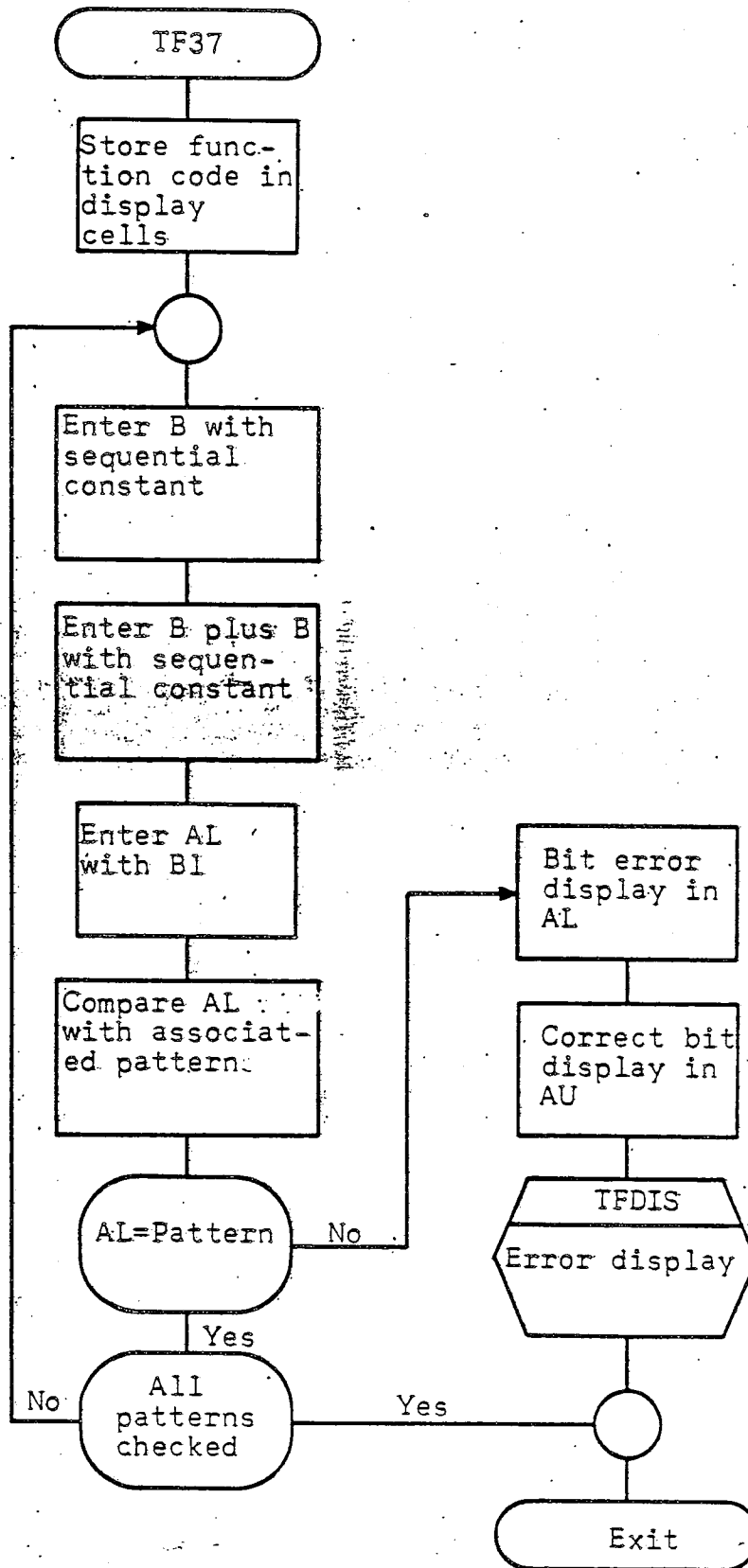
ERROR DISPLAY

PROGRAM STOP 0 - Correct information in AU  
Incorrect information in AL  
Function code (37xxxx) in CO

PROGRAM SKIP 4 - Set for console error display only  
Not set for error typeout (Function Code 37)

PROGRAM SKIP 0 - Not set to continue test  
Set to recycle subroutine (TF37)





TF37: ENTER B WITH CONSTANT, PLUS B (SIGN EXT.)

# UNIVAC

DIVISION OF SPERRY RAND CORPORATION

## PROGRAM DATA PAGE

SPECIFICATION SHEET

SHEET 281

REVISION —

SPECIFICATION SYMBOL  
SB-10163

TITLE: TF40 - CLEAR Y (40xxxx)

DECK IDENTIFIER: FACT

CS-1 LABEL: TF40 KEY: \_\_\_\_\_ IS LABEL DUPLICATE? No

PROGRAMMER: PMC modified by TLR DATE: 8 Dec. 67

NUMBER OF L<sub>4</sub> OUTPUT INSTRUCTIONS: 33

### DESCRIPTION:

This subroutine checks the Clear Y command. A sequential test-pattern is entered into AL followed by an entry into a subroutine where AL is stored in a test cell. Then the test cell is cleared (CL command) and validity is checked by entering the contents of the test cell into AL. If correct, AL is equal to zero, an exit is made from the subroutine, and the next pattern is entered into AL. This sequence is repeated until all patterns have been checked, then an exit is made to the executive routine (COMA). If an error is detected an exit is made from the subroutine to the display subroutine. AU will contain the correct pattern, AL the incorrect pattern and, if PROGRAM STOP 0 is set, CO the function code, and the error may be evaluated. Upon return to this subroutine (TF40), an exit is made to the executive routine (COMA) to check for continuing the test or recycling this subroutine (TF40).

TITLE: TF40

**INPUT PARAMETERS (Listed Sequentially):**

COMA	TEST PATTERNS	TPAR	TEST CELL
	TPAT	777777	
	TPAT1	000000	
	TPAT2	252525	
	TPAT3	525252	
	TPAT4	770000	
	TPAT5	007777	
	TPAT6	707070	
	TPAT7	070707	

**OUTPUT PARAMETERS (Listed Sequentially):**

BUFF1  
BUFF2  
IFX

**ABNORMAL EXITS (Listed Sequentially):**

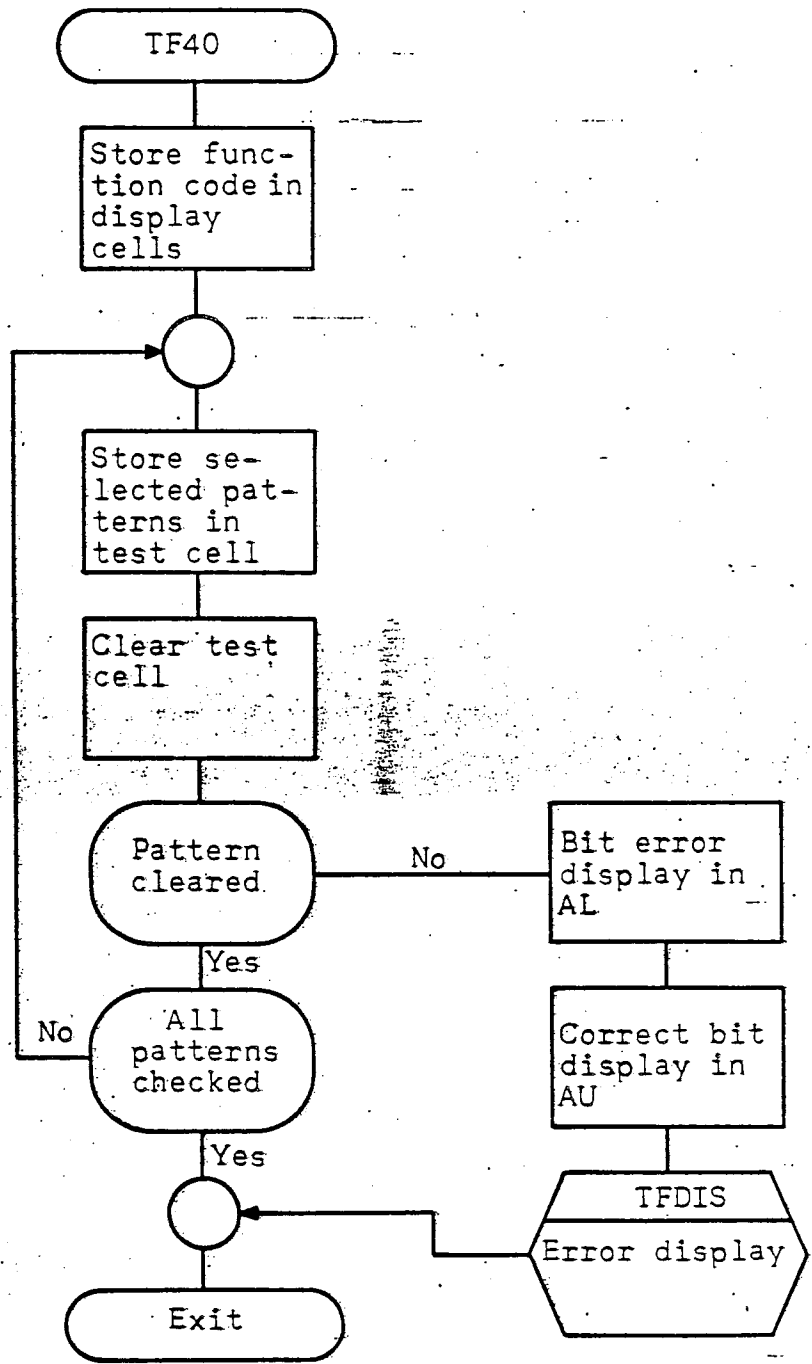
**NEXT LEVEL PROCEDURES OR SUBROUTINES (Keys of Duplicate Labels Specified):**

COMA - (EXEC)  
TEDIS - Error Display

**SYSTEM DATA REFERENCES:**

**ALARMS AND/OR REMARKS:**

ERROR DISPLAY —  
PROGRAM STOP 0 - Correct information in AU  
                  Incorrect information in AL  
                  Function code (40xxxx) in CO  
PROGRAM SKIP 4 - Set for console error display only  
                  Not set for error typeout (Function Code 40)  
PROGRAM SKIP 0 - Not set to continue test  
                  Set to recycle subroutine (TF40)



TF40: CLEAR Y

TITLE: TF41 - CLEAR Y PLUS B (41xxxx)DECK IDENTIFIER: FACE ?CS-1 LABEL: TF41 KEY: \_\_\_\_\_ IS LABEL DUPLICATE? NoPROGRAMMER: PMC modified by TLR DATE: 8 Dec. 67NUMBER OF L<sub>4</sub> OUTPUT INSTRUCTIONS: 52

## DESCRIPTION:

This subroutine checks the Clear Y Plus B command. B is entered with a constant, AL with a test pattern, and AU with the correct test-pattern. Then AL plus B is stored in a test cell, followed by a clearing of the test cell with a CLB command. Validity is checked by entering AL with the contents of the test cell, and if A is equal to zero, the next constant is entered into B. This sequence is repeated until all test patterns have been checked, then an exit is made to the executive routine (COMA). If an error is detected by any of the validity checks, AU contains the correct pattern, and AL the incorrect pattern, and an exit is made to the display subroutine. If PROGRAM STOP 0 is set, CO will contain the function code and the error may be evaluated. Upon return to this subroutine (TF41) and exit is made to the executive routine (COMA) to check for continuing the test or recycling this subroutine (TF41).

TITLE: TF41

**INPUT PARAMETERS (Listed Sequentially):**

COMA	TEST PATTERNS		
	TPAT	777777	TPAS6 000007
	TPAT1	000000	TPAS7 777775
	TPAT2	252525	TPAT TEST CELLS
	TPAT3	525252	
	TPAT5	007777	
	TPAB1+1	777776	
	TPAS4	000002	
	TPAS5	000004	

**OUTPUT PARAMETERS (Listed Sequentially):**

BUFF1  
BUFF2  
TFX

**ABNORMAL EXITS (Listed Sequentially):**

**NEXT LEVEL PROCEDURES OR SUBROUTINES (Keys of Duplicate Labels Specified):**

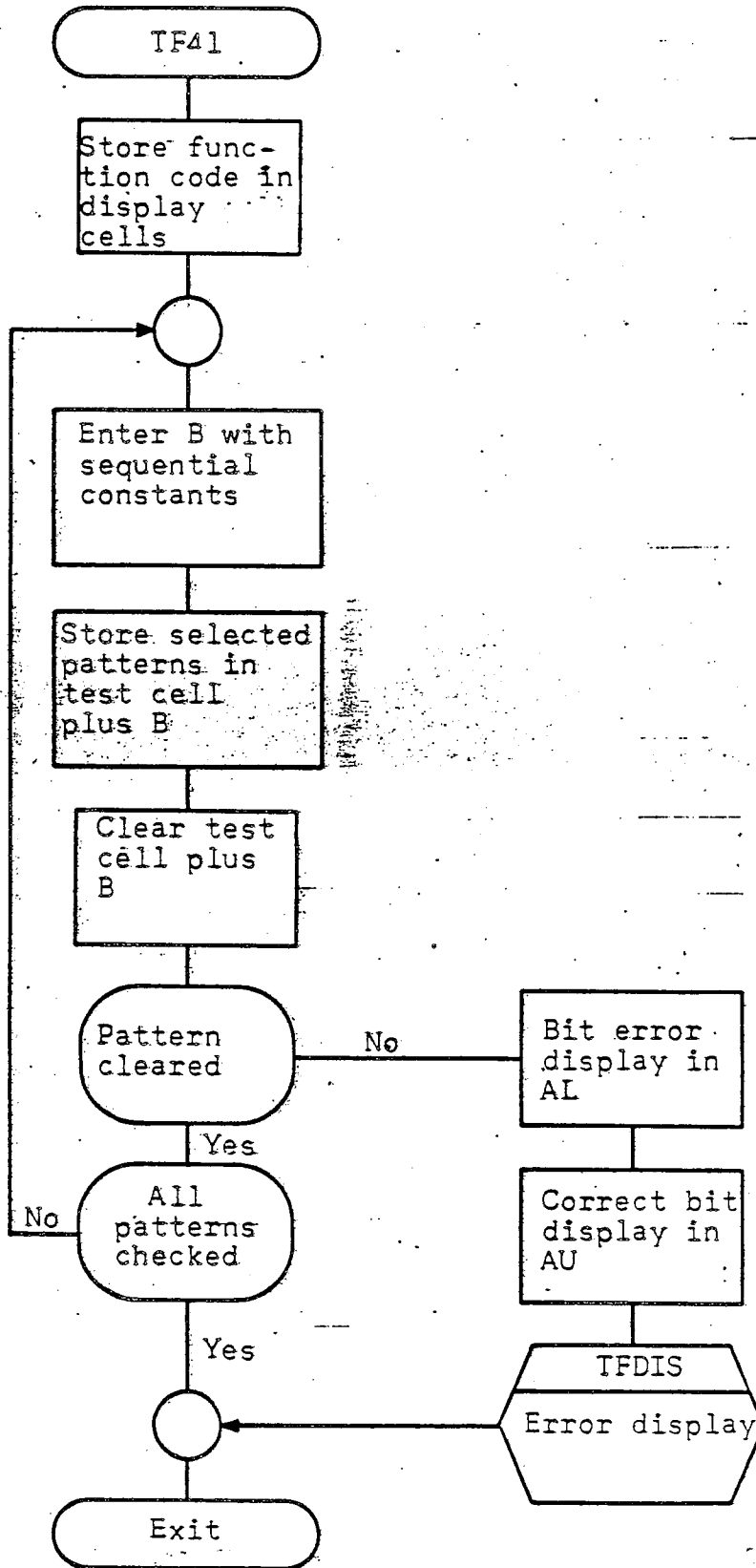
COMA - (EXEC)  
TFDIS - Error Display

**SYSTEM DATA REFERENCES:**

**ALARMS AND/OR REMARKS:**

**ERROR DISPLAY**

PROGRAM STOP 0 - Correct information in AU  
                  Incorrect information in AL  
                  Function code (4lxxxx) in CO  
PROGRAM SKIP 4 - Set for console error display only  
                  Not set for error timeout (Function Code 41)  
PROGRAM SKIP 0 - Not set for continue test  
                  Set to recycle subroutine (TF41)



TF41: CLEAR Y+B

**UNIVAC**

DIVISION OF SPERRY RAND CORPORATION

## SPECIFICATION SHEET

## PROGRAM DATA PAGE

SHEET 287

REVISION —

SPECIFICATION SYMBOL

SB-10163

TITLE: TS41 - RIGHT SHIFT AU (5041XX)DECK IDENTIFIER: FACTCS-1 LABEL: TS41 KEY: 1218 IS LABEL DUPLICATE? NoPROGRAMMER: FWS modified by TLR DATE: 8 Dec. 67NUMBER OF L<sub>4</sub> OUTPUT INSTRUCTIONS: 29

## DESCRIPTION:

This subroutine checks Right Shift AU command with its sign extension and end-off capabilities.

First the quantity 200000 is entered into AU and shifted to check the positive sign extension, that each bit can pass a one, and the end-off shift from 2<sup>0</sup> bit position.

Second, the quantity 400000 is entered into AU and shifted right to check negative sign extension.

Error displays are listed under alarms.



TITLE: TS41**INPUT PARAMETERS (Listed Sequentially):**

TCO2 = 200000  
TS415 = 400000  
TS424 = 000020

**OUTPUT PARAMETERS (Listed Sequentially):**

BUFF1  
BUFF2  
BUFF3  
BUFF4  
IFX

**ABNORMAL EXITS (Listed Sequentially):****NEXT LEVEL PROCEDURES OR SUBROUTINES (Keys of Duplicate Labels Specified):**

COMA - (EXEC)  
TSDIS - Error Display

**SYSTEM DATA REFERENCES:****ALARMS AND/OR REMARKS:**

ERROR DISPLAY  
CO/C1 = 504101  
PROGRAM STOP 0  
AU = Error  
AL = B Count (Shift Count)  
If AL = 1-20, bit was lost right shifting AL number of times  
from AU  $2^{17}$ .  
If AL = 20, all bits should have shifted off the end and did not.  
If AL = 21, AU should equal all ones from negative sign extension.

SHEET 289

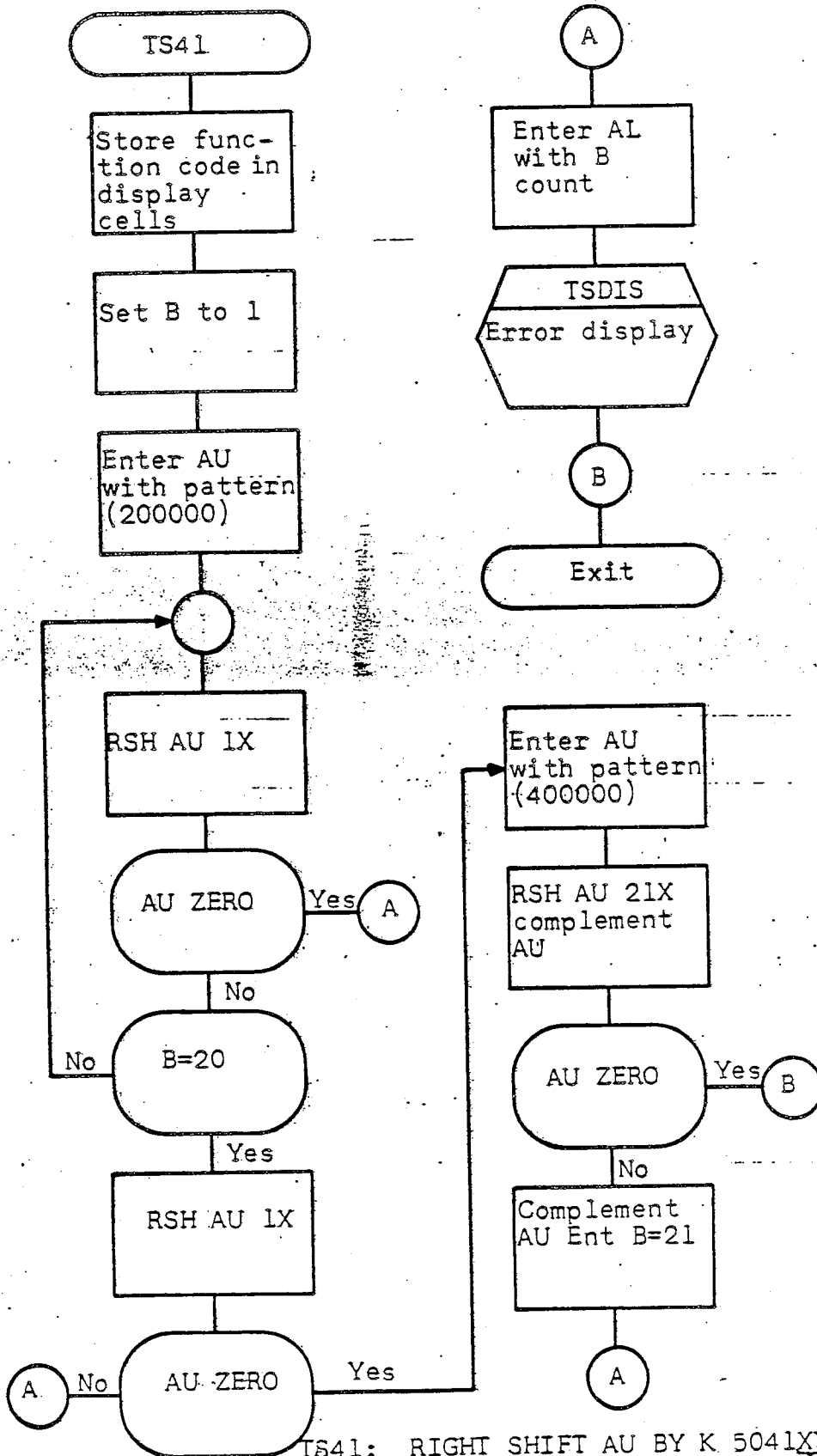
REVISION

SPECIFICATION SYMBOL

SB-10163

### ALARMS AND/OR REMARKS: (Con't)

- PROGRAM SKIP 4 - Set for console error display only.  
Not set for error typeout (Function Code 5041).
- PROGRAM SKIP 0 - Set to recycle subroutine (TS41)  
Not set to continue test



TS41: RIGHT SHIFT AU BY K. 5041XX

## PROGRAM DATA PAGE

SHEET 291

REVISION —

SPECIFICATION SYMBOL  
SB-10163

TITLE: TF42 - STORE B (42xxxx)

DECK IDENTIFIER: EAGT

CS-1 LABEL: TF42 KEY: IS LABEL DUPLICATE? No

PROGRAMMER: PMC modified by TLR DATE: 8 Dec. 67

NUMBER OF L<sub>4</sub> OUTPUT INSTRUCTIONS: 56

## DESCRIPTION:

This subroutine checks the Store B command. B is entered with a test pattern then B is stored in a test cell using a STRB command. Validity is checked by entering AL with the contents of the test cell, AU with the test pattern, and comparing AL and an associated test pattern. If correct, the next test pattern is entered into B and the sequence is repeated until all patterns have been checked. An exit is then made to the executive routine (COMA). If an error is detected by any of the validity checks an exit is made to the display subroutine. AU will contain the correct pattern, AL the incorrect pattern and, if PROGRAM STOP 0 is set, CO the function code, and the error may be evaluated. Upon return to this subroutine (TF42) an exit is made to the executive routine (COMA) to check for continuing the test or recycling this subroutine (TF42).

SPECIFICATION SYMBOL  
SB-10163

TITLE: TF42

**INPUT PARAMETERS (Listed Sequentially):**

COMA	TEST PATTERNS		
	TPAT	777777	TPAT5 007777
	TPAT+1	777777	TPAT5+1 007777
	TPAT1	000000	TPAT6 707070
	TPAT2	252525	TPAT6+1 707070
	TPAT2+1	252525	TPAT7 070707
	TPAT3	525252	TPAT7+1 070707
	TPAT3+1	525252	TPAR TEST CELL
	TPAT4	770000	
	TPAT4+1	770000	

**OUTPUT PARAMETERS (Listed Sequentially):**

BUFF1  
BUFF2  
TFX

**ABNORMAL EXITS (Listed Sequentially):**

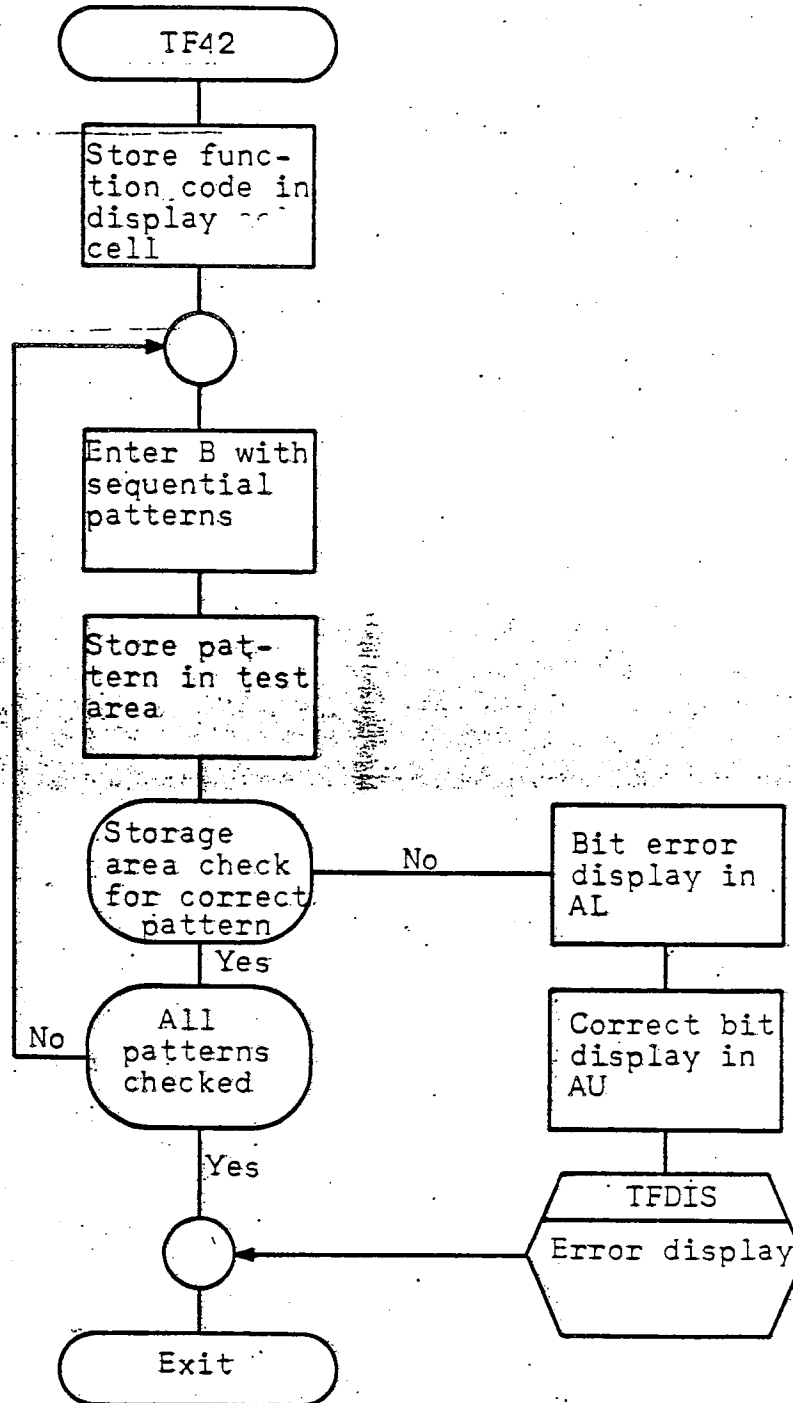
**NEXT LEVEL PROCEDURES OR SUBROUTINES (Keys of Duplicate Labels Specified):**

COMA - (EXEC)  
TFDIS - Error Display

**SYSTEM DATA REFERENCES:**

**ALARMS AND/OR REMARKS:**

ERROR DISPLAY  
PROGRAM STOP 0 - Correct information in AU  
                  Incorrect information in AL  
                  Function code (42xxxx) in CO  
PROGRAM SKIP 4 - Set for console error display only  
                  Not set for error timeout (Function Code)  
PROGRAM SKIP 0 - Not set to continue test  
                  Set to recycle subroutine (TF42)



TF42: STORE B

TITLE: TS42 - RIGHT SHIFT AL (5043XX)DECK IDENTIFIER: FACTCS-1 LABEL: TS42 KEY: \_\_\_\_\_ IS LABEL DUPLICATE? NoPROGRAMMER: FWS modified by TLR DATE: 8 Dec. 67NUMBER OF L<sub>4</sub> OUTPUT INSTRUCTIONS: 30

## DESCRIPTION:

This subroutine checks Right Shift AL command with its sign extension and end off capabilities.

First the quantity 200000 is entered into AL and shifted right to check the positive sign extension, that each bit can pass a one, and the end-off shift from the 2<sup>0</sup> bit position.

Second, the quantity 400000 is entered into AL and shifted right to check negative sign extension.

Error displays are listed under alarms.

SPECIFICATION SYMBOL

SB-10163

TITLE: TS42**INPUT PARAMETERS (Listed Sequentially):**

TC02 = 200000  
TS424 = 000020  
TS415 = 400000

**OUTPUT PARAMETERS (Listed Sequentially):**

BUFF1  
BUFF2  
BUFF3  
BUFF4  
TEX

**ABNORMAL EXITS (Listed Sequentially):****NEXT LEVEL PROCEDURES OR SUBROUTINES (Keys of Duplicate Labels Specified):**

COMA - (EXEC)  
TSDIS - Error Display

**SYSTEM DATA REFERENCES:****ALARMS AND/OR REMARKS:**

ERROR DISPLAY  
PROGRAM STOP 0.  
AL=Error.

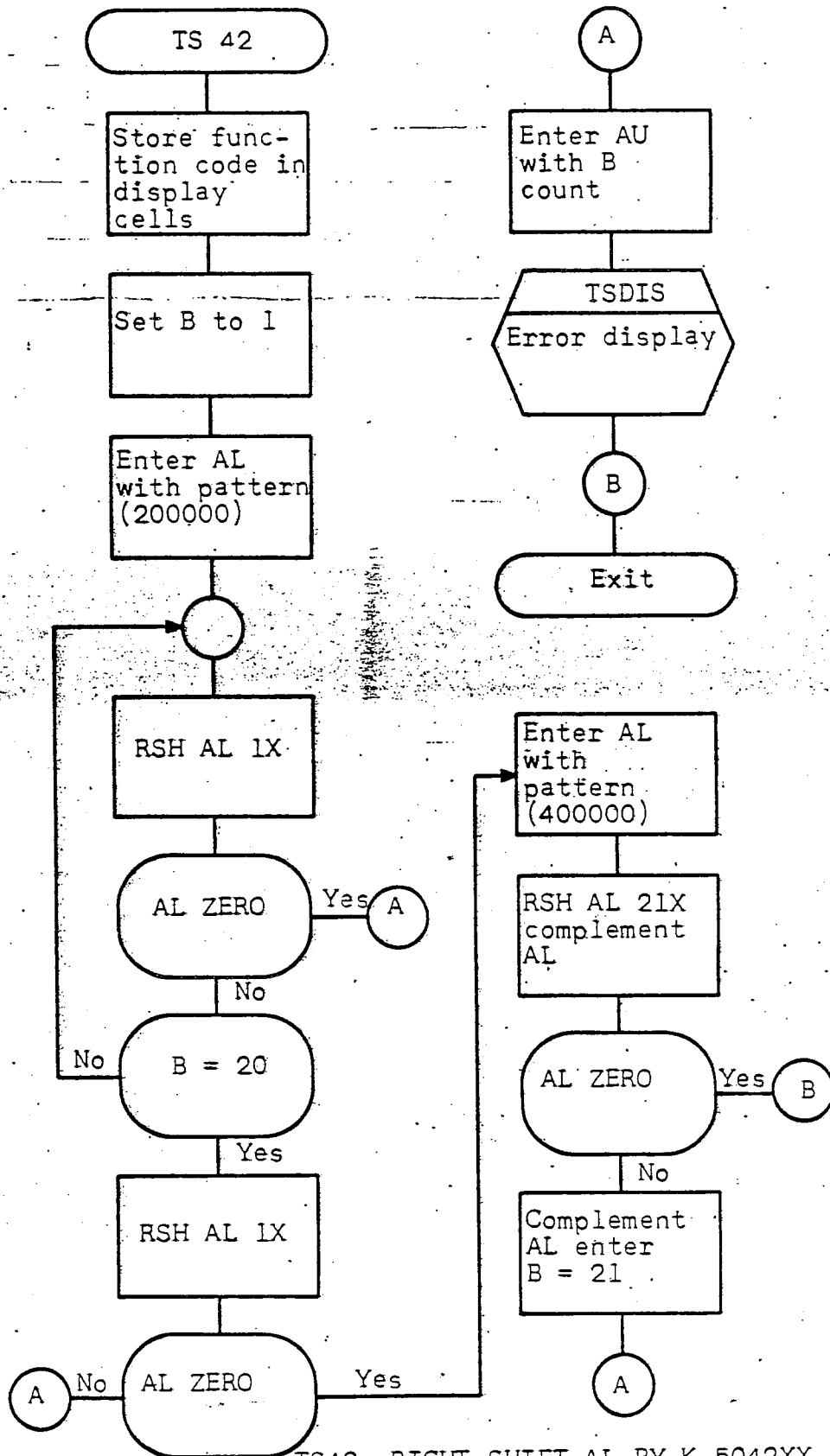
AU = B Count (Shift Count)

If AU = 1-20, bit was lost right shifting AU number of times from AL 2<sup>17</sup>.

If AU = 20, all bits should have shifted off the end and did not.  
If AU = 21, AL should be all ones from negative sign extension.







TS42: RIGHT SHIFT AL BY K 5042XX

K

**PROGRAM DATA PAGE**

SHEET 298

REVISION —

SPECIFICATION SYMBOL  
SB-10163TITLE: TF43 - STORE B MODIFIED BY B (43xxxx)DECK IDENTIFIER: FACTCS-1 LABEL: TF43 KEY: \_\_\_\_\_ IS LABEL DUPLICATE? NoPROGRAMMER: PMC, modified by TLR DATE: 8 Dec. 67NUMBER OF L<sub>4</sub> OUTPUT INSTRUCTIONS: 50

## DESCRIPTION:

This subroutine checks the Store B Modified By B command. B is entered with a test-pattern constant and STRBB (test cell) command is executed. Validity is checked by entering AU with the test pattern AL with the contents of the test cell, and AL is then compared to the test pattern. If correct, the next test-pattern constant is entered into B and the sequence repeated until all patterns have been checked. An exit is then made to the executive routine (COMA). If an error is detected by any of the validity checks, AU will contain the correct pattern, AL the incorrect pattern, and an exit will be made to the display subroutine. If PROGRAM STOP 0 is set, CO will contain the function code and the error may be evaluated. Upon return to this subroutine (TF43) an exit will be made to the executive routine (COMA) to check for continuing the test or re-cycling this subroutine (TF43).

SPECIFICATION SYMBOL

SB-10163

TITLE: TF43

## INPUT PARAMETERS (Listed Sequentially):

COMA	TEST PATTERNS	
	IPAT1	000000
	IPAB1	000001
	IPAB1+1	777776
	IPAS4	000002
	IPAS5	000004
	IPAS6	000007
	IPAS7	777775
	IPAR	TEST CELLS

## OUTPUT PARAMETERS (Listed Sequentially):

BUFF1  
BUFF2  
IFX

## ABNORMAL EXITS (Listed Sequentially):

## NEXT LEVEL PROCEDURES OR SUBROUTINES (Keys of Duplicate Labels Specified):

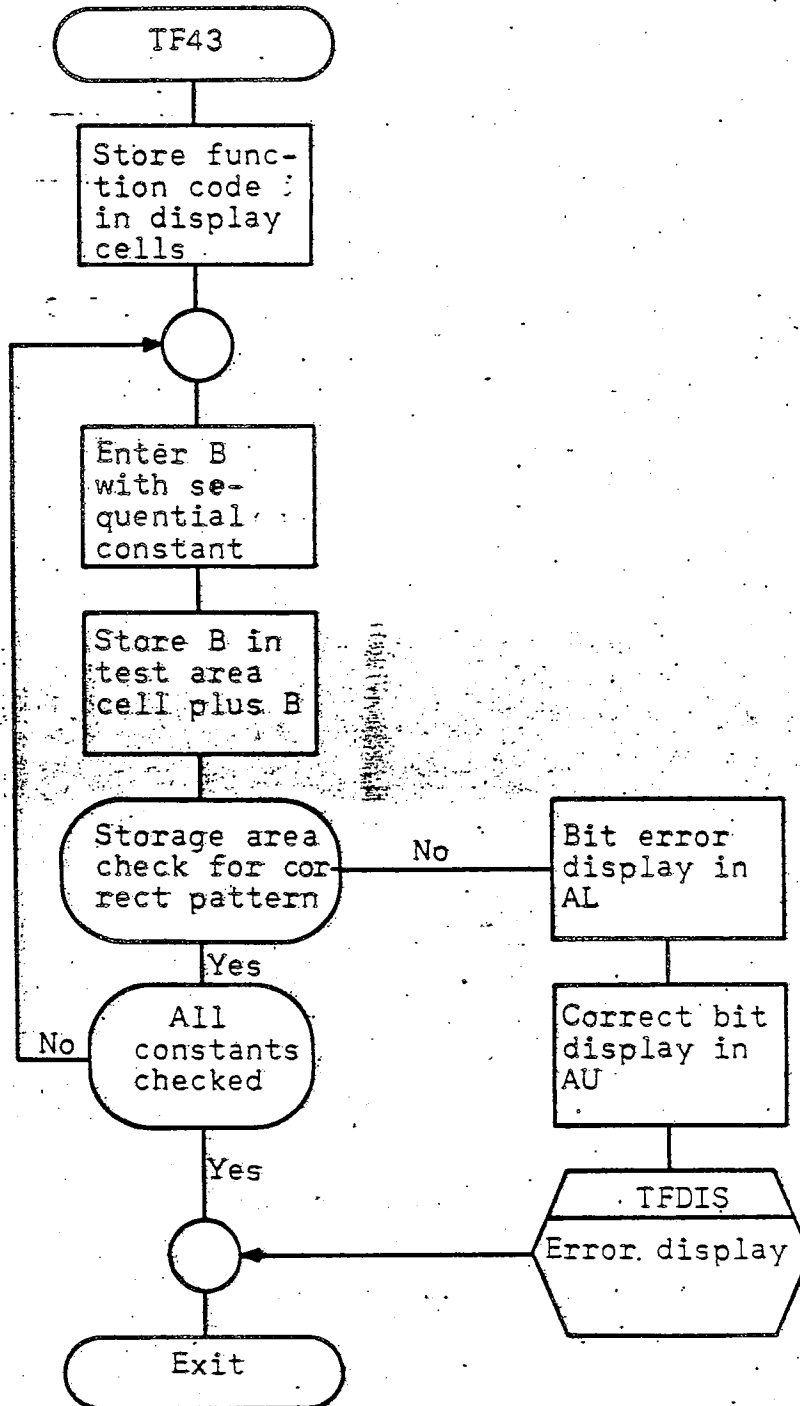
COMA - (EXEC)  
TFDIS - Error Display

## SYSTEM DATA REFERENCES:

## ALARMS AND/OR REMARKS:

ERROR DISPLAY  
PROGRAM STOP 0 - Correct information in AU  
                  Incorrect information in AL  
                  Function code in CO  
PROGRAM SKIP 4 - Set for console error display only  
                  Not set for error timeout (Function Code 43)  
PROGRAM SKIP 0 - Not set to continue test  
                  Set to recycle subroutine (TF43)

SHEET 300	REVISION —
SPECIFICATION SYMBOL SB-10163.	



TF43: STORE B MODIFIED BY B

TITLE: TS43 - RIGHT SHIFT A (5043XX)DECK IDENTIFIER: FACTCS-1 LABEL: TS43 KEY:            IS LABEL DUPLICATE? NoPROGRAMMER: FWS modified by TLR DATE: 8 Dec. 67NUMBER OF  $L_4$  OUTPUT INSTRUCTIONS: 40**DESCRIPTION:**

This subroutine checks Right Shift A command with its sign extension and end-off capabilities (RSHA command).

First the quantity 200000 is entered into AU and shifted right to check the positive sign extension, that each bit can pass a one, and the AU 20 to AL 2<sup>17</sup> transfer. The bit is then shifted through AL to check the positive sign extension, that each bit can pass a one, and the end-off shift from 2<sup>0</sup> of this register.

Second, the quantity 400000 is entered into AU and shifted right to check the negative sign extension of both registers.

Error displays are listed under alarms.

TITLE: TS43**INPUT PARAMETERS (Listed Sequentially):**

TCO2 = 200000  
TS415 = 400000  
TS424 = 000020  
TSR430 = 000021  
TPAT = 777777

**OUTPUT PARAMETERS (Listed Sequentially):**

BUFF1  
BUFF2  
BUFF3  
BUFF4  
TFX

**ABNORMAL EXITS (Listed Sequentially):****NEXT LEVEL PROCEDURES OR SUBROUTINES (Keys of Duplicate Labels Specified):**

COMA - (EXEC)  
TSDIS - Error Display

**SYSTEM DATA REFERENCES:****ALARMS AND/OR REMARKS:**

ERROR DISPLAY  
PROGRAM STOP 0  
CO/C1 = 504301  
AL = B Count, if B less than 21  
AU = B Count, if B more than 20  
To determine lost bit, use B Count shifting right from AU 217, or  
AL and AU should equal all ones for right shift with negative sign  
extension.

SHEET 303

REVISION —

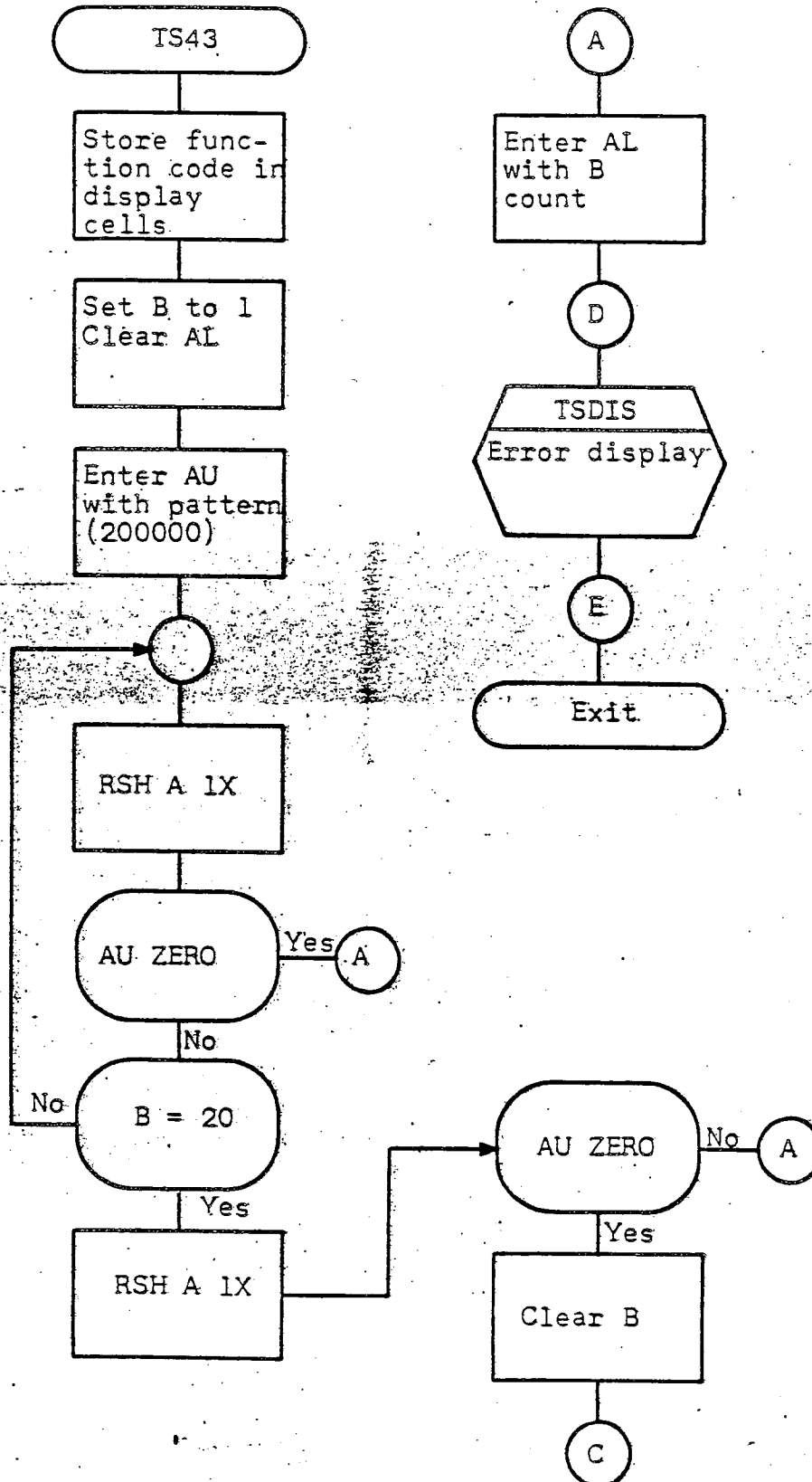
SPECIFICATION SYMBOL

SB-10163

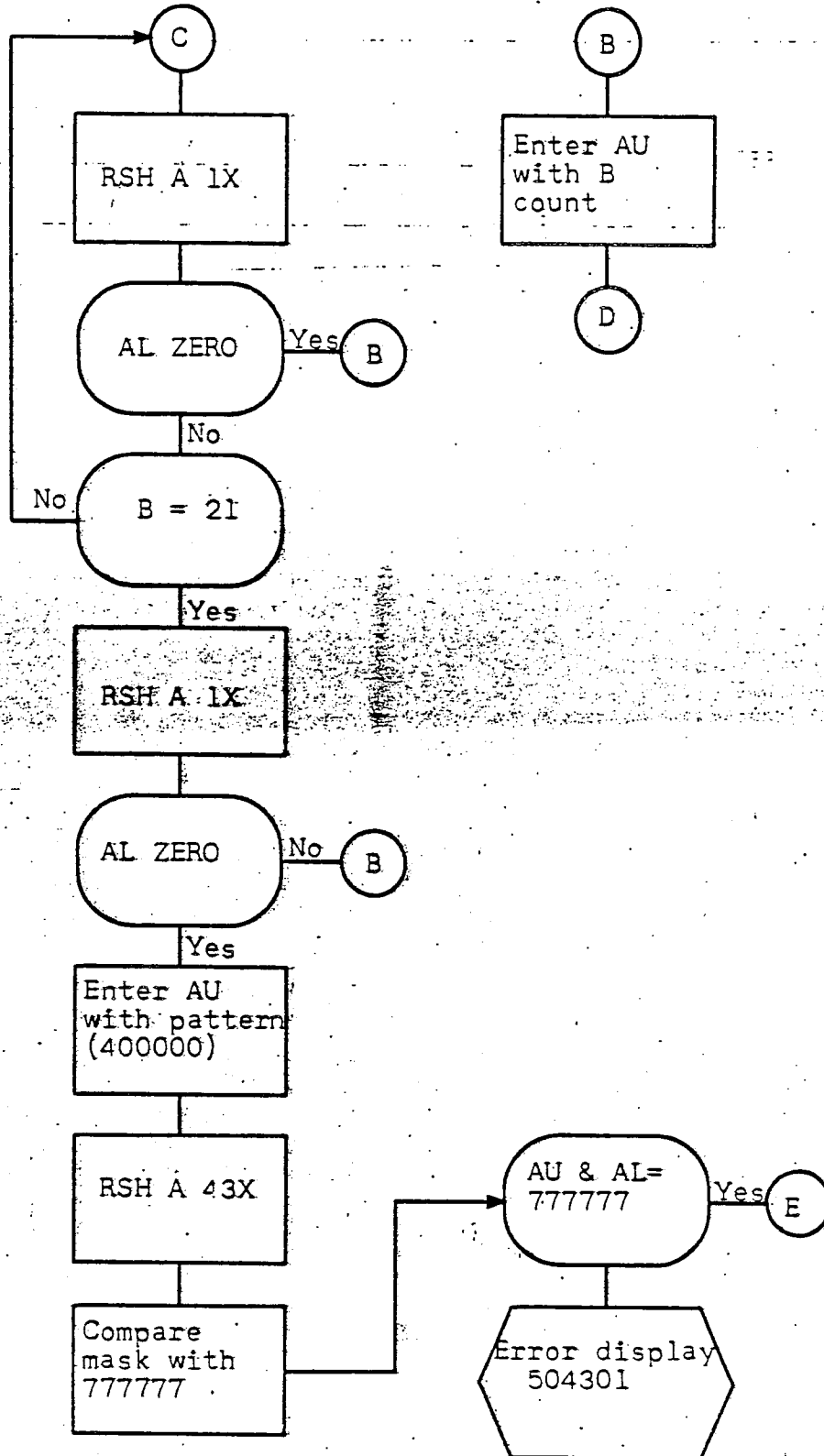
ALARMS AND/OR REMARKS: (Con't)

- PROGRAM SKIP 4 - Set for console error display only  
Not set for error typeout (Function Code 5043)
- PROGRAM SKIP 0 - Set to recycle subroutine (TS43)  
Not set to continue test





TS43: RIGHT SHIFT A BY K. 5043XX  
K



TS43: RIGHT SHIFT A BY K 5043XX  
K

## PROGRAM DATA PAGE

SHEET 306

REVISION -

SPECIFICATION SYMBOL

SB-10163

TITLE: TF44 - STORE A LOWER (44xxxx)DECK IDENTIFIER: FACTCS-1 LABEL: TF44 KEY: \_\_\_\_\_ IS LABEL DUPLICATE? NoPROGRAMMER: PMC modified by DATE: 8 Dec. 67NUMBER OF L<sub>4</sub> OUTPUT INSTRUCTIONS: 50

## DESCRIPTION:

This subroutine checks the Store A Lower command. AL is entered with a test-pattern constant then AL is stored in a test cell using a STRAL command. Validity is checked by entering AU with the contents of the test cell and executing a compare mask. If correct, A is equal to zero, the next, test-pattern constant is entered into AL and the sequence repeated until all patterns have been checked. An exit is then made to the executive routine (COMA). If an error is detected by any of the validity checks a left shift A is executed and AU will contain the correct pattern, AL the incorrect pattern, and an exit is made to the display subroutine. With PROGRAM STOP 0 set, CO will contain the function code and the error may be evaluated. Upon return to this subroutine (TF44) an exit is made to the executive routine (COMA) to check for continuing the test or recycling this subroutine (TF44).

SPECIFICATION SYMBOL

\_SB-10163

TITLE: TF44

## INPUT PARAMETERS (Listed Sequentially):

COMA	TEST PATTERNS
	TPAT 777777
	TPAT1 000000
	TPAT2 252525
	TPAT3 525252
	TPAT4 770000
	TPAT5 007777
	TPAT6 707070
	TPAT7 070707
	TC01 777777

## OUTPUT PARAMETERS (Listed Sequentially):

BUFF1  
BUFF2  
TFX

## ABNORMAL EXITS (Listed Sequentially):

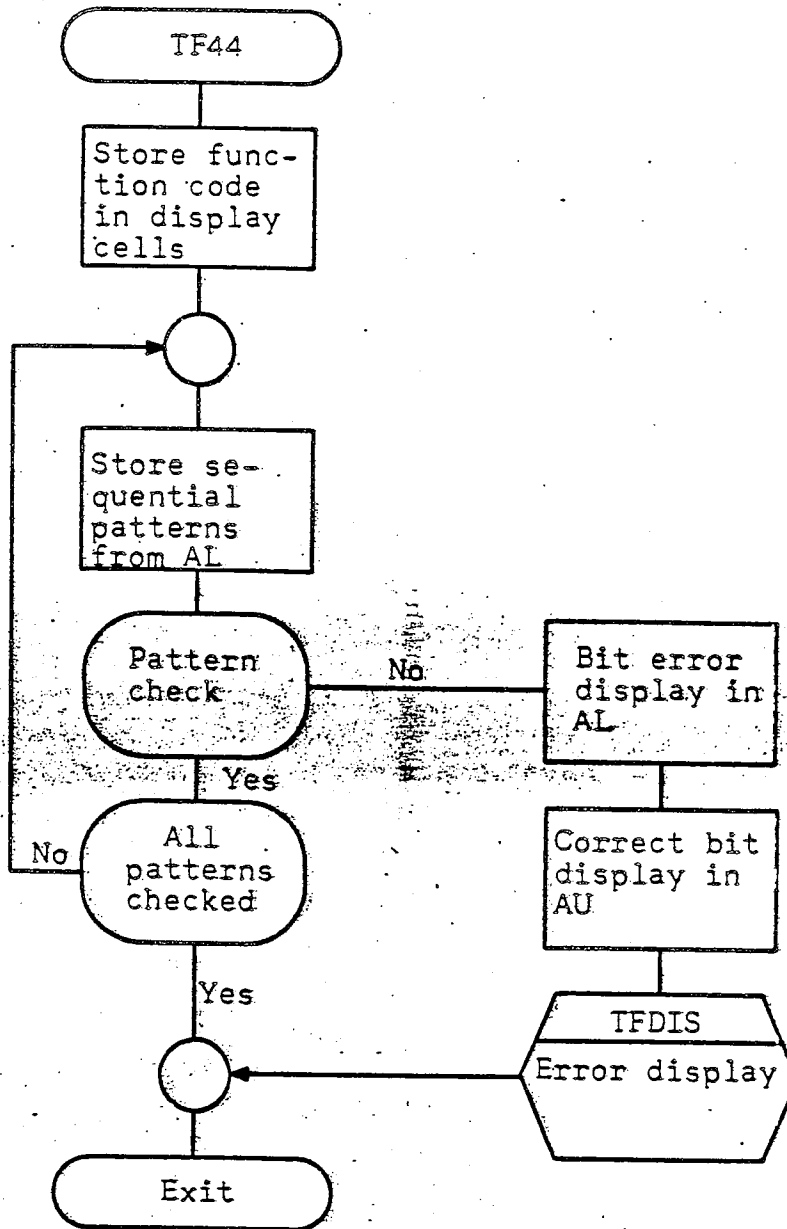
## NEXT LEVEL PROCEDURES OR SUBROUTINES (Keys of Duplicate Labels Specified):

COMA - (EXEC)  
TFDIS - Error Display

## SYSTEM DATA REFERENCES:

## ALARMS AND/OR REMARKS:

ERROR DISPLAY  
PROGRAM STOP 0 - Correct information in AU  
                  Incorrect information in AL  
                  Function code (44xxxx) in CO  
PROGRAM SKIP 4 - Set for console error display only  
                  Not set for error typeout (Function Code 44)  
PROGRAM SKIP 0 - Not set to continue test  
                  Set to recycle subroutine (TF44)



TF44: STORE A LOWER

**UNIVAC**

DIVISION OF SPERRY RAND CORPORATION

**PROGRAM DATA PAGE**

**SPECIFICATION SHEET**

SHEET 309

REVISION —

SPECIFICATION SYMBOL

SB-10163

TITLE: TS44 - SCALE FACTOR (5044XX)

DECK IDENTIFIER: FACT

CS-1 LABEL: TS44 KEY: 1218 IS LABEL DUPLICATE? No

PROGRAMMER: FWS modified by TLR DATE: 8 Dec. 67

NUMBER OF L<sub>4</sub> OUTPUT INSTRUCTIONS: 53

**DESCRIPTION:**

This subroutine checks Scale Factor of the A Register. Both positive and negative constants are used and all normalizing counts from 1 to 41 are checked.

Error displays are listed under alarms.

**PROGRAM DATA PAGE (Cont)**

SHEET 310

REVISION —

SPECIFICATION SYMBOL

SB-10163

TITLE: TS44**INPUT PARAMETERS (Listed Sequentially):**

IPAT1 = 000000  
IPAB1 = 000001  
TCO2 = 200000  
IPAT = 777777  
IS447 = 000041  
IPAB = 777776  
TSR44 = 577777

**OUTPUT PARAMETERS (Listed Sequentially):**

BUFF1  
BUFF2  
TFX  
ISH = AU PATTERN STORE  
TSCOI = AL PATTERN STORE  
IS446 = B COUNT STORE

**ABNORMAL EXITS (Listed Sequentially):****NEXT LEVEL PROCEDURES OR SUBROUTINES (Keys of Duplicate Labels Specified):**

COMA - (EXEC)  
TSDIS - Error Display

**SYSTEM DATA REFERENCES:****ALARMS AND/OR REMARKS:**

ERROR DISPLAY  
PROGRAM STOP 0  
CO/C1 = 504442  
AU and AL equal normalized positive pattern  
If AU = 200000, AL should be cleared.  
If AL = 200000, AU should = 200000.  
AU and AL equal normalized negative pattern  
If AU = 577777, AL should be all ones.  
If AL = 577777, AU should = 577777

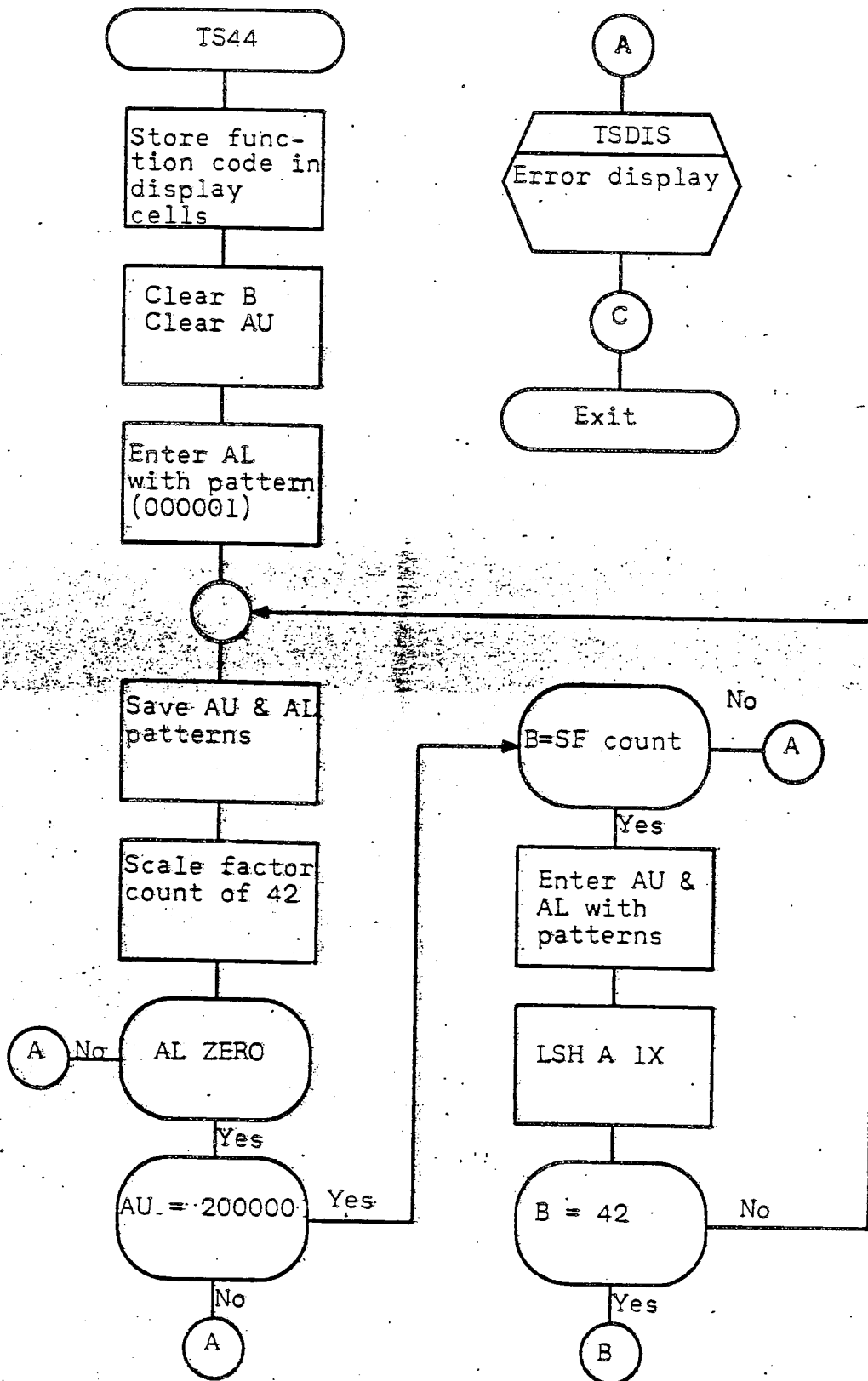
SHEET 311	REVISION —
-----------	------------

SPECIFICATION SYMBOL SB-10163
----------------------------------

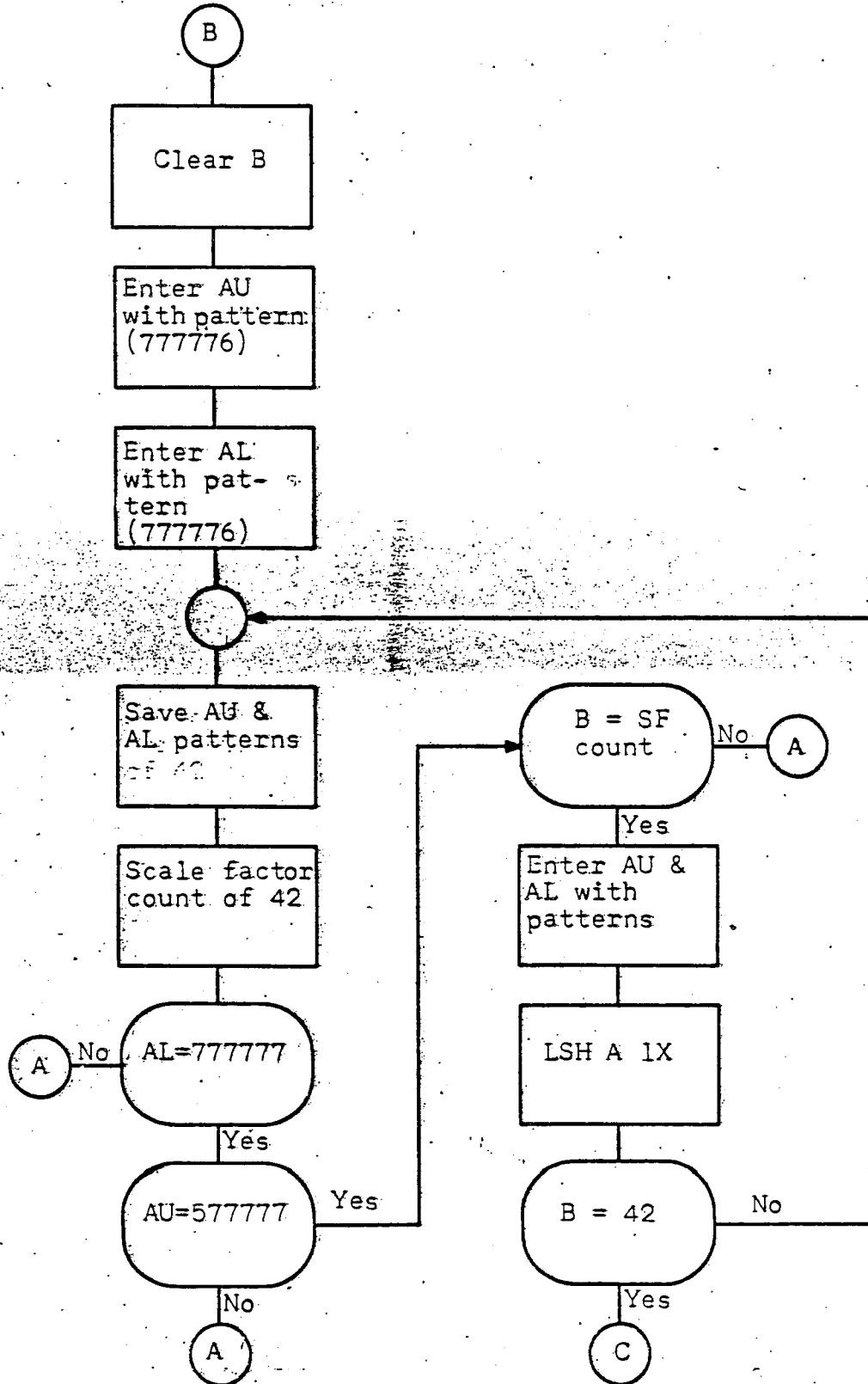
ALARMS AND/OR REMARKS: (Con't)

- PROGRAM SKIP 4 - Set for console error display only  
Not set for error typeout (Function Code 5044)
- PROGRAM SKIP 0 - Set to recycle subroutine (TS44)  
Not set to continue test





TS44: SCALE FACTOR BY MAXIMUM K 5044XX  
K



IS44: SCALE FACTOR BY MAXIMUM K 5044XX  
K

## PROGRAM DATA PAGE

SHEET 314

REVISION —

SPECIFICATION SYMBOL

SB-10163

TITLE: TF45 - STORE A LOWER MODIFIED BY B (45xxxx)DECK IDENTIFIER: FACTCS-1 LABEL: TF45 KEY: \_\_\_\_\_ IS LABEL DUPLICATE? NoPROGRAMMER: PMC modified by TLR DATE: 8 Dec. 67NUMBER OF L<sub>4</sub> OUTPUT INSTRUCTIONS: \_\_\_\_\_

## DESCRIPTION:

This subroutine checks the Store A Lower Modified By B command. B is entered with a constant and AL with a test-pattern constant. Then a STRALB command is executed. Validity is checked by entering AU with the contents of the test cell and executing a compare mask. If correct, A is equal to zero, the next constant is entered into B and the cycle is repeated until all test patterns have been checked. An exit is then made to the executive routine (COMA). If an error is detected by any of the validity checks, a left shift A is executed and AU will contain the correct pattern, AL the incorrect pattern. An exit is then made to the display subroutine where, with PROGRAM STOP 0 set, CO will contain the function code and the error may be evaluated. Upon return to this subroutine (TF45) an exit is made to the executive routine (COMA) to check for continuing the test or recycling this subroutine (TF45).

## PROGRAM DATA PAGE (Cont)

SHEET 315

REVISION   

SPECIFICATION SYMBOL

SB-10163

TITLE: TF45

**INPUT PARAMETERS (Listed Sequentially):**

COMA	TEST PATTERNS		
	TPAT	777777	TPAR TEST CELLS
	TPAT1	000000	
	TPAT2	252525	
	TPAT3	525252	
	TPAT4	770000	
	TPAT5	007777	
	TPAT6	707070	
	TPAT7	070707	
	TCO1	777777	

**OUTPUT PARAMETERS (Listed Sequentially):**

BUFF1  
BUFF2  
TFX

**ABNORMAL EXITS (Listed Sequentially):**

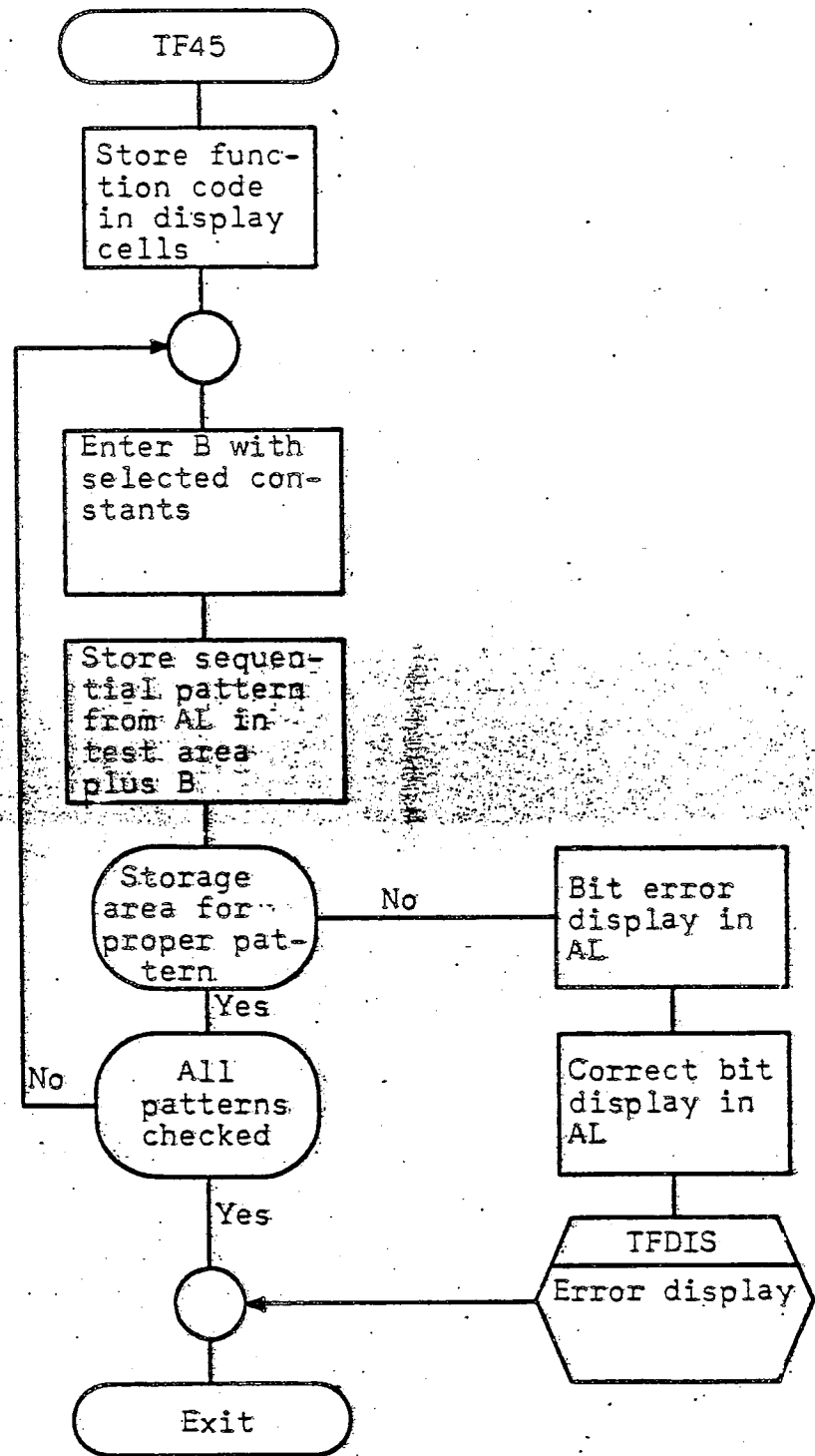
**NEXT LEVEL PROCEDURES OR SUBROUTINES (Keys of Duplicate Labels Specified):**

COMA - (EXEC)  
TFDIS - Error Display

**SYSTEM DATA REFERENCES:**

**ALARMS AND/OR REMARKS:**

ERROR DISPLAY  
PROGRAM STOP 0 - Correct information in AU  
                  Incorrect information in AL  
                  Function code (45xxxx) in CO  
PROGRAM SKIP 4 - Set for console error display only  
                  Not set for error timeout (Function Code 45)  
PROGRAM SKIP 0 - Set to continue test  
                  Not set to recycle subroutine (TF45)



TF45: STORE AL MODIFIED BY B

SHEET 317

REVISION —

SPECIFICATION SYMBOL  
SB-10163TITLE: TS45 - LEFT SHIFT AU (5045XX)DECK IDENTIFIER: FACTCS-1 LABEL: TS45 KEY: \_\_\_\_\_ IS LABEL DUPLICATE? NoPROGRAMMER: FWS modified by TLR DATE: 8 Dec. 67NUMBER OF  $L_4$  OUTPUT INSTRUCTIONS: 30

## DESCRIPTION:

This subroutine checks Left Shift AU command with its end around capabilities.

First, the quantity 000001 is entered into AU and left shifted one bit at a time until it should be in bit  $2^{17}$  position. AU is then tested for its ability to pass a one without picking up a bit.

Secondly, one more left shift is executed to check the end around feature from bit  $2^{17}$  to bit  $2^0$ .

Error displays are listed under alarms.

SPECIFICATION SYMBOL  
SB-10163TITLE: TS45**INPUT PARAMETERS (Listed Sequentially):**TPAB1 = 000001  
TSR430 = 21  
TS455 = 400000  
TC01 = 777777**OUTPUT PARAMETERS (Listed Sequentially):**BUFF1  
BUFF2  
BUFF3  
BUFF4  
IFX**ABNORMAL EXITS (Listed Sequentially):****NEXT LEVEL PROCEDURES OR SUBROUTINES (Keys of Duplicate Labels Specified):**COMA - (EXEC)  
TSDIS - Error Display**SYSTEM DATA REFERENCES:****ALARMS AND/OR REMARKS:**ERROR DISPLAY  
PROGRAM STOP 0  
CO/C1 - 504501  
AU = ErrorIf AL = 1=21, bit was lost while shifting that count from 2<sup>0</sup>.  
If AL = 400000, AU should equal 400000 unless bits picked up.  
If AL = 000001, AU should equal 000001 unless end around failed.

SHEET 319

REVISION

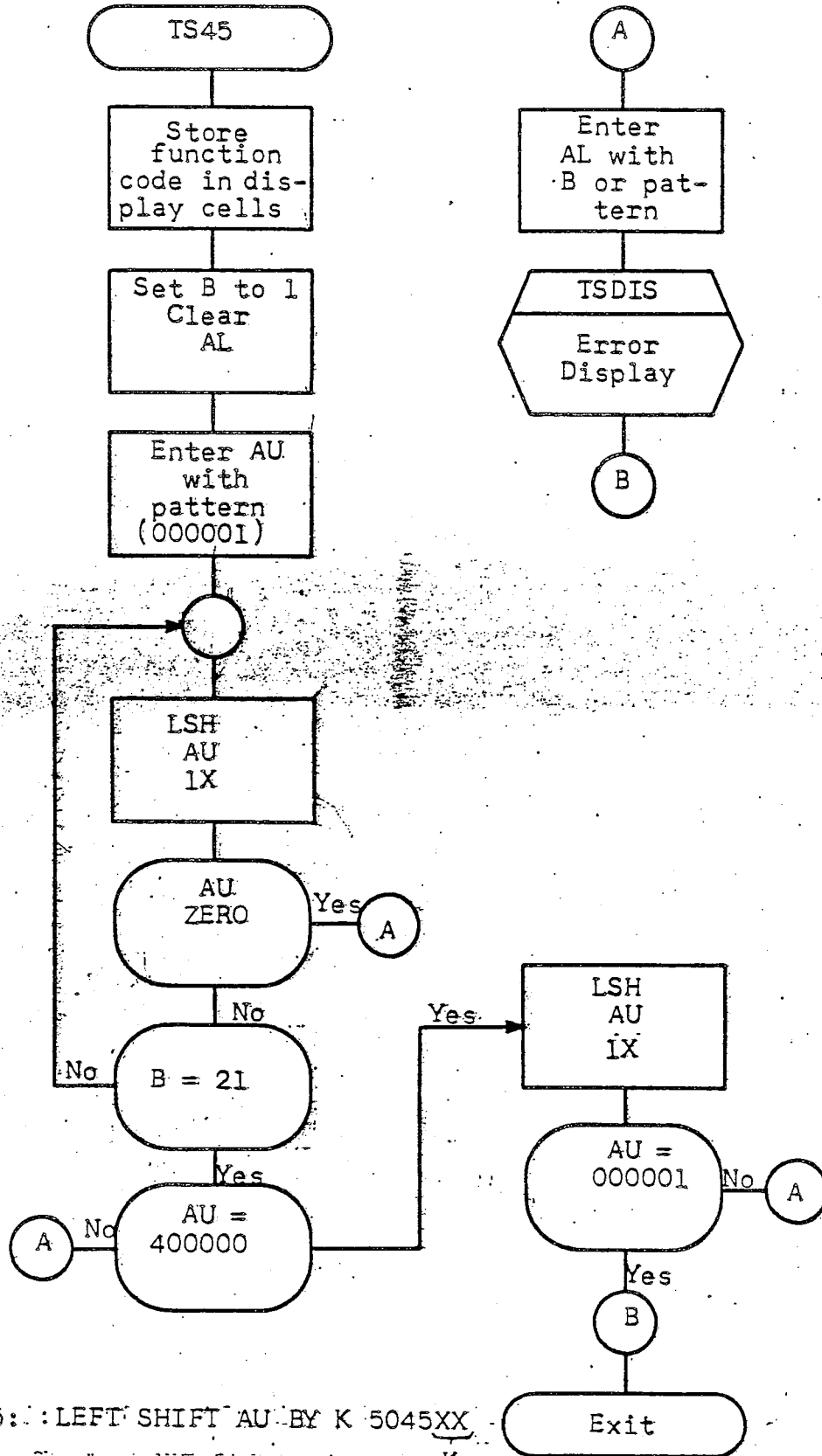
SPECIFICATION SYMBOL

SB-10163

ALARMS AND/OR REMARKS: (Con't)

- PROGRAM SKIP 4 - Set for console error display only  
Not set for error typeout (Function Code 5045)
- PROGRAM SKIP 0 - Set to recycle subroutine (TS45)  
Not set to continue test.





TS45: LEFT SHIFT AU BY K 5045XX

TS45: LEFT SHIFT AU BY K

SHEET 321

REVISION —

SPECIFICATION SYMBOL

SB-10163

TITLE: TF46 - STORE A UPPER (46xxxx)DECK IDENTIFIER: FACTCS-1 LABEL: TF46 KEY: \_\_\_\_\_ IS LABEL DUPLICATE? NoPROGRAMMER: PMC modified by TLR DATE: 8 Dec. 67NUMBER OF L<sub>4</sub> OUTPUT INSTRUCTIONS: 49

## DESCRIPTION:

This subroutine checks the Store A Upper command. AU is entered with a test pattern and stored in a test cell using a STRAU command. Validity is then checked by entering AL with the contents of the test cell and comparing AL with the test pattern. If correct, the next pattern is entered into AU and the cycle is repeated until all patterns have been checked. An exit is then made to the executive routine (COMA). If an error is detected by any of the validity checks, AU will contain the correct pattern, AL the incorrect pattern, and an exit is made to the display subroutine. With PROGRAM STOP 0 set, CO will contain function code and the error may be evaluated. Upon return to this subroutine (TF46) an exit is made to the executive routine (COMA) to check for continuing the test or recycling this subroutine (TF46).

TITLE: TF46

## INPUT PARAMETERS (Listed Sequentially):

COMA

## TEST PATTERNS

IPAT	777777
IPAT1	000000
IPAT2	252525
IPAT3	525252
IPAT4	770000
IPAT5	007777
IPAT6	707070
IPAT7	070707
IPAR	TEST CELL

## OUTPUT PARAMETERS (Listed Sequentially):

BUFF1

BUFF2

TFX

## ABNORMAL EXITS (Listed Sequentially):

## NEXT LEVEL PROCEDURES OR SUBROUTINES (Keys of Duplicate Labels Specified):

COMA - (EXEC)

TFDIS - Error Display

## SYSTEM DATA REFERENCES:

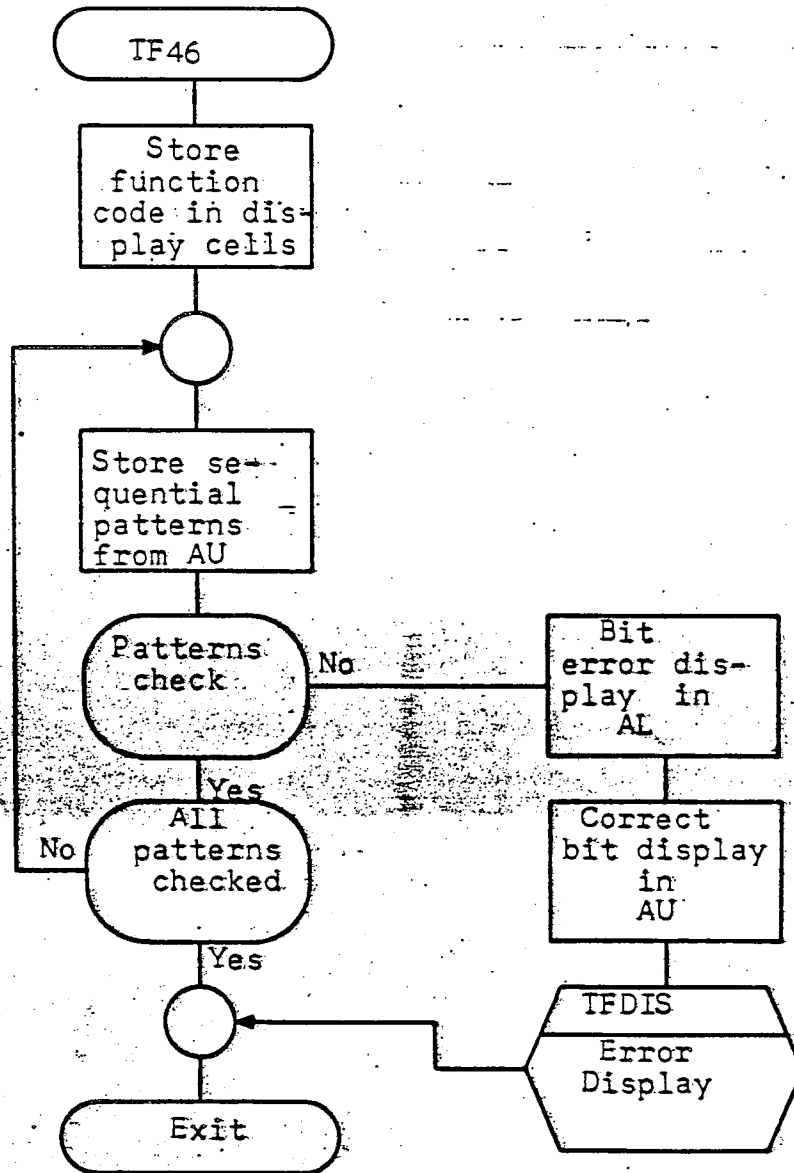
## ALARMS AND/OR REMARKS:

ERROR DISPLAY

PROGRAM STOP 0 - correct information in AU  
incorrect information in AL  
function code (46xxxx) in CO

PROGRAM SKIP 4 - set for console error display only  
not set for error typeout (Function Code 46)

PROGRAM SKIP 0 - not set to continue test  
set to recycle subroutine (TF46)



TF46: STORE A UPPER

## PROGRAM DATA PAGE

SHEET 324

REVISION

SPECIFICATION SYMBOL  
SB-10163TITLE: TS46 LEFT SHIFT AL (5046xx)DECK IDENTIFIER: FACTCS-1 LABEL: TS46 KEY: 1218 IS LABEL DUPLICATE? NoPROGRAMMER: FWS modified by TLR DATE: 8 Dec. 67NUMBER OF L<sub>1</sub> OUTPUT INSTRUCTIONS: 31

## DESCRIPTION:

This subroutine checks the Left Shift AL command with its end-around capabilities.

First, the quantity 000001 is entered into AL and left-shifted one bit at a time until it should be in the bit 2<sup>17</sup> position. AL is then tested for its ability to pass a one without picking up.

Secondly, one more left shift is executed to check the end-around feature from bit 2<sup>17</sup> to bit 2<sup>0</sup>.

Error displays are listed under alarms.

SPECIFICATION SYMBOL

SB-10163

TITLE: TS46

## INPUT PARAMETERS (Listed Sequentially):

TPAT1 = 000000  
TPAB1 = 000001  
TSR430 = 000021  
TS455 = 400000

## OUTPUT PARAMETERS (Listed Sequentially):

BUFF1  
BUFF2  
BUFF3  
BUFF4  
TEF

## ABNORMAL EXITS (Listed Sequentially):

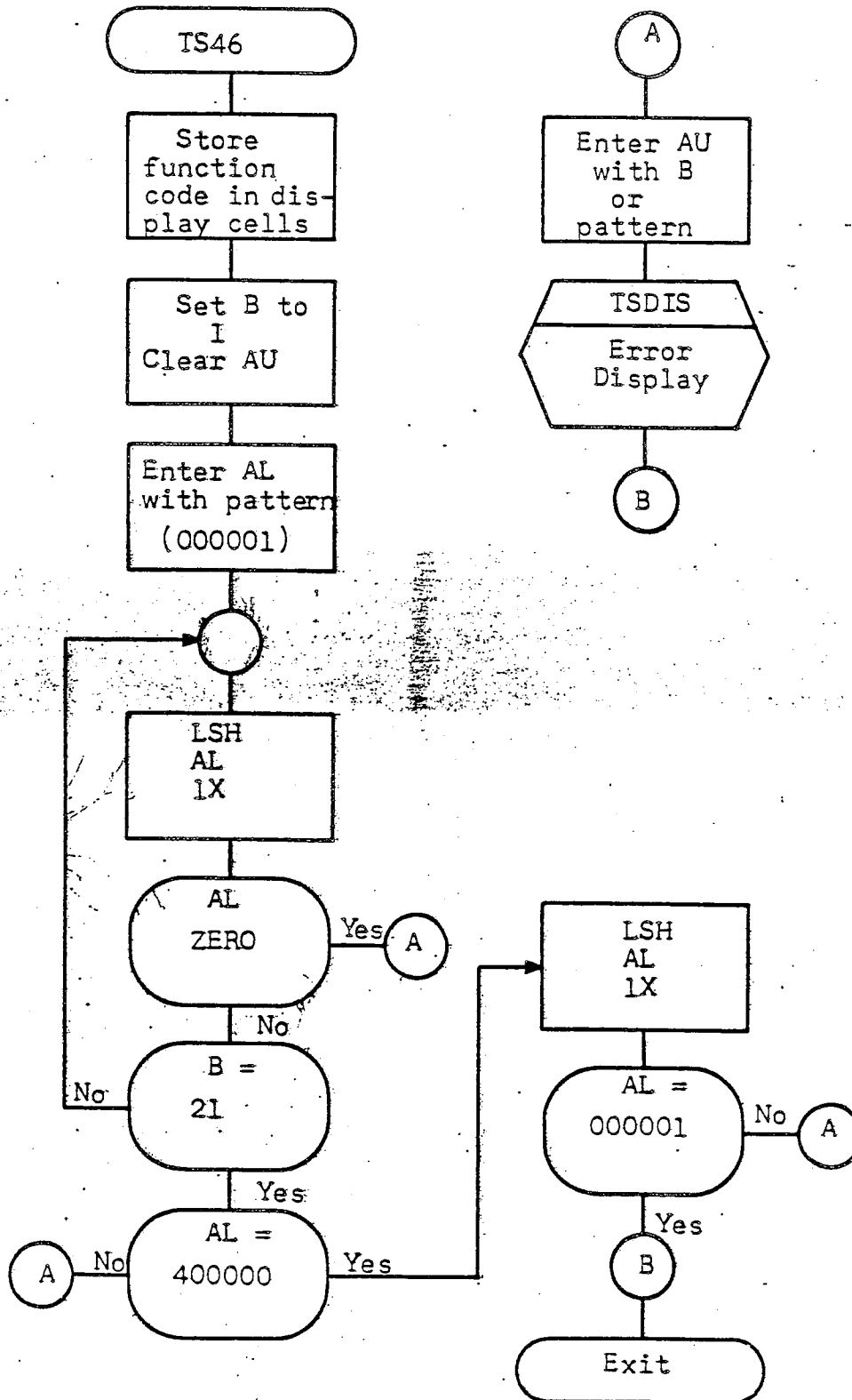
## NEXT LEVEL PROCEDURES OR SUBROUTINES (Keys of Duplicate Labels Specified):

COMA (EXEC)  
TSDIS - Error Display

## SYSTEM DATA REFERENCES:

## ALARMS AND/OR REMARKS:

ERROR DISPLAY  
PROGRAM STOP 0  
CO/C1 = 504601  
AL = Error  
AU = 1-21, but was lost while shifting that count from 2<sup>0</sup>.  
AU = 400000, AL should equal 400000 unless bits were picked up.  
AU = 000001, AL should equal 000001 unless end-around failed.  
PROGRAM SKIP 4 - set for console error display only  
not set for error typeout (Function Code 5046)  
PROGRAM SKIP 0 - set to recycle subroutine (TS46).  
not set to continue test



TS46: LEFT SHIFT AL BY K  
5046XX  
K

SPECIFICATION SYMBOL  
SB-10163TITLE: TF47 - STORE A UPPER MODIFIED BY B (47xxxx)DECK IDENTIFIER: FACTCS-1 LABEL: TF47 KEY: \_\_\_\_\_ IS LABEL DUPLICATE? NoPROGRAMMER: PMC modified by TLR DATE: 8 Dec. 67NUMBER OF L<sub>4</sub> OUTPUT INSTRUCTIONS: 56

## DESCRIPTION:

This subroutine checks the Store A Upper Modified By B command. B is entered with a constant, and AU with a test-pattern constant. A STRAUB command is then executed and AU is stored in a test cell. Validity is checked by entering AL with the content of the test cell and comparing AL and the test-pattern constant. If correct, the next constant is entered into B and the cycle is repeated until all test patterns have been checked. An exit is then made to the executive routine (COMA). If an error is detected by any of the validity checks, AU will contain the correct pattern, AL the incorrect pattern, and an exit is made to the display subroutine. With PROGRAM STOP 0 set, CO will contain the function code and the error may be evaluated. Upon return to this subroutine (TF47), an exit is made to the executive routine (COMA) to check for continuing the test or recycling this subroutine (TF47).



SPECIFICATION SYMBOL

\_SB-10163

TITLE: TF47

## INPUT PARAMETERS (Listed Sequentially):

COMA

## TEST PATTERNS

TPAT	777777
TPAT1	000000
TPAT2	252525
TPAT3	525252
TPAT4	770000
TPAT5	007777
TPAT6	707070
TPAT7	070707
TPAR	TEST CELL

## OUTPUT PARAMETERS (Listed Sequentially):

BUFF1

BUFF2

TFX

## ABNORMAL EXITS (Listed Sequentially):

## NEXT LEVEL PROCEDURES OR SUBROUTINES (Keys of Duplicate Labels Specified):

COMA - (EXEC)

TFDIS - Error Display

## SYSTEM DATA REFERENCES:

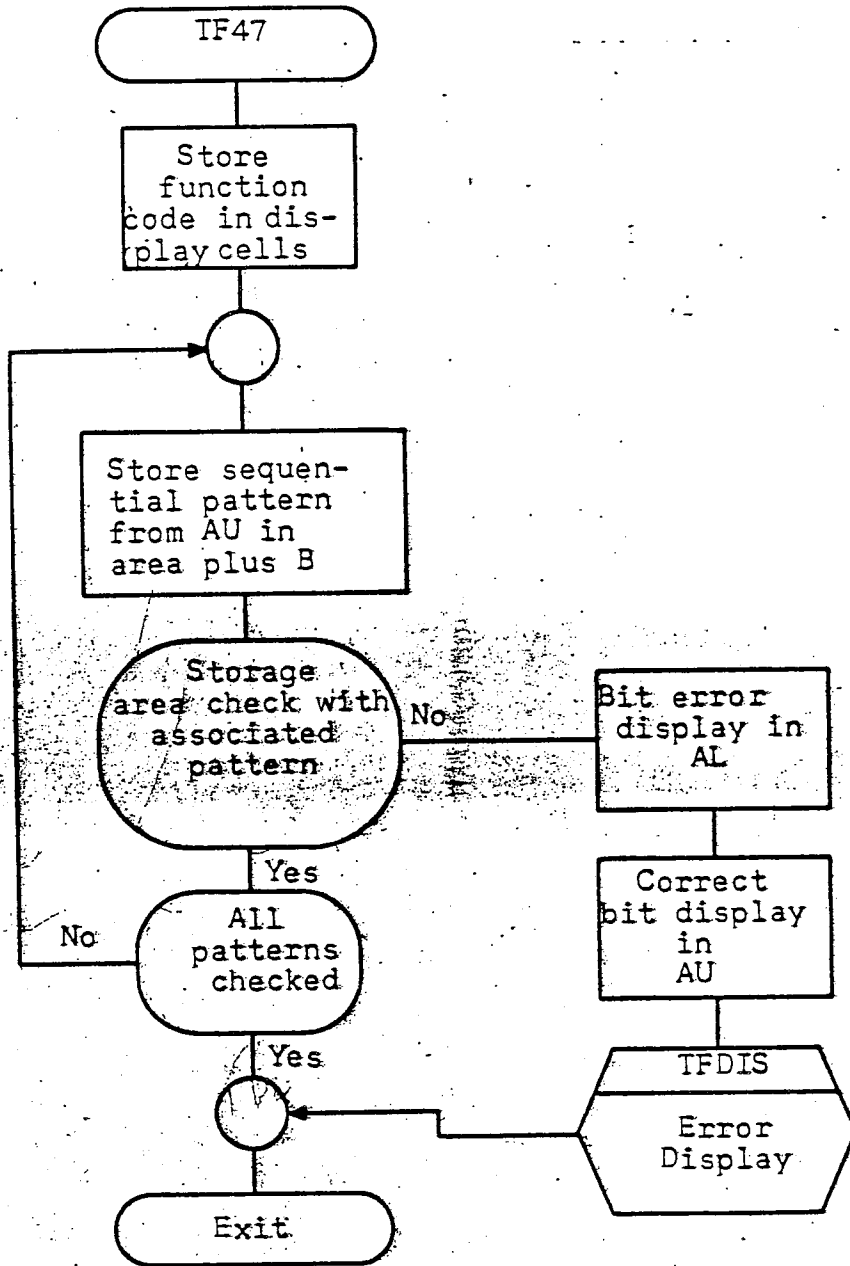
## ALARMS AND/OR REMARKS:

ERROR DISPLAY

PROGRAM STOP 0 - correct information in AU  
 incorrect information in AL  
 function code (47xxxx) in CO

PROGRAM SKIP 4 - set for console error display only  
 not set for error type out (Function Code 47)

PROGRAM SKIP 0 - not set to continue test  
 set to recycle subroutine (TF47)



IF47: STORE A UPPER MODIFIED BY B.

SPECIFICATION SYMBOL

SB-10163

TITLE: TS 47 - LEFT SHIFT A (5047XX)DECK IDENTIFIER: FACTCS-1 LABEL: TS47 KEY: 1218 IS LABEL DUPLICATE? NoPROGRAMMER: FWS modified by TLR DATE: 8 Dec. 67NUMBER OF  $L_4$  OUTPUT INSTRUCTIONS: 26

## DESCRIPTION:

This subroutine check Left Shift A command with its end-around capabilities.

First, the quantity 000001 is entered into AL and left shifted 22 times and AL checked equal to zero.

Second, A is shifted 22 more times and AU checked equal to zero; AL checked equal to 000001 for end-around check.

Error displays listed under alarms.

SPECIFICATION SYMBOL  
SB-10163TITLE: TS47**INPUT PARAMETERS (Listed Sequentially):**TPAT1 = 000000  
TPAB1 = 000001**OUTPUT PARAMETERS (Listed Sequentially):**BUFF1  
BUFF2  
BUFF3  
BUFF4  
TFX**ABNORMAL EXITS (Listed Sequentially):****NEXT LEVEL PROCEDURES OR SUBROUTINES (Keys of Duplicate Labels Specified):**COMA (EXEC)  
ISDIS - Error Display**SYSTEM DATA REFERENCES:****ALARMS AND/OR REMARKS:**ERROR DISPLAY  
PROGRAM STOP 0  
CO/C1 = 504722.AU = 000001 AL should equal 000000, bit picked up in AL  
AL = 000001 AU should equal 000001, shifting from AL 229  
to AU 20.  
AU = 000000 AL should equal 000001, checking end around  
AU = 000001 AL should equal 000001, checking end around

SHEET 332

REVISION —

SPECIFICATION SYMBOL

SB-10163

ALARMS AND/OR REMARKS (Continued):

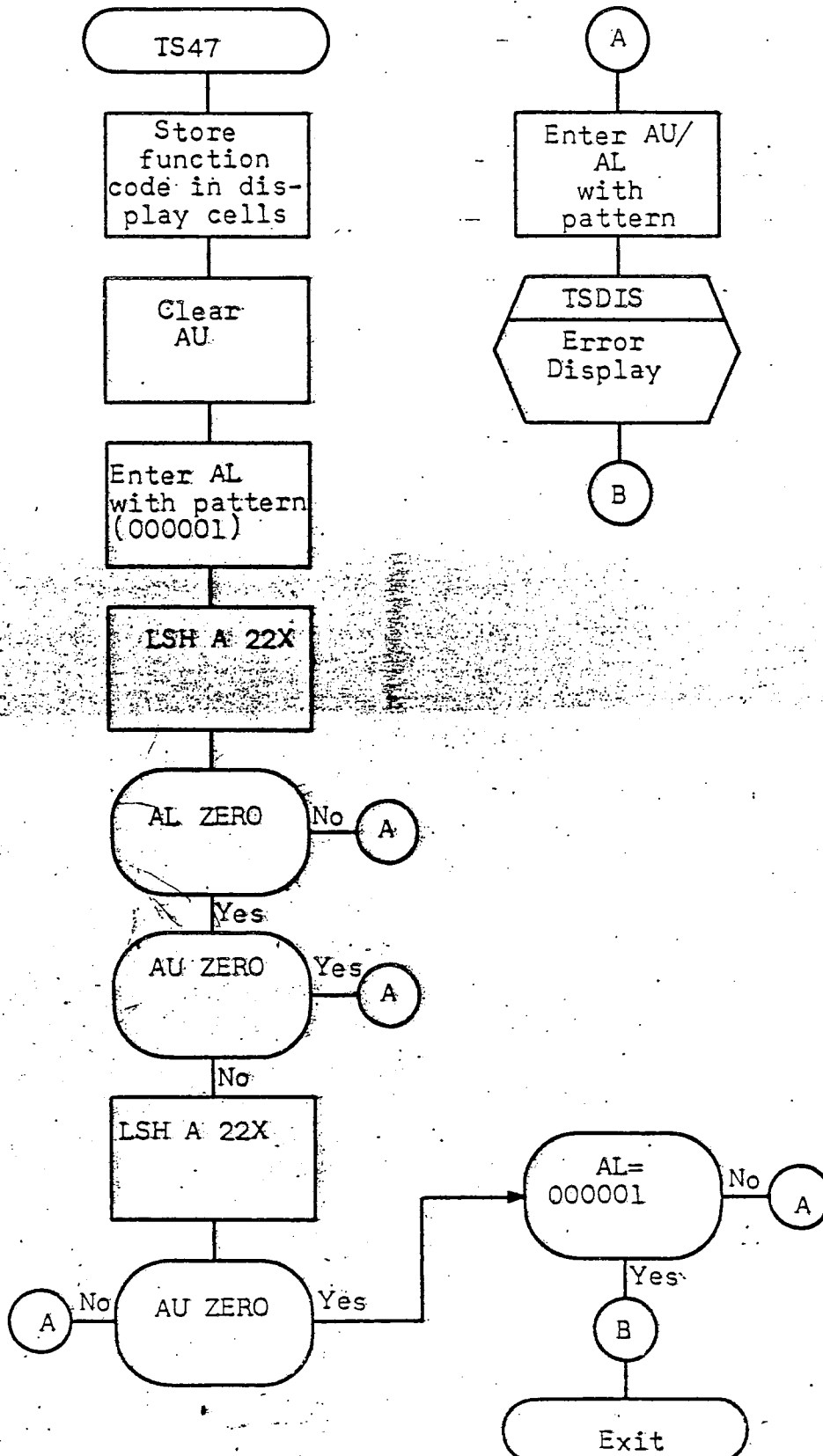
PROGRAM SKIP 4 - set for console error display only  
                  not set for error typeout (Function Code 5047)  
PROGRAM SKIP 0 - set to recycle subroutine (TS47)  
                  not set to continue test

Due to the interacting of these displays, the Maintenance Engineer should OP STEP through this routine to determine more clearly which feature failed.

SHEET 333

REVISION —

SPECIFICATION SYMBOL  
SB-10163



IS 47: LEFT SHIFT A BY K

5047XX  
K

## PROGRAM DATA PAGE

SHEET 334

REVISION —

SPECIFICATION SYMBOL

SB-10163

TITLE: TF51 - SELECTIVE SET (51xxxx)DECK IDENTIFIER: FACTCS-1 LABEL: TF51 KEY: \_\_\_\_\_ IS LABEL DUPLICATE? NoPROGRAMMER: PMC modified by TLR DATE: 8 Dec. 67NUMBER OF L<sub>4</sub> OUTPUT INSTRUCTIONS: 38

## DESCRIPTION:

This subroutine checks the Selective Set command. AL is entered with a test-pattern constant, and a SLSET command is executed. Validity is checked by a subroutine where AL is compared to a test-pattern constant. If correct, an exit is made to another 51 command and validity is again checked by the subroutine. On this exit from the subroutine AL is entered with a new, test-pattern constant, and another SLSET command and validity check are performed. This sequence is repeated until all patterns have been checked. An exit is then made to the executive routine (COMA). If an error is detected by any of the validity checks, AL will contain the incorrect pattern and AU will contain the correct pattern. An exit is then made to the display subroutine where, with PROGRAM STOP 0 set, CO will contain the function code and the error may be evaluated. Upon return to this subroutine (TF51) an exit is made to the executive routine (COMA) to check for continuing the test or recycling this subroutine (TF51).

**PROGRAM DATA PAGE (Cont)**

SHEET 335

REVISION —

SPECIFICATION SYMBOL

SB-10163

TITLE: TF51

**INPUT PARAMETERS (Listed Sequentially):**

COMA

**TEST PATTERNS**

IPAT	777777
IPAT1	000000
IPAT2	252525
IPAT3	525252
IPAT6	707070
IPAT7	070707
IPAB1	000001
IPAB1+1	777776

**OUTPUT PARAMETERS (Listed Sequentially):**

BUFF1

BUFF2

IFX

**ABNORMAL EXITS (Listed Sequentially):****NEXT LEVEL PROCEDURES OR SUBROUTINES (Keys of Duplicate Labels Specified):**

COMA (EXEC)

TFDIS - Error Display

**SYSTEM DATA REFERENCES:****ALARMS AND/OR REMARKS:**

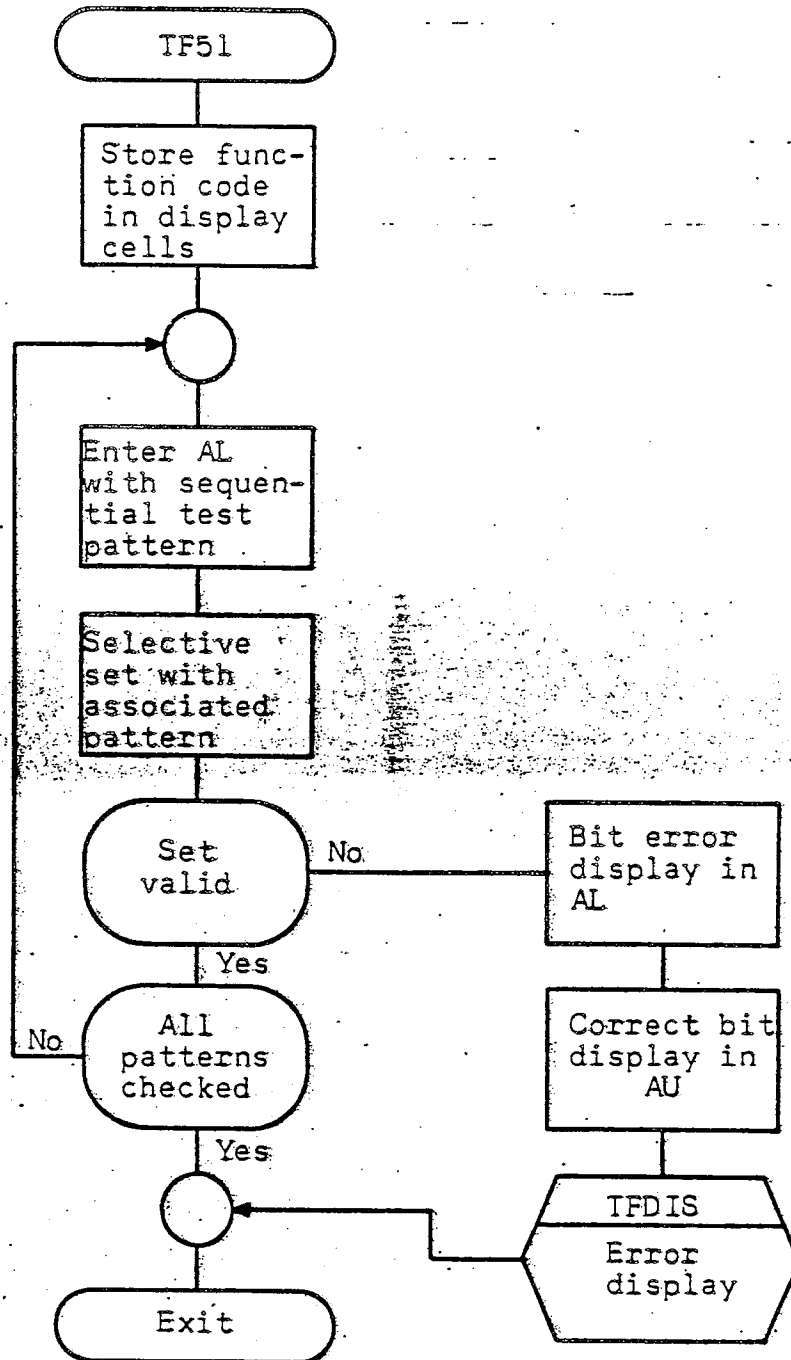
ERROR DISPLAY

PROGRAM STOP 0 - correct information in AU  
 incorrect information in AL  
 function code (51xxxx) in CO

PROGRAM SKIP 4 - set for console error display only  
 not set for error typeout (Function Code 51)

PROGRAM SKIP 0 - not set to continue test  
 set to recycle subroutine (TF51)





TF51: SELECTIVE SET

**PROGRAM DATA PAGE**

SHEET 337-

REVISION     

SPECIFICATION SYMBOL

SB-10163

TITLE: TS51 - SKIP ON NO BORROW (505100)DECK IDENTIFIER: FACTCS-1 LABEL: TS51 KEY: 1218 IS LABEL DUPLICATE? NoPROGRAMMER: FMS modified by TLR DATE: 8 Dec. 67NUMBER OF L OUTPUT INSTRUCTIONS: 35**DESCRIPTION:**

This subroutine checks the Skip On No Borrow command which is used after an Add A or Subt A function. It establishes whether or not a borrow condition exists, since no end around borrow correction is logically available in this machine.

Add A and Subt A commands are executed with and without borrow generation and the borrow FF checked to determine failure.

Error displays are listed under alarms.

**PROGRAM DATA PAGE (Cont)**

SHEET 338

REVISION SPECIFICATION SYMBOL  
SB-10163TITLE: TS51**INPUT PARAMETERS (Listed Sequentially):**TPAT2 = 252525  
TPAT3 = 525252**OUTPUT PARAMETERS (Listed Sequentially):**

BUFF1

BUFF2

BUFF3

BUFF4

IFX

**ABNORMAL EXITS (Listed Sequentially):****NEXT LEVEL PROCEDURES OR SUBROUTINES (Keys of Duplicate Labels Specified):**

COMA {EXEC}

TSDIS - Error Display

**SYSTEM DATA REFERENCES:****ALARMS AND/OR REMARKS:**ERROR DISPLAY  
PROGRAM STOP 0  
CO/C1 = 505100

If A = 525252525253, it should not have skipped and did.

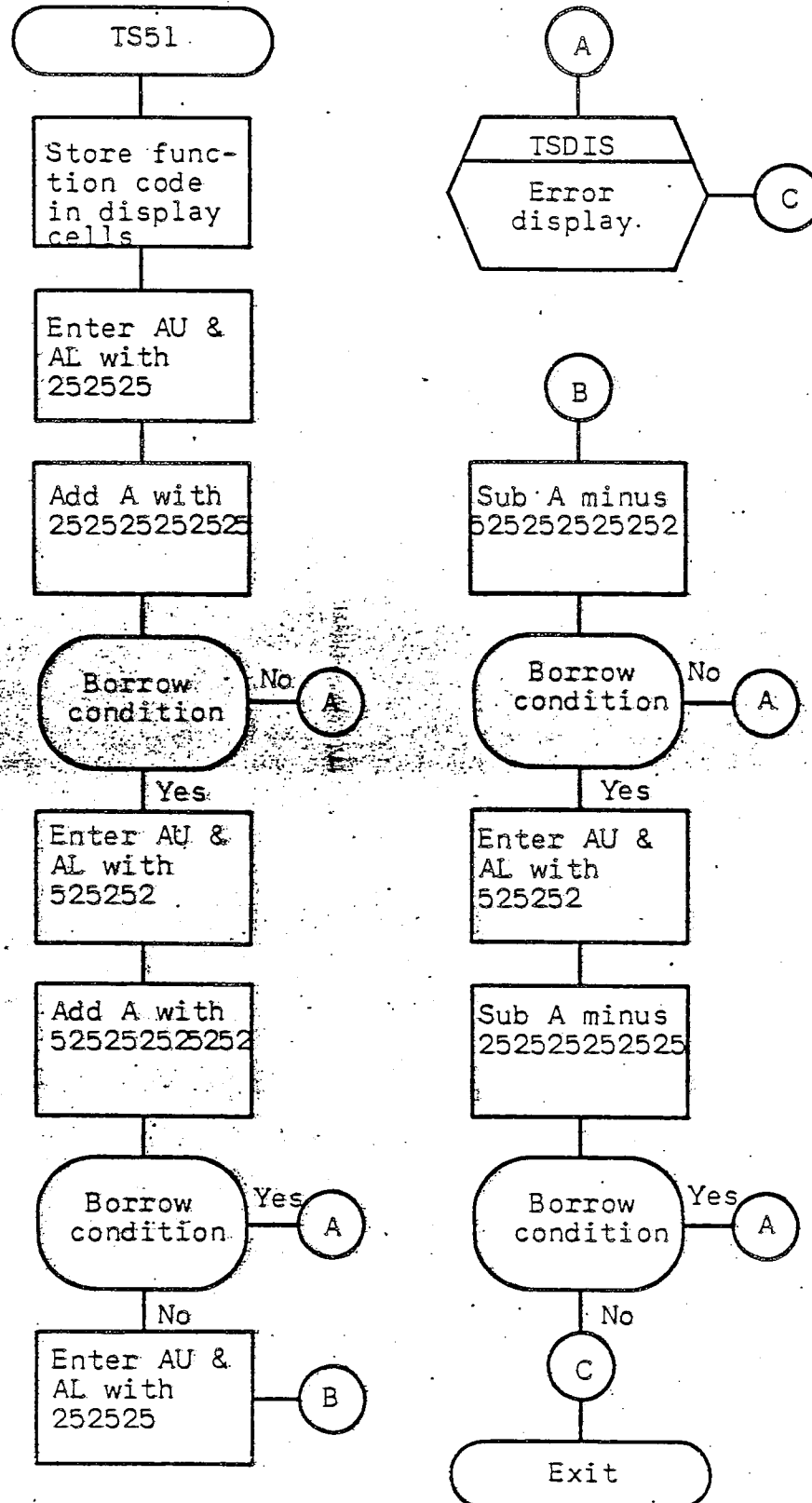
If A = 252525252525 or  
000000000000, it should have skipped and didn't.PROGRAM SKIP 4 - set for console error display only  
not set for error typeout (Function Code 5051)

SHEET 3339	REVISION —
------------	------------

SPECIFICATION SYMBOL SB-10163
----------------------------------

ALARMS AND/OR REMARKS (Continued):

PROGRAM SKIP 0 - set to recycle subroutine (TS51)  
not set to continue test



TS51: SKIP ON NO BORROW 505100

## PROGRAM DATA PAGE

SHEET 341

REVISION —

SPECIFICATION SYMBOL  
SB-10163

TITLE: TF52 -SELECTIVE CLEAR (52xxxx)

DECK IDENTIFIER: FACT

CS-1 LABEL: TF52. KEY: IS LABEL DUPLICATE? No

PROGRAMMER: PMC modified by ILR DATE: 8 Dec. 67

NUMBER OF L<sub>4</sub> OUTPUT INSTRUCTIONS: 33

## DESCRIPTION:

This subroutine tests the performance of the Selective Clear instruction (Function Code 52). A Lower is entered with a test pattern and the Selective Clear command is executed. Then through use of the Jump AL zero and Jump AL non zero commands the SLCL execution is checked for validity. If the execution was proper the next, sequential test pattern is checked in the afore-mentioned manner until all patterns have been used. If all checks prove correct an exit is made to the executive routine (COMA). Should the validity check on any pattern detect an error, A Upper is entered with the correct information. A Lower contains the incorrect information and an exit is made to the display subroutine (ISDIS). Upon returning to this subroutine (TF52) an exit is made, to the executive routine (COMA) to check for continuance of the test or the recycling of this subroutine (TF52).

### PROGRAM DATA PAGE (Cont)

SHEET 342

REVISION

SPECIFICATION SYMBOL

SB-10163

TITLE: TF52

**INPUT PARAMETERS (Listed Sequentially):**

COMA

**TEST PATTERNS**

TPAT	777777
TPAT1	000000
TPAT2	252525
TPAT3	525252
TPAT6	707070
TPAT7	070707
TPAB1	000001
TPAB1+1	777776

**OUTPUT PARAMETERS (Listed Sequentially):**

BUFF1

BUFF2

TFX

**ABNORMAL EXITS (Listed Sequentially):**

**NEXT LEVEL PROCEDURES OR SUBROUTINES (Keys of Duplicate Labels Specified):**

COMA (EXEC)

TSDIS - Error Display

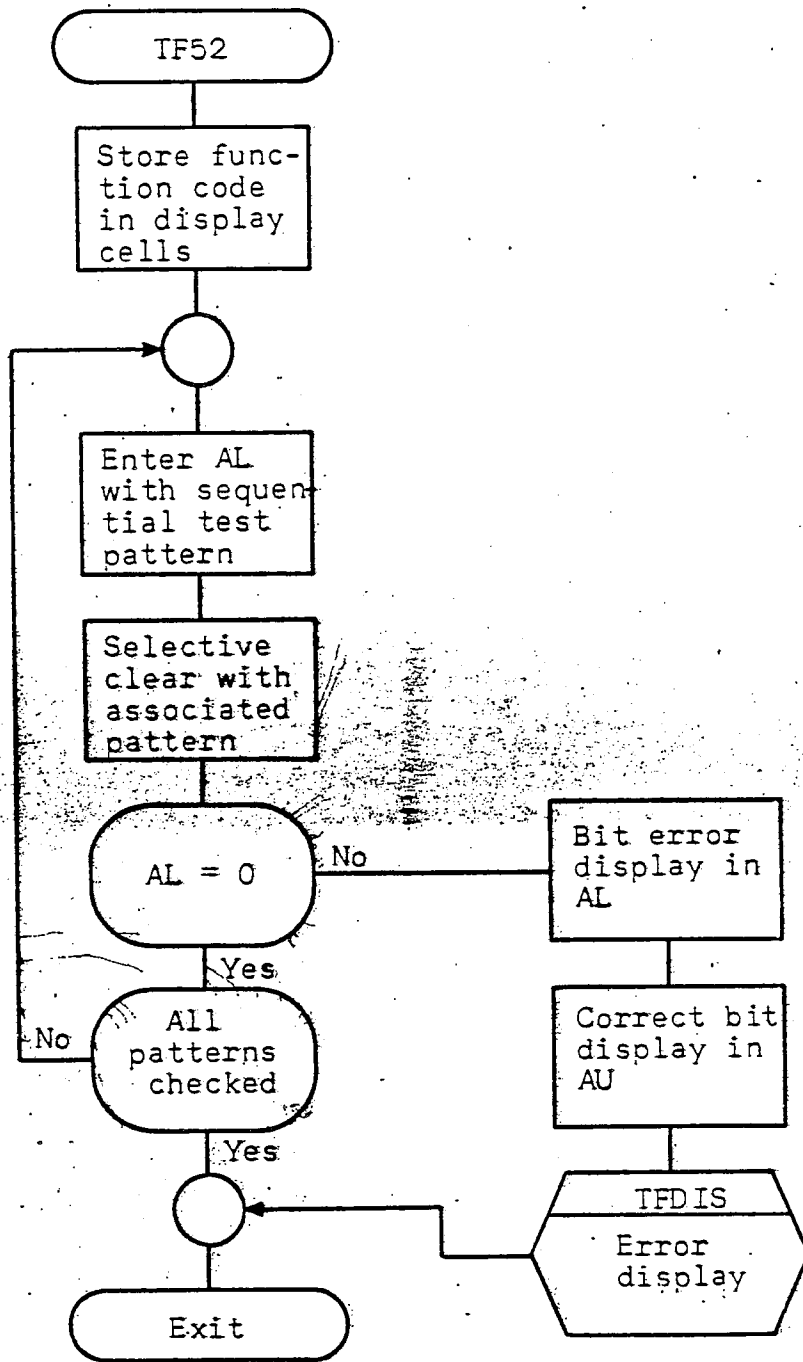
**SYSTEM DATA REFERENCES:**

**ALARMS AND/OR REMARKS:**

ERROR DISPLAY - PROGRAM STOP 0 set  
correct information in AU  
incorrect information in AL  
function code (52xxxx) in CO

PROGRAM SKIP 4 - set for console error display only  
not set for error typeout (Function  
Code 52)

PROGRAM SKIP 0 not set - continue test; if set -  
recycle subroutine (TF52)



TF52: SELECTIVE CLEAR



**PROGRAM DATA PAGE**

SHEET 344

REVISION —

SPECIFICATION SYMBOL

SB-10163

TITLE: TS52 - SKIP ON OVERFLOW (505200)DECK IDENTIFIER: FACTCS-1 LABEL: TS52 KEY: 1218 IS LABEL DUPLICATE? NoPROGRAMMER: FWS modified by TLR DATE: 8 Dec. 67NUMBER OF L<sub>4</sub> OUTPUT INSTRUCTIONS: 26**DESCRIPTION:**

This subroutine checks the Skip On Overflow command. It is used after any arithmetic function to establish whether an overflow condition existed as a result of that arithmetic process.

A divide instruction is executed first for no overflow and again to check when an overflow does exist.

Error displays are listed under alarms.

TITLE: TS52

## INPUT PARAMETERS (Listed Sequentially):

TPAT1 = 000000  
TPAB1 = 000001

## OUTPUT PARAMETERS (Listed Sequentially):

BUFF1

BUFF2

BUFF3

BUFF4

IFX

## ABNORMAL EXITS (Listed Sequentially):

## NEXT LEVEL PROCEDURES OR SUBROUTINES (Keys of Duplicate Labels Specified):

COMA (EXEC)

TSDIS - Error Display

## SYSTEM DATA REFERENCES:

## ALARMS AND/OR REMARKS:

ERROR DISPLAY

PROGRAM STOP 0

CO/CI = 505200

If A = 000000003777, it skipped when an overflow didn't exist.

If A = 000001000000, it should have skipped and didn't.

If A = to either of these, the divide instruction failed.

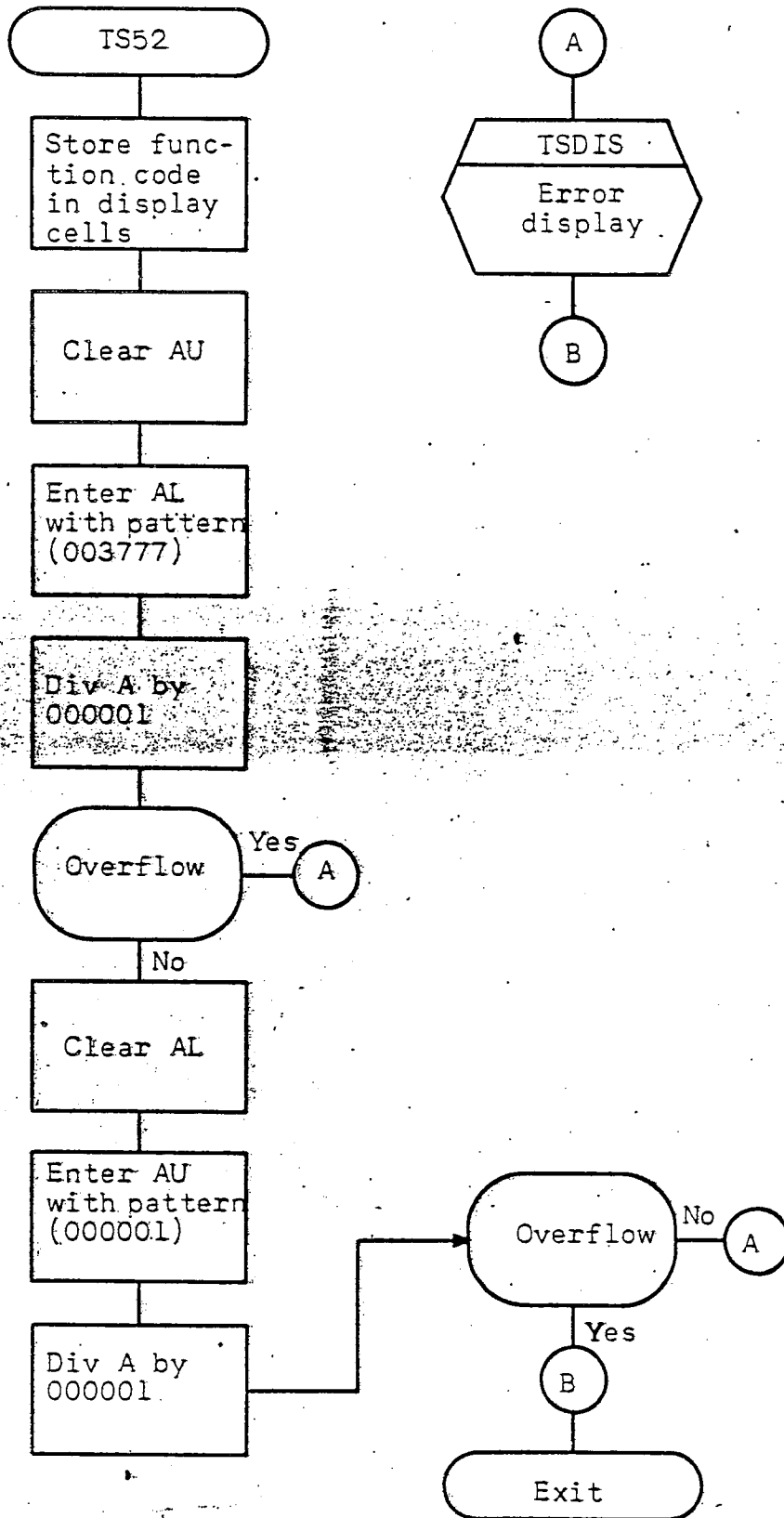
PROGRAM SKIP 4 - set for console error display only  
not set for error timeout (Function Code  
5052)

SHEET	346	REVISION	0
-------	-----	----------	---

SPECIFICATION SYMBOL
SB-10163

ALARMS AND/OR REMARKS (Continued):

PROGRAM SKIP 0 - set to recycle subroutine  
not set to continue test (TS52)



TS52: SKIP ON OVERFLOW 505200

TITLE: TF53 - SELECTIVE COMPLEMENT (53xxxx)DECK IDENTIFIER: FACTCS-1 LABEL: TF53 KEY: \_\_\_\_\_ IS LABEL DUPLICATE? NoPROGRAMMER: PMC modified by TLR DATE: 8 Dec.. 67NUMBER OF L<sub>4</sub> OUTPUT INSTRUCTIONS: 38**DESCRIPTION:**

This subroutine checks the Selective Complement command. AL is entered with a test-pattern constant. A SLCP command is executed using another test-pattern constant. Next, validity is checked by comparing the results in AL with an associated, test-pattern constant, and if correct, the next, test-pattern constant is entered into AL. This sequence is repeated until all test patterns have been checked. An exit is then made to the executive routine (COMA). If an error is detected by any of the validity checks, the incorrect pattern is in AL, and the correct pattern is in AU. Following that an exit is made to the display subroutine, where with PROGRAM STOP 0 set, CO will contain the function code and the error may be evaluated. Upon return to this subroutine (TF53) an exit is made to the executive routine (COMA) to check for program continuance or the recycling of this subroutine.

TITLE: TF53

## INPUT PARAMETERS (Listed Sequentially):

COMA

## TEST PATTERNS

TPAT	777777
TPAT+1	777777
TPAT1	000000
TPAT2	252525
TPAT3	525252
TPAT3+1	525252
TPAT6	707070
TPAT7	070707

## OUTPUT PARAMETERS (Listed Sequentially):

BUFF1

BUFF2

IFX

## ABNORMAL EXITS (Listed Sequentially):

## NEXT LEVEL PROCEDURES OR SUBROUTINES (Keys of Duplicate Labels Specified):

COMA (EXEC)

TFDIS - Error Display

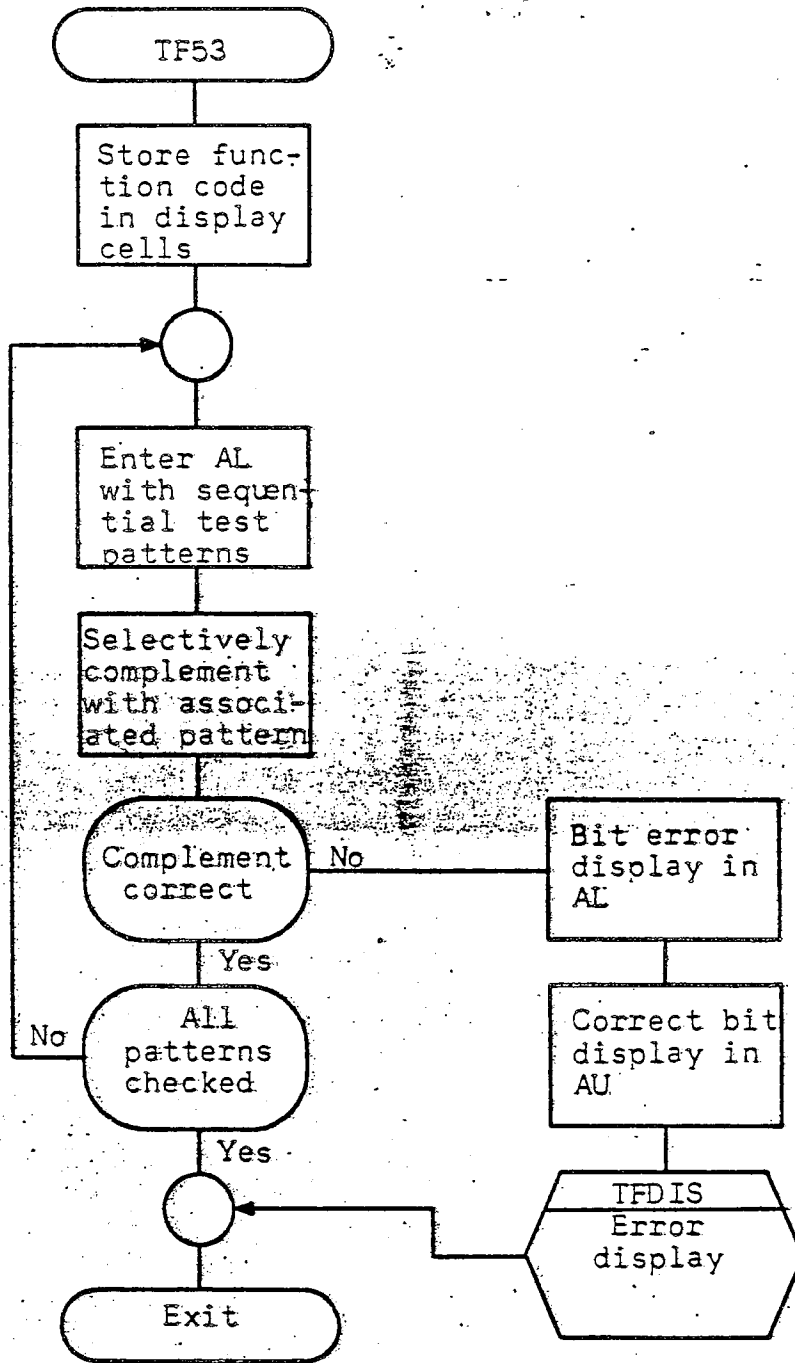
## SYSTEM DATA REFERENCES:

## ALARMS AND/OR REMARKS:

ERROR DISPLAY - PROGRAM STOP 0 set  
 correct information in AU  
 incorrect information in AL  
 function code (53xxxx) in CO

PROGRAM SKIP 4 - set for console error display only  
 not set for error typeout (Function  
 Code 53)

PROGRAM SKIP 0 not set - continue test; if set -  
 recycle subroutine (TF53)



TF53: SELECTIVE COMPLEMENT

## PROGRAM DATA PAGE

SHEET 351

REVISION —

SPECIFICATION SYMBOL  
SB-I0163TITLE: TS53 - SKIP ON NO OVERFLOW (505300)DECK IDENTIFIER: - FACTCS-1 LABEL: TS53 KEY: \_\_\_\_\_ IS LABEL DUPLICATE? NoPROGRAMMER: FWS modified by TLR DATE: 8 December 1967NUMBER OF L<sub>4</sub> OUTPUT INSTRUCTIONS: 26

## DESCRIPTION:

This subroutine checks the Skip On No Overflow command. AU, AL, and the Overflow registers are cleared, and AU is entered with a test-pattern constant. A Divide A command is executed using a test-pattern constant which results in an overflow. A SKPNOV command is executed. Validity is checked by not skipping the next instruction but instead, entering AL and AU with the next constants and executing another Divide A command. This 2nd Divide A command results in a no overflow condition. Another SKPNOV command is executed and validity is checked. If correct, the subroutine exits to the executive routine (COMA). If the validity check detects an error, AU will contain the remainder, AL the quotient, and the subroutine exits to the display subroutine. If PROGRAM STOP 0 is set, CD will contain the function code, and the error can be evaluated. Upon return to this subroutine (TS53) an exit is made to the executive routine (COMA) to check for program continuance or the recycling of this subroutine.



## PROGRAM DATA PAGE (Cont)

SHEET 352

REVISION —

SPECIFICATION SYMBOL  
SB-10163

TITLE: TS53

## INPUT PARAMETERS (Listed Sequentially):

COMA

## TEST PATTERNS:

TPAT1 000000  
TPAB1 000001

## OUTPUT PARAMETERS (Listed Sequentially):

BUFF1

BUFF2

BUFF3

BUFF4

IFX

## ABNORMAL EXITS (Listed Sequentially):

## NEXT LEVEL PROCEDURES OR SUBROUTINES (Keys of Duplicate Labels Specified):

COMA (EXEC)

TSDIS - Error Display

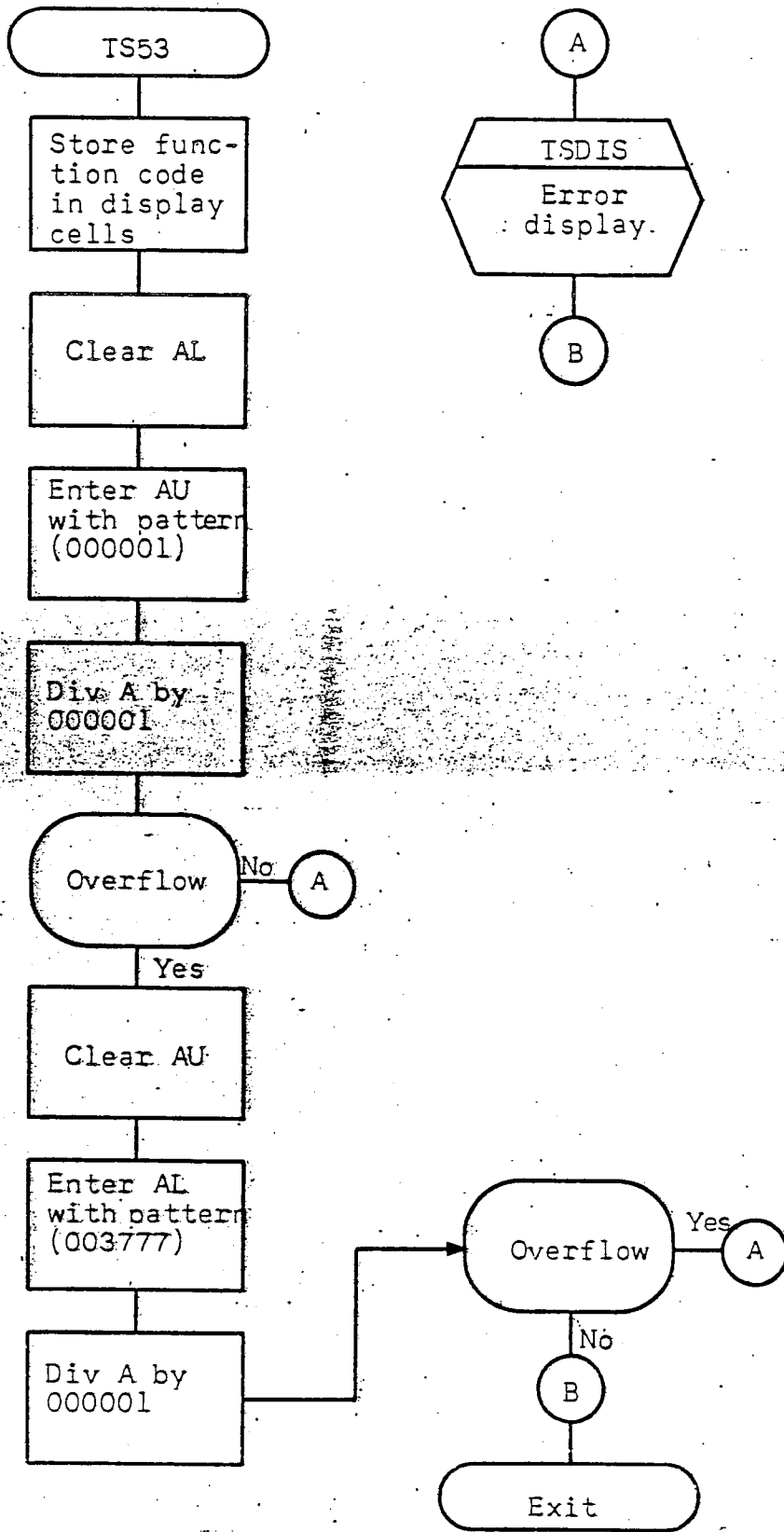
## SYSTEM DATA REFERENCES:

## ALARMS AND/OR REMARKS:

ERROR DISPLAY - PROGRAM STOP 0 set  
remainder in AU  
quotient in AL

function code (505300) in CO

PROGRAM SKIP 4 - set for console error display only  
not set for error typeout (Function  
Code 5053)PROGRAM SKIP 0 not set - continue test; if set -  
recycle subroutine (TS53)



TS53: SKIP ON NO OVERFLOW 505300

## PROGRAM DATA PAGE

SHEET 354

REVISION —

SPECIFICATION SYMBOL  
SB-10163TITLE: TS54 - SKIP ON ODD PARITY (505400)DECK IDENTIFIER: FACTCS-1 LABEL: TS54 KEY: \_\_\_\_\_ IS LABEL DUPLICATE? NoPROGRAMMER: EWS modified by TLR DATE: 8 December 1967NUMBER OF L<sub>4</sub> OUTPUT INSTRUCTIONS: 36

## DESCRIPTION:

This subroutine checks the Skip On Odd Parity command. First, the routine checks that no skip is executed if parity is even, and secondly, that a skip is executed when parity is odd. A test-pattern constant with even parity is entered into AU and AL, and a SKPODD command is executed. Validity is checked, and if correct, AL is left shifted one place. This process is repeated on all combination of bits of the two patterns until B is equal to 21. If AL is positive, a new, test-pattern constant with even parity is entered into AL, and the above sequence is repeated. This time, however, when B becomes equal to 21, AL will be negative, and a test-pattern with odd parity is entered into AL. A SKPODD command is executed, and validity is checked. If correct, AL will be left shifted one place and the above sequence will be repeated until B is equal to 21. If AL is positive, another test-pattern with odd parity is entered into AL and the above sequence is repeated until B is equal to 21 and AL is negative. An exit is then made to the executive routine (COMA). If an error is detected by the validity checks, AU and AL will contain the parity patterns and an exit is made to the display subroutine.. With PROGRAM STOP 0 set, CO will contain the function code, and the error may be evaluated. Upon return to this subroutine (TS54), an exit is made to the executive routine (COMA) to check for program continuance or the recycling of this subroutine.

## PROGRAM DATA PAGE (Cont)

SHEET 355

REVISION —

SPECIFICATION SYMBOL  
SB-10163TITLE: TS54INPUT PARAMETERS (Listed Sequentially):  
COMATEST PATTERNS  
TPAT 777777  
TPAB6+1 000021

OUTPUT PARAMETERS (Listed Sequentially):

BUFF1

BUFF2

BUFF3

BUFF4

TFX

ABNORMAL EXITS (Listed Sequentially):

NEXT LEVEL PROCEDURES OR SUBROUTINES (Keys of Duplicate Labels Specified):

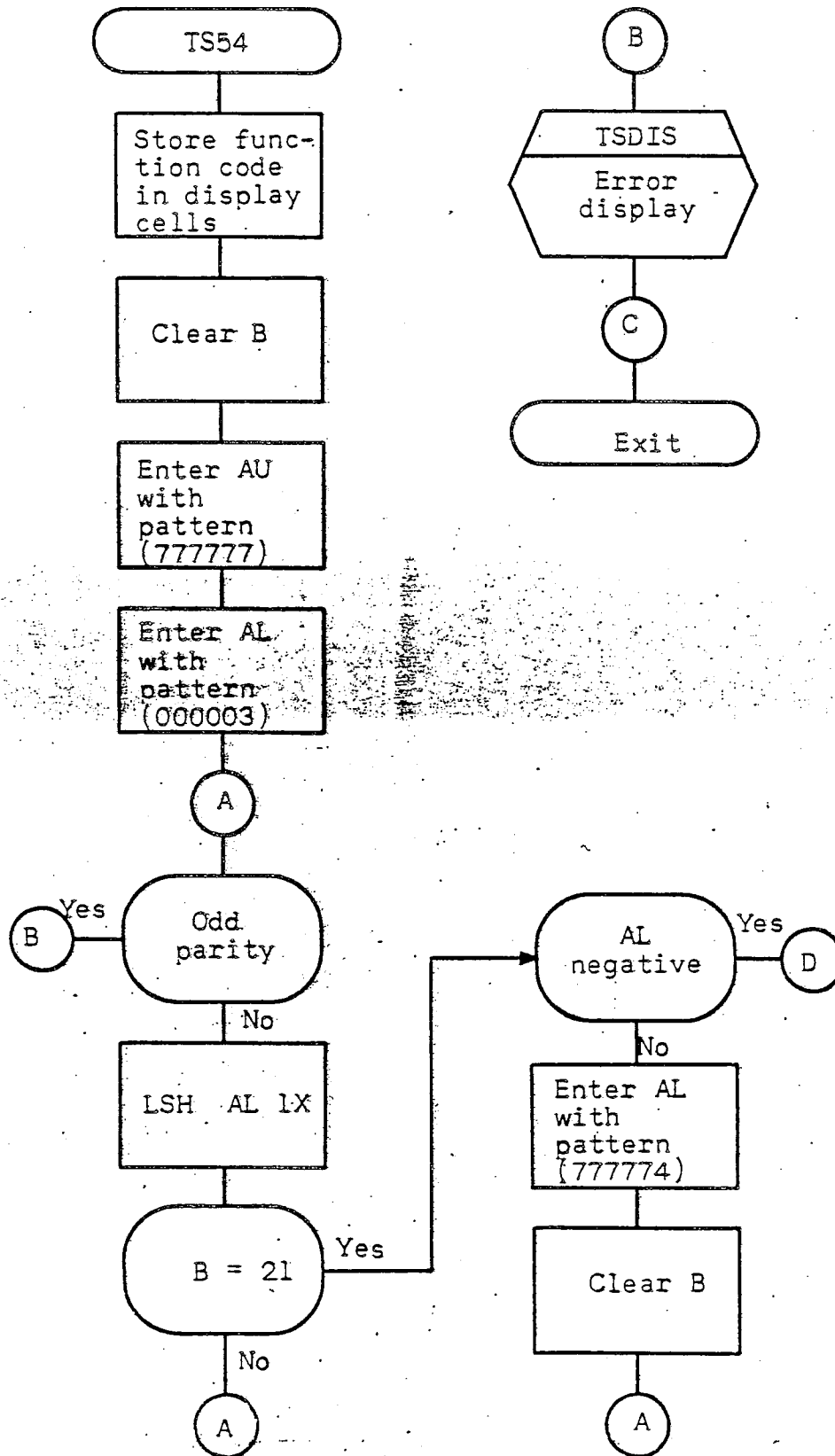
COMA (EXEC)

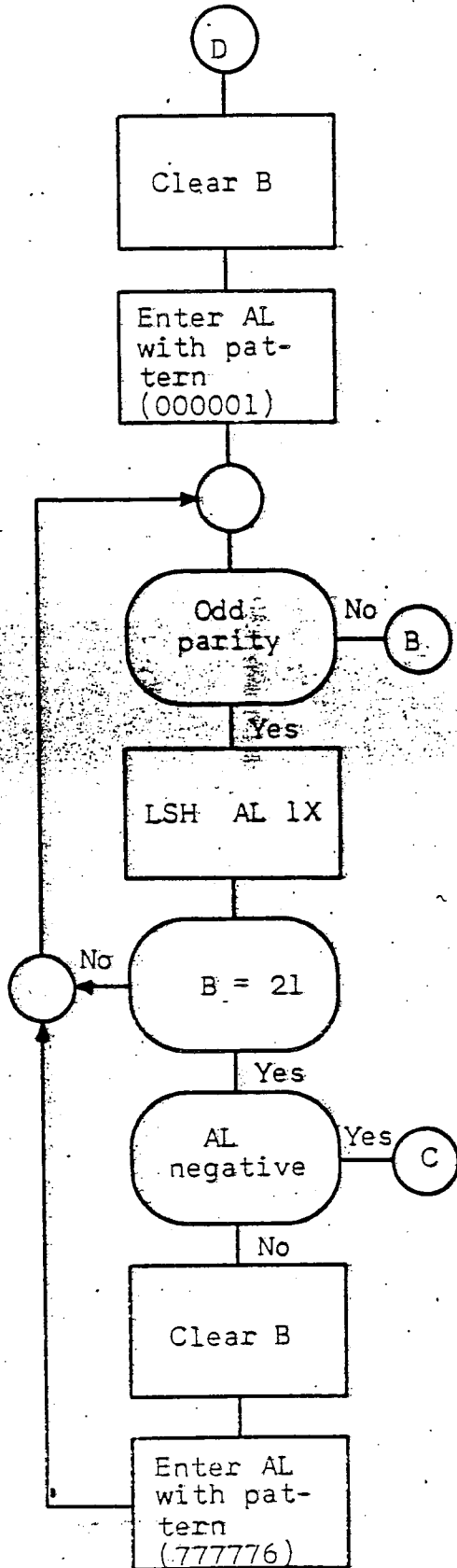
TSDIS - Error Display

SYSTEM DATA REFERENCES:

ALARMS AND/OR REMARKS:

ERROR DISPLAY - PROGRAM STOP 0 set  
 parity pattern in AU  
 parity pattern in AL  
 function code (505400) in CO  
 PROGRAM SKIP 4 - set for console display only  
 not set for error typeout (Function  
 code 5054).  
 PROGRAM SKIP 0 not set - continue test; if set -  
 recycle subroutine (TS54)





TS54: SKIP ON ODD PARITY  
505400

SHEET 358

REVISION —

SPECIFICATION SYMBOL  
SB-10163

TITLE: TF55 - INDIRECT JUMP (55xxxx)

DECK IDENTIFIER: FACT

CS-1 LABEL: TF55 KEY: \_\_\_\_\_ IS LABEL DUPLICATE? No

PROGRAMMER: PMC modified by TLR DATE: 8 December 1967

NUMBER OF L<sub>4</sub> OUTPUT INSTRUCTIONS: 21

#### DESCRIPTION:

This subroutine checks the Indirect Jump command. The subroutine consists of an IJP to a series of Indirect Jumps, and if all jump commands are completed and correct, an exit is made to the executive routine (COMA). If an error occurs, an exit is made to the display subroutine, where with PROGRAM STOP 0 set, CO will contain the function code, and the error may be evaluated. (No display in AU or AL). Upon return to this subroutine (TF55) an exit is made to the executive routine (COMA) to check for program continuance or the recycling of this subroutine.

TITLE: TF55

## INPUT PARAMETERS (Listed Sequentially):

COMA

TEST PATTERNS

TPATI 000000

## OUTPUT PARAMETERS (Listed Sequentially):

BUFF1

BUFF2

TFX

## ABNORMAL EXITS (Listed Sequentially):

## NEXT LEVEL PROCEDURES OR SUBROUTINES (Keys of Duplicate Labels Specified):

COMA (EXEC)

TFDIS - Error Display

## SYSTEM DATA REFERENCES:

## ALARMS AND/OR REMARKS:

ERROR DISPLAY - PROGRAM STOP 0 set

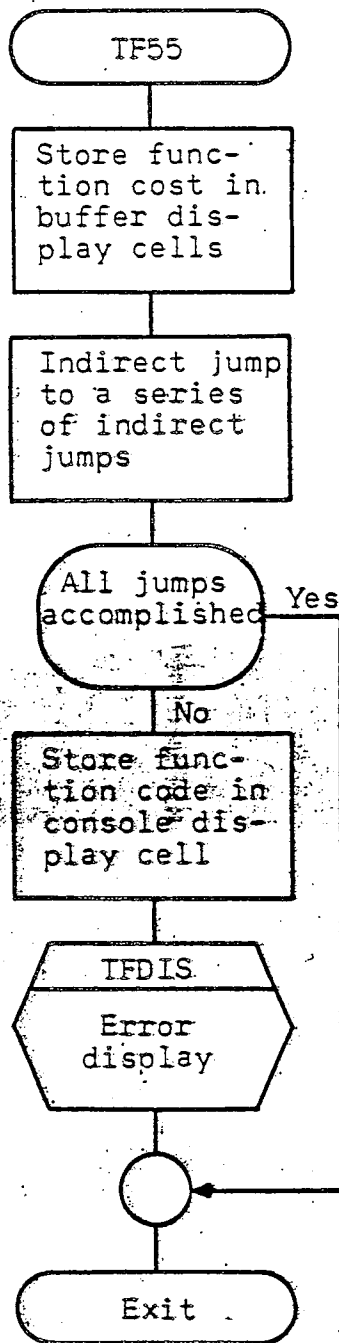
(no display in AU or AL)

function code (55xxxx) in CO

PROGRAM SKIP 4 - set for console error display only  
not set for error timeout (Function  
Code 55)PROGRAM SKIP 0 not set - continue test; if set -  
recycle subroutine (TF55)



SHEET 360	REVISION
SPECIFICATION SYMBOL SB-10163	



TF55: INDIRECT JUMP

**PROGRAM DATA PAGE**

SHEET 361

REVISION

SPECIFICATION SYMBOL

SB-10163

TITLE: TS55- SKIP ON EVEN PARITY (505500)DECK IDENTIFIER: FACTCS-1 LABEL: TS55 KEY: \_\_\_\_\_ IS LABEL DUPLICATE? NoPROGRAMMER: FWS modified by TLR DATE: 8 December 1967NUMBER OF L<sub>4</sub> OUTPUT INSTRUCTIONS: 36**DESCRIPTION:**

This subroutine checks the Skip On Even Parity, command. It first checks that no skip is executed with odd parity, and secondly, that a skip is executed with even parity. AU is entered with a test-pattern constant and AL with an odd-parity constant. SKPEVN command is executed and validity is checked. If correct, (odd parity) no skip is executed and AL is left shifted one place. This process is repeated until B is equal to 21. If AL is positive, a different odd-parity constant is entered into AL and the above sequence is repeated until B is equal to 21 and AL is negative. AL is then entered with an even-parity constant, and a SKPEVN executed. If correct, (even parity) a skip is executed and AL is left shifted one place. This process is repeated until B is equal to 21. If AL is positive, a new even-parity constant is entered into AL, and the above sequence is repeated until B is equal to 21 and AL is negative. An exit is then made to the executive routine (COMA). If an error is detected by any of the validity checks, an exit is made to the display subroutine. AU and AL will contain the parity patterns and if PROGRAM STOP 0 is set, CO will contain the function code, and the error may be evaluated. Upon return to this subroutine (TS55) an exit is made to the executive routine (COMA) to check for program continuance or the recycling of this subroutine.

## PROGRAM DATA PAGE (Cont)

SHEET 362

REVISION —

SPECIFICATION SYMBOL  
SB-10163TITLE: TS55

## INPUT PARAMETERS (Listed Sequentially):

COMA

## TEST PATTERNS

TPAT 777777

TPAB6+1 000021

## OUTPUT PARAMETERS (Listed Sequentially):

BUFF1

BUFF2

BUFF3

BUFF4

TFX

## ABNORMAL EXITS (Listed Sequentially):

## NEXT LEVEL PROCEDURES OR SUBROUTINES (Keys of Duplicate Labels Specified):

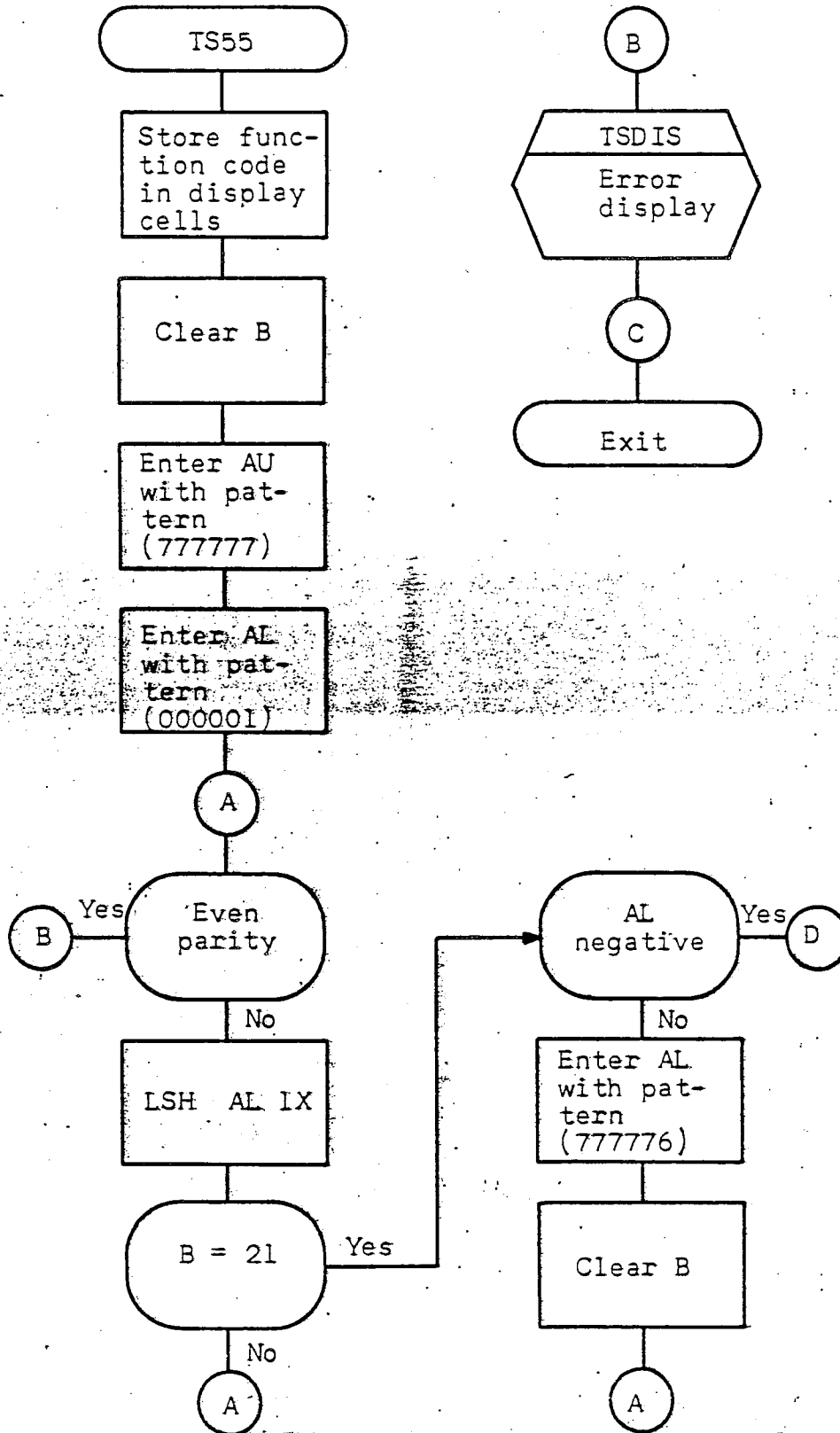
COMA (EXEC)

TSDIS - Error Display

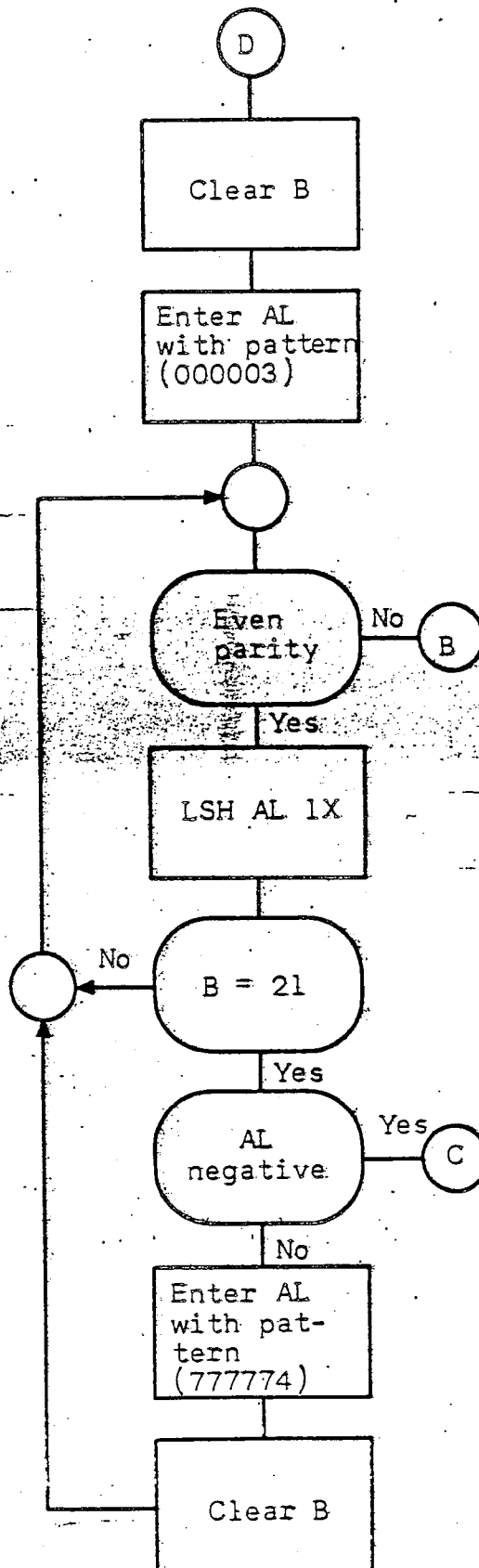
## SYSTEM DATA REFERENCES:

## ALARMS AND/OR REMARKS:

ERROR DISPLAY - PROGRAM STOP 0 set  
 parity pattern in AU  
 parity pattern in AL  
 function code (505500) in CO  
 PROGRAM SKIP 4 - set for console error display only  
 not set for error typeout (Function  
 Code 5055)  
 PROGRAM SKIP 0 not set - continue test; if set -  
 recycle subroutine (TS55)



TS55: SKIP ON EVEN PARITY 505500



TS55: SKIP ON EVEN  
PARITY 505500  
(continued)

TITLE: TF56 - B SKIP (56xxxx)DECK IDENTIFIER: FACTCS-1 LABEL: TF56 KEY: \_\_\_\_\_ IS LABEL DUPLICATE? NoPROGRAMMER: PMC modified by TLR DATE: 8 December 1967NUMBER OF L<sub>4</sub> OUTPUT INSTRUCTIONS: 41

## DESCRIPTION:

This subroutine checks the B Skip command. First, B is cleared. Then, a BSK command is executed. If B is not equal to a test-pattern constant, a jump back to the B Skip command is executed. This process is repeated until B is equal to the test-pattern constant. Validity is checked by entering AL with the contents of B and AU with the correct test pattern. A compare of AL and an associated test pattern is executed; if correct, B is cleared and the above sequence is repeated using a different, test-pattern constant until all BSK commands have been completed. An exit is then made to the executive routine (COMA). If an error is detected by any of the validity checks, AU will contain the correct pattern, AL the incorrect pattern, and an exit is made to the display subroutine. If PROGRAM STOP 0 is set, CO will contain the function code and the error may be evaluated. Upon return to this subroutine (TF56) an exit is made to the executive routine (COMA) to check for continuing the test or recycling this subroutine (TF56).

TITLE: TF56**INPUT PARAMETERS (Listed Sequentially):**

COMA

**TEST PATTERNS**

IPAT5	007777
IPAT5+1	007777
TPAB2+1	000505
TPAS3	000002
TPAK	002020

**OUTPUT PARAMETERS (Listed Sequentially):**

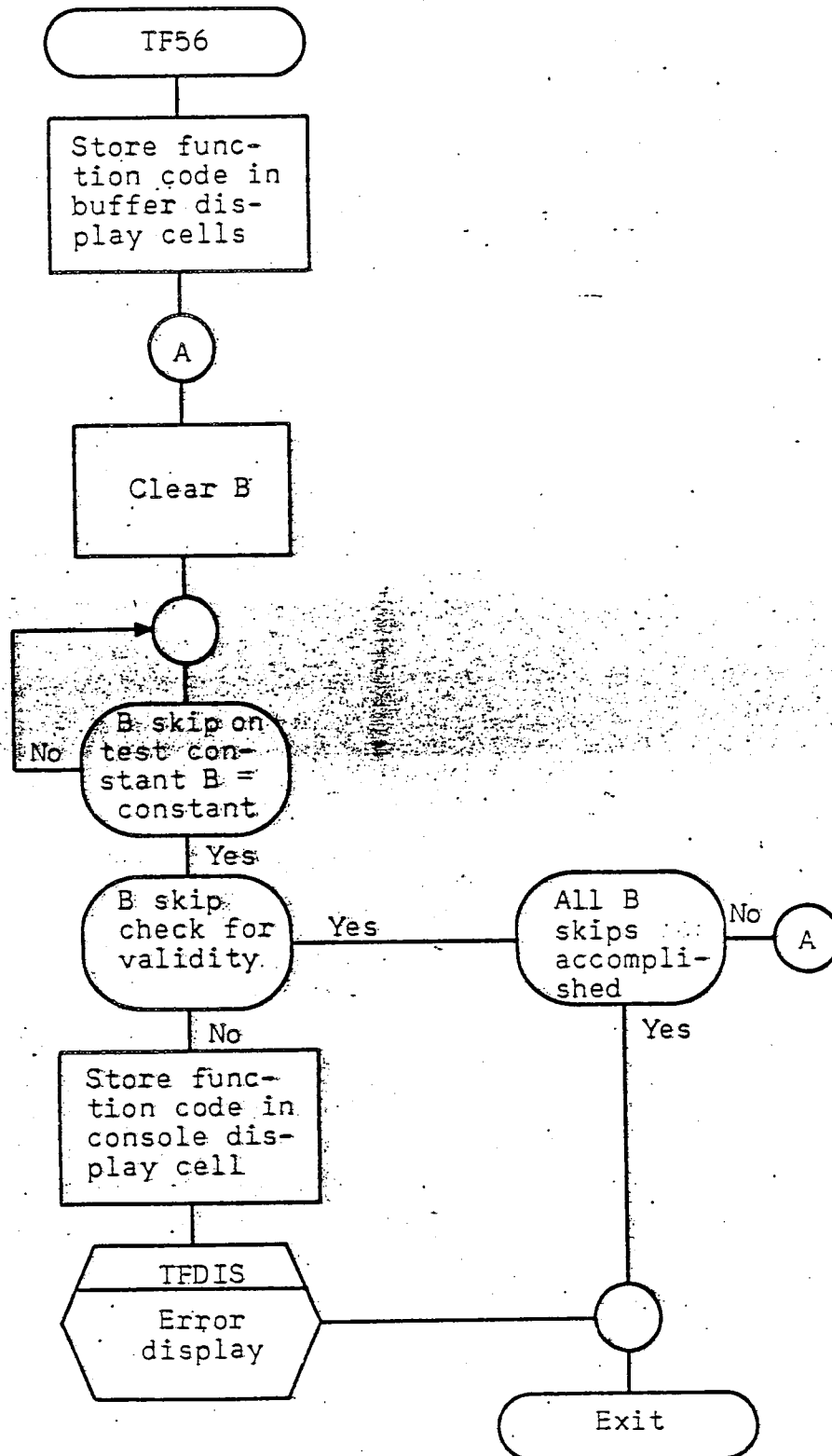
BUFF1  
BUFF2  
TEX

**ABNORMAL EXITS (Listed Sequentially):****NEXT LEVEL PROCEDURES OR SUBROUTINES (Keys of Duplicate Labels Specified):**

COMA (EXEC)  
IFDIS - Error Display

**SYSTEM DATA REFERENCES:****ALARMS AND/OR REMARKS:**

EPOR DISPLAY - PROGRAM STOP 0 set  
correct information in AU  
incorrect information in AL  
function code (56xxxx) in CO  
PROGRAM SKIP 4 - set for console error display only  
not set for error typeout (Function Code)  
PROGRAM SKIP 0 not set to continue test; set to  
recycle subroutine (TF56)



TF56: B SKIP



SPECIFICATION SYMBOL  
SB-10163TITLE: TF57 - INDEX SKIP (57xxxx)DECK IDENTIFIER: FACTCS-1 LABEL: TF57 KEY: \_\_\_\_\_ IS LABEL DUPLICATE? NoPROGRAMMER: PMC modified by TLR DATE: 8 December 1967NUMBER OF L OUTPUT INSTRUCTIONS: 38

## DESCRIPTION:

This subroutine checks the Index Skip command. AL is entered with a test-pattern constant and stored in the Index Cell. An ISK command is executed, (Y-1), and repeated until Y (Index Call) is equal to 0. Validity is checked by entering AL with the Index Call contents, if AL is equal to zero the execution is proper and the next, Sequential, test pattern is entered in AL and stored in the Index Cell. The above sequence is repeated until all Index Skip patterns have been completed, and then an exit is made to the executive routine (COMA). If an error is detected by any of the validity checks, AU will contain the correct pattern, AL the incorrect pattern, and an exit made to the display subroutine. With PROGRAM STOP 0 set, CO will contain the function code and the error may be evaluated. Upon return to this subroutine (TF57) an exit is made to the executive routine (COMA) to check for continuing the test or recycling this subroutine.

TITLE: TF57INPUT PARAMETERS (Listed Sequentially):  
COMA

## TEST PATTERNS

TPAT	777777
TPAT1	000000
TPAT5	007777
TPAS1	000017
TPAK6	002525
TPAR	INDEX CELL

## OUTPUT PARAMETERS (Listed Sequentially):

BUFF1  
BUFF2  
TFX

## ABNORMAL EXITS (Listed Sequentially):

## NEXT LEVEL PROCEDURES OR SUBROUTINES (Keys of Duplicate Labels Specified):

COMA (EXEC)  
TFDIS - Error Display

## SYSTEM DATA REFERENCES:

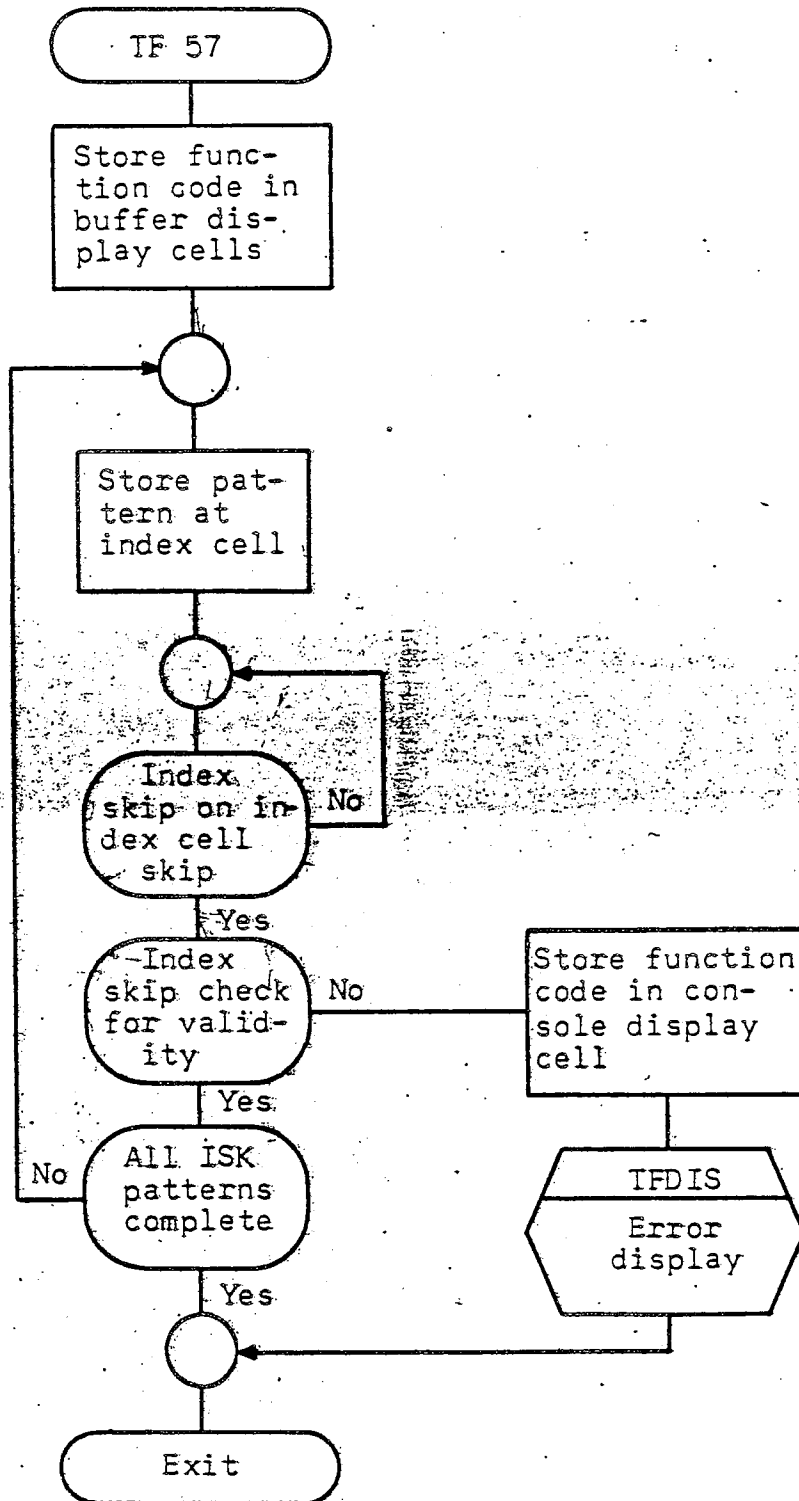
## ALARMS AND/OR REMARKS:

## ERROR DISPLAY

PROGRAM STOP 0 - correct information in AU  
incorrect information in AL  
function code (57xxxx) in CO.

PROGRAM SKIP 4 - set for console error display only  
not set for error typeout (Function  
Code 57)

PROGRAM SKIP 0 - not set to continue test  
set - recycle subroutine (TF57)



TF57: INDEX SKIP

SHEET 371

REVISION —

SPECIFICATION SYMBOL  
SB-10163TITLE: IF60 - JUMP A UPPER EQUAL ZERO TO Y. (60xxxx)DECK IDENTIFIER: FACTCS-1 LABEL: IF60 KEY: \_\_\_\_\_ IS LABEL DUPLICATE? NoPROGRAMMER: FWS modified by TLR DATE: 8 December 1967NUMBER OF L<sub>4</sub> OUTPUT INSTRUCTIONS: 18**DESCRIPTION:**

This subroutine checks the performance of the Jump A Upper Equal Zero to Y command. A shift count is set up and AU is cleared. A JPAUZ command is initiated and executed. Validity is checked by entering AU with a test-pattern constant and attempting another 60 command. At this time AU is not equal to zero, therefore, no jump should take place. If no jump takes place, AU is left shifted one place and an Index Skip back to the JPAUZ command takes place. The subroutine repeats this process until the Index Skip indicates the completion of the 22nd AU left shift without an error. At this time the subroutine exits to the executive routine (COMA). If any of the validity checks detect an error, AU will contain the shifted pattern, and the routine exits to the display routine. If PROGRAM STOP 0 is set, CO will contain the function code, and the error may be evaluated. AL will not contain an error display. Upon return to this subroutine (IF60), an exit is made to the executive routine (COMA) to check for continuing the program or the recylcling of this subroutine.

**PROGRAM DATA PAGE (Cont)**

SHEET 372

REVISION

SPECIFICATION SYMBOL  
SB-10163

TITLE: TF60

**INPUT PARAMETERS (Listed Sequentially):**

COMA

**TEST PATTERNS**

TPAT1	000000
TPAB1	000001
TSH	000022

**OUTPUT PARAMETERS (Listed Sequentially):**

BUFF1

BUFF2

TFX

**ABNORMAL EXITS (Listed Sequentially):****NEXT LEVEL PROCEDURES OR SUBROUTINES (Keys of Duplicate Labels Specified):**

COMA (EXEC)

ISDIS - Error Display

**SYSTEM DATA REFERENCES:****ALARMS AND/OR REMARKS:**

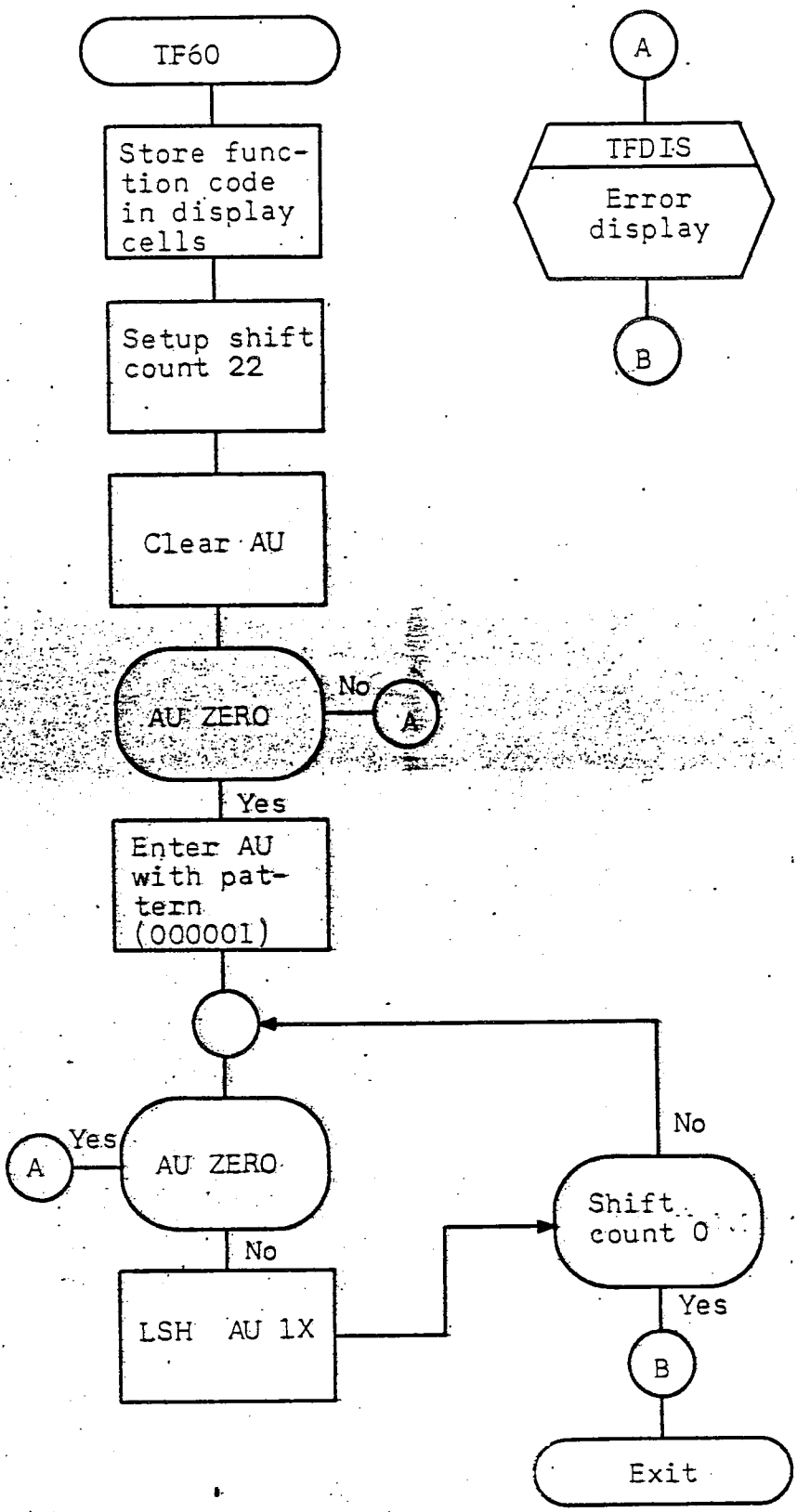
ERROR DISPLAY

PROGRAM STOP 0 - shifted pattern in AU  
no display in AL  
function code (60xxxx) in CO

PROGRAM SKIP 4 - set for console error display only  
not set for error timeout (Function  
Code 60)

PROGRAM SKIP 0 - not set to continue test  
set to recycle subroutine (TF60)

SHEET 373	REVISION —
SPECIFICATION SYMBOL SB-10163	



TF60: JUMP AU ZERO TO Y 60XXXX  
Y

## PROGRAM DATA PAGE

SHEET 374

REVISION —

SPECIFICATION SYMBOL  
SB-10163TITLE: TS60 - ROUND AU (506000)DECK IDENTIFIER: FACTCS-1 LABEL: TS60 KEY: \_\_\_\_\_ IS LABEL DUPLICATE? NoPROGRAMMER: FWS modified by TLR DATE: 8 December 1967NUMBER OF L<sub>4</sub> OUTPUT INSTRUCTIONS: 31

## DESCRIPTION:

This subroutine checks the performance of the Round AU command. AU and AL are entered with two, different, test-pattern constants. A RND command is then executed. Validity is then checked by comparing the result to the proper test pattern. If correct, AU is entered with a different, test-pattern constant. Another RND command is executed and validity is checked again. This sequence is repeated again, and then an exit is made to the executive routine (COMA). If an error is detected by the validity checks, AU will contain the correct pattern, AL the incorrect pattern, and an exit is made to the display subroutine. With PROGRAM STOP C set, CO will contain the function code and the error may be evaluated. Upon return to this subroutine (TS60) an exit is made to the executive routine (COMA) in order to determine whether to continue with the program or recycle this subroutine.

SPECIFICATION SYMBOL

SB-10163

TITLE: TS60

## INPUT PARAMETERS (Listed Sequentially):

COMA

## TEST PATTERNS

TPAT	777777
TPAT1	000000
TPAB2	400000
TCO3	377777

## OUTPUT PARAMETERS (Listed Sequentially):

BUFF1

BUFF2

BUFF3

BUFF4

## ABNORMAL EXITS (Listed Sequentially):

## NEXT LEVEL PROCEDURES OR SUBROUTINES (Keys of Duplicate Labels Specified):

COMA (EXEC)

ISDIS - Error Display

## SYSTEM DATA REFERENCES:

## ALARMS AND/OR REMARKS:

ERROR DISPLAY PROGRAM STOP 0 set  
 correct pattern in AU  
 incorrect pattern in AL  
 function code (506000) in CO

PROGRAM SKIP 4 - set for console error display only  
 not set for error timeout (Function  
 Code 5060)

PROGRAM SKIP 0 not set - continue test; if set -  
 recycle subroutine (TS60)





## PROGRAM DATA PAGE

SHEET 377

REVISION —

SPECIFICATION SYMBOL  
SB-10163TITLE: TF61 - JUMP IF A LOWER IS EQUAL TO ZERO (61xxxx)DECK IDENTIFIER: FACTCS-1 LABEL: TF61 KEY: \_\_\_\_\_ IS LABEL DUPLICATE? NoPROGRAMMER: FWS modified by TLR DATE: 8 December 1967NUMBER OF L<sub>4</sub> OUTPUT INSTRUCTIONS: 18

## DESCRIPTION:

This subroutine checks the performance of the Jump If AL Is Equal to Zero command. A shift count is set up and AL is cleared. A JPALZ command is initiated and executed. Validity is checked by entering AL with a test-pattern constant and attempting another JPALZ command. At this time AL is not equal to zero, therefore, no jump should take place. If no jump takes place, AL is left shifted one place and an Index Skip back to the Jump if AL is zero command takes place. The subroutine repeats this process until the Index Skip indicates the completion of the 22nd AL left shift without an error. At this time the subroutine exits to the executive routine (COMA). If any of the validity checks detect an error, AL will contain the shifted pattern, and an exit is made to the display subroutine. If PROGRAM STOP 0 is set, CO will contain the function code, and the error may be evaluated. AL will not contain an error display. Upon return to this subroutine (TF61), an exit is made to the executive routine (COMA) to check for continuing the program or the recycling of this subroutine.

TITLE: TF61

## INPUT PARAMETERS (Listed Sequentially):

COMA

TEST PATTERN

TSH 000022

## OUTPUT PARAMETERS (Listed Sequentially):

BUFF1

BUFF2

TFX

## ABNORMAL EXITS (Listed Sequentially):

## NEXT LEVEL PROCEDURES OR SUBROUTINES (Keys of Duplicate Labels Specified):

COMA (EXEC)

TFDIS - Error Display

## SYSTEM DATA REFERENCES:

## ALARMS AND/OR REMARKS:

ERROR DISPLAY - PROGRAM STOP 0 set

no display in AU

shifted pattern in AL

function code (61xxxx) in CO

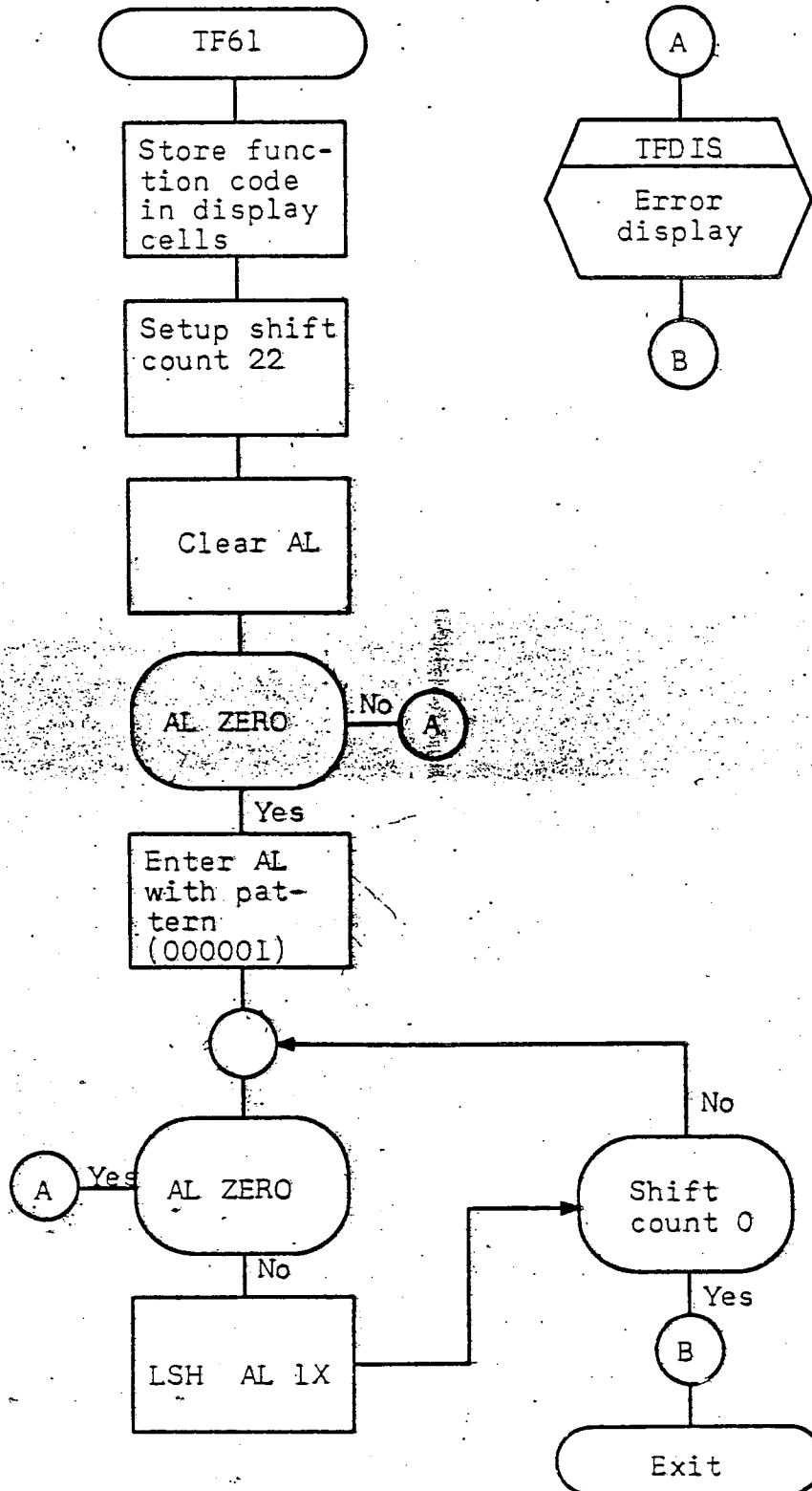
PROGRAM SKIP 4 - set for console error display only

not set for error timeout (Function

Code 61)

PROGRAM SKIP 0 not set - continue test; if set -

recycle subroutine (TF61)



TF61: JUMP AL ZERO TO Y. 61XXXX  
Y

## PROGRAM DATA PAGE

SHEET 380

REVISION —

SPECIFICATION SYMBOL  
SB-10163TITLE: TS61 - COMPLEMENT A LOWER (506100)-DECK IDENTIFIER: FACTCS-1 LABEL: TS61 KEY: \_\_\_\_\_ IS LABEL DUPLICATE? NoPROGRAMMER: FWS modified by TLR DATE: 8 December 1967NUMBER OF L<sub>4</sub> OUTPUT INSTRUCTIONS: 23

## DESCRIPTION:

This subroutine checks the Complement A Lower command. AL is entered with a constant. A CPAL command is executed and validity is checked by executing an ADD AL plus one. Another CPAL command is executed and validity is checked by comparing AL to a test-pattern constant. If equal, an exit is made to the executive routine (COMA). If an error is detected by the validity checks, the correct pattern is entered into AU, AL will contain the incorrect pattern, and an exit is made to the display subroutine, where with PROGRAM STOP 0 set, the function code is displayed in CO, and the error may be evaluated. Upon return to this subroutine (TS61) an exit is made to the executive routine (COMA) to check for program continuance or the recycling of this subroutine.

SPECIFICATION SYMBOL SB-10163
----------------------------------

TITLE: TS61

## INPUT PARAMETERS (Listed Sequentially):

COMA	TEST PATTERNS	
	TPAT1	000000
	TPAB1+1	777776

## OUTPUT PARAMETERS (Listed Sequentially):

BUFF1  
 BUFF2  
 BUFF3  
 BUFF4

IFX  
 ABNORMAL EXITS (Listed Sequentially):

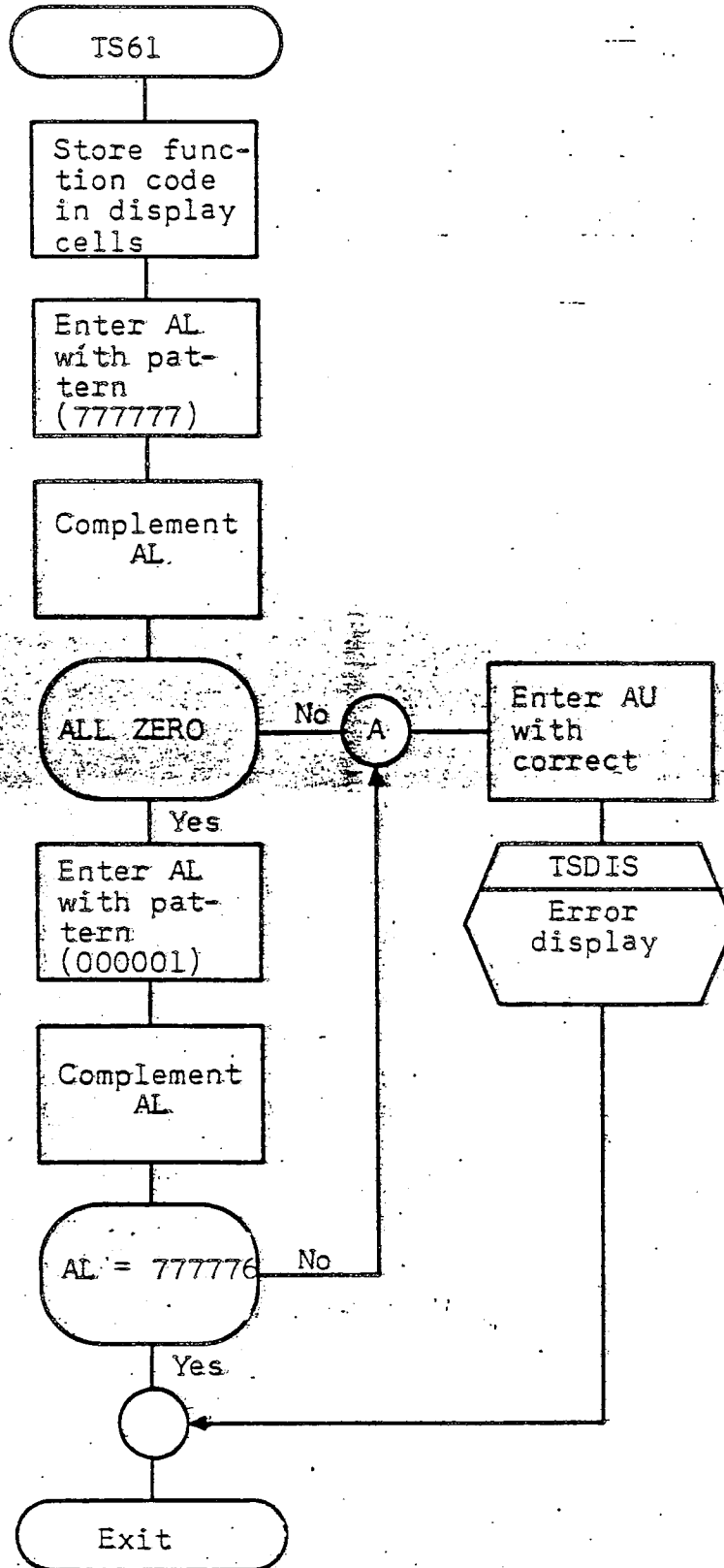
## NEXT LEVEL PROCEDURES OR SUBROUTINES (Keys of Duplicate Labels Specified):

COMA (EXEC)  
 TSDIS - Error Display

## SYSTEM DATA REFERENCES:

## ALARMS AND/OR REMARKS:

ERROR DISPLAY - PROGRAM STOP 0 set  
                   correct information in AU  
                   incorrect information in AL  
                   function code (506100) in CO  
 PROGRAM SKIP 4 - set for console error display only  
                   not set for error typeout (Function  
                   Code 5061)  
 PROGRAM SKIP 0 not set - continue test; if set -  
                           recycle subroutine (TS61)



TS61: COMPLEMENT AL 506100

SHEET 383

REVISION —

SPECIFICATION SYMBOL  
SB-10163TITLE: TC61 - JUMP COMPARE EQUAL TO Y (61xxxx)DECK IDENTIFIER: FACTCS-1 LABEL: TC61 KEY: \_\_\_\_\_ IS LABEL DUPLICATE? NoPROGRAMMER: FWS modified by FLR DATE: 8 December 1967NUMBER OF L OUTPUT INSTRUCTIONS: 15

## DESCRIPTION:

This subroutine checks the Jump Compare Equal to Y command. AL is entered with a test-pattern constant, and a compare of AL and an associated test-pattern is executed. A Jump if equal is executed and if proper the next pattern is entered into AL, compared to an associated test pattern, and another Jump if equal is executed. If correct an exit is made to the executive routine (COMA). If an error is detected due to an improper execution, AU will not contain a display, AL will contain the correct pattern, and an exit is made to the display subroutine, where with PROGRAM STOP 0 set, CO will contain the function code, and the error may be evaluated. Upon return to this subroutine (TC61) an exit is made to the executive routine (COMA) to check for program continuance or the recycling of this subroutine.



SPECIFICATION SYMBOL SB-10163
----------------------------------

TITLE: TC61

## INPUT PARAMETERS (Listed Sequentially):

COMA

## TEST PATTERNS

TPAT1	000000
TPAT1+1	000000
TPAT2	252525

## OUTPUT PARAMETERS (Listed Sequentially):

BUFF1

BUFF2

TFX

## ABNORMAL EXITS (Listed Sequentially):

## NEXT LEVEL PROCEDURES OR SUBROUTINES (Keys of Duplicate Labels Specified):

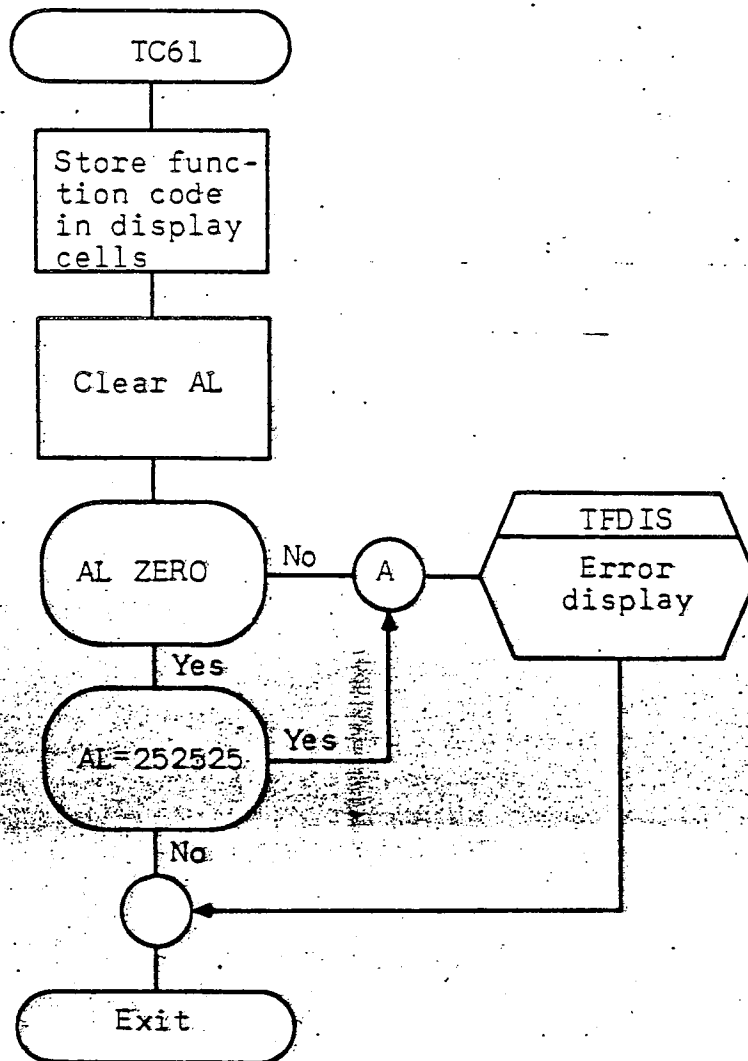
COMA (EXEC)

TFDIS - Error Display

## SYSTEM DATA REFERENCES:

## ALARMS AND/OR REMARKS:

ERROR DISPLAY - PROGRAM STOP 0 set  
no display in AU  
correct pattern in AL  
function code (6lxxxx) in CO  
PROGRAM SKIP 4 - set for console error display only  
not set for error timeout (Function  
Code 61)  
PROGRAM SKIP 0 not set - continue test; if set -  
recycle subroutine (TC61)



TC61: JUMP COMPARE EQ TO Y  
61XXXX  
Y

## PROGRAM DATA PAGE

SHEET 386

REVISION

SPECIFICATION SYMBOL  
SB-10163TITLE: TF62 - JUMP A UPPER NOT ZERO (62xxxx)DECK IDENTIFIER: FACTCS-1 LABEL: TF62 KEY: \_\_\_\_\_ IS LABEL DUPLICATE? NoPROGRAMMER: FWS modified by TLR DATE: 8 December 1967NUMBER OF L<sub>4</sub> OUTPUT INSTRUCTIONS: 20

## DESCRIPTION:

This subroutine checks the Jump A Upper Not Zero command. A shift count is set up and AU is entered with a test-pattern constant. A JPAUNZ command is executed and if proper AU is entered with the next test-pattern. Another JPAUNZ command is executed and if correct A Upper is left shifted one place followed by the JPAUNZ. The above is then repeated with an Index skip; the Index Skip is repeated until all patterns have been checked. If all executions are proper, an exit is made to the executive routine (COMA). If an error is detected AU will contain the shift pattern. AL will not contain a display, and an exit is made to the display subroutine. With PROGRAM STOP 0 set, CC will contain the function code and the error may be evaluated. Upon return to this subroutine (TF62) an exit is made to the executive routine to check for continuing the test or recycling this subroutine.

**PROGRAM DATA PAGE (Cont)**

SHEET 387

REVISION —

SPECIFICATION SYMBOL

SB-10163

TITLE: TF62**INPUT PARAMETERS (Listed Sequentially):**

COMA

**TEST PATTERNS**

TPAT1 000000

TPAB1 000001

TSH 000022

**OUTPUT PARAMETERS (Listed Sequentially):**

BUFF1

BUFF2

TFX

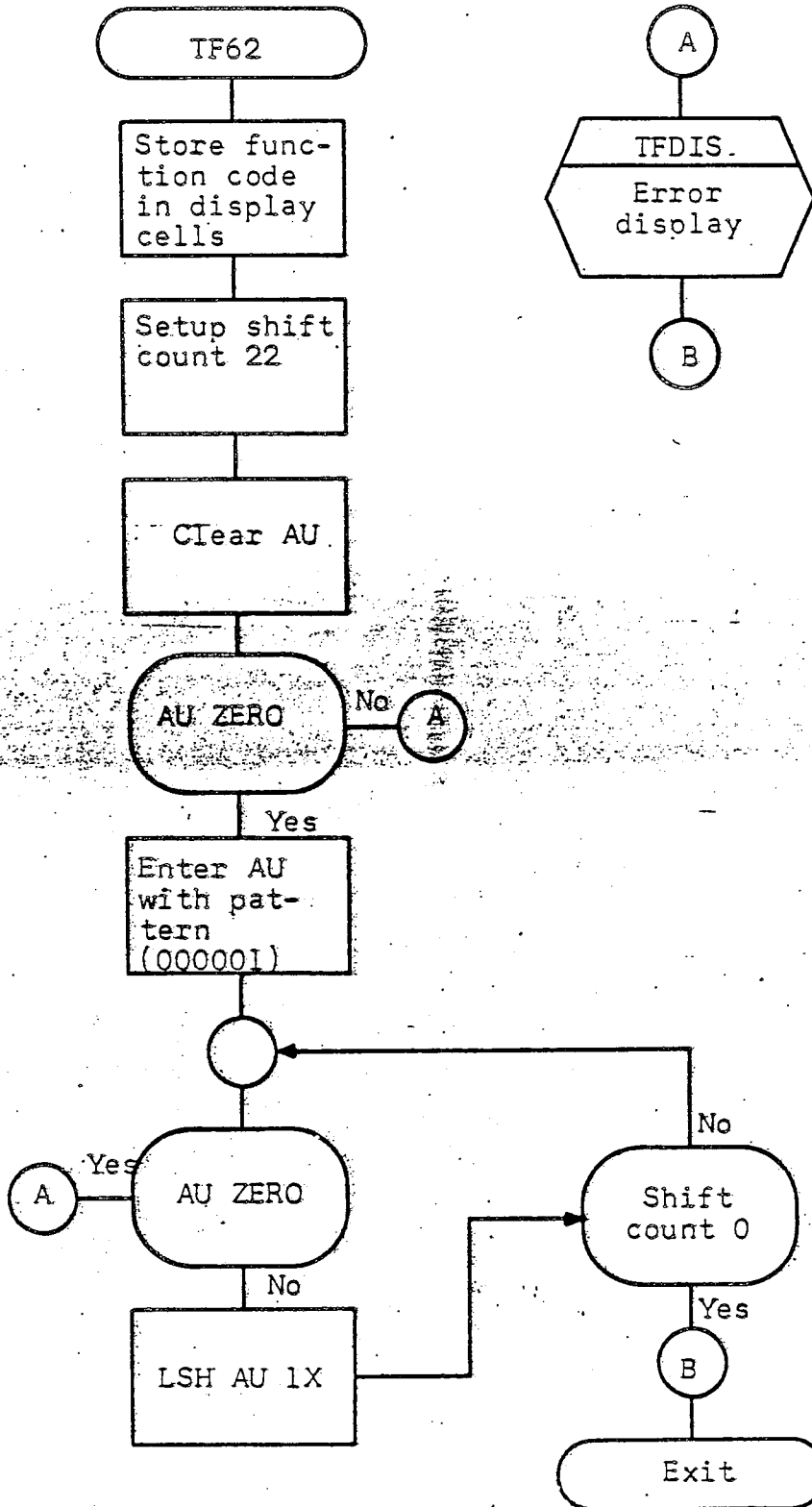
**ABNORMAL EXITS (Listed Sequentially):****NEXT LEVEL PROCEDURES OR SUBROUTINES (Keys of Duplicate Labels Specified):**

COMA (EXEC)

TFDIS -- Error Display

**SYSTEM DATA REFERENCES:****ALARMS AND/OR REMARKS:**

ERROR DISPLAY - PROGRAM STOP 0 set  
shifted pattern in AU  
no display in AL  
function code (62xxxx) in CO  
PROGRAM SKIP 4 - set for console error display only  
not set for error timeout (Function  
Code 62)  
PROGRAM SKIP 0 - not set to continue test  
set to recycle subroutine (TF62)



TF62: JUMP AU NOT ZERO TO Y 62XXXX  
Y

SPECIFICATION SYMBOL  
SB-10163TITLE: TS62 - COMPLEMENT A UPPER (506200)DECK IDENTIFIER: FACTCS-1 LABEL: TS62 KEY: \_\_\_\_\_ IS LABEL DUPLICATE? NoPROGRAMMER: FWS modified by TLR DATE: 8 December 1967NUMBER OF L<sub>4</sub> OUTPUT INSTRUCTIONS: 23

## DESCRIPTION:

This subroutine checks the Complement A Upper command. AU is entered with a test-pattern and a CPAU command is executed. If AU is equal to zero the execution was proper and AU is stored with a different test pattern. Another CPAU command is executed and validity is checked by entering AL with an associated test pattern, and executing a compare mask. If the CPAU command executions are proper, an exit is made to the executive routine (COMA). If an error is detected, AU will contain the incorrect pattern, AL the correct pattern, and an exit is made to the display subroutine. With PROGRAM STOP 0 set, CO will contain the function code, and the error may be evaluated. Upon return to this subroutine (TS62) an exit is made to the executive routine to check for program continuance or the recycling of this subroutine.

**PROGRAM DATA PAGE (Cont)**

SHEET 390

REVISION

SPECIFICATION SYMBOL

SB-10163

TITLE: TS62**INPUT PARAMETERS (Listed Sequentially):**

COMA

**TEST PATTERNS**

TPAT 777777

TPAB1 000001

**OUTPUT PARAMETERS (Listed Sequentially):**

BUFF1

BUFF2

BUFF3

BUFF4

TFX

**ABNORMAL EXITS (Listed Sequentially):****NEXT LEVEL PROCEDURES OR SUBROUTINES (Keys of Duplicate Labels Specified):**

COMA (EXEC)

TSDIS - Error Display

**SYSTEM DATA REFERENCES:****ALARMS AND/OR REMARKS:**

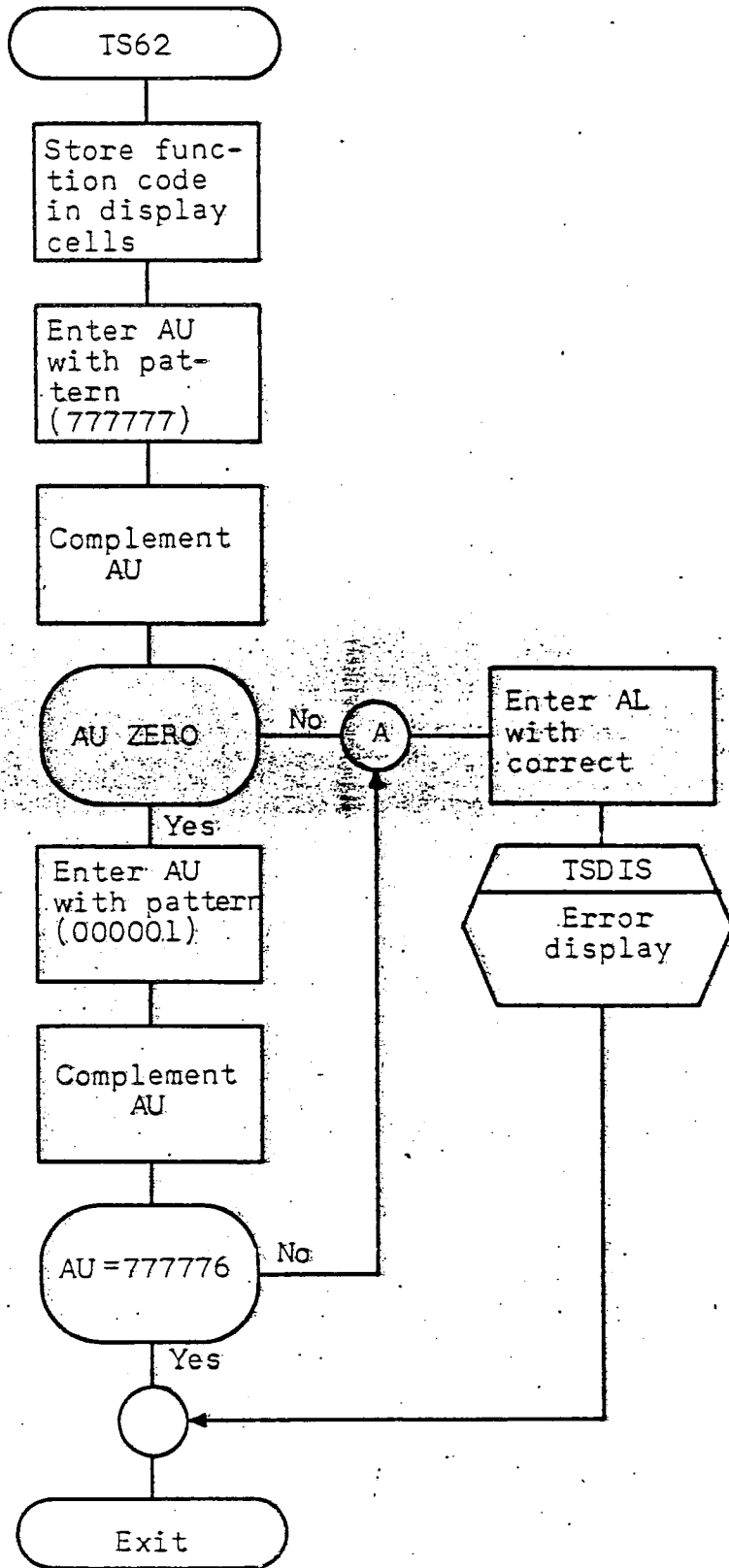
ERROR DISPLAY - PROGRAM STOP set

incorrect information in AU

correct information in AL

function code (506200) in CO

PROGRAM SKIP 4 - set for console error display only  
not set for error typeout (Function  
Code 5062)PROGRAM SKIP 0 not set - continue test; if set -  
recycle subroutine (TS62)



TS62: COMPLEMENT AU 506200



**PROGRAM DATA PAGE**

SHEET 392

REVISION —

SPECIFICATION SYMBOL  
SB-10163TITLE: TF63 - JUMP A LOWER NOT ZERO (63xxxx)DECK IDENTIFIER: FACTCS-1 LABEL: TF63 KEY: \_\_\_\_\_ IS LABEL DUPLICATE? NoPROGRAMMER: FWS modified by TER DATE: 8 December 1967NUMBER OF L<sub>A</sub> OUTPUT INSTRUCTIONS: 20**DESCRIPTION:**

This subroutine checks the Jump A Lower Not Zero command. A shift count is set up and AL is entered with a constant. A JPALNZ command is executed and if proper AL is entered with the next constant. Another Jump if A Lower is not equal to zero command is executed and if proper AL is left shifted one place. An Index Skip command is executed, and the above sequence is repeated until all patterns have been checked. If all executions were correct an exit is then made to the executive routine (COMA). If an error is detected on any of the validity checks, AU will contain no display, AL the shifted pattern and an exit is made to the display subroutine. With PROGRAM STOP 0 set, CO will contain the function code, and the error may be evaluated. Upon return to this subroutine (TF63) an exit is made to the executive routine (COMA) to check for program continuance or the recycling of this subroutine.

SPECIFICATION SYMBOL  
SB-10163TITLE: TF63

## INPUT PARAMETERS (Listed Sequentially):

COMA

TEST PATTERN

TSH 000022

## OUTPUT PARAMETERS (Listed Sequentially):

BUFF1

BUFF2

TFX

## ABNORMAL EXITS (Listed Sequentially):

## NEXT LEVEL PROCEDURES OR SUBROUTINES (Keys of Duplicate Labels Specified):

COMA (EXEC)

TFDIS - Error Display

## SYSTEM DATA REFERENCES:

## ALARMS AND/OR REMARKS:

ERROR DISPLAY - PROGRAM STOP 0 set

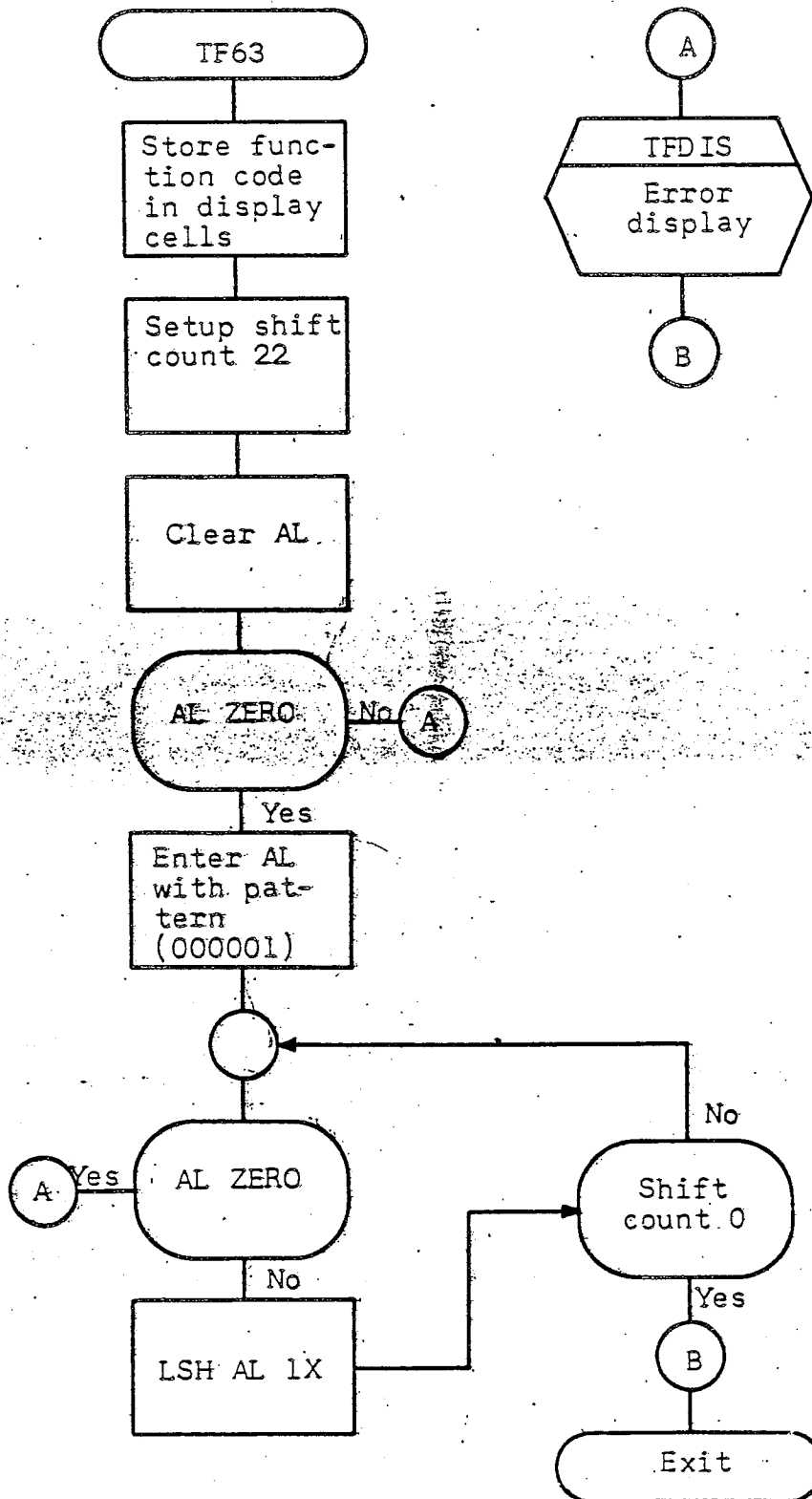
no display in AU

shifted pattern in AL

function code (63xxxx) in CO

PROGRAM SKIP 4 - set for console error display only

not set for error timeout (Function  
Code 63)PROGRAM SKIP 0 not set - continue test; if set -  
recycle subroutine (TF63)



TF63: JUMP AL NOT ZERO TO Y 63XXXX  
Y

## PROGRAM DATA PAGE

SHEET 395

REVISION —

SPECIFICATION SYMBOL  
SB-10163TITLE: TS63 - COMPLEMENT A (506300)DECK IDENTIFIER: FACTCS-1 LABEL: TS63 KEY: \_\_\_\_\_ IS LABEL DUPLICATE? NoPROGRAMMER: FWS modified by TLR DATE: 8 December 1967NUMBER OF L<sub>4</sub> OUTPUT INSTRUCTIONS: 26

## DESCRIPTION:

This subroutine checks the Complement A command. AL and AU are entered with the same, test-pattern constant. A CPA command is executed and validity checked by comparing AL to an associated, test-pattern constant. If correct, a Compare Mask using another, test-pattern constant is used to check AU. Another CPA command is executed and validity again checked. An exit is made to the executive routine (COMA). If an error is detected by any of the validity checks, AU and AL will contain patterns that should be equal, and an exit is made to the display subroutine. With PROGRAM STOP 0 set, CO will contain the function code, and the error may be evaluated. Upon return to this subroutine (TS63) an exit is made to the executive routine (COMA) to check for program continuance or the recycling of this subroutine.

### PROGRAM DATA PAGE (Cont)

SHEET 396

REVISION

SPECIFICATION SYMBOL

SB-10163

TITLE: TS63

**INPUT PARAMETERS (Listed Sequentially):**

COMA

**TEST PATTERNS**

TPAT1	777777
TPAT2	252525
TPAT3	525252

**OUTPUT PARAMETERS (Listed Sequentially):**

BUFF1

BUFF2

BUFF3

BUFF4

TFX

**ABNORMAL EXITS (Listed Sequentially):**

**NEXT LEVEL PROCEDURES OR SUBROUTINES (Keys of Duplicate Labels Specified):**

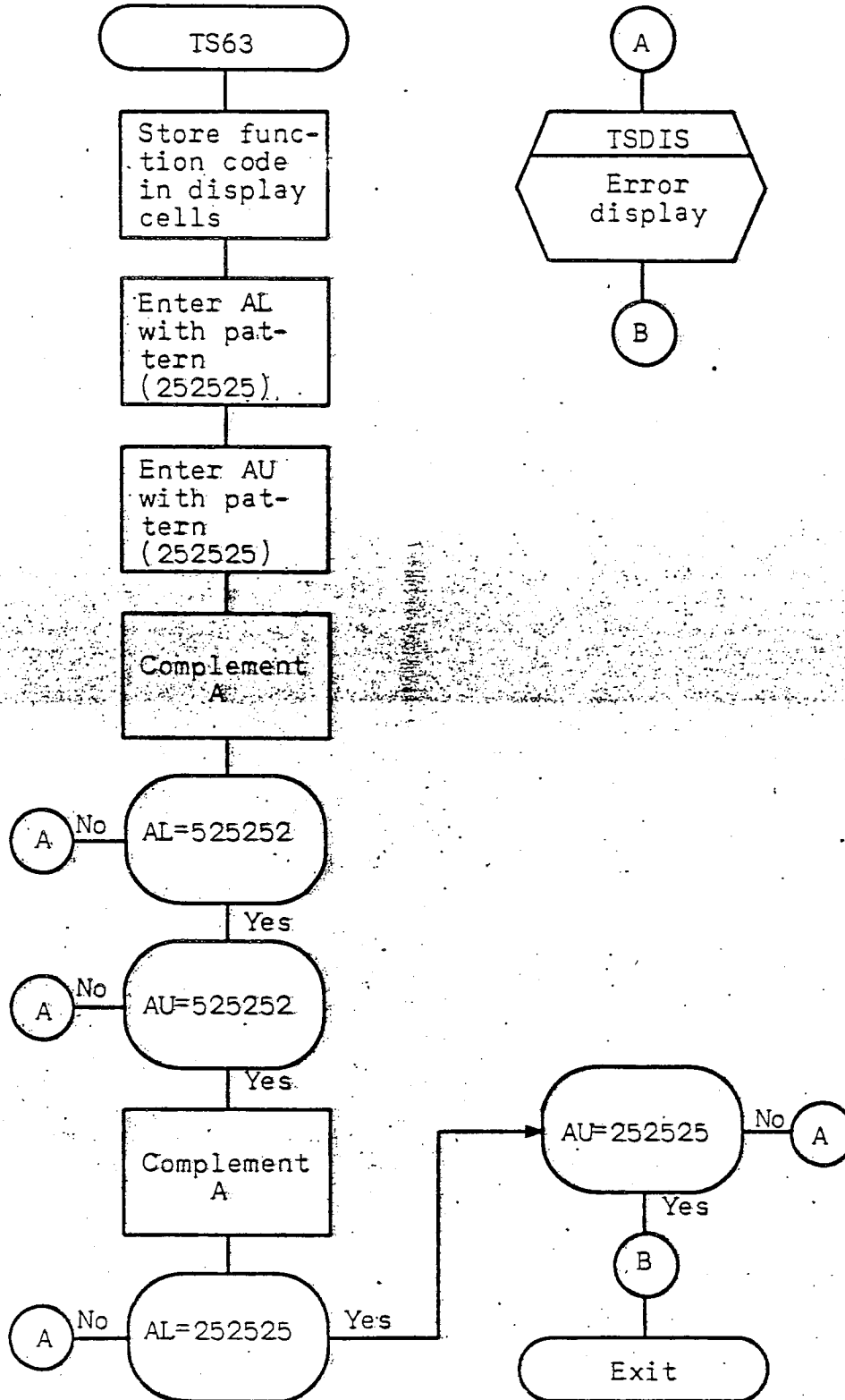
COMA (EXEC)

TSDIS - Error Display

**SYSTEM DATA REFERENCES:**

**ALARMS AND/OR REMARKS:**

ERROR DISPLAY - PROGRAM STOP 0 set  
equal patterns in AU and AL  
function code (506300) in CO  
PROGRAM SKIP 4 - set for console error display only  
not set for error typeout (Function  
Code 5063)  
PROGRAM SKIP 0 not set - continue test; if set -  
recycle subroutine (TS63)



TS63: COMPLEMENT A 506300

## PROGRAM DATA PAGE

SHEET 398

REVISION

SPECIFICATION SYMBOL  
SB-10163TITLE: TC63 - JUMP NOT EQUAL (63xxxx)DECK IDENTIFIER: FACTCS-1 LABEL: TC63 KEY: \_\_\_\_\_ IS LABEL DUPLICATE? NoPROGRAMMER: FWS modified by TLR DATE: 8 December 1967NUMBER OF L<sub>4</sub> OUTPUT INSTRUCTIONS: 15

## DESCRIPTION:

This subroutine checks the Jump Not Equal command (Function Code 63). A pattern is entered into A Lower and a Compare AL to Y is executed to set the Unequal Compare Designator. The JPNOT command (Function Code 63) is executed and if proper a jump will be made to the next portion of the subroutine. In this portion a Compare AL Plus Y is executed with an equal-image pattern that is contained in A Lower. The Unequal Compare Designator is cleared and the Jump Not Equal command (Function Code 63) is again executed. A proper execution will result in executing the next command which is an exit to the executive routine (COMA) for continuance of the test. If either execution of the Jump Not Equal command is improper an exit is made to the display subroutine (TFDIS) where the correct pattern is contained in A Lower. Upon returning to this subroutine (TC63) an exit is made to the executive routine (COMA) to check for continuance of the test or recycling of this subroutine.

SPECIFICATION SYMBOL  
SB-10163

TITLE: TC63

INPUT PARAMETERS (Listed Sequentially):

COMA

TEST PATTERNS

TPAT1 000000

TPAB1 000001

OUTPUT PARAMETERS (Listed Sequentially):

BUFF1

BUFF2

TFX

ABNORMAL EXITS (Listed Sequentially):

NEXT LEVEL PROCEDURES OR SUBROUTINES (Keys of Duplicate Labels Specified):

COMA (EXEC)

TFDIS - Error Display

SYSTEM DATA REFERENCES:

ALARMS AND/OR REMARKS:

ERROR DISPLAY - PROGRAM STOP 0 set

No Display in AU

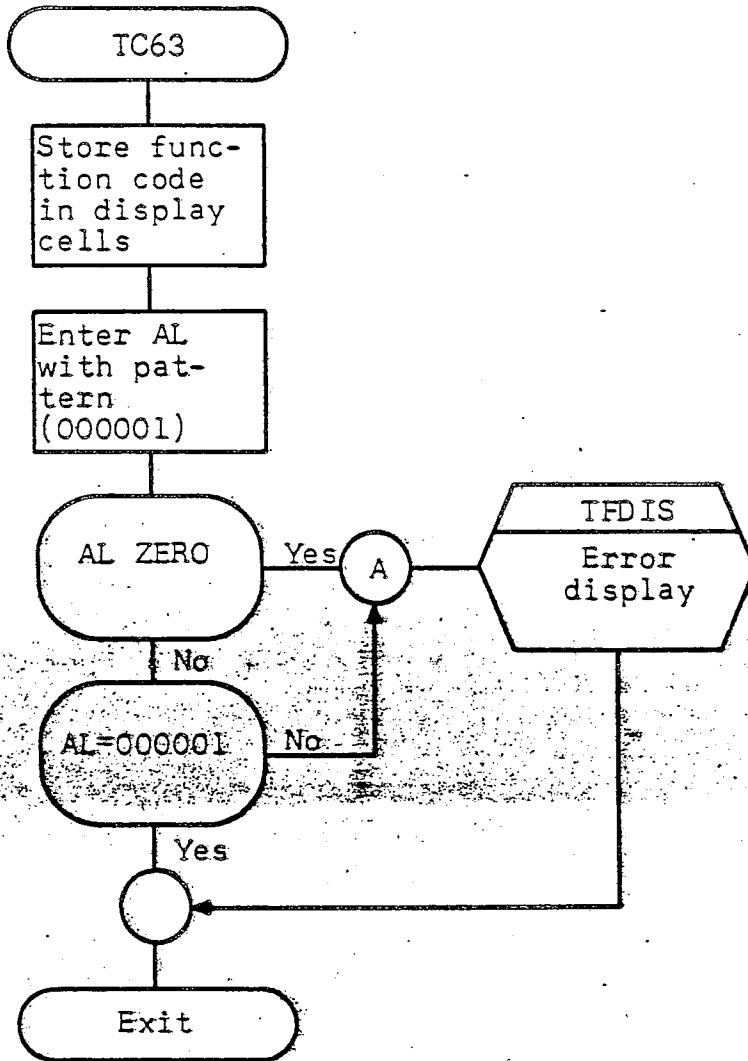
Correct information in AL

Function Code (63xxxx) in CO

PROGRAM SKIP 4 - set for console error display only  
not set for error typeout (Function  
Code 63)

PROGRAM SKIP 0 not set - continue test; if set -  
recycle subroutine (TC63)





TC63: JUMP NOT EQUAL TO Y

63XXXX

Y

## PROGRAM DATA PAGE

SHEET 401

REVISION

SPECIFICATION SYMBOL  
SB-10163TITLE: IF64 - JUMP A UPPER POSITIVE (64xxxx)DECK IDENTIFIER: FACTCS-1 LABEL: IF64 KEY: \_\_\_\_\_ IS LABEL DUPLICATE? NoPROGRAMMER: FWS modified by TLR DATE: 8 December 1967NUMBER OF L OUTPUT INSTRUCTIONS: 14

## DESCRIPTION:

This subroutine checks the Jump A Upper Positive command. AU is entered with a test-pattern constant, and a JPAUP command is executed if the execution is valid AU is entered with the next, test pattern, and another executing JPAUP command. A proper execution will result in an exit to the executive routine (COMA). If an error is detected by the validity checks, AU will contain the correct pattern, AL will not contain a display, and an exit is made to the display subroutine. With PROGRAM STOP 0 set, CO will contain the function code, and the error may be evaluated. Upon return to this subroutine (IF64) an exit is made to the executive routine (COMA) to check for program continuance or the recycling of this subroutine.

SPECIFICATION SYMBOL SB-10163
----------------------------------

TITLE: TF64

## INPUT PARAMETERS (Listed Sequentially):

COMA

## TEST PATTERNS

TPAT6 707070

TPAB3 312132

## OUTPUT PARAMETERS (Listed Sequentially):

BUFF 1

BUFF 2

TFX

## ABNORMAL EXITS (Listed Sequentially):

## NEXT LEVEL PROCEDURES OR SUBROUTINES (Keys of Duplicate Labels Specified):

COMA (EXEC)

TFDIS - Error Display

## SYSTEM DATA REFERENCES:

## ALARMS AND/OR REMARKS:

ERROR DISPLAY - PROGRAM STOP 0 set

Correct information in AU

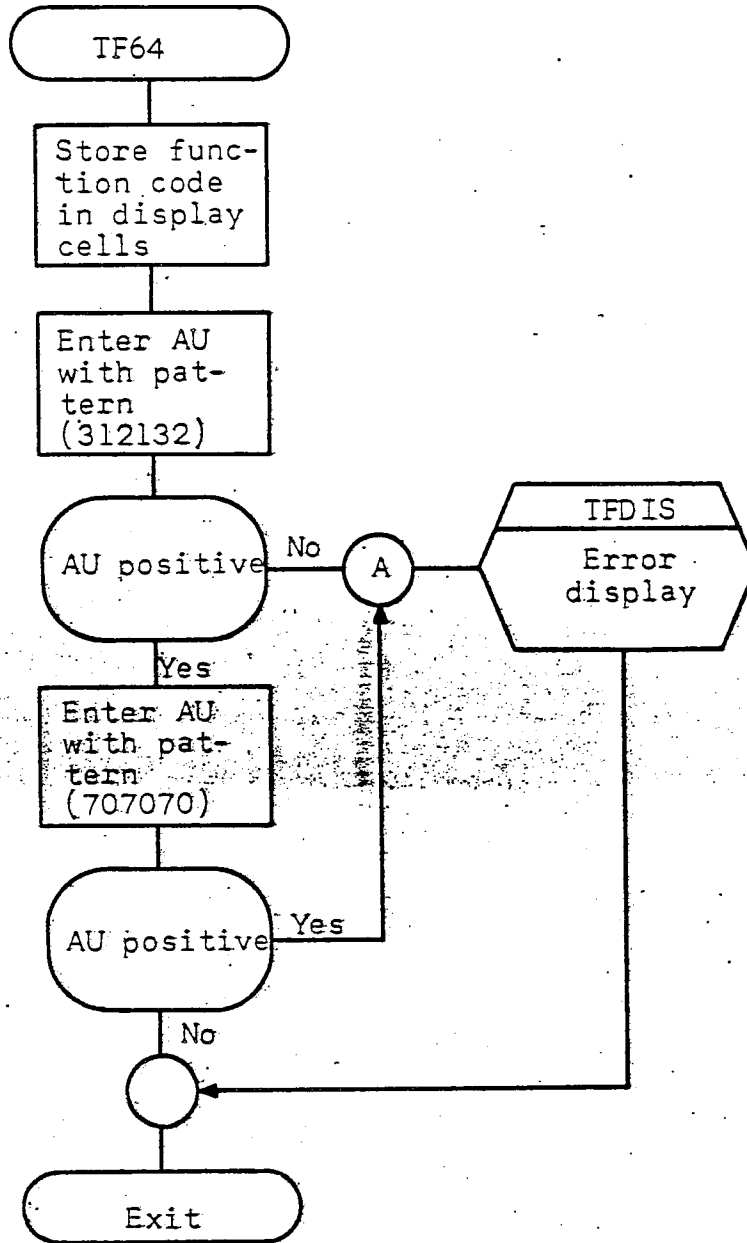
No Display in AL

Function Code (64xxxx) in CO

PROGRAM SKIP 4 - set for console error display only  
not set for error typeout (Function  
Code 64)

PROGRAM SKIP 0 not set - continue test

set - recycle subroutine  
(TF64)



TF64: JUMP AU POSITIVE TO Y. 64XXXX  
Y

TITLE: TF65 - JUMP A LOWER POSITIVE (65xxxx)DECK IDENTIFIER: FACTCS-1 LABEL: TF65 KEY: \_\_\_\_\_ IS LABEL DUPLICATE? NoPROGRAMMER: FWS modified by TLR DATE: 8 December 1967NUMBER OF L<sub>4</sub> OUTPUT INSTRUCTIONS: 14

## DESCRIPTION:

This routine checks the Jump A Lower Positive command. AL is entered with a test pattern. A JPALP command is executed and if proper AL is entered with the next test pattern. Another JPALF is executed and if proper an exit to the executive routine (COMA) is made. If an error is detected on the validity checks, AU will not contain a display, AL will contain the correct pattern, and an exit is made to the display subroutine, where with PROGRAM STOP Q set, CO will contain the function code, and the error may be evaluated. Upon return to this subroutine (TF65) an exit is made to the executive routine (COMA) to check for program continuance or the recycling of this subroutine.

**PROGRAM DATA PAGE (Cont)**

SHEET 405

REVISION

SPECIFICATION SYMBOL

SB-10163

TITLE: TF65**INPUT PARAMETERS (Listed Sequentially):**

COMA

**TEST PATTERNS**

TPAT6 707070

TPAB3 312132

**OUTPUT PARAMETERS (Listed Sequentially):**

BUFF1

BUFF2

TFX

**ABNORMAL EXITS (Listed Sequentially):****NEXT LEVEL PROCEDURES OR SUBROUTINES (Keys of Duplicate Labels Specified):**

COMA (EXEC)

TFDIS - Error Display

**SYSTEM DATA REFERENCES:****ALARMS AND/OR REMARKS:**

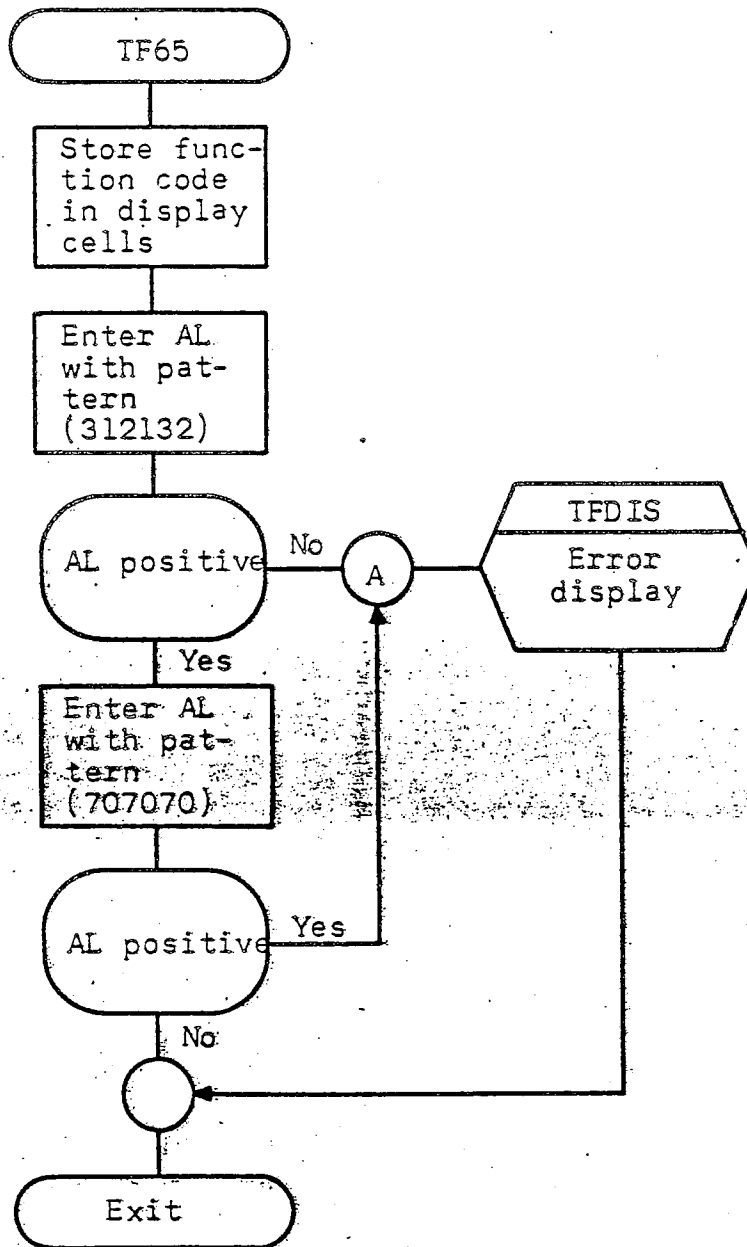
ERROR DISPLAY - PROGRAM STOP 0 set

No Display in AU

Correct pattern in AL

Function Code (65xxxx) in CO

PROGRAM SKIP 4 - set for console error display only  
not set for error typeout (Function  
Code 65)PROGRAM SKIP 0 not set - continue test; if set -  
recycle subroutine (TF65)



TF65: JUMP AL POSITIVE TO Y 65XXXX  
Y

## PROGRAM DATA PAGE

SHEET 407

REVISION —

SPECIFICATION SYMBOL  
SB-10163TITLE: TC65 - JUMP Y LESS THAN OR EQUAL A LOWER (65xxxx)

DECK IDENTIFIER: \_\_\_\_\_

CS-1 LABEL: TC65 KEY: \_\_\_\_\_ IS LABEL DUPLICATE? NoPROGRAMMER: FWS modified by TLR DATE: 8 December 1967NUMBER OF L<sub>4</sub> OUTPUT INSTRUCTIONS: 17

## DESCRIPTION:

This subroutine checks the Jump Y Less Than or Equal A Lower command. AU and AL are entered with two, different test patterns. A Compare Mask is executed using a third test pattern. A JPMLEQ command is executed and if proper AL is entered with a different test pattern. Again a Compare Mask, and 65 command are executed. If the execution is proper an exit is made to the executive routine (COMA). If an error is detected, AU will contain the Compare Mask, AL will contain the correct pattern and an exit is made to the display subroutine. With PROGRAM STOP 0 set, CO will contain the function code, and the error may be evaluated. Upon return to this subroutine (TC65) an exit is made to the executive routine (COMA) to check for program continuance or the recycling of this subroutine.



TITLE: TC65

## INPUT PARAMETERS (Listed Sequentially):

COMA

## TEST PATTERNS

TPAT	777777
TPAT1	000000
TPAT2	252525
TPAT3	525252
TPAB1	000001

## OUTPUT PARAMETERS (Listed Sequentially):

BUFF1

BUFF2

TEX

## ABNORMAL EXITS (Listed Sequentially):

## NEXT LEVEL PROCEDURES OR SUBROUTINES (Keys of Duplicate Labels Specified):

COMA (EXEC)

TEDIS - Error Display

## SYSTEM DATA REFERENCES:

## ALARMS AND/OR REMARKS:

ERROR DISPLAY - PROGRAM STOP 0 set

Compare Mask in AU

Correct pattern in AL

Function Code (65xxxx) in CO

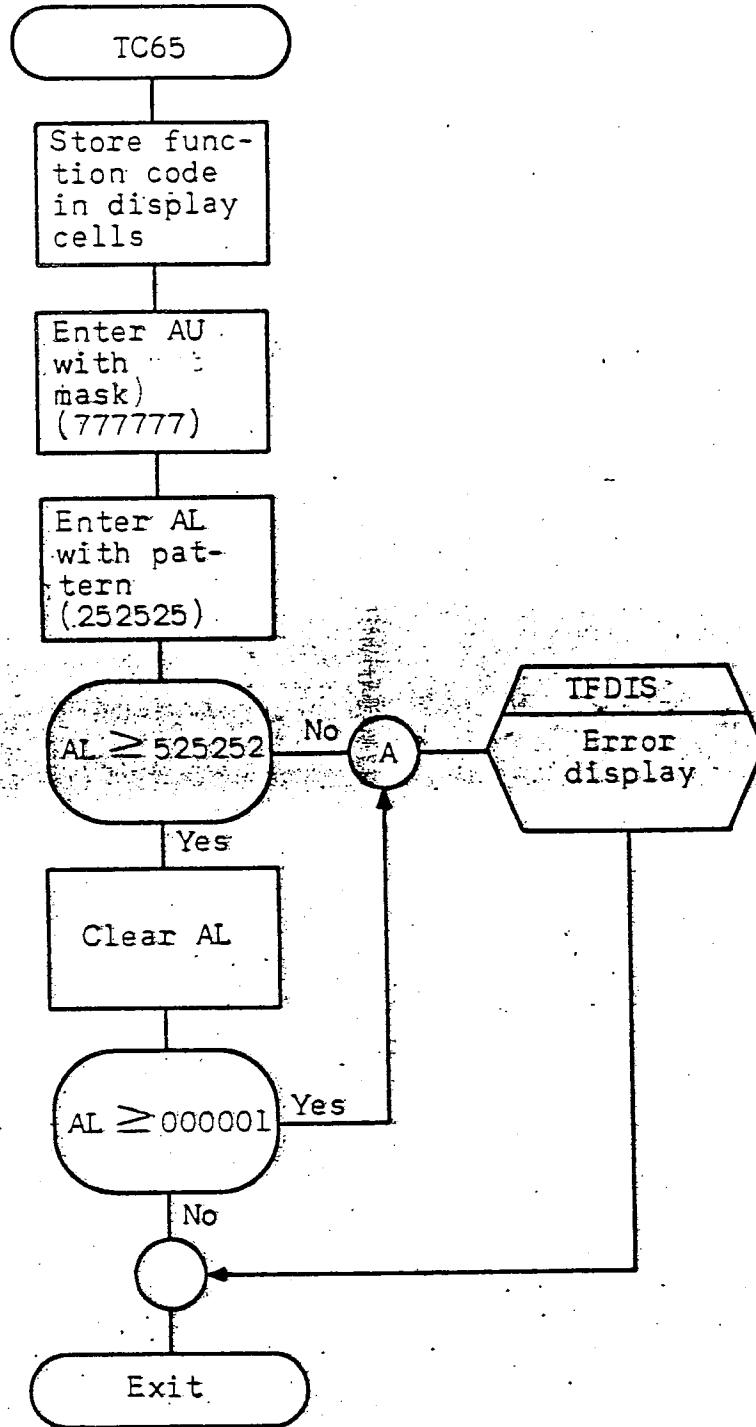
PROGRAM SKIP 4 - set for console error display only

not set for error typeout

(Function Code 65)

PROGRAM SKIP 0. not set - continue test

set - recycle subroutine (TC65)



TC65: JUMP TO Y IF MEMORY EQUAL TO OR LESS THAN AL  
65XXXX  
Y

SPECIFICATION SYMBOL  
SB-10163TITLE: TF66 - JUMP A UPPER NEGATIVE (66xxxx)DECK IDENTIFIER: FACTCS-1 LABEL: TF66 KEY: \_\_\_\_\_ IS LABEL DUPLICATE? NoPROGRAMMER: FWS modified by TLR DATE: 8 December 1967NUMBER OF L<sub>4</sub> OUTPUT INSTRUCTIONS: 14

## DESCRIPTION:

This subroutine checks the Jump A Upper Negative command. AU is entered with a test pattern. A JPAUNG command is executed and if proper AU is entered with a different test pattern. Another JPAUNG command is executed and if proper an exit is made to the executive routine (COMA). If an error is detected by the validity checks, AU will contain the correct pattern, AL will not contain a display and an exit is made to the display subroutine. With PROGRAM STOP 0 set, CO will contain the function code, and the error may be evaluated. Upon return to this subroutine (TF66) an exit is made to the executive routine (COMA) to check for program continuance or the recycling of this subroutine.

**PROGRAM DATA PAGE (Cont)**

SHEET 411

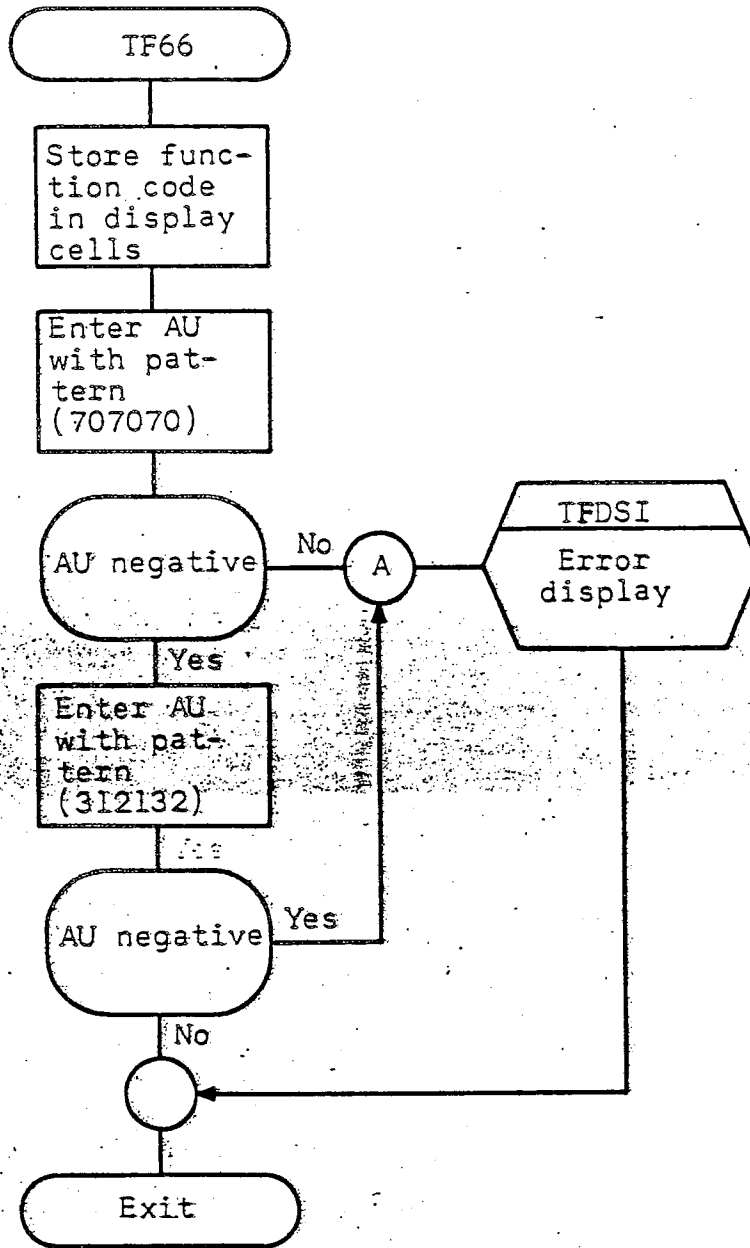
REVISION —

SPECIFICATION SYMBOL  
SB-10163TITLE: TF66**INPUT PARAMETERS (Listed Sequentially):****TEST PATTERNS**TPAT6           707070  
TPAB3           312132**OUTPUT PARAMETERS (Listed Sequentially):**BUFF1  
BUFF2  
TFX**ABNORMAL EXITS (Listed Sequentially):****NEXT LEVEL PROCEDURES OR SUBROUTINES (Keys of Duplicate Labels Specified):**COMA (EXEC)  
TFDIS - Error Display**SYSTEM DATA REFERENCES:****ALARMS AND/OR REMARKS:**ERROR DISPLAY - PROGRAM STOP 0 set  
                  Correct pattern in AU  
                  No Display in AL  
                  Function Code (65xxxx) in CO  
PROGRAM SKIP 4 - set for console error display only  
                  not set for error typeout (Function  
                  Code 66)  
PROGRAM SKIP 0 not set - continue test; if set -  
                          recycle subroutine (TF66)

SHEET 412

REVISION —

SPECIFICATION SYMBOL  
SB-10163



TF66: JUMP AU NEGATIVE TO Y 66XXXX  
Y

## PROGRAM DATA PAGE

SHEET 413

REVISION SPECIFICATION SYMBOL  
SB-10163TITLE: TF67 - JUMP A LOWER NEGATIVE (67xxxx)DECK IDENTIFIER: FACTCS-1 LABEL: TF67 KEY: \_\_\_\_\_ IS LABEL DUPLICATE? NoPROGRAMMER: FWS modified by TLR DATE: 8 December 1967NUMBER OF L OUTPUT INSTRUCTIONS: 14

## DESCRIPTION:

This subroutine checks the Jump A Lower Negative command. AL is entered with a test pattern. A JPALNG command is then executed and if proper the next test pattern is entered into AL checked by entering AL with a different test pattern. Another JPALNG command is executed and if correct an exit is made to the executive routine (COMA). If an error is detected by the validity checks, AU will not contain a display, AL will contain the correct pattern, and an exit is made to the display subroutine. With PROGRAM STOP 0 set, CO will contain the function code, and the error may be evaluated. Upon return to this subroutine (TF67) an exit is made to the executive routine (COMA) to check for program continuance or the recycling of this subroutine.

SPECIFICATION SYMBOL  
SB-10163TITLE: TF67

## INPUT PARAMETERS (Listed Sequentially):

## TEST PATTERNS

TPAT6 707070

TPAB3 312132

## OUTPUT PARAMETERS (Listed Sequentially):

BUFF1

BUFF2

TEX

## ABNORMAL EXITS (Listed Sequentially):

## NEXT LEVEL PROCEDURES OR SUBROUTINES (Keys of Duplicate Labels Specified):

COMA (EXEC)

TFDIS - Error Display

## SYSTEM DATA REFERENCES:

## ALARMS AND/OR REMARKS:

ERROR DISPLAY - PROGRAM STOP 0 set

No Display in AU

Correct information in AL

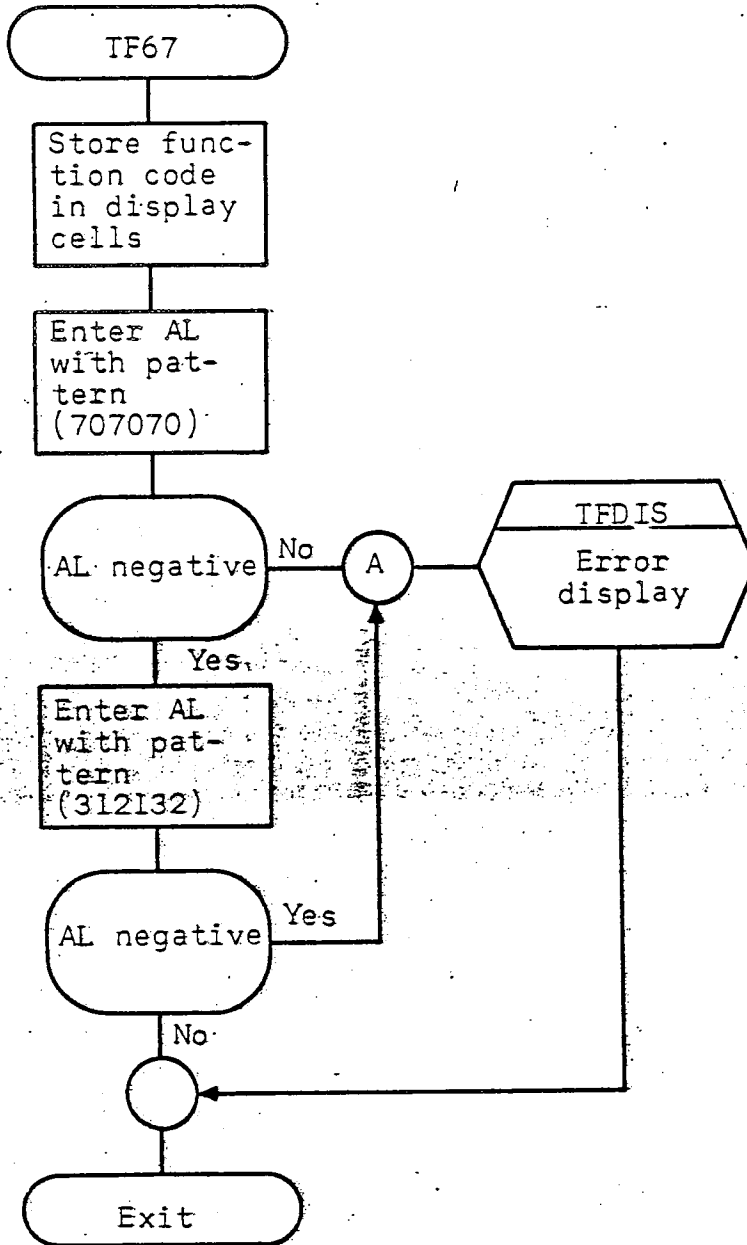
Function Code (67xxxx) in CO

PROGRAM SKIP 4 - set for console error display only

not set for error typeout (Function  
Code 67)

PROGRAM SKIP 0 not set - continue test; if set -

recycle subroutine (TF67)



TF67: JUMP AL NEGATIVE TO Y 67XXXX  
Y



SHEET 416

REVISION —

SPECIFICATION SYMBOL  
SB-10163

TITLE: TC67 - JUMP Y GREATER THAN A LOWER (67xxxx)

DECK IDENTIFIER: FACT

CS-1 LABEL: TC67 KEY: \_\_\_\_\_ IS LABEL DUPLICATE? No

PROGRAMMER: FWS modified by TLR DATE: 8 December 1967

NUMBER OF L<sub>4</sub> OUTPUT INSTRUCTIONS: 17

#### DESCRIPTION:

This subroutine checks the Jump Y Greater Than A Lower command. AU and AL are entered with different test patterns. A Compare Mask is executed using a third test pattern. A JPMGR command is then executed and if proper AL is entered with the next test pattern. Again a Compare Mask, and JPMGR command are executed and if proper an exit is made to the executive routine (COMA). If an error is detected by the validity checks, AU will contain the Compare Mask, AL will contain the correct pattern, and an exit is made to the display subroutine. With PROGRAM STOP 0 set, CO will contain the function code, and the error may be evaluated. Upon return to this subroutine (TC67) an exit is made to the executive routine (COMA) to check for program continuance or the recycling of this subroutine.

TITLE: TC67

## INPUT PARAMETERS (Listed Sequentially):

COMA

## TEST PATTERNS

TPAT	777777
TPAT1	000000
TPAT6	707070
TPAT7	070707
TPAB1	000001

## OUTPUT PARAMETERS (Listed Sequentially):

BUFF 1

BUFF 2

TFX

## ABNORMAL EXITS (Listed Sequentially):

## NEXT LEVEL PROCEDURES OR SUBROUTINES (Keys of Duplicate Labels Specified):

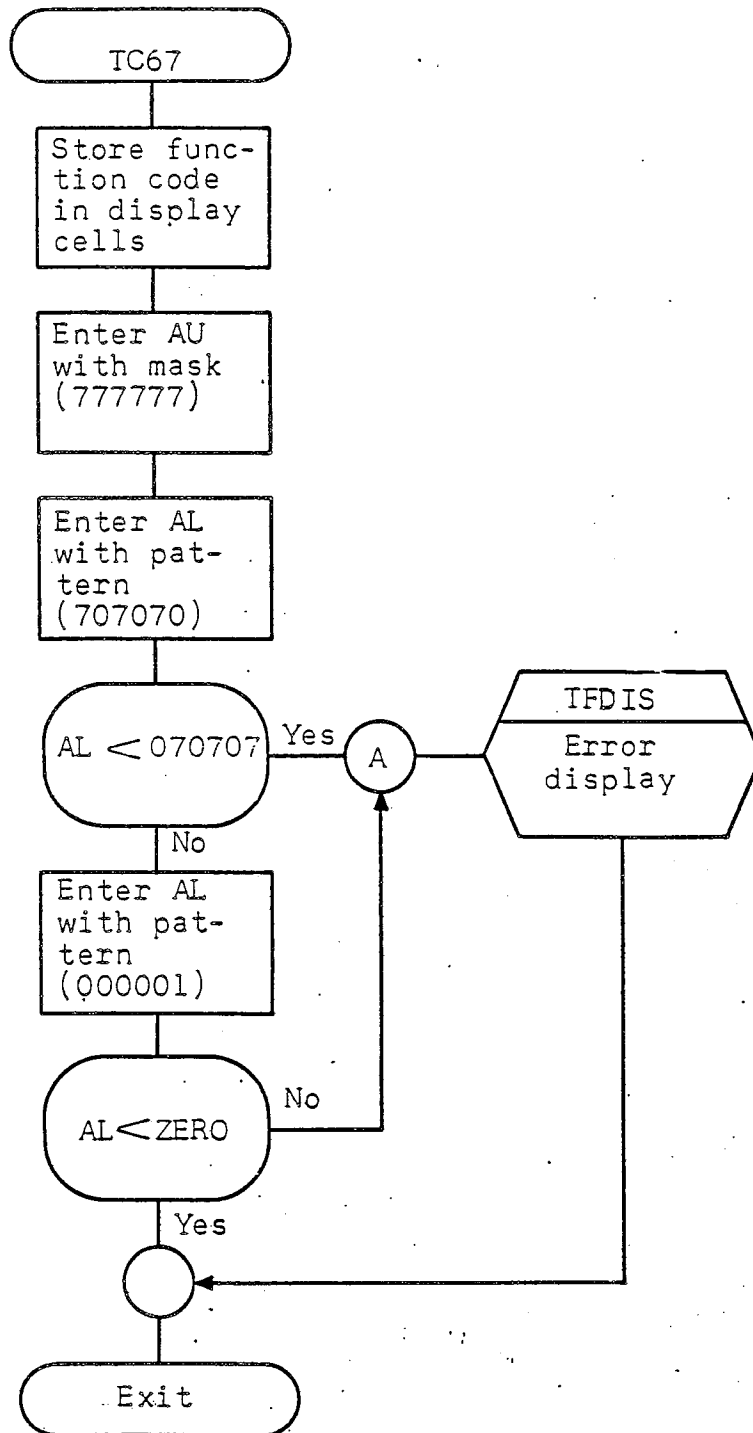
COMA (EXEC)

TFDIS - Error Display

## SYSTEM DATA REFERENCES:

## ALARMS AND/OR REMARKS:

ERROR DISPLAY - PROGRAM STOP 0 set  
 Compare Mask in AU  
 Correct Information in AL  
 Function Code (67xxxx) in CO  
 PROGRAM SKIP 4 - set for console error display only  
                   not set for error typeout (Function  
                   Code 67)  
 PROGRAM SKIP 0 not set - continue test; if set -  
                           recycle subroutine (TC67)



TC67: JUMP TO Y IF MEMORY GREATER THAN AL

67XXXX  
Y

**UNIVAC**

DIVISION OF SPERRY RAND CORPORATION

**PROGRAM DATA PAGE**

SPECIFICATION SHEET

SHEET 419

REVISION —

SPECIFICATION SYMBOL  
SB-10163TITLE: TF70 - ENTER A LOWER WITH CONSTANT (SIGN EXT.) (70xxxx)DECK IDENTIFIER: FACTCS-1 LABEL: TF70 KEY: \_\_\_\_\_ IS LABEL DUPLICATE? NoPROGRAMMER: PMC modified by TLR DATE: 8 December 1967NUMBER OF L<sub>4</sub> OUTPUT INSTRUCTIONS: 40**DESCRIPTION:**

This subroutine checks the Enter A Lower With Constant (Sign Extended) command. AU is entered with the correct, test-pattern constant, and an ENTALK command is executed. Validity is checked by comparing AL to the associated test pattern, and if correct, the above sequence is repeated until all patterns have been checked. An exit is then made to the executive routine (COMA). If an error is detected, AU will contain the correct pattern, AL the incorrect pattern, and an exit is made to the display subroutine. With PROGRAM STOP 0 set, CO will contain the function code, and the error may be evaluated. Upon return to this subroutine (IF70) an exit is made to the executive routine (COMA) to check for program continuance or the recycling of this subroutine.

**PROGRAM DATA PAGE (Cont)**

SHEET 420

REVISION

SPECIFICATION SYMBOL  
SB-10163TITLE: TF70**INPUT PARAMETERS (Listed Sequentially):**

COMA

**TEST PATTERNS**

TPAT	777777
TPAT1	000000
TPAB1	000001
TPAB1+1	777776
TPAK5	775252
TPAK6	002525
TPAK7	777070
TPAK7+1	000707

**OUTPUT PARAMETERS (Listed Sequentially):**

BUFF1

BUFF2

TFX

**ABNORMAL EXITS (Listed Sequentially):****NEXT LEVEL PROCEDURES OR SUBROUTINES (Keys of Duplicate Labels Specified):**

COMA (EXEC)

TFDIS - Error Display

**SYSTEM DATA REFERENCES:****ALARMS AND/OR REMARKS:**

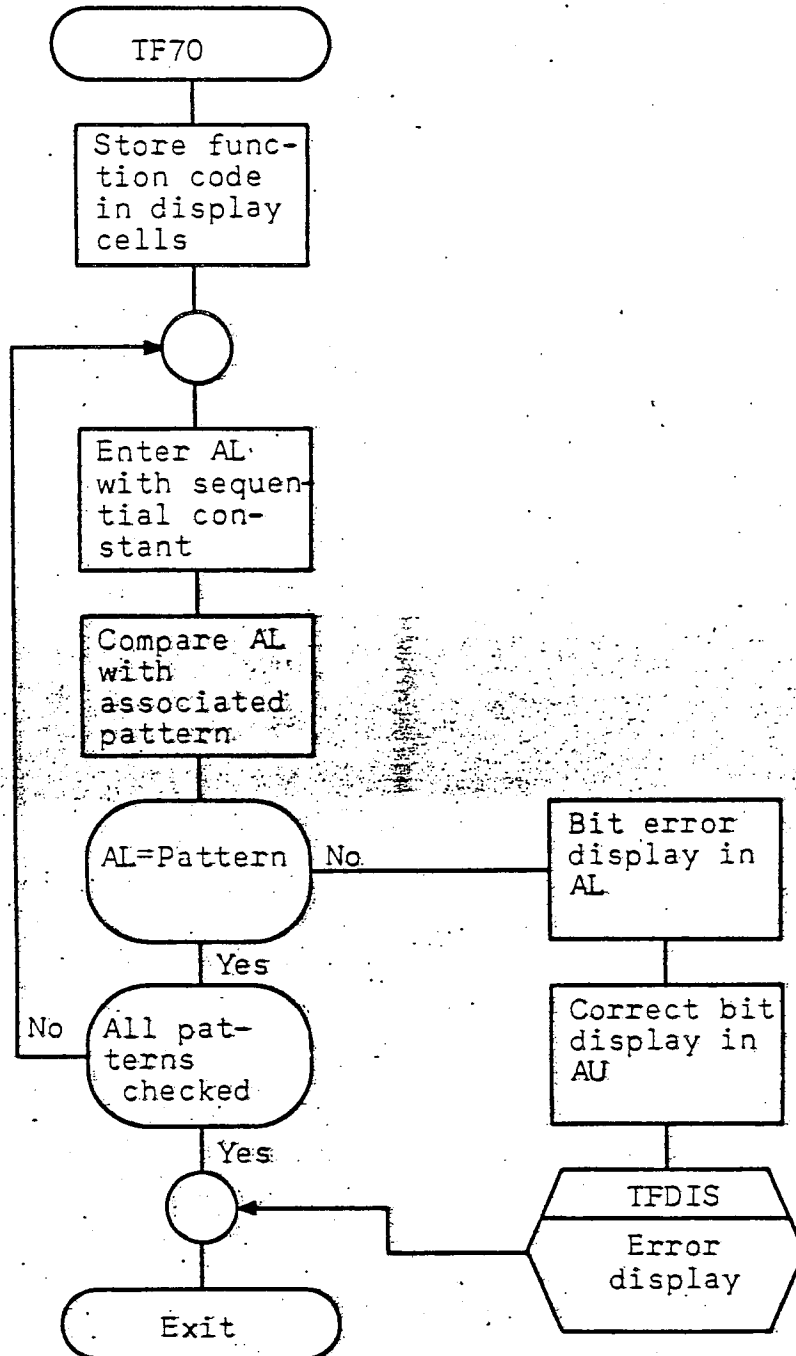
ERROR DISPLAY - PROGRAM STOP 0 set

Correct information in AU

Incorrect information in AL

Function Code (70xxxx) in CO

PROGRAM SKIP 4 - set for console error display only  
not set for error typeout (Function  
Code 70)PROGRAM SKIP 0 not set - continue test; if set -  
recycle subroutine (TF70)



TF70: ENTER AL WITH CONSTANT (SIGN EXT.)

SHEET 422

REVISION

SPECIFICATION SYMBOL  
SB-10163TITLE: IF71 - ADD A LOWER PLUS CONSTANT (SIGN EXT.) (71xxxx)DECK IDENTIFIER: FACTCS-1 LABEL: IF71 KEY: \_\_\_\_\_ IS LABEL DUPLICATE? NoPROGRAMMER: FWS modified by TLR DATE: 8 December 1967NUMBER OF L OUTPUT INSTRUCTIONS: 26

## DESCRIPTION:

This subroutine checks the Add A Lower Plus Constant (Sign Extended) command. AL is entered with a constant. An ADDALK command is executed. Validity is checked by entering AU with the correct, associated test pattern and comparing AL with that same pattern. If correct, the next ADDALK command is executed. This sequence is repeated until all patterns have been checked. An exit is made to the executive routine (COMA). If an error is detected, AU will contain the correct pattern, AL the incorrect pattern, and an exit is made to the display subroutine. With PROGRAM STOP 0 set, CO will contain the function code and the error may be evaluated. Upon return to this subroutine (IF71) an exit is made to the executive routine (COMA) to check for program continuance or the recycling of this subroutine.

SPECIFICATION SYMBOL

SB-10163

TITLE: IF71INPUT PARAMETERS (Listed Sequentially):  
COMA

TEST PATTERNS

TPAT1	000000
TPAK2	002222
TPAK4	003333
TPAS4	000002

OUTPUT PARAMETERS (Listed Sequentially):

BUFF1  
BUFF2  
TFX

ABNORMAL EXITS (Listed Sequentially):

NEXT LEVEL PROCEDURES OR SUBROUTINES (Keys of Duplicate Labels Specified):  
COMA (EXEC)

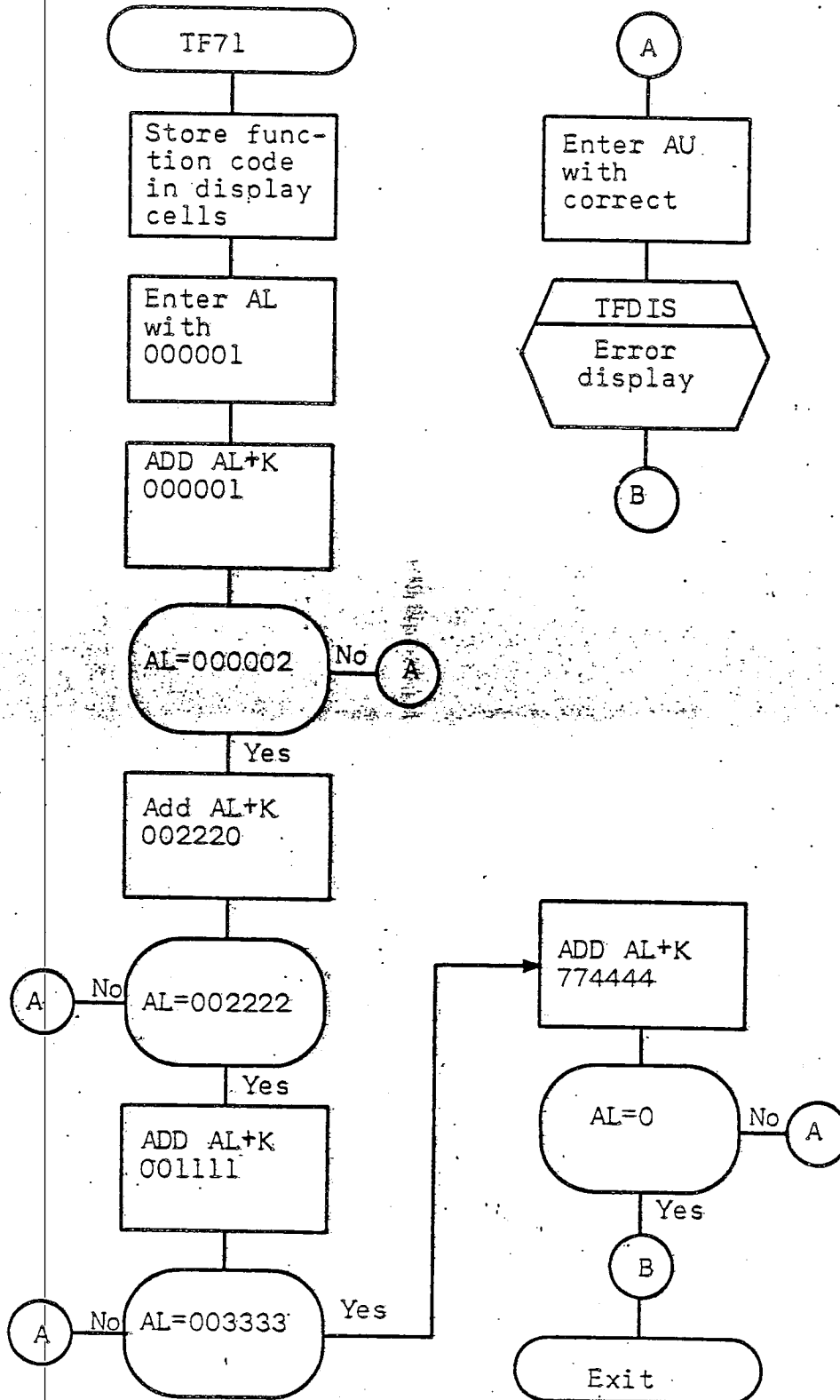
TFDIS - Error Display

SYSTEM DATA REFERENCES:

ALARMS AND/OR REMARKS:

ERROR DISPLAY - PROGRAM STOP 0: set  
Correct information in AU  
Incorrect information in AL  
Function Code (71xxxx) in CO  
PROGRAM SKIP 4 - set for console error display only  
not set for error typeout (Function  
Code 71)  
PROGRAM SKIP 0 not set - continue test; if set -  
recycle subroutine (IF71)





TF71: ADD AL+K (SIGN EXTENDED) 71XXX

## PROGRAM DATA PAGE

SHEET 425

REVISION —

SPECIFICATION SYMBOL  
SB-10163TITLE: TS73 - ENTER SPECIAL REGISTER (5073xx)DECK IDENTIFIER: FACTCS-1 LABEL: TS73 KEY: \_\_\_\_\_ IS LABEL DUPLICATE? NoPROGRAMMER: PMC/HWM modified by TLR DATE: 8 December 1967NUMBER OF L OUTPUT INSTRUCTIONS: 34

## DESCRIPTION:

This subroutine checks the Enter Special Register Command. A constant is entered into the Special Register with an ENTERSR command. Validity is then checked by storing the contents of the SR in a test cell, entering the content of the test cell into AL, and the associated, test pattern into AU. A Compare is then made of AL and the associated test pattern, and if correct, the next pattern is entered into the SR. This is repeated until all patterns have been checked. An exit is then made to the executive routine (COMA). If an error is detected, AU will contain the correct pattern, AL the incorrect pattern, and an exit is made to the display subroutine. With PROGRAM STOP 0 set, CO will contain the function code and the error may be evaluated. Upon return to this subroutine (TS73) an exit is made to the executive routine (COMA) to check for program continuance or the recycling of this subroutine.

**PROGRAM DATA PAGE (Cont)**

SHEET 426

REVISION

SPECIFICATION SYMBOL  
SB-10163TITLE: TS73**INPUT PARAMETERS (Listed Sequentially):**

COMA

**TEST PATTERNS**

TPAT1	000000
TPAB1	000001
TPAS4	000002
TPAS5	000004
TPAS6	000007
TPAR	TEST CELL

**OUTPUT PARAMETERS (Listed Sequentially):**

BUFF1

BUFF2

BUFF3

BUFF4

TFX

**ABNORMAL EXITS (Listed Sequentially):****NEXT LEVEL PROCEDURES OR SUBROUTINES (Keys of Duplicate Labels Specified):**

COMA (EXEC)

TSDIS - Error Display

**SYSTEM DATA REFERENCES:****ALARMS AND/OR REMARKS:**

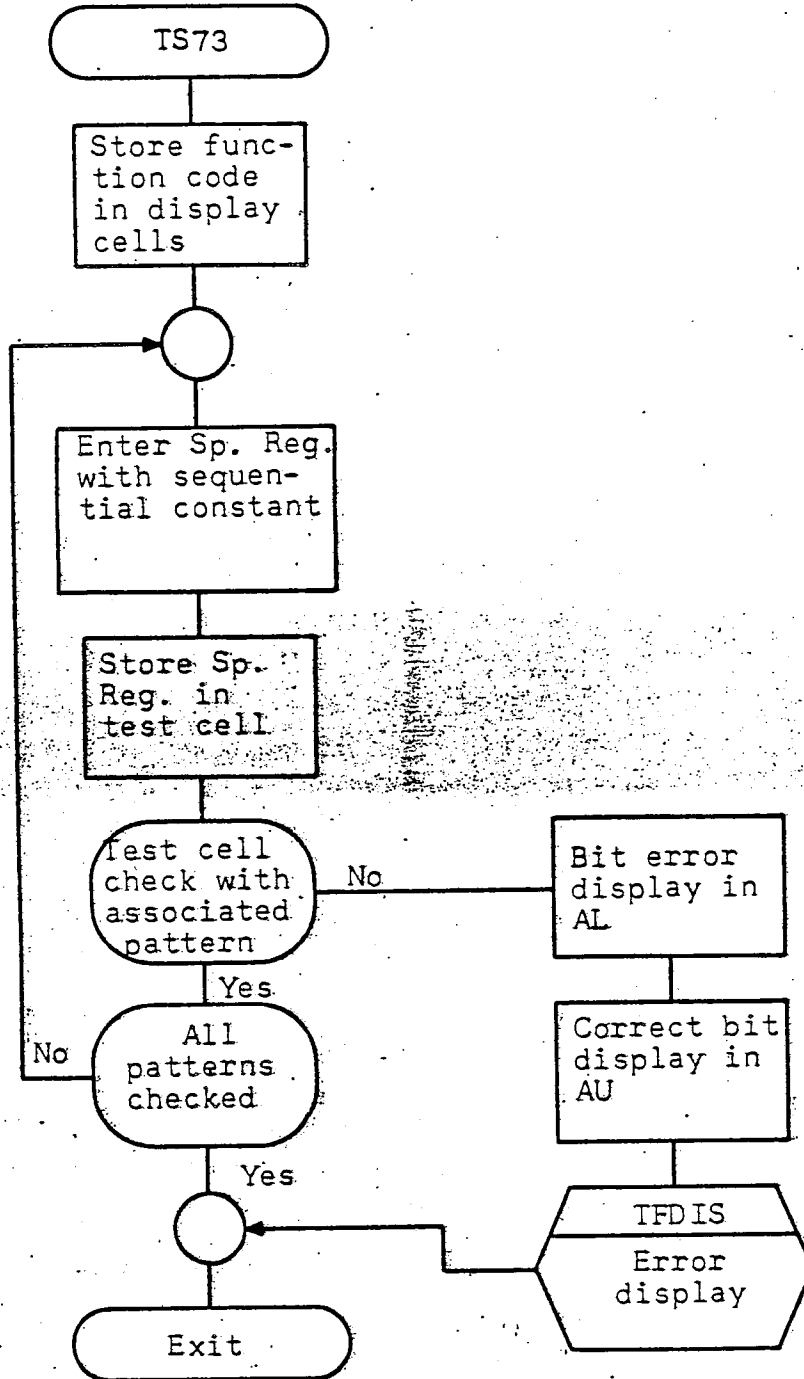
ERROR DISPLAY - PROGRAM STOP 0 set

Correct information in AU

Incorrect information in AL

Function Code (5073xx) in CO

PROGRAM SKIP 4 - set for console error display only  
not set for error typeout (Function  
Code 5073)PROGRAM SKIP 0 not set - continue test; if set -  
recycle subroutine (TS73)



TS73: ENTER SPECIAL REGISTER

## PROGRAM DATA PAGE

SHEET 428

REVISION —

SPECIFICATION SYMBOL  
SB-10163TITLE: IF73 - B JUMP (73xxxx)DECK IDENTIFIER: FACTCS-1 LABEL: IF73 KEY: \_\_\_\_\_ IS LABEL DUPLICATE? NoPROGRAMMER: PMC modified by TLR DATE: 8 December 1967NUMBER OF L<sub>4</sub> OUTPUT INSTRUCTIONS: 27

## DESCRIPTION:

This subroutine checks the B Jump command. First AU and the test area (IF73 - 10g addresses) are cleared to 0's. B is entered with a constant, in the test area (TB73 plus B) and a return is made to the address containing the B Jump. The Jump and Store is repeated until the decrementation of B is complete. Validity is then checked by entering AL with TB73 (test area) and checking for the proper contents. If correct, the next sequential test pattern is entered into B and the above operation is repeated until all test patterns have been used. If all executions are correct, an exit is made to the executive routine (COMA).

SPECIFICATION SYMBOL  
SB-10163TITLE: TF73INPUT PARAMETERS (Listed Sequentially):  
COMATEST PATTERNS  
IPAT1        000000  
TB73        TEST AREA

## OUTPUT PARAMETERS (Listed Sequentially):

BUFF1  
BUFF2  
TEF

## ABNORMAL EXITS (Listed Sequentially):

NEXT LEVEL PROCEDURES OR SUBROUTINES (Keys of Duplicate Labels Specified):  
COMA (EXEC)

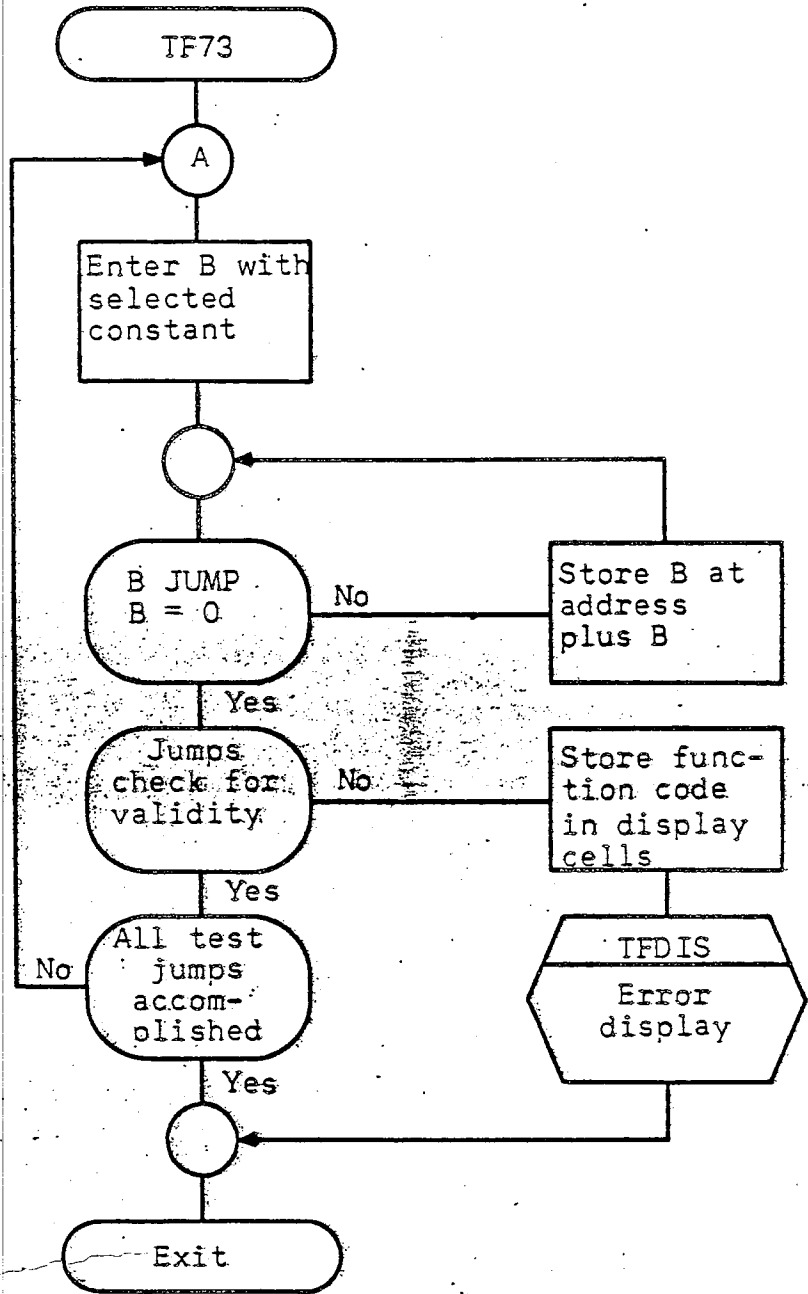
TFDIS — Error Display

## SYSTEM DATA REFERENCES:

## ALARMS AND/OR REMARKS:

ERROR DISPLAY — PROGRAM STOP 0 set

Correct information in AU  
Incorrect information in AL  
Function Code (73xxxx) in COPROGRAM SKIP 4 — set for console error display only  
not set for error typeout (Function  
Code 73)PROGRAM SKIP 0 not set — continue test; if set —  
recycle subroutine (TF73)



TF73: B JUMP

SHEET 431

REVISION —

SPECIFICATION SYMBOL

SB-10163

TITLE: TF74 - TEST STORE ADDRESS (74xxxx)DECK IDENTIFIER: FACTCS-1 LABEL: TF74 KEY: \_\_\_\_\_ IS LABEL DUPLICATE? NoPROGRAMMER: PMC modified by TLR DATE: 8 December 1967NUMBER OF L<sub>4</sub> OUTPUT INSTRUCTIONS: 52

## DESCRIPTION:

This subroutine tests the Store Address command (Function Code 74). A series of test patterns are entered into A Lower and a STRADR command is executed using a test cell. The contents of the test cell are entered into A Upper, and through the use of a Compare Mask the execution of the Store Address is verified. If the execution was proper, the next pattern is checked, and on completion of all patterns an exit is made to the executive routine (COMA). If during the verification of any of the series of executions an error is detected, A Upper is entered with the correct information and A Lower contains the incorrect information and an exit is made to the display subroutine (TFDIS). Upon returning to this subroutine (TF74) an exit is made to the executive routine (COMA) for continuance of the test or recycling of this subroutine (TF74).



## PROGRAM DATA PAGE (Cont)

SHEET 432

REVISION -

SPECIFICATION SYMBOL  
SB-10163TITLE: TF74

## INPUT PARAMETERS (Listed Sequentially):

COMA

## TEST PATTERNS

IPAT	777777
IPAT5	007777
TCO1	777777
TPAT1	000000
TPAK	002020
TPAK1	005050
TPAK3	007070
TPAT6	707070
TPAB5	010001
TPAR	TEST CELL

## OUTPUT PARAMETERS (Listed Sequentially):

BUFF1

BUFF2

TFX

## ABNORMAL EXITS (Listed Sequentially):

## NEXT LEVEL PROCEDURES OR SUBROUTINES (Keys of Duplicate Labels Specified):

COMA (EXEC)

TFDIS - Error Display

## SYSTEM DATA REFERENCES:

## ALARMS AND/OR REMARKS:

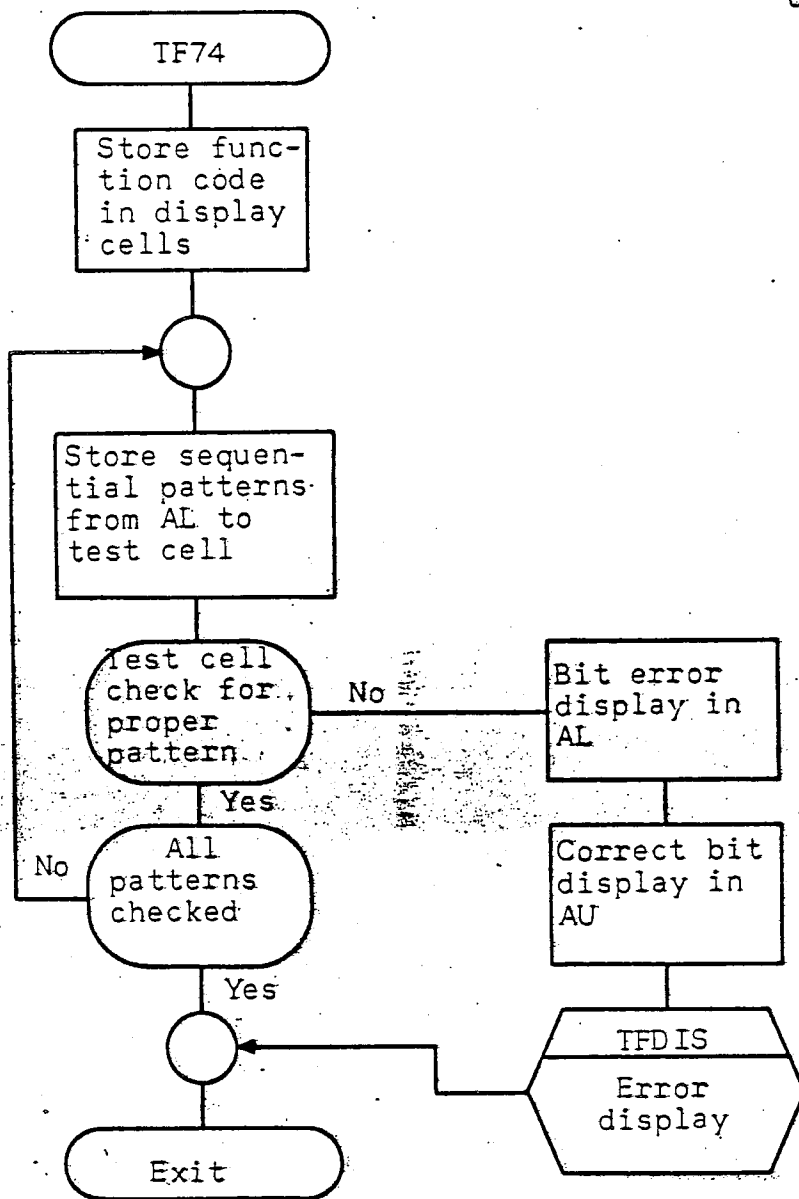
ERROR DISPLAY - PROGRAM STOP 0

Correct bit configuration in AU

Incorrect bit configuration in AL

Function Code (74xxxx) in CO

PROGRAM SKIP 4 - set for console error display only  
not set for error timeout (Function  
Code 74)PROGRAM SKIP 0 not set - continue test; if set -  
recycle subroutine (TF74)



TF74: STORE ADDRESS

SHEET 434

REVISION —

SPECIFICATION SYMBOL

SB-10163

TITLE: IF75 - TEST STORE SPECIAL REGISTER (75xxxx)DECK IDENTIFIER: FACTCS-1 LABEL: IF75 KEY: \_\_\_\_\_ IS LABEL DUPLICATE? NoPROGRAMMER: PMC modified by TLR DATE: 8 December 1967NUMBER OF L<sub>4</sub> OUTPUT INSTRUCTIONS: 75

## DESCRIPTION:

This subroutine tests the Store Special Register instruction (Function Code 75). A number of sequential constants are entered into the Special Register and the STRSR instruction is executed and checked for validity. If the execution is proper the next constant is stored and checked until all have been checked. If all are correct an exit is made to the executive routine (COMA). If in checking the store special register instruction an execution is found to be improper, the correct information is entered into A Upper, the incorrect information is contained in A lower, and an exit is made to the display subroutine (TFDIS). Upon returning to this subroutine (IF75) an exit is made to the executive routine (COMA) to check for continuing the test or re-cycling this subroutine (IF75).

TITLE: TF75

INPUT PARAMETERS (Listed Sequentially):  
COMA

TEST PATTERNS	
TPAS6	000017
TPAS5	000014
TPAT1	000000
TPAS4	000002

## OUTPUT PARAMETERS (Listed Sequentially):

BUFF1  
BUFF2  
TFX

## ABNORMAL EXITS (Listed Sequentially):

## NEXT LEVEL PROCEDURES OR SUBROUTINES (Keys of Duplicate Labels Specified):

COMA

TFDIS - Error Display

## SYSTEM DATA REFERENCES:

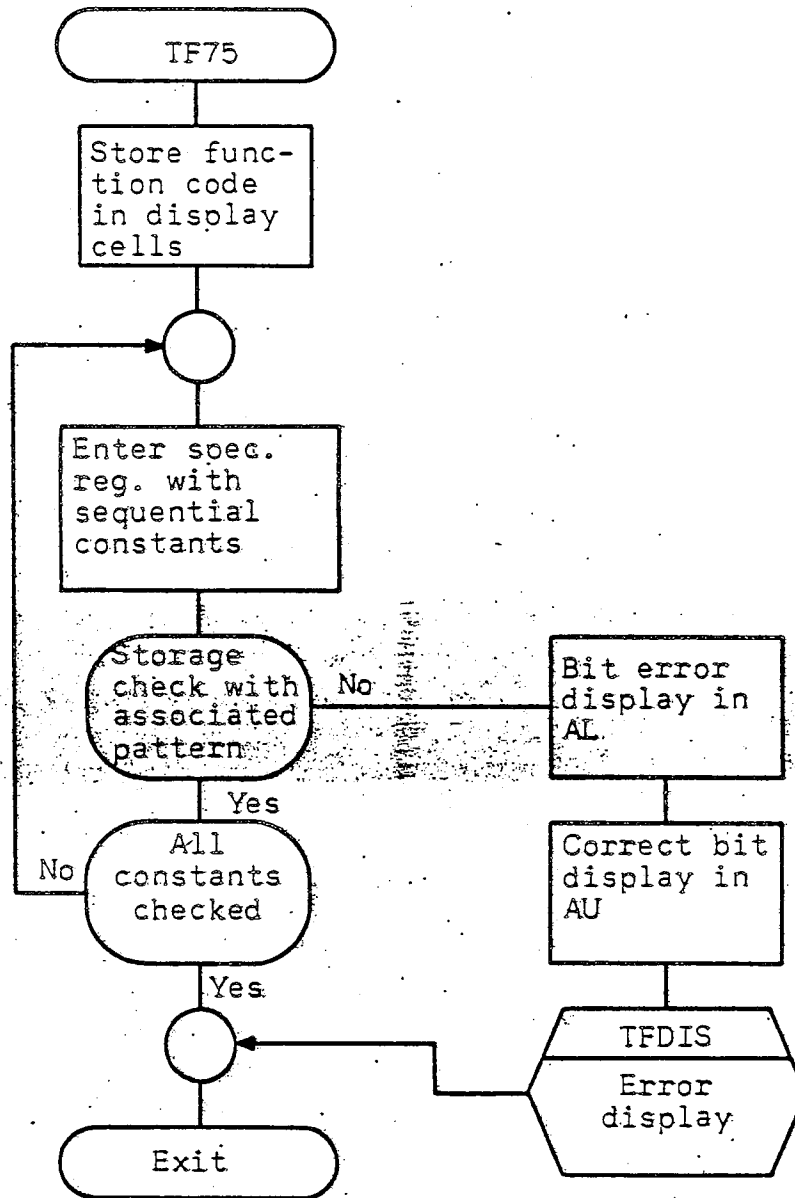
## ALARMS AND/OR REMARKS:

## ERROR DISPLAY

STOP 0 - correct information in A upper  
incorrect information in A lower  
function code (75xxxx) in CO

PROGRAM SKIP 4 - set for console error display only  
not set for error typeout (Function Code 75)

PROGRAM SKIP 0 - not set to continue test  
set to recycle subroutine (TF75)



TF75: STORE SPECIAL REGISTER

SPECIFICATION SYMBOL

SB-10163

TITLE: TF76 - TEST RETURN JUMP (76xxxx)DECK IDENTIFIER: FACTCS-1 LABEL: TF76 KEY: \_\_\_\_\_ IS LABEL DUPLICATE? NoPROGRAMMER: PMC modified by TLR DATE: 8 December 1967NUMBER OF  $L_4$  OUTPUT INSTRUCTIONS: 21

## DESCRIPTION:

This subroutine tests the Return Jump instruction (Function Code 76). A series of RJP commands are executed and checked for validity. If all executions are correct an exit is made to the executive routine (COMA). If the validity check should detect an improper execution an indirect return jump is made to the display subroutine (IF.DIS) and the Function Code (76xxxx) is displayed in CO. Upon returning to this subroutine (TF76) an exit is made to the executive routine (COMA) to check for continuing the test or recycling this subroutine (TF76).

SPECIFICATION SYMBOL  
SB-10163TITLE: TF76**INPUT PARAMETERS (Listed Sequentially):**

COMA

**OUTPUT PARAMETERS (Listed Sequentially):**

BUFF1

BUFF2

TFX

**ABNORMAL EXITS (Listed Sequentially):****NEXT LEVEL PROCEDURES OR SUBROUTINES (Keys of Duplicate Labels Specified):**

COMA (EXEC)

TFDIS - Error Display

**SYSTEM DATA REFERENCES:****ALARMS AND/OR REMARKS:**

ERROR DISPLAY

STOP 0 - Function Code (76xxxx) in CO

PROGRAM SKIP 4 - set for console error display only  
not set for error typeout (Function Code 76)PROGRAM SKIP 0 - not set to continue test  
set to recycle subroutine (TF76)