



UNIVAC

**TYPE 1219B
DIGITAL DATA
COMPUTER
TECHNICAL
MANUAL
VOLUME II**

TECHNICAL MANUAL
for

TYPE 1219B
DIGITAL DATA COMPUTER

VOLUME 2
SECTION 9

PX 4682-2-2

AUGUST 1968
July 1972 (Change 3)

UNIVAC
DEFENSE SYSTEMS DIVISION
St. Paul, Minnesota

LIST OF SECTIONS

SECTION		VOLUME
1.	GENERAL DESCRIPTION	1
2.	INSTALLATION	1
3.	OPERATOR'S SECTION	1
4.	PRINCIPLES OF OPERATION	1
5.	TROUBLESHOOTING	1
6.	SERVICE AND REPAIR	1
7.	PARTS LIST	1
8.	SYMBOLY	1
9.	FUNCTIONAL SCHEMATICS	2

LIST OF ILLUSTRATIONS

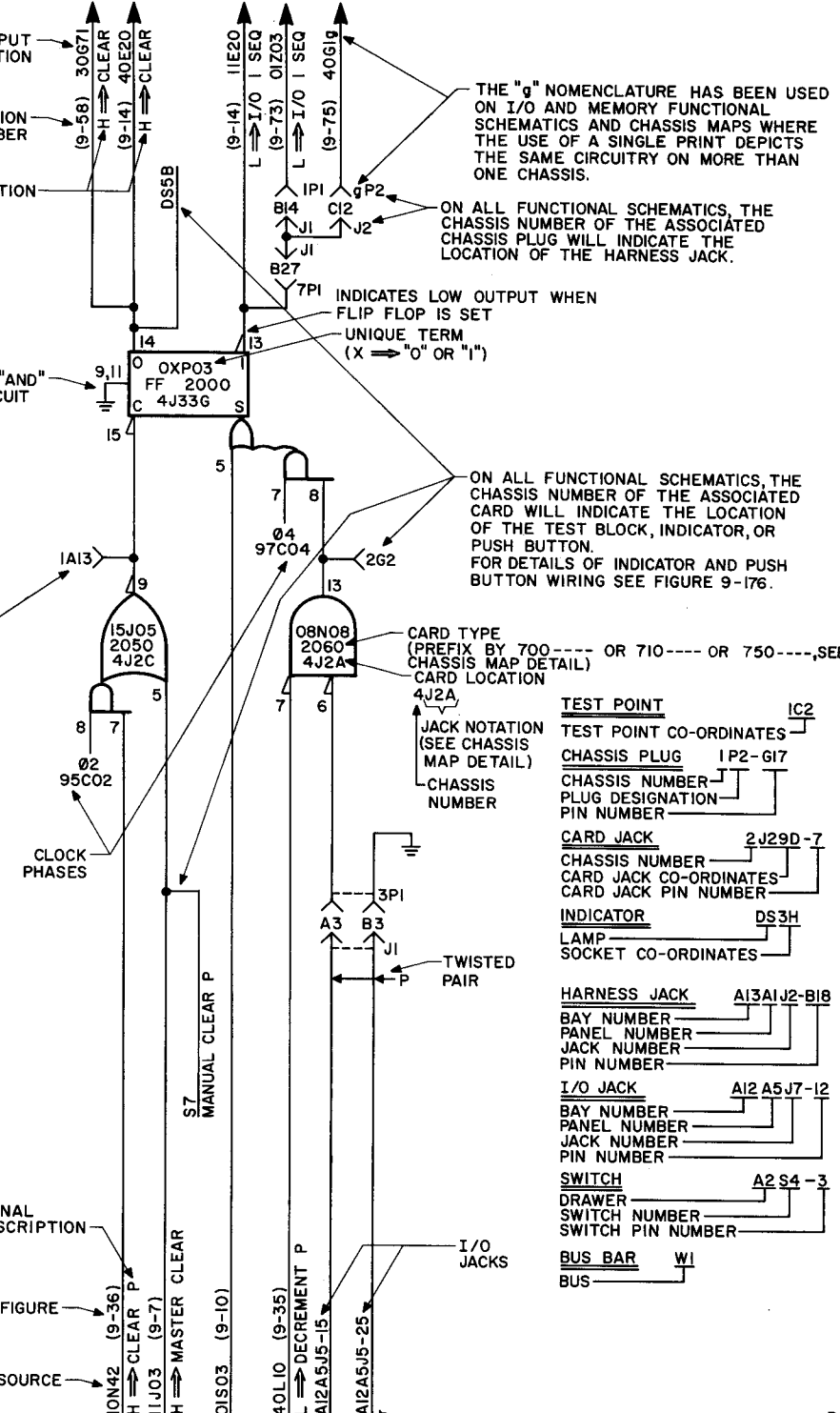
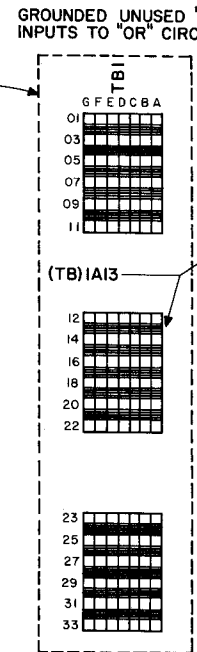
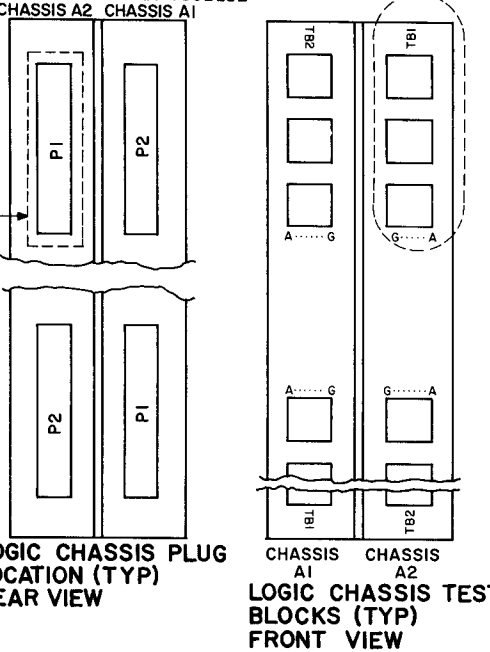
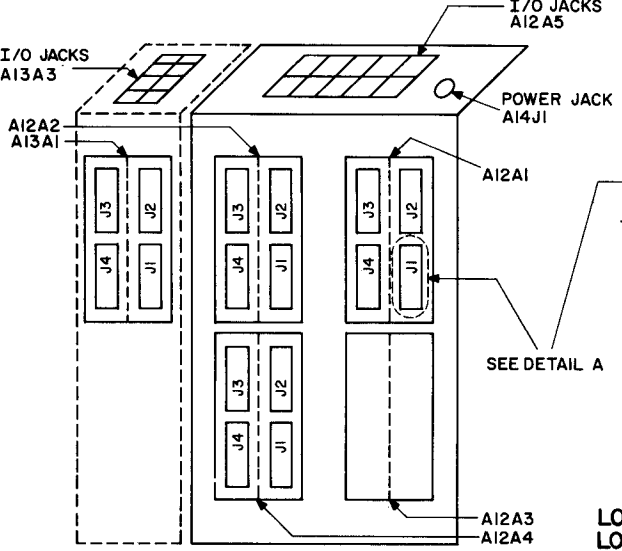
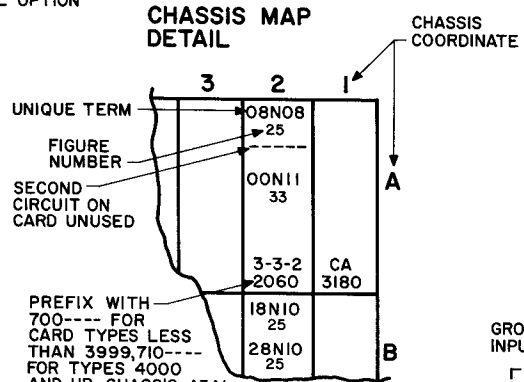
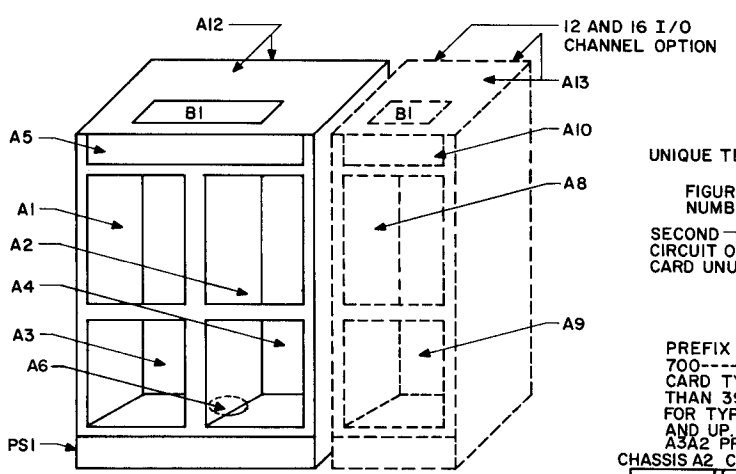
SECTION 9 - FUNCTIONAL SCHEMATICS

<u>Figure</u>	<u>Drawing No.</u>	<u>Figure</u>	<u>Drawing No.</u>
9-1.	1219 Symbology	9-50.	I/O Translator 1-Group and Mode
9-2.	Block Diagram, 1219 Computer	9-51.	I/O Channel & Function Translator
9-3.	Console Control	9-52.	I/O Translator 2
9-4.	Master Clock & Phase Step Logic	9-53.	I/O Commands
9-5.	Clock Distribution - Chassis 3, 4	9-54.	Special Int. Requests
9-6.	Clock Distribution - I/O Chassis and Chassis 7, 8	9-55.	Special Interrupt Translator
9-7.	Master Clear and Remote Control	9-56.	I/O Commands & Control 1
9-8.	Main Timing Cycle 1	9-57.	I/O Commands & Control 2
9-9.	Main Timing Cycle 2	9-58.	I/O Commands & Control 3
9-10.	Main Timing Cycle 3	9-59.	I/O Chassis Translator Inputs 1
9-11.	Main Timing Cycle 4	9-60.	I/O Chassis Translator Inputs 2
9-12.	Sequence Designator, Upper Rank	9-61.	Channels 0, 1 Request Logic
9-13.	Sequence Designator, Lower Rank	9-62.	Channels 2, 3 Request Logic
9-14.	I/O Sequence Outputs	9-63.	Channels 4, 5 Request Logic
9-15.	Sequence Outputs, I1, I2, & Interrupt	9-64.	Channels 6, 7 Request Logic
9-16.	R/W Sequence Outputs	9-65.	Channel Priority
9-17.	Arithmetic Selector Control	9-66.	Function Priority
9-18.	D Register Control	9-67.	Channel Mode Selector Switches
9-19.	X & W Register Control	9-68.	ID/EF/OD Acknowledge Registers
9-20.	A Register Control	9-69.	EF/OD Acknowledge Timing
9-21.	P & B Register Control	9-70.	ID Acknowledge Timing
9-22.	S1 Register Control	9-71.	C Register Bits 00-08
9-23.	Z1 Register Control	9-72.	C Register Bits 09-17
9-24.	S0 Register Control	9-73.	Input Data Amps, Stages 00-02
9-25.	Z0 Register Control	9-74.	Input Data Amps, Stages 03-05
9-26.	Store Select Control	9-75.	Input Data Amps, Stages 06-08
9-27.	Control Designators 1	9-76.	Input Data Amps, Stages 09-11
9-28.	Control Designators 2	9-77.	Input Data Amps, Stages 12-14
9-29.	Comparison Designators and Jump Control	9-78.	Input Data Amps, Stages 15-17
9-30.	Skip Evaluation	9-79.	Z Select 00-05
9-31.	Select Skip/Stop 1	9-80.	Z Select 06-11
9-32.	Select Skip/Stop 2	9-81.	Z Select 12-17
9-33.	Complement and Shift Control	9-82.	Arithmetic Selector Stages 00-05
9-34.	Resume Fault-Real Time Clock & Cont Data Mode	9-83.	Arithmetic Selector Stages 06-11
9-35.	Advance P Subsequence	9-84.	Arithmetic Selector Stages 12-17
9-36.	Multiply, Divide, Shift, & Scale Sequence	9-85.	D Register Bits 00-08
9-37.	K0 & K1 Counter Register	9-86.	D Register Bits 09-17
9-38.	ICR, SR, & EI MON Control	9-87.	X Register Bits 00-08
9-39.	ICR & SR Register - ICR, SR & K Register Selector	9-88.	X Register Bits 09-17
9-40.	F Register	9-89.	W Register 00-08
9-41.	Function Code Subtranslator 1	9-90.	W Register 09-17
9-42.	Function Code Subtranslator 2	9-91.	Adder Borrow Enable Generator 00-05
9-43.	Function Code Subtranslator 3	9-92.	Adder Borrow Enable Generator 06-11
9-44.	Function Translator, f = 02-17	9-93.	Adder Borrow Enable Generator 12-17
9-45.	Function Translator, f = 20-27	9-94.	Adder Group 00-05
9-46.	Function Translator, f = 30-37	9-95.	Adder Group 06-11
9-47.	Function Translator, f = 40-57	9-96.	Adder Group 12-17
9-48.	Function Translator, f = 60-77	9-97.	AU Register 00-08
9-49.	I/O Translator Commands & Scan Timing	9-98.	AU Register 09-17
			7018922C
			7019013A
			7077905D
			7077906B
			7018935E
			7018919B
			7019014A
			7078789C
			7078790
			7019016A
			7077907B
			7077908
			7077909
			7077910A
			7077911B
			7077912
			7077921A
			7078793
			7077913A
			7077914D
			7018902A
			7077915
			7077916
			7018893
			7018894
			7018895
			7018896
			7018897
			7018898
			7018864A
			7018865A
			7018866B
			7018861
			7018862
			7018863
			7018867
			7018868
			7018874A
			7018875A
			7018883
			7018884
			7018869
			7018871
			7018870
			7018858B
			7018850

LIST OF ILLUSTRATIONS (CONT.)

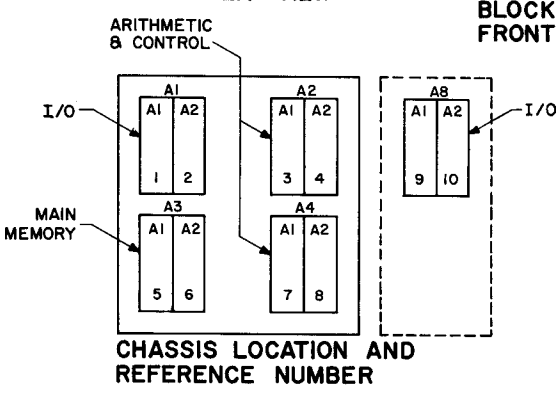
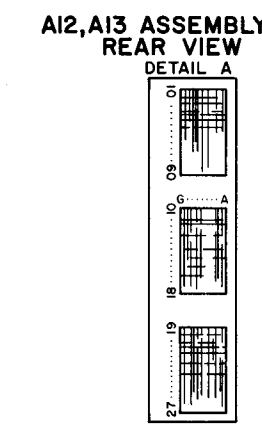
<u>Figure</u>	<u>Drawing No.</u>	<u>Figure</u>	<u>Drawing No.</u>
9-99. AL Register 00-08	7018879	9-149. Bank 1 X Axis Stack Circuitry	7078755
9-100. AL Register 09-17	7018880	9-150. Bank 1 Y Axis Group Selection	7078756B
9-101. Parity	7018876	9-151. Bank 1 Y Axis Diode Selection & Drive	7078757D
9-102. P Register Bits 00-07	7018953B	9-152. Bank 1 Y Axis Stack Circuitry	7078758
9-103. P Register Bits 08-15	7018954A	9-153. X Axis, Memory Stack Wiring Part I	7078759
9-104. S1 Register Bits 00-07	7077922	9-154. X Axis, Memory Stack Wiring Part II	7078760
9-105. S1 Register Bits 08-15	7077923B	9-155. Y Axis, Memory Stack Wiring Part I	7078761
9-106. B ≠ Z0 Network	7077917A	9-156. Y Axis, Memory Stack Wiring Part II	7078762
9-107. B = Zero and S1 = Control or Bootstrap Memory	7078785B	9-157. Bank 0 Inhibit, Sense & Zm ∅ Register, Bits 00, 01	7078763A
9-108. Store Select Bits 00-05	7018950	9-158. Bank 0 Inhibit, Sense & Zm ∅ Register, Bits 02, 03	7078764A
9-109. Store Select Bits 06-11	7018951	9-159. Bank 0 Inhibit, Sense & Zm ∅ Register, Bits 04, 05	7078765B
9-110. Store Select Bits 12-17	7018952	9-160. Bank 0 Inhibit, Sense & Zm ∅ Register, Bits 06, 07	7078766A
9-111. Z1 Register Bits 00-05	7078700A	9-161. Bank 0 Inhibit, Sense & Zm ∅ Register, Bits 08, 09	7078767A
9-112. Z1 Register Bits 06-11	7078701A	9-162. Bank 0 Inhibit, Sense & Zm ∅ Register, Bits 10, 11	7078768A
9-113. Z1 Register Bits 12-17	7078702A	9-163. Bank 0 Inhibit, Sense & Zm ∅ Register, Bits 12, 13	7078769A
9-114. S0 Register	7078723	9-164. Bank 0 Inhibit, Sense & Zm ∅ Register, Bits 14, 15	7078770A
9-115. Z0 Register Bits 00-05	7078724A	9-165. Bank 0 Inhibit, Sense & Zm ∅ Register, Bits 16, 17	7078771A
9-116. Z0 Register Bits 06-11	7078725	9-166. Bank 1 Inhibit, Sense & Zm 1 Register, Bits 00, 01	7078772A
9-117. Z0 Register Bits 12-17	7078726	9-167. Bank 1 Inhibit, Sense & Zm 1 Register, Bits 02, 03	7078773A
9-118. B Reg & +1 Network Bits 00-05	7018851	9-168. Bank 1 Inhibit, Sense & Zm 1 Register, Bits 04, 05	7078774A
9-119. B Reg & +1 Network Bits 06-11	7018852	9-169. Bank 1 Inhibit, Sense & Zm 1 Register, Bits 06, 07	7078775A
9-120. B Reg & +1 Network Bits 12-17	7018853	9-170. Bank 1 Inhibit, Sense & Zm 1 Register, Bits 08, 09	7078776A
9-121. Alarm Logic	7078703A	9-171. Bank 1 Inhibit, Sense & Zm 1 Register, Bits 10, 11	7078777A
9-122. Control Memory Timing	7078727B	9-172. Bank 1 Inhibit, Sense & Zm 1 Register, Bits 12, 13	7078778A
9-123. S0 Register Slaves Control Memory	7078728A	9-173. Bank 1 Inhibit, Sense & Zm 1 Register, Bits 14, 15	7078779A
9-124. Word Translation Control	7078729B	9-174. Bank 1 Inhibit, Sense & Zm 1 Register, Bits 16, 17	7078780A
9-125. Control Memory Stack - 128 Word	7078730B	9-175. Main Memory Level Changers	7078781A
9-126. Control Memory Stack - 256 Word	7078731B	9-176. Power Control	7078706B
9-127. Core Memory Plane Array	7078732	9-177. AC, Control and Power Distribution	7078707
9-128. Word Driver Control Memory	7078733	9-178. Power Supply PS1	7078705D
9-129. Digit Drivers, Bits 00-08 Control Memory	7078734	9-179. Main Memory Power Supply	7078784C
9-130. Digit Drivers, Bits 09-17 Control Memory	7078735	9-180. DC Power Distribution	7078708A
9-131. Sense Amps Bits 00-17	7078736	9-181. Map, Chassis A1A1(1) or A8A1(9)	7078709
9-132. Bootstrap Memory Word Selection	7078737A	9-182. Map, Chassis A1A2(2) or A8A2(10)	7078710
9-133. Bootstrap Memory Assy Bit Selection & Seating	7078738	9-183. Map, Chassis A2A1(3)	7078794E
9-134. Voltage Fault Logic Main Memory Enables, DC Voltage Regulators	7078704C	9-184. Map, Chassis A2A2(4)	7078711A
9-135. Main Memory Timing Part 1	7078741B	9-185. Map, Chassis A3A1 or A3A2	7078782B
9-136. Main Memory Timing Part 2	7078742C	9-186. Map, Chassis A4A1(7)	7078739D
9-137. S1 Register Level Changers Bits 00-07	7078743B	9-187. Map, Chassis A4A2(8)	7078712D
9-138. S1 Register Level Changers Bits 08-13	7078744B	9-188. 1219B Memory Test Points, A3 Panel SN 14 Thru 48	7116225A
9-139. Bank 0 X Axis Group Selection	7078745B		
9-140. Bank 0 X Axis Diode Selection & Drive	7078746D		
9-141. Bank 0 X Axis Stack Circuitry	7078747		
9-142. Bank 0 Y Axis Group Selection	7078748B		
9-143. Bank 0 Y Axis Diode Selection & Drive	7078749D		
9-144. Bank 0 Y Axis Stack Circuitry	7078750		
9-145. Inhibit Select Bank 0 & 1 & Voltage Sensor Logic	7078751A		
9-146. Sense Bias & Inhibit Regulators Bank 0 & Bank 1	7078752C		
9-147. Bank 1 X Axis Group Selection	7078753B		
9-148. Bank 1 X Axis Diode Selection & Drive	7078754D		

REVISIONS						
ZONE	LTR	EIR	DESCRIPTION - FOR DETAILS SEE EIR	CHK	DATE	APPROVED



- NOTE:
- "L" = LOW VOLTAGE LEVEL, -4.5 VOLTS OR 0.0 VOLTS (750----CARDS)
"H" = HIGH VOLTAGE LEVEL, 0.0 VOLTS OR +3.0 VOLTS (750----CARDS)
 - THE SYMBOL, \Rightarrow , REPRESENTS THE TERM "IMPLIES THAT".
 - NON-STANDARD ABBREVIATIONS:
ACK = ACKNOWLEDGE
ACT = ACTIVE
AL = A LOWER REGISTER
ALLI = (SHIFT) A LOWER LEFT
ALRI = (SHIFT) A LOWER RIGHT
AU = A UPPER REGISTER
AULI = (SHIFT) A UPPER LEFT
AURI = (SHIFT) A UPPER RIGHT
AVAIL = AVAILABLE
CONT = CONTINUOUS
CONT MEM = CONTROL MEMORY
DISC = DISCONNECT
DL = LOWER 12 BITS OF D REGISTER
DU = UPPER 6 BITS OF D REGISTER
EAB = END AROUND BORROW
EF OR EXT FUNCT = EXTERNAL FUNCTION
EI OR EXT INT = EXTERNAL INTERRUPT
ESA = EXTERNALLY SPECIFIED ADDRESS
ESI = EXTERNALLY SPECIFIED INDEX
f = FUNCTION CODE
ICR = INDEX CONTROL REGISTER
ID = INPUT DATA
INT = INTERRUPT
I/O = INPUT/OUTPUT
MULT = MULTIPLY
OD = OUTPUT DATA
OP STEP = OPERATION STEP
OUT = OUTPUT
PL = LOWER 12 BITS OF P REGISTER
PRIO = PRIORITY
PU = UPPER 6 BITS OF P REGISTER
RTC = REAL TIME CLOCK
SPEC = SPECIAL
SR = SPECIAL REGISTER
TERM = TERMINATE
XFER = TRANSFER
XLTR = TRANSLATOR
*(DOT) \Rightarrow AND, AS IN "f=00-47"
+(PLUS) \Rightarrow OR, AS IN "ESI + E"

- TEST POINT
- TEST POINT CO-ORDINATES
- CHASSIS PLUG IP2-G17
- CHASSIS NUMBER
- PLUG DESIGNATION
- PIN NUMBER
- CARD JACK 2J29D-7
- CHASSIS NUMBER
- CARD JACK CO-ORDINATES
- CARD JACK PIN NUMBER
- INDICATOR DS3H
- LAMP SOCKET CO-ORDINATES
- HARNESS JACK A13A1J2-B18
- BAY NUMBER
- PANEL NUMBER
- JACK NUMBER
- PIN NUMBER
- I/O JACK A12A5J7-12
- BAY NUMBER
- PANEL NUMBER
- JACK NUMBER
- PIN NUMBER
- SWITCH A2S4-3
- DRAWER SWITCH NUMBER
- SWITCH PIN NUMBER
- BUS BAR W1
- BUS



CHANNEL	INPUT JACK	OUTPUT JACK	CHANNEL	INPUT JACK	OUTPUT JACK	MISCELLANEOUS JACKS
0	A12A5J7	A12A5J14	*10	A13A3J23	A13A3J36	REMOTE A12A5J17
1	A12A5J6	A12A5J13	*11	A13A3J22	A13A3J35	SYNC INT A12A5J18
2	A12A5J5	A12A5J12	*12	A13A3J21	A13A3J34	POWER, AC A14J1
3	A12A5J4	A12A5J11	*13	A13A3J26	A13A3J33	
4	A12A5J3	A12A5J10	*14	A13A3J25	A13A3J32	
5	A12A5J2	A12A5J9	*15	A13A3J24	A13A3J31	
6	A12A5J1	A12A5J8	*16	A13A3J28	A13A3J30	
7	A12A5J15	A12A5J16	*17	A13A3J27	A13A3J29	

* USED ONLY WHEN MORE THAN 8 I/O CHANNELS ARE PROVIDED.

FIGURE 9-1

PART NO.		UNLESS OTHERWISE SPECIFIED		CONTRACT NO.		UNIVAC FEDERAL SYSTEMS DIVISION	
DIMENSIONS IN INCHES TOL ON		LAYOUT		DRAWN R.C. PETERSON 9-6-67		TITLE	
2 PLACE DECIMALS	3 PLACE DECIMALS	+	+	CHECKED <i>[Signature]</i> 4-28-68	ENGR <i>[Signature]</i> 4-28-68		FUNCTIONAL SCHEMATIC, 1219 SYMBOLGY
0 THRU .250	.251 THRU .500	+	+	APPROVED <i>[Signature]</i>	SIZE		CODE IDENT NO.
+.003	+.005	+	+	D 90536		DWG NO. 7078787	
-.002	-.003	-	-	SCALE		CLASS A	
NEXT ASSY USED ON		THREADS: EXT CL 2A, INT CL 2B		APPLICATION		SHEET 1 OF 1	

DO NOT SCALE THIS PRINT

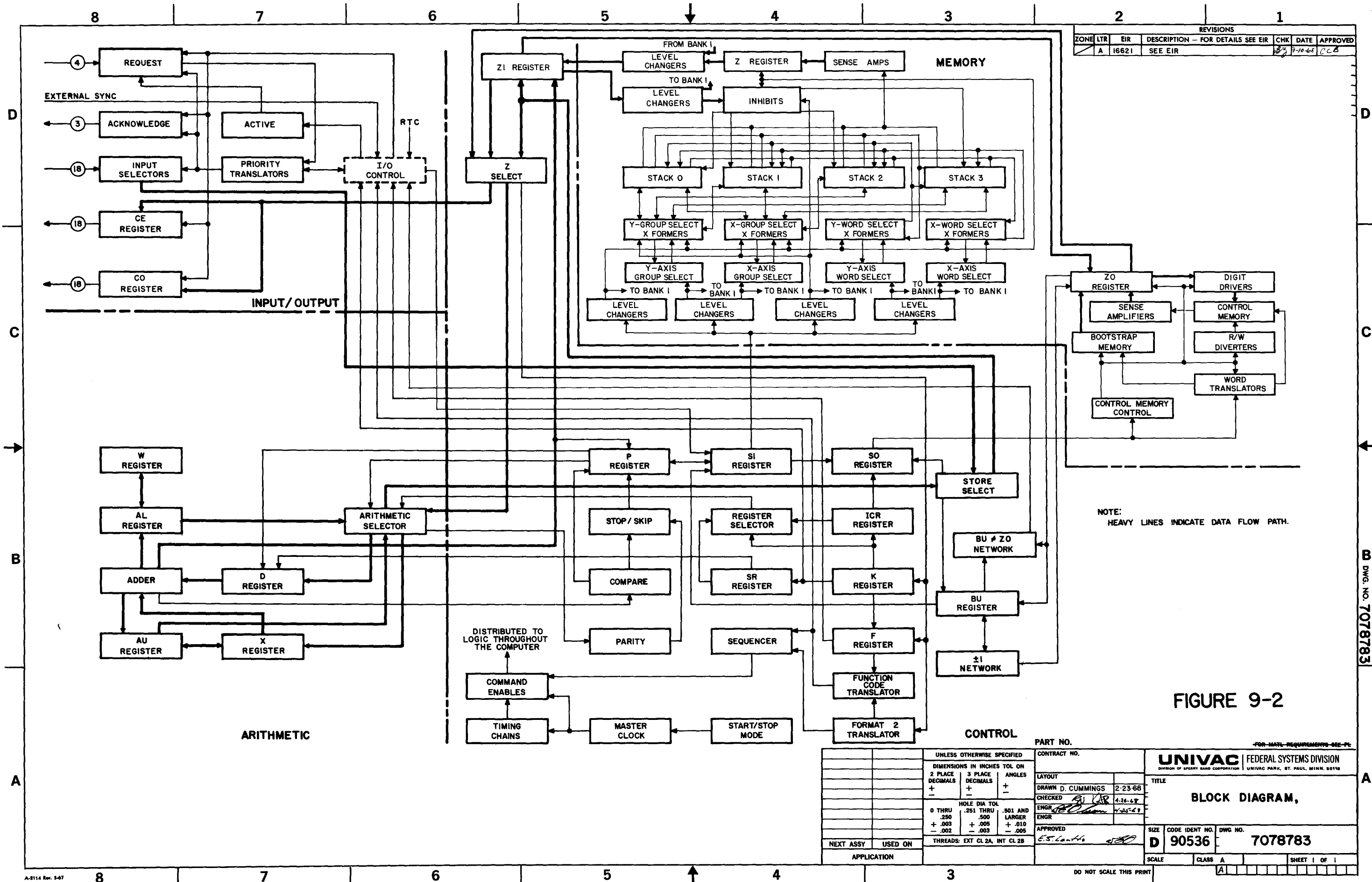
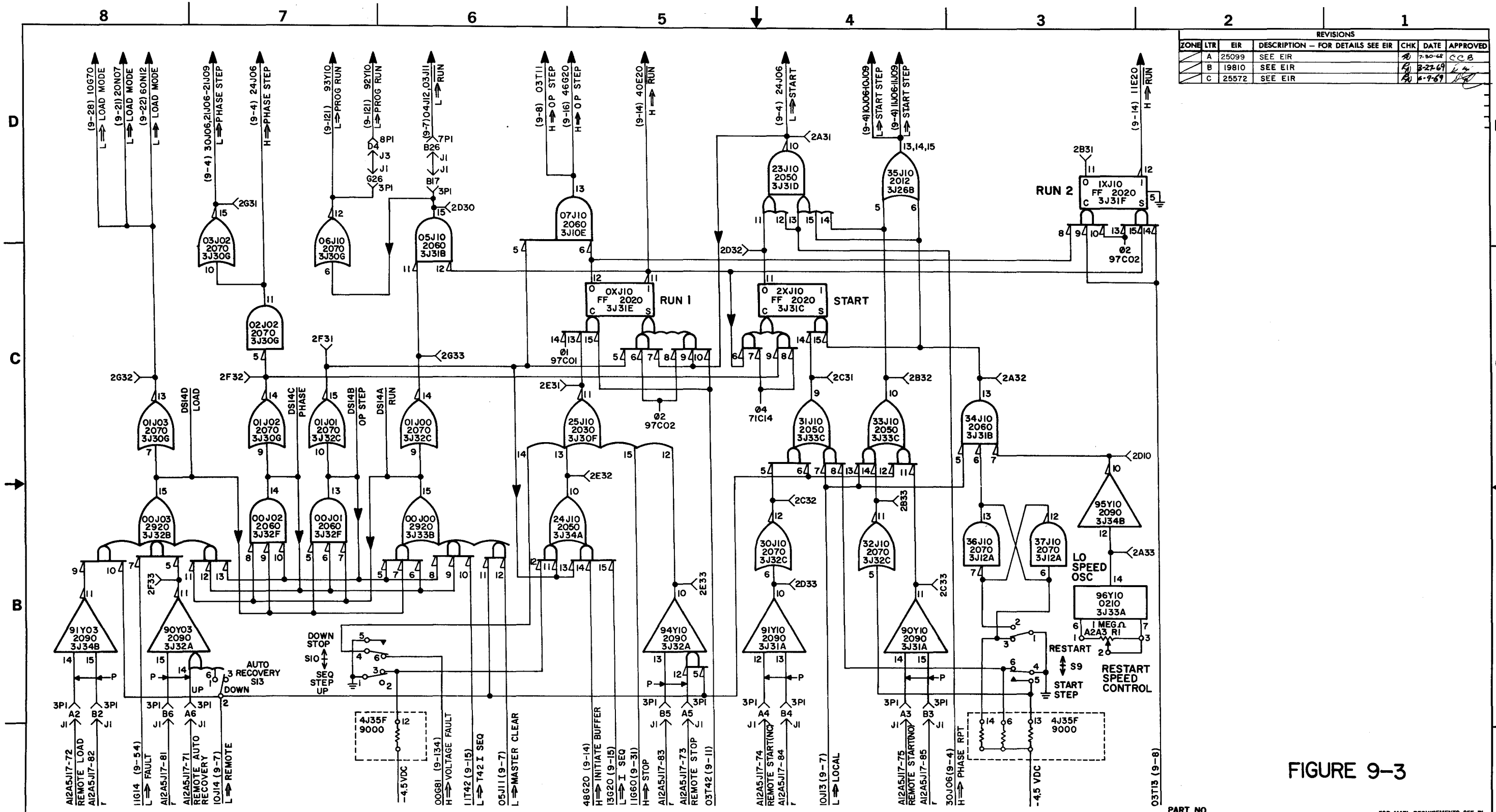


FIGURE 9-2

UNLESS OTHERWISE SPECIFIED		DIMENSIONS IN INCHES TOL ON		CONTRACT NO.		UNIVAC FEDERAL SYSTEMS DIVISION	
2 PLACE DECIMALS	3 PLACE DECIMALS	ANGLES		LAYOUT		DIVISION OF SPERRY RAND CORPORATION UNIVAC PARK, ST. PAUL, MINN. 55116	
+	+	+		DRAWN D. CUMMINGS	2-23-68	TITLE	
				CHECKED	4-28-68	BLOCK DIAGRAM,	
				ENGR	4-25-68		
				ENGR			
				APPROVED			
						SIZE	CODE IDENT NO. DWG NO.
						D	90536 7078783
						SCALE	CLASS A SHEET 1 OF 1

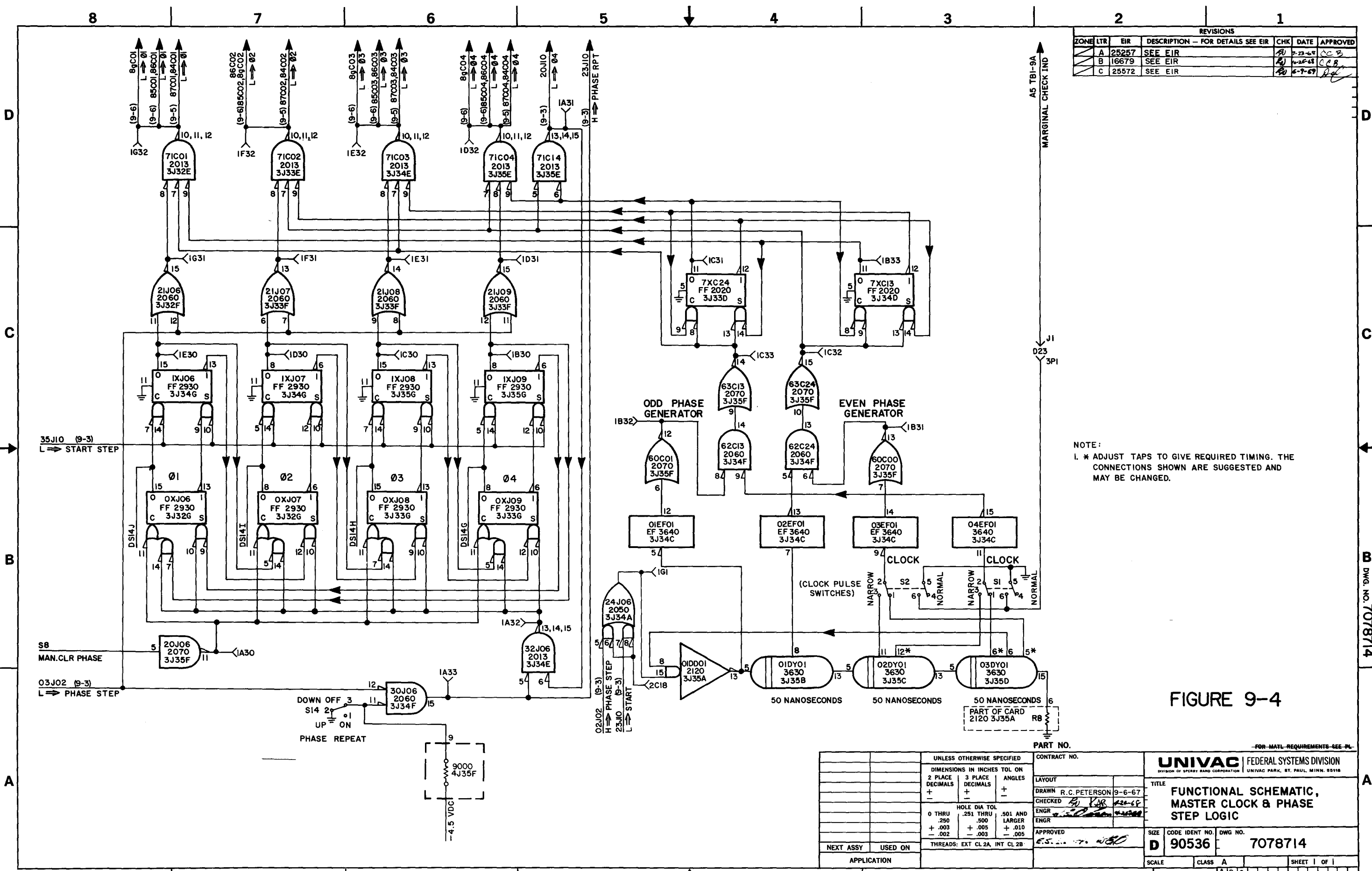


REVISIONS						
ZONE	LTR	EIR	DESCRIPTION - FOR DETAILS SEE EIR	CHK	DATE	APPROVED
A		25099	SEE EIR		7-30-68	CCB
B		19810	SEE EIR		8-27-69	
C		25572	SEE EIR		8-9-69	

FIGURE 9-3

UNLESS OTHERWISE SPECIFIED			CONTRACT NO.	
DIMENSIONS IN INCHES TOL ON	2 PLACE DECIMALS	3 PLACE DECIMALS	ANGLES	LAYOUT
	+	+	+	DRAWN R.C. PETERSON 9-6-67
	-	-	-	CHECKED [Signature] 8-24-68
HOLE DIA TOL	0 THRU .250	.251 THRU .500	.501 AND LARGER	ENGR [Signature]
	+ .003	+ .005	+ .010	APPROVED [Signature]
	- .002	- .003	- .005	
THREADS: EXT CL 2A, INT CL 2B	PART NO. FOR MATL. REQUIREMENTS SEE PL-			
UNIVAC FEDERAL SYSTEMS DIVISION			TITLE	
DIVISION OF SPERRY RAND CORPORATION UNIVAC PARK, ST. PAUL, MINN. 55118			FUNCTIONAL SCHEMATIC, CONSOLE CONTROL	
SIZE	CODE IDENT NO.	DWG NO.		
D	90536	7078713		
SCALE	CLASS	SHEET	OF I	
	A	B	C	

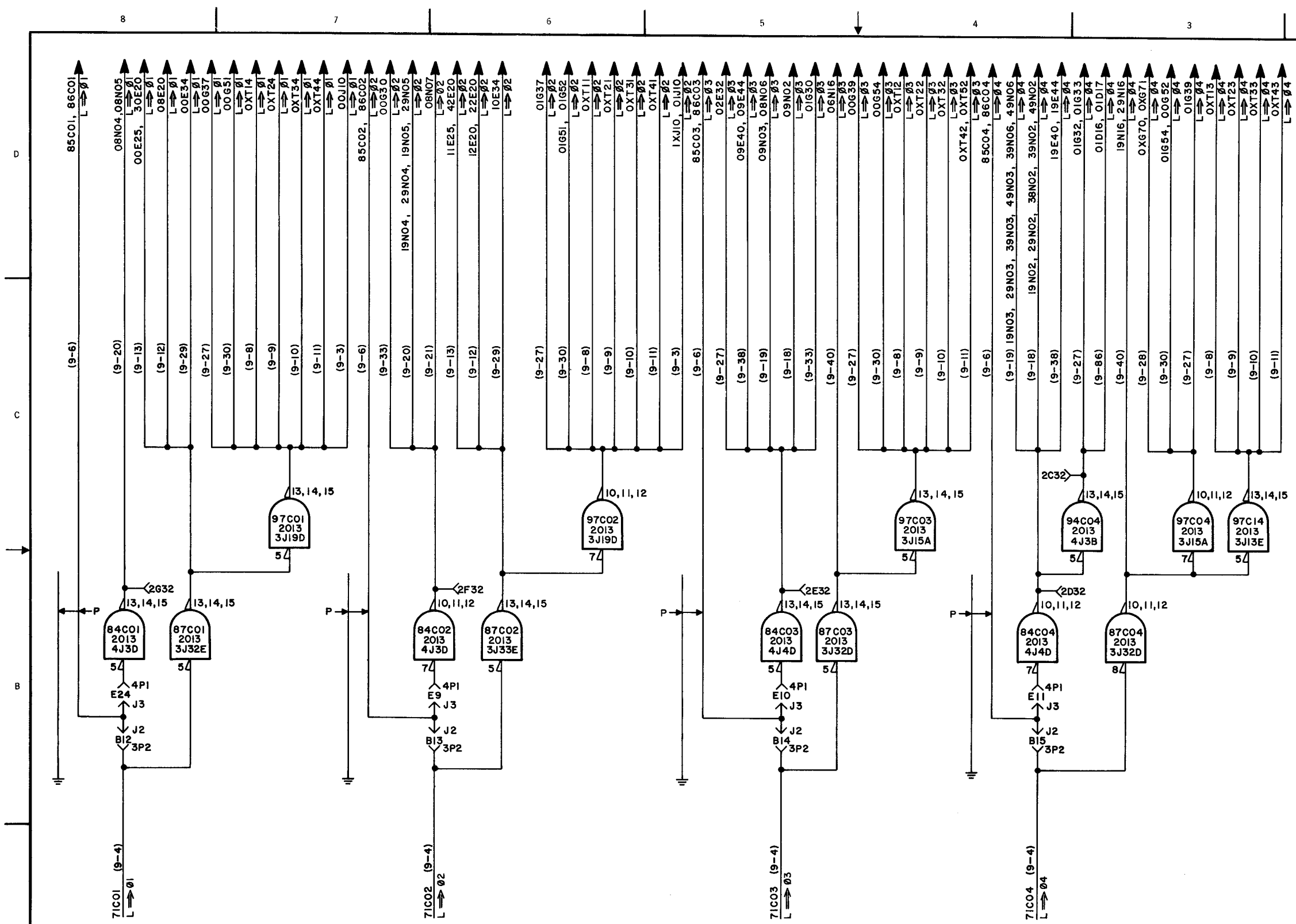
REVISIONS						
ZONE	LTR	EIR	DESCRIPTION - FOR DETAILS SEE EIR	CHK	DATE	APPROVED
	A	25257	SEE EIR	AB	7-22-67	CC B
	B	16679	SEE EIR	AB	7-22-67	CC B
	C	25572	SEE EIR	AB	6-7-69	CC B



NOTE:
 I * ADJUST TAPS TO GIVE REQUIRED TIMING. THE CONNECTIONS SHOWN ARE SUGGESTED AND MAY BE CHANGED.

FIGURE 9-4

UNLESS OTHERWISE SPECIFIED			CONTRACT NO.	
DIMENSIONS IN INCHES TOL ON				
2 PLACE DECIMALS	3 PLACE DECIMALS	ANGLES		
+	+	+		
HOLE DIA TOL				
0 THRU .250	.251 THRU .500	.501 AND LARGER		
+.003	+.005	+.010		
-.002	-.003	-.005		
THREADS: EXT CL 2A, INT CL 2B				
NEXT ASSY	USED ON			
APPLICATION				
PART NO.			FOR MATL REQUIREMENTS-SEE-PL	
UNIVAC FEDERAL SYSTEMS DIVISION			DIVISION OF SPERRY RAND CORPORATION UNIVAC PARK, ST. PAUL, MINN. 55118	
TITLE			FUNCTIONAL SCHEMATIC, MASTER CLOCK & PHASE STEP LOGIC	
DRAWN R.C. PETERSON 9-6-67				
CHECKED				
ENGR				
APPROVED				
SIZE	CODE IDENT NO.	DWG NO.		
D	90536	7078714		
SCALE	CLASS A	SHEET 1 OF 1		



REVISIONS						
SYM	ZONE	EIR	DESCRIPTION	CHK	DATE	APPROVED
A		71771	SEE EIR	BP	8-23-65	[Signature]
B		75633	SEE EIR	BP	5-3-66	[Signature]
C		90939	SEE EIR	BP	1-12-67	[Signature]
D		10749	SEE EIR	BP	7-20-68	[Signature]
E		25501	SEE EIR	BP	7-11-68	[Signature]

FIGURE 9-5

IDENT NO. 7018967-00

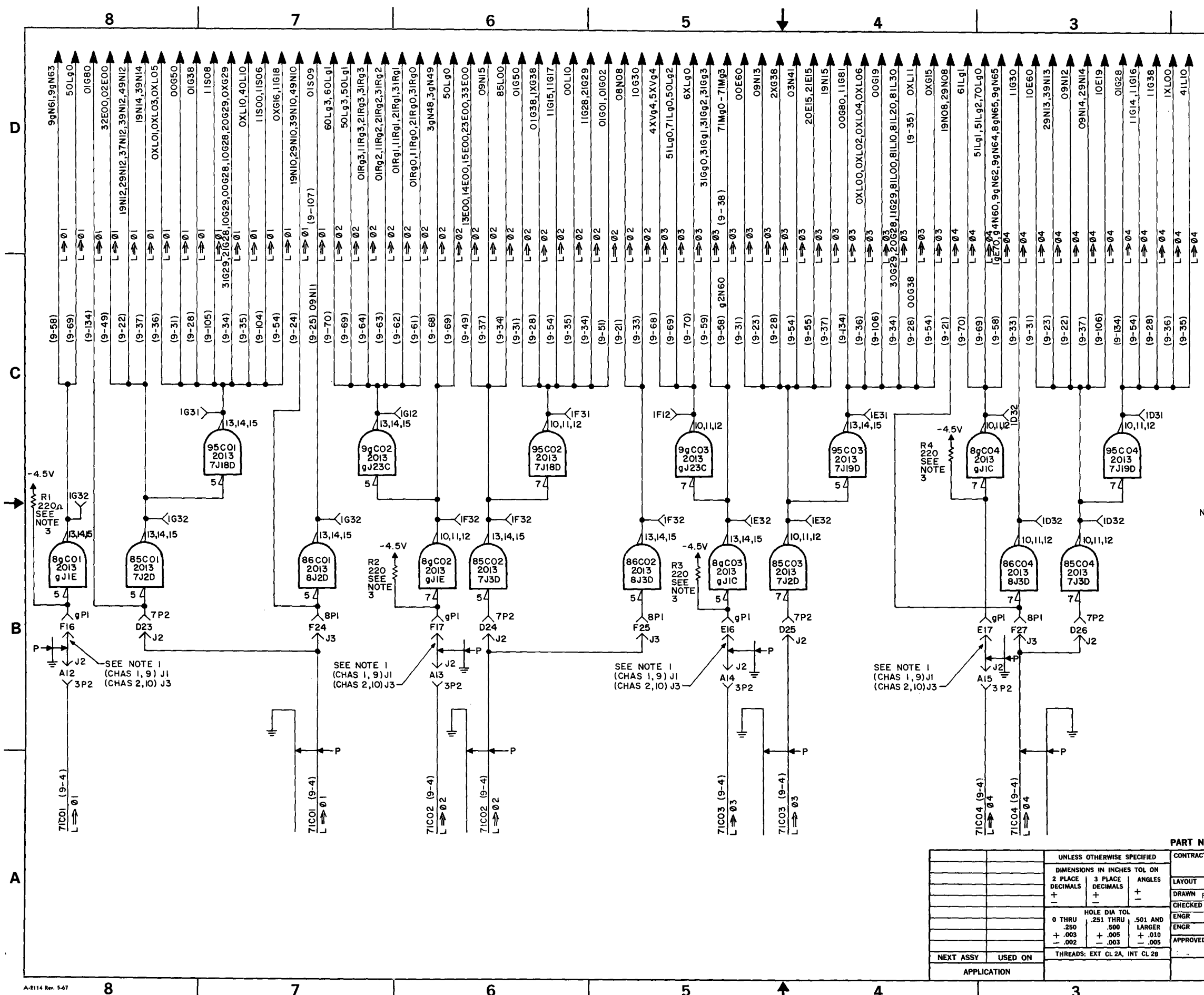
THIS DOCUMENT CONTAINS CONFIDENTIAL INFORMATION OF THE UNIVAC DIVISION OF SPERRY RAND CORPORATION AND IS FURNISHED PURSUANT TO THE FOLLOWING INSTRUMENT OF TRANSFER:
 ON THE UNDERSTANDING THAT THIS DOCUMENT AND THE INFORMATION THEREON MAY NOT BE REPRODUCED, COPIED, OR MADE IN ANY MANNER EXCEPT FOR THE PURPOSES OF THAT INSTRUMENT OR AS OTHERWISE PERMITTED IN WRITING BY THE UNIVAC DIVISION OF SPERRY RAND CORPORATION.

UNLESS OTHERWISE SPECIFIED	
DIMENSION IN INCHES. TOLERANCE ON 2 PLACE DECIMALS	3 PLACE DECIMALS
± .003	± .005
± .002	± .005
HOLE DIAMETER TOLERANCE	
9 THRU 280	281 THRU 500
+ .003	+ .005
- .002	- .005
THREADS: EXT. CL. 2A, INT. CL. 2B	
MATERIAL	FINISH
COMMODITY CODE	APPLICATION

QTY REQD	FIND	REF DES	CODE IDENT	DWG SIZE	PART OR IDENTIFYING NO.	NOMENCLATURE OR DESCRIPTION

LIST OF MATERIAL		
DATE	CLASS	
9-22-64	A	
DRAFTSMAN		
J. WINIECKI		
CHECKER	DATE	
B. POPOV	2-22-65	
ENGINEER	DATE	
G.R. KRESNICK	4-9-65	
APPROVAL	DATE	
[Signature]	4-9-65	
CODE IDENT NO.	SIZE	DWG NO.
90536	D	7018967
SCALE	WEIGHT	SHEET OF
		1 OF 1

DWG NO. 7018967

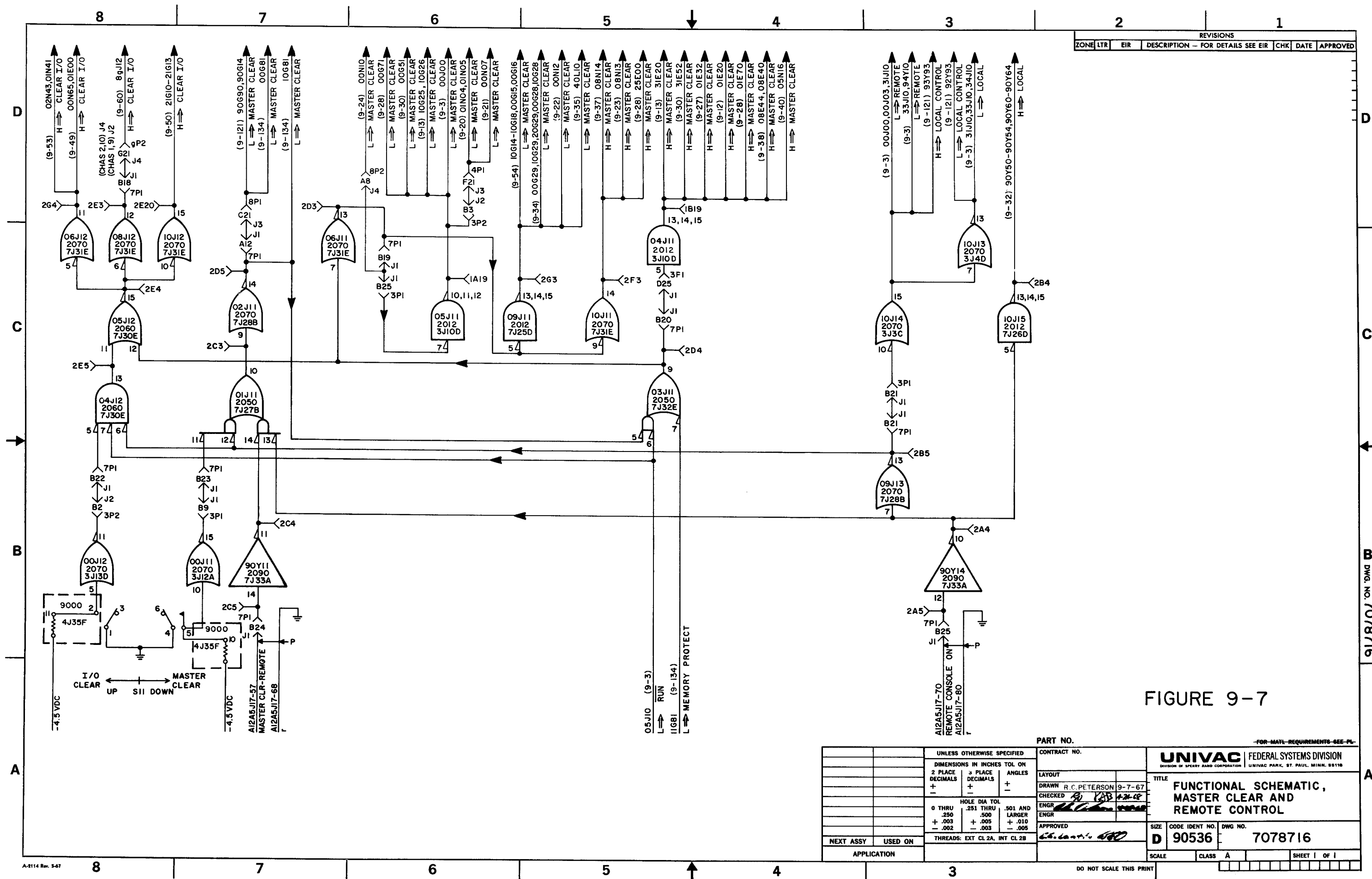


REVISIONS						
ZONE	LTR	EIR	DESCRIPTION - FOR DETAILS SEE EIR	CHK	DATE	APPROVED
A		25099	SEE EIR		7-30-68	
B		25501	SEE EIR		7-19-68	
C		16679	SEE EIR		7-19-68	
D		002884	SEE EIR		5-31-72	

NOTE:
 1. ON SERIAL NUMBERED COMPUTERS
 O AND I: (CHASSIS 1,1) J1
 (CHASSIS 2,12) J3
 2. SEE NOTES ON REFERENCED FIGURES
 FOR EXPLANATION OF "g" TERM.
 3. RESISTORS IN CHASSIS 2 & 10 ONLY.

FIGURE 9-6

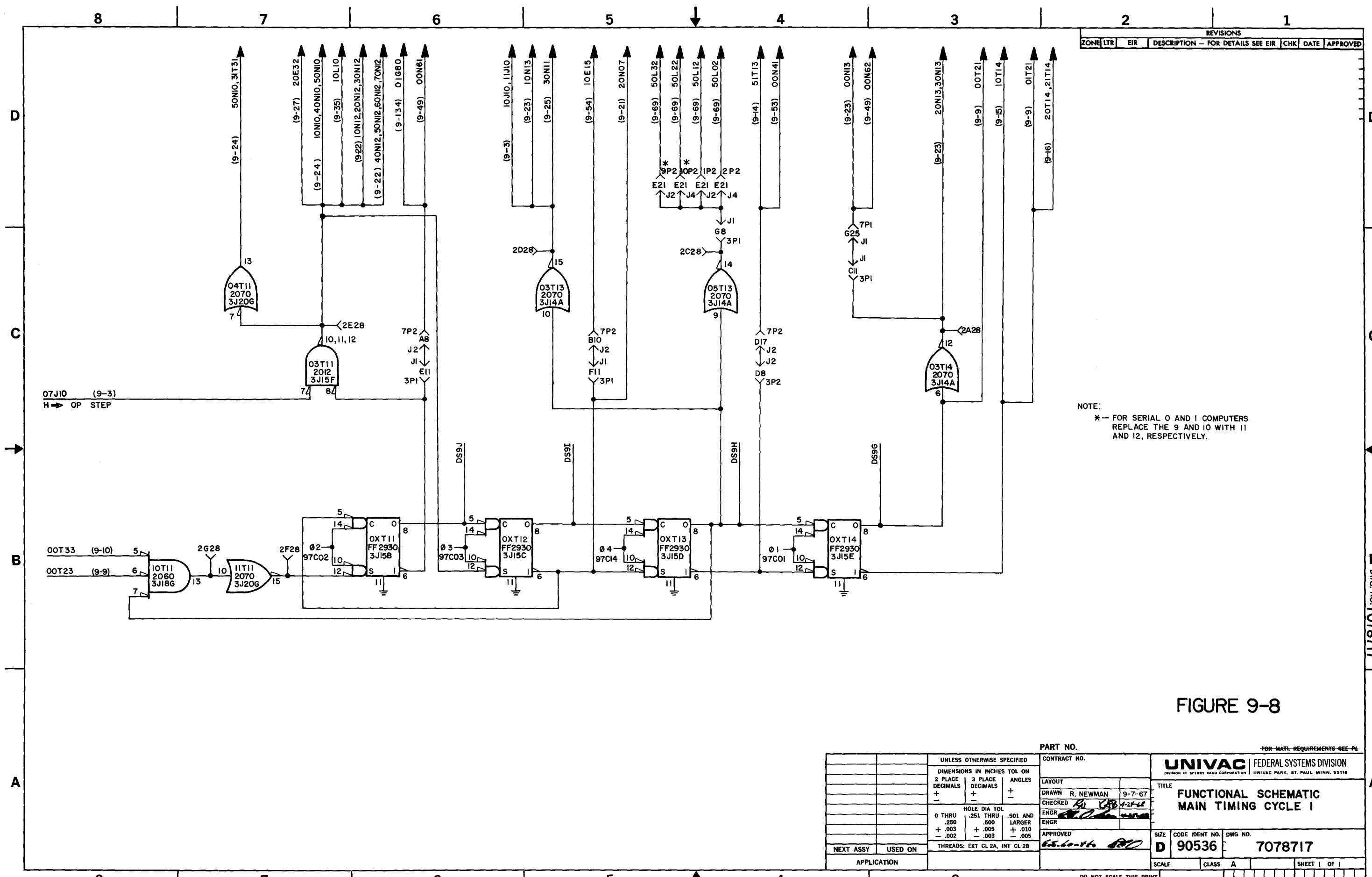
PART NO.		CONTRACT NO.		UNIVAC FEDERAL SYSTEMS DIVISION DIVISION OF BERRY AND CORPORATION UNIVAC PARK, ST. PAUL, MINN. 55116	
DIMENSIONS IN INCHES TOL ON 2 PLACE DECIMALS + - 3 PLACE DECIMALS + - ANGLES +-		LAYOUT	DRAWN R.C. PETERSON	9-6-67	TITLE
HOLE DIA TOL 0 THRU .250 + .003 - .002 .251 THRU .500 + .005 - .003 .501 AND LARGER + .010 - .005		CHECKED	ENGR	APPROVED	FUNCTIONAL SCHEMATIC, CLOCK DISTRIBUTION - I/O CHASSIS AND CHASSIS 7 & 8
NEXT ASSY	USED ON	THREADS: EXT CL 2A, INT CL 2B		SIZE	CODE IDENT NO. DWG NO.
APPLICATION		D		90536	7078715
		SCALE	CLASS	A	SHEET OF



REVISIONS						
ZONE	LTR	EIR	DESCRIPTION - FOR DETAILS SEE EIR	CHK	DATE	APPROVED

FIGURE 9-7

UNLESS OTHERWISE SPECIFIED		CONTRACT NO.	
DIMENSIONS IN INCHES	TOL	LAYOUT	
2 PLACE DECIMALS	3 PLACE DECIMALS	ANGLES	DRAWN R.C. PETERSON 9-7-67
+	+	+	CHECKED <i>[Signature]</i> 9-22-68
HOLE DIA TOL		ENGR <i>[Signature]</i>	
0 THRU .250	.251 THRU .500	.501 AND LARGER	APPROVED <i>[Signature]</i>
+ .003	+ .005	+ .010	
- .002	- .003	- .005	
THREADS: EXT CL 2A, INT CL 2B		PART NO.	
NEXT ASSY		USED ON	
APPLICATION		UNIVAC FEDERAL SYSTEMS DIVISION	
		DIVISION OF SPERRY RAND CORPORATION UNIVAC PARK, ST. PAUL, MINN. 55118	
		TITLE	
		FUNCTIONAL SCHEMATIC, MASTER CLEAR AND REMOTE CONTROL	
		SIZE CODE IDENT NO. DWG NO.	
D		90536 7078716	
SCALE		CLASS A	
		SHEET OF	



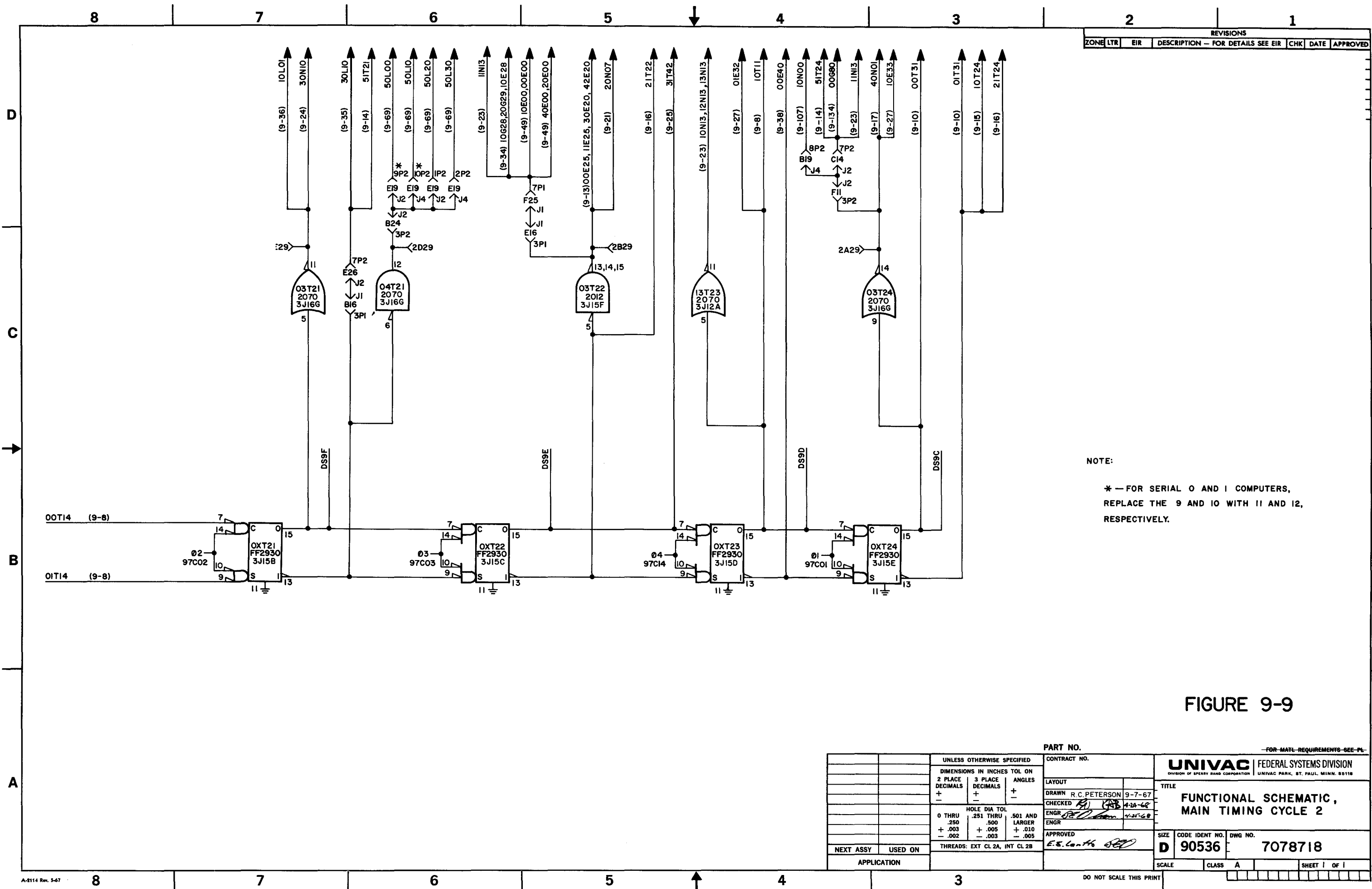
REVISIONS					
ZONE	LTR	EIR	DESCRIPTION - FOR DETAILS SEE EIR	CHK	DATE APPROVED

NOTE:
* - FOR SERIAL 0 AND 1 COMPUTERS
REPLACE THE 9 AND 10 WITH 11
AND 12, RESPECTIVELY.

FIGURE 9-8

PART NO.		CONTRACT NO.		UNIVAC FEDERAL SYSTEMS DIVISION DIVISION OF SPERRY RAND CORPORATION UNIVAC PARK, ST. PAUL, MINN. 55118	
UNLESS OTHERWISE SPECIFIED		DIMENSIONS IN INCHES TOL ON		LAYOUT	
2 PLACE DECIMALS	3 PLACE DECIMALS	ANGLES	DRAWN R. NEWMAN 9-7-67		
+	+	+	CHECKED <i>[Signature]</i> 9-21-67		
HOLE DIA TOL		ENGR <i>[Signature]</i>			
0 THRU .250	.251 THRU .500	.501 AND LARGER	APPROVED <i>[Signature]</i>		
+.003	+.005	+.010	SIZE	CODE IDENT NO.	DWG NO.
-.002	-.003	-.005	D	90536	7078717
NEXT ASSY	USED ON	THREADS: EXT CL 2A, INT CL 2B	SCALE	CLASS A	SHEET 1 OF 1
APPLICATION	DO NOT SCALE THIS PRINT				

DWG. NO. 7078717



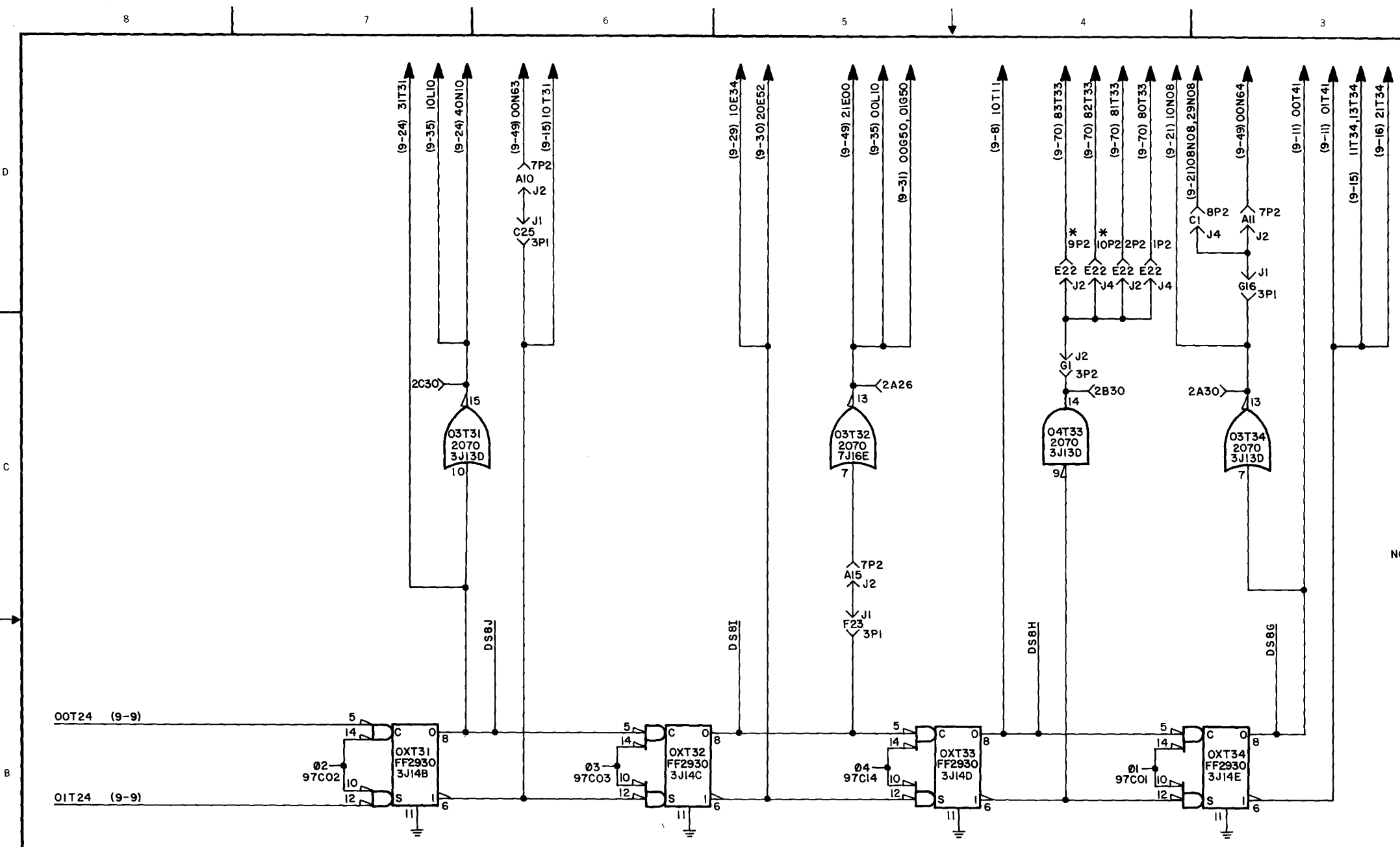
REVISIONS						
ZONE	LTR	EIR	DESCRIPTION - FOR DETAILS SEE EIR	CHK	DATE	APPROVED

NOTE:
 * - FOR SERIAL 0 AND 1 COMPUTERS,
 REPLACE THE 9 AND 10 WITH 11 AND 12,
 RESPECTIVELY.

FIGURE 9-9

PART NO.		CONTRACT NO.		UNLESS OTHERWISE SPECIFIED	
DIMENSIONS IN INCHES TOL ON		LAYOUT		DRAWN R.C. PETERSON 9-7-67	
2 PLACE DECIMALS	3 PLACE DECIMALS	ANGLES		CHECKED <i>[Signature]</i> 4-28-68	
+	+	+		ENGR <i>[Signature]</i> 4-28-68	
0 THRU .250	.251 THRU .500	.501 AND LARGER		APPROVED <i>[Signature]</i>	
+.003	+.005	+.010		SIZE D CODE IDENT NO. 90536 DWG NO. 7078718	
-.002	-.003	-.005		SCALE CLASS A SHEET 1 OF 1	
NEXT ASSY USED ON		APPLICATION		THREADS: EXT CL 2A, INT CL 2B	

REVISIONS			
SYM	ZONE	EIR	DESCRIPTION
A		16679	SEE EIR



NOTE:
* - FOR SERIAL O AND I COMPUTERS REPLACE THE 9 AND 10 WITH 11 AND 12, RESPECTIVELY.

FIGURE 9-10

IDENT NO. 7018907-00

THIS DOCUMENT CONTAINS CONFIDENTIAL INFORMATION OF THE UNIVAC DIVISION OF SPERRY RAND CORPORATION AND IS FURNISHED PURSUANT TO THE FOLLOWING INSTRUMENT:
ON THE UNDERSTANDING THAT THIS DOCUMENT AND THE INFORMATION THEREON MAY NOT BE DEALT WITH IN ANY MANNER EXCEPT FOR THE PURPOSES OF THAT INSTRUMENT OR AS OTHERWISE PERMITTED IN WRITING BY THE UNIVAC DIVISION OF SPERRY RAND CORPORATION

UNLESS OTHERWISE SPECIFIED	
DIMENSION IN INCHES, TOLERANCE ON 2 PLACE DECIMALS	3 PLACE DECIMALS
HOLE DIAMETER TOLERANCE	ANGLES
0 THRU .250	.003
.251 THRU .500	.005
.501 & LARGER	.010
THREADS: EXPT. CL. 2A, INT. CL. 2B	
MATERIAL	
FINISH	

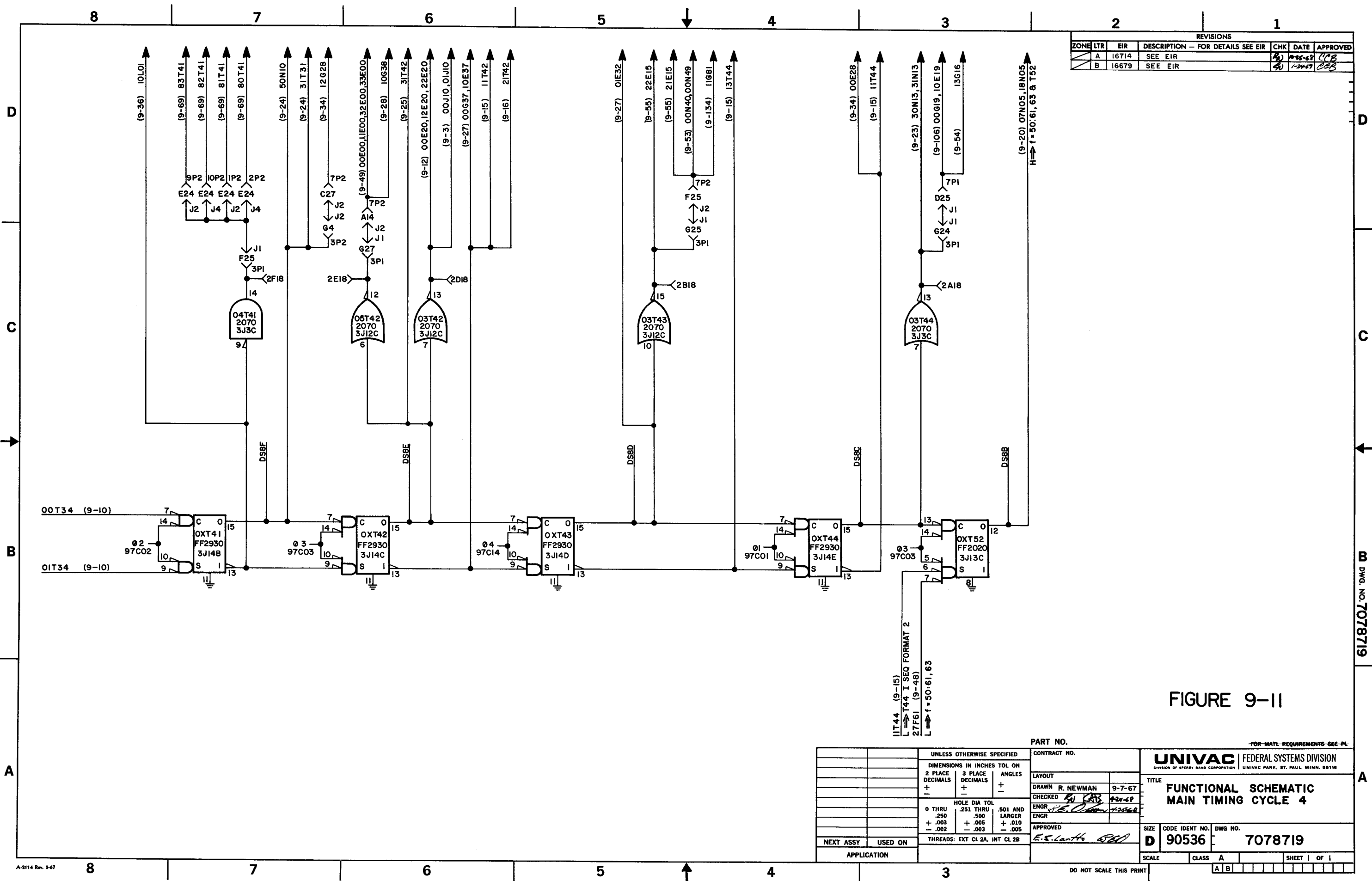
LAYOUT	DATE	CLASS
J.S. JERYLO	5-5-64	A
DRAFTSMAN		
<i>D. C. Wheeler</i>	52264	
CHECKER		
B. POPOV	222-65	
ENGINEER		
<i>G.R. McEwen</i>	4-7-65	
APPROVAL		
<i>E.S. Smith</i>	4-9-65	

QTY REQD	FIND	REF DES	CODE IDENT	DWG SIZE	PART OR IDENTIFYING NO.	NOMENCLATURE OR DESCRIPTION

LIST OF MATERIAL	
UNIVAC	
DIVISION OF SPERRY RAND CORPORATION	
TITLE	
FUNCTIONAL SCHEMATIC, MAIN TIMING CYCLE 3	
CODE IDENT NO.	SIZE
90536	D
DWG NO.	
7018907	
SCALE	WEIGHT
SHEET OF 1	

DO NOT SCALE THIS PRINT

DWG. NO. 7018907



REVISIONS						
ZONE	LTR	EIR	DESCRIPTION - FOR DETAILS SEE EIR	CHK	DATE	APPROVED
A	16714		SEE EIR		9/28/67	CPB
B	16679		SEE EIR		9/12/67	CPB

FIGURE 9-11

UNLESS OTHERWISE SPECIFIED				PART NO.	
DIMENSIONS IN INCHES TOL ON				CONTRACT NO.	
2 PLACE DECIMALS	3 PLACE DECIMALS	ANGLES		LAYOUT	
+	+	+		DRAWN R. NEWMAN 9-7-67	
HOLE DIA TOL				TITLE	
0 THRU .250	.251 THRU .500	.501 AND LARGER		FUNCTIONAL SCHEMATIC	
+.003	+.005	+.010		MAIN TIMING CYCLE 4	
-.002	-.003	-.005		CHECKED CPB 9-24-67	
THREADS: EXT CL 2A, INT CL 2B				ENGR J.E. O'CONNOR 9-28-67	
APPROVED				APPROVED	
E.S. LANTHE				E.S. LANTHE	
NEXT ASSY USED ON		SCALE		SIZE CODE IDENT NO. DWG NO.	
APPLICATION		DO NOT SCALE THIS PRINT		D 90536 7078719	
				SHEET 1 OF 1	

REVISIONS					
SYM	ZONE	EIR	DESCRIPTION	DATE	APPROV. E.C.
A	D7	71771	SEE EIR	8-23-65	W.P.
B	B-C-6	75378	SEE EIR	3-11-66	B.P.
C		76902	SEE EIR	4-22-66	B.P.
D		75633	SEE EIR	5-10-66	B.P.
E		002884	SEE EIR	5-31-72	A. Kowalski

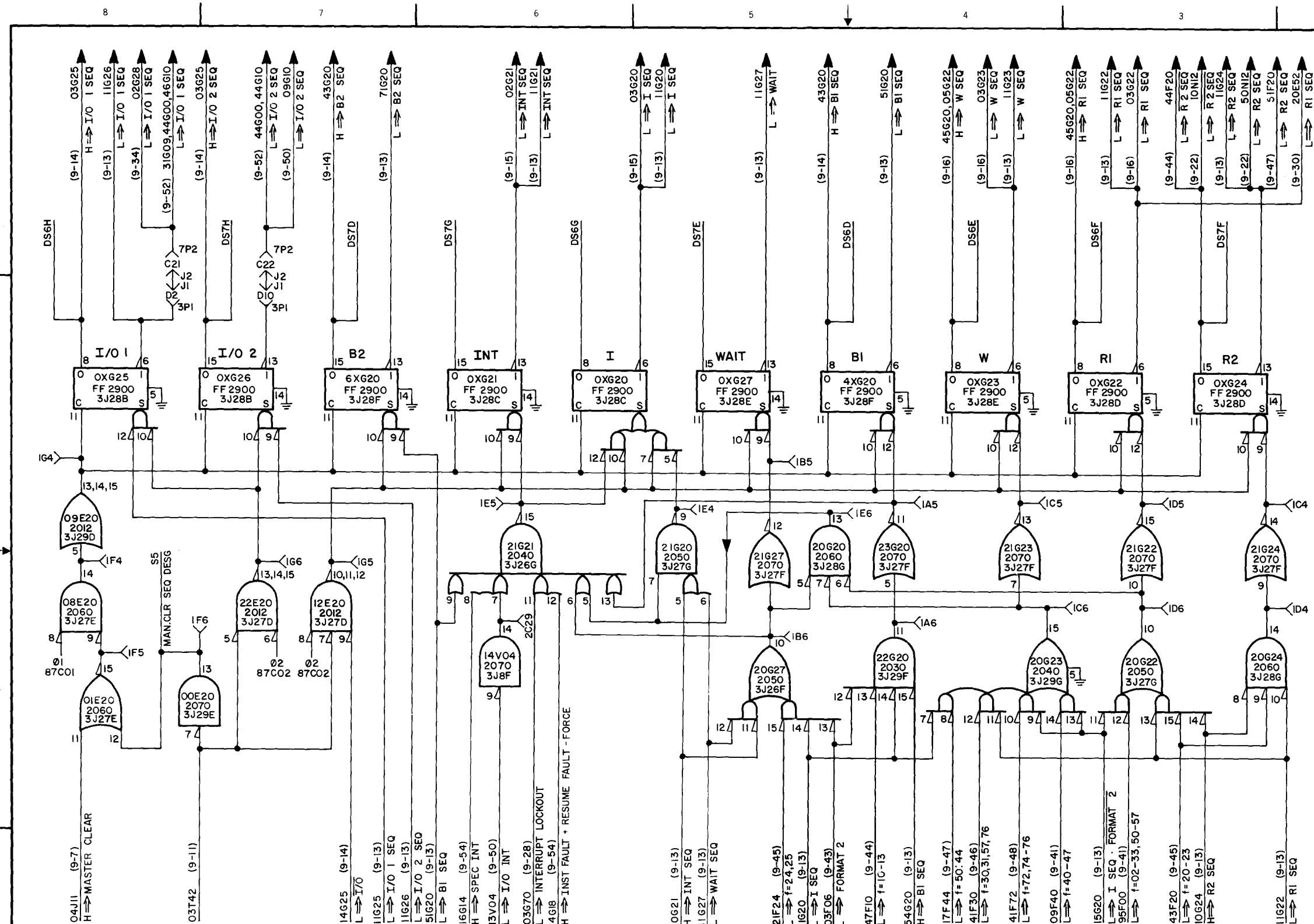


FIGURE 9-12

IDENT NO. 7018934-00

THIS DOCUMENT CONTAINS CONFIDENTIAL INFORMATION OF THE UNITED STATES OF AMERICA AND IS LOANED TO YOU BY THE NATIONAL BUREAU OF STANDARDS. IT IS TO BE RETURNED TO THE NATIONAL BUREAU OF STANDARDS AT THE END OF THE LOAN PERIOD. IT IS TO BE DESTROYED BY THE NATIONAL BUREAU OF STANDARDS AT THE END OF THE LOAN PERIOD.

UNLESS OTHERWISE SPECIFIED		LIST OF MATERIAL	
DIMENSION IN INCHES. TOLERANCE ON 2 PLACE DECIMALS		PART OR IDENTIFYING NO.	
= HOLE DIAMETER TOLERANCE		NOMENCLATURE OR DESCRIPTION	
0 THRU .250 ±.005		UNIVAC	
.250 THRU .500 ±.005		DIVISION OF SPERRY RAND CORPORATION	
.500 THRU 1.000 ±.005		TITLE	
1.000 THRU 2.000 ±.005		FUNCTIONAL SCHEMATIC, SEQUENCE DESIGNATOR, UPPER RANK	
2.000 THRU 3.000 ±.005		CLASS	
3.000 THRU 4.000 ±.005		A	
4.000 THRU 5.000 ±.005		DATE	
5.000 THRU 6.000 ±.005		1-18-64	
6.000 THRU 7.000 ±.005		DRAFTSMAN	
7.000 THRU 8.000 ±.005		D.C. WHEELER	
8.000 THRU 9.000 ±.005		CHECKER	
9.000 THRU 10.000 ±.005		B. POPOV	
10.000 THRU 11.000 ±.005		ENGINEER	
11.000 THRU 12.000 ±.005		G.R. KREGGESS	
12.000 THRU 13.000 ±.005		APPROVAL	
13.000 THRU 14.000 ±.005		DATE	
14.000 THRU 15.000 ±.005		1-19-64	
15.000 THRU 16.000 ±.005		CODE IDENT NO.	
16.000 THRU 17.000 ±.005		90536	
17.000 THRU 18.000 ±.005		SIZE	
18.000 THRU 19.000 ±.005		D	
19.000 THRU 20.000 ±.005		DWG NO.	
20.000 THRU 21.000 ±.005		7018934	
21.000 THRU 22.000 ±.005		SCALE	
22.000 THRU 23.000 ±.005		WEIGHT	
23.000 THRU 24.000 ±.005		SHEET OF	
24.000 THRU 25.000 ±.005		A B C D E	

DO NOT SCALE THIS PRINT

REVISIONS						
SYM	ZONE	EIR	DESCRIPTION	CHK	DATE	APPROVED
A	D-3	7537B	SEE EIR		11-29-65	B.P.
B		75627	SEE EIR		4-24-66	B.P.

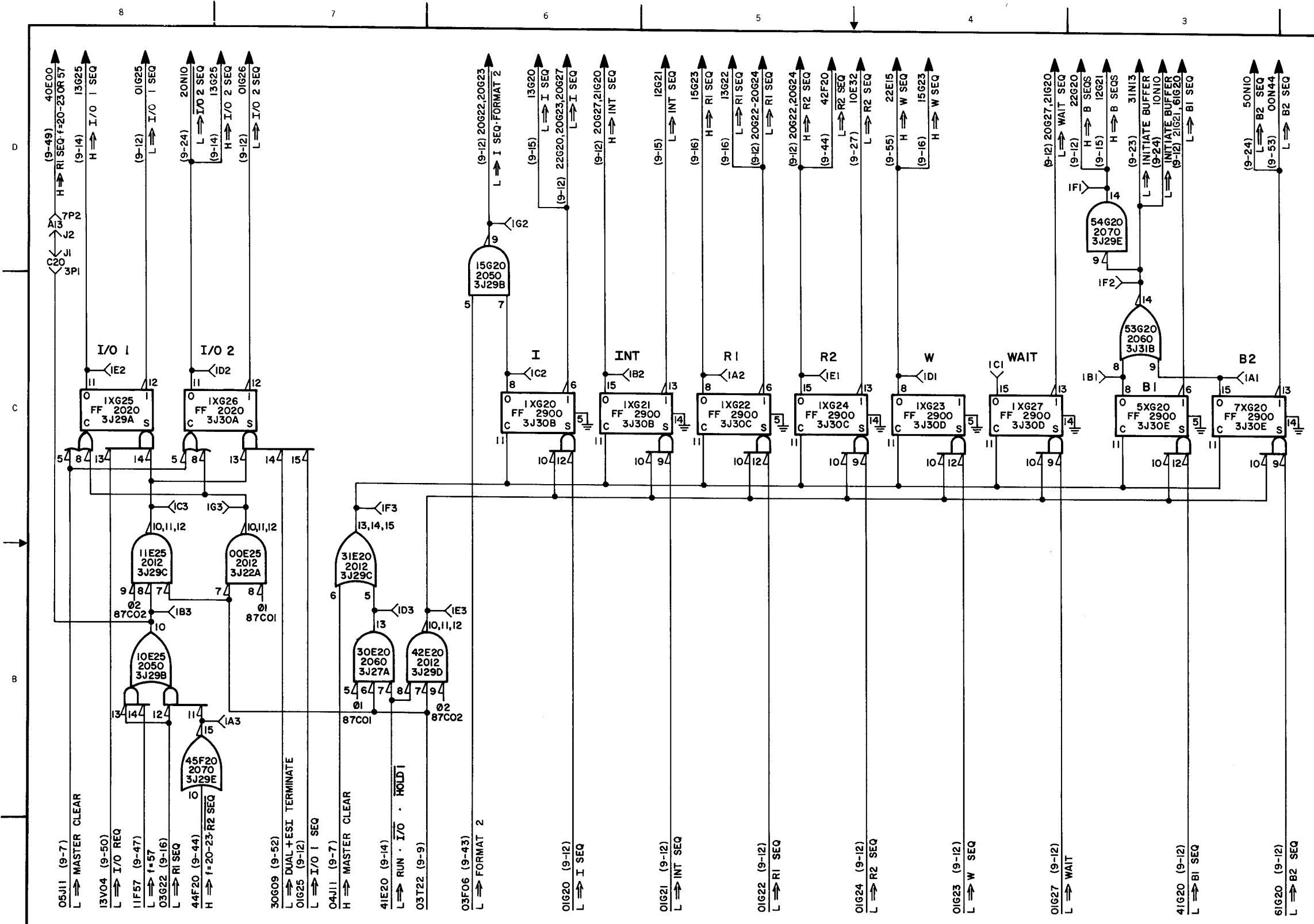


FIGURE 9-13

QTY	REQD	FINO	REF	DES	CODE	DWG	PART OR IDENTIFYING NO.	NOMENCLATURE OR DESCRIPTION	
LIST OF MATERIAL									
				UNLESS OTHERWISE SPECIFIED	LAYOUT				
				DIMENSION IN INCHES. TOLERANCE ON	DATE				
				2 PLACE DECIMALS	CLASS				
				3 PLACE DECIMALS	A				
				ANGLES	DRAFTSMAN				
				HOLE DIAMETER TOLERANCE	D.C. WHEELER				
				0 THRU .250	9-18-64				
				.251 THRU .500	CHECKER				
				+ .005	B. POPOV				
				- .005	2-15-65				
				THREADS: EXT. CL. INT. CL. 2B	ENGINEER				
					G.R. KROENKE				
					4-9-66				
					APPROVAL				
					E. J. [Signature]				
					4-9-66				
COMMODITY CODE		APPLICATION		FINISH		CODE IDENT NO.			
						90536			
						SIZE			
						D			
						DWG NO.			
						7018957			
						SCALE			
						A/B			
						SHEET			
						1 OF 1			

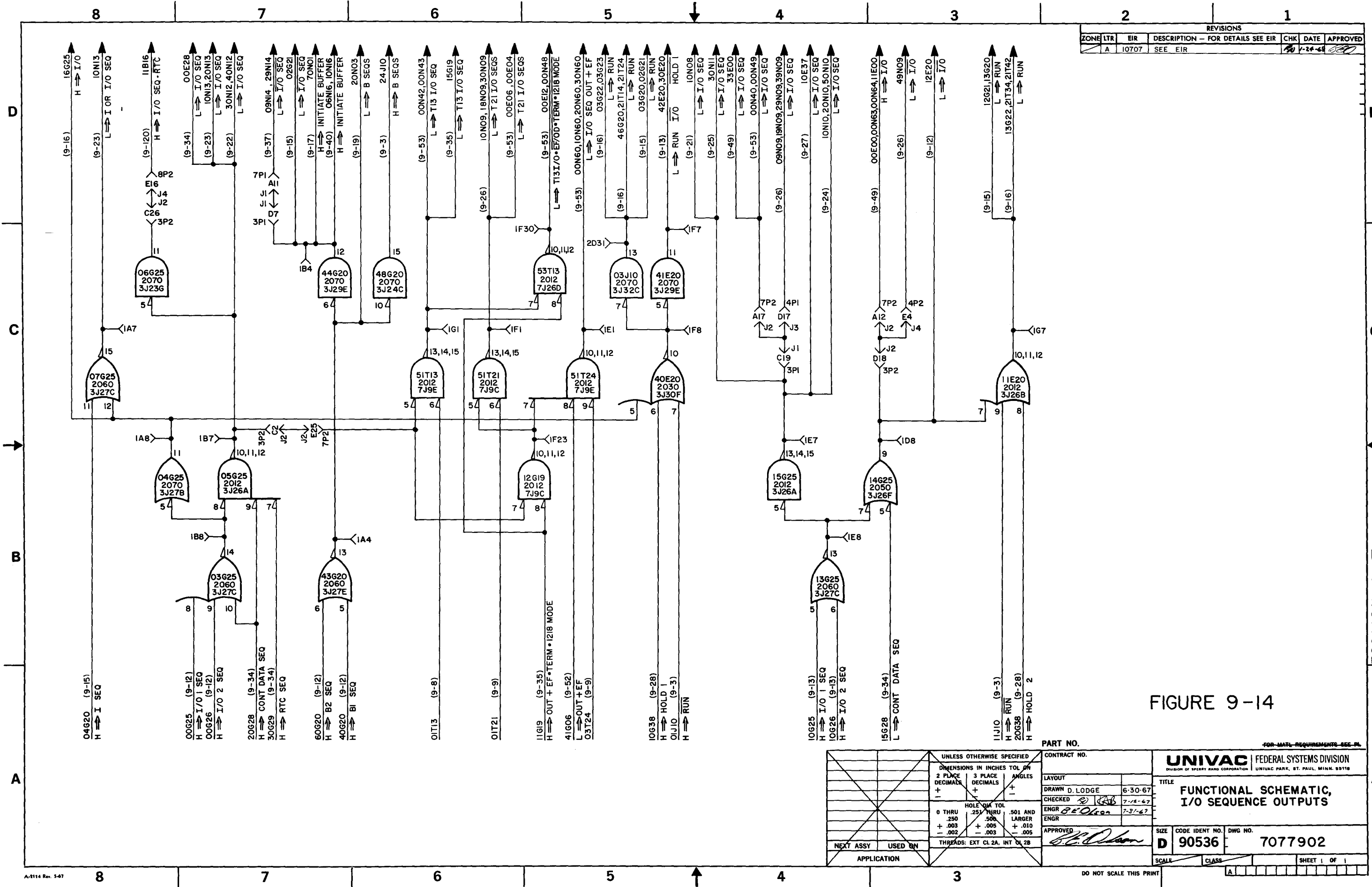
IDENT NO. 7018957-00

THIS DOCUMENT CONTAINS CONFIDENTIAL INFORMATION AND IS UNCLASSIFIED BY SPERRY RAND CORPORATION AND IS UNCLASSIFIED PURSUANT TO THE FOLLOWING INSTRUMENT:

ON THE UNDERSTANDING THAT THIS DOCUMENT AND THE INFORMATION THEREON MAY NOT BE DISCLOSED IN ANY MANNER EXCEPT FOR THE PURPOSES AND INSTRUMENT OR AS OTHERWISE PERMITTED IN WRITING BY THE UNIVAC DIVISION OF SPERRY RAND CORPORATION.

DRAWING NO. 7018957

DO NOT SCALE THIS PRINT



REVISIONS						
ZONE	LTR	EIR	DESCRIPTION - FOR DETAILS SEE EIR	CHK	DATE	APPROVED
A		10707	SEE EIR		7-24-67	

FIGURE 9-14

UNLESS OTHERWISE SPECIFIED		CONTRACT NO.		UNIVAC FEDERAL SYSTEMS DIVISION DIVISION OF SPERRY RAND CORPORATION UNIVAC PARK, ST. PAUL, MINN. 55116	
DIMENSIONS IN INCHES TOL ON	LAYOUT	DRAWN D. LODGE 6-30-67		TITLE	
2 PLACE DECIMALS +	3 PLACE DECIMALS +	CHECKED <i>[Signature]</i> 7-18-67	FUNCTIONAL SCHEMATIC, I/O SEQUENCE OUTPUTS		
ANGLES +	HOLE DIA TOL	ENGR <i>[Signature]</i> 7-31-67		APPROVED <i>[Signature]</i>	
0 THRU .250 + .003	.251 THRU .500 + .003	APPROVED		SIZE	
.501 AND LARGER + .010	THREADS: EXT CL 2A, INT CL 2B	NEXT ASSY USED ON		D 90536	
APPLICATION		PART NO.		CODE IDENT NO. DWG NO.	
				7077902	
				SCALE CLASS SHEET 1 OF 1	

REVISIONS						
SYM	ZONE	E/R	DESCRIPTION	CHK	DATE	APPROVED
A		71771	SEE EIR		8-23-65	[Signature]
B		71867A	SEE EIR		10-8-65	[Signature]
C		75627	SEE EIR		4-27-66	[Signature]
D		24544	SEE EIR		7-22-67	[Signature]

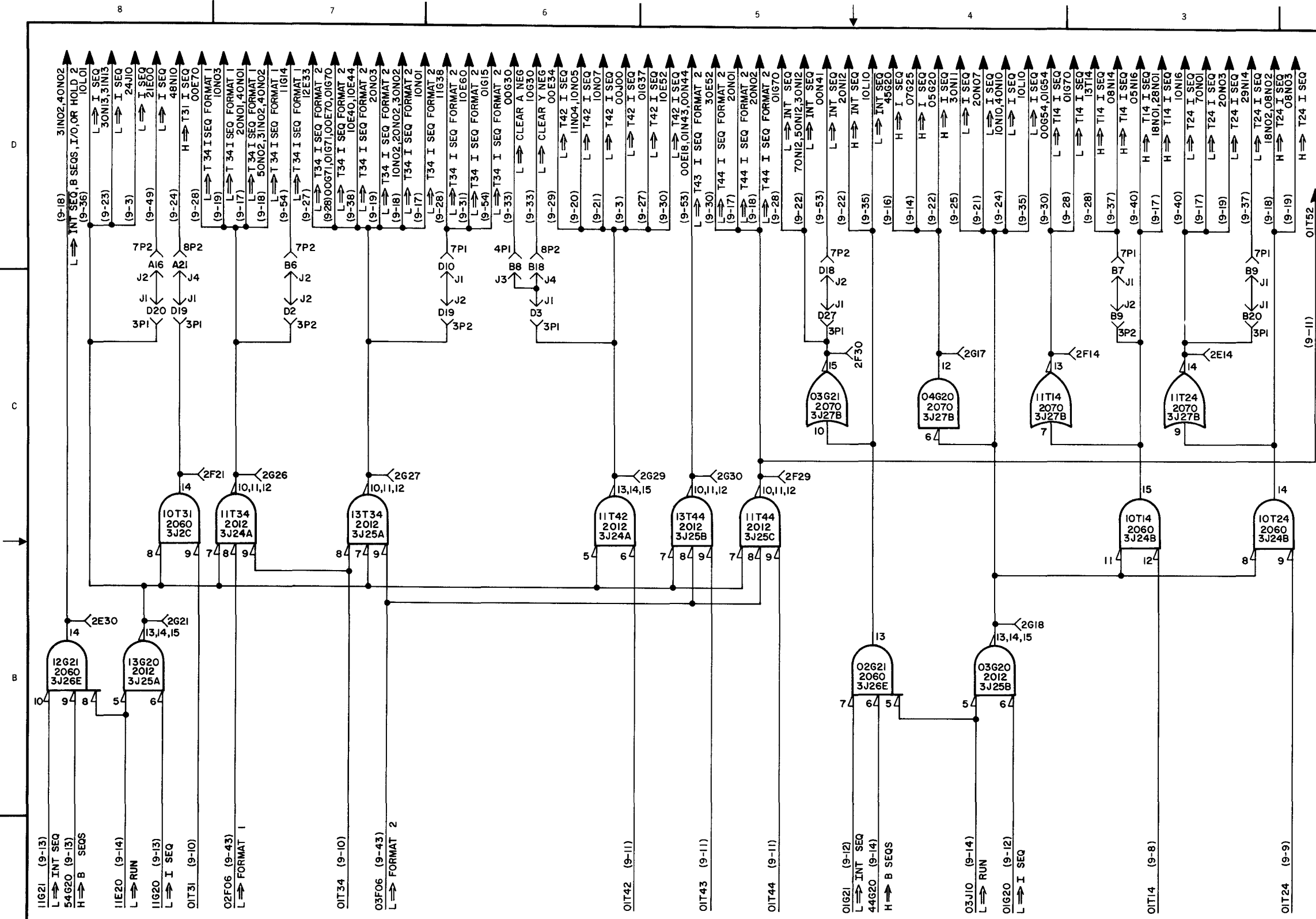


FIGURE 9-15

QTY REQD	FIND	REF DES	CODE IDENT	DWG SIZE	PART OR IDENTIFYING NO.	NOMENCLATURE OR DESCRIPTION

UNLESS OTHERWISE SPECIFIED		LAYOUT		DATE		CLASS	
DIMENSION IN INCHES. TOLERANCE OR 2 PLACE DECIMALS		DRAFTSMAN		F-13-65		A	
HOLE DIAMETER TOLERANCE		D.C. WHEELER		1-14-65		TITLE	
0 THRU .250 +.003		CHECKER		[Signature]		FUNCTIONAL SCHEMATIC, SEQUENCE OUTPUTS, I1, I2, & INTERRUPT	
.251 THRU .500 +.005		ENGINEER		[Signature]		CODE IDENT NO. 90536	
.501 & LARGER +.010		APPROVAL		[Signature]		SIZE D	
THREADS: EXT. CL. 2A, INT. CL. 2B		COMMODITY CODE		47-5		DWG NO. 7018937	
FINISH		SCALE		WEIGHT		SHEET 1 OF 1	

IDENT NO. 7018937-00

THIS DOCUMENT CONTAINS CONFIDENTIAL INFORMATION OF THE UNIVAC DIVISION OF SPERRY RAND CORPORATION AND IS FURNISHED PURSUANT TO THE FOLLOWING INSTRUMENT:

DWC NO. 7018937

DO NOT SCALE THIS PRINT

REVISIONS						
ZONE	LTR	EIR	DESCRIPTION - FOR DETAILS SEE EIR	CHK	DATE	APPROVED
	A	24952	SEE EIR		9-2-68	CCB
	B	17049	SEE EIR		8-21-68	
	C	25600	SEE EIR		5-23-69	

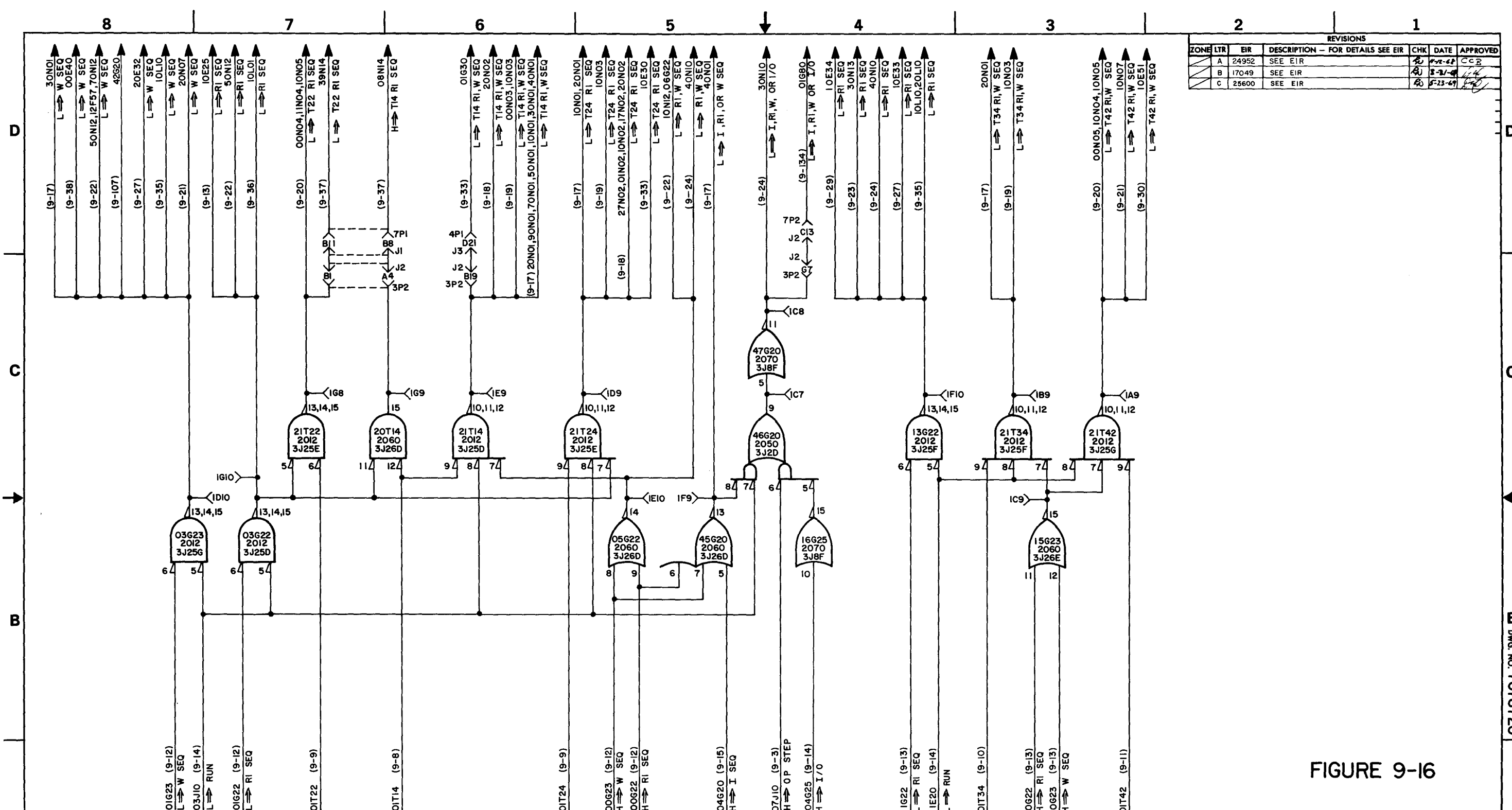


FIGURE 9-16

PART NO.		CONTRACT NO.		UNIVAC FEDERAL SYSTEMS DIVISION	
DIMENSIONS IN INCHES TOL ON 2 PLACE DECIMALS + 3 PLACE DECIMALS + ANGLES +		LAYOUT DRAWN R.C. PETERSON 9-7-67		TITLE FUNCTIONAL SCHEMATIC, R/W SEQUENCE OUTPUTS	
HOLE DIA TOL 0 THRU .250 +.003 .251 THRU .500 +.005 .501 AND LARGER -.003		CHECKED ENGR APPROVED E.S. LANTHO		SIZE D 90536	
THREADS: EXT CL 2A, INT CL 2B		NEXT ASSY USED ON APPLICATION		DWG NO. 7078720	
SCALE		CLASS A		SHEET 1 OF 1	

REVISIONS				
SYM	ZONE	EIR	DESCRIPTION	CHK DATE APPROVED
A		71771	SEE EIR	8-23-65 JPE
B		75627	SEE EIR	9-27-64 [Signature]

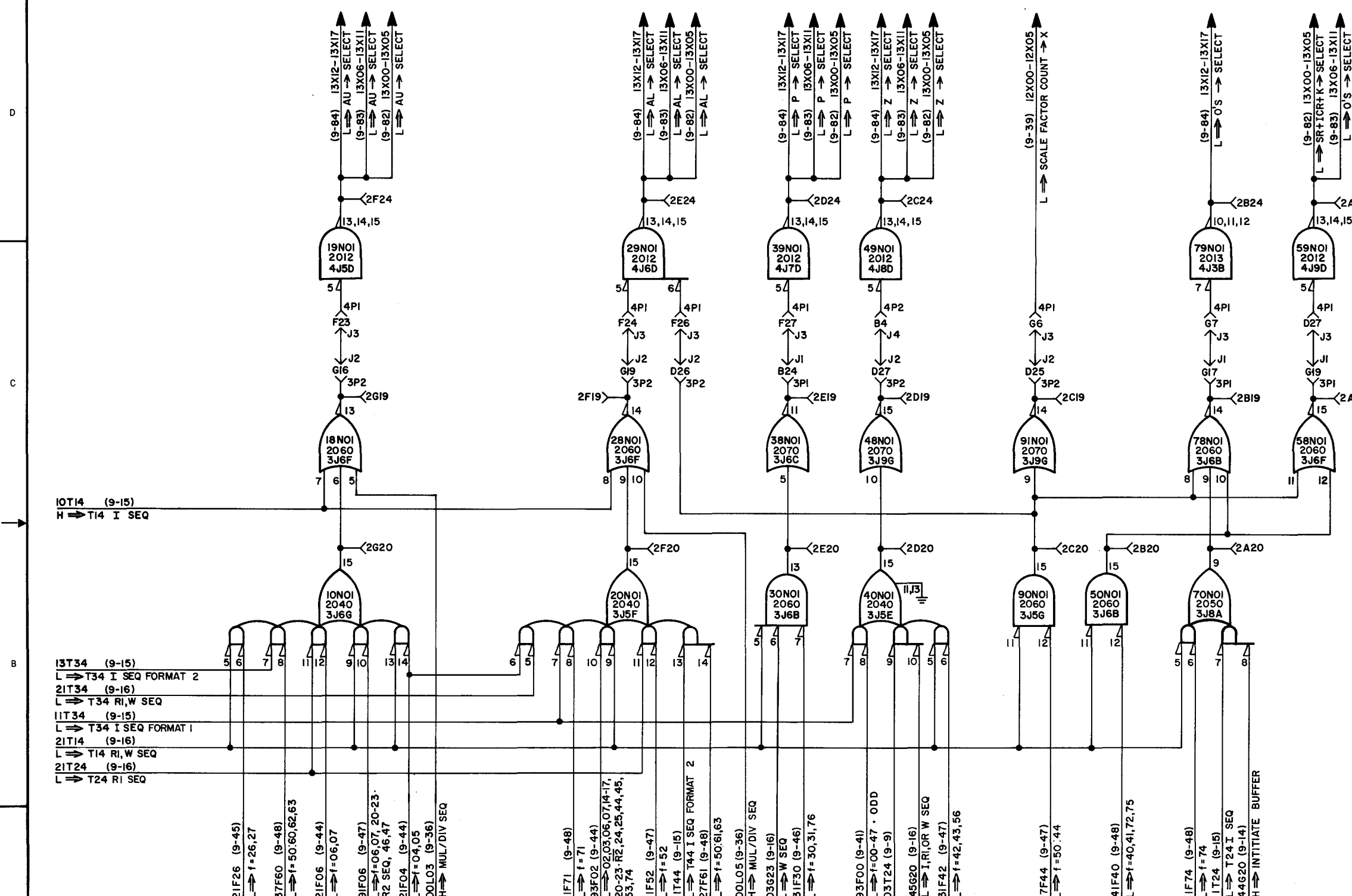


FIGURE 9-17

QTY	REQD	FIND	REF DES	CODE IDENT	DWG SIZE	PART OR IDENTIFYING NO.	NOMENCLATURE OR DESCRIPTION

UNLESS OTHERWISE SPECIFIED: DIMENSION IN INCHES. TOLERANCE ON 2 PLACE DECIMALS ± .005 3 PLACE DECIMALS ± .001 ANGLES ± .010		LAYOUT	DATE	CLASS
HOLE DIAMETER TOLERANCE: 0 THRU .250 ± .003 .251 THRU .500 ± .004 .501 & LARGER ± .010 THREADS: EXCEPT 2A, INT CL 2B		DRAFTSMAN D. C. WHEELER	5-21-64	A
MATERIAL		CHECKER B. POPOV	2-12-65	TITLE FUNCTIONAL SCHEMATIC, ARITHMETIC SELECTOR CONTROL
FINISH		ENGINEER [Signature]	4-9-5	CODE IDENT NO. 90536
APPLICATION		APPROVAL [Signature]	1-9-5	SIZE D
COMMODITY CODE		DWG NO. 7018878		SHEET OF

IDENT NO. 7018878-00

THIS DOCUMENT CONTAINS CONFIDENTIAL INFORMATION OF THE UNIVAC DIVISION OF SPERRY RAND CORPORATION AND IS FURNISHED PURSUANT TO THE FOLLOWING INSTRUMENT:

ON THE UNDERSTANDING THAT THIS DOCUMENT AND THE INFORMATION HEREON MAY NOT BE DEALT WITH IN ANY MANNER EXCEPT FOR THE PURPOSES SPECIFIED IN THE INSTRUMENT OR AS OTHERWISE PROVIDED IN WRITING BY THE UNIVAC DIVISION OF SPERRY RAND CORPORATION.

7018878

DO NOT SCALE THIS PRINT

REVISIONS			
NO.	DATE	DESCRIPTION	BY
A	7/77	SEE EIR	8/823-65
B	7/5633	SEE EIR	8/5-3-66
C	DO2786	SEE EIR	8/7-7-71

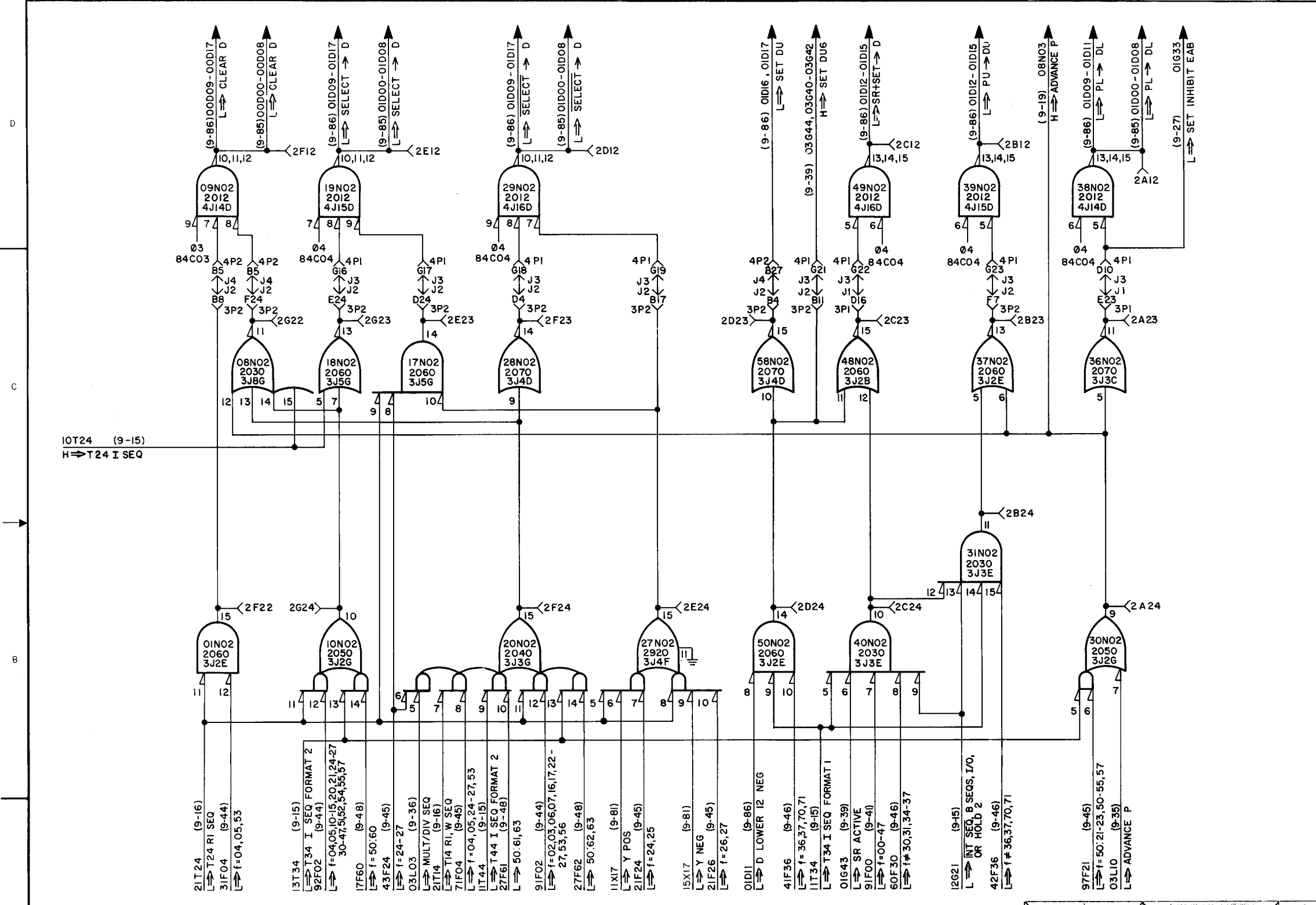


FIGURE 9-18

QTY	REQD	REF DES	CODE IDENT	DWG SIZE	PART OR IDENTIFYING NO.	NOMENCLATURE OR DESCRIPTION
LIST OF MATERIAL						
		CLASS	UNIVAC			
		DATE	DIVISION OF SPERRY RAND CORPORATION			
		TITLE	FUNCTIONAL SCHEMATIC, D REGISTER CONTROL			
		CODE IDENT NO.	SIZE	DWG NO.		
		90536	D	7018877		
		SCALE	WEIGHT	SHEET OF		
				A B C		

IDENT NO. 7018877-00

THIS DOCUMENT CONTAINS CONFIDENTIAL INFORMATION OF THE UNITED STATES GOVERNMENT AND IS FURNISHED PURSUANT TO THE FOLLOWING INSTRUMENT:
 ON THE UNDERSTANDING THAT THIS DOCUMENT AND THE INFORMATION HEREON MAY NOT BE REPRODUCED OR TRANSMITTED IN ANY FORM OR BY ANY MEANS, ELECTRONIC OR MECHANICAL, INCLUDING PHOTOCOPYING, RECORDING, OR BY ANY INFORMATION STORAGE AND RETRIEVAL SYSTEM, WITHOUT PERMISSION IN WRITING BY THE UNIVAC DIVISION OF SPERRY RAND CORPORATION.

REVISION	DATE	BY	CHKD
1	3-24-64	R. E. STRELNIKS	
2	3-30-64	R. E. Stanger	
3	2-15-65	B. POPOV	B.P.
4	4-7-65	R. E. Stanger	

DRAWING NO. 7018877

REVISIONS			
SYM	ZONE	EIR	DESCRIPTION
A		75633	SEE EIR

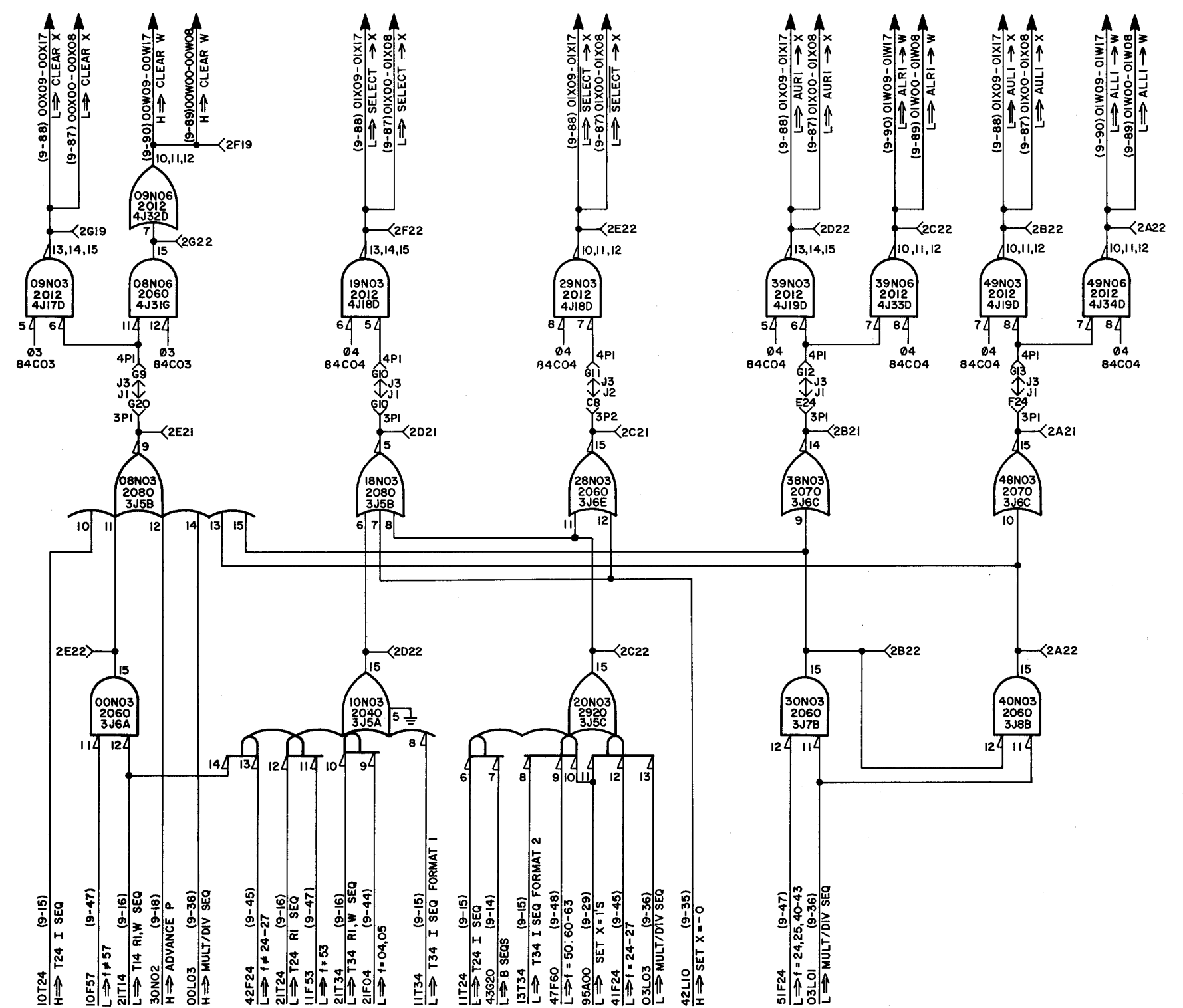


FIGURE 9-19

QTY	FIND	REF DES	CODE IDENT	SIZE	PART OR IDENTIFYING NO.	NOMENCLATURE OR DESCRIPTION
LIST OF MATERIAL						

IDENT NO. 7018887-00

THIS DOCUMENT CONTAINS CONFIDENTIAL INFORMATION OF THE UNIVAC DIVISION OF SPERRY RAND CORPORATION AND IS FURNISHED PURSUANT TO THE FOLLOWING INSTRUMENT:

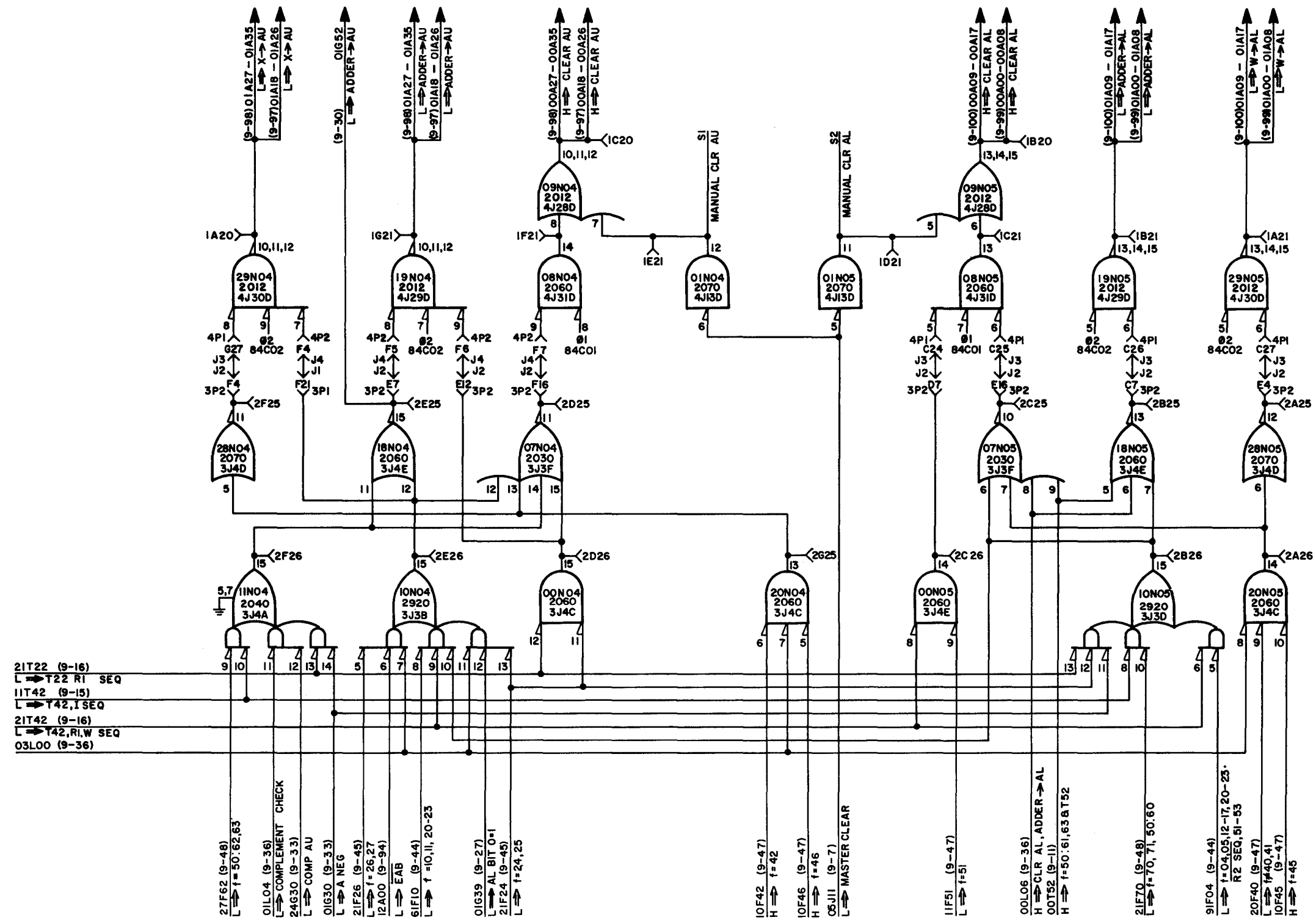
ON THE UNDERSTANDING THAT THIS DOCUMENT AND THE INFORMATION THEREON MAY NOT BE REPRODUCED, COPIED, OR IN ANY MANNER EXCEPT FOR THE PURPOSES OF THAT INSTRUMENT OR AS OTHERWISE PERMITTED IN WRITING BY THE UNIVAC DIVISION OF SPERRY RAND CORPORATION.

UNLESS OTHERWISE SPECIFIED: DIMENSION IN INCHES, TOLERANCE OF 2 PLACE DECIMALS = .005 3 PLACE DECIMALS = .001 ANGLE = ± .005 HOLE DIAMETER TOLERANCE: 0 THRU .250 = +.003 .251 THRU .500 = +.005 .501 THRU 1.000 = +.010 1.001 THRU 2.000 = +.015 2.001 THRU 3.000 = +.020 3.001 THRU 4.000 = +.025 4.001 THRU 6.000 = +.030 6.001 THRU 10.000 = +.040 10.001 THRU 15.000 = +.050 15.001 THRU 25.000 = +.060 25.001 THRU 50.000 = +.075 50.001 THRU 100.000 = +.090 100.001 THRU 200.000 = +.0012 200.001 THRU 500.000 = +.0015 500.001 THRU 1000.000 = +.0020 THREADS: EXT. UNF, INT. CL 2B	LAYOUT DRAFTSMAN R.E. LANGER	DATE 3-25-64	CLASS A
	CHECKER B. POPOV	DATE 2-15-65	TITLE FUNCTIONAL SCHEMATIC, X & W REGISTER CONTROL
MATERIAL FINISH	ENGINEER G.P. KEEGESS	DATE 4-7-5	CODE IDENT NO. 90536
APPLICATION COMMODITY CODE	APPROVAL <i>[Signature]</i>	DATE 4-9-5	SIZE D
			DWG NO. 7018887
			SCALE WEIGHT SHEET 1 OF 1

DO NOT SCALE THIS PRINT

DWG. NO. 7018887

REVISIONS					
SYM	ZONE	EIR	DESCRIPTION	DATE	APPROVED
A		75633	SEE EIR	5-3-66	[Signature]



2IT22 (9-16)
L → T22 RI SEQ
1IT42 (9-15)
L → T42, I SEQ
2IT42 (9-16)
L → T42, RI, W SEQ
03L00 (9-36)

27F62 (9-48)
L → f=50:62,63
01L04 (9-36)
L → COMPLEMENT CHECK
24G30 (9-33)
L → COMP AU
01G30 (9-33)
L → A NEG
21F26 (9-45)
L → f=26,27
12A00 (9-94)
L → EAB
S1F10 (9-44)
L → f=10,11,20-23

01G39 (9-27)
L → AL BIT 0=1
21F24 (9-45)
L → f=24,25

10F42 (9-47)
H → f=42
10F46 (9-47)
H → f=46
06J11 (9-7)
L → MASTER CLEAR

11F51 (9-47)
L → f=51

00L06 (9-36)
H → CLR AL, ADDER → AL
00T52 (9-11)
H → f=50:61,63&T52

21F70 (9-48)
L → f=70,71,50:60

91F04 (9-44)
L → f=04,05,12-17,20-23
R2 SEQ, 51-53
20F40 (9-47)
L → f=40,41
10F45 (9-47)
H → f=45

FIGURE 9-20

IDENT NO. 7018873-00

THIS DOCUMENT CONTAINS CONFIDENTIAL INFORMATION OF THE UNIVAC DIVISION OF SPERRY RAND CORPORATION AND IS FURNISHED PURSUANT TO THE FOLLOWING INSTRUMENT:

ON THE UNDERSTANDING THAT THIS DOCUMENT AND THE INFORMATION HEREON MAY NOT BE DEALT WITH IN ANY MANNER EXCEPT FOR THE PURPOSES OF THAT INSTRUMENT OR AS OTHERWISE PERMITTED IN WRITING BY THE UNIVAC DIVISION OF SPERRY RAND CORPORATION.

QTY REQD	FIND	REF DES	CODE IDENT	DWG SIZE	PART OR IDENTIFYING NO.	NOMENCLATURE OR DESCRIPTION

LIST OF MATERIAL

UNLESS OTHERWISE SPECIFIED		LAYOUT	MATT	CLASS
DIMENSION IN INCHES. TOLERANCE OF				A
2 PLACE DECIMALS		DRAFTSMAN		
3 PLACE DECIMALS		B. Popov	f-21-61	
ANGLES		CHECKER		
HOLE DIAMETER TOLERANCE		B. POPOV	2-13-65	
0 THRU .250		ENGINEER		
+.003		GR. NIKSANS	4-9-5	
-.002		APPROVED		
.501 & LARGER		[Signature]		
+.010				
-.005				
THREADS: EXT. CL. INT. CL. 2B				
MATERIAL	APPLICATION			
FINISH	COMMODITY CODE			

CODE IDENT NO.	SIZE	DWG NO.
90536	D	7018873
SCALE	WEIGHT	SHEET OF

DO NOT SCALE THIS PRINT

Dwg. No. 7018873

REVISIONS						
SYM	ZONE	EIR	DESCRIPTION	CHK	DATE	APPROVED
A	D6	71771	SEE EIR		8-23-65	<i>[Signature]</i>
B		10749	SEE EIR		7-30-65	<i>[Signature]</i>
C		25572	SEE EIR		6-5-65	<i>[Signature]</i>

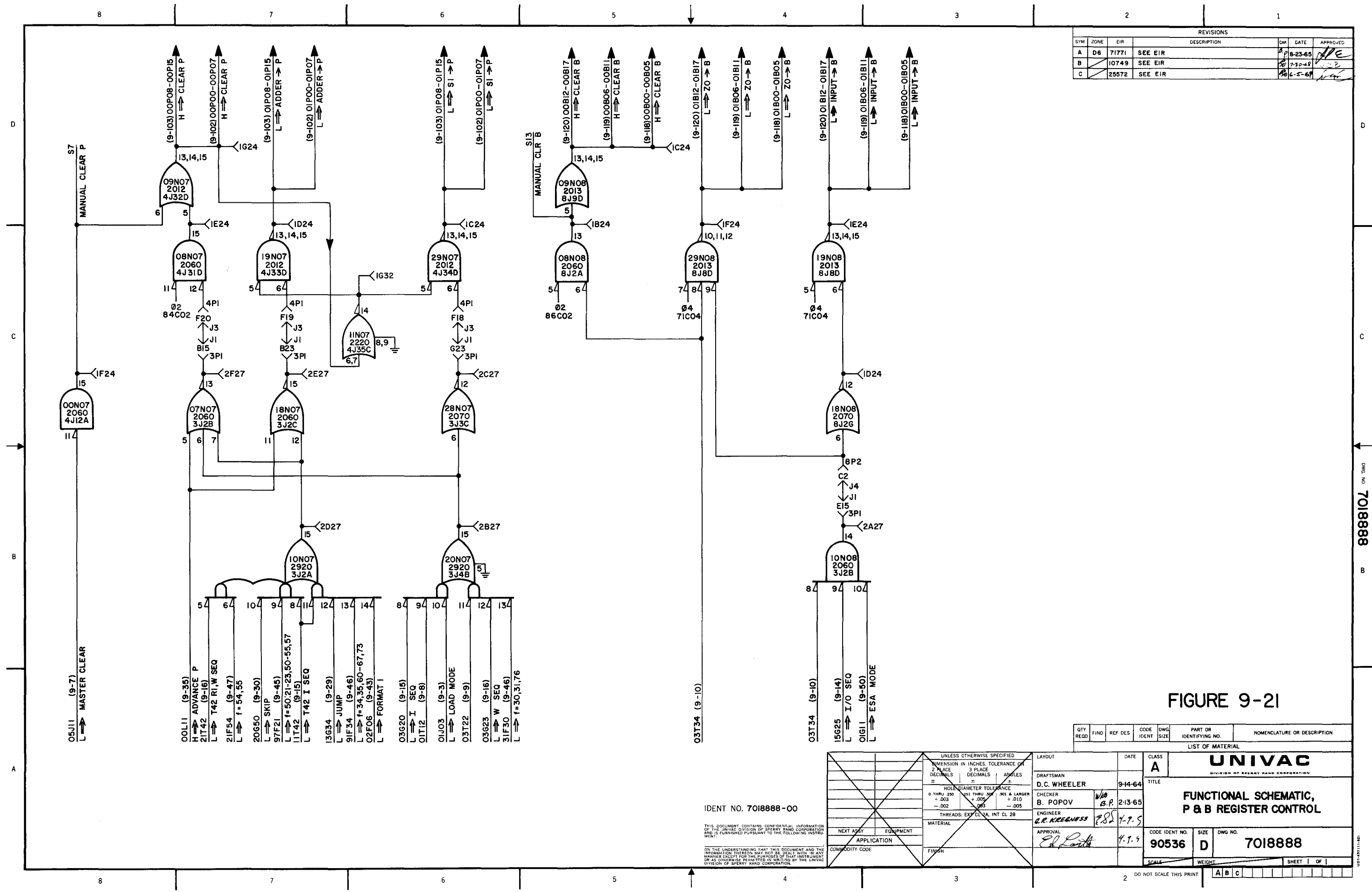


FIGURE 9-21

QTY	REQD	FIND	REF DES	CODE IDENT	DWG SIZE	PART OR IDENTIFYING NO.	NOMENCLATURE OR DESCRIPTION
LIST OF MATERIAL							
			CLASS		A		
			DATE		9-14-64		
			DRAFTSMAN		D.C. WHEELER		
			CHECKER		B. POPOV		
			ENGINEER		G.R. KEEGNESS		
			APPROVAL		<i>[Signature]</i>		
			DATE		4-7-5		
			CODE IDENT NO.		90536		
			SIZE		D		
			DWG NO.		7018888		
			SCALE				
			WEIGHT				
			SHEET		OF		

IDENT NO. 701888-00

THIS DOCUMENT CONTAINS CONFIDENTIAL INFORMATION OF THE UNIVAC DIVISION OF SPERRY RAND CORPORATION AND IS FURNISHED PURSUANT TO THE FOLLOWING INSTRUMENT:

ON THE UNDERSTANDING THAT THIS DOCUMENT AND THE INFORMATION THEREON MAY NOT BE DISCLOSED IN ANY MANNER EXCEPT FOR THE PURPOSES OF THAT INSTRUMENT OR AS OTHERWISE PERMITTED IN WRITING BY THE UNIVAC DIVISION OF SPERRY RAND CORPORATION.

UNLESS OTHERWISE SPECIFIED	DIMENSION IN INCHES	TOLERANCE ON 2 PLACE DECIMALS	TOLERANCE ON 3 PLACE DECIMALS	TOLERANCE ON 4 PLACE DECIMALS
HOLE DIAMETER TOLERANCE	0 THRU .250	±.003	±.002	±.001
	.251 THRU .500	±.004	±.003	±.002
	.501 & LARGER	±.005	±.004	±.003
THREADS	EXT. CL. 2A, INT. CL. 2B			
MATERIAL				
FINISH				
APPLICATION				
EQUIPMENT				
COMMODITY CODE				

DO NOT SCALE THIS PRINT

DWG. NO. 7018888

REVISIONS						
SYM	ZONE	EIR	DESCRIPTION	CHK	DATE	APPROVED
A		71771	SEE EIR		8-23-65	<i>[Signature]</i>
B		75633	SEE EIR		5-3-66	<i>[Signature]</i>
C		24544	SEE EIR		7-22-65	<i>[Signature]</i>

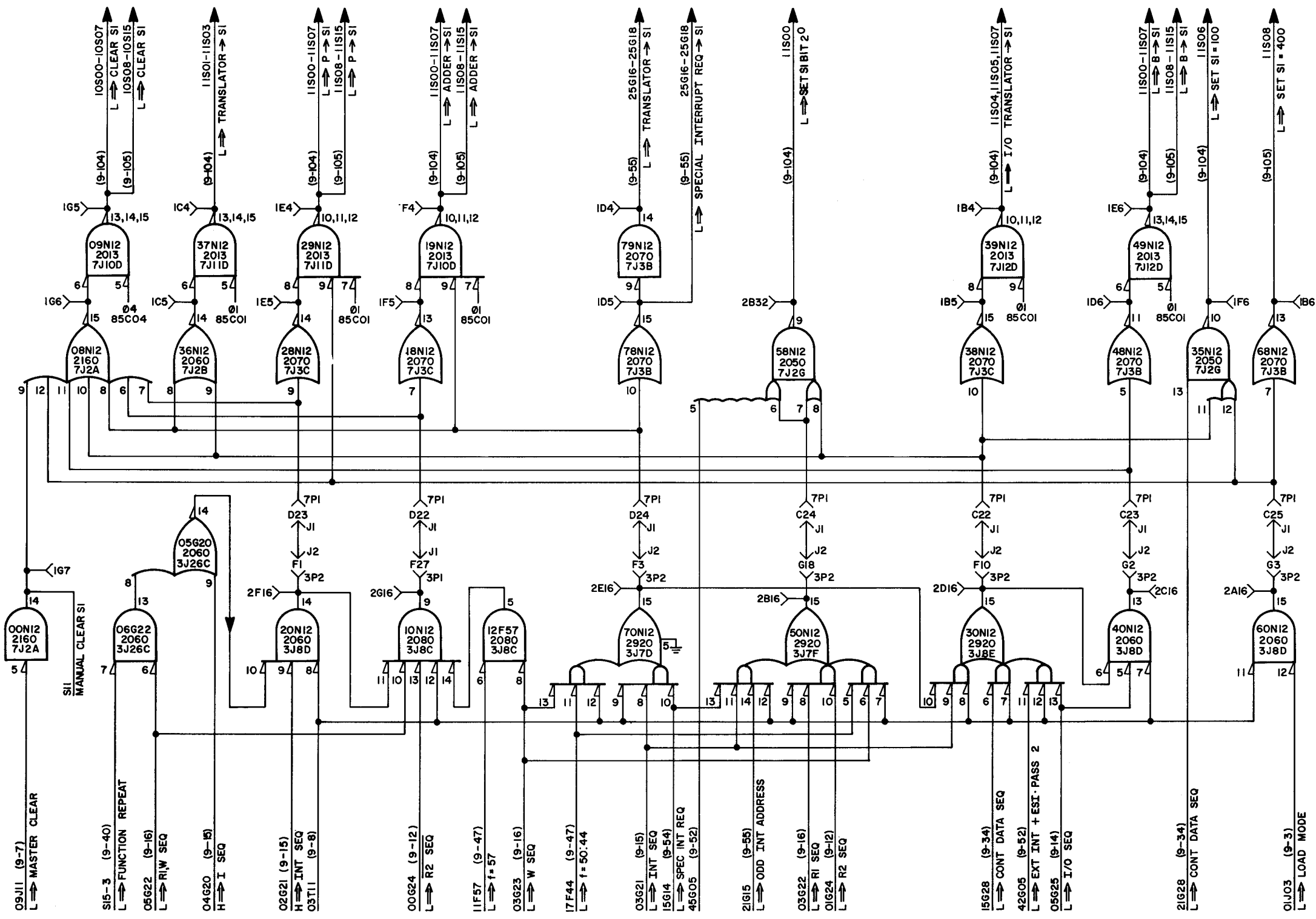


FIGURE 9-22

QTY REQD	FIND	REF DES	CODE IDENT	DWG SIZE	PART OR IDENTIFYING NO.	NOMENCLATURE OR DESCRIPTION

LIST OF MATERIAL			
UNLESS OTHERWISE SPECIFIED	LAYOUT	DATE	CLASS
DIMENSION IN INCHES. TOLERANCE ON 2 PLACE DECIMALS	DRAFTSMAN	1-6-65	A
ANGLES	D.C. WHEELER		
HOLE DIAMETER TOLERANCE	CHECKER	4-16-65	
0 THRU .250 +.003	B. POPOV	2-22-65	
.251 THRU .500 +.005	ENGINEER		
.501 & LARGER +.010	OR. KEEFNESS	4-7-5	
-.002	APPROVAL:		
THREADS: EX. CL. 2A, INT. CL. 2B			
MATERIAL	COMMODITY CODE	APPLICATION	EQUIPMENT
FINISH			

CODE IDENT NO.	SIZE	DWG NO.
90536	D	7018926

IDENT NO. 7018926-00

THIS DOCUMENT CONTAINS CONFIDENTIAL INFORMATION OF THE UNIVAC DIVISION OF SPERRY RAND CORPORATION AND IS FURNISHED PURSUANT TO THE FOLLOWING INSTRUMENT:

ON THE UNDERSTANDING THAT THIS DOCUMENT AND THE INFORMATION THEREON MAY NOT BE DEALT WITH IN ANY MANNER EXCEPT FOR THE PURPOSES OF THAT INSTRUMENT OR AS OTHERWISE PERMITTED IN WRITING BY THE UNIVAC DIVISION OF SPERRY RAND CORPORATION.

DWG. NO. 7018926

DO NOT SCALE THIS PRINT

A	B	C							
---	---	---	--	--	--	--	--	--	--

REVISIONS					
SYM	ZONE	EIR	DESCRIPTION	DATE	APPROVED
A			17049, SEE EIR	6-2-68	

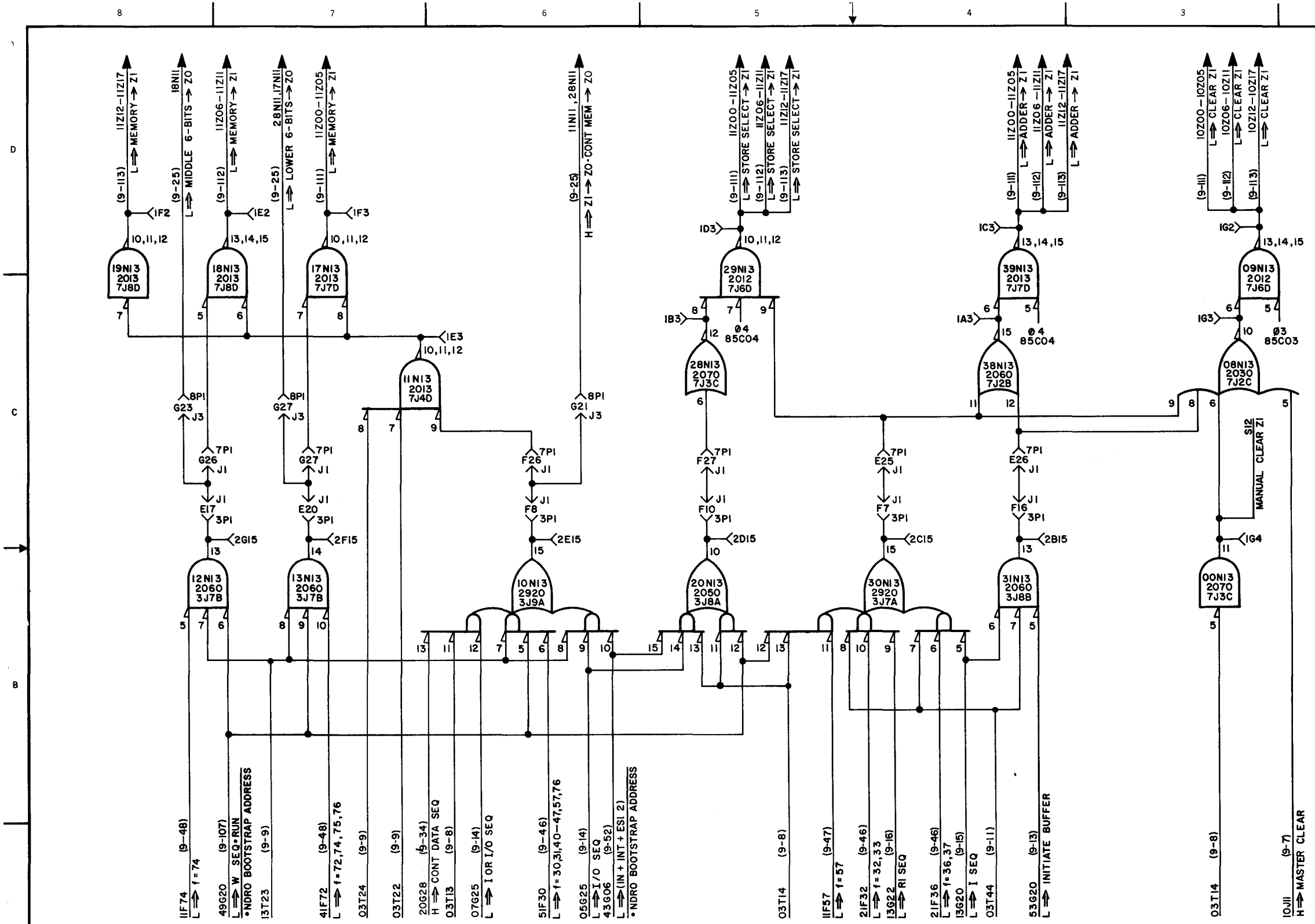


FIGURE 9-23

QTY	FIND	REF DES	CODE IDENT	DWG SIZE	PART OR IDENTIFYING NO.	NOMENCLATURE OR DESCRIPTION

UNIVAC		DATE	CLASS
DIVISION OF SPERRY RAND CORPORATION		1/15/68	A
TITLE		CHECKER	ENGINEER
FUNCTIONAL SCHEMATIC, ZI REGISTER CONTROL		R. NEWMAN	P.E. Olson
CODE IDENT NO.		SIZE	DWG NO.
90536		D	7078788
SCALE		WEIGHT	SHEET OF
			1 OF 1

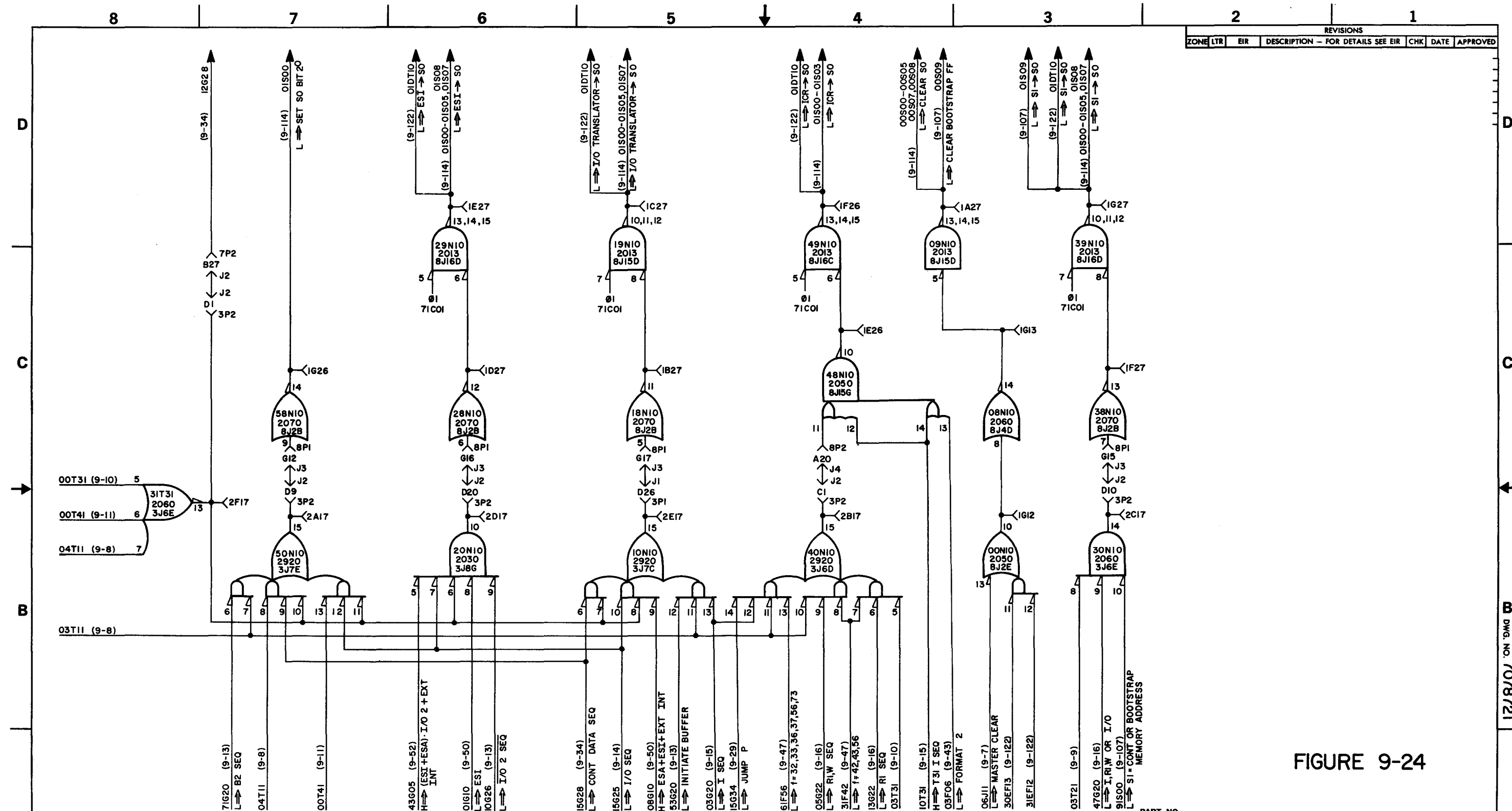
IDENT NO. 7078788-00

THIS DOCUMENT CONTAINS CONFIDENTIAL INFORMATION OF THE UNIVAC DIVISION OF SPERRY RAND CORPORATION. IT IS TO BE CONTROLLED AND DISTRIBUTION RESTRICTED TO THE PERSONNEL OF THE UNIVAC DIVISION OF SPERRY RAND CORPORATION OR AS OTHERWISE PERMITTED IN WRITING BY THE UNIVAC DIVISION OF SPERRY RAND CORPORATION.

UNLESS OTHERWISE SPECIFIED	
DIMENSION IN INCHES. TOLERANCE ON 2 PLACE DECIMALS	± .005
DIMENSION IN INCHES. TOLERANCE ON 3 PLACE DECIMALS	± .0005
ANGLES	± .005
HOLE DIAMETER TOLERANCE	± .0005
0 THRU .250	± .0005
.251 THRU .500	± .0005
.501 & LARGER	± .0010
THREADS: EXT. CL. 2A, INT. CL. 2B	
MATERIAL	
FINISH	

DWG. NO. 7078788

DO NOT SCALE THIS PRINT

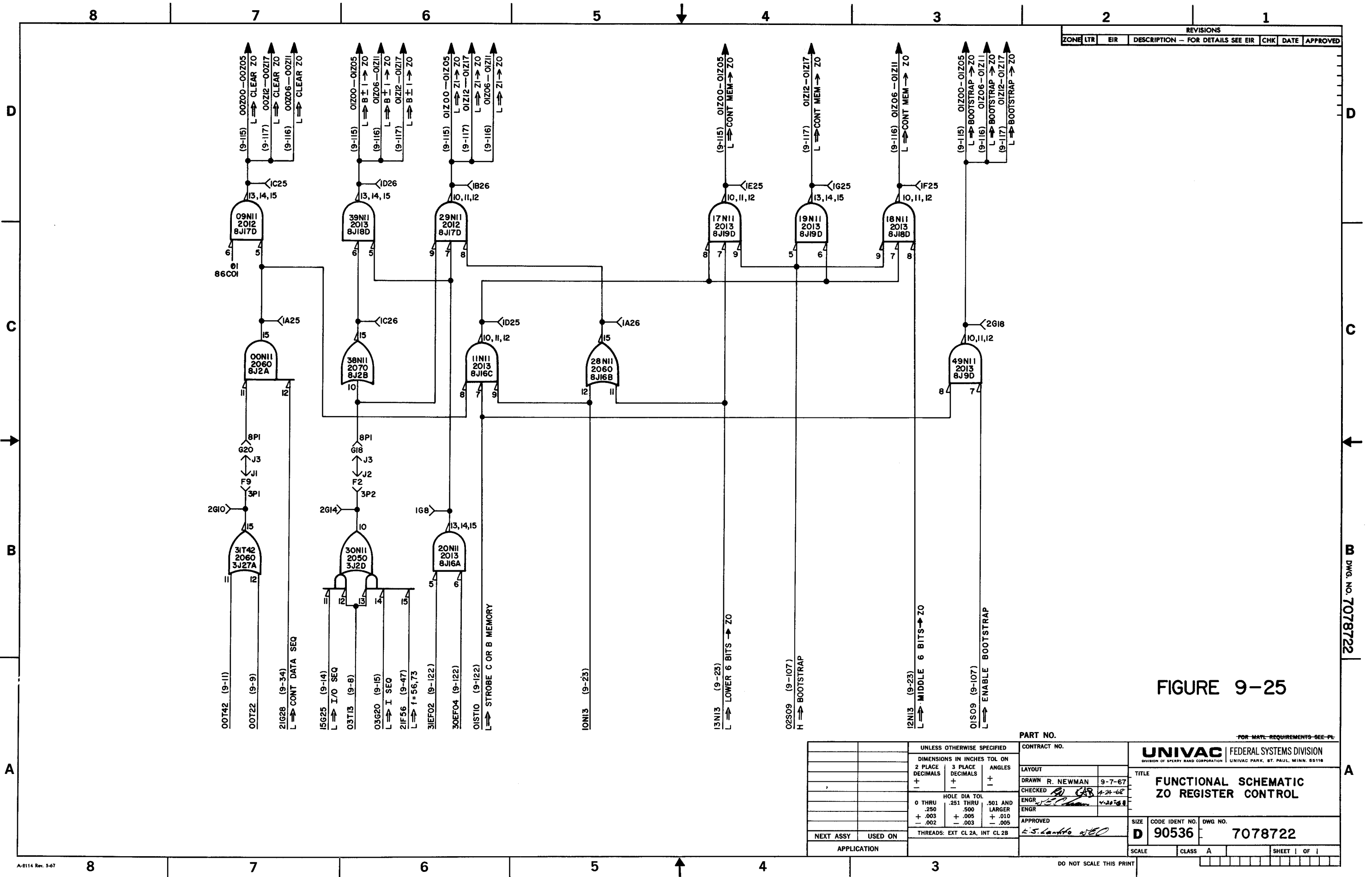


REVISIONS					
ZONE	LTR	EIR	DESCRIPTION	FOR DETAILS SEE EIR	CHK DATE APPROVED

FIGURE 9-24

DWG. NO. 7078721

UNLESS OTHERWISE SPECIFIED		CONTRACT NO.		FOR MATL. REQUIREMENTS SEE PL.	
DIMENSIONS IN INCHES TOL ON		LAYOUT		UNIVAC FEDERAL SYSTEMS DIVISION	
2 PLACE DECIMALS	3 PLACE DECIMALS	+	+	DIVISION OF SPERRY RAND CORPORATION UNIVAC PARK, ST. PAUL, MINN. 55116	
+	+	+	+	TITLE	
HOLE DIA TOL		DRAWN R.C. PETERSON 9-7-67		FUNCTIONAL SCHEMATIC, S O REGISTER CONTROL	
0 THRU .250	.251 THRU .500	.501 AND LARGER	CHECKED <i>[Signature]</i>	SIZE CODE IDENT NO. DWG NO.	
+.003	+.005	+.010	ENGR <i>[Signature]</i>	D 90536 7078721	
-.002	-.003	-.005	APPROVED <i>[Signature]</i>	SCALE CLASS A SHEET 1 OF 1	
THREADS: EXT CL 2A, INT CL 2B		NEXT ASSY USED ON		DO NOT SCALE THIS PRINT	



REVISIONS						
ZONE	LTR	EIR	DESCRIPTION - FOR DETAILS SEE EIR	CHK	DATE	APPROVED

FIGURE 9-25

UNLESS OTHERWISE SPECIFIED		CONTRACT NO.		FOR MATL REQUIREMENTS SEE PL	
DIMENSIONS IN INCHES TOL ON		LAYOUT		UNIVAC FEDERAL SYSTEMS DIVISION	
2 PLACE DECIMALS	3 PLACE DECIMALS	+	+	DIVISION OF SPERRY RAND CORPORATION UNIVAC PARK, ST. PAUL, MINN. 55118	
+	+	+	+	TITLE	
0 THRU .250	.251 THRU .500	.501 AND LARGER	ANGLES	DRAWN R. NEWMAN 9-7-67	
+	+	+	+	CHECKED <i>[Signature]</i> 4-24-68	
-.002	-.003	-.005	+	ENGR <i>[Signature]</i> 4-20-68	
+	+	+	+	APPROVED <i>[Signature]</i>	
THREADS: EXT CL 2A, INT CL 2B	NEXT ASSY		USED ON		SIZE
					CODE IDENT NO.
					DWG NO.
					D 90536
					7078722
					SCALE
					CLASS A
					SHEET 1 OF 1

REVISIONS			
SYM	ZONE	EIR	DESCRIPTION
A		75628	SEE EIR

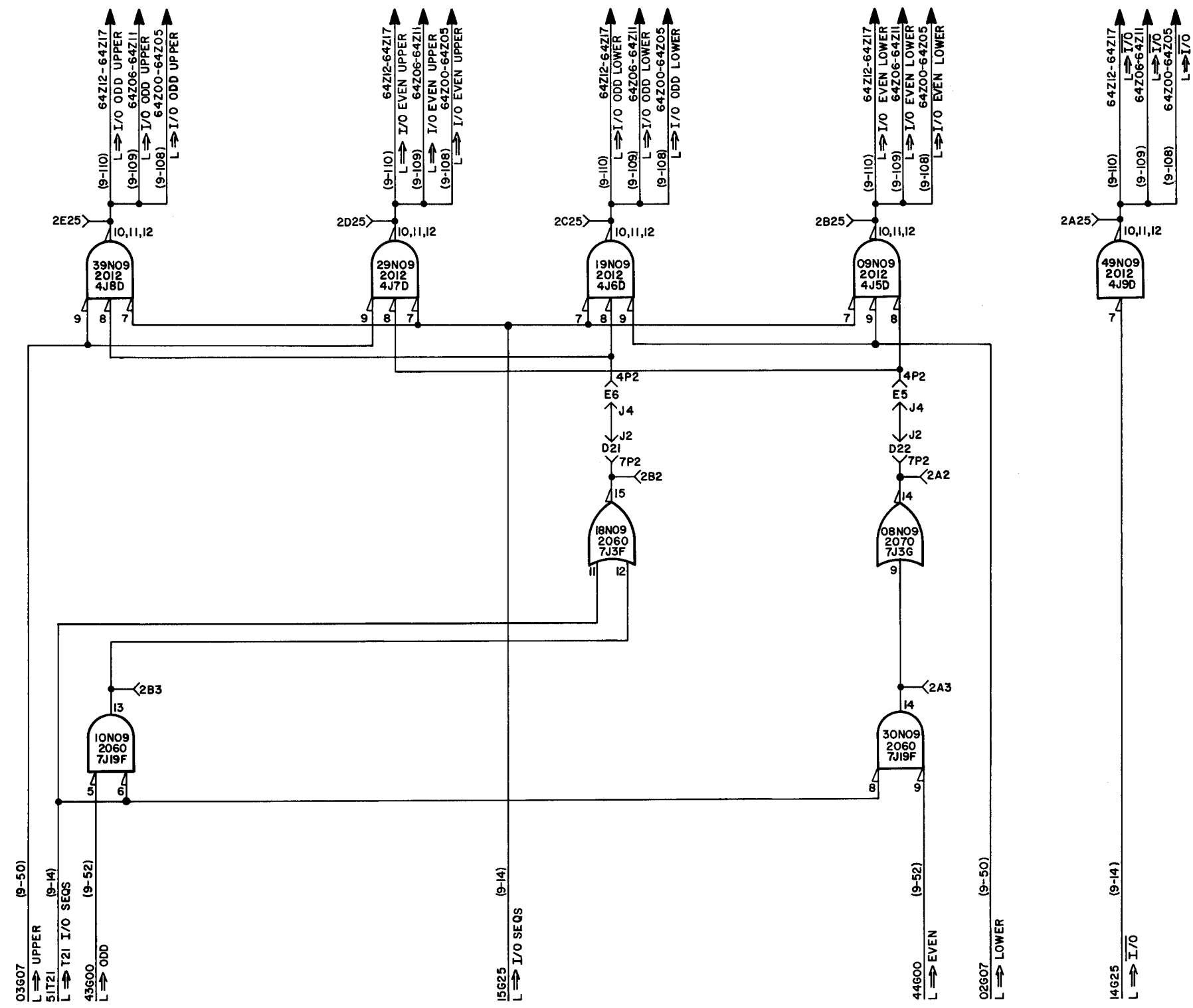


FIGURE 9-26

QTY REQD	FIND	REF DES	CODE IDENT	DWG SIZE	PART OR IDENTIFYING NO.	NOMENCLATURE OR DESCRIPTION

LIST OF MATERIAL

UNLESS OTHERWISE SPECIFIED		LAYOUT		DATE	CLASS	UNIVAC	
DIMENSION IN INCHES. TOLERANCE ON 2 PLACE DECIMALS		DRAFTSMAN		6-10-64	A	DIVISION OF SPERRY RAND CORPORATION	
HOLD DIAMETER TOLERANCE		CHECKER				TITLE	
0 THRU .250 +.003		B. POPOV				FUNCTIONAL SCHEMATIC, STORE SELECT CONTROL	
.251 THRU .500 +.005		ENGINEER				CODE IDENT NO.	
.501 & LARGER +.010		G.R. KREGANZ				90536	
-.002 -.005		APPROVAL				SIZE	
THREADS: EXPT. CL 2A, INT. CL 2B						D	
MATERIAL						DWN NO.	
FINISH						7018939	
NEXT ASSY		EQUIPMENT		SCALE		WEIGHT	
APPLICATION				DO NOT SCALE THIS PRINT		SHEET 1 OF 1	
COMMODITY CODE							

IDENT NO. 7018939-00

THIS DOCUMENT CONTAINS CONFIDENTIAL INFORMATION OF THE UNIVAC DIVISION OF SPERRY RAND CORPORATION AND IS FURNISHED PURSUANT TO THE FOLLOWING INSTRUMENT:

ON THE UNDERSTANDING THAT THIS DOCUMENT AND THE INFORMATION THEREON MAY NOT BE DEALT WITH IN ANY MANNER EXCEPT FOR THE PURPOSES OF THAT INSTRUMENT OR AS OTHERWISE PERMITTED IN WRITING BY THE UNIVAC DIVISION OF SPERRY RAND CORPORATION.

DWN NO. 7018939

REVISIONS					
SYM	ZONE	EIR	DESCRIPTION	DATE	APPROV.
A		75628	SEE EIR	4-29-66	B.P.
B		25572	SEE EIR	6-5-69	
C		004819	SEE EIR	8-12-72	

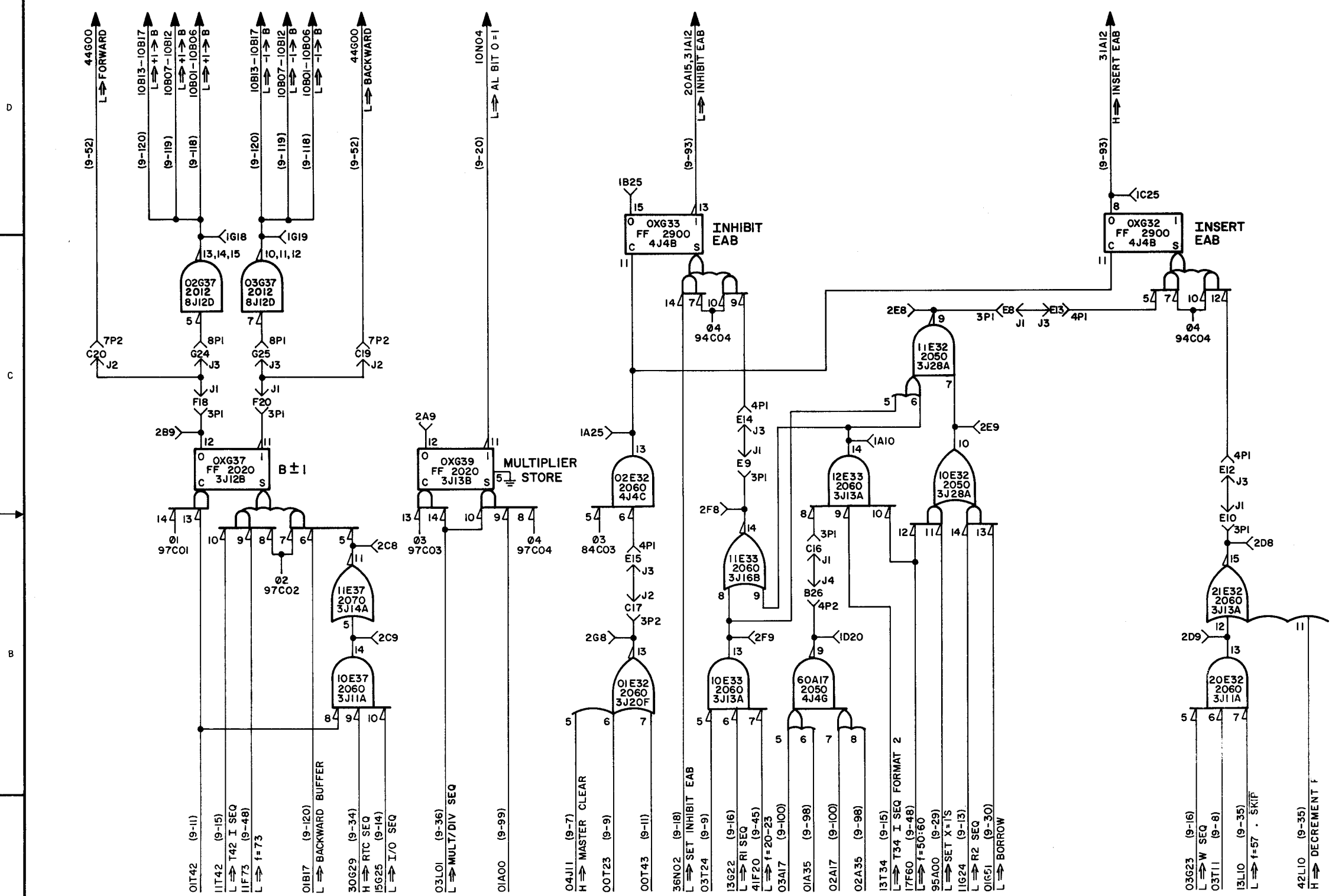


FIGURE 9-27

QTY REQD	FIND	REF DES	CODE IDENT	DWG SIZE	PART OR IDENTIFYING NO.	NOMENCLATURE OR DESCRIPTION

LIST OF MATERIAL			
LAYOUT	DATE	CLASS	UNIVAC DIVISION OF SPERRY RAND CORPORATION
DRAFTSMAN D.C. WHEELER	1-12-65	A	
CHECKER B. POPOV	1-13-65	TITLE	FUNCTIONAL SCHEMATIC, CONTROL DESIGNATORS I
ENGINEER G.R. KRUGNESS	4-9-5		
APPROVING E.S. Lantz		CODE IDENT NO.	90536
		SIZE	D
		DWG NO.	7018931
		SCALE	
		WEIGHT	
		SHEET	1 of 1

IDENT NO. 7018931-00

THIS DOCUMENT CONTAINS CONFIDENTIAL INFORMATION OF THE UNIVAC DIVISION OF SPERRY RAND CORPORATION AND IS FURNISHED PURSUANT TO THE FOLLOWING INSTRUMENT:

ON THE UNDERSTANDING THAT THIS DOCUMENT AND THE INFORMATION THEREON MAY NOT BE DEALT WITH IN ANY MANNER EXCEPT FOR THE PURPOSES OF THAT INSTRUMENT OR AS OTHERWISE PROVIDED IN WRITING BY THE UNIVAC DIVISION OF SPERRY RAND CORPORATION.

UNLESS OTHERWISE SPECIFIED
DIMENSION IN INCHES. TOLERANCE ON 2 PLACE DECIMALS
HOLE DIAMETER TOLERANCE
THREADS: EXT. CL. 2A, INT. CL. 2B
MATERIAL
FINISH
APPLICATION
COMMODITY CODE

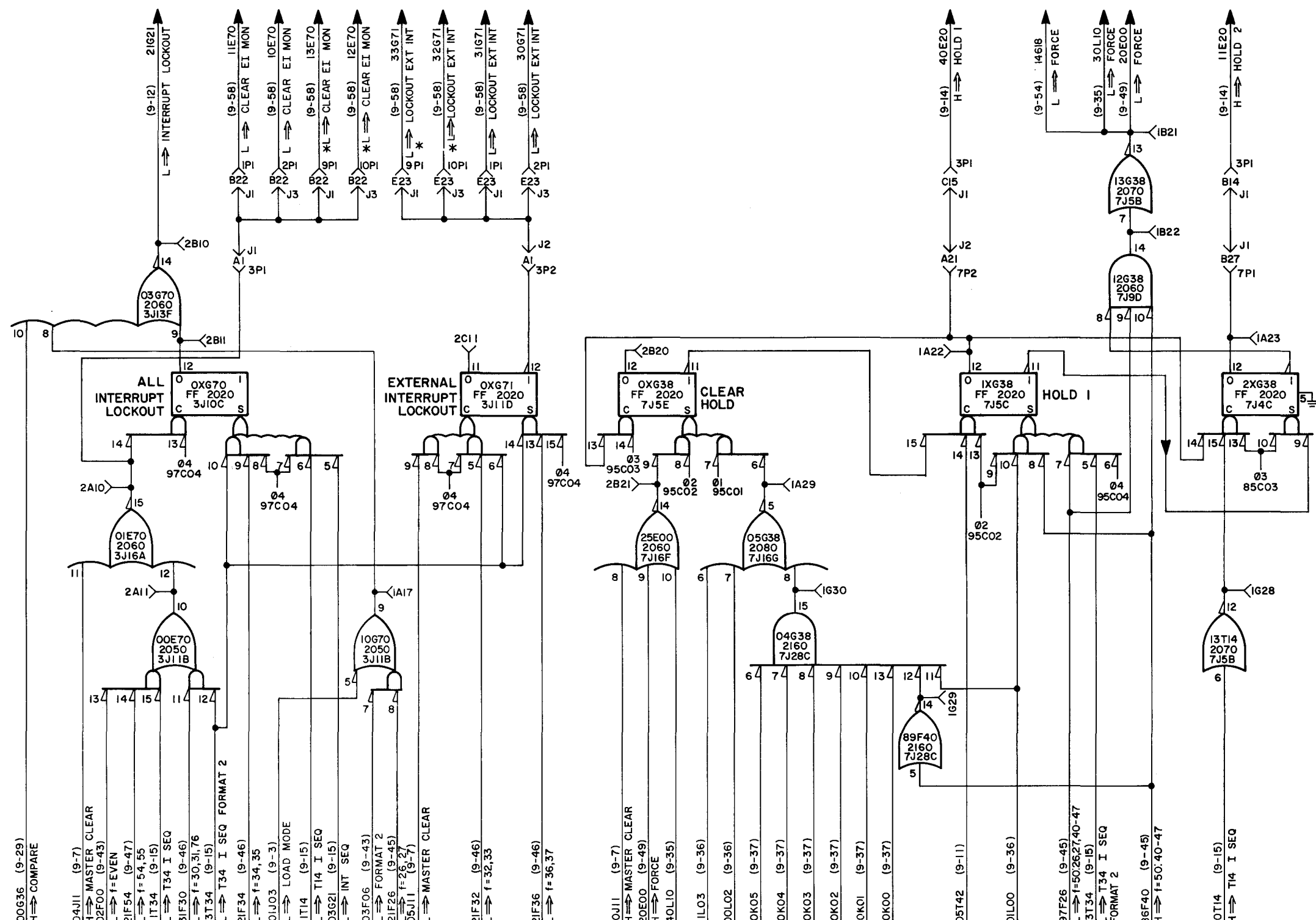
DATE	1-12-65
CHECKER	B. POPOV
ENGINEER	G.R. KRUGNESS
APPROVING	E.S. Lantz

CLASS	A
TITLE	FUNCTIONAL SCHEMATIC, CONTROL DESIGNATORS I
CODE IDENT NO.	90536
SIZE	D
DWG NO.	7018931
SCALE	
WEIGHT	
SHEET	1 of 1

DO NOT SCALE THIS PRINT

UNIV. NO. 7018931

REVISIONS				
SYM	ZONE	EIR	DESCRIPTION	DATE
A		71771	SEE EIR	8-24-65
B		75628	SEE EIR	11-29-66
D		25099	SEE EIR	12-21-68
E		19810	SEE EIR	1-13-71
F		002884	SEE EIR	1-15-72



NOTE:
* - FOR SERIAL 0 AND I COMPUTERS
REPLACE THE 9 AND 10 WITH
11 AND 12 RESPECTIVELY

- 00G36 (9-29) H → COMPARE
- 04J11 (9-7) H → MASTER CLEAR
- 02F00 (9-43) L → f=EVEN
- 21F54 (9-47) L → f=54,55
- 11T34 (9-15) L → T34 I SEQ
- 31F30 (9-46) L → f=30,31,76
- 13T34 (9-15) L → T34 I SEQ FORMAT 2
- 21F34 (9-46) L → f=34,35
- 01J03 (9-3) L → LOAD MODE
- 11T14 (9-15) L → T14 I SEQ
- 03G21 (9-15) L → INT SEQ
- 03F06 (9-43) L → FORMAT 2
- 21F26 (9-45) L → f=26,27
- 05J11 (9-7) L → MASTER CLEAR
- 21F32 (9-46) L → f=32,33
- 21F36 (9-46) L → f=36,37
- 10J11 (9-7) H → MASTER CLEAR
- 20E00 (9-49) H → FORCE
- 40L10 (9-35) I → L03 (9-36)
- 00L02 (9-36) I → L05 (9-37)
- 10K04 (9-37) I → L03 (9-37)
- 10K03 (9-37) I → L02 (9-37)
- 10K02 (9-37) I → L01 (9-37)
- 10K01 (9-37) I → L00 (9-37)
- 05T42 (9-11) I → L00 (9-36)
- 97F26 (9-45) L → f=50,26,27,40-47
- 13T34 (9-15) L → T34 I SEQ FORMAT 2
- 86F40 (9-45) H → f=50,40-47
- 10T14 (9-15) H → T14 I SEQ

FIGURE 9-28

QTY	FIND	REF	DES	CODE	DWG	PART OR	NOMENCLATURE OR DESCRIPTION
REQD				IDENT	SIZE	IDENTIFYING NO.	
LIST OF MATERIAL							
UNLESS OTHERWISE SPECIFIED				LAYOUT			
DIMENSION IN INCHES. TOLERANCE OR				DATE			
2 PLACE DECIMALS				CLASS			
3 PLACE DECIMALS				A			
ANGLES				DRAFTSMAN			
±				D.C. WHEELER			
HOLE DIAMETER TOLERANCE				DATE			
0 THRU .250				1-8-65			
.251 THRU .500				CHECKER			
.501 & LARGER				B. POPOV			
+ .003				ENGINEER			
+ .005				G.R. KIRKNESS			
- .002				DATE			
- .003				1-9-65			
- .005				APPROVED			
THREADS: EXT. CL 2A, INT. CL 2B				E.D. Smith			
MATERIAL				DATE			
FINISH				1-9-65			
NEXT ASSY				CODE IDENT NO.			
EQUIPMENT				90536			
APPLICATION				SIZE			
COMMODITY CODE				D			
				DWG NO.			
				7018921			
				SCALE			
				WEIGHT			
				SHEET 1 OF 1			

IDENT NO. 7018921-00

THIS DOCUMENT CONTAINS CONFIDENTIAL INFORMATION OF THE UNIVAC DIVISION OF SPERRY RAND CORPORATION AND IS FURNISHED PURSUANT TO THE FOLLOWING INSTRUMENT:

ON THE UNDERSTANDING THAT THIS DOCUMENT AND THE INFORMATION THEREIN MAY NOT BE DEALT WITH IN ANY MANNER EXCEPT FOR THE PURPOSES OF THAT INSTRUMENT OR BE OTHERWISE TRANSMITTED OR WRITTEN BY THE UNIVAC DIVISION OF SPERRY RAND CORPORATION.

FORM NO. 7018921

DO NOT SCALE THIS PRINT

REVISIONS					
SYM	ZONE	EIR	DESCRIPTION	DATE	APPROVED
A		71771	SEE EIR	8-23-65	RPE

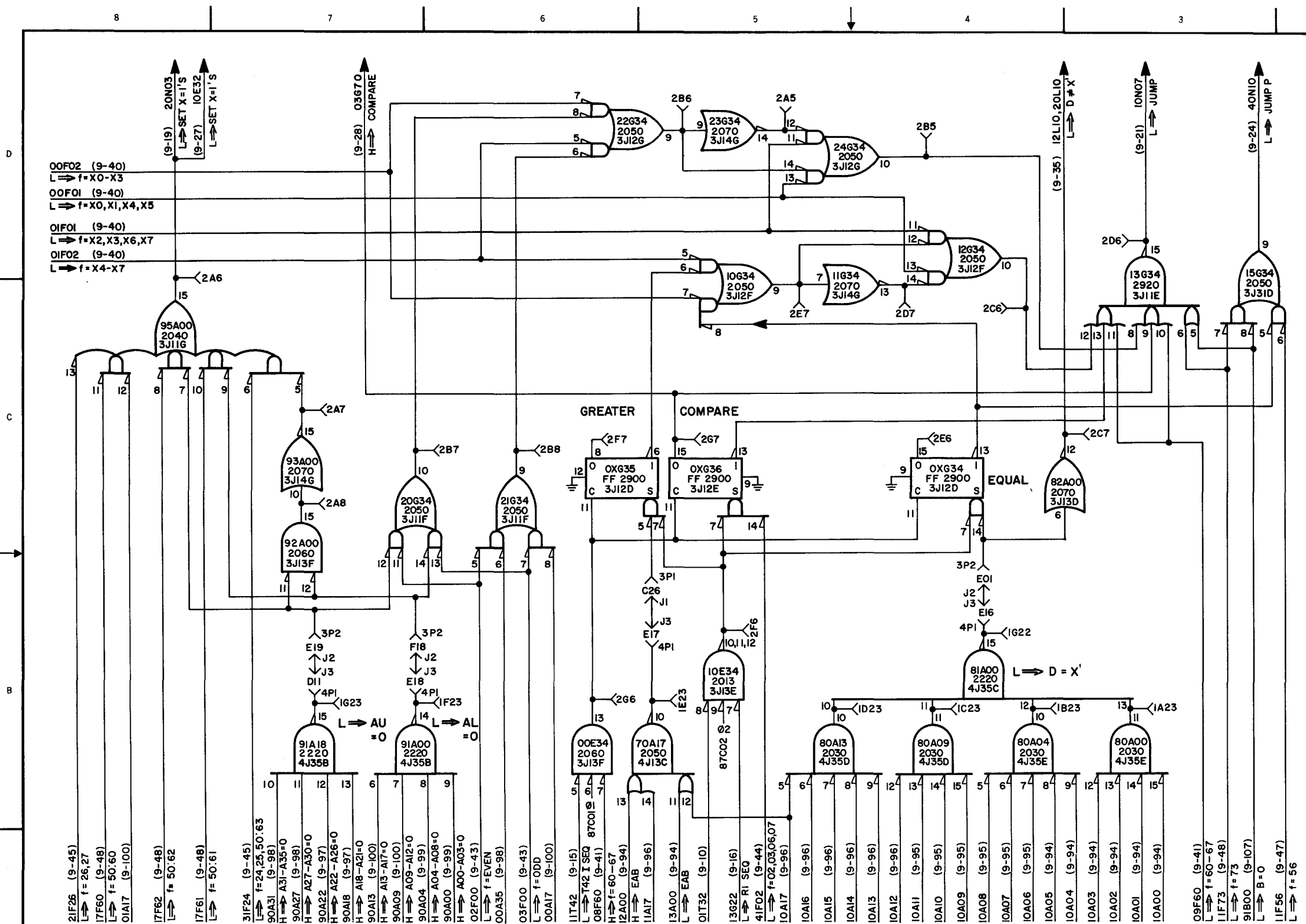


FIGURE 9-29

QTY	FIND	REF DES	CODE	DWG	PART OR IDENTIFYING NO.	NOMENCLATURE OR DESCRIPTION

LIST OF MATERIAL	
CLASS	A
DRAFTSMAN	J. JERYLO
CHECKER	B. POPOV
ENGINEER	G.R. KERRIGAN
APPROVAL	<i>[Signature]</i>
DATE	6-8-64
CLASS	A
TITLE	FUNCTIONAL SCHEMATIC, COMPARISON DESIGNATORS AND JUMP CONTROL
CODE IDENT NO.	90536
SIZE	D
DWG NO.	7018917
SCALE	
WEIGHT	
SHEET	1 OF 1

IDENT NO. 7018917-00

THIS DOCUMENT CONTAINS CONFIDENTIAL INFORMATION OF THE DIVISION OF SPERRY RAND CORPORATION AND IS FURNISHED PURSUANT TO THE FOLLOWING INSTRUMENT:

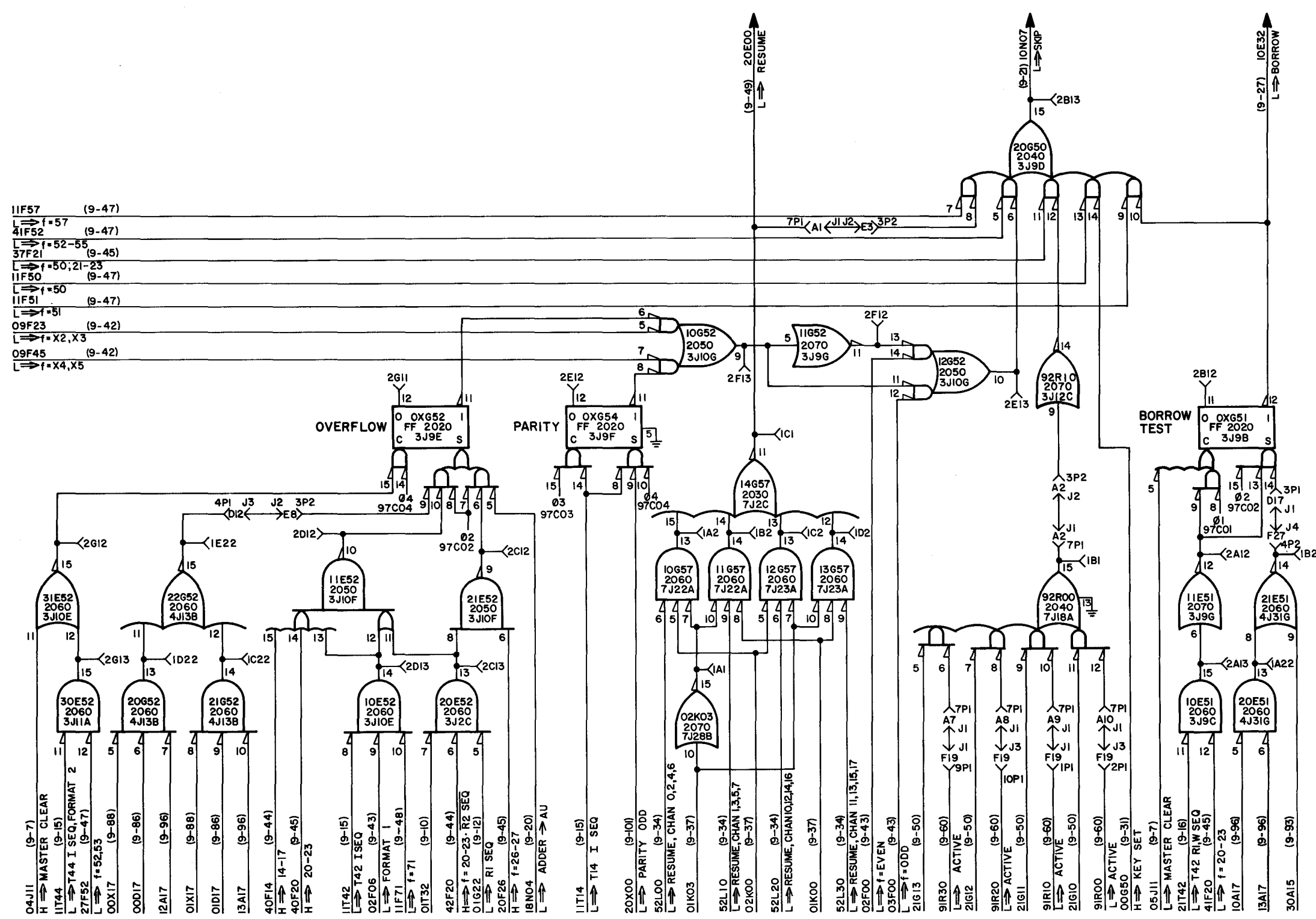
ON THE UNDERSTANDING THAT THIS DOCUMENT AND THE INFORMATION THEREON MAY NOT BE DEALT WITH IN ANY MANNER EXCEPT FOR THE PURPOSES OF THAT INSTRUMENT OR AS OTHERWISE PERMITTED IN WRITING BY THE UNIVAC DIVISION OF SPERRY RAND CORPORATION.

UNLESS OTHERWISE SPECIFIED
DIMENSION IN INCHES. TOLERANCE ON 2 PLACE DECIMALS
DIMENSION IN INCHES. TOLERANCE ON 3 PLACE DECIMALS
ANGLES
HOLE DIAMETER TOLERANCE
0 THRU .250
.251 THRU .500
.501 & LARGER
-.003
-.005
-.010
-.005
THREADS: EX. INT. CL 2B
MATERIAL
FINISH

DO NOT SCALE THIS PRINT

DWG. NO. 7018917

REVISIONS				
SYM	ZONE	EIR	DESCRIPTION	CHK DATE APPROVED
A		76902	SEE EIR	4-22-66
B		24544	SEE EIR	7-22-66



- 11F57 (9-47)
- L → f = 57
- 41F52 (9-47)
- L → f = 52-55
- 37F21 (9-45)
- L → f = 50, 21-23
- 11F50 (9-47)
- L → f = 50
- 11F51 (9-47)
- L → f = 51
- 09F23 (9-42)
- L → f = X2, X3
- 09F45 (9-42)
- L → f = X4, X5

- 04J11 (9-7)
- H → MASTER CLEAR
- 11T44 (9-15)
- L → T44 I SEQ, FORMAT 2
- 27F52 (9-47)
- L → f = 52, 53
- 00X17 (9-88)
- 00D17 (9-86)
- 12A17 (9-96)
- 01X17 (9-88)
- 01D17 (9-86)
- 13A17 (9-96)
- 40F14 (9-44)
- H → 14-17
- 40F20 (9-45)
- H → 20-23
- 11T42 (9-15)
- L → T42 I SEQ
- 02F06 (9-43)
- L → FORMAT 1
- 11F71 (9-48)
- L → f = 71
- 01T32 (9-10)
- 42F20 (9-44)
- H → f = 20-23, R2 SEQ
- 01G22 (9-12)
- L → R1 SEQ
- 20F26 (9-45)
- H → f = 26-27
- 18N04 (9-20)
- L → ADDER → AU
- 11T14 (9-15)
- L → T14 I SEQ
- 20X00 (9-10)
- L → PARITY ODD
- 52L00 (9-34)
- L → RESUME, CHAN 0, 2, 4, 6
- 01K03 (9-37)
- 52L10 (9-34)
- L → RESUME, CHAN 1, 3, 5, 7
- 02K00 (9-37)
- 52L20 (9-34)
- L → RESUME, CHAN 10, 12, 14, 16
- 01K00 (9-37)
- 52L30 (9-34)
- L → RESUME, CHAN 11, 13, 15, 17
- 02F00 (9-43)
- L → f = EVEN
- 03F00 (9-43)
- L → f = ODD
- 21G13 (9-50)
- 91R30 (9-60)
- L → ACTIVE
- 21G12 (9-50)
- L → ACTIVE
- 91R20 (9-60)
- L → ACTIVE
- 21G11 (9-50)
- L → ACTIVE
- 91R00 (9-60)
- L → ACTIVE
- 00G50 (9-31)
- H → KEY SET
- 05J11 (9-7)
- L → MASTER CLEAR
- 21T42 (9-16)
- L → T42 R/W SEQ
- 41E20 (9-45)
- L → f = 20-23
- 10A17 (9-96)
- 13A17 (9-96)
- 30A15 (9-93)

FIGURE 9-30

QTY REQD	FIND	REF DES	CODE IDENT	DWG SIZE	PART OR IDENTIFYING NO.	NOMENCLATURE OR DESCRIPTION

LIST OF MATERIAL	
CLASS	A
DRAFTSMAN	D.C. WHEELER
DATE	6-12-64
CHECKER	B. POPOV
ENGINEER	C.R. KREGNESS
APPROVAL	<i>[Signature]</i>
DATE	4-9-69
CODE IDENT NO.	90536
SIZE	D
DWG NO.	7018930
SCALE	
WEIGHT	
SHEET	1 OF 1

IDENT NO. 7018930-00

THIS DOCUMENT CONTAINS CONFIDENTIAL INFORMATION OF THE UNIVAC DIVISION OF SPERRY RAND CORPORATION AND IS FURNISHED PURSUANT TO THE FOLLOWING INSTRUMENT:

ON THE UNDERSTANDING THAT THIS DOCUMENT AND THE INFORMATION HEREON MAY NOT BE DEALT WITH IN ANY MANNER TO REVEAL OR FOR THE PURPOSES OF THAT INSTRUMENT OR AS OTHERWISE RESTRICTED IN WRITING BY THE UNIVAC DIVISION OF SPERRY RAND CORPORATION.

DWG. NO. 7018930

DO NOT SCALE THIS PRINT

REVISIONS				
SYM	ZONE	EIR	DESCRIPTION	CHK DATE APPROVED
A		71771	SEE EIR	8-23-65 [Signature]

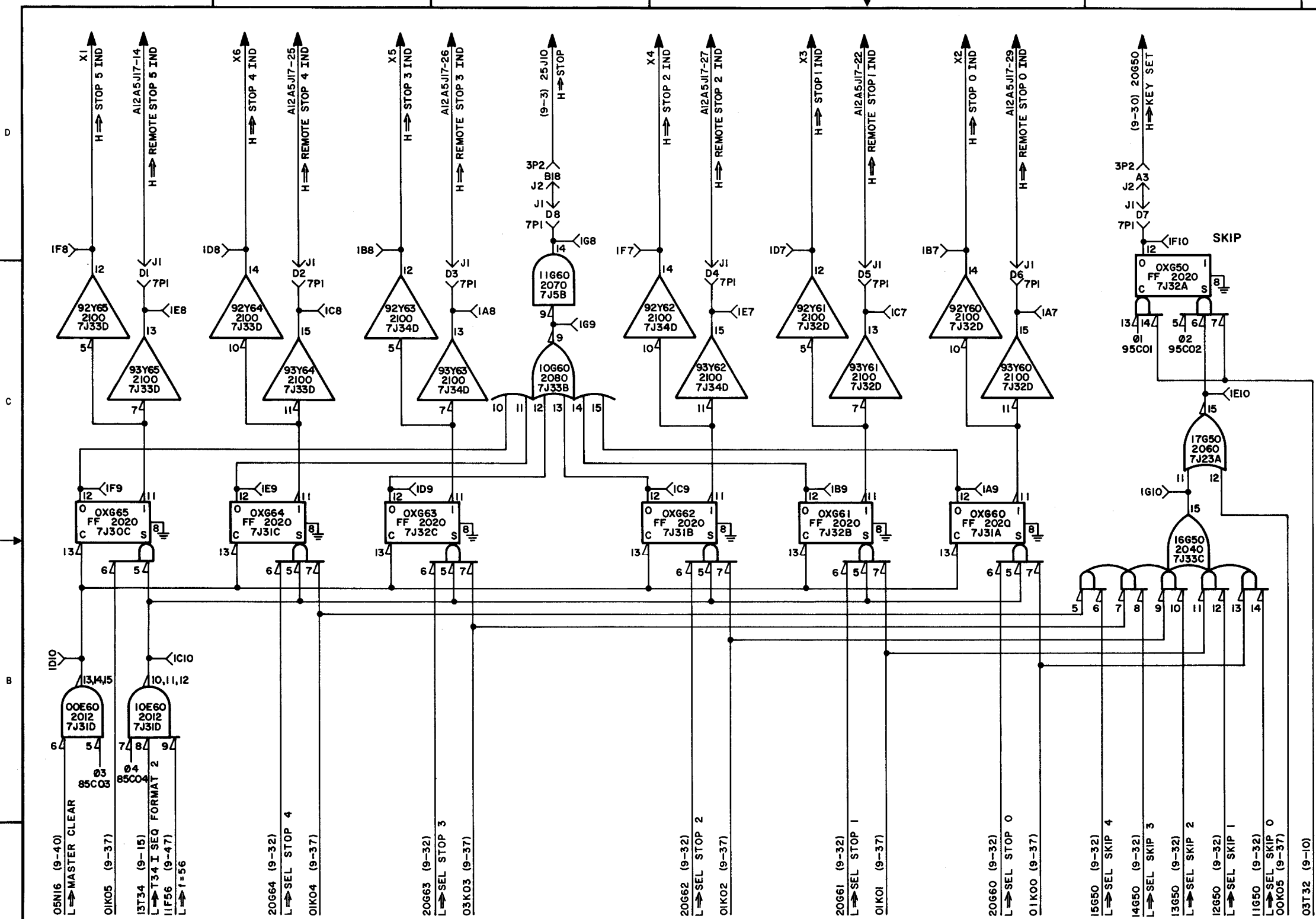


FIGURE 9-31

QTY	FIND	REF DES	CODE IDENT	DWG SIZE	PART OR IDENTIFYING NO.	NOMENCLATURE OR DESCRIPTION
LIST OF MATERIAL						
					UNIVAC	
					DIVISION OF SPERRY RAND CORPORATION	
					DRAFTSMAN	D.C. WHEELER
					CHECKER	B. POPOV
					ENGINEER	G.P. KREEMESS
					DATE	9-16-64
					DATE	2-13-65
					DATE	4-9-5
					DATE	4-9-5
					CODE IDENT NO.	90536
					SIZE	D
					DWG NO.	7018961
					SCALE	
					WEIGHT	
					SHEET	1 OF 1

IDENT NO. 7018961-00

THIS DOCUMENT CONTAINS CONFIDENTIAL INFORMATION OF THE UNIVAC DIVISION OF SPERRY RAND CORPORATION AND IS FURNISHED PURSUANT TO THE FOLLOWING INSTRUMENT:

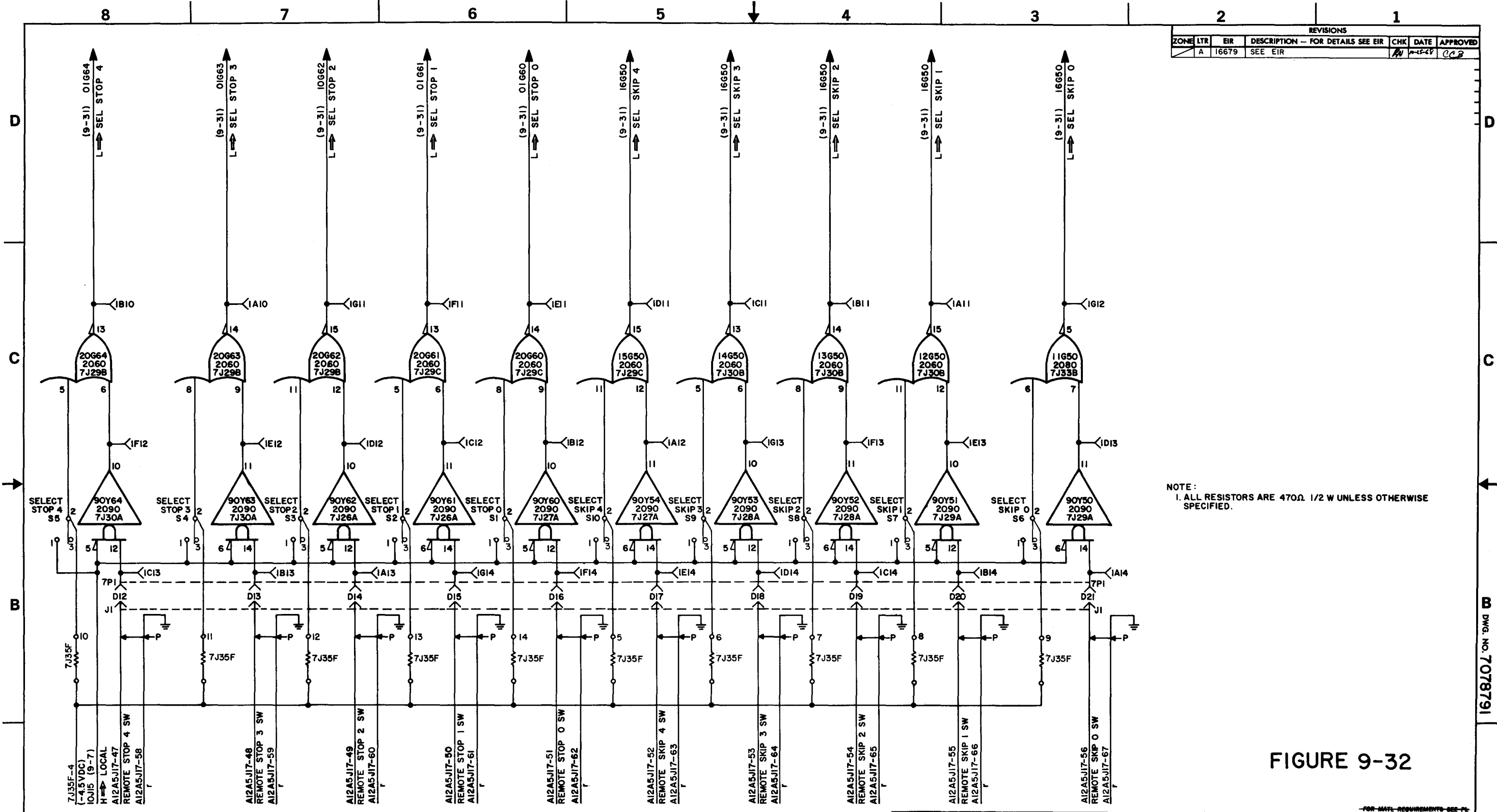
ON THE UNDERSTANDING THAT THIS DOCUMENT AND THE INFORMATION THEREON MAY NOT BE DEALT WITH IN ANY MANNER EXCEPT FOR THE PURPOSES OF THAT INSTRUMENT OR AS OTHERWISE PERMITTED IN WRITING BY THE UNIVAC DIVISION OF SPERRY RAND CORPORATION.

UNLESS OTHERWISE SPECIFIED
DIMENSION IN INCHES. TOLERANCE ON 2 PLACE DECIMALS
DIMENSION IN INCHES. TOLERANCE ON 3 PLACE DECIMALS
ANGLES
HOLE DIAMETER TOLERANCE
0 THRU .300
.301 THRU .500
.501 THRU .999
1.000 & LARGER
THREADS: EXCEPT AS NOTED, UNF 2B
MATERIAL
FINISH
COMMODITY CODE
APPLICATION
EQUIPMENT
DATE
CLASS
DATE
CLASS
DATE
CLASS
DATE
CLASS
DATE
CLASS

DO NOT SCALE THIS PRINT

DWG. NO. 7018961

REVISIONS						
ZONE	LTR	EIR	DESCRIPTION - FOR DETAILS SEE EIR	CHK	DATE	APPROVED
A	16679	SEE EIR			10-15-67	CPB



NOTE:
1. ALL RESISTORS ARE 470Ω 1/2 W UNLESS OTHERWISE SPECIFIED.

FIGURE 9-32

UNLESS OTHERWISE SPECIFIED			CONTRACT NO.	
DIMENSIONS IN INCHES TOL ON			LAYOUT	
2 PLACE DECIMALS	3 PLACE DECIMALS	ANGLES	DRAWN D. CUMMINGS 2-20-68	
+	+	+	CHECKED <i>[Signature]</i> 4-26-68	
HOLE DIA TOL			ENGR <i>[Signature]</i> 4-26-68	
0 THRU .250	.251 THRU .500	.501 AND LARGER	APPROVED <i>[Signature]</i> 4-26-68	
+.003	+.005	+.010	SIZE D 90536	
-.002	-.003	-.005	CODE IDENT NO. 7078791	
THREADS: EXT CL 2A, INT CL 2B			SCALE CLASS A SHEET 1 OF 1	
NEXT ASSY USED ON			APPLICATION	

REVISIONS						
SYM	ZONE	EIR	DESCRIPTION	CHK	DATE	APPROVED
A		76010	SEE EIR		2-4-23-66	<i>[Signature]</i>
B		16679	SEE EIR		10-4-68	<i>[Signature]</i>

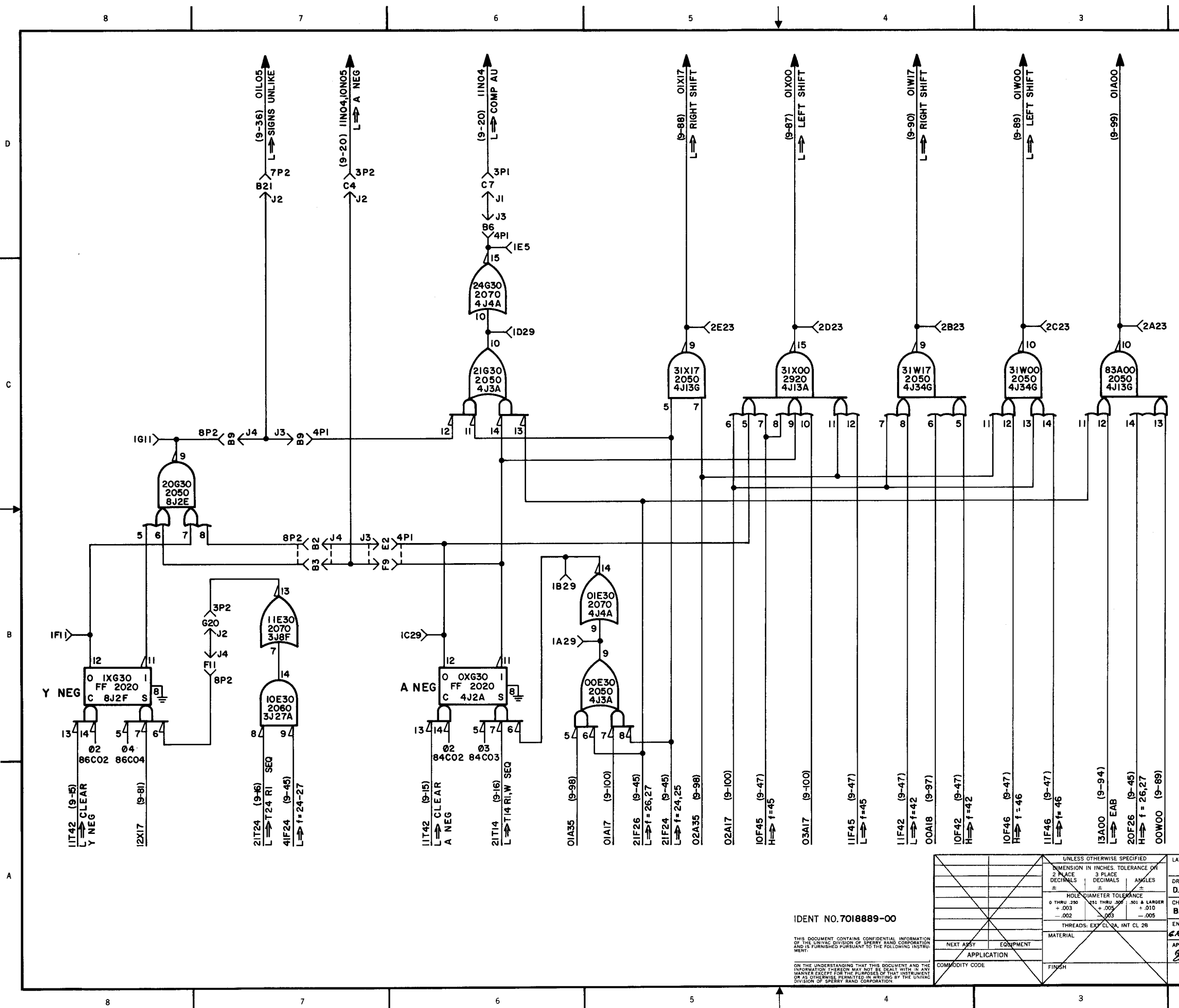


FIGURE 9-33

QTY	FIND	REF DES	CODE	DWG	PART OR IDENTIFYING NO.	NOMENCLATURE OR DESCRIPTION
LIST OF MATERIAL						
UNIVAC			DIVISION OF SPERRY RAND CORPORATION			
DRAFTSMAN		DATE		CLASS		
D.C. WHEELER		9-1-64		A		
CHECKER		DATE		TITLE		
B. POPOV		2-22-65		FUNCTIONAL SCHEMATIC, COMPLEMENT AND SHIFT CONTROL		
ENGINEER		DATE		CODE IDENT NO.		
G.P. ROSSIGNOL		4-9-5		90536		
APPROVAL		DATE		SIZE		
<i>[Signature]</i>		4-9-5		D		
COMMODITY CODE		FINISH		DWG NO.		
				7018889		
SCALE		WEIGHT		SHEET 1 OF 1		

IDENT NO. 7018889-00

THIS DOCUMENT CONTAINS CONFIDENTIAL INFORMATION OF THE UNIVAC DIVISION OF SPERRY RAND CORPORATION AND IS FURNISHED PURSUANT TO THE FOLLOWING INSTRUMENT:

ON THE UNDERSTANDING THAT THIS DOCUMENT AND THE INFORMATION HEREIN MAY NOT BE DEALT WITH IN ANY MANNER EXCEPT FOR THE PURPOSES OF THAT INSTRUMENT OR AS OTHERWISE SUBMITTED IN WRITING BY THE UNIVAC DIVISION OF SPERRY RAND CORPORATION

688810J TON DWG

DO NOT SCALE THIS PRINT

REVISIONS						
ZONE	LTR	EIR	DESCRIPTION - FOR DETAILS SEE EIR	CHK	DATE	APPROVED
A		96623	SEE EIR		10-21-67	
B		10474	SEE EIR		1-20-68	
C		10921	SEE EIR		4-17-68	

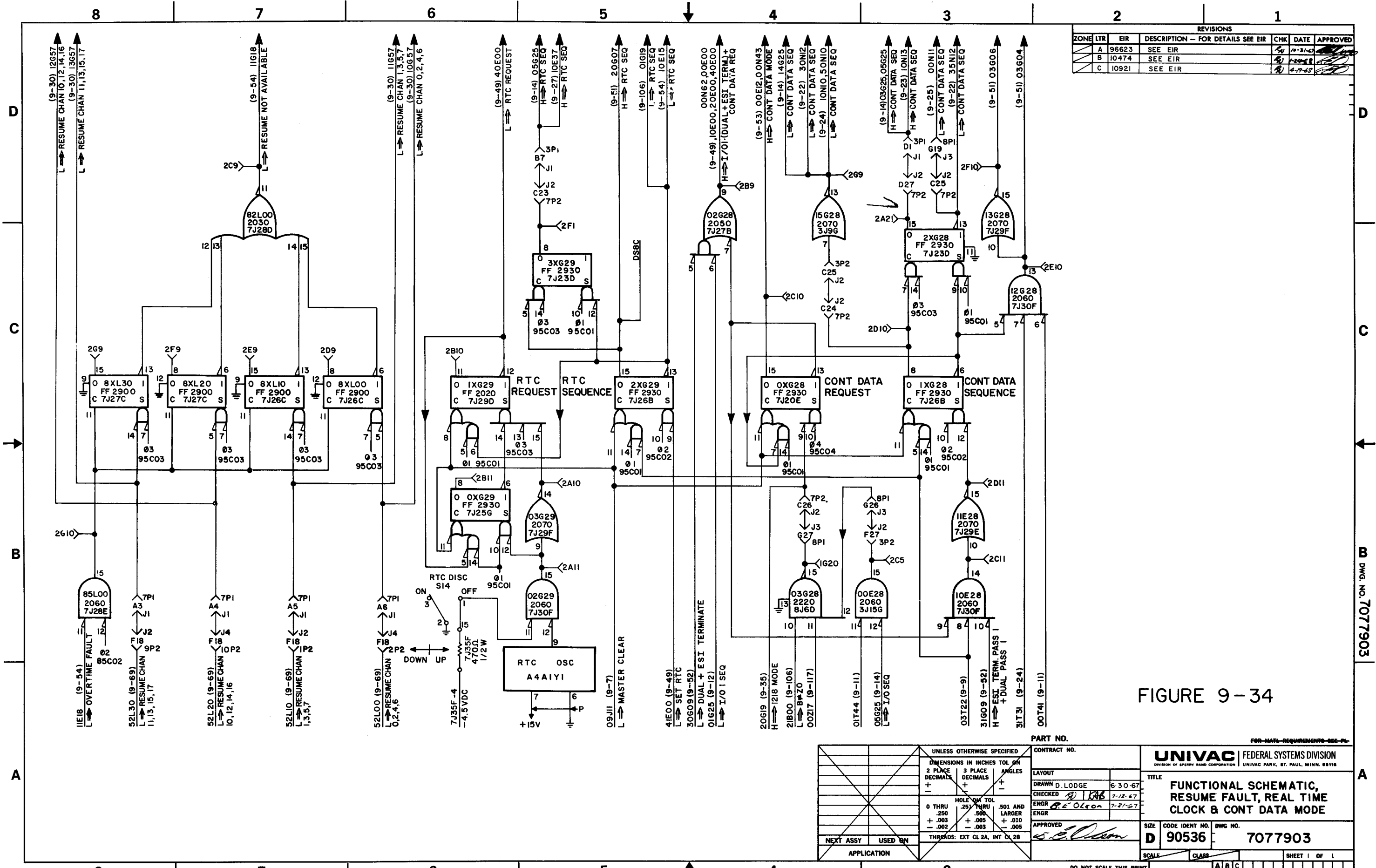


FIGURE 9-34

UNLESS OTHERWISE SPECIFIED		CONTRACT NO.	
DIMENSIONS IN INCHES TOL ON		LAYOUT	
2 PLACE DECIMALS	3 PLACE DECIMALS	DRAWN D. LODGE	6-30-67
+	+	CHECKED <i>[Signature]</i>	7-12-67
0 THRU .250	.250 THRU .500	ENGR <i>[Signature]</i>	7-21-67
+.003	+.005	APPROVED <i>[Signature]</i>	
-.002	-.003		
HOLE DIA TOL		THREADS: EXT CL 2A, INT CL 2B	
0 THRU .250	.250 THRU .500		
+.003	+.005		
-.002	-.003		
NEXT ASSY USED ON		PART NO.	
		FOR-MATL-REQUIREMENTS-SEE-P1	
		UNIVAC FEDERAL SYSTEMS DIVISION	
		DIVISION OF SPERRY RAND CORPORATION UNIVAC PARK, ST. PAUL, MINN. 55116	
		TITLE	
		FUNCTIONAL SCHEMATIC, RESUME FAULT, REAL TIME CLOCK & CONT DATA MODE	
		SIZE CODE IDENT NO. DWG NO.	
		D 90536 7077903	
		SCALE CLASS	
		A B C	
		SHEET I OF I	

REVISIONS						
ZONE	LTR	EIR	DESCRIPTION - FOR DETAILS SEE EIR	CHK	DATE	APPROVED
	A	96623	SEE EIR		10-21-67	
	B	10707	SEE EIR		1-24-68	
	C	10921	SEE EIR		4-19-68	
	D	25043	SEE EIR		7-20-68	
	E	25099	SEE EIR		9-4-68	
	F	19805	SEE EIR		11-11-68	
	G	DC2884	SEE EIR		5-27-72	

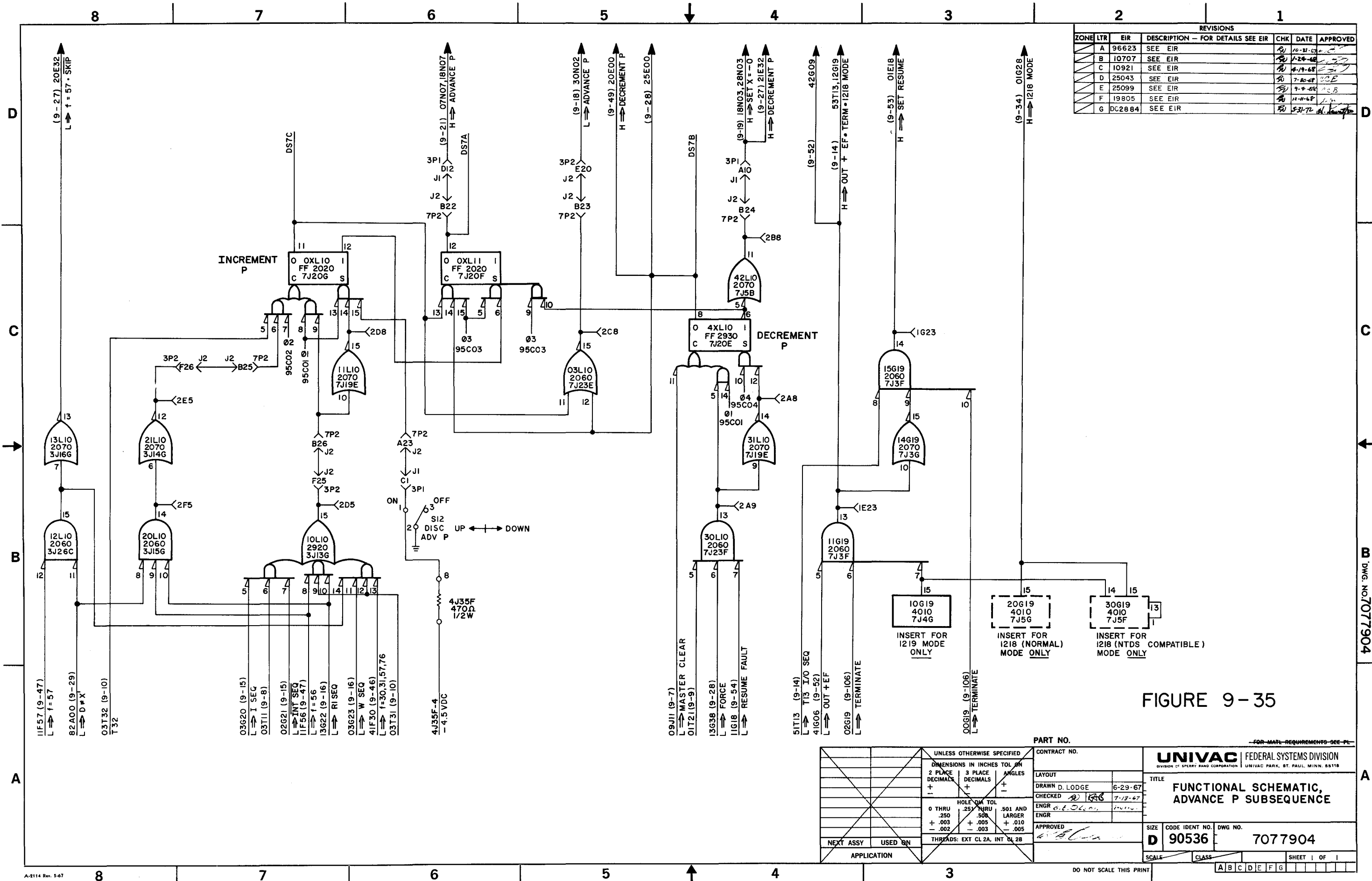


FIGURE 9-35

DWG. NO. 7077904

PART NO.		CONTRACT NO.		UNIVAC FEDERAL SYSTEMS DIVISION DIVISION OF SPERRY RAND CORPORATION UNIVAC PARK, ST. PAUL, MINN. 55118	
DIMENSIONS IN INCHES TOL. DIM		LAYOUT		TITLE	
2 PLACE DECIMALS	3 PLACE DECIMALS	DRAWN D. LODGE	6-29-67	FUNCTIONAL SCHEMATIC, ADVANCE P SUBSEQUENCE	
0 THRU .250	.251 THRU .500	CHECKED	7-18-67	SIZE	
+.003	+.005	ENGR		D 90536	
-.002	-.003	ENGR		CODE IDENT NO. 7077904	
HOLE DIA. TOL.		APPROVED		DWG. NO.	
.501 AND LARGER				D 90536 7077904	
THREADS: EXT CL 2A, INT DL 2B		SCALE		SHEET 1 OF 1	
NEXT ASSY		CLASS		DO NOT SCALE THIS PRINT	
USED IN		CLASS		A B C D E F G	
APPLICATION		CLASS			

REVISIONS						
SYM	ZONE	EIR	DESCRIPTION	CHK	DATE	APPROVED
A		71771	SEE EIR		8-23-65	<i>LPE</i>
B		75629A	SEE EIR		5-4-66	<i>BND</i>

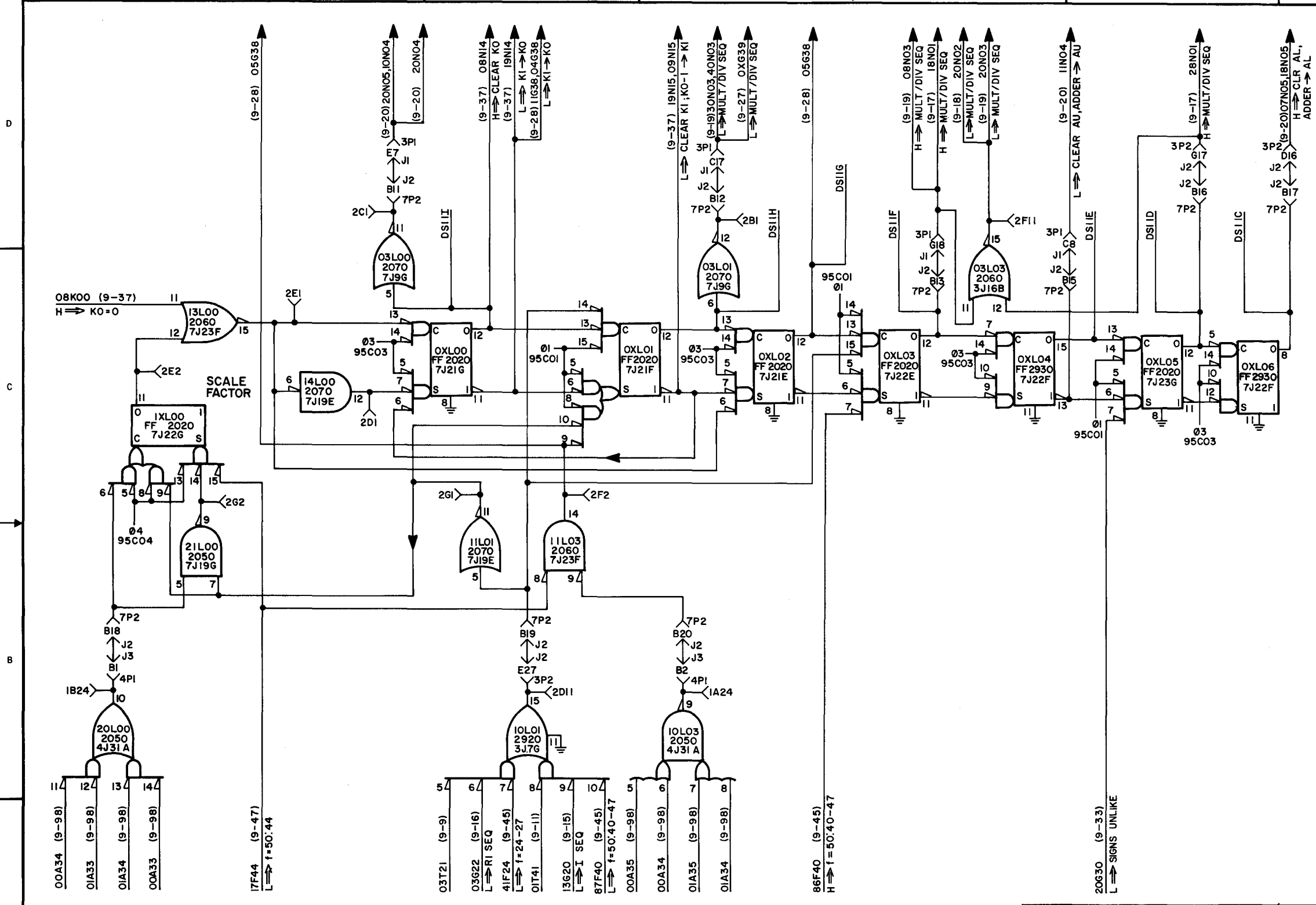


FIGURE 9-36

QTY	FIND	REF	DES	CODE	DWG	PART OR IDENTIFYING NO.	NOMENCLATURE OR DESCRIPTION

UNIVAC		DIVISION OF SPERRY RAND CORPORATION	
CLASS	DATE	TITLE	
A	9-8-64	FUNCTIONAL SCHEMATIC, MULTIPLY, DIVIDE, SHIFT & SCALE SEQUENCE	
CHECKER	DATE	ENGINEER	DATE
B. POPOV	2-13-65	R.R. MORGAN	4-9-65
APPROVAL	DATE	CODE IDENT NO.	SIZE
<i>Ed Smith</i>	7-9-65	90536	D
		DWG NO.	
		7018891	
SCALE	WEIGHT	SHEET 1 OF 1	

IDENT NO. 7018891-00

THIS DOCUMENT CONTAINS CONFIDENTIAL INFORMATION OF THE UNIVAC DIVISION OF SPERRY RAND CORPORATION AND IS FURNISHED PURSUANT TO THE FOLLOWING INSTRUMENT:

ON THE UNDERSTANDING THAT THIS DOCUMENT AND THE INFORMATION THEREON MAY NOT BE DEALT WITH IN ANY MANNER EXCEPT FOR THE PURPOSES OF THAT INSTRUMENT OR AS OTHERWISE PERMITTED IN WRITING BY THE UNIVAC DIVISION OF SPERRY RAND CORPORATION.

DWG. NO. 7018891

DO NOT SCALE THIS PRINT

REVISIONS						
SYM	ZONE	EIR	DESCRIPTION	CHK	DATE	APPROVED
A		71771	SEE EIR		8-24-65	

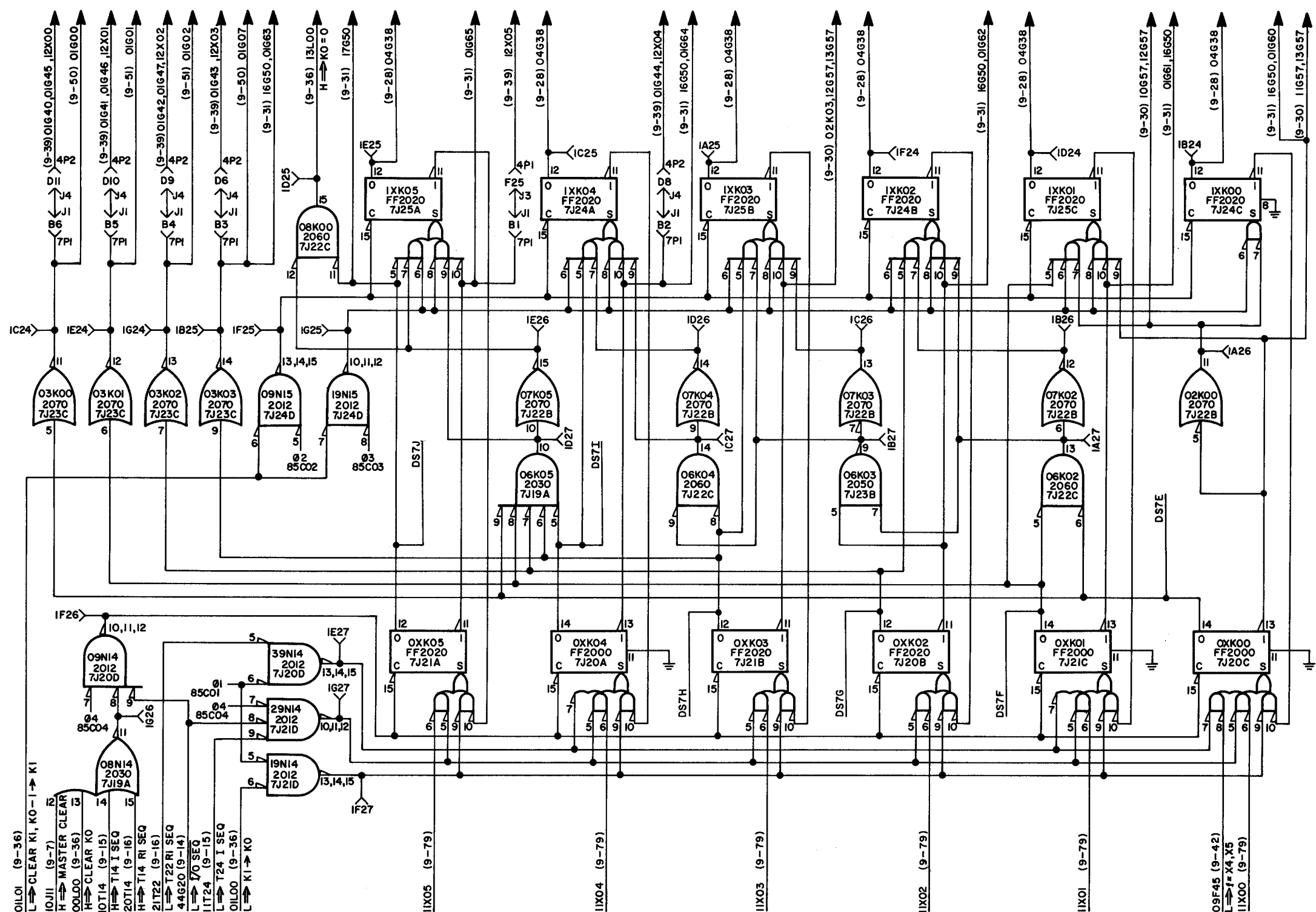


FIGURE 9-37

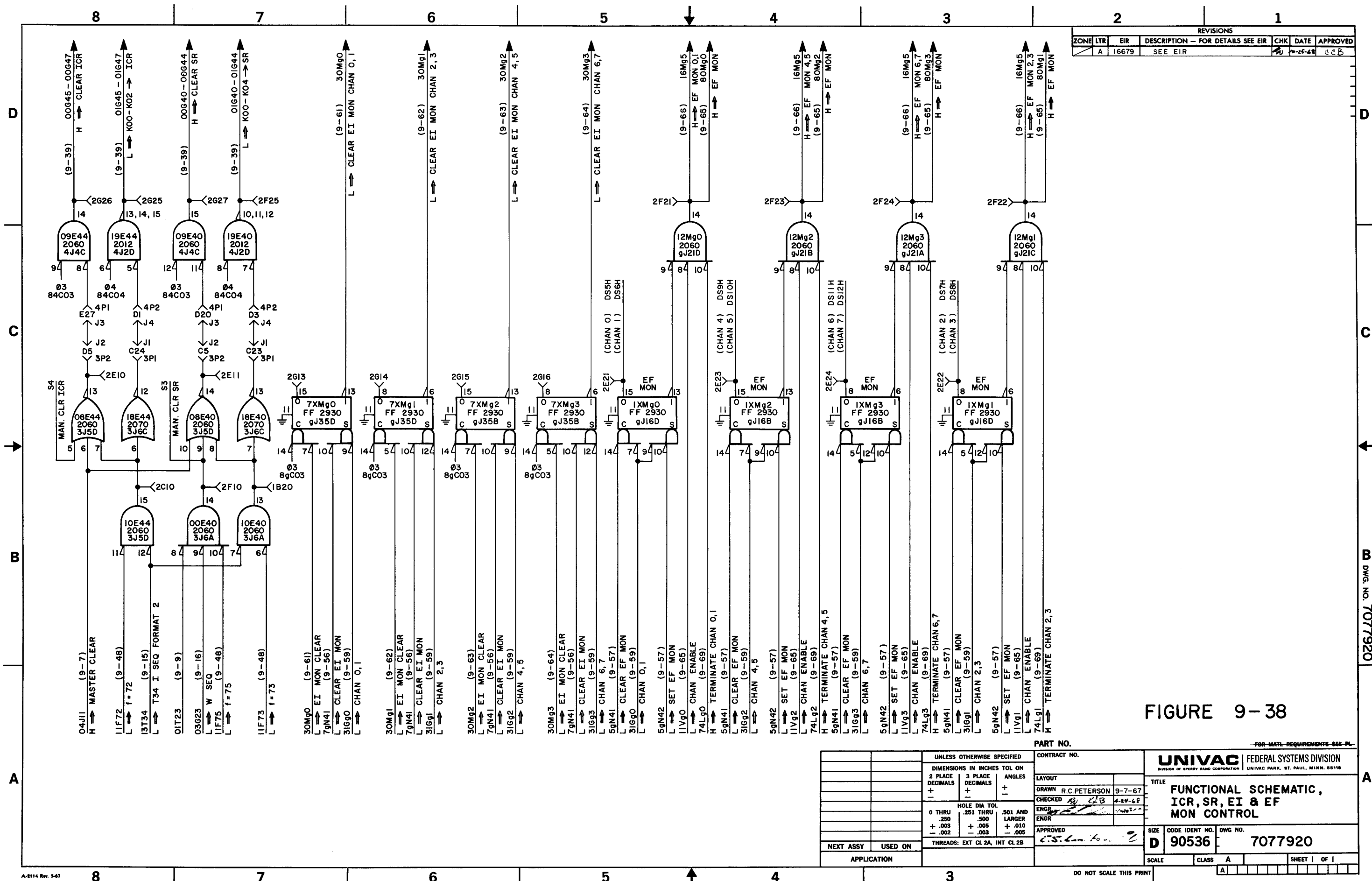
QTY	FIND	REF DES	CODE	DWG	PART OR	NOMENCLATURE OR DESCRIPTION
REQD			IDENT	SIZE	IDENTIFYING NO.	
LIST OF MATERIAL						
UNLESS OTHERWISE SPECIFIED			DIMENSION IN INCHES. TOLERANCE ON		DRAWING	
			2 PLACE DECIMALS = ANGLES		DATE 4-3-64	
			3 PLACE DECIMALS =		CLASS A	
			HOLE DIAMETER TOLERANCE =		DRAFTSMAN R.L. LANGER	
			0 THRU .250 +.003		CHECKER Jamin Duple	
			.251 THRU .500 +.005		DATE 4/10/64	
			.501 & LARGER +.010		TITLED	
			THREADS: EXC. CL 2A, INT CL 2B		ENGINEER B. POPOV	
					DATE 4-9-65	
					APPROVAL E.R. KRUGNESS	
					DATE 4-9-65	
					DRAWING NO. 90536	
					SIZE D	
					DWG NO. 7018892	
					SCALE	
					WEIGHT	
					SHEET 1 OF 1	

IDENT NO. 7018892-00

THIS DOCUMENT CONTAINS CONFIDENTIAL INFORMATION OF THE UNIVAC DIVISION OF SPERRY RAND CORPORATION AND IS FURNISHED PURSUANT TO THE FOLLOWING INSTRUMENT OR AS OTHERWISE PERMITTED IN WRITING BY THE UNIVAC DIVISION OF SPERRY RAND CORPORATION

DWG. NO. 7018892

DO NOT SCALE THIS PRINT



REVISIONS						
ZONE	LTR	EIR	DESCRIPTION - FOR DETAILS SEE EIR	CHK	DATE	APPROVED
A		16679	SEE EIR		4-24-67	C.C.B.

FIGURE 9-38

PART NO.		CONTRACT NO.		UNIVAC FEDERAL SYSTEMS DIVISION DIVISION OF SPERRY RAND CORPORATION UNIVAC PARK, ST. PAUL, MINN. 55118	
UNLESS OTHERWISE SPECIFIED		DIMENSIONS IN INCHES TOL ON		LAYOUT	
2 PLACE DECIMALS	3 PLACE DECIMALS	ANGLES		DRAWN R.C.PETERSON	9-7-67
+	+	+		CHECKED	4-24-67
HOLE DIA TOL		0 THRU .250		ENGR	
+.003		.251 THRU .500		ENGR	
-.002		.501 AND LARGER		APPROVED	
		THREADS: EXT CL 2A, INT CL 2B		C.S. Dan for	
NEXT ASSY	USED ON	APPLICATION	SIZE	CODE IDENT NO.	DWG NO.
			D	90536	7077920
SCALE		CLASS		SHEET OF	
		A			

REVISIONS						
SYM	ZONE	EIR	DESCRIPTION	CHK	DATE	APPROVED

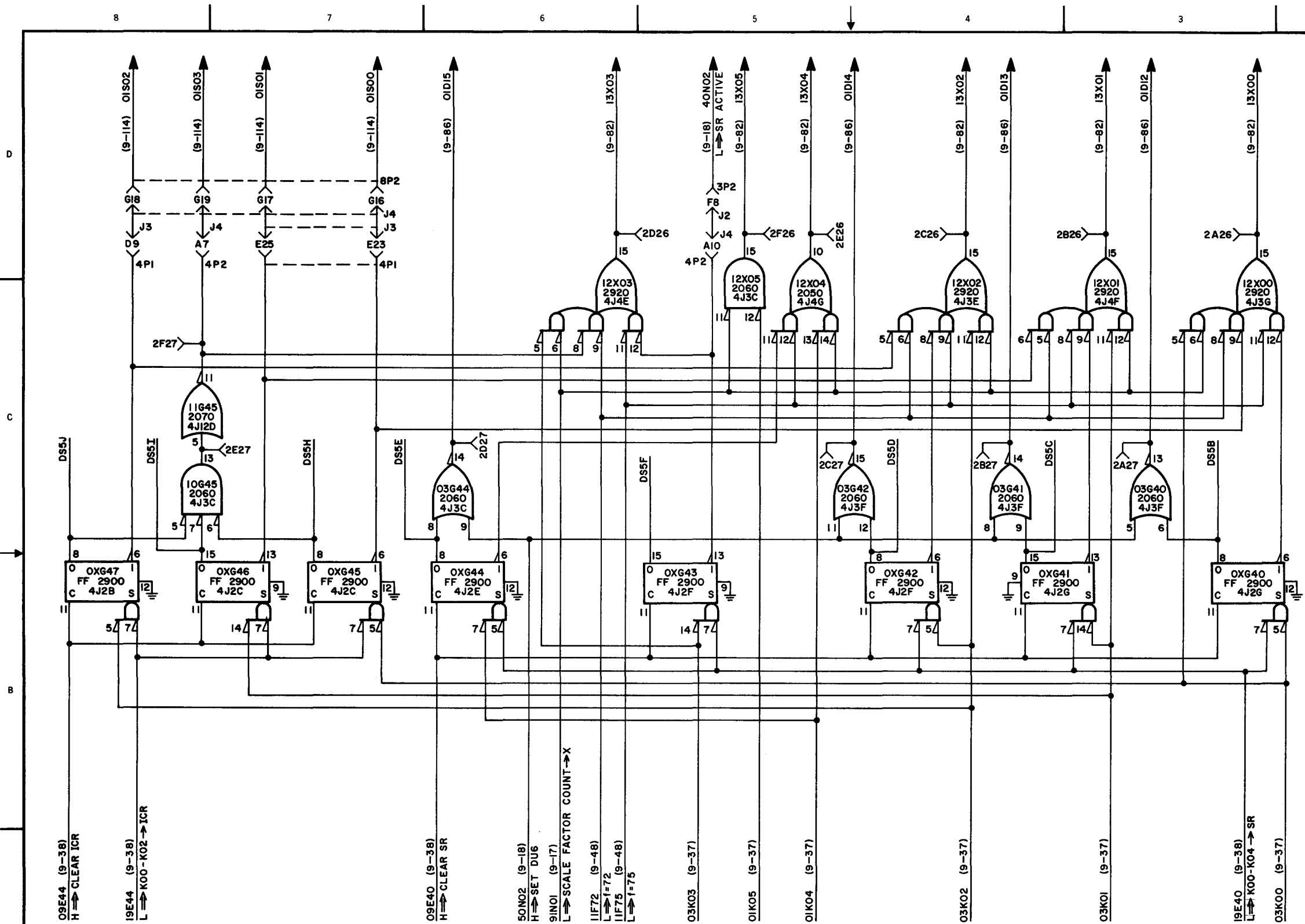


FIGURE 9-39

QTY	FIND	REF	DES	CODE	DWG	PART OR IDENTIFYING NO.	NOMENCLATURE OR DESCRIPTION

UNLESS OTHERWISE SPECIFIED		LAYOUT		DATE		CLASS	
DIMENSION IN INCHES. TOLERANCE ON 2 PLACE DECIMALS		DATE		8-28-64		A	
DECIMALS		DRAFTSMAN		D. C. WHEELER		TITLE	
ANGLES		CHECKER		B. POPOV		FUNCTIONAL SCHEMATIC, ICR & SR REGISTER — ICR, SR & K REGISTER SELECTOR	
HOLE DIAMETER TOLERANCE		ENGINEER		G. R. KEGAN		DATE	
0 THRU .250 ±.005		APPROVED		Ed Smith		4-7-5	
.251 THRU .500 ±.005		MATERIAL				CODE IDENT NO.	
.501 THRU .750 ±.005		FINISH				90536	
.751 THRU 1.000 ±.005						SIZE	
1.001 THRU 1.500 ±.005						D	
1.501 THRU 2.000 ±.005						DWG NO.	
2.001 THRU 3.000 ±.005						7018890	
3.001 THRU 4.000 ±.005						SCALES	
4.001 THRU 5.000 ±.005						WEIGHT	
5.001 THRU 6.000 ±.005						SHEET 1 OF 1	

IDENT NO. 7018890-00

THIS DOCUMENT CONTAINS CONFIDENTIAL INFORMATION OF THE UNIVAC DIVISION OF SPERRY RAND CORPORATION AND IS FURNISHED PURSUANT TO THE FOLLOWING INSTRUMENT:

ON THE UNDERSTANDING THAT THIS DOCUMENT AND THE INFORMATION THEREON MAY NOT BE DEALT WITH IN ANY MANNER EXCEPT FOR THE PURPOSES OF THAT INSTRUMENT OR AS OTHERWISE PERMITTED IN WRITING BY THE UNIVAC DIVISION OF SPERRY RAND CORPORATION.

DWG NO. 7018890

DO NOT SCALE THIS PRINT

REVISIONS						
ZONE	LTR	EIR	DESCRIPTION - FOR DETAILS SEE EIR	CHK	DATE	APPROVED
A		I6679	SEE EIR	KAB	10-25-68	(Signature)
B		D02788	SEE EIR	KAB	7-7-71	(Signature)

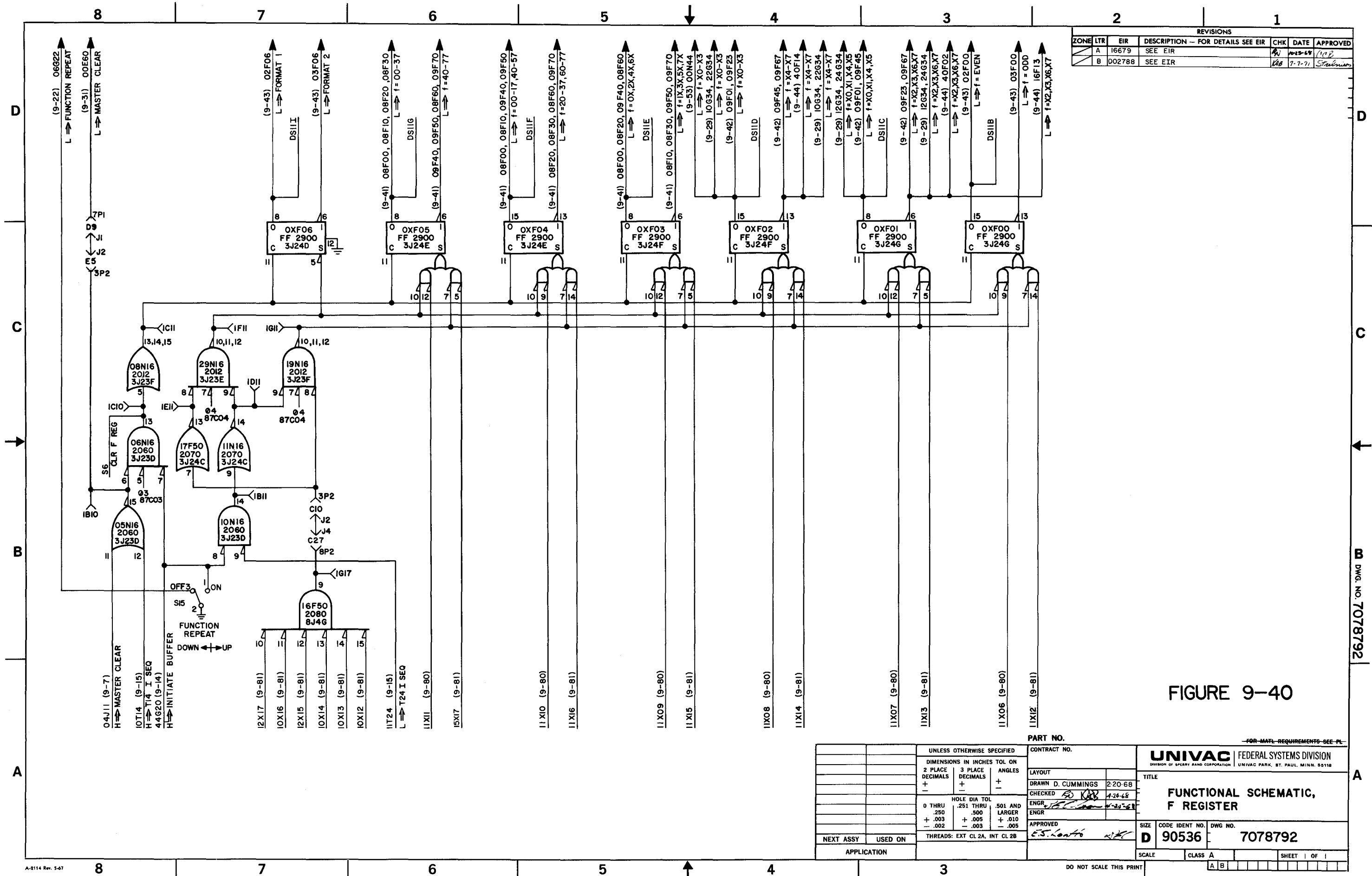


FIGURE 9-40

UNLESS OTHERWISE SPECIFIED		CONTRACT NO.		FOR MATL REQUIREMENTS SEE PL	
DIMENSIONS IN INCHES TOL ON		LAYOUT		TITLE	
2 PLACE DECIMALS	3 PLACE DECIMALS	+	+	DRAWN D. CUMMINGS	2-20-68
+	+	+	+	CHECKED <i>(Signature)</i>	4-24-68
HOLE DIA TOL		ENGR		APPROVED	
0 THRU .250	.251 THRU .500	.501 AND LARGER		<i>(Signature)</i>	
+	+	+		SIZE CODE IDENT NO. DWG NO.	
-.002	-.003	-.005		D	90536 7078792
THREADS: EXT CL 2A, INT CL 2B		NEXT ASSY USED ON		SCALE CLASS A SHEET 1 OF 1	
APPLICATION				DO NOT SCALE THIS PRINT	

REVISIONS			
SYM	ZONE	EIR	DESCRIPTION
A		77005	SEE EIR

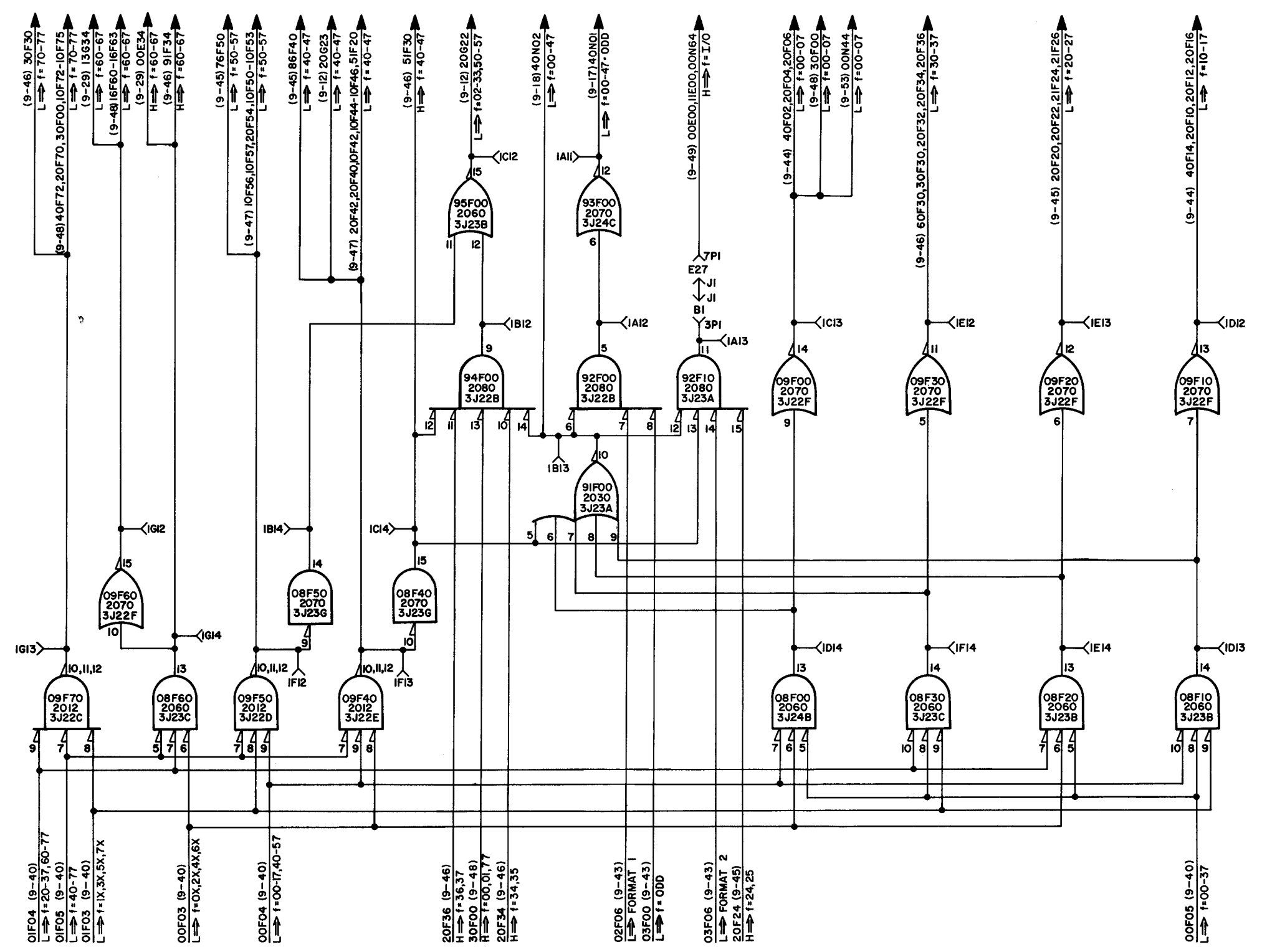


FIGURE 9-41

QTY	REQD	FIND	REF DES	CODE IDENT	DWG SIZE	PART OR IDENTIFYING NO.	NOMENCLATURE OR DESCRIPTION

LIST OF MATERIAL			
CLASS	DATE	TITLE	
A	5-9-64	FUNCTIONAL SCHEMATIC, FUNCTION CODE SUBTRANSLATOR I	
DRAFTSMAN	CHECKER	ENGINEER	APPROVAL
D. C. WHEELER	B. POPOV	G. R. KEENE	[Signature]
CODE IDENT NO.	SIZE	DWG NO.	
90536	D	7018909	
SCALE	WEIGHT	SHEET 1 OF 1	

IDENT NO. 7018909-00

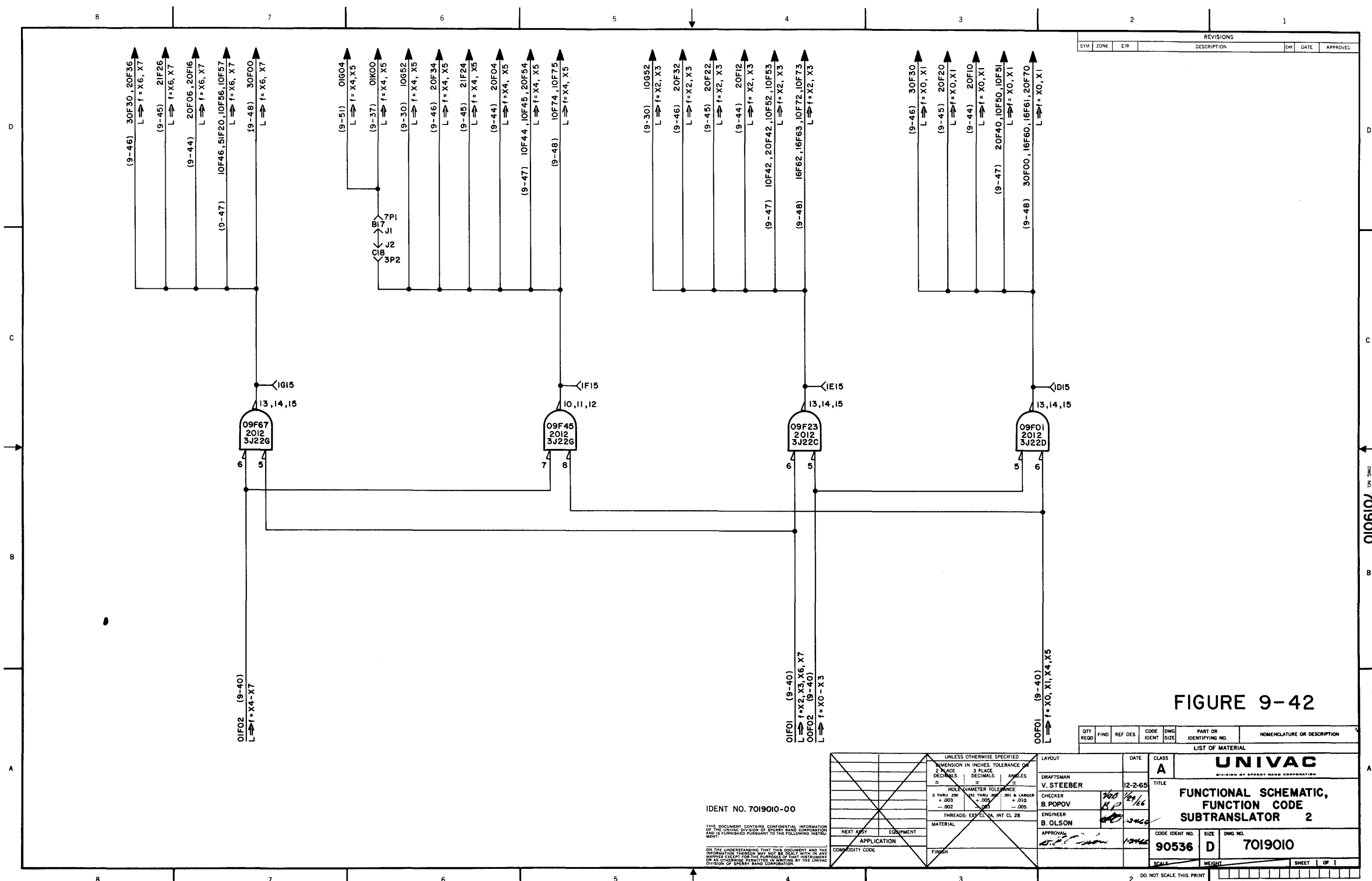
THIS DOCUMENT CONTAINS CONFIDENTIAL INFORMATION OF THE UNIVAC DIVISION OF SPERRY RAND CORPORATION AND IS FURNISHED PURSUANT TO THE FOLLOWING INSTRUMENT:

ON THE UNDERSTANDING THAT THIS DOCUMENT AND THE INFORMATION THEREON MAY NOT BE DEALT WITH IN ANY MANNER EXCEPT FOR THE PURPOSES OF THAT INSTRUMENT OR AS OTHERWISE PERMITTED IN WRITING BY THE UNIVAC DIVISION OF SPERRY RAND CORPORATION.

UNLESS OTHERWISE SPECIFIED	
DIMENSION IN INCHES	TOLERANCE ON
2 PLACE DECIMALS	± .005
3 PLACE DECIMALS	± .001
ANGLES	± .010
HOLE DIAMETER TOLERANCE	± .001
0 THRU .250	± .001
.251 THRU .500	± .001
.501 & LARGER	± .001
THREADS: EXT. CL. INT. CL. 2B	
MATERIAL	
FINISH	
APPLICATION	
COMMODITY CODE	

DO NOT SCALE THIS PRINT

606810107 7018909



REVISIONS			
SYM	ZONE	EIR	APPROVED

FIGURE 9-42

QTY	FIND	REF	DES	CODE	DWG	PART OR IDENTIFYING NO.	NOMENCLATURE OR DESCRIPTION

UNLESS OTHERWISE SPECIFIED	
DIMENSION IN INCHES: TOLERANCE ON 2 PLACE DECIMALS	± .005
DIMENSION IN INCHES: TOLERANCE ON 3 PLACE DECIMALS	± .002
ANGLE	± .010
HOLE DIAMETER TOLERANCE	± .005
0 THRU .250	+ .003
.251 THRU .500	+ .005
.501 & LARGER	+ .010
THREADS: EXT. CL. 2A, INT. CL. 2B	

DATE	CLASS	TITLE
12-2-65	A	FUNCTIONAL SCHEMATIC, FUNCTION CODE SUBTRANSLATOR 2

CODE IDENT NO.	SIZE	DWG NO.
90536	D	7019010

IDENT NO. 7019010-00

THIS DOCUMENT CONTAINS CONFIDENTIAL INFORMATION OF THE UNIVAC DIVISION OF SPERRY RAND CORPORATION AND IS FURNISHED PURSUANT TO THE FOLLOWING INSTRUMENT:

ON THE UNDERSTANDING THAT THIS DOCUMENT AND THE INFORMATION THEREON MAY NOT BE DEALT WITH IN ANY MANNER EXCEPT FOR THE PURPOSES OF THAT INSTRUMENT OR AS OTHERWISE PERMITTED IN WRITING BY THE UNIVAC DIVISION OF SPERRY RAND CORPORATION.

DWC NO. 7019010

DO NOT SCALE THIS PRINT

REVISIONS				
SYM	ZONE	EIR	DESCRIPTION	CHK DATE APPROVED
A		25099	SEE EIR	7-21-65 CCB
B		16679	SEE EIR	7-15-65 CCB
C		19810	SEE EIR	7-27-65 CCB

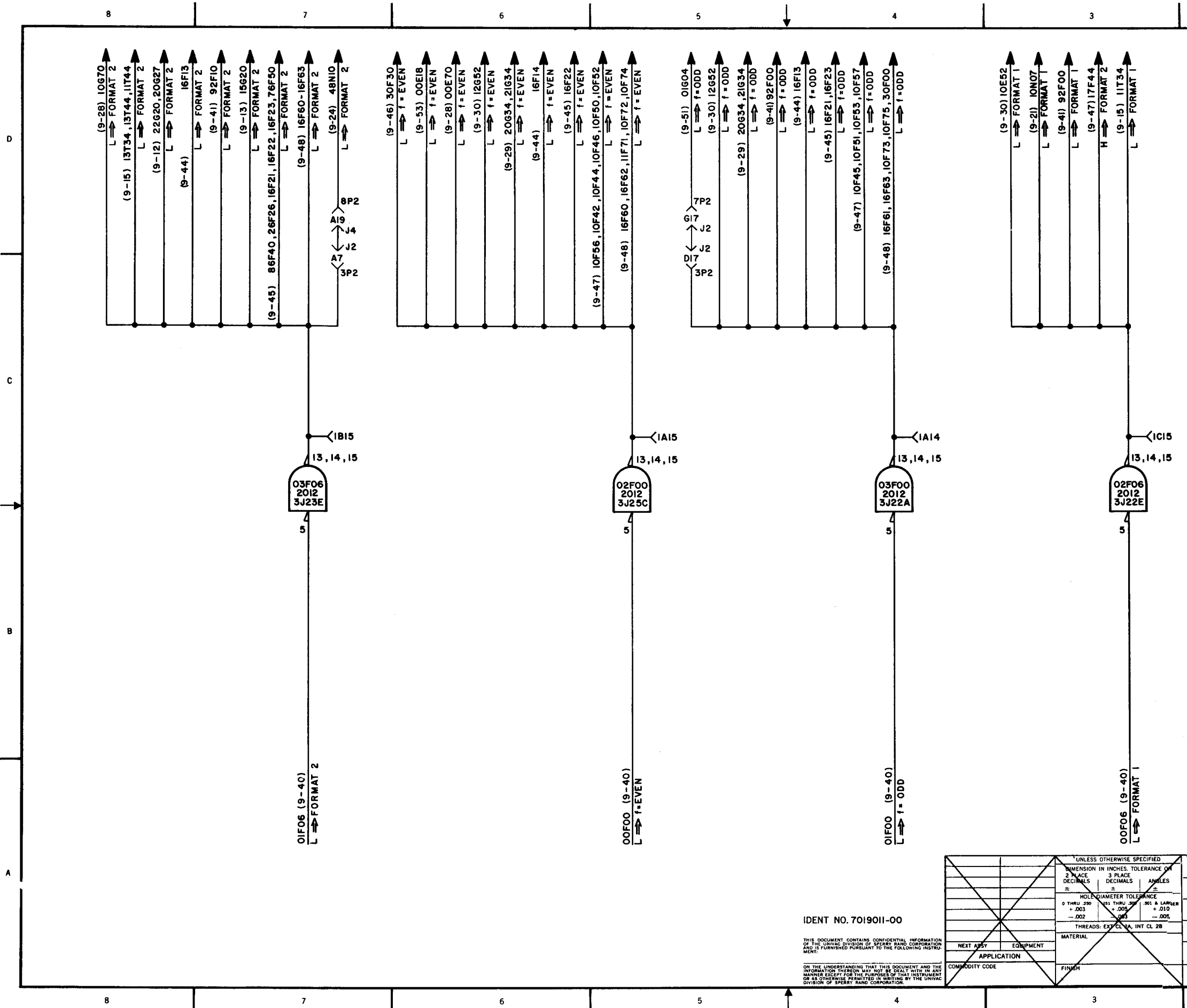


FIGURE 9-43

QTY REQD	FIND	REF DES	CODE IDENT	DWG SIZE	PART OR IDENTIFYING NO.	NOMENCLATURE OR DESCRIPTION
LIST OF MATERIAL						
			CLASS		UNIVAC	
			DATE		12-2-65	
			DRAFTSMAN		V. STEEBER	
			CHECKER		B. POPOV	
			ENGINEER		B. OLSON	
			APPROVAL		<i>[Signature]</i>	
			CODE IDENT NO.		90536	
			SIZE		D	
			DWG NO.		7019011	
			SCALE			
			WEIGHT			
			SHEET		OF 1	

IDENT NO. 7019011-00

THIS DOCUMENT CONTAINS CONFIDENTIAL INFORMATION OF THE UNIVAC DIVISION OF SPERRY RAND CORPORATION AND IS FURNISHED PURSUANT TO THE FOLLOWING INSTRUMENT:
 ON THE UNDERSTANDING THAT THIS DOCUMENT AND THE INFORMATION THEREON MAY NOT BE DEALT WITH IN ANY MANNER EXCEPT FOR THE PURPOSES OF THAT INSTRUMENT OR AS OTHERWISE PERMITTED IN WRITING BY THE UNIVAC DIVISION OF SPERRY RAND CORPORATION.

DIMENSION IN INCHES. TOLERANCE UNLESS OTHERWISE SPECIFIED	
2 PLACE DECIMALS	3 PLACE DECIMALS
± .005	± .0005
0 THRU .250	.250 THRU .500
± .003	± .001
± .002	± .0005
THREADS: EXT. CL. 2A, INT. CL. 2B	
MATERIAL	
FINISH	
APPLICATION	
COMMODITY CODE	

DO NOT SCALE THIS PRINT

106107 ON 3MG

REVISIONS					
SYM	ZONE	EIR	DESCRIPTION	DATE	APPROVED
A		78242	SEE EIR	11/11/66	CCB
B		93548	SEE EIR	11/22/67	CCB
C		25099	SEE EIR	12/20/68	CCB
D		23700	SEE EIR	10/23/68	CCB
E		19810	SEE EIR	11/3-27-69	

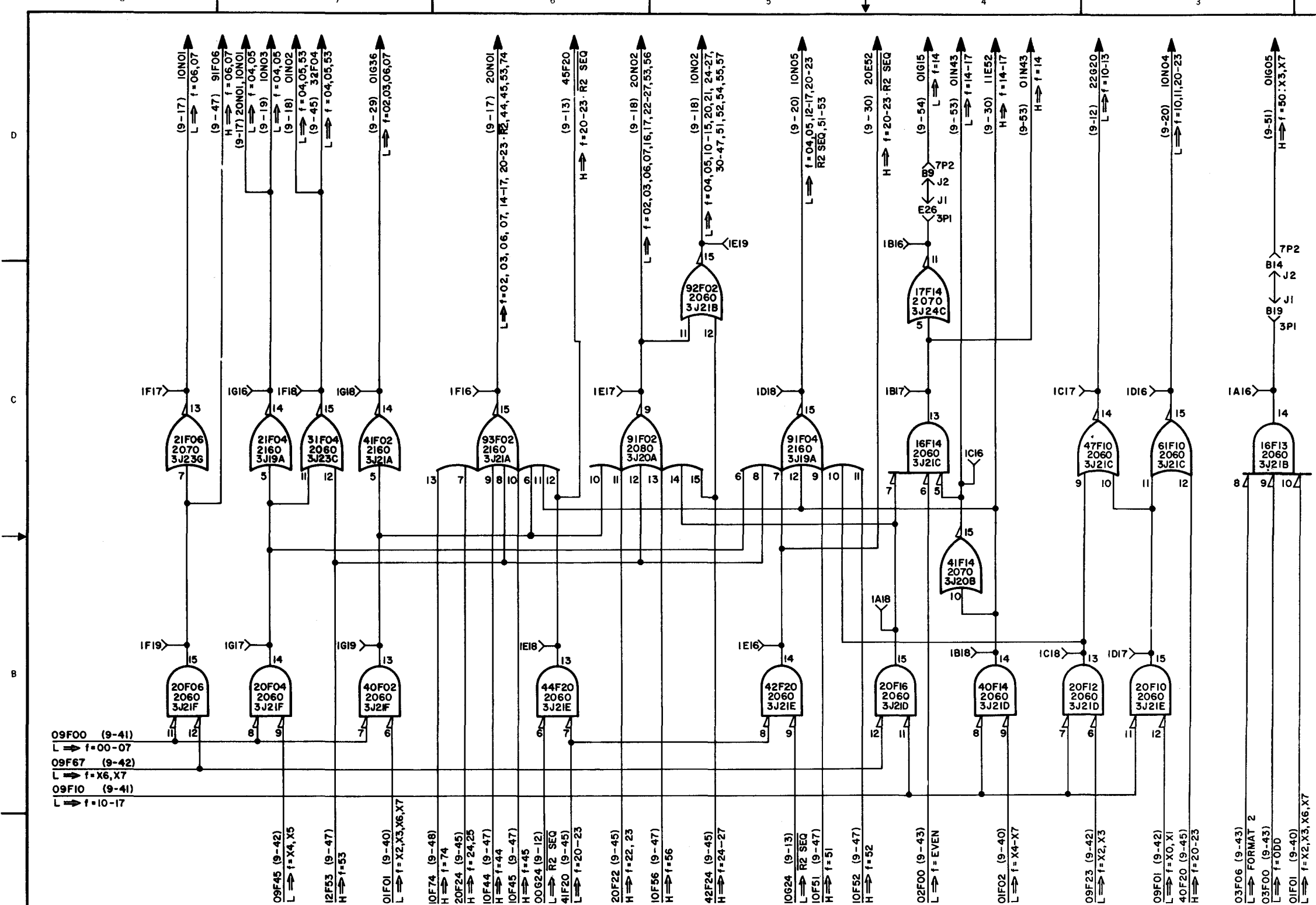


FIGURE 9-44

- 09F00 (9-41)
L → f=00-07
- 09F67 (9-42)
L → f=X6,X7
- 09F10 (9-41)
L → f=10-17
- 09F45 (9-42)
L → f=X4,X5
- 12F53 (9-47)
H → f=53
- 01F01 (9-40)
L → f=X2,X3,X6,X7
- 10F74 (9-48)
H → f=74
- 20F24 (9-45)
H → f=24,25
- 10F44 (9-47)
H → f=44
- 10F45 (9-47)
H → f=45
- 00G24 (9-12)
L → R2 SEQ
- 41F20 (9-45)
L → f=20-23
- 20F22 (9-45)
H → f=22, 23
- 10F56 (9-47)
H → f=56
- 42F24 (9-45)
H → f=24-27
- 10G24 (9-13)
L → R2 SEQ
- 10F51 (9-47)
H → f=51
- 10F52 (9-47)
H → f=52
- 02F00 (9-43)
L → f=EVEN
- 01F02 (9-40)
L → f=X4-X7
- 09F23 (9-42)
L → f=X2,X3
- 09F01 (9-42)
L → f=X0,X1
- 40F20 (9-45)
H → f=20-23
- 03F06 (9-43)
L → FORMAT 2
- 03F00 (9-43)
L → f=000
- 01F01 (9-40)
L → f=X2,X3,X6,X7

IDENT NO. 7019012-00

THIS DOCUMENT CONTAINS CONFIDENTIAL INFORMATION OF THE UNIVAC DIVISION OF SPERRY RAND CORPORATION AND IS FURNISHED PURSUANT TO THE FOLLOWING INSTRUMENT:

ON THE UNDERSTANDING THAT THIS DOCUMENT AND THE INFORMATION THEREON MAY NOT BE DEALT WITH IN ANY MANNER EXCEPT FOR THE PURPOSES OF THAT INSTRUMENT OR AS OTHERWISE PERMITTED IN WRITING BY THE UNIVAC DIVISION OF SPERRY RAND CORPORATION.

UNLESS OTHERWISE SPECIFIED		LAYOUT		DATE	CLASS	UNIVAC	
DIMENSION IN INCHES. TOLERANCE ON 2 PLACE DECIMALS		3 PLACE DECIMALS		12-2-65	A	DIVISION OF SPERRY RAND CORPORATION	
HOLE DIAMETER TOLERANCE		ANGLES		TITLE			
0 THRU .250 ± .003		.251 THRU .500 ± .003		FUNCTIONAL SCHEMATIC, FUNCTION TRANSLATOR			
.501 & LARGER ± .010		.003 ± .005		f = 02-17			
THREADS: EXT. CL. 2A, INT. CL. 2B		MATERIAL		CODE IDENT NO. SIZE DWS NO.			
FINISH		NEXT ASSY		90536 D 7019012			
APPLICATION		EQUIPMENT		SCALE WEIGHT SHEET 1 OF 1			
COMMODITY CODE		FINISH		DO NOT SCALE THIS PRINT			

7019012

REVISIONS						
SYM	ZONE	EIR	DESCRIPTION	CHK	DATE	APPROVED
A		75628	SEE EIR		4-29-66	<i>[Signature]</i>
B		25099	SEE EIR		7-31-66	<i>[Signature]</i>
C		19810	SEE EIR		8-27-69	<i>[Signature]</i>

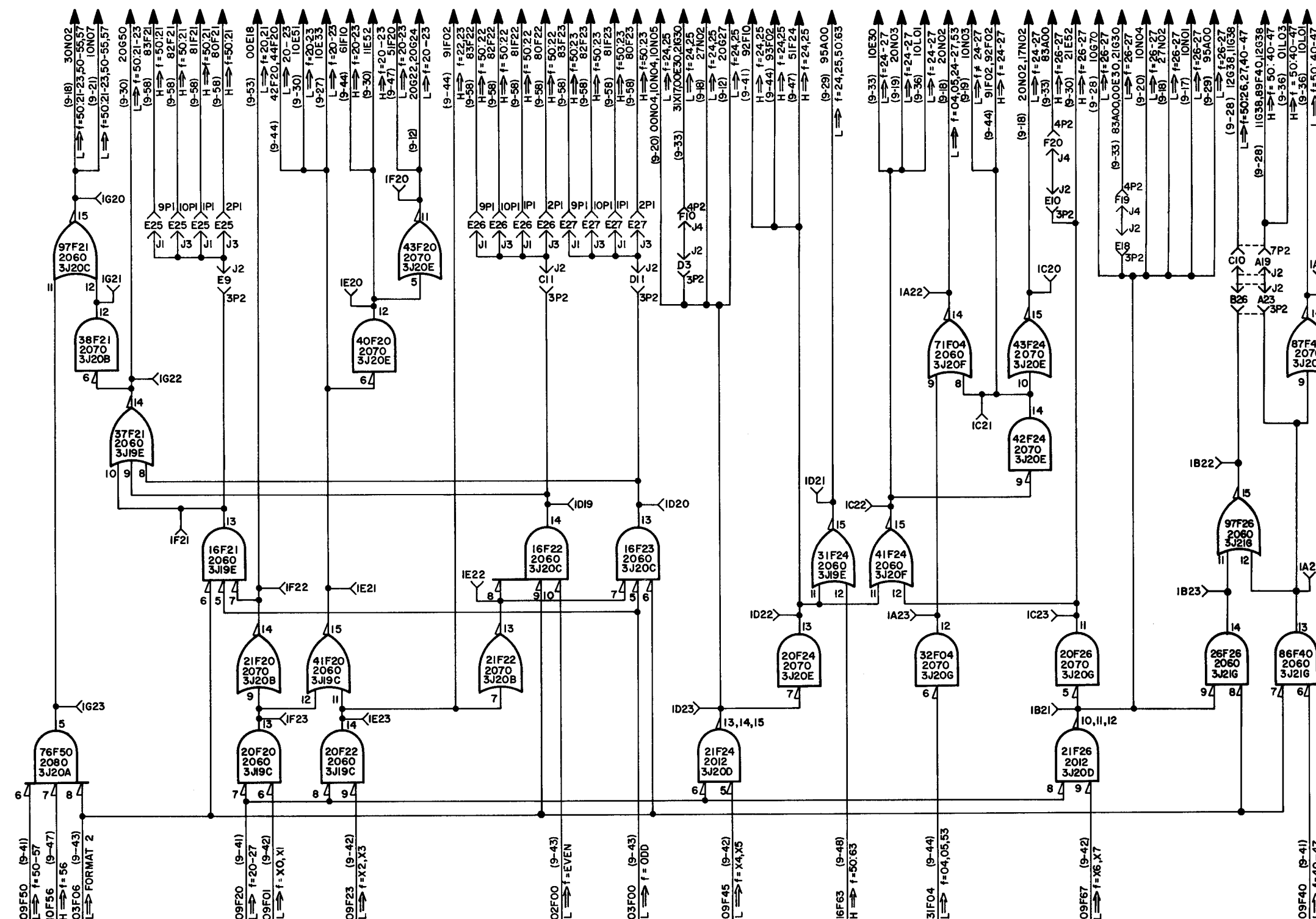


FIGURE 9-45

QTY	REQD	FINI	REF DES	CODE IDENT	DWG SIZE	PART OR IDENTIFYING NO.	NOMENCLATURE OR DESCRIPTION

LIST OF MATERIAL	
UNIVAC	DIVISION OF SPERRY RAND CORPORATION
FUNCTIONAL SCHEMATIC, FUNCTION TRANSLATOR f=20-27	
CODE IDENT NO. 90536	SIZE D
DWG NO. 7018913	

UNLESS OTHERWISE SPECIFIED	
DIMENSION IN INCHES, TOLERANCE ON 2 PLACE DECIMALS	ANGLES
HOLE DIAMETER TOLERANCE	
THREADS, EXCEPT AS NOTED, INT CL 2B	
MATERIAL	FINISH
APPLICATION	

LAYOUT	DATE	CLASS
DRAFTSMAN	6-12-64	A
CHECKER	2-13-65	
ENGINEER	4-9-5	
APPROVED		

IDENT NO. 7018913-00

THIS DOCUMENT CONTAINS CONFIDENTIAL INFORMATION OF THE UNIVAC DIVISION OF SPERRY RAND CORPORATION AND IS FURNISHED PURSUANT TO THE FOLLOWING INSTRUMENT:

ON THE UNDERSTANDING THAT THIS DOCUMENT AND THE INFORMATION THEREON MAY NOT BE DISCLOSED IN ANY MANNER EXCEPT FOR THE PURPOSES OF THAT INSTRUMENT OR AS OTHERWISE PERMITTED IN WRITING BY THE UNIVAC DIVISION OF SPERRY RAND CORPORATION.

DRAWING NO. 7018913

DO NOT SCALE THIS PRINT

A	B	C	D
---	---	---	---

REVISIONS			
SYM	ZONE	EIR	DESCRIPTION

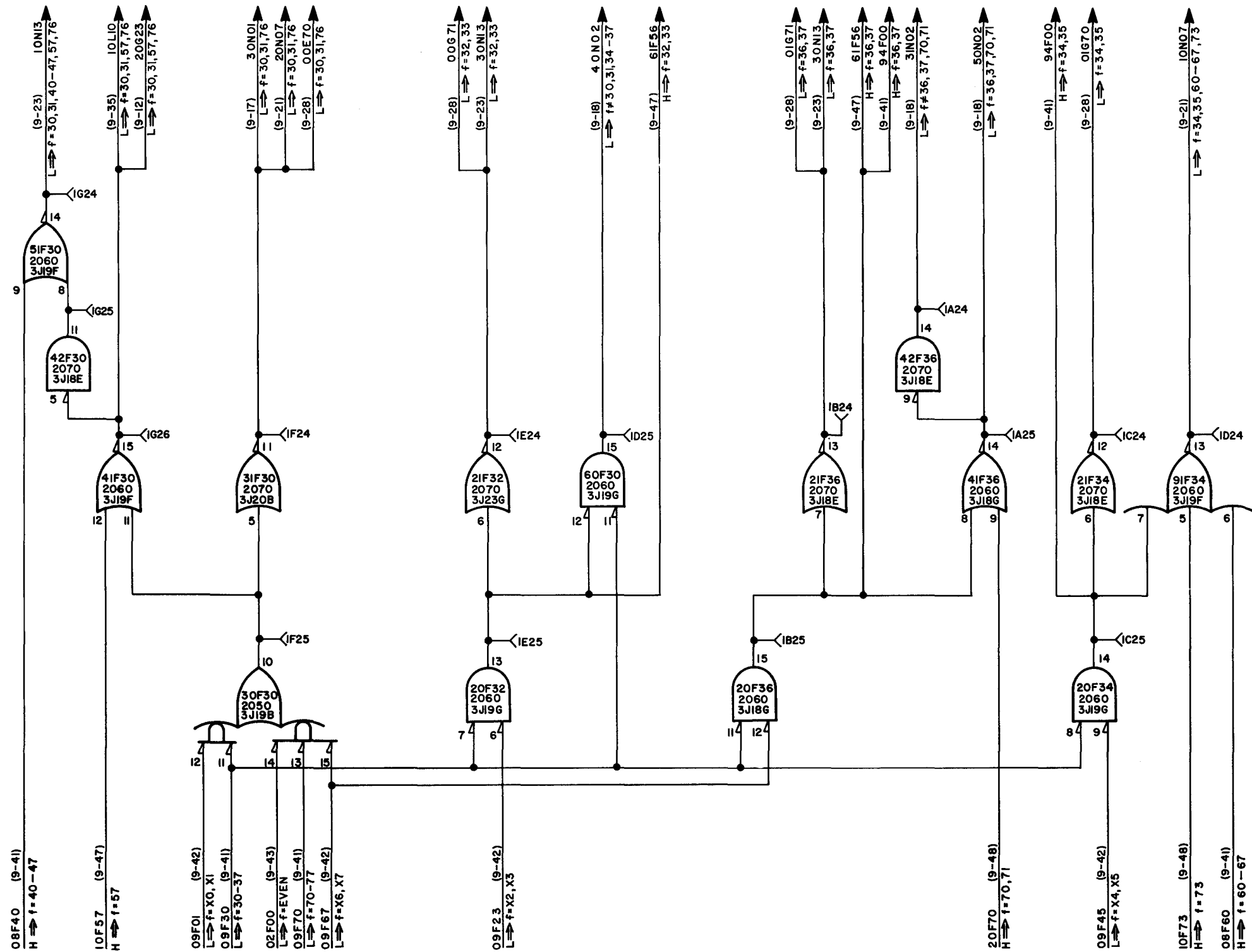


FIGURE 9-46

QTY	FIND	REF	DES	CODE	DWG	PART OR IDENTIFYING NO.	NOMENCLATURE OR DESCRIPTION

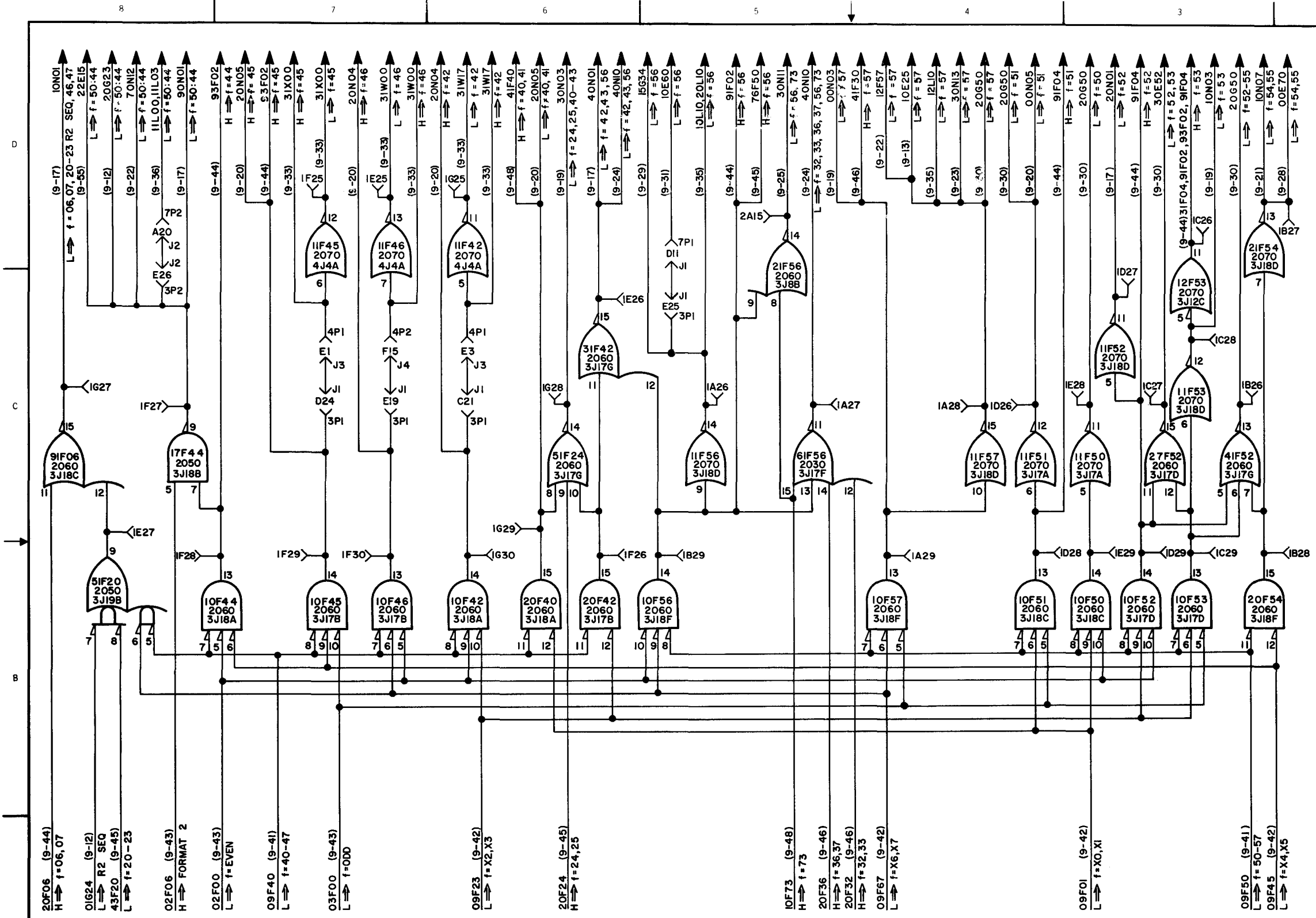
UNLESS OTHERWISE SPECIFIED		LAYOUT		DATE		CLASS	
DIMENSION IN INCHES. TOLERANCE OR 2 PLACE DECIMALS 3 PLACE DECIMALS ANGLES		G. MAHRE		6-15-64		A	
HOLE DIAMETER TOLERANCE		CHECKER		DATE		TITLE	
0 THRU .250 +.003 -.002		B. POPOV		2-22-65		FUNCTIONAL SCHEMATIC, FUNCTION TRANSLATOR	
.251 THRU .500 +.005 -.003		ENGINEER		DATE		f = 30-37	
.501 & LARGER +.010 -.008		G. R. KEENE		4-9-65		CODE IDENT NO. SIZE DWG NO.	
THREADS: EST. CL. A. INT. CL. 2B		APPROVAL		DATE		90536 D 7018912	
MATERIAL		G. R. Keene		4-9-65		SCALE WEIGHT SHEET OF 1	
FINISH							

IDENT NO. 7018912-00

THIS DOCUMENT CONTAINS CONFIDENTIAL INFORMATION OF THE UNIVAC DIVISION OF SPERRY RAND CORPORATION AND IS FURNISHED PURSUANT TO THE FOLLOWING INSTRUMENT: ON THE UNDERSTANDING THAT THIS DOCUMENT AND THE INFORMATION THEREON MAY NOT BE DEALT WITH IN ANY MANNER EXCEPT FOR THE PURPOSES OF THAT INSTRUMENT OR AS OTHERWISE PERMITTED IN WRITING BY THE UNIVAC DIVISION OF SPERRY RAND CORPORATION.

DWG. NO. 7018912

DO NOT SCALE THIS PRINT



REVISIONS			
NO.	DATE	DESCRIPTION	APPROVED

FIGURE 9-47

QTY	FIND	REF DES	CODE IDENT	DWG SIZE	PART OR IDENTIFYING NO.	NOMENCLATURE OR DESCRIPTION

LIST OF MATERIAL	
CLASS	A
TITLE	FUNCTIONAL SCHEMATIC, FUNCTION TRANSLATOR f = 40-57
CODE IDENT NO.	90536
SIZE	D
DWG NO.	7018915
SCALE	
WEIGHT	
SHEET	1 OF 1

IDENT NO. 7018915-00

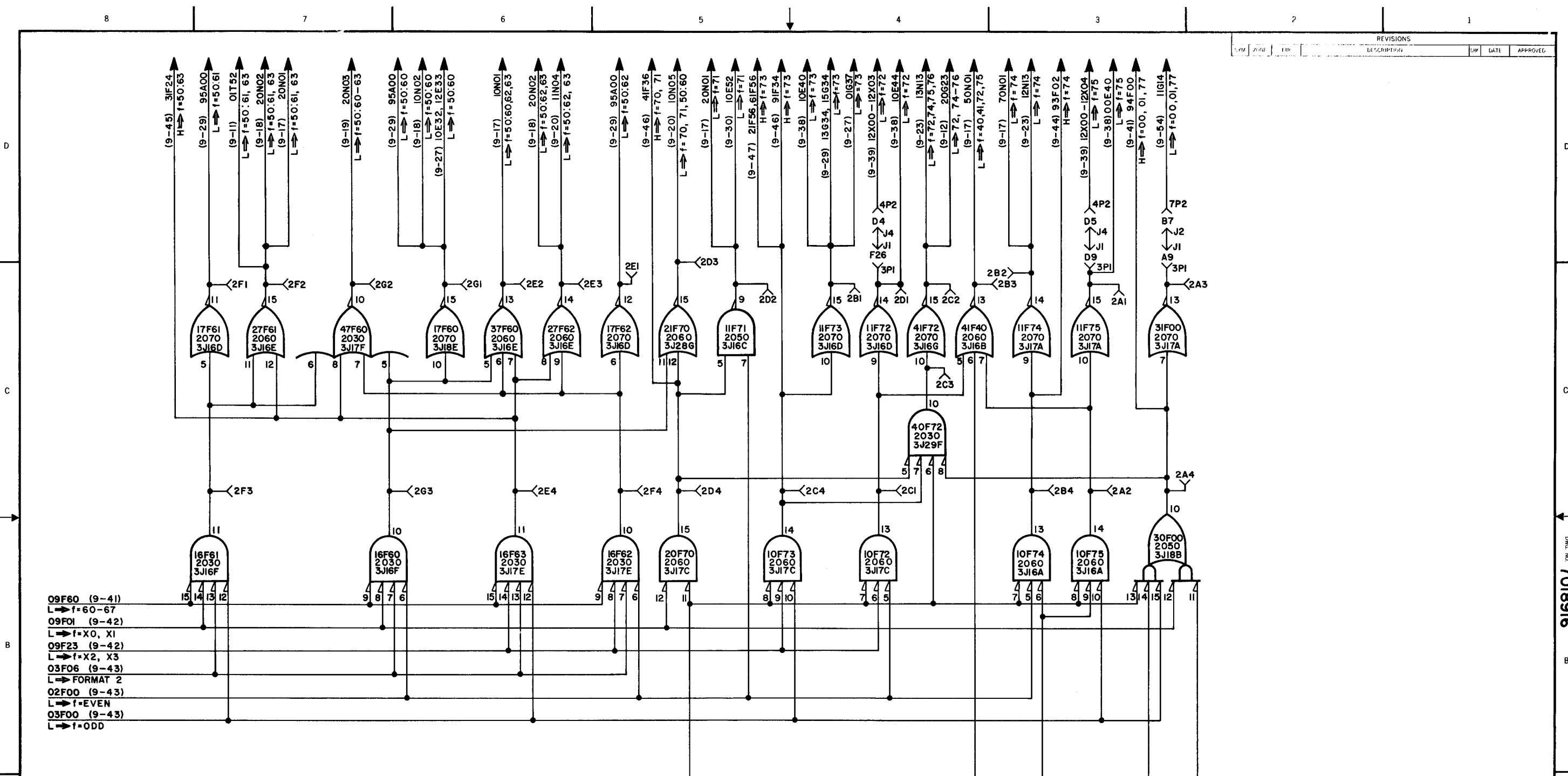
UNLESS OTHERWISE SPECIFIED:
 DIMENSION IN INCHES. TOLERANCE:
 2 PLACE DECIMALS: .005
 3 PLACE DECIMALS: .001
 HOLE DIAMETER TOLERANCE:
 0 THRU .250: .001
 .251 THRU .500: .001
 .501 & LARGER: .005
 THREADS: EXCEPT AS INT. CL. 2B
 MATERIAL:

DATE	6/17/64
CLASS	A
CHECKER	B. POPOV
ENGINEER	G. R. KRENNES
APPROVED	<i>[Signature]</i>
DATE	4/9/65

DRAFTSMAN	G. MAHRE
CHECKER	B. POPOV
ENGINEER	G. R. KRENNES
APPROVED	<i>[Signature]</i>

UNIVAC	
DIVISION OF SPERRY RAND CORPORATION	
CLASS	A
TITLE	FUNCTIONAL SCHEMATIC, FUNCTION TRANSLATOR f = 40-57
CODE IDENT NO.	90536
SIZE	D
DWG NO.	7018915
SCALE	
WEIGHT	
SHEET	1 OF 1

DO NOT SCALE THIS PRINT



REVISIONS			DATE	APPROVED

09F60 (9-41)
 L → f=60-67
 09F01 (9-42)
 L → f=X0, X1
 09F23 (9-42)
 L → f=X2, X3
 03F06 (9-43)
 L → FORMAT 2
 02F00 (9-43)
 L → f=EVEN
 03F00 (9-43)
 L → f=ODD

09F70 (9-41)
 L → f=70-77

20F40 (9-47)
 H → f=40,41

09F45 (9-42)
 L → f=X4, X5

09F67 (9-42)
 L → f=X6, X7

09F00 (9-41)
 L → f=00-07

FIGURE 9-48

IDENT NO. 7018916-00

THIS DOCUMENT CONTAINS CONFIDENTIAL INFORMATION OF THE UNIVAC DIVISION OF SPERRY RAND CORPORATION AND IS FURNISHED PURSUANT TO THE FOLLOWING INSTRUMENT:

UNLESS OTHERWISE SPECIFIED	
DIMENSION IN INCHES, TOLERANCE ON 2 PLACE DECIMALS	3 PLACE DECIMALS
± .003	± .005
HOLE DIAMETER TOLERANCE	
0 THRU .250	.251 THRU .500
+ .003	+ .005
-.002	-.005
THREADS: EX. CL. RA, INT. CL. 2B	
MATERIAL	FINISH
APPLICATION	COMMODITY CODE

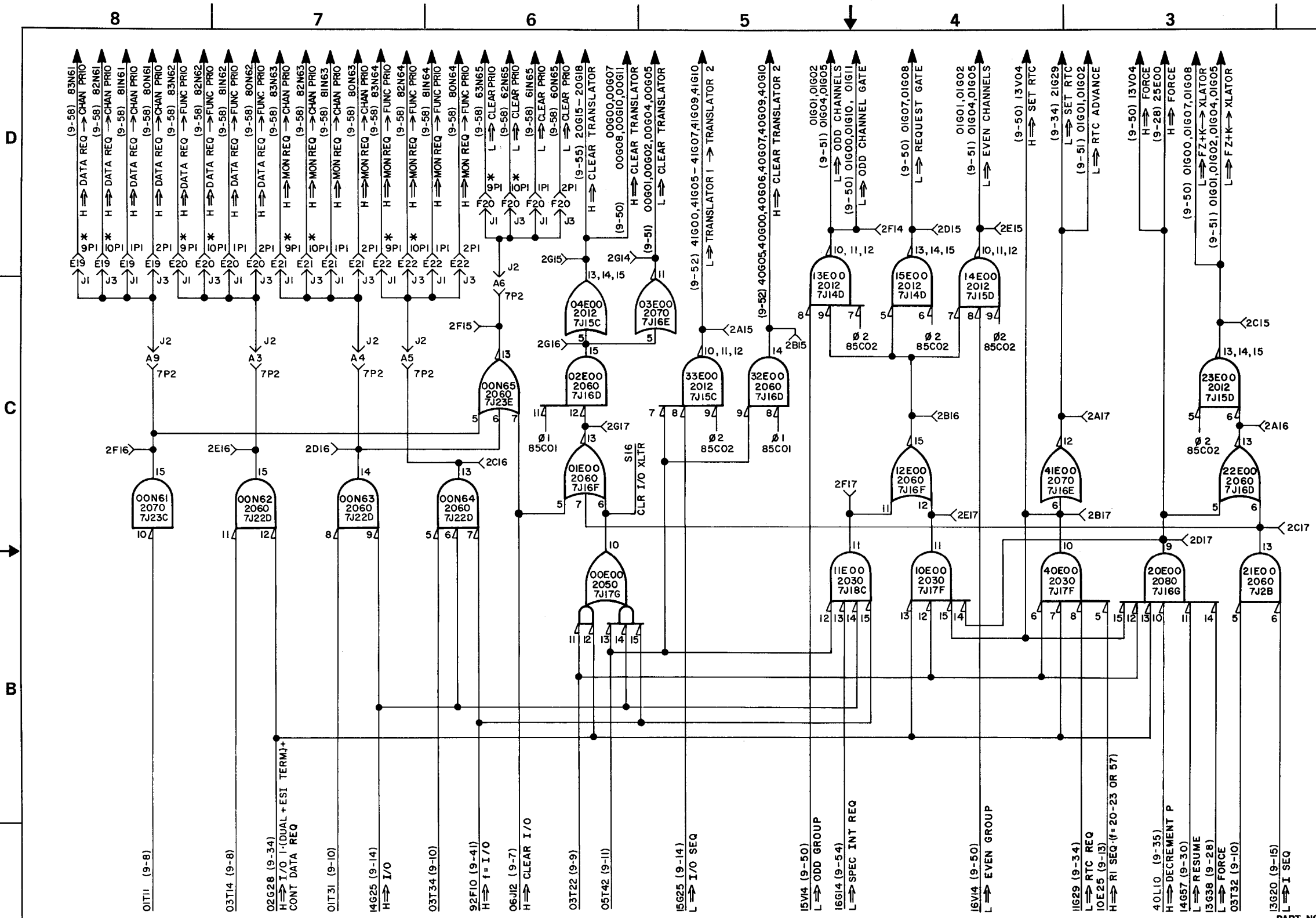
LAYOUT	JAMES S. JERYLO	DATE	5-12-64
DRAFTSMAN	James S. Jerylo	CLASS	A
CHECKER	B. POPOV	DATE	6/10/64
ENGINEER	W.R. NEWMAN	DATE	7-9-64
APPROVAL	ERL	DATE	4-9-65

LIST OF MATERIAL		UNIVAC	
DIVISION OF SPERRY RAND CORPORATION		DIVISION OF SPERRY RAND CORPORATION	
TITLE		FUNCTIONAL SCHEMATIC, FUNCTION TRANSLATOR	
f = 60-77		f = 60-77	
CODE IDENT NO.	SIZE	OWG NO.	90536 D 7018916
SCALE	WEIGHT	SHEET	1 OF 1

DO NOT SCALE THIS PRINT

DWG. NO. 7018916

REVISIONS						
ZONE	LTR	EIR	DESCRIPTION - FOR DETAILS SEE EIR	CHK	DATE	APPROVED
	A	25099	SEE EIR		7-30-67	
	B	002884	SEE EIR		5-31-72	

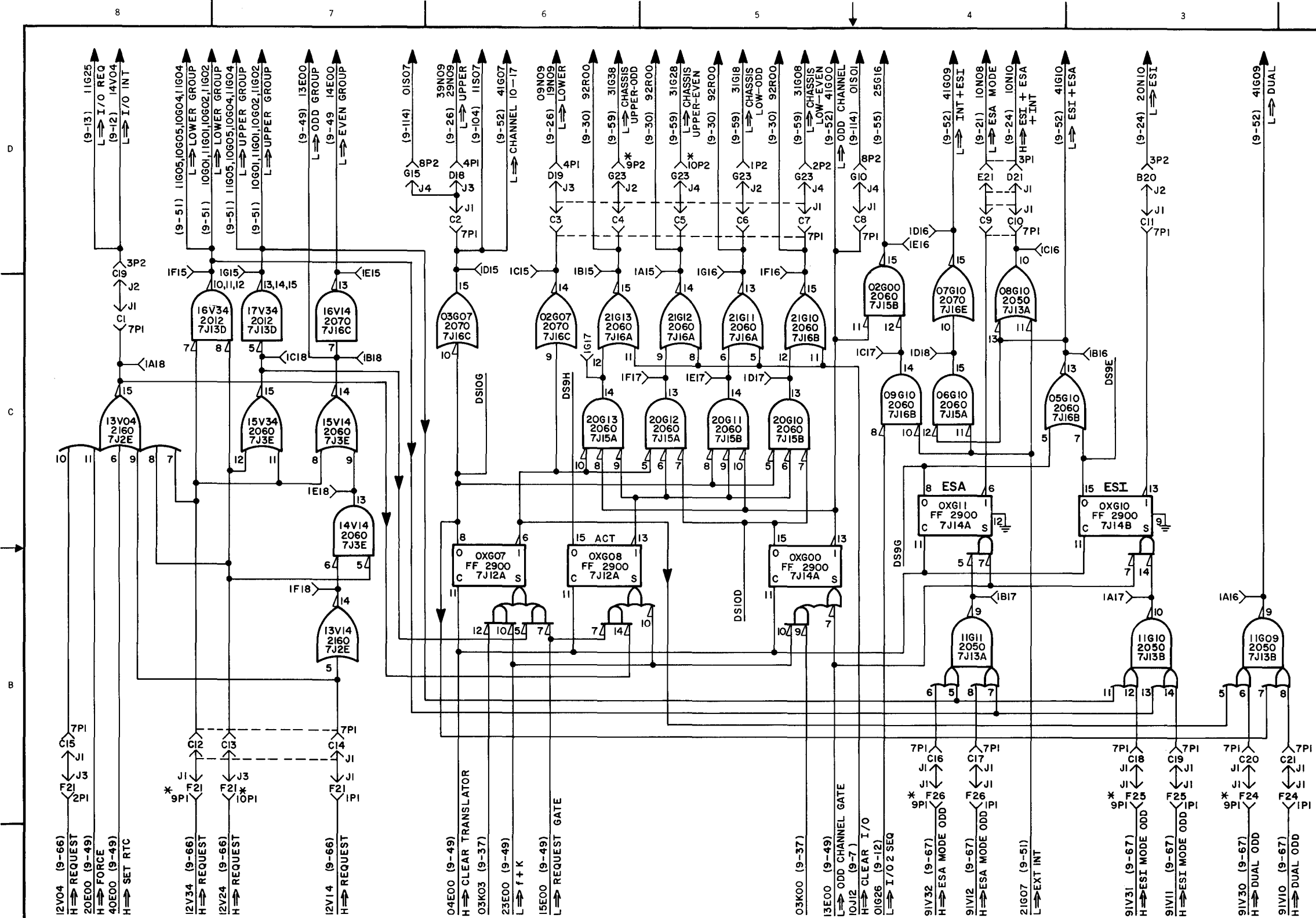


NOTE:
 *- FOR SERIAL 0 AND 1 COMPUTERS REPLACE THE 9 AND 10 WITH 11 AND 12, RESPECTIVELY.

FIGURE 9-49

UNLESS OTHERWISE SPECIFIED		CONTRACT NO.		UNIVAC FEDERAL SYSTEMS DIVISION	
DIMENSIONS IN INCHES TOL ON		LAYOUT		DIVISION OF SPERRY RAND CORPORATION UNIVAC PARK, ST. PAUL, MINN. 55110	
2 PLACE DECIMALS	3 PLACE DECIMALS	+	+	TITLE	
+	+	+	+	FUNCTIONAL SCHEMATIC, I/O TRANSLATOR COMMANDS AND SCAN TIMING	
HOLE DIA TOL		DRAWN D. LODGE 9-21-67		CHECKED [Signature] 9-24-67	
0 THRU .250	.251 THRU .500	ENGR [Signature]		ENGR [Signature]	
+.003	+.005	APPROVED [Signature]		APPROVED [Signature]	
-.002	-.003	NEXT ASSY		USED ON	
THREADS: EXT CL 2A, INT CL 2B		APPLICATION		PART NO.	
				FOR MATL REQUIREMENTS SEE PL	
				SIZE CODE IDENT NO. DWG NO.	
				D 90536 7078740	
				SCALE CLASS A SHEET 1 OF 1	

REVISIONS						
SYM	ZONE	EIR	DESCRIPTION	CHK	DATE	APPROVED
A		75629	SEE EIR		5-4-66	B.P.
B		24544	SEE EIR		7-22-68	B.P.
C		116679	SEE EIR		11-25-69	B.P.



NOTE:
 * — FOR SERIAL 0 AND I COMPUTERS REPLACE THE 9 AND 10 WITH 11 AND 12, RESPECTIVELY.

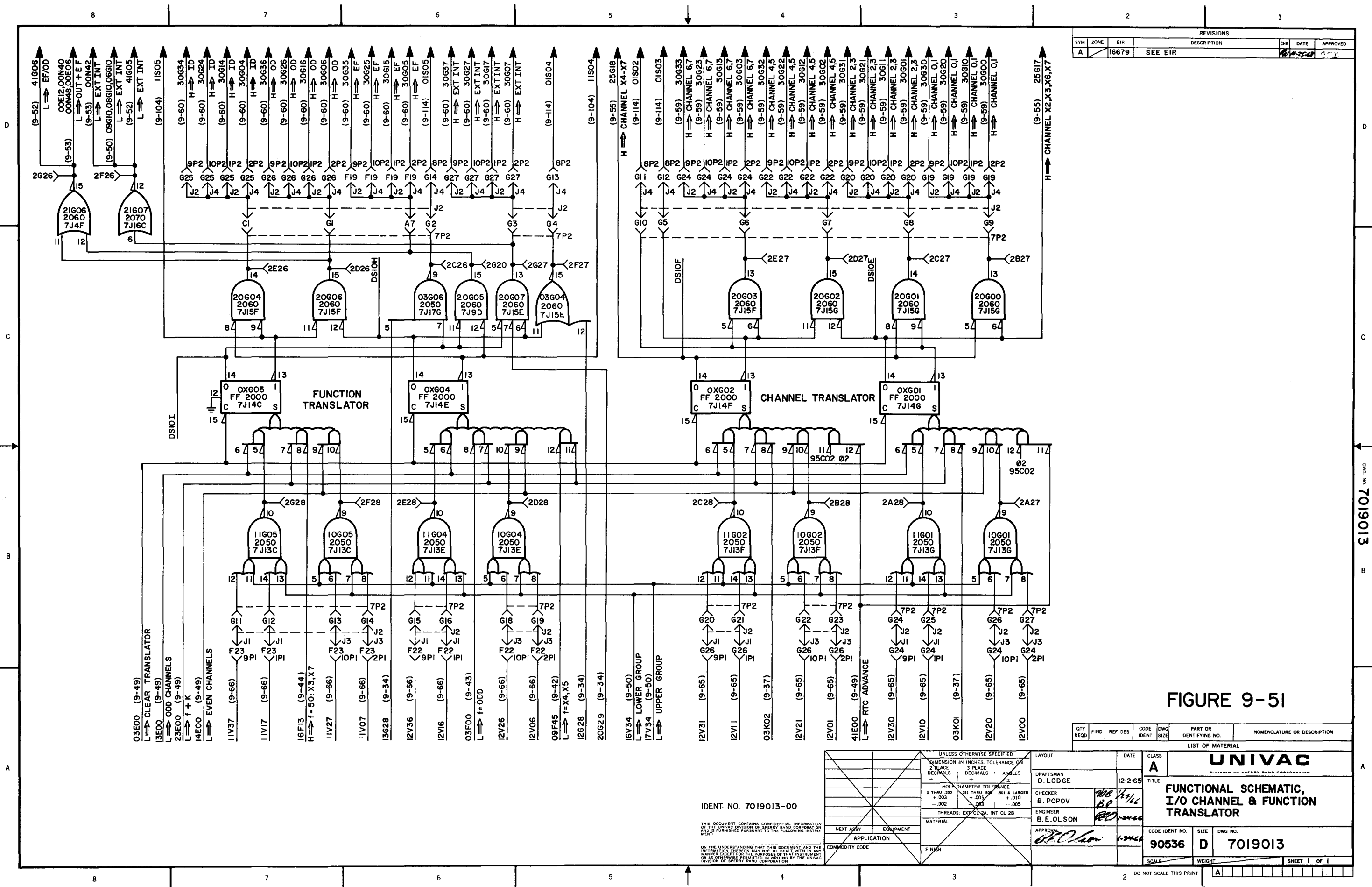
FIGURE 9-50

QTY	FIND	REF DES	CODE IDENT	DRWG SIZE	PART OR IDENTIFYING NO.	NOMENCLATURE OR DESCRIPTION
LIST OF MATERIAL						
UNLESS OTHERWISE SPECIFIED		LAYOUT		DATE	CLASS	UNIVAC DIVISION OF SPERRY RAND CORPORATION
DIMENSION IN INCHES. TOLERANCE ON 2 PLACE DECIMALS ± 0.005 ANGLES ± 0.005		DRAFTSMAN D.C. WHEELER		8-27-64	A	
HOLE DIAMETER TOLERANCE 0 THRU .250 ± .005 .251 THRU .500 ± .010 .501 THRU 1.000 ± .015 1.001 THRU 1.500 ± .020 1.501 THRU 2.000 ± .025		CHECKER B. POPOV		2-13-65	TITLE	FUNCTIONAL SCHEMATIC, I/O TRANSLATOR I — GROUP AND MODE
THREADS: EXT. CL. 2A, INT. CL. 2B		ENGINEER G.R. KEEGNESS		4-9-64	CODE IDENT NO.	
MATERIAL		APPROVED <i>[Signature]</i>		1-9-65	SIZE	D
FINISH		COMMODITY CODE			DRWG NO.	7018922
APPLICATION					SCALE	WEIGHT
					SHEET 1 OF 1	

IDENT NO. 7018922-00
 THIS DOCUMENT CONTAINS CONFIDENTIAL INFORMATION OF THE UNIVAC DIVISION OF SPERRY RAND CORPORATION AND IS FURNISHED PURSUANT TO THE FOLLOWING INSTRUMENT:
 ON THE UNDERSTANDING THAT THIS DOCUMENT AND THE INFORMATION THEREON MAY NOT BE DEALT WITH IN ANY MANNER EXCEPT FOR THE PURPOSES OF THAT INSTRUMENT OR AS OTHERWISE PERMITTED IN WRITING BY THE UNIVAC DIVISION OF SPERRY RAND CORPORATION.

ENC. NO. 7018922

DO NOT SCALE THIS PRINT



REVISIONS						
SYM	ZONE	EIR	DESCRIPTION	CHK	DATE	APPROVED
A		16679	SEE EIR			

FIGURE 9-51

QTY	FIND	REF DES	CODE	DWG	PART OR IDENTIFYING NO.	NOMENCLATURE OR DESCRIPTION

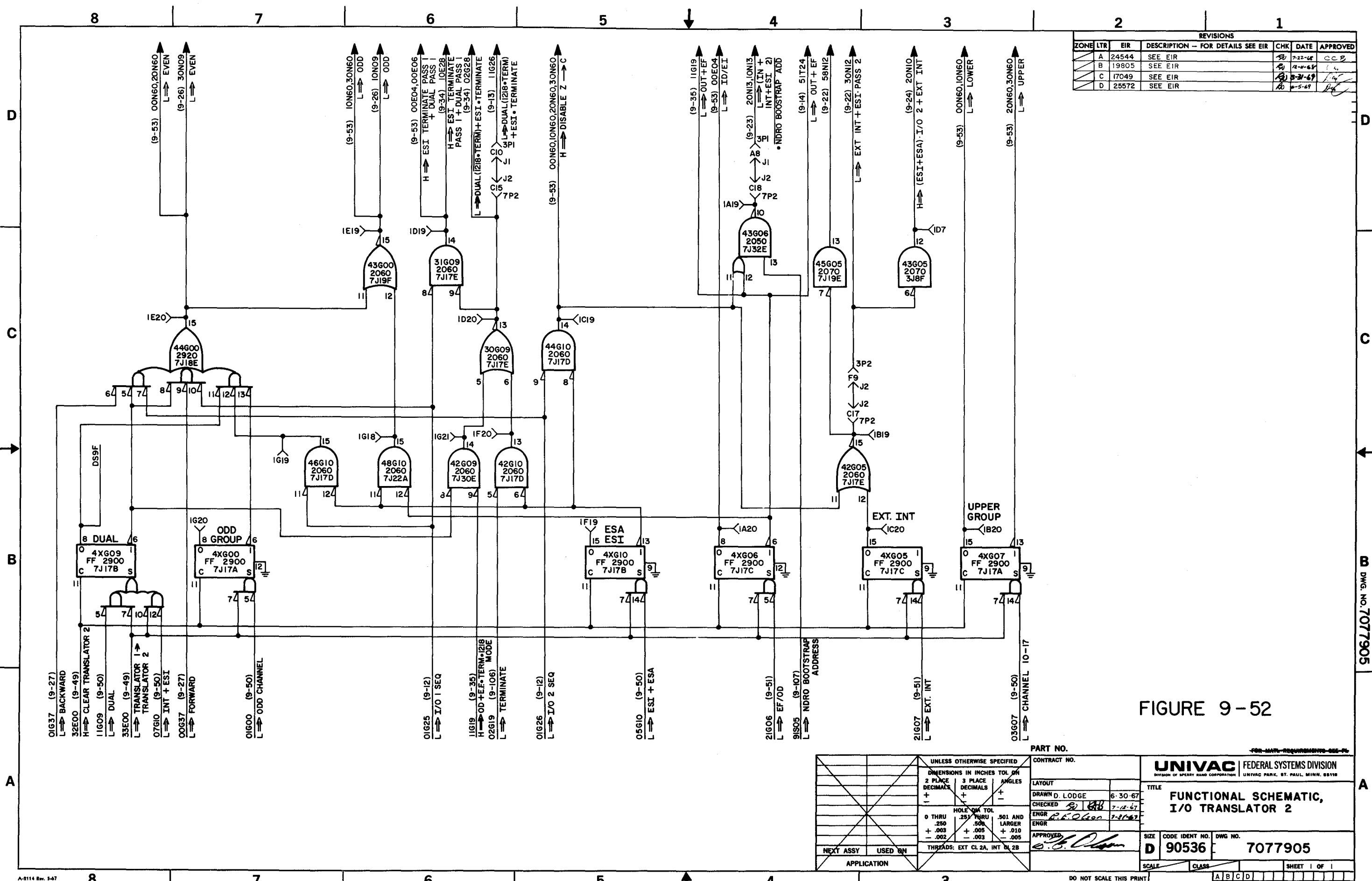
LIST OF MATERIAL	
UNIVAC	
DIVISION OF SPERRY RAND CORPORATION	
FUNCTIONAL SCHEMATIC, I/O CHANNEL & FUNCTION TRANSLATOR	
DATE: 12-2-65	CLASS: A
DRAFTSMAN: D. LODGE	CHECKER: B. POPOV
ENGINEER: B. E. OLSON	APPROVAL: [Signature]
CODE IDENT NO.: 90536	SIZE: D
DWG NO.: 7019013	SCALE: [Blank]
WEIGHT: [Blank]	SHEET 1 OF 1

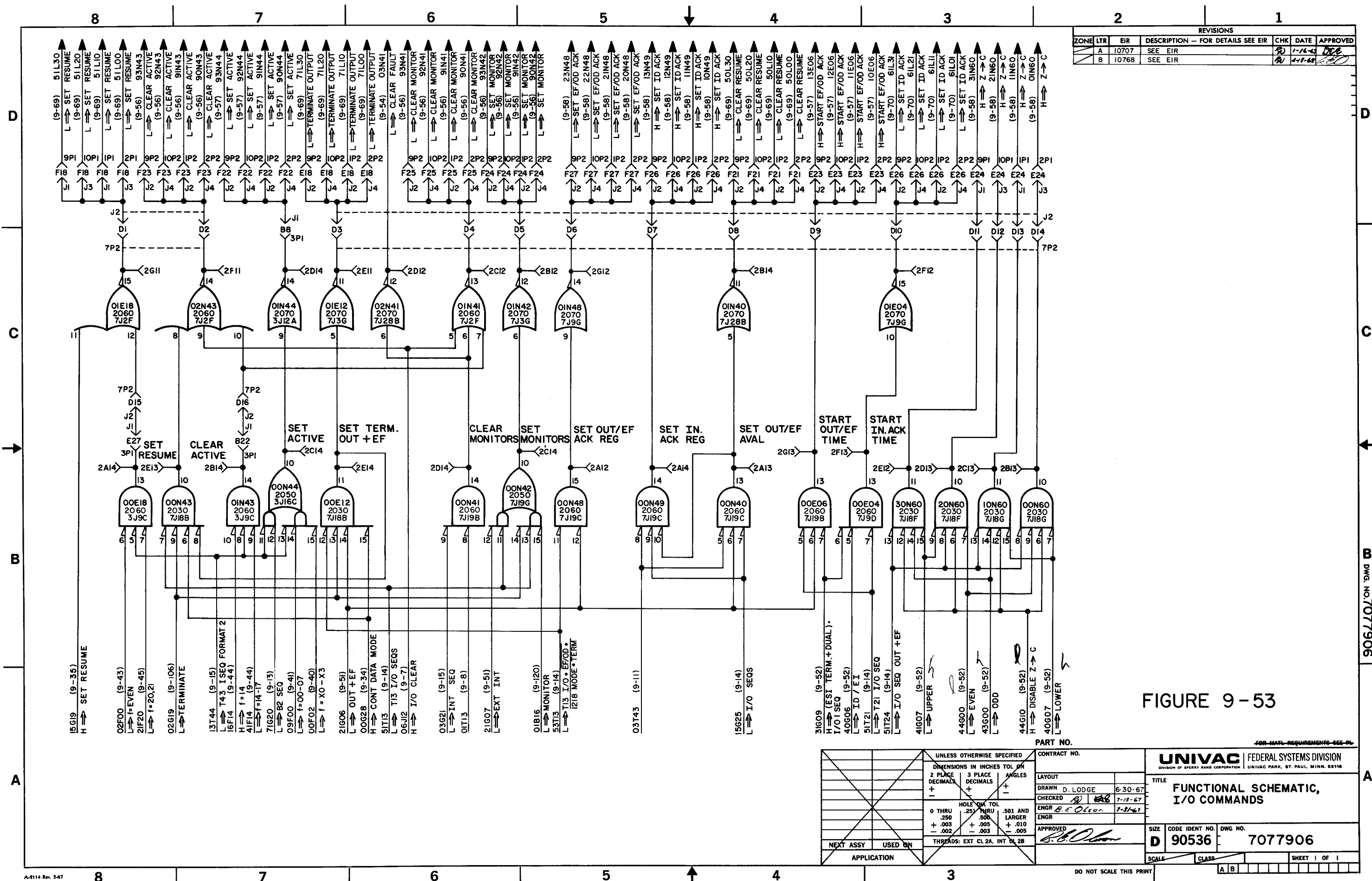
IDENT. NO. 7019013-00

THIS DOCUMENT CONTAINS CONFIDENTIAL INFORMATION OF THE UNIVAC DIVISION OF SPERRY RAND CORPORATION AND IS FURNISHED PURSUANT TO THE FOLLOWING INSTRUMENT:

ON THE UNDERSTANDING THAT THIS DOCUMENT AND THE INFORMATION THEREON MAY NOT BE REPRODUCED IN ANY MANNER EXCEPT FOR THE PURPOSES OF THAT INSTRUMENT OR AS OTHERWISE PERMITTED IN WRITING BY THE UNIVAC DIVISION OF SPERRY RAND CORPORATION

UNLESS OTHERWISE SPECIFIED	LAYOUT
DIMENSION IN INCHES, TOLERANCE ON 2 PLACE DECIMALS	DATE
ANGLES	CLASS
HOLD DIAMETER TOLERANCE	TITLE
0 THRU .250 +.003	CHECKER
.251 THRU .500 +.005	ENGINEER
.501 & LARGER +.010	APPROVAL
THREADS: EXPT. CL. 2A, INT. CL. 2B	
MATERIAL	
FINISH	
EQUIPMENT	
APPLICATION	
COMMODITY CODE	





REVISIONS						
ZONE	LTR	EIR	DESCRIPTION - FOR DETAILS SEE EIR	CHK	DATE	APPROVED
A		10707	SEE EIR		1-16-67	
B		10768	SEE EIR		4-18-67	

FIGURE 9-53

UNLESS OTHERWISE SPECIFIED		CONTRACT NO.		UNIVAC FEDERAL SYSTEMS DIVISION	
DIMENSIONS IN INCHES TOL ON		LAYOUT		TITLE	
2 PLACE DECIMALS	3 PLACE DECIMALS	DRAWN D. LODGE 6-30-67		FUNCTIONAL SCHEMATIC, I/O COMMANDS	
+	+	CHECKED [Signature] 7-13-67		SIZE CODE IDENT NO. DWG NO.	
0 THRU .250	.251 THRU .500	ENGR B.E. Olson 7-31-67		D 90536 7077906	
+.003	+.005	APPROVED [Signature]		SCALE CLASS SHEET 1 OF 1	
-.002	-.003	THREADS: EXT CL 2A, INT CL 2B		DO NOT SCALE THIS PRINT	
NEXT ASSY USED ON APPLICATION					

B DWG. NO. 7077906

REVISIONS					
SYM	ZONE	EIR	DESCRIPTION	CHK	DATE
A		71771	SEE EIR	#	8-24-65
B		76010	SEE EIR	#	4-23-66
C		91203	SEE EIR	#	4-26-67
D		25099	SEE EIR	#	7-31-68
E		002884	SEE EIR	#	10-21-72

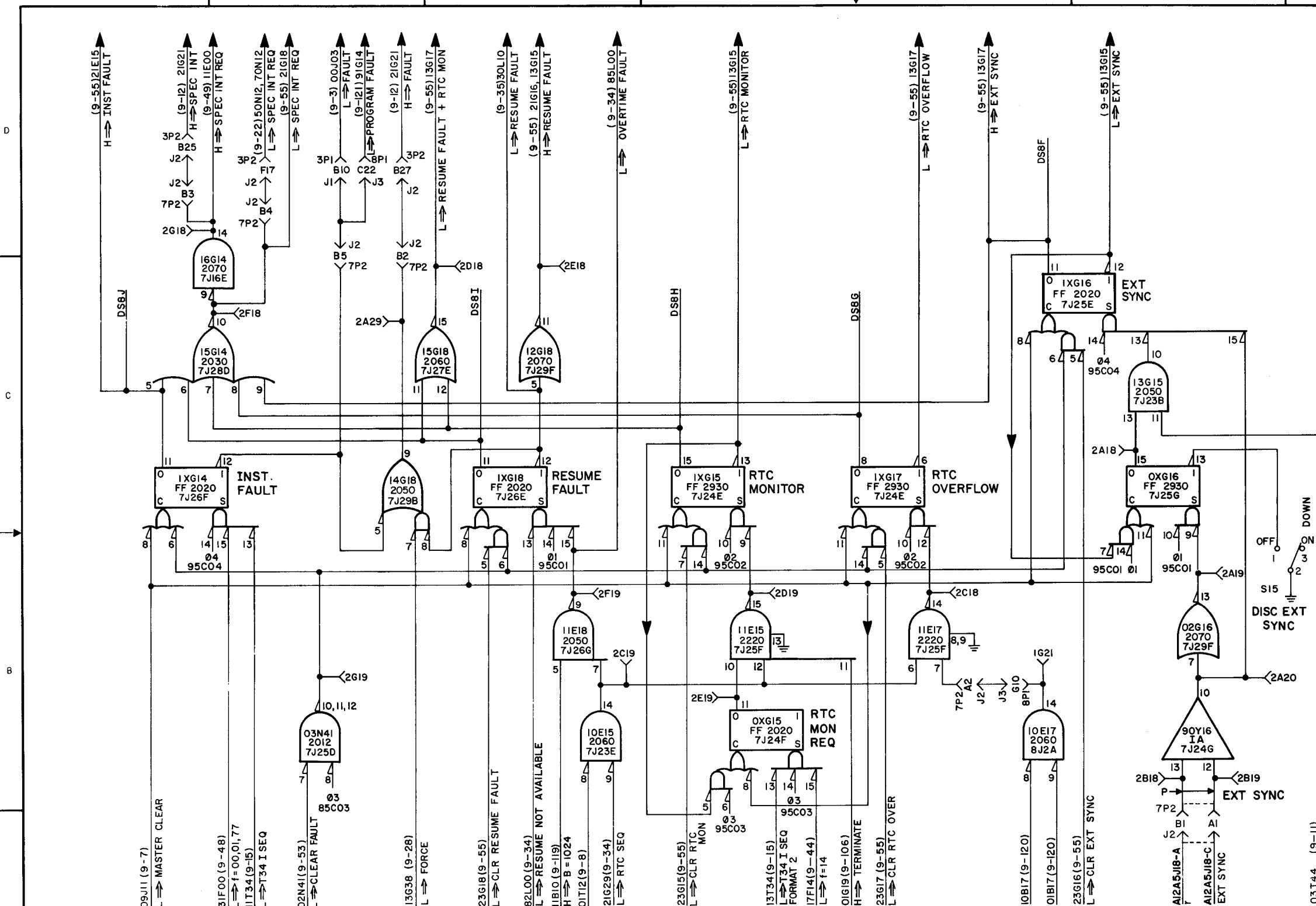


FIGURE 9-54

LIST OF MATERIAL					
QTY	FIND	REF DES	CODE IDENT	DWG SIZE	PART OR IDENTIFYING NO.

UNLESS OTHERWISE SPECIFIED		LAYOUT	DATE	CLASS
DIMENSION IN INCHES. TOLERANCE ON 2 PLACE DECIMALS 3 PLACE DECIMALS ANGLES		DRAFTSMAN		
HOLE DIAMETER TOLERANCE		CHECKER		
0 THRU .250 ± .005		ENGINEER		
.251 THRU .500 ± .005		APPROVED		
.501 & LARGER ± .010				
THREADS: EXCEPT 2A INT CL 2B				
MATERIAL				
FINISH				
NEXT ASSY EQUIPMENT				
APPLICATION				
COMMODITY CODE				

UNIVAC		DIVISION OF SPERRY RAND CORPORATION	
CLASS A		TITLE	
DATE 8-26-64		DRAWN BY M.C.	
CHECKED BY B. POPOV		ENGINEER G.R. KREGNESS	
APPROVED BY [Signature]		DATE 4-9-5	
CODE IDENT NO. 90536	SIZE D	DWG NO. 7018935	
SCALE		SHEET 1 OF 1	

IDENT NO. 7018935-00

THIS DOCUMENT CONTAINS CONFIDENTIAL INFORMATION OF THE UNIVAC DIVISION OF SPERRY RAND CORPORATION AND IS FURNISHED PURSUANT TO THE FOLLOWING INSTRUMENT OR AS OTHERWISE PERMITTED IN WRITING BY THE UNIVAC DIVISION OF SPERRY RAND CORPORATION.

UNIVAC 7018935

REVISIONS						
SYM	ZONE	EIR	DESCRIPTION	CHK	DATE	APPROVED
A		71771	SEE EIR		8-24-65	<i>[Signature]</i>
B		76010	SEE EIR		2-23-66	<i>[Signature]</i>

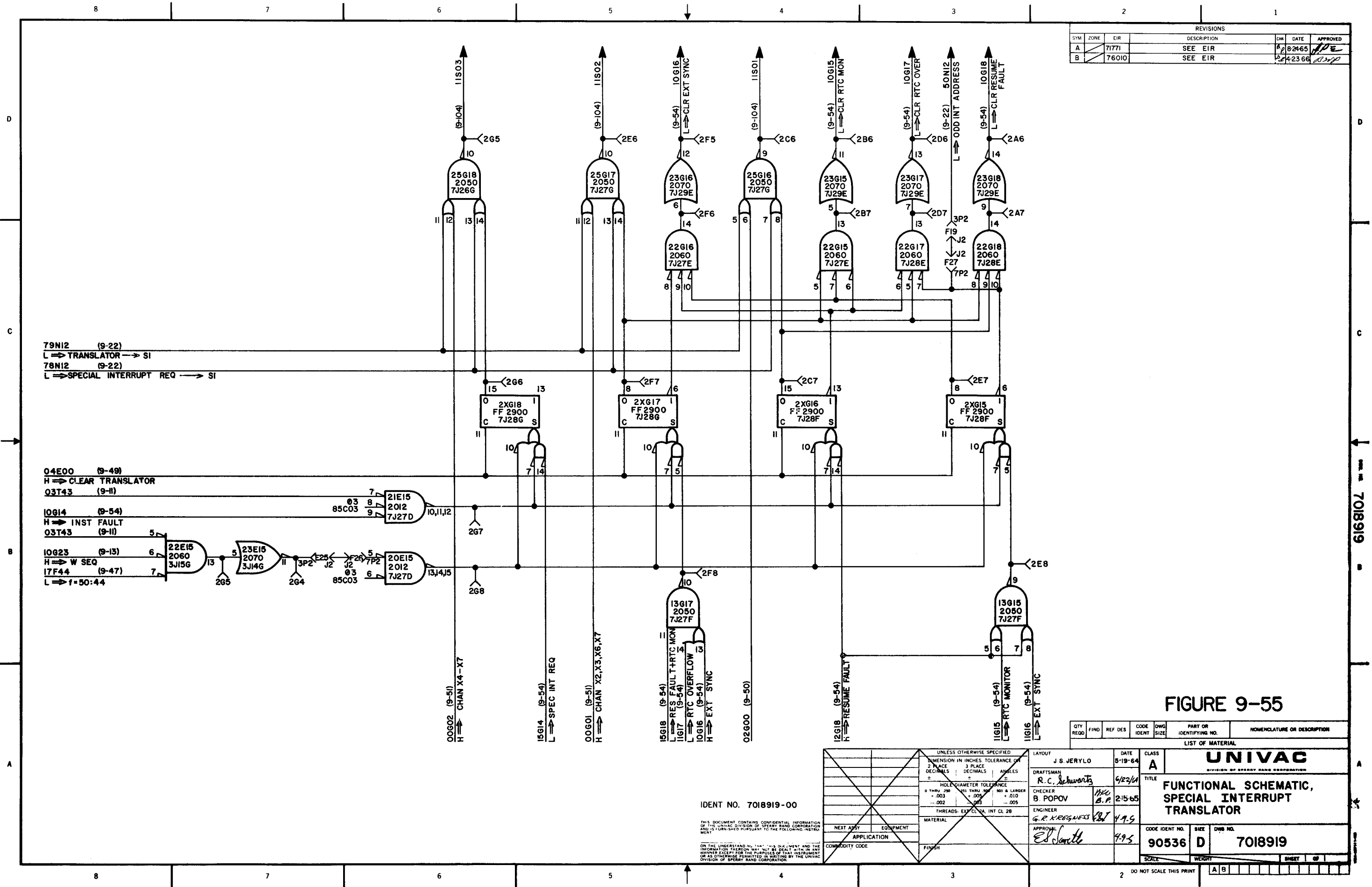


FIGURE 9-55

QTY	FIND	REF	DES	CODE	DWG	PART OR IDENTIFYING NO.	NOMENCLATURE OR DESCRIPTION

LIST OF MATERIAL			
UNLESS OTHERWISE SPECIFIED	LAYOUT	DATE	CLASS
DIMENSION IN INCHES: TOLERANCE ON 2 PLACE DECIMALS 3 PLACE DECIMALS ANGLES	J. S. JERYLO	5-19-64	A
HOLE DIAMETER TOLERANCE 0 THRU .250 ± .003 .251 THRU .500 ± .004 .501 & LARGER ± .010	DRAFTSMAN R. C. Schwartz	4/23/64	TITLE
THREADS: EX. CL. INT. CL. 2B	CHECKER B. POPOV	4/23/65	FUNCTIONAL SCHEMATIC, SPECIAL INTERRUPT TRANSLATOR
MATERIAL	ENGINEER G. R. KREGNES	4-9-65	CODE IDENT. NO.
FINISH	APPROVAL Ed Swartz	4-9-65	90536
NEXT ASST. EQUIPMENT APPLICATION COMMODITY CODE			SIZE
			DWG NO.
			7018919
			SCALE
			WEIGHT
			SHEET
			OF

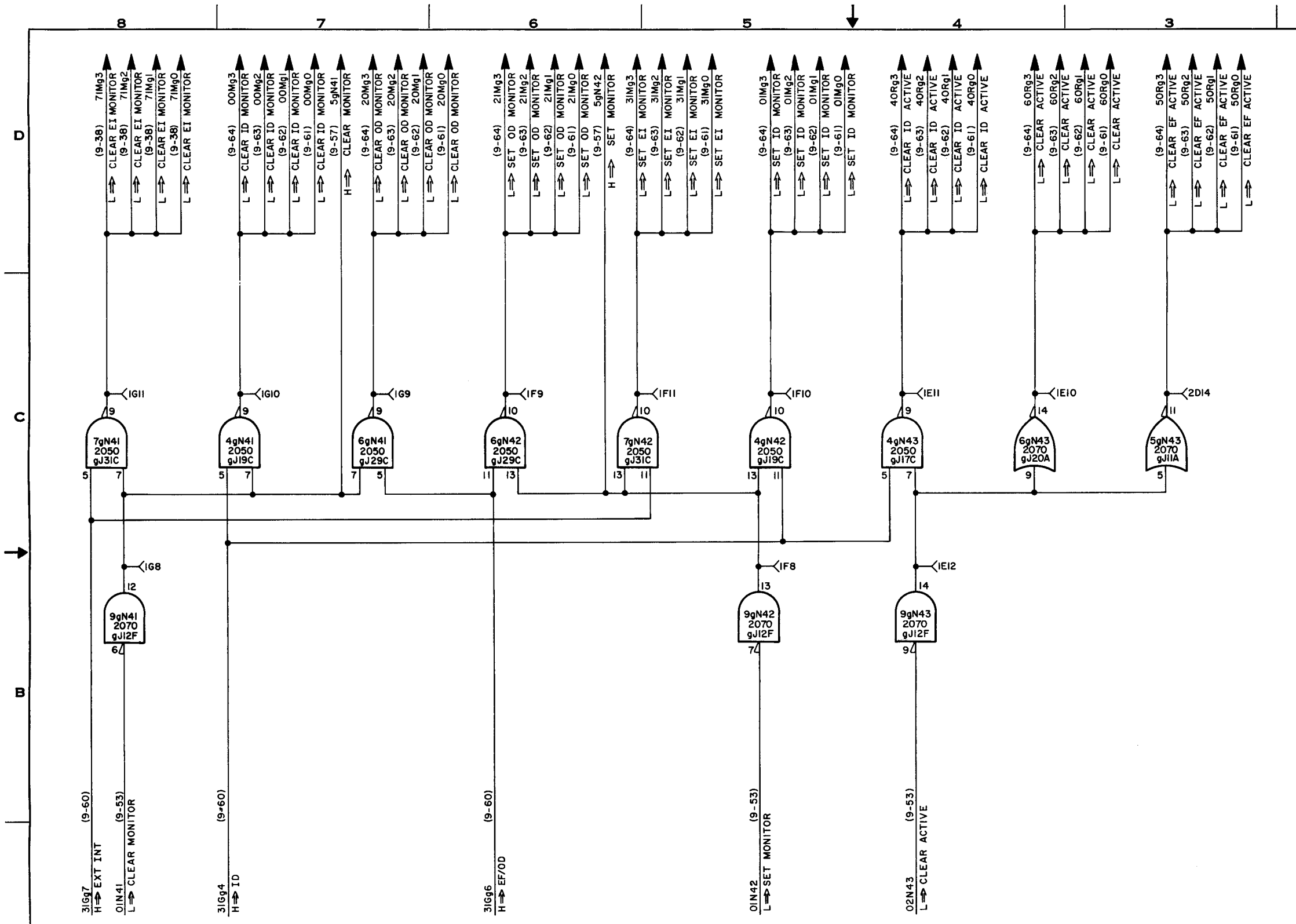
IDENT NO. 7018919-00

THIS DOCUMENT CONTAINS CONFIDENTIAL INFORMATION OF THE UNIVAC DIVISION OF SPERRY RAND CORPORATION AND IS FURNISHED PURSUANT TO THE FOLLOWING INSTRUMENT OF UNDERSTANDING: THIS DOCUMENT AND THE INFORMATION THEREON MAY NOT BE DISSEMINATED OR REPRODUCED FOR THE PURPOSES OF THIS INSTRUMENT OR AS OTHERWISE PERMITTED IN WRITING BY THE UNIVAC DIVISION OF SPERRY RAND CORPORATION.

DO NOT SCALE THIS PRINT

7018919

REVISIONS						
ZONE	LTR	EIR	DESCRIPTION - FOR DETAILS SEE EIR	CHK	DATE	APPROVED
	A	16679	SEE EIR		10-27-68	CEB



NOTE:
1. THE FUNCTIONAL SCHEMATICS OF THE I/O SECTION DEPICT ONE OF FOUR IDENTICAL CHASSIS. BECAUSE OF THIS, THE "g" TERM IS AS PER TABLE:

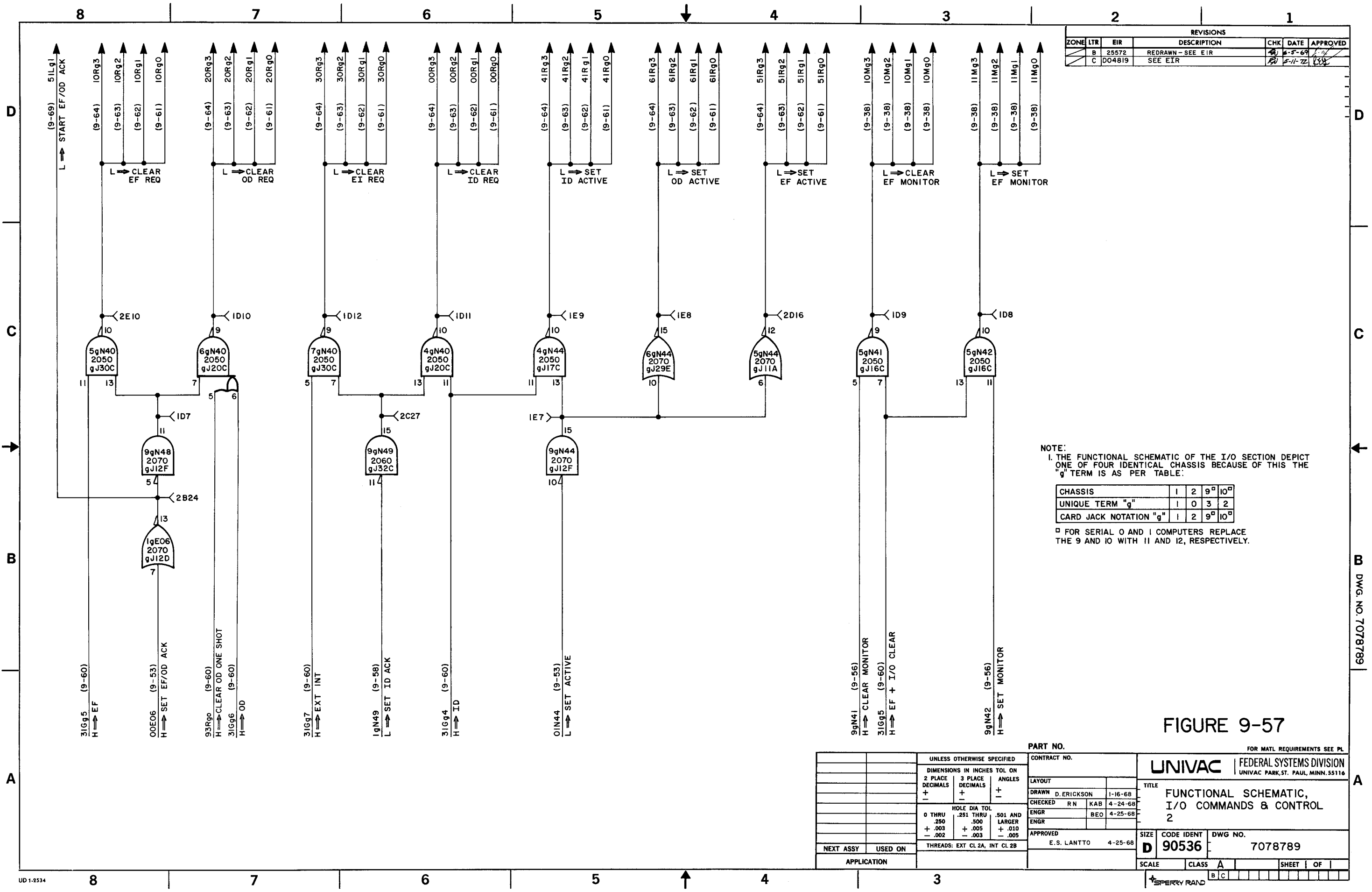
CHASSIS	1	2	9	10
UNIQUE TERM "g"	1	0	3	2
CARD JACK NOTATION "g"	1	2	9	10

FIGURE 9-56

COMPANY CONFIDENTIAL INFORMATION
THIS DOCUMENT CONTAINS CONFIDENTIAL INFORMATION OF THE SPERRY RAND CORPORATION. IN CONSIDERATION OF THE RECEIPT OF THIS DOCUMENT, THE RECIPIENT AGREES NOT TO REPRODUCE, COPY, USE OR TRANSMIT THIS DOCUMENT AND/OR THE INFORMATION THEREIN CONTAINED, IN WHOLE OR IN PART, OR TO SUFFER SUCH ACTION BY OTHERS, FOR ANY PURPOSE EXCEPT WITH THE WRITTEN PERMISSION, FIRST OBTAINED, OF SPERRY RAND CORPORATION, AND FURTHER AGREES TO SURRENDER SAME TO SPERRY RAND CORPORATION UPON DEMAND.

UNLESS OTHERWISE SPECIFIED / DIMENSIONS IN INCHES TOL. ON 2 PLACE 3 PLACE DECIMALS / ANGLES	LAYOUT	DATE	CLASS
	DRAFTSMAN D. ERICKSON	12-1-65	A
HOLE DIA. TOL. 0 THRU .251 THRU .501 AND LARGER / .250 + .003 - .002 / .500 + .005 - .003 / .501 AND LARGER + .010 - .005	CHECKER B. POPOV	10/29/64	TITLE
	ENGINEER B.E. OLSON		FUNCTIONAL SCHEMATIC, I/O COMMANDS & CONTROL I
THREADS: EXT. CL 2A, INT. CL 2B	APPROVAL	SIZE	CODE IDENT.
COMMODITY CODE		D	90536
		DWG NO.	7019014
		SCALE	SHEET 1 OF 1

DO NOT SCALE THIS PRINT



REVISIONS						
ZONE	LTR	EIR	DESCRIPTION	CHK	DATE	APPROVED
B		25572	REDRAWN - SEE EIR		6-5-69	
C		004819	SEE EIR		5-11-72	

NOTE:
 1. THE FUNCTIONAL SCHEMATIC OF THE I/O SECTION DEPICT ONE OF FOUR IDENTICAL CHASSIS BECAUSE OF THIS THE "g" TERM IS AS PER TABLE:

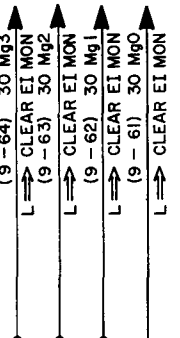
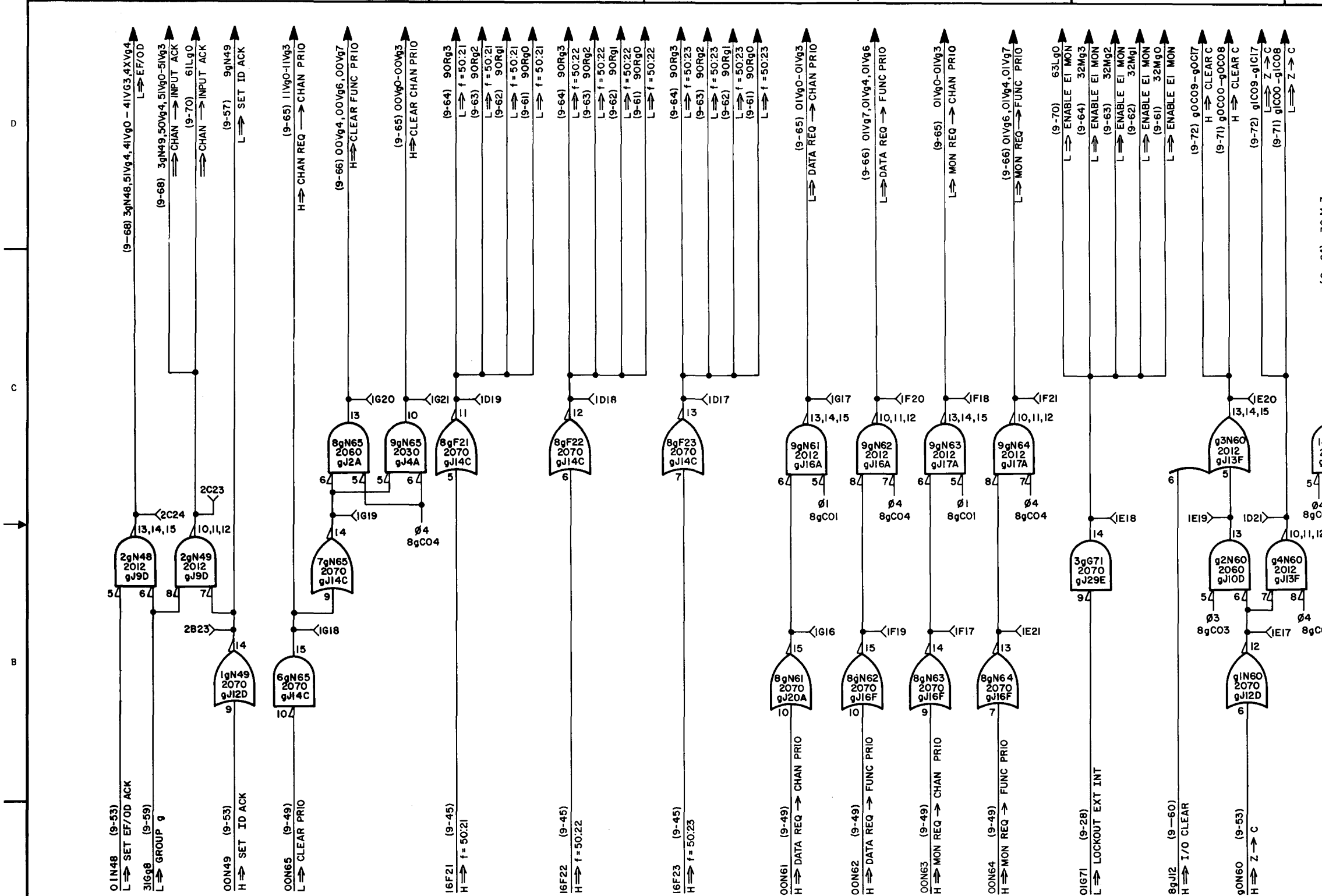
CHASSIS	1	2	9 ^a	10 ^a
UNIQUE TERM "g"	1	0	3	2
CARD JACK NOTATION "g"	1	2	9 ^a	10 ^a

^a FOR SERIAL 0 AND 1 COMPUTERS REPLACE THE 9 AND 10 WITH 11 AND 12, RESPECTIVELY.

FIGURE 9-57

UNLESS OTHERWISE SPECIFIED		CONTRACT NO.		FOR MATL REQUIREMENTS SEE PL	
DIMENSIONS IN INCHES TOL ON		LAYOUT		UNIVAC FEDERAL SYSTEMS DIVISION UNIVAC PARK, ST. PAUL, MINN. 55116	
2 PLACE DECIMALS	3 PLACE DECIMALS	ANGLES	DRAWN	D. ERICKSON	1-16-68
+	+	+	CHECKED	RN	KAB 4-24-68
0 THRU .250	.251 THRU .500	.501 AND LARGER	ENGR	BEO	4-25-68
+.003	+.005	+.010	APPROVED	E. S. LANTTO	4-25-68
-.002	-.003	-.005	THREADS: EXT CL 2A, INT CL 2B		
NEXT ASSY	USED ON	APPLICATION	SIZE	CODE IDENT	DWG NO.
			D	90536	7078789
			SCALE	CLASS	A
			SHEET OF		

REVISIONS				
SYM	ZONE	EIR	DESCRIPTION	CHK DATE APPROVED



NOTE:
THE FUNCTIONAL SCHEMATICS OF THE I/O SECTION DEPICT ONE OF FOUR IDENTICAL CHASSIS. BECAUSE OF THIS, THE "g" TERM IS AS PER TABLE:

CHASSIS	1	2	9 ^a	10 ^a
UNIQUE TERM "g"	1	0	3	2
CARD JACK NOTATION "g"	1	2	9 ^a	10 ^a

^a - FOR SERIAL O AND I COMPUTERS REPLACE THE 9 AND 10 WITH 11 AND 12, RESPECTIVELY.

FIGURE 9-58

QTY	FIND	REF DES	CODE	DWG	PART OR IDENTIFYING NO.	NOMENCLATURE OR DESCRIPTION

UNLESS OTHERWISE SPECIFIED	
DIMENSION IN INCHES, TOLERANCE OR 2 PLACE DECIMALS	3 PLACE DECIMALS
HOLE DIAMETER TOLERANCE	ANGLES
0 THRU .250 +.003	.251 THRU .500 +.010
.501 & LARGER +.010	
THREADS: EXCEPT INT CL 2B	
MATERIAL	FINISH

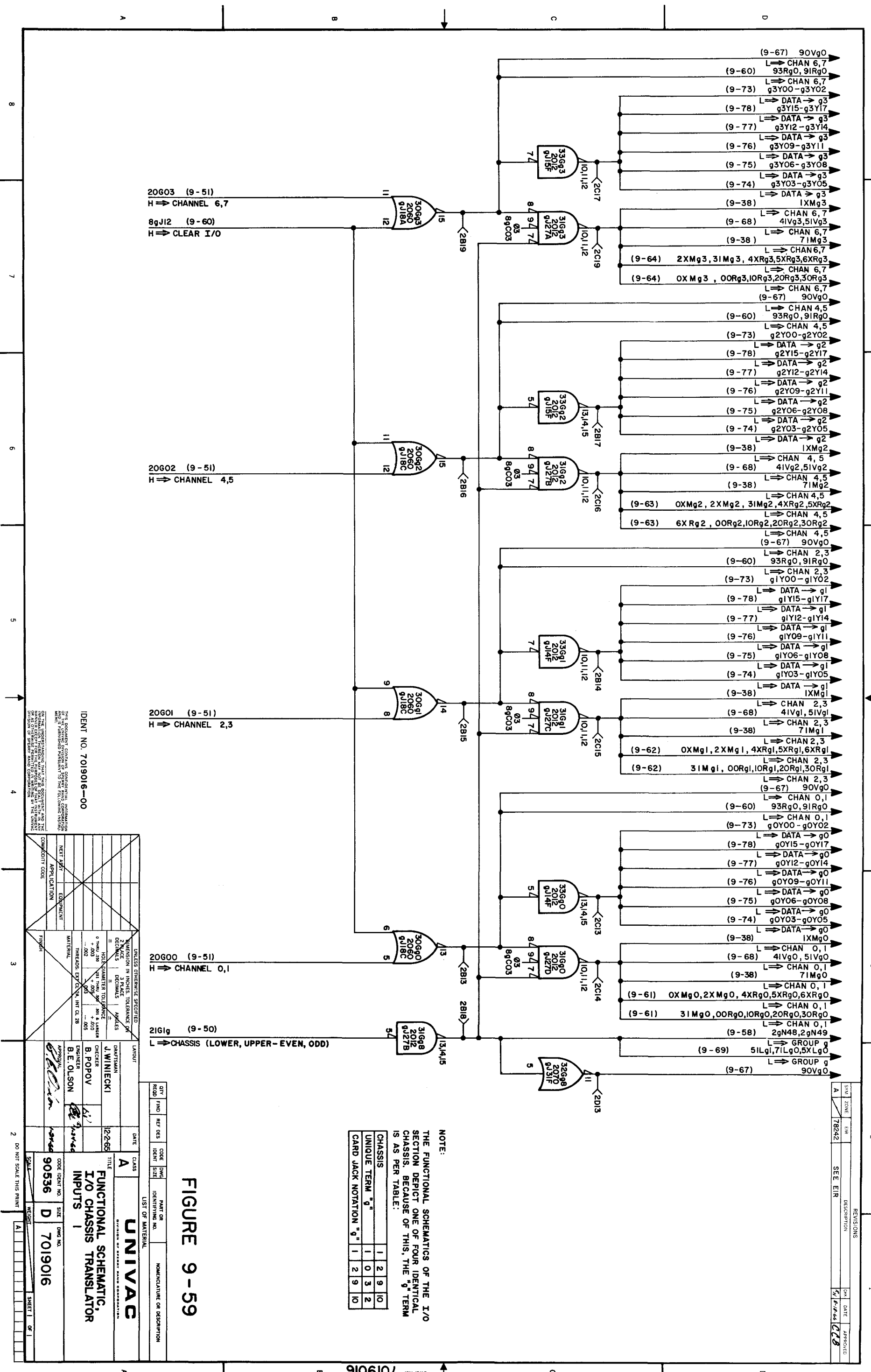
IDENT NO. 7018901-00

THIS DOCUMENT CONTAINS CONFIDENTIAL INFORMATION OF THE UNIVAC DIVISION OF SPERRY RAND CORPORATION AND IS FURNISHED PURSUANT TO THE FOLLOWING INSTRUMENT:

ON THE UNDERSTANDING THAT THIS DOCUMENT AND THE INFORMATION THEREON MAY NOT BE DEALT WITH IN ANY MANNER EXCEPT FOR THE PURPOSES OF THAT INSTRUMENT OR AS OTHERWISE PERMITTED IN WRITING BY THE UNIVAC DIVISION OF SPERRY RAND CORPORATION.

DO NOT SCALE THIS PRINT

ENC. NO. 7078790



NOTE:
 THE FUNCTIONAL SCHEMATICS OF THE I/O SECTION DEPICT ONE OF FOUR IDENTICAL CHASSIS. BECAUSE OF THIS, THE "g" TERM IS AS PER TABLE:

CHASSIS	1	2	9	10
UNIQUE TERM "g"	1	0	3	2
CARD JACK NOTATION "g"	1	2	9	10

FIGURE 9-59

IDENT NO. 7019016-00

UNLESS OTHERWISE SPECIFIED, DIMENSIONS IN INCHES, TOLERANCE IN PARENTHESES, UNLESS OTHERWISE SPECIFIED.

FRAMES: 3/16" ± .005

PLATE: .015" ± .005

ANODIZING: MIL-C-13123, TYPE II, CLASS II

WELDING: MIL-C-12869, CLASS II

FINISH: MIL-C-12880, CLASS II

APPROVAL: [Signature]

DATE: 12-2-65

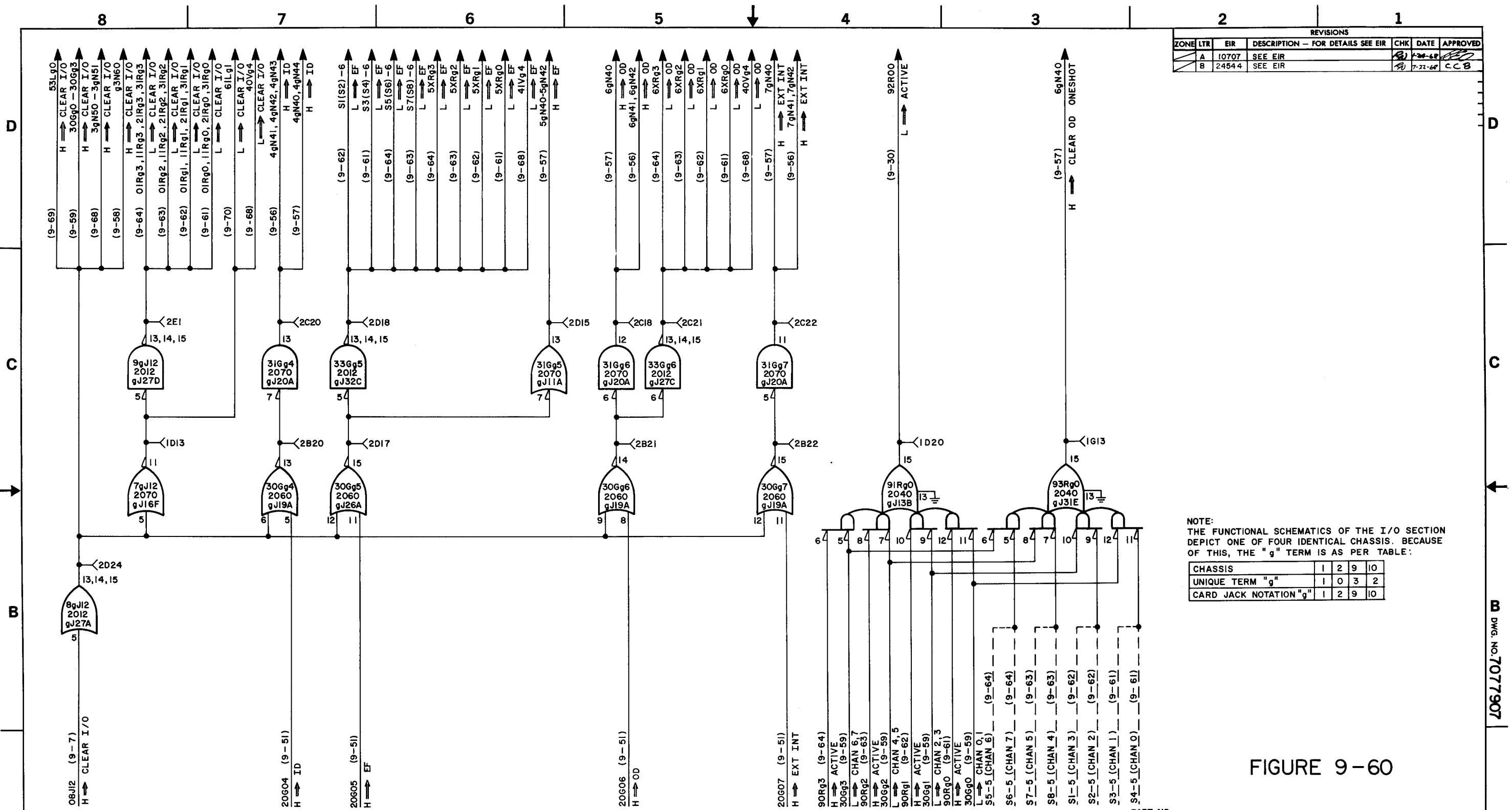
QTY	FIND	REF DES	CODE	QTY	REF DES	CODE	QTY	REF DES	CODE
1				1			1		

CLASS	A	DATE	12-2-65
TITLE	FUNCTIONAL SCHEMATIC, I/O CHASSIS TRANSLATOR INPUTS		
DESIGNED BY	J. WINECKI	CHECKED BY	B. POPOV
ENGINEER	B. E. OLSON	APPROVAL	[Signature]
CODE IDENT NO.	90536	SIZE	D
DWG NO.	7019016	SCALE	1:1

DO NOT SCALE THIS PRINT

REV	ZONE	DESCRIPTION	DATE	APPROVED
1	A	78242		[Signature]

REVISIONS						
ZONE	LTR	EIR	DESCRIPTION - FOR DETAILS SEE EIR	CHK	DATE	APPROVED
A	10707		SEE EIR		7-20-67	
B	24544		SEE EIR		7-21-67	C.C.B.



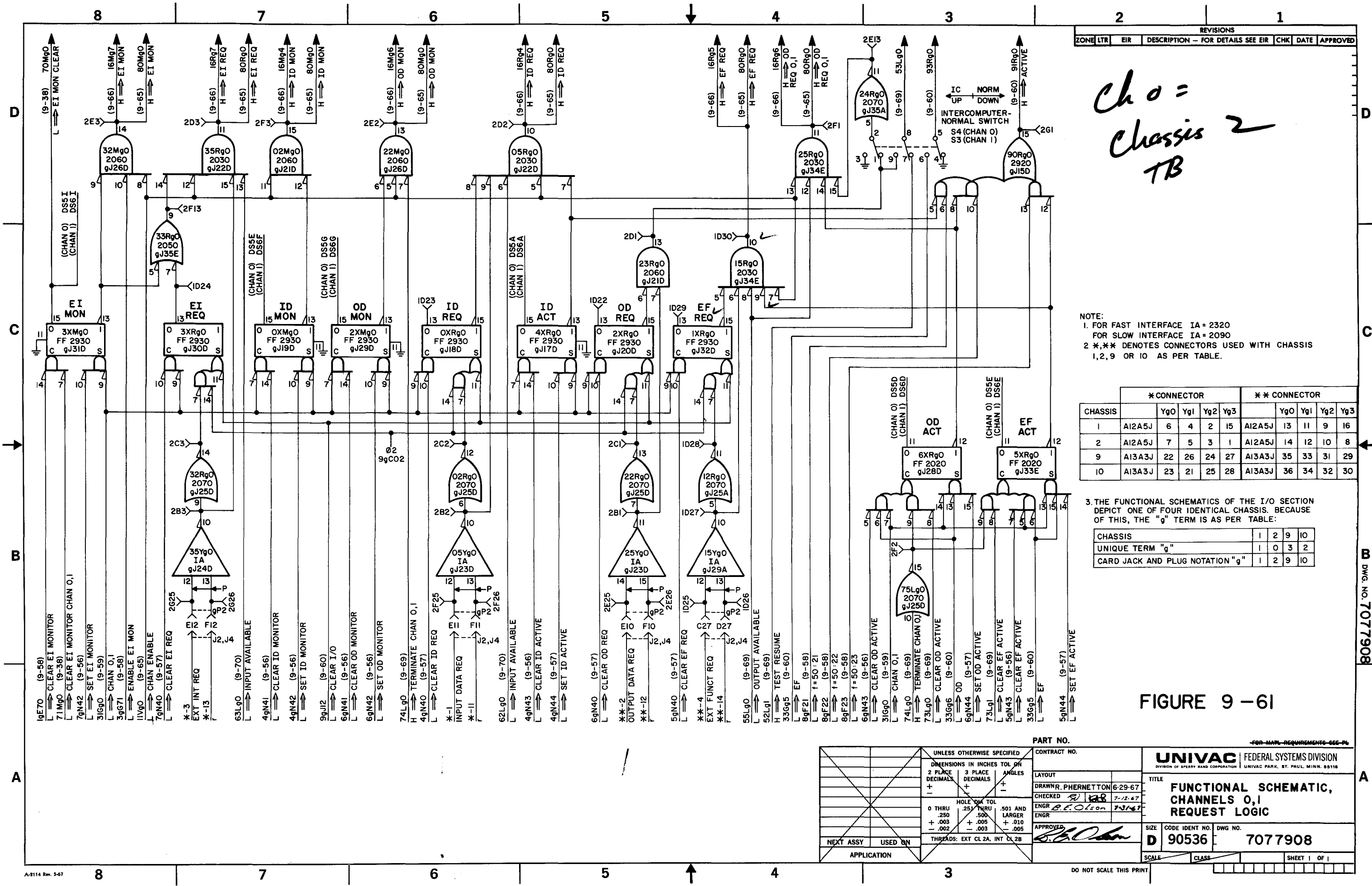
NOTE:
THE FUNCTIONAL SCHEMATICS OF THE I/O SECTION
DEPICT ONE OF FOUR IDENTICAL CHASSIS. BECAUSE
OF THIS, THE "g" TERM IS AS PER TABLE:

CHASSIS	1	2	9	10
UNIQUE TERM "g"	1	0	3	2
CARD JACK NOTATION "g"	1	2	9	10

FIGURE 9-60

UNLESS OTHERWISE SPECIFIED		CONTRACT NO.	
DIMENSIONS IN INCHES TOL ON		LAYOUT	
2 PLACE DECIMALS	3 PLACE DECIMALS	DRAWN D. LODGE	6-30-67
+	+	CHECKED <i>R. KAB</i>	6-12-67
HOLE DIA TOL		ENGR <i>B.F. Olson</i>	
0 THRU .250	.251 THRU .501 AND LARGER	7-21-67	
+	+	APPROVED <i>B.F. Olson</i>	
-.002	-.003	SIZE CODE IDENT NO. DWG NO.	
THREADS: EXT CL 2A, INT CL 2B		D 90536 7077907	
NEXT ASSY USED ON APPLICATION		SCALE CLASS SHEET 1 OF 1	

B DWG. NO. 7077907



REVISIONS						
ZONE	LTR	EIR	DESCRIPTION - FOR DETAILS SEE EIR	CHK	DATE	APPROVED

*Ch 0 =
Chassis 2
TB*

NOTE:
1. FOR FAST INTERFACE IA = 2320
FOR SLOW INTERFACE IA = 2090
2. **, ** DENOTES CONNECTORS USED WITH CHASSIS
1, 2, 9 OR 10 AS PER TABLE.

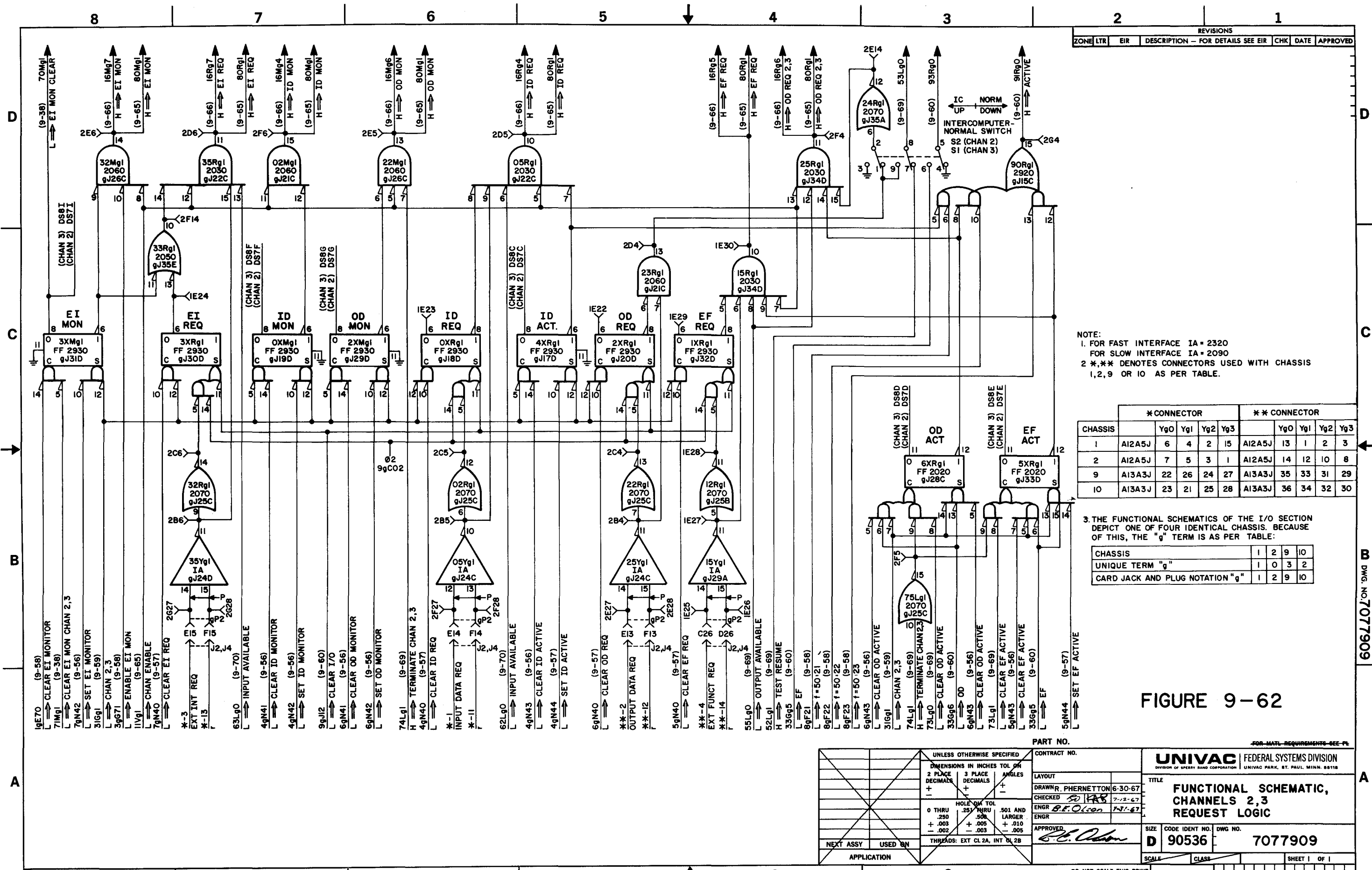
CHASSIS	* CONNECTOR				** CONNECTOR				
	Yg0	Yg1	Yg2	Yg3	Yg0	Yg1	Yg2	Yg3	
1	A12A5J	6	4	2	A12A5J	13	11	9	16
2	A12A5J	7	5	3	A12A5J	14	12	10	8
9	A13A3J	22	26	24	A13A3J	35	33	31	29
10	A13A3J	23	21	25	A13A3J	36	34	32	30

3. THE FUNCTIONAL SCHEMATICS OF THE I/O SECTION
DEPICT ONE OF FOUR IDENTICAL CHASSIS. BECAUSE
OF THIS, THE "g" TERM IS AS PER TABLE:

CHASSIS	1	2	9	10
UNIQUE TERM "g"	1	0	3	2
CARD JACK AND PLUG NOTATION "g"	1	2	9	10

FIGURE 9-61

PART NO.		CONTRACT NO.		UNIVAC FEDERAL SYSTEMS DIVISION DIVISION OF SPERRY RAND CORPORATION UNIVAC PARK, ST. PAUL, MINN. 55118	
DIMENSIONS IN INCHES TOL ON 2 PLACE DECIMALS + 3 PLACE DECIMALS + ANGLES +		LAYOUT DRAWNR, PHERNETTON 6-29-67		TITLE FUNCTIONAL SCHEMATIC, CHANNELS 0,1 REQUEST LOGIC	
HOLE DIA TOL 0 THRU .251 THRU .501 AND LARGER + .003 + .005 + .010 + .002 + .003 + .005		CHECKED ENGR APPROVED		SIZE D 90536	
NEXT ASSY USED ON		THREADS: EXT CL 2A, INT CL 2B		CODE IDENT NO. DWG NO. 7077908	
APPLICATION		SCALE		SHEET 1 OF 1	



REVISIONS

ZONE	LTR	EIR	DESCRIPTION - FOR DETAILS SEE EIR	CHK	DATE	APPROVED

NOTE:
 1. FOR FAST INTERFACE IA = 2320
 FOR SLOW INTERFACE IA = 2090
 2. **, ** DENOTES CONNECTORS USED WITH CHASSIS
 1, 2, 9 OR 10 AS PER TABLE.

CHASSIS	* CONNECTOR				** CONNECTOR					
	Yg0	Yg1	Yg2	Yg3	Yg0	Yg1	Yg2	Yg3		
1	A12A5J	6	4	2	15	A12A5J	13	1	2	3
2	A12A5J	7	5	3	1	A12A5J	14	12	10	8
9	A13A3J	22	26	24	27	A13A3J	35	33	31	29
10	A13A3J	23	21	25	28	A13A3J	36	34	32	30

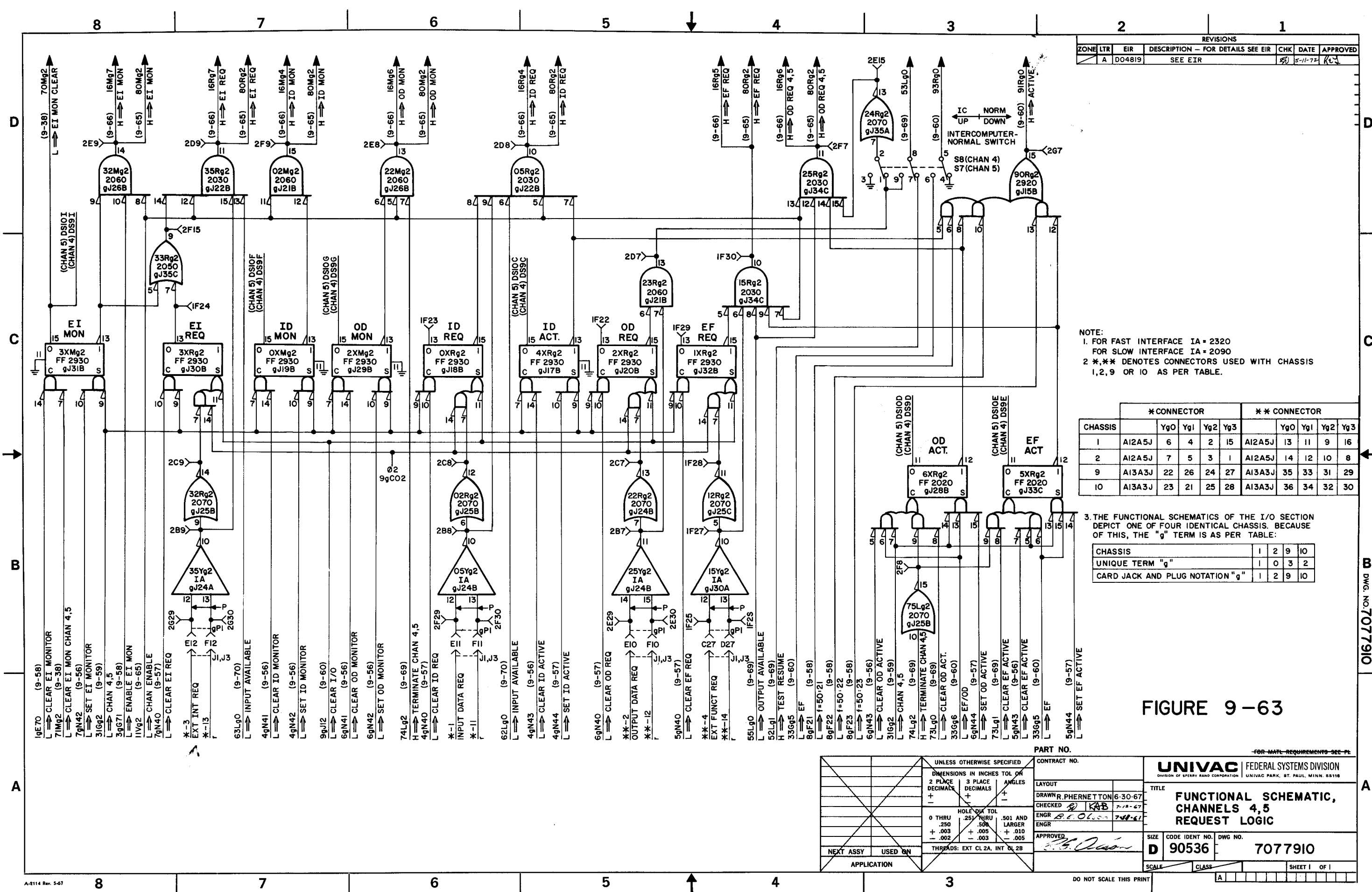
3. THE FUNCTIONAL SCHEMATICS OF THE I/O SECTION
 DEPICT ONE OF FOUR IDENTICAL CHASSIS. BECAUSE
 OF THIS, THE "g" TERM IS AS PER TABLE:

CHASSIS	1	2	9	10
UNIQUE TERM "g"	1	0	3	2
CARD JACK AND PLUG NOTATION "g"	1	2	9	10

FIGURE 9-62

UNLESS OTHERWISE SPECIFIED		CONTRACT NO.		FOR MATL REQUIREMENTS SEE PL	
DIMENSIONS IN INCHES TOL OR		LAYOUT		TITLE	
2 PLACE DECIMALS	3 PLACE DECIMALS	+	+	+	+
0 THRU .250	.251 THRU .500	0 THRU .250	.251 THRU .500	501 AND LARGER	
+.002	+.003	+.002	+.003	+.005	
HOLE DIA TOL		APPROVED		DRAWN R. PHERNETTON 6-30-67	
THREADS: EXT CL 2A, INT CL 2B		ENGR B.F. Olson 7-12-67		CHECKED 7-12-67	
NEXT ASSY USED ON		SCALE		SIZE CODE IDENT NO. DWG NO.	
APPLICATION		CLASS		D 90536 7077909	
		DO NOT SCALE THIS PRINT		SHEET 1 OF 1	

606710/7077909



REVISIONS						
ZONE	LTR	EIR	DESCRIPTION - FOR DETAILS SEE EIR	CHK	DATE	APPROVED
A	DO4819		SEE EIR		5-11-72	

NOTE:
 1. FOR FAST INTERFACE IA = 2320
 FOR SLOW INTERFACE IA = 2090
 2. ** DENOTES CONNECTORS USED WITH CHASSIS
 1, 2, 9 OR 10 AS PER TABLE.

CHASSIS	* CONNECTOR				** CONNECTOR					
	Yg0	Yg1	Yg2	Yg3	Yg0	Yg1	Yg2	Yg3		
1	A12A5J	6	4	2	15	A12A5J	13	11	9	16
2	A12A5J	7	5	3	1	A12A5J	14	12	10	8
9	A13A3J	22	26	24	27	A13A3J	35	33	31	29
10	A13A3J	23	21	25	28	A13A3J	36	34	32	30

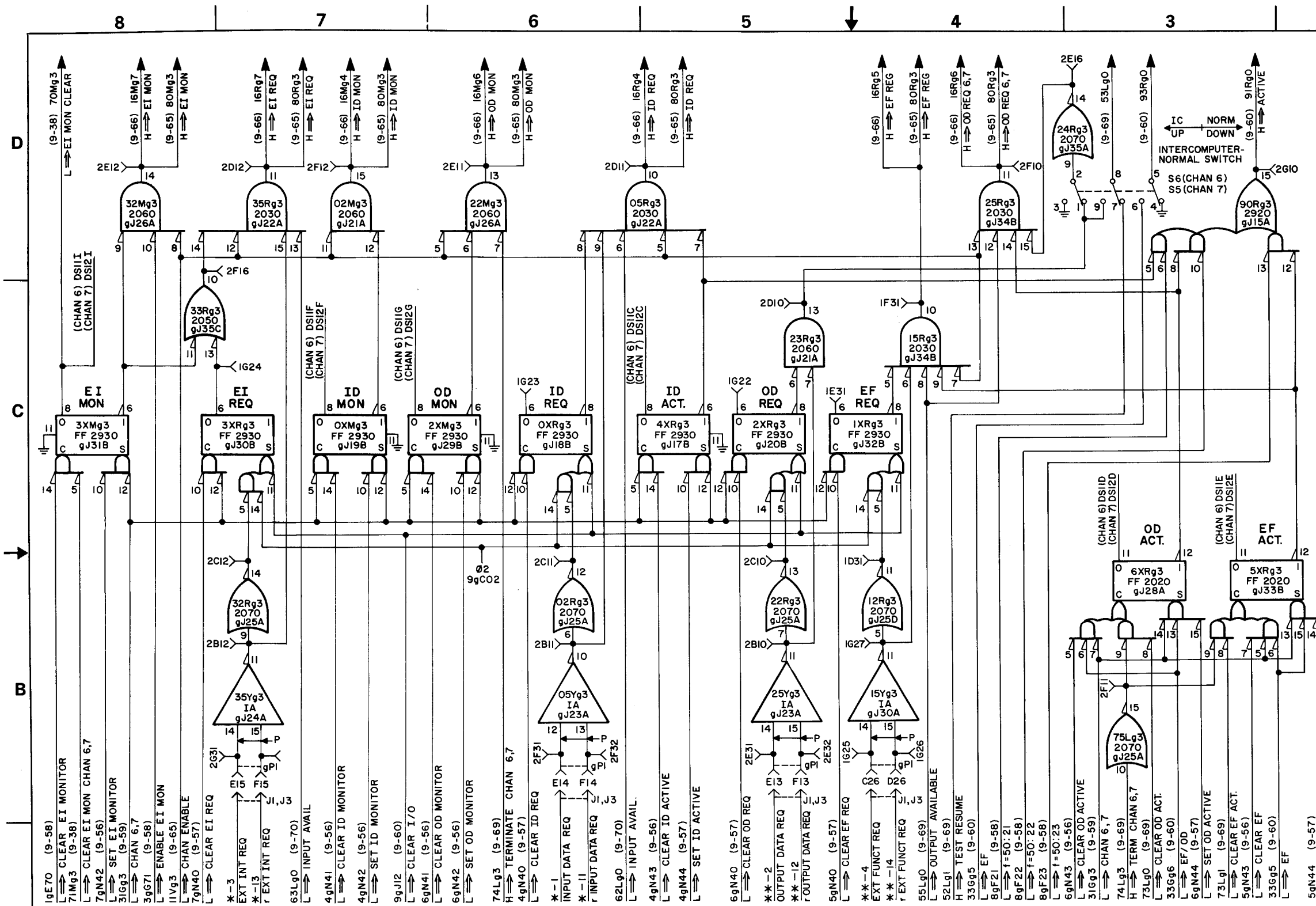
3. THE FUNCTIONAL SCHEMATICS OF THE I/O SECTION
 DEPICT ONE OF FOUR IDENTICAL CHASSIS. BECAUSE
 OF THIS, THE "g" TERM IS AS PER TABLE:

CHASSIS	1	2	9	10
UNIQUE TERM "g"	1	0	3	2
CARD JACK AND PLUG NOTATION "g"	1	2	9	10

FIGURE 9-63

PART NO.		CONTRACT NO.		FOR MATL REQUIREMENTS SEE PR	
UNLESS OTHERWISE SPECIFIED		DIMENSIONS IN INCHES TOL ON		DRAWN R. PHERNETTON 6-30-67	
2 PLACE DECIMALS	3 PLACE DECIMALS	ANGLES		CHECKED KAS 7-12-67	
+	+	+		ENGR B.E. OLSON 7-11-67	
0 THRU .250	.25 THRU .500	.501 AND LARGER		APPROVED [Signature]	
+.003	+.005	+.010		SIZE CODE IDENT NO. DWG NO.	
-.002	-.003	-.005		D 90536 7077910	
THREADS: EXT CL 2A, INT DL 2B		NEXT ASSY USED ON		SCALE CLASS SHEET 1 OF 1	
APPLICATION		DO NOT SCALE THIS PRINT			

REVISIONS						
ZONE	LTR	EIR	DESCRIPTION - FOR DETAILS SEE EIR	CHK	DATE	APPROVED
A		16679	SEE EIR	90	10-25-67	C.B.
B		25572	SEE EIR	90	1-5-69	...



NOTE:
 1. FOR FAST INTERFACE IA-2320
 FOR SLOW INTERFACE IA-2090
 2. *,** DENOTES CONNECTORS USED WITH CHASSIS
 1,2,9 OR 10 AS PER TABLE:

CHASSIS	* CONNECTOR				** CONNECTOR					
	Yg0	Yg1	Yg2	Yg3	Yg0	Yg1	Yg2	Yg3		
1	A12A5J	6	4	2	15	A12A5J	13	11	9	16
2	A12A5J	7	5	3	1	A12A5J	14	12	10	8
9	A13A3J	22	26	24	27	A13A3J	35	33	31	29
10	A13A3J	23	21	25	28	A13A3J	36	34	32	30

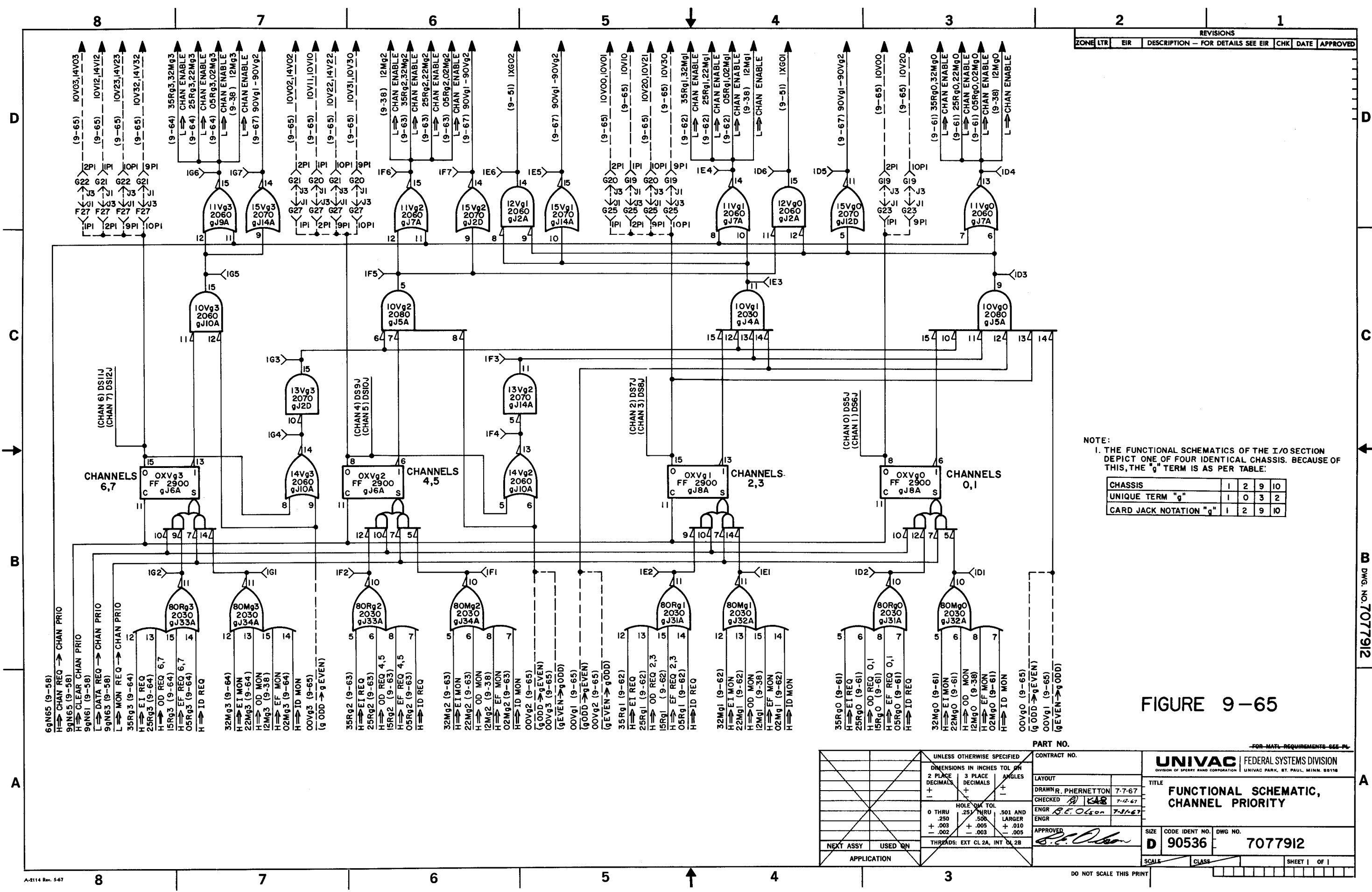
3. THE FUNCTIONAL SCHEMATICS OF THE I/O SECTION
 DEPICT ONE OF FOUR IDENTICAL CHASSIS. BECAUSE
 OF THIS, THE "g" TERM IS AS PER TABLE:

CHASSIS	1	2	9	10
UNIQUE TERM "g"	1	0	3	2
CARD JACK AND PLUG NOTATION "g"	1	2	9	10

FIGURE 9-64

PART NO.		CONTRACT NO.		UNIVAC FEDERAL SYSTEMS DIVISION	
DIMENSIONS IN INCHES TOL ON		LAYOUT		TITLE	
2 PLACE DECIMALS	3 PLACE DECIMALS	+	+	FUNCTIONAL SCHEMATIC, CHANNELS 6,7 REQUEST LOGIC	
HOLE DIA TOL		DRAWNR. PHERNETTON 6-29-67		SIZE CODE IDENT NO. DWG NO.	
0 THRU .250	.251 THRU .500	+	+	D 90536 7077911	
+.003	+.005	+	+	SCALE CLASS SHEET 1 OF 1	
-.002	-.003	+	+	DO NOT SCALE THIS PRINT	
THREADS: EXT CL 2A, INT CL 2B		APPROVED		A B	
NEXT ASSY USED ON		ENGR. P.E. Olson 7-31-67			
APPLICATION		CHECKED			
		ENGR.			

DWG. NO. 7077911



REVISIONS						
ZONE	LTR	EIR	DESCRIPTION - FOR DETAILS SEE EIR	CHK	DATE	APPROVED

NOTE:
 1. THE FUNCTIONAL SCHEMATICS OF THE I/O SECTION DEPICT ONE OF FOUR IDENTICAL CHASSIS. BECAUSE OF THIS, THE "g" TERM IS AS PER TABLE:

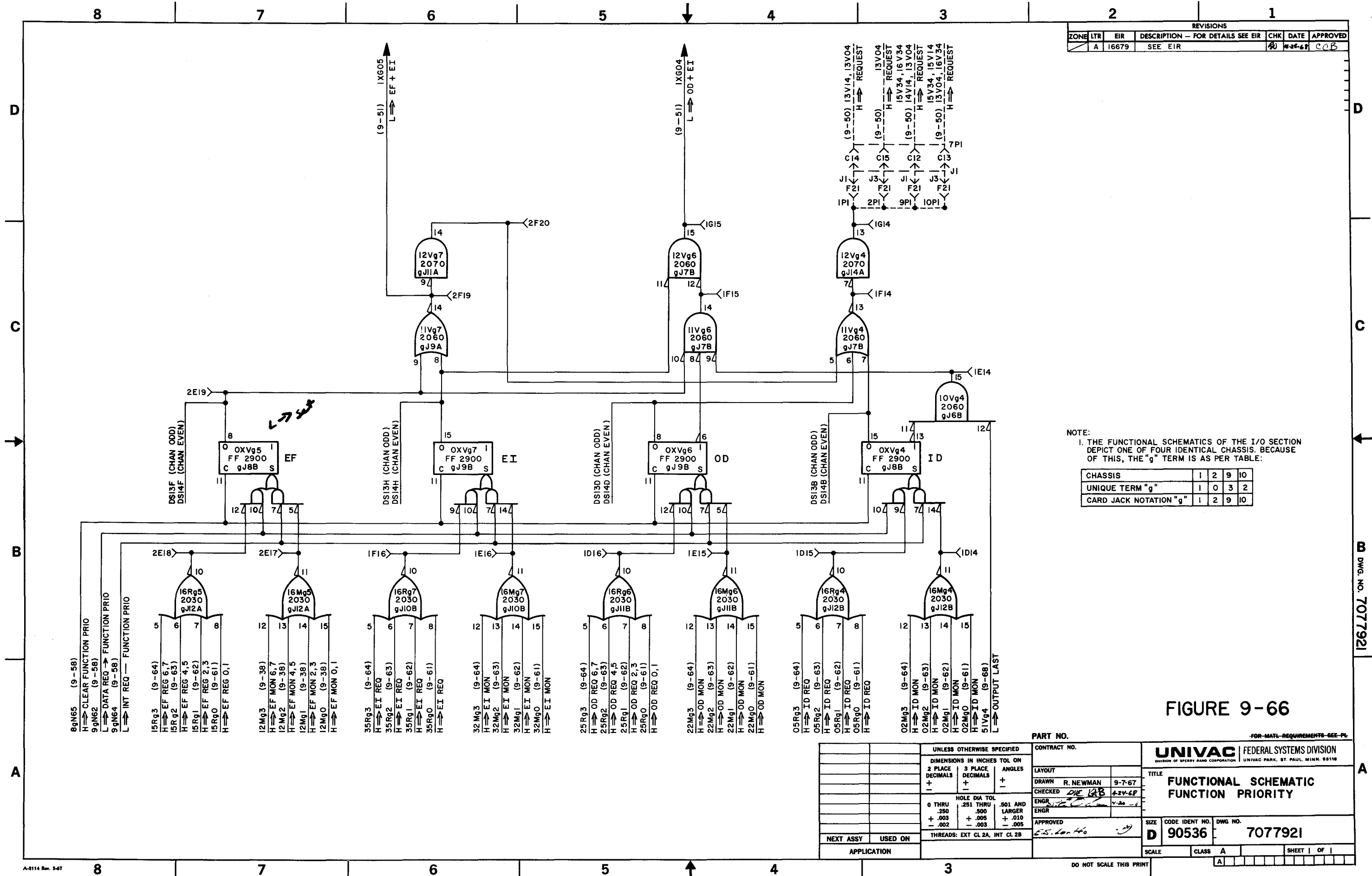
CHASSIS	1	2	9	10
UNIQUE TERM "g"	1	0	3	2
CARD JACK NOTATION "g"	1	2	9	10

FIGURE 9-65

UNLESS OTHERWISE SPECIFIED	
DIMENSIONS IN INCHES TOL ON	
2 PLACE DECIMALS	3 PLACE DECIMALS
+	+
0 THRU .250	.25 THRU .501 AND LARGER
-.003	+.005
-.002	-.003
THREADS: EXT CL 2A, INT CL 2B	

PART NO.		CONTRACT NO.	
LAYOUT			
DRAWN R. PHERNETTON	7-7-67	TITLE	
CHECKED [Signature]	7-12-67	FUNCTIONAL SCHEMATIC, CHANNEL PRIORITY	
ENGR [Signature]	7-11-67	APPROVED [Signature]	
SIZE	CODE IDENT NO.	DWG NO.	
D	90536	7077912	
SCALE	CLASS	SHEET 1 OF 1	

REVISIONS						
ZONE	LTR	EIR	DESCRIPTION - FOR DETAILS SEE EIR	CHK	DATE	APPROVED
A		16679	SEE EIR		11-24-68	CAB

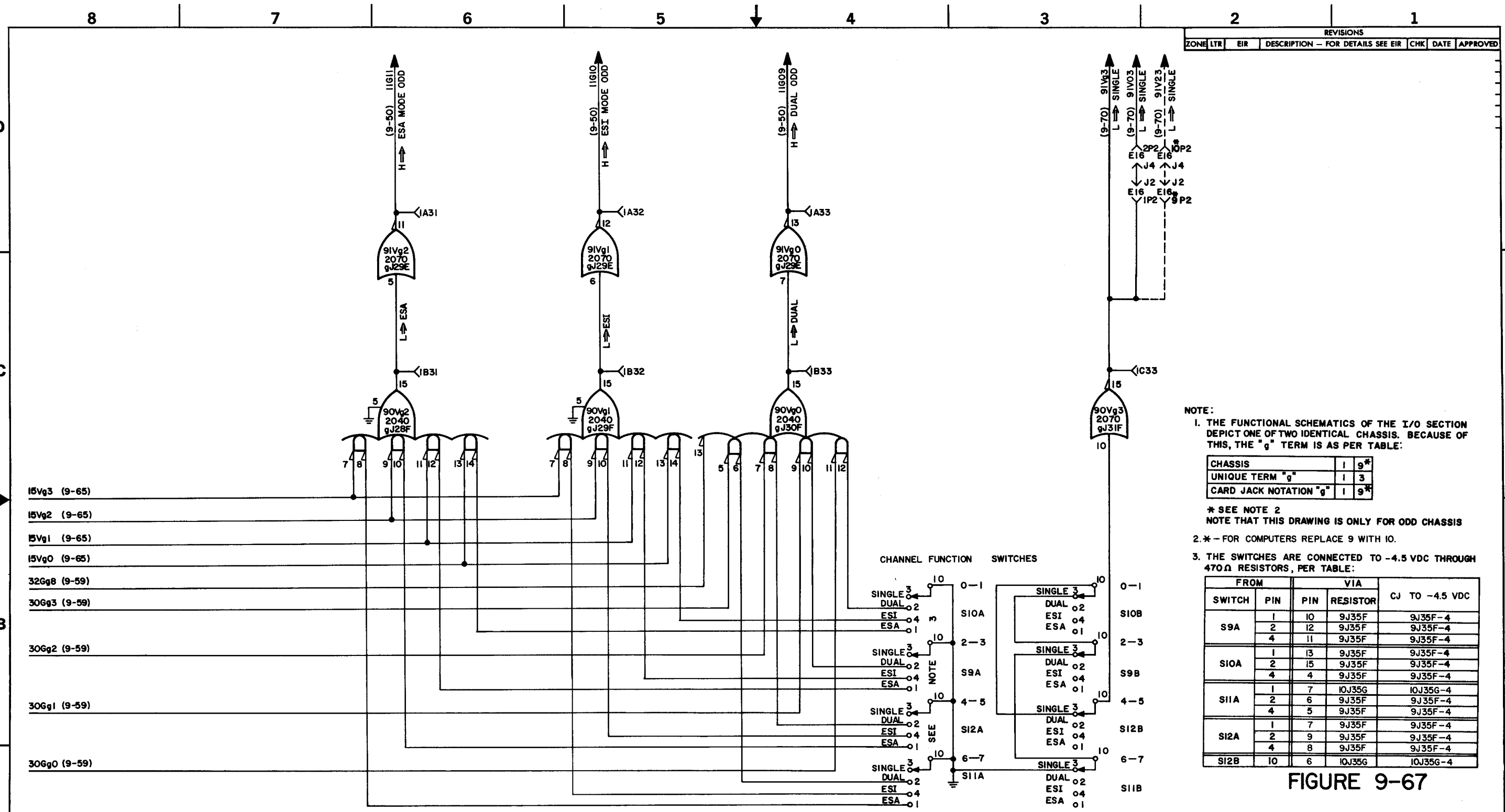


NOTE:
 1. THE FUNCTIONAL SCHEMATICS OF THE I/O SECTION DEPICT ONE OF FOUR IDENTICAL CHASSIS. BECAUSE OF THIS, THE "g" TERM IS AS PER TABLE.

CHASSIS	1	2	9	10
UNIQUE TERM "g"	1	0	3	2
CARD JACK NOTATION "g"	1	2	9	10

FIGURE 9-66

PART NO.		CONTRACT NO.		UNIVAC FEDERAL SYSTEMS DIVISION	
UNLESS OTHERWISE SPECIFIED		DIMENSIONS IN INCHES TOL ON		DRAWN R. NEWMAN 9-7-67	
2 PLACE DECIMALS	3 PLACE DECIMALS	ANGLES		CHECKED DUE KAB 4-24-68	
+	+	+		ENGR. [Signature]	
HOLE DIA TOL		.501 AND LARGER		APPROVED [Signature]	
0 THRU .250	.251 THRU .500			SIZE CODE IDENT NO. DWG NO.	
+ .003	+ .005			D 90536 7077921	
-.002	-.003			SCALE CLASS A SHEET 1 OF 1	
NEXT ASSY USED ON		THREADS: EXT CL 2A, INT CL 2B		DO NOT SCALE THIS PRINT	
APPLICATION					



REVISIONS						
ZONE	LTR	EIR	DESCRIPTION - FOR DETAILS SEE EIR	CHK	DATE	APPROVED

NOTE:
 1. THE FUNCTIONAL SCHEMATICS OF THE I/O SECTION DEPICT ONE OF TWO IDENTICAL CHASSIS. BECAUSE OF THIS, THE "g" TERM IS AS PER TABLE:

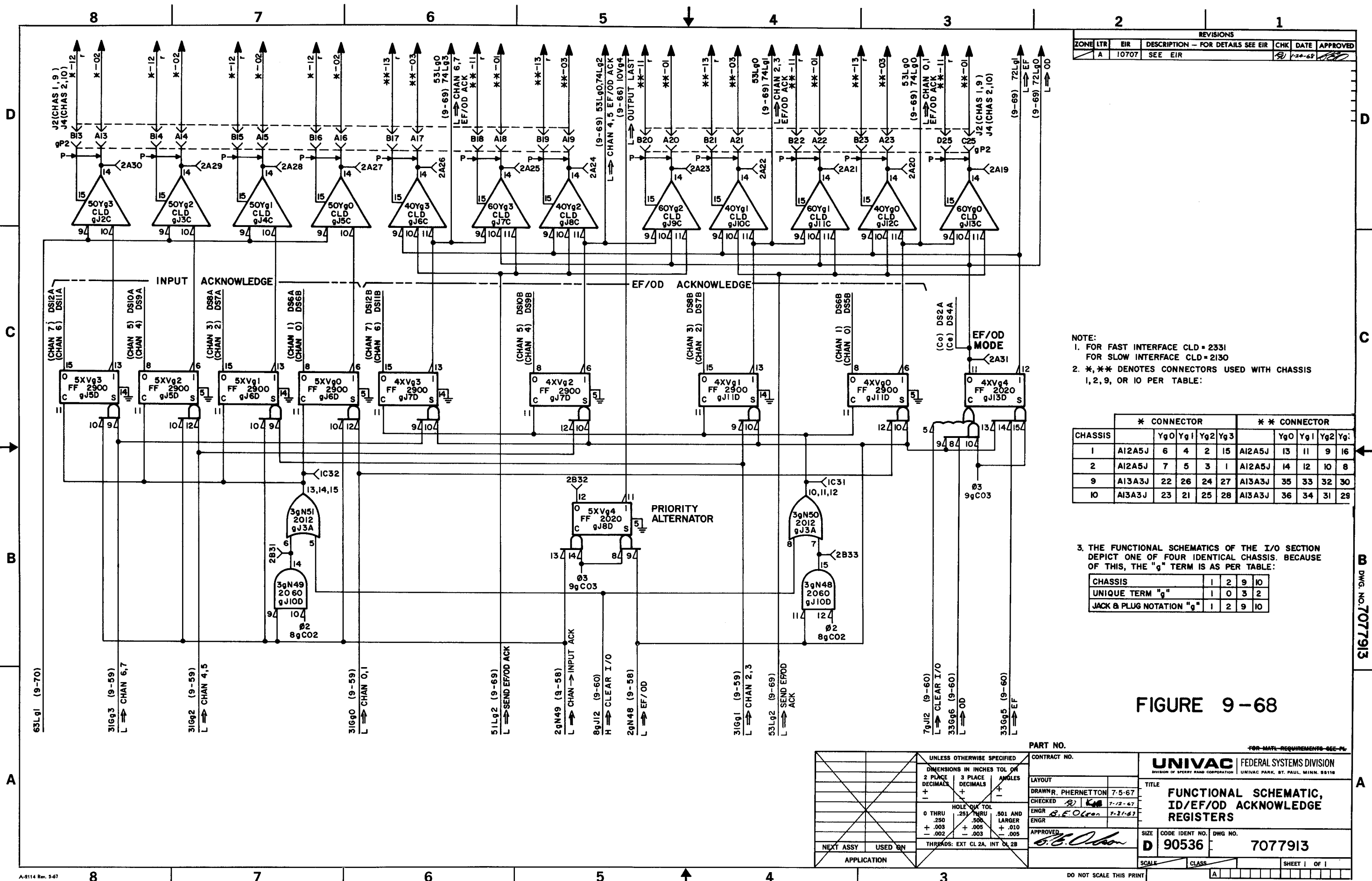
CHASSIS	g
	1
UNIQUE TERM "g"	3
CARD JACK NOTATION "g"	1

* SEE NOTE 2
 NOTE THAT THIS DRAWING IS ONLY FOR ODD CHASSIS
 2.* - FOR COMPUTERS REPLACE 9 WITH 10.
 3. THE SWITCHES ARE CONNECTED TO -4.5 VDC THROUGH 470Ω RESISTORS, PER TABLE:

FROM	VIA		CJ TO -4.5 VDC
SWITCH	PIN	PIN	RESISTOR
S9A	1	10	9J35F
	2	12	9J35F
	4	11	9J35F
S10A	1	13	9J35F
	2	15	9J35F
	4	4	9J35F
S11A	1	7	10J35G
	2	6	9J35F
	4	5	9J35F
S12A	1	7	9J35F
	2	9	9J35F
	4	8	9J35F
S12B	10	6	10J35G

FIGURE 9-67

PART NO.		CONTRACT NO.		FOR MATL REQUIREMENTS SEE PL	
UNLESS OTHERWISE SPECIFIED		DIMENSIONS IN INCHES TOL ON		LAYOUT	
2 PLACE DECIMALS	3 PLACE DECIMALS	ANGLES	DRAWN D. CUMMINGS 2-21-68		
+	+	+	CHECKED 80 4-24-68		
HOLE DIA TOL		ENGR 2-25-68			
0 THRU .250	.251 THRU .500	.501 AND LARGER	APPROVED E.S. Cantor		
+ .003	+ .005	+ .010	SIZE CODE IDENT NO. DWG NO.		
- .002	- .003	- .005	D 90536 7078793		
NEXT ASSY USED ON		THREADS: EXT CL 2A, INT CL 2B		SCALE CLASS A SHEET 1 OF 1	
APPLICATION		DO NOT SCALE THIS PRINT			



REVISIONS						
ZONE	LTR	EIR	DESCRIPTION - FOR DETAILS SEE EIR	CHK	DATE	APPROVED
A		10707	SEE EIR		7-24-67	

- NOTE:
- FOR FAST INTERFACE CLD = 2331
FOR SLOW INTERFACE CLD = 2130
 - ** DENOTES CONNECTORS USED WITH CHASSIS 1, 2, 9, OR 10 PER TABLE:

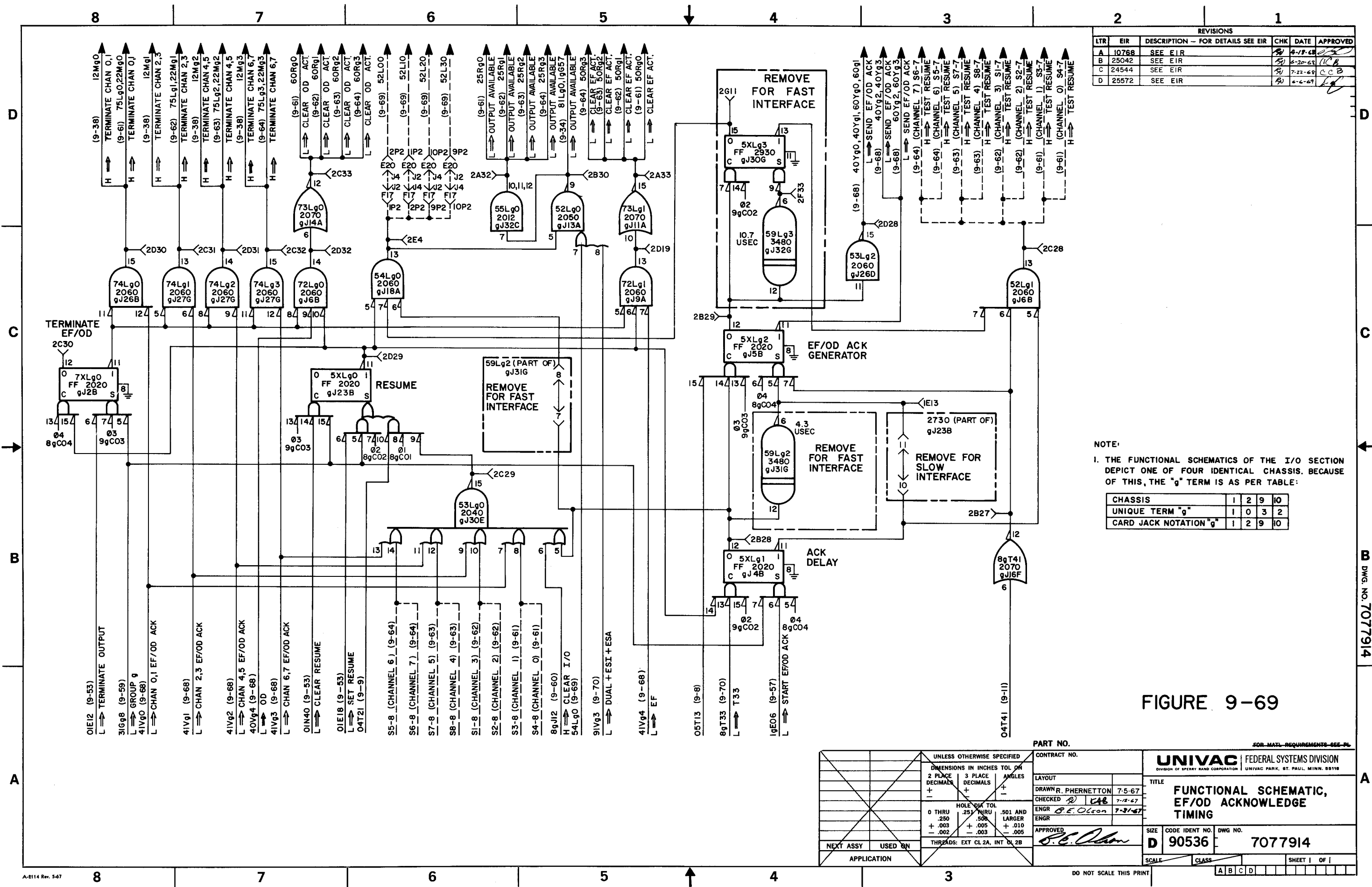
CHASSIS	* CONNECTOR				** CONNECTOR					
	Yg0	Yg1	Yg2	Yg3	Yg0	Yg1	Yg2	Yg3		
1	A12A5J	6	4	2	15	A12A5J	13	11	9	16
2	A12A5J	7	5	3	1	A12A5J	14	12	10	8
9	A13A3J	22	26	24	27	A13A3J	35	33	32	30
10	A13A3J	23	21	25	28	A13A3J	36	34	31	29

- THE FUNCTIONAL SCHEMATICS OF THE I/O SECTION DEPICT ONE OF FOUR IDENTICAL CHASSIS. BECAUSE OF THIS, THE "g" TERM IS AS PER TABLE:

CHASSIS	1	2	9	10
UNIQUE TERM "g"	1	0	3	2
JACK & PLUG NOTATION "g"	1	2	9	10

FIGURE 9-68

PART NO.		CONTRACT NO.		FOR MATL REQUIREMENTS SEE PL	
UNLESS OTHERWISE SPECIFIED		DIMENSIONS IN INCHES TOL ON		LAYOUT	
2 PLACE DECIMALS		3 PLACE DECIMALS		DRAWNR. PHERNETTON	
+		+		7-5-67	
0 THRU .250		.251 THRU .501 AND LARGER		CHECKED <i>R. E. Olson</i>	
+.003		+.005		7-12-67	
-.002		-.003		ENGR <i>R. E. Olson</i>	
THREADS: EXT CL 2A, INT CL 2B		APPROVED <i>R. E. Olson</i>		7-31-67	
NEXT ASSY	USED ON	SIZE	CODE IDENT NO.	DWG NO.	
APPLICATION		D	90536	7077913	
SCALE		CLASS		SHEET 1 OF 1	



REVISIONS					
LTR	EIR	DESCRIPTION - FOR DETAILS SEE EIR	CHK	DATE	APPROVED
A	10768	SEE EIR	SP	8-18-68	[Signature]
B	25042	SEE EIR	SP	8-20-68	[Signature]
C	24544	SEE EIR	SP	7-22-69	[Signature]
D	25572	SEE EIR	SP	8-6-69	[Signature]

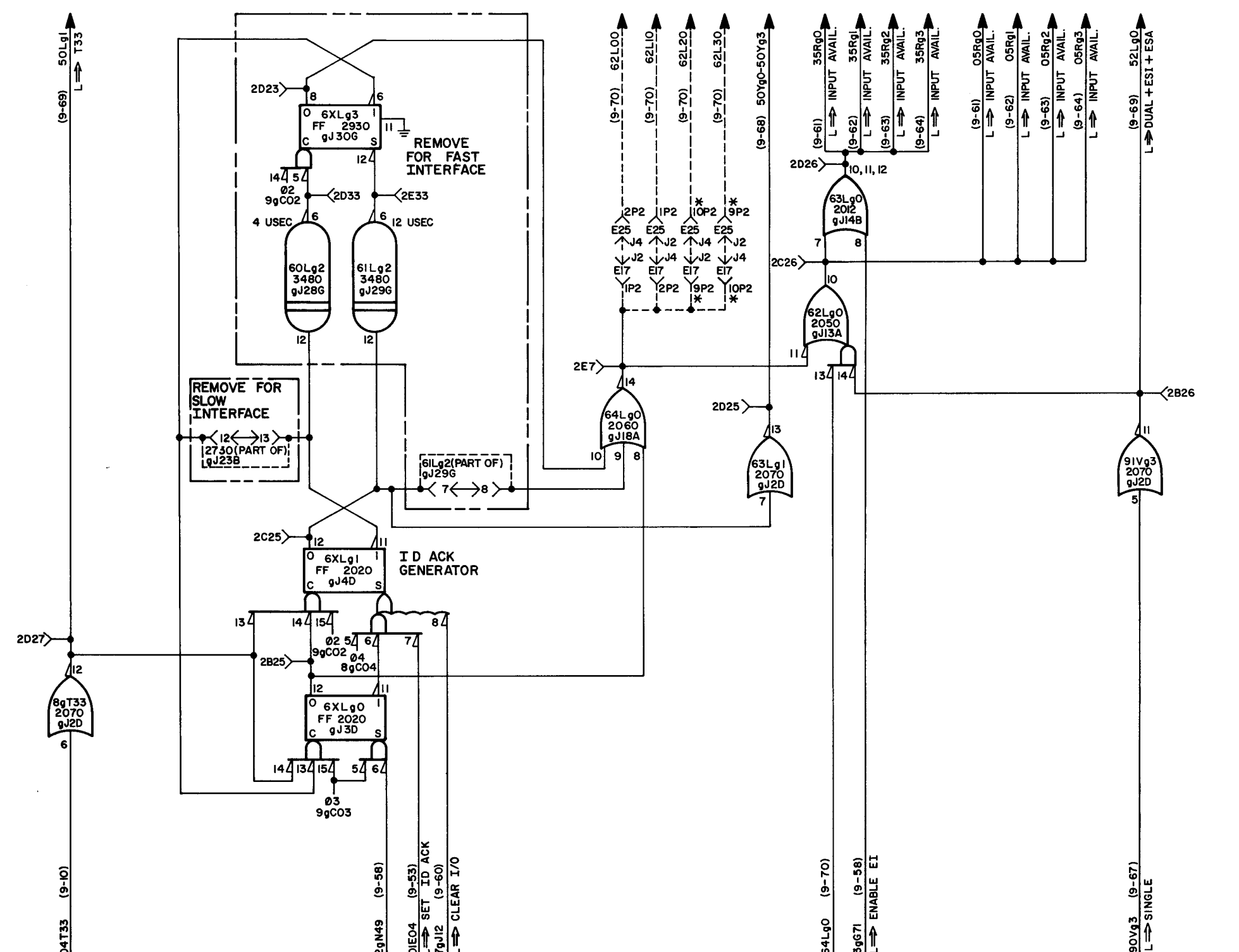
NOTE:
 1. THE FUNCTIONAL SCHEMATICS OF THE I/O SECTION DEPICT ONE OF FOUR IDENTICAL CHASSIS. BECAUSE OF THIS, THE "g" TERM IS AS PER TABLE:

CHASSIS	1	2	9	10
UNIQUE TERM "g"	1	0	3	2
CARD JACK NOTATION "g"	1	2	9	10

FIGURE 9-69

PART NO.		CONTRACT NO.		FOR MATL REQUIREMENTS SEE PL	
UNLESS OTHERWISE SPECIFIED		DIMENSIONS IN INCHES TOL ON		LAYOUT	
2 PLACE DECIMALS	3 PLACE DECIMALS	ANGLES	DRAWN R. PHERNETTON 7-5-67		
+	+	+	CHECKED [Signature] 7-12-67	TITLE	
HOLE DIA TOL			ENGR B.E. Olson 7-31-67		
0 THRU .250	.251 thru .500	.501 AND LARGER	APPROVED [Signature]		
+.003	+.005	+.010	SIZE CODE IDENT NO. DWG NO.		
-.002	-.003	-.005	D 90536 7077914		
THREADS: EXT CL 2A, INT DL 2B			SCALE CLASS SHEET 1 OF 1		
NEXT ASSY USED ON APPLICATION		DO NOT SCALE THIS PRINT			

REVISIONS						
SYM	ZONE	EIR	DESCRIPTION	CHK	DATE	APPROVED
A		71771	SEE EIR		8/24/65	[Signature]



NOTE:

- THE FUNCTIONAL SCHEMATICS OF THE I/O SECTION DEPICT ONE OF FOUR IDENTICAL CHASSIS. BECAUSE OF THIS, THE "g" TERM IS AS PER TABLE:

CHASSIS	1	2	9*	10*
UNIQUE TERM "g"	1	0	3	2
CARD JACK NOTATION "g"	1	2	9*	10*

- *-FOR SERIAL 0 AND I COMPUTERS, REPLACE THE 9 AND 10 WITH 11 AND 12, RESPECTIVELY.

FIGURE 9-70

IDENT NO. 7018902-00

THIS DOCUMENT CONTAINS CONFIDENTIAL INFORMATION OF THE UNIVAC DIVISION OF SPERRY RAND CORPORATION AND IS FURNISHED PURSUANT TO THE FOLLOWING INSTRUMENT:

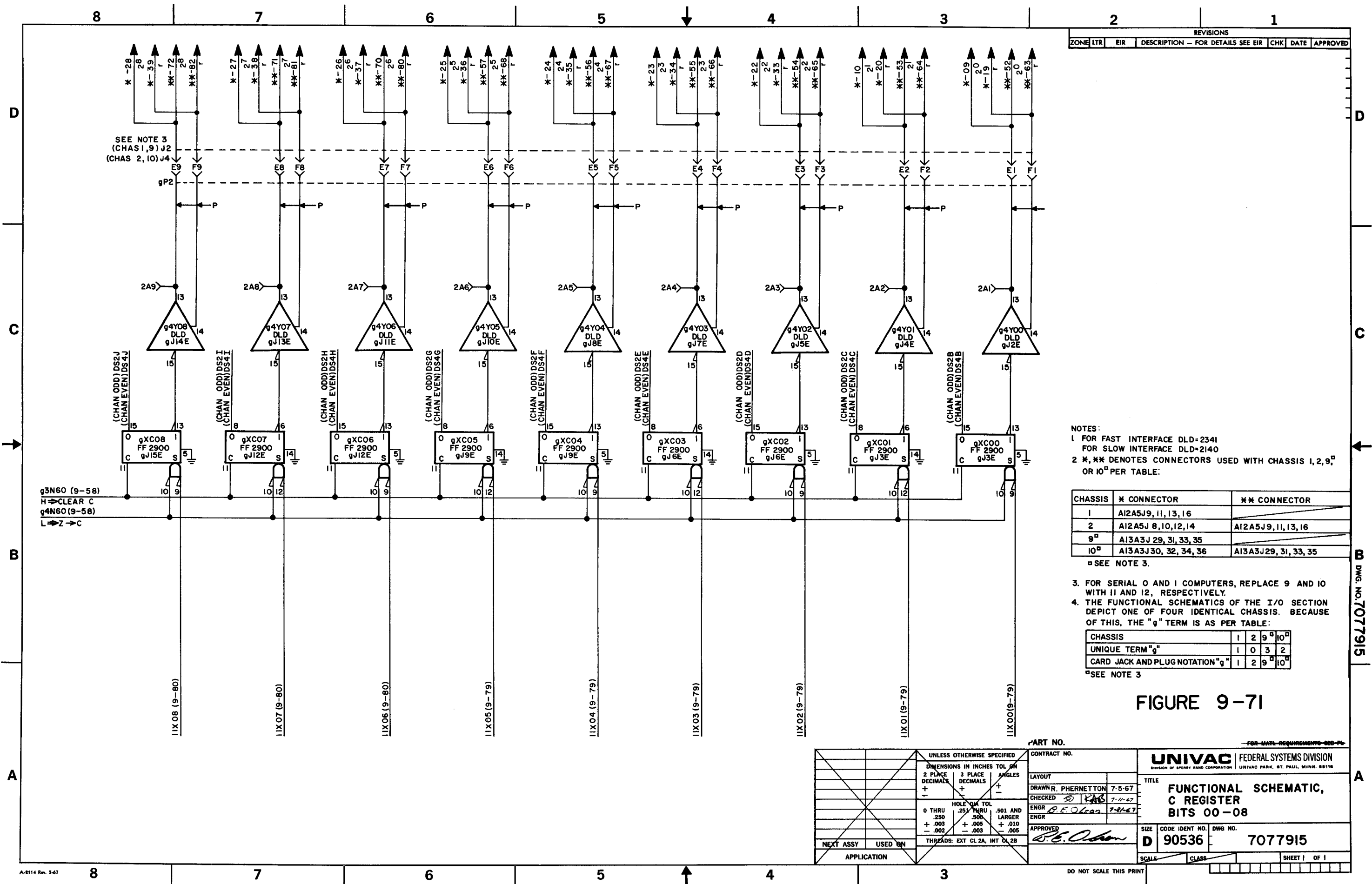
ON THE UNDERSTANDING THAT THIS DOCUMENT AND THE INFORMATION THEREON MAY NOT BE REPRODUCED, COPIED, OR OTHERWISE PERMITTED IN WRITING BY THE UNIVAC DIVISION OF SPERRY RAND CORPORATION.

UNLESS OTHERWISE SPECIFIED	
DIMENSION IN INCHES. TOLERANCE ON 2 PLACE DECIMALS	± .005
ANGLES	± .010
HOLE DIAMETER TOLERANCE	± .005
0 THRU .250	± .005
.251 THRU .500	± .005
.501 & LARGER	± .010
THREADS: EXT. CL. INT. CL. 28	
MATERIAL	
FINISH	

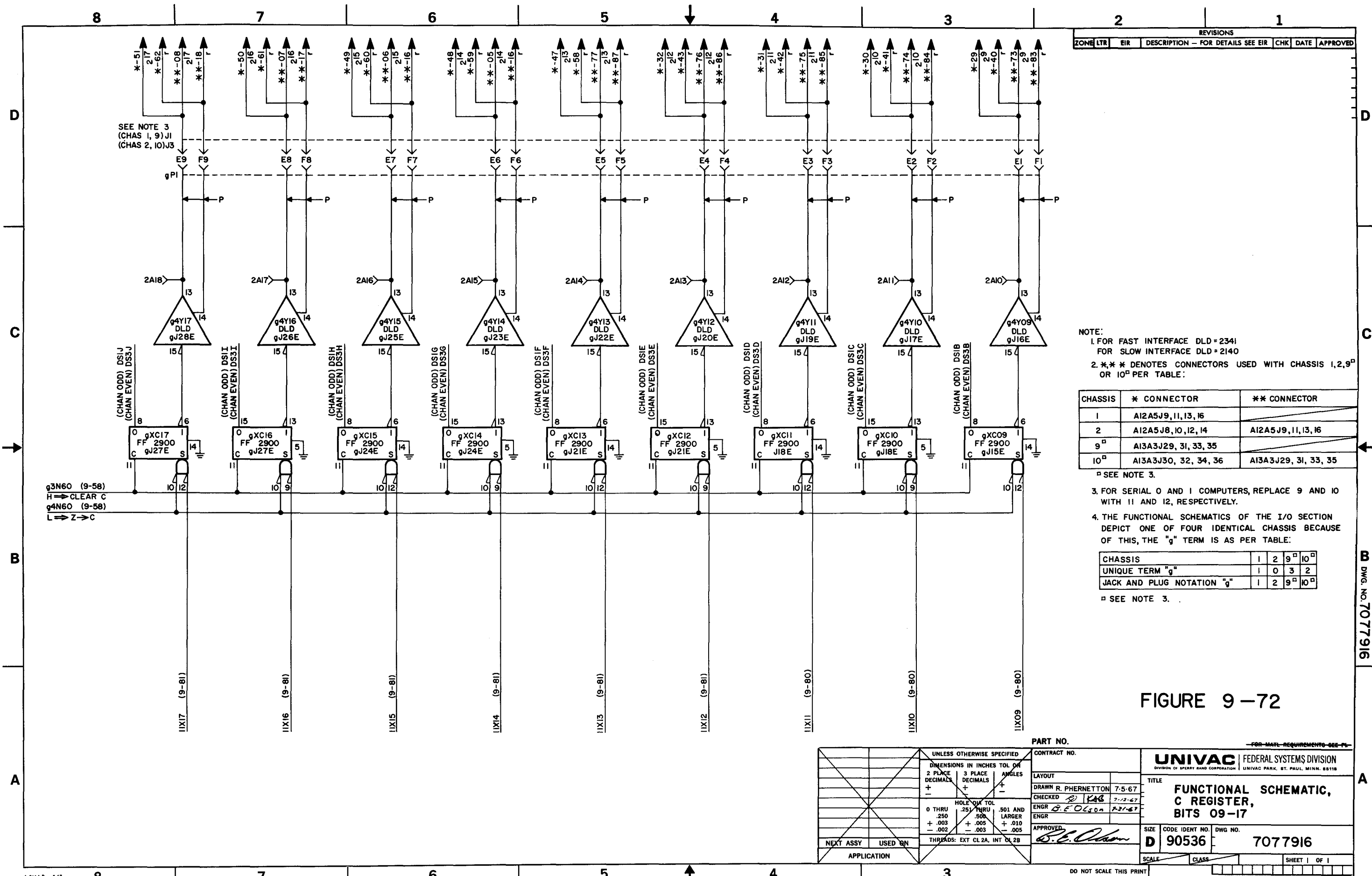
QTY REQD	FIND	REF DES	CODE IDENT	DWG SIZE	PART OR IDENTIFYING NO.	NOMENCLATURE OR DESCRIPTION
LIST OF MATERIAL						
LAYOUT	DATE	CLASS	UNIVAC			
DRAFTSMAN			DIVISION OF SPERRY RAND CORPORATION			
D.C. WHEELER	1-25-65	A	TITLE			
CHECKER			FUNCTIONAL SCHEMATIC, I/D ACKNOWLEDGE TIMING			
B. POPOV			CODE IDENT NO.			
ENGINEER			90536			
G.R. KROGNESS			SIZE			
APPROVAL			D			
H.P. Kuyper			DWG NO.			
			7018902			
COMMODITY CODE			SCALE			
			WEIGHT			
			SHEET 1 OF 1			

DO NOT SCALE THIS PRINT

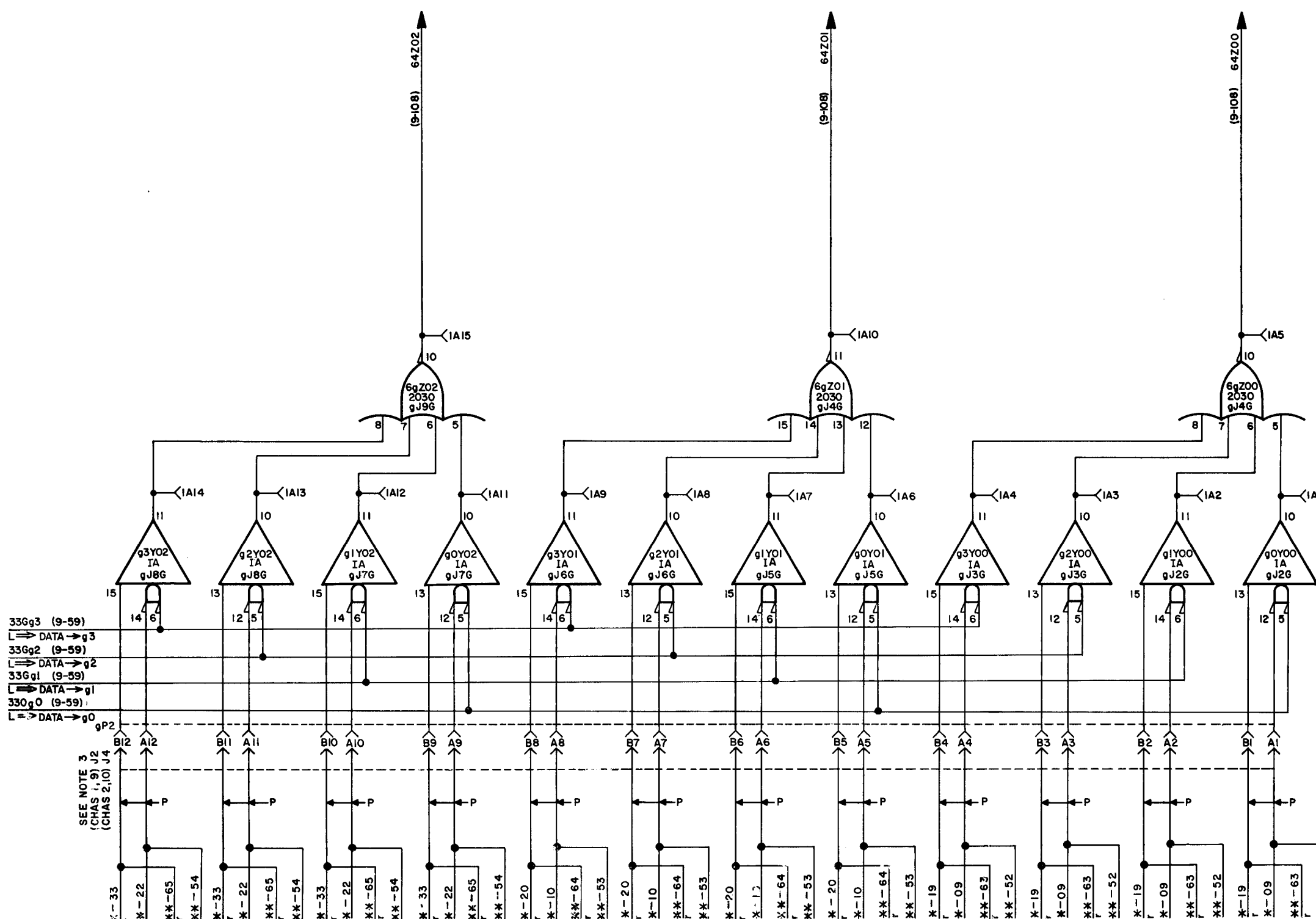
DWG. NO. 7018902



UNLESS OTHERWISE SPECIFIED DIMENSIONS IN INCHES TOL ON 2 PLACE DECIMALS 3 PLACE DECIMALS ANGLES + - + - HOLE DIA TOL 0 THRU .250 +.003 .251 THRU .500 +.005 .501 AND LARGER +.010 -.002 -.003 -.005 THREADS: EXT CL 2A, INT CL 2B	CONTRACT NO. LAYOUT DRAWN R. PHERNETTON 7-5-67 CHECKED <i>[Signature]</i> 7-11-67 ENGR <i>[Signature]</i> 7-11-67 APPROVED <i>[Signature]</i>	UNIVAC FEDERAL SYSTEMS DIVISION DIVISION OF SPERRY RAND CORPORATION UNIVAC PARK, ST. PAUL, MINN. 55118 TITLE FUNCTIONAL SCHEMATIC, C REGISTER BITS 00-08	
	PART NO. NEXT ASSY USED ON APPLICATION	SIZE D	CODE IDENT NO. 90536
	DWG NO. 7077915	SHEET 1 OF 1	DO NOT SCALE THIS PRINT
	SCALE CLASS	CLASS	SHEET 1 OF 1



REVISIONS			
SYM	Y/NL	ENR	APPROVED



NOTE:
 1. FOR FAST INTERFACE IA=2320
 FOR SLOW INTERFACE IA=2090
 2. **, ** DENOTES CONNECTORS USED WITH CHASSIS
 1, 2, 9, OR 10 AS PER TABLE:

CHASSIS	* CONNECTOR				** CONNECTOR					
	gOY	gIY	g2Y	g3Y	gOY	gIY	g2Y	g3Y		
1	A12A5J	6	4	2	15	A12A5J	6	4	2	15
2	A12A5J	7	5	3	1	A12A5J	6	4	2	15
9 [□]	A13A5J	22	26	24	27	A13A5J				
10 [□]	A13A5J	23	21	25	28	A13A5J	22	26	24	27

□ SEE NOTE 3.
 3. FOR SERIAL 0 AND 1 COMPUTERS, REPLACE 9 AND 10 WITH 11 AND 12, RESPECTIVELY.
 4. THE FUNCTIONAL SCHEMATICS OF THE I/O SECTION DEPICT ONE OF FOUR IDENTICAL CHASSIS. BECAUSE OF THIS THE "g" TERM IS AS PER TABLE:

CHASSIS	1	2	9 [□]	10 [□]
UNIQUE TERM "g"	1	0	3	2
CARD JACK AND PLUG NOTATION "g"	1	2	9 [□]	10 [□]

□ SEE NOTE 3.

FIGURE 9-73

QTY	FIND	REF DES	CODE	DWG	PART OR IDENTIFYING NO.	NOMENCLATURE OR DESCRIPTION

LIST OF MATERIAL	
DATE	CLASS
4-13-64	A
UNIVAC	
DIVISION OF SPERRY RAND CORPORATION	
TITLE	
FUNCTIONAL SCHEMATIC, INPUT DATA AMPS, STAGES 00-02	
CODE IDENT NO.	SIZE
90536	D
DWG NO.	
7018893	
SCALE	WEIGHT
SHEET	OF

IDENT NO. 7018893-00

THIS DOCUMENT CONTAINS CONFIDENTIAL INFORMATION OF THE UNIVAC DIVISION OF SPERRY RAND CORPORATION AND IS FURNISHED PURSUANT TO THE FOLLOWING INSTRUMENT:

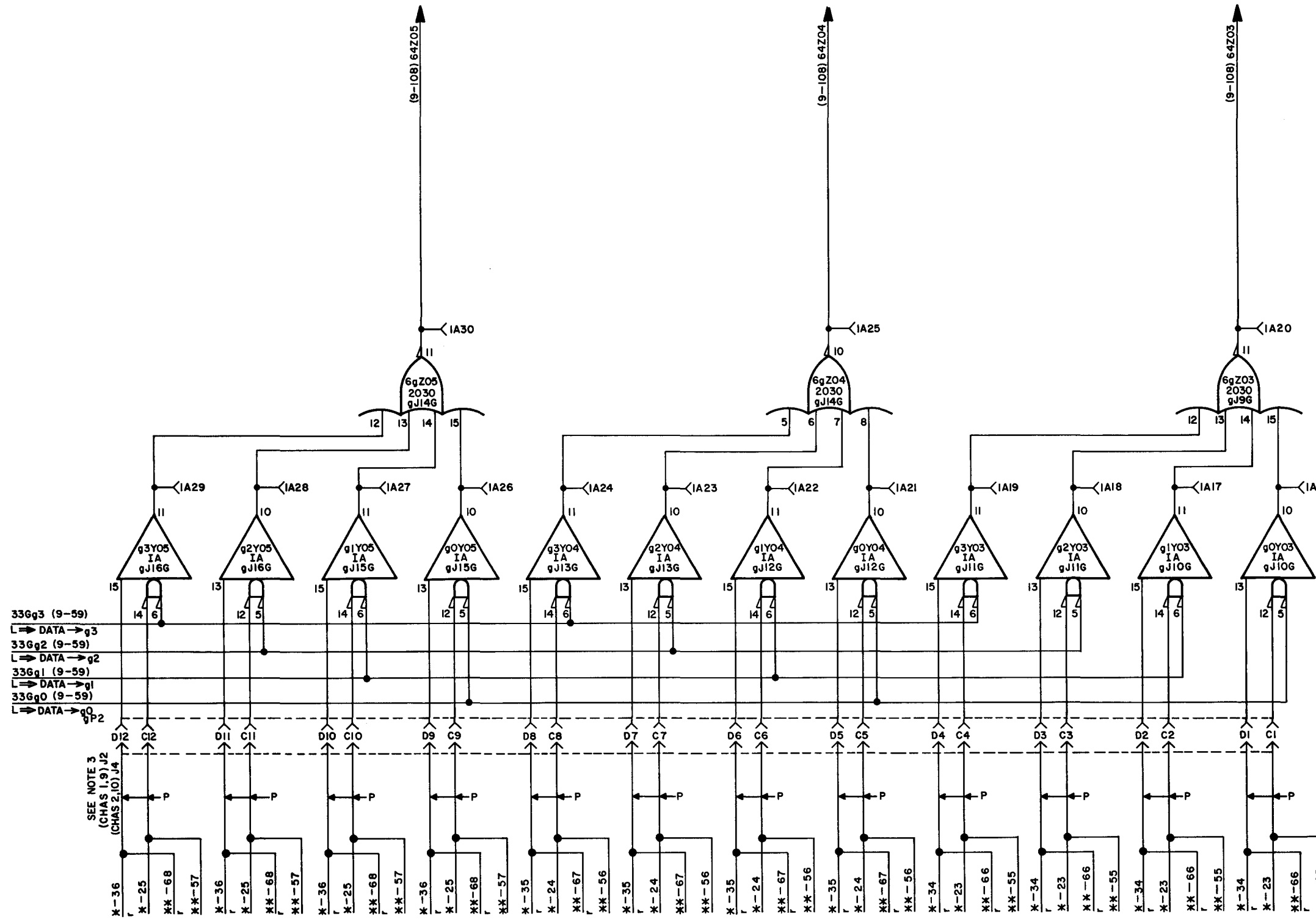
UNLESS OTHERWISE SPECIFIED:
DIMENSION IN INCHES, TOLERANCE OF
2 PLACE DECIMALS: ± 0.005
1 PLACE DECIMALS: ± 0.010
ANGLES: ± 0.005
HOLE DIAMETER TOLERANCE
0 THRU .250: ± 0.005
.251 THRU .500: ± 0.005
.501 & LARGER: ± 0.010
THREADS: EXCEPT AS NOTED
MATERIAL:
FINISH:

LAYOUT	J. S. JERYLO	DATE	4-13-64
DRAFTSMAN	M. M. Barbinski	CHECKER	B. POPOV
ENGINEER	G. R. KREGGESS	APPROVAL	J. R. Kasper

COMMODITY CODE	APPLICATION

DO NOT SCALE THIS PRINT

REVISIONS			
SYM	ZONE	EIR	APPROVED



NOTE:
 1. FOR FAST INTERFACE IA = 2320
 FOR SLOW INTERFACE IA = 2090
 2. *,** DENOTES CONNECTORS USED WITH CHASSIS
 1, 2, 9^m OR 10^m AS PER TABLE:

CHASSIS	* CONNECTOR				** CONNECTOR					
	g0Y	g1Y	g2Y	g3Y	g0Y	g1Y	g2Y	g3Y		
1	A12A5J	6	4	2	15	A12A5J	6	4	2	15
2	A12A5J	7	5	3	1	A12A5J	6	4	2	15
9 ^m	A13A3J	22	26	24	27	A13A3J	22	26	24	27
10 ^m	A13A3J	23	21	25	28	A13A3J	22	26	24	27

SEE NOTE 3.
 3. FOR SERIAL 0 AND 1 COMPUTERS, REPLACE 9 AND 10 WITH 11 AND 12 RESPECTIVELY.
 4. THE FUNCTIONAL SCHEMATICS OF THE I/O SECTION DEPICT ONE OF FOUR IDENTICAL CHASSIS. BECAUSE OF THIS THE "g" TERM IS AS PER TABLE:

CHASSIS	1	2	9 ^m	10 ^m
UNIQUE TERM "g"	1	0	3	2
CARD JACK AND PLUG NOTATION "g"	1	2	9 ^m	10 ^m

SEE NOTE 3.

FIGURE 9-74

QTY	FIND	REF DES	CODE	DWG	PART OR	NOMENCLATURE OR DESCRIPTION
REQD			IDENT	SIZE	IDENTIFYING NO.	

LIST OF MATERIAL

LAYOUT	DATE	CLASS	UNIVAC DIVISION OF SPERRY RAND CORPORATION	
J. S. JERYLO	4-13-64	A		
DRAFTSMAN			TITLE	
M. W. Ostinski	9-15-64			
CHECKER			FUNCTIONAL SCHEMATIC, INPUT DATA AMPS, STAGES 03-05	
B. POPOV	2-13-65			
ENGINEER			CODE IDENT NO.	
G. R. KREGANES	4-15-65			
APPROVAL			SIZE	DWG NO.
H. R. Kregan	4-15-65		90536	D 7018894
			SCALE	WEIGHT
				SHEET OF

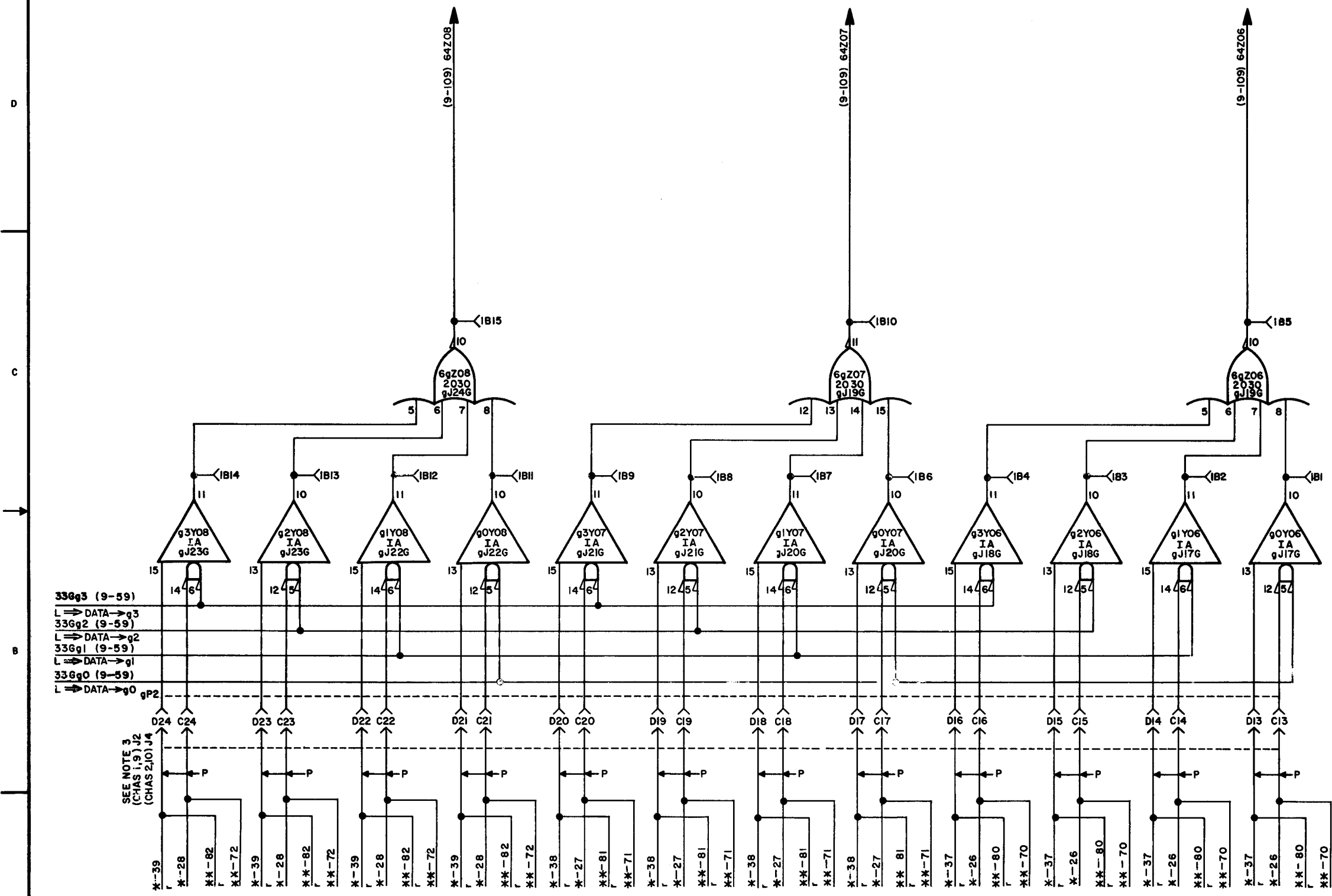
IDENT NO. 7018894-00

THIS DOCUMENT CONTAINS CONFIDENTIAL INFORMATION OF THE UNIVAC DIVISION OF SPERRY RAND CORPORATION AND IS FURNISHED PURSUANT TO THE FOLLOWING INSTRUMENT:
 ON THE UNDERSTANDING THAT THIS DOCUMENT AND THE INFORMATION THEREON MAY NOT BE DEALT WITH IN ANY MANNER EXCEPT FOR THE PURPOSES OF THAT INSTRUMENT OR AS OTHERWISE PERMITTED IN WRITING BY THE UNIVAC DIVISION OF SPERRY RAND CORPORATION.

DWG. NO. 7018894

DO NOT SCALE THIS PRINT

REVISIONS			
NO.	DATE	DESCRIPTION	APPROVED



NOTE:
 1. FOR FAST INTERFACE IA=2320
 FOR SLOW INTERFACE IA=2090
 2. **, ** DENOTES CONNECTORS USED WITH CHASSIS
 1,2,9, OR 10 AS PER TABLE:

CHASSIS	* CONNECTOR				** CONNECTOR					
	g0Y	g1Y	g2Y	g3Y	g0Y	g1Y	g2Y	g3Y		
1	A12A5J	6	4	2	15	A12A5J	6	4	2	15
2	A12A5J	7	5	3	1	A12A5J	6	4	2	15
9 ^o	A13A5J	22	26	24	27	A13A5J				
10 ^o	A13A5J	23	21	25	28	A13A5J	22	26	24	27

SEE NOTE 3.
 3. FOR SERIAL O AND I COMPUTERS, REPLACE 9 AND 10 WITH 11 AND 12, RESPECTIVELY.
 4. THE FUNCTIONAL SCHEMATICS OF THE I/O SECTION DEPICT ONE OF FOUR IDENTICAL CHASSIS. BECAUSE OF THIS THE "g" TERM IS AS PER TABLE:

CHASSIS	1	2	9 ^o	10 ^o
UNIQUE TERM "g"	1	0	3	2
CARD JACK & PLUG	1	2	9	10

SEE NOTE 3.

FIGURE 9-75

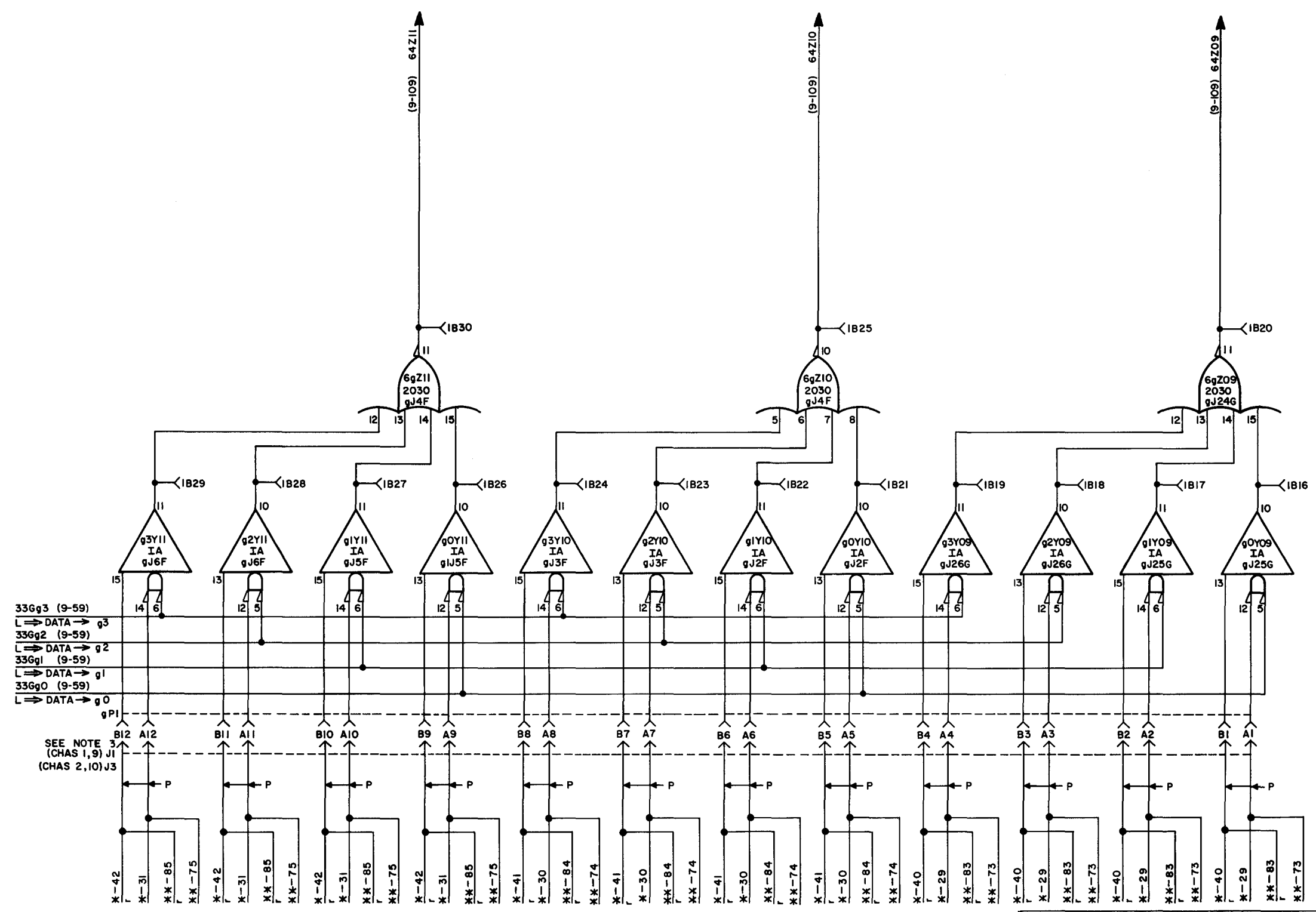
DWG. NO. 7018895

IDENT NO. 7018895 - 00

THIS DOCUMENT CONTAINS CONFIDENTIAL INFORMATION OF THE UNIVAC DIVISION OF SPERRY RAND CORPORATION AND IS FURNISHED PURSUANT TO THE FOLLOWING INSTRUMENT NUMBER EXCEPT FOR THE PURPOSES OF THAT INSTRUMENT OR AS OTHERWISE PERMITTED IN WRITING BY THE UNIVAC DIVISION OF SPERRY RAND CORPORATION

UNLESS OTHERWISE SPECIFIED: DIMENSIONS IN INCHES, TOLERANCE UNLESS OTHERWISE SPECIFIED: DECIMALS: .1 .125 .156 .188 .25 .312 .375 .437 .5 FRACTIONS: 1/16 1/8 3/16 1/4 5/16 3/8 7/16 1/2 5/8 3/4 7/8 15/16 HOLE DIAMETER TOLERANCE: FRACTIONS: .003 .005 .007 .010 DECIMALS: .003 .005 .007 .010 THREATS: EX. CH. 28, INT. CL. 28	LAYOUT	DATE	CLASS	UNIVAC DIVISION OF SPERRY RAND CORPORATION
	J. S. JERYLO	4-13-64	A	
	M. M. Bobinski	9-15-64		
	B. POPOV	2-16-68		
ENGINEER	APPROVAL	TITLE		FUNCTIONAL SCHEMATIC, INPUT DATA AMPS, STAGES 06-08
B. R. Keegan	4-15-68	CODE IDENT NO. SIZE DWG. NO.		
		90536 D 7018895		
		SCALE	WEIGHT	

REVISIONS					
SYM	ZONE	EIR	DESCRIPTION	DATE	APPROVED



NOTE:
 1. FOR FAST INTERFACE IA=2320
 FOR SLOW INTERFACE IA=209G
 2. *,** DENOTES CONNECTORS USED WITH CHASSIS
 1, 2, 9[□] OR 10[□] AS PER TABLE:

CHASSIS	* CONNECTOR				** CONNECTOR					
	g0Y	g1Y	g2Y	g3Y	g0Y	g1Y	g2Y	g3Y		
1	A12A5J	6	4	2	15	A12A5J	6	4	2	15
2	A12A5J	7	5	3	1	A12A5J	6	4	2	15
9 [□]	A13A3J	22	26	24	27	A13A3J	22	26	24	27
10 [□]	A13A3J	23	21	25	28	A13A3J	22	26	24	27

□ SEE NOTE 3.
 3. FOR SERIAL 0 AND 1 COMPUTERS, REPLACE 9 AND 10 WITH 11 AND 12, RESPECTIVELY.
 4. THE FUNCTIONAL SCHEMATICS OF THE I/O SECTION DEPICT ONE OF FOUR IDENTICAL CHASSIS. BECAUSE OF THIS THE "g" TERM IS AS PER TABLE:

CHASSIS	1	2	9 [□]	10 [□]
UNIQUE TERM "g"	1	0	3	2
CARD JACK AND PLUG NOTATION "g"	1	2	9 [□]	10 [□]

□ SEE NOTE 3.

FIGURE 9-76

IDENT NO. 7018896-00

THIS DOCUMENT CONTAINS CONFIDENTIAL INFORMATION OF THE UNIVAC DIVISION OF SPERRY RAND CORPORATION AND IS FURNISHED PURSUANT TO THE FOLLOWING INSTRUMENT:
 ON THE UNDERSTANDING THAT THIS DOCUMENT AND THE INFORMATION THEREON MAY NOT BE DECLASSIFIED, REPRODUCED, COPIED, OR DISSEMINATED IN ANY MANNER EXCEPT AS OTHERWISE PERMITTED IN WRITING BY THE UNIVAC DIVISION OF SPERRY RAND CORPORATION.

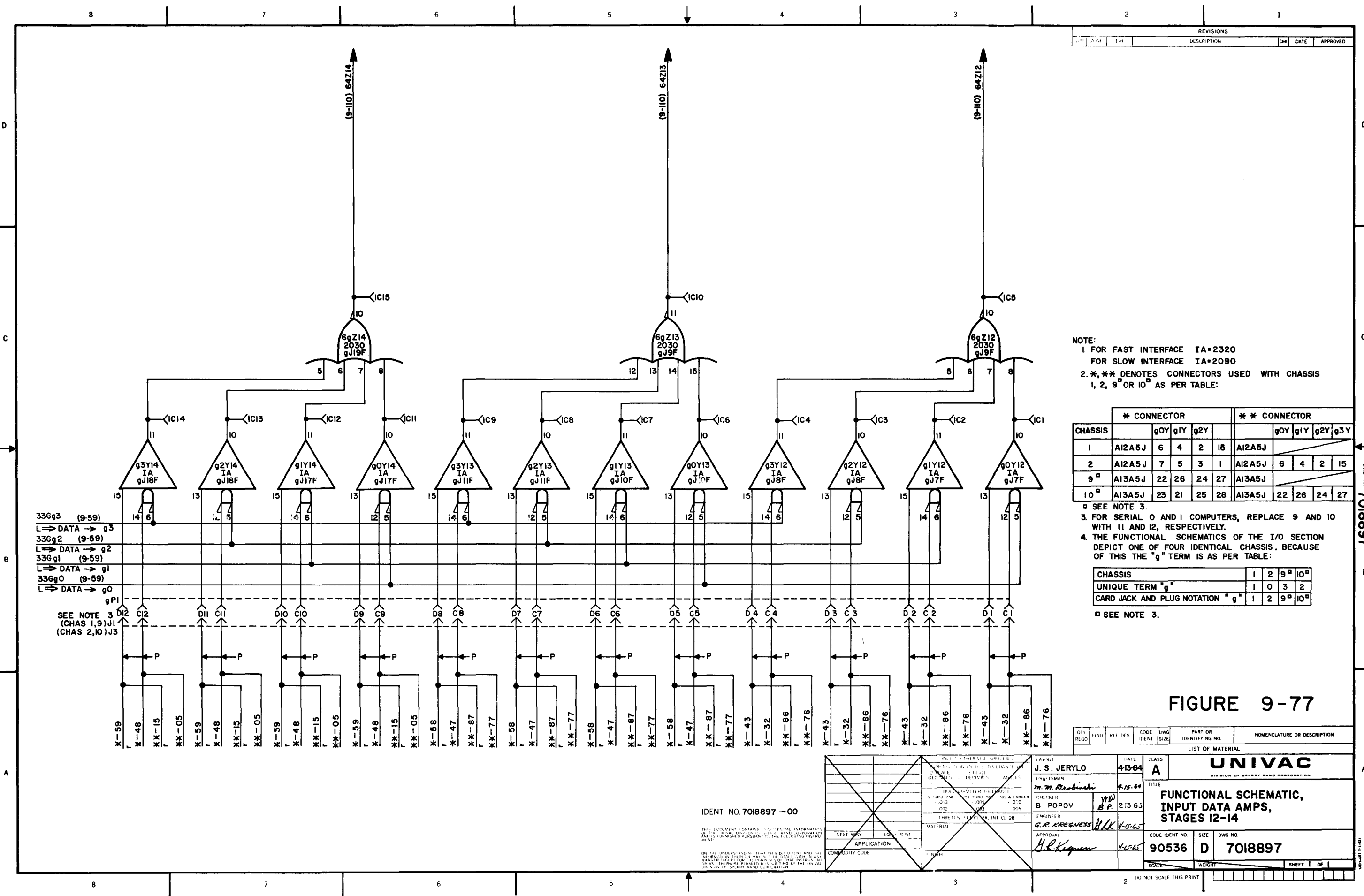
UNLESS OTHERWISE SPECIFIED	LAYOUT	DATE	CLASS
DIMENSION IN INCHES. TOLERANCE ON 2 PLACE DECIMALS ± .003	DRAFTSMAN	9/23/64	A
3 PLACE DECIMALS ± .001	L. SLETTEN		
ANGLES ± .005	CHECKER		
HOLE DIAMETER TOLERANCE	B. POPOV	12/15/65	
0 THRU .250 ± .003	ENGINEER		
.251 THRU .500 ± .005	GR. KREGNESS	4/15/65	
.501 & LARGER ± .010	APPROVAL		
THREADS: EX. CL. 2A, INT. CL. 2B			
MATERIAL			
FINISH			
NEXT ASST.			
EQUIPMENT			
APPLICATION			
COMMODITY CODE			

QTY	FIND	REF DES	CODE	DWG	PART OR IDENTIFYING NO.	NOMENCLATURE OR DESCRIPTION

LIST OF MATERIAL			
UNIVAC			
DIVISION OF SPERRY RAND CORPORATION			
TITLE		92364	
FUNCTIONAL SCHEMATIC, INPUT DATA AMPS, STAGES 09-11			
CODE IDENT NO.	SIZE	DWG NO.	
90536	D	7018896	
SCALE	WEIGHT	SHEET 1 OF 1	

DO NOT SCALE THIS PRINT

DWG. NO. 7018896



REVISIONS			
NO.	DATE	DESCRIPTION	APPROVED

NOTE:
 1. FOR FAST INTERFACE IA=2320
 FOR SLOW INTERFACE IA=2090
 2. **, ** DENOTES CONNECTORS USED WITH CHASSIS
 1, 2, 9^a OR 10^a AS PER TABLE:

CHASSIS	* CONNECTOR				** CONNECTOR					
	gOY	gIY	g2Y	g3Y	gOY	gIY	g2Y	g3Y		
1	A12A5J	6	4	2	15	A12A5J	6	4	2	15
2	A12A5J	7	5	3	1	A12A5J	6	4	2	15
9 ^a	A13A5J	22	26	24	27	A13A5J	22	26	24	27
10 ^a	A13A5J	23	21	25	28	A13A5J	22	26	24	27

SEE NOTE 3.
 3. FOR SERIAL 0 AND 1 COMPUTERS, REPLACE 9 AND 10 WITH 11 AND 12, RESPECTIVELY.
 4. THE FUNCTIONAL SCHEMATICS OF THE I/O SECTION DEPICT ONE OF FOUR IDENTICAL CHASSIS. BECAUSE OF THIS THE "g" TERM IS AS PER TABLE:

CHASSIS	1	2	9 ^a	10 ^a
UNIQUE TERM "g"	1	0	3	2
CARD JACK AND PLUG NOTATION "g"	1	2	9 ^a	10 ^a

SEE NOTE 3.

FIGURE 9-77

IDENT NO. 7018897 - 00

THIS DOCUMENT CONTAINS THE CENTRAL INFORMATION OF THE UNIVAC DIVISION OF SPERRY RAND CORPORATION AND IS UNCLASSIFIED PURSUANT TO THE FOLLOWING INSTRUMENT:

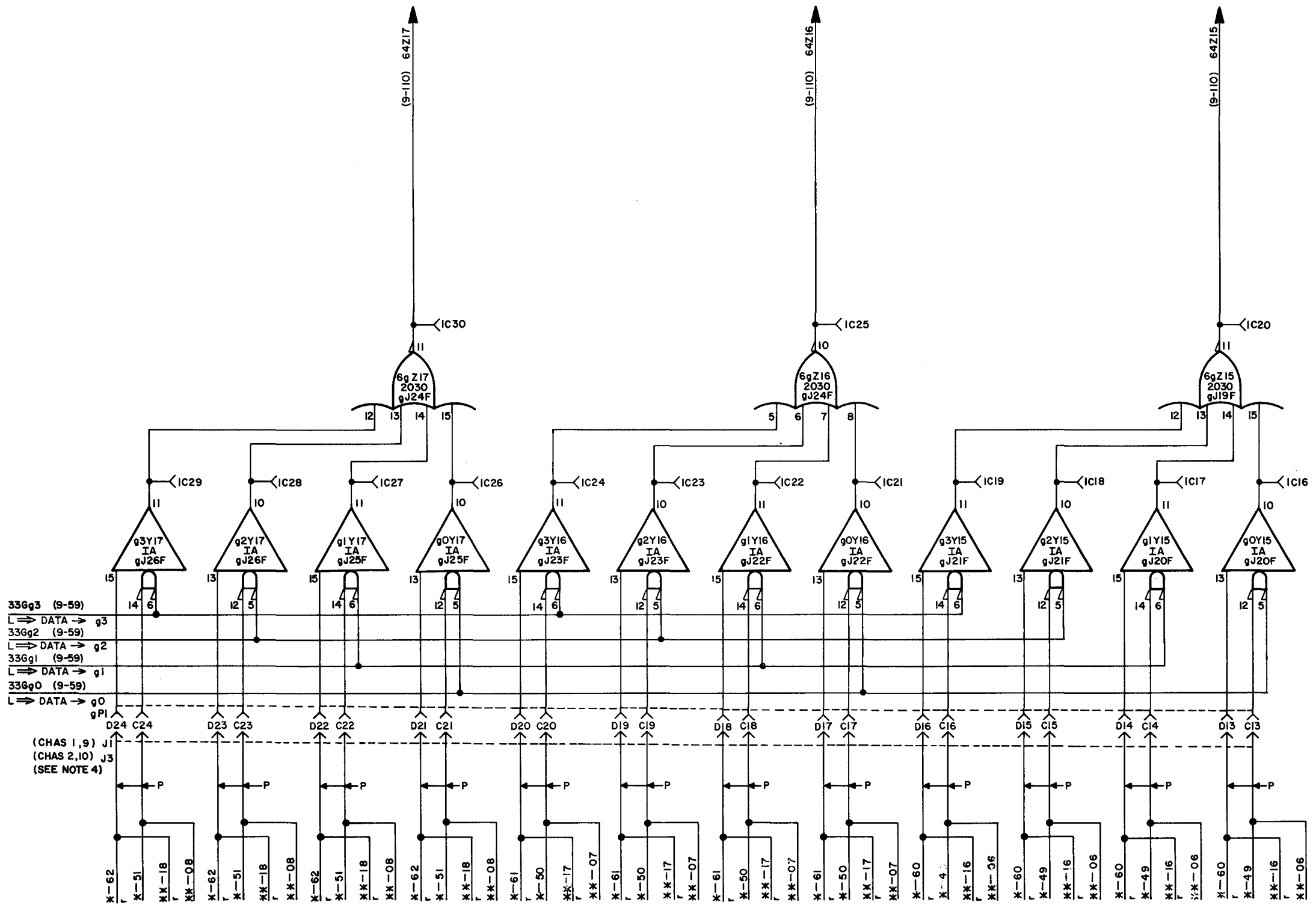
ON THE UNDERSTANDING THAT THIS DOCUMENT AND THE INFORMATION HEREIN MAY BE USED BY ANY INDIVIDUAL OR ORGANIZATION FOR THE PURPOSES OF RESEARCH OR AS A REFERENCE IN CONNECTION WITH THE UNIVAC DIVISION OF SPERRY RAND CORPORATION.

DATE	4-13-64	CLASS	A
LAYERS	J. S. JERYLO	UNIVAC	
DESIGNER	M. M. Barbinich	DIVISION OF SPERRY RAND CORPORATION	
CHECKER	B. POPOV	TITLE	
ENGINEER	G. R. KIRKNESS	FUNCTIONAL SCHEMATIC, INPUT DATA AMPS, STAGES 12-14	
APPROVAL	H. R. Kippen	DATE	4-15-64
CODE IDENT NO.	90536	SIZE	D
DWG NO.	7018897		
SCALE	WEIGHT	SHEET 1 OF 1	

DWG. NO. 7018897

UNIVAC

REVISIONS		
NO.	DATE	APPROVED



NOTE:
 1. FOR FAST INTERFACE IA=2321
 FOR SLOW INTERFACE IA=2090
 2. *,** DENOTES CONNECTORS USED WITH CHASSIS
 1, 2, 9^o OR 10^o AS PER TABLE

CHASSIS	* CONNECTOR				** CONNECTOR				
	g0Y	g1Y	g2Y	g3Y	g0Y	g1Y	g2Y	g3Y	
1	A12A5J	6	4	2	15	A12A5J	6	4	15
2	A12A5J	7	5	3	1	A12A5J	6	4	15
9 ^o	A13A3J	22	26	24	27	A13A3J			
10 ^o	A13A3J	23	21	25	28	A13A3J	22	26	24

SEE NOTE 4
 3. THE FUNCTIONAL SCHEMATICS OF THE I/O SECTION
 DEPICT ONE OF FOUR IDENTICAL CHASSIS. BECAUSE
 OF THIS, THE "g" TERM IS AS PER TABLE:

CHASSIS	1	2	9 ^o	10 ^o
UNIQUE TERM "g"	1	0	3	2
CARD JACK AND PLUG NOTATION "g"	1	2	9 ^o	10 ^o

SEE NOTE 4
 4. FOR SERIAL 0 AND 1 COMPUTERS, REPLACE THE
 9 AND 10 WITH 11 AND 12, RESPECTIVELY.

FIGURE 9-78

IDENT NO. 7018898 - 00

THIS DOCUMENT CONTAINS CONFIDENTIAL INFORMATION OF THE UNITED STATES GOVERNMENT AND IS FURNISHED PURSUANT TO THE FOLLOWING INSTRUMENT:
 ON THE UNDERSTANDING THAT THIS DOCUMENT AND THE INFORMATION THEREON MAY NOT BE REPRODUCED, COPIED, OR IN ANY MANNER EXCEPT FOR THE PURPOSES OF THAT INSTRUMENT OR AS OTHERWISE PERMITTED IN WRITING BY THE UNITED STATES GOVERNMENT.

QTY	PLD	FIN	REF DES	CODE IDENT	DWG SIZE	PART OR IDENTIFYING NO.	NOMENCLATURE OR DESCRIPTION

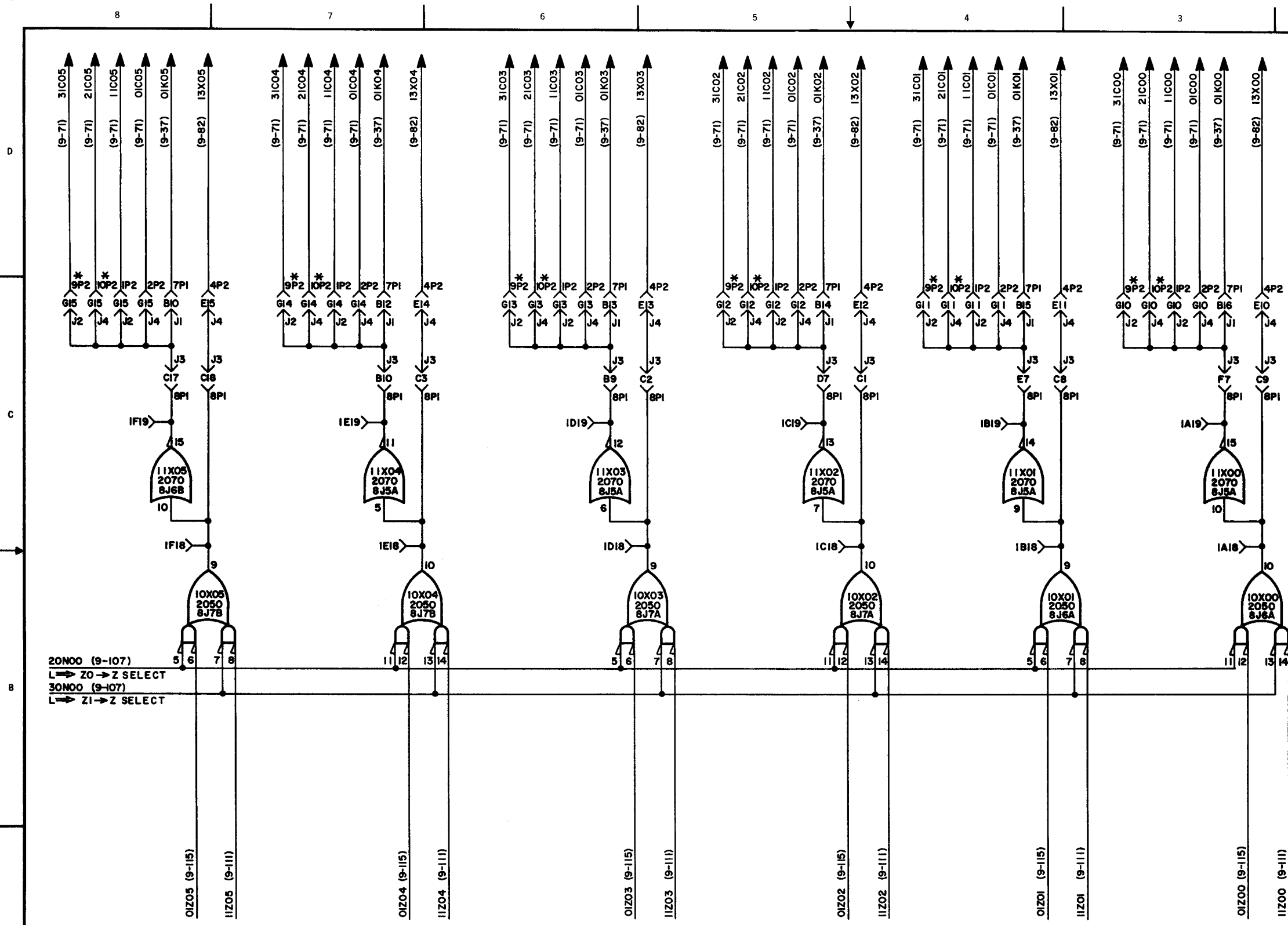
LIST OF MATERIAL

DESIGNED BY J. S. JERYLO	DATE 4-13-64	CLASS A	UNIVAC DIVISION OF SPERRY RAND CORPORATION
DRAWN BY M. M. Orosinski	DATE 4-15-64	TITLE FUNCTIONAL SCHEMATIC, INPUT DATA SMTS, STAGES 15-17	
CHECKED BY B. POPOV	DATE 4-15-64	ENGINEER	CODE IDENT NO. 90536
APPROVED BY G. R. KREGNESS	DATE 4-15-64		SIZE D
			DWG NO. 7018898
			SCALE
			WEIGHT
			SHEET 1 OF 1

DRAWING NO. 7018898

DO NOT SCALE THIS PRINT

REVISIONS						
SYM	ZONE	EIR	DESCRIPTION	CHK	DATE	APPROVED
A		71771	SEE E1R		9-24-65	JFE



NOTE:
1. * - FOR SERIAL 0 AND 1 COMPUTERS REPLACE
9 AND 10 WITH 11 AND 12, RESPECTIVELY.

FIGURE 9-79

QTY	FIND	REF DES	CODE	DWG	PART OR	NOMENCLATURE OR DESCRIPTION
REQD			IDENT	SIZE	IDENTIFYING NO.	
LIST OF MATERIAL						
UNLESS OTHERWISE SPECIFIED			LAYOUT DATE CLASS			
VERSION IN INCHES, TOLERANCE ON			R. E. LANGER 3-19-64 A			
FACE 3 PLACE			DRAFTSMAN			
DIGITALS DECIMALS ANGLES			O. M. Muto 4-1-64			
HOLE DIAMETER TOLERANCE			CHECKER			
0 THRU .250 +.003			B. POPOV 2-15-65			
.251 THRU .500 +.003			ENGINEER			
.501 & LARGER +.010			G. R. KOSKOWSKI 6/11/65			
THREADS: EX. CL. 2A, INT. CL. 2B			APPROVAL			
MATERIAL			J. H. Kragman 4-9-65			
FINISH			CODE IDENT NO. SIZE DWG NO.			
			90536 D 7018864			
			SCALE WEIGHT SHEET 1 OF 1			

UNENI NO. 7018864-00

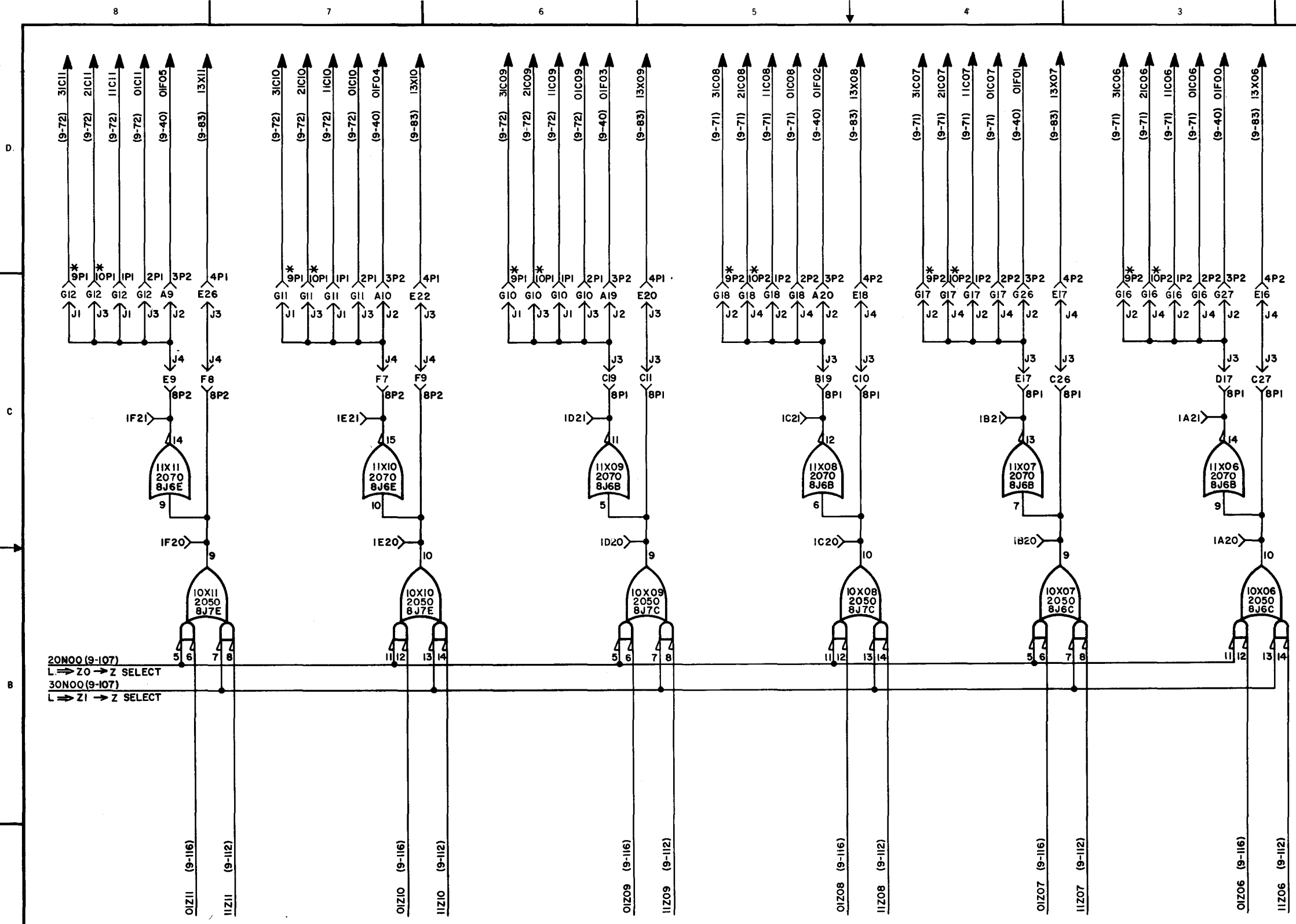
THIS DOCUMENT CONTAINS CONFIDENTIAL INFORMATION OF THE UNIVAC DIVISION OF SPERRY RAND CORPORATION AND IS FURNISHED PURSUANT TO THE FOLLOWING INSTRUMENT:

ON THE UNDERSTANDING THAT THIS DOCUMENT AND THE INFORMATION THEREON MAY NOT BE DEALT WITH IN ANY MANNER OR REPRODUCED FOR THE PURPOSES OF THAT INSTRUMENT OR AS OTHERWISE PERMITTED IN WRITING BY THE UNIVAC DIVISION OF SPERRY RAND CORPORATION.

DWG. NO. 7018864

DO NOT SCALE THIS PRINT

REVISIONS				
SYM	ZONE	EIR	DESCRIPTION	CHK DATE APPROVED
A		71771	SEE EIR	8/24-65



NOTE
1.*-FOR SERIAL O AND I COMPUTERS, REPLACE
9 AND 10 WITH 11 AND 12, RESPECTIVELY.

FIGURE 9-80

QTY	FIND	REF DES	CODE	DWG	PART OR IDENTIFYING NO.	NOMENCLATURE OR DESCRIPTION

UNLESS OTHERWISE SPECIFIED		LAYOUT	DATE	CLASS
FINISH	FINISH	R. E. LANGER	3-19-64	A
DRILLING	DRILLING	DRAFTSMAN	4-1-64	
THREADS	THREADS	CHECKER	2-13-65	
		ENGINEER		
		APPROVAL		

CODE IDENT NO.	SIZE	DWG NO.
90536	D	7018865

IDENT NO. 7018865-00

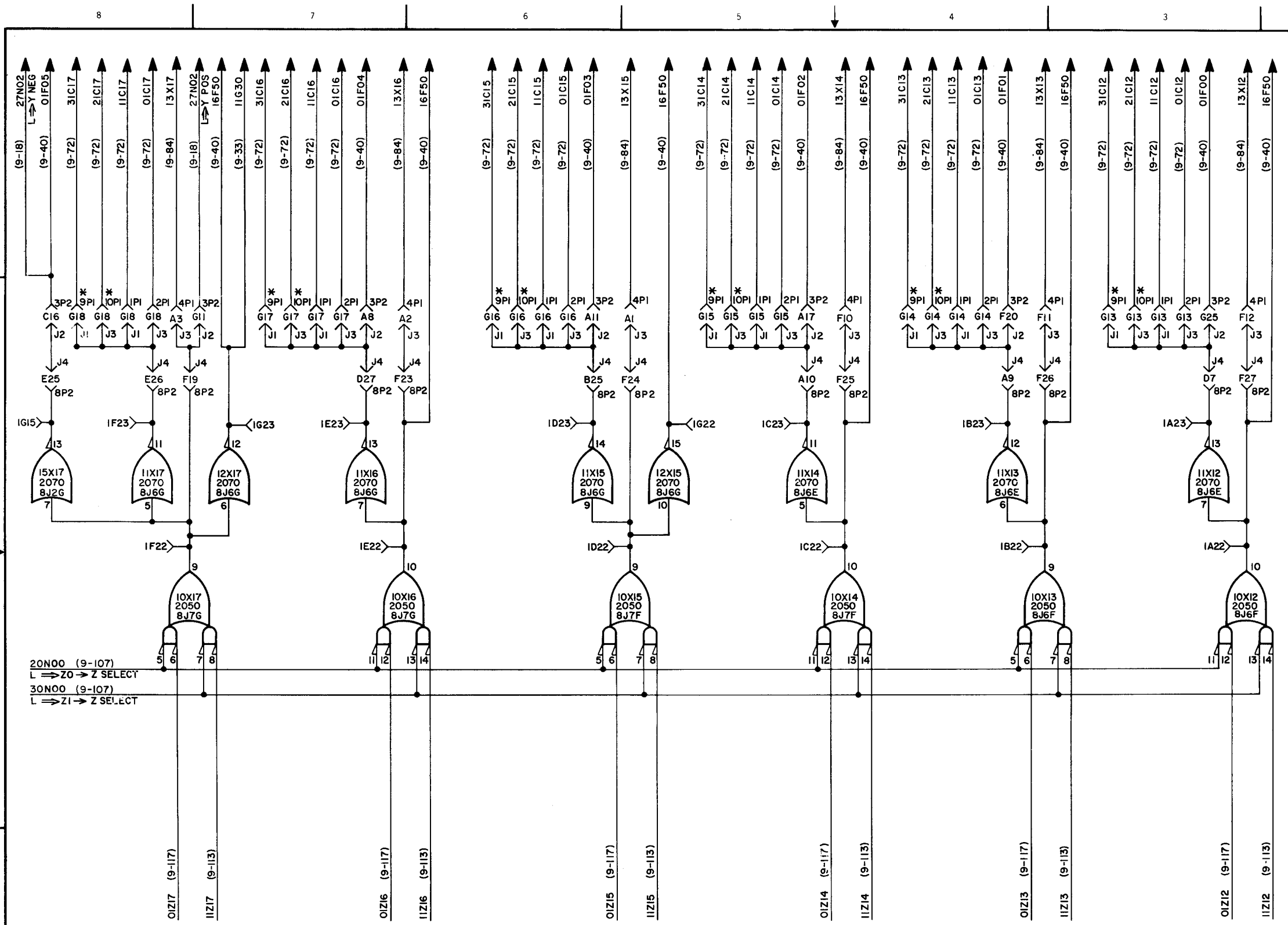
THIS DOCUMENT CONTAINS CONFIDENTIAL INFORMATION OF THE UNIVAC DIVISION OF SPERRY RAND CORPORATION AND IS FURNISHED PURSUANT TO THE FOLLOWING INSTRUMENT:

ON THE UNDERSTANDING THAT THIS DOCUMENT AND THE INFORMATION THEREON MAY NOT BE REPRODUCED, COPIED, OR TRANSMITTED IN ANY MANNER EXCEPT FOR THE PURPOSES OF THAT INSTRUMENT OR AS OTHERWISE PERMITTED IN WRITING BY THE UNIVAC DIVISION OF SPERRY RAND CORPORATION.

DWG NO. 7018865

DO NOT SCALE THIS PRINT

REVISIONS			
NO.	DATE	BY	APPROVED
A	71771		SEE EIR
B	DO2788		SEE EIR



NOTE:
*-FOR SERIAL O AND I COMPUTERS REPLACE
9 AND 10 WITH 11 AND 12, RESPECTIVELY.

7018866

FIGURE 9-81

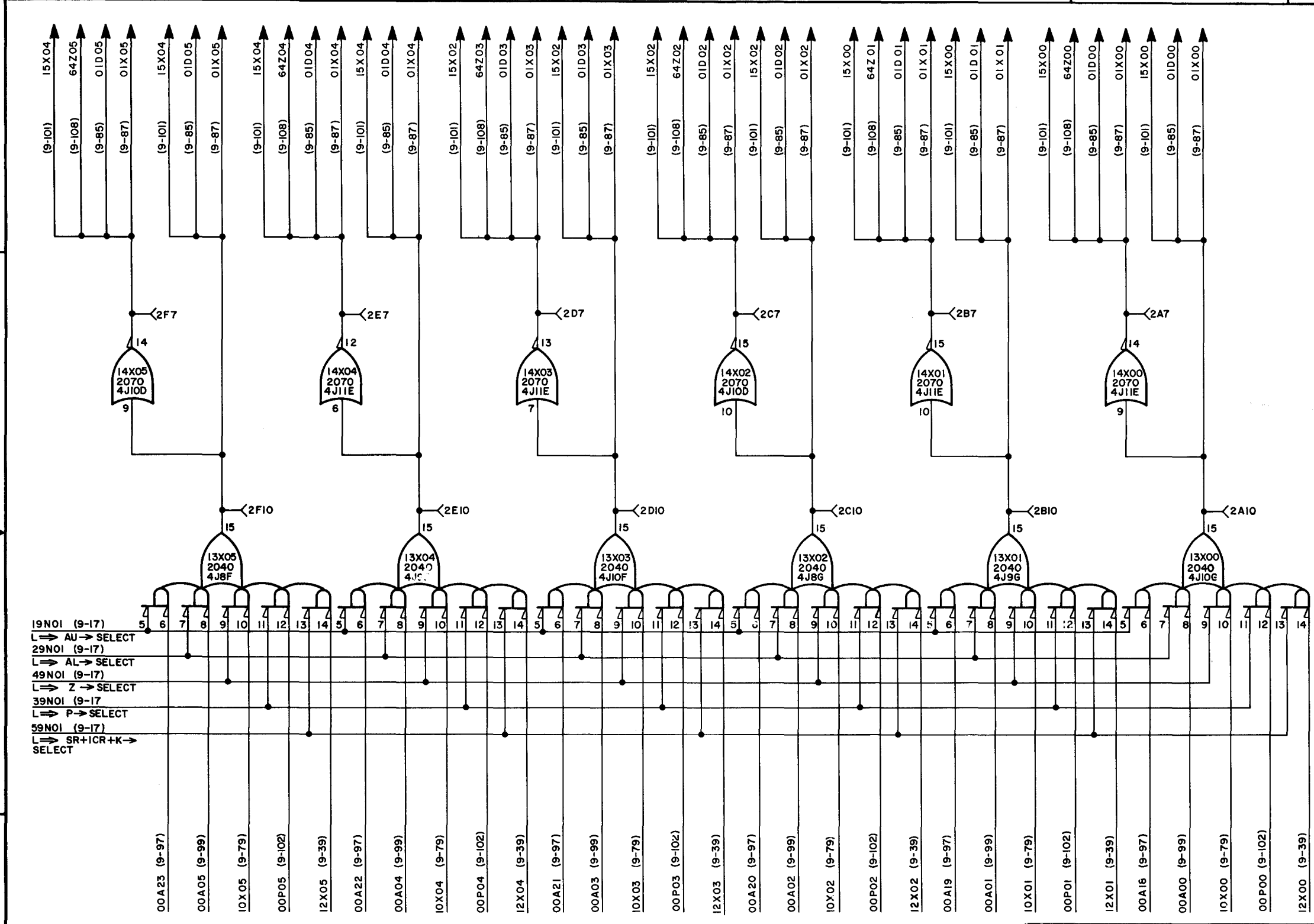
QTY	UNIT	REF. DES.	QTY	UNIT	REF. DES.	QTY	UNIT	REF. DES.	QTY	UNIT	REF. DES.	QTY	UNIT	REF. DES.																												
LIST OF MATERIAL																																										
UNIVAC																																										
DIVISION OF SPERRY RAND CORPORATION																																										
<table border="0" style="width: 100%;"> <tr> <td style="width: 40%;"> <table border="0"> <tr> <td>DESIGNED BY</td> <td>R. E. LANGER</td> <td>DATE</td> <td>3-19-64</td> </tr> <tr> <td>CHECKED BY</td> <td><i>G. M. Mitko</i></td> <td>CLASS</td> <td>A</td> </tr> <tr> <td>APPROVED BY</td> <td><i>B. POPOV</i></td> <td>DATE</td> <td>4-1-64</td> </tr> <tr> <td>IN-CHARGE</td> <td><i>G. R. ROBERTSON</i></td> <td>DATE</td> <td>4-9-64</td> </tr> </table> </td> <td style="width: 60%;"> <table border="0"> <tr> <td>TITLE</td> <td>FUNCTIONAL SCHEMATIC, Z SELECT 12-17</td> </tr> <tr> <td>CODE IDENT NO.</td> <td>90536</td> </tr> <tr> <td>SIZE</td> <td>D</td> </tr> <tr> <td>DWG NO.</td> <td>7018866</td> </tr> <tr> <td>SHEET</td> <td>1 OF 1</td> </tr> </table> </td> </tr> </table>															<table border="0"> <tr> <td>DESIGNED BY</td> <td>R. E. LANGER</td> <td>DATE</td> <td>3-19-64</td> </tr> <tr> <td>CHECKED BY</td> <td><i>G. M. Mitko</i></td> <td>CLASS</td> <td>A</td> </tr> <tr> <td>APPROVED BY</td> <td><i>B. POPOV</i></td> <td>DATE</td> <td>4-1-64</td> </tr> <tr> <td>IN-CHARGE</td> <td><i>G. R. ROBERTSON</i></td> <td>DATE</td> <td>4-9-64</td> </tr> </table>	DESIGNED BY	R. E. LANGER	DATE	3-19-64	CHECKED BY	<i>G. M. Mitko</i>	CLASS	A	APPROVED BY	<i>B. POPOV</i>	DATE	4-1-64	IN-CHARGE	<i>G. R. ROBERTSON</i>	DATE	4-9-64	<table border="0"> <tr> <td>TITLE</td> <td>FUNCTIONAL SCHEMATIC, Z SELECT 12-17</td> </tr> <tr> <td>CODE IDENT NO.</td> <td>90536</td> </tr> <tr> <td>SIZE</td> <td>D</td> </tr> <tr> <td>DWG NO.</td> <td>7018866</td> </tr> <tr> <td>SHEET</td> <td>1 OF 1</td> </tr> </table>	TITLE	FUNCTIONAL SCHEMATIC, Z SELECT 12-17	CODE IDENT NO.	90536	SIZE	D	DWG NO.	7018866	SHEET	1 OF 1
<table border="0"> <tr> <td>DESIGNED BY</td> <td>R. E. LANGER</td> <td>DATE</td> <td>3-19-64</td> </tr> <tr> <td>CHECKED BY</td> <td><i>G. M. Mitko</i></td> <td>CLASS</td> <td>A</td> </tr> <tr> <td>APPROVED BY</td> <td><i>B. POPOV</i></td> <td>DATE</td> <td>4-1-64</td> </tr> <tr> <td>IN-CHARGE</td> <td><i>G. R. ROBERTSON</i></td> <td>DATE</td> <td>4-9-64</td> </tr> </table>	DESIGNED BY	R. E. LANGER	DATE	3-19-64	CHECKED BY	<i>G. M. Mitko</i>	CLASS	A	APPROVED BY	<i>B. POPOV</i>	DATE	4-1-64	IN-CHARGE	<i>G. R. ROBERTSON</i>	DATE	4-9-64	<table border="0"> <tr> <td>TITLE</td> <td>FUNCTIONAL SCHEMATIC, Z SELECT 12-17</td> </tr> <tr> <td>CODE IDENT NO.</td> <td>90536</td> </tr> <tr> <td>SIZE</td> <td>D</td> </tr> <tr> <td>DWG NO.</td> <td>7018866</td> </tr> <tr> <td>SHEET</td> <td>1 OF 1</td> </tr> </table>	TITLE	FUNCTIONAL SCHEMATIC, Z SELECT 12-17	CODE IDENT NO.	90536	SIZE	D	DWG NO.	7018866	SHEET	1 OF 1															
DESIGNED BY	R. E. LANGER	DATE	3-19-64																																							
CHECKED BY	<i>G. M. Mitko</i>	CLASS	A																																							
APPROVED BY	<i>B. POPOV</i>	DATE	4-1-64																																							
IN-CHARGE	<i>G. R. ROBERTSON</i>	DATE	4-9-64																																							
TITLE	FUNCTIONAL SCHEMATIC, Z SELECT 12-17																																									
CODE IDENT NO.	90536																																									
SIZE	D																																									
DWG NO.	7018866																																									
SHEET	1 OF 1																																									

IDENT NO. 7018866-00

THIS DOCUMENT CONTAINS NEITHER RECOMMENDATIONS NOR
CONCLUSIONS OF THE NATIONAL BUREAU OF STANDARDS
AND IS SUBJECT TO CHANGE WITHOUT NOTICE. THE UNITED STATES
GOVERNMENT IS AUTHORIZED TO REPRODUCE AND RESELL THIS
DOCUMENT IN WHOLE OR IN PART FOR GOVERNMENT PURPOSES.

COMMODITY CODE	APPLICATION	EQUIPMENT	NEXT ASSY

REVISIONS					
SYM	ZONE	EIR	DESCRIPTION	CHK	APPROVED



19NOI (9-17)
L → AU → SELECT
29NOI (9-17)
L → AL → SELECT
49NOI (9-17)
L → Z → SELECT
39NOI (9-17)
L → P → SELECT
59NOI (9-17)
L → SR+ICR+K → SELECT

QTY	WELD	UNIT	REF DES	CODE IDENT	DWG SIZE	PART OR IDENTIFYING NO	NOMENCLATURE OR DESCRIPTION

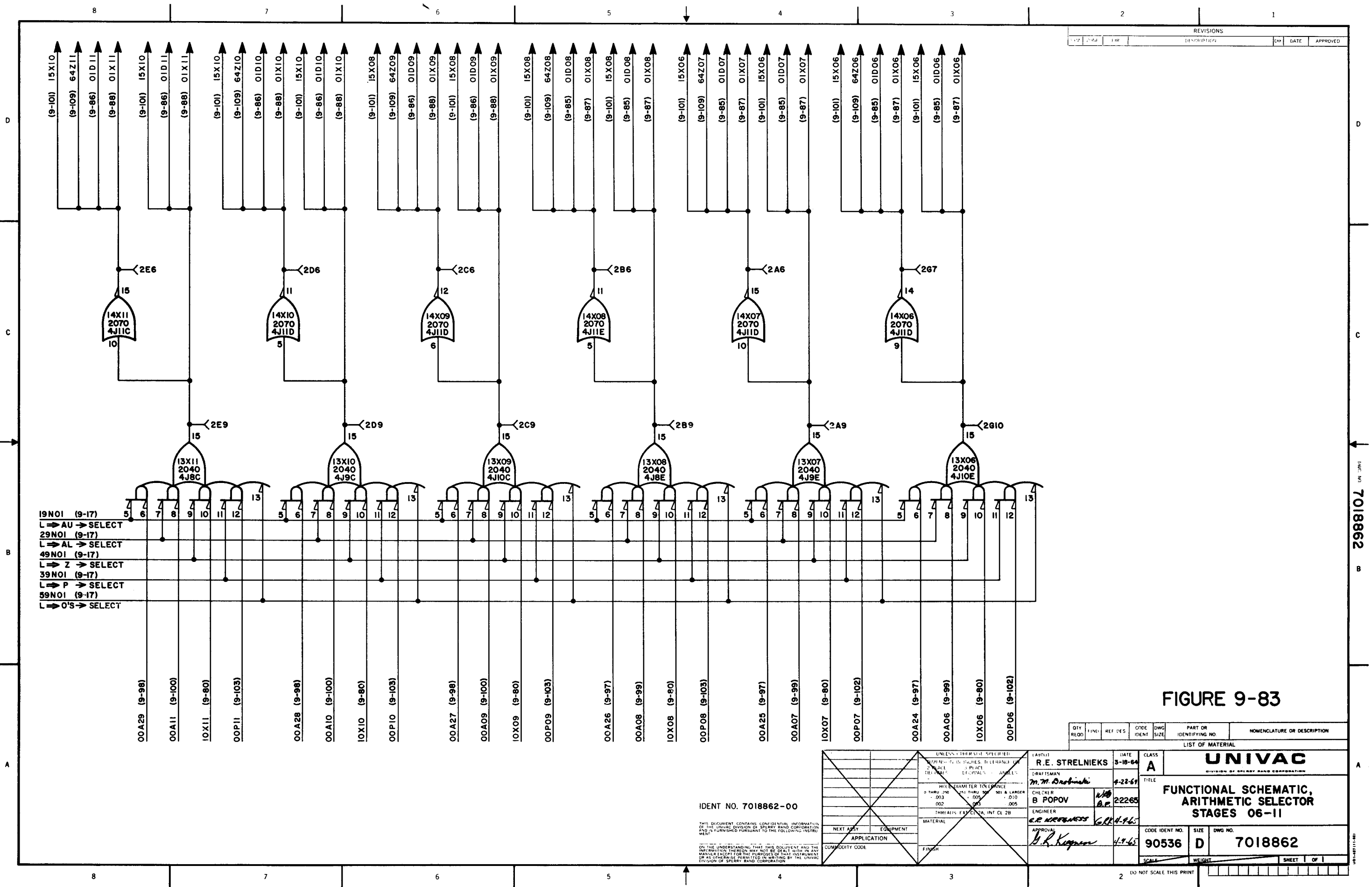
FIGURE 9-82

ENG. NO. 7018861

IDENT NO. 7018861-00

THIS DOCUMENT CONTAINS CONFIDENTIAL INFORMATION OF THE SIGNAL DIVISION OF SPERRY RAND CORPORATION AND IS LOANED TO YOU BY THE SIGNAL DIVISION OF SPERRY RAND CORPORATION.

DATE 3-18-64 CLASS A DESIGNER R.E. STRELNIKS CHECKER M.M. Ostrowski ENGINEER B. POPOV APPROVAL G.P. Hoffmann J.R. Kuyper	DATE 7-22-65 CHECKER B.P. DATE 2-15-65 APPROVAL G.P. Hoffmann DATE 4-9-65	TITLE FUNCTIONAL SCHEMATIC, ARITHMETIC SELECTOR STAGES 00-05	CODE IDENT NO. 90536 SIZE D DWG NO. 7018861
	LIST OF MATERIAL	SCALE SHEET 1 OF 1	DO NOT SCALE THIS PRINT



REVISIONS		
NO.	DESCRIPTION	DATE

FIGURE 9-83

QTY	FINI	REF DES	CODE IDENT	DWG SIZE	PART OR IDENTIFYING NO.	NOMENCLATURE OR DESCRIPTION

LIST OF MATERIAL			
LAYOUT	R. E. STRELNEKS	DATE	3-18-64
DRAWSMAN	M. M. Drobinski	DATE	4-22-64
CHECKER	B. POPOV	DATE	2-22-65
ENGINEER	G. R. KOPPEL	DATE	4-9-65
APPROVAL			
CLASS	A	CODE IDENT NO.	90536
TITLE	FUNCTIONAL SCHEMATIC, ARITHMETIC SELECTOR STAGES 06-11		
SIZE	D	DWG NO.	7018862
SCALE		WEIGHT	
SHEET	1	OF	1

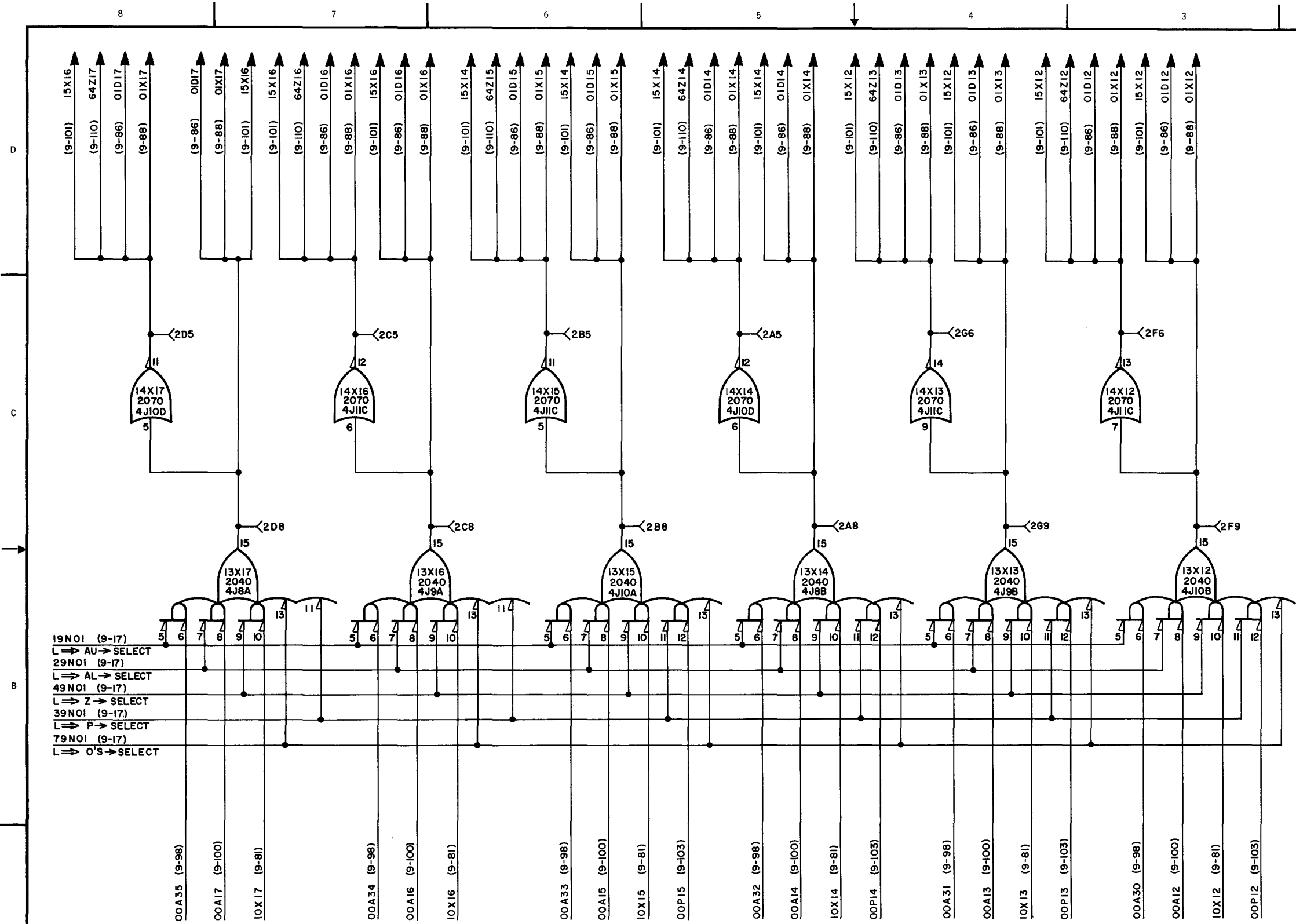
IDENT NO. 7018862-00

THIS DOCUMENT CONTAINS CONFIDENTIAL INFORMATION OF THE UNIVAC DIVISION OF SPERRY RAND CORPORATION AND IS FURNISHED PURSUANT TO THE FOLLOWING INSTRUMENT ON THE UNDERSTANDING THAT THIS DOCUMENT AND THE INFORMATION THEREON MAY NOT BE DEALT WITH IN ANY MANNER EXCEPT FOR THE PURPOSES OF THAT INSTRUMENT OR AS OTHERWISE PERMITTED IN WRITING BY THE UNIVAC DIVISION OF SPERRY RAND CORPORATION.

DRAWING NO. 7018862

DO NOT SCALE THIS PRINT

REVISIONS				
SYM	ZONE	EIR	DESCRIPTION	APPROVED



19NOI (9-17)
 L → AU → SELECT
 29NOI (9-17)
 L → AL → SELECT
 49NOI (9-17)
 L → Z → SELECT
 39NOI (9-17)
 L → P → SELECT
 79NOI (9-17)
 L → O'S → SELECT

00A35 (9-98) 00A17 (9-100) 10X17 (9-81)
 00A34 (9-98) 00A16 (9-100) 10X16 (9-81)
 00A33 (9-98) 00A15 (9-100) 10X15 (9-81)
 00P15 (9-103)
 00A32 (9-98) 00A14 (9-100) 10X14 (9-81)
 00P14 (9-103)
 00A31 (9-98) 00A13 (9-100) 10X13 (9-81)
 00P13 (9-103)
 00A30 (9-98) 00A12 (9-100) 10X12 (9-81)
 00P12 (9-103)

FIGURE 9-84

QTY	FIND	REF	DES	CODE	DWG	PART OR IDENTIFYING NO.	NOMENCLATURE OR DESCRIPTION

LIST OF MATERIAL

LAYOUT	R.E. STRELNIKS	DATE	3-18-64	CLASS	A
DRAFTSMAN	M. M. Prohinski	DATE	9-22-65	TITLE	FUNCTIONAL SCHEMATIC, ARITHMETIC SELECTOR STAGES 12-17
CHECKER	B. POPOV	DATE	2-13-65		
ENGINEER	G.R. WREGHNESS	DATE	4-9-65		
APPROVAL	G.R. Wreghness	DATE	4-9-65		

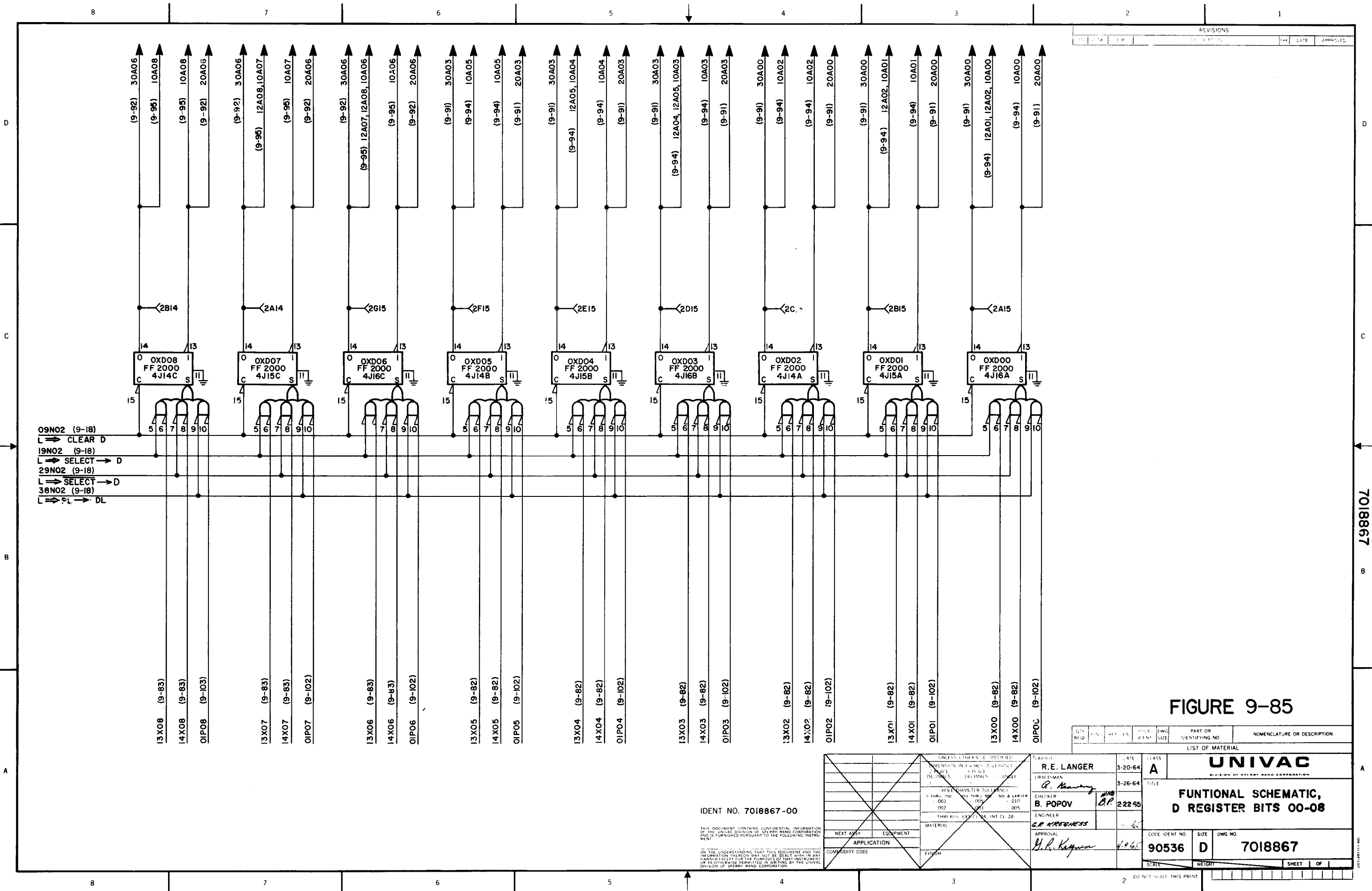
CODE	90536	SIZE	D	DWG NO.	7018863
SCALE		WEIGHT		SHEET	1 OF 1

IDENT NO. 7018863-00

THIS DOCUMENT CONTAINS CONFIDENTIAL INFORMATION OF THE UNIVAC DIVISION OF SPERRY RAND CORPORATION AND IS FURNISHED PURSUANT TO THE FOLLOWING INSTRUMENTS:

UNLESS OTHERWISE SPECIFIED	
DIMENSION IN INCHES. TOLERANCE ON	
3 PLACE DECIMALS	± .005
2 PLACE DECIMALS	± .010
1 PLACE DECIMALS	± .020
ANGLES	± .005
HOLE DIAMETER TOLERANCE	
0 THRU .250	± .005
.251 THRU .500	± .010
.501 & LARGER	± .015
THREADS: EXCEPT 2A, INT CL 2B	
MATERIAL	
FINISH	
APPLICATION	
COMMODITY CODE	

Dwg. No. 7018863



REVISIONS			
NO.	DATE	BY	APPROVED

09N02 (9-18)
 L → CLEAR D
 19N02 (9-18)
 L → SELECT → D
 29N02 (9-18)
 L → SELECT → D
 38N02 (9-18)
 L → SELECT → DL

FIGURE 9-85

QTY	REQ.	REV.	DATE	BY	APPROVED	PART OR IDENTIFYING NO.	NOMENCLATURE OR DESCRIPTION

LIST OF MATERIAL			

UNIVAC DIVISION OF SPERRY RAND CORPORATION	R.E. LANGER DRAFTSMAN 3-26-64	CLASS A
FUNTIONAL SCHEMATIC, D REGISTER BITS 00-08	CHECKER B. POPOV 3-26-64	TITLE
ENGINEER G.P. KRENNES	APPROVAL G.P. KRENNES 4-9-65	CODE IDENT NO. 90536
SIZE D	DWG NO. 7018867	SHEET OF

IDENT NO. 7018867-00

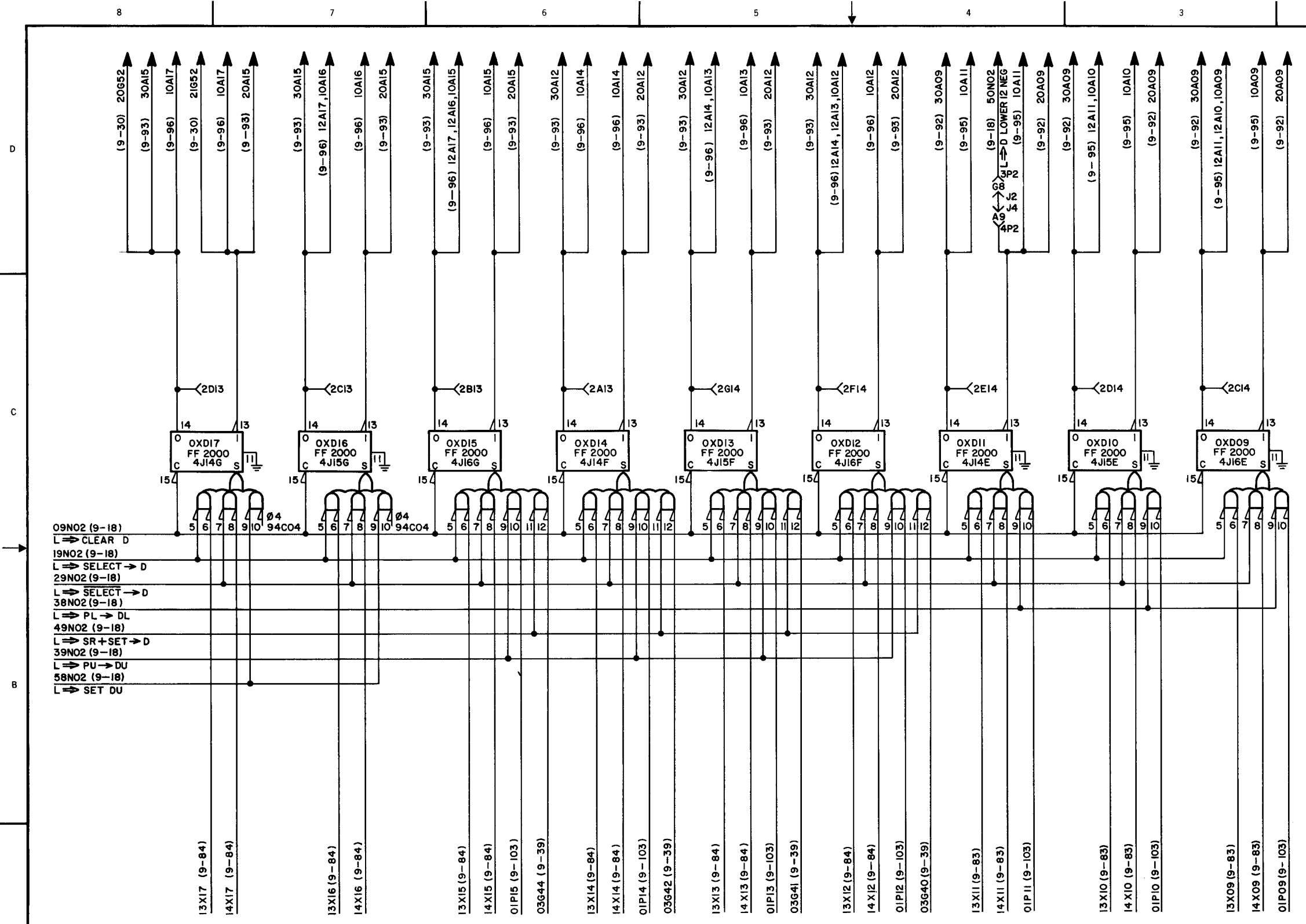
THIS DOCUMENT CONTAINS CONFIDENTIAL INFORMATION OF THE UNIVAC DIVISION OF SPERRY RAND CORPORATION AND IS FURNISHED PURSUANT TO THE FOLLOWING INSTRUMENT:
 ON THE UNDERSTANDING THAT THIS DOCUMENT AND THE INFORMATION THEREON MAY NOT BE REPRODUCED, COPIED, TRANSMITTED, OR IN ANY MANNER DISCLOSED TO THE PUBLIC OR TO ANY OTHER PARTY WITHOUT THE WRITTEN PERMISSION OF THE UNIVAC DIVISION OF SPERRY RAND CORPORATION.

UNLESS OTHERWISE SPECIFIED:	DIMENSION IN FRACTIONS TO NEAREST 1/32 DIMENSION IN DECIMALS TO NEAREST 0.005 DIMENSION IN MILLIMETERS TO NEAREST 0.100 DIMENSION IN INCHES TO NEAREST 0.005 DIMENSION IN METERS TO NEAREST 0.005
FINISH	
APPLICATION	
EQUIPMENT	
COMMODITY CODE	

DO NOT SCALE THIS PRINT

7018867

REVISIONS			
SYM	ZONE	EIR	DESCRIPTION



- 09NO2 (9-18)
L → CLEAR D
- 19NO2 (9-18)
L → SELECT → D
- 29NO2 (9-18)
L → SELECT → D
- 38NO2 (9-18)
L → PL → DL
- 49NO2 (9-18)
L → SR + SET → D
- 39NO2 (9-18)
L → PU → DU
- 58NO2 (9-18)
L → SET DU

- 13X17 (9-84)
- 14X17 (9-84)
- 13X16 (9-84)
- 14X16 (9-84)
- 13X15 (9-84)
- 14X15 (9-84)
- 01P15 (9-103)
- 03G44 (9-39)
- 13X14 (9-84)
- 14X14 (9-84)
- 01P14 (9-103)
- 03G42 (9-39)
- 13X13 (9-84)
- 14X13 (9-84)
- 01P13 (9-103)
- 03G41 (9-39)
- 13X12 (9-84)
- 14X12 (9-84)
- 01P12 (9-103)
- 03G40 (9-39)
- 13X11 (9-83)
- 14X11 (9-83)
- 01P11 (9-103)
- 13X10 (9-83)
- 14X10 (9-83)
- 01P10 (9-103)
- 13X09 (9-83)
- 14X09 (9-83)
- 01P09 (9-103)

FIGURE 9-86

QTY	FIND	REF	DES	CODE	OWG	PART OR IDENTIFYING NO.	NOMENCLATURE OR DESCRIPTION

LIST OF MATERIAL			
LAYOUT	R.E. LANGER	DATE	3-20-64
DRAFTSMAN	G. Manning	DATE	3-26-64
CHECKER	B. POPOV	DATE	4-16-64
ENGINEER	G.R. KIRKNESS	DATE	4-16-64
APPROVAL	H.H. Kagan	DATE	4-16-64
CLASS	A	CODE IDENT NO.	90536
TITLE	FUNCTIONAL SCHEMATIC, D REGISTER BITS 09-17		
SIZE	D	OWG NO.	7018868
SCALE		WEIGHT	
SHEET		OF	

IDENT NO. 7018868-00

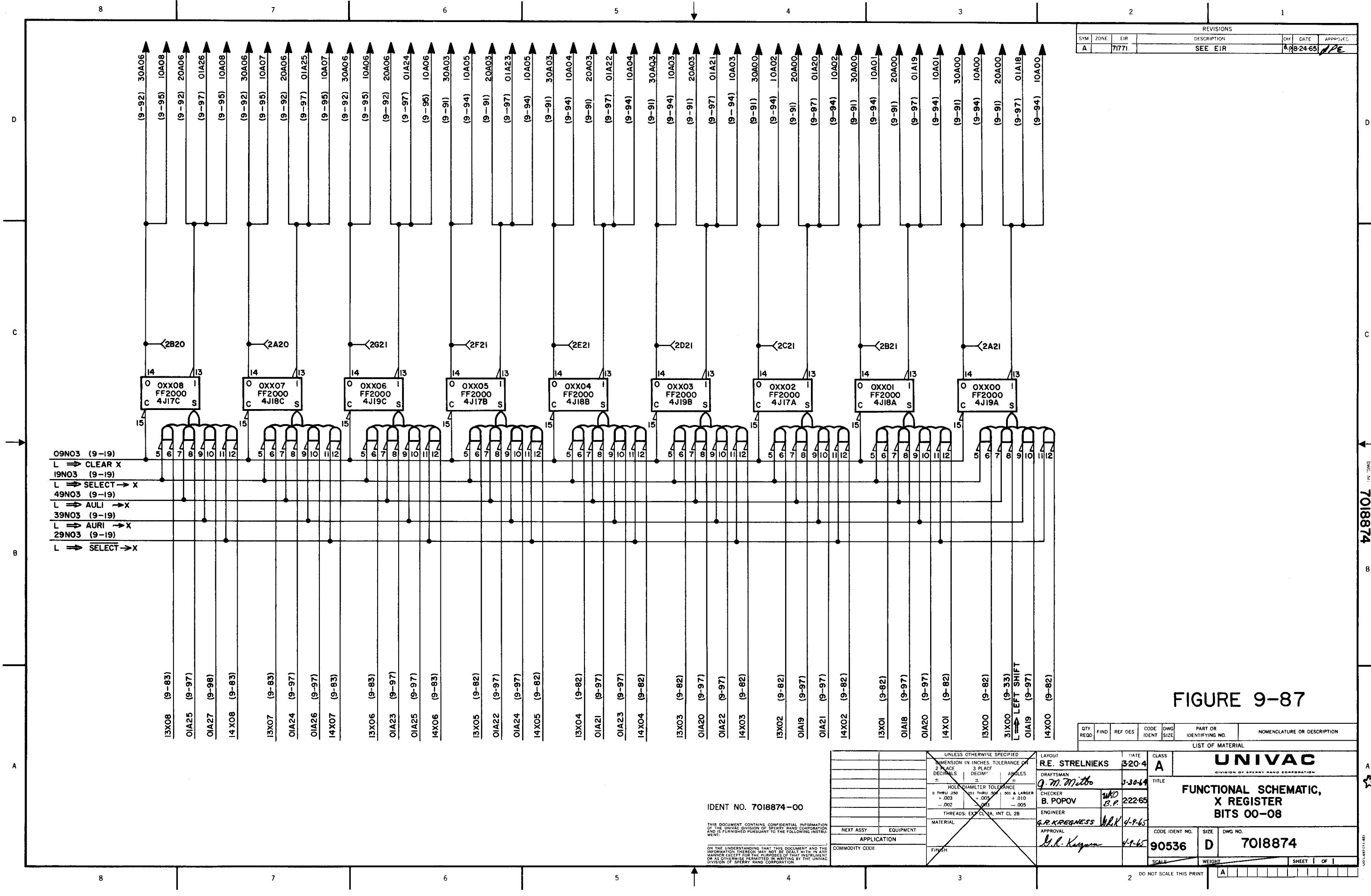
THIS DOCUMENT CONTAINS CONFIDENTIAL INFORMATION OF THE UNIVAC DIVISION OF SPERRY RAND CORPORATION AND IS FURNISHED PURSUANT TO THE FOLLOWING INSTRUMENT:

ON THE UNDERSTANDING THAT THIS DOCUMENT AND THE INFORMATION THEREON MAY NOT BE DEALT WITH IN ANY MANNER EXCEPT FOR THE PURPOSES OF THE INSTRUMENT OR AS OTHERWISE PERMITTED IN WRITING BY THE UNIVAC DIVISION OF SPERRY RAND CORPORATION.

UNLESS OTHERWISE SPECIFIED
DIMENSION IN INCHES. TOLERANCE OR FINISH
2 PLACE DECIMALS ± .005
3 PLACE DECIMALS ± .0005
ANGLES ± .005
HOLE DIAMETER TOLERANCE
0 THRU .250 ± .005
.251 THRU .500 ± .005
.501 & LARGER ± .010
THREADS: EXCEPT DIA INT CL 2B
MATERIAL
FINISH
APPLICATION
COMMODITY CODE

DO NOT SCALE THIS PRINT

7018868



DWG. NO. 7018874

UNIVAC

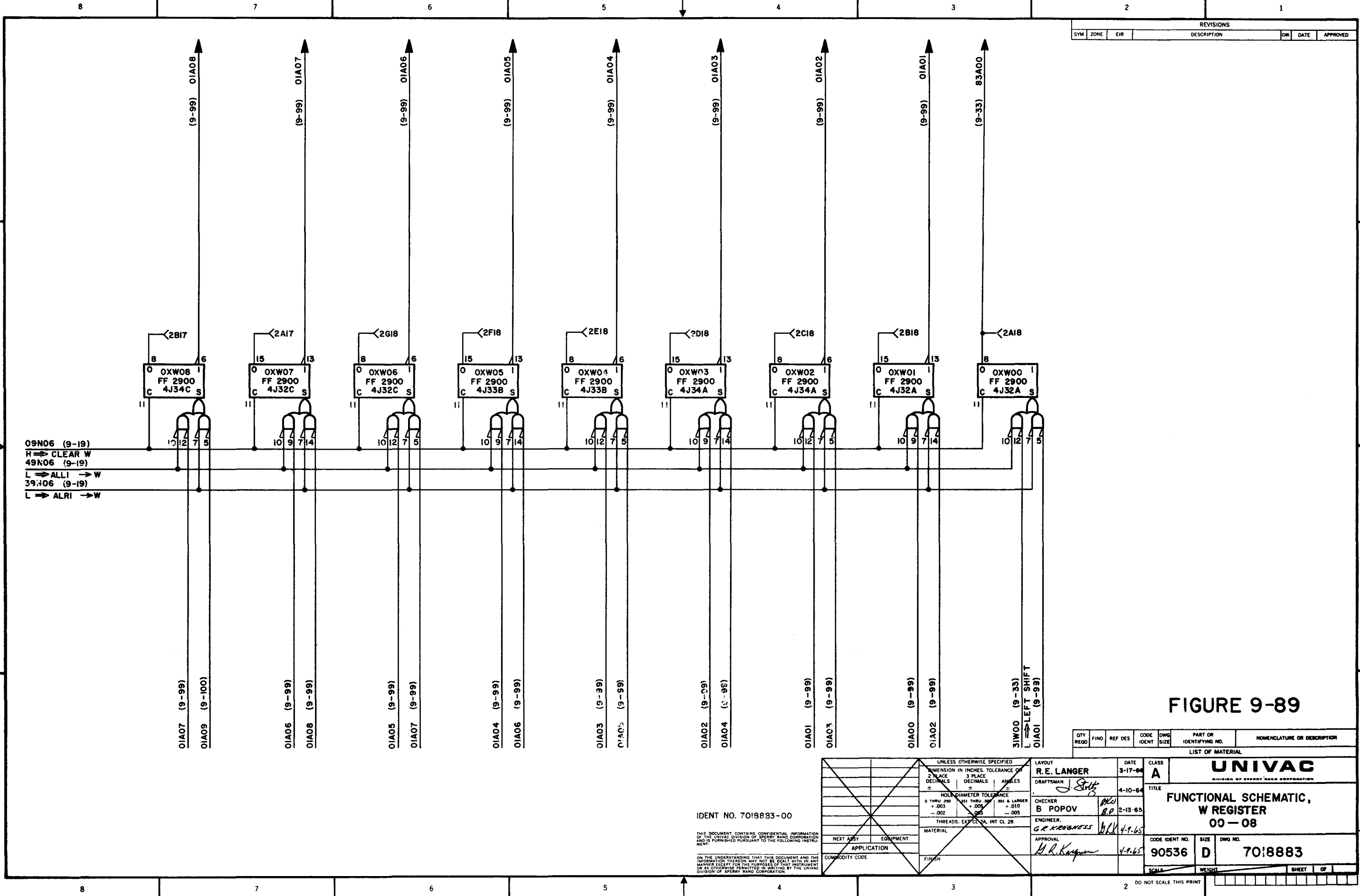
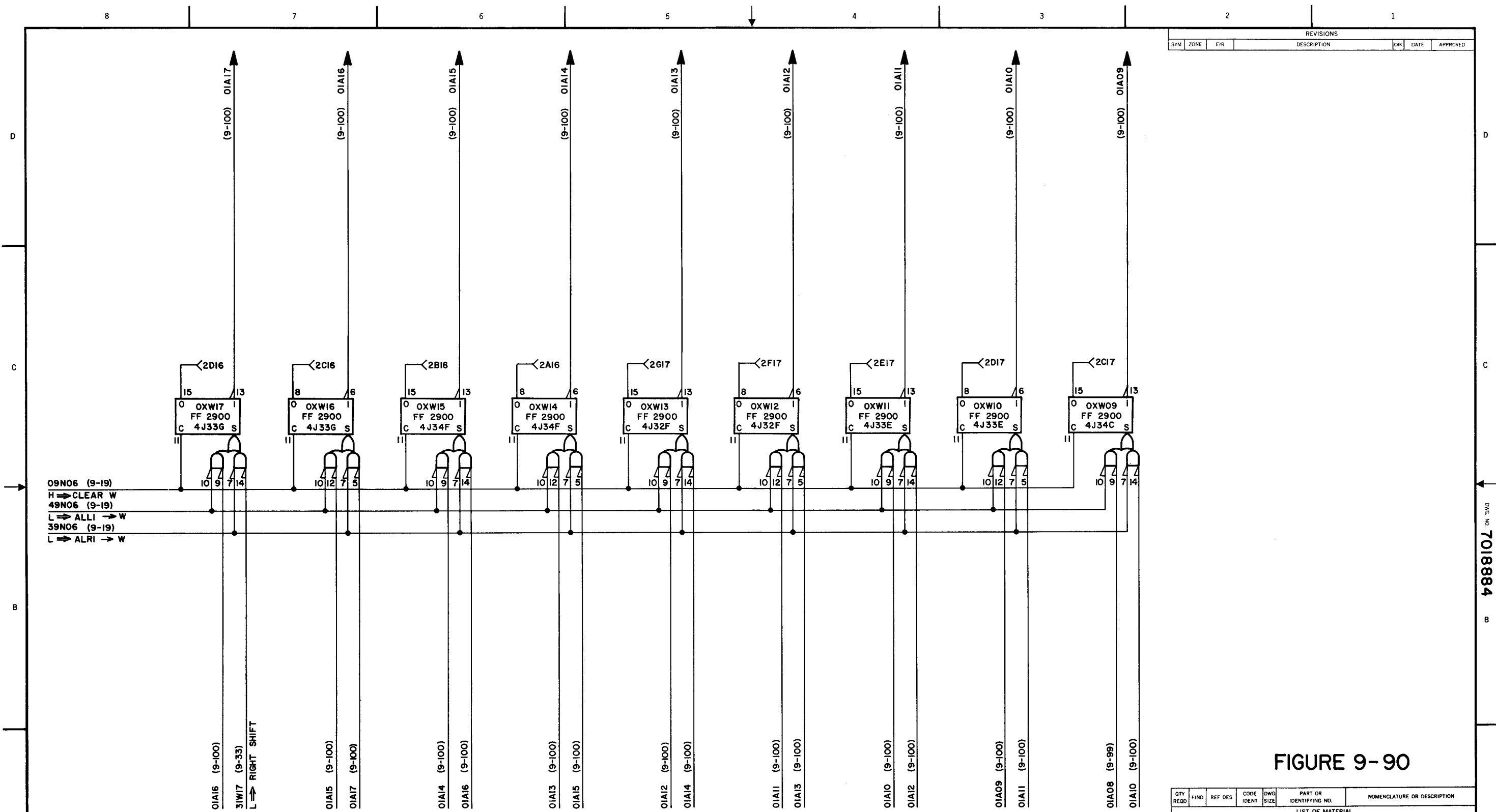


FIGURE 9-89

DO NOT SCALE THIS PRINT

REVISIONS			
SYM	ZONE	EIR	DESCRIPTION



O9N06 (9-19)
 H → CLEAR W
 49N06 (9-19)
 L → ALLI → W
 39N06 (9-19)
 L → ALRI → W

FIGURE 9-90

QTY	FIND	REF	DES	CODE	DWG	PART OR	NOMENCLATURE OR DESCRIPTION
REQD				IDENT	SIZE	IDENTIFYING NO.	
LIST OF MATERIAL							
UNLESS OTHERWISE SPECIFIED				LAYOUT		DATE	
DIMENSION IN INCHES. TOLERANCE ON				R.E. LANGER		3-17-64	
2 PLACE DECIMALS ± .005				DRAFTSMAN		CLASS	
3 PLACE DECIMALS ± .002				J. Stolz		A	
ANGLES ± .010				CHECKER		4-10-64	
HOLE DIAMETER TOLERANCE				B. POPOV		TITLE	
0 THRU .250 + .003				ENGINEER		FUNCTIONAL SCHEMATIC,	
.251 THRU .500 + .005				G.R. KEEGNESS		W REGISTER	
.501 & LARGER + .010				APPROVAL		09-17	
THREADS: EXT. CL. 2A, INT. CL. 2B				G.R. Keegan		CODE IDENT NO.	
MATERIAL				FINISH		SIZE	
NEXT ASSY				APPLICATION		D	
EQUIPMENT				COMMODITY CODE		DWG NO.	
FINISH						90536	
						7018884	
						SCALE	
						WEIGHT	
						SHEET OF	

IDENT NO. 7018884-00

THIS DOCUMENT CONTAINS CONFIDENTIAL INFORMATION OF THE UNIVAC DIVISION OF SPERRY RAND CORPORATION AND IS FURNISHED PURSUANT TO THE FOLLOWING INSTRUMENT:

ON THE UNDERSTANDING THAT THIS DOCUMENT AND THE INFORMATION THEREON MAY NOT BE REPRODUCED IN ANY MANNER OR FOR THE PURPOSES OF THAT INSTRUMENT OR AS OTHERWISE PERMITTED IN WRITING BY THE UNIVAC DIVISION OF SPERRY RAND CORPORATION.

DO NOT SCALE THIS PRINT

DWG. NO. 7018884

REVISIONS				
SYM	ZONE	EIR	DESCRIPTION	APPROVED

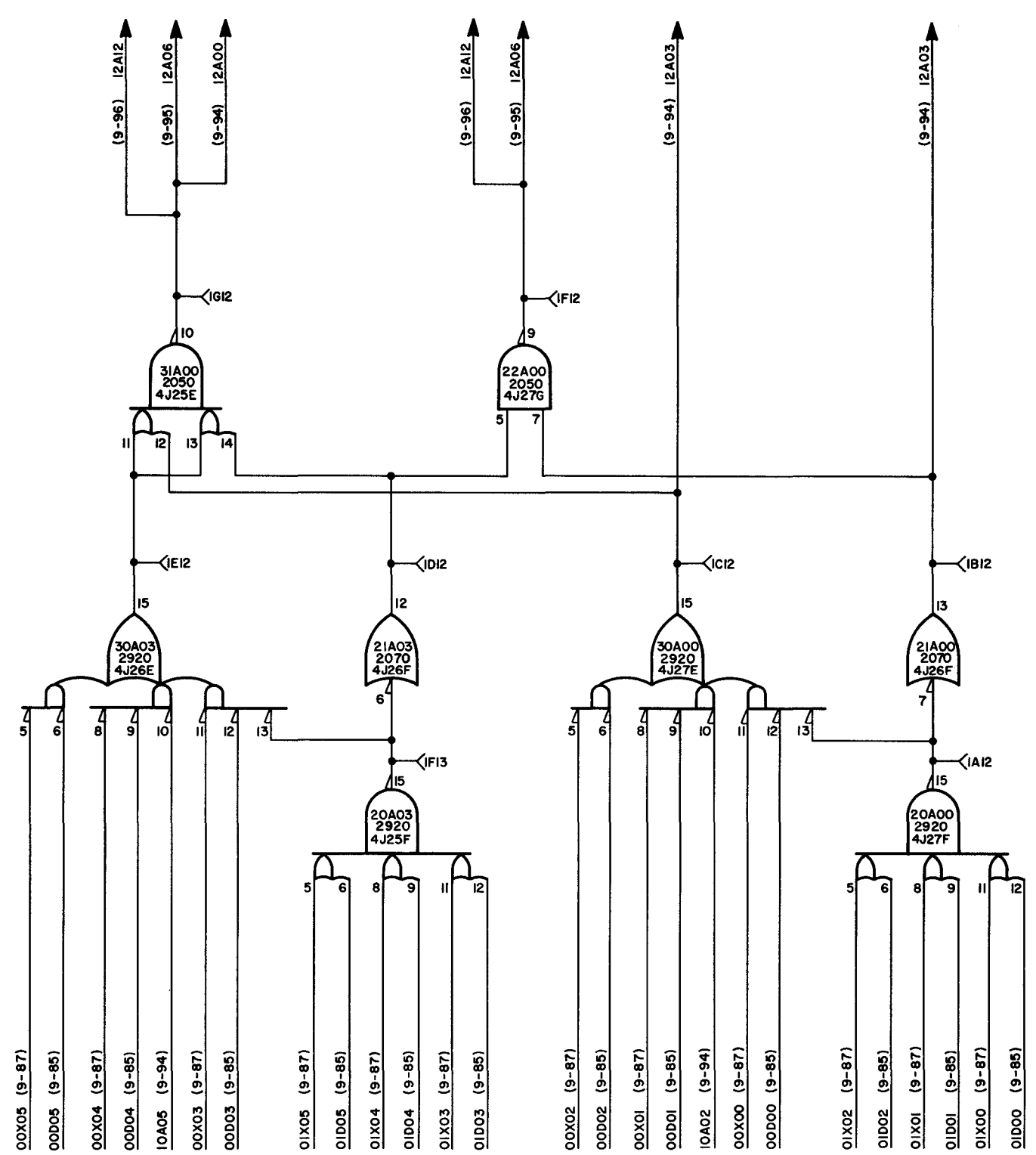


FIGURE 9-91

QTY	FIND	REF	DES	CODE	DWG	PART OR	NOMENCLATURE OR DESCRIPTION
REQD				IDENT	SIZE	IDENTIFYING NO.	
LIST OF MATERIAL							
UNLESS OTHERWISE SPECIFIED				LAYOUT		DATE	
DIMENSION IN INCHES. TOLERANCE ON				R. E. STRELNIEKS		3-17-64	
2 PLACE DECIMALS				DRAFTSMAN		CLASS	
3 PLACE DECIMALS				A. K...		A	
ANGLES				CHECKER		TITLE	
±				B. POPOV		FUNCTIONAL SCHEMATIC, ADDER BORROW ENABLE GENERATOR 00-05	
HOLE DIAMETER TOLERANCE				ENGINEER		CODE IDENT NO.	
0 THRU .250				G. R. KREGANESS		90536	
.251 THRU .500				APPROVAL		SIZE	
.501 & LARGER				G. R. K...		D	
±				COMMODITY CODE		DWG NO.	
THREADS: EXCEPT AS INT. CL. 2B				FINISH		7018869	
MATERIAL				SCALE		WEIGHT	
NEXT ASST				EQUIPMENT		SHEET	
APPLICATION				DO NOT SCALE THIS PRINT		OF 1	

IDENT NO. 7018869-00

THIS DOCUMENT CONTAINS CONFIDENTIAL INFORMATION OF THE UNIVAC DIVISION OF SPERRY RAND CORPORATION AND IS FURNISHED PURSUANT TO THE FOLLOWING INSTRUMENT:

ON THE UNDERSTANDING THAT THIS DOCUMENT AND THE INFORMATION THEREON MAY NOT BE DISSEMINATED AND MARKED EXCEPT FOR THE PURPOSES OF THAT INSTRUMENT OR AS OTHERWISE PERMITTED IN WRITING BY THE UNIVAC DIVISION OF SPERRY RAND CORPORATION.

UNIVAC 7018869

REVISIONS			
NO.	DATE	DESCRIPTION	APPROVED

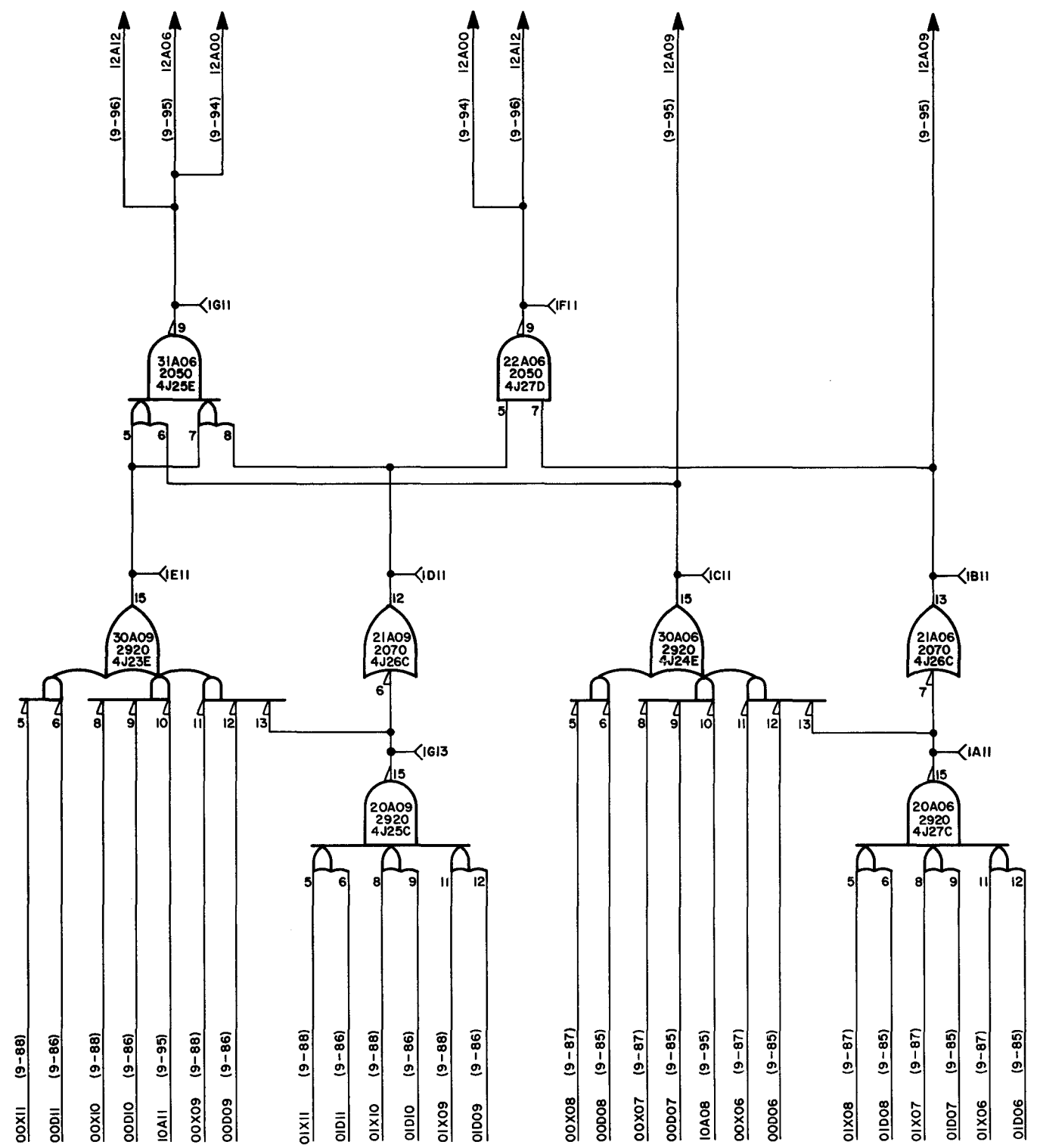


FIGURE 9-92

IDENT NO. 7018871-00

THIS DOCUMENT CONTAINS CONFIDENTIAL INFORMATION OF THE UNITED STATES GOVERNMENT AND IS FURNISHED PURSUANT TO THE FOLLOWING INSTRUMENT:
 ON THE UNDERSTANDING THAT THIS DOCUMENT AND THE INFORMATION THEREIN MAY NOT BE DECLASSIFIED AND MADE PUBLIC FOR THE PURPOSES OF THAT INSTRUMENT OR AS OTHERWISE PERMITTED IN WRITING BY THE UNITED STATES GOVERNMENT.

UNLESS OTHERWISE SPECIFIED	
DIMENSIONS IN INCHES	TOLERANCE
2 PLACE DECIMALS	+ .005
1 PLACE DECIMALS	+ .010
HOLES	+ .010
HOLES DIAMETER TOLERANCE	
0 THRU .250	+ .005
.250 THRU .500	+ .005
.500 THRU .750	+ .005
.750 THRU 1.000	+ .005
1.000 THRU 1.500	+ .005
1.500 THRU 2.000	+ .005
2.000 THRU 3.000	+ .005
3.000 THRU 4.000	+ .005
4.000 THRU 5.000	+ .005
5.000 THRU 6.000	+ .005
6.000 THRU 7.000	+ .005
7.000 THRU 8.000	+ .005
8.000 THRU 9.000	+ .005
9.000 THRU 10.000	+ .005
10.000 THRU 12.000	+ .005
12.000 THRU 15.000	+ .005
15.000 THRU 20.000	+ .005
20.000 THRU 30.000	+ .005
30.000 THRU 40.000	+ .005
40.000 THRU 50.000	+ .005
50.000 THRU 60.000	+ .005
60.000 THRU 70.000	+ .005
70.000 THRU 80.000	+ .005
80.000 THRU 90.000	+ .005
90.000 THRU 100.000	+ .005
100.000 THRU 120.000	+ .005
120.000 THRU 150.000	+ .005
150.000 THRU 200.000	+ .005
200.000 THRU 300.000	+ .005
300.000 THRU 400.000	+ .005
400.000 THRU 500.000	+ .005
500.000 THRU 600.000	+ .005
600.000 THRU 700.000	+ .005
700.000 THRU 800.000	+ .005
800.000 THRU 900.000	+ .005
900.000 THRU 1000.000	+ .005
THREADS	EXCEPT AS NOTED
FINISH	AS SPECIFIED

LAYOUT	R. E. STRELNIKS	DATE	3-17-64
DRAFTSMAN	R. Keating	DATE	3-31-64
CHECKER	B. POPOV	DATE	2-15-65
ENGINEER	G. R. KEEGNESS	DATE	4-9-65
APPROVAL	M. A. Kagan	DATE	4-9-65

LIST OF MATERIAL					
QTY REQD	FIND REF DES	CODE IDENT	DWG SIZE	PART OR IDENTIFYING NO.	NOMENCLATURE OR DESCRIPTION
UNIVAC					
DIVISION OF SPERRY RAND CORPORATION					
TITLE					
FUNCTIONAL SCHEMATIC, ADDER BORROW ENABLE GENERATOR 06-II					
CODE IDENT NO.	SIZE	DWG NO.			
90536	D	7018871			
SCALE	WEIGHT	SHEET	OF		

DO NOT SCALE THIS PRINT

DRAWING NO. 7018871

REVISIONS						
SYM	ZONE	EIR	DESCRIPTION	CHK	DATE	APPROVED

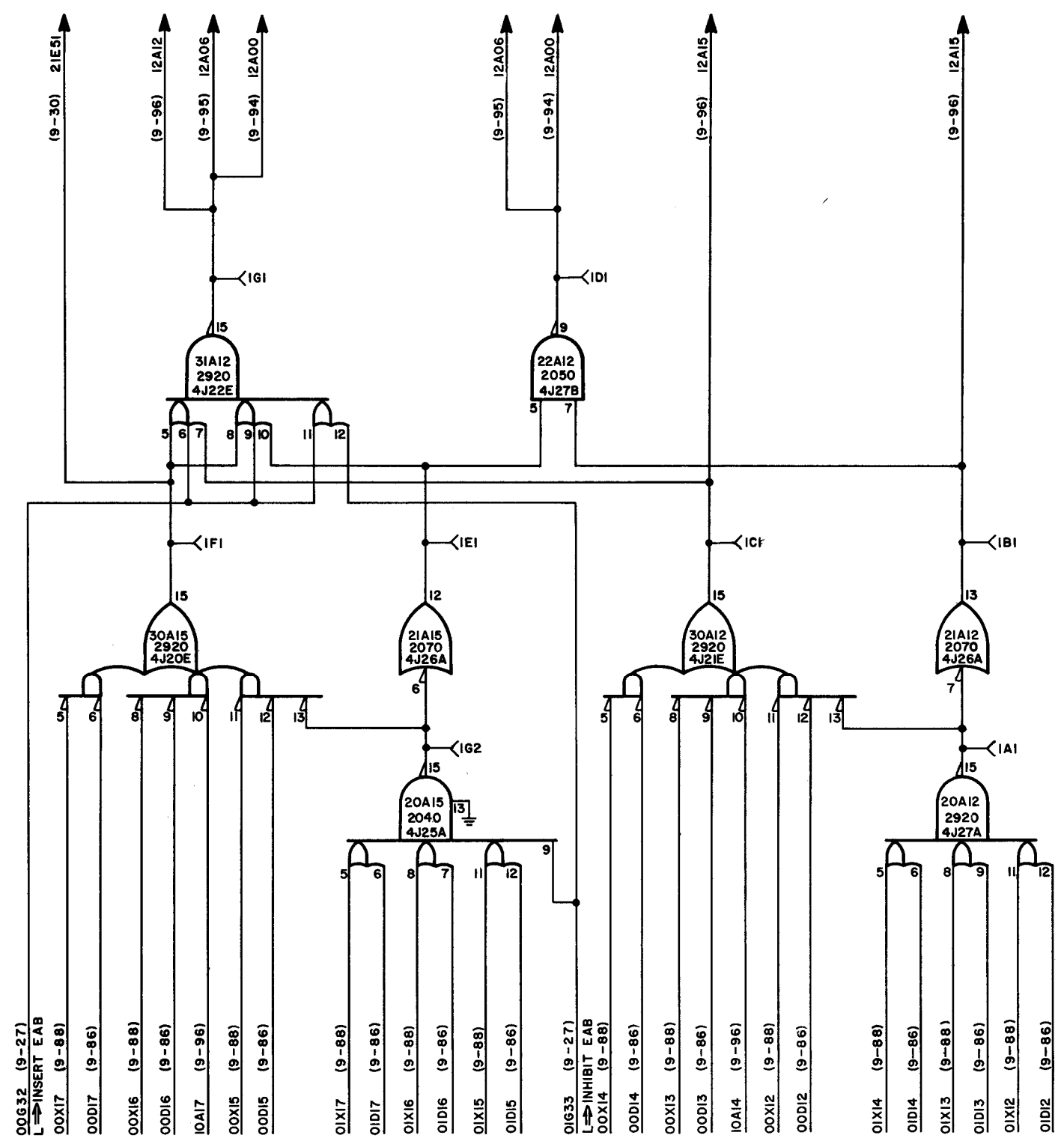


FIGURE 9-93

QTY	FIND	REF	DES	CODE	DWG	PART OR	NOMENCLATURE OR DESCRIPTION
REQD				IDENT	SIZE	IDENTIFYING NO.	
LIST OF MATERIAL							
LAYOUT				DATE	CLASS	UNIVAC	
R. E. STRELNIKS				3-17-64	A	DIVISION OF SPERRY RAND CORPORATION	
DRAFTSMAN						TITLE	
R. Keavney				4-1-64		FUNCTIONAL SCHEMATIC,	
CHECKER						ADDER BORROW ENABLE	
B. POPOV				2-15-65		GENERATOR 12-17	
ENGINEER						CODE IDENT NO.	
G. R. KREGNESS				4-1-65		90536	SIZE
APPROVAL						D	DWG NO.
H. R. Keavney				4-1-65		7018870	
COMMODITY CODE						SCALE	WEIGHT
							SHEET 1 OF 1

IDENT NO. 7018870-00

THIS DOCUMENT CONTAINS CONFIDENTIAL INFORMATION OF THE UNIVAC DIVISION OF SPERRY RAND CORPORATION AND IS FURNISHED PURSUANT TO THE FOLLOWING INSTRUMENT:

ON THE UNDERSTANDING THAT THIS DOCUMENT AND THE INFORMATION THEREON MAY NOT BE DEALT WITH IN ANY MANNER EXCEPT FOR THE PURPOSES OF THAT INSTRUMENT OR AS OTHERWISE PERMITTED IN WRITING BY THE UNIVAC DIVISION OF SPERRY RAND CORPORATION.

DO NOT SCALE THIS PRINT

DWG NO. 7018870

UNIVAC

REVISIONS			
NO.	DATE	APPROVAL	DESCRIPTION
A	7/771	SEE EIR	9-24-65
B	25572	SEE EIR	9-5-69

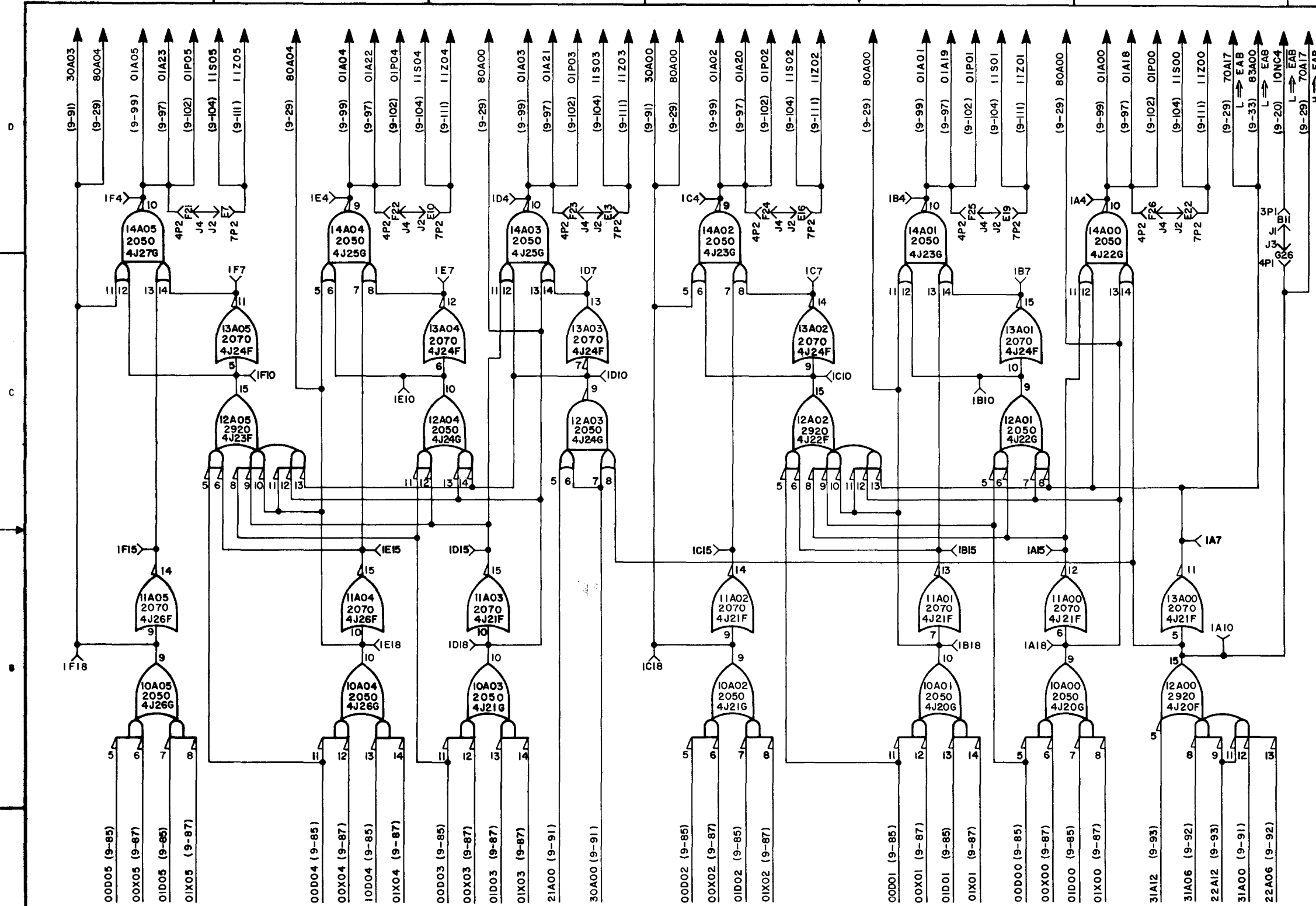


FIGURE 9-94

QTY	REQD	REPL	REF	DES	CODE	DWG	PART OR IDENTIFYING NO.	NOMENCLATURE OR DESCRIPTION

LIST OF MATERIAL			
DATE	CLASS	UNIVAC	
3-18-64	A	DIVISION OF SPERRY RAND CORPORATION	
TITLE			
FUNCTIONAL SCHEMATIC, ADDER GROUP 00-05			
CODE IDENT NO.	SIZE	DWG NO.	
90536	D	7018858	
SCALE	WEIGHT	SHEET	OF
		A	B

IDENT NO. 7018858-00

THIS DOCUMENT CONTAINS INFORMATION OF A CONFIDENTIAL NATURE AND IS TO BE CONTROLLED BY THE UNITED STATES GOVERNMENT. IT IS TO BE RELEASED TO THE PUBLIC ONLY BY AUTHORITY OF THE SECRETARY OF DEFENSE.

DESIGNED BY	R. E. LANGER
DATE	3-27-64
DESIGNED BY	J. Stutz
DATE	3-27-64
DESIGNED BY	B. POPOV
DATE	3-25-65
DESIGNED BY	G. R. KREGNESS
DATE	4-9-65
APPROVAL	M. R. Kregness
DATE	4-1-65

DO NOT SCALE THIS PRINT

7018858

REVISIONS				
SYM	ZONE	EIR	DESCRIPTION	APPROVED

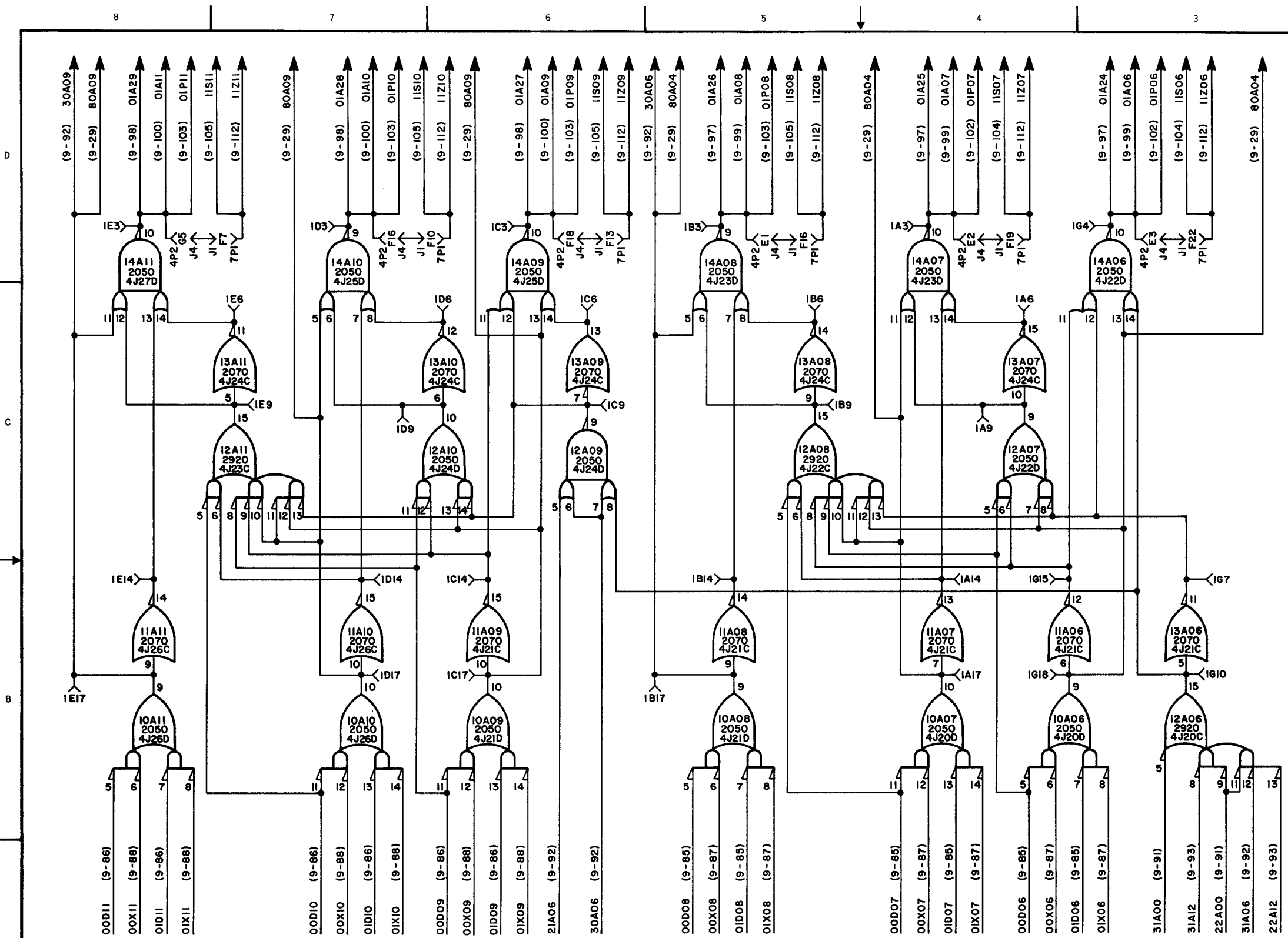


FIGURE 9-95

QTY	FIND	REF DES	CODE IDENT	DWG SIZE	PART OR IDENTIFYING NO.	NOMENCLATURE OR DESCRIPTION

UNLESS OTHERWISE SPECIFIED		LAYOUT	DATE	CLASS
		R. E. LANGER	3-18-64	A
		DRAFTSMAN	3-23-64	
		CHECKER		
		B. POPOV		
		ENGINEER		
		G. R. KEEGNESS		
		APPROVAL		

CODE IDENT NO.	SIZE	DWG NO.
90536	D	7018859

IDENT NO. 7018859-00

THIS DOCUMENT CONTAINS CONFIDENTIAL INFORMATION OF THE UNIVAC DIVISION OF SPERRY RAND CORPORATION AND IS FURNISHED PURSUANT TO THE FOLLOWING INSTRUMENT:

ON THE UNDERSTANDING THAT THIS DOCUMENT AND THE INFORMATION THEREON MAY NOT BE DEALT WITH IN ANY MANNER EXCEPT FOR THE PURPOSES OF THAT INSTRUMENT OR AS OTHERWISE PERMITTED IN WRITING BY THE UNIVAC DIVISION OF SPERRY RAND CORPORATION.

FINISH	MATERIAL	THREADS: EX. CL. 2A, INT. CL. 2B	HOLE DIAMETER TOLERANCE	DECIMALS	ANGLES	TOLERANCE ON 2 PLACE DECIMALS	3 PLACE DECIMALS
			0 THRU .250			± .003	
			.250 THRU .500			± .005	
			.500 & LARGER			± .010	

DO NOT SCALE THIS PRINT

DWG. NO. 7018859

REVISIONS			
SYM	ZONE	DESCRIPTION	CHK DATE APPROVED
A	71771	SEE EIR	9-24-65
B	16679	SEE EIR	10-4-68

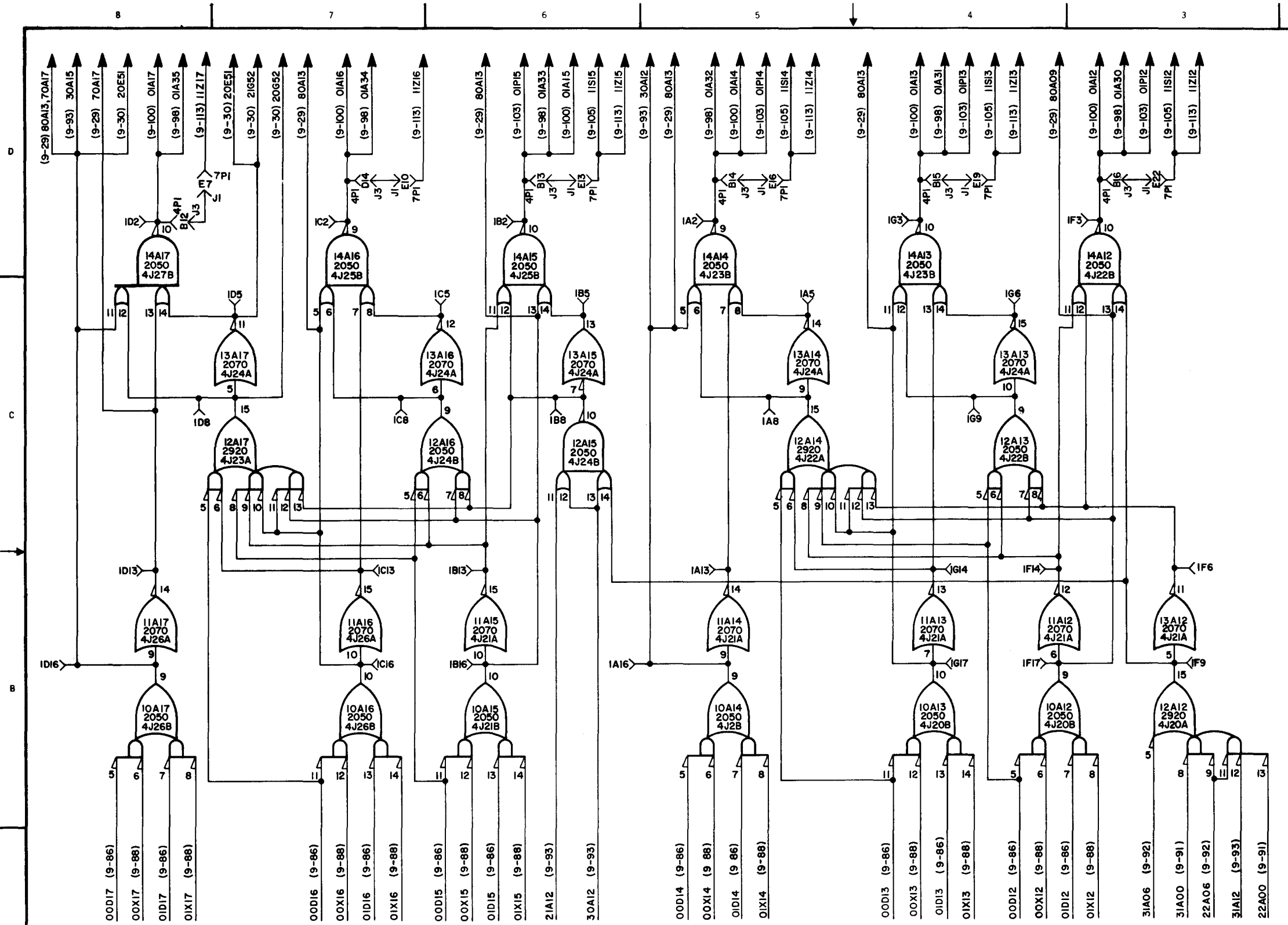
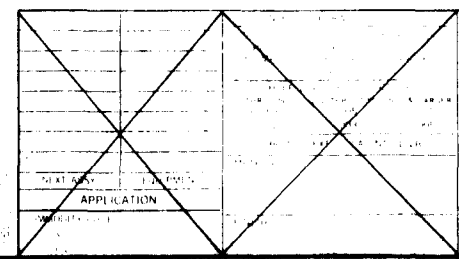


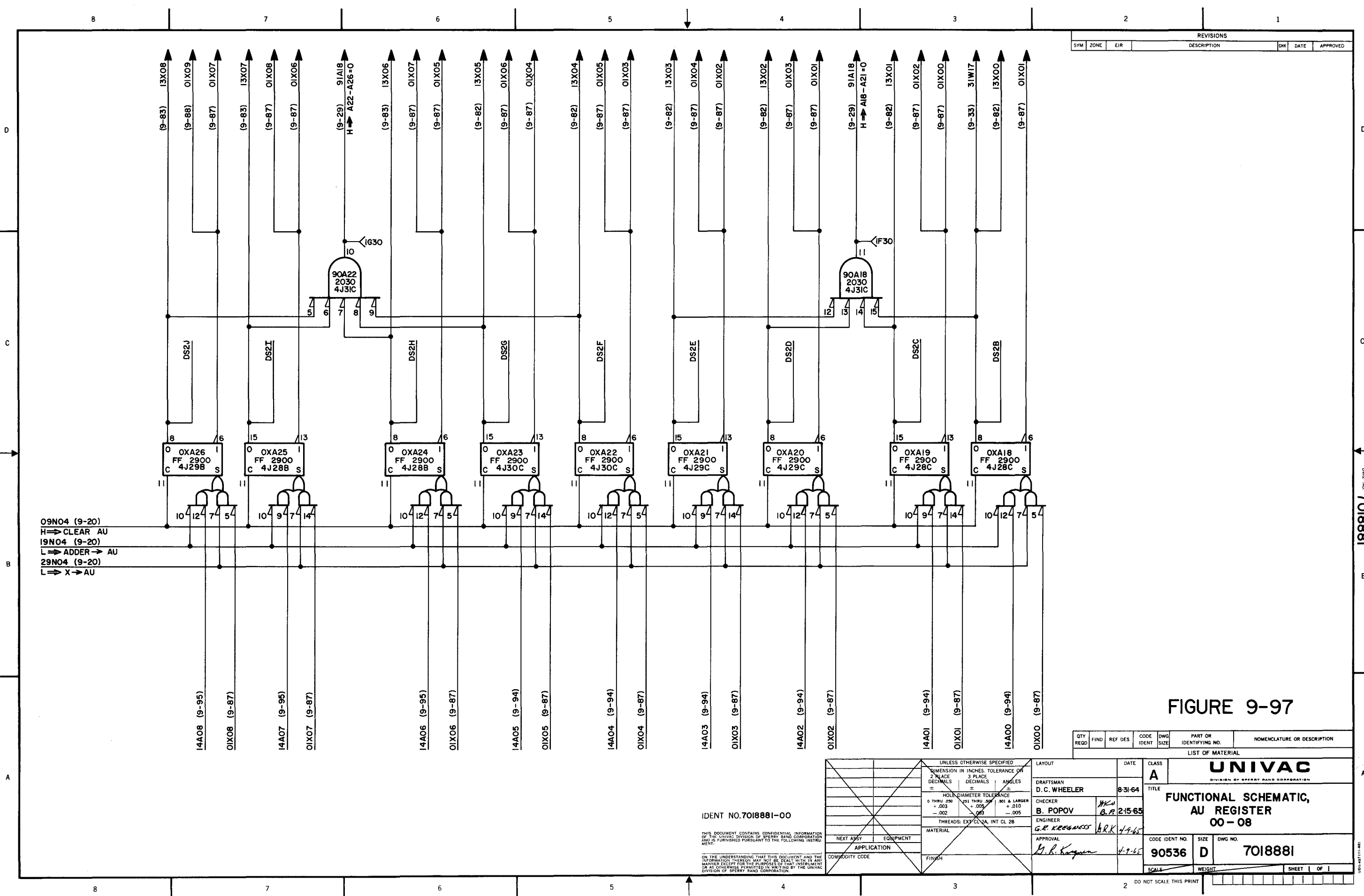
FIGURE 9-96

IDENT NO. 7018860-00



PART OR IDENTIFYING NO.		NOMENCLATURE OR DESCRIPTION	
R. E. LANGER	3-18-64	A	UNIVAC
B. POPOV	3-24-64		FUNCTIONAL SCHEMATIC
G. R. KOSKOV	2-22-65		ADDER GROUP
M. R. KOSKOV	4-9-65		12-17
90536	D	7018860	

7018860



REVISIONS				
SYM	ZONE	EIR	DESCRIPTION	CHK DATE APPROVED

09N04 (9-20)
 H → CLEAR AU
 19N04 (9-20)
 L → ADDER → AU
 29N04 (9-20)
 L → X → AU

FIGURE 9-97

QTY	FIND	REF DES	CODE IDENT	DWG SIZE	PART OR IDENTIFYING NO.	NOMENCLATURE OR DESCRIPTION

LIST OF MATERIAL

UNLESS OTHERWISE SPECIFIED	LAYOUT	DATE	CLASS
DIMENSION IN INCHES. TOLERANCE ON 2 PLACE DECIMALS	DRAFTSMAN	8-31-64	A
3 PLACE DECIMALS	D. C. WHEELER		
ANGLES	CHECKER		
HOLE DIAMETER TOLERANCE	B. POPOV	2-15-65	
0 THRU .250	ENGINEER		
+ .003	G. E. KROGESS	4-7-65	
-.002			
.251 THRU .500			
+ .005			
-.005			
.501 & LARGER			
+ .010			
-.005			
THREADS: EXT. CL. 2A, INT. CL. 2B			
MATERIAL			
FINISH			

CODE IDENT NO.	SIZE	DWG NO.
90536	D	701888I
SCALE	WEIGHT	SHEET OF 1

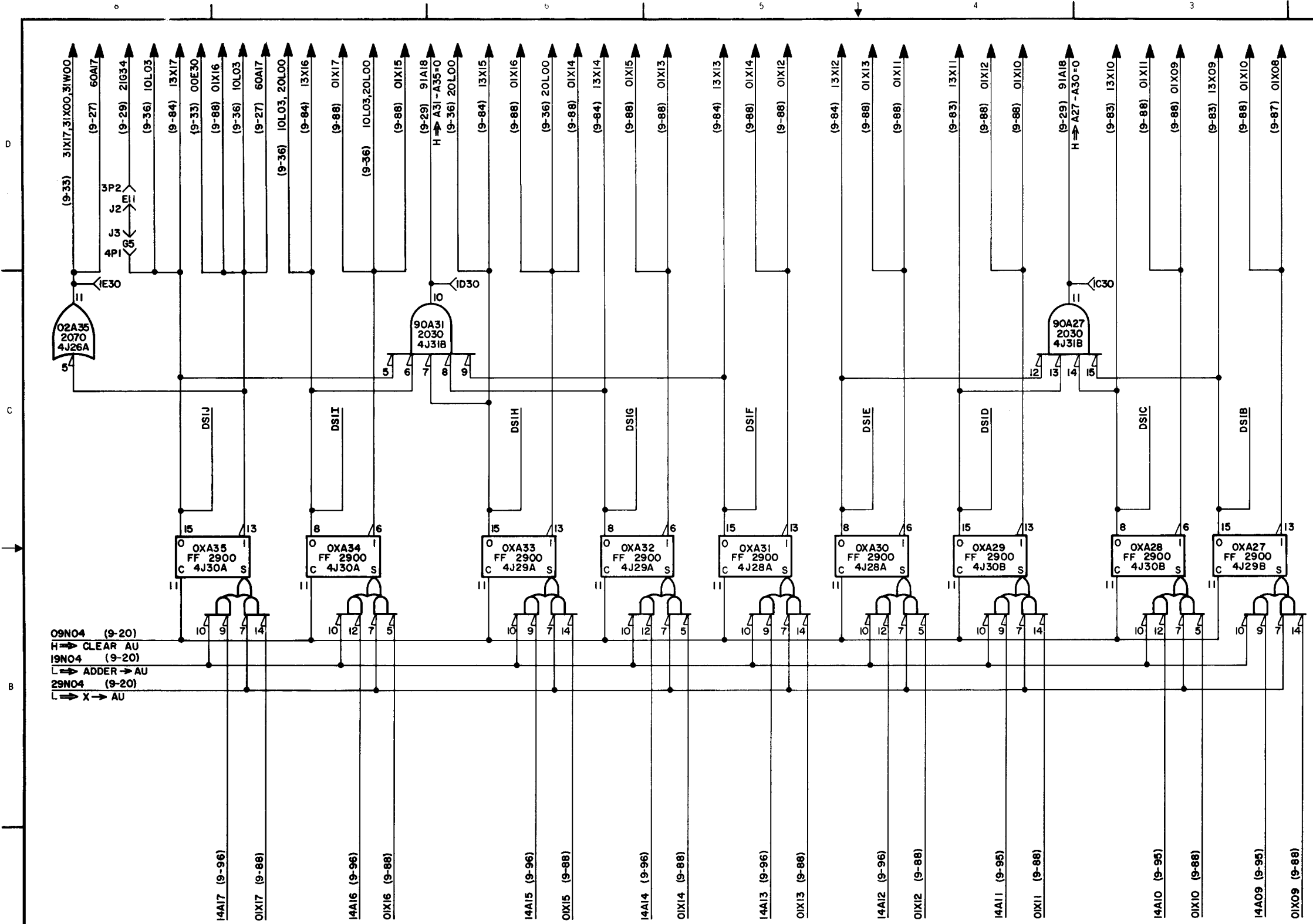
IDENT NO. 701888I-00

THIS DOCUMENT CONTAINS CONFIDENTIAL INFORMATION OF THE UNIVAC DIVISION OF SPERRY RAND CORPORATION AND IS FURNISHED PURSUANT TO THE FOLLOWING INSTRUMENT:
 ON THE UNDERSTANDING THAT THIS DOCUMENT AND THE INFORMATION THEREIN MAY NOT BE DEALT WITH IN ANY MANNER EXCEPT FOR THE PURPOSES OF THAT INSTRUMENT OR AS OTHERWISE PERMITTED IN WRITING BY THE UNIVAC DIVISION OF SPERRY RAND CORPORATION.

DWG. NO. 701888I

DO NOT SCALE THIS PRINT

REVISIONS				
SYN	LINE	REV	DESCRIPTION	DATE



O9N04 (9-20)
 H → CLEAR AU
 I9N04 (9-20)
 L → ADDER → AU
 29N04 (9-20)
 L → X → AU

FIGURE 9-98

QTY REQD	FIND	REF DES	CODE IDENT	DWG SIZE	PART OR IDENTIFYING NO	NOMENCLATURE OR DESCRIPTION

LIST OF MATERIAL

LAYOUT	DATE	CLASS	UNIVAC	
DRAFTSMAN D. C. WHEELER	8-31-64	A	DIVISION OF SPERRY RAND CORPORATION	
CHECKER B. POPOV			TITLE FUNCTIONAL SCHEMATIC, AU REGISTER, 09-17	
ENGINEER G. R. KEEGMOS			CODE IDENT NO	DWG NO.
APPROVAL G. R. Keegan	4-9-65		90536	7018882
			SIZE	
			D	
			WEIGHT	SHEET 1 OF 1

IDENT NO. 7018882-00

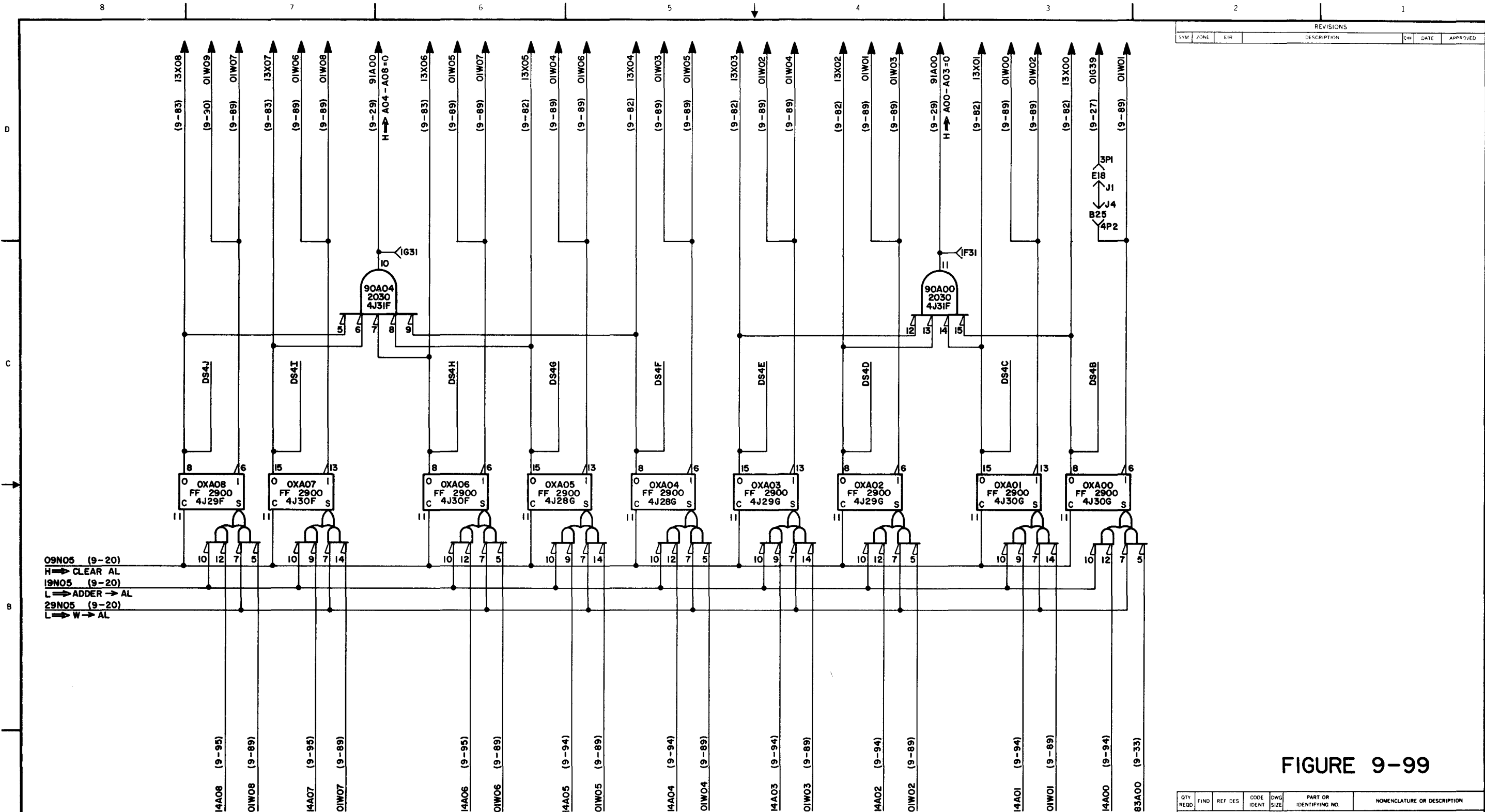
THIS DOCUMENT CONTAINS UNCLASSIFIED INFORMATION OF THE UNIVAC DIVISION OF SPERRY RAND CORPORATION AND IS FURNISHED IN ACCORDANCE WITH THE FOLLOWING INSTRUCTIONS:

ON THE UNDERSTANDING THAT THIS DOCUMENT AND THE INFORMATION THEREON WILL BE DECLASSIFIED AND THE HANDLING THEREOF WILL BE IN ACCORDANCE WITH THE UNIVAC DIVISION OF SPERRY RAND CORPORATION.

UNLESS OTHERWISE SPECIFIED	
DIMENSION IN INCHES TOLERANCE ON	
2 PLACE DECIMALS	± .005
3 PLACE DECIMALS	± .001
ANGLES	± .010
HOLE DIAMETER TOLERANCE	
0 THRU .750	± .005
.751 THRU .999	± .003
1.000 & LARGER	± .005
THREADS EXCEPT DIA. INT CL 2B	
MATERIAL	
FINISH	
APPLICATION	
COMMUNITY CODE	

DO NOT SCALE THIS PRINT

UNIVAC NO. 7018882



REVISIONS						
SYM	ZONE	EIR	DESCRIPTION	CHK	DATE	APPROVED

09N05 (9-20)
 H → CLEAR AL
 19N05 (9-20)
 L → ADDER → AL
 29N05 (9-20)
 L → W → AL

FIGURE 9-99

QTY	FIND	REF DES	CODE IDENT	DWG SIZE	PART OR IDENTIFYING NO.	NOMENCLATURE OR DESCRIPTION

LIST OF MATERIAL	
CLASS	A
DRAFTSMAN	D. C. WHEELER
CHECKER	B. POPOV
ENGINEER	G. R. KEGGNESS
DATE	8-31-64
DATE	2-15-65
DATE	4-9-65
DATE	4-9-65

CODE IDENT NO.	SIZE	DWG NO.
90536	D	7018879

IDENT NO. 7018879-00

THIS DOCUMENT CONTAINS CONFIDENTIAL INFORMATION OF THE UNIVAC DIVISION OF SPERRY RAND CORPORATION AND IS FURNISHED HEREUNDER TO THE RECIPIENT UNDER THE UNDERSTANDING THAT THIS DOCUMENT AND THE INFORMATION THEREON ARE TO BE KEPT UNCLASSIFIED EXCEPT FOR THE PURPOSES OF THE INSTRUMENT OR AS OTHERWISE PERMITTED IN WRITING BY THE UNIVAC DIVISION OF SPERRY RAND CORPORATION.

UNLESS OTHERWISE SPECIFIED
DIMENSION IN INCHES TOLERANCE ON 2 PLACE DECIMALS 3 PLACE DECIMALS ANGLES
HOLE DIAMETER TOLERANCE 0 THRU .250 .251 THRU .500 .501 & LARGER .003 .005 .010
THREADS: EXT. CL. 2A, INT. CL. 2B
MATERIAL
FINISH
APPLICATION
COMMODITY CODE

LAYOUT	DATE	CLASS
DRAFTSMAN	8-31-64	A
CHECKER		
ENGINEER		
APPROVAL		

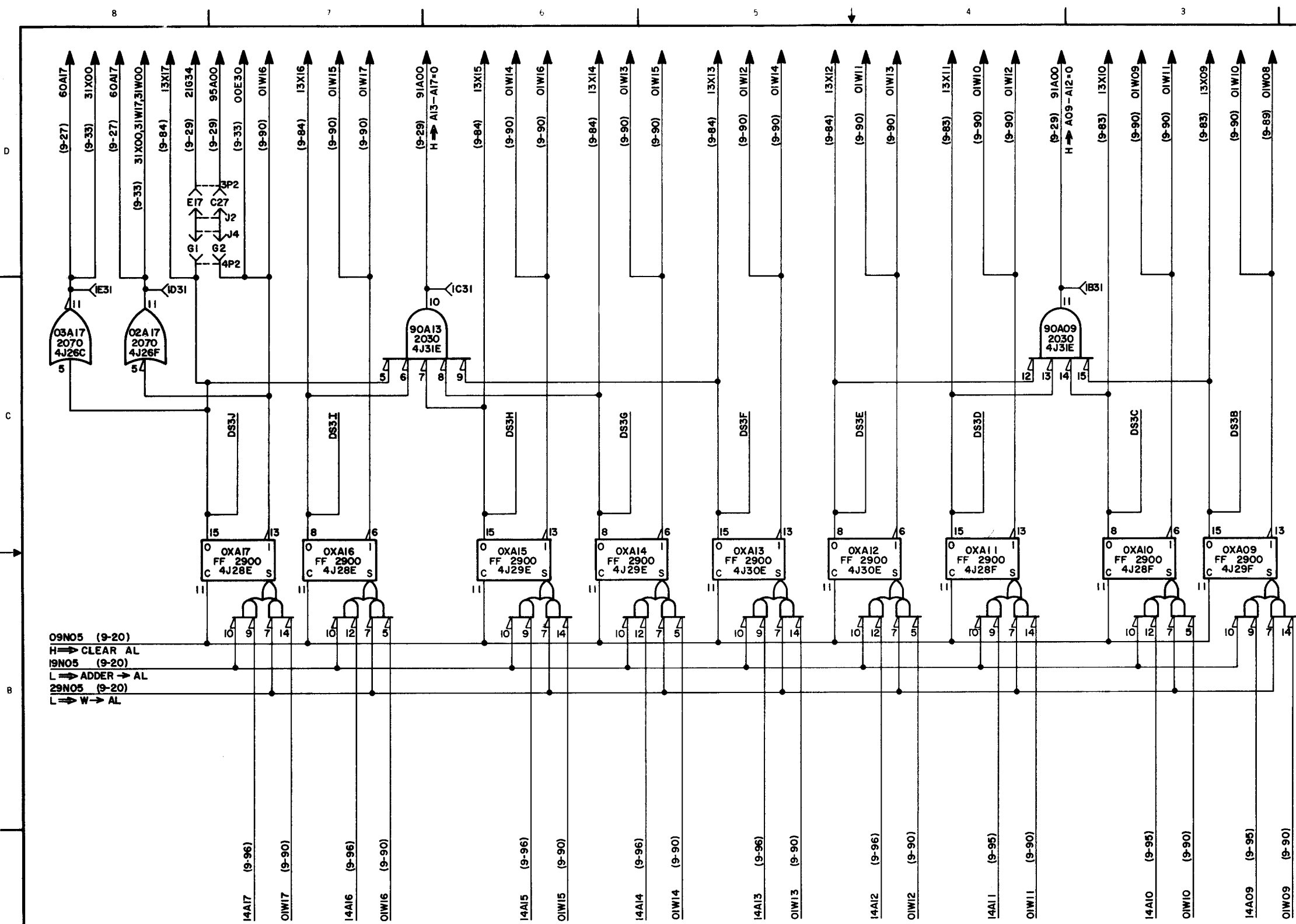
TITLE
FUNCTIONAL SCHEMATIC, AL REGISTER 00-08

SCALE WEIGHT SHEET OF 1

DRAWING NO. 7018879

DO NOT SCALE THIS PRINT

REVISIONS				
NO.	DATE	DESCRIPTION	CHK.	APPROVED



09N05 (9-20)
 H → CLEAR AL
 19N05 (9-20)
 L → ADDER → AL
 29N05 (9-20)
 L → W → AL

FIGURE 9-100

QTY	REQD	FIND	REF DES	CODE IDENT	DWG SIZE	PART OR IDENTIFYING NO.	NOMENCLATURE OR DESCRIPTION

LIST OF MATERIAL

UNIVAC	DATE	CLASS
DIVISION OF SPERRY RAND CORPORATION	8-31-64	A
DRAFTSMAN	D. C. WHEELER	TITLE
CHECKER	B. POPOV	FUNCTIONAL SCHEMATIC, AL REGISTER 09-17
ENGINEER	G. R. KEEGESS	
APPROVAL	G. R. Keyman	
CODE IDENT NO.	SIZE	DWG NO.
90536	D	7018880
SCALE	WEIGHT	SHEET OF

IDENT NO. 7018880-00

THIS DOCUMENT CONTAINS CONFIDENTIAL INFORMATION
 OF THE UNITED STATES GOVERNMENT. IT IS THE POLICY
 OF THE UNITED STATES GOVERNMENT TO PROTECT SUCH
 INFORMATION AND TO PREVENT THE UNAUTHORIZED
 DISCLOSURE THEREOF. IT IS THE POLICY OF THE
 UNITED STATES GOVERNMENT TO MAKE SUCH INFORMATION
 AVAILABLE TO THE PUBLIC IN WHOLE OR IN PART
 UPON REQUEST AND PAYMENT OF THE FEES AND CHARGES
 THEREFOR. THIS DOCUMENT IS CLASSIFIED AS CONFIDENTIAL
 UNLESS OTHERWISE INDICATED BY THE CLASSIFICATION
 AUTHORITY.

UNLESS OTHERWISE SPECIFIED	LAYOUT
DIMENSION IN INCHES TOLERANCE ON 2 PLACE DECIMALS . . . DECIMALS . . . ANGLES . . .	DRAFTSMAN
MATERIAL	D. C. WHEELER
FINISH	CHECKER
	B. POPOV
	ENGINEER
	G. R. KEEGESS
	APPROVAL
	G. R. Keyman

DO NOT SCALE THIS PRINT

DWG NO. 7018880

REVISIONS			
SYM	ZONE	EIR	APPROVED

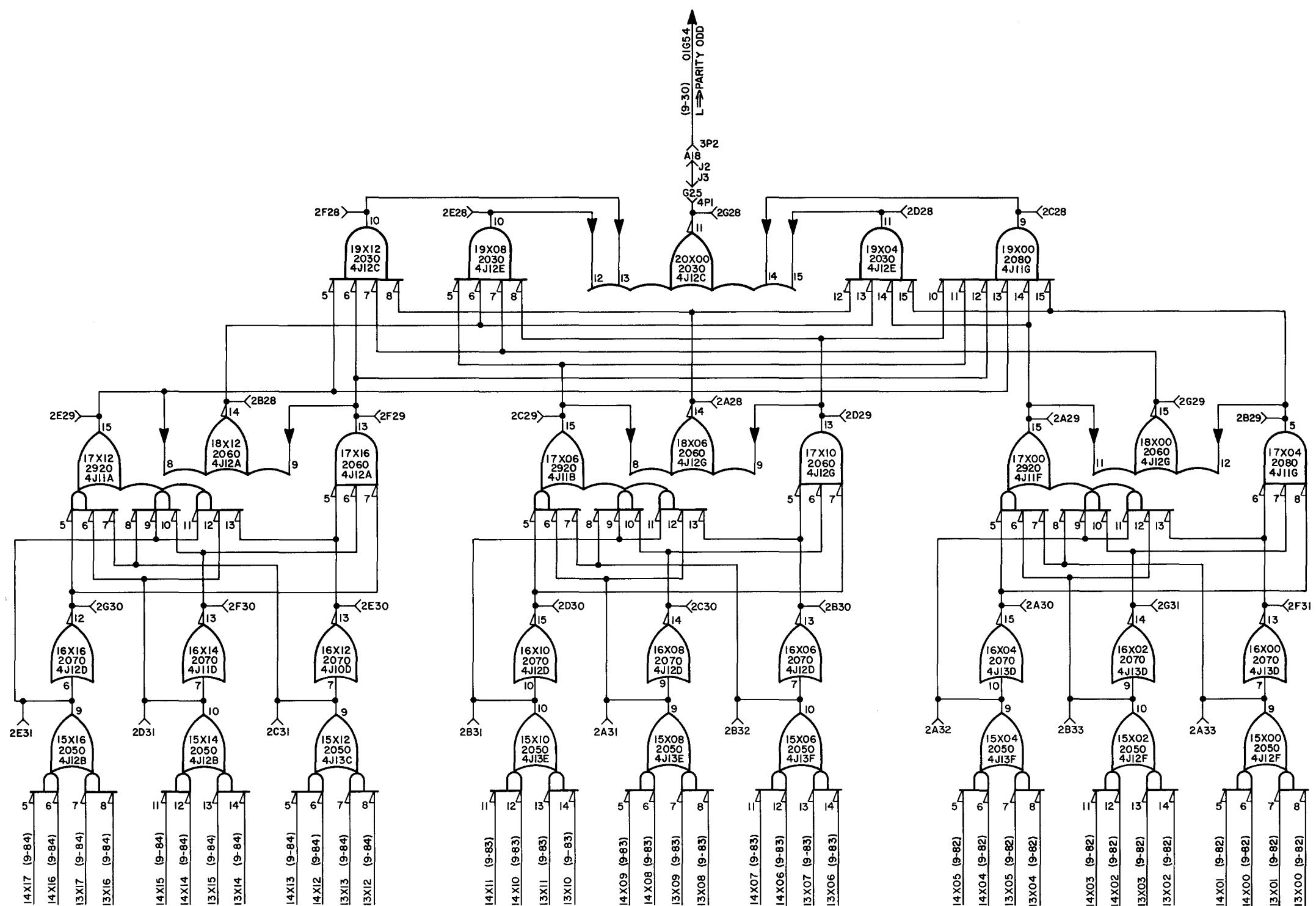


FIGURE 9-101

QTY	FIND	REF	DES	CODE	DWG	PART OR	NOMENCLATURE OR DESCRIPTION
REQD				IDENT	SIZE	IDENTIFYING NO.	
LIST OF MATERIAL							
				UNIVAC		DIVISION OF SPERRY RAND CORPORATION	
				CLASS A		TITLE	
				DRAFTSMAN <i>B. Popov</i>		DATE <i>3-25-64</i>	
				CHECKER <i>B. POPOV</i>		DATE <i>2-13-65</i>	
				ENGINEER <i>G.R. KEGGNESS</i>		DATE <i>4-9-65</i>	
				APPROVAL <i>G.R. Keggness</i>		DATE <i>4-9-65</i>	
CODE IDENT NO.		SIZE		DWG NO.			
90536		D		7018876			
SCALE		WEIGHT		SHEET		OF	

IDENT NO. 7018876-00

THIS DOCUMENT CONTAINS CONFIDENTIAL INFORMATION OF THE UNIVAC DIVISION OF SPERRY RAND CORPORATION AND IS FURNISHED PURSUANT TO THE FOLLOWING INSTRUMENT:

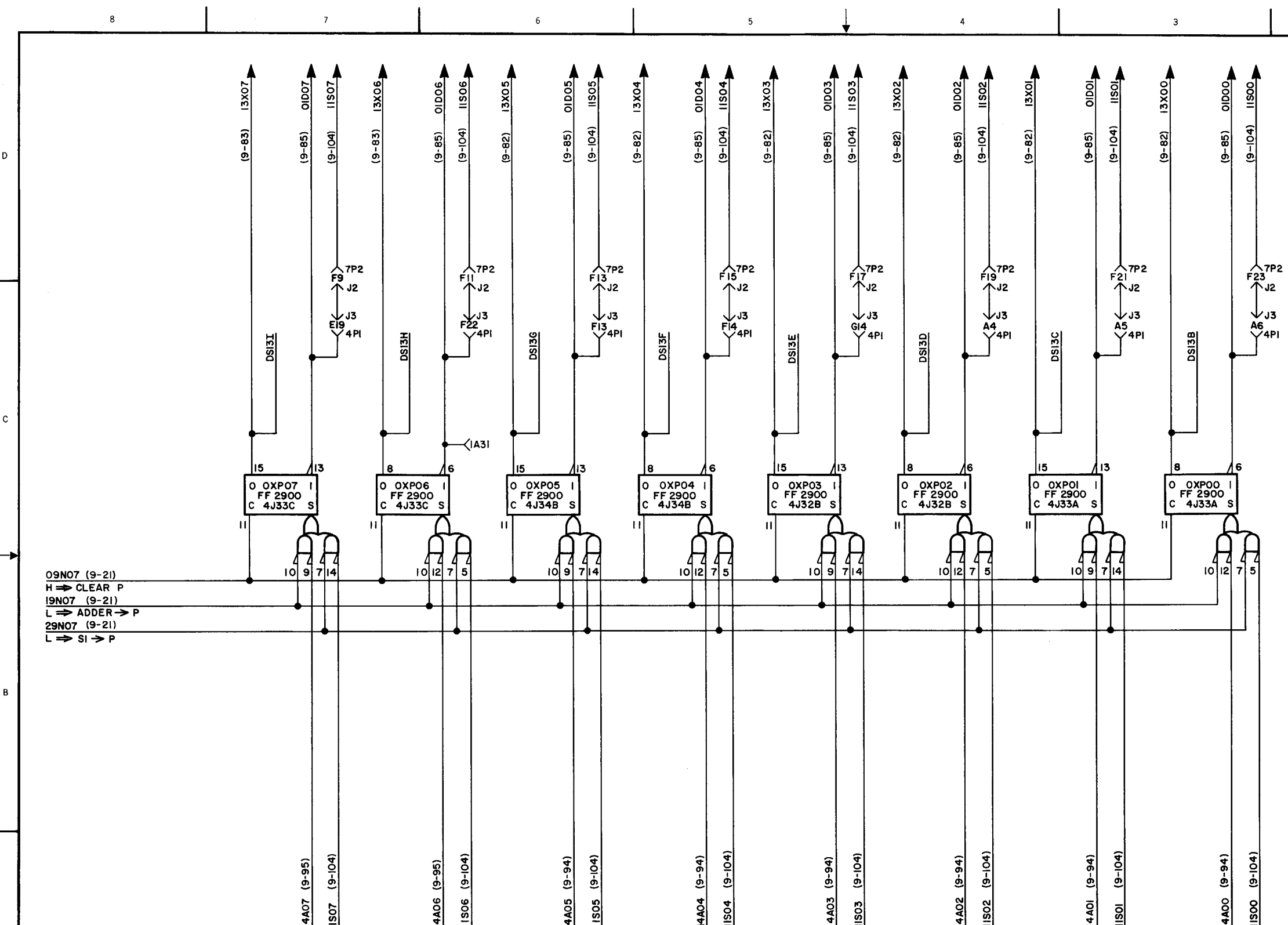
ON THE UNDERSTANDING THAT THIS DOCUMENT AND THE INFORMATION HEREON MAY NOT BE REPRODUCED, COPIED, OR IN ANY MANNER DISCLOSED TO THE PUBLIC OR THE INSTRUMENT OR AS OTHERWISE PERMITTED IN WRITING BY THE UNIVAC DIVISION OF SPERRY RAND CORPORATION.

UNLESS OTHERWISE SPECIFIED	
DIMENSION IN INCHES	TOLERANCE
2 PLACE DECIMALS	± .005
3 PLACE DECIMALS	± .002
ANGLES	± .005
HOLE DIAMETER TOLERANCE	
0 THRU .250	± .003
.251 THRU .500	± .004
.501 & LARGER	± .005
THREADS EXCEPT INT CL 2B	
MATERIAL	
FINISH	
APPLICATION	
COMMODITY CODE	

LAYOUT		DATE	CLASS
			A
DRAFTSMAN		DATE	TITLE
<i>B. Popov</i>		<i>3-25-64</i>	FUNCTIONAL SCHEMATIC, PARITY
CHECKER		DATE	
<i>B. POPOV</i>		<i>2-13-65</i>	
ENGINEER		DATE	
<i>G.R. KEGGNESS</i>		<i>4-9-65</i>	
APPROVAL		DATE	
<i>G.R. Keggness</i>		<i>4-9-65</i>	

DO NOT SCALE THIS PRINT

REVISIONS				
SYM	ZONE	EIR	DESCRIPTION	DATE
A		71771	SEE EIR	8-24-65
B		16679	SEE EIR	10-4-68



09N07 (9-21)
 H → CLEAR P
 19N07 (9-21)
 L → ADDER → P
 29N07 (9-21)
 L → SI → P

FIGURE 9-102

QTY	FIND	REF	DES	CODE	DWG	PART OR	NOMENCLATURE OR DESCRIPTION
REQD				IDENT	SIZE	IDENTIFYING NO.	
LIST OF MATERIAL							

IDENT NO. 7018953-00

THIS DOCUMENT CONTAINS CONFIDENTIAL INFORMATION OF THE UNIVAC DIVISION OF SPERRY RAND CORPORATION AND IS FURNISHED PURSUANT TO THE FOLLOWING INSTRUMENT:

ON THE UNDERSTANDING THAT THIS DOCUMENT AND THE INFORMATION THEREON MAY NOT BE DEALT WITH IN ANY MANNER EXCEPT FOR THE PURPOSES OF THE INSTRUMENT OR AS OTHERWISE PERMITTED IN WRITING BY THE UNIVAC DIVISION OF SPERRY RAND CORPORATION.

UNLESS OTHERWISE SPECIFIED	
DIMENSION IN INCHES. TOLERANCE ON	
2 PLACE DECIMALS	± .005
3 PLACE DECIMALS	± .001
ANGLES	± .005
HOLE DIAMETER TOLERANCE	
0 THRU .250	± .005
.251 THRU .500	± .004
.501 & LARGER	± .003
THREADS: EXCEPT DIA. INT CL 2B	
MATERIAL	
FINISH	

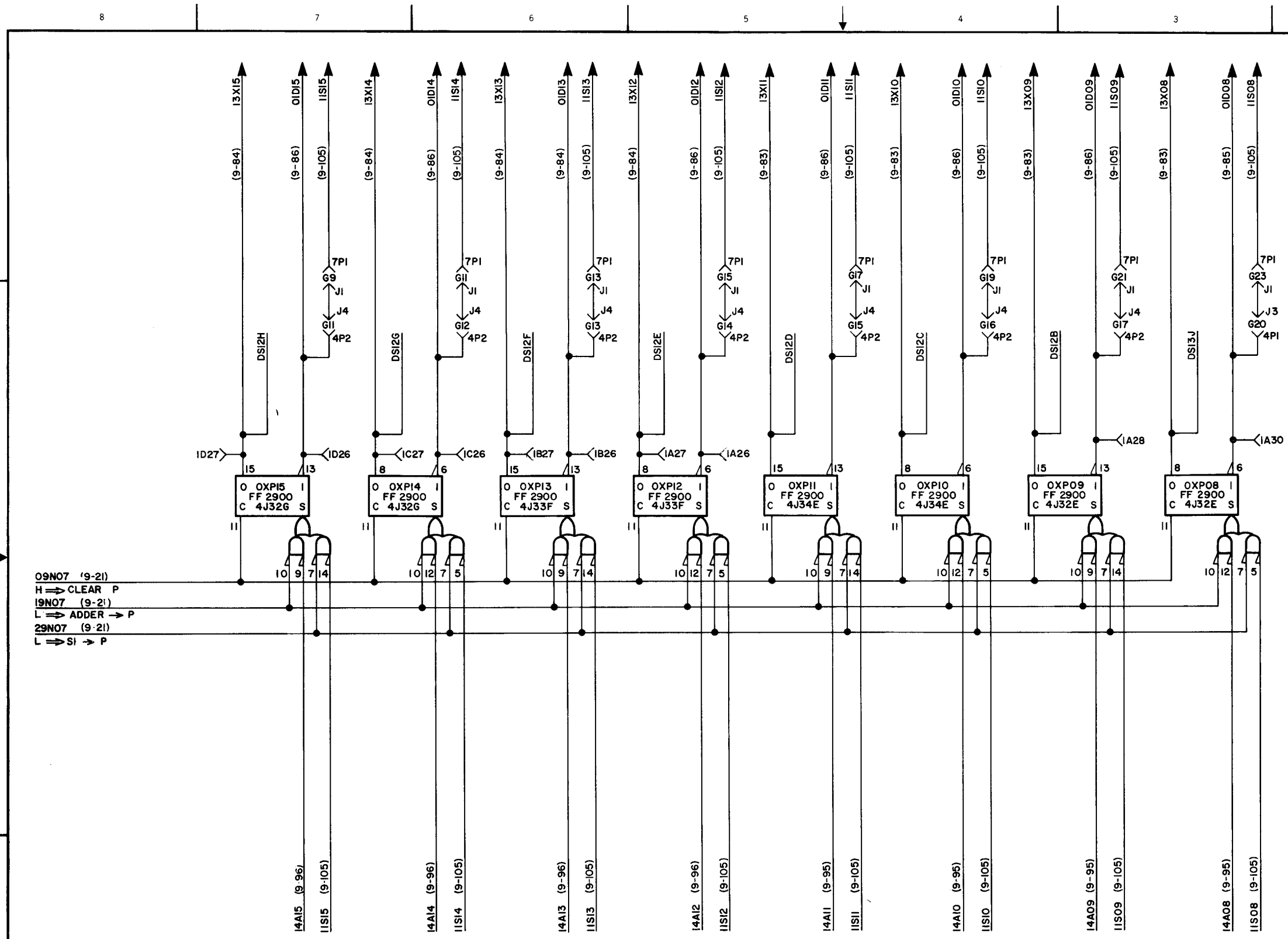
LAYOUT	B. POPOV	DATE	6-5-64
DRAFTSMAN	<i>Harry A. Madhe</i>		
CHECKER	B. POPOV		
ENGINEER	G.E. KREGNESS		
APPROVAL	<i>G.R. Kregness</i>		

CLASS		UNIVAC	
A		DIVISION OF SPERRY RAND CORPORATION	
TITLE			
FUNCTIONAL SCHEMATIC, P REGISTER BITS 00-07			
CODE IDENT NO.	SIZE	DWG NO.	
90536	D	7018953	
SCALE	WEIGHT	SHEET	OF
		A	B

DO NOT SCALE THIS PRINT

DWG. NO. 7018953

REVISIONS			
SYM	ZONE	EIR	DESCRIPTION
A		71771	SEE EIR



09N07 (9-21)
H ⇒ CLEAR P
19N07 (9-21)
L ⇒ ADDER → P
29N07 (9-21)
L ⇒ SI → P

FIGURE 9-103

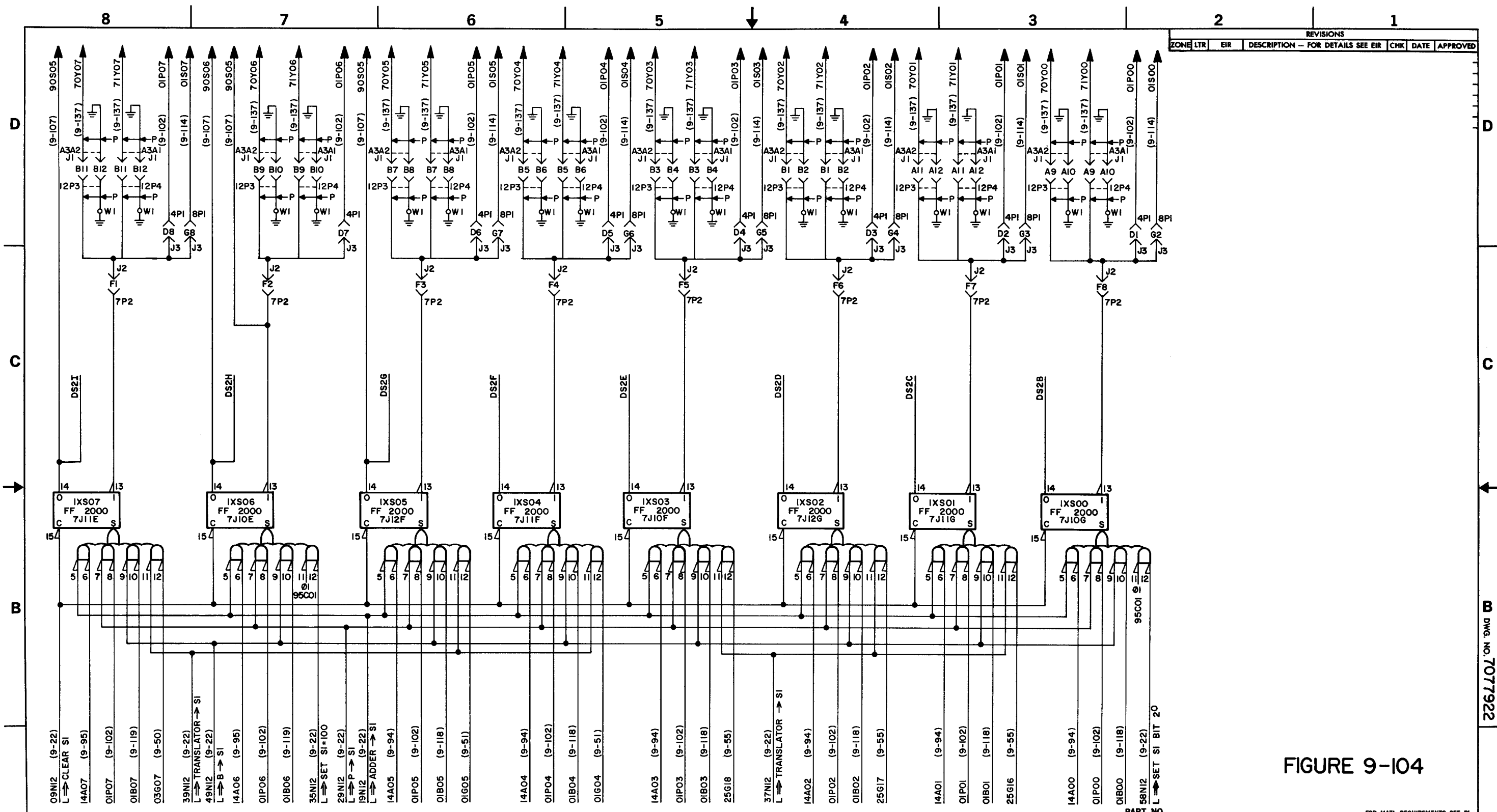
QTY	FIND	REF DES	CODE IDENT	OWG SIZE	PART OR IDENTIFYING NO.	NOMENCLATURE OR DESCRIPTION
LIST OF MATERIAL						

IDENT NO. 7018954-00

THIS DRAWING CONTAINS CONFIDENTIAL INFORMATION OF THE UNITED STATES GOVERNMENT. IT IS TO BE REPRODUCED AND TRANSMITTED IN ANY FORM OR BY ANY MEANS, ELECTRONIC OR MECHANICAL, INCLUDING PHOTOCOPYING, RECORDING, OR BY ANY INFORMATION STORAGE AND RETRIEVAL SYSTEM, WITHOUT PERMISSION IN WRITING FROM THE DIVISION OF SPERRY RAND CORPORATION.

LAYOUT B. POPOV	DATE 6-5-64	CLASS A	UNIVAC DIVISION OF SPERRY RAND CORPORATION
	DRAFTSMAN Gary A. Mader	TITLE FUNCTIONAL SCHEMATIC, P REGISTER BITS 08-15	
CHECKER B. POPOV	DATE 2-13-65	ENGINEER G. R. KRESNIEWSKI	CODE IDENT NO. 90536
APPROVAL G. R. KRESNIEWSKI	DATE 4-9-65	SIZE D	DWG NO. 7018954
SCALE		WEIGHT	SHEET 1 OF 1

DO NOT SCALE THIS PRINT



REVISIONS				
ZONE	LTR	EIR	DESCRIPTION - FOR DETAILS SEE EIR	CHK DATE APPROVED

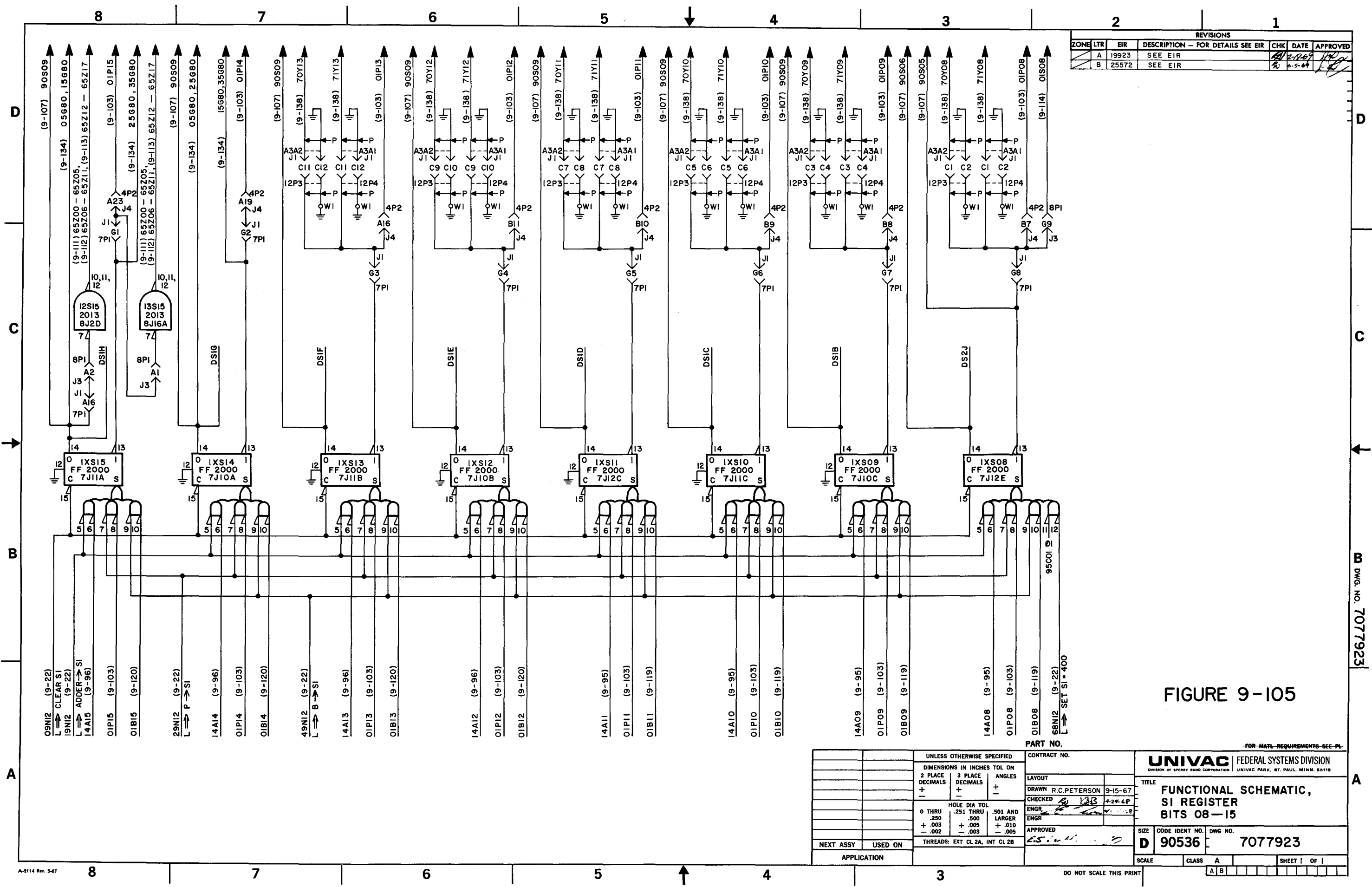
FIGURE 9-104

UNLESS OTHERWISE SPECIFIED		CONTRACT NO.	
DIMENSIONS IN INCHES TOL ON		LAYOUT	
2 PLACE DECIMALS +	3 PLACE DECIMALS +	ANGLES +	
HOLE DIA TOL		.501 AND LARGER	
0 THRU .250 + .003	.251 THRU .500 + .005		
.501 THRU 1.000 + .005	LARGER + .010		
THREADS: EXT CL 2A, INT CL 2B		APPROVED	
NEXT ASSY	USED ON		
APPLICATION			
		PART NO.	
		FOR MATL REQUIREMENTS SEE PL	
		UNIVAC FEDERAL SYSTEMS DIVISION	
		DIVISION OF SPERRY RAND CORPORATION UNIVAC PARK, ST. PAUL, MINN. 55118	
		TITLE	
		FUNCTIONAL SCHEMATIC, SI REGISTER BITS 00-07	
		DRAWN R.C. PETERSON 9-15-67	
		CHECKED BY KAR 11-1-68	
		ENGR [Signature] 11-1-68	
		APPROVED [Signature]	
SIZE	CODE IDENT NO.	DWG NO.	
D	90536	7077922	
SCALE	CLASS	SHEET 1 OF 1	
	A		

B DWG. NO. 7077922

(THIS PAGE INTENTIONALLY LEFT BLANK)

NOTE: Logic units 12S15 and 13S15 (area 8C of figure 9-105) and the associated output circuitry are present only in Digital Data Computers with Serial Numbers 49 and above.



REVISIONS						
ZONE	LTR	EIR	DESCRIPTION - FOR DETAILS SEE EIR	CHK	DATE	APPROVED
A	19923		SEE EIR			
B	25572		SEE EIR			

FIGURE 9-105

UNLESS OTHERWISE SPECIFIED		CONTRACT NO.		FOR MATL REQUIREMENTS SEE PL	
DIMENSIONS IN INCHES TOL ON		LAYOUT		UNIVAC FEDERAL SYSTEMS DIVISION	
2 PLACE DECIMALS	3 PLACE DECIMALS	+	+	DIVISION OF SPERRY RAND CORPORATION UNIVAC PARK, ST. PAUL, MINN. 55118	
+	+	+	+	TITLE	
0 THRU .250	.251 THRU .500	.501 AND LARGER	ANGLES	FUNCTIONAL SCHEMATIC, SI REGISTER BITS 08-15	
+	+	+	+	DRAWN R.C. PETERSON 9-15-67	
-.002	-.003	-.005	+	CHECKED <i>[Signature]</i> 4-24-68	
THREADS: EXT CL 2A, INT CL 2B			ENGR	ENGR	
NEXT ASSY USED ON APPLICATION			APPROVED	APPROVED	
PART NO.		SIZE		CODE IDENT NO.	
D 90536		D		7077923	
SCALE		CLASS		SHEET 1 OF 1	
A B		A		A	

REVISIONS						
ZONE	LTR	EIR	DESCRIPTION - FOR DETAILS SEE EIR	CHK	DATE	APPROVED
A		25043	SEE EIR		6-21-67	CCB

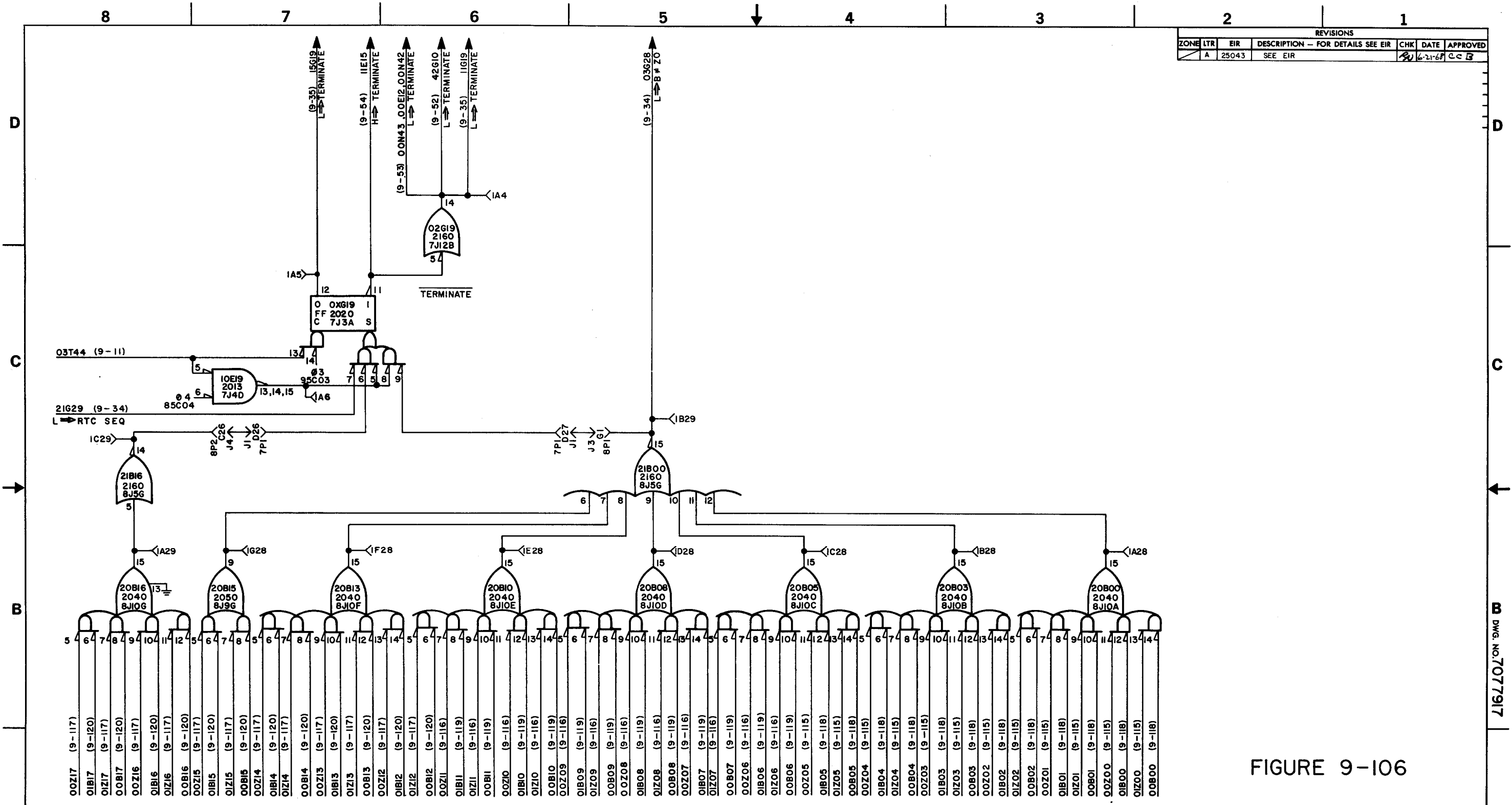
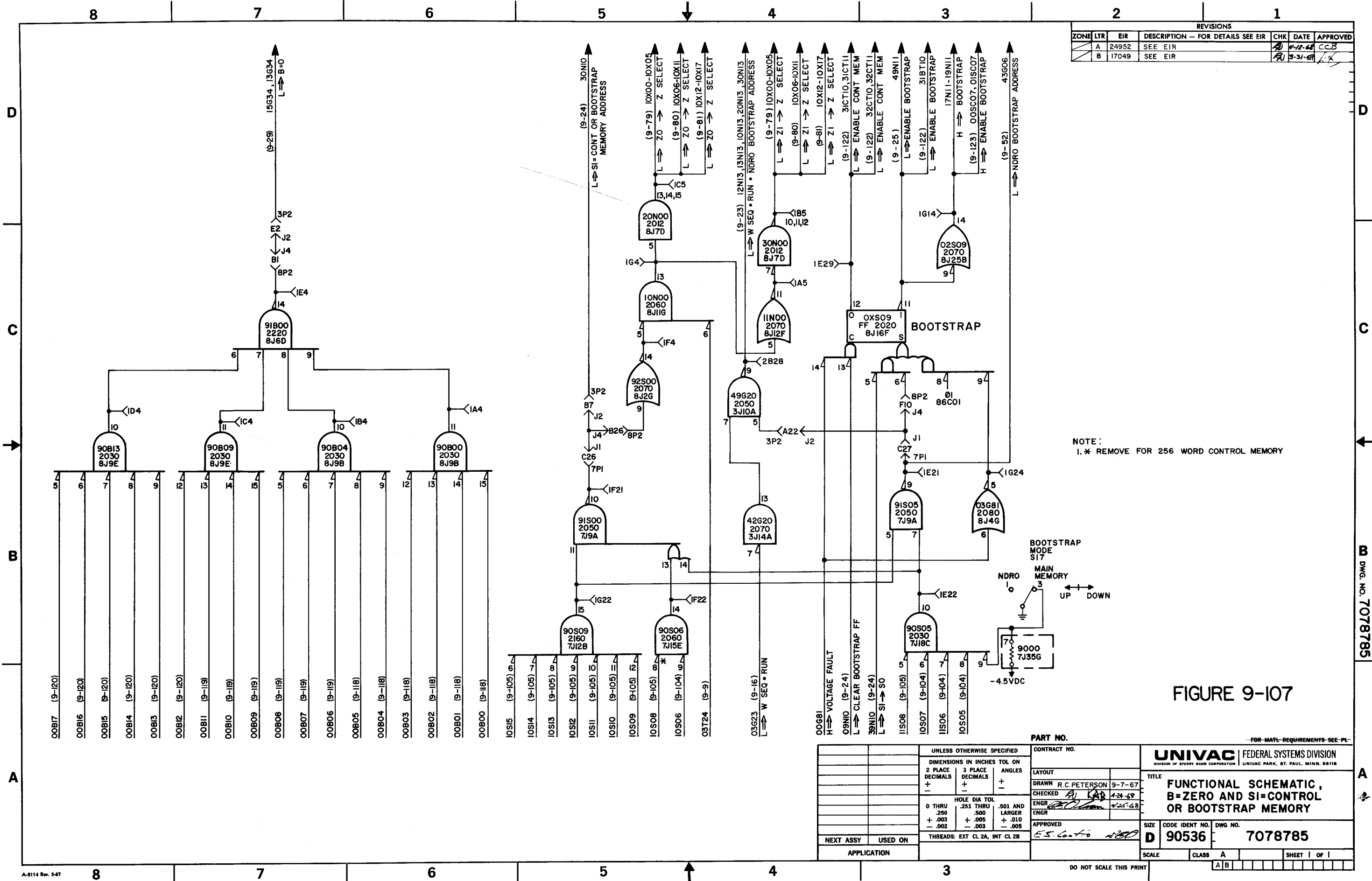


FIGURE 9-106

PART NO.		CONTRACT NO.		UNIVAC FEDERAL SYSTEMS DIVISION DIVISION OF SPERRY RAND CORPORATION UNIVAC PARK, ST. PAUL, MINN. 55116	
DIMENSIONS IN INCHES TOL ON 2 PLACE DECIMALS + 3 PLACE DECIMALS + ANGLES -		LAYOUT		TITLE	
HOLE DIA TOL 0 THRU .250 -.005 .251 THRU .500 -.005 LARGER +.010 -.005		DRAWN D. LODGE 6-30-67 CHECKED [Signature] 7-11-67 ENGR R.E. Olson 7-31-67		FUNCTIONAL SCHEMATIC, BU ≠ ZO NETWORK	
THREADS: EXT CL 2A, INT DL 2B		APPROVED [Signature]		SIZE CODE IDENT NO. DWG NO. D 90536 7077917	
NEXT ASSY USED ON APPLICATION		SCALE CLASS		SHEET 1 OF 1	



REVISIONS						
ZONE	LTR	EIR	DESCRIPTION - FOR DETAILS SEE EIR	CHK	DATE	APPROVED
A		24952	SEE EIR		4-12-68	CCB
B		17049	SEE EIR		5-31-69	

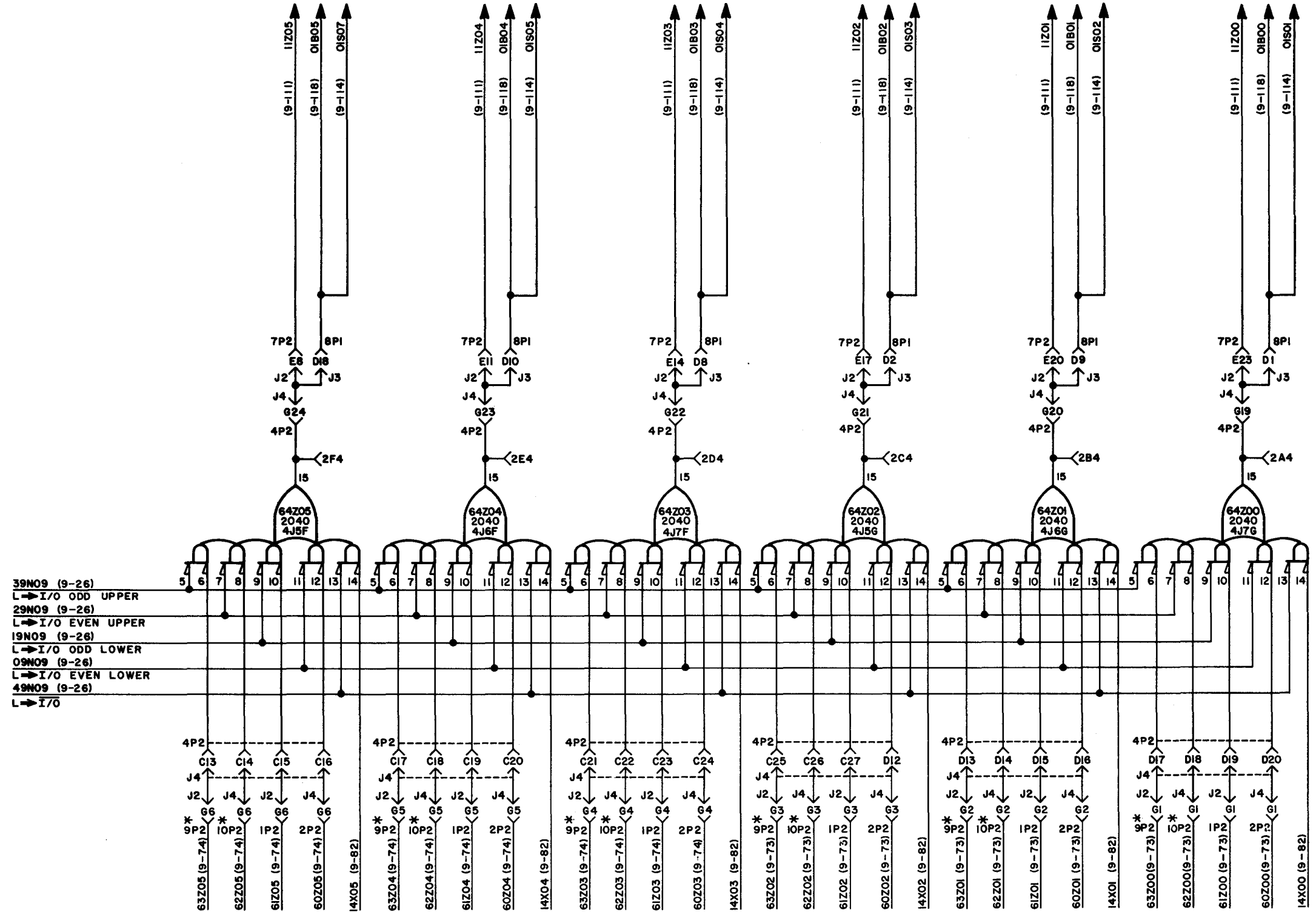
NOTE:
1.* REMOVE FOR 256 WORD CONTROL MEMORY

FIGURE 9-107

UNLESS OTHERWISE SPECIFIED		CONTRACT NO.	
DIMENSIONS IN INCHES TOL ON		LAYOUT	
2 PLACE DECIMALS	3 PLACE DECIMALS	+	
+	+		
HOLE DIA TOL		DRAWN R.C. PETERSON 9-7-67	
0 THRU .251 THRU	.500 AND LARGER	CHECKED <i>[Signature]</i> 4-24-68	
+	+	ENGR <i>[Signature]</i> 4-25-68	
+	+	ENGR	
THREADS: EXT CL 2A, INT CL 2B		APPROVED <i>[Signature]</i>	
NEXT ASSY	USED ON	SIZE	CODE IDENT NO. DWG NO.
		D	90536 7078785
APPLICATION		SCALE	CLASS A
		SHEET 1 OF 1	

B DWG. NO. 7078785

REVISIONS				
SYM	DATE	DESCRIPTION	CHK	APPROVED



NOTE
 * - FOR SERIAL 0 & 1 COMPUTERS REPLACE
 9 & 10 WITH 11 & 12, RESPECTIVELY.

39N09 (9-26)
 L → I/O ODD UPPER
 29N09 (9-26)
 L → I/O EVEN UPPER
 19N09 (9-26)
 L → I/O ODD LOWER
 09N09 (9-26)
 L → I/O EVEN LOWER
 49N09 (9-26)
 L → I/O

FIGURE 9-108

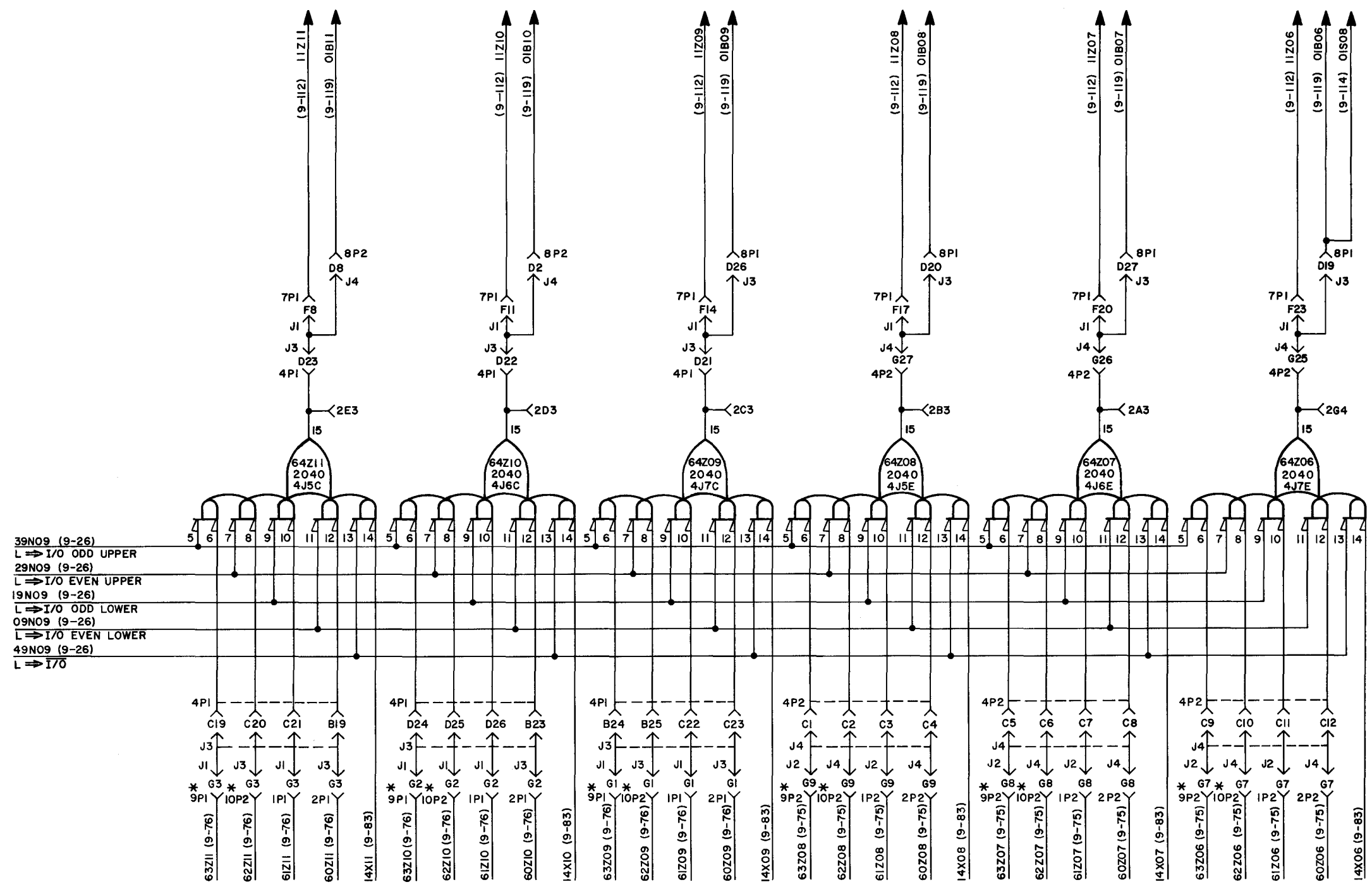
QTY	REQ	REV	DES	CODE	DWG	PART OR	NOMENCLATURE OR DESCRIPTION
REQD				IDENT	SIZE	IDENTIFYING NO	
LIST OF MATERIAL							
UNLESS OTHERWISE SPECIFIED: DIMENSION IN INCHES; TOLERANCE ON 2 PLACES DECIMALS 1 ANGLES			LAYOUT B. POPOV DATE 6-5-64		CLASS A		
HOLE DIAMETER TOLERANCE 0 THRU .250 .005 .250 THRU .500 .010 .500 THRU 1.000 .015 1.000 THRU 2.000 .020 2.000 THRU 5.000 .030 5.000 THRU 10.000 .050 10.000 THRU 30.000 .080 30.000 THRU 100.000 .125 100.000 THRU 300.000 .200 300.000 THRU 1000.000 .300 OVER 1000.000 .500			DRAFTSMAN R.C. Schwartz DATE 7-8-64		TITLE FUNCTIONAL SCHEMATIC, STORE SELECT, BITS 00-05		
MATERIAL			CHECKER B. POPOV DATE 7-8-64		CODE IDENT NO. 90536		
FINISH			ENGINEER G.R. KEEGNESS DATE 4-9-65		SIZE D		
			APPROVAL G.R. KEEGNESS DATE 4-9-65		DWG NO. 7018950		
					SCALE		
					SHEET 1 OF 1		

IDENT NO. 7018950-00

FORM NO. 7018950

DO NOT SCALE THIS PRINT

REVISIONS			
SYM	ZONE	EIR	DESCRIPTION



NOTE:
* - FOR SERIAL O AND I COMPUTERS REPLACE THE 9 AND 10 WITH 11 AND 12, RESPECTIVELY.

FIGURE 9-109

IDENT NO. 701895I-00

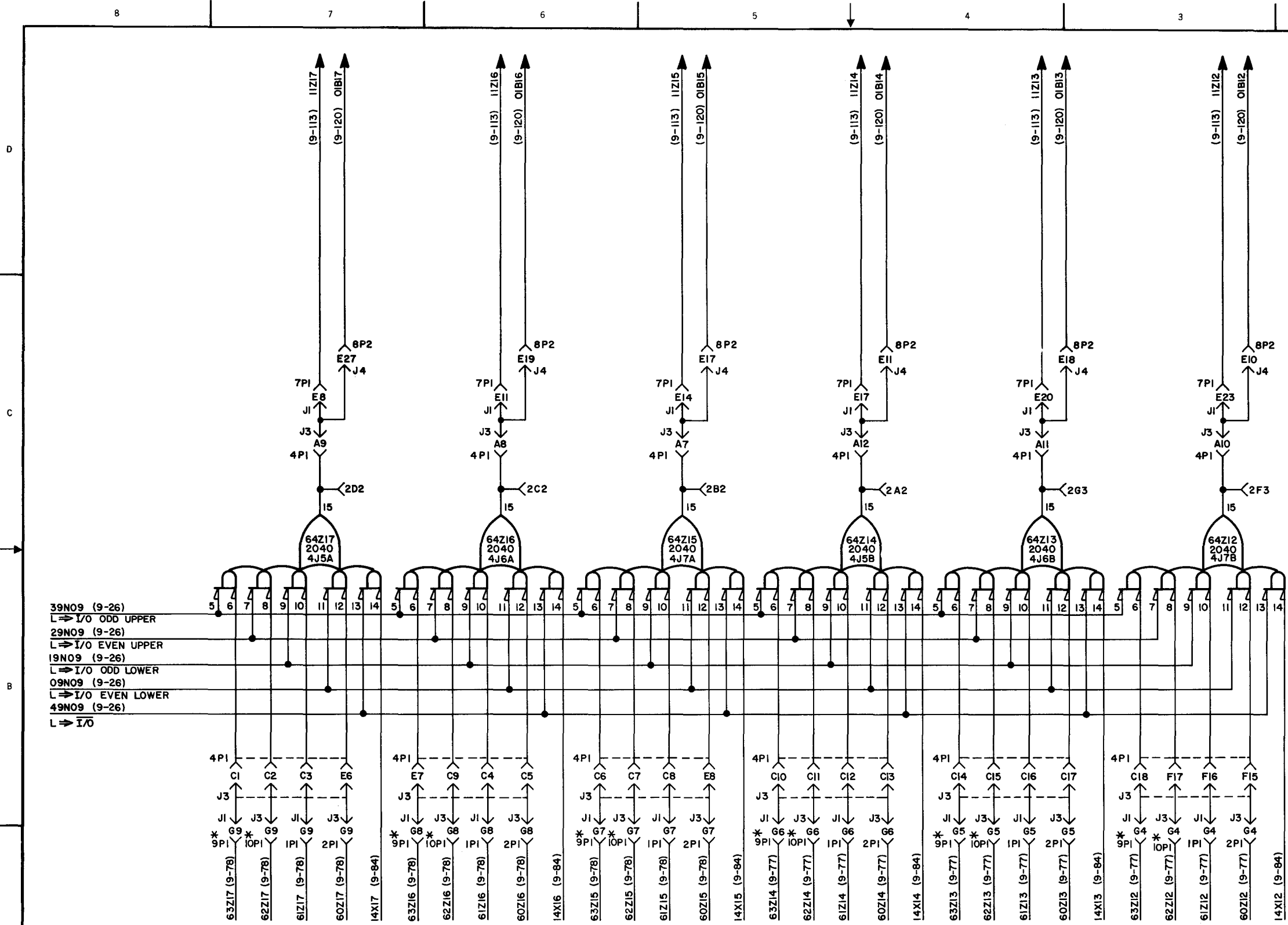
THIS DOCUMENT CONTAINS CONFIDENTIAL INFORMATION AND IS LOANED TO YOU BY THE UNITED STATES GOVERNMENT AND IS FURNISHED TO YOU UNDER THE FOLLOWING INSTRUMENT:

UNLESS OTHERWISE SPECIFIED	LAYOUT
DIMENSION IN INCHES. TOLERANCE ON 2 PLACE DECIMALS ± .005	DRAFTSMAN DARRYLE KRUSSOW
3 PLACE DECIMALS ± .002	CHECKER B. POPOV
ANGLES ± .005	ENGINEER G.E. KEEGENESS
HOLE DIAMETER TOLERANCE	APPROVAL B.R. Krussow
9 THRU .250 ± .003	DATE 5/29/65
.251 THRU .500 ± .004	CLASS A
.501 & LARGER ± .010	TITLE FUNCTIONAL SCHEMATIC, STORE SELECT BITS 06-II
THREADS: EXPT. CL 2A, INT. CL 2B	CODE IDENT NO. 90536
MATERIAL	SIZE D
FINISH	DWG NO. 701895I
NEXT ASSEMBLY	SCALE
EQUIPMENT	WEIGHT
APPLICATION	SHEET 1 OF 1
COMMODITY CODE	DO NOT SCALE THIS PRINT

QTY	FIND	REF	DES	CODE	DWG	PART OR	NOMENCLATURE OR DESCRIPTION
REQD				IDENT	SIZE	IDENTIFYING NO.	
LIST OF MATERIAL							
UNIVAC							
DIVISION OF SPERRY RAND CORPORATION							
CLASS A							
TITLE FUNCTIONAL SCHEMATIC, STORE SELECT BITS 06-II							
CODE IDENT NO. 90536							
SIZE D							
DWG NO. 701895I							
SCALE							
WEIGHT							
SHEET 1 OF 1							

DRAWING NO. 701895I

REVISIONS			
SYM	ZONE	EIR	APPROVED



NOTE:
* - FOR SERIAL 0 AND I COMPUTERS REPLACE THE 9 AND 10 WITH 11 AND 12, RESPECTIVELY.

DRAWING NO. 7018952

FIGURE 9-110

QTY REQD	FIND	REF DES	CODE IDENT	DWG SIZE	PART OR IDENTIFYING NO.	NOMENCLATURE OR DESCRIPTION
LIST OF MATERIAL						
UNLESS OTHERWISE SPECIFIED			LAYOUT: B. POPOV			
DIMENSION IN INCHES. TOLERANCE ON 2 PLACE DECIMALS = .005			DATE: 6-5-64			
DIMENSION IN INCHES. TOLERANCE ON 3 PLACE DECIMALS = .001			CLASS: A			
ANGLES = ± .005			DRAFTSMAN: R.C. Schwartz			
HOLE DIAMETER TOLERANCE			DATE: 7-8-64			
0 THRU .250 = +.003			CHECKER: B. POPOV			
.251 THRU .500 = +.005			DATE: 2-13-65			
.501 & LARGER = +.010			ENGINEER: G.E. KEEGNESS			
THREADS: EXC. CL 2A, INT CL 2B			APPROVAL: H.R. Kingman			
MATERIAL			DATE: 4-9-65			
FINISH			CODE IDENT NO.: 90536			
COMMODITY CODE			SIZE: D			
NEXT ASSEMBLY EQUIPMENT			DWG NO.: 7018952			
APPLICATION			SCALE: _____			
FINISH			SHEET 1 OF 1			

IDENT NO. 7018952-00

THIS DOCUMENT CONTAINS CONFIDENTIAL INFORMATION OF THE UNIVAC DIVISION OF SPERRY RAND CORPORATION AND IS FURNISHED PURSUANT TO THE FOLLOWING INSTRUMENT OR AS OTHERWISE PERMITTED IN WRITING BY THE UNIVAC DIVISION OF SPERRY RAND CORPORATION.

ON THE UNDERSTANDING THAT THIS DOCUMENT AND THE INFORMATION THEREON MAY NOT BE REPRODUCED IN ANY MANNER EXCEPT FOR THE PURPOSES OF THAT INSTRUMENT OR AS OTHERWISE PERMITTED IN WRITING BY THE UNIVAC DIVISION OF SPERRY RAND CORPORATION.

DO NOT SCALE THIS PRINT

(THIS PAGE INTENTIONALLY LEFT BLANK)

NOTE: In Digital Data Computers with Serial Numbers 14 through 48, the input gates 65Z00 through 65Z05 are represented by "OR" symbols with pin numbers as shown below. Card types are 7002030, not 7002050. Input signals from 12S15 and 13S15 (area 8B of figure 9-111) are not applicable.

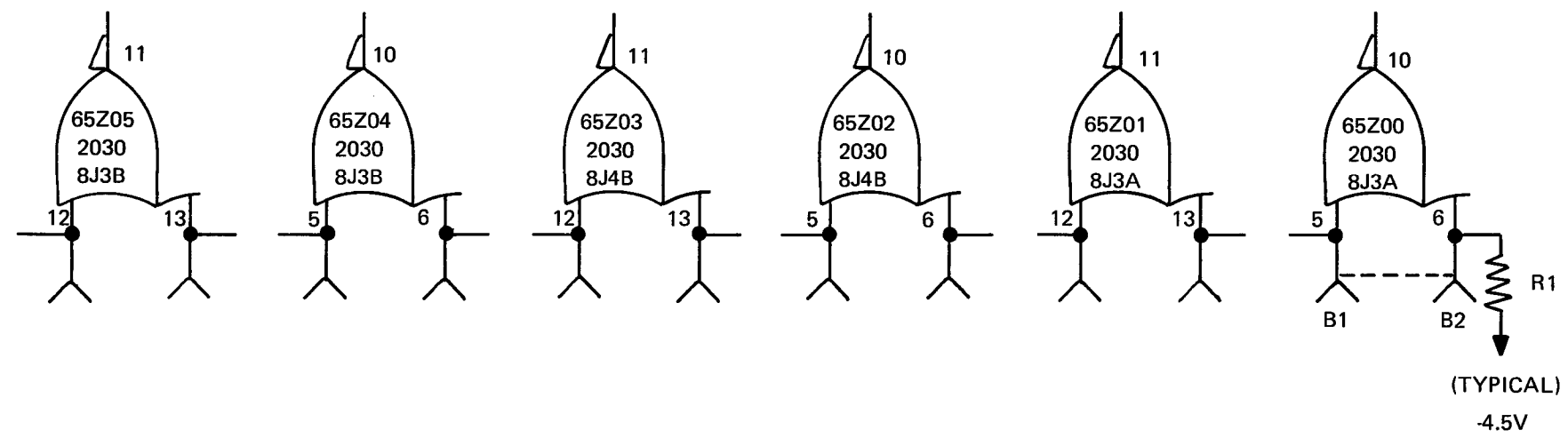
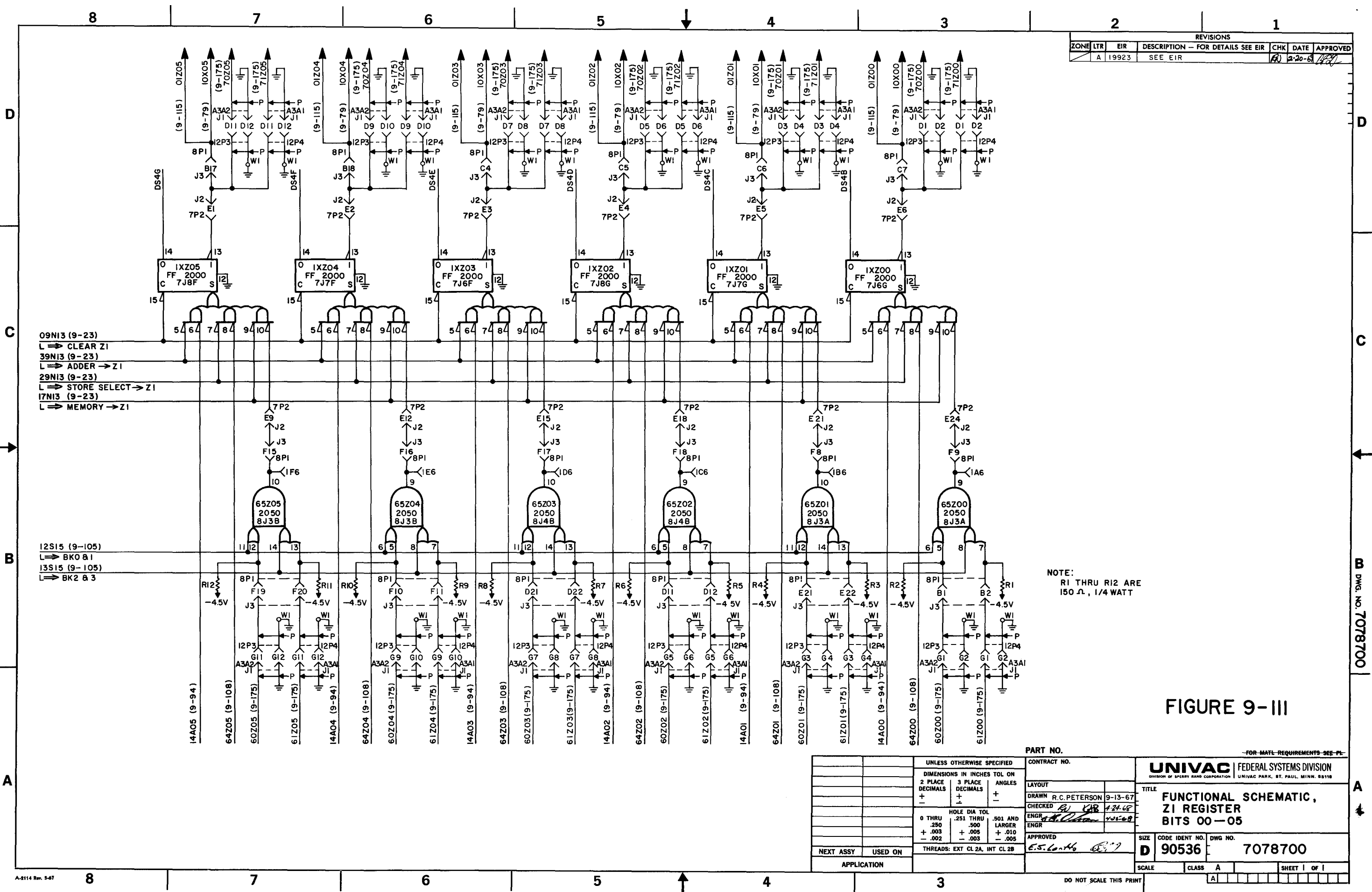


FIGURE 9-111 SUPPLEMENT



REVISIONS						
ZONE	LTR	EIR	DESCRIPTION - FOR DETAILS SEE EIR	CHK	DATE	APPROVED
A	19923		SEE EIR		9-20-67	[Signature]

- 09NI3 (9-23)
 L → CLEAR ZI
 39NI3 (9-23)
 L → ADDER → ZI
 29NI3 (9-23)
 L → STORE SELECT → ZI
 17NI3 (9-23)
 L → MEMORY → ZI

- 12S15 (9-105)
 L → BKO B1
 13S15 (9-105)
 L → BK2 B3

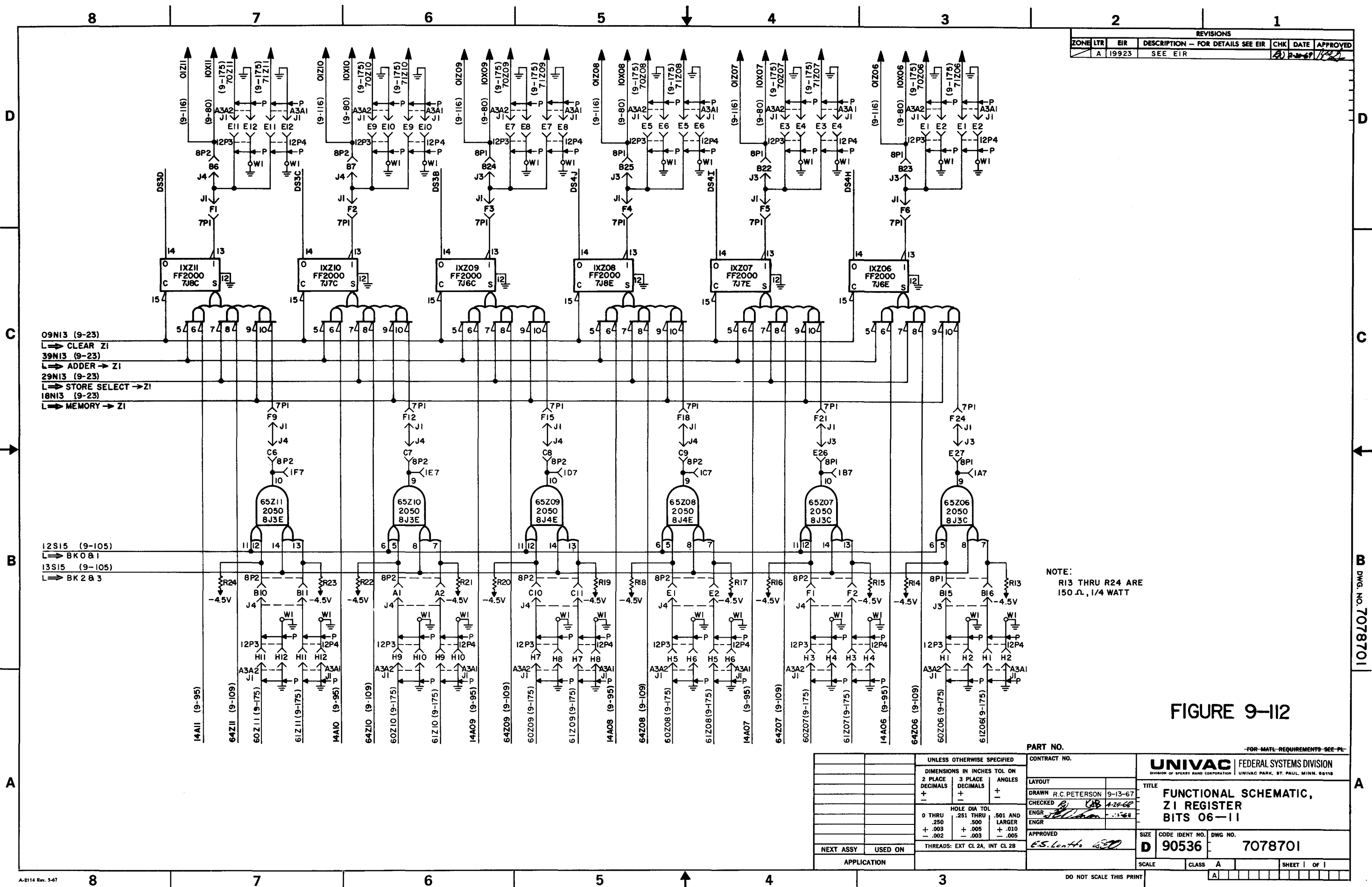
NOTE:
 R1 THRU R12 ARE
 150 Ω, 1/4 WATT

FIGURE 9-III

UNLESS OTHERWISE SPECIFIED		CONTRACT NO.		UNIVAC FEDERAL SYSTEMS DIVISION DIVISION OF SPERRY RAND CORPORATION UNIVAC PARK, ST. PAUL, MINN. 55118	
DIMENSIONS IN INCHES TOL ON		LAYOUT		TITLE	
2 PLACE DECIMALS +	3 PLACE DECIMALS +	DRAWN R.C. PETERSON 9-13-67		FUNCTIONAL SCHEMATIC, ZI REGISTER BITS 00-05	
HOLE DIA TOL		CHECKED [Signature] 9-21-67		SIZE	
0 THRU .250 +.003	.251 THRU .500 +.005	ENGR [Signature] 9-21-67		CODE IDENT NO. DWG NO.	
.501 AND LARGER -.002	-.003	APPROVED [Signature]		D 90536 7078700	
THREADS: EXT CL 2A, INT CL 2B		NEXT ASSY USED ON		SCALE CLASS A SHEET 1 OF 1	
APPLICATION		DO NOT SCALE THIS PRINT			

DWG. NO. 7078700

REVISIONS				
ZONE	LTR	EIR	DESCRIPTION - FOR DETAILS SEE EIR	CHK DATE APPROVED
A	19923		SEE EIR	<i>[Signature]</i> 1/24/66



NOTE:
R13 THRU R24 ARE
150 Ω, 1/4 WATT

FIGURE 9-112

UNLESS OTHERWISE SPECIFIED		CONTRACT NO.	
DIMENSIONS IN INCHES TOL ON			
2 PLACE DECIMALS	3 PLACE DECIMALS	LAYOUT	
+	+	DRAWN R.C. PETERSON 9-13-67	
		CHECKED <i>[Signature]</i> 1-24-66	
		ENGR <i>[Signature]</i> 1-24-66	
		APPROVED <i>[Signature]</i>	
HOLE DIA TOL		THREADS: EXT CL 2A, INT CL 2B	
0 THRU .250	.251 THRU .500		
+.003	+.005		
-.002	-.003		
NEXT ASSY USED ON		APPLICATION	
PART NO.		FOR MATL REQUIREMENTS SEE PL-	
UNIVAC FEDERAL SYSTEMS DIVISION		DIVISION OF SPERRY RAND CORPORATION UNIVAC PARK, ST. PAUL, MINN. 55118	
TITLE		FUNCTIONAL SCHEMATIC, Z1 REGISTER BITS 06-11	
SIZE	CODE IDENT NO.	DWG NO.	
D	90536	7078701	
SCALE	CLASS	A	SHEET 1 OF 1

B DWG. NO. 7078701

NOTE: In Digital Data Computers with Serial Numbers 14 through 48, the input gates 65Z06 through 65Z11 are represented by "OR" symbols with pin numbers as shown below. Card types are 7002030, not 7002050. Input signals from 12S15 and 13S15 (area 8B of figure 9-112) are not applicable.

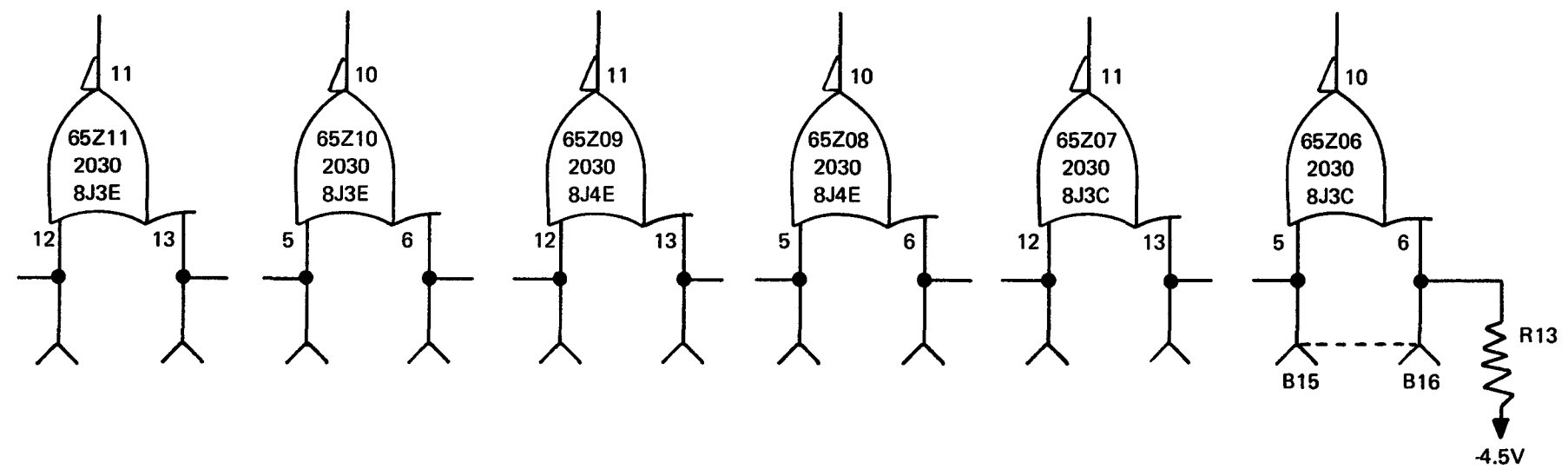


FIGURE 9-112 SUPPLEMENT

NOTE: In Digital Data Computers with Serial Numbers 14 through 48, the input gates 65Z12 through 65Z17 are represented by "OR" symbols with pin numbers as shown below. Card types are 7002030, not 7002050. Input signals from 12S15 and 13S15 (area 8B of figure 9-113) are not applicable.

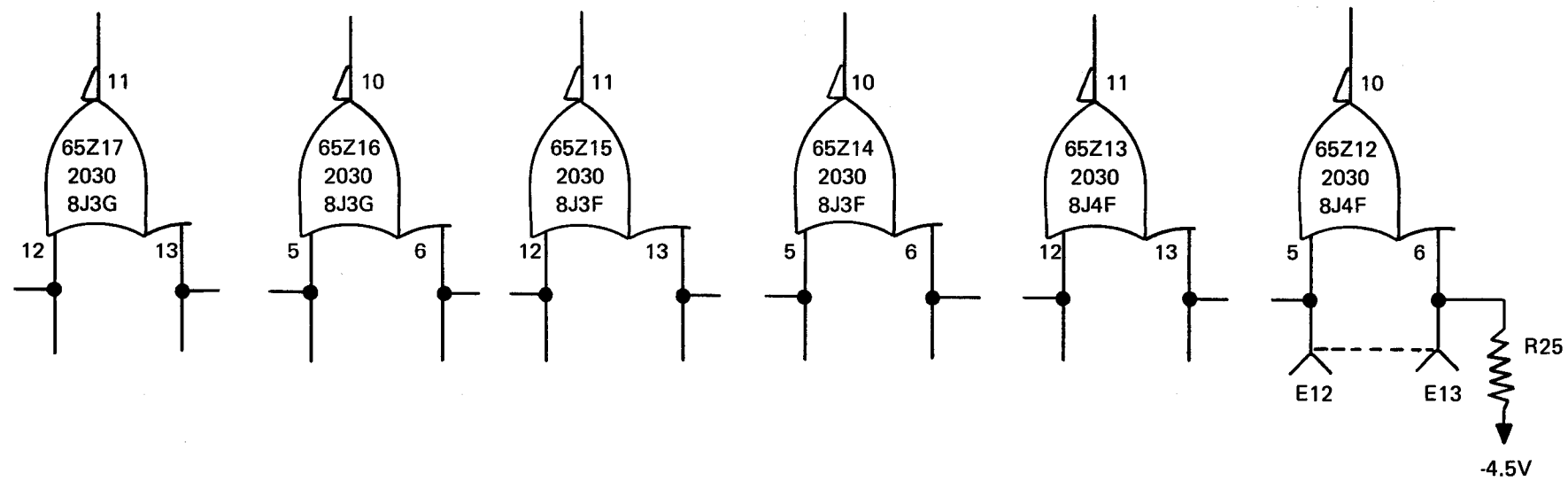
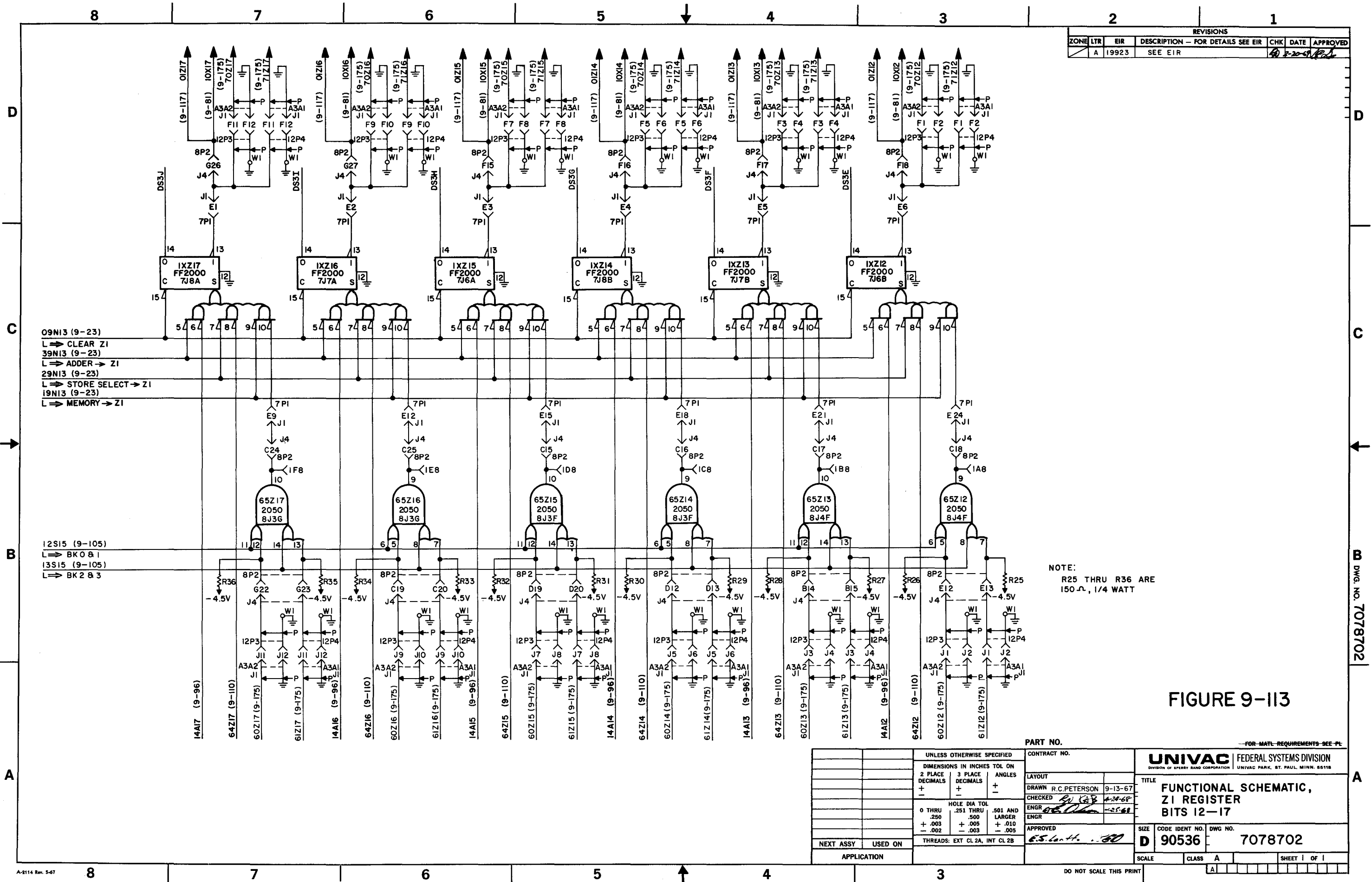


FIGURE 9-113 SUPPLEMENT

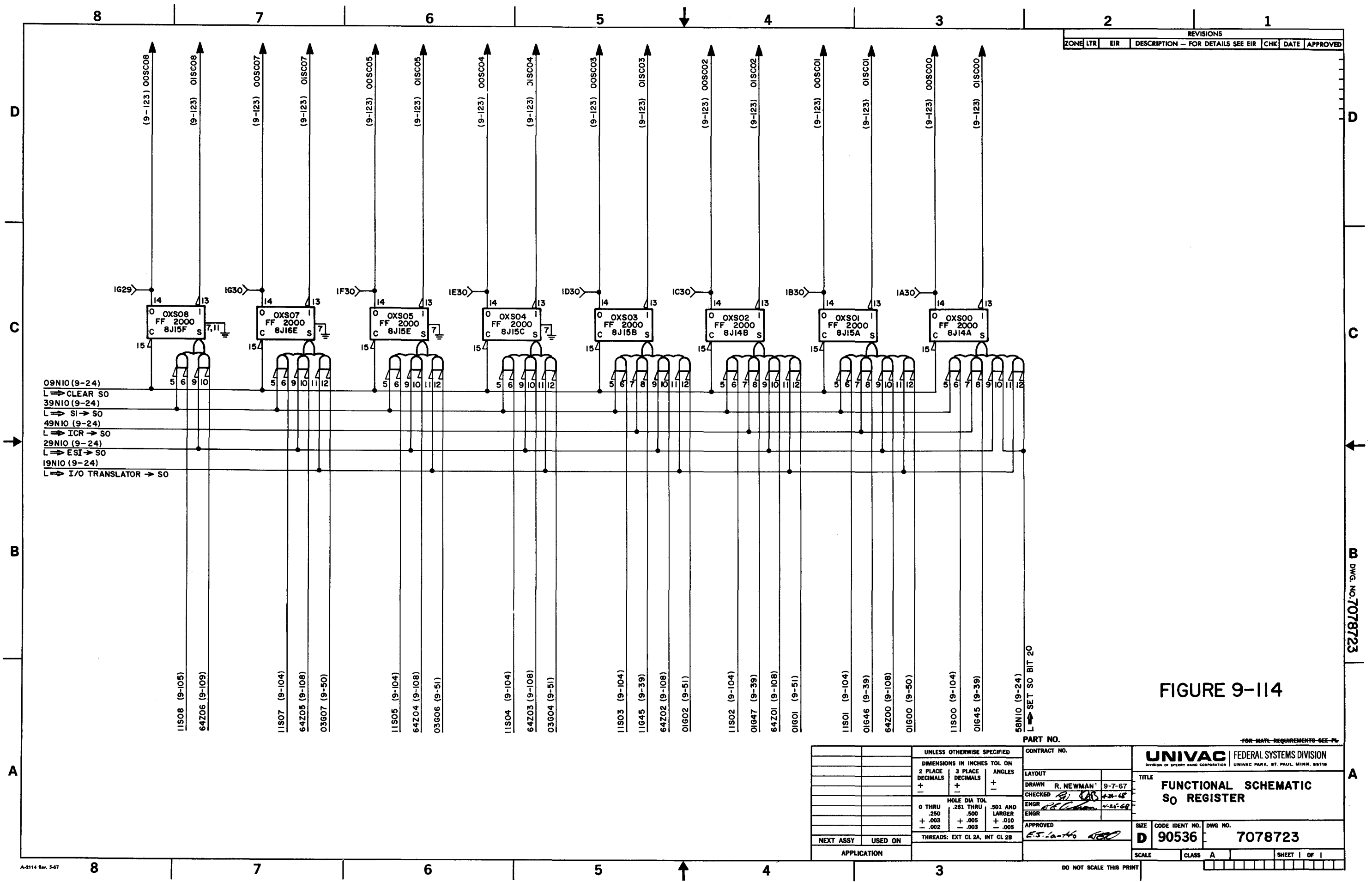


REVISIONS						
ZONE	LTR	EIR	DESCRIPTION - FOR DETAILS SEE EIR	CHK	DATE	APPROVED
A		19923	SEE EIR			

NOTE:
R25 THRU R36 ARE
150 Ω, 1/4 WATT

FIGURE 9-113

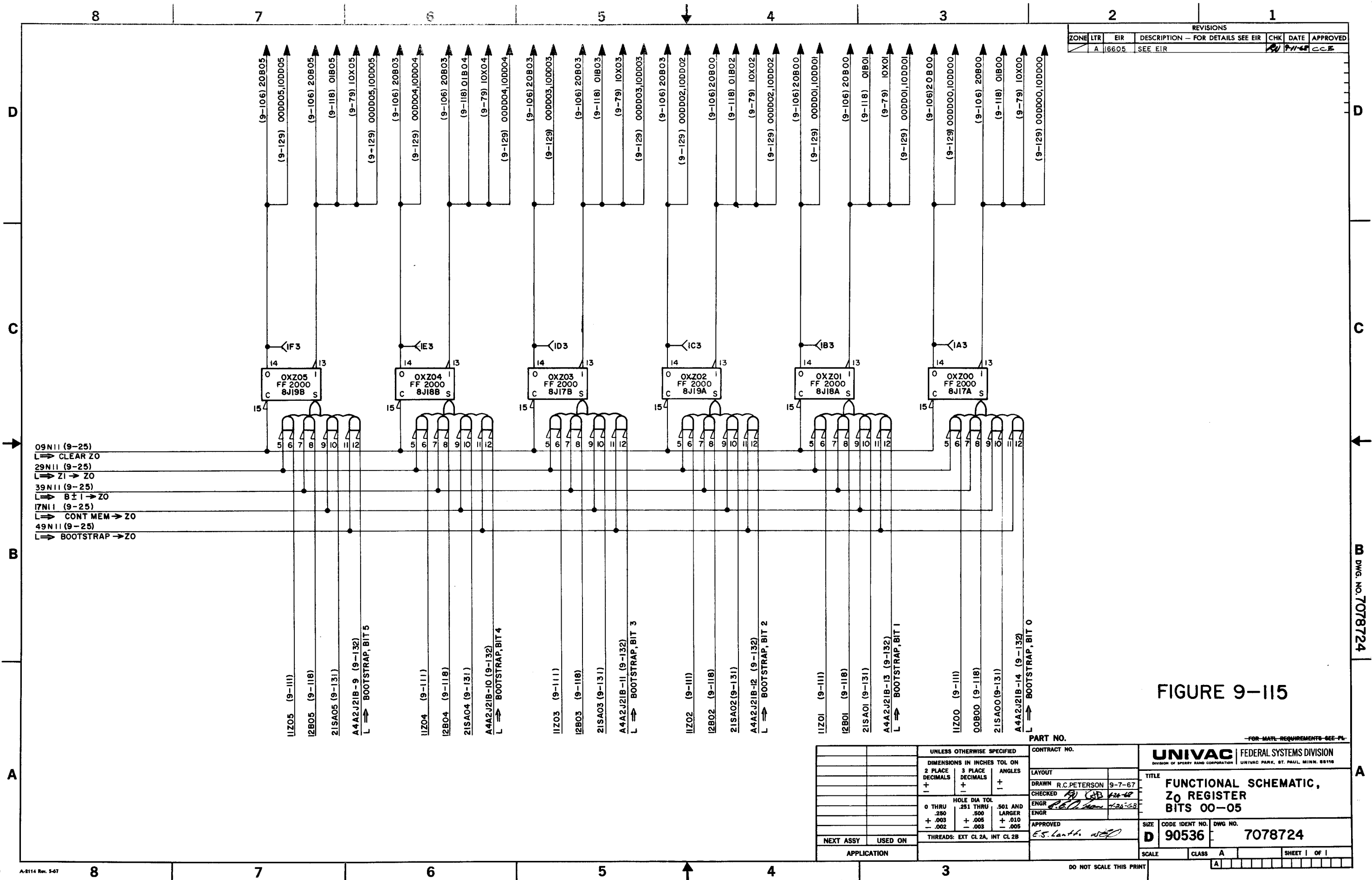
PART NO.		CONTRACT NO.		FOR MATL. REQUIREMENTS SEE PL.	
UNLESS OTHERWISE SPECIFIED		DIMENSIONS IN INCHES TOL ON		LAYOUT	
2 PLACE DECIMALS		3 PLACE DECIMALS		DRAWN R.C.PETERSON 9-13-67	
+		+		CHECKED <i>[Signature]</i> 4-28-68	
HOLE DIA TOL		ANGLES		ENGR <i>[Signature]</i> 4-25-68	
0 THRU .250		+		APPROVED <i>[Signature]</i> 4-25-68	
.251 THRU .500		+		SIZE CODE IDENT NO. DWG NO.	
+.003		+.005		D 90536 7078702	
-.002		-.003		SCALE CLASS A SHEET 1 OF 1	
NEXT ASSY USED ON		THREADS: EXT CL 2A, INT CL 2B		DO NOT SCALE THIS PRINT	
APPLICATION					



REVISIONS				
ZONE	LTR	EIR	DESCRIPTION - FOR DETAILS SEE EIR	APPROVED

FIGURE 9-114

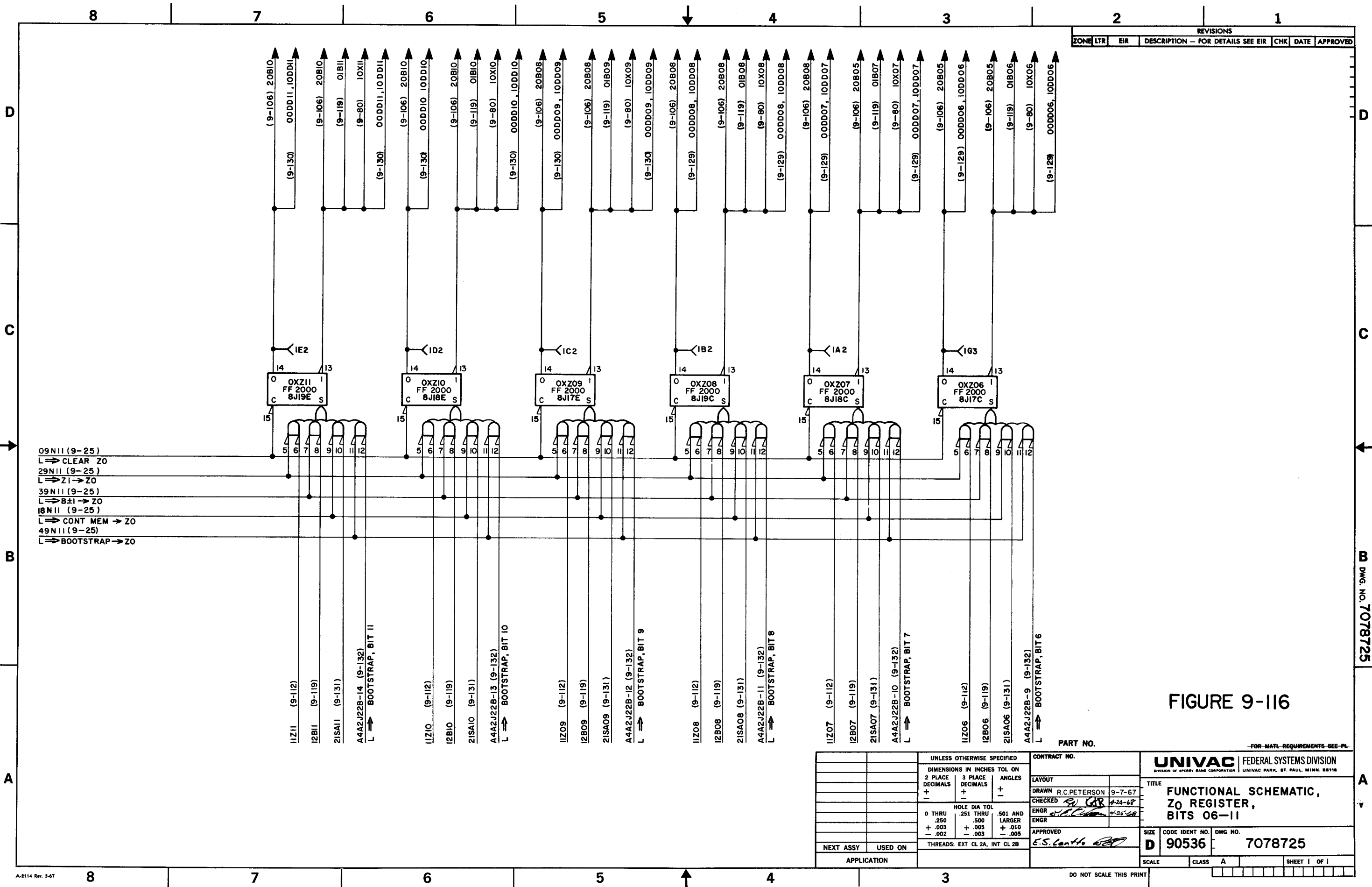
UNLESS OTHERWISE SPECIFIED		CONTRACT NO.		FOR MATL. REQUIREMENTS SEE PL.	
DIMENSIONS IN INCHES TOL ON		LAYOUT		UNIVAC FEDERAL SYSTEMS DIVISION	
2 PLACE DECIMALS	3 PLACE DECIMALS	ANGLES	DRAWN	DIVISION OF SPERRY RAND CORPORATION UNIVAC PARK, ST. PAUL, MINN. 55116	
+	+	+	R. NEWMAN	TITLE	
0 THRU .250	.251 THRU .500	.501 AND LARGER	9-7-67	FUNCTIONAL SCHEMATIC	
+	+	+	CHECKED	S0 REGISTER	
-.002	-.003	-.005	ENGR	SIZE	
THREADS: EXT CL 2A, INT CL 2B		APPROVED		CODE IDENT NO.	
NEXT ASSY USED ON		E.S. GANTO		90536	
APPLICATION		SCALE		DWG NO.	
		CLASS A		7078723	
		DO NOT SCALE THIS PRINT		SHEET 1 OF 1	



REVISIONS						
ZONE	LTR	EIR	DESCRIPTION - FOR DETAILS SEE EIR	CHK	DATE	APPROVED
A		16605	SEE EIR		9-11-68	CCB

FIGURE 9-115

UNLESS OTHERWISE SPECIFIED			CONTRACT NO.	
DIMENSIONS IN INCHES TOL ON			LAYOUT	
2 PLACE DECIMALS	3 PLACE DECIMALS	ANGLES	DRAWN R.C.PETERSON 9-7-67	
+	+	+	CHECKED <i>[Signature]</i> 9-22-68	
0 THRU .250	.251 THRU .500	.501 AND LARGER	ENGR <i>[Signature]</i> 9-24-68	
+.003	+.005	+.010	APPROVED <i>[Signature]</i>	
-.002	-.003	-.005	ENGR	
THREADS: EXT CL 2A, INT CL 2B			PART NO.	
NEXT ASSY USED ON APPLICATION			FOR MATL REQUIREMENTS SEE PL	
			UNIVAC FEDERAL SYSTEMS DIVISION	
			DIVISION OF SPERRY RAND CORPORATION UNIVAC PARK, ST. PAUL, MINN. 55116	
			TITLE	
			FUNCTIONAL SCHEMATIC,	
			Z0 REGISTER	
			BITS 00-05	
			SIZE	
			D 90536	
			CODE IDENT NO. 7078724	
			DWG NO.	
			7078724	
			SCALE	
			CLASS A	
			SHEET 1 OF 1	

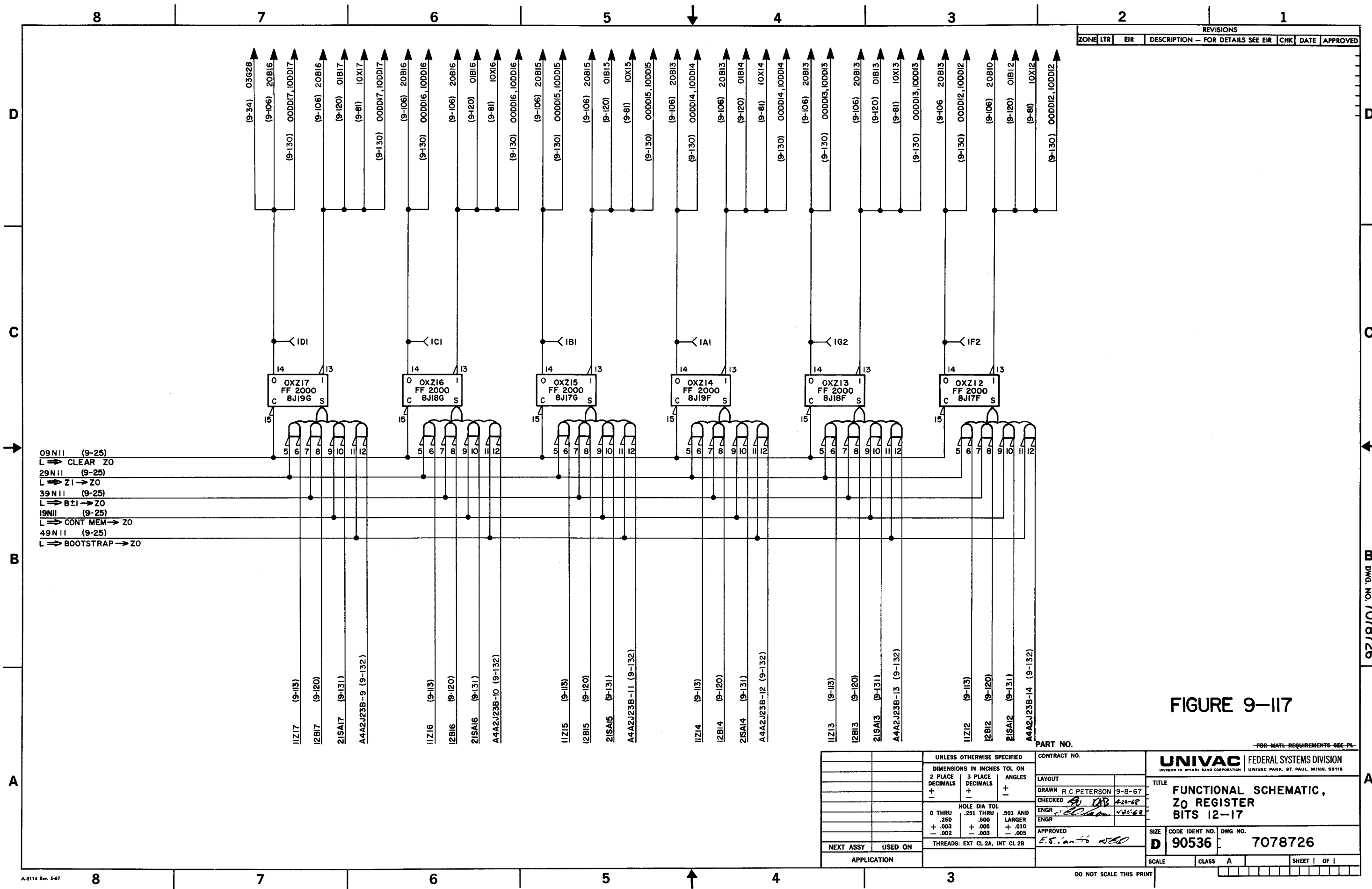


REVISIONS						
ZONE	LTR	EIR	DESCRIPTION - FOR DETAILS SEE EIR	CHK	DATE	APPROVED

FIGURE 9-116

UNLESS OTHERWISE SPECIFIED		CONTRACT NO.	
DIMENSIONS IN INCHES TOL ON		LAYOUT	
2 PLACE DECIMALS	3 PLACE DECIMALS	ANGLES	
+	+	+	
HOLE DIA TOL		DRAWN R.C. PETERSON 9-7-67	
0 THRU .250	.251 THRU .500	CHECKED <i>[Signature]</i> 4-24-68	
+.003	+.005	ENGR <i>[Signature]</i> 4-25-68	
-.002	-.003	ENGR <i>[Signature]</i>	
THREADS: EXT CL 2A, INT CL 2B		APPROVED <i>[Signature]</i>	
NEXT ASSY	USED ON	SIZE	CODE IDENT NO. DWG NO.
		D	90536 7078725
APPLICATION		SCALE	CLASS A SHEET 1 OF 1

B DWG. NO. 7078725



REVISIONS				
ZONE	LTR	EIR	DESCRIPTION - FOR DETAILS SEE EIR	CHK DATE APPROVED

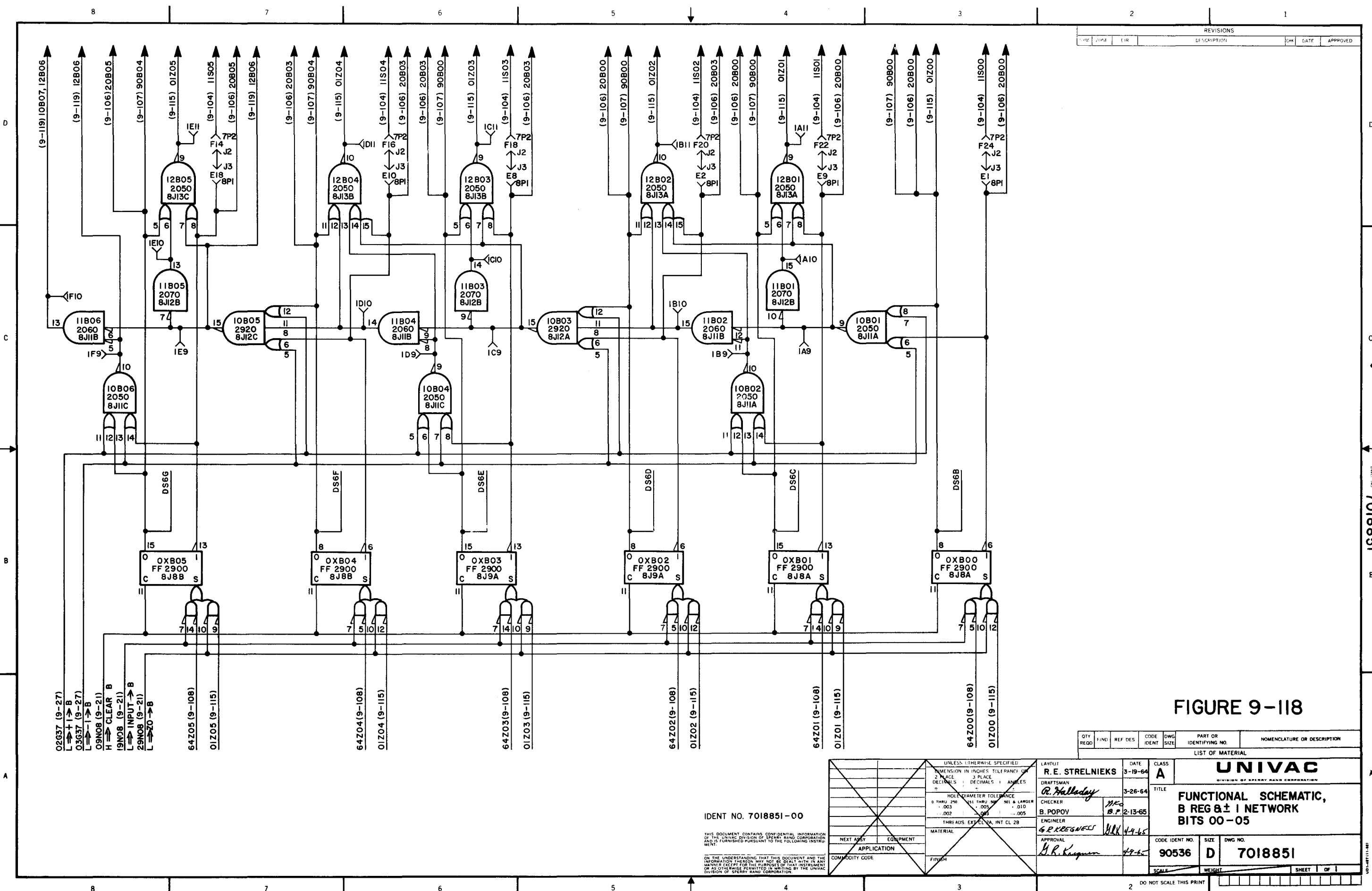
FIGURE 9-117

UNLESS OTHERWISE SPECIFIED		
DIMENSIONS IN INCHES TOL ON		
2 PLACE DECIMALS	3 PLACE DECIMALS	ANGLES
+	+	+
0 THRU .250	.251 THRU .500	.501 AND LARGER
+ .003	+ .005	+ .010
- .002	- .003	- .005
THREADS: EXT CL 2A, INT CL 2B		

CONTRACT NO.	
LAYOUT	9-8-67
DRAWN R.C. PETERSON	9-8-67
CHECKED <i>[Signature]</i>	4-26-68
ENGR <i>[Signature]</i>	4-25-68
APPROVED <i>[Signature]</i>	

PART NO.		TITLE	
UNIVAC FEDERAL SYSTEMS DIVISION		FUNCTIONAL SCHEMATIC, Z0 REGISTER BITS 12-17	
SIZE	CODE IDENT NO.	DWG NO.	
D	90536	7078726	
SCALE	CLASS	SHEET OF	
	A	1 OF 1	

DWG. NO. 7078726



REVISIONS		
NO.	DATE	APPROVED

FIGURE 9-118

QTY	FIND	REF DES	CODE	DNW	PART OR IDENTIFYING NO.	NOMENCLATURE OR DESCRIPTION

LIST OF MATERIAL	
LAYOUT	R. E. STRELNIEKS
DRAFTSMAN	R. Halladay
CHECKER	B. POPOV
ENGINEER	G. R. KEGWELL
APPROVAL	H. R. Karpman

DATE	CLASS	TITLE
3-19-64	A	FUNCTIONAL SCHEMATIC, B REG & ± I NETWORK BITS 00-05

CODE IDENT NO.	SIZE	DNW NO.
90536	D	7018851

IDENT NO. 7018851-00

THIS DOCUMENT CONTAINS CONFIDENTIAL INFORMATION OF THE UNIVAC DIVISION OF SPERRY RAND CORPORATION AND IS FURNISHED PURSUANT TO THE FOLLOWING INSTRUMENT:

ON THE UNDERSTANDING THAT THIS DOCUMENT AND THE INFORMATION THEREON MAY NOT BE DEALT WITH IN ANY MANNER EXCEPT FOR THE PURPOSES OF THAT INSTRUMENT OR AS OTHERWISE PERMITTED IN WRITING BY THE UNIVAC DIVISION OF SPERRY RAND CORPORATION

UNLESS OTHERWISE SPECIFIED:
DIMENSION IN INCHES: TOLERANCE ON 2 PLACE DECIMALS ± .005 3 PLACE DECIMALS ± .001 4 PLACE DECIMALS ± .0005
HOLE DIAMETER TOLERANCE: .030 THRU .250 ± .005 .251 THRU .500 ± .010 .501 THRU 1.000 ± .015 1.001 THRU 1.999 ± .020 2.000 THRU 4.999 ± .030 5.000 THRU 9.999 ± .040 10.000 THRU 49.999 ± .050 50.000 THRU 99.999 ± .075 100.000 THRU 499.999 ± .010 500.000 THRU 999.999 ± .015 1000.000 THRU 4999.999 ± .020 5000.000 THRU 9999.999 ± .030 10000.000 THRU 49999.999 ± .050 50000.000 THRU 99999.999 ± .075 100000.000 THRU 499999.999 ± .100 500000.000 THRU 999999.999 ± .150 1000000.000 THRU 4999999.999 ± .200 5000000.000 THRU 9999999.999 ± .300 10000000.000 THRU 49999999.999 ± .500 50000000.000 THRU 99999999.999 ± .750 100000000.000 THRU 499999999.999 ± 1.000 500000000.000 THRU 999999999.999 ± 1.500 1000000000.000 THRU 4999999999.999 ± 2.000 5000000000.000 THRU 9999999999.999 ± 3.000 10000000000.000 THRU 49999999999.999 ± 4.000 50000000000.000 THRU 99999999999.999 ± 5.000 100000000000.000 THRU 499999999999.999 ± 6.000 500000000000.000 THRU 999999999999.999 ± 7.000 1000000000000.000 THRU 4999999999999.999 ± 8.000 5000000000000.000 THRU 9999999999999.999 ± 9.000 10000000000000.000 THRU 49999999999999.999 ± 10.000 50000000000000.000 THRU 99999999999999.999 ± 12.000 100000000000000.000 THRU 499999999999999.999 ± 15.000 500000000000000.000 THRU 999999999999999.999 ± 20.000 1000000000000000.000 THRU 4999999999999999.999 ± 25.000 5000000000000000.000 THRU 9999999999999999.999 ± 30.000 10000000000000000.000 THRU 49999999999999999.999 ± 40.000 50000000000000000.000 THRU 99999999999999999.999 ± 50.000 100000000000000000.000 THRU 499999999999999999.999 ± 60.000 500000000000000000.000 THRU 999999999999999999.999 ± 75.000 1000000000000000000.000 THRU 4999999999999999999.999 ± 100.000
THREADS: EXT. CL. 2A, INT. CL. 2B
MATERIAL
FINISH
APPLICATION
COMMODITY CODE

7018851

DO NOT SCALE THIS PRINT

REVISIONS		
NO.	DATE	APPROVED

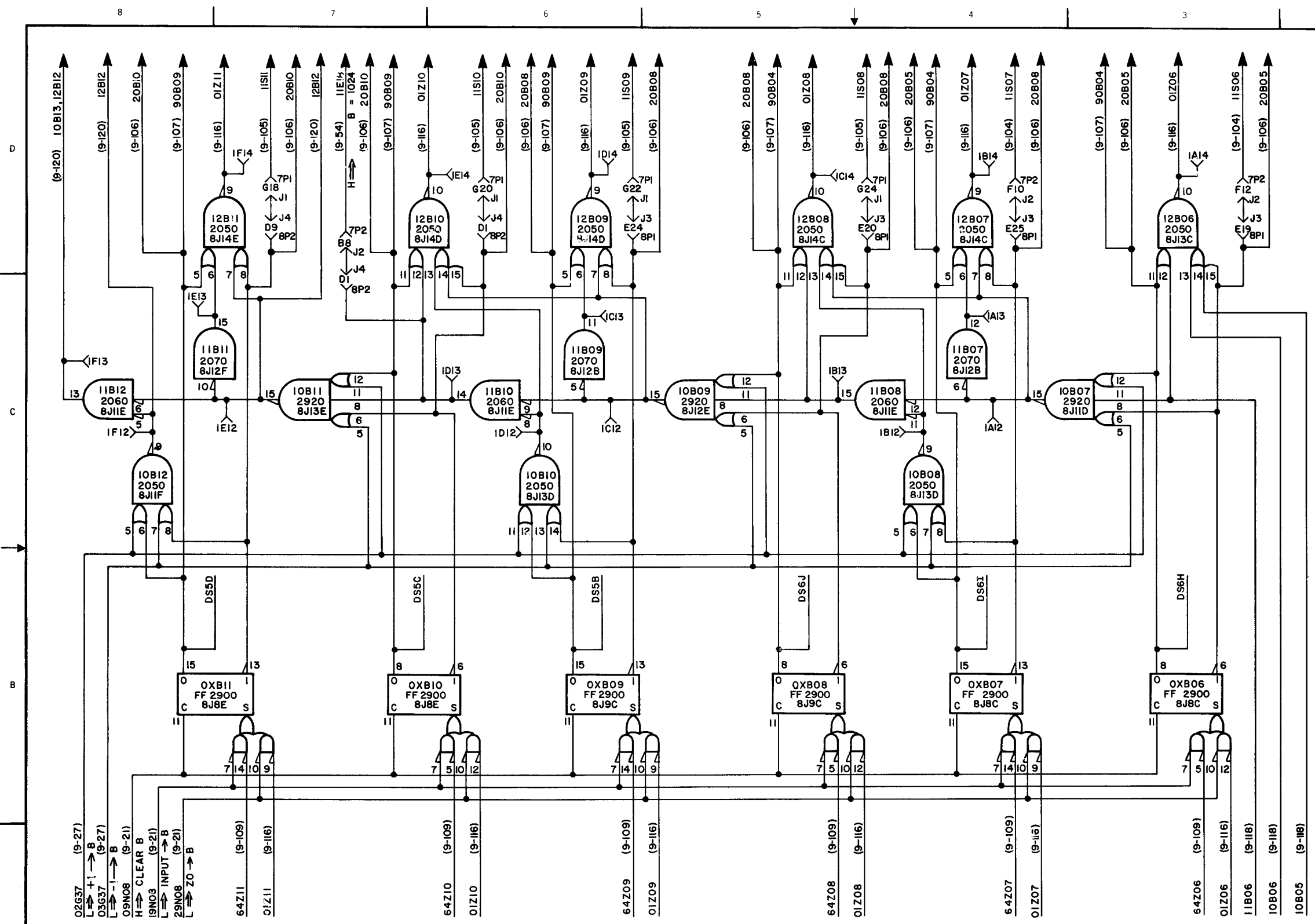


FIGURE 9-119

QTY	FIND	REF DES	CODE IDENT	SIZE	PART OR IDENTIFYING NO.	NOMENCLATURE OR DESCRIPTION

UNIVAC	
DIVISION OF SPERRY RAND CORPORATION	
DESIGNED BY <i>R. E. Strelnieks</i>	DATE 3-19-64
DRAWN BY <i>R. Halladay</i>	CLASS A
CHECKED BY <i>B. Popov</i>	TITLE FUNCTIONAL SCHEMATIC, B REG & ±1 NETWORK BITS 06-11
ENGINEER <i>G. R. Keegness</i>	CODE IDENT NO. 90536
APPROVAL <i>H. R. K...</i>	SIZE D
	DWG NO. 7018852
	SCALE
	WEIGHT
	SHEET 1 OF 1

IDENT NO. 7018852-00

THIS DOCUMENT CONTAINS CONFIDENTIAL INFORMATION OF THE UNIVAC DIVISION OF SPERRY RAND CORPORATION AND IS FURNISHED PURSUANT TO THE FOLLOWING INSTRUMENT

ON THE UNDERSTANDING THAT THIS DOCUMENT AND THE INFORMATION THEREON MAY NOT BE REPRODUCED, COPIED, EITHER WHOLLY OR IN PART, OR TRANSMITTED IN ANY MANNER EXCEPT FOR THE PURPOSES OF THAT INSTRUMENT OR AS OTHERWISE PERMITTED IN WRITING BY THE UNIVAC DIVISION OF SPERRY RAND CORPORATION.

UNLESS OTHERWISE SPECIFIED:
WELDING BY TIGHT TOLERANCE...
DECIMALS...
HOLE DIAMETER TOLERANCE...
THREADS... INT CL 2B
MATERIAL
FINISH
APPLICATION
COMMODITY CODE

DO NOT SCALE THIS PRINT

DRAWING NO. 7018852

REVISIONS				
SYM	ZONE	EIR	DESCRIPTION	CHK DATE APPROVED

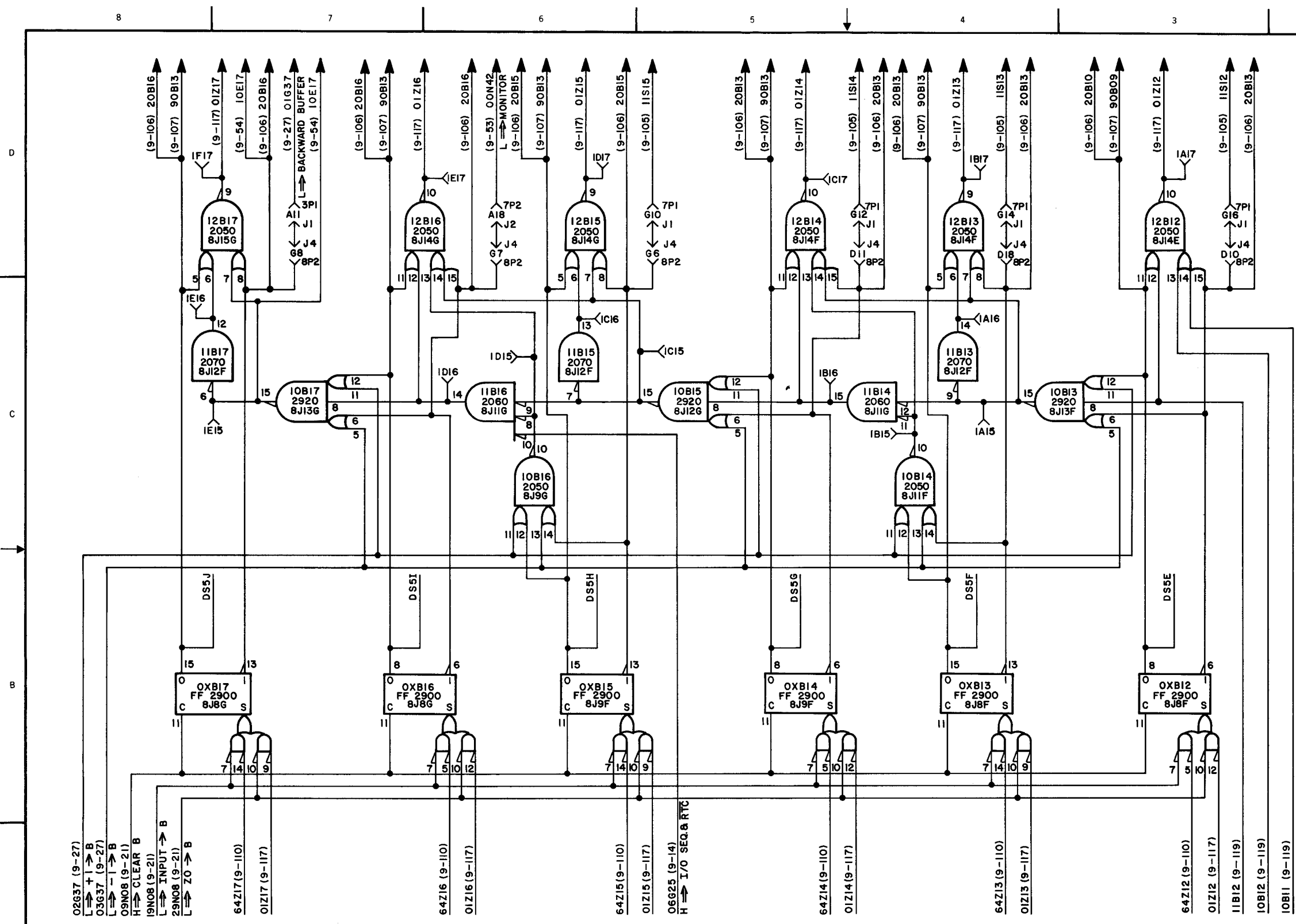


FIGURE 9-120

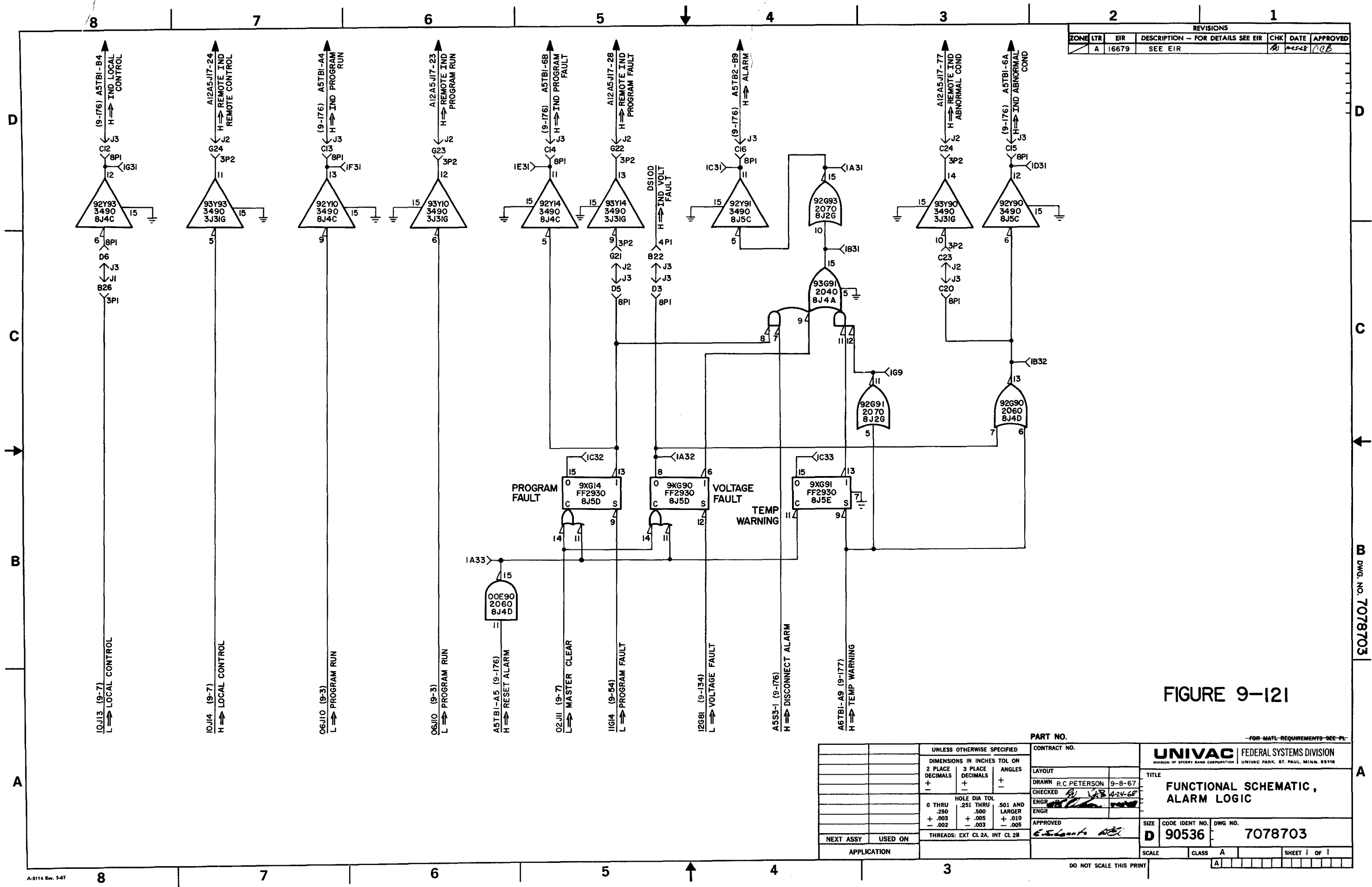
QTY	FIND	REF DES	CODE	DWG	PART OR	NOMENCLATURE OR DESCRIPTION
REQD			IDENT	SIZE	IDENTIFYING NO.	
LIST OF MATERIAL						
LAYOUT		R. E. STRELNIKS	DATE	3-19-64	CLASS	A
DRAFTSMAN		R. H. HALLIDAY	CHECKER	B. POPOV	DATE	3-26-64
ENGINEER		G. R. KEEGNESS	DATE	4-1-64	DATE	2-13-65
APPROVAL		G. R. KEEGNESS	DATE	4-1-64	CODE IDENT NO.	90536
COMMODITY CODE			APPLICATION		SIZE	D
NEXT ASSY			EQUIPMENT		DWG NO.	7018853
MATERIAL			FINISH		SCALE	WEIGHT
UNLESS OTHERWISE SPECIFIED		DIMENSION IN INCHES TOLERANCE OF				
2 PLACE DECIMALS		3 PLACE DECIMALS				
± .003		± .005				
0 THRU .250		.251 THRU .500				
+ .003		+ .005				
- .002		- .005				
HOLE DIAMETER TOLERANCE		901 & LARGER				
± .003		± .010				
THREADS: EXCEPT AS INT. CL. 2B						
SHEET 1 OF 1						

IDENT NO. 7018853-00

THIS DOCUMENT CONTAINS CONFIDENTIAL INFORMATION OF THE UNIVAC DIVISION OF SPERRY RAND CORPORATION AND IS FURNISHED PURSUANT TO THE FOLLOWING INSTRUMENT OR AS OTHERWISE PERMITTED IN WRITING BY THE UNIVAC DIVISION OF SPERRY RAND CORPORATION.

DWG. NO. 7018853

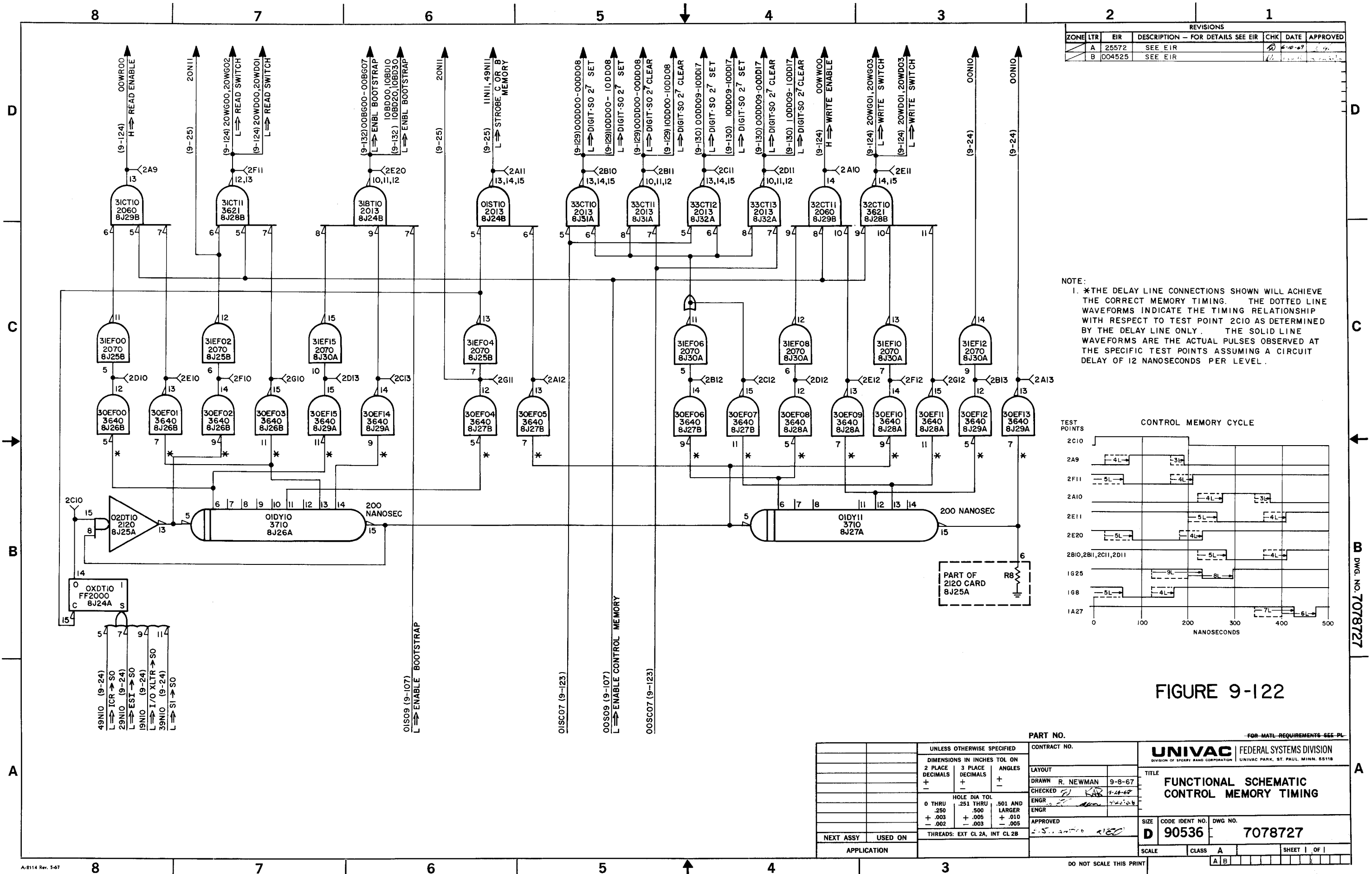
DO NOT SCALE THIS PRINT



REVISIONS				
ZONE	LTR	EIR	DESCRIPTION - FOR DETAILS SEE EIR	CHK DATE APPROVED
	A	16679	SEE EIR	RJ mes-08 100B

FIGURE 9-121

UNLESS OTHERWISE SPECIFIED		CONTRACT NO.		FOR MATL REQUIREMENTS SEE PL	
DIMENSIONS IN INCHES TOL ON		LAYOUT		UNIVAC FEDERAL SYSTEMS DIVISION	
2 PLACE DECIMALS	3 PLACE DECIMALS	+	+	DIVISION OF SPERRY RAND CORPORATION UNIVAC PARK, ST. PAUL, MINN. 55118	
+	+	+	+	TITLE	
+	+	+	+	FUNCTIONAL SCHEMATIC, ALARM LOGIC	
HOLE DIA TOL		DRAWN R.C. PETERSON 9-8-67		ENGR [Signature] 9-24-68	
0 THRU .250	.251 THRU .500	.501 AND LARGER	+	+	+
+	+	+	+	+	+
-.003	-.005	-.010	+	+	+
-.002	-.003	-.005	+	+	+
THREADS: EXT CL 2A, INT CL 2B		APPROVED [Signature]		SIZE CODE IDENT NO. DWG NO.	
NEXT ASSY USED ON APPLICATION		D 90536 7078703		SCALE CLASS A SHEET 1 OF 1	



NOTE:
 1. *THE DELAY LINE CONNECTIONS SHOWN WILL ACHIEVE THE CORRECT MEMORY TIMING. THE DOTTED LINE WAVEFORMS INDICATE THE TIMING RELATIONSHIP WITH RESPECT TO TEST POINT 2C10 AS DETERMINED BY THE DELAY LINE ONLY. THE SOLID LINE WAVEFORMS ARE THE ACTUAL PULSES OBSERVED AT THE SPECIFIC TEST POINTS ASSUMING A CIRCUIT DELAY OF 12 NANSECONDS PER LEVEL.

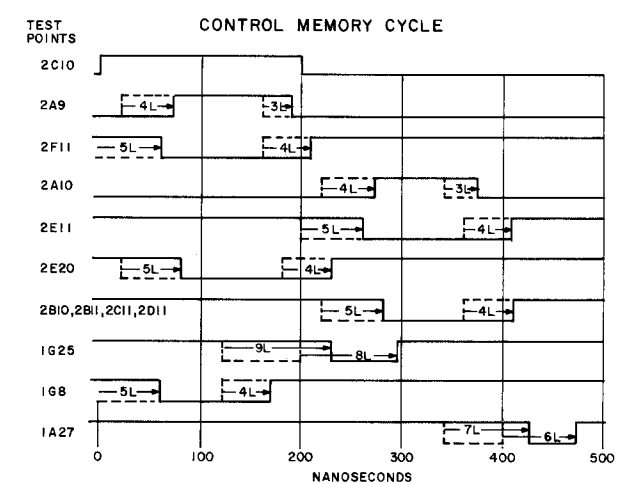
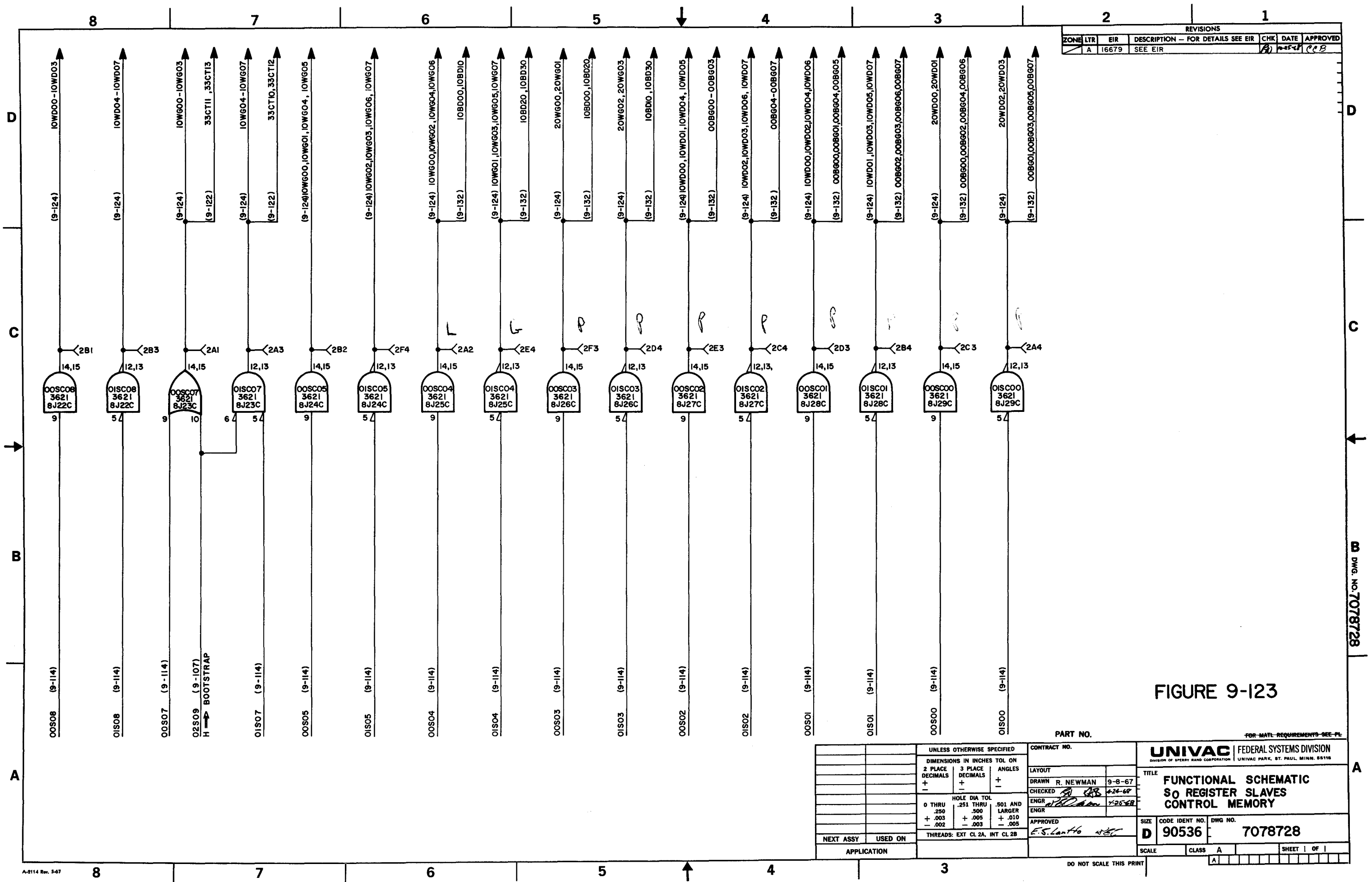


FIGURE 9-122

UNLESS OTHERWISE SPECIFIED		CONTRACT NO.		FOR MATL REQUIREMENTS SEE PL	
DIMENSIONS IN INCHES TOL ON		LAYOUT		UNIVAC FEDERAL SYSTEMS DIVISION	
2 PLACE DECIMALS	3 PLACE DECIMALS	+	+	DIVISION OF SPERRY RAND CORPORATION UNIVAC PARK, ST. PAUL, MINN. 55118	
+	+	+	+	TITLE	
HOLE DIA TOL		DRAWN R. NEWMAN 9-8-67		FUNCTIONAL SCHEMATIC	
0 THRU .250	.251 THRU .500	CHECKED J. K. 9-14-68		CONTROL MEMORY TIMING	
+	+	ENGR		SIZE	
-.002	-.003	APPROVED		D 90536	
THREADS: EXT CL 2A, INT CL 2B		NEXT ASSY USED ON		CODE IDENT NO. DWG NO.	
APPLICATION		APPLICATION		D 90536 7078727	
SCALE		CLASS		SHEET 1 OF 1	
DO NOT SCALE THIS PRINT		SCALE		CLASS	
DO NOT SCALE THIS PRINT		SCALE		CLASS	



REVISIONS						
ZONE	LTR	EIR	DESCRIPTION - FOR DETAILS SEE EIR	CHK	DATE	APPROVED
	A	16679	SEE EIR			

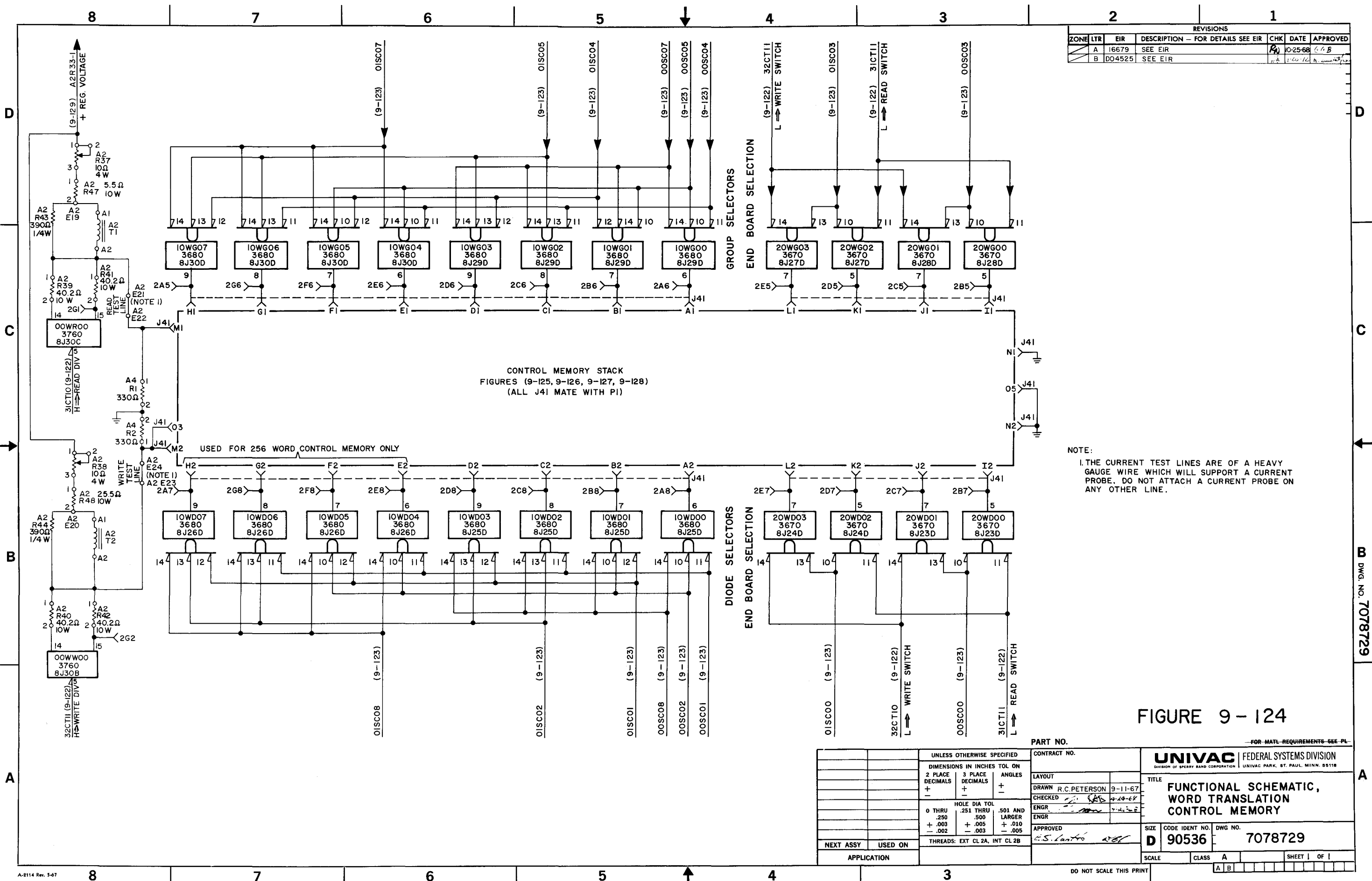
FIGURE 9-123

PART NO. FOR MATL REQUIREMENTS SEE PL

UNLESS OTHERWISE SPECIFIED			CONTRACT NO.	
DIMENSIONS IN INCHES TOL ON			LAYOUT	
2 PLACE DECIMALS	3 PLACE DECIMALS	ANGLES	DRAWN R NEWMAN	9-8-67
+	+	+	CHECKED <i>[Signature]</i>	2-24-68
0 THRU .250	.251 THRU .500	.501 AND LARGER	ENGR <i>[Signature]</i>	2-25-68
+.003	+.005	+.010	APPROVED <i>[Signature]</i>	
-.002	-.003	-.005	E.S. LANTHO	
THREADS: EXT CL 2A, INT CL 2B			SIZE CODE IDENT NO. DWG NO.	
NEXT ASSY USED ON APPLICATION			D 90536 7078728	
			SCALE CLASS A SHEET 1 OF 1	

DO NOT SCALE THIS PRINT

REVISIONS						
ZONE	LTR	EIR	DESCRIPTION - FOR DETAILS SEE EIR	CHK	DATE	APPROVED
	A	I6679	SEE EIR	RJ	10-25-68	A. B.
	B	DO4525	SEE EIR			



NOTE:
1. THE CURRENT TEST LINES ARE OF A HEAVY GAUGE WIRE WHICH WILL SUPPORT A CURRENT PROBE. DO NOT ATTACH A CURRENT PROBE ON ANY OTHER LINE.

FIGURE 9-124

UNLESS OTHERWISE SPECIFIED			CONTRACT NO.	
DIMENSIONS IN INCHES	TOL	ON		
2 PLACE DECIMALS	+	3 PLACE DECIMALS		
+		+		
0 THRU .250	.500	.501 AND LARGER		
+.003	+.005	+.010		
-.002	-.003	-.005		
THREADS: EXT CL 2A, INT CL 2B				
NEXT ASSY	USED ON	APPLICATION		
			PART NO.	
			FOR MATL REQUIREMENTS SEE PL	
			UNIVAC FEDERAL SYSTEMS DIVISION	
			DIVISION OF SPERRY RAND CORPORATION UNIVAC PARK, ST. PAUL, MINN. 55118	
			TITLE	
			FUNCTIONAL SCHEMATIC, WORD TRANSLATION CONTROL MEMORY	
			DRAWN R.C. PETERSON 9-11-67	
			CHECKED [Signature] 9-19-67	
			ENGR [Signature] 9-21-67	
			APPROVED [Signature] 9-21-67	
			SIZE CODE IDENT NO. DWG NO.	
			D 90536 7078729	
			SCALE CLASS SHEET OF	
			A B 1 OF 1	

REVISIONS				
ZONE	LTR	EIR	DESCRIPTION - FOR DETAILS SEE EIR	CHK DATE APPROVED
B	DO4525	SEE	EIR	

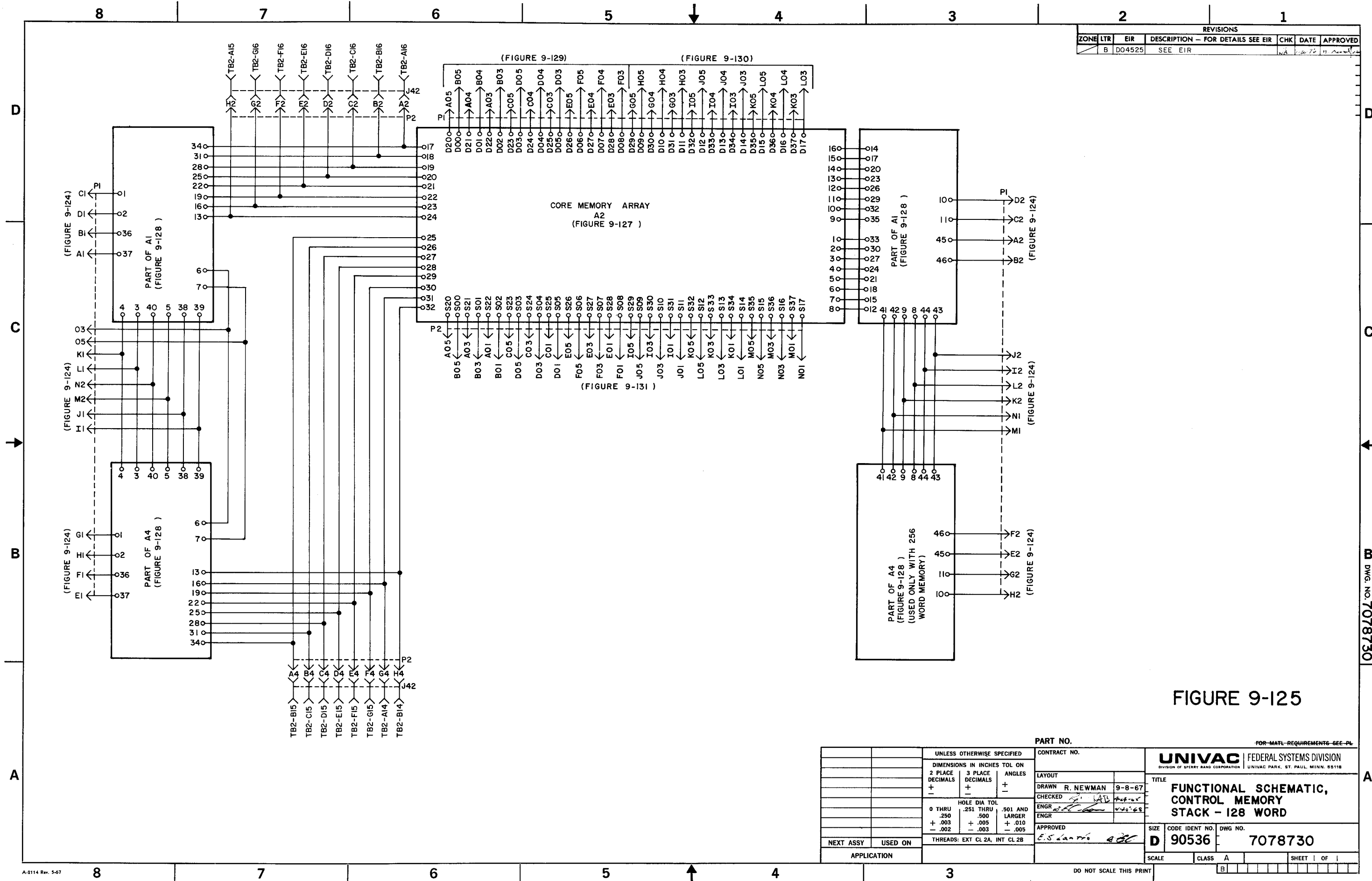


FIGURE 9-125

PART NO.		CONTRACT NO.		FOR MATL REQUIREMENTS SEE PL	
UNLESS OTHERWISE SPECIFIED		DIMENSIONS IN INCHES TOL ON		UNIVAC FEDERAL SYSTEMS DIVISION	
2 PLACE DECIMALS		3 PLACE DECIMALS		DIVISION OF SPERRY RAND CORPORATION UNIVAC PARK, ST. PAUL, MINN. 55118	
+		+		TITLE	
-		-		DRAWN R. NEWMAN 9-8-67	
HOLE DIA TOL		ANGLES		CHECKED <i>[Signature]</i>	
0 THRU .250		.251 THRU .500		ENGR <i>[Signature]</i>	
+.003		+.005		ENGR <i>[Signature]</i>	
-.002		+.010		APPROVED <i>[Signature]</i>	
THREADS: EXT CL 2A, INT CL 2B		APPROVED		SIZE CODE IDENT NO. DWG NO.	
NEXT ASSY USED ON APPLICATION		D 90536		7078730	
SCALE CLASS A		SHEET 1 OF 1		DO NOT SCALE THIS PRINT	

REVISIONS						
ZONE	LTR	EIR	DESCRIPTION - FOR DETAILS SEE EIR	CHK	DATE	APPROVED
B		DO4525	SEE EIR		1/20/72	H. J. ...

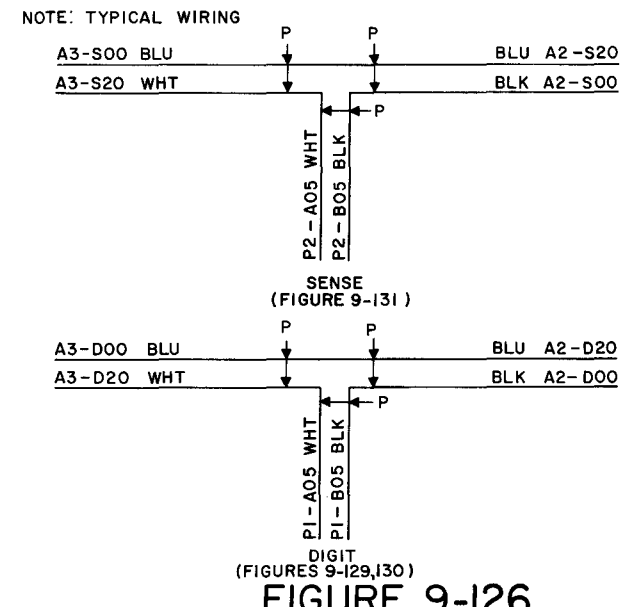
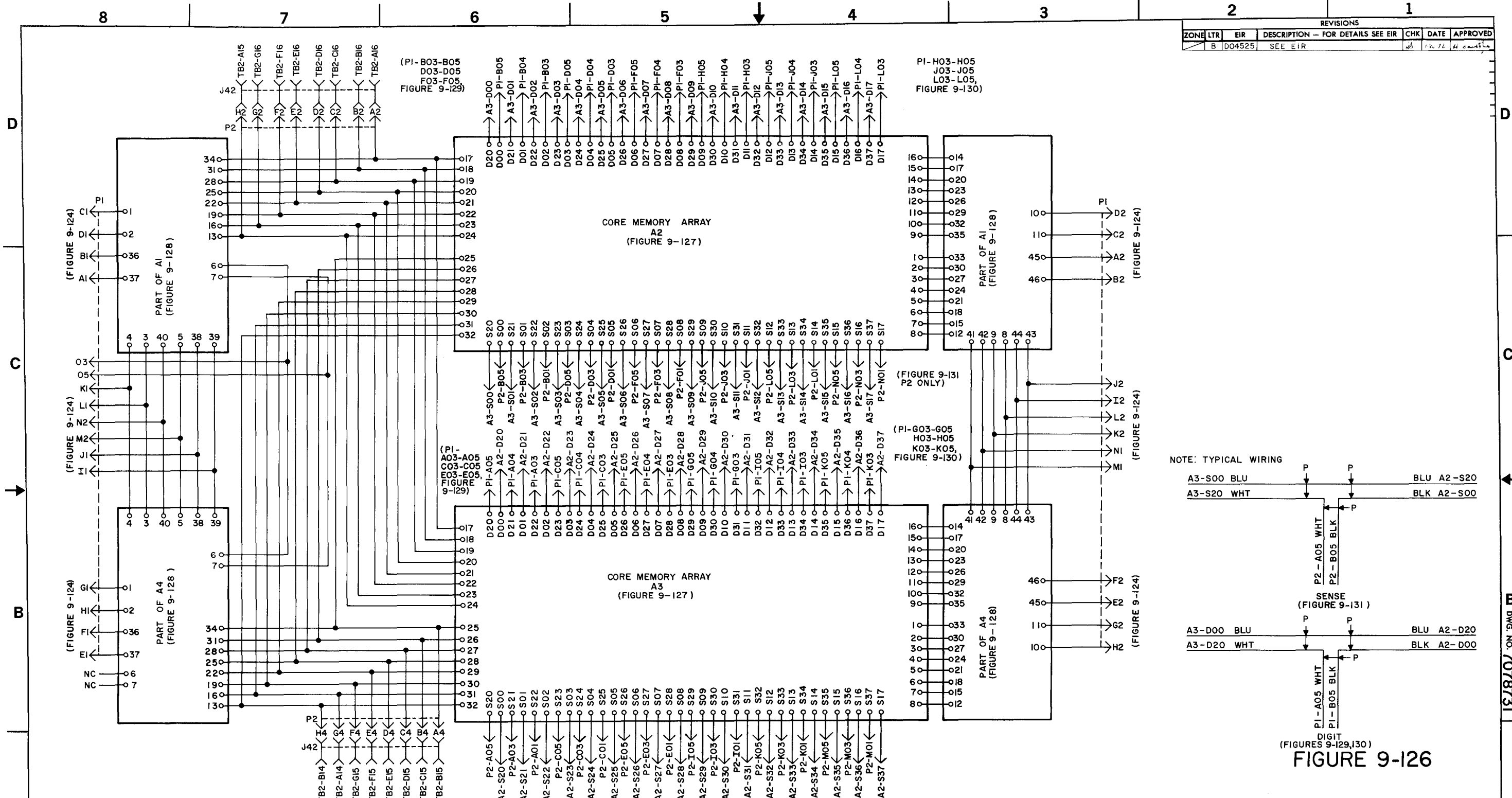
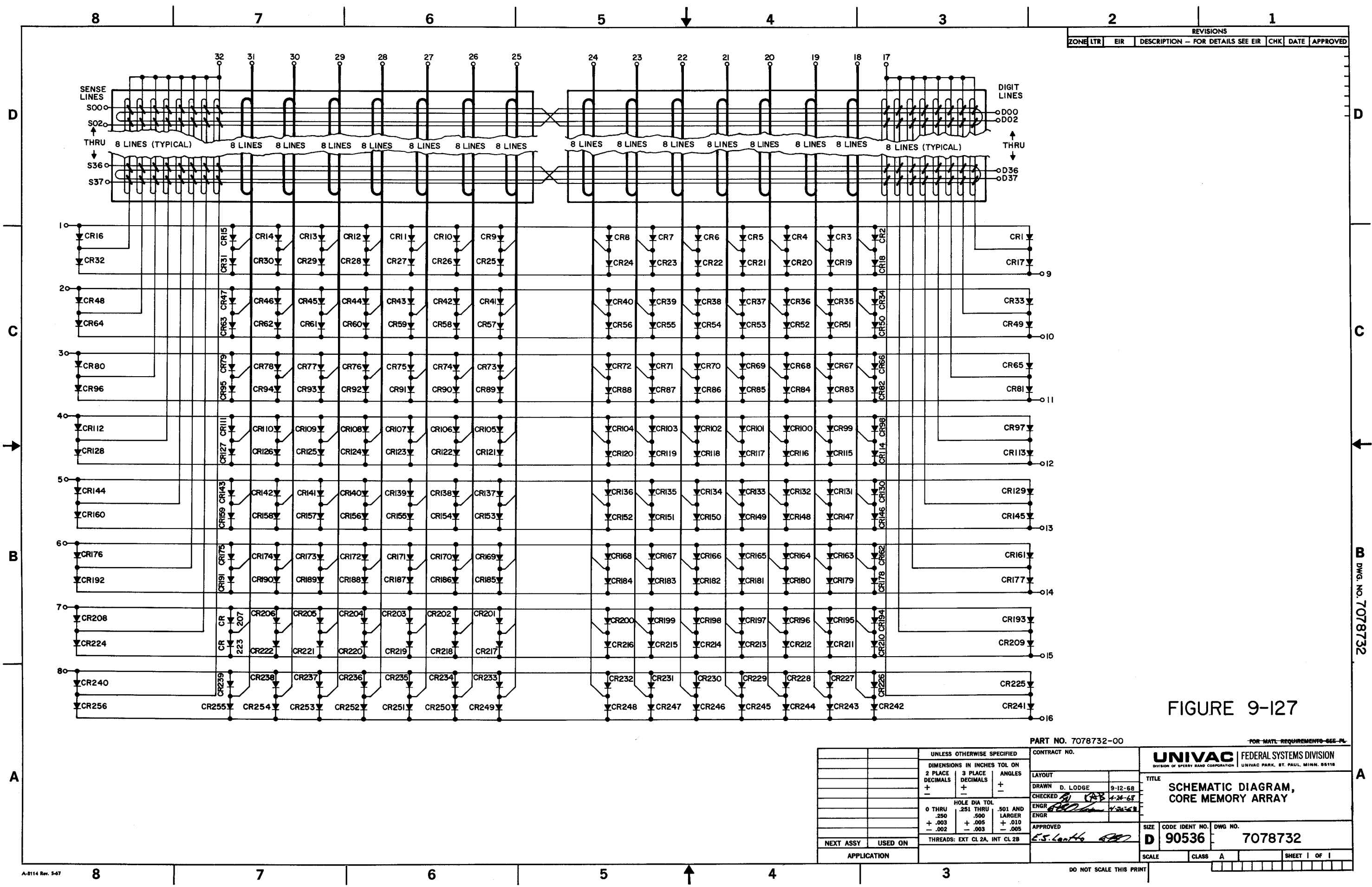


FIGURE 9-126

UNLESS OTHERWISE SPECIFIED		CONTRACT NO.		FOR MATL REQUIREMENTS SEE PL	
DIMENSIONS IN INCHES TOL ON		LAYOUT		UNIVAC FEDERAL SYSTEMS DIVISION	
2 PLACE DECIMALS	3 PLACE DECIMALS	+	+	DIVISION OF SPERRY RAND CORPORATION UNIVAC PARK, ST. PAUL, MINN. 55118	
+	+	+	+	TITLE	
0 THRU .250	.251 THRU .500	.501 AND LARGER		FUNCTIONAL SCHEMATIC, CONTROL MEMORY STACK-256 WORD	
+	+	+		DRAWN R. NEWMAN 9-11-67	
+	+	+		CHECKED [Signature] 11-2-67	
+	+	+		ENGR [Signature] 11-2-67	
+	+	+		ENGR [Signature] 11-2-67	
+	+	+		APPROVED [Signature]	
+	+	+		SIZE CODE IDENT NO. DWG NO.	
+	+	+		D 90536 7078731	
+	+	+		SCALE CLASS A SHEET OF I	
+	+	+		DO NOT SCALE THIS PRINT	

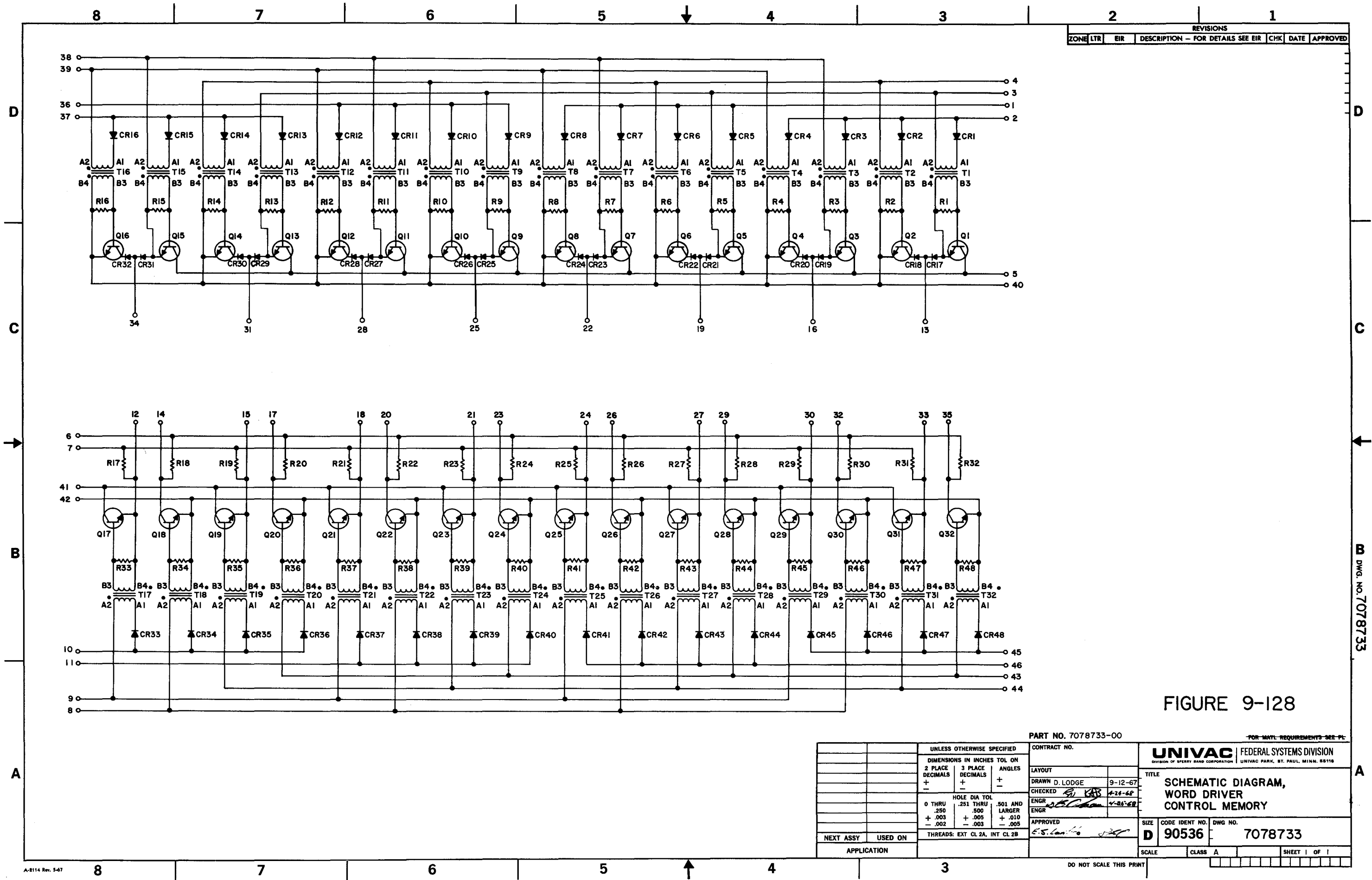


REVISIONS				
ZONE	LTR	EIR	DESCRIPTION - FOR DETAILS SEE EIR	CHK DATE APPROVED

FIGURE 9-127

PART NO. 7078732-00 FOR MATL. REQUIREMENTS SEE PL.

UNLESS OTHERWISE SPECIFIED		CONTRACT NO.	
DIMENSIONS IN INCHES TOL ON		LAYOUT	
2 PLACE DECIMALS	+	DRAWN D. LODGE	9-12-68
3 PLACE DECIMALS	+	CHECKED <i>[Signature]</i>	1-24-69
ANGLES	+	ENGR <i>[Signature]</i>	1-24-69
		ENGR <i>[Signature]</i>	
HOLE DIA TOL		APPROVED <i>[Signature]</i>	
0 THRU .250	+.003	SIZE	CODE IDENT NO.
.251 THRU .500	+.005	D	90536
.501 AND LARGER	+.010	DWG NO.	7078732
-.002	-.003	SCALE	CLASS A
THREADS: EXT CL 2A, INT CL 2B		SHEET 1 OF 1	



REVISIONS						
ZONE	LTR	EIR	DESCRIPTION - FOR DETAILS SEE EIR	CHK	DATE	APPROVED

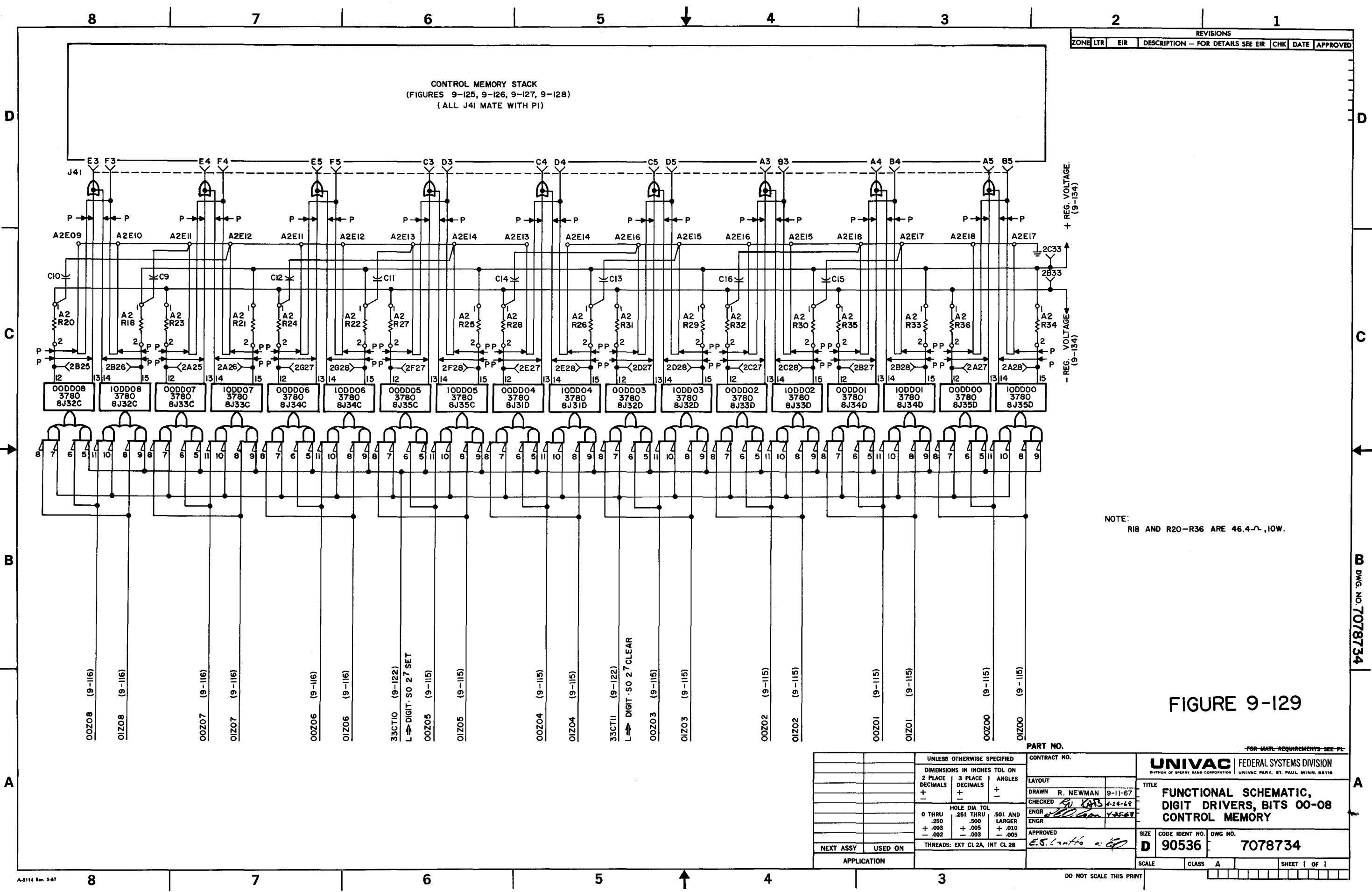
FIGURE 9-128

PART NO. 7078733-00

FOR MATL. REQUIREMENTS SEE PL

UNLESS OTHERWISE SPECIFIED		CONTRACT NO.		UNIVAC FEDERAL SYSTEMS DIVISION DIVISION OF SPERRY RAND CORPORATION UNIVAC PARK, ST. PAUL, MINN. 55116	
DIMENSIONS IN INCHES TOL ON		LAYOUT		TITLE	
2 PLACE DECIMALS	3 PLACE DECIMALS	+	-	DRAWN D. LODGE	9-12-67
+	+	+	-	CHECKED <i>S. K. B.</i>	4-24-68
HOLE DIA TOL		APPROVED		ENGR <i>S. K. B.</i>	
0 THRU .250	.251 THRU .500	.501 AND LARGER	<i>E. S. L.</i>	SIZE CODE IDENT NO. DWG NO.	
+.003	+.005	+.010		D 90536	7078733
-.002	-.003	-.005	THREADS: EXT CL 2A, INT CL 2B	SCALE CLASS A SHEET OF 1	
NEXT ASSY	USED ON	APPLICATION		DO NOT SCALE THIS PRINT	

DWG. NO. 7078733



REVISIONS						
ZONE	LTR	EIR	DESCRIPTION - FOR DETAILS SEE EIR	CHK	DATE	APPROVED

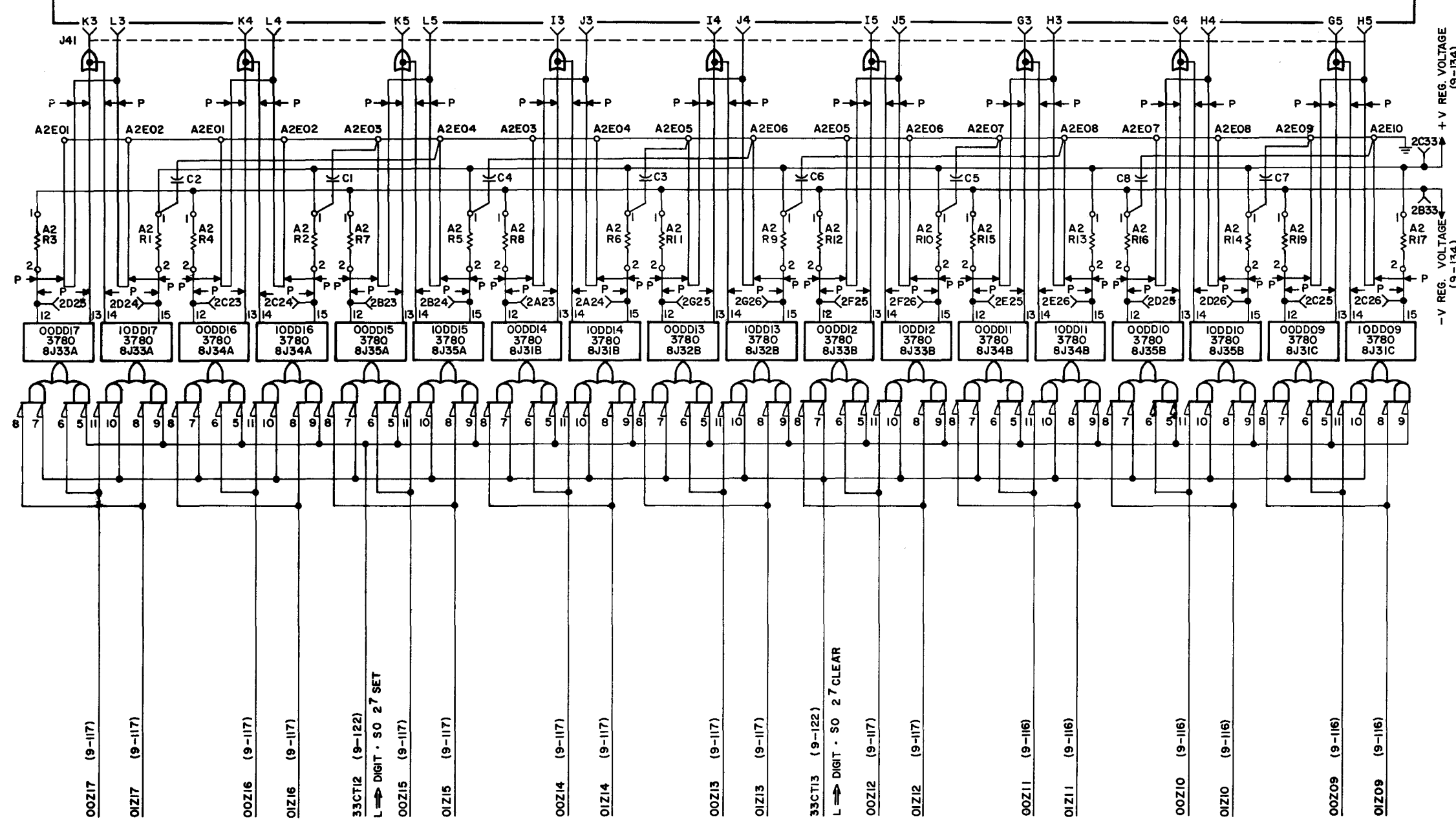
NOTE:
R18 AND R20-R36 ARE 46.4-Ω, 10W.

FIGURE 9-129

UNLESS OTHERWISE SPECIFIED		CONTRACT NO.		FOR MATL REQUIREMENTS SEE PL	
DIMENSIONS IN INCHES TOL ON		LAYOUT		UNIVAC FEDERAL SYSTEMS DIVISION	
2 PLACE DECIMALS	3 PLACE DECIMALS	+	+	DIVISION OF SPERRY RAND CORPORATION UNIVAC PARK, ST. PAUL, MINN. 55116	
+	+	+	+	TITLE	
+	+	+	+	DRAWN R. NEWMAN 9-11-67	
+	+	+	+	CHECKED <i>[Signature]</i> 4-14-68	
+	+	+	+	ENGR <i>[Signature]</i> 4-25-68	
+	+	+	+	ENGR <i>[Signature]</i> 4-25-68	
+	+	+	+	APPROVED <i>[Signature]</i> 4-25-68	
+	+	+	+	SIZE CODE IDENT NO. DWG NO.	
+	+	+	+	D 90536 7078734	
+	+	+	+	SCALE CLASS A SHEET 1 OF 1	
+	+	+	+	DO NOT SCALE THIS PRINT	

REVISIONS						
ZONE	LTR	EIR	DESCRIPTION - FOR DETAILS SEE EIR	CHK	DATE	APPROVED

CONTROL MEMORY STACK
(FIGURES 9-125, 9-126, 9-127, 9-128)
(ALL J41 MATE WITH P1)



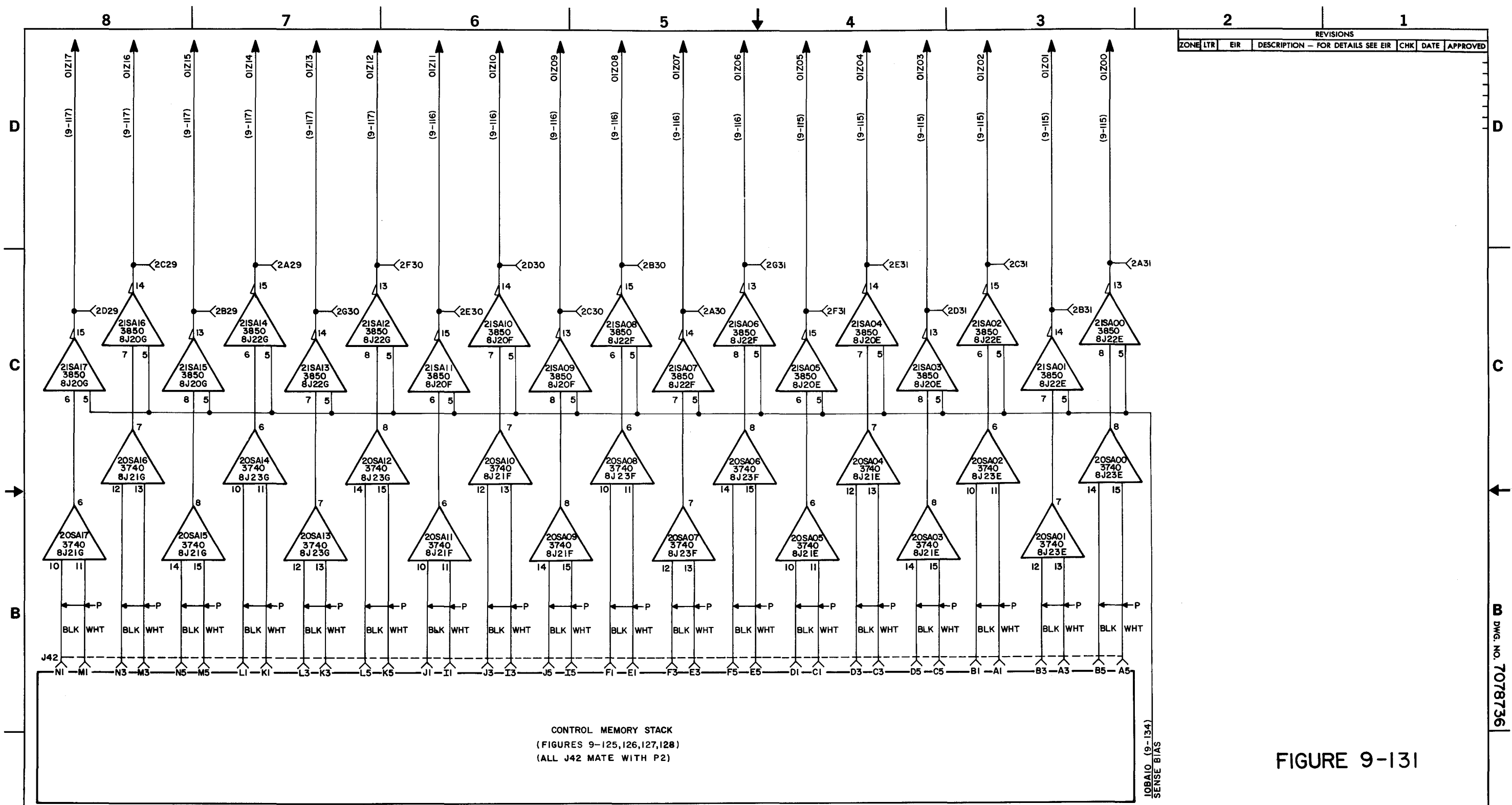
NOTE:
R1-R17 AND R19 ARE 46.4-Ω, 10W

FIGURE 9-130

UNLESS OTHERWISE SPECIFIED		CONTRACT NO.	
DIMENSIONS IN INCHES TOL ON		LAYOUT	
2 PLACE DECIMALS	3 PLACE DECIMALS	+	+
+	+	+	+
HOLE DIA TOL		APPROVED	
0 THRU .250	.251 THRU .500	E.S. Lantto	
+.003	+.005		
-.002	-.003		
THREADS: EXT CL 2A, INT CL 2B		DRAWN R.C. PETERSON 9-11-67	
NEXT ASSY USED ON APPLICATION		CHECKED [Signature] 9-24-67	
		ENGR [Signature] 9-28-67	
		TITLE	
		FUNCTIONAL SCHEMATIC, DIGIT DRIVERS BITS 09-17 CONTROL MEMORY	
		SIZE	CODE IDENT NO. DWG NO.
		D	90536 7078735
		SCALE	CLASS A SHEET 1 OF 1

DO NOT SCALE THIS PRINT

B DWG NO. 7078735



CONTROL MEMORY STACK
 (FIGURES 9-125,126,127,128)
 (ALL J42 MATE WITH P2)

REVISIONS						
ZONE	LTR	EIR	DESCRIPTION - FOR DETAILS SEE EIR	CHK	DATE	APPROVED

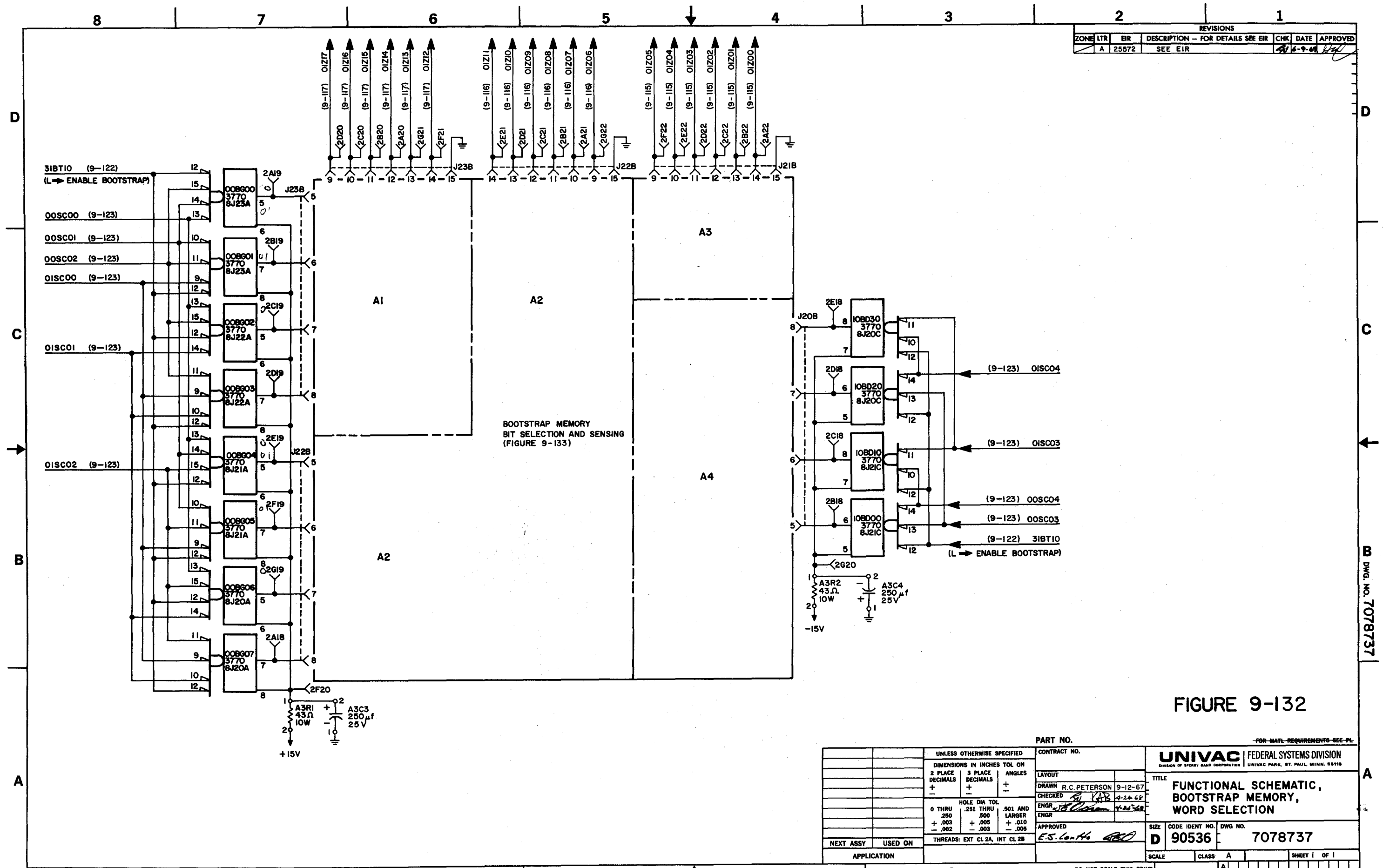
FIGURE 9-131

IOBA10 (9-134)
SENSE BIAS

DWG. NO. 7078736

PART NO.		CONTRACT NO.		FOR MATL REQUIREMENTS SEE PL	
UNLESS OTHERWISE SPECIFIED		DIMENSIONS IN INCHES TOL ON		LAYOUT	
2 PLACE DECIMALS	3 PLACE DECIMALS	ANGLES	DRAWN R.C. PETERSON 9-12-67		
+	+	+	CHECKED <i>[Signature]</i> 4-24-68		
0 THRU .250	.251 THRU .500	.501 AND LARGER	ENGR <i>[Signature]</i> 4-25-68		
-.003	+.005	+.010	APPROVED <i>[Signature]</i>		
-.002	-.003	-.005	NEXT ASSY USED ON APPLICATION		
THREADS: EXT CL 2A, INT CL 2B		TITLE		SIZE	
		FUNCTIONAL SCHEMATIC, SENSE AMPS BITS 00-17		D 90536	
		UNIVAC FEDERAL SYSTEMS DIVISION		DWG NO. 7078736	
		DIVISION OF SPERRY RAND CORPORATION		SCALE CLASS A SHEET 1 OF 1	
		UNIVAC PARK, ST. PAUL, MINN. 55116		DO NOT SCALE THIS PRINT	

REVISIONS						
ZONE	LTR	EIR	DESCRIPTION - FOR DETAILS SEE EIR	CHK	DATE	APPROVED
A		25572	SEE EIR		8-16-67	<i>[Signature]</i>

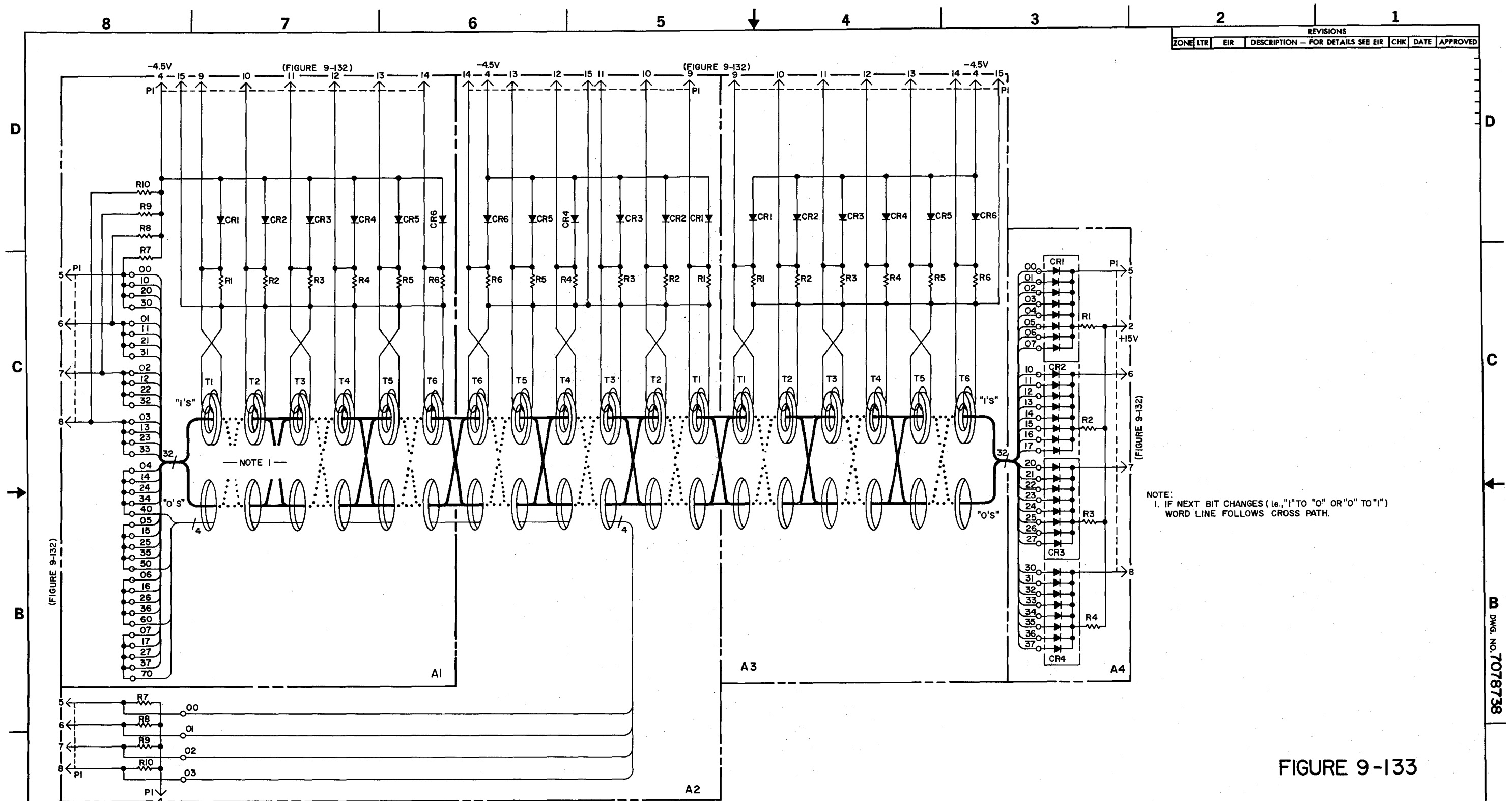


BOOTSTRAP MEMORY
BIT SELECTION AND SENSING
(FIGURE 9-133)

FIGURE 9-132

UNLESS OTHERWISE SPECIFIED		CONTRACT NO.		FOR MATL. REQUIREMENTS SEE PL.	
DIMENSIONS IN INCHES TOL ON		LAYOUT		UNIVAC FEDERAL SYSTEMS DIVISION	
2 PLACE DECIMALS	3 PLACE DECIMALS	ANGLES	DRAWN	R.C. PETERSON	9-12-67
+	+	+	CHECKED	<i>[Signature]</i>	9-24-67
HOLE DIA TOL		ENGR		UNIVAC	
0 THRU .250	.251 THRU .500	.501 AND LARGER	ENGR	TITLE	
+	+	+	ENGR	FUNCTIONAL SCHEMATIC, BOOTSTRAP MEMORY, WORD SELECTION	
-.002	-.003	-.005	APPROVED	SIZE	CODE IDENT NO. DWG NO.
THREADS: EXT CL 2A, INT CL 2B		<i>[Signature]</i>		D	90536 7078737
NEXT ASSY	USED ON	APPLICATION		SCALE	CLASS A
				DO NOT SCALE THIS PRINT	SHEET 1 OF 1

REVISIONS						
ZONE	LTR	EIR	DESCRIPTION - FOR DETAILS SEE EIR	CHK	DATE	APPROVED



NOTE:
1. IF NEXT BIT CHANGES (i.e., "1" TO "0" OR "0" TO "1")
WORD LINE FOLLOWS CROSS PATH.

FIGURE 9-133

UNLESS OTHERWISE SPECIFIED		CONTRACT NO.		FOR MATL REQUIREMENTS SEE DL	
DIMENSIONS IN INCHES TOL ON		LAYOUT		TITLE	
2 PLACE DECIMALS	3 PLACE DECIMALS	+	+	DRAWN R.C. PETERSON	9-12-67
+	+	-	-	CHECKED <i>[Signature]</i>	4-28-68
HOLE DIA TOL		ENGR <i>[Signature]</i>		APPROVED <i>[Signature]</i>	
0 THRU .250	.251 THRU .500	.501 AND LARGER	E.S. Lentz		
+	+	+	SIZE CODE IDENT NO. DWG NO.		
-.002	-.003	-.005	D 90536 7078738		
THREADS: EXT CL 2A, INT CL 2B		SCALE CLASS A		SHEET 1 OF 1	
NEXT ASSY	USED ON	APPLICATION		DO NOT SCALE THIS PRINT	

DWG. NO. 7078738

REVISIONS						
ZONE	LTR	EIR	DESCRIPTION - FOR DETAILS SEE EIR	CHK	DATE	APPROVED
A	16679	SEE	EIR	AB	10-24-67	CCB
B	24952	SEE	EIR	AB	11-14-67	CCB
C	17049	SEE	EIR	AB	12-31-67	CCB

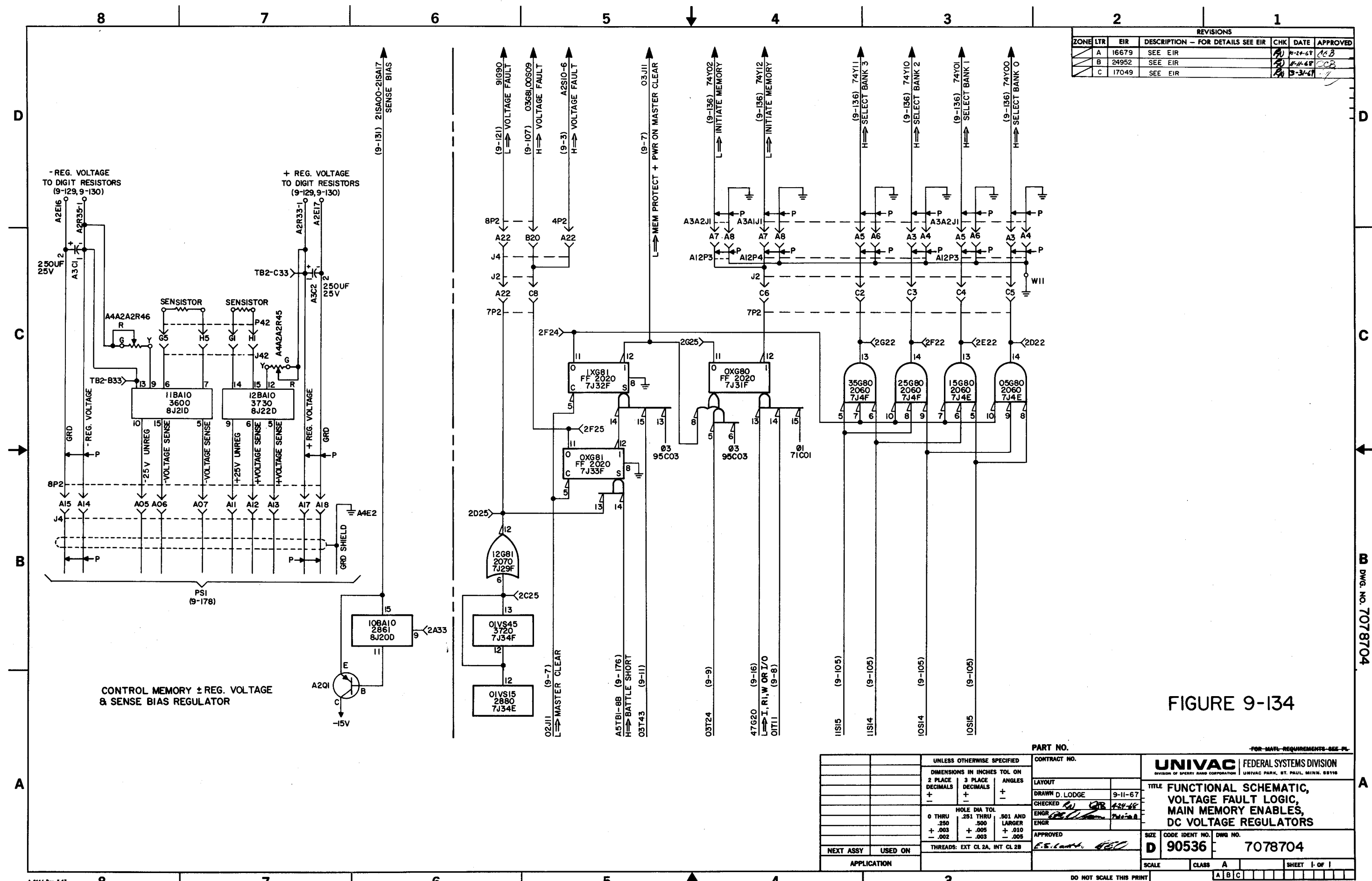


FIGURE 9-134

UNLESS OTHERWISE SPECIFIED			CONTRACT NO.	
DIMENSIONS IN INCHES TOL ON	2 PLACE DECIMALS	3 PLACE DECIMALS	LAYOUT	
+	+	+	DRAWN D. LODGE	9-11-67
HOLE DIA TOL			CHECKED <i>AB</i>	ENGR <i>AB</i>
0 THRU .250	.251 THRU .500	.501 AND LARGER	ENGR <i>AB</i>	
+.003	+.005	+.010	APPROVED <i>E.S. L...</i>	
-.002	-.003	-.005	NEXT ASSY USED ON	
THREADS: EXT CL 2A, INT CL 2B			APPLICATION	
PART NO.			TITLE	
FOR MATL REQUIREMENTS SEE PL			FUNCTIONAL SCHEMATIC, VOLTAGE FAULT LOGIC, MAIN MEMORY ENABLERS, DC VOLTAGE REGULATORS	
UNIVAC FEDERAL SYSTEMS DIVISION			UNIVAC PARK, ST. PAUL, MINN. 55118	
SIZE			CODE IDENT NO.	DWG NO.
D			90536	7078704
SCALE			CLASS	SHEET
DO NOT SCALE THIS PRINT			A	1 OF 1

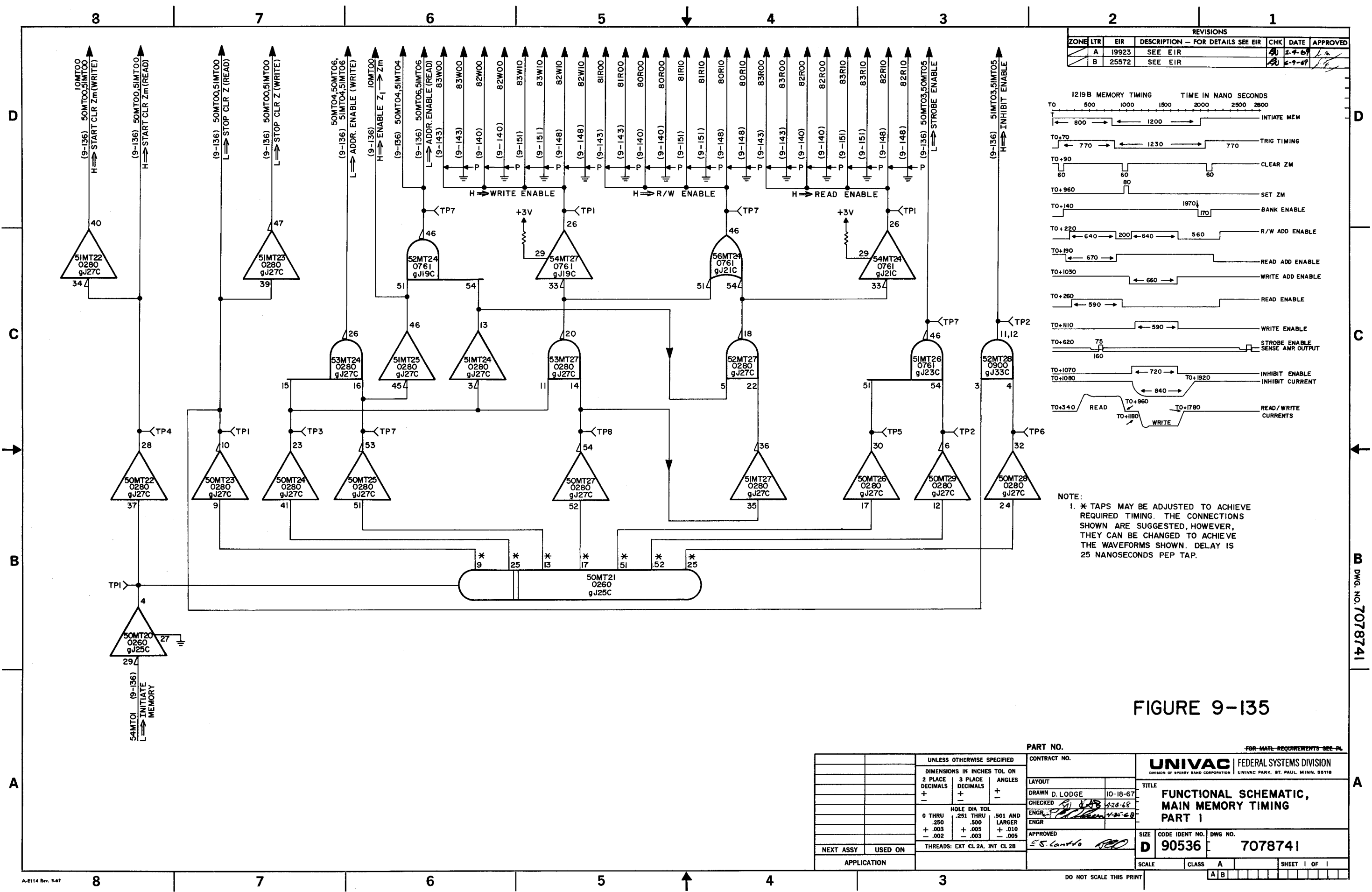
DWG. NO. 7078704

(THIS PAGE INTENTIONALLY LEFT BLANK)

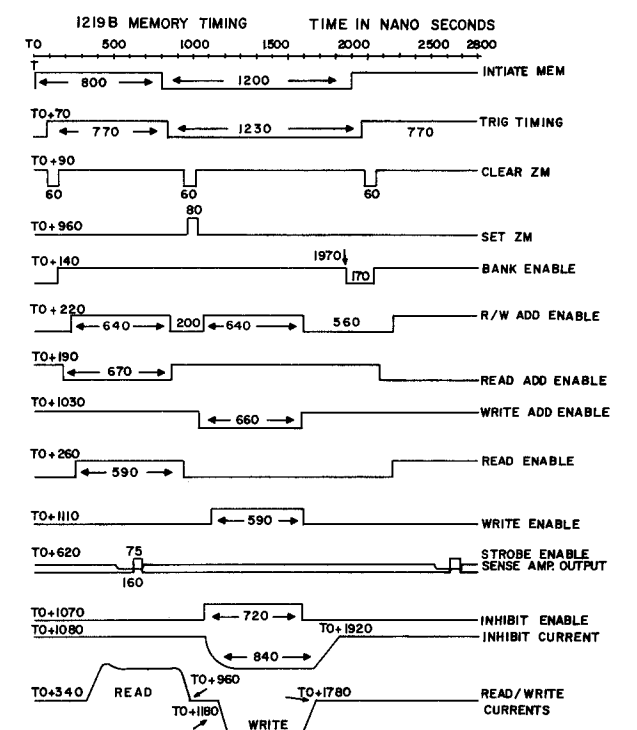
NOTE: For Digital Data Computers with Serial Numbers 14 through 48, test points are provided as follows:

CIRCUIT	TEST POINT	CIRCUIT	TEST POINT
50MT22	TB1-B1	51MT26	TB1-J2
50MT23	TB1-C1	52MT24	TB1-E2
50MT24	TB1-D1	52MT28	TB1-K2
50MT25	TB1-E1	53MT24	TB1-K7
50MT26	TB1-F1	54MT24	TB1-F2
50MT27	TB1-G1	54MT27	TB1-G2
50MT28	TB1-H1	56MT24	TB1-H2
50MT29	TB1-J1		
51MT22	TB1-K9		
51MT23	TB1-K8		

FIGURE 9-135 SUPPLEMENT



REVISIONS						
ZONE	LTR	EIR	DESCRIPTION - FOR DETAILS SEE EIR	CHK	DATE	APPROVED
	A	19923	SEE EIR		2-9-67	
	B	25572	SEE EIR		6-9-67	



NOTE:
 1. * TAPS MAY BE ADJUSTED TO ACHIEVE REQUIRED TIMING. THE CONNECTIONS SHOWN ARE SUGGESTED, HOWEVER, THEY CAN BE CHANGED TO ACHIEVE THE WAVEFORMS SHOWN. DELAY IS 25 NANOSECONDS PEP TAP.

FIGURE 9-135

PART NO.		CONTRACT NO.		FOR MATL REQUIREMENTS SEE PL	
UNLESS OTHERWISE SPECIFIED		DIMENSIONS IN INCHES TOL ON		LAYOUT	
2 PLACE DECIMALS		3 PLACE DECIMALS		DRAWN D. LODGE 10-18-67	
+		+		CHECKED [Signature] 4-28-68	
HOLE DIA TOL		ANGLES		ENGR [Signature] 4-28-68	
0 THRU .250		.251 THRU .500		APPROVED [Signature]	
+.003		+.005		SIZE CODE IDENT NO. DWG NO.	
-.002		-.003		D 90536 7078741	
THREADS: EXT CL 2A, INT CL 2B		SCALE CLASS A		SHEET 1 OF 1	
NEXT ASSY USED ON		APPLICATION		DO NOT SCALE THIS PRINT	

REVISIONS						
ZONE	LTR	EIR	DESCRIPTION - FOR DETAILS SEE EIR	CHK	DATE	APPROVED
A		16605	SEE EIR		9-20-67	
B		19923	SEE EIR		2-5-68	
C		06084	SEE EIR		2-28-72	

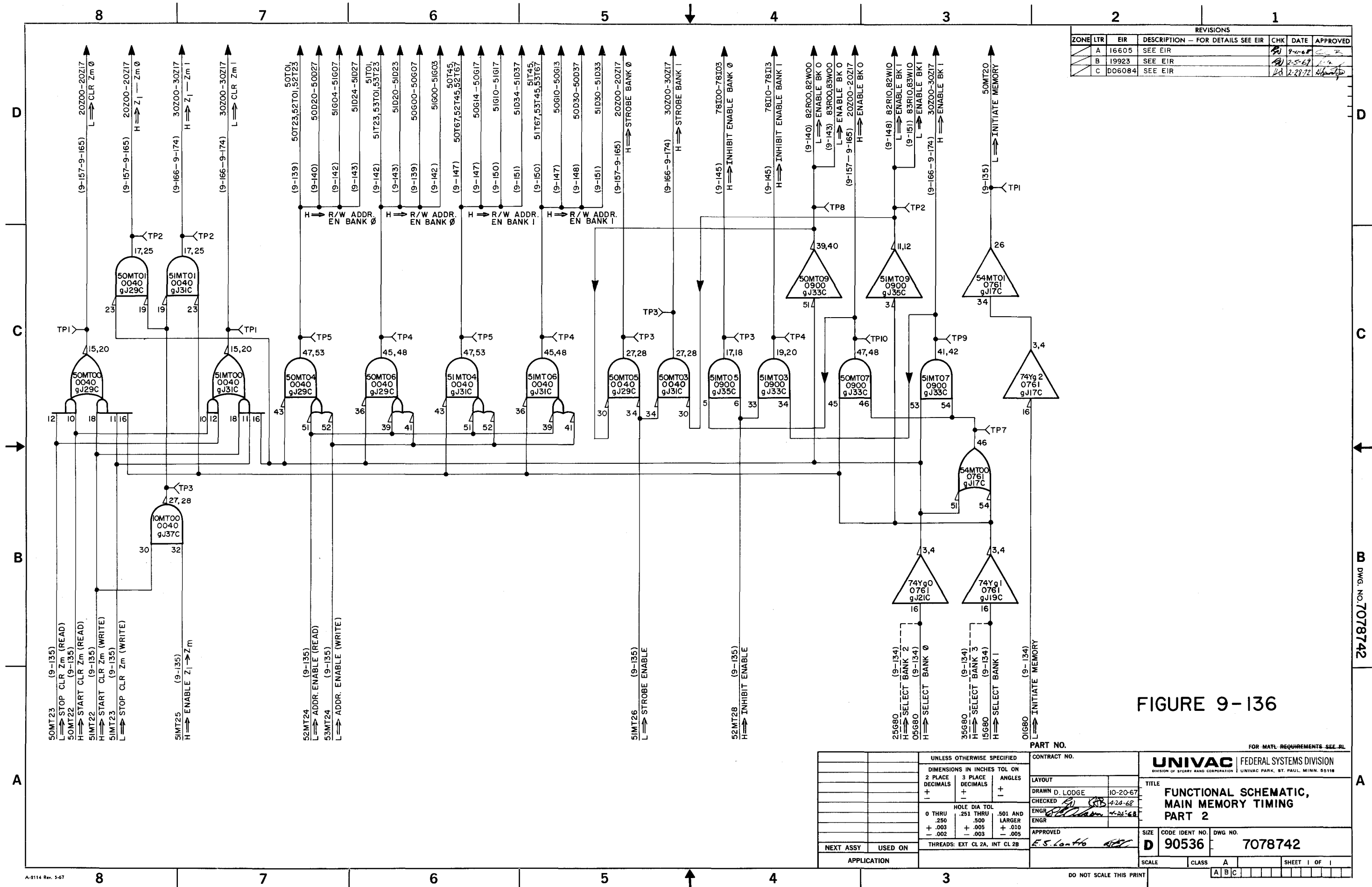


FIGURE 9-136

UNLESS OTHERWISE SPECIFIED		CONTRACT NO.		FOR MATL. REQUIREMENTS SEE RL	
DIMENSIONS IN INCHES TOL ON		LAYOUT		UNIVAC FEDERAL SYSTEMS DIVISION	
2 PLACE DECIMALS	3 PLACE DECIMALS	+	+	DIVISION OF SPERRY RAND CORPORATION UNIVAC PARK, ST. PAUL, MINN. 55118	
0 THRU .250	.251 THRU .500	0 THRU .002	.501 AND LARGER	TITLE	
+	+	+	+	FUNCTIONAL SCHEMATIC, MAIN MEMORY TIMING PART 2	
HOLE DIA TOL		APPROVED		SIZE	
0 THRU .251	.251 THRU .500	E.S. Lantz		D 90536	
+	+	ENGR		CODE IDENT NO.	
+	+	ENGR		7078742	
THREADS: EXT CL 2A, INT CL 2B		NEXT ASSY		DWG NO.	
USED ON		APPLICATION		7078742	
SCALE		CLASS		SHEET 1 OF 1	
DO NOT SCALE THIS PRINT		A B C			

DWG. NO. 7078742

NOTE: For Digital Data Computers with Serial Numbers 14 through 48, test points are provided as follows:

CIRCUIT	TEST POINT	CIRCUIT	TEST POINT
50MT00	TB1-A3	51MT03	TB2-F3
50MT01	TB1-B2	51MT04	TB2-C3
50MT03	TB2-E3	51MT05	TB1-F3
50MT04	TB1-C3	51MT06	TB2-D3
50MT05	TB1-E3	51MT07	TB2-G3
50MT06	TB1-D3	51MT09	TB2-H3
50MT07	TB1-G3	54MT00	TB1-K1
50MT09	TB1-H3	54MT01	TB1-A1
51MT00	TB2-A3	74Yg0	TB1-K12
51MT01	TB2-B3	74Yg1	TB1-K11
		74Yg2	TB1-K10

FIGURE 9-136 SUPPLEMENT

NOTE: For Digital Data Computers with Serial Numbers 14 through 48, test points are provided as follows:

CIRCUIT	TEST POINT	CIRCUIT	TEST POINT
7gY00 7gY01 7gY02 7gY03 7gY04	TB2-E2 TB2-F2 TB2-G2 TB2-H2 TB2-J2	7GY05 7gY06 7gY07	TB2-A1 TB2-B1 TB2-C1

FIGURE 9-137 SUPPLEMENT

REVISIONS						
ZONE	LTR	EIR	DESCRIPTION - FOR DETAILS SEE EIR	CHK	DATE	APPROVED
A		19923	SEE EIR		2-3-67	
B		25572	SEE EIR		6-2-69	

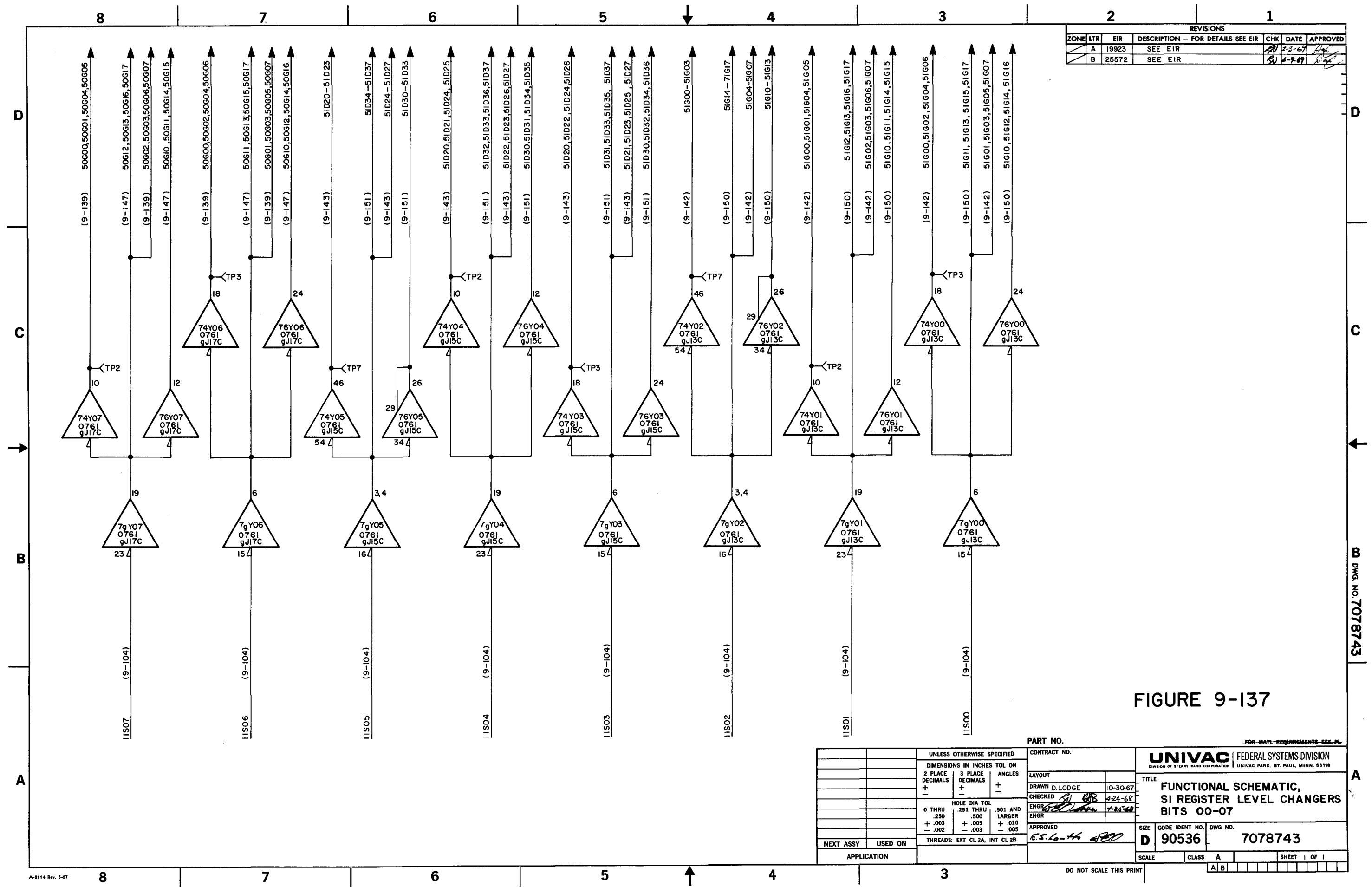


FIGURE 9-137

UNLESS OTHERWISE SPECIFIED		CONTRACT NO.		PART NO.		FOR MATL REQUIREMENTS SEE PL	
DIMENSIONS IN INCHES TOL ON		LAYOUT		UNIVAC FEDERAL SYSTEMS DIVISION		DIVISION OF SPERRY RAND CORPORATION UNIVAC PARK, ST. PAUL, MINN. 55118	
2 PLACE DECIMALS	3 PLACE DECIMALS	ANGLES	DRAWN D. LODGE	10-30-67	TITLE		
+	+	+	CHECKED	4-24-68	FUNCTIONAL SCHEMATIC, SI REGISTER LEVEL CHANGERS BITS 00-07		
HOLE DIA TOL		ENGR		APPROVED			
0 THRU .250	.251 THRU .500	.501 AND LARGER	E.S. 6-46		SIZE CODE IDENT NO. DWG NO.		
+	+	+	E.S. 6-46		D	90536	7078743
THREADS: EXT CL 2A, INT CL 2B		NEXT ASSY USED ON		SCALE		CLASS A SHEET 1 OF 1	
APPLICATION				DO NOT SCALE THIS PRINT		A B	

REVISIONS						
ZONE	LTR	EIR	DESCRIPTION - FOR DETAILS SEE EIR	CHK	DATE	APPROVED
A		19923	SEE EIR		8-3-69	
B		25572	SEE EIR		8-9-69	

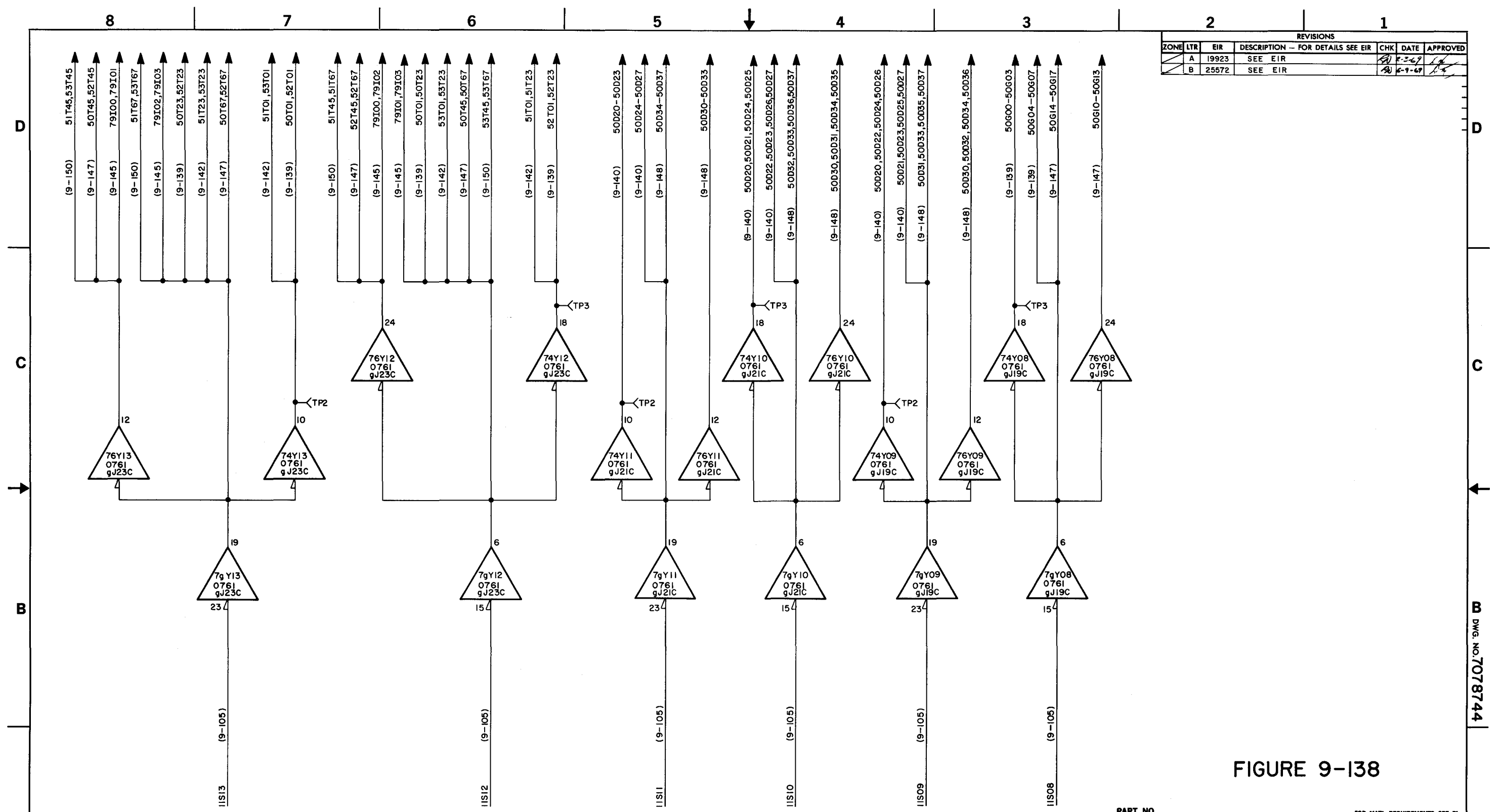


FIGURE 9-138

UNLESS OTHERWISE SPECIFIED		CONTRACT NO.		PART NO.	
DIMENSIONS IN INCHES TOL ON		LAYOUT		UNIVAC FEDERAL SYSTEMS DIVISION	
2 PLACE DECIMALS	3 PLACE DECIMALS	ANGLES	DRAWN D. LODGE	10-31-67	TITLE
+	+	+	CHECKED <i>[Signature]</i>	124-68	FUNCTIONAL SCHEMATIC,
HOLE DIA TOL		ENGR <i>[Signature]</i>		4-25-68	SI REGISTER LEVEL CHANGERS
0 THRU .251 THRU	.500	.501 AND LARGER	APPROVED <i>[Signature]</i>		BITS 08-13
+	+	+	SCALE	CLASS A	SHEET 1 OF 1
-	-	-	SIZE D	CODE IDENT NO. 90536	DWG NO. 7078744
THREADS: EXT CL 2A, INT CL 2B	NEXT ASSY	USED ON	APPLICATION	DO NOT SCALE THIS PRINT	

B DWG. NO. 7078744

NOTE: For Digital Data Computers with Serial Numbers 14 through 48, test points are provided as follows:

CIRCUIT	TEST POINT	CIRCUIT	TEST POINT
7gY08 7gY09 7gY10	TB2-D1 TB2-E1 TB2-F1	7gY11 7gY12 7gY13	TB2-G1 TB2-H1 TB2-J1

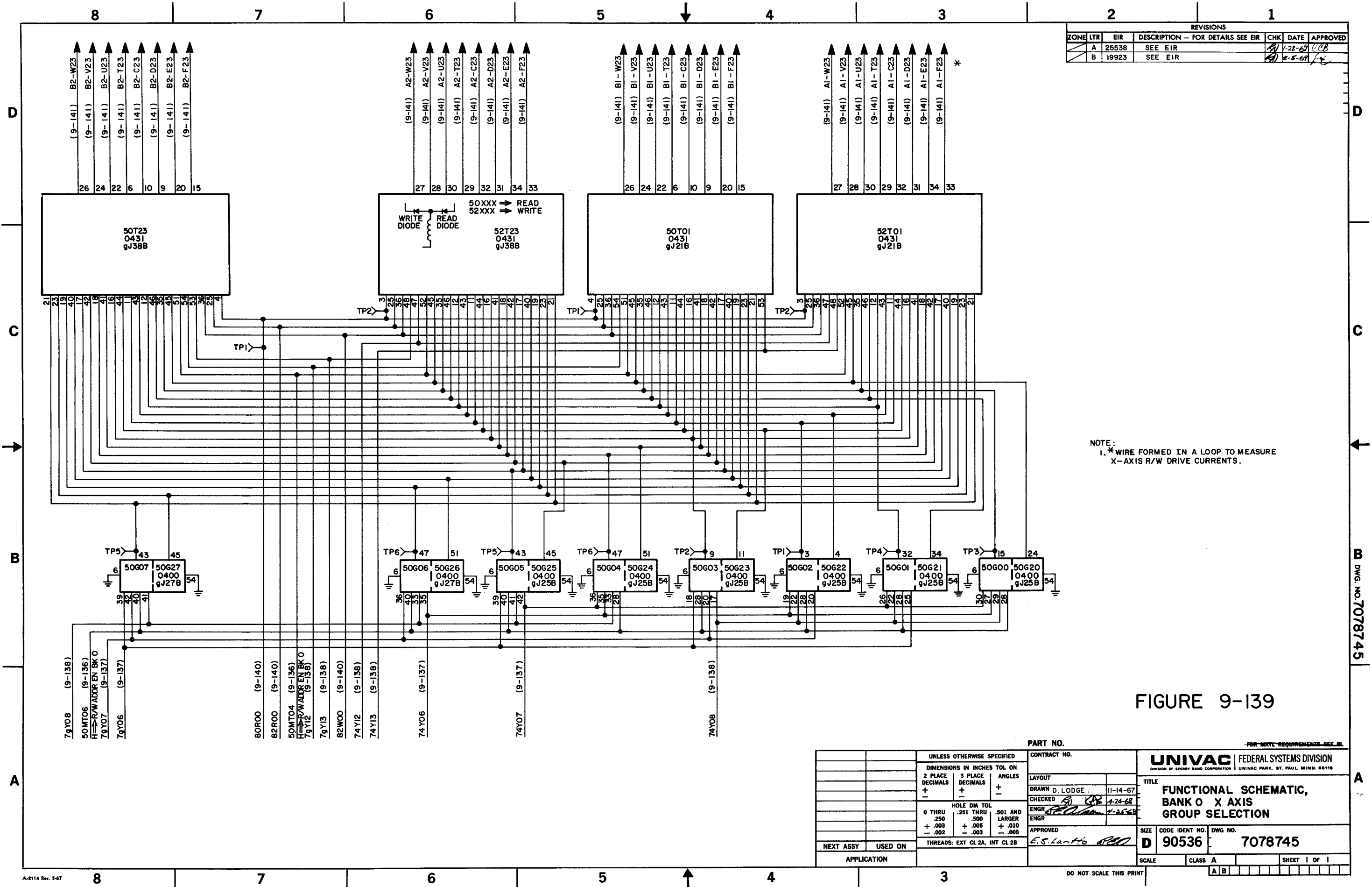
FIGURE 9-138 SUPPLEMENT

NOTE: For Digital Data Computers with Serial Numbers 14 through 48, test points are provided as follows:

CIRCUIT	TEST POINT	CIRCUIT	TEST POINT
50G00	TB1-A10	50G04	TB1-E10
50G01	TB1-B10	50G05	TB1-F10
50G02	TB1-C10	50G06	TB1-G10
50G03	TB1-D10	50G07	TB1-H10

FIGURE 9-139 SUPPLEMENT

REVISIONS						
ZONE	LTR	EIR	DESCRIPTION - FOR DETAILS SEE EIR	CHK	DATE	APPROVED
	A	25538	SEE EIR		1-28-69	UCB
	B	19923	SEE EIR		2-5-69	LC



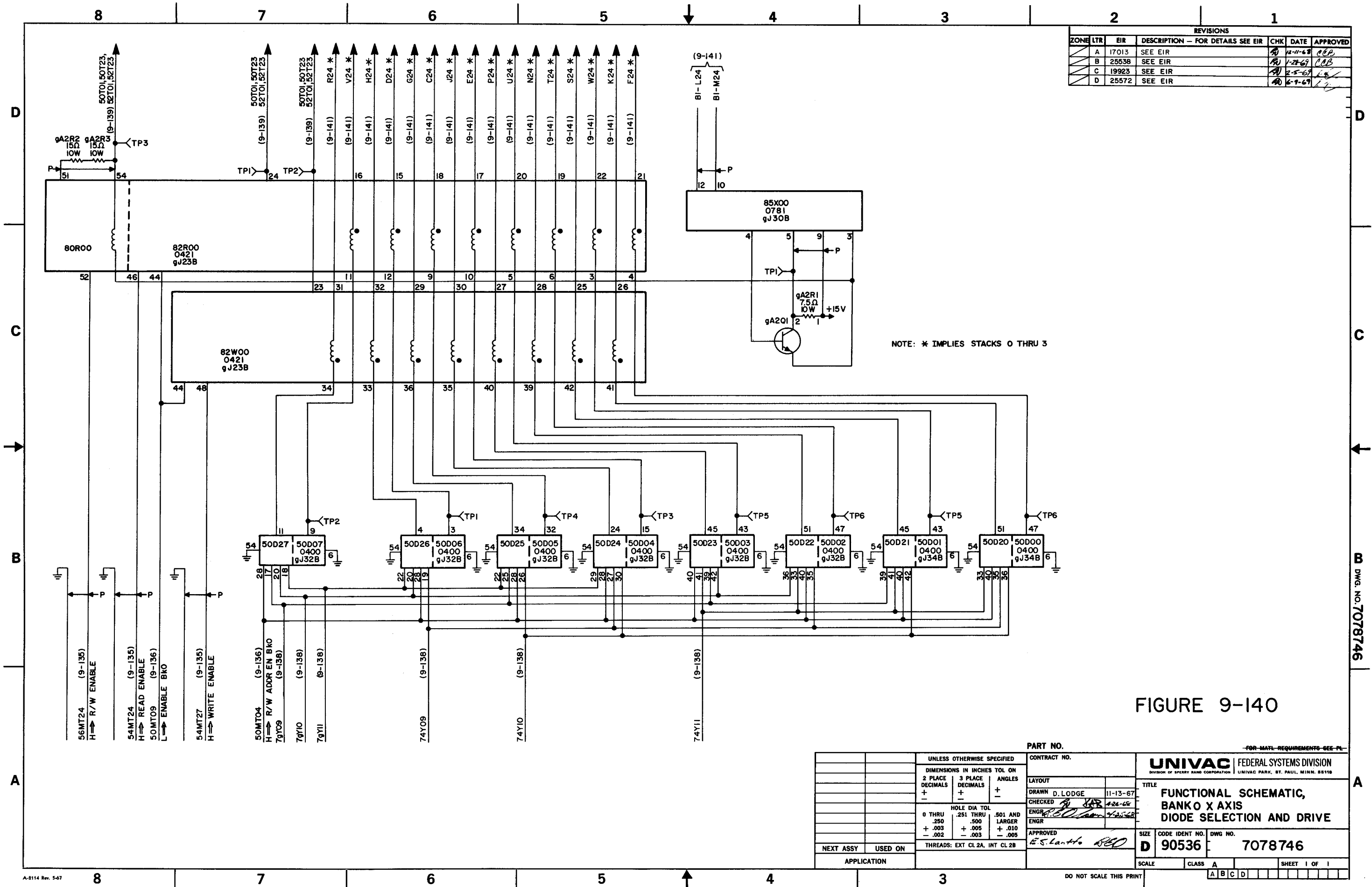
NOTE:
1. *WIRE FORMED IN A LOOP TO MEASURE X-AXIS R/W DRIVE CURRENTS.

FIGURE 9-139

UNLESS OTHERWISE SPECIFIED		CONTRACT NO.		UNIVAC FEDERAL SYSTEMS DIVISION DIVISION OF SPERRY RAND CORPORATION UNIVAC PARK, ST. PAUL, MINN. 55118	
DIMENSIONS IN INCHES TOL ON		LAYOUT		TITLE	
2 PLACE DECIMALS	3 PLACE DECIMALS	ANGLES	DRAWN D. LODGE	FUNCTIONAL SCHEMATIC, BANK 0 X AXIS GROUP SELECTION	
+	+	+	CHECKED [Signature]	11-14-67	
HOLE DIA TOL		ENGR [Signature]		1-24-68	
0 THRU .250	.251 THRU .500	.501 AND LARGER	APPROVED [Signature]		
+	+	+	E.S. Lantto		
-.003	-.005	-.010	PART NO. 7078745		
-.002	-.003	-.005	FOR MTL REQUIREMENTS SEE BL		
THREADS: EXT CL 2A, INT CL 2B		NEXT ASSY USED ON		SIZE CODE IDENT NO. DWG NO.	
				D 90536 7078745	
APPLICATION		SCALE		CLASS A SHEET 1 OF 1	
				A B	

DWG. NO. 7078745

REVISIONS						
ZONE	LTR	EIR	DESCRIPTION - FOR DETAILS SEE EIR	CHK	DATE	APPROVED
	A	17013	SEE EIR	AB	11-11-67	AB
	B	25538	SEE EIR	AB	1-24-69	AB
	C	19923	SEE EIR	AB	2-5-69	AB
	D	25572	SEE EIR	AB	6-9-69	AB



NOTE: * IMPLIES STACKS 0 THRU 3

FIGURE 9-140

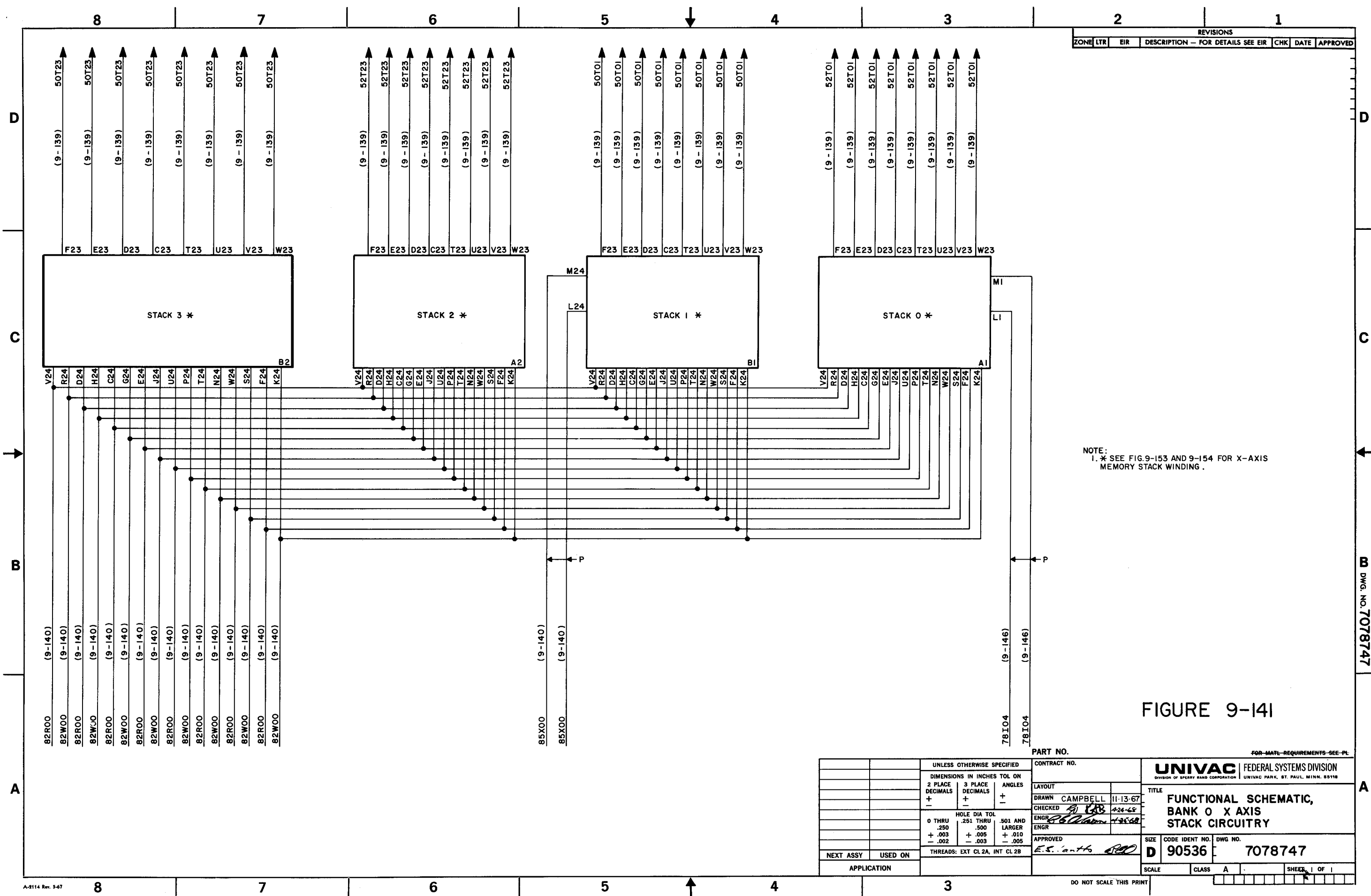
PART NO.		CONTRACT NO.		UNIVAC FEDERAL SYSTEMS DIVISION	
DIMENSIONS IN INCHES TOL ON 2 PLACE DECIMALS		DIMENSIONS IN INCHES TOL ON 3 PLACE DECIMALS		DRAWN D. LODGE 11-13-67	
HOLE DIA TOL		ANGLES		CHECKED <i>[Signature]</i> 1-24-69	
0 THRU .250		.251 THRU .500		ENGR <i>[Signature]</i> 1-24-69	
.250		.500		APPROVED <i>[Signature]</i> 1-24-69	
+.003		+.005		SIZE D	
-.002		-.003		CODE IDENT NO. 90536	
THREADS: EXT CL 2A, INT CL 2B		LAYOUT		DWG NO. 7078746	
NEXT ASSY		USED ON		SCALE CLASS A SHEET 1 OF 1	
APPLICATION		DO NOT SCALE THIS PRINT		A B C D	

NOTE: For Digital Data Computers with Serial Numbers 14 through 48, test points are provided as follows:

CIRCUIT	TEST POINT	CIRCUIT	TEST POINT
50D00	TB1-H9	80R00, Pin 54	TB1-E4
50D01	TB1-J9	82R00, Pin 24	TB1-A4
50D02	TB1-A8	82W00, Pin 23	TB1-B4
50D03	TB1-B8	85X00, Pin 5	TB1-G4
50D04	TB1-C8		
50D05	TB1-D8		
50D06	TB1-E8		
50D07	TB1-F8		

FIGURE 9-140 SUPPLEMENT

(THIS PAGE INTENTIONALLY LEFT BLANK)



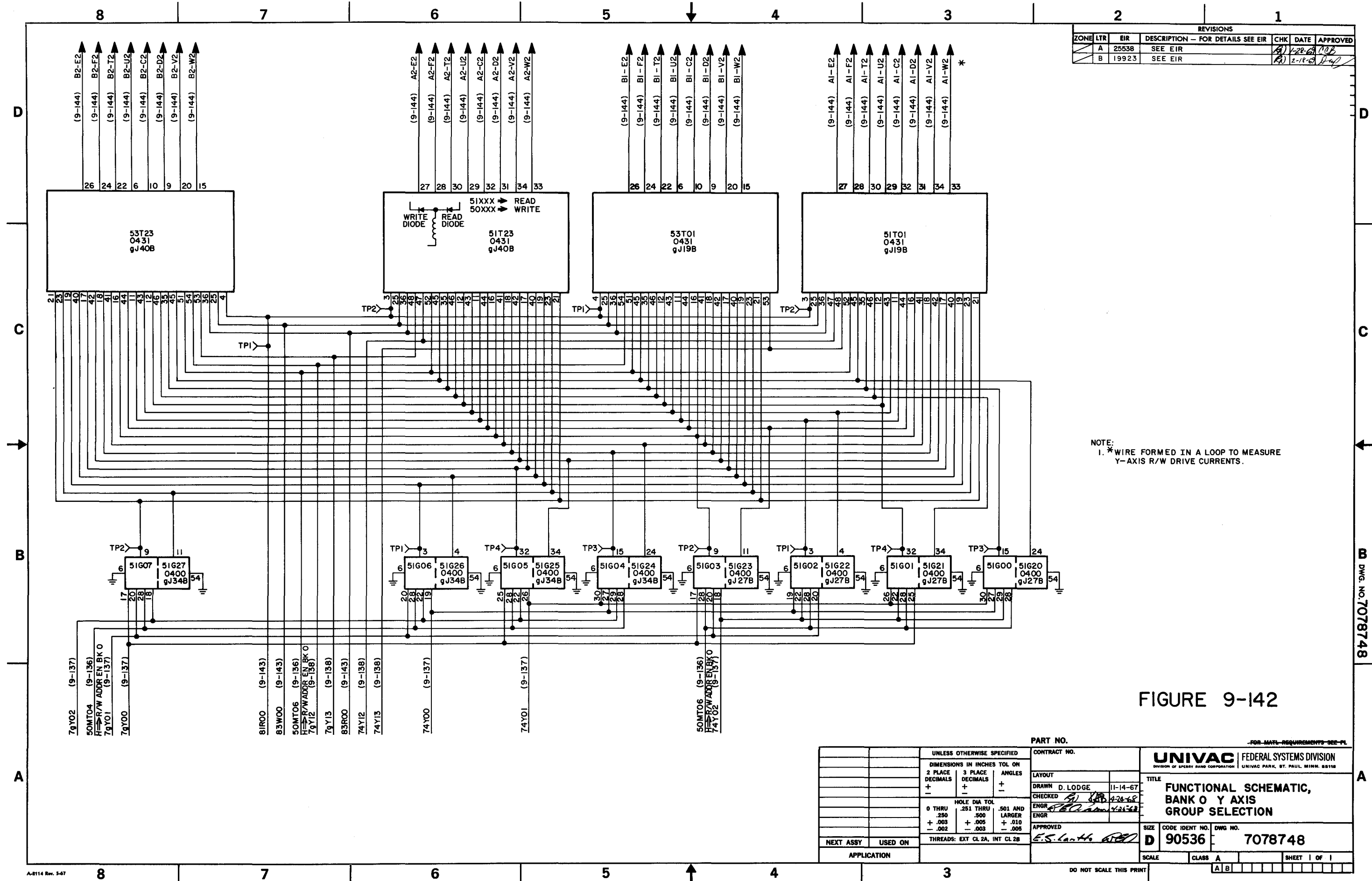
REVISIONS						
ZONE	LTR	EIR	DESCRIPTION - FOR DETAILS SEE EIR	CHK	DATE	APPROVED

NOTE:
1. * SEE FIG. 9-153 AND 9-154 FOR X-AXIS MEMORY STACK WINDING.

FIGURE 9-141

PART NO.		CONTRACT NO.		UNIVAC FEDERAL SYSTEMS DIVISION DIVISION OF SPERRY RAND CORPORATION UNIVAC PARK, ST. PAUL, MINN. 55118	
LAYOUT		DRAWN CAMPBELL 11-13-67		TITLE FUNCTIONAL SCHEMATIC, BANK 0 X AXIS STACK CIRCUITRY	
CHECKED		ENGR. <i>[Signature]</i> 11-28-68		SIZE CODE IDENT NO. DWG NO. D 90536 7078747	
APPROVED		ENGR. <i>[Signature]</i> 11-28-68		SCALE CLASS A SHEET 1 OF 1	
NEXT ASSY USED ON APPLICATION		HOLE DIA TOL 0 THRU .250 + .003 - .002		THREADS: EXT CL 2A, INT CL 2B	
UNLESS OTHERWISE SPECIFIED DIMENSIONS IN INCHES TOL ON 2 PLACE DECIMALS LAYOUT + 3 PLACE DECIMALS + ANGLES +		HOLE DIA TOL .251 THRU .500 + .005 - .003		.501 AND LARGER + .010 - .005	

REVISIONS						
ZONE	LTR	EIR	DESCRIPTION - FOR DETAILS SEE EIR	CHK	DATE	APPROVED
A		25538	SEE EIR		11-28-67	<i>[Signature]</i>
B		19923	SEE EIR		2-12-68	<i>[Signature]</i>



NOTE:
1. *WIRE FORMED IN A LOOP TO MEASURE
Y-AXIS R/W DRIVE CURRENTS.

FIGURE 9-142

UNLESS OTHERWISE SPECIFIED		CONTRACT NO.		PART NO.		-FOR MATL. REQUIREMENTS-SEE-PL	
DIMENSIONS IN INCHES TOL. ON		LAYOUT		DRAWN D. LODGE 11-14-67		TITLE	
2 PLACE DECIMALS	3 PLACE DECIMALS	+		CHECKED <i>[Signature]</i> 11-28-67		FUNCTIONAL SCHEMATIC, BANK O Y AXIS GROUP SELECTION	
+	+	+		ENGR <i>[Signature]</i> 11-28-67		SIZE	
0 THRU .250	.251 THRU .500	.501 AND LARGER		APPROVED <i>[Signature]</i>		CODE IDENT NO. DWG NO.	
+	+	+		NEXT ASSY USED ON		D 90536 7078748	
+	+	+		APPLICATION		SCALE CLASS A SHEET 1 OF 1	
HOLE DIA TOL		THREADS: EXT CL 2A, INT CL 2B		DO NOT SCALE THIS PRINT			

NOTE: For Digital Data Computers with Serial Numbers 14 through 48, test points are provided as follows:

CIRCUIT	TEST POINT	CIRCUIT	TEST POINT
51G00	TB1-J10		
51G01	TB1-A9		
51G02	TB1-B9		
51G03	TB1-C9		
51G04	TB1-D9		
51G05	TB1-E9		
51G06	TB1-F9		
51G07	TB1-G9		

FIGURE 9-142 SUPPLEMENT

NOTE: For Digital Data Computers with Serial Numbers 14 through 48, test points are provided as follows:

CIRCUIT	TEST POINT	CIRCUIT	TEST POINT
51D00	TB1-G8	81R00, Pin 54	TB1-F4
51D01	TB1-H8	83R00, Pin 23	TB1-C4
51D02	TB1-J8	83W00, Pin 24	TB1-D4
51D03	TB1-A7	85Y00, Pin 28	TB1-H4
51D04	TB1-B7		
51D05	TB1-C7		
51D06	TB1-D7		
51D07	TB1-E7		

FIGURE 9-143 SUPPLEMENT

REVISIONS						
ZONE	LTR	EIR	DESCRIPTION - FOR DETAILS SEE EIR	CHK	DATE	APPROVED
A		17013	SEE EIR		12-11-68	CSB
B		25538	SEE EIR		1-28-69	CSB
C		19923	SEE EIR		2-18-69	CSB
D		25572	SEE EIR		6-9-69	CSB

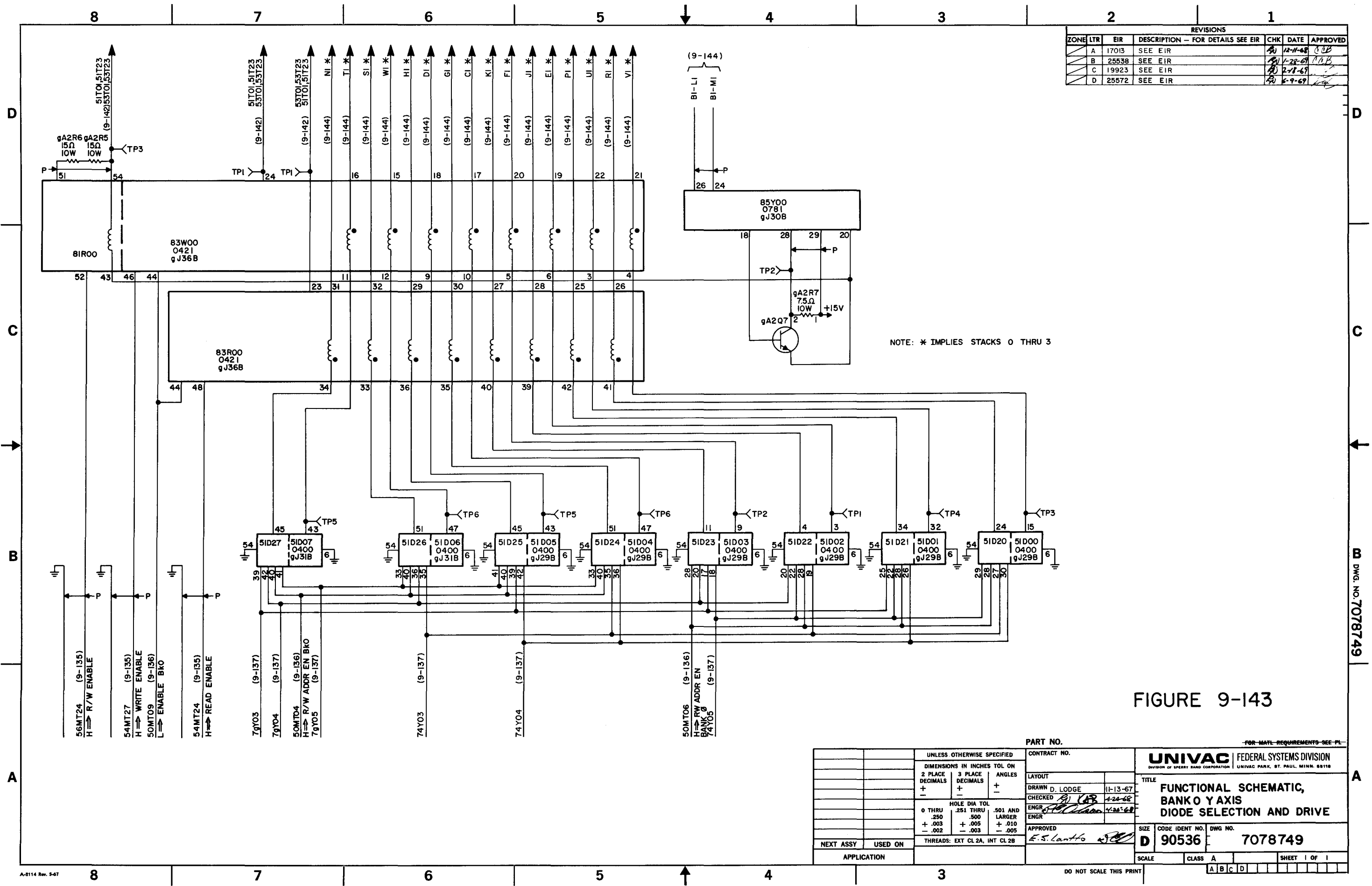
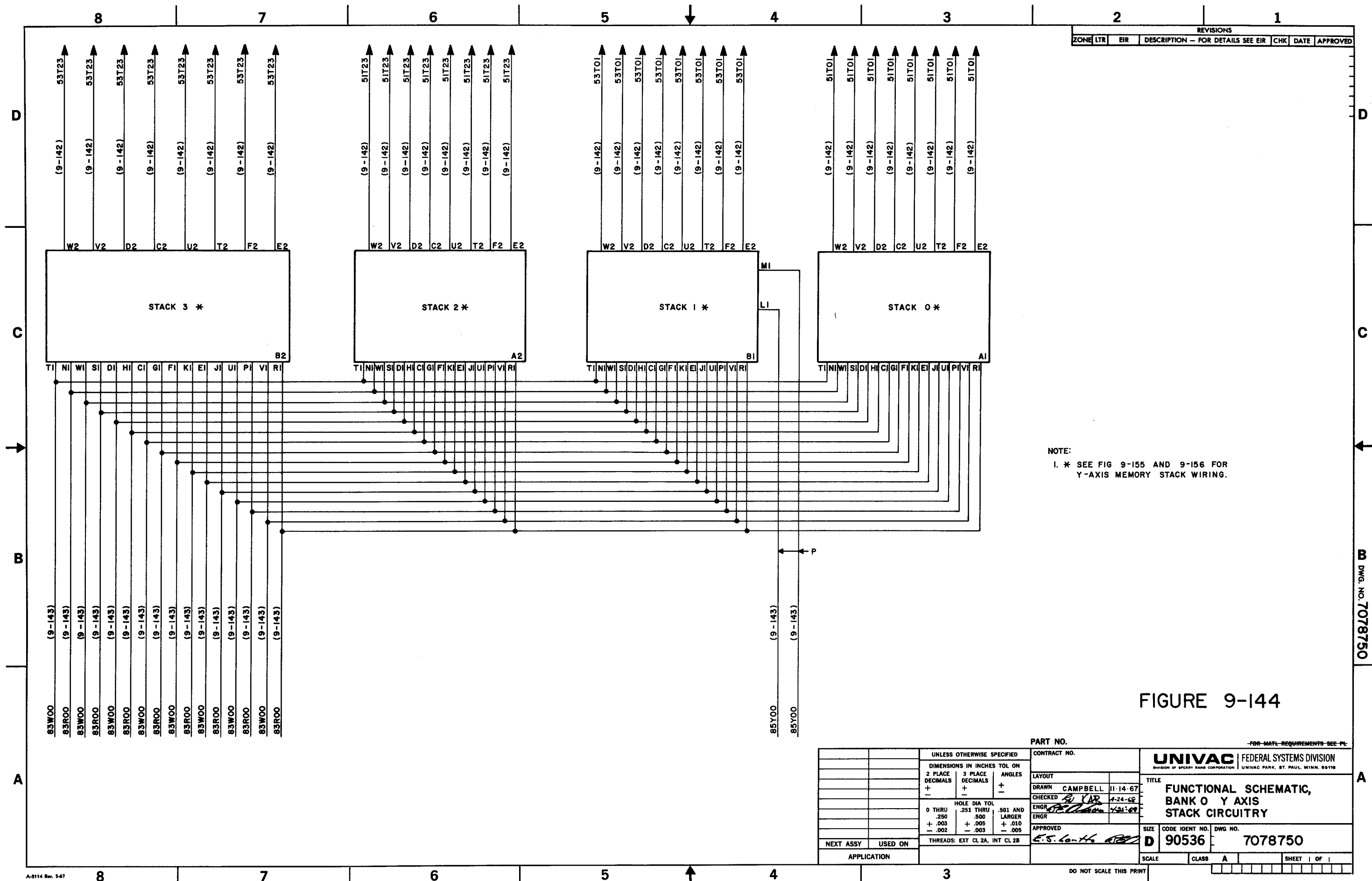


FIGURE 9-143

UNLESS OTHERWISE SPECIFIED		PART NO.		FOR MATL REQUIREMENTS SEE PL	
DIMENSIONS IN INCHES TOL ON		CONTRACT NO.		UNIVAC FEDERAL SYSTEMS DIVISION	
2 PLACE DECIMALS	3 PLACE DECIMALS	LAYOUT		DIVISION OF SPERRY RAND CORPORATION UNIVAC PARK, ST. PAUL, MINN. 55118	
+	+	DRAWN D. LODGE		TITLE	
0 THRU .250	.251 THRU .500	CHECKED <i>[Signature]</i>		FUNCTIONAL SCHEMATIC, BANK 0 Y AXIS	
+.003	+.005	ENGR <i>[Signature]</i>		DIODE SELECTION AND DRIVE	
-.002	-.003	ENGR <i>[Signature]</i>		SIZE CODE IDENT NO. DWG NO.	
THREADS: EXT CL 2A, INT CL 2B		APPROVED <i>[Signature]</i>		D 90536 7078749	
NEXT ASSY	USED ON	SCALE		CLASS A SHEET 1 OF 1	
APPLICATION		DO NOT SCALE THIS PRINT		A B C D	



REVISIONS						
ZONE	LTR	EIR	DESCRIPTION - FOR DETAILS SEE EIR	CHK	DATE	APPROVED

NOTE:
I.* SEE FIG 9-155 AND 9-156 FOR
Y-AXIS MEMORY STACK WIRING.

FIGURE 9-144

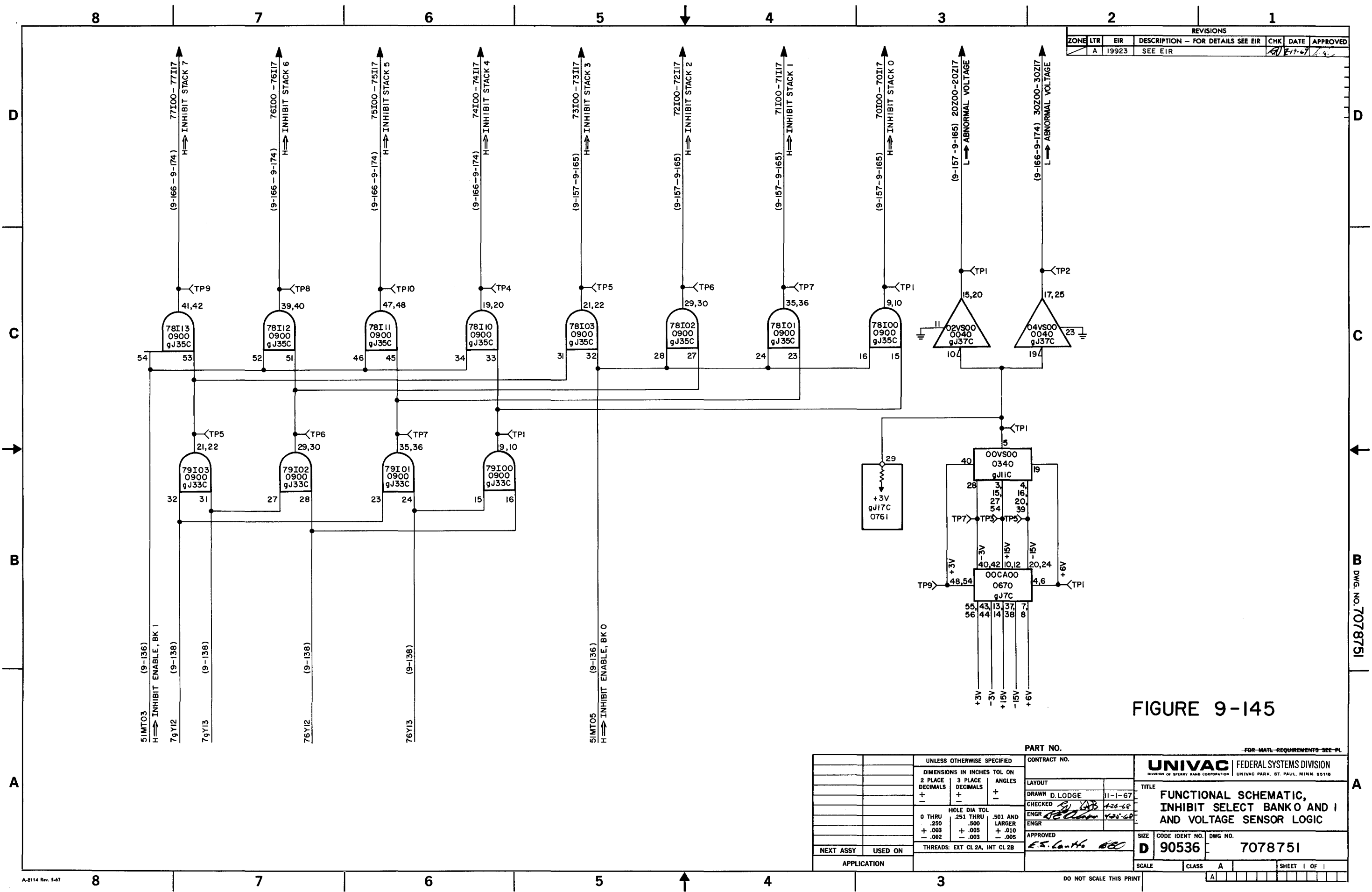
UNLESS OTHERWISE SPECIFIED		CONTRACT NO.		-FOR MATL REQUIREMENTS SEE PL-	
DIMENSIONS IN INCHES TOL ON		LAYOUT		TITLE	
2 PLACE DECIMALS	3 PLACE DECIMALS	+	+	+	+
+	+	+	+	+	+
0 THRU .250	.251 THRU .500	.501 AND LARGER	DRAWN CAMPBELL 11-14-67		
+	+	+	CHECKED <i>[Signature]</i> 1-24-68		
+	+	+	ENGR <i>[Signature]</i> 2-25-68		
+	+	+	ENGR <i>[Signature]</i> 2-25-68		
HOLE DIA TOL		APPROVED			
0 THRU .250	.251 THRU .500	E.S. <i>[Signature]</i> 2-25-68			
+	+				
+	+				
+	+				
THREADS: EXT CL 2A, INT CL 2B		PART NO.		CODE IDENT NO. DWG NO.	
				D 90536 7078750	
NEXT ASSY USED ON		SCALE		CLASS A SHEET 1 OF 1	
APPLICATION					

(THIS PAGE INTENTIONALLY LEFT BLANK)

NOTE: For Digital Data Computers with Serial Numbers 14 through 48, test points are provided as follows:

CIRCUIT	TEST POINT	CIRCUIT	TEST POINT
78I00	TB1-A2	78I12	TB2-C2
78I01	TB1-B2	78I13	TB2-D2
78I02	TB1-C2	79I00	TB1-K6
78I03	TB1-D2	79I01	TB1-K5
78I10	TB2-A2	79I02	TB1-K4
78I11	TB2-B2	79I03	TB1-K3

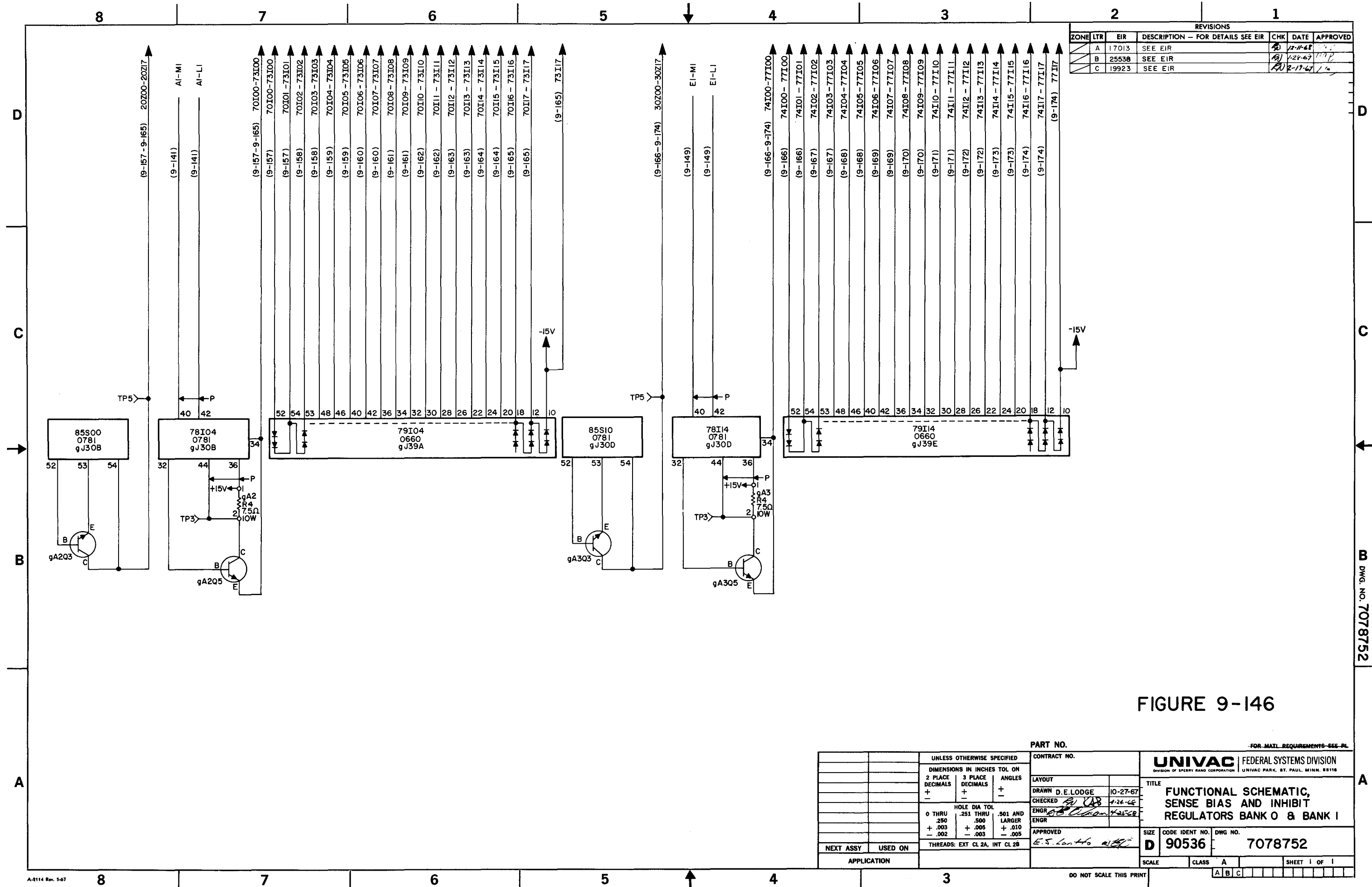
FIGURE 9-145 SUPPLEMENT



REVISIONS						
ZONE	LTR	EIR	DESCRIPTION - FOR DETAILS SEE EIR	CHK	DATE	APPROVED
A		19923	SEE EIR			

FIGURE 9-145

PART NO.		CONTRACT NO.		FOR MATL REQUIREMENTS SEE PL	
UNLESS OTHERWISE SPECIFIED		DIMENSIONS IN INCHES TOL ON		LAYOUT	
2 PLACE DECIMALS	3 PLACE DECIMALS	ANGLES	DRAWN D. LODGE 11-1-67		
+	+	+	CHECKED <i>[Signature]</i> 12-68		
HOLE DIA TOL		ENGR <i>[Signature]</i> 12-68			
0 THRU .250	.251 THRU .500	.501 AND LARGER	APPROVED <i>[Signature]</i> 12-68		
+	+	+	SIZE CODE IDENT NO. DWG NO.		
-.003	-.005	-.010	D 90536 7078751		
-.002	-.003	-.005	SCALE CLASS A SHEET 1 OF 1		
THREADS: EXT CL 2A, INT CL 2B		DO NOT SCALE THIS PRINT			



REVISIONS						
ZONE	LTR	EIR	DESCRIPTION - FOR DETAILS SEE EIR	CHK	DATE	APPROVED
A	17013		SEE EIR	SD	12-11-67	
B	25538		SEE EIR	BJ	1-24-67	
C	19923		SEE EIR	BJ	2-17-67	

FIGURE 9-146

UNLESS OTHERWISE SPECIFIED		PART NO.		CONTRACT NO.	
DIMENSIONS IN INCHES TOL ON		LAYOUT		DRAWN D.E.LODGE 10-27-67	
2 PLACE DECIMALS	3 PLACE DECIMALS	ANGLES	CHECKED <i>[Signature]</i> 1-24-68		
+	+	+	ENGR <i>[Signature]</i>		
HOLE DIA TOL		APPROVED		E.S. Lantto <i>[Signature]</i>	
0 THRU .251 THRU	.500	.501 AND LARGER	SIZE	CODE IDENT NO.	DWG NO.
+.003	+.005	+.010	D	90536	7078752
-.002	-.003	-.005	SCALE	CLASS	SHEET 1 OF 1
THREADS: EXT CL 2A, INT CL 2B	NEXT ASSY USED ON		DO NOT SCALE THIS PRINT		

DWG. NO. 7078752

NOTE: For Digital Data Computers with Serial Numbers 14 through 48, test points are provided as follows:

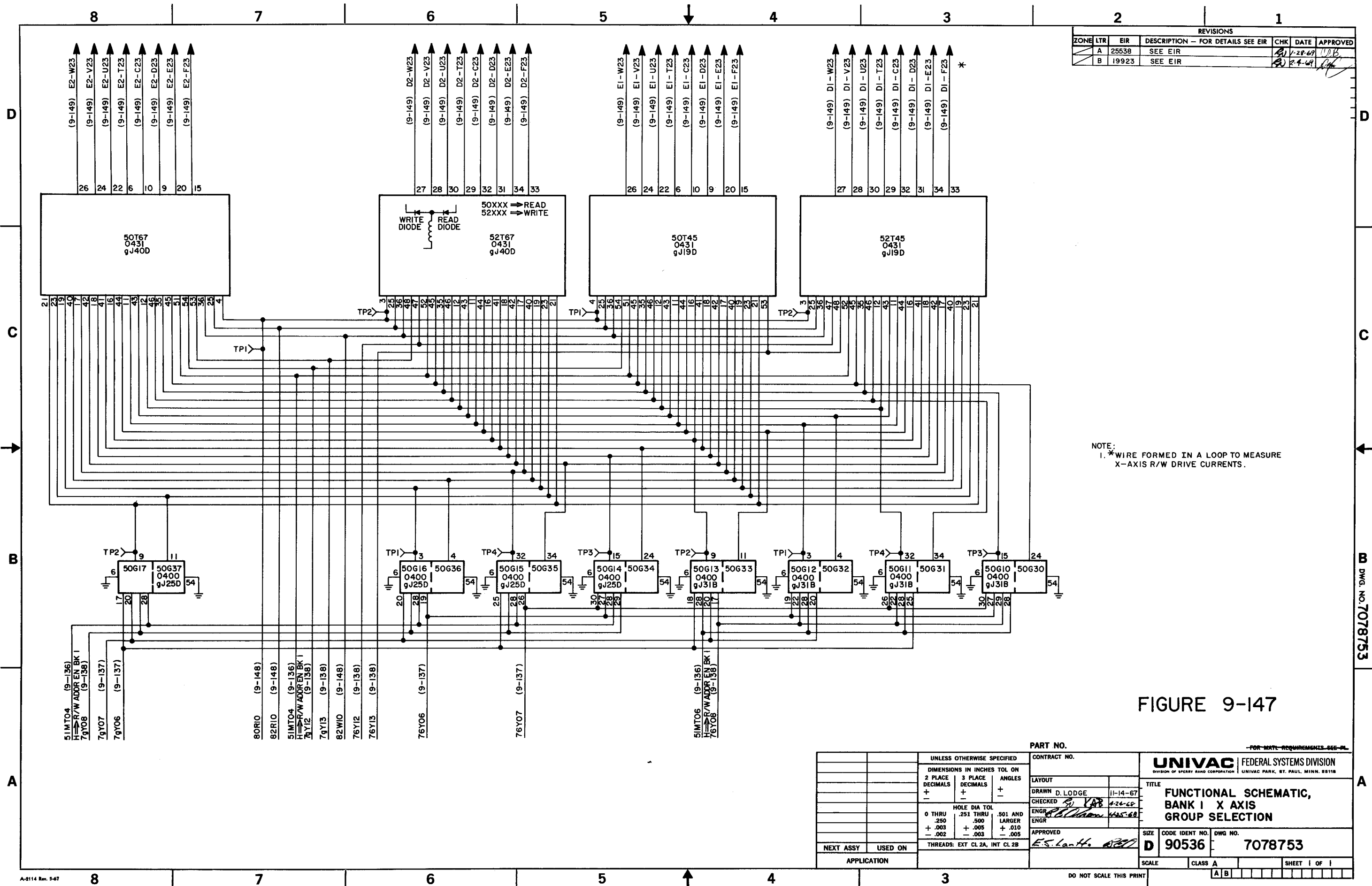
CIRCUIT	TEST POINT	CIRCUIT	TEST POINT
78I04, Pin 44 78I14, Pin 44	TB1-J4 TB2-J4		
85S00, Pin 54 85S10, Pin 54	TB1-J3 TB2-J3		

NOTE: For Digital Data Computers with Serial Numbers 14 through 48, test points are provided as follows:

CIRCUIT	TEST POINT	CIRCUIT	TEST POINT
50G10	TB2-A10		
50G11	TB2-B10		
50G12	TB2-C10		
50G13	TB2-D10		
50G14	TB2-E10		
50G15	TB2-F10		
50G16	TB2-G10		
50G17	TB2-H10		

FIGURE 9-147 SUPPLEMENT

REVISIONS						
ZONE	LTR	EIR	DESCRIPTION - FOR DETAILS SEE EIR	CHK	DATE	APPROVED
A		25538	SEE EIR		1-28-69	MOB
B		19923	SEE EIR		2-4-69	MOB

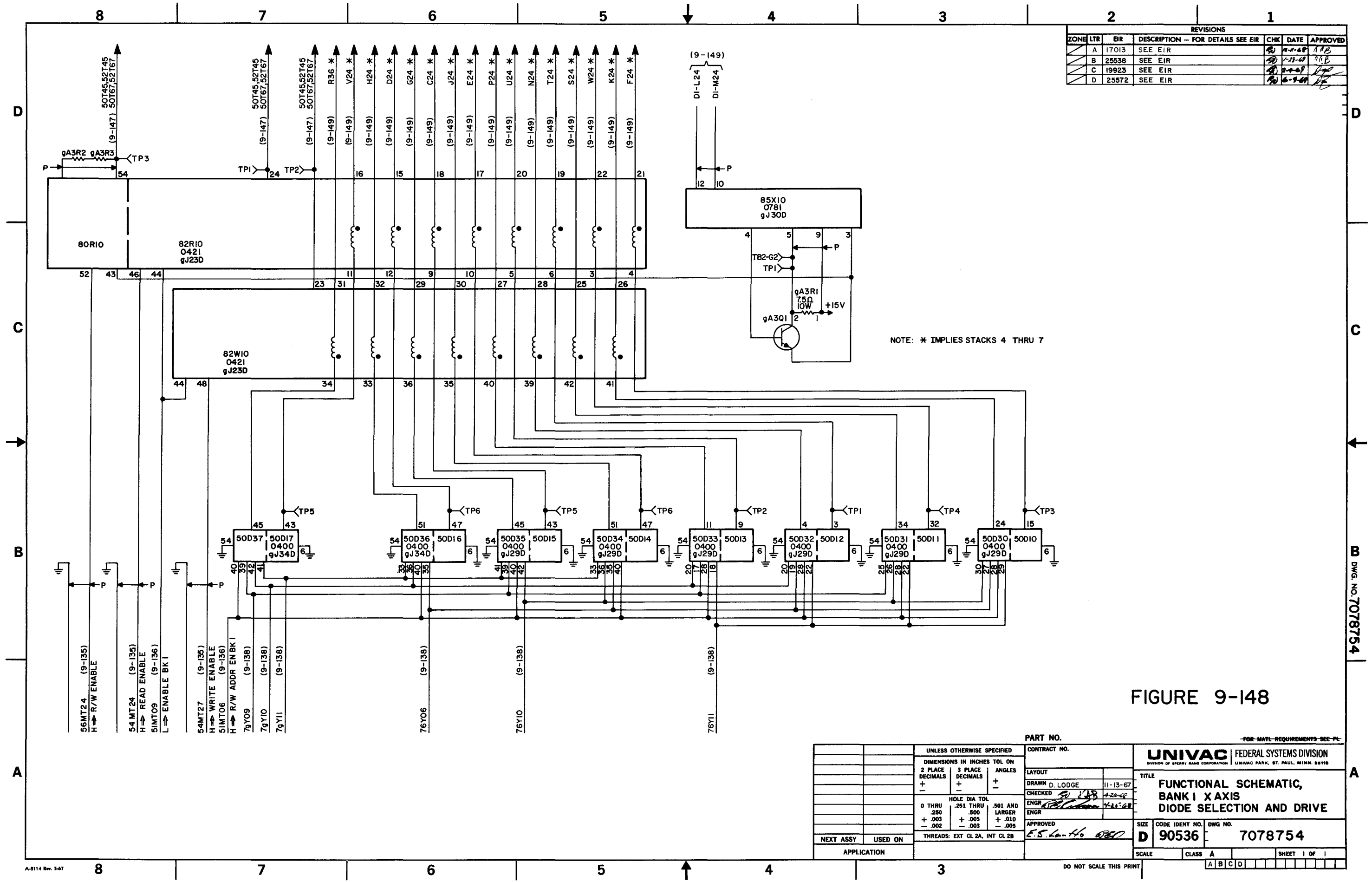


NOTE:
1. *WIRE FORMED IN A LOOP TO MEASURE X-AXIS R/W DRIVE CURRENTS.

FIGURE 9-147

PART NO.		CONTRACT NO.		UNIVAC FEDERAL SYSTEMS DIVISION DIVISION OF SPERRY RAND CORPORATION UNIVAC PARK, ST. PAUL, MINN. 55118	
DIMENSIONS IN INCHES TOL ON		LAYOUT		TITLE	
2 PLACE DECIMALS +	3 PLACE DECIMALS +	ANGLES -	DRAWN D. LODGE	11-14-67	FUNCTIONAL SCHEMATIC, BANK I X AXIS GROUP SELECTION
HOLE DIA TOL		CHECKED BY VAB		1-22-68	
0 THRU .250 +.003	.251 THRU .500 +.005	.501 AND LARGER +.010	ENGR	1-25-68	
NEXT ASSY USED ON		APPROVED		SIZE	CODE IDENT NO. DWG NO.
APPLICATION		E.S. Lan... 1-25-68		D	90536 7078753
THREADS: EXT CL 2A, INT CL 2B		SCALE		CLASS	SHEET OF
		DO NOT SCALE THIS PRINT		A	B

REVISIONS						
ZONE	LTR	EIR	DESCRIPTION - FOR DETAILS SEE EIR	CHK	DATE	APPROVED
	A	17013	SEE EIR		11-13-67	11B
	B	25538	SEE EIR		1-23-68	11B
	C	19923	SEE EIR		2-2-68	11B
	D	25572	SEE EIR		6-9-68	11B



NOTE: * IMPLIES STACKS 4 THRU 7

FIGURE 9-148

DWG. NO. 7078754

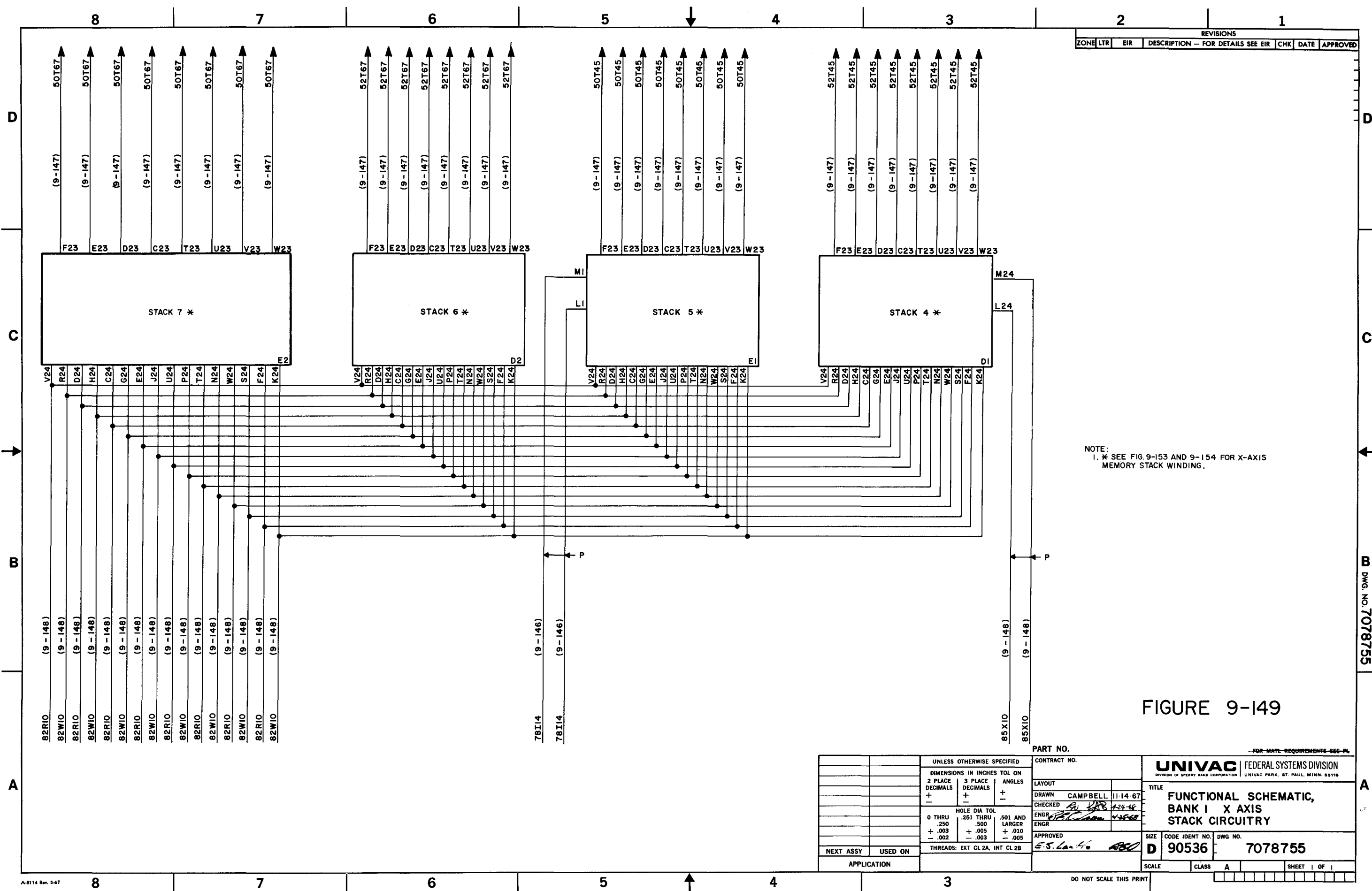
UNLESS OTHERWISE SPECIFIED		PART NO.		FOR MATL. REQUIREMENTS SEE PL-	
DIMENSIONS IN INCHES TOL ON		CONTRACT NO.		UNIVAC FEDERAL SYSTEMS DIVISION	
2 PLACE DECIMALS	3 PLACE DECIMALS	ANGLES	LAYOUT	TITLE	
+	+	+	DRAWN D. LODGE	FUNCTIONAL SCHEMATIC,	
0 THRU .250	.251 THRU .500	.501 AND LARGER	CHECKED <i>[Signature]</i>	BANK I X AXIS	
+.003	+.005	+.010	ENGR <i>[Signature]</i>	DIODE SELECTION AND DRIVE	
-.002	-.003	-.005	ENGR <i>[Signature]</i>	SIZE CODE IDENT NO. DWG NO.	
THREADS: EXT CL 2A, INT CL 2B		APPROVED <i>[Signature]</i>		D 90536 7078754	
NEXT ASSY	USED ON	APPLICATION		SCALE CLASS A SHEET 1 OF 1	

NOTE: For Digital Data Computers with Serial Numbers 14 through 48, test points are provided as follows:

CIRCUIT	TEST POINT	CIRCUIT	TEST POINT
50D30 50D31	TB2-H9 TB2-J9	50D36 50D37	TB2-E8 TB2-F8
50D32 50D33	TB2-A8 TB2-B8	80R10, Pin 54 82R10, Pin 24	TB2-E4 TB2-A4
50D34 50D35	TB2-C8 TB2-D8	82W10, Pin 23 85X10, Pin 5	TB2-B4 TB2-G2

FIGURE 9-148 SUPPLEMENT

(THIS PAGE INTENTIONALLY LEFT BLANK)



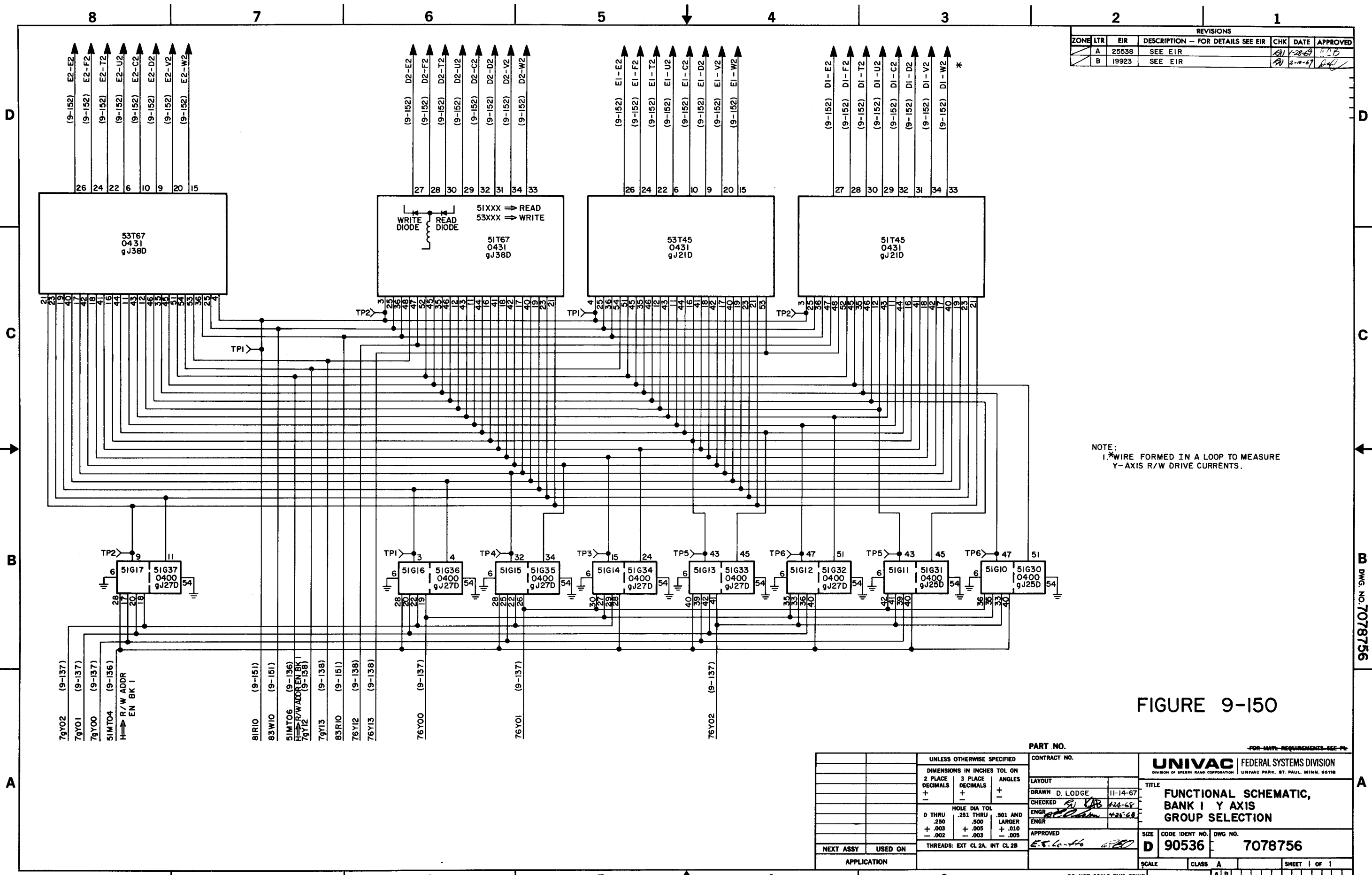
REVISIONS						
ZONE	LTR	EIR	DESCRIPTION - FOR DETAILS SEE EIR	CHK	DATE	APPROVED

NOTE:
1. * SEE FIG. 9-153 AND 9-154 FOR X-AXIS MEMORY STACK WINDING.

FIGURE 9-149

UNLESS OTHERWISE SPECIFIED		CONTRACT NO.	
DIMENSIONS IN INCHES TOL ON		UNIVAC FEDERAL SYSTEMS DIVISION	
2 PLACE DECIMALS	3 PLACE DECIMALS	DIVISION OF SPERRY RAND CORPORATION UNIVAC PARK, ST. PAUL, MINN. 55118	
+	+	LAYOUT	TITLE
-	-	DRAWN CAMPBELL 11-14-67	FUNCTIONAL SCHEMATIC, BANK I X AXIS STACK CIRCUITRY
		CHECKED <i>[Signature]</i> 1-24-68	
		ENGR <i>[Signature]</i> 1-24-68	
		ENGR <i>[Signature]</i> 1-24-68	
		APPROVED <i>[Signature]</i>	
		THREADS: EXT CL 2A, INT CL 2B	
NEXT ASSY	USED ON	SIZE	CODE IDENT NO. DWG NO.
		D	90536 7078755
APPLICATION		SCALE	CLASS A SHEET 1 OF 1

REVISIONS						
ZONE	LTR	EIR	DESCRIPTION - FOR DETAILS SEE EIR	CHK	DATE	APPROVED
	A	25538	SEE EIR		11-14-67	
	B	19923	SEE EIR		2-10-67	



NOTE:
1. *WIRE FORMED IN A LOOP TO MEASURE
Y-AXIS R/W DRIVE CURRENTS.

FIGURE 9-150

UNLESS OTHERWISE SPECIFIED		CONTRACT NO.	
DIMENSIONS IN INCHES TOL ON		LAYOUT	
2 PLACE DECIMALS	3 PLACE DECIMALS	+	+
+	+	+	+
HOLE DIA TOL		TITLED	
0 THRU .250	.251 THRU .500	DRAWN D. LODGE 11-14-67	
+	+	CHECKED <i>[Signature]</i> 12-2-67	
-.002	-.003	ENGR <i>[Signature]</i> 12-2-67	
THREADS: EXT CL 2A, INT CL 2B		APPROVED <i>[Signature]</i> 12-2-67	
NEXT ASSY	USED ON	PART NO. 90536 FEDERAL SYSTEMS DIVISION	
APPLICATION		UNIVAC DIVISION OF SPERRY RAND CORPORATION UNIVAC PARK, ST. PAUL, MINN. 55118	
		TITLE FUNCTIONAL SCHEMATIC, BANK 1 Y AXIS GROUP SELECTION	
		SIZE D CODE IDENT NO. 7078756 DWG NO. 7078756	
		SCALE A CLASS A SHEET 1 OF 1	

NOTE: For Digital Data Computers with Serial Numbers 14 through 48, test points are provided as follows:

CIRCUIT	TEST POINT	CIRCUIT	TEST POINT
51G10 51G11	TB2-J10 TB2-A9		
51G12 51G13	TB2-B9 TB2-C9		
51G14 51G15	TB2-D9 TB2-E9		
51G16 51G17	TB2-F9 TB2-G9		

FIGURE 9-150 SUPPLEMENT

NOTE: For Digital Data Computers with Serial Numbers 14 through 48, test points are provided as follows:

CIRCUIT	TEST POINT	CIRCUIT	TEST POINT
51D30 51D31	TB2-G8 TB2-H8	51D36 51D37	TB2-D7 TB2-E7
51D32 51D33	TB2-J8 TB2-A7	81R10, Pin 54 83R10, Pin 23	TB2-F4 TB2-C4
51D34 51D35	TB2-B7 TB2-C7	83W10, Pin 24 85Y10, Pin 28	TB2-D4 TB2-H4

FIGURE 9-151 SUPPLEMENT

REVISIONS						
ZONE	LTR	EIR	DESCRIPTION - FOR DETAILS SEE EIR	CHK	DATE	APPROVED
A	17	013	SEE EIR	BO	12-1-67	BOB
B	25538		SEE EIR	BO	1-2-68	BOB
C	19923		SEE EIR	BO	2-7-68	BOB
D	25572		SEE EIR	BO	4-7-67	BOB

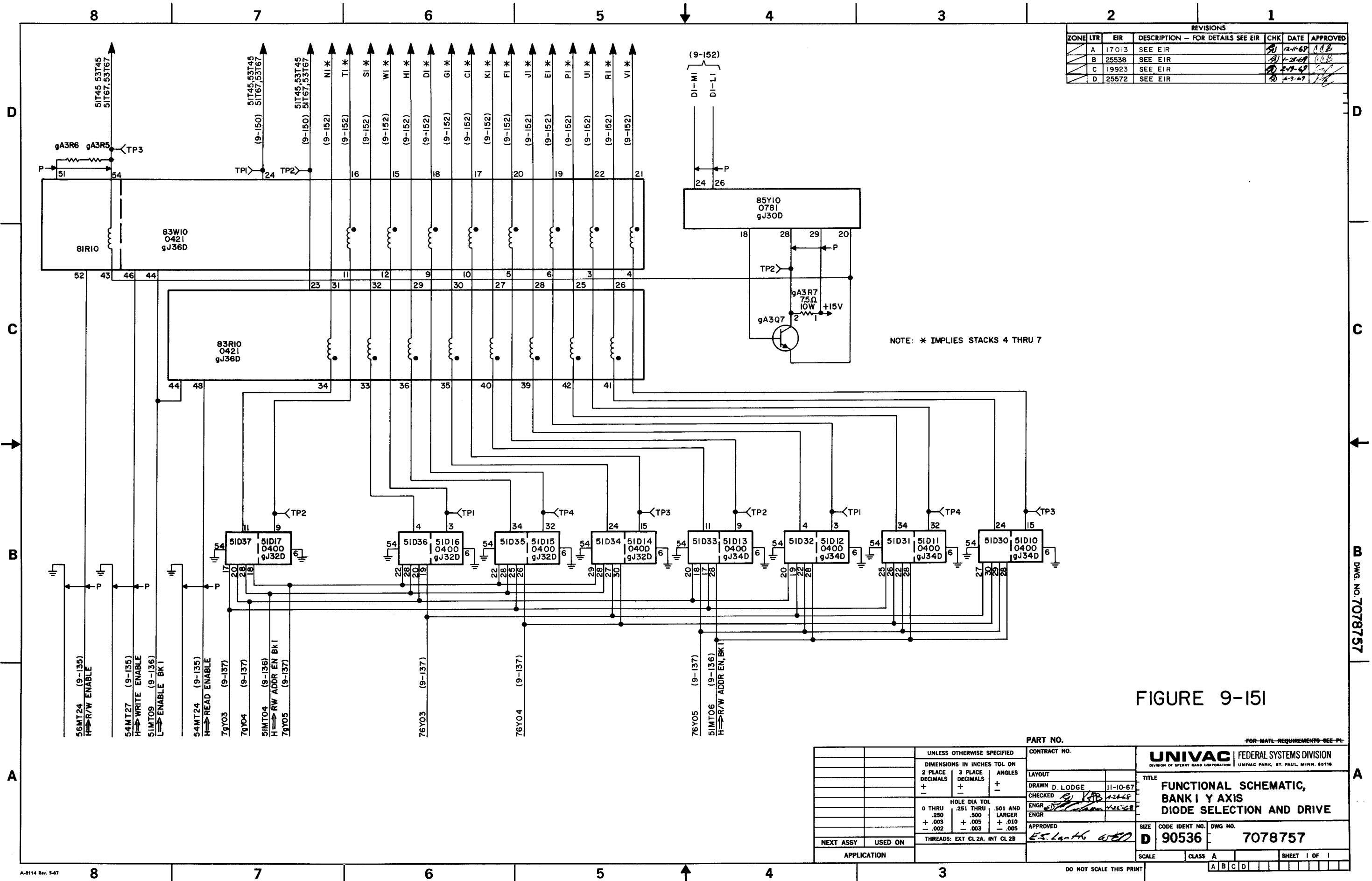
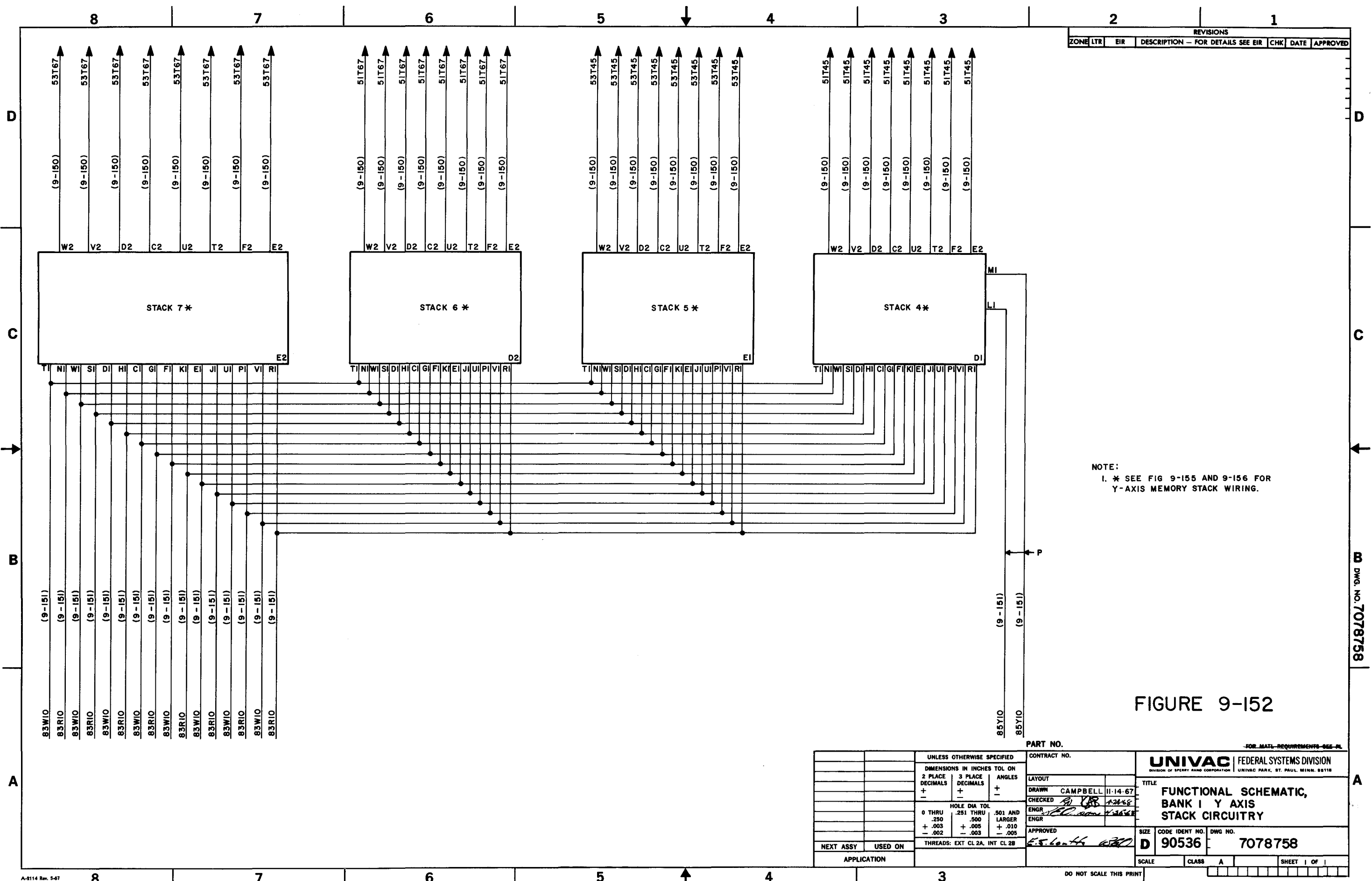


FIGURE 9-151

PART NO.		CONTRACT NO.		UNIVAC FEDERAL SYSTEMS DIVISION DIVISION OF SPERRY RAND CORPORATION UNIVAC PARK, ST. PAUL, MINN. 55116	
DIMENSIONS IN INCHES TOL ON		LAYOUT		TITLE	
2 PLACE DECIMALS	3 PLACE DECIMALS	+	+	FUNCTIONAL SCHEMATIC, BANK I Y AXIS DIODE SELECTION AND DRIVE	
+	+	+	+	DRAWN D. LODGE 11-10-67	
HOLE DIA TOL		CHECKED		ENGR	
0 THRU .250	.251 THRU .500	G. V. 12-68		ENGR	
+.003	+.005	APPROVED		ES. LANTHE 6/50	
-.002	-.003	NEXT ASSY		USED ON	
THREADS: EXT CL 2A, INT CL 2B		APPLICATION		SIZE CODE IDENT NO. DWG NO.	
				D 90536 7078757	
				SCALE CLASS A SHEET 1 OF 1	

DWG. NO. 7078757



REVISIONS				
ZONE	LTR	EIR	DESCRIPTION - FOR DETAILS SEE EIR	CHK DATE APPROVED

NOTE:
1. * SEE FIG 9-155 AND 9-156 FOR
Y-AXIS MEMORY STACK WIRING.

FIGURE 9-152

UNLESS OTHERWISE SPECIFIED		CONTRACT NO.		FOR MATL. REQUIREMENTS - SEE PL	
DIMENSIONS IN INCHES TOL ON		LAYOUT		UNIVAC FEDERAL SYSTEMS DIVISION	
2 PLACE DECIMALS	3 PLACE DECIMALS	+	+	DIVISION OF SPERRY RAND CORPORATION UNIVAC PARK, ST. PAUL, MINN. 55118	
+	+	+	+	TITLE	
+	+	+	+	FUNCTIONAL SCHEMATIC, BANK I Y AXIS STACK CIRCUITRY	
0 THRU .250	.251 THRU .500	.501 AND LARGER	+	SIZE	CODE IDENT NO.
+.003	+.005	+.010	+	D	90536
-.002	-.003	-.005	-	DWG NO.	7078758
THREADS: EXT CL 2A, INT CL 2B		APPROVED		SCALE	CLASS
NEXT ASSY USED ON		E.S. Length		A	A
APPLICATION		DO NOT SCALE THIS PRINT		SHEET 1 OF 1	

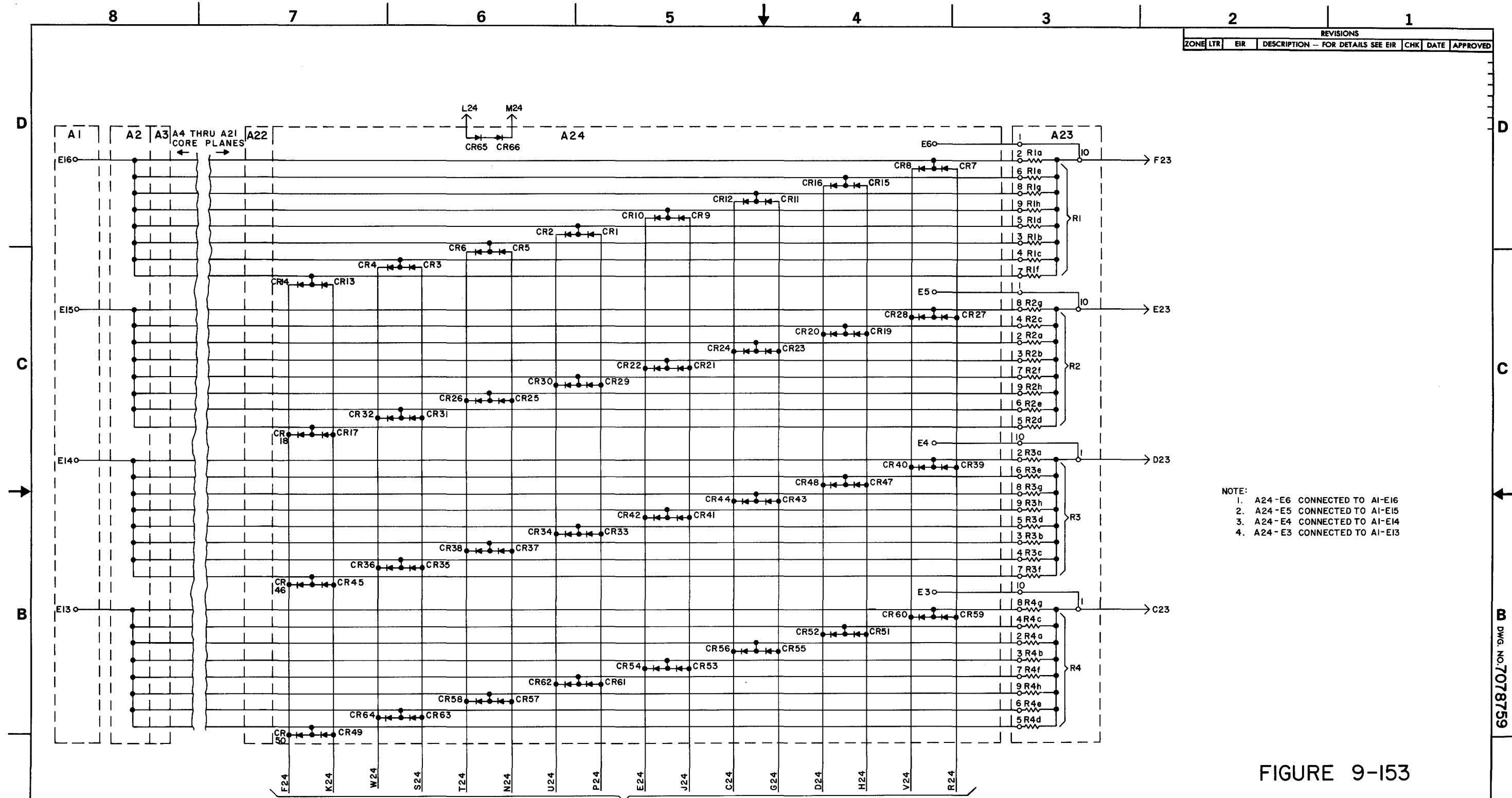


FIG. 9-154

FIGURE 9-153

UNLESS OTHERWISE SPECIFIED		CONTRACT NO.		FOR-MATL. REQUIREMENTS-SEE-PL	
DIMENSIONS IN INCHES TOL ON		LAYOUT		UNIVAC FEDERAL SYSTEMS DIVISION	
2 PLACE DECIMALS	3 PLACE DECIMALS	ANGLES	DRAWN	CAMPBELL	11-11-67
+	+	+	CHECKED	KAB	4-28-68
HOLE DIA TOL		ENGR		ENGR	
0 THRU .250	.251 THRU .500	.501 AND LARGER	E.S. Cantello		
+	+	+	APPROVED		
-.002	-.003	-.005	E.S. Cantello		
THREADS: EXT CL 2A, INT CL 2B		PART NO.		CODE IDENT NO.	
NEXT ASSY		USED ON		D 90536	
APPLICATION		SCALE		CLASS A	
		DO NOT SCALE THIS PRINT		DWG NO. 7078759	
				SHEET 1 OF 1	

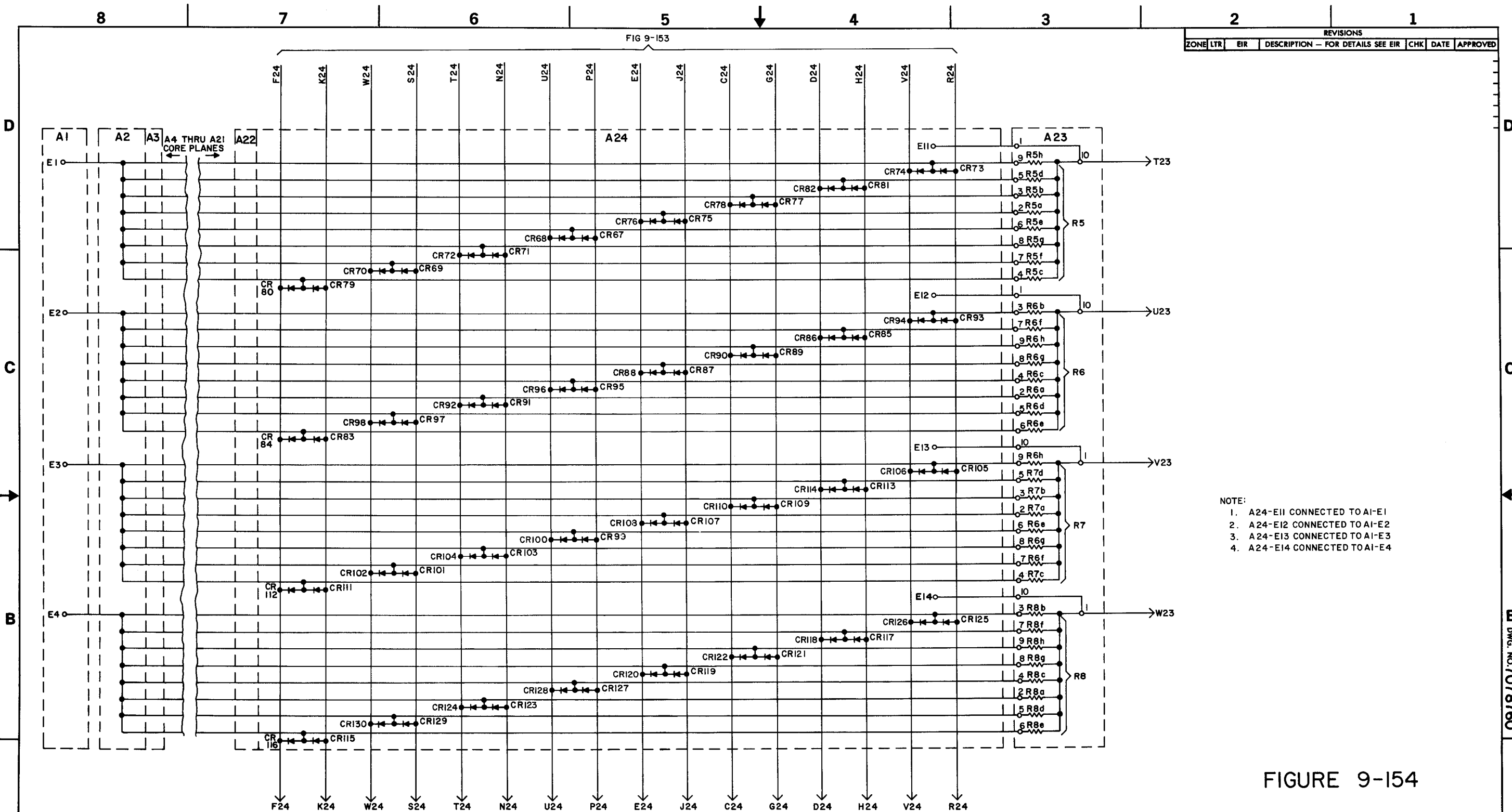
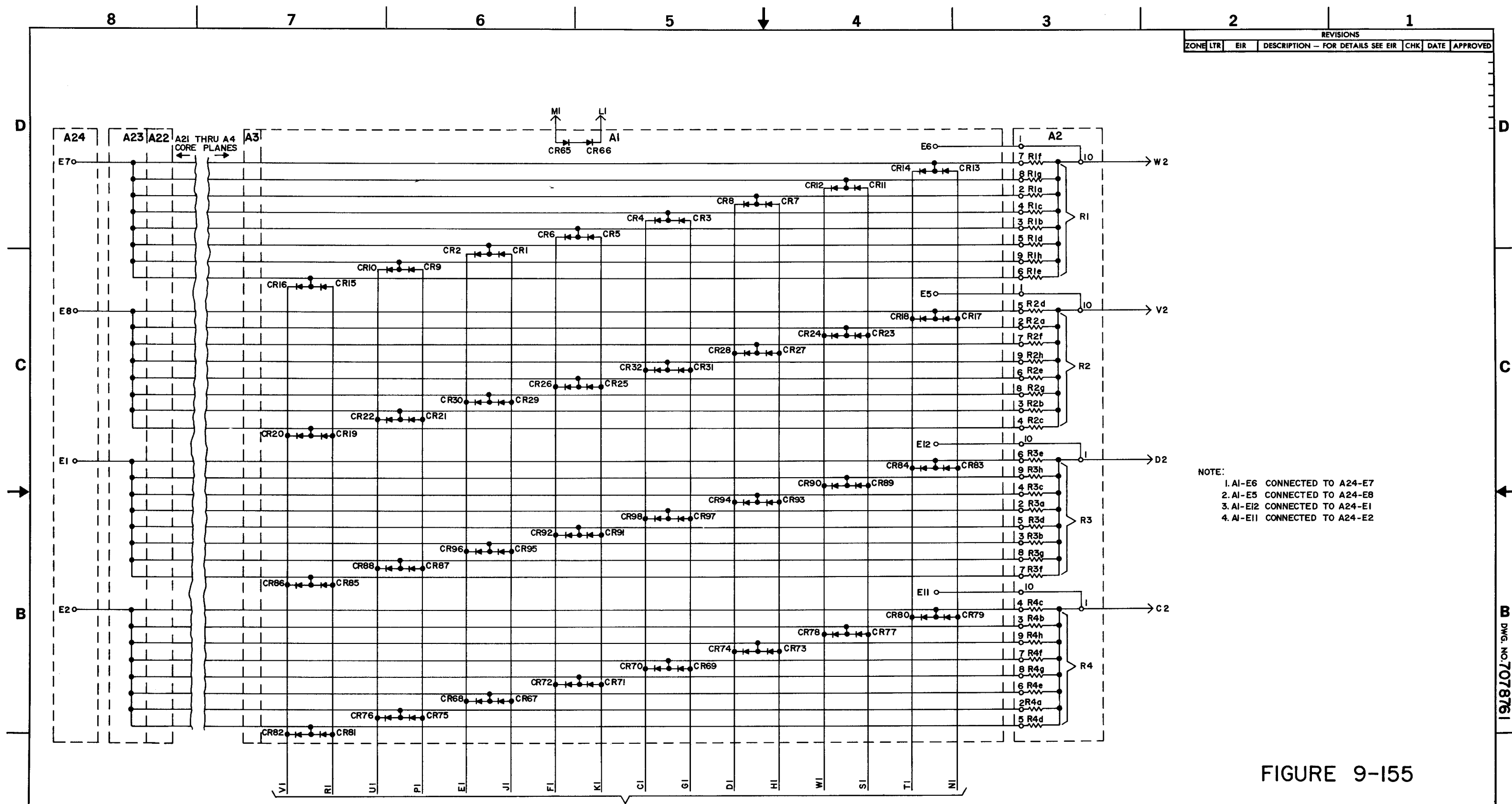


FIGURE 9-154

PART NO.		CONTRACT NO.		UNIVAC FEDERAL SYSTEMS DIVISION <small>DIVISION OF SPERRY RAND CORPORATION UNIVAC PARK, ST. PAUL, MINN. 55118</small>	
DIMENSIONS IN INCHES TOL ON		LAYOUT		TITLE	
2 PLACE DECIMALS	3 PLACE DECIMALS	ANGLES	DRAWN	CHECKED	ENGR
+	+	+	CAMPBELL	11-10-67	124-68
HOLE DIA TOL		APPROVED		SIZE	
0 THRU .250	.251 THRU .500	.501 AND LARGER	E.S. LANTHO	D	90536
+	+	+	11-10-67	CLASS	A
-	-	-	11-10-67	DWG NO.	7078760
THREADS: EXT CL 2A, INT CL 2B		NEXT ASSY		SCALE	
USED ON		APPLICATION		DO NOT SCALE THIS PRINT	
				SHEET 1 OF 1	



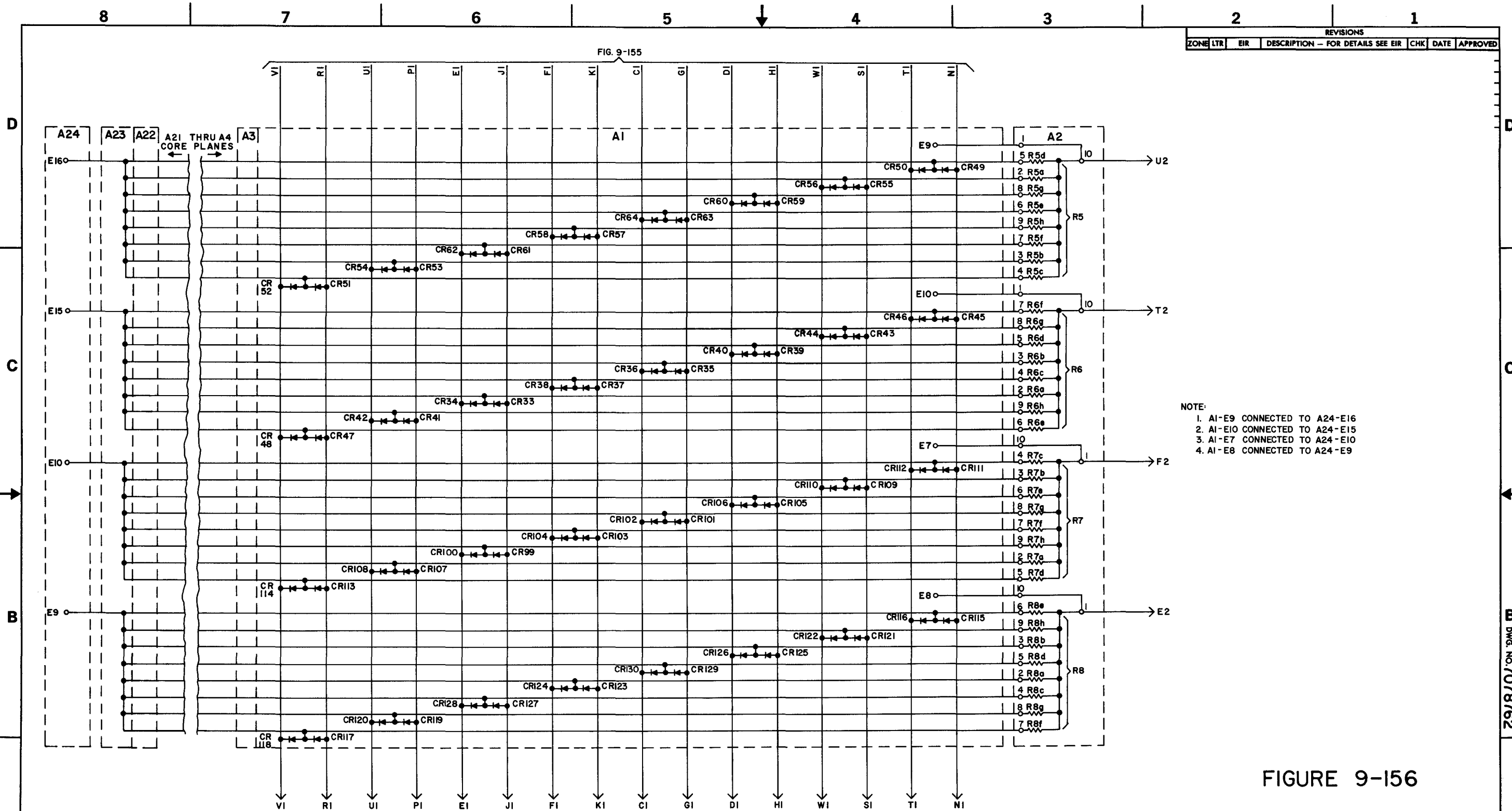
REVISIONS						
ZONE	LTR	EIR	DESCRIPTION - FOR DETAILS SEE EIR	CHK	DATE	APPROVED

NOTE:
 1. A1-E6 CONNECTED TO A24-E7
 2. A1-E5 CONNECTED TO A24-E8
 3. A1-E12 CONNECTED TO A24-E1
 4. A1-E11 CONNECTED TO A24-E2

FIGURE 9-155

FIG 9-156

UNLESS OTHERWISE SPECIFIED		CONTRACT NO.		FOR MATL REQUIREMENTS - SEE PL	
DIMENSIONS IN INCHES TOL ON		LAYOUT		UNIVAC FEDERAL SYSTEMS DIVISION	
2 PLACE DECIMALS	3 PLACE DECIMALS	+	-	DIVISION OF SPERRY RAND CORPORATION UNIVAC PARK, ST. PAUL, MINN. 55118	
+	+	+	-	TITLE	
HOLE DIA TOL		DRAWN CAMBELL		11-11-67	
0 THRU .250	.251 THRU .500	CHECKED <i>[Signature]</i>		11-22-68	
+.003	+.005	ENGR <i>[Signature]</i>		11-28-68	
-.002	-.003	APPROVED <i>[Signature]</i>		E.S. Lamb <i>[Signature]</i>	
THREADS: EXT CL 2A, INT CL 2B		NEXT ASSY		USED ON	
APPLICATION		PART NO.		SIZE	
				D 90536	
				CLASS A	
				DWG NO. 7078761	
				SHEET 1 OF 1	



REVISIONS						
ZONE	LTR	EIR	DESCRIPTION - FOR DETAILS SEE EIR	CHK	DATE	APPROVED

- NOTE:
1. A1-E9 CONNECTED TO A24-E16
 2. A1-E10 CONNECTED TO A24-E15
 3. A1-E7 CONNECTED TO A24-E10
 4. A1-E8 CONNECTED TO A24-E9

FIGURE 9-156

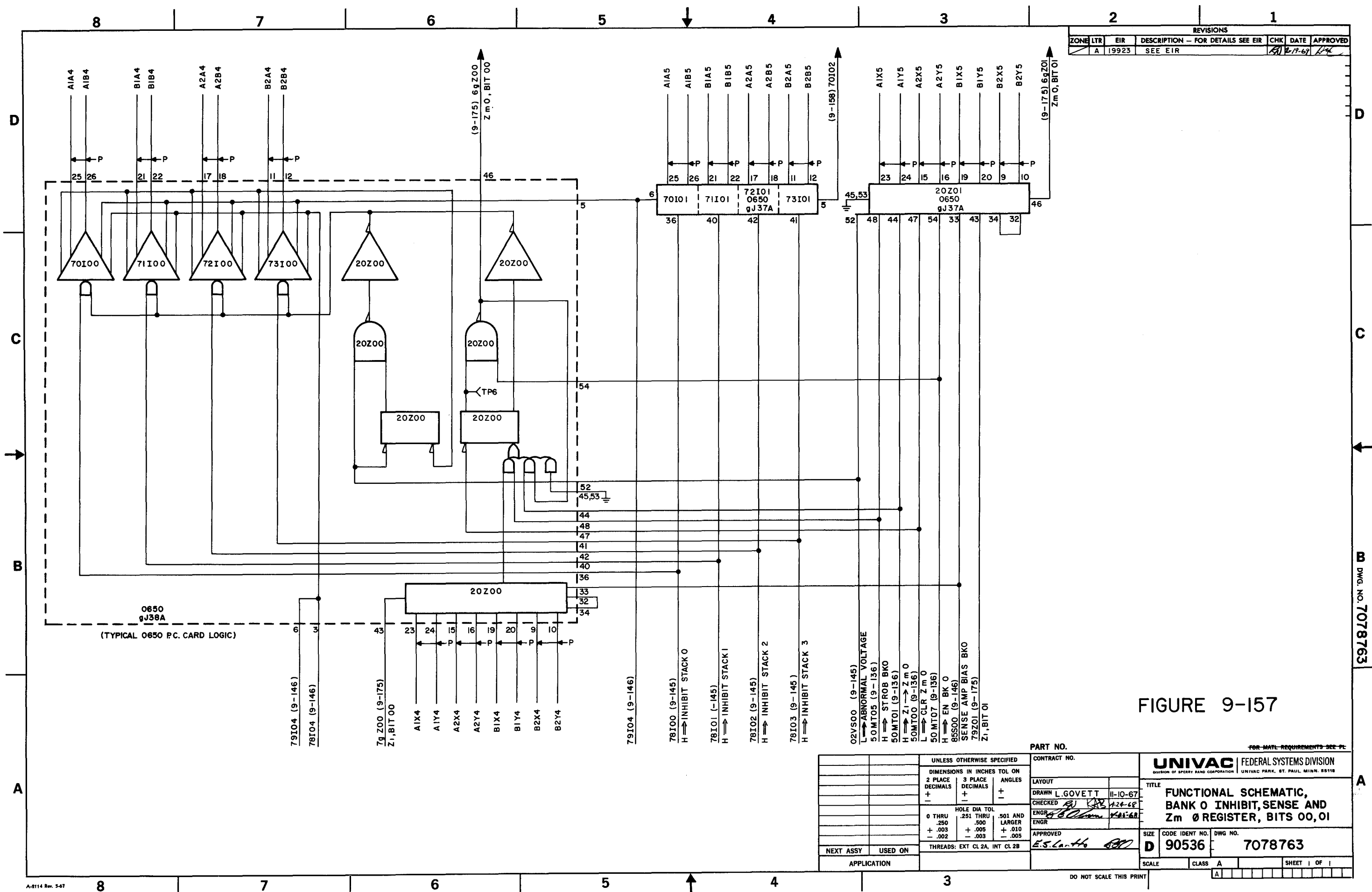
UNLESS OTHERWISE SPECIFIED		PART NO.		FOR MATL REQUIREMENTS SEE PL	
DIMENSIONS IN INCHES TOL ON		CONTRACT NO.		UNIVAC FEDERAL SYSTEMS DIVISION	
2 PLACE DECIMALS	3 PLACE DECIMALS	ANGLES	LAYOUT	TITLE	
+	+	+	DRAWN CAMPBELL 11-13-67	FUNCTIONAL SCHEMATIC, Y AXIS, MEMORY STACK WIRING PART II	
HOLE DIA TOL			CHECKED <i>[Signature]</i>	ENGR <i>[Signature]</i>	
0 THRU .250	.251 THRU .500	.501 AND LARGER	APPROVED <i>[Signature]</i>		
+	+	+	SIZE CODE IDENT NO. DWG NO.		
-.003	-.005	-.010	D 90536 7078762		
-.002	-.003	-.005	SCALE CLASS A SHEET OF 1		
NEXT ASSY	USED ON	THREADS: EXT CL 2A, INT CL 2B	DO NOT SCALE THIS PRINT		
APPLICATION					

(THIS PAGE INTENTIONALLY LEFT BLANK)

NOTE: For Digital Data Computers with Serial Numbers 14 through 48, test points are provided as follows:

CIRCUIT	TEST POINT	CIRCUIT	TEST POINT
20Z00, Pin 46 20Z01, Pin 46	TB1-A12 TB1-B12		

FIGURE 9-157 SUPPLEMENT

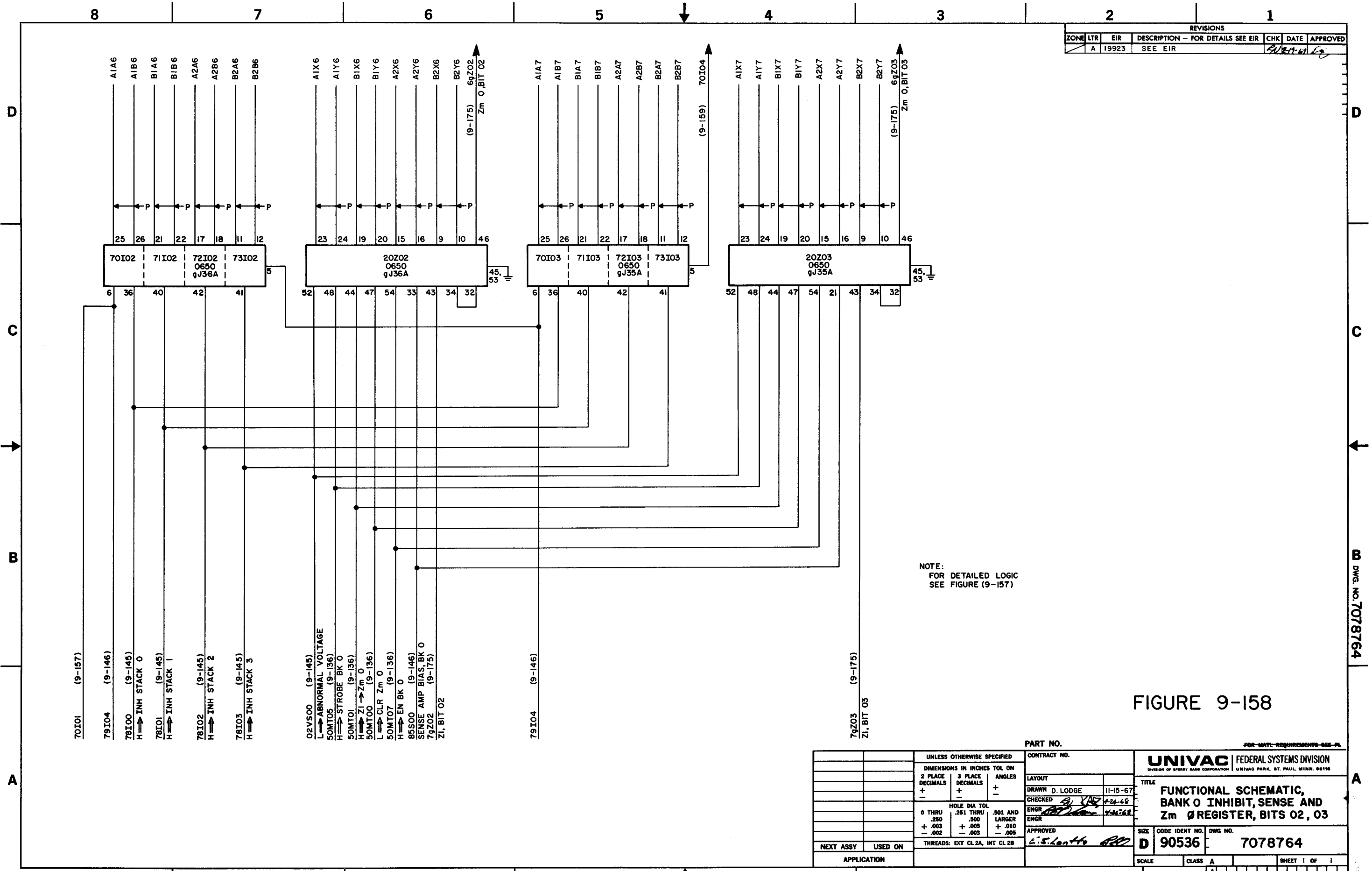


REVISIONS						
ZONE	LTR	EIR	DESCRIPTION - FOR DETAILS SEE EIR	CHK	DATE	APPROVED
	A	19923	SEE EIR		11/19/67	

FIGURE 9-157

PART NO.		CONTRACT NO.		FOR MATL REQUIREMENTS SEE FC	
UNLESS OTHERWISE SPECIFIED		DIMENSIONS IN INCHES TOL ON		LAYOUT	
2 PLACE DECIMALS	3 PLACE DECIMALS	ANGLES		DRAWN	L.GOVETT
+	+	+		CHECKED	11-10-67
HOLE DIA TOL		.501 AND LARGER		ENGR	
0 THRU .250	.251 THRU .500	.501 AND LARGER		ENGR	
+ .003	+ .005	+ .010		APPROVED	
- .002	- .003	- .005		E.S. LANTHA	
NEXT ASSY USED ON		THREADS: EXT CL 2A, INT CL 2B		SIZE CODE IDENT NO. DWG NO.	
APPLICATION				D 90536 7078763	
				SCALE CLASS A SHEET 1 OF 1	

REVISIONS						
ZONE	LTR	EIR	DESCRIPTION - FOR DETAILS SEE EIR	CHK	DATE	APPROVED
A		19923	SEE EIR			<i>[Signature]</i>



NOTE:
FOR DETAILED LOGIC
SEE FIGURE (9-157)

FIGURE 9-158

UNLESS OTHERWISE SPECIFIED		CONTRACT NO.	
DIMENSIONS IN INCHES TOL ON		LAYOUT	
2 PLACE DECIMALS +	3 PLACE DECIMALS +	ANGLES +	
HOLE DIA TOL		DRAWN D. LODGE 11-15-67	
0 THRU .250	.251 THRU .500	.501 AND LARGER	CHECKED <i>[Signature]</i> 12-24-68
+ .003	+ .005	+ .010	ENGR <i>[Signature]</i> 12-24-68
- .002	- .003	- .005	APPROVED <i>[Signature]</i>
THREADS: EXT CL 2A, INT CL 2B		PART NO.	
NEXT ASSY	USED ON	UNIVAC FEDERAL SYSTEMS DIVISION	
APPLICATION		DIVISION OF SPERRY RAND CORPORATION UNIVAC PARK, ST. PAUL, MINN. 55118	
		TITLE	
		FUNCTIONAL SCHEMATIC, BANK 0 INHIBIT, SENSE AND Zm O REGISTER, BITS 02, 03	
		SIZE	CODE IDENT NO. DWG NO.
		D	90536 7078764
		SCALE	CLASS A SHEET 1 OF 1

NOTE: For Digital Data Computers with Serial Numbers 14 through 48, test points are provided as follows:

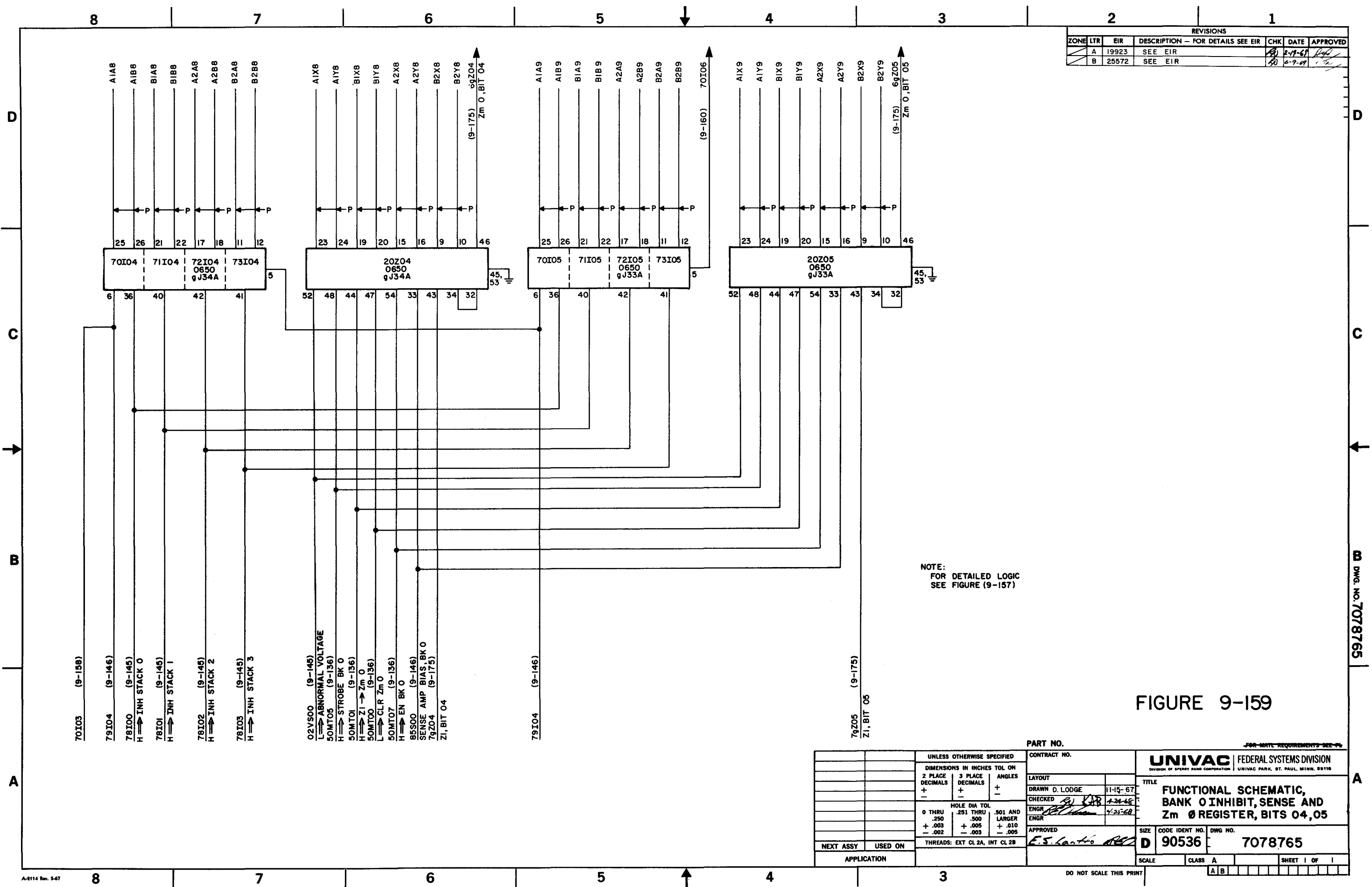
CIRCUIT	TEST POINT	CIRCUIT	TEST POINT
20Z02, Pin 46 20Z03, Pin 46	TB1-C12 TB1-D12		

NOTE: For Digital Data Computers with Serial Numbers 14 through 48, test points are provided as follows:

CIRCUIT	TEST POINT	CIRCUIT	TEST POINT
20Z04, Pin 46 20Z05, Pin 46	TB1-E12 TB1-F12		

FIGURE 9-159 SUPPLEMENT

REVISIONS						
ZONE	LTR	EIR	DESCRIPTION - FOR DETAILS SEE EIR	CHK	DATE	APPROVED
A		19923	SEE EIR		2-19-67	
B		25572	SEE EIR		2-9-67	



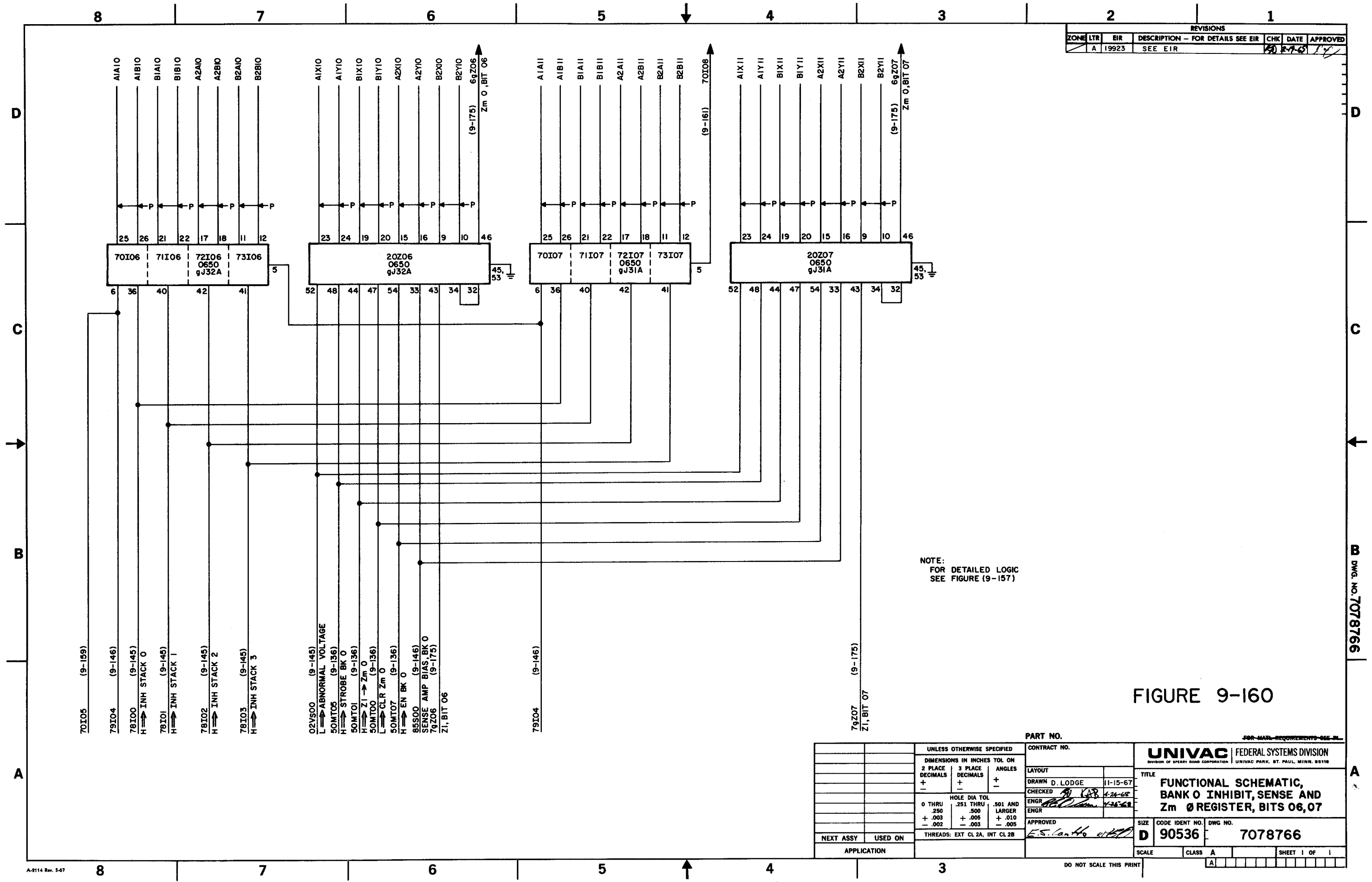
NOTE:
FOR DETAILED LOGIC
SEE FIGURE (9-157)

FIGURE 9-159

UNLESS OTHERWISE SPECIFIED		CONTRACT NO.		PART NO.	
DIMENSIONS IN INCHES TOL ON		LAYOUT		FOR MAT'L REQUIREMENTS SEE P2	
2 PLACE DECIMALS	3 PLACE DECIMALS	+	-	UNIVAC FEDERAL SYSTEMS DIVISION	
+	+	+	-	DIVISION OF SPERRY RAND CORPORATION UNIVAC PARK, ST. PAUL, MINN. 55110	
HOLE DIA TOL		DRAWN D. LODGE		TITLE	
0 THRU .250	.251 THRU .500	+	-	FUNCTIONAL SCHEMATIC,	
+.003	+.005	+	-	BANK 0 INHIBIT, SENSE AND	
-.002	-.003	+	-	Zm 0 REGISTER, BITS 04, 05	
THREADS: EXT CL 2A, INT CL 2B		CHECKED		SIZE	
		ENGR		D 90536	
		APPROVED		DWG NO.	
		E.S. Lantio		7078765	
NEXT ASSY	USED ON	SCALE		CLASS A	
APPLICATION		DO NOT SCALE THIS PRINT		SHEET OF 1	

DWG. NO. 7078765

REVISIONS				
ZONE	LTR	EIR	DESCRIPTION - FOR DETAILS SEE EIR	CHK DATE APPROVED
A	19923		SEE EIR	10/27/67



NOTE:
FOR DETAILED LOGIC
SEE FIGURE (9-157)

FIGURE 9-160

UNLESS OTHERWISE SPECIFIED		CONTRACT NO.		FOR MATL. REQUIREMENTS SEE DL	
DIMENSIONS IN INCHES TOL ON		LAYOUT		UNIVAC FEDERAL SYSTEMS DIVISION	
2 PLACE DECIMALS	3 PLACE DECIMALS	+	+	DIVISION OF SPERRY RAND CORPORATION UNIVAC PARK, ST. PAUL, MINN. 55118	
+	+	+	+	TITLE	
0 THRU .250	.251 THRU .500	.501 AND LARGER	ANGLES	DRAWN D. LODGE 11-15-67	
+	+	+	+	CHECKED [Signature] 1-22-68	
-.002	-.003	-.005	-.005	ENGR [Signature] 1-26-68	
HOLE DIA TOL		APPROVED		SIZE	
THREADS: EXT CL 2A, INT CL 2B		[Signature]		D 90536	
NEXT ASSY		USED ON		CODE IDENT NO.	
APPLICATION				DWG NO. 7078766	
				SCALE	
				CLASS A	
				SHEET 1 OF 1	

NOTE: For Digital Data Computers with Serial Numbers 14 through 48, test points are provided as follows:

CIRCUIT	TEST POINT	CIRCUIT	TEST POINT
20Z06, Pin 46 20Z07, Pin 46	TB1-G12 TB1-H12		

FIGURE 9-160 SUPPLEMENT

NOTE: For Digital Data Computers with Serial Numbers 14 through 48, test points are provided as follows:

CIRCUIT	TEST POINT	CIRCUIT	TEST POINT
20Z09, Pin 46 20Z10, Pin 46	TB1-J12 TB1-A11		

FIGURE 9-161 SUPPLEMENT

REVISIONS						
ZONE	LTR	EIR	DESCRIPTION - FOR DETAILS SEE EIR	CHK	DATE	APPROVED
A		19923	SEE EIR		8-7-67	

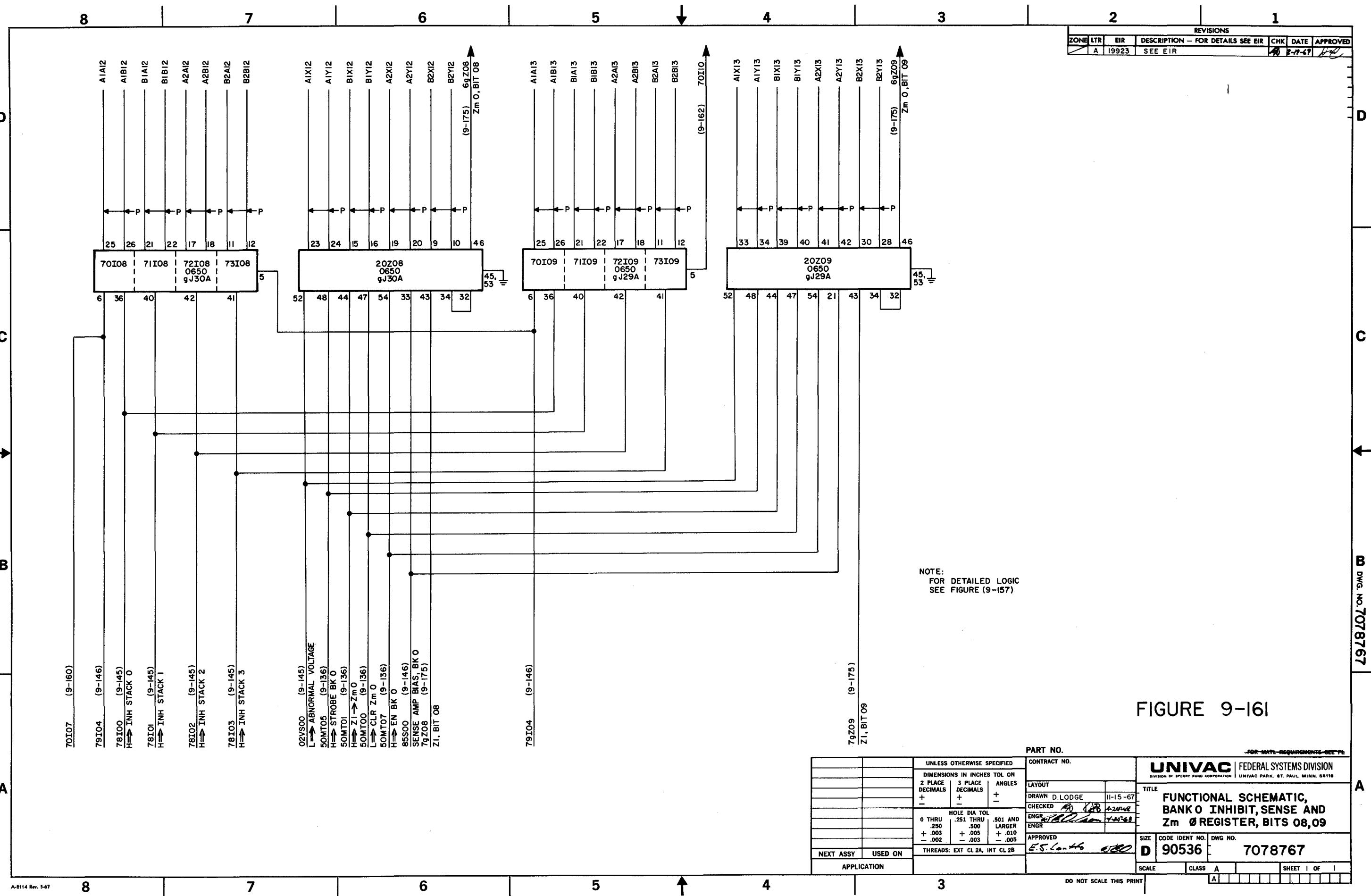


FIGURE 9-161

UNLESS OTHERWISE SPECIFIED		CONTRACT NO.		PART NO.	
DIMENSIONS IN INCHES TOL ON		LAYOUT		UNIVAC FEDERAL SYSTEMS DIVISION	
2 PLACE DECIMALS	3 PLACE DECIMALS	+	+	DIVISION OF SPERRY RAND CORPORATION UNIVAC PARK, ST. PAUL, MINN. 55118	
+	+	+	+	TITLE	
-	-	-	-	FUNCTIONAL SCHEMATIC,	
HOLE DIA TOL		DRAWN D. LODGE		BANK 0 INHIBIT, SENSE AND	
0 THRU .250	.251 THRU .500	.501 AND LARGER	11-15-67	Zm 0 REGISTER, BITS 08,09	
+	+	+	CHECKED	SIZE	
-.002	-.003	-.005	ENGR	D 90536	
THREADS: EXT CL 2A, INT CL 2B		ENGR		DWG NO.	
NEXT ASSY		APPROVED		7078767	
USED ON		E.S. L...		SCALE	
APPLICATION		DO NOT SCALE THIS PRINT		CLASS A	
				SHEET 1 OF 1	

REVISIONS			
ZONE	LTR	EIR	DESCRIPTION - FOR DETAILS SEE EIR
A		19923	SEE EIR

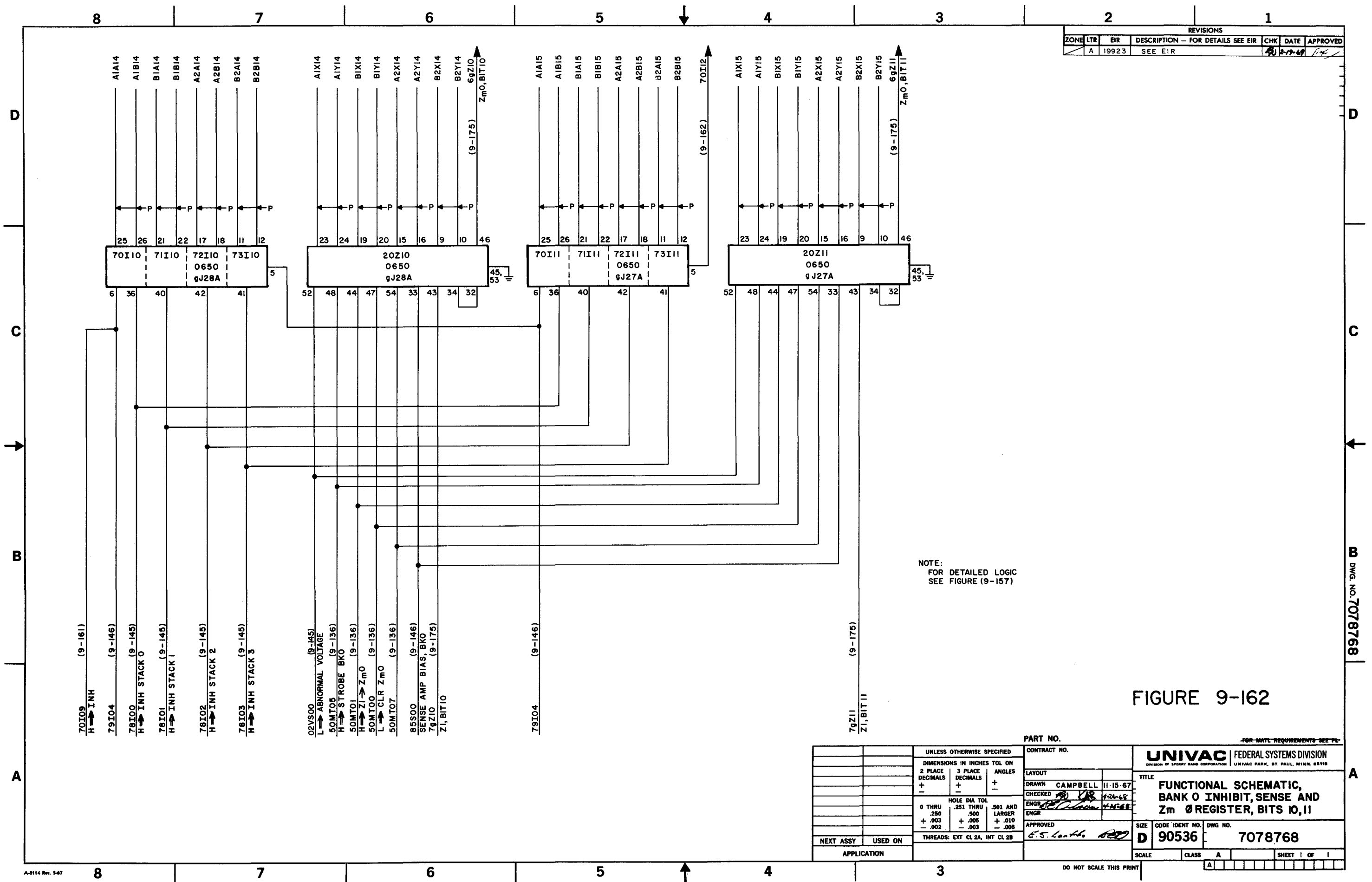


FIGURE 9-162

UNLESS OTHERWISE SPECIFIED		CONTRACT NO.		FOR MATL REQUIREMENTS SEE PL	
DIMENSIONS IN INCHES TOL ON		LAYOUT		UNIVAC FEDERAL SYSTEMS DIVISION	
2 PLACE DECIMALS	3 PLACE DECIMALS	+	+	DIVISION OF SPERRY RAND CORPORATION UNIVAC PARK, ST. PAUL, MINN. 55118	
+	+	+	+	TITLE	
0 THRU .250	.251 THRU .500	.501 AND LARGER		FUNCTIONAL SCHEMATIC, BANK 0 INHIBIT, SENSE AND Zm 0 REGISTER, BITS 10, 11	
+	+	+		DRAWN CAMPBELL 11-15-67	
-.002	-.003	-.005		CHECKED <i>[Signature]</i> 12-2-68	
THREADS: EXT CL 2A, INT CL 2B			ENGR <i>[Signature]</i> 1-14-68		
NEXT ASSY USED ON			APPROVED <i>[Signature]</i>		
APPLICATION			SIZE D		CODE IDENT NO. 90536
			DWG NO. 7078768		
			SCALE		CLASS A
			SHEET 1 OF 1		

NOTE: For Digital Data Computers with Serial Numbers 14 through 48, test points are provided as follows:

CIRCUIT	TEST POINT	CIRCUIT	TEST POINT
20Z10, Pin 46 20Z11, Pin 46	TB1-B11 TB1-C11		

NOTE: For Digital Data Computers with Serial Numbers 14 through 48, test points are provided as follows:

CIRCUIT	TEST POINT	CIRCUIT	TEST POINT
20Z12, Pin 46 20Z13, Pin 46	TB1-D11 TB1-E11		

FIGURE 9-163 SUPPLEMENT

REVISIONS						
ZONE	LTR	EIR	DESCRIPTION - FOR DETAILS SEE EIR	CHK	DATE	APPROVED
A		19923	SEE EIR		4/27/67	

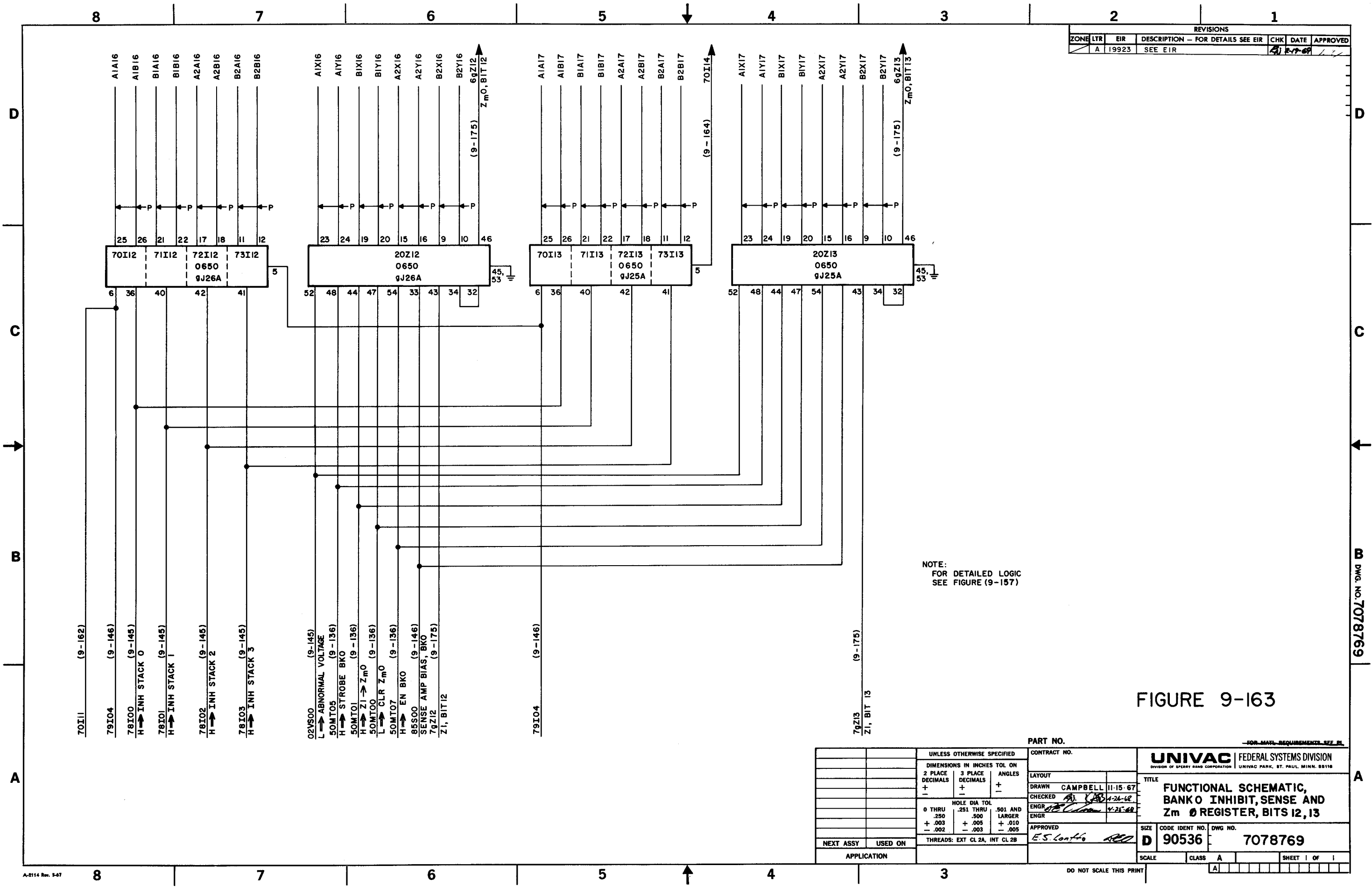
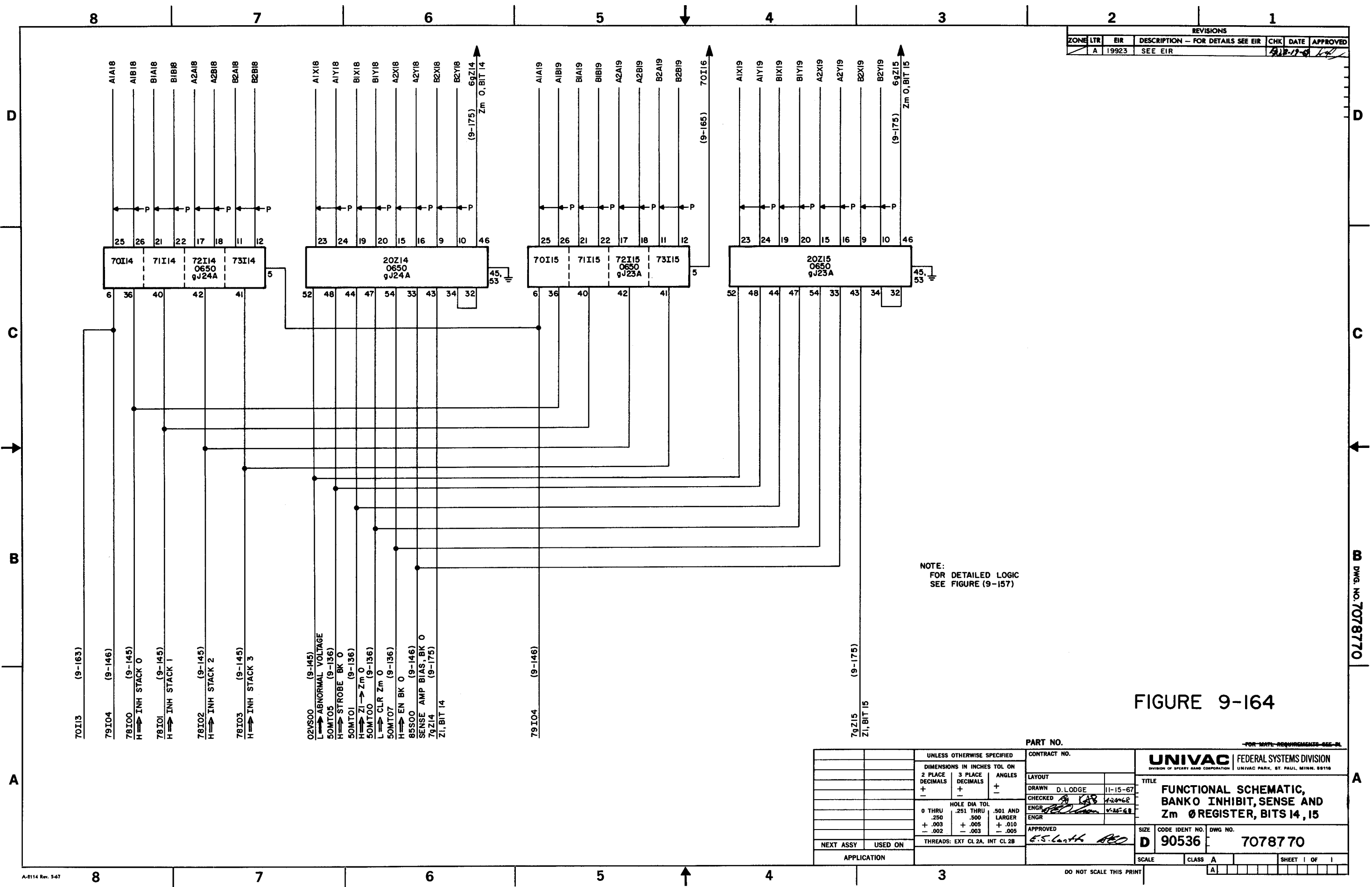


FIGURE 9-163

UNLESS OTHERWISE SPECIFIED		CONTRACT NO.		FOR MATL. REQUIREMENTS SEE EIR	
DIMENSIONS IN INCHES TOL ON		LAYOUT		TITLE	
2 PLACE DECIMALS	3 PLACE DECIMALS	+	+	UNIVAC FEDERAL SYSTEMS DIVISION	
+	+	+	+	DIVISION OF SPERRY RAND CORPORATION UNIVAC PARK, ST. PAUL, MINN. 55118	
+	+	+	+	DRAWN CAMPBELL 11-15-67	
+	+	+	+	CHECKED [Signature] 1-24-68	
+	+	+	+	ENGR [Signature] 4-25-68	
+	+	+	+	ENGR [Signature]	
+	+	+	+	APPROVED [Signature]	
+	+	+	+	SIZE CODE IDENT NO. DWG NO.	
+	+	+	+	D 90536 7078769	
+	+	+	+	SCALE CLASS A SHEET 1 OF 1	
+	+	+	+	DO NOT SCALE THIS PRINT	

REVISIONS				
ZONE	LTR	EIR	DESCRIPTION - FOR DETAILS SEE EIR	CHK DATE APPROVED
	A	19923	SEE EIR	9-19-67



NOTE:
FOR DETAILED LOGIC
SEE FIGURE (9-157)

FIGURE 9-164

UNLESS OTHERWISE SPECIFIED		CONTRACT NO.		PART NO.	
DIMENSIONS IN INCHES TOL ON		LAYOUT		UNIVAC FEDERAL SYSTEMS DIVISION	
2 PLACE DECIMALS	3 PLACE DECIMALS	+	+	DIVISION OF SPERRY RAND CORPORATION, UNIVAC PARK, ST. PAUL, MINN. 55116	
+	+	-	-	TITLE	
HOLE DIA TOL		DRAWN D. LODGE 11-15-67		FUNCTIONAL SCHEMATIC,	
0 THRU .250	.251 THRU .500	.501 AND LARGER	CHECKED [Signature] 12-26-68	BANKO INHIBIT, SENSE AND	
+.003	+.005	+.010	ENGR [Signature] 12-26-68	Zm Ø REGISTER, BITS 14, 15	
-.002	-.003	-.005	APPROVED [Signature] 12-26-68	SIZE	CODE IDENT NO. DWG NO.
THREADS: EXT CL 2A, INT CL 2B		NEXT ASSY USED ON		D	90536 70787 70
APPLICATION		SCALE		CLASS A	SHEET 1 OF 1

NOTE: For Digital Data Computers with Serial Numbers 14 through 48, test points are provided as follows:

CIRCUIT	TEST POINT	CIRCUIT	TEST POINT
20Z14, Pin 46 20Z15, Pin 46	TB1-F11 TB1-G11		

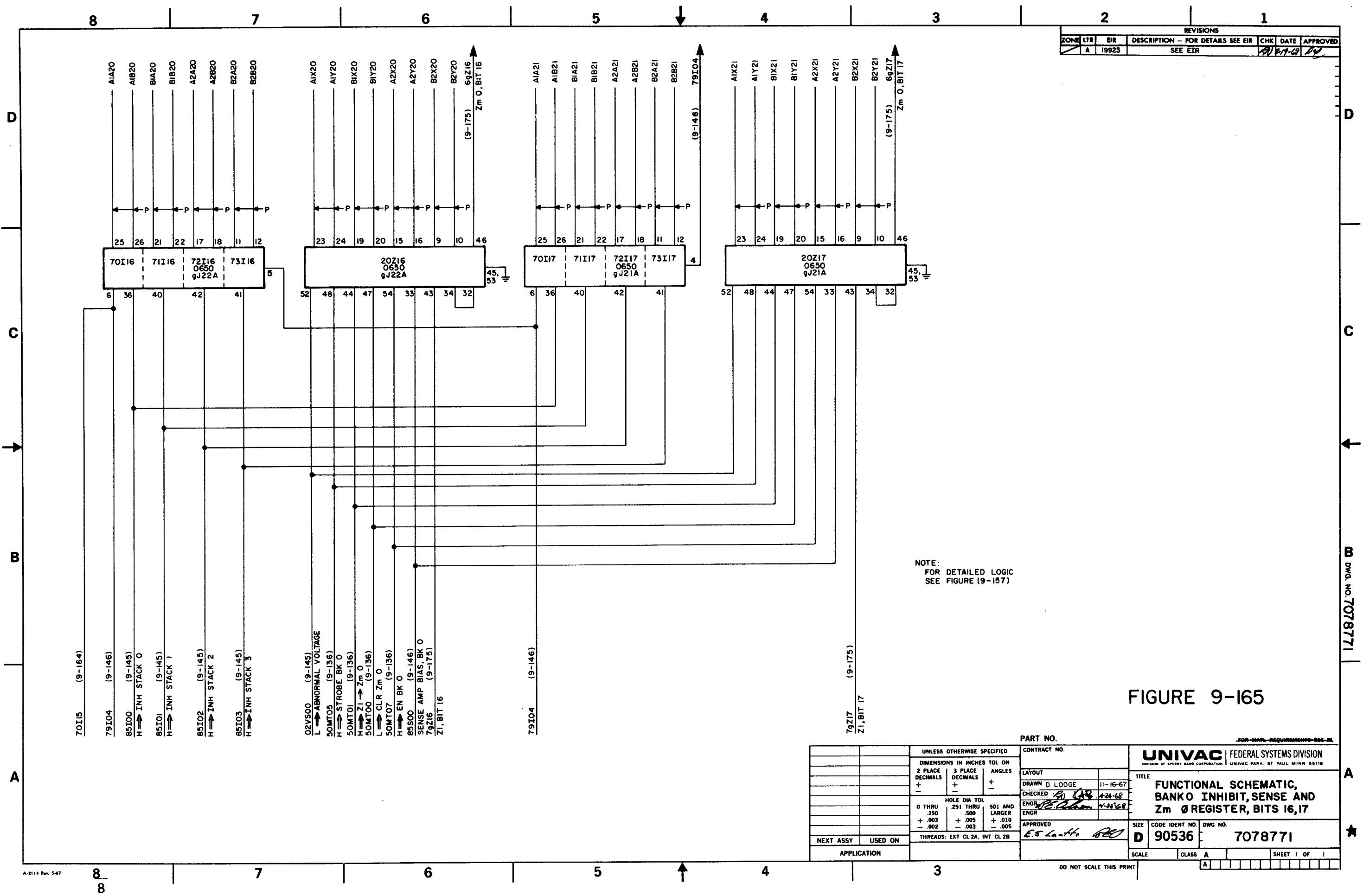
FIGURE 9-164 SUPPLEMENT

NOTE: For Digital Data Computers with Serial Numbers 14 through 48, test points are provided as follows:

CIRCUIT	TEST POINT	CIRCUIT	TEST POINT
20Z16, Pin 46 20Z17, Pin 46	TB1-H11 TB1-J11		

FIGURE 9-165 SUPPLEMENT

REVISIONS				
ZONE	LTR	EIR	DESCRIPTION - FOR DETAILS SEE EIR	CHK DATE APPROVED
A		19923	SEE EIR	8/17/69 [Signature]

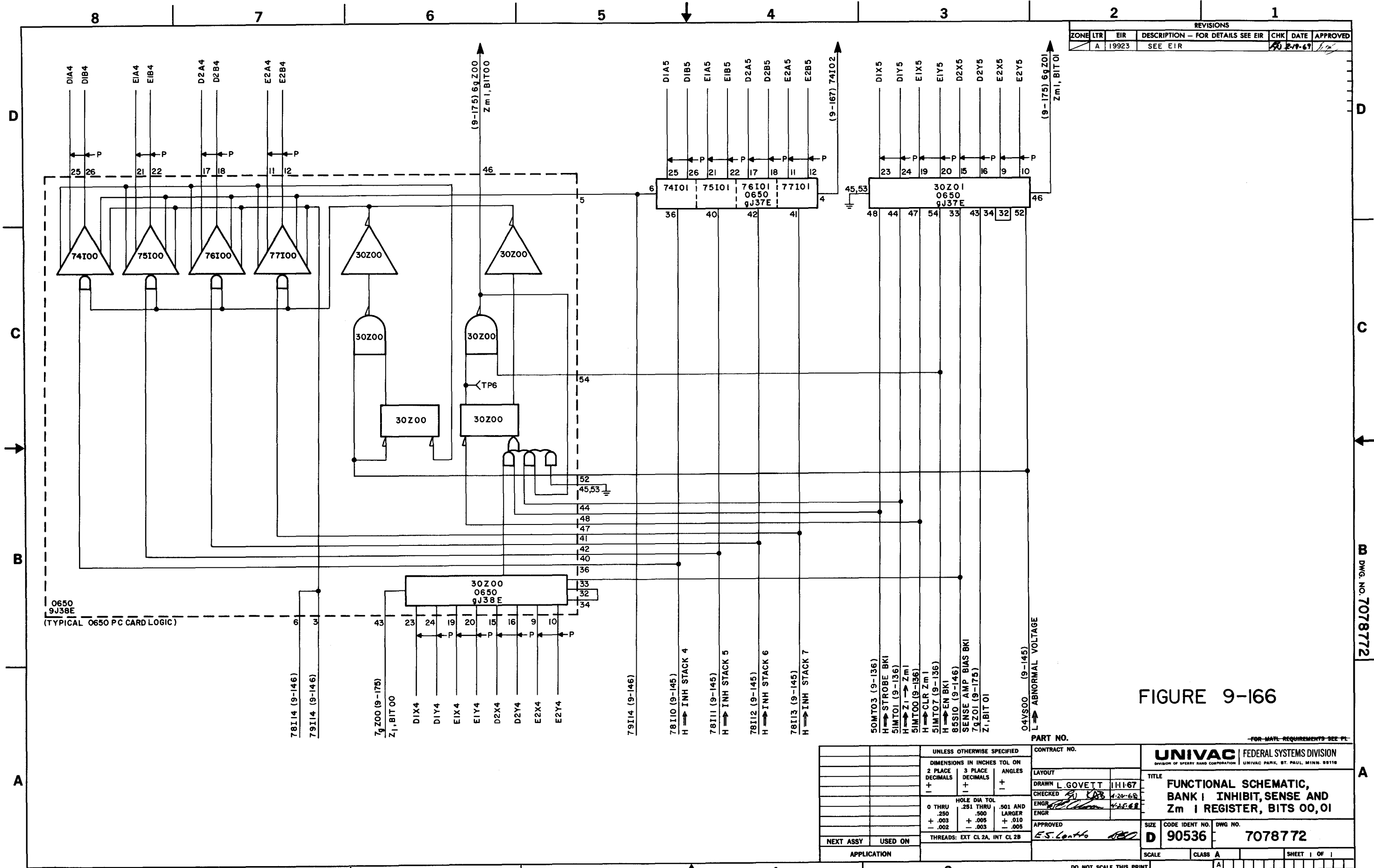


NOTE:
FOR DETAILED LOGIC
SEE FIGURE (9-157)

FIGURE 9-165

UNLESS OTHERWISE SPECIFIED		CONTRACT NO.		PART NO.	
DIMENSIONS IN INCHES TOL ON		LAYOUT		UNIVAC FEDERAL SYSTEMS DIVISION	
2 PLACE DECIMALS	3 PLACE DECIMALS	+	+	DIVISION OF SPERRY RAND CORPORATION UNIVAC PARK, ST. PAUL, MINN 55116	
+	+	-	-	TITLE	
HOLE DIA TOL		DRAWN D. LODGE 11-16-67		FUNCTIONAL SCHEMATIC, BANKO INHIBIT, SENSE AND Zm Ø REGISTER, BITS 16,17	
0 THRU .250	.251 THRU .500	501 AND LARGER	CHECKED [Signature] 1-28-68	SIZE CODE IDENT NO. DWG NO.	
+.003	+.005	+.010	ENGR [Signature] 1-28-68	D 90536	7078771
-.002	-.003	-.005	APPROVED [Signature]	SCALE	CLASS A SHEET 1 OF 1
NEXT ASSY USED ON		THREADS: EXT CL 2A, INT CL 2B		DO NOT SCALE THIS PRINT	
APPLICATION					

DWG. NO. 7078771



REVISIONS						
ZONE	LTR	EIR	DESCRIPTION - FOR DETAILS SEE EIR	CHK	DATE	APPROVED
A		19923	SEE EIR		2-17-69	

FIGURE 9-166

UNLESS OTHERWISE SPECIFIED		CONTRACT NO.	
DIMENSIONS IN INCHES TOL ON		LAYOUT	
2 PLACE DECIMALS	3 PLACE DECIMALS	ANGLES	
+	+	+	
0 THRU .251 THRU .501 AND LARGER	.251 THRU .501 THRU .501 AND LARGER	HOLE DIA TOL	
+	+	+	
-.002	-.003	-.003	
THREADS: EXT CL 2A, INT CL 2B		APPROVED	
		E.S. Lentz	
NEXT ASSY	USED ON	APPLICATION	
PART NO.		-FOR MATL REQUIREMENTS SEE PL-	
UNIVAC FEDERAL SYSTEMS DIVISION		UNIVAC PARK, ST. PAUL, MINN. 55116	
TITLE		FUNCTIONAL SCHEMATIC, BANK 1 INHIBIT, SENSE AND Zm 1 REGISTER, BITS 00, 01	
SIZE	CODE IDENT NO.	DWG NO.	
D	90536	7078772	
SCALE	CLASS A	SHEET 1 OF 1	

NOTE: For Digital Data Computers with Serial Numbers 14 through 48, test points are provided as follows:

CIRCUIT	TEST POINT	CIRCUIT	TEST POINT
30Z00, Pin 46 30Z01, Pin 46	TB2-A12 TB2-B12		

NOTE: For Digital Data Computers with Serial Numbers 14 through 48, test points are provided as follows:

CIRCUIT	TEST POINT	CIRCUIT	TEST POINT
30Z02, Pin 46 30Z03, Pin 46	TB2-C12 TB2-D12		

REVISIONS						
ZONE	LTR	EIR	DESCRIPTION - FOR DETAILS SEE EIR	CHK	DATE	APPROVED
A		19923	SEE EIR		9-17-68	

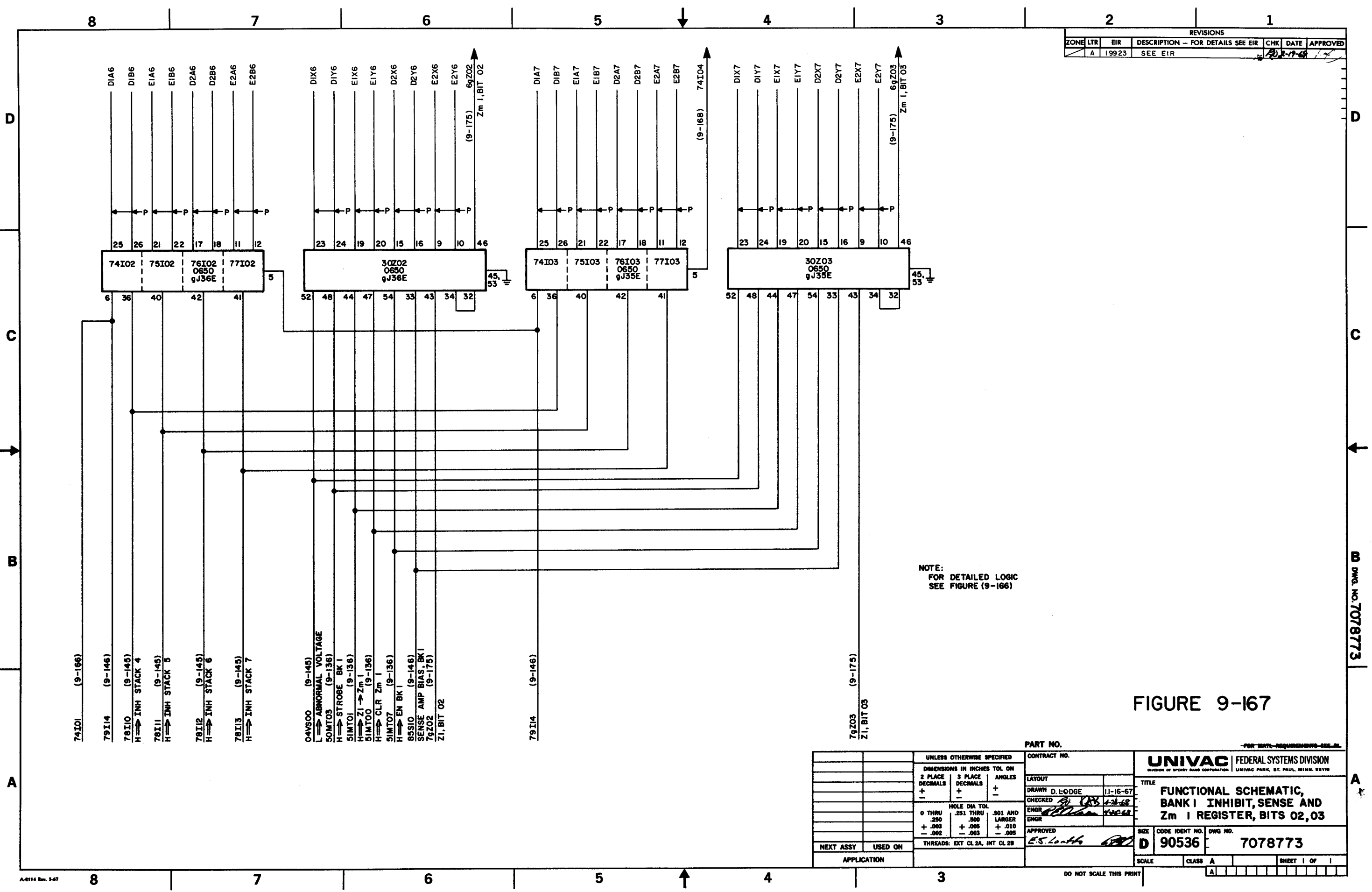


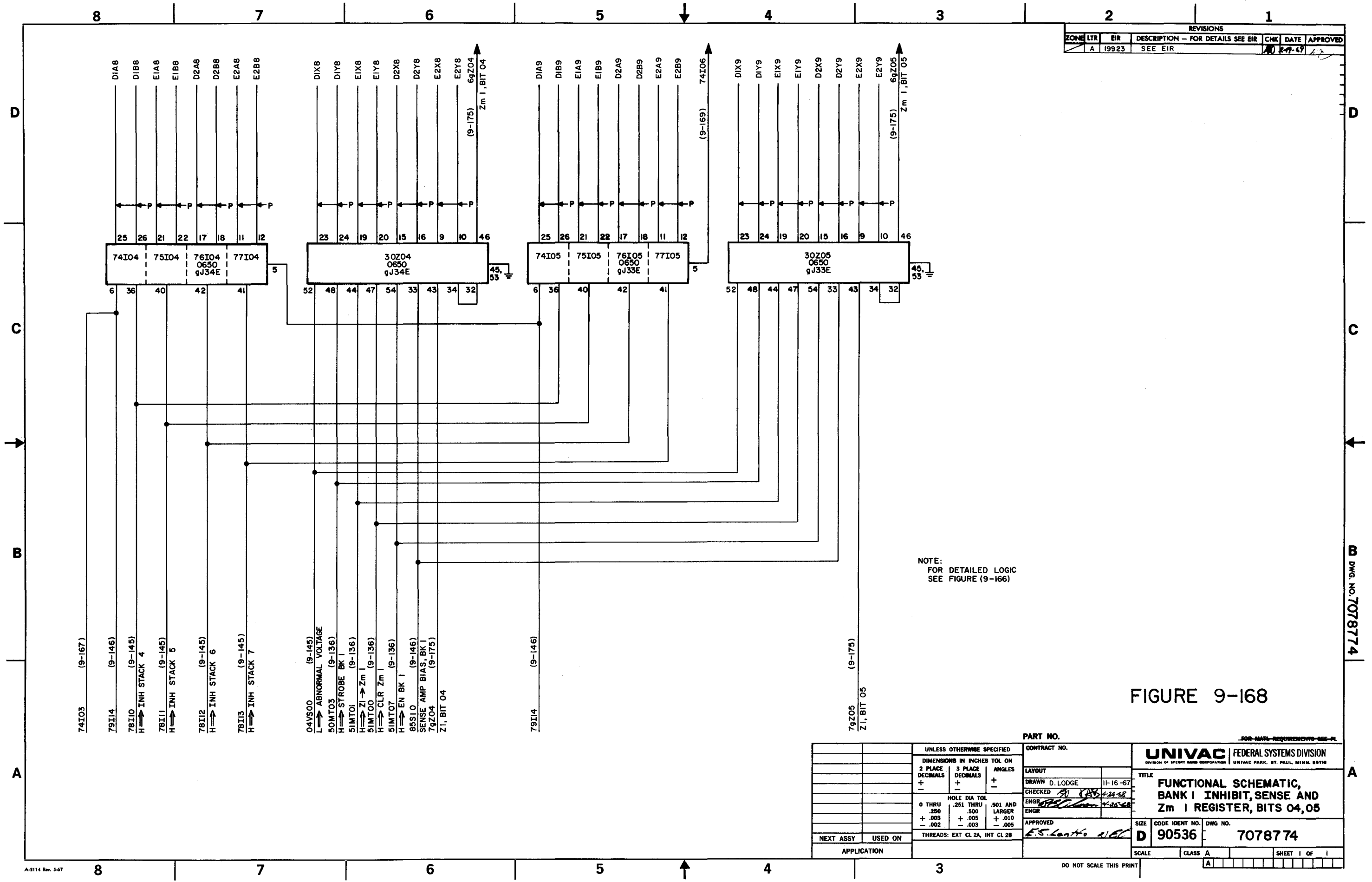
FIGURE 9-167

NOTE:
FOR DETAILED LOGIC
SEE FIGURE (9-166)

UNLESS OTHERWISE SPECIFIED		CONTRACT NO.		PART NO.		-FOR BENTL-REQUIREMENTS-SEE-AL-	
DIMENSIONS IN INCHES TOL ON		LAYOUT		UNIVAC FEDERAL SYSTEMS DIVISION		DIVISION OF SPERRY RAND CORPORATION UNIVAC PARK, ST. PAUL, MINN. 55118	
2 PLACE DECIMALS	3 PLACE DECIMALS	ANGLES	DRAWN D. LODGE	DATE 11-16-67	TITLE		
+	+	+	CHECKED		FUNCTIONAL SCHEMATIC, BANK 1 INHIBIT, SENSE AND Zm 1 REGISTER, BITS 02, 03		
HOLE DIA TOL		ENGR		APPROVED			
0 THRU .250	.251 THRU .500	.501 AND LARGER		E.S. Leath			
+	+	+	SIZE CODE IDENT NO. DWG NO.				
+	+	+	D 90536 7078773				
+	+	+	SCALE CLASS A SHEET 1 OF 1				
+	+	+	DO NOT SCALE THIS PRINT				

DWG. NO. 7078773

REVISIONS				
ZONE	LTR	EIR	DESCRIPTION - FOR DETAILS SEE EIR	CHK DATE APPROVED
A		19923	SEE EIR	AD 8-9-69



NOTE:
FOR DETAILED LOGIC
SEE FIGURE (9-166)

FIGURE 9-168

UNLESS OTHERWISE SPECIFIED		CONTRACT NO.		FOR MATL. REQUIREMENTS SEE PL	
DIMENSIONS IN INCHES TOL ON		LAYOUT		UNIVAC FEDERAL SYSTEMS DIVISION	
2 PLACE DECIMALS	3 PLACE DECIMALS	ANGLES	DRAWN D. LODGE	DIVISION OF SPERRY RAND CORPORATION UNIVAC PARK, ST. PAUL, MINN. 55116	
+	+	+	11-16-67	TITLE	
0 THRU .250	.251 THRU .500	.501 AND LARGER	CHECKED <i>[Signature]</i>	FUNCTIONAL SCHEMATIC,	
-.003	+.005	+.010	ENGR <i>[Signature]</i>	BANK 1 INHIBIT, SENSE AND	
-.002	-.003	-.005	ENGR <i>[Signature]</i>	Zm 1 REGISTER, BITS 04, 05	
NEXT ASSY USED ON		APPROVED <i>[Signature]</i>		SIZE	CODE IDENT NO.
APPLICATION		THREADS: EXT CL 2A, INT CL 2B		D	90536
				DWG NO.	7078774
				SCALE	CLASS A
				SHEET 1 OF 1	

NOTE: For Digital Data Computers with Serial Numbers 14 through 48, test points are provided as follows:

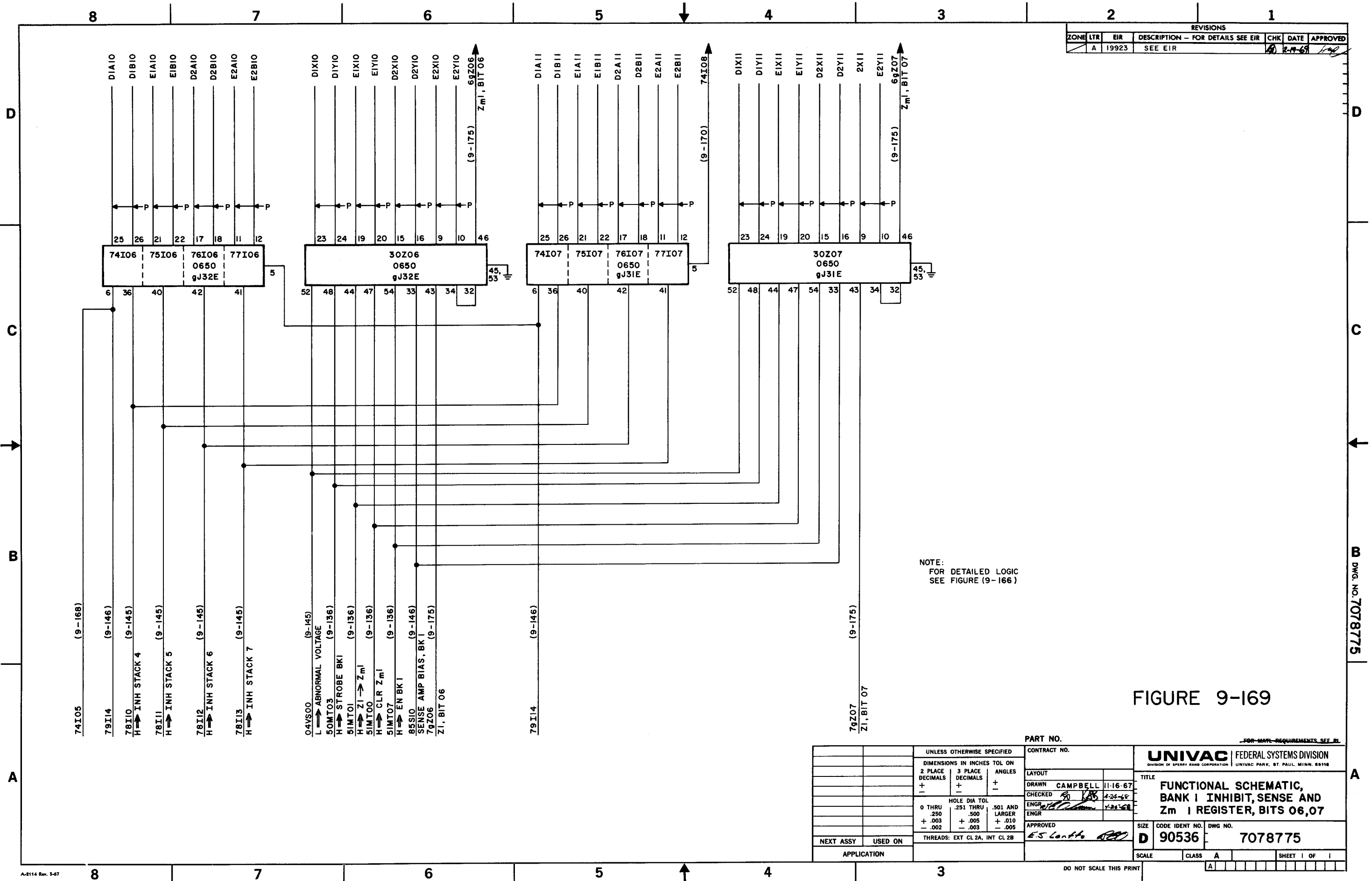
CIRCUIT	TEST POINT	CIRCUIT	TEST POINT
30Z04, Pin 46 30Z05, Pin 46	TB2-E12 TB2-F12		

NOTE: For Digital Data Computers with Serial Numbers 14 through 48, test points are provided as follows:

CIRCUIT	TEST POINT	CIRCUIT	TEST POINT
30Z05, Pin 46 30Z06, Pin 46	TB2-G12 TB2-H12		

FIGURE 9-169 SUPPLEMENT

REVISIONS						
ZONE	LTR	EIR	DESCRIPTION - FOR DETAILS SEE EIR	CHK	DATE	APPROVED
A		19923	SEE EIR		2-17-68	<i>[Signature]</i>

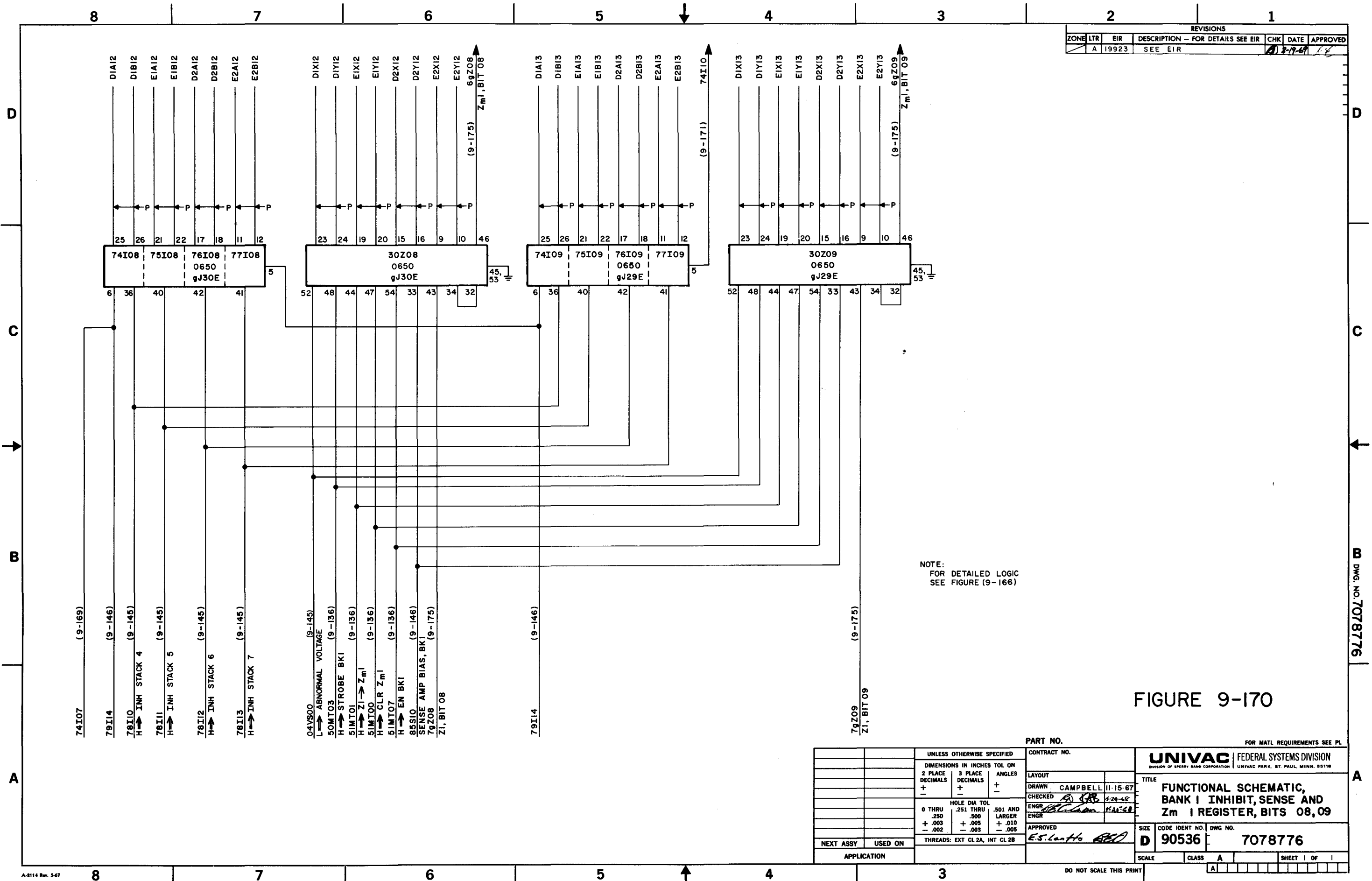


NOTE:
FOR DETAILED LOGIC
SEE FIGURE (9-166)

FIGURE 9-169

UNLESS OTHERWISE SPECIFIED		CONTRACT NO.		FOR MATL REQUIREMENTS, SEE BL	
DIMENSIONS IN INCHES TOL ON		LAYOUT		UNIVAC FEDERAL SYSTEMS DIVISION	
2 PLACE DECIMALS +	3 PLACE DECIMALS +	ANGLES +	DRAWN CAMPBELL	DIVISION OF SPERRY RAND CORPORATION UNIVAC PARK, ST. PAUL, MINN. 55116	
0 THRU .250 + .003	.251 THRU .500 + .005	.501 AND LARGER + .010	CHECKED <i>[Signature]</i>	TITLE	
HOLE DIA TOL			ENGR <i>[Signature]</i>	FUNCTIONAL SCHEMATIC, BANK 1 INHIBIT, SENSE AND Zm 1 REGISTER, BITS 06,07	
THREADS: EXT CL 2A, INT CL 2B			ENGR <i>[Signature]</i>	APPROVED <i>[Signature]</i>	SIZE D
NEXT ASSY	USED ON	APPLICATION	CODE IDENT NO. 90536		DWG NO. 7078775
			SCALE CLASS A		SHEET 1 OF 1

REVISIONS						
ZONE	LTR	EIR	DESCRIPTION - FOR DETAILS SEE EIR	CHK	DATE	APPROVED
A		19923	SEE EIR		8-17-67	



NOTE:
FOR DETAILED LOGIC
SEE FIGURE (9-166)

FIGURE 9-170

UNLESS OTHERWISE SPECIFIED		CONTRACT NO.		FOR MATL REQUIREMENTS SEE PL	
DIMENSIONS IN INCHES TOL ON		LAYOUT		UNIVAC FEDERAL SYSTEMS DIVISION	
2 PLACE DECIMALS	3 PLACE DECIMALS	+	+	DIVISION OF SPERRY RAND CORPORATION UNIVAC PARK, ST. PAUL, MINN. 55118	
+	+	+	+	TITLE	
0 THRU .250	.251 THRU .500	.501 AND LARGER		FUNCTIONAL SCHEMATIC, BANK I INHIBIT, SENSE AND Zm I REGISTER, BITS 08, 09	
+	+	+		DRAWN CAMPBELL 11-15-67	
-.002	-.003	-.005		CHECKED [Signature] 4-28-68	
				ENGR [Signature] 12-15-68	
				APPROVED [Signature]	
NEXT ASSY	USED ON	THREADS: EXT CL 2A, INT CL 2B	SIZE	CODE IDENT NO.	DWG NO.
			D	90536	7078776
APPLICATION			SCALE	CLASS	SHEET 1 OF 1
				A	

NOTE: For Digital Data Computers with Serial Numbers 14 through 48, test points are provided as follows:

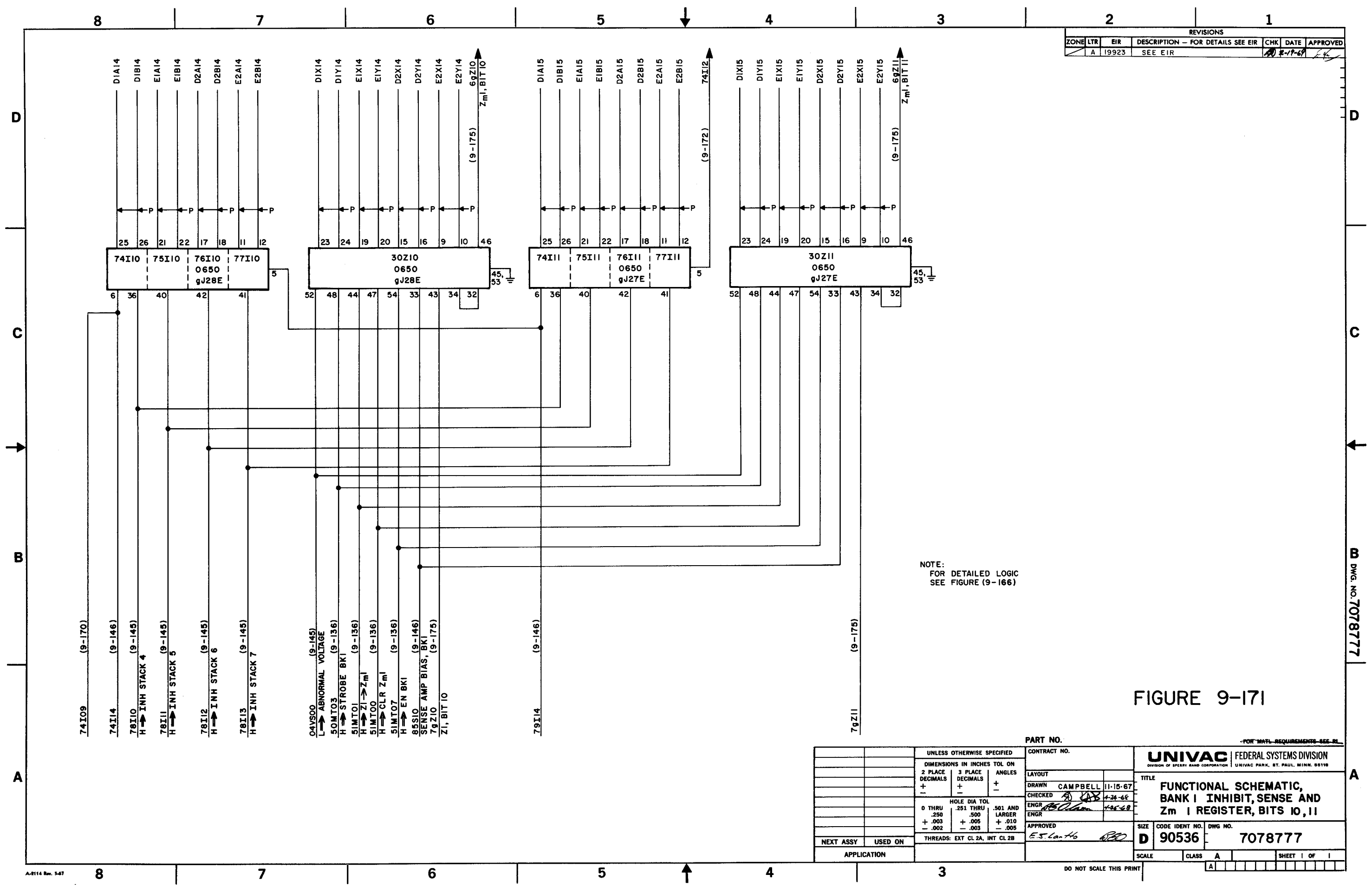
CIRCUIT	TEST POINT	CIRCUIT	TEST POINT
30Z08, Pin 46 30Z09, Pin 46	TB2-J12 TB2-A11		

NOTE: For Digital Data Computers with Serial Numbers 14 through 48, test points are provided as follows:

CIRCUIT	TEST POINT	CIRCUIT	TEST POINT
30Z10, Pin 46 30Z11, Pin 46	TB2-B11 TB2-C11		

FIGURE 9-171 SUPPLEMENT

REVISIONS				
ZONE	LTR	EIR	DESCRIPTION - FOR DETAILS SEE EIR	CHK DATE APPROVED
A		19923	SEE EIR	20 2-19-69 [Signature]

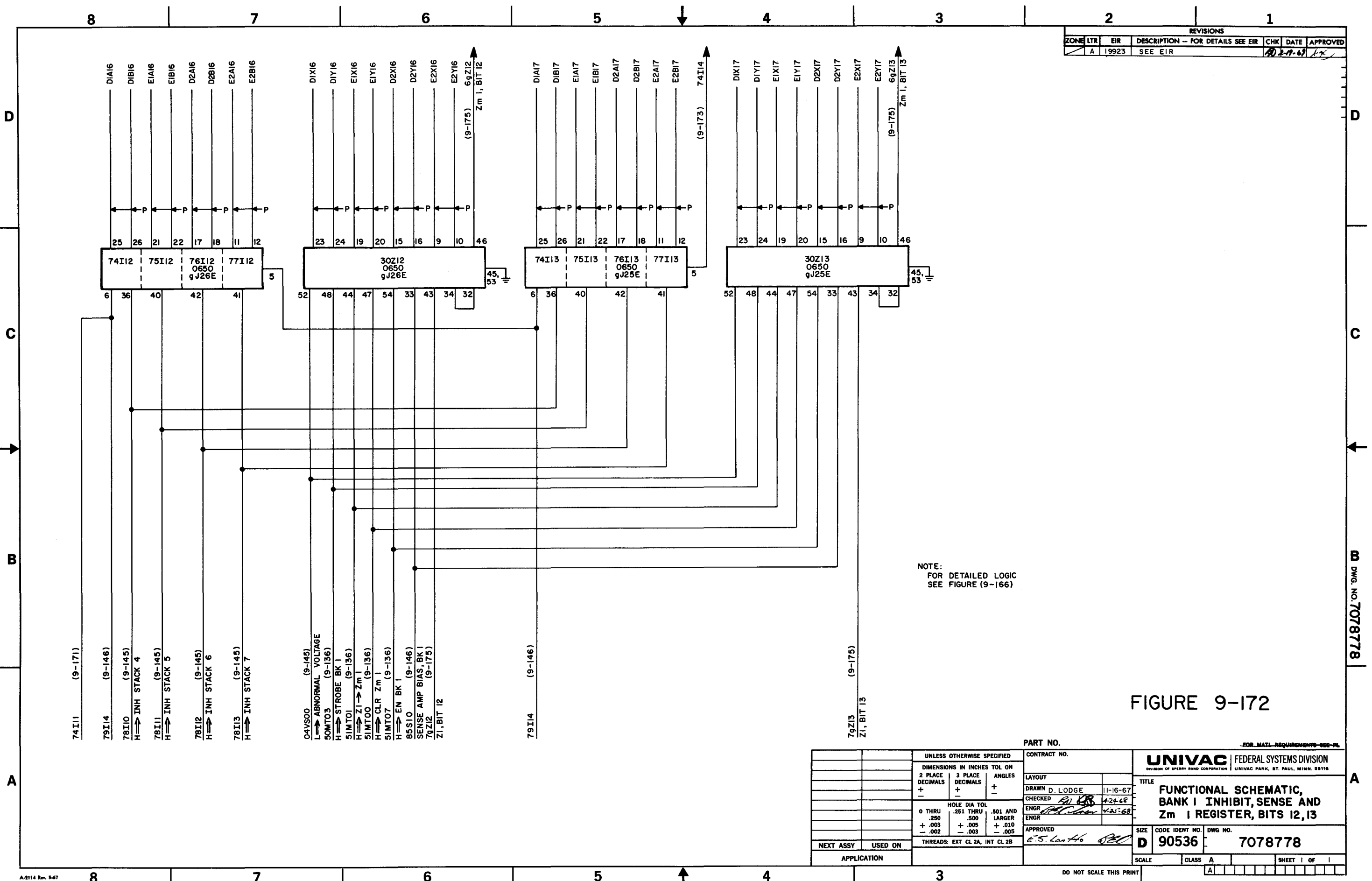


NOTE:
FOR DETAILED LOGIC
SEE FIGURE (9-166)

FIGURE 9-171

UNLESS OTHERWISE SPECIFIED		CONTRACT NO.		PART NO.	
DIMENSIONS IN INCHES TOL ON		LAYOUT		UNIVAC FEDERAL SYSTEMS DIVISION	
2 PLACE DECIMALS	3 PLACE DECIMALS	ANGLES	DRAWN	CAMPBELL	11-15-67
+	+	+	CHECKED	[Signature]	11-24-68
HOLE DIA TOL		ENGR		ENGR	
0 THRU .250	.251 THRU .500	.501 AND LARGER	APPROVED	E.S. La-Ho [Signature]	
+	+	+	SIZE	CODE IDENT NO.	DWG NO.
-.002	-.005	-.010	D	90536	7078777
THREADS: EXT CL 2A, INT CL 2B		SCALE		CLASS A	
NEXT ASSY USED ON APPLICATION		DO NOT SCALE THIS PRINT		SHEET 1 OF 1	

REVISIONS						
ZONE	LTR	EIR	DESCRIPTION - FOR DETAILS SEE EIR	CHK	DATE	APPROVED
A		19923	SEE EIR		10-17-68	<i>[Signature]</i>



NOTE:
FOR DETAILED LOGIC
SEE FIGURE (9-166)

FIGURE 9-172

UNLESS OTHERWISE SPECIFIED		CONTRACT NO.		PART NO.	
DIMENSIONS IN INCHES TOL ON		LAYOUT		UNIVAC FEDERAL SYSTEMS DIVISION	
2 PLACE DECIMALS	3 PLACE DECIMALS	+	+	DIVISION OF SPERRY RAND CORPORATION UNIVAC PARK, ST. PAUL, MINN. 55116	
+	+	+	+	TITLE	
HOLE DIA TOL		DRAWN D. LODGE 11-16-67		FUNCTIONAL SCHEMATIC,	
0 THRU .250	.251 THRU .500	CHECKED <i>[Signature]</i> 1-24-68		BANK I INHIBIT, SENSE AND	
+	+	ENGR <i>[Signature]</i> 1-24-68		Zm 1 REGISTER, BITS 12, 13	
-.003	-.005	APPROVED <i>[Signature]</i>		SIZE	CODE IDENT NO.
-.002	-.003	E.S. Lan 46		D	90536
THREADS: EXT CL 2A, INT CL 2B		NEXT ASSY		DWG NO.	7078778
USED ON		APPLICATION		SCALE	CLASS A
				SHEET 1 OF 1	

B DWG. NO. 7078778

NOTE: For Digital Data Computers with Serial Numbers 14 through 48, test points are provided as follows:

CIRCUIT	TEST POINT	CIRCUIT	TEST POINT
30Z12, Pin 46 30Z13, Pin 46	TB2-D11 TB2-E11		

NOTE: For Digital Data Computers with Serial Numbers 14 through 48, test points are provided as follows:

CIRCUIT	TEST POINT	CIRCUIT	TEST POINT
30Z14, Pin 46 30Z15, Pin 46	TB2-F11 TB2-G11		

FIGURE 9-173 SUPPLEMENT

REVISIONS				
ZONE	LTR	EIR	DESCRIPTION - FOR DETAILS SEE EIR	CHK DATE APPROVED
A		19923	SEE EIR	20-12-69 [Signature]

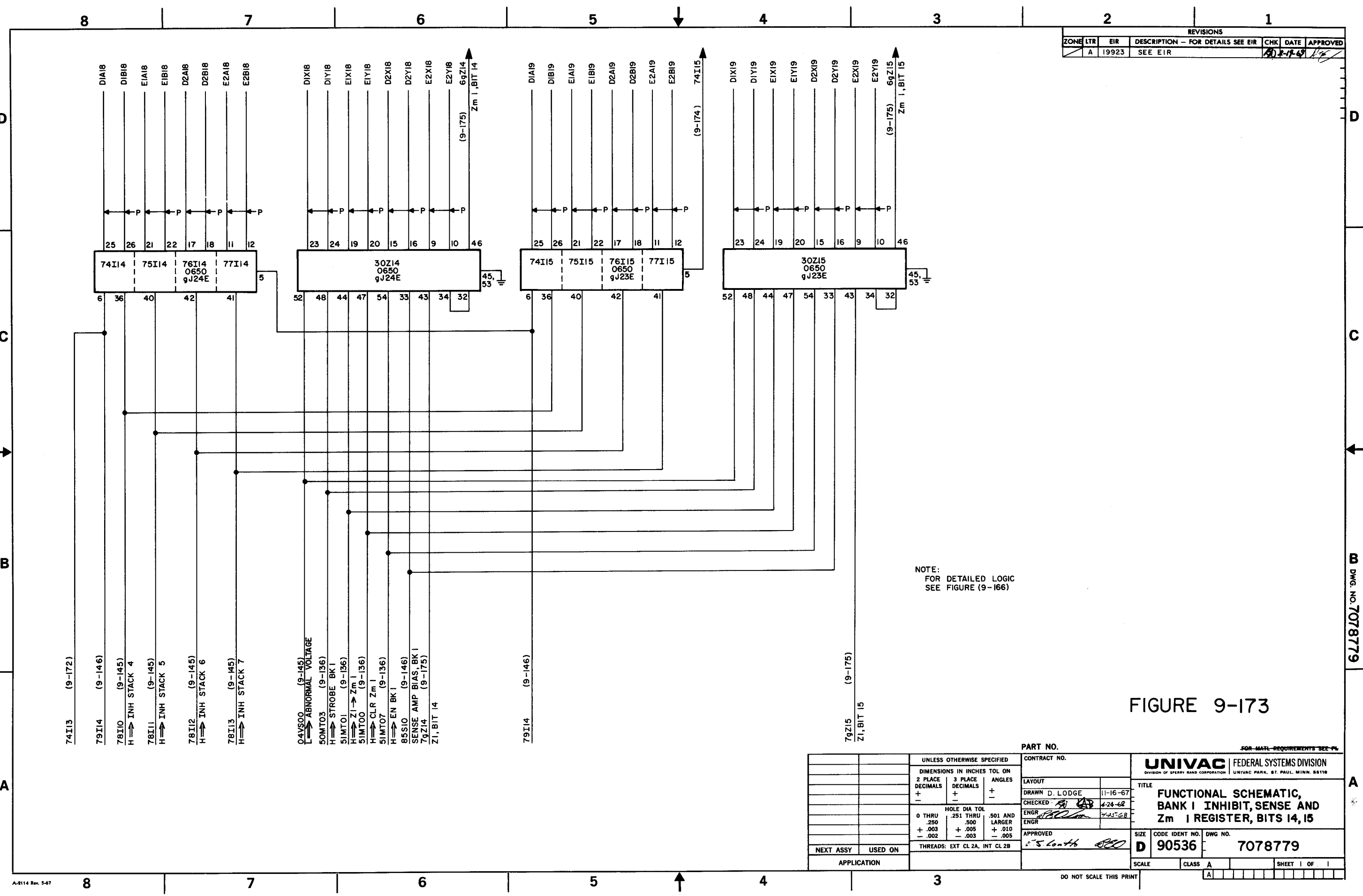


FIGURE 9-173

UNLESS OTHERWISE SPECIFIED		CONTRACT NO.		PART NO.	
DIMENSIONS IN INCHES TOL ON		LAYOUT		FOR MATL REQUIREMENTS SEE PK	
2 PLACE DECIMALS	3 PLACE DECIMALS	ANGLES	DRAWN D. LODGE	11-16-67	UNIVAC FEDERAL SYSTEMS DIVISION <small>DIVISION OF SPERRY RAND CORPORATION UNIVAC PARK, ST. PAUL, MINN. 55118</small>
+	+	+	CHECKED [Signature]	4-24-68	
0 THRU .250	.251 THRU .500	.501 AND LARGER	ENGR [Signature]	7-25-68	
+	+	+	APPROVED [Signature]		SIZE D CODE IDENT NO. 90536 DWG NO. 7078779
-.002	-.003	-.005	THREADS: EXT CL 2A, INT CL 2B		SCALE CLASS A SHEET 1 OF 1
NEXT ASSY	USED ON	APPLICATION	DO NOT SCALE THIS PRINT		

REVISIONS						
ZONE	LTR	EIR	DESCRIPTION - FOR DETAILS SEE EIR	CHK	DATE	APPROVED
A		19923	SEE EIR		11-17-67	<i>[Signature]</i>

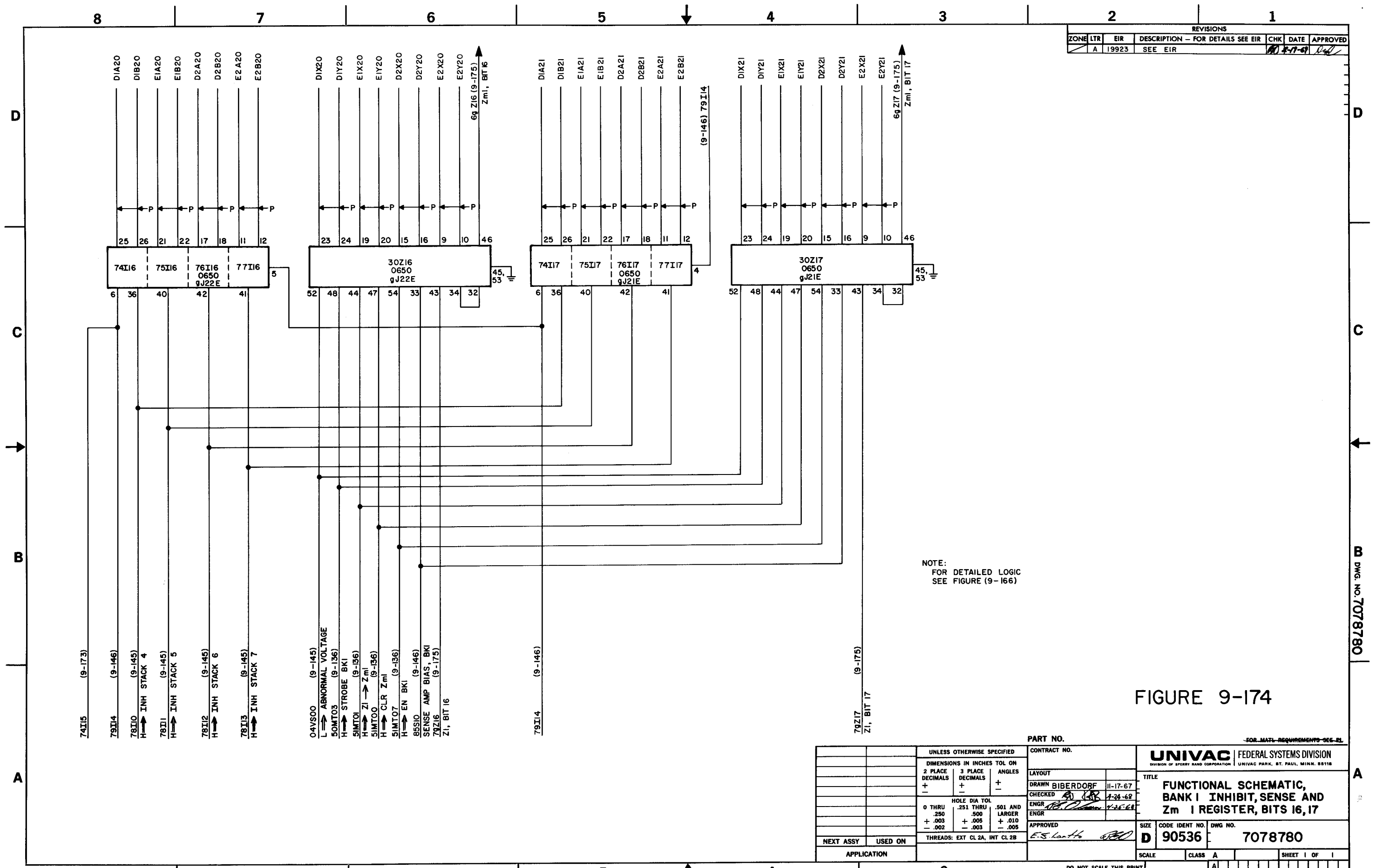


FIGURE 9-174

UNLESS OTHERWISE SPECIFIED		CONTRACT NO.	
DIMENSIONS IN INCHES TOL ON		LAYOUT	
2 PLACE DECIMALS	3 PLACE DECIMALS	ANGLES	
+	+	+	
HOLE DIA TOL		DRAWN BIBERDORF 11-17-67	
0 THRU .250	.251 THRU .500	CHECKED <i>[Signature]</i> 1-24-68	
+	+	ENGR <i>[Signature]</i> 1-24-68	
-.002	-.003	ENGR <i>[Signature]</i> 1-24-68	
THREADS: EXT CL 2A, INT CL 2B		APPROVED <i>[Signature]</i>	
NEXT ASSY	USED ON	PART NO. 90536 DWG NO. 7078780	
APPLICATION		SCALE A CLASS A SHEET 1 OF 1	

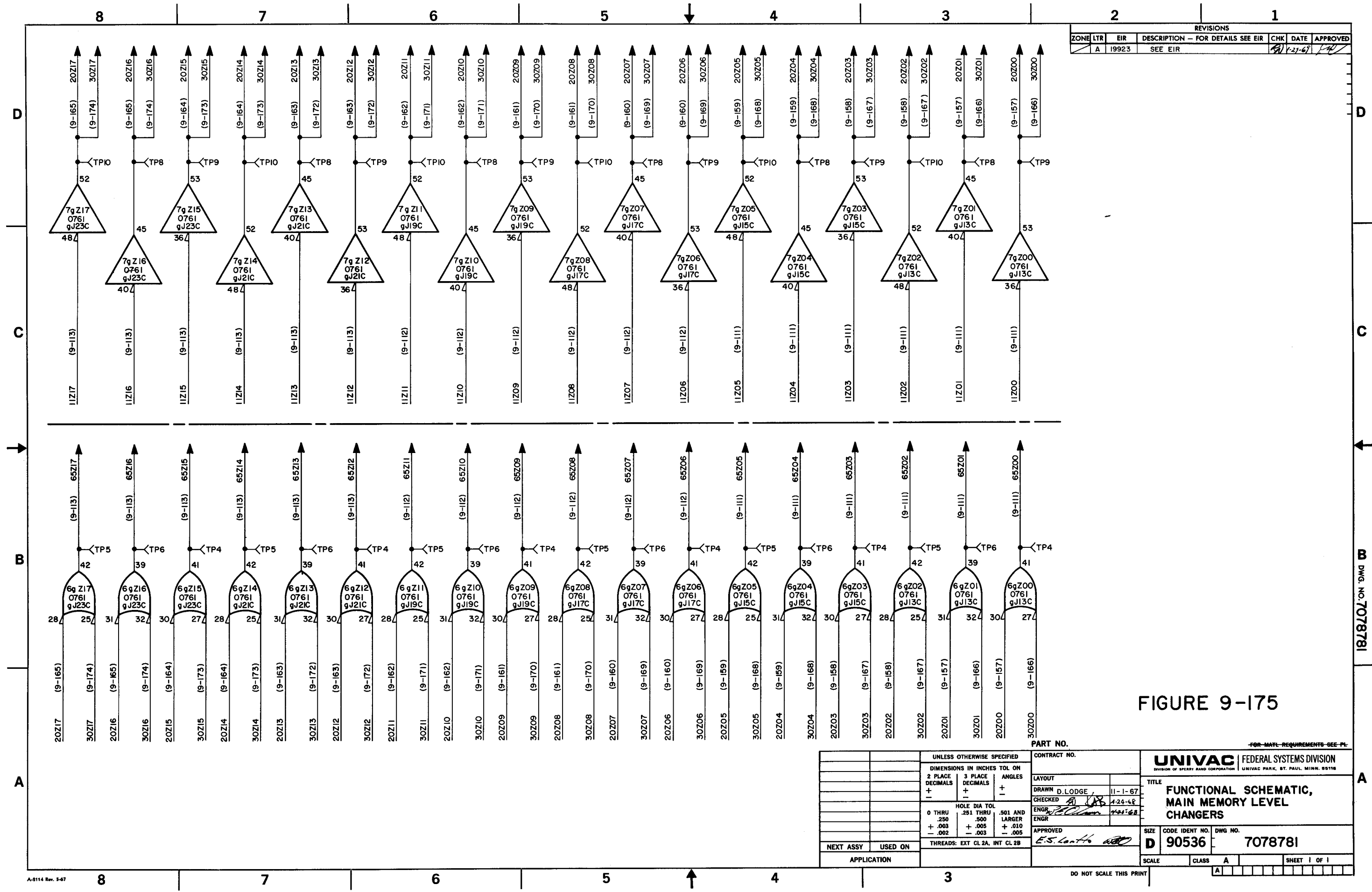
NOTE: For Digital Data Computers with Serial Numbers 14 through 48, test points are provided as follows:

CIRCUIT	TEST POINT	CIRCUIT	TEST POINT
30Z16, Pin 46 30Z17, Pin 46	TB2-H11 TB2-J11		

NOTE: For Digital Data Computers with Serial Numbers 14 through 48, test points are provided as follows:

CIRCUIT	TEST POINT	CIRCUIT	TEST POINT
6gZ00	TB1-A6	7gZ00	TB2-A6
6gZ01	TB1-B6	7gZ01	TB2-B6
6gZ02	TB1-C6	7gZ02	TB2-C6
6gZ03	TB1-D6	7gZ03	TB2-D6
6gZ04	TB1-E6	7gZ04	TB2-E6
6gZ05	TB1-F6	7gZ05	TB2-F6
6gZ06	TB1-G6	7gZ06	TB2-G6
6gZ07	TB1-H6	7gZ07	TB2-H6
6gZ08	TB1-J6	7gZ08	TB2-J6
6gZ09	TB1-A5	7gZ09	TB2-A5
6gZ10	TB1-B5	7gZ10	TB2-B5
6gZ11	TB1-C5	7gZ11	TB2-C5
6gZ12	TB1-D5	7gZ12	TB2-D5
6gZ13	TB1-E5	7gZ13	TB2-E5
6gZ14	TB1-F5	7gZ14	TB2-F5
6gZ15	TB1-G5	7gZ15	TB2-G5
6gZ16	TB1-H5	7gZ16	TB2-H5
6gZ17	TB1-J5	7gZ17	TB2-J5

FIGURE 9-175 SUPPLEMENT



REVISIONS						
ZONE	LTR	EIR	DESCRIPTION - FOR DETAILS SEE EIR	CHK	DATE	APPROVED
A		19923	SEE EIR		9-21-67	[Signature]

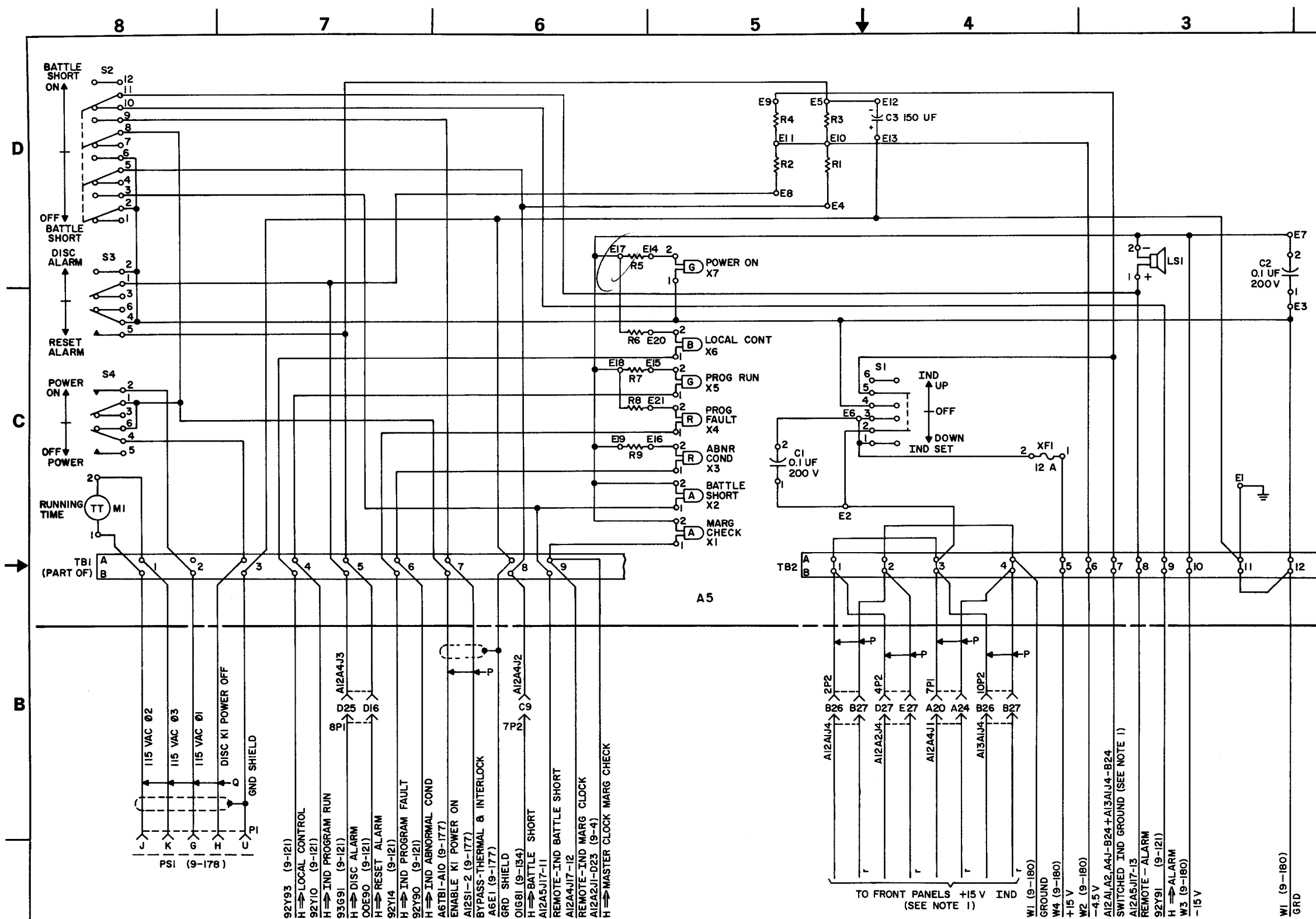
FIGURE 9-175

UNLESS OTHERWISE SPECIFIED			CONTRACT NO.	
DIMENSIONS IN INCHES TOL ON			LAYOUT	
2 PLACE DECIMALS	3 PLACE DECIMALS	ANGLES	DRAWN D. LODGE	11-1-67
+	+	+	CHECKED [Signature]	4-24-68
HOLE DIA TOL			ENGR [Signature]	
0 THRU .250	.251 THRU .500	.501 AND LARGER	APPROVED [Signature]	
+	+	+	E.S. Lantz	
-.002	-.003	-.005	NEXT ASSY USED ON	
THREADS: EXT CL 2A, INT CL 2B			APPLICATION	
PART NO.			FOR MATL REQUIREMENTS SEE PL	
UNIVAC FEDERAL SYSTEMS DIVISION			TITLE	
DIVISION OF SPERRY RAND CORPORATION UNIVAC PARK, ST. PAUL, MINN. 55116			FUNCTIONAL SCHEMATIC, MAIN MEMORY LEVEL CHANGERS	
SIZE	CODE IDENT NO.	DWG NO.	SCALE	
D	90536	7078781	CLASS A	
DO NOT SCALE THIS PRINT			SHEET 1 OF 1	

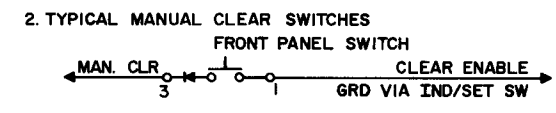
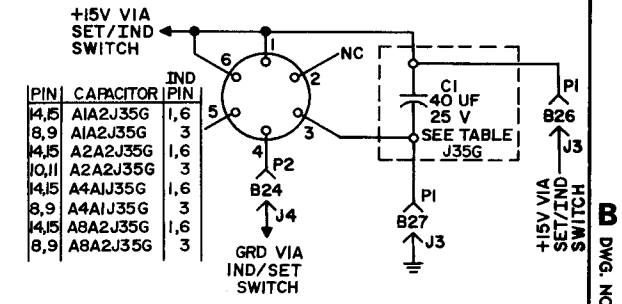
A-8114 Rev. 5-67

DWG. NO. 7078781

REVISIONS						
ZONE	LTR	EIR	DESCRIPTION - FOR DETAILS SEE EIR	CHK	DATE	APPROVED
A		16679	SEE EIR	RAJ	10-25-67	CLB
B		25572	SEE EIR	RAJ	6-2-68	CLB



NOTE:
1. TYPICAL INDICATOR & BYPASS CAPACITOR WIRING



- 3. R1 THRU R4, 470Ω 1/2 WATT
- 4. R5 THRU R9, 15Ω 1/2 WATT

FIGURE 9-176

- 115 VAC Ø2
- 115 VAC Ø3
- 115 VAC Ø1
- DISC KI POWER OFF
- GND SHIELD
- PSI (9-178)
- A12A4J3
- D26
- D16
- 7P2
- A12A4J2
- GRD SHIELD
- REMNOTE-IND BATTLE SHORT
- A12A4J7-12
- REMNOTE-IND MARG CLOCK
- A12A2J1-D23 (9-4)
- H MASTER CLOCK MARG CHECK
- 92Y93 (9-121) H LOCAL CONTROL
- 92Y10 (9-121) H IND PROGRAM RUN
- 93G91 (9-121) H DISC ALARM
- 00E90 (9-121) H RESET ALARM
- 92Y14 (9-121) H IND PROGRAM FAULT
- 92Y90 (9-121) H IND ABNORMAL COND
- A6TBI-AID (9-177) ENABLE KI POWER ON
- A12S1-2 (9-177) BYPASS-THERMAL & INTERLOCK
- A6E1 (9-177) GRD SHIELD
- OIG81 (9-134) H BATTLE SHORT
- A12A5J17-11

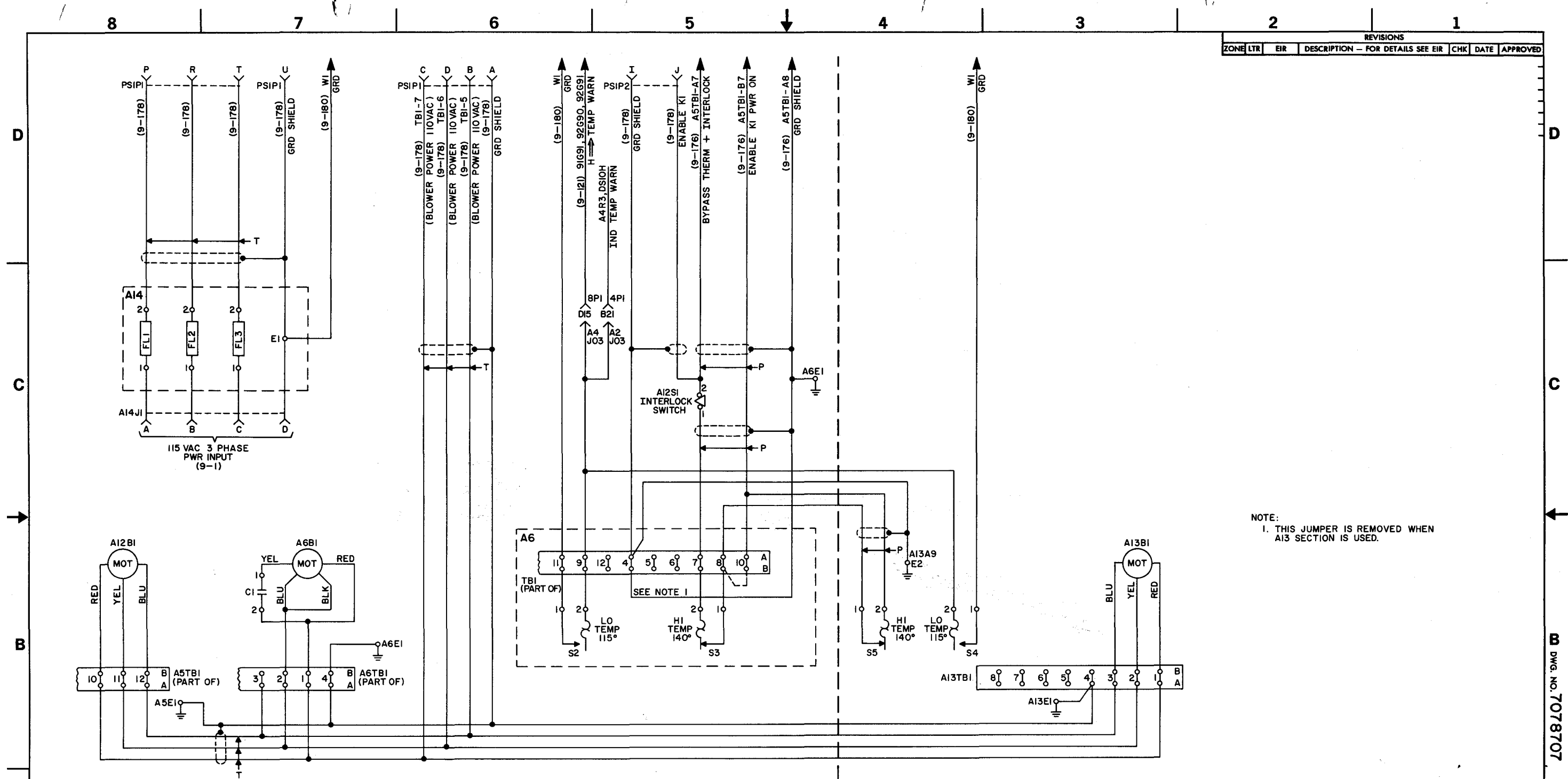
TO FRONT PANELS +15 V IND (SEE NOTE 1)
W1 (9-180) GROUND
W4 (9-180) +15 V
W2 (9-180) -4.5 V
A12AL2-A4J-B24+A13AJ4-B24
SWITCHED IND GROUND (SEE NOTE 1)
A12A5J17-13
REMNOTE - ALARM
92Y91 (9-121) H ALARM
W3 (9-180) -15 V
W1 (9-180) GRD

PART NO. 7078706-00

FOR MATL REQUIREMENTS SEE PL

UNLESS OTHERWISE SPECIFIED			CONTRACT NO.		UNIVAC FEDERAL SYSTEMS DIVISION	
DIMENSIONS IN INCHES TOL ON			LAYOUT		TITLE	
2 PLACE DECIMALS	3 PLACE DECIMALS	ANGLES	DRAWN D. LODGE	9-12-67	FUNCTIONAL SCHEMATIC, POWER CONTROL	
+	+	+	CHECKED <i>RAJ</i>	<i>RAJ</i>	SIZE CODE IDENT NO. DWG NO.	
0 THRU .250	.251 THRU .500	.501 AND LARGER	ENGR <i>RAJ</i>	<i>RAJ</i>	D	90536 7078706
+	+	+	ENGR <i>RAJ</i>	<i>RAJ</i>	SCALE	CLASS A
-.002	-.003	-.005	APPROVED <i>E.S. Lento</i>	<i>RAJ</i>	SHEET	1 OF 1
THREADS: EXT CL 2A, INT CL 2B			NEXT ASSY USED ON		DO NOT SCALE THIS PRINT	
APPLICATION						

REVISIONS						
ZONE	LTR	EIR	DESCRIPTION - FOR DETAILS SEE EIR	CHK	DATE	APPROVED



NOTE:
1. THIS JUMPER IS REMOVED WHEN A13 SECTION IS USED.

A12
MAIN CABINET

A13
OPTIONAL CABINET

FIGURE 9-177

PART NO. 7078707-00

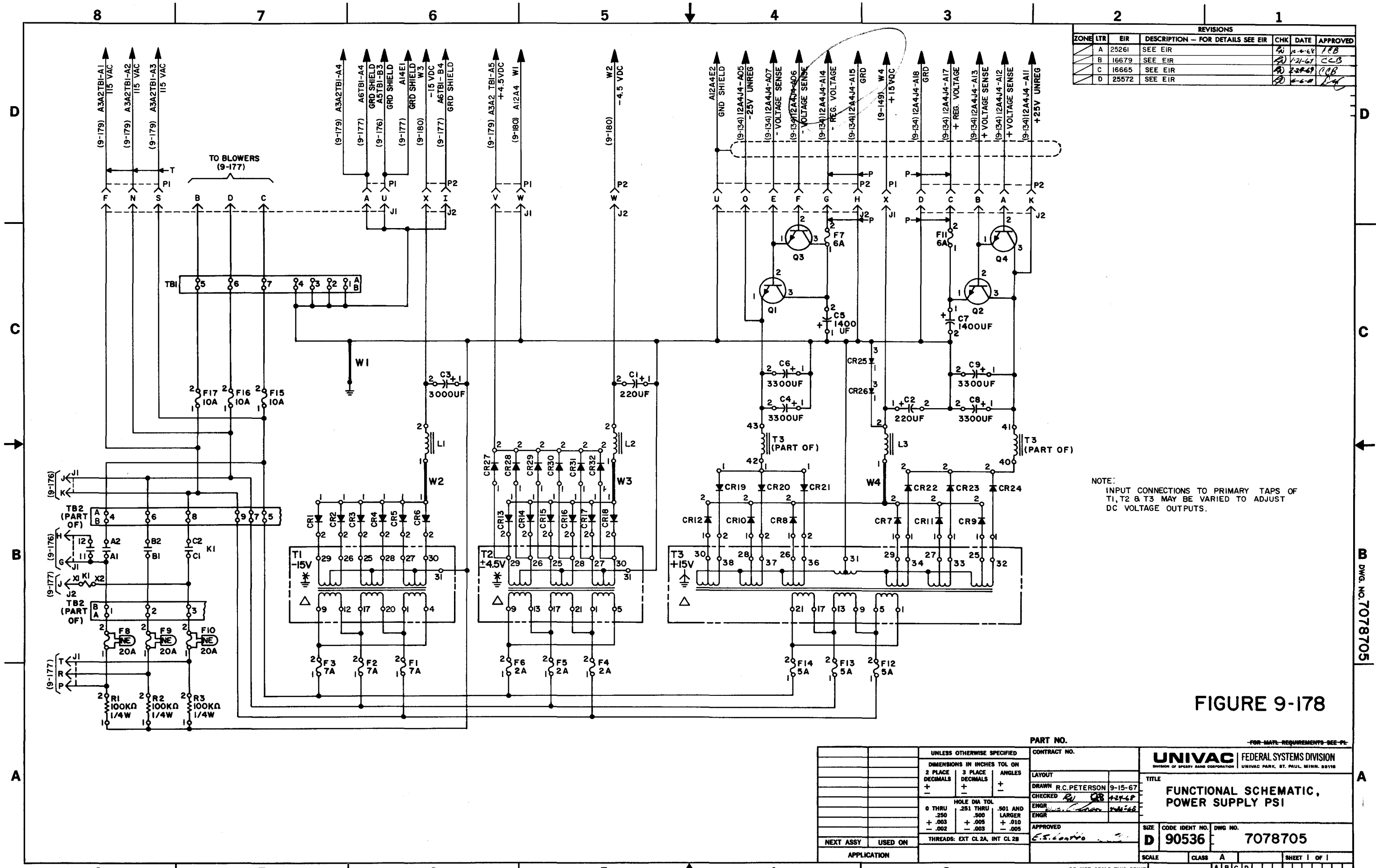
FOR MATL. REQUIREMENTS SEE PL

UNLESS OTHERWISE SPECIFIED DIMENSIONS IN INCHES TOL. IN 2 PLACE DECIMALS 3 PLACE DECIMALS ANGLES + + + HOLE DIA. TOL. 0 THRU .250 .257 thru .500 .501 AND LARGER + .003 + .005 + .010 - .002 - .003 - .005 THREADS: EXT. CL. 2A, INT. CL. 2B	CONTRACT NO.	UNIVAC FEDERAL SYSTEMS DIVISION DIVISION OF SPERRY RAND CORPORATION UNIVAC PARK, ST. PAUL, MINN. 55116	
	LAYOUT	TITLE	
	DRAWN D. LODGE 8-30-67	FUNCTIONAL SCHEMATIC, AC, CONTROL AND POWER DISTRIBUTION	
	CHECKED [Signature] 8-24-68	ENGR. [Signature] 8-24-68	
NEXT ASSY USED ON APPLICATION	APPROVED E.S. Lantz 8/30	SIZE D	CODE IDENT NO. 90536
		SCALE	DWG NO. 7078707
		CLASS A	SHEET 1 OF 1

DO NOT SCALE THIS PRINT

DWG. NO. 7078707

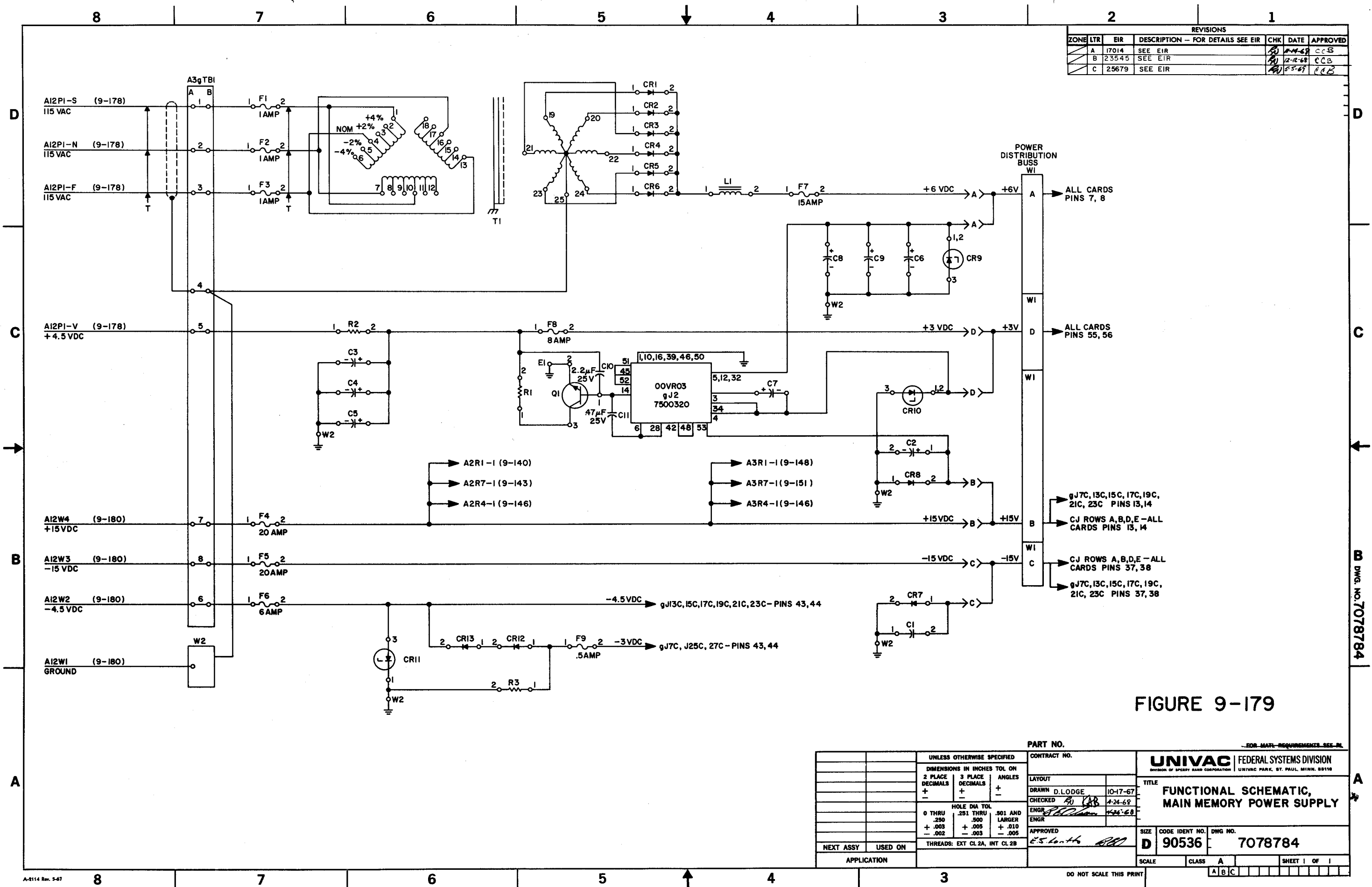
REVISIONS						
ZONE	LTR	EIR	DESCRIPTION - FOR DETAILS SEE EIR	CHK	DATE	APPROVED
A		25261	SEE EIR		9-15-67	108
B		16679	SEE EIR		9-15-67	CCB
C		16665	SEE EIR		9-15-67	108
D		25572	SEE EIR		9-15-67	108



NOTE:
INPUT CONNECTIONS TO PRIMARY TAPS OF
T1, T2 & T3 MAY BE VARIED TO ADJUST
DC VOLTAGE OUTPUTS.

FIGURE 9-178

UNLESS OTHERWISE SPECIFIED		CONTRACT NO.		PART NO.		FOR MATL. REQUIREMENTS SEE PL	
DIMENSIONS IN INCHES TOL ON		LAYOUT		UNIVAC FEDERAL SYSTEMS DIVISION		DIVISION OF SPERRY RAND CORPORATION UNIVAC PARK, ST. PAUL, MINN. 55116	
2 PLACE DECIMALS	3 PLACE DECIMALS	ANGLES	DRAWN R.C. PETERSON	TITLE		FUNCTIONAL SCHEMATIC, POWER SUPPLY PSI	
+	-	+	CHECKED R.C. PETERSON	DRAWN 9-15-67		CHECKED R.C. PETERSON	
HOLE DIA TOL		.501 AND LARGER		ENGR. APPROVED		ENGR. APPROVED	
0 THRU .250	+.003	-.002	THRU .500	+.005	-.003	THRU .501 AND LARGER	+.010
THREADS: EXT CL 2A, INT CL 2B		NEXT ASSY USED ON		APPROVED		APPROVED	
APPLICATION		SCALE		CLASS		SHEET 1 OF 1	
		D		90536		7078705	
		DO NOT SCALE THIS PRINT		A B C D			



REVISIONS				
ZONE	LTR	EIR	DESCRIPTION - FOR DETAILS SEE EIR	CHK DATE APPROVED
A		25261	SEE EIR	11-17-69 CCL 9

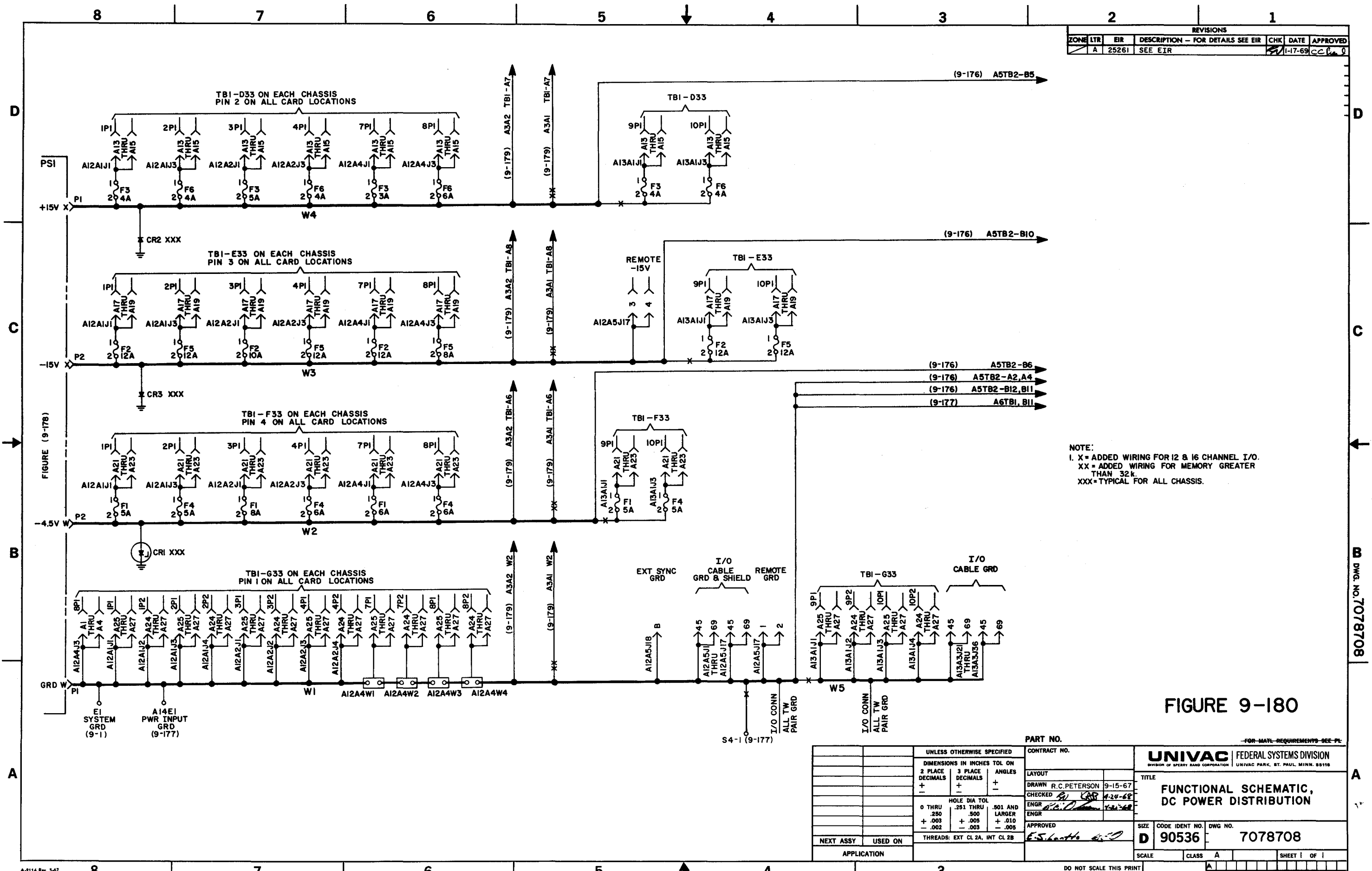


FIGURE 9-180

UNLESS OTHERWISE SPECIFIED		CONTRACT NO.	
DIMENSIONS IN INCHES TOL ON		LAYOUT	
2 PLACE DECIMALS	3 PLACE DECIMALS	ANGLES	
+	+	+	
HOLE DIA TOL		DRAWN R.C. PETERSON 9-15-67	
0 THRU .250	.251 THRU .500	CHECKED <i>[Signature]</i> 1-24-68	
+.003	+.005	ENGR <i>[Signature]</i> 1-24-68	
-.002	-.003	ENGR <i>[Signature]</i> 1-24-68	
THREADS: EXT CL 2A, INT CL 2B		APPROVED <i>[Signature]</i>	
NEXT ASSY	USED ON	PART NO.	FOR MATL REQUIREMENTS SEE PL
APPLICATION		UNIVAC FEDERAL SYSTEMS DIVISION	
		DIVISION OF SPERRY RAND CORPORATION UNIVAC PARK, ST. PAUL, MINN. 55118	
		TITLE	
		FUNCTIONAL SCHEMATIC, DC POWER DISTRIBUTION	
SIZE	CODE IDENT NO.	DWG NO.	
D	90536	7078708	
SCALE	CLASS	SHEET 1 OF 1	
	A		

		8		7		6		5		4		3		2		1																											
REVISIONS																																											
		ZONE		LTR		EIR		DESCRIPTION - FOR DETAILS SEE EIR		CHK		DATE		APPROVED																													
A	D	35	34	33	32	31	30	29	28	27	26	25	24	23	22	21	20	19	18	17	16	15	14	13	12	11	10	9	8	7	6	5	4	3	2	1							
		24Rg0 61 24Rg1 62 24Rg2 63 24Rg3 64	BOMg2 65 BOMg3 66 BOMg4 67	BORg2 65 BORg3 66 BORg4 67	BOMg0 65 BORg1 66 BORg2 67	BORg0 65 BORg1 66 BORg2 67	15Yg2 63 15Yg3 64 15Yg4 65	15Yg0 61 15Yg1 62	6XRg3 64	8gJ12 60 31g63 59	22Mg3 64 32Mg3 65 30Gg5 60	12Rg0 61 O2Rg3 64 22Rg3 64 32Rg3 64 75Lg3 64	35Yg2 63 35Yg3 64 35Yg4 65	O5Yg3 64 25Yg3 64	O5Rg3 64 35Rg3 64	23Rg3 64 12Mg3 60 O2Mg3 64	31Gg7 60 31Gg6 60 31Gg4 60 6gN43 56 8gN61 58	30Gg4 60 30Gg6 60 30Gg7 60 30Gg0 59	54Lg0 69 64Lg0 70	9gN63 58 9gN64 58 9gN62 58	9gN61 58	90Rg3 64	13Vg2 65 73Lg0 69 12Vg4 66 15Vg3 65 15Vg1 65	52Lg0 68 62Lg0 70	16Rg5 66 16Mg5 66	5gN43 56 5gN44 57 31Gg5 60 12Vg7 65 73Lg1 69	4Vg2 65 14Vg3 65 11Vg7 66 11Vg3 65	72Lg1 69 11Vg7 66 11Vg3 65	OxVg0 65 OxVg1 65 OxVg2 65 OxVg3 65 OxVg4 66 OxVg5 66 OxVg6 66 OxVg7 66	11Vg0 65 11Vg1 65 11Vg2 65	OxVg2 65 OxVg3 65 10Vg2 65 10Vg0 65	9gN65 58 10Vg1 65 3gN50 68 3gN51 68 12Vg1 65 12Vg0 65	8gN65 58 12Vg1 65 12Vg0 65	8gN65 58 12Vg1 65 12Vg0 65	CA 3180								
		7Xmg2 38 7Xmg3 38	15Rg3 63 25Rg3 64	5XRg3 64	1XRg2 63 1XRg3 64	3XMg2 63 3XMg3 64	3XRg2 63 3XRg3 64	2XMg3 64 2XMg2 63	6XRg3 63 31g63 59	31g68 59 22Mg2 63 32Mg2 63 74Lg0 69	22Mg2 63 32Mg2 63 22Rg2 63 32Rg2 63 75Lg2 63	12Rg1 62 O2Rg2 63 22Rg2 63 32Rg2 63 75Lg2 63	O5Yg2 62 25Yg2 63		O5Rg2 63 35Rg2 63	23Rg2 63 12Mg2 63 O2Mg2 63	2XRg2 63 2XRg3 64	OXMg2 63 OXRg2 64 OXRg3 64	4XRg2 63 4XRg3 64	1XMg2 63 1XMg3 64	90Rg2 63 1gE70 58 63Lg0 70	1gE70 58 91Rg0 60	16Rg4 66 16Mg4 66	16Rg6 66 16Mg6 66	16Rg7 66 16Mg7 66	OxVg6 66 OxVg7 66	OxVg5 66 OxVg4 66	11Vg4 66 11Vg6 66 12Vg6 66	52Lg1 69 5XLg1 69 5XLg2 69 5XLg3 69 5XLg4 69	5XLg0 69	5XLg1 69 5XLg2 69 5XLg3 69 5XLg4 69	7XLg0 69	CA 3180										
		33Rg2 63 33Rg3 64	15Rg2 63 25Rg2 63	5XRg2 63 55Lg0 69	33Gg5 60 7gN41 56 7gN42 56	7gN40 57 5gN40 57	6gN41 56 6gN42 56	6XRg3 62 31g63 59	33g66 60 31g63 59	22Mg1 62 32Mg1 62 22Rg1 62 32Rg1 62 75Lg1 62	12Rg2 62 O2Rg1 62 22Rg1 62 32Rg1 62 75Lg1 62	O5Yg1 62 25Yg1 62	9gCO2 60 9gCO3 60	O5Rg2 62 35Rg2 62	23Rg1 62 12Mg1 62 O2Mg1 62	4gN41 57 4gN42 57 4gN44 57	30Gg0 59 30Gg1 59 30Gg2 59	4gN43 57 4gN44 57	5gN41 57 5gN42 57	90Rg1 62	8gF21 58 8gF22 58 8gF23 58 7gN65 58 6gN65 58	60Yg0 68 40Yg0 68 60Yg1 68 40Yg1 68 60Yg2 68 40Yg2 68 60Yg3 68 40Yg3 68 50Yg0 68 50Yg1 68 50Yg2 68 50Yg3 68	8gCO3 60 8gCO4 60	DR 2013																			
		22-23 2050	5-4 2030	FF 2020	DR 2013	22-23 2050	22-23 2050	22-23 2050	FF 2020	DR 2013	3-3-2 2060	1-1-1-1 2070	IA *	DR 2013	5-4 2030	3-3-2 2060	22-23 2050	22-23 2050	3-3-2 2060	22-23 2050	22-23 2050	334 2920	1-1-1-1 2070	CLD **	CLD **	CLD **	CLD **	CLD **	CLD **	CLD **	CLD **	CLD **	CLD **	CLD **	CLD **	CLD **	CLD **	CLD **	CLD **	DR 2013			
		7Xmg0 38 7Xmg1 38	15Rg1 62 25Rg1 62	5XRg1 62	1XRg0 61 1XRg1 62	3XMg1 62 3XMg0 61	3XRg1 62 3XRg0 61	2XMg1 61 2XMg0 62	6XRg0 61 31g63 59	9gJ12 60 31g63 59	22Mg0 61 32Mg0 61 53Lg2 69	12Rg3 64 O2Rg0 61 22Rg0 61 32Rg0 61 75Lg0 61	35Yg0 61 35Yg1 62	O5Yg0 61 25Yg0 61	O5Rg0 61 35Rg0 61	23Rg0 61 12Mg0 61 O2Mg0 61	2XRg1 62 2XRg0 61	OXMg1 62 OXRg0 61	4XRg1 62 4XRg0 61	1XMg0 61 1XMg1 62	90Rg0 61	4XVg4 68 15Vg0 68 gN60 58 4XVg1 68 3gN49 58 1gE06 57 1gN49 58	15Vg0 68 gN60 58 4XVg1 68 3gN49 58 1gE06 57 1gN49 58	4XVg0 68 4XVg1 68 4XVg2 68 4XVg3 68 4XVg4 68 4XVg5 68 4XVg6 68 4XVg7 68 4XVg8 68	2gN48 58 2gN49 58 2gN48 58 2gN49 58 2gN48 58 2gN49 58 2gN48 58 2gN49 58 2gN48 58 2gN49 58 2gN48 58 2gN49 58	5XVg4 68 4XVg2 68 4XVg3 68 5XVg2 68 5XVg3 68 5XVg4 68 5XVg5 68 5XVg6 68 5XVg7 68 5XVg8 68	6XLg1 70 6XLg0 70	6XLg1 70 6XLg0 70	91Vg3 70 8gT33 70 63Lg1 70 15Vg2 65 13Vg3 65	CA 3180													
		33Rg0 61 33Rg2 62	15Rg0 61 25Rg0 61	5XRg0 61	93Rg0 60	53Lg0 69	DO NOT USE	DO NOT USE	DO NOT USE	DO NOT USE	DO NOT USE	DO NOT USE	DO NOT USE	DO NOT USE	DO NOT USE	DO NOT USE	DO NOT USE	DO NOT USE	DO NOT USE	DO NOT USE	DO NOT USE	DO NOT USE	DO NOT USE	DO NOT USE	DO NOT USE	DO NOT USE	DO NOT USE	DO NOT USE	DO NOT USE	DO NOT USE	DO NOT USE	DO NOT USE	DO NOT USE	DO NOT USE	DO NOT USE	DO NOT USE	DO NOT USE	DO NOT USE	DO NOT USE	DO NOT USE	DO NOT USE		
22-23 2050	5-4 2030	FF 2020		22222 2040	22222 2040	1-1-1-1 2070	DLD ***	FF 2900	DLD ***	DLD ***	DLD ***	DLD ***	DLD ***	DLD ***	DLD ***	DLD ***	DLD ***	DLD ***	DLD ***	DLD ***	DLD ***	DLD ***	DLD ***	DLD ***	DLD ***	DLD ***	DLD ***	DLD ***	DLD ***	DLD ***	DLD ***	DLD ***	DLD ***	DLD ***	DLD ***	DLD ***	DLD ***	DLD ***	DLD ***	DLD ***	DLD ***	DR 2013	
33Rg0 61 33Rg2 62	15Rg0 61 25Rg0 61	5XRg0 61		93Rg0 60	53Lg0 69	DO NOT USE	DO NOT USE	DO NOT USE	DO NOT USE	DO NOT USE	DO NOT USE	DO NOT USE	DO NOT USE	DO NOT USE	DO NOT USE	DO NOT USE	DO NOT USE	DO NOT USE	DO NOT USE	DO NOT USE	DO NOT USE	DO NOT USE	DO NOT USE	DO NOT USE	DO NOT USE	DO NOT USE	DO NOT USE	DO NOT USE	DO NOT USE	DO NOT USE	DO NOT USE	DO NOT USE	DO NOT USE	DO NOT USE	DO NOT USE	DO NOT USE	DO NOT USE	DO NOT USE	DO NOT USE	DO NOT USE	DO NOT USE	DO NOT USE	
22-23 2050	5-4 2030	FF 2020		22222 2040	22222 2040	1-1-1-1 2070	DLD ***	FF 2900	DLD ***	DLD ***	DLD ***	DLD ***	DLD ***	DLD ***	DLD ***	DLD ***	DLD ***	DLD ***	DLD ***	DLD ***	DLD ***	DLD ***	DLD ***	DLD ***	DLD ***	DLD ***	DLD ***	DLD ***	DLD ***	DLD ***	DLD ***	DLD ***	DLD ***	DLD ***	DLD ***	DLD ***	DLD ***	DLD ***	DLD ***	DLD ***	DLD ***	DLD ***	DR 2013

NOTE:

- * IA = 2321 FOR FAST INTERFACE
= 2090 FOR SLOW INTERFACE
- ** CLD = 2331 FOR FAST INTERFACE
= 2130 FOR SLOW INTERFACE
- *** DLD = 2341 FOR FAST INTERFACE
= 2140 FOR SLOW INTERFACE
- ⊗ CARD IS REMOVED FOR FAST INTERFACE.
- ⊗⊗ CARD IS REMOVED FOR SLOW INTERFACE.

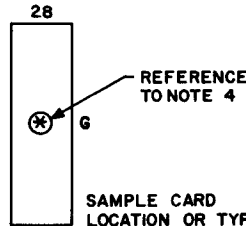


FIGURE 9-182

PART NO. 7078710-00 FOR MATL REQUIREMENTS SEE PL.

UNLESS OTHERWISE SPECIFIED			CONTRACT NO.		UNIVAC FEDERAL SYSTEMS DIVISION DIVISION OF SPERRY RAND CORPORATION UNIVAC PARK, ST. PAUL, MINN. 55118
DIMENSIONS IN INCHES TOL ON			LAYOUT	TITLE	
2 PLACE DECIMALS +	3 PLACE DECIMALS +	ANGLES +	DRAWN D. LODGE	9-12-67	MAP, CHASSIS CHASSIS AIA2 (2) OR ABA2 (10)
HOLE DIA TOL			CHECKED <i>A. G. B.</i>	ENGR <i>P. L.</i>	SIZE
0 THRU .250 +.003 -.002	.251 THRU .500 +.005 -.003	.501 AND LARGER +.010 -.005	APPROVED <i>E. E. Smith</i>	DATE <i>9-12-67</i>	CODE IDENT NO. 90536
THREADS: EXT CL 2A, INT CL 2B			NEXT ASSY USED ON		DWG NO. 7078710
APPLICATION			SCALE		CLASS A
					SHEET 1 OF 1

REV	REVISIONS				DATE	APPROVED
	NO.	DESCRIPTION	BY	DATE		
A	25099	SEE EIR		10-20-68	CCB	
B	24952	SEE EIR		10-21-68	CCB	
C	19810	SEE EIR		11-10-68	CCB	
D	17049	SEE EIR		11-10-68	CCB	
E	25600	SEE EIR		10-23-68	CCB	

REV	NO.	EIR	DESCRIPTION	DATE	APPROVED
A	25099	SEE EIR		10-20-68	CCB
B	24952	SEE EIR		10-21-68	CCB
C	19810	SEE EIR		11-10-68	CCB
D	17049	SEE EIR		11-10-68	CCB
E	25600	SEE EIR		10-23-68	CCB

REV	NO.	EIR	DESCRIPTION	DATE	APPROVED
A	25099	SEE EIR		10-20-68	CCB
B	24952	SEE EIR		10-21-68	CCB
C	19810	SEE EIR		11-10-68	CCB
D	17049	SEE EIR		11-10-68	CCB
E	25600	SEE EIR		10-23-68	CCB

FIGURE 9-183

UNIVAC DIVISION OF SPERRY RAND CORPORATION	
DATE: 3-11-68 TITLE: MAP, CHASSIS CHASSIS A2AI (3)	CLASS: A
ENGINEER: R.C. PETERSON CHECKER: R. NEWMAN APPROVAL: E.S. Lantz	MATERIAL:
IDENT NO. 7078794-00	CODE IDENT NO. 90536 SIZE: D DWG NO. 7078794
SHEET: 4 OF: 4	SCALE:

7078794

		8		7		6		5		4		3		2		1																				
		REVISIONS																																		
		ZONE	LTR	EIR	DESCRIPTION - FOR DETAILS SEE EIR												CHK	DATE	APPROVED																	
		A	25672		SEE EIR												RD	9-9-67	[Signature]																	
A		35	34	33	32	31	30	29	28	27	26	25	24	23	22	21	20	19	18	17	16	15	14	13	12	11	10	9	8	7	6	5	4	3	2	1
B		91A00	OXW02	OXW03	OXW04	OXW05	OXW06	OXW07	OXW08	OXW09	OXW10	OXW11	OXW12	OXW13	OXW14	OXW15	OXW16	OXW17	OXW18	OXW19	OXW20	OXW21	OXW22	OXW23	OXW24	OXW25	OXW26	OXW27	OXW28	OXW29	OXW30	OXW31	OXW32	OXW33	OXW34	OXW35
C		4-4	FF	FF	FF	5-4	FF	FF	FF	FF	FF	FF	FF	FF	FF	FF	FF	FF	FF	FF	FF	FF	FF	FF	FF	FF	FF	FF	FF	FF	FF	FF	FF	FF	FF	FF
D		11A07	OXW08	OXW09	OXW10	OXW11	OXW12	OXW13	OXW14	OXW15	OXW16	OXW17	OXW18	OXW19	OXW20	OXW21	OXW22	OXW23	OXW24	OXW25	OXW26	OXW27	OXW28	OXW29	OXW30	OXW31	OXW32	OXW33	OXW34	OXW35	OXW36	OXW37	OXW38	OXW39	OXW40	
E		4-4	FF	FF	FF	5-4	FF	FF	FF	FF	FF	FF	FF	FF	FF	FF	FF	FF	FF	FF	FF	FF	FF	FF	FF	FF	FF	FF	FF	FF	FF	FF	FF	FF	FF	
F		80A03	29N07	49N06	39N06	09N07	09N06	08N06	29N05	19N04	09N04	09N03	14A10	14A09	14A08	14A07	14A06	14A05	14A04	14A03	14A02	14A01	14A00	14A00	14A00	14A00	14A00	14A00	14A00	14A00	14A00	14A00	14A00	14A00	14A00	14A00
G		5-4	DR	DR	DR	3-3-2	DR	DR	DR	DR	DR	DR	DR	DR	DR	DR	DR	DR	DR	DR	DR	DR	DR	DR	DR	DR	DR	DR	DR	DR	DR	DR	DR	DR	DR	DR
H		80A04	OXW10	OXW11	OXW12	OXW13	OXW14	OXW15	OXW16	OXW17	OXW18	OXW19	OXW20	OXW21	OXW22	OXW23	OXW24	OXW25	OXW26	OXW27	OXW28	OXW29	OXW30	OXW31	OXW32	OXW33	OXW34	OXW35	OXW36	OXW37	OXW38	OXW39	OXW40	OXW41	OXW42	OXW43
I		5-4	FF	FF	FF	5-4	FF	FF	FF	FF	FF	FF	FF	FF	FF	FF	FF	FF	FF	FF	FF	FF	FF	FF	FF	FF	FF	FF	FF	FF	FF	FF	FF	FF	FF	FF
J		OXW14	OXW15	OXW16	OXW17	OXW18	OXW19	OXW20	OXW21	OXW22	OXW23	OXW24	OXW25	OXW26	OXW27	OXW28	OXW29	OXW30	OXW31	OXW32	OXW33	OXW34	OXW35	OXW36	OXW37	OXW38	OXW39	OXW40	OXW41	OXW42	OXW43	OXW44	OXW45	OXW46	OXW47	OXW48
K		R	FF	FF	FF	5-4	FF	FF	FF	FF	FF	FF	FF	FF	FF	FF	FF	FF	FF	FF	FF	FF	FF	FF	FF	FF	FF	FF	FF	FF	FF	FF	FF	FF	FF	FF
L		31W17	OXW16	OXW17	OXW18	OXW19	OXW20	OXW21	OXW22	OXW23	OXW24	OXW25	OXW26	OXW27	OXW28	OXW29	OXW30	OXW31	OXW32	OXW33	OXW34	OXW35	OXW36	OXW37	OXW38	OXW39	OXW40	OXW41	OXW42	OXW43	OXW44	OXW45	OXW46	OXW47	OXW48	OXW49
M		3-2-3	FF	FF	FF	3-3-2	FF	FF	FF	FF	FF	FF	FF	FF	FF	FF	FF	FF	FF	FF	FF	FF	FF	FF	FF	FF	FF	FF	FF	FF	FF	FF	FF	FF	FF	FF
N		22-23	2050	2900	2900	2060	2900	2900	2900	2900	2900	2900	2900	2900	2900	2900	2900	2900	2900	2900	2900	2900	2900	2900	2900	2900	2900	2900	2900	2900	2900	2900	2900	2900	2900	2900
O		9010	2050	2900	2900	2060	2900	2900	2900	2900	2900	2900	2900	2900	2900	2900	2900	2900	2900	2900	2900	2900	2900	2900	2900	2900	2900	2900	2900	2900	2900	2900	2900	2900	2900	2900

FIGURE 9-184

UNLESS OTHERWISE SPECIFIED		CONTRACT NO.	
DIMENSIONS IN INCHES TOL ON		LAYOUT	
2 PLACE DECIMALS	3 PLACE DECIMALS	+	-
+	+	+	-
HOLE DIA TOL		APPROVED	
0 THRU .250	.251 THRU .500	[Signature]	
+.003	+.005	[Signature]	
-.002	-.003	[Signature]	
THREADS: EXT CL 2A, INT CL 2B		SIZE CODE IDENT NO. DWG NO.	
NEXT ASSY USED ON		D 90536 7078711	
APPLICATION		SCALE CLASS A SHEET 1 OF 1	

		8		7		6		5		4		3		2		1	
ZONE	LTR	EIR	REVISIONS														
			DESCRIPTION - FOR DETAILS SEE EIR	CHK	DATE	APPROVED											
A	16679	SEE EIR															
B	19805	SEE EIR															
C	17049	SEE EIR															
D	D02884	SEE EIR															

ZONE	LTR	EIR	DESCRIPTION	CHK	DATE	APPROVED
A	16679	SEE EIR				
B	19805	SEE EIR				
C	17049	SEE EIR				
D	D02884	SEE EIR				

ZONE	LTR	EIR	DESCRIPTION	CHK	DATE	APPROVED
A	16679	SEE EIR				
B	19805	SEE EIR				
C	17049	SEE EIR				
D	D02884	SEE EIR				

ZONE	LTR	EIR	DESCRIPTION	CHK	DATE	APPROVED
A	16679	SEE EIR				
B	19805	SEE EIR				
C	17049	SEE EIR				
D	D02884	SEE EIR				

ZONE	LTR	EIR	DESCRIPTION	CHK	DATE	APPROVED
A	16679	SEE EIR				
B	19805	SEE EIR				
C	17049	SEE EIR				
D	D02884	SEE EIR				

ZONE	LTR	EIR	DESCRIPTION	CHK	DATE	APPROVED
A	16679	SEE EIR				
B	19805	SEE EIR				
C	17049	SEE EIR				
D	D02884	SEE EIR				

ZONE	LTR	EIR	DESCRIPTION	CHK	DATE	APPROVED
A	16679	SEE EIR				
B	19805	SEE EIR				
C	17049	SEE EIR				
D	D02884	SEE EIR				

ZONE	LTR	EIR	DESCRIPTION	CHK	DATE	APPROVED
A	16679	SEE EIR				
B	19805	SEE EIR				
C	17049	SEE EIR				
D	D02884	SEE EIR				

NOTE:
 1. * 2320 FOR FAST INTERFACE
 2090 FOR SLOW INTERFACE
 2. ⊗ CARD INSERTED FOR I219 MODE ONLY
 3. ⊗⊗ CARD INSERTED FOR I218 (NORMAL) MODE ONLY
 4. ⊗⊗⊗ CARD INSERTED FOR I218 (NTDS COMPATIBLE) MODE ONLY

FIGURE 9-186

UNLESS OTHERWISE SPECIFIED			CONTRACT NO.		
DIMENSIONS IN INCHES TOL ON			LAYOUT		
2 PLACE	3 PLACE	ANGLES	DRAWN R.C.PETERSON 9-12-67		
DECIMALS	DECIMALS		CHECKED <i>[Signature]</i> 11-14-68		
+	+	+	ENGR <i>[Signature]</i> 11-25-68		
0 THRU .250	.251 THRU .500	.501 AND LARGER	APPROVED <i>[Signature]</i>		
+ .003	+ .005	+ .010	NEXT ASSY USED ON		
-.002	-.003	-.005	APPLICATION		
THREADS: EXT CL 2A, INT CL 2B			PART NO.		
			FOR MATL REQUIREMENTS SEE PL		
			UNIVAC FEDERAL SYSTEMS DIVISION		
			DIVISION OF SPERRY RAND CORPORATION UNIVAC PARK, ST. PAUL, MINN. 55118		
			TITLE		
			MAP, CHASSIS CHASSIS A4A1 (7)		
			SIZE CODE IDENT NO. DWG NO.		
			D 90536 7078739		
			SCALE CLASS A SHEET 1 OF 1		
			DO NOT SCALE THIS PRINT		

(THIS PAGE INTENTIONALLY LEFT BLANK)

NOTE 1: In Digital Data Computers with Serial Numbers 14 through 48, printed circuit card types located on chassis 8 in the following areas are type 7002030, not 7002050.

J3A	J3E	J4B
J3B	J3F	J4E
J3C	J3G	J4F

NOTE 2: The following logic units are not used:

<u>Location</u>	<u>Logic Unit</u>
J2D	12S15
J16A	13S15

		8		7		6		5		4		3		2		1																																	
D	A	35	34	33	32	31	30	29	28	27	26	25	24	23	22	21	20	19	18	17	16	15	14	13	12	11	10	9	8	7	6	5	4	3	2	1													
	B	35	34	33	32	31	30	29	28	27	26	25	24	23	22	21	20	19	18	17	16	15	14	13	12	11	10	9	8	7	6	5	4	3	2	1													
C	C	35	34	33	32	31	30	29	28	27	26	25	24	23	22	21	20	19	18	17	16	15	14	13	12	11	10	9	8	7	6	5	4	3	2	1													
	D	35	34	33	32	31	30	29	28	27	26	25	24	23	22	21	20	19	18	17	16	15	14	13	12	11	10	9	8	7	6	5	4	3	2	1													
E	E	CONTROL MEMORY STACK - PART NO. 7024775-00,-01																							20SA02	21SA02	20SA05	21SA05	OXZ11	OXZ10	OXZ09	OXZ07	OXZ05	OXZ04	12B11	12B10	10B09	11B12	20B10	90B13	90B09	90B09	90B11	10X11	11X14	9XG91	65Z08	65Z10	20G30
	F																								SA 3740	SA 3850	SA 3740	SA 3850	FF 2000	FF 2000	FF 2000	FF 2000	FF 2000	FF 2000	22-23 2050	334 2920	334 2920	3-3-2 2060	22222 2040	5-4 2900	FF 2900	FF 2900	22-23 2050	1-1-1-1 2070	FF 2930	22-23 2050	22-23 2050	22-23 2050	
G	G																								20SA08	21SA08	20SA11	21SA11	OXZ14	OXZ13	OXZ12	OXZ08	OXZ08	12B13	12B12	10B11	11B12	20B13	90B14	90B12	90B12	10X12	11X13	9XG91	65Z12	65Z14	16G30		
	H																								SA 3740	SA 3850	SA 3740	SA 3850	FF 2000	FF 2000	FF 2000	FF 2000	FF 2000	FF 2000	22-23 2050	334 2920	334 2920	3-3-2 2060	22222 2040	FF 2900	FF 2900	22-23 2050	1-1-1-1 2070	FF 2930	22-23 2050	22-23 2050	FF 2020		
A	A																								20SA14	21SA14	20SA17	21SA17	OXZ17	OXZ16	OXZ15		12B17	12B15	10B17	10B15	10N00	20B16	20B15	90B16	90B17	10X17	11X17	21B16	03G91	65Z16	92G91		
	B																								SA 3740	SA 3850	SA 3740	SA 3850	FF 2000	FF 2000	FF 2000		22-23 2050	22-23 2050	334 2920	334 2920	3-3-2 2060	22222 2040	22-23 2050	FF 2900	FF 2900	22-23 2050	1-1-1-1 2070	1-8 2160	3-6 2080	22-23 2050	1-1-1-1 2070		

REVISIONS						
ZONE	LTR	EIR	DESCRIPTION - FOR DETAILS SEE EIR	CHK	DATE	APPROVED
A	16679	SEE EIR			11-18-68	CCB
B	19923	SEE EIR			2-18-69	
C	25572	SEE EIR			6-9-69	
D	002788	SEE EIR			1-18-71	

FIGURE 9-187

UNLESS OTHERWISE SPECIFIED		CONTRACT NO.		UNIVAC FEDERAL SYSTEMS DIVISION	
DIMENSIONS IN INCHES TOL ON		LAYOUT		TITLE	
2 PLACE DECIMALS +	3 PLACE DECIMALS +	ANGLES -	DRAWN D. LODGE	9-12-67	MAP, CHASSIS
HOLE DIA TOL		CHECKED		CHASSIS A4A2 (8)	
0 THRU .250 + .003	.251 THRU .500 + .005	.501 AND LARGER + .010	ENGR		
THREADS: EXT CL 2A, INT CL 2B		APPROVED		SIZE CODE IDENT NO. DWG NO.	
NEXT ASSY USED ON		APPROVED		D 90536 7078712	
APPLICATION		SCALE		CLASS A SHEET 1 OF 1	

REVISIONS			
ZONE	LTR	EIR	DESCRIPTION
A	25572	SEE	EIR

NET	TEST POINT	FIGURE	NET	TEST POINT	FIGURE	NET	TEST POINT	FIGURE	NET	TEST POINT	FIGURE	NET	TEST POINT	FIGURE	NET	TEST POINT	FIGURE
D5000	TB01-H09	9-140	G5010	TB02-A10	9-147	R8100	TB01-F04	9-143	Z2007	TB01-H12	9-160	Z6g12	TB01-D05	9-176	MT5100	TB02-A03	9-136
D5001	TB01-J09	9-140	G5011	TB02-B10	9-147	R8110	TB02-F04	9-151	Z2008	TB01-J12	9-161	Z6g13	TB01-E05	9-175	MT5101	TB02-B03	9-136
D5002	TB01-A08	9-140	G5012	TB02-C10	9-147	R8200	TB01-A04	9-140	Z2009	TB01-A11	9-161	Z6g14	TB01-F05	9-175	MT5103	TB02-F03	9-136
D5003	TB01-B08	9-140	G5013	TB02-D10	9-147	R8210	TB02-A04	9-148	Z2010	TB01-B11	9-162	Z6g15	TB01-G05	9-175	MT5104	TB02-C03	9-136
D5004	TB01-C08	9-140	G5014	TB02-E10	9-147	R8300	TB01-C04	9-143	Z2011	TB01-C11	9-162	Z6g16	TB01-H05	9-175	MT5105	TB01-F03	9-136
D5005	TB01-D08	9-140	G5015	TB02-F10	9-147	R8310	TB02-C04	9-151	Z2012	TB01-D11	9-163	Z6g17	TB01-J05	9-175	MT5106	TB02-D03	9-136
D5006	TB01-E08	9-140	G5016	TB02-G10	9-147	S8500	TB01-J03	9-146	Z2013	TB01-E11	9-163	Z7g00	TB02-A06	9-175	MT5107	TB02-G03	9-136
D5007	TB01-F08	9-140	G5017	TB02-H10	9-147	S8510	TB02-J03	9-146	Z2014	TB01-F11	9-164	Z7g01	TB02-B06	9-175	MT5109	TB02-H03	9-136
D5010	TB02-H09	9-148	G5100	TB01-J10	9-142	W8200	TB01-B04	9-140	Z2015	TB01-G11	9-164	Z7g02	TB02-C06	9-175	MT5122	TB01-K09	9-135
D5011	TB02-J09	9-148	G5101	TB01-A09	9-142	W8210	TB02-B04	9-148	Z2016	TB01-H11	9-165	Z7g03	TB02-D06	9-175	MT5123	TB01-K08	9-135
D5012	TB02-A08	9-148	G5102	TB01-B09	9-142	W8300	TB01-D04	9-143	Z2017	TB01-J11	9-165	Z7g04	TB02-E06	9-175	MT5126	TB01-J02	9-135
D5013	TB02-B08	9-148	G5103	TB01-C09	9-142	W8310	TB02-D04	9-151	Z3000	TB02-A12	9-166	Z7g05	TB02-F06	9-175	MT5224	TB01-E02	9-135
D5014	TB02-C08	9-148	G5104	TB01-D09	9-142	X8500	TB01-G04	9-140	Z3001	TB02-B12	9-166	Z7g06	TB02-G06	9-175	MT5228	TB01-K02	9-135
D5015	TB02-D08	9-148	G5105	TB01-E09	9-142	X8510	TB02-G04	9-148	Z3002	TB02-C12	9-167	Z7g07	TB02-H06	9-175	MT5324	TB01-K07	9-135
D5016	TB02-E08	9-148	G5106	TB01-F09	9-142	Y74g0	TB01-K12	9-136	Z3003	TB02-D12	9-167	Z7g08	TB02-J06	9-175	MT5400	TB01-K01	9-136
D5017	TB02-F08	9-148	G5107	TB01-G09	9-142	Y74g1	TB01-K11	9-136	Z3004	TB02-E12	9-168	Z7g09	TB02-A05	9-175	MT5401	TB01-A01	9-136
D5100	TB01-G08	9-143	G5110	TB02-J10	9-150	Y74g2	TB01-K10	9-136	Z3005	TB02-F12	9-168	Z7g10	TB02-B05	9-175	MT5424	TB01-F02	9-135
D5101	TB01-H08	9-143	G5111	TB02-A09	9-150	Y7g00	TB02-E02	9-137	Z3007	TB02-H12	9-169	Z7g11	TB02-C05	9-175	MT5427	TB01-G02	9-135
D5102	TB01-J08	9-143	G5112	TB02-B09	9-150	Y7g01	TB02-F02	9-137	Z3008	TB02-J12	9-170	Z7g12	TB02-D05	9-175	MT5624	TB01-H02	9-135
D5103	TB01-A07	9-143	G5113	TB02-C09	9-150	Y7g02	TB02-G02	9-137	Z3009	TB02-A11	9-170	Z7g13	TB02-E05	9-175			
D5104	TB01-B07	9-143	G5114	TB02-D09	9-150	Y7g03	TB02-H02	9-137	Z3010	TB02-B11	9-171	Z7g14	TB02-F05	9-175			
D5105	TB01-C07	9-143	G5115	TB02-E09	9-150	Y7g04	TB02-J02	9-137	Z3011	TB02-C11	9-171	Z7g15	TB02-G05	9-175			
D5106	TB01-D07	9-143	G5116	TB02-F09	9-150	Y7g05	TB02-A01	9-137	Z3012	TB02-D11	9-172	Z7g16	TB02-H05	9-175			
D5107	TB01-E07	9-143	G5117	TB02-G09	9-150	Y7g06	TB02-B01	9-137	Z3013	TB02-E11	9-172	Z7g17	TB02-J05	9-175			
D5110	TB02-G08	9-151	I7800	TB01-A02	9-145	Y7g07	TB02-C01	9-137	Z3014	TB02-F11	9-173	MT5000	TB01-A03	9-136			
D5111	TB02-H08	9-151	I7801	TB01-B02	9-145	Y7g08	TB02-D01	9-138	Z3015	TB02-G11	9-173	MT5001	TB01-B03	9-136			
D5112	TB02-J08	9-151	I7802	TB01-C02	9-145	Y7g09	TB02-E01	9-138	Z3016	TB02-H11	9-174	MT5003	TB02-E03	9-136			
D5113	TB02-A07	9-151	I7803	TB01-D02	9-145	Y7g10	TB02-F01	9-138	Z3017	TB02-J11	9-174	MT5004	TB01-C03	9-136			
D5114	TB02-B07	9-151	I7804	TB01-J04	9-146	Y7g11	TB02-G01	9-138	Z6g00	TB01-A06	9-175	MT5005	TB01-E03	9-136			
D5115	TB02-C07	9-151	I7810	TB02-A02	9-145	Y7g12	TB02-H01	9-138	Z6g01	TB01-B06	9-175	MT5006	TB01-D03	9-136			
D5116	TB02-D07	9-151	I7811	TB02-B02	9-145	Y7g13	TB02-J01	9-138	Z6g02	TB01-C06	9-175	MT5007	TB01-G03	9-136			
D5117	TB02-E07	9-151	I7812	TB02-C02	9-145	Y8500	TB01-H04	9-143	Z6g03	TB01-D06	9-175	MT5009	TB01-H03	9-136			
G5000	TB01-A10	9-139	I7813	TB02-D02	9-145	Y8510	TB02-H04	9-151	Z6g04	TB01-E06	9-175	MT5022	TB01-B01	9-135			
G5001	TB01-B10	9-139	I7814	TB02-J04	9-146	Z2000	TB01-A12	9-157	Z6g05	TB01-F06	9-175	MT5023	TB01-C01	9-135			
G5002	TB01-C10	9-139	I7900	TB01-K06	9-145	Z2001	TB01-B12	9-157	Z6g06	TB01-G06	9-175	MT5024	TB01-D01	9-135			
G5003	TB01-D10	9-139	I7901	TB01-K05	9-145	Z2002	TB01-C12	9-158	Z6g07	TB01-H06	9-175	MT5025	TB01-E01	9-135			
G5004	TB01-E10	9-139	I7902	TB01-K04	9-145	Z2003	TB01-D12	9-158	Z6g08	TB01-J06	9-175	MT5026	TB01-F01	9-135			
G5005	TB01-F10	9-139	I7903	TB01-K03	9-145	Z2004	TB01-E12	9-159	Z6g09	TB01-A05	9-175	MT5027	TB01-G01	9-135			
G5006	TB01-G10	9-139	R8000	TB01-E04	9-140	Z2005	TB01-F12	9-159	Z6g10	TB01-B05	9-175	MT5028	TB01-H01	9-135			
G5007	TB01-H10	9-139	R8010	TB02-E04	9-148	Z2006	TB01-G12	9-160	Z6g11	TB01-C05	9-175	MT5029	TB01-J01	9-135			

FIGURE 9-188

PART NO.		CONTRACT NO.		FOR MATL REQUIREMENTS SEE PL	
UNLESS OTHERWISE SPECIFIED		DIMENSIONS IN INCHES TOL ON		LAYOUT	
2 PLACE DECIMALS	3 PLACE DECIMALS	ANGLES		DRAWN R.C. PETERSON 2-3-69	
+	+	+	-	CHECKED <i>EU</i> 2-12-69	
HOLE DIA TOL		.501 AND LARGER		ENGR <i>W</i> 2-25-69	
0 THRU .250	.251 THRU .500	+		APPROVED <i>L.C. Peterson</i>	
+.003	+.005	+.010		SIZE CODE IDENT DWG NO.	
-.002	-.003	-.005		D 90536 7116225	
NEXT ASSY USED ON		THREADS: EXT CL 2A, INT CL 2B		SCALE CLASS A SHEET OF	
APPLICATION				SPERRY RAND	

 SPERRY RAND  UNIVAC