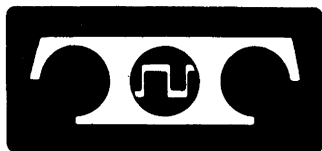


PARTS BULLETIN 1184B

MODEL 32 AND 33

PAGE PRINTER SET

(ASR , KSR and RO)



TELETYPE[®]
CORPORATION

5555 TOUHY AVENUE, SKOKIE, ILLINOIS

FILING INSTRUCTIONS

1. The following filing instructions apply to changes sent to the field.
2. Asterisks (*) in the table of contents indicate changes.
3. When the issue of a section changes, replace the old issue with the attached new one.
4. In the case of addendums, turn to the affected section and follow the instructions on the first page of the attached addendum.
5. Replace the old table of contents with this new one.

TABLE OF CONTENTS

<u>SECTION</u>	<u>TITLE</u>	<u>ISSUE</u>
574-100-800TC	32 and 33 Modification Kits	2
574-121-800TC	32 and 33 Keyboard (UK)	2
574-122-800TC	32 and 33 Typing Unit (UP)	3
574-123-800TC	32 and 33 Call Control Unit (UCC)	3
574-124-800TC	32 and 33 Tape Reader (UX)	2
574-125-800TC	32 and 33 Tape Punch (UPE)	2*
574-126-800TC	32 and 33 Cover and Table	2

TELETYPE CORPORATION
Skokie, Illinois, U.S.A.

SECTION 574-100-800TC
Issue 2, July, 1965

32 AND 33 MODIFICATION KITS

SECTION 574-100-800

MODIFICATION KITS

Kit Number	Description	Units Affected	Specification
181730	Modification Kit to Install Auxiliary ASR Power Supply Wiring Modification		50200S
182044	Modification Kit to Provide Set with Elapsed Time Indicator	Call Control Unit	50218S
182052	Modification Kit End-of-Line Bell Mechanism (9 Characters from End of 69 Character Line)	Typing Unit	50342S
182190	Modification Kit to Equip Sets with Fuses	Call Control Unit	50396S
182265	Modification Kit to Mount a Reader and Perforator to a M32TA/1 KSR Set	Tape Reader, Tape Punch	50340S
182266	Modification Kit to Mount a Reader and Perforator to a M33A1 KSR Set	Tape Reader, Tape Punch	50342S
182269	Modification Kit to Prevent Double Tripping of Keyboard, Reader, and Answer-Back	Keyboard & Typing Unit	50264S
182290	Modification Kit to Add "TD Call In" Feature to a Model 33 ASR Set	Typing Unit	50238S
182291	Modification Kit to Add "TD Stop on WRU" Feature to a Model 33 ASR Set	Typing Unit	50238S
182487	Modification Kit for Installing DC Card Dial - Less Dial	Call Control Unit, Cover and Table	50164S
182488	Modification Kit for Installing Touch-Tone Card Dial - Less Dial	Call Control Unit, Cover and Table	50140S
182489	Modification Kit for Installing Touch-Tone Dial - Less Dial	Call Control Unit, Cover and Table	50156S
182490	Modification Kit for Installing DC Rotary Dial - Less Dial	Call Control Unit, Cover and Table	50156S
182496	Modification Kit for Installing DC Rotary Dial - Less Dial Same as 182490 Modification Kit except includes 182500 Dial, DC Rotary	Call Control Unit	50156S
182497	Modification Kit for Installing Touch-Tone Dial Same as 182490 Modification Kit except includes 182620 Dial, Touch-Tone	Call Control Unit	50156S
182498	Modification Kit for Installing Touch-Tone and Card Dial Same as 182488 Modification Kit except includes 182621 Dial, Touch-Tone and Card	Call Control Unit	50140S
182499	Modification Kit for Installing DC Card Dial Same as 182487 Modification Kit except includes 182622 Dial, DC Card	Call Control Unit	50164S

MODIFICATION KITS...Continued

Kit Number	Description	Units Affected	Specification
183128	Modification Kit to Convert 8 Level Printer for Automatic Reader Control	Typing Unit	50238S
183138	Modification Kit to Provide Improved Reader Mounting Parts	Tape Reader	50335S
184157	Modification Kit to Provide Automatic Line Feed on Carriage Return	Typing Unit	
194914	Modification Kit to Provide a Directory Holder	Cover and Table	
195259EW	Modification Kit to Provide Mounting Facilities for a Paper Winder	Cover and Table	50143S

32 and 33 KEYBOARD (UK)

PARTS

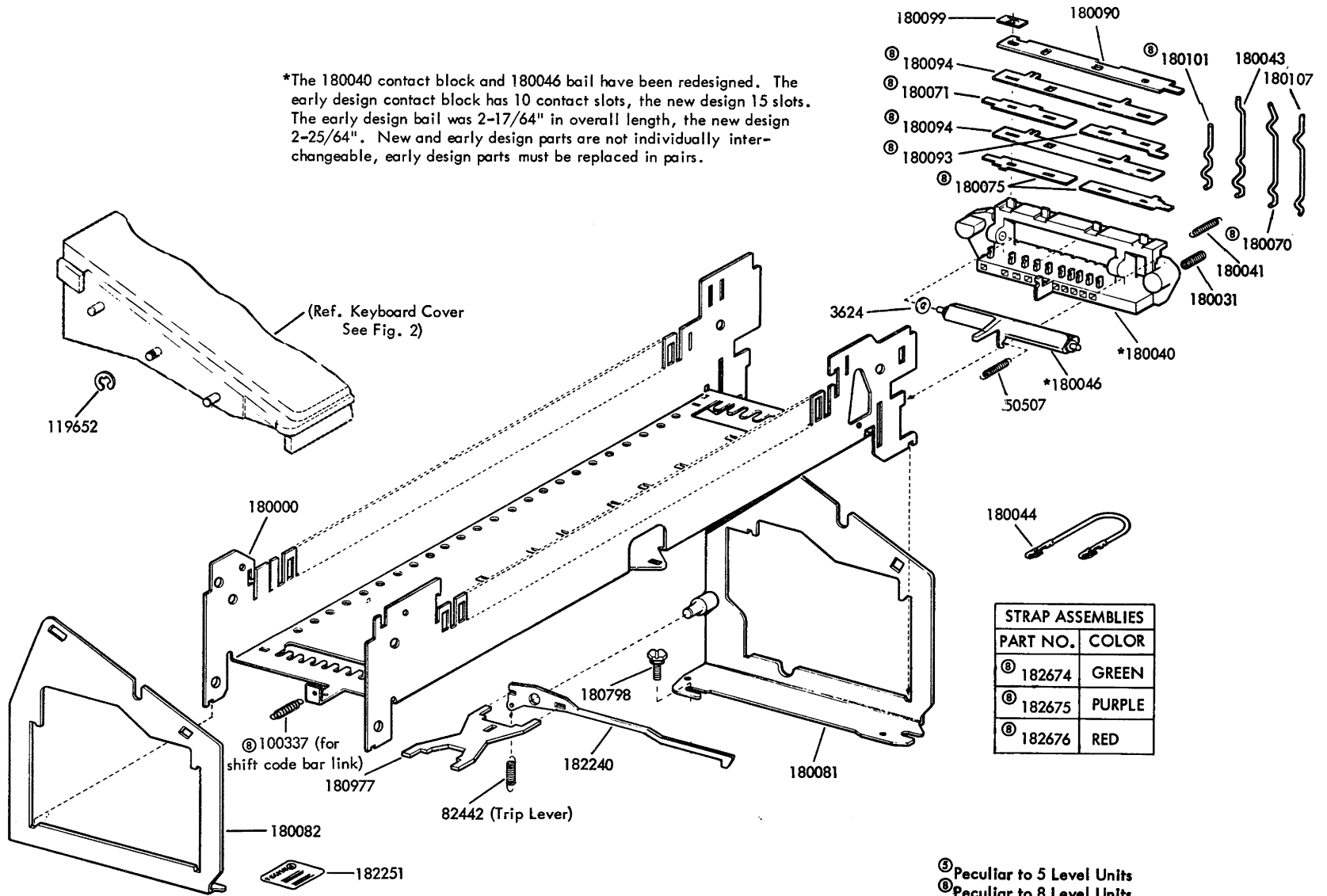
FIGURE	CONTENTS	PAGE
1	Keyboard Basket and Contact Block	2
2	Keyboard Covers	3
3	Code Bar Mechanism - 5 Level	4
4	Code Bar Mechanism - 8 Level	5
5	Code Bar Mechanism for Units Equipped with Even Parity	6
6	Code Bar Mechanism for Numeric Keyboard	7
7	Keylevers	8
8	Keytops	9
9	Cover for Self-contained Keyboard	10
10	Reset Mechanism for Self-contained Keyboard	11
	Numerical Index	12

PAINT FINISH COLOR CODE CHART (for parts and assemblies requiring a paint finish)									
Color	Finish Suffixes				Color	Finish Suffixes			
	Wrinkle Finish	Smooth Finish	Textured Vinyl	Smooth Vinyl		Wrinkle Finish	Smooth Finish	Textured Vinyl	Smooth Vinyl
Black	AA (37)	BB			Brussels Light Blue		EC		
Dark Brown	AD (38)				Medium Blue		ES		
Gray Green	AB (40)	BK	GA (45)		Cherry Red		EF		
Charcoal Gray	AL	BZ		HA	Pastel Yellow		EG		
Dark Gray			GB		White		EH		
Light Gray		EJ		HB (68)	Ivory		EM		
Beige Gray			GC		Beige		ET		
Light Beige		EL		HC	Rose Beige		ER		
Moss Green		EN		HD	Rose Pink		EU		
Eye Rest Green		EA			Dark Covert Gray				HE
Turquoise		EV			Light Olive Gray		EW	GE	HF (46)
Aqua Blue		EK			Fawn				HG

The double asterisk (**) denotes a painted part.
Suffix to be applied following the part number.
Number in parenthesis indicates Bell System code.

*The 180040 contact block and 180046 bail have been redesigned. The early design contact block has 10 contact slots, the new design 15 slots. The early design bail was 2-17/64" in overall length, the new design 2-25/64". New and early design parts are not individually interchangeable, early design parts must be replaced in pairs.

FIGURE 1. KEYBOARD BASKET AND CONTACT BLOCK



③ Peculiar to 5 Level Units
 ④ Peculiar to 8 Level Units
 All other parts common to both assemblies

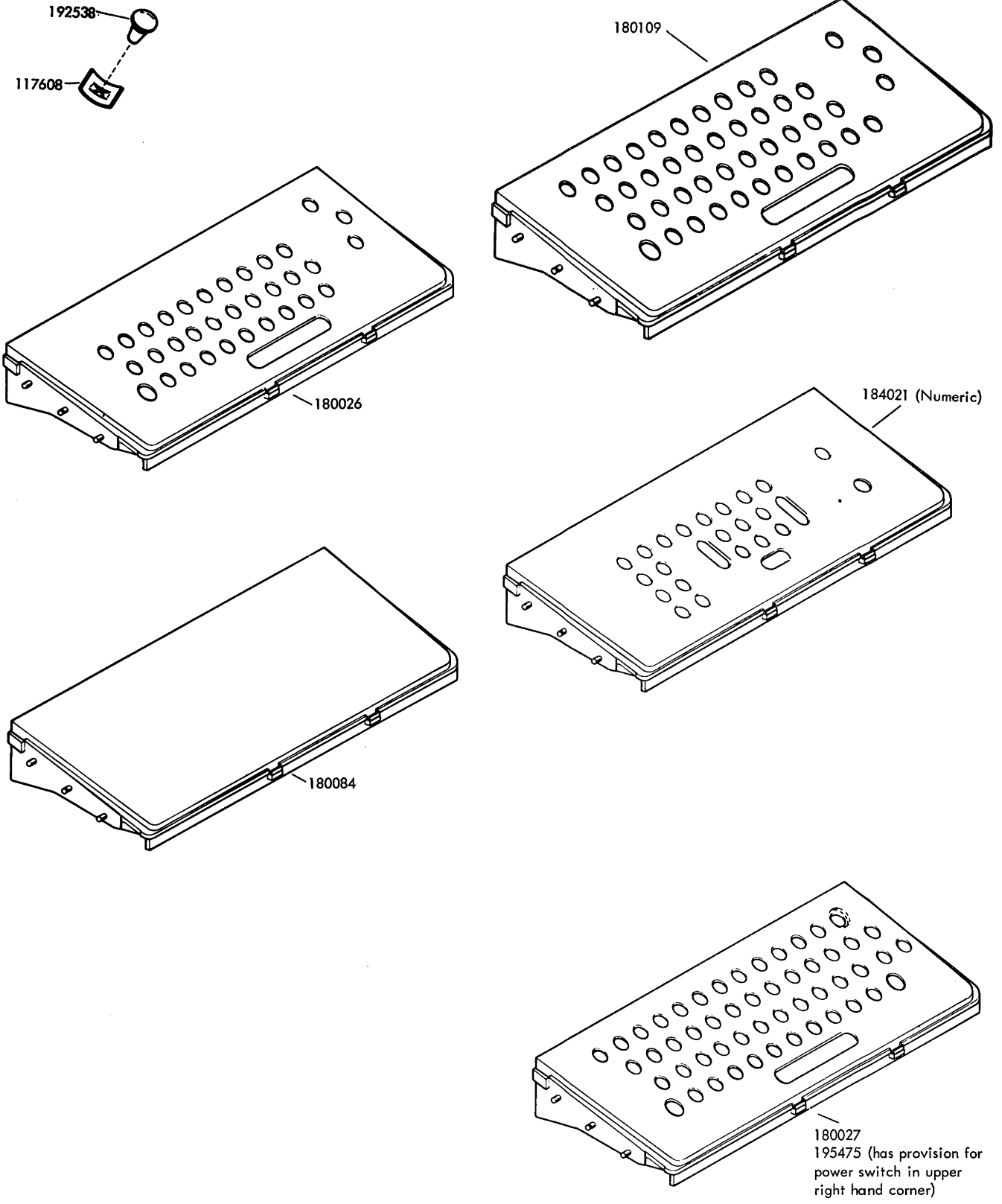


FIGURE 2. KEYBOARD COVERS

FIGURE 3. CODE BAR MECHANISM - 5 LEVEL

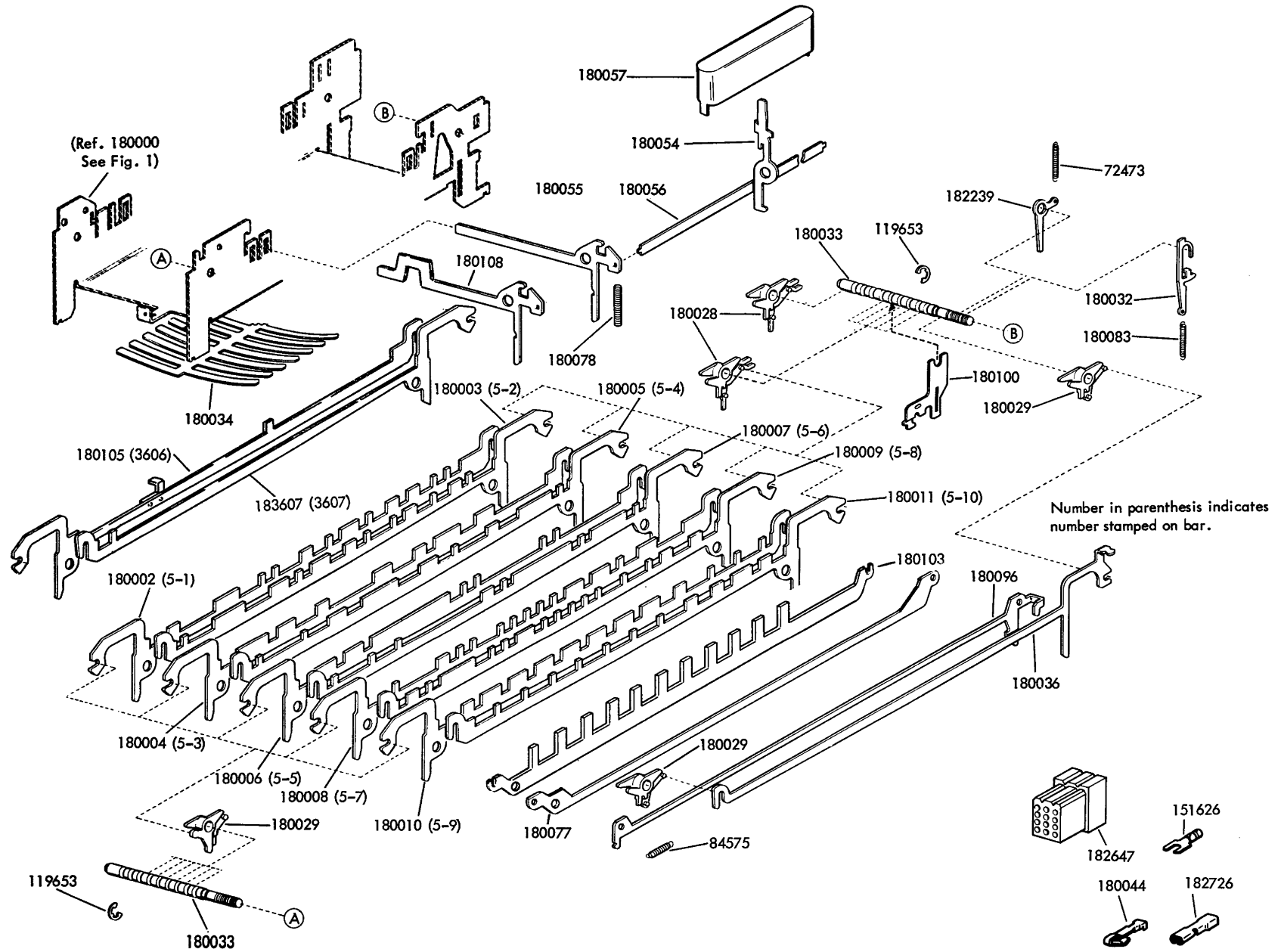
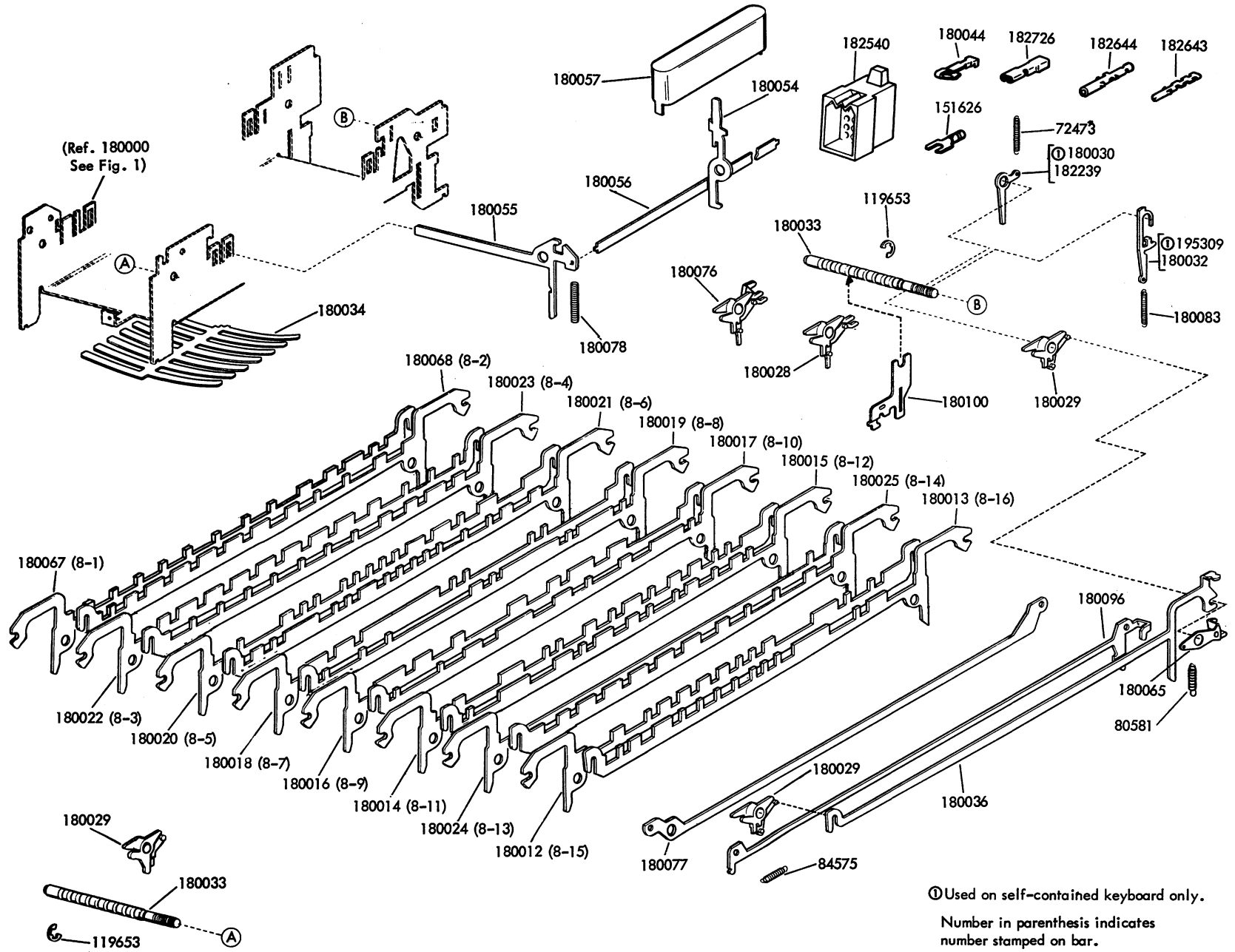
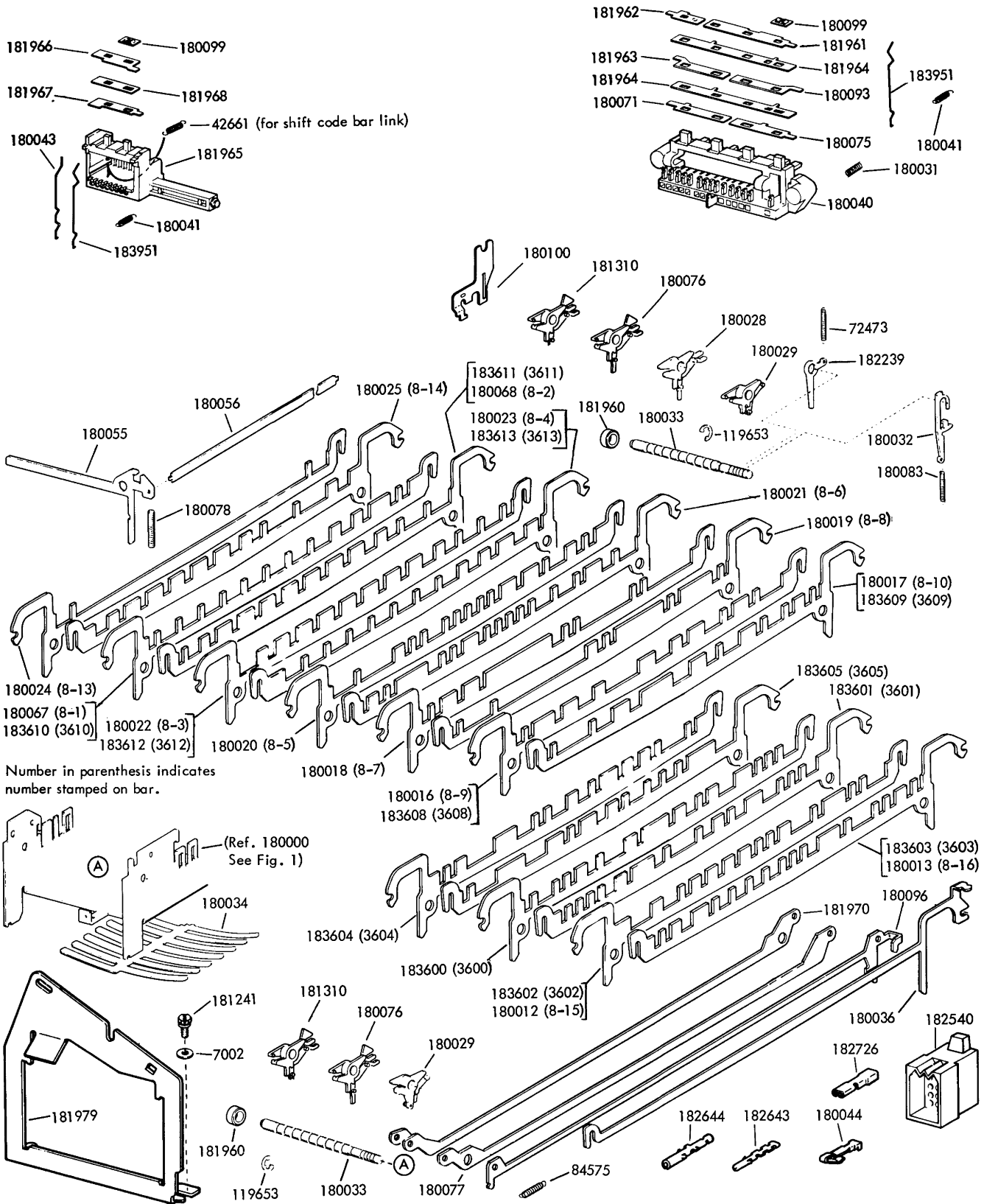


FIGURE 4. CODE BAR MECHANISM - 8 LEVEL

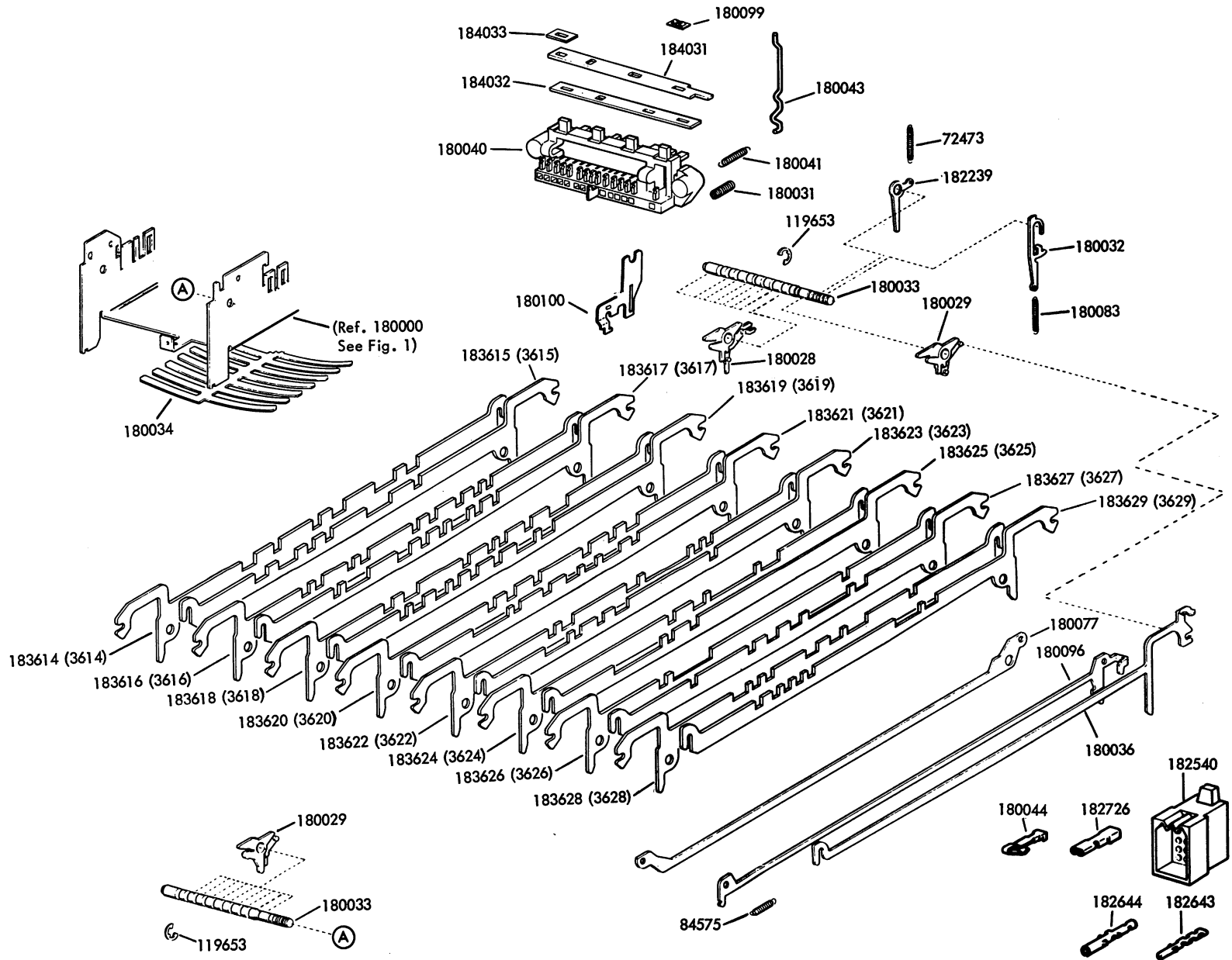




Number in parenthesis indicates number stamped on bar.

FIGURE 5. CODE BAR MECHANISM FOR UNITS EQUIPPED WITH EVEN PARITY

FIGURE 6. CODE BAR MECHANISM FOR NUMERIC KEYBOARD



Number in parenthesis indicates number stamped on bar.

- ① Used in bottom row.
- ② Used in second row.
- ③ Used in third row.
- ④ Used in top row.

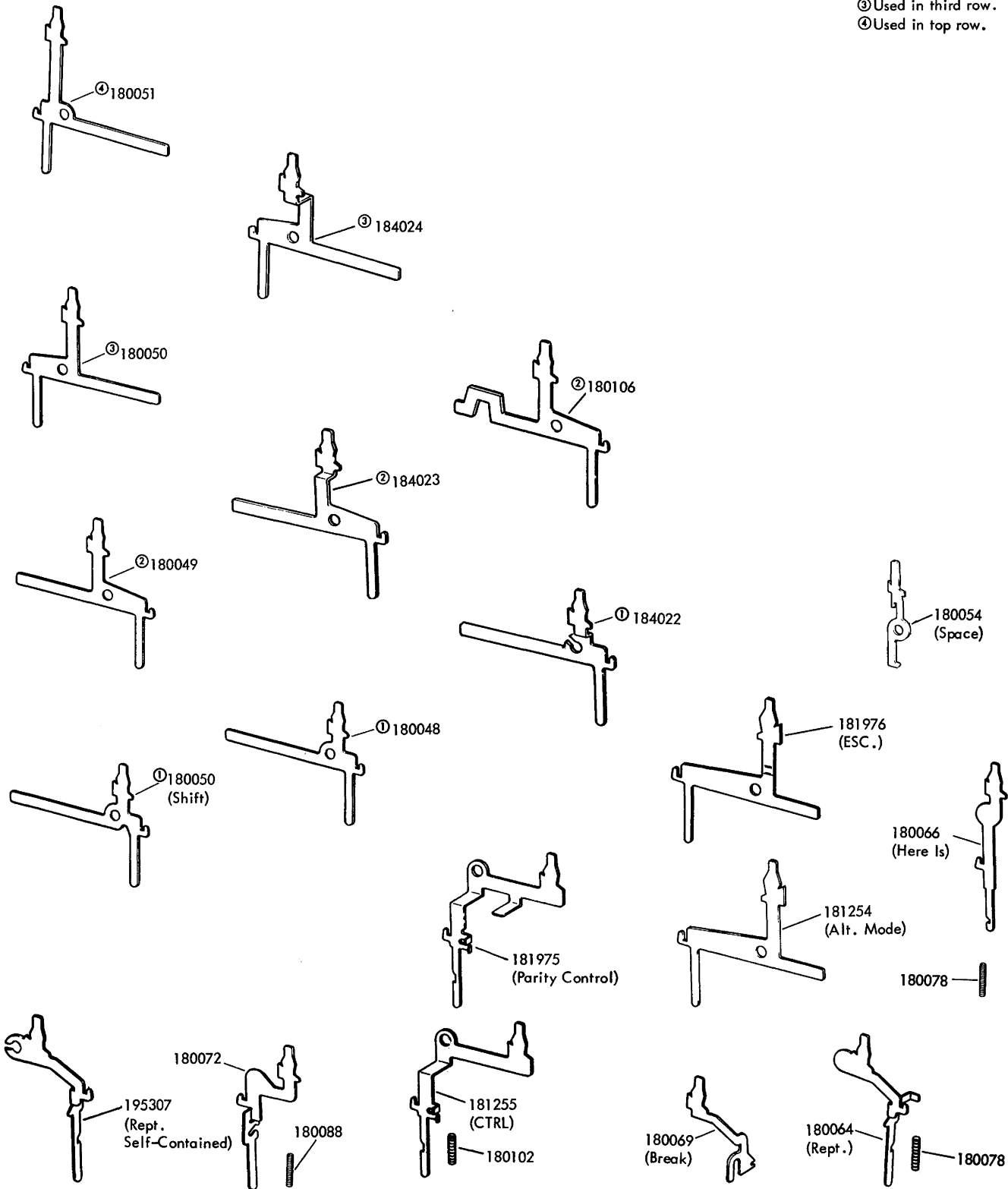
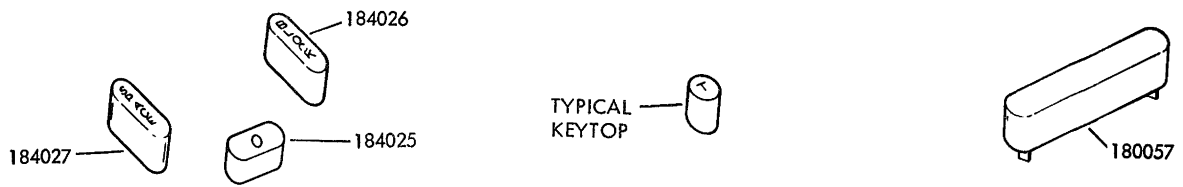


FIGURE 7. KEYLEVERS



Keytop Description			Keytop Description			Keytop Description			Keytop Description			Keytop Description		
Lower Case	Upper Case	Part Number	Lower Case	Upper Case	Part Number	Lower Case	Upper Case	Part Number	Lower Case	Upper Case	Part Number	Lower Case	Upper Case	Part Number
A		180181	I	TAB	180178	R	TAPE	180174	3	3/8	180286	:	*	180205
A	-	180223	I	8	180220	R	4	180216	3	▶	180303	\$!	180283
A	I	180391	I		180262	R		180260	3	■	180334	;	:	180294
A	SOM	180427				R	P-OFF	180356	3	◀	180347)	(180295
A	SOA	180435	J		180187	R	PUNCH	180425	3	=	180397	,	,	180296
A	SOM	*183891	J	BELL	180229				4	\$	180163	.	.	180297
			J		180243	S	X OFF	180182	4		180267	.	.	180298
B		180194	J	,	180390	S		180224	4	1/2	180287	(No Symbol)		180299
B	?	180236				S	BELL	180239	4	■	180322	,	,	180300
B	5/8	180249	K	VT	180188	S		180282	4	—	180348	^	v	180310
B	EOA	180381	K	(180230	S	R-C	180360	4	EOT	180393	—	*	180311
B	"	180392	K	1/2	180244	S	STOP	180428	4	.	180398	.	.	180317
B	SOT	180434	K		180280	S	X OFF	*183892				.	.	180318
			K	VII \$	180361				5	%	180164	.	.	180324
C		180192	K		180383	T	TAPE	180175	5		180268	—	*	180325
C	:	180234	K	VII C	180430	T	5	180217	5	5/8	180288	^	^	180328
C	WRU	180247				T		180261	5	=	180304	//	.	180331
C	1/8	180377	L	FORM	180189	T	P-ON	180357	5	C/O	180323	/	.	180332
C	EOM	180432	L)	180231	T	PUNCH	180426	5	≤	180338	([180353
			L	3/4	180245				5	∩	180349)]	180354
D	EOT	180183	L		180281	U		180177	5	:	180399	+	—	180363
D	⊕	180225	L	FEQJ	180362	U	7	180219				.	.	180366
D	\$	180240	L		180385	U	ERROR	180312	6	&	180165	.	.	180367
D	WRU	180277	L	FEJ \	180431	U	(180405	6		180269	.	.	180368
D		180278							6	3/4	180289	—	@	180421
D	EOT	180370	M		180196	V		180193	6		180305	.	.	180335
D)	180409	M		180238	V		180235	6	FORM	180345	—		180336
			M	<	180316	V	3/8	180248	6	^	180350	+		180412
E	WRU	180173	M	?	180330	V	"	180276	6	>	180400	\$		180413
E	3	180215	M	?	180365	V	:	180342				.	.	180418
E		180259	M]	180384	V	~	180415	7	.	180166	.	.	180419
E	C	180333	M	*	180417	V	PRINT	180433	7		180270	/		180420
E	WRU	180369							7	7/8	180290	.	*	180436
E		180404	N	↑	180195	W		180172	7	[180306	+		180438
E	C	180404	N	.	180237	W	2	180214	7]	180339			
E	PRINT	180424	N	,	180250	W	\	180403	7	≥	180351			
E	WRU	*183889	N	>	180315	W	LEM	180423	7	∇	180395			
			N	?	180329				7	BELL	180395			
F	RU	180184	N	X	180340	X		180191		✓	180401	RUB OUT		180201
F	\$L	180226	N	"	180364	X	/	180233	8	(180167	RE TURN		180202
F	1/4	180241	N	"	180379	X	#	180414	8		180271	LINE FEED		180203
F	9T	180258	N	7/8	180416				8		180291	HERE IS		180206
F		180273	N]					8	-	180307	BREAK		180207
F	I	180343				Y		180176	8]	180307	REPT		180208
F	RU	180371	O	↑	180179	Y	6	180218	8	~	180352	FIGS		180210
F	1	180386		9	180221							LTRS		180211
F	%	180410	O	.	180313	Z		180190	9)	180168	ALT MODE		180257
F	<	180410	O	↑	180326	Z	"	180232	9	.	180272	BELL		180341
F	PRINT	180429	O	<	180358	Z	"	180246	9		180292	TAB		180373
			O	;	180406	Z	+	180275	9	&	180308	CAR RET		180380
									9	(180375	ESC		180382
G	BELL	180185								.		BACK SPACE		180402
G	&L	180227	P	@	180180	I	I	180160				⌘		180408
G	&	180242	P	0	180222	I		180264				∫		180408
G		180274	P		180263	I	1/8	180284	10	/	180319	EOT		180440
G	BELL	180372	P	I	180314	I		180301				DIV		180441
G	@	180387	P	I	180327	I]	180320	0		180169	STORE		180442
G	.	180394	P	:	180359	I	⊕	180337	0	?	180293	TYPE ORD		180443
G	#	180411	P	∞	180389	I	"	180161	0)	180309	SECT		180444
G	BELL	*183890	P	∞	180407	I		180265	∅		180374	TAPE OUT		180445
			P	∞	180439	I	1/4	180285	∅	<	180376	REPT	**151254	
H		180186		—			+	180302				LOC B SP **153280		
H	#L	180228	Q		180171	2	▶	180321	—	"	180170	SHIFT		173285
H	STOP	180378	Q	I	180213	2	HT	180344		.	180197	UN SHIFT		197748
H	&	180388	Q	BR	180355	2	I	180346		.	180198			
H	(180396	Q	START	180422	3	#	180162		:	180199			
H	FE	180437	Q	X ON	*183888	3		180266		/	180200			

NOTE: All Keytops are gray with white characters except as noted. *Gray Keytops with yellow characters **Red Keytops with white characters

FIGURE 8. KEYTOPS

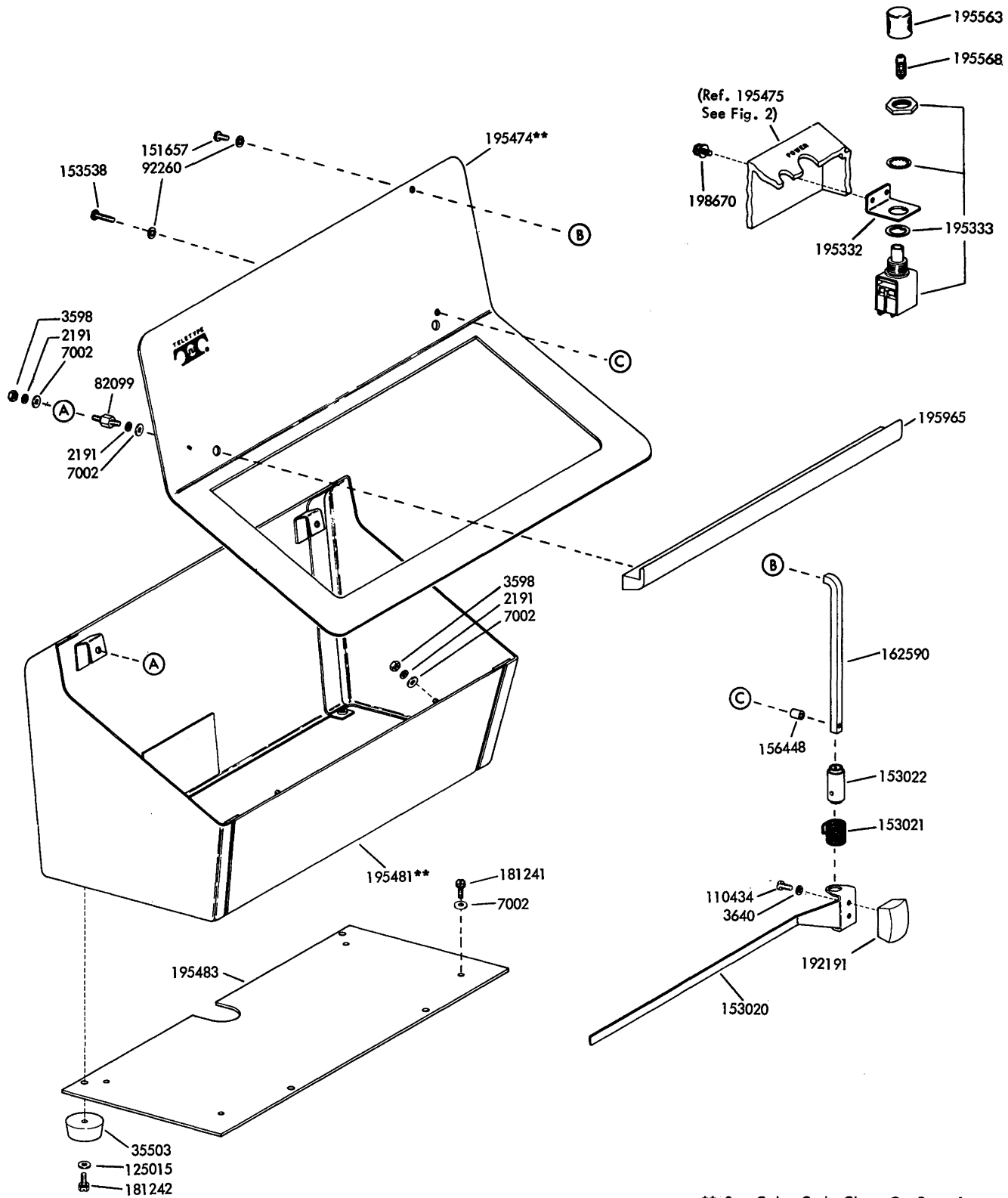


FIGURE 9. COVER FOR SELF-CONTAINED KEYBOARD

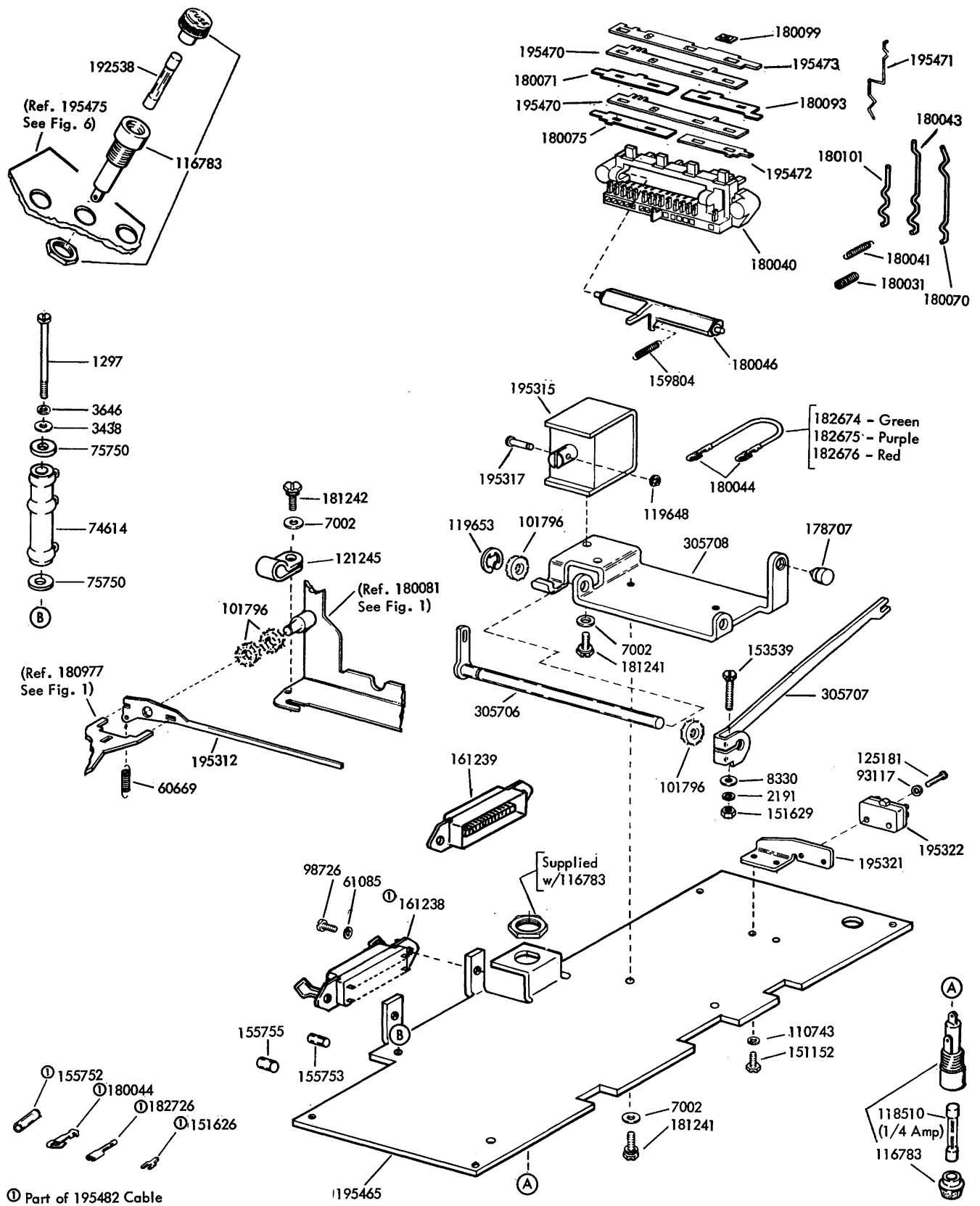


FIGURE 10. RESET MECHANISM FOR SELF-CONTAINED KEYBOARD

NUMERICAL INDEX

Part Number	Description and Page Number	Part Number	Description and Page Number	Part Number	Description and Page Number
1297	Screw (6-40 x 2-7/16 Fil) 11	180006	Bar, Code (#3 Rear) 4	180101	Wire, Contact 2, 11
2191	Washer, Lock 10, 11	180007	Bar, Code (#3 Front) 4	180102	Spring 8
3438	Washer, Flat 11	180008	Bar, Code (#4 Rear) 4	180103	Keytop 4
3598	Nut (6-40 Hex) 10	180009	Bar, Code (#4 Front) 4	180105	Keytop 4
3624	Washer, Flat 2	180010	Bar, Code (#5 Rear) 4	180106	Keytop 8
3640	Washer, Lock 10	180011	Bar, Code (#5 Front) 4	180107	Keytop 2
3646	Washer, Lock 11	180012	Bar, Code (#1 Rear) 5, 6	180108	Keytop 4
7002	Washer, Flat 6, 10, 11	180013	Bar, Code (#1 Front) 5, 6	180109	Keytop 3
8330	Washer, Flat 11	180014	Bar, Code (#2 Rear) 5	180160	thru
35503	Foot, Rubber 10	180015	Bar, Code (#2 Front) 5	180203	Keytops 9
42661	Spring 6	180016	Bar, Code (#3 Rear) 5, 6	180205	thru
60669	Spring 11	180017	Bar, Code (#3 Front) 5, 6	180208	Keytops 9
61085	Washer, Lock 11	180018	Bar, Code (#4 Rear) 5, 6	180210	Keytop 9
72473	Spring 4, 5, 6, 7	180019	Bar, Code (#4 Front) 5, 6	180211	Keytop 9
74614	Resistor (2600 Ohm) 11	180020	Bar, Code (#5 Rear) 5, 6	180213	thru
75750	Washer, Insulating 11	180021	Bar, Code (#5 Front) 5, 6	180250	Keytops 9
80581	Spring 5	180022	Bar, Code (#6 Rear) 5, 6	180257	thru
82099	Post 10	180023	Bar, Code (#5 Front) 5, 6	180278	Keytops 9
82442	Spring 2	180024	Bar, Code (#5 Rear) 5, 6	180280	thru
84575	Spring 4, 5, 6, 7	180025	Bar, Code (#5 Front) 5, 6	180445	Keytops 9
92260	Washer, Lock 10	180026	Cover, Keyboard 3	180798	Screw, Self-Tapping (8-32) 2
93117	Washer, Lock 11	180027	Cover, Keyboard 3	180977	Plate W/Stud 2
98726	Screw (3-48 x 1/4 Fil) 11	180028	Lever 4, 5, 6, 7	181241	Screw, Self-Tapping (6-40) 6, 10, 11
100337	Spring 2	180029	Lever 4, 5, 6, 7	181242	Screw, Self-Tapping (6-40) 10
101796	Washer, Felt 11	180030	Lever, Latch 5	181254	Keylever 8
110434	Screw (4-40 x 3/16 Fil) 10	180031	Spring 2, 6, 7, 11	181255	Keylever 8
110743	Washer, Lock 11	180032	Lever, Non-Repeat 4, 5, 6, 7	181310	Lever 6
116783	Holder, Fuse 11	180033	Shaft 4, 5, 6, 7	181960	Spacer 6
117608	Nut, Speed 3	180034	Spring 4, 5, 6, 7	181961	Terminal 6
118510	Fuse (.25 Amp) 11	180036	Bar, Code (Universal) 4, 5, 6, 7	181962	Terminal 6
119648	Ring, Retaining 11	180040	Block, Contact 2, 6, 7, 11	181963	Terminal 6
119652	Ring, Retaining 2	180041	Spring 2, 6, 7, 11	181964	Insulator (.031") 6
119653	Ring, Retaining 4, 5, 6, 7, 11	180043	Wire, Contact 2, 6, 7, 11	181965	Block, Contact 6
121245	Clamp, Cable (3/16" ID) 11	180044	Terminal 2, 5, 6, 7, 11	181966	Terminal 6
125015	Washer, Flat 10	180046	Bail, Contact Reset 2, 11	181967	Terminal 6
125181	Screw (2-56 x 3/8 Fil) 11	180048	Keylever 8	181968	Insulator (.031") 6
150507	Spring 2	180049	Keylever 8	181970	Link W/Extension 6
151152	Screw (4-40 x 3/16 Hex) 11	180050	Keylever 8	181975	Keylever 8
151254	Keytop 9	180051	Keylever 8	181976	Keylever 8
151626	Terminal 4, 5, 11	180054	Keylever, Space Bar 4, 5, 8	181979	Bracket, Left Keyboard 6
151629	Nut (6-40 Lug) 11	180055	Keylever, Space 4, 5, 6	182239	Lever, Latch 4, 5, 6, 7
151657	Screw (6-40 x 1/4 Hex) 10	180056	Link, Space Bar 4, 5, 6	182240	Lever 2
153020	Guide, Line 10	180057	Bar, Space 4, 5, 9	182251	Plate, Identification 2
153021	Spring, Torsion 10	180064	Keylever, Repeat 8	182540	Connector, Plug Type (15 Pt) 5, 6, 7
153022	Bushing 10	180065	Lever, Line Break 5	182643	Terminal, Plug Type 5, 6, 7
153280	Keytop 9	180066	Keylever 8	182644	Terminal, Receptacle Type 5, 6, 7
153538	Screw (6-40 x 7/16 Hex) 10	180067	Bar, Code (#7 Rear) 5, 6	182647	Connector, Plug Type (12 Pt) 4
153539	Screw (6-40 x 11/16 Hex) 11	180068	Bar, Code (#7 Front) 5, 6	182674	Jumper (2-1/4" Green) 2, 11
155752	Sleeve, Insulating (5/64 ID x 1/2" Lg) 11	180069	Keylever, Line Break 8	182675	Jumper (2-1/4" Purple) 2, 11
155753	Sleeve, Insulating (1/8 ID x 1/2" Lg) 11	180070	Wire, Contact 2, 11	182676	Jumper (2-1/4" Red) 2, 11
155755	Sleeve, Insulating (11/64 ID x 5/8" Lg) 11	180071	Terminal (#6) 2, 6, 11	182726	Terminal, Receptacle Type 4, 5, 6, 7, 11
156448	Bushing 10	180072	Keylever, Line Break 8	183600	Bar, Code 6
159804	Spring 11	180075	Terminal, Line Break 2, 6, 11	183601	Bar, Code 6
161238	Connector, Receptacle (36 Pt) 11	180076	Lever, Pulse (#5) 5, 6	183602	Bar, Code 6
161239	Connector, Plug (36 Pt) 11	180077	Link 4, 5, 6, 7	183603	Bar, Code 6
162590	Shaft 10	180078	Spring 4, 5, 6, 7	183604	Bar, Code 6
173285	Keytop 9	180082	Bracket, Left Keyboard 2	183605	Bar, Code 6
178707	Bumper, Rubber 11	180081	Bracket, Right Keyboard 2	183607	Bar, Code 4
180000	Frame, Keyboard 2	180083	Spring 4, 5, 6, 7	183608	Bar, Code 6
180002	Bar, Code (#1 Rear)	180084	Cover, Keyboard 3		
180003	Bar, Code (#1 Front) 4	180088	Spring 8		
180004	Bar, Code (#2 Rear) 4	180090	Terminal, Common 2		
180005	Bar, Code (#2 Front) 4	180093	Terminal 2, 6, 11		
		180094	Insulator (.031") 2		
		180096	Link 4, 5, 6, 7		
		180099	Fastener 2, 6, 7, 11		
		180100	Guide 4, 5, 6, 7		

NUMERICAL INDEX (Continued)

Part Number	Description and Page Number	Part Number	Description and Page Number	Part Number	Description and Page Number
183609	Bar, Code 6	183888		195321	Bracket, Switch 11
183610	Bar, Code 6	thru		195322	Switch 11
183611	Bar, Code 6	183892	Keypops 9	195332	Bracket, Power Switch 10
183612	Bar, Code 6	183951	Spring, Contact 6	195333	Switch, Push Button (SP-DT) 10
183613	Bar, Code 6	184021	Cover, Keyboard 3	195465	Plate, Mounting 11
183614	Bar, Code 7	184022	Keylever 8	195470	Insulator (.031") 11
183615	Bar, Code 7	184023	Keylever 8	195471	Spring, Contact 11
183616	Bar, Code 7	184024	Keylever 8	195472	Terminal 11
183617	Bar, Code 7	184025	Keytop 9	195473	Terminal, Common 11
183618	Bar, Code 7	184026	Keytop 9	195474**	Panel, Top 10
183619	Bar, Code 7	184027	Keytop 9	195475	Cover, Keyboard 3
183620	Bar, Code 7	184031	Terminal 7	195481**	Cover 10
183621	Bar, Code 7	184032	Insulator (.031") 7	195482	Cable Assembly 11
183622	Bar, Code 7	184033	Spacer (.035") 7	195483	Plate 10
183623	Bar, Code 7	192191	Knob 10	195563	Lens, Red Pushbutton 3, 10
183624	Bar, Code 7	192538	Plug, Button 3, 11	195568	Lamp (6 V) 10
183625	Bar, Code 7	195307	Keylever, Repeat 8	195965	Tray, Copyholder 10
183626	Bar, Code 7	195309	Lever, Non-Repeat 5	197748	Keytop 9
183627	Bar, Code 7	195312	Lever, Reset 11	198670	Screw, Self-Tapping (6-40) 10
183628	Bar, Code 7	195315	Solenoid W/Plunger 11	305706	Shaft W/Link 11
183629	Bar, Code 7	195317	Pin 11	305707	Arm, Reset 11
				305708	Bracket, Solenoid 11

32 and 33 TYPING UNIT (UP)

PARTS

FIGURE	CONTENTS	PAGE
1	Platen Mechanism - Friction Feed	2
2	Paper Handling Mechanism - Friction Feed	3
3	Platen Mechanism - Sprocket Feed (8-1/2" Paper)	4
4	Ribbon Feed Mechanism	5
5	Carriage Upper Plate Mechanism	6
6	Carriage Lower Plate Mechanism	7
7	Carriage Power Bail Mechanism	8
8	Carriage Drive Bail Mechanism	9
9	Main Shaft Mechanism - Friction Feed	10
10	Main Shaft Mechanism - Sprocket Feed	11
11	Clutch Trip Lever Mechanism	12
12	Code Bar Basket Mechanism	13
13	Function Bar Mechanism	14
14	Function Shaft Mechanism	15
15	Selector Frame Mechanism	16
16	Clutch Trip	17
17	Distributor Clutch Mechanism	18
18	Trip Shaft Mechanism	19
19	Drive Arm Mechanism	20
20	Clutch Trip Mechanism	20
21	Answer-Back Drum Mechanism	21
22	Answer-Back Trip Magnet Mechanism	21
23	Coding of Answer-Back Drum - 5 Level	22
24	Coding of Answer-Back Drum - 8 Level	23
25	Line Feed Function Lever Mechanism	24
26	Function Levers	25
27	Uncoded Function Lever - 5 Level	26
28	Uncoded Function Lever - 8 Level	27
29	Formout Mechanism - Sprocket Feed	28
30	Contact Assembly - Sprocket Feed	29
31	Casting	30
32	Sub-Base	31
33	Motors	32
34	Cable Components	33
	Numerical Index	34

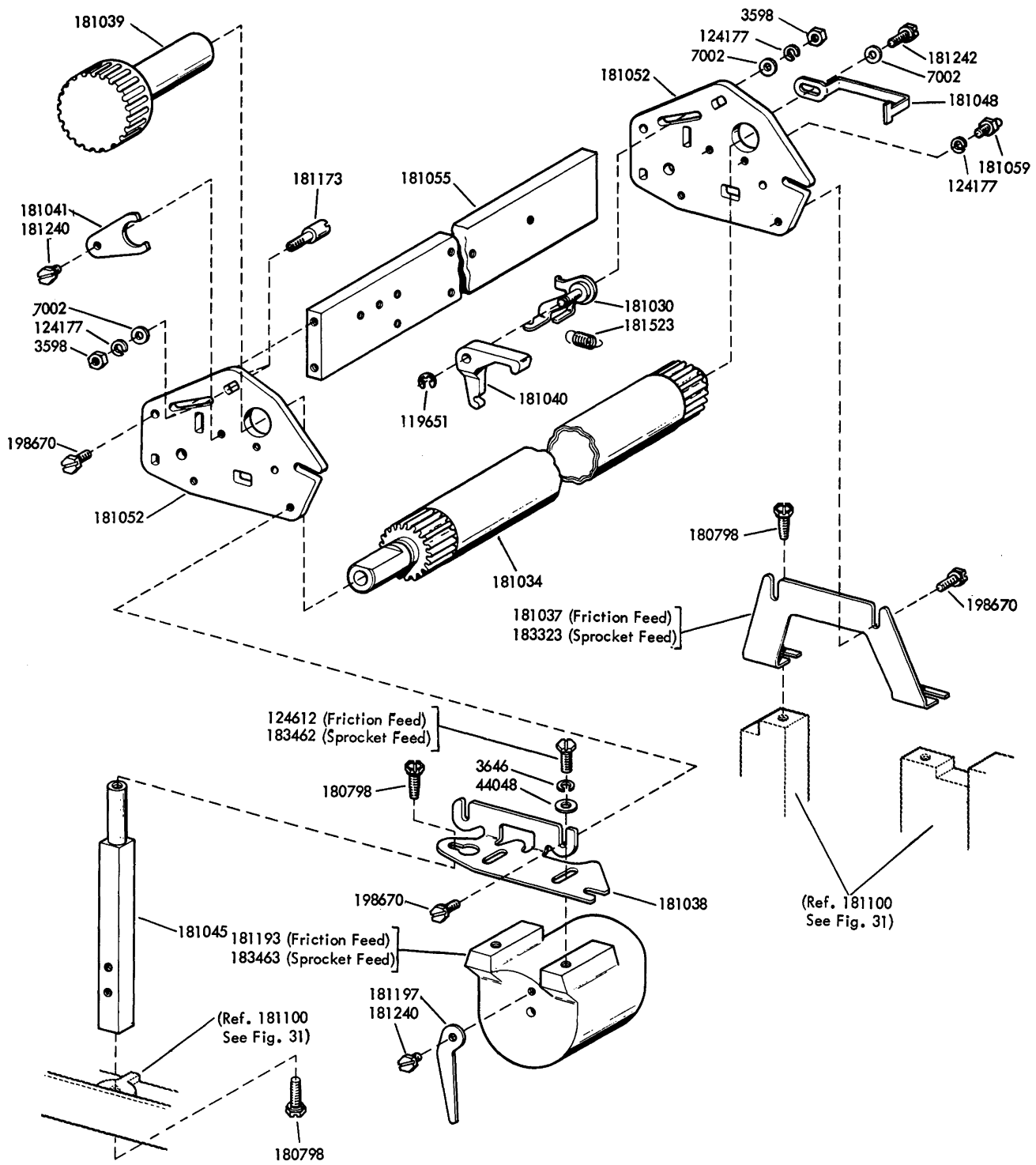


FIGURE 1. PLATEN MECHANISM - FRICTION FEED

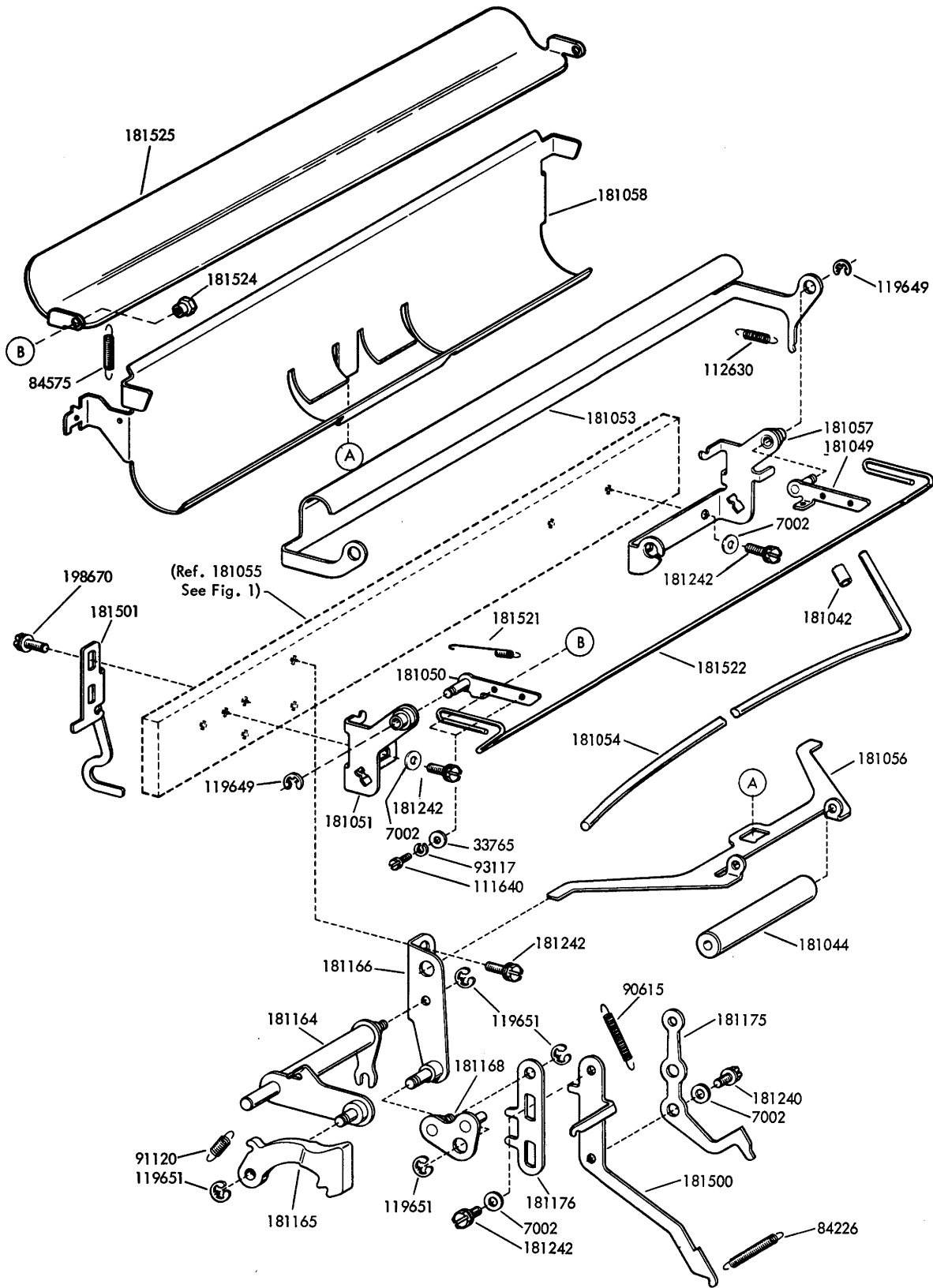
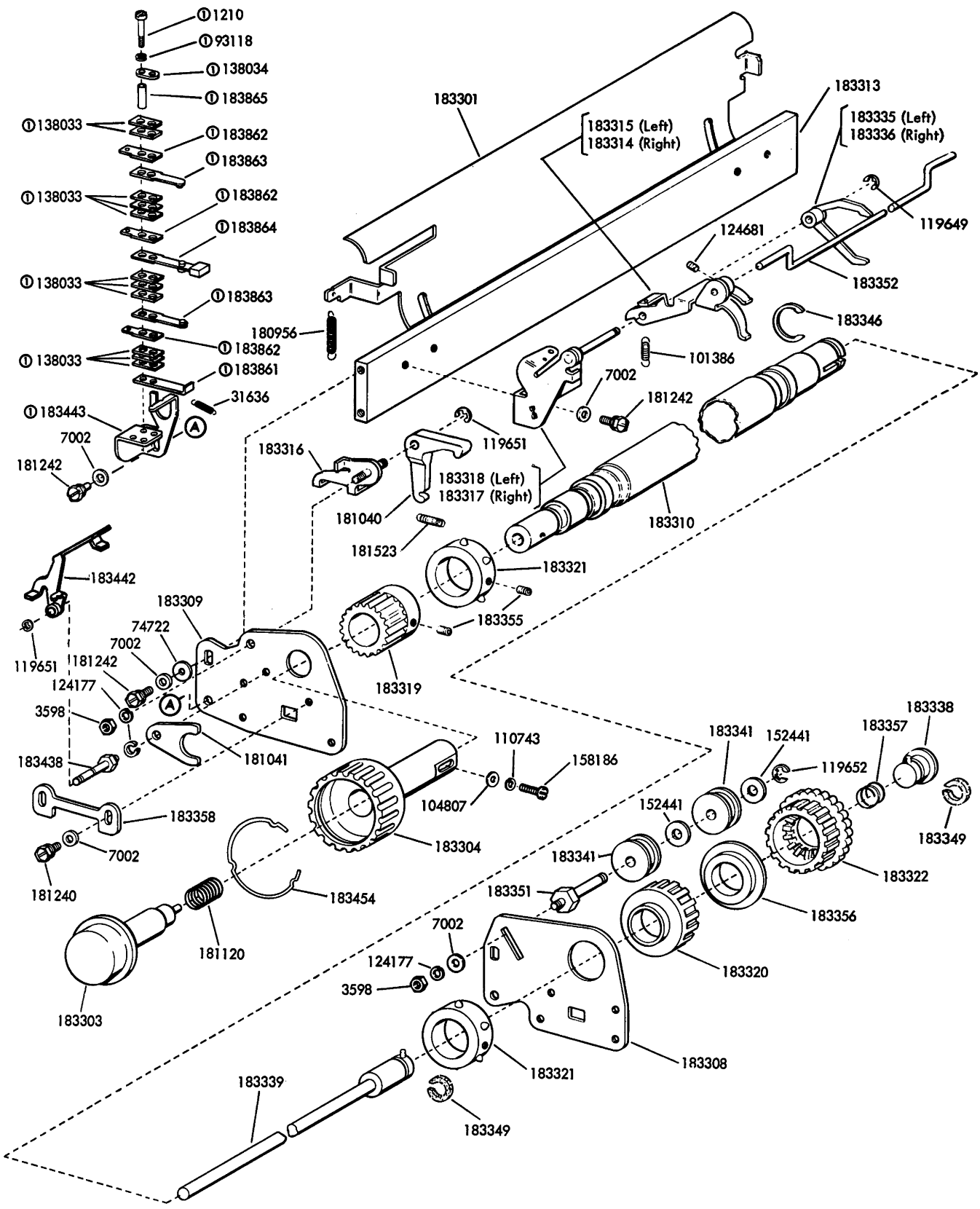


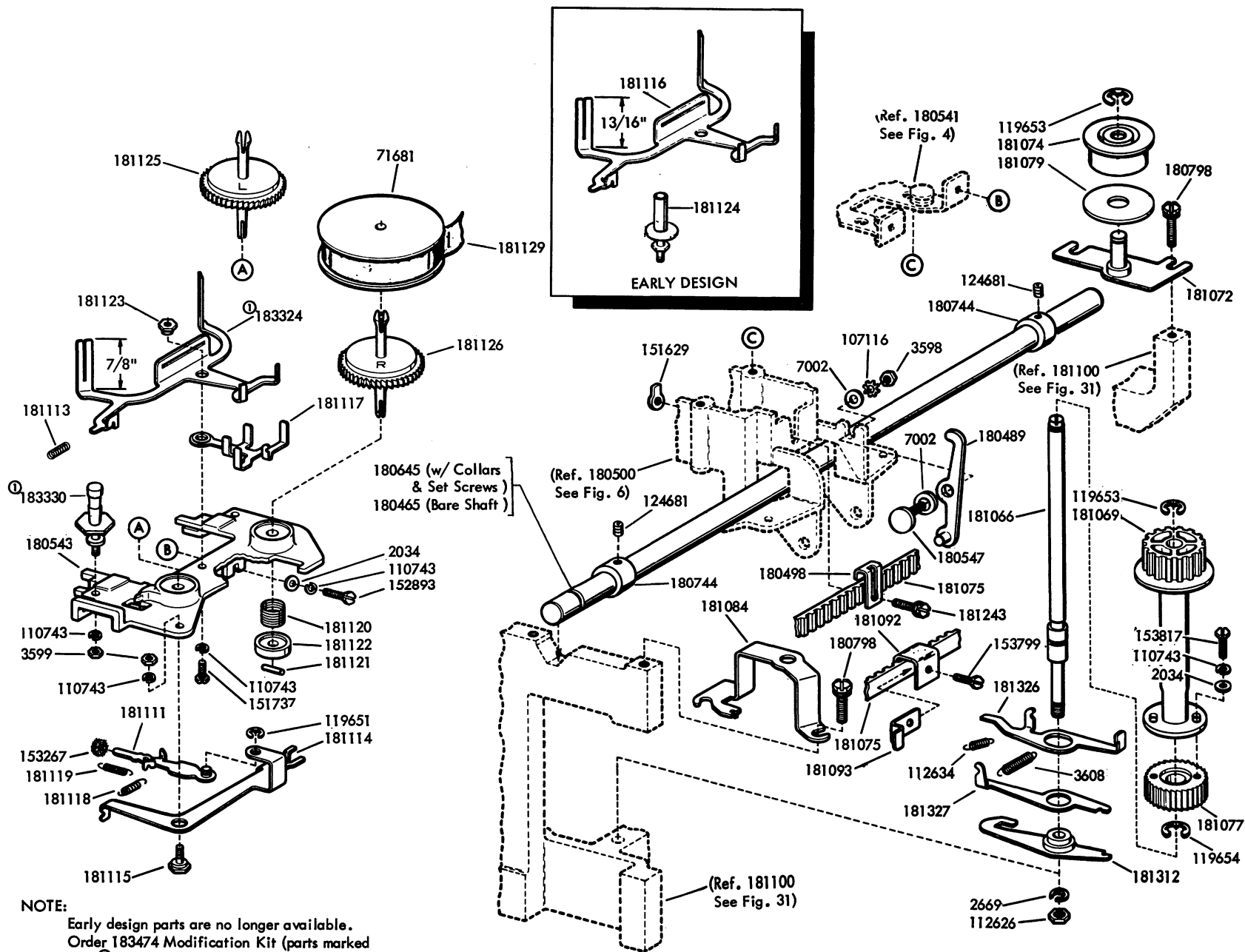
FIGURE 2. PAPER HANDLING MECHANISM - FRICTION FEED



⊙ Part of 183445

FIGURE 3. PLATEN MECHANISM - SPROCKET FEED (8-1/2" PAPER)

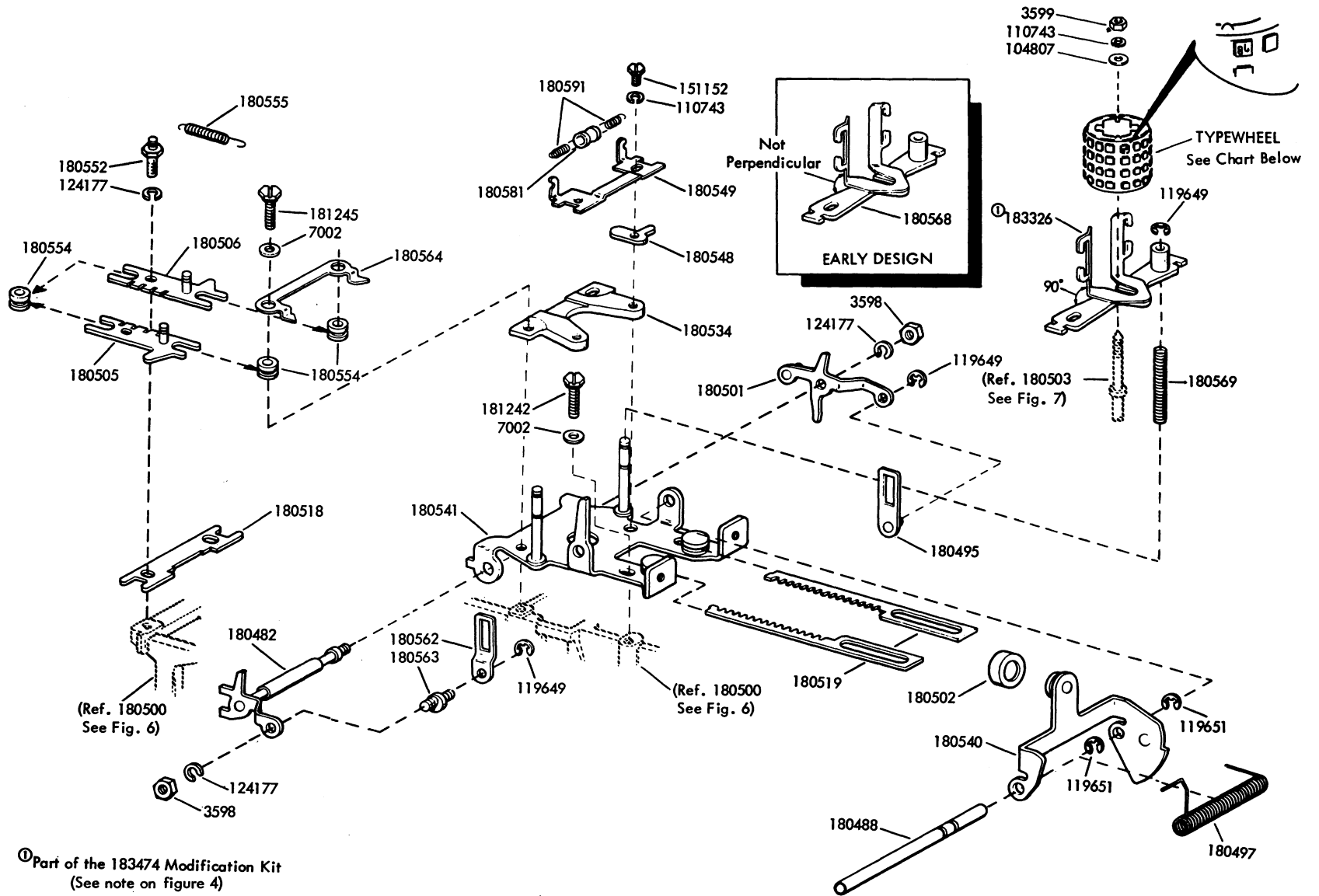
FIGURE 4. RIBBON FEED MECHANISM



NOTE:

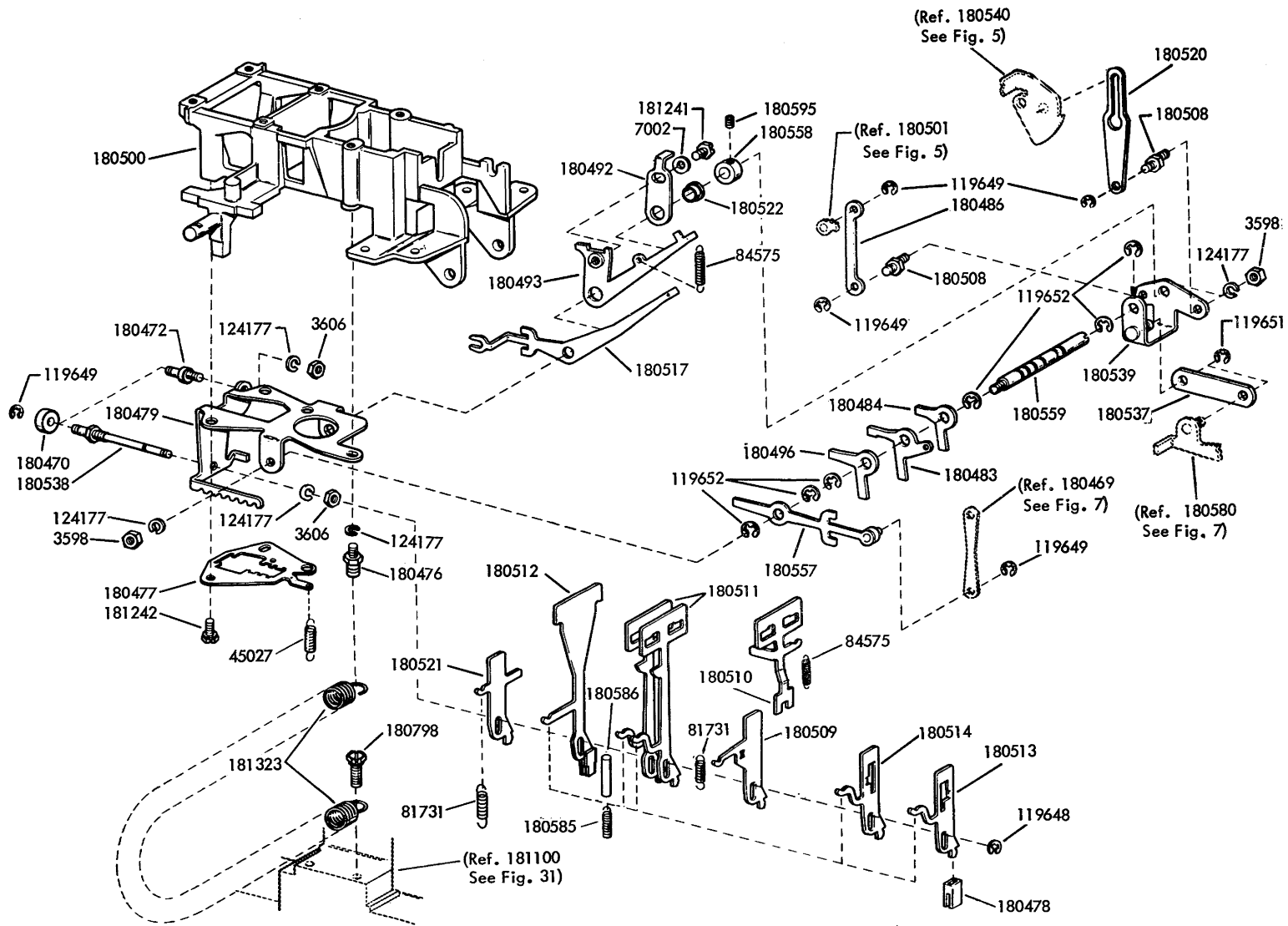
Early design parts are no longer available. Order 183474 Modification Kit (parts marked with $\text{\textcircled{D}}$ on this figure and figure 5) when replacing early design parts.

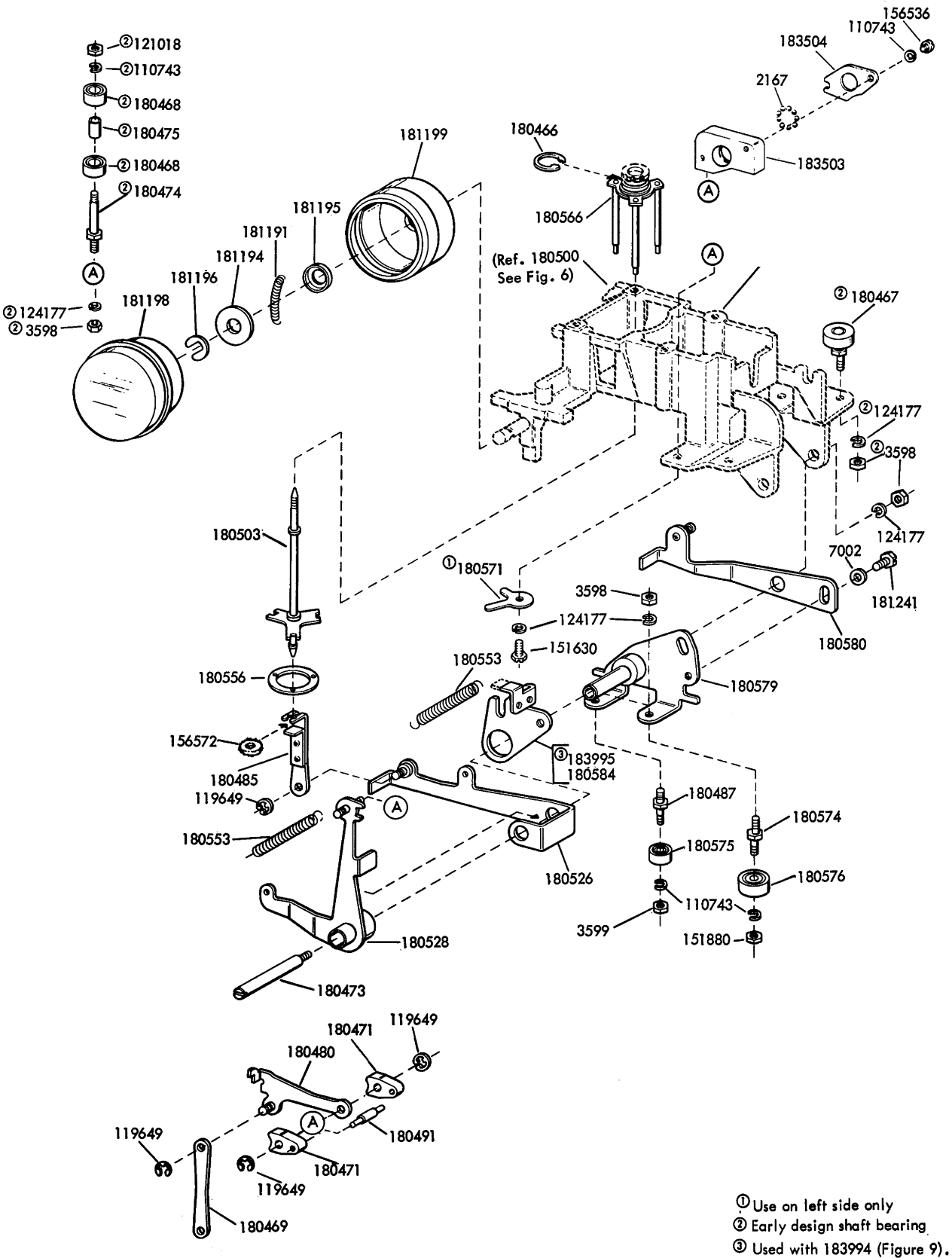
FIGURES 5, CARRIAGE UPPER PLATE MECHANISM



		TYPEWHEEL CHART													
5 LEVEL	PART NUMBER	180460	180596	180597	181302	182288	182289	183587	183962	182296	184684	184687	183963	183964	
	ARRANGEMENT	JA	JB	JC	JD	JE	JF	JG	JH	JJ	JK	JL	JM	JN	
8 LEVEL	PART NUMBER	180598	182280	182293	183588	183599	183992	184685	184686	184688					
	ARRANGEMENT	MA	MB	MC	MD	ME	MF	MG	MH	MJ					

FIGURE 6. CARRIAGE LOWER PLATE MECHANISM

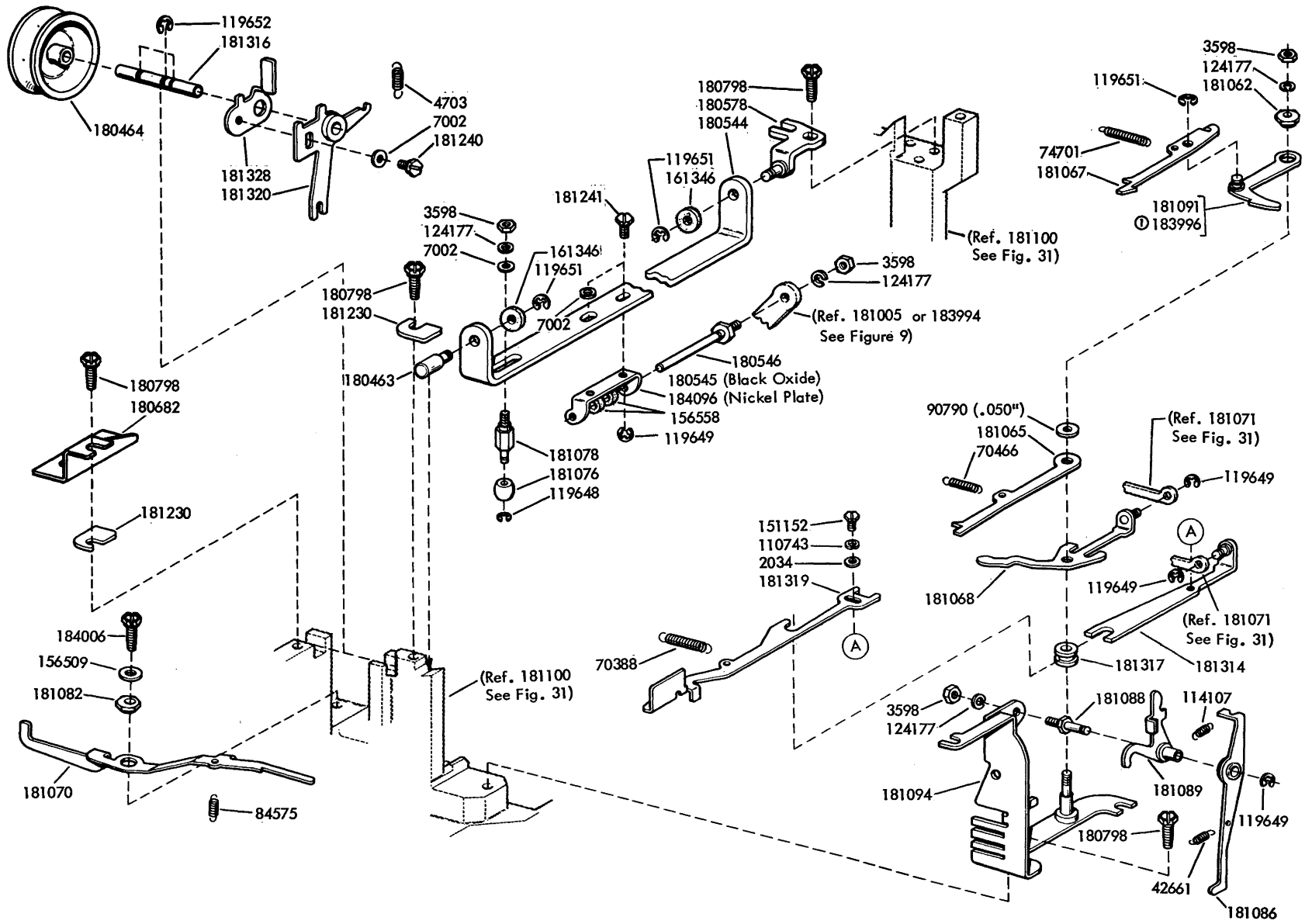




- ① Use on left side only
- ② Early design shaft bearing
- ③ Used with 183994 (Figure 9).

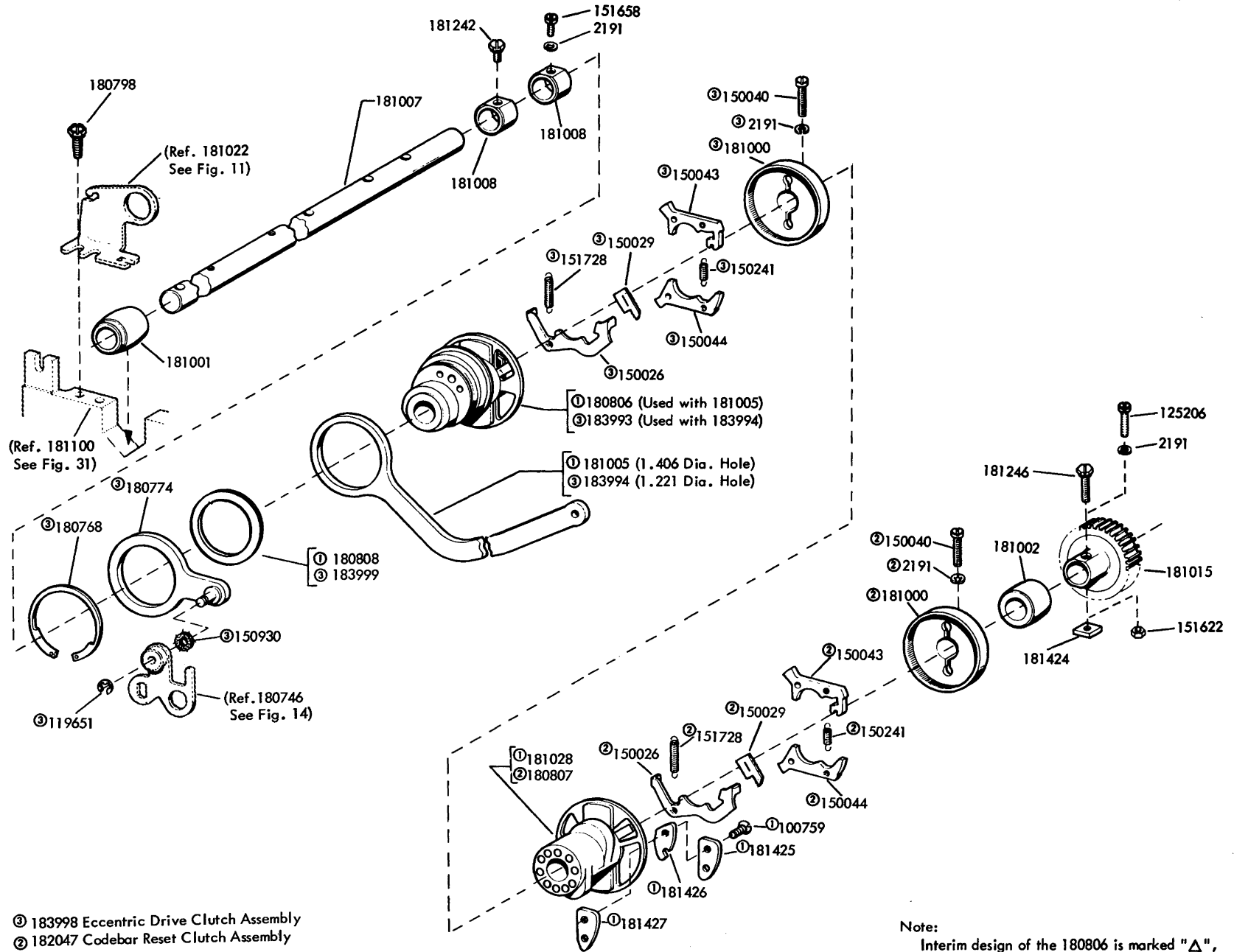
FIGURE 7. CARRIAGE POWER BAIL MECHANISM

FIGURE 8. CARRIAGE DRIVE BAIL MECHANISM



Ⓛ Used with 183994 (Figure 9).

FIGURE 9. MAIN SHAFT MECHANISM - FRICTION FEED



- ③ 183998 Eccentric Drive Clutch Assembly
- ② 182047 Codebar Reset Clutch Assembly
- ① Early Design Also see Figures 7 and 8.

Note:
Interim design of the 180806 is marked "Δ",
and is interchangeable with early design 180806.

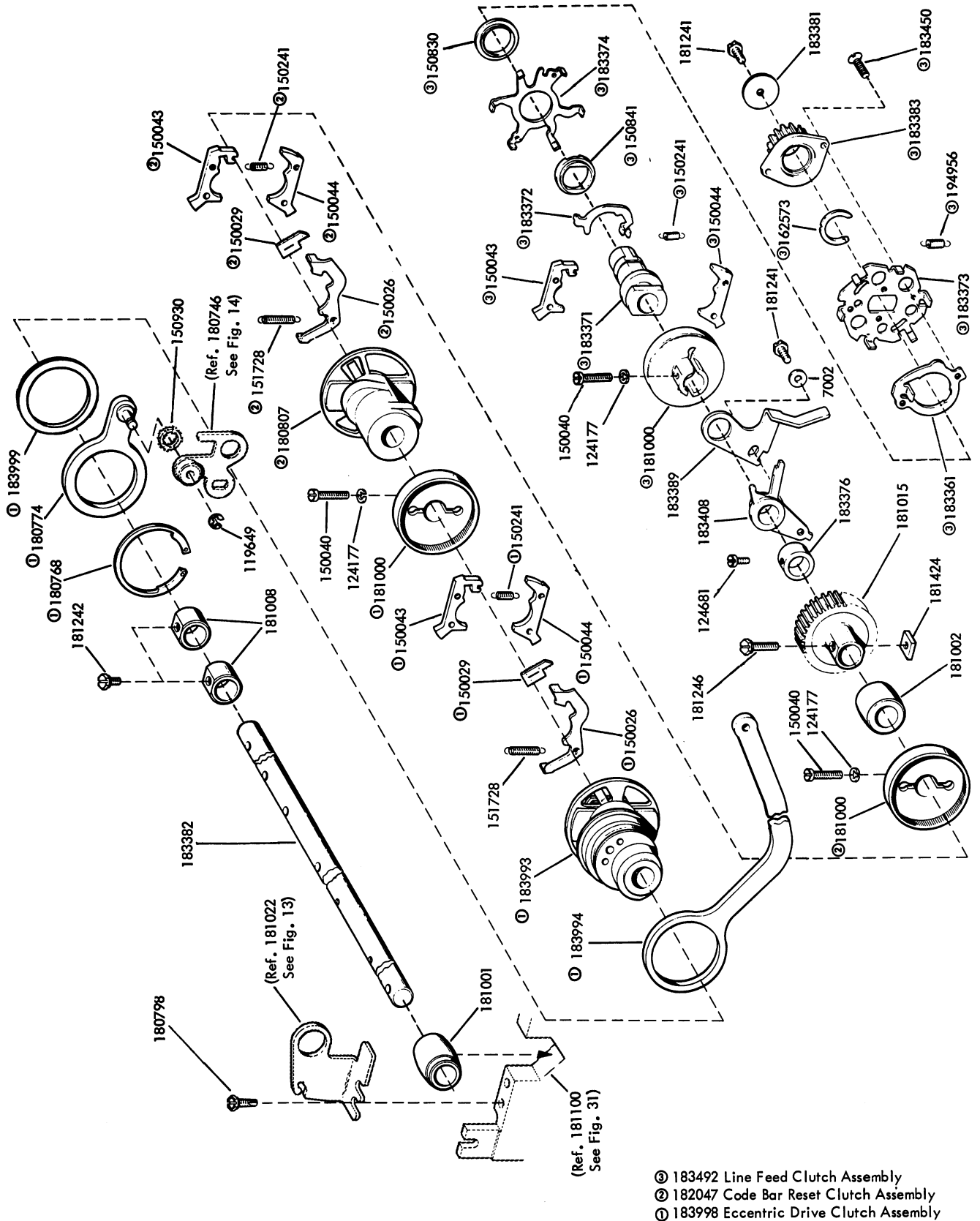


FIGURE 10. MAIN SHAFT MECHANISM - SPROCKET FEED

FIGURE 11. CLUTCH TRIP LEVER MECHANISM

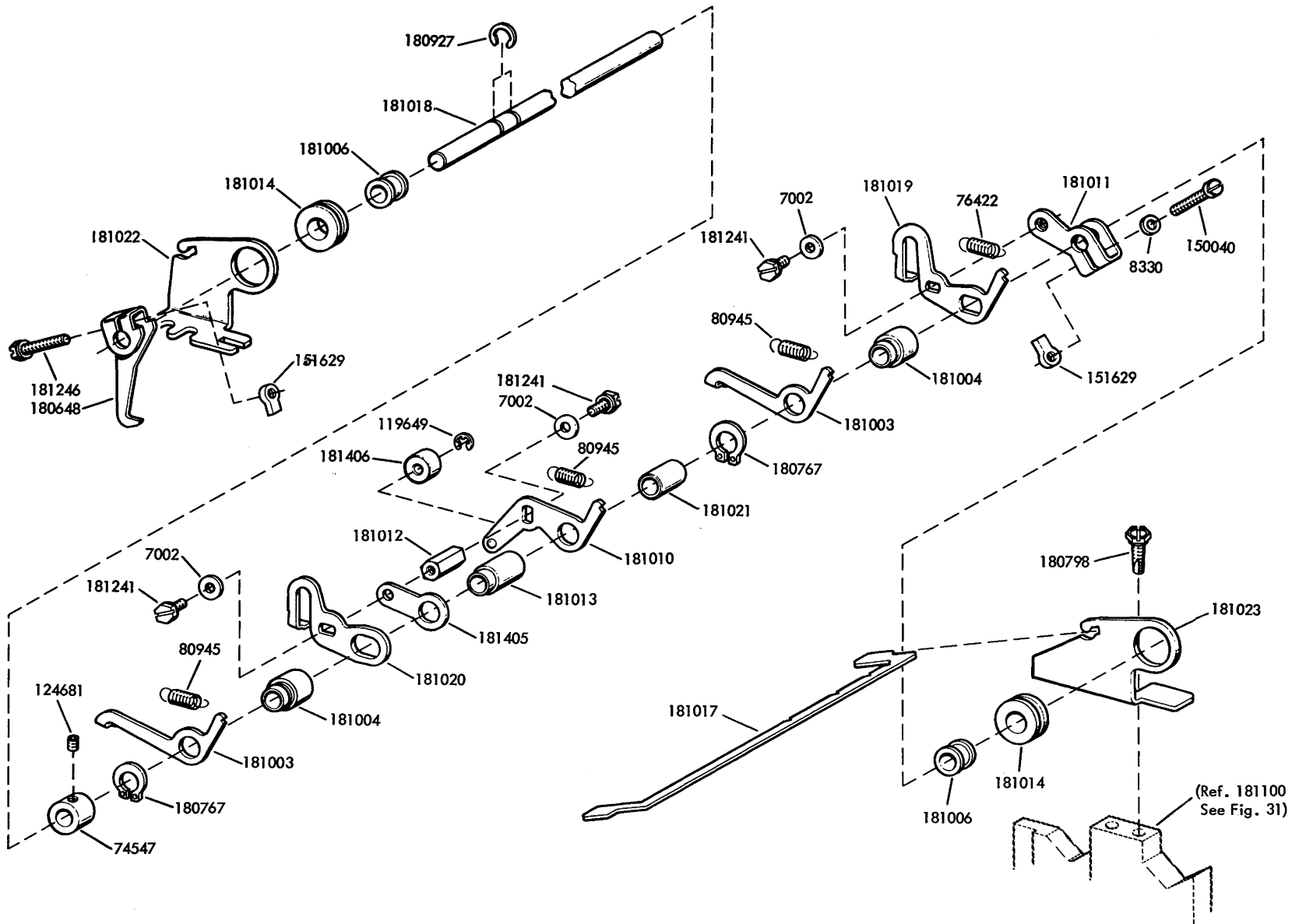


FIGURE 12. CODE BAR BASKET MECHANISM

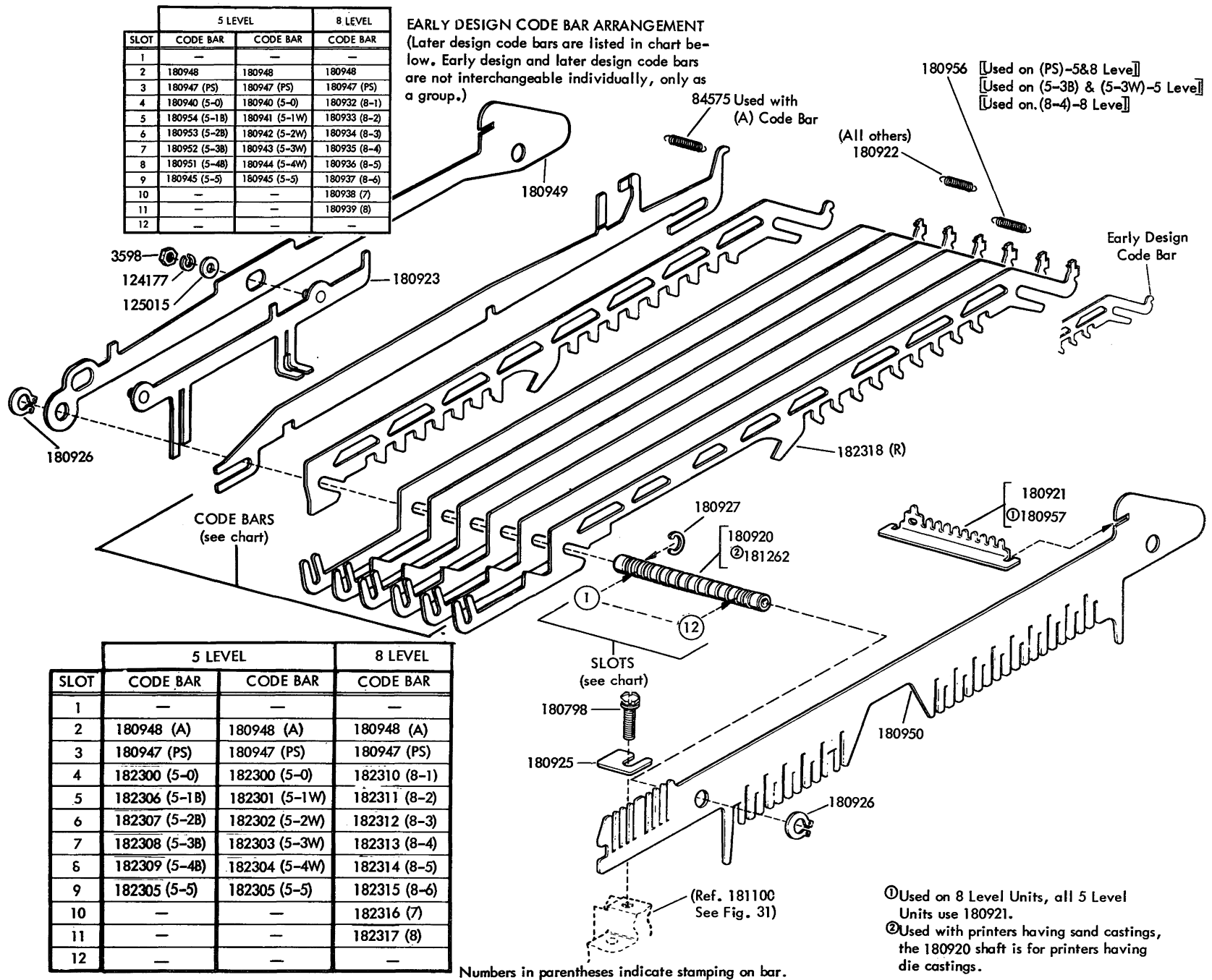
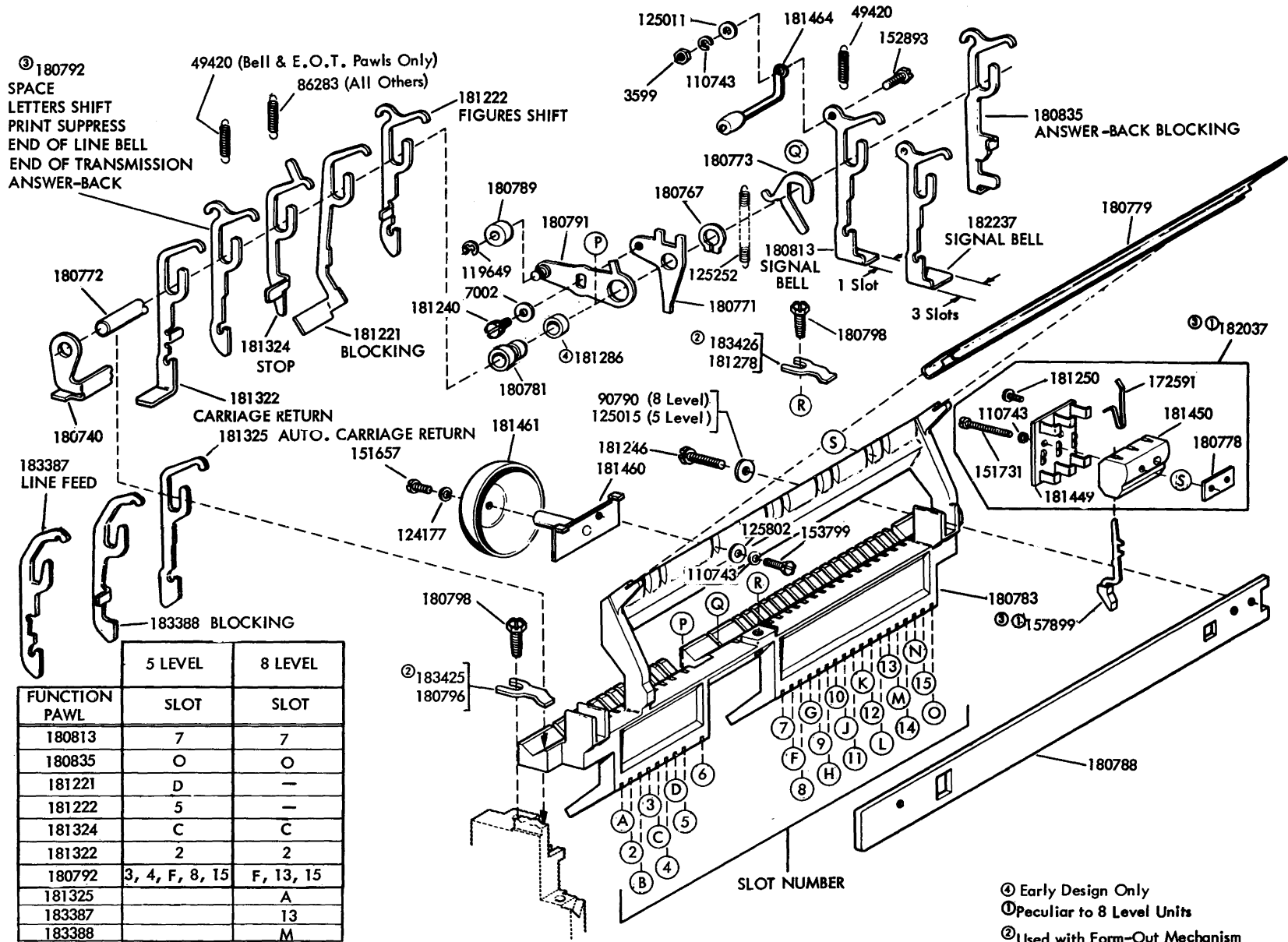


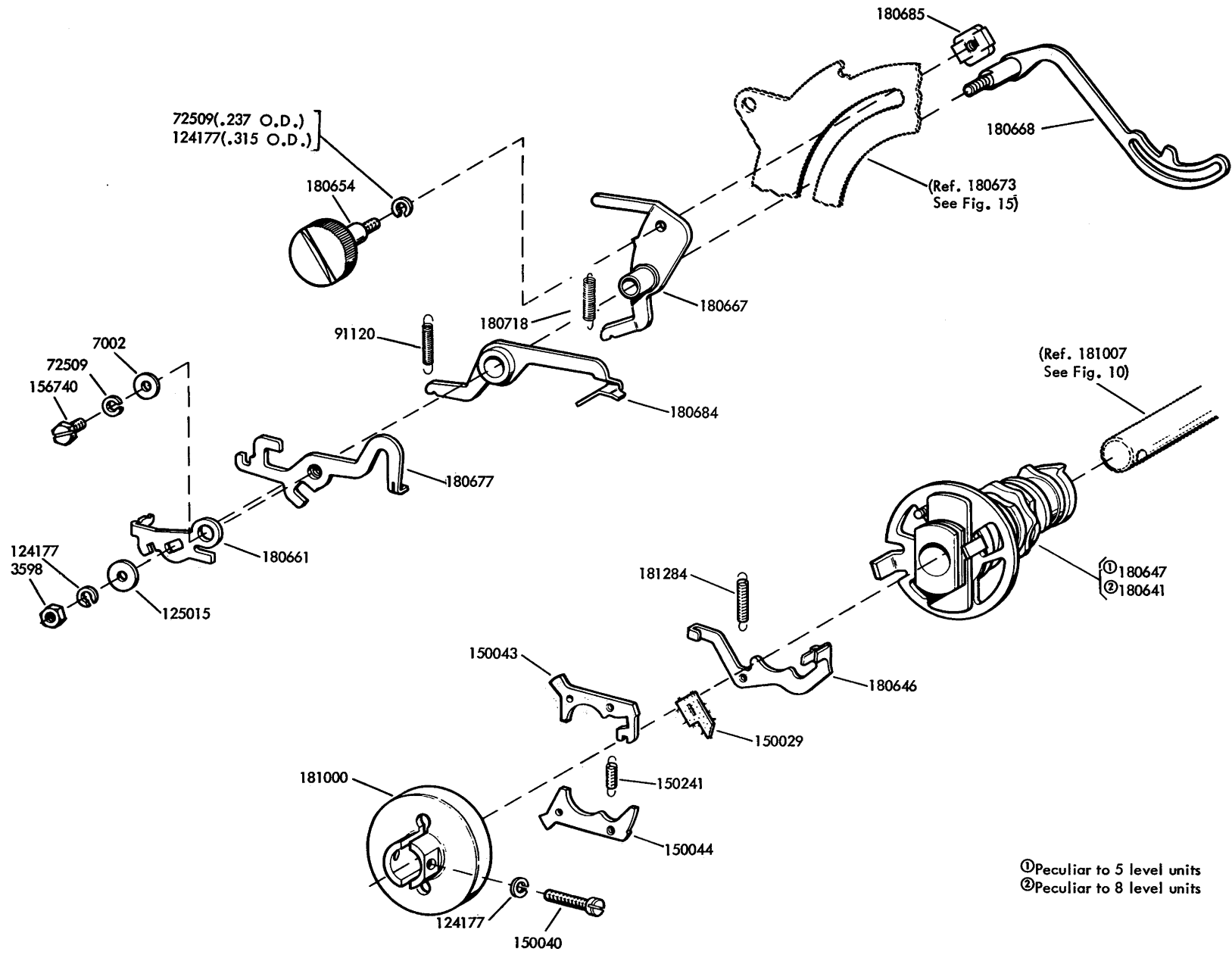
FIGURE 13. FUNCTION BOX MECHANISM



ⓐ 182290 and 182291 Modification Kit to add "TD Call In" Feature. Also see Figure 26.

ⓐ Early Design Only
 ⓑ Peculiar to 8 Level Units
 ⓒ Used with Form-Out Mechanism

FIGURE 16. CLUTCH AND CAMSLEEVE MECHANISM



① Peculiar to 5 level units
② Peculiar to 8 level units

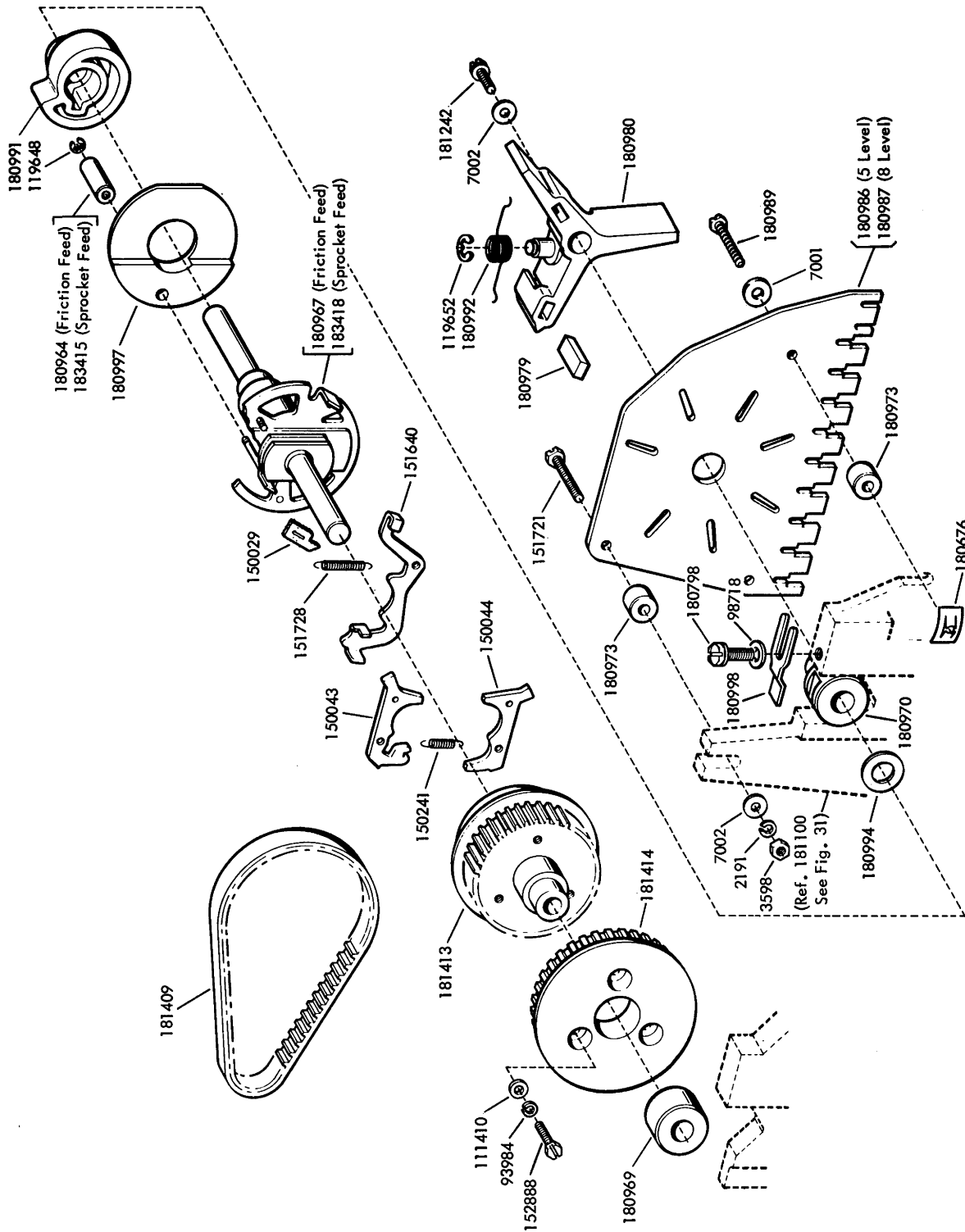
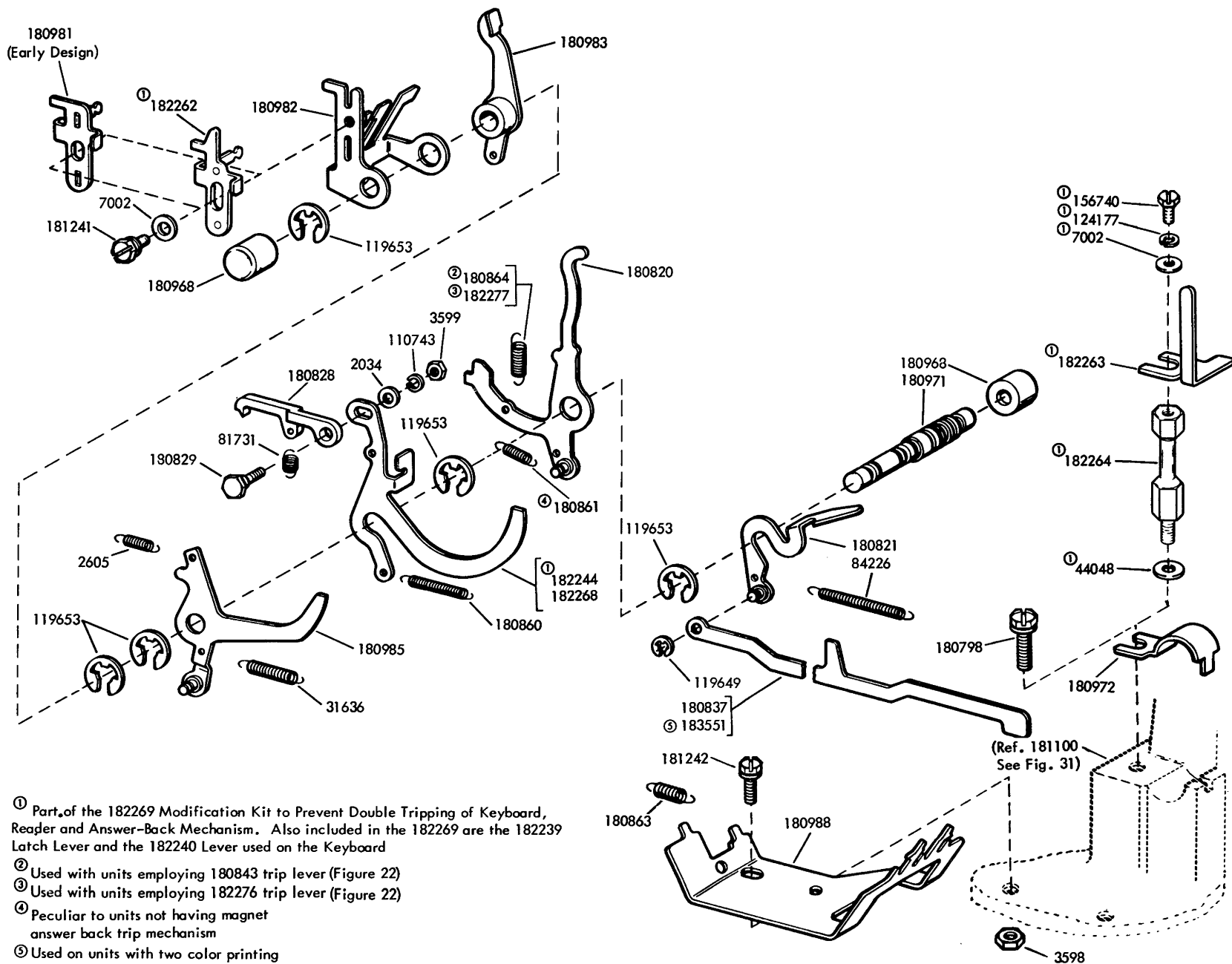


FIGURE 17. DISTRIBUITOR CLUTCH MECHANISM

FIGURE 18. TRIP SHAFT MECHANISM



① Part of the 182269 Modification Kit to Prevent Double Tripping of Keyboard, Reader and Answer-Back Mechanism. Also included in the 182269 are the 182239 Latch Lever and the 182240 Lever used on the Keyboard

② Used with units employing 180843 trip lever (Figure 22)

③ Used with units employing 182276 trip lever (Figure 22)

④ Peculiar to units not having magnet answer back trip mechanism

⑤ Used on units with two color printing

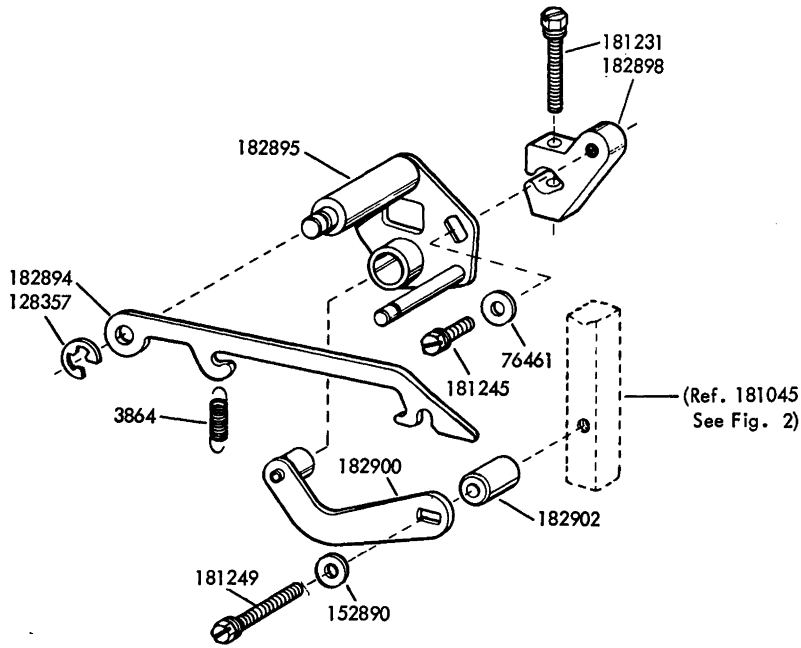


FIGURE 19. DRIVE ARM MECHANISM

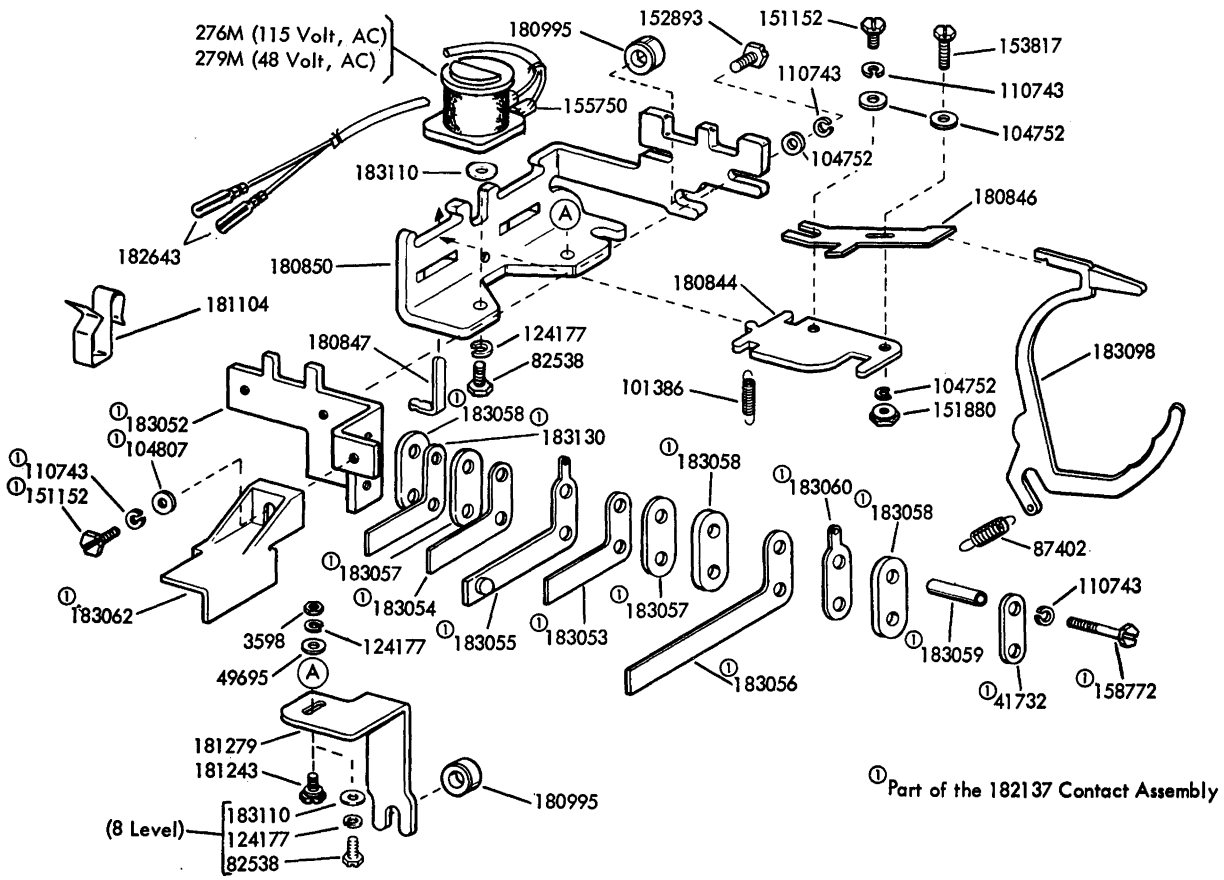


FIGURE 20. CLUTCH TRIP MECHANISM

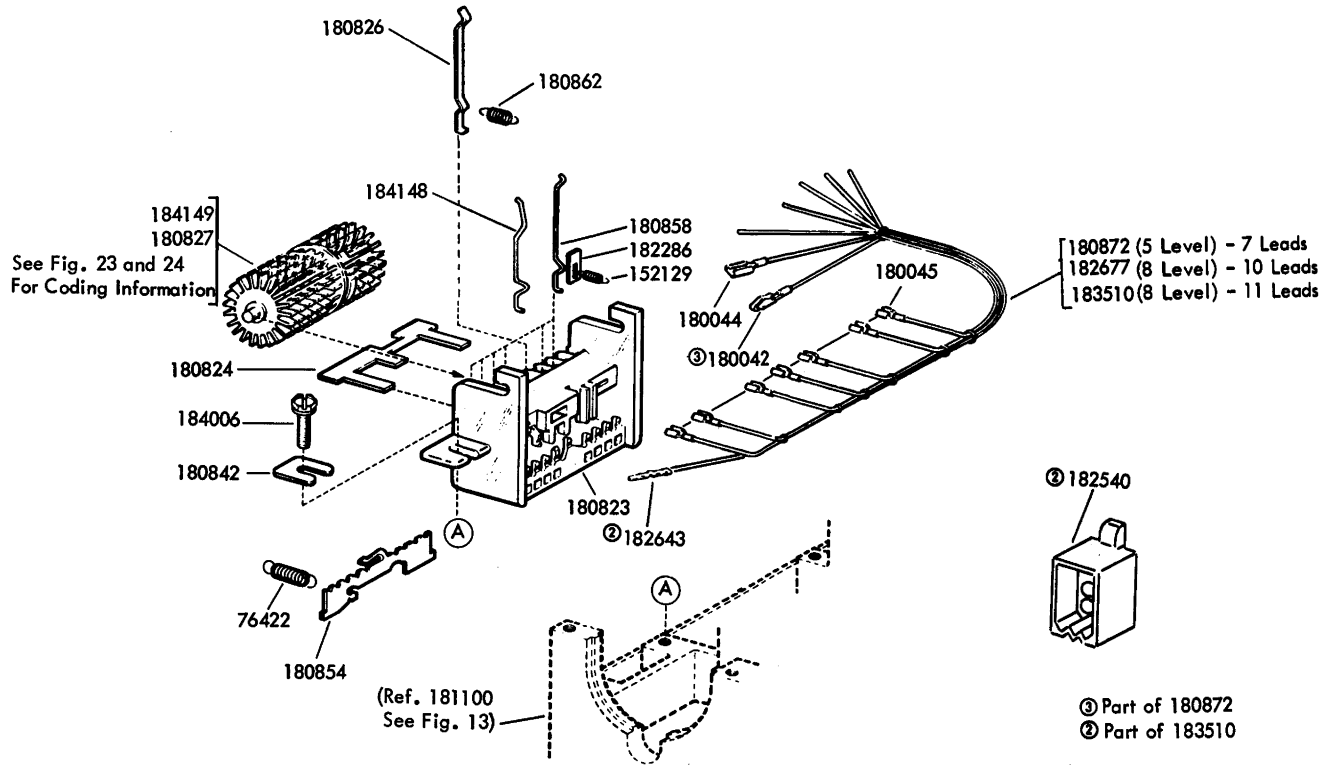


FIGURE 21. ANSWER-BACK DRUM MECHANISM

① 182045 Modification Kit to Add Magnet Answer-back Trip Mechanism

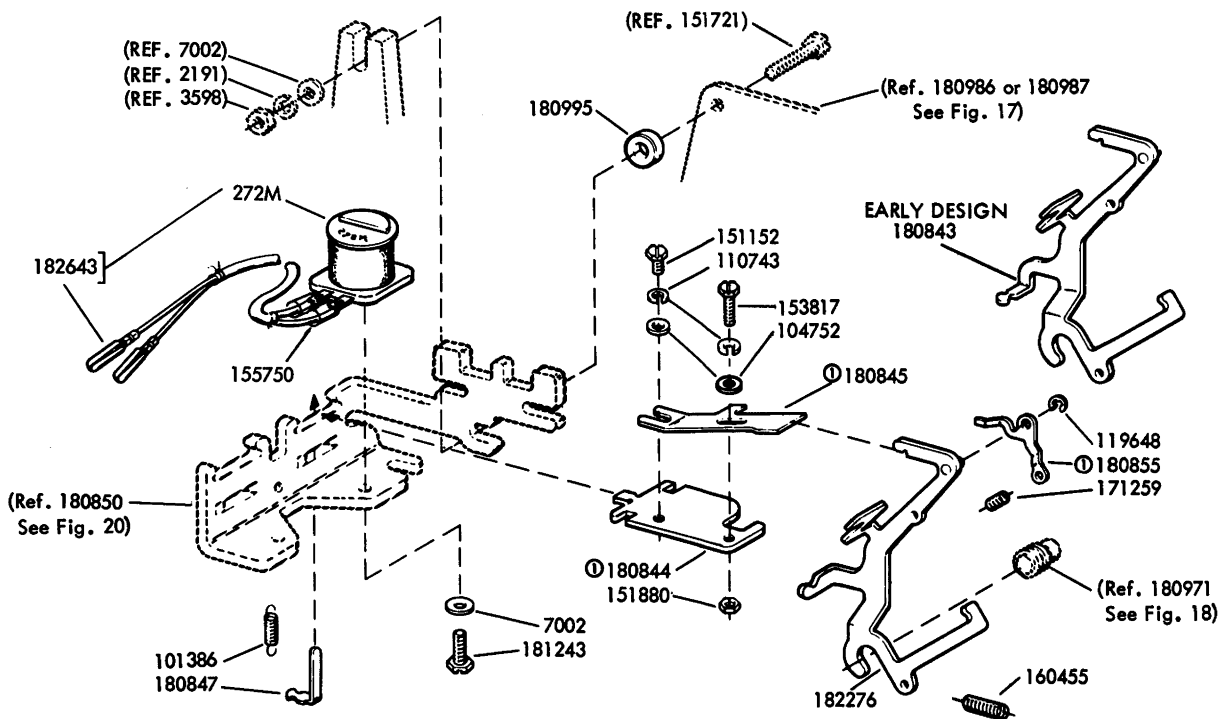
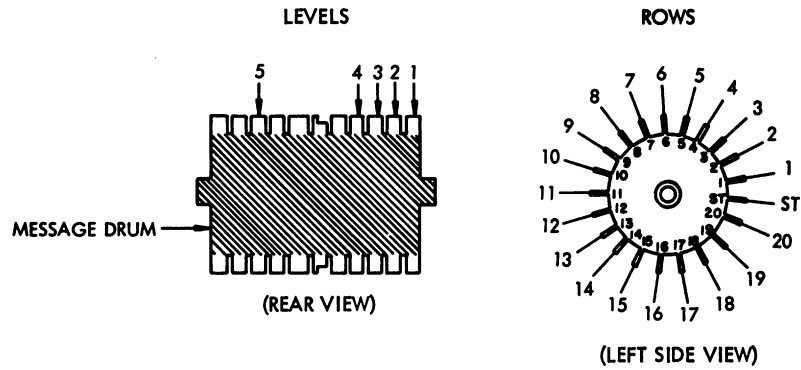


FIGURE 22. ANSWER-BACK TRIP MAGNET MECHANISM



LETTERS	FIGURES		CODE LEVELS					
			5	4	3	2	1	
A	-	-	■	■	■	■	■	■
B	5/8	?	■	■	■	■	■	■
C	WRU	:	■	■	■	■	■	■
D	\$	+	■	■	■	■	■	■
E	3	3	■	■	■	■	■	■
F	1/4	\$	■	■	■	■	■	■
G	&	&	■	■	■	■	■	■
H		#	■	■	■	■	■	■
I	8	8	■	■	■	■	■	■
J	,	BELL	■	■	■	■	■	■
K	1/2	(■	■	■	■	■	■
L	3/4)	■	■	■	■	■	■
M	.	.	■	■	■	■	■	■
N	7/8	,	■	■	■	■	■	■
O	9	9	■	■	■	■	■	■
P	0	0	■	■	■	■	■	■
Q	1	1	■	■	■	■	■	■
R	4	4	■	■	■	■	■	■
S	BELL	'	■	■	■	■	■	■
T	5	5	■	■	■	■	■	■
U	7	7	■	■	■	■	■	■
V	3/8	;	■	■	■	■	■	■
W	2	2	■	■	■	■	■	■
X	/	/	■	■	■	■	■	■
Y	6	6	■	■	■	■	■	■
Z	"	"	■	■	■	■	■	■
CARRIAGE RETURN			■	■	■	■	■	■
LINE FEED			■	■	■	■	■	■
LETTERS SHIFT			■	■	■	■	■	■
FIGURES SHIFT			■	■	■	■	■	■
SPACE			■	■	■	■	■	■
BLANK			■	■	■	■	■	■
1 CYCLE OPER. ROW 6			■	■	■	■	■	■
1 CYCLE OPER. ROW ST			■	■	■	■	■	■
2 CYCLE OPER. ROWS 6,17			■	■	■	■	■	■
2 CYCLE OPER. ROWS ST,11			■	■	■	■	■	■
3 CYCLE OPER. ROWS 6,13,20			■	■	■	■	■	■
3 CYCLE OPER. ROWS ST,7,14			■	■	■	■	■	■

■ LEAVE TINE
 □ REMOVE TINE

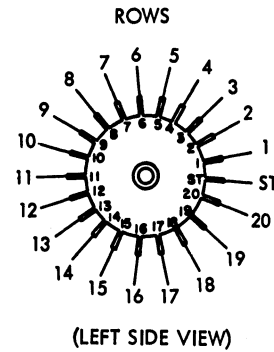
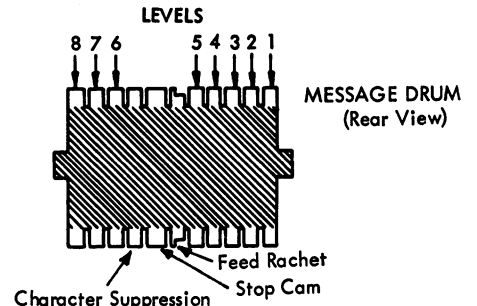
See Note: CHAR. SUPPRESSION
 STOP CAM
 FEED RATCHET

Note:
 Two drums are now available,
 180827 with CHAR. SUPPRESSION Tine Removed
 184149 without CHAR. SUPPRESSION Tine Removed

FIGURE 23. CODING OF ANSWER-BACK DRUM- 5 LEVEL

	CODE LEVELS									CODE LEVELS											
	8	7	6			5	4	3		2	1	8	7	6			5	4	3	2	1
NULL	■	■	■	■	■	■	■	■	■	2	■	■	■	■	■	■	■	■	■	■	
SOM	■	■	■	■	■	■	■	■	■	3	■	■	■	■	■	■	■	■	■	■	
EOA	■	■	■	■	■	■	■	■	■	4	■	■	■	■	■	■	■	■	■	■	
EOM	■	■	■	■	■	■	■	■	■	5	■	■	■	■	■	■	■	■	■	■	
EOT	■	■	■	■	■	■	■	■	■	6	■	■	■	■	■	■	■	■	■	■	
WRU	■	■	■	■	■	■	■	■	■	7	■	■	■	■	■	■	■	■	■	■	
RU	■	■	■	■	■	■	■	■	■	8	■	■	■	■	■	■	■	■	■	■	
BELL	■	■	■	■	■	■	■	■	■	9	■	■	■	■	■	■	■	■	■	■	
FE ₀	■	■	■	■	■	■	■	■	■	:	■	■	■	■	■	■	■	■	■	■	
HT	■	■	■	■	■	■	■	■	■	;	■	■	■	■	■	■	■	■	■	■	
LF	■	■	■	■	■	■	■	■	■	<	■	■	■	■	■	■	■	■	■	■	
VT	■	■	■	■	■	■	■	■	■	=	■	■	■	■	■	■	■	■	■	■	
FF	■	■	■	■	■	■	■	■	■	>	■	■	■	■	■	■	■	■	■	■	
CR	■	■	■	■	■	■	■	■	■	?	■	■	■	■	■	■	■	■	■	■	
SO	■	■	■	■	■	■	■	■	■	@	■	■	■	■	■	■	■	■	■	■	
SI	■	■	■	■	■	■	■	■	■	A	■	■	■	■	■	■	■	■	■	■	
DC ₀	■	■	■	■	■	■	■	■	■	B	■	■	■	■	■	■	■	■	■	■	
XON	■	■	■	■	■	■	■	■	■	C	■	■	■	■	■	■	■	■	■	■	
RION	■	■	■	■	■	■	■	■	■	D	■	■	■	■	■	■	■	■	■	■	
XOFF	■	■	■	■	■	■	■	■	■	E	■	■	■	■	■	■	■	■	■	■	
RIOFF	■	■	■	■	■	■	■	■	■	F	■	■	■	■	■	■	■	■	■	■	
ERROR	■	■	■	■	■	■	■	■	■	G	■	■	■	■	■	■	■	■	■	■	
SYNCH	■	■	■	■	■	■	■	■	■	H	■	■	■	■	■	■	■	■	■	■	
EOB	■	■	■	■	■	■	■	■	■	I	■	■	■	■	■	■	■	■	■	■	
S ₀	■	■	■	■	■	■	■	■	■	J	■	■	■	■	■	■	■	■	■	■	
S ₁	■	■	■	■	■	■	■	■	■	K	■	■	■	■	■	■	■	■	■	■	
S ₂	■	■	■	■	■	■	■	■	■	L	■	■	■	■	■	■	■	■	■	■	
ESC(new)	■	■	■	■	■	■	■	■	■	M	■	■	■	■	■	■	■	■	■	■	
S ₄	■	■	■	■	■	■	■	■	■	N	■	■	■	■	■	■	■	■	■	■	
S ₅	■	■	■	■	■	■	■	■	■	O	■	■	■	■	■	■	■	■	■	■	
S ₆	■	■	■	■	■	■	■	■	■	P	■	■	■	■	■	■	■	■	■	■	
S ₇	■	■	■	■	■	■	■	■	■	Q	■	■	■	■	■	■	■	■	■	■	
SPACE	■	■	■	■	■	■	■	■	■	R	■	■	■	■	■	■	■	■	■	■	
	■	■	■	■	■	■	■	■	■	S	■	■	■	■	■	■	■	■	■	■	
"	■	■	■	■	■	■	■	■	■	T	■	■	■	■	■	■	■	■	■	■	
#	■	■	■	■	■	■	■	■	■	U	■	■	■	■	■	■	■	■	■	■	
\$	■	■	■	■	■	■	■	■	■	V	■	■	■	■	■	■	■	■	■	■	
%	■	■	■	■	■	■	■	■	■	W	■	■	■	■	■	■	■	■	■	■	
&	■	■	■	■	■	■	■	■	■	X	■	■	■	■	■	■	■	■	■	■	
'	■	■	■	■	■	■	■	■	■	Y	■	■	■	■	■	■	■	■	■	■	
(■	■	■	■	■	■	■	■	■	Z	■	■	■	■	■	■	■	■	■	■	
)	■	■	■	■	■	■	■	■	■	[■	■	■	■	■	■	■	■	■	■	
*	■	■	■	■	■	■	■	■	■	\	■	■	■	■	■	■	■	■	■	■	
+	■	■	■	■	■	■	■	■	■]	■	■	■	■	■	■	■	■	■	■	
/	■	■	■	■	■	■	■	■	■	^	■	■	■	■	■	■	■	■	■	■	
-	■	■	■	■	■	■	■	■	■	~	■	■	■	■	■	■	■	■	■	■	
.	■	■	■	■	■	■	■	■	■	ACK	■	■	■	■	■	■	■	■	■	■	
/	■	■	■	■	■	■	■	■	■	ALT. MODE	■	■	■	■	■	■	■	■	■	■	
0	■	■	■	■	■	■	■	■	■	ESC (old)	■	■	■	■	■	■	■	■	■	■	
1	■	■	■	■	■	■	■	■	■	RUB OUT	■	■	■	■	■	■	■	■	■	■	
1 CYCLE OPER. ROW 6											■	■	■	■	■	■	■	■	■	■	■
1 CYCLE OPER. ROW ST											■	■	■	■	■	■	■	■	■	■	■
2 CYCLE OPER. ROWS 6,17											■	■	■	■	■	■	■	■	■	■	■
2 CYCLE OPER. ROWS ST,11											■	■	■	■	■	■	■	■	■	■	■
3 CYCLE OPER. ROWS 6,13,20											■	■	■	■	■	■	■	■	■	■	■
3 CYCLE OPER. ROWS ST,7,14											■	■	■	■	■	■	■	■	■	■	■

See Note: CHAR. SUPPRESSION
STOP CAM
FEED RATCHET



■ LEAVE TINE
□ REMOVE TINE

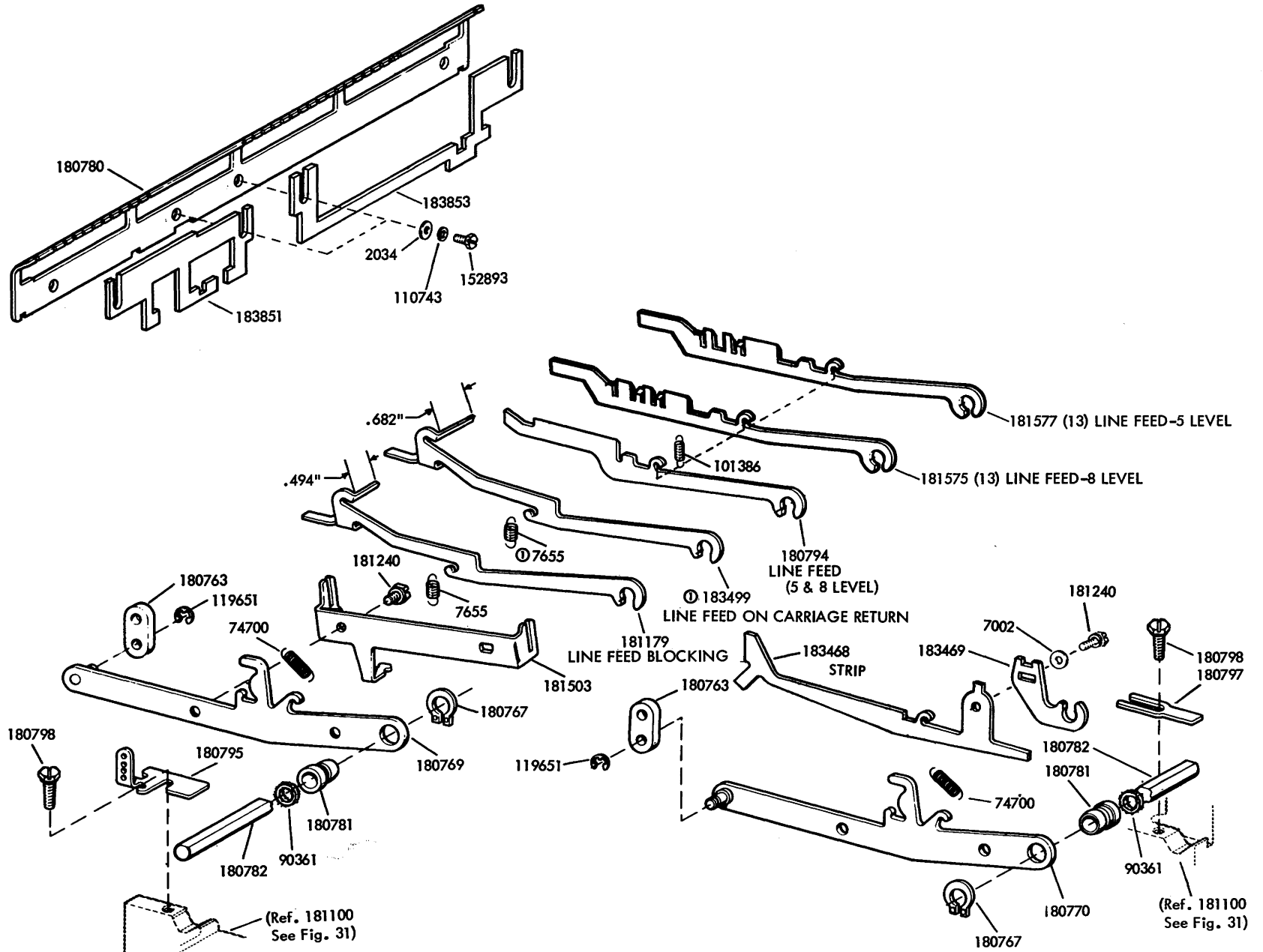
ASC II Teletypewriter Code

Note:
Two drums are now available,
180827 with CHAR. SUPPRESSION Tine Removed
184149 without CHAR. SUPPRESSION Tine Removed

Sets equipped with EVEN PARITY operation must be coded as shown. Sets not equipped for EVEN PARITY operation should have the eighth code level tine removed for all characters.

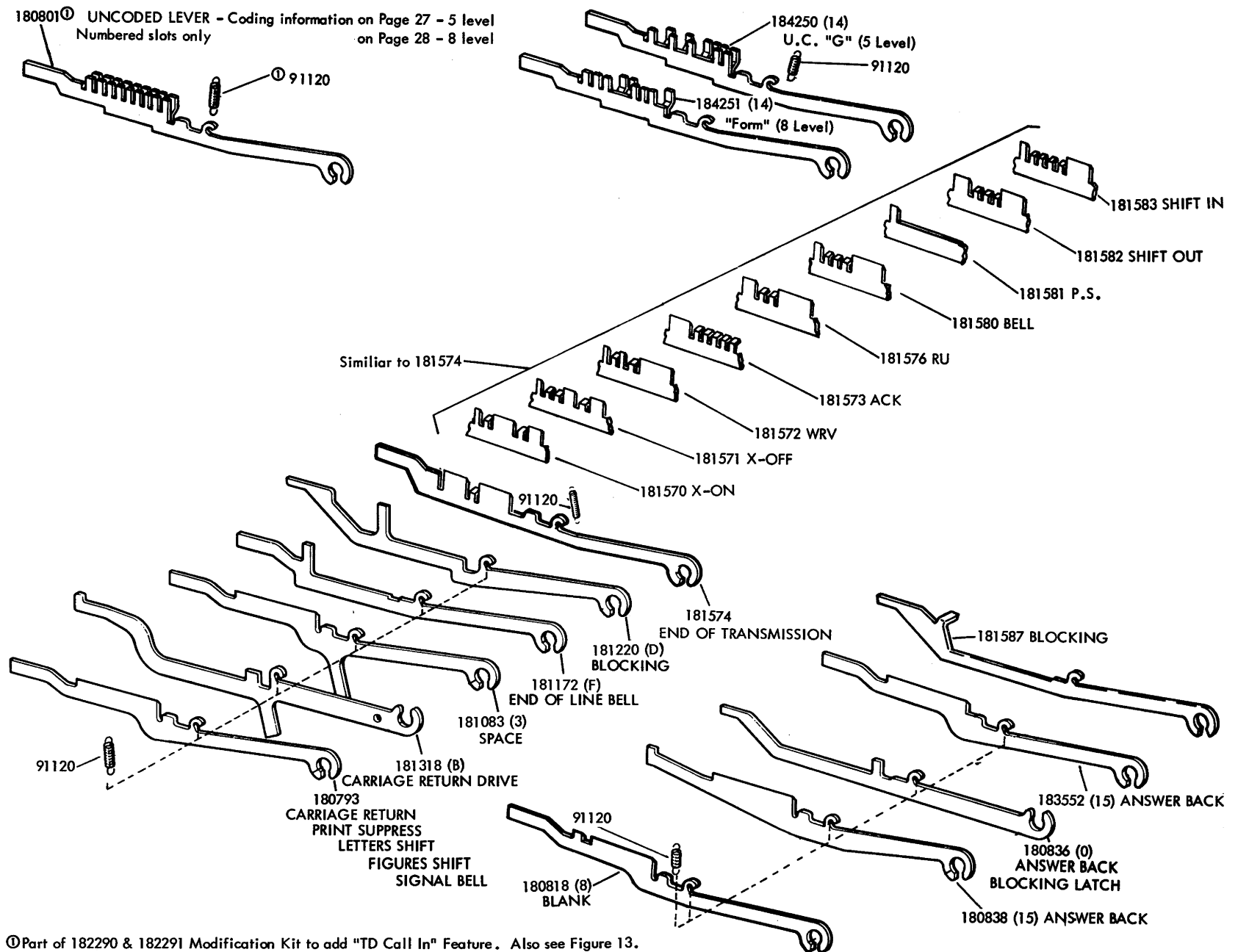
FIGURE 24. CODING OF ANSWER-BACK DRUM-8 LEVEL

FIGURE 25. LINE FEED FUNCTION LEVER MECHANISM



Ⓞ 184157 Modification Kit to provide LF on CR
 Numbers in parenthesis () indicate slot number.

FIGURE 26. FUNCTION LEVERS

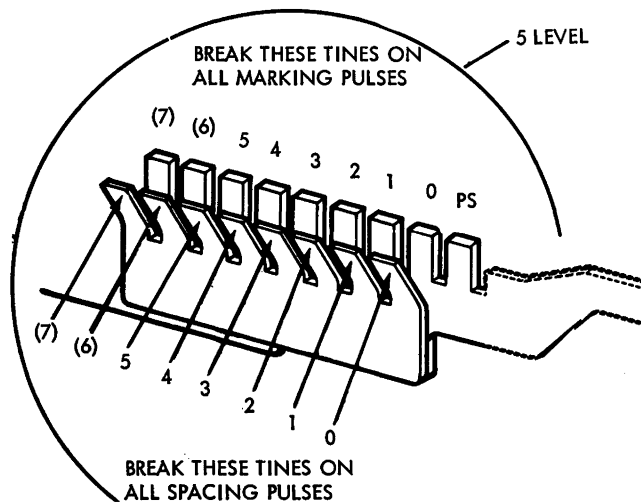


^①Part of 182290 & 182291 Modification Kit to add "TD Call In" Feature. Also see Figure 13.
Number in parenthesis indicates slot number.

FIVE LEVEL CODE CHART

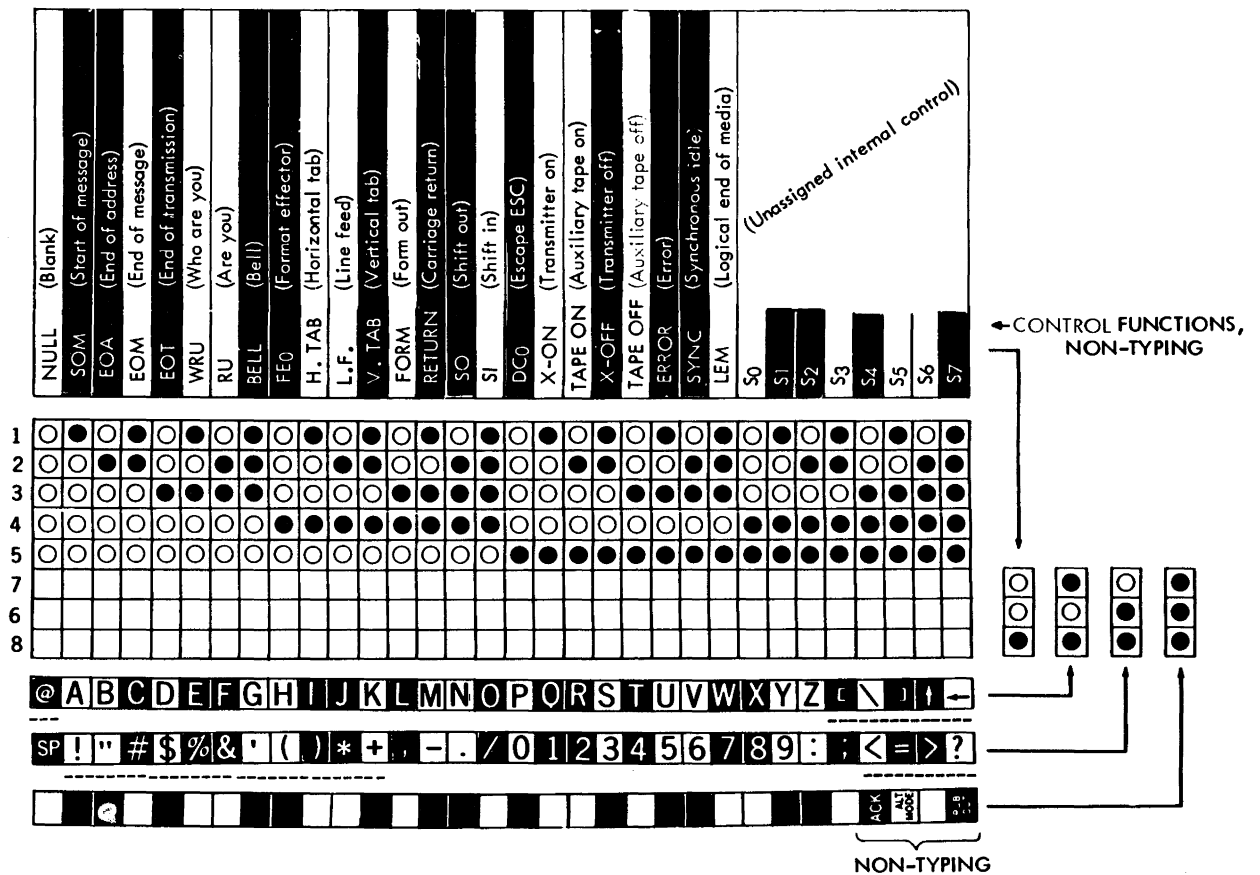
FIGURES	↑ ⊕ ○ ↗ 3 → ↘ ↓ 8 ↙ ↖ ⋅ ⑩ 9 0 1 4																							BELL	BELL	5	7	0	2	/	6	+	-	LETTERS	FIGURES	SPACE	STARTING	RETURN	LINE FEED
	- 5/8 1/8 \$ 3 1/4 8 8 1/2 3/4 1/8 9 0 1 4 BELL BELL 5 7 0 2 / 6 # LETTERS FIGURES SPACE STARTING RETURN LINE FEED																																						
LETTERS	A B C D E F G H I J K L M N O P Q R S T U V W X Y Z SYMBOLS ABOVE ON TAPE ONLY																																						
Marking Pulses	●																																						
	②																																						
	③																																						
	④																																						
	⑤																																						

● MARK



Coding a 180801 Universal Lever, to perform a special function or contact closure, is to be done before installation of part. For 5 Level usage starting at pivot end, the tines are numbered 7, 6, 5, 4, 3, 2, 1, 0 and PS, Tines 6 and 7 are not used. Choose the code combination the Lever is to respond to. Note marking pulses. Break off the straight tines whose number corresponds to the marking pulses. Break off the bent tines whose number corresponds to the spacing pulses. PS - Refers to Print Suppression and is broken off when printing is desired. On five level codes, the "0" tine represents the shift level. When upper case (figures) is part of code, break straight tine "0", for lower case (letters) break bent tine.

FIGURE 27. UNCODED FUNCTION LEVER - 5 LEVEL



● MARK ○ SPACE

ASC II Teletypewriter Code

WHEN PARITY IS USED THE CHARACTERS AND FUNCTIONS SHOWN WITH WHITE BACKGROUND HAVE 8TH BIT SPACING (EVEN PARITY IS USED). CHARACTERS UNDERLINED WITH (DASH) OBTAINED IN CONJUNCTION WITH "SHIFT" KEY.

DATA INTERCHANGE CODE - 8 LEVEL

Coding a 180801 Uncoded Lever, To perform a special function or contact closure, is to be done before installation of part. For 8 level usage starting at pivoted end, the tines are numbered 8,6,7,5,4,3,2,1 and PS, tines 6 and 7 are not in numerical order. Choose the code combination the lever is to respond to. Note marking pulses. Break off the straight tines whose number corresponds to the marking pulses. Break off the bent tines whose number corresponds to the spacing pulses. PS-Refers to Print Suppression and is broken off when printing is desired. On eight level codes, break both tines on position 8 unless response to parity level (8th) is required.

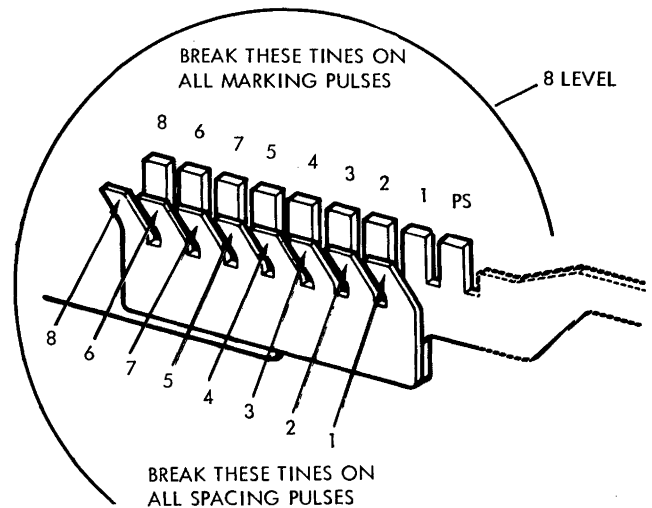


FIGURE 28. UNCODED FUNCTION LEVER - 8 LEVEL

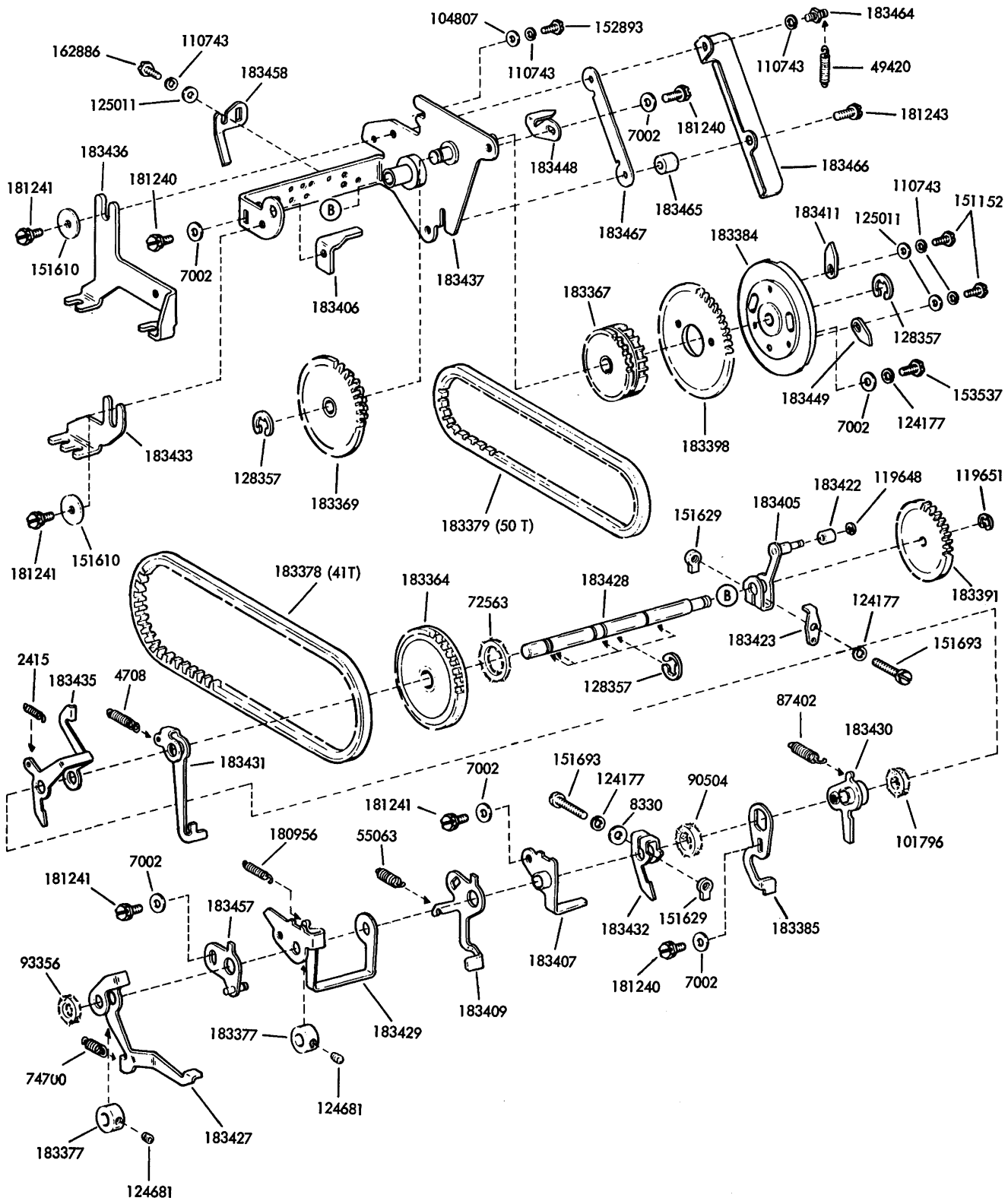
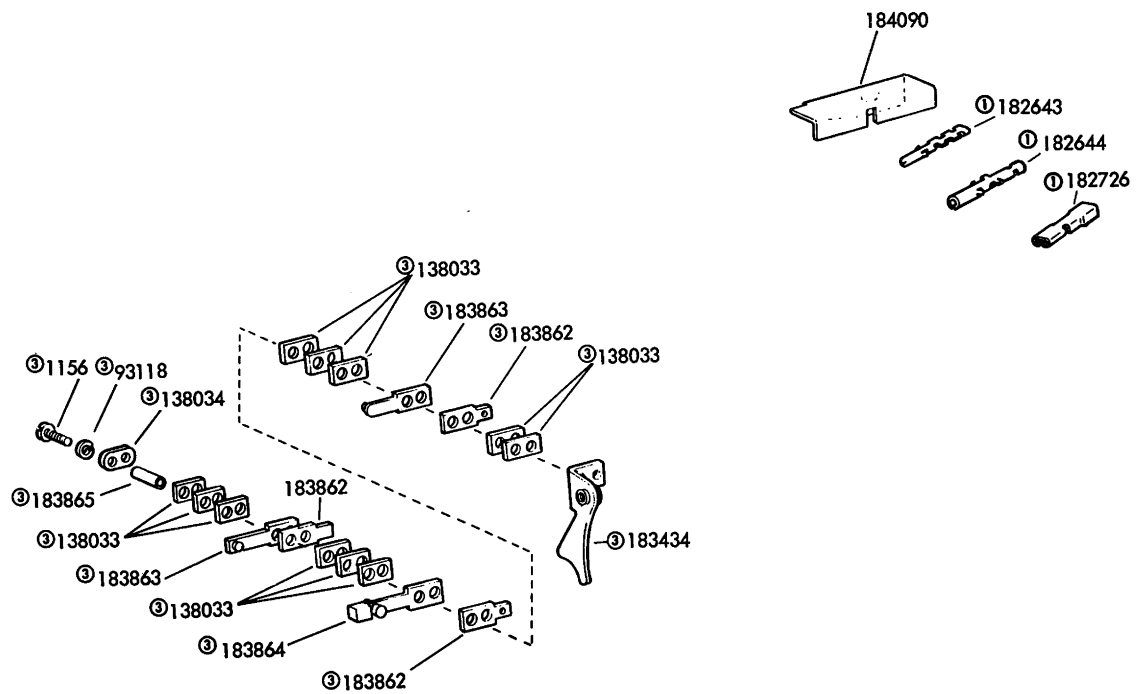
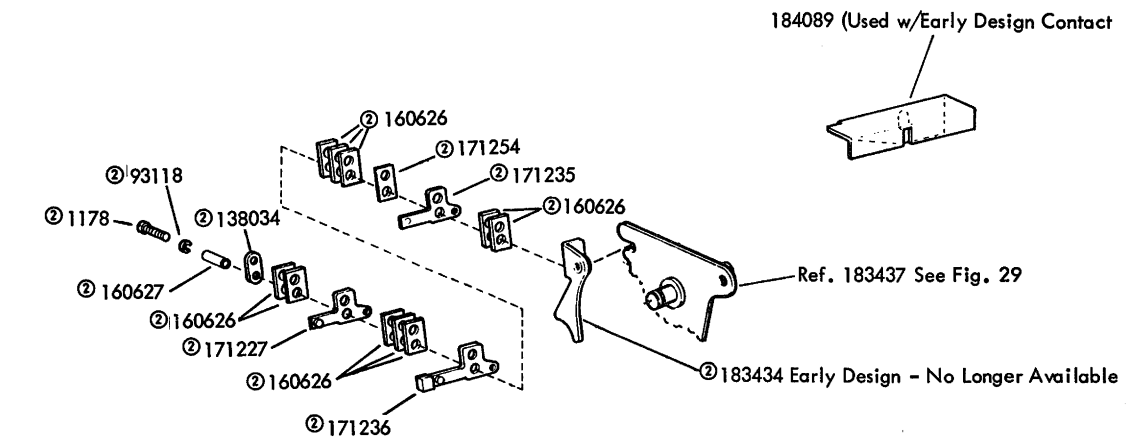


FIGURE 29. FORMOUT MECHANISM - SPROCKET FEED



- ③ Later Design - 183444 Contact Assembly
- ② Early Design - 183444 Contact Assembly
- ① Used on both the 183451 and 183452 Cables

FIGURE 30. CONTACT ASSEMBLY - SPROCKET FEED

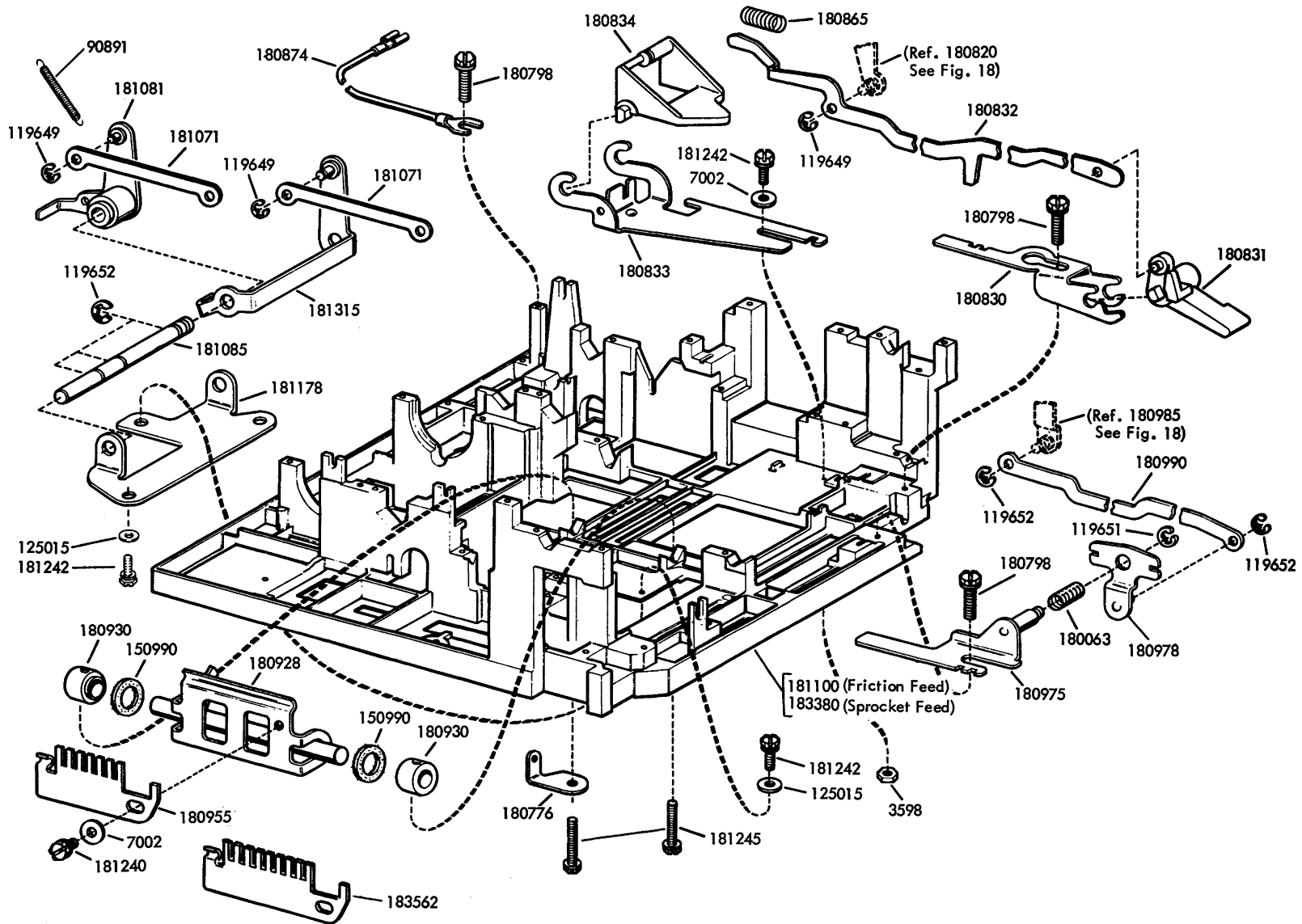
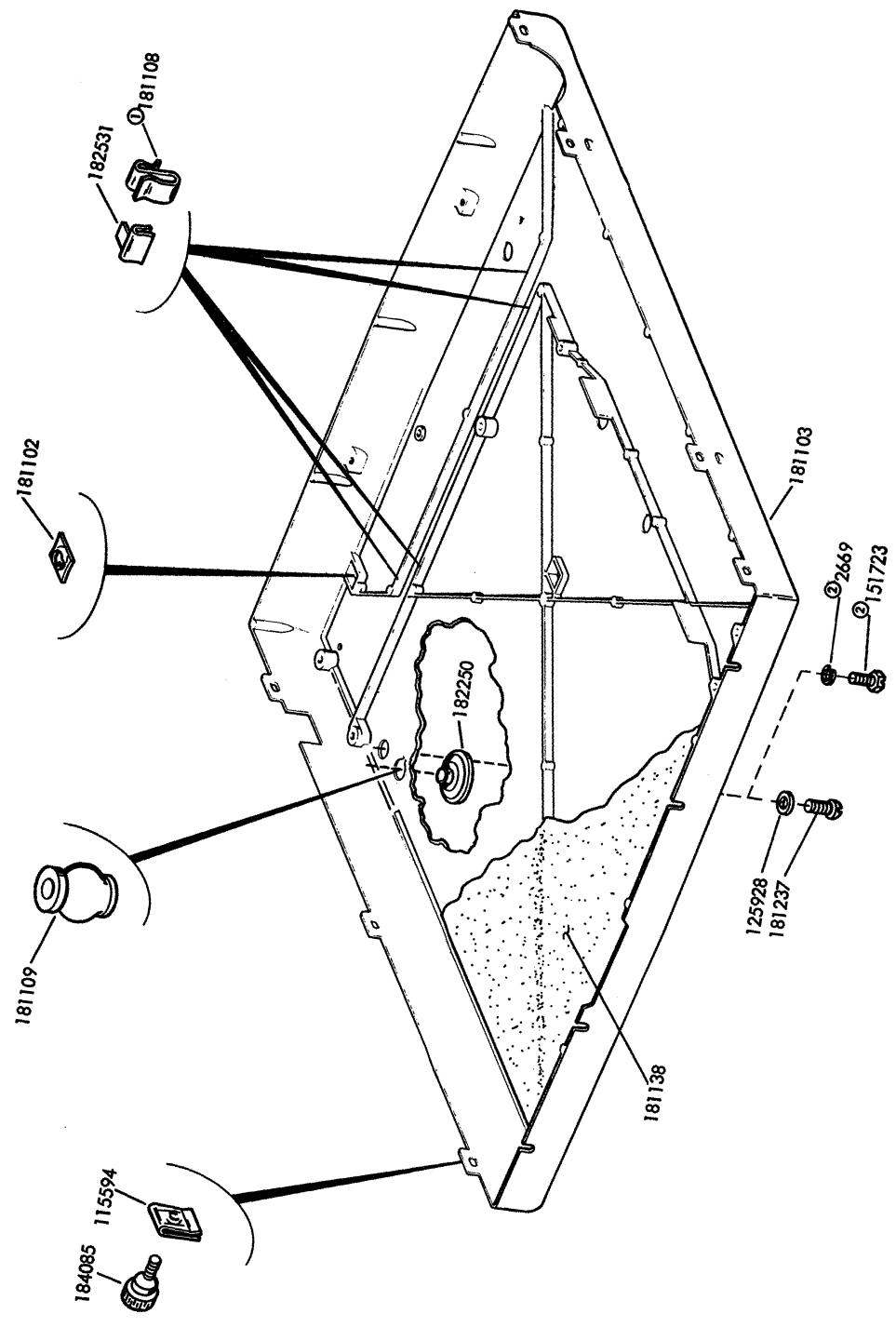


FIGURE 31. CASTING



① For sand casting only
② Used on early base having two pair nuts pressed in place

FIGURE 32. SUB-BASE

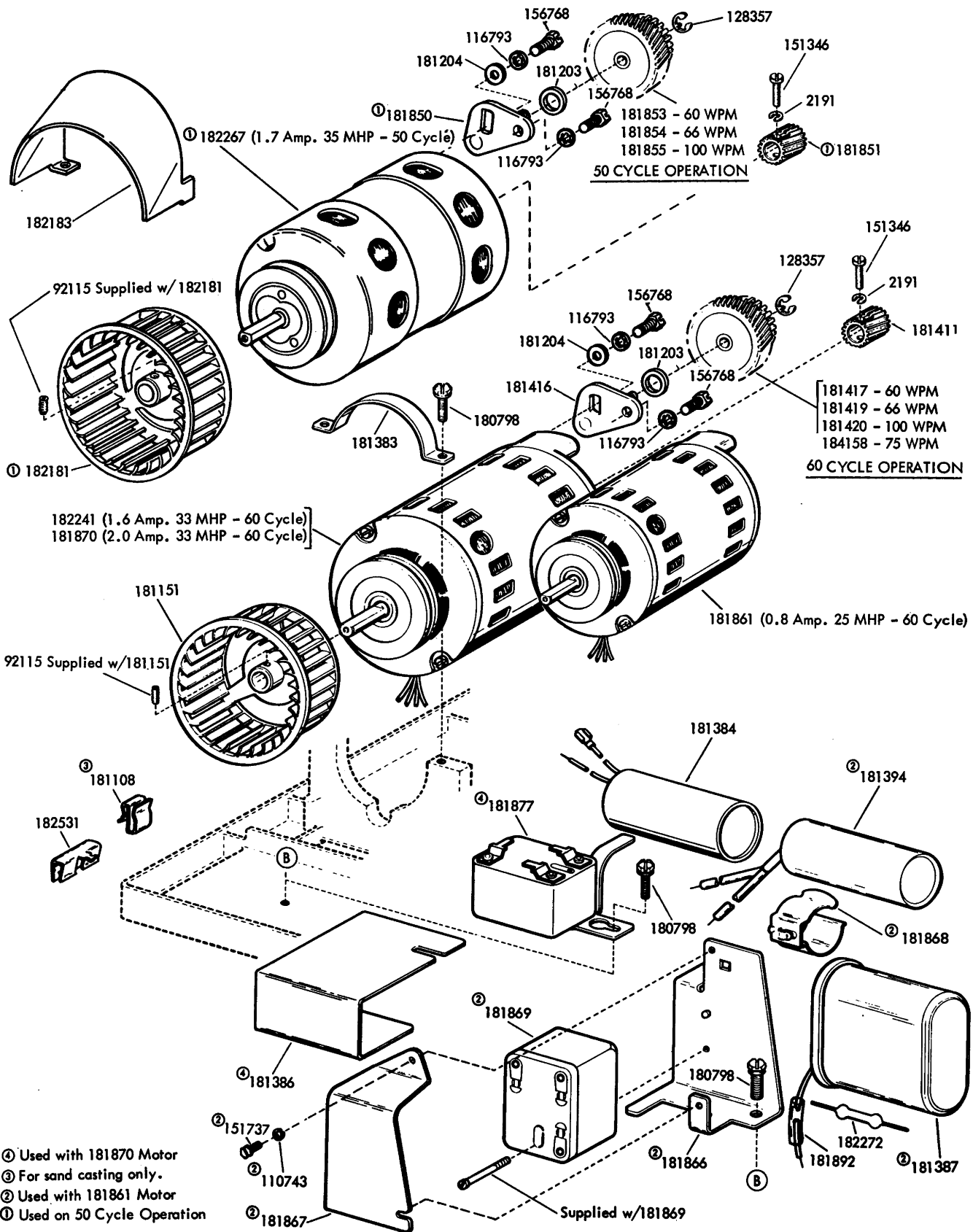


FIGURE 33. MOTORS

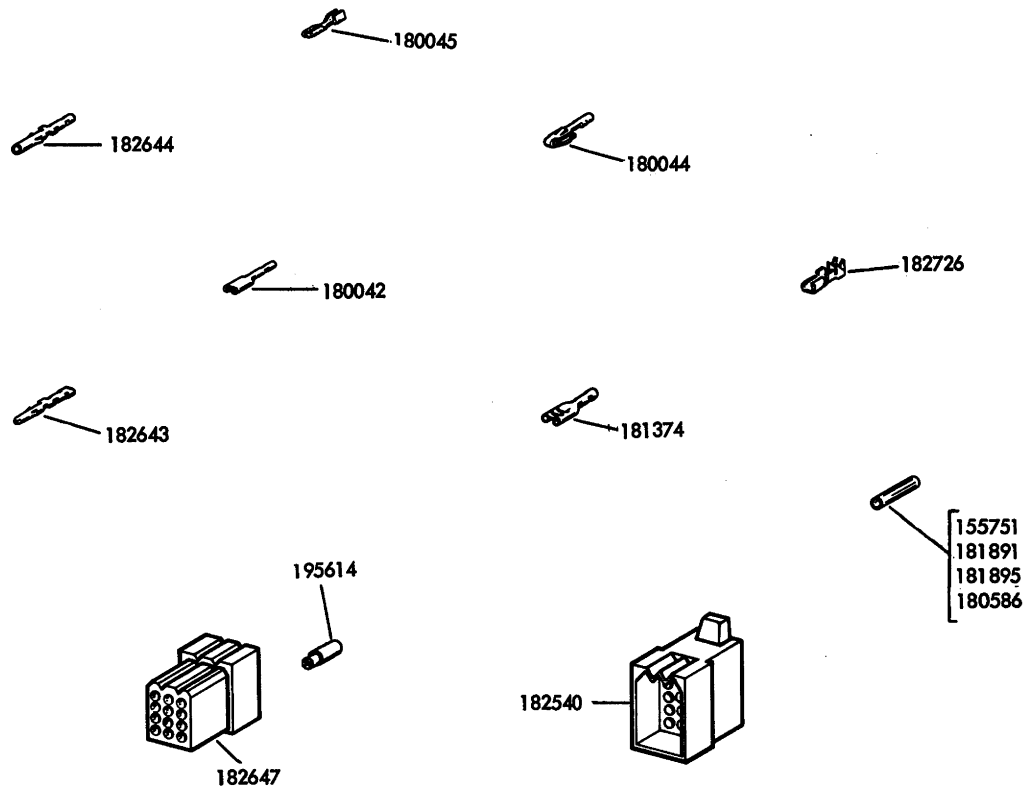


FIGURE 34. CABLE COMPONENTS

NUMERICAL INDEX

Part Number	Description and Page Number	Part Number	Description and Page Number	Part Number	Description and Page Number
272M	Coil, Magnet 21	93984	Washer, Lock 18	151640	Lever, Shoe Release 18
276M	Coil, Magnet 20	98718	Washer, Flat 18	151658	Screw (6-40 x 5/16 Fil) 10
279M	Coil, Magnet 20	100759	Screw (4-40 x 3/16 Flat) 10	151693	Screw (6-40 x 9/16 Fil) 28
1020	Screw (6-40 x 1/4 Hex) 16	101386	Spring 4, 16, 20, 21, 24	151721	Screw (6-40 x 3/4 Hex) 18
1156	Screw (2-56 x 9/16 Fil) 29	101796	Washer, Felt 28	151723	Screw (10-32 x 3/8 Hex) 31
1178	Screw (2-25 x 7/16 Fil) 29	104752	Washer, Flat 20, 21	151728	Spring 10, 11, 18
1210	Screw (2-56 x 5/8 Fil) 4	104807	Washer, Flat 4, 6, 20, 28	151731	Screw (4-40 x 7/8 Fil) 14
2034	Washer, Flat 5, 9, 19, 24	107116	Washer, Lock 5	151737	Screw (4-40 x 11/64 Hex) 5, 32
2167	Ball, Bearing 8	110743	Washer, Lock 4, 5, 6, 8, 9, 14, 19, 20, 21, 24, 28, 32	151880	Nut (4-40 Hex) 8, 20, 21
2191	Washer, Lock 10, 18, 32	111410	Washer, Flat 18	152129	Spring 21
2415	Spring 28	111640	Screw (2-56 x 7/32 Fil) 3	152425	Post, Spring 16
2605	Spring 19	112626	Nut (10-32 Hex) 5	152426	Nut, Self-Locking (6-40) 16
2669	Washer, Lock 5, 31	112630	Spring 3	152441	Washer, Flat 4
3598	Nut (6-40 Hex) 2, 4, 5, 6, 7, 8, 9, 13, 15, 16, 17, 18, 19, 20, 30	112634	Spring 5	152888	Screw (4-40 x 7/16 Hex) 18
3599	Nut (4-40 Hex) 5, 6, 8, 14, 19	114107	Spring 9	152890	Washer, Flat 20
3606	Nut (6-40 Hex) 7	115594	Nut, Speed 31	152893	Screw (4-40 x 1/4 Hex) 5, 14, 20, 24, 28
3608	Spring 5	116793	Washer, Lock 32	153267	Washer, Felt 5
3646	Washer, Lock 2	119648	Ring, Retaining 7, 9, 18, 21, 28	153537	Screw (6-40 x 9/32 Hex) 28
3650	Washer, Flat 16	119649	Ring, Retaining 3, 4, 6, 7, 8, 9, 11, 12, 14, 15, 16, 19, 30	153799	Screw (4-40 x 21/64 Hex) 5, 14
3864	Spring 20	119651	Ring, Retaining 2, 3, 4, 5, 6, 7, 9, 10, 24, 28, 30	153817	Screw (4-40 x 3/8 Hex) 20, 21
4703	Spring 8	119652	Ring, Retaining 4, 7, 9, 18, 30	155750	Sleeve, Insulating (3/32 ID x 1/2" Lg) 20, 21
4708	Spring 28	119653	Ring, Retaining 5, 19	155751	Sleeve, Insulating (1/8 ID x 1" Lg) 5, 33
7001	Washer, Flat 18	119654	Ring, Retaining 5	156509	Washer, Flat 9
7002	Washer, Flat 2, 3, 4, 5, 6, 7, 8, 9, 11, 12, 14, 16, 17, 18, 19, 21, 24, 28, 30	121018	Nut (4-40 Hex) 8	156536	Screw (4-40 x 1/8 Fil) 8
7655	Spring 24	121100	Spring 16	156558	Washer, Felt 9
8330	Washer, Flat 12, 28	124177	Washer, Lock 2, 4, 6, 7, 8, 9, 11, 13, 14, 15, 16, 17, 19, 20, 28	156572	Washer, Felt 8
31636	Spring 4, 19	124612	Screw (8-32 x 1/2 Hex) 2	156740	Screw (6-40 x 7/32 Hex) 17, 19
33765	Washer, Flat 3	124681	Screw, Set (6-40) 4, 5, 11, 12, 15, 28	156768	Screw (8-32 x 9/32 Hex) 32
41732	Plate, Clamp 20	125011	Washer, Flat 14, 28	157899	Arm, Contact (NC) 14
42661	Spring 9	125015	Washer, Flat 13, 14, 15, 16, 17, 30	158186	Screw (4-40 x 7/32 Fil) 4
44048	Washer, Flat 2, 19	125181	Screw (2-56 x 3/8 Fil) 15	158772	Screw (4-40 x 5/8 Hex) 20
45027	Spring 7	125206	Screw (6-32 x 5/8 Fil) 10	160455	Spring 21
49420	Spring 14, 28	125252	Spring 14	160626	Insulator (.031") 29
49695	Washer, Flat 20	125802	Washer, Flat 14	160627	Bushing, Insulating 29
55063	Spring 28	125928	Washer, Flat 31	161346	Washer, Felt 9
70388	Spring 8	128357	Ring, Retaining 20, 28, 32	162573	Retainer 11
70466	Spring 9	138033	Insulator (.031") 4, 29	162886	Screw (4-40 x 7/32 Hex) 28
71681	Spool, Ribbon 5	138034	Plate, Clamp 4, 29	171227	Spring, Contact 29
72509	Washer, Lock 17	150026	Lever, Shoe Release 10, 11	171235	Spring, Contact 29
72563	Washer, Felt 28	150029	Wick, Felt 10, 11, 17, 18	171236	Spring, Contact 29
74547	Collar 12	150040	Screw (6-40 x 5/8 Fil) 10, 11, 12, 17	171254	Insulator (.015") 29
74700	Spring 24, 28	150043	Shoe, Secondary Clutch 10, 11, 17, 18	171259	Spring 21
74701	Spring 9, 15	150044	Shoe, Primary Clutch 10, 11, 17, 18	172591	Spring, Contact Arm 14
74722	Washer, Flat 4	150241	Spring 10, 11, 17, 18	180042	Terminal, Tab Type 21, 33
76422	Spring 12, 21	150830	Bushing, Shoulder 11	180044	Terminal, Tab Type 21, 33
76461	Washer, Flat 20	150841	Bearing 11	180045	Terminal, Tab Type 21, 33
80945	Spring 12	150923	Washer, Felt 15	180063	Spring, Compression 30
81731	Spring 7, 19	150930	Washer, Felt 10, 11, 15	180460	Typewheel 6
82538	Screw (6-40 x 5/16 Hex) 20	150990	Washer, Felt 30	180463	Post, Bail Pivot 9
83877	Spring 16	151152	Screw (4-40 x 3/16 Hex) 6, 9, 20, 21, 28	180464	Pulley, Carriage Return Spring 9
84226	Spring 3, 19	151346	Screw (6-40 x 3/8 Fil) 32	180465	Shaft, Carriage 5
84575	Spring 3, 7, 9, 13	151397	Spring 16	180466	Ring, Retaining 8
86283	Spring 14	151603	Spacer 16	180467	Bearing, Ball 8
87402	Spring 20, 28	151610	Washer, Flat 28	180468	Bearing, Ball 8
90361	Washer, Felt 24	151622	Nut (6-32 Sq.) 10	180469	Link 8
90504	Washer, Felt 28	151629	Nut (6-40 Lug) 5, 12, 28	180470	Roller 7
90615	Spring 3	151630	Screw (6-40 x 1/4 Hex) 8	180471	Block 8
90790	Washer, Flat 9, 14			180472	Post, Eccentric 7
90891	Spring 30			180473	Shaft 8
91120	Spring 3, 17, 25			180474	Stud 8
92115	Screw (8-32 Set) 32			180475	Bushing 8
93117	Washer, Lock 3			180476	Screw (6-40 Spl) 7
93118	Washer, Lock 4, 29			180477	Bracket 7
93356	Washer, Felt 28			180478	Guide, Nylon 7
				180479	Bracket 7

NUMERICAL INDEX (Continued)

Part Number	Description and Page Number	Part Number	Description and Page Number	Part Number	Description and Page Number
180480	Arm w/Stud 8	180578	Bracket w/Post 9	180761	Ring, Retaining 15
180482	Arm w/Shaft 6	180579	Bracket w/Hub 8	180763	Link 24
180483	Arm, Stop 7	180580	Lever w/Stud 8	180767	Ring, Retaining 12, 14, 24
180484	Arm, Stop 7	180581	Roller, Typewheel 6	180768	Ring, Retaining 10, 11
180485	Arm w/Spring 8	180584	Lever 8	180769	Link, Left 24
180486	Link 7	180585	Spring 7	180770	Link, Right 24
180487	Stud 8	180586	Tube 7, 33	180771	Arm 14
180488	Shaft 6	180591	Spring 6	180772	Shaft 14
180489	Lever w/ Pin 5	180595	Screw, Set (4-40) 7	180773	Plate 14
180491	Shaft, Rotary Block 8	180596	Typewheel (JB) 6	180774	Arm, Eccentric Follower 10, 11
180492	Arm 7	180597	Typewheel (JC) 6	180776	Bracket 30
180493	Lever, Trip 7	180598	Typewheel (MA) 6	180777	Arm, Drive 15
180495	Link, Left Ribbon 6	180641	Camsleeve 17	180778	Plate 14
180496	Arm, Stop 7	180642	Bar, Push 16	180779	Bracket 14
180497	Spring, Print Hammer 6	180643	Lever, Blocking 16	180780	Blade 24
180498	Bracket 5	180644	Lever, Blocking 16	180781	Hub 14, 24
180500	Frame 7	180645	Lever, Selector 5, 16	180782	Shaft, Pivot 24
180501	Arm w/Stud 6	180646	Lever, Shoe Release 17	180783	Castings, Function Box 14
180502	Head, Print Hammer 6	180647	Camsleeve 17	180788	Plate, Rear Rail 14
180503	Shaft w/Spacer 8	180648	Arm, Follower 12	180789	Roller 14
180505	Plate, Left Guide 6	180649	Spring 16	180791	Arm w/Stud 14
180506	Plate, Right Guide 6	180654	Knob, Range 17	180792	Pawl, Function 14
180508	Stud, Eccentric (6-40) 7	180655	Plate, Side 16	180793	Lever 25
180509	Slide (#3 Pulse) 7	180657	Bracket, Guide 16	180794	Lever, Line Feed 24
180510	Slide, Common 7	180658	Shaft, Guide 16	180795	Bracket, Spring 24
180511	Slide (#1 & #2 Pulse) 7	180661	Bracket 17	180796	Clamp 14
180512	Slide w/Plates 7	180663	Scale, Range 16	180797	Clamp 15, 24
180513	Slide (#5 Pulse) 7	180664	Scale, Range 16	180798	Screw, Self-Tapping (8-32) 2, 5, 7, 9, 10, 11, 12, 13, 14, 15, 18, 19, 24, 30, 32
180514	Slide (#4 Pulse) 7	180667	Plate w/Bushing 17	180801	Lever w/Bracket 25, 26, 27
180517	Lever, Latch 7	180668	Follower, Cam 17	180806	Camsleeve 10
180518	Plate 6	180669	Lever, Spacing Lock 16	180807	Camsleeve 10, 11
180519	Rack 6	180671	Lever, Start 16	180808	Spacer (.050") 10
180520	Arm 7	180672	Bail 16	180809	Arm 15
180521	Slide 7	180673	Plate, Side 16	180813	Pawl, Function 14
180522	Bushing 7	180675	Screw, Self-Tapping (#6) 16	180818	Lever, Function 24
180526	Bail w/Stud 8	180676	Nut, Speed (#6) 16, 18	180820	Lever, Control 19
180528	Lever w/Hub 8	180677	Arm, Trip 17	180821	Lever w/Stud 19
180534	Plate, Guide 6	180678	Plate, Spring 16	180823	Block, Contact 21
180537	Link 7	180682	Upstop 9	180824	Contact, Common 21
180538	Shaft 7	180684	Lever, Latch 17	180826	Lever, Detent 21
180539	Bail w/Stud 7	180685	Nut (6-40 Spl) 17	180827	Drum, Answer Back 21, 22, 23
180540	Bail, Print Hammer 6	180688	Core, Magnet 16	180828	Pawl, Feed 19
180541	Plate w/Posts 6	180691	Plate 16	180829	Screw, Shoulder (4-40) 19
180543	Base, Ribbon Unit 5	180692	Spring, Flat 16	180830	Bracket 30
180544	Bail, Drive 9	180704	Armature 16	180831	Lever 30
180545	Bracket 9	180710	Plate w/Post 16	180832	Link, Tie 30
180546	Post 9	180715	Coil, Magnet (6.3 Ohm) 16	180833	Bracket, Adjusting 30
180547	Stud, Eccentric (6-40) 5	180717	Spring 16	180834	Bail, Trip 30
180548	Plate 6	180718	Spring 17	180835	Pawl, Blocking (AB) 14
180549	Bracket 6	180719	Spring 16	180836	Lever, Function (Blocking) 25
180552	Post 6	180721	Wick, Felt 16	180837	Link, Blocking 19
180553	Spring 8	180727	Washer, Flat 16	180838	Lever, Function 25
180554	Bushing 6	180728	Spring 16	180842	Spacer (.050") 21
180555	Spring 6	180740	Bail 14	180843	Lever, Trip 19, 21
180556	Plate, Gauge 8	180741	Shaft, Function 15	180844	Armature 20, 21
180557	Lever w/Stud 7	180742	Roller 15	180845	Extension, Armature 21
180558	Collar 7	180743	Bearing, Right 15	180846	Extension, Reader Armature 20
180559	Shaft 7	180744	Collar 5, 15	180847	Bracket, Spring 20, 21
180562	Link, Left Ribbon 6	180745	Arm w/Stud 15	180850	Bracket, Magnet 20
180563	Stud, Eccentric 6	180746	Arm w/Bushing 15	180854	Brace 21
180564	Bracket, Lock 6	180748	Arm w/Stud 15	180855	Latch, Blocking 21
180566	Hub w/Pinion 8	180749	Arm w/Stud 15	180858	Contact, Wire 21
180568	Bracket, Guide 6	180750	Arm w/Studs 15	180860	Spring 19
180569	Spring, Compression 6	180751	Arm w/Studs 15	180861	Spring 19
180571	Plate 8	180752	Lever, Function 15	180862	Spring 21
180574	Stud, Eccentric (6-40) 8	180754	Hub 15		
180575	Bearing, Ball 8, 15	180755	Hub 15		
180576	Bearing, Ball 8				

NUMERICAL INDEX (Continued)

Part Number	Description and Page Number	Part Number	Description and Page Number	Part Number	Description and Page Number
180863	Spring 19	180997	Disk w/Plate 18	181085	Shaft 30
180864	Spring, Extension 19	180998	Clamp 15, 18	181086	Lever w/Hub 9
180865	Coil, Adjusting 30	180999	Bearing, Left 15	181088	Post 9
180872	Cable w/Terminals 21	181000	Drum, Clutch 10, 11, 17	181089	Arm w/Hub 9
180874	Strap, Braided (4-1/2") 30	181001	Bearing 10, 11	181091	Link w/Post Toggle 9
180920	Shaft 13	181002	Bearing 10, 11	181092	Bracket, Belt 5
180921	Bracket, Spring 13	181003	Lever, Latch 12	181093	Bracket, Extension 5
180922	Spring 13	181004	Hub 12	181094	Bracket w/Post 9
180923	Bracket w/Studs 13	181005	Link, Carriage 10	181100	Casting, Base 30
180925	Clamp 13	181006	Bushing 12	181102	Fastener, Screw 31
180926	Ring, Retaining 13	181007	Shaft, Main 10	181103	Cover, Base 31
180927	Ring, Retaining 12, 13	181008	Collar 10, 11	181104	Clip, Cable 20
180928	Bail 30	181010	Lever w/Stud 12	181108	Clip, Cable 31, 32
180930	Bearing 30	181011	Lever w/Nut 12	181109	Mount, Vibration 31
180932	Bar, Code (#8-1) 13	181012	Spacer 12	181111	Pawl, Feed 5
180933	Bar, Code (#8-2) 13	181013	Spacer (.453") 13	181113	Spring, Compression 5
180934	Bar, Code (#8-3) 13	181014	Grommet, Rubber 12	181114	Lever 5
180935	Bar, Code (#8-4) 13	181015	Gear (35 T) 10, 11	181115	Stud 5
180936	Bar, Code (#8-5) 13	181017	Plate 12	181116	Arm, Reverse 5
180937	Bar, Code (#8-6) 13	181018	Shaft 12	181117	Pawl, Retaining 5
180938	Bar, Code (#7) 13	181019	Lever, Trip 12	181118	Spring 5
180939	Bar, Code (#8) 13	181020	Lever 12	181119	Spring 5
180940	Bar, Code (#5-0) 13	181021	Spacer (.406) 12	181120	Spring, Compression 4, 5
180941	Bar, Code (#5-1W) 13	181022	Bracket, Left 12	181121	Pin 5
180942	Bar, Code (#5-2W) 13	181023	Bracket, Right 12	181122	Disk 5
180943	Bar, Code (#5-3W) 13	181028	Camsleeve 10	181123	Nut (4-40 Spl) 5
180944	Bar, Code (#5-4W) 13	181030	Bracket w/Stud 2	181124	Post 5
180945	Bar, Code (#5-5) 13	181034	Platen 2	181125	Ratchet, Left Ribbon 5
180947	Bar, Code (Print Sup) 13	181037	Bracket, Right 2	181126	Ratchet, Right Ribbon 5
180948	Bar, Code (Auto CR & EOL Bell) 13	181038	Bracket, Left 2	181129	Ribbon w/Spool 5
180949	Bracket, Rear Tie 13	181039	Knob, Platen 2	181138	Pad 31
180950	Bracket, Front Tie 13	181040	Pawl, Detent 2, 4	181151	Fan 32
180951	Bar, Code (#5-4B) 13	181041	Retainer 2, 4	181164	Shaft w/Link 3
180952	Bar, Code (#5-3B) 13	181042	Tip, Rubber 3	181165	Pawl, Feed 3
180953	Bar, Code (#5-2B) 13	181044	Roller, Pressure 3	181166	Bracket, Line Feed 3
180954	Bar, Code (#5-1B) 13	181045	Post, Support 2	181168	Bellcrank w/Studs 3
180955	Bracket 30	181048	Bracket, Stop 2	181172	Lever, Automatic Function 25
180956	Spring 4, 13, 28	181049	Arm, Right 3	181173	Stud, Feed Pawl Stop 2
180957	Bracket, Spring 13	181050	Arm, Left 3	181174	Guide 15
180958	Nut (6-40 Lug) 16	181051	Bracket, Left 3	181175	Plate, Stripper 3
180959	Bracket 16	181052	Plate 2	181176	Link, Adjusting 3
180964	Roller 18	181053	Bail, Paper Straightener 3	181178	Bracket 30
180967	Sleeve 18	181054	Shaft, Pressure 3	181179	Lever, Blocking 24
180968	Buffer 19	181055	Bar 2	181191	Spring, Compression 8
180969	Bearing 18	181056	Plate, Pressure Roller Guide 3	181193	Cylinder 2
180970	Bearing 18	181057	Bracket, Right 3	181194	Washer, Flat 8
180971	Shaft, Trip 19	181058	Plate, Paper Guide 3	181195	Washer, Cup 8
180972	Clamp, Buffer 19	181059	Stud, Handle Stop 2	181196	Ring, Retaining 8
180973	Disk, Spacer 18	181062	Eccentric, Toggle Link 9	181197	Plate, Adjusting 2
180975	Bracket w/Stud 30	181065	Pawl, Check 9	181198	Bumper 8
180978	Lever w/Stud 30	181066	Shaft, Spacing Drum 5	181199	Piston 8
180979	Brush, Carbon 18	181067	Pawl, Feed 9	181203	Washer, Flat 32
180980	Holder, Brush 18	181068	Lever w/Post 9	181204	Washer, Flat 32
180981	Arm, Stop 19	181069	Drum, Spacing 5	181220	Lever, Blocking 25
180982	Bail, Trip 19	181070	Lever, Suppression 9	181221	Pawl, Function (Blocking) 14
180983	Lever, Latch 19	181071	Link 30	181222	Pawl, Function (Figs) 14
180985	Lever, Follower 19	181072	Bracket w/Post 5	181230	Plate 9
180986	Disk (5 Level) 18	181074	Pulley 5	181231	Screw, Self-Tapping (8-32) 15,20
180987	Disk (8 Level) 18	181075	Belt, Toothed (127T) 5	181237	Screw, Self-Tapping (1/4 - 14) 31
180988	Bracket, Spring 19	181076	Roller 9	181240	Screw, Self-Tapping (6-40) 2, 3, 4, 9, 14, 16, 24, 28, 30
180989	Screw (#6 Spl) 18	181077	Ratchet, Spacing 5	181241	Screw, Self-Tapping (6-40) 7, 8, 9, 11, 12, 16, 19, 28
180990	Link, Keyboard 30	181078	Stud 9	181242	Screw, Self-Tapping (6-40) 2, 3, 4, 6, 7, 10, 11, 15, 16, 18, 19, 30
180991	Cam, Blocking 18	181079	Washer, Flat 5	181243	Screw, Self-Tapping (6-40) 5, 15, 20, 21, 28
180992	Spring, Torsion 18	181081	Arm w/Hub and Post 30		
180994	Spacer (.015") 18	181082	Eccentric, Toggle Link 9		
180995	Spacer, Disk 20, 21	181083	Lever 25		
		181084	Bracket 5		

NUMERICAL INDEX (Continued)

Part Number	Description and Page Number	Part Number	Description and Page Number	Part Number	Description and Page Number
181245	Screw, Self-Tapping (6-40) 6, 20, 30	181575	Lever 24	182311	Bar, Code (#8-2) 13
181246	Screw, Self-Tapping (6-40) 10, 11, 12, 14	181576	Lever 25	182312	Bar, Code (#8-3) 13
181249	Bolt (5/16 - 18 Spl) 20	181577	Lever 24	182313	Bar, Code (#8-4) 13
181250	Screw, Self-Tapping (#2) 14	181580	Lever 25	182314	Bar, Code (#8-5) 13
181262	Shaft 13	181581	Lever 25	182315	Bar, Code (#8-6) 13
181278	Clamp 14	181582	Lever 25	182316	Bar, Code (#7) 13
181279	Bracket 20	181583	Lever 25	182317	Bar, Code (#8) 13
181284	Spring 17	181587	Lever, Blocking 25	182531	Clip, Speed 31, 32
181286	Bushing 14, 21	181850	Plate w/Stud 32	182540	Connector, Plug Type (15 Pt) 21, 33
181302	Typewheel (JD) 6	181851	Gear (17 T) 32	182643	Terminal, Plug Type 20, 21, 28, 33
181312	Latch, Carriage Return 5	181853	Pulley w/66T Gear, 16T 32	182644	Terminal, Receptacle Type 28, 33
181314	Link w/Post 9	181854	Pulley w/60T Gear, 16T 32	182647	Connector, Plug Type (12 Pt) 33
181315	Bail w/Post 30	181855	Pulley w/40T Gear, 16T 32	182677	Cable w/Terminals 21
181316	Shaft 9	181861	Motor, AC Synchronous (25 MHP, 115 V, 60 Cycle) 32	182726	Terminal, Receptacle Type 29, 33
181317	Hub, Carriage Return Lever 9	181866	Bracket 32	182894	Link 20
181318	Lever, Actuating 13, 25	181867	Insulator 32	182895	Plate w/Bushing 20
181319	Lever, Carriage Return 9	181868	Clip, Speed 32	182898	Arm 20
181320	Lever, Unlatch 9	181869	Relay, Motor Start 32	182900	Link w/Post 20
181322	Pawl, Function (CR) 14	181870	Motor, AC Synchronous (33 MHP, 115 V, 60 Cycle) 32	182902	Spacer (.469") 20
181323	Spring 7	181877	Relay w/Bracket 32	183052	Bracket, Contact 20
181324	Pawl, Function (Stop) 14	181891	Sleeve, Insulating (3/16 ID x 2-1/2" Lg) 33	183053	Stiffener, Front 20
181325	Pawl, Function (Auto CR) 14	181892	Sleeve, Insulating (9/64 ID x 1" Lg) 32	183054	Stiffener, Rear 20
181326	Arm 5	181895	Sleeve, Insulating (9/64 ID x 3/8" Lg) 33	183055	Spring, Contact 20
181327	Latch 5	182037	Switch Assembly, Contact 14	183056	Spring, Contact 20
181328	Lever 9	182045	Modification Kit 21	183057	Insulator (.031") 20
181374	Terminal, Tab Type 33	182047	Clutch Assembly 10, 11	183058	Insulator (.062") 20
181383	Clamp, Motor 32	182137	Contact Assembly 20	183059	Bushing, Insulating 20
181384	Capacitor (88 - 108 MFD) 32	182181	Fan 32	183060	Terminal, Lug 20
181386	Insulator 32	182183	Deflector, Air 32	183062	Cover, Contact 20
181387	Capacitor (5 MFD) 32	182237	Pawl, Function 14	183098	Lever, Trip 20
181394	Capacitor (47 - 56 MFD) 32	182239	Lever, Latch 19	183110	Shim (.004") 20
181405	Plate 12	182240	Lever 19	183130	Insulator 20
181406	Roller 12	182241	Motor, Synchronous (60 Cycle) 32	183301	Plate, Paper Guide 4
181409	Belt, Toothed (47 T) 18	182244	Lever, Cam Follower 19	183303	Knob, Disengaging 4
181411	Pinion (18 T) 32	182250	Foot, Rubber 31	183304	Knob, Sprocket 4
181413	Drum, Clutch 18	182262	Arm, Stop 19	183308	Plate, Right 4
181414	Pulley, Toothed (34 T) 18	182263	Bracket 19	183309	Plate, Left 4
181416	Plate, Motor Gear 32	182264	Stud 19	183310	Platen 4
181417	Pulley w/68T Gear, 13T 32	182267	Motor, Synchronous (50 Cycle) 32	183313	Bar 4
181419	Pulley w/62T Gear, 13T 32	182268	Lever, Cam Follower 19	183314	Guide, Right Paper 4
181420	Pulley w/54T Gear, 17T 32	182269	Modification Kit 19	183315	Guide, Left Paper 4
181424	Nut (6-40 Sq) 10, 11	182272	Resistor (10 Ohm) 32	183316	Bracket 4
181425	Plate 10	182276	Lever, Answer Back Trip 19, 21	183317	Bracket, Right 4
181426	Plate, Spacer 10	182277	Spring 19	183318	Bracket, Left 4
181427	Plate, Nut 10	182280	Typewheel (MB) 6	183319	Detent (21 T) 4
181440	Bracket, Switch 15	182288	Typewheel (JE) 6	183320	Pulley, Toothed (21 T) 4
181441	Switch 15	182289	Typewheel (JF) 6	183321	Sprocket, Feed 4
181449	Plate, Contact 14	182290	Modification Kit 14, 25	183322	Pulley, Toothed (21 T) 4
181450	Block, Contact 14	182291	Modification Kit 14, 25	183323	Bracket, Right 2
181460	Plate w/Post 14	182293	Typewheel (MC) 6	183324	Arm, Reverse 5
181461	Gong 14	182296	Typewheel (JJ) 6	183326	Guide, Bracket 6
181464	Clapper 14	182300	Bar, Code (#5-0) 13	183330	Guide 5
181500	Link, Drive 3	182301	Bar, Code (#5-1W) 13	183335	Guide, Left 4
181501	Upstop, Line Feed Link 3	182302	Bar, Code (#5-2W) 13	183336	Guide, Right 4
181503	Bracket, Guide 24	182303	Bar, Code (#5-3W) 13	183338	Knob w/Pin 4
181521	Spring, Platen 3	182304	Bar, Code (#5-4W) 13	183339	Plunger Assembly 4
181522	Guide, Paper 3	182305	Bar, Code (#5-5) 13	183341	Wheel, Idler 4
181523	Spring 2, 4	182306	Bar, Code (#5-1B) 13	183346	Ring, Retaining 4
181524	Nut, Shoulder (2-56 Hex) 3	182307	Bar, Code (#5-2B) 13	183349	Washer, Felt 4
181525	Guide, Paper 3	182308	Bar, Code (#5-3B) 13	183351	Stud, Idler 4
181570	Lever 25	182309	Bar, Code (#5-4B) 13	183352	Guide, Paper 4
181571	Lever 25	182310	Bar, Code (#8-1) 13	183355	Screw, Set (6-32) 4
181572	Lever 25			183356	Washer, Supporting 4
181573	Lever 25			183357	Spring, Compression 4
181574	Lever 25			183358	Plate 4

NUMERICAL INDEX (Continued)

Part Number	Description and Page Number	Part Number	Description and Page Number	Part Number	Description and Page Number
183360	Arm 15	183428	Shaft 28	183562	Bracket 30
183361	Disk 11	183429	Bail 28	183587	Typewheel (JG) 6
183364	Pulley w/20T Gear, 30T 28	183430	Arm 28	183588	Typewheel (MD) 6
183367	Pulley w/28T Gear, 21T 28	183431	Bail, Clutch Latch 28	183599	Typewheel (ME) 6
183369	Pulley w/35T Gear, 21T 28	183432	Bail, Reset 28	183851	Retainer, Left 24
183371	Bearing, Sleeve 11	183433	Bracket, Side 28	183853	Retainer, Right 24
183372	Lever, Shoe Release (Multiple Stop) 11	183434	Bracket, Contact Switch 29	183861	Plate, Stop 4
183373	Disk (6 Stop) 11	183435	Bail, Contact Switch 28	183862	Terminal 4, 29
183374	Disk (6 Stop) 11	183436	Bracket 28	183863	Spring, Contact 4, 29
183376	Collar 11	183437	Bracket 28	183864	Spring, Contact 4, 29
183377	Collar 28	183438	Stud 4	183865	Bushing, Insulating 4, 29
183378	Belt, 41 T Toothed 28	183442	Lever w/Hub 4	183962	Typewheel (JH) 6
183379	Belt, 50 T Toothed 28	183443	Bracket 4	183963	Typewheel (JM) 6
183380	Casting, Frame 30	183444	Contact Assembly 29	183964	Typewheel (JN) 6
183381	Washer, Flat 11	183445	Contact Assembly 4	183992	Typewheel (MF) 6
183382	Shaft, Main 11	183448	Pointer 28	183993	Cam w/Disk 10, 11
183383	Pulley, 15 T Toothed 11	183449	Plate, Index 28	183994	Link 8, 9, 10, 11
183384	Disk 28	183450	Screw (4-40 x 7/32 Flat) 11	183995	Lever 8
183385	Arm, Stop 28	183451	Cable w/Terminals 29	183996	Link, Toggle 9
183387	Pawl, Function 14	183452	Cable w/Terminals 29	183998	Clutch Assembly 10, 11
183388	Pawl, Function (M) 14	183454	Retainer, Spring 4	183999	Spacer (.050) 10, 11
183389	Arm 11	183457	Plate 28	184006	Screw, Self-Tapping (8-32) 9, 21
183390	Arm w/Stud 15	183458	Plate, Stop 28	184085	Screw, Thumb (8-32) 31
183391	Pulley w/32T Gear, 16T 28	183462	Screw (8-32 x 5/16 Hex) 2	184089	Shield 29
183398	Gear (44T) 28	183463	Cylinder 2	184090	Shield 29
183405	Bail 28	183464	Post, Spring 28	184096	Bracket 9
183406	Bracket, Stop 28	183465	Spacer 28	184148	Contact, Wire 21
183407	Arm 28	183466	Bracket 28	184149	Drum, Answer-Back 21, 22, 23
183408	Arm 11	183467	Insulator 28	184157	Modification Kit 24
183409	Arm, Latch 28	183468	Lever, Strip 24	184158	Pulley w/58T Gear, 16T 32
183411	Plate, Cam 28	183469	Plate 24	184250	Lever w/Bracket (5 Level) 25
183415	Roller 18	183474	Modification Kit 5, 6	184251	Lever w/Bracket (8 Level) 25
183418	Sleeve w/Shaft 18	183492	Clutch Assembly 11	184684	Typewheel (JK) 6
183422	Roller 28	183499	Lever, Blocking 24	184685	Typewheel (MG) 6
183423	Bracket, Spring 28	183503	Housing, Bearing 8	184686	Typewheel (MH) 6
183425	Clamp 14, 15	183504	Retainer, Bearing 8	184687	Typewheel (JL) 6
183426	Clamp 14	183510	Cable Assembly 21	184688	Typewheel (MJ) 6
183427	Bail, LF 28	183551	Link, Blocking 19	194956	Spring 11
		183552	Lever 25	195614	Pin 33
				198670	Screw, Self-Tapping (6-40) 23

32 and 33 CALL CONTROL UNIT (UCC)
PARTS

FIGURE	CONTENTS	PAGE
1	Base Plate Components - for use with Rotary Dial	2
2	Electrical Components - for use with Rotary Dial	3
3	Base Plate Components - for use with Touch Tone or Card Dialing	4
4	Electrical Components - for use with Touch Tone or Card Dialing	5
5	Base Plate and Electrical Components - for DC Signal Private Line	6
6	Alarms and Speaker	7
7	Electrical Components - for use with Rotary Dial (Continued)	8
8	Base Plate and Electrical Components - for DC Signal Private Line	9
9	Base Plate Components - for the Basic Set	10
10	Electrical Components - for Computer Control Private Line	11
11	181815, 182695, 183985, 184012 and 184048 Selector Magnet Drivers	12
12	Polar Adapter	13
13	Dial Modifications	14
14	Key Assemblies	15
15	Power Cords and Jumpers	16
16	Cable Components	17
17	Receive-only Bracket Components	18
	Numerical Index	19

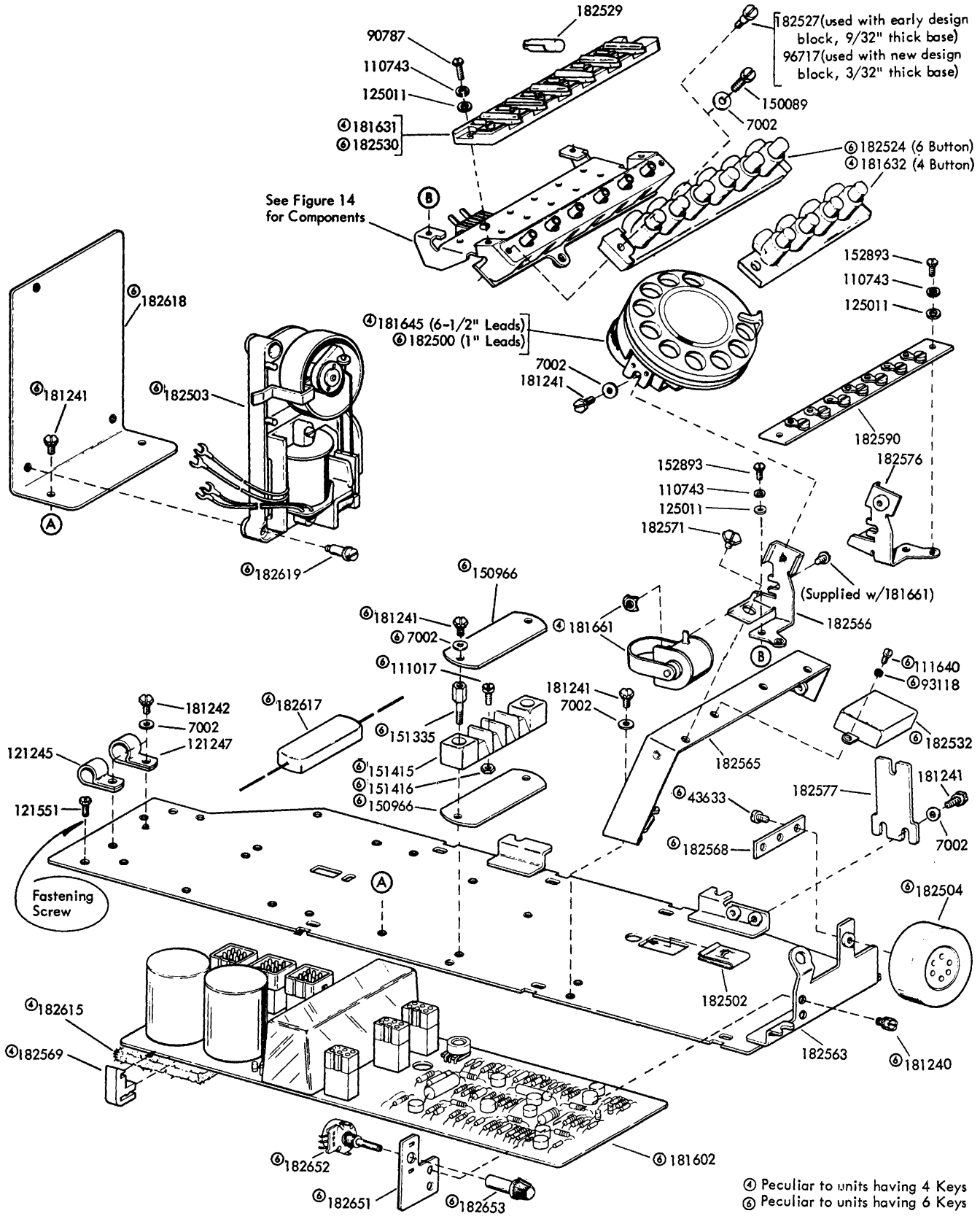


FIGURE 1. BASE PLATE COMPONENTS - FOR USE WITH ROTARY DIAL

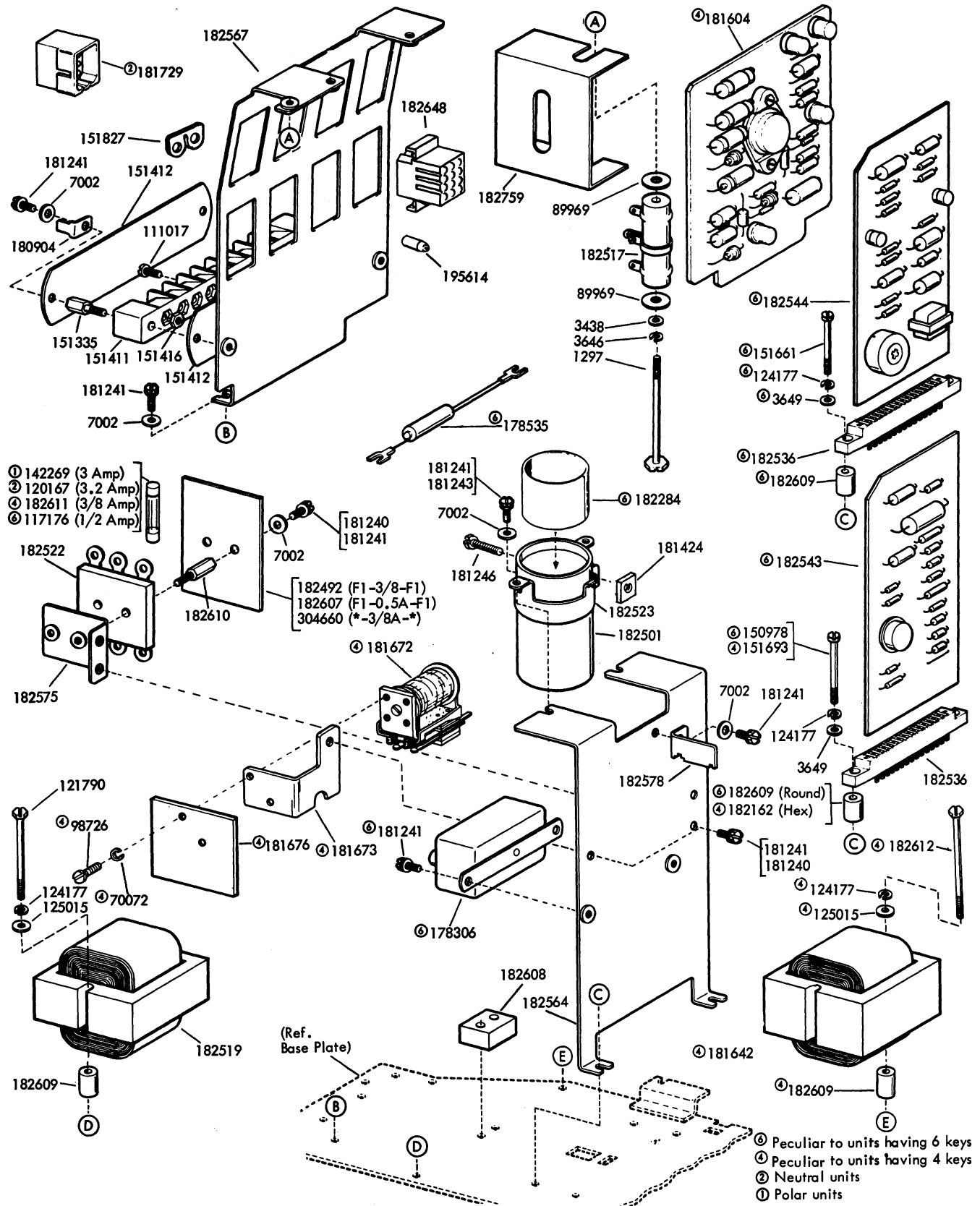


FIGURE 2. ELECTRICAL COMPONENTS - FOR USE WITH ROTARY DIAL

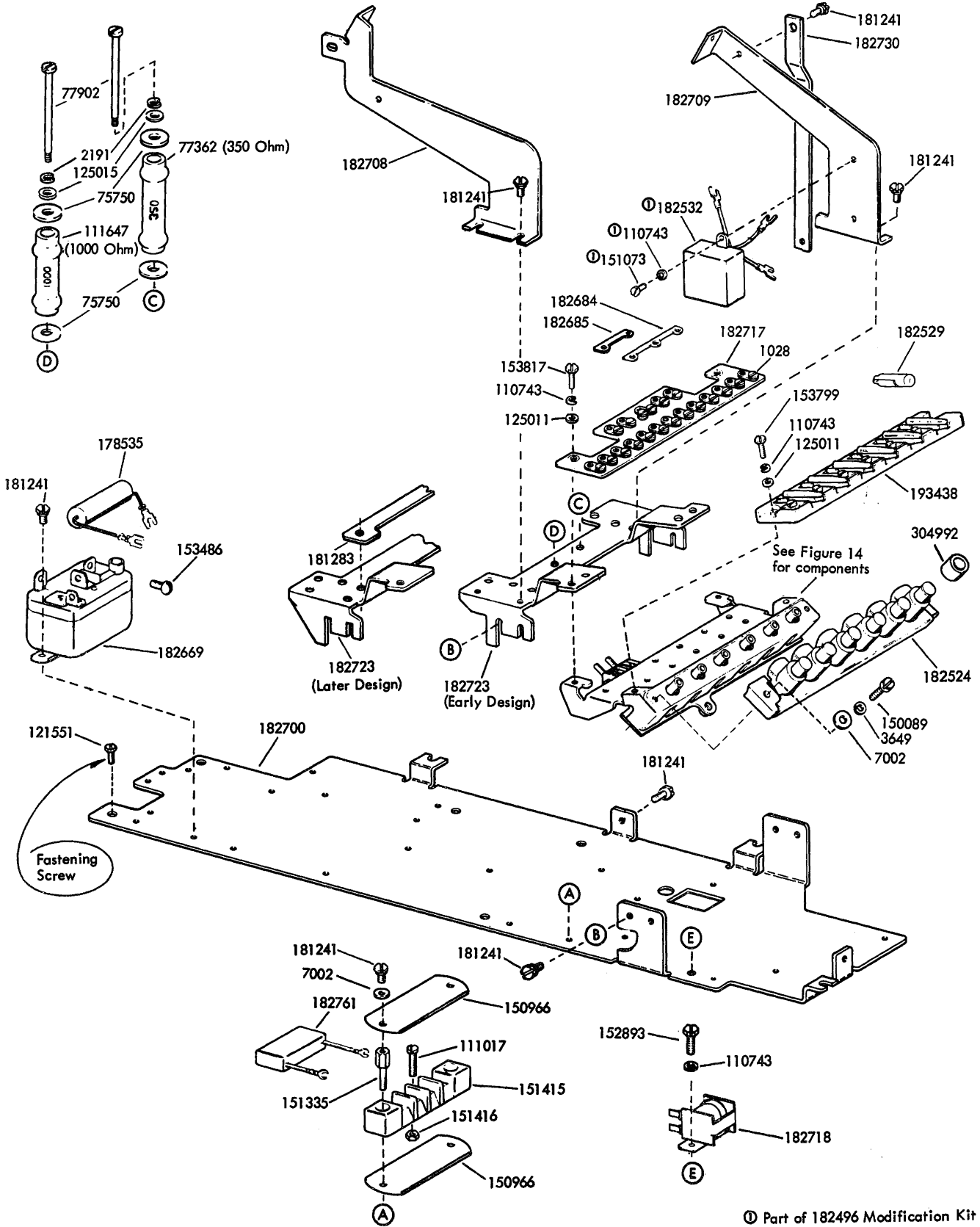


FIGURE 3. BASE PLATE COMPONENTS - FOR USE WITH TOUCH TONE OR CARD DIALING

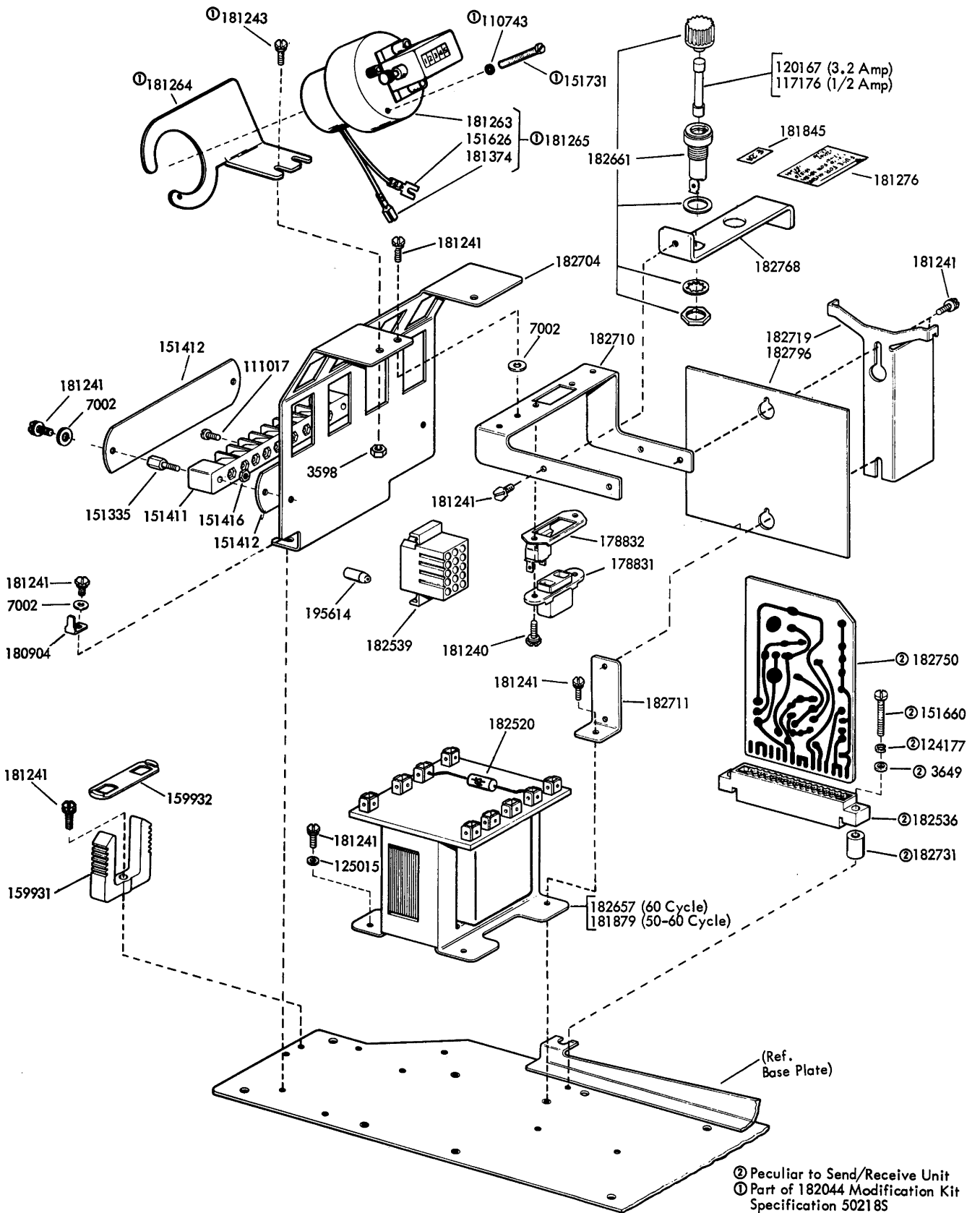


FIGURE 4. ELECTRICAL COMPONENTS - FOR USE WITH TOUCH TONE OR CARD DIALING

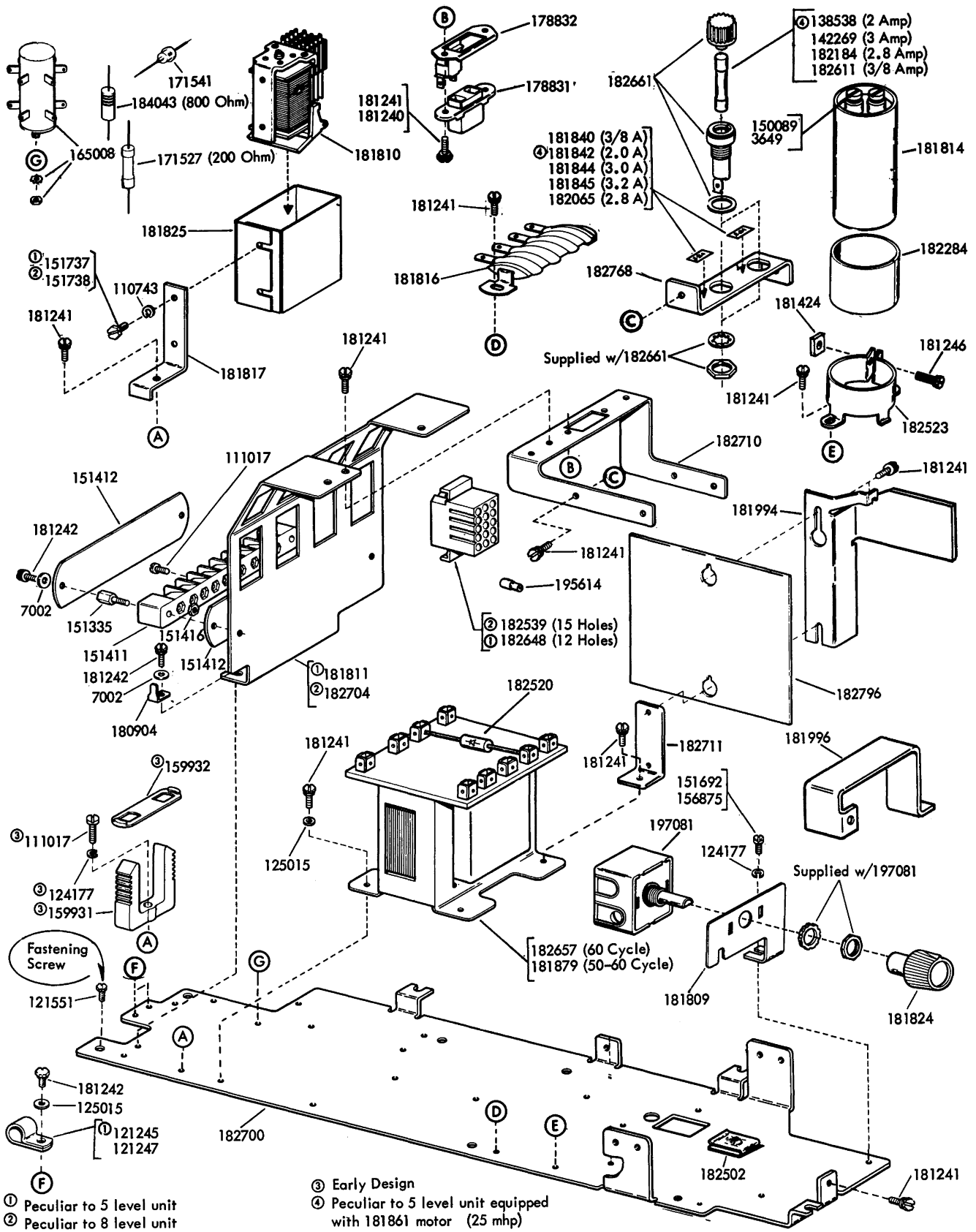


FIGURE 5. BASE PLATE AND ELECTRICAL COMPONENTS - FOR DC SIGNAL PRIVATE LINE

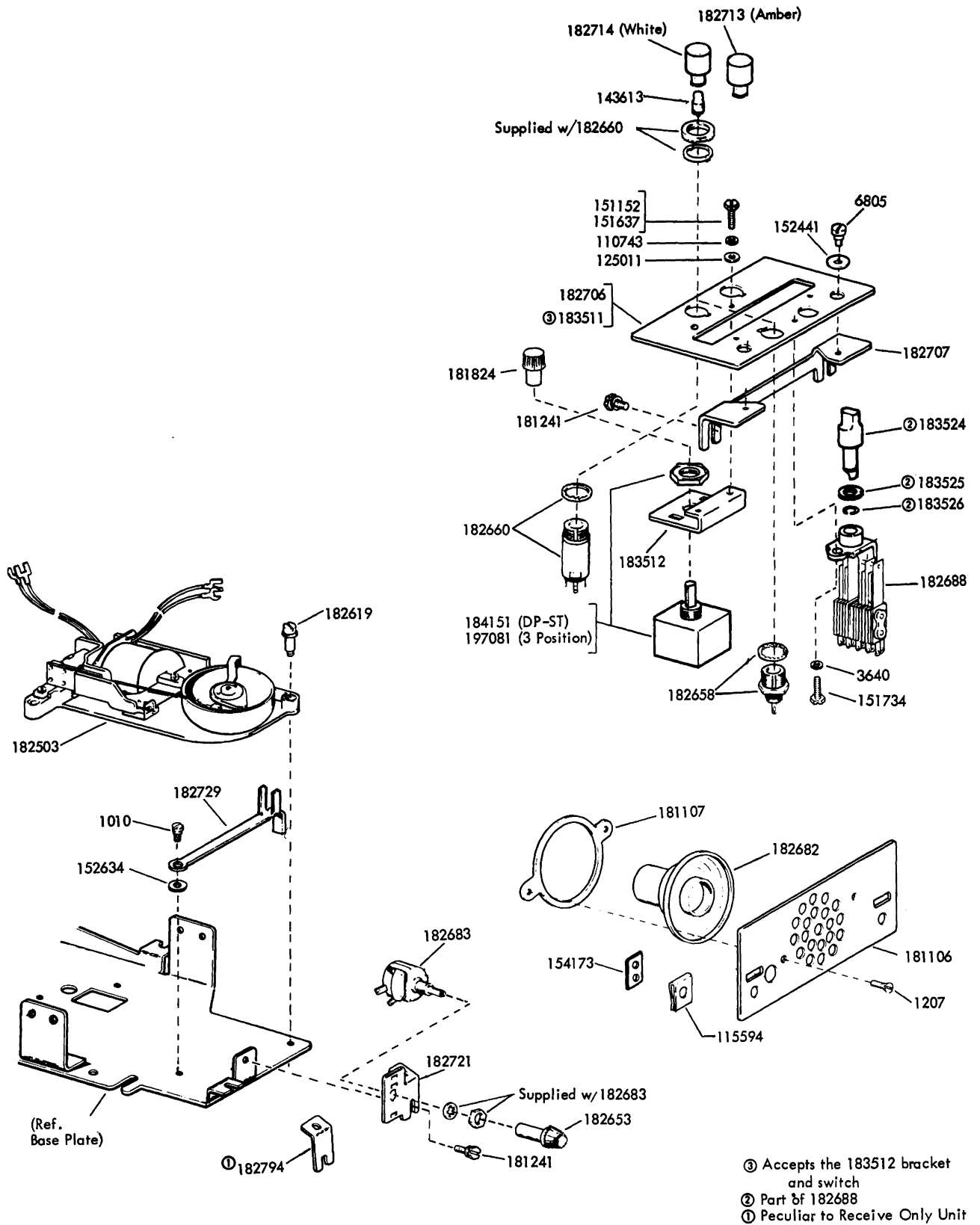


FIGURE 6. ALARMS AND SPEAKER

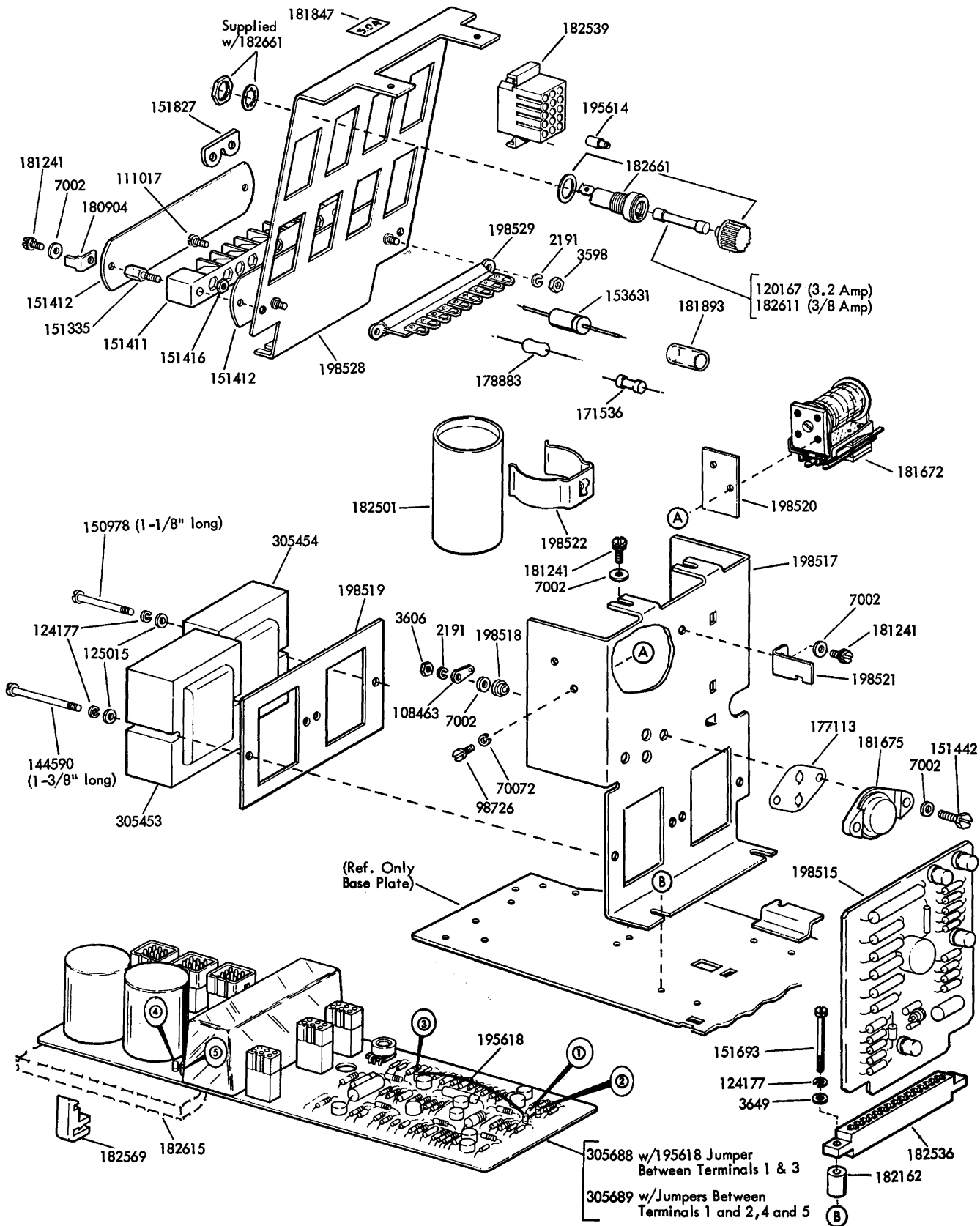


FIGURE 7. ELECTRICAL COMPONENTS - FOR USE WITH ROTARY DIAL (Continued)

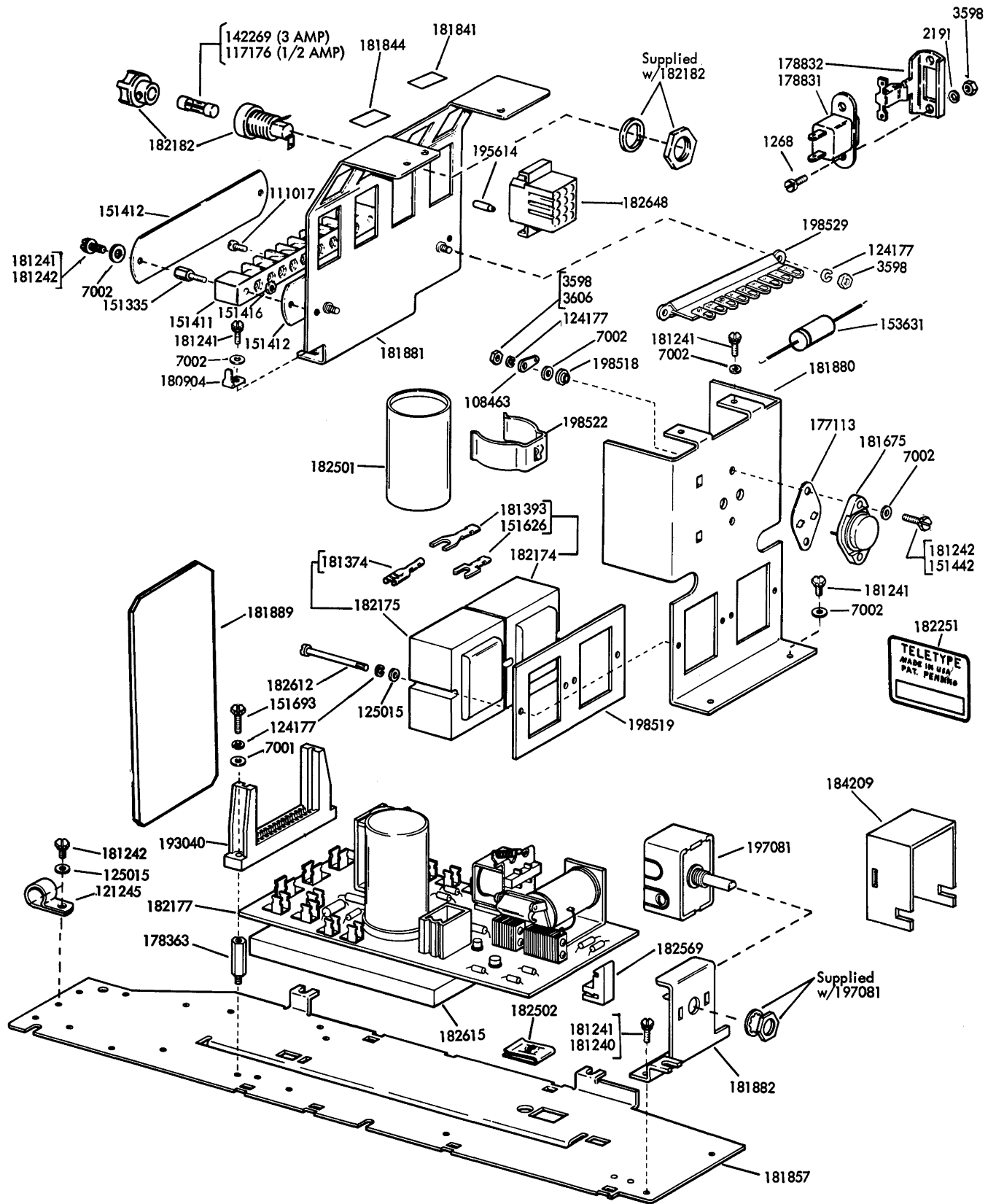
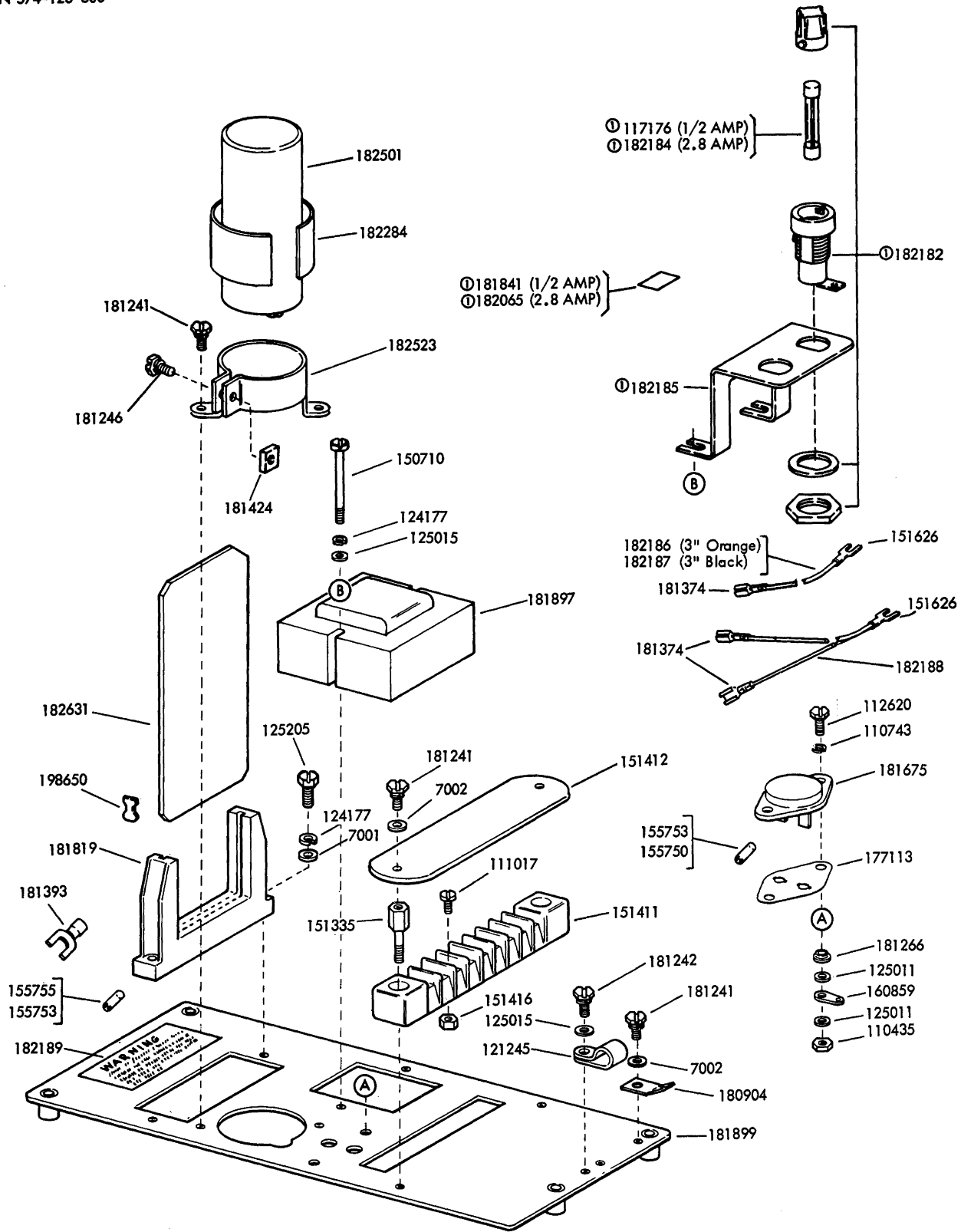


FIGURE 8. BASE PLATE ELECTRICAL COMPONENTS - FOR DC SIGNAL PRIVATE LINE



ⓐ 182190 Modification Kit to provide Fuses

FIGURE 9. BASE PLATE COMPONENTS - FOR THE BASIC SET

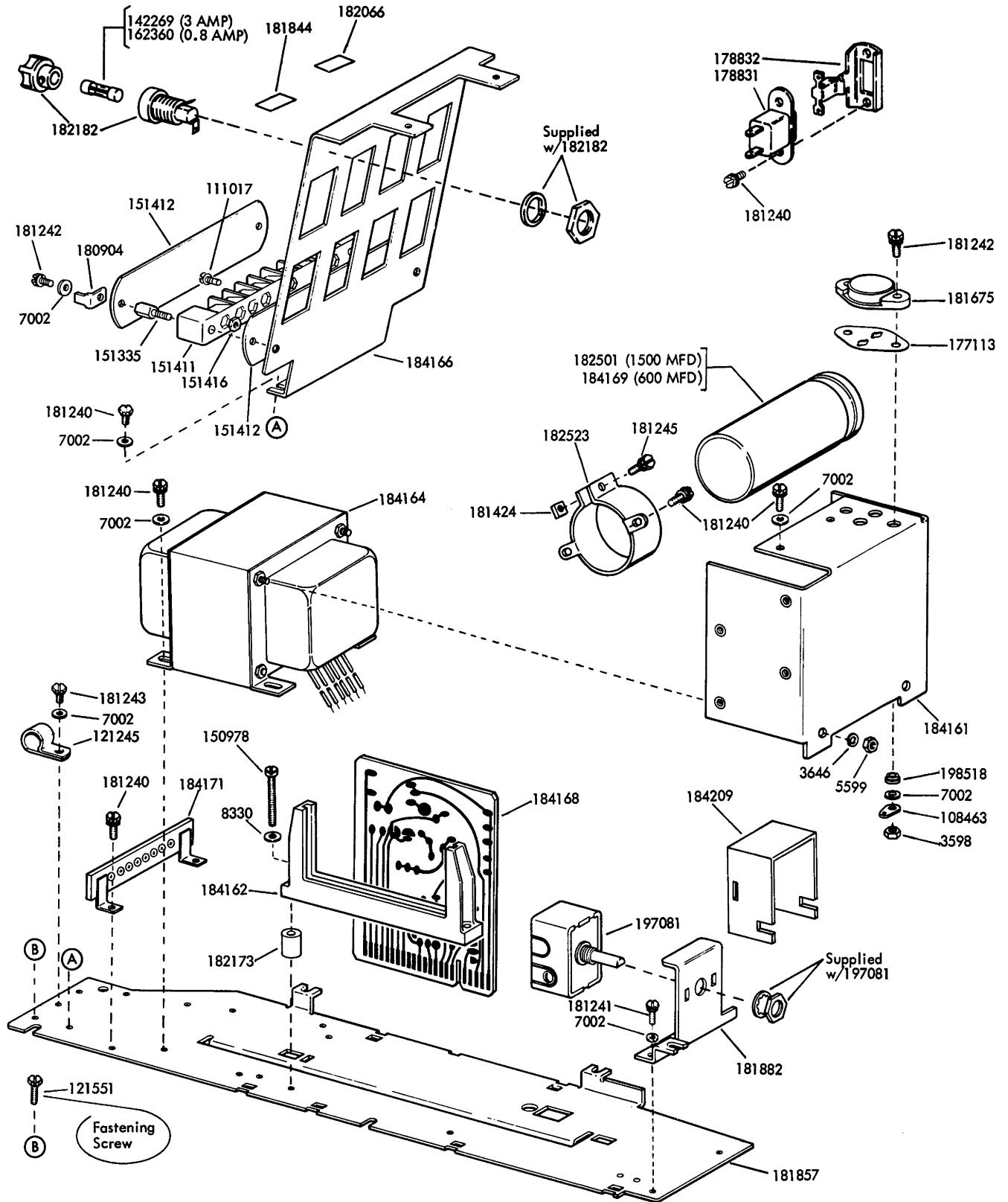


FIGURE 10. ELECTRICAL COMPONENTS - FOR COMPUTER CONTROL PRIVATE LINE

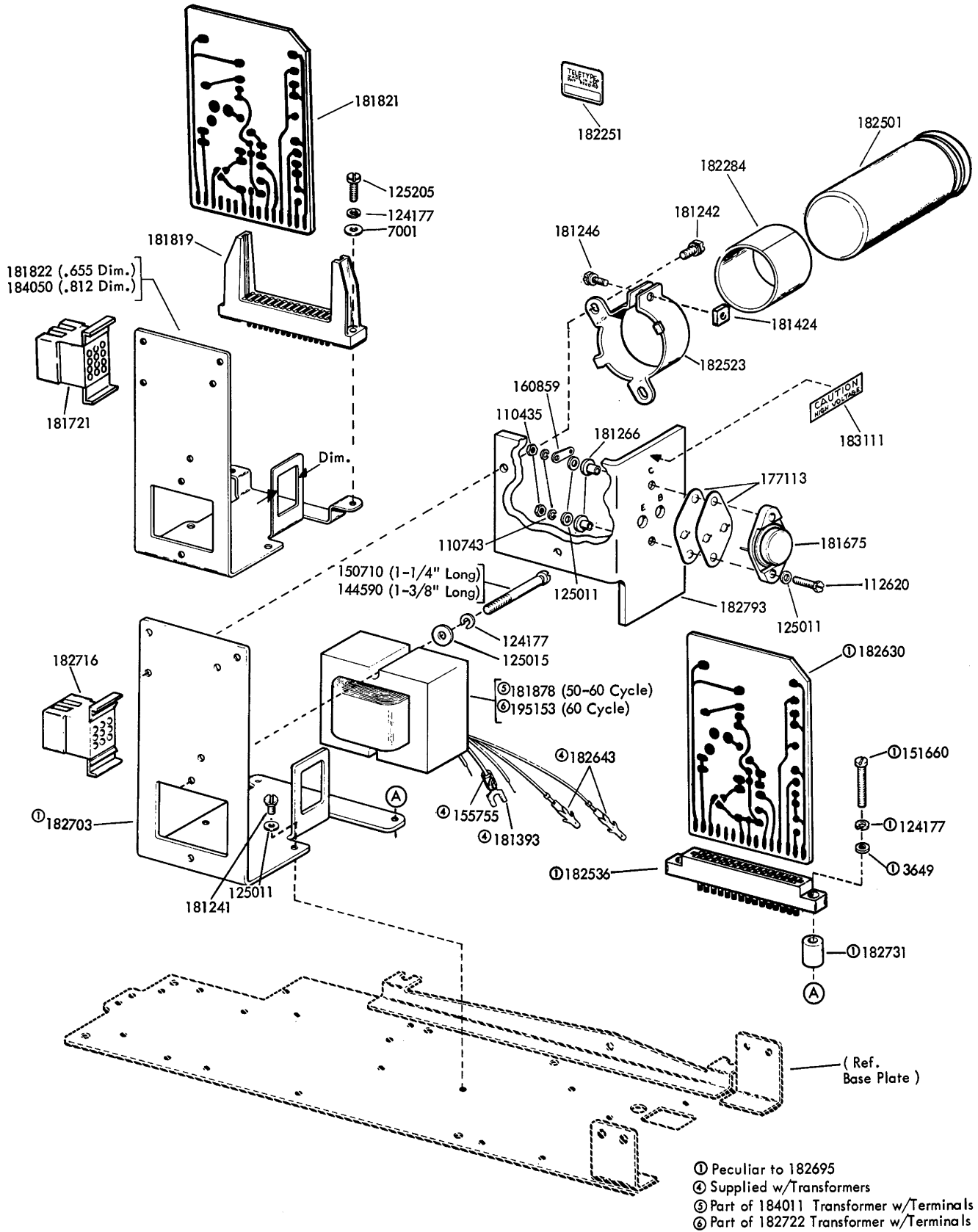
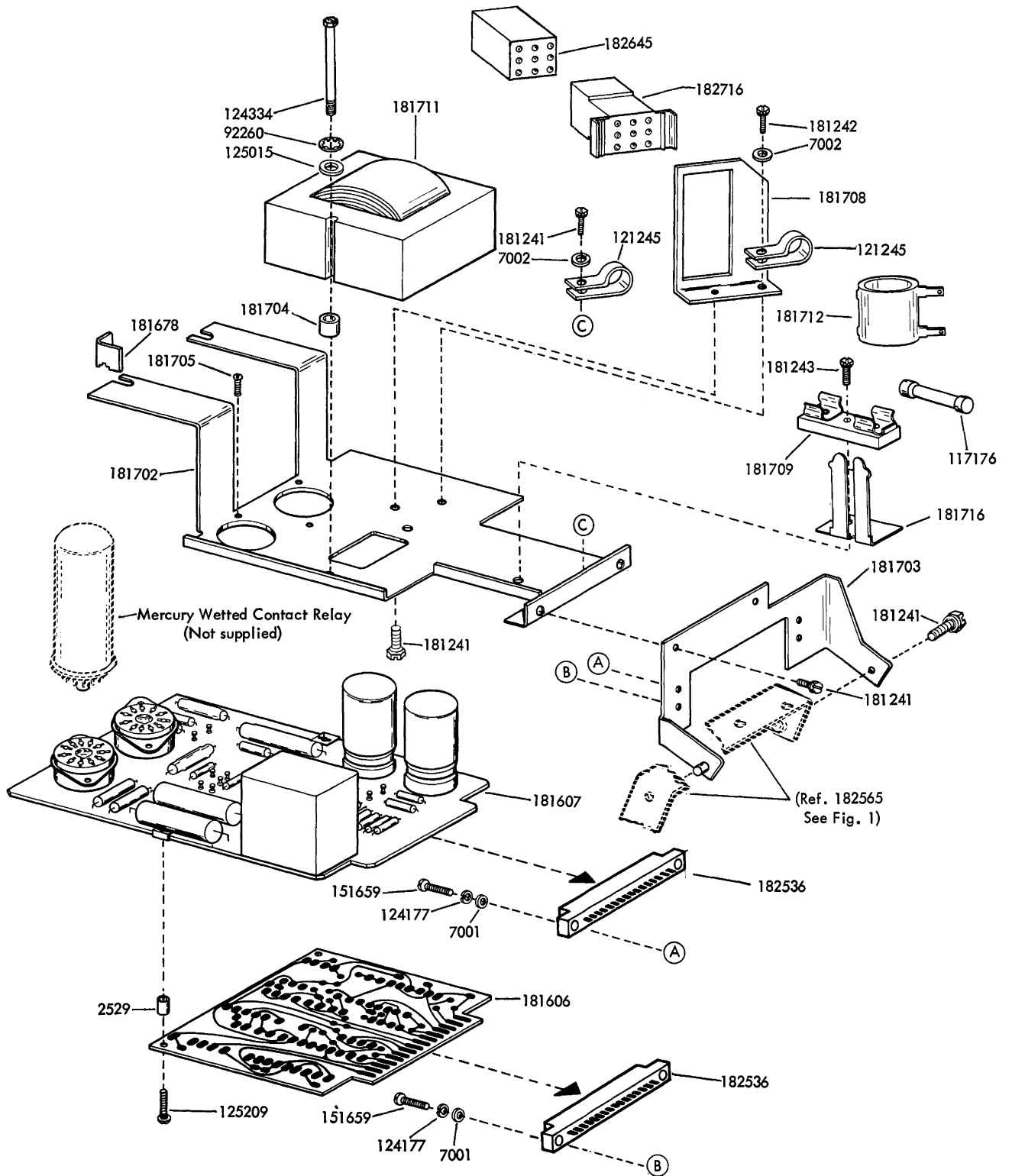
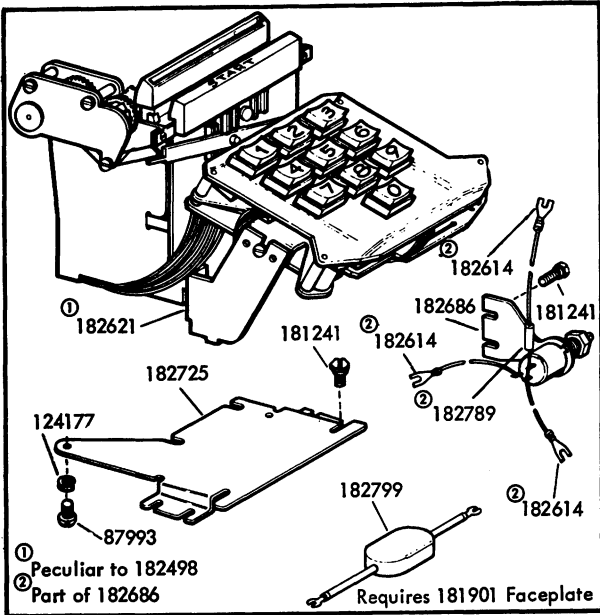


FIGURE 11. 181815, 182695, 184012 AND 184048 SELECTOR MAGNET DRIVERS

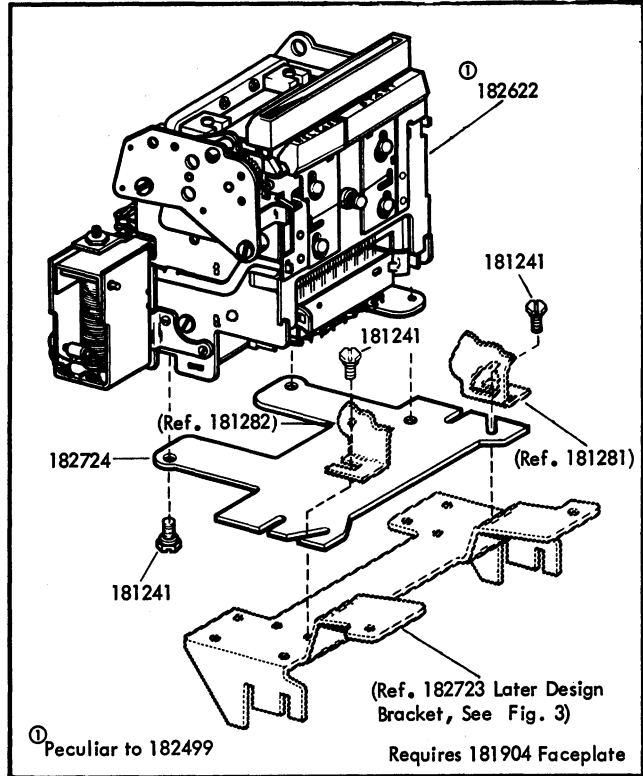
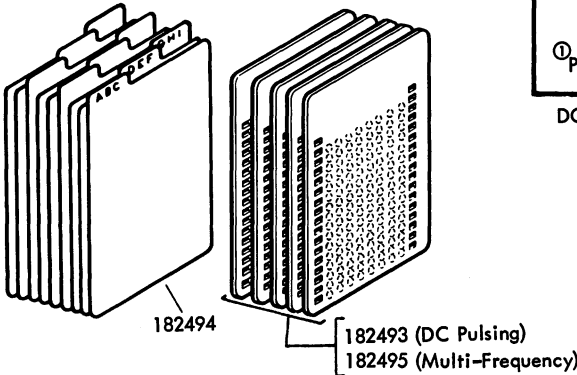


Note:
Cable Components found on Fig. 16.

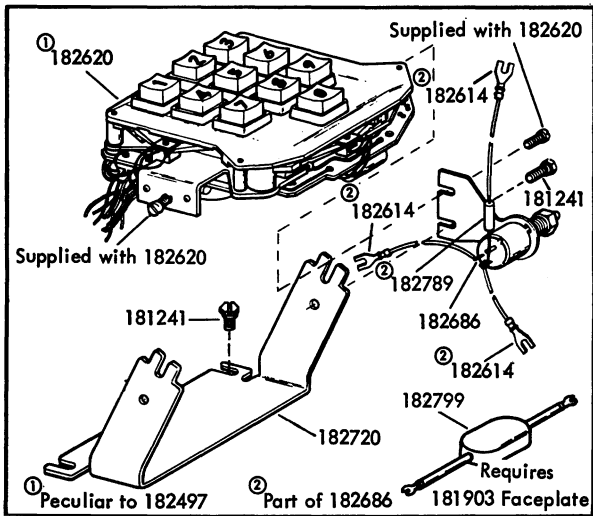
FIGURE 12. POLAR ADAPTER



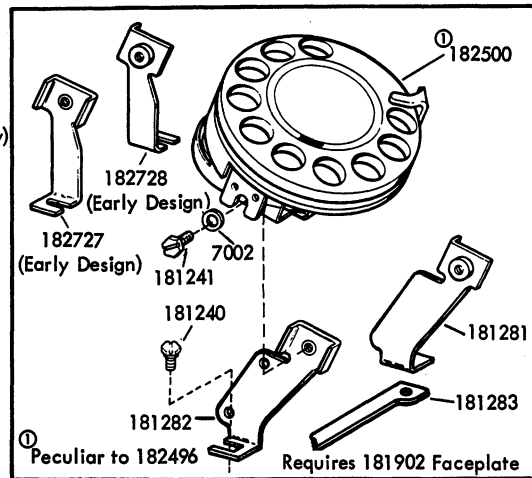
Touch Tone and Card Dial Part of 182488 (less dial) and 182498 (with dial) Modification Kits Specification 501405



DC Card Dial Part of 182487 (less dial) and 182499 (with dial) Modification Kits Specification 501645



Touch Tone Dial Part of 182489 (less dial) and 182497 (with dial) Modification Kits Specification 501565



Rotary Dial Part of 182490 (less dial) and 182496 (with dial) Modification Kits Specification 501565

FIGURE 13. DIAL MODIFICATIONS

		KEY ASSEMBLY PART LOCATION TABLE							
POSITION		182580	182581	182582	182583	182586	182587	182588	182589
F	Plunger Switch	182559		182559	182663	182663	182663	182667	182559
		182561		182562	182561	182561	182561	182562	
E	Plunger Switch	182559	182667	182559	182667	182667	182667	182667	182559
		182562	182562	182561	182562	182664	182664	182664	182562
D	Plunger Switch	182559	182667	182559	182667	182667	182667	182559	182559
		182562	181638	182562	182664	182664	182664	182562	182562
C	Plunger Switch	182559	182667	182559	182667	182667	182667	182559	182559
		182561		182562	182664	182562	182664	182562	
B	Plunger Switch	182559	182667	182559	182667	182663	182667	182559	182559
		182560	182562	182562	182562	182664	182562	182562	
A	Plunger Switch	182559		182559	182667	182667	182667	182559	182559
		182561		182562	182664	182562	182664	182562	182562
Switches shown often provide more than the minimum desired combinations.									
Plunger Spring		182554	182554	182554	182554	182554	182554	182554	182554
Lockout		182556		182556				182556	182556
Latch Bar		182555		182666				301769	182666
Latch Spring		182535		182535				182535	182535
Bracket		182557	181637	182557	182557	182557	182557	182557	182557

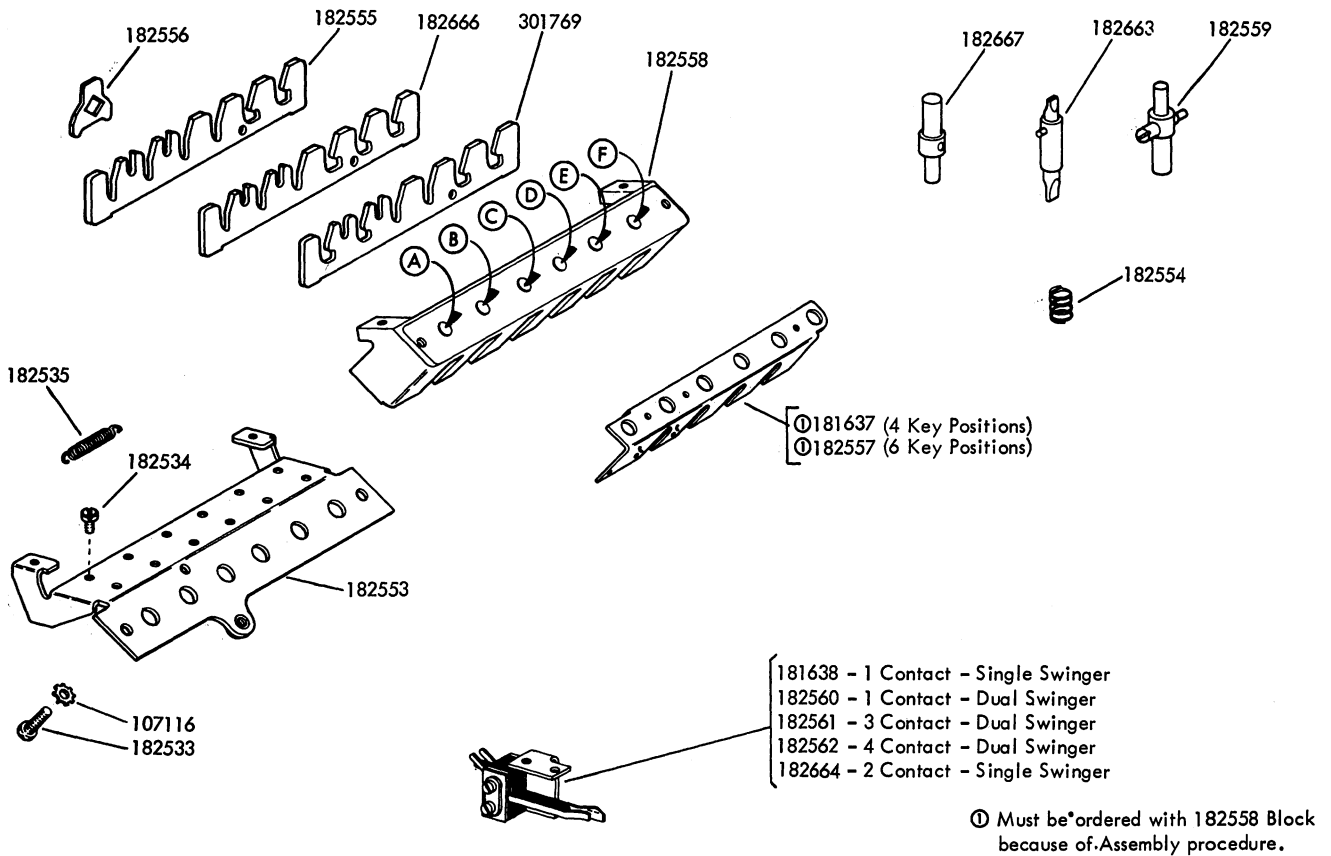
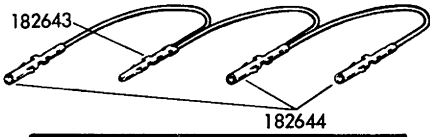
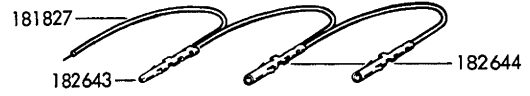
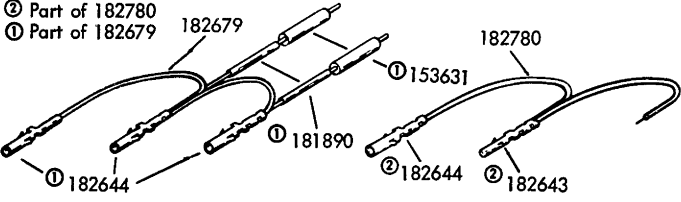


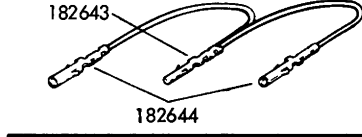
FIGURE 14. KEY ASSEMBLIES

SECTION 574-123-800

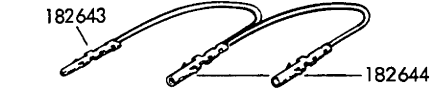
② Part of 182780
 ① Part of 182679



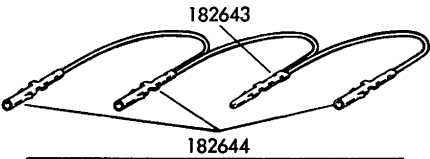
PART NO.	COLOR
181827	W-BK
181828	W-O
181829	W-BL



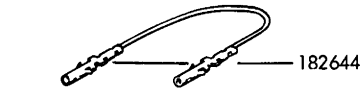
PART NO.	COLOR
182784	W-O
182785	W-BL



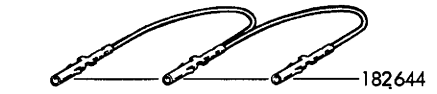
PART NO.	COLOR
182786	W-BR
182787	W-Y
182788	W-P



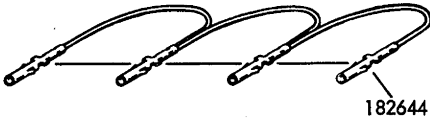
PART NO.	COLOR
181830	W-Y
181831	W-P
181832	W-BR



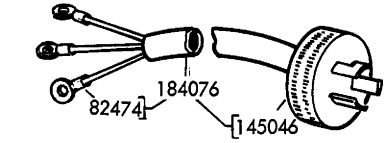
PART NO.	COLOR
180886	G
180887	R
180888	BL
180889	Y
180890	W
180893	R-O
180894	W-BL
180895	W-G
180896	W-Y
180897	W-O
180898	W-R
180899	W-P
180900	O
181837	BK



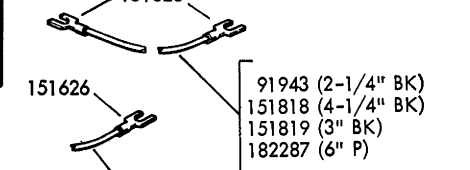
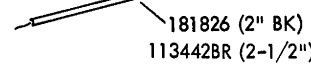
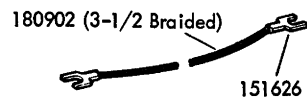
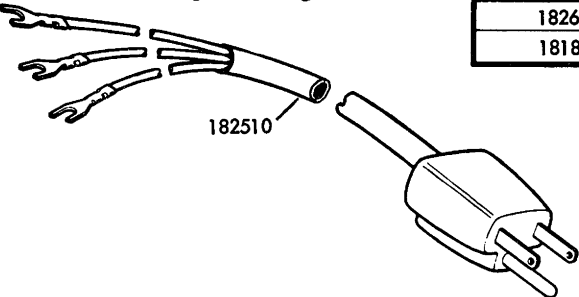
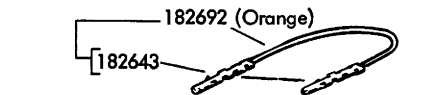
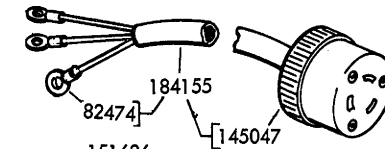
PART NO.	COLOR
182781	W-R
182782	W-G
182783	W-S
184079	W-R
184080	W-O
184081	W-Y
184082	W-G
184083	W-BL
184084	W-BK



PART NO.	COLOR
180877	W-R
180878	W-O
180879	W-Y
180880	W-G
180881	W-BL
180882	W-BK
180884	W-S



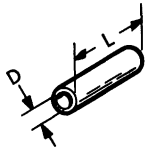
PART NO.	COLOR
182693	O
181836	BL



Color Abbreviations

BK = Black	BL = Blue
W = White	S = Slate
R = Red	BR = Brown
G = Green	O = Orange
Y = Yellow	P = Purple

FIGURE 15. POWER CORDS AND JUMPERS



SLEEVE	D Inside Diameter	L Length
155750	3/32"	1/2"
155751	1/8"	1"
155752	5/64"	1/2"
155753	1/8"	1/2"
155755	11/64"	5/8"
181300	3/16"	1-1/2"
181890	1/16"	1"
181892	9/64"	1"
181893	3/64"	1"

CABLE CLAMPS	
Part No.	I.D.
121242	1/8
121243	3/16
121244	1/4
121245	5/16
121246	3/8
121247	7/16
121248	1/2
121249	5/8
121250	3/4
121251	1

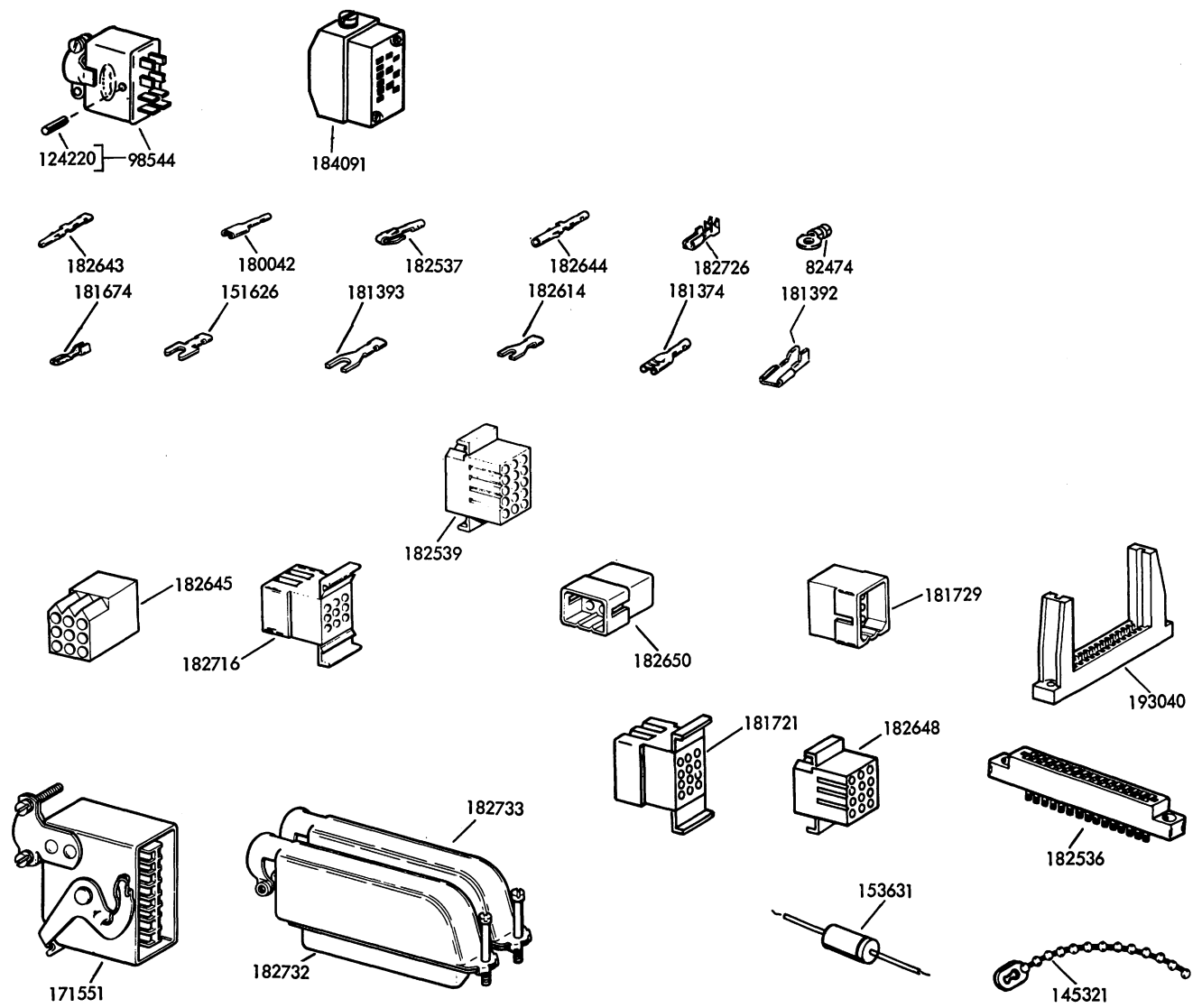
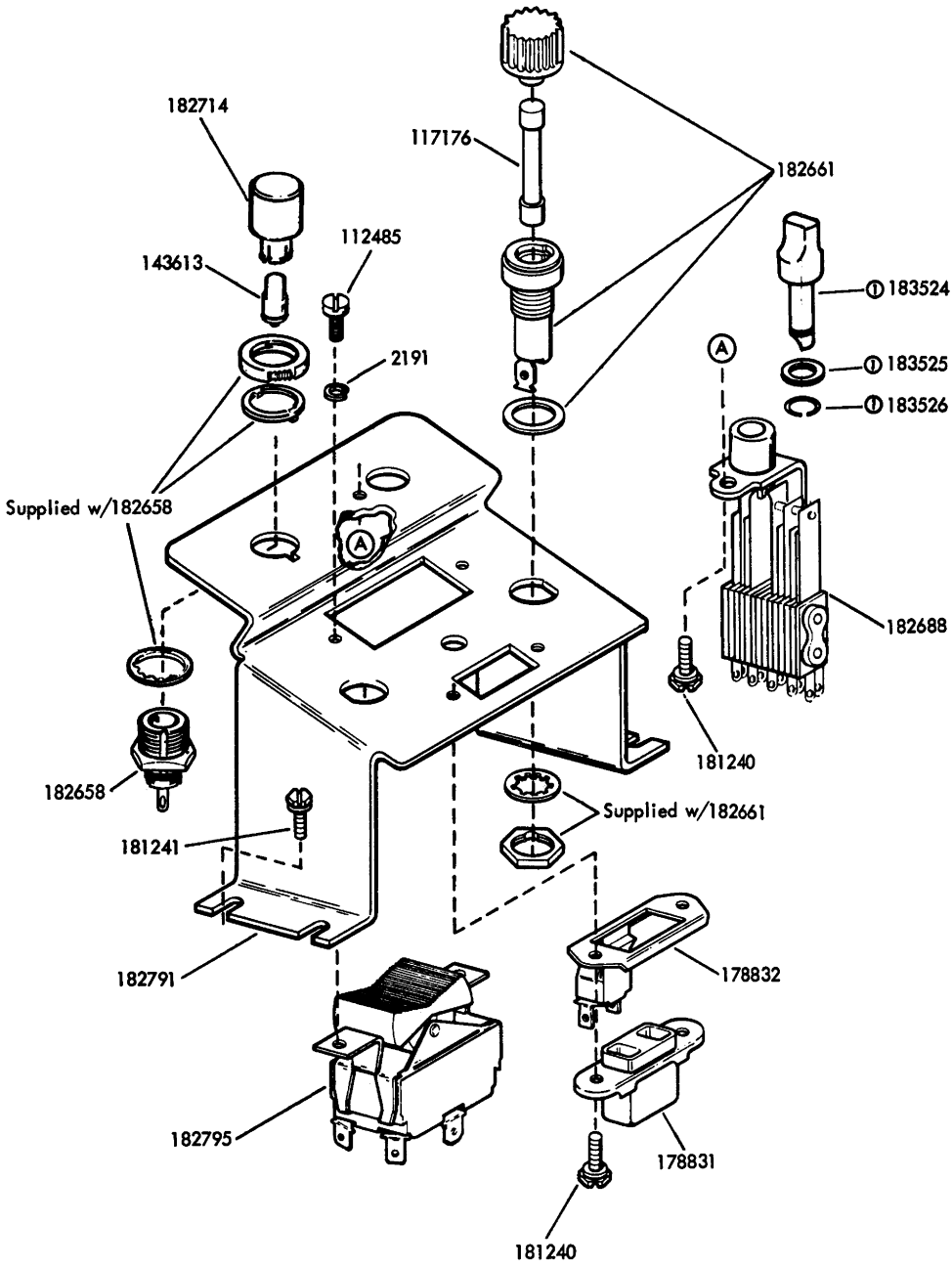


FIGURE 16. CABLE COMPONENTS



ⓐ Part of 182688

FIGURE 17. RECEIVE-ONLY BRACKET COMPONENTS

NUMERICAL INDEX

Part Number	Description and Page Number	Part Number	Description and Page Number	Part Number	Description and Page Number
1010	Screw, Shoulder (6-40) 7	125209	Screw (6-32 x 9/16 Rd) 13	171551	Connector, Plug (16 Pt) 17
1028	Screw (4-40 x 1/4 Fil) 4	138538	Fuse (2 Amp SL-BL) 6	177113	Insulator 8, 9, 10, 11, 12
1207	Screw (4-36 x 5/16 Flat) 7	142269	Fuse (3 Amp SL-BL) 3, 6, 9, 10	178306	Relay, Power 3
1268	Screw (6-40 x 5/16 Flat) 9	143613	Lamp, Incandescent (14 V.) 4, 6, 7, 18	178363	Post 9
1297	Screw (6-40 x 2-7/16 Fil) 3			178535	Suppressor, Spark 3, 4,
2191	Washer, Lock 4, 8, 9, 18	144590	Screw (6-40 x 1-3/8 Fil) 7, 8, 12	178831	Connector, Receptacle (2 Pt) 5, 6, 9, 11, 18
2529	Bushing, Insulating 13			178832	Plate, Adapter 5, 6, 9, 11, 18
3438	Washer, Flat 3	145046	Connector, Plug (3 Pt) 16	178883	Resistor (1500 Ohm) 8
3598	Nut (6-40 Hex) 5, 8, 9, 10	145047	Connector, Receptacle (3 Pt) 16	180042	Terminal, Tab Type 12, 17
3606	Nut (6-40 Hex) 8, 9	145321	Tie, Cable 17	180877	Jumper (W-R) 16
3640	Washer, Lock 7	150089	Screw (4-40 x 1/2 Fil) 2, 4, 6	180878	Jumper (W-O) 16
3646	Washer, Lock 8, 10	150710	Screw (6-40 x 1-1/4 Fil) 10, 12	180879	Jumper (W-Y) 16
3649	Washer, Flat 3 to 6, 12	150966	Insulator (1-4) 2, 4	180880	Jumper (W-G) 16
5599	Nut (8-32 Hex) 11	150978	Screw (6-40 x 1-1/8 Fil) 3, 8, 11	180881	Jumper (W-BL) 16
6805	Screw, Shoulder (6-40) 7			180882	Jumper (W-BK) 16
7001	Washer, Flat 9, 10, 12, 13	151073	Screw (4-40 x 5/32 Fil) 4	180884	Jumper (W-S) 16
7002	Washer, Flat 2 to 6, 8, 9, 10, 11, 13, 14	151152	Screw (4-40 x 3/16 Hex) 7	180886	Jumper (G) 16
		151335	Stud 2 to 5, 8, 9, 10, 11	180887	Jumper (R) 16
8330	Washer, Flat 11	151411	Block, Terminal 3, 5, 6, 8, 9, 10, 11	180888	Jumper (BL) 16
43633	Screw (5-40 x 3/16 Fil) 2	151412	Insulator (1-9) 3, 5, 6, 8 to 11	180889	Jumper (Y) 16
70072	Washer, Lock 3, 8	151415	Block, Terminal 2, 4	180890	Jumper (W) 16
75750	Washer, Insulating 4	151416	Nut (6-40 Hex) 2, 3, 4, 5, 6, 8, 9, 10, 11	180893	Jumper (R-O) 16
77362	Resistor (350 Ohm) 4			180894	Jumper (W-BL) 16
77902	Screw (6-40 x 2-3/8 Rd) 4	151442	Screw (6-40 x 1/2 Hex) 8, 9	180895	Jumper (W-G) 16
82474	Terminal 16, 17	151626	Terminal 5, 9, 10, 16, 17	180896	Jumper (W-Y) 16
87993	Screw (6-40 x 5/32 Fil) 14	151637	Screw (4-40 x 1/4 Fil) 7	180897	Jumper (W-O) 16
89969	Washer, Insulating 3	151659	Screw (6-40 x 1/2 Fil) 13	180898	Jumper (W-R) 16
90787	Screw (4-40 x 3/8 Hex) 2	151660	Screw (6-40 x 7/8 Fil) 5, 12	180899	Jumper (W-P) 16
91943	Jumper (2-1/4" Black) 16	151661	Screw (6-40 x 1 Fil) 3	180900	Jumper (O) 16
92260	Washer, Lock 13	151692	Screw (6-40 x 3/16 Fil) 6	180902	Jumper (3-1/2" Braided) 16
93118	Washer, Lock 2	151693	Screw (6-40 x 9/16 Fil) 3, 8, 9	180904	Tab, Terminal 3, 5, 6, 8, 9, 10, 11
96717	Screw, Shoulder (4-40) 2	151731	Screw (4-40 x 7/8 Fil) 5		
98544	Connector, Plug (8 Pt) 17	151734	Screw (4-40 x 3/8 Hex) 7	181106	Plate, Baffle 7
98726	Screw (3-48 x 1/4 Fil) 3, 8	151737	Screw (4-40 x 11/64 Hex) 6	181107	Bracket 7
107116	Washer, Lock 15	151738	Screw, Identification (4-40) 6	181240	Screw, Self-Tapping (6-40) 2, 3, 5, 6, 9, 11, 14, 18
108463	Terminal 8, 9, 11	151818	Jumper (4-1/4" Black) 16	181241	Screw, Self-Tapping (6-40) 2 to 14, 18
110435	Nut (4-40 Hex) 10, 12	151819	Jumper (3" Black) 16	181242	Screw, Self-Tapping (6-40) 2, 6, 9 to 13, 17
110743	Washer, Lock 2 to 7, 10, 12	151827	Strap, Terminal 3, 8	181243	Screw, Self-Tapping (6-40) 3, 5, 11, 13, 17
111017	Screw (6-40 x 5/16 Fil) 2 to 8, 10, 11, 13	152441	Washer, Flat 7	181245	Screw, Self-Tapping (6-40) 10, 11, 13, 17
		152634	Washer, Flat 7	181246	Screw, Self-Tapping (6-40) 3, 6, 10, 12, 17
111640	Screw (2-56 x 7/32 Fil) 2	152893	Screw (4-40 x 1/4 Hex) 2, 4	181263	Timer, Hour 5
111647	Resistor (1000 Ohm) 4	153486	Bracket, Switch 3	181264	Bracket 5
112485	Screw (6-32 x 1/4 Fil) 18	153631	Network, Spark Suppression 8, 9, 11, 12, 13, 17	181265	Timer w/Terminals 5
112620	Screw (4-40 x 1/2 Hex) 10, 12			181266	Bushing, Insulating 10, 12
113442BR	Jumper (2-1/2" Brown) 16	153799	Screw (4-40 x 21/64 Hex) 4	181276	Plate, Name 5
115594	Nut, Speed 7	153817	Screw (4-40 x 3/8 Hex) 4	181281	Bracket, Right 14
117176	Fuse (0.5 Amp SL-BL) 3, 5, 9, 10, 13, 18	154173	Plate 7	181282	Bracket, Left 14
		155750	Sleeve, Insulating (3/32 ID x 1/2" Lg) 10, 17	181283	Spacer (.065") 14
120167	Fuse (3.2 Amp SL-BL) 3, 5, 8	155751	Sleeve, Insulating (1/8 ID x 1" Lg) 17	181300	Sleeve, Insulating (3/16 ID x 1") 17
121245	Clamp, Cable (5/16" ID) 2, 6, 9, 10, 11, 13	155752	Sleeve, Insulating (5/64 ID x 1/2" Lg) 17	181374	Terminal, Tab Type 5, 9, 10, 17
121247	Clamp, Cable (7/16" ID) 2, 6	155753	Sleeve, Insulating (1/8 ID x 1/2" Lg) 10, 17	181392	Terminal, Tab Type 17
121248	Clamp, Cable (1/2" ID) 17	155755	Sleeve, Insulating (11/64 ID x 5/8" Lg) 10, 12, 17	181393	Terminal 9, 10, 12, 17
121249	Clamp, Cable (5/8" ID) 17	156875	Screw (6-40 x 5/32 Fil) 6	181424	Nut (6-40 Sq) 3, 6, 10, 11, 12
121250	Clamp, Cable (3/4" ID) 17	159931	Clamp 5, 6	181602	Card, Circuit 2
121251	Clamp, Cable (1" ID) 17	159932	Keeper 5, 6	181604	Card, Circuit 3
121551	Screw (8-32 x 1/4 Hex) 2, 4, 6, 10	160859	Terminal 7, 10, 12		
121790	Screw (6-40 x 1-7/8 Hex) 3	162360	Fuse (.8 Amp) 11		
124177	Washer, Lock 3, 5, 6, 8, 9, 10, 12, 14	165008	Turret, Terminal 6		
124220	Pin, Drive 17	171527	Resistor (200 Ohm) 6		
124334	Screw (6-40 x 1-27/32 Hex) 13	171536	Resistor (2250 Ohm) 8		
125011	Washer, Flat 2, 4, 7, 10, 12	171542	Capacitor (80-1500 MFD) 6		
125015	Washer, Flat 3, 4, 5, 6, 8, 9, 10, 12, 13				
125205	Screw (6-40 x 7/16 Fil) 10, 12				

NUMERICAL INDEX (Continued)

Part Number	Description and Page Number	Part Number	Description and Page Number	Part Number	Description and Page Number
181606	Card, Circuit 13	181893	Sleeve, Insulating (3/64 ID x 1-1/2") 8, 17	182530	Strip Assembly, Lamp 2
181607	Card, Circuit 13	181897	Transformer 10	182532	Filter 2, 4
181631	Strip Assembly, Lamp 2	181899	Plate w/Bushings 10	182533	Screw (6-32 x 5/16 Rd) 15
181632	Button Assembly 2	181901	Faceplate 14	182534	Screw (4-40 Spl) 3, 15
181637	Bracket 15	181902	Faceplate 14	182535	Spring 15
181638	Switch 15	181903	Faceplate 14	182536	Connector, Circuit Card (15 Pt) 3, 5, 8, 12, 13, 17
181642	Transformer 3	181904	Faceplate 14	182537	Terminal, Tab Type 17
181645	Dial, Rotary 2	181994	Bracket, Guide 6	182539	Connector, Receptacle Type (15 Pt) 5, 6, 8, 17
181661	Buzzer, 115 V AC 2	181996	Insulator 6	182544	Card, Circuit (EC544) 3
181672	Relay, Power 3, 8	182044	Modiciation Kit to Provide Elapsed Time Indicator 5	182553	Plate, Base 15
181673	Bracket, Relay 3	182065	Plate, Identification 6, 10	182554	Spring 15
181674	Terminal 17	182066	Plate, Identification 11	182555	Bar, Latch 15
181675	Transistor, Power 8 to 12	182162	Post 3, 8	182556	Lockout 15
181676	Shield, Relay 3	182173	Spacer 11	182557	Bracket 15
181678	Bracket 13	182174	Transformer 9	182558	Frame 15
181702	Bracket w/Nuts 13	182175	Transformer 9	182559	Plunger 15
181703	Bracket 13	182177	Card, Circuit 9	182560	Switch 15
181704	Spacer (17/16) 13	182182	Holder, Fuse 9, 10, 11	182561	Switch 15
181705	Screw, Self-Tapping (#4) 13	182184	Fuse (2.8 Amp) 6, 10	182562	Switch 15
181708	Bracket, Connector Mounting 13	182185	Bracket 10	182563	Plate w/Bracket 2
181709	Holder, Fuse 13	182186	Cable w/Terminals 10	182564	Bracket 3, 15
181711	Transformer 13	182187	Cable w/Terminals 10	182565	Bracket 2
181712	Resistor, Power 13	182188	Cable w/Terminals 10	182566	Bracket, Left 2
181716	Bracket, Resistor 13	182189	Tag, Warning 10	182567	Bracket, Connector 3
181721	Connector, Plug Type (12 Pt) 12, 17	182190	Modification Kit 10	182568	Strap 2
181729	Connector Assembly 3, 17	182251	Plate, Identification 9, 12	182569	Clamp 2, 8, 9
181809	Bracket, Switch 6	182284	Insulator (.015") 3, 6, 10, 12	182571	Screw, Shoulder (6-40) 2
181810	Relay 6	182287	Jumper (6" Purple) 16	182575	Bracket 3
181811	Bracket 6	182487	Modification Kit to Provide DC Card Dial 14	182576	Bracket, Right 2
181814	Capacitor (250 MFD) 6	182488	Modification Kit to Provide Touch-Tone and Card Dial 14	182577	Bracket 2
181815	Driver Assembly, Selector Magnet 12	182489	Modification Kit to Provide Manual Touch-Tone Dial 14	182578	Bracket 3
181816	Resistor (4200 Ohm) 6	182490	Modification Kit to Provide Rotary Dial 14	182580	Key Assembly 15
181817	Bracket 6	182492	Insulator (.031") 3	182581	Key Assembly 15
181819	Connector, Circuit Card (15 Pt) 10, 12	182493	Card Set, Dialing 14	182582	Key Assembly 15
181821	Card, Circuit 12	182494	Card Set, Index 14	182583	Key Assembly 15
181822	Bracket 12	182495	Card Set, Dialing 14	182586	Key Assembly 15
181824	Knob, Gray Pointer 6	182496	Modification Kit to Provide Rotary Dial (Less Dial) 4, 14	182587	Key Assembly 15
181825	Cover, Relay 6	182497	Modification Kit to Provide Manual Touch-Tone Dial (Less Dial) 14	182588	Key Assembly 15
181826	Jumper (2" Black) 16	182498	Modification Kit to Provide Touch-Tone and Card Dial (Less Dial) 14	182589	Key Assembly 15
181827	Jumper (W-BK) 16	182499	Modification Kit to Provide DC Card Dial (Less Dial) 14	182590	Block, Terminal 2
181828	Jumper (W-O) 16	182500	Dial, Rotary 2, 14	182607	Insulator (.031") 3
181829	Jumper (W-BL) 16	182501	Capacitor (1500 MFD) 3, 7 to 12	182608	Post, Square 3
181830	Jumper (W-Y) 16	182502	Nut, Speed (#14) 2, 6, 9	182609	Post, Round 3
181831	Jumper (W-P) 16	182503	Ringer w/Terminals 2, 7	182610	Stud 3
181832	Jumper (W-BR) 16	182504	Transmitter 2	182611	Fuse (3/8 Amp SL-BL) 3, 6, 8
181836	Jumper (4-1/2" Black) 16	182510	Cord, Power 16	182612	Screw (6-40 x 1-1/2 Hex) 3, 9
181837	Jumper (4-1/2" Black) 16	182517	Resistor, Adjustable 3	182614	Terminal 14, 17
181840	Plate, Name 6	182519	Transformer (117V AC Primary) 3	182615	Pad 2, 8, 9
181841	Plate, Name 9, 10	182520	Rectifier 5, 6	182617	Capacitor (1 MFD) 2
181842	Plate, Name 6	182522	Clip, Fuse 3	182618	Bracket 2
181844	Plate, Name 6, 9, 11	182523	Clamp, Mounting (1-3/8" ID) 3, 6, 10, 11, 12	182619	Screw, Shoulder (6-40) 2, 7
181845	Plate, Name 5, 6	182524	Button Assembly 2, 4	182620	Dial, Touch-Tone 14
181847	Plate, Name 8	182527	Screw, Shoulder (4-40) 2	182621	Dial, Touch-Tone and Card 14
181857	Plate 9, 11	182529	Lamp (10V) 2, 4	182622	Dial, Card (DC) 14
181861	Motor, 115V Synchronous 6			182630	Card, Circuit 12
181878	Transformer 12			182631	Card, Circuit 10
181879	Transformer, Power 5, 6			182643	Terminal, Plug Type 12, 16, 17
181880	Bracket 9			182644	Terminal, Receptacle Type 16, 17
181881	Bracket w/Studs 9			182645	Connector, Receptacle Type (9 Pt) 13, 17
181882	Bracket, Switch 9, 11			182648	Connector, Receptacle Type (12 Pt) 3, 6, 9, 17
181889	Card, Circuit 9			182650	Connector, Plug Type (6 Pt) 17
181890	Sleeve, Insulating (1/16 ID x 1" Lg) 16, 17			182651	Bracket 2
181892	Sleeve, Insulating (9/64 ID x 1" Lg) 17				

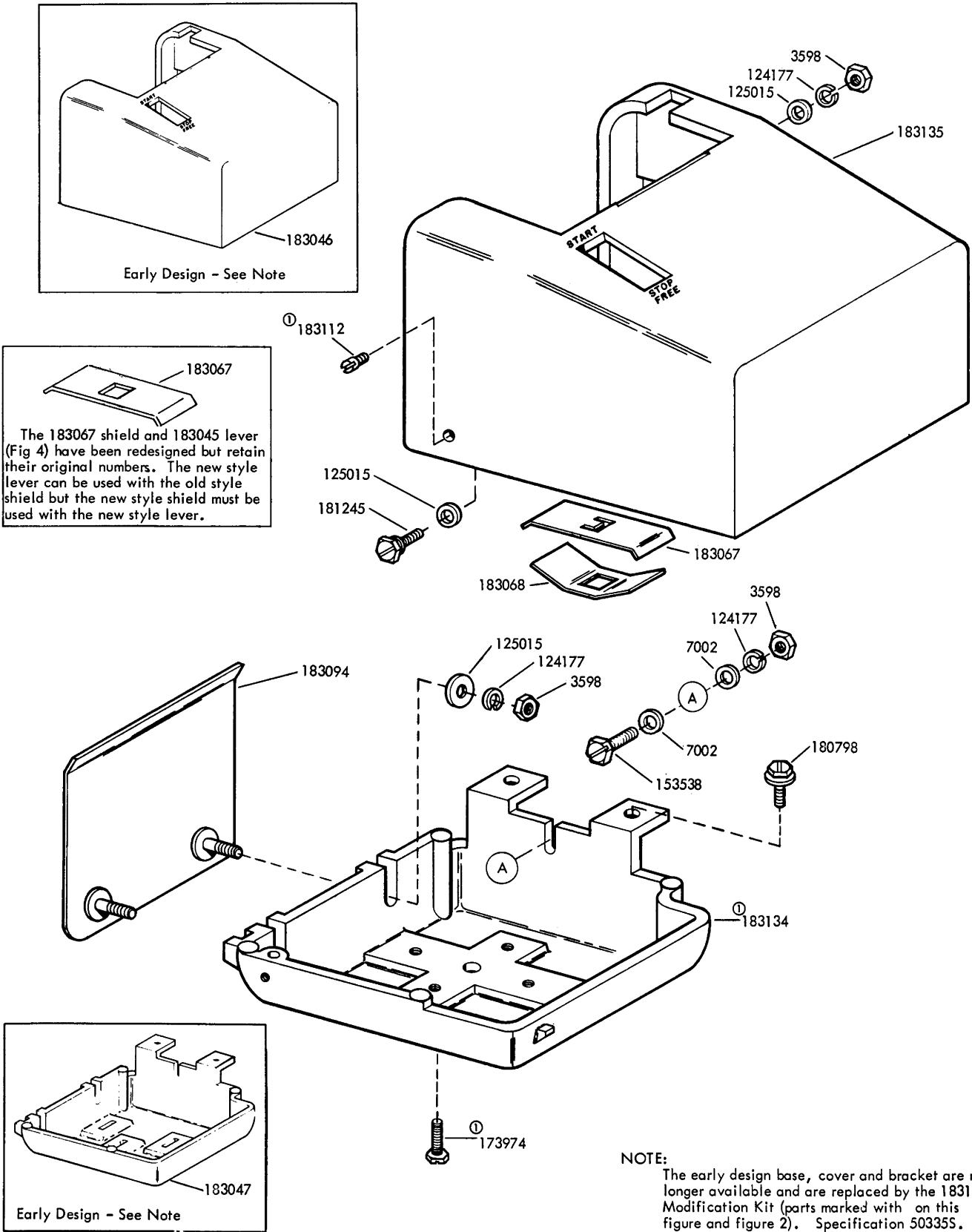
NUMERICAL INDEX (Continued)

Part Number	Description and Page Number	Part Number	Description and Page Number	Part Number	Description and Page Number
182652	Resistor, Variable (250 Ohm) 2	182725	Plate, Dial 14	184079	Jumper (W-R) 16
182653	Knob 2, 7	182726	Terminal, Receptacle Type 17	184080	Jumper (W-O) 16
182657	Transformer, Power 5, 6	182727	Bracket, Left 14	184081	Jumper (W-Y) 16
182658	Socket, Lamp 7, 18	182728	Bracket, Right 14	184082	Jumper (W-G) 16
182660	Switch, Push Button 7	182729	Link, Ringer 7	184083	Jumper (W-BL) 16
182661	Post, Fuse 5, 6, 8, 18	182730	Bracket, Support 4	184084	Jumper (W-BK) 16
182663	Plunger 15	182731	Post 5, 12	184091	Connector, Plug (12 Pt) 17
182664	Switch 15	182732	Connector, Plug (50 Pt) 17	184151	Switch (DP-ST) 7
182666	Bar, Latch 15	182733	Connector, Receptacle (50 Pt) 17	184155	Cable Assembly 16
182667	Plunger 15	182750	Card, Amplifier Circuit 5	184161	Bracket 11
182669	Relay, Power 4	182759	Shield, Insulating 3	184162	Connector, Circuit Card (22 Pt) 11
182679	Jumper w/Spark Suppressor 16	182761	Capacitor (0.5 MFD) 4	184164	Transformer 11
182682	Speaker (2") 7	182768	Bracket, Fuse 5, 6	184166	Bracket 11
182683	Resistor, Variable (50 Ohm) 7	182780	Jumper (W-BK) 16	184168	Card, Circuit 11
182684	Strap 4	182781	Jumper (W-R) 16	184169	Capacitor 11
182685	Strap 4	182782	Jumper (W-G) 16	184171	Strip, Terminal 11
182686	Resistor (50,000 Ohm) 14	182783	Jumper (W-S) 16	184209	Insulator 9, 11
182688	Switch, Turn Button 7, 18	182784	Jumper (W-O) 16	193040	Connector w/Guide Slot 9, 17
182692	Jumper (2-1/4" Orange) 16	182785	Jumper (W-BL) 16	193438	Strip, Lamp 4
182693	Jumper (2-1/4" Orange) 16	182786	Jumper (W-BR) 16	193706	Jumper (2-3/4" White-Orange) 16
182695	Driver Assembly, Selector Magnet 12	182787	Jumper (W-Y) 16	195153	Transformer 12
182700	Plate, Base 4, 6	182788	Jumper (W-P) 16	195614	Pin, Key 3, 5, 8, 9
182703	Bracket 12	182789	Resistor (200 Ohm) 14	195618	Jumper (5-3/4" W-P) 8
182704	Bracket 5, 6	182791	Bracket 18	197081	Switch (3 Positions) 6, 7, 9, 11
182706	Plate, Pilot 7	182793	Plate, Heat Sink 12	198515	Card, Circuit 8
182707	Bracket, Pilot 7	182794	Bracket 7	198517	Bracket 8
182708	Bracket, Left 4	182795	Switch (DP-DT) 18	198518	Insulator 8, 9, 11
182709	Bracket, Right 4	182796	Insulator (.032") 5, 6	198519	Insulator 8, 9
182710	Bracket, Upper 5, 6	182799	Capacitor (0.5 MFD) 14	198520	Insulator (.062") 8
182711	Bracket, Lower 5, 6	183111	Label 12	198521	Bracket 8
182713	Cap, Lens (Amber) 7	183511	Plate, Pilot 7	198522	Clip, Spring 8, 9
182714	Cap, Lens (white) 7, 18	183512	Bracket, Switch 7	198528	Bracket 8
182716	Connector, Plug Type (9 Pt) 12, 17	183524	Button, Turn 7, 18	198529	Strip, Terminal 8, 9
182717	Board, Terminal 4	183525	Washer, Flat 7, 18	198650	Key, Polarized 10
182718	Buzzer, 10V AC 4	183526	Ring, Retaining 7, 18	301769	Bar, Latch 15
182719	Bracket, Guide 5	184011	Transformer w/Terminals 12	304660	Insulator 3
182720	Bracket, Dial 14	184012	Driver Assembly, Selector Magnet 12	304992	Bushing, Blocking 4
182721	Bracket 7	184043	Resistor (800 Ohm) 6	305453	Transformer w/Terminals 8
182722	Transformer w/Terminals 12	184048	Driver Assembly, Selector Magnet 12	305454	Transformer 8
182723	Bracket 4	184050	Bracket 12	305688	Card, Circuit 8
182724	Plate, Dial 14	184076	Cable Assembly 16	305689	Card, Circuit 8

32 AND 33 READER (UX)

PARTS

FIGURE	CONTENTS	PAGE
1	Cover and Base	2
2	Reader Mechanism	3
3	Magnet Assembly	4
4	Contact Block	4
	Numerical Index	5



183067

The 183067 shield and 183045 lever (Fig 4) have been redesigned but retain their original numbers. The new style lever can be used with the old style shield but the new style shield must be used with the new style lever.

183047

Early Design - See Note

NOTE:
 The early design base, cover and bracket are no longer available and are replaced by the 183138 Modification Kit (parts marked with on this figure and figure 2). Specification 503355.

FIGURE 1. COVER AND BASE

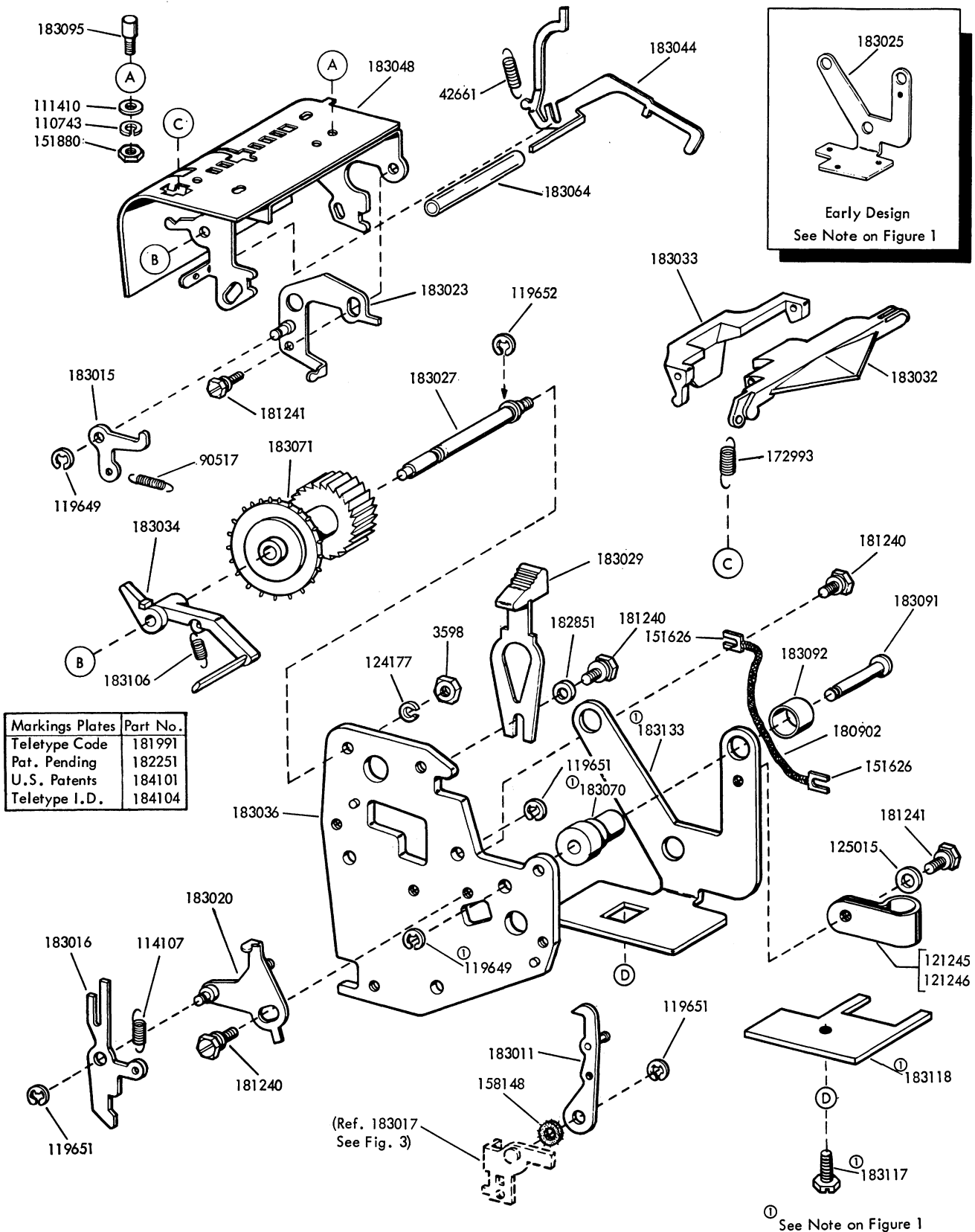


FIGURE 2. READER MECHANISM

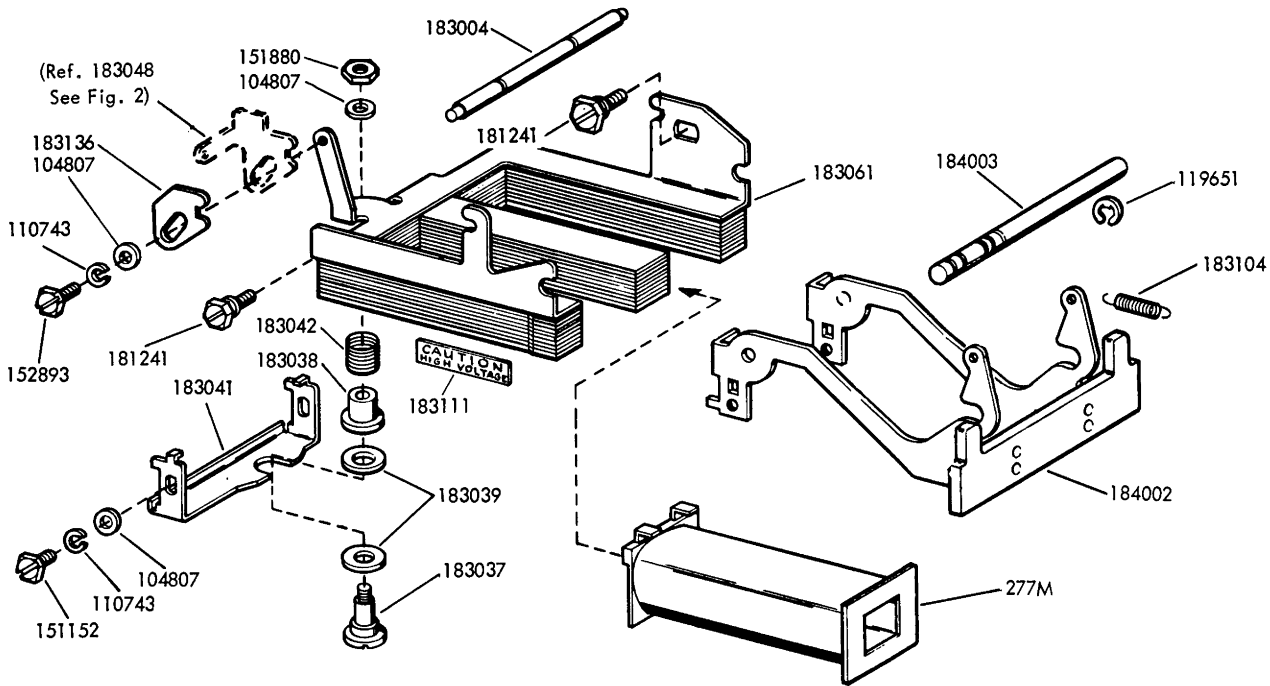


FIGURE 3. MAGNET ASSEMBLY

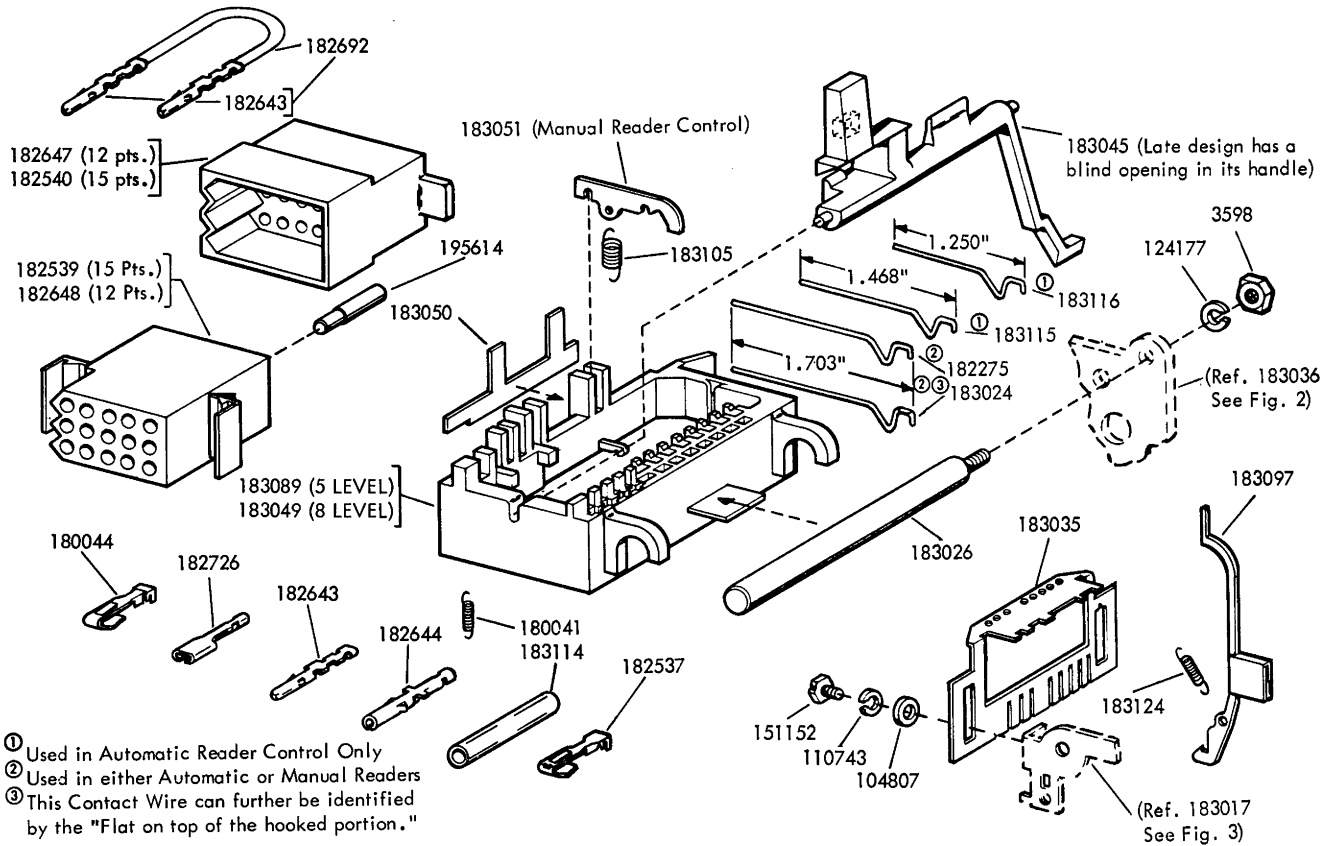


FIGURE 4. CONTACT BLOCK

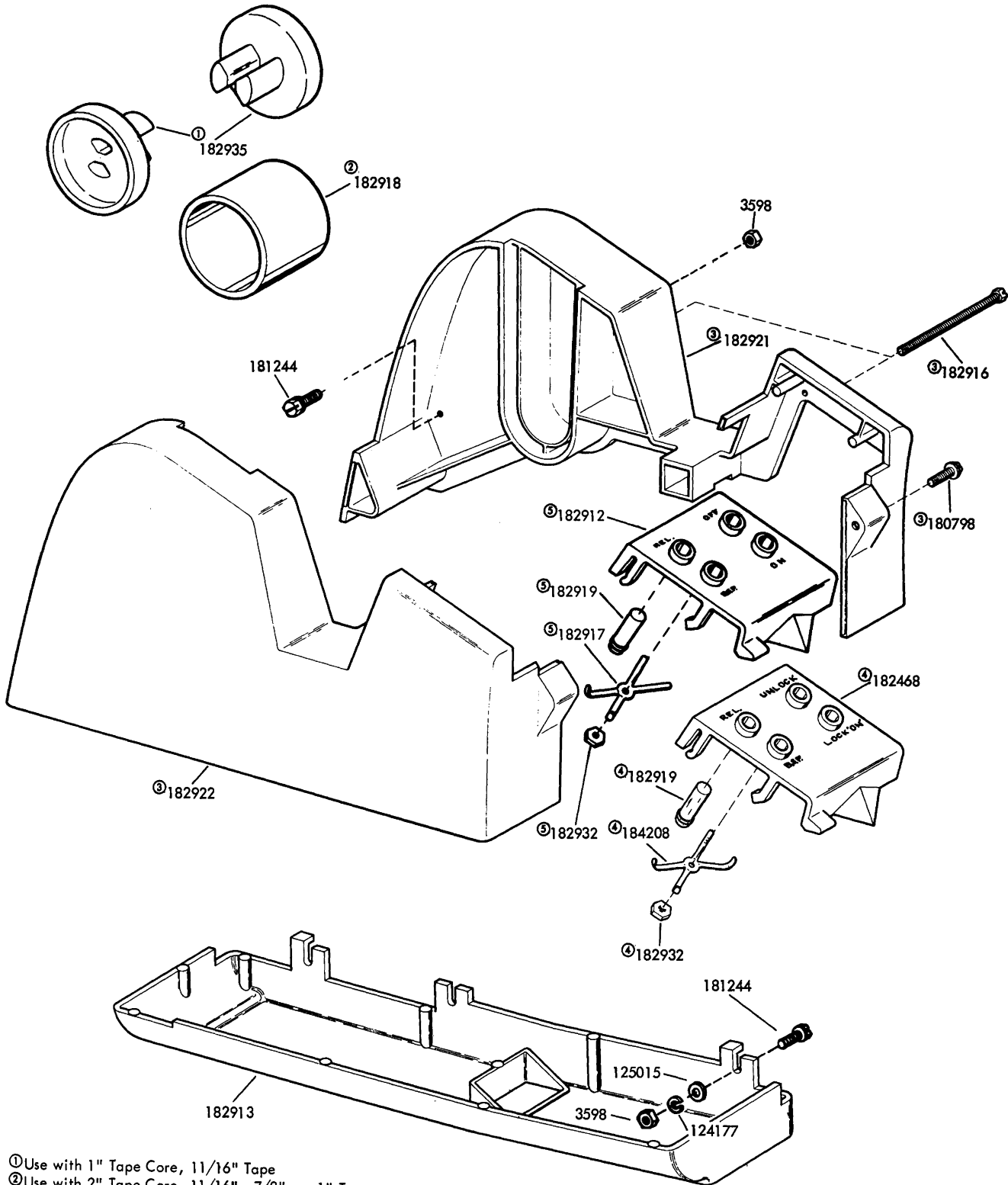
- ① Used in Automatic Reader Control Only
- ② Used in either Automatic or Manual Readers
- ③ This Contact Wire can further be identified by the "Flat on top of the hooked portion."

NUMERICAL INDEX

Part Number	Description and Page Number	Part Number	Description and Page Number	Part Number	Description and Page Number
277M	Coil, Magnet 4	182540	Connector, Plug Type (15PT) 4	183051	Lever, Detent 4
3598	Nut (6-40 Hex) 2, 3, 4	182643	Terminal, Plug Type 4	183061	Core, Magnet 4
7002	Washer, Flat 2	182644	Terminal, Receptacle Type 4	183064	Insulator, Tape Out Pin 3
42661	Spring 3	182647	Connector, Plug Type (12 Pt) 4	183067	Shield 2
90517	Spring 3	182648	Connector, Receptacle Type (12 Pt) 4	183068	Spring, Shield 2
104807	Washer, Flat 4	182692	Jumper (2-1/4" Orange) 4	183070	Grommet, Spacer 3
110743	Washer, Lock 3, 4	182726	Terminal, Receptacle Type 4	183071	Wheel, Feed 3
111410	Washer, Flat 3	182851	Spacer 3	183089	Block, Contact 4
114107	Spring 3	183004	Post, Spring 4	183091	Post 3
119649	Ring, Retaining 3	183011	Pawl, Feed 3	183092	Cup 3
119651	Ring, Retaining 3, 4	183015	Lever, Detent 3	183094	Plate 2
119652	Ring, Retaining 3	183016	Pawl, Blocking 3	183095	Stud, Tape Guide 3
121245	Clamp, Cable (5/16" ID) 3	183020	Bracket, Blocking Pawl 3	183097	Pin, Sensing 4
121246	Clamp, Cable (3/8" ID) 3	183023	Bracket, Detent 3	183104	Spring 4
124177	Washer, Lock 2, 3, 4	183024	Wire, Contact 4	183105	Spring 4
125015	Washer, Flat 2, 3	183025	Bracket 3	183106	Spring 3
151152	Screw (4-40 x 3/16 Hex) 4	183026	Post, Contact Block 4	183111	Label 4
151626	Terminal 3	183027	Shaft, Feed Wheel 3	183112	Screw (4-40 x 9/64 Fil) 2
151880	Nut (4-40 Hex) 3, 4	183029	Latch, Spring 3	183114	Sleeve, Insulating 4
152893	Screw (4-40 x 1/4 Hex) 4	183032	Lid, Tape 3	183115	Wire, Contact 4
153538	Screw (6-40 x 7/16 Hex) 2	183033	Bail, Tight Tape 3	183116	Wire, Contact 4
158148	Washer, Felt 3	183034	Lever, Tight Tape 3	183117	Screw (10-32 x 5/8 Hex) 3
172993	Spring 3	183035	Guide, Sensing Pin 4	183118	Plate, Clamp 3
173974	Screw (10-32 x 5/16 Hex) 2	183036	Plate, Back 3	183124	Spring 4
180041	Spring 4	183037	Screw, Shoulder (4-40) 4	183133	Bracket 3
180044	Terminal, Tab Type 4	183038	Bushing, Upstop 4	183134	Base 2
180798	Screw, Self-Tapping (8-32) 2	183039	Buffer, Upstop 4	183135	Cover 2
180902	Jumper (3-1/2" Braided) 3	183041	Bracket, Upstop 4	183136	Plate 4
181240	Screw, Self-Tapping (6-40) 3	183042	Spring, Compression 4	183138	Modification Kit To Provide Improved Reader Mounting Parts 2
181241	Screw, Self-Tapping (6-40) 3, 4	183044	Pin, Tape-Out 3	184002	Armature 4
181245	Screw, Self-Tapping (6-40) 2	183045	Lever, Start-Stop 4	184003	Shaft, Armature 4
181991	Plate, Identification 3	183046	Cover 2	184101	Plate, Identification 3
182251	Plate, Identification 3	183047	Base 2	184104	Plate, Identification 3
182275	Wire, Contact 4	183048	Plate, Top 3	195614	Pin, Key 4
182537	Terminal 4	183049	Block, Contact 4		
182539	Connector, Receptacle Type (15 Pt) 4	183050	Bar, Common 4		

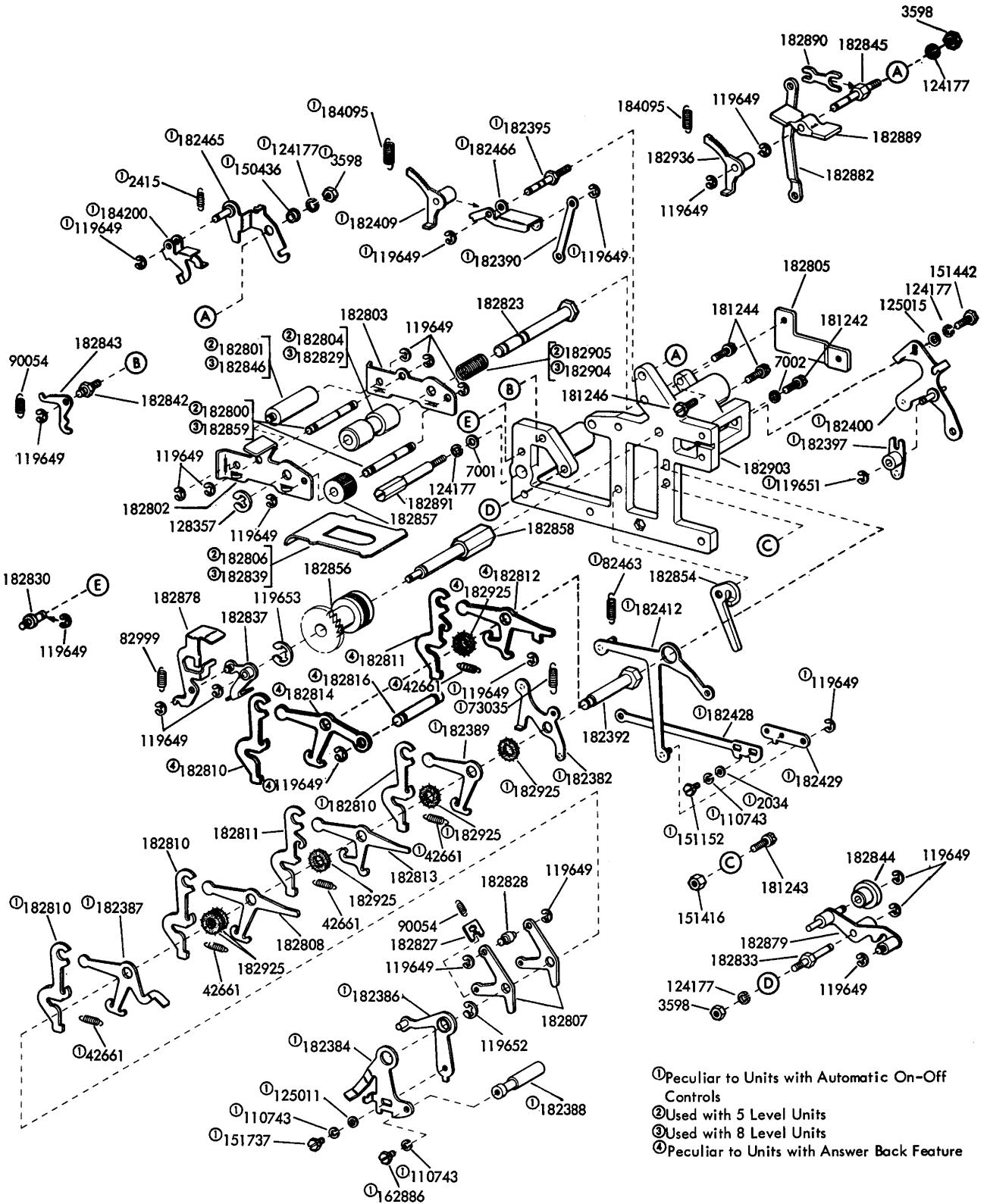
32 and 33 TAPE PUNCH (UPE)
PARTS

FIGURE	CONTENTS	PAGE
1	Cover and Base	2
2	Punch Mechanism	3
3	Punch Mechanism (Continued)	4
4	Power Bail Mechanisms	5
	Numerical Index	6



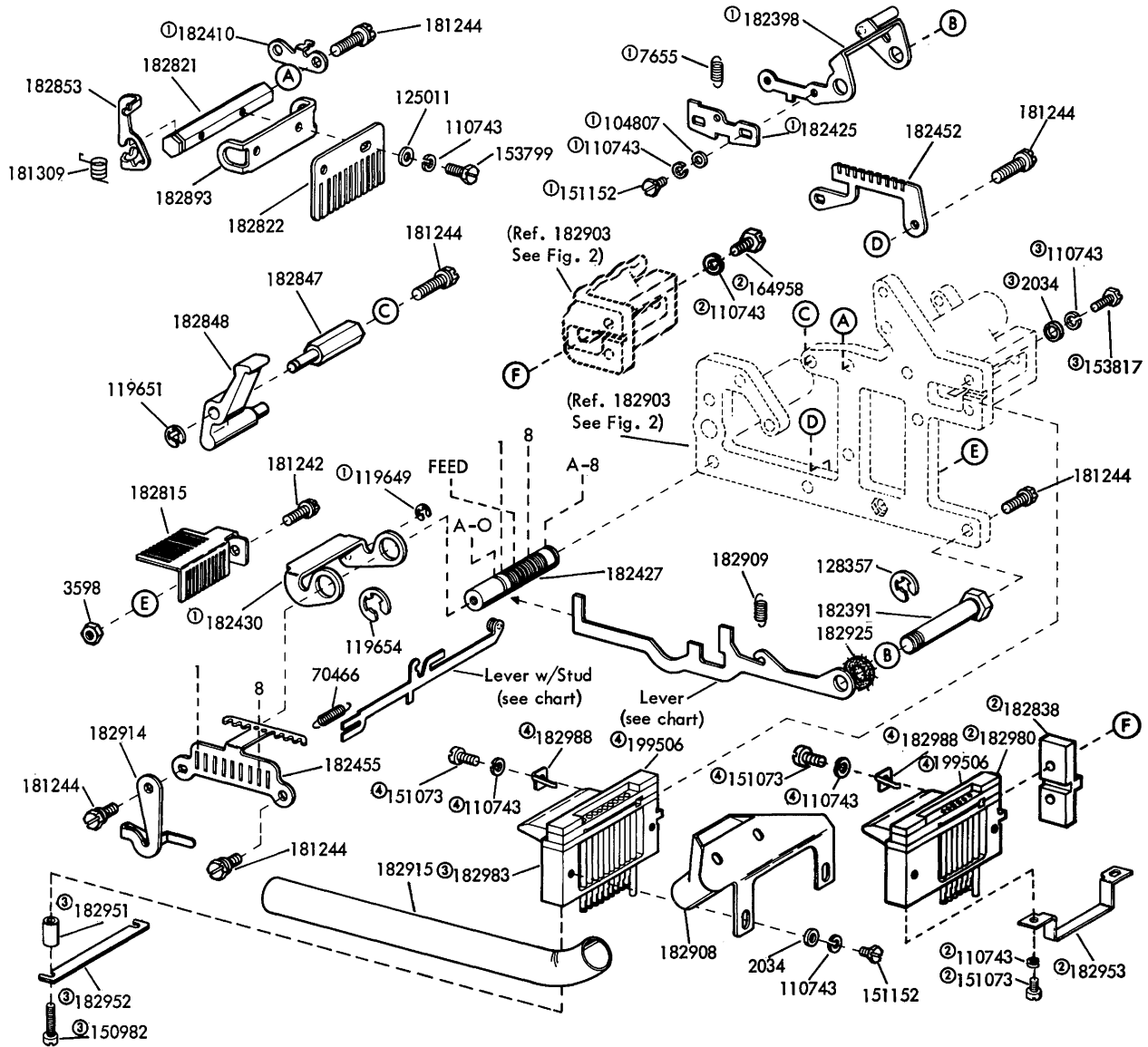
- ① Use with 1" Tape Core, 11/16" Tape
- ② Use with 2" Tape Core, 11/16", 7/8", or 1" Tape
- ③ Part of 182926
- ④ Part of 184206 (For automatic On-Off control)
- ⑤ Part of 182109 (For manual On-Off control)

FIGURE 1. COVER AND BASE



- ① Peculiar to Units with Automatic On-Off Controls
- ② Used with 5 Level Units
- ③ Used with 8 Level Units
- ④ Peculiar to Units with Answer Back Feature

FIGURE 2. PUNCH MECHANISM



8 LEVEL

5 LEVEL

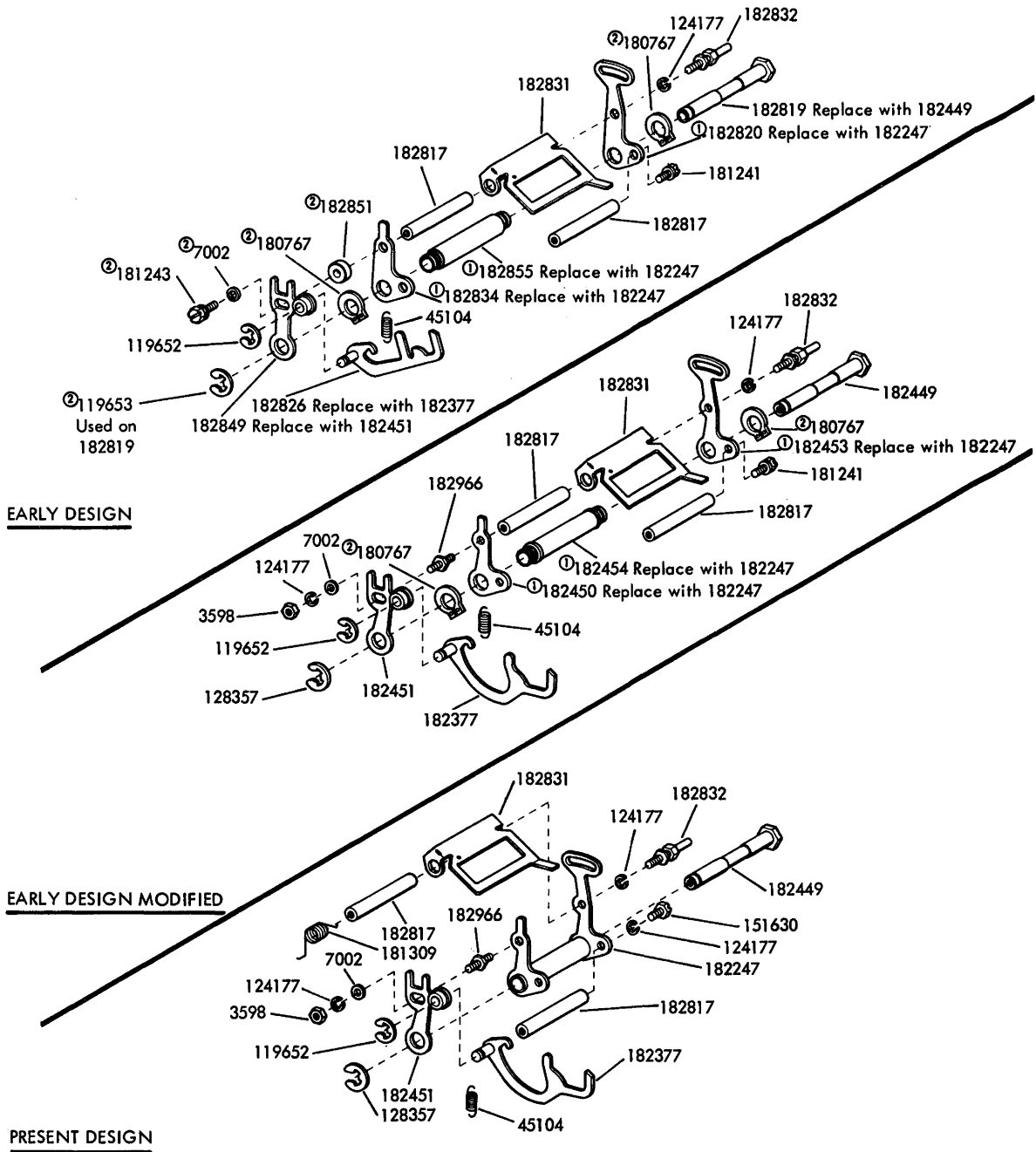
LEVER		LEVER W/STUD		LEVER W/STUD	
SLOT	PART NO.	SLOT	PART NO.	SLOT	PART NO.
A-O	①182457	1	182862	1	①182403
1	182431	2	182884	2	①182402
2	182432	3	182885	3	①182404
3	182433	4	182864	4	①182864
FEED	182872	5	182886	5	①182406
4	182434	6	182887	6	①182887
5	182435	7	182861	7	①182861
6	182437	8	182888	8	①182888
7	182438				
8	182439				
A-8	①182457				

LEVER		LEVER W/STUD	
SLOT	PART NO.	SLOT	PART NO.
A-O	182866	1	182862
1	—	2	182860
2	182432	3	182863
3	182433	4	182864
FEED	182872	5	182865
4	182434	6	182861
5	182435	7	—
6	182436	8	—
7	—		
8	—		
A-8	182876		



- ① Peculiar to Units with Automatic On-Off controls
- ② Used with 5 Level Units
- ③ Used with 8 Level Units
- ④ Supplied w/182980 and 182983

FIGURE 3. PUNCH MECHANISM (Continued)



① Must be replaced with 182247 Sleeve w/Plates, 181309 Spring and 128357 Ring, Retaining (3598, 124177, 7002 and 182966 may also be ordered to update entire Power Bail Mechanism)
 ② Use only with Earlier Design Mechanisms

FIGURE 4. POWER BAIL MECHANISMS

NUMERICAL INDEX

Part Number	Description and Page Number	Part Number	Description and Page Number	Part Number	Description and Page Number
2034	Washer, Flat 3, 4	182412	Lever w/Stud 3	182849	Plate 5
2415	Spring 3	182425	Arm 4	182851	Spacer 5
3598	Nut (6-40 Hex) 2, 3, 4, 5	182427	Post 4	182853	Hook 4
7001	Washer, Flat 3	182428	Link 3	182854	Bracket 3
7002	Washer, Flat 3, 5	182429	Plate 3	182855	Sleeve 5
7655	Spring 4	182430	Bail w/Stud 4	182856	Wheel (24T) 3
42661	Spring 3	182431	Lever 4	182857	Roller 3
45104	Spring 5	182432	Lever 4	182858	Post 3
70466	Spring 4	182433	Lever 4	182859	Post 3
73035	Spring 3	182434	Lever 4	182860	Lever w/Stud 4
82463	Spring 3	182435	Lever 4	182861	Lever w/Stud 4
82999	Spring 3	182436	Lever 4	182862	Lever w/Stud 4
90054	Spring 3	182437	Lever 4	182863	Lever w/Stud 4
104807	Washer, Flat 4	182438	Lever 4	182864	Lever w/Stud 4
110743	Washer, Lock 3, 4	182439	Lever 4	182865	Lever w/Stud 4
119649	Ring, Retaining 3, 4	182449	Post 5	182866	Lever 4
119651	Ring, Retaining 3, 4	182450	Plate 5	182872	Lever 4
119652	Ring, Retaining 3, 5	182451	Plate w/Bushing 5	182876	Lever 4
119653	Ring, Retaining 3, 5	182452	Plate, Guide 4	182878	Lever 3
119654	Ring, Retaining 4	182453	Plate 5	182879	Lever 3
124177	Washer, Lock 2, 3, 5	182454	Sleeve 5	182882	Link 3
125011	Washer, Flat 3, 4	182455	Bracket 4	182884	Lever w/Stud 4
125015	Washer, Flat 2, 3	182457	Lever 4	182885	Lever w/Stud 4
128357	Ring, Retaining 3, 4, 5	182465	Bracket 3	182886	Lever w/Stud 4
150436	Bushing 3	182466	Lever w/Post 3	182887	Lever w/Stud 4
150982	Screw (4-40 x 7/16 Fil) 4	182468	Lid 2	182888	Lever w/Stud 4
151073	Screw (4-40 x 5/32 Fil) 4	182800	Post 3	182889	Lever 3
151152	Screw (4-40 x 3/16 Hex) 3, 4	182801	Roller 3	182890	Plate 3
151416	Nut (6-40 Hex) 3	182802	Bracket 3	182891	Screw (6-40 Spl) 3
151442	Screw (6-40 x 1/2 Hex) 3	182803	Plate 3	182893	Bracket 4
151630	Screw (6-40 x 1/4 Hex) 5	182804	Sleeve 3	182903	Casting 3
151737	Screw (4-40 x 11/64 Hex) 3	182805	Plate 3	182904	Spring, Compression 3
153799	Screw (4-40 x 21/64 Hex) 4	182806	Plate 3	182905	Spring, Compression 3
153817	Screw (4-40 x 3/8 Hex) 4	182807	Lever 3	182908	Chute, Chad 4
162886	Screw (4-40 x 7/32 Hex) 3	182808	Lever 3	182909	Spring 4
164958	Screw (4-40 x 1/2 Hex) 4	182810	Pawl 3	182912	Lid 2
180767	Ring, Retaining 5	182811	Pawl 3	182913	Base, Cover 2
180798	Screw, Self-Tapping (8-32) 2	182812	Lever 3	182914	Bracket 4
181241	Screw, Self-Tapping (6-40) 5	182813	Lever 3	182915	Extension 4
181242	Screw, Self-Tapping (6-40) 3, 4	182814	Lever 3	182916	Screw (8-32 x 2-9/16 Hex) 2
181243	Screw, Self-Tapping (6-40) 3, 5	182815	Bracket 4	182917	Spring, Special 2
181244	Screw, Self-Tapping (6-40) 2, 3, 4	182816	Shaft 3	182918	Spindle 2
181246	Screw, Self-Tapping (6-40) 3	182817	Post 5	182919	Button 2
181309	Spring, Torsion 4, 5	182819	Post 5	182921	Cover, Right 2
182109	Lid Assembly 2	182820	Plate 5	182922	Cover, Left 2
182247	Sleeve w/Plate 5	182821	Post 4	182925	Washer, Felt 3, 4
182377	Pawl w/Stud 5	182822	Plate 4	182926	Cover 2
182382	Lever 3	182823	Post 3	182932	Nut (1/8-3/8 Hex) 2
182384	Lever 3	182826	Pawl 5	182935	Hub 2
182386	Lever 3	182827	Plate 3	182936	Arm w/Bushing 3
182387	Lever 3	182828	Roller 3	182938	Clip 4
182388	Post 3	182829	Sleeve 3	182951	Spacer (.340" Thk) 4
182389	Lever 3	182830	Post, Spring 3	182952	Plate 4
182390	Link 3	182831	Bail 5	182953	Bracket 4
182391	Post 4	182832	Post 5	182966	Stud 5
182392	Post 3	182833	Post 3	182980	Block, Punch 4
182395	Post 3	182834	Plate 5	182983	Block Asm, Punch 4
182397	Lever 3	182837	Lever w/Post 3	182988	Spring, Punch Block 4
182398	Bail w/Post 4	182838	Spacer 4	184095	Spring 3
182400	Plate w/Post 3	182839	Plate 3	184200	Bail 3
182402	Lever w/Stud 4	182842	Post 3	184206	Lid Asm 2
182403	Lever w/Stud 4	182843	Lever 3	184208	Spring 2
182404	Lever w/Stud 4	182844	Roller 3	199506	Gasket 4
182406	Lever w/Stud 4	182845	Post 3		
182409	Arm w/Hub 3	182846	Roller 3		
182410	Plate, Spring 4	182847	Post 4		
		182848	Arm 4		

32 and 33 COVER and TABLE

PARTS

FIGURE	CONTENTS	PAGE
1	Covers	2
2	Faceplates	3
3	Table Top and Tape Storage Bin	4
4	Table	5
5	Lid and Copyholder	6
6	Adjustable Copyholder	7
7	182134 Power Pack Assembly	8
8	181720 Power Supply Assembly	8
9	184074 Power and Signal Line Interfacing Assembly	9
	Numerical Index	10

PAINT FINISH COLOR CODE CHART									
(for parts and assemblies requiring a paint finish)									
Color	Finish Suffixes				Color	Finish Suffixes			
	Wrinkle Finish	Smooth Finish	Textured Vinyl	Smooth Vinyl		Wrinkle Finish	Smooth Finish	Textured Vinyl	Smooth Vinyl
Black	AA (37)	BB			Brussels Light Blue		EC		
Dark Brown	AD (38)				Medium Blue		ES		
Gray Green	AB (40)	BK	GA (45)		Cherry Red		EF		
Charcoal Gray	AL	BZ		HA	Pastel Yellow		EG		
Dark Gray			GB		White		EH		
Light Gray		EJ		HB (68)	Ivory		EM		
Beige Gray			GC		Beige		ET		
Light Beige		EL		HC	Rose Beige		ER		
Moss Green		EN		HD	Rose Pink		EU		
Eye Rest Green		EA			Dark Covert Gray				HE
Turquoise		EV			Light Olive Gray	EW		GE	HF (46)
Aqua Blue		EK			Fawn				HG

The double asterisk (**) denotes a painted part. Suffix to be applied following the part number. Number in parenthesis indicates Bell System code.

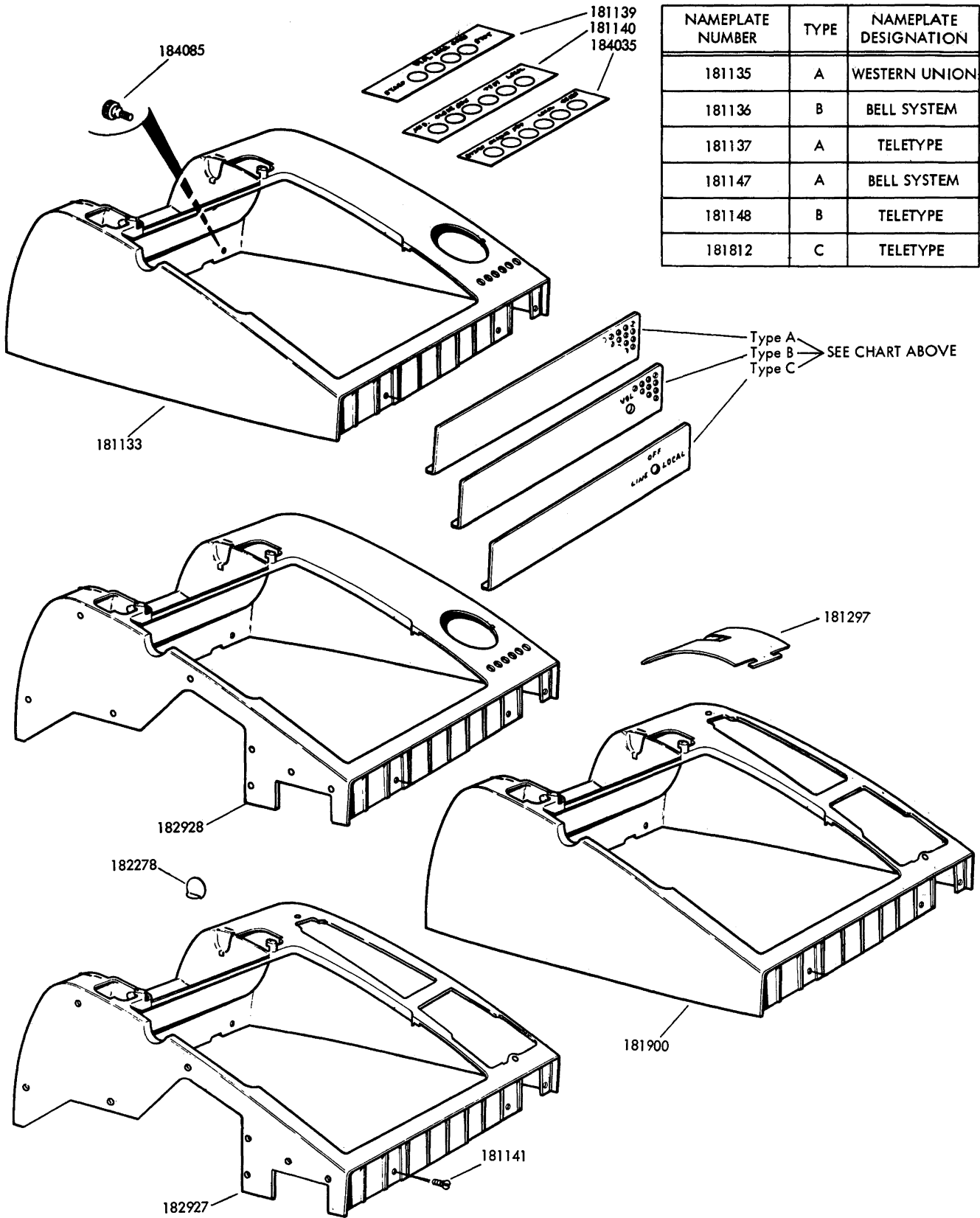


FIGURE 1. COVERS

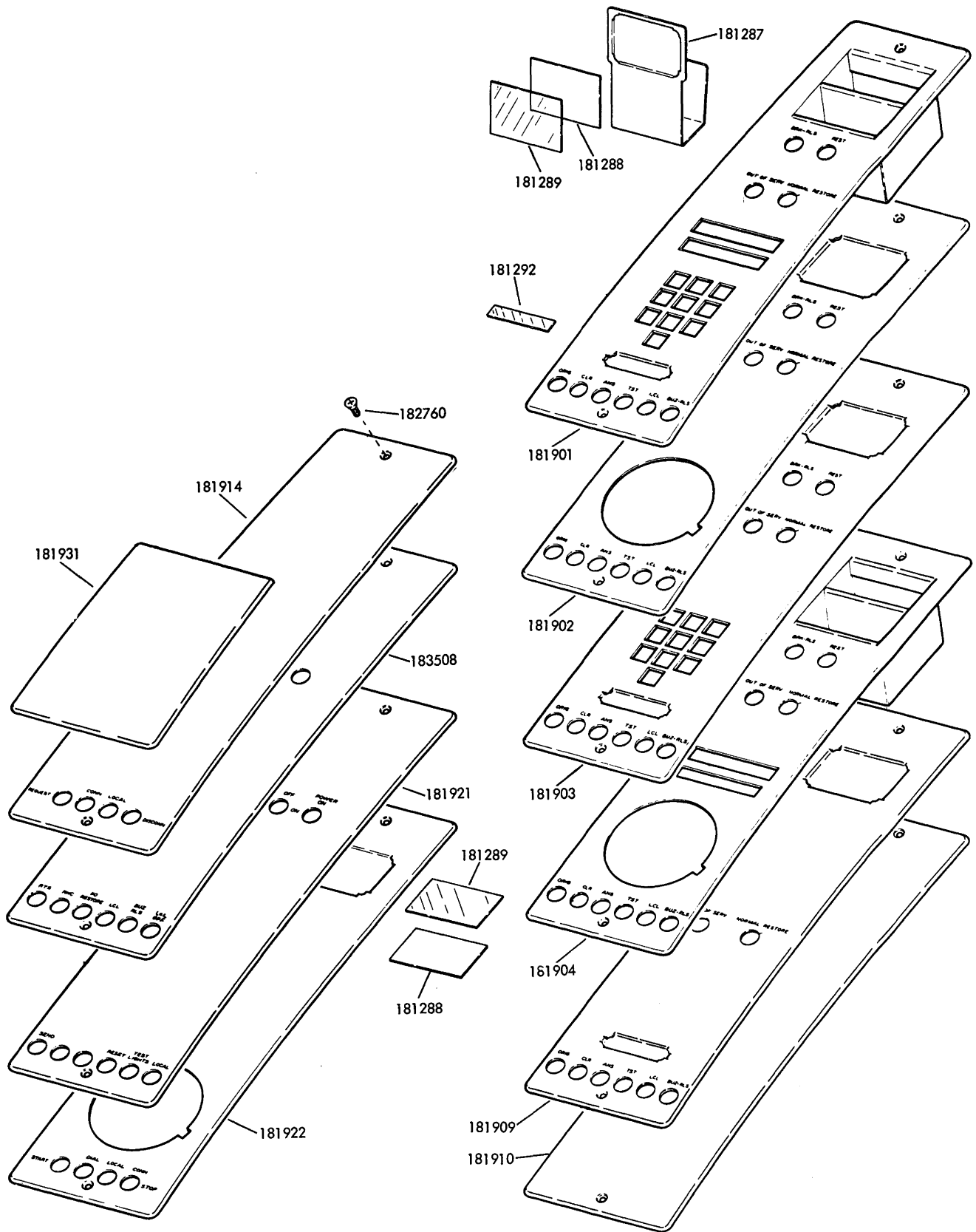


FIGURE 2. FACEPLATES

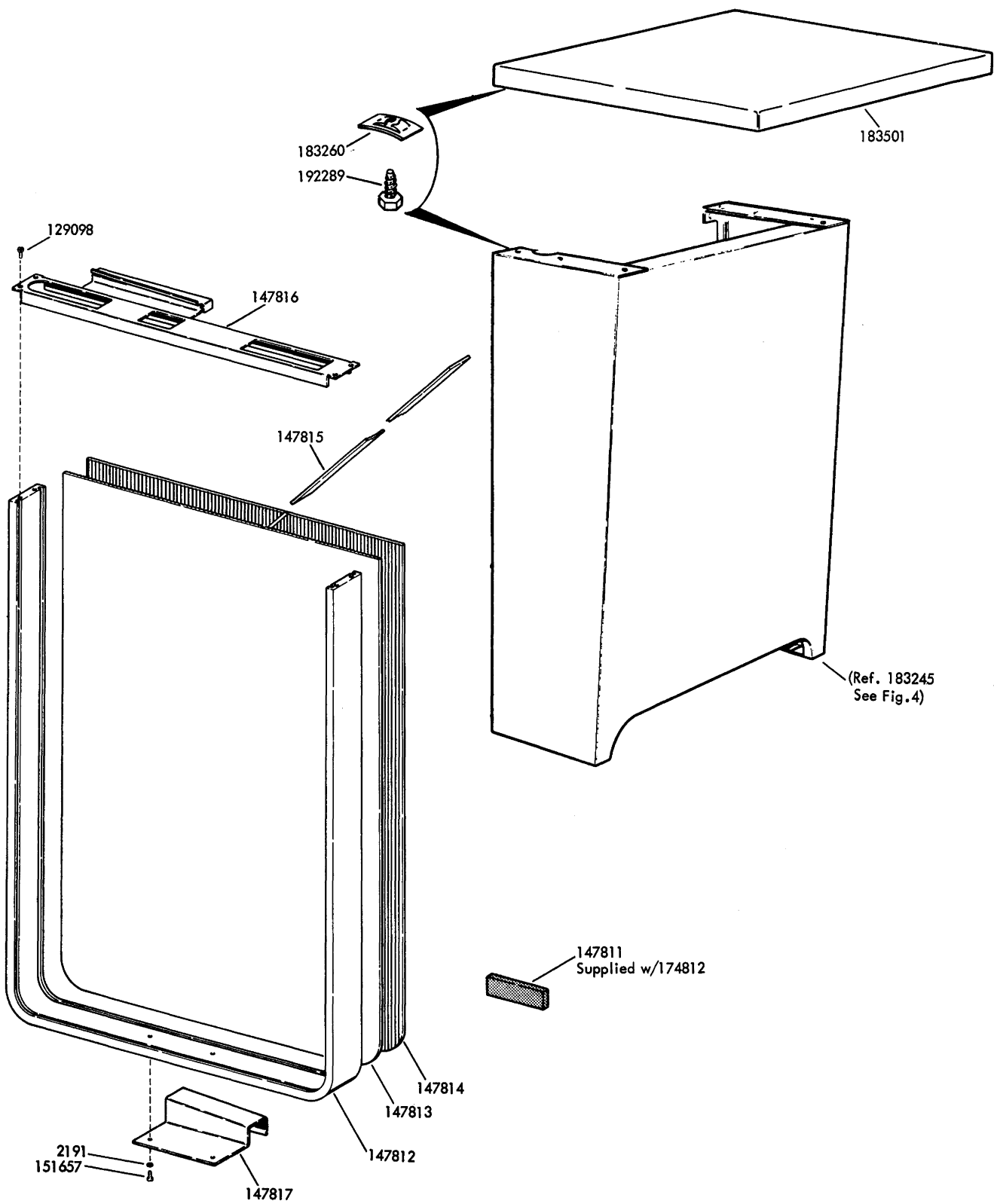


FIGURE 3. TABLE TOP AND TAPE STORAGE BIN

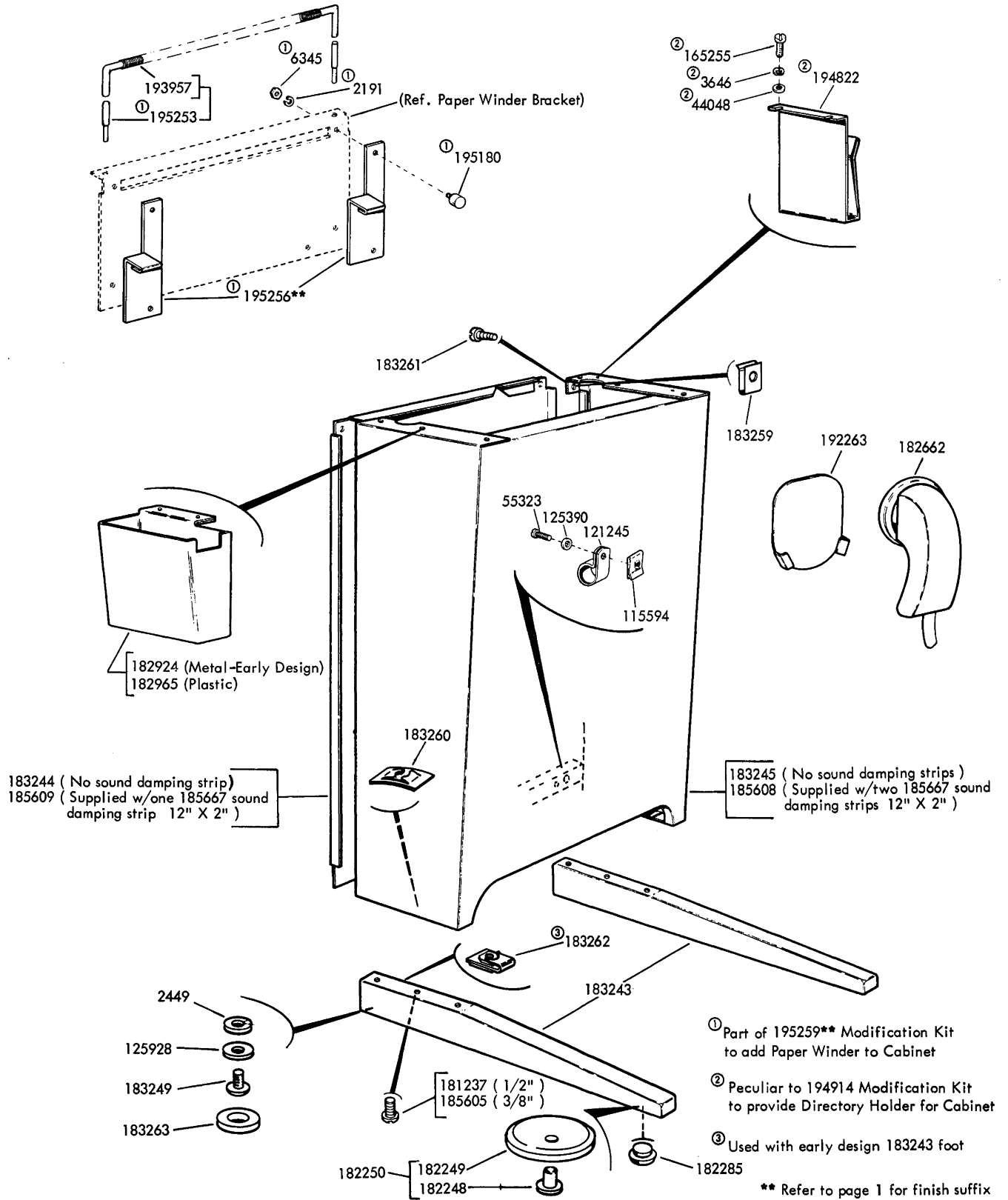
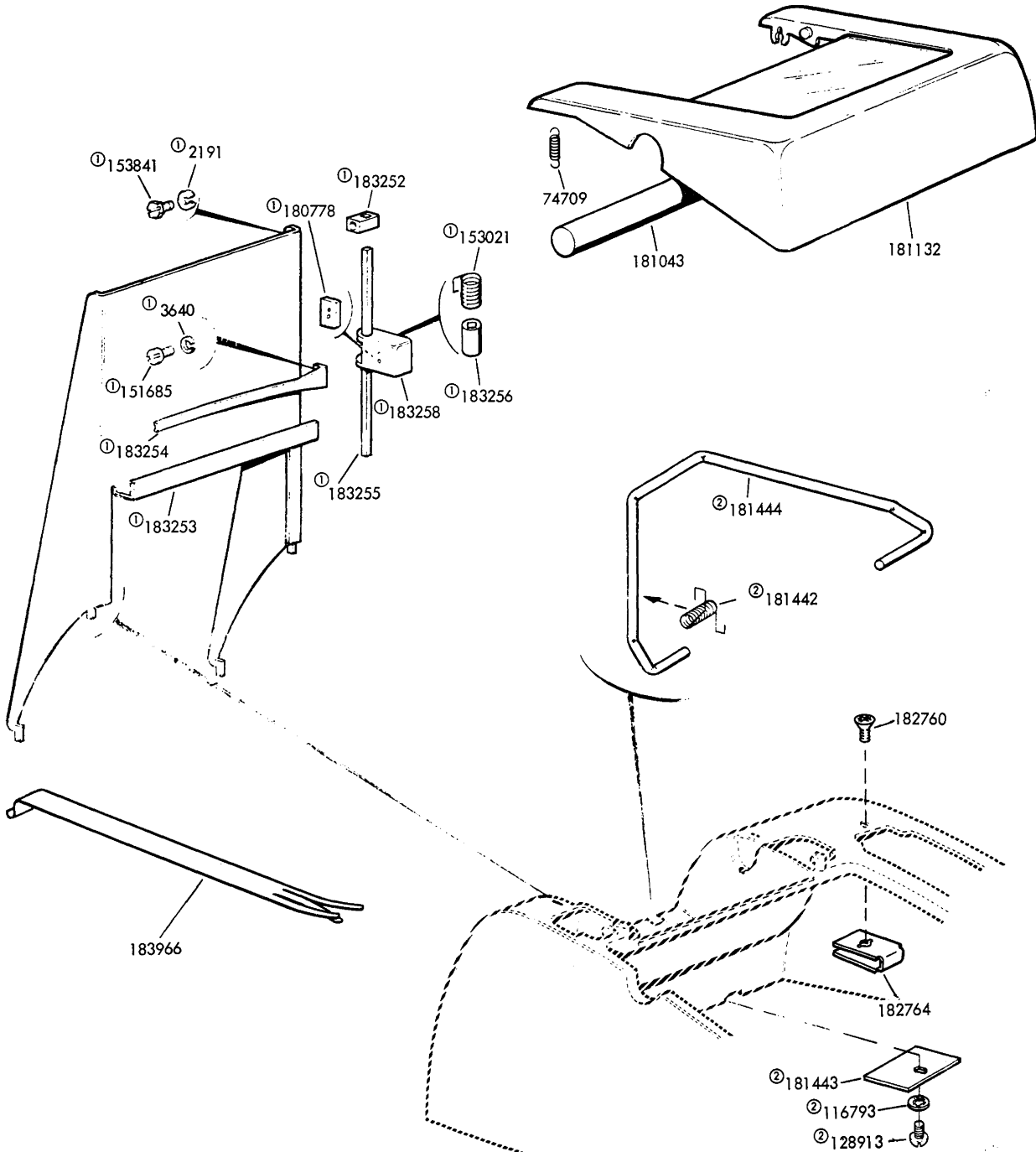


FIGURE 4. TABLE



① Part of the 182036 Copyholder Assembly
 ② Used with Sets Having Low Paper Alarm

FIGURE 5. LID AND COPYHOLDER

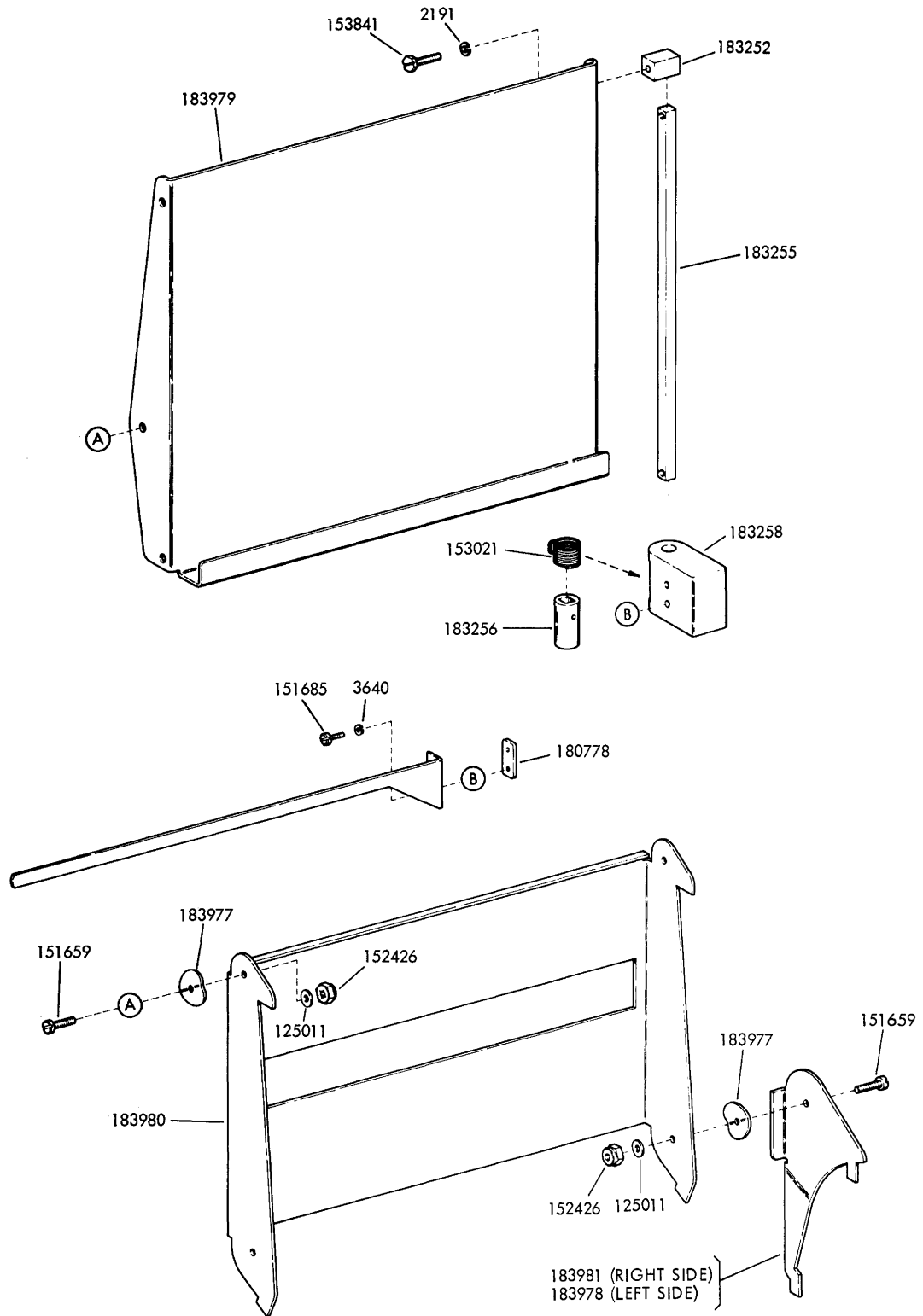


FIGURE 6. ADJUSTABLE COPYHOLDER

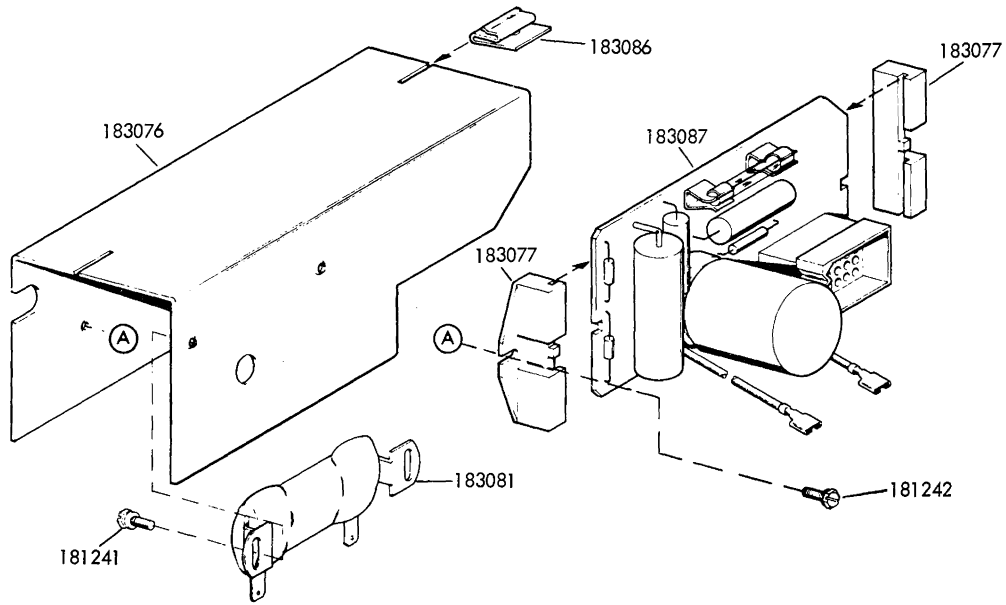


FIGURE 7. 182134 POWER PACK ASSEMBLY

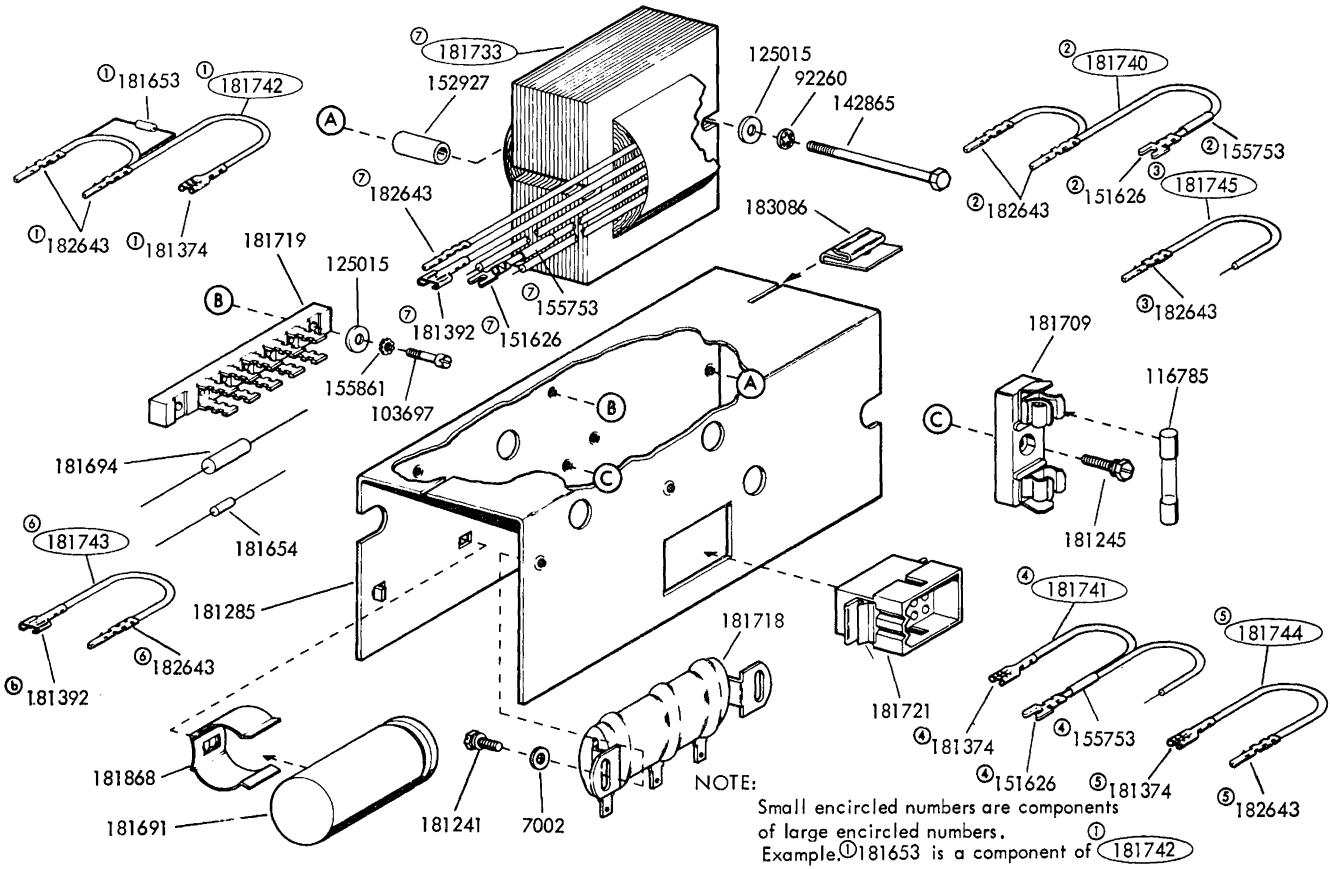
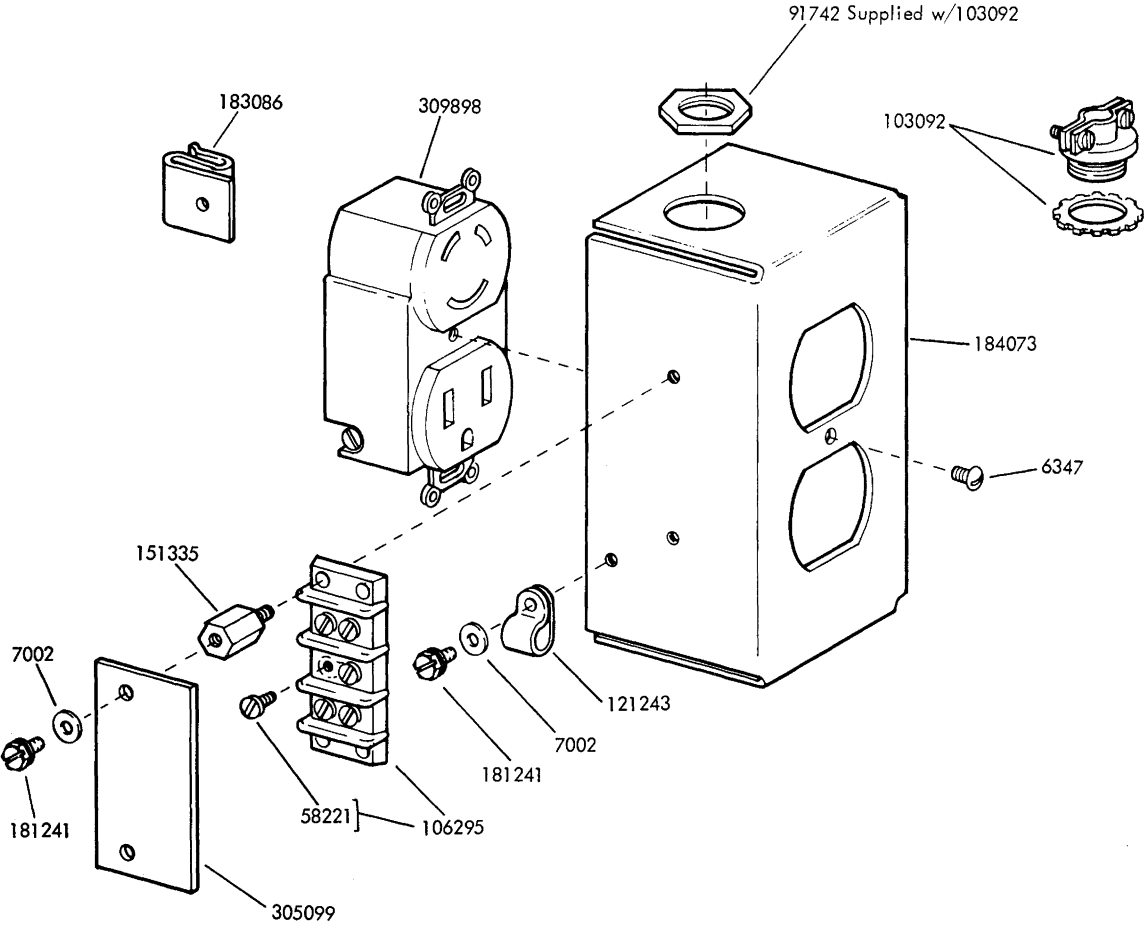


FIGURE 8. 181720 POWER SUPPLY ASSEMBLY



Note:
The 184074 includes the
182510 Cord.

FIGURE 9. 184074 POWER AND SIGNAL LINE INTERFACING ASSEMBLY

NUMERICAL INDEX

Part Number	Description and Page Number	Part Number	Description and Page Number	Part Number	Description and Page Number
2191	Washer, Lock 4, 5, 6, 7	181140	Label, Designation (W.V) 2	182278	Support 2
2449	Washer, Lock 5	181141	Screw (8-32 SPL) 2	182285	Bumper, Rubber 5
3640	Washer, Lock 6, 7	181147	Plate, Name 2	182510	Cord, Power 9
3646	Washer, Lock 5	181148	Plate, Name 2	182643	Terminal, Plug Type 8
6345	Nut (6-32 Hex) 5	181237	Screw, Self-Tapping (1/4-14) 5	182662	Receiver 5
6347	Screw (6-32 x 3/8 Rd) 9	181241	Screw, Self-Tapping (6-40) 8, 9	182760	Screw (6-32 SPL) 3, 6
7002	Washer, Flat 8, 9			182764	Nut, Speed (6-32) 6
44048	Washer, Flat 5	181242	Screw, Self-Tapping (6-40) 8	182924	Box, Chad 5
55323	Screw (8-32 x 1/2 Rd) 5	181245	Screw, Self-Tapping (6-40) 8	182927	Cover 2
58221	Screw (6-32 x 1/4 Fil) 9	181285	Cover, Mounting 8	182928	Cover 2
74709	Spring 6	181287	Holder, Card 3	182965	Box, Chad 5
91742	Nut, Lock 9	181288	Label, Adhesive 3	183076	Bracket, Rectifier 8
92260	Washer, Lock 8	181289	Window, Plastic 3	183077	Clamp, Circuit Card 8
103092	Connector, Cord 9	181292	Window, Plastic 3	183081	Resistor (1200 Ohm) 8
103697	Screw (4-40 x 7/16 Fil) 8	181297	Cover, Insulating 2	183086	Clip 8, 9
106295	Block, Terminal 9	181374	Terminal, Tab Type 8	183087	Card, Circuit 8
115594	Nut, Speed 5	181392	Terminal, Tab Type 8	183243	Foot w/Brackets 5
116785	Fuse (.3 Amp) 8	181442	Spring, Torsion 6	183244	Panel 5
116793	Washer, Lock 6	181443	Plate, Clamp 6	183245	Cabinet, Lower 5
121243	Clamp, Cable (3/16" ID) 9	181444	Rod, Sensing 6	183249	Screw (5/16-18 SPL) 5
121245	Clamp, Cable (5/16" ID) 5	181653	Diode 8	183252	Post 6, 7
125011	Washer, Flat 7	181654	Diode 8	183253	Copyholder 6
125015	Washer, Flat 8	181691	Capacitor (150 MFD) 8	183254	Guide, Line 6
125390	Washer, Flat 5	181694	Resistor (120 Ohms) 8	183255	Shaft 6, 7
125928	Washer, Flat 5	181709	Holder, Fuse 8	183256	Bushing 6, 7
128913	Screw, Self-Tapping (8-32) 6	181718	Resistor, Variable (2,000 - 10,000 Ohms) 8	183258	Handle, Copyholder 6, 7
129098	Screw (6-40 x 11/32 Flat) 4	181719	Strip, Terminal 8	183259	Nut, Speed 5
142865	Screw (6-40 x 2-1/32 Hex) 8	181720	Power Supply 8	183260	Nut, Speed 5
147811	Spacer (.250") 4	181721	Connector, Plug Type (12 Pt) 8	183261	Screw, Self-Tapping (#8) 5
147812	Frame, Tape Bin 4	181722	Connector, Plug Type (12 Pt) 8	183262	Retainer, Nut 5
147813	Window, Left Side 4	181733	Transformer 8	183263	Cap, Light Gray 5
147814	Window, Right Side 4	181740	Cable Assembly 8	183501	Cover Stand 4
147815	Divider, Tape Bin 4	181741	Cable Assembly 8	183508	Faceplate 3
147816	Plate, Retaining 4	181742	Cable Assembly 8	183966	Deflector, Paper 6
147817	Guide, Tape Bin 4	181743	Cable Assembly 8	183977	Washer, Spring 7
151335	Stud 9	181744	Cable Assembly 8	183978	Bracket, Left 7
151626	Terminal 8	181745	Cable Assembly 8	183979	Copyholder 7
151657	Screw (6-40 x 1/4 Fil) 4	181812	Plate, Name 2	183980	Link 7
151659	Screw (6-40 x 1/2 Fil) 7	181868	Clip, Speed 8	183981	Bracket, Right 7
151685	Screw (4-40 x 5/16 Fil) 6, 7	181900	Cover 2	184035	Label, Designation 2
152426	Nut, Self-Locking (6-40) 7	181901	Faceplate 3	184073	Bracket, Outlet 9
152927	Bushing 8	181902	Faceplate 3	184074	Box Assembly, Outlet 9
153021	Spring, Torsion 6, 7	181903	Faceplate 3	184085	Screw, Thumb (8-32) 2
153841	Screw (6-40 x 9/16 Hex) 6, 7	181904	Faceplate 3	185605	Screw, Self-Tapping (1/4-14) 5
155753	Sleeve, Insulating (1/8 ID x 1/2" Lg) 8	181909	Faceplate 3	185608	Cabinet 5
155861	Washer, Lock 8	181910	Faceplate 3	185609	Panel 5
165255	Screw (#8 SPL) 5	181914	Faceplate 3	192263	Holder, Handset 5
180778	Plate 6, 7	181921	Faceplate 3	192289	Screw, Self-Tapping (1/4-14) 4
181043	Spindle, Paper Roll 6	181922	Faceplate 3	193957	Spring, Roller 5
181132	Lid w/Window 6	181931	Faceplate 3	194822	Holder, Directory 5
181133	Cover 2	182036	Copyholder Assembly 6	194914	Modification Kit 5
181135	Plate, Name 2	182134	Power Pack 8	195180	Bumper, Rubber 5
181136	Plate, Name 2	182248	Stud, Shoulder 5	195253	Rack Assembly, Display 5
181137	Plate, Name 2	182249	Foot, Rubber 5	195256EW	Hanger 5
181139	Label, Designation (Bell) 2	182250	Foot, Rubber 5	195259EW	Modification Kit 5
				305099	Cover, Insulating 9
				309898	Outlet, Duplex 9