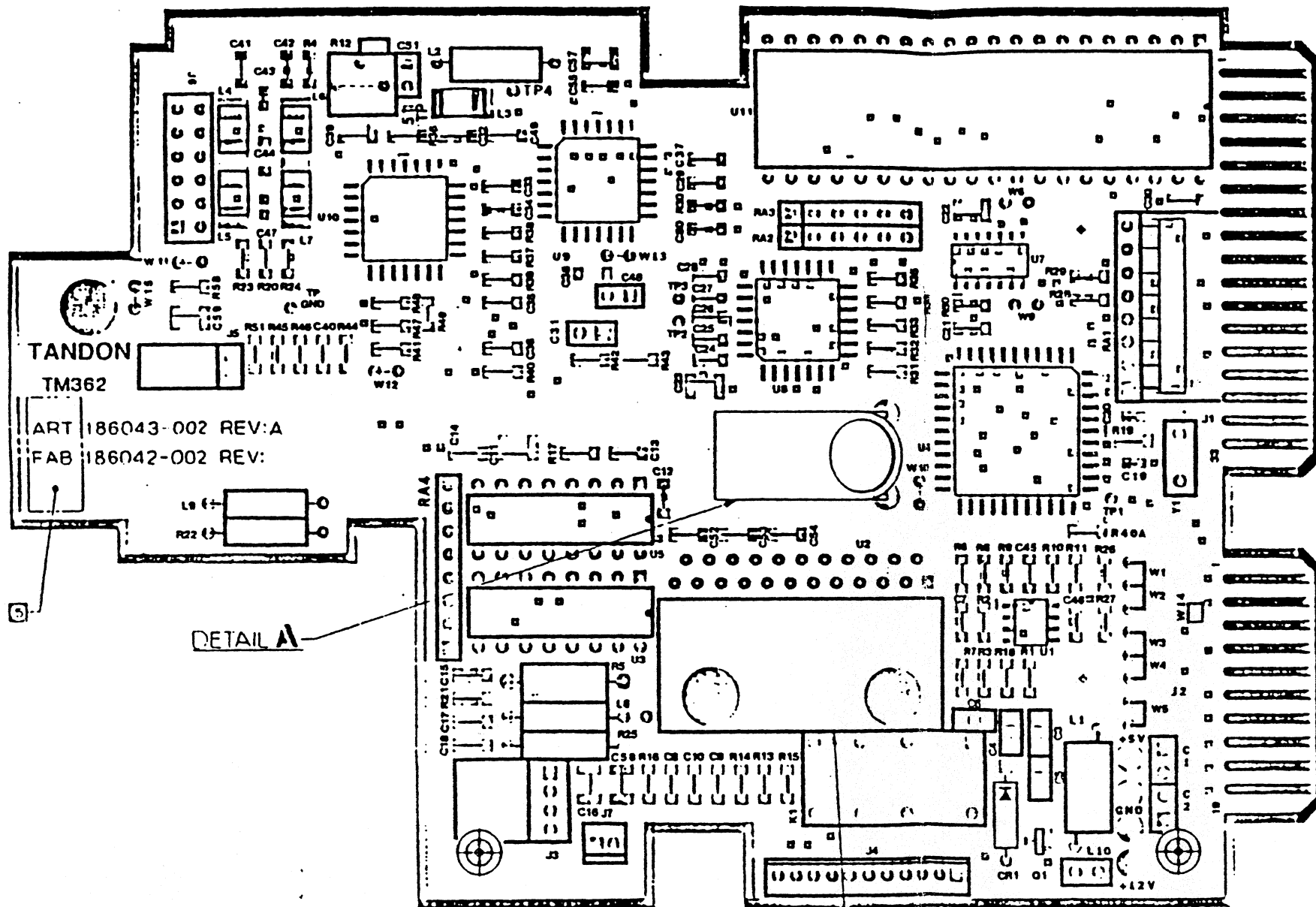


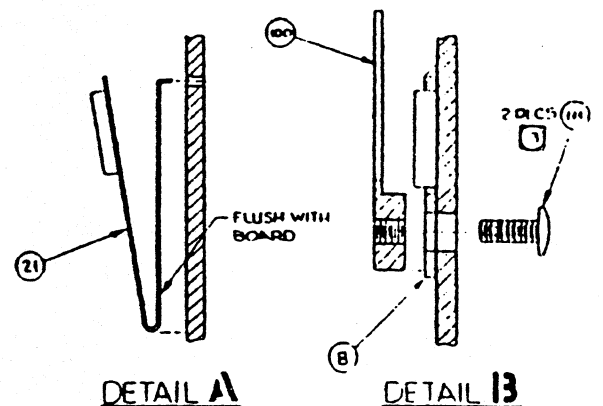
REVISION				DATE	BY	CHK	APP
A	PREPARED REL TO DOC COM REF 0	531162	2-27-72	RF			
B	REVISION PER E.O. 12812/16		8/18/77	RF			



TANDON
TM362
ART 186043-002 REV:A
FAB 186042-002 REV:

DETAIL A

DETAIL B

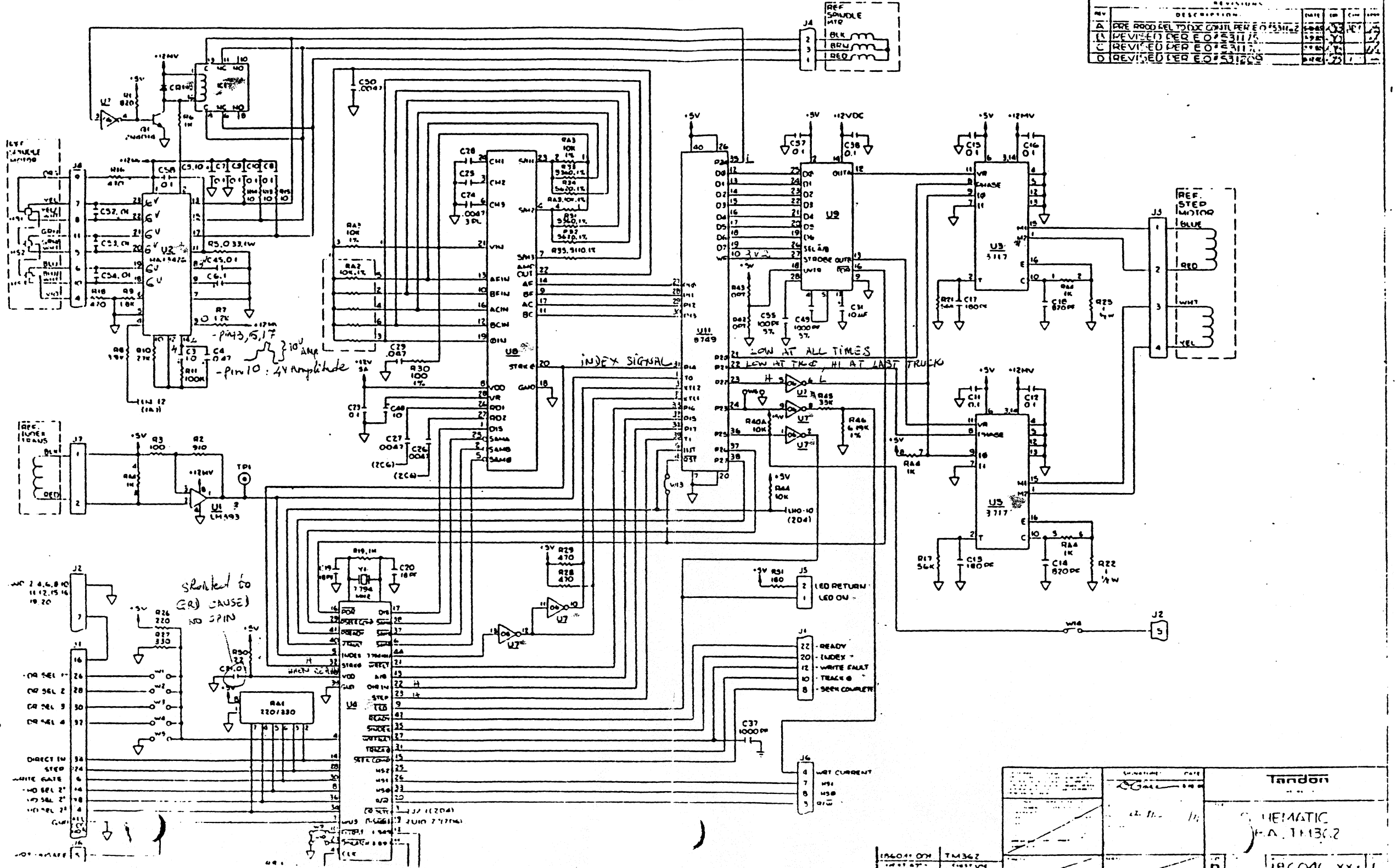


- 5 CLIP THE LEADS ON CIRCUIT SIDE, AFTER SOLDERING, TO LESS THAN 0.040" FROM THE BOARD
- 7 DO NOT FILL W6, W13, TPI THRU TPS, TPGWJ VIAS WITH SOLDER.
- 6 ALL SOCKETS MUST BE FULLY SEATED AGAINST BOARD AFTER SOLDERING.
- 5 FINAL REVISION PER PARTS LIST TO BE STAMPED IN THIS AREA (RAPSIDE)
- 4 REFERENCE DOCUMENT 186041 PER CIRCUIT SCHEMATIC ARWORK 186042
- 3 TIGHTEN TO 5 IN-LB; RETORQUE AFTER SOLDER
- 2 SEE SHEETS 1 THRU 3 PARTS LIST
- 1 INSTALL #24 AWG WIRE ON EITHER SIDE IN JUMPER LOCATIONS SHOWN WITH DIMENSIONS SPEC.

186362 001 TM362
GREAT EAST FIRST USE
APPLICATION

SIGNATURES		DATE	Tandon	
[Signature]		12/10/72	Tandon	
[Signature]			ASSEMBLY	
[Signature]			RUPA-TM362	
DATE			186041 YY 78	
VENDOR			186041 YY 78	

REV	DESCRIPTION	DATE	BY	CHK	APP
A	FOR GOOD REL TO DC CONTROL REF E O 33112	1-2-68	YJ	YJ	YJ
B	REVISED PER E O 33112	1-2-68	YJ	YJ	YJ
C	REVISED PER E O 33112	1-2-68	YJ	YJ	YJ
D	REVISED PER E O 33125	1-2-68	YJ	YJ	YJ



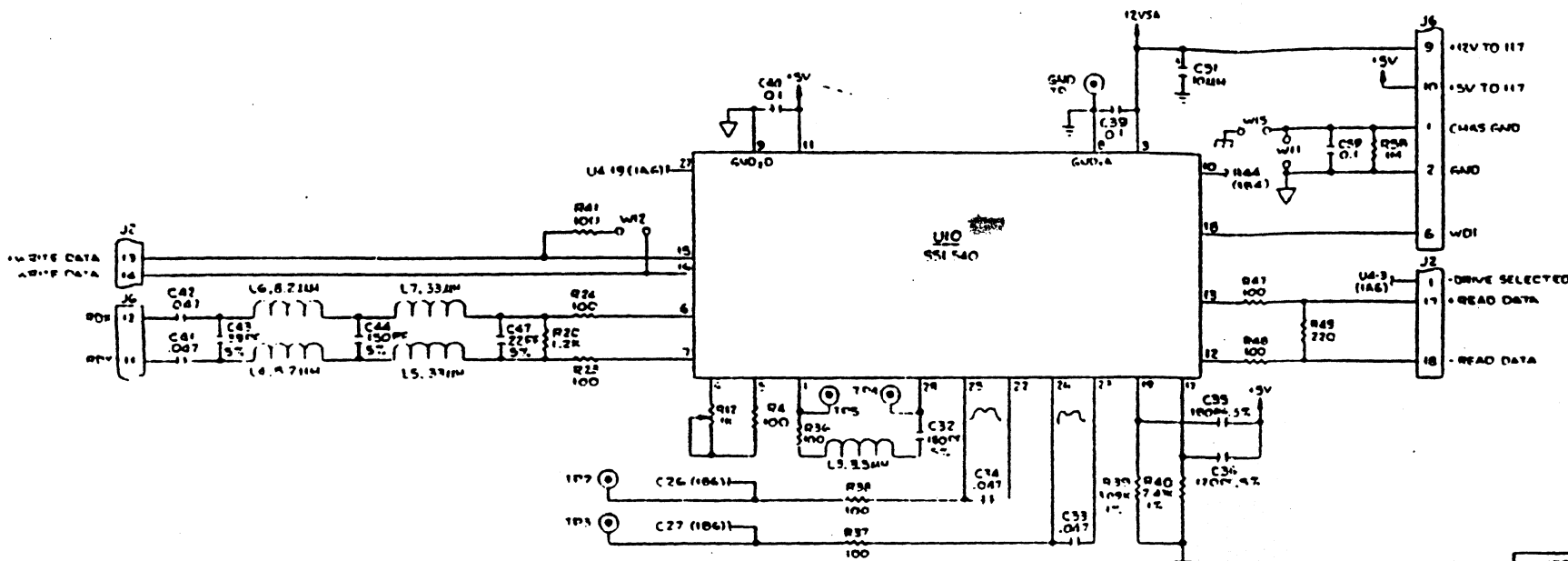
skipped to (CR) CAUSE NO SPIN

LOSES SPIN V U5, U3, U4
 U4: FIXE STEP TIME OUT FR WILSON

612 cyl.
 4 HD

1:6401-001	T.M.342	DATE	1-2-68	BY	YJ	CHK	YJ	APP	YJ
Tandon			SCHEMATIC						
			P.A. T.M.302						
			1:6401 v.v.1						

REVISIONS				
NO.	DESCRIPTION	DATE	BY	APP.
1	SEE SHEET 1			

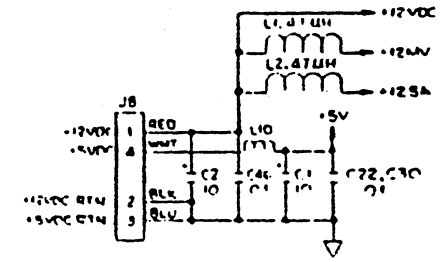


HD SIGNAL AT THESE POINTS HAVE TO BE EQUAL IN PAIRS AT BOTH ENDS OF C34, C33, 00 WILL HAVE R/W PROBLEM

JUMPER	FACTORY PROGRAMMED	DESCRIPTION
W1	IN	DRIVE SELECT
W2	OUT	DRIVE SELECT
W3	OUT	DRIVE SELECT
W4	OUT	DRIVE SELECT
W5	OUT	RADIAL DRIVE SELECT
W6	OUT	SELF TEST
W9	IN	WRITE FAULT RESET
W10	IN	WRITE FAULT LATCH DISABLE
W11	IN	SIGNAL AND CHASSIS GROUND
W12	IN	WRITE DATA TERMINATOR
W13	IN	ATE UP ISOLATOR
W14	OUT	MOTOR ON
W15	IN	SIGNAL AND CHASSIS GROUND

LOCATION	TYPE	+5V	+12V	GROUND	UNUSED
U1	LM393				
U2	13426				
U3	3717				
U4	186092 001				
U5	3717				
U6					
U7	7406				
U8	186091 001				
U9	186066 001				
U10	540				
U11	9149				

LAST USED	NOT USED
C54	C56
C81	
J8	
L10	
Q1	
R58	R52 THRU R57
V1	
RA4	
TD1	
U11	U6
W15	W7,8
K1	



- 1 (1) DENOTES MDA GROUND
- 2 R42 AND R43 ARE FOR TUNING DRIVER ON RESET TRIGGER LEVEL
- 3 (1) DENOTES TEST POINT
- 4 UNAVAILABLE COMPONENTS ARE OMITTED
- 5 INDICATORS ARE IN 1/4 INCH
- 6 DIODES ARE IN 6002 OR EQUIV
- 7 CAPACITORS ARE VALUED IN 1/2 25V MINIMUM TOLERANCES ARE 10% FOR VALUES IN .01 OTHERWISE
- 8 1% RESISTORS ARE 1/4W
- 9 RESISTORS ARE VALUED IN OHMS, 1/4W, 5%

	DATE	1982
	Tandon SCHEMATIC DRA 1M362	