

Field Engineer Handbook - Volume II

This *Field Engineer Handbook* edition, dated 9/18/00, replaces the Volume I and Volume II contents and tabs.

Volume I CPU is now two tabs; Workstation CPU and Server CPU.

Volume II Sun-4u Systems is now two tabs; Sun-4u Workstation and Sun-4u Server.

Systems and Peripherals added to the twenty-first edition:

- Netra ct 400
- Netra ct 800
- Netra S220
- StorEdge L9
- StorEdge L20, L40, and L60
- StorEdge L180
- StorEdge T3
- Sun Blade 100
- Sun Blade 1000
- Sun Ray 100
- Sun Ray 150

For your filing convenience, a title page with a bar strip on the right edge separates each section, so that you can easily place a new section after the appropriate tab.

The *Field Engineer Handbook*, Volumes I and II, is a copyrighted publication of Sun Microsystems, Inc. Additional copies must be purchased.

Email your comments and suggestions to the authors at fehb@scarlett.eng.sun.com.

Sun Microsystems, Inc.
901 San Antonio Road, Mail Stop MTV16-127
Palo Alto, California 94303-4900 U.S.A.

The JavaStation JJ and JavaStation JK systems are serviced as whole unit replacements. The CPU boards for these systems are not illustrated in this edition.

The SPARCcluster and MediaCenter chapters are not in this edition. These products were a combination of a workstation or server, a peripheral, and software. The workstations, servers, and peripherals used to build these products can still be found in their respective chapters.

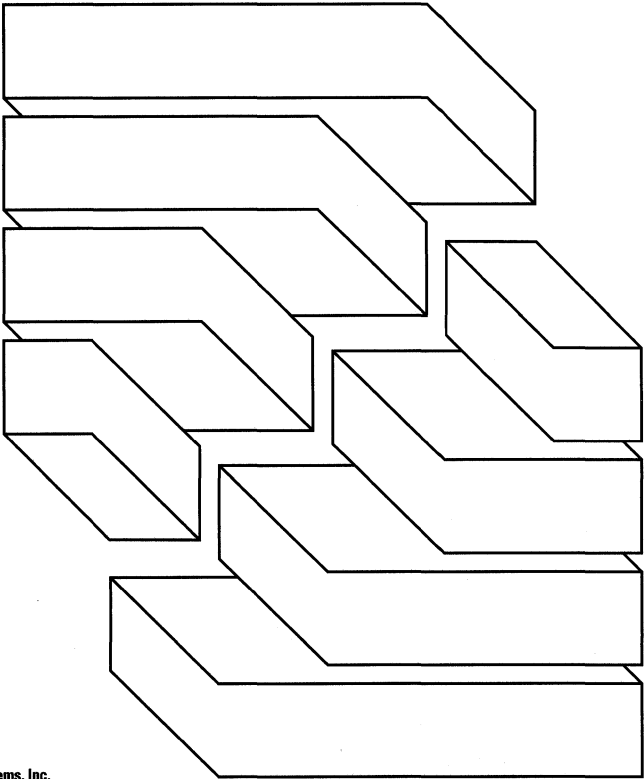
The Netra xt 600 was announced in August 1999 and discontinued in January 2000. The Netra xt 600 is not in this edition.

You may wish to save this product information from the twentieth edition of the Field Engineer Handbook for reference.

VOLUME I	CLUSTER-10	MEDIA-7
CPU-32	CLUSTER-11	TELCO-41
CPU-33	CLUSTER-12	TELCO-42
CPU-34	CLUSTER-13	
CPU-35	CLUSTER-14	
CLUSTER-1	CLUSTER-15	
CLUSTER-2	CLUSTER-16	
CLUSTER-3	CLUSTER-17	
CLUSTER-4	MEDIA-1	
CLUSTER-5	MEDIA-2	
CLUSTER-6	MEDIA-3	
CLUSTER-7	MEDIA-4	
CLUSTER-8	MEDIA-5	
CLUSTER-9	MEDIA-6	

Field Engineer Handbook

Volume II



Part No: 800-4247-17
©1999 Sun Microsystems, Inc.

Written and published by Mike Persichetty and Gerri Roe

Copyright 1987 - 2000 by Sun Microsystems, Inc.
901 San Antonio Road, Palo Alto, California 94303-4900 U.S.A. All rights reserved.

This product or document is protected by copyright and distributed under licenses restricting its use, copying, distribution, and decompilation. No part of this product or document may be reproduced in any form by any means without prior written authorization of Sun and its licensors, if any. Third party software, including font technology, is copyrighted and licensed from Sun suppliers.

Portions of this product may be derived from the UNIX[®] system, licensed from Novell, Inc., and the Berkeley 4.3 BSD system, licensed from the University of California. UNIX is a registered trademark in the United States and in other countries and is exclusively licensed by X/OpenCompany LTD. Third-party software, including font technology in this product, is protected by copyright and licensed from Sun's suppliers.

Sun, Sun Microsystems, the Sun logo, Sun Ray, Solaris, Open Boot, Ultra, Ultra Computing, Ultra Enterprise, Ultra Enterprise Cluster, UntraServer, UltraSPARC, JavaStation, Netra, MediaCenter, Sun StorEdge, SunPCI, Sun BladeSunSwift, SunSwitch, SunFastEthernet, Quad FastEthernet, and Solaris are trademarks, or registered trademarks, or service marks of Sun Microsystems, Inc. in the United States and in other countries. All SPARC trademarks are used under license and are trademarks or registered trademarks of SPARC International, Inc. in the United States and in other countries. Products bearing SPARC trademarks are based upon an architecture developed by Sun Microsystems, Inc. All other product names mentioned herein are trademarks of their respective owners.

The OPEN LOOK[®] and Sun[™] Graphical User Interface was developed by Sun Microsystems, Inc. for its users and licensees. Sun acknowledges the pioneering efforts of Xerox in researching and developing the concept of visual or graphical user interfaces for the computer industry. Sun holds a non-exclusive license from Xerox to the Xerox Graphical User Interface, which license also covers Sun licensees who implement OPEN LOOK GUIs and otherwise comply with Sun written license agreements.

RESTRICTED RIGHTS: Use, duplication, or disclosure by the U.S. Government is subject to restrictions of FAR 52.227 -14(g)(2)(6/87) and FAR 52.227-19(6/87), or DFAR 252.227-7015(b)(6/95 and DFAR 227.7202-3(a).

DOCUMENTATION IS PROVIDED "AS IS" AND ALL EXPRESS OR IMPLIED CONDITIONS, REPRESENTATIONS AND WARRANTIES, INCLUDING ANY IMPLIED WARRANTY OF MERCHANTABILITY, FITNESS FOR A PARTICULAR PURPOSE OR NON-INFRINGEMENT ARE DISCLAIMED, EXCEPT TO THE EXTENT THAT SUCH DISCLAIMERS ARE HELD TO BE LEGALLY INVALID.

THIS PUBLICATION COULD INCLUDE TECHNICAL INACCURACIES OR TYPOGRAPHICAL ERRORS. CHANGES ARE PERIODICALLY ADDED TO THE INFORMATION HEREIN: THESE CHANGES WILL BE INCORPORATED IN NEW EDITIONS OF THE PUBLICATION. SUN MICROSYSTEM, INC. MAY MAKE IMPROVEMENTS AND/OR CHANGES IN THE PRODUCT(S) AND/OR THE PROGRAM(S) DESCRIBED IN THIS PUBLICATION AT ANY TIME.

Printed in the USA

Preface

The *Field Engineer Handbook*, Volumes I and II, illustrates and describes Sun™ Workstations, Servers, and Options. This hardware manual set is available to Sun service providers and customers.

This handbook complements other Sun technical publications and education courses. We assume that Sun service providers and customers who service and repair Sun products have access to these resources.

The *Field Engineer Handbook* does not include installation, removal, replacement, and troubleshooting procedures documented in other Sun publications.

The complexity of products requiring extensive training is beyond the scope of this hardware manual set. These products are not covered in detail. Refer to the manuals.

The *Field Engineer Handbook* is not an official configuration guide or sales guide. Configurations and options supported and sold by Sun Microsystems are documented in the End User and Reseller Price Lists. Installation Manuals, User's Guides, Product Notes, and the Hardware Platform Guide are other sources of supported configuration information.

Send email to fehb-errata@persius.eng.sun.com to receive the errata for the *Field Engineer Handbook*.

Email your comments and suggestions to the authors at fehb@scarlett.eng.sun.com.

Handbook Organization

The Field Engineer Handbook is organized into two volumes.

Volume I includes the Configuration section.

- **Configurations** contains board and peripheral part numbers, option numbers, and illustrations; jumper and switch settings; video resolutions; memory module compatibility; and notes and references.

Volume II includes the following sections:

- **Parts Breakdown** contains workstation, server, and option illustrations; part number listings; and monitor specifications.
- **Troubleshooting** contains system LED error codes; SCSI connector pin assignments, SCSI sense keys and codes; tape drive manual ejection procedures; and communications device pin assignments.
- **Power** contains fuse and power cord charts; system wiring diagrams; and illustrations of power plugs, power supplies power sequencers, and power distribution units.

Revision History

DATE	DESCRIPTION		PART NUMBER
06/01/87	First Edition	1-Volume	800-1819-01
11/01/87	Second Edition	1-Volume	800-1819-01
04/01/88	Third Edition	1-Volume	800-4006-01
09/01/88	Fourth Edition	1-Volume	800-4006-02
05/01/89	Fifth Edition	2-Volume Set	851-1020-01
10//0189	Supplement	2-Volume Set	851-1020-02
05/01/90	Supplement	2-Volume Set	851-1020-03
12/01/90	Sixth Edition	2-Volume Set	851-1020-04
08/15/91	Seventh Edition	2-Volume Set	851-1020-05
02/15/92	Eighth Edition	2-Volume Set	851-1020-06
11/15/92	Ninth Edition	2-Volume Set	851-1020-07
05/28/93	Tenth Edition	2-Volume Set	851-1020-08
12/15/93	Eleventh Edition	2-Volume Set	851-1020-09
06/10/94	Twelfth Edition	2-Volume Set	851-1020-10
02/21/95	Thirteenth Edition	2-Volume Set	851-1020-11
02/23/96	Fourteenth Edition	2-Volume Set	851-1020-12
09/27/96	Fifteenth Edition	2-Volume Set	851-1020-13
04/16/97	Sixteenth Edition	2-Volume Set	851-1020-14
12/05/97	Seventeenth Edition	2-Volume Set	851-1020-15
06/17/98	Eighteenth Edition	2-Volume Set	851-1020-16
03/26/99	Nineteenth Edition	2-Volume Set	851-1020-17
11/26/99	Twentieth Edition	2-Volume Set	851-1020-18
09/18/00	Twenty-first Edition	2-Volume Set	851-1020-19
		Volume I	800-4006-19
		Volume II	800-4247-17

This page intentionally left blank.

PARTS BREAKDOWN

Parts Breakdown

This section contains illustrations, part numbers, and descriptions of Sun Systems, Options, Boards, Input Devices, Monitors, and Printers.

Options such as processor modules, SIMMs, and SBus cards are not included in the System chapter. Internal system peripheral options are not included in the Disk, Removable Media, or Miscellaneous chapters.

Parts listed as (obsolete) or (obs) are no longer used to build new systems. Obsolete parts may be replaced with newer part numbers and may not be available.

This manual provides a list of part numbers used to assemble the system or option. Many of the part numbers listed are not normally available as spare parts or as field replaceable service spares, also referred to as Field Replaceable Units, or FRUs.

Spare parts available for purchase are listed in the *SunSpares Price List*. A list of valid FRU part numbers and part substitutions is available to Sun service and support personnel from Enterprise Services logistics.

Abbreviations

Assy	Assembly
Bkt	Bracket
FRU	Field Replaceable Unit
NS	Not shown
OBP	Open Boot PROM
Obs	Obsolete
OS	Operating System
w	With
w/o	Without
•	Indicates the part is used in an assembly

Option Abbreviations

SSA	SPARCstorage Array
A1000	StorEdge A1000
D1000	StorEdge D1000
A3000	StorEdge A3000 (RSM Array 2000)
A3500	StorEdge A3500
A5000	Enterprise Network Array A5000
A5000	StorEdge A5000
A7000	StorEdge A7000

System Abbreviations

SC	SPARCcenter
SS	SPARCserver, SPARCstation, or SPARCsystem
A11	Ultra 1 Models 140 and 170
A12	Ultra 1 Models 140E, 170E, and 200E
A14	Ultra 2
A16	Ultra 30
A17	Ultra Enterprise 3000 Workstation
A18	Ultra Enterprise 4000 Workstation
A20	Ultra 450 Workstation
A21	Ultra 5
A22	Ultra 10
A23	Ultra 60
A25	Ultra Enterprise 450 Server
A26	Enterprise 250
A27	Ultra 80
A28	Sun Blade 1000
A33	Enterprise 420R
A34	Enterprise 220R
A38	Sun Blade 100
E150	Ultra Enterprise 150
Ex000	Ultra Enterprise 3000/4000/5000/6000
Ex500	Enterprise 3500/4500/5500/6500

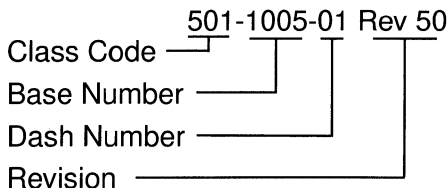
Class Codes

The first three digits of a Sun part number are the class code. Representative class codes are listed below.

CLASS CODE	DESCRIPTION
270-xxxx-xx	PCB Fabrication
300-xxxx-xx	Power Supply
330-xxxx-xx	Plastic Part
340-xxxx-xx	Sheet Metal Part
365-xxxx-xx	Monitor Assembly
370-xxxx-xx	OEM Part
375-xxxx-xx	OEM Part
390-xxxx-xx	OEM Part
500-xxxx-xx	Untested PCB
501-xxxx-xx	Tested PCB
520-xxxx-xx	Programmed IC
525-xxxx-xx	Programmed IC
530-xxxx-xx	Cable
540-xxxx-xx	Assembly
555-xxxx-xx	FRU Assembly
560-xxxx-xx	Shipping Kit
570-xxxx-xx	Electro Mechanical Assembly
595-xxxx-xx	Top Level Option Assembly
596-xxxx-xx	Configured Option Assembly
600-xxxx-xx	Top Level System Assembly
700-xxxx-xx	Software Tape
704-xxxx-xx	Software CD-ROM
790-xxxx-xx	Software Tape and Manual
794-xxxx-xx	Software CD-ROM and Manual
800-xxxx-xx	Sun Manual
801-xxxx-xx	Sun Manual
802-xxxx-xx	Sun Manual
804-xxxx-xx	CD-ROM Insert
805-xxxx-xx	Sun Manual
807-xxxx-xx	FCO Kit
813-xxxx-xx	Configuration Manual
825-xxxx-xx	Manual Set
855-xxxx-xx	Manual Set
950-xxxx-xx	Engineering Specification

Part Numbers

Sun part numbers consist of nine numerical digits separated with dashes (-) into three components; Class Code, Base Number, and Dash Number. A revision number or letter is used with each part number.



Class Codes identify similar parts.

Base Numbers are assigned sequentially. A higher base number does not necessarily indicate a new or improved part.

Higher/Lower Base Number Examples

PART#	DESCRIPTION	RELEASE DATE
300-1281	SC2000 Power Supply	3/28/95
300-1286	SC2000 Power Supply	9/19/94
501-2925	SM71 SuperSPARC 2.4.5	9/28/95
501-2940	SM71 SuperSPARC 2.3	6/05/95
501-3001	SM71 SuperSPARC 2.4.3	8/14/95
501-2324	SS20 CPU	1/10/94
501-2924	SS20 CPU	9/14/95
501-2961	SS20 CPU *	7/12/95

* 501-2961 is a screened and re-labeled 501-2324

Dash Numbers are used to identify changes made to the part that effect form, fit, or function.

Revisions are used to identify changes made to the part that do not effect form, fit, or function.

System Serial Number

The serial number contains four or five fields of information: *

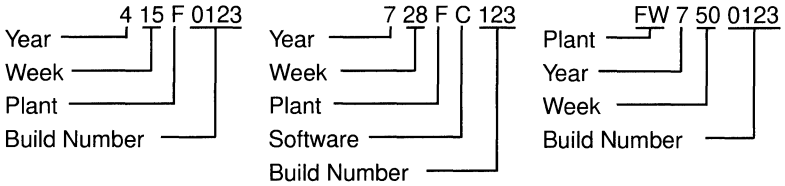
Year - year of manufacturer

Week - week of manufacturer

Plant - manufacturing location

Software - Beginning in July 1997, systems manufactured with Shop Floor Execution use C up to fff units/week and D if more than fff units/week are built. The Shop Floor System did not use this field.

Build number - alphanumeric or hexadecimal build number



* The serial numbers for E10000s built in Beaverton are from 65000 to 65fff. The year, week, and plant fields are not used.

PLANT	LOCATION
C	Mountain View Building 4, California
F	Milpitas Building 4, California
G	Westford, Massachusetts
H	Singapore (Sun-3 Shoebox)
H	Newark, California (beginning in July 1998)
J	Melbourne, Florida (StorEdge A7000)
K	Milpitas Building 5, California
L	Milpitas Building 7, California (Specials Engineering)
M	Linlithgow, Scotland
N	Japan
P	Billerica, Massachusetts
R	Japan (used by Fuji Xerox)
T	Milpitas, California (Re-Manufacturing)
EH	Texas Instruments (SBus Expansion Subsystem)
FW	Freemont, California (Ultra 5 and Ultra 10)
HW	Hsinchu, Taiwan (Ultra 5 and Ultra 10)
TW	Telford, England (Ultra 5 and Ultra 10)

Recommended Tools

Tools

PART #	DESCRIPTION
250-1028	Field Engineer Toolkit (Jensen JTK-679-1)
250-1024	T9 Torx Screwdriver
250-1025	T7 Torx Screwdriver
250-1026	T25 Torx Blade
250-1027	#2 Pozidrive Blade
250-1029	3/32" Hexdriver Blade
250-1030	7/64" Hexdriver Blade
250-1031	14 mm Deep Socket
250-1032	T20 Torx Blade
250-1033	Blue Cordora Zipper Case
250-1034	3 1/8" Driver Handle
250-1035	4 1/8" Driver Handle
250-1036	1/4" Drive Spinner Handle
250-1037	5" Extension Blade
250-1038	#1 Phillips Blade
250-1039	#2 Phillips Blade
250-1040	1/4" Slotted Blade
250-1041	3/16" Slotted Blade
250-1042	Alignment Tool
250-1043	Alignment Tool
250-1044	4 1/2" Miniature Diagonal Cutter
250-1045	5.25" Diagonal Cutting Pliers
250-1046	6.5" Thin Needlenose Pliers
250-1047	4" Adjustable Wrench
250-1048	6" Adjustable Wrench
250-1049	Crimping Tool/Wire Stripper
250-1050	Fluke 75 Digital Multimeter
250-1051	1.27 mm Hexdriver Blade
250-1052	1.5 mm Hexdriver Blade
250-1053	2 mm Hexdriver Blade
250-1054	2.5 mm Hexdriver Blade
250-1055	3 mm Hexdriver Blade
250-1056	4 mm Hexdriver Blade
250-1057	5 mm Hexdriver Blade

Recommended Tools**Tools - Continued**

PART #	DESCRIPTION
250-1058	4 mm Nutdriver Blade
250-1059	4.5 mm Nutdriver Blade
250-1060	5 mm Nutdriver Blade
250-1061	5.5 mm Nutdriver Blade
250-1062	6 mm Nutdriver Blade
250-1063	7 mm Nutdriver Blade
250-1064	8 mm Nutdriver Blade
250-1065	9 mm Nutdriver Blade
250-1066	10 mm Nutdriver Blade
250-1067	11 mm Nutdriver Blade
250-1068	T15 Torx Blade

Power Screwdriver Kit

PART #	DESCRIPTION
250-1075	Cordless Power Screwdriver Kit (Jensen JTK-864)
250-1076	● Two Speed Power Screwdriver
250-1077	● Screwdriver Carrying Case
250-1078	● Screwdriver Battery Charger, 115V
250-1079	● Screwdriver Battery
250-1084	● Power Screwdriver Xcelite Adapter

Vacuum Cleaner Kit

PART #	DESCRIPTION
250-1080	Vacuum Cleaner Kit (Jensen JTK-863)
250-1081	● Vacuum Cleaner, 115V
250-1082	● Vacuum Cleaner Filters (qty 6)
250-1083	● Vacuum Cleaner Carrying Bag

Recommended Tools

Miscellaneous Tools

PART #	DESCRIPTION
240-1433	2 mm Hex Key
240-1716	AMP SIMM Extraction Tool (obsolete)
240-1718	EPROM Insertion Tool
240-1719	IC Extraction Tool
240-1822	Modified AMP SIMM Extraction Tool (obs)
240-1904	1/2" Open-End Wrench
250-1007	Disposable ESD Wrist Strap
250-1011	Slotted & 2 mm Hex Screwdriver
250-1072	1/2" x 1/2" Thin-Head Wrench for 56" Rack Levelers
250-1074	10-Inch End Cutter
250-1088	Sun ESD Mat with Sun Logo
330-1145	Disposable ESD Mat
330-1646	SS10 and SS20 SIMM Insertion Tool (order 560-1936)
330-1836	SS20 Fan Installation Tool
330-1852	SS Voyager Power Supply Extraction Tool
340-6091	Ultra 80 Memory Riser Torque Tool (only use 340-6091-02)
345-1131	SIMM Extraction Wire Tool (obsolete)
345-1132	SIMM Extraction Wire Tool (obsolete)
None	T8 Torx Blade (Xcelite 99-8XTD)
None	T10 Torx Blade (Xcelite 99-10XTD)
370-1906	90° L-Key T10 Torx
370-1907	90° L-Key T15 Torx
560-1763	SIMM Extraction Tool Kit
345-1184	● Machined SIMM Extraction Tool 345-1184-01 (obsolete)
345-1184	● Diecast SIMM Extraction Tool 345-1184-02
560-2317	Torque Wrench Kit
250-1240	● 3/32" Hex Bit x 2" Length
250-1239	● Adjustable Torque Wrench, 2-12 In/Lb, +/-3% accuracy
560-2324	Torque Wrench Kit, United Kingdom
250-1241	● 3/32" Hex Bit
250-1242	● Fixed 6 In/Lb Torque Wrench
560-2433	Torque Wrench Kit
230-1578	● Acid Brush
None	● 3/32" Hex Bit
250-1353	● Fixed 6 In/Lb Torque Wrench

PARTS BREAKDOWN

4m SYSTEM

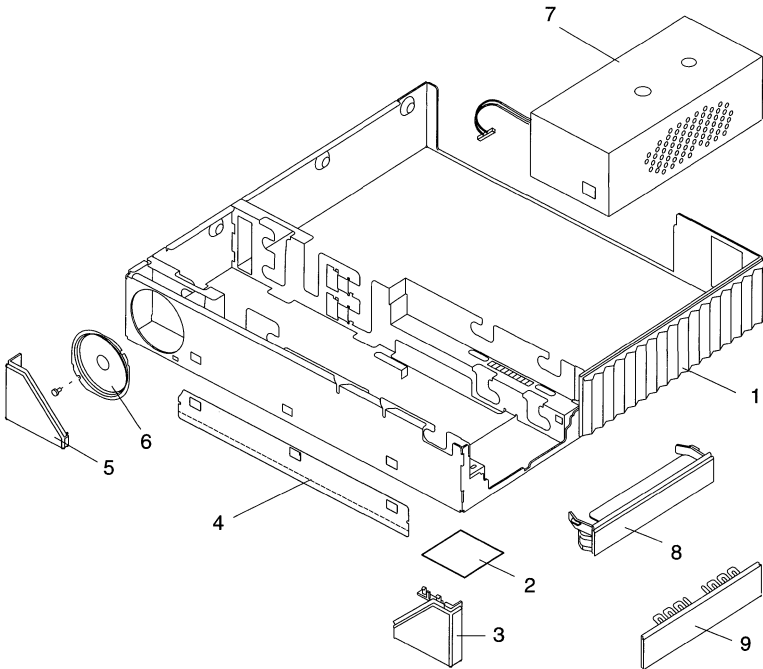
Sun-4m System

Sun-4m Architecture

SPARC Xterminal 1	2
SPARCstation 4	4
SPARCstation 5	12
SPARCstation 20	20

SPARC Xterminal 1

1-Slot SBus Logic Enclosure



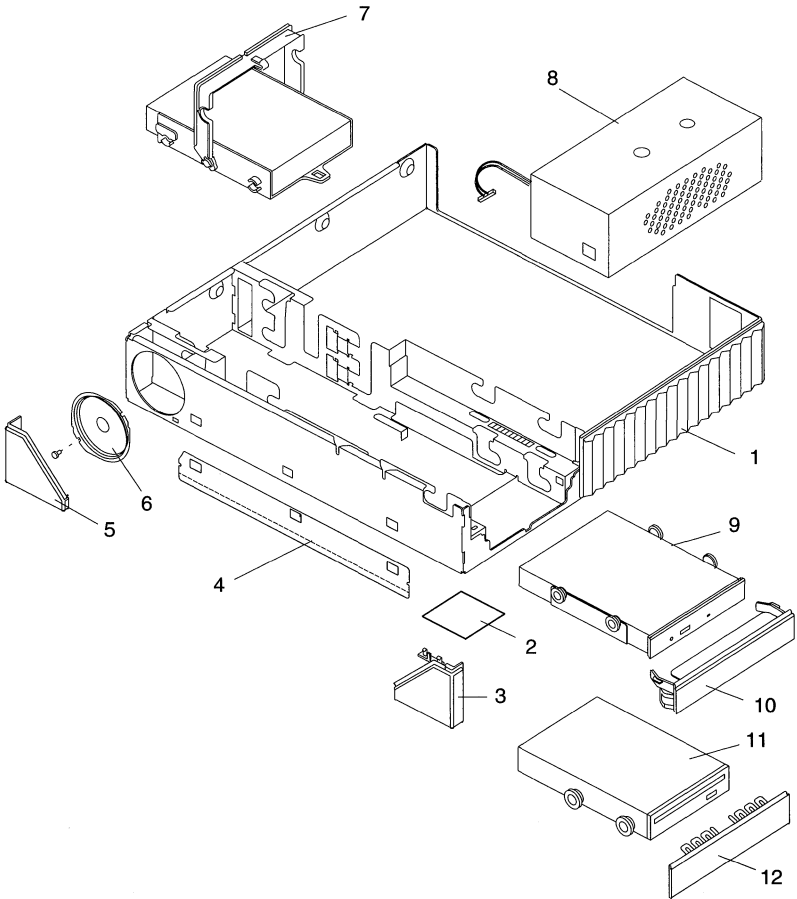
SPARC Xterminal 1

1-Slot SBus Logic Enclosure

CODE	PART #	DESCRIPTION
1	540-2578	Base Assembly
-	240-1530	● M3 x 6 mm Screw, Speaker Assembly
-	340-2915	● Chassis
2	330-1450	● Foot
3	540-2547	● Right Front Corner
4	261-1009	● Purple Chassis Label
5	330-1683	● Left Front Corner
6	370-1579	● Speaker
-	530-2080	● Speaker and LED Wire Harness
-	530-2130	● DC Wire Harness
7	300-1257	50 Watt Power Supply
8	540-2551	Floppy Filler Panel without cutout, Purple
9	540-2553	CD-ROM Filler Panel, Purple
NS	240-2101	M3 Machine Screw, CPU, P/S, and Top Cover
NS	250-1200	Spring for M3 Screw, CPU, P/S, and Top Cover
NS	260-3059	Sun Logo
NS	261-2818	SPARC Xterminal 1 Nameplate
NS	540-2434	Top Cover Assembly
-	240-2195	● Tinnerman Clip (added to 540-2434-03)
NS	540-2540	Lockbox Assembly
-	240-2206	● M3 x 12 mm Screw
	802-1529	<i>SPARCstation 4 Service Manual</i>

SPARCstation 4

SS4 Netra i4 Netra i400 Netra j4
1-Slot SBus Logic Enclosure



SPARCstation 4

SS4 Netra i4 Netra i400 Netra j4
1-Slot SBus Logic Enclosure

CODE	PART #	DESCRIPTION
1	540-2664	Base Assembly (phased out Nov/Dec 1996)
-	240-1530	● M3 x 6 mm Screw, Speaker Assembly
-	340-2915	● Chassis
-	540-2548	● Right Side Vent Panel
2	330-1450	● Foot
3	540-2547	● Right Front Corner
4	261-1009	● Purple Chassis Label
5	330-1683	● Left Front Corner
6	370-1579	● Speaker
-	530-2130	● DC Wire Harness
-	530-2080	● Speaker and LED Wire Harness
7	540-2443	535MB Disk Drive Assembly/FRU
7	540-2631	535MB Disk Drive Assembly/FRU
-	370-1425	● 535MB Disk Drive (≤540-2443-03)
-	370-1425	● 535MB Disk Drive (540-2631-xx)
-	370-1844	● 535MB Disk Drive (≥540-2443-04)
-	240-2208	● #6-32 x 1/4" Screw
-	540-2570	● Mounting Bracket
NS	530-2146	Internal SCSI Cable, Disk Drive, 33 mm
7	540-2560	1.05GB Disk Drive Assy/FRU (discontinued 6/95)
7	540-2733	1.05GB Disk Drive Assembly/FRU
-	240-2208	● #6-32 x 1/4" Screw
-	370-1753	● 1.05GB Disk Drive, Seagate ST31200WC
-	370-1964	● 1.05GB Disk Drive, Conner CFP1080E
-	540-2570	● Mounting Bracket
NS	530-2146	Internal SCSI Cable, Disk Drive, 33 mm
8	300-1257	50 Watt Power Supply
8	300-1279	150 Watt Power Supply 1

1 Power Supply 300-1279 is used in SPARCserver 4 configurations because the 150 Watt power supply supports the power state memory feature. SPARCstation 4 configurations use Power Supply 300-1257.

SPARCstation 4

SS4 Netra i4 Netra i400 Netra j4
1-Slot SBus Logic Enclosure- Continued

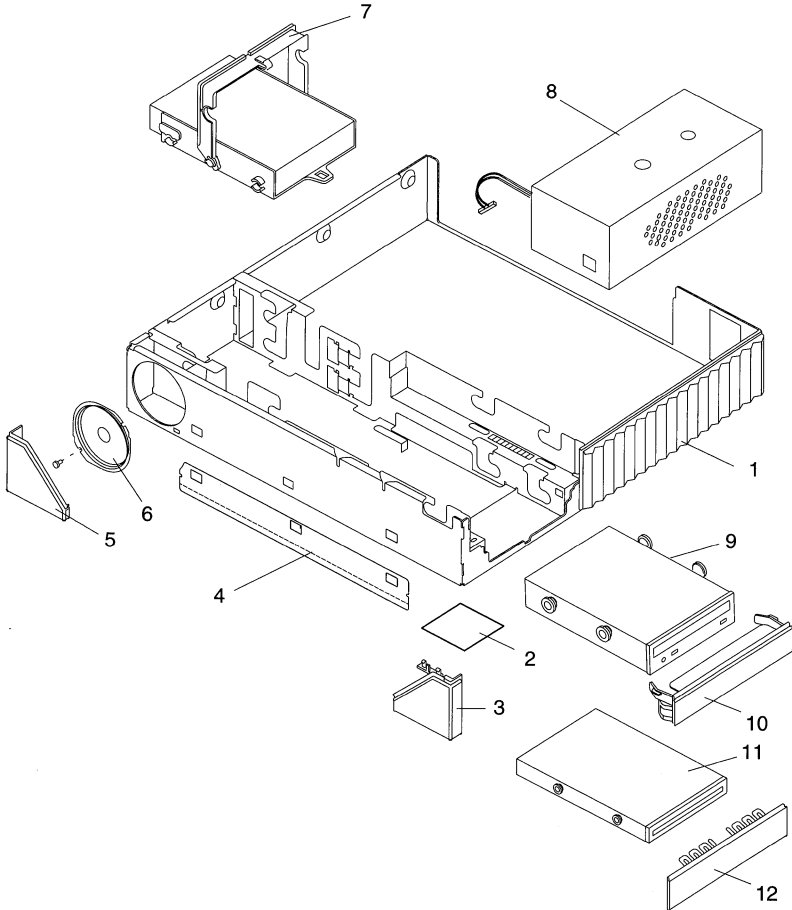
CODE	PART #	DESCRIPTION
9	540-2500	CD-ROM Assembly/FRU
-	240-1463	● #6-32 x 1/4" Screw
-	240-2086	● M3 x 4 mm Screw
-	330-1748	● Mounting Grommet
-	340-3046	● Mounting Bracket
-	370-1679	● CD-ROM Drive
NS	530-2079	CD-ROM to Audio Module Cable, 435 mm
NS	530-2129	Internal SCSI Cable, CD-ROM, 350 mm
10	540-2553	CD-ROM Filler Panel, Purple
11	540-2509	Floppy Drive Assembly/FRU
-	240-2121	● #6-32 Shoulder Screw
-	330-1748	● Drive Mounting Grommet
-	370-1419	● Floppy Drive
11	370-2151	Floppy Drive Assy/FRU (replaced 540-2509 12/95)
-	240-1530	● M3 x 6 mm Screw
-	240-2295	● M3 Shoulder Screw
NS	530-2067	Internal Floppy Cable, 190 mm
12	540-2551	Floppy Filler Panel without cutout, Purple
12	540-2552	Floppy Filler Panel with cutout, Purple
NS	240-2101	M3 Machine Screw, CPU, P/S, and Top Cover
NS	250-1200	Spring for M3 Screw, CPU, P/S, and Top Cover
NS	260-3059	Sun Logo
NS	261-2699	SPARCstation 4 Nameplate
NS	261-4380	SPARCserver 4 Nameplate
NS	261-4598	Netra i Nameplate
NS	540-2434	Top Cover Assembly
NS	240-2195	● Tinnerman Clip (added to 540-2434-03)
NS	501-5468	Floppy Interface Board
NS	540-2540	Lockbox Assembly
-	240-2206	● M3 x 12 mm Screw
	802-1529	<i>SPARCstation 4 Service Manual</i>

This page intentionally left blank.

SPARCstation 4

SS4 Netra i4 Netra i400 Netra j4

1-Slot SBus Logic Enclosure



SPARCstation 4

SS4 Netra i4 Netra i400 Netra j4
1-Slot SBus Logic Enclosure

CODE	PART #	DESCRIPTION
1	540-2902	Base Assembly (phased in July 1996)
-	240-1530	● M3 x 6 mm Screw, Speaker Assembly
-	340-3397	● Chassis
-	540-2847	● Right Side Vent Panel
2	330-1450	● Foot
3	540-2848	● Right Front Corner
4	261-1009	● Purple Chassis Label
5	330-1683	● Left Front Corner
6	370-1579	● Speaker
-	530-2302	● DC Wire Harness
-	530-2291	● Speaker and LED Wire Harness (obsolete)
-	530-2341	● Speaker and LED Wire Harness
7	540-2733	1.05GB Disk Drive Assembly/FRU
-	240-2208	● #6-32 x 1/4" Screw
-	370-1753	● 1.05GB Disk Drive, Seagate ST31200WC
-	370-1964	● 1.05GB Disk Drive, Conner CFP1080E
-	540-2570	● Mounting Bracket
-	530-2146	Internal SCSI Cable, Disk Drive, 33 mm
7	540-2875	1.05GB Disk Drive Assembly/FRU
-	240-2182	● #6-32 x 3/16" Screw
-	370-1964	● 1.05GB Disk Drive, Conner CFP1080E
-	370-2168	● 1.05GB Disk Drive, Quantum 1080S
-	540-2570	● Mounting Bracket
-	530-2146	Internal SCSI Cable, Disk Drive, 33 mm
8	300-1257	50 Watt Power Supply
8	300-1279	150 Watt Power Supply ¹

¹ Power Supply 300-1279 is used in SPARCserver 4 configurations because the 150 Watt power supply supports the power state memory feature. SPARCstation 4 configurations use Power Supply 300-1257.

SPARCstation 4

SS4 Netra i4 Netra i400 Netra j4

1-Slot SBus Logic Enclosure - Continued

CODE	PART #	DESCRIPTION
9	540-2852	SunCD 4 CD-ROM Assembly/FRU
-	240-2295	● M3 Shoulder Screw
-	330-2036	● Mounting Grommet
-	370-2102	● SunCD 4 CD-ROM Drive
NS	530-2280	CD-ROM to Audio Module Cable, 435 mm
NS	530-2129	Internal SCSI Cable, CD-ROM, 350 mm
10	540-2845	CD-ROM Filler Panel, Light Grey
11	540-2854	Floppy Drive Assembly/FRU
-	240-2318	● M2.5 x 3 mm Screw
-	330-2036	● Mounting Grommet
-	340-3401	● Mounting Bracket
-	370-2302	● Floppy Drive
NS	530-2277	Internal Floppy Cable, 250 mm
12	540-2846	Floppy Filler Panel without cutout, Light Grey
12	540-2853	Floppy Filler Panel with cutout, Light Grey

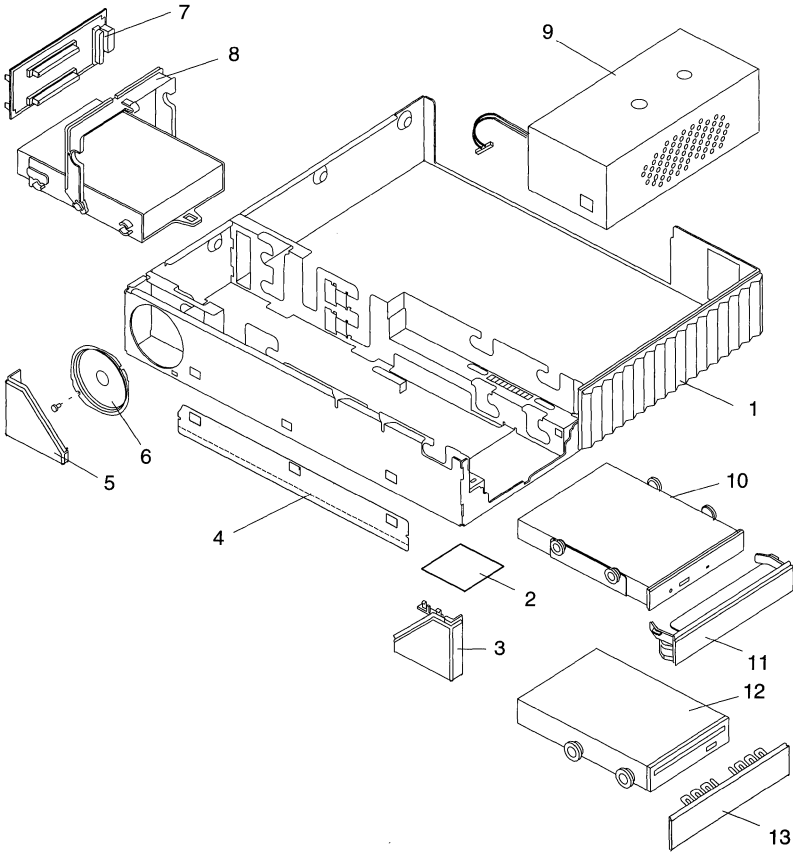
SPARCstation 4

SS4 Netra i4 Netra i400 Netra j4
 1-Slot SBus Logic Enclosure - Continued

CODE	PART #	DESCRIPTION
NS	240-2101	M3 Machine Screw, CPU, P/S, and Top Cover
NS	250-1200	Spring for M3 Screw, CPU, P/S, and Top Cover
NS	260-3059	Sun Logo
NS	261-2699	SPARCstation 4 Nameplate
NS	261-4380	SPARCserver 4 Nameplate
NS	261-4598	Netra i Nameplate
NS	501-5468	Floppy Interface Board
NS	540-2844	Top Cover Assembly
NS	540-2540	Lockbox Assembly
-	240-2206	● M3 x 12 mm Screw
NS	540-3346	Vibration Kit for the Quantum1080S Disk Drive
NS	501-2462	● SCSI I/O Board
NS	530-2278	● Internal SCSI Cable, 485 mm
NS	530-2279	● DC Wire Harness
NS	805-1235	● Installation Manual
	802-1529	<i>SPARCstation 4 Service Manual</i>

SPARCstation 5

SS5 Netra i5 Netra s5 Netra i500 Netra i525
3-Slot SBus Logic Enclosure



SPARCstation 5

SS5 Netra i5 Netra s5 Netra i500 Netra i525
3-Slot SBus Logic Enclosure

CODE	PART #	DESCRIPTION
1	540-2438	Base Assembly (phased out Nov/Dec 1996)
-	240-1530	● M3 x 6 mm Screw, Speaker Assembly
-	340-2915	● Chassis
-	540-2548	● Right Side Vent Panel
2	330-1450	● Foot
3	540-2547	● Right Front Corner
4	261-1009	● Purple Chassis Label
5	330-1683	● Left Front Corner
6	370-1579	● Speaker
7	501-2462	● SCSI I/O Board
-	240-2159	● M2 x 5 mm Screw
-	330-1753	● Bracket
-	530-2053	● Internal SCSI Cable, 660 mm
-	530-2066	● DC Wire Harness
-	530-2080	● Speaker and LED Wire Harness
8	540-2443	535MB Disk Drive Assembly/FRU
-	370-1425	● 535MB Disk Drive
-	370-1844	● 535MB Disk Drive
-	540-2570	● Mounting Bracket
8	540-2560	1.05GB Disk Drive Assembly/FRU
-	370-1753	● 1.05GB Disk Drive, Seagate ST31200WC
-	370-1822	● 1.05GB Disk Drive, Conner CFP1060E
-	370-1964	● 1.05GB Disk Drive, Conner CFP1080E
-	370-2072	● 1.05GB Disk Drive, IBM DPES-31080
-	370-2168	● 1.05GB Disk Drive, Quantum 1080S
-	540-2570	● Mounting Bracket
8	540-2699	2.1GB Disk Drive Assembly/FRU
-	370-1930	● 2.1GB Disk Drive, Conner CFP2105E
-	370-2071	● 2.1GB Disk Drive, Seagate ST32430WC
-	370-2314	● 2.1GB Disk Drive, Seagate ST32155WC
-	370-2315	● 2.1GB Disk Drive, IBM DORS-32160
-	370-2842	● 2.1GB Disk Drive, IBM DCAS-32160
-	540-2570	● Mounting Bracket

SPARCstation 5

SS5 Netra i5 Netra s5 Netra i500 Netra i525
3-Slot SBus Logic Enclosure - Continued

CODE	PART #	DESCRIPTION
8	540-3988	4.2GB Disk Drive Assembly/FRU
-	540-2570	● Mounting Bracket
9	300-1215	150 Watt Power Supply (obsolete)
9	300-1279	150 Watt Power Supply
9	540-2657	Nordic Country Power Supply Assembly
-	300-1279	● 150 Watt Power Supply
-	370-1873	● Noise Kit
10	540-2500	CD-ROM Assembly/FRU
-	240-1463	● #6-32 x 1/4" Screw
-	240-2086	● M3 x 4 mm Screw
-	330-1748	● Mounting Grommet
-	340-3046	● Mounting Bracket
-	370-1679	● CD-ROM Drive
NS	530-2079	CD-ROM to CPU Audio Cable, 435 mm
11	540-2553	CD-ROM Filler Panel, Purple
12	540-2509	Floppy Drive Assembly/FRU
-	240-2121	● #6-32 Shoulder Screw
-	330-1748	● Drive Mounting Grommet
-	370-1419	● Floppy Drive
12	370-2151	Floppy Drive Assy/FRU (replaced 540-2509 12/95)
-	240-1530	● M3 x 6 mm Screw
-	240-2295	● M3 Shoulder Screw
NS	530-2067	Internal Floppy Cable, 190 mm
13	540-2551	Floppy Filler Panel without cutout, Purple
13	540-2552	Floppy Filler Panel with cutout, Purple

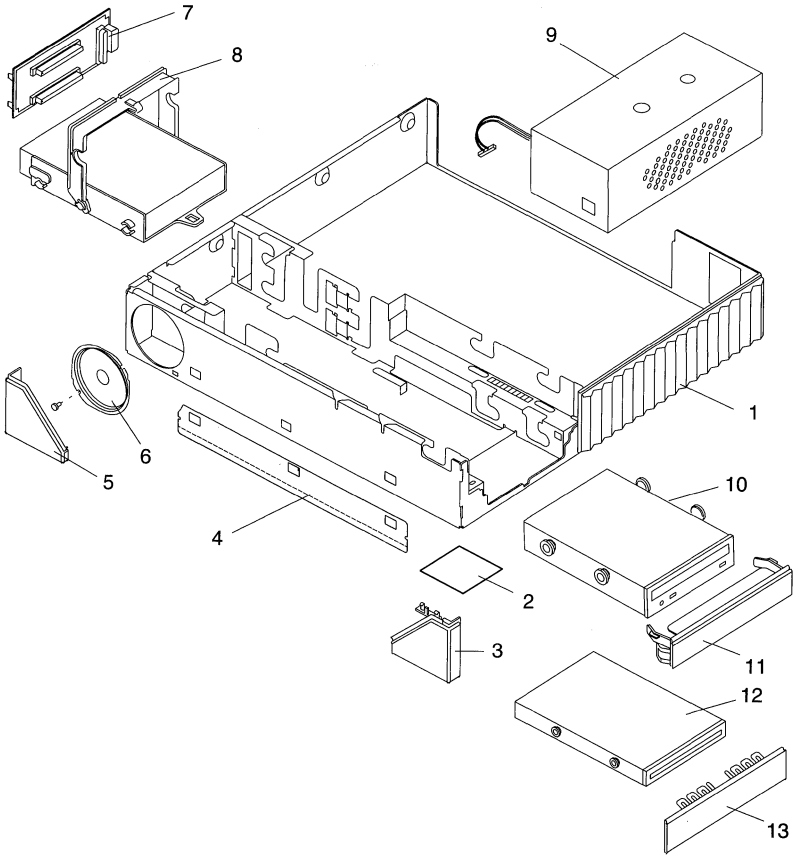
SPARCstation 5

SS5 Netra i5 Netra s5 Netra i500 Netra i525
3-Slot SBus Logic Enclosure - Continued

CODE	PART #	DESCRIPTION
NS	240-2101	M3 Machine Screw, CPU, P/S, and Top Cover
NS	250-1200	Spring for M3 Screw, CPU, P/S, and Top Cover
NS	260-3059	Sun Logo
NS	260-6483	SPARCstation 5 Nameplate
NS	261-2082	SPARCserver 5 Nameplate
NS	261-4598	Netra i Nameplate
NS	501-5468	Floppy Interface Board
NS	261-4599	Netra s Nameplate
NS	540-2434	Top Cover Assembly
-	240-2195	● Tinnerman Clip (added to 540-2434-03)
NS	540-2540	Lockbox Assembly

SPARCstation 5

SS5 Netra i5 Netra j5/170
3-Slot SBUS Logic Enclosure



SPARCstation 5

SS5 Netra *i*5 Netra *j*5/170

3-Slot SBus Logic Enclosure

CODE	PART #	DESCRIPTION
1	540-2850	Base Assembly (phased in July 1996)
-	240-1530	● M3 x 6 mm Screw, Speaker Assembly
-	340-3397	● Chassis
-	540-2847	● Right Side Vent Panel
2	330-1450	● Foot
3	540-2848	● Right Front Corner
4	261-1009	● Purple Chassis Label
5	330-1683	● Left Front Corner
6	370-1579	● Speaker
7	501-2462	● SCSI I/O Board
-	240-2159	● M2 x 5 mm Screw
-	330-1753	● Bracket
-	530-2278	● Internal SCSI Cable, 485 mm
-	530-2279	● DC Wire Harness
-	530-2291	● Speaker and LED Wire Harness (obsolete)
-	530-2341	● Speaker and LED Wire Harness
8	540-2560	1.05GB Disk Drive Assembly/FRU
-	370-1753	● 1.05GB Disk Drive, Seagate ST31200WC
-	370-1822	● 1.05GB Disk Drive, Conner CFP1060E
-	370-1964	● 1.05GB Disk Drive, Conner CFP1080E
-	370-2072	● 1.05GB Disk Drive, IBM DPES-31080
-	370-2168	● 1.05GB Disk Drive, Quantum 1080S
-	540-2570	● Mounting Bracket
8	540-2699	2.1GB Disk Drive Assembly/FRU
-	370-1930	● 2.1GB Disk Drive, Conner CFP2105E
-	370-2071	● 2.1GB Disk Drive, Seagate ST32430WC
-	370-2314	● 2.1GB Disk Drive, Seagate ST32155WC
-	370-2315	● 2.1GB Disk Drive, IBM DORS-32160
-	370-2842	● 2.1GB Disk Drive, IBM DCAS-32160
-	540-2570	● Mounting Bracket
8	540-3988	4.2GB Disk Drive Assembly/FRU
-	540-2570	● Mounting Bracket

SPARCstation 5

SS5 Netra *i*5 Netra *j*5/170

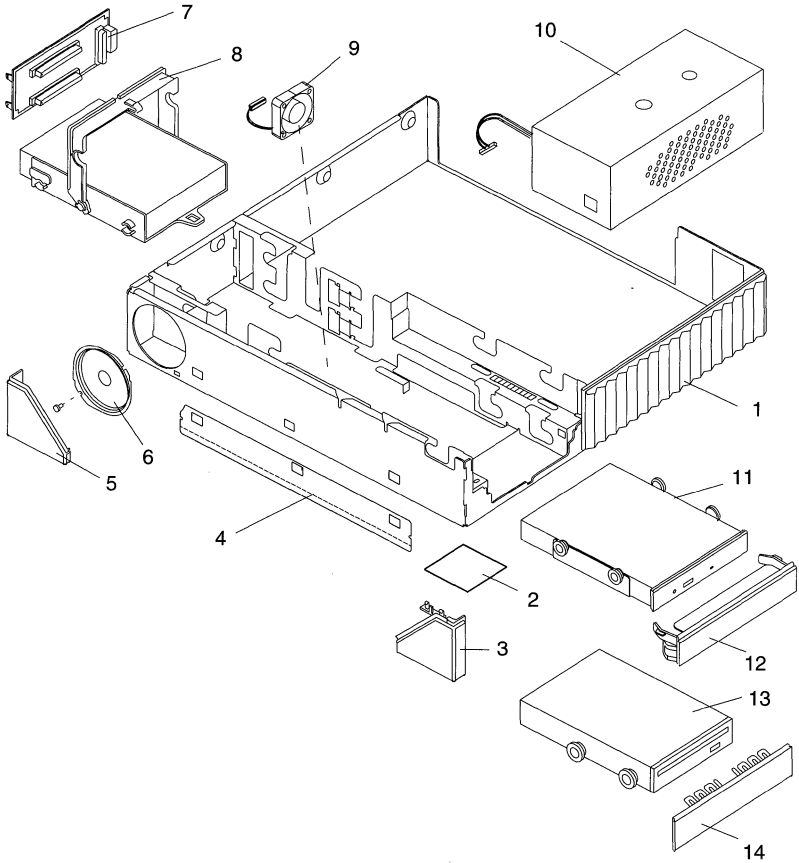
3-Slot SBus Logic Enclosure - Continued

CODE	PART #	DESCRIPTION
9	300-1279	150 Watt Power Supply
9	540-2657	Nordic Country Power Supply Assembly
-	300-1279	● 150 Watt Power Supply
-	370-1873	● Noise Kit
10	540-2852	SunCD 4 CD-ROM Assembly/FRU
-	240-2295	● M3 Shoulder Screw
-	330-2036	● Mounting Grommet
-	370-2102	● SunCD 4 CD-ROM Drive
10	540-2901	SunCD 12x CD-ROM Assembly
-	240-2295	● M3 Shoulder Screw
-	330-2036	● Mounting Grommet
-	370-2816	● 12X CD-ROM Drive
NS	530-2280	CD-ROM to CPU Audio Cable, 435 mm
11	540-2845	CD-ROM Filler Panel, Light Grey
12	540-2854	Floppy Drive Assembly/FRU
-	240-2318	● M2.5 x 3 mm Screw
-	330-2036	● Mounting Grommet
-	340-3401	● Mounting Bracket
-	370-2302	● Floppy Drive
NS	530-2277	Internal Floppy Cable, 250 mm
13	540-2846	Floppy Filler Panel without cutout, Light Grey
13	540-2853	Floppy Filler Panel with cutout, Light Grey
NS	240-2101	M3 Machine Screw, CPU, P/S, and Top Cover
NS	250-1200	Spring for M3 Screw, CPU, P/S, and Top Cover
NS	260-3059	Sun Logo
NS	260-6483	SPARCstation 5 Nameplate
NS	261-2082	SPARCserver 5 Nameplate
NS	261-4598	Netra <i>i</i> Nameplate
NS	261-4599	Netra <i>s</i> Nameplate
NS	501-5468	Floppy Interface Board
NS	540-2844	Top Cover Assembly
NS	540-2540	Lockbox Assembly
-	240-2206	● M3 x 12 mm Screw

This page intentionally left blank.

SPARCstation 20

SS20 Netra i20 Netra s20 Netra i600 Netra i625
4-Slot SBus Logic Enclosure



SPARCstation 20

SS20 Netra i20 Netra s20 Netra i600 Netra i625
4-Slot SBus Logic Enclosure

CODE	PART #	DESCRIPTION
1	540-2438	Base Assembly (phased out Nov/Dec 1996)
-	240-1530	● M3 x 6 mm Screw, Speaker Assembly
-	340-2915	● Chassis
-	540-2548	● Right Side Vent Panel (TurboZX requires 2548-02)
2	330-1450	● Foot
3	540-2547	● Right Front Corner
4	261-1009	● Purple Chassis Label
5	330-1683	● Left Front Corner
6	370-1579	● Speaker
7	501-2462	● SCSI I/O Board
-	240-2159	● M2 x 5 mm Screw
-	330-1753	● Bracket
-	530-2053	● Internal SCSI Cable, 660 mm
-	530-2066	● DC Wire Harness
-	530-2080	● Speaker and LED Wire Harness
8	540-2443	535MB Disk Drive Assembly/ FRU
-	370-1425	● 535MB Disk Drive
-	370-1844	● 535MB Disk Drive
-	540-2570	● Mounting Bracket
8	540-2560	1.05GB Disk Drive Assembly/FRU
-	370-1753	● 1.05GB Disk Drive, Seagate ST31200WC
-	370-1822	● 1.05GB Disk Drive, Conner CFP1060E
-	370-1964	● 1.05GB Disk Drive, Conner CFP1080E
-	370-2072	● 1.05GB Disk Drive, IBM DPES-31080
-	370-2168	● 1.05GB Disk Drive, Quantum 1080S
-	540-2570	● Mounting Bracket
8	540-2699	2.1GB Disk Drive Assembly/FRU
-	370-1930	● 2.1GB Disk Drive, Conner CFP2105E
-	370-2071	● 2.1GB Disk Drive, Seagate ST32430WC
-	370-2314	● 2.1GB Disk Drive, Seagate ST32155WC
-	370-2315	● 2.1GB Disk Drive, IBM DORS-32160
-	370-2842	● 2.1GB Disk Drive, IBM DCAS-32160
-	540-2570	● Mounting Bracket

SPARCstation 20

SS20 Netra i20 Netra s20 Netra i600 Netra i625
4-Slot SBus Logic Enclosure - Continued

CODE	PART #	DESCRIPTION
8	540-3988	4.2GB Disk Drive Assembly/FRU
-	370-3403	● 4.2GB Disk Drive, IBM DDRS-34560
-	540-2570	● Mounting Bracket
9	560-2044	Fan Kit
	540-2640	Fan Assembly, 4 CFM
	330-1836	Fan Installation Tool
10	300-1215	150 Watt Power Supply (obsolete)
10	300-1279	150 Watt Power Supply
11	540-2500	CD-ROM Assembly/FRU
-	240-1463	● #6-32 x 1/4" Screw
-	240-2086	● M3 x 4 mm Screw
-	330-1748	● Mounting Grommet
-	340-3046	● Mounting Bracket
-	370-1679	● CD-ROM Drive
12	540-2553	CD-ROM Filler Panel, Purple
13	540-2509	Floppy Drive Assembly/FRU
-	240-2121	● #6-32 Shoulder Screw
-	330-1748	● Drive Mounting Grommet
-	370-1419	● Floppy Drive
13	370-2151	Floppy Drive Assy/FRU (replaced 540-2509 12/95)
-	240-1530	● M3 x 6 mm Screw
-	240-2295	● M3 Shoulder Screw
14	540-2551	Floppy Filler Panel without cutout, Purple
14	540-2552	Floppy Filler Panel with cutout, Purple

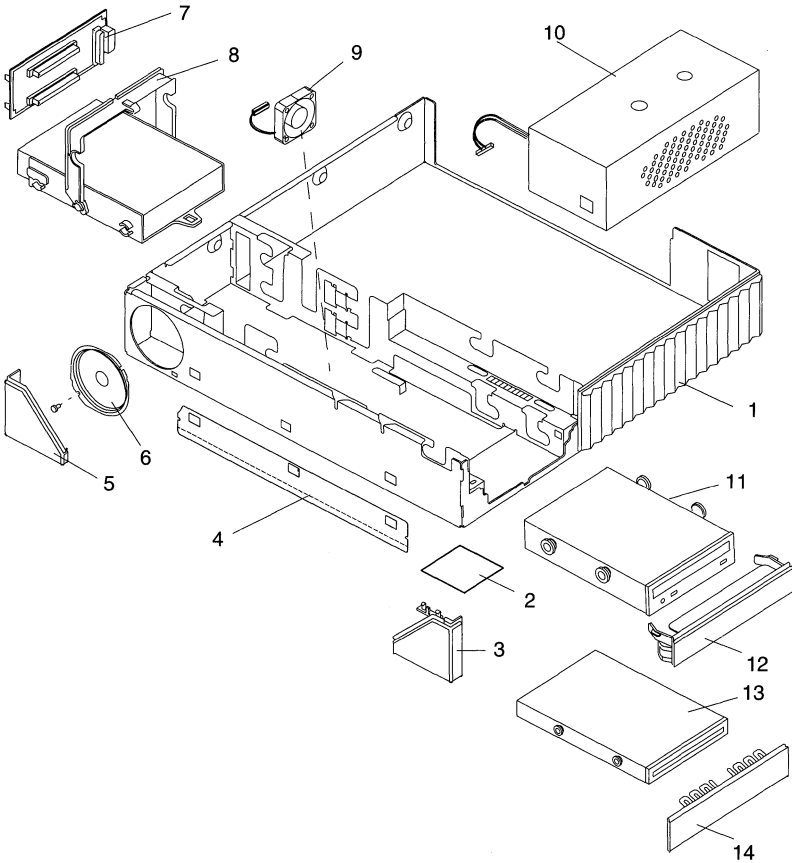
SPARCstation 20

SS20 Netra i20 Netra s20 Netra i600 Netra i625
4-Slot SBus Logic Enclosure - Continued

CODE	PART #	DESCRIPTION
NS	240-2101	M3 Machine Screw, CPU, P/S, and Top Cover
NS	250-1200	Spring for M3 Screw, CPU, P/S, and Top Cover
NS	260-3059	Sun Logo
NS	261-1269	SPARCstation 20 Nameplate
NS	261-2071	SPARCserver 20 Nameplate
NS	261-4598	Netra i Nameplate
NS	261-4599	Netra s Nameplate
NS	530-2067	Internal Floppy Cable, 190 mm
NS	530-2316	Floppy DC Power Filter Cable, 76 mm
NS	540-2434	Top Cover Assembly
-	240-2195	● Tinnerman Clip (added to 540-2434-03)
NS	540-2540	Lockbox Assembly

SPARCstation 20

SS20 Netra i20 Netra s20 Netra i600 Netra i625
4-Slot SBus Logic Enclosure



SPARCstation 20

SS20 Netra i20 Netra s20 Netra i600 Netra i625
4-Slot SBus Logic Enclosure

CODE	PART #	DESCRIPTION
1	540-2850	Base Assembly (phased in July 1996)
-	240-1530	● M3 x 6 mm Screw, Speaker Assembly
-	340-3397	● Chassis
-	540-2847	● Right Vent Panel (supports TurboZX)
2	330-1450	● Foot
3	540-2848	● Right Front Corner
4	261-1009	● Purple Chassis Label
5	330-1683	● Left Front Corner
6	370-1579	● Speaker
7	501-2462	● SCSI I/O Board
-	330-1753	● Bracket
-	530-2278	● Internal SCSI Cable, 485 mm
-	530-2279	● DC Wire Harness
-	530-2291	● Speaker and LED Wire Harness (obsolete)
-	530-2341	● Speaker and LED Wire Harness
8	540-2443	535MB Disk Drive Assembly/FRU
-	370-1425	● 535MB Disk Drive
-	370-1844	● 535MB Disk Drive
-	240-2208	● #6-32 x 1/4" Screw
-	540-2570	● Mounting Bracket
8	540-2560	1.05GB Disk Drive Assembly/FRU
-	370-1753	● 1.05GB Disk Drive, Seagate ST31200WC
-	370-1822	● 1.05GB Disk Drive, Conner CFP1060E
-	370-1964	● 1.05GB Disk Drive, Conner CFP1080E
-	370-2072	● 1.05GB Disk Drive, IBM DPES-31080
-	370-2168	● 1.05GB Disk Drive, Quantum 1080S
-	540-2570	● Mounting Bracket
8	540-2699	2.1GB Disk Drive Assembly/FRU
-	370-1930	● 2.1GB Disk Drive, Conner CFP2105E
-	370-2071	● 2.1GB Disk Drive, Seagate ST32430WC
-	370-2314	● 2.1GB Disk Drive, Seagate ST32155WC
-	370-2315	● 2.1GB Disk Drive, IBM DORS-32160
-	370-2842	● 2.1GB Disk Drive, IBM DCAS-32160
-	540-2570	● Mounting Bracket

SPARCstation 20

SS20 Netra i20 Netra s20 Netra i600 Netra i625
4-Slot SBus Logic Enclosure - Continued

CODE	PART #	DESCRIPTION
8	540-3988	4.2GB Disk Drive Assembly/FRU
-	370-3403	● 4.2GB Disk Drive, IBM DDRS-34560
-	540-2570	● Mounting Bracket
9	560-2044	Fan Kit
	540-2640	Fan Assembly, 4 CFM
	330-1836	Fan Installation Tool
10	300-1279	150 Watt Power Supply
11	540-2852	SunCD 4 CD-ROM Assembly/FRU
-	240-2295	● M3 Shoulder Screw
-	330-2036	● Mounting Grommet
-	370-2102	● SunCD 4 CD-ROM Drive
12	540-2845	CD-ROM Filler Panel, Light Grey
13	540-2854	Floppy Drive Assembly/FRU
-	240-2318	● M2.5 x 3 mm Screw
-	330-2036	● Mounting Grommet
-	340-3401	● Mounting Bracket
-	370-2302	● Floppy Drive
NS	530-2277	Internal Floppy Cable, 250 mm
NS	530-2316	Floppy DC Power Filter Cable, 76 mm
14	540-2846	Floppy Filler Panel without cutout, Light Grey
14	540-2853	Floppy Filler Panel with cutout, Light Grey
NS	240-2101	M3 Machine Screw, CPU, P/S, and Top Cover
NS	250-1200	Spring for M3 Screw, CPU, P/S, and Top Cover
NS	260-3059	Sun Logo
NS	261-1269	SPARCstation 20 Nameplate
NS	261-2071	SPARCserver 20 Nameplate
NS	261-4598	Netra i Nameplate
NS	261-4599	Netra s Nameplate
NS	540-2844	Top Cover Assembly
NS	540-2540	Lockbox Assembly
-	240-2206	● M3 x 12 mm Screw

PARTS BREAKDOWN

4d SYSTEM

Sun-4d System

Sun-4d Architecture

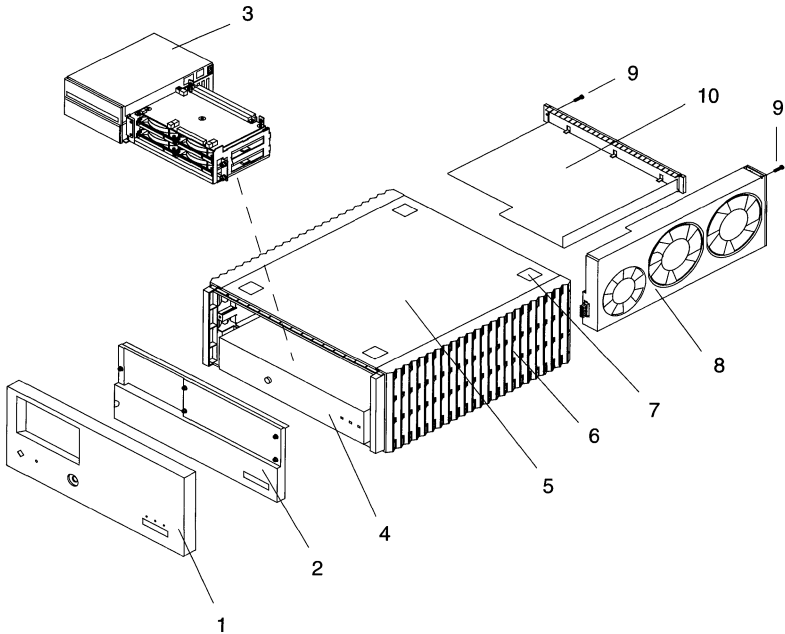
SPARCserver 1000 and 1000E	2
SPARCcenter 2000 and 2000E	6

Sun-4d6 Architecture

Cray Superserver 6400	18
-----------------------------	----

SPARCserver 1000 and 1000E

S1000 S1000E S1001E
4-Slot XDBus Logic Enclosure



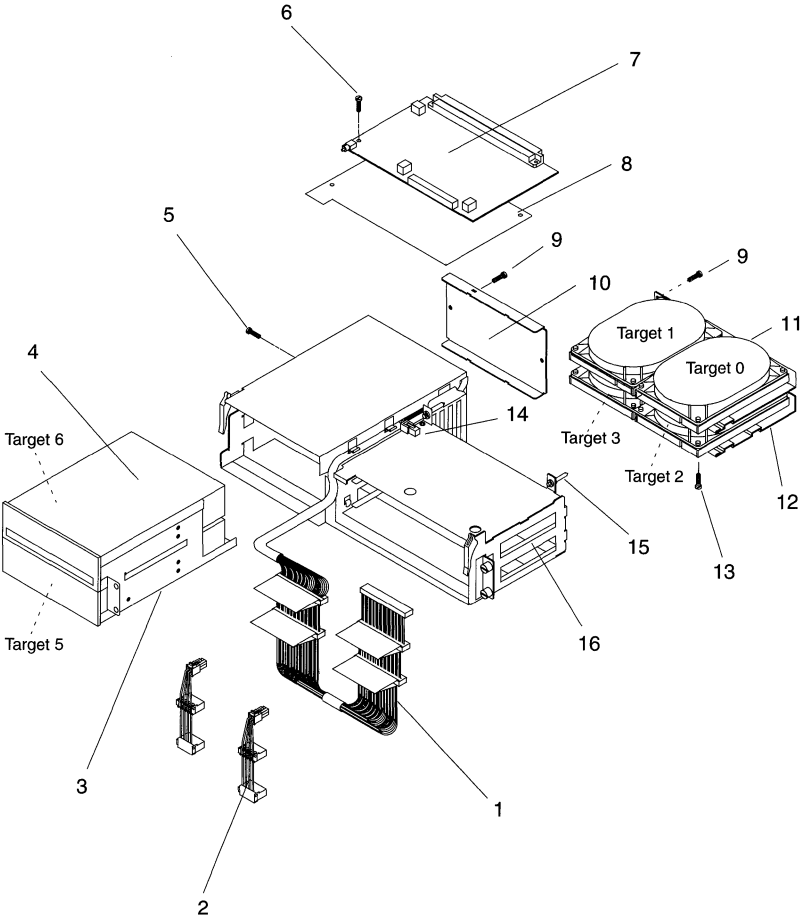
SPARCserver 1000 and 1000E

S1000 S1000E S1001E

4-Slot XDBus Logic Enclosure

CODE	PART #	DESCRIPTION
	540-2273	Chassis Assembly
	340-2684	● Chassis
1	540-2394	● Front Bezel Assembly
2	340-2689	● Front EMI Cover
3	340-2685	● SCSI Tray
4	300-1103	● 650 Watt Power Supply
-	330-1651	● Power Key
NS	240-2083	● M6 x 14 mm Screw, Foot
5	330-1469	● Top and Bottom Cover
6	330-1470	● Side Cover (obsolete)
6	330-1869	● Side Cover (required if SM81 is installed)
7	330-1589	● Cover Plug
NS	340-1590	● Foot
8	370-1547	● 185 CFM Fan Tray Assembly, +12Vdc, 4 Amps
-	None	● 6" Fan, 60 CFM @ 1850 RPM @ 0.05" H ₂ O
-	None	● 6" Fans, 80 CFM @ 2950 RPM @ 0.15" H ₂ O
-	None	● 4.7" Fan, 45 CFM @ 2300 RPM @ 0.9" H ₂ O
NS	501-2021	● 4-Slot XDBus Backplane
-	230-1401	#2-56 Nylon Nut
-	240-2168	● Guide Pin
9	240-1394	● M3 x 8 mm Screw (obsolete)
9	240-1530	● M3 x 6 mm Screw
10	540-2388	● Empty Slot Filler Panel
NS	150-1785	External Active Terminator, 50-Pin SCSI-2
NS	240-1372	M4 0.7 x 10 mm Screw, Backplane
NS	260-6233	Sun Logo
NS	260-7146	SPARCserver 1000 Nameplate
NS	261-4129	SPARCserver 1000E Nameplate
NS	530-1871	10BASE-T Cable, RJ45 to RJ45, 4M
NS	560-2011	Guide Pin Kit with 10 Guide Pins
-	230-1401	● #2-56 Nylon Nut
-	240-2168	● Guide Pin
	801-2895	<i>SPARCserver 1000 System Service Manual</i>

SPARCserver 1000 and 1000E
S1000 S1000E S1001E
SCSI Tray



SPARCserver 1000 and 1000E

S1000 S1000E S1001E

SCSI Tray

CODE	PART #	DESCRIPTION
1	530-1911	Internal SCSI Cable, 1M
2	530-1913	3 1/2" SCSI Power Cable
3	340-2687	5 1/4" SCSI Mounting Bracket
4	370-1312	SunCD CD-ROM
4	370-1584	SunCD Plus CD-ROM
4	370-1682	SunCD2 Plus CD-ROM
4	370-2103	SunCD4 CD-ROM
4	370-1571	5.0GB 4 mm Tape Drive
5	240-1621	M3 x 8 mm Screw (obsolete)
5	240-1530	M3 x 6 mm Screw
6	240-1559	M4 x 6 mm Screw, Control Board
7	501-1979	Programmed 40MHz SS1000 Control Board
7	501-2412	Unprogrammed 40MHz SS1000 Control Board
7	501-2667	Programmed 50MHz SS1000E Control Board 1
7	501-2673	Unprogrammed 50MHz SS1000E Control Board 1
8	330-1856	Mylar Shield
9	240-1530	M3 x 6 mm Screw
10	340-2705	SCSI Tray Rear EMI Cover
11	370-1424	535MB 5400 RPM Disk Drive, Conner CP30540
11	370-1424	535MB 5400 RPM Disk Drive, Seagate ST3610N
11	370-1710	1.05GB 5400 RPM Disk Drive, Seagate ST31200N
11	370-1963	1.05GB 5400 RPM Disk Drive, Conner CFP1080S
11	370-1957	2.1GB 7200 RPM Disk Drive, IBM DFHS-32160
11	370-2067	2.1GB 7200 RPM Disk Drive, Seagate ST32550N
12	340-2688	3 1/2" Disk Drive Mounting Bracket
13	240-1734	#6-32 x 3/16" Screw (obsolete)
13	240-2077	#6-32 x 3/16" Screw
14	530-1912	5 1/4" SCSI Power Cable
15	340-2638	Alignment Pin, Backplane
16	340-2685	SCSI Tray
NS	540-2429	1/2-Height Peripheral Filler Panel

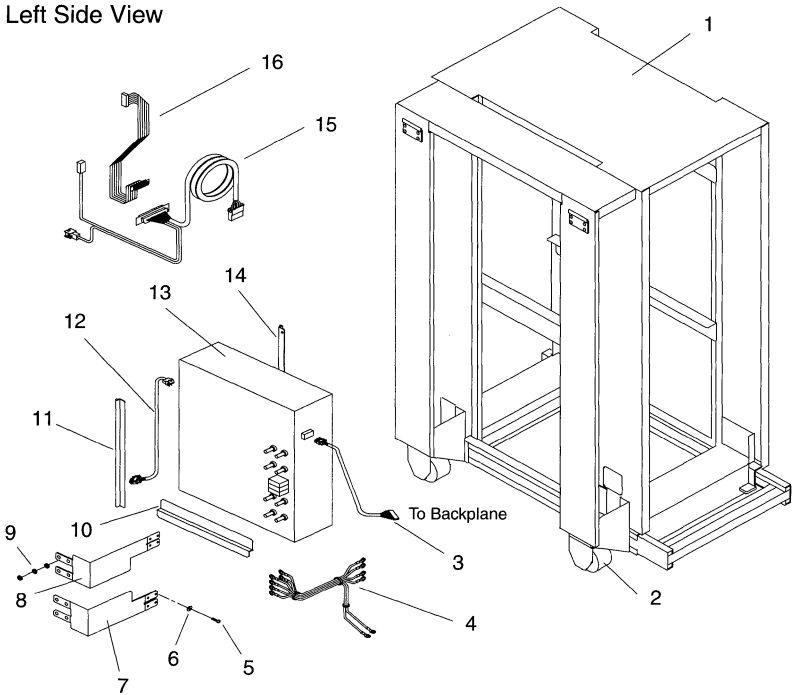
¹ Fan tray 370-1547-04 is required because of increased EMI by the 50MHz Control Board and reduced EMI by the fan tray design changes. No changes were made to the cooling capability of the fan tray.

SPARCcenter 2000 and 2000E

S2000 S2000E S2001E

56-inch Data Center Cabinet

Left Side View



SPARCcenter 2000 and 2000E

S2000 S2000E S2001E

56-inch Data Center Cabinet

CODE	PART #	DESCRIPTION
1	599-1821	SC2000 and SC2000E Rack Assembly
2	240-1717	Caster
3	530-1728	Power Supply Sense to Backplane Harness
3	530-2210	Power Supply Sense to Backplane Harness ¹
4	530-1743	Power Supply +/- 12 Volt to Backplane Harness
5	240-1372	M4 0.7 x 10 mm Screw
6	240-1952	M4 Washer (Bus Bar to Backplane)
7	340-2620	Power Supply +1.2Vdc Lower Bus Bar
8	340-2621	Power Supply +5Vdc Upper Bus Bar
9	240-2213	M8 1.25 Nut, Washer, and Lock Washer
10	340-2414	Power Supply Mounting Bracket, Lower
11	340-2416	Power Supply Mounting Bracket, Front
12	530-1738	Power Supply to AC Distribution Unit Harness
13	300-1073	2410 Watt Power Supply (obsolete)
13	300-1258	2410 Watt Power Supply (obsolete)
13	300-1286	2410 Watt Power Supply
13	300-1281	2410 Watt Power Supply ¹
14	340-2415	Power Supply Mounting Bracket, Rear
NS	340-2394	Power Supply Mounting Shelf
NS	340-2395	Power Supply EMI Cover
15	530-1724	AC Dist to Blower to Filter to Keyswitch Harness
16	530-1725	Backplane to DB25 Filter Harness
NS	130-2034	DB-25 Filter
NS	130-1080	Jackscrew for DB25 Filter
NS	240-1957	M4 0.7 x 25 mm Screw (Power Supply EMI Cover)
NS	340-2400	Cardcage EMI Cover
NS	340-2412	Cardcage Support Rail, Lower Left
NS	340-2413	Cardcage Support Rail, Upper Left
NS	340-2396	Cardcage Support Rail, Upper Right
NS	340-2397	Cardcage Support Rail, Lower Right
NS	340-2563	Cardcage Lower Access Panel
NS	540-2114	Cardcage Slot Filler Panel

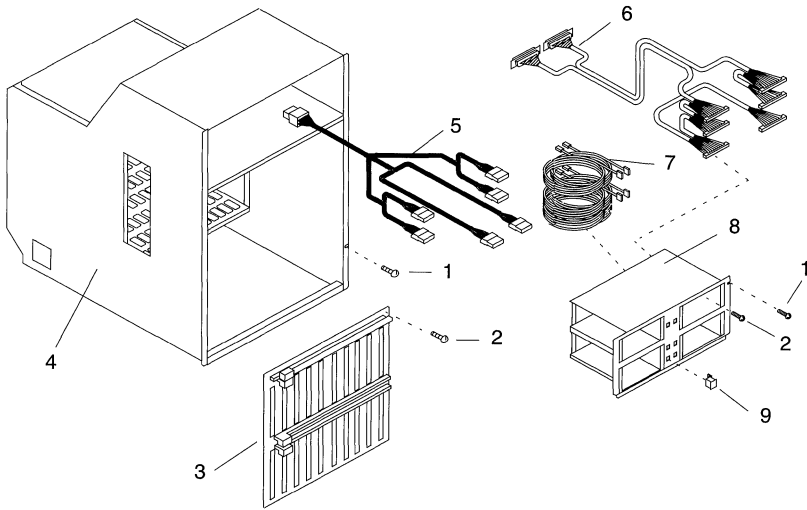
¹ The PCM_FAIL signal prevents booting when Sense Cable 530-1728 is used with Power Supply 300-1281. Use Sense Cable 530-2210.

SPARCcenter 2000 and 2000E

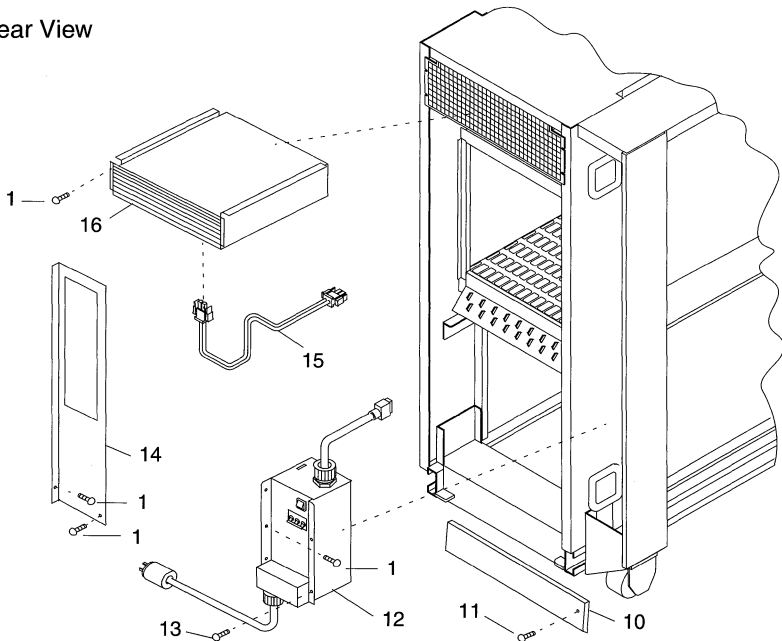
S2000 S2000E S2001E

Logic Enclosure and Data Center Cabinet

Front View



Rear View



SPARCcenter 2000 and 2000E

S2000 S2000E S2001E

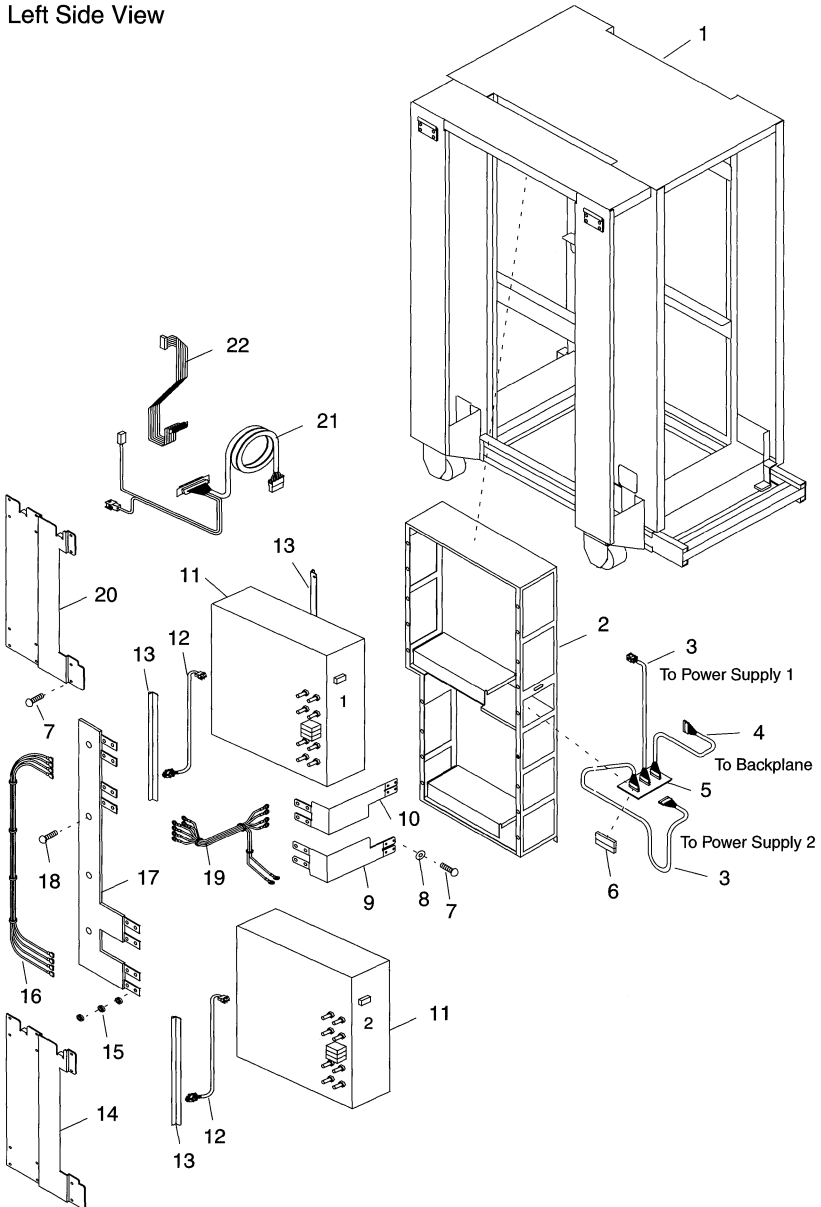
Logic Enclosure and Data Center Cabinet

CODE	PART #	DESCRIPTION
1	240-1953	#10-32 x 1/2" Screw
2	240-1372	M4 0.7 x 10 mm Screw
3	501-1670	10-Slot Backplane
-	240-1618	M4 Washer (Backplane)
4	340-2401	Cardcage
5	530-1752	SCSI Tray to Backplane DC Harness
6	530-1835	SCSI Cable, Cardcage to SCSI Tray, 5.1M
7	530-1849	SCSI Address Select Switch Harness (obsolete)
7	530-2077	SCSI Address Select Switch Harness
-	240-1502	#2 Washer (SCSI Cable 530-1835)
-	240-1612	#2-56 x 1/4" Screw (SCSI Cable 530-1835)
8	340-2399	SCSI Peripheral Tray
9	150-1806	SCSI Address Select Switch
10	340-2047	Kick Panel
11	240-1655	#10-32 x 3/4" Screw
12	300-1099	AC Distribution Unit, 230V, NEMA L6-30P
12	300-1100	AC Distribution Unit, 240V, Blue 32A IEC 309
13	240-1202	#6-32 x 5/8" Screw (AC Distribution Unit)
14	340-2644	Rear Cover, 5 3/4" x 29 1/4"
15	530-1741	Power Supply to DC Blower Unit Harness
16	370-1379	24Vdc Dual-Blower Assembly, 600 CFM, 1350 RPM
NS	340-2305	Filler Panel, SCSI Peripheral Tray
NS	240-1958	#10-32 x 1.12" Screw (Cardcage EMI Cover)
NS	370-1751	20GB 4 mm Tape Drive Shipping Bracket
NS	530-1793	SCSI Cable, Cardcage to Slot 0, 80 cm
NS	530-2171	8 mm Tape DC Adapter Harness for P/S 300-1258
NS	530-2149	PDB Back-to-Back Ethernet Cable, 1.0M
NS	530-2150	PDB Back-to-Back Ethernet Cable, 5.0M
NS	530-2151	PDB RJ45-to-DB25 Serial Cable, 1.0M
NS	530-2152	PDB RJ45-to-DB25 Serial Cable, 5.0M
	801-2007	<i>SPARCcenter 2000 Service Manual</i>

SPARCcenter 2000E

S2000E S2001E
56-inch Data Center Cabinet

Left Side View



SPARCcenter 2000E

S2000E S2001E

56-inch Data Center Cabinet

CODE	PART #	DESCRIPTION
1	599-2027	SC2000E Rack Assembly with 1 Power Supply
1	599-2031	SC2000E Rack Assembly with 2 Power Supplies
2	340-3133	Power Supply Mounting Shelf
3	530-2162	Power Supply Sense to P/S Interface PCB Harness
4	530-2163	P/S Interface PCB to Backplane Harness
5	501-2724	Power Supply Interface Card
6	530-2170	Jumper Plug (installed if there is only 1 power supply)
7	240-1372	M4 0.7 x 10 mm Screw
8	240-1952	M4 Washer (Bus Bar to Backplane)
9	340-2620	Top Power Supply +1.2Vdc Lower Bus Bar
10	340-2621	Top Power Supply +5Vdc Upper Bus Bar
11	300-1281	2410 Watt Power Supply ¹
12	530-1738	Power Supply to AC Distribution Unit Harness
13	340-2415	Power Supply Mounting Bracket
14	340-3190	Bottom Power Supply Mounting Bracket
15	240-2213	M8 1.25 Nut, Washer, and Lock Washer
16	530-2164	Top to Bottom Power Supply +/- 12Vdc Harness
17	340-3163	Top to Bottom Power Supply Bus Bar
18	240-1435	M6 x 18 mm Screw for 340-3136 (x4)
19	530-1743	Top Power Supply +/- 12Vdc to Backplane Harness
20	340-3135	Top Power Supply Mounting Bracket
21	530-2161	AC Dist to Blower to Filter to Keyswitch Harness
22	530-1725	Backplane to DB25 Filter Harness
NS	130-2034	DB-25 Filter
NS	130-1080	Jackscrew for DB25 Filter
NS	240-1957	M4 0.7 x 25 mm Screw (Power Supply EMI Cover)
NS	340-3134	Power Supply EMI Cover

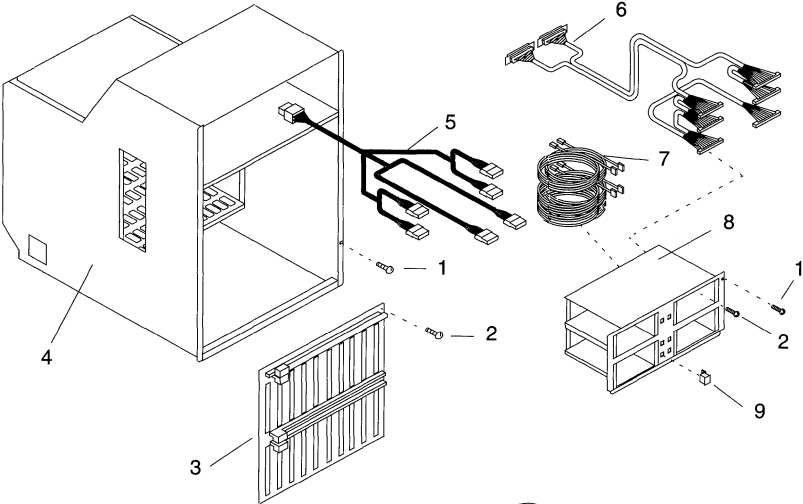
¹ Do NOT use Power Supply 300-1073, 300-1258, or 300-1286. The PCM_FAIL signal is not provided by these power supplies. Do NOT use sense cable 530-2210.

SPARCcenter 2000E

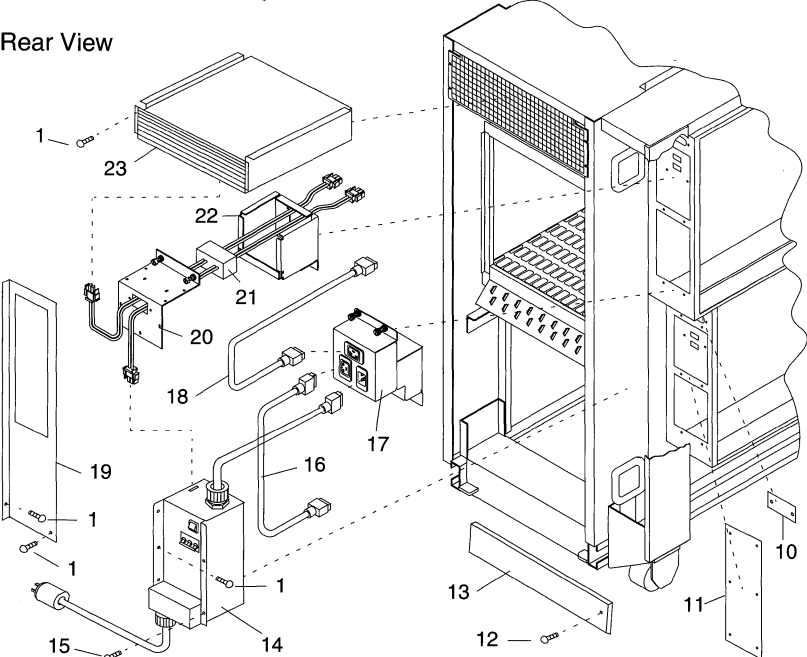
S2000E S2001E

Logic Enclosure and Data Center Cabinet

Front View



Rear View



SPARCcenter 2000E

S2000E S2001E

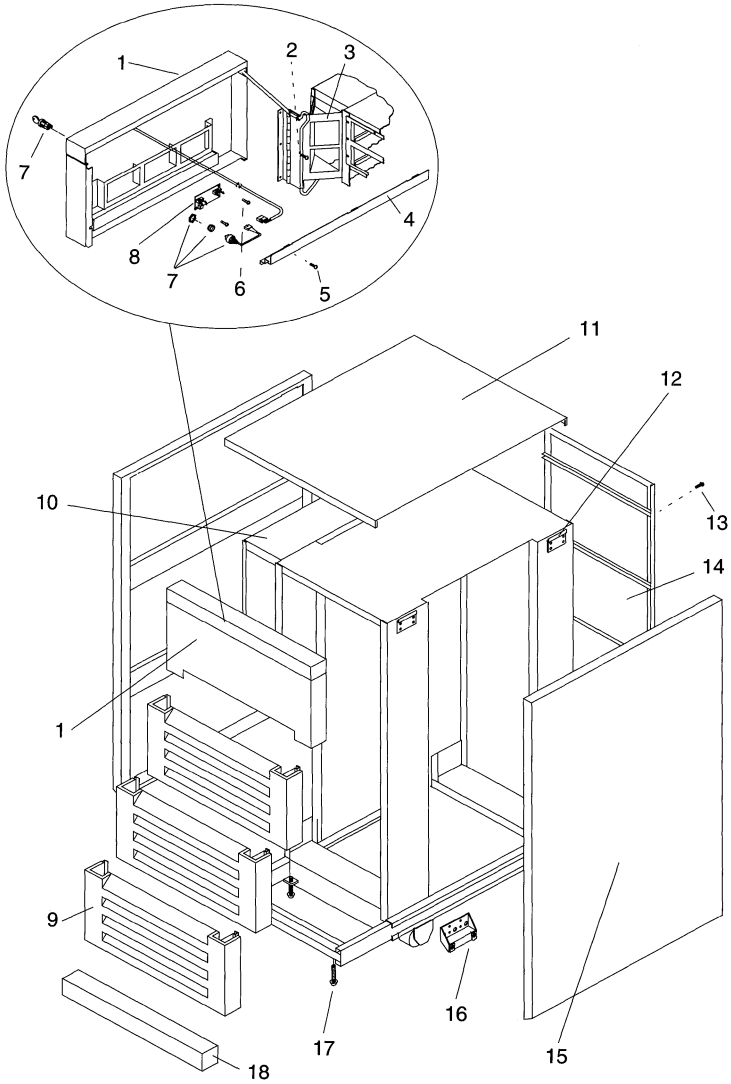
Logic Enclosure and Data Center Cabinet

CODE	PART #	DESCRIPTION
1	240-1953	#10-32 x 1/2" Screw
2	240-1372	M4 0.7 x 10 mm Screw
3	501-1670	10-Slot Backplane
-	240-1618	M4 Washer (Backplane)
4	340-2401	Cardcage
5	530-1752	SCSI Tray to Backplane DC Harness
6	530-1835	SCSI Cable, Cardcage to SCSI Tray, 5.1M
-	240-1502	#2 Washer (SCSI Cable 530-1835)
-	240-1612	#2-56 x 1/4" Screw (SCSI Cable 530-1835)
7	530-2077	SCSI Address Select Switch Harness
8	340-2399	SCSI Peripheral Tray
9	150-1806	SCSI Address Select Switch
10	340-3189	EMI Cover for Bottom Power Supply
11	340-3157	EMI Cover for Bottom Power Supply
12	240-1655	#10-32 x 3/4" Screw
13	340-2047	Kick Panel
14	300-1099	AC Distribution Unit, 230V, NEMA L6-30P
14	300-1100	AC Distribution Unit, 240V, Blue 32A IEC 309
15	240-1202	#6-32 x 5/8" Screw (AC Distribution Unit)
16	530-2160	AC Receptacle to Lower Power Supply Cable
17	540-2689	AC Receptacle Assembly
18	530-2160	AC Receptacle to Upper Power Supply Cable
19	340-2644	Rear Cover, 5 3/4" x 29 1/4"
20	340-3161	Filter Cover
21	150-2357	Filter, AC Dist to Power Supply to Blower Harness
22	340-3160	Filter Chassis
23	370-1853	24Vdc Quad-Blower Assembly
NS	340-2305	Filler Panel, SCSI Peripheral Tray
NS	240-1958	#10-32 x 1.12" Screw (Cardcage EMI Cover)
NS	370-1751	20GB 4 mm Tape Drive Shipping Bracket
NS	530-1793	SCSI Cable, Cardcage to Slot 0, 80 cm
	801-2007	<i>SPARCcenter 2000 Service Manual</i>

SPARCcenter 2000 and 2000E

S2000 S2000E S2001E

56-inch Data Center Cabinet



SPARCcenter 2000 and 2000E

S2000 S2000E S2001E

56-inch Data Center Cabinet

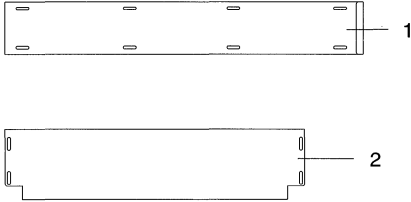
CODE	PART #	DESCRIPTION
1	540-2115	Hinged Panel Assembly
2	240-1531	M4 0.7 x 10 Screw
3	340-2456	Hinge Bracket, Left
4	340-2467	Inner Cover
5	240-1866	#8-18 x 3/8" Self-tapping Screw (Hinged Cover)
6	240-1530	M3 x 6 mm Screw (LED/Switch PCB)
7	530-1723	Keypad Assembly
-	330-1651	Power Key
8	501-1877	Keypad Interface Board
9	540-2116	Vented Panel Assembly
10	599-1821	Rack Assembly
11	340-1840	Top Panel
12	340-1885	Side Panel Bracket, Upper
13	240-1655	#10-32 x 3/4" Screw
14	340-1845	Rear Panel
15	340-1848	Side Panel
16	340-1886	Side Panel Bracket, Lower
17	230-1181	Leveler Foot
NS	250-1070	Leveler Foot Wrench
18	340-1884	Anti-Tilt Panel
NS	230-1166	Cable Tie 5.5", Reusable
NS	230-1177	Snap In Clip
NS	230-0203	Cable Tie
NS	230-1062	Cable Route Grommet
NS	260-3425	Sun Logo
NS	260-6392	SPARCcenter 2000 Nameplate
NS	261-4128	SPARCcenter 2000E Nameplate
NS	240-1632	3/8-16 x 3/4" Bolt (Caster)
NS	240-1634	3/8" Washer (Caster)
NS	240-1791	#6-32 Ballstud
NS	240-1868	1/4-28 x 1" Screw (Anti-Tilt Bar)

SPARCcenter 2000 and 2000E

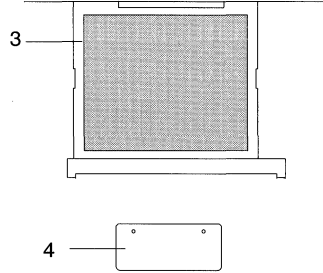
S2000 S2000E S2001E

10-Slot XDBus Logic Enclosure

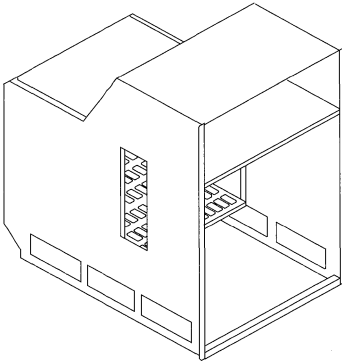
Air Baffle Kit #1



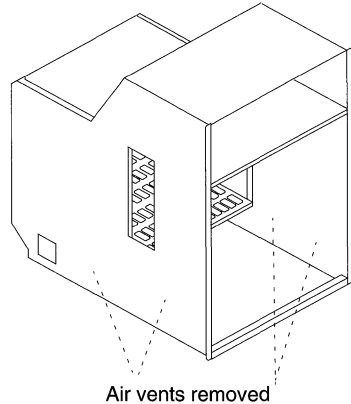
Air Baffle Kit #2



Cardcage 340-2401-02



Cardcage 340-2401-04



Air vents removed

Notes

1. The SM51-2 Upgrade includes Air Baffle Kit #1.
2. The SM61-2 Upgrade includes Air Baffle Kit #1 and Air Baffle Kit #2.
3. The SM81-2 Upgrade includes Air Baffle Kit #1 and Air Baffle Kit #2.
4. Air Baffle Kits are not included with stand-alone Module Options.
5. Air Baffle Kit #1 is installed in systems built after December 1, 1993.
6. Cardcage 340-2401-04, released in April 1994, incorporates the airflow design changes made by Air Baffle Kit #1.
7. Air Baffle Kit #2 is installed in systems built after September 1, 1994.
8. Cardcages 340-2401-01 and 340-2401-03 were not manufactured.

SPARCcenter 2000 and 2000E

S2000 S2000E S2001E

10-Slot XDBus Logic Enclosure

CODE	PART #	DESCRIPTION
NS	560-2011	Backplane Guide Pin Kit
-	230-1401	● #2-56 Nut
-	240-2168	● Guide Pin
-	801-6248	● Guide Pin Upgrade Manual
	595-3290	Air Baffle Kit #1
-	230-1402	● Snap Fastener (x20)
1	340-3036	● Side Plate (x2)
2	340-3037	● End Plate
	595-3509	Air Baffle Kit #2
-	230-1402	● Snap Fastener (x4)
3	340-3099	● Baffle
4	340-3132	● Baffle Support Bracket
-	801-6727	● SPARCcenter 2000 Air Baffle Upgrade Manual

Chassis Air Baffle Kit Requirements

CHASSIS	CHASSIS MANUFACTURING DATE			
	Pre-fcs - 12/93	12/93 - 4/94	4/94 - 9/94	9/94 - Present
340-2401-02	SM51-2 requires Air Baffle Kit #1	SM51-2 has no requirements	Not Manufactured	Not Manufactured
-	SM61-2 requires Air Baffle Kit #1 Air Baffle Kit #2	SM61-2 requires Air Baffle Kit #2	Not Manufactured	Not Manufactured
-	SM81-2 requires Air Baffle Kit #1 Air Baffle Kit #2	SM81-2 requires Air Baffle Kit #2	Not Manufactured	Not Manufactured
340-2401-04	Not Manufactured	Not Manufactured	SM51-2 has no requirements	SM51-2 has no requirements
	Not Manufactured	Not Manufactured	SM61-2 requires Air Baffle Kit #2	SM61-2 has no requirements
	Not Manufactured	Not Manufactured	SM81-2 requires Air Baffle Kit #2	SM81-2 has no requirements

Cray Superserver 6400

CS6400

Data Center Cabinet

PART#	BSD PART#	DESCRIPTION
370-2732	420-6146-001	Microcom Modem
370-2733	429-6007-001	Blower Assembly, 60Hz
370-2734	429-6007-002	Blower Assembly, 60Hz
370-2735	429-6008-001	AC Line Filter / Main Breaker, 50Hz
370-2736	429-6009-001	AC Line Filter / Main Breaker, 60Hz
370-2737	429-6009-002	AC Line Filter / Main Breaker, 60Hz
370-2738	435-6000-007	I/O Cabinet PDU, 60Hz
370-2739	435-6000-008	I/O Cabinet PDU, 50Hz
370-2740	612-6002-001	Centerplane
370-2741	613-6003-003	Control Board 1
370-2742	613-6003-004	Control Board 2
370-2743	613-6004-004	System Board 2
370-2744	655-6103-001	Blower Cable, Front and Rear
370-2745	671-6128-001	Hot Swap Power Module
370-2746	421-6011-001	8MB SIMM Module
370-2747	421-6012-001	32MB SIMM Module
370-2748	420-6049-001	RS232 Serial Port PC Card
370-2749	420-6049-002	RS232 Serial Port PC Card
370-2750	420-6045-001	HIPPI Interface CHI Systems
370-2751	420-6081-001	Exabyte EXB-8505 Tape Drive
370-2752	420-6081-002	Exabyte EXB-8505 Tape Drive
370-2753	420-6144-001	QIC 1/4" Tape Drive
370-2754	421-6044-001	Dual Attach FDDI Interface
370-2755	655-6010-001	Tape Chassis SCSI Cable
370-2756	422-6118-003	68-Pin Differential SCSI Cable, 6M
370-2757	422-6150-001	External Remote Power Control Cable
370-2758	KIT85	EMI Material, SuperSPARC II Upgrade
370-2759	408-6007-002	Blower Airvane Switch Sensor

¹ Not compatible with 85MHz SuperSPARC II.

² Compatible with 60MHz SuperSPARC and 85MHz SuperSPARC II.

Cray Superserver 6400

CS6400

Data Center Cabinet - Continued

PART#	BSD PART#	DESCRIPTION
370-2760	612-6061-010	60MHz SuperSPARC Module
370-2761	612-6162-002	60MHz SuperSPARC Module
370-2762	612-6175-001	85MHz SuperSPARC II Module
370-2763	409-6011-001	Tape Chassis 200W Power Supply
370-2764	409-6012-001	Disk Tray 300W Power Supply
370-2765	420-6063-001	2.9GB Dual Port Disk Drive
370-2766	420-6113-001	2.9GB Single Port Disk Drive
370-2767	420-6114-002	Dual Port Disk Tray
370-2768	420-6114-002	Enhanced Dual Port Disk Tray
370-2769	420-6116-001	Tape Drive Chassis
370-2770	420-6117-001	9GB Single Port Disk Drive
370-2771	420-6117-002	9GB Single Port Disk Drive
370-2772	420-6170-001	Single Port Disk Tray
370-2773	420-6170-002	Enhanced Single Port Disk Tray
370-2774	612-6010-001	ECB Assembly, Seagate Elite-9 Adapter
370-2775	655-6011-001	SCSI Disk Drive Port-A Cable
370-2776	655-6012-001	SCSI Disk Drive Port-B Cable
370-2777	655-6013-001	Single Port SCSI Disk Drive Cable
370-2778	420-6126-001	Differential SCSI Terminator
370-2779	422-6124-001	System Service Processor Interface Cable
370-2780	429-6005-001	Backplane Assembly, Power Supply
370-2781	CS3T2-020191	10-inch Fan
370-2782	435-6000-010	Circuit Breaker, Main, 250V
370-2783	435-6000-012	Circuit Breaker, Fan, 415V
370-2784	435-6000-013	Circuit Breaker, Fan, 415V, 62DL
370-2785	436-6000-003	Air Filter, 9.5" x 22.75" x 0.43"
370-2786	SP-16ASYN-01	16 Port Asynchronous Interface
370-2787	SP-ATM100-01	4615 SBus with 100MB ATM Adapter
370-2788	SP-ATM155-01	4615 SBus with 155MB ATM Adapter

Cray Superserver 6400

CS6400

Data Center Cabinet - Continued

PART#	BSD PART#	DESCRIPTION
370-2789	SP-DLTLM5-01	Tape Library
370-2790	SP-DLT450-01	Table-Top Tape Library
370-2791	SP-F3480S-01	1/2" Desktop Cartridge Tape Drive
370-2792	SP-CBL005-01	Differential SCSI Cable, 20'
370-2793	SP-CBL007-01	Differential SCSI Cable, 10'
370-2794	SP-XTBASE-01	HMX NCD Xterminal Base
370-2795	SP-XTMON-01	RHMX NCD Xterminal Monitor
370-2796	SP-XTKEY-01	HMX NCD Xterminal Keyboard
370-2797	SP-XTMSE-01	RHMX NCD Xterminal Mouse
370-2798	SP-EX903-01	EX480 TMCS Card
370-2799	SP-EX904-01	Exabyte EXB-480 Long Axis Belt
370-2800	SP-EX905-01	Exabyte EXB-480 Front Panel Assembly
370-2801	SP-EX906-01	EXB-480 Robotic Arm with Barcode Reader
370-2802	SP-EX907-01	Exabyte EXB-480 CHM Flex Cable
370-2803	SP-EX908-01	Exabyte EXB-480 Power Supply and Fan
370-2804	SP-EX909-01	Exabyte EXB-8505SL Drive with Carrier
370-2806	409-6010-005	Power Supply ¹
370-2807	409-6010-006	Power Supply ²

¹ Not compatible with 85MHz SuperSPARC II.

² Compatible with 60MHz SuperSPARC and 85MHz SuperSPARC II.

PARTS BREAKDOWN

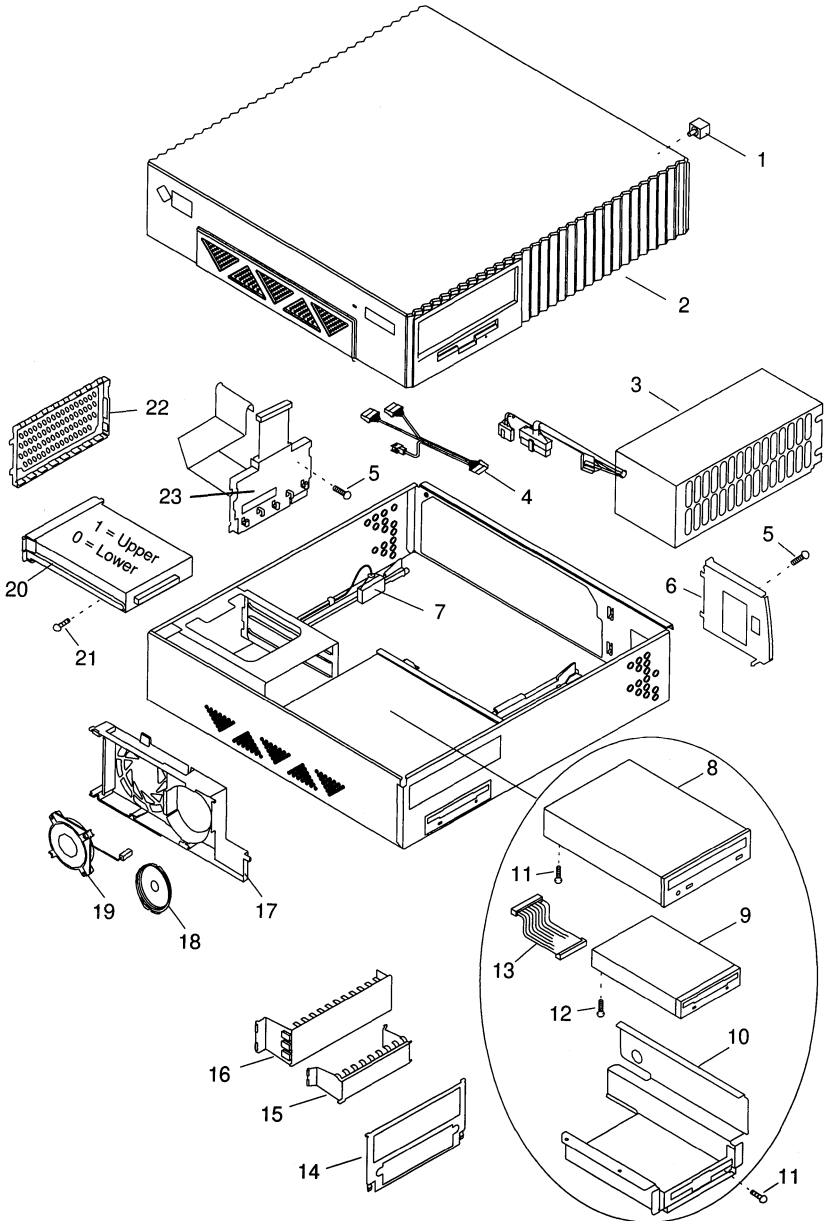
4u WORKSTATION

Sun-4u Workstation

Sun-4u Architecture	
Ultra 1 Model 140	2
Ultra 1 Model 170	2
Ultra 1 Model 140E	6
Ultra 1 Model 170E	6
Ultra 1 Model 200E	6
Ultra 2	10
Ultra 5	14
Ultra 10	16
Ultra 30	18
Ultra 60	22
Ultra 80	26
Sun Blade 100	30
Sun Blade 1000	32

Ultra 1 Models 140 and 170

A11 Netra i1/140 Netra j1/145 Netra i1/170 Netra j1/170
3-Slot SBus Logic Enclosure



Ultra 1 Models 140 and 170

A11 Netra *i*/140 Netra *j*/145 Netra *i*/170 Netra *j*/170
3-Slot SBus Logic Enclosure

CODE	PART #	DESCRIPTION
1	540-2540	Lockbox
2	540-2650	Top Cover Assembly
3	300-1248	180W Power Supply (obsolete)
3	300-1308	180W Power Supply
4	530-2176	Peripheral and Fan Wire Harness
5	240-2101	M3 Captive Screw
6	330-1896	Power Supply Bezel
7	530-2175	Speaker and LED Wire Harness
8	See next page	Removable Media Option
9	370-2151	3D Floppy Drive
9	370-3212	3D Floppy Drive
-	530-2316	● Floppy DC Power Filter Cable, 76 mm
10	340-3186	Floppy and CD-ROM Mounting Bracket
11	240-1878	#6-32 x 5/16" Screw (CD-ROM)
12	240-1530	M3 x 6 mm Screw (Floppy Drive)
13	530-2187	Floppy Data Cable, 205 mm
14	330-1895	Floppy and CD-ROM Bezel
15	540-2700	Floppy Filler Panel
16	540-2701	CD-ROM Filler Panel
17	540-2710	Speaker Assembly
18	370-1579	● Speaker
19	540-2666	Fan Assembly
20	See next page	Disk Drive Assembly (maximum 1.0" height)
21	240-2080	#6-32 x 3/16" Torx Screw
22	340-3201	Disk Drive Access Cover
23	530-2153	Peripheral Data Cable Assembly, 410 mm
NS	260-6233	Sun Logo
NS	263-0063	Ultra 1 Nameplate
NS	263-0066	Ultra 1 Server Nameplate
NS	262-0060	Netra <i>i</i> Nameplate
NS	330-1839	Foot
	802-3819	<i>Sun Ultra 1 Series Service Manual</i>

Ultra 1 Models 140 and 170

A11 Netra *i*1/140 Netra *j*1/145 Netra *i*1/170 Netra *j*1/170
3-Slot SBus Logic Enclosure - Continued

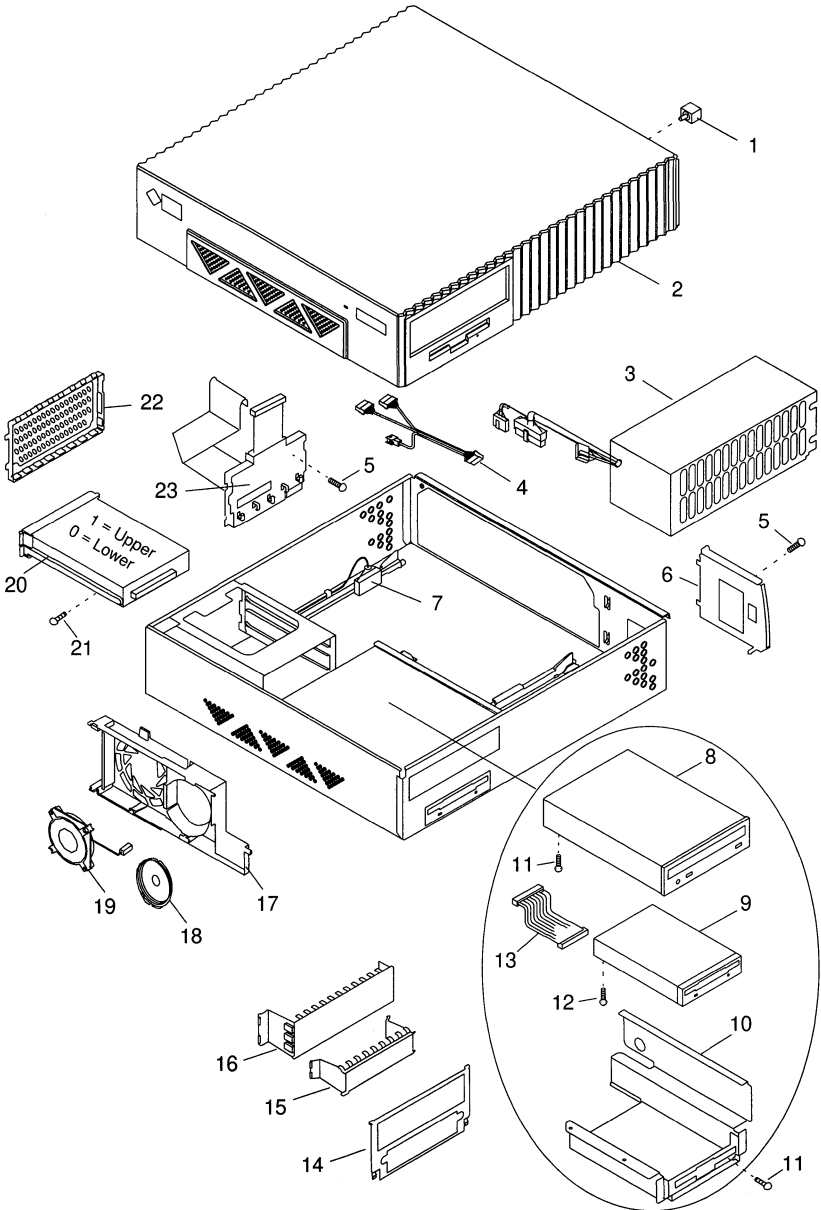
CODE	PART #	DESCRIPTION
8	370-1922	14GB 8 mm Tape Drive
8	370-2102	4X CD-ROM
8	370-2176	4-8GB 4 mm DDS-2 Tape Drive
8	370-2377	12-24GB 4 mm DDS-3 Tape Drive
8	370-2881	7-14GB 8 mm Tape Drive
8	370-2816	12X CD-ROM
20	540-2765	1.05GB 5400 RPM Disk Drive Assembly/FRU
21	240-2080	● #6-32 x 3/16" Torx Screw
-	330-1951	● Right Side Mounting Rail
-	330-1952	● Left Side Hinged Mounting Rail
-	370-2072	● 1.05GB Disk Drive, IBM DPES-31080, 8-bit
-	370-2168	● 1.05GB Disk Drive, Quantum, 8-bit
20	540-2782	2.1GB 5400 RPM Disk Drive Assembly/FRU
21	240-2080	● #6-32 x 3/16" Torx Screw
-	330-1951	● Right Side Mounting Rail
-	330-1952	● Left Side Hinged Mounting Rail
-	370-2071	● 2.1GB Disk Drive, Seagate ST32430WC
-	370-2314	● 2.1GB Disk Drive, Seagate ST32155WC
-	370-2315	● 2.1GB Disk Drive, IBM DORS-32160
20	540-3171	2.1GB 5400 RPM Disk Drive Assembly/FRU
21	240-2304	#6-32 x 3/16" Torx Screw
-	540-3024	● 1" Spud Mounting Bracket
-	370-2842	● 2.1GB Disk Drive, IBM DCAS-32160

This page intentionally left blank.

Ultra 1 Models 140E/170E/200E

A12 Netra i 1/170E Netra i 1/200E

2-Slot SBus Logic Enclosure



Ultra 1 Models 140E/170E/200E

A12 Netra i 1/170E Netra i 1/200E

2-Slot SBus Logic Enclosure

CODE	PART #	DESCRIPTION
1	540-2540	Lockbox
2	540-2650	Top Cover Assembly
3	300-1248	180W Power Supply (obsolete)
3	300-1308	180W Power Supply
4	530-2176	Peripheral and Fan Wire Harness
5	240-2101	M3 Captive Screw
6	330-1896	Power Supply Bezel
7	530-2175	Speaker and LED Wire Harness
8	See next page	Removable Media Option
9	370-2151	3D Floppy Drive
9	370-3212	3D Floppy Drive
-	530-2316	● Floppy DC Power Filter Cable, 76 mm
10	340-3186	Floppy and CD-ROM Mounting Bracket
11	240-1878	#6-32 x 5/16" Screw (CD-ROM)
12	240-1530	M3 x 6 mm Screw (Floppy Drive)
13	530-2187	Floppy Data Cable, 205 mm
14	330-1895	Floppy and CD-ROM Bezel
15	540-2700	Floppy Filler Panel
16	540-2701	CD-ROM Filler Panel
17	540-2710	Speaker Assembly
18	370-1579	● Speaker
19	540-2666	Fan Assembly
20	See next page	Disk Drive Assembly (maximum 1.0" height disk)
21	240-2080	#6-32 x 3/16" Torx Screw
22	340-3201	Disk Drive Access Cover
23	530-2153	Peripheral Data Cable Assembly, 410 mm
NS	262-0060	Netra i Nameplate
NS	263-0064	Ultra 1 Creator Nameplate
NS	263-0065	Ultra 1 Creator 3D Nameplate
NS	263-0066	Ultra 1 Server Nameplate
NS	260-6233	Sun Logo
NS	330-1839	Foot
	802-4148	<i>Sun Ultra 1 Creator Series Service Manual</i>

Ultra 1 Models 140E/170E/200E

A12 Netra i 1/170E Netra i 1/200E
2-Slot SBus Logic Enclosure - Continued

CODE	PART #	DESCRIPTION
8	370-1922	14GB 8 mm Tape Drive
8	370-2102	4X CD-ROM
8	370-2176	4-8GB 4 mm DDS-2 Tape Drive
8	370-2377	12-24GB 4 mm DDS-3 Tape Drive
8	370-2881	7-14GB 8 mm Tape Drive
8	370-2816	12X CD-ROM
20	540-2729	1.05GB 5400 RPM Disk Drive Assembly/FRU
21	240-2080	#6-32 x 3/16" Torx Screw
-	330-1951	● Right Side Mounting Rail
-	330-1952	● Left Side Hinged Mounting Rail
-	370-1964	● 1.05GB Disk Drive, Conner CFP1080E, 16-bit
20	540-2730	2.1GB 7200 RPM Disk Drive Assembly/FRU
21	240-2080	#6-32 x 3/16" Torx Screw
-	330-1951	● Right Side Mounting Rail
-	330-1952	● Left Side Hinged Mounting Rail
-	370-2040	● 2.1GB Disk Drive, Seagate ST32550WC
-	370-1956	● 2.1GB Disk Drive, IBM DFHS-32160 (disqualified)
20	540-2782	2.1GB 5400 RPM Disk Drive Assembly/FRU
21	240-2080	● #6-32 x 3/16" Torx Screw
-	330-1951	● Right Side Mounting Rail
-	330-1952	● Left Side Hinged Mounting Rail
-	370-2071	● 2.1GB Disk Drive, Seagate ST32430WC
-	370-2314	● 2.1GB Disk Drive, Seagate ST32155WC
-	370-2315	● 2.1GB Disk Drive, IBM DORS-32160

Ultra 1 Models 140E/170E/200E

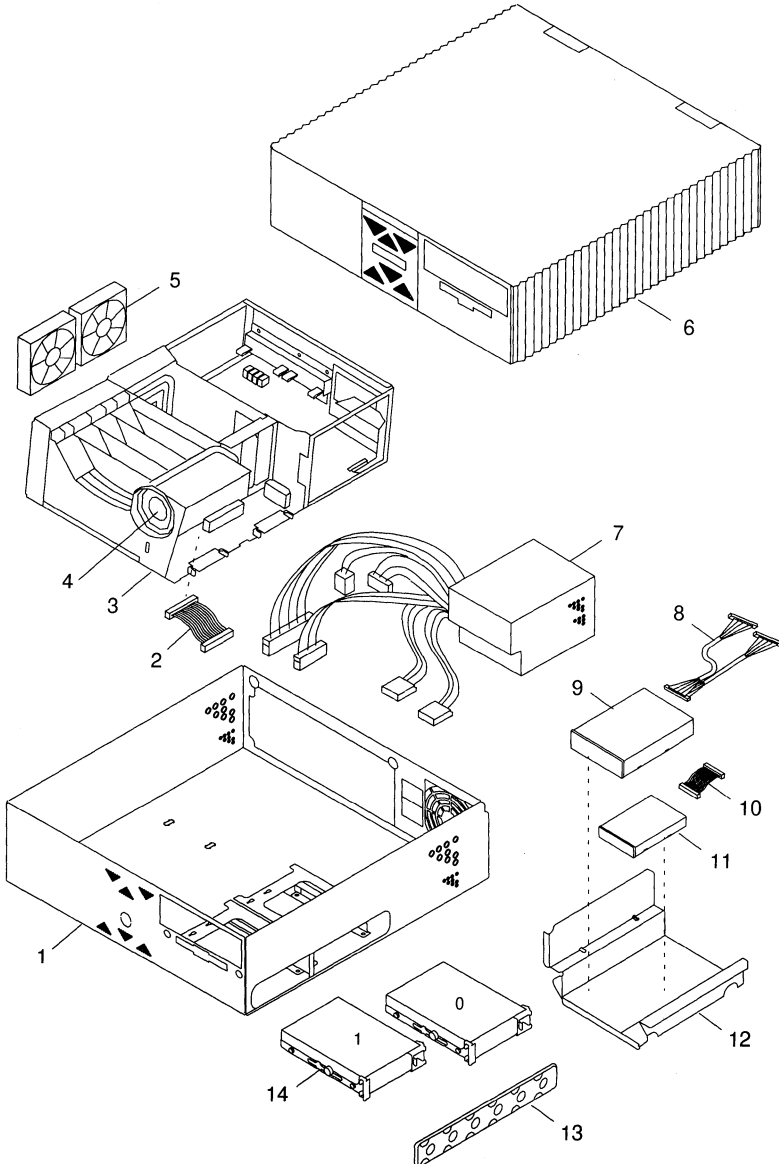
A12 Netra i 1/170E Netra i 1/200E

2-Slot SBus Logic Enclosure - Continued.

CODE	PART #	DESCRIPTION
20	540-2936	2.1GB 7200 RPM Disk Drive Assembly/FRU
21	240-2304	● #6-32 x 3/16" Torx Screw
-	370-2365	● 2.1GB Disk Drive, Seagate ST32171WC
-	370-2808	● 2.1GB Disk Drive, Quantum VK22J05
-	540-3024	● 1" Spud Mounting Bracket
20	540-3171	2.1GB 5400 RPM Disk Drive Assembly/FRU
21	240-2304	#6-32 x 3/16" Torx Screw
-	540-3024	● 1" Spud Mounting Bracket
-	370-2842	● 2.1GB Disk Drive, IBM DCAS-32160
20	540-2938	4.2GB 7200 RPM Disk Drive Assembly/FRU
21	240-2304	● #6-32 x 3/16" Torx Screw
-	370-2367	● 4.2GB Disk Drive, Seagate ST34371WC
-	370-2809	● 4.2GB Disk Drive, Quantum VK45J05
-	370-3403	● 4.2GB Disk Drive, IBM DDRS-34560
-	370-3412	● 4.2GB Disk Drive, Fujitsu MAB3045SC
-	540-3024	● 1" Spud Mounting Bracket

Ultra 2

A14 Netra i2/1200 Netra j2/1200 Netra i2/1300
Netra NFS 2/1300 Netra NFS 2/2300
4-Slot SBus Logic Enclosure



Ultra 2

A14 Netra i2/1200 Netra i2/1300 Netra j2/1200 Netra j2/1300
 Netra NFS 2/1300 Netra NFS 2/2300
 4-Slot SBus Logic Enclosure

CODE	PART #	DESCRIPTION
1	540-2598	Base Assembly
-	501-2487	0MB CPU FRU (obsolete)
-	501-3132	0MB CPU FRU
2	530-1451	● Internal SCSI Cable, 70 mm
3	540-2603	● CPU Shroud Assembly/FRU
4	370-1579	● Speaker
5	None	● 92 x 25 mm Fan
6	540-2597	Top Cover
7	300-1249	350 Watt Power Supply, #6-32 Screws (obsolete)
7	300-1309	350 Watt Power Supply, #6-32 Screws
7	300-1315	350 Watt Power Supply, M3 Screws
7	300-1342	350 Watt Power Supply, M3 Screws
8	530-2137	Internal SCSI Cable, 660 mm
9	See next page	Removable Media Option
10	530-2138	Floppy Cable, 320 mm
11	370-2151	3D Floppy
11	370-3212	3D Floppy
-	530-2316	● Floppy DC Power Filter Cable, 76 mm
12	340-3184	Removable Media Mounting Bracket
13	330-1840	Disk Drive Access Cover
14	See next page	Disk Drive Assembly (maximum 1.0" height disk)
NS	263-0104	Ultra 2 Creator3D Nameplate
NS	263-0105	Ultra 2 Creator Nameplate
NS	263-0107	Ultra 2 Server Nameplate
NS	260-6233	Sun Logo
NS	240-1878	#6-32 x 5/16" Screw
NS	240-2323	#6-32 x 5/8" Screw
NS	240-1530	M3 x 6 mm Screw
NS	240-1394	M3 x 8 mm Screw
NS	330-1841	5.25" Filler Panel
NS	330-1842	3.5" Filler Panel
	802-2561	<i>Ultra 2 Creator Series Service Manual</i>

Ultra 2

A14 Netra *i*2/1200 Netra *i*2/1300 Netra *j*2/1200 Netra *j*2/1300
 Netra NFS 2/1300 Netra NFS 2/2300
 4-Slot SBus Logic Enclosure - Continued

CODE	PART #	DESCRIPTION
9	370-1922	14GB 8 mm Tape Drive
9	370-2018	2.5GB 1/4" QIC Tape Drive
9	370-2102	4X CD-ROM
9	370-2176	4-8GB 4 mm DDS-2 Tape Drive
9	370-2377	12-24GB 4 mm DDS-3 Tape Drive
9	390-0028	20-40GB 4 mm DDS-4 Tape Drive
9	370-2881	7-14GB 8 mm Tape Drive
9	370-2816	12X CD-ROM, 1.6" Height
9	370-3415	32X CD-ROM, 1.6" Height
14	540-2730	2.1GB 7200 RPM Disk Drive Assembly/FRU
-	240-2080	● #6-32 x 3/16" Torx Screw
-	330-1951	● Right Side Mounting Rail
-	330-1952	● Left Side Hinged Mounting Rail
-	370-2040	● 2.1GB Disk Drive, Seagate ST32550WC
-	370-1956	● 2.1GB Disk Drive, IBM DFHS-32160 (disqualified)
14	540-2782	2.1GB 5400 RPM Disk Drive Assembly/FRU
-	240-2080	● #6-32 x 3/16" Torx Screw
-	330-1951	● Right Side Mounting Rail
-	330-1952	● Left Side Hinged Mounting Rail
-	370-2071	● 2.1GB Disk Drive, Seagate ST32430WC
-	370-2314	● 2.1GB Disk Drive, Seagate ST32155WC
-	370-2315	● 2.1GB Disk Drive, IBM DORS-32160
14	540-2936	2.1GB 7200 RPM Disk Drive Assembly/FRU
-	240-2304	● #6-32 x 3/16" Torx Screw
-	370-2365	● 2.1GB Disk Drive, Seagate ST32171WC
-	370-2808	● 2.1GB Disk Drive, Quantum VK22J05
-	540-3024	● 1" Spud Mounting Bracket

Ultra 2

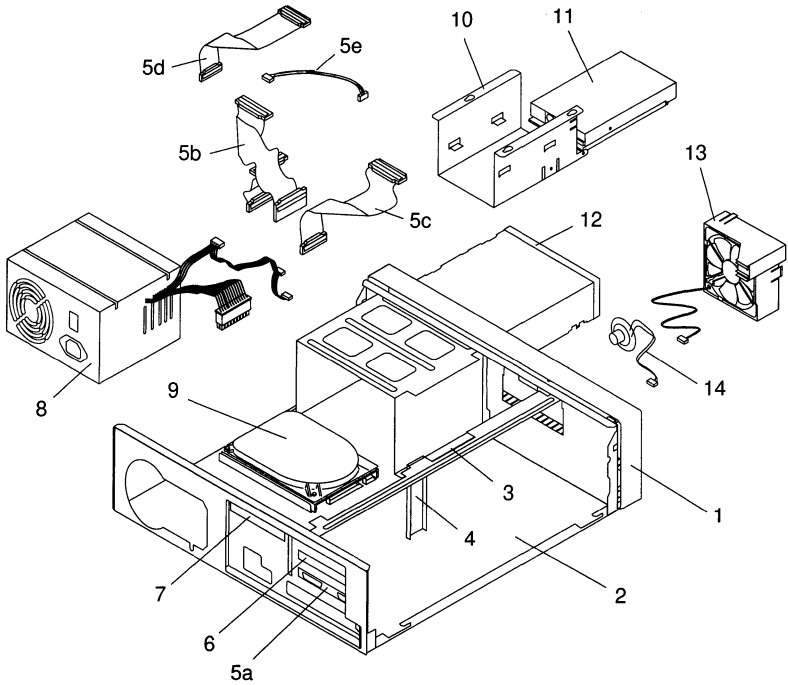
A14 Netra *i2/1200* Netra *i2/1300* Netra *j2/1200* Netra *j2/1300*
 Netra *NFS 2/1300* Netra *NFS 2/2300*
 4-Slot SBus Logic Enclosure - Continued

CODE	PART #	DESCRIPTION
14	540-3171	2.1GB 5400 RPM Disk Drive Assembly/FRU
-	240-2304	● #6-32 x 3/16" Torx Screw
-	370-2842	● 2.1GB Disk Drive, IBM DCAS-32160
-	540-3024	● 1" Spud Mounting Bracket
14	540-2938	4.2GB 7200 RPM Disk Drive Assembly/FRU
-	240-2304	● #6-32 x 3/16" Torx Screw
-	370-2367	● 4.2GB Disk Drive, Seagate ST34371WC
-	370-2809	● 4.2GB Disk Drive, Quantum VK45J05
-	370-3403	● 4.2GB Disk Drive, IBM DDRS-34560
-	370-3412	● 4.2GB Disk Drive, Fujitsu MAB3045SC
-	540-3024	● 1" Spud Mounting Bracket
14	540-3704	9.1GB 7200 RPM Disk Drive Assembly/FRU
-	370-3404	● 9.1GB Disk Drive, IBM DDRS-39130
-	370-3413	● 9.1GB Disk Drive, Fujitsu MAB3091SC
-	370-3595	● 9.1GB Disk Drive, Seagate ST39173WC
-	390-0004	● 9.1GB Disk Drive, Fujitsu MAE3091LC
-	390-0007	● 9.1GB Disk Drive, IBM DNES-309170
-	540-3024	● 1" Spud Bracket

Ultra 5

A21

3-Slot PCI Logic Enclosure



Ultra 5

A21

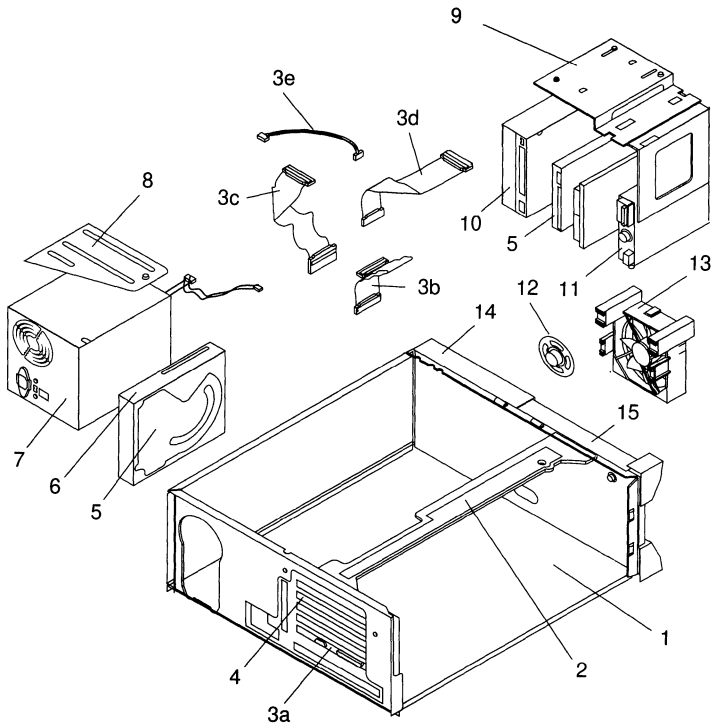
3-Slot PCI Logic Enclosure

CODE	PART #	DESCRIPTION
1	370-3689	Front Bezel
2	None	Chassis
3	None	Chassis Stiffener
4	None	Vertical Hold-down Bracket/Strut
5a-d	370-3266	Ultra 5 Cable Service Kit/FRU
5a	370-3165	● Serial B and Parallel Cable Assembly
5b	370-3163	● Single EIDE Disk Cable
5b	370-3205	Dual EIDE Disk Cable
5c	370-3276	● CD-ROM Cable
5d	370-3164	● Floppy Cable
5e	370-3275	● CD-ROM to System Board Audio Cable
6	None	PCI Filler Panel
7	None	PCI Slot 2 Filler Panel Adapter Bracket
8	370-3162	200 Watt Power Supply
8	370-4326	200 Watt Power Supply w Power Factor Correction
9	370-3176	4.3GB 4500 RPM EIDE Disk Drive
9	370-3692	4.3GB 5400 RPM EIDE Disk Drive
9	370-3863	8.4GB 5400 RPM EIDE Disk Drive
9	370-3693	9.1GB 7200 RPM EIDE Disk Drive
9	370-4327	20GB 7200 RPM EIDE Disk Drive
10	None	Floppy Mounting Bracket
11	None	Secondary/Front Disk Mounting Bracket
11	370-3159	Floppy Drive
12	370-3319	24x CD-ROM
12	370-3694	32x CD-ROM
13	370-3168	8 Centimeter Fan
14	370-3170	Speaker Assy (not interchangeable with 370-4212)
14	370-4212	Speaker Assy (not interchangeable with 370-3170)
NS	370-3196	3-Slot PCI Riser Card
NS	None	Power Switch
NS	None	Top Cover
NS	None	Primary/Rear Disk Mounting Bracket
NS	None	CPU Module Hold-down Bracket
NS	370-4101	Peripheral Filler Panel Kit (340-4068 + 340-4126)

Ultra 10

A22

4-Slot PCI Logic Enclosure



Ultra 10

A22

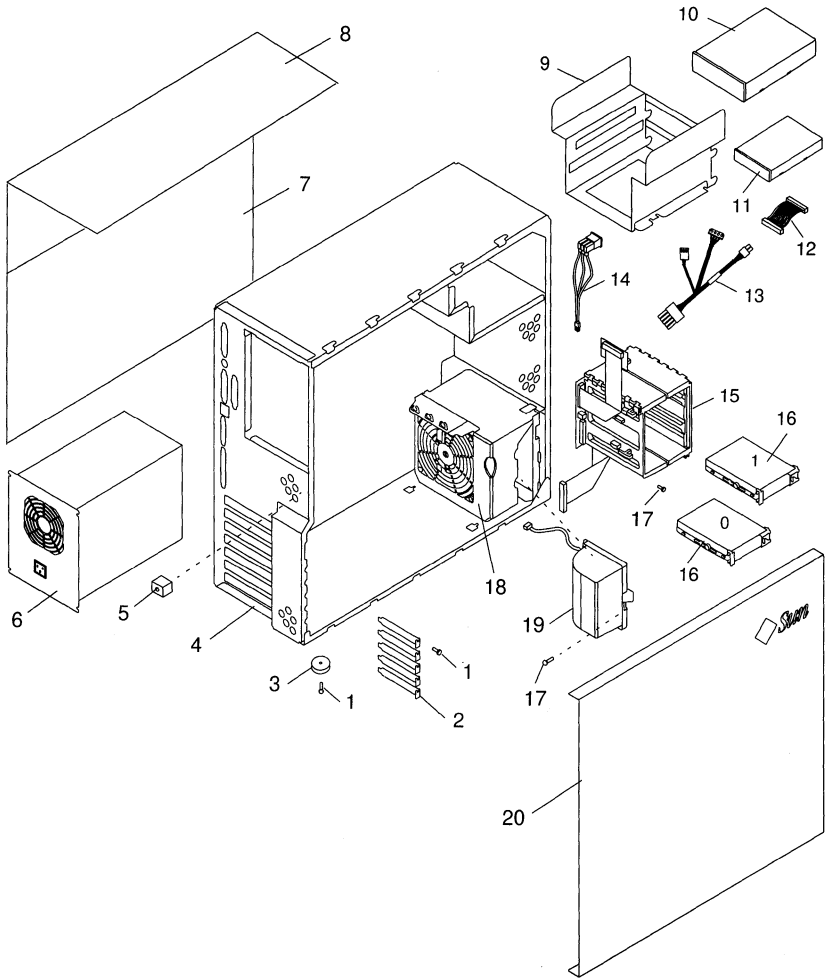
4-Slot PCI Logic Enclosure

CODE	PART #	DESCRIPTION
1	None	Chassis
2	None	Left Side Chassis Stiffener
3a-d	370-3267	Ultra 10 Cable Service Kit/FRU
3a	370-3165	● Serial B and Parallel Cable Assembly
3b	370-3276	● CD-ROM Cable
3c	370-4227	● EIDE Disk Cable (replaced 370-3205)
3d	370-3204	● Floppy Cable
3e	370-3275	● CD-ROM to System Board Audio Cable
4	None	PCI Filler Panel
5	370-3176	4.3GB 4500 RPM EIDE Disk Drive
5	370-3693	9.1GB 7200 RPM EIDE Disk Drive
5	370-4327	20GB 7200 RPM EIDE Disk Drive
6	None	Primary/Rear Disk Bracket without Part Number
6	370-3721	Primary/Rear Disk Bracket (9.1GB requirement)
7	370-3171	250 Watt Power Supply
7	370-4325	250 Watt Power Supply w Power Factor Correction
8	None	Rear Disk Mounting Bracket Support Bracket
9	None	CD-ROM, Disk, and Floppy Mounting Bracket
10	370-3319	24x CD-ROM
10	370-3694	32x CD-ROM
11	370-3159	Floppy Drive
12	370-3264	Speaker Assembly
13	370-3169	9 Centimeter Fan
14	370-3690	Top Front Bezel with Power Switch
15	None	Bottom Front Bezel
NS	370-3197	4-Slot PCI Riser Card
NS	370-3982	4-Slot PCI Riser Card with Stiffener
NS	540-4228	4-Slot PCI Riser Card with Stiffener and Bracket
NS	None	Side/Bottom Cover and Front Disk Mounting Bracket
NS	None	Floppy Bracket and PCMCIA Mounting Bracket
NS	None	Right Side Chassis Stiffener
NS	None	Vertical Hold-down Bracket and Strut
NS	370-4101	Peripheral Filler Panel Kit (340-4068 + 340-4126)
	805-0423	<i>Ultra 5/10 Service Manual</i>

Ultra 30

A16

4-Slot PCI Logic Enclosure



Ultra 30

A16

4-Slot PCI Logic Enclosure

CODE	PART #	DESCRIPTION
1	240-2711	M3 x 6 mm Screw
2	240-2750	PCI Filler Panel
2	340-3559	Audio Module Filler Panel
3	330-2145	Foot
4	340-3534	Chassis
5	540-2540	Lockbox
6	300-1325	300 Watt Power Supply (Pre-FCS)
6	300-1337	300 Watt Power Supply
6	300-1343	350 Watt Power Supply
7	330-2164	Lower Right Side Cover
8	330-2165	Upper Right Side and Top Cover
9	340-3557	Floppy and CD-ROM Bracket
10	See next page	Removable Media Option
11	370-2729	Manual Eject Floppy Drive
12	530-2346	Floppy Data Cable
13	530-2345	Peripheral DC Wire Harness
13	530-2502	DC Extension Cable for SLR Tape Drive
14	540-2991	On/Off Switch and Cable Assembly
15	540-3016	Disk Drive Bay Assembly/FRU
-	530-2322	● Cable and Backplane Assembly
-	330-2148	● Disk Drive Bay
16	See next page	Disk Drive Assembly (1.0" or 1.6" height disk)
17	240-2714	M3 x 10 mm Screw
18	540-3017	Fan Assembly/FRU
19	540-2975	Speaker Assembly/FRU
-	370-1579	● Speaker
20	540-3015	Left Side Cover, Purple

Ultra 30

A16

Logic Enclosure - Continued

CODE	PART #	DESCRIPTION
10	370-3279	4-8GB 1/4" SLR Tape Drive
10	370-2176	4-8GB 4 mm DDS-2 Tape Drive
10	370-2377	12-24GB 4 mm DDS-3 Tape Drive
10	370-2816	12x CD-ROM, 1.6" Height
10	370-3415	32x CD-ROM, 1.6" Height
10	370-2881	7-14GB 8 mm Tape Drive
16	540-2936	2.1GB 7200 RPM Disk Drive Assembly/FRU
-	240-2304	● #6-32 x 3/16" Torx Screw
-	370-2365	● 2.1GB Disk Drive, Seagate ST32171WC
-	370-2808	● 2.1GB Disk Drive, Quantum VK22J05
-	540-3024	● 1" Spud Mounting Bracket
16	540-2938	4.2GB 7200 RPM Disk Drive Assembly/FRU
-	240-2304	● #6-32 x 3/16" Torx Screw
-	370-2367	● 4.2GB Disk Drive, Seagate ST34371WC
-	370-2809	● 4.2GB Disk Drive, Quantum VK45J05
-	370-3403	● 4.2GB Disk Drive, IBM DDRS-34560
-	370-3412	● 4.2GB Disk Drive, Fujitsu MAB3045SC
-	540-3024	● 1" Spud Mounting Bracket
16	540-2951	9.1GB 7200 RPM Disk Drive Assembly/FRU
-	370-2369	● 9.1GB Disk Drive, Seagate ST19171WC
-	540-3025	● 1.6" Spud Bracket
16	540-3704	9.1GB 7200 RPM Disk Drive Assembly/FRU
-	370-3404	● 9.1GB Disk Drive, IBM DDRS-39130
-	370-3413	● 9.1GB Disk Drive, Fujitsu MAB3091SC
-	370-3595	● 9.1GB Disk Drive, Seagate ST39173WC
-	390-0004	● 9.1GB Disk Drive, Fujitsu MAE3091LC
-	390-0007	● 9.1GB Disk Drive, IBM DNES-309170
-	540-3024	● 1" Spud Bracket
16	540-3881	9.1GB 10000 RPM Disk Drive Assembly/FRU
-	370-3649	● 9.1GB Disk Drive, Seagate ST39102LC
-	390-0005	● 9.1GB Disk Drive, Fujitsu MAG3091LC
-	390-0009	● 9.1GB Disk Drive, Seagate ST39103LC
-	540-3024	● 1" Spud Bracket

Ultra 30

A16

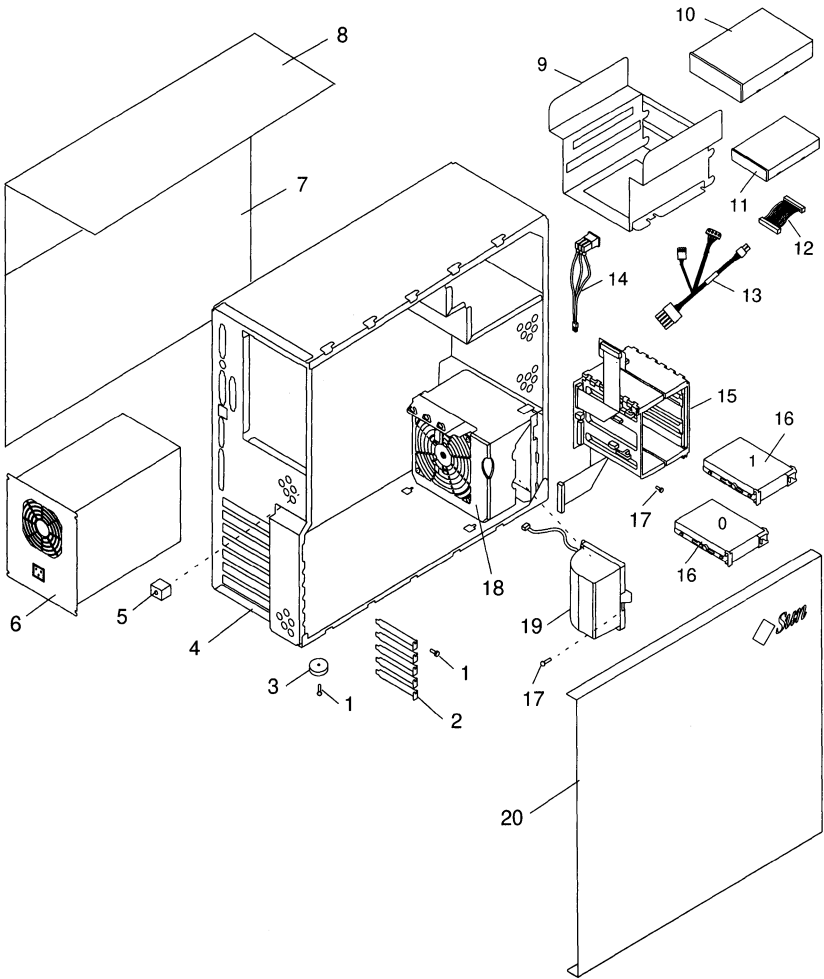
Logic Enclosure - Continued

CODE	PART #	DESCRIPTION
NS	330-2186	5 1/4" Device External Filler Panel
NS	330-2187	3 1/2" Device External Filler Panel
NS	340-4067	3 1/2" Device Internal Filler Panel
NS	340-4068	5 1/4" Device Internal Filler Panel
NS	540-2923	Front Bezel Assembly
NS	330-2141	● Front Bezel, Light Grey
NS	330-2142	● Dress Panel, Purple
NS	330-2143	● Power Switch Cover
NS	330-2166	● Peripheral Bezel with Cutouts
NS	540-2986	System Board Fan and Shroud Assembly
NS	595-5364	Noise Reduction Kit, Option 2087
-	530-2867	● Voltage Regulated Fan Power Cable
-	806-2887	● <i>Noise Reduction Kit Installation Instructions</i>
	802-7719	<i>Ultra 30 Service Manual</i>

Ultra 60

A23

4-Slot PCI Logic Enclosure



Ultra 60

A23

4-Slot PCI Logic Enclosure

CODE	PART #	DESCRIPTION
1	240-2711	M3 x 6 mm Screw
2	240-2750	PCI Filler Panel
2	340-3559	Audio Module Filler Panel
3	330-2145	Foot
4	340-3534	Chassis
5	540-2540	Lockbox
6	300-1343	350 Watt Power Supply
7	330-2164	Lower Right Side Cover
8	330-2165	Upper Right Side and Top Cover
9	340-3557	Floppy and CD-ROM Bracket
10	See next page	Removable Media Option
11	370-2729	Manual Eject Floppy Drive
12	530-2346	Floppy Data Cable
13	530-2345	Peripheral DC Wire Harness
13	530-2502	DC Extension Cable for SLR Tape Drive
14	540-2991	On/Off Switch and Cable Assembly
15	540-3016	Disk Drive Bay Assembly/FRU
-	530-2322	● Cable and Backplane Assembly
-	330-2148	● Disk Drive Bay
16	See next page	Disk Drive Assembly (1.0" or 1.6" height disk)
17	240-2714	M3 x 10 mm Screw
18	540-3017	Fan Assembly/FRU
19	540-2975	Speaker Assembly/FRU
-	370-1579	● Speaker
20	540-3365	Left Side Cover, Light Grey

Ultra 60

A23

4-Slot PCI Logic Enclosure - Continued

CODE	PART #	DESCRIPTION
10	370-3279	4-8GB 1/4" SLR Tape Drive
10	370-2176	4-8GB 4 mm DDS-2 Tape Drive
10	370-2377	12-24GB 4 mm DDS-3 Tape Drive
10	390-0028	20-40GB 4 mm DDS-4 Tape Drive
10	370-2816	12x CD-ROM, 1.6" Height
10	370-3415	32x CD-ROM, 1.6" Height
10	370-2881	7-14GB 8 mm Tape Drive
16	540-2936	2.1GB 7200 RPM Disk Drive Assembly/FRU
-	240-2304	● #6-32 x 3/16" Torx Screw
-	370-2365	● 2.1GB Disk Drive, Seagate ST32171WC
-	370-2808	● 2.1GB Disk Drive, Quantum VK22J05
-	540-3024	● 1" Spud Mounting Bracket
16	540-2938	4.2GB 7200 RPM Disk Drive Assembly/FRU
-	370-2367	● 4.2GB Disk Drive, Seagate ST34371WC
-	370-2809	● 4.2GB Disk Drive, Quantum VK45J05
-	370-3403	● 4.2GB Disk Drive, IBM DDRS-34560
-	370-3412	● 4.2GB Disk Drive, Fujitsu MAB3045SC
-	540-3024	● 1" Spud Mounting Bracket
16	540-2951	9.1GB 7200 RPM Disk Drive Assembly/FRU
-	370-2369	● 9.1GB Disk Drive, Seagate ST19171WC
-	540-3025	● 1.6" Spud Bracket
16	540-3704	9.1GB 7200 RPM Disk Drive Assembly/FRU
-	370-3404	● 9.1GB Disk Drive, IBM DDRS-39130
-	370-3413	● 9.1GB Disk Drive, Fujitsu MAB3091SC
-	370-3595	● 9.1GB Disk Drive, Seagate ST39173WC
-	390-0004	● 9.1GB Disk Drive, Fujitsu MAE3091LC
-	390-0007	● 9.1GB Disk Drive, IBM DNES-309170
-	540-3024	● 1" Spud Bracket
16	540-3881	9.1GB 10000 RPM Disk Drive Assembly/FRU
-	370-3649	● 9.1GB Disk Drive, Seagate ST39102LC
-	390-0005	● 9.1GB Disk Drive, Fujitsu MAG3091LC
-	390-0009	● 9.1GB Disk Drive, Seagate ST39102LC
-	540-3024	● 1" Spud Bracket

Ultra 60

A23

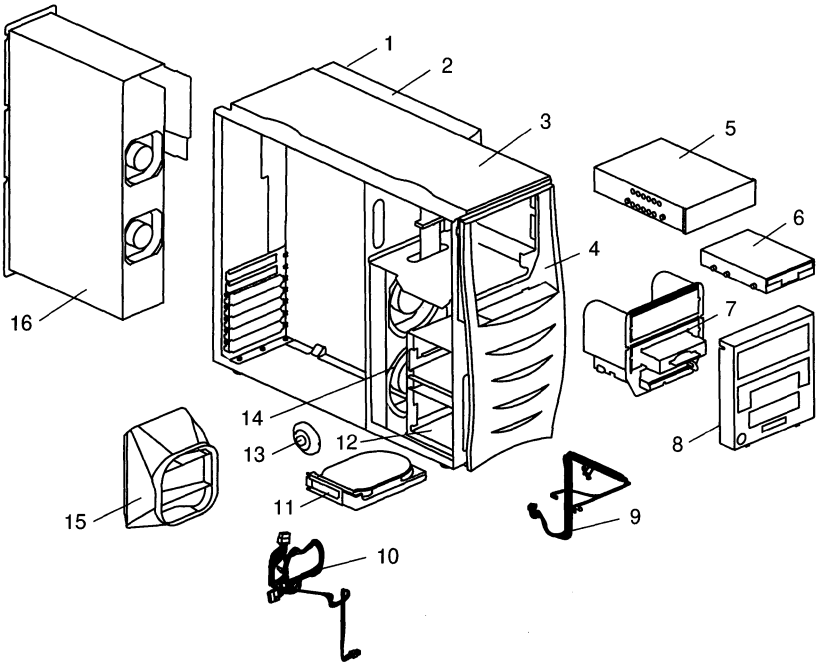
4-Slot PCI Logic Enclosure - Continued

CODE	PART #	DESCRIPTION
16	540-3719	18.2GB 7200 RPM Disk Drive Assembly/FRU
-	370-3414	● 18.2GB Disk Drive, Fujitsu MAA3182SC
-	540-3025	● 1.6" Spud Bracket
16	540-4177	18.2GB 10000 RPM Disk Drive Assembly/FRU
-	390-0002	● 18.2GB Disk Drive, Seagate ST318203LC
-	390-0006	● 18.2GB Disk Drive, Fujitsu MAG3182LC
-	390-0038	● 18.2GB Disk Drive, Seagate ST318404LC
-	390-0043	● 18.2GB Disk Drive, Fujitsu MAJ3182WC
-	540-3024	● 1" Spud Bracket
16	540-4521	36.4GB 10000 RPM Disk Drive Assembly/FRU
-	390-0050	● 36.4GB Disk Drive, Seagate ST336704LC
-	390-0051	● 36.4GB Disk Drive, Fujitsu MAJ3364M
-	540-3024	● 1" Spud Bracket
NS	330-2186	5 1/4" Device External Filler Panel
NS	330-2187	3 1/2" Device External Filler Panel
NS	340-4067	3 1/2" Device Internal Filler Panel
NS	340-4068	5 1/4" Device Internal Filler Panel
NS	540-3253	Front Bezel Assembly
-	330-2308	● Front Bezel, Purple
-	330-2309	● Dress Panel, Purple
-	330-2143	● Power Switch Cover
-	330-2166	● Peripheral Bezel with Cutouts
NS	540-3252	System Board Fan and Shroud Assembly
-	330-2376	● 2 CPU Shroud Bracket/FRU
-	540-3427	● 1 CPU Shroud Assembly/FRU
-	540-3428	● Fan Assembly
NS	595-5364	Noise Reduction Kit, Option 2087
-	530-2867	● Voltage Regulated Fan Power Cable
-	806-2887	● <i>Noise Reduction Kit Installation Instructions</i>
	805-1709	<i>Ultra 60 Service Manual</i>

Ultra 80

A27

4 -Slot PCI Logic Enclosure



Ultra 80

A27

4-Slot PCI Logic Enclosure

CODE	PART #	DESCRIPTION
1	599-2256	Chassis Assembly
1	599-2269	Danish Chassis Assembly
-	540-4073	● Receiving Chassis Assembly
-	540-3871	● Chassis Assembly
-	540-3876	● Chassis Housing Assembly
-	330-4033	● Chassis Front
-	330-4034	● Chassis Rear
-	340-4037	● Peripheral Bay Shelf
-	340-5227	● I/O Panel
2	330-2685	Right Side Cover
3	330-2686	Top Cover
4	540-3877	Curved Front Bezel Assembly
5	See next page	Removable Media Option
6	370-2729	Manual Eject Floppy Drive
7	540-3265	Peripheral Assembly
-	340-4067	● 3 1/2" Filler Panel
-	340-4068	● 5 1/4" Filler Panel
-	340-4764	● 5 1/4" Filler Panel with 3 1/2" Cutout
-	540-3681	● Peripheral Bracket with Faceplate
-	340-4858	● Bracket
-	340-4859	● Faceplate
8	540-3878	Peripheral Bezel Assembly
-	330-2186	● 5 1/4" Filler Panel
-	330-2187	● 3 1/2" Filler Panel
-	330-2324	● Lightpipe (not replaceable)
-	330-2691	● 5 1/4" Filler Panel with 3 1/2" Cutout
-	330-2693	● Bezel (not replaceable)
-	330-2736	● Power Button (not replaceable)
9	530-2583	Interlock, LED, Power Switch, and Speaker Cable
10	530-2582	Peripheral DC Power Cable
11	See next page	Disk Drive Option
12	540-3874	Drive Bay Assembly (1.0" or 1.6" height disk)
-	530-2691	● Backplane Assembly
13	370-1579	Speaker

Ultra 80

A27

4-Slot PCI Logic Enclosure - Continued

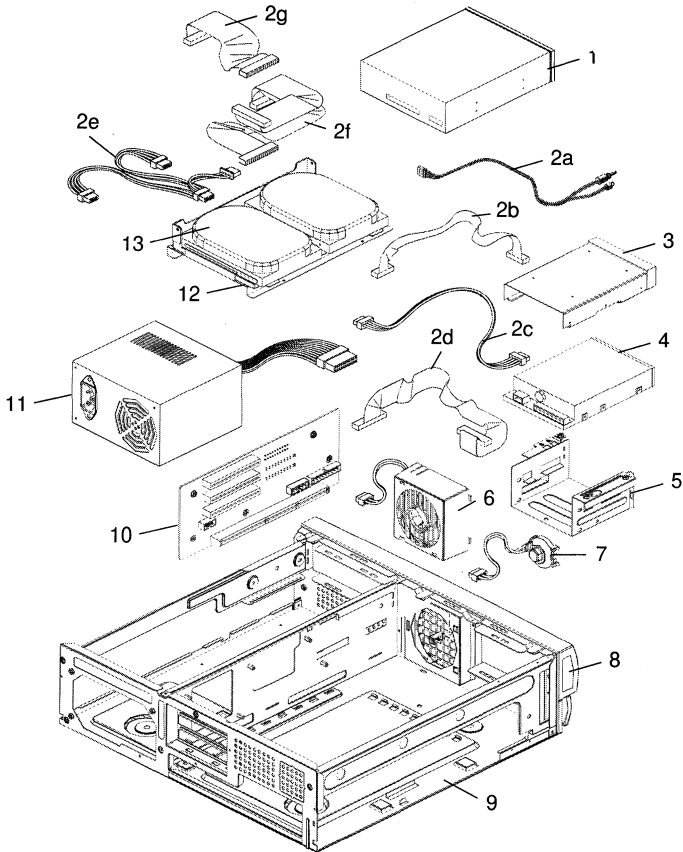
CODE	PART #	DESCRIPTION
14	540-3637	Fan Assembly 540-3637-04
-	370-3718	● 120 mm Fan (x2)
-	330-2416	● Fan Bracket
15	540-4048	CPU Airguide Assembly
-	330-2803	● Dual Vane Snap
-	330-2709	● Airguide
16	300-1357	660 Watt Power Supply
16	300-1411	Danish Power Supply
5	370-2377	12-24GB 4 mm DDS-3 Tape Drive
5	390-0028	20-40GB 4 mm DDS-4 Tape Drive
5	370-2881	7-14GB 8 mm Tape Drive
5	370-3279	4-8GB 1/4" SLR Tape Drive
5	370-3415	32x CD-ROM, 1.6" Height
11	540-3719	18.2GB 7200 RPM 1.6" Disk Drive Assembly/FRU
11	540-4177	18.2GB 10000 RPM 1.0" Disk Drive Assembly/FRU
11	540-4521	36.4GB 10000 RPM 1.0" Disk Drive Assembly/FRU
NS	150-3112	On/Off Switch
NS	150-3114	Interlock Switch
NS	240-2750	PCI Filler Panel
NS	300-1407	125 Watt DC-DC Converter with Fan
NS	330-2805	Processor Module Filler Panel
NS	340-6091	Memory Riser Torque Tool (only use 340-6091-02)
NS	340-3559	Audio Module Filler Panel
NS	330-2321	Foot
NS	530-2346	Floppy Data Cable
NS	530-2937	2nd Removable Media Device SCSI Cable, 180 mm
NS	540-2540	Lockbox
NS	540-3874	Left Cover Assembly
	805-6618	<i>Ultra 80 Service Manual</i>

This page intentionally left blank.

Sun Blade 100

A36

2-Slot PCI Logic Enclosure



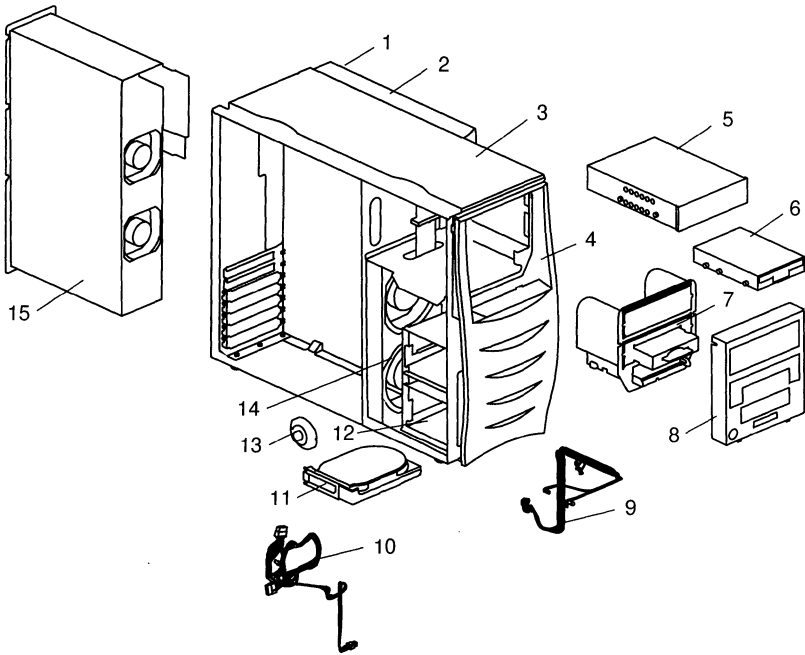
Sun Blade 100
A36
2-Slot PCI Logic Enclosure

CODE	PART #	DESCRIPTION
1	370-4152	48x CD-ROM
1	370-4153	12x DVD-ROM
	370-4209	Cable Service Kit
2a	370-4210	● Power Switch and LED
2b	None	● Internal Smart Card Reader Cable
2c	None	● Floppy Power Cable
2d	None	● Floppy Data Cable
2e	None	● Disk and CD Power Cable
2f	None	● Dual IDE Data Cable
2g	None	● Single IDE Data Cable
3	370-3933	Smart Card Reader
4	370-4211	Floppy Drive
5	None	Floppy and Smart Card Reader Bracket
6	370-4207	Fan
7	370-4293	Speaker and Cable Assembly
8	None	Front Bezel
9	None	Chassis
10	370-4208	PCI Riser Board
11	370-4206	Power Supply
12	None	Disk Drive Mounting Bracket
13	370-4154	15GB 7200 RPM EIDE Disk Drive
NS	None	Top Cover
NS	None	PCI Retaining Bracket
NS	806-3416	<i>Sun Blade 100 Service Manual</i>

Sun Blade 1000

A28

4-Slot Logic Enclosure



Sun Blade 1000
A28
4-Slot PCI Logic Enclosure

CODE	PART #	DESCRIPTION
1	599-2144	Chassis Assembly
-	540-3256	● Chassis Assembly
-	540-3447	● Chassis Housing Assembly
-	330-4033	● Chassis Front
-	330-4034	● Chassis Rear
-	340-4036	● I/O Panel
-	340-4037	● Peripheral Bay Shelf
2	330-2313	Right Side Cover
3	330-2315	Top Cover
4	540-3448	Curved Front Bezel Assembly
5	See next page	Removable Media Option
6	370-2729	Manual Eject Floppy Drive
6	370-3933	Smart Card Reader
NS	530-2944	● Smart Card Reader Cable, 20"
7	540-3265	Peripheral Assembly
-	340-4067	● 3 1/2" Filler Panel
-	340-4068	● 5 1/4" Filler Panel
-	340-4764	● 5 1/4" Filler Panel with 3 1/2" Cutout
-	540-3681	● Peripheral Bracket with Faceplate
-	340-4858	● Bracket
-	340-4859	● Faceplate
8	540-3873	Peripheral Bezel Assembly
-	330-2714	● 5 1/4" Filler Panel
-	330-2715	● 3 1/2" Filler Panel
-	330-2324	● Lightpipe (not replaceable)
-	330-2510	● 5 1/4" Filler Panel with 3 1/2" Cutout
-	330-2404	● Bezel (not replaceable)
-	330-2323	● Power Button (not replaceable)
9	530-2583	Interlock, LED, Power Switch, and Speaker Cable
10	530-2582	Peripheral DC Power Cable
11	See next page	Disk Drive Option (1.0" or 1.6" height disk)
12	540-3258	Drive Bay Assembly/FRU without Backplane
-	530-2488	● FC-AL Cable

Sun Blade1000

A28

4-Slot PCI Logic Enclosure - Continued

CODE	PART #	DESCRIPTION
12	540-4182	FC-AL Backplane Assembly/FRU
-	501-4586	● FC-AL Backplane
-	530-2488	● FC-AL Cable
13	370-1579	Speaker
14	370-3718	120 mm Fan (x2)
14	330-2416	Fan Bracket
15	300-1357	660 Watt Power Supply
15	300-1411	Danish Power Supply
5	370-3415	32X CD-ROM, 1.6" Height
5	390-0025	10X DVD-ROM, 1.6" Height
11	540-4673	18.2GB 10000 RPM FC-AL Disk Assembly/FRU
11	540-4525	36.4GB 10000 RPM FC-AL Disk Assembly/FRU
NS	150-3112	On/Off Switch
NS	150-3114	Interlock Switch
NS	240-2750	PCI Filler Panel
NS	340-3559	Audio Module Filler Panel
NS	330-2321	Foot
NS	330-2937	Torque Tool Carrier
NS	340-6395	Torque Tool
NS	370-3718	120 mm Fan
NS	530-2346	Floppy Data Cable
NS	530-2881	Glow-Go Cable
NS	530-2913	Smart Card Reader Cable, 15" (Obsolete)
NS	540-2540	Lockbox
NS	540-3257	Left Cover Assembly (540-3256-16 6/20/00)
NS	560-2613	Cable Service Kit
NS	530-2688	● SCSI Data Cable
NS	530-2944	● Smart Card Reader Cable, 20"
	805-4496	<i>Service Manual</i>

PARTS BREAKDOWN

4u SERVER

Sun-4u Server

Sun-4u Architecture

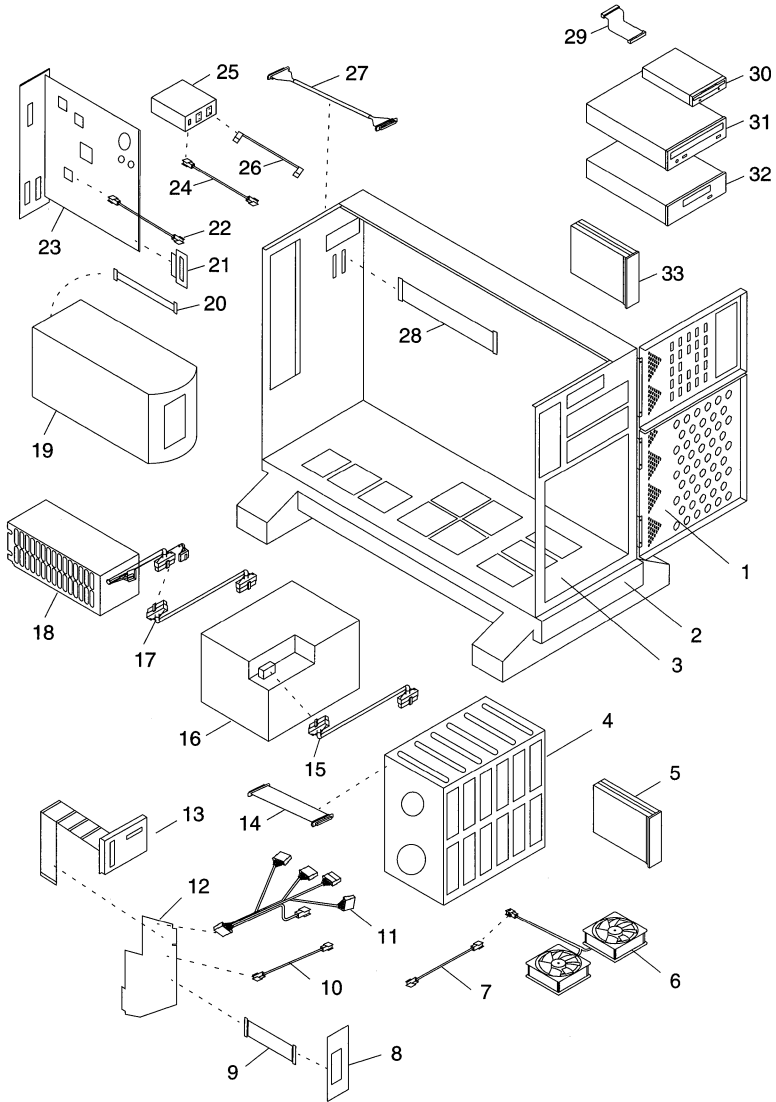
Netra i 150 Netra nfs 150 Ultra Enterprise 150	2
Enterprise 220R	6
Enterprise 420R	10
Enterprise 250	14
Ultra 450	18
Ultra Enterprise 450 Enterprise 450	18
Ultra Enterprise 3000 Enterprise 3000	22
Ultra Enterprise 4000 Enterprise 4000	24
Ultra Enterprise 5000 Enterprise 5000	26
Ultra Enterprise 6000 Enterprise 6000	28
Data Center Cabinet	30
Enterprise 3500	32
Enterprise 4500	34
Enterprise 5500	36
Enterprise 6500	38
Data Center Cabinet	40
Internal Peripherals	42

Sun-4u1 Architecture

Ultra Enterprise 10000 Enterprise 10000	46
---	----

Netra *i* 150 Netra *nfs* 150 E150

Logic Enclosure



Netra *i* 150 Netra *nfs* 150 E150

Logic Enclosure

CODE	PART #	DESCRIPTION
1	540-2878	Front Door Assembly (metal hinges) (obsolete)
1	540-2912	Front Door Assembly (plastic hinges)
2	540-2800	Base Assembly
-	240-2307	● Caster
3	540-2801	Chassis Assembly w 330-2024 and 330-2027 (obs)
3	540-3040	Chassis Assembly with 330-2254 and 330-2255
4	None	Cardcage Assembly
-	330-3025	● Cardcage Chassis
-	501-3081	● Backplane
-	540-2860	● Spacer Assembly
5	540-2730	2.1GB 7200 RPM Disk Drive Assembly/FRU
5	540-2936	2.1GB 7200 RPM Disk Drive Assembly/FRU
5	540-2938	4.2GB 7200 RPM Disk Drive Assembly/FRU
6	F370-2266	Fan Assembly/FRU (2 fans with connector)
-	370-2266	● Fan (1 fan without connector)
7	530-2262	Fan DC Power Cable
8	370-2259	LCD Assembly
9	530-2261	Controller to LCD Cable
10	530-2256	Backplane to Controller DC Wire Harness
11	530-2255	Peripheral DC Wire Harness
12	501-3089	System Controller
12	501-4308	System Controller
13	530-2253	Floppy/SCSI Data Cable, ≅1M
14	530-2268	Backplane SCSI Loopback Cable, 194 mm
15	530-2257	185W Power Supply to Backplane DC Wire Harness
16	300-1283	185W Power Supply
16	300-1330	185W Power Supply
17	530-2281	180W Power Supply DC Extension Cable
18	300-1308	180W Power Supply
19	370-2240	110V Uninterruptible Power Supply (Netra <i>nfs</i> 150)
19	370-2241	230V Uninterruptible Power Supply (Netra <i>nfs</i> 150)
20	530-2259	Controller to UPS Cable (Netra <i>nfs</i> 150)

Netra *i* 150 Netra *nfs* 150 E150

Logic Enclosure - Continued

CODE	PART #	DESCRIPTION
21	501-3104	System Board to Controller Board Adapter
22	530-2292	Controller to System Board Power Reset Cable
23	501-3082	0MB Ultra 1 Model 170 System Board
24	530-2260	Controller to AC Filter/Switch Cable
25	150-2510	AC Filter/Switch
26	180-1732	AC Power Cbl, 90° IEC 320 - 90° Reverse IEC 320
27	530-1884	External 68-Pin to 68-Pin SCSI Cable, 80 cm
28	530-2282	Internal SCSI Cable, 590 mm
29	530-2258	Floppy Data Cable, 190 mm
30	370-2151	3D Floppy Drive
30	370-3212	3D Floppy Drive
31	370-2102	4X CD-ROM, Light Grey ¹
31	370-2817	12X CD-ROM, Medium Grey ²
31	370-2816	12X CD-ROM, Light Grey (DEV WO_10665) ²
32	370-2176	4-8GB 4 mm DDS-2 Tape Drive, Light Grey
32	370-2376	12-24GB 4 mm DDS-3 Tape Drive, Medium Grey ³
33	540-2730	2.1GB 7200 RPM Disk Drive Assembly/FRU ⁴
33	540-2936	2.1GB 7200 RPM Disk Drive Assembly/FRU ⁴

¹ The 4X CD-ROM does not fit into Chassis 540-3040.

² The 12X CD-ROM does not fit into Chassis 540-2801.

³ DC Wire Harness 530-2255-03 is required.

⁴ The 4.2GB Disk Drive is not supported in the upper drive location.

Netra *i* 150 Netra *nfs* 150 E150

Logic Enclosure - Continued

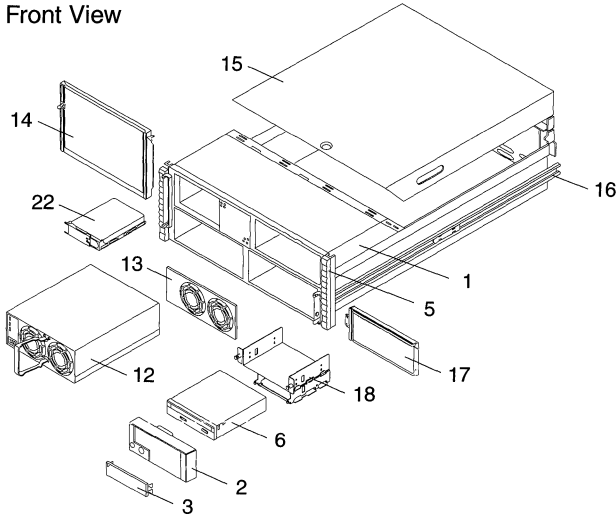
CODE	PART #	DESCRIPTION
NS	250-1328	Front Door Key
NS	330-2024	Foam, Left Side of Floppy/Disk/Tape (obsolete)
NS	330-2027	Foam, Right Side of Floppy/Disk/Tape (obsolete)
NS	330-2028	Foam, Main Chassis Bottom (obsolete)
NS	330-2038	Foam, Left Side of System Board (obsolete)
NS	330-2039	Foam, Right Side of System Board (obsolete)
NS	330-2040	Foam, UPS Filler
NS	F330-2254	Floppy/Disk/Tape Foam FRU
NS	330-2254	● Foam, Left Side of Floppy/Disk/Tape
NS	330-2255	● Foam, Right Side of Floppy/Disk/Tape
NS	330-2261	Foam, Main Chassis Bottom
NS	330-2262	Foam, Left Side of System Board
NS	330-2263	Foam, Right Side of System Board
NS	340-3374	Tape Drive Mounting Bracket
NS	340-3375	Left Side Cover
NS	340-3376	Right Side Cover
NS	540-2802	Tape Drive Filler Panel
NS	595-3781	Rack Mount Kit
-	240-2314	● Slide Rail (Accuride 3607-28-SO)
-	240-2315	● Front Bracket
-	340-3476	● Rear Bracket
-	340-3477	● Stop Bracket
	802-5626	<i>Netra 150 Server Service Manual</i>

Enterprise 220R

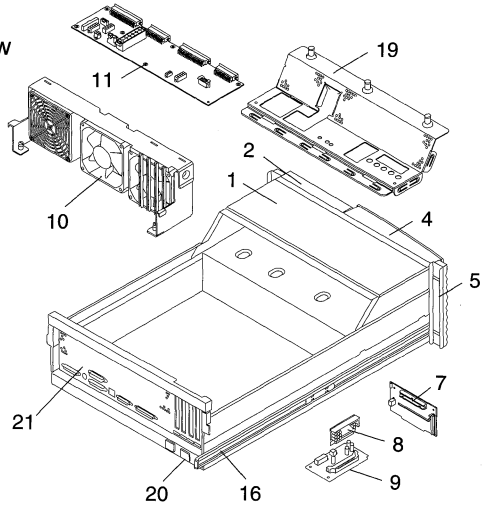
A34

4-Slot PCI Logic Enclosure

Front View



Rear View



Enterprise 220R

A34

4-Slot PCI Logic Enclosure

CODE	PART #	DESCRIPTION
1	599-2330	Enclosure Assembly
2	540-4219	● RMA Bezel
3	330-2400	● Floppy Filler Panel
4	330-2911	● Curved Bezel
5	540-4315	● 4U Trim Strip
-	540-4316	● Enclosure Assembly with System Board
6	370-3416	● 32x CD-ROM, Medium Grey
6	390-0025	● 10x DVD-ROM, Medium Grey
1	540-4316	Enclosure Assembly with System Board
NS	330-2805	● Processor Module Slot Filler Panel
NS	540-4327	● Processor Module Cardcage Assembly
NS	540-4329	● Airguide Assembly
-	540-4284	● Enclosure Assembly
1	540-4284	Enclosure Assembly
7	501-5505	● 2-Slot SCSI Disk Backplane
8	300-1455	● VRM DC-DC Converter
9	375-0094	● VRM Interposer Board
10	540-4169	● Fan Tray with 3x 120 mm Fans (Obsolete)
10	540-4434	● Fan Tray with 3x 120 mm Fans
11	501-5506	● DC Power Distribution Board
12	300-1449	● 380 Watt Power Supply
13	340-6001	● Power Supply Filler Panel
NS	340-6118	● Security Switch Lock
NS	530-2824	● Keypad/LED/Power Cable
NS	530-2826	● RMA 8-Bit SCSI Cable
NS	530-2827	● SCSI Cable
NS	530-2828	● DC Power Cable
NS	530-2829	● DC Power Signal Cable
NS	530-2830	● Control Cable
NS	530-2864	● I/O Power Cable
-	540-4283	● Chassis Assembly

Enterprise 220R

A34

4-Slot PCI Logic Enclosure - Continued

CODE	PART #	DESCRIPTION
1	540-4283	Chassis Assembly
14	540-4186	● Left Door
15	540-4188	● Rear Enclosure Top Cover
16	340-6131	● Inner Slide Rail
17	540-4230	● Right Door
18	540-4253	● Media Drive Mounting Assembly
19	340-5834	● Power Distribution Board Cover
20	540-4232	● AC Outlet to Power Supply
21	540-4282	● Rear Panel
NS	370-4099	● AC Receptacle and Line Filter
NS	530-2819	● AC Power Cable
NS	530-2861	● AC Ground Cable
NS	540-4251	● Ultra 60 System Board Mounting Tray
1	540-4231	● Chassis Assembly
-	340-5827	● Base Enclosure
-	340-5830	● Disk Drive Bay
-	340-5831	● Front Enclosure Top Cover
	340-5996	● Front Enclosure
	540-4185	● Power Bay Cover
22	540-3881	9.1GB 10000 RPM Disk Drive Assembly/FRU
22	540-4177	18.2GB 10000 RPM Disk Drive Assembly/FRU
22	540-4521	36.4GB 10000 RPM Disk Drive Assembly/FRU
NS	340-6124	Short Rack Mounting Bracket
NS	340-6125	Long Rack Mounting Bracket
NS	340-5883	Outer Slide Rail
NS	370-2376	12-24GB 4 mm DDS-3 Tape Drive, Medium Grey 1
NS	390-0028	20-40GB 4 mm DDS-4 Tape Drive, Medium Grey 1
NS	370-2882	7-14GB 8 mm Tape Drive, Medium Grey 1

¹ DC Power cable 530-2864-02 is too short. Use 530-2864-03 or DC Power Extension cable 530-2502.

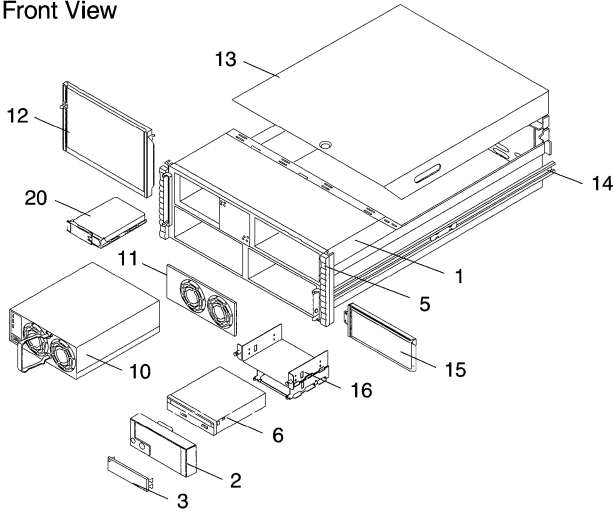
This page intentionally left blank.

Enterprise 420R

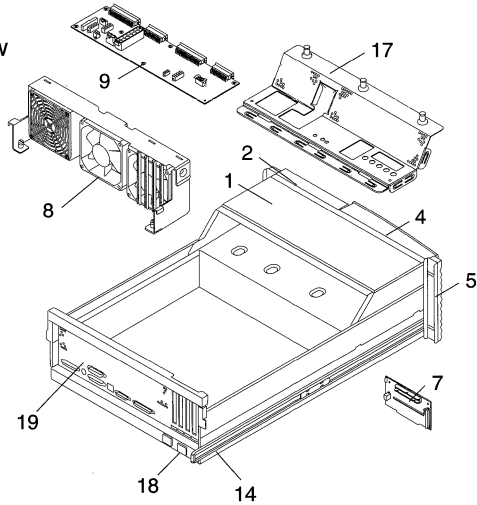
A33

4-Slot PCI Logic Enclosure

Front View



Rear View



Enterprise 420R

A33

4-Slot PCI Logic Enclosure

CODE	PART #	DESCRIPTION
1	599-2292	Enclosure Assembly
2	540-4219	● RMA Bezel
3	330-2400	● Floppy Filler Panel
4	330-2911	● Curved Bezel
5	540-4315	● 4U Trim Strip
-	540-4168	● Enclosure Assembly with System Board
6	370-3416	● 32x CD-ROM, Medium Grey
6	390-0025	● 10x DVD-ROM, Medium Grey
1	540-4168	Enclosure Assembly with System Board
NS	300-1407	● 125 Watt DC-DC Converter with Fan
NS	330-2805	● Processor Module Slot Filler Panel
NS	540-3948	● System Board Shroud Assembly
NS	540-4048	● System Board Airguide Assembly
-	540-4115	● Enclosure Assembly
1	540-4115	Enclosure Assembly
7	501-5505	● 2-Slot SCSI Disk Backplane
8	540-4434	● Fan Tray with 3x 120 mm Fans
9	501-5506	● DC Power Distribution Board
10	300-1449	● 380 Watt Power Supply
11	340-6001	● Power Supply Filler Panel
NS	340-6118	● Security Switch Lock
NS	530-2821	● DC Power Signal Cable
NS	530-2822	● DC Power Cable
NS	530-2824	● Keypad/LED/Power Cable
NS	530-2826	● RMA 8-Bit SCSI Cable
NS	530-2827	● SCSI Cable
NS	530-2830	● Control Cable
NS	530-2864	● I/O Power Cable
-	540-4184	● Chassis Assembly

Enterprise 420R

A33

4-Slot PCI Logic Enclosure - Continued

CODE	PART #	DESCRIPTION
1	540-4184	Chassis Assembly
12	540-4186	● Left Door
13	540-4188	● Rear Enclosure Top Cover
14	340-6131	● Inner Slide Rail
15	540-4230	● Right Door
16	540-4253	● Media Drive Mounting Assembly
17	340-5834	● Power Distribution Board Cover
18	540-4232	● AC Outlet to Power Supply
19	540-4281	● Rear Panel
NS	340-5881	● Ultra 80 System Board Mounting Panel
NS	370-4099	● AC Receptacle and Line Filter
NS	530-2819	● AC Power Cable
NS	530-2861	● AC Ground Cable
1	540-4231	● Chassis Assembly
-	340-5827	● Base Enclosure
-	340-5830	● Disk Drive Bay
-	340-5831	● Front Enclosure Top Cover
-	340-5996	● Front Enclosure
-	540-4185	● Power Bay Cover
20	540-3881	9.1GB 10000 RPM Disk Drive Assembly/FRU
20	540-4177	18.2GB 10000 RPM Disk Drive Assembly/FRU
20	540-4521	36.4GB 10000 RPM Disk Drive Assembly/FRU
NS	340-6124	Short Rack Mounting Bracket
NS	340-6125	Long Rack Mounting Bracket
NS	340-5883	Outer Slide Rail
NS	370-2376	12-24GB 4 mm DDS-3 Tape Drive, Medium Grey
NS	390-0028	20-40GB 4 mm DDS-4 Tape Drive, Medium Grey ¹
NS	370-2882	7-14GB 8 mm Tape Drive, Medium Grey

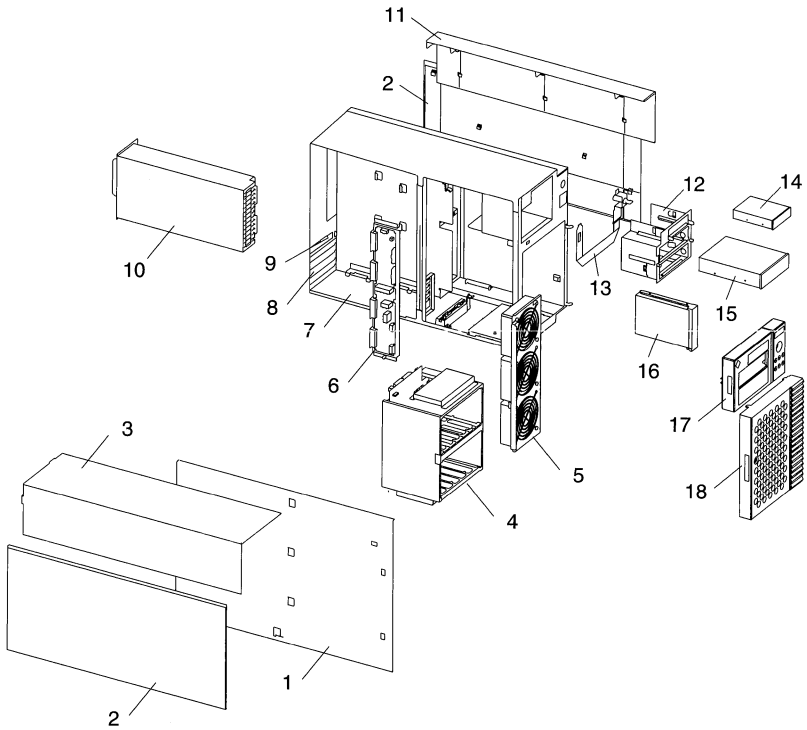
¹ DC Power cable 530-2864-02 is too short. Use 530-2864-03 or DC Power Extension cable 530-2502.

This page intentionally left blank.

Enterprise 250

A26

4-Slot PCI Logic Enclosure



Enterprise 250

A26

4-Slot PCI Logic Enclosure

CODE	PART #	DESCRIPTION
1	540-3453	Left Side Cover
2	330-2152	Purple Lower Left and Right Side Cover
3	330-2137	Light Grey Upper Left Side and Top Cover
4	540-3355	Disk Drive Backplane Assembly
-	501-4682	● 6-Disk Backplane
5	540-3274	3-Fan Fan Assembly
6	501-4683	DC Power Distribution Board
7	340-4070	Chassis
8	340-3256	PCI Filler Panel
9	501-4818	Remote System Control Board and Cable
-	530-2526	● Remote System Control Cable
10	300-1352	360 Watt Power Supply
11	330-2138	Light Grey Upper Right Side and Top Cover
12	540-3351	RMA Assembly
-	340-4072	● Removable Media Bracket
13	540-3604	Keypad and LED Assembly with Cables
-	370-3324	● LED and Cable Assembly
-	530-2527	● Keypad Assembly
14	370-2730	Manual Eject Floppy Drive, Medium Grey
15	See next page	Removable Media Option
16	See next page	Disk Drive Assembly (1.0" or 1.6" height disk)
17	540-3273	Front Top Bezel Assembly
18	540-3352	Front Bottom Door Assembly
NS	250-1317	Key
NS	330-2399	5 1/4" Device External Filler Panel
NS	330-2400	3 1/2" Device External Filler Panel
NS	330-2522	Foot, Option 9605
NS	340-4067	3 1/2" Device Internal Filler Panel
NS	340-4068	5 1/4" Device Internal Filler Panel
NS	340-4416	Power Supply Filler Panel

Enterprise 250

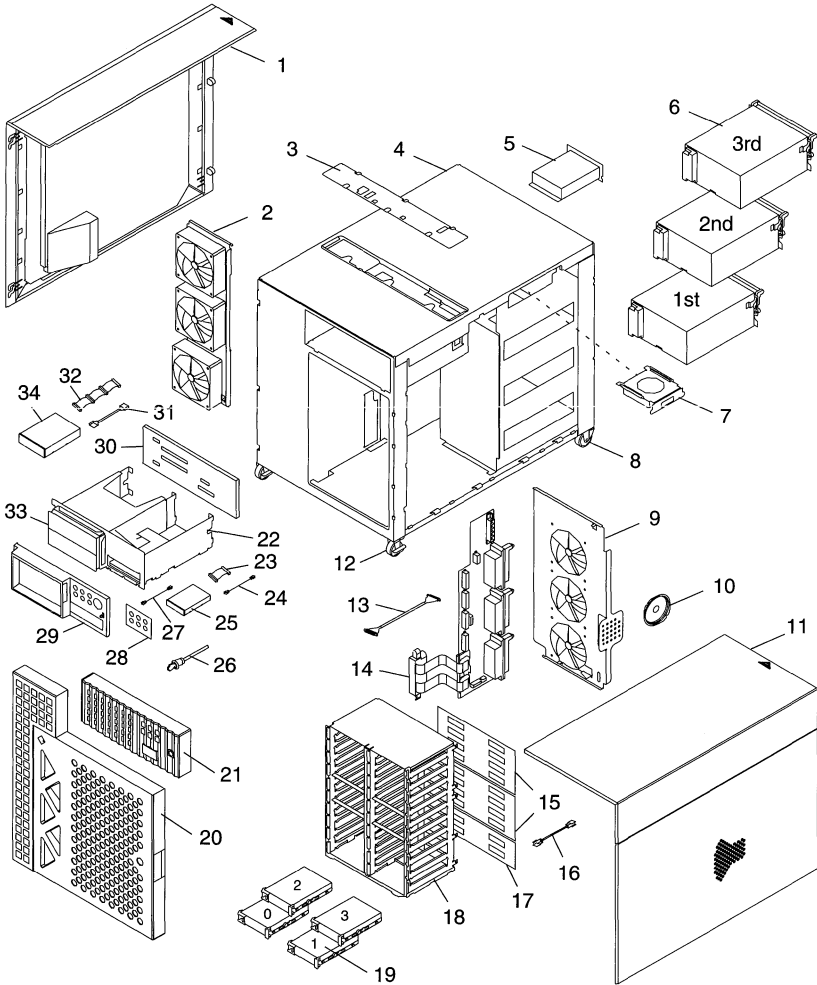
A26

4-Slot PCI Logic Enclosure - Continued

CODE	PART #	DESCRIPTION
15	370-2376	12-24GB 4 mm DDS-3 Tape Drive, Medium Grey
15	390-0028	20-40GB 4 mm DDS-4 Tape Drive, Medium Grey
15	370-2882	7-14GB 8 mm Tape Drive, Medium Grey
15	370-3280	4-8GB 1/4" SLR Tape Drive, Medium Grey
15	370-3416	32x CD-ROM, Medium Grey
15	390-0025	10x DVD-ROM, Medium Grey
14	540-2938	4.2GB 7200 RPM 1.0" Disk Drive Assembly/FRU
16	540-2951	9.1GB 7200 RPM 1.6" Disk Drive Assembly/FRU
16	540-3704	9.1GB 7200 RPM 1.0" Disk Drive Assembly/FRU
16	540-3881	9.1GB 10000 RPM 1.0" Disk Drive Assembly/FRU
16	540-3719	18.2GB 7200 RPM 1.6" Disk Drive Assembly/FRU
16	540-4177	18.2GB 10000 RPM 1.0" Disk Drive Assembly/FRU
16	540-4521	36.4GB 10000 RPM 1.0" Disk Drive Assembly/FRU
NS	530-2439	Backplane to Floppy Data Cable
NS	530-2440	Backplane to RMA Tray DC Power Cable
NS	530-2441	CPU to DC Distribution 6-Pin Power Cable
NS	530-2443	Backplane to DC Distribution Power Cable
NS	530-2444	CPU to DC Distribution 4-Pin Power Cable
NS	530-2445	Backplane to RMA SCSI Device Data Cable
NS	530-2446	Backplane to System Board SCSI and Floppy Cable
NS	530-2480	CPU to DC Distribution/I ² C 14-Pin Sense Cable
NS	530-2481	CPU to DC Distribution 16-Pin Sense Cable
NS	530-2482	Interlock Cable
NS	530-2502	DC Extension Cable for SLR Tape Drive
NS	530-2525	Backplane to DC Distribution Key, LED and I ² C Cable
NS	530-2685	Fan Tray to DC Distribution Power Cable
NS	540-2540	Lockbox
NS	540-3357	Caster Assembly, Option 9604
	805-5160	<i>Enterprise 250 Owner's Manual</i>

This page intentionally left blank.

Ultra 450 Ultra Enterprise 450 Enterprise 450
A20 A25
10-Slot PCI Logic Enclosure



Ultra 450 Ultra Enterprise 450 Enterprise 450

A20 A25

10-Slot PCI Logic Enclosure

CODE	PART #	DESCRIPTION
1	540-2835	Left Panel
2	540-2840	CPU Fan Tray Assembly
-	370-4041	● 120 mm Fan (x3) (replaced 370-2292)
3	540-3032	Cable Access Door Assembly
4	540-2833	Chassis Enclosure Assembly
-	340-3420	● Chassis
5	370-2160	AC Line Filter
5	370-2440	Danish AC Line Filter
6	300-1302	560W Power Supply
6	300-1359	605W Power Supply
6	340-3516	Power Supply Filler Panel
7	540-3023	Blower Assembly (discontinued 8/97) ¹
-	370-2337	● Blower
-	340-3648	● Blower Plate
8	240-2312	Caster (x2)
9	540-4364	Disk Fan Assembly
9	540-2841	Disk Fan/Speaker Assembly (discontinued 9/99)
10	370-1579	● Speaker
-	370-2322	● 120 mm Fan (x3)
11	540-2836	Right Panel
12	240-2343	Locking Caster (x2)
13	530-2364	DC Power Cable, 4-Disk and 8-Disk Backplane
13	530-2365	DC Power Cable, Removable Media Tray
14	501-3100	DC Power Distribution Board
15	501-4189	8-Slot SCSI Backplane
15	501-5274	8-Slot SCSI Backplane
16	530-2355	I ² C Cable, 4-Disk and 8-Disk Backplane
17	501-4148	4-Slot SCSI Backplane
18	540-2831	20-Slot Disk Drive Chassis
19	See next page	Disk Drive Assembly (maximum 1.0" height disk)
	805-0429	<i>Ultra Enterprise 450 Server Owner's Guide</i>
	805-0430	<i>Ultra 450 Workstation Owner's Guide</i>

¹ The Wrench Icon is lit when Blower 540-3023 or Loopback Plug 530-2509 is not connected to J4705 on the System Board.

Ultra 450 Ultra Enterprise 450 Enterprise 450

A20 A25

10-Slot PCI Logic Enclosure - Continued

CODE	PART #	DESCRIPTION
19	540-2938	4.2GB 7200 RPM Disk Drive Assembly/FRU
19	540-3704	9.1GB 7200 RPM Disk Drive Assembly/FRU
19	540-3881	9.1GB 10000 RPM Disk Drive Assembly/FRU
19	540-4177	18.2GB 10000 RPM Disk Drive Assembly/FRU
19	540-4521	36.4GB 10000 RPM Disk Drive Assembly/FRU
20	540-2832	Front Door Assembly ¹
21	540-2910	Removable Media Door Assembly
22	540-2903	Removable Media Tray Assembly ¹
22	540-3366	● Tray Assembly
23	530-2339	● Floppy Data Cable, 7 cm
24	530-2340	● Floppy Power Cable
25	370-2730	● Floppy Drive
26	530-2314	● Keyswitch Assembly with Key 250-1317
27	530-2363	● LED Cable
28	501-4270	● LED PCB
29	330-2058	● Removable Media Tray Bezel
30	501-3128	● Removable Media Backplane
31	530-2338	● SCSI Power Cable
32	530-2337	● SCSI Data Cable, 39 cm
33	540-3002	1/2-Height Filler Panel
34	370-2817	12x CD-ROM, Medium Grey
34	370-3416	32x CD-ROM, Medium Grey
34	390-0025	10x DVD-ROM, Medium Grey
34	370-2376	12-24GB 4 mm DDS-3 Tape Drive, Medium Grey
34	390-0028	20-40GB 4 mm DDS-4 Tape Drive, Medium Grey
34	370-2882	7-14GB 8 mm Tape Drive, Medium Grey
34	370-3280	4-8GB 1/4" SLR Tape Drive, Medium Grey

¹ Door ≥-03 and Tray ≥-03 are required for FCC Class B with 400MHz.

Ultra 450 Ultra Enterprise 450 Enterprise 450

A20 A25

10-Slot PCI Logic Enclosure - Continued

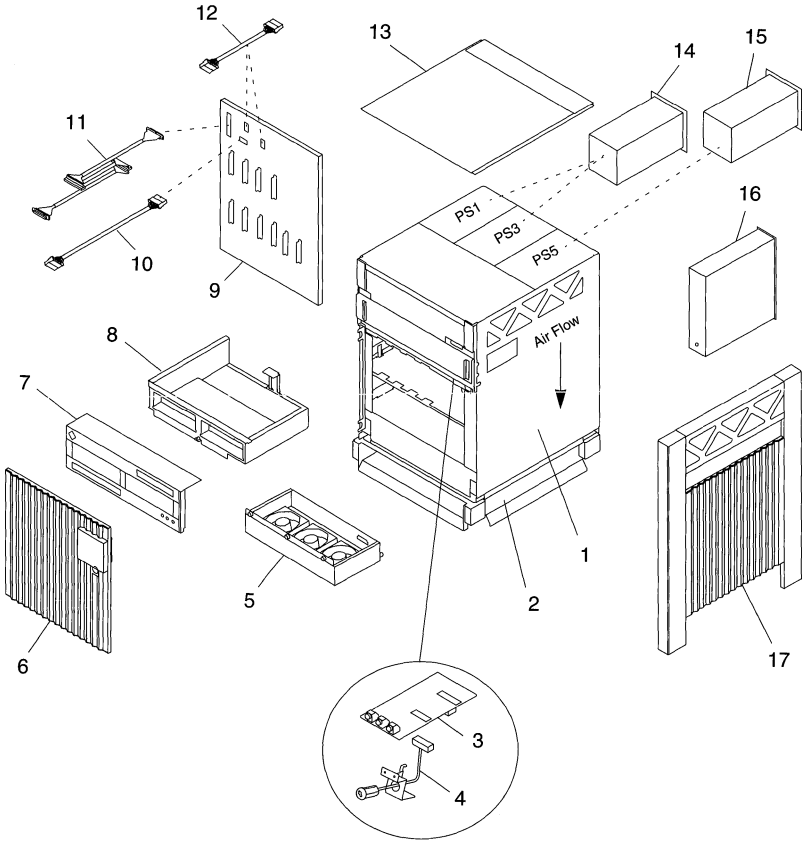
CODE	PART #	DESCRIPTION
NS	240-1475	M4 x 8 mm Screw
NS	240-2135	M3 x 12 mm Screw
NS	240-2295	M3 Shoulder Screw (CD-ROM mounting)
NS	240-2341	M5 x 8 mm Screw
NS	240-2356	M3 x 6 mm Screw
NS	240-2371	M3 x 5 mm Screw
NS	240-2375	Wave Crimp Cable Guard Shoulder Screw
NS	240-2388	M3 x 6 mm Screw
NS	240-2395	M2 x 10 mm Screw
NS	330-2036	Grommet (CD-ROM mounting)
NS	330-2098	Fan Tray Isolation Mount (x4)
NS	330-2362	Wave Crimp Cable Guard
NS	340-3508	Switch Support Bracket
NS	340-4168	Vertical Power Supply Security Bracket
NS	340-4169	Horizontal Power Supply Security Bracket
NS	340-4170	System Board Security Bracket
NS	530-2305	Interlock and Fan/Speaker Assembly Cable
NS	530-2366	SCSI Data Cable, 8-Disk Backplane, 188 cm A-Port
NS	530-2366	SCSI Data Cable, 8-Disk Backplane, 165 cm B-Port
NS	530-2367	SCSI and I ² C Cable, 4-Disk Backplane, 67 cm
NS	530-2368	Floppy/SCSI/I ² C Cable, Media Tray, 42 cm
NS	530-2505	DC Extension Cable for SLR Tape Drive
NS	530-2509	System Board J4705 Loopback Plug ¹
NS	530-2744	SRC/P 8-Disk Backplane SCSI RAID Data Cable
NS	540-3026	FCAL Filler Panel Assembly

¹ The Wrench Icon is lit when Blower 540-3023 or Loopback Plug 530-2509 is not connected to J4705 on the System Board.

Ultra Enterprise 3000 Enterprise 3000

A17 E3000 E3001 E3002 Netra i3000

4-Slot Logic Enclosure



Ultra Enterprise 3000 Enterprise 3000

A17 E3000 E3001 E3002 Netra i3000

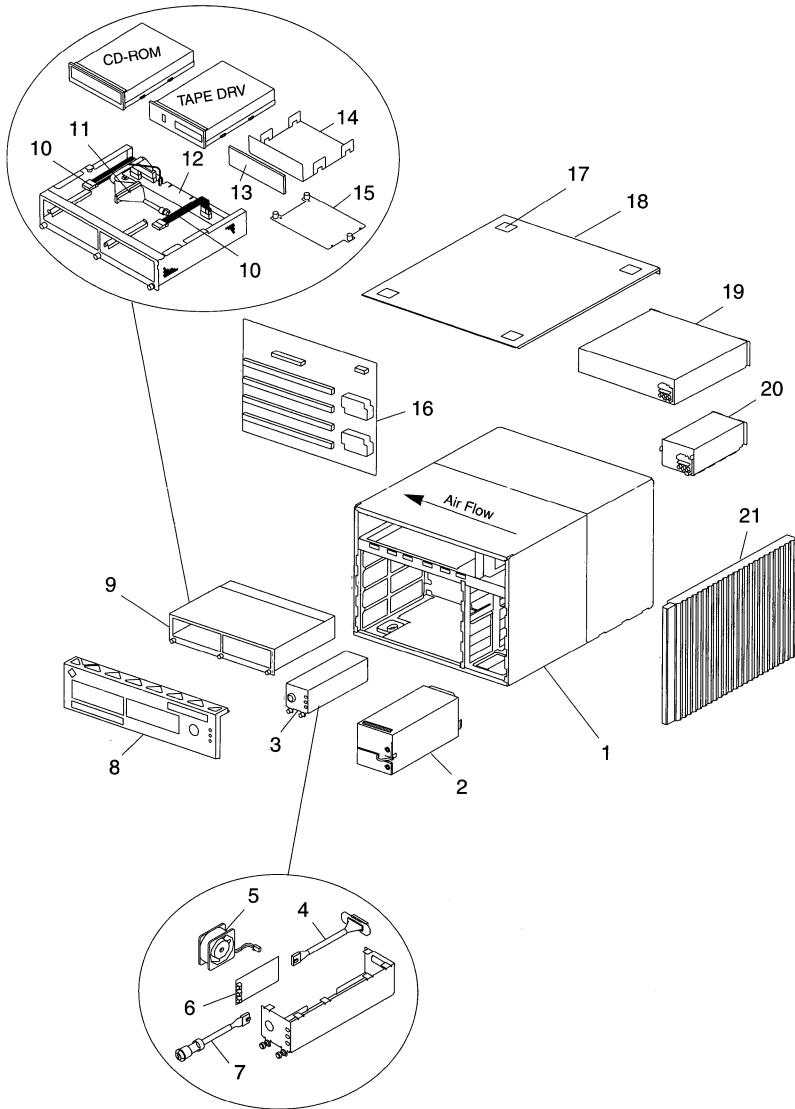
4-Slot Logic Enclosure

CODE	PART #	DESCRIPTION
1	540-2755	Chassis Assembly
2	540-2783	Base Assembly
-	240-1806	● Caster
3	501-2599	LED PCB
4	530-2148	Keypad Assembly
5	540-2756	3-Fan Tray Assembly with Fan 370-2158
6	540-2758	Front Door Assembly
7	540-2851	Front Bezel with Plastic Label Cover 330-1973
8	340-3312	Peripheral Tray
9	501-2939	4-Slot Backplane (1.0" or 1.6" height disk)
10	530-2226	Backplane to LED PCB Cable
11	530-2220	Peripheral Tray SCSI Cable, 83 cm
11	530-2381	Peripheral Tray SCSI Cable, 93.5 cm ¹
12	530-2221	Peripheral Tray DC Cable (x2)
13	330-2002	Top Cover
14	300-1260	300 Watt Power/Cooling Module
14	300-1444	300 Watt Power/Cooling Module
14	540-2593	Power/Cooling Module Filler Panel
15	300-xxxx	300 Watt Power/Cooling Module
15	540-2757	Auxiliary Fan Assembly
16	300-1301	184 Watt Peripheral Power Supply
16	300-1307	184 Watt Peripheral Power Supply with AC Input
16	300-1400	184 Watt Peripheral Power Supply with AC Input
16	540-2759	Peripheral Power Supply Filler Panel
17	330-1993	Side Panel
NS	240-2291	Door Catch
NS	263-0149	E3000 Nameplate
NS	263-0232	HPC3000 Nameplate
NS	330-2014	Power Key (replaced 330-1651)
NS	540-2592	Board Slot Filler Panel
NS	595-4182	Floor Mount Bracket, Option X968A
NS	540-2921	● Floor Mount Bracket
	802-6051	<i>Ultra Enterprise 3000 System Manual</i>

¹ The 20-40GB 8 mm Tape Drive requires cable 530-2381.

Ultra Enterprise 4000 Enterprise 4000

A18 E4000 E4001 E4002 Netra i4000 Netra j4000
8-Slot Logic Enclosure



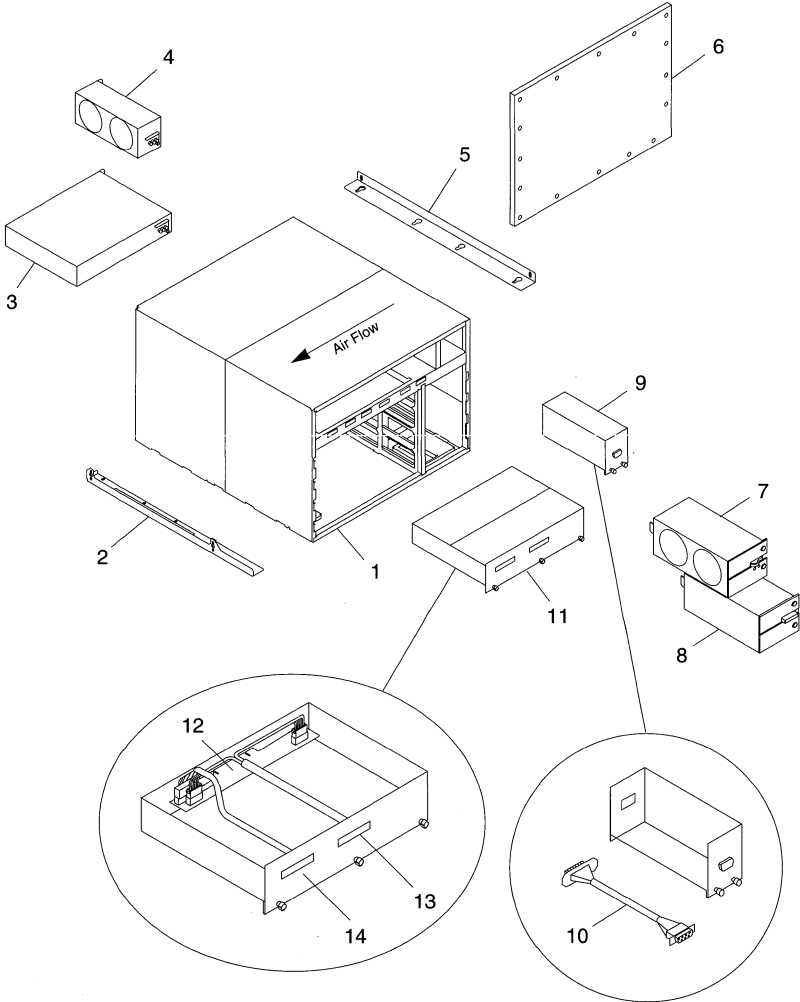
Ultra Enterprise 4000 Enterprise 4000

A18 E4000 E4001 E4002 Netra i 4000 Netra j 4000
8-Slot Logic Enclosure

CODE	PART #	DESCRIPTION
1	540-2707	8-Slot Chassis Assembly
2	300-1260	300 Watt Power/Cooling Module
2	300-1444	300 Watt Power/Cooling Module
2	540-2593	Power/Cooling Module Filler Panel
3	370-1810	Keyswitch Assembly/FRU
4	530-2198	● LED Board to Backplane Cable
5	370-1911	● Fan
6	501-2599	● LED Board
7	530-2148	● Keyswitch Cable Assembly
-	330-2014	● Key (replaced 330-1651)
8	540-2734	Front Filler Panel
-	330-1973	● Clear Plastic Label Cover
9	540-2587	SCSI Tray Assembly/FRU
10	530-2118	● DC Wire Harness (x2)
11	501-2600	● SCSI Adapter
12	530-2119	● Internal SCSI Cable, 59 cm
12	530-2382	● Internal SCSI Cable, 63 cm ¹
13	330-1939	● Filler Panel
14	340-3341	● Filler Panel Bracket
15	340-3304	● Peripheral Mounting Bracket
16	501-2978	8-Slot Backplane
17	330-1999	Top Cover Plug
17	330-2000	Bottom Cover Foot
18	330-1782	Top and Bottom Cover
19	300-1301	184 Watt Peripheral Power Supply
20	370-1811	AC Input and Fan Assembly/FRU
20	370-2364	Danish AC Input and Fan Assembly/FRU
21	330-1783	Side Panel
NS	262-0758	Netra i 4000 Nameplate
NS	263-0146	E4000 Nameplate
NS	263-0233	HPC4000 Nameplate
NS	540-2592	Board Slot Filler Panel
	802-3845	<i>Ultra Enterprise 4000/5000/6000 System Manual</i>

¹ The 20-40GB 8 mm Tape Drive requires cable 530-2382.

Ultra Enterprise 5000 Enterprise 5000
E5000 E5001 E5002 Netra i5000 Netra j5000
8-Slot Logic Enclosure



Ultra Enterprise 5000 Enterprise 5000

E5000 E5001 E5002 Netra i5000 Netra j5000

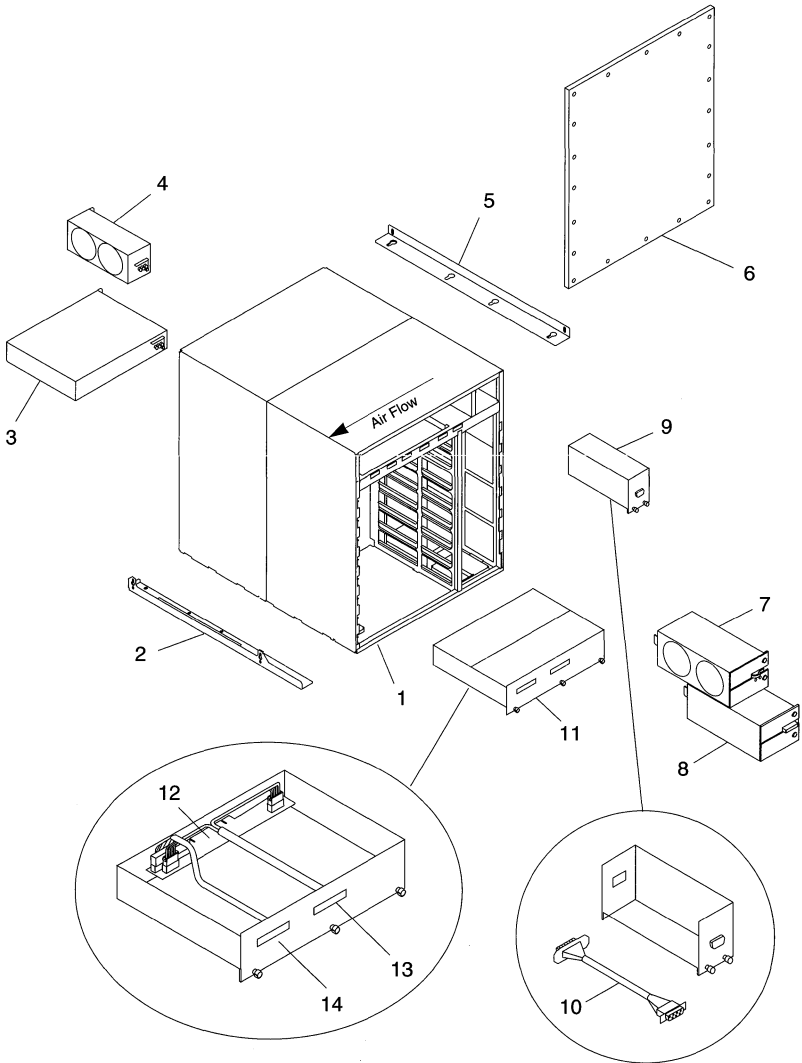
8-Slot Logic Enclosure

CODE	PART #	DESCRIPTION
1	540-2774	8-Slot Chassis Assembly 540-2774-01
2	340-3473	Lower Left Chassis Mounting Bracket
2	340-3474	Lower Right Chassis Mounting Bracket
3	300-1301	184 Watt Peripheral Power Supply
4	370-1812	AC Input and Fan Assembly/FRU
5	340-3169	Upper Chassis Mounting Bracket
6	501-2978	8-Slot Backplane
7	300-1260	300 Watt Power/Cooling Module
7	300-1444	300 Watt Power/Cooling Module
8	540-2593	Power/Cooling Module Filler Panel
9	370-2073	Keypad Adapter Assembly/FRU
10	530-2214	● Keypad Adapter Cable
11	540-2713	SCSI Adapter Tray Assembly/FRU
12	501-2600	● SCSI Adapter
13	530-2218	● DC Wire Harness
14	530-2217	● Internal SCSI Cable, 26 cm
NS	262-0759	Netra i5000 Nameplate
NS	263-0146	E5000 Nameplate
NS	263-0234	HPC5000 Nameplate
NS	330-2014	Power Key (replaced 330-1651)
NS	530-2213	AC Input Power Cable, IEC320 C19-C20
NS	530-2223	SCSI Adapter Tray to SCSI Tray Power Cable
NS	530-2224	SCSI Adapter Tray to SCSI Tray SCSI Cable, 1.0M
NS	530-2225	Keypad Adapter to Keypad Assembly Cable
NS	530-2234	AC Sequencer to Fan Tray Sense Cable
NS	530-2235	AC Input and Fan Assy to AC Sequencer Cable (obs)
NS	530-2325	AC Input and Fan Assembly to AC Sequencer Cable
NS	540-2592	Board Slot Filler Panel
	802-3845	<i>Ultra Enterprise 4000/5000/6000 System Manual</i>

Ultra Enterprise 6000 Enterprise 6000

E6000 E6001 E6002

16-Slot Logic Enclosure



Ultra Enterprise 6000 Enterprise 6000

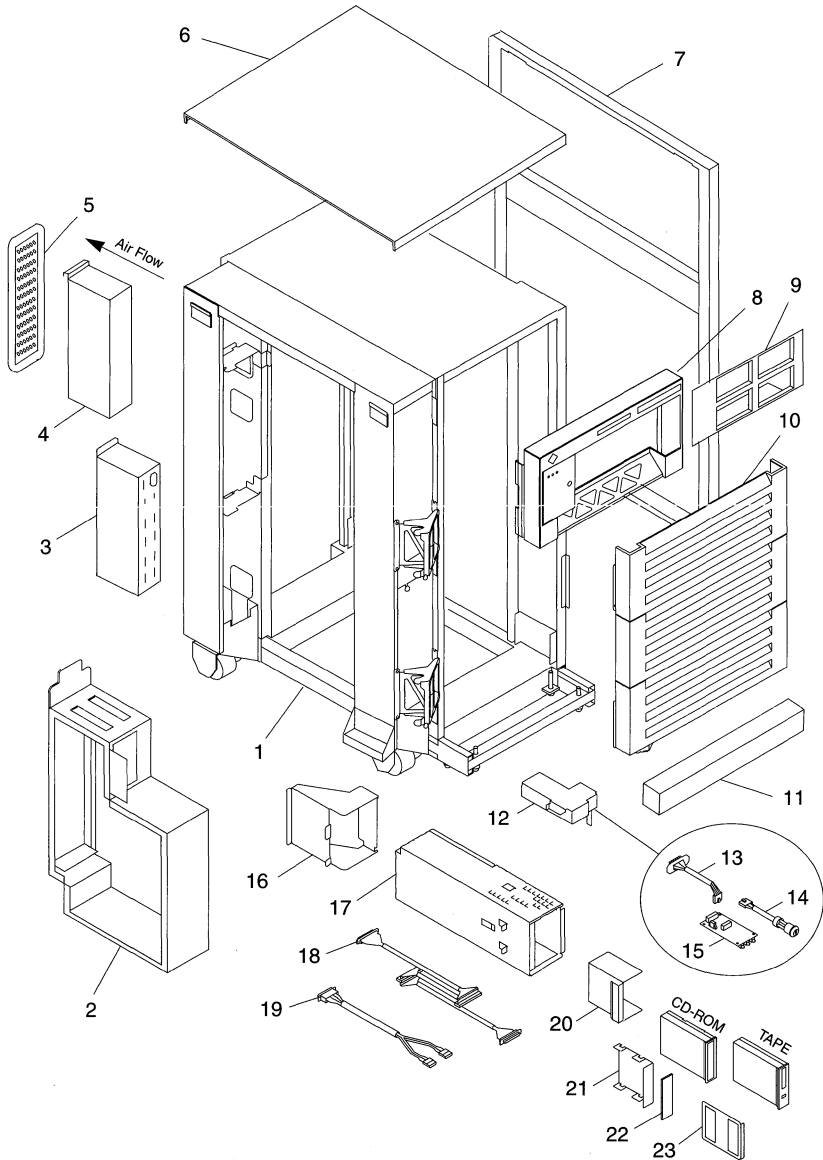
E6000 E6001 E6002

16-Slot Logic Enclosure

CODE	PART #	DESCRIPTION
1	540-2708	16-Slot Chassis Assembly
2	340-3473	Lower Left Chassis Mounting Bracket
2	340-3474	Lower Right Chassis Mounting Bracket
3	300-1301	184 Watt Peripheral Power Supply
4	370-1812	AC Input and Fan Assembly/FRU
5	340-3169	Upper Chassis Mounting Bracket
6	501-2699	16-Slot Backplane (obsolete)
6	501-3050	16-Slot Backplane
7	300-1260	300 Watt Power/Cooling Module
7	300-1444	300 Watt Power/Cooling Module
8	540-2593	Power/Cooling Module Filler Panel
9	370-2073	Keypad Adapter Assembly/FRU
10	530-2214	● Keypad Adapter Cable
11	540-2713	SCSI Adapter Tray Assembly/FRU
12	501-2600	● SCSI Adapter
13	530-2218	● DC Wire Harness
14	530-2217	● Internal SCSI Cable, 26 cm
NS	263-0147	E6000 Nameplate
NS	263-0235	HPC6000 Nameplate
NS	330-2014	Power Key (replaced 330-1651)
NS	530-2213	AC Input Power Cable, IEC320 C19-C20
NS	530-2223	SCSI Adapter Tray to SCSI Tray Power Cable
NS	530-2224	SCSI Adapter Tray to SCSI Tray SCSI Cable, 1.0M
NS	530-2225	Keypad Adapter to Keypad Assembly Cable
NS	530-2234	AC Sequencer to Fan Tray Sense Cable
NS	530-2235	AC Input and Fan Assy to AC Sequencer Cable (obs)
NS	530-2325	AC Input and Fan Assembly to AC Sequencer Cable
NS	501-3142	Load Board (required in all unused slots)
	802-3845	<i>Ultra Enterprise 4000/5000/6000 System Manual</i>

Data Center Cabinet

E5000 E5001 E5002 E6000 E6001 E6002



Data Center Cabinet

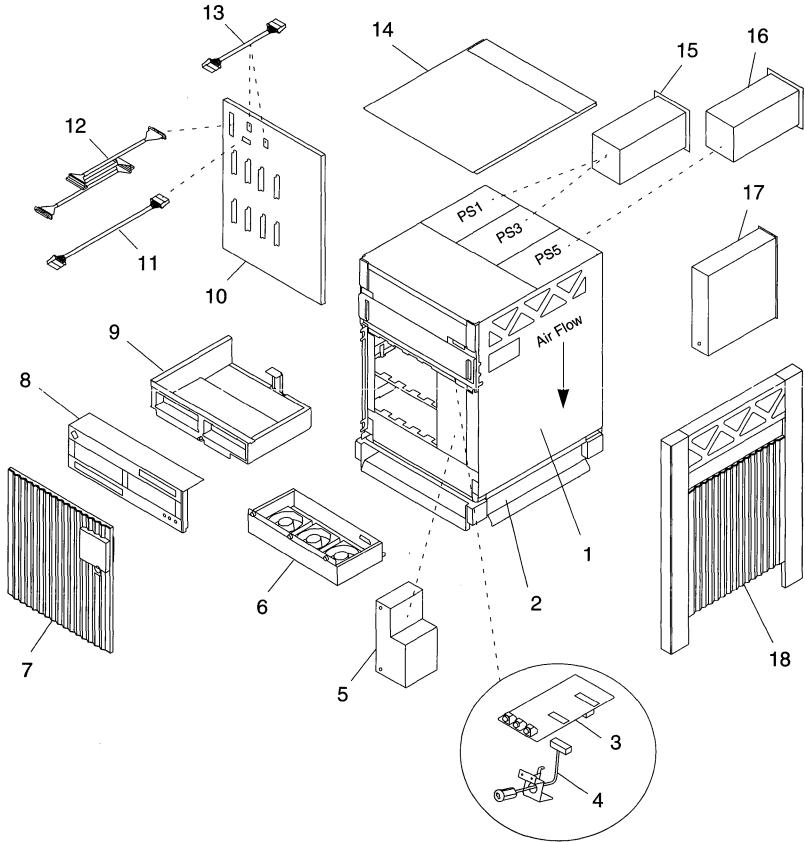
E5000 E5001 E5002 E6000 E6001 E6002

CODE	PART #	DESCRIPTION
1	540-2591	56-inch Data Center Cabinet Assembly
2	340-3259	Fan and SCSI Tray Support Bracket
3	300-1290	Universal AC Power Sequencer
3	300-1403	Universal AC Power Sequencer
4	540-2709	Fan Tray Assembly (-02 with Fingerguards)
-	540-3271	Fingerguard Installation Kit for 540-2709-01
5	340-3267	Fan Tray Rear Cover
6	340-3352	Top Panel, Medium Grey
7	340-3354	Side Panel, Medium Grey
8	540-2746	Top Bezel Assembly
-	330-1973	● Clear Plastic Label Cover
-	330-1983	● Blank Filler Panel Insert
9	330-1982	Filler Panel Insert with 4 Tape Drive Cutouts
10	540-2766	Door Assembly with 3 Vented Panels
11	340-3355	Anti-Tilt Panel, Medium Grey
12	370-2161	Keypad and LED Assembly
13	530-2148	● PCB to Remote Keypad Cable
14	530-2227	● Keypad Cable
15	501-5329	● LED Board (replaced 501-2599)
16	340-3260	Peripheral Tray Support Bracket
17	540-2711	Peripheral Tray Assembly without Peripherals
17	340-3261	Peripheral Tray
18	530-2215	● Internal SCSI Cable, 89 cm
19	530-2216	● DC Wire Harness
20	340-3264	● Mounting Bracket
21	340-3341	● Filler Panel Bracket
22	330-1939	● Filler Panel
23	340-3270	● Peripheral Mounting Bracket
NS	330-2014	Power Key (replaced 330-1651)
NS	340-3353	Screw Mounted Rear Panel, Medium Grey
NS	340-3489	Hinged Rear Panel, Medium Grey
NS	530-2265	Power Cord, Harting Han 6HsB to NEMA L6-30P
NS	530-2266	Power Cord, Harting Han 6HsB to IEC309

Enterprise 3500

E3500 E3501 E3502

5-Slot Logic Enclosure



Enterprise 3500

E3500 E3501 E3502

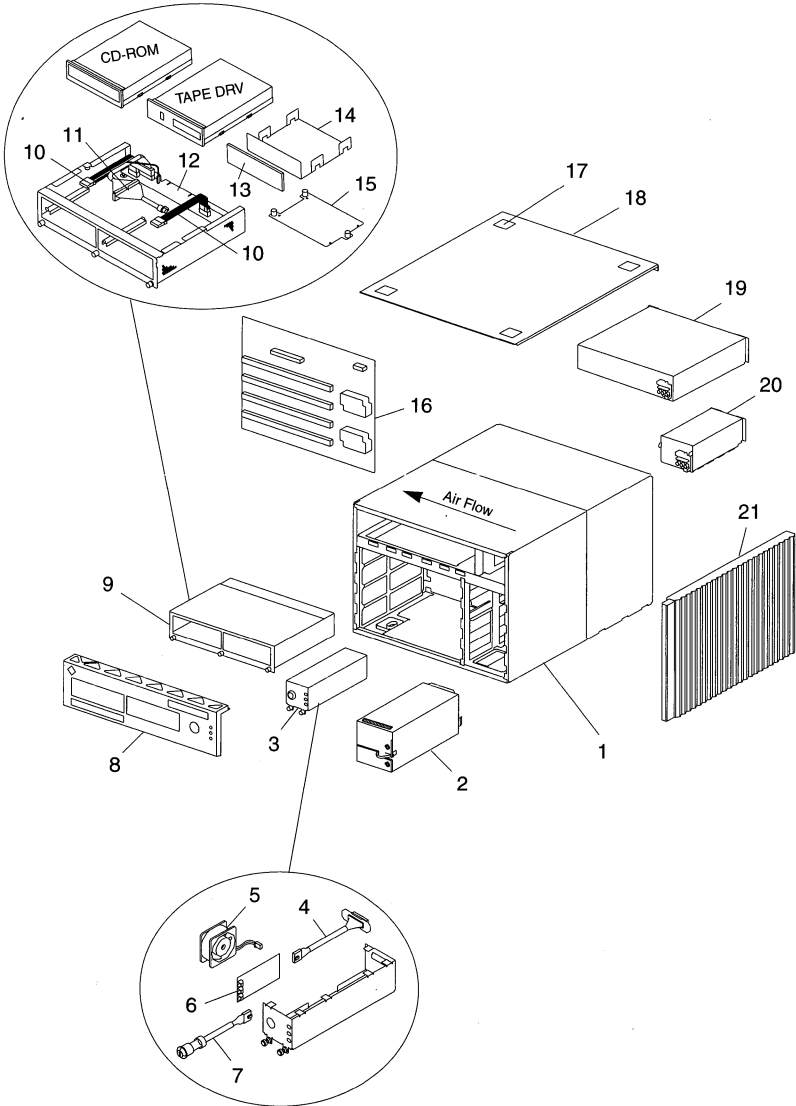
5-Slot Logic Enclosure

CODE	PART #	DESCRIPTION
1	540-3531	Upper Chassis Assembly
2	540-3743	Lower Base Assembly
-	240-1806	● Caster
3	501-2599	LED PCB
4	530-2148	Keypad Assembly
5	300-1358	195 Watt Peripheral Power Supply
5	540-3815	Peripheral Power Supply Filler Panel
6	540-3566	3-Fan Tray Assembly with Fan 370-3321
7	540-3501	Front Door Assembly
8	540-2851	Front Bezel with Plastic Label Cover 330-1973
9	340-3312	Peripheral Tray
10	501-4799	5-Slot Backplane
11	530-2226	Backplane to LED PCB Cable
12	530-2381	Peripheral Tray SCSI Cable, 93.5 cm
13	530-2221	Peripheral Tray DC Cable (x2)
14	330-2002	Top Cover
15	300-1260	300 Watt Power/Cooling Module
15	300-1444	300 Watt Power/Cooling Module
15	540-2593	Power/Cooling Module Filler Panel
16	300-xxxx	300 Watt Power/Cooling Module
16	540-2757	Auxiliary Fan Assembly
16	540-4053	Auxiliary Fan Assembly
17	300-1307	184 Watt Peripheral Power Supply with AC Input
17	300-1400	184 Watt Peripheral Power Supply with AC Input
18	330-1993	Side Panel
NS	240-2291	Door Catch
NS	262-4171	E3500 Nameplate
NS	330-2014	Power Key
NS	330-1939	CD-ROM Filler Bracket Bezel
NS	340-3304	Removable Media Device Mounting Bracket
NS	340-3341	CD-ROM Filler Bracket
NS	540-2592	Board Slot Filler Panel
NS	540-3795	Fiber Channel Interface Board Slot Filler Panel
	805-2630	<i>Enterprise 3500 Reference Manual</i>

Enterprise 4500

E4500 E4501 E4502

8-Slot Logic Enclosure



Enterprise 4500

E4500 E4501 E4502

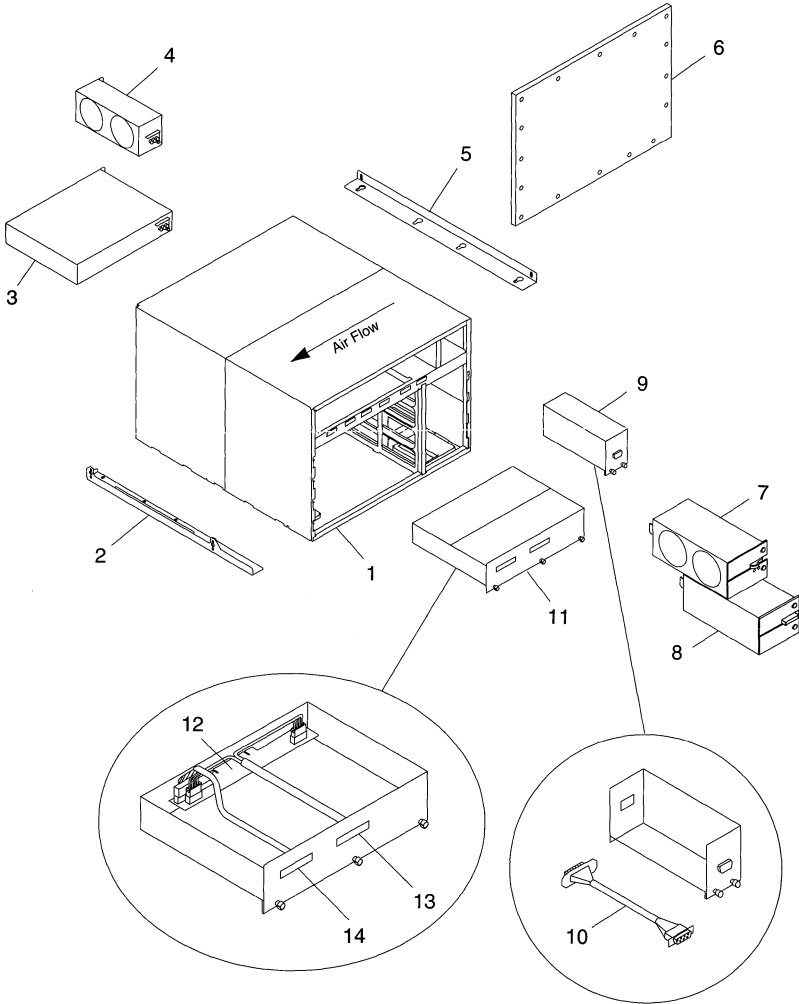
8-Slot Logic Enclosure

CODE	PART #	DESCRIPTION
1	540-3700	8-Slot Chassis Assembly
1	540-3796	Danish 8-Slot Chassis Assembly
2	300-1260	300 Watt Power/Cooling Module
2	300-1444	300 Watt Power/Cooling Module
2	540-2593	Power/Cooling Module Filler Panel
3	370-1810	Keyswitch Assembly/FRU
4	530-2198	● LED Board to Backplane Cable
5	370-1911	● Fan
6	501-2599	● LED Board
7	530-2148	● Keyswitch Cable Assembly
-	330-2014	● Key
8	540-2734	Front Filler Panel
-	330-1973	● Clear Plastic Label Cover
9	540-2587	SCSI Tray Assembly/FRU
10	530-2118	● DC Wire Harness (x2)
11	501-2600	● SCSI Adapter
12	530-2382	● Internal SCSI Cable, 63 cm
13	330-1939	● Filler Panel
14	340-3341	● Filler Panel Bracket
15	340-3304	● Peripheral Mounting Bracket
16	501-4944	8-Slot Backplane
17	330-1999	Top Cover Plug
17	330-2000	Bottom Cover Foot
18	330-1782	Top and Bottom Cover
19	300-1301	184 Watt Peripheral Power Supply
20	370-1811	AC Input and Fan Assembly/FRU
20	370-2364	Danish AC Input and Fan Assembly/FRU
21	330-1783	Side Panel
NS	262-4213	E4500 Nameplate
NS	340-5260	MLR Tape Drive Mounting Bracket
NS	540-2592	Board Slot Filler Panel
	805-2632	<i>Enterprise 4500/5500/6500 Reference Manual</i>

Enterprise 5500

E5500 E5501 E5502

8-Slot Logic Enclosure

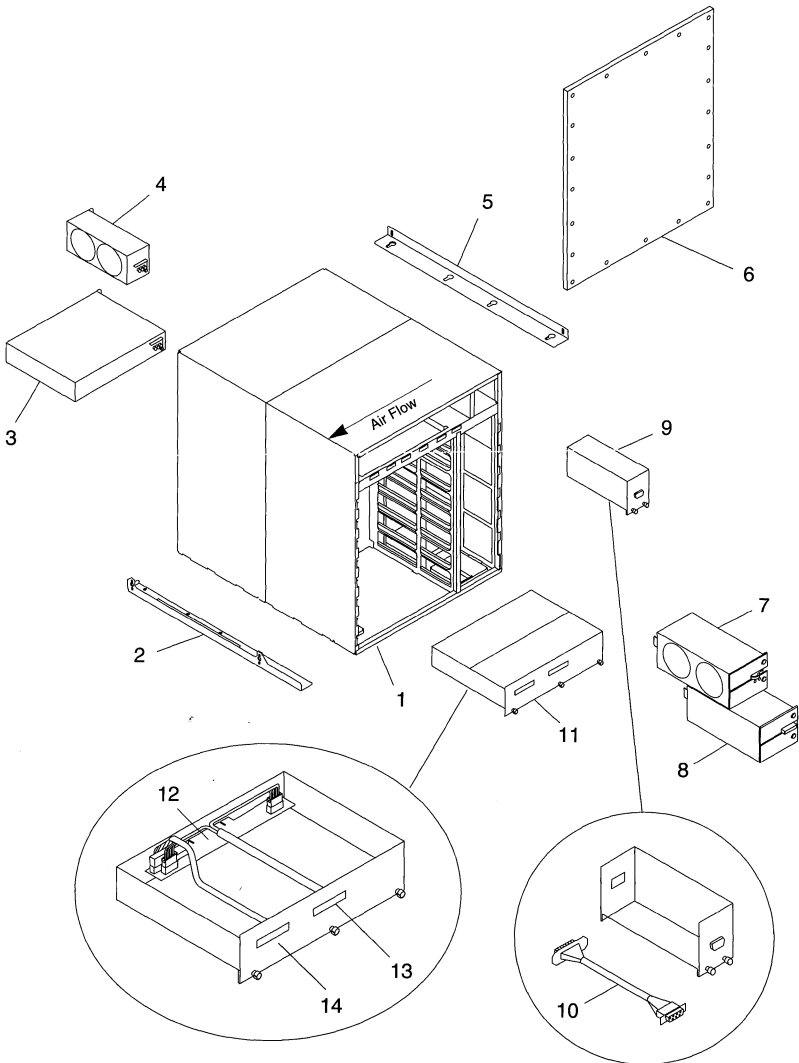


Enterprise 5500
E5500 E5501 E5502
8-Slot Logic Enclosure

CODE	PART #	DESCRIPTION
1	540-3573	8-Slot E5500 Chassis Assembly
1	540-4164	8-Slot E5501 Chassis Assembly
2	340-3473	Lower Left Chassis Mounting Bracket
2	340-3474	Lower Right Chassis Mounting Bracket
3	300-1301	184 Watt Peripheral Power Supply
4	370-1812	AC Input and Fan Assembly/FRU
5	340-3169	Upper Chassis Mounting Bracket
6	501-4944	8-Slot Backplane
7	300-1260	300 Watt Power/Cooling Module
7	300-1444	300 Watt Power/Cooling Module
8	540-2593	Power/Cooling Module Filler Panel
9	370-2073	Keypad Adapter Assembly/FRU
10	530-2214	● Keypad Adapter Cable
11	540-2713	SCSI Adapter Tray Assembly/FRU
12	501-2600	● SCSI Adapter
13	530-2218	● DC Wire Harness
14	530-2217	● Internal SCSI Cable, 26 cm
NS	262-4120	E5500 Nameplate
NS	330-2014	Power Key
NS	530-2213	AC Input Power Cable, IEC320 C19-C20
NS	530-2224	SCSI Adapter Tray to SCSI Tray SCSI Cable, 1.0M
NS	530-2325	AC Input and Fan Assembly to AC Sequencer Cable
NS	530-2587	Keypad Adptr to Keypad to SCSI Tray Fan Cable
NS	530-2645	AC Sequencer to Fan Tray Sense Cable
NS	530-2655	SCSI Adapter Tray to SCSI Tray Power Cable
NS	540-2592	Board Slot Filler Panel
	805-2632	<i>Enterprise 4500/5500/6500 Reference Manual</i>

Enterprise 6500

E6500 E6501 E6502
16-Slot Logic Enclosure



Enterprise 6500

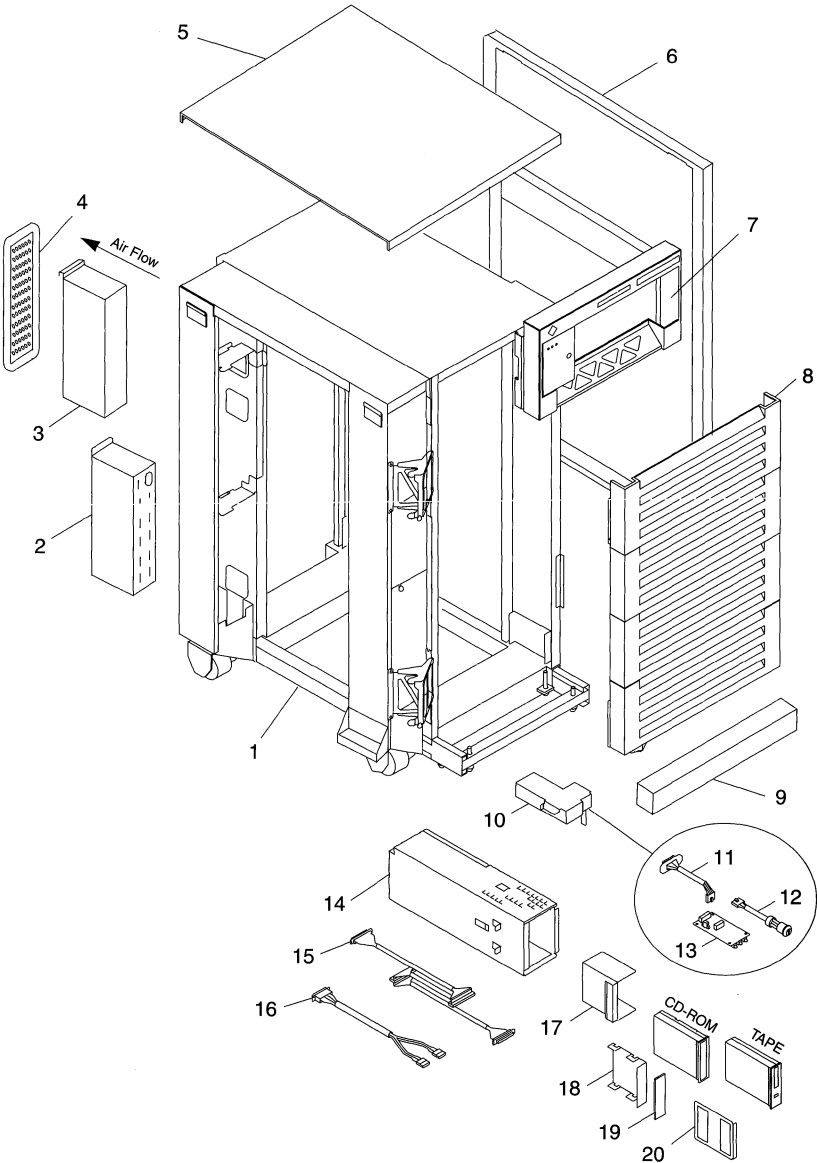
E6500 E6501 E6502

16-Slot Logic Enclosure

CODE	PART #	DESCRIPTION
1	540-3572	16-Slot E6500 Chassis Assembly
1	540-4165	16-Slot E6501 Chassis Assembly
2	340-3473	Lower Left Chassis Mounting Bracket
2	340-3474	Lower Right Chassis Mounting Bracket
3	300-1301	184 Watt Peripheral Power Supply
4	370-1812	AC Input and Fan Assembly/FRU
5	340-3169	Upper Chassis Mounting Bracket
6	501-5010	16-Slot Backplane
7	300-1260	300 Watt Power/Cooling Module
7	300-1444	300 Watt Power/Cooling Module
8	540-2593	Power/Cooling Module Filler Panel
9	370-2073	Keyswitch Adapter Assembly/FRU
10	530-2214	● Keyswitch Adapter Cable
11	540-2713	SCSI Adapter Tray Assembly/FRU
12	501-2600	● SCSI Adapter
13	530-2218	● DC Wire Harness
14	530-2217	● Internal SCSI Cable, 26 cm
NS	262-4121	E6500 Nameplate
NS	330-2014	Power Key
NS	530-2213	AC Input Power Cable, IEC320 C19-C20
NS	530-2224	SCSI Adapter Tray to SCSI Tray SCSI Cable, 1.0M
NS	530-2325	AC Input and Fan Assembly to AC Sequencer Cable
NS	530-2587	Keyswitch Adptr to Keyswitch to SCSI Tray Fan Cable
NS	530-2645	AC Sequencer to Fan Tray Sense Cable
NS	530-2655	SCSI Adapter Tray to SCSI Tray Power Cable
NS	501-3142	Load Board (required in all unused slots)
	805-2632	<i>Enterprise 4500/5500/6500 Reference Manual</i>

Data Center Cabinet

E5500 E5501 E6500 E6501



Data Center Cabinet

E5500 E5501 E6500 E6501

CODE	PART #	DESCRIPTION
1	540-3571	68-inch Data Center Cabinet Assembly
NS	340-4628	SCSI Tray Support Bracket
2	300-1403	Universal AC Power Sequencer
3	540-2709	Fan Tray Assembly
4	340-3267	Fan Tray Rear Cover
5	340-3352	Medium Grey Top Panel
6	340-3671	Medium Grey Side Panel
7	540-2746	Top Bezel Assembly
-	330-1973	● Clear Plastic Label Cover
-	330-1983	● Blank Filler Panel Insert
NS	330-1982	Filler Panel Insert with 4 Tape Drive Cutouts
NS	330-2379	Filler Panel Insert with 2 Tape Drive Cutouts
7	540-4087	Top Bezel Assembly (replaced 540-2746)
-	540-4162	● Bezel Insert with Left/Right Doors
8	540-3554	Door with 4 Vented Panels
8	540-4163	Door with 4 Vented Panels (replaced 540-3554)
9	340-3355	Medium Grey Anti-Tilt Panel
10	370-2161	Keypad and LED Assembly
11	530-2148	● PCB to Remote Keypad Cable
12	530-2227	● Keypad Cable
13	501-5329	● LED Board (replaced 501-2599)
14	540-3577	Peripheral Tray Assembly with Fan
14	340-4657	● Peripheral Tray
15	530-2528	● Internal SCSI Cable, 990 mm
16	530-2216	● DC Wire Harness
17	340-3264	● Mounting Bracket
NS	370-3321	● 92 mm Fan
18	340-3341	Filler Panel Bracket
19	330-1939	Filler Panel
20	340-3270	Peripheral Mounting Bracket
NS	330-2014	Power Key
NS	340-5205	Front Power Sequencer Mounting Bracket
NS	340-4624	Hinged Rear Panel, Medium Grey
	805-2632	<i>Enterprise 4500/5500/6500 Reference Manual</i>

Internal Peripherals

E3x00 E4x00 E5x00 E6x00

PART #	DESCRIPTION
	Enterprise 3000
370-2203	4X CD-ROM, Medium Grey
370-2817	12X CD-ROM, Medium Grey
370-3416	32X CD-ROM, Medium Grey
370-2177	4-8GB 4 mm DDS-2 Tape Drive, Medium Grey
370-2376	12-24GB 4 mm DDS-3 Tape Drive, Medium Grey
370-2202	2.5GB 1/4" QIC Tape Drive, Medium Grey
370-2200	7-14GB 8 mm Tape Drive, Medium Grey
370-2882	7-14GB 8 mm Tape Drive, Medium Grey
370-2184	20-40GB 8 mm Tape Drive, Medium Grey
540-2936	2.1GB 7200 RPM SCSI Disk Drive Assembly/FRU
540-2938	4.2GB 7200 RPM SCSI Disk Drive Assembly/FRU
540-2951	9.1GB 7200 RPM SCSI Disk Drive Assembly/FRU
540-3704	9.1GB 7200 RPM SCSI Disk Drive Assembly/FRU
540-3719	18.2GB 7200 RPM SCSI Disk Drive Assembly/FRU
540-4177	18.2GB 10000 RPM SCSI Disk Drive Assembly/FRU
	Enterprise 3500
370-3416	32X CD-ROM, Medium Grey
390-0025	10X DVD-ROM, Medium Grey
370-2177	4-8GB 4 mm DDS-2 Tape Drive, Medium Grey
370-2376	12-24GB 4 mm DDS-3 Tape Drive, Medium Grey
390-0028	20-40GB 4 mm DDS-4 Tape Drive, Medium Grey
370-2882	7-14GB 8 mm Tape Drive, Medium Grey
370-2184	20-40GB 8 mm Tape Drive, Medium Grey
540-3852	9.1GB 7200 RPM FC-AL Disk Drive Assembly/FRU
540-3869	9.1GB 10000 RPM FC-AL Disk Drive Assembly/FRU
540-3923	18.2GB 7200 RPM FC-AL Disk Drive Assembly/FRU
540-4191	18.2GB 10000 RPM FC-AL Disk Drive Assembly/FRU

Internal Peripherals - Continued

E3x00 E4x00 E5x00 E6x00

PART #	DESCRIPTION
	Enterprise 4000
370-2203	4X CD-ROM, Medium Grey
370-2817	12X CD-ROM, Medium Grey
370-3416	32X CD-ROM, Medium Grey
370-2177	4-8GB 4 mm DDS-2 Tape Drive, Medium Grey
370-2376	12-24GB 4 mm DDS-3 Tape Drive, Medium Grey
370-2202	2.5GB 1/4" QIC Tape Drive, Medium Grey
370-2200	7-14GB 8 mm Tape Drive, Medium Grey
370-2882	7-14GB 8 mm Tape Drive, Medium Grey
370-2184	20-40GB 8 mm Tape Drive, Medium Grey
	Enterprise 4500
370-3416	32X CD-ROM, Medium Grey
390-0025	10X DVD-ROM, Medium Grey
370-2177	4-8GB 4 mm DDS-2 Tape Drive, Medium Grey
370-2376	12-24GB 4 mm DDS-3 Tape Drive, Medium Grey
390-0028	20-40GB 4 mm DDS-4 Tape Drive, Medium Grey
370-2882	7-14GB 8 mm Tape Drive, Medium Grey
370-2184	20-40GB 8 mm Tape Drive, Medium Grey

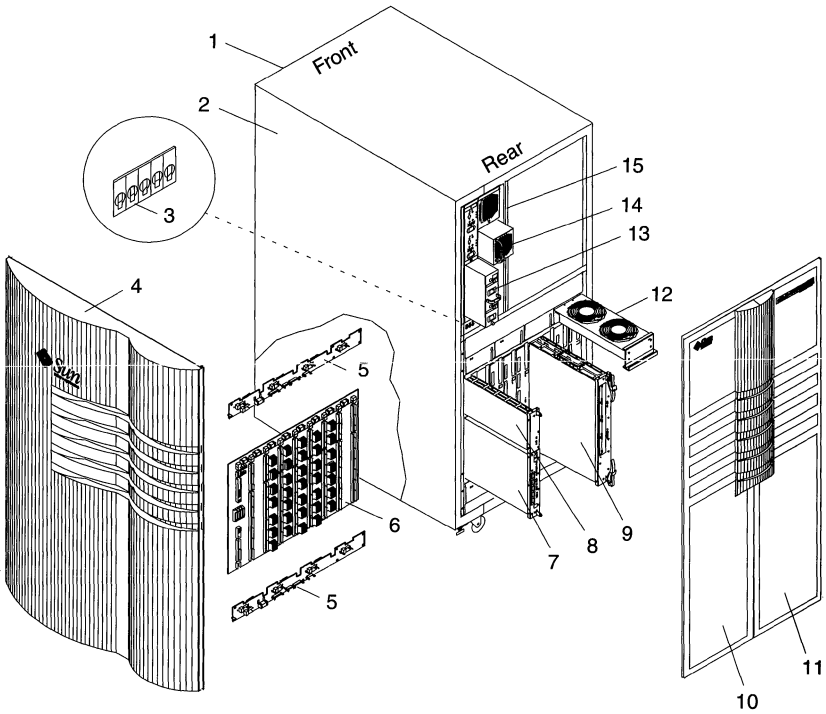
Internal Peripherals - Continued

E3x00 E4x00 E5x00 E6x00

PART #	DESCRIPTION
	Enterprise 5000 and 6000
370-2203	4X CD-ROM, Medium Grey
370-2817	12X CD-ROM, Medium Grey
370-3416	32X CD-ROM, Medium Grey
370-2177	4-8GB 4 mm DDS-2 Tape Drive, Medium Grey
370-2376	12-24GB 4 mm DDS-3 Tape Drive, Medium Grey
370-2202	2.5GB 1/4" QIC Tape Drive, Medium Grey
370-2200	7-14GB 8 mm Tape Drive, Medium Grey
370-2184	20-40GB 8 mm Tape Drive, Medium Grey
	Enterprise 5500 and 6500
370-3416	32X CD-ROM, Medium Grey
390-0025	10X DVD-ROM, Medium Grey
370-2177	4-8GB 4 mm DDS-2 Tape Drive, Medium Grey
370-2376	12-24GB 4 mm DDS-3 Tape Drive, Medium Grey
390-0028	20-40GB 4 mm DDS-4 Tape Drive, Medium Grey
370-2200	7-14GB 8 mm Tape Drive, Medium Grey
370-2184	20-40GB 8 mm Tape Drive, Medium Grey

This page intentionally left blank.

Ultra Enterprise 10000 Enterprise 10000
E10000
Data Center Cabinet



Ultra Enterprise 10000 Enterprise 10000

E10000

Data Center Cabinet

CODE	PART#	DESCRIPTION
1	540-3059	Processor Cabinet
2	340-4526	Flat Side Panel, Option 9693
3	540-3066	Circuit Breaker (x11 on each side)
4	350-1153	Curved Side Panel
5	501-4365	Fan Tray Centerplane
6	501-4348	Centerplane
-	370-2887	Centerplane Handle Set
7	501-4345	Control Board
7	540-3064	Control Board Filler Panel
8	501-4346	Centerplane Support Board
9	501-4347	System Board
9	540-3063	System Board Filler Panel
10	540-3543	Left Front/Rear Door
11	540-3542	Right Front/Rear Door
-	340-4537	● Front/Rear Door Foam Air Filter
12	540-3065	Fan Tray
12	540-3409	Fan Tray, Option 9671
12	540-3075	Fan Tray Filler Panel
13	540-3062	AC Input Module (obsolete)
13	540-3441	AC Input Module
13	540-4508	AC Input Module
14	300-1336	48V Power Supply
15	540-3060	Rear AC/DC Power Shelf (SYS 0-7, FAN 0-1)
15	540-3069	Front AC/DC Power Shelf (SYS 8-15, FAN 2-3)
NS	300-1290	Universal AC Power Sequencer
NS	300-1403	Universal AC Power Sequencer
NS	370-2845	Card Cage Air Filter
NS	370-2887	Centerplane Removal Handle Set
NS	540-3067	Remote Power Control Module (obsolete)
NS	540-3068	Remote Power Control Module Shelf
NS	540-3426	Remote Power Control Module
NS	555-1897	Cardcage Air Filter Kit with 8x 370-2845

Ultra Enterprise 10000 Enterprise 10000

E10000

Data Center Cabinet - Continued

PART#	DESCRIPTION
340-4526	Flat Side Panel
340-4538	Flat Side Panel without Logo
350-1153	Curved Side Panel
350-1184	Curved Side Panel without Logo
530-2265	AC Power Cord, Harting Han 6HsB to NEMA L6-30P
530-2266	AC Power Cord, Harting Han 6HsB to IEC309
530-2567	AC Power Cord, Harting Han 6HsB to NEMA L6-30P
530-2568	AC Power Cord, Harting Han 6HsB to IEC309
530-2379	AC Y Power Cord, NEMA L6-30P, 20'
530-2503	AC Y Power Cord, NEMA L6-30P, 14.75'
530-2380	AC Y Power Cord, IEC309
530-2391	48Vdc Front Power Shelf to Rear Power Shelf Cable, .3M
530-2392	48Vdc Cardcage to Power Shelf Cable, 610 mm
530-2393	48Vdc Cardcage to Power Shelf Cable, 1270 mm
530-2394	Cardcage Sense Cable, 1.3M
530-2395	Cardcage Sense Cable, .9M
530-2396	Centerplane and Upper Fan Power Cable
530-2397	Fan Signal Ribbon Cable
530-2398	Fan Sense Ribbon Cable
530-2399	Lower Fan Power Cable
530-2400	Control Board to Remote Power Control Cable, 3M
530-2401	Control Board to Remote Power Control Cable, 1.5M
530-2402	AC Sequencer to Remote Power Control Cable, .5M
530-2403	AC Sequencer to Remote Power Control Cable, 6M
530-2475	Internal Power Shelf Circuit Breaker Cable
530-2476	Internal Power Shelf Cable, 305 mm
530-2477	Internal Power Shelf Cable, 660 mm
530-2802	Dual Power Option 48Vdc Cable
530-2880	Dual Power Option Status Module I/O Cable
540-4387	Dual Power Option Status Module
595-5120	UniPack Mounting Tray, Option X9645A
805-2917	<i>Enterprise 10000 System Service Manual</i>

PARTS BREAKDOWN

TELCO

Telco

ft-SPARC	2
Netra ft 1800	18
Netra t 1100	22
Netra t 1120	23
Netra t 1125	26
Netra t 1400	30
Netra t 1405	30
Netra t1 Model 100	34
Netra t1 Model 105	35
Netra ct 400	38
Netra ct 800	40
Netra ct 1600	43
Netra st A1000	44
Netra st D1000	46
Netra st D130	48

ft-SPARC

Model 1500

OPTION	MEMORY	PROCESSOR
5800	32MB	Model 1500 with 1x 40MHz SuperSPARC
5801	64MB	Model 1500 with 1x 40MHz SuperSPARC
5802	128MB	Model 1500 with 1x 40MHz SuperSPARC
5803	256MB	Model 1500 with 1x 40MHz SuperSPARC
5804	512MB	Model 1500 with 1x 40MHz SuperSPARC
5810	32MB	Model 1500 with 2x 40MHz SuperSPARC
5811	64MB	Model 1500 with 2x 40MHz SuperSPARC
5812	128MB	Model 1500 with 2x 40MHz SuperSPARC
5813	256MB	Model 1500 with 2x 40MHz SuperSPARC
5814	512MB	Model 1500 with 2x 40MHz SuperSPARC
5820	32MB	Model 1500 with 4x 40MHz SuperSPARC
5821	64MB	Model 1500 with 4x 40MHz SuperSPARC
5822	128MB	Model 1500 with 4x 40MHz SuperSPARC
5823	256MB	Model 1500 with 4x 40MHz SuperSPARC
5824	512MB	Model 1500 with 4x 40MHz SuperSPARC
5830	32MB	Model 1500 with 1x 80MHz SuperSPARC
5831	64MB	Model 1500 with 1x 80MHz SuperSPARC
5832	128MB	Model 1500 with 1x 80MHz SuperSPARC
5833	256MB	Model 1500 with 1x 80MHz SuperSPARC
5834	512MB	Model 1500 with 1x 80MHz SuperSPARC
5840	32MB	Model 1500 with 2x 80MHz SuperSPARC
5841	64MB	Model 1500 with 2x 80MHz SuperSPARC
5842	128MB	Model 1500 with 2x 80MHz SuperSPARC
5843	256MB	Model 1500 with 2x 80MHz SuperSPARC
5844	512MB	Model 1500 with 2x 80MHz SuperSPARC
5850	32MB	Model 1500 with 4x 80MHz SuperSPARC
5851	64MB	Model 1500 with 4x 80MHz SuperSPARC
5852	128MB	Model 1500 with 4x 80MHz SuperSPARC
5853	256MB	Model 1500 with 4x 80MHz SuperSPARC
5854	512MB	Model 1500 with 4x 80MHz SuperSPARC

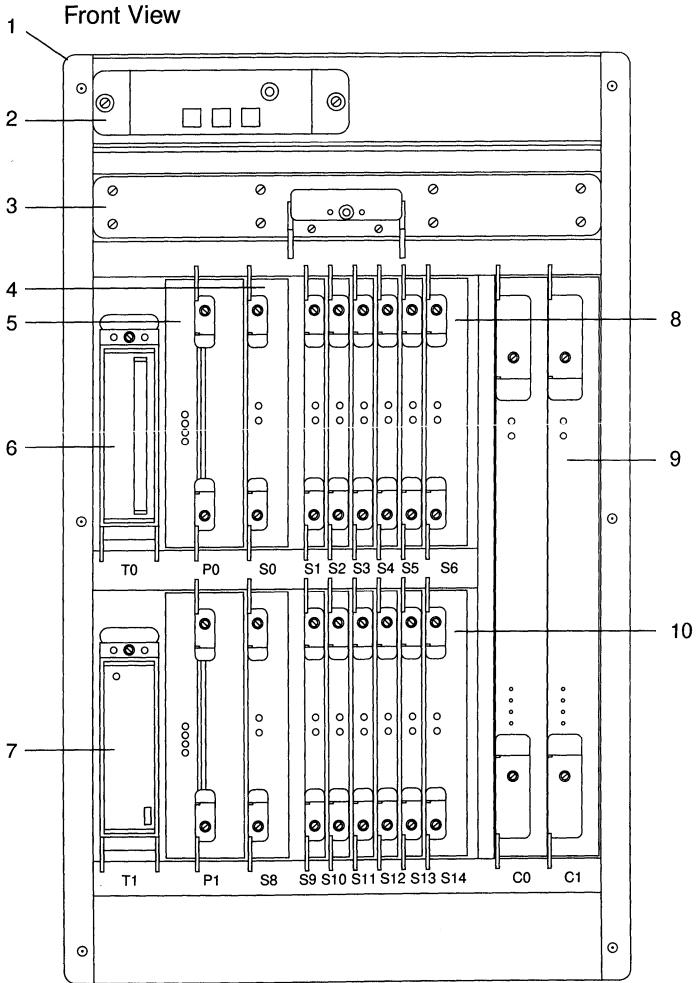
ft-SPARC

Model 1600

OPTION	MEMORY	PROCESSOR
6800	32MB	Model 1600 with 1x 40MHz SuperSPARC
6801	64MB	Model 1600 with 1x 40MHz SuperSPARC
6802	128MB	Model 1600 with 1x 40MHz SuperSPARC
6803	256MB	Model 1600 with 1x 40MHz SuperSPARC
6804	512MB	Model 1600 with 1x 40MHz SuperSPARC
6810	32MB	Model 1600 with 2x 40MHz SuperSPARC
6811	64MB	Model 1600 with 2x 40MHz SuperSPARC
6812	128MB	Model 1600 with 2x 40MHz SuperSPARC
6813	256MB	Model 1600 with 2x 40MHz SuperSPARC
6814	512MB	Model 1600 with 2x 40MHz SuperSPARC
6820	32MB	Model 1600 with 4x 40MHz SuperSPARC
6821	64MB	Model 1600 with 4x 40MHz SuperSPARC
6822	128MB	Model 1600 with 4x 40MHz SuperSPARC
6823	256MB	Model 1600 with 4x 40MHz SuperSPARC
6824	512MB	Model 1600 with 4x 40MHz SuperSPARC
6830	32MB	Model 1600 with 1x 80MHz SuperSPARC
6831	64MB	Model 1600 with 1x 80MHz SuperSPARC
6832	128MB	Model 1600 with 1x 80MHz SuperSPARC
6833	256MB	Model 1600 with 1x 80MHz SuperSPARC
6834	512MB	Model 1600 with 1x 80MHz SuperSPARC
6840	32MB	Model 1600 with 2x 80MHz SuperSPARC
6841	64MB	Model 1600 with 2x 80MHz SuperSPARC
6842	128MB	Model 1600 with 2x 80MHz SuperSPARC
6843	256MB	Model 1600 with 2x 80MHz SuperSPARC
6844	512MB	Model 1600 with 2x 80MHz SuperSPARC
6850	32MB	Model 1600 with 4x 80MHz SuperSPARC
6851	64MB	Model 1600 with 4x 80MHz SuperSPARC
6852	128MB	Model 1600 with 4x 80MHz SuperSPARC
6853	256MB	Model 1600 with 4x 80MHz SuperSPARC
6854	512MB	Model 1600 with 4x 80MHz SuperSPARC

ft-SPARC

Models 1500 and 1600



ft-SPARC

Models 1500 and 1600

CODE	PART#	IMP#	DESCRIPTION
1	f370-2445	0001A	CHASSIS-D ¹
1	f370-2446	0004B	CHASSIS-U (1500 chassis)
1	f370-2447	0005B	CHASSIS-DRIVE
1	f370-2530	0089A	CHASSIS-COMMS
1	f370-2552	0125A	CHASSIS-D ¹
1	f370-2553	0125B	CHASSIS-D ¹
1	f370-3288	0125C	CHASSIS-D ¹
1	f370-2557	0142A	CHASSIS-DT ²
1	f370-2558	0143A	CHASSIS-D ¹
1	f370-2559	0144B	CHASSIS-DT ²
1	f370-3289	0144C	CHASSIS-DT ²
1	f370-2627	0219A	CHASSIS-U-110 (110V 1500 chassis)
1	f370-2628	0220A	CHASSIS-U-220 (220V 1500 chassis)
1	f370-2631	0224A	CHASSIS-F ³
1	f370-2644	0236A	CHASSIS-DRIVE
1	f370-2649	0241A	CHASSIS-600-48NB (1600 chassis)
2	f370-2487	0041A	CONTROL-D (DSC chassis)
2	f370-2488	0042A	CONTROL-U (1500 chassis)
2	f370-2547	0117A	CONTROL-U (1500 chassis)
3	f370-2486	0040C	FANS
4	-	-	IOSET Slots S0 and S8
5	f370-2483	0037A	POWER-AC
5	f370-2484	0038B	POWER-48
5	f370-2485	0039A	POWER-48NB
6	f370-2584	0173B	CDROM
6	f370-2585	0173C	CDROM
7	f370-2470	0028B	TAPE-DAT-8
7	f370-2471	0028C	TAPE-DAT-8
7	f370-3687	0028D	TAPE-DAT-8
8	-	-	FTIO Bus B0 Slots S0 - S6
9	-	-	CPUSET Slots C0 and C1
10	-	-	FTIO Bus Slots S8 - S14

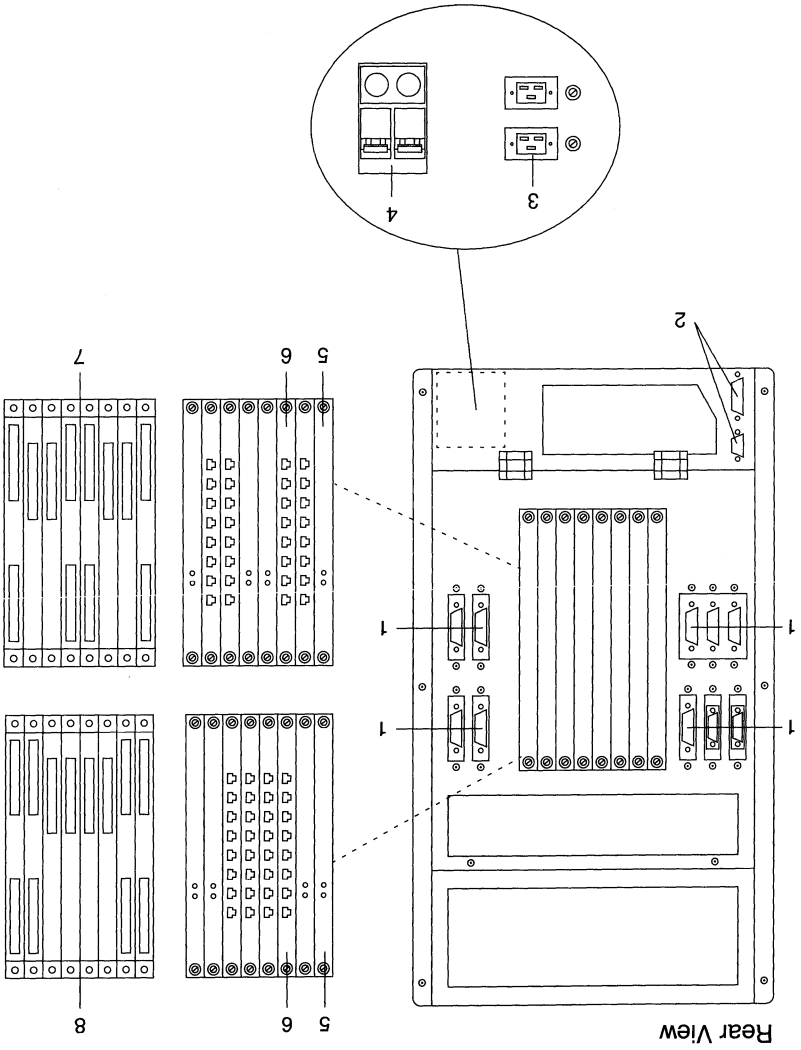
¹ A 24-inch wide chassis designed for Digital Switch Corporation (DSC).

² DSC chassis that does not support the drive chassis.

³ Reduced depth chassis designed to fit the Fujitsu FETEX-150 rack.

ft-SPARC

Models 1500 and 1600



ft-SPARC

Models 1500 and 1600

CODE	PART#	IMP#	DESCRIPTION
1	-	-	I/O Connectors
2	f370-2489	0043A	CONSOLE-D (DSC chassis)
2	f370-2490	0044A	CONSOLE-U (1500 chassis)
2	f370-2634	0227A	CONSOLE-U (1500 chassis)
3	-	-	AC Configured Chassis
4	-	-	-48VDC Configured Chassis
5	f370-2494	0048A	VICPLINE
5	f370-2595	0185A	VICP-8-LINE
5	f370-2629	0222A	VICP-8-LINE-FT
5	f370-2710	0308A	VICP-8-LINE-NC
5	f370-2711	0309A	VICP-8-LINE-FT-NC
6	f370-2495	0049A	VICPDRIVER
7	f370-2521	0081A	BACKPLANE-COM16 (Model 1500 only)
8	f370-2522	0082A	BACKPLANE-COM32 (Model 1500 only)

ft-SPARC

Models 1500 and 1600 CPU

PART #	IMP #	DESCRIPTION
f370-2456	0013C	CPUSET-SPARC-1-32-40
f370-2457	0014D	CPUSET-SPARC-1-64-40
f370-2458	0015C	CPUSET-SPARC-1-128-40
f370-2459	0016C	CPUSET-SPARC-1-256-40
f370-2460	0017C	CPUSET-SPARC-1-512-40
f370-2461	0019C	CPUSET-SPARC-1-32-40-LA
f370-2462	0020A	CPUSET-SPARC-1-64-40-LA
f370-2463	0021B	CPUSET-SPARC-1-128-40-LA
f370-2464	0022C	CPUSET-SPARC-1-256-40-LA
f370-2465	0023C	CPUSET-SPARC-1-512-40-LA
f370-2501	0055B	PACK-CPUSET
f370-2531	0091C	CPUSET-SPARC-2-32-40
f370-2532	0092C	CPUSET-SPARC-2-64-40
f370-2533	0093D	CPUSET-SPARC-2-128-40
f370-2534	0094C	CPUSET-SPARC-2-256-40
f370-2535	0094D	CPUSET-SPARC-2-256-40
f370-2536	0095C	CPUSET-SPARC-2-512-40
f370-2537	0097C	CPUSET-SPARC-2-32-40-LA
f370-2538	0098C	CPUSET-SPARC-2-64-40-LA
f370-2539	0099C	CPUSET-SPARC-2-128-40-LA
f370-2540	0100C	CPUSET-SPARC-2-256-40-LA
f370-2541	0101C	CPUSET-SPARC-2-512-40-LA
f370-2542	0103C	CPUSET-SPARC-4-32-40
f370-2543	0104C	CPUSET-SPARC-4-64-40
f370-2544	0105C	CPUSET-SPARC-4-128-40
f370-2545	0106C	CPUSET-SPARC-4-256-40
f370-2546	0107C	CPUSET-SPARC-4-512-40
f370-2550	0120C	CPUSET-SPARC-1-64-40-LA
f370-2551	0121C	CPUSET-SPARC-1-128-40-LA
f370-2570	0157A	FU-CPUSET-PROM
f370-2596	0186B	CPUSET-SPARC-1-32-80
f370-2597	0187B	CPUSET-SPARC-1-64-80
f370-2598	0188B	CPUSET-SPARC-1-128-80

ft-SPARC

Models 1500 and 1600 CPU - Continued

PART #	IMP #	DESCRIPTION
f370-2599	0189B	CPUSET-SPARC-1-256-80
f370-2600	0190B	CPUSET-SPARC-1-512-80
f370-2601	0191B	CPUSET-SPARC-1-32-80-LA
f370-2602	0192B	CPUSET-SPARC-1-64-80-LA
f370-2603	0193B	CPUSET-SPARC-1-128-80-LA
f370-2604	0194B	CPUSET-SPARC-1-256-80-LA
f370-2605	0195B	CPUSET-SPARC-1-512-80-LA
f370-2606	0196B	CPUSET-SPARC-2-32-80
f370-2607	0197B	CPUSET-SPARC-2-64-80
f370-2608	0198B	CPUSET-SPARC-2-128-80
f370-2609	0199B	CPUSET-SPARC-2-256-80
f370-2610	0200B	CPUSET-SPARC-2-512-80
f370-2611	0201B	CPUSET-SPARC-2-32-80-LA
f370-2612	0202B	CPUSET-SPARC-2-64-80-LA
f370-2613	0203B	CPUSET-SPARC-2-128-80-LA
f370-2614	0204B	CPUSET-SPARC-2-256-80-LA
f370-2615	0205B	CPUSET-SPARC-2-512-80-LA
f370-2616	0206B	CPUSET-SPARC-4-32-80
f370-2617	0207B	CPUSET-SPARC-4-64-80
f370-2618	0208B	CPUSET-SPARC-4-128-80
f370-2619	0209B	CPUSET-SPARC-4-256-80
f370-2620	0210B	CPUSET-SPARC-4-512-80
f370-2639	0233A	FRU-CPUSET-PROM
f370-2655	0248B	CPUSET-SPARC-1-32-40
f370-2656	0249B	CPUSET-SPARC-1-32-40-LA
f370-2657	0250B	CPUSET-SPARC-1-64-40
f370-2658	0251B	CPUSET-SPARC-1-64-40-LA
f370-2659	0252B	CPUSET-SPARC-1-128-40
f370-2660	0253B	CPUSET-SPARC-1-128-40-LA
f370-2661	0254B	CPUSET-SPARC-1-256-40
f370-2662	0255B	CPUSET-SPARC-1-256-40-LA
f370-2663	0256B	CPUSET-SPARC-1-512-40
f370-2664	0257B	CPUSET-SPARC-1-512-40-LA

ft-SPARC

Models 1500 and 1600 CPU - Continued

PART #	IMP #	DESCRIPTION
f370-2665	0258B	CPUSET-SPARC-2-32-40
f370-2666	0258C	CPUSET-SPARC-2-32-40
f370-2667	0259B	CPUSET-SPARC-2-32-40-LA
f370-2668	0259C	CPUSET-SPARC-2-32-40-LA
f370-2669	0260B	CPUSET-SPARC-2-64-40
f370-2670	0260C	CPUSET-SPARC-2-64-40
f370-2671	0261B	CPUSET-SPARC-2-64-40-LA
f370-2672	0261C	CPUSET-SPARC-2-64-40-LA
f370-2673	0262B	CPUSET-SPARC-2-128-40
f370-2674	0262C	CPUSET-SPARC-2-128-40
f370-2675	0263B	CPUSET-SPARC-2-128-40-LA
f370-2676	0263C	CPUSET-SPARC-2-128-40-LA
f370-2677	0264B	CPUSET-SPARC-2-256-40
f370-2678	0264C	CPUSET-SPARC-2-256-40
f370-2679	0265B	CPUSET-SPARC-2-256-40-LA
f370-2680	0266C	CPUSET-SPARC-2-256-40-LA
f370-2681	0266B	CPUSET-SPARC-2-512-40
f370-2682	0266C	CPUSET-SPARC-2-512-40
f370-2683	0267B	CPUSET-SPARC-2-512-40-LA
f370-2684	0267C	CPUSET-SPARC-2-512-40-LA
f370-2685	0268B	CPUSET-SPARC-4-32-40
f370-2686	0268C	CPUSET-SPARC-4-32-40
f370-2687	0269B	CPUSET-SPARC-4-64-40
f370-2688	0269C	CPUSET-SPARC-4-64-40
f370-2689	0270C	CPUSET-SPARC-4-128-40
f370-2690	0270C	CPUSET-SPARC-4-128-40
f370-2691	0271B	CPUSET-SPARC-4-256-40
f370-2692	0271C	CPUSET-SPARC-4-256-40
f370-2693	0272B	CPUSET-SPARC-4-512-40
f370-2694	0272C	CPUSET-SPARC-4-512-40

ft-SPARC

Models 1500 and 1600 CPU - Continued

PART #	IMP #	DESCRIPTION
f370-2826	0014C	CPUSET-SPARC-1-64-40
f370-2829	0186A	CPUSET-SPARC-1-32-80
f370-2833	0210A	CPUSET-SPARC-4-512-80
f370-2834	0242A	CPUSET-SPARC-2-128-40
f370-2835	0254A	CPUSET-SPARC-1-256-40
f370-2836	0260A	CPUSET-SPARC-2-64-40
f370-2837	0270A	CPUSET-SPARC-4-128-40
f370-2962	0196D	CPUSET-SPARC-2-32-80
f370-2964	0197D	CPUSET-SPARC-2-64-80
f370-2966	0198D	CPUSET-SPARC-2-128-80
f370-2967	0199D	CPUSET-SPARC-2-256-80
f370-2969	0200D	CPUSET-SPARC-2-512-80
f370-2971	0206D	CPUSET-SPARC-4-32-80
f370-2973	0207D	CPUSET-SPARC-4-64-80
f370-2975	0208D	CPUSET-SPARC-4-128-80
f370-2977	0209D	CPUSET-SPARC-4-256-80
f370-3096	0186C	CPUSET-SPARC-1-32-80
f370-3097	0187C	CPUSET-SPARC-1-64-80
f370-3098	0188C	CPUSET-SPARC-1-128-80
f370-3099	0189C	CPUSET-SPARC-1-256-80
f370-3100	0190C	CPUSET-SPARC-1-512-80
f370-3407	0186D	CPUSET-SPARC-1-32-80
f370-3408	0187D	CPUSET-SPARC-1-64-80
f370-3409	0188D	CPUSET-SPARC-1-128-80
f370-3410	0189D	CPUSET-SPARC-1-256-80
f370-3411	0190D	CPUSET-SPARC-1-512-80

ft-SPARC

Models 1500 and 1600 IOSET

PART #	IMP #	DESCRIPTION
f370-2466	0024B	DISK-1000
f370-2467	0024C	DISK-1000
f370-2468	0025B	DISK-2000
f370-2469	0025C	DISK-2000
f370-2473	0031J	IOSET-1000
f370-2474	0031K	IOSET-1000
f370-2475	0032J	IOSET-2000
f370-2476	0032K	IOSET-2000
f370-2500	0054B	PACK-IO-1
f370-2506	0059B	PACK-IO-2
f370-2652	0245C	IOSET-4000
f370-2653	0246A	DISK-4000
f370-2653	0317A	IOSET-8000
f370-2994	0031F	IOSET-1000
f370-2996	0032F	IOSET-2000
f370-3131	0320A	DISK-8000
f370-3136	0031L	IOSET-1000
f370-3137	0032L	IOSET-2000
f370-3139	0317A	IOSET-8000
f370-3561	0031M	IOSET-1000
f370-3562	0032M	IOSET-2000
f370-3563	0025E	DISK-2000
f370-3566	0031N	IOSET-1000
f370-3574	0032N	IOSET-2000

ft-SPARC

Models 1500 and 1600 Communication

PART #	IMP #	DESCRIPTION
f370-2472	0030F	SEC
f370-2477	0034D	ELP
f370-2478	0034E	ELP
f370-2479	0035B	VICP-16
f370-2480	0035C	VICP-16
f370-2481	0036B	VICP-32
f370-2482	0036C	VICP-32
f370-2494	0048A	VICPLINE
f370-2495	0049A	VICPDRIVER
f370-2507	0060B	PACK-LIN-DRV-4
f370-2521	0081A	BACKPLANE-COM16
f370-2522	0082A	BACKPLANE-COM32
f370-2563	0149A	CONTROLLER-HDLC
f370-2565	0151B	PACK-LIN-DRV-1
f370-2573	0160C	SS70D-2-V
f370-2594	0184A	VICP-8
f370-2595	0185A	VICP-8-LINE
f370-2629	0222A	VICP-8-LINE-FT
f370-2648	0240A	PACK-VICP8LINE
f370-2698	0278A	T1
f370-2699	0279A	SS7T-8-V
f370-2710	0308A	VICP-8-LINE-NC
f370-2711	0309A	VICP-8-LINE-FT-NC
f370-2827	0030D	SEC
f370-2828	0049B	VICPDRIVER
f370-3236	0344A	INSTALL-X25, REL5

ft-SPARC

Models 1500 and 1600 Miscellaneous

PART#	IMP#	DESCRIPTION
f370-2493	0047B	SCSI-TERM
f370-2496	0051B	BRIDGE-VME
f370-2497	0052B	BRIDGE-VME2
f370-2498	0052C	BRIDGE-VME2
f370-2548	0118A	BLANK-LOW-DRIVE
f370-2549	0119A	BLANK-UPP-DRIVE
f370-2569	0156A	RACKMOUNT
f370-2572	0159C	CCP
f370-2589	0179A	BLANK-CPUSET
f370-2590	0180A	BLANK-DRIVE
f370-2591	0181A	BLANK-POWER
f370-2592	0182A	BLANK-IO-SLOT
f370-2593	0183A	BLANK-WIDE-IO
f370-2632	0225A	RACKMOUNT-23
f370-2643	0235A	ACP
f370-2695	0275A	RACKMOUNT-19
f370-2696	0276A	RACKMOUNT-24
f370-2697	0277A	RACKMOUNT-600
f370-3243	0346A	CHASSIS-D STIFFINER KIT
f370-3365	0346B	CHASSIS-D STIFFINER KIT
f370-2983	0315A	CHASSIS-D-SPLIT
f370-2984	0322A	CHASSIS-D-SPLIT-BPA
f370-2985	0323A	CHASSIS-D-SPLIT-BPB
f370-2987	0325A	CHASSIS-D-CPR
f370-2999	0163A	CHASSIS-S
f370-3113	0221B	CHASSIS-U-48
f370-2825	0027A	TAPE-QIC-525
f370-3155	0027B	TAPE-QIC-2500
f370-3551	0027C	TAPE-QIC-4000
f560-2562	None	Auxiliary Grounding Kit

ft-SPARC

Models 1500 and 1600 Cables

PART #	IMP #	DESCRIPTION
f370-2448	0006A	CABLE-CONTROL-D (DSC chassis)
f370-2449	0006B	CABLE-CONTROL-D (DSC chassis)
f370-2450	0008A	CABLE-SCSI-F
f370-2451	0009A	CABLE-DRIVE
f370-2452	0009B	CABLE-DRIVE
f370-2453	0010B	CABLE-ENET-F
f370-2454	0011C	CABLE-ENET
f370-2455	0012B	CABLE-VICP-U
f370-2491	0045A	PWRCORD-110
f370-2492	0046A	PWRCORD-220
f370-2523	0083A	CABLES-DRVGRND
f370-2524	0084A	CABLES-MAINGRND
f370-2525	0084B	CABLES-MAINGRND
f370-2526	0085A	CABLES-BATTGRND
f370-2527	0086A	CABLES-CONTROL-U (1500 chassis)
f370-2556	0129A	CABLE-SCSI-ENET
f370-2560	0146A	CABLE-SCSI-SEC
f370-2561	0147A	CABLE-ENET-SEC
f370-2562	0148A	PWRCORD-E
f370-2571	0158B	CABLE-VICP-L
f370-2577	0165B	CABLE-V35
f370-2587	0175C	CABLE-X25-2-449
f370-2588	0176C	CABLE-X25-4-449
f370-2640	0234A	CABLE-SS7D-2-V
f370-2641	0234B	CABLE-SS7D-2-V
f370-2642	0234C	CABLE-SS7D-2-V
f370-2645	0237A	CABLE-SCSI-F
f370-2646	0238A	CABLE-SCSI-SEC
f370-2647	0239A	CABLE-SCSI-ENET
f370-2700	0280A	CABLE-SS7T-4-V
f370-2706	0288A	CABLE-CONTROL-600
f370-2712	0310A	CABLE-SS7T-4-V-NC
f370-2986	0324A	CABLE-IBP

ft-SPARC

Models 1500 and 1600 Options

OPTION	PART #	DESCRIPTION
9561	595-4189	Model 1600 23" Rack Mount
9562	595-4190	Model 1600 19" Rack Mount
9563	595-4191	Model 1600 24" Rack Mount
9564	595-4192	Model 1600 600 mm Rack Mount
3820	595-4193	-48Vdc Operation
4105	595-4194	Model 1600 8 RS232 Ports
4106	595-4195	Model 1600 8 Mirror RS232 Ports
9560	595-4196	Model 1500 19" Rack Mount
5701	595-4197	2GB Mirrored Disk
5702	595-4198	2GB Mirrored Disk #2
5703	595-4199	2GB Mirrored Disk #3
6109	595-4200	525MB 1/4" QIC Tape Drive
6060	595-4201	4 mm DAT Tape Drive
6160	595-4202	CD-ROM
3821	595-4203	110V US Operation
3822	595-4204	240V UK Operation
3823	595-4205	240V European Operation
4101	595-4206	16 Port RS232
4102	595-4207	32 Port RS232
4103	595-4208	FT 16 Port RS232
4104	595-4209	FT 32 Port RS232
4110	595-4210	Ethernet Link Processor
4112	595-4211	FT Ethernet Link Processor
4113	595-4212	2 Port X.25
4114	595-4213	4 Port X.25
4115	595-4214	2 Port SS7 (DGM&S)
3801	595-4215	SS7 CABLE (DGM&S)
4116	595-4216	4 Port SS7 (Trillium)

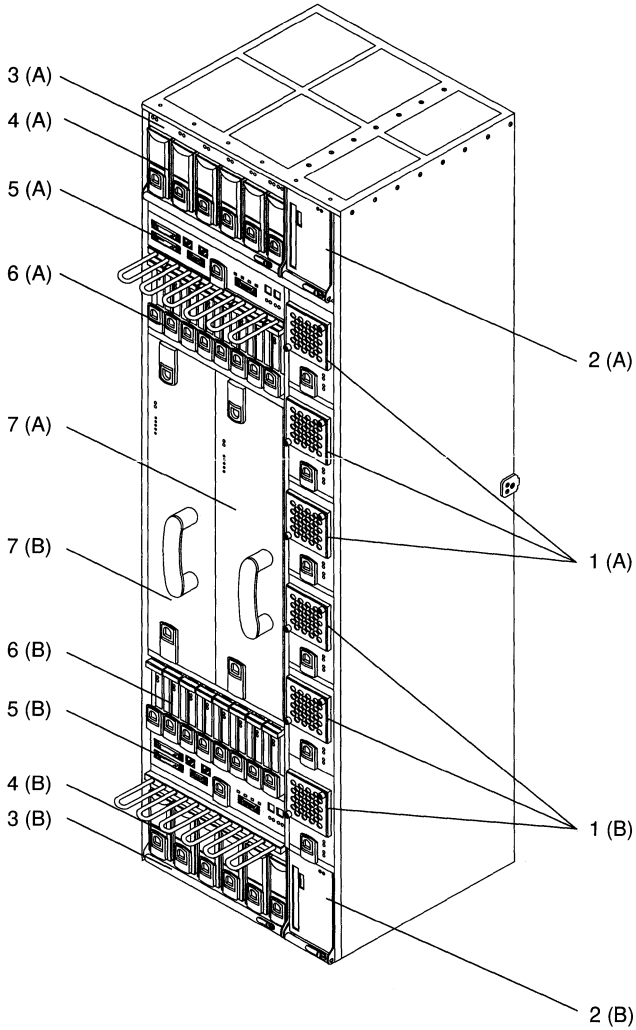
ft-SPARC

Models 1500 and 1600 Packaging

PART#	IMP#	DESCRIPTION
f370-2499	0053B	PACK-CHASSIS-D
f370-2502	0056B	PACK-POWER
f370-2503	0057B	PACK-CONTROL
f370-2504	0058B	PACK-DRIVES
f370-2505	0058C	PACK-DRIVES
f370-2507	0060B	PACK-LIN-DRV-4
f370-2517	0078A	PACK-CHASSIS-U
f370-2518	0079A	PACK-CONSOL
f370-2519	0079B	PACK-CONSOL
f370-2554	0126B	PACK-CHASSIS-DRIVE
f370-2555	0127B	PACK-POWER-48NB
f370-2565	0151B	PACK-LIN-DRV-1
f370-2566	0152B	PACK-FANS
f370-2574	0162A	PACK-CCP
f370-2582	0170A	PACK-PROC-2
f370-2583	0171A	PACK-MEM
f370-2633	0226C	PACK-CHASSIS-F
f370-2648	0240A	PACK-VICP-8-LINE
f370-2654	0247A	PACK-ACP

Netra ft 1800

16-Slot PCI Logic Enclosure



Note: (A) indicates Side A and (B) indicates Side B of the fault tolerant system.

Netra ft 1800

16-Slot PCI Logic Enclosure

CODE	PART#	DESCRIPTION
1	f300-1408	695W 48VDC Power Supply
2	f540-4016	RMM Tray + CD-ROM + DAT Tape + Front Panel
2	f540-4017	RMM Tray + CD-ROM + Front Panel
2	f540-4460	Empty RMM Tray
3	f540-3885	Disk Drive Chassis Tray
4	540-3957	Disk Drive Blanking Module
4	f540-4004	9GB 7200 RPM Disk Drive Assembly
4	f540-4077	18GB 10000 RPM Disk Drive Assembly
5	f540-3926	Console/Alarm/Fan (CAF) Module
6	540-3929	PCI Blanking Module
6	f540-3980	PCI Carrier with Dual Differential SCSI
6	f540-3981	PCI Carrier with SunFast Ethernet
6	f540-3982	PCI Carrier Assembly with HSI/P
6	f540-3983	PCI Carrier with SAI/P
6	f540-3984	PCI Carrier with ATM155/MFiber
6	f540-3992	Empty PCI Carrier (Obsolete)
6	f540-4319	Empty PCI Carrier
6	f540-4094	PCI Carrier with QFE/P
7	f540-4007	CPUSET-1P-256MB-300MHZ
7	f540-4008	CPUSET-2P-512MB-300MHZ
7	f540-4009	CPUSET-4P-4GB-300MHZ
7	f540-4336	CPUSET-1P-1GB-300MHZ
7	f540-4224	CPUSET-4P-4GB-400MHZ

Netra ft 1800

16-Slot PCI Logic Enclosure - Continued

PART#	DESCRIPTION
240-1451	M12 Hex Wrench (included for unpacking)
240-1452	#2 Phillips Screwdriver (included for unpacking)
250-1398	Large Air Filter for Filter Assembly 540-3527 (obsolete)
250-1399	Small Air Filter for Filter Assembly 540-3528 (obsolete)
250-1395	Power Supply Air Filter
340-5536	Motherboard Removal Tool (x3 included)
f370-3842	DC Input Connector and Filter Assembly
f540-3485	Netra ft 1800 Motherboard B
f540-3509	Netra ft 1800 Motherboard A
f540-3650	Power Inlet Assembly (early production) (not released)
f540-4376	Field Change Order A0157 EMI Kit
f540-3497	Power Supply and Disk Drive Ejector FRU
f540-4300	CAF Ejector FRU
f540-4301	PCI Carrier Ejector FRU
f540-4353	CPUset Ejector FRU
595-5080	19-inch Rack Mount Kit, Option 6938 (obsolete)
595-5081	23-inch Rack Mount Kit, Option 6939 (obsolete)
595-5082	24-inch Rack Mount Kit, Option 6940
595-5083	600 mm Rack Mount Kit, Option 6941
595-5134	Filter Kit
340-5639	● Power Supply Filter (x6)
340-5661	● Large Air Filter for Filter Assembly 540-3527 (x2)
340-5662	● Small Air Filter for Filter Assembly 540-3528 (x1)
595-5417	19-inch Rack Mount Kit, Option 6974
595-5605	23-inch Rack Mount Kit, Option 6976
Not Supplied	Thomas & Betts Two-Hole Lug 54202-UB
Not Supplied	Thomas & Betts TBM5-S Crimp Tool
805-4529	<i>Netra ft 1800 User's Guide</i>

This page intentionally left blank.

Netra t 1100

4-Slot PCI Logic Enclosure

PART#	DESCRIPTION
262-2662	Logo
262-2663	Nameplate
300-1355	350 Watt Power Supply
501-xxxx	0MB Ultra 30 System Board
501-4669	Alarm Module
540-3349	Chassis Assembly with 1 Removable Media Bay
None	<ul style="list-style-type: none"> ● Chassis
370-3273	<ul style="list-style-type: none"> ● PCI Filler Panel
530-2514	<ul style="list-style-type: none"> ● Power Switch
540-3350	<ul style="list-style-type: none"> ● Disk Drive Bay Assembly (1.0" or 1.6" height)
530-2473	<ul style="list-style-type: none"> ● SCSI Cable and Backplane Assembly
540-3490	<ul style="list-style-type: none"> ● Top Cover
540-3491	<ul style="list-style-type: none"> ● Front Panel Assembly
250-1392	<ul style="list-style-type: none"> ● Fan Filter
530-2536	<ul style="list-style-type: none"> ● Ground Strap
540-3514	<ul style="list-style-type: none"> ● 12V Fan Assembly
540-3605	<ul style="list-style-type: none"> ● LED PCB/Cable Assembly
501-4670	<ul style="list-style-type: none"> ● LED Module
530-2490	<ul style="list-style-type: none"> ● LED Cable
370-2816	12x CD-ROM, 1.6" Height
370-3415	32x CD-ROM, 1.6" Height
540-2938	4.2GB 7200 RPM 1.6" Height Disk Drive Assembly
540-2951	9.1GB 7200 RPM 1.6" Height Disk Drive Assembly
805-1893	<i>Netra t 1100 Service Manual</i>

Netra t 1120

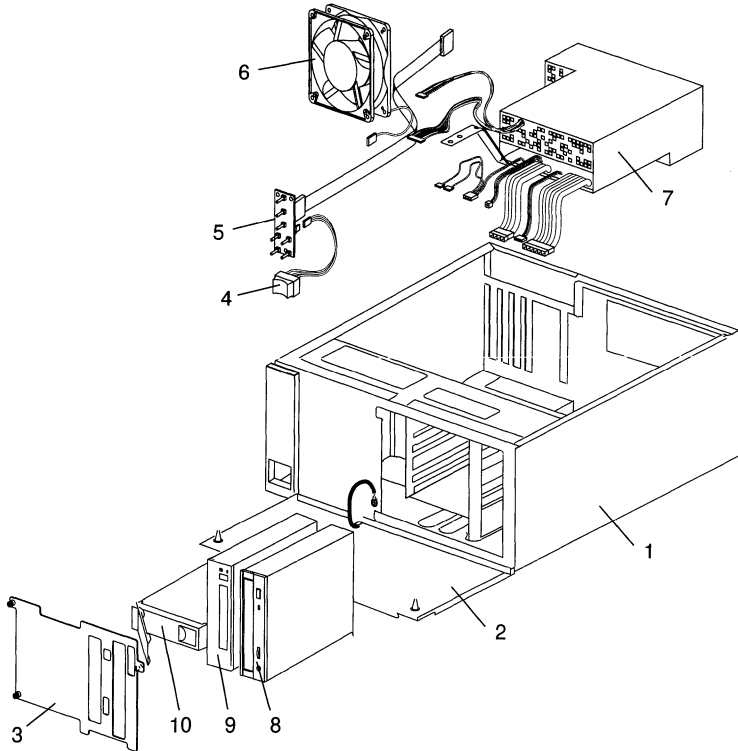
4-Slot PCI Logic Enclosure

PART#	DESCRIPTION
262-2662	Logo
262-5314	Nameplate
501-xxxx	0MB Ultra 60 System Board
501-4669	Alarm Module
540-3809	System Board Bracket
540-3867	DC Power Supply Assembly
300-1355	● 350 Watt DC Input Power Supply ¹
540-3848	● Power Supply Bracket
540-3801	Chassis Assembly with 1 Removable Media Bay
None	● Chassis
370-3273	● PCI Filler Panel
530-2514	● Power Switch
540-3802	● Disk Drive Bay Assembly (1.0" or 1.6" height)
530-2683	● SCSI Cable and Backplane Assembly
540-3810	● Top Cover
540-3491	● Front Panel Assembly
250-1392	● Fan Filter
530-2536	● Ground Strap
540-3514	● 12V Fan Assembly
540-3605	● LED PCB/Cable Assembly
501-4670	● LED Module
530-2490	● LED Cable
370-2816	12x CD-ROM, 1.6" Height
370-3415	32x CD-ROM, 1.6" Height
540-2938	4.2GB 7200 RPM 1.6" Height Disk Drive Assembly
540-2951	9.1GB 7200 RPM 1.6" Height Disk Drive Assembly
540-3719	18.2GB 7200 RPM 1.6" Height Disk Drive Assembly
805-4348	<i>Netra t 1120 Service Manual</i>
805-6804	<i>Netra t 1120/1125 Service Manual</i>

¹ Three banks of memory can be installed in the Ultra 60 System Board if the power supply is ≤300-1355-03. Four banks of memory can be installed if the power supply is ≥300-1355-04.

Netra t 1120

4-Slot PCI Logic Enclosure



Netra t 1120

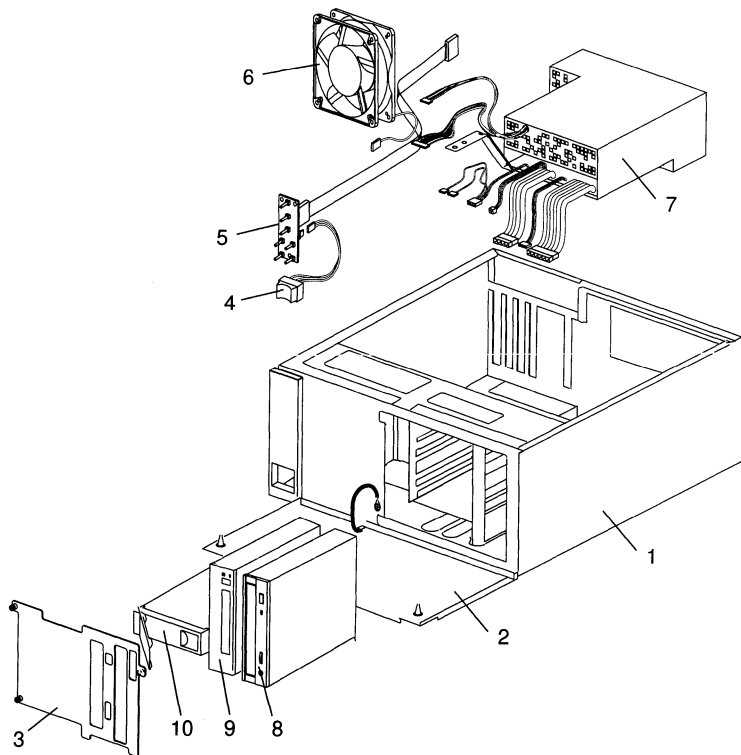
4-Slot PCI Logic Enclosure

CODE	PART #	DESCRIPTION
1	540-3830	Chassis Assembly with 2 Removable Media Bays
-	None	● Chassis
-	370-3273	● PCI Filler Panel
-	540-3831	● Disk Drive Bay Assembly (1.0" or 1.6" height)
-	530-2684	● SCSI Cable and Backplane Assembly
-	540-3810	● Top Cover
2	540-3491	● Front Panel Assembly
-	250-1392	● Fan Filter
-	530-2536	● Ground Strap
3	540-3855	● Drive Cover
4	530-2514	● Power Switch
5	540-3605	● LED PCB/Cable Assembly
-	501-4670	● LED Module
-	530-2490	● LED Cable
6	540-3514	● 12V Fan Assembly
7	540-3867	DC Power Supply Assembly
-	300-1355	● 350 Watt DC Input Power Supply, Mate-N-Lok ¹
-	300-1405	● 350 Watt DC Input Power Supply, Mate-N-Lok
-	300-1462	● 350 Watt DC Input Power Supply, Wago
-	540-3848	● Power Supply Bracket
8	370-2816	12x CD-ROM, 1.6" Height
8	370-3415	32x CD-ROM, 1.6" Height
9	370-2377	12-24GB 4 mm DDS-3 Tape Drive
10	540-3704	9.1GB 7200 RPM 1.0" Height Disk Drive Assembly
10	540-3719	18.2GB 7200 RPM 1.6" Height Disk Drive Assembly
10	540-4177	18.2GB 10000 RPM 1.0" Height Disk Drive Assembly
NS	370-3696	Power Supply to Removable Media Cable
NS	501-xxxx	0MB Ultra 60 System Board
NS	501-4669	Alarm Module
NS	540-3809	System Board Bracket with Fan
	805-4348	<i>Netra t 1120 Service Manual</i>
	805-6804	<i>Netra t 1120/1125 Service Manual</i>

¹ Three memory banks can be installed if the power supply is \leq 300-1355-03.
Four memory banks can be installed if the power supply is \geq 300-1355-04.

Netra t 1125

4-Slot PCI Logic Enclosure



Netra t 1125

4-Slot PCI Logic Enclosure

CODE	PART #	DESCRIPTION
1	540-3830	Chassis Assembly with 2 Removable Media Bays
-	None	● Chassis
-	370-3273	● PCI Filler Panel
-	540-3831	● Disk Drive Bay Assembly (1.0" or 1.6" height)
-	530-2684	● SCSI Cable and Backplane Assembly
-	540-3810	● Top Cover
2	540-3491	● Front Panel Assembly
-	250-1392	● Fan Filter
-	530-2536	● Ground Strap
3	540-3855	● Drive Cover
4	530-2514	● Power Switch
5	540-3605	● LED PCB/Cable Assembly
-	501-4670	● LED Module
-	530-2490	● LED Cable
6	540-3514	● 12V Fan Assembly
7	540-3916	AC Power Supply Assembly
-	300-1406	● 325 Watt AC Input Power Supply
-	540-3848	● Power Supply Bracket
8	370-2816	12x CD-ROM, 1.6" Height
8	370-3415	32x CD-ROM, 1.6" Height
9	370-2377	12-24GB 4 mm DDS-3 Tape Drive
10	540-3704	9.1GB 7200 RPM 1.0" Height Disk Drive Assembly
10	540-3719	18.2GB 7200 RPM 1.6" Height Disk Drive Assembly
10	540-4177	18.2GB 1000 RPM 1.0" Height Disk Drive Assembly
NS	262-2662	Logo
NS	263-0533	Nameplate
NS	370-3696	Power Supply to Removable Media Cable
NS	501-xxxx	0MB Ultra 60 System Board
NS	501-4669	Alarm Module
NS	540-3809	System Board Bracket with Fan
	805-6043	<i>Netra t 1125 Service Manual (inactivated)</i>
	805-6804	<i>Netra t 1100/1125 Service Manual</i>

Netra t 1100 Netra t 1120 Netra t 1125

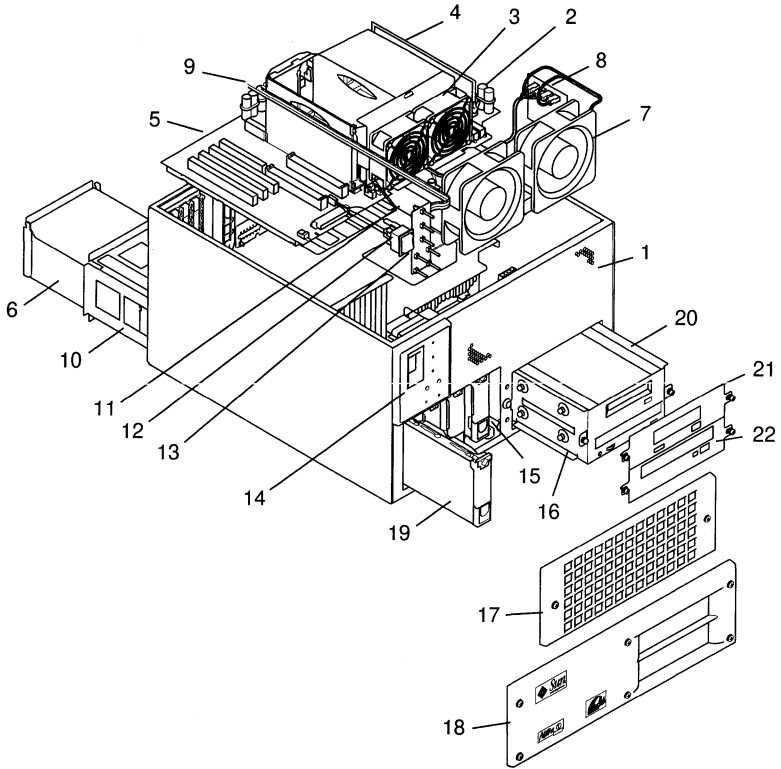
Miscellaneous Options

PART#	DESCRIPTION
560-2419	Earth Bonding Kit
240-2199	● M5 Nut
340-4439	● Chassis Earth Plate
None	● Thomas & Betts 54204-UB Two-Hole Lug (not supplied)
None	● Thomas & Betts TBM5-S Crimp Tool (not supplied)
560-2449	DC Connector Kit (included with Ship Kit 560-2507-01/02)
540-3646	● Mate-N-Lok Connector Kit (x2)
130-3723	● AMP Contact Pin 193841-1 (x2)
130-3724	● AMP Connector 789770017-1 (x1)
None	● AMP 356114-1 Hand Crimp Tool (not supplied)
None	DC Connectors (included with Ship Kit 560-2507-03)
130-4361	● Wago DC Connector
230-1708	● Wago DC Connector Strain Relief
230-1711	● Wago DC Connector Opening Lever
595-4629	19-inch Rack Mount Kit, Option 6901
240-2627	● M5 x 8 mm Screw (x6)
340-4249	● 19-inch Chassis Flange (x2)
340-4250	● Chassis Handle (x2)
595-4630	23-inch Rack Mount Kit, Option 6902
240-2627	● M5 x 8 mm Screw (x6)
340-4250	● Chassis Handle (x2)
340-4381	● 23-inch Chassis Flange (x2)
595-4631	24-inch Rack Mount Kit, Option 6903
240-2627	● M5 x 8 mm Screw (x6)
340-4250	● Chassis Handle (x2)
340-4724	● 24-inch Chassis Flange (x2)
595-4632	600 mm Rack Mount Kit, Option 6904
240-2627	● M5 x 8 mm Screw (x6)
340-4250	● Chassis Handle (x2)
340-4725	● 600 mm Chassis Flange (x2)
595-4637	Filter Kit, Option 6913
250-1392	● Fan Filter

This page intentionally left blank.

Netra t 1400

4-Slot PCI Logic Enclosure



Netra t 1400 Netra t 1405

4-Slot PCI Logic Enclosure

CODE	PART #	DESCRIPTION
1	599-2295	AC Chassis Assembly
1	599-2349	DC Chassis Assembly
2	300-1407	● 125 Watt DC-DC Converter with Fan
3	540-4262	● Ultra 80 System Board Fan Assembly/FRU
4	540-3948	● Ultra 80 System Board Shroud Assembly/FRU
5	501-xxxx	Ultra 80 System Board
6	300-1434	● AC Input Power Supply Type A142
6	300-1435	● DC Input Power Supply Type D129
NS	501-5437	● RCP/Alarm Board
1	540-4065	● Chassis Assembly
7	370-3976	● Fan
8	501-5561	● Fan Control Board
9	370-4039	● LED/Alarm Cable
10	370-3920	● Power Distribution Backplane Assembly/FRU
11	370-4040	● LED/Motherboard Cable
12	530-2514	● Power Switch and Cable
13	501-5560	● LED Board
14	330-2809	● Switch and LED Cover
15	540-4311	● Disk Bay Assembly/FRU (1.0" or 1.6" height)
	370-3929	● Disk Bay Power Cable
16	340-5568	● Removable Media Mounting Bracket
17	540-4068	● Fan Cover
18	540-4066	● Removable Media Cover
NS	370-3273	● PCI Slot Filler Panel
NS	370-3927	● Removable Media SCSI Cable
NS	370-3928	● Removable Media Power Cable
NS	501-5125	● Removable Media SCSI Adapter
NS	540-4067	● Top Cover
19	540-4177	18.2GB 10000 RPM Disk Drive Assembly/FRU
20	370-3416	32x CD-ROM, Medium Grey
20	370-2376	12-24GB 4 mm DDS-3 Tape Drive, Medium Grey
21	340-5595	DAT Outer Filler Panel
22	340-5594	CD-ROM Outer Filler Panel

Netra t 1400 Netra t 1405

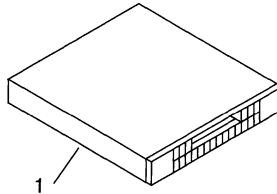
4-Slot PCI Logic Enclosure - Continued

PART #	DESCRIPTION
540-3551	CD-ROM/DAT Inner Filler Panel
565-1639	Cable Kit, 370-3927/3928/3929/4039/4040
560-2579	T1400 Ship Kit
130-4361	● Wago DC Connector
230-1708	● Wago DC Connector Strain Relief
230-1711	● Wago DC Connector Opening Lever
340-6091	● Memory Riser Torque Tool
560-2569	● Flange Kit
340-4250	● 4U Chassis Handle
340-5904	● 19-inch Flange
560-2568	T1405 Ship Kit
340-6091	● Memory Riser Torque Tool
560-2569	● Flange Kit
340-4250	● 4U Chassis Handle
340-5904	● 19-inch Flange
595-5355	Air Filter Kit, Option X7075A
330-2930	● Air Filter (x5)
595-5356	Trim Kit, Option X7076A
263-xxxx	● Netra t 1400/1405 Nameplates
330-2809	● Switch and LED Cover
540-4066	● Removable Media Cover Assembly
540-4068	● Fan Cover Assembly
595-5351	19-inch Rack Mount Kit, Option X7071A
595-5352	23-inch Rack Mount Kit, Option X7072A
595-5353	24-inch Rack Mount Kit, Option X7073A
595-5354	600 mm Rack Mount Kit, Option X7074A
806-0576	<i>Service and System Reference Manual</i>

This page intentionally left blank.

Netra t1 Model 100

1-Slot PCI Logic Enclosure

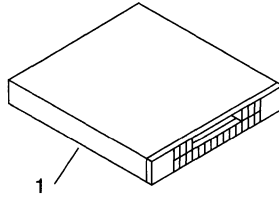


CODE	PART #	DESCRIPTION
1	540-4432	440MHz/512MB DC Assembly/FRU without Disk ¹
1	540-4433	440MHz/256MB DC Assembly/FRU without Disk ¹
1	540-4503	440MHz/1GB DC Assy/FRU without Disk (Obs) ¹
1	540-4528	440MHz/0MB DC Assy/FRU without Disk
NS	340-5843	Drive Bay Filler Panel
NS	340-6026	CD-ROM Filler Panel
NS	370-3979	Fan Assembly
NS	540-3704	9.1GB 7200 RPM Disk Drive Assembly/FRU
NS	540-3720	9.1GB 7200 RPM Disk Drive Assembly/FRU
NS	540-3881	9.1GB 10000 RPM Disk Drive Assembly/FRU
NS	540-4177	18.2GB 10000 RPM Disk Drive Assembly/FRU
NS	300-1447	DC Input Power Supply
NS	501-5489	LED Board
NS	530-2806	LED Board Cable
NS	540-4225	Internal SCSI Disk Data Cable
NS	540-4229	Internal EIDE CD-ROM Data Cable
NS	501-5488	External SCSI and Serial Port Board
NS	530-2809	Internal Serial Cable for SCSI/Serial Port Board
NS	540-4358	CD-ROM 540-4179 + Cable 540-4229 FRU
NS	370-3983	● CD-ROM (use M2 x 3 mm screw 240-3800)
NS	595-5322	23-inch Rack Mount Kit, Option X6966A
NS	595-5323	24-inch Rack Mount Kit, Option X6967A
NS	595-5324	600 mm Rack Mount Kit, Option X6968A
NS	595-5317	Internal CD-ROM, Option X6971A
NS	595-5325	Serial Port Adapters, Option X6973A

¹ Discontinued by Enterprise Services in June 2000. See FIN I0591.

Netra t1 Model 105

1-Slot PCI Logic Enclosure



CODE	PART #	DESCRIPTION
1	540-4317	360MHz/64MB AC Assembly/FRU without Disk ¹
1	540-4385	360MHz/512MB AC Assembly/FRU without Disk ¹
1	540-4318	440MHz/256MB AC Assembly/FRU without Disk ¹
1	540-4424	440MHz/512MB AC Assembly/FRU without Disk ¹
1	540-4498	440MHz/1GB AC Assy/FRU without Disk (Obs) ¹
1	540-4529	440MHz/0MB AC Assy/FRU without Disk
1	540-4564	360MHz/0MB AC Assy/FRU without Disk
NS	340-5843	Drive Bay Filler Panel
NS	340-6026	CD-ROM Filler Panel
NS	370-3979	Fan Assembly
NS	540-3704	9.1GB 7200 RPM Disk Drive Assembly/FRU
NS	540-3720	9.1GB 7200 RPM Disk Drive Assembly/FRU
NS	540-3881	9.1GB 10000 RPM Disk Drive Assembly/FRU
NS	540-4177	18.2GB 10000 RPM Disk Drive Assembly/FRU
NS	300-1448	AC Input Power Supply
NS	501-5489	LED Board
NS	530-2806	LED Board Cable
NS	540-4225	Internal SCSI Disk Data Cable
NS	540-4229	Internal EIDE CD-ROM Data Cable
NS	501-5488	External SCSI and Serial Port Board
NS	530-2809	Internal Serial Cable for SCSI/Serial Port Board
NS	540-4358	CD-ROM 540-4179 + Cable 540-4229 FRU
NS	370-3983	● CD-ROM (use M2 x 3 mm screw 240-3800)
NS	595-5322	23-inch Rack Mount Kit, Option X6966A
NS	595-5323	24-inch Rack Mount Kit, Option X6967A
NS	595-5324	600 mm Rack Mount Kit, Option X6968A
NS	595-5317	Internal CD-ROM, Option X6971A
NS	595-5325	Serial Port Adapters, Option X6973A

¹ Discontinued by Enterprise Services in June 2000. See FIN I0591.

Netra t1 Models 100 and 105

Boards

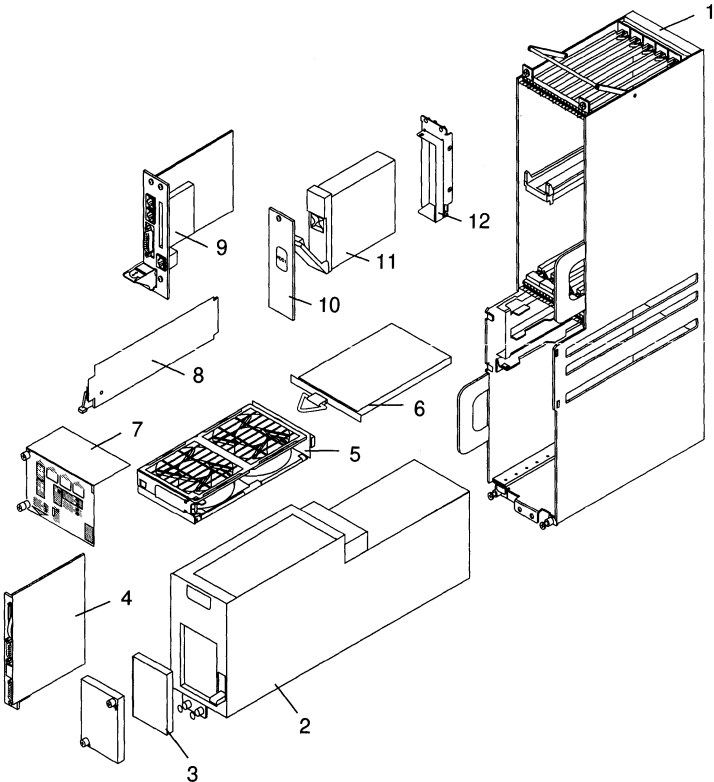
PART #	DESCRIPTION
540-4348	64MB Memory Board Assembly/FRU
501-5210	● 64MB Memory Board FRU
540-4349	256MB Memory Board Assembly/FRU)
501-5388	● 256MB Memory Board FRU
370-4096	● 256MB Memory Board
540-4547	256MB Memory Board Assembly/FRU ¹
370-4155	● 256MB Memory Board (use hardware kit 540-4532) ¹
540-4350	512MB Memory Board Assembly/FRU
501-5389	● 512MB Memory Board FRU
540-4260	360MHz CPU and I/O Interface Assembly
501-5478	● I/O Interface Board
501-5577	● 0MB 360MHz CPU without Front Panel
595-5254	● 0MB 360MHz CPU without Front Panel
540-4258	440MHz CPU and I/O Interface Assembly
501-5478	● I/O Interface Board
501-5578	● 0MB 440MHz CPU without Front Panel

¹ Up to four memory boards of this design can be installed.

This page intentionally left blank.

Netra ct 400

5-Slot cPCI Logic Enclosure



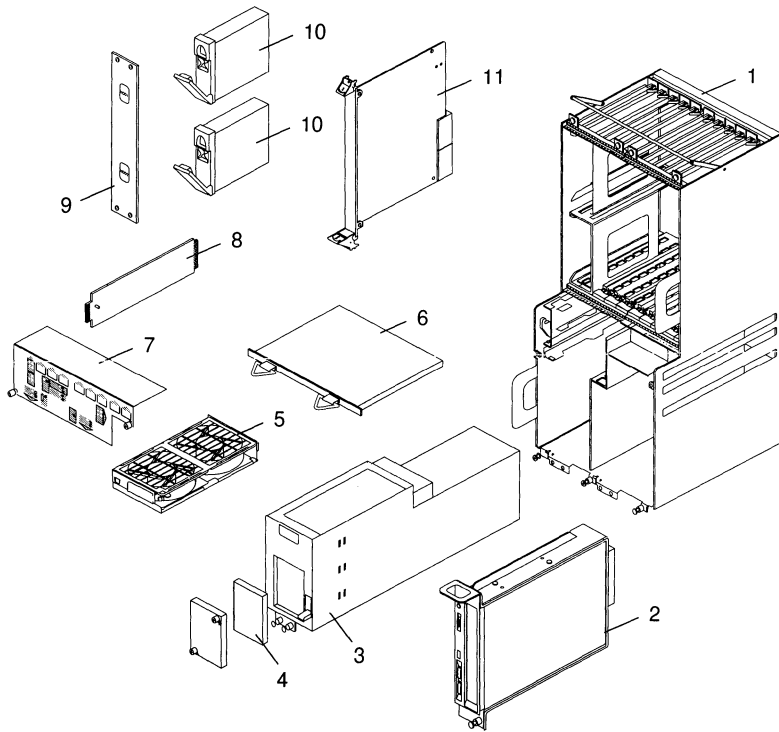
Netra ct 400

5-Slot cPCI Logic Enclosure

CODE	PART #	DESCRIPTION
1	540-4569	5-Slot cPCI Drawer Assembly/FRU
-	501-5621	● 5-Slot cPCI Backplane
-	501-5625	● Extension Board for Front CPU Transition Board
2	300-1445	360 Watt DC Input Power Supply Type D128
3	250-1594	● Power Supply Air Filter, Option 7182
4	501-5624	Front CPU Transition Board
5	540-4394	Fan Tray
6	370-4080	Air Filter, Option 7162
7	540-4451	System Status Panel
8	501-5612	System Control Board
9	540-4406	Alarm Board
10	340-6394	Disk Drive Slot Cover
11	540-4620	18.2GB 10000 RPM Disk Drive Assembly/FRU
12	540-4398	Disk Drive Bracket
	806-3296	<i>Netra ct Server Service Manual</i>

Netra ct 800

8-Slot cPCI Logic Enclosure



Netra ct 800

8-Slot cPCI Logic Enclosure

CODE	PART #	DESCRIPTION
1	540-4568	8-Slot cPCI Drawer Assembly/FRU
-	501-5617	● 8-Slot cPCI Backplane
-	501-5615	● Extension Board for Removable Media Module
2	340-6732	Removable Media Module EMI Cover
2	540-4399	32x CD-ROM Assembly/FRU
2	540-4684	10x DVD-ROM Assembly/FRU
2	540-4409	12-24GB 4 mm DDS-3 Tape Drive Assembly/FRU
3	300-1445	360 Watt DC Input Power Supply Type D128
4	250-1594	● Power Supply Air Filter, Option 7182
5	540-4394	Fan Tray
6	370-4076	Air Filter, Option 7163
7	540-4450	System Status Panel
8	501-5612	System Control Board
9	340-6501	Disk Drive Slot Cover
10	540-4620	18.2GB 10000 RPM Disk Drive Assembly/FRU
11	501-5610	Alarm Board
11	501-5618	Front CPU Transition Board
	806-3296	<i>Netra ct Server Service Manual</i>

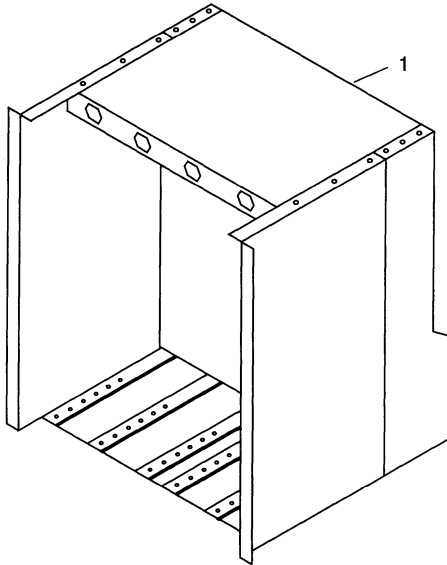
Netra ct 400 Netra ct 800

Boards

PART #	DESCRIPTION
501-5209	128MB Memory Board FRU
540-4349	256MB Memory Board Assembly(FRU)
501-5388	● 256MB Memory Board FRU
370-4096	● 256MB Memory Board
540-4350	512MB Memory Board Assembly/FRU
501-5389	● 512MB Memory Board FRU
501-5731	0MB 440MHz CP1500 CPU with Front Panel FRU
501-5473	● 0MB 440MHz CP1500 CPU with Front Panel
501-5795	128MB 440MHz CP1500 CPU with Front Panel
501-5796	512MB 440MHz CP1500 CPU with Front Panel
501-5800	1GB 440MHz CP1500 CPU with Front Panel
340-6483	6U cPCI Slot Filler Panel
501-5609	Rear CPU Transition Board, Netra ct 400/800
501-5611	Rear Alarm Transition Board, Netra ct 800
501-5616	Removable Media Module Termination Board, Netra ct 800
501-5619	Shunt Board, Slot 1 to Slot 2, Netra ct 400/800

Netra ct 1600

Netra ct 400 and Netra ct 800 Chassis



CODE	PART #	DESCRIPTION
1	596-2711	N08-DF Front Access DC Chassis Assembly
NS	340-6399	● Rear DC Connector Cover
NS	540-4391	● DC Chassis Assembly
NS	530-2895	● Front Access DC Input Cable
NS	540-4397	● DC Input Filter Assembly
1	596-2710	N08-DR Rear Access DC Chassis Assembly
NS	540-4391	● DC Chassis Assembly
NS	540-4397	● DC Input Filter Assembly
	806-3296	<i>Netra ct Server Service Manual</i>

Netra st A1000

ARY144A-36GAC

AC Input Power
4 9.1GB 10000 RPM Disks

ARY144A-36GDC

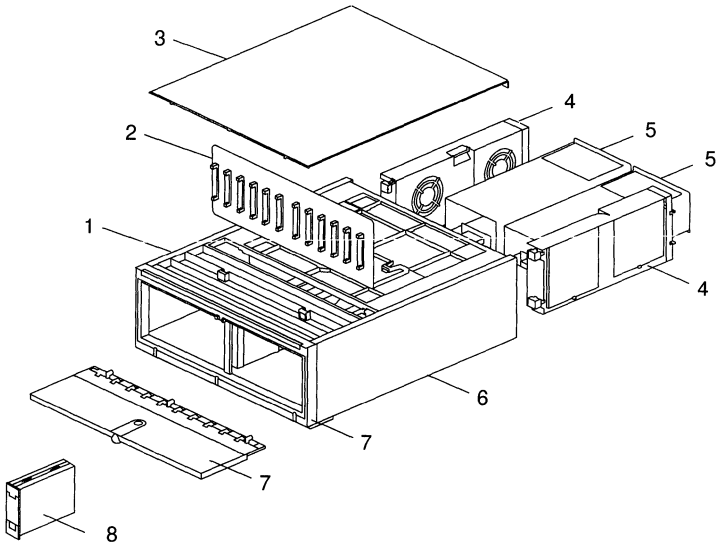
DC Input Power
4 9.1GB 10000 RPM Disks

ARY151A-72GAC

AC Input Power
4 18.2GB 10000 RPM Disks

ARY151A-72GDC

DC Input Power
4 18.2GB 10000 RPM Disks



Netra st A1000

ARY144A-36GAC

ARY144A-36GDC

ARY151A-72GAC

ARY151A-72GDC

CODE	PART #	DESCRIPTION
1	540-3989	12-Drive AC Chassis Assembly
1	540-3995	12-Drive DC Chassis Assembly
1	540-4001	Empty 12-Drive Chassis Assembly
2	501-4440	12-Slot SCSI Disk Backplane
3	340-5432	Top Cover
4	540-3999	Fan Tray
5	300-1340	360 Watt AC Input Power Supply
5	300-1428	360 Watt DC Input Power Supply
6	340-5433	Bottom Cover
7	540-3990	Front Door Assembly
8	370-3760	Empty 1.0" Disk Drive Slot Filler
8	540-3881	9.1GB 10000 RPM Disk Drive Assembly/FRU
8	540-4401	18.2GB 10000 RPM Disk Drive Assembly/FRU
NS	150-1890	Differential Terminator, HD68
NS	240-2690	A1000/D1000 Key
NS	250-1454	Air Filter
NS	375-0015	Raid Controller FRU, 16MB MPU + 64MB RPA
NS	375-0016	Raid Controller FRU, 8MB MPU + 16MB RPA
-	375-0007	● Raid Controller Board
-	370-3417	● Battery
NS	530-2729	SCSI Cable, 90° HD68 to VHDCI68, 2M (X992A)
NS	530-2751	SCSI Cable, 90° HD68 to VHDCI68, 4M (X993A)
NS	530-2846	Right 90° HD68 to VHDCI68, 2M (X959A)
NS	530-2847	Right 90° HD68 to VHDCI68, 4M (X947A)
NS	595-5112	EMI Shield and Air Filter, Option 994
NS	250-1454	● Foam Air Filter
NS	340-5439	● EMI Shield
NS	595-5350	19-inch Rack Mount Kit
NS	340-5435	● Mounting Bracket (x2)
NS	595-5117	23-inch and 24-inch Rack Mount Kit, Option 6907
NS	340-4463	● Mounting Bracket (x2)
NS	595-5116	600 mm Rack Mount Kit, Option 6909
NS	340-5559	● Mounting Bracket (x2)

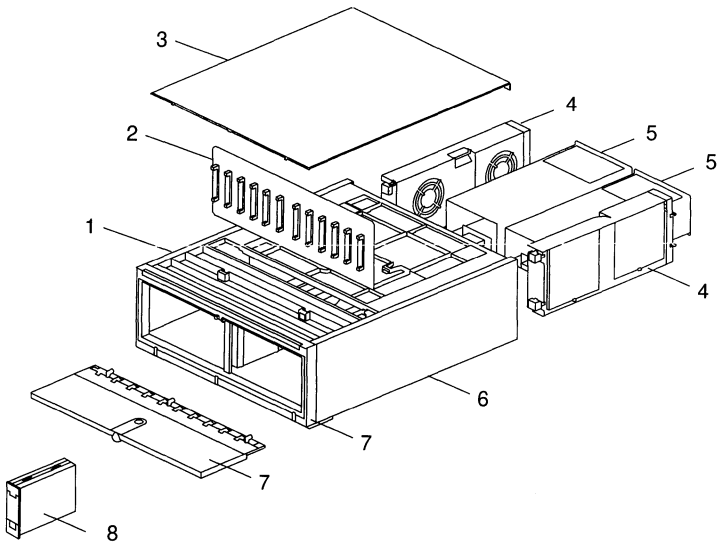
Netra st D1000

ARY145A-36GAC
AC Input Power
4 9.1GB 10000 RPM Disks

ARY145A-36GDC
DC Input Power
4 9.1GB 10000 RPM Disks

ARY153A-72GAC
AC Input Power
4 18.2GB 10000 RPM Disks

ARY153A-72GDC
DC Input Power
4 18.2GB 10000 RPM Disks



Netra st D1000

ARY145A-36GAC

ARY145A-36GDC

ARY153A-72GAC

ARY153A-72GDC

CODE	PART #	DESCRIPTION
1	540-3989	12-Drive AC Chassis Assembly
1	540-3995	12-Drive DC Chassis Assembly
1	540-4001	Empty 12-Drive Chassis Assembly
2	501-4440	12-Slot SCSI Disk Backplane
3	340-5432	Top Cover
4	540-3999	Fan Tray
5	300-1340	360 Watt AC Input Power Supply
5	300-1428	360 Watt DC Input Power Supply
6	340-5433	Bottom Cover
7	540-3990	Front Door Assembly
8	370-3760	Empty 1.0" Disk Drive Slot Filler
8	540-3881	9.1GB 10000 RPM Disk Drive Assembly/FRU
8	540-4401	18.2GB 10000 RPM Disk Drive Assembly/FRU
NS	150-1890	Differential Terminator, HD68
NS	240-2690	A1000/D1000 Key
NS	250-1454	Air Filter
NS	375-0008	Differential SCSI Controller Board
NS	530-2729	L90° HD68 to VHDCI68 SCSI Cable, 2M (X992A)
NS	530-2735	90° HD68 to 90° HD68 SCSI Cable, 16 cm (X991A)
NS	530-2751	L90° HD68 to VHDCI68 SCSI Cable, 4M (X993A)
NS	530-2846	R90° HD68 to VHDCI68 SCSI Cable, 2M (X959A)
NS	530-2847	R90° HD68 to VHDCI68 SCSI Cable, 4M (X947A)
NS	595-5112	EMI Shield and Air Filter, Option 994
NS	250-1454	● Foam Air Filter
NS	340-5439	● EMI Shield
NS	595-5350	19-inch Rack Mount Kit
NS	340-5435	● Mounting Bracket (x2)
NS	595-5117	23-inch and 24-inch Rack Mount Kit, Option 6907
NS	340-4463	● Mounting Bracket (x2)
NS	595-5116	600 mm Rack Mount Kit, Option 6909
NS	340-5559	● Mounting Bracket (x2)

Netra st D130

DSKD130-36GAC

2 18.2GB 10000 RPM Disks
3-Slot Disk Enclosure

DSKD130-36GDC

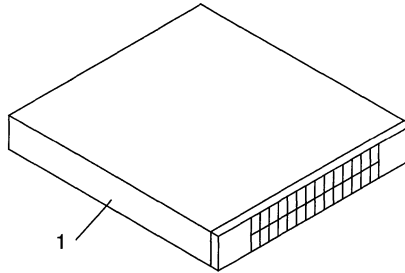
2 18.2GB 10000 RPM Disks
3-Slot Disk Enclosure

DSKD130-72GAC

2 36.4GB 10000 RPM Disks
3-Slot Disk Enclosure

DSKD130-72GDC

2 36.4GB 10000 RPM Disks
3-Slot Disk Enclosure



CODE	PART #	DESCRIPTION
1	540-4175	DC Assembly/FRU without Disk
1	540-4176	AC Assembly/FRU without Disk
NS	370-3911	● Fan Assembly
NS	300-1432	● AC Input Power Supply
NS	300-1447	● DC Input Power Supply
NS	340-6229	● 19-inch Rack Mount Bracket
NS	501-5476	● LED Board
NS	501-5450	● Motherboard
NS	540-4129	● Chassis Assembly
NS	540-4377	● Front Bezel Assembly
NS	540-4401	18.2GB 10000 RPM Disk Drive Assembly/FRU
NS	540-4689	36.4GB 10000 RPM Disk Drive Assembly/FRU
NS	595-5322	23-inch Rack Mount Kit, Option X6966A
NS	595-5323	24-inch Rack Mount Kit, Option X6967A
NS	595-5324	600 mm Rack Mount Kit, Option X6968A

This page intentionally left blank.

This page intentionally left blank.

PARTS BREAKDOWN

DISK

Disk

disktower 1000	
2.1GB	4
4.2GB	4
Differential SCSI Disk Subsystem	
2.1GB	6
2.9GB	8
9.0GB	8
Desktop Disk Pack	
104MB	10
207MB	10
424MB	10
207MB	12
535MB	14
1.05GB	14
2.1GB	14
Desktop Storage Module	
1.3GB	16
Multi-Disk Pack	
1.05GB 5400 RPM	18
2.1GB 5400 RPM	18
2.1GB 7200 RPM	18
4.2GB 5400 RPM	18
SPARCstorage UniPack	
1.05GB 5400 RPM	20
2.1GB 7200 RPM	20
4.2GB 5400 RPM	22
4.2GB 7200 RPM	22
9.1GB 7200 RPM	22
SPARCstorage MultiPack 6-Slot Chassis	
4.2GB 5400 RPM	24
9.1GB 7200 RPM	24

Disk - Continued

SPARCstorage MultiPack 12-Slot Chassis	
2.1GB 7200 RPM	26
4.2GB 7200 RPM	26
SPARCstorage MultiPack 2 6-Slot Chassis	
9.1GB 7200 RPM	28
StorEdge UniPack	
4.2GB 7200 RPM	30
9.1GB 7200 RPM	32
9.1GB 10000 RPM	32
18.2GB 7200 RPM	34
18.2GB 10000 RPM	34
36.4GB 10000 RPM	34
StorEdge MultiPack	
4.2GB 7200 RPM	36
9.1GB 7200 RPM	38
9.1GB 10000 RPM	38
18.2GB 7200 RPM	40
18.2GB 10000 RPM	40
36.4GB 10000 RPM	40

This page intentionally left blank.

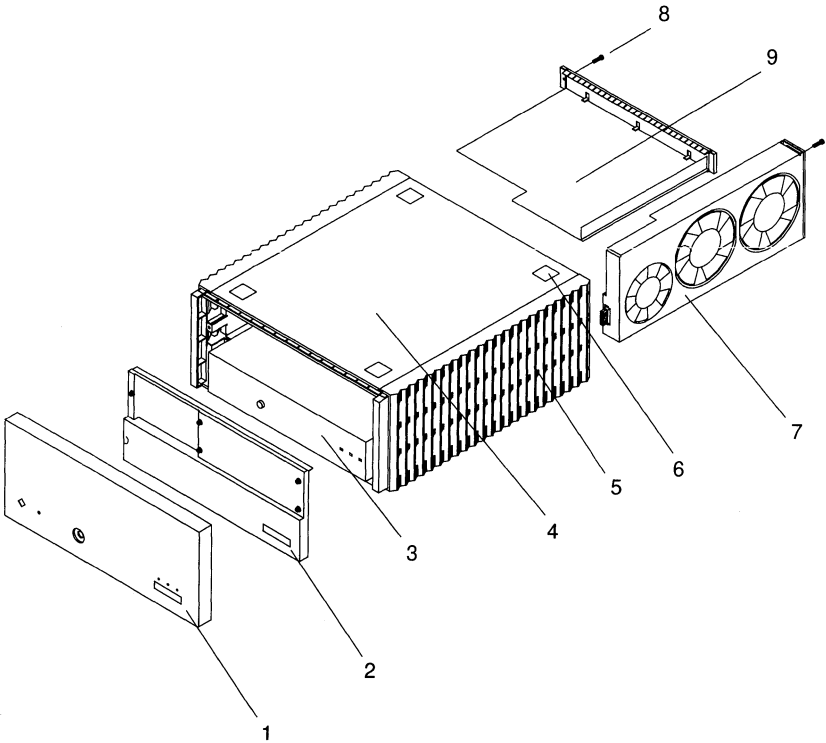
disktower 1000

587
disktower 1000
8 535MB Disks
2 Disk Cards

597
2.1GB Disk Card
4 535MB Disks
w/o disktower 1000

772
disktower 1000
8 1.05GB Disks
2 Disk Cards

773
4.2GB Disk Card
4 1.05GB Disks
w/o disktower 1000



disktower 1000

587

597

772

773

CODE	PART #	DESCRIPTION
-	540-2273	Chassis Assembly
-	340-2684	● Chassis
1	540-2477	● Front Bezel Assembly
2	340-2943	● Front EMI Cover
3	300-1103	● 650 Watt Power Supply
4	330-1469	● Top and Bottom Cover
5	330-1470	● Side Cover
6	330-1589	● Cover Plug
7	370-1547	● Fan Tray Assembly, +12VDC, 4 Amps
-	None	● 6" Fans, 60 CFM @ 1850 RPM each
-	None	● 6" Fans, 80 CFM @ 2950 RPM each
-	None	● 4.7" Fan, 45 CFM @ 2300 RPM
NS	240-2083	● M6 x 14 mm Screw, Foot
NS	340-1590	● Foot
8	240-1530	M3 x 6 mm Screw
9	540-2388	Empty Slot Filler Panel
9	501-2242	2.1GB SCSI Disk Card with 4x 535MB Disks
-	501-2066	● SCSI Disk Card FRU without Disks
-	540-2403	● 535MB Disk Drive FRU
9	501-2589	Wide SCSI Disk Card FRU with 4x 1.05GB Disks
-	501-2588	● Wide SCSI Card FRU without Disks
-	540-2568	● 1.05GB Disk Drive FRU
NS	150-1785	Single-Ended Active Terminator, HD50
NS	150-2267	Single-Ended Forced Perfect Terminator, HD68
NS	260-6233	Sun Logo
NS	260-7326	disktower 1000 Nameplate
	801-5116	<i>disktower 1000 System Service Manual</i>

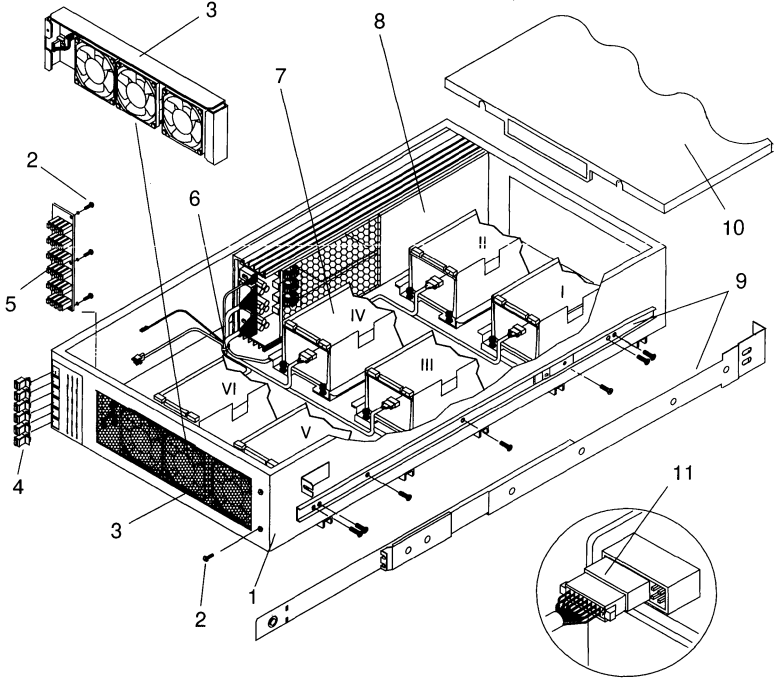
Differential SCSI Disk Subsystem

573
6-Drive Tray
2 2.1GB Disks

574
6-Drive Tray
4 2.1GB Disks

575
w/o Tray
2.1GB Disk

576
6-Drive Tray
6 2.1GB Disks



Differential SCSI Disk Subsystem

573

574

575

576

CODE	PART #	DESCRIPTION
1	340-2613	Chassis Enclosure
2	240-1372	M4 0.7 x 10 mm Screw
3	540-2213	3-Fan DC Fan Tray Assembly, 45 CFM each
4	150-2049	Address Select Switch
5	501-1957	Remote LED Display Panel
6	530-1881	DC Wire Harness
7	540-2212	2.1GB Disk Drive Assembly
NS	370-1412	● 2.1GB Disk Drive, Seagate 990002-002
NS	340-2612	● Disk Drive Mounting Bracket
NS	330-1400	● Disk Drive Handle
NS	240-1185	● #6-32 x 1/4" Screw, Disk Drive to Bracket
8	300-1096	269 Watt Power Supply
8	300-1312	269 Watt Nordic Power Supply (Dec 1995)
9	370-1385	-01 Slide Rail Set, Inner 651.2 mm, Outer 742.7 mm
9	370-1385	-03 Slide Rail Set, Inner 717.3 mm, Outer 742.7 mm
10	340-2614	Chassis Cover
11	530-1882	Address Select Switch Cable
NS	150-1890	Differential Terminator, HD68
NS	230-1170	10" Tiestrap
NS	230-1256	Nylon Standoff, M4 x 25 mm
NS	240-1872	#4-40 Jackscrew
NS	240-1926	#4-40 and #2-56 Jackscrew
NS	240-1953	#10-32 x 1/2" Screw
NS	530-1343	AC Power Cord, 240V
NS	530-1351	AC Power Cord, 230V
NS	530-1883	External SCSI Cable, HD68 to HD68, 20 cm
NS	530-1884	External SCSI Cable, HD68 to HD68, 80 cm
NS	530-1885	External SCSI Cable, HD68 to HD68, 2.0 M
NS	530-1886	External SCSI Cable, HD68 to HD68, 12.0 M
NS	530-1904	Internal SCSI Cable, 3.0 M
NS	530-2022	External SCSI Cable, HD68 to HD68, 1.0 M
	800-7341	<i>Differential SCSI Disk Tray Service Manual</i>

Differential SCSI Disk Subsystem

583
6-Drive Tray
2 2.9GB Disks

584
6-Drive Tray
4 2.9GB Disks

585
w/o Tray
2.9GB Disk

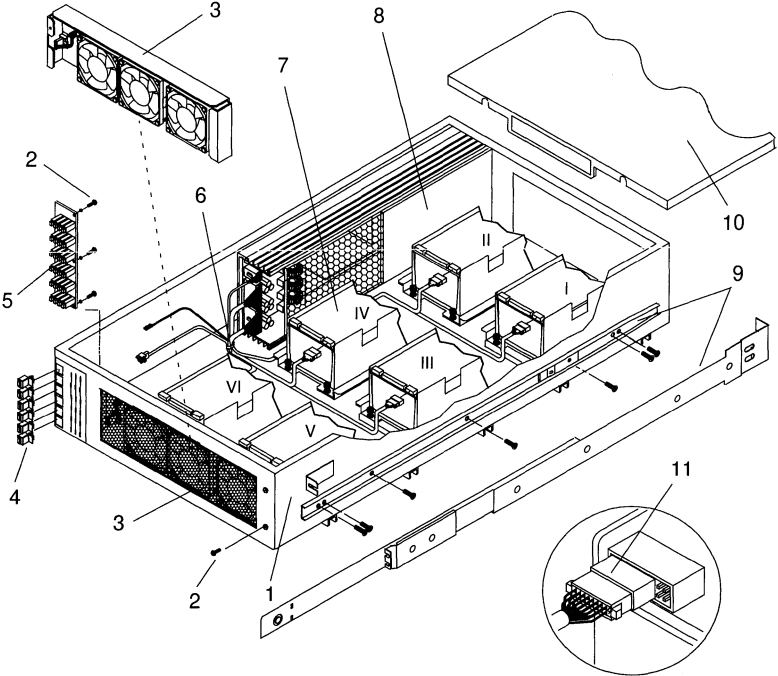
586
6-Drive Tray
6 2.9GB Disks

783
6-Drive Tray
2 9.0GB Disks

784
6-Drive Tray
4 9.0GB Disks

785
w/o Tray
9.0GB Disk

786
6-Drive Tray
6 9.0GB Disks



Differential SCSI Disk Subsystem

583	584	585	586
783	784	785	786

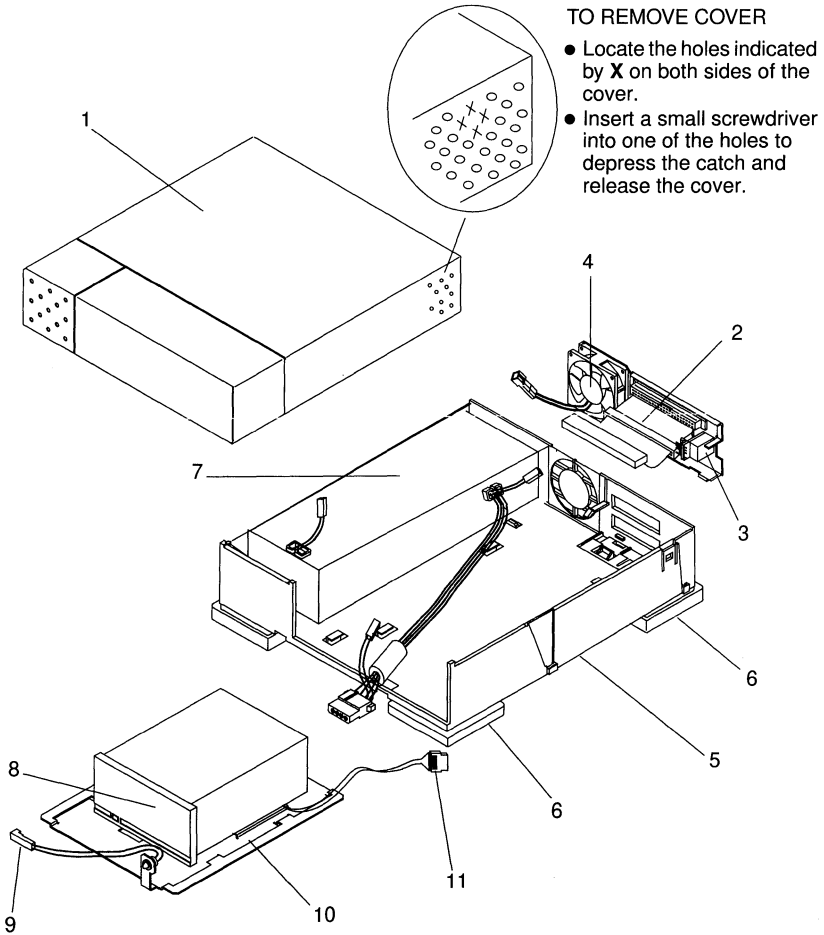
CODE	PART #	DESCRIPTION
1	340-2613	Chassis Enclosure
2	240-1372	M4 0.7 x 10 mm Screw
3	540-2213	3-Fan DC Fan Tray Assembly, 45 CFM each
4	150-2190	15-Segment Address Select Switch (obsolete)
4	150-2431	15-Segment Address Select Switch
5	501-2426	Remote LED Display Panel
6	530-2097	DC Wire Harness and Address Select Cable
7	540-2521	2.9GB Disk Drive Assembly
NS	370-1695	● 2.9GB Disk Drive, Seagate
NS	340-2612	● Disk Drive Mounting Bracket
NS	330-1400	● Disk Drive Handle
7	540-2646	9.0GB Disk Drive Assembly
NS	370-1868	● 9.0GB Disk Drive, Seagate
NS	340-2612	● Disk Drive Mounting Bracket
NS	330-1400	● Disk Drive Handle
8	300-1096	269 Watt Power Supply
8	300-1312	269 Watt Nordic Power Supply (Dec 1995)
9	370-1385	-01 Slide Rail Set, Inner 651.2 mm, Outer 742.7 mm
9	370-1385	-03 Slide Rail Set, Inner 717.3 mm, Outer 742.7 mm
10	340-2614	Chassis Cover
11	530-2097	Address Select Switch Cable
NS	150-1890	Differential Terminator, HD68
NS	530-1343	AC Power Cord, 240V
NS	530-1351	AC Power Cord, 230V
NS	530-1883	External SCSI Cable, HD68 to HD68, 20 cm
NS	530-1884	External SCSI Cable, HD68 to HD68, 80 cm
NS	530-1885	External SCSI Cable, HD68 to HD68, 2.0 M
NS	530-1886	External SCSI Cable, HD68 to HD68, 12.0 M
NS	530-2096	Internal SCSI Cable, 68-Pin, 3.0 M
NS	530-2022	External SCSI Cable, HD68 to HD68, 1.0 M
	800-7341	<i>Differential SCSI Disk Tray Service Manual</i>

Desktop Disk Pack

550
104MB Disk

552
207MB Disk

540
424MB Disk



Desktop Disk Pack

550

552

540

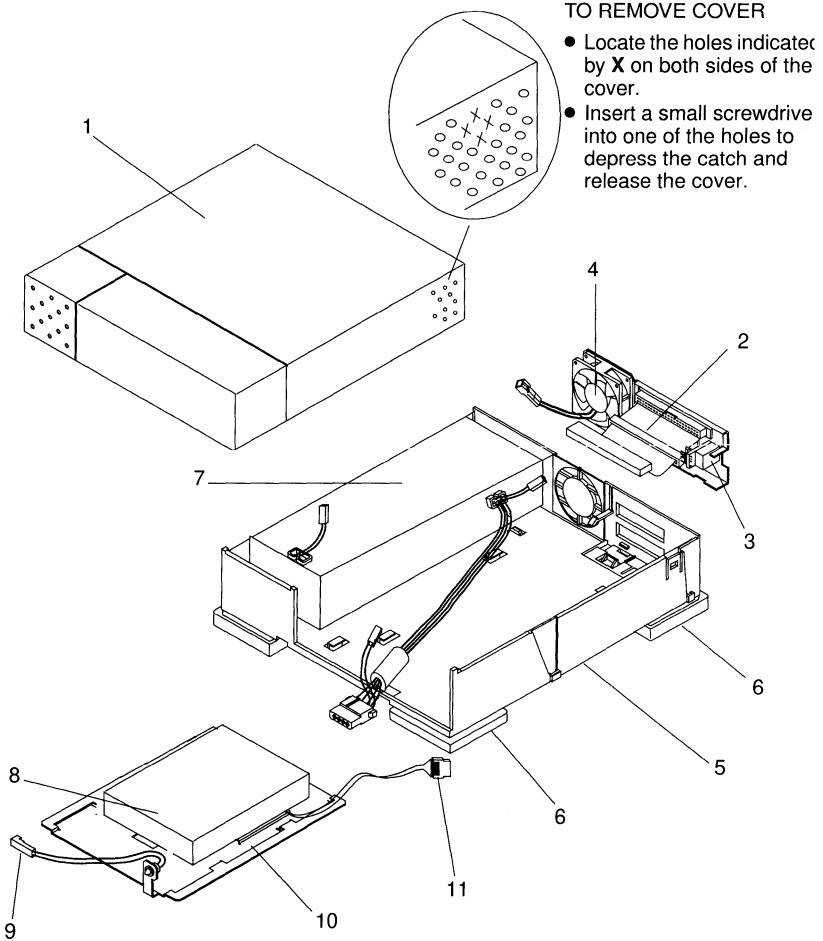
CODE	PART #	DESCRIPTION
1	540-1777	Disk Drive Cover Assembly
2	540-1776	Fan/SCSI Cable/Address Select Assembly (obs)
3	150-1338	● Unit Select Switch (obsolete)
4	540-1802	● Fan Assembly
-	150-1174	● 2A Subminiature Fuse
2	540-1978	Fan/SCSI Cable/Address Select Assembly
3	150-1557	Address Select Switch (obsolete)
3	150-2049	Address Select Switch
4	150-1174	● 2A Subminiature Fuse
5	540-1773	Base Assembly
6	330-1214	● Rubber Foot
7	300-1037	35 Watt Power Supply (obsolete) ¹
7	300-1090	35 Watt Power Supply (obsolete)
7	300-1105	44 Watt Power Supply
8	370-1200	104MB Disk Drive, Quantum 105S
8	370-1376	207MB Disk Drive, Quantum 210S ²
8	370-1392	424MB Disk Drive, Seagate ST1480N
9	530-1522	Power Indicator LED Cable
10	340-1966	Disk Drive Mounting Bracket
11	530-1454	Address Select Switch Cable, 5.25" (obsolete)
11	530-1825	Address Select Switch Cable, 8.5"
NS	150-1346	Single-Ended Terminator, HD50
NS	150-1785	Single-Ended Active Terminator, HD50
NS	530-1434	External SCSI Cable, HD50 to HD50, 45 cm
NS	530-1508	External SCSI Cable, HD50 to HD50, 80 cm
NS	530-1793	External SCSI Cable, HD50 to HD50, 80 cm
NS	530-1836	External SCSI Cable, HD50 to HD50, 2.0M
NS	530-1852	External SCSI Cable, HD50 to HD50, 4.0M
NS	800-4895	<i>Desktop Storage Pack Field Service Manual</i>

¹ Power Supply 300-1037 does not have IEC950 or UL1950 approval.
Do NOT install 300-1037 into options manufactured after March 1991.

² Maxtor Disk 370-1327 is not qualified in the Desktop Disk Pack.

Desktop Disk Pack

552
207MB Disk



Desktop Disk Pack

552

CODE	PART #	DESCRIPTION
1	540-1777	Disk Drive Cover Assembly
2	540-1978	● Fan/SCSI Connector/Address Select Assembly
3	150-1557	● Address Select Switch (obsolete)
3	150-2049	● Address Select Switch
4	540-1802	● Fan Assembly
NS	150-1174	● 2A Subminiature Fuse
NS	340-2839	● Fan EMI Gasket
5	540-1773	Base Assembly
6	330-1214	● Rubber Foot
7	300-1090	35 Watt Power Supply (obsolete) ¹
7	300-1105	44 Watt Power Supply ¹
8	370-1417	207MB Disk Drive, Conner CP30200
9	530-1522	Power Indicator LED Cable
10	340-1966	Disk Drive Mounting Bracket ²
11	530-1894	Address Select Switch Cable, 2 mm Pin Spacing ³
NS	240-1141	#6-32 x 1/4" Disk Drive Mounting Screw
NS	150-1785	Single-Ended Active Terminator, HD50
NS	530-1792	External SCSI Cable, HD50 to DD-50SA, 2.0M
NS	530-1793	External SCSI Cable, HD50 to HD50, 80 cm
NS	530-1829	External SCSI Cable, HD50 to DD-50SA, 1.0M
NS	530-1836	External SCSI Cable, HD50 to HD50, 2.0M
NS	530-1852	External SCSI Cable, HD50 to HD50, 4.0M
NS	800-4895	<i>Desktop Storage Pack Field Service Manual</i>

¹ The 370-1417 Disk Drive is not compatible with Power Supplies 300-1090-01 or 300-1037-xx. Use 300-1090-02 or 300-1105.

² Disk Drive 370-1417 requires Mounting Bracket 340-1966-04.

³ Disk Drive 370-1417 is not compatible with Address Select Switch Cables 530-1454 and 530-1825.

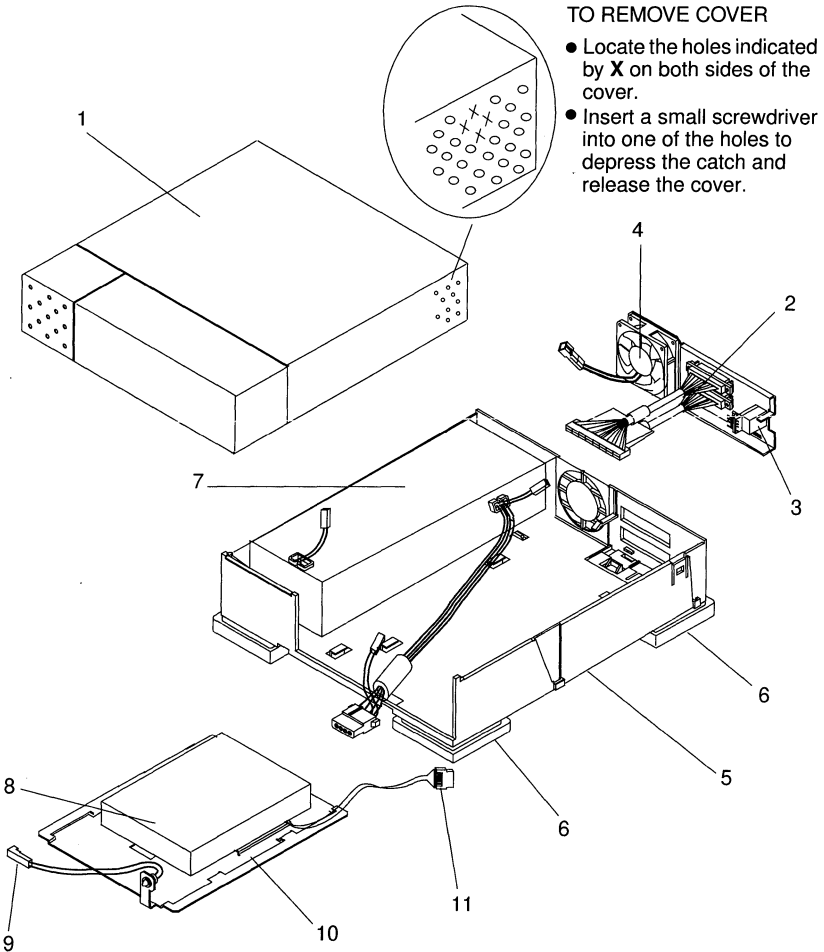
Desktop Disk Pack

580
535MB Disk
5400 RPM

545
1.05GB Disk
5400 RPM

567
2.1GB Disk
5400 RPM

737
2.1GB Disk
7200 RPM



Desktop Disk Pack

580

545

567

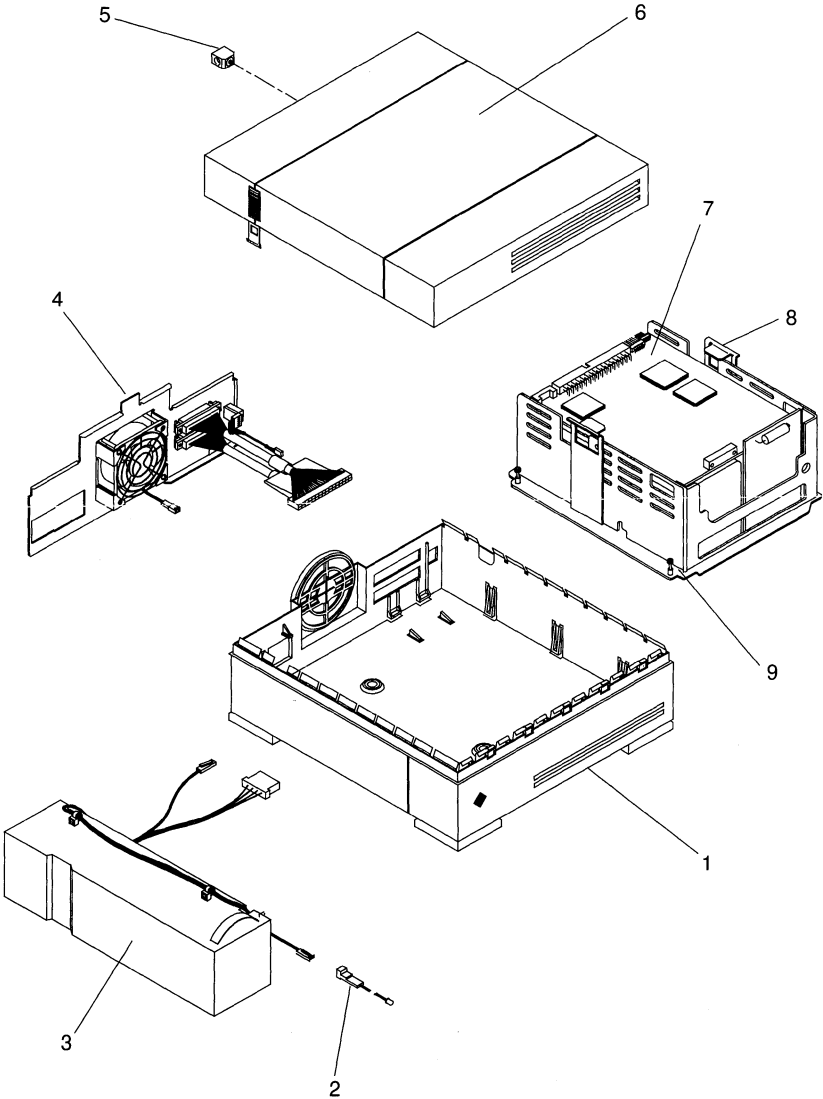
737

CODE	PART #	DESCRIPTION
1	540-1777	Disk Drive Cover Assembly
2	540-1978	Fan/SCSI Connector/Address Select Assy (obs) ¹
NS	150-1174	● 2A Subminiature Fuse
2	540-2470	● Fan/SCSI Cable/Address Select Assembly
3	150-2049	● Address Select Switch
4	540-2185	● Fan Assembly
NS	340-2839	● Fan EMI Gasket
NS	530-1844	● Internal SCSI Cable, 300 mm
5	540-1773	Base Assembly
6	330-1214	● Rubber Foot
7	300-1105	44 Watt Power Supply
8	370-1424	535MB Disk Drive, Seagate ST3610N
8	370-1424	535MB Disk Drive, Connor CP30540
8	370-1668	535MB Disk Drive, Connor CP30540
8	370-1843	535MB Disk Drive, Seagate ST5660N
8	370-1546	1.05GB Disk Drive, 1.5", Seagate ST11200N
8	370-1710	1.05GB Disk Drive, 1.0", Seagate ST31200N
8	370-1963	1.05GB Disk Drive, 1.0", Conner CFP1080S
8	370-1709	2.1GB 5400 RPM Disk Drive, Seagate ST12400N
8	370-1929	2.1GB 5400 RPM Disk Drive, Conner CFP2105S
8	370-2070	2.1GB 5400 RPM Disk Drive, Seagate ST32430N
8	370-1957	2.1GB 7200 RPM Disk Drive, IBM DFHS-32160-S2F
8	370-2067	2.1GB 7200 RPM Disk Drive, Seagate ST32550N
9	530-1522	Power Indicator LED Cable
10	340-1966	Disk Drive Mounting Bracket
11	530-1894	Address Select Switch Cable, 2 mm Pin Spacing
NS	150-1785	Single-Ended Active Terminator, HD50
NS	530-1793	External SCSI Cable, HD50 to HD50, 80 cm
NS	530-1836	External SCSI Cable, HD50 to HD50, 2.0M
NS	530-1852	External SCSI Cable, HD50 to HD50, 4.0M
NS	800-4895	<i>Desktop Storage Pack Field Service Manual</i>

¹ Assembly 540-2470 replaced 540-1978 in May 1993. Assembly 540-1978 was not used in Options 580, 567, or 737.

Desktop Storage Module

571
1.3GB Disk



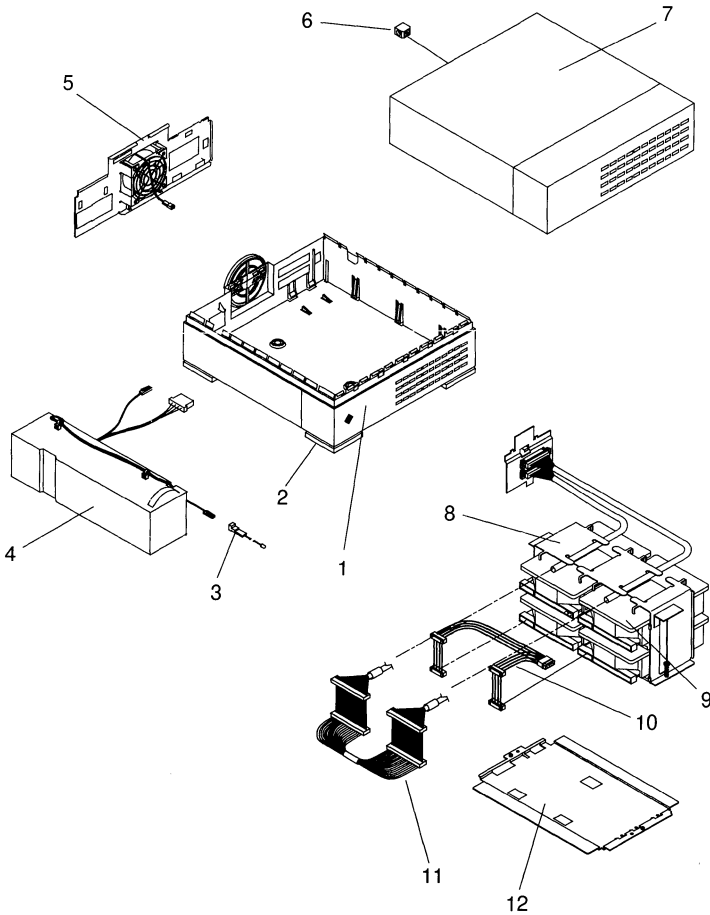
Desktop Storage Module

571

CODE	PART #	DESCRIPTION
1	540-2139	Base Assembly, Disk Drive Option
2	530-1522	Power Indicator LED Cable
3	300-1080	60 Watt Power Supply
4	540-2145	I/O Bracket Assembly
-	150-1557	● Address Select Switch (obsolete)
-	150-2049	● Address Select Switch
-	340-2506	● I/O Bracket
-	501-1468	● I/O PCB and Cable Assembly (obsolete)
-	530-1790	● Address Select Switch Cable (obsolete)
-	530-2117	● Address Select Switch Cable
-	530-1844	● Internal SCSI Cable, -01 Rev 50 = 300 mm
-	530-1844	● Internal SCSI Cable, -01 Rev 51 = 250 mm
-	530-1844	● Internal SCSI Cable, -02 Rev 50 = 240 mm
-	530-1844	● Internal SCSI Cable, -03 Rev 50 = 240 mm
-	530-1844	● Internal SCSI Cable, -03 Rev A = 260 mm
-	530-2125	● Internal SCSI Cable, 308 mm
-	540-2142	● DC Fan Assembly, 17 CFM (obsolete)
-	540-2142	● DC Fan Assembly, 14 CFM
5	540-1982	Top Cover Lockbox Assembly
6	540-2141	Top Cover Assembly, Disk Drive Option
7	370-1377	1.3GB Disk Drive, Seagate 976002-012, PA4E1
8	340-2571	Peripheral Removal Handle (obsolete)
8	540-2263	Peripheral Removal Handle
9	340-2507	Disk Drive Mounting Bracket
NS	150-1785	Single-Ended Active Terminator, HD50
NS	240-1141	#6-32 x 1/4" Disk Drive Mounting Screw
NS	240-1912	#6-32 x 1/4" Disk Drive Mounting Screw (obs)
NS	530-1792	External SCSI Cable, HD50 to DD-50SA, 2.0M
NS	530-1793	External SCSI Cable, HD50 to HD50, 80 cm
NS	530-1829	External SCSI Cable, HD50 to DD-50SA, 1.0M
NS	530-1836	External SCSI Cable, HD50 to HD50, 2.0M
NS	530-1852	External SCSI Cable, HD50 to HD50, 4.0M
	800-6219	<i>Desktop Storage Module Service Manual</i>
	800-7236	<i>Desktop Storage Module Service Manual</i>

Multi-Disk Pack

- | | | | |
|--|---|--|--|
| 547
4 1.05GB Disks
5400 RPM | 569
2 2.1GB Disks
5400 RPM | 570
4 2.1GB Disks
5400 RPM | |
| 738
2 2.1GB Disks
7200 RPM | 739
4 2.1GB Disk
7200 RPM | 5211
2 4.2GB Disks
5400 RPM | 5212
4 4.2GB Disks
5400 RPM |



Multi-Disk Pack

547
569
570
738
739
5211
5212

CODE	PART #	DESCRIPTION
1	540-2422	Base Assembly
2	330-1214	● Rubber Foot
-	260-3059	● Sun Logo
3	530-1522	Power Indicator LED Cable
4	300-1080	60 Watt Power Supply
5	540-2424	Fan Assembly
-	540-2466	● Variable Speed Fan Assembly
6	540-1982	Lockbox Assembly
7	540-2425	Cover Assembly
8	540-xxxx	Disk Drive Superstructure Assembly
-	340-2848	● Disk Drive Bracket
-	340-2850	● Superstructure
9	370-1546	● 1.05GB Disk Drive, Seagate ST11200N
9	370-1710	● 1.05GB Disk Drive, Seagate ST31200N
9	370-1963	● 1.05GB Disk Drive, Conner CFP1080S
9	370-1709	● 2.1GB 5400 RPM Disk, Seagate ST12400N
9	370-1929	● 2.1GB 5400 RPM Disk, Conner CFP2105S
9	370-2070	● 2.1GB 5400 RPM Disk, Seagate ST32430N
9	370-1957	● 2.1GB 7200 RPM Disk, IBM DFHS-32160-S2F
9	370-2067	● 2.1GB 7200 RPM Disk, Seagate ST32550N
9	370-2153	● 4.2GB 5400 RPM Disk, Seagate ST15230N
10	530-2024	DC Wire Harness
11	530-2025	Internal SCSI Cable, 880 mm
12	340-2849	Superstructure Mounting Plate
NS	150-1785	Single-Ended Active Terminator, HD50
NS	530-1836	External SCSI Cable, HD50 to HD50, 2.0M
NS	530-1852	External SCSI Cable, HD50 to HD50, 4.0M
	801-3422	<i>Multi-Disk Pack Field Service Manual</i>
	801-6119	<i>Multi-Disk Pack Installation and Service Guide</i>

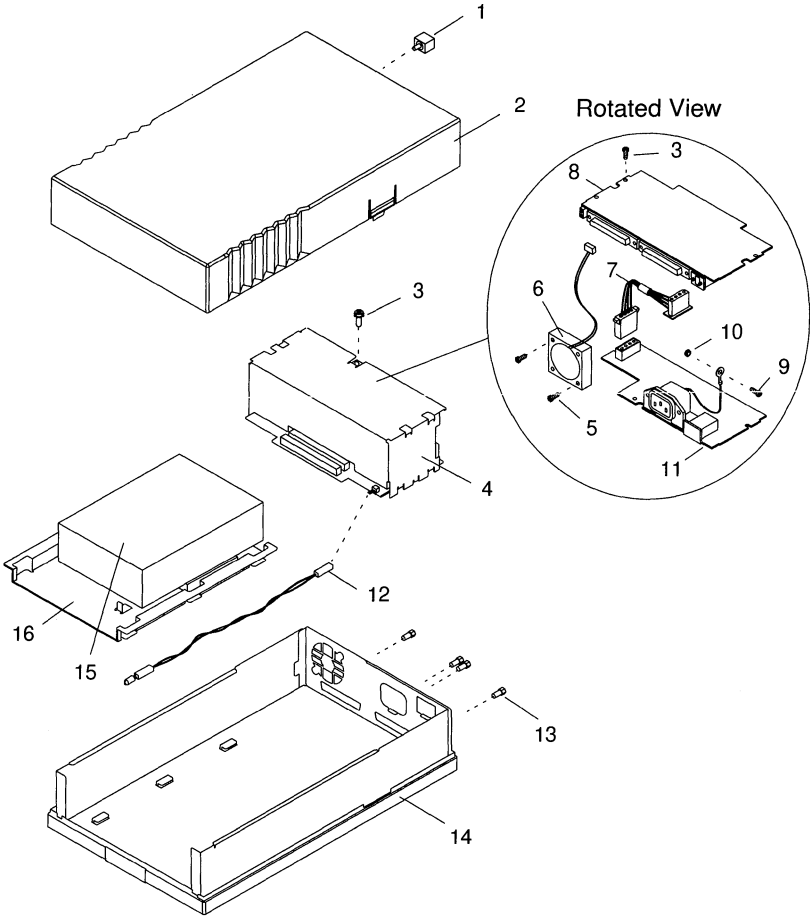
SPARCstorage UniPack

5101
1.05GB Disk
5400 RPM
68-68 Pin Cable

5102
1.05GB Disk
5400 RPM
50-68 Pin Cable

5151
2.1GB Disk
7200 RPM
68-68 Pin Cable

5152
2.1GB Disk
7200 RPM
50-68 Pin Cable



SPARCstorage UniPack

5101

5102

5151

5152

CODE	PART #	DESCRIPTION
-	595-3709	Disk Drive Enclosure without Disk Drive FRU
-	599-2045	● Disk Drive Enclosure without Disk Drive
1	540-1982	● Lockbox
2	540-2673	● Disk Drive Cover Assembly
3	240-1530	● M3 x 6 mm Screw
4	540-2694	● Disk Drive Power Supply Assembly
5	240-2246	● M3 x 25 mm Screw (obsolete)
5	240-2294	● M3 x 25 mm Pan-Head Screw
6	370-1986	● Fan
7	530-2180	● Disk Drive DC Power Cable
8	501-2790	● Disk Drive SCSI Interface Card
9	240-1434	● M4 x 10 mm Screw
10	240-1373	● M4 Nut
11	300-1282	● 30 Watt Power Supply
12	530-2183	● LED Cable
13	240-1926	● #4-40M/2-56F Jackscrew
14	540-2672	● Base Assembly
15	540-2675	1.05GB 5400 RPM Disk Drive Assembly
15	540-2697	2.1GB 7200 RPM Disk Drive Assembly
16	340-3222	● Mounting Bracket
-	370-1964	● 1.05GB 5400 RPM Disk Drive, Conner ¹
-	370-1956	● 2.1GB 7200 RPM Disk, IBM (disqualified)
-	370-2040	● 2.1GB 7200 RPM Disk, Seagate ST32550WC
-	370-2365	● 2.1GB 7200 RPM Disk, Seagate ST32171WC
-	370-2366	● 2.1GB 7200 RPM Disk, Fujitsu M2952
-	370-2808	● 2.1GB 7200 RPM Disk, Quantum VK22J05
NS	261-5678	Sun Logo
NS	530-1884	External SCSI Cable, HD68 to HD68, 80 cm
NS	530-2115	External SCSI Cable, HD68 to HD50, 1.2M
NS	530-2383	External SCSI Cable, HD68 to HD68, 80 cm
	802-3229	<i>SPARCstorage UniPack Hard Drive Replacement</i>

¹ Seagate 370-1753, Conner 370-1822, IBM 370-2072, and Quantum 370-2168 Disk Drives were not qualified in the UniPack.

SPARCstorage UniPack

5203
4.2GB Disk
5400 RPM
68-68 Pin Cable

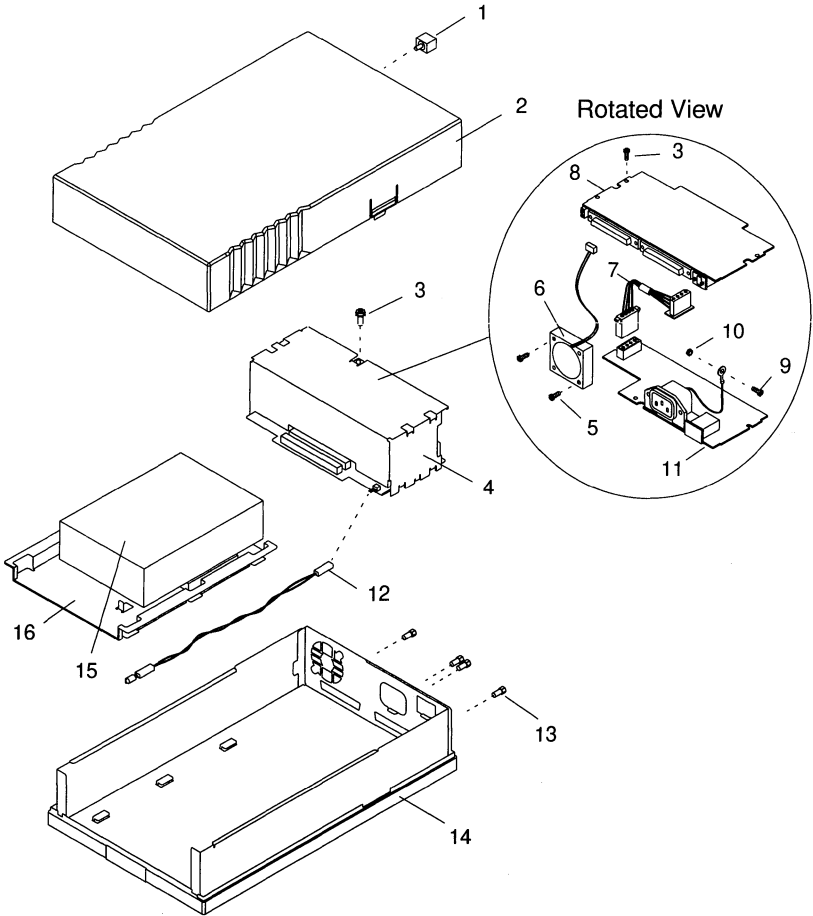
5204
4.2GB Disk
5400 RPM
50-68 Pin Cable

5209
4.2GB Disk
7200 RPM
68-68 Pin Cable

5213
4.2GB Disk
7200 RPM
50-68 Pin Cable

5253
9.1GB Disk
7200 RPM
68-68 Pin Cable

5254
9.1GB Disk
7200 RPM
50-68 Pin Cable



SPARCstorage UniPack

5203

5204

5209

5213

5253

5254

CODE	PART #	DESCRIPTION
-	595-3709	Disk Drive Enclosure FRU without Disk Drive
-	599-2045	● Disk Drive Enclosure without Disk Drive
1	540-1982	● Lockbox
2	540-2673	● Disk Drive Cover Assembly
3	240-1530	● M3 x 6 mm Screw
4	540-2694	● Disk Drive Power Supply Assembly
5	240-2246	● M3 x 25 mm Screw (obsolete)
5	240-2294	● M3 x 25 mm Pan-Head Screw
6	370-1986	● Fan
7	530-2180	● Disk Drive DC Power Cable
8	501-2790	● Disk Drive SCSI Interface Card
9	240-1434	● M4 x 10 mm Screw
10	240-1373	● M4 Nut
11	300-1282	● 30 Watt Power Supply
12	530-2183	● LED Cable
13	240-1926	● #4-40M/2-56F Jackscrew
14	540-2672	● Base Assembly
15	540-2754	4.2GB 5400 RPM Disk Drive Assembly
15	540-3033	4.2GB 7200 RPM Disk Drive Assembly
15	540-3034	9.1GB 7200 RPM Disk Drive Assembly
16	340-3222	● Mounting Bracket
-	370-2152	● 4.2GB 5400 RPM Disk, Seagate ST15230WC
-	370-2286	● 4.2GB 5400 RPM Disk, Seagate ST15230WC
-	370-2367	● 4.2GB 7200 RPM Disk, Seagate ST34371WC
-	370-2368	● 4.2GB 7200 RPM Disk, Fujitsu M2954
-	370-2809	● 4.2GB 7200 RPM Disk, Quantum VK45J05
-	370-2369	● 9.1GB 7200 RPM Disk, Seagate ST19171WC
-	370-2370	● 9.1GB 7200 RPM Disk, Fujitsu M2949
NS	261-5678	Sun Logo
NS	530-1884	External SCSI Cable, HD68 to HD68, 80 cm
NS	530-2383	External SCSI Cable, HD68 to HD68, 80 cm
NS	530-2115	External SCSI Cable, HD68 to HD50, 1.2M
	802-3229	<i>SPARCstorage UniPack Hard Drive Replacement</i>

SPARCstorage MultiPack

5501
2 4.2GB Disks
5400 RPM

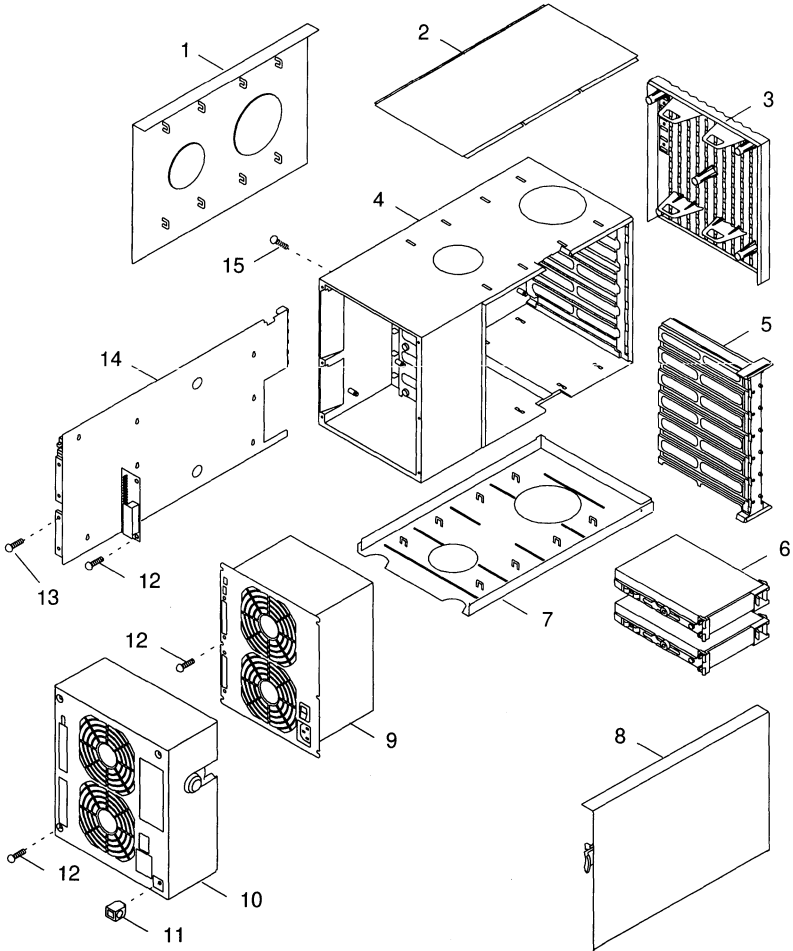
5502
4 4.2GB Disks
5400 RPM

5503
6 4.2GB Disks
5400 RPM

5504
2 9.1GB Disks
7200 RPM

5505
4 9.1GB Disks
7200 RPM

5506
6 9.1GB Disks
7200 RPM



SPARCstorage MultiPack

5501	5502	5503
5504	5505	5506

CODE	PART #	DESCRIPTION
1	330-1957	Side Cover
2	330-1956	Top Cover
3	540-2798	Front Cover Assembly
4	540-2771	Chassis Assembly
5	540-2748	Spacer Assembly
6	540-2815	4.2GB 5400 RPM Disk Drive Assembly
-	240-2080	● #6-32 x 3/16" Torx Screw
-	330-1951	● Right Side Mounting Rail
-	330-1952	● Left Side Hinged Mounting Rail
-	370-2286	● 4.2GB Disk Drive, Seagate ST15230WC
6	540-2951	9.1GB 7200 RPM Disk Drive Assembly
-	240-2304	● #6-32 x 3/16" Torx Screw
-	370-2369	● 9.1GB Disk Drive, Seagate ST19171WC
-	540-3025	● 1.6" Spud Mounting Bracket
7	540-2787	Base Assembly
8	540-2799	Door Assembly
9	300-1283	185 Watt Power Supply
9	300-1330	185 Watt Power Supply
10	540-2792	Rear Cover Assembly
11	540-2789	Lockbox
12	240-2283	M3 x 8 mm Screw
13	240-2180	#4-40 Jack Screw
14	501-2871	6-Slot Backplane
15	240-2282	M3 x 14 mm Screw
NS	150-2267	Forced Perfect Terminator, HD68
NS	330-1966	Key
NS	530-1884	External SCSI Cable, HD68 to HD68, 80 cm
NS	540-2750	Cover Kit/FRU with Front, Top, Side, and Door
	802-4430	<i>SPARCstorage MultiPack Service Manual</i>
	805-1667	<i>SPARCstorage MultiPack Service Manual</i>

SPARCstorage MultiPack

5511
2 2.1GB Disks
7200 RPM

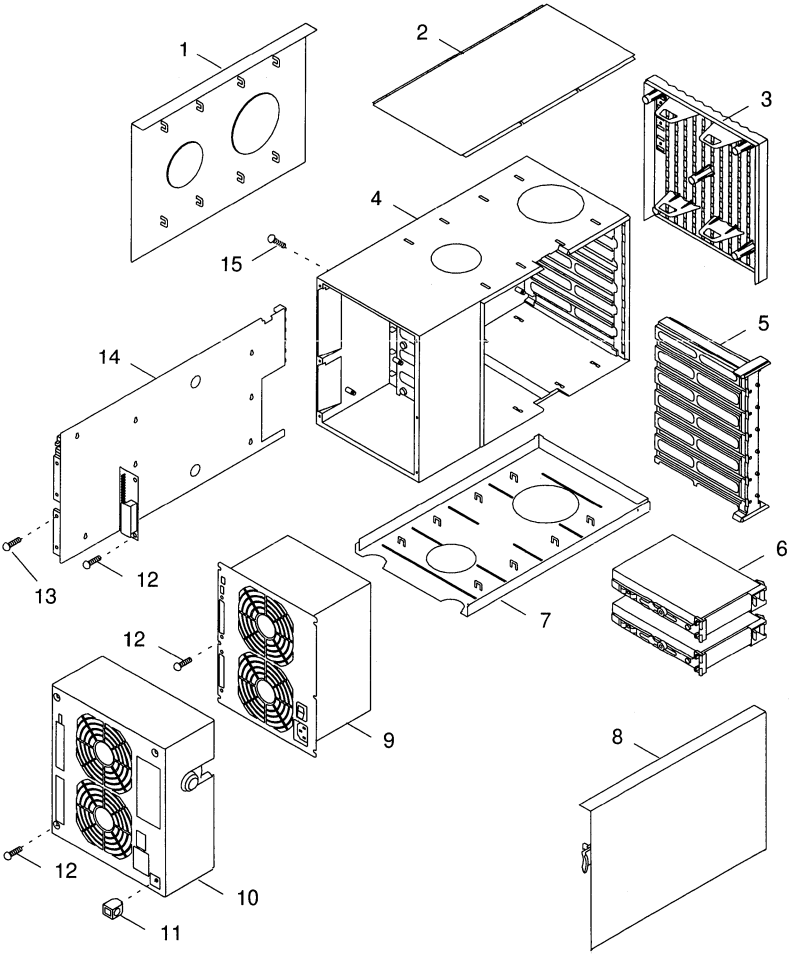
5512
4 2.1GB Disks
7200 RPM

5513
6 2.1GB Disks
7200 RPM

5514
2 4.2GB Disks
7200 RPM

5515
4 4.2GB Disks
7200 RPM

5516
6 4.2GB Disks
7200 RPM



SPARCstorage MultiPack

5511	5512	5513
5514	5515	5516

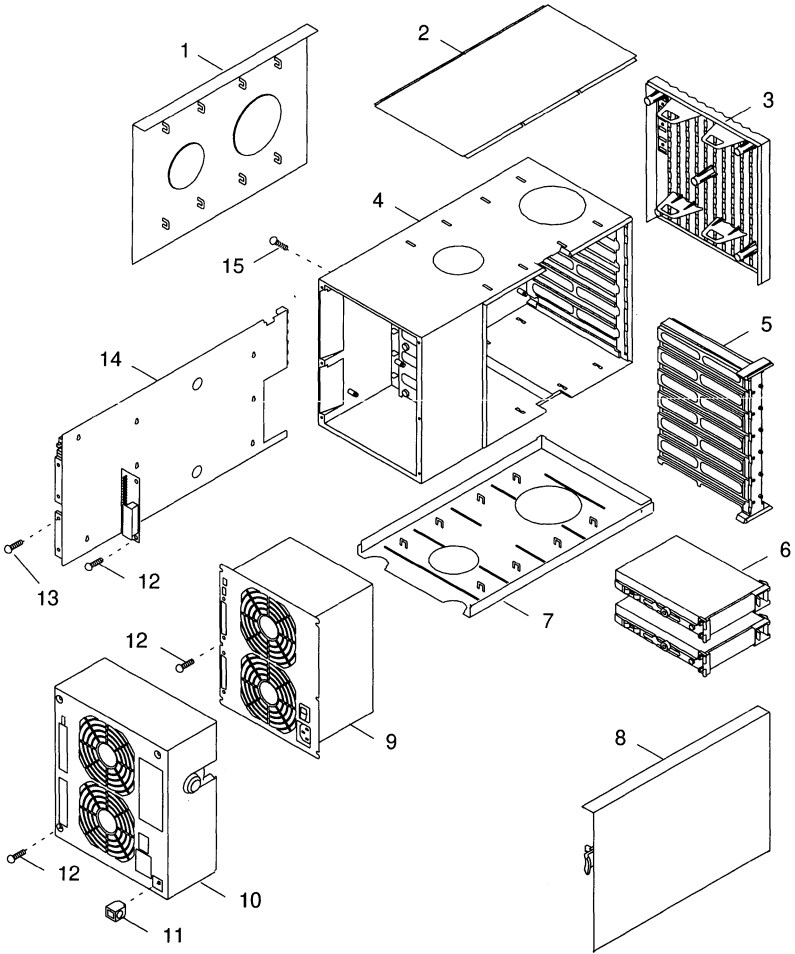
CODE	PART #	DESCRIPTION
1	330-1957	Side Cover
2	330-1956	Top Cover
3	540-2772	Front Cover Assembly
4	540-3397	Chassis Assembly (replaced 540-2771)
5	540-3400	Spacer Assembly (replaced 540-2748)
6	540-2730	2.1GB 7200 RPM Disk Drive Assembly/FRU
-	370-2040	● 2.1GB Disk Drive, Seagate ST32550WC
-	370-1956	● 2.1GB Disk Drive, IBM DFHS-32160 (disqualified)
6	540-2936	2.1GB 7200 RPM Disk Drive Assembly/FRU
-	370-2808	● 2.1GB Disk Drive, Quantum VK22J05
-	370-2365	● 2.1GB Disk Drive, Seagate ST32171WC
6	540-2938	4.2GB 7200 RPM Disk Drive Assembly/FRU
-	370-2367	● 4.2GB Disk Drive, Seagate ST34371WC
-	370-2809	● 4.2GB Disk Drive, Quantum VK45J05
-	370-3403	● 4.2GB Disk Drive, IBM DDRS-34560
-	370-3412	● 4.2GB Disk Drive, Fujitsu MAB3045SC
7	540-2787	Base Assembly
8	540-2751	Door Assembly
9	300-1283	185 Watt Power Supply
9	300-1330	185 Watt Power Supply
10	540-2792	Rear Cover Assembly
11	540-2789	Lockbox
12	240-2283	M3 x 8 mm Screw
13	240-2180	#4-40 Jack Screw
14	501-2899	12-Slot Backplane
15	240-2282	M3 x 14 mm Screw
NS	150-2267	Forced Perfect Terminator, HD68
NS	330-1966	Key
NS	530-1884	External SCSI Cable, HD68 to HD68, 80 cm
NS	540-2749	Cover Kit/FRU with Front, Top, Side, and Door
	802-4430	<i>SPARCstorage MultiPack Service Manual</i>
	805-1667	<i>SPARCstorage MultiPack Service Manual</i>

SPARCstorage MultiPack 2

6527
2 9.1GB Disks
7200 RPM

6528
4 9.1GB Disks
7200 RPM

6529
6 9.1GB Disks
7200 RPM



SPARCstorage MultiPack 2

6527

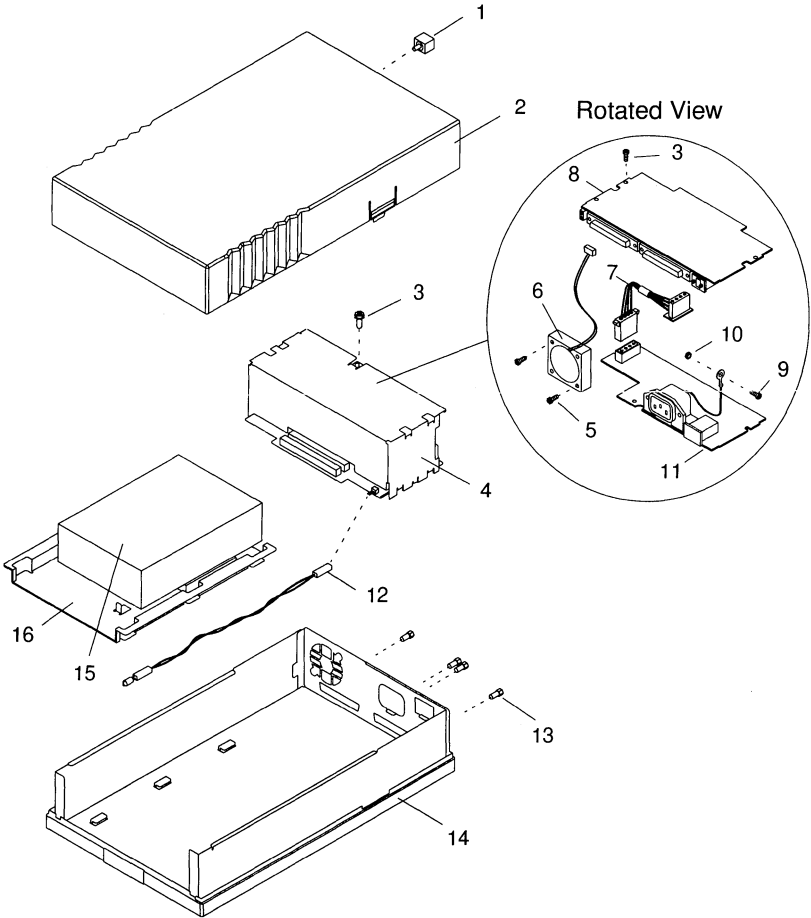
6528

6529

CODE	PART #	DESCRIPTION
1	330-1957	Side Cover
2	330-1956	Top Cover
3	540-2798	Front Cover Assembly
4	540-3397	Chassis Assembly
5	540-3399	Spacer Assembly
6	540-2951	9.1GB 7200 RPM Disk Drive Assembly
-	240-2304	● #6-32 x 3/16" Torx Screw
-	370-2369	● 9.1GB Disk Drive, Seagate ST19171WC
-	540-3025	● 1.6" Spud Mounting Bracket
7	540-3398	Base Assembly with UltraSCSI Silkscreen
8	540-3401	Door Assembly with UltraSCSI Silkscreen
9	300-1283	185 Watt Power Supply
9	300-1330	185 Watt Power Supply
10	540-2788	Rear Cover Assembly
11	540-2789	Lockbox
12	240-2283	M3 x 8 mm Screw
13	240-2180	#4-40 Jack Screw
14	501-4747	6-Slot Ultra SCSI Backplane
15	240-2282	M3 x 14 mm Screw
NS	150-2267	Forced Perfect Terminator, HD68
NS	330-1966	Key
NS	530-2383	External SCSI Cable, HD68 to HD68, 80 cm
NS	540-3423	Cover Kit/FRU with Front, Top, Side, and Door
	805-1667	<i>SPARCstorage MultiPack Service Manual</i>

StorEdge UniPack

DSK010A-4G
4.2GB Disk
7200 RPM



StorEdge UniPack

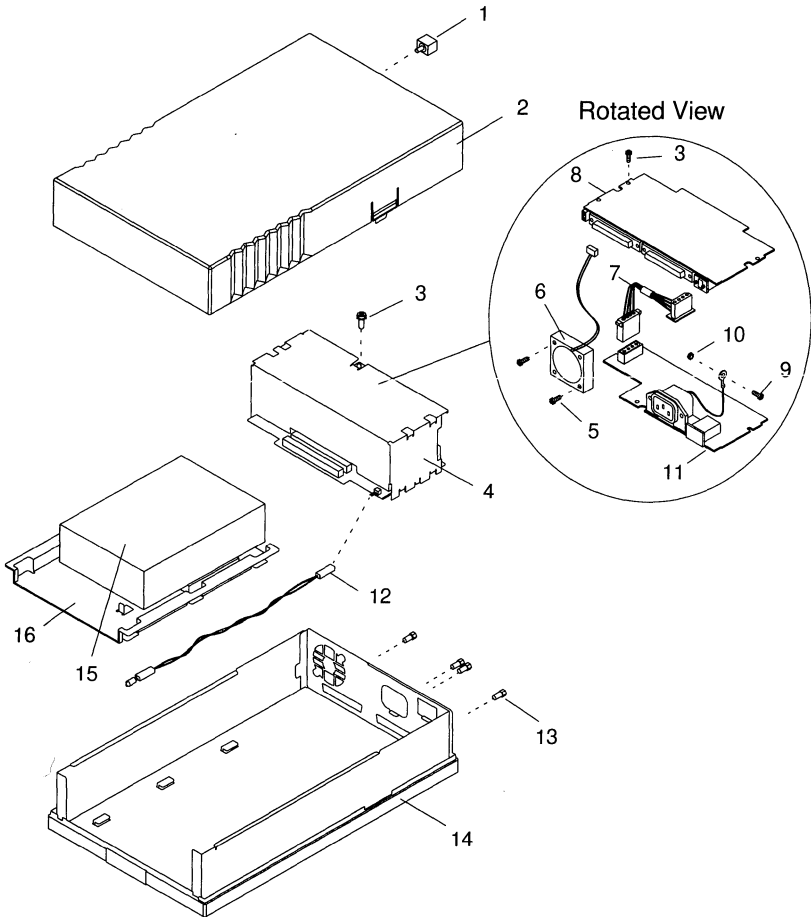
DSK010A-4G

CODE	PART #	DESCRIPTION
-	599-2225	4.2GB 7200 RPM Disk StorEdge UniPack
-	595-4726	Disk Drive Enclosure FRU without Disk Drive
-	599-2237	● Disk Drive Enclosure without Disk Drive
1	540-1982	● Lockbox
2	540-3731	● Disk Drive Cover Assembly
3	240-1530	● M3 x 6 mm Screw
4	540-3732	● Disk Drive Power Supply Assembly
5	240-2246	● M3 x 25 mm Screw (obsolete)
5	240-2294	● M3 x 25 mm Pan-Head Screw
6	370-1986	● Fan
7	530-2180	● Disk Drive DC Power Cable
8	501-4823	● Disk Drive Ultra SCSI Interface Card
9	240-1434	● M4 x 10 mm Screw
10	240-1373	● M4 Nut
11	300-1282	● 30 Watt Power Supply
12	530-2183	● LED Cable
13	240-1926	● #4-40M/2-56F Jackscrew
14	540-3730	● Base Assembly
15	540-3729	4.2GB 7200 RPM Disk Drive Assembly
16	340-3222	● Mounting Bracket
NS	240-1141	● #6-32 x 1/4" Screw
-	370-3403	● 4.2GB Disk, IBM DDRS-34560 (removed by WO_12576)
-	370-3412	● 4.2GB Disk Drive, Fujitsu MAB3045SC
NS	261-5678	Sun Logo
NS	530-2383	External SCSI Cable, HD68 to HD68, 80 cm
	802-3229	<i>SPARCstorage UniPack Hard Drive Replacement</i>

StorEdge UniPack

DSK010A-9G
9.1GB Disk
7200 RPM

DSK010C-9G
9.1GB Disk
10000 RPM



StorEdge UniPack

DSK010A-9G

DSK010C-9G

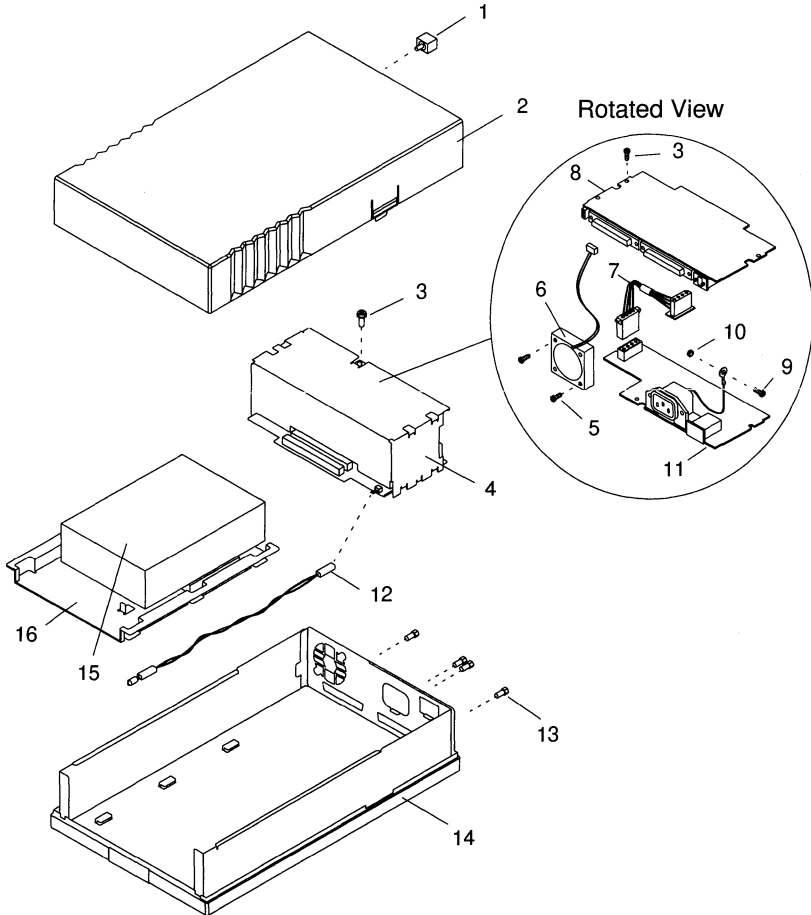
CODE	PART #	DESCRIPTION
-	599-2229	9.1GB 7200 RPM Disk StorEdge UniPack
-	599-2325	9.1GB 10000 RPM Disk StorEdge UniPack
-	595-4726	Disk Drive Enclosure FRU without Disk Drive
-	599-2237	● Disk Drive Enclosure without Disk Drive
1	540-1982	● Lockbox
2	540-3731	● Disk Drive Cover Assembly
3	240-1530	● M3 x 6 mm Screw
4	540-3732	● Disk Drive Power Supply Assembly
5	240-2246	● M3 x 25 mm Screw (obsolete)
5	240-2294	● M3 x 25 mm Pan-Head Screw
6	370-1986	● Fan
7	530-2180	● Disk Drive DC Power Cable
8	501-4823	● Disk Drive Ultra SCSI Interface Card
9	240-1434	● M4 x 10 mm Screw
10	240-1373	● M4 Nut
11	300-1282	● 30 Watt Power Supply
12	530-2183	● LED Cable
13	240-1926	● #4-40M/2-56F Jackscrew
14	540-3730	● Base Assembly
15	540-3734	9.1GB 7200 RPM Disk Drive Assembly
16	340-3222	● Mounting Bracket
-	370-3404	● 9.1GB Disk, IBM DDRS-39130 <small>(removed by WO_12576)</small>
-	370-3413	● 9.1GB Disk Drive, Fujitsu MAB3091SC
-	370-3595	● 9.1GB Disk Drive, Seagate ST39173WC
-	390-0004	● 9.1GB Disk Drive, Fujitsu MAE3091LC
-	390-0005	● 9.1GB Disk Drive, Fujitsu MAG3091LC
-	390-0007	● 9.1GB Disk Drive, IBM DNES-309170
15	540-4304	9.1GB 10000 RPM Disk Drive Assembly
16	340-3222	● Mounting Bracket
-	390-0009	● 9.1GB Disk, Seagate ST39103LC
NS	261-5678	Sun Logo
NS	530-2383	External SCSI Cable, HD68 to HD68, 80 cm
	802-3229	<i>SPARCstorage UniPack Hard Drive Replacement</i>

StorEdge UniPack

DSK010A-18G
18.2GB Disk
7200 RPM

DSK010C-18G
18.2GB Disk
10000 RPM

DSK010C-36G
36.4GB Disk
10000 RPM



StorEdge UniPack

DSK010A-18G DSK010C-18G DSK010C-36G

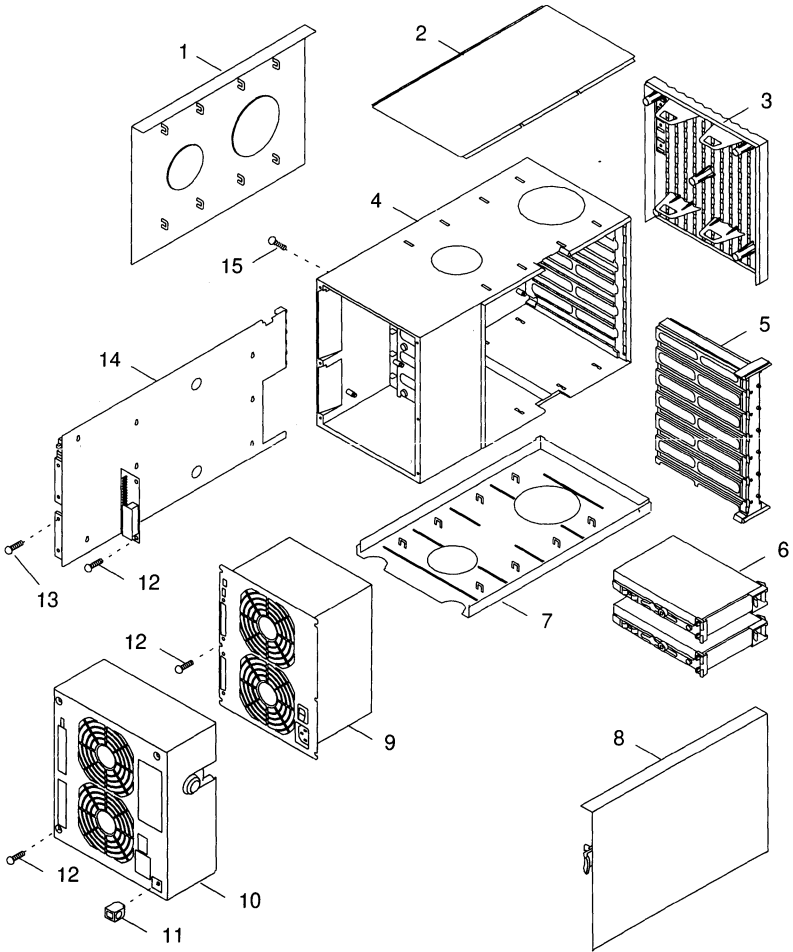
CODE	PART #	DESCRIPTION
-	599-2230	18.2GB 7200 RPM Disk UniPack
-	599-2326	18.2GB 10000 RPM Disk UniPack
-	599-2433	36.4GB 10000 RPM Disk UniPack
-	595-4726	Disk Drive Enclosure FRU without Disk Drive
-	599-2237	● Disk Drive Enclosure without Disk Drive
1	540-1982	● Lockbox
2	540-3731	● Disk Drive Cover Assembly
3	240-1530	● M3 x 6 mm Screw
4	540-3732	● Disk Drive Power Supply Assembly
5	240-2246	● M3 x 25 mm Screw (obsolete)
5	240-2294	● M3 x 25 mm Pan-Head Screw
6	370-1986	● Fan
7	530-2180	● Disk Drive DC Power Cable
8	501-4823	● Disk Drive Ultra SCSI Interface Card
9	240-1434	● M4 x 10 mm Screw
10	240-1373	● M4 Nut
11	300-1282	● 30 Watt Power Supply
12	530-2183	● LED Cable
13	240-1926	● #4-40M/2-56F Jackscrew
14	540-3730	● Base Assembly
15	370-3414	18.2GB 7200 RPM Disk, Fujitsu MAA3182SC
15	370-3596	18.2GB 7200 RPM Disk, Seagate ST118273LC
15	390-0002	18.2GB 10000 RPM Disk, Seagate ST318203LC
15	390-0038	18.2GB 10000 RPM Disk, Seagate ST318404LC
15	390-0060	18.2GB 10000 RPM Disk, Fujitsu MAJ3182M
15	390-0050	36.4GB 10000 RPM Disk, Seagate ST336704LC
15	390-0059	36.4GB 10000 RPM Disk, Fujitsu MAJ3364M
16	340-3222	Mounting Bracket
NS	261-5678	Sun Logo
NS	530-2383	External SCSI Cable, HD68 to HD68, 80 cm
	802-3229	<i>SPARCstorage UniPack Hard Drive Replacement</i>

StorEdge MultiPack

DSK020A-8G
2 4.2GB Disks
7200 RPM

DSK040A-16G
4 4.2GB Disks
7200 RPM

DSK060A-25G
6 4.2GB Disks
7200 RPM



StorEdge MultiPack

DSK020A-8G DSK040A-16G DSK060A-25G

CODE	PART #	DESCRIPTION
1	330-1957	Side Cover
2	330-1956	Top Cover
3	540-2798	Front Cover Assembly
4	540-3397	Chassis Assembly
5	540-3399	Spacer Assembly
6	540-2938	4.2GB 7200 RPM Disk Drive Assembly
-	240-2304	● #6-32 x 3/16" Torx Screw
-	370-2367	● 4.2GB Disk Drive, Seagate ST34371WC
-	370-2809	● 4.2GB Disk Drive, Quantum VK45J05
-	370-3403	● 4.2GB Disk Drive, IBM DDRS-34560
-	370-3412	● 4.2GB Disk Drive, Fujitsu MAB3045SC
-	540-3024	● 1" Spud Mounting Bracket
7	540-3398	Base Assembly with UltraSCSI Silkscreen
8	540-3401	Door Assembly with UltraSCSI Silkscreen
9	300-1330	185 Watt Power Supply
10	540-2788	Rear Cover Assembly
11	540-2789	Lockbox
12	240-2283	M3 x 8 mm Screw
13	240-2180	#4-40 Jack Screw
14	501-4747	6-Slot Ultra SCSI Backplane
15	240-2282	M3 x 14 mm Screw
NS	150-2267	Forced Perfect Terminator, HD68
NS	330-1966	Key
NS	530-2383	External SCSI Cable, HD68 to HD68, 80 cm
NS	540-3423	Cover Kit/FRU with Front, Top, Side, and Door
	805-1667	<i>SPARCstorage MultiPack Service Manual</i>

StorEdge MultiPack

DSK020A-18G
2 9.1GB Disks
7200 RPM

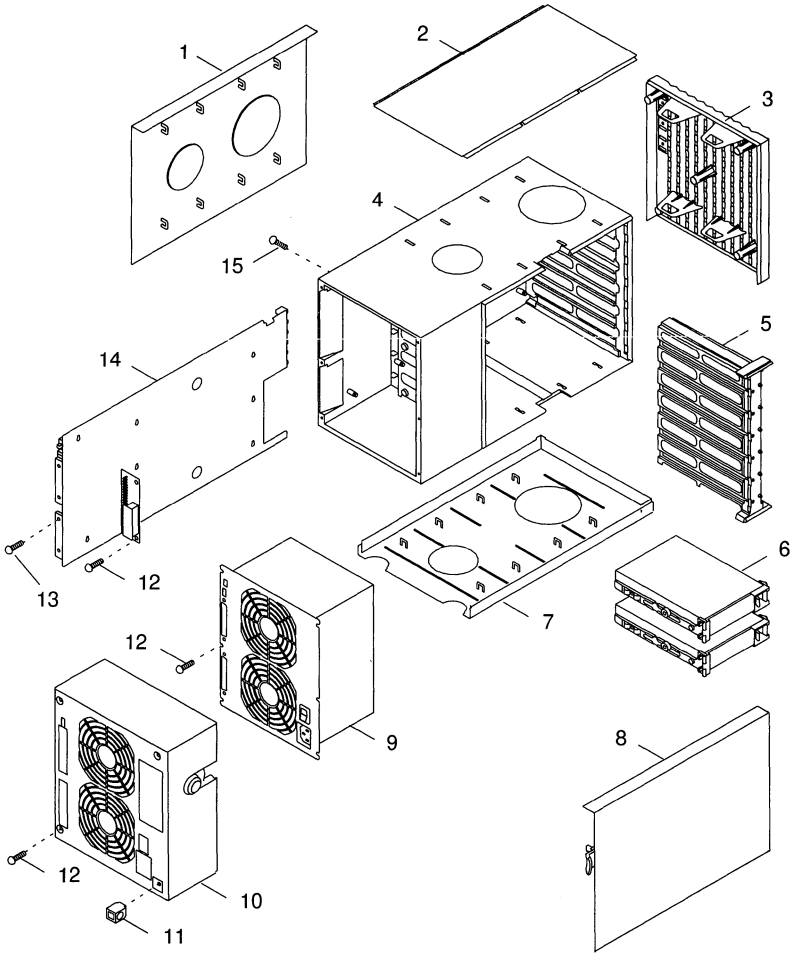
DSK040A-36G
4 9.1GB Disks
7200 RPM

DSK060A-54G
6 9.1GB Disks
7200 RP

DSK020C-18G
2 9.1GB Disks
10000 RPM

DSK040C-36G
4 9.1GB Disks
10000 RPM

DSK060C-54G
6 9.1GB Disks
10000 RPM



StorEdge MultiPack

DSK020A-18G DSK040A-36G DSK060A-54G
 DSK020C-18G DSK040C-36G DSK060C-54G

CODE	PART #	DESCRIPTION
1	330-1957	Side Cover
2	330-1956	Top Cover
3	540-2798	Front Cover Assembly
4	540-3397	Chassis Assembly
5	540-3399	Spacer Assembly
6	540-2951	9.1GB 7200 RPM Disk Drive Assembly/FRU
-	370-2369	● 9.1GB Disk Drive, Seagate ST19171WC
6	540-3704	9.1GB 7200 RPM Disk Drive Assembly/FRU
-	370-3404	● 9.1GB Disk Drive, IBM DDRS-39130
-	370-3413	● 9.1GB Disk Drive, Fujitsu MAB3091SC
-	370-3595	● 9.1GB Disk Drive, Seagate ST39173WC
-	390-0004	● 9.1GB Disk Drive, Fujitsu MAE3091LC
6	540-3881	9.1GB 10000 RPM Disk Drive Assembly/FRU
-	370-3649	● 9.1GB Disk Drive, Seagate ST39102LC
-	390-0005	● 9.1GB Disk Drive, Fujitsu MAG3091LC
7	540-3398	Base Assembly with UltraSCSI Silkscreen
8	540-3401	Door Assembly with UltraSCSI Silkscreen
9	300-1330	185 Watt Power Supply
10	540-2788	Rear Cover Assembly
11	540-2789	Lockbox
12	240-2283	M3 x 8 mm Screw
13	240-2180	#4-40 Jack Screw
14	501-4747	6-Slot Ultra SCSI Backplane
15	240-2282	M3 x 14 mm Screw
NS	150-2267	Forced Perfect Terminator, HD68
NS	330-1966	Key
NS	530-2383	External SCSI Cable, HD68 to HD68, 80 cm
NS	540-3423	Cover Kit/FRU with Front, Top, Side, and Door
	805-1667	<i>SPARCstorage MultiPack Service Manual</i>

StorEdge MultiPack

DSK020A-36G
2 18.2GB Disks
7200 RPM

DSK040A-72G
4 18.2GB Disks
7200 RPM

DSK060A-109G
6 18.2GB Disks
7200 RPM

DSK020C-36G
2 18.2GB Disks
10000 RPM

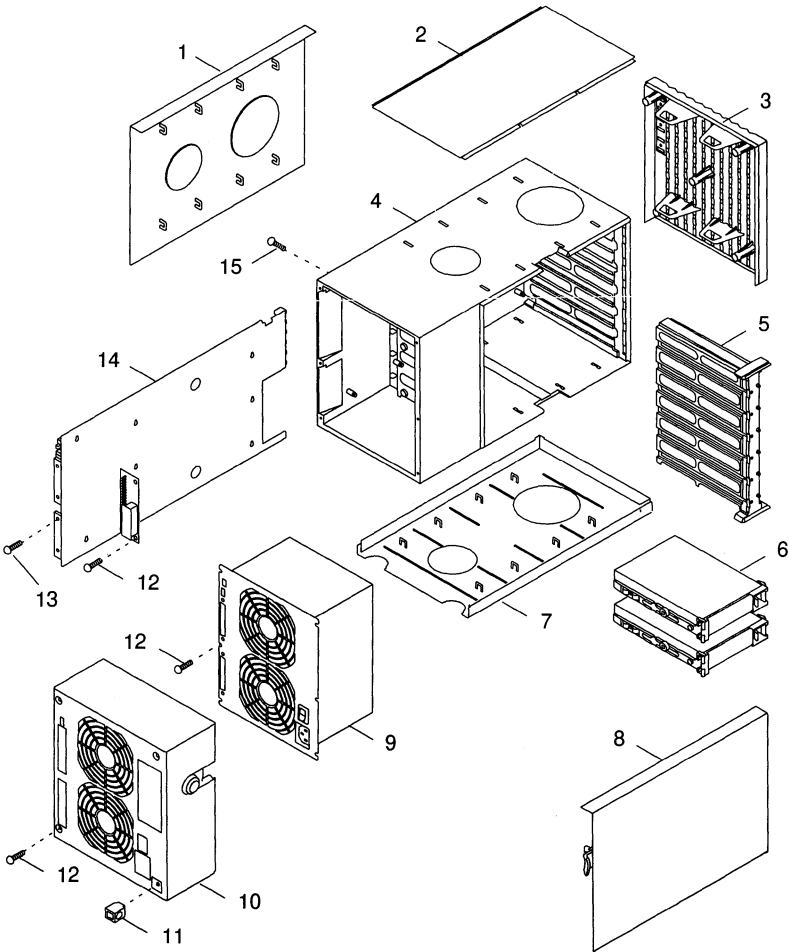
DSK040C-72G
4 18.2GB Disks
10000 RPM

DSK060C-109G
6 18.2GB Disks
10000 RPM

DSK020C-72G
2 36.4GB Disks
10000 RPM

DSK040C-144G
4 36.4GB Disks
10000 RPM

DSK060C-218G
6 36.4GB Disks
10000 RPM



StorEdge MultiPack

DSK020A-36G DSK040A-72G DSK060A-109G
 DSK020C-36G DSK040C-72G DSK060C-109G
 DSK020C-72G DSK040C-144G DSK060C-218G

CODE	PART #	DESCRIPTION
1	330-1957	Side Cover
2	330-1956	Top Cover
3	540-2798	Front Cover Assembly
4	540-3397	Chassis Assembly
5	540-3399	Spacer Assembly
6	540-3719	18.2GB 7200 RPM Disk Drive Assembly/FRU
-	540-3025	● 1.6" Spud Mounting Bracket
6	540-4177	18.2GB 10000 RPM Disk Drive Assembly/FRU
-	540-3024	● 1" Spud Mounting Bracket
6	540-4521	36.4GB 10000 RPM Disk Drive Assembly/FRU
-	540-3024	● 1" Spud Mounting Bracket
7	540-3398	Base Assembly with UltraSCSI Silkscreen
8	540-3401	Door Assembly with UltraSCSI Silkscreen
9	300-1330	185 Watt Power Supply
10	540-2788	Rear Cover Assembly
11	540-2789	Lockbox
12	240-2283	M3 x 8 mm Screw
13	240-2180	#4-40 Jack Screw
14	501-4747	6-Slot Ultra SCSI Backplane
15	240-2282	M3 x 14 mm Screw
NS	150-2267	Forced Perfect Terminator, HD68
NS	330-1966	Key
NS	530-2383	External SCSI Cable, HD68 to HD68, 80 cm
NS	540-3423	Cover Kit/FRU with Front, Top, Side, and Door
	805-1667	<i>SPARCstorage MultiPack Service Manual</i>

This page intentionally left blank.

PARTS BREAKDOWN

DISK ARRAY

Disk Array

SPARCstorage Array Model 101	4
SPARCstorage Array Model 102	6
SPARCstorage Array Model 112	8
SPARCstorage Array Model 114	12
SPARCstorage Array Model 200	14
SPARCstorage Array Model 210	16
SPARCstorage Array Model 214 RSM	
7-Slot Disk Array	18
Rack Mounted Disk Array with SSA Model 210	20
SPARCstorage Array Model 219 RSM	
7-Slot Disk Array	22
Rack Mounted Disk Array with SSA Model 210	24
RSM Array 2000 StorEdge A3000	
Array Controller	26
Rack Mounted Array Controller with RSM 214/219	28
StorEdge A1000	
8-Slot Disk Array	30
12-Slot Disk Array	32
StorEdge D1000	
8-Slot Disk Array	38
12-Slot Disk Array	40
StorEdge A3500	
Array Controller	46
StorEdge A3500-Light	
Array Controller with D1000 Disk Array	48
StorEdge A3500	
Rack Mounted Array Controller with D1000 Disk Array	50

Disk Array - Continued

StorEdge A3500FC	
Array Controller	56
Rack Mounted Array Controller with D1000 Disk Array	58
Enterprise Network Array A5000 StorEdge A5000	
14-Slot Disk Array	62
56-inch Rack Mounted Disk Array	64
72-inch Rack Mounted Disk Array	66
StorEdge A5100	
14-Slot Disk Array	68
72-inch Rack Mounted Disk Array	70
StorEdge A5200	
22-Slot Disk Array	72
72-inch Rack Mounted Disk Array	74
Gateway SP30 SP40.....	76
StorEdge A7000	78
StorEdge T3	
9-Slot Disk Array	82
72-inch Rack Mounted Disk Array	84

This page intentionally left blank.

SPARCstorage Array Model 101

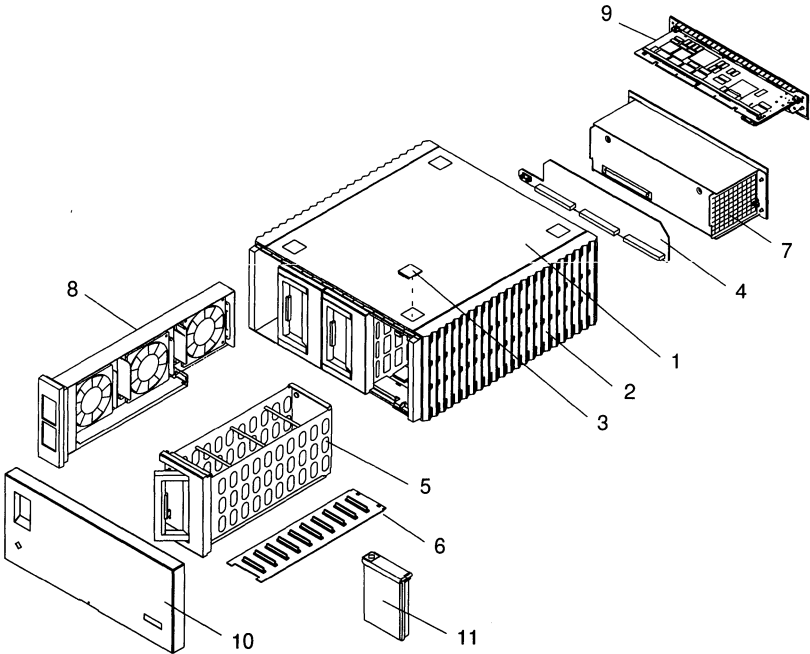
651
1.05GB Disk
5400 RPM
w/o SSA Tray

652
6 1.05GB Disks
5400 RPM
w/o SSA Tray

653
SSA 101 Array
6 1.05GB Disks
5400 RPM

654
SSA 101 Array
18 1.05GB Disks
5400 RPM

655
SSA 101 Array
30 1.05GB Disks
5400 RPM



SPARCstorage Array Model 101

651

652

653

654

655

CODE	PART #	DESCRIPTION
NS	540-2406	Chassis Assembly
1	330-1469	● Top and Bottom Cover
2	330-1470	● Side Cover (obsolete)
2	330-1869	● Side Cover
3	330-1589	● Cover Plug
NS	330-1590	● Foot
4	501-2029	● Backplane
5	540-2245	● Drive Tray Assembly/FRU
6	501-2010	● Drive Tray Backplane
NS	540-2248	● Chassis Subassembly
NS	340-2670	● Chassis
7	540-2465	● Power Supply Assembly/FRU
-	300-1098	● 440 Watt Power Supply
8	540-2573	● Fan Tray Assembly/FRU
-	370-1801	● 120 x 38 mm Fan, 100CFM (obsolete)
-	370-1885	● 120 x 38 mm Fan, 100CFM
-	260-6233	Sun Logo
-	260-6604	SPARCstorage Array Nameplate
9	501-2552	Configured Array Controller
-	501-2080	● Array Controller (40MHz microSPARC II)
-	501-2028	● Battery Module (obsolete)
-	501-2857	● Battery Module
-	370-1426	● Fibre Channel Optical Module
10	540-2382	Front Bezel Assembly
11	540-2568	1.05GB Disk Drive FRU
-	240-2080	● #6-32 x 3/16 Button Screw, Torx
-	370-1822	● 1.05GB Disk Drive, Conner CFP1060E
-	370-1964	● 1.05GB Disk Drive, Conner CFP1080E
-	540-2412	● Conner Disk Drive Mounting Bracket
-	370-1753	● 1.05GB Disk Drive, Seagate ST31200WC
-	540-2413	● Seagate Disk Drive Mounting Bracket
NS	537-1004	Fibre Optical Cable, 2M
NS	537-1006	Fibre Optical Cable, 15M

SPARCstorage Array Model 102

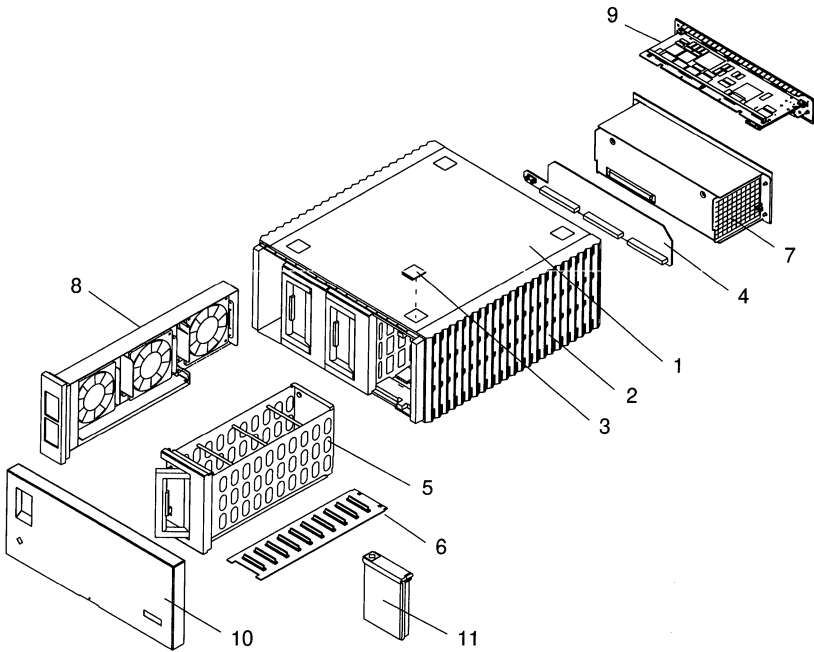
765
2.1GB Disk
7200 RPM
w/o SSA Tray

766
6 2.1GB Disks
7200 RPM
w/o SSA Tray

768
SSA 102 Array
6 2.1GB Disks
7200 RPM

769
SSA 102 Array
18 2.1GB Disks
7200 RPM

770
SSA 102 Array
30 2.1GB Disks
7200 RPM



SPARCstorage Array Model 102

765

766

768

769

770

CODE	PART #	DESCRIPTION
NS	540-2406	Chassis Assembly
1	330-1469	● Top and Bottom Cover, Light Grey
2	330-1869	● Side Cover, Light Grey
3	330-1589	● Cover Plug, Light Grey
NS	330-1590	● Foot
4	501-2029	● Backplane
5	540-2245	● Drive Tray Assembly/FRU, Light Grey
6	501-2010	● Drive Tray Backplane
NS	540-2248	● Chassis Subassembly
NS	340-2670	● Chassis
7	540-2465	● Power Supply Assembly/FRU, Light Grey
-	300-1098	● 440 Watt Power Supply
8	540-2573	● Fan Tray Assembly/FRU, Light Grey
-	370-1885	● 120 x 38 mm Fan, 100CFM
-	260-6233	Sun Logo
-	260-6604	SPARCstorage Array Nameplate
9	501-2552	Configured Array Controller, Light Grey
-	501-2080	● Array Ctlr, Light Grey (40MHz microSPARC II)
-	501-2857	● Battery Module
-	370-1426	● Fibre Channel Optical Module
10	540-2382	Front Bezel Assembly, Light Grey
11	540-2706	2.1GB Disk Drive FRU
-	240-2080	● #6-32 x 3/16 Button Screw, Torx
-	370-1956	● 2.1GB Disk Drive, IBM DFHS-32160 (disqualified)
-	370-2040	● 2.1GB Disk Drive, Seagate ST32550WC
-	370-2365	● 2.1GB Disk Drive, Seagate ST32171WC
-	370-2808	● 2.1GB Disk Drive, Quantum VK22J05
-	540-2413	● Disk Drive Mounting Bracket
NS	537-1004	Fibre Optical Cable, 2M
NS	537-1006	Fibre Optical Cable, 15M

SPARCstorage Array Model 112

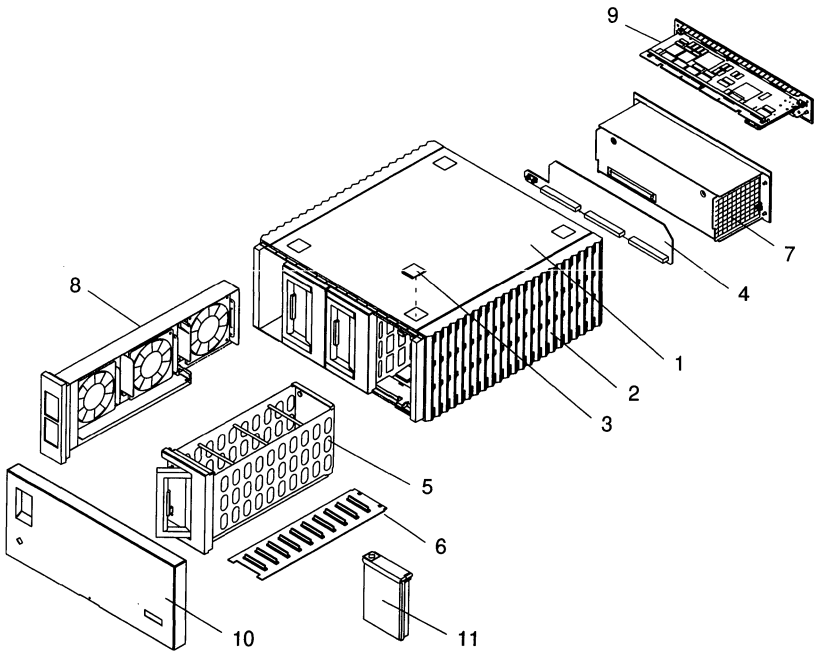
765
2.1GB Disk
7200 RPM
w/o SSA Tray

766
6 2.1GB Disks
7200 RPM
w/o SSA Tray

790
SSA 112 Array
6 2.1GB Disks
7200 RPM

791
SSA 112 Array
18 2.1GB Disks
7200 RPM

792
SSA 112 Array
30 2.1GB Disks
7200 RPM



SPARCstorage Array Model 112

765

766

790

791

792

CODE	PART #	DESCRIPTION
NS	540-2406	Chassis Assembly
1	330-1469	● Top and Bottom Cover, Light Grey
2	330-1869	● Side Cover, Light Grey
3	330-1589	● Cover Plug, Light Grey
NS	330-1590	● Foot
4	501-2029	● Backplane
5	540-2245	● Drive Tray Assembly/FRU, Light Grey
6	501-2010	● Drive Tray Backplane
NS	540-2248	● Chassis Subassembly
NS	340-2670	● Chassis
7	540-2465	● Power Supply Assembly/FRU, Light Grey
-	300-1098	● 440 Watt Power Supply
8	540-2573	● Fan Tray Assembly/FRU, Light Grey
-	370-1885	● 120 x 38 mm Fan, 100CFM
-	260-6233	Sun Logo
-	260-6604	SPARCstorage Array Nameplate
9	501-2982	Configured Array Controller, Light Grey
-	501-2872	● Array Ctlr, Light Grey (110MHz microSPARC II)
-	501-2857	● Battery Module
-	370-1426	● Fibre Channel Optical Module
10	540-2382	Front Bezel Assembly, Light Grey
11	540-2706	2.1GB Disk Drive FRU
-	240-2080	● #6-32 x 3/16 Button Screw, Torx
-	370-1956	● 2.1GB Disk Drive, IBM DFHS-32160 (disqualified)
-	370-2040	● 2.1GB Disk Drive, Seagate ST32550WC
-	370-2365	● 2.1GB Disk Drive, Seagate ST32171WC
-	370-2808	● 2.1GB Disk Drive, Quantum VK22J05
-	540-2413	● Disk Drive Mounting Bracket
NS	537-1004	Fibre Optical Cable, 2M
NS	537-1006	Fibre Optical Cable, 15M

SPARCstorage Array Model 112

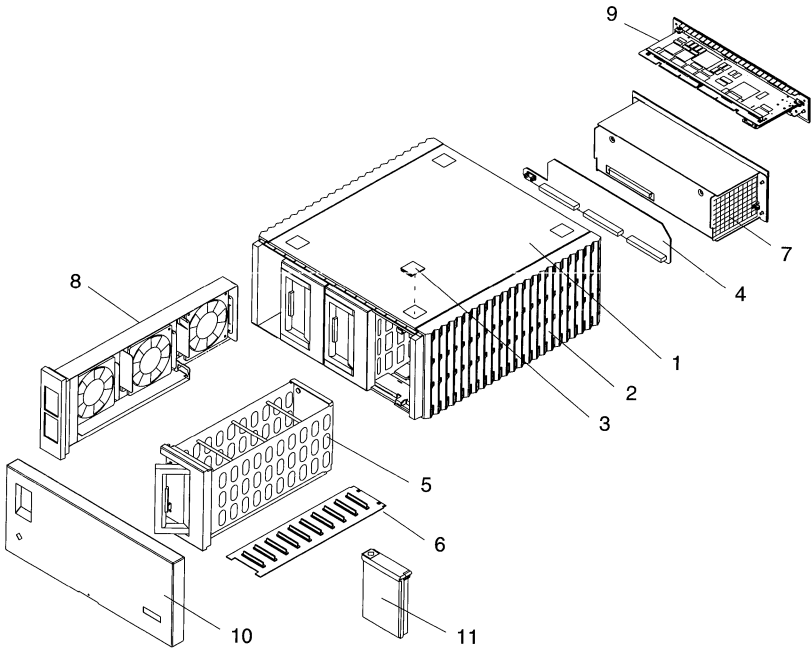
765
2.1GB Disk
7200 RPM
w/o SSA Tray

766
6 2.1GB Disks
7200 RPM
w/o SSA Tray

6590
SSA 112 Array
6 2.1GB Disks
7200 RPM

6591
SSA 112 Array
18 2.1GB Disks
7200 RPM

6592
SSA 112 Array
30 2.1GB Disks
7200 RPM



SPARCstorage Array Model 112

765

766

6590

6591

6592

CODE	PART #	DESCRIPTION
NS	540-2985	Chassis Assembly without Covers, Medium Grey
NS	540-2977	Chassis Assembly with Covers, Medium Grey
1	330-2078	● Top and Bottom Cover, Medium Grey
2	330-2079	● Side Cover, Medium Grey
3	330-1999	● Cover Plug, Medium Grey
NS	330-2000	● Foot
4	501-2029	● Backplane
5	540-2982	● Drive Tray Assembly/FRU, Medium Grey
6	501-2010	● Drive Tray Backplane
NS	540-2979	● Chassis Subassembly
NS	340-2670	● Chassis
7	540-2981	● Power Supply Assembly/FRU, Medium Grey
-	300-1098	● 440 Watt Power Supply
8	540-2980	● Fan Tray Assembly/FRU, Medium Grey
-	370-1885	● 120 x 38 mm Fan, 100CFM
-	260-6233	Sun Logo
-	260-6604	SPARCstorage Array Nameplate
9	501-4272	Configured Array Controller, Medium Grey
-	501-4271	● Array Ctr, Medium Grey (110MHz microSPARC II)
-	501-2857	● Battery Module
-	370-1426	● Fibre Channel Optical Module
10	540-2978	Front Bezel Assembly, Medium Grey
11	540-2706	2.1GB Disk Drive FRU
-	240-2080	● #6-32 x 3/16 Button Screw, Torx
-	370-1956	● 2.1GB Disk Drive, IBM DFHS-32160 (disqualified)
-	370-2040	● 2.1GB Disk Drive, Seagate ST32550WC
-	370-2365	● 2.1GB Disk Drive, Seagate ST32171WC
-	370-2808	● 2.1GB Disk Drive, Quantum VK22J05
-	540-2413	● Disk Drive Mounting Bracket
NS	537-1004	Fibre Optical Cable, 2M
NS	537-1006	Fibre Optical Cable, 15M

SPARCstorage Array Model 114

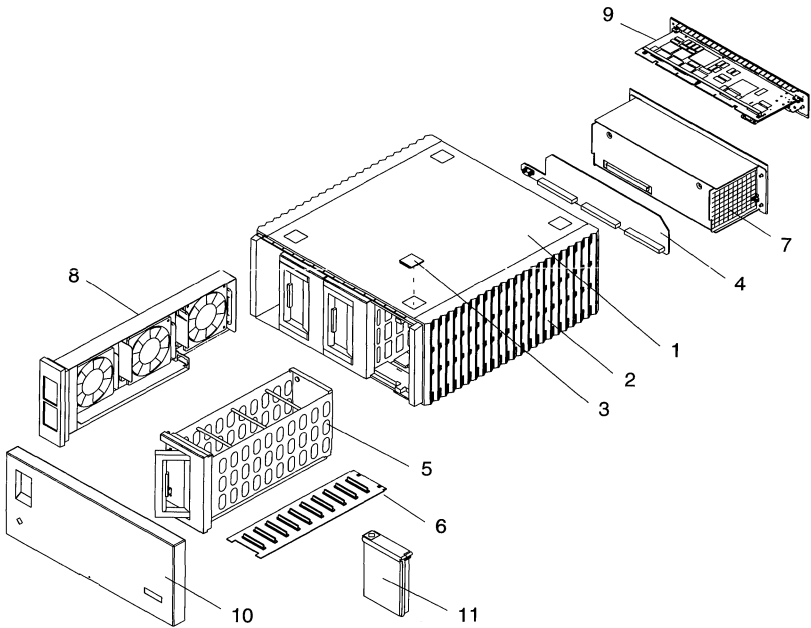
5206
4.2GB Disk
7200 RPM
w/o SSA Tray

5207
6 4.2GB Disks
7200 RPM
w/o SSA Tray

6517
SSA 114 Array
6 4.2G Disks
7200 RPM

6518
SSA 114 Array
18 4.2GB Disks
7200 RPM

6519
SSA 114 Array
30 4.2GB Disks
7200 RPM



SPARCstorage Array Model 114

5206

5207

6517

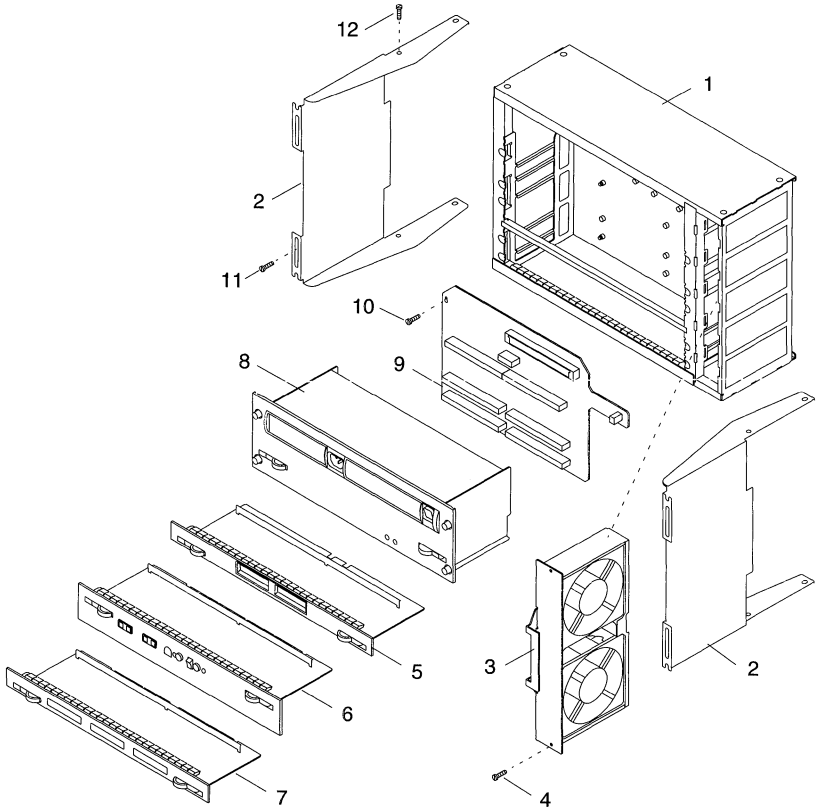
6518

6519

CODE	PART #	DESCRIPTION
NS	540-2985	Chassis Assembly without Covers, Medium Grey
NS	540-2977	Chassis Assembly with Covers, Medium Grey
1	330-2078	● Top and Bottom Cover, Medium Grey
2	330-2079	● Side Cover, Medium Grey
3	330-1999	● Cover Plug, Medium Grey
NS	330-2000	● Foot
4	501-2029	● Backplane
5	540-2982	● Drive Tray Assembly/FRU, Medium Grey
6	501-2010	● Drive Tray Backplane
NS	540-2979	● Chassis Subassembly
NS	340-2670	● Chassis
7	540-2981	● Power Supply Assembly/FRU, Medium Grey
-	300-1098	● 440 Watt Power Supply
8	540-2980	● Fan Tray Assembly/FRU, Medium Grey
-	370-1885	● 120 x 38 mm Fan, 100CFM
-	260-6233	Sun Logo
-	260-6604	SPARCstorage Array Nameplate
9	501-4272	Configured Array Controller, Medium Grey
-	501-4271	● Array Ctlr, Medium Grey (110MHz microSPARC II)
-	501-2857	● Battery Module
-	370-1426	● Fibre Channel Optical Module
10	540-2978	Front Bezel Assembly, Medium Grey
11	540-2937	4.2GB Disk Drive FRU
-	240-2304	● #6-32 x 3/16 Button Screw, Torx
-	370-2367	● 4.2GB Disk Drive, Seagate ST34371WC
-	370-2809	● 4.2GB Disk Drive, Quantum VK45J05
-	370-3403	● 4.2GB Disk Drive, IBM DDRS-34560
-	540-2764	● Disk Drive Mounting Bracket
NS	537-1004	Fibre Optical Cable, 2M
NS	537-1006	Fibre Optical Cable, 15M

SPARCstorage Array Model 200

781



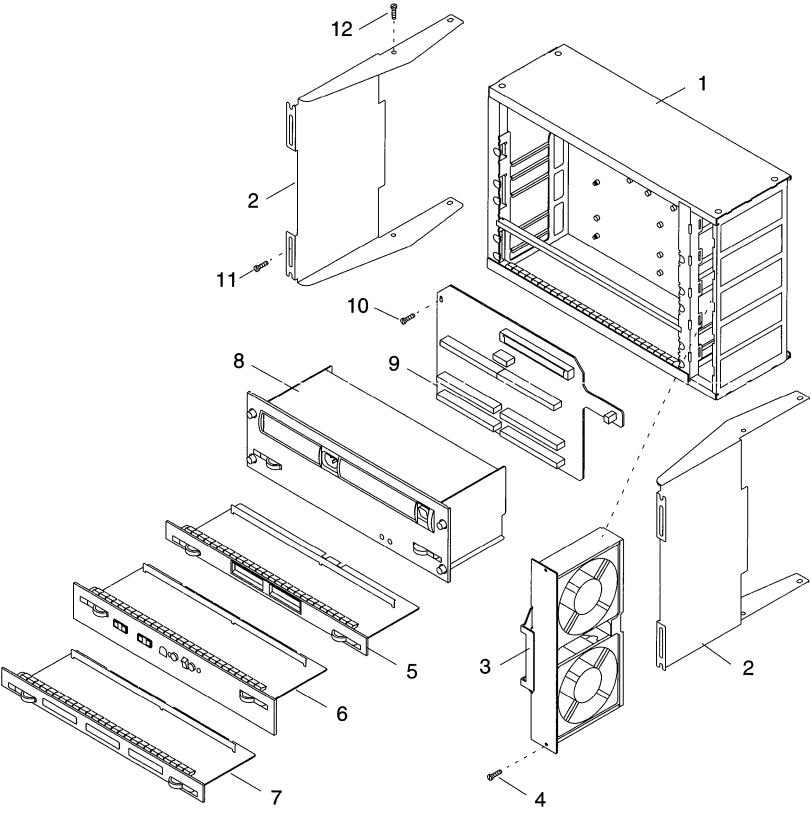
SPARCstorage Array Model 200

781

CODE	PART #	DESCRIPTION
1	540-2653	Chassis Assembly
1	340-3125	Chassis Enclosure
2	340-3103	Chassis Mounting Bracket
3	540-2610	2-Fan Tray Assembly/FRU
-	370-1845	● DC Fan
4	240-1530	M3 x 6 mm Screw
5	501-2781	LCD Display
6	501-2786	Configured Differential Array Controller
-	501-2651	● Differential SCSI Array Controller (40MHz)
-	370-1426	● Fibre Channel Optical Module
-	501-2857	● Battery Module
7	501-2670	Differential SCSI to Fibre Channel Adapter
8	540-2465	Power Supply Assembly/FRU
-	300-1098	● 440 Watt Power Supply
9	501-2664	Backplane
10	240-1559	M4 0.7 x 6 mm Screw
11	240-1953	#10-32 x 1/2" Screw
12	240-2186	M6 0.7 x 8 mm Screw
NS	261-4696	SPARCstorage Array 200 Logo
NS	530-1343	AC Power Cord, 240V
NS	530-1351	AC Power Cord, 230V
NS	537-1004	Fibre Optical Cable, 2M
NS	537-1006	Fibre Optical Cable, 15M
	802-2028	<i>SPARCstorage Array 200 Service Manual</i>

SPARCstorage Array Model 210

795



SPARCstorage Array Model 210

795

CODE	PART #	DESCRIPTION
1	540-2653	Chassis Assembly
1	340-3125	Chassis Enclosure
2	340-3103	Chassis Mounting Bracket
3	540-2610	2-Fan Tray Assembly/FRU
-	370-1845	● DC Fan
4	240-1530	M3 x 6 mm Screw
5	501-2781	LCD Display
6	501-3024	Configured Differential Array Controller
-	501-3021	● Differential SCSI Array Controller (110MHz)
-	370-1426	● Fibre Channel Optical Module
-	501-2857	● Battery Module
7	501-2670	Differential SCSI to Fibre Channel Adapter
8	540-2465	Power Supply Assembly/FRU
-	300-1098	● 440 Watt Power Supply
9	501-2664	Backplane
10	240-1559	M4 0.7 x 6 mm Screw
11	240-1953	#10-32 x 1/2" Screw
12	240-2186	M6 0.7 x 8 mm Screw
NS	261-4696	SPARCstorage Array 200 Logo
NS	530-1343	AC Power Cord, 240V
NS	530-1351	AC Power Cord, 230V
NS	537-1004	Fibre Optical Cable, 2M
NS	537-1006	Fibre Optical Cable, 15M
	802-2028	<i>SPARCstorage Array 200 Service Manual</i>

SPARCstorage Array Model 214 RSM

6503
RSM 214 Tray
3 4.2GB Disks
5400 RPM

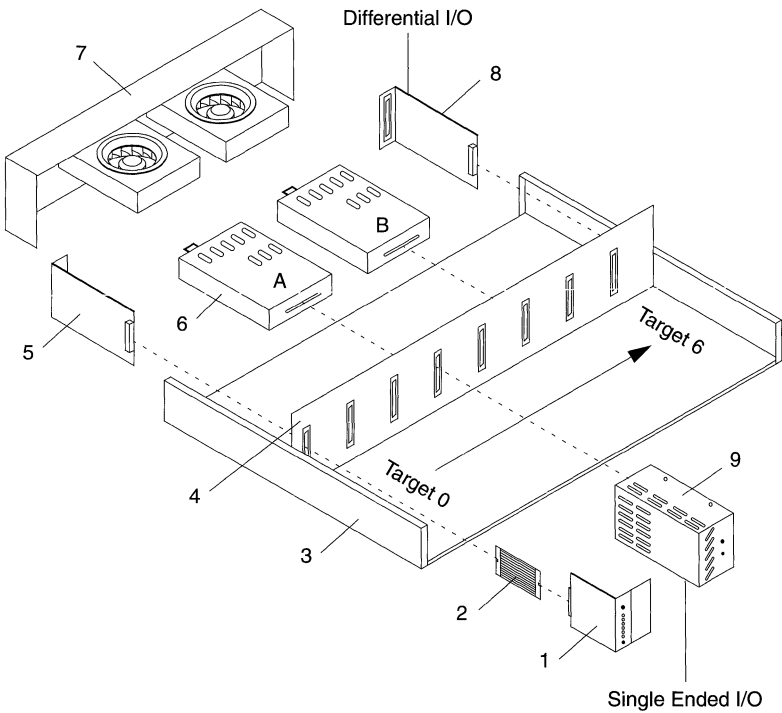
6504
RSM 214 Tray
7 4.2GB Disks
5400 RPM

6506
4.2GB Disk
5400 RPM
w/o RSM 214 Tray

6507
RSM 214 Tray
3 4.2GB Disks
7200 RPM

6508
RSM 214 Tray
7 4.2GB Disks
7200 RPM

6509
4.2GB Disk
7200 RPM
w/o RSM 214 Tray



SPARCstorage Array Model 214 RSM

6503	6504	6506
6507	6508	6509

CODE	PART #	DESCRIPTION
	370-2194	Chassis, Power Modules, and WD2S Card
	370-2955	Chassis, Power Modules, and WD2S Card
	540-3085	Chassis, Power Modules, Dampers, and WD2S Card
-	230-1545	● Vibration Dampers (x28)
	370-2198	Chassis FRU
1	None	● Operator Panel
2	None	● Operator Panel Cable
3	None	● Chassis
4	None	● Centerplane
5	370-2195	Environmental Sensor Card
6	300-1311	200 Watt Power Supply Modules A and B
6	300-1328	200 Watt Power Supply Modules A and B
7	370-2197	Fan Assembly
8	370-2196	WD2S Single-Ended to Differential Interface Card
8	370-3375	WD2S Single-Ended to Differential Interface Card
9	540-2784	4.2GB 5400 RPM Disk Drive Assembly/FRU
9	540-2939	4.2GB 7200 RPM Disk Drive Assembly/FRU
NS	180-1189	230V AC Power Cord, IEC-320 to NEMA 6-15
NS	180-1190	240V AC Power Cord, IEC-320 to Reverse IEC-320
NS	340-3627	Shipping Bracket
NS	530-1351	230V AC Power Cord, IEC-320 to NEMA 6-15
NS	530-1343	240V AC Power Cord, IEC-320 to Reverse IEC-320
NS	530-2197	AC Power Cord, AMP Mate-N-Lok to IEC 320
NS	530-2264	AC Power Cord, AMP Mate-N-Lok to Y IEC-320
NS	370-2343	Rack Mount Tray (replaced 370-2306)
-	None	● Tray 4486-3447 (obs) or Tray 4486-9550
-	None	● Top Bracket 4486-2993
-	None	● Front Shipping Bracket 4486-3454
-	None	● Rear Shipping Bracket 4486-9535
-	565-1478	● Front Bkt 250-1237 and Rear Bkt 250-1238
	802-5062	<i>SPARCstorage RSM Installation and Service</i>

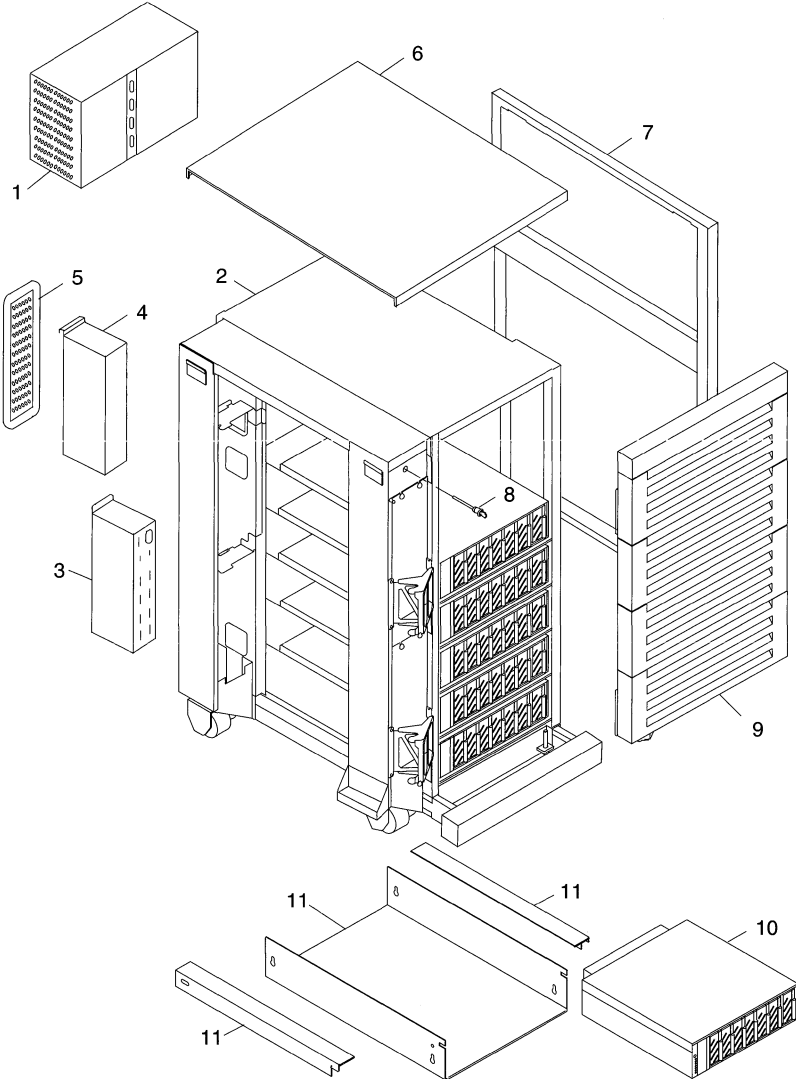
SPARCstorage Array Model 214 RSM

796
56" Rack Option
6 RSM 214 Trays
18 4.2GB Disks
5400 RPM

797
56" Rack Option
6 RSM 214 Trays
42 4.2GB Disks
5400 RPM

6593
56" Rack Option
6 RSM 214 Trays
42 4.2GB Disks
7200 RPM

6594
56" Rack Option
6 RSM 214 Trays
18 4.2GB Disks
7200 RPM



SPARCstorage Array Model 214 RSM

796

797

6593

6594

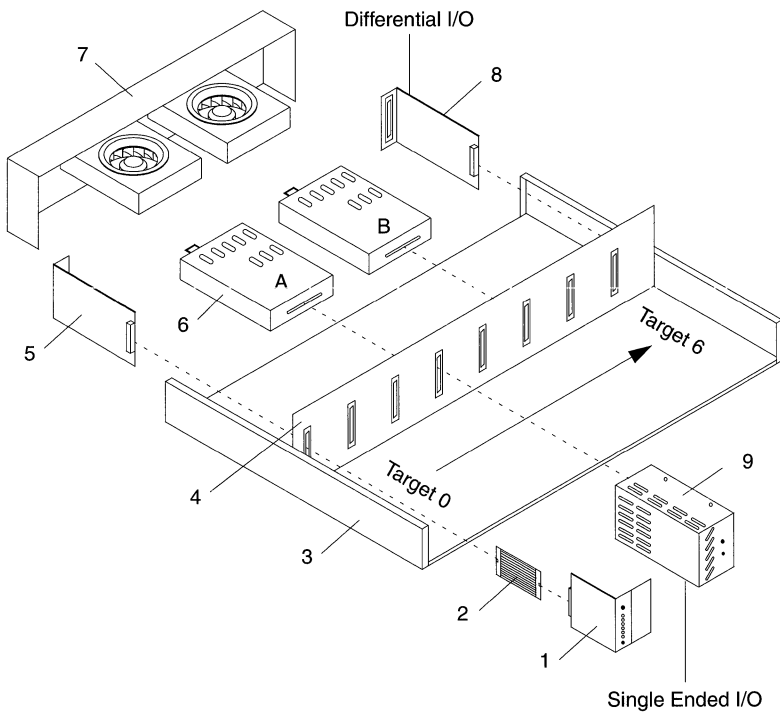
CODE	PART #	DESCRIPTION
1	540-2653	SPARCstorage Array Chassis
NS	501-3021	● Differential SCSI Array Controller (110MHz)
NS	370-1426	● Fibre Channel Optical Module
NS	501-2857	● Battery Module
NS	501-2670	● Differential SCSI to Fibre Channel Adapter
NS	540-2465	● Power Supply Assembly/FRU
2	540-2809	56-inch Enterprise Expansion Cabinet Assembly
3	300-1290	● Universal Power Sequencer
4	540-2709	● Fan Tray Assembly
5	340-3267	● Fan Tray Rear Cover
6	340-3352	● Top Panel, Medium Grey
7	340-3354	● Side Panel, Medium Grey
8	540-2393	● Keyswitch Assembly
9	540-2810	● Door Assembly
NS	530-2265	AC Power Cord, Harting Han 6HsB to NEMA L6-30P
NS	530-2266	AC Power Cord, Harting Han 6HsB to IEC 309
10	-	RSM with 3x 4.2GB Disk Drives per Tray
10	-	RSM with 7x 4.2GB Disk Drives per Tray
NS	370-2198	● SPARCstorage RSM Chassis FRU
NS	540-2784	● 4.2GB 5400 RPM Disk Drive Assembly/FRU
NS	540-2939	● 4.2GB 7200 RPM Disk Drive Assembly/FRU
11	370-2343	SPARCstorage RSM Rack Mount Tray
NS	340-3627	SPARCstorage RSM Shipping Bracket
NS	530-1885	External SCSI Cable, HD68 to HD68, 2.0M
NS	530-2197	AC Power Cord, AMP Mate-N-Lok to IEC-320
NS	530-2236	Remote Keyswitch Control Cable, 3.2M
NS	530-2264	AC Power Cord, AMP Mate-N-Lok to Y IEC-320
NS	537-1004	Fibre Optical Cable, 2M
NS	537-1006	Fibre Optical Cable, 15M

SPARCstorage Array Model 219 RSM

6514
RSM 219 Tray
3 9.1GB Disks
7200 RPM

6515
RSM 219 Tray
7 9.1GB Disks
7200 RPM

6516
9.1GB Disk
7200 RPM
w/o RSM 219 Tray



SPARCstorage Array Model 219 RSM

6514

6515

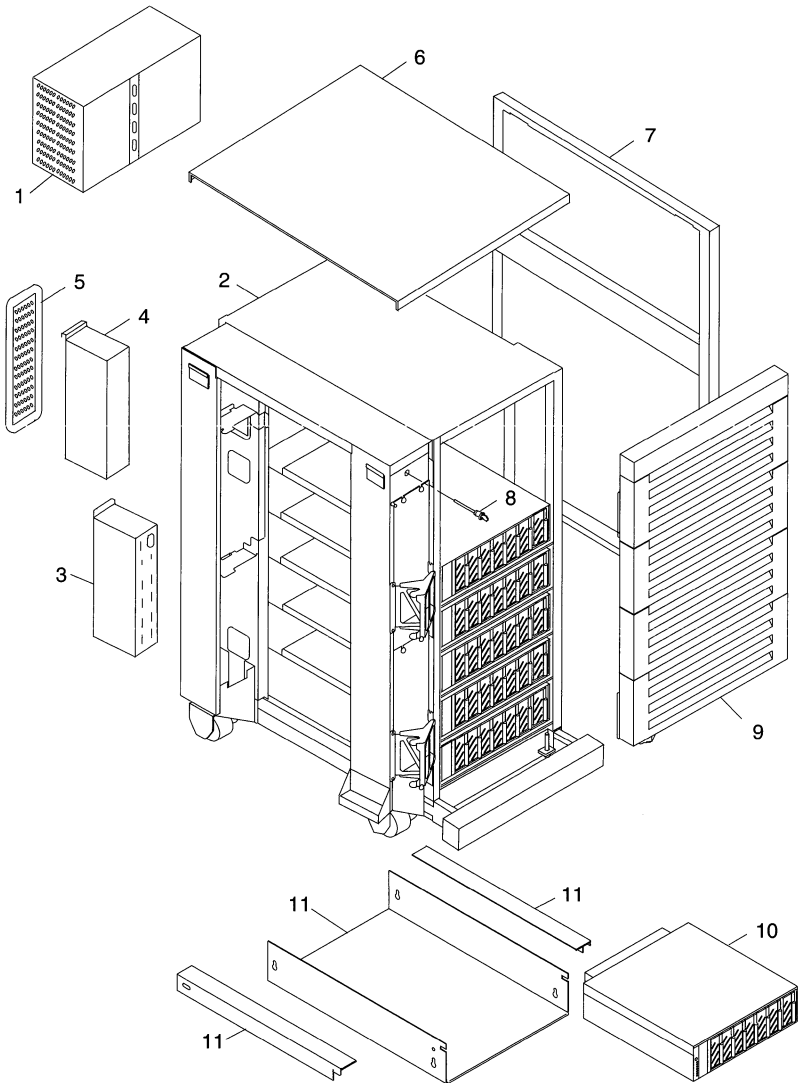
6516

CODE	PART #	DESCRIPTION
	370-2194	Chassis with Power Modules and WD2S Card
	370-2955	Chassis with Power Modules and WD2S Card
	540-3085	Chassis, Power Modules, Dampers, and WD2S Card
-	230-1545	● Vibration Damper for the ST19171WC (x28)
	370-2198	Chassis FRU
1	None	● Operator Panel
2	None	● Operator Panel Cable
3	None	● Chassis
4	None	● Centerplane
5	370-2195	Environmental Sensor Card
6	300-1311	200 Watt Power Supply Modules A and B
6	300-1328	200 Watt Power Supply Modules A and B
7	370-2197	Fan Assembly
8	370-2196	WD2S Single-Ended to Differential Interface Card
8	370-3375	WD2S Single-Ended to Differential Interface Card
9	540-2942	9.1GB 7200 RPM Disk Drive Assembly/FRU
-	370-2304	● Disk Drive Enclosure
-	370-2369	● 9.1GB Disk Drive, Seagate ST19171WC
-	370-2370	● 9.1GB Disk Drive, Fujitsu M2949
NS	180-1189	230V AC Power Cord, IEC-320 to NEMA 6-15
NS	180-1190	240V AC Power Cord, IEC-320 to Reverse IEC-320
NS	250-1305	RSM Tray EMI Shield (required for EMI reduction)
NS	340-3627	Shipping Bracket
NS	530-1351	230V AC Power Cord, IEC-320 to NEMA 6-15
NS	530-1343	240V AC Power Cord, IEC-320 to Reverse IEC-320
NS	530-2197	AC Power Cord, AMP Mate-N-Lok to IEC-320
NS	530-2264	AC Power Cord, AMP Mate-N-Lok to Y IEC-320
NS	565-1421	Damper Kit with 35x 230-1545 Dampers
NS	370-2343	Rack Mount Tray
-	565-1478	● Front Bkt 250-1237 and Rear Bkt 250-1238
	802-5062	<i>SPARCstorage RSM Installation and Service</i>

SPARCstorage Array Model 219 RSM

6595
56" Rack Option
6 RSM 219 Trays
18 9.1GB Disks
7200 RPM

6596
56" Rack Option
6 RSM 219 Trays
42 9.1GB Disks
7200 RPM



SPARCstorage Array Model 219 RSM

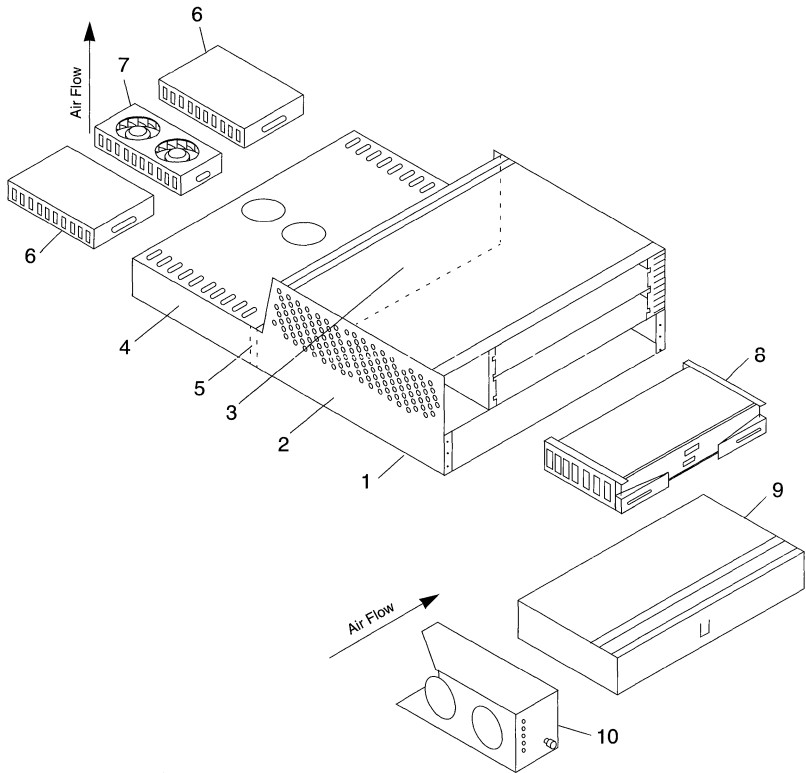
6595

6596

CODE	PART #	DESCRIPTION
1	540-2653	SPARCstorage Array Model 210 Chassis
NS	501-3021	● Differential SCSI Array Controller (110MHz)
NS	370-1426	● Fibre Channel Optical Module
NS	501-2857	● Battery Module
NS	501-2670	● Differential SCSI to Fibre Channel Adapter
NS	540-2465	● Power Supply Assembly/FRU
2	540-2809	56-inch Enterprise Expansion Cabinet Assembly
3	300-1290	● Universal Power Sequencer
4	540-2709	● Fan Tray Assembly
5	340-3267	● Fan Tray Rear Cover
6	340-3352	● Top Panel, Medium Grey
7	340-3354	● Side Panel, Medium Grey
8	540-2393	● Keypad Assembly
9	540-2810	● Door Assembly
NS	530-2265	AC Power Cord, Harting Han 6HsB to NEMA L6-30P
NS	530-2266	AC Power Cord, Harting Han 6HsB to IEC 309
10	-	RSM with 3x 9.1GB Disk Drives per Tray
10	-	RSM with 7x 9.1GB Disk Drives per Tray
NS	370-2198	● SPARCstorage RSM Chassis FRU
NS	540-2942	● 9.1GB 7200 RPM Disk Drive Assembly/FRU
11	370-2343	SPARCstorage RSM Rack Mount Tray
NS	340-3627	SPARCstorage RSM Shipping Bracket
NS	530-1885	External SCSI Cable, HD68 to HD68, 2.0M
NS	530-2197	AC Power Cord, AMP Mate-N-Lok to IEC-320
NS	530-2236	Remote Keypad Control Cable, 3.2M
NS	530-2264	AC Power Cord, AMP Mate-N-Lok to Y IEC-320
NS	537-1004	Fibre Optical Cable, 2M
NS	537-1006	Fibre Optical Cable, 15M

RSM Array 2000 StorEdge A3000

6536
w/o Disks
w/o RSM Tray



RSM Array 2000 StorEdge A3000

6536

CODE	PART #	DESCRIPTION
1	370-2408	RSM Array 2000/StorEdge A3000 Assembly
1	370-2431	Chassis with Backplane FRU
2	None	● Logic Chassis Assembly
3	None	● Logic Chassis Backplane
-	370-2724	● Ribbon Cable, Battery to Backplane
4	370-2869	● Power Supply Chassis Assembly
5	None	● Power Supply Chassis Backplane
-	370-2870	● Power Supply Interface Cable
-	370-2871	● Power Supply DC Power Cable
6	370-2436	Power Supply
7	370-2432	Power Supply Fan Assembly
8	370-2435	Differential SCSI Array Controller without Memory
8	540-3600	Differential SCSI Array Controller with Memory
9	370-2434	Battery Assembly
10	370-2433	Differential SCSI Array Controller Fan Assembly
NS	370-2437	Mounting Rail Set
-	None	● Left Rail and Right Rail
-	None	● Rear Mounting Bracket (x2)
-	None	● #8-32 x 7/16" Screw
NS	370-2438	8MB Processor Memory SIMM
NS	370-2439	32MB Cache Memory SIMM
NS	150-1890	Differential Terminator, HD68
NS	530-1351	230V AC Power Cord, IEC-320 to NEMA 6-15
NS	530-1343	240V AC Power Cord, IEC-320 to Reverse IEC-320
NS	530-1885	External SCSI Cable, HD68 to HD68, 2.0 M
NS	530-1886	External SCSI Cable, HD68 to HD68, 12.0 M
NS	530-2197	AC Power Cord, AMP Mate-N-Lok to IEC-320
NS	530-2264	AC Power Cord, AMP Mate-N-Lok to Y IEC-320
NS	565-1397	Cable FRU Kit
-	370-2724	● Ribbon Cable, Battery to Backplane
-	370-2870	● Power Supply Interface Cable
-	370-2871	● Power Supply DC Power Cable
	802-7603	<i>RSM Array 2000 Installation and System Manual</i>

RSM Array 2000 StorEdge A3000

6530
5 RSM Trays
15 4.2GB Disks
5400 RPM

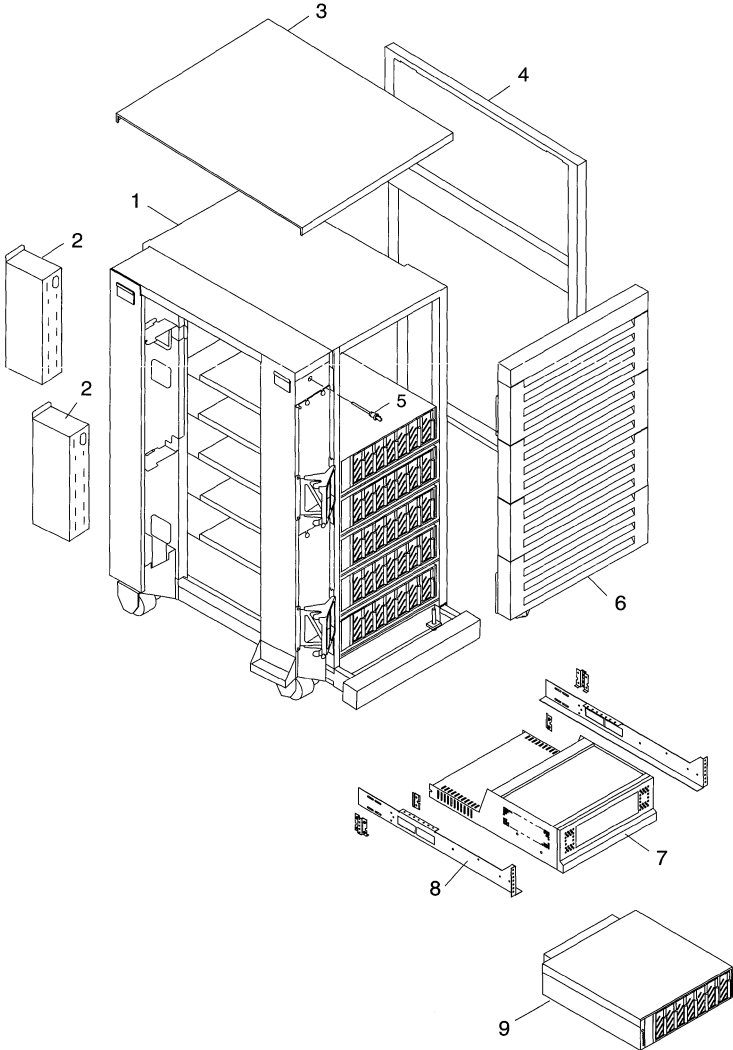
6531
5 RSM Trays
35 4.2GB Disks
7200 RPM

6532
5 RSM Trays
15 4.2GB Disks
7200 RPM

6533
5 RSM Trays
35 4.2GB Disks
7200 RPM

6534
5 RSM Trays
15 9.1GB Disks
7200 RPM

6535
5 RSM Trays
35 9.1GB Disks
7200 RPM



RSM Array 2000 StorEdge A3000

6530

6531

6532

6533

6534

6535

CODE	PART #	DESCRIPTION
1	540-2809	56-inch Enterprise Expansion Cabinet Assembly
2	300-1290	● Universal Power Sequencer
3	340-3352	● Top Panel, Medium Grey
4	340-3354	● Side Panel, Medium Grey
5	540-2393	● Keyswitch Assembly
6	540-2810	● Door Assembly
NS	530-2265	AC Power Cord, Harting Han 6HsB to NEMA L6-30P
NS	530-2266	AC Power Cord, Harting Han 6HsB to IEC 309
7	370-2408	RSM Array 2000/StorEdge A3000 Assembly
7	370-2431	● Chassis with Backplane FRU
-	370-2869	● Power Supply Chassis Assembly
-	370-2436	● Power Supply
-	370-2432	● Power Supply Fan Assembly
-	370-2435	● Differential SCSI Array Controller without Memory
-	540-3600	● Differential SCSI Array Controller with Memory
-	370-2434	● Battery Assembly
-	370-2433	● Differential SCSI Array Controller Fan Assembly
8	370-2437	Mounting Rail Set
9	-	RSM with 3x Disk Drives per Tray
9	-	RSM with 7x Disk Drives per Tray
NS	370-2198	● SPARCstorage RSM Chassis FRU
NS	540-2784	● 4.2GB 5400 RPM Disk Drive Assembly/FRU
NS	540-2939	● 4.2GB 7200 RPM Disk Drive Assembly/FRU
NS	540-2942	● 9.1GB 7200 RPM Disk Drive Assembly/FRU
NS	340-3627	SPARCstorage RSM Shipping Bracket
NS	530-1885	External SCSI Cable, HD68 to HD68, 2.0 M
NS	530-1886	External SCSI Cable, HD68 to HD68, 12.0 M
NS	530-2197	AC Power Cord, AMP Mate-N-Lok to IEC-320
NS	530-2236	Remote Keyswitch Control Cable, 3.2M
NS	530-2264	AC Power Cord, AMP Mate-N-Lok to Y IEC-320

StorEdge A1000

ARY126A-72G

Tabletop Option
4 18.2GB Disks
7200 RPM

ARY126A-144G

Tabletop Option
8 18.2GB Disks
7200 RPM

ARY135A-72G

72" Rack Option w/o Rack
4 18.2GB Disks
7200 RPM

ARY161A-145G

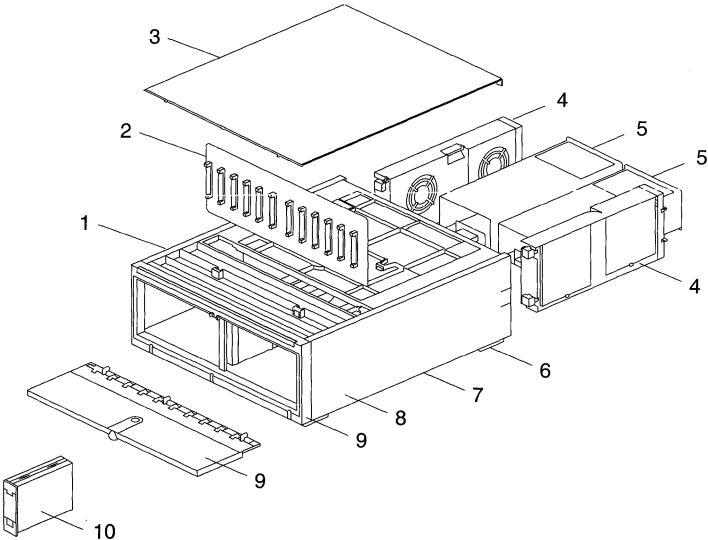
Tabletop Option
4 36.4GB Disks
10000 RPM

ARY161A-291G

Tabletop Option
8 36.4GB Disks
10000 RPM

ARY162A-145G

72" Rack Option w/o Rack
4 36.4GB Disks
10000 RPM



StorEdge A1000

ARY126A-72G

ARY126A-144G

ARY135A-72G

ARY161A-145G

ARY161A-291G

ARY162A-145G

CODE	PART #	DESCRIPTION
1	540-3270	Empty 8-Drive Chassis Assembly
1	540-3761	Empty 8-Drive Chassis with Rack Mount Tray
1	540-3325	Empty Chassis Assembly
2	501-4560	8-Slot SCSI Disk Backplane
3	330-2535	Top Cover
4	540-3323	Fan Tray
5	300-1340	360 Watt Power Supply
6	330-2000	Foot
7	330-2267	Bottom Cover
8	330-2266	Vented Side Panel
9	540-3324	Front Door Assembly (-01 w Frame -02 w/o Frame)
10	540-3721	18.2GB 7200 RPM Disk Drive Assembly/FRU
-	370-3414	● 18.2GB Disk Drive, Fujitsu MAA3182SC
-	370-3596	● 18.2GB Disk Drive, Seagate ST118273LC
-	540-3025	● 1.6" Spud Bracket
10	540-4263	36.4GB 10000 RPM Disk Drive Assembly/FRU
-	390-0014	● 36.4GB Disk Drive, Fujitsu MAF3364LC
-	390-0020	● 36.4GB Disk Drive, Seagate ST136403LC
-	540-3025	● 1.6" Spud Bracket
10	370-3291	Empty 1.6" Disk Drive Slot Filler
NS	375-0015	RAID Controller FRU, 16MB MPU + 64MB RPA
NS	375-0016	RAID Controller FRU, 8MB MPU + 16MB RPA
NS	375-0007	● RAID Controller, 8MB MPU + 16MB RPA
NS	370-3417	● Battery
NS	330-1999	Top and Bottom Cover Plug
NS	240-2690	A1000/D1000 Key
NS	150-1890	Differential Terminator, HD68
NS	530-1885	External SCSI Cable, HD68 to HD68, 2M
NS	340-4469	A1000/D1000 Tray
NS	340-4470	A1000/D1000 Rack Mounting Bracket (x2)
NS	340-4471	A1000/D1000 Right Clamp
NS	370-4472	A1000/D1000 Left Clamp
	805-2624	<i>A1000/D1000 Installation/Operation/Service Manual</i>

StorEdge A1000

ARY122A-16G
 Tabletop Option
 4 4.2GB Disks
 10000 RPM

ARY122A-50G
 Tabletop Option
 12 4.2GB Disks
 10000 RPM

ARY124A-36G
 Tabletop Option
 4 9.1GB Disks
 7200 RPM

ARY124A-109G
 Tabletop Option
 12 9.1GB Disks
 7200 RPM

ARY131A-16G
 72" Rack Option w/o Rack
 4 4.2GB Disks
 10000 RPM

ARY133A-36G
 72" Rack Option w/o Rack
 12 4.2GB Disks
 10000 RPM

ARY144A-36G
 Tabletop Option
 4 9.1GB Disks
 10000 RPM

ARY144A-109G
 Tabletop Option
 12 9.1GB Disks
 10000 RPM

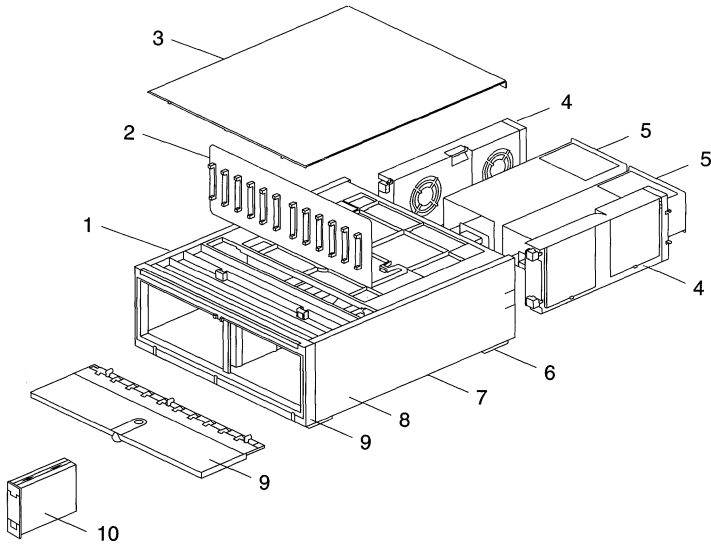
ARY146A-36G
 72" Rack Option w/o Rack
 4 9.1GB Disks
 10000 RPM

ARY151A-72G
 Tabletop Option
 4 18.2GB Disks
 10000 RPM

ARY151A-218G
 Tabletop Option
 12 18.2GB Disks
 10000 RPM

ARY152A-72G
 72" Rack Option w/o Rack
 4 18.2GB Disks
 10000 RPM

ARY152A-218G
 72" Rack Option w/o Rack
 12 18.2GB Disks
 10000 RPM



StorEdge A1000

ARY122A-16G	ARY122A-50G	ARY124A-36G
ARY124A-109G	ARY131A-16G	ARY133A-36G
ARY144A-36G	ARY144A-109G	ARY146A-36G
ARY151A-72G	ARY151A-218G	ARY152A-72G
	ARY152A-218G	

CODE	PART #	DESCRIPTION
1	540-3269	Empty 12-Drive Chassis Assembly
1	540-3325	Empty Chassis Assembly
2	501-4440	12-Slot SCSI Disk Backplane
3	330-2535	Top Cover
4	540-3323	Fan Tray
5	300-1340	360 Watt Power Supply
6	330-2000	Foot
7	330-2267	Bottom Cover
8	330-2266	Vented Side Panel
9	540-3324	Front Door Assembly (-01 w Frame -02 w/o Frame)
10	See next page	Disk Drive Assembly/FRU
NS	375-0015	RAID Controller FRU, 16MB MPU + 64MB RPA
NS	375-0016	RAID Controller FRU, 8MB MPU + 16MB RPA
-	375-0007	● RAID Controller, 8MB MPU + 16MB RPA
-	370-3417	● Battery
NS	150-1890	Differential Terminator, HD68
NS	240-2690	A1000/D1000 Key
NS	330-1999	Top and Bottom Cover Plug
NS	340-4469	A1000/D1000 Tray
NS	340-4470	A1000/D1000 Rack Mounting Bracket (x2)
NS	340-4471	A1000/D1000 Right Clamp
NS	370-4472	A1000/D1000 Left Clamp
NS	530-1885	External SCSI Cable, HD68 to HD68, 2M
NS	530-2384	External SCSI Cable, HD68 to HD68, 2M
	805-2624	<i>A1000/D1000 Installation/Operation/Service Manual</i>

StorEdge A1000 - Continued

ARY122A-16G	ARY122A-50G	ARY124A-36G
ARY124A-109G	ARY131A-16G	ARY133A-36G
ARY144A-36G	ARY144A-109G	ARY146A-36G
ARY151A-72G	ARY151A-218G	ARY152A-72G
	ARY152A-218G	

CODE	PART #	DESCRIPTION
10	540-3594	4.2GB 10000 RPM Disk Drive Assembly/FRU
-	340-4288	● Protective Plate
-	370-3338	● 4.2GB Disk Drive, Seagate ST34501WC
-	390-0003	● 4.2GB Disk Drive, Seagate ST34502LC
-	540-3024	● 1.0" Spud Bracket
10	540-3720	9.1GB 7200 RPM Disk Drive Assembly/FRU
-	340-4288	● Protective Plate
-	370-3404	● 9.1GB Disk Drive, IBM DDRS-39130
-	370-3413	● 9.1GB Disk Drive, Fujitsu MAB3091SC
-	370-3595	● 9.1GB Disk Drive, Seagate ST39173WC
-	390-0004	● 9.1GB Disk Drive, Fujitsu MAE3091LC
-	540-3024	● 1.0" Spud Bracket
10	540-3966	9.1GB 10000 RPM Disk Drive Assembly/FRU
-	340-4288	● Protective Plate
-	370-3649	● 9.1GB Disk Drive, Seagate ST39102LC
-	390-0005	● 9.1GB Disk Drive, Fujitsu MAG3091LC
-	390-0009	● 9.1GB Disk Drive, Seagate ST39103LC
-	540-3024	● 1.0" Spud Bracket
10	540-4178	18.2GB 10000 RPM Disk Drive Assembly/FRU
-	340-4288	● Protective Plate
-	390-0002	● 18.2GB Disk Drive, Seagate ST318203LC
-	390-0006	● 18.2GB Disk Drive, Fujitsu MAG3182LC
-	390-0038	● 18.2GB Disk Drive, Seagate ST318404LC
-	390-0043	● 18.2GB Disk Drive, Fujitsu MAJ3182WC
-	540-3024	● 1.0" Spud Bracket
10	370-3290	Empty 1.0" Disk Drive Slot Filler

This page intentionally left blank.

StorEdge A1000

ARY150A-72G

Tabletop Option
4 18.2GB Disks
10000 RPM

ARY150A-218G

Tabletop Option
12 18.2GB Disks
10000 RPM

ARY155A-72G

72" Rack Option w/o Rack
4 18.2GB Disks
10000 RPM

ARY155A-218G

72" Rack Option w/o Rack
12 18.2GB Disks
10000 RPM

ARY170A-145G

Tabletop Option
4 36.4GB Disks
10000 RPM

ARY170A-436G

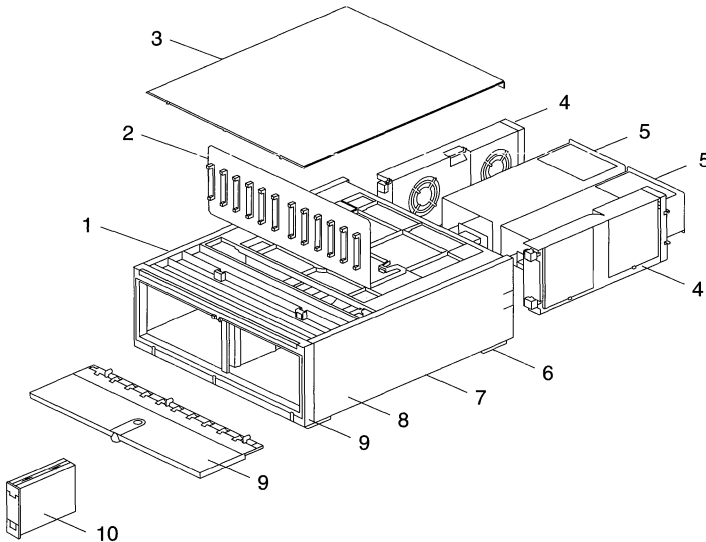
Tabletop Option
12 36.4GB Disks
10000 RPM

ARY171A-145G

72" Rack Option w/o Rack
4 36.4GB Disks
10000 RPM

ARY171A-436G

72" Rack Option w/o Rack
12 36.4GB Disks
10000 RPM



StorEdge A1000

ARY150A-72G

ARY150A-218G

ARY155A-72G

ARY155A-218G

ARY170A-145G

ARY170A-436G

ARY171A-145G

ARY171A-436G

CODE	PART #	DESCRIPTION
1	540-3269	Empty 12-Drive Chassis Assembly
1	540-3325	Empty Chassis Assembly
2	501-4440	12-Slot SCSI Disk Backplane
3	330-2535	Top Cover
4	540-3323	Fan Tray
5	300-1340	360 Watt Power Supply
6	330-2000	Foot
7	330-2267	Bottom Cover
8	330-2266	Vented Side Panel
9	540-3324	Front Door Assembly (-02 w/o Frame)
10	540-4178	18.2GB 10000 RPM Disk Drive Assembly/FRU
10	540-4520	36.4GB 10000 RPM Disk Drive Assembly/FRU
NS	375-0135	RAID Controller FRU, 8MB MPU + 16MB RPA
NS	375-0136	RAID Controller FRU, 16MB MPU + 64MB RPA
-	375-0134	● RAID Controller, 8MB MPU + 16MB RPA
-	370-3417	● Battery
NS	150-1890	Differential Terminator, HD68
NS	240-2690	A1000/D1000 Key
NS	330-1999	Top and Bottom Cover Plug
NS	340-4469	A1000/D1000 Tray
NS	340-4470	A1000/D1000 Rack Mounting Bracket (x2)
NS	340-4471	A1000/D1000 Right Clamp
NS	370-4472	A1000/D1000 Left Clamp
NS	530-1885	External SCSI Cable, HD68 to HD68, 2M
NS	530-2384	External SCSI Cable, HD68 to HD68, 2M
	805-2624	<i>A1000/D1000 Installation/Operation/Service Manual</i>

StorEdge D1000

ARY127A-72G
Tabletop Option
4 18.2GB Disks
7200 RPM

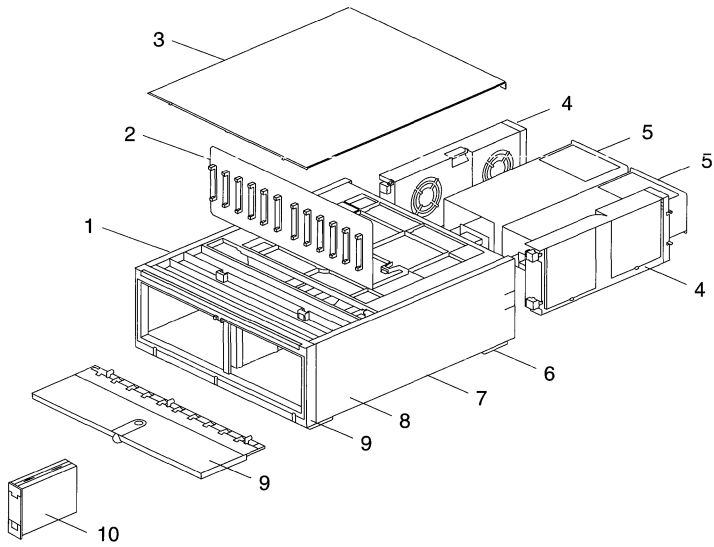
ARY127A-144G
Tabletop Option
8 18.2GB Disks
7200 RPM

ARY136A-72G
72" Rack Option w/o Rack
4 18.2GB Disks
7200 RPM

ARY163A-145G
Tabletop Option
4 36.4GB Disks
10000 RPM

ARY163A-291G
Tabletop Option
8 36.4GB Disks
10000 RPM

ARY164A-145G
72" Rack Option w/o Rack
4 36.4GB Disks
10000 RPM



StorEdge D1000

ARY127A-72G

ARY127A-144G

ARY136A-72G

ARY163A-145G

ARY163A-291G

ARY164A-145G

CODE	PART #	DESCRIPTION
1	540-3270	Empty 8-Drive Chassis Assembly
1	540-3761	Empty 8-Drive Chassis with Rack Mount Tray
1	540-3325	Empty Chassis Assembly
2	501-4560	8-Slot SCSI Disk Backplane
3	330-2535	Top Cover
4	540-3323	Fan Tray
5	300-1340	360 Watt Power Supply
6	330-2000	Foot
7	330-2267	Bottom Cover
8	330-2266	Vented Side Panel
9	540-3324	Front Door Assembly (-01 w Frame -02 w/o Frame)
10	540-3721	18.2GB 7200 RPM Disk Drive Assembly/FRU
-	340-4288	● Protective Plate
-	370-3414	● 18.2GB Disk Drive, Fujitsu MAA3182SC
-	370-3596	● 18.2GB Disk Drive, Seagate ST118273LC
-	540-3025	● 1.6" Spud Bracket
10	540-4263	36.4GB 10000 RPM Disk Drive Assembly/FRU
-	340-4288	● Protective Plate
-	390-0014	● 36.4GB Disk Drive, Fujitsu MAF3364LC
-	390-0020	● 36.4GB Disk Drive, Seagate ST136403LC
-	540-3025	● 1.6" Spud Bracket
10	370-3291	Empty 1.6" Disk Drive Slot Filler
NS	375-0008	Differential SCSI Controller Board
NS	330-1999	Top and Bottom Cover Plug
NS	240-2690	A1000/D1000 Key
NS	150-1890	Differential Terminator, HD68
NS	530-1883	External SCSI Cable, HD68 to HD68, 20 cm
NS	530-1885	External SCSI Cable, HD68 to HD68, 2M
NS	340-4469	A1000/D1000 Tray
NS	340-4470	A1000/D1000 Rack Mounting Bracket (x2)
NS	340-4471	A1000/D1000 Right Clamp
NS	370-4472	A1000/D1000 Left Clamp
	805-2624	<i>A1000/D1000 Installation/Operation/Service Manual</i>

StorEdge D1000

ARY123A-16G
Tabletop Option
4 4.2GB Disks
10000 RPM

ARY123A-50G
Tabletop Option
12 4.2GB Disks
10000 RPM

ARY125A-36G
Tabletop Option
4 9.1GB Disks
7200 RPM

ARY125A-109G
Tabletop Option
12 9.1GB Disks
7200 RPM

ARY132A-16G
72" Rack Option w/o Rack
4 4.2 GB Disks
10000 RPM

ARY134A-36G
72" Rack Option w/o Rack
12 4.2 GB Disks
10000 RPM

ARY145A-36G
Tabletop Option
4 9.1GB Disks
10000 RPM

ARY145A-109G
Tabletop Option
12 9.1 GB Disks
10000 RPM

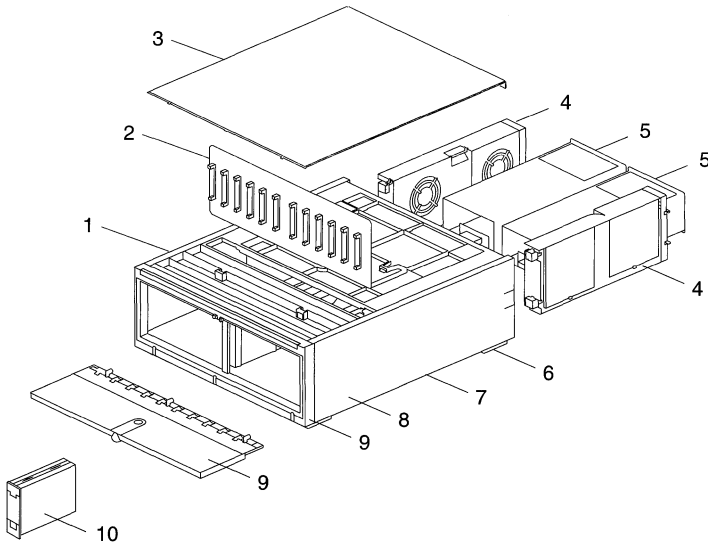
ARY147A-36G
72" Rack Option w/o Rack
4 9.1GB Disks
10000 RPM

ARY153A-72G
Tabletop Option
4 18.2GB Disks
10000 RPM

ARY153A-218G
Tabletop Option
12 18.2 GB Disks
10000 RPM

ARY154A-72G
72" Rack Option w/o Rack
4 18.2GB Disks
10000 RPM

ARY154A-218G
72" Rack Option w/o Rack
12 18.2GB Disks
10000 RPM



StorEdge D1000

ARY123A-16G	ARY123A-50G	ARY125A-36G
ARY125A-109G	ARY132A-16G	ARY134A-36G
ARY145A-36G	ARY145A-109G	ARY147A-36G
ARY153A-72G	ARY153A-218G	ARY154A-72G
	ARY154A-218G	

CODE	PART #	DESCRIPTION
1	540-3269	Empty 12-Drive Chassis Assembly
1	540-3325	Empty Chassis Assembly
2	501-4440	12-Slot SCSI Disk Backplane
3	330-2535	Top Cover
4	540-3323	Fan Tray
5	300-1340	360 Watt Power Supply
6	330-2000	Foot
7	330-2267	Bottom Cover
8	330-2266	Vented Side Panel
9	540-3324	Front Door Assembly (-01 w Frame -02 w/o Frame)
10	See next page	Disk Drive Assembly/FRU
NS	150-1890	Differential Terminator, HD68
NS	240-2690	A1000/D1000 Key
NS	330-1999	Top and Bottom Cover Plug
NS	330-2270	Door Frame
NS	375-0008	Differential SCSI Controller Board
NS	530-1885	External SCSI Cable, HD68 to HD68, 2M
NS	530-2384	External SCSI Cable, HD68 to HD68, 2M
NS	340-4469	A1000/D1000 Tray
NS	340-4470	A1000/D1000 Rack Mounting Bracket (x2)
NS	340-4471	A1000/D1000 Right Clamp
NS	370-4472	A1000/D1000 Left Clamp
	805-2624	<i>A1000/D1000 Installation/Operation/Service Manual</i>

Note: Option ARY123A-50G was originally price listed as ARY023A-50G.

StorEdge D1000 - Continued

ARY123A-16G	ARY123A-50G	ARY125A-36G
ARY125A-109G	ARY132A-16G	ARY134A-36G
ARY145A-36G	ARY145A-109G	ARY147A-36G
ARY153A-72G	ARY153A-218G	ARY154A-72G
	ARY154A-218G	

CODE	PART #	DESCRIPTION
10	540-3594	4.2GB 10000 RPM Disk Drive Assembly/FRU
-	340-4288	● Protective Plate
-	370-3338	● 4.2GB Disk Drive, Seagate ST34501WC
-	390-0003	● 4.2GB Disk Drive, Seagate ST34502LC
-	540-3024	● 1.0" Spud Bracket
10	540-3720	9.1GB 7200 RPM Disk Drive Assembly/FRU
-	340-4288	● Protective Plate
-	370-3404	● 9.1GB Disk Drive, IBM DDRS-39130
-	370-3413	● 9.1GB Disk Drive, Fujitsu MAB3091SC
-	370-3595	● 9.1GB Disk Drive, Seagate ST39173WC
-	390-0004	● 9.1GB Disk Drive, Fujitsu MAE3091LC
-	540-3024	● 1.0" Spud Bracket
10	540-3966	9.1GB 10000 RPM Disk Drive Assembly/FRU
-	340-4288	● Protective Plate
-	370-3649	● 9.1GB Disk Drive, Seagate ST39102LC
-	390-0005	● 9.1GB Disk Drive, Fujitsu MAG3091LC
-	390-0009	● 9.1GB Disk Drive, Seagate ST39103LC
-	540-3024	● 1.0" Spud Bracket
10	540-4178	18.2GB 10000 RPM Disk Drive Assembly/FRU
-	340-4288	● Protective Plate
-	390-0002	● 18.2GB Disk Drive, Seagate ST318203LC
-	390-0006	● 18.2GB Disk Drive, Fujitsu MAG3182LC
-	390-0038	● 18.2GB Disk Drive, Seagate ST318404LC
-	390-0043	● 18.2GB Disk Drive, Fujitsu MAJ3182WC
-	540-3024	● 1.0" Spud Bracket
10	370-3290	Empty 1.0" Disk Drive Slot Filler

This page intentionally left blank.

StorEdge D1000

ARY172A-145G

Tabletop Option
4 36.4GB Disks
10000 RPM

ARY172A-436G

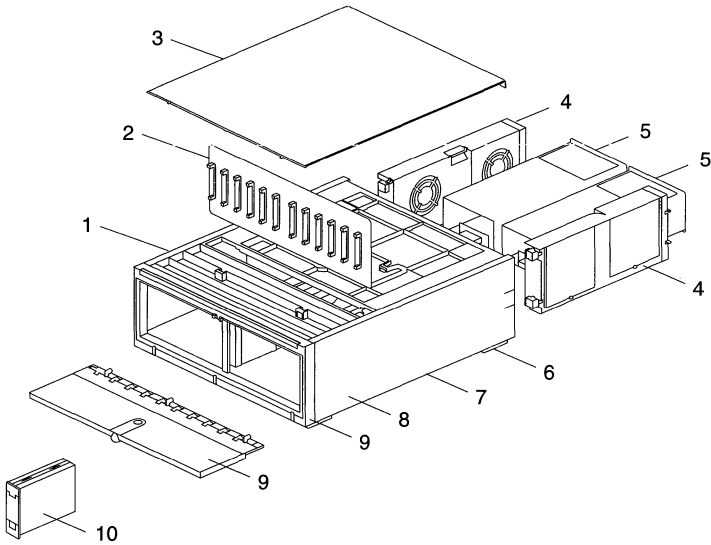
Tabletop Option
12 36.4GB Disks
10000 RPM

ARY173A-145G

72" Rack Option w/o Rack
4 36.4GB Disks
10000 RPM

ARY173A-436G

72" Rack Option w/o Rack
12 36.4GB Disks
10000 RPM



StorEdge D1000

ARY172A-145G

ARY172A-436G

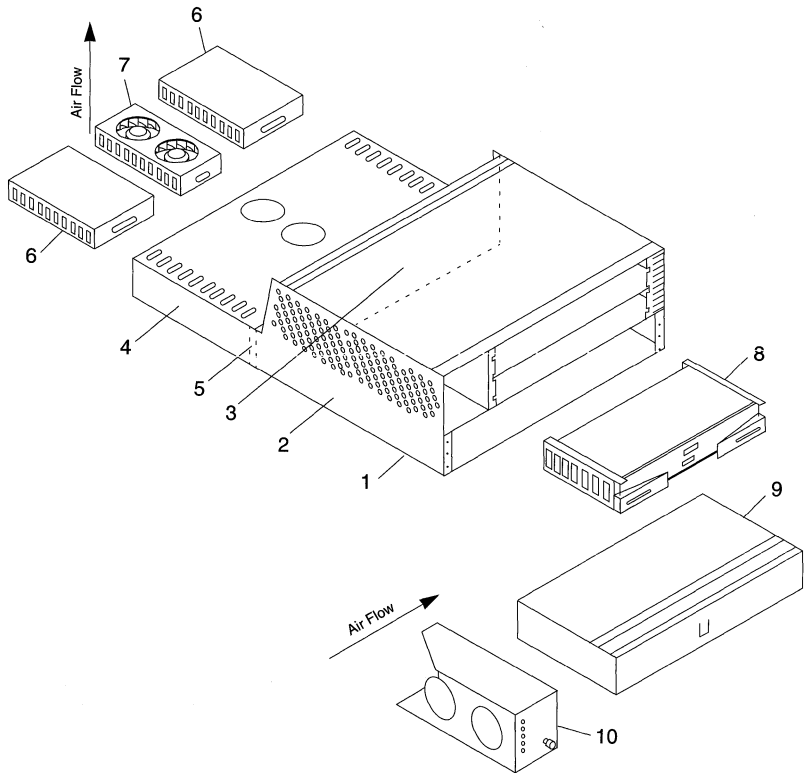
ARY173A-145G

ARY173A-436G

CODE	PART #	DESCRIPTION
1	540-3269	Empty 12-Drive Chassis Assembly
1	540-3325	Empty Chassis Assembly
2	501-4440	12-Slot SCSI Disk Backplane
3	330-2535	Top Cover
4	540-3323	Fan Tray
5	300-1340	360 Watt Power Supply
6	330-2000	Foot
7	330-2267	Bottom Cover
8	330-2266	Vented Side Panel
9	540-3324	Front Door Assembly (-02 w/o Frame)
10	540-4520	36.4GB 10000 RPM Disk Drive Assembly/FRU
NS	150-1890	Differential Terminator, HD68
NS	240-2690	A1000/D1000 Key
NS	330-1999	Top and Bottom Cover Plug
NS	330-2270	Door Frame
NS	375-0008	Differential SCSI Controller Board
NS	530-1885	External SCSI Cable, HD68 to HD68, 2M
NS	530-2384	External SCSI Cable, HD68 to HD68, 2M
NS	340-4469	A1000/D1000 Tray
NS	340-4470	A1000/D1000 Rack Mounting Bracket (x2)
NS	340-4471	A1000/D1000 Right Clamp
NS	370-4472	A1000/D1000 Left Clamp
	805-2624	<i>A1000/D1000 Installation/Operation/Service Manual</i>

StorEdge A3500

6537
SCSI Array Controller
w/o Disks
w/o D1000 Tray



StorEdge A3500

6537

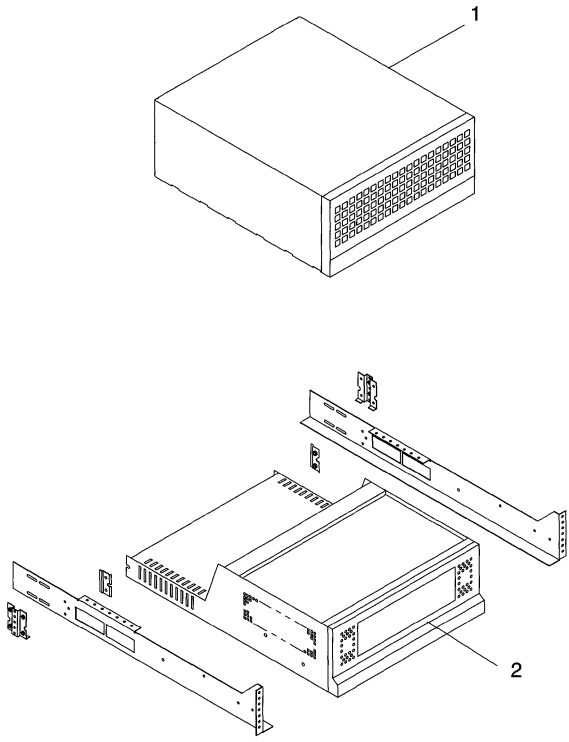
CODE	PART #	DESCRIPTION
1	380-0083	StorEdge A3500 Assembly
1	370-2431	Chassis with Backplane FRU
2	None	● Logic Chassis Assembly
3	None	● Logic Chassis Backplane
-	370-2724	● Ribbon Cable, Battery to Backplane
4	370-2869	● Power Supply Chassis Assembly
5	None	● Power Supply Chassis Backplane
-	370-2870	● Power Supply Interface Cable
-	370-2871	● Power Supply DC Power Cable
6	370-2436	Power Supply
7	370-2432	Power Supply Fan Assembly
8	370-3656	Differential SCSI Array Controller without Memory
8	540-3083	Differential SCSI Array Controller with Memory
9	370-2434	Battery Assembly
10	370-2433	Differential SCSI Array Controller Fan Assembly
NS	370-2437	Mounting Rail Set (370-2437-02 recommended)
-	None	● Left Rail and Right Rail
-	None	● Rear Mounting Bracket (x2)
-	None	● #8-32 x 7/16" Screw
NS	370-2438	8MB Processor Memory SIMM
NS	370-2439	32MB Cache Memory SIMM
NS	150-1890	Differential Terminator, HD68
NS	530-1351	230V AC Power Cord, IEC-320 to NEMA 6-15
NS	530-1343	240V AC Power Cord, IEC-320 to Reverse IEC-320
NS	530-1885	External SCSI Cable, HD68 to HD68, 2.0 M
NS	530-1886	External SCSI Cable, HD68 to HD68, 12.0 M
NS	530-2197	AC Power Cord, AMP Mate-N-Lok to IEC-320
NS	530-2264	AC Power Cord, AMP Mate-N-Lok to Y IEC-320
NS	565-1397	Cable FRU Kit
-	370-2724	● Ribbon Cable, Battery to Backplane
-	370-2870	● Power Supply Interface Cable
-	370-2871	● Power Supply DC Power Cable
	805-4980	<i>StorEdge A3000 Controller Module Guide</i>

StorEdge A3500-Light

ARY356A-72G
Rack Option w/o Rack
1 A3500 + 2 D1000s
8 9.1GB Disks
7200 RPM

ARY366A-72G
Rack Option w/o Rack
1 A3500 + 2 D1000s
8 9.1GB Disks
10000 RPM

ARY386A-145G
Rack Option w/o Rack
1 A3500 + 2 D1000s
8 18.2GB Disks
10000 RPM



StorEdge A3500-Light

ARY356A-72G

ARY366A-72G

ARY386A-145G

CODE	PART #	DESCRIPTION
1	540-3760	D1000 12-Drive Chassis with Rack Mount Tray
NS	300-1340	360 Watt Power Supply
NS	370-3290	Empty 1.0" Disk Drive Slot Filler
NS	375-0008	Differential SCSI Controller Board
NS	501-4440	12-Slot SCSI Disk Backplane
NS	540-3323	Fan Tray
NS	540-3720	9.1GB 7200 RPM Disk Drive Assembly/FRU
NS	540-3966	9.1GB 10000 RPM Disk Drive Assembly/FRU
NS	540-4178	18.2GB 10000 RPM Disk Drive Assembly/FRU
2	380-0083	A3000/A3500 SCSI Assembly for the A3500
2	370-2431	Chassis with Backplane FRU
NS	370-2436	● Power Supply
NS	370-2432	● Power Supply Fan Assembly
NS	540-3083	● A3500 Differential SCSI Array Controller
NS	370-2434	● Battery Assembly
NS	370-2433	● Differential SCSI Array Controller Fan Assembly
NS	150-1890	Differential Terminator, HD68
NS	530-1883	External SCSI Cable, HD68 to HD68, 20 cm
NS	530-1884	External SCSI Cable, HD68 to HD68, 80 cm
NS	530-1885	External SCSI Cable, HD68 to HD68, 2M
NS	530-1886	External SCSI Cable, HD68 to HD68, 12M
	805-2624	<i>A1000/D1000 Installation/Operation/Service Manual</i>
	805-4980	<i>StorEdge A3000 Controller Module Guide</i>

StorEdge A3500

ARY351A-180G
72" Rack Option
1 A3500 + 5 D1000s
10 18.2GB Disks
7200 RPM

ARY353A-360G
72" Rack Option
2 A3500s + 7 D1000s
20 18.2GB Disks
7200 RPM

ARY353A-1008G
72" Rack Option
2 A3500s + 7 D1000s
56 18.2GB Disks
7200 RPM

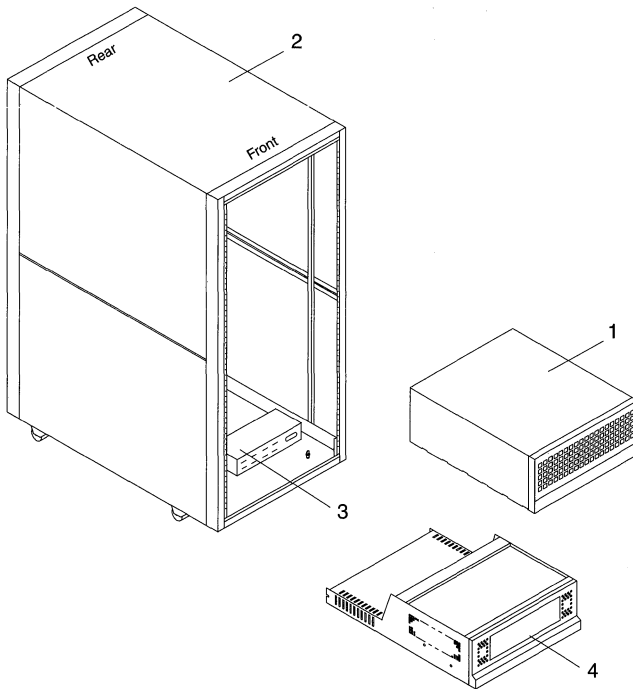
ARY355A-2160G
72" Rack Option
2 A3500s + 15 D1000s
20 18.2GB Disks
7200 RPM

ARY381A-364G
72" Rack Option
1 A3500 + 5 D1000s
10 36.4GB Disks
10000 RPM

ARY381A-1456G
72" Rack Option
1 A3500 + 5 D1000s
40 36.4GB Disks
10000 RPM

ARY383A-728G
72" Rack Option
2 A3500s + 7 D1000s
20 36.4GB Disks
10000 RPM

ARY385A-1092G
72" Rack Option
3 A3500s + 15 D1000s
30 36.4GB Disks
10000 RPM



StorEdge A3500

ARY351A-180G ARY353A-360G ARY353A-1008G
 ARY355A-2160G ARY381A-364G ARY381A-1456G
 ARY383A-782G ARY385A-1092G

CODE	PART #	DESCRIPTION
1	540-3761	D1000 8-Drive Chassis with Rack Mount Tray
NS	300-1340	360 Watt Power Supply
NS	370-3291	Empty 1.6" Disk Drive Slot Filler
NS	375-0008	Differential SCSI Controller Board
NS	501-4560	8-Slot SCSI Disk Backplane
NS	540-3323	Fan Tray
NS	540-3721	18.2GB 7200 RPM Disk Drive Assembly/FRU
NS	540-4263	36.4GB 10000 RPM Disk Drive Assembly/FRU
2	540-3707	72-inch StorEdge Exp. Cabinet, Option ARY030A
3	300-1290	Universal Power Sequencer
NS	530-1619	Grounding Cable
4	380-0083	A3000/A3500 SCSI Assembly for the A3500
4	370-2431	Chassis with Backplane FRU
NS	370-2436	● Power Supply
NS	370-2432	● Power Supply Fan Assembly
NS	540-3083	● A3500 Differential SCSI Array Controller
NS	370-2434	● Battery Assembly
NS	370-2433	● Differential SCSI Array Controller Fan Assembly
NS	150-1890	Differential Terminator, HD68
NS	530-1883	External SCSI Cable, HD68 to HD68, 20 cm
NS	530-1884	External SCSI Cable, HD68 to HD68, 80 cm
NS	530-1885	External SCSI Cable, HD68 to HD68, 2M
NS	530-1886	External SCSI Cable, HD68 to HD68, 12M
	805-2624	<i>A1000/D1000 Installation/Operation/Service Manual</i>
	805-4980	<i>StorEdge A3000 Controller Module Guide</i>

StorEdge A3500

ARY350A-90G

1 A3500 + 5 D1000s
10 9.1GB Disks
7200 RPM

ARY350A-545G

1 A3500 + 5 D1000s
60 9.1GB Disks
7200 RPM

ARY352A-180G

2 A3500s + 7 D1000s
20 9.1GB Disks
7200 RPM

ARY352A-763G

2 A3500s + 7 D1000s
84 9.1GB Disks
7200 RPM

ARY354A-1635G

3 A3500s + 15 D1000s
180 9.1GB Disks
7200 RPM

ARY360A-90G

1 A3500 + 5 D1000s
10 9.1GB Disks
10000 RPM

ARY360A-545G

1 A3500 + 5 D1000s
60 9.1GB Disks
10000 RPM

ARY362A-180G

2 A3500s + 7 D1000s
180 9.1GB Disks
10000 RPM

ARY362A-763G

2 A3500s + 7 D1000s
180 9.1GB Disks
10000 RPM

ARY364A-1635G

3 A3500s + 15 D1000s
180 9.1GB Disks
10000 RPM

ARY370A-91G

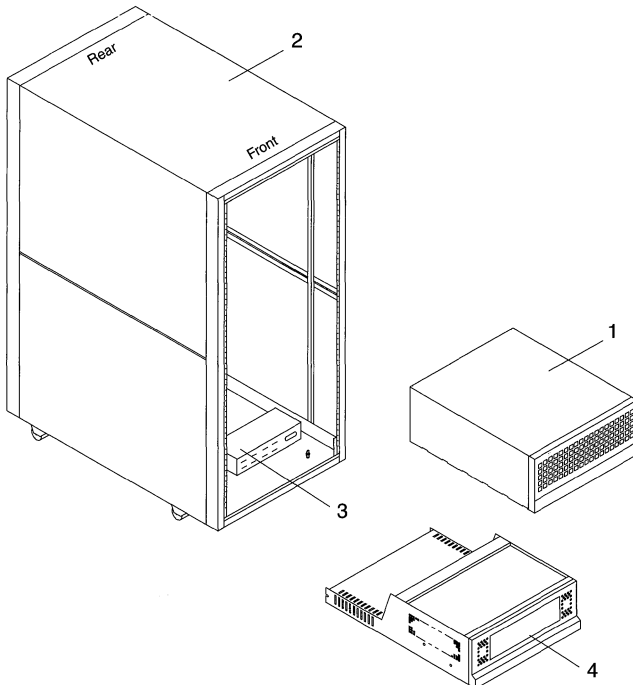
1 A3500 + 5 D1000s
10 9.1GB Disks
10000 RPM

ARY372A-182G

1 A3500 + 7 D1000s
20 9.1GB Disks
10000 RPM

ARY374A-273G

3 A3500s + 15 D1000s
30 9.1GB Disks
10000 RPM



StorEdge A3500

ARY350A-90G	ARY350A-545G	ARY352A-180G
ARY352A-763G	ARY354A-1635G	ARY360A-90G
ARY360A-545G	ARY362A-180G	ARY362A-763G
ARY364A-1635G	ARY370A-91G	ARY372A-182G
	ARY374A-273G	

CODE	PART #	DESCRIPTION
1	540-3760	D1000 12-Drive Chassis with Rack Mount Tray
NS	300-1340	360 Watt Power Supply
NS	370-3290	Empty 1.0" Disk Drive Slot Filler
NS	375-0008	Differential SCSI Controller Board
NS	501-4440	12-Slot SCSI Disk Backplane
NS	540-3323	Fan Tray
NS	540-3720	9.1GB 7200 RPM Disk Drive Assembly/FRU
NS	540-3966	9.1GB 10000 RPM Disk Drive Assembly/FRU
2	540-3707	72-inch StorEdge Exp. Cabinet, Option ARY030A
3	300-1290	Universal Power Sequencer
NS	530-1619	Grounding Cable
4	380-0083	A3000/A3500 SCSI Assembly for the A3500
4	370-2431	Chassis with Backplane FRU
NS	370-2432	● Power Supply Fan Assembly
NS	370-2433	● Array Controller Fan Assembly
NS	370-2434	● Battery Assembly
NS	370-2436	● Power Supply
NS	540-3083	● A3500 Differential SCSI Array Controller
NS	150-1890	Differential Terminator, HD68
NS	530-1883	External SCSI Cable, HD68 to HD68, 20 cm
NS	530-1884	External SCSI Cable, HD68 to HD68, 80 cm
NS	530-1885	External SCSI Cable, HD68 to HD68, 2M
NS	530-1886	External SCSI Cable, HD68 to HD68, 12M
	805-2624	<i>A1000/D1000 Installation/Operation/Service Manual</i>
	805-4980	<i>StorEdge A3000 Controller Module Guide</i>

StorEdge A3500

ARY380A-182G
 72" Rack Option
 1 A3500 + 5 D1000s
 10 18.2GB Disks
 10000 RPM

ARY380A-1092G
 72" Rack Option
 1 A3500 + 5 D1000s
 60 18.2GB Disks
 10000 RPM

ARY382A-364G
 72" Rack Option
 2 A3500s + 7 D1000s
 20 18.2GB Disks
 10000 RPM

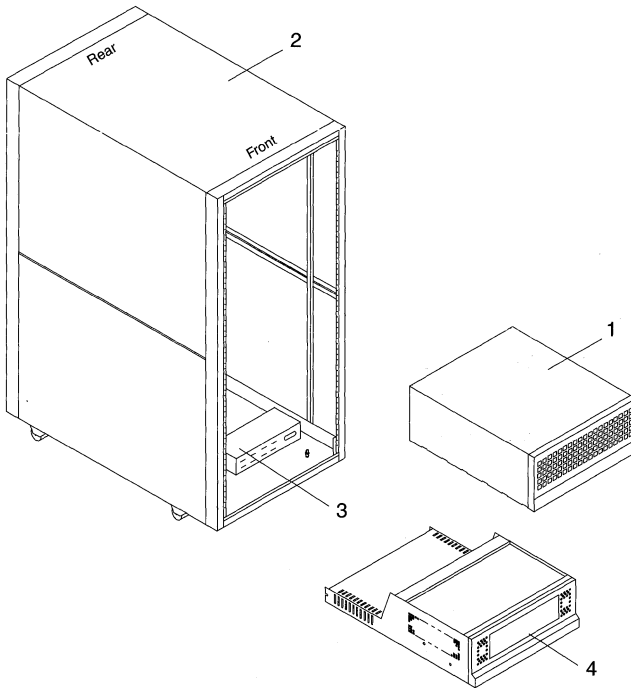
ARY384A-546G
 72" Rack Option
 3 A3500s + 15 D1000s
 30 18.2GB Disks
 10000 RPM

ARY390A-2184G
 72" Rack Option
 1 A3500 + 5 D1000s
 60 36.4GB Disks
 10000 RPM

ARY391A-364G
 72" Rack Option
 1 A3500 + 5 D1000s
 10 36.4GB Disks
 10000 RPM

ARY393A-728G
 72" Rack Option
 2 A3500s + 7 D1000s
 20 36.4GB Disks
 10000 RPM

ARY395A-1092G
 72" Rack Option
 3 A3500s + 15 D1000s
 30 36.4GB Disks
 10000 RPM



StorEdge A3500

ARY380A-182G ARY380A-1092G ARY382A-364G

ARY384A-546G ARY390A-2184G ARY391A-364G

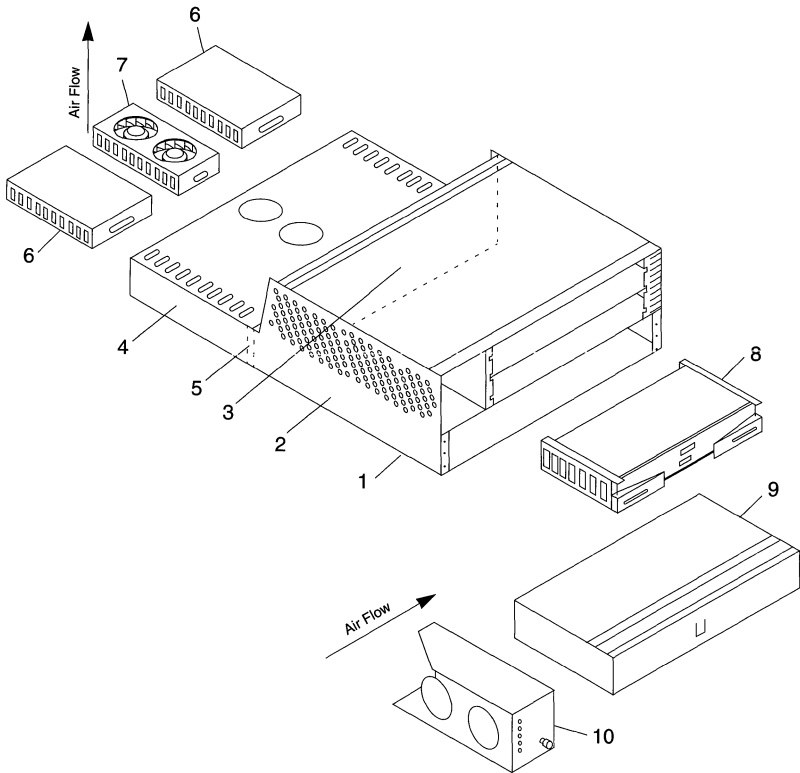
ARY393A-728G

ARY395A-1092G

CODE	PART #	DESCRIPTION
1	540-3760	D1000 12-Drive Chassis with Rack Mount Tray
NS	300-1340	360 Watt Power Supply
NS	370-3290	Empty 1.0" Disk Drive Slot Filler
NS	375-0008	Differential SCSI Controller Board
NS	501-4440	12-Slot SCSI Disk Backplane
NS	540-3323	Fan Tray
NS	540-3721	18.2GB 7200 RPM Disk Drive Assembly/FRU
NS	540-4178	18.2GB 10000 RPM Disk Drive Assembly/FRU
NS	540-4520	36.4GB 10000 RPM Disk Drive Assembly/FRU
2	540-3707	72-inch StorEdge Exp. Cabinet, Option ARY030A
3	300-1290	Universal Power Sequencer
NS	530-1619	Grounding Cable
4	380-0083	A3000/A3500 SCSI Assembly for the A3500
4	370-2431	Chassis with Backplane FRU
NS	370-2432	● Power Supply Fan Assembly
NS	370-2433	● Array Controller Fan Assembly
NS	370-2434	● Battery Assembly
NS	370-2436	● Power Supply
NS	540-3083	● A3500 Differential SCSI Array Controller
NS	150-1890	Differential Terminator, HD68
NS	530-1883	External SCSI Cable, HD68 to HD68, 20 cm
NS	530-1884	External SCSI Cable, HD68 to HD68, 80 cm
NS	530-1885	External SCSI Cable, HD68 to HD68, 2M
NS	530-1886	External SCSI Cable, HD68 to HD68, 12M
	805-2624	<i>A1000/D1000 Installation/Operation/Service Manual</i>
	805-4980	<i>StorEdge A3000 Controller Module Guide</i>

StorEdge A3500FC

6538
FC-AL Array Controller
w/o Disks
w/o D1000 Tray



StorEdge A3500FC

6538

CODE	PART #	DESCRIPTION
1	380-0296	StorEdge A3500FC Assembly
1	370-2431	Chassis with Backplane FRU
2	None	● Logic Chassis Assembly
3	None	● Logic Chassis Backplane
-	370-2724	● Ribbon Cable, Battery to Backplane
4	370-2869	● Power Supply Chassis Assembly
5	None	● Power Supply Chassis Backplane
-	370-2870	● Power Supply Interface Cable
-	370-2871	● Power Supply DC Power Cable
6	370-2436	Power Supply
7	370-2432	Power Supply Fan Assembly
8	370-3930	FC-AL Array Controller without Memory for D1000 ¹
8	540-4026	FC-AL Array Controller with Memory for D1000 ¹
9	370-2434	Battery Assembly
10	370-2433	Array Controller Fan Assembly
NS	150-1890	Differential Terminator, HD68
NS	370-2437	Mounting Rail Set (370-2437-02 recommended)
-	None	● Left Rail and Right Rail
-	None	● Rear Mounting Bracket (x2)
-	None	● #8-32 x 7/16" Screw
NS	370-2438	8MB Processor Memory SIMM
NS	370-2439	32MB Cache Memory SIMM
NS	370-3907	A3500-FC Front Panel
NS	530-1885	External SCSI Cable, HD68 to HD68, 2.0M
NS	537-1006	50/125 Multimode Fibre Optical Cable, 15M
NS	565-1397	Cable FRU Kit
-	370-2724	● Ribbon Cable, Battery to Backplane
-	370-2870	● Power Supply Interface Cable
-	370-2871	● Power Supply DC Power Cable
	805-4980	<i>StorEdge A3000 Controller Module Guide</i>

¹ Use FC-AL Array Controller FRU 540-4027 with the SSA 214 RSM and SSA 219 RSM. This part is not available in a configured chassis option.

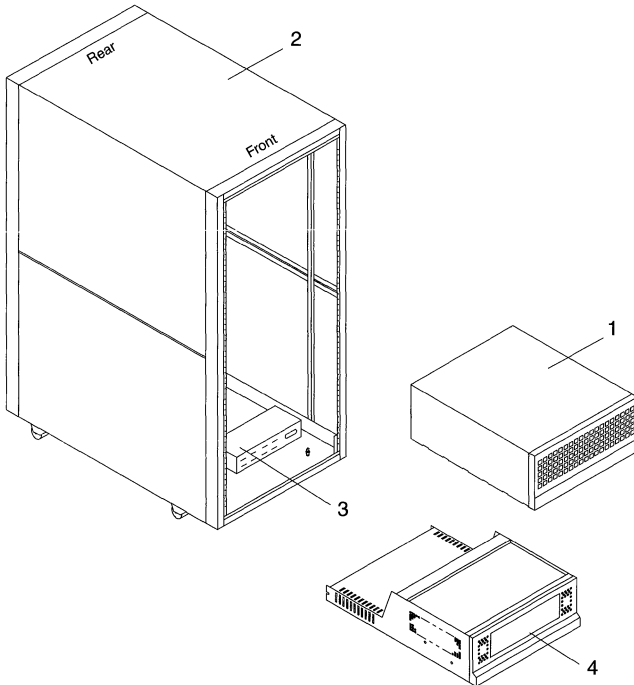
StorEdge A3500FC

ARY381B-364G
72" Rack Option
1 A3500FC + 5 D1000s
10 36.4GB Disks
10000 RPM

ARY381B-1456G
72" Rack Option
1 A3500FC + 5 D1000s
40 36.4GB Disks
10000 RPM

ARY383B-728G
72" Rack Option
2 A3500FCs + 7 D1000s
20 36.4GB Disks
10000 RPM

ARY385B-1092G
72" Rack Option
3 A3500FCs + 15 D1000s
30 36.4GB Disks
10000 RPM



StorEdge A3500FC

ARY381B-364G

ARY381B-1456G

ARY383B-728G

ARY385B-1092G

CODE	PART #	DESCRIPTION
1	540-3761	D1000 8-Drive Chassis with Rack Mount Tray
NS	300-1340	360 Watt Power Supply
NS	370-3291	Empty 1.6" Disk Drive Slot Filler
NS	375-0008	Differential SCSI Controller Board
NS	501-4560	8-Slot SCSI Disk Backplane
NS	540-3323	Fan Tray
NS	540-4263	36.4GB 10000 RPM Disk Drive Assembly/FRU
2	540-3707	72-inch StorEdge Exp. Cabinet, Option ARY030A
3	300-1290	Universal Power Sequencer
NS	530-1619	Grounding Cable
4	380-0296	A3500-FC Assembly
4	370-2431	Chassis with Backplane FRU
NS	370-2432	● Power Supply Fan Assembly
NS	370-2433	● Array Controller Fan Assembly
NS	370-2434	● Battery Assembly
NS	370-2436	● Power Supply
NS	540-4026	● A3500 FC-AL Array Controller FRU
NS	150-1890	Differential Terminator, HD68
NS	370-3907	A3500-FC Front Panel
NS	530-1883	External SCSI Cable, HD68 to HD68, 20 cm
NS	530-1884	External SCSI Cable, HD68 to HD68, 80 cm
NS	530-1885	External SCSI Cable, HD68 to HD68, 2M
NS	530-1886	External SCSI Cable, HD68 to HD68, 12M
NS	537-1006	50/125 Multimode Fibre Optical Cable, 15M
	805-2624	<i>A1000/D1000 Installation/Operation/Service Manual</i>
	805-4980	<i>StorEdge A3000 Controller Module Guide</i>

StorEdge A3500FC

ARY360B-90G
 72" Rack Option
 1 A3500FC + 5 D1000s
 10 9.1GB Disks
 10000 RPM

ARY360B-545G
 72" Rack Option
 1 A3500FC + 5 D1000s
 60 9.1GB Disks
 10000 RPM

ARY362B-180G
 72" Rack Option
 2 A3500FCs + 7 D1000s
 20 9.1GB Disks
 10000 RPM

ARY374B-273G
 72" Rack Option
 3 A3500FCs + 15 D1000s
 30 9.1GB Disks
 10000 RPM

ARY380B-182G
 72" Rack Option
 1 A3500FC + 5 D1000s
 10 18.2GB Disks
 10000 RPM

ARY380B-1092G
 72" Rack Option
 1 A3500FC + 5 D1000s
 60 18.2GB Disks
 10000 RPM

ARY382B-364G
 72" Rack Option
 2 A3500FCs + 7 D1000s
 20 18.2GB Disks
 10000 RPM

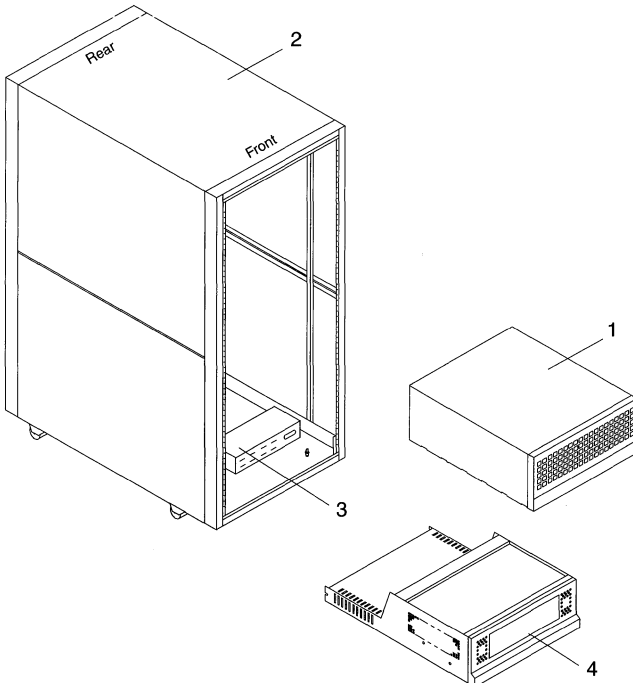
ARY384B-546G
 72" Rack Option
 3 A3500FCs + 15 D1000s
 30 18.2GB Disks
 10000 RPM

ARY390B-2184G
 72" Rack Option
 1 A3500FC + 5 D1000s
 60 36.4GB Disks
 10000 RPM

ARY391B-364G
 72" Rack Option
 1 A3500FC + 5 D1000s
 10 36.4GB Disks
 10000 RPM

ARY393B-728G
 72" Rack Option
 3 A3500FCs + 7 D1000s
 20 36.4GB Disks
 10000 RPM

ARY395B-1092G
 72" Rack Option
 3 A3500FCs + 15 D1000s
 30 36.4GB Disks
 10000 RPM



StorEdge A3500FC

ARY360B-90G	ARY360B-545G	ARY362B-180G
ARY374B-273G	ARY380B-182G	ARY380B-1092G
ARY382B-364G	ARY384B-546G	ARY390B-2184G
ARY391B-364G	ARY393B-728G	ARY395B-1092G

CODE	PART #	DESCRIPTION
1	540-3760	D1000 12-Drive Chassis with Rack Mount Tray
NS	300-1340	360 Watt Power Supply
NS	370-3290	Empty 1.0" Disk Drive Slot Filler
NS	375-0008	Differential SCSI Controller Board
NS	501-4440	12-Slot SCSI Disk Backplane
NS	540-3323	Fan Tray
NS	540-3966	9.1GB 10000 RPM Disk Drive Assembly/FRU
NS	540-4178	18.2GB 10000 RPM Disk Drive Assembly/FRU
NS	540-4520	36.4GB 10000 RPM Disk Drive Assembly/FRU
2	540-3707	72-inch StorEdge Exp. Cabinet, Option ARY030A
3	300-1290	Universal Power Sequencer
NS	530-1619	Grounding Cable
4	380-0296	A3500-FC Assembly
4	370-2431	Chassis with Backplane FRU
NS	370-2432	● Power Supply Fan Assembly
NS	370-2433	● Array Controller Fan Assembly
NS	370-2434	● Battery Assembly
NS	370-2436	● Power Supply
NS	540-4026	● A3500 FC-AL Array Controller FRU
NS	150-1890	Differential Terminator, HD68
NS	370-3907	A3500-FC Front Panel
NS	530-1883	External SCSI Cable, HD68 to HD68, 20 cm
NS	530-1884	External SCSI Cable, HD68 to HD68, 80 cm
NS	530-1885	External SCSI Cable, HD68 to HD68, 2M
NS	530-1886	External SCSI Cable, HD68 to HD68, 12M
NS	537-1006	50/125 Multimode Fibre Optical Cable, 15M
	805-2624	<i>A1000/D1000 Installation/Operation/Service Manual</i>
	805-4980	<i>StorEdge A3000 Controller Module Guide</i>

Enterprise Network Array A5000 StorEdge A5000

ARY010A-45G

Tabletop Option
5 9.1GB Disks
7200 RPM

ARY010A-127G

Tabletop Option
14 9.1GB Disks
7200 RPM

ARY510A-45G

Tabletop Option
5 9.1GB Disks
7200 RPM

ARY510A-127G

Tabletop Option
14 9.1GB Disks
7200 RPM

ARY011A-127G

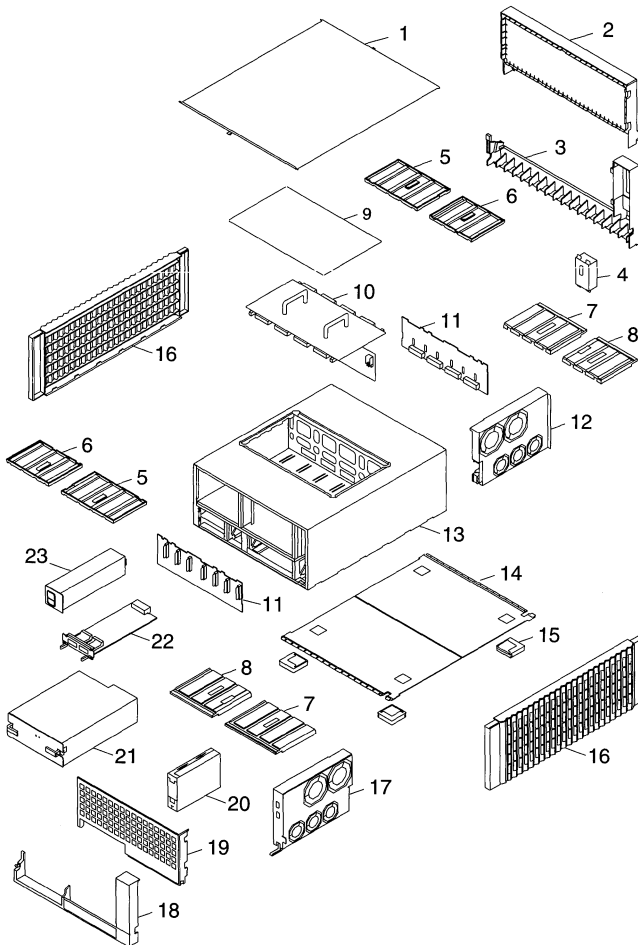
68" Rack Option w/o Rack
14 9.1GB Disks
7200 RPM

ARY511A-127G

72" Rack Option w/o Rack
14 9.1GB Disks
7200 RPM

ARY512A-127G

68" Rack Option w/o Rack
14 9.1GB Disks
7200 RPM



Enterprise Network Array A5000 StorEdge A5000

ARY010A-45G

ARY010A-127G

ARY510A-45G

ARY510A-127G

ARY011A-127G

ARY511A-127G

ARY512A-127G

CODE	PART #	DESCRIPTION
1	540-3344	Top Cover Assembly
2	540-2856	Front Door Assembly
3	540-2953	Front Panel Assembly
3	540-3348	Front Panel Assembly without Logo
4	370-2311	Display Panel
5	330-2045	Upper Right 1.6" Disk Drive Guide
6	330-1950	Upper Left 1.6" Disk Drive Guide
7	540-2895	Lower Right 1.6" Disk Drive Guide
8	540-2877	Lower Left 1.6" Disk Drive Guide
9	340-3289	Interconnect Board Access Cover
10	540-2864	Interconnect Assembly (501-2947 + 501-2948)
11	501-4372	7-Slot FC-AL Disk Backplane
12	540-2858	Front Fan Tray
13	340-3290	Empty Chassis
14	330-2064	Front Bottom Cover
14	330-2163	Rear Bottom Cover
15	330-2000	Foot
16	330-2106	Vented Side Panel
17	540-2859	Rear Fan Tray
18	540-2954	Rear Panel Assembly
19	540-2857	Rear Door Assembly
20	540-3249	9.1GB 7200 RPM Disk Drive Assembly/FRU
20	540-3852	9.1GB 7200 RPM Disk Drive Assembly/FRU
20	540-3279	Empty 1.6" Disk Drive Slot Filler
21	300-1295	310 Watt Power Supply
22	540-2988	Interface Board Assembly (501-2951 + 370-2303)
23	370-2004	AC Input Filter
NS	240-2690	Key
	802-7573	<i>Network Array Installation and Service Manual</i>

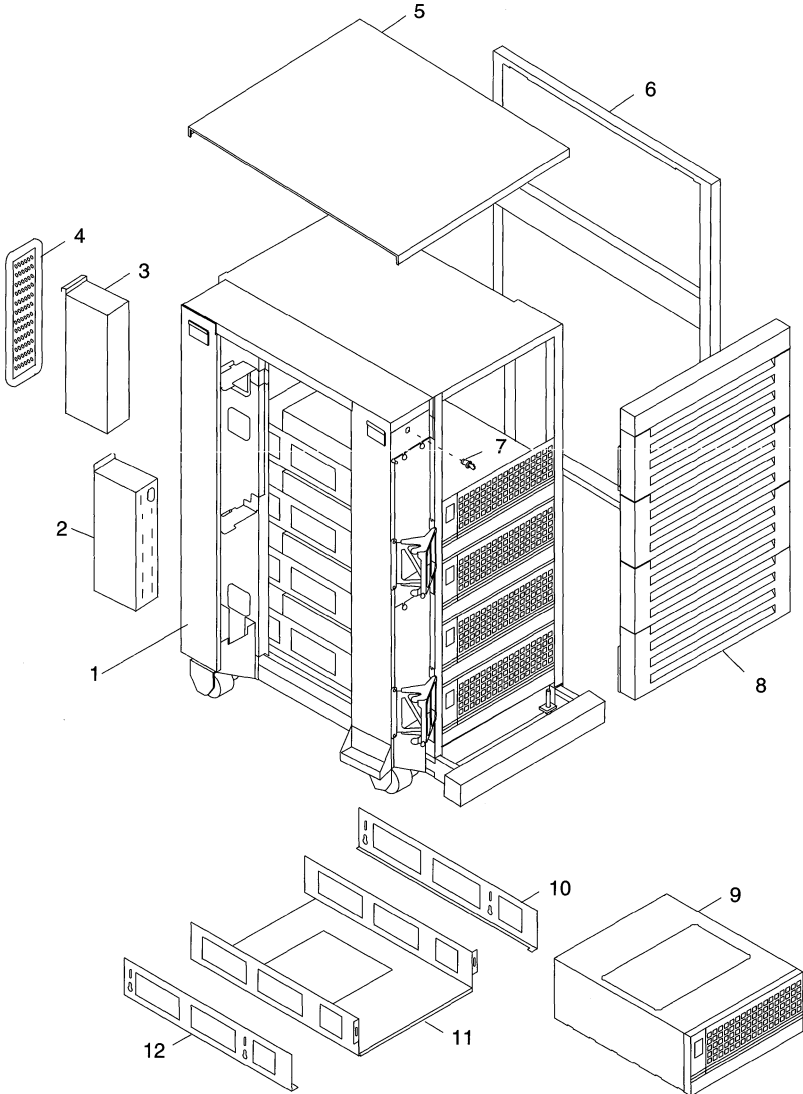
Enterprise Network Array A5000 StorEdge A5000

ARY012A-254G

56" Rack Option
2 A5000s
28 9.1GB Disks
7200 RPM

ARY012A-509G

56" Rack Option
4 A5000s
56 9.1GB Disks
7200 RPM



Enterprise Network Array A5000 StorEdge A5000

ARY012A-254G

ARY012A-509G

CODE	PART #	DESCRIPTION
1	540-2809	56-inch Enterprise Expansion Cabinet Assembly
2	300-1290	● Universal Power Sequencer
3	540-2709	● Fan Tray Assembly
4	340-3267	● Fan Tray Rear Cover
5	340-3352	● Top Panel, Medium Grey
6	340-3354	● Side Panel, Medium Grey
7	540-2393	● Keyswitch Assembly
8	540-2810	● Door Assembly
NS	530-2265	AC Power Cord, Harting Han 6HsB to NEMA L6-30P
NS	530-2266	AC Power Cord, Harting Han 6HsB to IEC 309
NS	f540-3701	EMI Retrofit Kit 1
-	240-3043	Front EMI Fingers for A5000 Chassis
-	240-3044	Rear EMI Fingers for A5000 Chassis
-	340-4881	Front Door
-	340-4884	Lower Front Kick Panel
9	-	StorEdge A5000 14x 9.1GB Disks per Tray
-	540-3028	● StorEdge A5000 Chassis without Skins
NS	540-3249	● 9.1GB 7200 RPM Disk Drive Assembly/FRU
NS	540-3852	● 9.1GB 7200 RPM Disk Drive Assembly/FRU
10	340-4042	Right Mounting Bracket
11	340-4044	Tray
12	370-4043	Left Mounting Bracket
NS	340-3627	Shipping Bracket
NS	530-2197	AC Power Cord, AMP Mate-N-Lok to IEC-320
NS	530-2236	Remote Keyswitch Control Cable, 3.2M
NS	530-2264	AC Power Cord, AMP Mate-N-Lok to Y IEC-320
NS	537-1004	Fibre Optical Cable, 2M
NS	537-1006	Fibre Optical Cable, 15M

¹ The EMI kit is required if more than two A5000 chassis are installed.

StorEdge A5000

ARY513A-254G

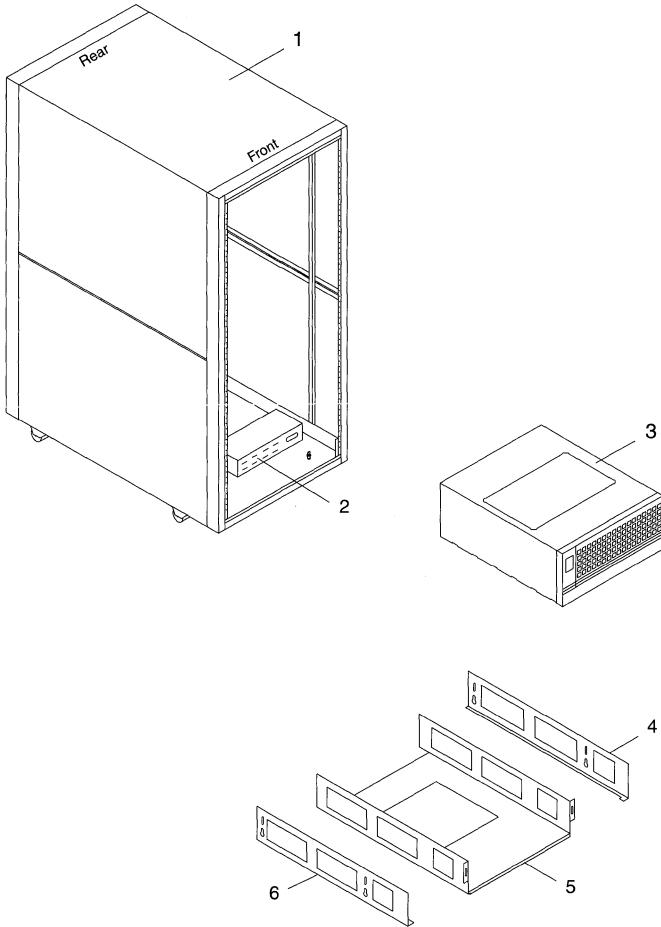
72" Rack Option
2 A5000s
28 9.1GB Disks
7200 RPM

ARY513A-509G

72" Rack Option
4 A5000s
56 9.1GB Disks
7200 RPM

ARY513A-764G

72" Rack Option
6 A5000s
84 9.1GB 7200
7200 RPM



StorEdge A5000

ARY513A-254G

ARY513A-509G

ARY513A-764G

CODE	PART #	DESCRIPTION
1	540-3707	72-inch StorEdge Expansion Cabinet
2	300-1290	Universal Power Sequencer
NS	530-1619	Grounding Cable
NS	530-2674	Power Cord, Harting Han 6HsB to NEMA L6-30P
NS	530-2675	Power Cord, Harting Han 6HsB to IEC309
NS	540-3887	Fan Assembly
3	-	StorEdge A5000 14x 9.1GB Disks per Tray
-	540-3912	● StorEdge A5000 Chassis without Skins
-	540-3249	● 9.1GB 7200 RPM Disk Drive Assembly/FRU
-	540-3852	● 9.1GB 7200 RPM Disk Drive Assembly/FRU
4	340-5262	Right Mounting Rail
5	340-5264	Right Tray
5	340-5265	Left Tray
6	370-5263	Left Mounting Rail
NS	340-3627	Shipping Bracket
NS	340-3899	FC100 Hub Mounting Bracket
NS	370-2303	SW-GBIC
NS	370-3012	FC100 Hub
NS	370-3592	AC Power Cord, AMP Mate-N-Lok to IEC-320
NS	530-2236	Remote Keyswitch Control Cable, 3.2M
NS	530-2264	AC Power Cord, AMP Mate-N-Lok to Y IEC-320
NS	537-1004	Fibre Optical Cable, 2M
NS	537-1006	Fibre Optical Cable, 15M

StorEdge A5100

ARY530A-91G

Tabletop Option
5 18.2GB Disks
7200 RPM

ARY530A-254G

Tabletop Option
14 18.2GB Disks
7200 RPM

ARY531A-254G

72" Rack Option w/o Rack
14 18.2GB Disks
7200 RPM

ARY531A-254G

68" Rack Option w/o Rack
14 18.2GB Disks
7200 RPM

ARY550A-182G

Tabletop Option
5 36.4GB Disks
10000 RPM

ARY550A-509G

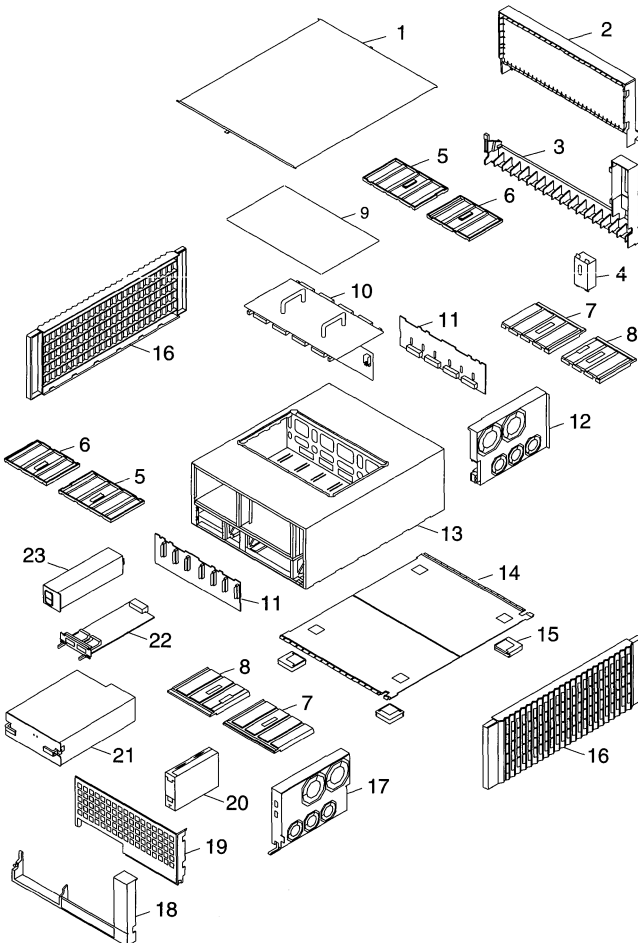
Tabletop Option
14 36.4GB Disks
10000 RPM

ARY551A-509G

72" Rack Option w/o Rack
14 36.4GB Disks
10000 RPM

ARY552A-509G

68" Rack Option w/o Rack
14 36.4GB Disks
10000 RPM



StorEdge A5100

ARY530A-91G ARY530A-254G ARY531A-254G
 ARY531A-254G ARY550A-182G ARY550A-509G
 ARY551A-509G ARY552A-509G

CODE	PART #	DESCRIPTION
1	540-3344	Top Cover Assembly
2	540-2856	Front Door Assembly
3	540-2953	Front Panel Assembly
3	540-3348	Front Panel Assembly without Logo
4	370-2311	Display Panel
5	330-2045	Upper Right 1.6" Disk Drive Guide (-05 required)
6	330-1950	Upper Left 1.6" Disk Drive Guide (-05 required)
7	540-2895	Lower Right 1.6" Disk Drive Guide (-04 required)
8	540-2877	Lower Left 1.6" Disk Drive Guide (-04 required)
9	340-3289	Interconnect Board Access Cover
10	540-2864	Interconnect Assembly (501-2947 + 501-2948)
11	501-4372	7-Slot FC-AL Disk Backplane
12	540-2858	Front Fan Tray
13	340-3290	Empty Chassis
14	330-2064	Front Bottom Cover
14	330-2163	Rear Bottom Cover
15	330-2000	Foot
16	330-2106	Vented Side Panel
17	540-2859	Rear Fan Tray
18	540-2954	Rear Panel Assembly
19	540-2857	Rear Door Assembly
20	540-3923	18.2GB 7200 RPM Disk Drive Assembly/FRU
20	540-4192	36.4GB 10000 RPM Disk Drive Assembly/FRU
20	540-3279	Empty 1.6" Disk Drive Slot Filler
21	300-1295	310 Watt Power Supply
22	540-2988	Interface Board Assembly (501-2951 + 370-2303)
23	370-2004	AC Input Filter
NS	240-2690	Key
	802-7573	<i>Network Array Installation and Service Manual</i>

StorEdge A5100

ARY533A-254G

72" Rack Option
1 A5100
14 18.2GB Disks
7200 RPM

ARY533A-509G

72" Rack Option
2 A5100s
28 18.2GB Disks
7200 RPM

ARY533A-1528G

72" Rack Option
6 A5100s
84 18.2GB Disks
7200 RPM

ARY553A-509G

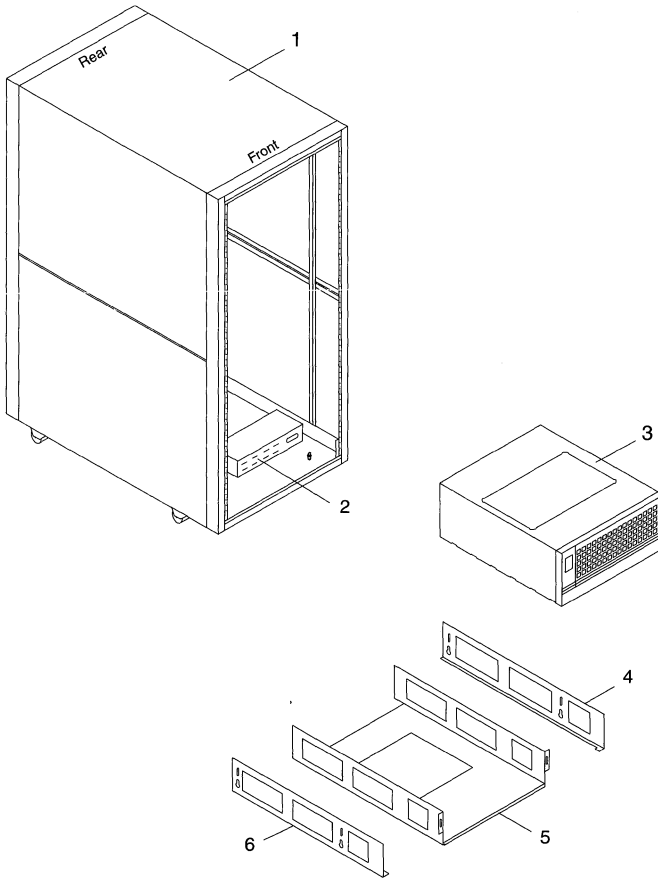
72" Rack Option
1 A5100
14 36.4GB Disks
10000 RPM

ARY553A-1019G

72" Rack Option
2 A5100s
28 36.4GB Disks
10000 RPM

ARY553A-3057G

72" Rack Option
6 A5100s
84 36.4GB Disks
10000 RPM



StorEdge A5100

ARY533A-254G

ARY533A-509G

ARY533A-1528G

ARY553A-509G

ARY553A-1019G

ARY553A-3057G

CODE	PART #	DESCRIPTION
1	540-3707	72-inch StorEdge Expansion Cabinet
2	300-1290	Universal Power Sequencer
NS	530-1619	Grounding Cable
NS	530-2674	Power Cord, Harting Han 6HsB to NEMA L6-30P
NS	530-2675	Power Cord, Harting Han 6HsB to IEC309
NS	540-3887	Fan Assembly
3	-	StorEdge A5100 14x Disks per Tray
-	540-3912	● StorEdge A5100 Chassis without Skins
-	540-3923	● 18.2GB 7200 RPM Disk Drive Assembly/FRU
-	540-4192	● 36.4GB 10000 RPM Disk Drive Assembly/FRU
4	340-5262	Right Mounting Rail
5	340-5264	Right Tray
5	340-5265	Left Tray
6	370-5263	Left Mounting Rail
NS	340-3627	Shipping Bracket
NS	340-3899	FC100 Hub Mounting Bracket
NS	370-2303	SW-GBIC
NS	370-3012	FC100 Hub
NS	370-3592	AC Power Cord, AMP Mate-N-Lok to IEC-320
NS	530-2236	Remote Keyswitch Control Cable, 3.2M
NS	530-2264	AC Power Cord, AMP Mate-N-Lok to Y IEC-320
NS	537-1004	Fibre Optical Cable, 2M
NS	537-1006	Fibre Optical Cable, 15M

StorEdge A5200

ARY520A-63G
Tabletop Option
7 9.1GB Disks

ARY520A-200G
Tabletop Option
22 9.1GB Disks

ARY521A-200G
72" Rack Option w/o Rack
22 9.1GB Disks

ARY522A-200G
68" Rack Option w/o Rack
22 9.1GB Disks

ARY540A-127G
Tabletop Option
7 18.2GB Disks

ARY540A-400G
Tabletop Option
22 18.2GB Disks

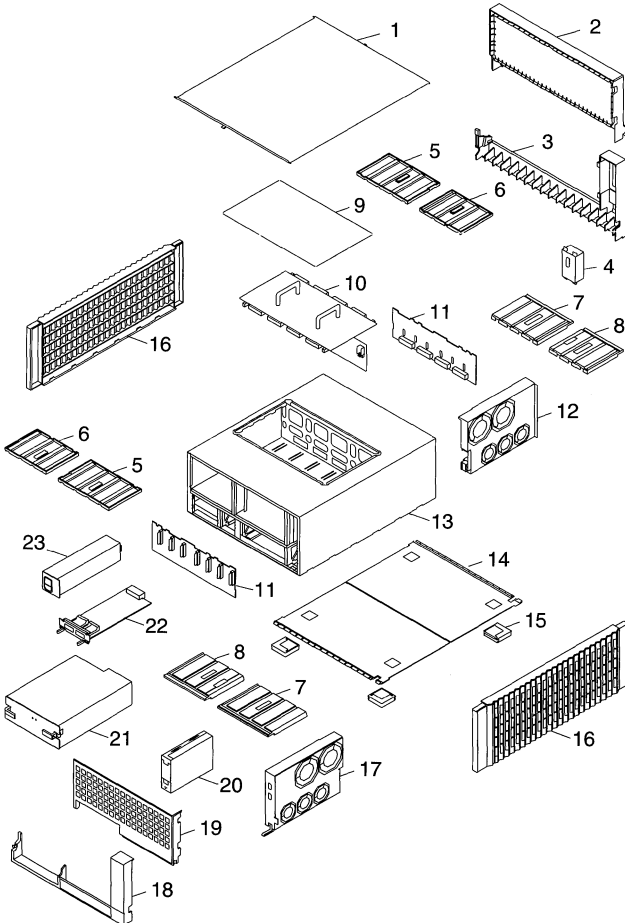
ARY541A-400G
72" Option w/o Rack
22 18.2GB Disks

ARY542A-400G
68" Rack Option w/o Rack
22 18.2GB Disks

ARY560A-254G
Tabletop Option
7 18.2GB Disks

ARY560A-800G
Tabletop Option
22 36.4GB Disks

ARY562A-800G
72" Rack Option w/o Rack
22 36.4GB Disks



StorEdge A5200

ARY520A-63G ARY520A-200G ARY521A-200G
 ARY522A-200G ARY540A-127G ARY 540A-400
 ARY541A-400G ARY542A-400G ARY560A-254G
 ARY560A-800G ARY562A-800G

CODE	PART #	DESCRIPTION
1	540-3344	Top Cover Assembly
2	540-2856	Front Door Assembly
3	540-2953	Front Panel Assembly
3	540-3348	Front Panel Assembly without Logo
4	370-2311	Display Panel
5	330-2047	Upper Right 1" Disk Drive Guide
6	330-1948	Upper Left 1" Disk Drive Guide
7	540-3814	Lower Right 1" Disk Drive Guide
8	540-3813	Lower Left 1" Disk Drive Guide
9	340-3289	Interconnect Board Access Cover
10	540-2864	Interconnect Assembly (501-2947 + 501-2948)
11	501-4158	11-Slot FC-AL Disk Backplane
12	540-2858	Front Fan Tray
13	340-3290	Empty Chassis
14	330-2064	Front Bottom Cover
14	330-2163	Rear Bottom Cover
15	330-2000	Foot
16	330-2106	Vented Side Panel
17	540-2859	Rear Fan Tray
18	540-2954	Rear Panel Assembly
19	540-2857	Rear Door Assembly
20	540-3869	9.1GB 10000 RPM Disk Drive Assembly/FRU
20	540-4191	18.2GB 10000 RPM Disk Drive Assembly/FRU
20	540-4525	36.4GB 10000 RPM Disk Drive Assembly/FRU
20	540-3469	Empty 1" Disk Drive Slot Filler
21	300-1295	310 Watt Power Supply
22	540-2988	Interface Board Assembly (501-2951 + 370-2303)
23	370-2004	AC Input Filter
NS	240-2690	Key
	802-7573	<i>Network Array Installation and Service Manual</i>

StorEdge A5200

ARY523A-200G
72" Rack Option
1 A5200
22 9.1GB Disks

ARY523A-400G
72" Rack Option
2 A5200s
44 9.1GB Disks

ARY523A-800G
72" Rack Option
4 A5200s
88 9.1GB Disks

ARY523A-1200G
72" Rack Option
6 A5200s
132 9.1GB Disks

ARY543A-400G
72" Rack Option
1 A5200
22 18.2GB Disks

ARY543A-800G
72" Rack Option
2 A5200s
44 18.2GB Disks

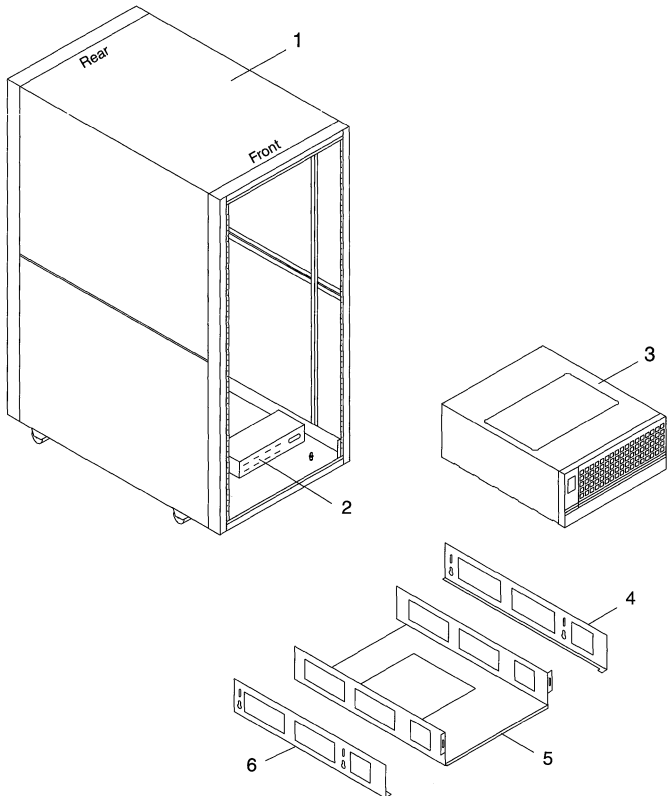
ARY543A-2400G
72" Rack Option
6 A5200s
132 18.2GB Disks

ARY561A-800G
72" Rack Option
1 A5200
36.4GB Disks

ARY563A-800G
72" Rack Option
1 A5200
36.4GB Disks

ARY563A-1601G
72" Rack Option
2 A5200s
36.4GB Disks

ARY563A-4804G
72" Rack Option
6 A5200s
36.4GB Disks



StorEdge A5200

ARY523A-200G ARY523A-400G ARY523A-800G
 ARY523A-1200G ARY543A-400G ARY543A-800G
 ARY543A-2400G ARY561A-800G ARY563A-800G
 ARY563A-1601G ARY563A-4804G

CODE	PART #	DESCRIPTION
1	540-3707	72-inch StorEdge Expansion Cabinet
2	300-1290	Universal Power Sequencer
NS	530-1619	Grounding Cable
NS	530-2674	Power Cord, Harting Han 6HsB to NEMA L6-30P
NS	530-2675	Power Cord, Harting Han 6HsB to IEC309
NS	540-3887	Fan Assembly
3	-	StorEdge A5200 22x Disks per Tray
-	540-3964	● StorEdge A5200 Chassis without Skins
-	540-4098	● StorEdge A5200 Chassis without Skins
-	540-3869	● 9.1GB 10000 RPM Disk Drive Assembly/FRU
-	540-4191	● 18.2GB 10000 RPM Disk Drive Assembly/FRU
-	540-4525	● 36.4GB 10000 RPM Disk Drive Assembly/FRU
4	340-5262	Right Mounting Rail
5	340-5264	Right Tray
5	340-5265	Left Tray
6	370-5263	Left Mounting Rail
NS	340-3627	Shipping Bracket
NS	340-3899	FC100 Hub Mounting Bracket
NS	370-2303	SW-GBIC
NS	370-3012	FC100 Hub
NS	370-3592	AC Power Cord, AMP Mate-N-Lok to IEC-320
NS	530-2236	Remote Keypad Control Cable, 3.2M
NS	530-2264	AC Power Cord, AMP Mate-N-Lok to Y IEC-320
NS	537-1004	Fibre Optical Cable, 2M
NS	537-1006	Fibre Optical Cable, 15M

Gateway SP30 SP40

Encore Computer Corporation Products

SUN PART#	ENCORE PART #	DESCRIPTION
f300-1379	269-100111-002	400W Power Supply #2 (GW)
f300-1380	269-100115-001	4KVA UPS (GW/30)
f300-1383	269-100119-001	5KVA UPS (GW/30)
f300-1385	269-100108-001	LAD Power Supply (30)
f300-1388	269-100110-001	800W DSP Power Supply B (30)
f300-1389	269-100111-001	400W Power Supply #1 (GW)
f370-3380	221-300128-011	525MB Tape Drive (30/40) (nr)
f370-3381	221-300139-004	4GB Disk Drive (GW) (nr)
f370-3382	221-300140-003	524MB Disk for 9U SCSI (30/40)
f370-3383	221-300142-100	450MB Notebook Disk (GW/30/40)
f370-3384	221-300153-001	810MB Notebook Disk (GW/30/40)
f370-3386	221-500039-103	6U Ethernet #1 (30/40) (nr)
f370-3387	221-500039-113	6U Ethernet #2 (30/40) (nr)
f370-3388	221-500039-123	6U Ethernet #3 (GW/30/40) (nr)
f370-3389	221-600019-001	PCMICA Modem Card (30/40)
f370-3390	221-600020-001	PCMICA Ethernet Card #1 (30/40)
f370-3392	221-600024-001	PCMICA Serial I/O (GW/30/40)
f370-3506	145-103542-001	TMI/FTM to ATB Cable (30/40)
f375-0032	280-300001-103	VME SCSI-2 4220 (GW/30) (nr)
f375-0033	280-300001-113	VME SCSI-2 4220 #2 (GW/30) (nr)
f375-0034	280-300001-213	VME SCSI-2 4220 with RAID (30) (nr)
f375-0035	280-300006-001	VME SCSI-2 4420 (30/40)
f375-0036	280-300006-011	VME SCSI-2 4420 (30/40)
f375-0037	280-300006-012	VME SCSI-2 4420 with RAID (30/40)
f375-0039	280-300007-001	VME Dual BMC Controller (GW/30) (nr)
f375-0041	280-300011-001	SCSI Expander #1 1 (30/40)
f375-0042	280-300011-002	SCSI Expander #2 1 (30/40)
f375-0043	280-300011-003	SCSI Expander #3 1 (30)
f375-0045	280-300022-001	STE Target (GW/30/40) (nr)
f375-0046	280-300022-101	STE Target F&W (GW/30/40) (nr)
f375-0047	280-300022-203	STE Quad Target (GW/30/40) (nr)
f501-5065	160-113270-302	50MHz Viper Adapter (40)
f501-5066	160-113285-001	DC Power Assembly (30) (nr)

1 Do NOT mix 375-0041, 375-0042, 375-0043, and 375-0044.

Gateway SP30 SP40 - Continued

Encore Computer Corporation Products

SUN PART#	ENCORE PART #	DESCRIPTION
f501-5069	160-113356-001	ESCON Dual Channel (GW/30/40)(nr)
f501-5074	160-113407-002	ESCON Transition Module #2 (GW) (nr)
f501-5077	160-113270-202	64MB Viper Adapter (nr)
f501-5079	160-113286-001	Viper 88110-410 (40) (nr)
f501-5080	160-113306-001	64MB Memory Channel II (GW/30) (nr)
f501-5081	160-113343-001	256MB Memory Channel III (GW/30) (nr)
f501-5082	160-113357-001	BMC Quad Channel (40)
f530-2594	145-103386-008	8' 34-Pin BMC Cable (30)
f530-2597	145-103396-010	10' 80-Pin BMC Cable (40)
f530-2598	145-103459-008	8' BMC to CTRL Cable (30)
f540-3663	105-103304-001	Power Distribution Unit (30) (nr)
f540-3667	107-103865-003	4GB Disk Drive Module (30/40) (nr)
f565-1455	118-113049-122	88110 CPU 64MB/128 (GW/30) (nr)
f565-1456	118-113071-005	9U VME Disk Array (30/40) (nr)
f565-1457	118-113077-100	Gray Notebook Kit (30/40) (nr)
f565-1458	118-113081-001	EMC 512MB (30/40) (nr)
f565-1459	118-113081-002	EMC 256MB (30/40) (nr)
f565-1460	118-113081-005	EMC 512MB with Term (30/40) (nr)
f565-1461	118-113081-006	EMC 256MB #2 (30/40) (nr)
f565-1462	118-113081-012	EMC 256MB with Term (30/40) (nr)
f565-1464	118-113081-014	EMC 256MB #3 (30/40) (nr)
f565-1465	118-113081-015	EMC 128MB (30/40) (nr)
f565-1466	118-113105-005	BMC Bus/Tag Assembly (GW/30) (nr)
f565-1467	118-113366-001	VME BMC Quad Channel (40)
f565-1468	118-113119-002	EMC 256MB Exp Memory (GW) (nr)
f565-1470	118-503005-100	Black Notebook Kit (GW/30/40) (nr)
f565-1471	118-503005-200	Black Notebook Kit #2 (GW/30/40)(nr)

Notes

1. The parts in this list are not used in the StorEdge A7000.
2. Some A7000 parts are compatible with these Encore products.
3. A parts compatibility matrix is available from service logistics.
4. This is only a list of parts that were assigned FRU part numbers.
5. Parts described as (nr) are not engineering released to Rev 50.

StorEdge A7000

ARY002A-0G

Base Package w Two Disk Drawers

SUN PART#	ENCORE PART #	DESCRIPTION
f150-3028	278-100019-001	Bus Terminator
f150-3029	278-100020-001	Tag Terminator
f300-1381	269-100116-001	8KVA UPS (-01 with 1x 50A outlet)
f300-1381	269-100116-001	8KVA UPS (-02 with 2x 50A outlets)
f300-1382	269-100118-001	250W Dual Output Power Supply
f300-1384	269-100107-001	14-Slot Chassis 800W Power Supply A/B
f300-1386	269-100109-001	DC Bulk Power Supply Chassis
f300-1387	269-100109-002	Power Supply Converter Module
f300-1391	269-100109-004	360VDC Power Supply
f370-3378	207-300036-001	HDSA Fan
f370-3379	221-300128-009	SCSI Tape Drive (nr)
f370-3385	221-300161-100	1.2GB Disk Drive for Notebook
f370-3391	221-600023-001	Microxctvr2 Ethernet
f370-3393	221-600027-001	Syntex Notebook Kit
f370-3394	221-600028-001	PCMCIA Ethernet Card #2
f370-3395	207-300037-002	Fan, 3.62 x 3.62 56
f370-3396	221-300154-001	2GB Seagate Hawk 2XL Disk Drive
f370-3405	221-300165-002	2GB Seagate Barracuda 4XL Disk Drive
f370-3443	145-103351-007	50-Pin HDSA Bkpl to Bkpl Cable
f370-3475	145-103477-003	CPU to Systech Adapter Cable
f370-3497	144-103003-005	TMI-FTM Ribbon Cable
f370-3498	144-103175-012	SH Right Angle Cable
f370-3500	145-103415-008	Dual DIN CPU to Bulkhead Cable
f370-3501	145-103416-030	PCU to Bulkhead Cable
f370-3502	145-103473-001	Fan FORMS IV Cable
f370-3503	145-103495-008	Bulkhead to Controller Cable
f370-3507	145-103549-001	FORMS IV Jumper Cable
f370-3537	145-103194-003	CPU to CPU Intc Intrt Cable
f370-3538	145-103266-002	CPU to CPU Cable
f370-3540	145-103431-008	CPU/Differential SCSI Cable
f370-3624	221-600033-001	PCMCIA Ethernet Board
f370-3663	145-103350-017	HDSA B/P 50-Pin Cable, 17'
f370-3699	None Assigned	PCMCIA Global 56K Modem Board
f370-3717	145-103375-017	50-Pin HDSA Bkpl to Bkpl Cable

StorEdge A7000 - Continued

ARY002A-0G

Base Package w Two Disk Drawers

SUN PART#	ENCORE PART #	DESCRIPTION
f370-3827	Not Assigned	Emergency Power Off RS232 Y Cable
f370-3925	Not Assigned	4GB Disk Drive (requires Viper 501-5323)
f375-0019	160-113270-302	Replaced by f501-5065 (nr)
f375-0020	160-113285-001	Replaced by f501-5066 (nr)
f375-0021	160-113321-001	Replaced by f501-5067 (nr)
f375-0022	160-113351-001	Replaced by f501-5068 (nr)
f375-0023	160-113356-001	Replaced by f501-5069 (nr)
f375-0024	160-113373-001	Replaced by f501-5070 (nr)
f375-0025	160-113374-001	Replaced by f501-5071 (nr)
f375-0026	160-113407-001	Replaced by f501-5073 (nr)
f375-0027	160-113407-002	Replaced by f501-5074 (nr)
f375-0028	160-113434-001	Replaced by f501-5076 (nr)
f375-0029	160-113410-002	Replaced by f501-5075 (nr)
f375-0030	280-113357-001	VME Quad BMC Trans
f375-0031	280-113382-001	PCI FORMS (nr)
f375-0038	280-300006-101	9U VME SCSI-2 4440
f375-0044	280-300011-004	SCSI Expander #4 1
f375-0048	280-300023-001	PCMICA FAX Modem (nr)
f375-0049	280-300024-001	PCMICA Bus Ethernet (nr)
f375-0050	280-500026-001	PCMICA FAX
f375-0051	160-113405-001	Replaced by f501-5072 (nr)
f375-0052	160-113270-202	Replaced by f501-5077 (nr)
f375-0053	160-113270-303	Replaced by f501-5078 (nr)
f375-0054	160-113286-001	Replaced by f501-5079 (nr)
f375-0055	160-113306-001	Replaced by f501-5080 (nr)
f375-0056	160-113343-001	Replaced by f501-5081 (nr)
f375-0057	160-113357-001	Replaced by f501-5082 (nr)
f375-0058	280-300006-102	9U Integrated SCSI
f375-0063	280-400006-001	9U 224 Watt DC-DC Converter, TMI
f375-0065	280-300006-104	9U Integrated SCSI-2 with RAID (nr) (nf)
f375-0067	280-300006-103	9U Integrated SCSI-2 4440 with RAID
f501-5067	160-113321-001	FORMS IV TMI (obsolete)
f501-5068	160-113351-001	SM FTM Fiber Trans

1 Do NOT mix 375-0041, 375-0042, 375-0043, and 375-0044.

StorEdge A7000 - Continued

ARY002A-0G

Base Package w Two Disk Drawers

SUN PART#	ENCORE PART #	DESCRIPTION
f501-5070	160-113373-001	88110 CPU 32P
f501-5071	160-113374-001	Diode or Switch Board (nr)
f501-5072	160-113405-001	RAID 5 Accelerator (nr)
f501-5073	160-113407-001	ESCON Transition Module
f501-5075	160-113410-002	Dual ESCON
f501-5076	160-113434-001	6U MC-IV Arb/Term (obsolete)
f501-5078	160-113270-303	50MHz Viper Adapter #2
f501-5285	None Assigned	Longline FORMS IV TMI
f501-5323	None Assigned	OMB Viper Adapter
f530-2592	145-103192-004	RMS Internal Cable
f530-2593	145-103350-014	14' 50-Pin HDSA Cable
f530-2595	145-103386-012	Internal BMC Cable
f530-2596	145-103396-008	8' 80-Pin BMC Cable
f530-2599	258-800027-008	Coaxial 50Ω 8' Cable
f530-2600	258-800027-012	Coaxial 50Ω 12' Cable
f530-2601	258-800050-450	Coaxial 500Ω 8' Cable
f530-2602	258-800051-014	14' RJ-11 4W Cable
f530-2603	145-103191-024	SH-RMS Y Cable #1
f530-2604	145-103191-042	SH-RMS Y Cable #2
f530-2605	145-103192-002	RMS Internal Cable
f530-2606	145-103375-015	HDSA 50-Pin BP Cable
f530-2607	145-103526-001	UPSY HAR 5 Cable
f530-2608	145-103528-010	30-50 AMP Cable
f530-2609	145-103535-008	SCSI Target #1 Cable, 2.4M, F-M
f530-2610	145-103552-001	SCSI Target #2 Cable, 3.2M, F-M-M-M-M
f530-2611	145-103555-001	SCSI Target #3 Cable, 2.7M, F-M-M
f530-2612	245-100022-001	STE EXT/MD68 to MD68 Cable
f530-2613	245-100023-001	STE EXT/MC68 to MD68 Cable
f530-2614	258-800050-010	10M Bus and Tag Cable
f530-2615	258-800050-020	20M Bus and Tag Cable
f530-2616	258-800050-030	30M Bus and Tag Cable
f530-2617	258-800053-002	13M ESCON Cable
f530-2618	258-800053-003	31M ESCON Cable
f530-2619	258-800055-001	UPS 50 Amp to Y L6-30R Power Cord

StorEdge A7000 - Continued

ARY002A-0G

Base Package w Two Disk Drawers

SUN PART#	ENCORE PART #	DESCRIPTION
f530-2620	258-800063-001	Power Cord Assembly
f530-2667	258-800027-012	Coaxial 50Ω 3' Cable
f540-3664	105-103889-001	AC Power Distribution Unit (replaced by 540-4013)
f540-3665	107-103848-001	Blower Assembly
f540-3666	107-103864-001	Option 9652 Disk Array Chassis
f540-3668	107-103865-009	9GB Disk Drive Module
f540-3669	278-100021-001	68-Pin SCSI-3 Terminator
f540-3670	278-400003-001	Linear Actuator
f540-3688	278-100023-001	Differential CKTM/FEM Internal
f540-3689	278-100025-068	External Shielded SCSI Data Cable
f540-3702	107-103899-001	Replaced by 540-3808 (nr)
f540-3720	None Assigned	9.1GB 7200 RPM Disk Drive Assembly
f540-3721	None Assigned	18.2GB 7200 RPM Disk Drive Assembly
f540-3754	107-103922-002	Tall SCSI Expander Fan Assembly
f540-3755	107-103936-001	12V, 212 CFM Fan
f540-3762	107-103888-001	TMI Fan Chassis Subassembly
f540-3808	107-103899-001	Power Distribution for Redundant Blower
f540-3841	None Assigned	Option 9656 Disk Array Chassis
f540-3837	118-113128-002	9U VME RAID Accelerator
f540-4013	None Assigned	AC Power Distribution Unit (Replaced 540-3664)
f565-1463	118-113081-013	EMC 512MB #2
f565-1469	118-113406-002	Quad BMC without Checksum
f565-1472	118-513014-100	Trogon Notebook Kit
f565-1510	118-513014-100	Toshiba Notebook Kit
f791-1519	118-513014-100	System Recovery Disk (f370-3405 + sw)
805-4631	302-007840-500	A7000 Operations Guide
805-4632	306-007840-100	A7000 Installation Guide
805-6489	None Assigned	A7000 Service Manual
805-4901	None Assigned	A7000 ROM Monitor

Notes

1. This is only a list of parts that were assigned FRU part numbers.
2. Some A7000 parts are compatible with the older Encore products.
3. A parts compatibility matrix is available from service logistics.
4. Parts described as (nr) are not engineering released to Rev 50.
5. Parts described as (nf) are not assigned a FRU part number.

StorEdge T3

T3WG-TT-11-163

1 Tabletop Option
9 18.2GB Disks
10000 RPM

T3WG-TT-11-327

1 Tabletop Option
9 36.4GB Disks
10000 RPM

T3WG-TT-11-660

1 Tabletop Option
9 73.4GB Disks
10000 RPM

T3ES-TT-22-327

2 Tabletop Options
18 18.2GB Disks
10000 RPM

T3ES-TT-22-655

2 Tabletop Options
18 36.4GB Disks
10000 RPM

T3ES-TT-22-1321

2 Tabletop Options
18 73.4GB Disks
10000 RPM

T3WG-RR-11-163

1 Rack Option w/o Rack
9 18.2GB Disks
10000 RPM

T3WG-RR-11-327

1 Rack Option w/o Rack
9 36.4GB Disks
10000 RPM

T3WG-RR-11-660

1 Rack Option w/o Rack
9 73.4GB Disks
10000 RPM

T3ES-RR-22-327

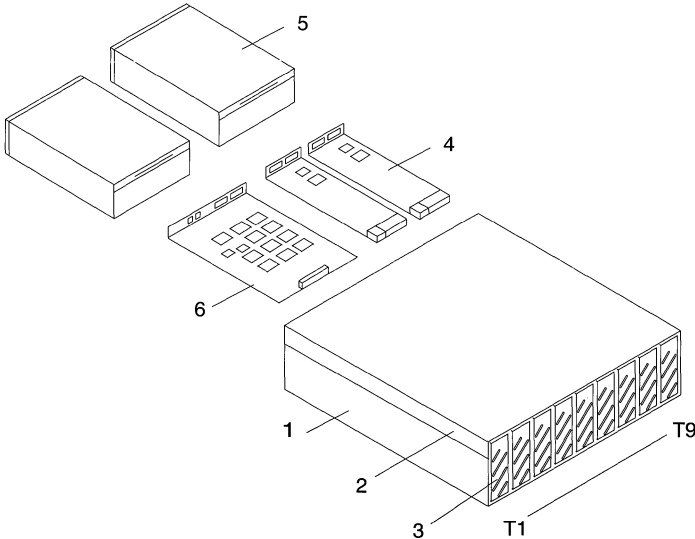
2 Rack Options w/o Rack
18 18.2GB Disks
10000 RPM

T3ES-RR-22-655

2 Rack Options w/o Rack
18 36.4GB Disks
10000 RPM

T3ES-RR-22-1321

2 Rack Options w/o Rack
18 73.4GB Disks
10000 RPM



StorEdge T3

T3WG-TT-11-163	T3WG-TT-11-327	T3WG-TT-11-660
T3ES-TT-22-327	T3ES-TT-22-655	T3ES-TT-22-1321
T3WG-RR-11-163	T3WG-RR-11-327	T3WG-RR-11-660
T3ES-RR-22-327	T3ES-RR-22-655	T3ES-RR-22-1321

CODE	PART #	DESCRIPTION
1	370-3990	Chassis with Midplane Assembly/FRU
-	540-4343	● Chassis
-	375-0083	● Midplane
2	540-4469	Top Cover Assembly
3	540-4287	18.2GB 10000 RPM 1.6" Disk Drive Assembly/FRU
3	540-4440	18.2GB 10000 RPM 1.0" Disk Drive Assembly/FRU
3	540-4367	36.4GB 10000 RPM 1.0" Disk Drive Assembly/FRU
3	540-4519	73.4GB 10000 RPM 1.6" Disk Drive Assembly/FRU
4	375-0085	Interconnect Card
5	300-1453	325 Watt Power Supply w NiCd Battery (pre-release)
-	unknown	● Nickel Cadmium Battery
5	300-1454	325 Watt Power Supply with NiMH Battery
-	370-3956	● Nickel Metal Hydride Battery
6	375-0084	Array Controller
NS	540-4306	Front Cover Assembly/FRU
NS	180-1918	NEMA 5-15P to Locking IEC320 AC Power Cord
NS	370-3989	Media Interface Adapter, DB-9 to SC Duplex
NS	370-4119	Diagnostic Cable Kit/FRU
NS	530-2842	DB-9 Interconnect Cable, 330 mm
NS	530-2843	DB-9 Interconnect Cable, 600 mm
NS	537-1004	Fibre Optical Cable, 2M
NS	537-1006	Fibre Cable, 15M, Option 978
NS	537-1020	Fibre Cable, 5M, Option 9715
	806-1062	<i>T3 Installation, Operation, and Service Guide</i>

StorEdge T3

T3ES-RH-44-655

4 T3 Arrays + 72" Rack
2 Hubs + 10 GBICs
36 18.2GB Disks
10000 RPM

T3ES-RH-44-1310

4 T3 Arrays + 72" Rack
2 Hubs + 10 GBICs
36 36.4GB Disks
10000 RPM

T3ES-RH-44-2642

4 T3 Arrays + 72" Rack
2 Hubs + 10 GBICs
36 73.4GB Disks
10000 RPM

T3ES-RH-88-1310

8 T3 Arrays + 72" Rack
2 Hubs + 10 GBICs
72 18.2GB Disks
10000 RPM

T3ES-RH-88-2620

8 T3 Arrays + 72" Rack
2 Hubs + 10 GBICs
72 36.4GB Disks
10000 RPM

T3ES-RH-88-5284

8 T3 Arrays + 72" Rack
2 Hubs + 10 GBICs
72 73.4GB Disks
10000 RPM

T3ES-RK-44-655

4 T3 Arrays + 72" Rack
36 18.2GB Disks
10000 RPM

T3ES-RK-44-1310

4 T3 Arrays + 72" Rack
36 36.4GB Disks
10000 RPM

T3ES-RK-44-2642

4 T3 Arrays + 72" Rack
36 73.4GB Disks
10000 RPM

T3ES-RK-88-1310

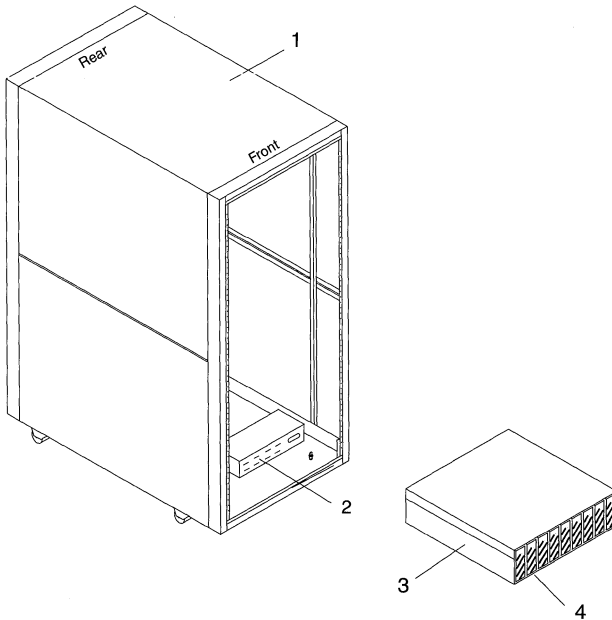
8 T3 Arrays + 72" Rack
72 18.2GB Disks
10000 RPM

T3ES-RK-88-2620

8 T3 Arrays + 72" Rack
72 36.4GB Disks
10000 RPM

T3ES-RK-88-5284

8 T3 Arrays + 72" Rack
72 73.4GB Disks
10000 RPM



StorEdge T3

T3ES-RH-44-655 T3ES-RH-44-1310 T3ES-RH-44-2642
 T3ES-RH-88-1310 T3ES-RH-88-2620 T3ES-RH-88-5284
 T3ES-RK-44-655 T3ES-RK-44-1310 T3ES-RK-44-2642
 T3ES-RK-88-1310 T3ES-RK-88-2620 T3ES-RK-88-5284

CODE	PART #	DESCRIPTION
1	540-3707	72-inch StorEdge Expansion Cabinet
2	300-1290	Universal Power Sequencer
NS	530-1619	Grounding Cable
NS	530-2674	Power Cord, Harting Han 6HsB to NEMA L6-30P
NS	530-2675	Power Cord, Harting Han 6HsB to IEC309
NS	540-3887	Fan Assembly
3	370-3990	T3 Chassis with Midplane Assembly/FRU
4	540-4287	18.2GB 10000 RPM 1.6" Disk Drive Assembly/FRU
4	540-4440	18.2GB 10000 RPM 1.0" Disk Drive Assembly/FRU
4	540-4367	36.4GB 10000 RPM 1.0" Disk Drive Assembly/FRU
4	540-4519	73.4GB 10000 RPM 1.0" Disk Drive Assembly/FRU
NS	180-1918	NEMA 5-15P to Locking IEC320 AC Power Cord
NS	370-3989	Media Interface Adapter, DB-9 to SC Duplex
NS	530-2842	DB-9 Interconnect Cable, 330 mm
NS	530-2843	DB-9 Interconnect Cable, 600 mm
NS	537-1004	Fibre Optical Cable, 2M
NS	537-1006	Fibre Optical Cable, 15M
NS	537-1020	Fibre Cable, 5M, Option 9715
NS	340-3899	FC100 Hub Mounting Bracket
NS	370-2303	SW-GBIC
NS	370-3012	FC100 Hub
	806-1062	<i>T3 Installation, Operation, and Service Guide</i>

StorEdge T3

Mounting Options

PART #	DESCRIPTION
595-5557 340-6485	E5500/6500 68" Cabinet Air Baffle, Option 9629 ● Air Baffle
595-5368 330-2618 330-2619 340-6035 340-6139 340-6140 340-6226	72" Cabinet/E10000 7U Rack Mount Kit, Option 9663 ● 3U Trim Strip ● 4U Trim Strip ● Non Sun Rack Adapter ● Left Side Rail ● Right Side Rail ● 1/2 Height Filler Panel
595-5517 340-6499 340-6500	E5500/6500 68" Cabinet 7U Rack Mount Kit, Option 9664 ● Left Side Rail ● Right Side Rail
595-5487 330-2619 340-6032 340-6033 340-6035 340-6226	72" Cabinet/E10000 4U Rack Mount Kit, Option 9673 ● 4U Trim Strip ● Left Side Rail ● Right Side Rail ● Non Sun Rack Adapter ● 1/2 Height Filler Panel
595-5517 340-6497 340-6498	E5500/6500 68" Cabinet 4U Rack Mount Kit, Option 9674 ● Left Side Rail ● Right Side Rail
595-5487 340-6031	Mounting Tray Kit, Option 9676 ● Top/Bottom Support Plate

PARTS BREAKDOWN

REMOVEABLE MEDIA

Removable Media

Desktop SunCD Pack	4
Desktop SunCD Plus Pack	6
SunCD 2Plus Desktop Pack	8
Desktop Backup Pack	
150MB 1/4"	10
5.0GB 4 mm DDS-1	12
10GB 8 mm	14
14GB 8 mm	14
Desktop Storage Module	
2.3GB 8 mm	16
5.0GB 8 mm	16
20GB 4 mm DDS-1	18
16-32GB 4 mm DDS-2	20
SPARCstorage DLT4000	
20-40GB 1/2" DLT	22
Multi-Tape Backup Tray	
5GB 8 mm	24
10GB 8 mm	24
14GB 8 mm	24
20GB 4 mm DDS-1	26
20-40GB 1/2" DLT4000	28
7-14GB 8 mm	30
16-32GB 4 mm DDS-2	32
72-144GB 4 mm DDS-3	34
SPARCstorage Unipack	
2.5GB 1/4"	36
7-14GB 8 mm	38
5GB 4 mm	40
4-8GB 4 mm DDS-2	40

Removable Media - Continued

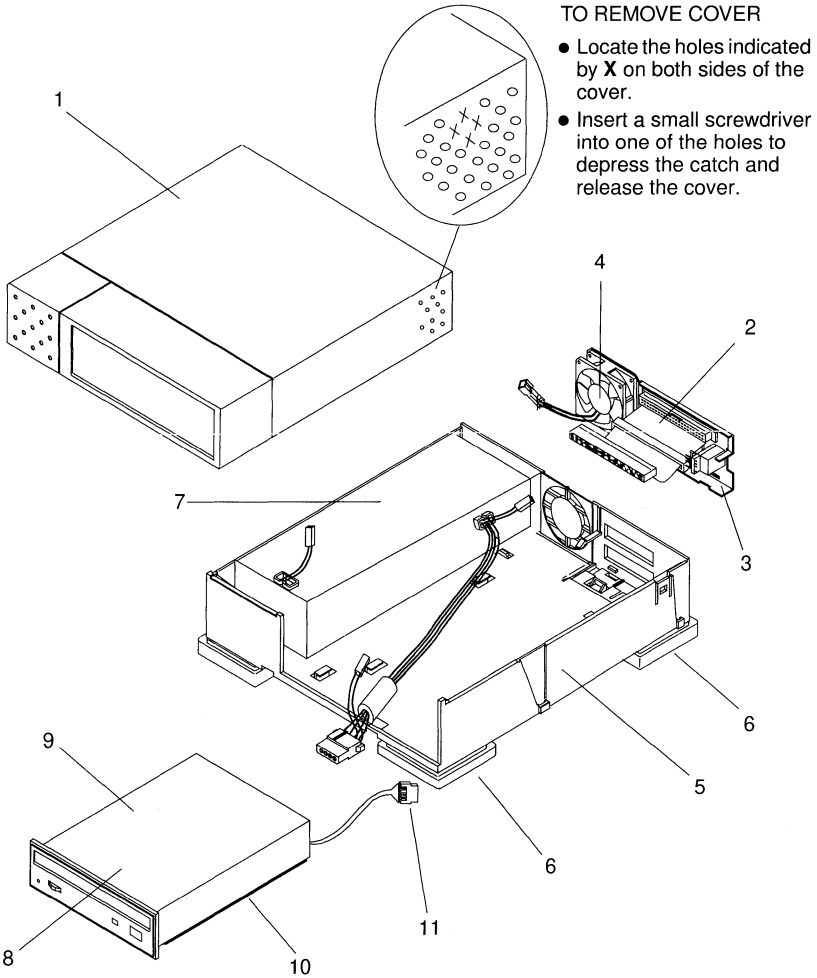
SPARCstorage UniPack and StorEdge UniPack	
4-8GB 1/4" SLR	42
25-50GB 1/4" MLR	42
SunCD 4 CD-ROM	44
SunCD 12 CD-ROM	44
7-14GB 8 mm	46
20-40GB 8 mm	48
4-8GB 4 mm DDS-2	50
12-24GB 4 mm DDS-3	50
20-40GB 4 mm DDS-4	52
SPARCstorage FlexiPack and StorEdge FlexiPack	
20-40GB 1/2" DLT4000	54
35-70GB 1/2" DLT7000	56
4-8GB 1/4" SLR	58
25-50GB 1/4" MLR	58
SunCD 12	60
7-14GB 8 mm	62
20-40GB 8 mm	64
4-8GB 4 mm DDS-2	66
12-24GB 4 mm DDS-3	68
72-144GB 4 mm DDS-3	70

This page intentionally left blank.

Desktop SunCD Pack

558
SunCD CD-ROM

559
SunCD CD-ROM



Desktop SunCD Pack

558

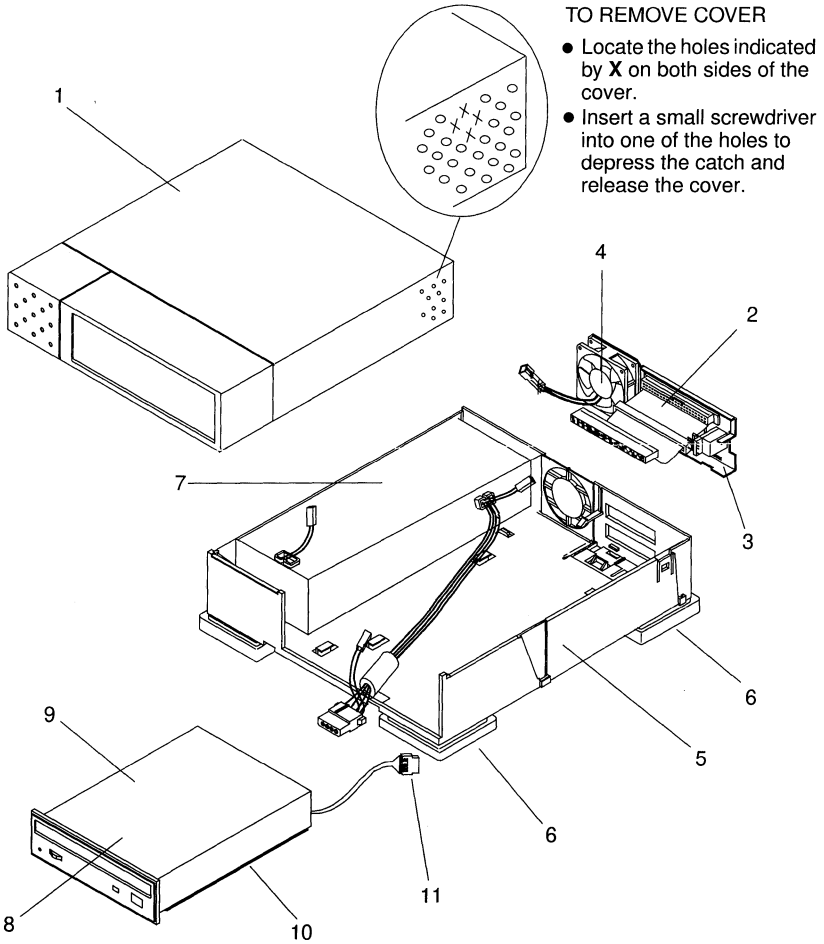
559

CODE	PART #	DESCRIPTION
1	540-1778	Cover Assembly, Tape and CD-ROM
2	540-1978	Fan/SCSI Connector/Address Select Assembly/FRU
3	150-1557	● Address Select Switch (obsolete)
3	150-2049	● Address Select Switch
4	540-1802	● Fan Assembly
NS	150-1174	● 2A Subminiature Fuse
NS	340-2839	● Fan EMI Gasket
5	540-1773	Base Assembly
6	330-1214	● Rubber Foot
7	300-1037	35 Watt Power Supply (obsolete) ¹
7	300-1090	35 Watt Power Supply (obsolete)
7	300-1105	44 Watt Power Supply
8	540-1931	CD-ROM Assembly
9	370-1312	● Sony CDU-8012 CD-ROM
10	340-1967	● Drive Bracket
11	530-1454	● Address Select Switch Cable, 5.25"
11	530-1825	● Address Select Switch Cable, 8.5"
NS	240-1141	● #6-32 x 1/4" Screw
NS	150-1346	External Terminator, HD50
NS	150-1785	External Active Terminator, HD50
NS	530-1434	External SCSI Cable, HD50 to HD50, 45 cm
NS	530-1435	External SCSI Cable, HD50 to DD-50SA, 2.0M
NS	530-1508	External SCSI Cable, HD50 to HD50, 80 cm
NS	530-1593	External SCSI Cable, HD50 to DD-50SA, 1.0M
NS	530-1792	External SCSI Cable, HD50 to DD-50SA, 2.0M
NS	530-1793	External SCSI Cable, HD50 to HD50, 80 cm
NS	530-1829	External SCSI Cable, HD50 to DD-50SA, 1.0M
NS	530-1836	External SCSI Cable, HD50 to HD50, 2.0M
NS	530-1852	External SCSI Cable, HD50 to HD50, 4.0M
NS	555-1154	Caddy 3-Pack
NS	370-1316	● Caddy
	800-4895	<i>Desktop Storage Pack Field Service Manual</i>

¹ Power Supply 300-1037 does not have IEC950 or UL1950 approval.
Do NOT install 300-1037 into options manufactured after March 1991.

Desktop SunCD Plus Pack

557
SunCD Plus CD-ROM



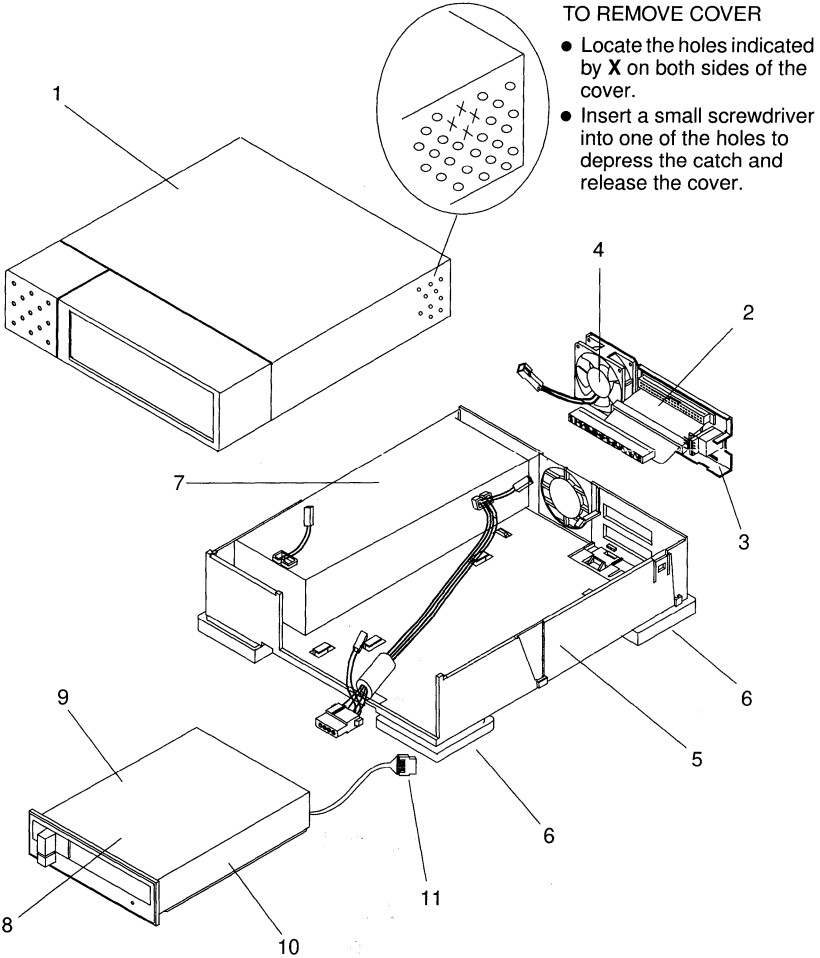
Desktop SunCD Plus Pack

557

CODE	PART #	DESCRIPTION
1	540-1778	Cover Assembly
1	540-2431	Modified Cover Assembly for 557-KDK Option
2	540-1978	Fan/SCSI Connector/Address Select Assembly/FRU
3	150-2049	● Address Select Switch
4	540-2185	● Fan Assembly
NS	150-1174	● 2A Subminiature Fuse
NS	340-2839	● Fan EMI Gasket
5	540-1773	Base Assembly
6	330-1214	● Rubber Foot
7	300-1105	44 Watt Power Supply
8	540-2449	CD-ROM Assembly for 557-KDK Option
9	370-1573	● Sony CDU-561 CD-ROM
10	340-1967	● Drive Bracket
11	530-1825	● Address Switch Cable, 0.10" Pin Spacing, 8.5"
NS	240-1530	● M3 0.5 x 6mm Screw
NS	250-1194	● Adhesive Backed RFI Strip, 140 mm
8	540-2478	CD-ROM Assembly
9	370-1584	● Sony CDU-561 CD-ROM
10	340-1967	● Drive Bracket
11	530-1825	● Address Switch Cable, 0.10" Pin Spacing, 8.5"
NS	240-1141	● #6-32 x 1/4" Screw
NS	150-1785	External Active Terminator, HD50
NS	530-1793	External SCSI Cable, HD50 to HD50, 80 cm
NS	530-1836	External SCSI Cable, HD50 to HD50, 2.0M
NS	530-1852	External SCSI Cable, HD50 to HD50, 4.0M
	800-4895	<i>SunCD Plus Desktop Pack Installation Manual</i>

Desktop SunCD 2Plus Pack

579
SunCD 2Plus CD-ROM



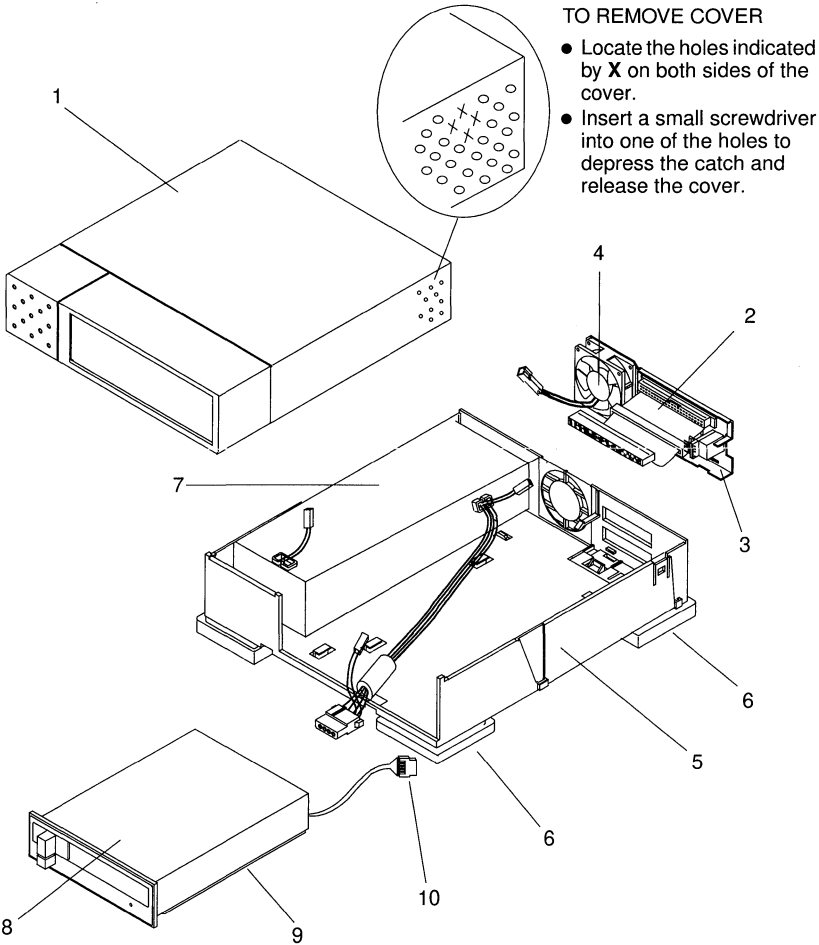
Desktop SunCD2 Plus Pack

579

CODE	PART #	DESCRIPTION
1	540-1778	Cover Assembly
2	540-1978	Fan/SCSI Connector/Address Select Assembly/FRU
3	150-2049	● Address Select Switch
4	540-2185	● Fan Assembly
NS	150-1174	● 2A Subminiature Fuse
NS	340-2839	● Fan EMI Gasket
5	540-1773	Base Assembly
6	330-1214	● Rubber Foot
7	300-1105	44 Watt Power Supply
8	540-2522	SunCD 2Plus CD-ROM Assembly
9	370-1682	● Toshiba XM4101B CD-ROM, Grey Bezel
10	340-1967	● Drive Bracket
11	530-1825	● Address Switch Cable, 0.10" Pin Spacing, 8.5"
NS	240-1530	● M3 x 6 mm Screw
NS	150-1785	External Active Terminator, HD50
NS	530-1793	External SCSI Cable, HD50 to HD50, 80 cm
NS	530-1836	External SCSI Cable, HD50 to HD50, 2.0M
NS	530-1852	External SCSI Cable, HD50 to HD50, 4.0M
	801-5963	<i>SlimCD Installation and User's Manual</i>

Desktop Backup Pack

660
150MB 1/4" Tape



Desktop Backup Pack

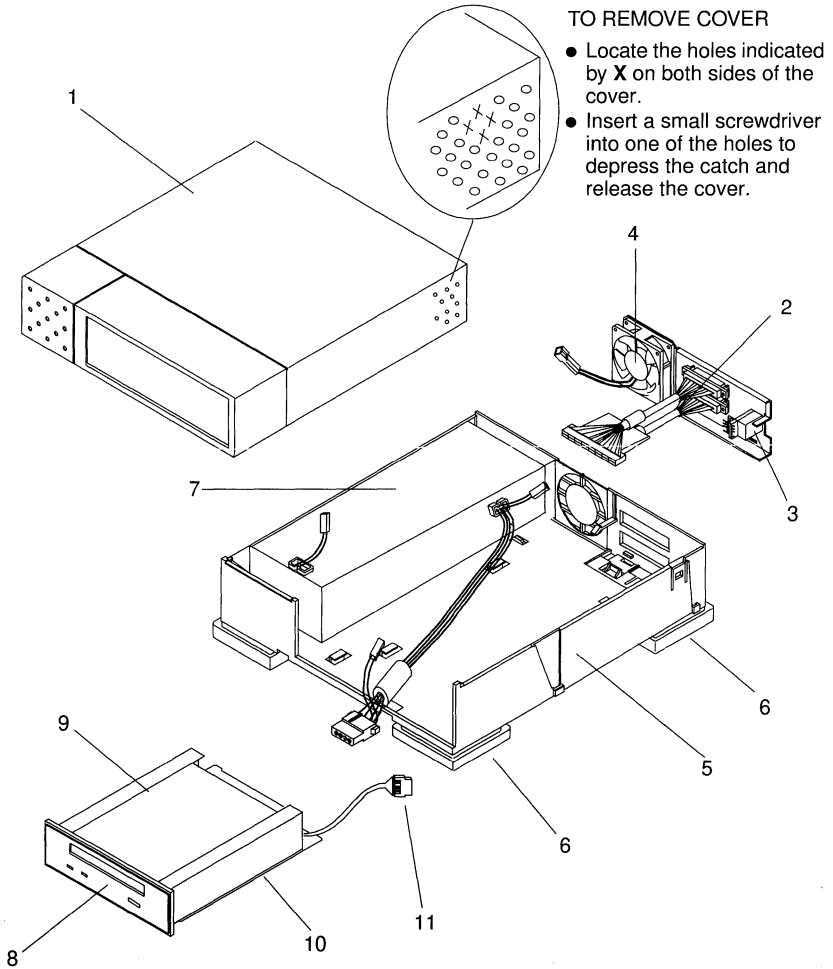
660

CODE	PART #	
1	540-1778	Tape Drive Cover Assembly
2	540-1776	Fan/SCSI Connector/Address Select Assy (obs)
3	150-1338	● Address Select Switch (obsolete)
4	540-1802	● Fan Assembly
NS	150-1174	● 2A Subminiature Fuse
2	540-1978	Fan/SCSI Connector/Address Select Assembly
3	150-1557	● Address Select Switch (obsolete)
3	150-2049	● Address Select Switch
4	540-1802	● Fan Assembly
NS	150-1174	● 2A Subminiature Fuse
NS	340-2839	● Fan EMI Gasket
5	540-1773	Base Assembly
6	330-1214	● Rubber Foot
7	300-1037	35 Watt Power Supply (obsolete) ¹
7	300-1090	35 Watt Power Supply (obsolete)
7	300-1105	44 Watt Power Supply
8	370-1218	150MB Tape Drive, QIC-150, Archive 2150S
9	340-1967	Tape Drive Bracket
10	530-1454	Address Select Switch Cable, 5.25"
10	530-1825	Address Select Switch Cable, 8.5"
NS	240-1141	#6-32 x 1/4" Screw
NS	150-1346	External Terminator, HD50
NS	150-1785	External Active Terminator, HD50
NS	530-1434	External SCSI Cable, HD50 to HD50, 45 cm
NS	530-1508	External SCSI Cable, HD50 to HD50, 80 cm
NS	530-1793	External SCSI Cable, HD50 to HD50, 80 cm
NS	530-1836	External SCSI Cable, HD50 to HD50, 2.0M
NS	530-1852	External SCSI Cable, HD50 to HD50, 4.0M
	800-4895	<i>Desktop Storage Pack Field Service Manual</i>

¹ Power Supply 300-1037 does not have IEC950 or UL1950 approval.
Do NOT install 300-1037 into options manufactured after March 1991.

Desktop Backup Pack

822
5.0GB 4 mm Tape



Desktop Backup Pack

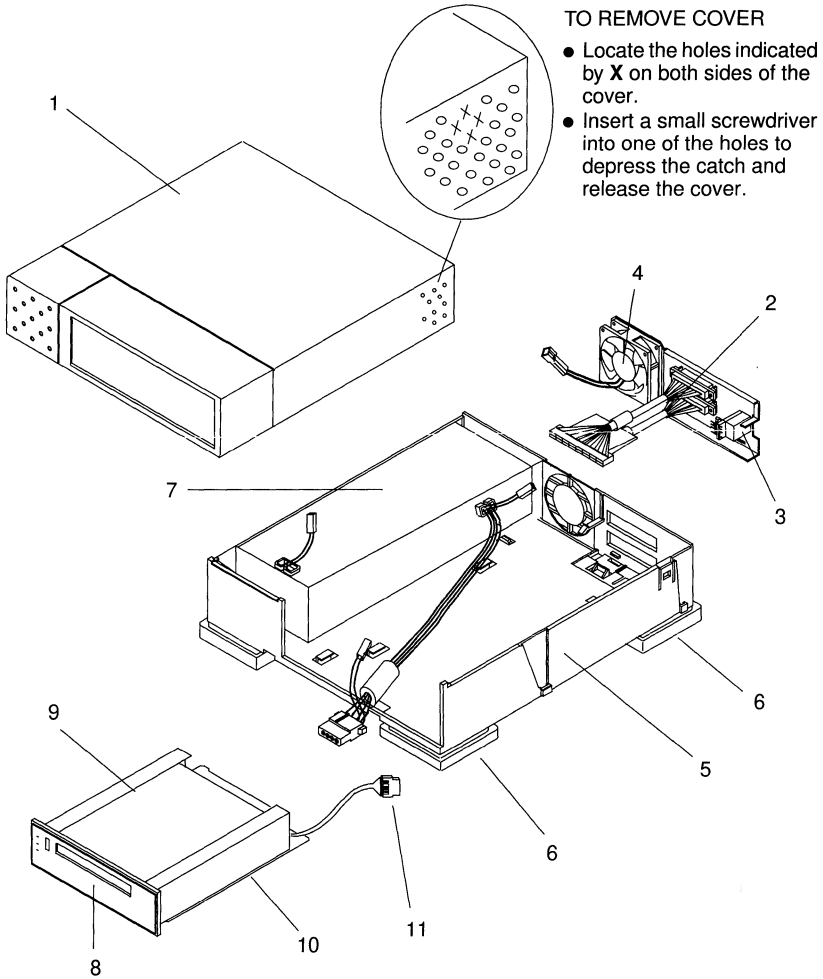
822

CODE	PART #	DESCRIPTION
1	540-1778	Tape Drive Cover Assembly
2	540-2470	Fan/SCSI Cable/Address Select Assembly
3	150-2049	● Address Select Switch
4	540-2185	● Fan Assembly
NS	150-1174	● 2A Subminiature Fuse
NS	340-2839	● Fan EMI Gasket
NS	530-1844	● Internal SCSI Cable, 300 mm
5	540-1773	Base Assembly
6	330-1214	● Rubber Foot
7	300-1105	44 Watt Power Supply
8	540-2451	4 mm DDS-1 Tape Drive Assembly
9	370-1571	● 5GB 4 mm DDS-1 Tape Drive, Archive 4324RP
10	340-1967	● Drive Bracket
NS	240-1141	● #6-32 x 1/4" Screw
11	530-1825	● Address Select Switch Cable, 8.5"
NS	150-1785	External Active Terminator, HD50
NS	370-1612	Blank Tape, DG-90M, 90meter/925feet
NS	370-1613	Cleaning Tape
NS	530-1793	External SCSI Cable, HD50 to HD50, 80 cm
NS	530-1836	External SCSI Cable, HD50 to HD50, 2.0M
NS	530-1852	External SCSI Cable, HD50 to HD50, 4.0M
	800-4895	<i>Desktop Storage Pack Field Service Manual</i>

Desktop Backup Pack

834
10GB 8 mm Tape

844
14GB 8 mm Tape



Desktop Backup Pack

834

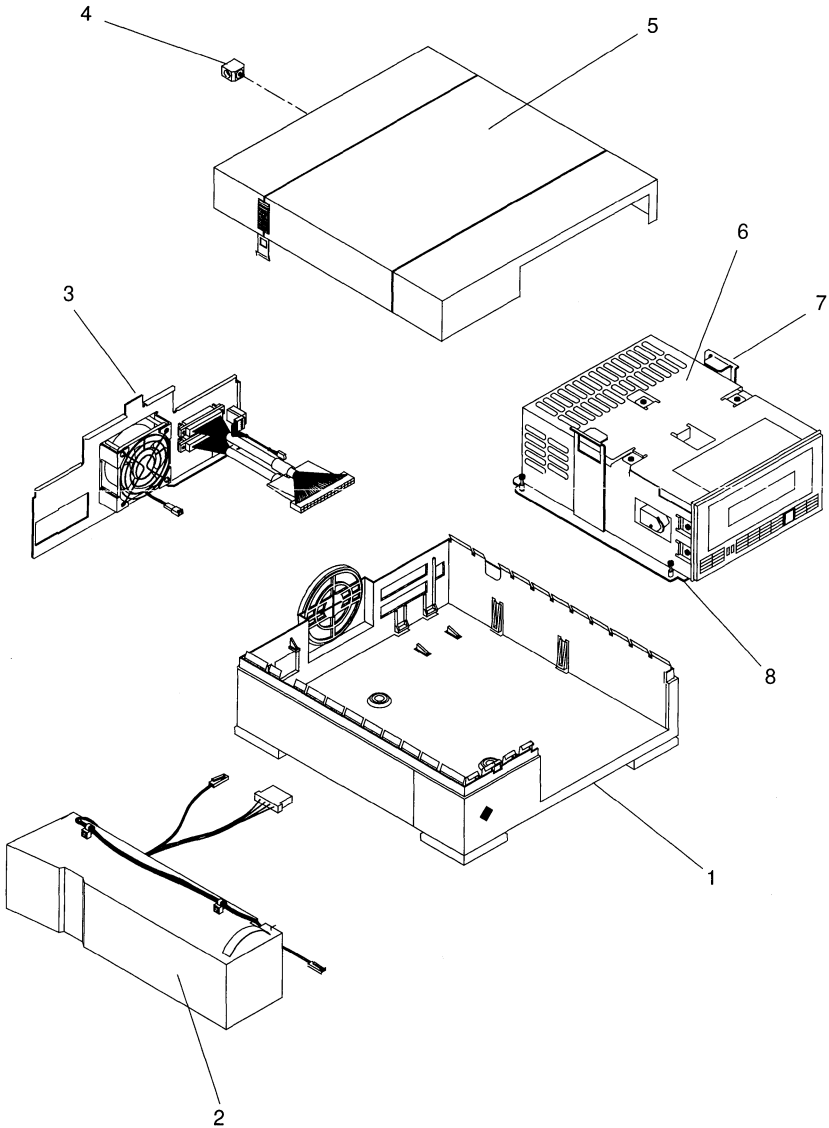
844

CODE	PART #	DESCRIPTION
1	540-1778	Tape Drive Cover Assembly
2	540-2470	Fan/SCSI Cable/Address Select Assembly
3	150-2049	● Address Select Switch
4	540-2185	● Fan Assembly
NS	150-1174	● 2A Subminiature Fuse
NS	530-1844	● Internal SCSI Cable, 300 mm
5	540-1773	Base Assembly
6	330-1214	Rubber Foot
7	300-1105	44 Watt Power Supply
8	540-2617	10GB 8 mm Tape Drive Assembly
9	370-1808	● 10GB 8 mm Tape Drive, Grey Bezel
10	340-1967	● Drive Bracket
NS	240-1530	● M3 x 6 mm Screw
11	530-1825	● Address Select Switch Cable, 8.5"
8	540-2652	14GB 8 mm Tape Drive Assembly
9	370-1857	● 14GB 8 mm Tape Drive, Grey Bezel
10	340-1967	● Drive Bracket
NS	240-1530	● M3 x 6 mm Screw
11	530-1825	● Address Select Switch Cable, 8.5"
NS	150-1785	External Active Terminator, HD50
NS	370-1298	Blank 8 mm Tape, 106 meters
NS	370-1858	Blank 8 mm Tape, 160 meters
NS	370-1318	Cleaning Kit (obsolete)
NS	370-2344	Cleaning Kit
NS	530-1793	External SCSI Cable, HD50 to HD50, 80 cm
NS	530-1836	External SCSI Cable, HD50 to HD50, 2.0M
NS	530-1852	External SCSI Cable, HD50 to HD50, 4.0M
	800-4895	<i>Desktop Storage Pack Field Service Manual</i>

Desktop Storage Module

804
2.3GB 8 mm Tape

814
5.0GB 8 mm Tape



Desktop Storage Module

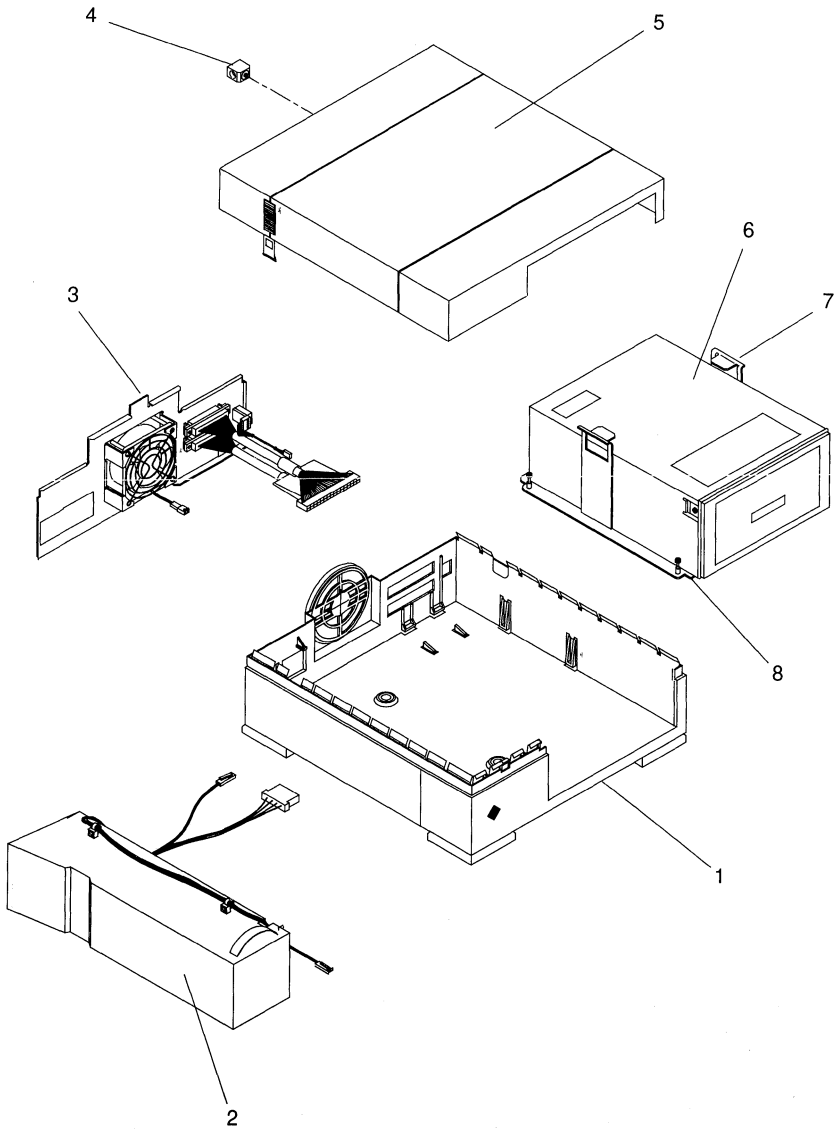
804

814

CODE	PART #	DESCRIPTION
1	540-2173	Base Assembly, Tape Drive Option
2	300-1080	60 Watt Power Supply
3	540-2145	I/O Bracket Assembly
-	150-1557	● Address Select Switch (obsolete)
-	150-2049	● Address Select Switch
-	340-2506	● I/O Bracket
-	501-1468	● I/O PCB and Cable Assembly (obsolete)
-	530-1790	● Address Select Switch Cable (obsolete)
-	530-2117	● Address Select Switch Cable
-	530-1844	● Internal SCSI Cable, -01 Rev 50 = 300 mm
-	530-1844	● Internal SCSI Cable, -01 Rev 51 = 250 mm
-	530-1844	● Internal SCSI Cable, -02 Rev 50 = 240 mm
-	530-1844	● Internal SCSI Cable, -03 Rev 50 = 240 mm
-	530-1844	● Internal SCSI Cable, -03 Rev A = 260 mm
-	530-2125	● Internal SCSI Cable, 308 mm
-	540-2142	● DC Fan Assembly, 17 CFM (obsolete)
-	540-2142	● DC Fan Assembly, 14 CFM
4	540-1982	Top Cover Lockbox Assembly
5	540-2174	Top Cover Assembly, Tape Drive Option
6	370-1405	2.3GB 8 mm Tape Drive, Full-Height, Grey Bezel
6	370-1416	5.0GB 8 mm Tape Drive, Full-Height, Grey Bezel
7	540-2263	Peripheral Removal Handle (replaced 340-2571)
8	340-2547	Tape Drive Mounting Bracket
NS	150-1785	External Active Terminator, HD50
NS	240-1141	#6-32 x 1/4" Tape Drive Mounting Screw
NS	240-1912	#6-32 x 1/4" Tape Drive Mounting Screw (obs)
NS	530-1792	External SCSI Cable, HD50 to DD-50SA, 2.0M
NS	530-1793	External SCSI Cable, HD50 to HD50, 80 cm
NS	530-1829	External SCSI Cable, HD50 to DD-50SA, 1.0M
NS	530-1836	External SCSI Cable, HD50 to HD50, 2.0M
NS	530-1852	External Cable, HD50 to HD50, 4.0M
	800-6219	<i>Desktop Storage Module Service Manual</i>
	800-7236	<i>Desktop Storage Module Service Manual</i>

Desktop Storage Module

827
20GB 4 mm Tape



Desktop Storage Module

827

CODE	PART #	DESCRIPTION
1	540-2173	Base Assembly, Tape Drive Option
2	300-1080	60 Watt Power Supply
3	540-2145	I/O Bracket Assembly ¹
-	150-2049	● Address Select Switch
-	340-2506	● I/O Bracket
-	530-2117	● Address Select Switch Cable, 0.10" Spacing ²
-	530-2125	● Internal SCSI Cable, 308 mm ³
-	540-2142	● DC Fan Assembly, 14 CFM
4	540-1982	Top Cover Lockbox Assembly
5	540-2174	Top Cover Assembly, Tape Drive Option
6	370-1616	20GB 4 mm DDS-1 Autoloader, Grey Bezel
7	540-2263	Peripheral Removal Handle
8	340-2547	Tape Drive Mounting Bracket
NS	150-1785	External Active Terminator, HD50
NS	240-1530	M3 0.5 x 6 mm Tape Drive Mounting Screw
NS	370-1612	90 Meter Tape
NS	370-1613	Cleaning Tape
NS	370-1683	4-Tape Magazine
NS	530-1793	External SCSI Cable, HD50 to HD50, 80 cm
NS	530-1836	External SCSI Cable, HD50 to HD50, 2.0M
NS	530-1852	External SCSI Cable, HD50 to HD50, 4.0M
NS	540-2561	Shipping Restraint Assembly
-	230-1404	● Shipping Restraint Belt
-	230-1405	● Shipping Restraint Buckle
-	340-3045	● Shipping Restraint Bracket
	800-7236	<i>Desktop Storage Module Service Manual</i>

¹ The 20GB Tape Drive requires I/O Assembly 540-2145-02.

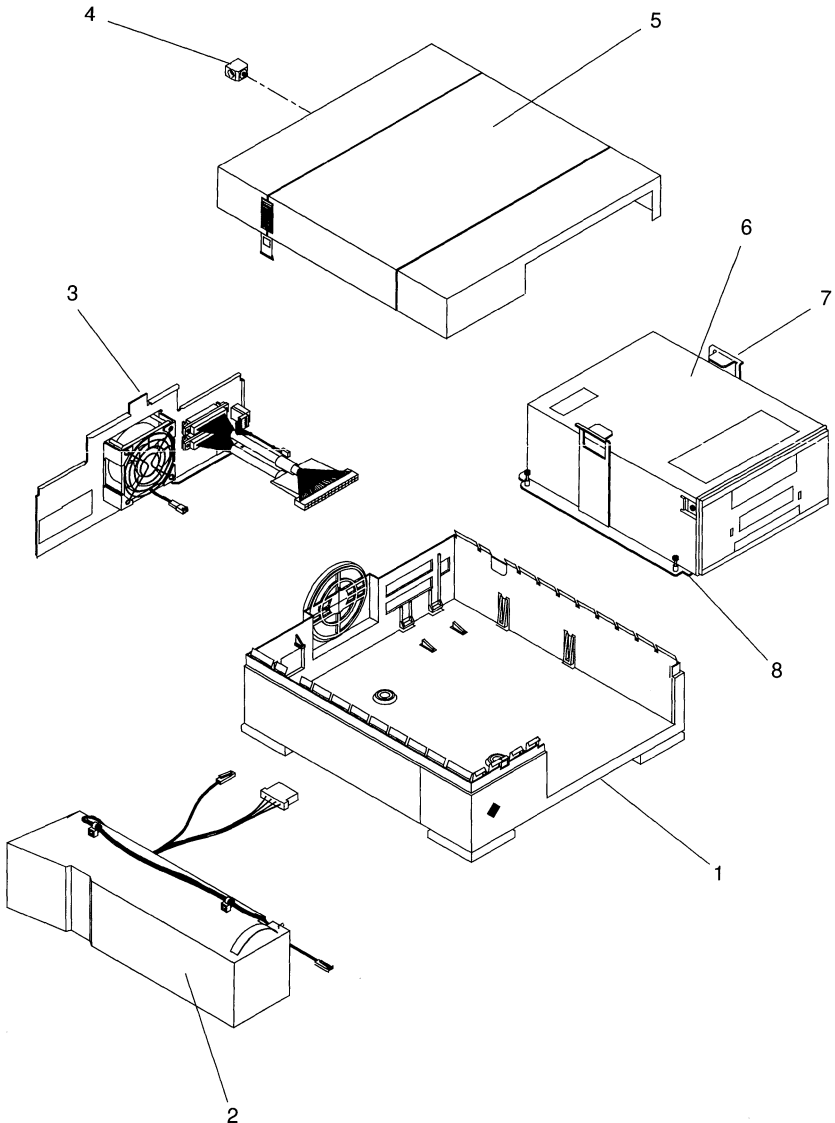
² The 20GB Tape Drive is not compatible with Address Cable 530-1790.

³ The 20GB Tape Drive is not compatible with SCSI Cable 530-1844.

Desktop Storage Module

6271
16-32GB 4 mm Tape
68-68 Pin Cable

6272
16-32GB 4 mm Tape
50-68 Pin Cable



Desktop Storage Module

6271

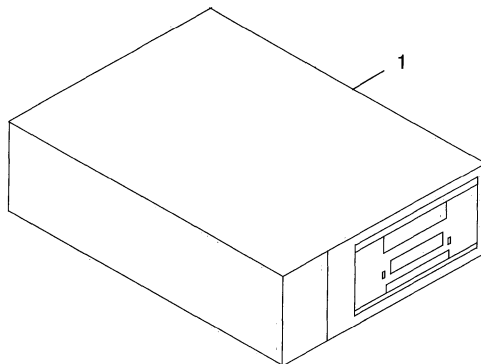
6272

CODE	PART #	DESCRIPTION
1	540-2173	Base Assembly, Tape Drive Option
2	300-1080	60 Watt Power Supply
3	540-2145	I/O Bracket Assembly
-	150-2049	Address Select Switch
-	340-2506	I/O Bracket
-	530-2117	Address Select Switch Cable, 0.10" Spacing
-	530-2125	Internal SCSI Cable, 308 mm
-	540-2142	DC Fan Assembly, 14 CFM
4	540-1982	Top Cover Lockbox Assembly
5	540-2174	Top Cover Assembly, Tape Drive Option
6	370-2179	16-32GB 4 mm DDS-2 Autoloader, Light Grey Bezel
7	540-2263	Peripheral Removal Handle
8	340-2547	Tape Drive Mounting Bracket
NS	150-1785	External Active Terminator, HD50
NS	240-1530	M3 0.5 x 6 mm Tape Drive Mounting Screw
NS	370-2181	120 Meter DDS-2 Tape
NS	370-1613	Cleaning Tape
NS	370-1683	4-Tape Magazine
NS	530-1793	External SCSI Cable, HD50 to HD50, 80 cm
NS	530-1836	External SCSI Cable, HD50 to HD50, 2.0M
NS	530-1852	External SCSI Cable, HD50 to HD50, 4.0M
NS	540-2561	Shipping Restraint Assembly
-	230-1404	Shipping Restraint Belt
-	230-1405	Shipping Restraint Buckle
-	340-3045	Shipping Restraint Bracket
	802-5325	<i>16-32 Gbyte 4mm Tape Auto-Loader Desktop Storage Module Installation and User's Guide</i>

SPARCstorage DLT4000

6051
 20-40GB 1/2" Tape
 50-50 Pin Cable

6052
 20-40GB 1/2" Tape
 50-68-Pin Cable

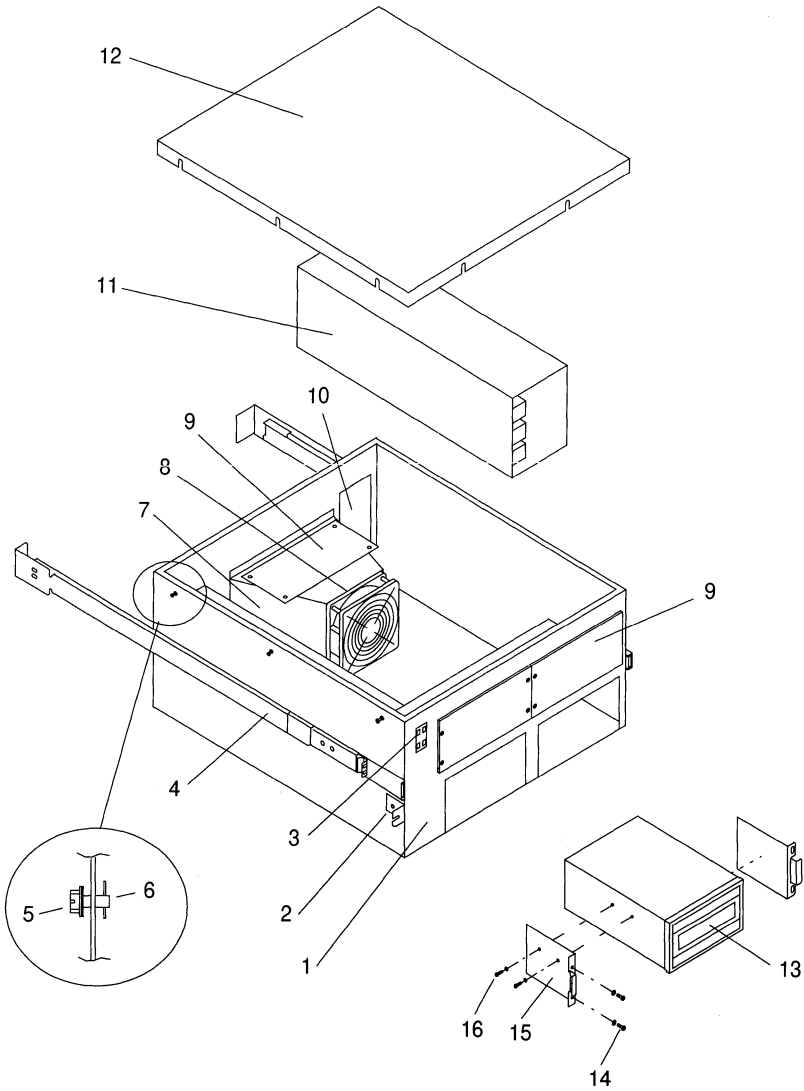


CODE	PART #	DESCRIPTION
1	540-2780	Quantum Desktop DLT4000 Assembly/FRU
NS	150-1785	External Active Terminator, 50-Pin SCSI-2
NS	180-1179	110V AC Power Cord
NS	261-7606	DLT4000 Nameplate
NS	370-2188	20GB Data Cartridge
NS	370-2189	Cleaning Cartridge
NS	370-2848	20-40GB DLT Tape Drive
NS	530-1793	External SCSI Cable, 50-Pin to 50-Pin, 80 cm
NS	530-2115	External SCSI Cable, 68-Pin to 50-Pin, 1.2M
-	802-5054	<i>DLT4000 Installation and User's Guide</i>

This page intentionally left blank.

Multi-Tape Backup Tray

811 5GB 8 mm w/o Tape Tray	816 5GB 8 mm 1 Tape Tray	831 10GB 8 mm w/o Tape Tray	836 10GB 8 mm 1 Tape Tray	841 14GB 8 mm w/o Tape Tray	846 14GB 8 mm 1 Tape Tray
---	---------------------------------------	--	--	--	--



Multi-Tape Backup Tray

811

816

831

836

841

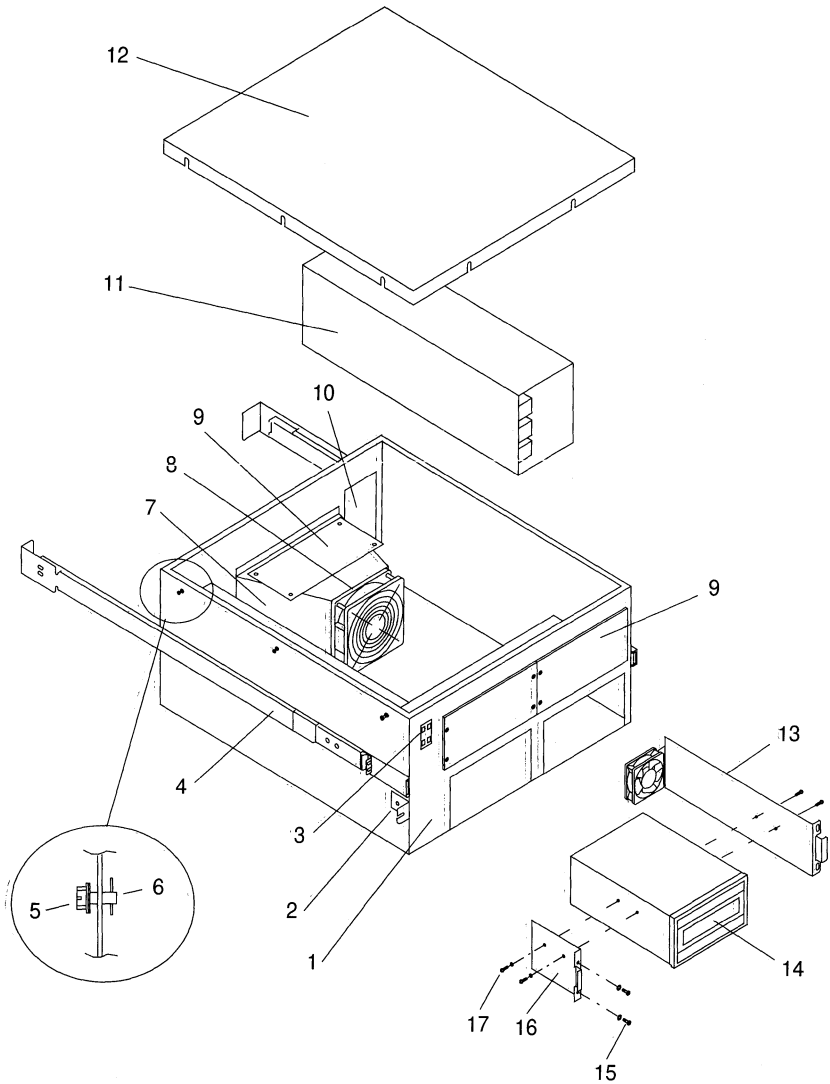
846

CODE	PART #	DESCRIPTION
1	340-2566	Chassis Enclosure
2	340-2861	Tray Retaining Bracket (obsolete)
2	340-2862	Tray Retaining Bracket
3	150-1806	SCSI Address Select Switch
4	370-1385	-01 Slide Rail Set, Inner 651.2 mm, Outer 742.7 mm
4	370-1385	-03 Slide Rail Set, Inner 717.3 mm, Outer 742.7 mm
5	None	Cross-Drilled Screw (use 240-1732-01)
6	None	Screw Retaining Clip
7	340-2564	Fan Enclosure
8	370-1214	DC Fan, 105 CFM
9	340-2641	Filler Panel (obsolete)
9	340-2835	Full-Height Filler Panel
9	340-2859	Half-Height Filler Panel
9	340-3369	Half-Height Filler Panel
10	340-2601	Connector Panel
11	300-1096	269 Watt Power Supply
11	300-1312	269 Watt Nordic Power Supply (Available 12/95)
12	340-2565	Top Cover
13	370-1415	5.0GB 8 mm Tape Drive, Full-Height, Black Bezel
13	370-1809	10GB 8 mm Tape Drive, Half-Height, Black Bezel
13	370-1856	14GB 8 mm Tape Drive, Half-Height, Black Bezel
14	240-1372	M4 0.7 x 10 mm Screw
15	340-2148	Peripheral Mounting Bracket
16	240-1141	#6-32 x 1/4" Screw for 5GB
16	240-1530	M3 0.5 x 6 mm Screw for 10GB and 14GB
NS	370-2344	8 mm Cleaning Kit
NS	530-1849	Address Select Switch Cable (obsolete)
NS	530-1891	Internal SCSI Bus Cable, 1.8M
NS	530-1892	DC Wire Harness
NS	530-2058	4-Drive Address Select Switch Cable
NS	540-2252	Front Panel, 56-inch Rack with 4 Tape Drive Cutouts
	800-7008	<i>5.0 Gbyte 8mm Tape Drive Tray Service Manual</i>
	800-7340	<i>Multi-Tape Backup Tray Service Manual</i>

Multi-Tape Backup Tray

825
20GB 4 mm Tape
w/o Tape Tray

826
20GB 4 mm Tape
1 Tape Tray



Multi-Tape Backup Tray

825

826

CODE	PART #	DESCRIPTION
1	340-2566	Chassis Enclosure
2	340-2681	Tray Retaining Bracket (obsolete)
2	340-2862	Tray Retaining Bracket
3	150-1806	SCSI Address Select Switch
4	370-1385	-01 Slide Rail Set, Inner 651.2 mm, Outer 742.7 mm
4	370-1385	-03 Slide Rail Set, Inner 717.3 mm, Outer 742.7 mm
5	None	Cross-Drilled Screw (use 240-1732-01)
6	None	Screw Retaining Clip
7	340-2564	Fan Enclosure
8	370-1214	DC Fan, 105 CFM
9	340-2641	Filler Panel (obsolete)
9	340-2835	Full-Height Filler Panel
9	340-2859	Half-Height Filler Panel
9	340-3369	Half-Height Filler Panel
10	340-2601	Connector Panel
11	300-1096	269 Watt Power Supply
11	300-1312	269 Watt Nordic Power Supply (Available 12/95)
12	340-2565	Top Cover
13	540-2607	Fan, Wire Harness, and Bracket Assy, 20GB 4 mm
13	540-2606	● Fan and Wire Harness Assembly
14	370-1617	20GB 4 mm Autoloader, Full-Height, Black Bezel
15	240-1372	M4 0.7 x 10 mm Screw
16	340-2148	Peripheral Mounting Bracket
17	240-1530	M3 0.5 x 6 mm Screw for 10GB, 14GB, and 20GB
NS	150-1785	External Active Terminator, HD50
NS	340-3044	4 mm Tape Drive Padded Shipping Bracket
NS	370-1751	4 mm Tape Drive Shipping Bracket (obsolete)
NS	530-1849	Address Select Switch Cable (obsolete)
NS	530-1891	Internal SCSI Bus Cable, 1.8M
NS	530-1892	DC Wire Harness
NS	530-2058	4-Drive Address Select Switch Cable
NS	540-2252	Front Panel, 56-inch Rack with 4 Tape Drive Cutouts
	800-7340	<i>Multi-Tape Backup Tray Service Manual</i>

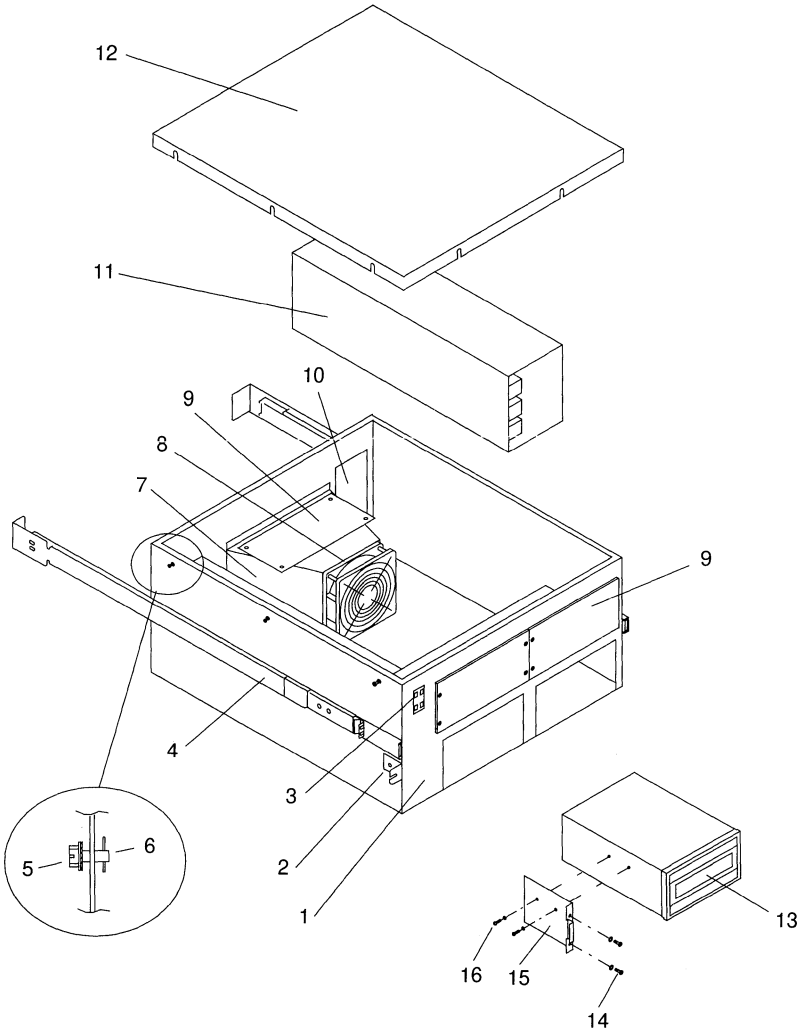
Multi-Tape Backup Tray

6053
20-40GB DLT Tape
Black
w/o Tape Tray

6054
20-40GB DLT Tape
Black
1 Tape Tray

6055
20-40GB DLT Tape
Medium Grey
w/o Tape Tray

6056
20-40GB DLT Tape
Medium Grey
1 Tape Tray



Multi-Tape Backup Tray

6053

6054

6055

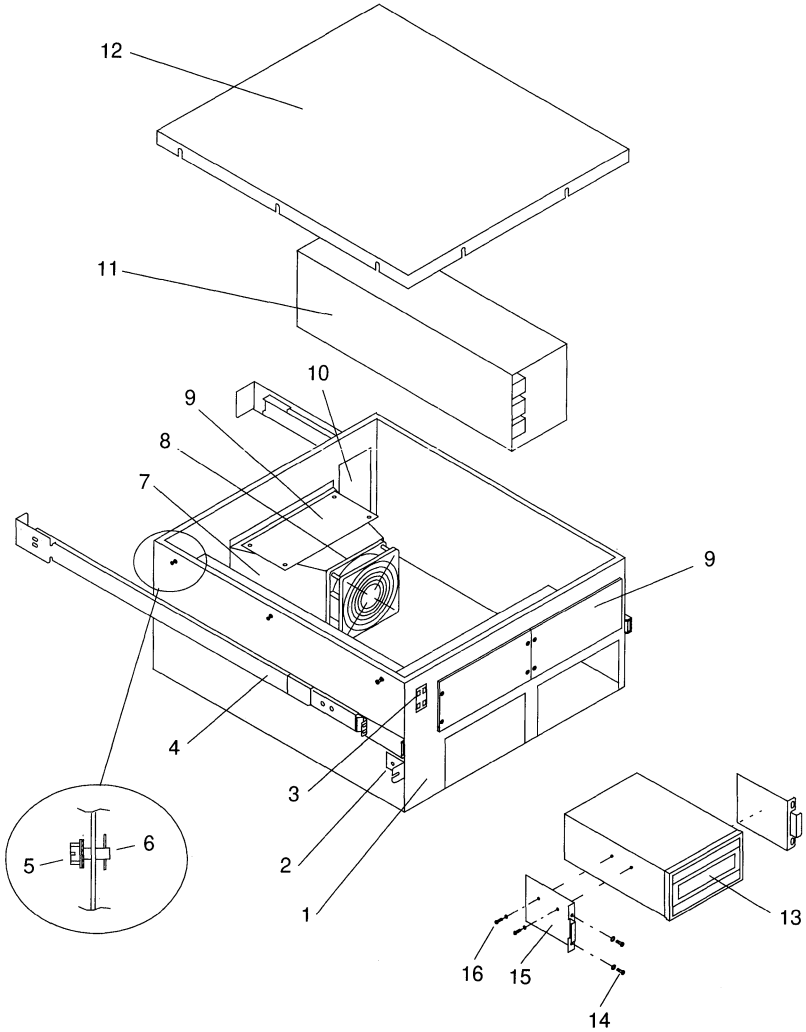
6056

CODE	PART #	DESCRIPTION
1	340-2566	Chassis Enclosure
2	340-2862	Tray Retaining Bracket
3	150-1806	SCSI Address Select Switch
4	370-1385	-03 Slide Rail Set, Inner 717.3 mm, Outer 742.7 mm
5	None	Cross-Drilled Screw (use 240-1732-01)
6	None	Screw Retaining Clip
7	340-2564	Fan Enclosure
8	370-1214	DC Fan, 105 CFM
NS	340-0265	● Fan Fingerguard
NS	240-1740	● #6-32 x 2" Screw
9	340-2835	Full-Height Filler Panel
9	340-3369	Half-Height Filler Panel
10	340-2601	Connector Panel
11	300-1096	269 Watt Power Supply
11	300-1312	269 Watt Nordic Power Supply (available 12/95)
12	340-2565	Top Cover
13	370-2187	20-40GB DLT Tape Drive, Medium Grey Bezel
13	370-2255	20-40GB DLT Tape Drive, Black Bezel
14	240-1372	M4 0.7 x 10 mm Screw
15	340-2148	Peripheral Mounting Bracket
16	240-1530	M3 0.5 x 6 mm Screw (wrong thread size)
16	240-1878	#6-32 x 5/16" Screw
NS	150-1785	External Active Terminator, HD50
NS	370-2188	20GB Data Cartridge
NS	370-2189	Cleaning Cartridge
NS	530-1891	Internal SCSI Bus Cable, 1.8M
NS	530-1892	DC Wire Harness
NS	530-2058	4-Drive Address Select Switch Cable
NS	540-2252	Front Panel, 56-inch Rack with 4 Tape Drive Cutouts
	800-7340	<i>Multi-Tape Backup Tray Service Manual</i>

Multi-Tape Backup Tray

6204
7-14GB 8 mm
w/o Tape Tray

6205
7-14GB 8 mm
1 Tape Tray



Multi-Tape Backup Tray

6204

6205

CODE	PART #	DESCRIPTION
1	340-2566	Chassis Enclosure
2	340-2862	Tray Retaining Bracket
3	150-1806	SCSI Address Select Switch
4	370-1385	-01 Slide Rail Set, Inner 651.2 mm, Outer 742.7 mm
4	370-1385	-03 Slide Rail Set, Inner 717.3 mm, Outer 742.7 mm
5	None	Cross-Drilled Screw (use 240-1732-01)
6	None	Screw Retaining Clip
7	340-2564	Fan Enclosure
8	370-1214	DC Fan, 105 CFM
NS	340-0265	● Fan Fingerguard
NS	240-1740	● #6-32 x 2" Screw
9	340-2641	Filler Panel (obsolete)
9	340-2835	Full-Height Filler Panel
9	340-2859	Half-Height Filler Panel
9	340-3369	Half-Height Filler Panel
10	340-2601	Connector Panel
11	300-1096	269 Watt Power Supply
11	300-1312	269 Watt Nordic Power Supply (Available 12/95)
12	340-2565	Top Cover
13	370-2200	14GB 8 mm Tape Drive, Half-Height, Dk Grey Bezel
14	240-1372	M4 0.7 x 10 mm Screw
15	340-2148	Peripheral Mounting Bracket
16	240-1141	#6-32 x 1/4" Screw for 5GB
16	240-1530	M3 0.5 x 6 mm Screw for 10GB and 14GB
	800-7008	<i>5.0 Gbyte 8mm Tape Drive Tray Service Manual</i>
	800-7340	<i>Multi-Tape Backup Tray Service Manual</i>

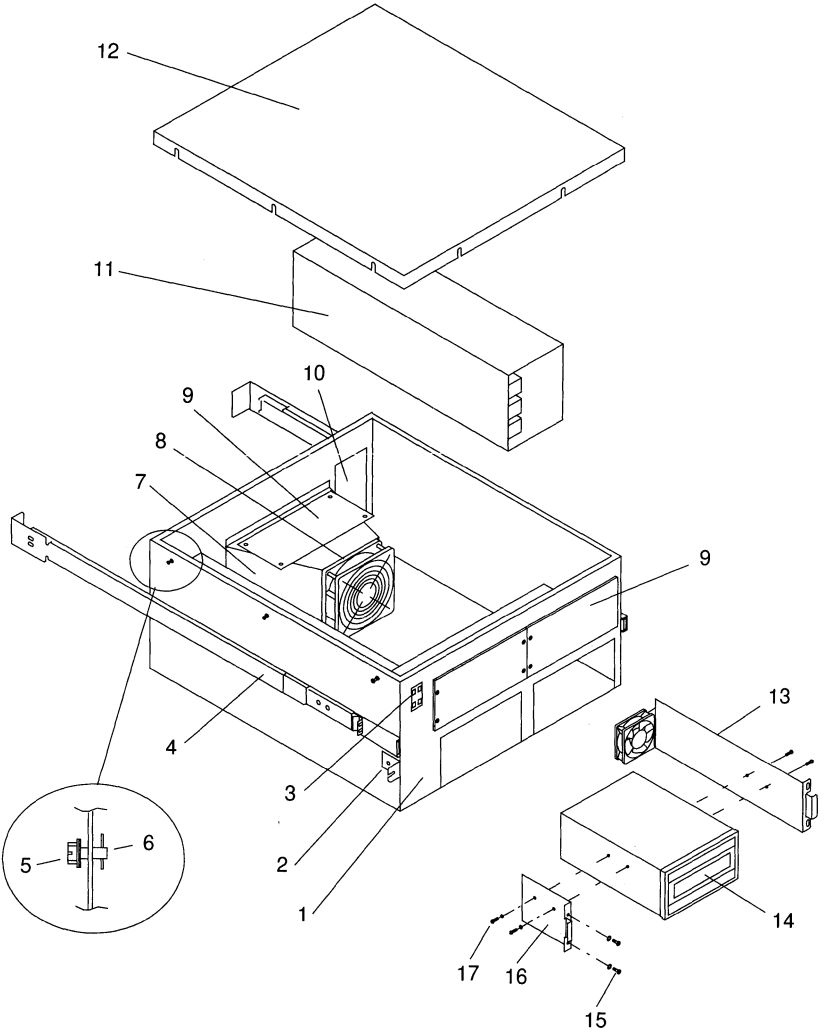
Multi-Tape Backup Tray

6273
16-32GB 4 mm Tape
Light Grey
w/o Tape Tray

6274
16-32GB 4 mm Tape
Light Grey
w Tape Tray

6275
16-32GB 4 mm Tape
Medium Grey
w/o Tape Tray

6276
16-32GB 4 mm Tape
Medium Grey
w Tape Tray



Multi-Tape Backup Tray

6273

6274

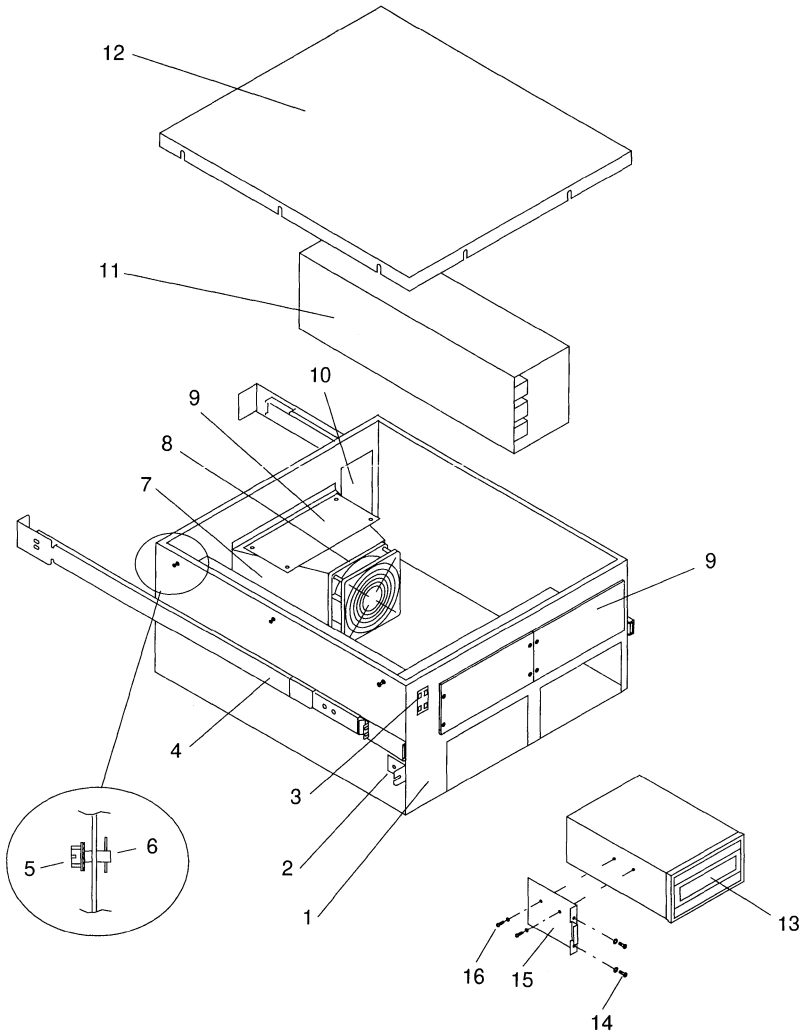
6275

6276

CODE	PART #	DESCRIPTION
1	340-2566	Chassis Enclosure
2	340-2862	Tray Retaining Bracket
3	150-1806	SCSI Address Select Switch
4	370-1385	-03 Slide Rail Set, Inner 717.3 mm, Outer 742.7 mm
5	None	Cross-Drilled Screw (use 240-1732-01)
6	None	Screw Retaining Clip
7	340-2564	Fan Enclosure
8	370-1214	DC Fan, 105 CFM
NS	340-0265	● Fan Fingerguard
NS	240-1740	● #6-32 x 2" Screw
9	340-2835	Full-Height Filler Panel
9	340-2859	Half-Height Filler Panel
9	340-3369	Half-Height Filler Panel
10	340-2601	Connector Panel
11	300-1096	269 Watt Power Supply
11	300-1312	269 Watt Nordic Power Supply (Available 12/95)
12	340-2565	Top Cover
13	540-2607	Fan, Wire Harness, and Bracket Assembly
13	540-2606	● Fan and Wire Harness Assembly
14	370-2180	16-32GB 4 mm DDS-2 Autoloader, Med Grey Bezel
14	370-2201	16-32GB 4 mm DDS-2 Autoloader, Black Bezel
15	240-1372	M4 0.7 x 10 mm Screw
16	340-2148	Peripheral Mounting Bracket
17	240-1530	M3 0.5 x 6 mm Screw
NS	150-1785	External Active Terminator, HD50
NS	340-3044	4 mm Tape Drive Shipping Bracket
NS	370-2181	Blank 4 mm DDS-2 Tape, 120M
NS	370-1613	4 mm Cleaning Tape
NS	370-1683	4 mm 4-Tape Magazine
NS	530-1891	Internal SCSI Bus Cable, 1.8M
NS	530-1892	DC Wire Harness
	800-7340	<i>Multi-Tape Backup Tray Service Manual</i>

Multi-Tape Backup Tray

6292 72-144GB 4 mm Tape Medium Grey w Tape Tray	6293 72-144GB 4 mm Tape Medium Grey w/o Tape Tray
---	---



Multi-Tape Backup Tray

6292

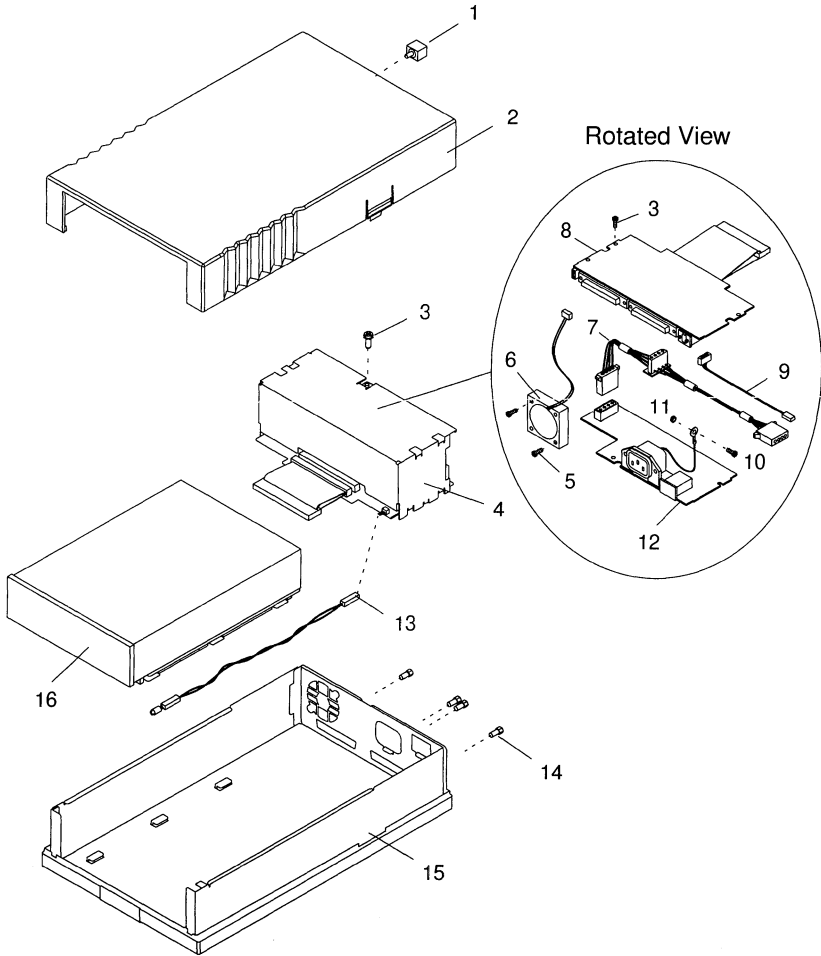
6293

CODE	PART #	DESCRIPTION
1	340-2566	Chassis Enclosure
2	340-2862	Tray Retaining Bracket
3	150-1806	SCSI Address Select Switch
4	370-1385	-03 Slide Rail Set, Inner 717.3 mm, Outer 742.7 mm
5	None	Cross-Drilled Screw (use 240-1732-01)
6	None	Screw Retaining Clip
7	340-2564	Fan Enclosure
8	370-1214	DC Fan, 105 CFM
NS	340-0265	● Fan Fingerguard
NS	240-1740	● #6-32 x 2" Screw
9	340-2835	Full-Height Filler Panel
9	340-3369	Half-Height Filler Panel
10	340-2601	Connector Panel
11	300-1096	269 Watt Power Supply
11	300-1312	269 Watt Nordic Power Supply
12	340-2565	Top Cover
13	370-2379	72-144GB 4 mm DDS-3 Autoloader, Medium Grey
14	240-1372	M4 0.7 x 10 mm Screw
15	340-2148	Peripheral Mounting Bracket
16	240-1530	M3 0.5 x 6 mm Screw
NS	150-1785	External Active Terminator, HD50
NS	180-1751	DC "Y" Power Cable
NS	340-3044	4 mm Tape Drive Shipping Bracket
NS	370-2378	Blank 4 mm DDS-3 Tape
NS	370-1613	4 mm Cleaning Tape
NS	370-2381	4 mm 4-Tape Magazine
NS	530-1891	Internal SCSI Bus Cable, 1.8M
NS	530-1892	DC Wire Harness
	800-7340	<i>Multi-Tape Backup Tray Service Manual</i>

SPARCstorage UniPack

6101
2.5GB 1/4" Tape
68-68 Pin Cable

6102
2.5GB 1/4" Tape
50-68 Pin Cable



SPARCstorage UniPack

6101

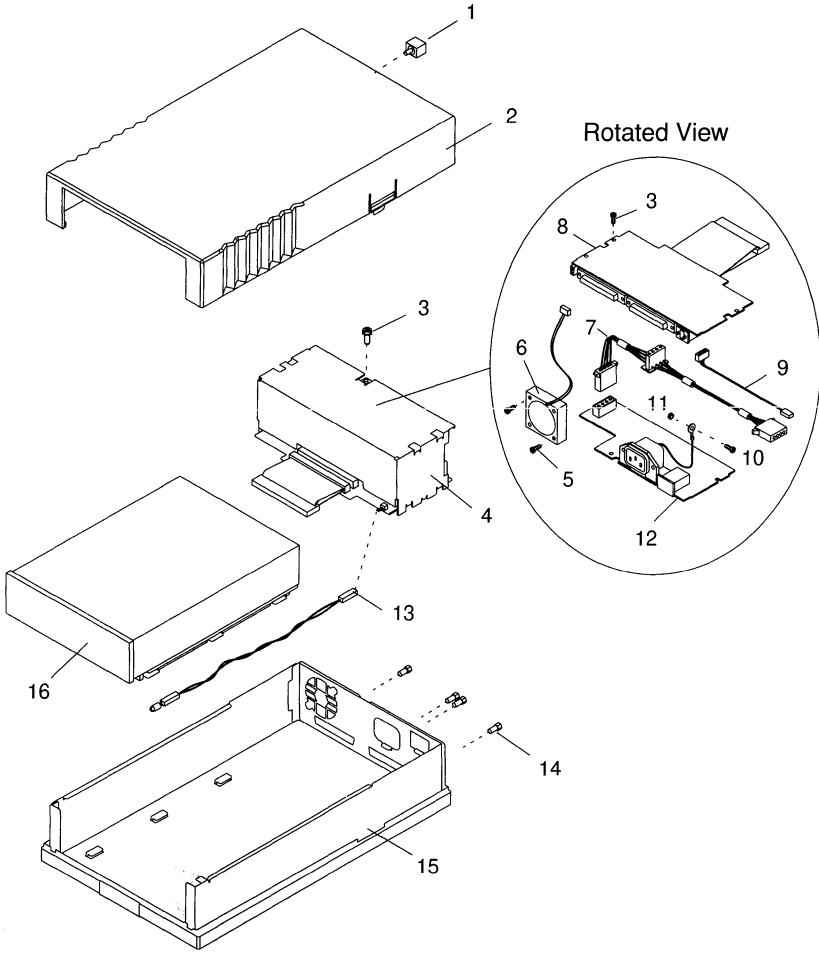
6102

CODE	PART #	DESCRIPTION
-	599-2042	2.5GB 1/4" Tape UniPack
-	595-3711	Tape Enclosure FRU without Tape Drive
-	599-2046	● Tape Enclosure without Tape Drive
1	540-1982	● Lockbox
2	540-2676	● Tape Drive Cover Assembly
3	240-1530	● M3 x 6 mm Screw
4	540-2674	● Tape Drive Power Supply Assembly
5	240-2246	● M3 x 25 mm Screw (obsolete)
5	240-2294	● M3 x 25 mm Pan-Head Screw
6	370-1986	● Fan
7	530-2179	● Tape Drive DC Power Cable
8	501-2791	● Tape Drive SCSI Interface Card
9	530-1790	● Address Select Cable
9	530-2181	● Address Select Cable
10	240-1434	● M4 x 10 mm Screw
11	240-1373	● M4 Nut
12	300-1282	● 30 Watt Power Supply
13	530-2183	● LED Cable
14	240-2180	● #4-40M/2-56F Jackscrew
15	540-2672	● Base Assembly
16	540-2698	Tape Drive Assembly
NS	240-1530	● M3 x 6 mm Screw
NS	340-3222	● Mounting Bracket
-	370-2018	● 2.5GB Tape Drive
NS	261-5678	Sun Logo
NS	530-1884	External SCSI Cable, HD68 to HD68, 80 cm
NS	530-2115	External SCSI Cable, HD68 to HD50, 1.2M
	802-3230	<i>SPARCstorage UniPack Tape Drive Replacement</i>

SPARCstorage UniPack

6201
7-14GB 8 mm Tape
68-68 Pin Cable

6202
7-14GB 8 mm Tape
50-68 Pin Cable



SPARCstorage UniPack

6201

6202

CODE	PART #	DESCRIPTION
-	599-2035	14GB 8 mm Tape UniPack
-	595-3711	Tape Enclosure FRU without Tape Drive
-	599-2046	● Tape Enclosure without Tape Drive
1	540-1982	● Lockbox
2	540-2676	● Tape Drive Cover Assembly
3	240-1530	● M3 x 6 mm Screw
4	540-2674	● Tape Drive Power Supply Assembly
5	240-2246	● M3 x 25 mm Screw (obsolete)
5	240-2294	● M3 x 25 mm Pan-Head Screw
6	370-1986	● Fan
7	530-2179	● Tape Drive DC Power Cable
8	501-2791	● Tape Drive SCSI Interface Card
9	530-1790	● Address Select Cable
9	530-2181	● Address Select Cable
10	240-1434	● M4 x 10 mm Screw
11	240-1373	● M4 Nut
12	300-1282	● 30 Watt Power Supply
13	530-2183	● LED Cable
14	240-2180	● #4-40M/2-56F Jackscrew
15	540-2672	● Base Assembly
16	540-2677	Tape Drive Assembly
NS	240-1530	● M3 x 6 mm Screw
NS	340-3222	● Mounting Bracket
-	370-1922	● 7-14GB 8 mm Tape Drive, Light Grey
NS	261-5678	Sun Logo
NS	530-1884	External SCSI Cable, HD68 to HD68, 80 cm
NS	530-2115	External SCSI Cable, HD68 to HD50, 1.2M
	802-3230	<i>SPARCstorage UniPack Tape Drive Replacement</i>

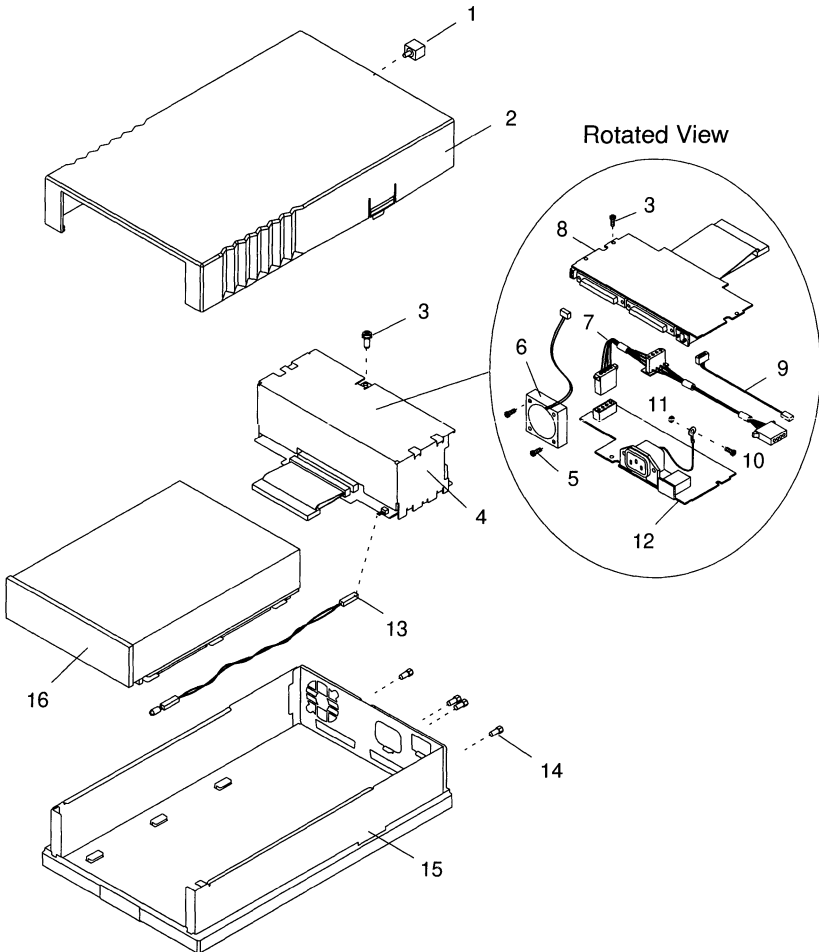
SPARCstorage UniPack

6251
5GB 4 mm Tape
68-68 Pin Cable

6252
5GB 4 mm Tape
50-68 Pin Cable

6253
4-8GB 4 mm Tape
68-68 Pin Cable

6254
4-8GB 4 mm Tape
50-68 Pin Cable



SPARCstorage UniPack

6251

6252

6253

6254

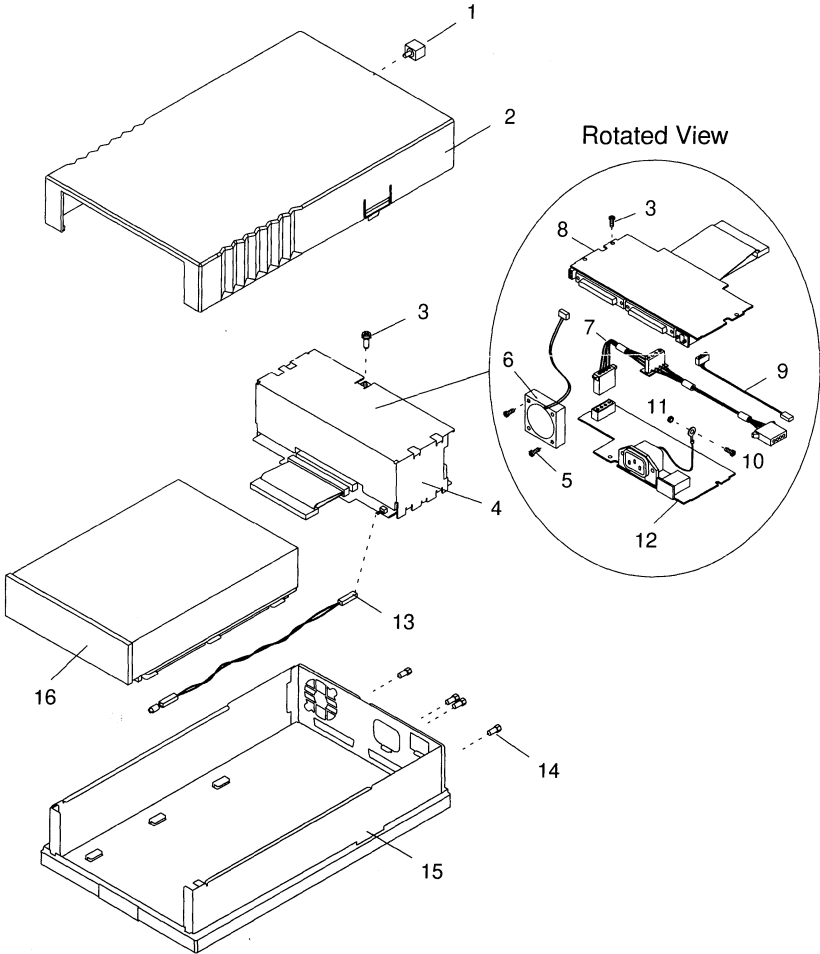
CODE	PART #	DESCRIPTION
-	599-2040	5GB 4 mm DDS-1 Tape UniPack
-	599-2072	4-8GB 4 mm DDS-2 Tape UniPack
-	595-3711	Tape Enclosure FRU without Tape Drive
-	599-2046	● Tape Enclosure without Tape Drive
1	540-1982	● Lockbox
2	540-2676	● Tape Drive Cover Assembly
3	240-1530	● M3 x 6 mm Screw
4	540-2674	● Tape Drive Power Supply Assembly
5	240-2246	● M3 x 25 mm Screw (obsolete)
5	240-2294	● M3 x 25 mm Pan-Head Screw
6	370-1986	● Fan
7	530-2179	● Tape Drive DC Power Cable
8	501-2791	● Tape Drive SCSI Interface Card
9	530-1790	● Address Select Cable
9	530-2181	● Address Select Cable
10	240-1434	● M4 x 10 mm Screw
11	240-1373	● M4 Nut
12	300-1282	● 30 Watt Power Supply
13	530-2183	● LED Cable
14	240-2180	● #4-40M/2-56F Jackscrew
15	540-2672	● Base Assembly
16	540-2696	5GB 4 mm DDS-1 Tape Drive Assembly
NS	340-3222	● Mounting Bracket
-	370-2088	● 5GB 4 mm DDS-1 Tape Drive
16	540-2793	4-8GB 4 mm DDS-2 Tape Drive Assembly
NS	340-3222	● Mounting Bracket
-	370-2176	● 4-8GB 4 mm DDS-2 Tape Drive
NS	261-5678	Sun Logo
NS	370-2181	120 Meter DDS-2 Tape
NS	370-1613	Cleaning Tape
NS	530-1884	External SCSI Cable, HD68 to HD68, 80 cm
NS	530-2115	External SCSI Cable, HD68 to HD50, 1.2M
	802-3230	<i>SPARCstorage UniPack Tape Drive Replacement</i>

SPARCstorage UniPack

- 6108
4-8GB 1/4" SLR
68-68 Pin Cable
- TAPSLR-010A
4-8GB 1/4" SLR
w/o Cable

StorEdge UniPack

- 6109
4-8GB 1/4" SLR
50-68 Pin Cable
- TAPMLR-310A
25-50GB 1/4" MLR
w/o Cable



SPARCstorage UniPack StorEdge UniPack

6108

6109

TAPSLR-010A

TAPMLR-310A

CODE	PART #	DESCRIPTION
-	599-2172	4-8GB 1/4" SLR Tape UniPack
-	599-2200	25-50GB 1/4" MLR Tape UniPack
-	595-3711	Tape Enclosure FRU without Tape Drive
-	599-2046	● Tape Enclosure without Tape Drive
1	540-1982	● Lockbox
2	540-2676	● Tape Drive Cover Assembly
3	240-1530	● M3 x 6 mm Screw
4	540-2674	● Tape Drive Power Supply Assembly
5	240-2294	● M3 x 25 mm Pan-Head Screw
6	370-1986	● Fan
7	530-2179	● Tape Drive DC Power Cable
8	501-2791	● Tape Drive SCSI Interface Card
9	530-1790	● Address Select Cable
9	530-2181	● Address Select Cable
10	240-1434	● M4 x 10 mm Screw
11	240-1373	● M4 Nut
12	300-1282	● 30 Watt Power Supply
13	530-2183	● LED Cable
14	240-2180	● #4-40M/2-56F Jackscrew
15	540-2672	● Base Assembly
16	540-3472	4-8GB 1/4" SLR Tape Drive Assembly
NS	340-3222	● Mounting Bracket
-	370-3279	● 4-8GB 1/4" SLR Tape Drive
16	540-3657	25-50GB 1/4" MLR Tape Drive Assembly
NS	340-3222	● Mounting Bracket
-	370-3371	● 25-50GB 1/4" MLR Tape Drive, Light Grey
NS	370-3281	SLR5 Cleaning Cartridge
NS	370-3282	SLR5 Data Cartridge
NS	370-3373	MLR Data Cartridge
NS	370-3513	MLR Cleaning Cartridge
NS	530-1884	External SCSI Cable, HD68 to HD68, 80 cm
NS	530-2115	External SCSI Cable, HD68 to HD50, 1.2M
	802-3230	<i>SPARCstorage UniPack Tape Drive Replacement</i>

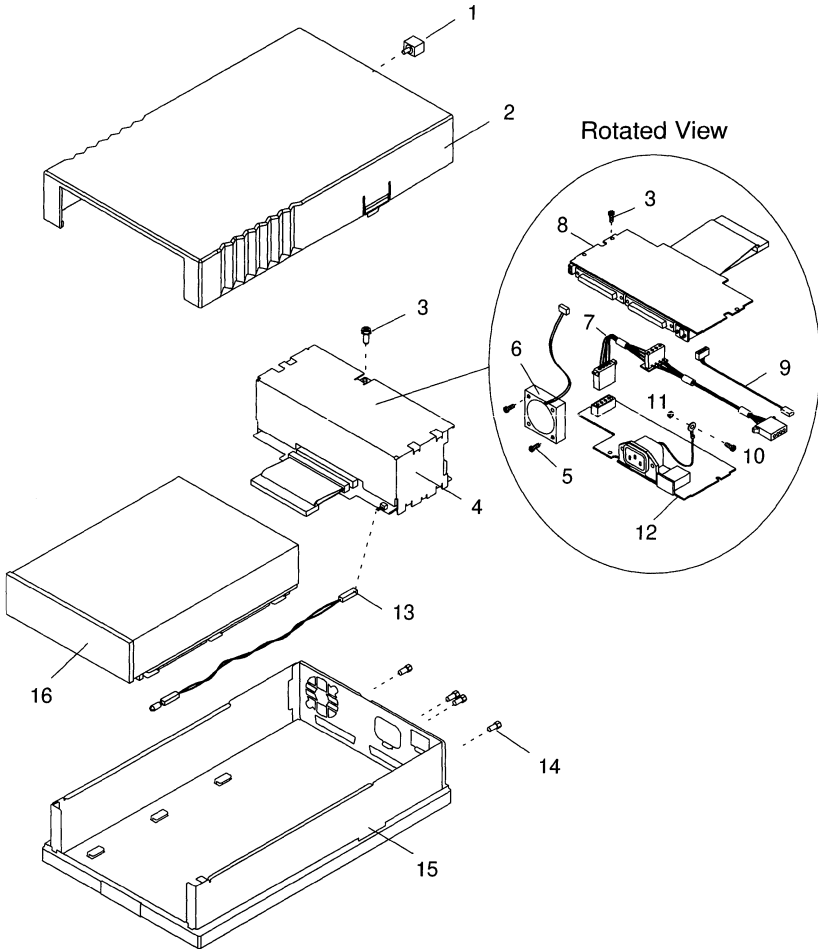
SPARCstorage UniPack StorEdge UniPack

6151
SunCD 4 CD-ROM
68-68 Pin Cable

6152
SunCD 4 CD-ROM
50-68 Pin Cable

6157
SunCD 12 CD-ROM
68-68 Pin Cable

6158
SunCD 12 CD-ROM
50-68 Pin Cable



SPARCstorage UniPack StorEdge UniPack

6151

6152

6157

6158

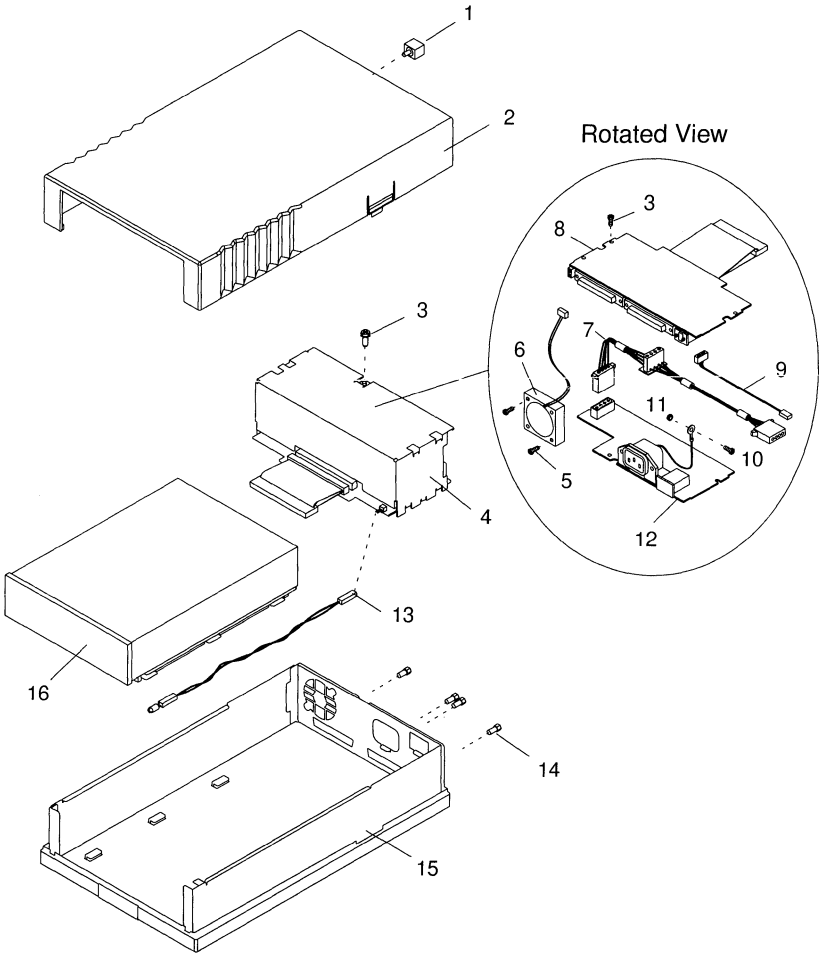
CODE	PART #	DESCRIPTION
-	599-2044	SunCD 4 UniPack
-	599-2151	SunCD 12 UniPack
-	595-3711	CD-ROM Enclosure FRU without CD-ROM
-	599-2046	● CD-ROM Enclosure without CD-ROM
1	540-1982	● Lockbox
2	540-2676	● Tape Drive Cover Assembly
3	240-1530	● M3 x 6 mm Screw
4	540-2674	● CD-ROM Power Supply Assembly
5	240-2246	● M3 x 25 mm Screw (obsolete)
5	240-2294	● M3 x 25 mm Pan-Head Screw
6	370-1986	● Fan
7	530-2179	● CD-ROM DC Power Cable
8	501-2791	● CD-ROM SCSI Interface Card
9	530-1790	● Address Select Cable
9	530-2181	● Address Select Cable
10	240-1434	● M4 x 10 mm Screw
11	240-1373	● M4 Nut
12	300-1282	● 30 Watt Power Supply
13	530-2183	● LED Cable
14	240-2180	● #4-40M/2-56F Jackscrew
15	540-2672	● Base Assembly
16	540-2705	SunCD 4 CD-ROM Assembly
NS	150-1480	● Ferrite (required if 370-2082 is installed)
NS	340-3222	● Mounting Bracket
-	370-2082	● 4x CD-ROM (requires Ferrite 150-1480) (obs)
-	370-2102	● 4x CD-ROM
16	540-3284	SunCD 12 CD-ROM Assembly
NS	340-3222	● Mounting Bracket
-	370-2816	● 12X CD-ROM, Light Grey
NS	261-5678	Sun Logo
NS	530-1884	External SCSI Cable, HD68 to HD68, 80 cm
NS	530-2115	External SCSI Cable, HD68 to HD50, 1.2M
	802-3230	<i>SPARCstorage UniPack CD-ROM Replacement</i>

SPARCstorage UniPack StorEdge UniPack

6208
7-14GB 8 mm Tape
68-68 Pin Cable

6209
7-14GB 8 mm Tape
50-68 Pin Cable

TAP8MM-010A
7-14GB 8 mm Tape
w/o Cable



SPARCstorage UniPack StorEdge UniPack

6208

6209

TAP8MM-010A

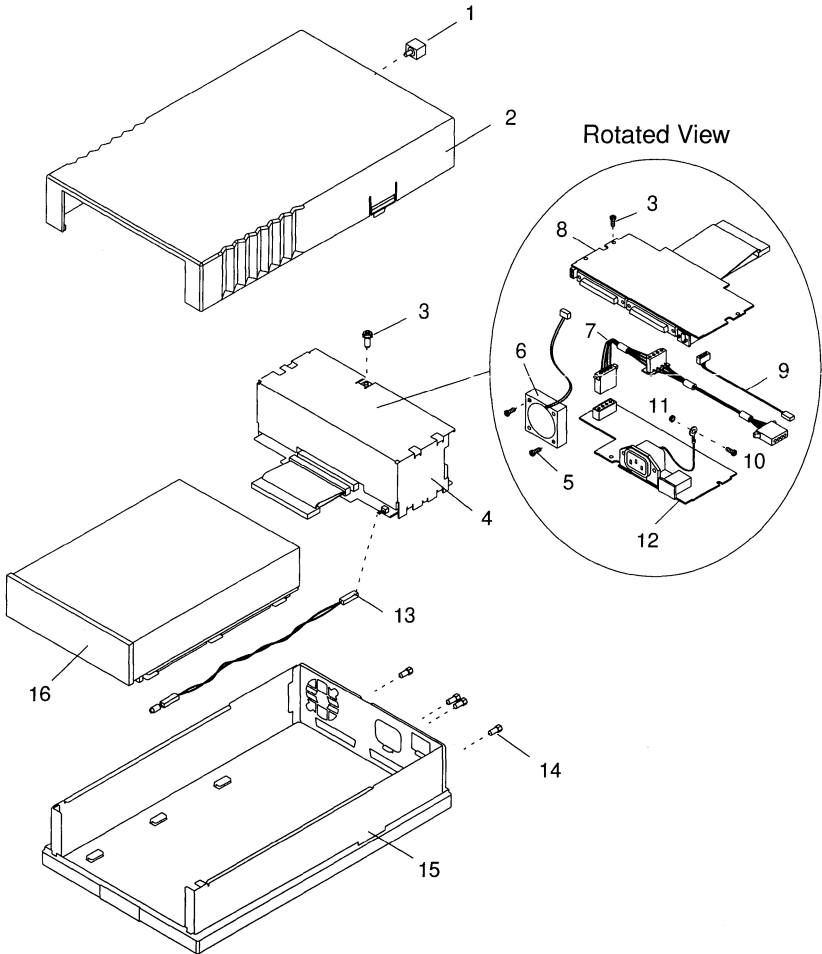
CODE	PART #	DESCRIPTION
-	599-2147	14GB 8 mm Tape UniPack
-	595-3711	Tape Enclosure FRU without Tape Drive
-	599-2046	● Tape Enclosure without Tape Drive
1	540-1982	● Lockbox
2	540-2676	● Tape Drive Cover Assembly
3	240-1530	● M3 x 6 mm Screw
4	540-2674	● Tape Drive Power Supply Assembly
5	240-2294	● M3 x 25 mm Pan-Head Screw
6	370-1986	● Fan
7	530-2179	● Tape Drive DC Power Cable
8	501-2791	● Tape Drive SCSI Interface Card
9	530-2181	● Address Select Cable
10	240-1434	● M4 x 10 mm Screw
11	240-1373	● M4 Nut
12	300-1282	● 30 Watt Power Supply
13	530-2183	● LED Cable
14	240-2180	● #4-40M/2-56F Jackscrew
15	540-2672	● Base Assembly
16	540-3254	7-14GB 8 mm Tape Drive Assembly
NS	340-3222	● Mounting Bracket
-	370-2881	● 7-14GB 8 mm Tape Drive, Light Grey
NS	261-5678	Sun Logo
NS	370-2344	7-14GB Cleaning Kit
NS	530-1884	External SCSI Cable, HD68 to HD68, 80 cm
NS	530-2115	External SCSI Cable, HD68 to HD50, 1.2M
	802-3230	<i>SPARCstorage UniPack Tape Drive Replacement</i>

SPARCstorage UniPack StorEdge UniPack

6230
20-40GB 8 mm Tape
68-68 Pin Cable

6231
20-40GB 8 mm Tape
50-68 Pin Cable

TAP8MM-011A
20-40GB 8 mm Tape
w/o Cable



SPARCstorage UniPack StorEdge UniPack

6230

6231

TAP8MM-011A

CODE	PART #	DESCRIPTION
-	599-2081	20-40GB 8 mm Tape UniPack
-	599-2112	Tape Enclosure FRU without Tape Drive
-	599-2112	● Tape Enclosure without Tape Drive
1	540-1982	● Lockbox
2	540-2676	● Tape Drive Cover Assembly
3	240-1530	● M3 x 6 mm Screw
4	540-2674	● Tape Drive Power Supply Assembly
5	240-2294	● M3 x 25 mm Pan-Head Screw
6	370-1986	● Fan
7	530-2179	● Tape Drive DC Power Cable
8	501-3108	● Tape Drive SCSI Interface Card
9	530-2354	● Address Select Cable
10	240-1434	● M4 x 10 mm Screw
11	240-1373	● M4 Nut
12	300-1282	● 30 Watt Power Supply
13	530-2183	● LED Cable
14	240-2180	● #4-40M/2-56F Jackscrew
15	540-2672	● Base Assembly
16	540-2828	20-40GB 8 mm Tape Drive Assembly
NS	330-2129	● Air Dam
NS	340-3222	● Mounting Bracket
-	370-2183	● 20-40GB 8 mm Tape Drive
NS	261-5678	Sun Logo
NS	370-2396	20-40GB Cleaning Kit
NS	530-1884	External SCSI Cable, HD68 to HD68, 80 cm
NS	530-2115	External SCSI Cable, HD68 to HD50, 1.2M
	802-3230	<i>SPARCstorage UniPack Tape Drive Replacement</i>

SPARCstorage UniPack StorEdge UniPack

6261
4-8GB 4 mm Tape
68-68 Pin Cable

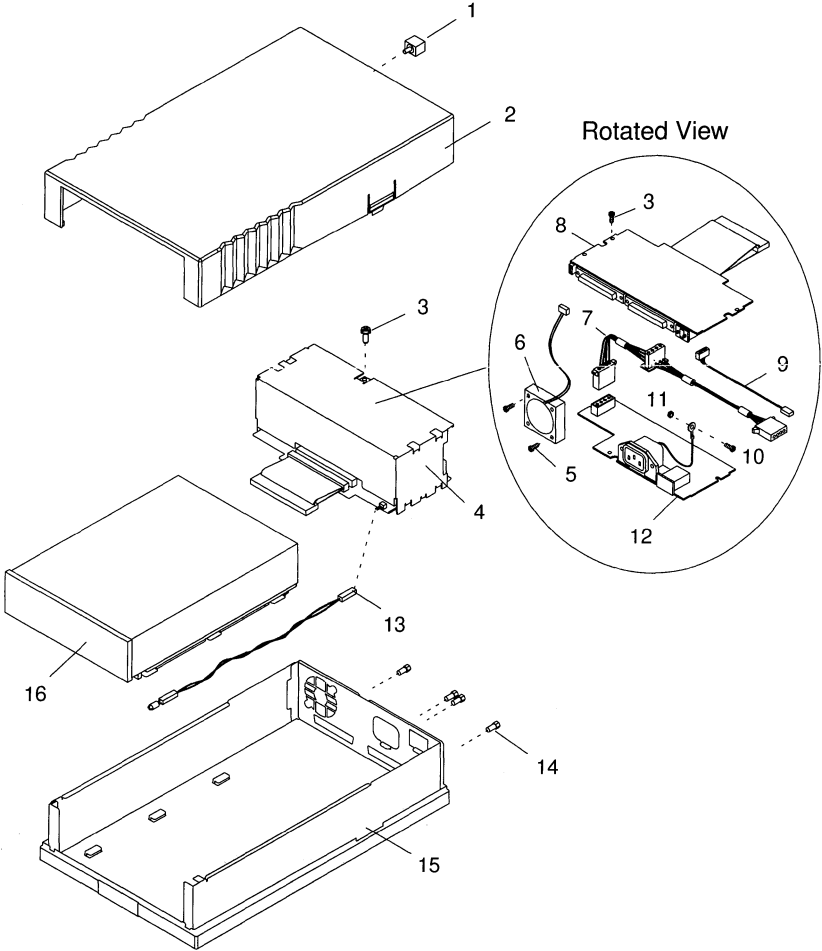
6262
4-8GB 4 mm Tape
50-68 Pin Cable

TAP4MM-010A
4-8GB 4 mm Tape
w/o Cable

6280
12-24GB 4 mm Tape
68-68 Pin Cable

6281
12-24GB 4 mm Tape
50-68 Pin Cable

TAP4MM-011A
12-24GB 4 mm Tape
w/o Cable



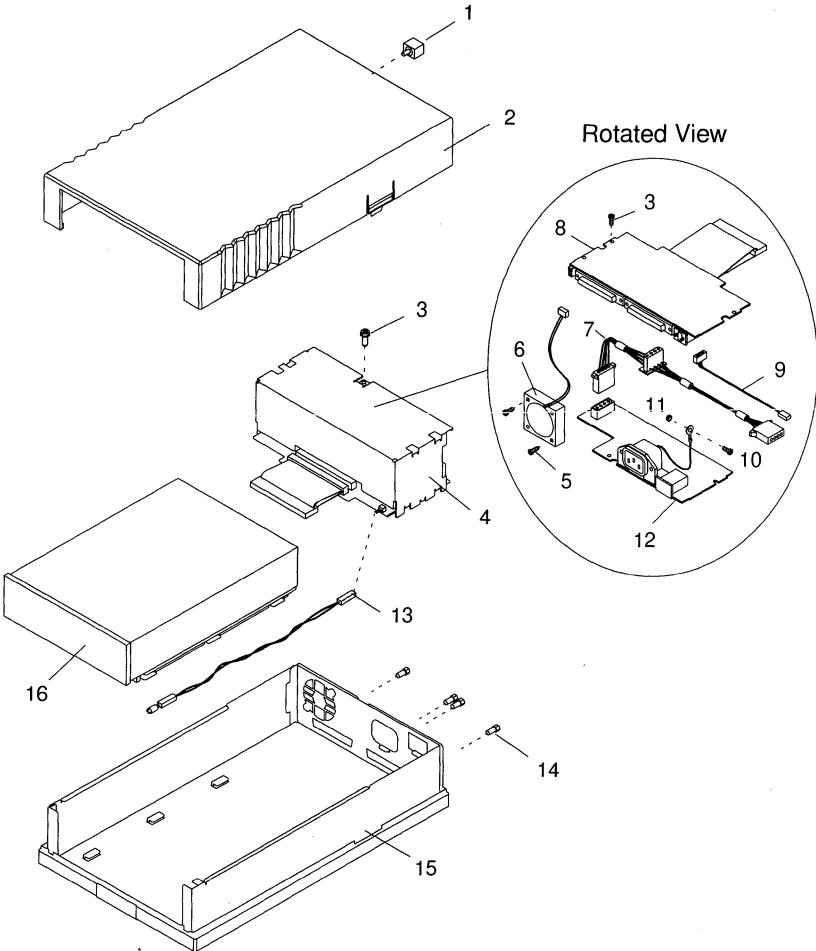
SPARCstorage UniPack StorEdge UniPack

6261	6262	TAP4MM-010A
6280	6281	TAP4MM-011A

CODE	PART #	DESCRIPTION
-	599-2105	4-8GB 4 mm DDS-2 Tape UniPack
-	599-2107	12-24GB 4 mm DDS-3 Tape UniPack
-	595-3711	Tape Enclosure FRU without Tape Drive
-	599-2046	● Tape Enclosure without Tape Drive
1	540-1982	● Lockbox
2	540-2676	● Tape Drive Cover Assembly
3	240-1530	● M3 x 6 mm Screw
4	540-2674	● Tape Drive Power Supply Assembly
5	240-2246	● M3 x 25 mm Screw (obsolete)
5	240-2294	● M3 x 25 mm Pan-Head Screw
6	370-1986	● Fan
7	530-2179	● Tape Drive DC Power Cable
8	501-2791	● Tape Drive SCSI Interface Card
9	530-2181	● Address Select Cable
10	240-1434	● M4 x 10 mm Screw
11	240-1373	● M4 Nut
12	300-1282	● 30 Watt Power Supply
13	530-2183	● LED Cable
14	240-2180	● #4-40M/2-56F Jackscrew
15	540-2672	● Base Assembly
16	540-2946	4-8GB 4 mm Tape Drive Assembly
NS	340-3222	● Mounting Bracket
-	370-2375	● 4-8GB 4 mm DDS-2 Tape Drive
16	540-2972	12-24GB 4 mm Tape Drive Assembly
NS	340-3222	● Mounting Bracket
-	370-2377	● 12-24GB 4 mm DDS-3 Tape Drive, Light Grey
NS	261-5678	Sun Logo
NS	370-2181	Blank DDS-2 Tape
NS	370-2381	Blank DDS-3 Tape
NS	370-1613	Cleaning Tape
NS	530-1884	External SCSI Cable, HD68 to HD68, 80 cm
NS	530-2115	External SCSI Cable, HD68 to HD50, 1.2M
	802-3230	<i>SPARCstorage UniPack Tape Drive Replacement</i>

StorEdge UniPack

TAP4MM-012A
20-40GB 4 mm Tape
w/o Cable



StorEdge UniPack

TAP4MM-012A

CODE	PART #	DESCRIPTION
-	599-2350	20-40GB 4 mm DDS-4 Tape UniPack
-	None	Tape Enclosure FRU without Tape Drive
-	540-4465	● Lower Enclosure, Dark Purple
1	540-1982	● Lockbox
2	540-4466	● Tape Drive Cover Assembly, Medium Grey
3	240-1530	● M3 x 6 mm Screw
4	540-3004	● Tape Drive Power Supply Assembly
5	240-2246	● M3 x 25 mm Screw (obsolete)
5	240-2294	● M3 x 25 mm Pan-Head Screw
6	370-1986	● Fan
7	530-2179	● Tape Drive DC Power Cable
8	501-3108	● Tape Drive SCSI Interface Card
9	530-2354	● Address Select Cable
10	240-1434	● M4 x 10 mm Screw
11	240-1373	● M4 Nut
12	300-1282	● 30 Watt Power Supply
13	530-2183	● LED Cable
14	240-2180	● #4-40M/2-56F Jackscrew
15	540-2672	● Base Assembly
16	540-4415	20-40GB 4 mm Tape Drive Assembly
NS	340-3222	● Mounting Bracket
-	390-0027	● 20-40GB 4 mm DDS-4 Tape Drive, Medium Grey
NS	261-5678	Sun Logo
NS	370-4083	Blank DDS-4 Tape
NS	370-1613	Cleaning Tape
NS	370-4085	Internal SCSI Cable Ferrite
NS	530-1884	External SCSI Cable, HD68 to HD68, 80 cm
NS	530-2115	External SCSI Cable, HD68 to HD50, 1.2M
	802-3230	<i>SPARCstorage UniPack Tape Drive Replacement</i>

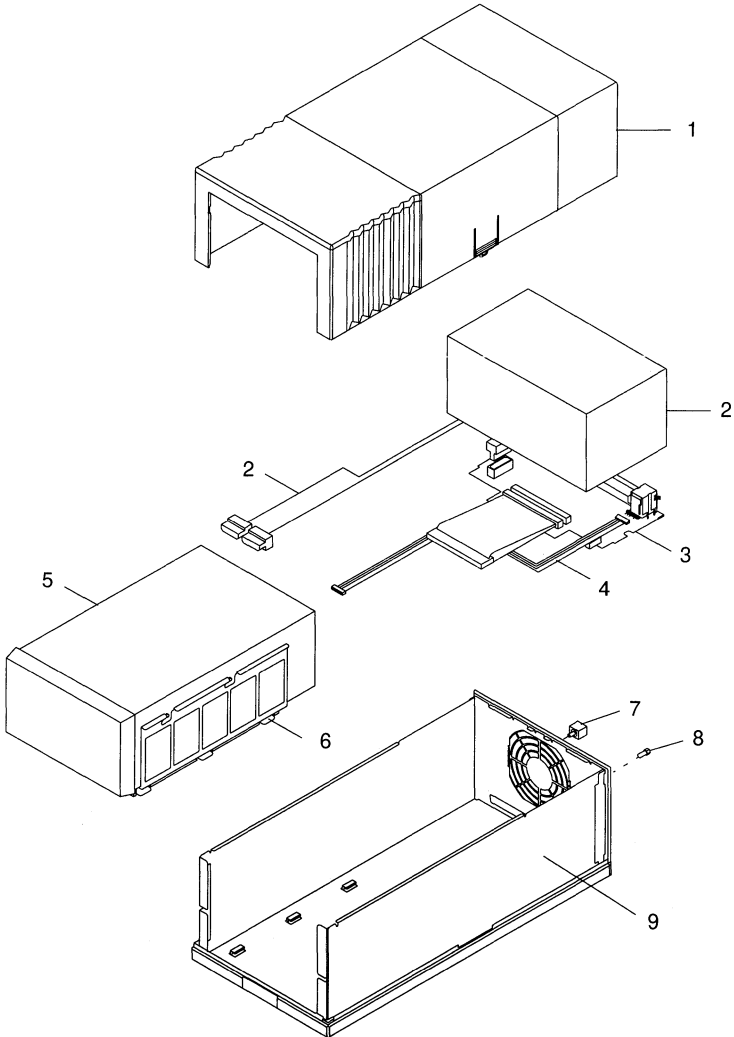
SPARCstorage FlexiPack StorEdge FlexiPack

6057
20-40GB DLT4000
68-68 Pin Cable
Light Grey

6058
20-40GB DLT4000
50-68 Pin Cable
Light Grey

6059
20-40GB DLT4000
68-68 Pin Cable
Medium Grey

TAPDLT-020A
20-40GB DLT4000
w/o Cable
Light Grey



SPARCstorage FlexiPack StorEdge FlexiPack

6057

6058

6059

TAPDLT-020A

CODE	PART #	DESCRIPTION
-	599-2128	DLT4000 FlexiPack, Light Grey
-	599-2164	DLT4000 FlexiPack, Medium Grey
1	540-3043	Full-Height Tape Drive Cover, Light Grey
1	540-3418	Full-Height Tape Drive Cover, Medium Grey
2	300-1324	48 Watt Power Supply, Type A120
3	501-4356	Full-Height 8-Bit SCSI I/O Board
4	530-2372	Address Select Cable
5	540-3047	Tape Drive Assembly, Light Grey
-	240-1141	● 6-32 x 1/4" Screw
6	340-3645	● Mounting Bracket
-	370-2848	● 20-40GB DLT4000 Tape Drive, Light Grey
5	540-3413	Tape Drive Assembly, Medium Grey
-	240-1141	● 6-32 x 1/4" Screw
6	340-3645	● Mounting Bracket
-	370-2187	● 20-40GB DLT4000 Tape Drive, Medium Grey
7	540-1982	Lockbox
8	240-2180	#4-40M/#2-56F Jackscrew
9	540-3045	Base Assembly, Light Grey
9	540-3416	Base Assembly, Medium Grey
NS	240-1530	M3 x 6 mm Screw
NS	330-1937	I/O Board Insulation
NS	330-2325	Top Cover Foam
NS	330-2325	Side Rail Foam
NS	340-4360	Removable Storage Tray Mounting Bracket
NS	370-2188	20GB Data Cartridge
NS	370-2189	Cleaning Cartridge
NS	530-1884	External SCSI Cable, HD68 to HD68, 80 cm
NS	530-2115	External SCSI Cable, HD68 to HD50, 1.2M
NS	530-2183	LED Cable
	802-7739	<i>SPARCstorage FlexiPack Service Label</i>

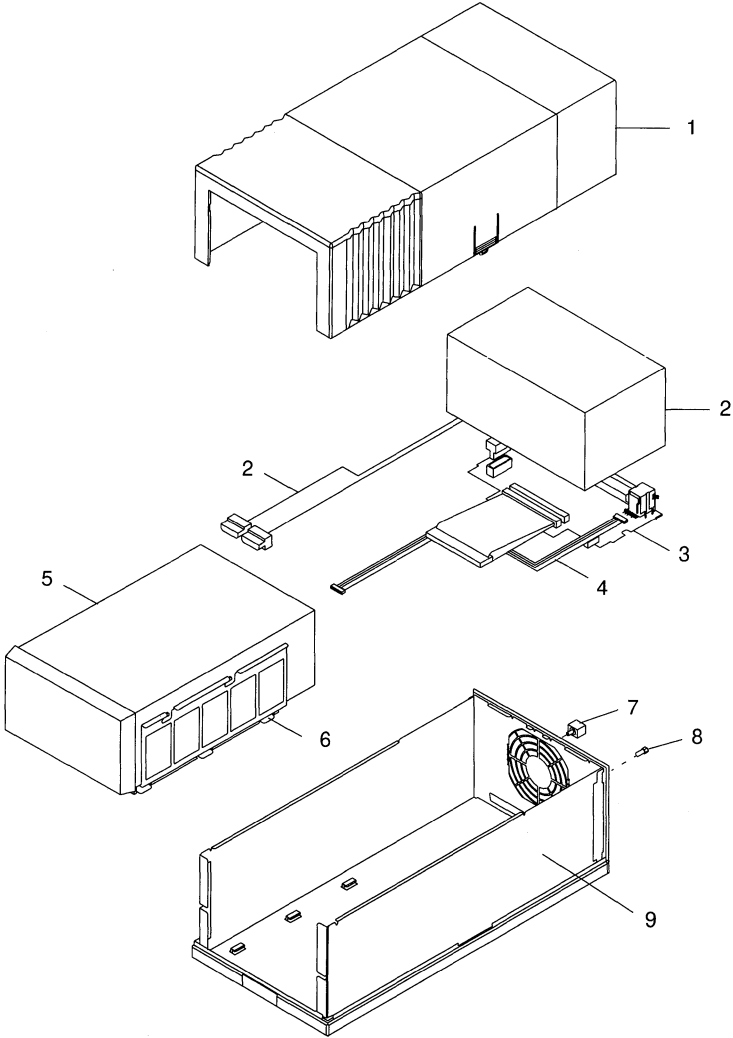
SPARCstorage FlexiPack StorEdge FlexiPack

6060
35-70GB DLT7000
68-68 Pin Cable
Light Grey

6061
35-70GB DLT7000
50-68 Pin Cable
Light Grey

6062
35-70GB DLT7000
68-68 Pin Cable
Medium Grey

TAPDLT-021A
35-70GB DLT7000
w/o Cable
Light Grey



SPARCstorage FlexiPack StorEdge FlexiPack

6060

6061

6062

TAPDLT-021A

CODE	PART #	DESCRIPTION
-	599-2127	DLT7000 FlexiPack, Light Grey
-	599-2165	DLT7000 FlexiPack, Medium Grey
1	540-3043	Full-Height Tape Drive Cover, Light Grey
1	540-3418	Full-Height Tape Drive Cover, Medium Grey
2	300-1324	48 Watt Power Supply, Type A120
3	501-4357	Full-Height 16-Bit SCSI I/O Board
4	530-2372	Address Select Cable
5	540-3046	DLT7000 Tape Drive Assembly, Light Grey
-	240-1141	● 6-32 x 1/4" Screw
6	340-3645	● Mounting Bracket
-	370-2847	● 35-70GB DLT7000 Tape Drive, Light Grey
-	370-3330	● 35-70GB DLT7000 Tape Drive, Light Grey
5	540-3414	DLT7000 Tape Drive Assembly, Medium Grey
-	240-1141	● 6-32 x 1/4" Screw
6	340-3645	● Mounting Bracket
-	370-2329	● 35-70GB DLT7000 Tape Drive, Medium Grey
-	370-3331	● 35-70GB DLT7000 Tape Drive, Medium Grey
7	540-1982	Lockbox
8	240-2180	#4-40M/#2-56F Jackscrew
9	540-3045	Base Assembly, Light Grey
9	540-3416	Base Assembly, Medium Grey
NS	240-1530	M3 x 6 mm Screw
NS	330-1937	I/O Board Insulation
NS	330-2325	Top Cover Foam
NS	330-2325	Side Rail Foam
NS	340-4360	Removable Storage Tray Mounting Bracket
NS	370-2188	Data Cartridge
NS	370-2189	Cleaning Cartridge
NS	530-1884	External SCSI Cable, HD68 to HD68, 80 cm
NS	530-2115	External SCSI Cable, HD68 to HD50, 1.2M
NS	530-2183	LED Cable
	802-7739	SPARCstorage FlexiPack Service Label

SPARCstorage FlexiPack StorEdge FlexiPack

6110

4-8GB 1/4" SLR
68-68 Pin Cable

6111

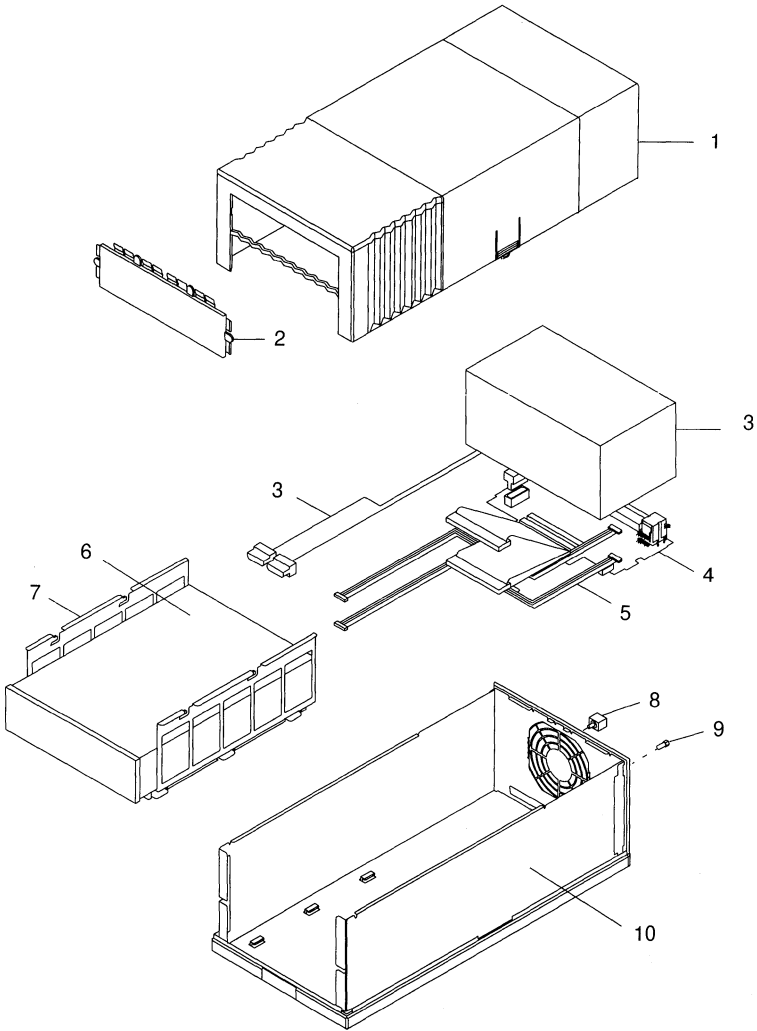
4-8GB 1/4" SLR
50-68 Pin Cable

TAPSLR-020A

4-8GB 1/4" SLR
w/o Cable

TAPMLR-320A

25-50GB 1/4" MLR
w/o Cable



SPARCstorage FlexiPack StorEdge FlexiPack

6110

6111

TAPSLR-020A

TAPMLR-320A

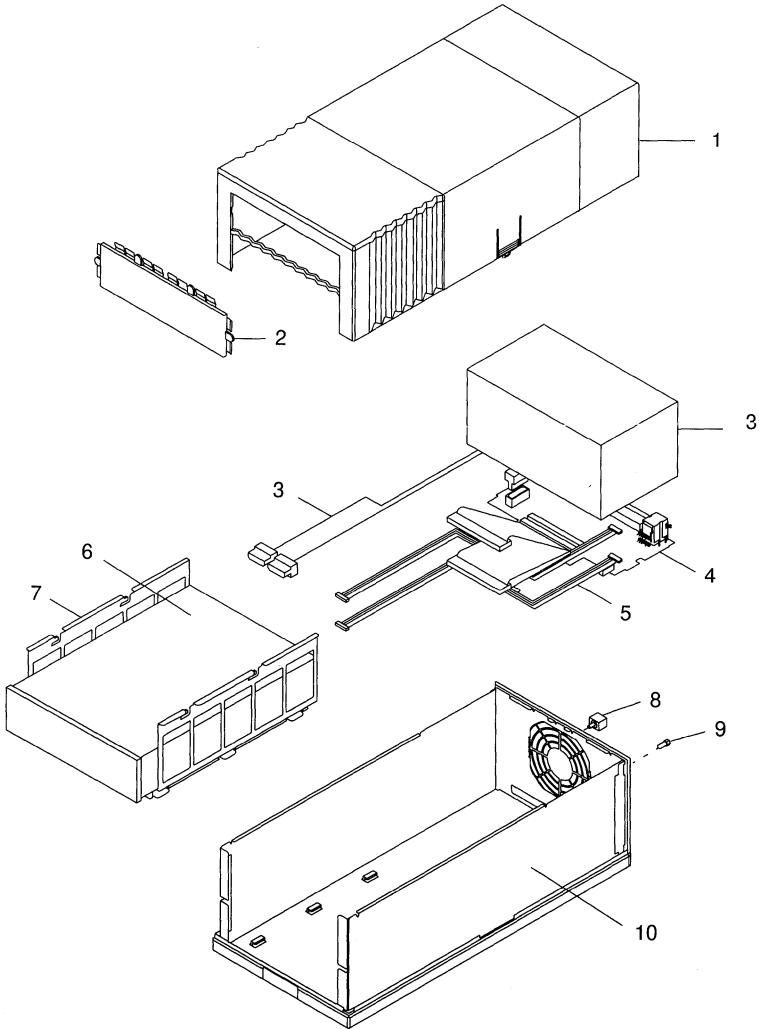
CODE	PART #	DESCRIPTION
-	599-2173	4-8GB 1/4" SLR FlexiPack
-	599-2198	25-50GB 1/4" MLR FlexiPack, Light Grey
1	540-3044	Half-Height Peripheral Cover
2	540-3125	● Half-Height Filler Panel
3	300-1324	48 Watt Power Supply, Type A120
4	501-4327	Half-Height 16-Bit SCSI I/O Board
5	530-2181	SLR Address Select Cable
5	560-2327	MLR Adapter Ship Kit
-	370-2819	● HD50-HD68-Pin Adapter Board
-	530-2354	● Address Cable
6	540-3473	4-8GB 1/4" SLR Tape Drive Assembly
7	340-3645	● Mounting Bracket
-	370-3279	● 4-8GB 1/4" SLR Tape Drive, Light Grey
6	540-3658	25-50GB 1/4" MLR Tape Drive Assembly, Light Grey
7	340-3645	● Mounting Bracket
-	370-3371	● 25-50GB 1/4" MLR Tape Drive, Light Grey
8	540-1982	Lockbox
9	240-2180	#4-40M/#2-56F Jackscrew
10	540-3045	Base Assembly
NS	240-1530	M3 x 6 mm Screw
NS	340-4312	Adapter Board Mounting Bracket
NS	330-1937	I/O Board Insulation
NS	370-2819	HD50-HD68-Pin Adapter Board
NS	370-3281	Cleaning Cartridge
NS	370-3282	SLR5 Data Cartridge
NS	370-3373	MLR Data Cartridge
NS	530-1884	External SCSI Cable, HD68 to HD68, 80 cm
NS	530-2115	External SCSI Cable, HD68 to HD50, 1.2M
NS	530-2183	LED Cable
NS	530-2502	SLR Adapter Cable
	802-7739	<i>SPARCstorage FlexiPack Service Label</i>

SPARCstorage FlexiPack StorEdge FlexiPack

6159
SunCD 12 CD-ROM
68-68 Pin Cable

6160
SunCD 12 CD-ROM
50-68 Pin Cable

6161
SunCD 12 CD-ROM
Expansion Drive



SPARCstorage FlexiPack StorEdge FlexiPack

6159

6160

6161

CODE	PART #	DESCRIPTION
-	599-2127	SunCD 12 FlexiPack
1	540-3044	Half-Height Peripheral Cover
2	540-3125	● Half-Height Filler Panel
3	300-1324	48 Watt Power Supply, Type A120
4	501-4327	Half-Height SCSI I/O Board
5	530-2181	Address Select Cable
6	540-3053	SunCD 12 Drive Assembly
-	240-1530	● M3 x 6 mm Screw (obsolete)
-	240-2730	● M3 x 6 mm Screw
7	340-3645	● Mounting Bracket
-	370-2816	● 12X CD-ROM Drive, Light Grey
8	540-1982	Lockbox
9	240-2180	#4-40M/#2-56F Jackscrew
10	540-3045	Base Assembly
NS	240-1530	M3 x 6 mm Screw
NS	330-1937	I/O Board Insulation
NS	370-2819	HD50-HD68-Pin Adapter Board
NS	530-1884	External SCSI Cable, HD68 to HD68, 80 cm
NS	530-2115	External SCSI Cable, HD68 to HD50, 1.2M
NS	530-2183	LED Cable
	802-7739	<i>SPARCstorage FlexiPack Service Label</i>

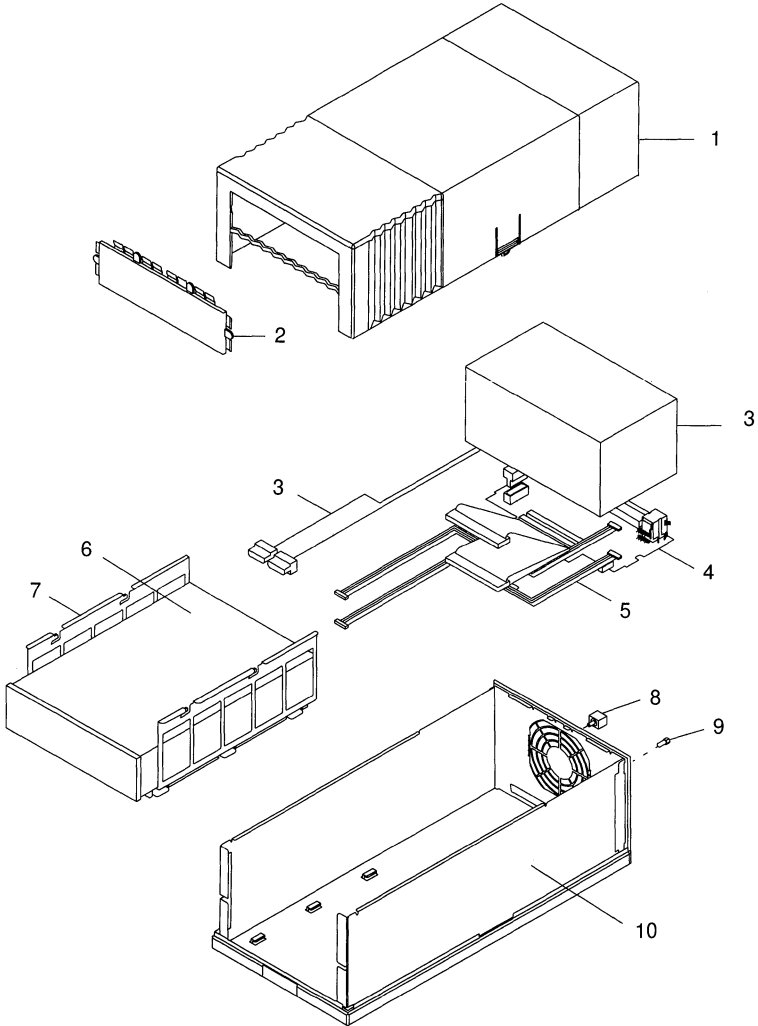
SPARCstorage FlexiPack StorEdge FlexiPack

6210
7-14GB 8 mm Tape
68-68 Pin Cable

6211
7-14GB 8 mm Tape
50-68 Pin Cable

6212
7-14GB 8 mm Tape
Expansion Drive

TAP8MM-020A
7-14GB 8 mm Tape
w/o Cable



SPARCstorage FlexiPack StorEdge FlexiPack

6210

6211

6212

TAP8MM-020A

CODE	PART #	DESCRIPTION
-	599-2132	7-14GB 8 mm Tape Drive FlexiPack
1	540-3044	Half-Height Peripheral Cover
2	540-3125	● Half-Height Filler Panel
3	300-1324	48 Watt Power Supply, Type A120
4	501-4327	8-Bit Half-Height SCSI I/O Board
5	530-2181	Address Select Cable
6	540-3052	7-14GB 8 mm Tape Drive Assembly
-	240-1530	● M3 x 6 mm Screw (obsolete)
-	240-2730	● M3 x 6 mm Screw
7	340-3645	● Mounting Bracket
-	370-2881	● 7-14GB 8 mm Tape Drive, Light Grey
8	540-1982	Lockbox
9	240-2180	#4-40M/#2-56F Jackscrew
10	540-3045	Base Assembly
NS	240-1530	M3 x 6 mm Screw
NS	330-1937	I/O Board Insulation
NS	370-2819	HD50-HD68-Pin Adapter Board
NS	530-1884	External SCSI Cable, HD68 to HD68, 80 cm
NS	530-2115	External SCSI Cable, HD68 to HD50, 1.2M
NS	530-2183	LED Cable
	802-7739	<i>SPARCstorage FlexiPack Service Label</i>

SPARCstorage FlexiPack StorEdge FlexiPack

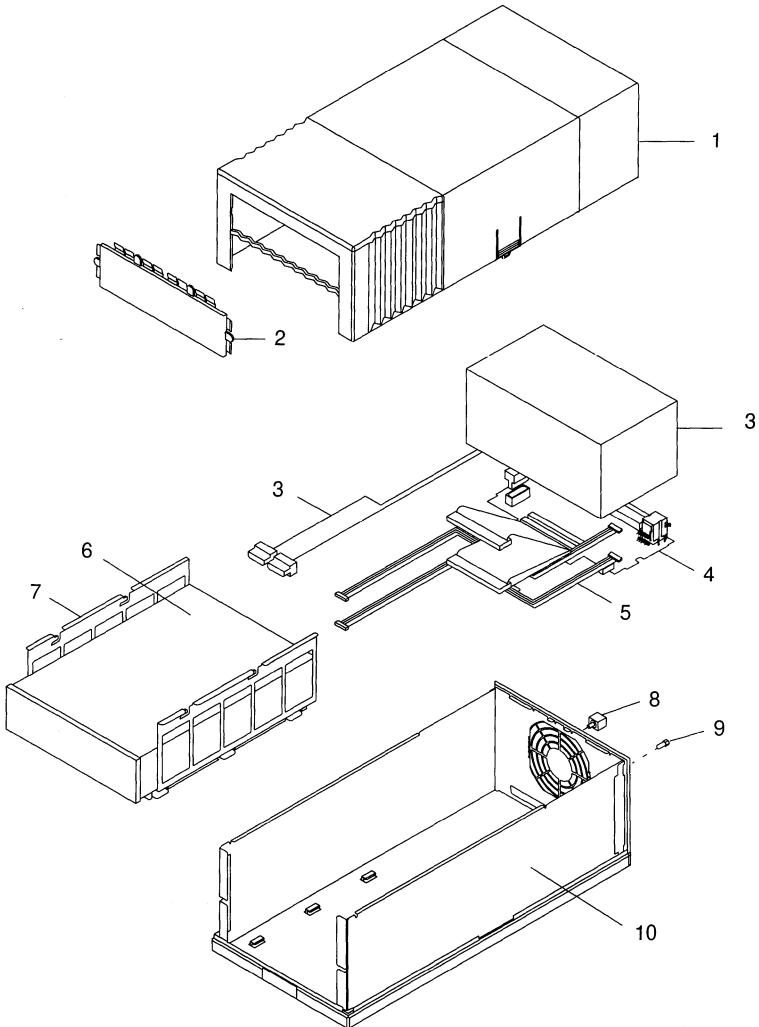
6232
20-40GB 8 mm
68-68 Pin Cable
Light Grey

6233
20-40GB 8 mm
50-68 Pin Cable
Light Grey

6236
20-40GB 8 mm
Expansion Drive
Light Grey

6237
20-40GB 8 mm
68-68 Pin Cable
Medium Grey

TAP8MM-021A
20-40GB 8 mm
w/o Cable
Light Gray



SPARCstorage FlexiPack StorEdge FlexiPack

6232

6233

6236

6237

TAP8MM-021A

CODE	PART #	DESCRIPTION
-	599-2131	20-40GB FlexiPack, Light Grey
-	599-2166	20-40GB FlexiPack, Medium Grey
1	540-3044	Half-Height Peripheral Cover, Light Grey
1	540-3419	Half-Height Peripheral Cover, Medium Grey
2	540-3125	● Half-Height Filler Panel
3	300-1324	48 Watt Power Supply, Type A120
4	501-4327	8-Bit Half-Height SCSI I/O Board
5	530-2354	Address Select Cable
6	540-3051	20-40GB 8 mm Tape Drive Assembly, Light Grey
-	240-1530	● M3 x 6 mm Screw (obsolete)
-	240-2730	● M3 x 6 mm Screw
7	340-3645	● Mounting Bracket
-	370-2183	● 20-40GB 8 mm Tape Drive, Light Grey
6	540-3415	20-40GB 8 mm Tape Drive Assembly, Medium Grey
-	240-2730	● M3 x 6 mm Screw
7	340-3645	● Mounting Bracket
-	370-2184	● 20-40GB 8 mm Tape Drive, Medium Grey
8	540-1982	Lockbox
9	240-2180	#4-40M/#2-56F Jackscrew
10	540-3045	Base Assembly, Light Grey
10	540-3416	Base Assembly, Medium Grey
NS	240-1530	M3 x 6 mm Screw
NS	330-1937	I/O Board Insulation
NS	330-2498	Shipping Spacer (Remove before use. See FIN I0357.)
NS	340-4360	Removable Storage Tray Mounting Bracket
NS	370-2395	170 Meter 8 mm Tape
NS	370-2396	8 mm Cleaning Kit
NS	370-2819	HD50-HD68-Pin Adapter Board
NS	530-1884	External SCSI Cable, HD68 to HD68, 80 cm
NS	530-2115	External SCSI Cable, HD68 to HD50, 1.2M
NS	530-2183	LED Cable
	802-7739	<i>SPARCstorage FlexiPack Service Label</i>

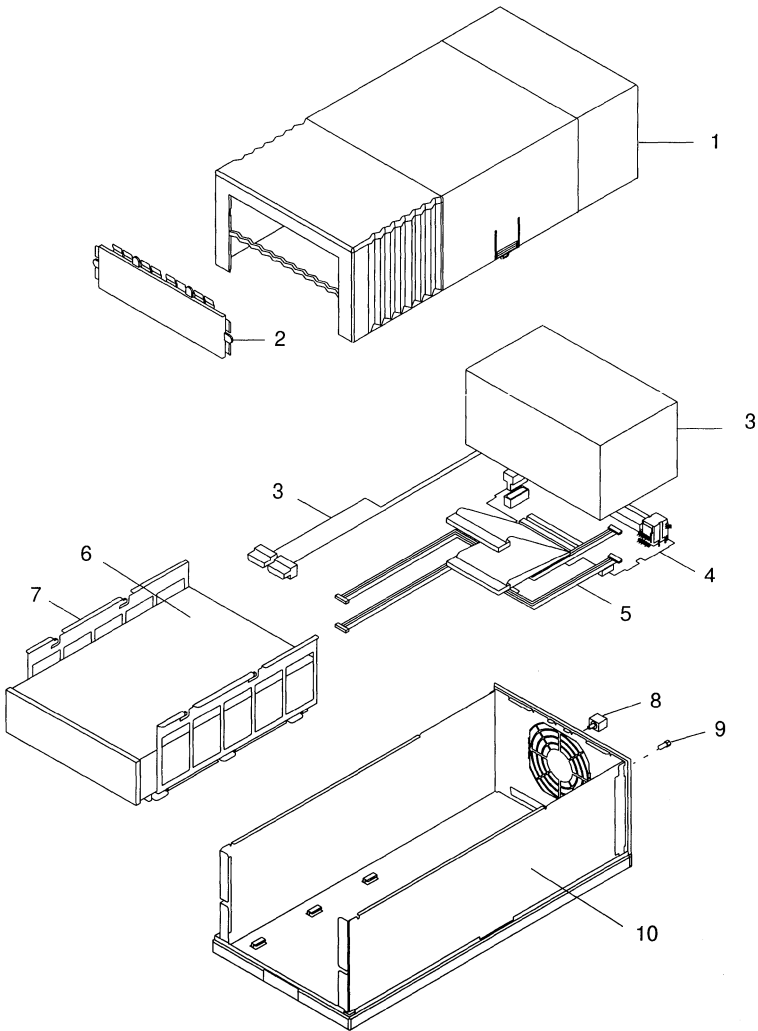
SPARCstorage FlexiPack StorEdge FlexiPack

6263
4-8GB 4 mm Tape
68-68 Pin Cable

6264
4-8GB 4 mm Tape
50-68 Pin Cable

6265
4-8GB 4 mm Tape
Expansion Drive

TAP4MM-020A
4-8GB 4 mm Tape
w/o Cable



SPARCstorage FlexiPack StorEdge FlexiPack

6263

6264

6265

TAP4MM-020A

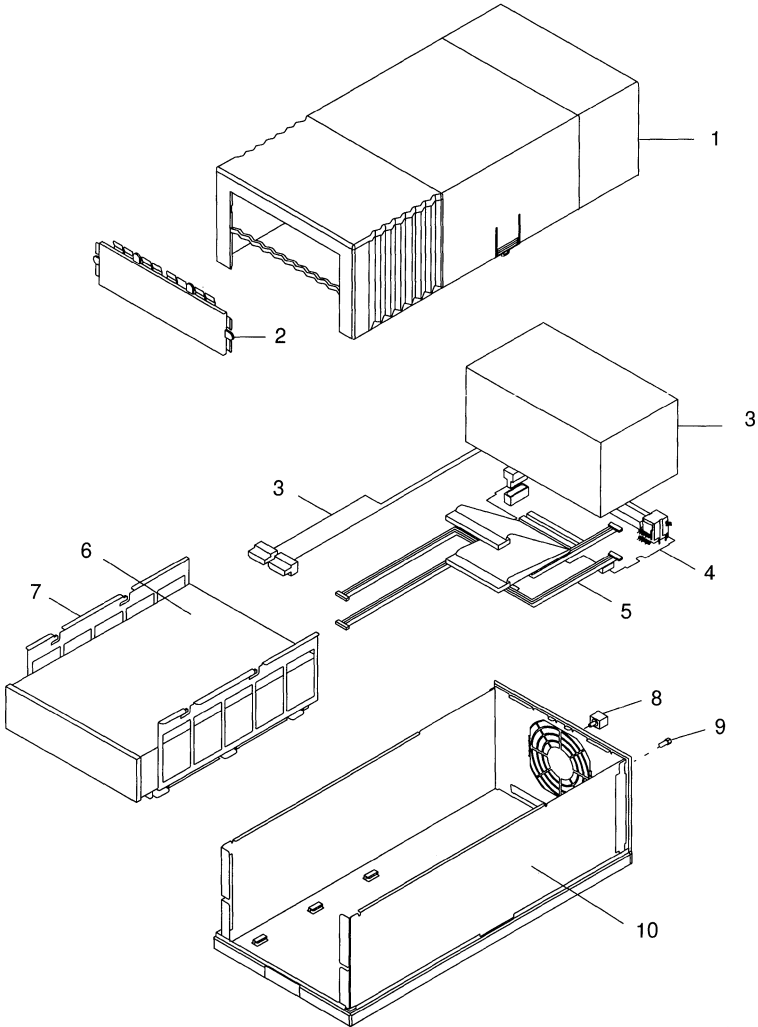
CODE	PART #	DESCRIPTION
-	599-2130	4-8GB 4 mm DDS-2 FlexiPack
1	540-3044	Half-Height Peripheral Cover
2	540-3125	● Half-Height Filler Panel
3	300-1324	48 Watt Power Supply, Type A120
4	501-4327	8-Bit Half-Height SCSI I/O Board
5	530-2181	Address Select Cable
6	540-3050	4-8GB 4 mm DDS-2 Tape Drive Assembly
-	240-1530	● M3 x 6 mm Screw (obsolete)
-	240-2730	● M3 x 6 mm Screw
7	340-3645	● Mounting Bracket
-	370-2375	● 4-8GB 4 mm DDS-2 Tape Drive, Light Grey
8	540-1982	Lockbox
9	240-2180	#4-40M/#2-56F Jackscrew
10	540-3045	Base Assembly
NS	240-1530	M3 x 6 mm Screw
NS	330-1937	I/O Board Insulation
NS	370-2181	DDS-2 Tape, 120M
NS	370-1613	Cleaning Tape
NS	370-2819	HD50-HD68-Pin Adapter Board
NS	530-1884	External SCSI Cable, HD68 to HD68, 80 cm
NS	530-2115	External SCSI Cable, HD68 to HD50, 1.2M
NS	530-2183	LED Cable
	802-7739	<i>SPARCstorage FlexiPack Service Label</i>

SPARCstorage FlexiPack StorEdge FlexiPack

6284
12-24GB 4 mm Tape
68-68 Pin Cable

6285
12-24GB 4 mm Tape
50-68 Pin Cable

TAP4MM-021A
12-24GB 4 mm Tape
w/o Cable



SPARCstorage FlexiPack StorEdge FlexiPack

6284

6285

TAP4MM-021A

CODE	PART #	DESCRIPTION
-	599-2129	12-24GB 4 mm DDS-3 FlexiPack
1	540-3044	Half-Height Peripheral Cover
2	540-3125	● Half-Height Filler Panel
3	300-1324	48 Watt Power Supply, Type A120
4	501-4327	Half-Height 16-Bit SCSI I/O Board
5	530-2181	Address Select Cable
6	540-3049	12-24GB 4 mm DDS-3 Tape Drive Assembly
-	240-1530	● M3 x 6 mm Screw (obsolete)
-	240-2730	● M3 x 6 mm Screw
7	340-3645	● Mounting Bracket
-	370-2377	● 12-24GB 4 mm DDS-3 Tape Drive, Light Grey
8	540-1982	Lockbox
9	240-2180	#4-40M/#2-56F Jackscrew
10	540-3045	Base Assembly
NS	240-1530	M3 x 6 mm Screw
NS	330-1937	I/O Board Insulation
NS	370-2378	DDS-3 Tape
NS	370-1613	Cleaning Tape
NS	370-2819	HD50-HD68-Pin Adapter Board
NS	530-1884	External SCSI Cable, HD68 to HD68, 80 cm
NS	530-2115	External SCSI Cable, HD68 to HD50, 1.2M
NS	530-2183	LED Cable
	802-7739	<i>SPARCstorage FlexiPack Service Label</i>

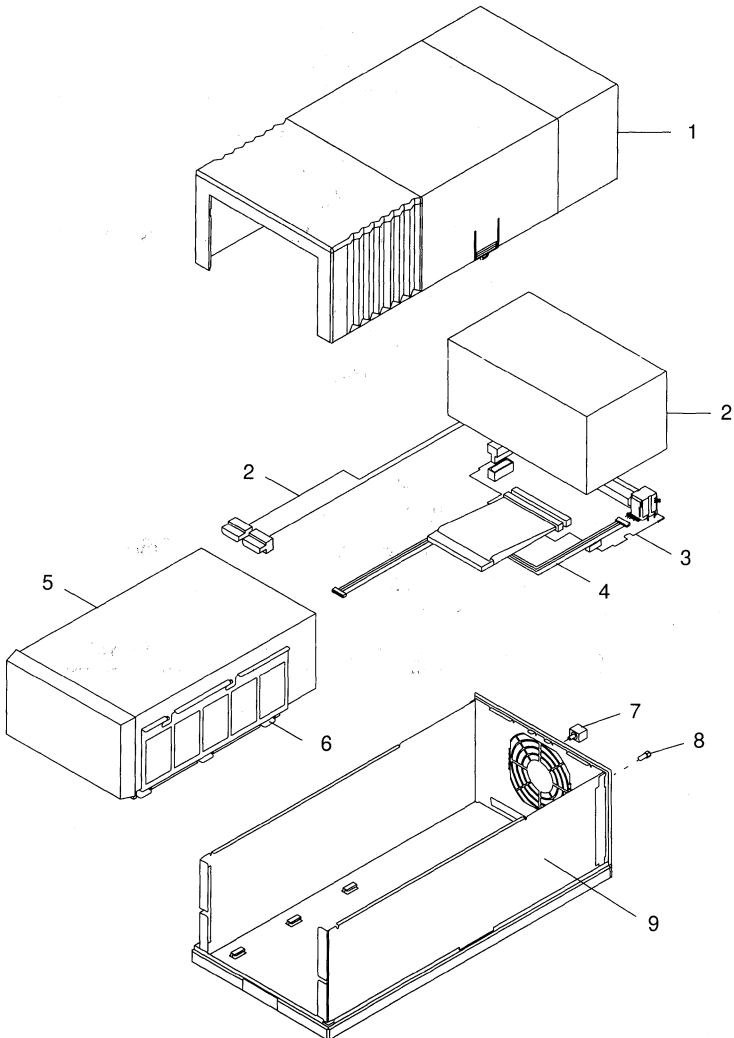
SPARCstorage FlexiPack StorEdge FlexiPack

6290
72-144GB 4 mm Tape
68-68 Pin Cable
Light Grey

6291
72-144GB 4 mm Tape
50-68 Pin Cable
Light Grey

6294
72-144GB 4 mm Tape
68-68 Pin Cable
Medium Grey

TAP4MM-031A
72-144GB 4 mm Tape
w/o Cable
Light Grey



SPARCstorage FlexiPack StorEdge FlexiPack

6290

6291

6294

TAP4MM-031A

CODE	PART #	DESCRIPTION
-	599-2133	DDS-3 FlexiPack, Light Grey
-	599-2163	DDS-3 FlexiPack, Medium Grey
1	540-3043	Full-Height Tape Drive Cover, Light Grey
1	540-3418	Full-Height Tape Drive Cover, Medium Grey
2	300-1324	48 Watt Power Supply, Type A120
3	501-4356	8-Bit Full-Height SCSI I/O Board
4	530-2181	Address Select Cable
5	540-3048	72-144GB 4 mm DDS-3 Autoloader Assembly
-	240-2660	● M3 x 4 mm Screw (obsolete)
-	240-2731	● M3 x 5 mm Screw
6	340-3645	● Mounting Bracket
-	370-2380	● 72-144GB 4 mm DDS-3 Autoloader, Light Grey
5	540-3412	72-144GB 4 mm DDS-3 Autoloader Assembly
-	240-2731	● M3 x 5 mm Screw
6	340-3645	● Mounting Bracket
-	370-2379	● 72-144GB 4 mm DDS-3 Autoloader, Medium Grey
7	540-1982	Lockbox
8	240-2180	#4-40M/#2-56F Jackscrew
9	540-3045	Base Assembly, Light Grey
9	540-3416	Base Assembly, Medium Grey
NS	240-1585	M3 x 4 mm Screw
NS	330-1937	I/O Board Insulation
NS	340-4360	Removable Storage Tray Mounting Bracket
NS	370-2378	DDS-3 Tape
NS	370-2381	DDS-3 Magazine
NS	370-1613	Cleaning Tape
NS	370-2819	HD50-HD68-Pin Adapter Board
NS	530-1884	External SCSI Cable, HD68 to HD68, 80 cm
NS	530-2115	External SCSI Cable, HD68 to HD50, 1.2M
NS	530-2183	LED Cable
	802-7739	<i>SPARCstorage FlexiPack Service Label</i>

This page intentionally left blank.

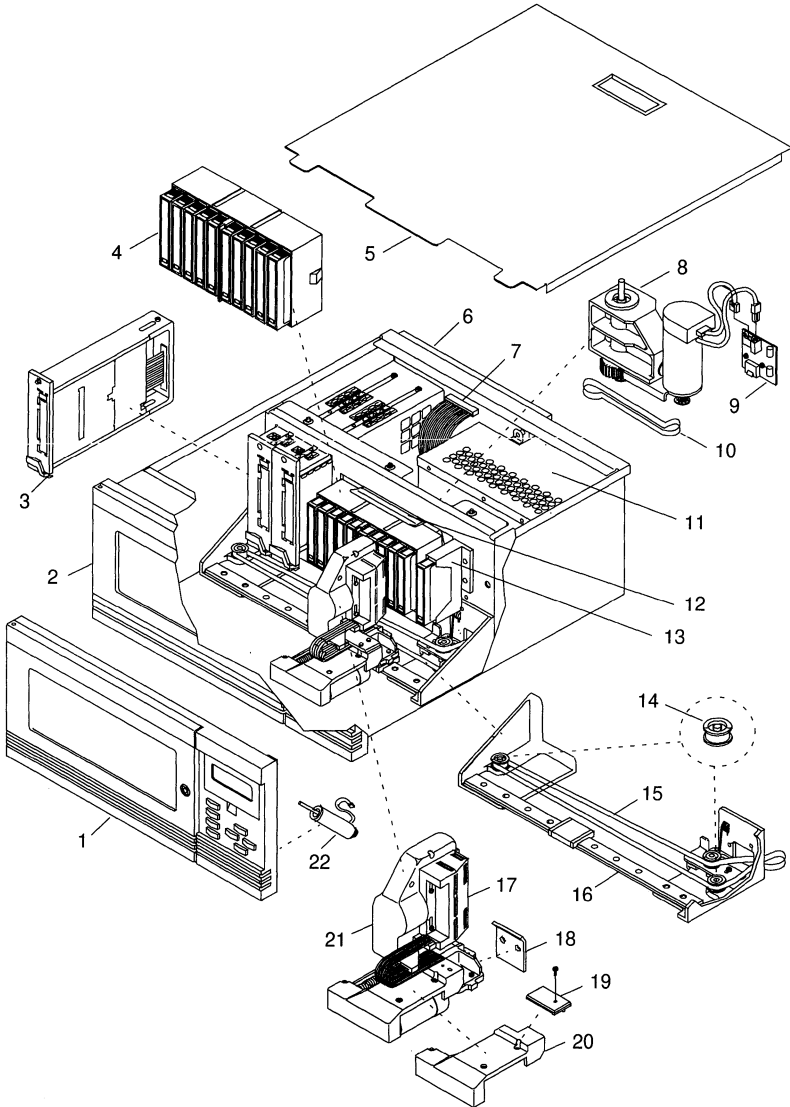
PARTS BREAKDOWN
TAPE LIBRARY

Tape Library

SPARCstorage Library Model 8/140	2
SPARCstorage Library Model 8/140	10
StorEdge L140	10
SPARCstorage Library Model 8/400	12
StorEdge L400	14
SPARCstorage DLT4700	16
StorEdge L280	17
StorEdge L1000	18
ETL 4/1000	22
ETL 4/1800	26
StorEdge L1800	26
ETL 7/3500	30
StorEdge L3500	30
StorEdge L11000	34
StorEdge L9	37
StorEdge L20	38
StorEdge L40	38
StorEdge L60	38
StorEdge L180	40
StorEdge L700	41

SPARCstorage Library Model 8/140

847	848	849	867	868	869
140-280GB	140-280GB	140-280GB	140-280GB	140-280GB	140-280GB
14GB 8 mm	14GB 8 mm	14GB 8 mm	14GB 8 mm	14GB 8 mm	14GB 8 mm
Desktop	Rack Mount	Stackable	Desktop	Rack Mount	Stackable
Light Grey	Light Grey	Light Grey	Light Grey	Light Grey	Light Grey
w/o Scanner	w/o Scanner	w/o Scanner	w Scanner	w Scanner	w Scanner



SPARCstorage Library Model 8/140

847

848

849

867

868

869

CODE	SUN PART #	EXABYTE PART #	DESCRIPTION
1	370-1909	309011	Vertical Front Panel Assy (use T10 Torx)
1	370-1924	xxxxxx	Vertical Front Panel Assy without Logo
1	370-1910	xxxxxx	Horizontal Front Panel Assy (use T10 Torx)
1	370-1923	xxxxxx	Horizontal Front Panel Assy without Logo
1	370-1914	xxxxxx	Stackable Front Panel Assy (use T10 Torx)
1	370-1925	xxxxxx	Stackable Front Panel Assy without Logo
2	370-1915	xxxxxx	Vertical EXB-210 without Tape Drives
2	370-1926	xxxxxx	Vertical EXB-210 w/o Tape Drives or Logo
2	370-1916	xxxxxx	Horizontal EXB-210 without Tape Drives
2	370-1927	xxxxxx	Horizontal EXB-210 w/o Tape Drives or Logo
2	370-1917	xxxxxx	Stackable EXB-210 without Tape Drives
2	370-1928	xxxxxx	Stackable EXB-210 w/o Tape Drives or Logo
3	370-1881	308378	14GB 8505XL Tape Drive with Carrier
3	None	xxxxxx	Empty Tape Drive Carrier
4	370-1884	307522	Empty 10 Tape Magazine (x4) ¹
5	None	110181	Service Access Cover (use T10 Torx)
6	370-1896	3701896	SMCS Card Assembly
6	370-2097	311397	SMCS Card Assembly
7	370-1897	306558	Operator Panel Cable (use T8 Torx)
7	370-1898	306557	CHM Cable (use T8 Torx)
8	370-1887	303247	Long Axis Motor Module (use T20 Torx)
9	370-1893	303078	Motor Distribution Card
10	370-1899	302906	Motor Module Belt
11	370-1894	302396	160 Watt Power Supply
-	370-1895	302692	● Power Supply External 2.5A Fuse
12	None	302413	Magazine Mounting Plate (use T15 Torx)
13	None	302969	Fixed Cartridge Holder (use T20 Torx)
14	370-1902	306561	Idler Pulley Assembly
15	370-1900	302902	Long Axis Belt (use T10 and T20 Torx)
16	370-1901	306767	Long Axis Assembly (use T20 Torx)

¹ A magazine loaded with ten 112M data tapes and one cleaning tape is available from eSun as Option BT-8MM-10PACKCL.

SPARCstorage Library Model 8/140 - Continued

847 848 849 867 868 869

CODE	SUN PART #	EXABYTE PART #	DESCRIPTION
17	370-1874	306014	Barcode Scanner (use T10 and T20 Torx)
18	None	xxxxxx	Long Axis Belt Clamp (use 90° T10 Torx)
19	None	xxxxxx	CHM Cable Strain Relief (use T10 Torx)
20	None	xxxxxx	CHM Cover (use T10 Torx)
21	370-1888	303339	Cartridge Handling Mechanism
22	370-1892	302408	Front Panel Locking Solenoid (use T15 Torx)
NS	370-1385	None	Slide Rail Set (requires 370-1385-04)
NS	370-1903	3701903	SCSI Jumper Plug
NS	370-1904	3701904	Tape Magazine Dust Cover
NS	370-1905	3701905	Door Wipes
NS	370-1906	310386	T-10 Torx Wrench
NS	370-1907	310387	T-15 Torx Wrench
NS	370-1908	3701908	Barcode Labels
NS	370-1912	000053	115V Power Cord
NS	370-1962	xxxxxx	Rack Mount Retaining Bracket
NS	None	307407	Vertical EXB-210 Filters (use T15 Torx)
NS	None	303677	Horizontal EXB-210 Filter (use T15 Torx)
NS	None	302668	Vertical EXB-210 Top Cover Stiffener
NS	None	307762	CHM Alignment Triangle
NS	None	306518	Left Side Cover (use T20 Torx)
NS	None	306519	Right Side Cover (use T20 Torx)
NS	None	306520	Top Cover
NS	None	302984	Vertical EXB-210 1/4-20 Foot
NS	330-1651	xxxxxx	Front Panel Key
NS	None	307406	Vertical Base
NS	None	xxxxxx	Vertical Base Weight, 0.75 lb (x5)
	None	510811	<i>EXB-210 Maintenance</i> (from Exabyte)
	802-2143	None	<i>SPARCstorage Library Service Manual</i>
	805-1386	None	<i>SPARCstorage Library Service Manual</i>

This page intentionally left blank.

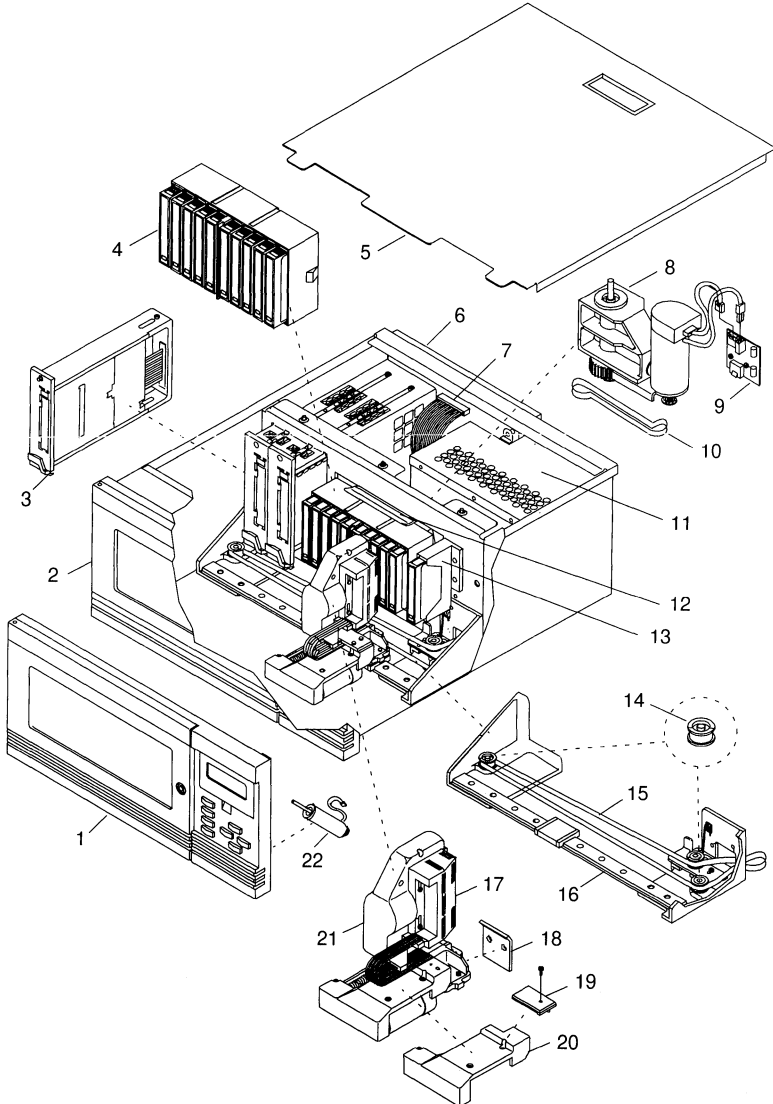
SPARCstorage Library Model 8/140

6221
140-280GB
14GB 8 mm
Rack Mount
Medium Grey
w/o Scanner

6222
140-280GB
14GB 8 mm
Rack Mount
Medium Grey
w Scanner

6223
140-280GB
14GB 8 mm
Stackable
Medium Grey
w/o Scanner

6224
140-280GB
14GB 8 mm
Stackable
Medium Grey
w Scanner



SPARCstorage Library Model 8/140

6221

6222

6223

6224

CODE	SUN PART #	EXABYTE PART #	DESCRIPTION
1	370-2348	xxxxxx	Horizontal Front Panel Assy (use T10 Torx)
1	370-2349	xxxxxx	Stackable Front Panel Assy (use T10 Torx)
2	370-2346	xxxxxx	Horizontal EXB-210 without Tape Drives
2	370-2347	xxxxxx	Stackable EXB-210 without Tape Drives
3	370-1881	308378	14GB 8505XL Tape Drive with Carrier
3	None	xxxxxx	Empty Tape Drive Carrier
4	370-1884	307522	Empty 10 Tape Magazine (x4) ¹
5	None	110181	Service Access Cover (use T10 Torx)
6	370-2097	311397	SMCS Card Assembly
7	370-1897	306558	Operator Panel Cable (use T8 Torx)
7	370-1898	306557	CHM Cable (use T8 Torx)
8	370-1887	303247	Long Axis Motor Module (use T20 Torx)
9	370-1893	303078	Motor Distribution Card
10	370-1899	302906	Motor Module Belt
11	370-1894	302396	160 Watt Power Supply
-	370-1895	302692	● Power Supply External 2.5A Fuse
12	None	302413	Magazine Mounting Plate (use T15 Torx)
13	None	302969	Fixed Cartridge Holder (use T20 Torx)
14	370-1902	306561	Idler Pulley Assembly
15	370-1900	302902	Long Axis Belt (use T10 and T20 Torx)
16	370-1901	306767	Long Axis Assembly (use T20 Torx)
17	370-1874	306014	Barcode Scanner (use T10 and T20 Torx)
18	None	xxxxxx	Long Axis Belt Clamp (use 90° T10 Torx)
19	None	xxxxxx	CHM Cable Strain Relief (use T10 Torx)
20	None	xxxxxx	CHM Cover (use T10 Torx)
21	370-1888	303339	Cartridge Handling Mechanism
22	370-1892	302408	Front Panel Locking Solenoid (use T15 Torx)

¹ A magazine loaded with ten 112M data tapes and one cleaning tape is available from eSun as Option BT-8MM-10PACKCL.

SPARCstorage Library Model 8/140 - Continued

6221

6222

6223

6224

SUN PART #	EXABYTE PART #	DESCRIPTION
370-2815	None	Slide Rail Set
370-1903	3701903	SCSI Jumper Plug
370-1904	3701904	Tape Magazine Dust Cover
370-1905	3701905	Door Wipes
370-1906	310386	T-10 Torx Wrench
370-1907	310387	T-15 Torx Wrench
370-1908	3701908	Barcode Labels
370-1912	000053	115V Power Cord
370-1962	xxxxxx	Rack Mount Retaining Bracket
None	303677	Horizontal EXB-210 Filter (use T15 Torx)
None	307762	CHM Alignment Triangle
None	306518	Left Side Cover (use T20 Torx)
None	306519	Right Side Cover (use T20 Torx)
None	306520	Top Cover
330-1651	xxxxxx	Front Panel Key
None	510811	<i>EXB-210 Maintenance (available from Exabyte)</i>
802-2143	None	<i>SPARCstorage Library Service Manual</i>
805-1386	None	<i>SPARCstorage Library Service Manual</i>

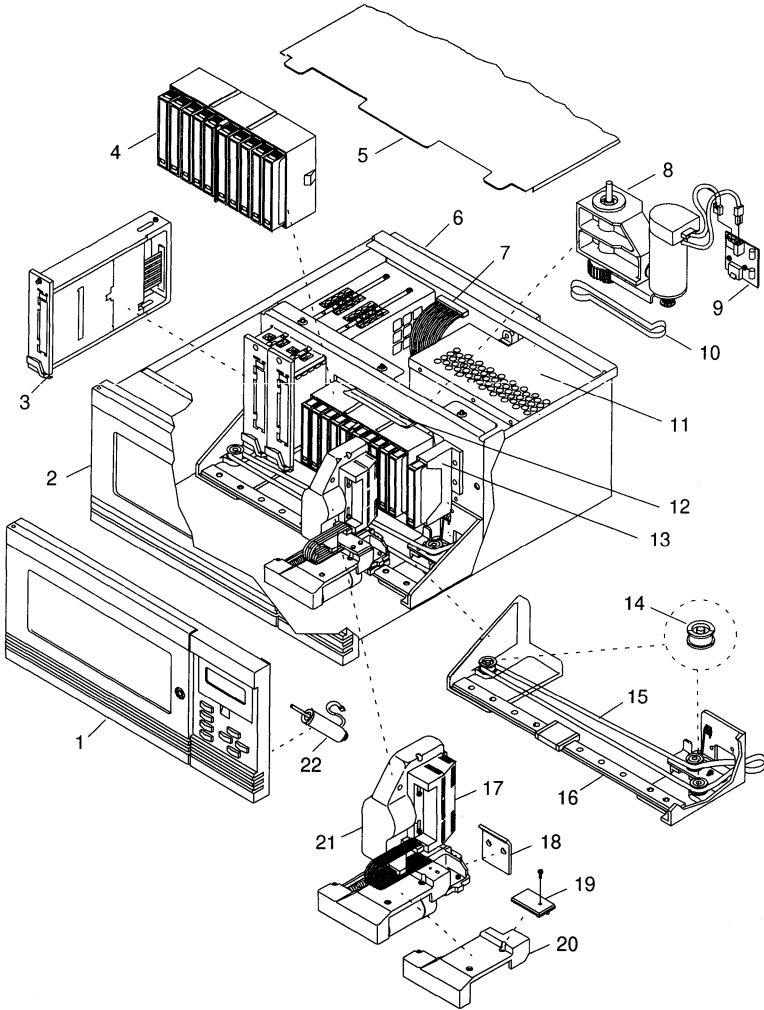
This page intentionally left blank.

SPARCstorage Library Model 8/140 StorEdge L140

6227
140-280GB
14GB 8 mm
Deskside
Medium Grey
w/o Scanner

6228
140-280GB
14GB 8 mm
Rack Mount
Medium Grey
w/o Scanner

6229
14GB 8 mm
Expansion Drive



SPARCstorage Library Model 8/140 StorEdge L140

6227

6228

6229

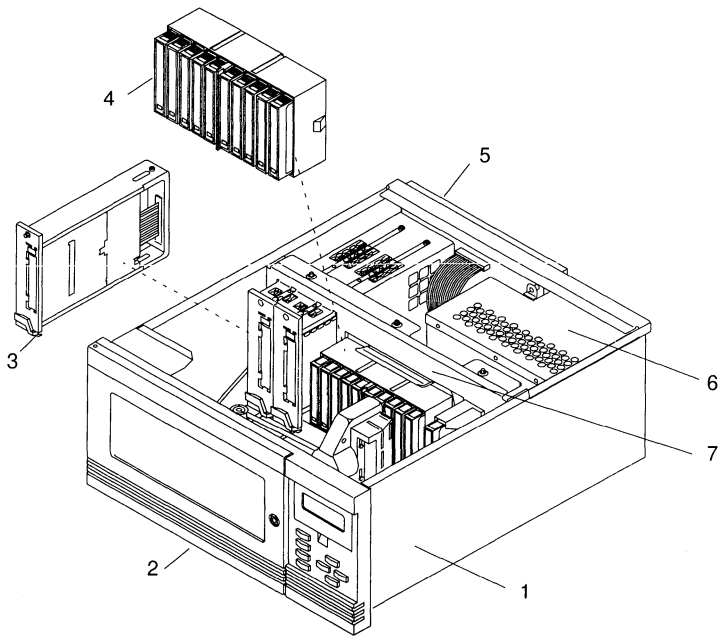
CODE	SUN PART #	EXABYTE PART #	DESCRIPTION
1	370-2348	xxxxxx	Horizontal Front Panel Assy (use T10 Torx)
2	370-3226	xxxxxx	Vertical EXB-210 without Tape Drives
2	370-2346	xxxxxx	Horizontal EXB-210 without Tape Drives
3	370-3128	xxxxxx	14GB 8705DX Tape Drive with Carrier
3	None	xxxxxx	Empty Tape Drive Carrier
4	370-1884	307522	Empty 10 Tape Magazine (x4) ¹
5	None	110181	Service Access Cover (use T10 Torx)
6	370-2097	311397	SMCS Card Assembly
7	370-1897	306558	Operator Panel Cable (use T8 Torx)
7	370-1898	306557	CHM Cable (use T8 Torx)
8	370-1887	303247	Long Axis Motor Module (use T20 Torx)
9	370-1893	303078	Motor Distribution Card
10	370-1899	302906	Motor Module Belt
11	370-1894	302396	160 Watt Power Supply
12	None	302413	Magazine Mounting Plate (use T15 Torx)
13	None	302969	Fixed Cartridge Holder (use T20 Torx)
14	370-1902	306561	Idler Pulley Assembly
15	370-1900	302902	Long Axis Belt (use T10 and T20 Torx)
16	370-1901	306767	Long Axis Assembly (use T20 Torx)
17	370-1874	306014	Barcode Scanner (use T10 and T20 Torx)
18	None	xxxxxx	Long Axis Belt Clamp (use 90° T10 Torx)
19	None	xxxxxx	CHM Cable Strain Relief (use T10 Torx)
20	None	xxxxxx	CHM Cover (use T10 Torx)
21	370-1888	303339	Cartridge Handling Mechanism
22	370-1892	302408	Front Panel Locking Solenoid (use T15 Torx)
NS	370-2815	None	Slide Rail Set
NS	370-1903	3701903	SCSI Jumper Plug
NS	370-1962	xxxxxx	Rack Mount Retaining Bracket
NS	330-1651	xxxxxx	Front Panel Key
	802-2143	None	<i>SPARCstorage Library Service Manual</i>
	805-1386	None	<i>SPARCstorage Library Service Manual</i>

¹ A magazine loaded with ten 112M data tapes and one cleaning tape is available from eSun as Option BT-8MM-10PACKCL.

SPARCstorage Library Model 8/400

6225
400-800GB
20-40GB 8 mm
Stackable
w Scanner
2 Tape Drives

6226
400-800GB
20-40GB 8 mm
Rack Mount
w Scanner
2 Tape Drives



SPARCstorage Library Model 8/400

6225

6226

CODE	SUN PART #	DESCRIPTION
1	370-2392	Horizontal EXB-220 w/o Tape Drives or Scanner
1	370-2391	Stackable EXB-220 w/o Tape Drives or Scanner
1	370-3257	Deskside EXB-220 w/o Tape Drives or Scanner
2	370-2393	Horizontal Front Panel Assembly (use T10 Torx)
2	370-2394	Stackable Front Panel Assembly (use T10 Torx)
2	None	Deskside Front Panel Assembly (use T10 Torx)
3	370-2401	20-40GB EXB-8900 Tape Drive with Carrier
3	None	Empty Tape Drive Carrier
4	370-1884	Empty 10 Tape Magazine ¹
5	370-2397	Differential SMCS Card Assembly
6	370-2399	160 Watt Power Supply
7	370-2402	Rotor Assembly
NS	370-1874	Barcode Scanner (use T10 and T20 Torx)
NS	370-2403	Long Axis Belt (use T10 and T20 Torx)
NS	370-2815	Slide Rail Set
NS	370-2400	SCSI Jumper Plug, 55 mm
NS	370-2398	Differential SCSI Terminator
NS	370-1904	Tape Magazine Dust Cover
NS	370-1905	Door Wipes
NS	370-2395	170M 8 mm AME Tape
NS	370-2396	Cleaning Kit
NS	370-1912	Power Cord
NS	330-1651	Key
	802-7985	<i>SPARCstorage 8/400 Service Manual</i>
	875-1805	<i>EXB-220 Maintenance</i>

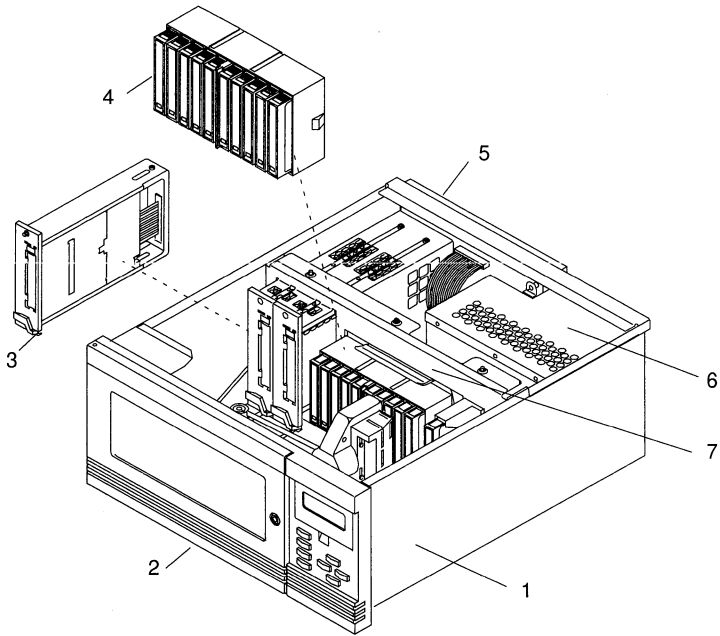
¹ A magazine loaded with ten 112M data tapes and one cleaning tape is available from eSun as Option BT-8MM-10PACKCL.

StorEdge L400

LIB8MM1-400G
400-800GB
20-40GB 8 mm
Deskside
w Scanner
2 Tape Drives

LIB8MMB-400G
400-800GB
20-40GB 8 mm
Deskside
w scanner
1 Tape Drive

LIB8MMC-400G
400-800GB
20-40GB 8 mm
Rack Mount
w Scanner
1 Tape Drive



StorEdge L400

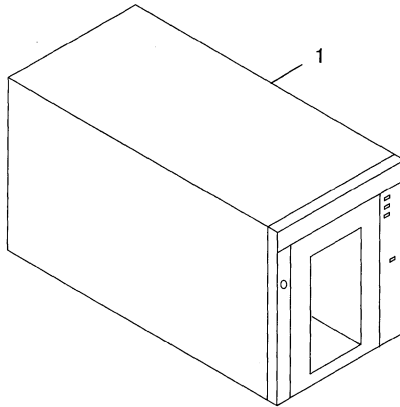
LIB8MM1-400G LIB8MMB-400G LIB8MMC-400G

CODE	SUN PART #	DESCRIPTION
1	370-2392	Horizontal EXB-220 w/o Tape Drives or Scanner
1	370-3257	Deskside EXB-220 w/o Tape Drives or Scanner
2	370-2393	Horizontal Front Panel Assembly (use T10 Torx)
2	None	Deskside Front Panel Assembly (use T10 Torx)
3	370-2401	20-40GB EXB-8900 Tape Drive with Carrier
3	None	Empty Tape Drive Carrier
4	370-1884	Empty 10 Tape Magazine ¹
5	370-2397	Differential SMCS Card Assembly
6	370-2399	160 Watt Power Supply
7	370-2402	Rotor Assembly
NS	370-1874	Barcode Scanner (use T10 and T20 Torx)
NS	370-2403	Long Axis Belt (use T10 and T20 Torx)
NS	370-2815	Slide Rail Set
NS	370-2400	SCSI Jumper Plug, 55 mm
NS	370-2398	Differential SCSI Terminator
NS	370-1904	Tape Magazine Dust Cover
NS	370-1905	Door Wipes
NS	370-2395	170M 8 mm AME Tape
NS	370-2396	Cleaning Kit
NS	370-1912	Power Cord
NS	330-1651	Key
	802-7985	<i>SPARCstorage 8/400 Service Manual</i>
	875-1805	<i>EXB-220 Maintenance</i>

¹ A magazine loaded with ten 112M data tapes and one cleaning tape is available from eSun as Option BT-8MM-10PACKCL.

SPARCstorage DLT4700

6071
 140-280GB Autoloader
 20-40GB DLT4000



CODE	PART #	DESCRIPTION
1	540-2781	DLT4700 Tape Library
1	#540-2781	DLT4700 Tape Library Spare
1	f540-2781	DLT4700 Tape Library FRU (discontinued)
1	540-4478	DLT4700 Tape Library FRU w/o Tape Drive
NS	150-1785	Terminator
NS	180-1179	110V AC Power Cord
NS	261-7607	Sun Logo
NS	261-7608	Nameplate
NS	370-2188	Data Cartridge IV (20GB-40GB DLT4000 Capacity)
NS	370-2189	Cleaning Cartridge
NS	370-2253	Key
NS	370-2254	Seven Tape Magazine
NS	370-2264	20-40GB DLT4000 Tape Drive
NS	530-1792	External SCSI Cable, 50-Pin to 50-Pin, 2.0M
NS	530-2115	External SCSI Cable, 68-Pin to 50-Pin, 1.2M
	802-5688	<i>DLT4700 Installation and User's Guide</i>

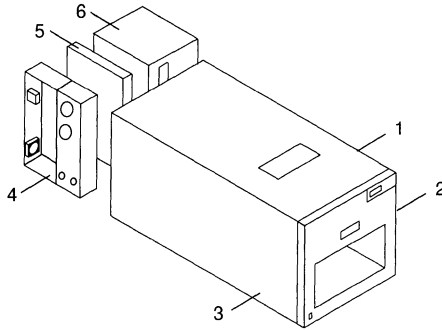
StorEdge L280

LIBDLT1-280G

Desktop 280-560GB DLT7000
HP SureStore Autoloader 718

LIBDLT2-280G

Rack Mount 280-560GB DLT7000
HP SureStore Autoloader 718



CODE	PART #	DESCRIPTION
1	540-3722	Desktop Autoloader
1	380-0079	Desktop Autoloader (replaces 540-3722)
1	540-3725	Rack Mount Autoloader
1	380-0080	Rack Mount Autoloader (replaces 540-3725)
1	540-3723	Autoloader without Drive or Skins
1	380-0081	Autoloader w/o Drive or Skins (replaces 540-3723)
2	540-3724	Front Door, Medium Grey
3	370-3425	Tabletop Top Cover, Medium Grey
4	370-3421	Power Supply with Fan
5	370-3424	Controller C6280-66510
6	370-3423	DLT Tape Drive with Fan
NS	150-1890	Differential SCSI Terminator with LED
NS	370-2188	Data Cartridge
NS	370-2189	Cleaning Cartridge
NS	370-3422	6-Tape Magazine
NS	370-3549	Differential SCSI Terminator without LED
NS	370-3554	SCSI Jumper Ribbon Cable, 15 cm
NS	530-2352	SCSI Cable, HD68 to HD68, 4M
NS	530-2384	SCSI Cable, HD68 to HD68, 2M
NS	530-2647	IEC320 - NEMA 5-15 Grey Power Cord
NS	595-4719	Rack Mount Kit, Option X9643A
NS	540-3726	● Rack Mount Kit
NS	370-3630	● Rack Mount Kit (replaces 540-3726)
	805-3958	<i>L280 Service Manual</i>

StorEdge L1000

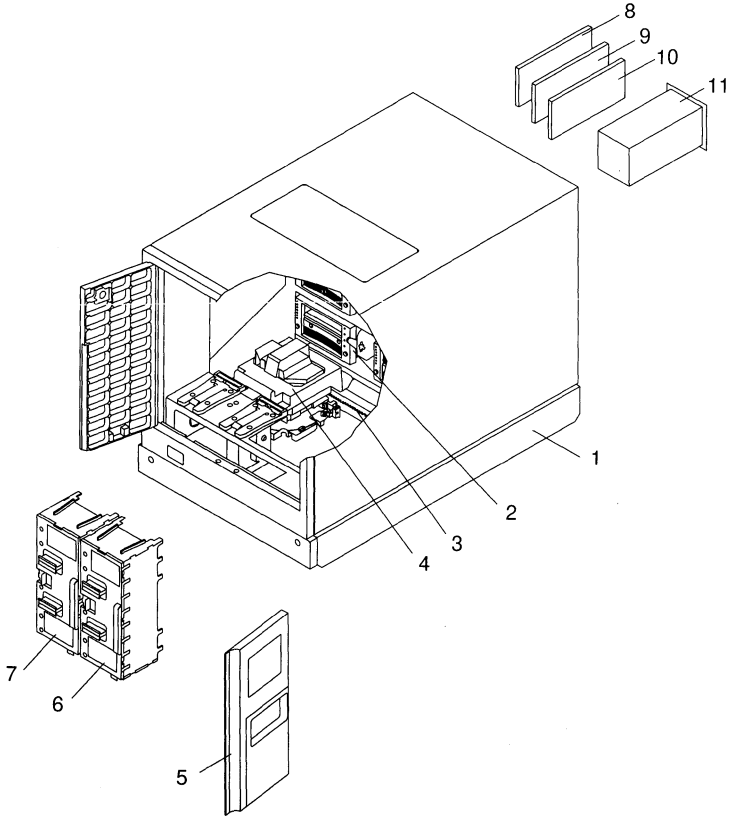
TAPDLT1-1TB
35-70GB DLT7000
Expansion Drive

LIBDLT1-1TB
35-70GB DLT7000
1 Drive Deskside

LIBDLT4-1TB
35-70GB DLT7000
4 Drive Deskside

LIBDLT1R-1TB
35-70GB DLT7000
1 Drive Rack Mount

LIBDLT4R-1TB
35-70GB DLT7000
4 Drive Rack Mount



StorEdge L1000

TAPDLT1-1TB LIBDLT1-1TB LIBDLT4-1TB
LIBDLT1R-1TB LIBDLT4R-1TG

CODE	SUN PART #	DESCRIPTION
1	380-0074	Rackmountable L1000 with 1 DLT Drive
1	380-0075	Rackmountable L1000 with 4 DLT Drives
1	380-0076	Deskside L1000 with 1 DLT Drive
1	380-0077	Deskside L1000 with 4 DLT Drives
2	370-3516	DLT 7000 Tape Drive FRU
3	370-3522	X-Axis Timing Belt, 1/4" Wide
4	370-3529	Extension Axis Assembly
5	370-3524	Right Front Door Assembly with Control Panel
6	370-3530	8-Cartridge Bulk Pack Assembly
7	370-3530	8-Cartridge Load Pack Assembly
8	370-3526	Actuator Driver Board
9	370-3525	Robotic Controller Board with Memory Module
10	370-3521	Wide Differential SCSI Board
11	370-3531	Power Supply with Switch 6220518 ¹
11	370-3531	Power Supply w/o Switch 6220571 ¹
	704-6219	<i>Reference CD-ROM and LibMON 1.1 Patch</i>
	805-4822	<i>StorEdge L1000 Unpacking Instructions</i>
	805-4823	<i>StorEdge L1000 User's Guide</i>
	805-5577	<i>Control Panel Password Instructions</i>

¹ Sun Specification 950-3138-04 identifies 370-3531-01 as ATL part number 6220518. ATL changed the part number to 6220571.

StorEdge L1000 - Continued

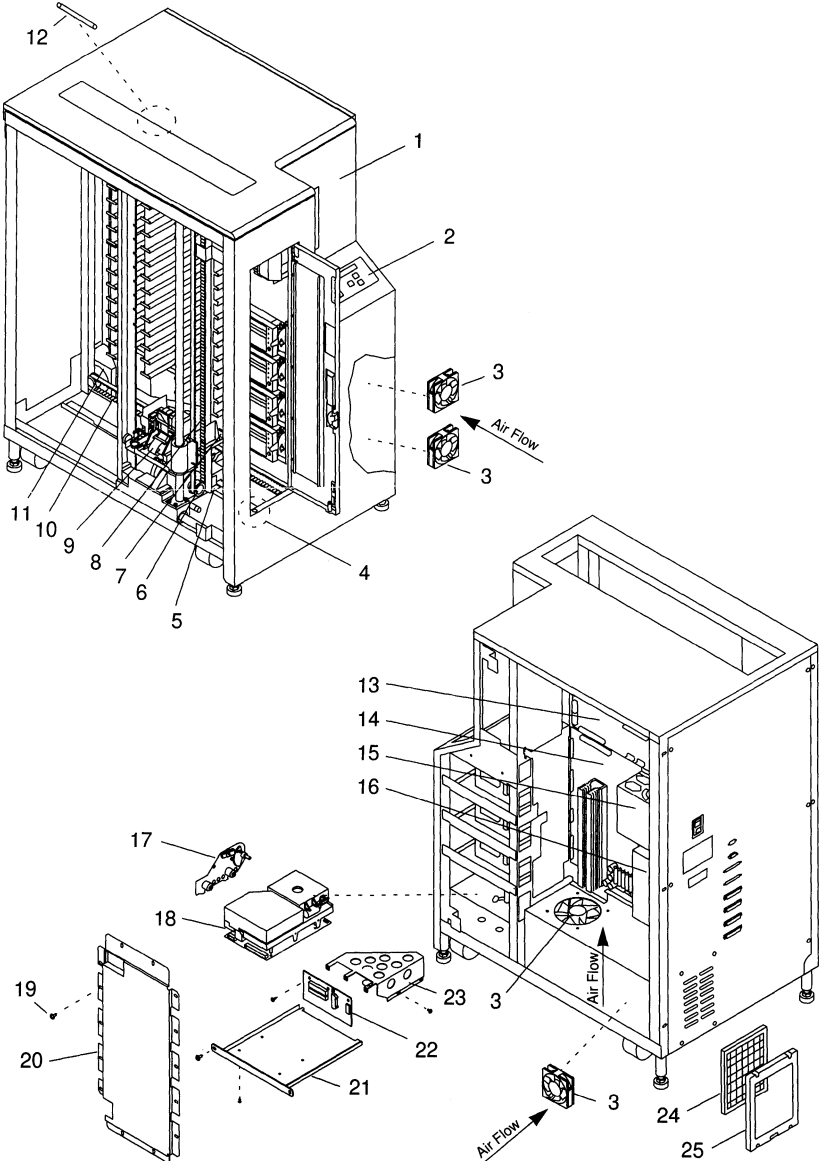
TAPDLT1-1TB LIBDLT1-1TB LIBDLT4-1TB
LIBDLT1R-1TB LIBDLT4R-1TG

SUN PART #	DESCRIPTION
None	Rear Upper Air Filter
None	Rear Lower Air Filter
150-1890	Differential SCSI Terminator
330-1651	Key
370-2188	DLT Data Cartridge
370-2189	Cleaning Cartridge
370-3546	External SCSI Cable, 90° HD68 to 90° HD68, 36 cm
370-3517	Y-Axis 2-Phase Stepper Motor
370-3518	X-Axis 2-Phase Stepper Motor
370-3519	24V, 41 CFM Fan
370-3520	24V, 90 CFM Fan
370-3523	Y-Axis Timing Belt, 3/8" Wide
370-3527	Y-Encode Board
370-3528	X-Motor interconnect Board
370-3532	Backplane
370-3545	External SCSI Cable, 90° HD68 to 90° HD68, 18 cm
370-3622	Slide Rail
370-3627	Left Single Fan with Bracket
370-3628	Right Double Fan with Bracket
370-3629	1 Package of 33 Cleaning Tape Barcode
370-3544	1 Package of 99 Data Barcode Labels
530-2352	External SCSI Cable, HD68 to HD68, 4M
565-1477	Service Kit with Tools, Manuals, and Diagnostics
704-5684	<i>StorEdge L1000 Service CD-ROM</i>

This page intentionally left blank.

ETL 4/1000

6072
1.04-2.08TB
DLT4000
ACL 4/52



ETL 4/1000

6072

CODE	SUN PART#	ATL PART#	DESCRIPTION
1	595-4164	6210090	ETL 4/1000 Assembly
2	370-2849	6210435	Control Panel Assembly
3	370-2862	6210537	Fan Assembly
3	370-3260	6211654	Fan Assembly (DLT7000 requirement)
4	370-2859	6210516	Door Switch Assembly
5	370-2858	6210515	X-Axis Confirmation Sensor
6	370-2855	6210510	Y-Axis Stepper Motor Assembly
7	370-2854	6210480	X-Axis Interconnect Board
8	370-2864	0645083	Y-Axis Drive Belt
9	370-2863	6210720	Extension Axis Assembly
10	370-2864	0645083	X-Axis Drive Belt
11	370-2856	6210511	X-Axis Stepper Motor Assembly
12	370-2866	0385016	Fluorescent Bulb
13	370-2853	6210470	Robotic Controller Board
14	370-2851	6210450	Actuator Driver Board
15	300-1338	0355041	PC Logic Power Supply
16	300-1339	0355038	Motor Power Supply
17	370-2850	0815032	Stepper Motor Assembly
18	370-2865	6210200	Differential DLT 4000 Tape Drive
19	None	Unknown	#10-32 x 1/2" Screw with Washer
20	None	6210038	Tape Drive Bay EMI Cover
21	None	6211003	Tape Drive Shelf
22	370-2852	6210464	Tape Drive Interface Board
23	None	6210509	Tape Drive Mounting Bracket
24	None	Unknown	Air Filter, 7.5" x 6"
25	None	6211005	Air Filter Cover
NS	370-2857	6210512	Load Port Door Lockout Solenoid
NS	370-2860	6210518	Y-Axis Umbilical Cable
NS	370-2861	6210520	X-Axis Umbilical Cable

ETL 4/1000 - Continued

6072

SUN PART#	ATL PART#	DESCRIPTION
None	6210526	Actuator Driver to Robotics Controller Cable
None	6210558	Actuator Driver 48V Power Cable
None	6210525	Control Panel Cable
None	6210527	X-Axis Motor Drive Cable
None	6210538	Fan Power Cable
None	6210539	Internal 9-Pin RS-232 Cable
None	6210564	DC "Y" Power Extension Cable
None	6210561	DC Power Extension Cable
None	6210565	68-Pin SCSI #1 Cable, 120 cm
None	6210566	68-Pin SCSI #2 Cable, 60 cm
None	6210567	68-Pin SCSI #3 Cable, 12 cm
None	6210573	Miscellaneous Sensor Cable
None	6210562	Tape Drive Interface 2 Cable
None	6210563	Tape Drive Inport Solenoid Cable
None	6210542	White AC Cable
None	6210542	Black AC Cable
None	0325004	AC Line Filter
None	0455175	AC Power Switch
150-1890	0415692	Differential SCSI Terminator
370-2188	0525006	Data Cartridge
370-2189	0525005	Cleaning Cartridge
530-2383	0425033	External SCSI Cable, HD68 to HD68, 80 cm
530-2352	0425034	External SCSI Cable, HD68 to HD68, 4M
565-1395	6210160	Service and Training Kit
None	6210151	● Training Video
None	0425003	● Serial Cable
None	6210150	● Permatex 82324 Lubricant
704-5684	6211266	● Diagnostic and Manuals CD
875-1807	6211222	● <i>Operator's Guide</i>
875-1808	6211221	● <i>Planning and Installation Guide</i>
875-1809	6211223	● <i>Service Manual</i>
875-1810	6211224	● <i>Diagnostic Software Manual</i>

This page intentionally left blank.

ETL 4/1800 StorEdge L1800

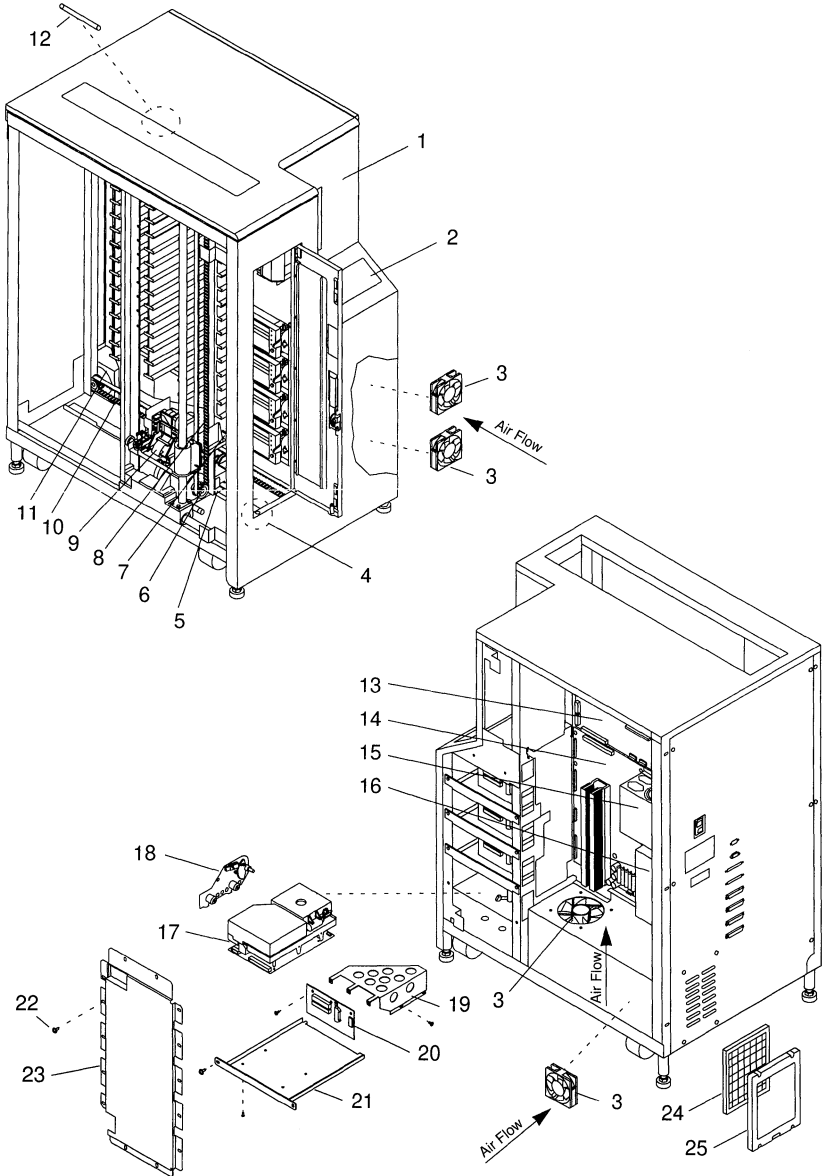
6063
35-70GB
DLT7000

6073
1.82-3.64TB
ACL 2/52
w LibMon

6074
1.82-3.64TB
ACL 4/52
w LibMon

6077
1.82-3.64TB
ACL 2/52
w/o LibMon

6078
1.82-3.64TB
ACL 4/52
w/o LibMon



ETL 4/1800 StorEdge L1800

6063

6073

6074

6077

6078

CODE	SUN PART#	ATL PART#	DESCRIPTION
1	595-4354	Unknown	ETL 4/1800 2-Drive Assembly
1	595-4355	Unknown	ETL 4/1800 4-Drive Assembly
2	370-3255	6210584	Touch Panel Assembly
3	370-3260	6211654	Fan Assembly (ATL recommends 6210537)
4	370-2859	6210516	Door Switch Assembly
5	370-2858	6210515	X-Axis Confirmation Sensor
6	370-2855	6210510	Y-Axis Stepper Motor Assembly
7	370-2854	6210480	X-Axis Interconnect Board
8	370-2864	0645083	Y-Axis Drive Belt
9	370-2863	6210720	Extension Axis Assembly
10	370-2864	0645083	X-Axis Drive Belt
11	370-2856	6210511	X-Axis Stepper Motor Assembly
12	370-2866	0385016	Fluorescent Bulb
13	370-2853	6210470	Robotic Controller Board (-02 required)
14	370-2851	6210450	Actuator Driver Board
15	300-1338	0355041	PC Logic Power Supply
16	300-1339	0355038	Motor Power Supply
17	370-3272	6210208	DLT7000 Assembly/FRU (obsolete)
17	370-3332	6210208	DLT7000 Assembly/FRU
17	None	Unknown	● Differential DLT7000 Tape Drive
18	370-3261	0815033	● Stepper Motor Assembly
19	None	6210509	● Tape Drive Mounting Bracket
20	370-3262	6211630	● Tape Drive Interface Board
21	None	6211003	● Tape Drive Shelf
NS	None	Unknown	● Tape Drive Air Baffle
22	None	Unknown	#10-32 x 1/2" Screw with Washer
23	None	6210038	Tape Drive Bay EMI Cover
24	None	Unknown	Air Filter, 7.5" x 6"
25	None	6211005	Air Filter Cover
NS	370-2857	6210512	Load Port Door Lockout Solenoid
NS	370-2860	6210518	Y-Axis Umbilical Cable
NS	370-2861	6210520	X-Axis Umbilical Cable

ETL 4/1800 StorEdge L1800 - Continued

6063

6073

6074

6077

6078

SUN PART#	ATL PART#	DESCRIPTION
None	6210526	Actuator Driver to Robotics Controller Cable
None	6210558	Actuator Driver 48V Power Cable
None	6210525	Control Panel Cable
None	6210527	X-Axis Motor Drive Cable
370-2516	6210538	Fan Power Cable
370-2517	Unknown	Shielded Power Cable
None	6210539	Internal 9-Pin RS-232 Cable
None	6210564	DC "Y" Power Extension Cable
None	6210561	DC Power Extension Cable
None	6210565	68-Pin SCSI #1 Cable, 120 cm
None	6210566	68-Pin SCSI #2 Cable, 60 cm
None	6210567	68-Pin SCSI #3 Cable, 12 cm
None	6210573	Miscellaneous Sensor Cable
None	6210562	Tape Drive Interface 2 Cable
None	6210563	Tape Drive Inport Solenoid Cable
None	6210542	White AC Cable
None	6210542	Black AC Cable
None	0325004	AC Line Filter
None	0455175	AC Power Switch
150-1890	0415692	Differential SCSI Terminator
370-2188	0525006	Data Cartridge
370-2189	0525005	Cleaning Cartridge
530-2515	Unknown	External SCSI Jumper Cable, HD68 to HD68
530-2352	0425034	External SCSI Cable, HD68 to HD68, 4M
565-1395	6210160	Service and Training Kit
None	6210151	● Training Video
None	0425003	● Serial Cable
None	6210150	● Permatex 82324 Lubricant
704-5684	6211266	● Diagnostic and Manuals CD
875-1807	6211222	● <i>Operator's Guide</i>
875-1808	6211221	● <i>Planning and Installation Guide</i>
875-1809	6211223	● <i>Service Manual</i>
875-1810	6211224	● <i>Diagnostic Software Manual</i>

This page intentionally left blank.

ETL 7/3500 StorEdge L3500

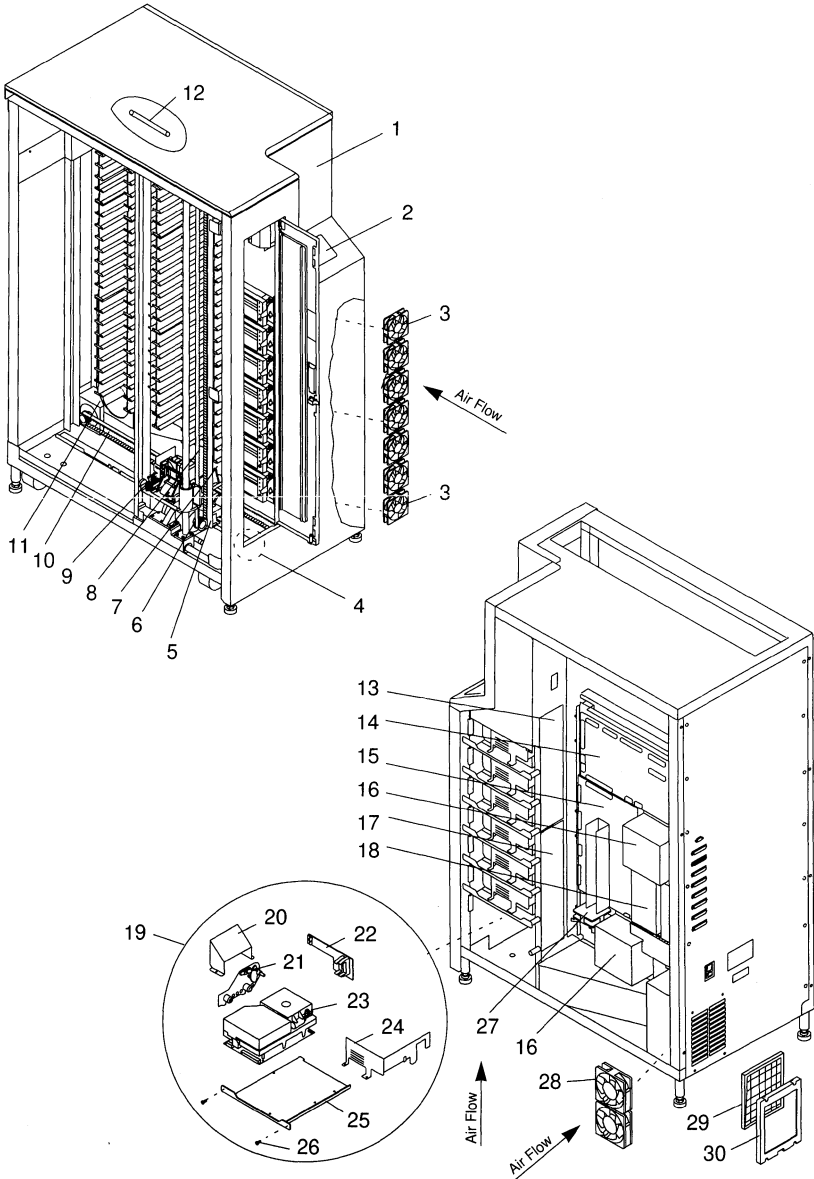
6063
35-70GB
DLT7000 Drive

6075
3.5-7.0TB
ACL 2/100
w LibMon

6076
3.5-7.0TB
ACL 7/100
w LibMon

6079
3.5-7.0TB
ACL 2/100
w/o LibMon

6080
3.5-7.0TB
ACL 7/100
w/o LibMon



ETL 7/3500 StorEdge L3500

6063

6075

6076

6079

6080

CODE	SUN PART#	ATL PART#	DESCRIPTION
1	595-4444	Unknown	ETL7/3500 2-Drive Assembly
1	595-4445	Unknown	ETL7/3500 4-Drive Assembly
2	370-3255	6210584	Touch Panel Assembly (-02 required)
3	370-3297	6240516	31.8 CFM Fan Assembly
4	370-2859	6210516	Door Switch Assembly
5	370-2858	6210515	X-Axis Confirmation Sensor
6	370-2855	6210508	Y-Axis Stepper Motor Assembly
7	370-2854	6210480	X-Axis Interconnect Board
8	370-3305	0645115	Y-Axis Drive Belt, 188"
9	370-2863	6210720	Extension Axis Assembly (-02 required)
10	370-3304	0645116	X-Axis Drive Belt, 240"
11	370-2856	6210511	X-Axis Stepper Motor Assembly
12	370-2866	0385016	Fluorescent Bulb
13	370-3299	6240330	Tape Drive Distribution Board
14	370-3295	6210470	Robotic Controller Board
15	370-2851	6210450	Actuator Driver Board
16	300-1338	0355041	PC Logic Power Supply
17	370-3298	6240320	Tape Drive Multiplexor Board
18	300-1339	0355038	Motor Power Supply
19	370-3272	6210208	DLT7000 Assy/FRU (-02 required) (obs)
19	370-3332	tbd	DLT7000 Assembly/FRU
20	None	Unknown	● Tape Drive Fan Shield
21	370-3261	0815033	● Stepper Motor Assembly
22	370-3262	6211630	● Tape Drive Interface Board
23	None	Unknown	● Differential DLT7000 Tape Drive
24	None	Unknown	● Tape Drive Mounting Bracket
25	None	Unknown	● Tape Drive Shelf
26	None	Unknown	● #10-32 x 1/2" Screw with Washer
-	None	Unknown	● Internal SCSI Cable
27	370-3297	6240516	Controller Electronics Assembly Fan
28	370-3296	6240515	108 CFM Fan (ATL recommends 6210537)
29	None	Unknown	Air Filter, 7.5" x 6"
30	None	6211005	Air Filter Cover

ETL 7/3500 StorEdge L3500 - Continued

6063

6075

6076

6079

6080

SUN PART#	ATL PART#	DESCRIPTION
150-1890	0415692	Differential SCSI Terminator
370-2857	6210512	Load Port Door Lockout Solenoid
370-2860	6210518	Y-Axis Umbilical Cable
370-2188	0525006	Data Cartridge
370-2189	0525005	Cleaning Cartridge
370-3300	6210520	X-Axis Umbilical Cable
530-2352	0425034	External SCSI Cable, HD68 to HD68, 4M
530-2515	Unknown	External SCSI Jumper Cable, HD68 to HD68
565-1395	6210160	Service and Training Kit
None	6210151	● Training Video
None	0425003	● Serial Cable
None	6210150	● Permatex 82324 Lubricant
704-5684	6211266	● Diagnostic and Manuals CD
875-xxxx	62112xx	● <i>ETL 4/1000 Installation and Service Manuals</i>
875-xxxx	62112xx	● <i>ETL 4/1800 Installation and Service Manuals</i>
805-1034	Unknown	● <i>ETL 7/3500 Facilities Planning and Installation</i>
805-1035	Unknown	● <i>ETL 7/3500 Operator's Guide</i>
805-1036	Unknown	● <i>ETL 7/3500 Diagnostic Software Guide</i>
805-1037	Unknown	● <i>ETL 7/3500 Software Interface Guide</i>
805-1038	Unknown	● <i>ETL 7/3500 Service Manual</i>

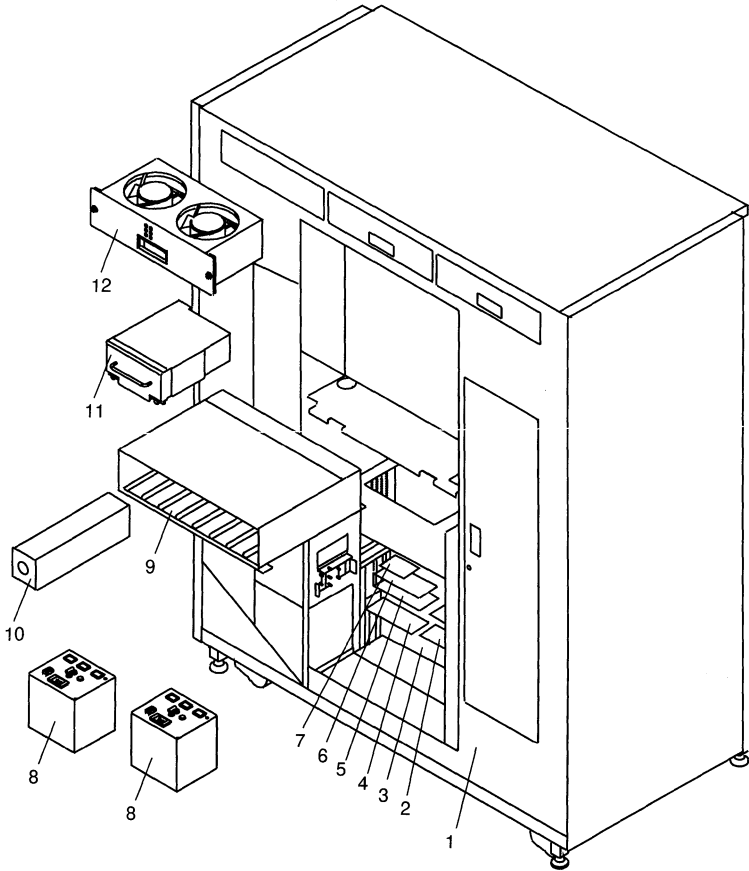
This page intentionally left blank.

StorEdge L11000

TAPDLT2-11TB
35-70GB DLT7000
Expansion Drive

LIBDLT4-11TB
35-70GB DLT7000
4 Drive Cabinet

LIBDLT16-11TB
35-70GB DLT7000
16 Drive Cabinet



StorEdge L11000

TAPDLT2-11TB LIBDLT4-11TB LIBDLT16-11TB

CODE	SUN PART #	DESCRIPTION
1	380-0217	L11000 with 4 DLT Drive
1	380-0218	L11000 with 16 DLT Drives
2	None	DC-DC Converter 6310495
3	370-3733	Backplane
4	370-3731	Actuator Driver #1 (service manual lists these boards as identical)
5	370-3730	Actuator Driver #0 (service manual lists these boards as identical)
6	370-3728	Robotics Controller Board with Memory
-	None	● Memory Module 6220349
7	370-3732	Differential SCSI Board
8	370-3726	AC Power Distribution Assembly (up to 2)
9	370-3725	Power Supply Rack Assembly
10	370-3724	400 Watt Power Supply (up to 8)
11	370-3723	DLT 7000 Tape Drive FRU (up to 16)
12	370-3727	Fan Module (x3)
NS	370-3729	US Power Cord
NS	370-3734	Control Panel Assembly
NS	370-3735	Extension Axis Assembly
NS	370-3736	X-Axis and Y-Axis Stepper Motor
NS	370-3737	Rotary Axis Stepper Motor
NS	370-3738	X-Axis Interconnect Board
NS	370-3739	Y-Axis Interconnect Board
NS	370-3740	Rotary Axis Sensor Board
NS	370-3741	Motor Power Converter (listed as DC-DC Converter in service manual)
NS	370-3742	Left Drive Tray Board (replaced by 375-0108)
NS	370-3743	Right Drive Tray Board (replaced by 375-0106)
NS	370-3744	Left Drive Sideboard Board (replaced by 375-0109)
NS	370-3745	Right Drive Sideboard Board (replaced by 375-0107)
NS	370-3746	Y-Axis Belt, 1" Wide x 3/8" Pitch
NS	370-3747	X-Axis Belt, 1" Wide x 3/8" Pitch
NS	375-0106	Right Drive Tray Board (replaces 370-3743)
NS	375-0107	Right Drive Sideboard Board (replaces 370-3745)
NS	375-0108	Left Drive Tray Board (replaces 370-3742)
NS	375-0109	Left Drive Sideboard Board (replaces 370-3744)

StorEdge L11000 - Continued

TAPDLT2-11TB LIBDLT4-11TB LIBDLT16-11TB

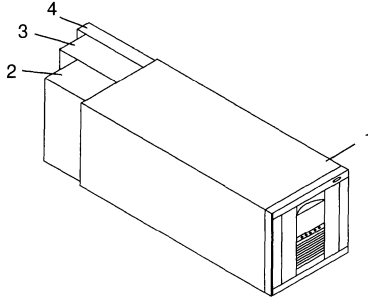
CODE	SUN PART #	DESCRIPTION
NS	150-1890	Differential SCSI Terminator
NS	330-1651	Key
NS	370-2188	DLT Data Cartridge
NS	370-2189	Cleaning Cartridge
NS	370-3544	4 Packages of 99 Data Barcode Labels
NS	370-3629	1 Package of 33 Cleaning Tape Barcode
NS	370-3729	IEC320-C19 to NEMA 5-20 AC Power Cord
NS	370-4185	Left Drive Board Kit, 375-0108 + 375-0109 ^{1 2}
NS	370-4186	Right Drive Board Kit, 375-0106 + 375-0107 ^{1 2}
NS	None	5/32" Hex Wrench for Rear Doors (not included)
NS	None	International AC Power Cords
NS	None	Internal Cables
NS	None	Internal SCSI Cable 0425017, HD68 to HD68, 1M
NS	530-2352	External SCSI Cable, HD68 to HD68, 4M
NS	565-1540	Service Kit with Tools, Manuals, and Diagnostics
	704-6526	<i>StorEdge L11000 Reference CD-ROM</i>
	704-6527	<i>StorEdge L11000 Service CD-ROM</i>
	805-5577	<i>Control Panel Password Instructions</i>
	805-7275	<i>StorEdge L11000 User's Guide</i>
	805-7276	<i>StorEdge L11000 Service Manual</i>
	805-7277	<i>StorEdge L11000 Unpacking Instructions</i>
	805-7278	<i>StorEdge L11000 Uncrating Instructions</i>

¹ New Drive Tray Boards are not compatible with old Drive Sideboard Boards.

² New Drive Sideboard Boards are not compatible with old Drive Tray Boards.

StorEdge L9

AUTODLT8D-L9
 360-720GB Autoloader
 40-80GB DLT8000



CODE	SUN PART #	DESCRIPTION
1	380-0381	L9 Assembly with DLT Drive
1	380-0384	L9 Assembly/FRU without DLT Drive
2	380-0383	DLT8000 40GB Tape Drive Assembly/FRU
3	None	Power Supply
4	None	Autoloader Controller
NS	370-4262	Empty Magazine/FRU
NS	None	Wide Differential Terminator, HP A1658-62024
NS	None	SCSI Jumper Cable, HP C7145-61601
NS	None	US Power Cord, HP 8120-6812
NS	595-5610	Rack Mount Kit, Option XRACKIT-L9
-	None	● Rack Mount Tray, Rails, Brackets, and Screws
	None	<i>FRU Replacement Guide</i> , HP C7145-90020
	None	<i>User's and Service Manual</i> , HP C7145-90050

StorEdge L20

TAPDLT7-L20
35-70GB DLT7000
Expansion Drive

StorEdge L40

LIBDLT71-L20
700GB-1.4TB Library
1 Drive 20 Slots
Deskside Option

StorEdge L60

LIBDLT71R-L20
700GB-1.4TB Library
1 Drive 20 Slots
Rackmount Option

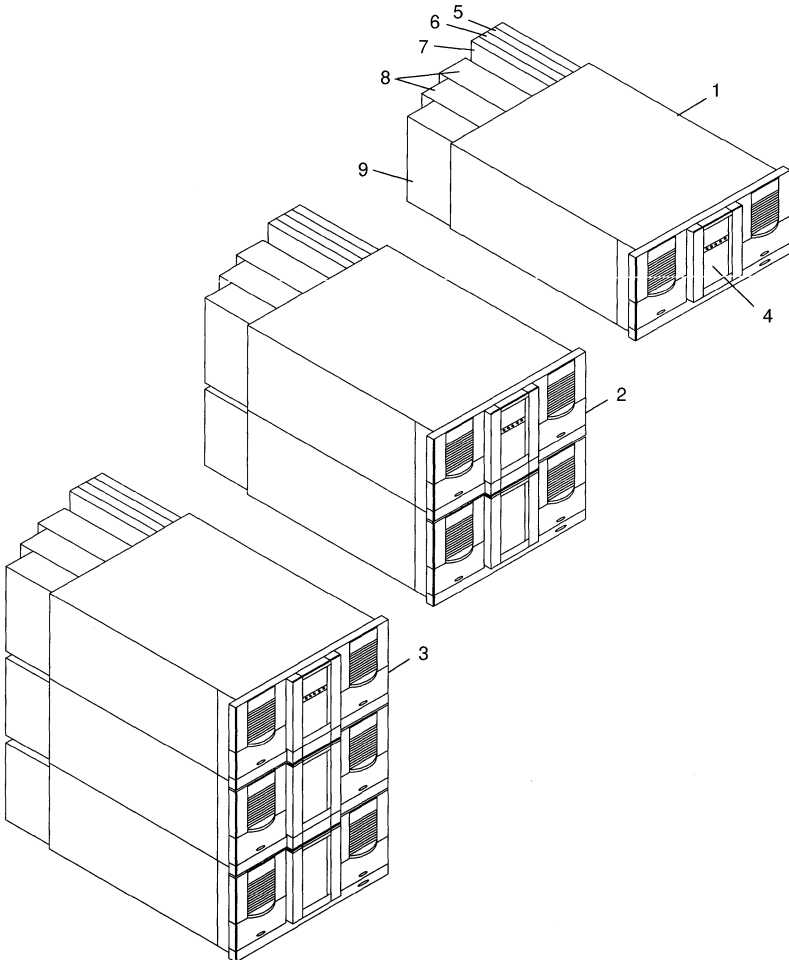
LIBDLT72-L20
700GB-1.4TB Library
2 Drives 20 Slots
Deskside Option

LIBDLT72-L40
1.4TB-2.8TB Library
2 Drives 40 Slots
Deskside Option

LIBDLT72R-L20
700GB-1.4TB Library
2 Drives 20 Slots
Rackmount Option

LIBDLT72R-L40
1.4TB-2.8TB Library
2 Drives 40 Slots
Rackmount Option

LIBDLT74R-L60
2.1TB-4.2TB Library
4 Drive 60 Slots
Rackmount Option



StorEdge L20 StorEdge L40 StorEdge L60
 TAPDLT7-L20 LIBDLT71-L20 LIBDLT71R-L20
 LIBDLT72-L20 LIBDLT72-L40 LIBDLT72R-L20
 LIBDLT72R-L40 LIBDLT74R-L60

CODE	SUN PART #	DESCRIPTION
1	380-0321	Deskside L20 with 1 DLT Drive
1	380-0322	Deskside L20 with 2 DLT Drives
1	380-0323	Rackmountable L20 with 1 DLT Drive
1	380-0324	Rackmountable L20 with 2 DLT Drives
2	380-0325	Deskside L40 with 2 DLT Drives
2	380-0326	Rackmountable L40 with 2 DLT Drives
3	380-0327	Rackmountable L60 with 4 DLT Drives
4	370-4176	Display Assembly/FRU
5	370-4175	Remote Management Board Assembly/FRU
6	370-4171	Slave Controller/FRU
7	370-4174	Library Controller Assembly/FRU
8	380-0346	DLT7000 35GB Tape Drive Assembly/FRU
-	390-0032	● DLT7000 35GB Tape Drive
9	370-4178	Power Supply/FRU
NS	370-4172	Vertical Lift Assembly/FRU
NS	370-4173	Empty Magazine/FRU
NS	370-4177	Picker Translate Assembly/FRU
NS	None	Wide Differential Terminator, HP A1658-62024
NS	None	SCSI Jumper Cable, HP C7210-61600
NS	None	US Power Cord, HP 8120-6812
NS	None	Rack Mount Kit, HP C7200-67913
	None	<i>StorEdge L20 Service Manual, HP C7200-90031</i>

StorEdge L180

XLIBL180-BASE

SUN PART #	DESCRIPTION
595-5626 380-0385	Base, Option SG-XLIBL180-BASE ● L180 Base
595-5657 380-0390	96 Cartridge Upgrade, Option SG-XTXP100A-L180 ● L180 Cartridge Upgrade
595-5265 380-0315	Tape Drive, Option SG-XLIB9840-DRV ● 9840 20GB Tape Drive Assembly
595-5266 380-0316	Starter Kit, Option SG-XMED9840-STR ● Media Starter Kit
595-5267 370-4032	Media, Option SG-XMED9840-20 ● 9840 Media 20 Pack
595-5268 370-4033	Cleaning Cartridge, Option SG-XMED9840CL-5 ● 9840 Cleaning Cartridge 5 Pack
595-5292 370-4034	Media Magazine, Option SG-XMEDCART-1MA ● 9840 Media Magazine
595-5265 380-0328 390-0049	Tape Drive, Option SG-XTAPDLT7-DRV ● DLT7000 35GB Tape Drive Assembly ● DLT7000 35GB Tape Drive

Note: There are no Sun FRU part numbers for the L180.

StorEdge L700

XLIBL700-BASE

SUN PART #	DESCRIPTION
595-5261 380-0311	Base, Option SG-XLIBL700-BASE ● L700 Base
595-5262 380-0312	Second Power, Option SG-XLIBL700-2POWER ● Second Power and Drive Tower
595-5263 380-0313	Expansion Door, Option SG-XLIBL700-DOOR ● Expansion Door
595-5264 380-0314	Cartridge Cap, Option SG-XLIBL700-CAP ● 20 Cartridge Cap
595-5265 380-0315	Tape Drive, Option SG-XLIB9840-DRV ● 9840 20GB Tape Drive Assembly
595-5266 380-0316	Starter Kit, Option SG-XMED9840-STRKIT ● Media Starter Kit
595-5267 370-4032	Media, Option SG-XMED9840-20 ● 9840 Media 20 Pack
595-5268 370-4033	Cleaning Cartridge, Option SG-XMED9840CL-5 ● 9840 Cleaning Cartridge 5 Pack
595-5292 370-4034	Media Magazine, Option SG-XMEDCART-1MAG ● 9840 Media Magazine
595-5265	Tape Drive, Option SG-XTAPDLT7-DRV
595-5265 380-0328 390-0049	Tape Drive, Option SG-XTAPDLT7-L700 (obsolete) ● DLT7000 35GB Tape Drive Assembly ● DLT7000 35GB Tape Drive

Note: There are no Sun FRU part numbers for the L700.

This page intentionally left blank.

PARTS BREAKDOWN

MISCELLANEOUS

Miscellaneous

56-inch Expansion Cabinet	4
56-inch Enterprise Expansion Cabinet	6
68-inch Enterprise Expansion Cabinet	8
72-inch StorEdge Expansion Cabinet	10
E4x00 SSA SPARCstorage Library	
Caster Base	12
Locking Module	12
SS1000 Tower Stand	13
SS1000 and SPARCstorage Array	
Locking Module	14
Stacking Unit	14
56-inch Cabinet Rack Mount Kit	15
56-inch Cabinet Rack Mount Kit	16
56-inch Cabinet Blower	16
E3x00 Floor Mount Brackets	17
E5x00 and E6x00 Floor Mount Brackets	17
StorEdge A1000 and D1000 Tower Stand	17
E4000 and E4500	
56-inch Cabinet Rack Mount Kit	18
Air Baffle	18
68-inch Cabinet Rack Mount Kit	18
68-inch Enterprise Expansion Cabinet	
Second Power Sequencer	19
Second Power Sequencer Rack Mount Kit	19
FlexiPack Removable Storage Tray	19
FC-AL Hub Rack Mount Kit	20
FC-AL Switch	20
StorEdge A5x00	
68-inch Cabinet Air Baffle Kit	21
68-inch Cabinet EMI Kit	21

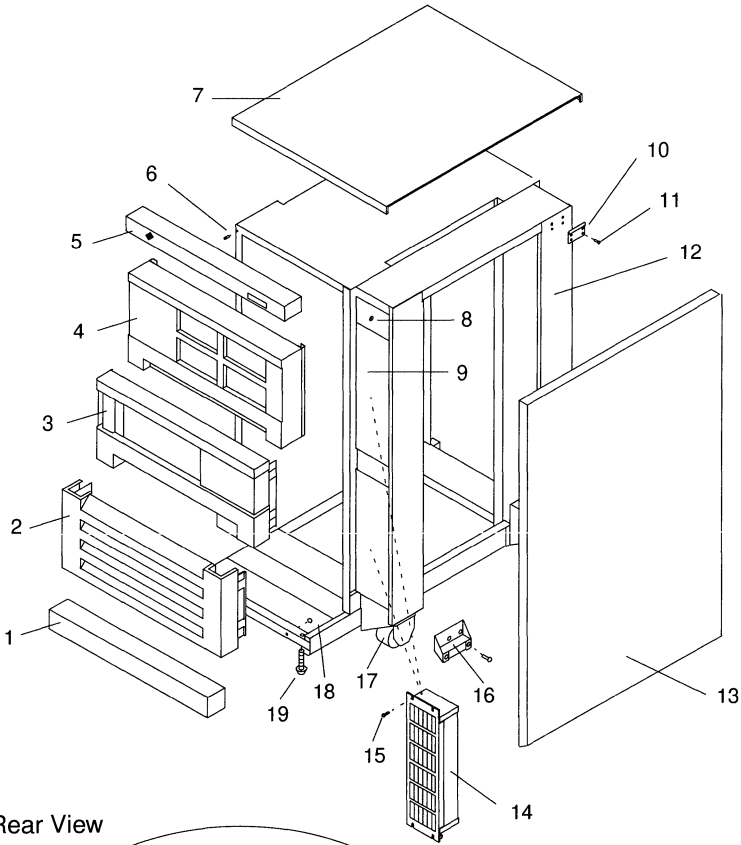
Miscellaneous Options - Continued

StorEdge A5x00	
56-inch Cabinet Rack Mount Kit	22
StorEdge A1000 and D1000 Rack Mount Kit	22
StorEdge A5x00	
68-inch Cabinet Rack Mount Kit	23
72-inch Cabinet Rack Mount Kit	23
E4500 and E5500 Air Baffle Kit	24
E4000 and E4500	
72-inch Cabinet Rack Mount Kit	24
72-inch Cabinet Air Baffle Kit	24
Ultra 30/60/80	
72-inch Cabinet Rack Mount Kit	25
Ultra Enterprise 450 Rack Mount Kit	25
Enterprise 250	
Deskside to Rack Mount Kit	26
Rack Mount to Deskside Kit	26
72-inch StorEdge Expansion Cabinet	
Front Door Kit	27
Cabinet Cooling Kit	27
SBus Expansion Subsystem	28
SunScreen SPF-100	30
SunScreen SPF-100G	31
JavaStation JJ	32
JavaStation JK	33
Sun Ray 1	34
Sun Ray 100	35
Sun Ray 150	36

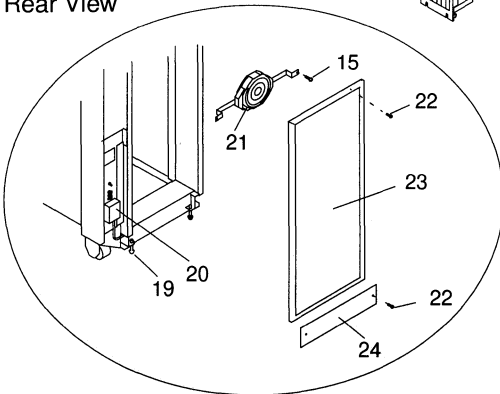
This page intentionally left blank.

56-inch Expansion Cabinet

955



Rear View



56-inch Expansion Cabinet

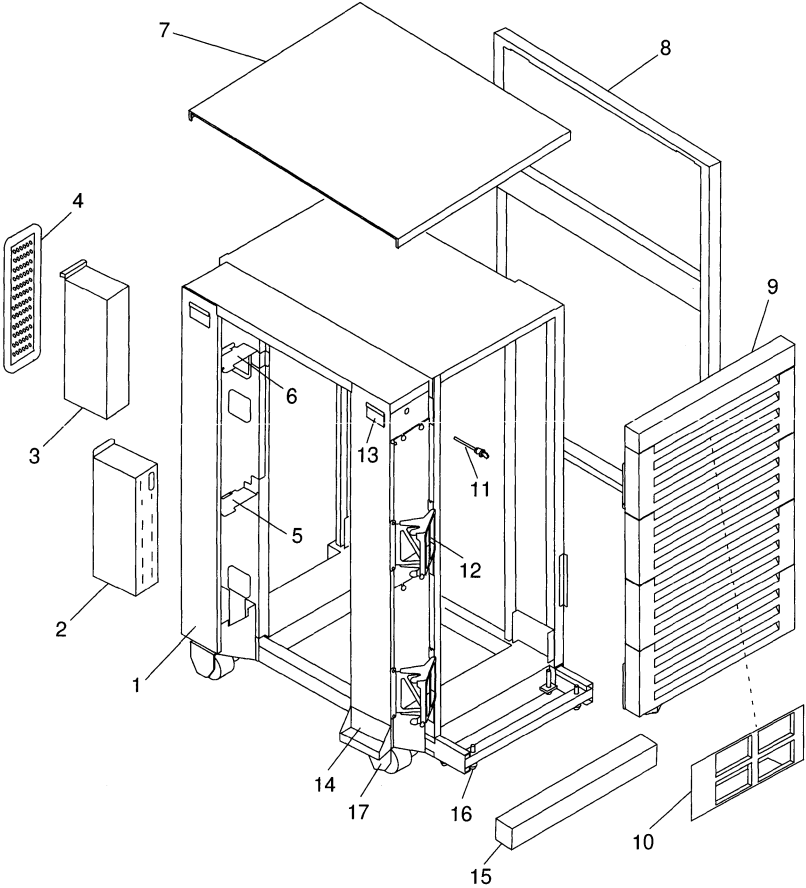
955

CODE	PART #	DESCRIPTION
1	340-1884	Anti-Tilt Panel
2	540-1857	Vented Panel Assembly
3	540-1947	1/2" Tape Panel Assembly with Cutout
4	540-2252	Front Panel with 4 Tape Drive Cutouts
5	540-1859	Cap Panel Assembly
6	240-1630	#6-32 Ballstud
7	340-1840	Top Panel
8	540-2393	Keyswitch Assembly (replaced 540-1285)
9	340-1913	Filler Panel, 5.2" x 19"
10	340-1885	Side Restraint Bracket, Upper
11	240-1372	M4 0.7 x 10 mm Screw
12	540-1718	Frame Assembly
13	340-1848	Side Panel
14	370-1983	230/240V Blower
15	240-1953	#10-32 x 1/2" Screw (replaced 240-1207)
16	340-1886	Side Restraint Bracket, Lower
17	240-1717	Caster (replaced 370-1210)
18	240-1373	M4 0.7 Kepnut
19	230-1418	Leveler Foot (replaced 230-1181)
20	300-1263	230V Power Sequencer (replaced 370-1155)
20	300-1264	240V Power Sequencer (replaced 370-1156)
21	540-1929	230V Fan Assembly ¹
21	540-1930	240V Fan Assembly ¹
22	240-1655	#10-32 x 3/4" Screw
23	340-1845	Rear Panel
24	340-2047	Kick Panel
NS	230-1166	Cable Tie 5.5", Reusable
NS	230-1170	Cable Tie 10", Reusable
NS	340-2138	Ballast, 30 lbs
NS	530-1303	Remote Keyswitch Cable
	800-6371	<i>56-inch Data Center Exp Cabinet Service Manual</i>

¹ The Fans are not installed in Expansion Cabinets built after June 1993, unless a Front Load Tape Drive is ordered as a factory installed option. The Fans were replaced by Blower 370-1983 in July 1995.

56-inch Enterprise Expansion Cabinet

956



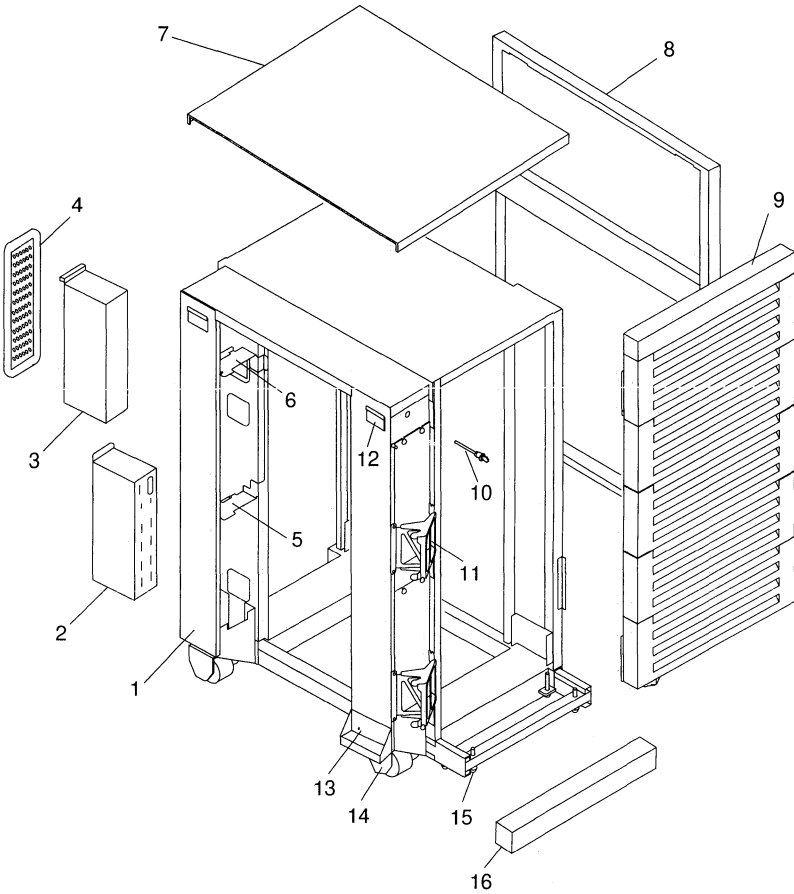
56-inch Enterprise Expansion Cabinet

956

CODE	PART #	DESCRIPTION
1	540-2809	56-inch Cabinet Assembly
-	540-2591	● Frame Assembly
-	340-3360	● Frame
2	300-1290	Universal Power Sequencer
2	300-1403	Universal Power Sequencer
3	540-2709	Fan Tray Assembly (-02 with Fingerguards)
-	540-3271	Fingerguard Installation Kit for 540-2709-01
4	340-3267	Fan Tray Rear Cover
5	340-3405	Fan Tray Mounting Bracket, Bottom
6	340-3434	Fan Tray Mounting Bracket, Top
7	340-3352	Top Panel, Medium Grey
8	340-3354	Side Panel, Medium Grey
9	540-2810	Door Assembly with 4 Vented Panels
10	540-2746	Top Door Panel Assembly with Blank Filler Insert
-	330-1983	● Blank Filler Panel Insert
-	330-1982	Filler Panel Insert with 4 Tape Drive Cutouts
11	540-2393	Keypad Assembly with Key 330-2014
12	340-3272	Door Hinge Bracket
13	340-1885	Side Restraint Bracket, Upper
14	340-1886	Side Restraint Bracket, Lower
15	340-3355	Anti-Tilt Panel, Medium Grey
16	230-1418	Leveler Foot
17	240-1717	Caster
NS	340-3394	Front Door Catch
NS	340-3353	Screw Mounted Rear Panel, Medium Grey
NS	595-4389	Hinged Rear Panel Assy (UG-ENT-BKDOOR = 556-3386)
NS	530-1619	Ground Cable
NS	530-2234	Fan Sense Cable to AC Power Sequencer
NS	530-2236	Remote Keypad Control Cable, 3.2M
NS	530-2284	Keypad Cable Extension, Single Sequencer
NS	530-2369	Keypad Cable Extension, Dual Sequencers

68-inch Enterprise Expansion Cabinet

9610



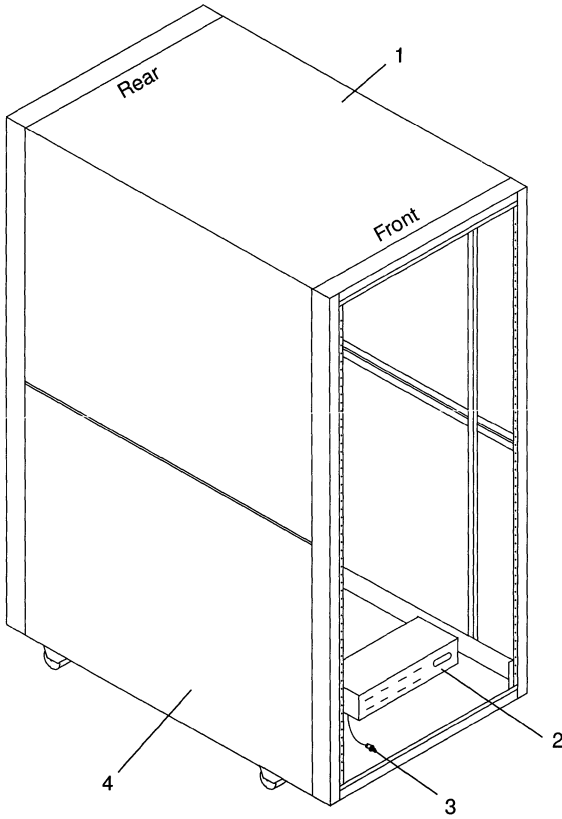
68-inch Enterprise Expansion Cabinet

9610

CODE	PART #	DESCRIPTION
1	540-3574	68-inch Cabinet Assembly
-	540-3571	● Frame Assembly
-	340-4711	● Frame
2	300-1403	Universal Power Sequencer
3	540-2709	Fan Tray Assembly
4	340-3267	Fan Tray Rear Cover
5	340-3405	Fan Tray Mounting Bracket, Bottom
6	340-3434	Fan Tray Mounting Bracket, Top
7	340-3352	Top Panel, Medium Grey
8	340-3671	Side Panel, Medium Grey
9	540-3555	Door Assembly with 5 Vented Panels
10	540-2393	Keypad Assembly with Key 330-2014
11	340-3272	Door Hinge Bracket
12	340-1885	Side Restraint Bracket, Upper
13	340-1886	Side Restraint Bracket, Lower
14	240-1717	Caster
15	230-1418	Leveler Foot
16	340-3355	Anti-Tilt Panel, Medium Grey
NS	340-3266	Lower Sequencer Mounting Bracket
NS	340-3394	Front Door Catch
NS	340-4624	Hinged Rear Panel, Medium Grey
NS	340-5189	Front Power Sequencer Mounting Bracket
NS	340-5251	Front Sequencer Mounting Bracket Filler Panel
NS	530-1619	Ground Cable
NS	530-2197	IEC320 to AMP Mate-N-Lok Power Cord
NS	530-2234	Fan Sense Cable to AC Power Sequencer
NS	530-2236	Remote Keypad Control Cable, 3.2M
NS	530-2284	Keypad Cable Extension, Single Sequencer
NS	530-2369	Keypad Cable Extension, Dual Sequencers
NS	530-2265	Power Cord, Harting Han 6HsB to NEMA L6-30P
NS	530-2266	Power Cord, Harting Han 6HsB to IEC309
NS	530-2567	Power Cord, Harting Han 6HsB to NEMA L6-30P
NS	530-2568	Power Cord, Harting Han 6HsB to IEC309
NS	530-2645	Fan Tray to Sequencer Sense Cable

72-inch StorEdge Expansion Cabinet

ARY030A



72-inch StorEdge Expansion Cabinet

ARY030A

CODE	PART #	DESCRIPTION
1	595-4706	72-inch Cabinet Assembly
1	540-3707	72-inch Cabinet Assembly
1	370-3406	72-inch Cabinet
2	300-1393	Universal Power Sequencer
3	370-3547	Keypad
4	340-4939	Side Panel
NS	330-2610	1U Filler Panel
NS	330-2611	2U Filler Panel
NS	330-2612	2U Power Sequencer Keypad Filler Panel
NS	330-2613	3U Filler Panel
NS	330-2614	4U Filler Panel
NS	330-2615	5U Filler Panel
NS	330-2616	1U Trim Strip
NS	330-2617	2U Trim Strip
NS	330-2618	3U Trim Strip
NS	330-2619	4U Trim Strip
NS	330-2620	5U Trim Strip
NS	340-4471	Sequencer Mounting Bracket
NS	340-4472	Sequencer Mounting Bracket
NS	340-4624	Hinged Rear Panel
NS	340-4940	Rear Door Assembly
NS	370-3592	IEC320 to AMP Mate-N-Lok Power Cord
NS	370-3675	Front Door for A5000/5100/5200, Option X9818A
NS	530-2369	Keypad Cable Extension, Dual Sequencers
NS	530-1619	Ground Cable
NS	530-2236	Remote Keypad Control Cable, 3.2M
NS	530-2284	Keypad Cable Extension, Single Sequencer
NS	530-2674	Power Cord, Harting Han 6HsB to NEMA L6-30P
NS	530-2675	Power Cord, Harting Han 6HsB to IEC309
NS	540-3887	AC Fan Assembly, Option X9819A
-	370-3674	● Fan (x3)
	805-3067	<i>Installation and Service Manual</i>

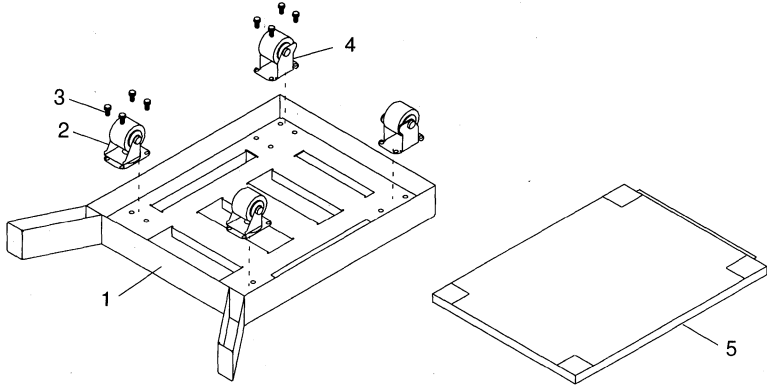
Note: There is no Sun Part Number for the Caster, Rack Foot, Side Cover, Left Slide Rail, Right Slide Rail, Slide Rail Foot, Slide Rail Retaining Screw, 1/4-20 Slide Rail Shoulder Screw, or Top Cover.

Caster Base and Locking Module

E4000 E4500 SPARCstorage Array SPARCstorage Library

952
Caster Base

953
Locking Module



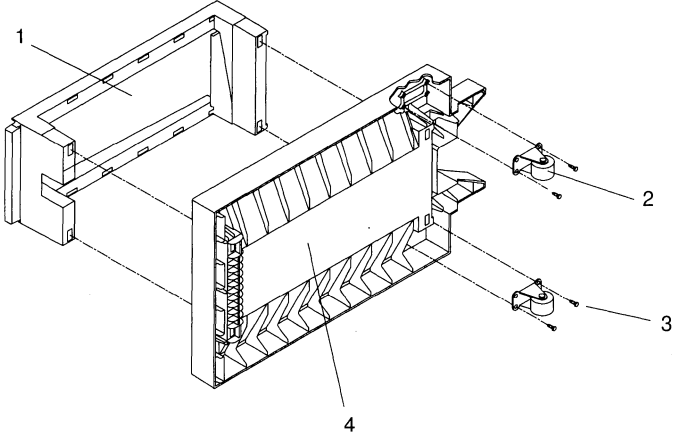
CODE	PART #	DESCRIPTION
	595-4055	Caster Base, Option X952A
	540-2956	● Caster Base Assembly
1	340-3600	● Caster Base
2	240-2184	● Swivel Caster (x2)
3	240-1368	● M6 1.0 x 16 mm Screw
4	370-1794	● Locking Caster (x2)
5	540-2958	● Locking Module (x1)
NS	340-3578	● Right Shroud
NS	340-3579	● Left Shroud
	802-5034	● <i>Installation Guide</i>
5	595-4056	Locking Module, Option X953A
	540-2958	● Locking Module

Notes

1. The Caster Base supports one E4x00 and two peripheral enclosures.
2. Supported peripheral enclosures are the SPARCstorage Array Model 100 Series and the SPARCstorage Library.
3. Install the SPARCstorage Library in the top position.
4. Only one SPARCstorage Library is supported.

Tower Stand

SS1000
962



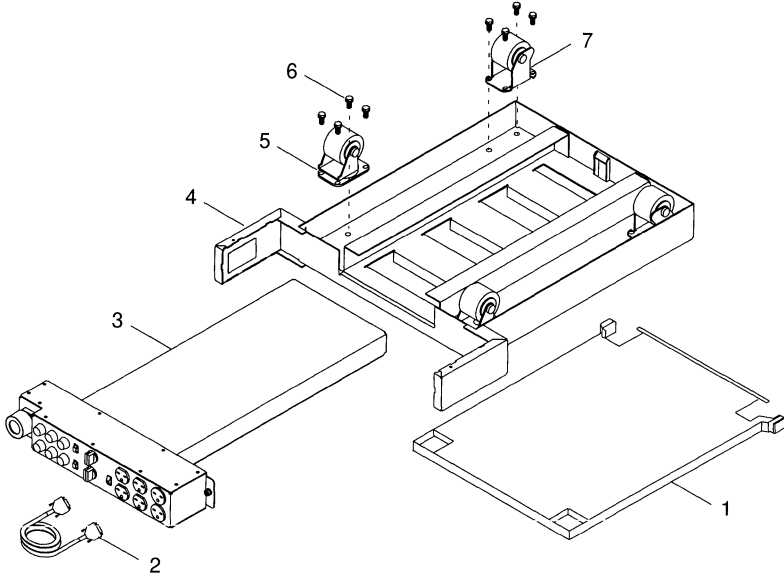
CODE	PART #	DESCRIPTION
-	540-2485	Tower Stand Assembly, Option X962A
1	330-1686	● Vertical Support
2	370-1659	● Caster (x2)
3	240-2136	● #8-32 x 3/8" Screw
4	330-1687	● Horizontal Support
NS	250-1196	● Air Filter, 179 x 428 mm
NS	330-1589	● Cover Plug (x4)
	801-5344	<i>Tower Stand Installation Instructions</i>

Locking Module and Stacking Unit

SS1000 SPARCstorage Array

963
Locking Module

964
Stacking Unit



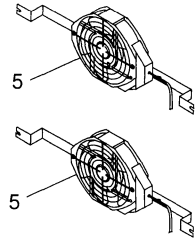
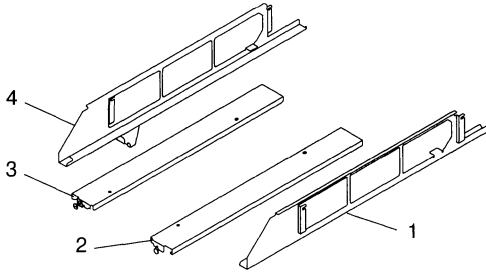
CODE	PART #	DESCRIPTION
-	540-2506	230V Stacking Unit Assembly, Option X964A
-	540-2508	240V Stacking Unit Assembly, Option X964A
-	540-2581	● Locking Module Assembly (x2)
1	540-2383	● Locking Module Assembly, Option X963A
2	530-2121	● Remote Sequencer Cable, 2M
3	300-1216	● 230V Power Sequencer
3	300-1217	● 240V Power Sequencer
4	340-2907	● Base
5	240-2184	● Rear Caster (x2)
6	240-1368	● M6 1.0 x 16mm Screw
7	370-1794	● Front Caster (x2)
NS	180-1683	● IEC 320 -Reverse IEC 320 Power Cord, 240V
NS	Unknown	● IEC 320 - NEMA 6-15 Power Cord, 230V
NS	540-2579	● Cable Management Assembly
NS	540-2580	● Cable Cover Assembly
NS	801-5343	● <i>Stacker Unit Installation Instructions</i>

Rack Mount Kit

SS1000 SPARCstorage Array

965

56-inch Cabinet
Rack Mount Kit



Install top fan at rail hole 67
Install bottom fan at rail hole 25

CODE	PART #	DESCRIPTION
-	595-3382	56-inch Cabinet Rack Mount Kit, Option X965A
NS	240-1953	● #10-32 x 1/2" Screw (x16)
NS	240-2184	● M6 1.0 x 8mm Screw (x4)
1	340-3016	● Rack Mounting Bracket, Left
2	340-3015	● Chassis Mounting Bracket, Left
3	340-3017	● Chassis Mounting Bracket, Right
4	340-3018	● Rack Mounting Bracket, Right
NS	530-1343	● IEC 320 - Reverse IEC 320 Power Cord, 240V
NS	530-1351	● IEC 320 - NEMA 6-15 Power Cord, 230V
5	540-1929	230V Fan Assembly (not included with X965A)
5	540-1930	240V Fan Assembly (not included with X965A)
	801-7161	<i>Rack Mount Kit Installation Manual</i>

Notes

1. The Rack Mount Kit is not designed to fit standard 19-inch racks.
2. Install up to four SPARCserver 1000, disktower 1000, or SPARCstorage Array chassis in the 56-inch Cabinet.
3. One fan is required when two chassis are in adjacent positions.
4. Two fans are required when two chassis are in non-adjacent positions.
5. Two fans are required when more than two chassis are installed.
6. Fans are available from the Spares Price List.
7. The rails are not designed to withstand shock and vibration encountered during shipping of a configured cabinet. Sun did not ship factory configured cabinets with these rails.

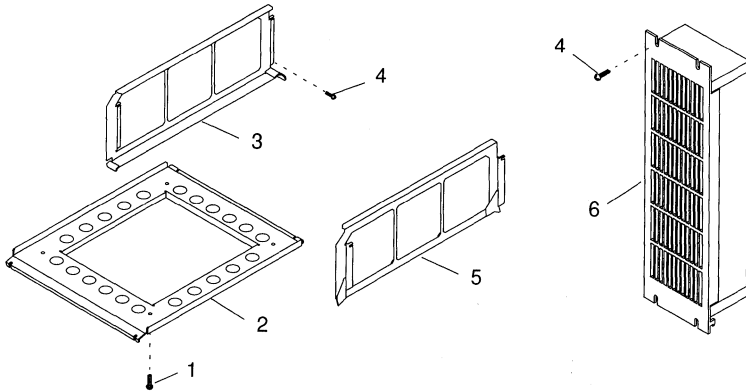
Rack Mount Kit and Blower

SS1000 SPARCstorage Array

965

56-inch Cabinet
Rack Mount Kit

966

56-inch Cabinet
Blower

CODE	PART #	DESCRIPTION
-	595-3775	56-inch Cabinet Rack Mount Kit, Option X965A
1	240-2248	● M6 1.0 x 10 mm Screw (x4)
2	340-3239	● Chassis Mounting Bracket
3	340-3237	● Rack Mounting Bracket, Left
4	240-1953	● #10-32 x 1/2" Screw (x12)
5	340-3235	● Rack Mounting Bracket, Right
-	595-3858	Blower Option X966A
6	370-1983	● Blower (not included with Option 965)
NS	530-1343	● IEC 320 - Reverse IEC 320 Power Cord, 240V
NS	530-1351	● IEC 320 - NEMA 6-15 Power Cord, 230V
	802-3778	<i>Blower Product Note</i>
	801-7161	<i>Rack Mount Kit Installation Manual</i>

Notes

1. This Rack Mount Kit and Blower were introduced in July 1995.
2. The Rack Mount Kit is not designed to fit standard 19-inch racks.
3. Install up to four SPARCserver 1000, disktower 1000, or SPARCstorage Array chassis in the 56-inch Cabinet.
4. One blower is required when two chassis are in adjacent positions.
5. Two blowers are required when two chassis are in non-adjacent positions or when more than two chassis are installed.
6. Do NOT mix Blower 370-1983 with Fan 540-1929 or 540-1930.

Floor Mount Brackets

E3000 E3500

968

PART #	DESCRIPTION
595-4182	Floor Mount Brackets, Option 968
540-2921	● Floor Bracket Assembly
240-1460	● Foam Strip
340-3327	● Floor Bracket
802-7248	<i>Floor Brackets Installation Guide</i>

Floor Mount Brackets

E5000 E6000 E5500 E6500

56-inch Enterprise Expansion Cabinet

68-inch Enterprise Expansion Cabinet

9602

PART #	DESCRIPTION
595-4238	Floor Mount Brackets, Option 9602
240-1632	● 3/8-16 x 3/4" Hex Head Cap Screw
240-2367	● M6 1.0 x 16 mm Screw
330-2194	● 11 mm ID Shoulder Washer
340-3621	● Large Front Floor Bracket
340-3622	● Large Rear Floor Bracket
340-3623	● Small Front Floor Bracket
340-3624	● Small Rear Floor Bracket
340-3649	● Mounting Plate
802-7543	<i>Cabinet Floor Brackets Mounting Guide</i>

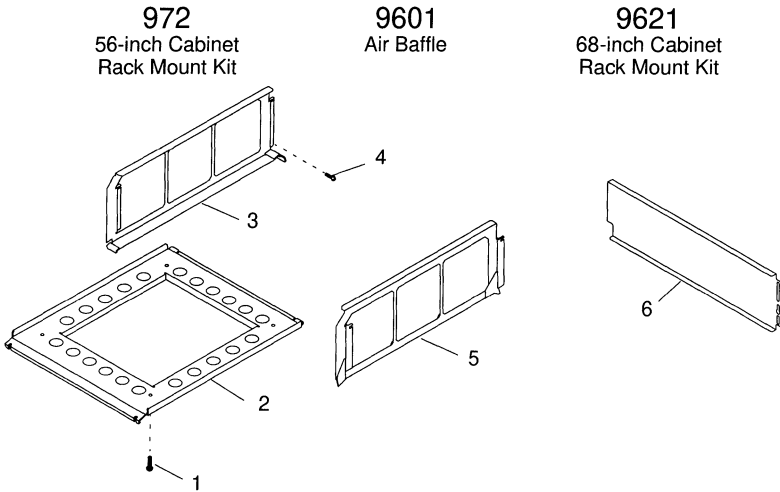
A1000 and D1000 Tower Stand

9606

PART #	DESCRIPTION
330-2719	Tower Base
330-2720	Tower Side
330-2721	Tower Foot
805-2627	<i>Tower Stand Installation Guide</i>

Rack Mount Kit and Air Baffle

E4000 E4500



972
56-inch Cabinet
Rack Mount Kit

9601
Air Baffle

9621
68-inch Cabinet
Rack Mount Kit

CODE	PART #	DESCRIPTION
-	595-4157	56-inch Cabinet Rack Mount Kit, Option X972A
-	595-4157	68-inch Cabinet Rack Mount Kit, Option X9621A
1	240-2367	● M6 1.0 x 16 mm Screw (x4)
2	340-3609	● Chassis Mounting Bracket
3	340-3608	● Rack Mounting Bracket, Left
4	240-1953	● #10-32 x 1/2" Screw (x16)
5	340-3607	● Rack Mounting Bracket, Right
	802-7249	<i>Ultra Enterprise 4000 Rackmounting Guide</i>
	595-4227	Expansion Cabinet Air Baffle, Option X9601A
4	240-1953	● #10-32 x 1/2" Screw (x6)
6	340-3302	● Air Baffle
	802-7725	<i>Air Baffle Installation Guide</i>

Notes

1. Rack mount options are designed for the Enterprise Expansion Cabinet.
2. Rack mount options are not designed for the 56-inch Expansion Cabinet.
3. Rack mount options are not designed to fit standard 19-inch racks.
4. Three E4000s can be installed in the 56" Enterprise Expansion Cabinet.
5. One E4000 can be installed in the Enterprise 5000 System Cabinet.
6. Option X9601A is required when three E4000s are installed in the 56-inch Enterprise Expansion Cabinet.

68-inch Cabinet Second Power Sequencer

9620 9626

PART #	DESCRIPTION
595-4929	68-inch Cabinet Sequencer, Option X9620A
300-1403	● Universal Power Sequencer
530-1619	● Ground Cable
530-2197	● IEC320 to AMP Mate-N-Lok Power Cord
530-2236	● Remote Keyswitch Control Cable, 3.2M
530-2369	● Expansion Rack Dual Sequencer Keyswitch Y Cable
805-5621	● <i>Power Sequencer Installation Guide</i>
595-4998	Second Sequencer Mounting Bracket Option X9626A *
340-5205	● E5500/E6500 Front Sequencer Mounting Bracket

* The E5501 and E6501 include a second sequencer mounting bracket.

FlexiPack Removable Storage Tray

9640 9641

PART #	DESCRIPTION
595-4461	System Cabinet, Option 9640 (one tray maximum)
540-3499	● Tray Assembly
340-4359	● Removable Storage Tray
340-4361	● Rack Mounting Bracket (x2)
530-1885	● External SCSI Cable, HD68 to HD68, 2M
540-3500	● Front Panel Assembly
330-2379	● Front Panel
340-4362	● Filler Panel
805-1913	<i>Removable Storage Tray Installation Guide</i>
595-4460	Expansion Cabinet, Option 9641 (two trays maximum)
540-3499	● Tray Assembly
240-1953	● #10-32 x 1/2" Screw (x16)
340-4359	● Removable Storage Tray
340-4361	● Rack Mounting Bracket (x2)
530-2352	● External SCSI Cable, HD68 to HD68, 4M
-	Items included with Options 6059, 6062, 6237, and 6294
340-4360	SPARCstorage FlexiPack Mounting Sled

FC-AL Hub Rack Mount Kit

6735

PART #	DESCRIPTION
595-4551	Option X6735A
240-1396	● #10-32 x 3/8" Screw (x8)
340-3899	● Tray
805-0315	<i>Installation Guide</i>

FC-AL Switch

6744 6746

PART #	DESCRIPTION
595-5358	Option UG-X6744A
595-5560	Option X6746A Switch
595-5562	Option X6746A Documentation
595-5563	Option X6746A Rack Mounting Kit
180-1932	AC Power Cord
599-2340	Switch Assembly
340-5771	Rail
340-5889	Baffle
530-1871	RJ45 to RJ45 Cable, 4M
540-4189	3U Vented Panel
540-4372	Switch Assembly/FRU
340-5773	● Slide Rail
370-4035	● Ancor SANB-008-004 Switch
875-1881	<i>Installation Guide</i>

StorEdge A5x00 68-inch Cabinet Air Baffle Kit

9622

PART #	DESCRIPTION
595-4916	Option X9622A
540-3886	● Air Baffle Kit
240-1953	● #10-32 x 1/2" Screw (x4)
340-3300	● Air Baffle
805-5468	<i>Installation Guide</i>

StorEdge A5x00 68-inch Cabinet EMI Kit

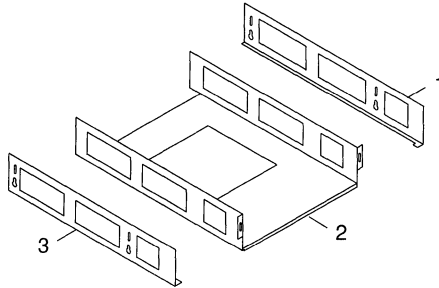
9623
E5500/E650

9624
68" Expansion Cabinet

PART #	DESCRIPTION
595-4925	Option X9623A
595-4926	Option X9624A
340-3535	● Door Pin
340-5191	● 68-inch Expansion Cabinet EMI Door
340-5192	● E5500 and E6500 System Cabinet EMI Door
340-5193	● E5500 and E6500 System Cabinet EMI Panel
340-5194	● Door Hinge
340-5195	● Door Latch
240-1043	● #6-32 x 1/2" Screw
240-1953	● #10-32 x 3/8" Screw

StorEdge A5x00 56-inch Cabinet Rack Mount Kit

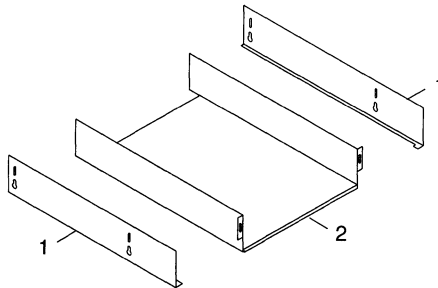
9650



CODE	PART #	DESCRIPTION
-	595-4360	Option X9650A
1	340-4042	● Right Side Mounting Rail
2	340-4044	● Tray for 56-inch Cabinet
3	340-4043	● Left Side Mounting Rail
NS	240-1396	● #10-32 x 3/8" Screw (x10)
NS	240-2083	● M6 x 14 mm Screw (x4)

StorEdge A1000 and D1000 Rack Mount Kit

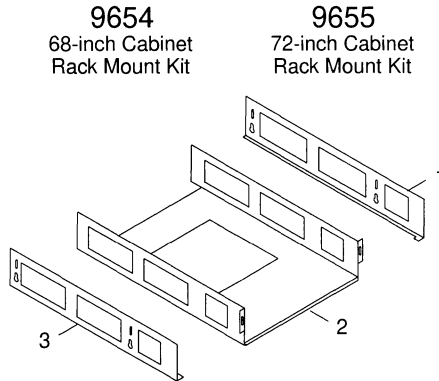
9653



CODE	PART #	DESCRIPTION
-	595-3906	Option X9653A
1	340-4470	● Side Mounting Bracket
2	340-4469	● Tray
NS	240-1953	● #10-32 x 1/2" Screw (x16)

StorEdge A5x00 68-inch Cabinet Rack Mount Kit

StorEdge A5x00 72-inch Cabinet Rack Mount Kit



CODE	PART #	DESCRIPTION
-	595-4940	Option X9654A
1	340-4042	● Right Side Mounting Rail
2	340-5261	● Tray
3	340-4043	● Left Side Mounting Rail
NS	240-1396	● #10-32 x 3/8" Screw (x10)
NS	240-2083	● M6 x 14 mm Screw (x4)
	802-6945	<i>Rackmount Placement Matrix</i>
	805-4748	<i>Rackmount Placement Matrix</i>
-	595-4951	Option X9655A
1	340-5262	● Right Side Mounting Rail
2	340-5264	● Right Tray
2	340-5265	● Left Tray
3	340-5263	● Left Side Mounting Rail
NS	240-1396	● #10-32 x 3/8" Screw (x10)
NS	240-2083	● M6 x 14 mm Screw (x4)
	802-6945	<i>Rackmount Placement Matrix</i>
	805-4748	<i>Rackmount Placement Matrix</i>

E4500 and E5500 56-inch Cabinet Air Baffle Kit
 E4500 and E5500 68-inch Cabinet Air Baffle Kit

9625

PART #	DESCRIPTION
240-1953	#10-32 x 1/2" Screw (x4)
340-3302	Air Baffle
802-7725	<i>Installation Guide</i>

E4000 and E4500 72-inch Cabinet Rack Mount Kit

9659

PART #	DESCRIPTION
595-5203	Option X9659A
240-1953	● #10-32 x 1/2" Screw (x16)
240-2367	● M6 1.0 x 16 Screw (x4)
340-5672	● Left Mounting Bracket
340-5673	● Right Mounting Bracket
340-5674	● Base
330-2619	● 4U Trim Strip (x4)
805-7687	<i>Installation Guide</i>

E4000 and E4500 72-inch Cabinet Air Baffle Kit

9660

PART #	DESCRIPTION
595-5204	Option X9660A
240-1953	● #10-32 x 1/2" Screw (x6)
330-2610	● 1U Trim Strip (x1)
340-5665	● Main Baffle
340-5766	● Side Baffle
806-0274	<i>Installation Guide</i>

Ultra 30/60/80 72-inch Cabinet Rack Mount Kit

9627

PART #	DESCRIPTION
560-2548	Option X9627A
340-5849	● Left Rear Rail
340-5850	● Right Rear Rail
340-5851	● Left Front Rail
340-5852	● Right Front Rail
340-5853	● Tray
340-5854	● Mounting Bar, Ultra 80
340-5855	● Left Top Bracket, Ultra 80
340-5856	● Right Top Bracket, Ultra 80
340-6000	● Mounting Bar, Ultra 30/60
806-1453	<i>Rack Mount Installation Guide</i>

Ultra Enterprise 450 Rack Mount Kit

9690

PART #	DESCRIPTION
595-4428	56-inch, 68-inch, and 72-inch Cabinet, Option X9690A
540-3371	● Front Handle Assembly
330-3122	● Dress Panel
340-3509	● Front Handle
540-3372	● Tray Assembly
240-2306	● Accuride C3607-28 Slides
340-3418	● Tray
540-3373	● Top Rack Mounting Bracket Assembly
330-2367	● Bracket Cushion (x4)
340-3617	● Top Right Rack Mounting Bracket
340-3618	● Top Left Rack Mounting Bracket
560-2528	● 68-inch Cabinet Mounting Screw and Washer Kit
240-2310	● Accuride 4010-0501/CE Slide Bracket A (x2)
240-2351	● Accuride 4010-0502/CE Slide Bracket B (x2)
340-3510	● Rear Rack Mounting Bracket (x1)
805-1912	<i>E450 Rack Mount Installation Manual</i>
806-0027	<i>68-inch Expansion Cabinet Mounting Screw Kit</i>

Enterprise 250 Deskside to Rack Mount Kit

9691

PART #	DESCRIPTION
595-4953	Option X9691A
540-3917	● Side Cover Kit
340-5245	● Right Side Cover (Bottom Firepanel)
540-3453	● Left Side Cover
560-2528	● 68-inch Cabinet Mounting Screw and Washer Kit
595-4872	● Slide Rail Kit
240-2314	● Slide Rail (Accuride C3607-28-SO)
340-4856	● Front Bracket
340-5149	● Stop Bracket
340-5161	● Rear Bracket
805-3611	<i>E250 Rack Mount Installation Manual</i>
805-4625	<i>E250 Rack Mount Installation Manual</i>
806-0027	<i>68-inch Expansion Cabinet Mounting Screw Kit</i>

Note: The 68-inch Cabinet requires Slide Rail 240-2314-03, Stop Bracket 340-5149-02, and Screw/Washer Kit 560-2528-01.

Enterprise 250 Rack Mount to Deskside Kit

9696

PART #	DESCRIPTION
595-4883	Option X9696A
330-2138	● Light Grey Upper Right Side and Top Cover
330-2152	● Purple Lower Left/Right Side Cover
330-2522	● Foot
340-4844	● Foot Bracket
540-3918	● Side Cover Kit
330-2137	● Light Grey Upper Left Side and Top Cover
330-2152	● Purple Lower Left/Right Side Cover
540-3453	● Left Side Cover
805-4985	<i>E250 Conversion Kit Installation Manual</i>
805-5671	<i>E250 Conversion Kit Installation Manual</i>

72-inch StorEdge Expansion Cabinet Front Door Kit

9818

PART #	DESCRIPTION
595-4999	Option X9818A
370-3675	● Front Screen Door Kit
None	● Front Screen Door
None	● Front Screen Door Key
None	● 1/4-20 x 3/4" Bolt (x12)
None	● Hinge Bracket with Plastic Sleeve (x2)
None	● Latch Bracket without Plastic Sleeve (x2)
805-5992	<i>StorEdge Expansion Cabinet Fan Tray Installation Guide</i>

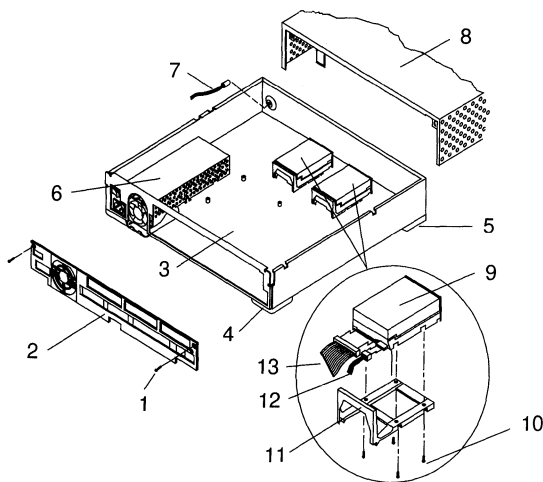
72-inch StorEdge Expansion Cabinet Cooling Kit

9819

PART #	DESCRIPTION
595-4954	Option X9819A
540-3887	● Fan Tray Assembly (x2)
530-2236	● Cable, Fan Tray to J4 on AC Sequencer (x2)
340-5285	● Fan Tray Top Panel
805-5774	<i>StorEdge Expansion Cabinet Front Door Installation Guide</i>

SBus Expansion Subsystem

Option 1072

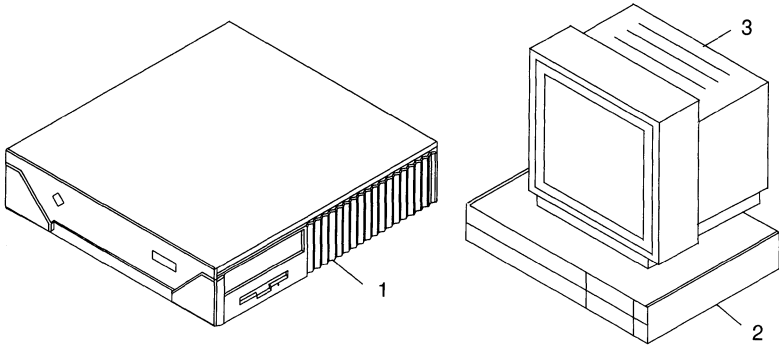


CODE	PART #	DESCRIPTION
1	240-1761	#8-32 x 1/2" Screw
2	330-1371	Rear Panel Assembly
3	540-2071	Base Assembly
4	330-1427	● Front Foot
5	330-1167	● Rear Foot
6	300-1038	Power Supply
7	530-1755	LED Assembly
8	540-2122	Top Cover Assembly
9	370-1392	424MB Disk Drive
10	240-1878	#6-32 x 5/16" Screw
11	330-1343	Disk Drive Mounting Bracket (requires 330-1343-02)
12	530-1453	DC Power Harness
13	530-1451	Disk Command Cable
NS	501-1840	SBus Expansion Adapter
NS	501-1841	SBus Expansion Controller
NS	530-1855	Interface Cable, 96-Pin High-Density, 1.6M
	800-5965	<i>Installation and Troubleshooting Guide</i>

This page intentionally left blank.

SunScreen SPF-100

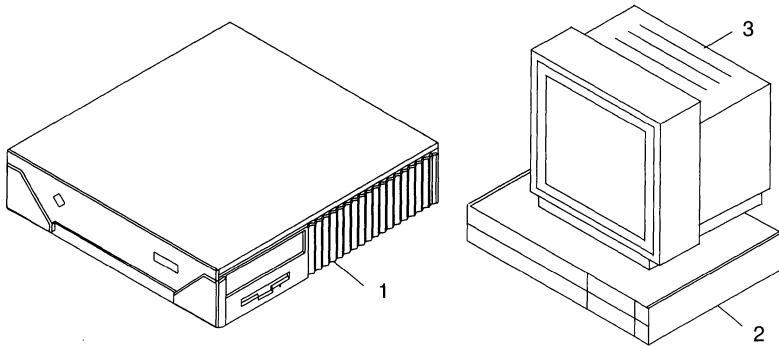
SS5 with SunScreen Administration Station



CODE	PART #	DESCRIPTION
-	-	Order Number SCREEN-100
1	603-2362	SPARCstation 5 Model 110
NS	501-2062	● Quad Ethernet, Option 1058
NS	501-2367	● PCMCIA Adapter, Option 1030
NS	530-2239	● 10BASE-T Crossover Cable
-	-	Order Number SCREEN-110
2	600-3886	486DX2 Administration Station
NS	370-2294	● NEC SCREEN-110 Mouse FRU
2	370-2295	● NEC SCREEN-110 Administration Station FRU
2	370-2385	● Dell SCREEN-110 Administration Station FRU
3	370-2296	● SCREEN-110/110G 14" Monitor FRU
NS	370-2297	● NEC SCREEN-110 Keyboard FRU
NS	370-2383	● Dell SCREEN-110/110G Mouse FRU
NS	370-2384	● Dell SCREEN-110/110G Keyboard FRU
-	-	Order Number SCREEN-120
NS	600-3886	486DX2 Administration Station
1	603-2362	SPARCstation 5 Model 110
-	-	Order Number SCREEN-130
NS	600-3886	486DX2 Administration Station
1	603-2362	SPARCstation 5 Model 110 (x2)

SunScreen SPF-100G

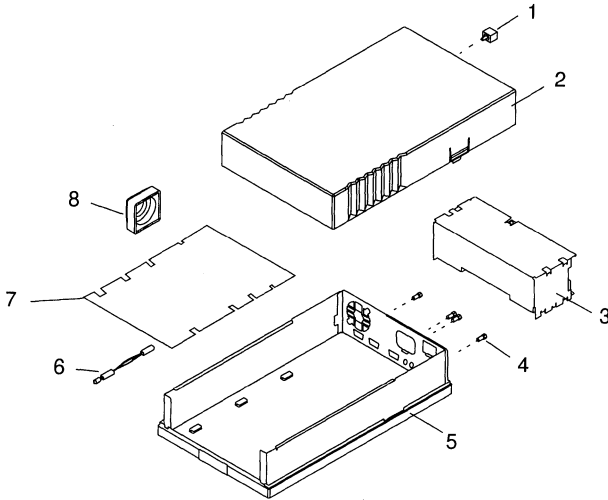
SS5 with SunScreen Administration Station



CODE	PART #	DESCRIPTION
-	-	Order Number SCREEN-100-G
1	603-2531	SPARCstation 5 Model 110
NS	501-2062	● Quad Ethernet, Option 1058
NS	530-2239	● 10BASE-T Crossover Cable
-	-	Order Number SCREEN-110-G
2	603-2555	SCREEN-110G Administration Station
2	370-2382	● Dell SCREEN-110/110G Admin Station FRU
2	370-2386	● NEC 110G Administration Station FRU
3	370-2296	● SCREEN-110/110G 14" Monitor FRU
NS	370-2383	● Dell SCREEN-110/110G Mouse FRU
NS	370-2384	● Dell SCREEN-110/110G Keyboard FRU

JavaStation

JJ-8 JJ-16 JJ-32 JJ-40 JJ-64
Logic Enclosure

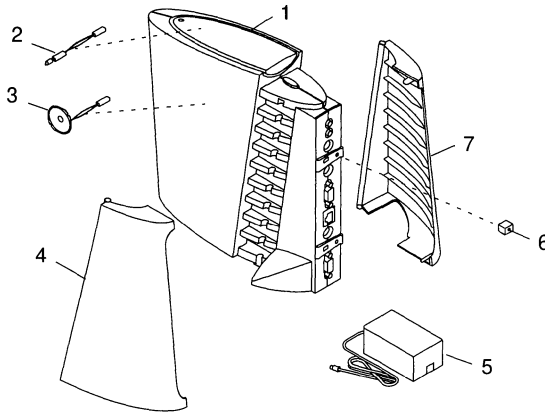


CODE	PART #	DESCRIPTION
-	600-4251	JJ-8 JavaStation Assembly, 8MB Memory 1
-	600-4252	JJ-16 JavaStation Assembly, 16MB Memory 1
-	600-4253	JJ-32 JavaStation Assembly, 32MB Memory 1
-	600-4254	JJ-40 JavaStation Assembly, 40MB Memory 1
-	600-4255	JJ-64 JavaStation Assembly, 64MB Memory 1
1	540-1982	Lockbox
2	540-2959	Top Cover and Empty Base Assembly/FRU
-	540-2890	● Top Cover
-	540-2865	● Base Assembly
3	540-2866	Power Supply Assembly/FRU
-	300-1282	● 30 Watt Power Supply
-	370-1986	● Fan
4	240-2281	#4-40 Jackscrew
5	540-2865	Base Assembly
6	530-2300	LED Cable Assembly/FRU
7	501-3141	0MB CPU FRU
8	540-2454	Speaker Assembly/FRU

1 Whole unit replacements are available as FRUs in some geographies.

JavaStation

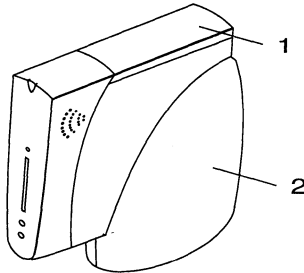
JK-xx-16 JK-xx-32 JK-xx-64
Logic Enclosure



CODE	PART #	DESCRIPTION
-	595-4513	JavaStation FRU, 16MB Memory and 0MB Flash
-	595-4514	JavaStation FRU, 16MB Memory and 4MB Flash
-	595-4515	JavaStation FRU, 16MB Memory and 8MB Flash
-	595-4516	JavaStation FRU, 32MB Memory and 0MB Flash
-	595-4517	JavaStation FRU, 32MB Memory and 4MB Flash
-	595-4518	JavaStation FRU, 32MB Memory and 8MB Flash
-	595-4519	JavaStation FRU, 64MB Memory and 0MB Flash
-	595-4520	JavaStation FRU, 64MB Memory and 4MB Flash
-	595-4521	JavaStation FRU, 64MB Memory and 8MB Flash
1	540-2998	Chassis Assembly
-	540-3384	● Left Cover Assembly
-	330-2212	● Foot
-	540-3385	● Right Cover
2	530-2300	LED Cable Assembly
3	540-3486	Speaker Assembly/FRU
4	330-2200	Left Shroud
5	300-1329	Power Supply
6	540-3347	Lockbox
7	330-2201	Right Shroud

Sun Ray 1

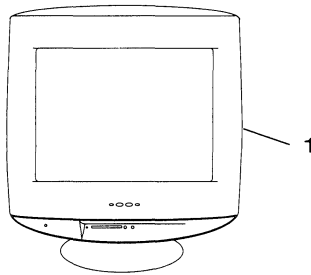
Logic Enclosure



CODE	PART #	DESCRIPTION
1	600-6166	Sun Ray 1 Assembly/FRU with Stand
-	380-0299	● Sun Ray 1 Assembly/FRU
-	370-3918	● System Stand FRU
1	380-0299	Sun Ray 1 Assembly/FRU w/o Stand (\leq 380-0299-05)
-	375-0081	● System Board with 100MHz microSPARC IIep
-	370-3913	● Power Supply
1	380-0299	Sun Ray 1 Assembly/FRU w/o Stand (\geq 380-0299-06)
-	375-0103	● System Board with 100MHz microSPARC IIep
-	370-4188	● Power Supply
2	370-3918	System Stand FRU
NS	370-3916	RJ45 to RJ45 Cable, 4M
NS	370-3917	Mouse Pad
	805-7871	<i>Sun Ray 1 Quick Reference</i>

Sun Ray 100

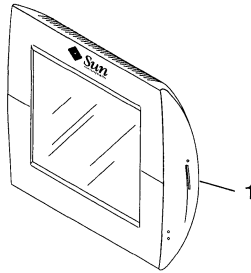
Logic Enclosure



CODE	PART #	DESCRIPTION
1	600-6809	Sun Ray 100 Assembly/FRU
-	380-0344	● Sun Ray 100 Assembly
-	375-0105	● 100MHz System Board
	370-4232	● RJ45 to RJ45 Cable, 4M
	806-5237	<i>Sun Ray 100 Quick Reference</i>

Sun Ray 150

Logic Enclosure



CODE	PART #	DESCRIPTION
1	600-6808	Sun Ray 150 Assembly/FRU
-	380-0343	● Sun Ray 150 Assembly
-	370-4183	● AC Power Adapter
-	375-0104	● 100MHz System Board
-	375-0113	● Philo Board
	370-4232	● RJ45 to RJ45 Cable, 4M
	806-5238	<i>Sun Ray 150 User's Guide</i>

PARTS BREAKDOWN

PROM

PROM

IDPROM	2
Boot PROM	
Sun-4m	5
microSPARC IIep	7
Sun-4d	8
Sun-4u	10
Firmware	
SPARCstorage Array	21
Enterprise Network Array A5000	25
StorEdge A5000/5100/5200	25
Ultra Enterprise 3000-6000 I/O Boards	26
Ultra Enterprise 3500-6500 I/O Boards	26
Flash PROM Update	
Sun-4u Flash Update	28

IDPROM

The IDPROM address space provides system information including Machine Type, Serial Number, Ethernet Address, and Manufacturing Date. This information may be stored in an IDPROM, NVRAM, or EEPROM. The 32 Bytes of IDPROM content are shown below.

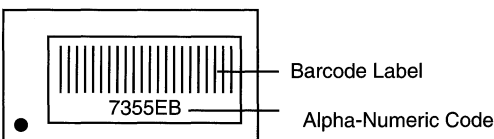
BYTE	FIELD	SIZE
1	Format	1 Byte
2	Machine Type	1 Byte
3	Ethernet Address	6 Bytes
4	Date	4 Bytes
5	Serial Number	3 Bytes
6	Checksum	1 Byte
7	Reserved	16 Bytes

The Machine Type and Serial Number are combined to create the Hostid. Licensed software may use the Hostid.

Prior to the SPARCstation 10, the Machine Type was used by the operating system to identify the architecture and the architecture implementation.

Beginning with the SPARCstation 10, systems are not assigned a unique Machine Type. The device tree in the Open Boot PROM provides the system characteristics to the operating system. The high-order bit of the Machine Type is set to 1. The lower 7 bits of the Machine Type and Serial Number fields are used at Sun's discretion.

The alpha-numeric code on the barcode label can be used by Sun to create a duplicate part. Provide this information when ordering a replacement part.



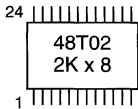
IDPROM

IDPROMs, NVRAMs, and EEPROMs are not interchangeable.

Programmed components that have a unique machine type are not interchangeable. The 48T02, 48T08, 48T18, and 48T59 are not interchangeable. The 48T08 and 48T18 are not pin compatible with the 48T59.

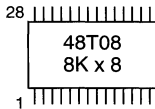
The NVRAM also contains a Time of Day clock. Accuracy of the clock is typically ± 1 minute per month at 25°C. The 32,768Hz oscillator is tested not to exceed ± 1.53 minutes per month (35PPM) error rate at 25°C.

NVRAM Component Types



MK48T02
100-1628-01 150ns
Consumption life \approx 3.3yrs
TOPHAT battery

M48T02
100-1628-01 150ns
Consumption life \approx 3.7yr
CAPHAT battery

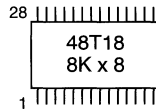


MK48T08
100-2822-01 150ns
Consumption life \approx 10yr
TOPHAT battery

M48T08
100-2822-02 100/150ns
Consumption life \approx 11yr
CAPHAT battery

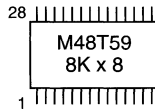
MK48T08
100-3528-01 100ns
Consumption life \approx 10yr
TOPHAT battery

M48T08
100-4195-01 150ns
Consumption life \approx 11yr
CAPHAT battery



MK48T18
100-3923-01 150ns
Consumption life \approx 10yr
TOPHAT battery

M48T18
100-4196-01 150ns
Consumption life \approx 11yr
CAPHAT battery



M48T59 with Carrier
100-4316-01 70ns
Consumption life \approx 7yr
CAPHAT battery

M48T59 w/o Carrier
100-4007-01 70ns
Consumption life \approx 7yr
CAPHAT battery

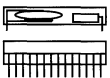
M48T59 with Carrier
100-5800-01 70ns
Consumption life \approx 7yr
CAPHAT battery

M48T59 with Carrier
100-6595-01 70ns
Consumption life \approx 7yr
CAPHAT battery

M48T59 with Carrier
100-6948-01 70ns
Consumption life \approx 7yr
CAPHAT battery

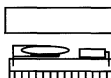
NVRAM Battery Types

TOPHAT Battery



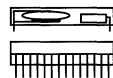
A TOPHAT contains a battery and crystal. It is soldered to the integrated circuit and sealed with epoxy during assembly.

CAPHAT Battery



A battery and crystal are soldered to the integrated circuit. The part is inserted into an epoxy filled CAPHAT.

SNAPHAT Battery



A removable SNAPHAT contains the battery and crystal. There is no Sun part number for this part that is used in the RSM Array 2000 and A1000.

Beginning with the Sun Blade 1000, the IDPROM functionality is controlled by a Serial EEPROM. Separate circuitry controls the Time of Day clock.

IDPROM

ARCH	SYSTEM	HOSTID	COMPONENT TYPE	PART #	SOCKET
Sun-4m	SPARCclassic X	80xxxxxx	48T08 NVRAM	525-1343	U0707
Sun-4m	SPARCclassic	80xxxxxx	48T08 NVRAM	525-1203	U0707
Sun-4m	SS LX	80xxxxxx	48T08 NVRAM	525-1203	U0707
Sun-4m	SPARC Xterm 1	80xxxxxx	48T08 NVRAM	525-1391	U1605
Sun-4m	SS4	80xxxxxx	48T08 NVRAM	525-1391	U1605
Sun-4m	SS5	80xxxxxx	48T08 NVRAM	525-1369	U1506
Sun-4m	SS10	72xxxxxx	48T08 NVRAM	525-1184	U1004
Sun-4m	SS10SX	72xxxxxx	48T08 NVRAM	525-1184	U1004
Sun-4m	SS20	72xxxxxx	48T18 NVRAM	525-1378	U1004
Sun-4m	SS600MP	71xxxxxx	48T08 NVRAM	525-1181	U2701
Sun-4m	SS Voyager	80xxxxxx	48T08 NVRAM	525-1373	U1506
Sun-4m	JavaStation JJ	80xxxxxx	48T08 NVRAM	525-1657*	U1505
micro Ilep	JavaStation JK	xxxxxxx	Serial EEPROM	525-1733*	U1302
Sun-4d	SS1000/1000E	80xxxxxx	Ctrl Bd EEPROM	100-2922*	U0209
Sun-4d	SS1000/1000E	80xxxxxx	48T08 NVRAM	100-3528*	U1007
Sun-4d	SS1000/1000E	80xxxxxx	48T08 NVRAM	100-4195*	U1007
Sun-4d	SC2000/2000E	80xxxxxx	Ctrl Bd EEPROM	100-2922*	U0203
Sun-4d	SC2000/2000E	80xxxxxx	48T08 NVRAM	100-2822*	U1205
Sun-4d	SC2000/2000E	80xxxxxx	48T08 NVRAM	100-4195*	U1205
Sun-4u	A11 Ultra 1	80xxxxxx	48T59 NVRAM	525-1430	U2006
Sun-4u	A12 Ultra 1	80xxxxxx	48T59 NVRAM	525-1430	U2006
Sun-4u	A14 Ultra 2	80xxxxxx	48T59 NVRAM	525-1417	U2006
Sun-4u	A21/22 Ultra 5/10	80xxxxxx	48T59 NVRAM	525-1430	U13
Sun-4u	A21/22 Ultra 5/10	80xxxxxx	48T59 NVRAM	525-1817	U13
Sun-4u	A16 Ultra 30	80xxxxxx	48T59 NVRAM	525-1430	U2706
Sun-4u	A23 Ultra 60	80xxxxxx	48T59 NVRAM	525-1430	U2706
Sun-4u	A26 E250	80xxxxxx	48T59 NVRAM	525-1726	U2706
Sun-4u	A20/25 E450	80xxxxxx	48T59 NVRAM	525-1673	U3104
Sun-4u	A27 Ultra 80	80xxxxxx	48T59 NVRAM	525-1785	U3008
Sun-4u	A36 Blade 100	80xxxxxx	48T59 NVRAM	100-6889	
Sun-4u	A28 Blade 1000	xxxxxxx	SEEPROM	525-1785	U2101
Sun-4u	Ex000 Clock	80xxxxxx	48T59 NVRAM	100-4007	U0205
Sun-4u	Ex000 I/O	80xxxxxx	48T59 NVRAM	100-4007	U2501

* These part numbers are not available as FRUs.

Boot PROM
Sun-4m Architecture

SS4 SS5

SPARC Xterminal 1 512K x 8	
U1601 PLCC	Revision
525-1399-01	Pre-fcs
525-1407-01	Pre-fcs
525-1407-02	2.20 Version 5
SPARCstation 4 Models 70 and 85 512K x 8	
U1601 PLCC	Revision
525-1390-01	Pre-fcs
525-1390-02	2.20 Version 5
SPARCstation 4 Model 110 512K x 8	
U1601 PLCC	Revision
525-1439-01	Pre-fcs
525-1439-02	2.24 Version 8
SPARCstation 5 Models 70, 85, and 110 256K x 8	
U1500 PLCC	Revision
525-1370-02	2.15 Pilot Version 0
525-1370-03	2.15 Version 1 (last code for 501-2286 and 501-2572)
525-1419-01	2.15 Version 3 (Model 110 only)
SPARCstation 5 Models 70, 85, and 110 512K x 8	
U1500 PLCC	Revision
525-1439-02	2.15 Version 3 (this code was incorrect)
525-1667-01	2.24 Version 8
SPARCstation 5 Model 170 512K x 8	
U1500 PLCC	Revision
525-1660-01	
525-1660-02	2.28
525-1660-03	2.29 Version 50

Boot PROM

Sun-4m Architecture

SS20

SPARCstation 20	
U1005	
525-1377-01	Pre-fcs
525-1377-02	Pre-fcs
525-1377-03	Pre-fcs
525-1377-04	2.15 α Version 3
525-1377-05	2.15 Version 7
525-1377-06	2.19 Version 3 (adds hyperSPARC support)
525-1377-07	2.22 Version 1 (adds SuperSPARC II support)
525-1377-08	2.25 Version 0 (adds 150MHz hyperSPARC support)
560-2048	Boot PROM Upgrade Kit

Boot PROM

Sun-4m Architecture

JavaStation JJ

JavaStation JJ 512K x 8

U1603 Flash PROM Revision

525-1663-01

525-1663-02

525-1663-03 2.28 Version 1 (JavaStation 1 banner)

525-1663-04 2.30 Version 0 (JavaStation banner)

Boot PROM

microSPARC IIep Architecture

JavaStation JK

JavaStation JK 512K x 8

U1203 Flash PROM Revision

525-1732-01

525-1732-02

525-1732-03

525-1732-04

525-1732-05

525-1732-06 Revision unknown, Engineering Release

525-1732-07 Revision unknown, ECO WO_11774

525-1732-10 OBP 3.12.FW12 + POST 3.2

Boot PROM

Sun-4d Architecture

SS1000 SC2000

SPARCserver 1000 and SPARCcenter 2000 128K x 8				
SS1000 U1000	SS1000 U1001	SS1000 U1003	SS1000 U1004	Revision
SC2000 U1200	SC2000 U1201	SC2000 U1204	SC2000 U1206	Revision
525-1325-01	525-1326-01	525-1327-01	525-1328-01	prefcs
525-1325-02	525-1326-02	525-1327-02	525-1328-02	prefcs
525-1325-03	525-1326-03	525-1327-03	525-1328-03	prefcs
525-1325-04	525-1326-04	525-1327-04	525-1328-04	2.9 α 4.1
525-1325-05	525-1326-05	525-1327-05	525-1328-05	2.9 β 1.3
525-1325-06	525-1326-06	525-1327-06	525-1328-06	2.10P2
525-1325-07	525-1326-07	525-1327-07	525-1328-07	2.11v714
525-1325-08	525-1326-08	525-1327-08	525-1328-08	2.13v819
525-1325-09	525-1326-09	525-1327-09	525-1328-09	2.18v931
525-1325-10	525-1326-10	525-1327-10	525-1328-10	2.21v1004
525-1325-11	525-1326-11	525-1327-11	525-1328-11	2.23v1143
525-1325-12	525-1326-12	525-1327-12	525-1328-12	2.26v1203
525-1325-13	525-1326-13	525-1327-13	525-1328-13	2.27v1207
525-1325-14	525-1326-14	525-1327-14	525-1328-14	2.27v1402
525-1325-15	525-1326-15	525-1327-15	525-1328-15	2.30v1501
525-1325-16	525-1326-16	525-1327-16	525-1328-16	2.31v1601

SS1000 and SC2000 PROM Changes

2.10	Adds support for 3.x SuperSPARC
2.11	Adds update-system-idprom OBP command
2.13	Change from master-nvram scheme to auto-master scheme
2.18	Supports 3.x MXCC on SM51 and SM61 SuperSPARC Modules
2.18	Disables SS1000 boards installed with 50MHz Control Board
2.18	Disables SC2000 boards installed with 50MHz Control Board
2.23	Adds support for SuperSPARC II
2.26	Fixes FEPS hme reset BugID 1228182
2.27	Fixes BugIDs 1243788 and 1254006
2.27	Fixes BugID 1243788 (-14 not released)
2.30	Fixes BugID 1243788
2.31	Fixes BugID 4071558

Boot PROM

Sun-4d Architecture

SS1000 SC2000

560-1962-01	Boot PROM 2.13 Kit/FRU
560-1962-02	Boot PROM 2.18 Kit/FRU
560-1962-03	Boot PROM 2.21/2.23 Kit/FRU
560-1962-04	Boot PROM 2.26 Kit/FRU
560-1962-05	Boot PROM 2.27 Kit/FRU
560-1962-06	Boot PROM 2.30 Kit/FRU
560-1962-07	Boot PROM 2.31 Kit/FRU
560-2043-01	Boot PROM 2.18 Kit for SM61 SuperSPARC upgrade
560-2043-02	Boot PROM 2.21 Kit for SM61 SuperSPARC upgrade
560-2043-03	Boot PROM 2.23 Kit for SM81 SuperSPARC upgrade
560-2043-04	Boot PROM 2.26 Kit for SM81 SuperSPARC upgrade
560-2043-05	Boot PROM 2.27 Kit for SM81 SuperSPARC upgrade
560-2043-06	Boot PROM 2.30 Kit
560-2043-07	Boot PROM 2.31 Kit
595-3850-01	UG-SERV-PROM Boot PROM 2.23 Kit
595-3850-02	UG-SERV-PROM Boot PROM 2.26 Kit
595-3850-03	UG-SERV-PROM Boot PROM 2.27 Kit
595-3850-04	UG-SERV-PROM Boot PROM 2.30 Kit
595-3850-05	UG-SERV-PROM Boot PROM 2.31 Kit

Notes

1. Boot PROM revisions >2.13 have the same layout based on 2.13. Use the **print-nvram-stat** OBP command to display the major and minor PROM revision for all system boards installed. Add the major and minor revisions to determine the PROM revision. High Availability Autoboot requires PROM revision ≥ 2.13 on all system boards.

ok print-nvram-stat

Board#0 -- nvram slave, Prom Version 2.13+0.05 (revision 2.18)

Board#1 -- nvram slave, Prom Version 2.13+0.08 (revision 2.21)

Board#2 -- nvram slave, Prom Version 2.13+0.10 (revision 2.23 or 2.26)

Board#3 -- nvram slave, Prom Version 2.13+0.14 (revision 2.27)

2. OBP 2.26 reports the same revision information as 2.23 when using the **print-nvram-stat** OBP command. See BugID 1254006.
3. The patch for BugID 1164828 adds the following to nvramrc:

```
ffef06c4 |@ if ffe0878 |@ |@ 1346780a = ffef06c4 |! then (OBP 2.11)
ffef06c4 |@ if ffe0870 |@ |@ 1346780a = ffef06c4 |! then (OBP 2.13)
```
4. A Data Access Exception error occurs with OBP 2.31 if the patch for BugID 1164828 is installed and use-nvramrc? is true. Edit nvramrc to remove the patch.

Boot PROM

Sun-4u Architecture

Ultra 1

Ultra 1 Model 140 512K x 8 Patch 104881	
U2003	Flash PROM Revision
525-1410-01	OBP 3.0 Version 2 + POST 2.0.4
525-1410-02	OBP 3.0 Version 4 + POST 2.0.4
525-1410-03	OBP 3.1 Version 1 + POST 3.10.2 (128MB SIMM support)
525-1410-04	OBP 3.1 Version 2 + POST 3.10.6 (not released)
525-1410-05	OBP 3.5 Version 0 + POST 3.10.6 (1229983 & 4018056)
525-1410-06	OBP 3.11 Version 1 + POST 3.10.6 Required for Solaris 7 64-bit operating system
None	OBP 3.25 Version 0 + POST 3.10.6 (Flash Update 2.2)
Ultra 1 Model 170 512K x 8 Patch 104881	
U2003	Flash PROM Revision
525-1448-01	OBP 3.0 Version 0 + POST 2.0.4
525-1448-02	OBP 3.0 Version 2 + POST 2.0.4
525-1448-03	OBP 3.1 Version 1 + POST 3.10.2 (128MB SIMM support)
525-1448-04	OBP 3.1 Version 2 + POST 3.10.6 (not released)
525-1448-05	OBP 3.5 Version 0 + POST 3.10.6 (1229983 & 4018056)
525-1448-06	OBP 3.11 Version 1 + POST 3.10.6 Required for Solaris 7 64-bit operating system
None	OBP 3.25 Version 0 + POST 3.10.6 (Flash Update 2.2)

Boot PROM
Sun-4u Architecture

Ultra 1

Ultra 1 Model 140E 512K x 8 Patch 104288	
U2003	Flash PROM Revision
525-1681-01	
525-1681-02	OBP 3.3 Version 3 + POST 3.10.6
525-1681-03	Not released
525-1681-04	OBP 3.5 Version 1 + POST 3.10.6 (not released)
525-1681-05	OBP 3.7 Version 1 + POST 3.11.4 (supports Rev3 PHY)
525-1681-06	OBP 3.11 Version 1 + POST 3.11.4 Required for Solaris 7 64-bit operating system
None	OBP 3.25 Version 0 + POST 3.11.4 (Flash Update 2.2)
Ultra 1 Model 170E 512K x 8 Patch 104288	
U2003	Flash PROM Revision
525-1411-01	OBP 3.0 Beta3 Version 3
525-1411-01	OBP 3.0 Beta4 Version 0
525-1411-02	OBP 3.0 Version 4 + POST 2.0.6
525-1411-03	OBP 3.1 Version 2 + POST 3.10.2
525-1411-04	Not released
525-1411-05	OBP 3.5 Version 1 + POST 3.10.6 (not released)
None	OBP 3.5 Version 2 + POST 3.10.6 (on Flash Update 1.5)
525-1411-06	OBP 3.7 Version 1 + POST 3.11.4 (supports Rev3 PHY)
525-1411-07	OBP 3.11 Version 1 + POST 3.11.4 Required for Solaris 7 64-bit operating system
None	OBP 3.25 Version 0 + POST 3.11.4 (Flash Update 2.2)
Ultra 1 Model 200E 512K x 8 Patch 104288	
U2003	Flash PROM Revision
525-1662-01	OBP 3.3 Alpha1 Version 0 + POST 3.10.2 (P0 build)
525-1662-02	OBP 3.3 Alpha2 Version 2 + POST 3.10.3 (P2 build)
525-1662-03	OBP 3.3 Version 2 + POST 3.10.3 (FCS build)
525-1662-04	Not released
525-1662-05	OBP 3.5 Version 1 + POST 3.10.6 (not released)
525-1662-06	OBP 3.7 Version 1 + POST 3.11.4 (supports Rev3 PHY)
525-1662-07	OBP 3.11 Version 1 + POST 3.11.4 Required for Solaris 7 64-Bit operating system
None	OBP 3.25 Version 0 + POST 3.11.4 (Flash Update 2.2)

Boot PROM

Sun-4u Architecture

Ultra 2

U2003	Flash PROM Revision 512K x 8 Patch 104169
525-1414-01	OBP 3.0 Beta4 Version 4 (P1.2 build)
525-1414-01	OBP 3.0 Alpha1 Version 1 (P1.3 build)
525-1414-01	OBP 3.1 Alpha1 Version 2 + POST 1.1.9 (P1.4 /P2.0 build)
525-1414-02	OBP 3.1 Beta1 Version 0 + POST 2.1.1 (200MHz support)
525-1414-03	OBP 3.1 Version 2 + POST 3.1.3 or 3.1.4
525-1414-04	OBP 3.1.3 Version 3 + POST 3.1.4
525-1414-05	OBP 3.1.3 Version 3 + POST 3.1.5 (not released)
525-1414-06	OBP 3.1.4 Version 4 + POST 3.1.5 (not released)
525-1414-07	OBP 3.1.5 Version 5 + POST 3.1.5 (Flash Update 1.3)
None	OBP 3.1 Version 6 + POST 3.1.5
525-1414-08	OBP 3.5 Version 2 + POST 3.1.5 (not released)
525-1414-09	OBP 3.7 Version 0 + POST 3.2.1
525-1414-10	OBP 3.11 Version 2 + POST 3.3.5 (not structured)
525-1414-11	OBP 3.11 Version 2 + POST 3.3.7
525-1414-12	OBP 3.11 Version 2 + POST 3.3.8
525-1414-13	OBP 3.19 Version 0 + POST 3.3.8
None	OBP 3.25 Version 0 + POST 3.3.8 (Flash Update 2.2)

Ultra 2 PROM Changes

-02	Adds support for 200MHz UltraSPARC
-04	Previous OBP versions set the UPA speed to 148MHz when 2.2 and 4.0 UltraSPARC processors are mixed.
-07	Fixes wrong SIMM pair error reporting BugID 1262941. Reports memory errors as a single SIMM. Available in Flash Update 1.3 and Patch 104169-03.
-09	Fixes BugIDs 1229983 and 4018056. Adds support for 300MHz UltraSPARC II. Power down if mixed modules are installed.
-10	Not structured because of POST external cache ram crosstalk test BugIDs 4115766 and 4116867. Included on Flash Update 1.7. Required for Solaris 7 64-bit operating system.
-11	Removed external cache ram crosstalk test.
-12	Adds support for 400MHz UltraSPARC II
-13	Fixes BugIDs 4004140, 4129194, 4145990, and 4203848
-13	Adds tape drive boot support and UXFL support

Boot PROM

Sun-4u Architecture

Ultra 5 Ultra 10

U2703	375-0009 Flash PROM Revision 1M x 8 Patch 106121
370-3202-01	OBP 3.11 Version 2 + POST 2.2.2 + OBDIAG 2.2
370-3202-02	OBP 3.11 Version 5 + POST 2.2.2 + OBDIAG 2.2
370-3202-03	OBP 3.11 Version 6 + POST 2.2.8 + OBDIAG 2.5
370-3202-04	OBP 3.11 Version 7 + POST 2.2.8 + OBDIAG 2.6
370-3202-05	OBP 3.11 Version 9 + POST 2.2.9 + OBDIAG 2.6
370-3202-06	OBP 3.11 Version 12 + POST 2.2.9 + OBDIAG 2.6
370-3886-03	OBP 3.19 Version 4 + POST 3.0.7 + OBDIAG 2.8
370-3886-06	OBP 3.25 Version 3 + POST 3.0.9 + OBDIAG 2.8

U2703	375-0066 Flash PROM Revision 1M x 8 Patch 106121
370-3697-02	OBP 3.15 Version 2
370-3886-03	OBP 3.19 Version 4 + POST 3.0.7 + OBDIAG 2.8
370-3886-04	OBP 3.25 Version 1 + POST 3.0.8 + OBDIAG 2.8
370-3886-06	OBP 3.25 Version 3 + POST 3.0.9 + OBDIAG 2.8

U2703	375-0079 Flash PROM Revision 1M x 8 Patch 106121
370-3886-01	OBP 3.19 Version 0
370-3886-02	OBP 3.19 Version 2 + POST 3.0.5
370-3886-03	OBP 3.19 Version 4 + POST 3.0.7 + OBDIAG 2.8
370-3886-04	OBP 3.25 Version 1 + POST 3.0.8 + OBDIAG 2.8
370-3886-05	OBP 3.25 Version 2 + POST 3.0.9 + OBDIAG 2.8
370-3886-05	OBP 3.25 Version 3 + POST 3.0.9 + OBDIAG 2.8
370-3886-06	OBP 3.25 Version 3 + POST 3.0.9 + OBDIAG 2.8

U2703	375-0115 Flash PROM Revision 1M x 8 Patch 106121
370-3886-04	OBP 3.25 Version 1 + POST 3.0.8 + OBDIAG 2.8
370-3886-05	OBP 3.25 Version 2 + POST 3.0.9 + OBDIAG 2.8
370-3886-06	OBP 3.25 Version 3 + POST 3.0.9 + OBDIAG 2.8

Ultra 5 and Ultra 10 PROM Changes

3886-03	DRAM timing change for 333/360/440MHz Sapphire Red
3886-04	DRAM timing change for 400MHz Sapphire Red
3886-05	DRAM timing change for 440MHz Sapphire Red
3886-06	Micron memory timeing change for 360/400/440MHz

Boot PROM

Sun-4u Architecture

Ultra 30

U2003	Flash PROM Revision 1M x 8 Patch 105930
525-1669-01	Pre-FCS
525-1669-02	OBP 3.5.3 Pre-FCS
525-1669-03	OBP 3.5.0 Pre-FCS
525-1669-04	OBP 3.5.5 Pre-FCS
525-1669-05	OBP 3.5.10 Pre-FCS
525-1669-06	OBP 3.5.0 Pre-FCS
525-1669-07	OBP 3.5 P2.0 Version 16 ¹
525-1669-08	OBP 3.5 Version 17
525-1669-09	OBP 3.5 Version 17
525-1669-10	OBP 3.9 Version 4 + POST 1.1.1 + OBDIAG 2.1.1
525-1669-11	OBP 3.9 Version 5 + POST 1.1.1 + OBDIAG 2.1.1
525-1669-12	OBP 3.11 Version 1 + POST 1.1.1 + OBDIAG 2.1.1 ²
525-1669-13	OBP 3.11 Version 1 + POST 1.1.1 + OBDIAG 2.2 ³
525-1669-14	OBP 3.11 Version 2 + POST 1.1.1 + OBDIAG 2.2
None	OBP 3.25 Version 0 + POST 1.1.1 + OBDIAG 2.2

Ultra 30 PROM Changes

-14	Fixes Symbios SCSI controller booting BugID 4114784
-14	Changed pci-page mask from 4K to 8K BugID 4119734
-14	Fixes hex parsing of IP address BugID 4129194

¹ Add the following lines to nvramrc if a serial console is used with OBP 3.5 P2.0. Refer to BugIDs 4023405 and 4030675.

' false f0036644 f003a5e0 (patch

' false f0036650 f003a5e0 (patch

² Checksum A2B2FA0. Not released. On Flash Update 1.8.

³ Checksum A2B2CA3. WO_12833 cancelled. Shipped by WO_12559.

Boot PROM

Sun-4u Architecture

Ultra 60

U2703	Flash PROM Revision 1M x 8 Patch 106455
525-1701-01	P1.0
525-1701-02	P1.0B
525-1701-03	OBP 3.11 Version 15
525-1701-04	OBP 3.11 Version 18
525-1701-05	OBP 3.11 Version 18
525-1701-06	OBP 3.11 Version 19
525-1701-07	OBP 3.11 Version 24
525-1701-08	OBP 3.11 Version 25 + POST 1.0.8 ¹
525-1701-09	OBP 3.11 Version 26 + POST 2.0.0 + OBDIAG 1.3
525-1701-10	OBP 3.11 Version 27 ²
525-1701-11	OBP 3.13 Version 1 + POST 2.0.1 + OBDIAG 1.3 ³
525-1701-12	OBP 3.17 Version 0 + POST 2.0.2 + OBDIAG 1.3
525-1701-13	OBP 3.23 Version 1 + POST 2.0.2 + OBDIAG 1.3
None	OBP 3.25 Version 0 + POST 2.0.2 + OBDIAG 1.3

Ultra 60 PROM Changes

-09	Fixes Symbios SCSI controller booting BugID 4114784
-09	Adds 400:100, 440:110, 480:120, and 500:125 ÷4 modes
-09	Supports mixing 360MHz UltraSPARC mask# <80 and 80
-09	Changed pci-page mask from 4K to 8K BugID 4119734
-09	Fixes hex parsing of IP address BugID 4129194
-10	Adds tape drive boot support
-12	Adds 450:112 ÷4 mode. Fix max memory hang during POST.
-13	Adds NVRAM variables for the Enterprise 220R

¹ Parts labeled 525-1701-08 with an arrow symbol are not write enabled. Trying to flash update a 525-1701-08 with an arrow symbol will fail.

² Not used. Not ECO released. Not structured.

³ Not ECO released. Not structured to the board. On Flash Update 1.10.

Boot PROM

Sun-4u Architecture

Ultra 80

U3007	Flash PROM Revision 1M x 8 Patch 109082
525-1780-01	Pre-FCS
525-1780-02	Pre-FCS
525-1780-03	Pre-FCS
525-1780-04	Pre-FCS
525-1780-05	Pre-FCS
525-1780-06	OBP 3.23 Version 0 + POST 1.2.7 + OBDIAG 1.0
109082-01	OBP 3.25 Version 0 + POST 1.2.7 + OBDIAG 1.0

Sun Blade 100

Uxxxx	Flash PROM Revision
370-4116	Unknown

Sun Blade 1000

U2103	Flash PROM Revision 2M x 8
525-1807-01	Pre-FCS 525-1807-01 to 525-1807-07
525-1807-08	Unknown

Boot PROM

Sun-4u Architecture

Enterprise 250

U2703	Boot Flash PROM Revision 1M x 8 Patch 106503
525-1718-05	OBP 3.7 Version 1
525-1718-06	OBP 3.7 Version 2
525-1718-07	OBP 3.7 Version 3 + POST 6.0.2 + OBDIAG 3.17.1
525-1718-08	OBP 3.7 Version 7 + POST 6.0.4 + OBDIAG 3.19.1
525-1718-09	OBP 3.12 Version 10 + POST 6.0.8 + OBDIAG 4.5.1
525-1718-10	OBP 3.12 Version 11 + POST 6.0.8 + OBDIAG 4.5.1
525-1718-11	OBP 3.12 Version 12 + POST 6.0.8 + OBDIAG 4.5.1
525-1718-13	OBP 3.16 Version 1 + POST 6.0.9 + OBDIAG 4.5.1
U4401	Remote System Control Flash PROM Revision 1M x 8
525-1724-04	RSC main b0.22
525-1724-05	RSC main b0.22 m0.25
525-1724-06	RSC main b0.22 m0.28
525-1724-07	RSC main b1.1 m1.12 (not released)
525-1724-08	RSC main b1.3 m1.14

Enterprise 250 Boot PROM Changes

-09	Adds 400MHz support - Not used
-10	Adds 400MHz support
-11	Fixes SCMP timing problem with 400MHz BugID 4212155
-13	Adds 501-5440 support. Adds 5:1 clock ratio support.

Enterprise 250 RSC PROM Changes

-08	Required if System Board has 64MB DRAM at U4405. The 501-4681-09 and 501-5440-01 use 64MB DRAM.
-----	---

Boot PROM

Sun-4u Architecture

Ultra 450 Ultra Enterprise 450 Enterprise 450

U3101	501-2996 Flash PROM Revision 1M x 8 Patch 106122
U3101	501-5028 Flash PROM Revision 1M x 8 Patch 106122
525-1672-01	Pre-FCS (525-1672-01, 525-1672-02, and 525-1672-03)
525-1672-04	P1.4
525-1672-05	P2 (525-1672-05, 525-1672-06, and 525-1672-07)
525-1672-08	OBP 3.5 Version 105 + POST 4.0.6
525-1672-09	Not used
525-1672-10	OBP 3.7 Version 107 + POST 5.0.8 + OBDIAG 3.9.2 Required for Solaris 7 64-Bit operating system

Enterprise 450

U3101	501-5270 Flash PROM Revision 1M x 8 Patch 106122
525-1776-01	OBP 3.12 Version 1 + POST 6.0.6 + OBDIAG
525-1776-02	OBP 3.12 Version 2 + POST + OBDIAG
525-1776-03	OBP 3.12 Version 3 + POST + OBDIAG
525-1776-04	OBP 3.14 Version 1 + POST 6.0.9 + OBDIAG 4.4.1
525-1776-05	OBP 3.16 Version 2 + POST 6.0.9 + OBDIAG 4.4.1

Enterprise 450

U3101	501-5672 Flash PROM Revision 1M x 8 Patch 106122
U3101	501-5673 Flash PROM Revision 1M x 8 Patch 106122
525-1776-05	OBP 3.16 Version 2 + POST 6.0.9 + OBDIAG 4.4.1
525-1776-06	OBP 3.18 Version 0 + POST 6.1.0 + OBDIAG 4.4.1

525-1776 PROM Changes

-03	Fixes CPU2 timeout error during POST BugID 4195116
-05	Enable slave CPU error reporting BugID 4302752
-06	Adds support for 480MHz UltraSPARC II

Boot PROM

Sun-4u Architecture

E3000/4000/5000/6000 E3500/4500/5500/6500

CPU/Memory Board

U2501	Boot PROM Revision 512K x 8 Patch 103346
525-1387-01	Pre-fcs
525-1387-02	Pre-fcs
525-1387-03	Not released
525-1387-04	Released by WO_09136
525-1387-05	OBP 3.2 Version 4 + POST 3.2.2 (FCS release)
525-1387-06	OBP 3.2 Version 5 + POST 3.2.3
525-1387-07	OBP 3.2 Version 6 + POST 3.4.1
525-1387-08	OBP 3.2 Version 7 + POST 3.5.1
525-1387-09	OBP 3.2 Version 8 + POST 3.6.1
525-1387-10	OBP 3.2 Version 9 + POST 3.6.1
525-1387-11	OBP 3.2 Version 10 + POST 3.7.2
525-1387-12	OBP 3.2 Version 11 + POST 3.7.3
525-1387-13	OBP 3.2 Version 12 + POST 3.8.4 (first release for Ex500)
525-1387-14	OBP 3.2 Version 13 + POST 3.9.2 (ecr12877 cancelled)
525-1387-15	OBP 3.2 Version 14 + POST 3.9.2
525-1387-16	OBP 3.2 Version 15 + POST 3.9.3
525-1387-17	OBP 3.2 Version 16 + POST 3.9.4
525-1387-18	OBP 3.2 Version 17 + POST 3.9.6 (WO_13965 cancelled)
525-1387-19	OBP 3.2 Version 18 + POST 3.9.4
525-1387-20	OBP 3.2 Version 19 + POST 3.9.8
525-1387-21	OBP 3.2 Version 21 + POST 3.9.10
None	OBP 3.2 Version 22 + POST 3.9.22 (Patch 103346-22)
525-1387-22	OBP 3.2 Version 23 + POST 3.9.23
525-1387-23	OBP 3.2 Version 24 + POST 3.9.24
525-1387-24	OBP 3.2 Version 25 + POST 3.9.25 (WO_17418 cancelled)
525-1387-25	OBP 3.2 Version 26 + POST 3.9.26

Boot PROM

Sun-4u Architecture

E3000/4000/5000/6000 E3500/4500/5500/6500

CPU/Memory Board PROM Changes

-07	Adds 250MHz UltraSPARC support
-07	Adds 256MB SIMMs support
-07	Sets UltraSPARC I to run at 168MHz
-07	Deconfigures modules not compatible with master system board
-07	POST runs checksum on plug-in card FCode
-08	Adds 250MHz UltraSPARC with 4MB Cache
-08	Adds SOC+ I/O and I/O Graphics Cards support
-09	Adds PCI I/O Board support
-10	Adds FFB2 support
-11	Adds SOC AL WorldWideNumber support
-12	Fixes BugIDs 4018294, 4045138, 4086435, and 4092765. Older versions are compatible with AMD AM29F040 but are not compatible with SGS Thompson AM29F040
-13	Adds support for 300MHz - 400MHz UltraSPARC, 100MHz Clock and System boards, and 90-100MHz Centerplanes.
-14	Fixes BugID 4116452 where a DIMM failure detected during
-15	POST prevents booting with versions 3.7.2, 3.7.3, and 3.8.4. Adds FC-AL disk display capability to OBP <i>probe-scsi-all</i> . Oldest OBP supported is systems with 83 and 100mhz boards. Oldest OBP supported in E3500-E6500.
-16	Fixes BugIDs 4105947, 4120409, 4126710, and 4123660. Adds CPU DR support. Introduces BugID 4131463 where POST fails connecting to a slot lower than first CPU board.
-17	Fixes OBP BugID 4115981 and POST BugID 4132713. Required for Solaris 7 64-bit operating system.
-18	Fixes OBP BugID 4166670 where 400MHz module comes up at 200MHz. Fixes POST BugID 4131463. Required for 400MHz. Release ECO WO_13965 was cancelled.
-19	Fixes OBP BugID 4166670 where 400MHz module comes up at 200MHz. Required for 400MHz 4MB Cache.
-21	Fixes .speed OBP command BugID 4168353. Supports 5:1 clock board. Required for 400MHz 8MB Cache.
None	Patch 103346-22 fixes mixed cache module BugID 4224994.
-22	Adds 256MB DIMM support.
-23	Fixes BugIDs 4276401, 4276722, and 4298992.
-25	Fixes 2GB memory bank BugID 4323635.

Firmware

SPARCstorage Array

SSA Model 100 Array Controller Firmware

Part #	U1202 Surface Mount	U1203 Surface Mount	U1204 Surface Mount	U1210 PLCC	Rev
Not used	525-1367-01	525-1368-01	525-1365-01	525-1366-01	
501-2080-05	525-1367-02	525-1368-02	525-1365-02	525-1366-02	
501-2080-06	525-1367-03	525-1368-03	525-1365-03	525-1366-03	
501-2080-07	525-1367-04	525-1368-04	525-1365-04	525-1366-03	1.3
501-2080-08	525-1367-04	525-1368-04	525-1365-04	525-1366-04	1.3
Not used	525-1367-05	525-1368-05	525-1365-05	525-1366-05	1.9
Not released	Not released	Not released	Not released	525-1366-xx	1.10
Not released	Not released	Not released	Not released	525-1366-xx	1.11
Not released	Not released	Not released	Not released	525-1366-xx	1.12
501-2080-09	525-1367-06	525-1368-06	525-1365-06	525-1366-06	2.0
501-2080-10	525-1367-06	525-1368-06	525-1365-06	525-1366-07	2.0
Not released	Not released	Not released	Not released	525-1366-xx	2.1
Not released	Not released	Not released	Not released	525-1366-xx	2.3
501-2080-11	525-1367-07	525-1368-07	525-1365-07	525-1366-07	2.4
Not released	Not released	Not released	Not released	525-1366-xx	3.3
Not released	Not released	Not released	Not released	525-1366-xx	3.4 ¹
501-2080-12	525-1437-03	525-1438-03	525-1435-03	525-1366-07	3.4
Not released	Not released	Not released	Not released	525-1366-xx	3.5 ²
501-2080-13	525-1437-04	525-1438-04	525-1435-04	525-1366-07	3.6 ³
Not released	Not released	Not released	Not released	525-1366-xx	3.9 ⁴
501-2080-14	525-1437-05	525-1438-05	525-1435-05	525-1366-07	3.11
501-2080-15	525-1437-07	525-1438-07	525-1435-07	525-1366-07	3.12

1 Revision 3.4 was approved for use by DEV WO_08815.

2 Revision 3.5 is included with Solaris 2.5.1.

3 Revision 3.6 is included with Patches 103351-01 (Solaris 2.3), 103290-02 (Solaris 2.4), and 103017-04 (Solaris 2.5).

4 Revision 3.9 is included with Patches 103290-04 (Solaris 2.4), 103017-05 (Solaris 2.5), and 103766-02 (Solaris 2.5.1).

Firmware
SPARCstorage Array

SSA Model 112 Array Controller Firmware

Part #	U1202 Surface Mount	U1203 Surface Mount	U1204 Surface Mount	U1210 PLCC	Rev
501-2872-02	525-1437-01	525-1438-01	525-1435-01	525-1436-01	
501-2872-02	Not released	Not released	Not released	525-1436-xx	3.3 ¹
501-2872-02	Not released	Not released	Not released	525-1436-xx	3.4 ²
501-2872-03	525-1437-03	525-1438-03	525-1435-03	525-1436-02	3.4
Not released	Not released	Not released	Not released	525-1436-xx	3.5 ³
501-2872-04	525-1437-04	525-1438-04	525-1435-04	525-1436-02	3.6 ⁴
501-4271-01	525-1437-04	525-1438-04	525-1435-04	525-1436-02	3.6 ⁴
Not released	Not released	Not released	Not released	525-1436-xx	3.9 ⁵
501-2872-05	525-1437-05	525-1438-05	525-1435-05	525-1436-02	3.11
501-4271-02	525-1437-05	525-1438-05	525-1435-05	525-1436-02	3.11
501-2872-06	525-1437-07	525-1438-07	525-1435-07	525-1436-03	3.12
501-4271-03	525-1437-07	525-1438-07	525-1435-07	525-1436-03	3.12

¹ Revision 3.3 was approved for use by DEV WO_08658.

² Revision 3.4 was approved for use by DEV WO_08815€.

³ Revision 3.5 is included with Solaris 2.5.1.

⁴ Revision 3.6 is included with Patches 103351-01 (Solaris 2.3), 103290-02 (Solaris 2.4), and 103017-04 (Solaris 2.5).

⁵ Revision 3.9 is included with Patches 103290-04 (Solaris 2.4), 103017-05 (Solaris 2.5), and 103766-02 (Solaris 2.5.1).

Firmware

SPARCstorage Array

SSA Model 200 Array Controller Firmware

Part #	U1202 Surface Mount	U1203 Surface Mount	U1204 Surface Mount	U1210 PLCC	Rev
501-2651-01	525-1401-01	525-1402-01	525-1400-01	525-1405-01	1.9
501-2651-02	525-1367-06	525-1368-06	525-1365-06	525-1405-01	2.0
501-2651-03	525-1367-06	525-1368-06	525-1365-06	525-1405-02	2.0
Not released	Not released	Not released	Not released	525-1405-xx	2.1
Not released	Not released	Not released	Not released	525-1405-xx	2.3
501-2651-04	525-1367-07	525-1368-07	525-1365-07	525-1405-02	2.4
Not released	Not released	Not released	Not released	525-1405-xx	3.3
Not released	Not released	Not released	Not released	525-1405-xx	3.4 ¹
501-2651-05	525-1437-03	525-1438-03	525-1435-03	525-1405-02	3.4
Not released	Not released	Not released	Not released	525-1405-xx	3.5 ²
501-2651-06	525-1437-04	525-1438-04	525-1435-04	525-1405-02	3.6 ³
Not released	Not released	Not released	Not released	525-1405-xx	3.9 ⁴
501-2651-07	525-1437-05	525-1438-05	525-1435-05	525-1405-02	3.11
501-2651-08	525-1437-07	525-1438-07	525-1435-07	525-1405-02	3.12

¹ This code was approved for use by DEV WO_08815.

² Revision 3.5 is included with Solaris 2.5.1.

³ Revision 3.6 is included with Patches 103351-01 (Solaris 2.3), 103290-02 (Solaris 2.4), and 103017-04 (Solaris 2.5).

⁴ Revision 3.9 is included with Patches 103290-04 (Solaris 2.4), 103017-05 (Solaris 2.5), and 103766-02 (Solaris 2.5.1).

Firmware
SPARCstorage Array

SSA Model 210 Array Controller Firmware

Part #	U1202 Surface Mount	U1203 Surface Mount	U1204 Surface Mount	U1210 PLCC	Rev
501-3021-02	525-1437-01	525-1438-01	525-1435-01	525-1441-01	
501-3021-02	Not released	Not released	Not released	525-1441-xx	3.3 ¹
501-3021-02	Not released	Not released	Not released	525-1441-xx	3.4 ²
501-3021-03	525-1437-03	525-1438-03	525-1435-03	525-1441-02	3.4
Not released	Not released	Not released	Not released	525-1441-xx	3.5 ³
501-3021-04	525-1437-04	525-1438-04	525-1435-04	525-1441-02	3.6 ⁴
Not released	Not released	Not released	Not released	525-1441-xx	3.9 ⁵
501-3021-05	525-1437-05	525-1438-05	525-1435-05	525-1441-02	3.11
501-3021-06	525-1437-07	525-1438-07	525-1435-07	525-1441-02	3.12

¹ Revision 3.3 was approved for use by DEV WO_08658.

² Revision 3.4 was approved for use by DEV WO_08815€.

³ Revision 3.5 is included with Solaris 2.5.1.

⁴ Revision 3.6 is included with Patches 103351-01 (Solaris 2.3), 103290-02 (Solaris 2.4), and 103017-04 (Solaris 2.5).

⁵ Revision 3.9 is included with Patches 103290-04 (Solaris 2.4), 103017-05 (Solaris 2.5), and 103766-02 (Solaris 2.5.1).

Firmware

Enterprise Network Array A5000
 StorEdge A5000 StorEdge A5100 StorEdge A5200

FC100/S FC-AL Host Adapter Firmware

Assy Part #	Part #	U0202 PLCC	Revision
540-2989-01	501-3060-02	525-1690-01	Pre-release
540-2989-01	501-3060-03	525-1690-01	Pre-release
540-2989-02	501-3060-04	525-1690-02	Unknown
Not used	Not used	525-1690-03	Not used
540-2989-03	501-3060-05	525-1690-04	Unknown
540-2989-04	501-5202-01	525-1690-04	Unknown
540-2989-04	501-5202-02	525-1690-04	Unknown
540-2989-05	501-5266-01	525-1690-04	Unknown
None	None	None	1.10 1
540-2989-06	501-5266-02	525-1690-05	1.11 2

Interface Board Firmware

Assy Part #	Part #	U0602 PLCC	Revision
None	501-2951-04	525-1689-04	Pre-release
540-2988-01	501-2951-04	525-1689-05	Pre-release
540-2988-02	501-2951-05	525-1689-06	Unknown
540-2988-03	501-2951-06	525-1689-07	Unknown
Unknown	Unknown	Unknown	1.01
None	None	None	1.03 1
540-2988-04	501-2951-09	525-1689-08	1.05
540-2988-04	501-2951-10	525-1689-08	1.05
540-2988-05	501-2951-11	525-1689-09	1.07
540-2988-06	501-2951-12	525-1689-10	1.08
540-4033-01	501-5217-02	525-1689-10	1.08
540-2988-07	501-2951-13	525-1689-11	1.09
540-4033-02	501-5217-03	525-1689-11	1.09

Interconnect Board Firmware

Assy Part #	Part #	U0704 PLCC	Revision
540-2864-04	501-2948-06	525-1691-02	Pre-release
540-2864-05	501-2948-07	525-1691-03	Unknown
540-2864-06	501-2948-08	525-1691-04	Unknown
540-2864-08	501-2948-09	525-1691-05	1.05
540-2864-09	501-2948-10	525-1691-06	1.07
540-2864-10	501-2948-11	525-1691-07	1.08
540-2864-11	501-2948-12	525-1691-08	1.09

Firmware

E3000/4000/5000/6000 E3500/E4500/E5500/E6500

I/O Board

U2501	I/O Type 1 Board Firmware Revision 512K x 8
525-1445-04	Released by WO_09136
525-1445-05	1.7.0 + iPOST 3.2.2
525-1445-06	1.7.0 + iPOST 3.4.1 (adds FFB 501-3129 support)
525-1445-07	1.8.0 + iPOST 3.4.1 (fixes BugID 4011323)
525-1445-08	1.8.1 + iPOST 3.4.2 (fixes BugIDs 4011323 and 4024654)
525-1445-09	1.8.3 + iPOST 3.4.4 Older versions are compatible with AMD AM29F040 but are not compatible with SGS Thompson AM29F040.
525-1445-10	1.8.3 + iPOST 3.4.6
525-1445-11	1.8.3 + iPOST 3.4.8 1998/10/27
525-1445-12	1.8.3 + iPOST 3.4.8 1999/02/19
None	1.8.22 + iPOST 3.4.22 (Patch 103346-22)
525-1445-13	1.8.23 + iPOST 3.4.23 1999/10/01
525-1445-14	1.8.24 + iPOST 3.4.24 1999/12/23
525-1445-15	1.8.25 + iPOST 3.4.25 2000/03/29 (WO_17418 cancelled)
525-1445-16	1.8.26 + iPOST 3.4.26 2000/05/09
U2501	I/O Type 2 Graphics Board Firmware Revision 512K x 8
525-1446-04	Released by WO_09136
525-1446-05	1.7.0 + iPOST 3.2.2
525-1446-06	1.7.0 + iPOST 3.4.1 (adds FFB 501-3129 support)
525-1446-07	1.8.0 + iPOST 3.4.1 (fixes BugID 4011323)
525-1446-08	1.8.1 + iPOST 3.4.2 (fixes BugIDs 4011323 and 4024654)
525-1446-09	1.8.3 + iPOST 3.4.4 Older versions are compatible with AMD AM29F040 but are not compatible with SGS Thompson AM29F040.
525-1446-10	1.8.3 + iPOST 3.4.6
525-1446-11	1.8.3 + iPOST 3.4.8 1998/10/27
525-1446-12	1.8.3 + iPOST 3.4.8 1999/02/19
None	1.8.22 + iPOST 3.4.22 (Patch 103346-22)
525-1446-13	1.8.23 + iPOST 3.4.23 1999/10/01
525-1446-14	1.8.24 + iPOST 3.4.24 1999/12/23
525-1446-15	1.8.25 + iPOST 3.4.25 2000/03/29 (WO_17418 cancelled)
525-1446-16	1.8.26 + iPOST 3.4.26 2000/05/09

Firmware

E3000/4000/5000/6000 E3500/E4500/E5500/E6500

I/O Board - Continued

U2501	PCI I/O Type 3 Board Firmware Revision 512K x 8
525-1680-01	1.8.7 + iPOST 3.0.2
525-1680-02	1.8.7 + iPOST 3.0.3
None	1.8.22 + iPOST 3.0.22 (Patch 103346-22)
525-1680-03	1.8.23 + iPOST 3.0.23 1999/10/01
525-1680-04	1.8.24 + iPOST 3.0.24 1999/12/23
525-1680-05	1.8.25 + iPOST 3.0.25 2000/03/29 (WO_17418 cancelled)
525-1680-06	1.8.26 + iPOST 3.0.26 2000/05/09
U2501	I/O Type 4 Board Firmware Revision 512K x 8
525-1757-01	1.8.6 + iPOST 3.4.4
525-1757-02	1.8.7 + iPOST unknown
525-1757-03	1.8.7 + iPOST 3.4.6
525-1757-04	1.8.7 + iPOST 3.4.8 1998/10/27
525-1757-05	1.8.7 + iPOST 3.4.8 1999/02/19
None	1.8.22 + iPOST 3.4.22 (Patch 103346-22)
525-1757-06	1.8.23 + iPOST 3.4.23 1999/10/01
525-1757-07	1.8.24 + iPOST 3.4.24 1999/12/23
525-1757-08	1.8.25 + iPOST 3.4.25 2000/03/29 (WO_17418 cancelled)
525-1757-09	1.8.26 + iPOST 3.4.26 2000/05/09
U2501	I/O Graphics Type 5 Board Firmware Revision 512K x 8
525-1760-01	Unknown
525-1760-02	Unknown
525-1760-03	1.8.7 + iPOST 3.4.6
525-1760-04	1.8.7 + iPOST 3.4.8 1998/10/27
525-1760-05	1.8.7 + iPOST 3.4.8 1999/02/19
None	1.8.22 + iPOST 3.4.22 (Patch 103346-22)
525-1760-06	1.8.23 + iPOST 3.4.23 1999/10/01
525-1760-07	1.8.24 + iPOST 3.4.24 1999/12/23
525-1760-08	1.8.25 + iPOST 3.4.25 2000/03/29 (WO_17418 cancelled)
525-1760-09	1.8.26 + iPOST 3.4.26 2000/05/09

Flash PROM Update

Sun-4u Architecture

Sun-4u Flash Update

794-4637-03	Flash Update 1.2 Assembly (May 1996)
704-5079-12	● Flash Update 1.2 CD-ROM
Ultra 1 140	OBP 3.1 Version 1 + POST 3.10.2
Ultra 1 170	OBP 3.1 Version 1 + POST 3.10.2
Ultra 1 140E	Not included
Ultra 1 170E	OBP 3.1 Version 2 + POST 3.10.2
Ultra 1 200E	Not included
Ultra 2	OBP 3.1 Version 2 + POST 3.1.4
Ex000 CPU	OBP 3.2 Version 3 + POST 3.1.4
I/O Type 1	FCode 1.7.0 + SOC 1.3 + iPOST 3.1.4 (SBus)
I/O Type 2	FCode 1.7.0 + SOC 1.3 + iPOST 3.1.4 (UPA/SBus)
794-4637-04	Flash Update 1.3 Assembly (September 1996)
704-5079-13	● Flash Update 1.3 CD-ROM
Ultra 1 140	OBP 3.1 Version 1 + POST 3.10.2
Ultra 1 170	OBP 3.1 Version 1 + POST 3.10.2
Ultra 1 140E	Not included
Ultra 1 170E	OBP 3.1 Version 2 + POST 3.10.2
Ultra 1 200E	OBP 3.3 Version 2 + POST 3.10.3
Ultra 2	OBP 3.1.5 Version 5 + POST 3.1.5
Ex000 CPU	OBP 3.2 Version 5 + POST 3.2.3
I/O Type 1	FCode 1.7.0 + SOC 1.3 + iPOST 3.2.2 (SBus)
I/O Type 2	FCode 1.7.0 + SOC 1.3 + iPOST 3.2.2 (UPA/SBus)
794-4637-05	Flash Update 1.4 Assembly (November 1996)
704-5079-14	● Flash Update 1.4 CD-ROM
Ultra 1 140	Not included
Ultra 1 170	Not included
Ultra 1 140E	Not included
Ultra 1 170E	Not included
Ultra 1 200E	Not included
Ultra 2	Not included
Ex000 CPU	OBP 3.2 Version 6 + POST 3.4.1
I/O Type 1	FCode 1.7.0 + SOC 1.3 + iPOST 3.4.1 (SBus)
I/O Type 2	FCode 1.7.0 + SOC 1.3 + iPOST 3.4.1 (UPA/SBus)

Flash PROM Update

Sun-4u Architecture

Sun-4u Flash Update - Continued

794-4637-06	Flash Update 1.5 Assembly (March 1997)
704-5079-15	● Flash Update 1.5 CD-ROM
Ultra 1 140	OBP 3.5 Version 0 + POST 3.10.6
Ultra 1 170	OBP 3.5 Version 0 + POST 3.10.6
Ultra 1 140E	OBP 3.5 Version 2 + POST 3.10.6
Ultra 1 170E	OBP 3.5 Version 2 + POST 3.10.6
Ultra 1 200E	OBP 3.5 Version 2 + POST 3.10.6
Ultra 2	OBP 3.7 Version 0 + POST 3.2.1
Ex000 CPU	OBP 3.2 Version 7 + POST 3.5.1
I/O Type 1	FCode 1.7.0 + SOC 1.3 + iPOST 3.4.1 (SBus)
I/O Type 2	FCode 1.7.0 + SOC 1.3 + iPOST 3.4.1 (UPA/SBus)
794-4637-07	Flash Update 1.6 Assembly (August 1997)
704-5079-16	● Flash Update 1.6 CD-ROM
Ultra 1 140	OBP 3.5 Version 0 + POST 3.10.6
Ultra 1 170	OBP 3.5 Version 0 + POST 3.10.6
Ultra 1 140E	OBP 3.5 Version 2 + POST 3.10.6
Ultra 1 170E	OBP 3.5 Version 2 + POST 3.10.6
Ultra 1 200E	OBP 3.5 Version 2 + POST 3.10.6
Ultra 2	OBP 3.7 Version 0 + POST 3.2.1
Ultra 30	OBP 3.9 Version 5 + POST 1.1.1 + OBDIAG 2.1.1
Ex000 CPU	OBP 3.2 Version 8 + POST 3.6.1
I/O Type 1	FCode 1.8.1 + iPOST 3.4.2 (SBus)
I/O Type 2	FCode 1.8.1 + iPOST 3.4.2 (UPA/SBus)
I/O Type 3	FCode 1.8.7 + iPOST 3.0.2 (PCI)

Flash PROM Update

Sun-4u Architecture

Sun-4u Flash Update - Continued

794-4637-08	Flash Update 1.7 Assembly (October 1997)
704-5079-17	● Flash Update 1.7 CD-ROM
Ultra 1 140	OBP 3.5 Version 0 + POST 3.10.6
Ultra 1 170	OBP 3.5 Version 0 + POST 3.10.6
Ultra 1 140E	OBP 3.5 Version 2 + POST 3.10.6
Ultra 1 170E	OBP 3.5 Version 2 + POST 3.10.6
Ultra 1 200E	OBP 3.5 Version 2 + POST 3.10.6
Ultra 2	OBP 3.7 Version 0 + POST 3.2.1
Ultra 30	OBP 3.9 Version 5 + POST 1.1.1 + OBDIAG 2.1.1
Ex000 CPU	OBP 3.2 Version 10 + POST 3.7.2
I/O Type 1	FCode 1.8.1 + SOC 1.3 + iPOST 3.4.2 (SBus)
I/O Type 2	FCode 1.8.1 + SOC 1.3 + iPOST 3.4.2 (UPA/SBus)
I/O Type 3	FCode 1.8.7 + iPOST 3.0.2 (PCI)
I/O Type 4	FCode 1.8.6 + SOC+ 1.10 + iPOST 3.0.2 (SBus)
I/O Type 5	FCode 1.8.6 + SOC+ 1.10 + iPOST 3.4.4 (UPA/SBus)
794-4637-09	Flash Update 1.8 Assembly (February 1998)
704-5079-18	● Flash Update 1.8 CD-ROM
Ultra 1 140	OBP 3.11 Version 1 + POST 3.10.6
Ultra 1 170	OBP 3.11 Version 1 + POST 3.10.6
Ultra 1 140E	OBP 3.11 Version 1 + POST 3.11.4
Ultra 1 170E	OBP 3.11 Version 1 + POST 3.11.4
Ultra 1 200E	OBP 3.11 Version 1 + POST 3.11.4
Ultra 2	OBP 3.11 Version 2 + POST 3.3.5
Ultra 5/10	OBP 3.11 Version 7 + POST 2.2.8
Ultra 30	OBP 3.11 Version 1 + POST 1.1.1 + OBDIAG 2.1.1
Ultra 60	OBP 3.11 Version 25 + POST 1.0.8 + OBDIAG 2.1.1
Ultra 450	OBP 3.7 Version 107 + POST 5.0.8
Ex000 CPU	OBP 3.2 Version 12 + POST 3.8.4
I/O Type 1	FCode 1.8.3 + iPOST 3.4.4 (SBus)
I/O Type 2	FCode 1.8.3 + iPOST 3.4.4 (UPA/SBus)
I/O Type 3	FCode 1.8.7 + iPOST 3.0.2 (Type 3 Dual-PCI)
I/O Type 4	FCode 1.8.7 + iPOST 3.4.4 (Type 4 Dual-SBus SOC+)
I/O Type 5	FCode 1.8.7 + iPOST 3.4.4 (Type 5 UPA-SBus SOC+)

Flash PROM Update

Sun-4u Architecture

Sun-4u Flash Update - Continued

794-4637-10	Flash Update 1.9 Assembly (June 1998)
704-5079-19	● Flash Update 1.9 CD-ROM
Ultra 1	OBP 3.11 Version 1 + POST 3.10.6 (140/170)
Ultra 1	OBP 3.11 Version 1 + POST 3.11.4 (140E/170E/200E)
Ultra 2	OBP 3.11 Version 2 + POST 3.3.7
Ultra 5/10	OBP 3.11 Version 9 + POST 2.2.9 + OBDIAG 2.6
Ultra 30	OBP 3.11 Version 2 + POST 1.1.1
Ultra 60	OBP 3.11 Version 26 + POST 2.0.0
Ultra 450	OBP 3.7 Version 107 + POST 5.0.8
Ex000 CPU	OBP 3.2 Version 15 + POST 3.9.3
I/O Type 1	FCode 1.8.3 + SOC 1.3 + iPOST 3.4.6 (SBus)
I/O Type 2	FCode 1.8.3 + SOC 1.3 + iPOST 3.4.6 (UPA/SBus)
I/O Type 3	FCode 1.8.7 + iPOST 3.0.2 (PCI)
I/O Type 4	FCode 1.8.7 + SOC+ 1.11 + iPOST 3.4.6 (SBus)
I/O Type 5	FCode 1.8.7 + SOC+ 1.11 + iPOST 3.4.6 (UPA/SBus)
794-4637-11	Flash Update 1.10 Assembly (August 1998)
704-5079-20	● Flash Update 1.10 CD-ROM
Ultra 1 140	OBP 3.11 Version 1 + POST 3.10.6 (140/170)
Ultra 1 170	OBP 3.11 Version 1 + POST 3.10.6
Ultra 1 140E	OBP 3.11 Version 1 + POST 3.11.4
Ultra 1 170E	OBP 3.11 Version 1 + POST 3.11.4
Ultra 1 200E	OBP 3.11 Version 1 + POST 3.11.4
Ultra 2	OBP 3.11 Version 2 + POST 3.3.7
Ultra 5/10	OBP 3.11 Version 12 + POST 2.2.9 + OBDIAG 2.6
Ultra 30	OBP 3.11 Version 2 + POST 1.1.1
Ultra 60	OBP 3.13 Version 1 + POST 2.0.1 + OBDIAG 1.3
E250	OBP 3.7 Version 7 + POST 6.0.4 + OBDIAG 3.19.1
E450/U450	OBP 3.7 Version 107 + POST 5.0.8
Ex000 CPU	OBP 3.2 Version 16 + POST 3.9.4
I/O Type 1	FCode 1.8.3 + SOC 1.3 + iPOST 3.4.6 (SBus)
I/O Type 2	FCode 1.8.3 + SOC 1.3 + iPOST 3.4.6 (UPA/SBus)
I/O Type 3	FCode 1.8.7 + iPOST 3.0.2 (PCI)
I/O Type 4	FCode 1.8.7 + SOC+ 1.11 + iPOST 3.4.6 (SBus)
I/O Type 5	FCode 1.8.7 + SOC+ 1.11 + iPOST 3.4.6 (UPA/SBus)

Flash PROM Update

Sun-4u Architecture

Sun-4u Flash Update - Continued

724-3382-01	Flash Update 2.0 Assembly (March 1999)
704-6667-10	● Flash Update 2.0 CD-ROM
Ultra 1 140	OBP 3.11 Version 1 + POST 3.10.6
Ultra 1 170	OBP 3.11 Version 1 + POST 3.10.6
Ultra 1 140E	OBP 3.11 Version 1 + POST 3.11.4
Ultra 1 170E	OBP 3.11 Version 1 + POST 3.11.4
Ultra 1 200E	OBP 3.11 Version 1 + POST 3.11.4
Ultra 2	OBP 3.11 Version 2 + POST 3.3.8
Ultra 5/10	OBP 3.17 Version 1 + POST 2.3.1 + OBDIAG 2.8
Ultra 30	OBP 3.11 Version 2 + POST 1.1.1 + OBDIAG 2.2
Ultra 60	OBP 3.17 Version 0 + POST 2.0.2 + OBDIAG 1.3
E250	OBP 3.12 Version 2 + POST 6.0.8 + OBDIAG 4.5.1
E450/U450	OBP 3.14 Version 1 + POST 6.0.9 + OBDIAG 4.4.1
Ex000	Not Included
724-3382-02	Flash Update 2.1 Assembly (September 1999)
704-6667-11	● Flash Update 2.1 CD-ROM
Ultra 1	OBP 3.11 Version 1 + POST 3.10.6 (140/170)
Ultra 1	OBP 3.11 Version 1 + POST 3.11.4 (140E/170E/200E)
Ultra 2	OBP 3.11 Version 2 + POST 3.3.8
Ultra 5/10	OBP 3.19 Version 4 + POST 3.0.7 + OBDIAG 2.8
Ultra 30	OBP 3.11 Version 2 + POST 1.1.1 + OBDIAG 2.2
Ultra 60	OBP 3.23 Version 1 + POST 2.0.2 + OBDIAG 1.3
E250	OBP 3.16 Version 1 + POST 6.0.9 + OBDIAG 4.5.1
E450/U450	OBP 3.14 Version 1 + POST 6.0.9 + OBDIAG 4.4.1
Ex000 CPU	OBP 3.2 Version 22 + POST 3.9.22
I/O Type 1	FCode 1.8.22 + iPOST 3.4.22 (SBus)
I/O Type 2	FCode 1.8.22 + iPOST 3.4.22 (UPA/SBus)
I/O Type 3	FCode 1.8.22 + iPOST 3.0.22 (PCI)
I/O Type 4	FCode 1.8.22 + iPOST 3.4.22 (SBus)
I/O Type 5	FCode 1.8.22 + iPOST 3.4.22 (UPA/SBus)

Flash PROM Update

Sun-4u Architecture

Sun-4u Flash Update - Continued

724-3382-03	Flash Update 2.2 Assembly (March 2000)
704-6667-12	● Flash Update 2.2 CD-ROM
Ultra 1	OBP 3.25 Version 0 + POST 3.10.6 (140/170)
Ultra 1	OBP 3.25 Version 0 + POST 3.11.4 (140E/170E/200E)
Ultra 2	OBP 3.25 Version 0 + POST 3.3.8
Ultra 5/10	OBP 3.25 Version 1 + POST 3.0.8 + OBDIAG 2.8
Ultra 30	OBP 3.25 Version 0 + POST 1.1.1 + OBDIAG 2.2
Ultra 60	OBP 3.25 Version 0 + POST 2.0.2 + OBDIAG 1.3
Ultra 80	OBP 3.25 Version 0 + POST 1.2.7 + OBDIAG 1.0
E250	OBP 3.16 Version 1 + POST 6.0.9 + OBDIAG 4.5.1
E450/U450	OBP 3.16 Version 2 + POST 6.0.9 + OBDIAG 4.4.1
Ex000 CPU	OBP 3.2 Version 24 + POST 3.9.24
I/O Type 1	FCode 1.8.24 + iPOST 3.4.24 (SBus)
I/O Type 2	FCode 1.8.24 + iPOST 3.4.24 (UPA/SBus)
I/O Type 3	FCode 1.8.24 + iPOST 3.0.24 (PCI)
I/O Type 4	FCode 1.8.24 + iPOST 3.4.24 (SBus)
I/O Type 5	FCode 1.8.24 + iPOST 3.4.24 (UPA/SBus)

This page intentionally left blank.

PARTS BREAKDOWN
BOARD

Board

CPU	
Sun-4m Architecture	3
microSPARC IIep	7
Sun-4d Architecture	8
Sun-4u Architecture	12
Sun-4u1 Architecture	25
Graphics	
ZX TZX Expert 3D	26
Cables	27
SCSI	
SBus	28
PCI	29
XDBus SCSI Disk Cards	30
Gigaplane SCSI Disk Card	31
RSM Array 2000	32
StorEdge A3000	32
StorEdge A3500	32
StorEdge A3500FC	32
StorEdge A1000	32
StorEdge D1000	32
External Single-Ended 8-Bit Narrow SCSI Cables	33
External Differential and 16-Bit Wide SCSI Cables	34
Terminators	35
Fibre Channel	
SPARCstorage Array Model 100	36
SPARCstorage Array Model 112	37
SPARCstorage Array Model 200	38
SPARCstorage Array Model 210	39
Enterprise Network Array A5000	40
StorEdge A5000/5100/5200	40

Board - Continued

Ethernet	
Accessories	41
SBus	42
PCI	44
Communication	
SBus	45
PCI	49
Miscellaneous	
Board Hardware	51

CPU

Sun-4m Architecture

SPARC Xterminal 1

PART #	DESCRIPTION
501-2540	0MB 50MHz SPARC Xterminal 1 CPU FRU
501-3025	0MB 50MHz SPARC Xterminal 1 CPU FRU
501-2470	8MB DIMM
340-3123	SBus Filler Panel
525-1391	48T08 NVRAM
530-1869	Serial Port Adapter Cable, 50 cm
530-1871	RJ45 to RJ45 Cable, 4M
530-2093	Shielded RJ45 to RJ45 Cable, 4M
530-2021	10BASE-5 Ethernet Adapter Cable, 4M
530-2068	DB25 to 36-Pin Centronics Parallel Cable, 5M

SPARCstation 4

PART #	DESCRIPTION
501-2861	0MB 70MHz SS4 CPU FRU
501-3002	0MB 70MHz SS4 CPU FRU
501-2549	0MB 85MHz SS4 CPU FRU
501-2928	0MB 85MHz SS4 CPU FRU
501-3008	0MB 110MHz SS4 CPU FRU
501-3109	0MB 110MHz SS4 CPU FRU (obsolete)
501-3134	0MB 110MHz SS4 CPU FRU
501-2470	8MB DIMM
501-2471	32MB DIMM
501-2592	SS4 Audio Module
340-3123	SBus Filler Panel
525-1391	48T08 NVRAM
530-1869	Serial Port Adapter Cable, 50 cm
530-1871	RJ45 to RJ45 Cable, 4M
530-2093	Shielded RJ45 to RJ45 Cable, 4M
530-2021	10BASE-5 Ethernet Adapter Cable, 4M
530-2068	DB25 to 36-Pin Centronics Parallel Cable, 5M

CPU

Sun-4m Architecture

SPARCstation 5

PART #	DESCRIPTION
501-2286	0MB 70MHz SS5 CPU FRU
501-2798	0MB 70MHz SS5 CPU FRU
501-2572	0MB 85MHz SS5 CPU FRU
501-2799	0MB 85MHz SS5 CPU FRU
501-2815	0MB 85MHz SS5 CPU FRU
501-2778	0MB 110MHz SS5 CPU FRU
501-3059	0MB 170MHz SS5 CPU FRU
501-2470	8MB DIMM
501-2471	32MB DIMM
240-2101	M3 Machine Screw
250-1200	Spring for M3 Machine Screw
340-1763	SBus Filler Panel
525-1369	48T08 NVRAM
530-2021	10BASE-5 Ethernet Adapter Cable, 25 cm
530-1857	HD26 to 36-Pin Centronics Parallel Port Cable, 5M
530-1861	HD26 to DB25 IBM Parallel Port Cable, 5M
530-1869	Serial Port Adapter Cable, 50 cm
530-1871	RJ45 to RJ45 Cable, 4M
530-2093	Shielded RJ45 to RJ45 Cable, 4M

CPU

Sun-4m Architecture

SPARCstation 20

PART #	DESCRIPTION
501-2324	0MB SS20 CPU FRU
501-2924	0MB SS20 CPU FRU
501-2961	0MB SS20 CPU FRU
501-2479	16MB DIMM
501-2622	32MB DIMM
501-2480	64MB DIMM
501-2771	64MB DIMM (internal use only)
501-2481	4MB VSIMM
501-2482	8MB VSIMM
501-2528	SM50 SuperSPARC Module 3.5
501-2568	SM50 SuperSPARC Module 5.x
501-2708	SM50 SuperSPARC Module 5.x
501-2712	SM50 SuperSPARC Module 5.x
501-2562	SM51 SuperSPARC Module 3.5
501-2607	SM51 SuperSPARC Module 3.5
501-2617	SM51 SuperSPARC Module 5.x
501-2707	SM51 SuperSPARC Module 5.x
501-2754	SM51 SuperSPARC Module 5.2
501-2780	SM52X SuperSPARC Module 3.5
501-2756	SM52X SuperSPARC Module 5.2
501-2613	SM61 SuperSPARC Module 5.x
501-2519	SM61 SuperSPARC Module 5.x
501-2769	SM61 SuperSPARC Module 5.x
501-2752	SM61 SuperSPARC Module 5.2
501-2825	SM61 SuperSPARC Module 5.2
501-2520	75MHz SuperSPARC II Module 1.6
501-2904	75MHz SuperSPARC II Module 2.3
501-2925	75MHz SuperSPARC II Module 2.4.5
501-2940	75MHz SuperSPARC II Module 2.4
501-3001	75MHz SuperSPARC II Module 2.4.3
501-4130	75MHz SuperSPARC II Module 2.4.5

CPU

Sun-4m Architecture

SPARCstation 20 - Continued

PART #	DESCRIPTION
370-1864	HS11 hyperSPARC Module (obsolete)
370-1866	HS11 hyperSPARC Module
370-1867	HS14 hyperSPARC Module
370-1867	HS14 hyperSPARC Module
370-1865	HS21 hyperSPARC Module
370-2162	SM151 hyperSPARC Module
240-2101	M3 Machine Screw
250-1200	Spring for M3 Machine Screw
340-2963	MBus/SBus Filler Panel
240-2076	MBus/SBus Filler Panel Screw, M2.5 0.5 x 6mm
340-2860	MBus/SBus Filler Panel Washer
525-1378	48T18 NVRAM
530-2021	10BASE-5 Ethernet Adapter Cable, 25 cm
530-1857	HD26 to 36-Pin Centronics Parallel Port Cable, 5M
530-1861	HD26 to DB25 IBM Parallel Port Cable, 5M
530-1869	Serial Port Adapter Cable, 50 cm
530-1871	RJ45 to RJ45 Cable, 4M
530-2093	Shielded RJ45 to RJ45 Cable, 4M

CPU

Sun-4m Architecture

JavaStation JJ-xx

PART #	DESCRIPTION
501-3141	0MB JavaStation CPU
501-4188	4MB SIMM
501-4216	16MB SIMM
525-1657	NVRAM, 48T08
530-1871	RJ45 to RJ45 Cable, 4M
530-2093	Shielded RJ45 to RJ45 Cable, 4M
530-2357	HD15M to DB13W3F Video Adapter Cable

CPU

microSPARC IIep Architecture

JavaStation JK-xx

PART #	DESCRIPTION
501-4267	0MB CPU
501-4637	16MB DIMM
501-4639	32MB DIMM
501-4732	8MB NVSIMM
501-4733	4MB NVSIMM
530-1871	RJ45 to RJ45 Cable, 4M
530-2093	Shielded RJ45 to RJ45 Cable, 4M
530-2357	HD15M to DB13W3F Video Adapter Cable

CPU

Sun-4d Architecture

SPARCserver 1000

PART #	DESCRIPTION
501-1977	0MB SS1000 CPU FRU (for internal use only)
501-2336	0MB SS1000 CPU FRU
501-1817	8MB DIMM
501-2196	32MB DIMM
501-2270	SM41 SuperSPARC Module (501-2270-04 only)
501-2359	SM41 SuperSPARC Module 3.x
501-2360	SM51 SuperSPARC Module 3.x
501-2562	SM51 SuperSPARC Module 3.5
501-2617	SM51 SuperSPARC Module 5.x
501-2707	SM51 SuperSPARC Module 5.x
501-2754	SM51 SuperSPARC Module 5.2
501-2519	SM61 SuperSPARC Module 5.x
501-2825	SM61 SuperSPARC Module 5.2
501-2953	SM81 SuperSPARC II Module
501-3033	SM81 SuperSPARC II Module
501-4810	SM81 SuperSPARC II Module
100-3528	Unprogrammed NVRAM, 48T08-10 (obsolete)
100-2822	Unprogrammed NVRAM, 48T08-15
340-2458	SBus Filler Panel
240-1571	#4-40 x 3.9 mm Jackscrew
240-1584	#2-56 x 3/16" Screw, SCSI Connector
330-1664	Standoff
530-1871	RJ45 to RJ45 Cable, 4M
530-2093	Shielded RJ45 to RJ45 Cable, 4M

CPU
Sun-4d Architecture

SPARCserver 1000E

PART #	DESCRIPTION
501-2668	0MB SS1000E CPU FRU
501-1817	8MB DIMM
501-2196	32MB DIMM
501-2519	SM61 SuperSPARC Module 5.x
501-2825	SM61 SuperSPARC Module 5.2
501-2953	SM81 SuperSPARC II Module
501-3033	SM81 SuperSPARC II Module
501-4810	SM81 SuperSPARC II Module
100-3528	Unprogrammed NVRAM, 48T08-10
340-2458	SBus Filler Panel
530-1871	RJ45 to RJ45 Cable, 4M
530-2093	Shielded RJ45 to RJ45 Cable, 4M

CPU

Sun-4d Architecture

SPARCcenter 2000

PART #	DESCRIPTION
	SPARCcenter 2000
501-1866	0MB SC2000 CPU FRU
501-2334	0MB SC2000 CPU FRU
501-1817	8MB DIMM
501-2196	32MB DIMM
501-2197	1MB NVSIMM
501-2318	SM41 SuperSPARC Module 3.x (pre-fcs)
501-2270	SM41 SuperSPARC Module 3.x (501-2270-04 only)
501-2359	SM41 SuperSPARC Module 3.x
501-2353	SM51-2 SuperSPARC Module 3.x
501-2601	SM51-2 SuperSPARC Module 3.5
501-2618	SM51-2 SuperSPARC Module 5.x
501-2755	SM51-2 SuperSPARC Module 5.2
501-2543	SM61-2 SuperSPARC Module 5.x
501-2757	SM61-2 SuperSPARC Module 5.2
501-3022	SM81-2 SuperSPARC II Module
501-3098	SM81-2 SuperSPARC II Module
501-4780	SM81-2 SuperSPARC II Module
501-5056	SM81-2 SuperSPARC II Module
100-2822	Unprogrammed NVRAM, 48T08-15
330-1664	SBus and SPARC Module Standoff
340-2528	SBus Filler Panel
530-1871	RJ45 to RJ45 Cable, 4M
530-2093	Shielded RJ45 to RJ45 Cable, 4M

CPU

Sun-4d Architecture

SPARCcenter 2000E

PART #	DESCRIPTION
501-2718	0MB SC2000E CPU FRU
501-1817	8MB DIMM
501-2196	32MB DIMM
501-2197	1MB NVSIMM
501-2543	SM61-2 SuperSPARC Module 5.x
501-2757	SM61-2 SuperSPARC Module 5.2
501-3022	SM81-2 SuperSPARC II Module
501-3098	SM81-2 SuperSPARC II Module
501-4780	SM81-2 SuperSPARC II Module
501-5056	SM81-2 SuperSPARC II Module
100-2822	Unprogrammed NVRAM, 48T08-15
330-1664	SBus and SPARC Module Standoff
340-2528	SBus Filler Panel
530-1871	RJ45 to RJ45 Cable, 4M
530-2093	Shielded RJ45 to RJ45 Cable, 4M

CPU

Sun-4u Architecture

Ultra 1 Models 140 and 170

PART #	DESCRIPTION
	Ultra 1 Model 140 (A11)
501-2836	0MB CPU FRU
540-2761	● UltraSPARC Fan Assembly (discontinued 5/97 - 6/97)
501-2479	16MB DIMM
501-2622	32MB DIMM
501-2480	64MB DIMM
501-5691	64MB DIMM
501-3136	128MB DIMM
525-1430	NVRAM, 48T59
340-3187	SBus Filler Panel
530-2068	DB25 to 36-Pin Centronics Parallel Cable, 5M
530-1871	RJ45 to RJ45 Cable, 4M
530-2093	Shielded RJ45 to RJ45 Cable, 4M
595-3780	MII to AUI Converter (requires AC power)
	Ultra 1 Model 170 (A11)
501-3082	0MB CPU FRU
501-5139	0MB CPU FRU
540-2761	● UltraSPARC Fan Assembly (discontinued 5/97 - 6/97)
501-2479	16MB DIMM
501-2622	32MB DIMM
501-2480	64MB DIMM
501-5691	64MB DIMM
501-3136	128MB DIMM
525-1430	NVRAM, 48T59
340-3187	SBus Filler Panel
530-2068	DB25 to 36-Pin Centronics Parallel Cable, 5M
530-1871	RJ45 to RJ45 Cable, 4M
530-2093	Shielded RJ45 to RJ45 Cable, 4M
595-3780	MII to AUI Converter (requires AC power)

CPU
Sun-4u Architecture

Ultra 1 Models 140E and 170E

PART #	DESCRIPTION
	Ultra 1 Model 140E (A12)
501-4291	0MB CPU FRU
540-2761	● UltraSPARC Fan Assembly (discontinued 5/97 - 6/97)
501-4677	0MB CPU FRU
501-2479	16MB DIMM
501-2622	32MB DIMM
501-2480	64MB DIMM
501-5691	64MB DIMM
501-3136	128MB DIMM
525-1430	NVRAM, 48T59
340-3187	SBus Filler Panel
530-2068	DB25 to 36-Pin Centronics Parallel Cable, 5M
530-1871	RJ45 to RJ45 Cable, 4M
530-2093	Shielded RJ45 to RJ45 Cable, 4M
595-3780	MII to AUJ Converter (requires AC power)
	Ultra 1 Model 170E (A12)
501-2486	0MB CPU FRU
540-2761	● UltraSPARC Fan Assembly (discontinued 5/97 - 6/97)
501-4676	0MB CPU FRU
501-2479	16MB DIMM
501-2622	32MB DIMM
501-2480	64MB DIMM
501-5691	64MB DIMM
501-3136	128MB DIMM
525-1430	NVRAM, 48T59
340-3187	SBus Filler Panel
530-2068	DB25 to 36-Pin Centronics Parallel Cable, 5M
530-1871	RJ45 to RJ45 Cable, 4M
530-2093	Shielded RJ45 to RJ45 Cable, 4M
595-3780	MII to AUJ Converter (requires AC power)

CPU

Sun-4u Architecture

Ultra 1 Model 200E

PART #	DESCRIPTION
	Ultra 1 Model 200E (A12)
501-4134	0MB CPU FRU
501-4358	0MB CPU FRU
501-5403	0MB CPU FRU
540-2761	● UltraSPARC Fan Assembly (discontinued 5/97 - 6/97)
501-2479	16MB DIMM
501-2622	32MB DIMM
501-2480	64MB DIMM
501-5691	64MB DIMM
501-3136	128MB DIMM
525-1430	NVRAM, 48T59
340-3187	SBus Filler Panel
530-2068	DB25 to 36-Pin Centronics Parallel Cable, 5M
530-1871	RJ45 to RJ45 Cable, 4M
530-2093	Shielded RJ45 to RJ45 Cable, 4M
595-3780	MII to AUI Converter (requires AC power)

CPU

Sun-4u Architecture

Ultra 2

PART #	DESCRIPTION
	Ultra 2 (A14)
501-2487	0MB CPU FRU (pre-fcs)
501-3132	0MB CPU FRU
501-4772	0MB CPU FRU (ECO Released 12/97, not manufactured)
501-4826	0MB CPU FRU (ECO Released 12/97, not manufactured)
540-2603	● CPU Fan and Shroud Assembly
501-2479	16MB DIMM
501-2622	32MB DIMM
501-2480	64MB DIMM
501-5691	64MB DIMM
501-3136	128MB DIMM
501-2702	167MHz UltraSPARC Module
501-2942	167MHz UltraSPARC Module
501-3041	200MHz UltraSPARC Module
501-4791	200MHz UltraSPARC Module
501-4196	300MHz UltraSPARC II Module
501-4849	300MHz UltraSPARC II Module
501-5541	400MHz UltraSPARC II Module, 2MB Cache
501-5445	400MHz UltraSPARC II Module, 2MB Cache
525-1417	NVRAM, 48T59
340-3187	SBus Filler Panel
530-2068	DB25 to 36-Pin Centronics Parallel Cable, 5M
530-1871	RJ45 to RJ45 Cable, 4M
530-2093	Shielded RJ45 to RJ45 Cable, 4M
595-3780	MII to AUI Converter (requires AC power)

CPU

Sun-4u Architecture

Ultra 5 and Ultra 10

PART #	DESCRIPTION
	Ultra 5 (A21) and Ultra 10 (A22)
370-3196	A21 3-Slot PCI Riser Card
370-3197	A22 4-Slot PCI Riser Card
370-3211	16MB DIMM
370-3198	32MB 60ns DIMM
370-3199	64MB 60ns DIMM
370-3200	128MB 60ns DIMM
370-3201	256MB 60ns DIMM
370-3796	32MB 50ns DIMM
370-3797	64MB 50ns DIMM
370-3798	128MB 50ns DIMM
370-3799	256MB 50ns DIMM
375-0009	0MB CPU FRU with 8-Bit PGX (NVRAM 525-1430)
375-0066	0MB CPU FRU with 24-Bit PGX (NVRAM 525-1430)
375-0079	0MB CPU FRU with 24-Bit PGX (NVRAM 525-1430)
375-0115	0MB CPU FRU with 24-Bit PGX (NVRAM 525-1817)
501-4477	270MHz UltraSPARC Ili Module
501-5039	270MHz UltraSPARC Ili Module
501-4379	300MHz UltraSPARC Ili Module
501-5040	300MHz UltraSPARC Ili Module
501-5090	333MHz UltraSPARC Ili Module
501-5568	333MHz UltraSPARC Ili Module
501-5222	360MHz UltraSPARC Ili Module
501-5148	360MHz UltraSPARC Ili Module
501-5740	400MHz UltraSPARC Ili Module
501-5741	400MHz UltraSPARC Ili Module
501-5149	440MHz UltraSPARC Ili Module
501-5150	480MHz UltraSPARC Ili Module
530-1871	Twisted Pair Ethernet Cable, RJ45 to RJ45
530-2961	Twisted Pair Ethernet Cable, RJ45 to RJ45
530-2068	DB25 to 36-Pin Centronics Parallel Cable, 5M
530-2357	Video Adapter Cable, HD15M to DB13W3F
None	CPU Module Hold-down Bracket
None	PCI Filler Panel

CPU

Sun-4u Architecture

Ultra 30

PART #	DESCRIPTION
	Ultra 30 (A16)
501-3139	0MB System Board FRU
501-2479	16MB DIMM
501-2622	32MB DIMM
501-2480	64MB DIMM
501-5691	64MB DIMM
501-3136	128MB DIMM
501-4278	250MHz UltraSPARC II Module
501-4857	250MHz UltraSPARC II Module
501-4196	300MHz UltraSPARC II Module
501-4849	300MHz UltraSPARC II Module
240-2750	PCI Filler Panel
501-4155	Audio Module
525-1430	NVRAM, 48T59
530-2068	DB25 to 36-Pin Centronics Parallel Cable, 5M
530-1871	RJ45 to RJ45 Cable, 4M
530-2093	Shielded RJ45 to RJ45 Cable, 4M
540-2986	CPU Fan and Shroud Assembly
595-3780	MII to AUJ Converter (requires AC power)

CPU

Sun-4u Architecture

Ultra 60

PART #	DESCRIPTION
	Ultra 60 (A23)
501-4450	0MB System Board FRU
501-5343	0MB System Board FRU (not released)
501-5355	0MB System Board FRU (not released)
501-5606	0MB System Board FRU
501-2479	16MB DIMM
501-2622	32MB DIMM
501-2480	64MB DIMM
501-5691	64MB DIMM
501-3136	128MB DIMM
501-4849	300MHz UltraSPARC II Module
501-4781	360MHz UltraSPARC II Module
501-5129	360MHz UltraSPARC II Module
501-5552	360MHz UltraSPARC II Module
501-5344	450MHz UltraSPARC II Module
501-5539	450MHz UltraSPARC II Module
240-2750	PCI Filler Panel
501-4155	Audio Module
525-1430	NVRAM, 48T59
530-2068	DB25 to 36-Pin Centronics Parallel Cable, 5M
530-1871	RJ45 to RJ45 Cable, 4M
530-2093	Shielded RJ45 to RJ45 Cable, 4M
540-3252	System Board Fan and Shroud Assembly
330-2376	● 2 CPU Shroud Bracket/FRU
540-3427	● 1 CPU Shroud Assembly/FRU
540-3428	● Fan Assembly
595-3780	MII to AUI Converter (requires AC power)

CPU

Sun-4u Architecture

Ultra 80

PART #	DESCRIPTION
	Ultra 80 (A27)
501-5168	0MB System Board FRU
501-5691	64MB DIMM
501-4743	256MB DIMM
501-5344	450MHz UltraSPARC II Module
501-5539	450MHz UltraSPARC II Module
240-2750	PCI Filler Panel
300-1407	125 Watt DC-DC Converter with Fan
330-2805	Processor Module Slot Filler Panel
340-3559	Audio Module Slot Filler Panel
340-6091	Memory Riser Torque Tool (only use 340-6091-02)
501-4155	Audio Module
525-1785	NVRAM, 48T59
530-2068	DB25 to 36-Pin Centronics Parallel Cable, 5M
530-1871	RJ45 to RJ45 Cable, 4M
530-2093	Shielded RJ45 to RJ45 Cable, 4M
540-3948	System Board Shroud Assembly (not part of 0MB FRU)
330-2737	● CPU Front Bracket
330-2738	● CPU Rear Bracket
330-2739	● CPU Center Bracket
330-2740	● CPU DRAM Bracket
540-4048	CPU Airguide Assembly (not part of 0MB FRU)
330-2803	● Dual Vane Snap
330-2709	● Airguide

CPU

Sun-4u Architecture

Sun Blade 100

PART #	DESCRIPTION
	Sun Blade 100 (A36)
375-0112	0MB System Board with 500MHz UltraSPARC IIe
100-6471	● 500MHz UltraSPARC IIe with Heatsink
375-0096	0MB System Board FRU w/o UltraSPARC IIe
100-6889	● NVRAM
150-2850	● BR1632/CR1632 3V Battery
370-4208	2-Slot PCI Riser Board
370-4149	128MB DIMM
370-4150	256MB DIMM
370-4151	512MB DIMM
530-2068	DB25 to 36-Pin Centronics Parallel Cable, 5M
530-2093	Shielded RJ45 to RJ45 Cable, 4M

Sun Blade 1000

PART #	DESCRIPTION
	Sun Blade 1000 (A28)
501-4143	0MB System Board
150-2850	● BR1632/CR1632 3V Battery
525-1788	● SEEPROM
340-6395	UltraSPARC Module Torque Tool
501-4489	128MB DIMM
501-5401	256MB DIMM
501-5031	1GB DIMM
501-4999	600MHz/4MB UltraSPARC III
501-5675	750MHz/8MB UltraSPARC III
501-5770	900MHz/8MB UltraSPARC III
530-2068	DB25 to 36-Pin Centronics Parallel Cable, 5M
530-2093	Shielded RJ45 to RJ45 Cable, 4M

CPU

Sun-4u Architecture

Enterprise 250

PART #	DESCRIPTION
	Enterprise 250 (A26)
501-4681	0MB System Board FRU
501-4818	Remote System Control Board and Cable
530-2526	● Remote System Control Cable
501-2479	16MB DIMM
501-2622	32MB DIMM
501-2480	64MB DIMM
501-5691	64MB DIMM
501-3136	128MB DIMM
501-4849	300MHz UltraSPARC II Module
501-5237	400MHz UltraSPARC II Module, 2MB Cache
501-5445	400MHz UltraSPARC II Module, 2MB Cache
340-3256	PCI Filler Panel
525-1726	NVRAM, 48T59
530-2068	DB25 to 36-Pin Centronics Parallel Cable, 5M
530-1871	RJ45 to RJ45 Cable, 4M
530-2093	Shielded RJ45 to RJ45 Cable, 4M
595-3780	MII to AUI Converter (requires AC power)

CPU

Sun-4u Architecture

Ultra 450 Ultra Enterprise 450

PART #	DESCRIPTION
	Ultra 450 (A20) and Ultra Enterprise 450 (A25)
300-1322	45 Watt DC-DC Converter
330-2781	Slot CPU-A1 Air Baffle for 400MHz Module
330-3102	Empty CPU Slot Filler Panel for 480MHz Systems
330-3127	Empty Slot CPU-A1 Cover for 480MHz Systems
501-5028	0MB System Board FRU (A20 only)
501-2996	0MB System Board FRU (A25 only)
501-5270	0MB System Board FRU (A25 only)
501-5672	0MB System Board FRU (A25 only)
501-5673	0MB System Board FRU (A25 only)
501-2622	32MB DIMM
501-2480	64MB DIMM
501-5691	64MB DIMM
501-3136	128MB DIMM
501-4743	256MB DIMM
501-5896	256MB DIMM with Gate Array Logic
501-4278	250MHz UltraSPARC II Module
501-4857	250MHz UltraSPARC II Module
501-4196	300MHz UltraSPARC II Module
501-4849	300MHz UltraSPARC II Module
501-5239	400MHz UltraSPARC II Module, 4MB Cache
501-5446	400MHz UltraSPARC II Module, 4MB Cache
501-5449	480MHz UltraSPARC II Module, 4MB Cache
525-1673	NVRAM, 48T59
340-3256	PCI Filler Panel
501-2592	Audio Module
530-1869	Serial Port Adapter Cable, 50 cm
530-1871	RJ45 to RJ45 Cable, 4M
530-2068	DB25 to 36-Pin Centronics Parallel Cable, 5M
530-2093	Shielded RJ45 to RJ45 Cable, 4M
540-4597	Air duct Assembly/FRU for 480MHz Module
595-3780	MII to AUJ Converter (requires AC power)

CPU

Sun-4u Architecture

Ultra Enterprise 3000/4000/5000/6000

PART #	DESCRIPTION
	Ultra Enterprise 3000/4000/5000/6000
501-2557	CPU/Memory (not released - seen during flash update)
501-2976	0MB CPU/Memory FRU (2MB cache support)
501-4312	0MB CPU/Memory FRU (8MB cache support)
100-4007	● CPU/Memory Board NVRAM
501-2511	Clock Board (not released - seen during flash update)
501-2975	83MHz Clock Board (÷2 clock ratio)
501-4286	83MHz Clock Board (÷2 and ÷3 clock ratios)
525-1665	● Clock Board NVRAM, 48T59
501-2941	167MHz UltraSPARC Module, 1/2MB Cache
501-2959	167MHz UltraSPARC Module, 1MB Cache
501-4178	250MHz UltraSPARC II Module, 1MB Cache
501-4249	250MHz UltraSPARC II Module, 4MB Cache
501-4836	250MHz UltraSPARC II Module, 4MB Cache
501-2652	8MB DIMM
501-2653	32MB DIMM
501-2654	128MB DIMM
501-5658	256MB DIMM
501-2558	I/O Board (not released - seen during flash update)
501-2977	83MHz I/O Board with SOC
501-4287	83MHz I/O Board with SOC
501-4266	83MHz I/O Board with SOC+
501-2749	83MHz I/O Graphics Board with SOC
501-4288	83MHz I/O Graphics Board with SOC
501-4325	83MHz PCI I/O Board FRU with 2x 5V Risers
530-1871	RJ45 to RJ45 Cable, 4M
530-2093	Shielded RJ45 to RJ45 Cable, 4M
595-3780	MII to AUI Converter (requires AC power)

Notes

1. The Ex000 CPU/Memory and I/O boards may be used in the Ex500.
2. The minimum OS for the Ex000 is 2.5.1.
3. The minimum OS for the Ex500 is 2.5.1 HW: 11/97 or 2.6 HW: 3/98.
4. The minimum OBP for the Ex500 is 3.2 Version 14.

CPU

Sun-4u Architecture

Enterprise 3500/4500/5500/6500

PART #	DESCRIPTION
	Enterprise 3500/4500/5500/6500
501-4882	OMB CPU/Memory FRU
100-4007	● CPU/Memory Board NVRAM
501-4946	100MHz Clock Board (+2, +3, and +4 clock ratios)
501-5365	100MHz Clock Board (+2, +3, +4, +5, and +6 clock ratios)
525-1665	● Clock Board NVRAM, 48T59
501-4249	250MHz UltraSPARC II Module, 4MB Cache
501-4836	250MHz UltraSPARC II Module, 4MB Cache
501-4363	336MHz UltraSPARC II Module, 4MB Cache
501-4995	400MHz UltraSPARC II Module, 4MB Cache
501-5425	400MHz UltraSPARC II Module, 4MB Cache
501-5585	400MHz UltraSPARC II Module, 4MB Cache
501-5235	400MHz UltraSPARC II Module, 8MB Cache
501-5661	400MHz UltraSPARC II Module, 8MB Cache
501-5762	400MHz UltraSPARC II Module, 8MB Cache
501-2652	8MB DIMM
501-2653	32MB DIMM
501-2654	128MB DIMM
501-2658	256MB DIMM
501-4883	100MHz I/O Board with SOC+
501-4884	100MHz I/O Graphics Board with SOC+
501-4926	100MHz PCI I/O Board FRU with 2x 5V Risers
530-1871	RJ45 to RJ45 Cable, 4M
530-2093	Shielded RJ45 to RJ45 Cable, 4M
540-4516	OMB CPU/Memory FRU with 400MHz Modules
501-5762	● 400MHz UltraSPARC II Module, 8MB Cache (x2)
540-4517	OMB CPU/Memory FRU with 400MHz Modules
501-5661	● 400MHz UltraSPARC II Module, 8MB Cache (x2)
540-4575	2GB CPU/Memory FRU with 400MHz Modules
501-2654	● 128MB DIMM (x16)
501-5762	● 400MHz UltraSPARC II Module, 8MB Cache (x2)
595-3780	MII to AUI Converter (requires AC power)

Note: The Ex500 boards may be used in the Ex000.

CPU

Sun-4u1 Architecture

Ultra Enterprise 10000

PART #	DESCRIPTION
	Ultra Enterprise 10000
501-4347	System Board tested at 83MHz
501-4786	System Board tested at 83MHz
501-4903	System Board tested at 83MHz
501-5240	System Board tested at 100MHz
501-5278	System Board tested at 100MHz
501-5279	System Board tested at 100MHz
501-5693	System Board tested at 100MHz
501-4345	Control Board
501-4839	Control Board
501-5494	Control Board
501-4178	250MHz UltraSPARC II Module, 1MB Cache
501-4249	250MHz UltraSPARC II Module, 4MB Cache
501-4836	250MHz UltraSPARC II Module, 4MB Cache
501-4363	336MHz UltraSPARC II Module, 4MB Cache
501-4995	400MHz UltraSPARC II Module, 4MB Cache
501-5425	400MHz UltraSPARC II Module, 4MB Cache
501-5585	400MHz UltraSPARC II Module, 4MB Cache
501-5235	400MHz UltraSPARC II Module, 8MB Cache
501-5661	400MHz UltraSPARC II Module, 8MB Cache
501-5762	400MHz UltraSPARC II Module, 8MB Cache
501-4351	0MB Memory Board
501-4776	0MB Memory Board
501-2652	8MB DIMM
501-2653	32MB DIMM
501-2654	128MB DIMM
501-4349	SBus I/O Board
501-4478	SBus I/O Board
501-4830	PCI I/O Board Assembly
501-4348	Centerplane
501-4346	Centerplane Support Board
530-1871	RJ45 to RJ45 Cable, 4M
530-2093	Shielded RJ45 to RJ45 Cable, 4M

Graphics

ZX TZX Expert 3D

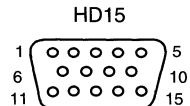
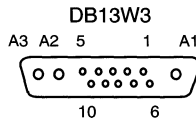
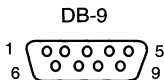
PART #	DESCRIPTION
	ZX 24-Bit SBus Graphics Option
501-1845	ZX Board Set
501-1843	● ZX Upper Board
501-1844	● ZX Lower Board
240-2090	● Nylon Screw
240-2103	● Nylon Standoff
250-1195	● Rubber Bumper (3 required)
150-2633	Ferrite for Stereo Cable when used with A11 and A12
530-2290	SBus Extender Cable for A11 and A12
	TurboZX 24-Bit SBus Graphics Option
501-2503	TurboZX Board Set
501-2502	● TurboZX Lower Board
501-2711	● TurboZX Upper Board
240-2091	● Nylon Standoff
501-2840	SBus 5Vdc Fan Card
530-2165	Fan Card to SBus Slot Cable
	Expert 3D 24-Bit PCI Graphics Option 3678
370-3987	Expert 3D
530-2927	Multiview Cable, 75 mm
370-4272	Enterprise 450 PCI Fan Card
530-2989	Enterprise 450 Multiview Cable
806-1859	<i>Expert 3D Installation Guide</i>
806-5858	<i>Expert 3D Product Note</i>

Graphics

Cables

PART #	DESCRIPTION
180-1861	Color Cable, 1.8M, HD15M to HD15M
530-2494	Color Cable, 1.8M, HD15M to HD15M
530-0492	Color Cable, 4.6M, 1xBNC to 1xBNC
530-1138	Color Cable, 4.6M, 4xBNC to 4xBNC
530-1307	Color Cable, 4.6M, 4xBNC to 4xBNC
530-1362	Color Cable, 1.2M, 4xBNC to 4xBNC
530-1415	Color Cable, 50 cm, 4xBNC to 4xBNC
530-1440	Color Cable, 1.2M, DB13W3M to DB13W3M
530-1509	Color Cable, 4.6M, DB13W3M to DB13W3M
530-1839	Color Cable, 1.0M, 90° DB13W3M to DB13W3M, 75Ω
530-1840	Color Cable, 4.0M, 90° DB13W3M to DB13W3M, 75Ω
530-1870	Color Cable, 1.2M, DB13W3M to DB13W3M, 75Ω
530-1898	Color Cable, 4.5M, DB13W3M to DB13W3M, 75Ω
530-2020	Extension Cable, 3.0M, DB13W3M to DB13W3F, 75Ω
130-3034	HD15F to DB13W3M Adapter, Option 3872
130-4195	HD15M to DB13W3F PGX32 Composite Sync Adapter
530-1446	4xBNC to DB13W3 Adapter
530-2357	HD15M to DB13W3F Adapter
530-2917	HD15M to DB13W3F Adapter, 24" Cable, Option 471
530-1308	Greyscale Cable, 4.6M, 2xBNC to 2xBNC
530-1363	Greyscale Cable, 1.2M, 2xBNC to 2xBNC
530-1511	Greyscale Adapter, 2xBNC to DB13W3
530-1041	Monochrome Cable, DB-9 to DB-9 (Sun-2/150U)
530-1109	Monochrome Cable, 75 cm, DB-9 to DB-9
530-1125	Monochrome Cable, 4.6M, DB-9 to DB-9
530-1133	Monochrome Cable, 4.6M, DB-9 to DB-9
530-1242	Monochrome Cable, 75 cm, DB-9 to DB-9
530-1336	Monochrome Cable, 4.6M, DB-9 to DB-9
530-1359	Monochrome Cable, 1.2M, DB-9 to DB-9

Video Cable Connectors



SCSI

SBus

PART #	DESCRIPTION
501-1869	SCSI Host Adapter and Buffered Ethernet SBE/S
130-2031	● Adapter, RJ45F to RJ45F
340-2573	● SCSI Connector Screw, #2-56 x 1/4"
530-1812	● 10Base5 Adapter Cable, DB-15, 70 mm
530-1813	● 10Base-T Adapter Cable, RJ-45, 40 mm
501-2015	Fast SCSI Host Adapter and Buffered Ethernet FSBE/S
340-2573	● SCSI Connector Screw, #2-56 x 1/4"
501-1902	Differential SCSI Host and Buffered Ethernet DSBE/S
340-2573	● SCSI Connector Screw, #2-56 x 1/4"
240-1911	● SCSI Connector Standoff, #2-56M - #2-56F (obsolete)
240-2110	● SCSI Connector Standoff, #2-56M - #2-56F, Slotted
501-2739	SunSwift SBus SCSI/Ethernet
530-1871	RJ45 to RJ45 Cable, 4M

SCSI

PCI

PART #	DESCRIPTION
501-2741	SunSwift PCI SCSI/Ethernet
501-5656	SunSwift PCI SCSI/Ethernet
530-1871	RJ45 to RJ45 Cable, 4M
375-0005	Dual Single-Ended Ultra SCSI without FCode
375-0013	Dual Single-Ended Ultra SCSI with FCode
530-2366	E450 Internal A-Port and B-Port Cable
530-2452	External HD68 to VHDCI68 Cable, 80 cm
530-2453	External HD68 to VHDCI68 Cable, 2M
375-0006	Dual Differential Ultra SCSI without FCode
375-0014	Dual Differential Ultra SCSI with FCode
530-2366	E450 Internal A-Port and B-Port Cable
530-2452	External HD68 to VHDCI68 Cable, 80 cm
530-2453	External HD68 to VHDCI68 Cable, 2M
375-0078	SCSI RAID Controller SRC/P
None	● DPT PM3755U2B SmartRAID Millennium
None	● DPT DM4050-64 64MB DIMM
375-0082	● DPT BB4050 Battery Backup Module
None	● DPT BP-0001-001 2.4V Battery
None	● DPT SX4055U2-2 SCSI Expansion Module
530-2733	External HD68 to VHDCI68 Cable, 2M (obsolete)
530-2453	External HD68 to VHDCI68 Cable, 2M * (-02 required)
530-2744	E450 Internal 8-Disk Backplane Cable

* Two 530-2452-01 or 530-2453-01 cables are not usable at the same time on the A and B ports due to thickness of the connector shell. The shell thickness was reduced on cables 530-2452-02 and 530-2453-02.

SCSI

XDBus SCSI Disk Cards

PART #	DESCRIPTION
501-2242	2.1GB SCSI Disk Card with 4 535MB Disk Drives
501-2066	● SCSI Disk Card FRU without Disk Drives
540-2403	● 535MB Disk Drive FRU
240-2080	● #6-32 x 3/16 Screw, Torx or Bristol Spline 0.096-6
370-1425	● Conner 535MB Disk Drive
540-2412	● Conner 535MB Disk Drive Mounting Bracket
370-1550	● Seagate 535MB Disk Drive
540-2413	● Seagate 535MB Disk Drive Mounting Bracket
150-1785	Single-Ended Active Terminator, HD50
501-2589	4.2GB Wide SCSI Disk Card with 4 1.05GB Disk Drives
501-2588	● Wide SCSI Disk Card FRU without Disk Drives
540-2568	● 1.05GB Disk Drive FRU
240-2080	● #6-32 x 3/16" Button Screw, Torx or 0.096-6 Bristol
370-1822	● 1.05GB Disk Drive, Conner CFP1060E
370-1964	● 1.05GB Disk Drive, Conner CFP1080E
540-2412	● Conner Mounting Bracket
370-1753	● 1.05GB Disk Drive, Seagate ST31200WC
540-2413	● Seagate Mounting Bracket
150-2267	Single-Ended Forced Perfect Terminator, HD68
501-2980	8.4 GB Wide SCSI Disk Card with 4 2.1GB Disk Drives
501-2588	● Wide SCSI Disk Card FRU without Disk Drives
540-2706	● 2.1GB 7200 RPM Disk Drive FRU
240-2080	● #6-32 x 3/16" Button Screw, Torx or 0.096-6 Bristol
370-1956	● 2.1GB Disk Drive, IBM
370-2040	● 2.1GB Disk Drive, Seagate
540-2413	● Drive Mounting Bracket
150-2267	Single-Ended Forced Perfect Terminator, HD68

SCSI

Gigaplane SCSI Disk Card

PART #	DESCRIPTION
501-4168	4.2 GB Wide SCSI Disk Card with 2 2.1GB Disk Drives
501-3113	● Wide SCSI Disk Card FRU without Disk Drives
540-2730	● 2.1GB 7200 RPM Disk Drive FRU
370-2040	● 2.1GB Disk Drive, Seagate ST32550WC
370-1956	● 2.1GB Disk Drive, IBM DFHS-32160
540-2936	● 2.1GB 7200 RPM Disk Drive FRU
370-2365	● 2.1GB Disk Drive, Seagate ST32171WC
370-1808	● 2.1GB Disk Drive, Quantum VK22J05
501-5137	8.4 GB Wide SCSI Disk Card with 2 4.2GB Disk Drives
501-3113	● Wide SCSI Disk Card FRU without Disk Drives
540-2938	● 4.2GB 7200 RPM Disk Drive FRU
370-2367	● 4.2GB Disk Drive, Seagate ST34371WC
370-2809	● 4.2GB Disk Drive, Quantum VK45J05
370-3403	● 4.2GB Disk Drive, IBM DDRS-34560
370-3412	● 4.2GB Disk Drive, Fujitsu MAB3045SC
501-5584	18.2 GB Wide SCSI Disk Card with 2 9.1GB Disk Drives
501-3113	● Wide SCSI Disk Card FRU without Disk Drives
540-3704	● 9.1GB 7200 RPM Disk Drive FRU
370-3404	● 9.1GB Disk Drive, IBM DDRS-39130
370-3413	● 9.1GB Disk Drive, Fujitsu MAB3091SC
370-3595	● 9.1GB Disk Drive, Seagate ST39173WC
390-0004	● 9.1GB Disk Drive, Fujitsu MAE3091LC
390-0007	● 9.1GB Disk Drive, IBM DNES-309170
501-5584	36.4 GB Wide SCSI Disk Card with 2 18.2GB Disk Drives
501-3113	● Wide SCSI Disk Card FRU without Disk Drives
540-4177	● 18.2GB 10000 RPM Disk Drive FRU
390-0002	● 18.2GB Disk Drive, Seagate ST318203LC
390-0006	● 18.2GB Disk Drive, Fujitsu MAG3182LC
390-0038	● 18.2GB Disk Drive, Seagate ST318404LC
390-0043	● 18.2GB Disk Drive, Fujitsu MAJ3182WC

SCSI

RSM Array 2000 StorEdge A3000

PART #	DESCRIPTION
370-2435	Differential SCSI Array Controller without Memory
540-3600	Differential SCSI Array Controller with Memory
540-4027	FC-AL Array Controller with Memory
370-2434	Battery Assembly
370-2438	8MB Processor Memory SIMM
370-2439	32MB Cache Memory SIMM
150-1890	Differential Terminator, HD68

StorEdge A3000 StorEdge A3500 StorEdge A3500FC

PART #	DESCRIPTION
370-3656	Differential SCSI Array Controller without Memory
540-3083	Differential SCSI Array Controller with Memory
370-3930	A3500FC FC-AL Array Controller without Memory
540-4026	A3500FC FC-AL Array Controller with Memory
370-2434	Battery Assembly
370-2438	8MB Processor Memory SIMM
370-2439	32MB Cache Memory SIMM
150-1890	Differential Terminator, HD68

StorEdge A1000

PART #	DESCRIPTION
375-0015	Raid Controller FRU w/o Battery, 16MB MPU + 64MB RPA
375-0016	Raid Controller FRU w/o Battery, 8MB MPU + 16MB RPA
375-0007	Raid Controller with 8MB MPU + 16MB RPA + Battery
370-3417	Battery Module
None	4MB Memory Module 1Mx36
None	8MB Memory Module 2Mx36
370-2439	32MB Memory Module 8Mx36

StorEdge D1000

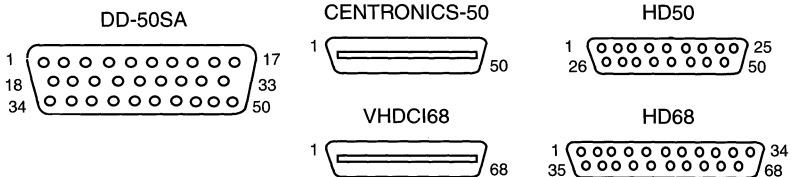
PART #	DESCRIPTION
375-0008	Differential SCSI Board
150-1890	Differential Terminator, HD68

SCSI

External Single-Ended 8-Bit Narrow SCSI Cables

PART #	DESCRIPTION
530-1185	DD-50SA to DD-50SA, Ribbon, 1.0M (obs)
530-1186	DD-50SA to DD-50SA, Ribbon, 5.0M (obs)
530-1249	DD-50SA to DD-50SA, 1.0M
530-1250	DD-50SA to DD-50SA, 3.0M
530-1334	DD-50SA to DD-50SA, 2.5M
530-1365	DD-50SA to DD-50SA, 41 cm
530-1435	HD50 to DD-50SA, 2.0M
530-1593	HD50 to DD-50SA, 1.0M
530-1792	HD50 to DD-50SA with Ferrites, 2.0M
530-1829	HD50 to DD-50SA with Ferrites, 1.0M
530-1434	HD50 to HD50, 45 cm
530-1508	HD50 to HD50, 80 cm (X930H) (obsolete)
530-1793	HD50 to HD50 with Ferrites, 80 cm (X930H)
530-1836	HD50 to HD50 with Ferrites, 2.0M
530-1852	HD50 to HD50 with Ferrites, 4.0M,
530-2055	HD50 to 90° HD50 with Ferrites, 1.12M
530-2056	HD50 to 90° HD50 with Ferrites, 1.65M
530-2115	HD68 to HD50, 1.2M (X903A or X3857A)
530-2228	HD68 to HD50, 2.0M (X904A)
530-2312	HD68 to HD50 with Ferrites, 4.0M
530-1501	DD-50SA to Centronics-50, 2.0M
530-1502	Centronics-50 to Centronics-50, 1.5M
530-1503	HD50 to Centronics-50, 2.0M
530-1568	DD-50SA to Centronics-50, 4.0M
530-1900	HD50 to Centronics-50, 4.0M

SCSI Cable Connectors



SCSI

External Differential and 16-Bit Wide SCSI Cables

PART #	DESCRIPTION
370-3427	HD68M to 2x HD68F, 30 cm (Y-Cable X3851A)
530-1883	HD68 to HD68, 20 cm
530-1884	HD68 to HD68 with Ferrites, 80 cm
530-1885	HD68 to HD68 with Ferrites, 2M
530-1886	HD68 to HD68, 12.0M (X979A)
530-2022	HD68 to HD68, 1.0M (X905A)
530-2057	HD68 to HD68, 25 cm (X977A)
530-2224	HD68 to HD68 with Ferrites, 1M
530-2352	HD68 to HD68 with Ferrites, 4M (X3810A)
530-2375	HD68 to HD68 with Ferrites, 12M
530-2383	HD68 to HD68 with Ferrites, 80 cm * (X3856A)
530-2384	HD68 to HD68 with Ferrites, 2M *
530-2452	HD68 to VHDCI68 with Ferrites, 80 cm *
530-2453	HD68 to VHDCI68 with Ferrites, 2M *
530-2454	HD68 to VHDCI68 with Ferrites, 4M (X3830A)
530-2455	HD68 to VHDCI68 with Ferrites, 10M (X3831A)
530-2574	HD68 to HD68 with Ferrites, 6M (X3838A)
530-2575	HD68 to HD68 with Ferrites, 8M (X3839A)
530-2729	Left 90° HD68 to VHDCI68, 2M (X992A) *
530-2735	90° HD68 to 90° HD68, 16 cm (X991A) *
530-2751	Left 90° HD68 to VHDCI68, 4M (X993A)
530-2790	90° HD68 to VHDCI68, .3M (X6917A)
530-2846	Right 90° HD68 to VHDCI68, 2M (X959A) *
530-2847	Right 90° HD68 to VHDCI68, 4M (X947A)
530-2905	90° HD68 to VHDCI68, .5M
370-3545	L1000 90° HD68 to 90° HD68, 18 cm
370-3546	L1000 90° HD68 to 90° HD68, 36 cm

* These cables support Single-Ended Ultra/Wide SCSI transfer rates.

SCSI

Terminators

PART #	DESCRIPTION
150-1346	Single-Ended Passive Terminator, HD50
150-1407	Single-Ended Passive Terminator, 50-Pin Centronics
150-1785	Single-Ended Active Terminator, HD50
150-2283	Single-Ended Forced Perfect Terminator, HD50
530-1381	Single-Ended Passive Terminator, DD-50SA
150-1890	Differential Terminator, HD68 with LED
150-2267	Single-Ended Forced Perfect Terminator, HD68
370-3549	Differential Terminator, HD68 without LED (StorEdge L280)
370-3712	Differential Terminator, HD68, Low Profile (StorEdge L3500)

Fibre Channel

SPARCstorage Array Model 100

PART #	DESCRIPTION
501-2552	Configured Array Controller
340-2666	● Filler Panel
370-1426	● Fibre Channel Optical Module
501-2028	● Battery Module (obsolete, removed from 501-2552-05)
501-2857	● Battery Module
501-2080	● Array Controller (40MHz microSPARC II)
501-2553	Configured SBus Optical Channel Host Adapter
340-2895	● Filler Panel
370-1426	● Fibre Channel Optical Module
501-2069	● SBus Optical Channel Host Adapter SOCHA or FC25/S
537-1004	SC Duplex 50/125 Multimode Fibre Optical Cable, 2M
537-1020	SC Duplex 50/125 Multimode Fibre Optical Cable, 5M
537-1006	SC Duplex 50/125 Multimode Fibre Optical Cable, 15M

SBus Optical Channel Host Adapter FCode

SOCHA PART#	FCode PART#	FCode REVISION
501-2069-05	525-1386-02	1.18
501-2069-07	525-1386-03	1.33
501-2069-09	525-1386-04	1.52

Fibre Channel

SPARCstorage Array Model 112

PART #	DESCRIPTION
501-2982	Configured Array Controller, Light Grey
340-2666	● Filler Panel
370-1426	● Fibre Channel Optical Module
501-2857	● Battery Module
501-2872	● Array Controller, Light Grey (110MHz microSPARC II)
501-4272	Configured Array Controller, Medium Grey
340-2666	● Filler Panel
370-1426	● Fibre Channel Optical Module
501-2857	● Battery Module
501-4271	● Array Controller, Medium Grey (110MHz microSPARC II)
501-2553	Configured SBus Optical Channel Host Adapter
340-2895	● Filler Panel
370-1426	● Fibre Channel Optical Module
501-2069	● SBus Optical Channel Host Adapter SOCHA or FC25/S
537-1004	SC Duplex 50/125 Multimode Fibre Optical Cable, 2M
537-1020	SC Duplex 50/125 Multimode Fibre Optical Cable, 5M
537-1006	SC Duplex 50/125 Multimode Fibre Optical Cable, 15M

SBus Optical Channel Host Adapter FCode

SOCHA PART#	FCode PART#	FCode REVISION
501-2069-05	525-1386-02	1.18
501-2069-07	525-1386-03	1.33
501-2069-09	525-1386-04	1.52

Fibre Channel

SPARCstorage Array Model 200

PART #	DESCRIPTION
501-2786	Configured Array Controller
340-2666	● Filler Panel
370-1426	● Fibre Channel Optical Module
501-2857	● Battery Module
501-2651	● Differential Array Controller (40MHz microSPARC II)
501-2553	Configured SBus Optical Channel Host Adapter
340-2895	● Filler Panel
370-1426	● Fibre Channel Optical Module
501-2069	● SBus Optical Channel Host Adapter SOCHA or FC25/S
501-2670	Differential SCSI to Fibre Channel Adapter
537-1004	SC Duplex 50/125 Multimode Fibre Optical Cable, 2M
537-1020	SC Duplex 50/125 Multimode Fibre Optical Cable, 5M
537-1006	SC Duplex 50/125 Multimode Fibre Optical Cable, 15M

SBus Optical Channel Host Adapter FCode

SOCHA PART#	FCode PART#	FCode REVISION
501-2069-05	525-1386-02	1.18
501-2069-07	525-1386-03	1.33
501-2069-09	525-1386-04	1.52

Fibre Channel

SPARCstorage Array Model 210

PART #	DESCRIPTION
501-3024	Configured Array Controller
340-2666	● Filler Panel
370-1426	● Fibre Channel Optical Module
501-2857	● Battery Module
501-3021	● Differential Array Controller (110MHz microSPARC II)
501-2553	Configured SBus Optical Channel Host Adapter
340-2895	● Filler Panel
370-1426	● Fibre Channel Optical Module
501-2069	● SBus Optical Channel Host Adapter SOCHA or FC25/S
501-2670	Differential SCSI to Fibre Channel Adapter
537-1004	SC Duplex 50/125 Multimode Fibre Optical Cable, 2M
537-1020	SC Duplex 50/125 Multimode Fibre Optical Cable, 5M
537-1006	SC Duplex 50/125 Multimode Fibre Optical Cable, 15M

SBus Optical Channel Host Adapter FCode

SOCHA PART#	FCode PART#	FCode REVISION
501-2069-05	525-1386-02	1.18
501-2069-07	525-1386-03	1.33
501-2069-09	525-1386-04	1.52

Fibre Channel

Enterprise Network Array A5000 StorEdge A5000/5100/5200

PART #	DESCRIPTION
540-2989	Configured FC-AL Host Adapter ≤501-2989-03
370-2303	● FC-AL GBIC Optical Module
501-3060	● FC-AL Host Adapter
540-2989	Configured FC-AL Host Adapter 501-2989-04
370-2303	● FC-AL GBIC Optical Module
501-5202	● FC-AL Host Adapter
540-2989	Configured FC-AL Host Adapter ≥501-2989-05
370-2303	● FC-AL GBIC Optical Module
501-5266	● FC-AL Host Adapter
540-2988	Configured Interface Board
370-2303	● FC-AL GBIC Optical Module
501-2951	● Interface Board
540-4033	Configured Interface Board (Not manufactured)
370-2303	● FC-AL GBIC Optical Module
501-5217	● Interface Board (Not manufactured)
540-2864	Interconnect Board Assembly
501-2947	● Vertical Interconnect Board
501-2948	● Horizontal Interconnect Board
370-3722	Long Wave GBIC Optical Module
537-1014	SC Duplex 9/125 Singlemode Fibre Optical Cable, 15M
501-4158	11-Slot FC-AL Disk Backplane
501-4372	7-Slot FC-AL Disk Backplane
501-5316	7-Slot FC-AL Disk Backplane (Not manufactured)
537-1004	SC Duplex 50/125 Multimode Fibre Optical Cable, 2M
537-1020	SC Duplex 50/125 Multimode Fibre Optical Cable, 5M
537-1006	SC Duplex 50/125 Multimode Fibre Optical Cable, 15M

Ethernet

Accessories

PART #	DESCRIPTION
	Twisted Pair Ethernet Cables
530-1871	530-1871-xx, Category 3, RJ45 to RJ45, 4M
530-1871	530-1871-04, Category 5, RJ45 to RJ45, 4M
530-2093	Shielded RJ45 to RJ45, 4M
530-2149	Category 5, Back-to-Back, RJ45 to RJ45, 1.0M
530-2150	Category 5, Back-to-Back, RJ45 to RJ45, 5.0M
540-3584	TP4 Hub Assembly/FRU
150-2974	● UK Adapter, 3COM 3C167417, BS1363 Plug
150-2975	● European Adapter, 3COM 3C167427, CEE 7/16 Plug
150-2976	● Japanese Adapter, 3COM 3C167437, JIS 8303 Plug
150-2977	● Australian Adapter, 3COM 3C167447, AS3112 Plug
150-2978	● S. African Adapter, 3COM 3C167457, BS546 Plug
370-3325	● OfficeConnect Hub TP4, 3COM 3C16704-US
None	● US Adapter, 3Com 3C167407, NEMA 1-15 Plug
370-3795	Hub Assembly/FRU (replaced 540-3584)
380-0001	SunSwitch Gigabit Ethernet Switch
537-1004	SC Duplex 50/125 Multimode Fibre Optical Cable, 2M
537-1020	SC Duplex 50/125 Multimode Fibre Optical Cable, 5M
537-1006	SC Duplex 50/125 Multimode Fibre Optical Cable, 15M
	A31 Technical Compute Farm
370-4114	RJ45 Cable, CPI-IWF1PE
370-4115	RJ45 Cable, CPI-IWF2PE
370-4169	Cisco AS2511-RJ Access Server
370-4170	Cisco WS-C3524-XL-EN 24-Port Gigabit Ethernet Switch
370-4189	Cisco WS-C3508G-XL-EN 8-Port Gigabit Ethernet Switch
370-4190	Cisco WS-G5484 1000BASE-SX Multimode GBIC
370-4228	Serial Port Adapter
370-4229	Arcom NX-7T 10BASE-T AUI Transceiver
370-4231	Arcom PX88BK-10 Ethernet Cable

Ethernet

SBus

Ethernet Controllers

PART #	DESCRIPTION
501-1450	Ethernet Controller
501-1881	Ethernet Controller
530-1871	RJ45 to RJ45 Cable, 4M
530-2093	Shielded RJ45 to RJ45 Cable, 4M
501-2062	Quad Ethernet QEC/S
501-4302	Quad FastEthernet 1.0 QFE/S
501-4837	Quad FastEthernet 2.0 QFE/S
501-5443	Quad FastEthernet 2.0 QFE/S
530-1871	RJ45 to RJ45 Cable, 4M
530-2093	Shielded RJ45 to RJ45 Cable, 4M
375-0003	GigabitEthernet 1.0
501-4375	GigabitEthernet 2.0
537-1004	SC Duplex 50/125 Multimode Fibre Optical Cable, 2M
537-1020	SC Duplex 50/125 Multimode Fibre Optical Cable, 5M
537-1006	SC Duplex 50/125 Multimode Fibre Optical Cable, 15M
501-2655	SunFastEthernet 1.0/1.1 Assembly/FRU
501-2450	● SunFastEthernet 1.0/1.1 SBus Card
501-2646	● SunFastEthernet Transceiver Card
530-1871	RJ45 to RJ45 Cable, 4M
530-2093	Shielded RJ45 to RJ45 Cable, 4M
595-3780	MII to AUI Converter (requires AC power)
501-2919	SunFastEthernet 2.0
530-1871	RJ45 to RJ45 Cable, 4M
530-2093	Shielded RJ45 to RJ45 Cable, 4M
595-3780	MII to AUI Converter (requires AC power)

Ethernet

SBus

SCSI/Ethernet Controllers

PART #	DESCRIPTION
501-1869	SCSI Host Adapter and Buffered Ethernet SBE/S
130-2031	● Adapter, RJ45F to RJ45F
340-2573	● SCSI Connector Screw, #2-56 x 1/4"
530-1812	● 10Base5 Adapter Cable, DB-15, 70 mm
530-1813	● 10Base-T Adapter Cable, RJ-45, 40 mm
530-1871	RJ45 to RJ45 Cable, 4M
530-2093	Shielded RJ45 to RJ45 Cable, 4M
501-2015	Fast SCSI Host Adapter and Buffered Ethernet FSBE/S
340-2573	● SCSI Connector Screw, #2-56 x 1/4"
530-1871	RJ45 to RJ45 Cable, 4M
530-2093	Shielded RJ45 to RJ45 Cable, 4M
501-1902	Differential SCSI Host and Buffered Ethernet DSBE/S
340-2573	● Screw, #2-56 x 1/4"
240-1911	● SCSI Connector Standoff, #2-56M - #2-56F
530-1871	RJ45 to RJ45 Cable, 4M
530-2093	Shielded RJ45 to RJ45 Cable, 4M
501-2739	SunSwift SCSI/Ethernet
530-1871	RJ45 to RJ45 Cable, 4M
530-2093	Shielded RJ45 to RJ45 Cable, 4M

Ethernet

PCI

Ethernet

PART #	DESCRIPTION
375-0002	GigabitEthernet 1.0
501-4373	GigabitEthernet 2.0
537-1004	SC Duplex 50/125 Multimode Fibre Optical Cable, 2M
537-1020	SC Duplex 50/125 Multimode Fibre Optical Cable, 5M
537-1006	SC Duplex 50/125 Multimode Fibre Optical Cable, 15M
501-4359	SunFastEthernet
530-1871	RJ45 to RJ45 Cable, 4M
530-2093	Shielded RJ45 to RJ45 Cable, 4M
501-4366	Sun Quad FastEthernet
501-5406	Sun Quad FastEthernet
530-1871	RJ45 to RJ45 Cable, 4M
530-2093	Shielded RJ45 to RJ45 Cable, 4M
501-2741	SunSwift SCSI/Ethernet
501-5656	SunSwift SCSI/Ethernet
530-1871	RJ45 to RJ45 Cable, 4M
530-2093	Shielded RJ45 to RJ45 Cable, 4M
501-5426	GigabitEthernet FC-AL/P
537-1004	SC Duplex 50/125 Multimode Fibre Optical Cable, 2M
537-1020	SC Duplex 50/125 Multimode Fibre Optical Cable, 5M
537-1006	SC Duplex 50/125 Multimode Fibre Optical Cable, 15M

Communication

SBus

TRI ISDN ATM

PART #	DESCRIPTION
501-1557	4MB/Sec Token Ring Interface TRI/S
501-1932	4/16MB/Sec Token Ring Interface TRI/S
None	The TRI/S requires a DB-9 connector compatible with IBM interface cables of Type-1 or Type-2 specifications. Use IBM part number 6339098. Cables are not available from Sun.
501-1849	SBus SunISDN-BRI/SBI
501-2603	SBus SunISDN-BRI/SBI (BABT, ETSI-1, and AU-1 approved)
530-1871	RJ45 to RJ45 Cable, 4M
530-2093	Shielded RJ45 to RJ45 Cable, 4M
501-2665	SunATM-155/UTP5 1.0
501-2795	SunATM-155/UTP5 2.0
530-1871	RJ45 to RJ45 Cable, 4M
530-2093	Shielded RJ45 to RJ45 Cable, 4M
501-2523	SunATM-155/MFiber 2.0/2.1/4.0
501-2794	SunATM-155/MFiber 2.0/2.1/4.0
501-2864	SunATM-622/MFiber 2.1/4.0
537-1004	SC Duplex 50/125 Multimode Fibre Optical Cable, 2M
537-1020	SC Duplex 50/125 Multimode Fibre Optical Cable, 5M
537-1006	SC Duplex 50/125 Multimode Fibre Optical Cable, 15M

Communication

SBus

SCI FDDI

PART #	DESCRIPTION
370-2345	Scalable Coherent Interface (SCI) Board
370-2868	Scalable Coherent Interface (SCI) Board
530-2360	SCI Cable, 80-Pin to 80-Pin, 2M
530-2361	SCI Cable, 80-Pin to 80-Pin, 5M
530-2362	SCI Cable, 80-Pin to 80-Pin, 10M
530-2576	SCI Cable with Ferrites, 80-Pin to 80-Pin, 2M
530-2577	SCI Cable with Ferrites, 80-Pin to 80-Pin, 5M
530-2578	SCI Cable with Ferrites, 80-Pin to 80-Pin, 10M
370-3146	Scalable Coherent Interface (SCI) Switch
530-2469	SCI Ring Cable, 1M (not released)
530-2470	SCI Ring Cable, 3M (not released)
540-3362	SCI External Distribution Unit (not released)
540-2945	SCI Switch Bracket Kit
340-3533	● Support Bracket for SCI Cable w/o Ferrites (340-3533-01)
340-3533	● Support Bracket for SCI Cable with Ferrites (340-3533-02)
230-1461	● Clamp for SCI Cable without Ferrites (x4)
230-1625	● Clamp for SCI Cable with Ferrites (x4)
501-1732	FDDI/S 1.0/2.0 SAS
537-1003	● FDDI Cable, 15M
605-1494	FDDI/S SAS Fiber 3.0 HW/SW Assembly
595-3444	● FDDI/S SAS Fiber Assembly/FRU
501-2687	● Network Peripherals FDDI/S SAS Fiber Card
605-1495	FDDI/S DAS Fiber 3.0 HW/SW Assembly
595-3446	● FDDI/S DAS Fiber Assembly/FRU
501-2689	● Network Peripherals FDDI/S DAS Fiber Card
370-2838	FDDI/S SAS Fiber 3.0 Assembly/FRU for Cray CS6400
370-2839	FDDI/S DAS Fiber 3.0 Assembly/FRU for Cray CS6400

Communication

SBus

FDDI

PART #	DESCRIPTION
605-1559	FDDI/S SAS 4.0 HW/SW Assembly
605-1564	FDDI/S SAS 4.0 HW/SW Assembly
370-2238	● Network Peripherals FDDI/S SAS Fiber Card
370-2715	● Network Peripherals FDDI/S SAS Fiber Card
605-1560	FDDI/S DAS 4.0 HW/SW Assembly
605-1565	FDDI/S DAS 4.0 HW/SW Assembly
370-2239	● Network Peripherals FDDI/S DAS Fiber Card
370-2716	● Network Peripherals FDDI/S DAS Fiber Card
605-1571	FDDI/S SAS 5.0 HW/SW Assembly
605-1610	FDDI/S SAS 6.0 HW/SW Assembly
370-2339	● Network Peripherals FDDI/S SAS Fiber Card (obs)
370-3142	● Network Peripherals FDDI/S SAS Fiber Card
537-1009	● Cable Assembly
130-3122	● MIC to MIC Coupler
180-1737	● 3 Meter FDDI Cable, SC Duplex to MIC
605-1572	FDDI/S DAS 5.0 HW/SW Assembly
605-1609	FDDI/S DAS 6.0 HW/SW Assembly
370-2340	● Network Peripherals FDDI/S DAS Fiber Card (obs)
370-3143	● Network Peripherals FDDI/S DAS Fiber Card
180-1737	● 3 Meter FDDI Cable, SC Duplex to MIC (obs)
537-1009	● Cable Assembly
130-3122	● MIC to MIC Coupler
180-1737	● 3 Meter FDDI Cable, SC Duplex to MIC
	Enterprise Services FDDI/S 5.0 FRU
370-4045	Network Peripherals FDDI/S SAS Fiber Card 1
370-4046	Network Peripherals FDDI/S DAS Fiber Card 2

1 The 370-4045-01 is the same as 370-3142-02.

2 The 370-4046-01 is the same as 370-3143-02.

Communication

SBus

SPC HSI

PART #	DESCRIPTION
501-1511	SBus Serial Parallel Controller SPC/S
501-1931	SBus Serial Parallel Controller SPC/S
340-2342	● 19" Wide Rack Mounting Bracket
340-2361	● Wall Mounting Bracket
340-2460	● Sun 56" Rack Mounting Bracket
340-2898	● SBus Mounting Screw Adapter Bracket
540-2007	● 8-Channel Interface Panel
540-1558	● RS-232 Loopback Test Plug, 25-Pin
370-1366	● SPC/S Loopback Test Plug, 96-Pin High-Density
530-1685	● Interface Cable, SBus Card to Interface Panel, 2.0M
501-1725	SBus High Speed Serial Interface HSI/S
530-1685	Interface Cable, SBus Card to Interface Panel, 2.0M
340-2342	● 19" Wide Rack Mounting Bracket
340-2361	● Wall Mounting Bracket
340-2460	● Sun 56" Rack Mounting Bracket
340-2898	● SBus Mounting Screw Adapter Bracket
370-1381	● HSI/S Loopback Test Plug, 96-Pin High-Density
370-1383	● RS-530 Loopback Test Plug, 25-Pin (obsolete)
530-1430	● RS-449 Loopback Test Plug, 37-Pin
540-2030	● 4-Channel RS-530 Interface Panel (obsolete)
501-1746	● RS-530 Interface Panel PCB
540-2191	● 4-Channel RS-449 Interface Panel
501-1880	● RS-449 Interface Panel PCB

Communication

PCI

FDDI HSI TRI SAI ATM

PART #	DESCRIPTION
370-2811	FDDI/P SAS 1.0/2.0 Fiber
370-2812	FDDI/P DAS 1.0/2.0 Fiber
537-1009	FDDI Cable Assembly
130-3122	● MIC to MIC Coupler
None	● 3 Meter FDDI Cable, SC Duplex to MIC
370-2728	High Speed Serial Interface HSI/P
180-1749	2M 80-Pin 4-Port DB37 RS449 Breakout Cable (obsolete)
530-2492	2M 80-Pin 4-Port DB37 RS449 Breakout Cable
530-2726	2M 80-Pin 4-Port DB37 RS449 Breakout Cable
370-4068	2M 80-Pin 4-Port DB37 RS449 Breakout Cable
None	Data Cable (not included and not sold)
370-4068	NEBS Level-3 80-Pin 4-Port DB37 RS449 Breakout Cable
375-0001	Token Ring Interface TRI/P
375-0073	Token Ring Interface TRI/P
None	9-Pin Data Cable (not included and not sold)
370-2810	Serial Asynchronous Interface SAI/P
370-3089	8-Port I/O Panel and 78-Pin Cable
None	Data Cable (not included and not sold)
370-4069	NEBS Level-3 8-Port I/O Panel and 78-Pin Cable, X1001A
375-0100	Serial Asynchronous Interface SAI/P 3.0
370-4069	NEBS Level-3 8-Port I/O Panel and 78-Pin Cable
None	Data Cable (not included and not sold)
501-3027	SunATM-155/UTP 3.0/4.0
501-3028	SunATM-155/MFiber 3.0/4.0
501-3029	SunATM-622/MFiber 3.0/4.0
537-1004	SC Duplex 50/125 Multimode Fibre Optical Cable, 2M
537-1020	SC Duplex 50/125 Multimode Fibre Optical Cable, 5M
537-1006	SC Duplex 50/125 Multimode Fibre Optical Cable, 15M

Communication

PCI

HIPPI SCI

PART #	DESCRIPTION
370-3878	HIPPI/P 1.0/1.1
370-3879	SC Duplex 50/125 Multimode Fibre Optical Cable, 15M
537-1004	SC Duplex 50/125 MM Cable, 2M (alternate for 370-3879)
537-1020	SC Duplex 50/125 Multimode Fibre Optical Cable, 5M
537-1006	SC Duplex 50/125 MM Cable, 15M (alternate for 370-3879)
595-5149	Option X1074A
370-3868	● SCI/P, Dolphin PCI-64 Model D320
595-5191	Option X3895A
370-3922	● SCI Switch, Dolphin Model D515
330-2000	● Bracket
340-5929	● Right Cable Bracket
340-6177	● Left Cable Bracket
340-6178	● Cable Clamp
340-5957	● Chassis Foot
530-2869	SCI Cable, Option X3901A, 2M
530-2870	SCI Cable, Option X3902A, 5M
530-2871	SCI Cable, Option X3903A, 7.5M

Miscellaneous

Board Hardware

PART #	DESCRIPTION
130-0272	2-Pin Shunt, 0.10" Pin Spacing, 0.025" Pin Diameter
130-2190	2-Pin Shunt, 2.0 mm Pin Spacing, 0.50 mm Pin Diameter
230-1772	Ultra 80 Memory Riser Connector Cover
240-1287	Hex Screw, M2.5 0.45 x 16 mm
240-1288	Hex Screw, M2.5 0.45 x 10 mm
560-2031	DB13W3 Dust Cover Kit
240-2179	● DB13W3 Dust Cover
340-1763	SBus Filler Panel for LX, Classic, and SS5
340-2458	SBus Filler Panel for SS600MP, SS1000, and SC2000
340-2458	SBus Filler Panel for E3x00/4x00/5x00/6x00 I/O Board
340-2963	SBus Filler Panel for SS10, SS10SX, and SS20
340-3123	SBus and Audio Filler Panel for SS4
340-3187	SBus Filler Panel for A11, A12, and A14
540-2861	Fibre OLC Filler Plug for E3000/4000/5000/6000 I/O Board
240-2379	PCI Filler Panel Thumbscrew for E3000/4000/5000/6000
240-2391	PCI Filler Panel for E3x00/4x00/5x00/6x00/10000
240-2750	PCI Filler Panel for A16, A23, and A27
340-3559	Audio Module Filler Panel for A16 and A23
340-3256	PCI Filler Panel for A20, A25, and A26
370-3273	PCI Filler Panel for Netra t 1100 and Netra t 1120/1125
370-3273	PCI Filler Panel for Netra t 1400/1405 and Netra ft 1800
370-3273	PCI Filler Panel for Netra t1 Model 100/105
340-2348	Upper Piece for Single Slot SBus Card
340-2349	Upper Piece for Double Slot SBus Card
240-1821	M2 0.4 x 4 mm Screw

This page intentionally left blank.

PARTS BREAKDOWN

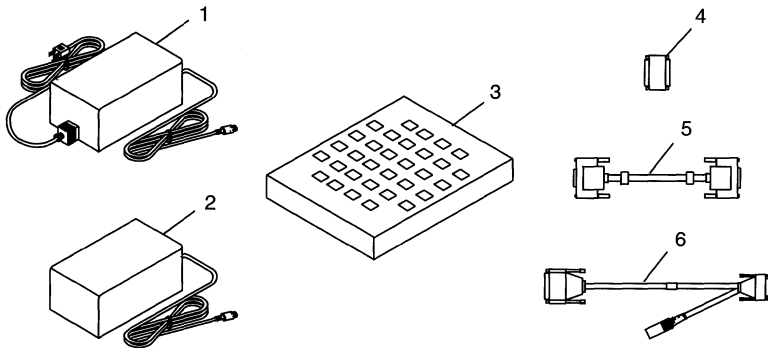
INPUT DEVICE

Input Device

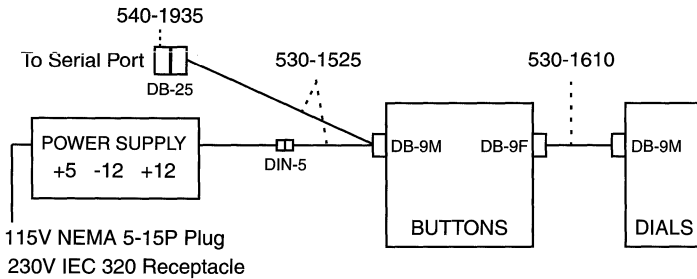
SunButtons	2
SunDials	3
Sun Interface Converter	4
Microphone	5
Microphone II	5
Smart Card Reader	5
CCD Camera	6
CCD Camera II	7
Type-5c Keyboard	8
Type-5 Optical Mouse	10
Compact 1 Mechanical Mouse	11
PS/2 Keyboard and Mouse	12
Type-6 Keyboard and Mouse	13
Type-6 USB Keyboard and Mouse	14

SunButtons

Option 180



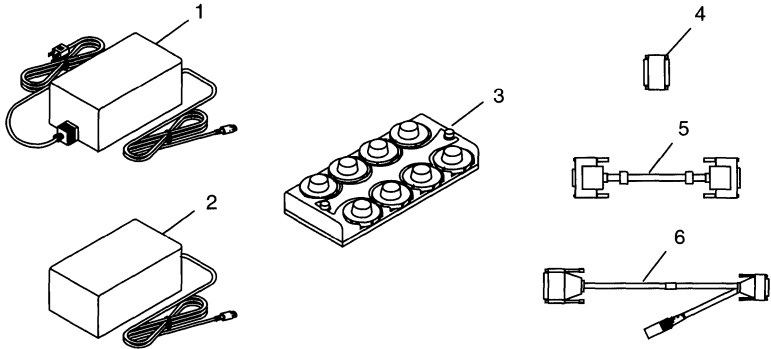
Wiring Diagram



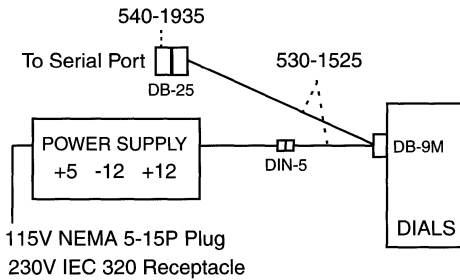
CODE	PART #	DESCRIPTION
-	595-1865	230V SunButtons Assembly
-	595-1884	115V SunButtons Assembly
1	300-1053	● 115V Power Supply
2	300-1054	● 230V Power Supply
3	370-1291	● SunButtons Box
4	540-1935	● RFI Filter, DB-25
5	530-1610	● DB-9M to DB-9F Cable, 600 mm
6	530-1525	● DB-9 to DB-15 to DIN-5 Cable, 2.0M
NS	180-1125	● 230V AC Power Cord (obsolete)
NS	260-3861	● Overlay Template

SunDials

Option 190



Wiring Diagram

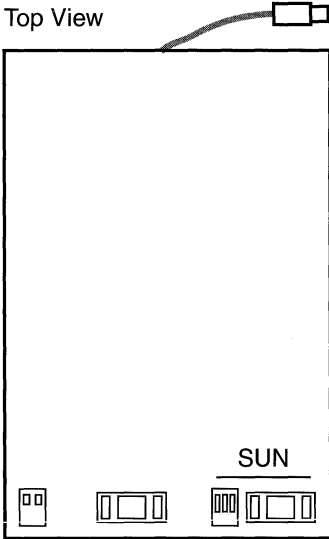


	PART #	DESCRIPTION
-	595-1737	115V SunDials Assembly
-	595-1773	230V SunDials Assembly
1	300-1053	● 115V Power Supply
2	300-1054	● 230V Power Supply
3	370-1223	● Dialbox and Bale
4	540-1935	● RFI Filter, DB-25
5	530-1610	● DB-9M to DB-9F Cable, 600 mm
6	530-1525	● DB-9 to DB-15 to DIN-5 Cable, 2.0M
NS	180-1125	● 230V AC Power Cord (obsolete)
NS	260-3257	● Overlay Template

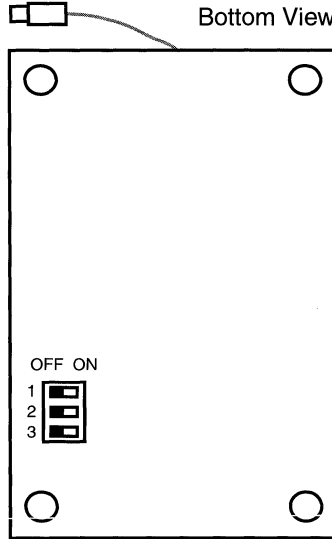
Sun Interface Converter

Option 465

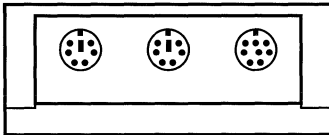
Top View



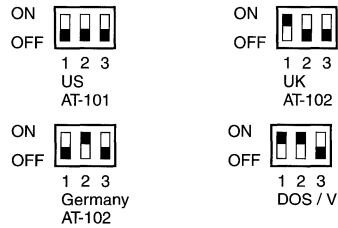
Bottom View



End View



Switch Settings



PART #	DESCRIPTION
595-3692	Sun Interface Converter Assembly/FRU
370-2068	● Sun Interface Converter
802-3847	● Installation Manual

Microphone



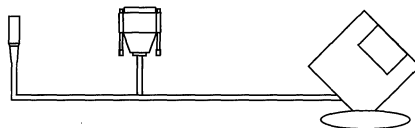
PART#	DESCRIPTION
370-1414	Microphone
370-1439	Microphone without Sun Logo
None	● Pocket Clip
None	● Adhesive Clip
None	● Panasonic CR2032 Battery

Microphone II



PART#	DESCRIPTION
370-1678	Microphone II
370-1750	Microphone II without Sun Logo
530-2112	Microphone II adapter for SS10, SS10SX, SPARCstation LX, SPARCclassic, and Speakerbox

Smart Card Reader



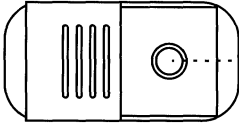
PART#	DESCRIPTION
595-5242	Smart Card Reader, Option 3681
370-4002	Smart Card Reader
None	● Smart Card Reader Base

CCD Camera

485
Camera

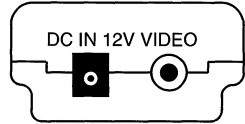
487
SunVideo
SBus Kit

Front View

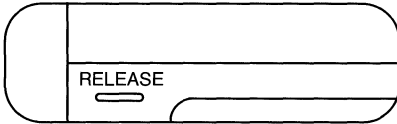


5.6 mm f/2.8
1/60 - 1/15000 sec
47° H x 37° V

Rear View



Right Side View

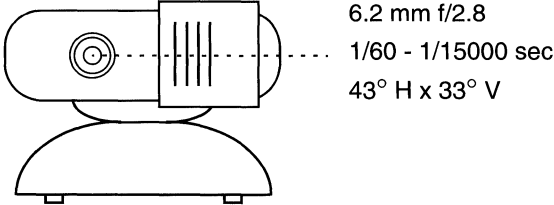


PART #	DESCRIPTION
595-3277	Camera Assembly, United States
370-1804	● Camera
370-1813	● AC-DC Power Adapter
530-2132	● Video Cable
595-3279	Camera Assembly, Europe
370-1805	● Camera
370-1816	● AC-DC Power Adapter
530-2132	● Video Cable
595-3301	Camera Assembly, United Kingdom
370-1806	● Camera
370-1815	● AC-DC Power Adapter
530-2132	● Video Cable
595-3386	Camera Assembly, Japan
370-1807	● Camera
370-1814	● AC-DC Power Adapter
530-2132	● Video Cable

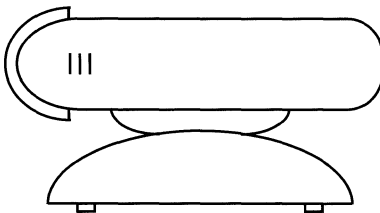
CCD Camera II

- | | | | | | |
|---------------|-----------------------------|---------------------------------|---------------------------------|---------------------------------|---------------------------------|
| 486
Camera | 488
SunVideo
SBus Kit | 489
SunVideo+
PCI Kit 1.0 | 490
SunVideo+
PCI Kit 1.1 | 498
SunVideo+
PCI Kit 1.2 | 499
SunVideo+
PCI Kit 1.3 |
|---------------|-----------------------------|---------------------------------|---------------------------------|---------------------------------|---------------------------------|

Front View



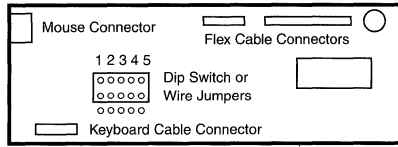
Side View



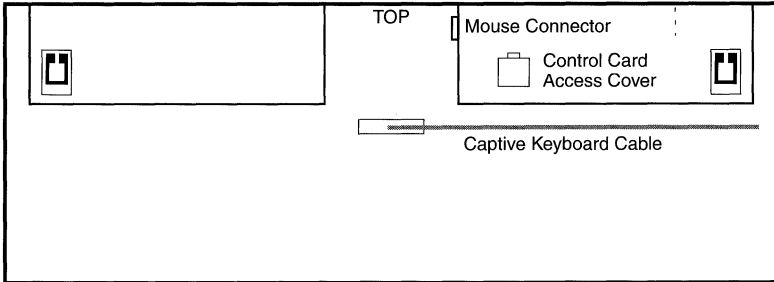
PART #	DESCRIPTION
595-3723	Assembly/FRU, Camera II, United States
370-2157	● Camera II, United States
None	● 6Vdc Power Module with 2M AC Power Cord
595-3724	Assembly/FRU, Camera II, Japan
370-2154	● Camera II without Logo, Japan
None	● 6Vdc Power Module with 2M AC Power Cord
595-3725	Assembly/FRU, Camera II, United Kingdom
370-2155	● Camera II, United Kingdom
None	● 6Vdc Power Module with 2M AC Power Cord
530-1821	● IEC320 to BS1363 AC Power Cord
595-3726	Assembly/FRU, Camera II, Europe
370-2155	● Camera II, Europe
None	● 6Vdc Power Module with 2M AC Power Cord

Type-5c Keyboard

Control Card



Underside of Keyboard



DESCRIPTION	WIRE JUMPER					HEX
	JS1	JS2	JS3	JS4	JS5	CODE
US	-	-	-	-	In	21
US/Unix	-	-	-	In	-	22
Japanese	In	-	-	-	In	31

DESCRIPTION	DIP SWITCH					HEX
	1	2	3	4	5	CODE
French	-	-	-	On	On	23
Danish	-	-	On	-	-	24
German	-	-	On	-	On	25
Italian	-	-	On	On	-	26
Dutch	-	-	On	On	On	27
Norwegian	-	On	-	-	-	28
Portuguese	-	On	-	-	On	29
Spanish	-	On	-	On	-	2a
Swedish/Finnish	-	On	-	On	On	2b
Swiss/French	-	On	On	-	-	2c
Swiss/German	-	On	On	-	On	2d
UK	-	On	On	On	-	2e
Korean	-	On	On	On	On	2f
Taiwanese	On	-	-	-	-	30
French Canadian	On	On	On	On	On	3f

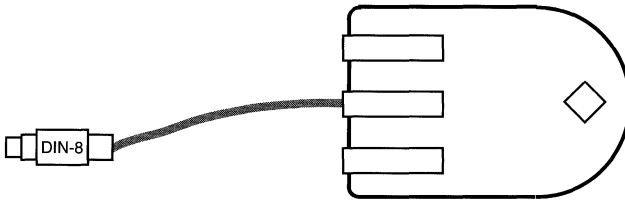
Type-5c Keyboard

PART #	DESCRIPTION
320-1233	Type-5c Keyboard, 2M Cable, Mini-Din, US
320-1234	Type-5c Keyboard, 2M Cable, Mini-Din, US/UNIX
320-1252	Type-5c Keyboard, 2M Cable, Mini-Din, French
320-1236	Type-5c Keyboard, 2M Cable, Mini-Din, Danish
320-1237	Type-5c Keyboard, 2M Cable, Mini-Din, German
320-1238	Type-5c Keyboard, 2M Cable, Mini-Din, Italian
320-1239	Type-5c Keyboard, 2M Cable, Mini-Din, Dutch
320-1240	Type-5c Keyboard, 2M Cable, Mini-Din, Norwegian
320-1241	Type-5c Keyboard, 2M Cable, Mini-Din, Portuguese
320-1242	Type-5c Keyboard, 2M Cable, Mini-Din, Spanish
320-1243	Type-5c Keyboard, 2M Cable, Mini-Din, Swedish
320-1245	Type-5c Keyboard, 2M Cable, Mini-Din, Swiss/French
320-1246	Type-5c Keyboard, 2M Cable, Mini-Din, Swiss/German
320-1247	Type-5c Keyboard, 2M Cable, Mini-Din, UK
320-1248	Type-5c Keyboard, 2M Cable, Mini-Din, Korean
320-1249	Type-5c Keyboard, 2M Cable, Mini-Din, Taiwanese
320-1253	Type-5c Keyboard, 2M Cable, Mini-Din, Nihon-go
320-1244	Type-5c Keyboard, 2M Cable, Mini-Din, Finnish
320-1235	Type-5c Keyboard, 2M Cable, Mini-Din, US/UNIX w/o Logo
320-1250	Type-5c Keyboard, 2M Cable, Mini-Din, Nihon-go w/o Logo
320-1251	Type-5c Keyboard, 2M Cable, Mini-Din, French Canadian
370-2002	Type-5 Keyboard Cable Adapter, F-to-F Mini-Din
530-2154	Keyboard Extension Cable, M-to-F Mini-Din, 2.7M

Note

The French-Canadian Type-5c Keyboard requires Solaris 2.4. Earlier versions of Solaris are not supported and no patches are available.

Type-5 Optical Mouse



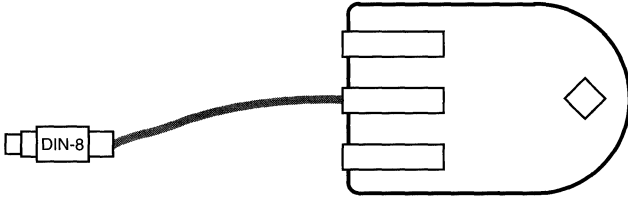
PART #	DESCRIPTION
f370-1398	Type-5 Mouse and Pad, Mini-Din
370-1398	<ul style="list-style-type: none"> ● Type-5 Mouse, 300 CPI, Mini-Din
370-1399	<ul style="list-style-type: none"> ● Type-5 Mouse Pad, 300 CPI, 196.6 x 178.0 mm
370-1664	Type-5 Mouse without Sun Logo, 300 CPI, Mini-Din
370-1663	Type-5 Mouse Pad without Sun Logo, 300 CPI

Notes

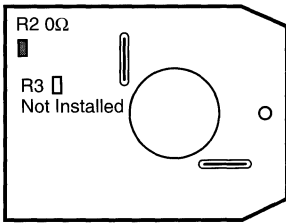
1. The Type-5 Mouse replaced the Type-4 Mouse in October 1993.
2. The Compact 1 Mouse replaced the Type-5 Mouse in August 1995.

Compact 1 Mechanical Mouse

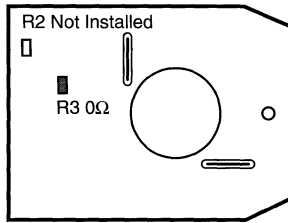
Option 494



4800 Baud Circuit Board



1200 Baud Circuit Board



PART#	DESCRIPTION
370-1586-01	Compact 1 Mouse, 4800 Baud, 760 mm Cable
370-1586-02	Compact 1 Mouse, 1200 Baud, 760 mm Cable
370-1586-03	Compact 1 Mouse, 1200 Baud, 1000 mm Cable
370-1587-01	Compact 1 Mouse w/o Logo, 4800 Baud, 760 mm Cable
370-1587-02	Compact 1 Mouse w/o Logo, 1200 Baud, 760 mm Cable
370-1587-03	Compact 1 Mouse w/o Logo, 1200 Baud, 1000 mm Cable
370-2037-01	Foam Pad without Logo
370-2038-01	Foam Pad

Note

The 4800 baud mouse was only shipped with the SPARCstation Voyager. Solaris 2.3 is required if the 4800 Baud mouse is used on other systems.

PS/2 Keyboard and Mouse

PART#	DESCRIPTION
370-2308	PS/2 Mouse, Mini-Din-6, 1.8M Cable
370-2405	● Mouse Pad
370-2404	PS/2 Mouse without Logo, Mini-Din-6, 1.8M Cable
370-2405	● Mouse Pad
320-1256	PS/2 Keyboard, Mini-Din-6, 1.8M Cable, US
320-1257	PS/2 Keyboard, Mini-Din-6, 1.8M Cable, UK
320-1258	PS/2 Keyboard, Mini-Din-6, 1.8M Cable, Swedish
320-1259	PS/2 Keyboard, Mini-Din-6, 1.8M Cable, Japanese w/o Logo
320-1260	PS/2 Keyboard, Mini-Din-6, 1.8M Cable, German
320-1261	PS/2 Keyboard, Mini-Din-6, 1.8M Cable, without Logo
320-1262	PS/2 Keyboard, Mini-Din-6, 1.8M Cable, French
320-1263	PS/2 Keyboard, Mini-Din-6, 1.8M Cable, Italian
320-1264	PS/2 Keyboard, Mini-Din-6, 1.8M Cable, Taiwanese
320-1265	PS/2 Keyboard, Mini-Din-6, 1.8M Cable, Spanish
320-1266	PS/2 Keyboard, Mini-Din-6, 1.8M Cable, Korean
320-1267	PS/2 Keyboard, Mini-Din-6, 1.8M Cable, Japanese

Type-6 Keyboard and Mouse

PART #	DESCRIPTION
320-1270	Type-6 Keyboard, 2M Cable, Mini-Din, US
320-1272	Type-6 Keyboard, 2M Cable, Mini-Din, US/UNIX
320-1274	Type-6 Keyboard, 2M Cable, Mini-Din, US/UNIX without Logo
320-1276	Type-6 Keyboard, 2M Cable, Mini-Din, French
320-1278	Type-6 Keyboard, 2M Cable, Mini-Din, Danish
320-1280	Type-6 Keyboard, 2M Cable, Mini-Din, German
320-1282	Type-6 Keyboard, 2M Cable, Mini-Din, Italian
320-1284	Type-6 Keyboard, 2M Cable, Mini-Din, Dutch
320-1286	Type-6 Keyboard, 2M Cable, Mini-Din, Norwegian
320-1288	Type-6 Keyboard, 2M Cable, Mini-Din, Portuguese
320-1290	Type-6 Keyboard, 2M Cable, Mini-Din, Spanish
320-1292	Type-6 Keyboard, 2M Cable, Mini-Din, Swedish
320-1294	Type-6 Keyboard, 2M Cable, Mini-Din, Finnish
320-1296	Type-6 Keyboard, 2M Cable, Mini-Din, Swiss/French
320-1298	Type-6 Keyboard, 2M Cable, Mini-Din, Swiss/German
320-1300	Type-6 Keyboard, 2M Cable, Mini-Din, UK
320-1302	Type-6 Keyboard, 2M Cable, Mini-Din, Korean
320-1304	Type-6 Keyboard, 2M Cable, Mini-Din, Taiwanese
320-1306	Type-6 Keyboard, 2M Cable, Mini-Din, Japanese
320-1308	Type-6 Keyboard, 2M Cable, Mini-Din, Japanese w/o Logo
320-1310	Type-6 Keyboard, 2M Cable, Mini-Din, French-Canadian
320-1312	Type-6 Keyboard, 2M Cable, Mini-Din, Russian
370-3631	Type-6 Mouse, 1200 Baud
370-3633	Type-6 Mouse, 1200 Baud, without Logo
370-4086	Type-6 Mouse, 4800 Baud
530-2154	Keyboard Extension Cable, M-to-F Mini-Din, 2.7M

Type-6 USB Keyboard and Mouse

PART #	DESCRIPTION
320-1271	Type-6 Keyboard, 2M Cable, USB, US
320-1273	Type-6 Keyboard, 2M Cable, USB, US/UNIX
320-1275	Type-6 Keyboard, 2M Cable, USB, US/UNIX without Logo
320-1277	Type-6 Keyboard, 2M Cable, USB, French
320-1279	Type-6 Keyboard, 2M Cable, USB, Danish
320-1281	Type-6 Keyboard, 2M Cable, USB, German
320-1283	Type-6 Keyboard, 2M Cable, USB, Italian
320-1285	Type-6 Keyboard, 2M Cable, USB, Dutch
320-1287	Type-6 Keyboard, 2M Cable, USB, Norwegian
320-1289	Type-6 Keyboard, 2M Cable, USB, Portuguese
320-1291	Type-6 Keyboard, 2M Cable, USB, Spanish
320-1293	Type-6 Keyboard, 2M Cable, USB, Swedish
320-1295	Type-6 Keyboard, 2M Cable, USB, Finnish
320-1297	Type-6 Keyboard, 2M Cable, USB, Swiss/French
320-1299	Type-6 Keyboard, 2M Cable, USB, Swiss/German
320-1301	Type-6 Keyboard, 2M Cable, USB, UK
320-1303	Type-6 Keyboard, 2M Cable, USB, Korean
320-1305	Type-6 Keyboard, 2M Cable, USB, Taiwanese
320-1307	Type-6 Keyboard, 2M Cable, USB, Japanese
320-1309	Type-6 Keyboard, 2M Cable, USB, Japanese without Logo
320-1313	Type-6 Keyboard, 2M Cable, USB, Russian
370-3632	Type-6 USB Mouse
370-3634	Type-6 USB Mouse without Logo
530-2154	Keyboard Extension Cable, M-to-F Mini-Din, 2.7M

PARTS BREAKDOWN

MONITOR

Monitor

Monitor and Image Size	2
Connector Pinouts	3
Video Cables	4
LCD	
18-inch Color LCD	5
Greyscale	
17-inch Greyscale CRT	6
19-inch Greyscale CRT	8
19-inch Greyscale CRT with OCLI	10
20-inch Premium Greyscale CRT	11
Color	
14-inch Entry-Level Color CRT	12
15-inch Color CRT	14
16-inch Color CRT	15
16-inch Mid-Range Color CRT	17
16-inch Premium Color CRT	18
17-inch Entry-Level Color CRT	19
17-inch Premium Color CRT	23
19-inch Color CRT	25
19-inch Premium Color CRT	27
19-inch Premium Flat Screen Color CRT	28
20-inch Premium Color CRT	29
21-inch Color CRT	32
21-inch Premium Flat Screen Color CRT	34
24-inch Premium Color CRT	35

Monitor and Image Size

Monitor size is the diagonal dimension of the CRT or the diagonal dimension of the CRT phosphor coating.

The image size of monitors may not be reflected in the monitor size listed in sales documents or price lists.

Image size is the horizontal and vertical dimension of the active display. The image size, or active display, is smaller than the CRT, Bezel, and Margin.

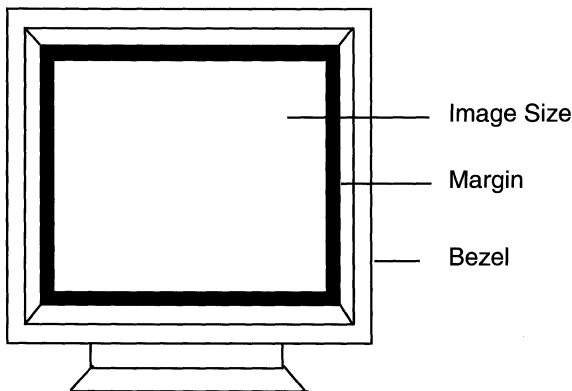
Sun Monitor Engineering Specifications define the horizontal and vertical dimensions of the nominal image size listed in this section. The diagonal dimensions listed in this section are calculated from the horizontal and vertical dimensions and do not take CRT curvature into account.

The dimensions of the 19" Premium Color CRT are:

CRT Size: 20-inch diagonal (19" Phosphor Coating)

Bezel Size: 360 mm H x 283 mm V x 457 mm (17.99") D

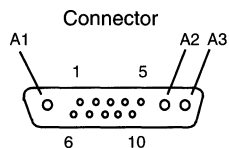
Nominal Image Size: 350 mm H x 270 mm V x 442 mm (17.40") D



Connector Pinouts

Color CRT DB13W3

PIN	SIGNAL	PIN	SIGNAL
1	Monitor specific	8	SENSE1
2	Monitor specific	9	SENSE0
3	SENSE2	10	CRTN
4	SRTN	A1	Red
5	CSYNC	A2	Green
6	Monitor specific	A3	Blue
7	Monitor specific		

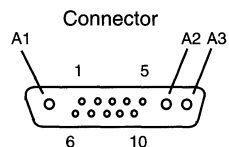


Pins 1, 2, 6, and 7 are GND on the SBus GX+.

Pin-2 is VSYNC and Pin-6 is HSYNC on the SBus CG3.

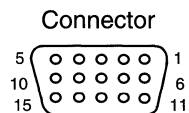
Greyscale CRT DB13W3

PIN	SIGNAL	PIN	SIGNAL
1	Monitor specific	8	SENSE1
2	Monitor specific	9	SENSE0
3	SENSE2	10	CRTN
4	SRTN	A1	Not used
5	CSYNC	A2	Green
6	Monitor specific	A3	Not used
7	Monitor specific		



Color CRT HD15

PIN	SIGNAL	PIN	SIGNAL
1	Red	9	Not used
2	Green	10	Sync Gnd
3	Blue	11	Monitor specific
4	Monitor specific	12	DDC Data
5	Sgnd	13	Hsync
6	Red Gnd	14	Vsync
7	Green Gnd	15	DDC Clock
8	Blue Gnd		

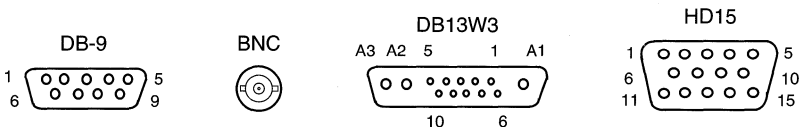


Pin-13 accepts Composite Sync if VSync is not present on Pin-14.

Video Cables

PART #	DESCRIPTION
180-1861	Color Cable, 1.8M, HD15M to HD15M
530-2494	Color Cable, 1.8M, HD15M to HD15M
530-0492	Color Cable, 4.6M, 1xBNC to 1xBNC
530-1138	Color Cable, 4.6M, 4xBNC to 4xBNC
530-1307	Color Cable, 4.6M, 4xBNC to 4xBNC
530-1362	Color Cable, 1.2M, 4xBNC to 4xBNC
530-1415	Color Cable, 50 cm, 4xBNC to 4xBNC
530-1440	Color Cable, 1.2M, DB13W3M to DB13W3M
530-1509	Color Cable, 4.6M, DB13W3M to DB13W3M
530-1839	Color Cable, 1.0M, 90° DB13W3M to DB13W3M, 75Ω
530-1840	Color Cable, 4.0M, 90° DB13W3M to DB13W3M, 75Ω
530-1870	Color Cable, 1.2M, DB13W3M to DB13W3M, 75Ω
530-1898	Color Cable, 4.5M, DB13W3M to DB13W3M, 75Ω
530-2020	Extension Cable, 3.0M, DB13W3M to DB13W3F, 75Ω
130-3034	HD15F to DB13W3M Adapter, Option 3872
130-4195	HD15M to DB13W3F PGX32 Composite Sync Adapter
530-1446	4xBNC to DB13W3 Adapter
530-2357	HD15M to DB13W3F Adapter, Option 470
530-2917	HD15M to DB13W3F Adapter, 24" Cable, Option 471
530-1308	Greyscale Cable, 4.6M, 2xBNC to 2xBNC
530-1363	Greyscale Cable, 1.2M, 2xBNC to 2xBNC
530-1511	Greyscale Adapter, 2xBNC to DB13W3
530-1041	Monochrome Cable, DB-9 to DB-9 (Sun-2/150U)
530-1109	Monochrome Cable, 75 cm, DB-9 to DB-9
530-1125	Monochrome Cable, 4.6M, DB-9 to DB-9
530-1133	Monochrome Cable, 4.6M, DB-9 to DB-9
530-1242	Monochrome Cable, 75 cm, DB-9 to DB-9
530-1336	Monochrome Cable, 4.6M, DB-9 to DB-9
530-1359	Monochrome Cable, 1.2M, DB-9 to DB-9

Video Cable Connectors



18-inch Color LCD

Image Size: 359 mm Horizontal 287 mm Vertical 459 mm Diagonal

Pixel Resolution	Horizontal Frequency	Vertical Frequency	Pixel Frequency
1152 x 900	61.85KHz	66.0Hz	94.5MHz
1280 x 1024	81.13MHz	76.0Hz	135.0MHz
1280 x 1024	63.98MHz	60.0Hz	108.0MHz

PART #	DESCRIPTION
365-1394	18.1" Color LCD Flat Panel, DB13W3 and HD15
370-4166	● AC-DC Converter, 100-240Vac Input, 14Vdc Output
530-2893	● DB13W3 to DB13W3 Video Cable, 2M
365-1395	18.1" Color LCD Flat Panel w/o Logo, DB13W3 and HD15
370-4166	● AC-DC Converter, 100-240Vac Input, 14Vdc Output
530-2893	● DB13W3M to DB13W3M Video Cable, 2M

DB13W3 Female Connector

PIN	SIGNAL	PIN	SIGNAL
1	DDC clock	8	Not Connected
2	Not Connected	9	Reserved
3	Reserved	10	Sync return
4	Serial data return	A1	Red
5	Composite H/V sync	A2	Green
6	DDC data	A3	Blue
7	Vertical sync		

HD15 Female Connector

PIN	SIGNAL	PIN	SIGNAL
1	Red	9	Reserved
2	Green	10	Sync Ground
3	Blue	11	Ground
4	Ground	12	DDC Data
5	DDC Return	13	Horizontal Sync
6	Red Ground	14	Vertical Sync
7	Green Ground	15	DDC Clock
8	Blue Ground		

This monitor is PC compatible.

17-inch Greyscale CRT

Image Size: 295 mm Horizontal 230 mm Vertical 374 mm Diagonal

Pixel Resolution 1152 x 900	Horizontal Frequency 61.8KHz	Vertical Frequency 66Hz	Pixel Frequency 92.94MHz
-----------------------------------	------------------------------------	-------------------------------	--------------------------------

PART #	DESCRIPTION
365-1055	Zenith 17SMM1 90-240V Monitor, DB13W3
365-1094	Zenith 17SMM1 90-240V Monitor, DB13W3, FCC-B/VCCI-2

DB13W3 Female Connector

PIN	SIGNAL	PIN	SIGNAL
1	Not used	8	Sense1
2	Not used	9	Sense0
3	Sense2	10	Cgnd
4	Sgnd	A1	Not used
5	Csync	A2	Green
6	Not used	A3	Not used
7	Not used		

S2 is grounded. The Sense Code is 3.
This monitor is not PC compatible.

17-inch Greyscale CRT

Image Size: 295 mm Horizontal 230 mm Vertical 374 mm Diagonal

Pixel Resolution	Horizontal Frequency	Vertical Frequency	Pixel Frequency
914x690	70.8KHz	84.0Hz	92.94MHz*
1024 x 780	71.7KHz	76.0Hz	105.5MHz†
1024 x 800	70.8KHz	84.0Hz	92.94MHz
1152 x 900	71.7KHz	76.0Hz	105.5MHz

PART #	DESCRIPTION
365-1100	Zenith 17SMM4-A 115V/240V Monitor, DB13W3, FCC-B/VCCI-2
365-1109	Zenith 17SMM4-B 115V/240V OEM Monitor, DB13W3, FCC-B/VCCI-2
365-1157	Zenith 17SMM4-A 115V/240V Monitor, DB13W3, FCC-B/VCCI-2, with Video Cable 530-1870

* The Mode III (1024 x 800 @ 84) Overscan Mode user area is 914 x 690.

† The Mode II (1152 x 900 @ 76) Overscan Mode user area is 1024 x 780.

DB13W3 Female Connector

PIN	SIGNAL	PIN	SIGNAL
1	Not used	8	Sense1
2	Not used	9	Sense0
3	Sense2	10	Cgnd
4	Sgnd	A1	Not used
5	Csync	A2	Green
6	Not used	A3	Not used
7	Not used		

S2 is grounded. The Sense Code is 3.

This monitor is not PC compatible.

19-inch Greyscale CRT

Image Size: 350 mm Horizontal 273 mm Vertical 443 mm Diagonal

Pixel Resolution 1152 x 900	Horizontal Frequency 61.8KHz	Vertical Frequency 66.0Hz	Pixel Frequency 92.94MHz
-----------------------------------	------------------------------------	---------------------------------	--------------------------------

PART #	DESCRIPTION
540-1343	115V Monitor, 2xBNC, 395x535 mm Base
540-1514	115V Monitor, 2xBNC, 395x535 mm Base
140-1022	Fuse, 1.6A
180-1097	Power Cord, IEC 320/CEE 22 to NEMA 5-15
180-1146	Power Cord, IEC 320/CEE 22 to NEMA 5-15
540-1567	240V Monitor, 2xBNC, 395x535 mm Base
150-1215	Fuse, 1.6A
180-1125	Power Cord, IEC 320/CEE 22 to pigtail
	Philips M19P114A/6161 or M19P114A/S102/6102
365-1010	115V Monitor, 2xBNC, 395x535 mm Base
140-1022	Fuse, 1.6A
180-1097	Power Cord, IEC 320/CEE 22 to NEMA 5-15, USA
180-1146	Power Cord, IEC 320/CEE 22 to NEMA 5-15
365-1009	240V Monitor, 2xBNC, 395x535 mm Base
150-1215	Fuse, 1.6A
180-1125	Power Cord, IEC 320/CEE 22 to pigtail
	Philips M19P114A/616120
365-1053	115V Monitor, 2xBNC, 409x409 mm Base
140-1022	Fuse, 1.6A
180-1146	Power Cord, IEC 320/CEE 22 to NEMA 5-15
365-1046	240V Monitor, 2xBNC, 409x409 mm Base
150-1215	Fuse, 1.6A
180-1125	Power Cord, IEC 320/CEE 22 to pigtail
	Philips M19P114A/6127/20
365-1071	115V/240V Monitor, DB13W3, FCC-A, 409x409 mm Base

19-inch Greyscale CRT

Image Size: 350 mm Horizontal 273 mm Vertical 443 mm Diagonal

Pixel Resolution	Horizontal Frequency	Vertical Frequency	Pixel Frequency
1152 x 900	71.7KHz	76.0Hz	105.5Mhz
1076 x 824	71.7KHz	76.0Hz	105.5MHz*

PART #	DESCRIPTION
365-1099	Philips M20P110A/710320 115V/240V Monitor, DB13W3, FCC-B/VCCI-2
365-1108	Philips M20P110A/710320 115V/240V OEM Monitor, DB13W3, FCC-B/VCCI-2
365-1140	Philips M20P110A/7132 115V/240V Monitor, DB13W3, FCC-B/VCCI-2, VLF
365-1154	Philips M20P110A/7132 or Capetronics DM8200 115V/240V Monitor, DB13W3, FCC-B/VCCI-2, VLF, with Video Cable 530-1870

* The Mode II (1152 x 900 @ 76) Overscan Mode user area is 1076 x 824.

DB13W3 Female Connector

PIN	SIGNAL	PIN	SIGNAL
1	Not used	8	Sense1
2	Not used	9	Sense0
3	Sense2	10	Cgnd
4	Sgnd	A1	Not used
5	Csync	A2	Green
6	Not used	A3	Not used
7	Not used		

S0 and S1 are grounded. The Sense Code is 4.
This monitor is not PC compatible.

19-inch Greyscale CRT with OCLI

Image Size: 350 mm Horizontal 273 mm Vertical 443 mm Diagonal

Pixel
Resolution
1152 x 900

Horizontal
Frequency
61.8KHz

Vertical
Frequency
66.0Hz

Pixel
Frequency
92.94MHz

PART #	DESCRIPTION
	Philips M19P114T/6103
365-1008	240V Monitor, 2xBNC, 395x535 mm Base
150-1051	Fusecarrier
150-1215	Fuse, 1.6A
180-1125	Power Cord, IEC 320/CEE 22 to pigtail
365-1052	240V Monitor, 2xBNC, 409x409 mm Base
150-1051	Fusecarrier
150-1215	Fuse, 1.6A
180-1125	Power Cord, IEC 320/CEE 22 to pigtail

BNC Adapter 530-1511 DB13W3 Female Connector

PIN	SIGNAL	PIN	SIGNAL
1	Not used	8	Sense1
2	Not used	9	Sense0
3	Sense2	10	Cgnd
4	Sgnd	A1	Not used
5	Csync	A2	Green
6	Not used	A3	Not used
7	Not used		

S2 is grounded in Adapter 530-1511. The Sense Code is 3.
This monitor is not PC compatible.

20-inch Premium Greyscale CRT

Image Size: 350 mm Horizontal 273 mm Vertical 443 mm Diagonal

Pixel Resolution	Horizontal Frequency	Vertical Frequency	Pixel Frequency
1152 x 900	71.8KHz	76.0Hz	105.5MHz
1280 x 1024	81.1KHz	76.0Hz	135.0MHz

PART #	DESCRIPTION
365-1168	Zenith 20S5 115V/240V Monitor, DB13W3, FCC-B/VCCI-2, MPR 1990:10 with non-removable 1.2M Video Cable
365-1320	Zenith 20S5 115V/240V Southern Hemisphere Monitor, DB13W3, FCC-B/VCCI-2, MPR 1990:10 with non-removable

DB13W3 Male Connector

PIN	SIGNAL	PIN	SIGNAL
1	Not used	8	Sense1
2	Not used	9	Sense0
3	Sense2	10	Cgnd
4	Sgnd	A1	Not used
5	Csync	A2	Green
6	Not used	A3	Not used
7	Not used		

S1 and S2 are grounded. The Sense Code is 6.
This monitor is not PC compatible.

14-inch Entry-Level Color CRT

Image Size: 255 mm Horizontal 191 mm Vertical 319 mm Diagonal

Default Resolution	Horizontal Frequency	Vertical Frequency	Pixel Frequency
800 x 600	46.875KHz	75.000Hz	49.50MHz
1024 x 768	48.363KHz	60.004Hz	65.00MHz

PART #	DESCRIPTION
365-1350	Samsung CQB4157L, .28 mm Dot-Pitch 115V/240V Monitor, SVGA, HD-15
365-1351	115V/240V OEM Monitor, SVGA, HD-15

HD15 Male Connector

PIN	SIGNAL	PIN	SIGNAL
1	Red	9	Not used
2	Green	10	Sync Gnd
3	Blue	11	Gnd
4	Not used	12	DDC Data
5	Not used	13	Hsync
6	Red Gnd	14	Vsync
7	Green Gnd	15	DDC Clock
8	Blue Gnd		

This monitor is PC compatible.

14-inch Entry-Level Color CRT

Image Size: 255 mm Horizontal 191 mm Vertical 319 mm Diagonal

Default Resolution	Horizontal Frequency	Vertical Frequency	Pixel Frequency
800 x 600	46.875KHz	75.000Hz	49.50MHz
1024 x 768	48.363KHz	60.004Hz	65.00MHz

PART #	DESCRIPTION
365-1388	Samsung, .28 mm Dot-Pitch 115V/240V Monitor, SVGA, HD-15
365-1389	115V/240V OEM Monitor, SVGA, HD-15

HD15 Male Connector

PIN	SIGNAL	PIN	SIGNAL
1	Red	9	Reserved
2	Green	10	Sync Gnd
3	Blue	11	Gnd
4	Not used	12	DDC Data
5	Data gnd	13	Hsync
6	Red Gnd	14	Vsync
7	Green Gnd	15	DDC Clock
8	Blue Gnd		

This monitor is PC compatible.

15-inch Color CRT

Image Size: 260 mm Horizontal 195 mm Vertical 325 mm Diagonal

Pixel Resolution	Horizontal Frequency	Vertical Frequency	Pixel Frequency
1152 x 900	61.8KHz	66Hz	94.5MHz
1024 x 768	62.0KHz	77Hz	84.37MHz

PART #	DESCRIPTION
365-1286	Nokia 449A101, .28 mm Dot-Pitch 115V/240V Monitor, DB13W3, FCC-B/VCCI-2, ELF/VLF with non-removable 1.2M Video Cable
365-1327	Nokia 449A101, .28 mm Dot-Pitch 115V/240V Monitor, DB13W3, FCC-B/VCCI-2, ELF/VLF, Energy Star, with non-removable 1.2M Video Cable

DB13W3 Male Connector

PIN	SIGNAL	PIN	SIGNAL
1	Connected to Pin-10	8	Sense1
2	Not used	9	Sense0
3	Sense2	10	Cgnd
4	Sgnd	A1	Red
5	Csync	A2	Green
6	Not used	A3	Blue
7	Connected to Pin-10		

S0, S1, and S2 are grounded. The Sense Code is 0.
This monitor is not PC compatible.

Note

The monitor synchronizes horizontally from 30KHz to 62 KHz and vertically from 48Hz to 100Hz.

16-inch Color CRT

Image Size: 295 mm Horizontal 230 mm Vertical 374 mm Diagonal

Pixel Resolution 1152 x 900	Horizontal Frequency 61.8KHz	Vertical Frequency 66Hz	Pixel Frequency 92.94MHz
-----------------------------------	------------------------------------	-------------------------------	--------------------------------

PART #	DESCRIPTION
365-1020	115V Sony P2 GDM-1604-15 Monitor, 4xBNC
150-1225	Fuse, 4A
180-1146	Power Cord, IEC 320/CEE 22 to NEMA 5-15
365-1022	240V Sony P2 GDM-1604-40 Monitor, 4xBNC
150-1226	Fuse, 3.15A
180-1125	Power Cord, IEC 320/CEE 22 to pigtail
365-1063	115V Sony P2 GDM-1604B-15 Monitor, DB13W3
150-1225	Fuse, 4A
180-1146	Power Cord, IEC 320/CEE 22 to NEMA 5-15
365-1064	240V Sony P2 GDM-1604B-40 Monitor, DB13W3
150-1226	Fuse, 3.15A
180-1125	Power Cord, IEC 320/CEE 22 to pigtail
365-1079	115V Sony P2 GDM-1604A-15 Monitor, DB13W3, FCC-A
150-1225	Fuse, 4A
180-1146	Power Cord, IEC 320/CEE 22 to NEMA 5-15
365-1080	240V Sony P2 GDM-1604A-40 Monitor, DB13W3, FCC-A
150-1226	Fuse, 3.15A
365-1092	115V Sony P2 GDM-1604B-15 Monitor, DB13W3, FCC-B
150-1225	Fuse, 4A
180-1146	Power Cord, IEC 320/CEE 22 to NEMA 5-15
365-1093	240V Sony P2 GDM-1604B-40 Monitor, DB13W3, FCC-B
150-1226	Fuse, 3.15A

Notes

1. S0 and S1 are grounded. The Sense Code is 4.
2. DB13W3 Pins 1, 2, 6, and 7 are not used.

16-inch Color CRT

Image Size: 295 mm Horizontal 230 mm Vertical 374 mm Diagonal

Pixel Resolution 1152 x 900	Horizontal Frequency 61.8KHz	Vertical Frequency 66.0Hz	Pixel Frequency 92.94MHz
-----------------------------------	------------------------------------	---------------------------------	--------------------------------

PART #	DESCRIPTION
365-1143	Philips/Fimi C1764, .26 mm Dot-Pitch SPARCstation IPC Option LPC 115V Monitor, DB13W3, FCC-B/VCCI-2
365-1146	Philips/Fimi C1764, .26 mm Dot-Pitch SPARCstation IPC Option LPC 240V Monitor, DB13W3, FCC-B/VCCI-2

DB13W3 Female Connector

PIN	SIGNAL	PIN	SIGNAL
1	Connected to Pin-10	8	Sense1
2	Not used	9	Sense0
3	Sense2	10	Cgnd
4	Sgnd	A1	Red
5	Csync	A2	Green
6	Not used	A3	Blue
7	Connected to Pin-10		

S2 is grounded. The Sense Code is 3.
This monitor is not PC compatible.

16-inch Mid-Range Color CRT

Image Size: 95 mm Horizontal 226 mm Vertical 371 mm Diagonal

Pixel Resolution	Horizontal Frequency	Vertical Frequency	Pixel Frequency
1152 x 900	61.8KHz	66.0Hz	92.94MHz
1024 x 768	62.0KHz	77.0Hz	84.37MHz

PART #	DESCRIPTION
365-1151	Sony CPD-1790, .26 mm Dot-Pitch 115V/240V Monitor, DB13W3, FCC-B/VCCI-2, with non-removable 1.2M Video Cable
365-1164	115V/240V S. Hemisphere Monitor, DB13W3, FCC-B/VCCI-2, with non-removable 1.2M Video Cable
365-1165	115V/240V European Monitor, DB13W3, FCC-B/VCCI-2, Swedish MPR-2, with non-removable 1.2M Video Cable
365-1166	115V/240V OEM Monitor, DB13W3, FCC-B/VCCI-2, with non-removable 1.2M Video Cable.

DB13W3 Male Connector

PIN	SIGNAL	PIN	SIGNAL
1	Not used	8	Sense1
2	Not used	9	Sense0
3	Sense2	10	Cgnd
4	Sgnd	A1	Red
5	Csync	A2	Green
6	Not used	A3	Blue
7	Not used		

S2 is grounded.

The Sense Code is 3.

Not a PC compatible monitor.

SSS Compatibility Matrix ¹

MODEL	PART#	COMPATIBLE
Xterm 1	≥501-2540-03	Yes
Xterm 1	≥501-3025-02	Yes
70MHz	≥501-2861-02	Yes
70MHz	≥501-3002-02	Yes
85MHz	≥501-2549-03	Yes
85MHz	≥501-2928-02	Yes
110MHz	≥501-3008-03	Yes
110MHz	501-3109-xx	Yes ²
110MHz	501-3134-xx	Yes ²

¹ If the SPARCstation 4 tcx frame buffer outputs sync on green, the board is not compatible with the 16-inch monitor. The monitor cannot remove sync from the green output. Sync on green causes a higher than normal green output level. Refer to BugID 1218690.

² Jumper J0501 on the SS4 CPU enables or disables sync on green.

16-inch Premium Color CRT

Image Size: 295 mm Horizontal 230 mm Vertical 374 mm Diagonal

Pixel Resolution	Horizontal Frequency	Vertical Frequency	Pixel Frequency*
944 x 736	70.8KHz	84.0Hz	92.94MHz
1076 x 824	71.7KHz	76.0Hz	105.5MHz†
1152 x 900	61.8KHz	66.0Hz	92.94MHz
1152 x 900	71.7KHz	76.0Hz	105.5MHz

PART #	DESCRIPTION
365-1096	Sony P3 GDM-1662, .31 mm Dot-Pitch 115V/240V Monitor, DB13W3, FCC-A/VCCI-1 (not used)
365-1107	Sony P3 GDM-1662 or GDM-1662B, .31 mm Dot-Pitch 115V/240V OEM Monitor, DB13W3, FCC-B/VCCI-2
365-1113	115V/240V Monitor, DB13W3, FCC-B/VCCI-2
365-1130	Sony P3 GDM-1662B, .31 mm Dot-Pitch 115V/240V Monitor, DB13W3, FCC-B/VCCI-2, VLF
365-1147	115V/240V Southern Hemisphere Monitor, DB13W3, VLF
365-1159	Sony P3 GDM-1662B, .31 mm Dot-Pitch with Video Cable 530-1870 115V/240V Monitor, DB13W3, FCC-B/VCCI-2, VLF,
365-1161	115V/240V S. Hemisphere Monitor, DB13W3, VLF,
365-1289	115V/240V OEM Monitor, DB13W3, VLF,

* The Mode III (1024 x 800 @ 84) Overscan Mode user area is 944 x 736.

† The Mode II (1152 x 900 @ 76) Overscan Mode user area is 1076 x 824.

Notes

1. S0 is grounded. The Sense Code is 6.
2. DB13W3 Pins 1, 2, 6, and 7 are not used.
3. This monitor is not PC compatible.
4. The overscan mode is not supported at 66Hz vertical refresh.
5. The Frame Buffer revisions listed below do not decode the monitor sense code. Video is not displayed upon power-up until the video cable is removed and reconnected.

P4 CG6, 501-1505-03 and below

P4 CG6, 501-1532-09 and below

SBus CG6, 501-1481-04 and below

SBus CG6 501-1645-03 and below.

17-inch Entry-Level Color CRT

Image Size: 300 mm Horizontal 225 mm Vertical 375 mm Diagonal

Pixel Resolution	Horizontal Frequency	Vertical Frequency	Pixel Frequency
1152 x 900	61.8KHz	66.0Hz	94.5MHz
1024 x 768	62.0KHz	77.0Hz	84.3MHz

PART #	DESCRIPTION
365-1343	Nokia, .28 mm Dot-Pitch 115V/240V Monitor, DB13W3, FCC-B/VCCI-2, with non-removable 1.2M Video Cable
365-1345	Nokia, .28 mm Dot-Pitch 115V/240V OEM Monitor, DB13W3, FCC-B/VCCI-2, with non-removable 1.2M Video Cable

DB13W3 Male Connector

PIN	SIGNAL	PIN	SIGNAL
1	Not used	8	Sense1
2	Not used	9	Sense0
3	Sense2	10	Cgnd
4	Sgnd	A1	Red
5	Csync	A2	Green
6	Not used	A3	Blue
7	S3/Vsync		

S0, S1, and S2 are grounded. The Sense Code is 0.

Pin-7 is not connected on monitors marked DEV08773.

This monitor is PC compatible.

¹ If the SPARCstation 4 tcx frame buffer outputs sync on green, the board is not compatible with the 17-inch monitor. The monitor cannot remove sync from the green output. Sync on green causes a higher than normal green output level. Refer to BugID 1218690.

² Jumper J0501 on the SS4 CPU enables or disables sync on green.

17-inch Entry-Level Color CRT

Image Size: 300 mm Horizontal 225 mm Vertical 375 mm Diagonal

Pixel Resolution	Horizontal Frequency	Vertical Frequency	Pixel Frequency
800 x 600	46.8KHz	75.0Hz	49.5MHz
1152 x 900	61.8KHz	66.0Hz	94.5MHz
1152 x 900	71.8KHz	76.0Hz	108.0MHz
1024 x 768	62.0KHz	77.0Hz	84.3MHz
1024 x 768	60.0KHz	75.0Hz	78.7MHz

PART #	DESCRIPTION
365-1354	Nokia, .27 mm Dot-Pitch 115V/240V Monitor, HD15, FCC-B/VCCI-2, with non-removable 1.5M Video Cable
365-1355	Nokia, .27 mm Dot-Pitch 115V/240V OEM Monitor, HD15, FCC-B/VCCI-2, with non-removable 1.5M Video Cable
130-3034	HD15F to DB13W3M Adapter

HD15 Male Connector

PIN	SIGNAL	PIN	SIGNAL
1	Red	9	Not used
2	Green	10	Sync Gnd
3	Blue	11	Gnd
4	Gnd	12	DDC Data
5	Sgnd	13	Hsync
6	Red Gnd	14	Vsync
7	Green Gnd	15	DDC Clock
8	Blue Gnd		

Pin-13 accepts Composite Sync if Vsync is not present on Pin-14.
This monitor is PC compatible.

17-inch Entry-Level Color CRT

Image Size: 300 mm Horizontal 225 mm Vertical 375 mm Diagonal

Pixel Resolution	Horizontal Frequency	Vertical Frequency	Pixel Frequency
800 x 600	46.8KHz	75.0Hz	49.5MHz
1152 x 900	61.8KHz	66.0Hz	94.5MHz
1152 x 900	71.8KHz	76.0Hz	108.0MHz
1024 x 768	62.0KHz	77.0Hz	84.3MHz
1024 x 768	60.0KHz	75.0Hz	78.7MHz
1024 x 768	68.7KHz	85.0Hz	94.5MHz

PART #	DESCRIPTION
365-1396	Samsung, .28 mm Dot-Pitch 115V/240V Monitor, HD15, FCC-B/VCCI-2, with non-removable 2.0M Video Cable
365-1397	Samsung, .28 mm Dot-Pitch 115V/240V OEM Monitor, HD15, FCC-B/VCCI-2, with non-removable 2.0M Video Cable
130-3034	HD15F to DB13W3M Adapter

HD15 Male Connector

PIN	SIGNAL	PIN	SIGNAL
1	Red	9	Not used
2	Green	10	Sync Gnd
3	Blue	11	Gnd
4	Gnd	12	DDC Data
5	Sgnd	13	Hsync
6	Red Gnd	14	Vsync
7	Green Gnd	15	DDC Clock
8	Blue Gnd		

Pin-13 can accept Composite Sync.
This monitor is PC compatible.

17-inch Entry-Level Color CRT

Image Size: 300 mm Horizontal 225 mm Vertical 375 mm Diagonal

Pixel Resolution	Horizontal Frequency	Vertical Frequency	Pixel Frequency
800 x 600	46.8KHz	75.0Hz	49.5MHz
1152 x 900	61.8KHz	66.0Hz	94.5MHz
1152 x 900	71.8KHz	76.1Hz	108.0MHz
1024 x 768	62.0KHz	77.0Hz	84.3MHz
1024 x 768	60.0KHz	75.0Hz	78.7MHz
1024 x 768	68.7KHz	85.0Hz	94.5MHz

PART #	DESCRIPTION
365-1406	Samsung, .28 mm Dot-Pitch 115V/240V Monitor, HD15, FCC-B/VCCI-2, with non-removable 2.0M Video Cable
365-1407	Samsung, .28 mm Dot-Pitch 115V/240V OEM Monitor, HD15, FCC-B/VCCI-2, with non-removable 2.0M Video Cable
130-3034	HD15F to DB13W3M Adapter

HD15 Male Connector

PIN	SIGNAL	PIN	SIGNAL
1	Red	9	Not used
2	Green	10	Sync Gnd
3	Blue	11	Not used
4	Not used	12	DDC Data
5	Sgnd	13	Hsync
6	Red Gnd	14	Vsync
7	Green Gnd	15	DDC Clock
8	Blue Gnd		

Pin-13 can accept Composite Sync.
This monitor is PC compatible.

17-inch Premium Color CRT

Image Size: 300 mm Horizontal 234 mm Vertical 380 mm Diagonal

Pixel Resolution	Horizontal Frequency	Vertical Frequency	Pixel Frequency
1152 x 900	71.81KHz	76.14Hz	108.0MHz
1280 x 1024	81.13KHz	76.11Hz	135.0MHz

PART #	DESCRIPTION
365-1316	Sony N1 GDM-17E10, .26 mm Dot-Pitch 115V/240V Monitor, DB13W3, FCC-B/VCCI-2, with non-removable 1.2M Video Cable
365-1319	Sony N1 GDM-17E10 115V/240V OEM Monitor, DB13W3, FCC-B/VCCI-2 with non-removable 1.2 Video Cable
365-1321	Sony N1 GDM-17E10 115V/240V Southern Hemisphere Monitor, DB13W3, FCC-B/VCCI-2 with non-removable 1.2 Video Cable

DB13W3 Male Connector

PIN	SIGNAL	PIN	SIGNAL
1	RS232 clock input	8	Sense1
2	RS232 data in	9	Sense0
3	Sense2	10	Cgnd
4	Sgnd	A1	Red
5	Csync	A2	Green
6	RS232 data out	A3	Blue
7	Not used		

S0 is grounded. The Sense Code is 5.
This monitor is not PC compatible.

17-inch Premium Color CRT

Image Size: 300 mm Horizontal 234 mm Vertical 380 mm Diagonal
 Image Size: 293 mm Horizontal 234 mm Vertical 375 mm Diagonal

Pixel Resolution	Horizontal Frequency	Vertical Frequency	Pixel Frequency
1152 x 900	71.81KHz	76.14Hz	108.0MHz
1280 x 1024	81.13KHz	76.11Hz	135.0MHz
960 x 680	81.13KHz	112.37Hz	101.0MHz

PART #	DESCRIPTION
365-1338	Sony N2 GDM17E20, .26 mm Dot-Pitch 115V/240V Monitor, DB13W3, FCC-B/VCCI-2, with non-removable 1.2M Video Cable
365-1339	Sony N2 GDM17E20, .26 mm Dot-Pitch 115V/240V OEM Monitor, DB13W3, FCC-B/VCCI-2 with non-removable 1.2 Video Cable
365-1341	Sony N2 GDM17E20, .26 mm Dot-Pitch 115V/240V Southern Hemisphere Monitor, DB13W3, FCC-B/VCCI-2 with non-removable 1.2 Video Cable

DB13W3 Male Connector

PIN	SIGNAL	PIN	SIGNAL
1	SCL clock input for DDC1/2B	8	Sense1
2	+5Vdc from DDC framebuffer	9	Sense0
3	Sense2	10	Cgnd
4	Sgnd	A1	Red
5	Csync	A2	Green
6	SDA bi-directional serial data	A3	Blue
7	Sense3/Vsync		

S0 and S3 are grounded. The Sense Code is 6.
 Pin-5 is Hsync if Vsync is present on Pin-7.
 This monitor is PC compatible with internal rework.

19-inch Color CRT

Image Size: 350 mm Horizontal 273 mm Vertical 443 mm Diagonal

Pixel Resolution 1152 x 900	Horizontal Frequency 61.8KHz	Vertical Frequency 66.0Hz	Pixel Frequency 92.94MHz
--------------------------------	---------------------------------	------------------------------	-----------------------------

PART #	DESCRIPTION
365-1038	Sony P2 GDM-1955A15, .31 mm Dot-Pitch 115V Monitor, 4xBNC
150-1225	Fuse, 4A
180-1146	Power Cord, IEC 320/CEE 22 to NEMA 5-15
365-1039	Sony P2 GDM-1955A40, .31 mm Dot-Pitch 240V Monitor, 4xBNC
150-1226	Fuse, 3.15A
180-1125	Power Cord, IEC 320/CEE 22 to pigtail
365-1065	Sony P2 GDM-1955A15, .31 mm Dot-Pitch 115V Monitor, DB13W3
150-1225	Fuse, 4A
365-1066	Sony P2 GDM-1955A40, .31 mm Dot-Pitch 240V Monitor, DB13W3
150-1226	Fuse, 3.15A
365-1081	Sony P2 GDM-1955A15, .31 mm Dot-Pitch 115V Monitor, DB13W3, FCC-A/VCCI-1
150-1225	Fuse, 4A
365-1082	Sony P2 GDM-1955A40, .31 mm Dot-Pitch 240V Monitor, DB13W3, FCC-A/VCCI-1
150-1226	Fuse, 3.15A

Notes

1. S2 is grounded. The Sense Code is 3.
2. DB13W3 Pins 1, 2, 6, and 7 are not used.
3. This monitor is not PC compatible.

19-inch Color CRT

Image Size: 340 mm Horizontal 270 mm Vertical 434 mm Diagonal

Pixel Resolution	Horizontal Frequency	Vertical Frequency	Pixel Frequency
1280 x 1024	81.13KHz	76.106Hz	135.0MHz
1152 x 900	71.81KHz	76.150Hz	108.0MHz
1280 x 1024	71.69KHz	67.189Hz	117.0MHz
1152 x 900	61.84KHz	66.003Hz	94.5MHz
1280 x 1024	79.976KHz	72.025Hz	135.0MHz
1024 x 768	60.023KHz	75.029Hz	78.75MHz
1280 x 1024	81.13KHz	76.106Hz	135.0MHz
1600 x 1200	93.75KHz	75.0Hz	202.5MHz

PART #	DESCRIPTION
	Hitachi, .26 mm Dot-Pitch
365-1380	115V/240V Monitor, HD15F without Cable
180-1861	HD15M to HD15M Adapter, 1.8M (obsolete)
530-2494	HD15M to HD15M Adapter, 1.8M
	Hitachi, .26 mm Dot-Pitch
365-1381	115V/240V OEM Monitor, HD15F without Cable
180-1861	HD15M to HD15M Adapter, 1.8M (obsolete)
530-2494	HD15M to HD15M Adapter, 1.8M

HD15 Female Connector

PIN	SIGNAL	PIN	SIGNAL
1	Red	9	Not used
2	Green	10	Sync Gnd
3	Blue	11	Not used
4	Not used	12	DDC Data
5	Sgnd	13	Hsync
6	Red Gnd	14	Vsync
7	Green Gnd	15	DDC Clock
8	Blue Gnd		

Pin-13 accepts Composite Sync if Vsync is not present on Pin-14.
 This monitor is PC compatible.

19-inch Premium Color CRT

Image Size: 350 mm Horizontal 270 mm Vertical 442 mm Diagonal

Pixel Resolution	Horizontal Frequency	Vertical Frequency	Pixel Frequency
1076 x 824	71.7KHz	76.0Hz	105.5MHz*
1152 x 900	61.8KHz	66.0Hz	92.94MHz
1152 x 900	71.7KHz	76.0Hz	105.5MHz
1280 x 1024	71.7KHz	67.0Hz	117.0MHz

PART #	DESCRIPTION
365-1095	Sony P3 GDM-1962, .31 mm Dot-Pitch 115V/240V Monitor, DB13W3, FCC-A/VCCI-1
365-1106	115V/240V OEM Monitor, DB13W3, FCC-A/VCCI-1 (obs)
365-1112	Sony P3 GDM-1962B, .31 mm Dot-Pitch 115V/240V Monitor, DB13W3, FCC-B/VCCI-2, VLF
365-1148	Sony P3 GDM-1962B, .31 mm Dot-Pitch 115V/240V Southern Hemisphere Monitor, DB13W3, VLF
365-1153	Sony P3 GDM-1962B, .31 mm Dot-Pitch 115V/240V European Monitor, DB13W3, FCC-B/VCCI-2, Swedish MPR-2, with Video Cable 530-1870
365-1160	Sony P3 GDM-1962B with Video Cable 530-1870 115V/240V Monitor, DB13W3, VLF
365-1162	Sony P3 GDM-1962B with Video Cable 530-1870 115V/240V S. Hemisphere Monitor, DB13W3, VLF,
365-1288	Sony P3 GDM-1962B with Video Cable 530-1870 115V/240V OEM Monitor, DB13W3, FCC-B/VCCI-2, VLF,

* The Mode II (1152 x 900 @ 76) Overscan Mode user area is 1076 x 824.

Notes

1. S0 and S1 are grounded. The Sense Code is 4.
2. DB13W3 Pins 1, 2, 6, and 7 are not used.
3. This monitor is not PC compatible.
4. CG6 ≤501-1505-03, ≤501-1532-09, ≤501-1481-04 or ≤501-1645-03 do not decode the monitor sense code. No video is displayed when power is applied until the video cable is removed and reconnected.

19-inch Premium Flat Screen Color CRT

Image Size: 365 mm Horizontal 274 mm Vertical 456 mm Diagonal

Pixel Resolution	Horizontal Frequency	Vertical Frequency	Pixel Frequency
1280 x 1024	81.13KHz	76.11Hz	135.0MHz
1152 x 900	71.81KHz	76.15Hz	108.0MHz
1280 x 1024	71.69KHz	67.18Hz	117.0MHz
1152 x 900	61.84KHz	66.00Hz	94.5MHz
1280 x 1024	75.03KHz	79.98Hz	135.0MHz
1024 x 768	60.02KHz	75.03Hz	78.7MHz
1600 x 1200	93.75KHz	75.00Hz	202.5MHz
1600 x 1280	101.80KHz	76.00Hz	216.0MHz
Variable	30-107KHz	48-120Hz	Variable

PART#	DESCRIPTION
365-1403	Sony, .24 - .25 mm Aperature Grill Pitch 115V/240V Monitor, 2.0M HD15 Video Cable
365-1404	115V/240V OEM Monitor, 2.0M HD15 Video Cable
365-1405	115V/240V S. Hemisphere Monitor, 2.0M HD15 Video Cable

HD15 Female Connector

PIN	SIGNAL	PIN	SIGNAL	PIN	SIGNAL	PIN	SIGNAL
1	Red	5	Sgnd	9	Not used	13	Hsync
2	Green	6	Red Gnd	10	Sync Gnd	14	Vsync
3	Blue	7	Green Gnd	11	Not used	15	DDC Clock
4	Not used	8	Blue Gnd	12	DDC Data		

Pin-13 accepts Composite Sync if Vsync is not present on Pin-14.
This monitor is PC compatible.

20-inch Premium Color CRT

Image Size: 350 mm Horizontal 270 mm Vertical 442 mm Diagonal

Pixel Resolution	Horizontal Frequency	Vertical Frequency	Pixel Frequency
1076 x 824	71.7KHz	76.0Hz	108.0MHz*
1196 x 938	81.1KHz	76.0Hz	135.0MHz†
1152 x 900	61.8KHz	66.0Hz	94.5MHz
1152 x 900	71.8KHz	76.0Hz	108.0MHz
1280 x 1024	71.8KHz	67.0Hz	118.0MHz
1280 x 1024	81.1KHz	76.0Hz	135.0MHz

PART #	DESCRIPTION
365-1167	Sony P4 GDM-20D10, .31 mm Dot-Pitch 115V/240V Monitor, DB13W3, FCC-B/VCCI-2, MPR 1990:10 with non-removable 1.2M Video Cable
365-1313	115V/240V OEM Monitor, DB13W3, FCC-B/VCCI-2, MPR 1990:10 with non-removable 1.2M Video Cable
365-1317	115V/240V Southern Hemisphere Monitor, DB13W3, FCC-B/VCCI-2, MPR 1990:10 with 1.2M Video Cable
365-1330	115V/240V Monitor, DB13W3, FCC-B/VCCI-2, MPR 1990:10 with non-removable 1.2M Video Cable
370-1576	Remote Control
370-1705	Remote Control without Logo
None	CR2025 3V Battery, 20 mm diameter x 2.5 mm height

* The Mode II (1152 x 900 @ 76) Overscan Mode user area is 1076 x 824.

† The Mode I (1280 x 1024 @ 135) Overscan Mode user area is 1196 x 938.

DB13W3 Male Connector

PIN	SIGNAL	PIN	SIGNAL	PIN	SIGNAL
1	RS232 clock in	5	Csync	10	Cgnd
2	RS232 data in	6	RS232 data out	A1	Red
3	Sense2	8	Sense1	A2	Green
4	Sgnd	9	Sense0	A3	Blue

S0 and S1 are grounded. The Sense Code is 4.

Pin-7 is not used.

This monitor is not PC compatible.

20-inch Premium Color CRT

Image Size: 350 mm Horizontal 270 mm Vertical 442 mm Diagonal

Pixel Resolution	Horizontal Frequency	Vertical Frequency	Pixel Frequency
1076 x 824	71.7KHz	76.0Hz	108.0MHz*
1196 x 938	81.1KHz	76.0Hz	135.0MHz†
1152 x 900	61.8KHz	66.0Hz	94.5MHz
1152 x 900	71.8KHz	76.0Hz	108.0MHz
1280 x 1024	71.8KHz	67.0Hz	118.0MHz
1280 x 1024	81.1KHz	76.0Hz	135.0MHz

PART#	DESCRIPTION
365-1322	Sony P4 GDM-20D10, .31 mm Dot-Pitch 115V/240V Sony P4 Korean Monitor, DB13W3, Energy Star, with non-removable 1.2M Video Cable
365-1324	115V/240V Sony P4 Monitor, DB13W3, Energy Star, with non-removable 1.2M Video Cable
365-1325	115V/240V Sony P4 S. Hemisphere Monitor, DB13W3, Energy Star, with non-removable 1.2M Video Cable
365-1326	115V/240V Sony P4 OEM Monitor, DB13W3, Energy Star, with non-removable 1.2M Video Cable
370-1576	Remote Control
370-1705	Remote Control without Logo
None	CR2025 3V Battery, 20 mm diameter x 2.5 mm height

* The Mode II (1152 x 900 @ 76) Overscan Mode user area is 1076 x 824.

† The Mode I (1280 x 1024 @ 135) Overscan Mode user area is 1196 x 938.

DB13W3 Male Connector

PIN	SIGNAL	PIN	SIGNAL	PIN	SIGNAL
1	RS232 clock in	5	Csync	9	Sense0
2	RS232 data in	6	RS232 data out	A1	Red
3	Sense2	5	Csync	A2	Green
4	Sgnd	8	Sense1	A3	Blue

S0 and S1 are grounded. The Sense Code is 4.

Pin-7 is not used.

This monitor is not PC compatible.

20-inch Premium Color CRT

Image Size: 350 mm Horizontal 270 mm Vertical 442 mm Diagonal

Pixel Resolution	Horizontal Frequency	Vertical Frequency	Pixel Frequency
960 x 680	81.13KHz	112.37Hz	101.0MHz
1152 x 900	71.81KHz	76.14Hz	108.0MHz
1152 x 900	61.84KHz	66.00Hz	94.5MHz
1280 x 1024	81.13KHz	76.11Hz	135.0MHz
1280 x 1024	71.67KHz	66.67Hz	118.0MHz

PART#	DESCRIPTION
365-1335	Sony N2 GDM-20E20, .31 mm Dot-Pitch 115V/240V Monitor, DB13W3, FCC-B, Energy Star with non-removable 1.2M Video Cable
365-1337	115V/240V OEM Monitor, DB13W3, FCC-B, Energy Star with non-removable 1.2M Video Cable
365-1340	115V/240V Southern Hemisphere Monitor, DB13W3, FCC-B, Energy Star with non-removable 1.2M Video Cable
365-1342	115V/240V Korean Monitor, DB13W3, FCC-B, Energy Star with non-removable 1.2M Video Cable

DB13W3 Male Connector

PIN	SIGNAL	PIN	SIGNAL
1	SCL DDC clock input	8	Sense1
2	Not used	9	Sense0
3	Sense2	10	Cgnd
4	Sgnd	A1	Red
5	Csync	A2	Green
6	SDA DDC data I/O	A3	Blue
7	Vsync		

S0 and S1 are grounded. The Sense Code is 4.

Pin-5 is Hsync if Vsync is present on Pin-7.

This monitor is PC compatible.

21-inch Color CRT

Image Size: 369 mm Horizontal 295 mm Vertical 472 mm Diagonal

Pixel Resolution 1280 x 1024	Horizontal Frequency 81.1KHz	Vertical Frequency 76.0Hz	Pixel Frequency 135.0MHz
------------------------------------	------------------------------------	---------------------------------	--------------------------------

PART #	DESCRIPTION
365-1068	Toshiba P21CU80 115V/240V Monitor, DB13W3, FCC-A/VCCI-1
365-1110	Toshiba P21CU80 115V/240V OEM Monitor, DB13W3, FCC-A/VCCI-1

DB13W3 Female Connector

PIN	SIGNAL	PIN	SIGNAL
1	Not used	8	Sense1
2	Not used	9	Sense0
3	Sense2	10	Cgnd
4	Sgnd	A1	Red
5	Csync	A2	Green
6	Not used	A3	Blue
7	Not used		

S0 and S2 are grounded. The Sense Code is 2.
This monitor is not PC compatible.

21-inch Color CRT

Image Size: 350 mm Horizontal 270 mm Vertical 442 mm Diagonal

Pixel Resolution	Horizontal Frequency	Vertical Frequency	Pixel Frequency
1280 x 1024	81.13KHz	76.11Hz	135.0MHz
1152 x 900	71.81KHz	76.14Hz	108.0MHz
1600 x 1200	93.75KHz	75.00Hz	202.5MHz
1152 x 900	61.84KHz	66.00Hz	94.5MHz
1280 x 1024	71.69KHz	67.18Hz	117.0MHz
960 x 680	81.13KHz	112.37Hz	101.2MHz

PART#	DESCRIPTION
365-1383	Sony N3 GDM-5010PT, .26 mm Dot-Pitch 115V/240V Monitor, DB13W3 and HD15 with non-removable 2.0M Video Cable
365-1384	115V/240V OEM Monitor, DB13W3 and HD15 with non-removable 2.0M Video Cable
365-1386	115V/240V Korean Monitor, DB13W3 and HD15 with non-removable 2.0M Video Cable

DB13W3 Male Connector

PIN	SIGNAL	PIN	SIGNAL	PIN	SIGNAL
1	SCL DDC clock input	6	SDA DDC data I/O	A1	Red
2	+5 from Framebuffer	7	Vsync	A2	Green
3	Sense2	8	Sense1	A3	Blue
4	Sgnd	9	Sense0		
5	Csync	10	Cgnd		

S0 and S1 are grounded. The Sense Code is 4.

This monitor is PC compatible.

HD15 Female Connector

PIN	SIGNAL	PIN	SIGNAL	PIN	SIGNAL	PIN	SIGNAL
1	Red	5	Sgnd	9	Not used	13	Hsync
2	Green	6	Red Gnd	10	Sync Gnd	14	Vsync
3	Blue	7	Green Gnd	11	Not used	15	DDC Clock
4	Not used	8	Blue Gnd	12	DDC Data		

Pin-13 accepts Composite Sync if Vsync is not present on Pin-14.

This monitor is PC compatible.

21-inch Premium Flat Screen Color CRT

Mode I Size: 364 mm Horizontal 291 mm Vertical 466 mm Diagonal
 Mode II Size: 388 mm Horizontal 291 mm Vertical 485 mm Diagonal

Pixel Resolution	Horizontal Frequency	Vertical Frequency	Pixel Frequency
1280 x 1024	81.13KHz	76.11Hz	135.0MHz
1152 x 900	71.81KHz	76.15Hz	108.0MHz
1280 x 1024	79.97KHz	75.02Hz	135.0MHz
1280 x 1024	71.69KHz	67.19Hz	117.0MHz
1152 x 900	61.84KHz	66.00Hz	94.5MHz
1024 x 768	60.02KHz	75.03Hz	78.7MHz
1600 x 1200	93.75KHz	75.00Hz	202.5MHz
1280 x 1024	120.94KHz	111.98Hz	216.0MHz
Variable	30-121KHz	48-160Hz	Variable

PART#	DESCRIPTION
365-1399	Sony GDM-5410, .24 mm Aperature Grill Pitch 115V/240V Monitor, 2.0M 13W3 Video Cable
370-4064	Rear Cover
365-1400	115V/240V OEM Monitor, 2.0M 13W3 Video Cable
370-4065	Rear Cover
365-1401	115V/240V S. Hemisphere Monitor, 2.0M 13W3 Video Cable

DB13W3 Male Connector

PIN	SIGNAL	PIN	SIGNAL	PIN	SIGNAL
1	DDC clock input	6	DDC data I/O	A1	Red
2	+5 from Framebuffer	7	Vsync	A2	Green
3	Sense2	8	Sense1	A3	Blue
4	Sgnd	9	Sense0		
5	Csync	10	Cgnd		

S0 and S1 are grounded. The Sense Code is 4.

HD15 Female Connector

PIN	SIGNAL	PIN	SIGNAL	PIN	SIGNAL	PIN	SIGNAL
1	Red	5	Sgnd	9	Not used	13	Hsync
2	Green	6	Red Gnd	10	Sync Gnd	14	Vsync
3	Blue	7	Green Gnd	11	Not used	15	DDC Clock
4	Not used	8	Blue Gnd	12	DDC Data		

Pin-13 accepts Composite Sync if Vsync is not present on Pin-14.
 This monitor is PC compatible.

24-inch Color CRT

Image Size: 474 mm Horizontal 296 mm Vertical 558 mm Diagonal

Pixel Resolution	Horizontal Frequency	Vertical Frequency	Pixel Frequency
1920 x 1200	87.1KHz	70.3Hz	219.3MHz
1600 x 1000	79.9KHz	76.0Hz	170.1MHz
1600 x 1000	68.5KHz	66.0Hz	135.0MHz
1440 x 900	71.8KHz	76.0Hz	135.0MHz
1280 x 800	64.4KHz	76.2Hz	101.2MHz

PART #	DESCRIPTION
365-1352	Sony GDM-90W10 115V/240V with non-removable 1.5M Video Cable
365-1353	Sony GDM-90W10 115V/240V OEM monitor without Sun Logo with non-removable 1.5M Video Cable

DB13W3 Male Connector

PIN	SIGNAL	PIN	SIGNAL
1	SCL DDC clock input	8	Sense1
2	+5V from framebuffer	9	Sense0
3	Sense2	10	Csync gnd
4	Sgnd	A1	Red
5	Csync	A2	Green
6	SDA DDC data I/O	A3	Blue
7	Vsync		

S0 and S2 are grounded. The Sense Code is 2.
This monitor is PC compatible.

This page intentionally left blank.

PARTS BREAKDOWN

TROUBLESHOOTING

Troubleshooting

CPU

Power-On Self Test Keyboard Error Codes	3
E3x00 E4x00 E5x00 E6x00	
Front Panel LEDs Clock Board LEDs	6
CPU/Memory LEDs I/O LEDs Disk Board LEDs	6
E10000	
System Board LEDs Control Board LEDs	7
Centerplane Support Board LEDs Fan Tray LEDs	8

SCSI Disk Drives

Single-ended 8-bit SCSI Pinouts	9
Single-ended 16-bit SCSI Pinouts	10
Single Connector SCSI Pinouts	11
Differential 8-bit SCSI Pinouts	12
Differential 16-bit SCSI Pinouts	13
Media Defect Management	14
SCSI Option Bit	15
SCSI Controllers	16
SCSI Sense Keys	17
SCSI Sense Codes	19

Removable Media

5GB 4 mm DDS-1	25
4-8GB 4 mm DDS-2	26
20-40GB 4 mm DDS-4	26
Quantum DLT 4700	27

Communication

Electrical Characteristics	28
RS-232 Signals	30
RS-449 Signals	31
Ethernet Controllers	32

Troubleshooting - Continued

Communication Pin Assignments	
CPU Serial Ports	33
CPU Keyboard and Mouse	33
USB Port	35
IEEE-1394 Port	35
CPU Parallel Port	36
SS5 SS20 AUI Port	38
Sun Microphone II	38
SS5 SS4 Audio Module Audio Jacks	39
SS20 Audio Jacks	40
A11 A12 A14 Audio Jacks	41
Ethernet	42
SunLink ISDN	42
SBE/S Ethernet	43
Fast Ethernet	44
SPC/S HSI/S	45
Network Terminal Server LEDs	46

Power-On Self Test Keyboard LED Error Codes

Type-5 Type-5c Type 6

SS4 SS5

CAPS LOCK	COMPOSE	SCROLL LOCK	NUM LOCK	DESCRIPTION
Blink	Off	Off	Off	Post running
Off	Off	Off	Off	Post complete
Off	Off	Off	On	CPU failed
Off	Off	On	Off	NVRAM failed
Off	On	Off	Off	DSIMM

SS20

CAPS LOCK	COMPOSE	SCROLL LOCK	NUM LOCK	DESCRIPTION
Blink	Off	Off	Off	Post running
Off	Off	Off	Off	Post complete
Off	Off	Off	On	CPU failed
Off	Off	On	Off	MBus0 failed
Off	On	Off	Off	DSIMM J0201

Ultra 1

CAPS LOCK	COMPOSE	SCROLL LOCK	NUM LOCK	DESCRIPTION
Blink	Off	Off	Off	Post running
Off	Off	Off	Off	Post complete
Off	Off	Off	On	SIMM U0601 failed
Off	Off	On	Off	SIMM U0701 failed
Off	Off	On	On	SIMM U0602 failed
Off	On	Off	Off	SIMM U0702 failed
Off	On	Off	On	SIMM U0603 failed
Off	On	On	Off	SIMM U0703 failed
Off	On	On	On	SIMM U0604 failed
On	Off	Off	Off	SIMM U0704 failed
On	Off	Off	On	CPU board failed
On	Off	On	Off	No memory found

Power-On Self Test Keyboard LED Error Codes

Type-5 Type-5c Type 6

Ultra 2

CAPS LOCK	COMPOSE	SCROLL LOCK	NUM LOCK	DESCRIPTION
Blink	Off	Off	Off	Post running
Off	Off	Off	Off	Post complete
Off	Off	Off	On	U0401/U0501 failed
Off	Off	On	Off	U0601/U0701 failed
Off	Off	On	On	U0402/U0502 failed
Off	On	Off	Off	U0602/U0702 failed
Off	On	Off	On	U0403/U0503 failed
Off	On	On	Off	U0603/U0703 failed
Off	On	On	On	U0404/U0504 failed
On	Off	Off	Off	U0604/U0704 failed
On	Off	Off	On	System board failed
On	Off	On	Off	No memory found
On	On	On	Off	CPU 0 failed
On	On	On	On	CPU 1 failed

Ultra 30

CAPS LOCK	COMPOSE	SCROLL LOCK	NUM LOCK	DESCRIPTION
Blink	Off	Off	Off	Post running
Off	Off	Off	Off	Post complete
On	On	On	Off	CPU module failed
On	Off	Off	On	System board failed
Off	Off	Off	On	U0701/U0801 failed
Off	Off	On	Off	U0901/U1001 failed
Off	Off	On	On	U0702/U0802 failed
Off	On	Off	Off	U0902/U1002 failed
Off	On	Off	On	U0703/U0803 failed
Off	On	On	Off	U0903/U1003 failed
Off	On	On	On	U0704/U0804 failed
On	Off	Off	Off	U0904/U1004 failed
On	Off	Off	On	System board failed
On	Off	On	Off	No memory found
On	On	On	Off	CPU module failed

Power-On Self Test Keyboard LED Error Codes

Type-5 Type-5c Type 6

Ultra 5 Ultra 10

CAPS LOCK	COMPOSE	SCROLL LOCK	NUM LOCK	DESCRIPTION
Blink	Off	Off	Off	Post running
Off	Off	Off	Off	Post complete
On	On	On	Off	Reserved
On	Off	Off	On	System board failed
On	Off	On	Off	No memory found
On	On	On	Off	CPU module failed

Enterprise 250 Ultra 450 Ultra Enterprise 450

CAPS LOCK	COMPOSE	SCROLL LOCK	NUM LOCK	DESCRIPTION
Blink	Off	Off	Off	Post running
Off	Off	Off	Off	Post complete
On	Off	Off	Off	System board failed
Off	On	Off	Off	CPU 0 failed
Off	On	Off	On	CPU 1 failed
Off	On	On	Off	CPU 2 failed
Off	On	On	On	CPU 3 failed
On	Off	Off	On	No memory found
On	On	Off	Off	Bank 0 failed
On	On	Off	On	Bank 1 failed
On	On	On	Off	Bank 2 failed
On	On	On	On	Bank 3 failed
Off	Off	Off	On	NVRAM failed

E3000 E4000 E5000 E6000
E3500 E4500 E5500 E6500

Front Panel LEDs Clock Board LEDs

POWER	SERVICE	CYCLING	DESCRIPTION
Off	Off	Off	No power or key is in Off position
Off	On	Off	Failure - system has electrical power
Off	Off	On	Failure - system has electrical power
Off	On	On	Failure - system has electrical power
On	Off	Off	Hung in POST, OBP, or OS
On	Off	On	Hung in OS
On	On	Off	Hung in POST, OBP, or OS with a failed component
On	On	On	Hung in POST, OBP, or OS with a failed component
On	Off	Flashing	OS running and system operating normally
On	On	Flashing	OS running with a failed component
On	Flashing	Off	Slow flash = POST Fast flash = OBP
On	Flashing	On	OBP or OS error

CPU/Memory LEDs I/O LEDs Disk Board LEDs

POWER	SERVICE	CYCLING	DESCRIPTION
Off	Off	Off	No power or key is in Off position
Off	On	Off	Low power mode - board can be unplugged
Off	Off	Flashing	Undefined error code
Off	On	Flashing	Undefined error code
On	Off	Off	Hung in POST, OBP, or OS
On	Off	On	Hung in OS
On	On	Off	Hung in POST, OBP, or OS with a failed component
On	On	On	Hung in POST, OBP, or OS with a failed component
On	Off	Flashing	OS running and system operating normally
On	On	Flashing	OS running with a failed component
On	Flashing	Off	Slow flash = POST Fast flash = OBP.
On	Flashing	On	OBP or OS error

Disk Board LED Notes

1. The normal LED pattern is On-Off-On prior to Solaris 2.6 HW 5/98.
2. The normal LED pattern is Off-On-Off in Solaris \geq 2.6 HW 5/98.

E10000

System Board LEDs

LABEL	COLOR	DESCRIPTION
3.3VDC	Yellow	3.3VDC is present on the System board The System Board is NOT safe to service
5VDC	Yellow	5VDC is present on the System board The System Board is NOT safe to service
VDC CORE	Yellow	VDC Core is present on the System board The System Board is NOT safe to service
5VDC HK	Green	5.0VDC Housekeeping power is present
3.3VDC HK	Green	3.3VDC Housekeeping power is present
HK S/W	Green	Displays the state of a designated bit position on the power control JTAG ring
S/W 7 - S/W 0	Green	Programmable LEDs that can be read and written by JTAG or software

Control Board LEDs

LABEL	COLOR	DESCRIPTION
HK S/W	Green	State of bit 8 on the power control JTAG ring
S/W 0 - S/W 7	Green	Programmable bits that indicate the state of an 8-bit register in the SPARCelite address space
S/W 0 - S/W 6	Green	Displays a walking 1s pattern when the Control Board Executive is operating normally
S/W 7	Green	Indicates the network is operational
PORT CLAIM	Green	JTAG System Controller is active
TRANSMIT	Green	Ethernet transmit status
RECEIVE	Green	Ethernet receive status
LINK	Green	Ethernet link status
COLLISION	Green	Ethernet collision status
5VDC HK	Green	5.0VDC Housekeeping power is present
3.3VDC HK	Green	3.3VDC Housekeeping power is present
5VDC	Yellow	5VDC is present on the Control board The Control Board is NOT safe to service
5VDC FAN	Green	5VDC Fan Control power is present
5VDC PER	Yellow	Peripheral Cabinet power control is present

E10000

Centerplane Support Board LEDs

LABEL	COLOR	DESCRIPTION
3.3VDC	Yellow	3.3VDC is present on the System board The System Board is NOT safe to service
5VDC HK	Green	5.0VDC Housekeeping power is present
3.3VDC HK	Green	3.3VDC Housekeeping power is present
HK S/W	Green	Displays the state of a designated bit position on the power control JTAG ring

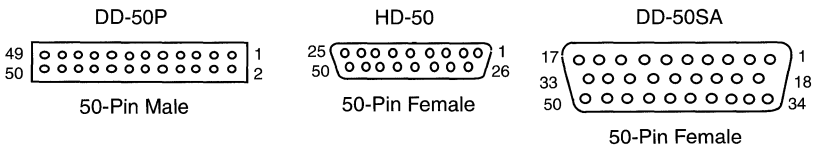
Fan Tray LEDs

LABEL	COLOR	DESCRIPTION
None	Yellow	24VDC is present The Fan Tray is NOT safe to service

Single-ended 8-bit SCSI Pinouts

SIGNAL	DD-50P	HD-50	DD-50SA	HD-68	SIGNAL	DD-50P	HD-50	DD-50SA	HD-68
-DB(0)	2	26	34	40	GND	1	1	1	6
-DB(1)	4	27	2	41	GND	3	2	18	7
-DB(2)	6	28	19	42	GND	5	3	35	8
-DB(3)	8	29	36	43	GND	7	4	3	9
-DB(4)	10	30	4	44	GND	9	5	20	10
-DB(5)	12	31	21	45	GND	11	6	37	11
-DB(6)	14	32	38	46	GND	13	7	5	12
-DB(7)	16	33	6	47	GND	15	8	22	13
-DB(P)	18	34	23	48	GND	17	9	39	14
GND	20	35	40	49	GND	19	10	7	15
GND	22	36	8	50	GND	21	11	24	16
GND	24	37 Res	25	51 Opn	GND	23	12 Res	41	17 Opn
TPWR	26	38	42	52	GND	25	13 Opn	9	18 Opn
GND	28	39 Res	10	53	GND	27	14 Res	26	19
GND	30	40	27	54	GND	29	15	43	20
-ATN	32	41	44	55	GND	31	16	11	21
GND	34	42	12	56	GND	33	17	28	22
BSY	36	43	29	57	GND	35	18	45	23
-ACK	38	44	46	58	GND	37	19	13	24
-RST	40	45	14	59	GND	39	20	30	25
-MSG	42	46	31	60	GND	41	21	47	26
-SEL	44	47	48	61	GND	43	22	15	27
-C/D	46	48	16	62	GND	45	23	32	28
-REQ	48	49	33	63	GND	47	24	49	29
-I/O	50	50	50	64	GND	49	25	17	30

Connector Types



Notes

- On HD50 cables, Pins 12, 14, 37, and 39 are reserved and Pin 13 is open.
- On HD50 to HD68 cables, Pins 1, 2, 3, 4, 5, 17, 18, 31, 32, 33, 34, 35, 36, 37, 38, 39, 51, 65, 66, 67, and 68 are open.

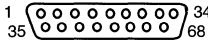
Single-ended 16-bit SCSI Pinouts

SIGNAL	PIN
GND	1
GND	2
GND	3
GND	4
GND	5
GND	6
GND	7
GND	8
GND	9
GND	10
GND	11
GND	12
GND	13
GND	14
GND	15
GND	16
TERMPWR	17
TERMPWR	18
open	19
GND	20
GND	21
GND	22
GND	23
GND	24
GND	25
GND	26
GND	27
GND	28
GND	29
GND	30
GND	31
GND	32
GND	33
GND	34

SIGNAL	PIN
-DB(12)	35
-DB(13)	36
-DB(14)	37
-DB(15)	38
-DB(P1)	39
-DB(0)	40
-DB(1)	41
-DB(2)	42
-DB(3)	43
-DB(4)	44
-DB(5)	45
-DB(6)	46
-DB(7)	47
-DB(P)	48
GND	49
GND	50
TERMPWR	51
TERMPWR	52
open	53
GND	54
-ATN	55
-GND	56
-BSY	57
-ACK	58
-RST	59
-MSG	60
-SEL	61
-C/D	62
-REQ	63
-I/O	64
-DB(8)	65
-DB(9)	66
-DB(10)	67
-DB(11)	68

Connector Type

68-PIN HIGH-DENSITY

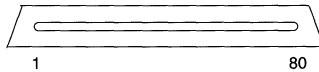


68-Pin, Male

Single Connector SCSI Pinouts

PIN	DESCRIPTION	PIN	DESCRIPTION	PIN	DESCRIPTION	PIN	DESCRIPTION
1	+12v	21	-DB(7)	41	+12v Ground	61	Ground
2	+12v	22	-DB(6)	42	+12v Ground	62	Ground
3	+12v	23	-DB(5)	43	+12v Ground	63	Ground
4	+12v	24	-DB(4)	44	+12v Ground	64	Ground
5	Reserved / NC	25	-DB(3)	45	Reserved N/C	65	Ground
6	Reserved / NC	26	-DB(2)	46	Reserved N/C	66	Ground
7	-DB(11)	27	-DB(1)	47	Ground	67	Ground
8	-DB(10)	28	-DB(0)	48	Ground	68	Ground
9	-DB(9)	29	-DB(7')	49	Ground	69	Ground
10	-DB(8)	30	-DB(15)	50	Ground	70	Ground
11	-I/O	31	-DB(14)	51	Ground	71	Ground
12	-REQ	32	-DB(13)	52	Ground	72	Ground
13	-C/D	33	-DB(12)	53	Ground	73	Ground
14	-SEL	34	+5v	54	Ground	74	+5v Ground
15	-MSG	35	+5v	55	Ground	75	+5v Ground
16	-RST	36	+5v	56	Ground	76	+5v Ground
17	-ACK	37	SYNC	57	Ground	77	LED
18	-BSY	38	RMT_START	58	Ground	78	DLYD_START
19	-ATN	39	SCSI ID (0)	59	Ground	79	SCSI ID (1)
20	-DB(P0)	40	SCSI ID (2)	60	Ground	80	SCSI ID (3)

80-PIN SCA CONNECTOR



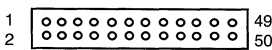
Differential 8-bit SCSI Pinouts

SIGNAL NAME	50 PIN	68 PIN
None	-	1
None	-	2
None	-	3
None	-	4
None	-	5
GND	1	6
+DB(0)	3	7
+DB(1)	5	8
+DB(2)	7	9
+DB(3)	9	10
+DB(4)	11	11
+DB(5)	13	12
+DB(6)	15	13
+DB(7)	17	14
+DB(P)	19	15
DIFFSENS	21	16
TERMPWR	23	17 ¹
TERMPWR	25	18
GND	27	19
+ATN	29	20
GND	31	21
+BSY	33	22
+ACK	35	23
+RST	37	24
+MSG	39	25
+SEL	41	26
+C/D	43	27
+REQ	45	28
+I/O	47	29
GND	49	30
None	-	31
None	-	32
None	-	33
None	-	34

SIGNAL NAME	50 PIN	68 PIN
None	-	35
None	-	36
None	-	37
None	-	38
None	-	39
GND	2	40
-DB(0)	4	41
-DB(1)	6	42
-DB(2)	8	43
-DB(3)	10	44
-DB(4)	12	45
-DB(5)	14	46
-DB(6)	16	47
-DB(7)	18	48
-DB(P)	20	49
GND	22	50
TERMPWR	24	51 ¹
TERMPWR	26	52
GND	28	53
-ATN	30	54
GND	32	55
-BSY	34	56
-ACK	36	57
-RST	38	58
-MSG	40	59
-SEL	42	60
-C/D	44	61
-REQ	46	62
-I/O	48	63
GND	50	64
None	-	65
None	-	66
None	-	67
None	-	68

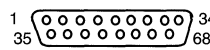
Connector Types

50-PIN DD-50



50-Pin, Female

68-PIN HIGH-DENSITY



68-Pin, Male

¹ 50-Pin Connector Pins 17 and 51 are not used on the Differential SCSI Tray Internal Cable 530-1904-xx.

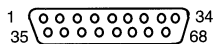
Differential 16-bit SCSI Pinouts

SIGNAL	PIN
+DB(12)	1
+DB(13)	2
+DB(14)	3
+DB(15)	4
+DB(P1)	5
GND	6
+DB(0)	7
+DB(1)	8
+DB(2)	9
+DB(3)	10
+DB(4)	11
+DB(5)	12
+DB(6)	13
+DB(7)	14
+DB(P)	15
DIFFSENS	16
TERMPWR	17 ¹
TERMPWR	18
GND	19
+ATN	20
GND	21
+BSY	22
+ACK	23
+RST	24
+MSG	25
+SEL	26
+C/D	27
+REQ	28
+I/O	29
GND	30
+DB(8)	31
+DB(9)	32
+DB(10)	33
+DB(11)	34

SIGNAL	PIN
-DB(12)	35
-DB(13)	36
-DB(14)	37
-DB(15)	38
-DB(P1)	39
GND	40
-DB(0)	41
-DB(1)	42
-DB(2)	43
-DB(3)	44
-DB(4)	45
-DB(5)	46
-DB(6)	47
-DB(7)	48
-DB(P)	49
GND	50
TERMPWR	51 ¹
TERMPWR	52
GND	53
-ATN	54
GND	55
-BSY	56
-ACK	57
-RST	58
-MSG	59
-SEL	60
-C/D	61
-REQ	62
-I/O	63
GND	64
-DB(8)	65
-DB(9)	66
-DB(10)	67
-DB(11)	68

Connector Type

68-PIN HIGH-DENSITY



68-Pin, Male

¹ Pins 17 and 51 are used on the Differential SCSI Tray Internal Cable 530-2096-xx.

Media Defect Management

Embedded SCSI Disk Drives

The FORMAT UNIT command formats the media so that all data blocks can be accessed. The following lists are used during the defect management process.

Primary, or Manufacturer's, Defect List (P list)

The P list supplied by the manufacturer is resident on the disk drive. The initiator can reference this list with the READ DEFECT DATA command. The initiator cannot change or erase the Primary list.

Certification Defect List (C list)

The C list is the position information of defective data blocks detected during data block verification after initialization when the FORMAT UNIT command is issued. These defects are added to the Grown list.

Data Defect List (D list)

The D list is the defect position information transferred from the initiator upon execution of the FORMAT UNIT command. These defects are added to the Grown list.

Grown Defect List (G list)

The G list includes defects identified to, or by, the drive. It does not include the P list. These defects are classified as flaws appearing after the media is formatted. The initiator may request that the current G list be used during formatting, or that the current G list be erased and a new list begun. Entries to the G list include:

1. Defects provided to the drive in D lists during previous FORMAT UNIT commands.
2. Drive C list defects detected during previous FORMAT UNIT commands.
3. Defects appended by successful completion of the REASSIGN BLOCKS command.

SCSI Option Bit

SCSI Option Bit Setting

Use the following procedure to determine the SCSI option bit setting under Solaris 2.x:

```
# adb -k /kernel/unix /dev/mem (Solaris 2.0 - 2.4)
# adb -k /dev/ksyms /dev/mem (Solaris 2.5)
scsi_options/X
$q
```

SCSI Option Bits

Disconnect/Reconnect	0x008
Linked Commands	0x010
Synchronous Transfer	0x020
Parity	0x040
Tagged Queuing	0x080
Fast SCSI	0x100
Wide SCSI	0x200
Ultra SCSI	0x400

Tagged Queuing

Tagged Queuing allows a disk to receive more than one command at a time and to perform the commands in an order that reduces disk latency in many applications. Tagged Queuing is implemented in Solaris 2.1. Some SCSI disk drives may not properly implement Tagged Queuing. Disable Tagged Queuing in the driver to prevent unrecoverable failures. Add the following to the `/etc/system` file under Solaris 2.x.

```
set scsi_options=0x178
```

Wide SCSI

To enable Wide SCSI under Solaris 2.3, add the following to the `/etc/system` file

```
set scsi_options=0x3f8
```

SCSI Controllers

esp						isp	fas	glm
53C90	53C90A	ESP236 53C96	FAS101	FAS236	MACIO	ISP1000 ISP1000U* ISP1040†	FEPS	53C875 53C876*
4/20	4/75	SBE/S	SS10	SS1000	4/15	SWIS/S	A12	RSM2000
4/25	4/40	SS600	SS600	FSBE/S	4/30	DWIS/S	A14	A16
4/40	4/50			DSBE/S	SS5	UDWIS/S*	X1018	A20 A25
4/60	X1055				SS10SX	X1032€€	X1059	CP1500
4/65					SS20	X2630€€	X2610	A23* A26*
					A11		X2620	A27* A28*
								X6540*
								X6541*

MACIO (NCR 59C100) (STP2000)

The MACIO ASIC provides three special purpose SBus DMA channels: Ethernet, SCSI, and Parallel Port. The SCSI block is based on the Emulex FAS101 macrocell which is a superset of (and backwards compatible with) the ESP100A.

FEPS (STP2002)

The FEPS ASIC is a Fast Ethernet, Parallel Port, and Fast Wide SCSI Controller. The SCSI Channel consists of SCSI DVMA and FAS366.

ESP esp(7D)

The esp driver supports the Emulex family of esp SCSI chips (esp100, esp100A, esp236, fas101, fas236).

FAS fas(7D)

The fas driver supports the Qlogic FAS366 SCSI chip.

ISP (isp7D)

The isp driver supports the Qlogic ISP1000 SCSI chip on SBus and the ISP1040B SCSI chip on PCI bus.

GLM (glm7D)

The glm driver supports the Symbios 53c875 SCSI chip.

SCSI Sense Keys

KEY	DESCRIPTION
0	<p>NO SENSE</p> <p>There is no specific sense key information to be reported for the designated logical unit. This would be the case for a successful command or a command that received CHECK CONDITION or COMMAND TERMINATED status because one of the filemark, EOM, or ILI bits is set to one.</p>
1	<p>RECOVERED DATA</p> <p>The last command completed successfully with some recovery action performed by the target. Details may be determined by examining the additional sense bytes and the information field.</p>
2	<p>NOT READY</p> <p>The logical unit addressed cannot be accessed. Operator intervention may be required to correct this condition.</p>
3	<p>MEDIUM ERROR</p> <p>The command terminated with a non-recovered error condition that was probably caused by a flaw in the medium or an error in the recorded data. This sense key may also be returned if the target is unable to distinguish between a flaw in the medium and a specific hardware failure (sense key 4)</p>
4	<p>HARDWARE ERROR</p> <p>The target detected a non-recoverable hardware failure while performing the command or during self test.</p>
5	<p>ILLEGAL REQUEST</p> <p>There was an illegal parameter in the command descriptor block or in the additional parameters supplied as data for some commands. If the target detects an invalid parameter in the command descriptor block, then it shall terminate the command without altering the medium. If the target detects an invalid parameter in the additional parameters supplied as data, then the target may have already altered the medium. This sense key may also indicate that an invalid IDENTIFY message was received.</p>
6	<p>UNIT ATTENTION</p> <p>The removable medium may have been changed or the target has been reset.</p>

SCSI Sense Keys -Continued

KEY	DESCRIPTION
7	DATA PROTECT A command that reads or writes the medium was attempted on a block that is protected from this operation.
8	BLANK CHECK A write-once device or a sequential-access device encountered blank medium or format-defined end-of-data indication while reading or a write-once device encountered
9	Vendor Specific This key is available for reporting vendor specific conditions.
a	COPY ABORTED A COPY, COMPARE, or COPY AND VERIFY command was aborted due to an error condition on the source device, the destination device, or both.
b	ABORTED COMMAND The target aborted the command. The initiator may be able to recover by trying the command again.
c	HARDWARE ERROR The target detected a non-recoverable hardware failure while performing the command or during self test.
d	VOLUME OVERFLOW A buffered peripheral device has reached the end-of-partition and data may remain in the buffer that has not been written to the medium.
e	MISCOMPARE The source data did not match the data read from the medium.
f	Reserved

SCSI Sense Codes

BYTE	DESCRIPTION	
12	-	Additional Sense Code (ASC)
-	13	Additional Sense Code Qualifier (ASCQ)
00	00	No additional sense information
00	01	Filemark detected
00	02	End of partition/medium detected
00	03	Setmark detected
00	04	Beginning-of-Partition/Medium detected
00	05	End of data detected
00	11	Audio play operation in progress
00	12	Audio play operation paused
00	13	Audio play operation successfully completed
00	14	Audio play operation stopped due to error
00	15	No current audio status to return
01	00	No index/sector signal
02	00	No seek complete
03	00	Peripheral device write fault
03	01	No write current
03	02	Excessive write errors
04	00	Logical unit not ready, cause not reportable
04	01	Logical unit is in progress of becoming ready
04	02	Logical unit not ready, initiating command required
04	03	Logical unit not ready, manual intervention required
04	04	Logical unit not ready, format in progress
05	00	Logical unit does not respond to selection
06	00	No reference position found
07	00	Multiple peripheral devices selected
08	00	Logical unit communication failure
08	01	Logical unit communication time out
08	02	Logical unit communication parity error
09	00	Track following error
09	01	Tracking servo failure
09	02	Focus servo failure
09	03	Spindle servo failure
0a	00	Error log overflow
0c	00	Write error

SCSI Sense Codes - Continued

BYTE		DESCRIPTION
12	-	Additional Sense Code (ASC)
-	13	Additional Sense Code Qualifier (ASCQ)
0c	01	Write error recovered with auto reallocation
0c	02	Write error - auto reallocation failed
10	00	ID CRC or ECC error
11	00	Unrecovered read error
11	01	Read retries exhausted
11	02	Error log too long to correct
11	03	Multiple read errors
11	04	Unrecovered read error - auto reallocate failed
11	05	L-EC uncorrectable error
11	06	CIRC unrecovered error
11	07	Data resynchronization error
11	08	Incomplete block read
11	09	No gap found
11	0a	Miscorrected error
12	00	Address mark not found for ID field
13	00	Address mark not found for data field
14	00	Recorded entity not found
14	01	Record not found
15	00	Random positioning error
15	01	Mechanical positioning error
15	02	Positioning error detected by read of medium
16	00	Data synchronization mark error
17	00	Recovered data with no error correction applied
17	01	Recovered data with retries
17	02	Recovered data with positive head offset
17	03	Recovered data with negative head offset
17	04	Recovered data with retries and/or CIRC applied
17	05	Recovered data using previous sector
17	06	Recovered data without ECC - Data auto-reallocated
18	00	Recovered data with error correction applied
18	01	Recovered data with error correction & retries applied
18	02	Recovered data with ECC and/or retries
18	03	Recovered data with CIRC

SCSI Sense Codes - Continued

BYTE		DESCRIPTION
12	-	Additional Sense Code (ASC)
-	13	Additional Sense Code Qualifier (ASCQ)
18	04	Recovered data with LEC
19	00	Defect list error
19	01	Defect list not available
19	02	Defect list error in primary list
19	03	Defect list error in grown list
1a	00	Parameter list length error
1b	00	Synchronous data transfer error
1c	00	Defect list not found
1c	01	Primary defect list not found
1c	02	Grown defect list not found
1d	00	Miscompare during verify operation
1e	00	Recovered ID with ECC correction
20	00	Invalid command operation code
21	00	Logical block address out of range
21	01	Invalid element address
22	00	Illegal function for device type
24	00	Invalid field in CDB
25	00	Logical unit not supported
26	00	Invalid field in parameter list
26	01	Parameter not supported
26	02	Parameter value invalid
26	03	Threshold parameters not supported
27	00	Write protected
28	00	Not ready to ready transition
28	01	Import / Export element accessed
29	00	Power-On, reset, or bus device reset occurred
2a	00	Parameters changed
2a	01	Mode parameters changed
2a	02	Log parameters changed
2b	00	Copy cannot execute since host cannot disconnect
2c	00	Command sequence error
2c	01	Too many windows specified
2c	02	Invalid combination of windows specified

SCSI Sense Codes - Continued

BYTE	DESCRIPTION
12 -	Additional Sense Code (ASC)
- 13	Additional Sense Code Qualifier (ASCQ)
2b 00	Copy cannot execute since host cannot disconnect
2c 00	Command sequence error
2c 01	Too many windows specified
2c 02	Invalid combination of windows specified
2d 00	Overwrite error on update in place
2f 00	Commands cleared by another initiator
30 00	Incompatible medium installed
30 01	Cannot read medium - unknown format
30 02	Cannot read medium - incompatible format
30 03	Cleaning cartridge installed
31 00	Medium format corrupted
31 01	Format command failure
32 00	No defect spare location available
32 01	Defect list update failure
33 00	Tape length error
36 00	Ribbon/Ink/Toner failure
37 00	Rounded parameter
39 00	Saving parameters not supported
3a 00	Medium not present
3b 00	Sequential positioning error
3b 01	Tape position error at beginning of medium
3b 02	Tape position error at end of medium
3b 03	Tape or electronic vertical forms unit not ready
3b 04	Slew failure
3b 05	Paper jam
3b 06	Failed to sense top of form
3b 07	Failed to sense bottom of form
3b 08	Reposition error
3b 09	Read past end of medium
3b 0a	Read past beginning of medium
3b 0b	Position past end of medium
3b 0c	Position past beginning of medium
3b 0d	Medium destination element full

SCSI Sense Codes - Continued

BYTE		DESCRIPTION
12	-	Additional Sense Code (ASC)
-	13	Additional Sense Code Qualifier (ASQC)
3b	0e	Medium source element empty
3d	00	Invalid bits in identify message
3e	00	Logical unit has not self configured yet
3f	00	Target operating conditions have changed
3f	01	Microcode has been changed
3f	02	Changed operating definition
3f	03	Inquiry data has changed
40	nn	Diagnostic failure on component nn (80h-ffh)
41	00	Data path failure
42	00	Power-On or Self-Test failure
43	00	Message error
44	00	Internal target failure
45	00	Select/Reselect failure
46	00	Unsuccessful soft reset
47	00	SCSI parity error
48	00	Initiator detected error message received
49	00	Invalid message error
4a	00	Command phase error
4b	00	Data phase error
4c	00	Logical unit failed self configuration
4e	00	Overlapped commands attempted
50	00	Write append error
50	01	Write append position error
50	02	Position error related to timing
51	00	Erase failure
52	00	Cartridge fault
53	00	Media load/eject failed
53	01	Unload tape failure
53	02	Medium removal prevented
54	00	SCSI to host system interface failure
55	00	System resource failure
57	00	Unable to recover table-of-contents
58	00	Generation does not exist

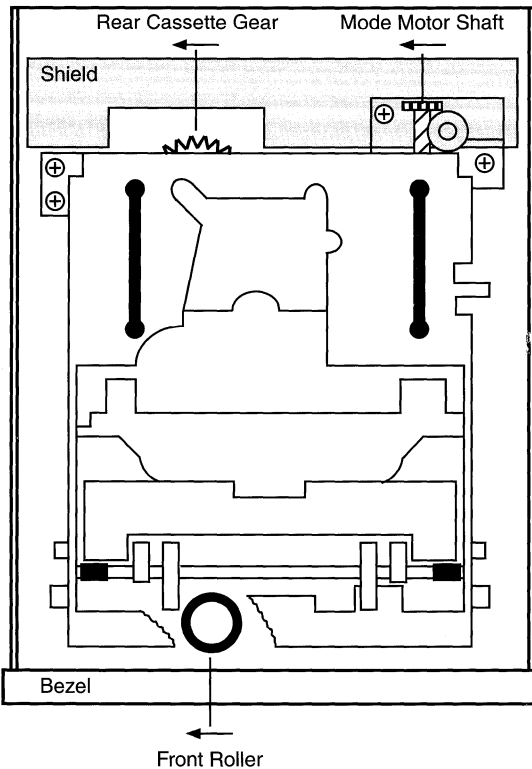
SCSI Sense Codes - Continued

BYTE		DESCRIPTION
12	-	Additional Sense Code (ASC)
-	13	Additional Sense Code Qualifier (ASCQ)
59	00	Updated block read
5a	00	Operator request or state change input
5a	01	Operator medium removal request
5a	02	Operator selected write protect
5a	03	Operator selected write permit
5b	00	Log exception
5b	01	Threshold condition met
5b	02	Log counter at maximum
5b	03	Log list codes exhausted
5c	00	RPL status change
5c	01	Spindles synchronized
5c	02	Spindles not synchronized
60	00	Lamp failure
61	01	Unable to acquire video
61	02	Out of focus
62	00	Scan head positioning error
63	00	End of user area encountered on this track
64	00	Illegal mode for this track
80	80	Vendor unique ASC and ASCQ
through		
ff	ff	Vendor unique ASC and ASCQ

5GB 4 mm DDS-1

Archive 4324RP Manual Tape Ejection

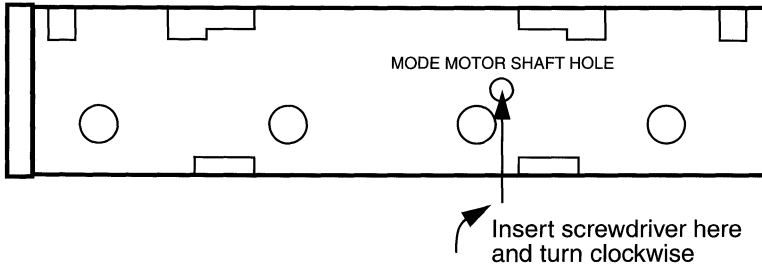
1. Remove the left and right Mounting Brackets.
2. Remove the Top Cover.
3. Remove the Front Bezel leaving the wire harness attached.
4. Remove the Shield that covers the Mode Motor Shaft.
5. Turn the Mode Motor Shaft counterclockwise until the posts retract into the cassette and the Mode Motor Shaft stops.
6. Push the Front Roller in and turn it counterclockwise until the tape is wound onto the supply reel and the Front Roller stops.
7. Rotate the Rear Cassette Gear counterclockwise until the cassette ejects.



4-8GB 4 mm DDS-2

Conner CTD8000 Manual Tape Ejection

1. Insert a small flat blade screwdriver in the hole on the right side of the chassis and engage the Mode Motor Shaft.
2. Turn the Mode Motor Shaft clockwise until the cassette rises and then protrudes from the slot.

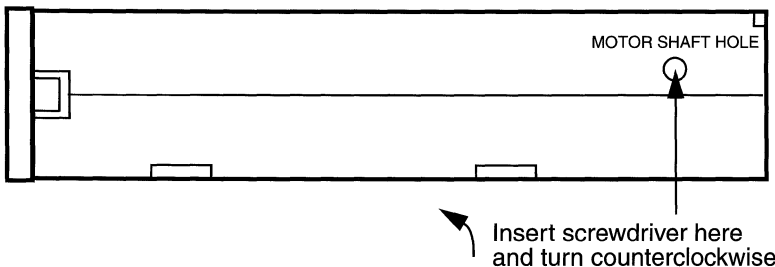


Caution: Do NOT turn the Mode Motor Shaft counterclockwise. Turning the shaft counterclockwise may damage the mode gear.

20-40GB 4 mm DDS-4

HP C5683-00625 Manual Tape Ejection

1. Insert a screwdriver in the hole on the right side of the chassis and engage the Motor Shaft. Use a ≤ 2 mm wide screwdriver bit with a ≤ 3 mm diameter shaft ≥ 30 mm long.
2. Turn the Motor Shaft counterclockwise until the cassette rises and then protrudes from the slot.



Quantum DLT 4700

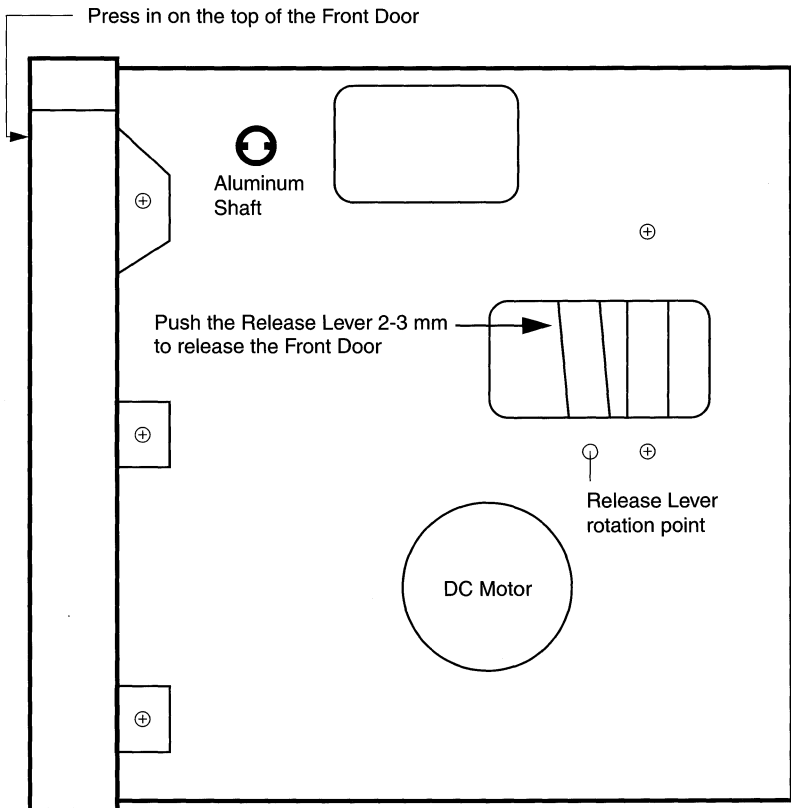
Manual Magazine Ejection

1. Remove the top cover.
2. Depress the roller located 16 cm from the rear on the top left side.
3. Slide the drive forward approximately 22 cm.
4. Press in on the top of the front door to release tension.
5. Push the Release Lever on the right side 2-3 mm towards the rear.
6. Release the front door and remove the Magazine.

Cautions

1. Do NOT turn the Aluminum Shaft.
2. Pliers and similar tools will damage the soft metal Aluminum Shaft.
3. Over rotation of the Aluminum Shaft may cause the Front Door locking clips to spring off the shaft.

Right Side of DLT4700 Receiver



Electrical Characteristics

EIA RS-232-C Section 2.3

For data interchange circuits, the signal shall be considered in the marking condition when the voltage (V_1) interchange circuit measured at the interface point, is more negative than minus three volts with respect to Circuit AB (Signal Ground). The signal shall be considered in the spacing condition when the voltage (V_1) is more positive than plus three volts with respect to circuit AB. The signal state is not uniquely defined when the voltage (V_1) is in this transition region.

EIA RS-232-D Section 2.1.3

For data interchange circuits, the signal shall be considered in the marking condition when the voltage (V_1) on the interchange circuit, measured at the interface point, is more negative than minus three volts with respect to Circuit AB (Signal Ground). The signal shall be considered in the spacing condition when the voltage (V_1) is more positive than plus three volts with respect to circuit AB. The region between plus three volts and minus three volts is defined as the transition region. The signal state is not uniquely defined when the voltage (V_1) is in this transition region.

During the transmission of data, the marking condition shall be used to denote the binary state ONE and the spacing condition shall be used to denote state ZERO.

EIA RS-422-A Section 4.1.1

For either binary state, the magnitude of the differential voltage (V_0) measured between the two generator output terminals shall not be less than 6.0 volts; nor shall the magnitude of V_{0a} and V_{0b} measured between the two generator output terminals and generator circuit ground be more than 6.0 volts.

Electrical Characteristics - Continued

EIA RS-423-A Section 4.1.1

For either binary state, the magnitude of the voltage (V_0) measured between the generator output terminal and generator circuit ground shall not be less than 4.0 volts nor more than 6.0 volts. For the opposite binary state, the polarity of V_0 shall be reversed.

EIA RS-449-A Section 2.1.1

The following circuits are classified as Category I circuits: SD, RD, TT, ST, RT, RS, CS, RR, TR, and DM.

For applications where the signaling rate on the data interchange circuits (Circuits SD and RD) is 20,000 bits per second or less, the individual Category I circuits shall use either the balanced electrical characteristics of RS-423, without the cable termination resistance (R_t), or the unbalanced electrical characteristics of RS-422-A. Two leads shall be brought out to the interface connector for each Category I circuit. Each interchange circuit consists of a pair of wires interconnecting a balanced or unbalanced generator and a differential receiver.

For applications where the signaling rate on the data interchange circuits (Circuits SD and RD) is above 20,000 bits per second, all Category I circuits shall use the balanced electrical characteristics of RS-422. Use of optional cable termination resistance (R_t) permitted. Each interchange circuit consists of a pair of wires interconnecting a balanced generator and a differential receiver.

EIA RS-449-A Section 2.1.2

All other circuits are classified as Category II circuits. For all applications, Category II circuits shall use the unbalanced electrical characteristics of RS-423. Each Category II interchange circuit consists of one wire interconnecting an unbalanced generator and a differential receiver.

RS-232 Signals

PIN	SIGNAL	SIGNAL NAME	FLOW	DESCRIPTION
2 14	BA or TD	Transmit Data	Output	Data transmitted to the data communications equipment.
3 16	BB or RD	Receive Data	Input	Data received from the data communications equipment.
4 19	CA or RTS	Request to Send	Output	Signal sent to the data communications equipment, asking if it is ready to start accepting data.
5 13	CB or CTS	Clear to Send	Input	Ready to accept data signal from the data communications equipment.
6	CC or DSR	Data Set Ready	Input	Data communications equipment indicates the status of the local data set.
7	AB or SG	Signal Ground	None	Signal Ground provides a reference level for the signal voltages.
8 12	CF or DCD	Data Carrier Detect	Input	Data communications equipment detected "carrier." Example: a modem senses tones sent to it by another modem over phone lines.
15	DB or TC	Transmit Clock from DCE	Input	Transmit clock from the modem. Usually not used for asynchronous devices (terminals, printers, and modems, etc).
17	DD or RC	Receive Clock from DCE	Input	Receive clock from the modem. Usually not used for asynchronous devices (terminals, printers and, modems, etc).
20	CD or DTR	Data Terminal Ready	Output	The DTE is powered on and ready to communicate as the "local data terminal" with the data communication equipment. For example, the modem.
24	DA or TCO	Transmit Clock from DTE	Output	Provides transmit clock from the DTE. Usually not used for asynchronous devices, (terminals, printers, and modems, etc).

RS-449 Signals

PIN	SIGNAL	SIGNAL NAME	FLOW	DESCRIPTION
4 22	SD or TD	Transmit Data	Output	Data transmitted to the data communications equipment.
6 24	RD	Receive Data	Input	Data received from the data communications equipment.
7 25	RS or RTS	Request to Send	Output	Signal sent to the data communications equipment, asking if it is ready to start accepting data.
9 27	CS or CTS	Clear to Send	Input	Ready to accept data signal from the data communications equipment.
11 29	DM or DSR	Data Set Ready	Input	Data communications equipment indicates the status of the local data set.
19	SG	Signal Ground	None	Signal Ground provides a reference level for the signal voltages.
13 31	RR or DCD	Data Carrier Detect	Input	Data communications equipment detected "carrier." Example: a modem senses tones sent to it by another modem over phone lines.
5 23	ST or TC	Transmit Clock from DCE	Input	Transmit clock from the modem. Usually not used for asynchronous devices (terminals, printers, and modems, etc).
8 26	RT or RC	Receive Clock from DCE	Input	Receive clock from the modem. Usually not used for asynchronous devices (terminals, printers, and modems, etc).
12 30	TR or DTR	Data Terminal Ready	Output	The DTE is powered on and ready to communicate as the "local data terminal" with the data communication equipment. For example, the modem.
17 35	TT or TCO	Transmit Clock from DTE	Output	Provides transmit clock from the DTE. Usually not used for asynchronous devices, (terminals, printers, and modems, etc).

Ethernet Controllers

82586 with 8023A	7990 with 7992	7990 with T7213	79C90	MACIO with T7213	MACIO with LXT901	79C940	FEPS	CHEERIO	RIO
Sun-2	3/50	SS10	4/50	4/10	SS5	SQEC	A12	A16	A28
3/E	3/60	SS1000	SS10	4/15	S240		A14	A20/25	A36
3/110	3/60LE	SBE	FSBE	4/30	SS4		X1018	A21/22	
3/150	4/20	FSBE		10SX	Xterm 1		X1042	A23	
3/160	4/25	DSBE		SS20	A11		X1049	A26	
3/180	4/40						X1059	X1032	
3200	4/50						X2610	X1033	
3400	4/60						X2611	X1034	
4100	4/65						X2612	X2630	
4400	4/75						X2620	X2632	
	4300						X2622	CP1500	
	SS10								
	SS600								
	SS1000								
	X450								
	X453								

MACIO ASIC (NCR 89C100)

The Sun designed MACIO ASIC provides three special purpose SBus DMA channels commonly used on SPARC platforms: Ethernet, SCSI, and Parallel Port. The Ethernet block is based on the NCR 92C990 macrocell which is a superset of (and backward compatible with) the AM7990.

FEPS ASIC (STP2002)

The Sun designed FEPS ASIC is a Fast Ethernet, Parallel Port, and Fast Wide SCSI controller.

CHEERIO ASIC (STP2003)

The Sun designed CHEERIO ASIC is a Fast Ethernet and 8-Bit EBus2 controller.

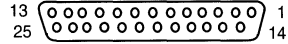
RIO ASIC (SME2300)

The Sun designed RIO ASIC is a Fast Ethernet, IEEE-1394, and USB controller and an 8-Bit EBus and PCI bridge interface.

Pin Assignments

Sun-4/60/65/75 Serial Ports A and B
 SS5 Serial Ports A and B
 SS1000 and SC2000 Serial Ports A and B
 A11, A12, and A14, Ports A and B
 E3x00/4x00/5x00/6x00 Serial Ports A and B
 A21 and A22 Serial Port A
 RS-232/RS-423
 25-Pin Female D-Sub

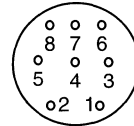
Board Connector



PIN	SIGNAL	PIN	SIGNAL
2	TD	8	DCD
3	RD	15	TC
4	RTS	17	RC
5	CTS	20	DTR
6	DSR	24	TCO
7	GND		

CPU Keyboard and Mouse Port
 8-Pin Female Mini-Din

Board Connector



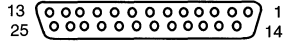
PIN	SIGNAL	PIN	SIGNAL
1	GND	5	TD-KB
2	GND	6	RD-KB
3	+5Vdc	7	*
4	RD-M	8	+5Vdc

- * Pin-7 is connected to Pins 1 and 2 on SS1, SS1+, SS2, IPC, and IPX.
- * Pin 7 is TD-M on the 4300, 4400, and SS600MP.
- * Pin-7 is keyboard Power-On on SS4, SS5, SS10, SS10SX, SS20, Classic, LX, SS1000, SC2000, A11, A12, A14, A16, A20, A21, A22, A23, A25, A26, A27, and EX000.

Sun-4/15/30, SS10, SS20, A20,
 A25, A26, and A27
 Adapter 530-1869 Serial Port A
 25-Pin Female D-Sub

PIN	SIGNAL	PIN	SIGNAL
2	TD	8	DCD
3	RD	15	TC
4	RTS	17	RC
5	CTS	20	DTR
6	DSR	24	TCO
7	GND		

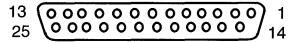
Adapter Connector



Sun-4/15/30, SS10, SS20*, A20
 A25, A26, and A27
 Adapter 530-1869 Serial Port B
 25-Pin Female D-Sub

PIN	SIGNAL	PIN	SIGNAL
2	TD	8	DCD
3	RD	15	TC
4	RTS	20	DTR
5	CTS	24	TCO
7	GND		

Adapter Connector



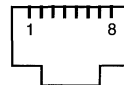
Port B is asynchronous only.

* A jumper setting change and an adapter cable is required to use the SS20 Port B in synchronous mode. Pin-9 is dsr and Pin-10 is rtxc.

Netra t1 Model 100/105 Serial Port
 8-Pin RJ45

PIN	SIGNAL	PIN	SIGNAL
1	RTS	5	GND
2	DTR	6	RXD
3	TXD	7	DSR
4	GND	8	CTS

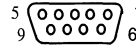
Board Connector



JavaStation JJ and JK Serial Port A
Ultra 5 and Ultra 10 Serial Port B
RS-232/RS-423 9-Pin Male D-Sub

PIN	SIGNAL	PIN	SIGNAL
1	DCD	5	GND
2	RD	6	DSR
3	TD	7	RTS
4	DTR	8	CTS
9	RI		

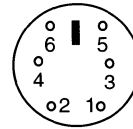
Board Connector



JavaStation JJ and JK Mouse Port
6-Pin Female Mini-Din

PIN	SIGNAL	PIN	SIGNAL
1	Data	4	+5Vdc
2	Reserved	5	Clock
3	Ground	6	Reserved

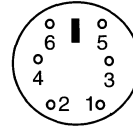
Board Connector



JavaStation JJ and JK Keyboard Port
6-Pin Female Mini-Din

PIN	SIGNAL	PIN	SIGNAL
1	Data	4	+5Vdc
2	Reserved	5	Clock
3	Ground	6	Reserved

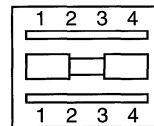
Board Connector



USB Port 4-Pin

PIN	SIGNAL	PIN	SIGNAL
1	USB0_VCC	3	CM_USB_D0_P
2	CM_USB_D0_N	4	Gnd
1	USB1_VCC	3	CM_USB_D1_P
2	CM_USB_D1_N	4	Gnd

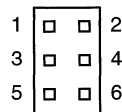
Board Connector



IEEE-1394 Port 6-Pin

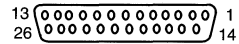
PIN	SIGNAL	PIN	SIGNAL
1	EX_BUSPWR	4	TPB1_OUT_P
2	Gnd	5	TPA1_OUT_N
3	TPB1_OUT_N	6	TPA1_OUT_P

Board Connector



SS5, SS10, and SS20 Parallel Port
 Upper 26-Pin Female Hi-Density
 SPARCstation Voyager
 26-Pin Female Hi-Density

Board Connector



PIN	SIGNAL	PIN	SIGNAL
1	STROBE	14	AFXT
2	DATA 0	15	ERROR
3	DATA 1	16	RESET
4	DATA 2	17	SLCTIN
5	DATA 3	18	GND
6	DATA 4	19	GND
7	DATA 5	20	GND
8	DATA 6	21	GND
9	DATA 7	22	GND
10	ACK	23	GND
11	BUSY	24	GND
12	PE	25	GND
13	SLCTOUT	26	GND

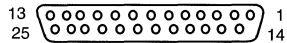
Use IBM Adapter 530-1861

Use Centronics Adapter 530-1857

Parallel Port

Sun-4/15/30, Xterminal 1, SS4, A11, A12, A14,
 A16, A20, A21, A22, A23, A25, A26, and A27
 25-Pin Female D-Sub

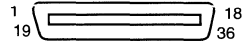
Board Connector



PIN	SIGNAL	PIN	SIGNAL
1	STROBE	14	AUTOFD
2	DATA 0	15	ERROR
3	DATA 1	16	INIT
4	DATA 2	17	SLCTIN
5	DATA 3	18	GND
6	DATA 4	19	GND
7	DATA 5	20	GND
8	DATA 6	21	GND
9	DATA 7	22	GND
10	ACK	23	GND
11	BUSY	24	GND
12	PE	25	GND
13	SLCT		

SS5, SS10, SS20, and SS Voyager
 Centronics Parallel Port Adapter 530-1857
 26-Pin Hi-Density to 36-Pin Centronics

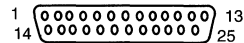
Cable Connector



PIN	SIGNAL	PIN	SIGNAL
1	STROBE	15	SLCTIN
2	DATA 0	20	GND
3	DATA 1	21	GND
4	DATA 2	22	GND
5	DATA 3	23	GND
6	DATA 4	24	GND
7	DATA 5	25	GND
8	DATA 6	26	GND
9	DATA 7	27	GND
10	ACK	28	GND
11	BUSY	31	RESET
12	PE	32	ERROR
13	SLCTOUT	36	SLCTIN
14	AFXT		

SS5, SS10, SS20, and SS Voyager
 IBM Parallel Port Adapter 530-1861
 26-Pin Hi-Density to 25-Pin D-Sub

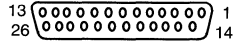
Cable Connector



PIN	SIGNAL	PIN	SIGNAL
1	STROBE	14	AFXT
2	DATA 0	15	ERROR
3	DATA 1	16	RESET
4	DATA 2	17	SLCTIN
5	DATA 3	18	GND
6	DATA 4	19	GND
7	DATA 5	20	GND
8	DATA 6	21	GND
9	DATA 7	22	GND
10	ACK	23	GND
11	BUSY	24	GND
12	PE	25	GND
13	SLCTOUT		

SPARCclassic, SS5, and SS20
10BASE-5 Ethernet AUI Port
Lower 26-Pin Female Hi-Density

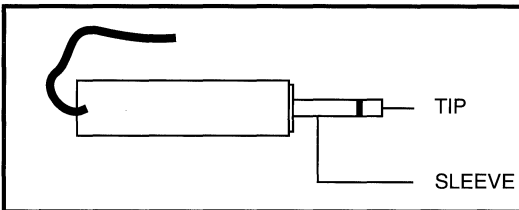
Board Connector



PIN	SIGNAL	PIN	SIGNAL
1	E.TD-	14	E.TD+
2	E.RD+	15	E.RD-
3	E.COL-	16	E.COL+
4	E.+12Vdc	17	E.GND
5	Unused	18	Unused
6	Unused	19	Unused
7	Unused	20	Unused
8	Unused	21	Unused
9	Unused	22	Unused
10	Unused	23	Unused
11	Unused	24	Unused
12	Unused	25	Unused
13	Unused	26	Unused

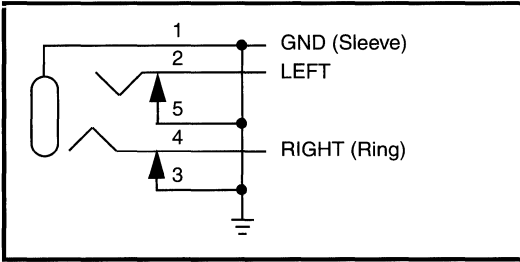
Use AUI Adapter 530-2021

Sun Microphone II

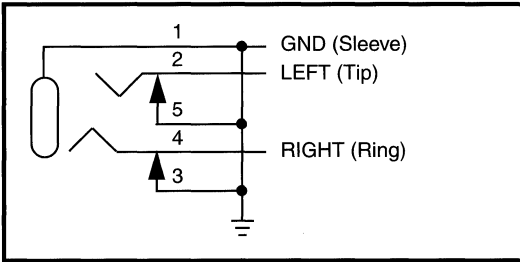


The Microphone II is not compatible with Sun4c systems.

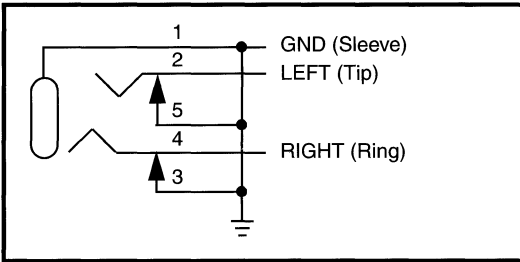
SS5 and SS4 Audio Module 501-2592 Line-In Jack



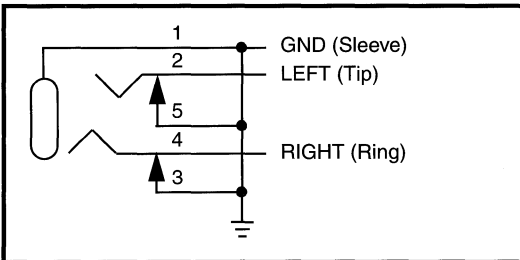
SS5 and SS4 Audio Module 501-2592 Line-Out Jack



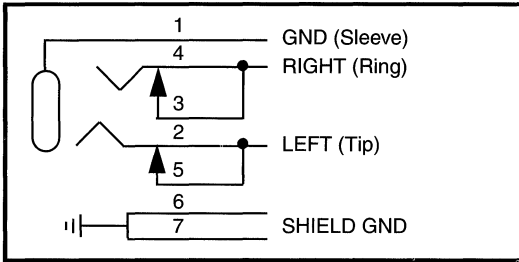
SS5 and SS4 Audio Module 501-2592 Microphone Jack



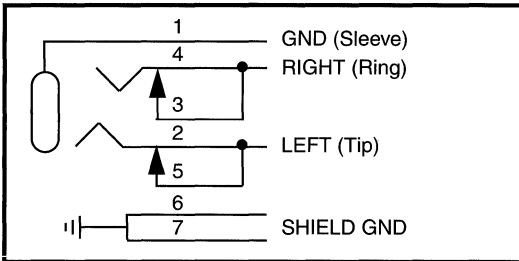
SS5 and SS4 Audio Module 501-2592 Headphone Jack



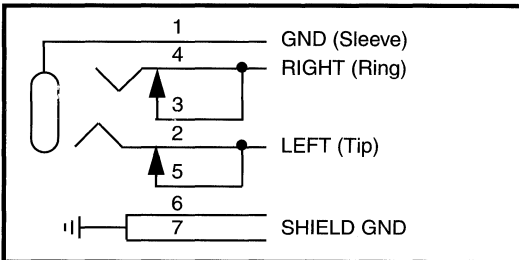
SS20 Line-In Jack



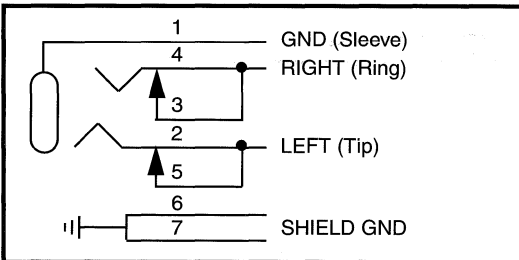
SS20 Line-Out Jack



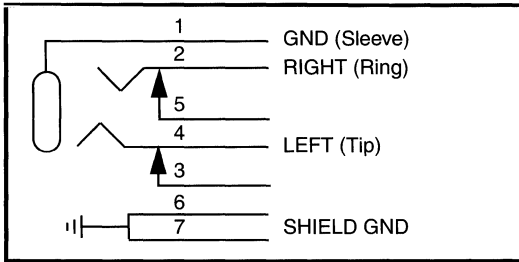
SS20 Microphone Jack



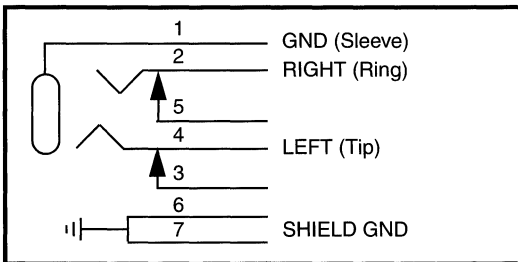
SS20 Headphone Jack



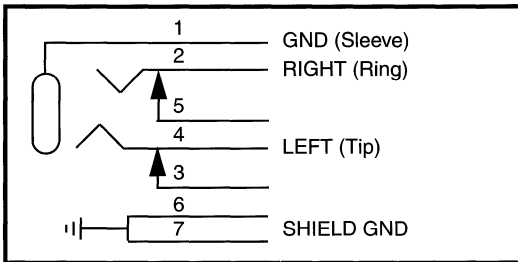
A11, A12, and A14 Line-In Jack



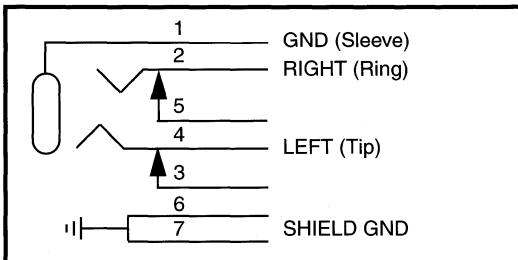
A11, A12, and A14 Line-Out Jack



A11, A12, and A14 Microphone Jack



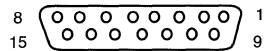
A11, A12, and A14 Headphone Jack



10BASE-5 Ethernet
8-Pin Female Mini-Din)

PIN	SIGNAL	PIN	SIGNAL
2	COL+	9	COL-
3	TD+	10	TD-
5	RD+	12	RD-
6	GND	13	+12Vdc

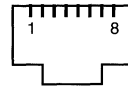
Board Connector



10BASE-T Ethernet
8-Pin RJ45

PIN	SIGNAL	PIN	SIGNAL
1	TPO+	5	Unused
2	TPO-	6	TPI-
3	TPI+	7	Unused
4	Unused	8	Unused

Board Connector



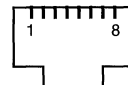
SunLink ISDN

SUPPORTED SunLink ISDN CARRIERS	SPECIFICATION
British Telecom	ISDN2
Deutsche Bundespost Telekom	1TR6
France Telecom Numeris	VN2
Nippon Telegraph and Telephone	INS-Net 64
AT&T 5ESS 5e5 conformant US carriers	AT&T 5ESS 5e5

ISDN Network Termination NT
8-Pin RJ45

PIN	SIGNAL	PIN	SIGNAL
1	PS3+	5	TD-
2	PS3-	6	RD-
3	RD+	7	PS2-
4	TD+	8	PS2+

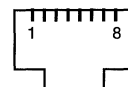
Board Connector



ISDN Terminal Endpoint TE
8-Pin RJ45

PIN	SIGNAL	PIN	SIGNAL
1	PS3+	5	RD--
2	PS3-	6	TD--
3	TD+	7	PS2-
4	RD+	8	PS2+

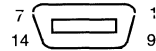
Board Connector



SBE/S 10BASE-T and 10BASE-5
14-Pin Champ

PIN	SIGNAL	PIN	SIGNAL
1	COL+	8	COL-
2	TD+	9	TD-
3	RD+	10	RD-
4	GND	11	+12Vdc
5	GND	12	+12Vdc
6	TPO+	13	TPO-
7	TPI+	14	TPI-

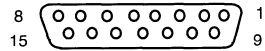
Board Connector



SBE/S 10BASE-5 Adapter 530-1812
15-Pin Female D-Sub

PIN	SIGNAL	PIN	SIGNAL
1	GND	9	COL-
2	COL+	10	TD-
3	TD+	11	GND
4	GND	12	RD-
5	RD+	13	+12Vdc
6	GND	14	GND
7	Unused	15	Unused
8	GND		

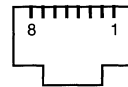
Adapter Connector



SBE/S 10BASE-T Adapter 530-1813
8-Pin RJ45

PIN	SIGNAL	PIN	SIGNAL
1	TPO+	5	Unused
2	TPO-	6	TPI-
3	TPI+	7	Unused
4	Unused	8	Unused

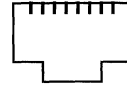
Adapter Connector



Fast Ethernet 10BASE-T/100BASE-T Port
8-Pin RJ45

PIN	SIGNAL	PIN	SIGNAL
1	TX+	5	Unused
2	TX-	6	RX-
3	RX+	7	Unused
4	Unused	8	Unused

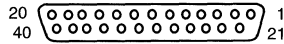
Adapter Connector



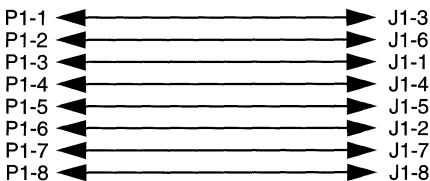
Fast Ethernet MII Port
40-Pin Female Hi-Density

PIN	SIGNAL	PIN	SIGNAL
1	PWR	21	PWR
2	MDIO	22	GND
3	MDC	23	GND
4	RXD3	24	GND
5	RXD2	25	GND
6	RXD1	26	GND
7	RXD0	27	GND
8	RXDV	28	GND
9	RXCLK	29	GND
10	RXER	30	GND
11	TXER	31	GND
12	TXCLK	32	GND
13	TXEN	33	GND
14	TXD0	34	GND
15	TXD1	35	GND
16	TXD2	36	GND
17	TXD3	37	GND
18	COL	38	GND
19	CRS	39	GND
20	PWR	40	PWR

Board Connector



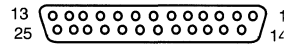
SPARCcluster PDB Ethernet Cable 530-2149 and 530-2150
8-Pin RJ45



SPC/S RS-232/RS423 Serial Ports
25-Pin Female D-Sub

PIN	SIGNAL	PIN	SIGNAL
2	TD	6	DSR
3	RD	7	GND
4	RTS	8	DCD
5	CTS	20	DTR

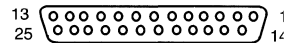
SPC/S DCA Connector



SPC/S Parallel Port
25-Pin Female D-Sub

PIN	SIGNAL	PIN	SIGNAL
1	STROBE	14	AFXN
2	DATA 0	15	ERROR
3	DATA 1	16	RESET
4	DATA 2	17	SLCI_IN
5	DATA 3	18	GND
6	DATA 4	19	GND
7	DATA 5	20	GND
8	DATA 6	21	GND
9	DATA 7	22	GND
10	ACK	23	GND
11	BUSY	24	GND
12	PE	25	GND
13	SLCT_OUT		

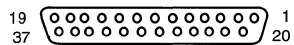
Sun-3/80 Connector
SPC/S DCA Connector



HSI/S RS-449 Ports 0, 1, 2, and 3
37-Pin Female D-Sub

PIN	SIGNAL	PIN	SIGNAL
4	SD-	22	SD+
5	ST-	23	ST+
6	RD-	24	RD+
7	RS-	25	RS+
8	RT-	26	RT+
9	CS-	27	CS+
11	DM-	29	DM+
12	TR-	30	TR+
13	RR-	31	RR+
17	TT-	35	TT+
19	GND		

Patch Panel Connector
Board Connector



Network Terminal Server LEDs

● = ON 1	○ = OFF 8	LEDS	HEX	STATUS CODE DESCRIPTION
○ ○ ○ ○ ○ ○ ○ ●			01	Bad CPU Chip
○ ○ ○ ○ ○ ○ ● ○			02	Bad ROM Checksum
○ ○ ○ ○ ○ ● ●			03	RAM Test Error
○ ○ ○ ○ ● ○ ○			04	Bad SLC Register
○ ○ ○ ● ○ ● ●			0b	8254 PIT Timer Error
○ ○ ○ ● ● ○ ●			0d	Illegal Interrupt Vector
○ ○ ○ ● ● ● ○			0e	Illegal Timer Interrupt
○ ○ ● ● ○ ○ ○			10	Illegal Network Controller Interrupt Error
○ ○ ● ● ○ ○ ●			11	EEPROM Interrupt Error
○ ○ ● ● ○ ● ○			12	Refresh Error
○ ○ ● ● ○ ● ●			13	Parity Interrupt Error
○ ○ ● ● ● ○ ●			15	Control Register Read/Write Error
○ ○ ● ● ● ● ○			16	Processor Access RAM Parity Error
○ ○ ● ● ● ● ●			17	Unexpected Trap
○ ○ ● ● ○ ○ ●			19	Ethernet Controller Access Parity Error
○ ○ ● ● ● ○ ○			1a	Printer Status Interrupt Error
○ ○ ● ● ● ● ●			1f	Internal Digital Loopback Error with LAN Controller
○ ○ ● ○ ○ ○ ○			20	Internal Analog Loopback Error with LAN Controller
○ ○ ● ○ ○ ○ ●			21	Error In Network Loopback Test
○ ○ ● ○ ○ ○ ○			22	82596 Could Not Reset
○ ○ ● ○ ○ ○ ●			23	82596 Diagnose Command Test Failed
○ ○ ● ○ ○ ● ○ ○			24	Bad EEPROM (Unprogrammable)
○ ○ ● ○ ○ ● ○ ●			25	Bad Printer Port Logic
○ ○ ● ○ ○ ● ● ●			27	Bad Manufacturing Info CRC
○ ○ ● ○ ● ○ ○ ○			28	Bad Free-form EEPROM Low-byte Checksum
○ ○ ● ○ ● ○ ○ ●			29	Bad Free-form EEPROM High-byte Checksum
○ ○ ● ○ ● ○ ● ○			2a	8259A PIC Software Interrupt Error
○ ○ ● ○ ○ ○ ● ●			2b	Illegal PIC Software Interrupt
○ ○ ● ○ ● ● ● ○			2e	Watchdog Timer Failed To Go Off
○ ● ● ● ○ ○ ○ ●			71	Not Enough Memory For ROM Code Buffering
○ ● ● ● ○ ● ○ ●			75	No Ethernet Address Present In EEPROM Cannot Boot
● ○ ○ ○ ○ ○ ●			81	Illegal SLC Interface Register Value (SLC1)
● ○ ○ ○ ○ ● ○			82	SLC OperationsI Code Boot Error (SLC1)
● ○ ○ ○ ○ ● ●			83	Command Time-out On SLC Command Ring (SLC1)
● ○ ○ ○ ● ○ ○			84	Memory Access Failed SLC Static RAM (SLC1)
● ○ ○ ● ○ ○ ●			91	Illegal SLC Interface Register Value (SLC2)
● ○ ○ ● ○ ○ ○			92	SLC OperationsI Code Boot Error (SLC2)
● ○ ○ ● ○ ● ●			93	Command Time-out On SLC Command Ring (SLC2)
● ○ ○ ● ● ○ ○			94	Memory Access Failed SLC Static RAM (SLC2)
● ○ ○ ● ● ○ ●			95	SLC RAM Data

Note: Codes 30-6f indicate a Data or Modem control line error on lines 1-64.

PARTS BREAKDOWN

POWER

Power

AC Power Cords	2
StorEdge A7000 AC Power Cords	5
AC Power Plugs	5
Fuses	6
Keys	11
Wiring Diagrams	
SPARCcenter 2000 and 2000E	12
SPARCcenter 2000E	13
Netra <i>nfs</i> 150	14
Ultra Enterprise 150 and Netra <i>i</i> 150	15
Enterprise 220R	16
Enterprise 420R	17
Enterprise 250	18
Ultra Enterprise 450	19
Ultra Enterprise 3000	20
Ultra Enterprise 4000	21
Ultra Enterprise 5000	22
Ultra Enterprise 6000	23
56-inch Enterprise Expansion Cabinet	24
Enterprise 3500	25
Enterprise 4500	26
Enterprise 5500	27
Enterprise 6500	28
68-inch Enterprise Expansion Cabinet	29
StorEdge A7000 AC Input	30

AC Power Cords

PART #	DESCRIPTION	USAGE
180-1010	IEC 320 - Reverse IEC 320, Coiled (obs)	Acc Pwr
180-1117	IEC 320 - Reverse IEC 320	Acc Pwr
180-1097	IEC 320 - NEMA 5-15, 15A/125V	USA
180-1125	IEC 320 - pigtail, 6A/250V	Acc Pwr
180-1126	IEC 320 - NEMA 6-15, 10A/250V (obs)	V3 Sequencer
180-1142	IEC 320 - NEMA 5-15, 15A/125V	USA
180-1146	IEC 320 - NEMA 5-15, 10A/125V	USA
180-1176	IEC 320 - BS 1363, 10A/250V (obs)	UK
180-1177	IEC 320 - CEE 7/7, 10A/250V (obs)	France
180-1177	IEC 320 - CEE 7/7, 10A/250V (obs)	Germany
180-1177	IEC 320 - CEE 7/7, 10A/250V (obs)	Sweden
180-1178	IEC 320 - SEV 1011, 10A/250V (obs)	France
180-1178	IEC 320 - SEV 1011, 10A/250V (obs)	Germany
180-1178	IEC 320 - SEV 1011, 10A/250V (obs)	Switzerland
180-1179	IEC 320 - NEMA 5-15, 10A/250V	USA
180-1179	IEC 320 - NEMA 5-15, 10A/250V	Japan
180-1183	Y IEC 320 - NEMA 6-15, 10A/250V	V3 Sequencer
180-1184	Y IEC 320 - Reverse IEC 320, 10A/250V	V4 Sequencer
180-1189	IEC 320 - NEMA 6-15, 10A/250V	V3 Sequencer
180-1190	IEC 320 - Reverse IEC 320, 10A/250V	V4 Sequencer
180-1234	IEC 320 - 107/10-1973, 10A/250V (obs)	Denmark
180-1235	IEC 320 - CEI 23-16/VII, 10A/250V (obs)	Italy
180-1236	IEC 320 - AS 3112, 10A/250V (obs)	Australia
180-1662	IEC 320 - no description available	Korea
180-1683	IEC 320 - Reverse IEC 320, 10A/250V, 1.5M	V4 Sequencer
180-1688	IEC 320 - Reverse IEC 320, 10A/250V, 2.5M	V4 Sequencer
180-1732	90° IEC 320 - 90° Reverse IEC 320, .75M	E150 Internal
180-1943	Han 6HsB to NEMA L6-30P, Option 3800	E5x00/E6x00
180-1944	Han 6HsB to Blue 32A IEC309, Option 3848	E5x00/E6x00
370-3729	IEC 320-C19 - NEMA 5-20P	L11000
370-3941	90° IEC 320 - SEV 1011	Sun Ray 1
370-3942	90° IEC 320 - NEMA 5-15	Sun Ray 1



Warning – The Schuko CEE 7/7 plug is not grounded if used with the Danish Afsnit 107 electrical outlet.

AC Power Cords - Continued

PART #	DESCRIPTION	USAGE
370-3943	90° IEC 320 - CEI 23-16/VII	Sun Ray 1
370-3944	90° IEC 320 - CEE 7/7	Sun Ray 1
370-3945	90° IEC 320 - BS 1363	Sun Ray 1
370-3946	90° IEC 320 - no description available, Korea	Sun Ray 1
370-3948	90° IEC 320 - 107/10-1973	Sun Ray 1
370-3949	90° IEC 320 - AS 3112	Sun Ray 1
370-4011	90° IEC 320 - no description available, Japan	Sun Ray 1
530-1343	IEC 320 - Reverse IEC 320, 10A/250V	V4 Sequencer
530-1351	IEC 320 - NEMA 6-15, 10A/250V	V3 Sequencer
530-1370	IEC 320 - NEMA 5-15, 15A/125V, Grey	USA
530-1371	IEC 320 - Reverse IEC 320, 15A/125V, Grey	PBox Acc Pwr
530-1410	IEC 320 - CEE 7/7, 6A/250V, Grey	Europe
530-1411	IEC 320 - BS 1363, Grey	UK
530-1583	IEC 320 - SEV 1011, 10A/250V, Grey	Switzerland
530-1584	IEC 320 - CEI 23-16/VII, 10A/250V, Grey	Italy
530-1585	IEC 320 - 107/10-1973, 10A/250V, Grey	Denmark
530-1586	IEC 320 - AS 3112, 10A/250V, Grey	Australia
530-1604	IEC 320 - CEE 7/7, 10A/250V, Grey	S. America
530-1657	90° IEC 320 - NEMA 5-15, 10A/125V, Grey	USA
530-1663	90° IEC 320 - CEE 7/7, 10A/250V, Grey	France
530-1663	90° IEC 320 - CEE 7/7, 10A/250V, Grey	Germany
530-1664	90° IEC 320 - SEV 1011, 10A/250V, Grey	France
530-1664	90° IEC 320 - SEV 1011, 10A/250V, Grey	Germany
530-1664	90° IEC 320 - SEV 1011, 10A/250V, Grey	Switzerland
530-1665	90° IEC 320 - CEI 23-16/VII, 10A/250V, Grey	Italy
530-1666	90° IEC 320 - 107/10-1973, 10A/250V, Grey	Denmark
530-1667	90° IEC 320 - AS 3112, 10A/250V, Grey	Australia
530-1668	90° IEC 320 - CEE 7/7, 10A/250V, Grey	S. America
530-1671	90° IEC 320 - BS 1363, 6A/250V, Grey	UK
530-1817	IEC 320 - CEE 7/7, 10A/250V	France
530-1817	IEC 320 - CEE 7/7, 10A/250V	Germany
530-1817	IEC 320 - CEE 7/7, 10A/250V	Sweden



Warning – The Schuko CEE 7/7 plug is not grounded if used with the Danish Afsnit 107 electrical outlet.

AC Power Cords - Continued

PART #	DESCRIPTION	USAGE
530-1818	IEC 320 - SEV 1011, 6A/250V	France
530-1818	IEC 320 - SEV 1011, 6A/250V	Germany
530-1818	IEC 320 - SEV 1011, 6A/250V	Switzerland
530-1819	IEC 320 - 107/10-1973, 10A/250V	Denmark
530-1820	IEC 320 - CEI 23-16/VII, 10A/250V	Italy
530-1821	IEC 320 - BS 1363, 10A/250V	UK
530-1822	IEC 320 - AS 3112, 10A/250V	Australia
530-2073	Type C7 - BS1363A, 5A/250V	UK
530-2074	Type C7 - CEE 7/7, 2.5A/250V	Europe
530-2075	Type C7 - SAA/2, 7.5A/250V	Australia
530-2076	Type C7 -NEMA 1-15, 15A/125V	USA
530-2122	Type C7 - JIS-C 8303	Japan
530-2160	IEC320 C19 to IEC320 C20, 610 mm	SC2000
530-2188	IEC320 C19 to IEC320 C20, 1050 mm	SC2000
530-2197	AMP Mate-N-Lok to IEC320 C13	E5000/E6000
530-2197	AMP Mate-N-Lok to IEC320 C13	Option 956
530-2213	IEC320 C19 to IEC320 C20, 2500 mm	E5000/E6000
530-2264	AMP Mate-N-Lok to Y IEC320 C13	E5000/E6000
530-2264	AMP Mate-N-Lok to Y IEC320 C13	Option 956
530-2265	Han 6HsB to NEMA L6-30P, X3800 (obs)	E5x00/E6x00
530-2266	Han 6HsB to Blue 32A IEC309, X3848 (obs)	E5x00/E6x00
530-2567	Han 6HsB to NEMA L6-30P, X3800 (obs)	E5x00/E6x00
530-2568	Han 6HsB to Blue 32A IEC309, X3848 (obs)	E5x00/E6x00
530-2301	IEC320 C13 to Blue 32A IEC309, Option 389	Danish E4000
530-2379	AC Y Power Cord, NEMA L6-30P, 20' (obs)	E10000
530-2503	AC Y Power Cord, NEMA L6-30P, 14.75' (obs)	E10000
530-2380	AC Y Power Cord, IEC309 (obs)	E10000
530-2674	Han 6HsB to NEMA L6-30P, Option 3858	72-inch Rack
530-2675	Han 6HsB to Blue 32A IEC309, Option 3859	72-inch Rack
530-2993	AC Y Power Cord, NEMA L6-30P, 14.75'	E10000
530-2994	AC Y Power Cord, IEC309	E10000

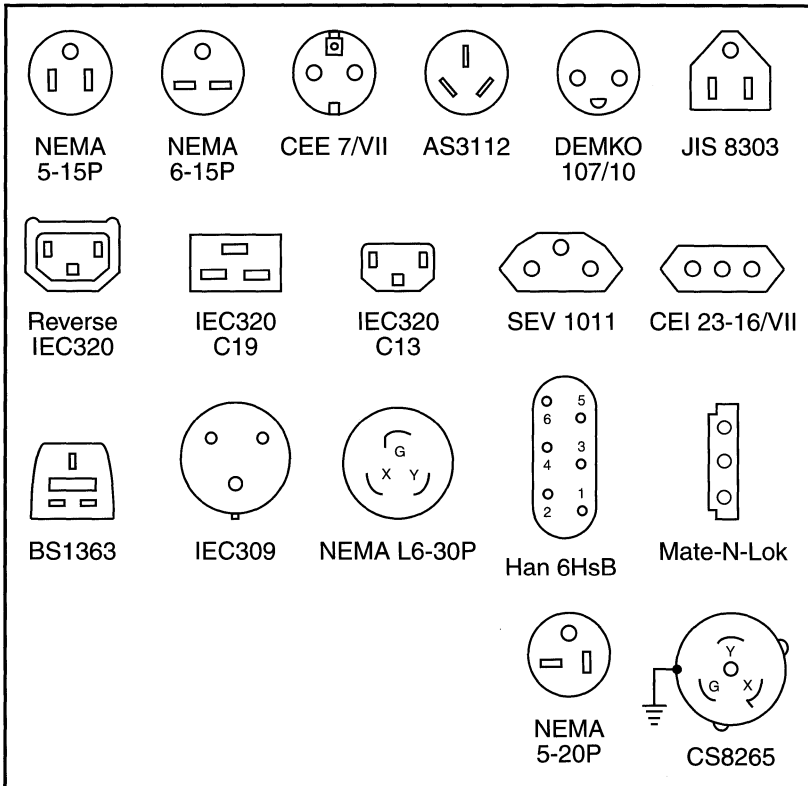


Warning – The Schuko CEE 7/7 plug is not grounded if used with the Danish Afsnit 107 electrical outlet.

StorEdge A7000 AC Power Cords

SUN PART#	ENCORE PART #	DESCRIPTION
None	145-103418-010	AC Cord, US, L6-30, Non UL/CSA (obs)
370-3450	145-103371-118	AC Cord, Intl, L6-30, Non UL/CSA (obs)
370-3570	258-800061-010	AC Cord, US, L6-30, Non UL/CSA (obs)
F530-2607	145-103526-001	UPSY HAR 5 Cable
F530-2608	145-103528-010	30-50 AMP Cable
F530-2619	258-800055-001	UPS 50 Amp to Y L6-30R Power Cord
F530-2620	258-800063-001	Power Cord Assembly
530-2653	258-800061-010	AC Cord, US, L6-30, Non UL/CSA (obs)
530-2697	530-2697-01	AC Cord, Intl, UL/CSA, 50A CS8265
530-2698	530-2698-01	AC Cord, US, UL/CSA, 50A CS8265
370-3501	145-103416-030	UPS Serial Cable, DB-9 (1-1, 2-2, 4-4)

AC Power Plugs

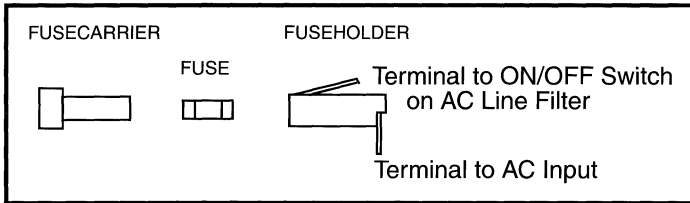


Fuses

Fuseholder and Fusecarrier

Follow these instructions to avoid electrical shock hazard when wiring the type of fuseholder illustrated below.

1. Connect the AC Input to the Terminal on the end of the Fuse holder.
2. Connect the Terminal on the side of the Fuseholder to the AC Line Filter or AC Switch.

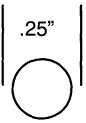
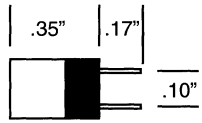


DESCRIPTION	SUN PART #	VENDOR	PART #
Carrier, Domestic	150-1042	Schurter	FEK 031.1666
Carrier, International	150-1051	Schurter	031.1663
Holder, In Line 22-14AWG	140-1023	AMP	552844-1
Holder, In Line 22-14AWG	140-1023	Littelfuse	155 020U
Holder, UL/CSA/VDE	150-1041	Schurter	FEU 031.1693
Holder, R/A for PIG-TAIL	150-1163	Littelfuse	281 007
Holder, R/A for PIG-TAIL	150-1163	Pwr Dynamic	19557
Holder, 20A,250V,UL	150-1177	Schurter	FEU031.1673
Microfuse Holder	150-1179	Littelfuse	282 002
Microfuse Holder	150-1179	Littelfuse	282 008
Holder	150-1024	Littelfuse	345 001
Holder, Faston Type	150-1026	Littelfuse	571 007
Holder, Faston Type	150-1026	Bussman	HPF
Holder, Quick Connect	150-1029	Bussman	HTA-HH
Holder, Quick Connect	150-1029	Littelfuse	342 858
Field Engineers Fuse Kit	555-1126	Sun	555-1126

Fuses

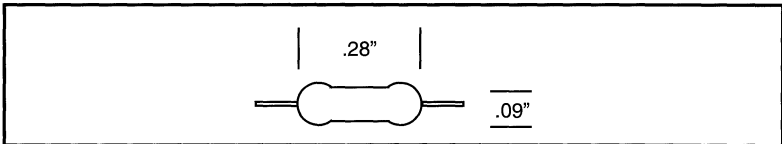
Subminiature Microfuses

Subminiature microfuses are used on many Sun Printed Circuit Boards. Subminiature microfuses are field replaceable.

	AMPS	PART NUMBER
	1.0	140-1027-01
	1.5	150-1162-01
	1.5	150-1383-01
	2.0	150-1174-01
	3.0	150-1698-01

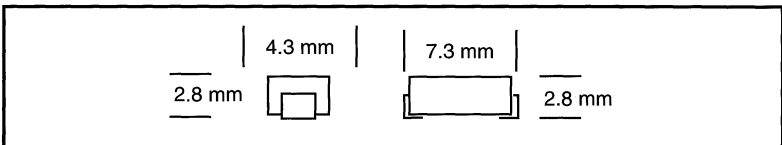
PICO II Fuses

PICO II fuses are used on Printed Circuit Boards and Peripheral devices such as Tape and Disk Drives. PICO II fuses are not field replaceable because they are soldered in place.



PTCs

Positive Temperature Coefficient (PTC) thermistors are resistors with a high positive temperature coefficient of resistance. The PTC is used as a self-resetting fuse in overload applications. When an overload current flows through a PTC, there is a specific time period before the PTC heats up to its high-resistance state and starts limiting the current. PTCs are not field replaceable because they are soldered in place.



Fuses

FUSE	SIZE	SUN PART #	VENDOR	PART #
1/16A	.25 x 1.25"	140-1004	Littelfuse	312.062
1/16A	.25 x 1.25"	140-1004	Bussman	AGC 1/16
1/8A	.25 x 1.25"	140-1003	Littelfuse	312.125
1/8A	.25 x 1.25"	140-1003	Bussman	AGC 1/8
1/2A	.25 x 1.25"	140-1012	Littelfuse	313.500
3/4A	PICO II	140-1024	Littelfuse	255.750
3/4A	.145 x .30"	140-1024	Bussman	GFA 3/4
3/4A	.25 x 1.25"	140-1044	Littelfuse	312 .750
1A	.25 x 1.25"	140-1040	Littelfuse	313 001
1A	Microfuse	140-1027	Littelfuse	273 001
1A	.25 x 1.25"	140-1040	Littelfuse	313 001
1A	.25 x 1.25"	140-8500	Bussman	AGC-1
1A	.25 x 1.25"	140-8500	Littelfuse	314 001
1.5A	Microfuse	150-1162	Littelfuse	273 01.5
1.5A	Microfuse	150-1383	Littelfuse	273 01.5
1.5A	5 x 20mm	150-1208	SOC	MT4-1.51
1.5A	.25 x 1.25"	140-1042	Littelfuse	313 01.5
1.6A	.25 x 1.25"	140-1022	Littelfuse	312 01.6
1.6A	.25 x 1.25"	140-1022	BEL	3AG1.6
1.6A	.25 x 1.25"	140-1022	Pwr Dynamics	19340 1.6A
1.6A	.25 x 1.25"	140-1022	Bussman	AGC 1.6A
1.6A	5 x 20mm	150-1215	Schurter	034.3119
1.6A	5 x 20mm	150-1215	Littelfuse	218 01.6
2A	.25 x 1.25"	140-1005	Littelfuse	312 002
2A	.25 x 1.25"	140-1005	Bussman	AGC 2
2A	PICO II	140-1028	Littelfuse	252 002
2A	5 x 20mm	140-1034	Bussman	GDC-2
2A	5 x 20mm	140-1034	Littelfuse	218 002
2A	Microfuse	150-1174	Littelfuse	273 002
2A	.25 x 1.25"	150-1191	MGC	MGC 0002
2A	.25 x 1.25"	150-1191	Littelfuse	312 002
2A	.25 x 1.25"	140-1048	Littelfuse	313 002
2A	.25 x 1.25"	140-1048	Bussman	MDA 2
2.5A	.25 x 1.25"	140-1000	Littelfuse	313 02.5
2.5A	.25 x 1.25"	140-1000	Bussman	MDA 2 1/2

Fuses - Continued

FUSE	SIZE	SUN PART #	VENDOR	PART #
2.5A	.25 x 1.25"	140-1008	Littelfuse	313 003
2.5A	.25 x 1.25"	140-1008	Bussman	MDA 2 1/2
3A	.25 x 1.25"	150-1034	Littelfuse	313 003
3A	PICO II	140-1038	Littelfuse	252 003
3A	.145 x .30"	140-1038	Bussman	A3XRAD
3A	.25 x 1.25"	150-1034	Bussman	MDA-3
3A	.25 x 1.25"	140-1039	Littelfuse	312 003
3A	Microfuse	150-1698	Littelfuse	273 003
3A	Microfuse	150-1698	Bussman	GMW-3
3.15A	5 x 20mm	140-1002	Bussman	GDC 3.15
3.15A	5 x 20mm	140-1002	Littelfuse	218 315
4A	5 x 20mm	140-1031	Schurter	FST 034.3123
4A	5 x 20mm	140-1031	Littelfuse	218 004
4A	.25 x 1.25"	140-1001	Littelfuse	318 004
4A	.25 x 1.25"	140-1001	Bussman	AGC4AMP
4A	.25 x 1.25"	140-1007	Littelfuse	312 004
4A	.25 x 1.25"	140-1007	Bussman	MTH 4
4A	.25 x 1.25"	140-1020	Littelfuse	313 004
4A	.25 x 1.25"	140-1020	BEL	3SB4
4A	.25 x 1.25"	140-1020	Pwr Dynamics	19341-4A
4A	.5 x 20mm	140-1043	Littelfuse	217 004
4A	.25 x 1.25"	150-1033	Littelfuse	313 004
4A	.25 x 1.25"	150-1033	Bussman	MDA 4A,250V
5A	.25 x 1.25"	140-1010	Littelfuse	313 005
5A	.25 x 1.25"	140-1010	Bussman	MDA (5 AMP)
5A	5 x 20mm	140-1025	Schurter	034.3914
5A	5 x 20mm	140-1025	BEL	5MT5
5A	5 x 20mm	140-1025	Littelfuse	218 005
5A	5 x 20mm	140-1029	Schurter	034.3124
5A	5 x 20mm	140-1029	Littelfuse	218 005
5A	.25 x 1.25"	140-1041	Littelfuse	312 005
6A	5 x 20mm	140-1009	Littelfuse	212 06.3
6A	5 x 20mm	140-1009	Bussman	GMA 6
6A	.25 x 1.25"	140-1011	Littelfuse	314 006
6A	.25 x 1.25"	140-1011	Bussman	ABC 6A 250V

Fuses - Continued

FUSE	SIZE	SUN PART #	VENDOR	PART #
6A	.25 x 1.25"	140-1021	Littelfuse	312 006
6A	.25 x 1.25"	140-1021	Bussman	MTH-6A
6A	.25 x 1.25"	140-1021	Pwr Dynamics	19340-6A
6A	.25 x 1.25"	140-1026	Bussman	250(MSL)
6A	5 x 20mm	150-0473	Pnl Compnt	341524
6A	5 x 20mm	150-0473	Littelfuse	213 006
6.3A	5 x 20mm	140-1030	Schurter	FST 034.3125
6.3A	5 x 20mm	140-1030	Littelfuse	218 063
7A	.25 x 1.25"	150-1258	Littelfuse	313 007
7A	.25 x 1.25"	150-1258	Bussman	MDQ-7
8A	.25 x 1.25"	140-1006	Littelfuse	314 008
8A	.25 x 1.25"	140-1006	Bussman	MTH 8
8A	5 x 20mm	150-2246	Littelfuse	217 008
8A	5 x 20mm	150-2246	Schurter	034.1525
10A	.25 x 1.25"	140-1017	Littelfuse	326 010
10A	.25 x 1.25"	140-1017	Pwr Dynamics	19341-10A
10A	.25 x 1.25"	140-1051	Littelfuse	314 010
10A	.25 x 1.25"	140-1051	Bussman	ABC-10A
10A	0.46 x 1.5"	140-1152	Littelfuse	KLK-R 10A
10A	0.46 x 1.5"	150-xxxx	Littelfuse	CCMR 10A
12A	.25 x 1.25"	140-8000	Bussman	ABC-12
12A	.25 x 1.25"	140-8000	Littelfuse	314.012
15A	.25 x 1.25"	140-1019	Littelfuse	314 015
15A	.25 x 1.25"	140-1019	Bussman	ABC-15A
15A	.25 x 1.25"	140-1035	Littelfuse	314 015
15A	.25 x 1.25"	140-1035	Bussman	ABC-15A
15A	0.46 x 1.5"	140-1154	Littelfuse	CCM-R 15A
15A	0.46 x 1.5"	140-1154	Bussman	LP-CC-15
15A	Nano ²	150-2330	Littelfuse	451 015
15A	PICO II	150-2398	Littelfuse	251 015
15A	0.46 x 1.5"	150-xxxx	Littelfuse	CCMR 15A
30A	Autofuse	None	Littelfuse	257030

Keys

PRODUCT	AC POWER KEY	POWER INTERLOCK KEY	DOOR KEY
SS1000	330-1651	None	None
SC2000	330-1651	None	None
Enterprise 150	None	None	250-1328
Netra <i>i</i> 150	None	None	250-1328
Netra <i>nfs</i> 150	None	None	250-1328
U450 UE450	250-1317	None ¹	250-1317
E250	250-1317	None ²	250-1317
E220R E420R	250-1317	None	250-1317
E3000 E3500	330-2014	None	330-2014
E4000 E5000 E6000	330-2014	None	None
E4500 E5500 E6500	330-2014	None	None
A1000	None	None	240-2690
D1000	None	None	240-2690
A5000	None	None	240-2690
StorEdge MultiPack	None	None	330-1966
StorEdge L20/40/60	None	None	No Part#
StorEdge L180	None	None	No Part#
StorEdge L400	None	330-1651	None
StorEdge L1000	None	330-1651	None
StorEdge L11000	None	330-1651 ^{3 4}	330-1651
A3500	No Part#	None	No Part#
72" Expansion Rack	No Part#	None	No Part# ⁵

¹ Removal of the Ultra Enterprise 450 left or right side cover enables an Interlock switch and turns Off DC power.

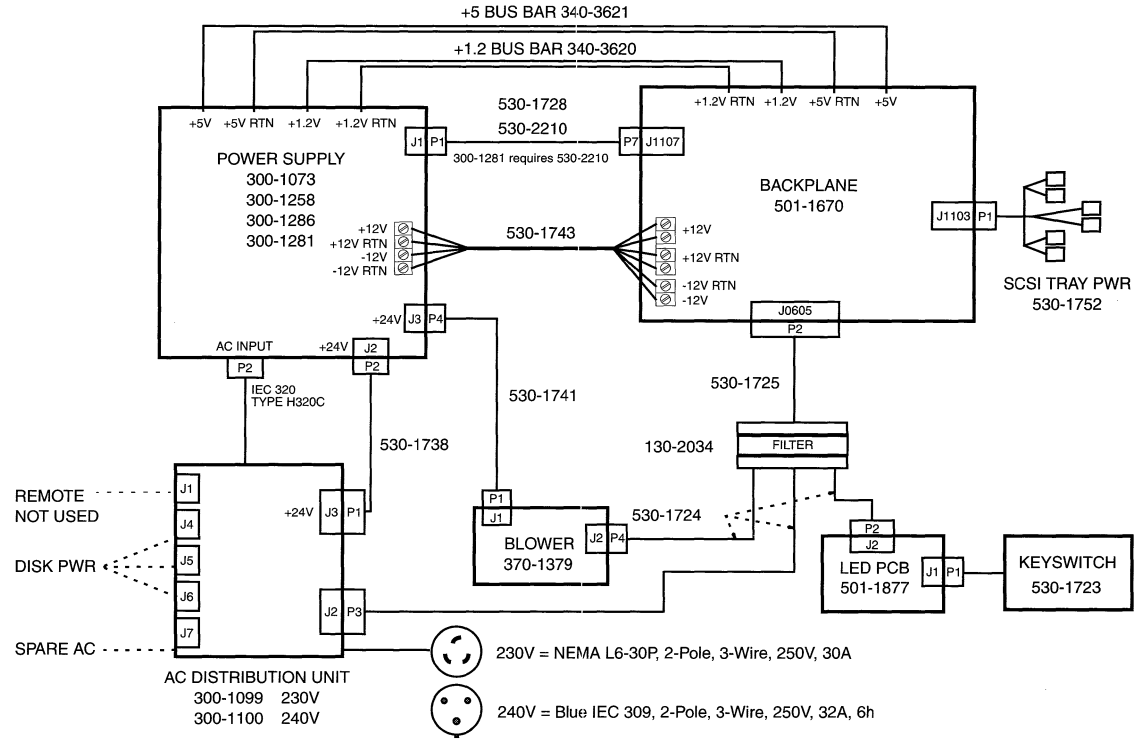
² Removal of the Enterprise 250 left side cover or RMA Tray enables an Interlock switch and turns Off DC power.

³ The rear doors of the L11000 have magnetic switches that notify the robotics controller when a door is open. The L11000 will continue to operate with the rear doors open. The doors must be closed for proper cooling.

⁴ The L11000 front door interlock switches disable power to the motors when the doors are opened. Override the interlock switches with tool 6311754 and close the low velocity switches to operate the L11000 in low velocity mode with the front doors open.

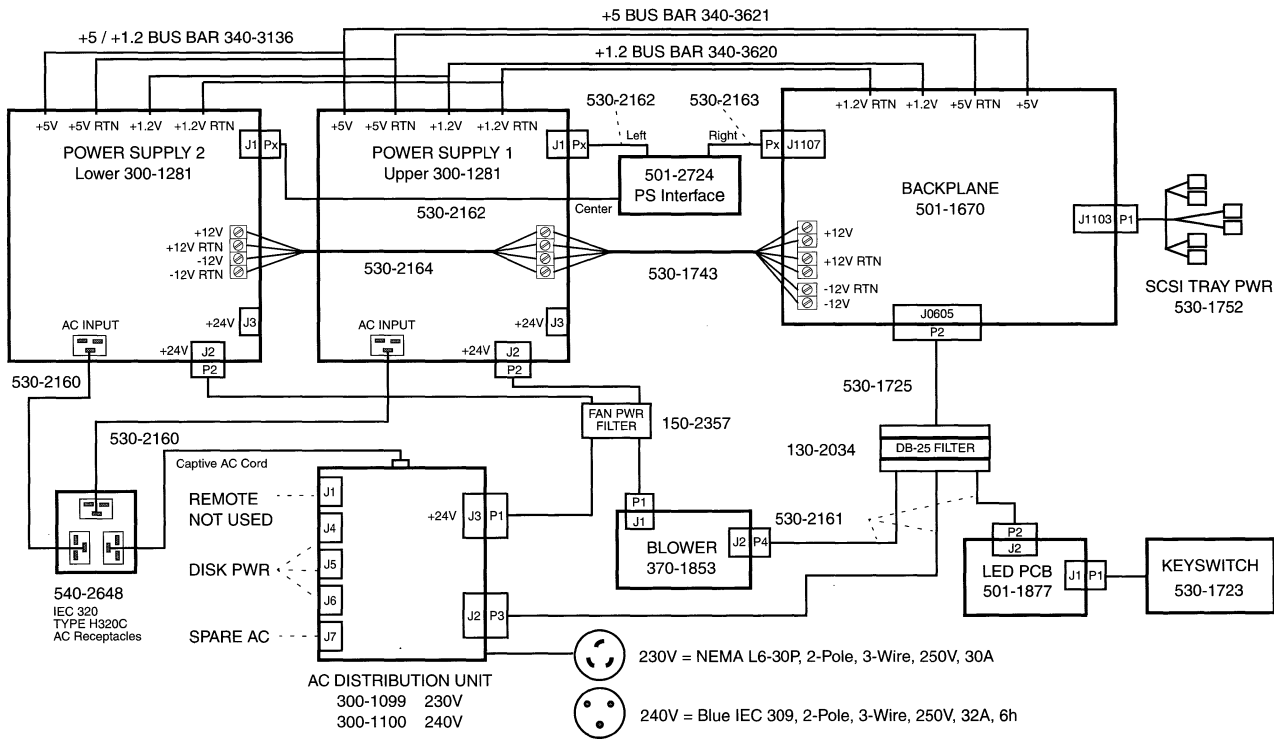
⁵ The front and rear keys are different. Neither key has a Sun part number.

SPARCcenter 2000 and 2000E Wiring Diagram Rack Assembly 599-1821

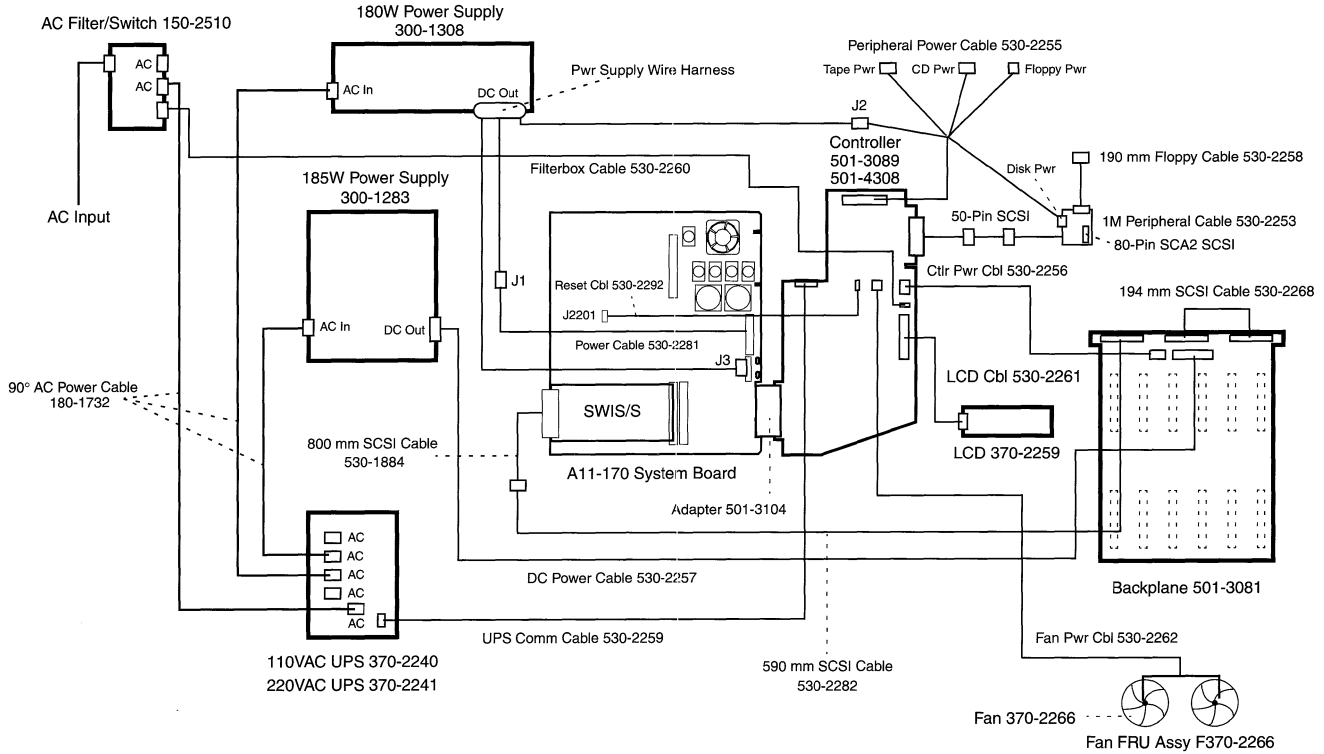


SPARCcenter 2000E Wiring Diagram

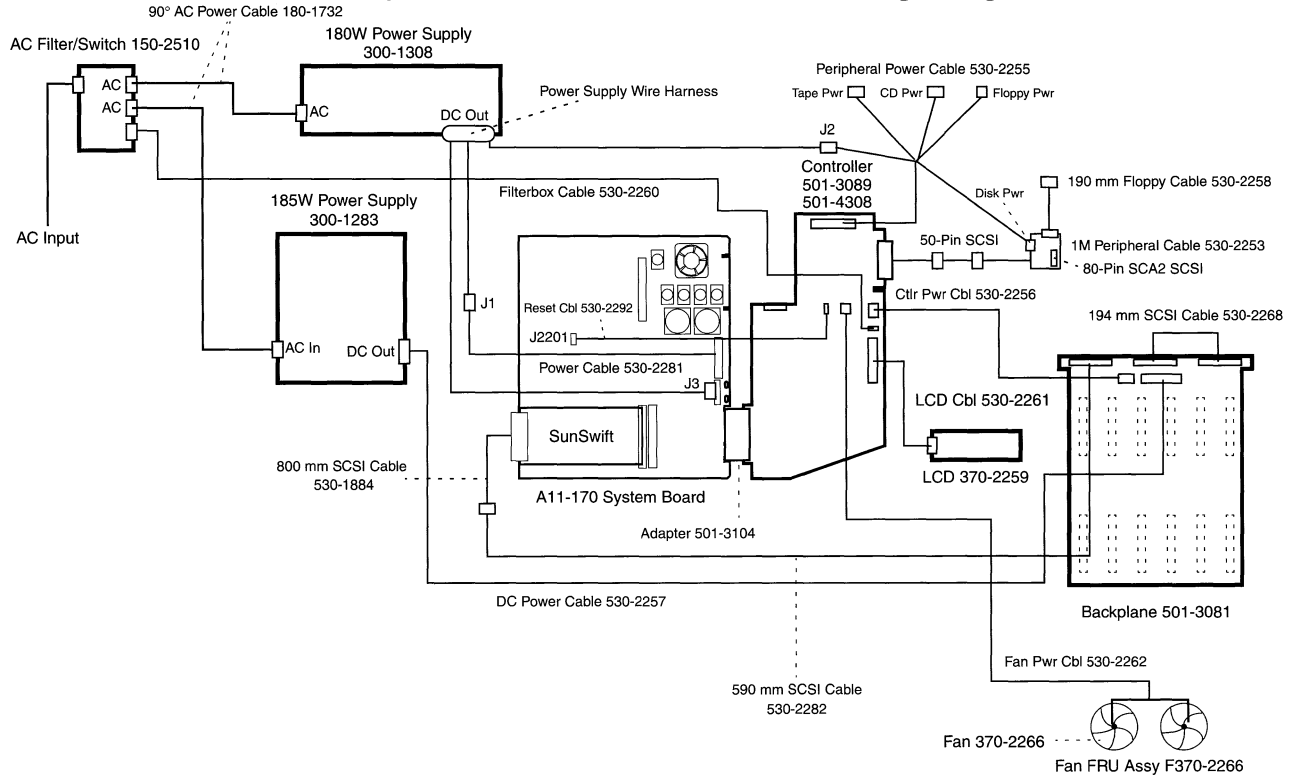
Rack Assemblies 599-2027 and 599-2031



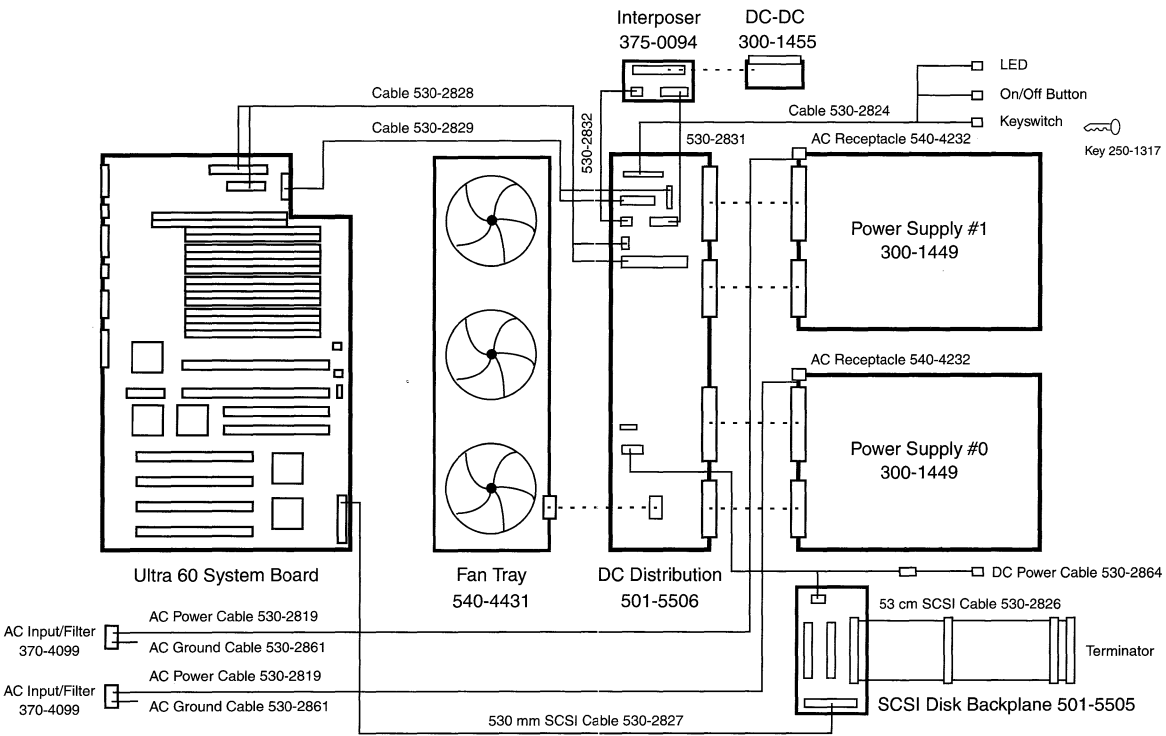
Netra nfs 150 Wiring Diagram



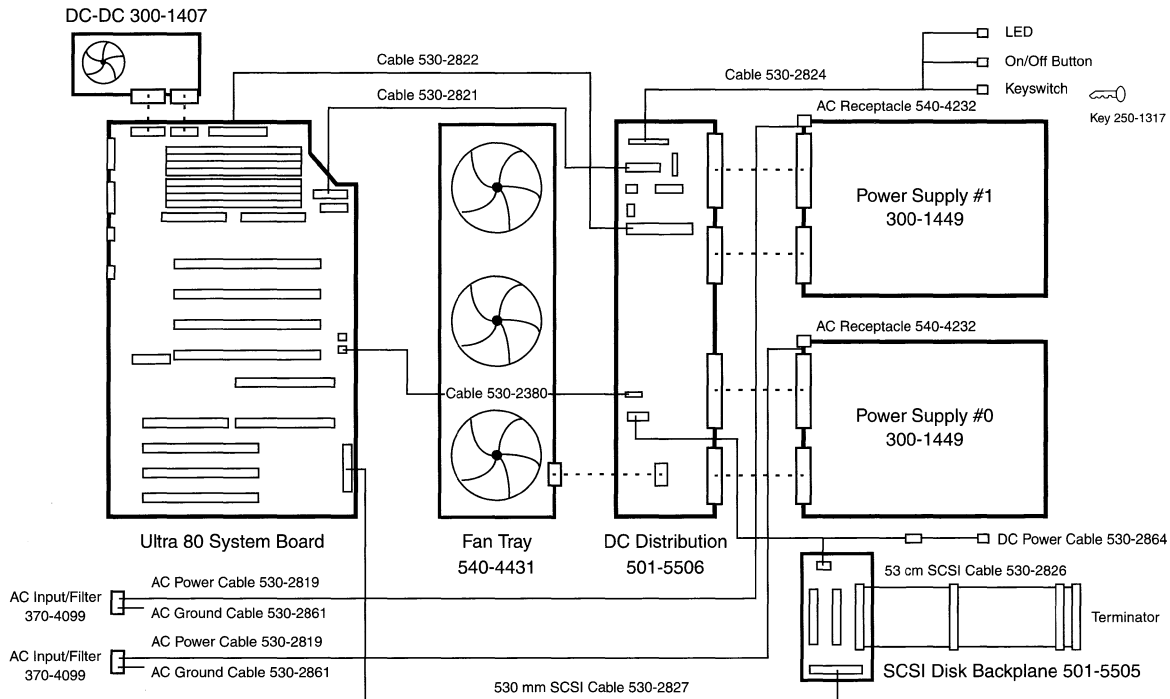
Ultra Enterprise 150 and Netra i 150 Wiring Diagram



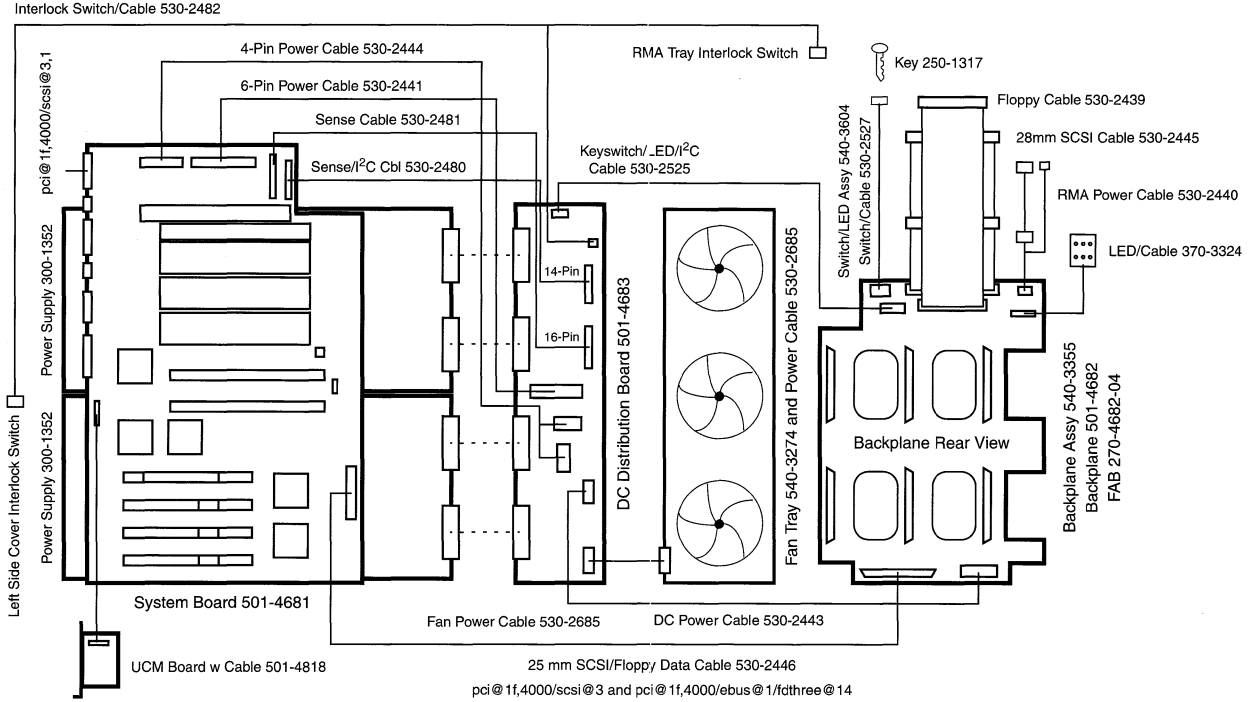
Enterprise 220R Wiring Diagram



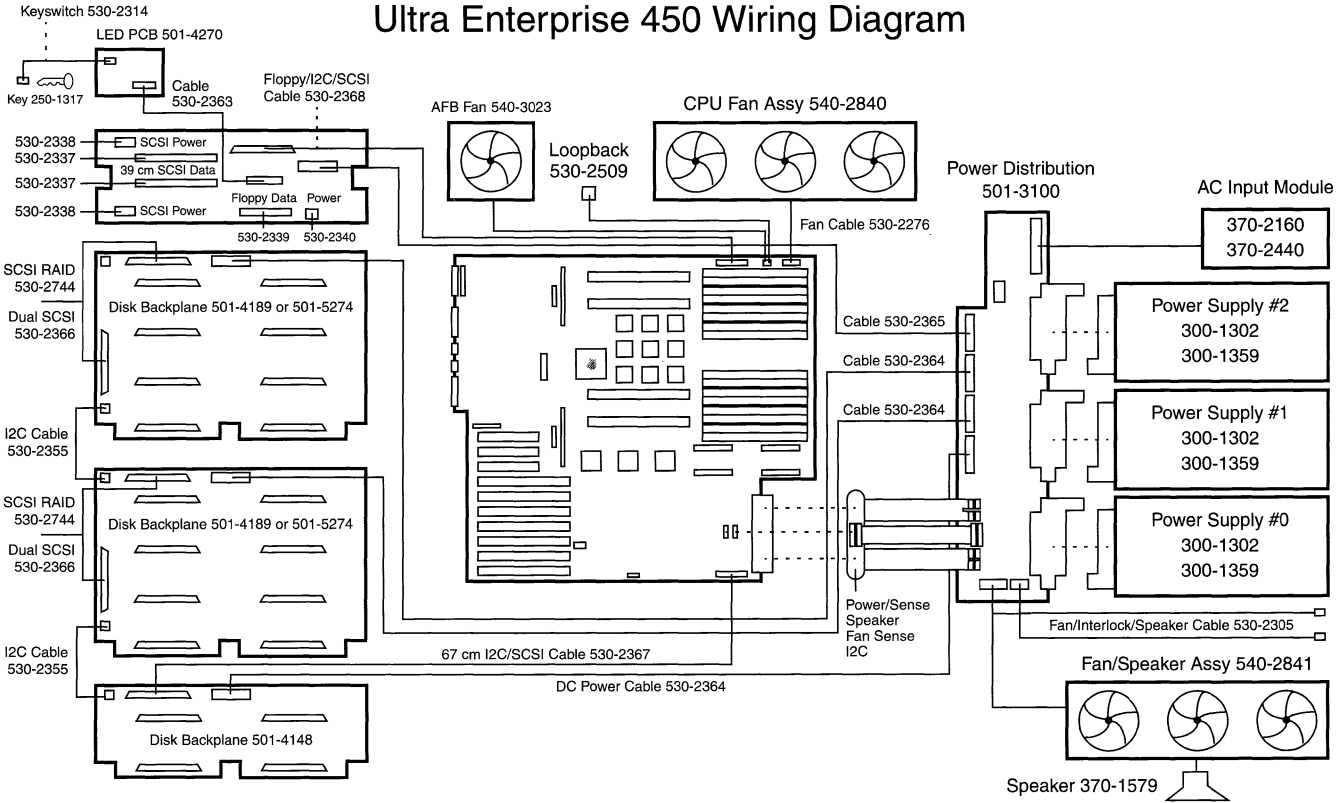
Enterprise 420R Wiring Diagram



Enterprise 250 Wiring Diagram

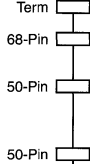


Ultra Enterprise 450 Wiring Diagram

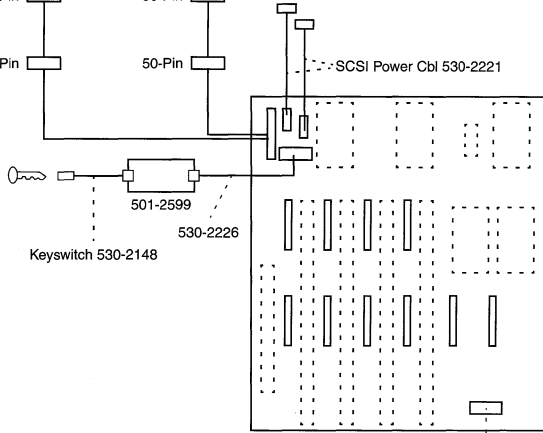
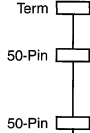


Ultra Enterprise 3000 Wiring Diagram

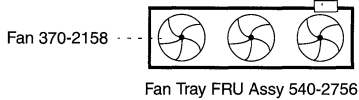
935 mm SCSI Cable
530-2381



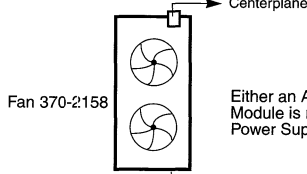
830 mm SCSI Cable
530-2220



Front View

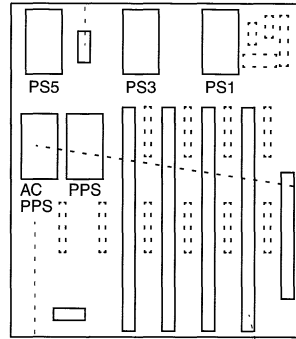


Aux Fan FRU Assy 540-2757



Either an Aux Fan Assy or a Power/Cooling Module is required above the AC Peripheral Power Supply

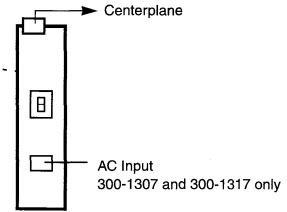
4-Slot Backplane 501-2939



Rear View

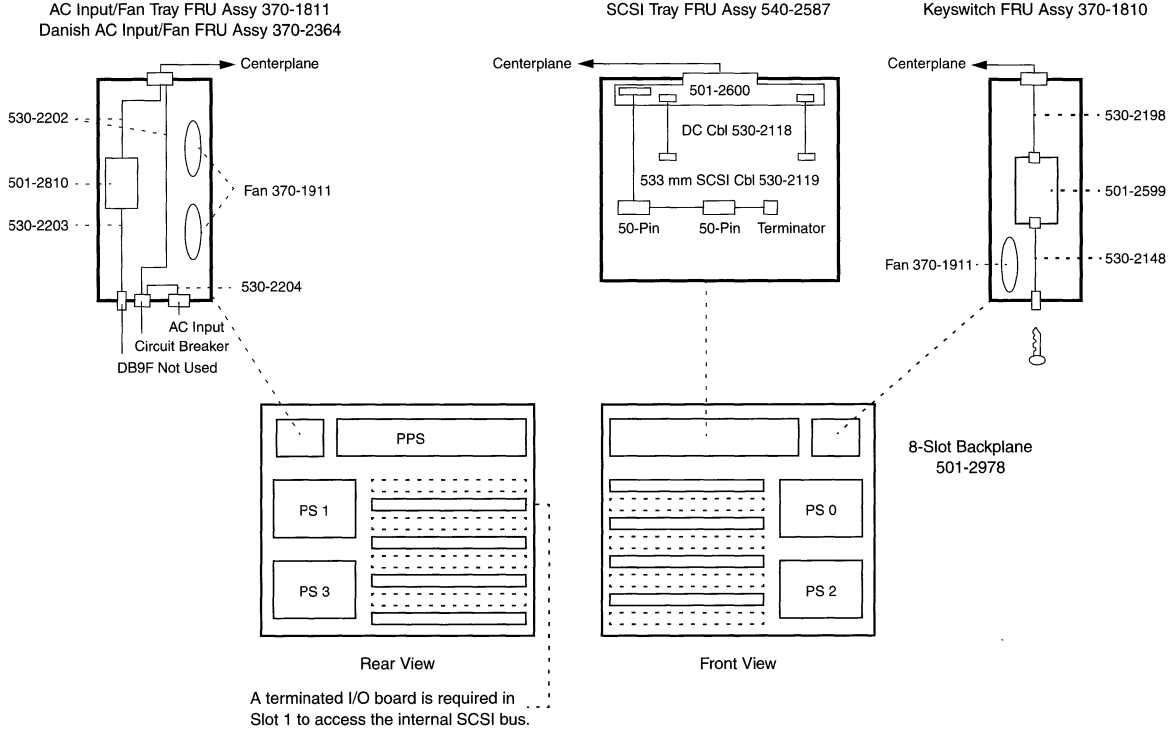
One AC Peripheral Power Supply is required and only one is supported. A Peripheral Power Supply in the PPS slot is optional.

Peripheral Power Supply 300-1301
AC Peripheral Power Supply 300-1307
Danish AC Peripheral PS 300-1317

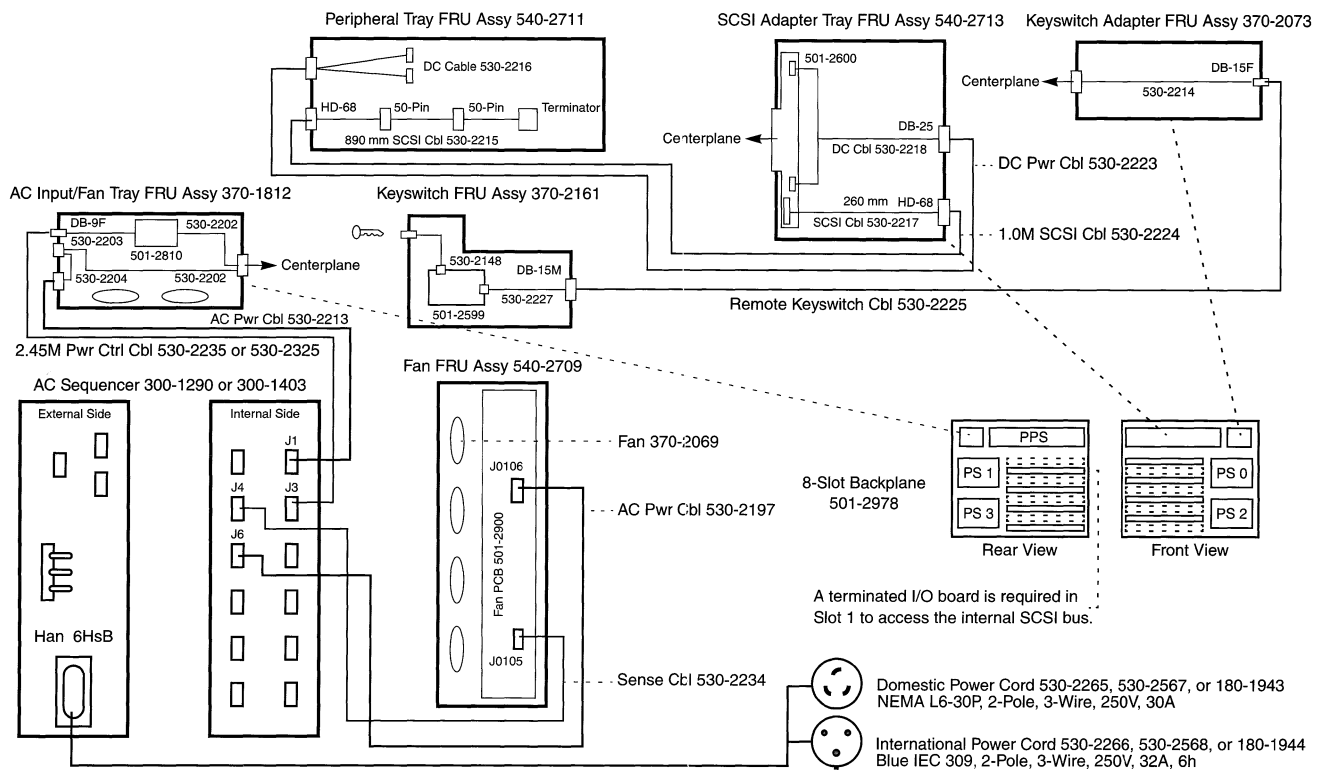


A terminated I/O board is required in Slot 1 to access the internal SCSI bus.

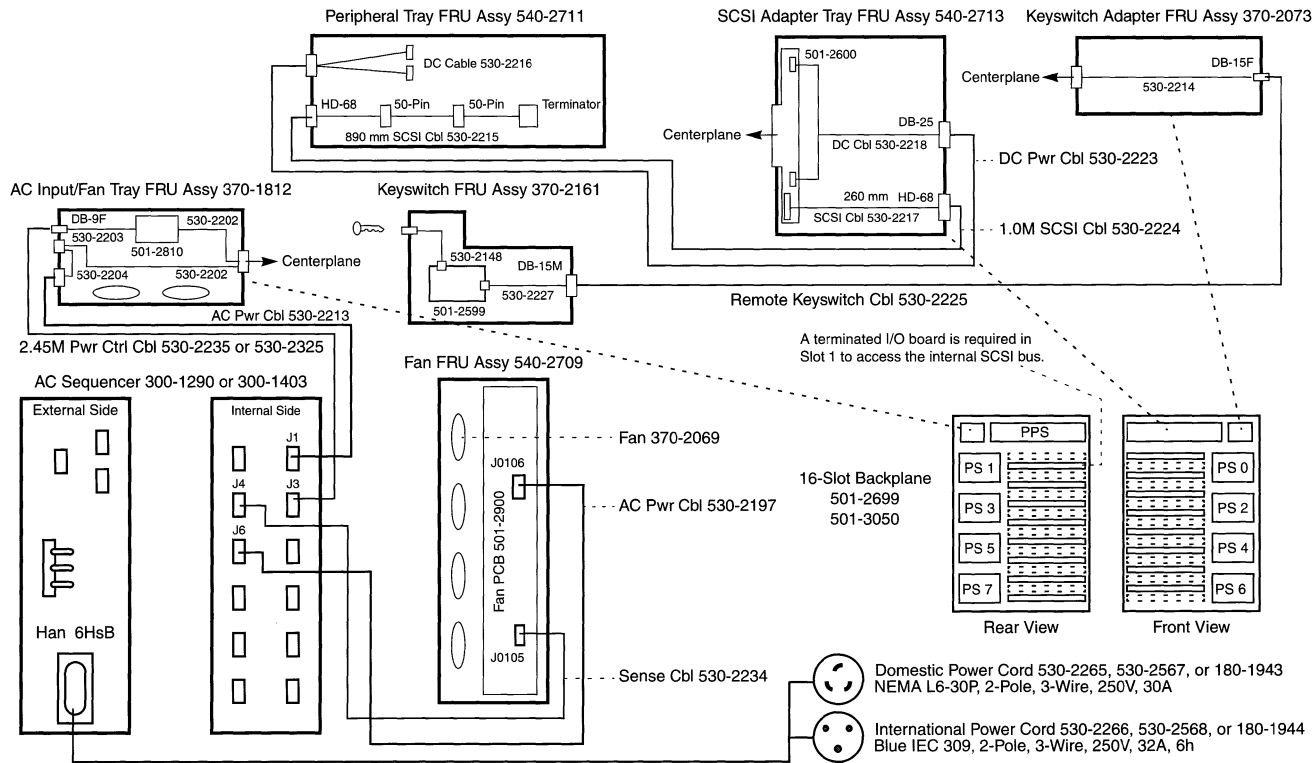
Ultra Enterprise 4000 Wiring Diagram



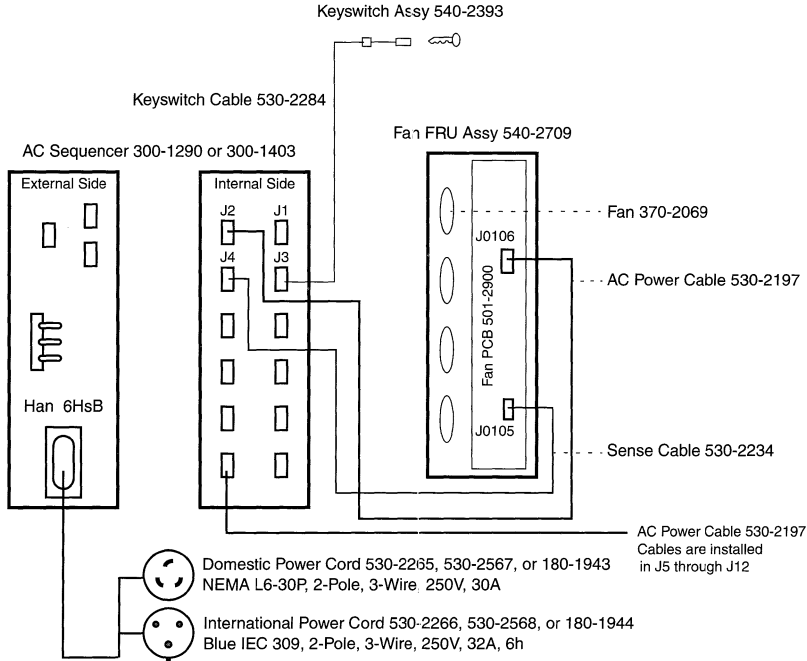
Ultra Enterprise 5000 Wiring Diagram



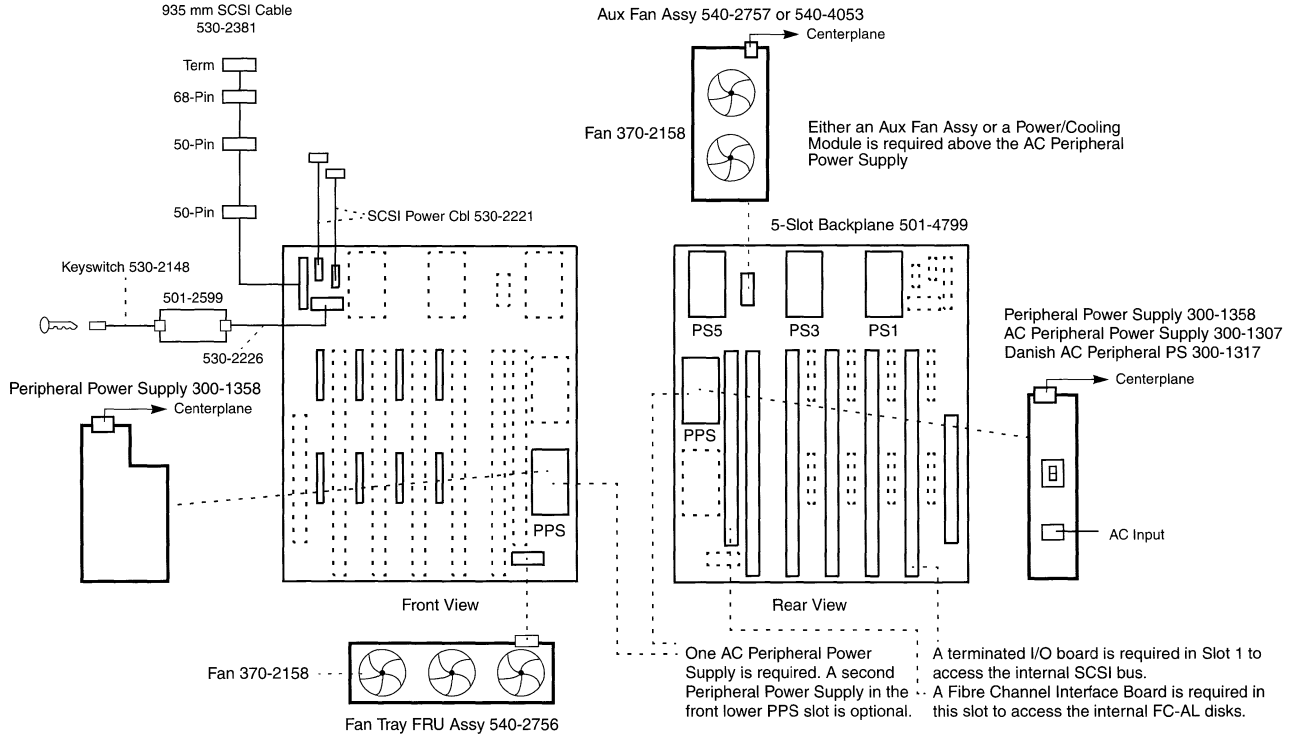
Ultra Enterprise 6000 Wiring Diagram



56-inch Enterprise Expansion Cabinet

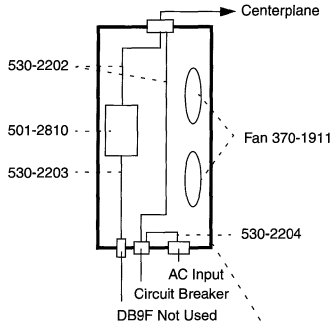


Enterprise 3500 Wiring Diagram

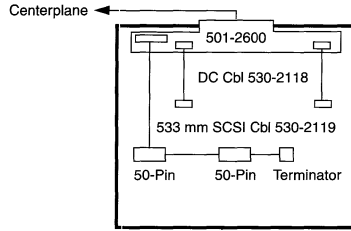


Enterprise 4500 Wiring Diagram

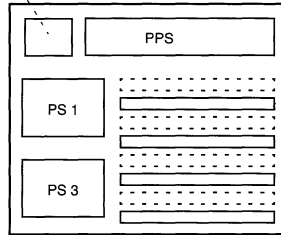
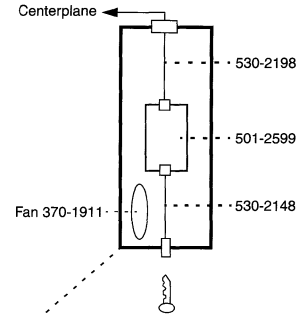
AC Input/Fan Tray FRU Assy 370-1811
Danish AC Input/Fan FRU Assy 370-2364



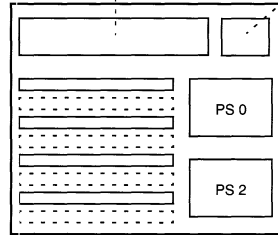
SCSI Tray FRU Assy 540-2587



Keyswitch FRU Assy 370-1810



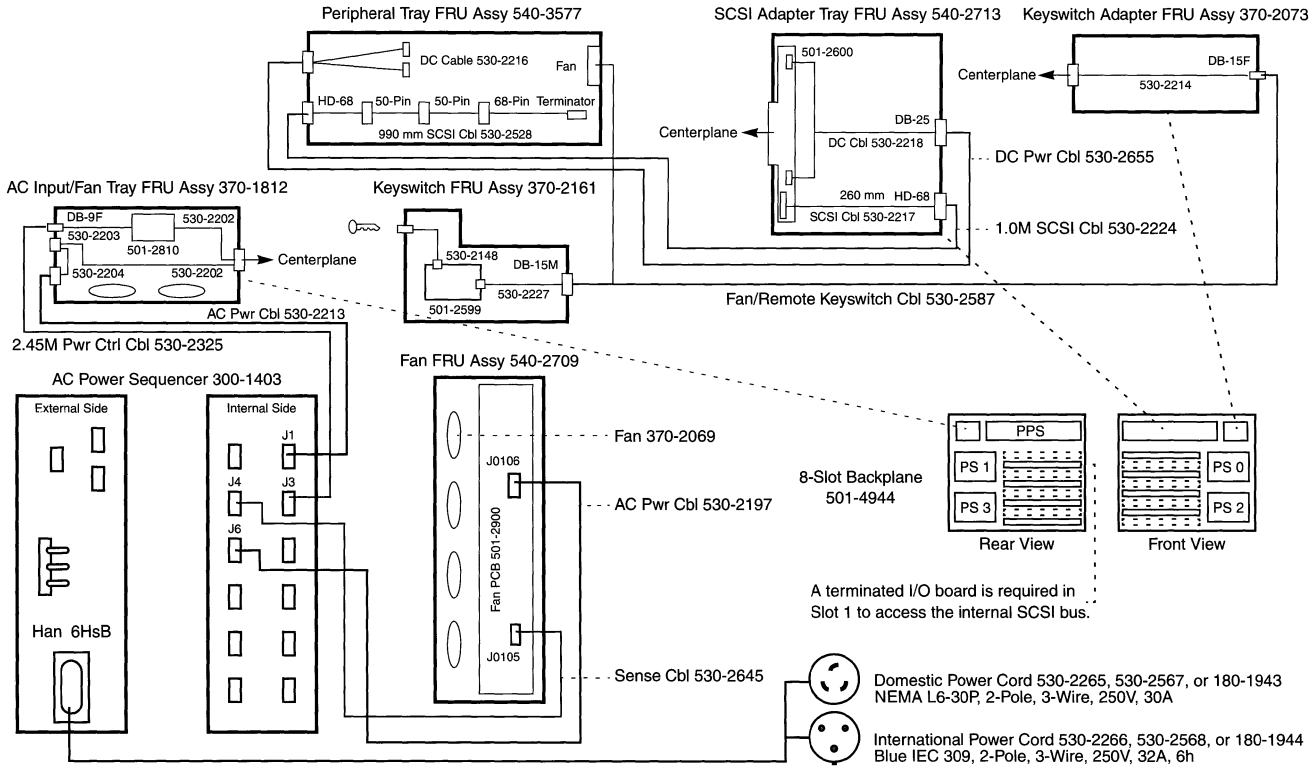
Rear View



Front View

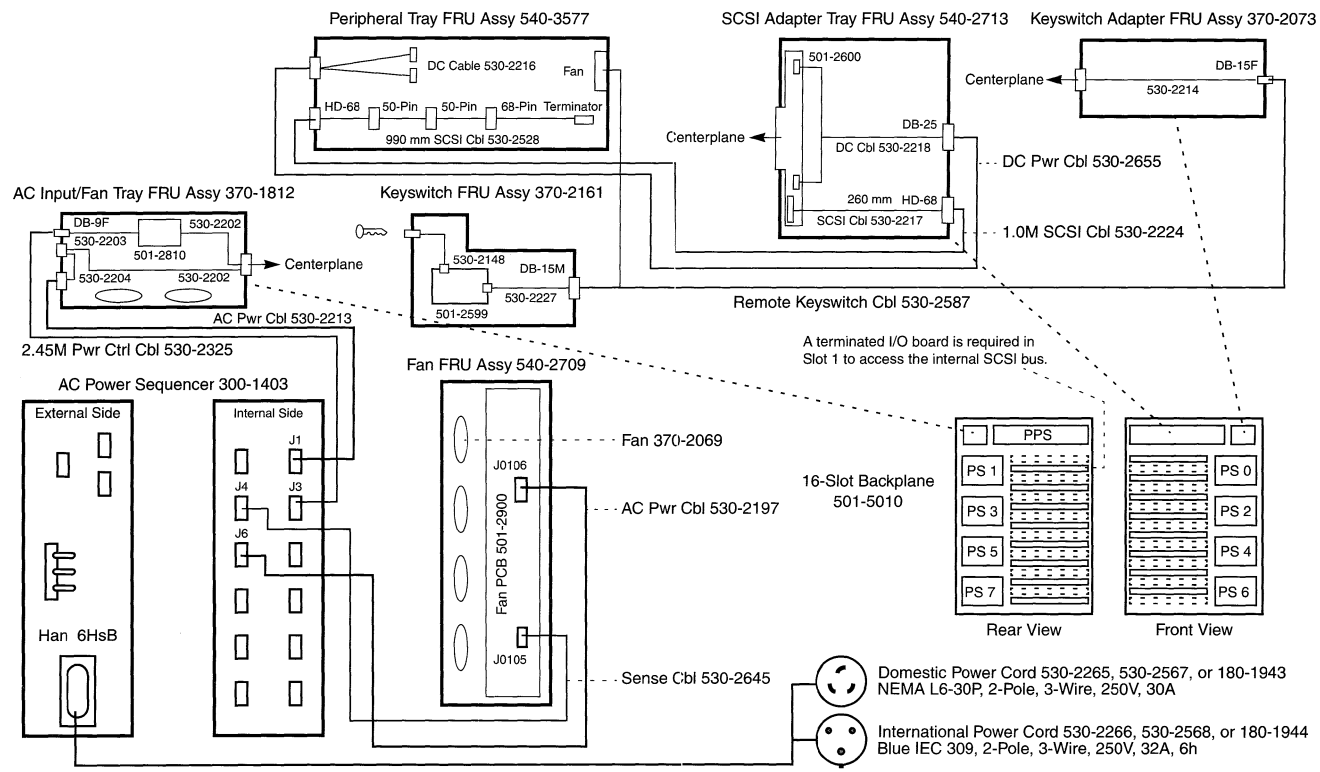
A terminated I/O board is required in Slot 1 to access the internal SCSI bus.

Enterprise 5500 Wiring Diagram

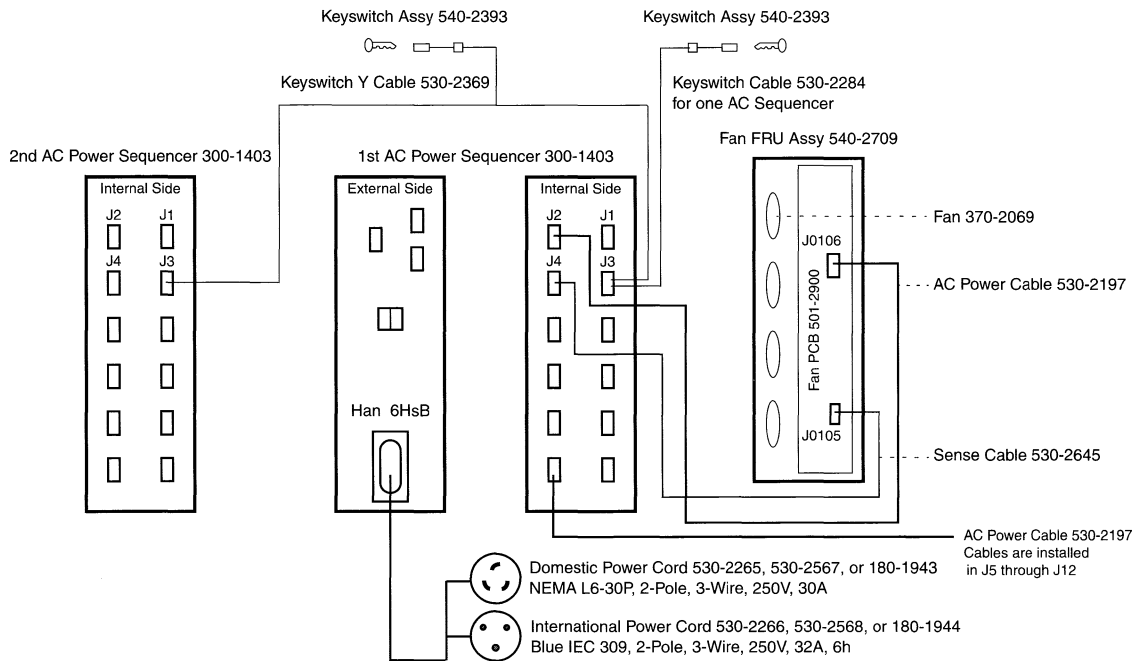


A terminated I/O board is required in Slot 1 to access the internal SCSI bus.

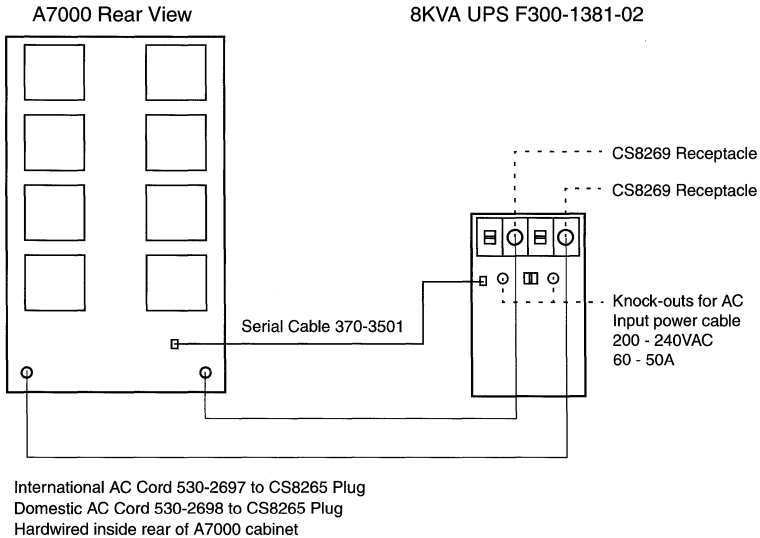
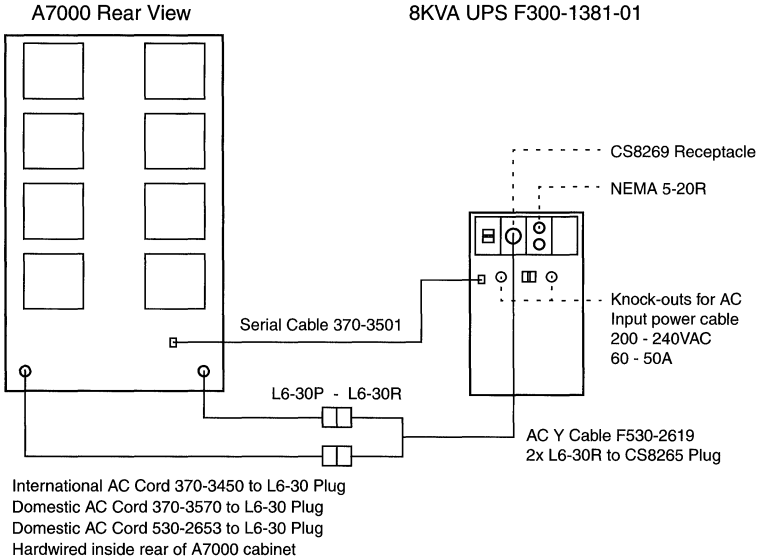
Enterprise 6500 Wiring Diagram



68-inch Enterprise Expansion Cabinet



StorEdge A7000 AC Input



PARTS BREAKDOWN

AC POWER

AC Power

AC Power Sequencer

Remote and Local Bus Connectors				3
Power Requirements				4
370-1027	Pulizzi Engineering	230V		5
370-1155	Pulizzi Engineering	230V		5
370-1126	Pulizzi Engineering	240V		6
370-1156	Pulizzi Engineering	240V		6
370-1155-02	Sherwood Enterprises	230V		7
300-1263	Sherwood Enterprises	230V		8
370-1156-03	Sherwood Enterprises	240V		9
300-1264	Sherwood Enterprises	240V		10

Option 964

AC Power Sequencer Operation				11
300-1216	Sherwood Enterprises	230V		12
300-1217	Sherwood Enterprises	240V		13

SC2000 SC2000E

AC Distribution Unit Power Requirements				14
300-1099	Sherwood Enterprises	230V		15
300-1100	Sherwood Enterprises	240V		16

E4000 E5000 E6000 E4500 E5500 E6500 E10000

AC Power Sequencer Power Requirements				17
300-1290	AC Power Sequencer	240V		18
300-1403	AC Power Sequencer	240V		20

E4000 E5000 E6000 E4500 E5500 E6500

370-1811	AC Input/Fan Assy	110/230V		22
370-1812	AC Input/Fan Assy	230V		23
370-2364	AC Input/Fan Assy	230V		24

AC Power - Continued

Netra *nfs* 150

110 and 230V AC Uninterruptible Power Supply	25
370-2240 Deltec 110V	26
370-2241 Deltec 230V	28

E10000

AC Input Module Power Requirements	30
540-3062 AC Input Module	31
540-3441 AC Input Module	31
540-3067 Remote Power Control Module	32
540-3426 Remote Power Control Module	32
540-3440 Remote Power Control Module	32

A20 A25

370-2160 AC Input Module	33
370-2440 AC Input Module	33

72-inch StorEdge Expansion Cabinet

300-1393 AC Power Sequencer 230V	34
--	----

AC Power Sequencer

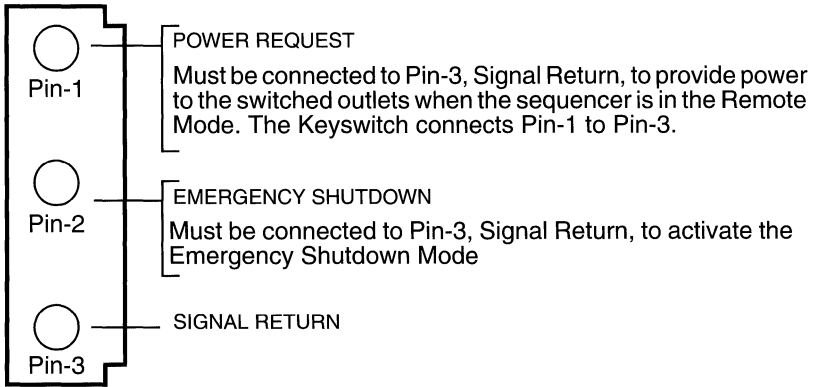
Remote and Local Bus Connectors

300-1263 300-1264 370-1126

370-1127 370-1155 370-1156

Remote I/O Connectors J6 J7 J8 J9

A parallel circuit connects J6, J7, J8, and J9. Inputs to the Remote I/O Connectors are activated by mechanical toggle, key switch, transistor, integrated circuit, or thermoswitch with a normal open configuration.



CONNECTOR	PART NUMBER	USED WITH	PART NUMBER
Female	AMP 1-480304-0	Socket Terminals	AMP 60619-1
Male	AMP 1-480305-0	Contact Pins	AMP 60620-1

Cable Description

Use 3-conductor, #22 AWG stranded wire.

Remote - OFF - Local Switch

POSITION	DESCRIPTION
REMOTE	AC output of the Switched 1 and Switched 2 outlets is enabled when the breaker is ON and the Power Request is connected to Signal Return on the Remote I/O Connectors.
OFF	AC output of the Switched 1 and Switched 2 outlets is disabled.
LOCAL	The AC output of the Switched 1 and Switched 2 outlets is enabled when the Circuit Breaker is ON.

AC Power Sequencer Power Requirements

300-1027	300-1263	300-1264
370-1126	370-1155	370-1156

Operating Range

Nominal Voltage: 208, 220, 230, or 240 Volts AC
 Operating Voltage: Single Phase 180-264 Volts AC
 Frequency: 48-63 Hz Current: 24 A maximum

AC Power Plug

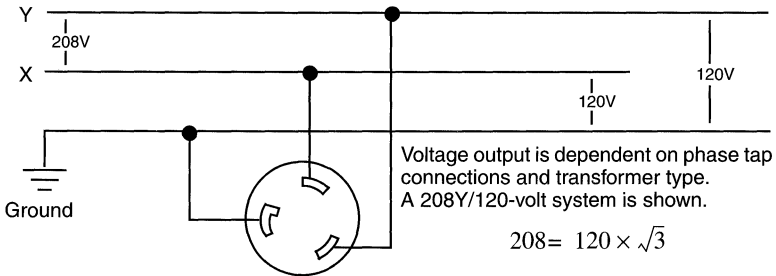
The 230VAC power plug is a NEMA L6-30P. The 240VAC power plug is a Blue, 32A, IEC 309, with Ground at the 6-hour position.

230V Sequencer AC Power Cord

A 12 AWG Type SJO flexible cord rated at 25A when connected to utilization equipment with 2 current carrying conductors is used. Refer to Article 400-5 of the US National Electrical Code.

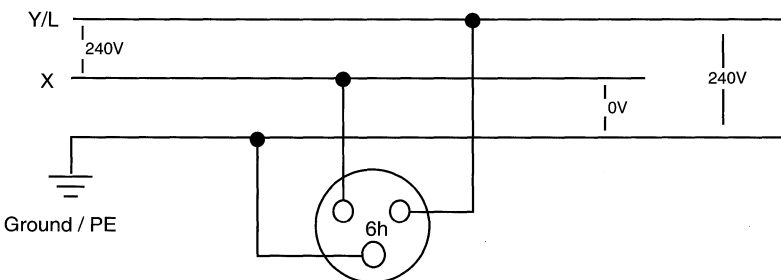
NEMA L6-30R / ANSI C73.75 230 Volt Power Receptacle

30 Amp, 250V, 2-pole, 3-wire, Single Phase, Grounded



IEC 309 240 Volt Power Receptacle

Blue, 32 Amp, 240V, 2-pole, 3-wire, Single Phase, Grounded

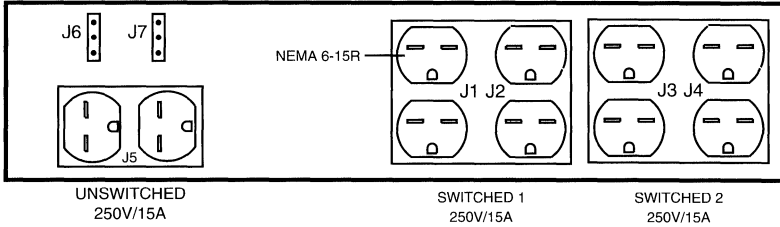


230 Volt AC Power Sequencer

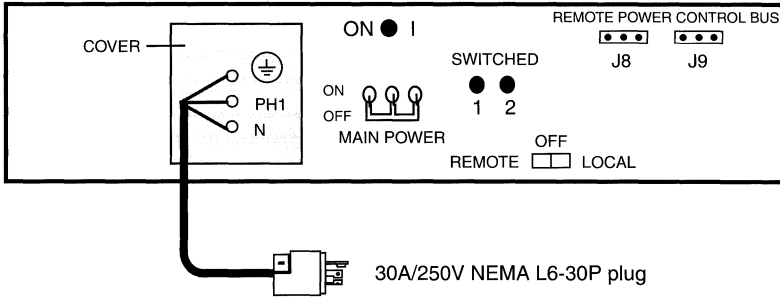
300-1027
Pulizzi Engineering
PC874

370-1155
Pulizzi Engineering
PC874

Outlet Side



Control Side



Notes

1. Requires AC outlet NEMA L6-30R, 30A, 250V.
2. Any conversion to the Data Center Cabinet, including replacement of the AC Power Plug or AC Power Sequencer, voids all safety agency approvals.
3. The Switched 2 output of 370-1127 comes on after a 5-second delay.
4. The Switched 2 output of 370-1155 comes on after a 20-second delay.

References

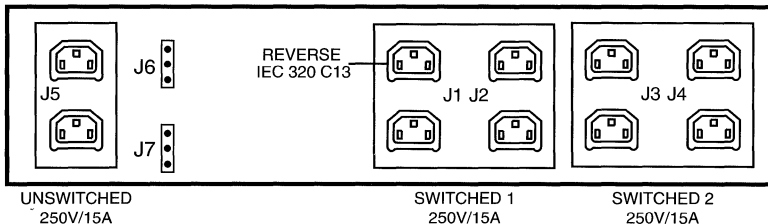
1. *Sun Full-Height Rack System Installation Manual*, 800-1677.
2. *Sun Rackmountable Fileservers Installation Manual*, 800-1676.
3. *Sun 900 Mbyte Disk Drive Installation Manual*, 800-1036.
4. *Sun 56-inch Data Center Cabinet and Data Center Expansion Cabinet Installation Manual*, 800-3242.
5. *Sun 56-inch Expansion Cabinet Installation Manual*, 800-5936-18.
6. *Sun 56-inch Expansion Cabinet Service Manual*, 800-6371-17.

240 Volt AC Power Sequencer

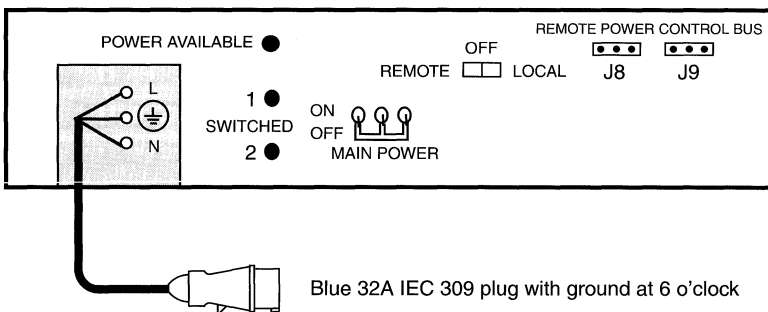
370-1126
Pulizzi Engineering
PC874

370-1156
Pulizzi Engineering
PC874

Outlet Side



Control Side



Notes

1. Requires a Blue, IEC 309, 2-Pole, 3-Wire, 32A, 250V AC receptacle.
2. Any conversion to the Data Center Cabinet, including replacement of the AC Power Plug or AC Power Sequencer, voids all safety agency approvals.
3. The AC Power Cord is internally wired to the AC Line Filter.
4. The Switched 2 output of 370-1126 comes on after a 5-second delay.
5. The Switched 2 output of 370-1156 comes on after a 20-second delay.

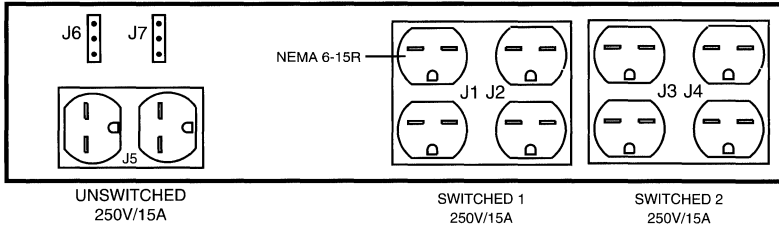
References

1. *Sun Full-Height Rack System Installation Manual*, 800-1677.
2. *Sun Rackmountable Fileservers Installation Manual*, 800-1676.
3. *Sun 900 Mbyte Disk Drive Installation Manual*, 800-1036.
4. *Sun 56-inch Data Center Cabinet and Data Center Expansion Cabinet Installation Manual*, 800-3242.
5. *Sun 56-inch Expansion Cabinet Installation Manual*, 800-5936-18.
6. *Sun 56-inch Expansion Cabinet Service Manual*, 800-6371-17.

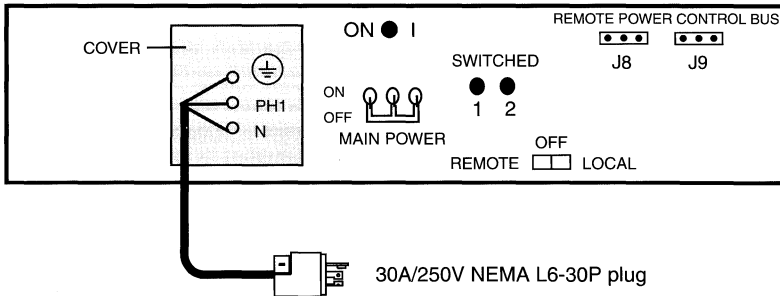
230 Volt AC Power Sequencer

370-1155-02
Sherwood Enterprises

Outlet Side



Control Side



Notes

1. Requires AC outlet NEMA L6-30R, 30A, 250V.
2. Any conversion to the Data Center Cabinet, including replacement of the AC Power Plug or AC Power Sequencer, voids all safety agency approvals.
3. The Switched 2 output comes on after a 20-second delay.

References

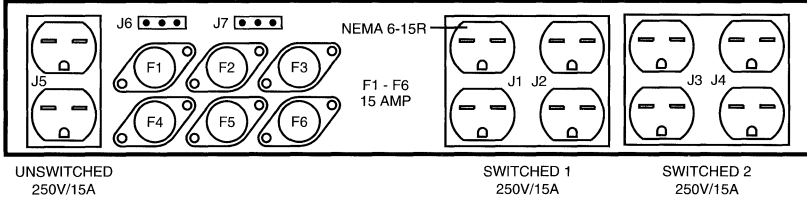
1. *Sun Full-Height Rack System Installation Manual*, 800-1677.
2. *Sun Rackmountable Fileservers Installation Manual*, 800-1676.
3. *Sun 900 Mbyte Disk Drive Installation Manual*, 800-1036.
4. *Sun 56-inch Data Center Cabinet and Data Center Expansion Cabinet Installation Manual*, 800-3242.
5. *Sun 56-inch Expansion Cabinet Installation Manual*, 800-5936-18.
6. *Sun 56-inch Expansion Cabinet Service Manual*, 800-6371-17.

230 Volt AC Power Sequencer

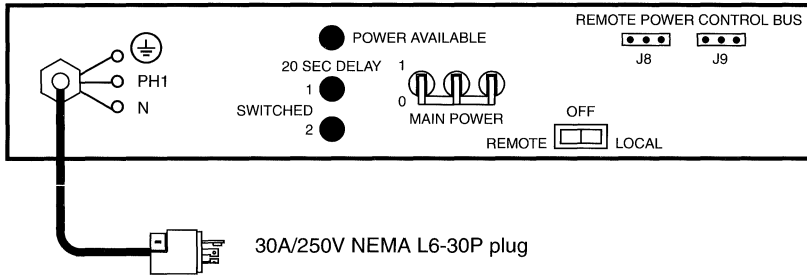
300-1263

Sherwood Enterprises

Outlet Side



Control Side



Notes

1. Requires AC outlet NEMA L6-30R, 30A, 250V.
2. Any conversion to the Data Center Cabinet, including replacement of the AC Power Plug or AC Power Sequencer, voids all safety agency approvals.
3. The Switched 2 output comes on after a 20-second delay.
4. The 300-1263 replaced 370-1155-02 in February 1996.

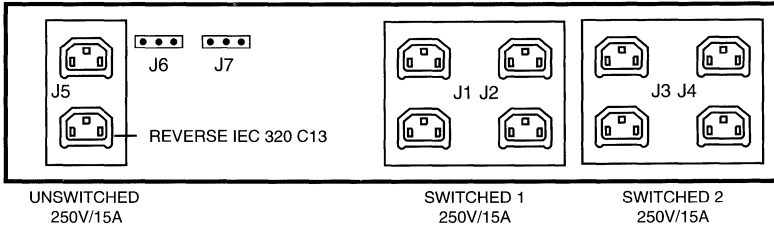
References

1. *Sun 56-inch Expansion Cabinet Installation Manual*, 800-5936-18.
2. *Sun 56-inch Expansion Cabinet Service Manual*, 800-6371-17.

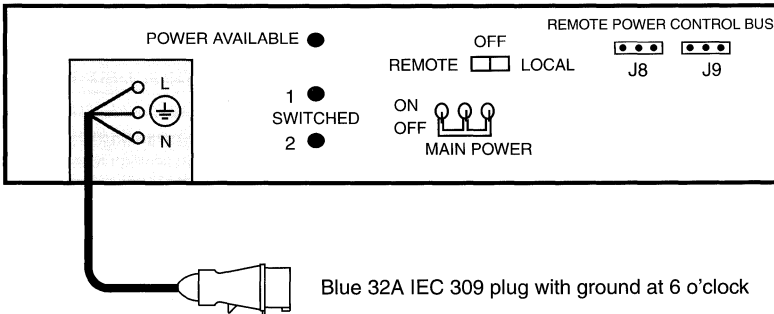
240 Volt AC Power Sequencer

370-1156-03
Sherwood Enterprises

Outlet Side



Control Side



Notes

1. Requires a Blue, IEC 309, 2-Pole, 3-Wire, 32A, 250V AC receptacle.
2. Any conversion to the Data Center Cabinet, including replacement of the AC Power Plug or AC Power Sequencer, voids all safety agency approvals.
3. The AC Power Cord is internally wired to the AC Line Filter.
4. The Switched 2 output comes on after a 20-second delay.

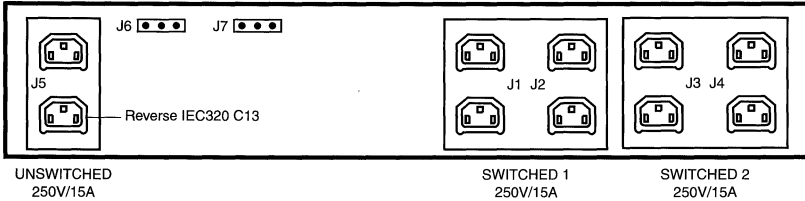
References

1. *Sun Full-Height Rack System Installation Manual*, 800-1677.
2. *Sun Rackmountable Fileservers Installation Manual*, 800-1676.
3. *Sun 900 Mbyte Disk Drive Installation Manual*, 800-1036.
4. *Sun 56-inch Data Center Cabinet and Data Center Expansion Cabinet Installation Manual*, 800-3242.
5. *Sun 56-inch Expansion Cabinet Installation Manual*, 800-5936-18.
6. *Sun 56-inch Expansion Cabinet Service Manual*, 800-6371-17.

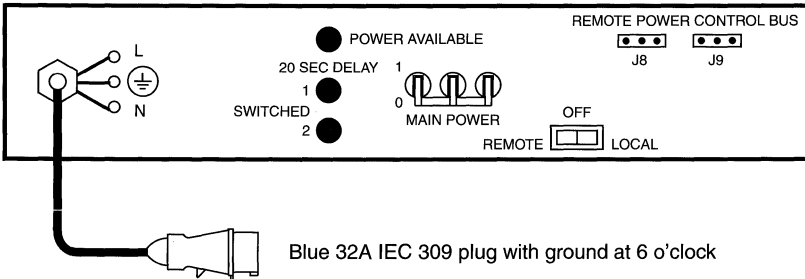
240 Volt AC Power Sequencer

300-1264
Sherwood Enterprises

Outlet Side



Control Side



Notes

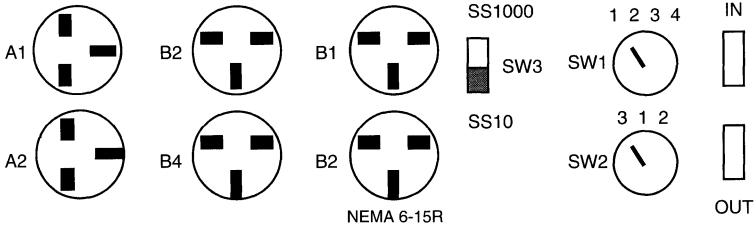
1. Requires a Blue, IEC 309, 2-Pole, 3-Wire, 32A, 250V AC receptacle.
2. Any conversion to the Data Center Cabinet, including replacement of the AC Power Plug or AC Power Sequencer, voids all safety agency approvals.
3. The Switched 2 output comes on after a 20-second delay.
4. The 300-1264 replaced 370-1156-03 in February 1996.

References

1. *56-inch Expansion Cabinet Installation Manual*, 800-5936-18.
2. *56-inch Expansion Cabinet Service Manual*, 800-6371-17.

Option 964

AC Power Sequencer Operation



Switch SW1

Use SW1 to set the Slave Outputs when SW2 is set to 1.

Switch SW2

Use SW2 to set Switched=1, Remote=2, or Unswitched=3.

Switch SW3

Use SW3 to set the AC current detection level used when SW2 is set to Switched mode. Slave outputs are enabled when the AC current exceeds 200ma in the SS10 position or 600ma in the SS1000 position.

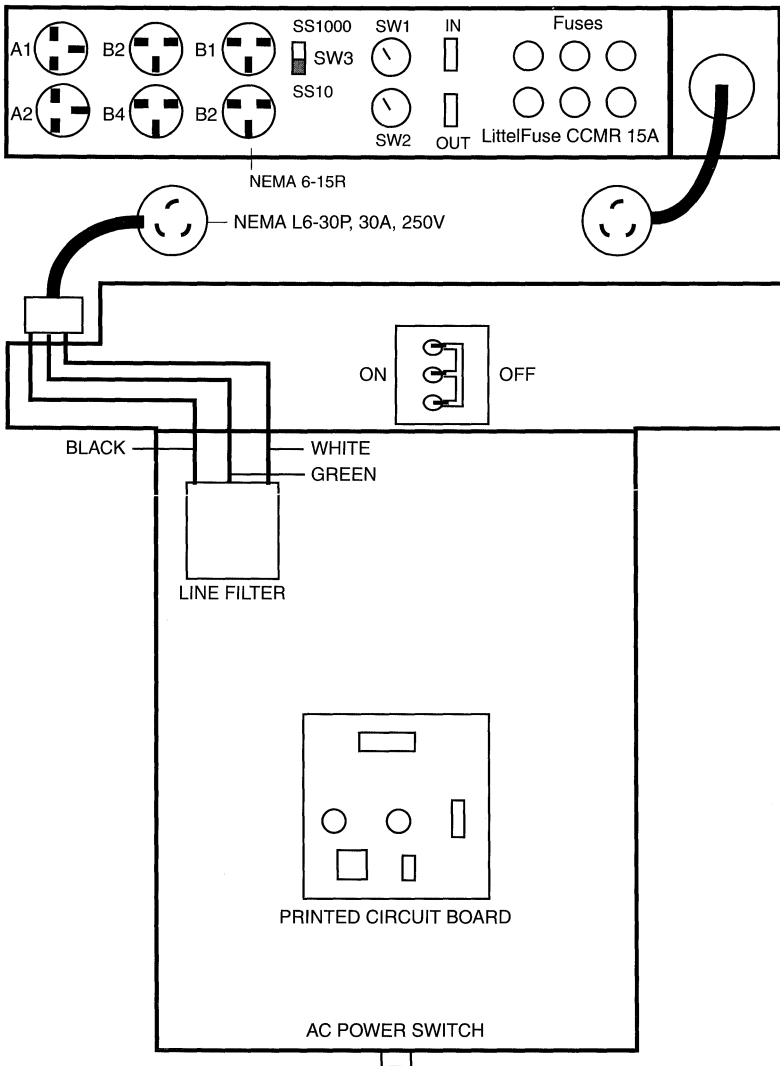
SW1	SW2	MASTER-1 LOAD	MASTER-2 LOAD	SLAVE-1 OUTPUT	SLAVE-2 OUTPUT
1	1	On	x	On	On
1	1	Off	x	Off	Off
2	1	On	Off	On	Off
2	1	On	On	On	On
2	1	Off	On	Off	On
2	1	Off	Off	Off	Off
3	1	On	x	On	On
3	1	Off	On	On	On
3	1	Off	Off	Off	Off
4	1	On	x	On	On
4	1	Off	On	Off	On
4	1	Off	Off	Off	Off
1234	2	N/A	N/A	x	x
1234	3	N/A	N/A	On	On

230V AC Power Sequencer

Option 964

300-1216

Sherwood Enterprises



Note

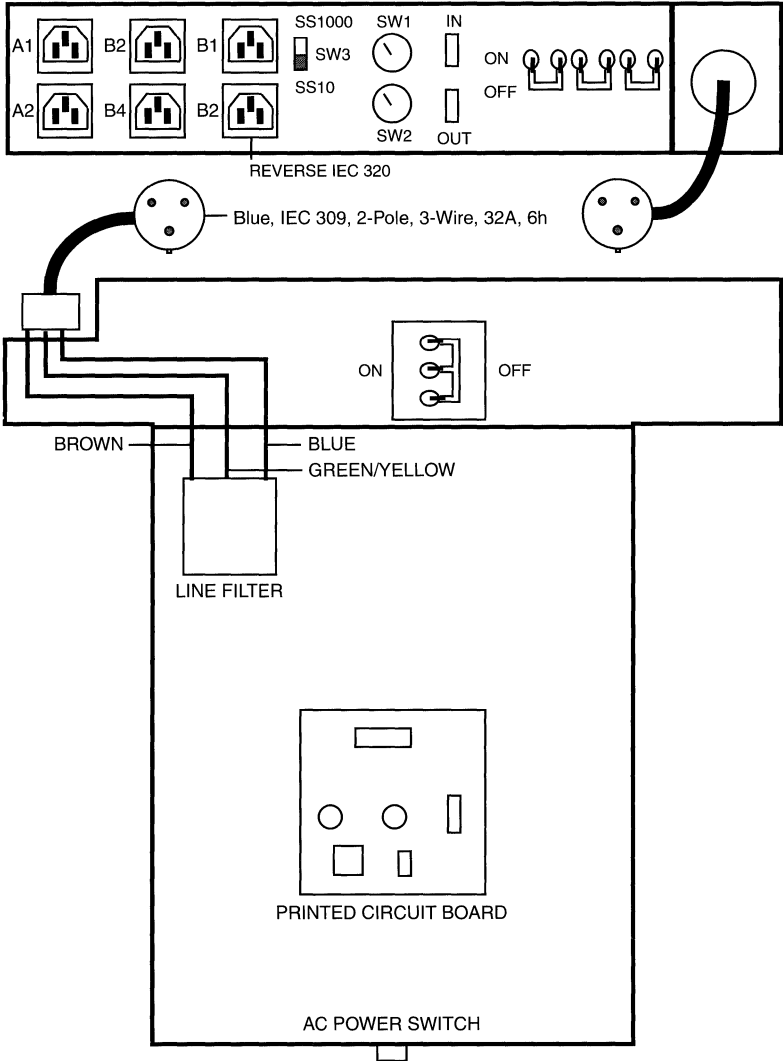
Any conversion to the Stacking Unit, including replacement of the AC Power Plug or AC Power Sequencer, voids all safety agency approvals.

240V AC Power Sequencer

Option 964

300-1217

Sherwood Enterprises



Note

Any conversion to the Stacking Unit, including replacement of the AC Power Plug or AC Power Sequencer, voids all safety agency approvals.

AC Distribution Unit Power Requirements

SC2000
300-1099

SC2000E
300-1100

Operating Range

Nominal Voltage: 208, 220, 230, or 240 Volts AC
Operating Voltage: Single Phase 180-264 Volts AC
Frequency: 48-63 Hz Current: 24 A maximum

AC Power Plug

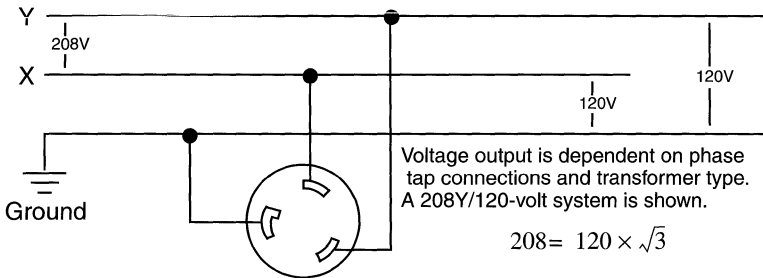
The 230VAC power plug is a NEMA L6-30P. The 240VAC power plug is a Blue, 32A, IEC 309, with Ground at the 6-hour position.

AC Power Cord

The 230VAC Power Sequencer uses a 12 AWG Type SJO flexible cord rated at 25A when connected to utilization equipment with 2 current carrying conductors. Refer to Article 400-5 of the US National Electrical Code.

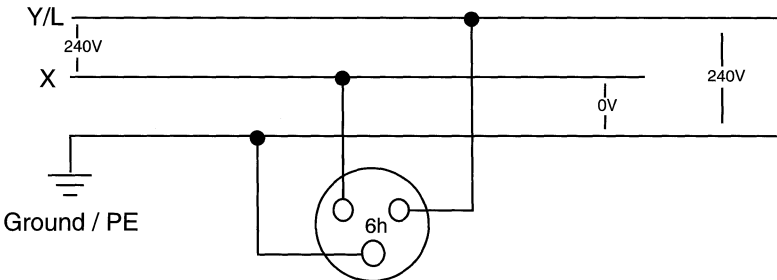
NEMA L6-30R / ANSI C73.75 230 Volt Power Receptacle

30 Amp, 250V, 2-pole, 3-wire, Single Phase, Grounded



IEC 309 240 Volt Power Receptacle

32 Amp, 240V, 2-pole, 3-wire, Single Phase, Grounded



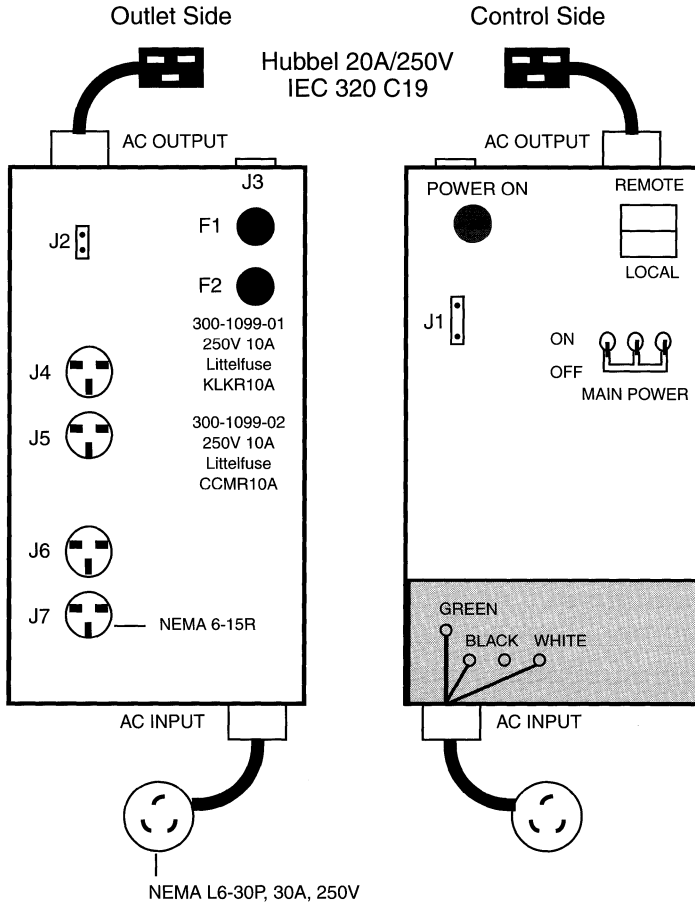
230 Volt AC Distribution Unit

SC2000

SC2000E

300-1099

Sherwood Enterprises SEI-ACDB-NA



Notes

1. Requires a NEMA L6-30R, 30A, 250V AC receptacle.
2. Any conversion to the Data Center Cabinet, including replacement of the AC Power Plug or AC Distribution Unit, voids all safety agency approvals.
3. The AC Power Cord is internally wired to the AC Line Filter.
4. Peripheral Tray Power Supply <300-1096-05 may cause the 230 Volt AC Distribution Unit fuses to blow.

Reference: *SPARCcenter 2000 Installation Manual*, 800-6975-10.

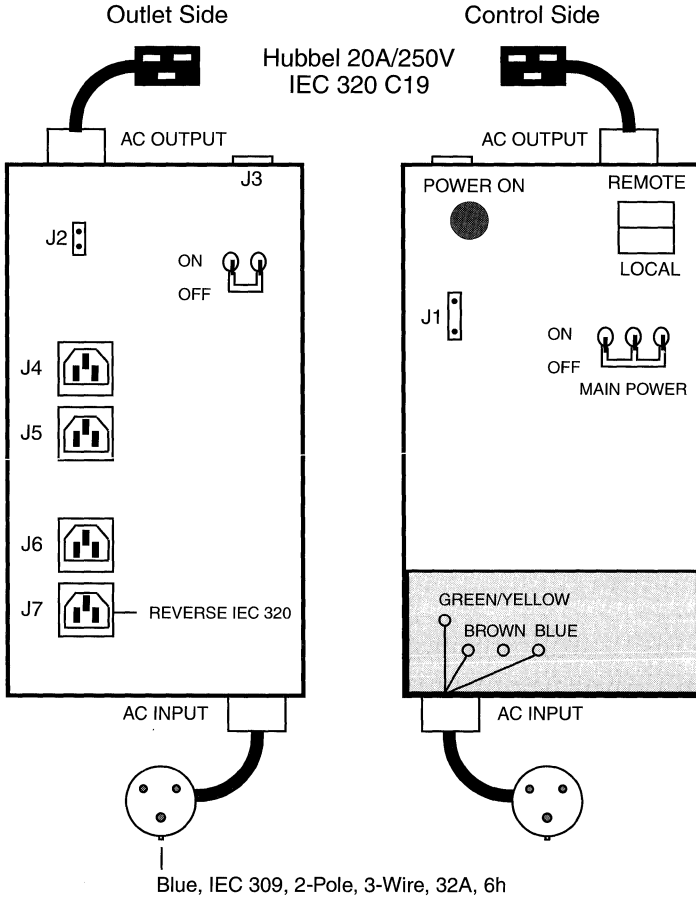
240 Volt AC Distribution Unit

SC2000

SC2000E

300-1100

Sherwood Enterprises SEI-ACDB-NA



Notes

1. Requires a Blue, IEC 309, 2-Pole, 3-Wire, 32A, 250V AC receptacle.
2. Any conversion to the Data Center Cabinet, including replacement of the AC Power Plug or AC Distribution Unit, voids all safety agency approvals.
3. The AC Power Cord is internally wired to the AC Line Filter.

Reference: *SPARCcenter 2000 Installation Manual*, 800-6975-10.

AC Power Sequencer Power Requirements

E5000	E6000	E5500	E6500	E10000	Options	956	6513
		300-1290		300-1403			

Operating Range

Nominal Voltage: 208, 220, 230, or 240 Volts AC
 Operating Voltage: Single Phase 180-264 Volts AC
 Frequency: 48-63 Hz Current: 24 A maximum

AC Input Power Plug

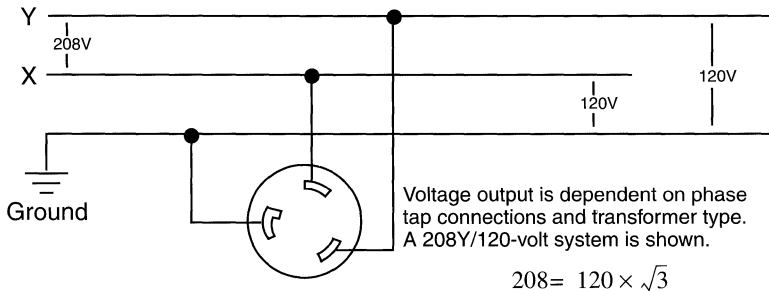
U.S. power cord 530-2197 uses a NEMA L6-30P plug.
 International power cord 530-2266 uses a Blue, IEC 309, 2-Pole, 3-Wire, 32 Amp plug, with Ground at the 6-hour position.

AC Output Connectors

Connector J1 has an IEC 320 C19 receptacle. Connectors J2 and J5 - J12 have 3-circuit AMP Mate-N-Lok receptacles.

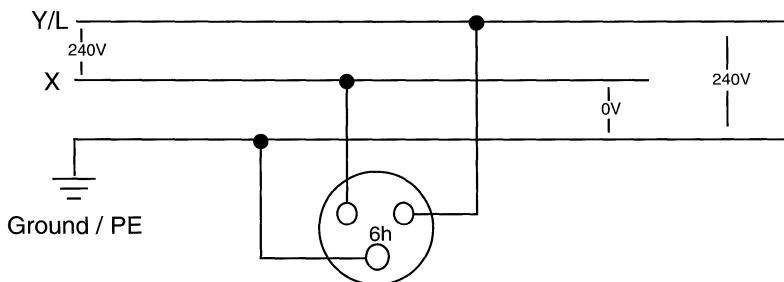
NEMA L6-30R / ANSI C73.75 230 Volt Power Receptacle

30 Amp, 250V, 2-pole, 3-wire, Single Phase, Grounded



IEC 309 240 Volt Power Receptacle

32 Amp, 240V, 2-pole, 3-wire, Single Phase, Grounded



230V AC Power Sequencer

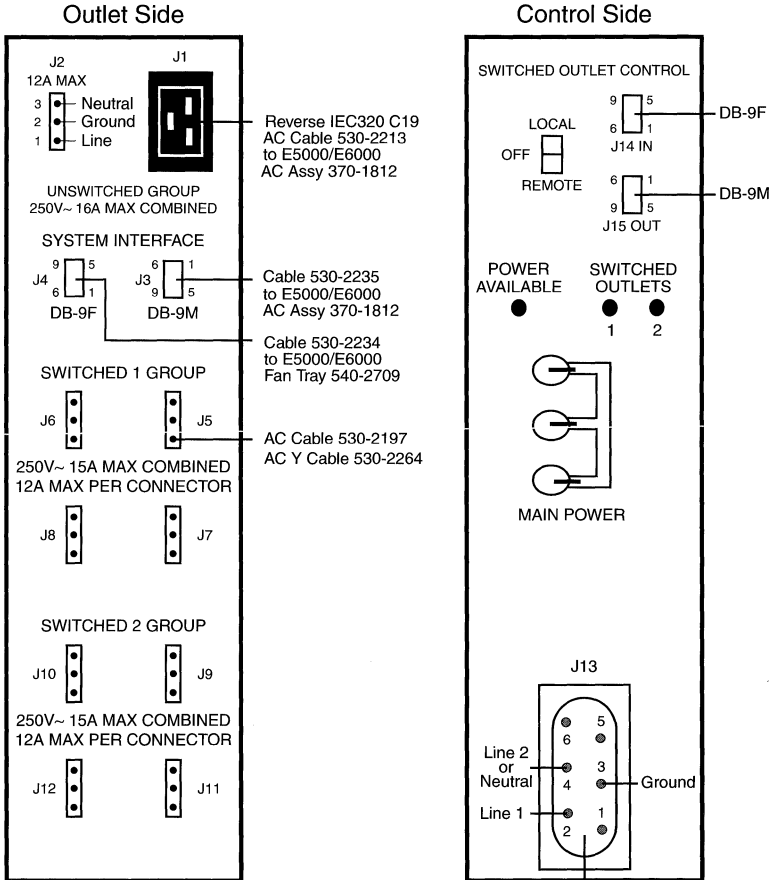
E5000 E6000 E10000

Options 956 6513

300-1290

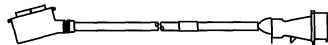
Sherwood Enterprises Model 10

Electronic Manufacturing Systems Model 10

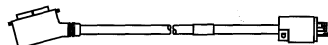


Harting Han 6HsB AC Input Receptacle

530-2266, 530-2568, or 180-1944 with 32A IEC309



530-2265, 530-2567, or 180-1943 with NEMA L6-30P



300-1290

J3 Remote Power Control

PIN	DESCRIPTION
1	Expansion Rack Fan Fail
2	Expansion Rack Fan Fail Return
3	+5V Power On Control
4	Remote In+ Keyswitch Closure+
5	Remote In Keyswitch Closure-
6	EPO+ Switch Closure+
7	Not used
8	+5V Return
9	EPO- Switch Closure-

J4 Rack Fan Interface

PIN	DESCRIPTION
1	Rack Fan Fail
2	Ground
3	Expansion Rack Fan Fail
4	Not used
5	Not used
6	Expansion Rack Fan Fail Return
7	Not used
8	Not used
9	Expansion Rack Present In

J14 Remote In

PIN	DESCRIPTION
1	Not used
2	Not used
3	Expansion Rack Fan Fail Out to Master
4	Remote In+ Used as Slave
5	Remote In-
6	Expansion Rack Fan Fail Return
7	Not used
8	Not used
9	Expansion Rack Present Out Connected to Pin-6

J15 Remote Out

PIN	DESCRIPTION
1	Not used
2	Not used
3	Expansion Rack Fan Fail In from Slave
4	Relay N.O. Remote Out
5	Relay Com. Remote Out
6	Expansion Rack Fan Fail Return
7	Not used
8	Not used
9	Expansion Rack Present In

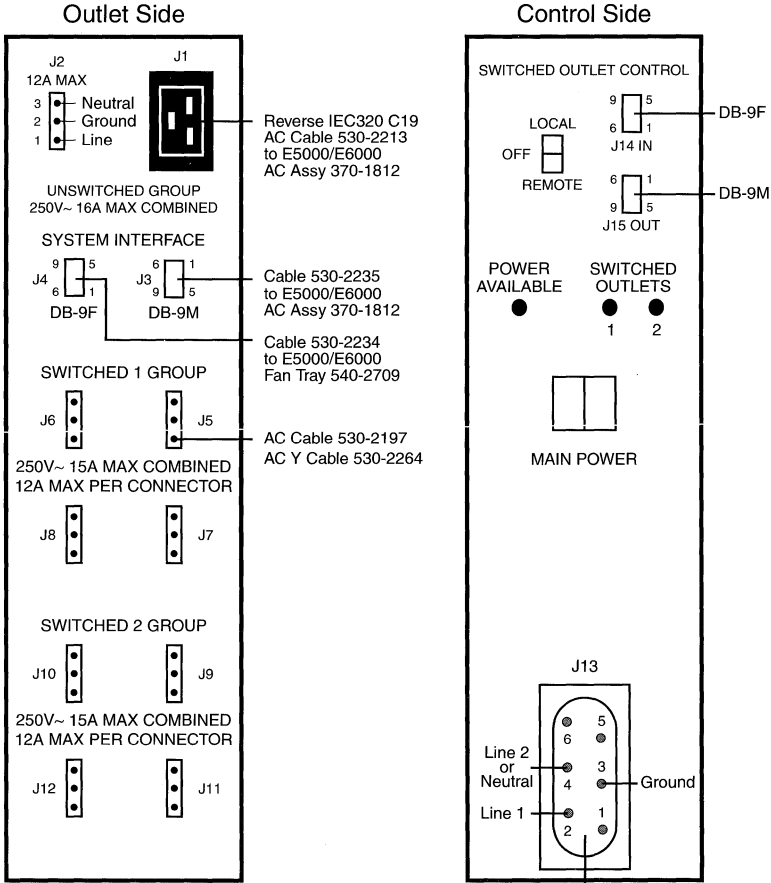
230V AC Power Sequencer

E5000 E6000 E5500 E6500 E10000

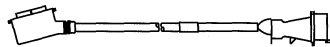
Options 956 6513 9610 9615 9620

300-1403

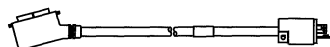
Electronic Manufacturing Systems Model 10



Harting Han 6HsB AC Input Receptacle
530-2568 or 180-1944 with 32A IEC309



530-2567 or 180-1943 with NEMA L6-30P



300-1403

J3 Remote Power Control

PIN	DESCRIPTION
1	Expansion Rack Fan Fail
2	Expansion Rack Fan Fail Return
3	+5V Power On Control
4	Remote In+ Keyswitch Closure+
5	Remote In Keyswitch Closure-
6	EPO+ Switch Closure+
7	Not used
8	+5V Return
9	EPO- Switch Closure-

J4 Rack Fan Interface

PIN	DESCRIPTION
1	Rack Fan Fail
2	Ground
3	Expansion Rack Fan Fail
4	Not used
5	Not used
6	Expansion Rack Fan Fail Return
7	Not used
8	Not used
9	Expansion Rack Present In

J14 Remote In

PIN	DESCRIPTION
1	Not used
2	Not used
3	Expansion Rack Fan Fail Out to Master
4	Remote In+ Used as Slave
5	Remote In-
6	Expansion Rack Fan Fail Return
7	Not used
8	Not used
9	Expansion Rack Present Out Connected to Pin-6

J15 Remote Out

PIN	DESCRIPTION
1	Not used
2	Not used
3	Expansion Rack Fan Fail In from Slave
4	Relay N.O. Remote Out
5	Relay Com. Remote Out
6	Expansion Rack Fan Fail Return
7	Not used
8	Not used
9	Expansion Rack Present In

Notes

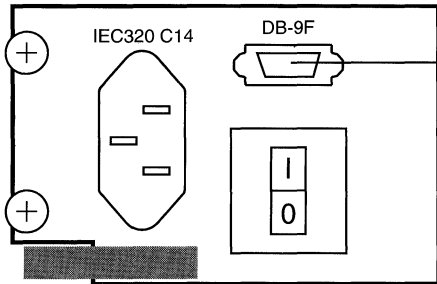
- Option 9626 is required when a second AC Power Sequencer, Option 9620, is installed in the front of the E5500 and E6500 cabinet.
- Option 9626 includes mounting bracket 340-5205.

110/230V AC Input/Fan Assembly

E4000 E4500

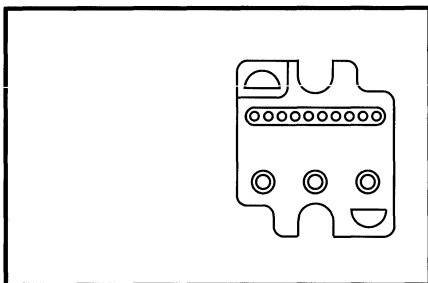
370-1811

Front View

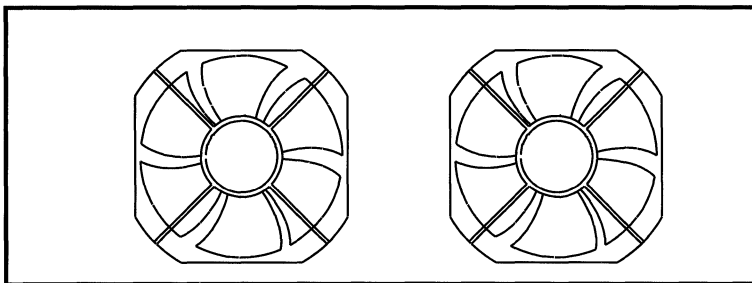


Remote Power Control
Not used by E4000

Rear View



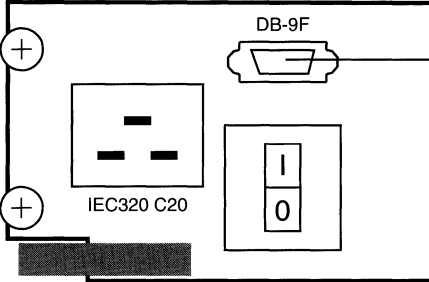
Left Side View



230V AC Input/Fan Assembly

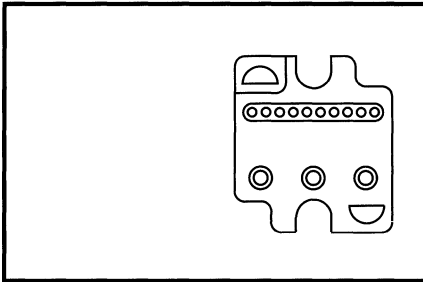
E5000 E6000 E5500 E6500
370-1812

Front View

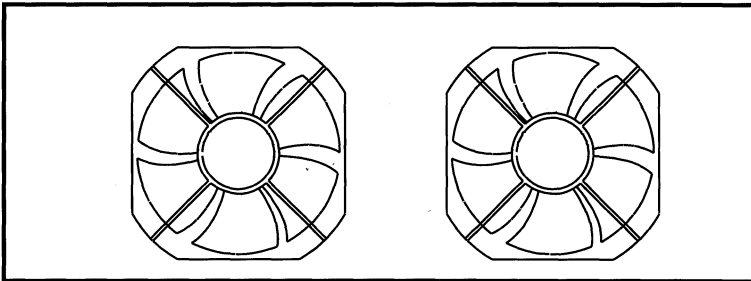


Remote Power Control
Cable 530-2213 to AC
Power Sequencer

Rear View



Left Side View

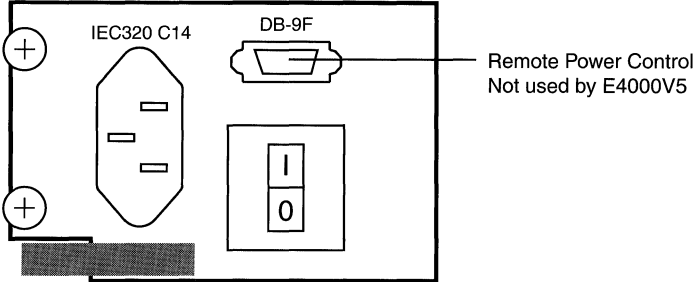


Danish 230V AC Input/Fan Assembly

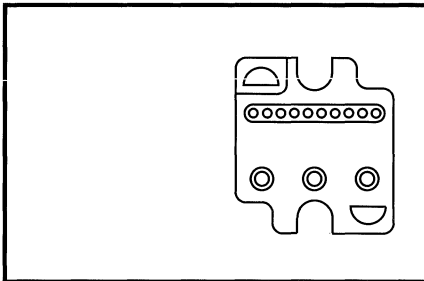
E4000V5 E4500V5

370-2364

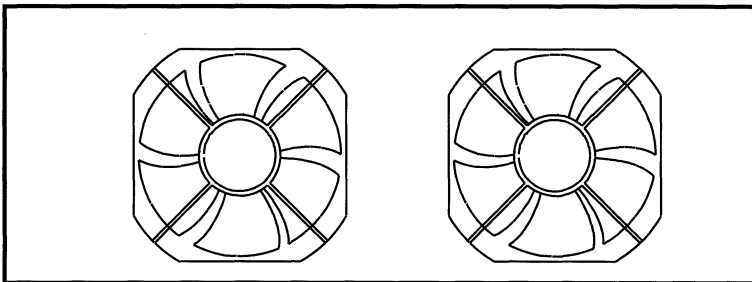
Front View



Rear View



Left Side View



Notes

1. Use AC Power cord 530-2301, Option X389L.
2. Power cord 530-2301 requires a 16A IEC309 receptacle.

110 and 230V AC Uninterruptible Power Supply

Netra *nfs* 150

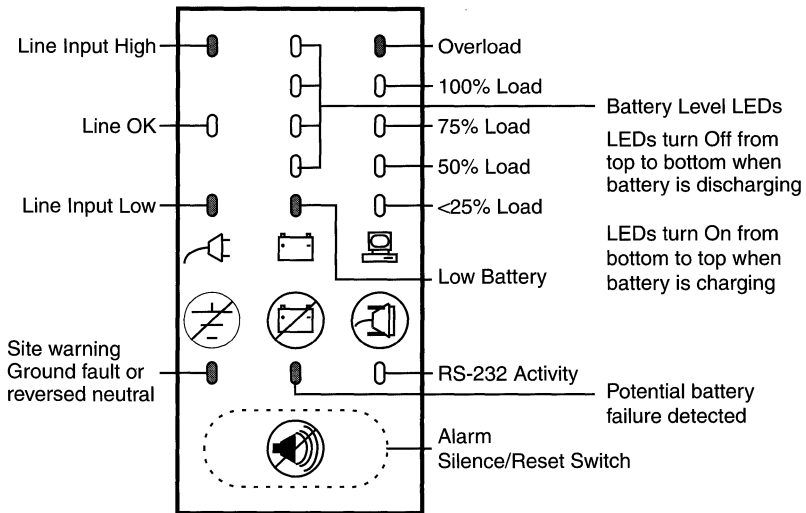
370-2240

370-2241

Front Panel Display

● — Red LEDs

○ — Green LEDs



Backup Life

1. Approximately 5 to 10 minutes of backup is available at full load.
2. Approximately 10 to 30 minutes of backup is available at partial load.

Battery Recharging

1. Automatic recharging occurs after a power failure when the On/Off switch is in the ON position.
2. Complete recharging can take up to 24 hours when the battery is used for a long period of time.
3. Most charging takes less than 8 hours.

Storing

1. Turn the On/Off switch to the OFF position.
2. Recharge the battery every 6 months.
3. Charging takes 8 to 12 hours.

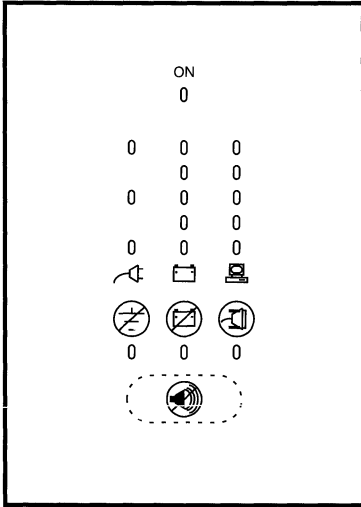
110Volt AC Uninterruptible Power Supply

Netra *nfs* 150

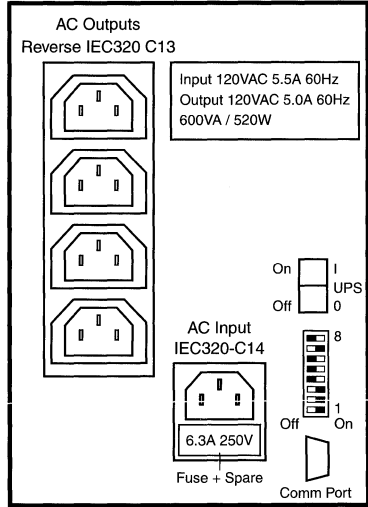
370-2240

Deltec PRA600a-SM

Front View



Rear View



370-2240 Switch Settings

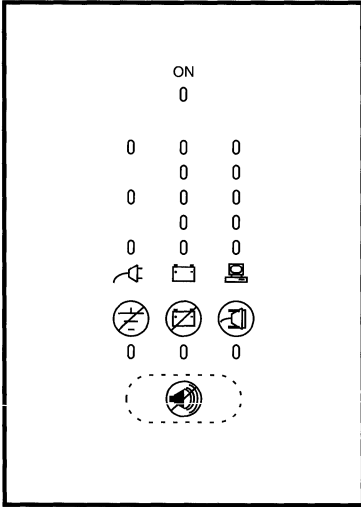
SWITCH	SETTING	DESCRIPTION
1	Off	UPS configuration 120V nominal +/-20%
2	Off	
1	On	UPS configuration 127V nominal +/-20%
2	Off	
1	Off	UPS configuration 110V nominal +/-20%
2	On	
1	On*	UPS configuration 120V nominal +/-25% extended voltage range
2	On*	
3	On*	Disable site warning alarm
3	Off	Enable site warning alarm
4	On	Approximately 5 minutes backup before low battery alarm
4	Off*	Approximately 2 minutes backup after low battery alarm
5	On	Enable <5% load auto shutdown
5	Off*	Enable <5% load auto shutdown after 5 minutes on battery
6	On	Conditional shutdown delay 180 sec
6	Off*	Conditional shutdown delay 5 sec
7	On*	Disable AC input failure alarm
7	Off	Enable AC input failure alarm
8	On	Frequency selection 50Hz
8	Off*	Frequency selection 60Hz

Notes

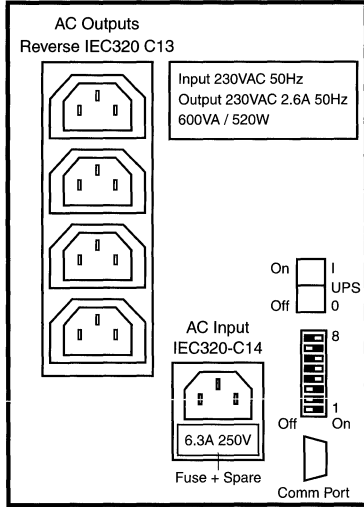
1. The Sun default switch settings are indicated by the * symbol.
2. The manufacturer's default switch settings are all switches OFF.
3. Switch setting changes made while the UPS is running, do not take effect until the UPS power is cycled.

230Volt AC Uninterruptible Power Supply
Netra *nfs* 150
370-2241
Deltec PRA600i-SM

Front View



Rear View



370-2241 Switch Settings

SWITCH	SETTING	DESCRIPTION
1	Off	UPS configuration 230V nominal
2	Off	+/-20%
1	On	UPS configuration 240V nominal
2	Off	+/-20%
1	Off	UPS configuration 220V nominal
2	On	+/-20%
1	On*	UPS configuration 230V nominal
2	On*	+/-25% extended voltage range
3	On*	Disable site warning alarm
3	Off	Enable site warning alarm
4	On	Approximately 5 minutes backup before low battery alarm
4	Off*	Approximately 2 minutes backup after low battery alarm
5	On	Enable <5% load auto shutdown
5	Off*	Enable <5% load auto shutdown after 5 minutes on battery
6	On	Conditional shutdown delay 180 sec
6	Off*	Conditional shutdown delay 5 sec
7	On*	Disable AC input failure alarm
7	Off	Enable AC input failure alarm
8	On	Frequency selection 60Hz
8	Off*	Frequency selection 50Hz

Notes

1. The Sun default switch settings are indicated by the * symbol.
2. The manufacturer's default switch settings are all switches OFF.
3. Switch setting changes made while the UPS is running, do not take effect until the UPS power is cycled.

AC Input Module Power Requirements

E10000

540-3062

540-3441

Operating Range

Nominal Voltage: 208, 220, 230, or 240 Volts AC

Operating Voltage: Single Phase 180-264 Volts AC

Frequency: 48-63 Hz Current: 24 A maximum

AC Input Power Plug

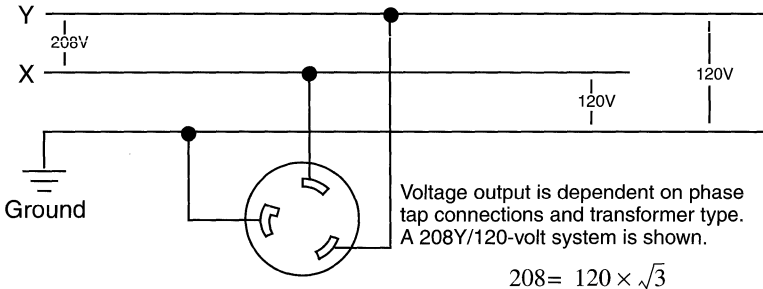
U.S. power cord 530-2379 uses a NEMA L6-30P input plug to two IEC320-C19 output plugs. International power cord 530-2380 uses a Blue, IEC 309, 2-Pole, 3-Wire, 32 Amp input plug, with Ground at the 6-hour position to two IEC320-C19 output plugs.

AC Input Connectors

There are two IEC 320 C20 receptacles on the AC Input Module.

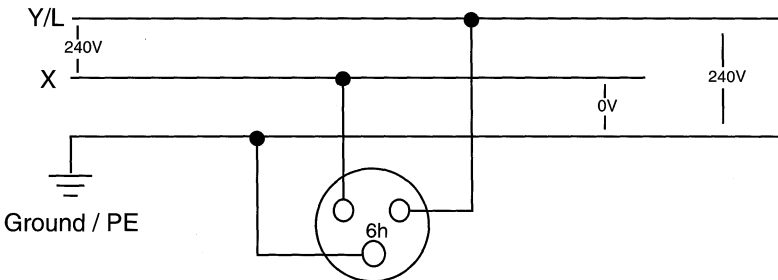
NEMA L6-30R / ANSI C73.75 230 Volt Power Receptacle

30 Amp, 250V, 2-pole, 3-wire, Single Phase, Grounded



IEC 309 240 Volt Power Receptacle

32 Amp, 240V, 2-pole, 3-wire, Single Phase, Grounded



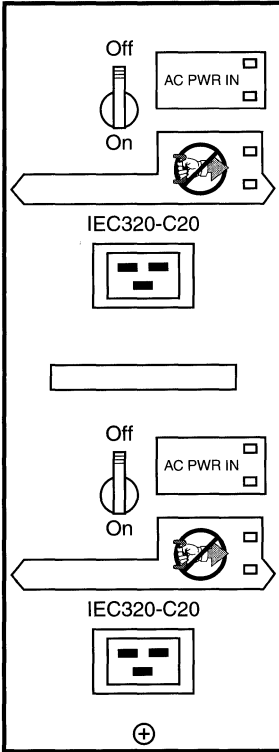
AC Input Module

E10000

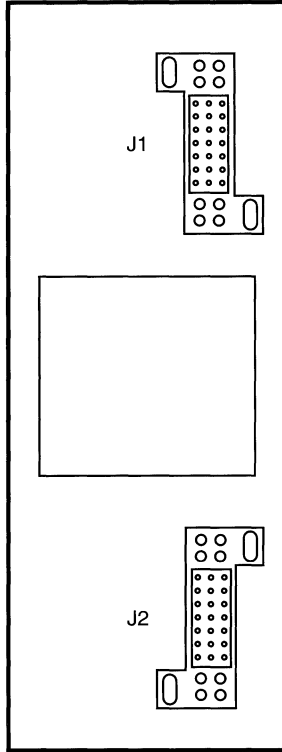
Option 3875

540-3062 Marway MPD411066
540-3441 Marway MPD411066
Pioneer PM4101

Front View



Rear View



Remote Power Control Module

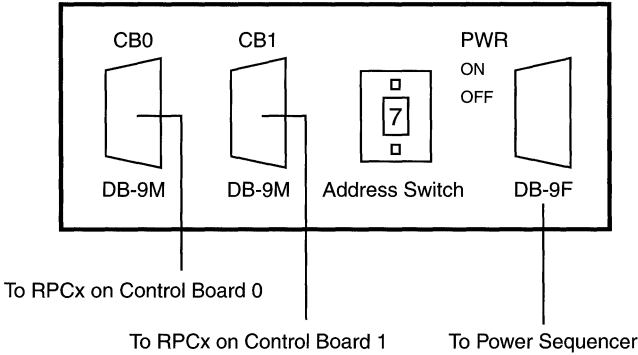
E10000

Option 9681

540-3067

540-3426

540-3440



Remote Power Control Module Cables

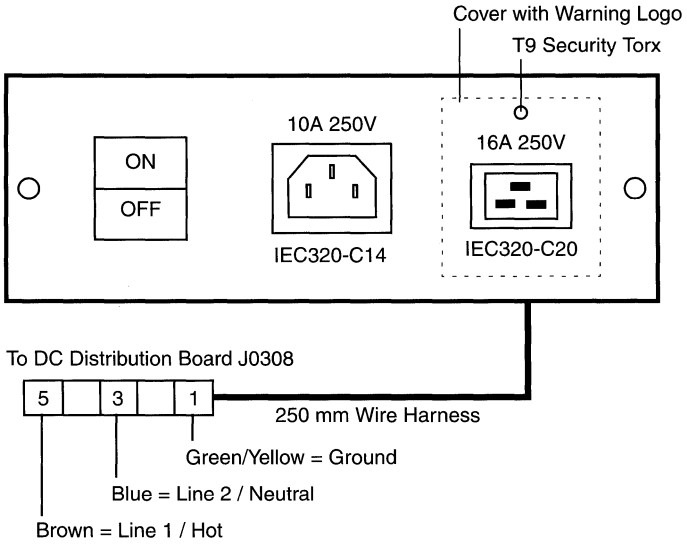
PART#	DESCRIPTION
530-2400	Control Board to Remote Power Control Cable, 3M
530-2401	Control Board to Remote Power Control Cable, 1.5M
530-2402	AC Sequencer to Remote Power Control Cable, .5M
530-2403	AC Sequencer to Remote Power Control Cable, 6M

Note

1. The upper address bit is incorrectly wired inside Module 540-3067.
1. Address settings 4 to 7 do not work correctly on module 540-3067.
2. Address settings 0 to 7 work correctly on module 540-3426.

AC Input Module

A20	A25
370-2160	370-2440
15A 100-240V	Danish 8A 240V

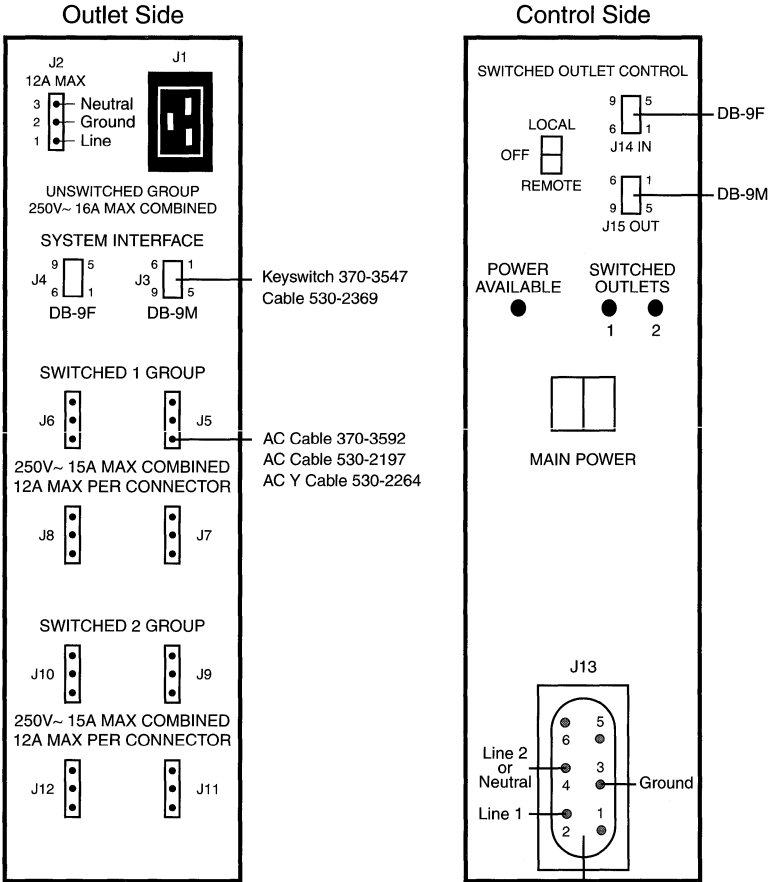


230V AC Power Sequencer

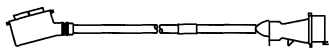
72-inch StorEdge Expansion Cabinet

300-1393

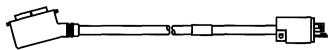
Electronic Manufacturing Systems Model 10



Harting Han 6HsB AC Input Receptacle
Use AC Cable 530-2675 with 32A IEC309



or AC Cable 530-2674 with NEMA L6-30P



300-1393

J3 Remote Power Control

PIN	DESCRIPTION
1	Expansion Rack Fan Fail
2	Expansion Rack Fan Fail Return
3	+5V Power On Control
4	Remote In+ Keyswitch Closure+
5	Remote In Keyswitch Closure-
6	EPO+ Switch Closure+
7	Not used
8	+5V Return
9	EPO- Switch Closure-

J4 Rack Fan Interface

PIN	DESCRIPTION
1	Rack Fan Fail
2	Ground
3	Expansion Rack Fan Fail
4	Not used
5	Not used
6	Expansion Rack Fan Fail Return
7	Not used
8	Not used
9	Expansion Rack Present In

J14 Remote In

PIN	DESCRIPTION
1	Not used
2	Not used
3	Expansion Rack Fan Fail Out to Master
4	Remote In+ Used as Slave
5	Remote In-
6	Expansion Rack Fan Fail Return
7	Not used
8	Not used
9	Expansion Rack Present Out Connected to Pin-6

J15 Remote Out

PIN	DESCRIPTION
1	Not used
2	Not used
3	Expansion Rack Fan Fail In from Slave
4	Relay N.O. Remote Out
5	Relay Com. Remote Out
6	Expansion Rack Fan Fail Return
7	Not used
8	Not used
9	Expansion Rack Present In

This page intentionally left blank.

PARTS BREAKDOWN

DC POWER

DC Power

Power Supplies

300-1037	Sony	35 Watts	4
300-1073	Fuji	2410 Watts	5
300-1080	Sony	60 Watts	6
300-1090	Sony	35 Watts	7
300-1096	Zytec	269 Watts	8
300-1312	Zytec	269 Watts	8
300-1098	Zytec	440 Watts	9
540-2465	Zytec	440 Watts	9
540-2981	Zytec	440 Watts	9
300-1103	Zytec	650 Watts	10
300-1105	Sony	44 Watts	11
300-1215	FDK	150 Watts	12
300-1279	FDK	150 Watts	12
300-1257	Sony	50 Watts	13
300-1258	Fuji	2410 Watts	14
300-1260	FDK	300 Watts	15
300-1444	FDK	300 Watts	15
300-1281	Fuji	2410 Watts	16
300-1282	FDK	30 Watts	17
540-2674	FDK	30 Watts	17
540-2694	FDK	30 Watts	17
540-2866	FDK	30 Watts	17
540-3004	FDK	30 Watts	17
300-1283	Sony	185 Watts	18
300-1286	Fuji	2410 Watts	19
300-1295	Zytec	310 Watts	20
300-1301	FDK	184 Watts	21
300-1302	Zytec	560 Watts	22
300-1307	FDK	184 Watts	23
300-1400	FDK	184 Watts	23
300-1248	Sony	180 Watts	24
300-1308	Sony	180 Watts	24

DC Power - Continued

Power Supplies - Continued

300-1249	Zytec	350 Watts	25
300-1309	Zytec	350 Watts	25
300-1315	Zytec	350 Watts	25
300-1342	Zytec	350 Watts	25
300-1317	FDK	184 Watts	26
300-1322	Sun	45 Watts	27
300-1324	FDK	45 Watts	28
300-1330	FDK	185 Watts	29
300-1336	Pioneer	2000 Watts	30
300-1368	Pioneer	2000 Watts	30
300-1430	Artesyn	2000 Watts	30
300-1325	Lucent	300 Watts	31
300-1337	Lucent	300 Watts	31
300-1340	FDK	360 Watts	32
300-1343	Zytec	350 Watts	33
300-1352	Lucent	350 Watts	34
300-1355	Switching Power	350 Watts	35
300-1405	Artesyn	350 Watts	36
300-1462	Artesyn	350 Watts	36
300-1357	Sony	660 Watts	37
300-1358	FDK	190 Watts	38
300-1359	Zytec	605 Watts	39
300-1406	Artesyn	325 Watts	40
300-1408	Artesyn	610 Watts	41
300-1428	FDK	360 Watts	42
300-1434	Artesyn	330 Watts	43
300-1435	Artesyn	330 Watts	44
300-1445	Sony	360 Watts	45
300-1449	Lucent	380 Watts	46
300-1453	Tectrol	325 Watts	47
300-1454	Tectrol	325 Watts	47
370-3162	Mitac	200 Watts	48
370-3171	Mitac	243 Watts	49

DC Power - Continued

Miscellaneous Boards

Keyswitch Interface Board	50
Power Supply Interface Board	51
E450 DC Distribution Board	52
E250 DC Distribution Board	53
E220R DC Distribution Board	54
E420R DC Distribution Board	54
E220R DC-DC Converter Circuit	55

OEM Product Power Supplies

300-1311	Unisys	200 Watts	56
300-1328	Unisys	200 Watts	56
370-2434	Symbios		57
370-2436	Symbios	150 Watts	58

Sony 062-0412 35 Watts

Options 540 550 552 558 559 660

300-1037

AC Input Power Supply

TB1

1	2
Brn	Org
Blk	Org
GND	+5V

TB2

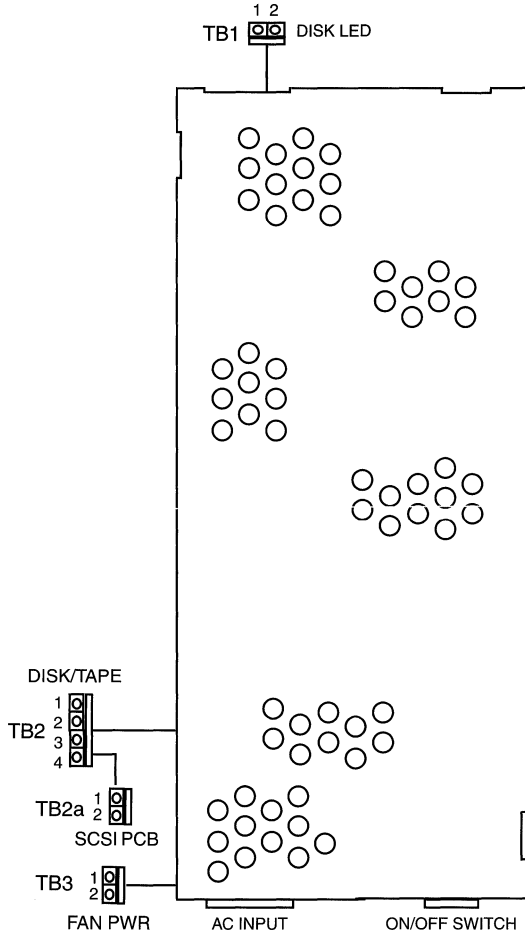
1	2	3	4
Red	Blk	Blk	Yel
Blu	Blk	Blk	Red
+12V	GND	GND	+5V

TB2a

1	2
Blk	Yel
Blk	Red
GND	+5V

TB3

1	2
Blk	Red
Blk	Blu
GND	12V



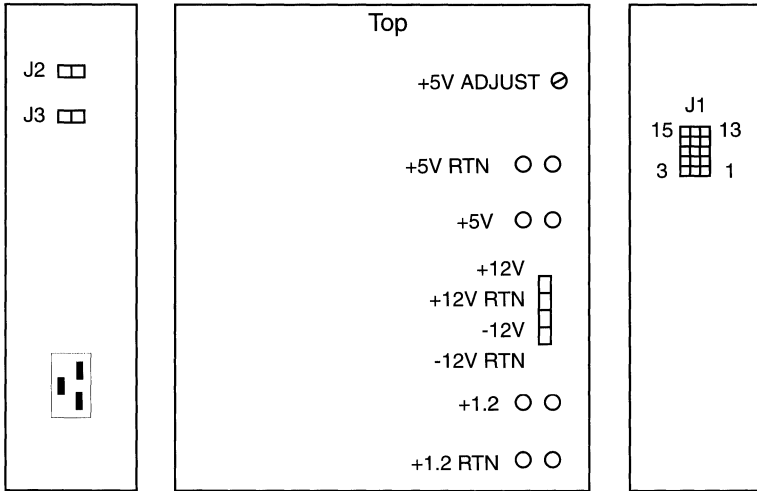
DC Output

+5V	+12V
2.0A	1.5A

Notes

1. The Disk Drive LED harness part number is 530-1522.
2. Power Supply 300-1037 does not support the 370-1417 Disk Drive.
3. Refer to power supplies 300-1090 and 300-1105 in this chapter.

Fuji 300-1073 2410 Watts
SPARCcenter 2000 SPARCcenter 2000E
300-1073
AC Input Power Supply



J1

PIN	COLOR	VOLTAGE
1	Black	PF+
2	Red	PF-
3	N/C	None
4	Orange	+24
5	Or/Blk	N/C
6	White	+24 Rtn
7	Green	Remote+
8	Gr/Blk	None
9	Blue	Remote-
10	Blk/Wht	5 +Sense
11	Rd/Wht	5 -Sense
12	Gr/Wht	5 Margin
13	Blu/Wht	1.2 +Sense
14	Wht/Blk	1.2 -Sense
15	Rd/Blk	1.2 Margin

J2 to Fan Tray

PIN	COLOR	VOLTAGE
1	Orange	+24
2	Black	+24 Rtn

J3 to AC Distribution J3

PIN	COLOR	VOLTAGE
1	Red	+24
2	Black	+24 Rtn

DC Output

+5V	+1.2V	+12V	-12V	+24V
340A	180A	14A	2A	9A

Note

Only one 300-1073 Power Supply is supported. The 300-1073 Power Supply was not used in factory configured SC2000E systems.

Sony APS-28 60 Watts

Options 547 569 570 571 804 827

300-1080

AC Input Power Supply

P1

1	2	3	4
Blu	Blk	Blk	Red
+12V	GND	GND	+5V

P2

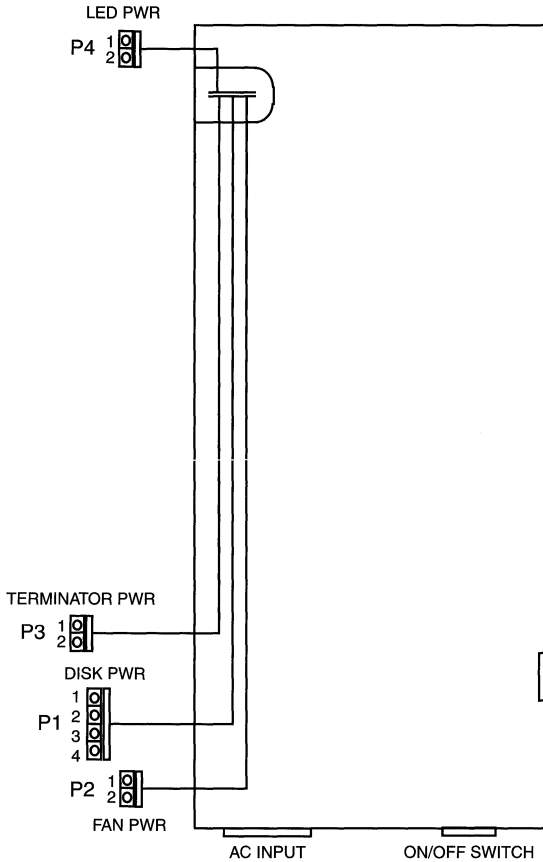
1	2
Blu	+12
Blk	Gnd

P3

1	2
Red	+5
Blk	Gnd

P4

1	2
Red	+5
Blk	Gnd



DC Output

+5V	+12V
3.5A	3.5A

Sony 062-0412 35 Watts

Options 540 550 552 558 559 660

300-1090
AC Input Power Supply

TB1

1	2
Blk	Org
GND	+5V

TB2

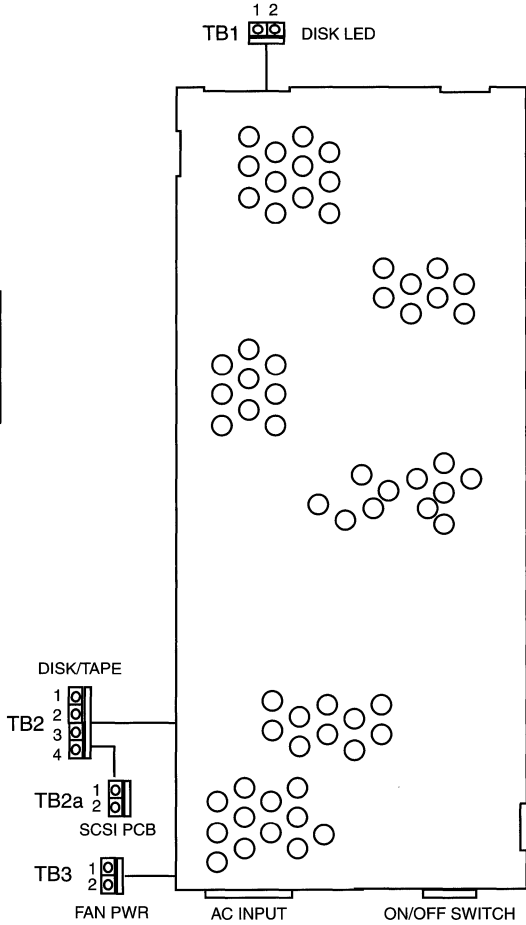
1	2	3	4
Blu	Blk	Blk	Red
+12V	GND	GND	+5V

TB2a

1	2
Blk	Red
GND	+5V

TB3

1	2
Blk	Blu
GND	12V



DC Output

+5V	+12V
2.0A	1.5A

Notes

1. The Disk Drive LED harness part number is 530-1522.
2. Disk Drive 370-1417 requires Power Supply 300-1090-02.

Zytec 22914400 269 Watts

Options 573 574 576 726 727

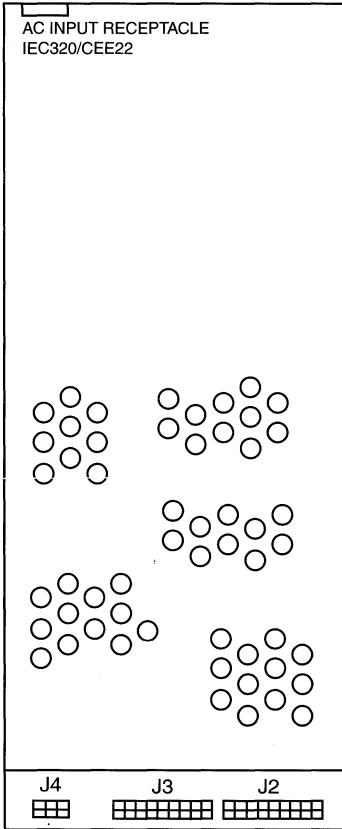
Options 816 826 836 846 6054 6056

300-1096

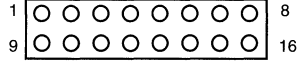
300-1312

AC Input Power Supply

AC Input Power Supply
Nordic Countries

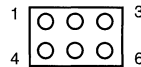


J2 J3



PIN	COLOR	VOLTAGE
1	Red	+5
2	Red	+5
3	Black	Gnd
4	Black	Gnd
5	Black	Gnd
6	Black	Gnd
7	Blue	+12
8	Blue	+12
9	Red	+5
10	Red	+5
11	Black	Gnd
12	Black	Gnd
13	Black	Gnd
14	Black	Gnd
15	Blue	+12
16	Blue	+12

J4



PIN	COLOR	VOLTAGE
1	Blue	+12
2	Blue	+12
3	Red	+5
4	Black	Gnd
5	Black	Gnd
6	Black	Gnd

DC Output

+5.1Vdc	+12Vdc	+12Vdc
10.0A x 2	7.0A x 2	1.5A

Fuses

300-1096-04, 10A 250V

300-1096-05, 5A 250V

Notes

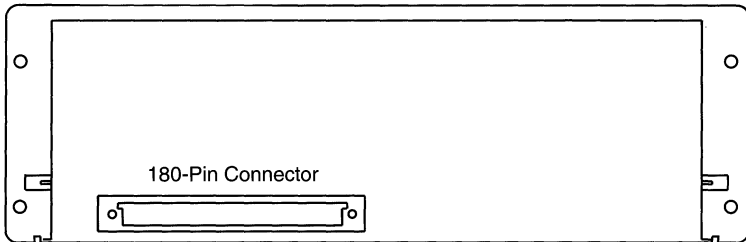
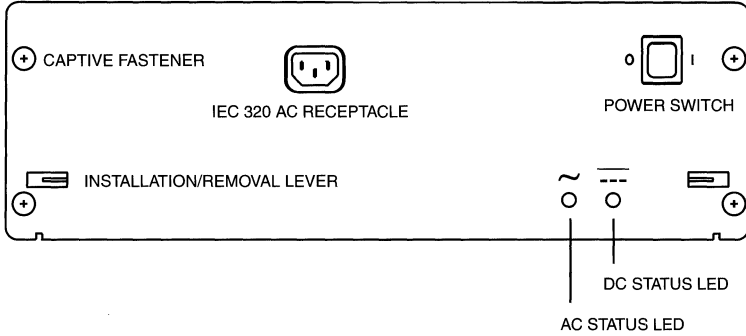
1. Failure of Power Supply 300-1096-03 may blow fuses in 230 Volt AC Distribution Unit 300-1099.
2. The power supply fuse change from 10A to 5A must be performed by the manufacturer because of new regulatory agency labeling.

Zytec 22917800 440 Watts SPARCstorage Array

300-1098
AC Input Power Supply

540-2465
Light Grey FRU

540-2981
Medium Grey FRU



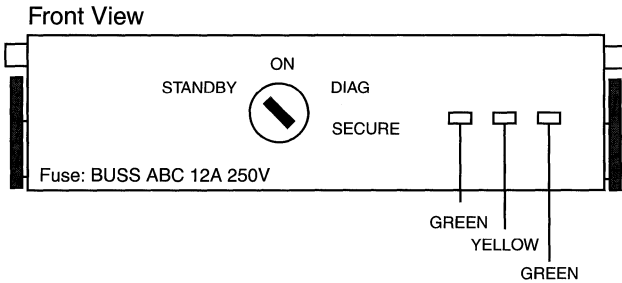
DC Output

+5	+12 A	+12 B	+2.85	+5PC	+12PC
34.0A	20.0A	2.0A	7.0A	4.5A	3.0A

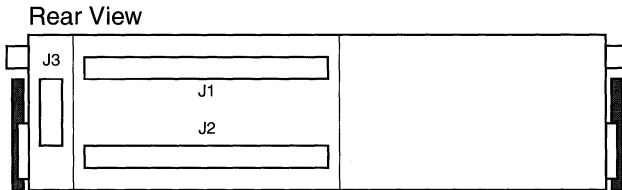
Note

Power Supply \geq 300-1098-04 or \geq 540-2465-03 is required if more than seven 2.1GB Disk Drives are installed in a disk tray.

Zytec 22917100 650 Watts
SPARCserver 1000
300-1103
AC Input Power Supply



LED	STATUS	DESCRIPTION
Left	On	Power Supply receiving AC power
Middle	On	Self-tests running (first 60 sec of AC power)
	Off	No hardware failures (after self-tests end)
Right	On	Hardware failure (after self-tests end)
	Off	Self-tests running (first 60 sec of AC power)
	On	System running (after self-tests end)
	Off	Hardware failure (after self-tests end)



Connector J3 Internal Wiring

PIN	COLOR	VOLTAGE	8	1	PIN	COLOR	VOLTAGE
8	Orange	+12 Rtn	○	○	1	Red	+12
9	White	Fan Fail	○	○	2	Black	+12 Rtn
10	N/C	N/C	○	○	3	N/C	N/C
11	N/C	N/C	○	○	4	N/C	N/C
12	Gn/Yel	AC Gnd	○	○	5	Gn/Yel	AC Gnd
13	Brown	AC In	○	○	6	Brown	AC In
14	Blue	AC In	○	○	7	Blue	AC In

DC Output

+5.1Vdc	+1.2Vdc	+12Vdc	-12Vdc	+12 Motor
100A	40A	2.25A	0.25A	7.5A/12A 25sec

Sony APS-45 44 Watts

Options 540 545 550 552 557 558

Options 559 567 579 580 660 822

300-1105
AC Input Power Supply

TB1

1	2
Blk	Red
GND	+5V

TB2

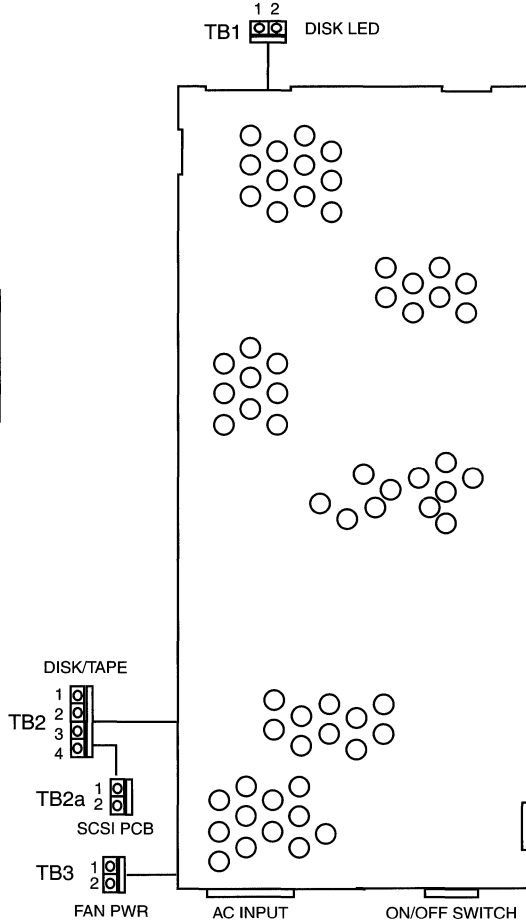
1	2	3	4
Blu	Blk	Blk	Red
+12V	GND	GND	+5V

TB2a

1	2
Blk	Blu
GND	+5V

TB3

1	2
Blk	Blu
GND	12V



DC Output

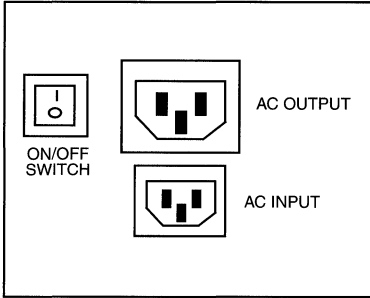
+5V	+12V
2.0A	1.5A

FDK PEX668-31 150 Watts

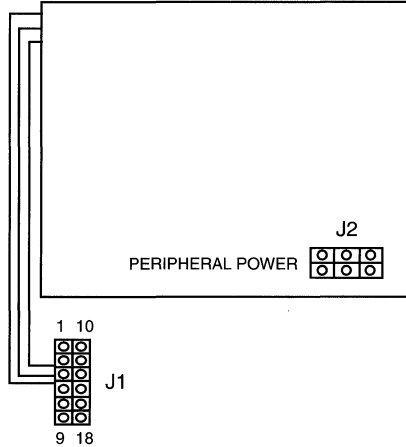
SS4 SS5 SS20

300-1215 300-1279
 AC Input Power Supply AC Input Power Supply

Rear View



Front View



J1

1	2	3	4	5	6	7	8	9	10-15	16	17	18
Blu	Brn	Red	Red	Red	Red	Red	Red	Gry	Blk	Grn	Vio	Yel
+12	-12	+5	+5	+5	+5	+5	+5	Poff	GND	Mon	Fan	Pon

J2

1	2	3	4	5	6
Red	Blk	Blk	Red	Blk	Blu
+5	GND	GND	+5	GND	+12

DC Output

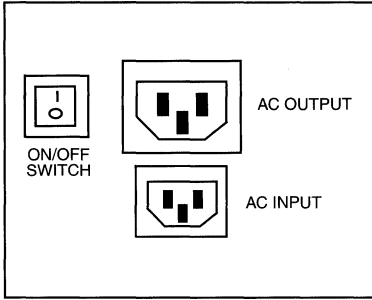
+5V	+12V	-12V
25A	2.3A	0.25A

Notes

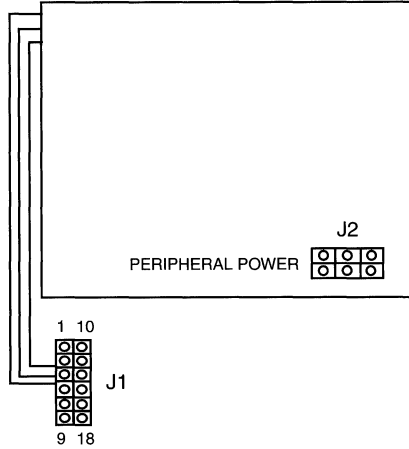
1. The SS20 requires the 300-1215-03 or 300-1279-01 power supply.
2. Part number 300-1279 is used in SS4 1.05GB disk drive Server configurations because the 150 Watt power supply supports the power state memory feature. SS4 Workstation configurations, regardless of disk capacity, use 50 Watt power supply 300-1257.

Sony SPS-50 50 Watts
 SPARC Xterminal 1 SPARCstation 4
 300-1257
 AC Input Power Supply

Rear View



Front View



J1

1	2	3	4	5-6	7	8	9	10-11	12-13	14-15	16	17	18
Blu	Brn	Red	Red	N/C	Red	Red	Gry	Blk	N/C	Blk	N/C	Vio	Yel
+12	-12	+5	+5	-	+5	+5	Poff	GND	-	GND	-	Fan	Pon

J2

1	2	3	4	5	6
Red	Blk	Blk	Red	Blk	Blu
+5	GND	GND	+5	GND	+12

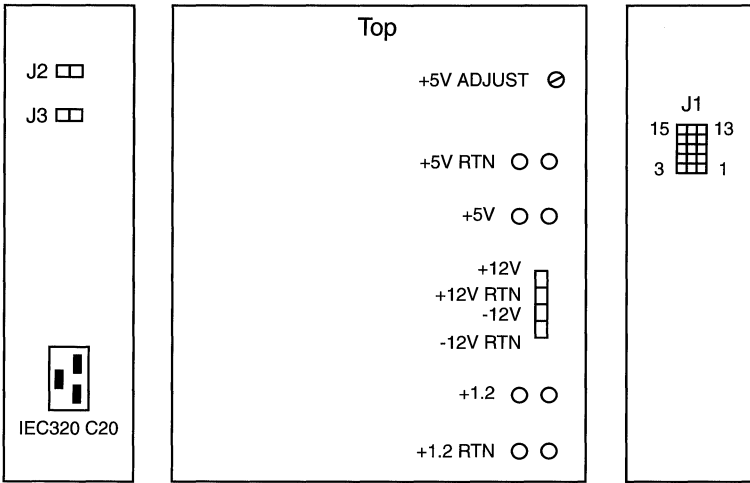
DC Output

+5V	+12V	-12V
8A	1.8A	0.2A

Notes

1. Part number 300-1279 is used in 1.05GB disk drive Server configurations because the 150 Watt power supply supports the power state memory feature. Workstation configurations, regardless of disk capacity, used 50 Watt power supply 300-1257.
2. The On/Off switch does not control the AC accessory outlet.

Fuji 300-1258 2410 Watts
SPARCcenter 2000 SPARCcenter2000E
300-1258
AC Input Power Supply



J1

PIN	COLOR	VOLTAGE
1	Black	PF+
2	Red	PF-
3	N/C	None
4	Orange	+24
5	Or/Blk	None
6	White	+24 Rtn
7	Green	Remote+
8	Gr/Blk	None

PIN	COLOR	VOLTAGE
9	Blue	Remote-
10	Blk/Wht	5 +Sense
11	Rd/Wht	5 -Sense
12	Gr/Wht	5 Margin
13	Blu/Wht	1.2 +Sense
14	Wht/Blk	1.2 -Sense
15	Rd/Blk	1.2 Margin

J2 and J3

PIN	COLOR	VOLTAGE
J2-1	Orange	+24
J2-2	Black	+24 Rtn
J3-1	Red	+24
J2-2	Black	+24 Rtn

DC Output

+5V	+1.2V	+12V	-12V	+24V
340A	180A	14A	2A	9A

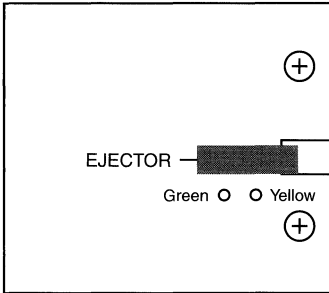
Notes

1. Only one 300-1258 is supported. The 300-1258 Power Supply was not used in factory configured SC2000E systems.
2. Power Supply 300-1258, installed in systems manufactured from June to September 1994, requires DC Adapter Harness 530-2171 when Exabyte 10GB and 14GB 8 mm Tape Drives are installed.

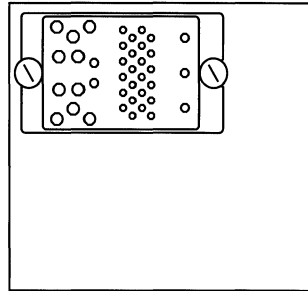
FDK PEX690-31 300 Watts

E3000	E4000	E5000	E6000
E3500	E4500	E5500	E6500
300-1260		300-1444	
Type A106		Type A146	
AC Input Power Supply		AC Input Power Supply	
Power/Cooling Module		Power/Cooling Module	

Front View



Rear View



LED Codes

GREEN	YELLOW	DESCRIPTION
Off	Off	No AC Input
On	Off	Normal Operation
On	On	Fan Failure
Off	On	DC Output Failure

AC Input

VOLTAGE	CURRENT	FREQUENCY
100 - 240V	5.5A	47 - 63HZ

DC Output 300-1260

+3.3V	+5V	+2.0V
51A	32A	5A

DC Output 300-1444

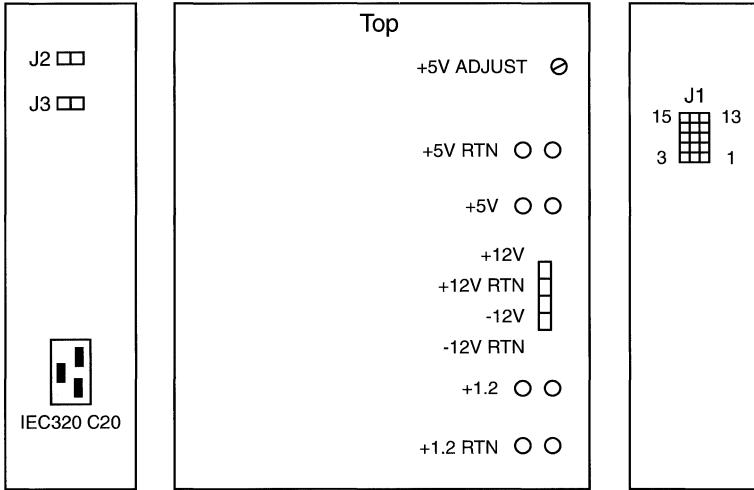
+3.3V	+5V	+2.0V
55A	32A	5A

Fuse: 10A 250V

Notes

1. The Power/Cooling Module provides cooling for two adjacent slots.
2. The Power/Cooling Module operates in redundant current share mode.
3. Install a Power/Cooling Module or Fan Module 540-2757 in the slot above the Peripheral Power Supply in the E3000.
4. Filler Panel 540-2593 is required when a Power/Cooling Module is not installed in the E4x00, E5x00, or E6x00.

Fuji 300-1281 2410 Watts
SPARCcenter 2000 SPARCcenter 2000E
300-1281
 AC input Power Supply



J1

PIN	COLOR	VOLTAGE
1	Black	PF+
2	Red	PF-
3	N/C	None
4	Orange	+24
5	Or/Blk	PCM Fail
6	White	+24 Rtn
7	Green	Remote+
8	Gr/Blk	None
9	Blue	Remote-
10	Blk/Wht	5 +Sense
11	Rd/Wht	5 -Sense
12	Gr/Wht	5 Margin
13	Blu/Wht	1.2 +Sense
14	Wht/Blk	1.2 -Sense
15	Rd/Blk	1.2 Margin

J2 to Fan Tray

PIN	COLOR	VOLTAGE
1	Orange	+24
2	Black	+24 Rtn

J3 to AC Distribution J3

PIN	COLOR	VOLTAGE
1	Red	+24
2	Black	+24 Rtn

DC Output

+5V	+1.2V	+12V	-12V	+24V
340A	180A	14A	2A	9A

Note: Only one 300-1073, 300-1258, or 300-1286 Power Supply is supported. Two 300-1281 Power Supplies are supported in Chassis 599-2027 and 599-2031. Use Sense Cable 530-2210 in Chassis 599-1821.

FDK PEX698-30 30 Watts

JavaStation JJ SPARCstorage UniPack StorEdge UniPack

300-1282

Type A103

AC Input Power Supply

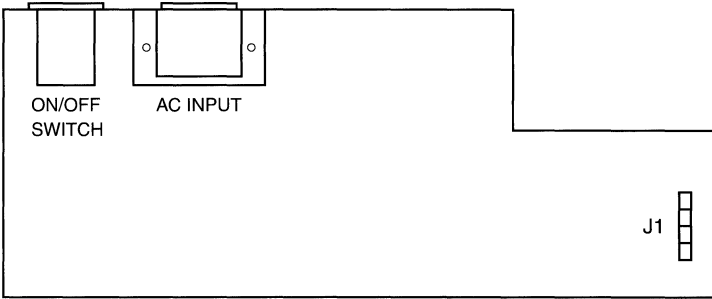
540-2674
Tape UniPack FRU
Narrow SCSI I/O

540-2694
Disk UniPack FRU
Wide SCSI I/O

540-2866
JavaStation FRU

540-3004
Tape Unipack FRU
Wide SCSI I/O

Top View



J1

PIN	VOLTAGE
1	+12
2	Gnd
3	Gnd
4	+5

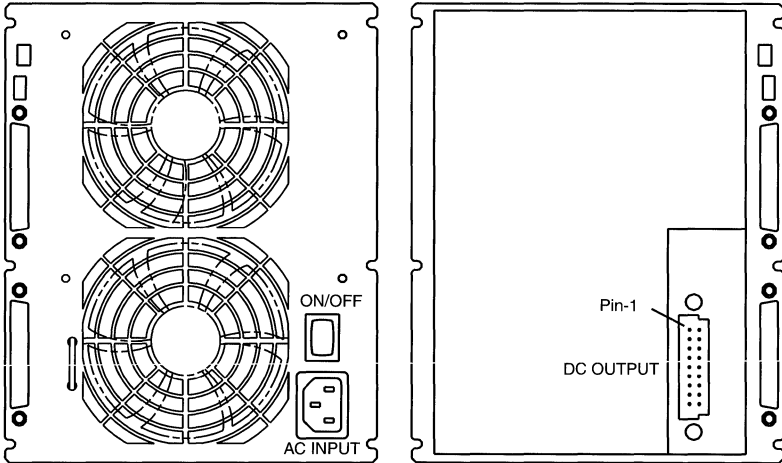
DC Output
300-1282-01
300-1282-02

+5V	+12V
3.4A	1.8A

DC Output
300-1282-03

+5V	+12V
4.5A	1.8A

Sony APS-88 185 Watts
SPARCstorage MultiPack StorEdge MultiPack
Netra i 150 Netra nfs 150 E150
300-1283
 Type A104
 AC Input Power Supply



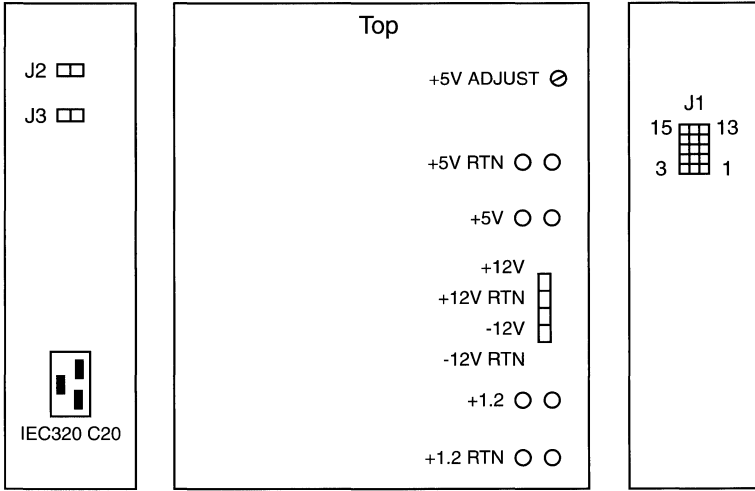
DC Output

PIN	DESCRIPTION	PIN	DESCRIPTION
1	+5Vdc	10	+5Vdc
2	+5Vdc	11	+5Vdc
3	Gnd	12	Gnd
4	Gnd	13	Gnd
5	+5V pre-charge	14	+12V pre-charge
6	Gnd	15	Gnd
7	Gnd	16	Gnd
8	+12Vdc	17	+12Vdc
9	+12Vdc	18	+12Vdc

DC Output

+5V	+12V
15.0A	12.0A

Fuji 300-1286 2410 Watts
SPARCcenter 2000 SPARCcenter 2000E
300-1286
 AC Input Power Supply



J1

PIN	COLOR	VOLTAGE
1	Black	PF+
2	Red	PF-
3	N/C	N/C
4	Orange	+24
5	Or/Blk	N/C
6	White	+24 Rtn
7	Green	Remote+
8	Gr/Blk	N/C
9	Blue	Remote-
10	Blk/Wht	5 +Sense
11	Rd/Wht	5 -Sense
12	Gr/Wht	5 Margin
13	Blu/Wht	1.2 +Sense
14	Wht/Blk	1.2 -Sense
15	Rd/Blk	1.2 Margin

J2 to Fan Tray

PIN	COLOR	VOLTAGE
1	Orange	+24
2	Black	+24 Rtn

J3 to AC Distribution J3

PIN	COLOR	VOLTAGE
1	Red	+24
2	Black	+24 Rtn

DC Output

+5V	+1.2V	+12V	-12V	+24V
340A	180A	14A	2A	9A

Note: Only one 300-1286 Power Supply is supported.

Zytec EP071265 310 Watts

Enterprise Network Array A500

StorEdge A5000 StorEdge A5100 StorEdge A5200

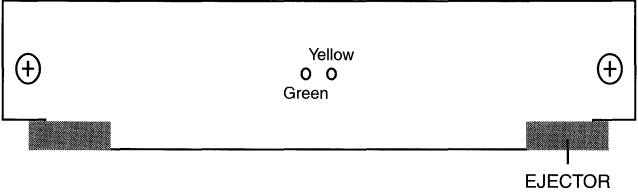
Option 9687

300-1295

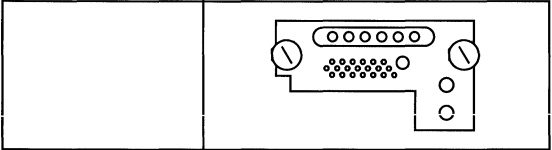
Type A108

AC Input Power Supply

Front View



Rear View



AC Input

VOLTAGE	CURRENT	FREQUENCY
100 - 240V	5A	47 - 63HZ

DC Output

OUTPUT			PRECHARGE			MAXIMUM
+3.3V	+5V	+12V	+3.3V	+5V	+12V	310 Watts
26.0A	21.0A	21.0A	1.0A	2.0A	1.0A	

FDK PEX705-30 184 Watts

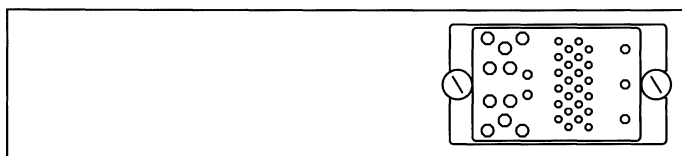
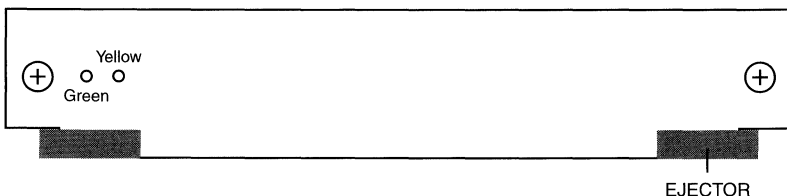
E3000 E4000 E5000 E6000

E4500 E5500 E6500

300-1301

Type A105

AC Input Power Supply



AC Input

VOLTAGE	CURRENT	FREQUENCY
100 - 240V	3A	47 - 63HZ

DC Output

+5V	+5V	+12V	+12V	MAXIMUM CONTINUOUS
20A	5A	13A	1.5A	195 Watts

Notes

1. One 300-1301 Power Supply is supported per system.
2. AC Input/Fan Assembly 370-1811 or 370-1812 provides cooling for the 184W Power/Cooling Module in the E4000/E4500, E5000/E5500, and E6000/E6500.
3. Fan Tray 540-2757 or 300 Watt Power/Cooling Module 300-1260 provides cooling for the 184 Watt Power Supply in the E3000.
4. The 184 Watt Power Supply provides the following functions:
 - +5Vdc and +12Vdc peripheral tray power
 - +5Vdc and +12Vdc drive precharge (non redundant)
 - +3.3Vdc and +5Vdc system precharge (non redundant)
 - +5Vdc redundant system power
 - +12Vdc redundant power for PCM fans
 - +12Vdc redundant power for E3000/E3500 Auxiliary Fan Module
 - +5Vdc auxiliary power for Clock Board remote console serial port
 - E4000/E4500 Keyswitch Assembly fan power
 - E5000/E5500 and E6000/E6500 AC Input Box fan power

Zytec 300-1302 560 Watts

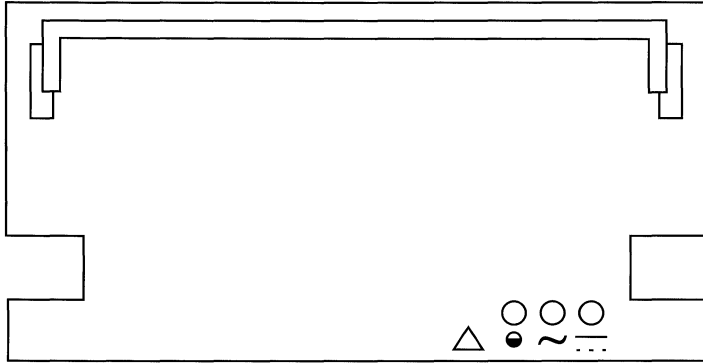
Ultra 450 Ultra Enterprise 450

Option 9682

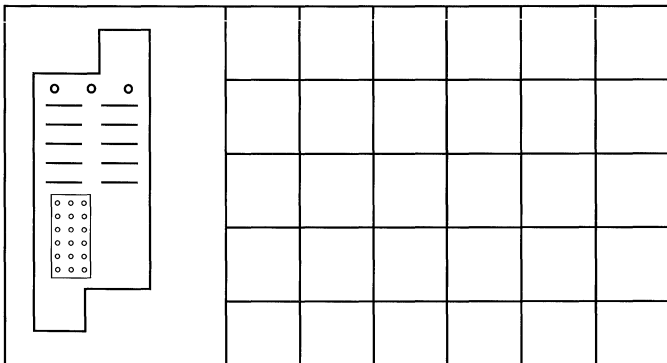
300-1302

AC Input Power Supply

Front View



Rear View



AC Input

100-240 VAC
47-63Hz
8A

DC Output

+3.3V	+5.0V	+12.0V	-12.0V	+5.0V Standby
47.0A	64.0A	16.0A	1.0A	2.4A

Note

A memory latch remembers the power supply's last power On/Off state. When a power supply that was Off is installed in a system that is On, the supply will remain Off. To turn on the power supply, rotate the front panel keyswitch from the Power-On position to the Diagnostic position, then back to the Power-On position, or press the keyboard Power-On key.

FDK PEX705-40 184 Watts

E3000 E3500

300-1307

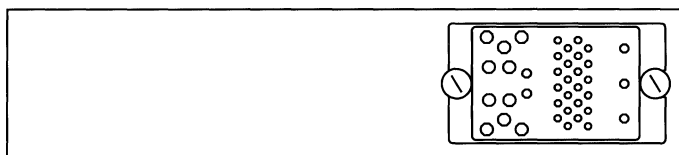
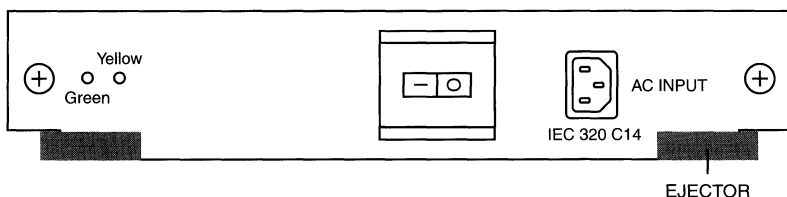
300-1400

Type A109

Type A109

AC Input Power Supply

AC Input Power Supply



AC Input

VOLTAGE	CURRENT	FREQUENCY
100 - 240V	12A	47 - 63HZ

DC Output

+5V	+5V	+12V	+12V	MAXIMUM CONTINUOUS
20A	5A	13A	1.5A	195 Watts

Notes

- One 300-1307 or 300-1400 per system is supported.
- Use 300-1301 as the redundant Peripheral Power Supply in the E3000.
- Use 300-1358 as the redundant Peripheral Power Supply in the E3500.
- Use Filler Panel 540-2593 when 300-1301 or 300-1400 is not installed.
- Use Filler Panel 540-3815 when 300-1358 is not installed.
- Fan Tray 540-2757 or 300 Watt Power/Cooling Module 300-1260 provides cooling for the 184 Watt Power Supply.
- The 184 Watt Power Supply provides the following functions:
 - AC Input power
 - +5Vdc and +12Vdc peripheral tray power
 - +5Vdc and +12Vdc drive precharge (non redundant)
 - +3.3Vdc and +5Vdc system precharge (non redundant)
 - +5Vdc redundant system power
 - +12Vdc redundant power for PCM fans
 - +12Vdc redundant power for E3000/E3500 Auxiliary Fan Module
 - +5Vdc auxiliary power for Clock Board remote console serial port

Sony APS-72 180 Watts

A11 A12 Netra *i* 150 Netra *nfs* 150 E150

300-1248

300-1308

Early Production

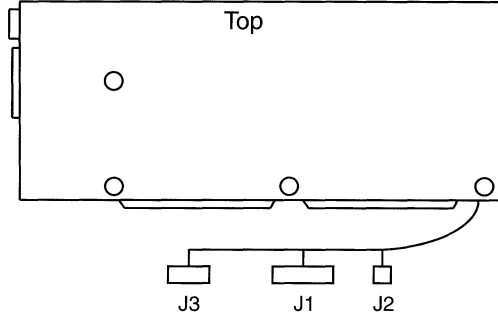
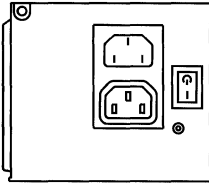
FCS

Type A101

Type A101

AC Input Power Supply

AC Input Power Supply



J3 to System Board

PIN	FUNCTION	PIN	FUNCTION
1	+12Vdc	9	Thermal Sensor
2	Return	10	-12Vdc
3	Power On	11	Power Off
4	+5 Sense	12	+5 Sense Rtn
5	+3.3 Sense*	13	+3.3 Sense Rtn*
6	+3.0 Sense*	14	+3.0 Sense Rtn*
7	+3.0 +V Programing	15	Thermal Sensor
8	+3.0 +OVP Programing	16	Power On Reset

* Pins 5, 6, 13, and 14 are not used.

J1 to System Board

PIN	FUNCTION	PIN	FUNCTION
1	+5Vdc	10	+5 Rtn
2	+5Vdc	11	+5 Rtn
3	+5Vdc	12	+5 Rtn
4	+3.3Vdc	13	+3.3 Rtn
5	+3.3Vdc	14	+3.3 Rtn
6	+3.3Vdc	15	+3.3 Rtn
7	+3.0Vdc	16	+3.0 Rtn
8	+3.0Vdc	17	+3.0 Rtn
9	+3.0Vdc	18	+3.0 Rtn

J2 to Peripheral Harness

PIN	FUNCTION	PIN	FUNCTION
1	+5Vdc	4	+5Vdc
2	+5 Rtn	5	+5 Rtn
3	+12 Rtn	6	+12Vdc

DC Output

1	2	3	4	5*
+3.3V	+5V	+12V	-12V	+3.0V
12A	18A	5.1A	0.3A	12A

* Output 5 is adjusted to 3.3Vdc.

Zytec EP071235-C1 350 Watts

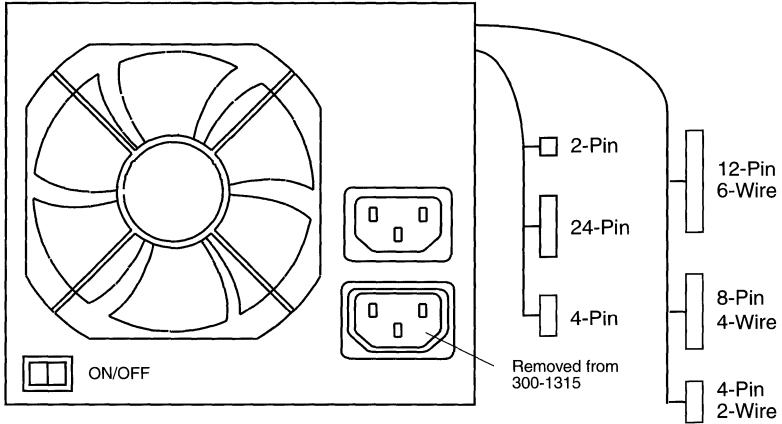
Ultra 2

300-1249
#6-32 Screws
Early production
Type A102
AC Input Power

300-1309
#6-32 Screws
P1 Production
Type A102
AC Input Power

300-1315
M3 Screws
Pilot Production
Type A102
AC Input Power

300-1342
M3 Screws
May 1997
Type A102
AC Input Power



Power to System Board

PIN	COLOR	FUNCTION
1 - 6	Black	+3.3 Rtn to J3205
7 - 12	Yellow	+3.3 to J3205
1 - 2	Black	+5 Rtn to J3204
3 - 4	Red	+5 to J3204
5 - 6	Black	+3.0B Rtn to J3204
7 - 8	Blue	+3.0B to J3204
1 - 2	Black	+3.0A Rtn to J3203
3 - 4	Green	+3.0A to J3203

24-Pin Connector to System Board J3206

PIN	COLOR	FUNCTION	PIN	COLOR	FUNCTION
1	Green	+3A Sense	13	Red	+3A -Sense
2	Grn/Wht	+3A Vprog	14	Red/Wht	+3A OVP Prog
3	Prpl/Wht	+3B Sense	15	Brown	+3B -Sense
4	Pnk/Wht	+3B Vprog	16	Black	+3B OVP Prog
5	Blue	Fan Speed	17	Brown	Pwr On Reset
6	Blu/Wht	+3.3 Sense	18	Black	+3.3 -Sense
7	Gry/Wht	+5 Sense	19	Grey	+5 -Sense
8	Blk/Wht	+12	20	Red/Yel	Return
9	Brn/Wht	+12	21	Purple	Return
10	White	-12	22	Orange	Interlock
11	Yellow	On	23	Pink	Off
12	Yel/Wht	Tmp Sense	24	Pink	Tmp Sense

Floppy Drive Power

PIN	COLOR	FUNCTION
1	Red	+5V
2	Black	+5 Rtn
3	N/C	N/C
4	N/C	N/C

Note: Outputs 3.0A and 3.0B are programmable from 2.5V to 3.5V. They provide the core voltage to UPA0 and UPA1 respectively when a module is installed.

Removable Media Power

PIN	COLOR	FUNCTION
1	Brown	+12
2	Black	+12 Rtn
3	Black	+5 Rtn
4	Red	+5

DC Output

V1	V2	V3	V4	V5	V6
+3.3V	+5.0V	+12.0V	-12.0V	+3.0V	+3.0V
55.0A	25.0A	6.5A	0.4A	12.0A	12.0A

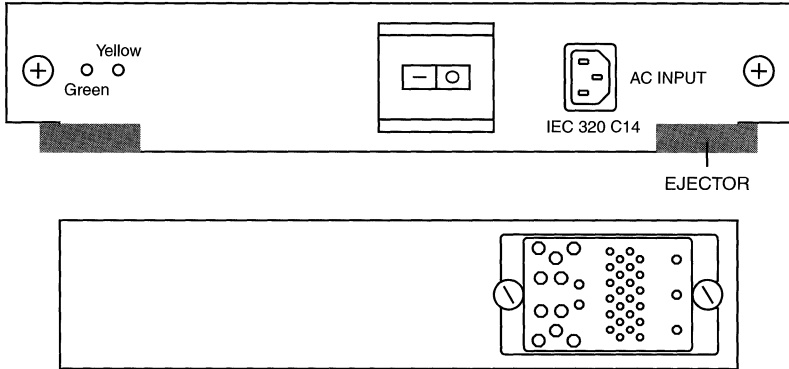
FDK PEX705-40 Danish 184 Watts

E3000V5 E3500V5

300-1317

Type A115

AC Input Power Supply



AC Input

VOLTAGE	CURRENT	FREQUENCY
100 - 240V	12A	47 - 63HZ

DC Output

+5V	+5V	+12V	+12V	MAXIMUM CONTINUOUS
15A	0A	8.5A	1.5A	195 Watts

Notes

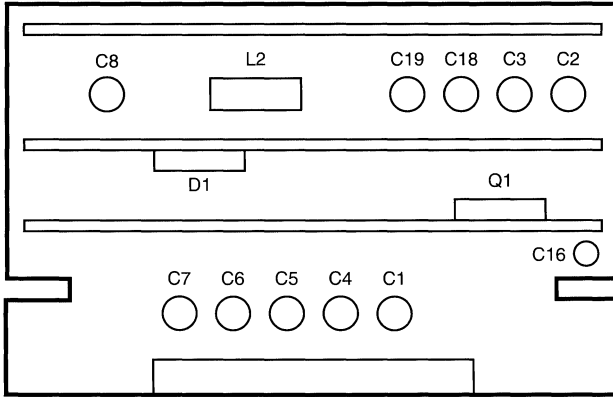
1. Use AC power cord 530-2301, Option X389L.
2. Power cord 530-2301 requires a 16A IEC309 receptacle.
3. One 300-1317 Power Supply is supported per system.
4. Use 300-1301 as the redundant Peripheral Power Supply.
5. Use Filler Panel 540-2593 when 300-1301 is not installed.
6. Fan Tray 540-2757 or 300 Watt Power/Cooling Module 300-1260 provides cooling for the 184 Watt Power Supply.
7. The 184 Watt Power Supply provides the following functions:
 - AC Input power
 - +5Vdc and +12Vdc peripheral tray power
 - +5Vdc and +12Vdc drive precharge (non redundant)
 - +3.3Vdc and +5Vdc system precharge (non redundant)
 - +5Vdc redundant system power
 - +12Vdc redundant power for PCM fans
 - +12Vdc redundant power for E3000 Auxiliary Fan Module
 - +5Vdc auxiliary power for Clock Board remote console serial port

Sun 300-1322 45 Watts

Enterprise 450 Ultra 450 Ultra Enterprise 450

Options 2230 2240 2244 3870

300-1322
DC-DC Converter



40-Pin Connector

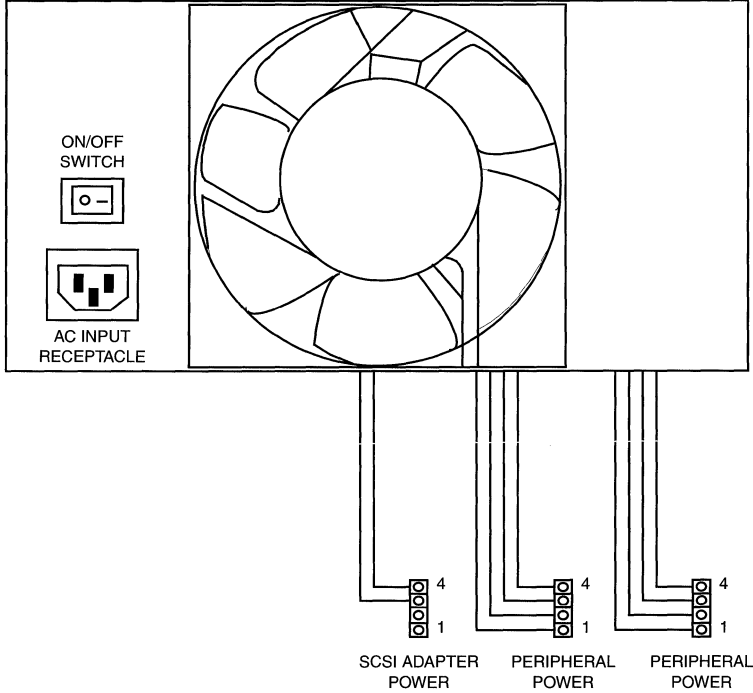
Notes

1. Each UltraSPARC Module requires a DC-DC Converter.
2. The Module and DC-DC installation sequence is B2, A2, B1, and A1.
3. The output voltage is programmable from 2.5Vdc to 3.5Vdc.
4. Option X2230A is DC-DC Converter and a 250MHz module.
5. Option X2240A is DC-DC Converter and a 300MHz module.
6. Option X2244A is DC-DC Converter and a 400MHz module.
7. Option X3870A is DC-DC Converter 300-1322 without a module.

References

1. *Ultra Enterprise 450 Server Owner's Guide*, 805-0429-10.
2. *Ultra 450 Workstation Owner's Guide*, 805-0430-10.

FDK PEX726-30 45 Watts
SPARCstorage FlexiPack StorEdge FlexiPack
300-1324
 Type A120
 AC Input Power Supply



SCSI Adapter Power

PIN	COLOR	FUNCTION
1	N/C	N/C
2	N/C	N/C
3	Black	+5V Rtn
4	Red	+5V

Peripheral Power

PIN	COLOR	FUNCTION
1	Blue	+12V
2	Black	+12V Rtn
3	Black	+5V Rtn
4	Red	+5V

AC Input

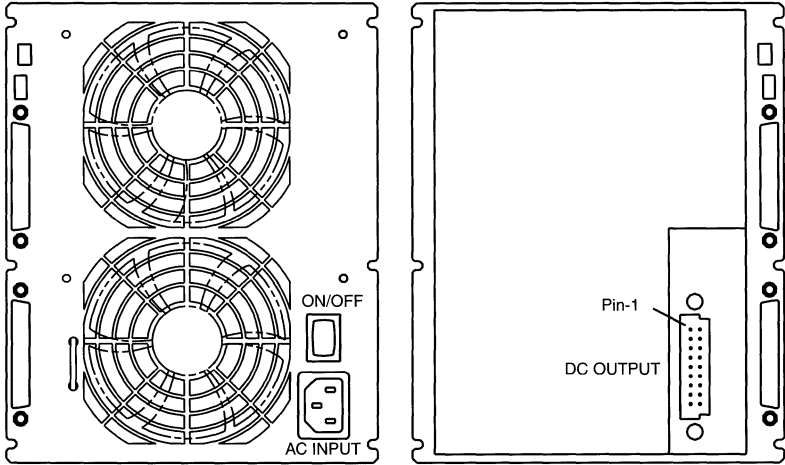
VOLTAGE	CURRENT	FREQUENCY
100 - 240V	1.2A	47 - 63Hz

DC Output

V2	V3
+5.0V	+12.0V
4.5A	2.7A

FDK PEX733-30 185 Watts
 SPARCstorage MultiPack StorEdge MultiPack
 Netra i 150 Netra *nfs* 150 E150

300-1330
 Type A104
 AC Input Power Supply



DC Output

PIN	DESCRIPTION	PIN	DESCRIPTION
1	+5Vdc	10	+5Vdc
2	+5Vdc	11	+5Vdc
3	Gnd	12	Gnd
4	Gnd	13	Gnd
5	+5V pre-charge	14	+12V pre-charge
6	Gnd	15	Gnd
7	Gnd	16	Gnd
8	+12Vdc	17	+12Vdc
9	+12Vdc	18	+12Vdc

DC Output

+5V	+12V
15.0A	12.0A

Sun Type A135 2000 Watts

E10000

Option 9685

300-1336

Pioneer PM3329BP-5

Type A135

AC Input Power Supply

300-1368

Pioneer PM3329BP-5

Type A135

AC Input Power Supply

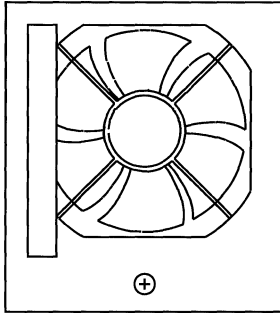
300-1430

Artesyn 22947500

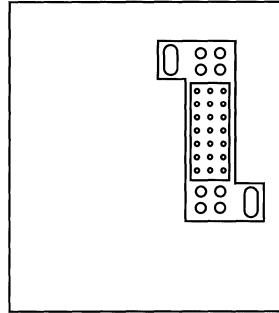
Type A135

AC Input Power Supply

Front View



Rear View



AC Input

200 - 240V
17A
50 - 60Hz

DC Output

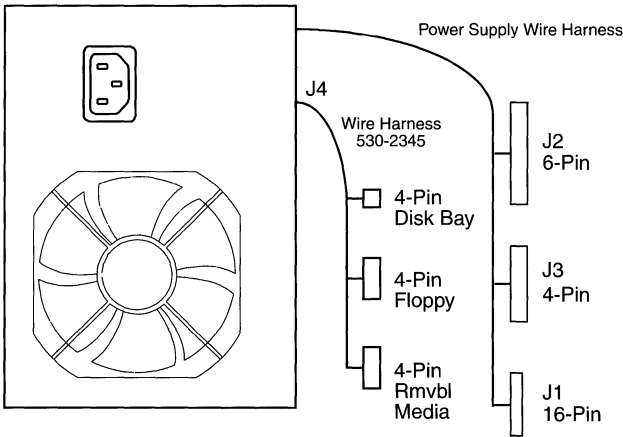
+48V
36A

Lucent LP300A 300 Watts

Ultra 30

300-1325
Pre Production
AC Input Power Supply
20-Pin J1

300-1337
Type A116
AC Input Power Supply
16-Pin J1



J1 to System Board J2901

PIN	FUNCTION	PIN	FUNCTION
1	+3.3 -Sense	9	Off
2	+3.3 +Sense	10	On
3	+5.0 -Sense	11	-12V
4	+5.0 +Sense	12	POR
5	+3.0 -Sense	13	+12V Return
6	+3.0 +Sense	14	+12V
7	+3.0 OVP Program	15	+12 Return
8	+3 +V Program	16	+12

J3 to System Board J2902

PIN	COLOR	FUNCTION
1	Black	+5.0 Return
2	Red	+5.0
3	Black	+3.0 Return
4	Blue	+3.0

J2 to System Board J2903

PIN	COLOR	FUNCTION
1 2 3	Black	+3.3 Return
4 5 6	Yellow	+3.3

J4 to Harness 530-2345

PIN	FUNCTION	PIN	FUNCTION
1	+5	6	+5 Return
2	+5	7	+5 Return
3	+5	8	+5 Return
4	+12	9	+12 Return
5	+12	10	+12 Return

AC Input

85-264 Vrms
47-63Hz

DC Output

V1	V2	V3	V4
+3.3V	+5.0V	+12.0V	-12.0V
50.0A	30.0A	7.0A	0.4A

FDK PEX737-30 360 Watts

StorEdge A1000 StorEdge D1000

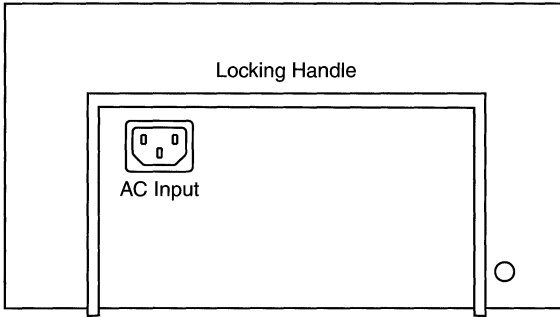
Netra st A1000 Netra st D1000

300-1340

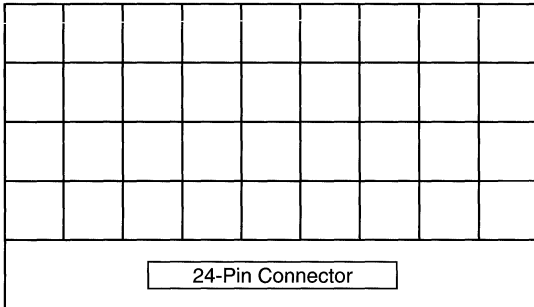
Type A124

AC Input Power Supply

Front View



Rear View



AC Input

100-240 VAC
47-63Hz
5.0A

DC Output

+5.0V	+12.0V
30.0A	23.0A

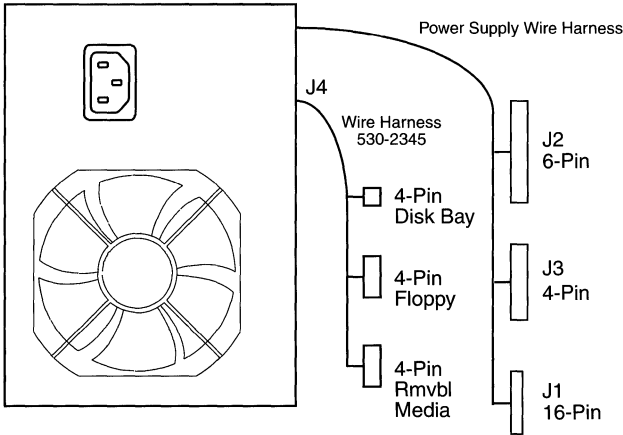
Zytec EP071295-C 350 Watts

Ultra 30 Ultra 60

300-1343

Type A125

AC Input Power Supply



J1 to System Board J2901

PIN	FUNCTION	PIN	FUNCTION
1	+3.3 -Sense	9	Off
2	+3.3 +Sense	10	On
3	+5.0 -Sense	11	-12V
4	+5.0 +Sense	12	POR
5	+3.0 -Sense	13	+12V Return
6	+3.0 +Sense	14	+12V
7	+3.0 OVP Program	15	+12 Return
8	+3 +V Program	16	+12

J3 to System Board J2902

PIN	COLOR	FUNCTION
1	Black	+5.0 Return
2	Red	+5.0
3	Black	+3.0 B Return
4	Blue	+3.0B

Note: Output 3.0B is programmable from 2.5V to 3.5V. It provides the UltraSPARC module core voltage to UPA0 and UPA1.

J2 to System Board J2903

PIN	COLOR	FUNCTION
1 2 3	Black	+3.3 Return
4 5 6	Yellow	+3.3

J4 to Harness 530-2345

PIN	FUNCTION	PIN	FUNCTION
1	+5	6	+5 Return
2	+5	7	+5 Return
3	+5	8	+5 Return
4	+12	9	+12 Return
5	+12	10	+12 Return

AC Input

85-264 Vrms
47-63Hz

DC Output

V1	V2	V3	V4	V5
+3.3V	+5.0V	+12.0V	-12.0V	+3.0V
60.0A	30.0A	6.0A	0.4A	25.0A

Lucent LP360A 360 Watts

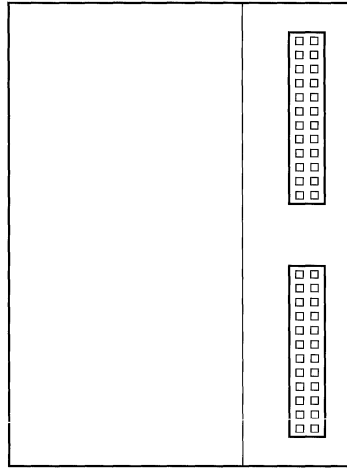
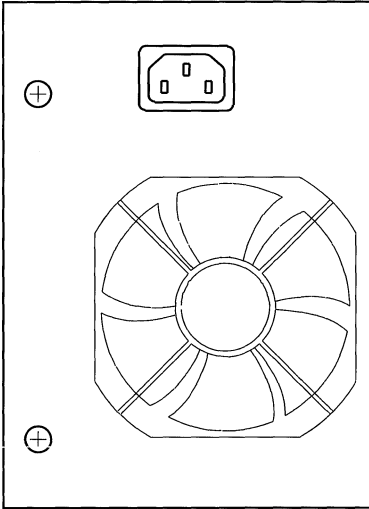
Enterprise 250

Option 9683

300-1352

Type A127

AC Input Power Supply



AC Input

100-240V
47-63Hz
6A

DC Output

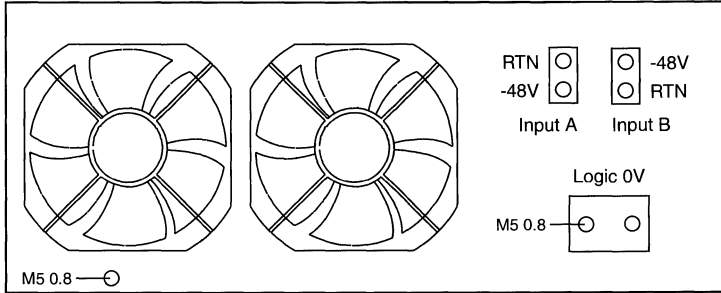
+2.5V	+3.3V	+5.0V	+12.0V	-12.0V	+5.0V
27.0A	34.0A	30.0A	10.0A	0.5A	1.0A

Switching Power Inc Sun-450 350 Watts

Netra t 1100 Netra t 1120

300-1355

DC Input Power Supply
AMP Connectors
Used Before 5/99



J1 to System Board J2901

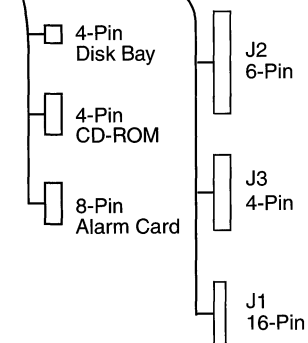
PIN	FUNCTION	PIN	FUNCTION
1	+3.3 -Sense	9	Off
2	+3.3 +Sense	10	On
3	+5.0 -Sense	11	-12V
4	+5.0 +Sense	12	POR
5	+3.0 -Sense	13	+12V Return
6	+3.0 +Sense	14	+12V
7	+3.0 OVP Program	15	+12 Return
8	+3 +V Program	16	+12

J3 to System Board J2902

PIN	COLOR	FUNCTION
1	Black	+5.0 Return
2	Red	+5.0
3	Black	+3.0
4	Blue	+3.0 Return

J2 to System Board J2903

PIN	COLOR	FUNCTION
1 2 3	Black	+3.3 Return
4 5 6	Yellow	+3.3



DC Input

-48VDC
15A

DC Output

V1	V2	V3	V4	V5
+3.3V	+5.0V	+12.0V	-12.0V	-2.5V
50.0A	35.0A	6.0A	1.0A	28.0A

Notes

1. Three banks of memory can be installed in the Ultra 60 System Board if the power supply is \leq 300-1355-03.
2. Four banks of memory can be installed in the Ultra 60 System Board if the power supply is \geq 300-1355-04.
3. AMP connectors require two #14AWG wires to the circuit breaker.

Artesyn EP071332 350 Watts

Netra t 1120

300-1405

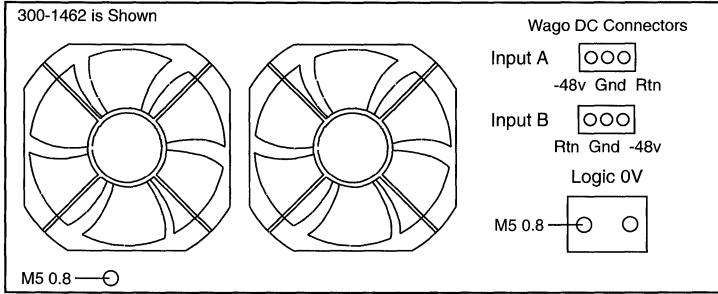
Type D119

DC Input Power Supply
AMP Connectors
Used From 5/99 to 11/99

300-1462

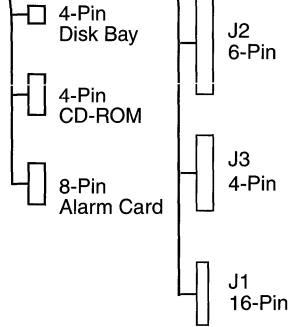
Type D119

DC Input Power Supply
Wago Connectors
Used After 11/99



J1 to System Board J2901

PIN	FUNCTION	PIN	FUNCTION
1	+3.3 -Sense	9	Off
2	+3.3 +Sense	10	On
3	+5.0 -Sense	11	-12V
4	+5.0 +Sense	12	POR
5	+3.0 -Sense	13	+12V Return
6	+3.0 +Sense	14	+12V
7	+3.0 OVP Program	15	+12 Return
8	+3 +V Program	16	+12



J3 to System Board J2902

PIN	COLOR	FUNCTION
1	Black	+5.0 Return
2	Red	+5.0
3	Black	+3.0
4	Blue	+3.0 Return

DC Input

-48VDC
15A

J2 to System Board J2903

PIN	COLOR	FUNCTION
1 2 3	Black	+3.3 Return
4 5 6	Yellow	+3.3

DC Output

V1	V2	V3	V4	V5
+3.3V	+5.0V	+12.0V	-12.0V	-2.5V
50.0A	35.0A	6.0A	1.0A	28.0A

Notes

- Four banks of memory can be installed in the Ultra 60 System Board if the power supply is 300-1405 or 300-1462.
- The 300-1405 and 300-1462 are not qualified in the Netra t 1100.
- AMP connectors require two #14AWG wires to the circuit breaker.
- Wago connectors require three #12AWG wires to the circuit breaker.

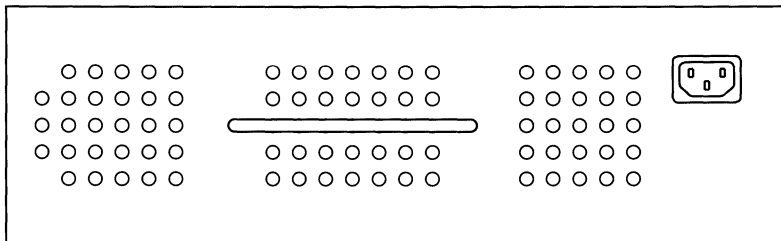
Sony APS-112 660 Watts

Ultra 80

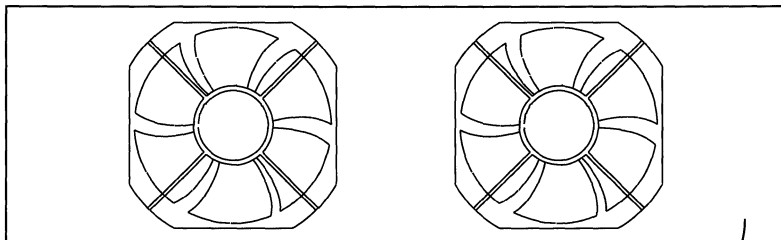
300-1357

Type A119

AC Input Power Supply

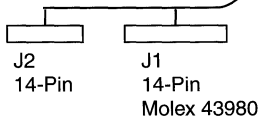


Rear View



J1 to System Board J4107

PIN	FUNCTION	PIN	FUNCTION
1/2	+3.3V	15/16	+3.3V Return
3/4	+3.3V	17/18	+3.3V Return
5/6	+3.3V	19/20	+3.3V Return
7/8	+3.3V	21/22	+3.3V Return
9/10	+5.0V	23/24	+5V Return
11/12	+5.0V	25/26	+5V Return
13/14	+5.0V	27/28	+5V Return



J2 to System Board J4106

PIN	FUNCTION	PIN	FUNCTION
1	POWERON_L	8	POWER_OK
2	-12V	9	PS_FAN
3	Ground	10	+5.0
4	Ground	11	+3.3
5	Ground	12	+12V
6	Ground	13	+12V
7	Spare	14	+5 Standby

AC Input

100-120V	200-140V
9A	4A

DC Output

V1	V2	V3	V4	V5
+3.3V	+5.0V	+12.0V	-12.0V	+5SB
90.0A	70.0A	7.0A	0.4A	0.02A

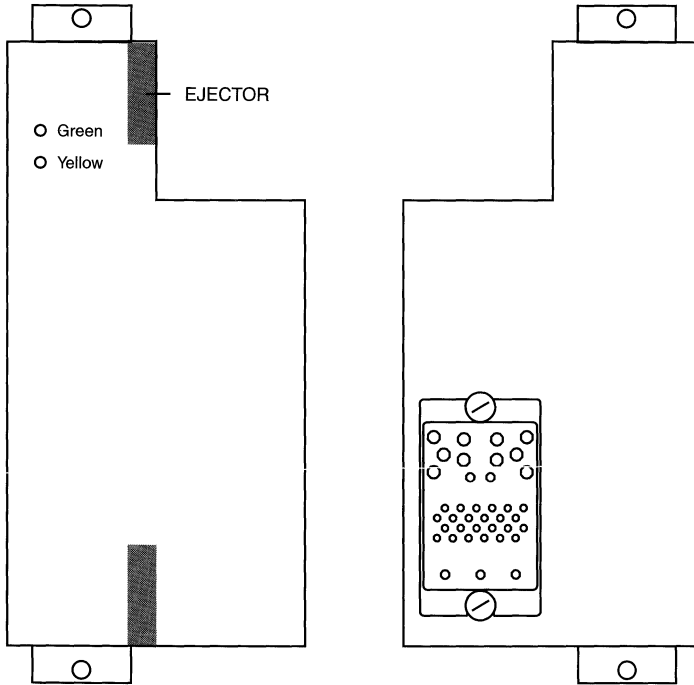
FDK PEX750-30 195 Watts

E3500

300-1358

Type A129

AC Input Power Supply



AC Input

VOLTAGE	CURRENT	FREQUENCY
100 - 240V	3A	47 - 63HZ

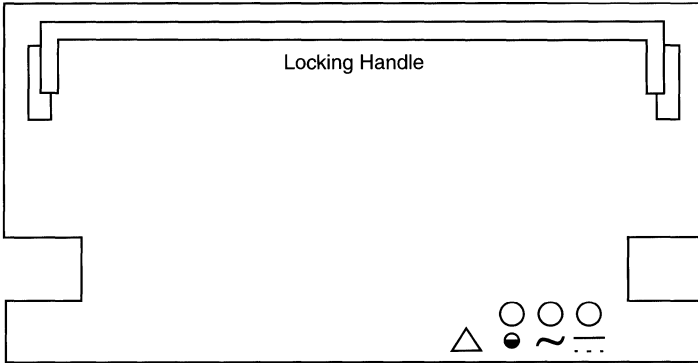
DC Output

V1	V1a	V2	V2a	Fan
+5V	+5V	+12V	+12V	+14V
20A	5A	13A	1.5A	1.0A

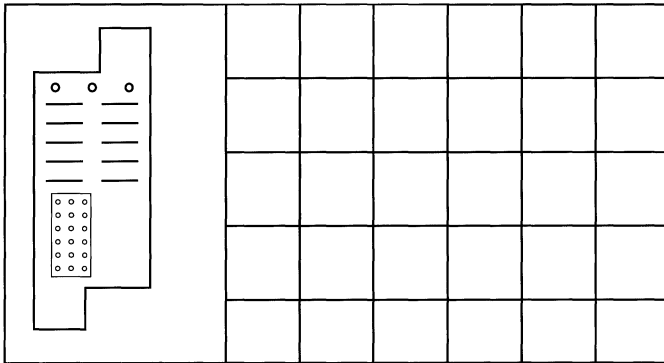
Zytec 300-1302 605 Watts

Enterprise 450 Ultra 450 Ultra Enterprise 450
Option 9682
300-1359
AC Input Power Supply

Front View



Rear View



AC Input

100-240 VAC
47-63Hz
8A

DC Output

+3.3V	+5.0V	+12.0V	-12.0V	+5.0V Standby
47.0A	64.0A	20.0A	1.0A	2.4A

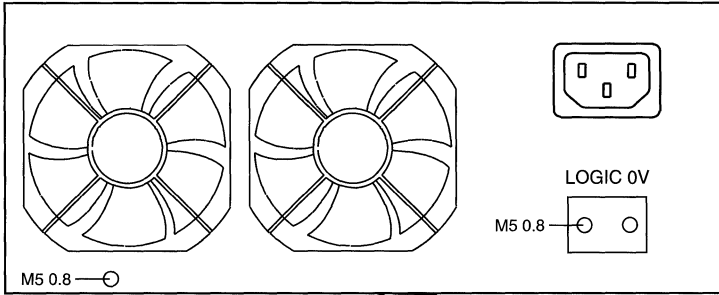
Artesyn EP071332 325 Watts

Netra t 1125

300-1406

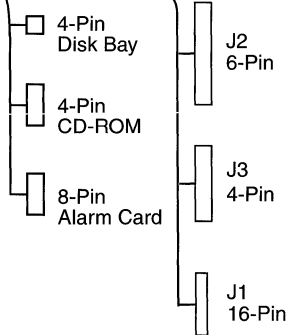
Type A136

AC Input Power Supply



J1 to System Board J2901

PIN	FUNCTION	PIN	FUNCTION
1	+3.3 -Sense	9	Off
2	+3.3 +Sense	10	On
3	+5.0 -Sense	11	-12V
4	+5.0 +Sense	12	POR
5	+3.0 -Sense	13	+12V Return
6	+3.0 +Sense	14	+12V
7	+3.0 OVP Program	15	+12 Return
8	+3 +V Program	16	+12



J3 to System Board J2902

PIN	FUNCTION
1	+5.0 Return
2	+5.0
3	+3.0
4	+3.0 Return

J2 to System Board J2903

PIN	FUNCTION
1 2 3	+3.3 Return
4 5 6	+3.3

DC Output

V1	V2	V3	V4	V5
+3.3V	+5.0V	+12.0V	-12.0V	2.5-3.5V
50.0A	30.0A	6.0A	0.4A	25.0A

Artesyn 22948700 610 Watts

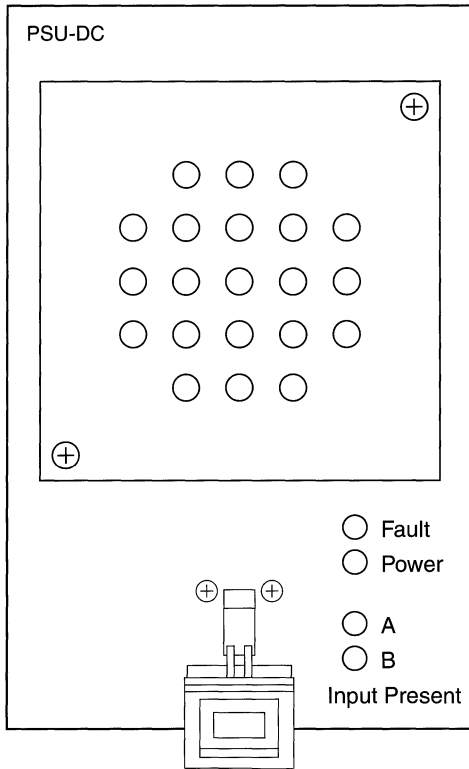
Netra ft 1800

300-1408

Type D121

DC Input Power Supply

Front View



DC Input

-48VDC
24A

DC Output

V1	V2	V3	V4	V5	V5
+3.3Vcpu	+5.0Vcpu	+14.0Vmb	+14.0Vcpu	+5.0Vmb	+5Vsbs
28.0A	31.0A	17.7A	5.0A	8.0A	1.0A

FDK CEX211-00 360 Watts

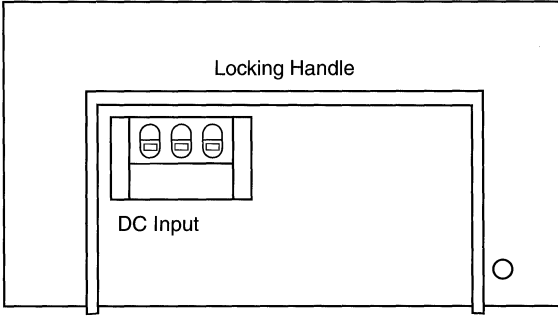
Netra st A1000 Netra st D1000

300-1428

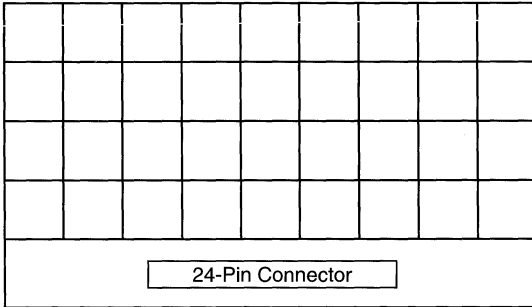
Type D124

DC Input Power Supply

Front View



Rear View



DC Input

-40 to -75 VDC
<13.0A @ -40VDC

DC Output

+5.0V	+12.0V	+5.0Vpc	+12.0Vpc
30.0A	23.0A	2A	2.5A

Artesyn 330 Watts

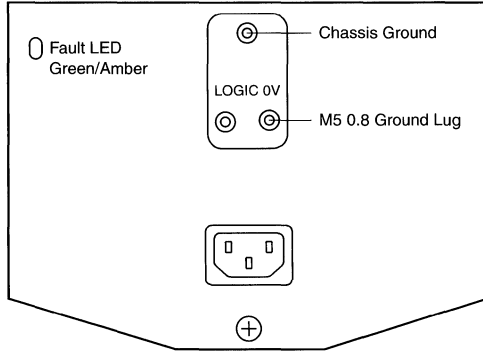
Netra t 1405

300-1434

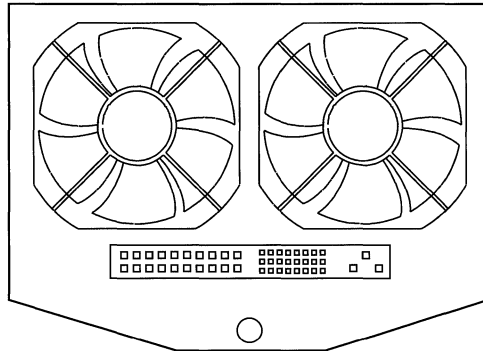
Type A142

AC Input Power Supply

Front View



Rear View



AC Input

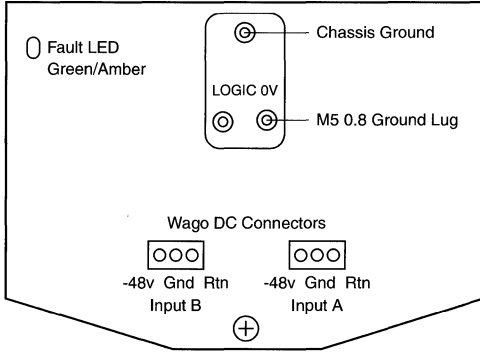
100 - 240V	6A RMS@100Vac	50/60Hz
------------	---------------	---------

DC Output

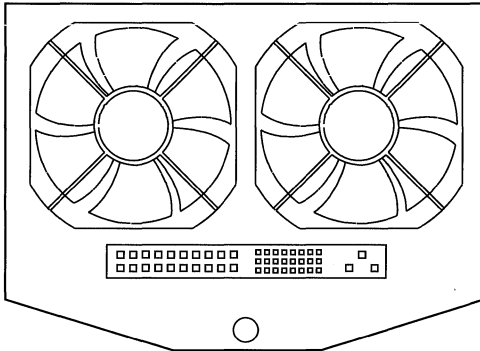
+3.3V	+5.0V	+12.0V	-12.0V	+5.0Vsb
49.5A	38.5A	6.6A	0.4A	0.25A

Artesyn EP071359 330 Watts
Netra t 1400
300-1435
 Type D129
 DC Input Power Supply

Front View



Rear View



DC Input

-40 to -75Vdc	15A
---------------	-----

DC Output

+3.3V	+5.0V	+12.0V	-12.0V	+5.0Vsb
49.5A	38.5A	6.6A	0.4A	0.25A

Sony DPS-62 360 Watts

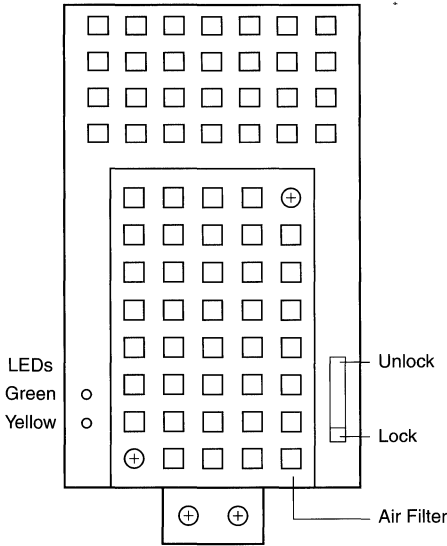
Netra ct 400 Netra ct 800

300-1445

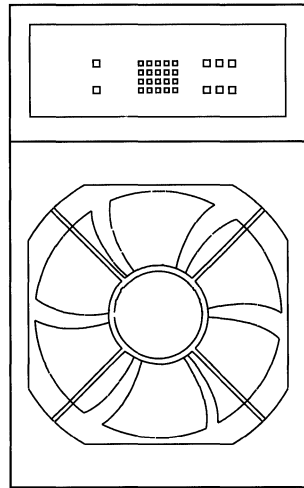
Type D128

DC Input Power Supply

Front View



Rear View



DC Input

-48V	13.0A
-60V	8.5A

DC Output

1	2	3	4	5	6	7
+5.0V	+3.3V	+12.0V	-12.0V	+5.0Vsb	+5Vpc	+12Vpc
30.0A	20.0A	10.5A	1.0A	2.0A	3.0A pk	3.0A pk

Notes

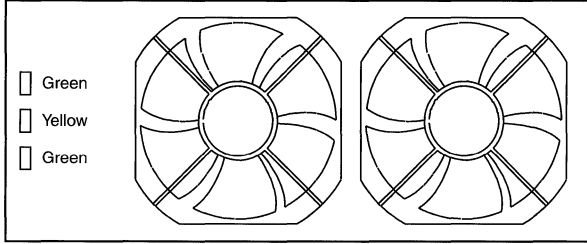
1. Replace the power supply air filter every three to six months.
2. Power supply air filter 250-1594-01 is available as Option 7182.

Reference: *Netra ct Server Service Manual*, 806-3296.

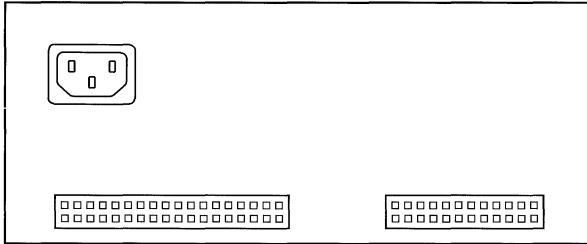
Lucent 300-1449 380 Watts
 Enterprise 220R Enterprise 420R
 300-1449
 Type A148
 AC Input Power Supply

Front View

LEDs
 AC Present
 DC Fault
 DC Status



Rear View



AC Input

100 - 240V	6.25A	50/60Hz
------------	-------	---------

DC Output

+3.3V	+5.0V	+12.0V	-12.0V	+5.1V
50.0A	40.0A	5.0A	0.5A	1.0A

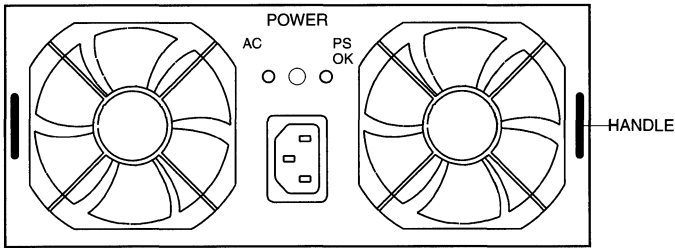
Tectrol TC64S-1327 335 Watts

StorEdge T3

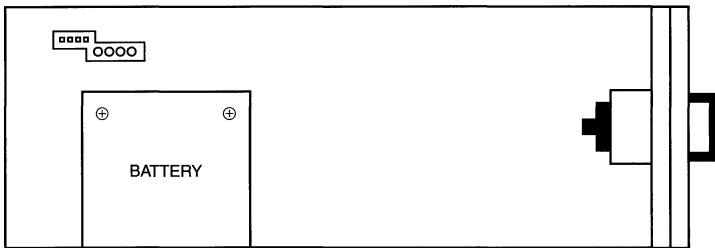
300-1453
AC Input Power Supply
NiCD Battery
Early Access

300-1454
AC Input Power Supply
NiMH Battery

Front View



Side View



AC Input

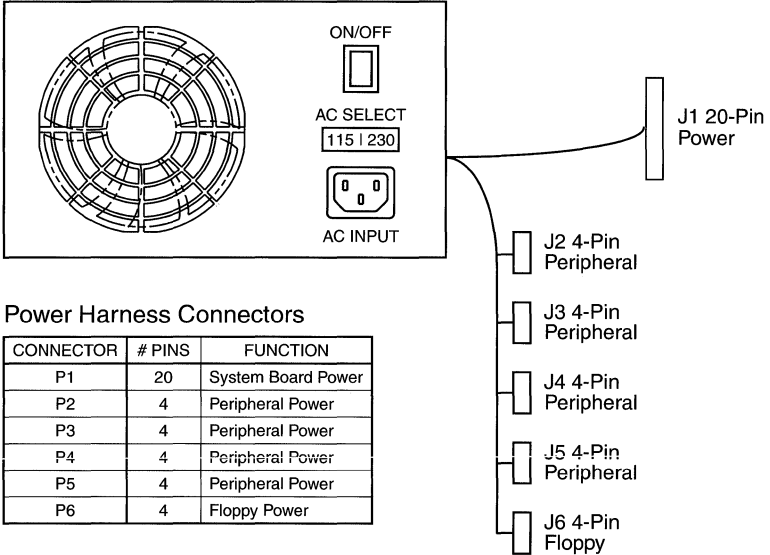
100 - 240V	5A	50/60Hz
------------	----	---------

Mitac MPU-200REF 200 Watts

Ultra 5

370-3162

AC Input Power Supply



Power Harness Connectors

CONNECTOR	# PINS	FUNCTION
P1	20	System Board Power
P2	4	Peripheral Power
P3	4	Peripheral Power
P4	4	Peripheral Power
P5	4	Peripheral Power
P6	4	Floppy Power

AC Input

100 - 127VAC	7.0A
200 - 240VAC	3.5A

DC Output

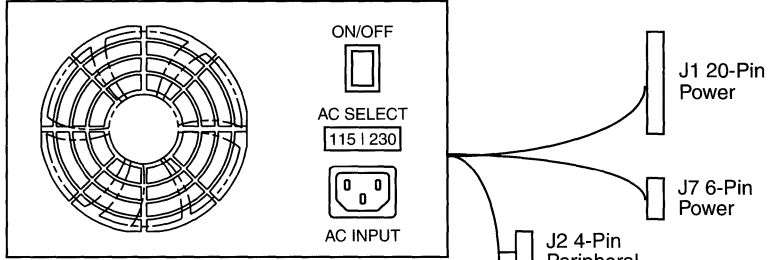
V1	V2	V3	V4	V5	V6
+5.0V	-5.0V	+12.0V	-12.0V	+3.3V	+5VSB
22.0A	0.5A	6.0A	0.8A	14.0A	0.2A

Mitac MPU-250REF 243 Watts

Ultra 10

370-3171

AC Input Power Supply



Power Harness Connectors

CONNECTOR	# PINS	FUNCTION
P1	20	System Board Power
P2	4	Peripheral Power
P3	4	Peripheral Power
P4	4	Peripheral Power
P5	4	Peripheral Power
P6	4	Floppy Power
P7	6	System Board Power

AC Input

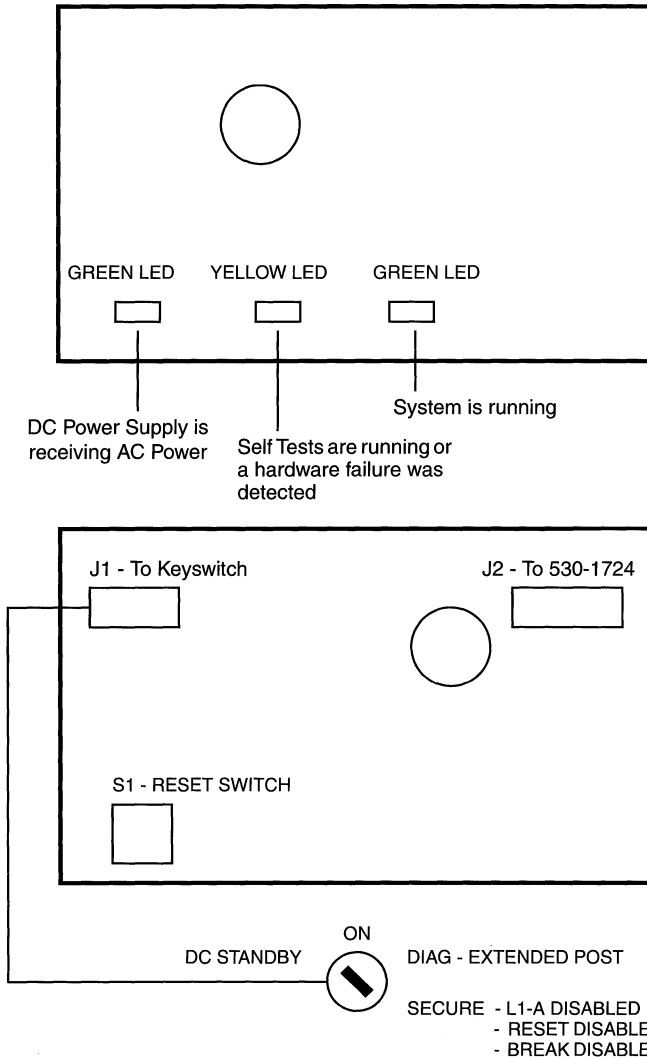
100 - 127VAC	8.0A
200 - 240VAC	4.0A

DC Output

V1	V2	V3	V4	V5
+5.0V	+3.3V	+12.0V	-12.0V	+5VSB
22.0A	21.0A	5.0A	0.3A	0.2A

Keyswitch Interface Board

SC2000 SC2000E
501-1877

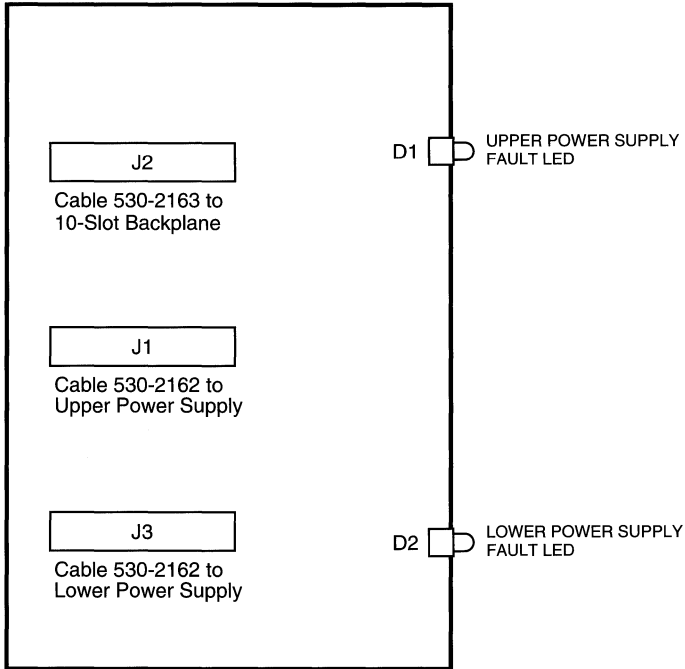


Note
The Keyswitch Interface Board is located behind Inner Liner 340-2467, inside the Hinged Front Panel Assembly.

Reference: *SPARCcenter 2000 Installation Manual*, 800-6975-14.

Power Supply Interface Board

SC2000E
501-2724

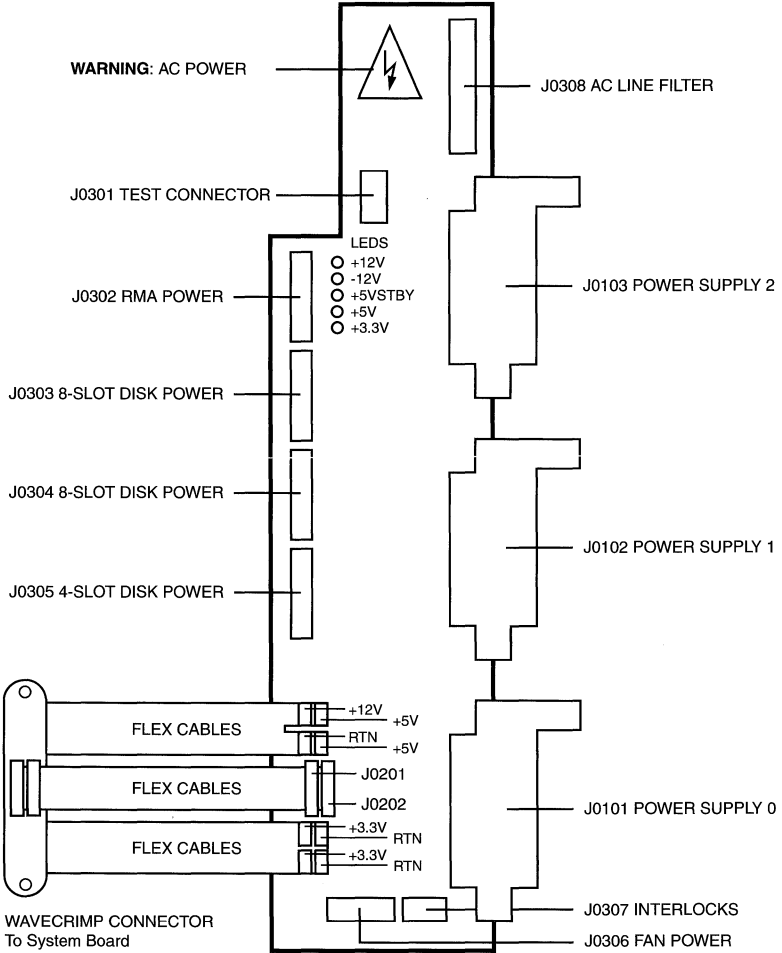


Notes

1. Install Jumper 530-2170 in J3 if only one power supply is installed.
2. The lower power supply fault LED is ON if Jumper 530-2170 is not installed and only one power supply is installed.
3. Systems with redundant power supplies require Power Supply 300-1281. Do NOT use 300-1072, 300-1258, or 300-1286.

DC Power Distribution Board

Enterprise 450 Ultra 450 Ultra Enterprise 450
501-3100

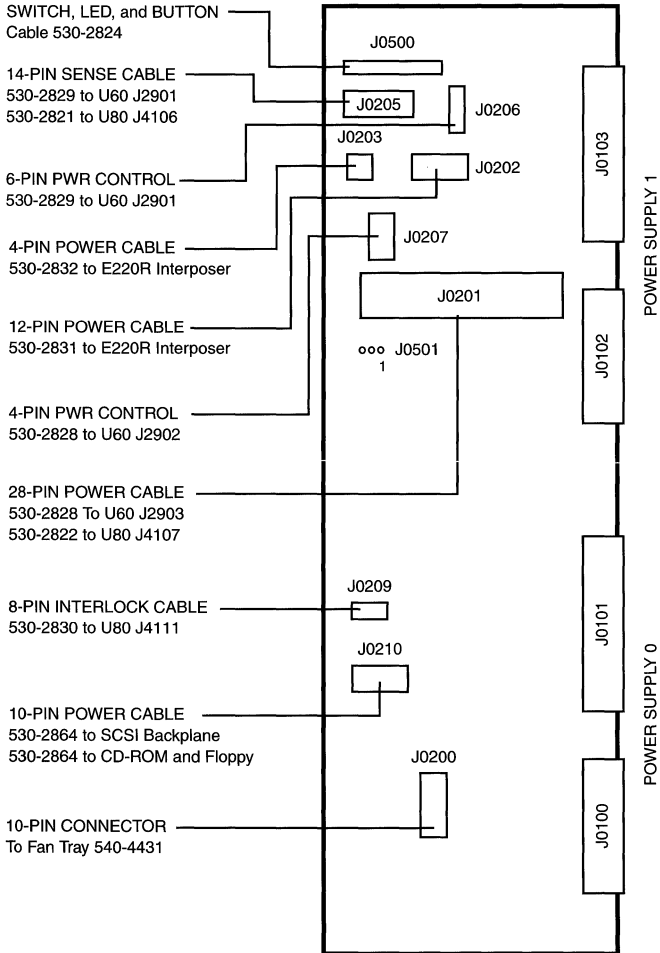


Notes

1. The upper and lower flex cables are soldered to the board.
2. Carefully fold the flex cables to avoid solder joint damage.

DC Power Distribution Board

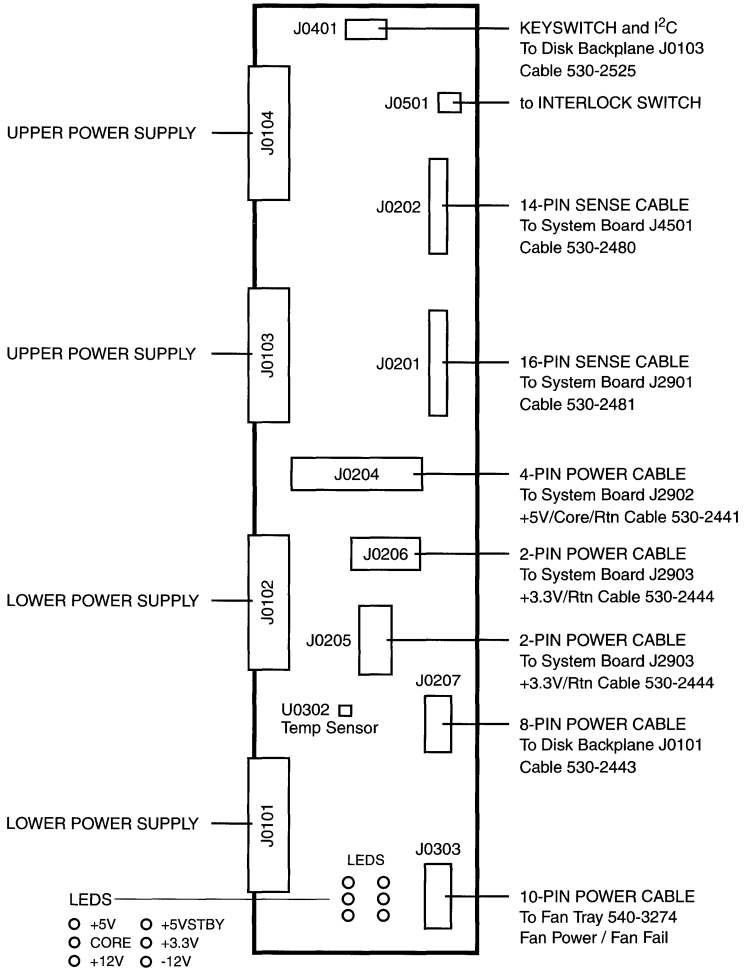
Enterprise 220R Enterprise 420R
501-5506



DC Power Distribution Board

Enterprise 250

501-4683



Notes

1. If the system is powered Off from software with the keyswitch On and AC power is removed and reapplied, the system will power On. The system should remain Off. This is fixed on PDB 501-4683-06.
2. The POK signals tend to float to the OK state and may cause NVRAM corruption during removal or replacement if the DC harness is connected between the PDB and System Board. This is fixed on PDB 501-4683-06. Disconnecting the harness before NVRAM removal and replacement is recommended in *Enterprise 250 Server Product Notes* 805-3399-11.

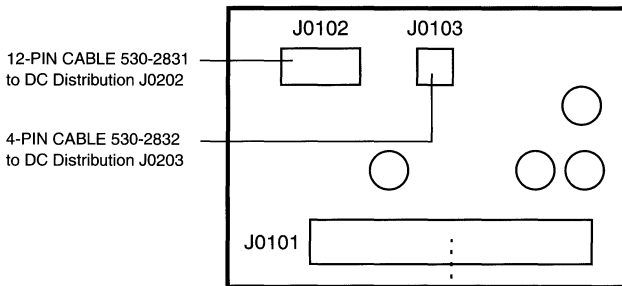
DC-DC Converter Circuit

Enterprise 220R

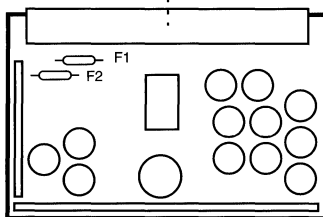
300-1455
DC-DC Converter

375-0094
Interposer Board

Interposer Board 375-0094



DC-DC Converter 300-1455



Note

Replace 375-0094-01 with 375-0094-01 DEV WO_17041 or 375-0094-02.

Unisys 200 Watts

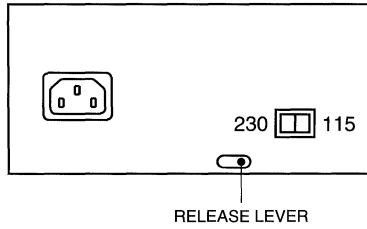
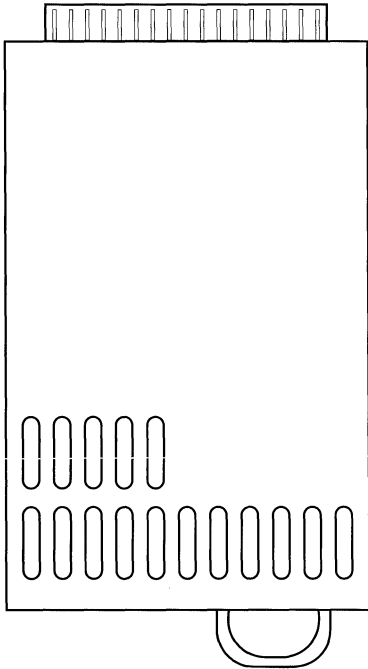
SPARCstorage RSM

300-1311

Lambda VAOSM231
AC Input Power Supply

300-1328

Tectrol
AC Input Power Supply



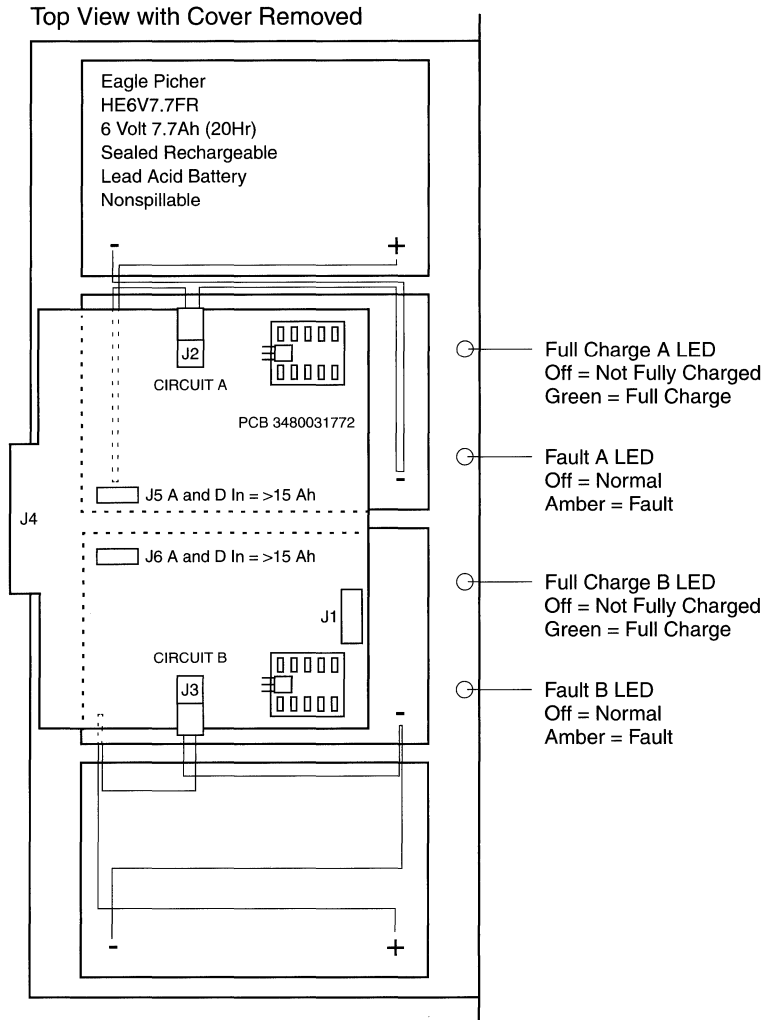
DC Output

CH1	CH2	CH3
+12V	+5V	+5V
12A	14A	1.5A

Symbios Redundant Battery Backup Module

RSM Array 2000

StorEdge A3000 StorEdge A3500 StorEdge A3500FC
370-2434



Notes

1. Charging a new battery can take up to 12 hours.
2. Write caching is disabled if the battery is weak or has lost its charge.
3. Replace the battery every 2 years as indicated on the label.
4. The maximum battery shelf life is 12 months at 25C.
5. Four LEDs were added to the front panel in July 1998.

Symbios 150 Watts

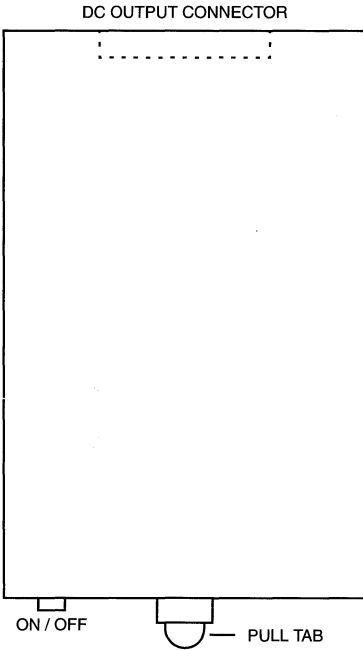
RSM Array 2000

StorEdge A3000 StorEdge A3500 StorEdge A3500FC

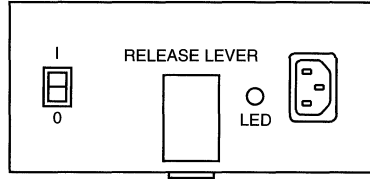
370-2436

Power Switch PSSP-150-21RS
AC Input Power Supply

Top View



End View



AC Input

100 - 240V
2.8 - 0.8A
50 - 60Hz

DC Output

+12V	+5V
4A	20A