



BUILD ARC DOC

ASSEMBLY PARTS LIST

PRINT DATE	PAGE	E.C. NO.
02-25-81	I	284

DIV.		ASSEMBLY NUMBER		CD	REV.	DWG.	DESCRIPTION			MC	STATUS	STATUS DATE		FILE DATE			
0500		43000100		B	AY	N	1950 TLA SYSTEM LOGIC			N	REL	07-28-80	1950		02-02-81		
T	FIND NO	LI	PART NUMBER	CD	M	QUANTITY	U/M	PART DESCRIPTION			MC	YLD	E.C. NO. IN	E.C. NO. OUT	S/N	WK IN	WK OUT
	001	01	43500012	0		1	PC	SYS.LDG GRP,JC,PC			N		C 3083	3083			7944
	001	02	43500032	8		1	PC	SYS LGC GP,JC,43100302,PC			N		C 3083	C 3104		7944	7950
	001	03	43500043	5		1	PC	SYS LGC GP,JC, 43100303, PC			N		C 3104	44075		7950	8006
	001	04	43500052	6		1	PC	SYS LGC GP,JC,43100304,PC			N		44075	44245		8006	8023
	001	05	43500068	2		1	PC	SYS LGC GP,JC,43100305,PC			N		44245			8023	
	002	01	43500013	8		1	PC	SYS LGC GP, JD,43102201,PC			N		C 3075	3075			7942
	002	02	43500035	1		1	PC	SYS LGC GP,JD,43102202,PC			N		C 3075	C 3091		7942	7950
	002	03	401223801	2		1	PC	SYS LGC GP,HD,MULTI PN'S			N		44089	44159		7950	8011
	002	04	401223802	0		1	PC	SYS LGC GP,HD,PC,MULTI PN'S			N		44159	44217		8011	8026
	002	05	401223803	8		1	PC	SYS LGC GP,HD,PC,MULTI PN'S			N		44217	44308		8026	8029
	002	06	401223804	6		1	PC	SYS LGC GP,HD,PC,MULTI PN'S			N		44308	44409		8029	8103
	002	07	401223805	3		1	PC	SYS LGC GP,HD,PC,MULTI PN'S			N		44409			8103	
	003	01	43500046	8		1	PC	SYS LGC GP,JE,43116302,PC			N		44071			8004	
	004	01	43500023	7		1	PC	SYS LDG GRP,JF,PC			N		C 3087	C 3087			7939
	004	02	43500031	0		1	PC	SYS LGC GP, JF,43113302, PC			N		C 3087	44066		7939	8004
	004	03	43500049	2		1	PC	SYS LGC GP JF 43113303 PC FUD			N		44066			8004	
	005	01	43500014	6		1	PC	SYS LDG GRP,JH,PC			N		C 3085	C 3085			7939
	005	02	43500028	6		1	PC	SYS LGC GP,JH,43103301,PC			N		C 3085	C 3085		7939	7939
	005	03	43500037	7		1	PC	SYS LGC GP 43103302,JH PC			N		C 3085	44069		7939	8016
	005	04	43500056	7		1	PC	SYS LGC GP, 43103303, JH,PC			N		44069	44202		8016	8016
	005	05	43500059	1		1	PC	SYS LGC GP,JH,43103304,PC			N		44202			8016	
	006	01	43500015	3		1	PC	SYS LDG GRP,JJ,PC			N		C 3088	C 3088			7939
	006	02	43500030	2		1	PC	SYS LGC GP,JJ 43104302, PC			N		C 3088	C 3095		7939	7944
	006	03	43500039	3		1	PC	SYS LGC GP, JJ 43104303, PC			N		C 3095	44178		7944	8008
	006	04	43500057	5		1	PC	SYS LGC GP,JJ,43104304,PC			N		44178	44087		8008	8020
	006	05	43500061	7		1	PC	SYS LGC GP,JJ,43104305,PC			N		44087	44352		8020	8039
	006	06	43500071	6		1	PC	SYS LGC GP,JJ,43104306,PC			N		44352			8039	
	007	01	43500016	1		1	PC	SYS LDG GRP,JK,PC			N		C 3067	C 3067			7925
	007	02	43500026	0		1	PC	SYS LGC GP, JK,43105301, PC			N		C 3067	C 3089		7925	7943
	007	03	43500038	5		1	PC	SYS LGC GP, JK,43105302, PC			N		C 3089	44056		7943	7950
	007	04	43500051	8		1	PC	SYS.LGC GP,JK,43105303,PC			N		44056	44212		7950	8022
	007	05	43500064	1		1	PC	SYS LGC GP,JK,43105304,PC			N		44212	44246		8022	8022
	007	06	43500069	0		1	PC	SYS LGC GP,JK,43105305,PC			N		44246	44346		8022	8044
	007	07	43500073	2		1	PC	SYS LGC GP,JK,43105306,PC			N		44346			8044	

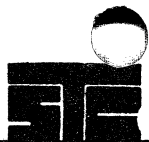


BUILD ARC DDC

ASSEMBLY PARTS LIST

PRINT DATE	PAGE	E.C. NO.
02-25-81	2	4284

DIV.		ASSEMBLY NUMBER		CD	REV.	DWG.	DESCRIPTION			MC	STATUS	STATUS DATE		FILE DATE				
0500		43000100		9	AY	N	1950 TLA SYSTEM LOGIC			N	REL	07-28-80		1950				
T	FIND NO	LI	PART NUMBER	CD	M	QUANTITY	U/M	PART DESCRIPTION			MC	YLD	E.C. NO. IN	E.C. NO. OUT	S/N	WK IN	WK OUT	
	008	01	43500017	9		1	PC	SYS LOG GRP, JL			N		C 3068	C 3068			7925	7925
	008	02	43500027	8		1	PC	SYS LGC GP, JL 43106301, PC			N		C 3068	C 3082		7925	7940	
	008	03	43500034	4		1	PC	SYS LGC GP, JL 43106302, PC			N		C 3082	C 3097		7940	7943	
	008	04	43500041	9		1	PC	SYS LGC GP, JL 43106303, PC			N		44067	44221		8014	8020	
	008	05	43500062	5		1	PC	SYS LGC GP, JL 43106304, PC			N		44221	44409		8020	8103	
	008	06	43500079	9		1	PC	SYS LGC GP, JL, 43106305, PC			N		44409			8103		
	009	01	43500018	7		1	PC	SYS LOG GRP JP PC			N			C 3084			7938	
	009	02	43500033	6		1	PC	SYS LGC GP, 43107302, JP, PC			N		C 3084	C 3094		7938	7944	
	009	03	43500040	1		1	PC	SYS LGC GP, JP 43107303, PC			N		C 3094	44076		7944	8007	
	009	04	43500047	6		1	PC	SYS LGC GP, JP, 43107304, PC			N		44076	44113		8007	8015	
	009	05	43500058	3		1	PC	SYS LGC GP, JP, 43107305, PC			N		44113	44245		8015	8023	
	009	06	43500067	4		1	PC	SYS LGC GP, JP, 43107306, PC			N		44245	44290		8023	8105	
	009	07	43500078	1		1	PC	SYS LGC GP, JP 43107307, PC			D		44290			8105		
	010	01	43500019	5		1	PC	SYS LOG GRP, JS, PC			N			C 3086			7938	
	010	02	43500029	4		1	PC	SYS LGC GRP, 43109302 JS, PC			N		44070	44221		7951	8020	
	010	03	43500053	4		1	PC	SYS LGC GP, JS, 43109303, PC			N		44221			8020		
	011	01	43500021	1		1	PC	SYS LOG GRP, JV, PC			N			C 3056			7924	
	011	02	43500042	7		1	PC	SYS LGC GRP, JV, 43112303 PC			N		C 3098	C 3103		7944	7949	
	011	03	43500045	0		1	PC	SYS LGC GP, JV, 43112304, PC			N		C 3103	44073		7949	8006	
	011	04	43500055	9		1	PC	SYS LGC GP, JV, 43112305, PC			N		44073	44213		8006	8027	
	011	05	43500060	9		1	PC	SYS LGC GP, JV, 43112306, PC			N		44213	44411		8027	8050	
	011	06	43500075	7		1	PC	SYS LGC GP, JV, 43112307, PC			D		44411	44265		8050	8118	
	011	07	43500081	5		1	PC	SYS LGC GP, JV, 43112308, PC			D		44265			8118		
	012	01	43500011	2		1	PC	SYS LGC GP, JA, 43138201, PC			N		44078	44369		8006	8103	
	012	02	43500072	4		1	PC	SYS LGC GP, JA, 43138202, PC			N		44369			8103		
	013	01	43500036	9		1	PC	SYS LGC GP, R/W HD, 43030500			N		44045			8008		
	014	01	43500025	2		1	PC	SYS LGC GP, JW, 43111202, PC			N		44128	44373		8007	8103	
	014	02	43500076	5		1	PC	SYS LGC GP, JW, 43111203, PC			N		44373			8103		
	015	01	43500044	3		1	PC	SYS LGC GP, JL 43106403, PC			N		44067	44221		8004	8020	
	015	02	43500063	3		1	PC	SYS LGC GP, JL, 43106404, PC			N		44221	44409		8020	8103	
	015	03	43500080	7		1	PC	SYS LGC GP, JL, 43106405, PC			N		44409			8103		
	016	01	401229701	8		1	PC	SYS LGC GP, JC, 401230204, PC			N		44097	44192		8010	8023	



BUILD ARC DOC

ASSEMBLY PARTS LIST

PRINT DATE	PAGE	E.C. NO.
02-25-81	3	284

DIV.	ASSEMBLY NUMBER	CD	REV.	DWG.	DESCRIPTION	MC	STATUS	STATUS DATE	FILE DATE						
0500	43000100	B	AY	N	1950 TLA SYSTEM LOGIC	N	REL	07-28-80	1950	02-02-81					
T	FIND NO	LI	PART NUMBER	CD	M	QUANTITY	U/M	PART DESCRIPTION	MC	YLD	E.C. NO. IN	E.C. NO. OUT	S/N	WK IN	WK OUT
	016	02	401229702	6		1	PC	SYS LGC GP,JC,MULTI PN'S,PC	N		44192	44343		8023	8036
	016	03	401229703	4		1	PC	SYS LGC GP,JC,MULTI PN'S,PC	N		44343			8036	
	017	01	43500048	4		1	PC	SYS LGC GP,JK,43105403,PC	N		44136	44212		8024	8024
	017	02	43500065	8		1	PC	SYS LGC GP,JK,43105404,PC	N		44212	44246		8024	8024
	017	03	43500070	8		1	PC	SYS LGC GP,JK,43105405,PC	N		44246	44346		8024	8044
	017	04	43500074	0		1	PC	SYS LGC GP,JK,43105406,PC	N		44346			8044	
	018	01	401256001	9		1	PC	SYS LGC GP,JF401224201, PC	N		44098			8023	
	019	01	401257101	6		1	PC	SYS LGC GP,JC,MULTI PN'S,PC	N		44160	44343		8029	8036
	019	02	401257102	4		1	PC	SYS LGC GP,JC,MULTI PN'S,PC	N		44343	44375		8036	8036
	019	03	401257103	2		1	PC	SYS LGC GP,JC,MULTI PN'S, PC	N		44375			8036	
	020	01	401273201	4		1	PC	SYS LGC GP,JS,401227203,PC	N		44101			8026	
	021	01	401275601	3		1	PC	SYS LGC GP,JH,401226201,PC	N		44099			8030	
	022	01	401295701	7		1	PC	SYS LGC GP,JJ2,401276301,PC	N		44352	44393		8039	8107
	022	02	401295702	5		1	PC	SYS LGC GP,JJ2,401276302,PC	N		44393			8107	
	024	01	401277901	5		1	PC	CABLING CASTING ASSY,CA001	D		44318			8030	
	025	01	401278001	3		1	PC	CABLING CAGE ASSY,CA002	D		44318			8030	
	026	01	43500077	3		1	PC	SYS LGC GP,JE,43116402,PC	N		44184			8101	
	027	01	401299301	2		1	PC	WIRING DIAGRAM,RECTIFIER,50HZ	D		44364			8050	
	028	01	401299401	0		1	PC	WIRING DIAGRAM,RECTIFIER,60HZ	D		44364			8050	
	029	01	401281301	2		1	PC	SYS.LGC GP,EPO,401270201,PC	D		44364			8050	
	030	01	401259901	7		1	PC	SYS.LGC GP,HX,401258201,PC	D		44364			8050	
	031	01	401534701	8		1	PC	SYS LGC GP,HD,PC,MULTI PN'S	N		44284			8107	
	032	01	401503801	2		1	PC	WIRING DIAGRAM RECTIFIER	D		44215			8114	

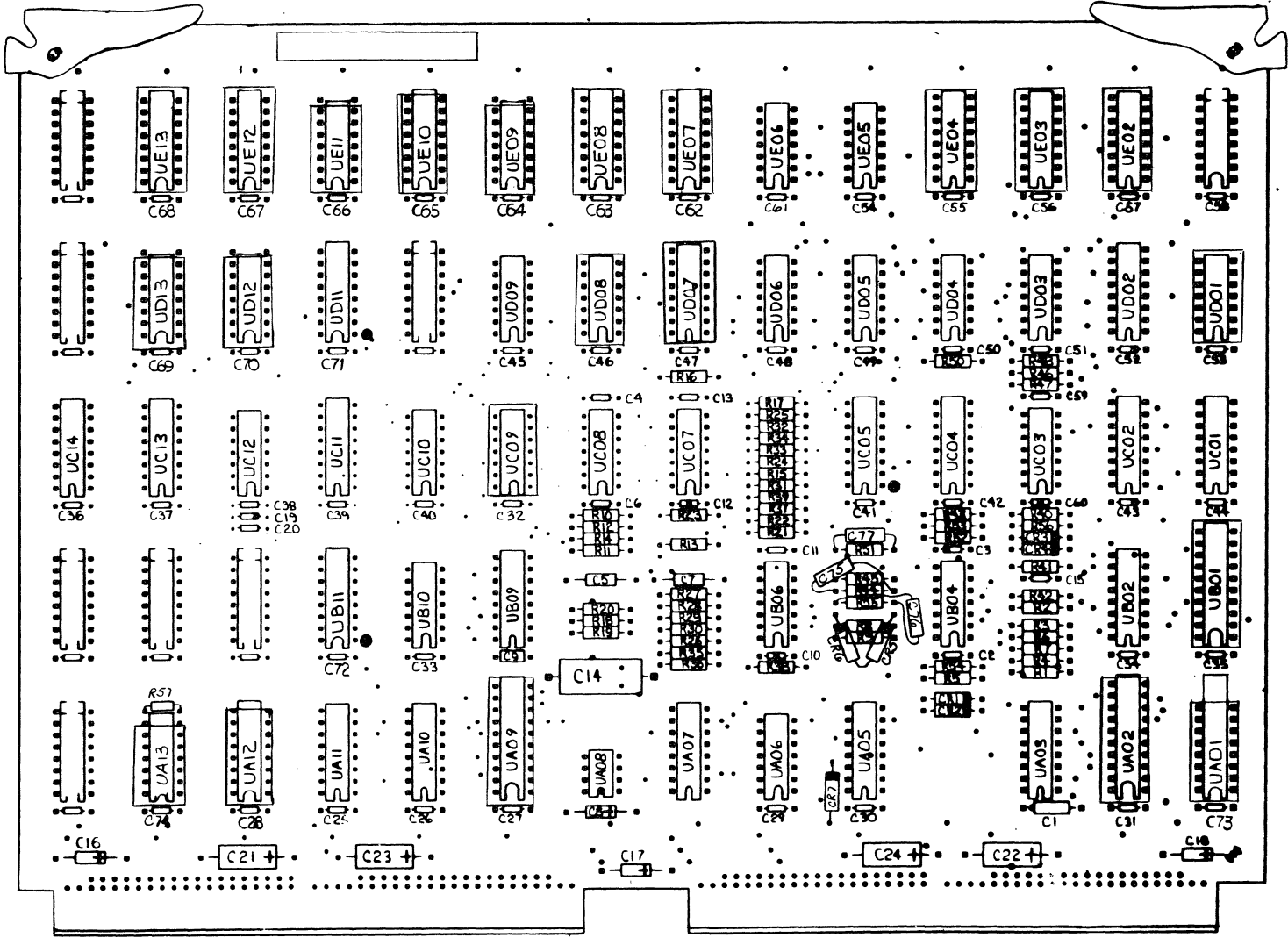


BUILD ARC DOC

ASSEMBLY PARTS LIST

PRINT DATE	PAGE	E.C. NO.
02-20-81	1	44245

DIV.	ASSEMBLY NUMBER	CD	REV.	DWG.	DESCRIPTION	MC	STATUS	STATUS DATE	FILE DATE					
0500	4350068	2	A	N	SYS LGC GP, JC, 43100305, PC	N	REL	05-27-80	1950	06-04-80				
T FIND NO	LI	PART NUMBER	CD	M	QUANTITY	U/M	PART DESCRIPTION	MC	YLD	E.C. NO. IN	E.C. NO. OUT	S/N	WK IN	WK OUT
001	01	43502022	7		REF	PC	SYS LGC, AB001, JC, PC	D						
002	01	43502015	1		REF	PC	SYS LGC, JC001, PC	D						
003	01	43502016	9		REF	PC	SYS LGC, JC011, PC	D						
004	01	43502017	7		REF	PC	SYS LGC, JC021, PC	D						
005	01	43502018	5		REF	PC	SYS LGC, JC031, PC	D						
006	01	43502023	5		REF	PC	SYS LGC, JC041, PC	D						
007	01	43502020	1		REF	PC	SYS LGC, JC051, PC	D						
008	01	43502021	9		REF	PC	SYS LGC, JC 061, PC	D						
500	01	43100305	2		REF	PC	CKT CD, JC, PC ASSY	S						
							0009 TOTAL LINES							



10000

JC CARD, CAPSTAN CONTROL

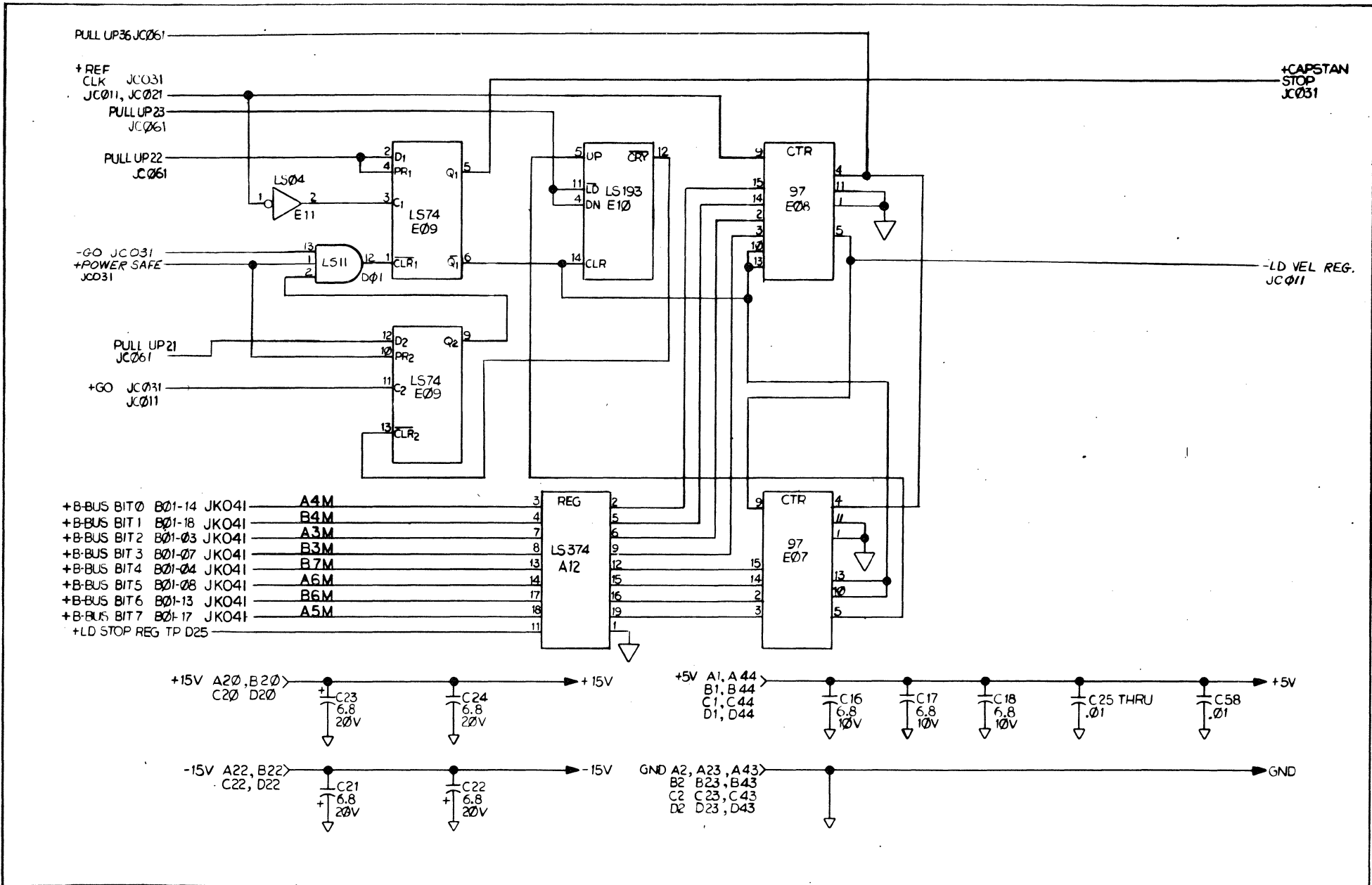
PREV. E.C. 44245
 PREV. E.C. 44075
 DATE 5-30-80

MACH. 1950
 VERS.
 OBL. ROT.

CD. LOC. C2
 SATE 1A
 FRAME

CD. RN. 43100305-2
 CD. TYPE JC
 PG. RN. 43502022-7

10000

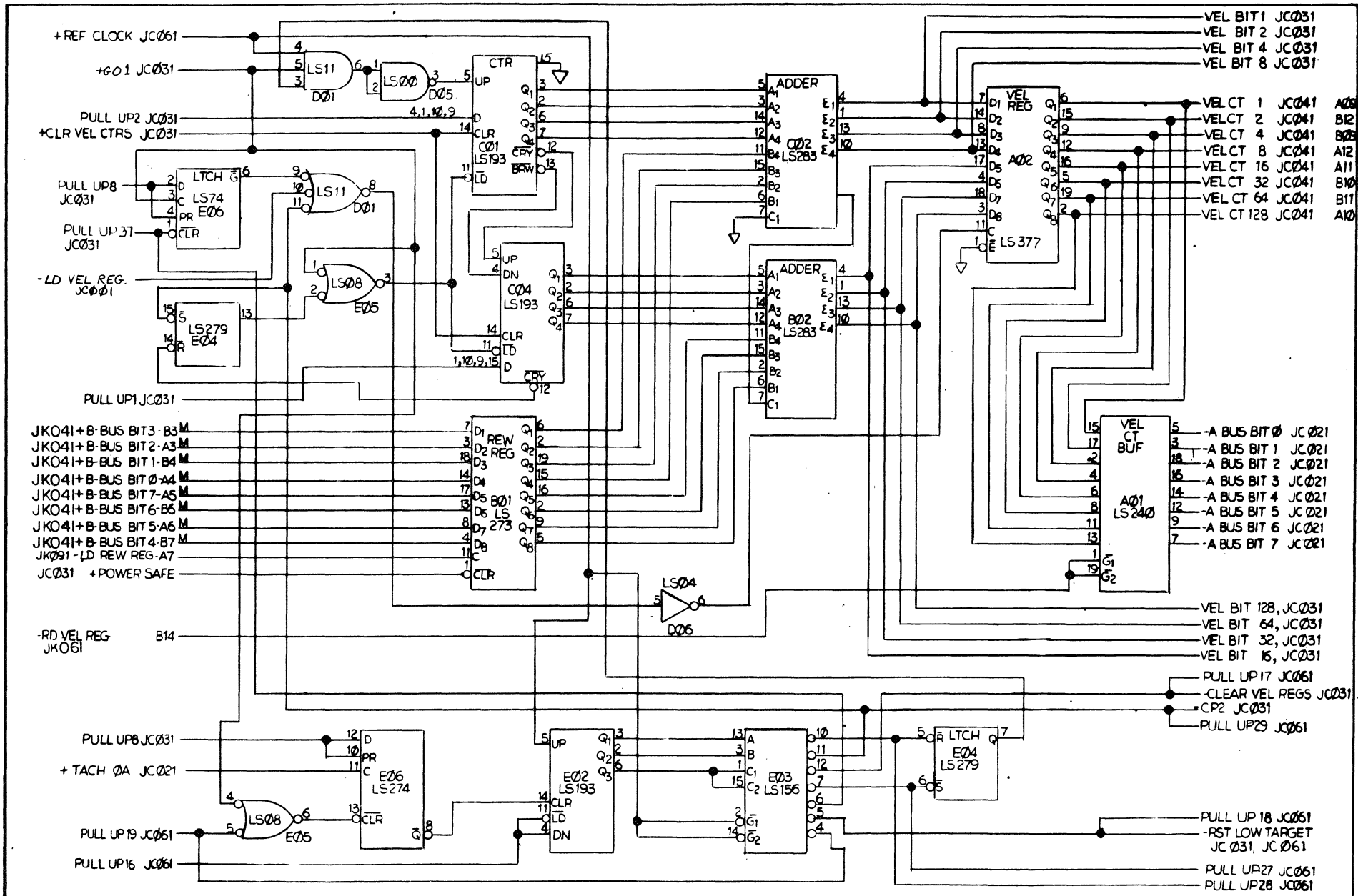


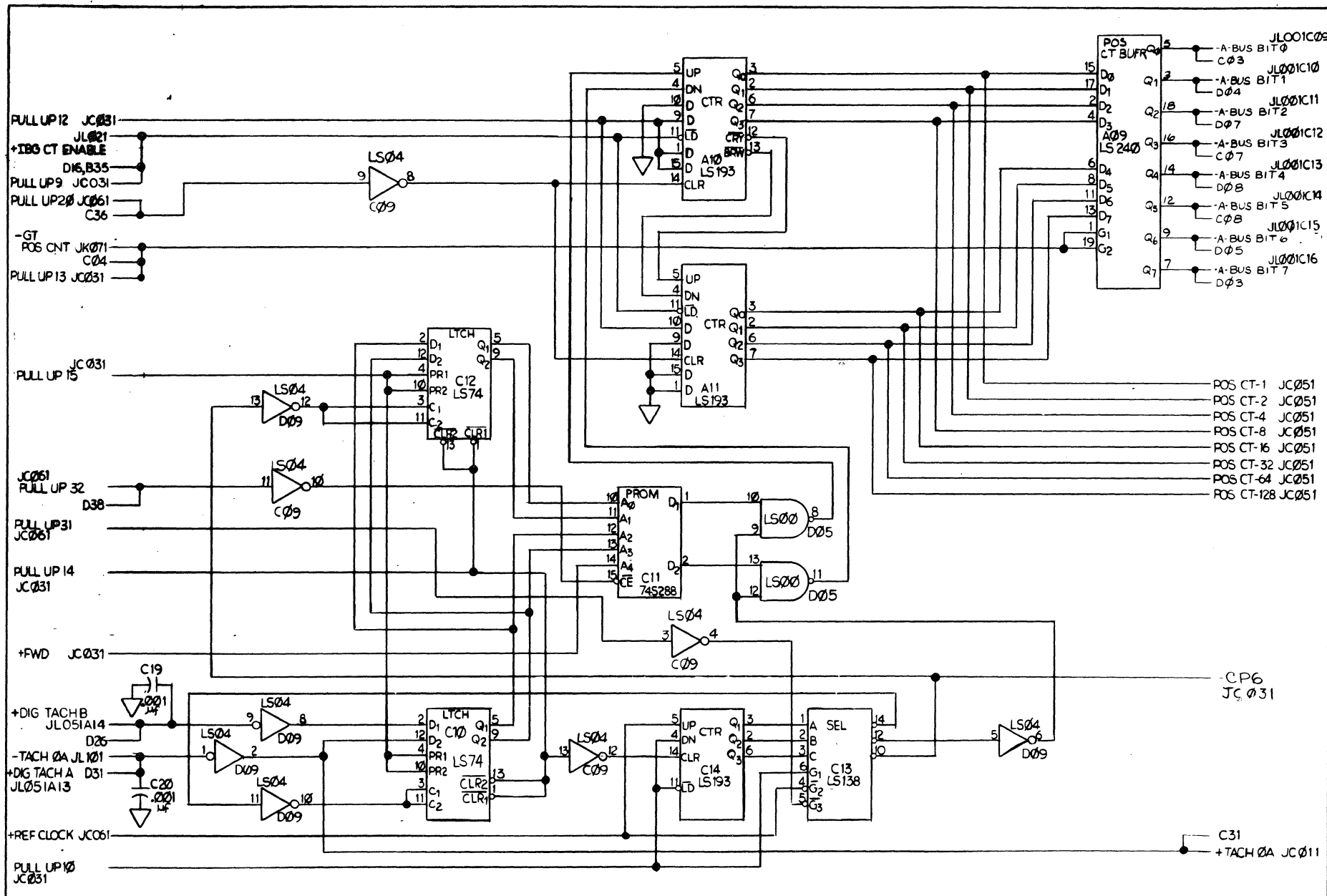
CAPSTAN STOP PULSE & VOLTAGE DISTRIBUTION

PRES. E.C. 44075 PREV. E.C. DATE 2-21-80	MACH 1950 VERS. GBL. ROT.	CD. LOC. C2 GATE 1A FRAME	CD. RN. CD. TYPE JC PG. PN. 43502015-1
------------------------------------------------	---------------------------------	---------------------------------	----------------------------------------------

1000

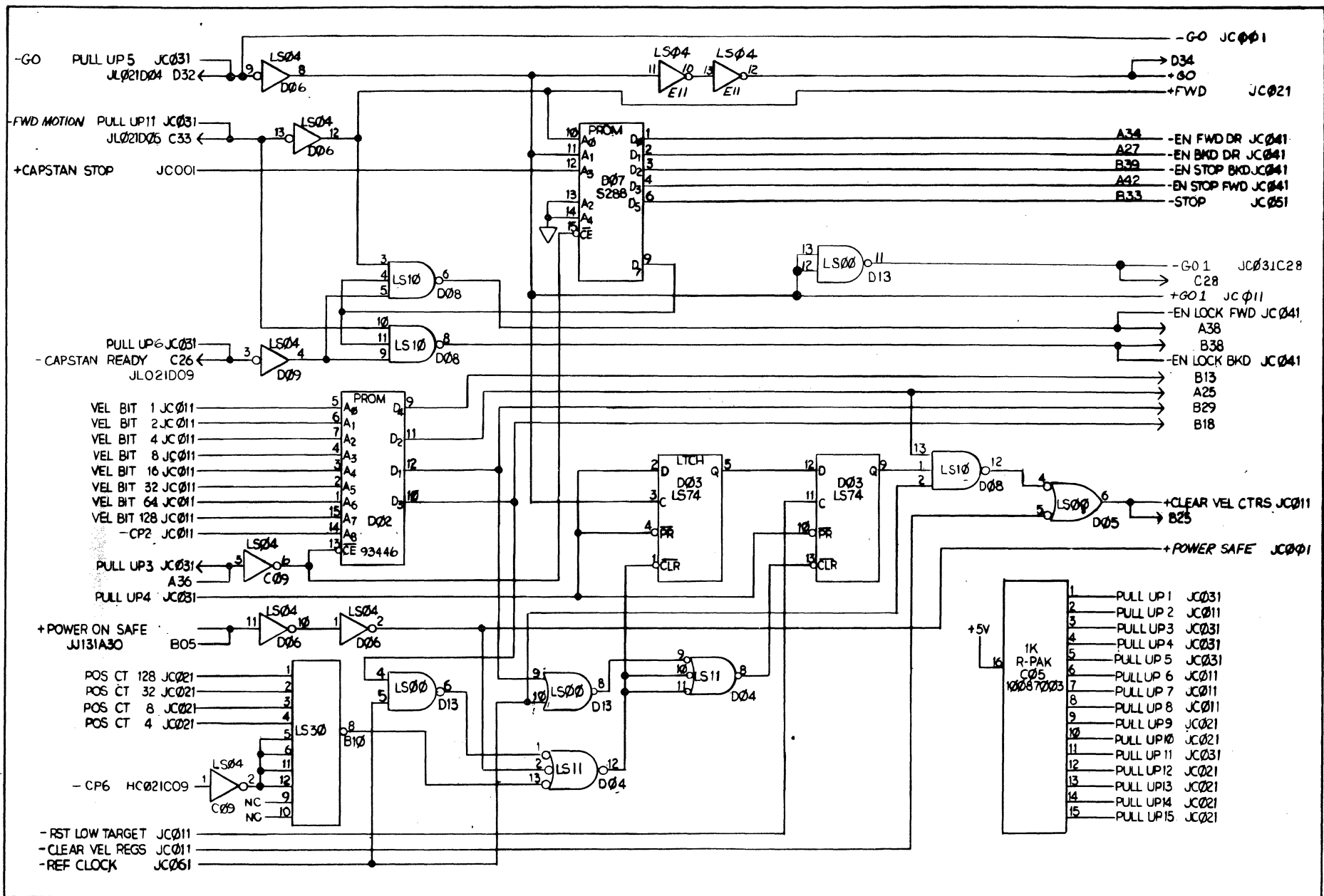
JCS 1





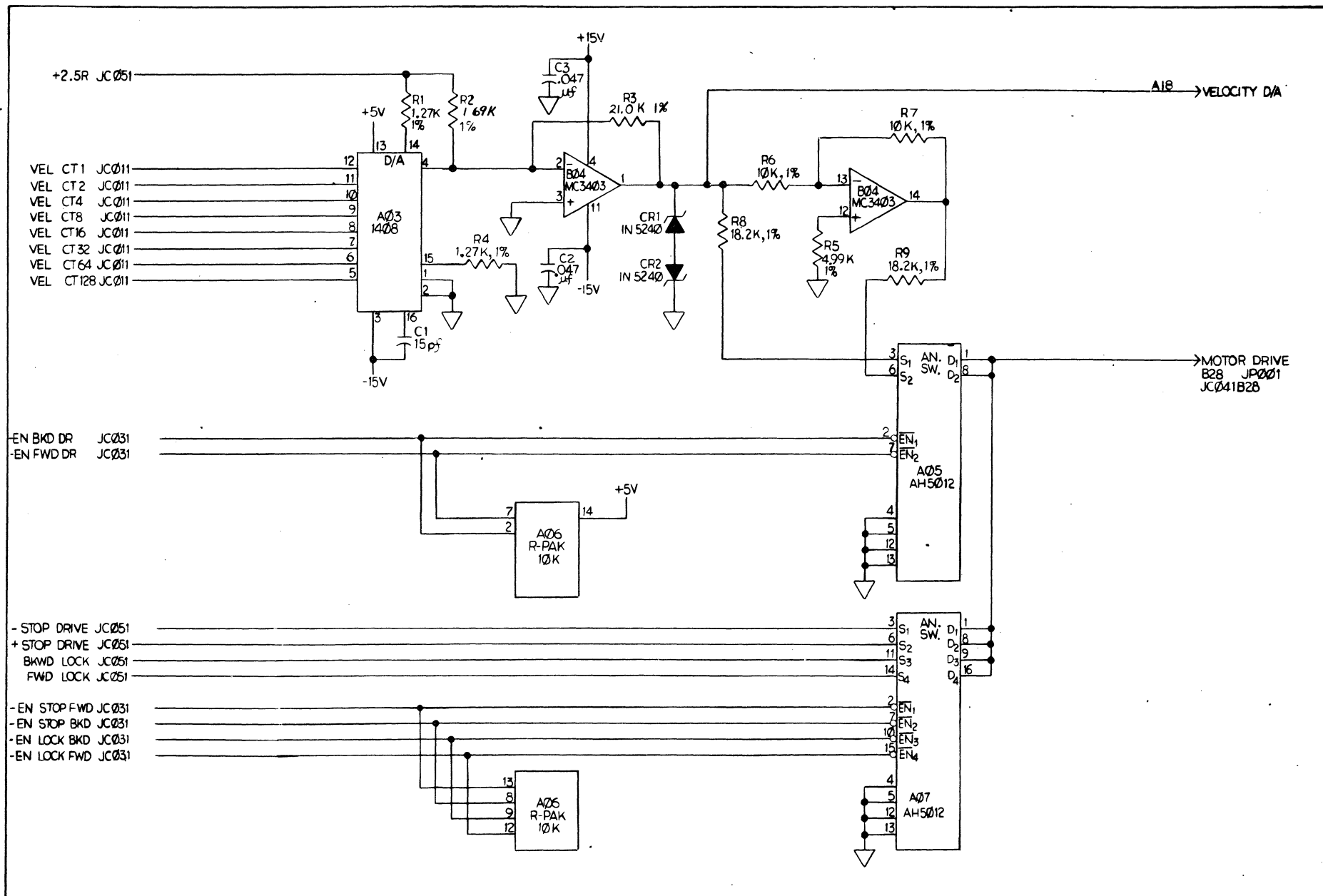
1000

■ CAPSTAN LOCK CONTROL, IBG REG				1000
PREV. E.C. DATE 2-21-80	44075	MACH. 1950 VERS. G.B.L. ROT.	CD. LOC. C. 2 GATE 1A FRAME	
			CD. P.N. CD. TYPE JC PG. P.N. 43502017-7	



LOW TARGET CONTROL AND COMMAND DECODE

PREL E.C. 44075 PREV E.C. DATE 2-22-80	MACH. 1950 VERS. OBL. ROT.	CD. LOC. C2 GATE 1A FRAME	CD. RM. CD. TYPE JC PR. RM. 43502018-5
----------------------------------------------	----------------------------------	---------------------------------	----------------------------------------------



JC041

■ CAPSTAN VELOCITY, STOP AND LOCK SELECT

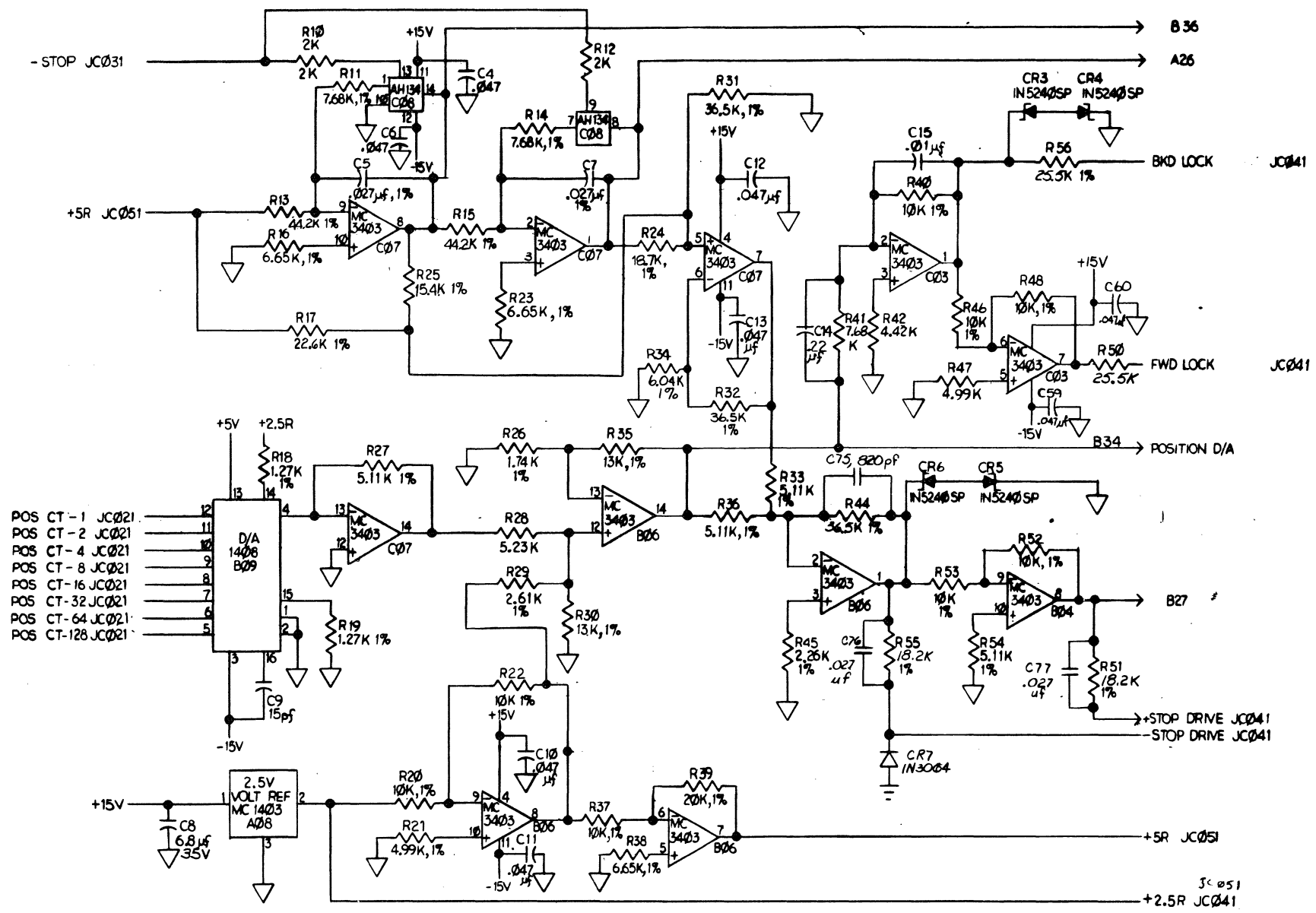
PREL. E.C. 44245
 PREV. E.C. 44075
 DATE 5-30

MACH. 1950
 VERS.
 GBL. ROT.

CD. LOC. C2
 GATE 1A
 FRAME

CD. P.N.
 CD. TYPE JC
 P.N. 43502023-5

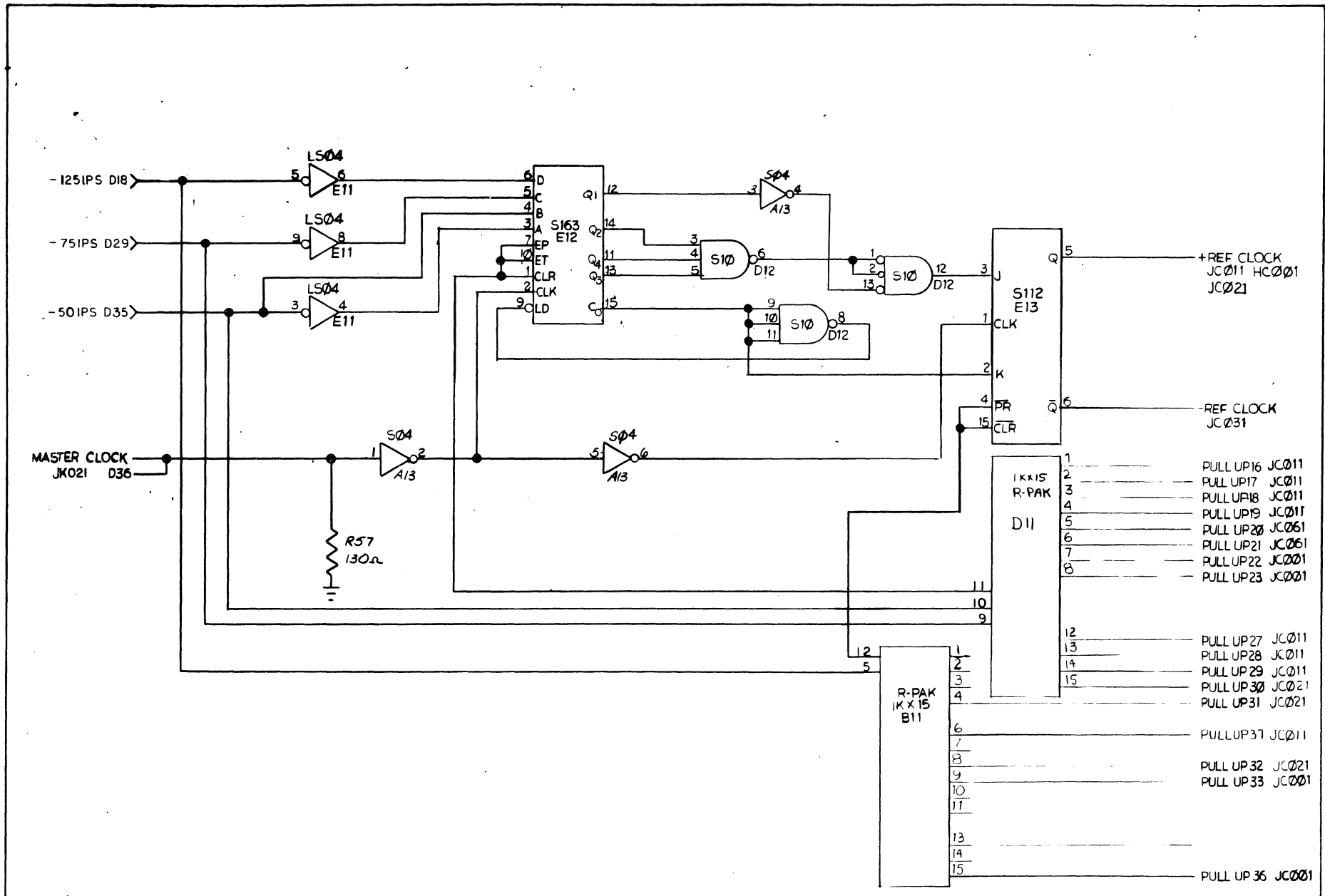
JC041



CAPSTAN STOP PROFILE GENERATOR AND POSITION D/A			
DESIGN E.C. 44075	MACH. 1950	CD. LOG. C2	CD. P.N.
REV. E.C.	VERS.	GATE 1A	CD. TYPE JC
DATE 2-22-80	GBL. ROT.	FRAME	PG. P.N. 43502020-1

-0804

-0804



CAPSTAN REF CLOCK			
PREV. E.C. 44075	MACH. 1950	CD. LOC. C2	CD. P.N.
DATE 2-22-80	VER. GBL. ROT.	GATE 1A	CD. TYPE JC
		FRAME	PG. PN. 13502021-9

100

JC011

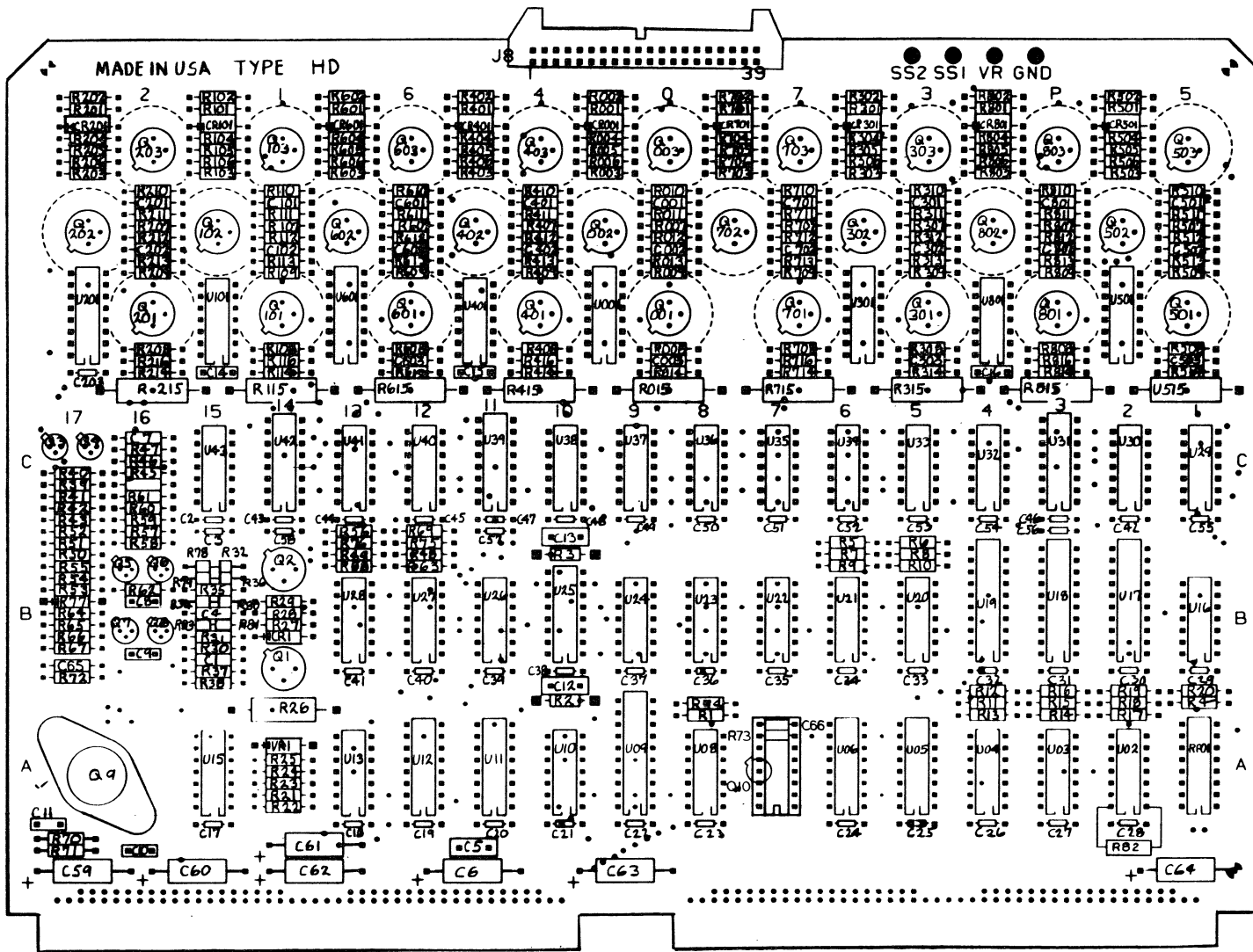


BUILD ARC DOC

ASSEMBLY PARTS LIST

PRINT DATE	PAGE	E.C. NO.
02-20-81	1	44409

DIV.	ASSEMBLY NUMBER	CD	REV.	DWG.	DESCRIPTION	MC	STATUS	STATUS DATE	FILE DATE					
0500	401223805	3	E	N	SYS LGC GP,HD,PC,MULTI PN'S	N	REL	01-13-81	1950	01-14-81				
T FIND NO	LI	PART NUMBER	CD	M	QUANTITY	U/M	PART DESCRIPTION	MC	YLD	E.C. NO. IN	E.C. NO. OUT	S/N	WK IN	WK OUT
000	01	401223705	5		REF	PC	CD LGC,HD,AB001,PC	D						
001	01	401222002	8		REF	PC	SYS.LGC,HD001,PC	D						
010	01	401222103	4		REF	PC	SYS LGC,HD011,PC	D						
015	01	401222203	2		REF	PC	SYS LGC,HD015,PC	D						
020	01	401222303	0		REF	PC	SYS LGC,HD021,PC	D						
030	01	401222403	9		REF	PC	SYS LGC,HD031,PC	D						
040	01	401222503	5		REF	PC	SYS LGC,HD041,PC	D						
050	01	401222604	1		REF	PC	SYS LGC,HD051,PC	D						
060	01	401222703	1		REF	PC	SYS LGC,HD061,PC	D						
070	01	401222803	9		REF	PC	SYS LGC,HD071,PC	D						
080	01	401222902	9		REF	PC	SYS LGC,HD081,PC	D						
090	01	401223002	7		REF	PC	SYS LGC,HD091,PC	D						
100	01	401223102	5		REF	PC	SYS LGC,HD101,PC	D						
110	01	401223202	3		REF	PC	SYS LGC,HD111,PC	D						
120	01	401223302	1		REF	PC	SYS LGC,HD121,PC	D						
130	01	401223402	9		REF	PC	SYS LGC,HD131,PC	D						
140	01	401223503	4		REF	PC	SYS LGC,HD 141,PC	D						
150	01	401223603	2		REF	PC	SYS LGC,HD 151,PC	D						
500	01	401220205	9		REF	PC	CKT CD,HD,PC ASSY,50 IPS	S						
501	01	401221205	9		REF	PC	CKT CD,HD,PC ASSY,75 IPS	S						
502	01	400521206	5		REF	PC	CKT CD,HD,PC ASSY,125 IPS	S						



• NOTE: CARD PMS:
 50 IPS - 401220205
 75 IPS - 401221205
 125 IPS - 400521206

HD CARD, WRITE DRIVER AND CONTROL

PRES. E.C. 44409
 PREV. E.C. 44306
 DATE 1-14-81

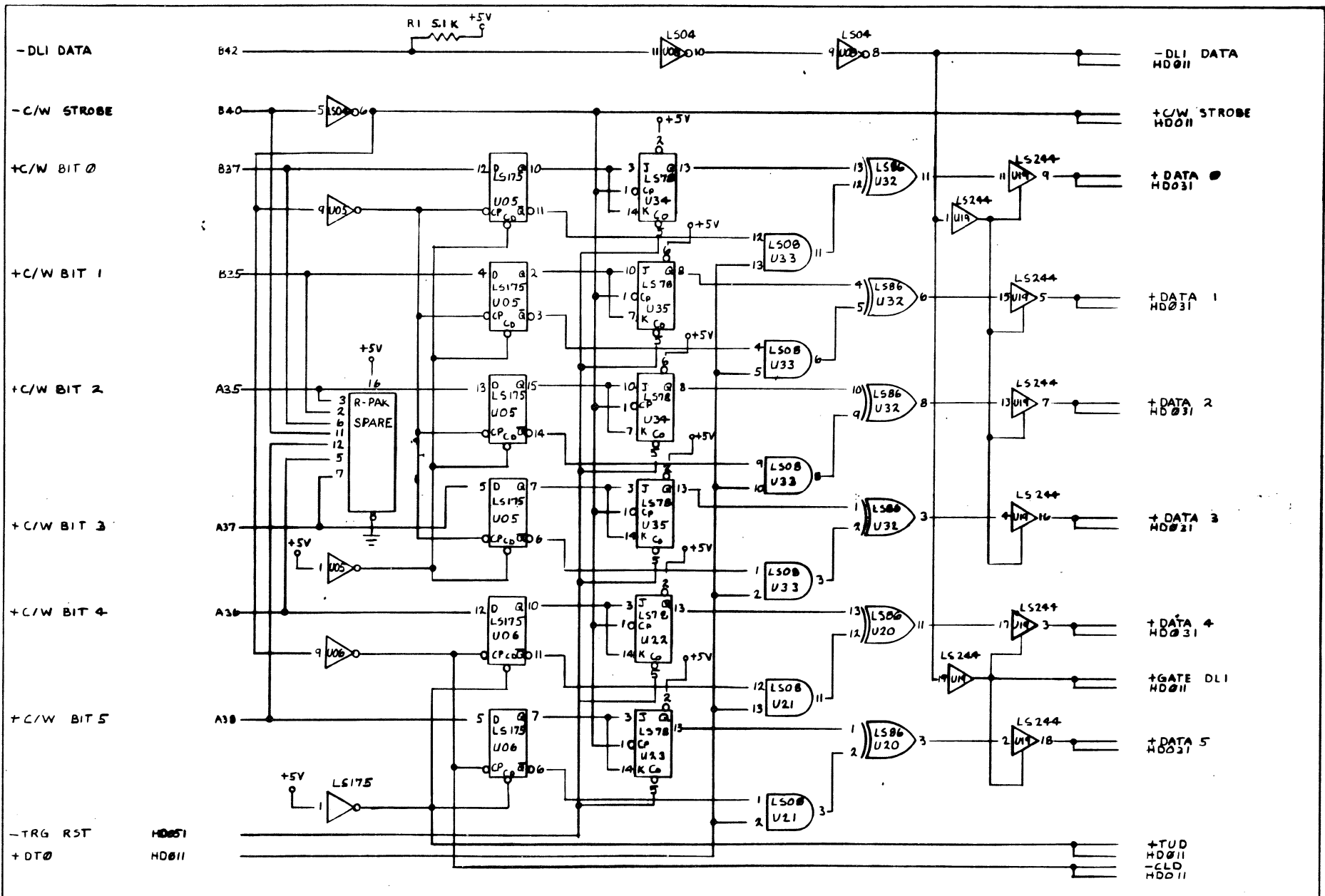
MACH. 1950
 VERS.
 GBL. ROT.

CD. LOC. J2
 GATE
 FRAME

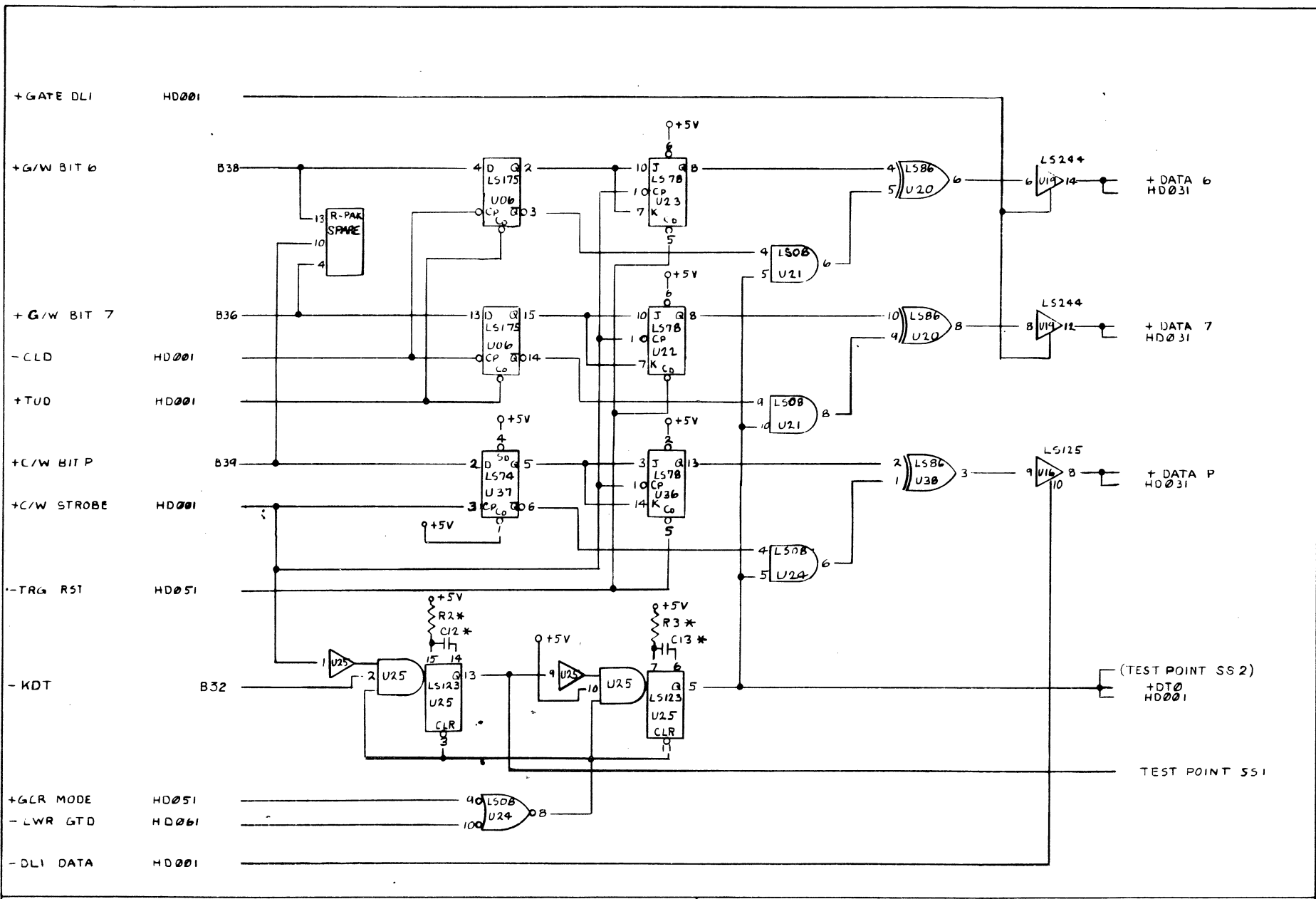
CD. PN. #
 CD. TYPE HD
 PG. PN. 401223705 - 5

479100-1

479100-1



-0001	D.L.I. INTERFACE 0-5				1001
	PREV. E.C. 44159	MACH. 1950	CD. LOC. J2	CD. P.N. HD	
	DATE 3-11-80	VER. 44089	GATE AZ	PG. P.N. 4012220-02-8	
		OSL. ROT.	FRAME		



* SPEED RELATED COMPONENTS

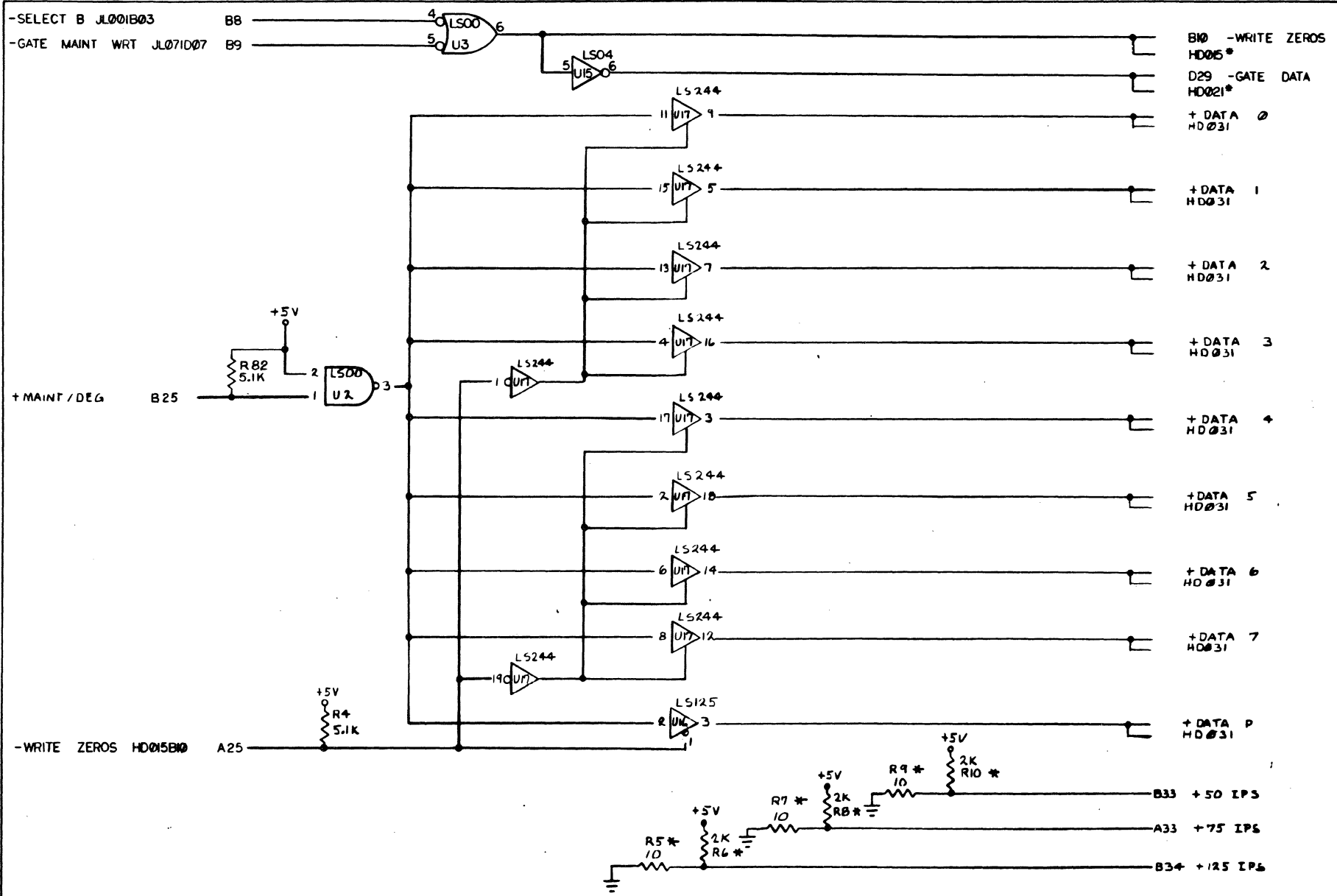
	C12	R2	C13	R3
50 IPS	820PF	2020 NS	330 PF	338 NS
75 IPS	470PF	1337 NS	150 PF	276 NS
115 IPS	330PF	775 NS	100 PF	220 NS

R2+3 ARE SELECTED AT TEST TO GIVE SS TIME SHOWN IN TABLE.

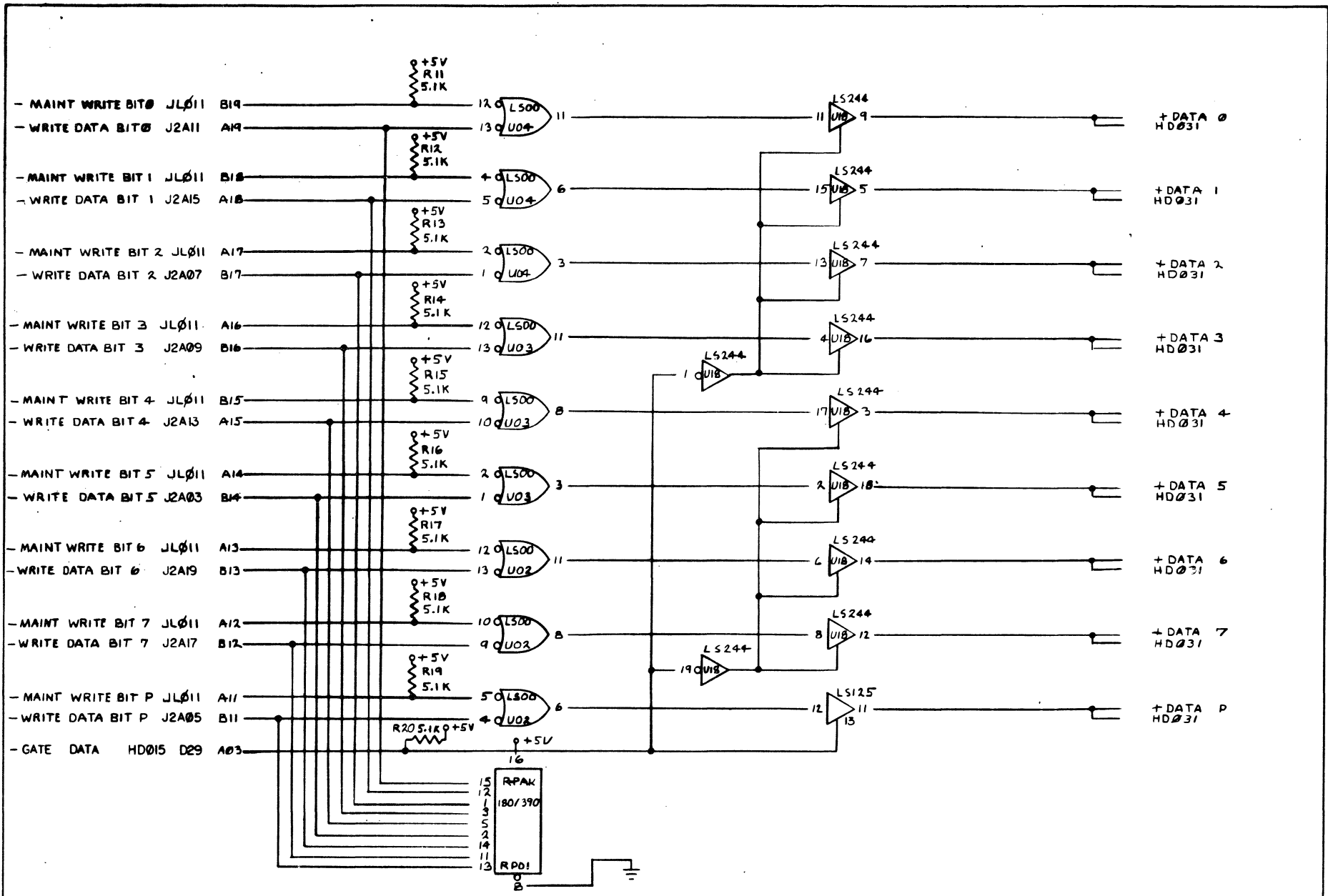
DLI INTERFACE 6, 7, P, AND DT0 SS

PREV. E.C. 44217	MACH. 1950	CD. LOC. J2	CD. RN.
PREV. E.C. 44159	VERS.	GATE A2	CD. TYPE HD
DATE 22 MAY 80	GBL. ROT.	FRAME	PG. RN. 4012221-03-4

HD 001



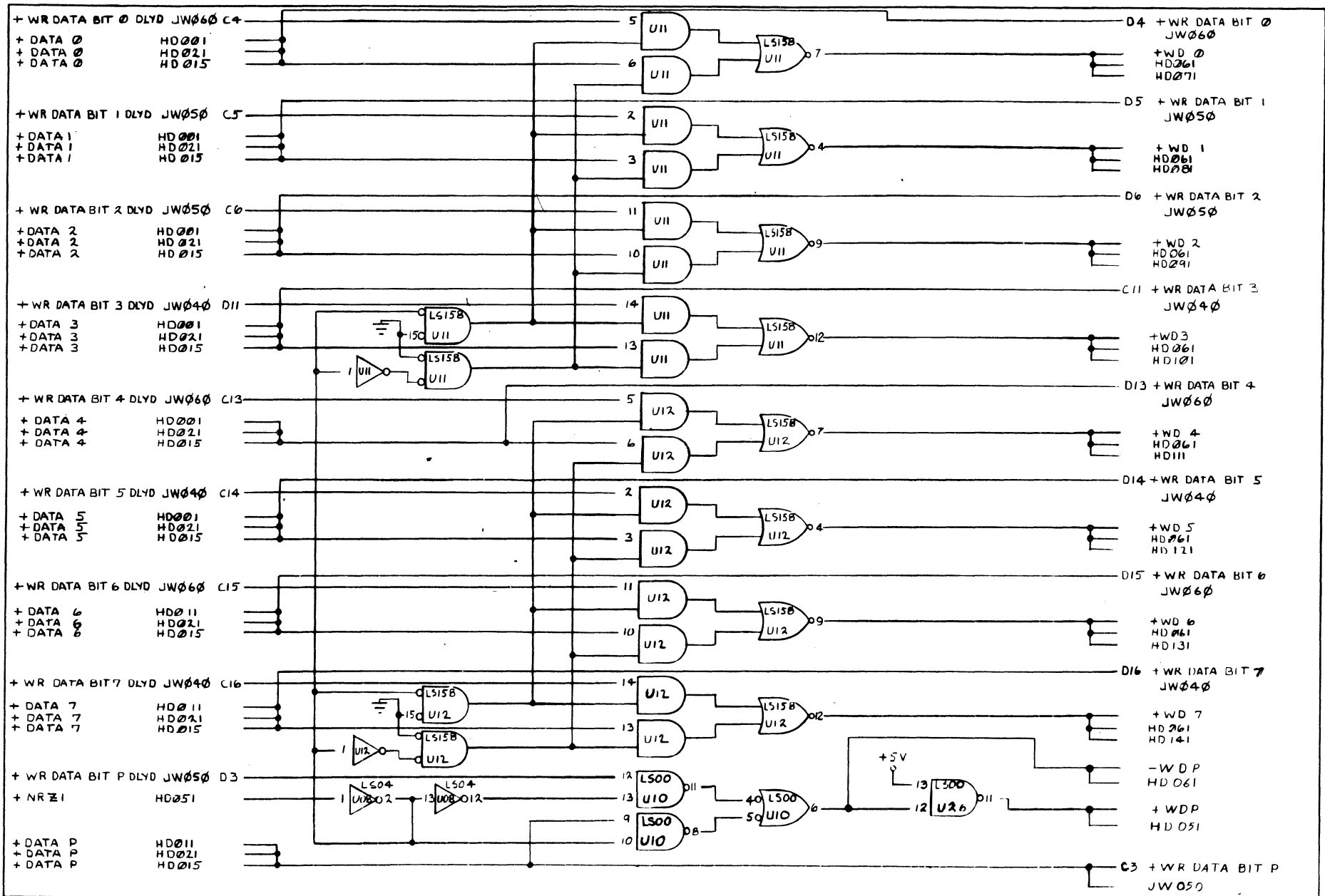
H D B I S	* SPEED RELATED COMPONENTS		B10 IS TIED TO A25 ON THE MOTHERBOARD. D29 IS TIED TO A03 ON THE MOTHERBOARD.	MAINT/ DEG INPUT		CR. NO. J2 GATE A2 FRAME	CR. NO. HD CR. TYPE HD PR. NO. 40222203-2	5 0 1 5
	50 IPS	R4, R8, R9 ARE NOT INSTALLED		PREV. E.C. 44409	MACH. 1950			
	75 IPS	R5, R7, R8 ARE NOT INSTALLED		DATE 1-14-81	VER. OSL. ROT.			
125 IPS	R6, R8, R9 ARE NOT INSTALLED							

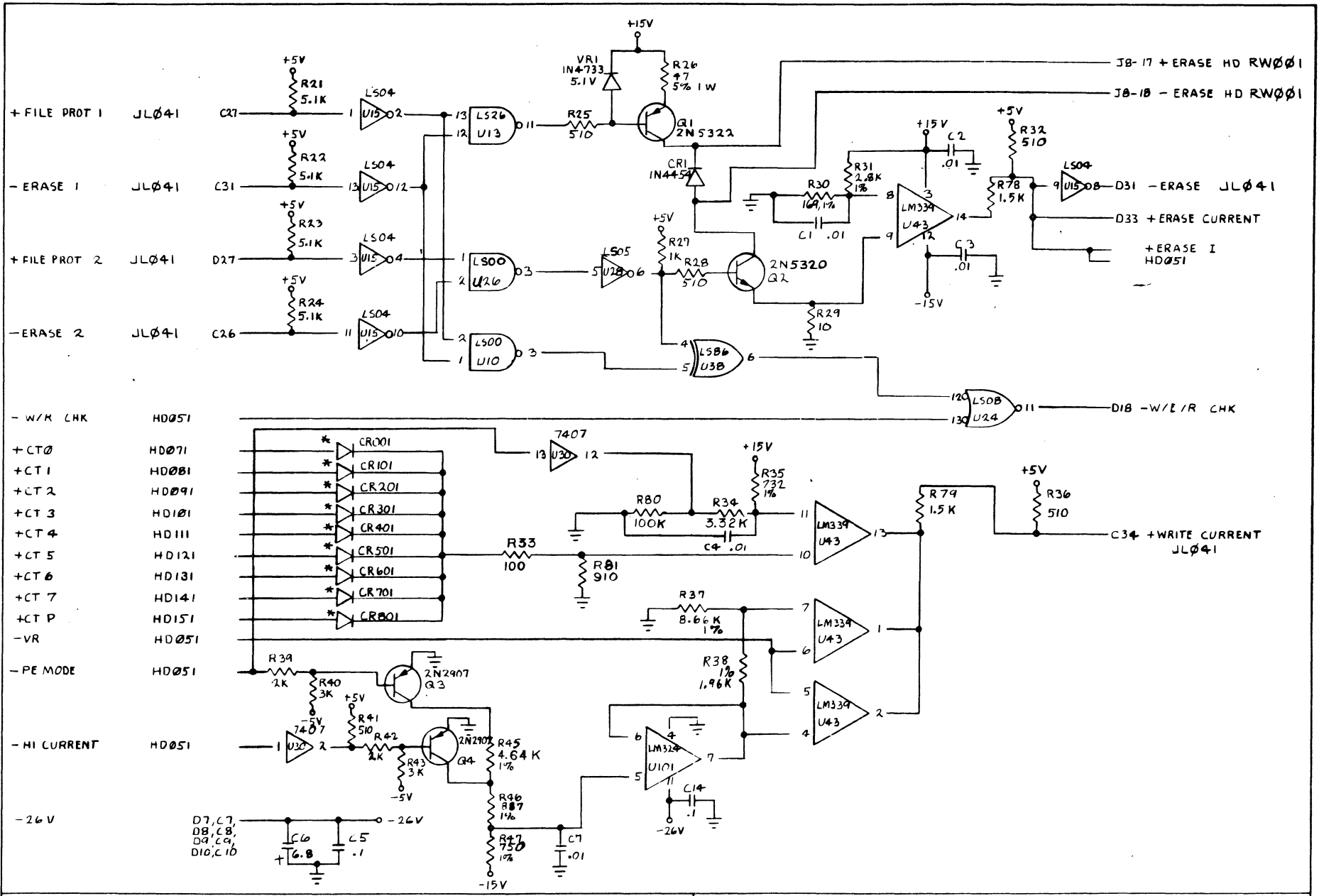


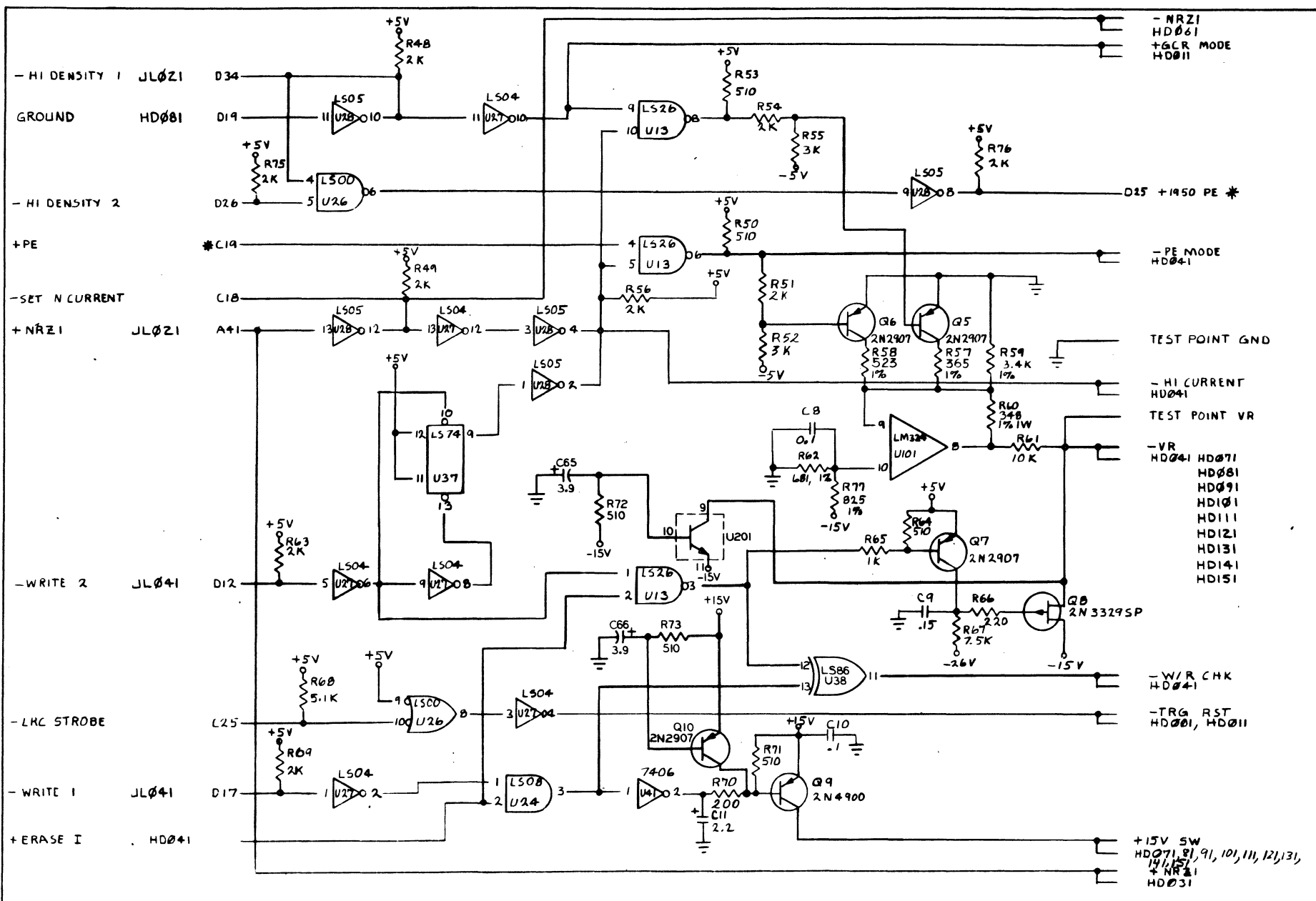
HD 21

1950 DATA AND MAINT INPUTS			
PRES. E.C. 44409	MACH. 1950	CD. LOC. JZ	CD. PN.
PREV. E.C. 44159	VERS. GBL. ROT.	GATE AZ	CD. TYPE H D
DATE 1-14-81		FRAME	PG. RN. 401222303-0

HD 21







* NOTE: D25 IS TIED TO C19 ON THE MOTHERBOARD

VR GENERATION

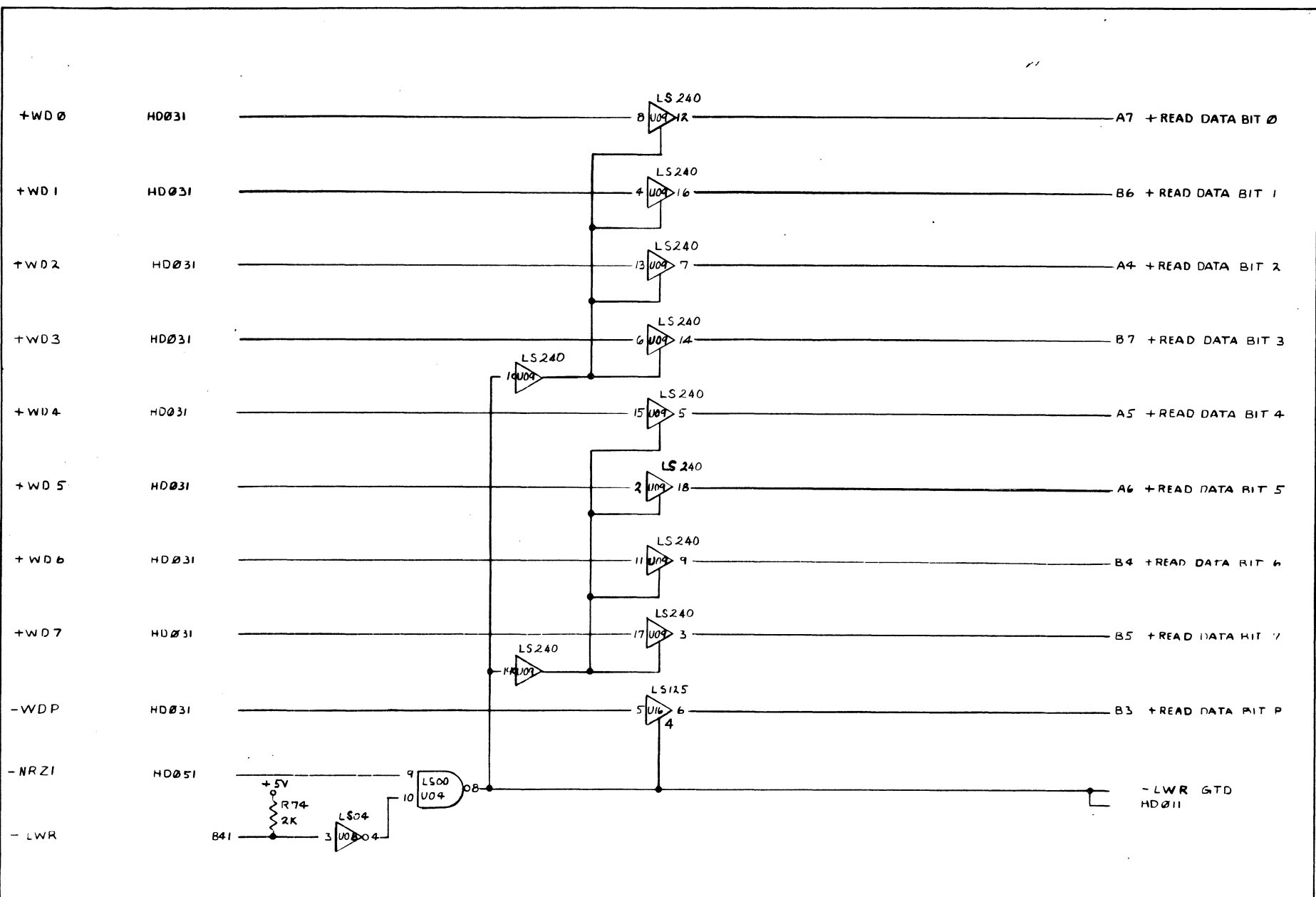
PRES. E.C. 44308.
 PREV. E.C. 44217
 DATE 7-8-80

MACH. 1950
 VERS. 08L. ROT.

CD. LOC. JZ
 GATE AZ
 FRAME

CD. PN.
 CD. TYPE HD
 PG. PN. 4-012226-04-1

H 000501



10000-

LWR BUS DRIVERS

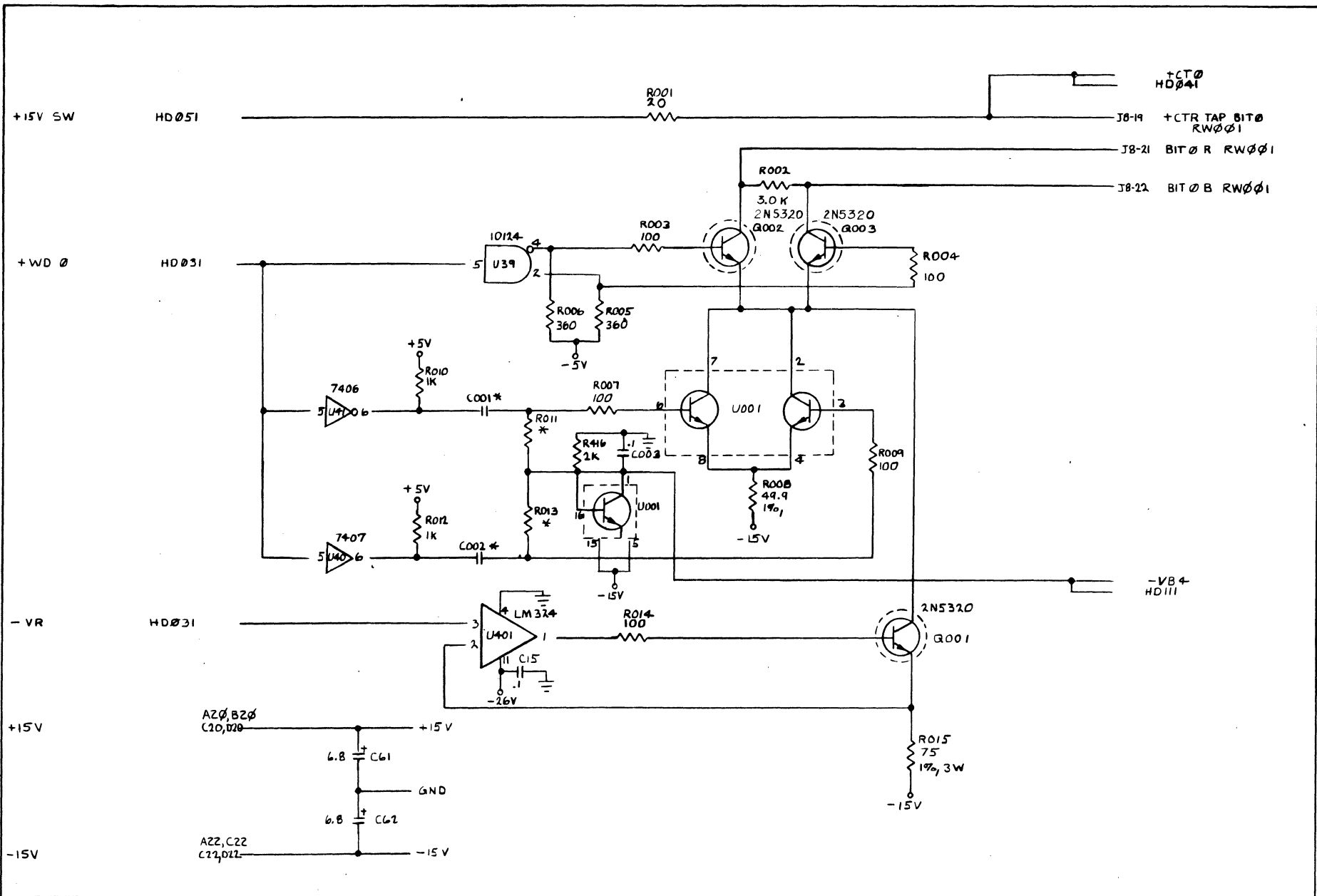
PRES. E.C. 44217
 PREV. E.C. 44159
 DATE 23 MAY

MACH. 1950
 VERS.
 GBL. ROT.

CD. LOC. J2
 GATE AZ
 FRAME

CD. P.N.
 CD. TYPE HD
 PG. P.N. 4012227-03-1

HD061



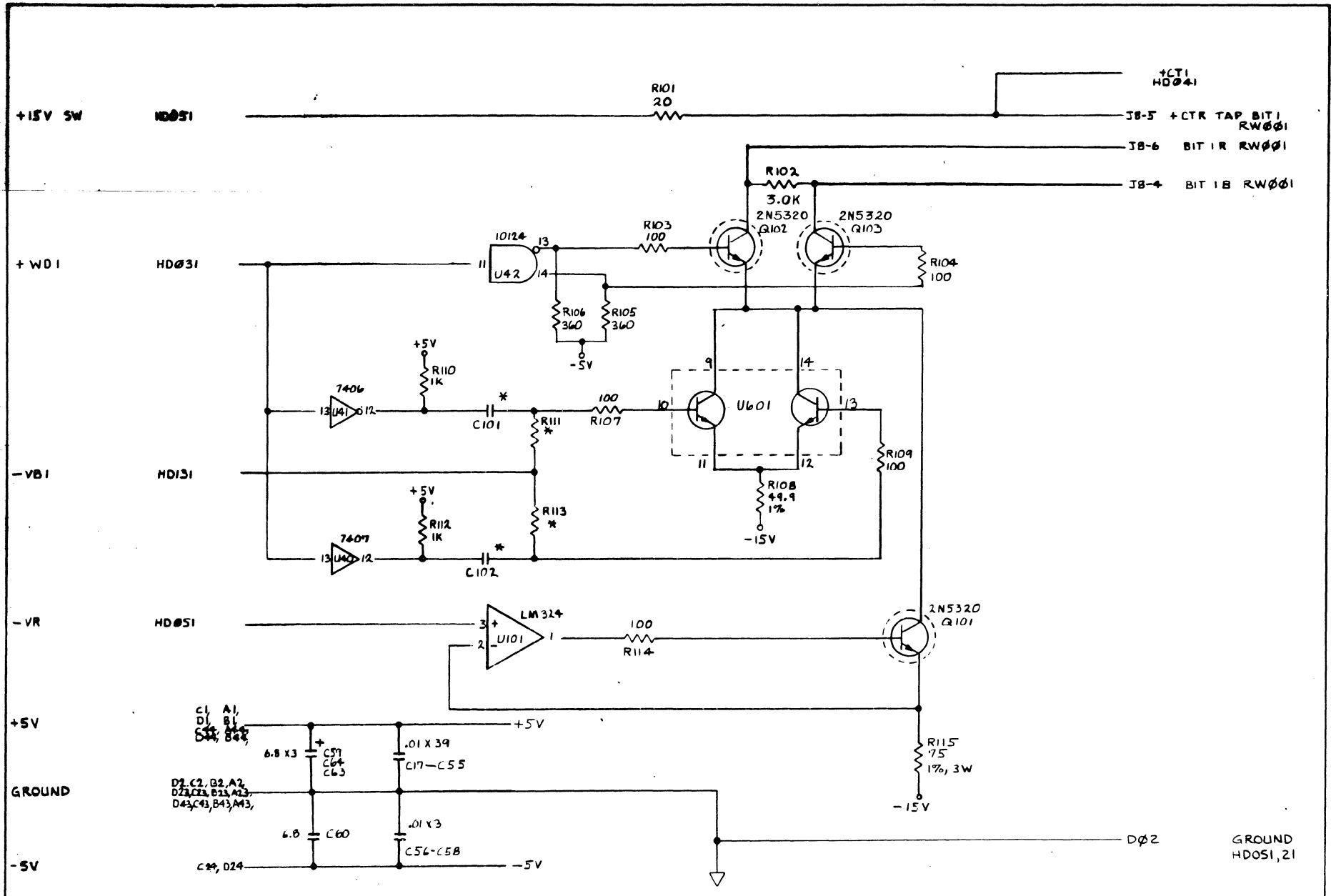
* SPEED RELATED COMPONENTS

	R013-R015 R011-R011	C001-C001 C001-C001
50 TPS	475Ω	3300 PF
7.5 TPS	475Ω	2200 PF
1.5 TPS	475Ω	1500 PF

WRITE DRIVER TRACK 0
 PRES. E.C. 44217 MACH. 1950
 PREV. E.C. 44159 VERS.
 DATE 23 MAY 80 98L. ROT.
 CD. LOC. J2 CD. PN.
 GATE A2 CD. TYPE HD
 FRAME PG. PN. 4012228-03-9

1007

1001



* SEE NOTE ON HD071

WRITE DRIVER TRACK 1

PREV. E.C. 44159
 PREV. E.C. 44089
 DATE 3-12-80

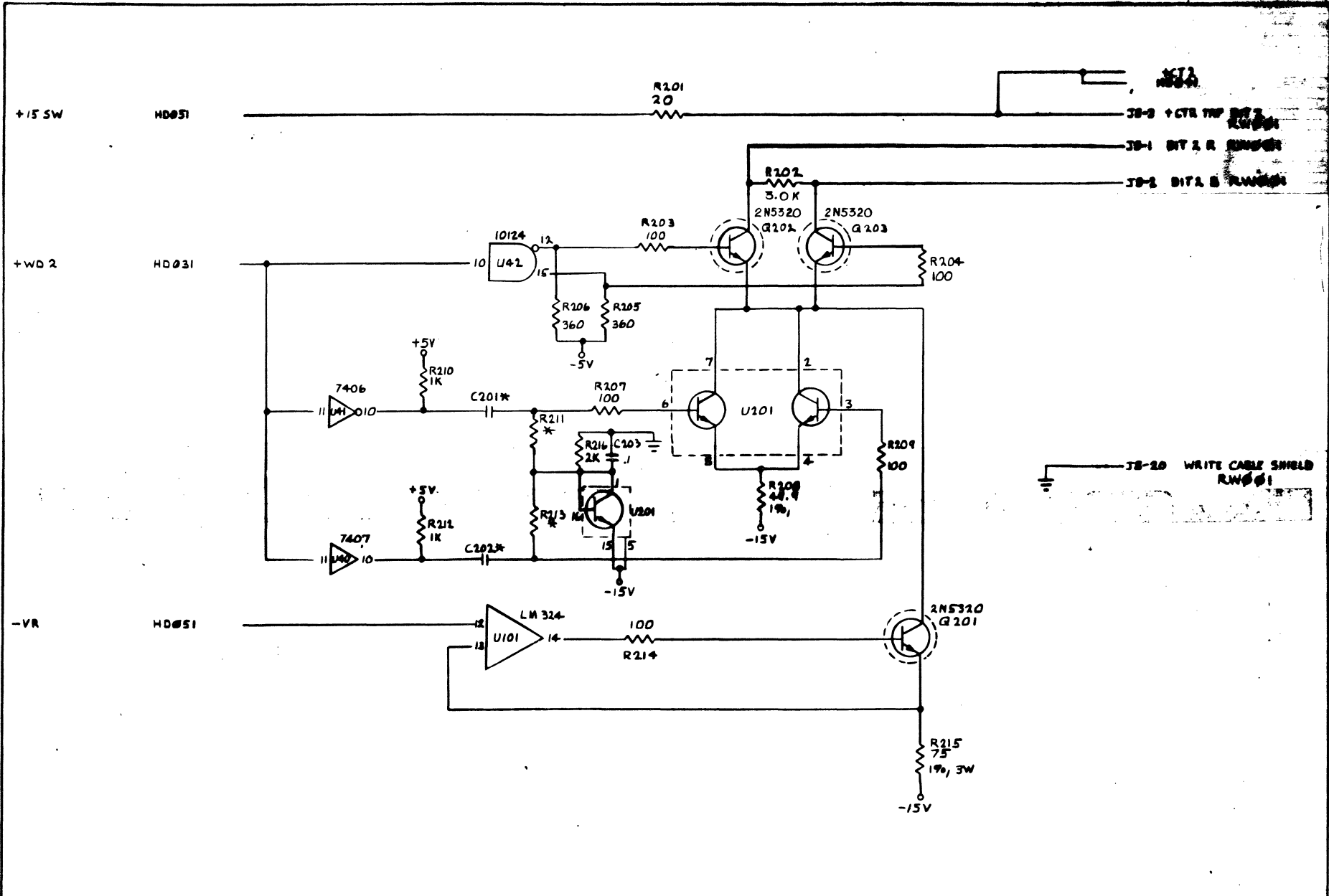
MACH. 1950
 VERS.
 GBL. ROT.

CD. LOC. J2
 GATE AZ
 FRAME

CD. P.N.
 CD. TYPE HD
 PG. P.N. 4012229-07-9

H
 1000

1001

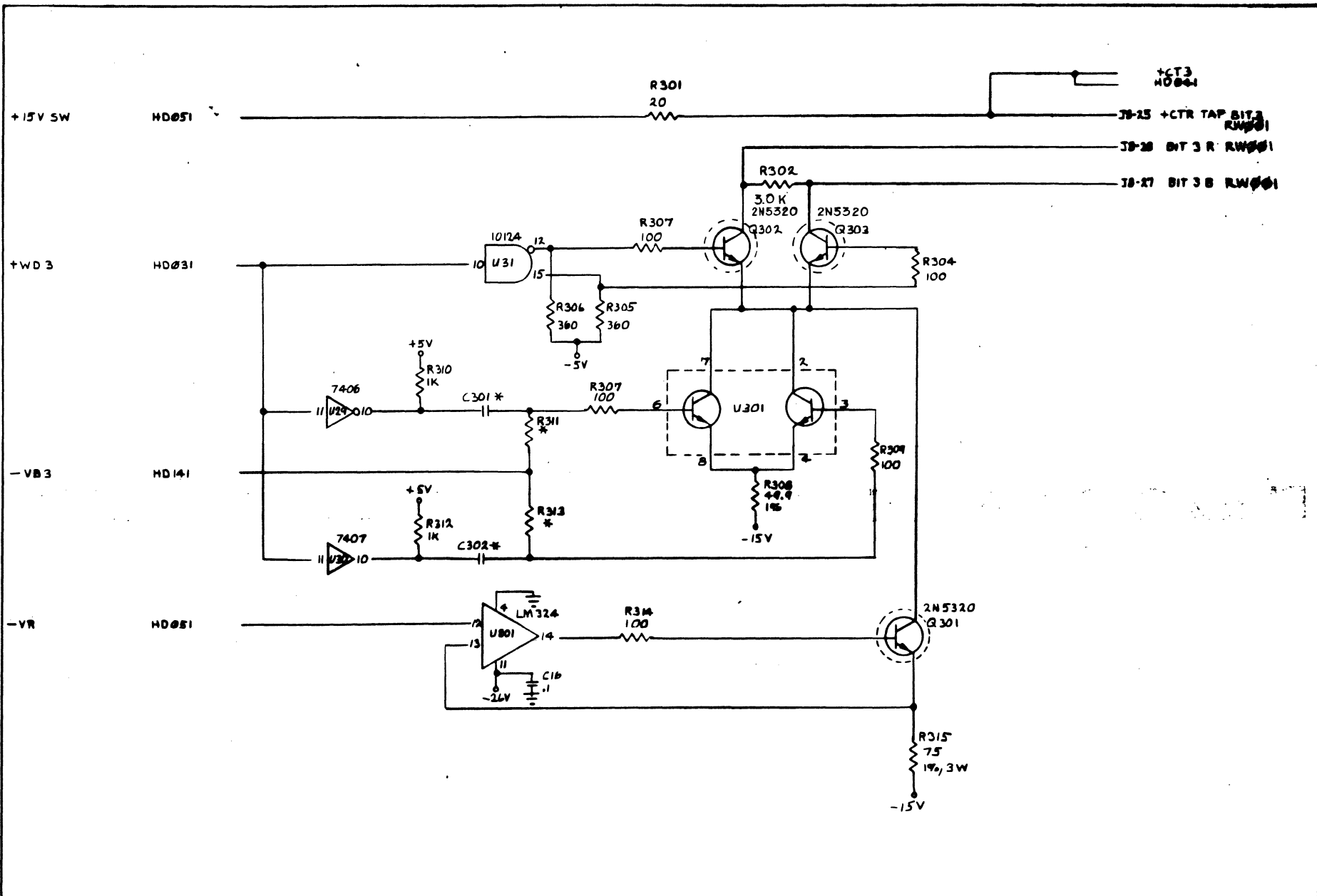


* SEE NOTE ON HD071

WRITE DRIVER TRACK 2			
DES. E.C.	44159	DATE	3-12-80
REV. E.C.	44080	DATE	
MACH.	1950	DES. ROT.	
CD. LOC.	J2	CD. FR.	AZ
CD. TYPE	HD	FR. NO.	4-012230-02-7

1000-1

1000-1

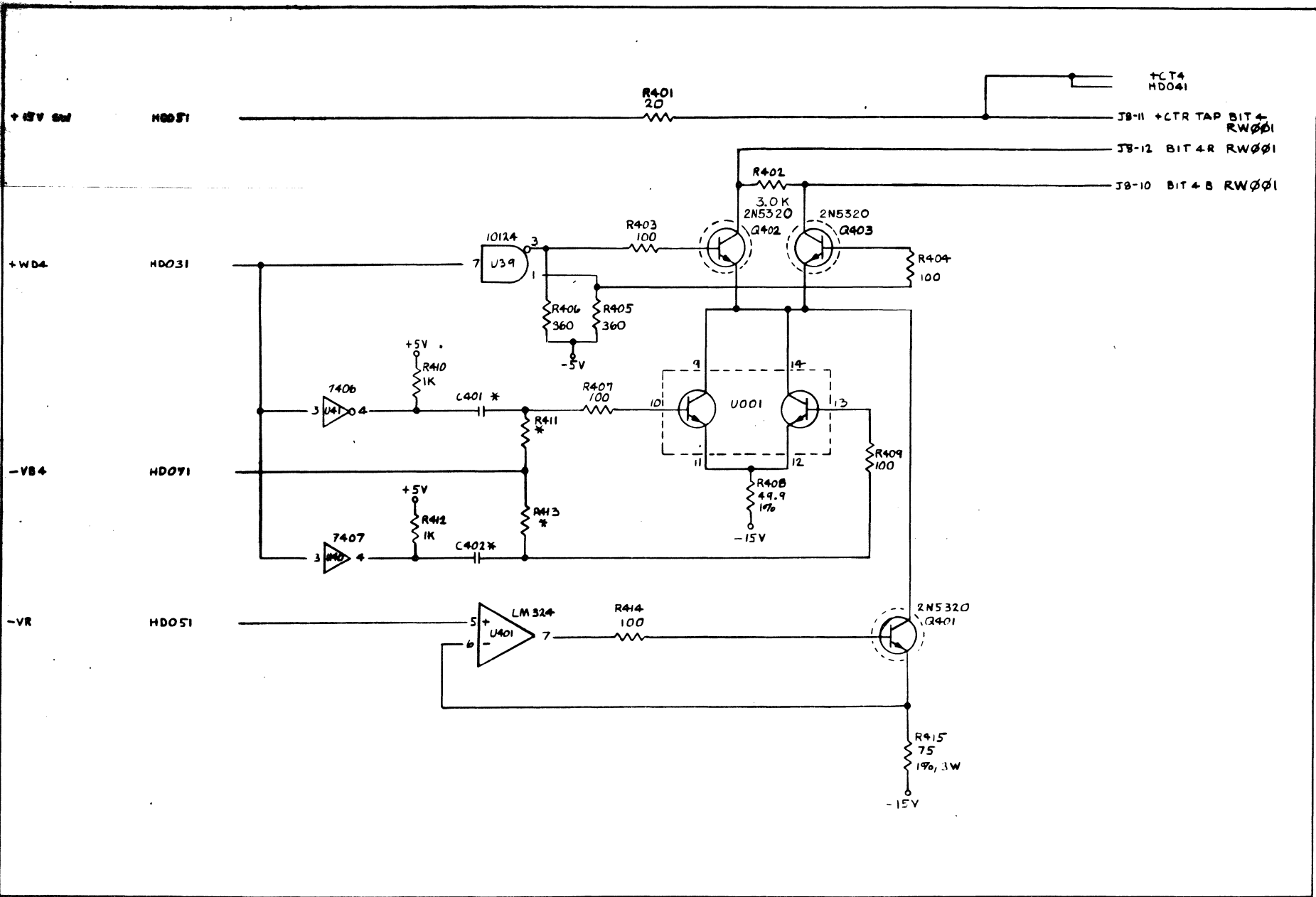


* SEE NOTE ON HD071

<p>WRITE DRIVER TRACK 3</p>		<p>CD. LOC. J2 GATE AZ FRAME</p>	<p>CD. RM. CD. TYPE HD PG. RN. 4-012231-02-5</p>
<p>PREP. E.C. 44159 REV. E.C. 44089 DATE 3-12-80</p>	<p>MACH. 1950 VERS. OBL. NOT.</p>		

HD-1-0

HD-1-0

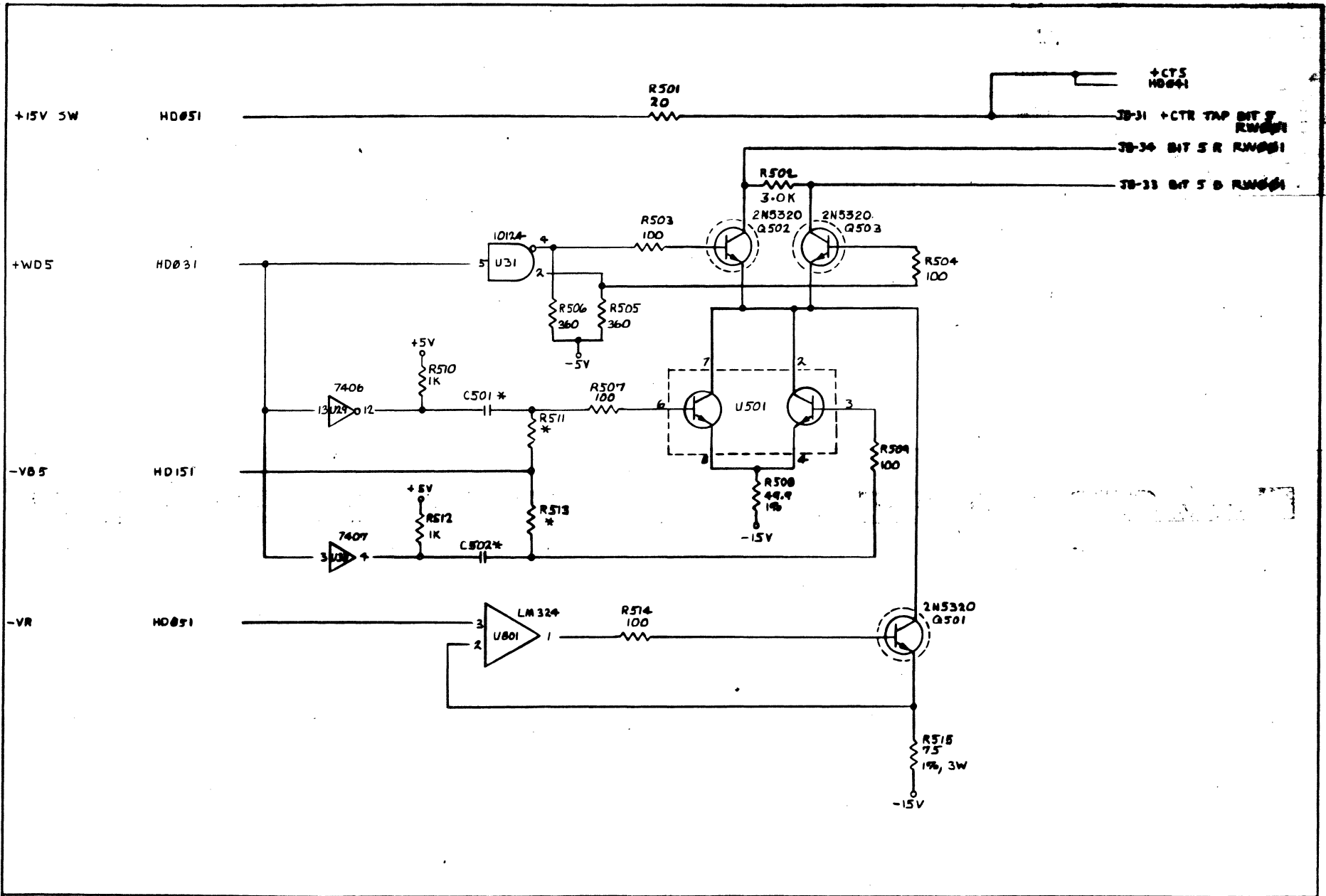


* SEE NOTE ON HD071

<p>WRITE DRIVER TRACK 4</p>		<p>CD. LOC. J2</p>	<p>CD. PN.</p>
<p>PREV. E.C. 44159</p>	<p>MACH. 1950</p>	<p>GATE A2</p>	<p>CD. TYPE HD</p>
<p>DATE 3-12-80</p>	<p>VER. OBL. ROT.</p>	<p>FRAME</p>	<p>PG. PN. 4012232-02-3</p>

H
D
I
I

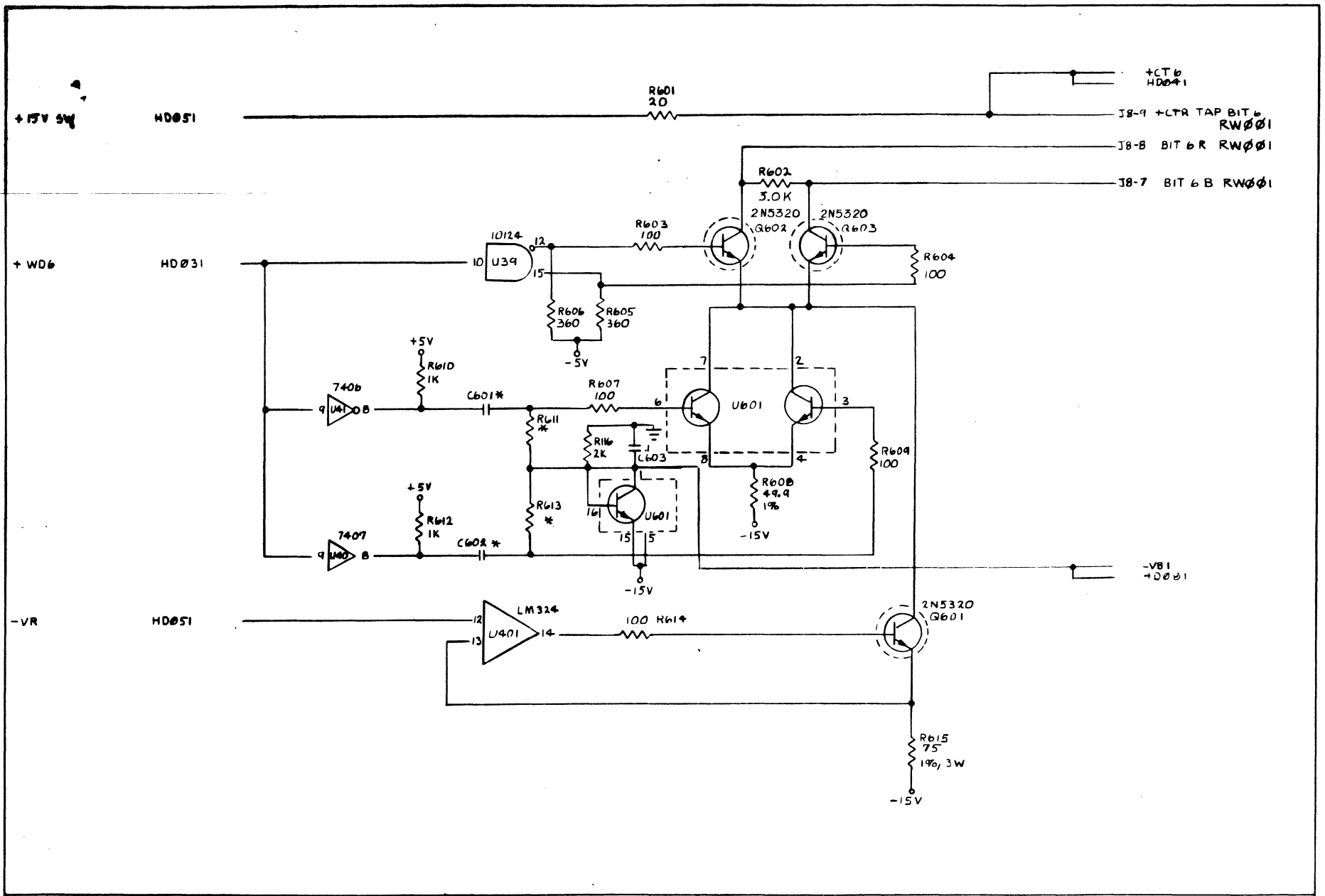
H
D
I
I



HD
1
2
1

WRITE DRIVER TRACK 5			
DESIGN EC 44159	DATE 3-12-80	CHK. EC 44080	DATE 3-12-80
DESIGN VLS 1950	DATE 3-12-80	CHK. EC 44080	DATE 3-12-80
CO. LOC. J2	CO. RM. 4012	CD. TYPE HD	FR. NO. 4012.2.33-02-1
GATE A2	FRAME		

HD
1
2
1

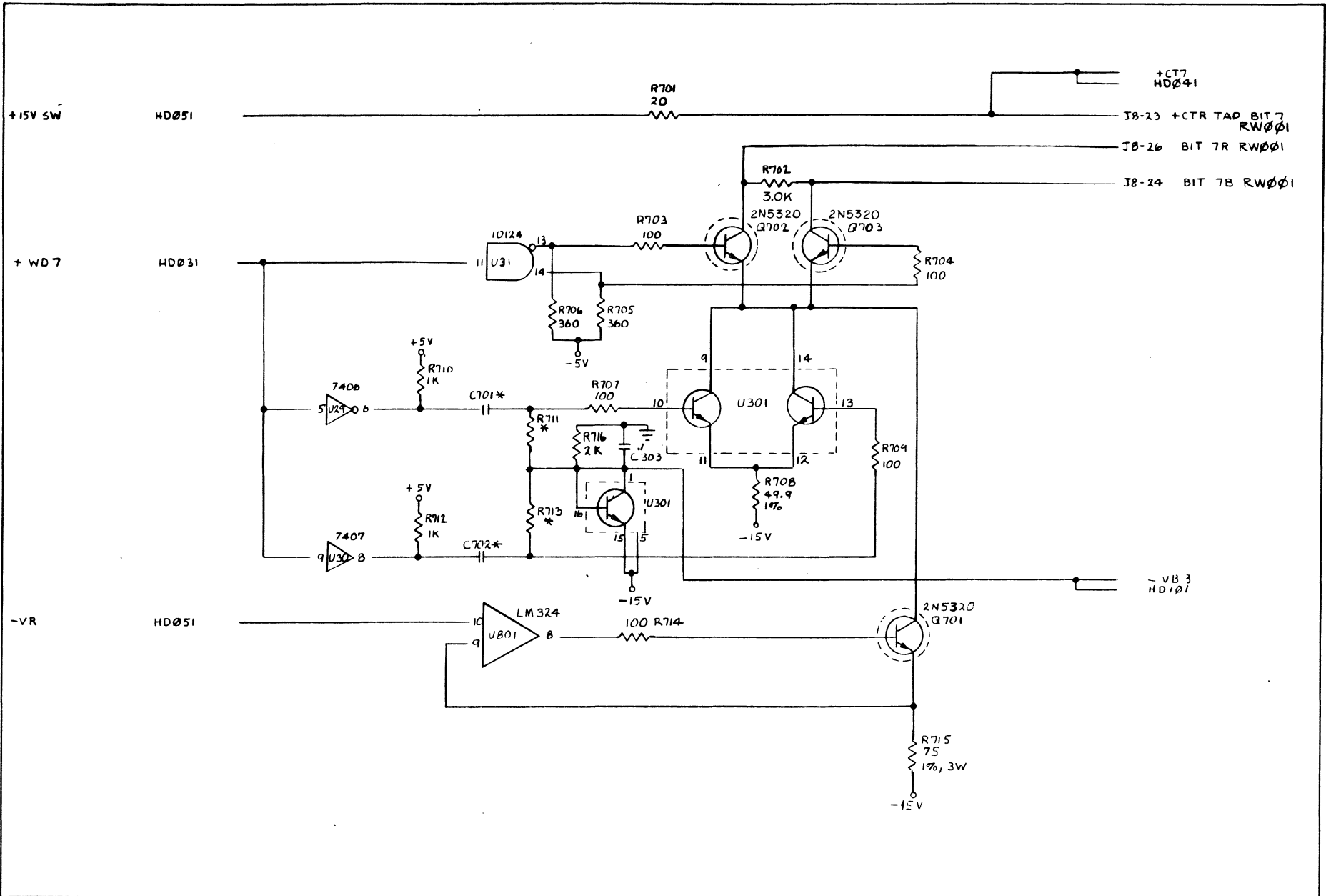


* SEE NOTE ON HD071

WRITE DRIVER TRACK 6			
DES. E.C. 44159	MACH. 1950	CD. LOC. 12	CD. PN.
PREV. E.C. 44089	VERS.	GATE FRAME	CD. TYPE HD
DATE 3-12-80	GBL. ROT.		PG. PN. 4012234-029

10-3

10-3

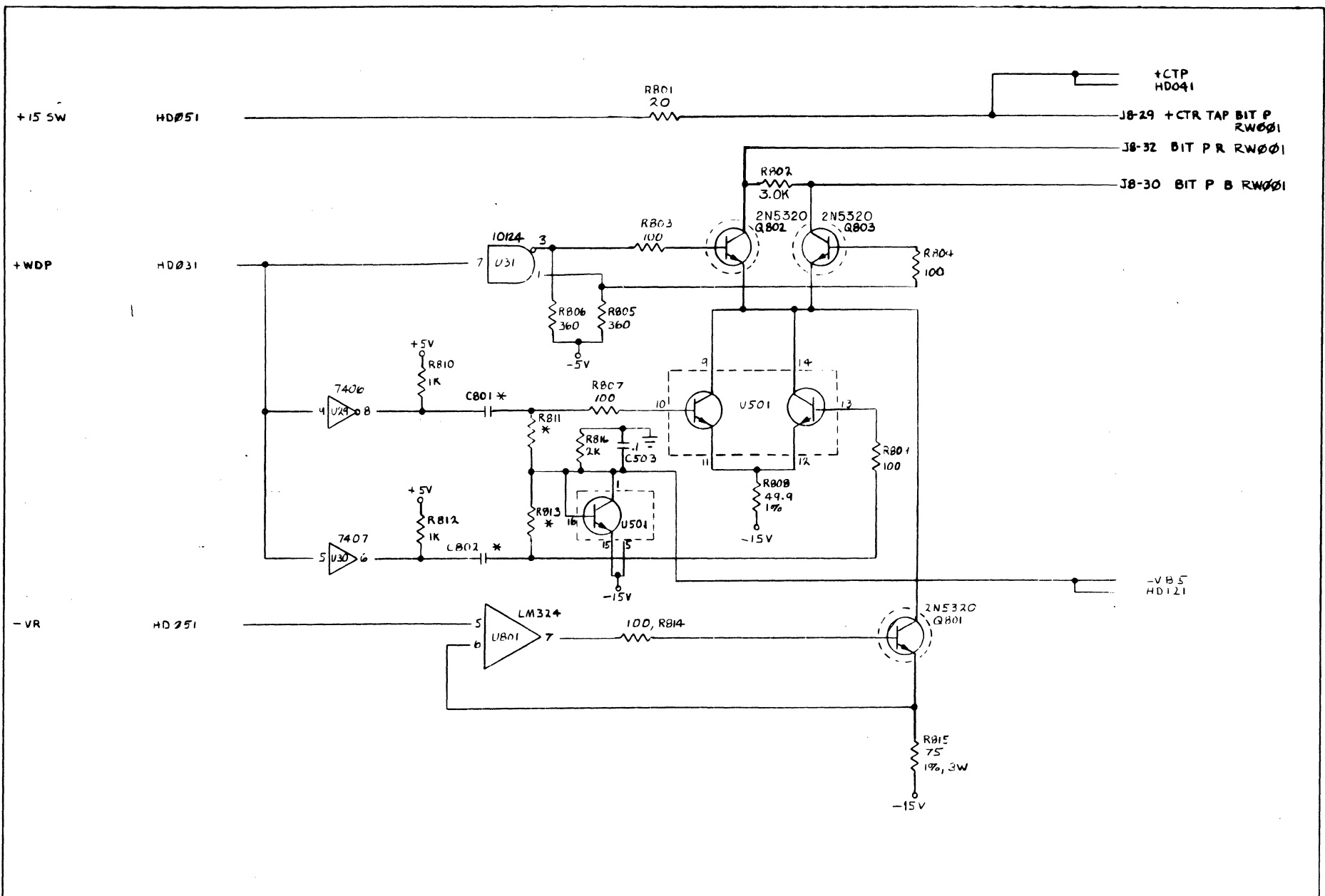


* SEE NOTE ON HD071

WRITE DRIVER TRACK 7			
PRES. E.C.	44308	MACH. VERS.	1950
PREV. E.C.	44159	GBL. ROT.	
DATE	7-8-80	CD. LOC. GATE FRAME	J2 AZ
		CD. P.N. CD. TYPE	HD
		PG. P.N.	4012235-034

-4-01

HD141



+CTP
HD041

J8-29 +CTR TAP BIT P
RW001

J8-32 BIT P R RW001

J8-30 BIT P B RW001

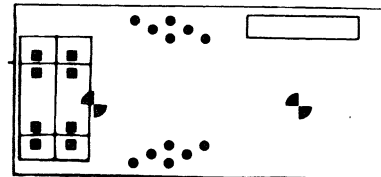
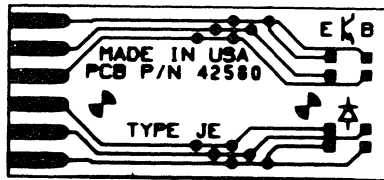
-VB5
HD121

* SEE NOTE ON HD071

WRITE DRIVER TRACK P			
PREV. E.C.	44308	MACH.	1950
PREV. E.C.	44159	VERS.	
DATE	7-8-80	G8L. ROT.	
CD. LOC.	J2	CD. P.N.	
GATE	AZ	CD. TYPE	HD
FRAME		PG. P.N.	4012236-03-2

HD-5-1

HD-5-1



A B C D

JE CARD, EOT/BOT TRANSDUCER

PREV. E.C. 44071
 PREV. E.C.
 DATE

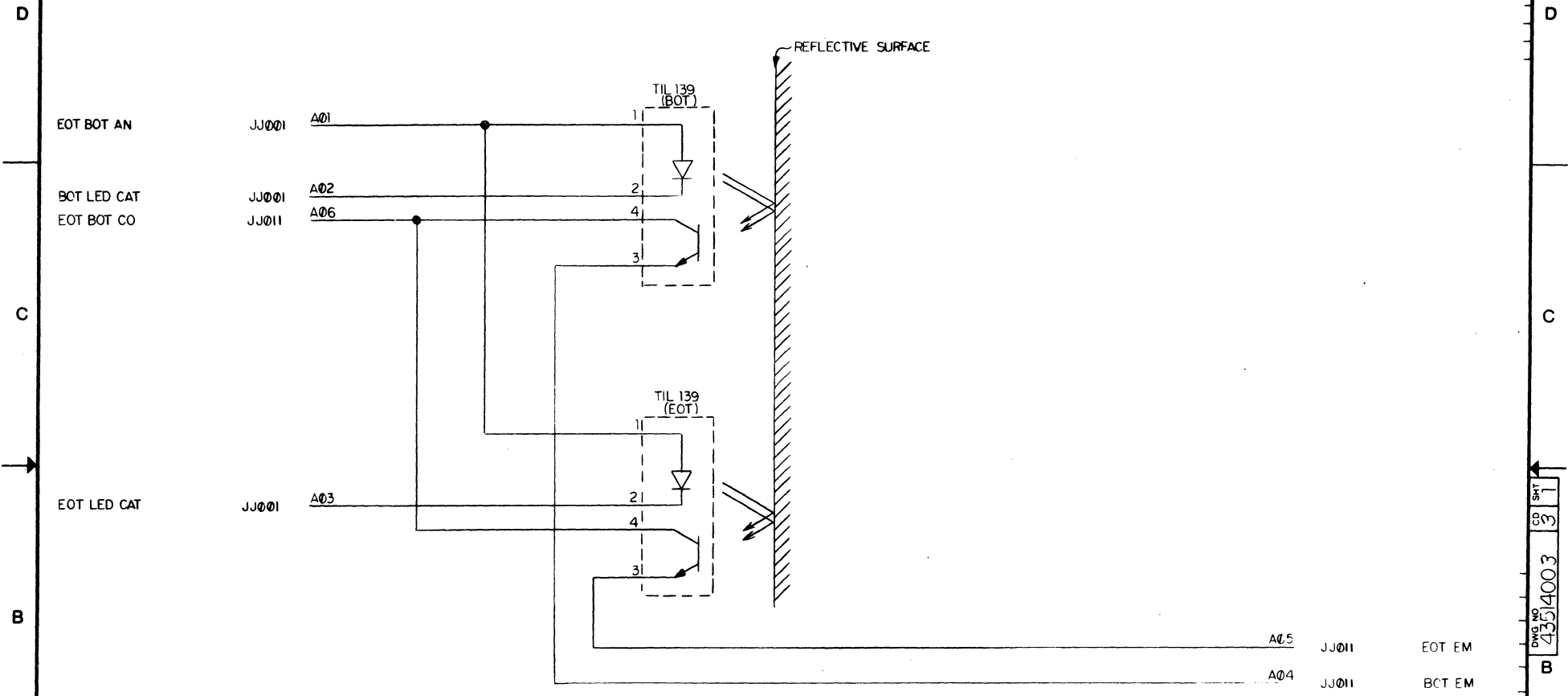
MACH. 1950
 VERS.
 SBL. ROT.

CD. LOC.
 DATE
 FRAME

CD. P.N. 43116302-1
 CD. TYPE JE
 PG. P.N. 43514002-5

A B C D

REVISIONS					
REV	ZONE	EC NO	DESCRIPTION	APPROVAL	DATE
A		44071	INITIAL RELEASE	8/1-30-80	1-28-80



DWG NO. 43514003
 SHEET 3 OF 1

PREVIOUS DWG. NO.		FIND NO.	REF. DES.	FIND NO.	REF. DES.
UNLESS OTHERWISE SPECIFIED: THIS PART MUST CONFORM TO S.T.C. STANDARD 2925					
FINISH SPECS:			TITLE: SCHEMATIC, JE CARD		
MATERIAL:		DFTG	CHECK	E.C. ENG	MAT. ENG
TOLERANCES:		NAME	DATE	APP	SCALE
XX 2 XXX 2 XXX 2		THESE DRAWINGS AND SPECIFICATIONS ARE THE PROPERTY OF S.T.C. AND WILL NOT BE COPIED, REPRODUCED OR USED AS THE BASIS FOR THE SALE OR MANUFACTURE OF APPARATUS OR DEVICES WITHOUT PERMISSION.		DWG NO. 43514003 SHEET 3 OF 3	

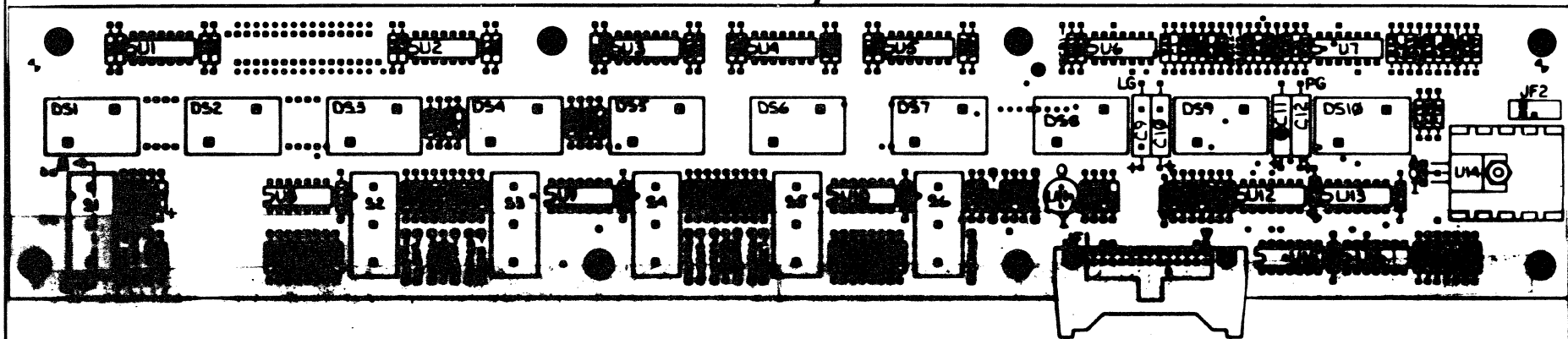


BUILD ARC DOC

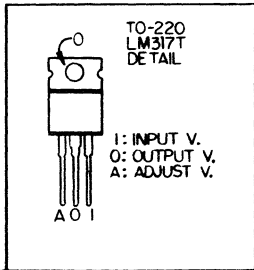
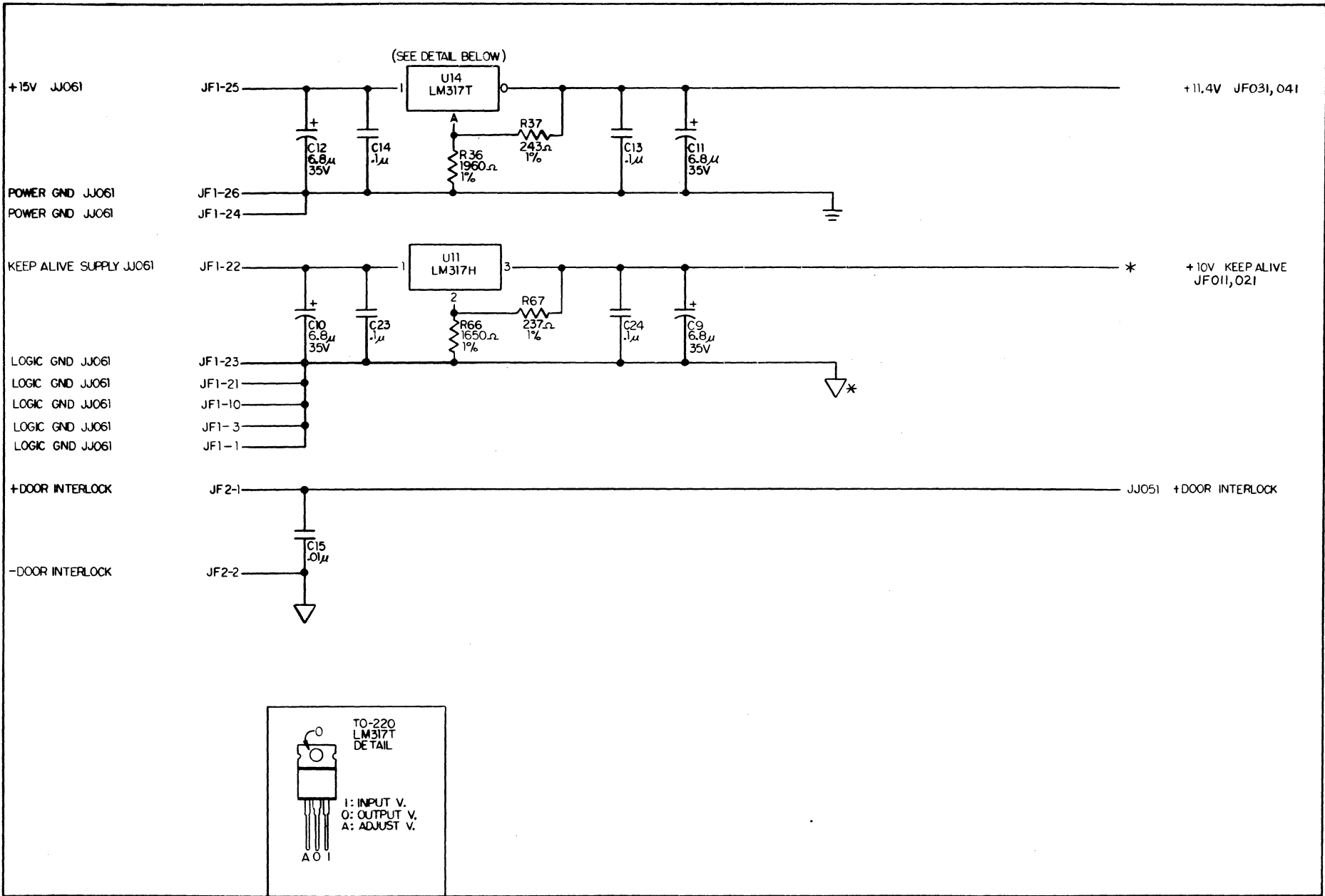
ASSEMBLY PARTS LIST

PRINT DATE	PAGE	E.C. NO.
02-20-81	1	44098

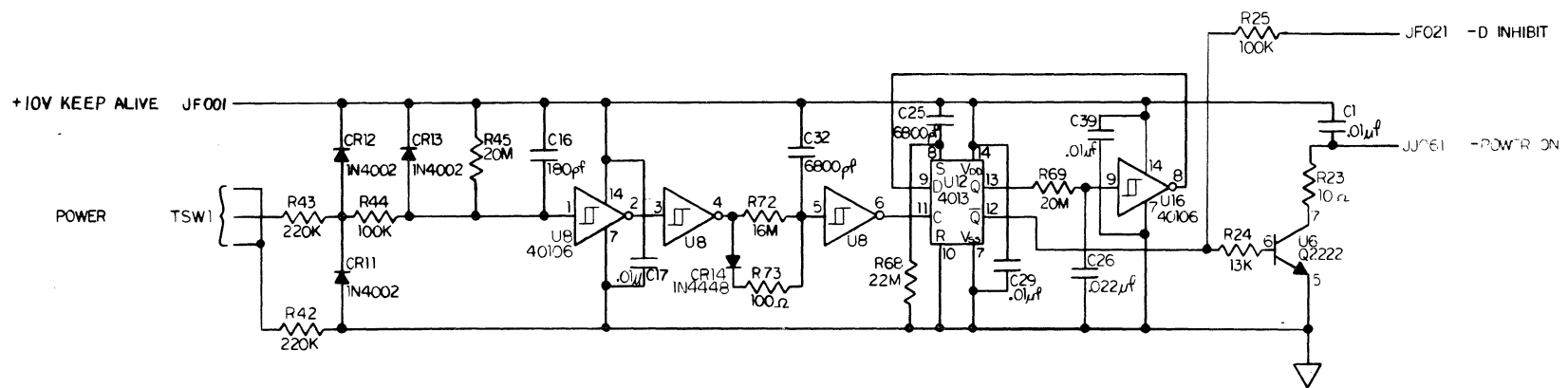
DIV.	ASSEMBLY NUMBER	CD	REV.	DWG.	DESCRIPTION	MC	STATUS	STATUS DATE	FILE DATE					
0500	43500049	2	B	N	SYS LGC GP JF 43113303 PC FUD	N	SPR	05-27-80	1950	05-27-80				
T FIND NO	LI	PART NUMBER	CD	M	QUANTITY	U/M	PART DESCRIPTION	MC	YLD	E.C. NO. IN	E.C. NO. OUT	S/N	WK IN	WK OUT
001	01	43513012	5		REF	PC	SYS.LGC,JF,AB001,PC	D		44066			8004	
002	01	43513013	3		REF	PC	SYS.LGC,JF001,PC	D		44066			8004	
003	01	43513014	1		REF	PC	SYS.LGC,JF011,PC	D		44066			8004	
004	01	43513015	8		REF	PC	SYS.LGC,JF021,PC	D		44066			8004	
005	01	43513016	6		REF	PC	SYS.LGC,JF031,PC	D		44066			8004	
006	01	43513017	4		REF	PC	SYS.LGC,JF041,PC	D		44066			8004	
900	01	43113303	2		REF	PC	CKT CD JF PC ASSY,FUD	S		44066			8004	
0007 TOTAL LINES														



A B C D E	■ JF CARD, OP PANEL				A B C D E
	PREV. E.C. 44066 DATE 7-30-80	MACH. 1990 VERN. GEN. ROT.	CO. LOC. GATE FRAME	CO. RN. 43113305-2 CO. TYPE JF PG. RN. 43513012-5	



JF001	*NOTE: +10V KEEP ALIVE ON PLANE LAYER 3 LOGIC GROUND ON PLANE LAYER 2	POWER & GROUND		1950	CD. LOC. GATE FRAME	CD. P.N. CD. TYPE PG. P.N.	JF 1-3013-3
		PREV. E.C. 44066 DATE 1-30-80	MACH. VERS. 68L. ROT.				



JF001

POWER SWITCH

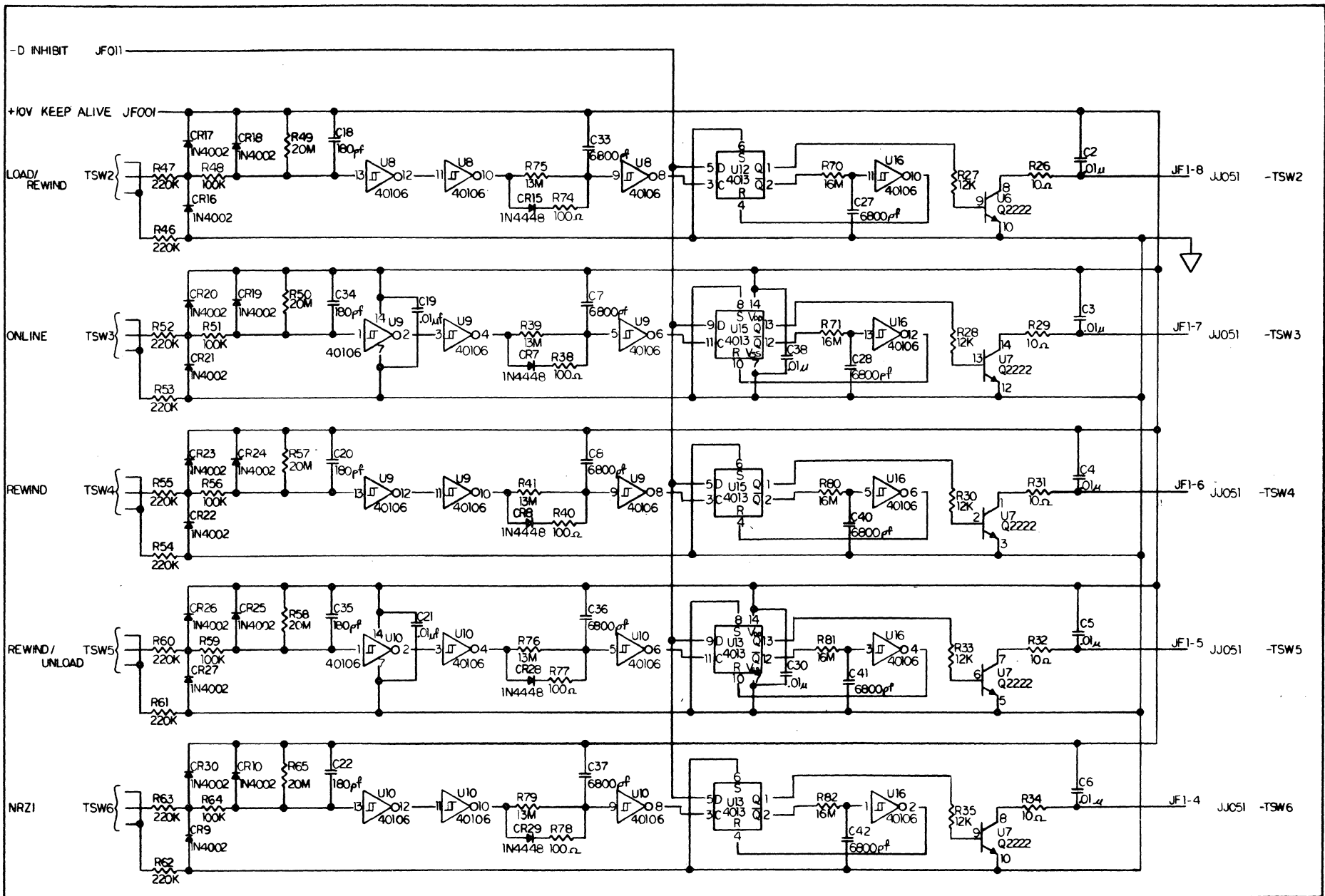
PRES. E.C. 44066
 PREV. E.C.
 DATE 1-30-80

MACH. VERS. 1950
 GBL. ROT.

CD. LOC. GATE FRAME

CD. P.N. JF
 CD. TYPE PG. P.N. 43513014-1

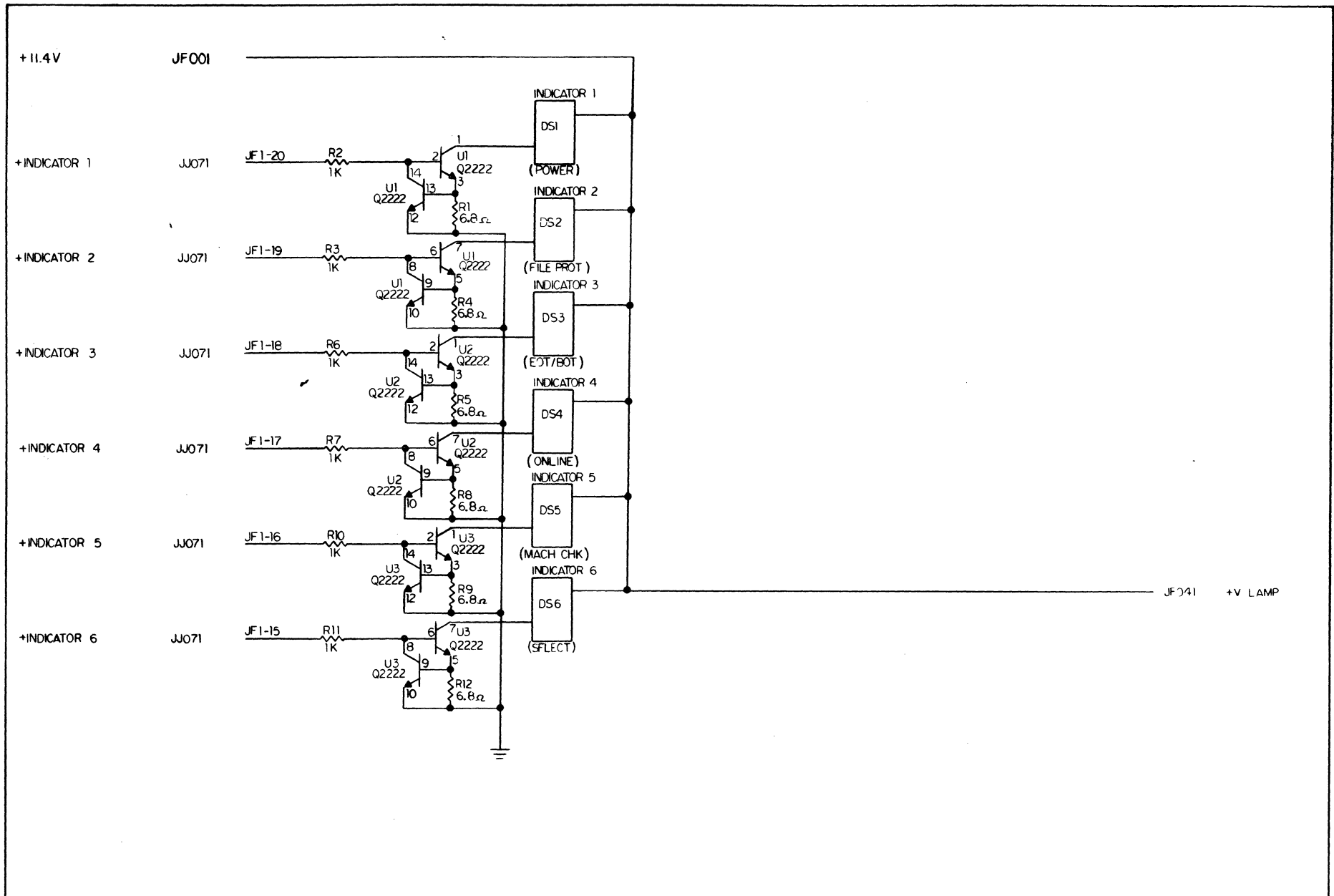
JF001



NO T/C

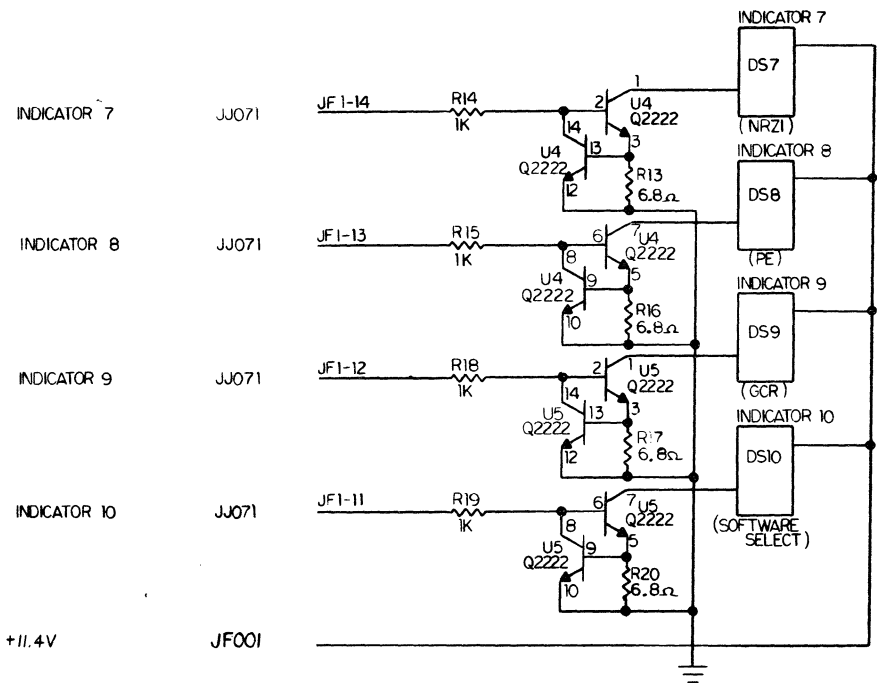
OP PANEL SWITCHES

PRES. E.C. PREV. E.C. DATE	44066 1-30-80	MACH. VER. SBL. ROT.	1950	CD. LOC. GATE FRAME	CD. P.N. CD. TYPE P.N.	JF 43513015-8	NO T/C
----------------------------------	------------------	----------------------------	------	---------------------------	------------------------------	------------------	--------



J F 0 7 1
 1. INDICATORS ARE P/N 43430197-4 INDICATOR BLOCK AND 2 P/N 43430196-6 INDICATOR CONTACTS WITH 2 P/N 10079016-1 LAMPS INSTALLED.

INDICATORS 1-6		1950	CD. LOC. GATE FRAME	CD. P.N. CD. TYPE PG. P.N.	1F 3513 16-6
PRES. E.C. 44066	MACH. VERS. 68L. ROT.				
PREV. E.C.	DATE 1-30-80				



- 14074

1. SEE NOTE 1, PG JF031

INDICATORS 7-10

PREV. E.C. 44066
 PREV. E.C.
 DATE 1-30-80

MACH. VERS.
 GBL. ROT.

1950
 CD. LOC.
 GATE
 FRAME

CD. P.N.
 CD. TYPE
 PG. P.N. 43513017-4

JF041

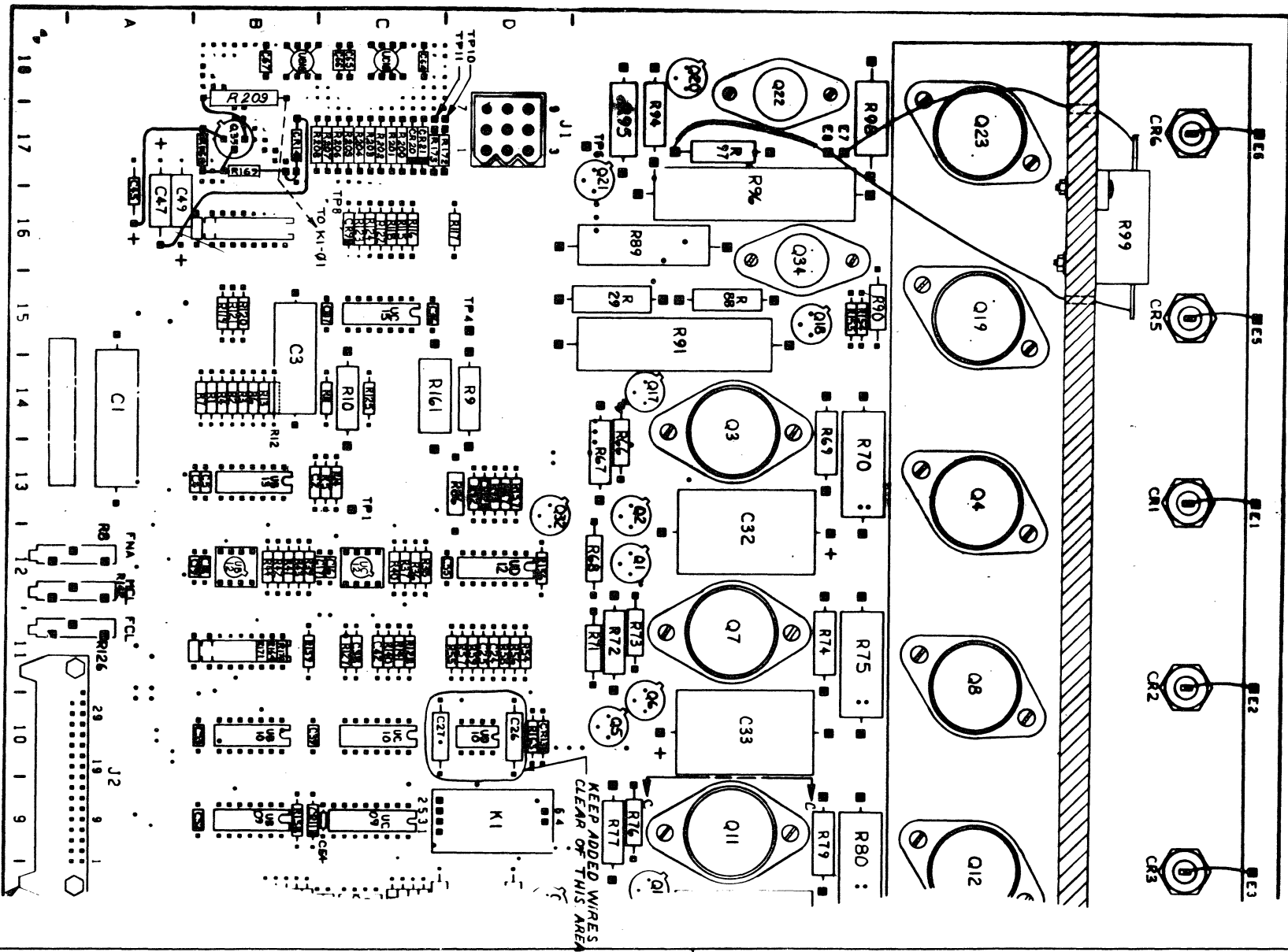


BUILD ARC DOC

ASSEMBLY PARTS LIST

PRINT DATE	PAGE	E.C. NO.
02-20-81	1	44202

DIV.		ASSEMBLY NUMBER		CD	REV.	DWG.	DESCRIPTION			MC	STATUS	STATUS DATE		FILE DATE			
0500		43500059		1	A	N	SYS LGC GP, JH, 43103304, PC			N	REL	04-29-80	1950	05-07-80			
T	FIND NO	LI	PART NUMBER	CD	M	QUANTITY	U/M	PART DESCRIPTION			MC	YLD	E.C. NO. IN	E.C. NO. OUT	S/N	WK IN	WK OUT
	000	01	43504023	3		REF	PC	SYS LGC, AB001, JH, PC			D						
	001	01	43504024	1		REF	PC	SYS LGC, JH001, PC			D						
	002	01	43504025	3		REF	PC	SYS LGC, JH011, PC			D						
	003	01	43504026	6		REF	PC	SYS LGC, JH021, PC			D						
	004	01	43504027	4		REF	PC	SYS LGC, JH031, PC			D						
	005	01	43504028	2		REF	PC	SYS LGC, JH041, PC			D						
	006	01	43504029	0		REF	PC	SYS LGC, JH051, PC			D						
	007	01	43504030	8		REF	PC	SYS LGC, JH061, PC			D						
	008	01	43504031	6		REF	PC	SYS LGC, JH071, PC			D						
	009	01	43504032	4		REF	PC	SYS LGC, JH081, PC			D						
	010	01	43504033	2		REF	PC	SYS LGC, JH091, PC			D						
	500	01	43103304	2		REF	PC	CKT CD, JH, PC ASSEMBLY			S						
								0012 TOTAL LINES									

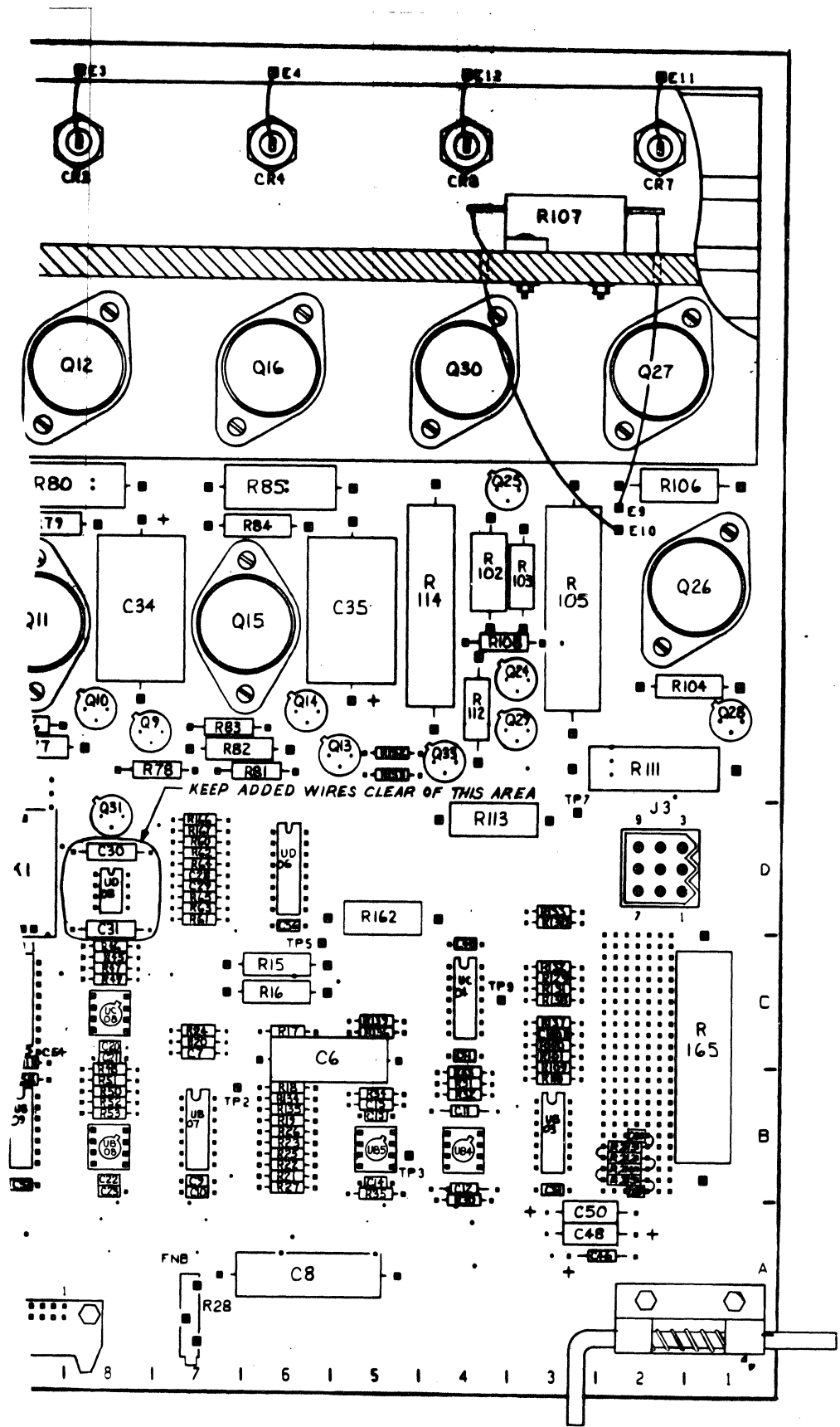


JH CARD, REEL POWER AMPLIFIER

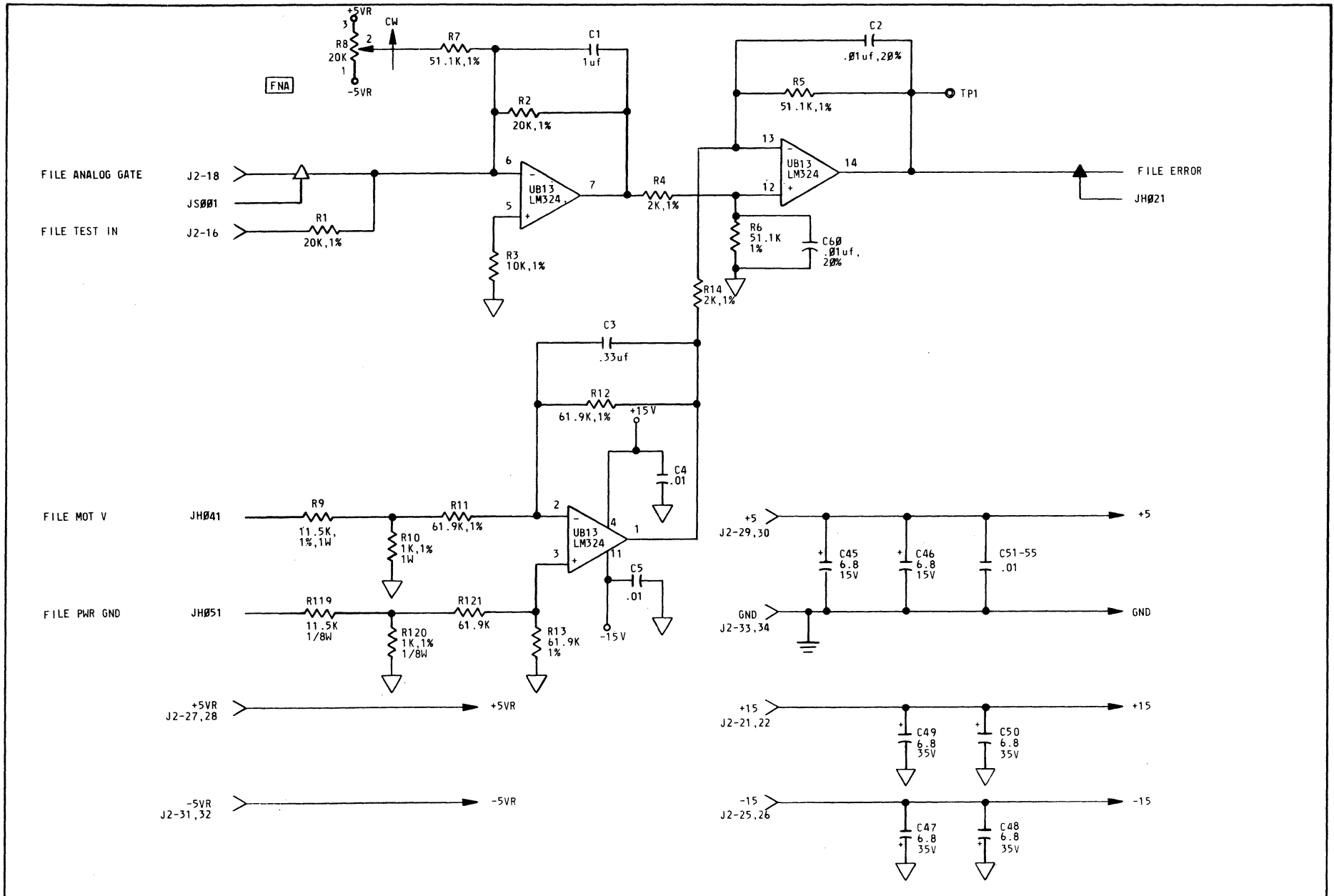
PRES. E.C. 44202	MACH. 1950	CD. LOC.	CD. RN. 43103304-6
PREV. E.C. 44069	VERS.	GATE	CD. TYPE JH
DATE 5-6-80	QBL. ROT.	FRAME	PG. RN. 43504023-3

A B C D

A B C D



48005
 REV. EC 44202
 PROJ. EC 44069
 DATE 5-6-80
 MACH. WARE
 1990
 88L ROT.
 COLLOC.
 CHAIN
 FRAME
 CO. P/N 43103304-6
 CO. P/N JH
 PA. P/N 43504023-3
 PAGE 2 OF 2



NOTES:

UNLESS OTHERWISE SPECIFIED:

1. ALL CAPACITOR VALUES ARE IN UF.
2. ALL RESISTOR VALUES ARE IN OHMS, 1/4W, 5%, AND 1% RESISTORS ARE 1/8W.

FILE REEL ERROR

PRES. E.C. 44202
 PREV. E.C. 44069
 DATE 5/7/80

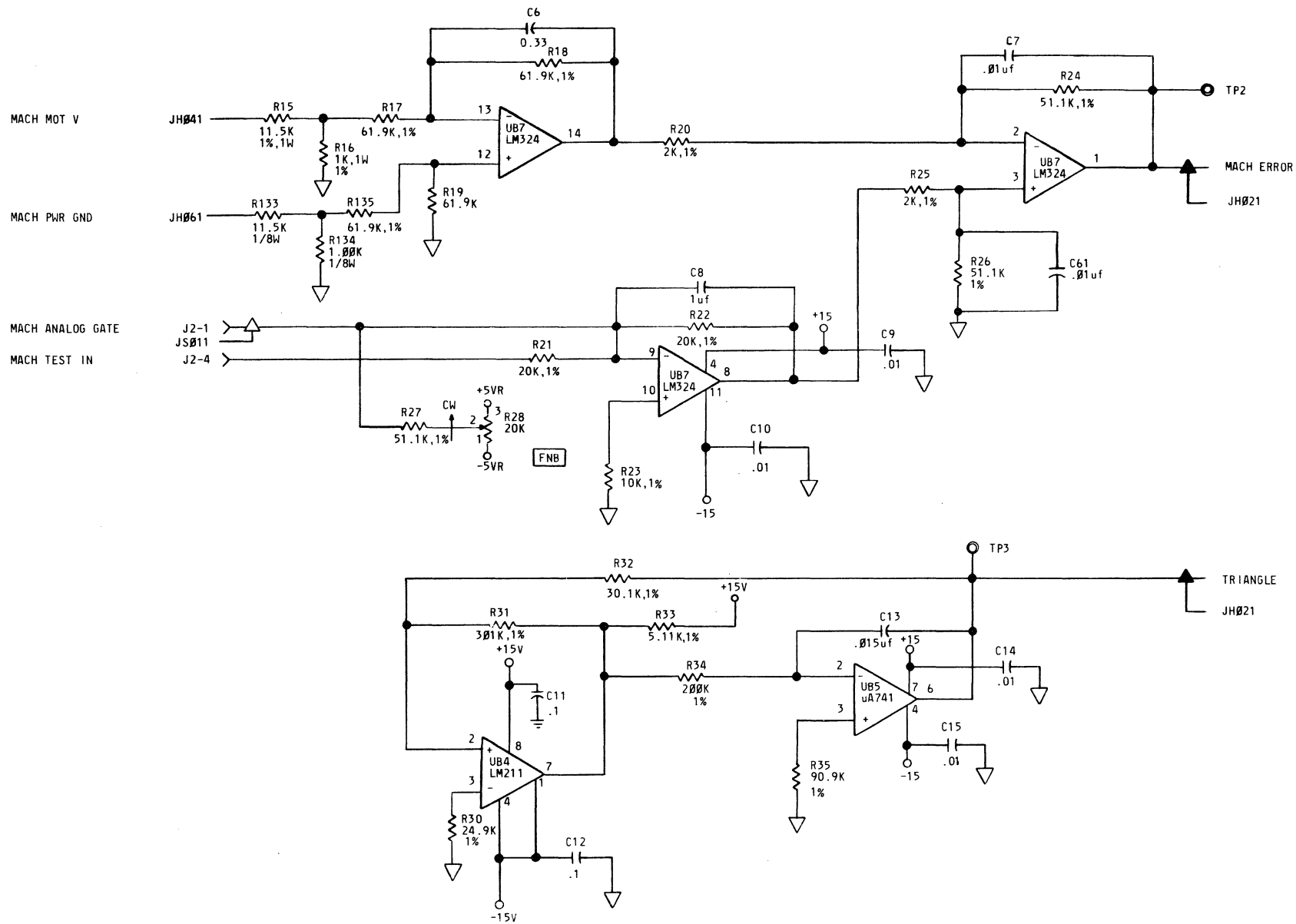
MACH. 1950
 VERS. ROT.
 GBL. ROT.

CD. LOC. GATE
 FRAME

CD. P.N. JH
 CD. TYPE PG. P.N. 43504024-1

J
H
0
0
1

J
H
0
0
1



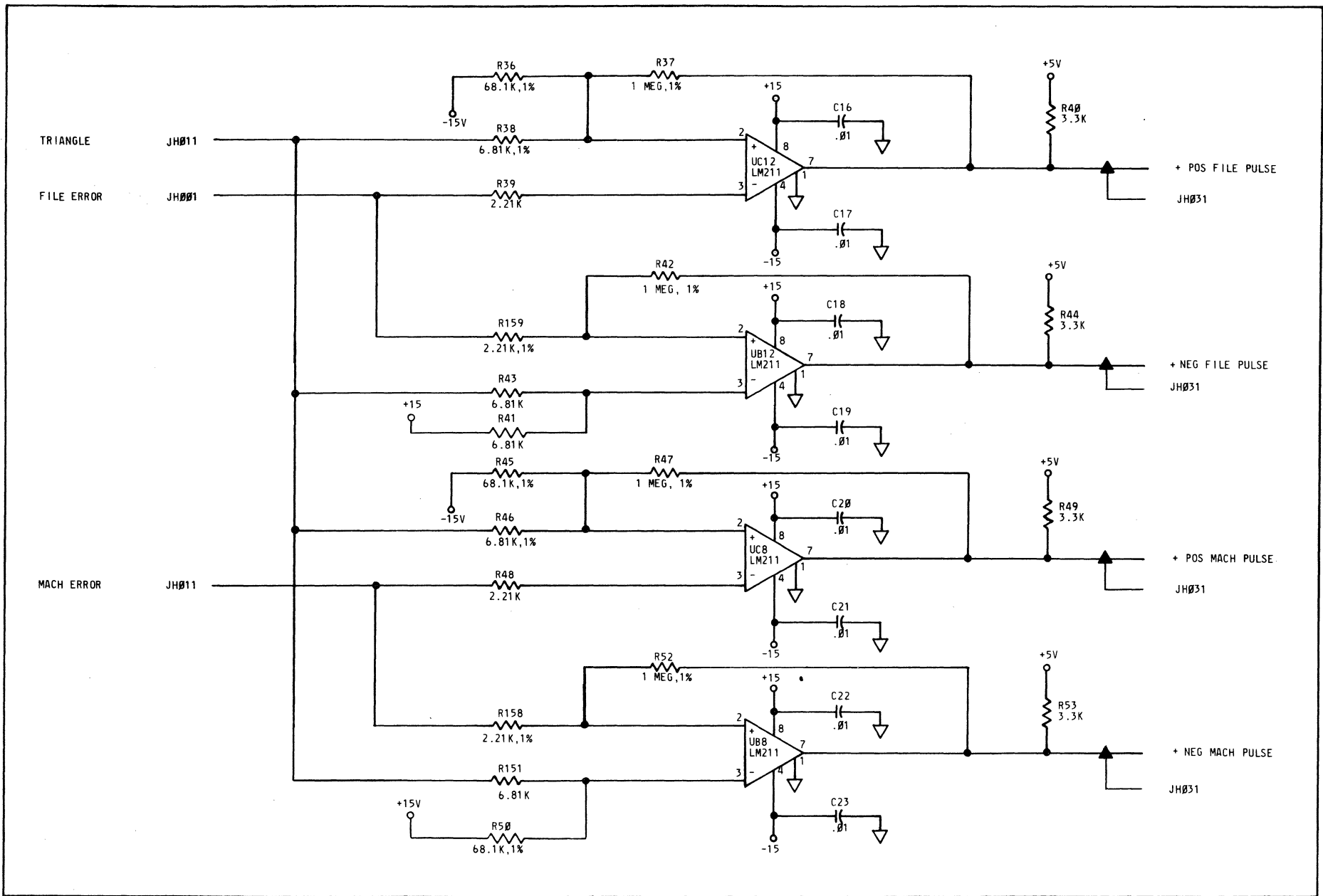
NOTES: 1. ALL CAPACITOR VALUES ARE IN μf UNLESS NOTED.
 2. ALL RESISTOR VALUES ARE IN OHMS, 1/4W, 5%, AND 1% RESISTORS ARE 1/8 UNLESS NOTED.

MACHINE REEL ERROR AND TRIANGLE GENERATOR

PRES. E.C. PREV. E.C. DATE	44202 44069 5/7/80	MACH. VERS. GSL. ROT.	1950	CD. LOC. GATE FRAME	CD. P.N. CD. TYPE PG. P.N.	.JH 43504025-8
----------------------------------	--------------------------	--------------------------	------	---------------------------	----------------------------------	-------------------

JH011

JH011

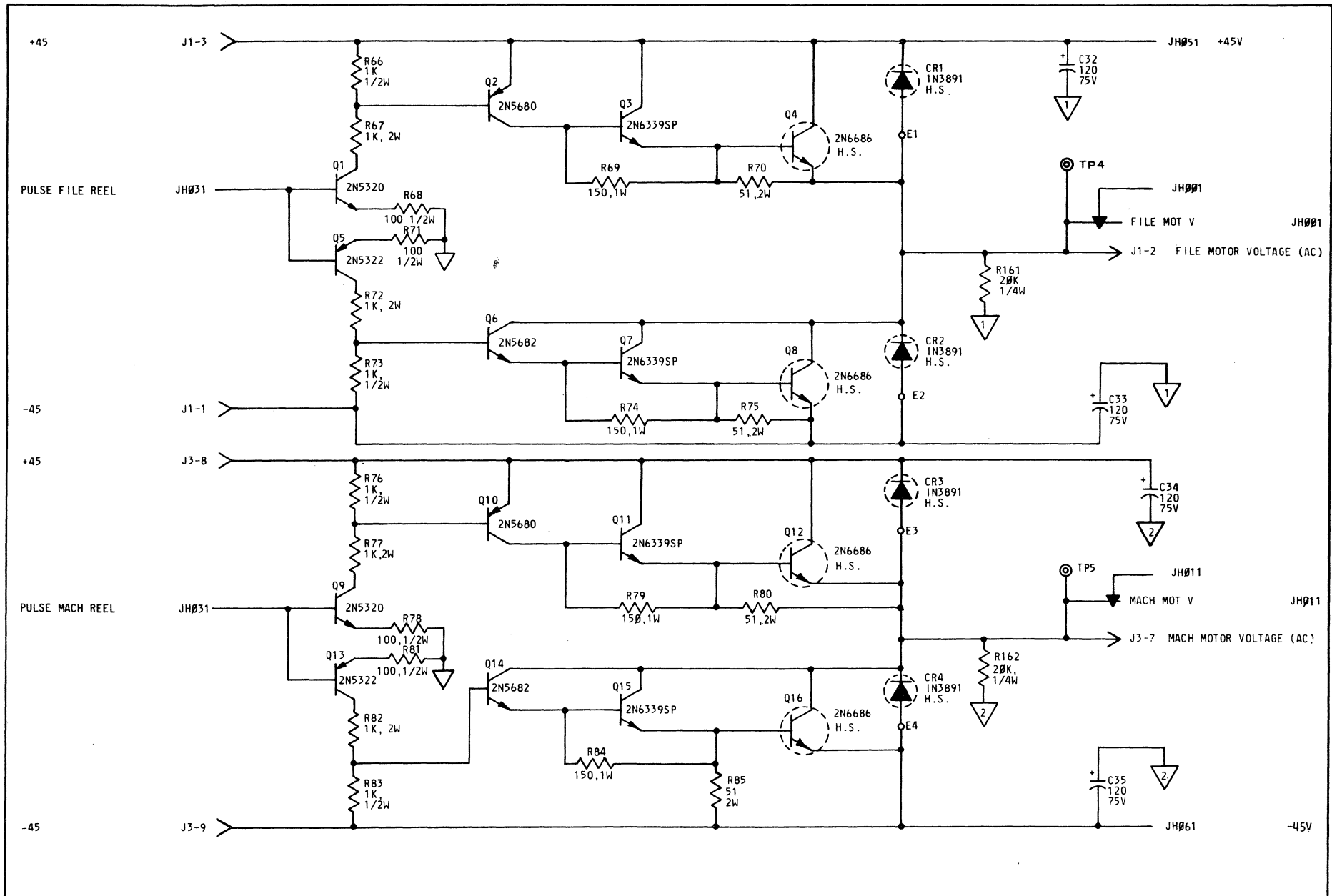


NOTES: 1. ALL CAPACITOR VALUES ARE IN μf UNLESS NOTED.
 2. ALL RESISTOR VALUES ARE IN OHMS, 1/4W, 5%, AND 1% RESISTORS ARE 1/8 UNLESS NOTES.

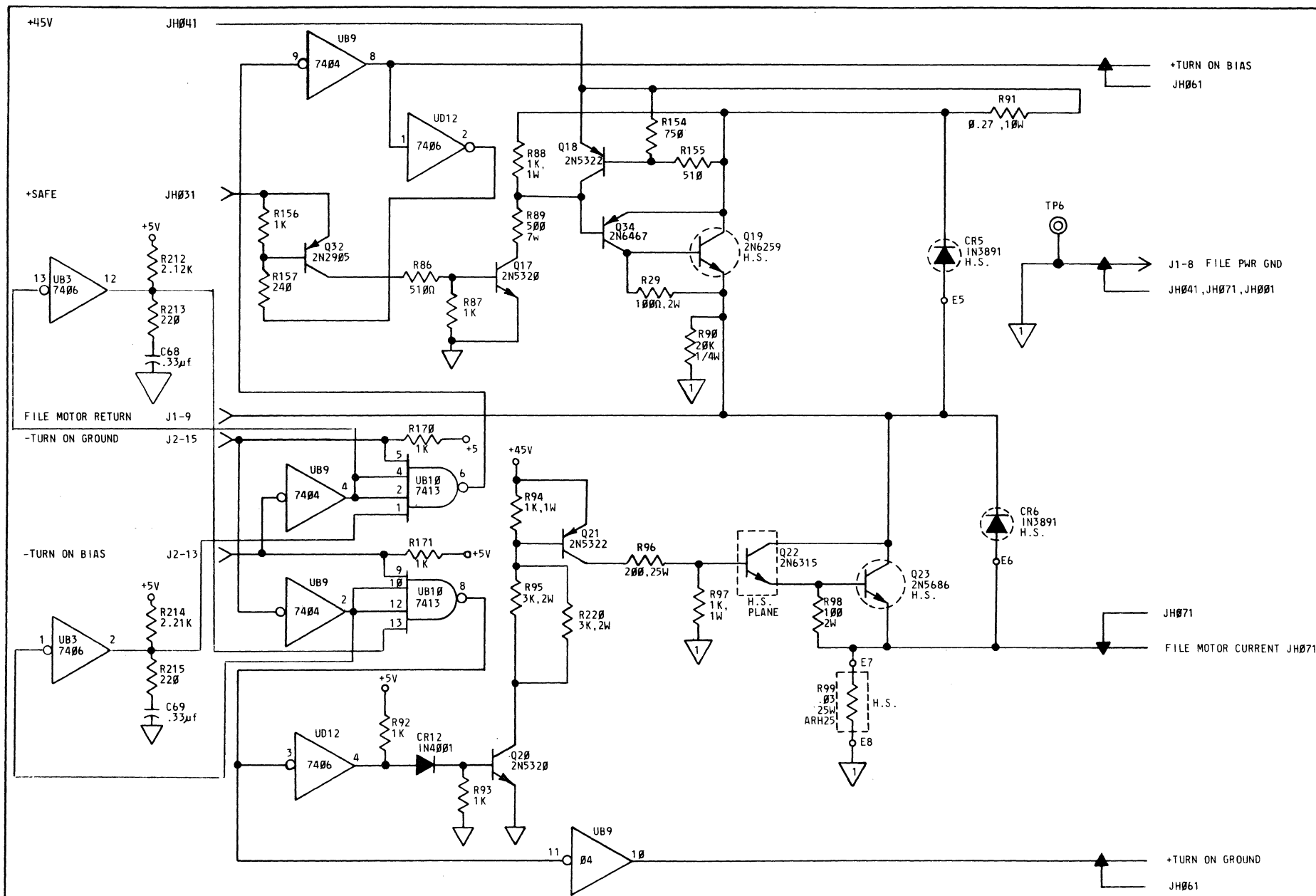
		PULSE AMPLIFIER			
PRES. E.C.	44202	MACH. 1950	CD. LOC.	CD. P.N.	JH
PREV. E.C.	44069	VERB.	GATE	CD. TYPE	JH
DATE	5/7/80	GBL. ROT.	FRAME	P0. P.N.	43504026-6

J
H
0
2
1

J
H
0
2
1



J H 0 4 1	NOTES: 1. ALL CAPACITOR VALUES ARE IN μ f. UNLESS NOTED.	FILE & MACHINE REEL POWER AMP	J H 0 4 1	
	2. ALL RESISTOR VALUES ARE IN OHMS, 1/4W, 5%, AND 1% RESISTORS ARE 1/8W. UNLESS NOTED.			
	PRES. E.C. 44202	MACH. 1950	CD. LOC. GATE FRAME	CD. P.N. JH
	PREV. E.C. 44069	VERS. 5/7/80		PG. PN. 43504028-2
	DATE			

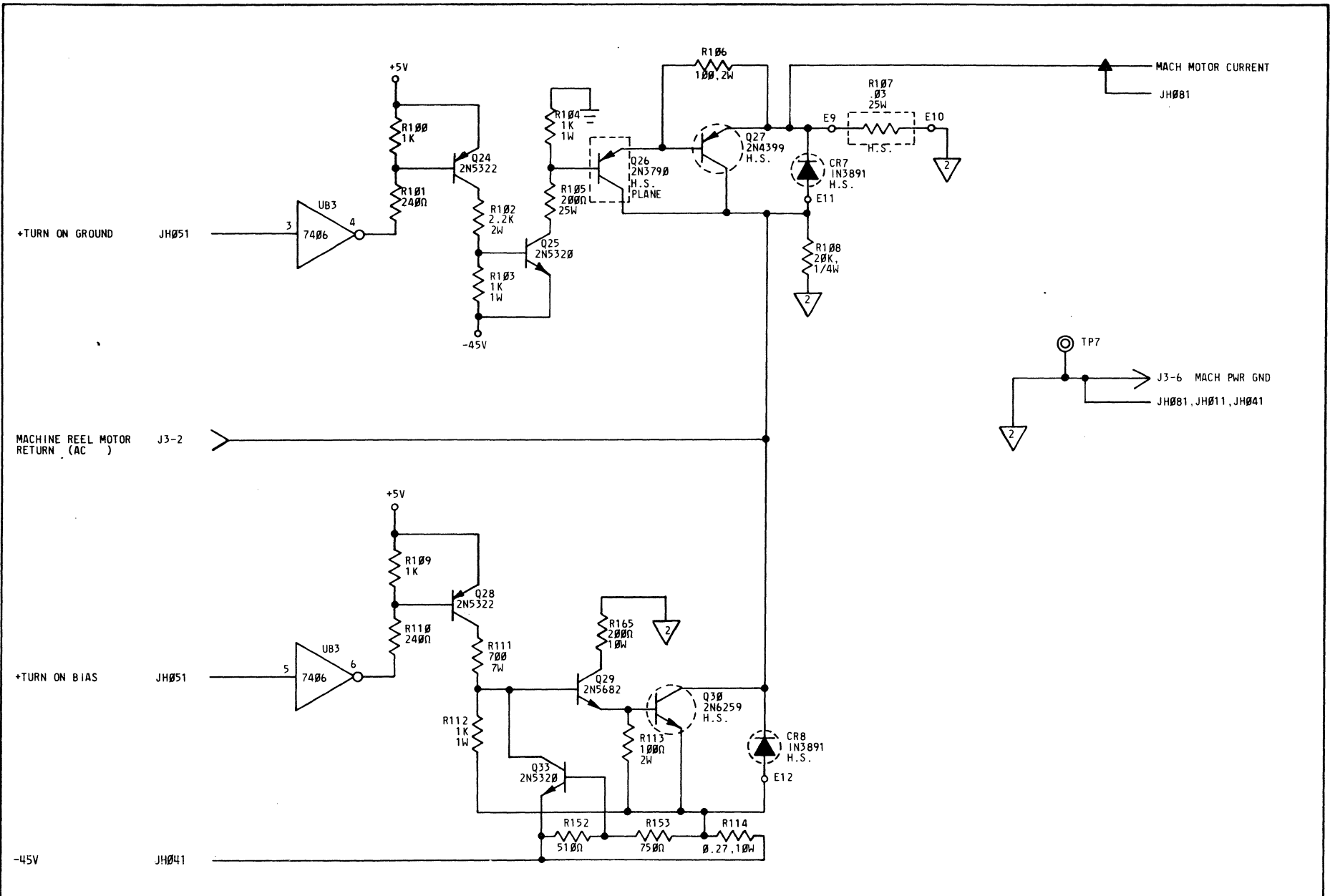


- NOTES: 1. ALL CAPACITOR VALUES ARE IN μ f. UNLESS NOTED.
 2. ALL RESISTOR VALUES ARE IN OHMS, 1/4W, 5%, AND 1% RESISTORS ARE 1/8W. UNLESS NOTED.

FILE REEL REWIND VOLTAGE SWITCH			
PRES. E.C.	44202	MACH. VERS.	1950
PREV. E.C.	44069	GBL. ROT.	
DATE	5/7/80	CD. LOC. GATE FRAME	
		CD. P.N.	JH
		PG. P.N.	43504029-0

JH051

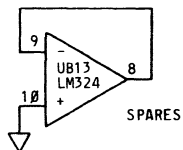
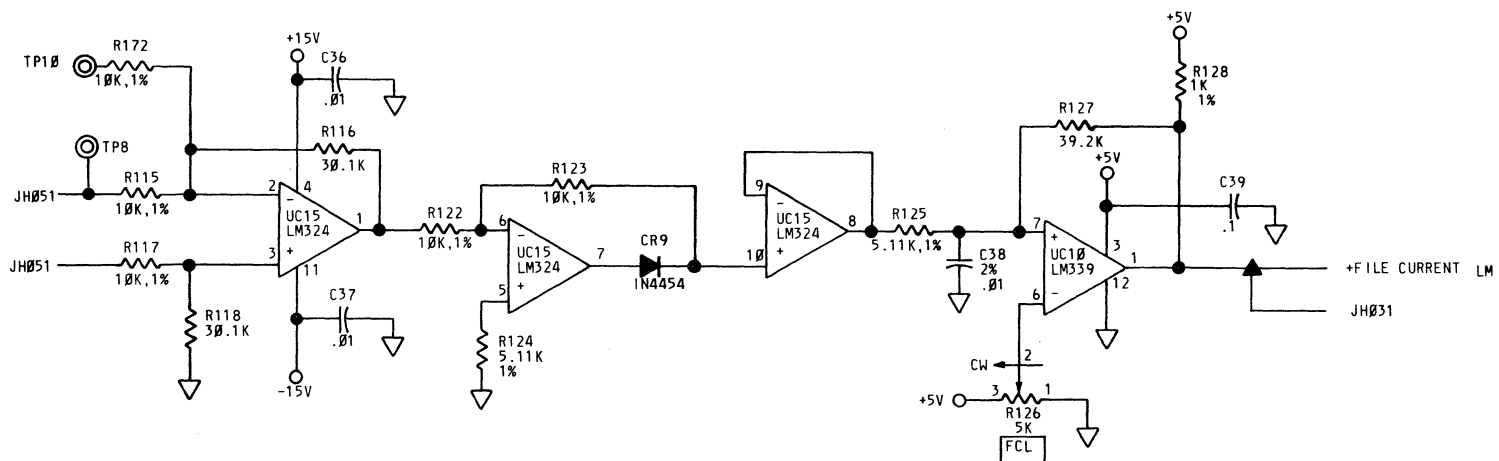
JH051



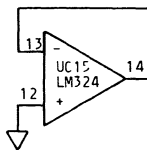
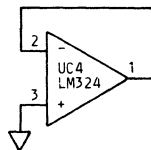
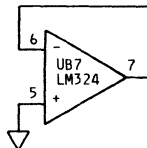
J H 0 6 1	NOTES: 1. ALL CAPACITOR VALUES ARE IN μ f. UNLESS NOTED.	MACHINE REEL REWIND VOLTAGE SWITCH			J H 0 6 1
	2. ALL RESISTORS VALUES ARE IN OHMS, 1/4W, 5%, AND 1% RESISTORS ARE 1/8W. UNLESS NOTED.	PRES. E.C. 44202 PREV. E.C. 44069 DATE 5/7/80	MACH. 1950 VERS. GBL. ROT.	CD. LOC. GATE FRAME CD. P.N. JH PG. P.N. 43504030-8	

FILE MOTOR CURRENT

FILE PWR GND



SPARES



- NOTES: 1. ALL CAPACITOR VALUES ARE IN μf . UNLESS NOTED.
 2. ALL RESISTOR VALUES ARE IN OHMS, 1/4W, 5%, AND 1% RESISTORS ARE 1/8W UNLESS NOTED.

FILE CURRENT LIMIT

PREV. E.C. 44202
 PREV. E.C. 44069
 DATE 5/7/80

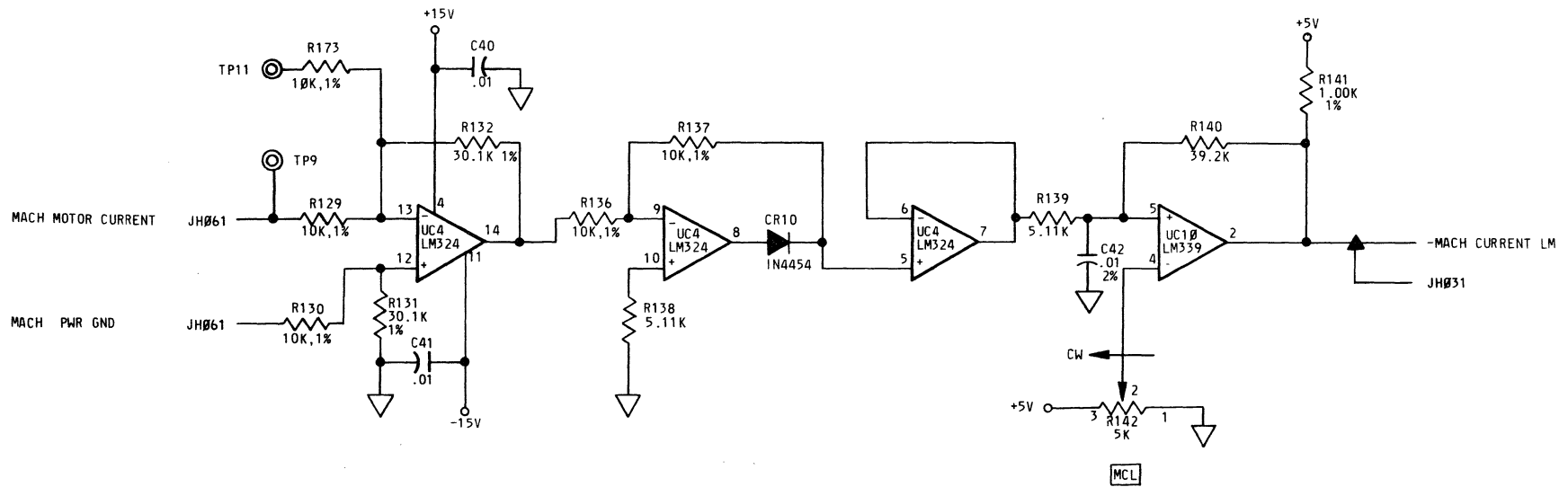
MACH. 1950
 VERS. GBL. ROT.

CD. LOC. GATE FRAME

CD. PN. JH
 CD. TYPE 43504031-6
 PG. PN.

JH
 07
 1

JH
 07
 1



- NOTES:
1. ALL CAPACITOR VALUES ARE IN μ f. UNLESS NOTED.
 2. ALL RESISTOR VALUES ARE IN OHMS, 1/4W, 5%, AND 1% RESISTORS ARE 1/8W. UNLESS NOTED.

MACH CURRENT LIMIT

PRE. E.C. 44202
 PREV. E.C. 44069
 DATE 5/7/80

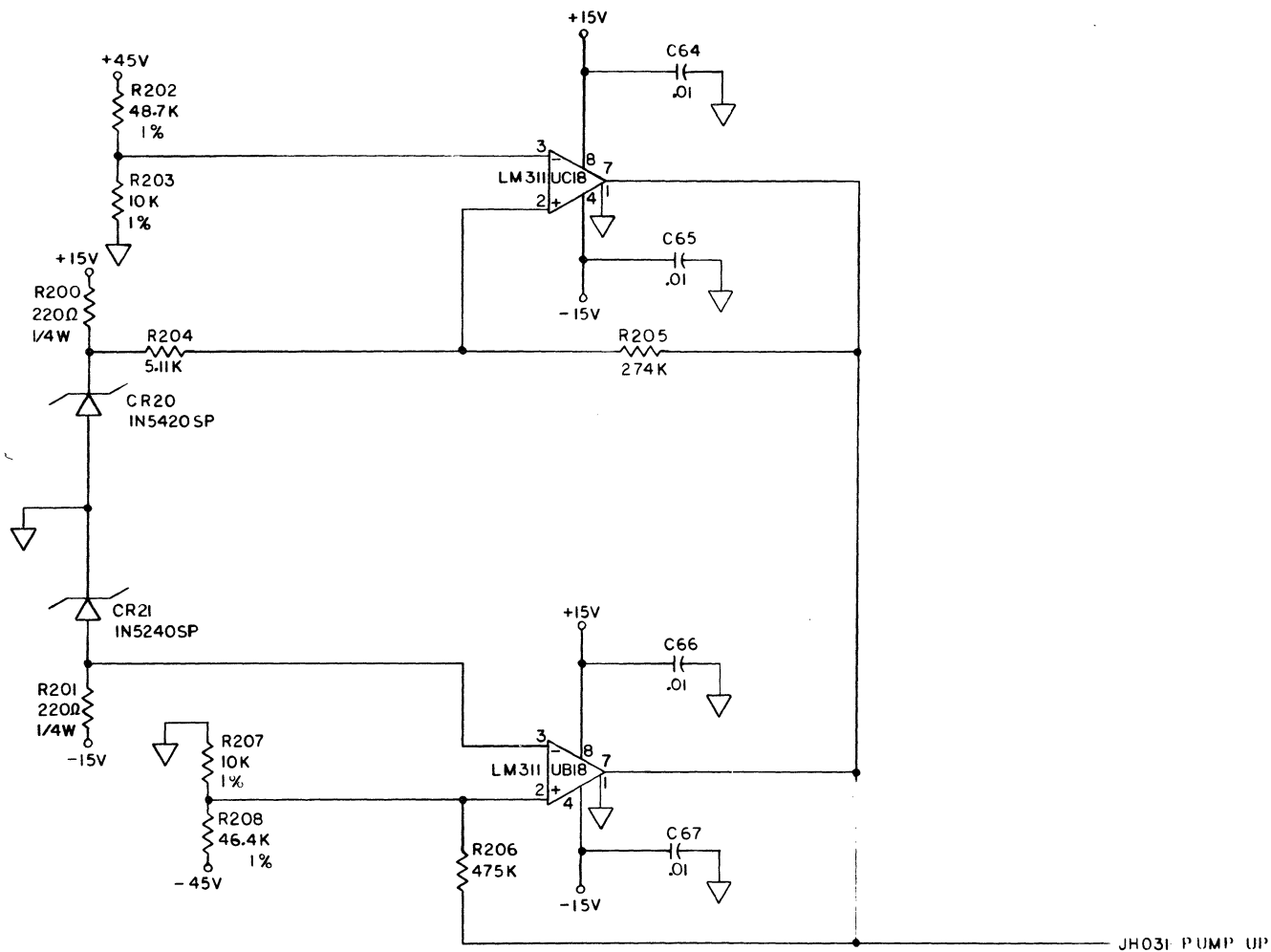
MACH. 1950
 VERS.
 GBL. ROT.

CD. LOC.
 GATE
 FRAME

CD. P.N.
 CD. TYPE JH
 PG. P.N. 43504032-4

J
H
0
8
1

J
H
0
8
1



JH031 PUMP UP

PUMP UP DETECT

PRES. E.C. 44202
 PREV. E.C. NONE
 DATE 5-5-80

MACH. 1950
 VERS.
 GBL. ROT.

CD. LOC.
 GATE
 FRAME

CD. P.N.
 CD. TYPE JH
 PG. P.N. 43504033-2

JH031

JH031

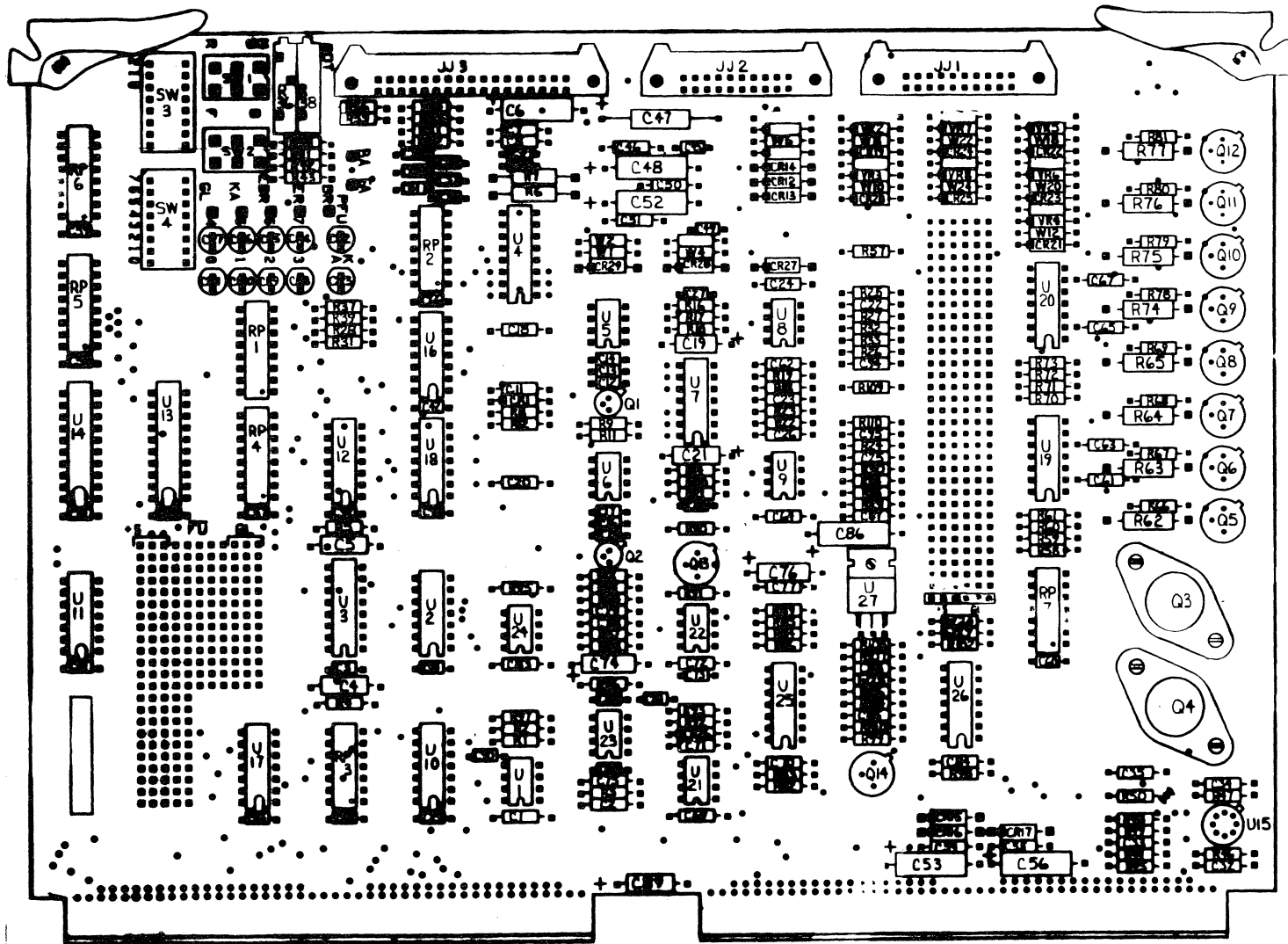


BUILD ARC DOC

ASSEMBLY PARTS LIST

PRINT DATE	PAGE	E.C. NO.
02-20-81	1	44352

DIV.	ASSEMBLY NUMBER	CD	REV.	DWG.	DESCRIPTION	MC	STATUS	STATUS DATE	FILE DATE						
0500	43500071	6	A	N	SYS LGC GP, JJ, 43104306, PC	N	REL	10-02-80 1950	10-02-80						
T	FIND NO	LI	PART NUMBER	CD	M	QUANTITY	U/M	PART DESCRIPTION	MC	YLD	E.C. NO. IN	E.C. NO. OUT	S/N	WK IN	WK OUT
	001	01	43505043	0		REF	PC	SYS LGC, JJ, AB001, PC	D		44352			8039	
	002	01	43505009	1		REF	PC	SYS LGC, JJ001, PC	D						
	003	01	43505038	0		REF	PC	SYS LGC, JJ011 PC	D						
	004	01	43505029	9		REF	PC	SYS LGC, JJ021, PC	D						
	005	01	43505039	3		REF	PC	SYS LGC, JJ031 PC	D						
	006	01	43505026	5		REF	PC	SYS LGC, JJ041, PC	D						
	007	01	43505044	8		REF	PC	SYS LGC, JJ051, PC	D		44352			8039	
	008	01	43505032	3		REF	PC	SYS LGC, JJ061, PC	D						
	009	01	43505033	1		REF	PC	SYS LGC JJ071, PC	D						
	010	01	43505017	4		REF	PC	SYS LGC JJ081, PC	D						
	011	01	43505018	2		REF	PC	SYS LGC, JJ091, PC	D						
	012	01	43505041	4		REF	PC	SYS LGC, JJ101, PC	D		44352			8039	
	013	01	43505034	9		REF	PC	SYS LGC, JJ111, PC	D						
	014	01	43505042	2		REF	PC	SYS LGC, JJ121, PC	D		44352			8039	
	015	01	43505035	6		REF	PC	SYS LGC, JJ131, PC	D						
	016	01	43505023	2		REF	PC	SYS LGC, JJ141, PC	D						
	500	01	43104306	6		REF	PC	CKT CD, JJ, PC ASSEMBLY	S		44352			8039	
								0017 TOTAL LINES							



■ JJ CARD, BUFFER CARD

CD. RN. 44352
 CD. TYPE E.E. 44087
 DATE 9-26-80

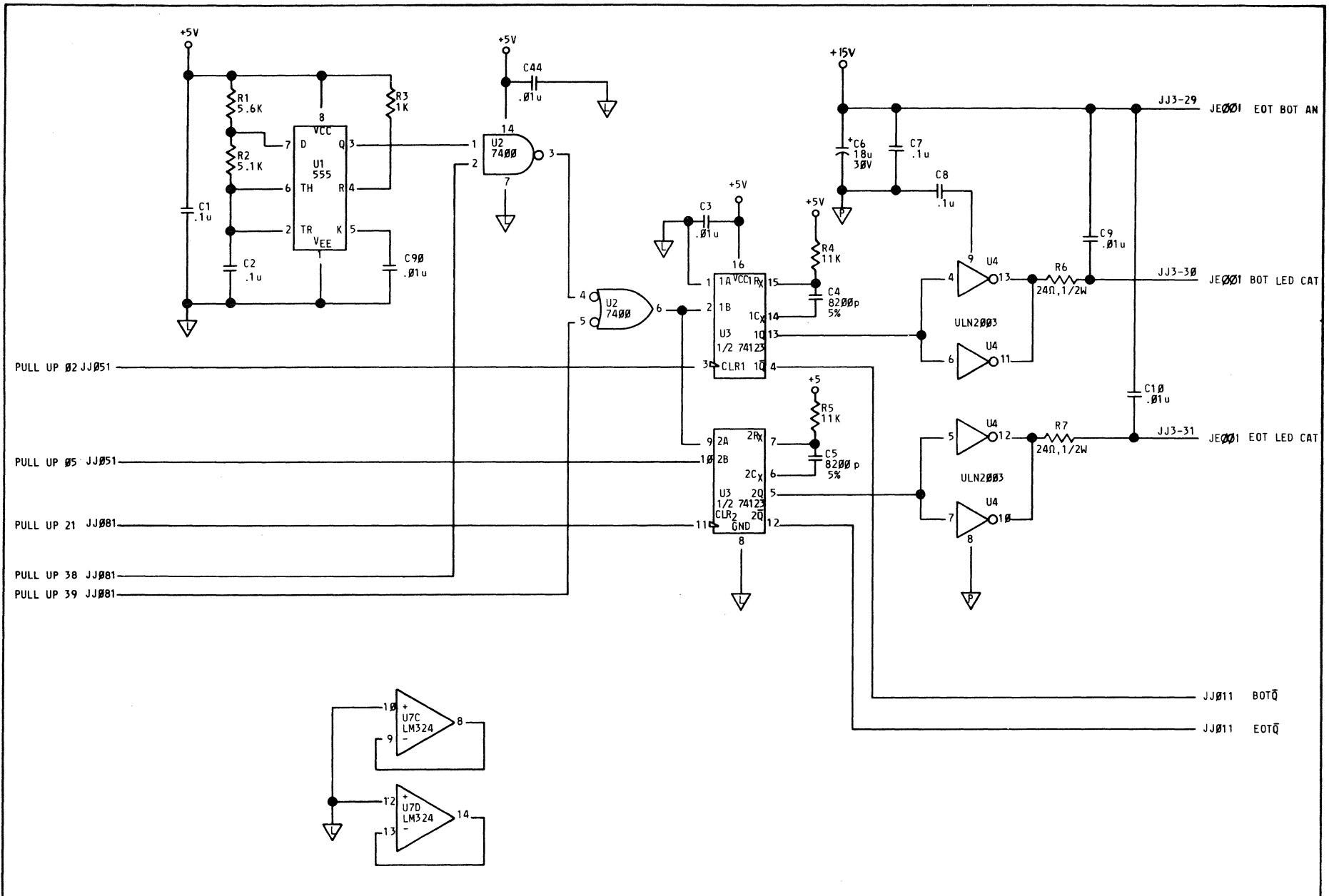
MADE 1990
 VERN
 DEL. NOT

CD. LOC. A2
 DATE
 FRAME

CD. RN. 43104305-8
 CD. TYPE JJ
 PA. RN. 43505043-0

A
B
C
D
E

A
B
C
D
E

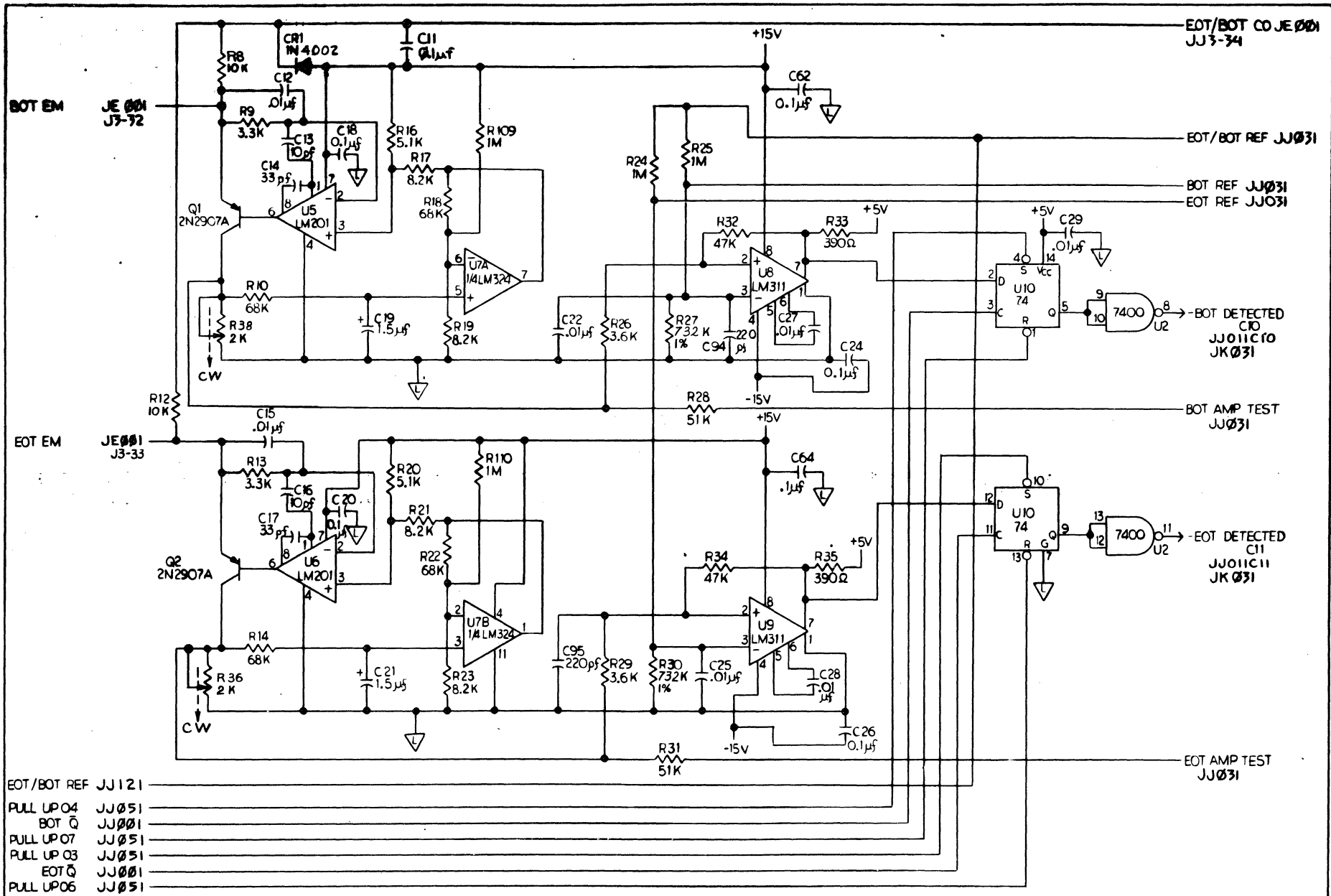


EOT/BOT DRIVERS

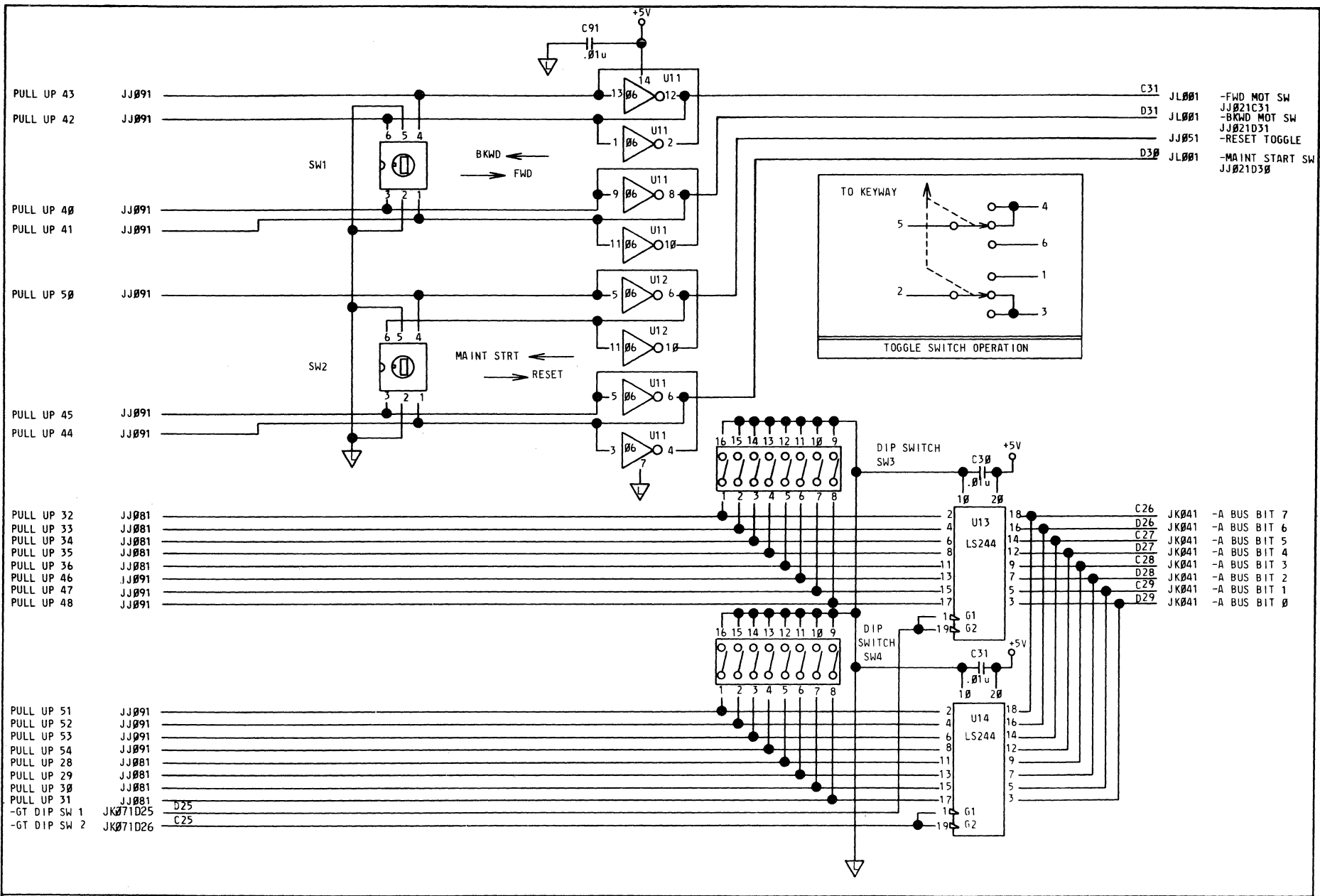
PRES. E.C. 44065 PREV. E.C. DATE 1-31-80	MACH. 1958 VERS. GBL. ROT.	CD. LOC. A2 GATE FRAME	CD. P.N. JJ CD. TYPE 43505009-1 PG. P.N.
------------------------------------------------	----------------------------------	---------------------------	------------------------------------------------

J
J
0
0
1

J
J
0
0
1



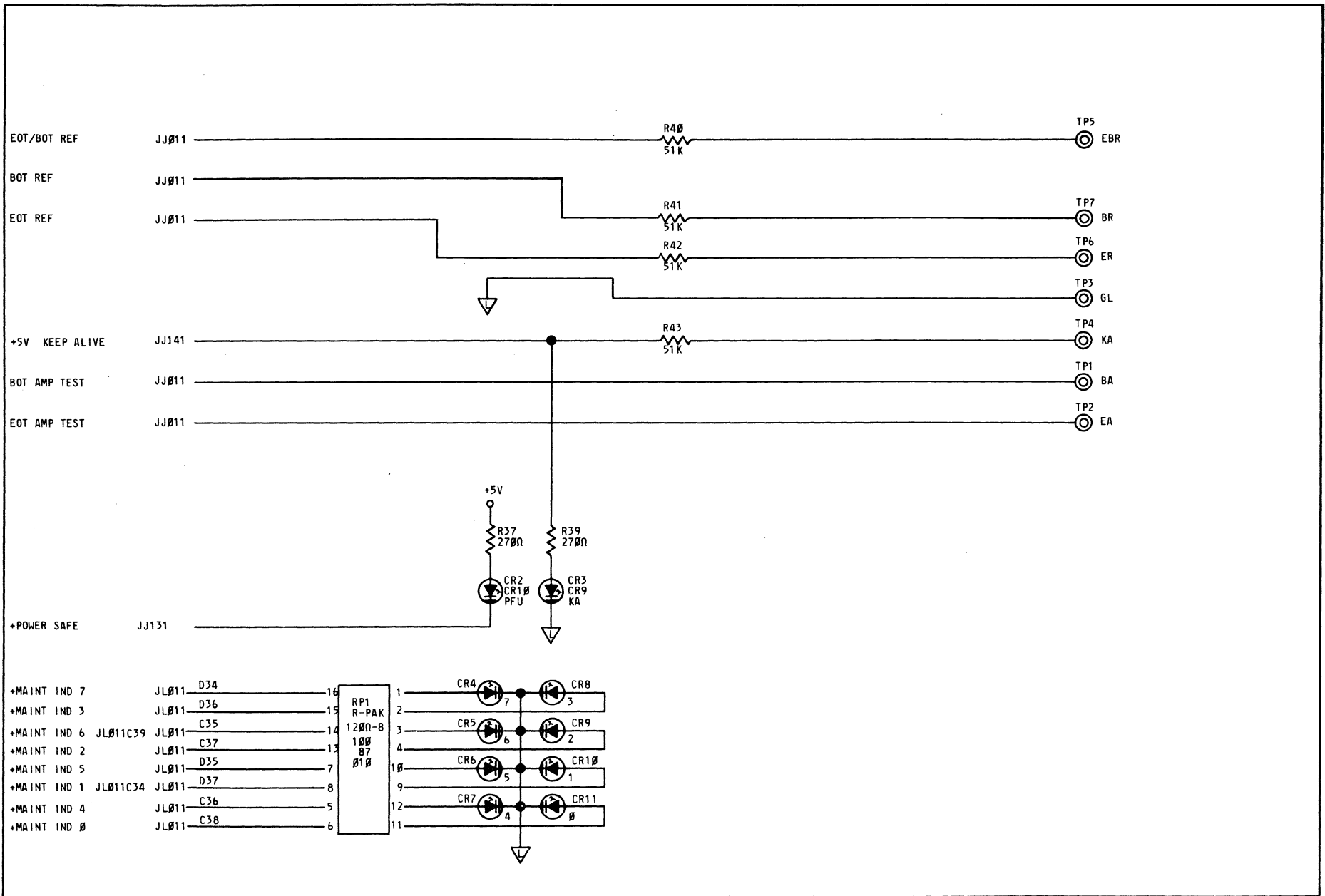
EOT / BOT SENSE			
PRES. E.C. 44087 PREV. E.C. 44065 DATE 15 MAY 80	MACH. 1950 VERS. GBL. ROT.	CD. LOC. A2 GATE FRAME	CD. P.N. JJ CD. TYPE JK PG. P.N. 43505038-0



J
J
Ø
2
1

MAINT PANEL 1		CD. LOC. A2	CD. P.N. JJ CD. TYPE 43535Ø29-9 PG. RN.

J
J
Ø
2
1

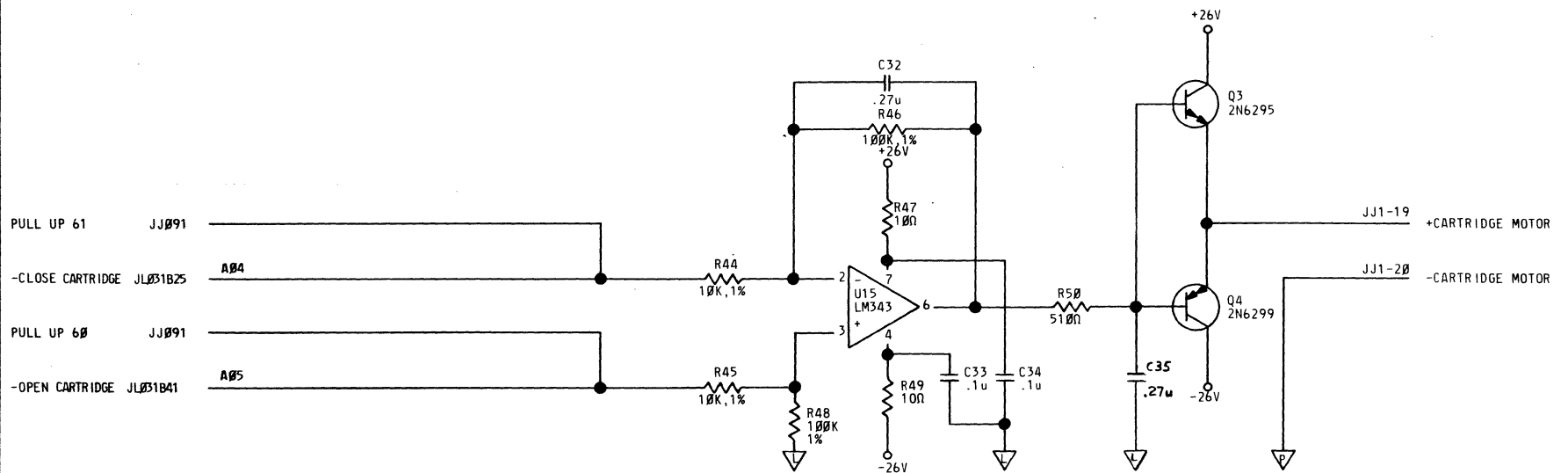


MAINT PANEL 2

PRES. E.C. 44087 PREV. E.C. 44065 DATE 15 MAY 80	MACH. VERS. 195Ø GBL. ROT.	CD. LOC. A2 GATE FRAME	CD. P.N. JJ CD. TYPE PG. P.N. 43505039-8
--------------------------------------------------------	-------------------------------	---------------------------	------------------------------------------------

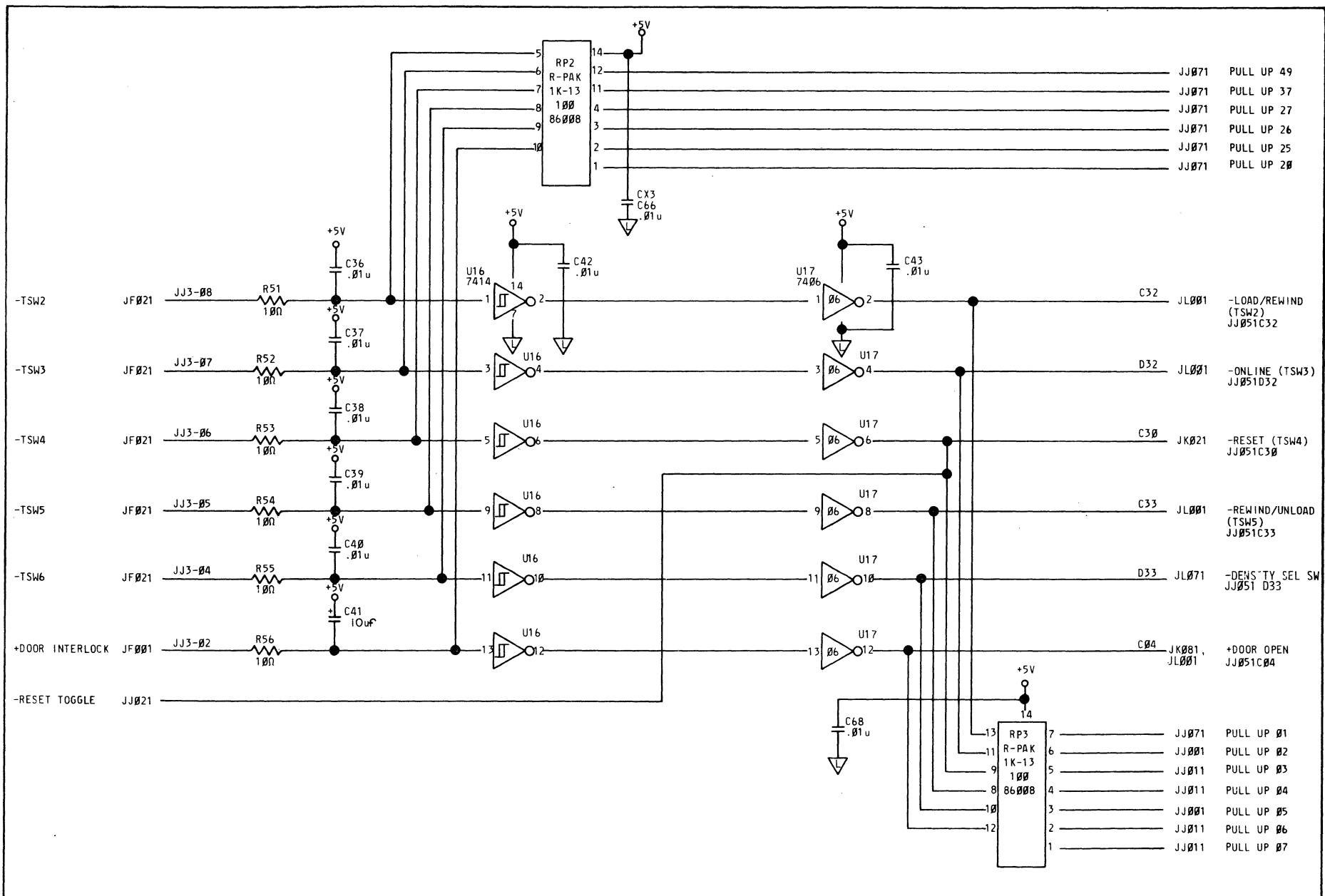
J
J
Ø
3
1

J
J
Ø
3
1



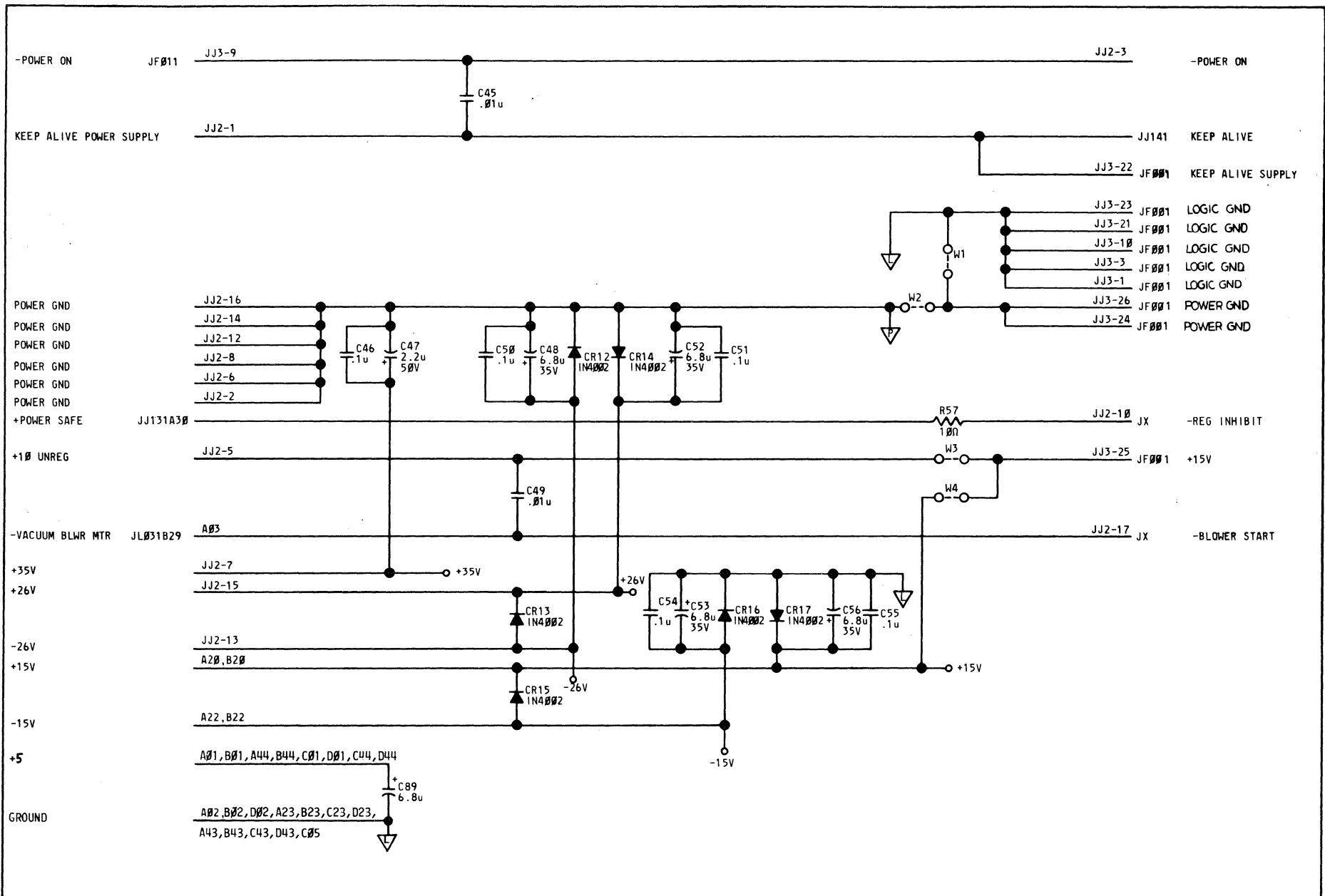
JJ

C.O. MOTOR DRIVER			
PRES. E.C. 44065 PREV. E.C. DATE 1-11-90	MACH. VERS. 1950 GBL. ROT.	CD. LOC. A2 GATE FRAME	CD. P.N. JJ CD. TYPE 435050265 PG. P.N.



SWITCH BUF'RS

PRES. E.C. 44352 PREV. E.C. 00 DATE -26-80	MACH. 1950 VERS. 00 GBL. ROT.	CD. LOC. A2 GATE FRAME	CD. R.N. JJ CD. TYPE PG. R.N. 43505044-5	JJ JB 5 1
--------------------------------------------------	-------------------------------------	---------------------------	---------------------------------------------	--------------------

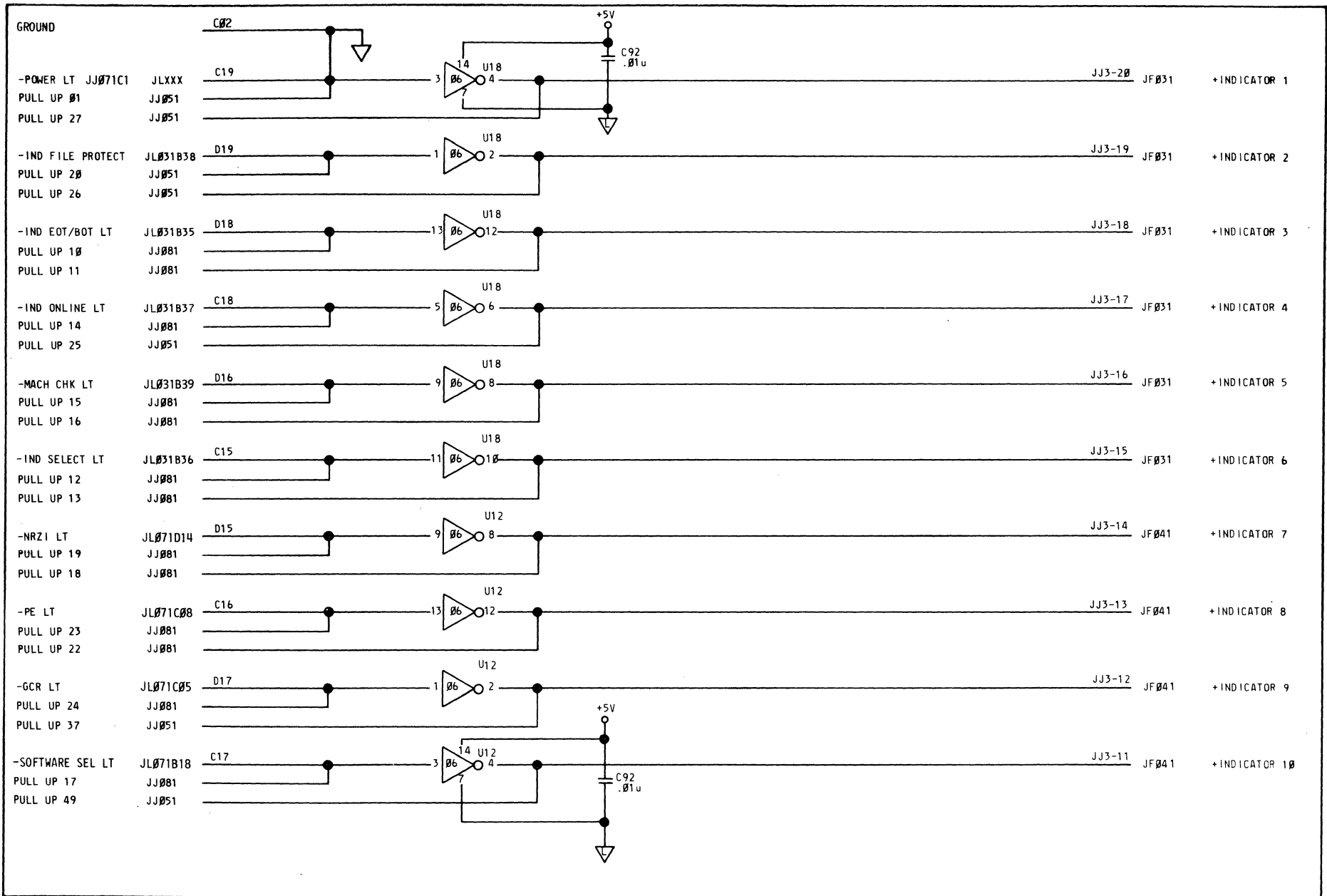


POWER INTERCON

PRES. E.C. PREV. E.C. DATE	44065 1/30/80	MACH. VERS. OBL. ROT.	195B	CD. LOC. GATE FRAME	A2	CD. P.N. CD. TYPE P.Q. P.N.	JJ 435002-3
----------------------------------	----------------------	-----------------------------	------	---------------------------	----	-----------------------------------	----------------

J
J
6
1

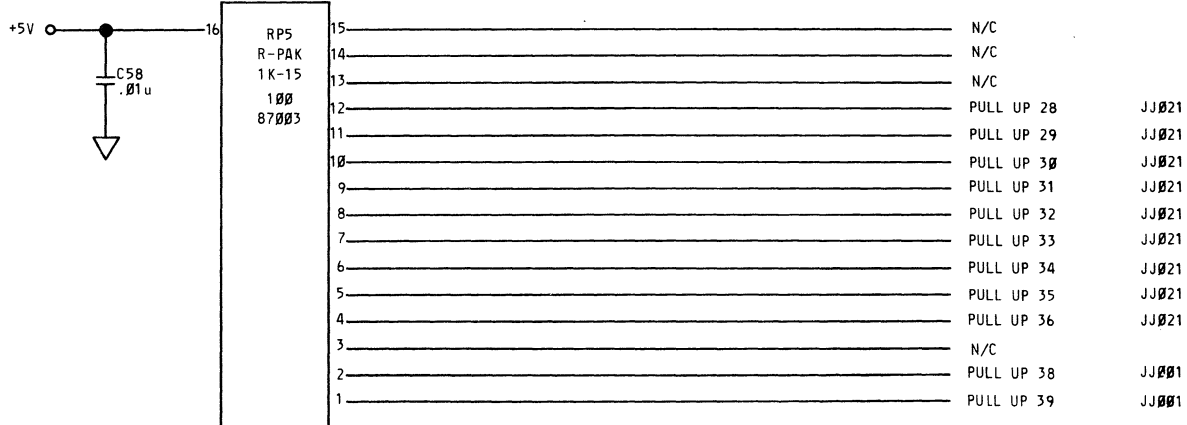
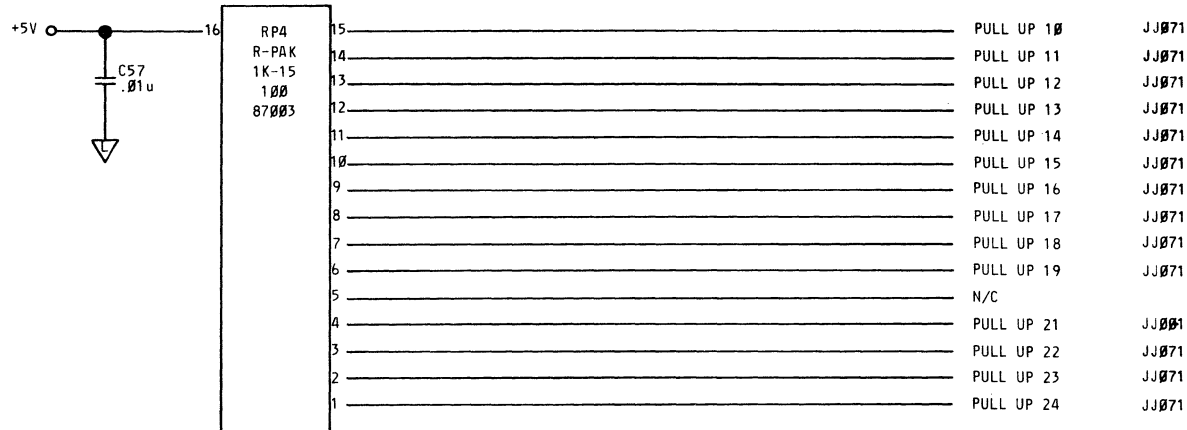
J
J
6
1



J
J
7
1

LAMP BUFFERS			
PRES. E.C.	44065	MACH. VERS.	1950
PREV. E.C.		GBL. ROT.	
DATE	1/30/80	CD. LOC. GATE FRAME	A2
		CD. R.N. CD. TYPE PG. R.N.	JJ 43505033-1

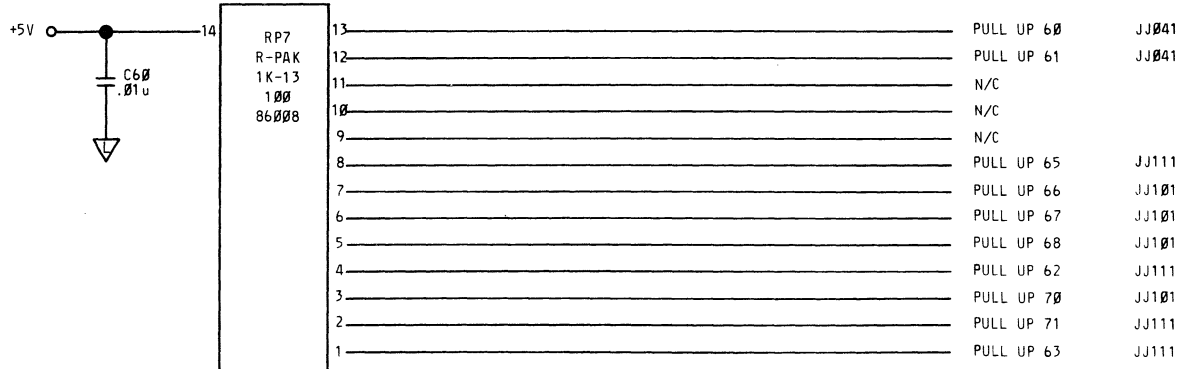
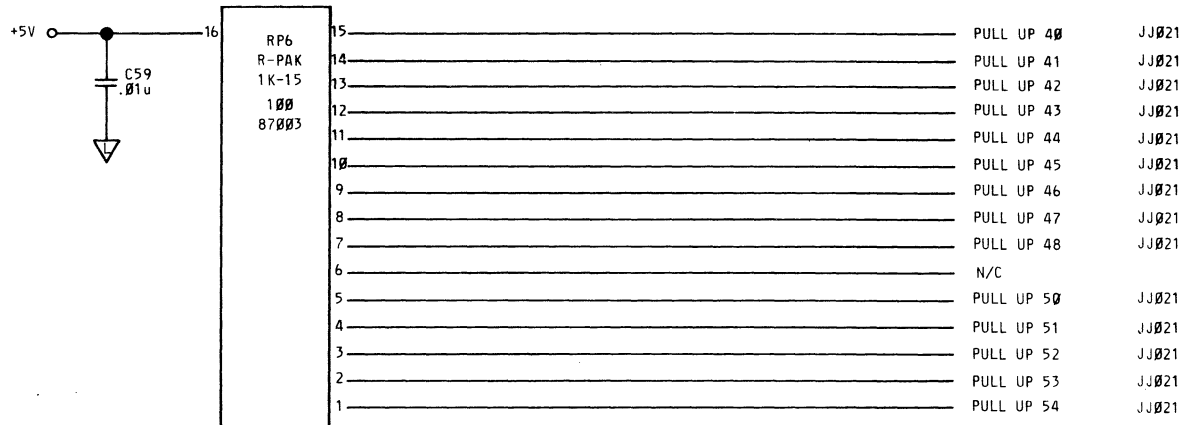
J
J
7
1



J
J
0
8
1

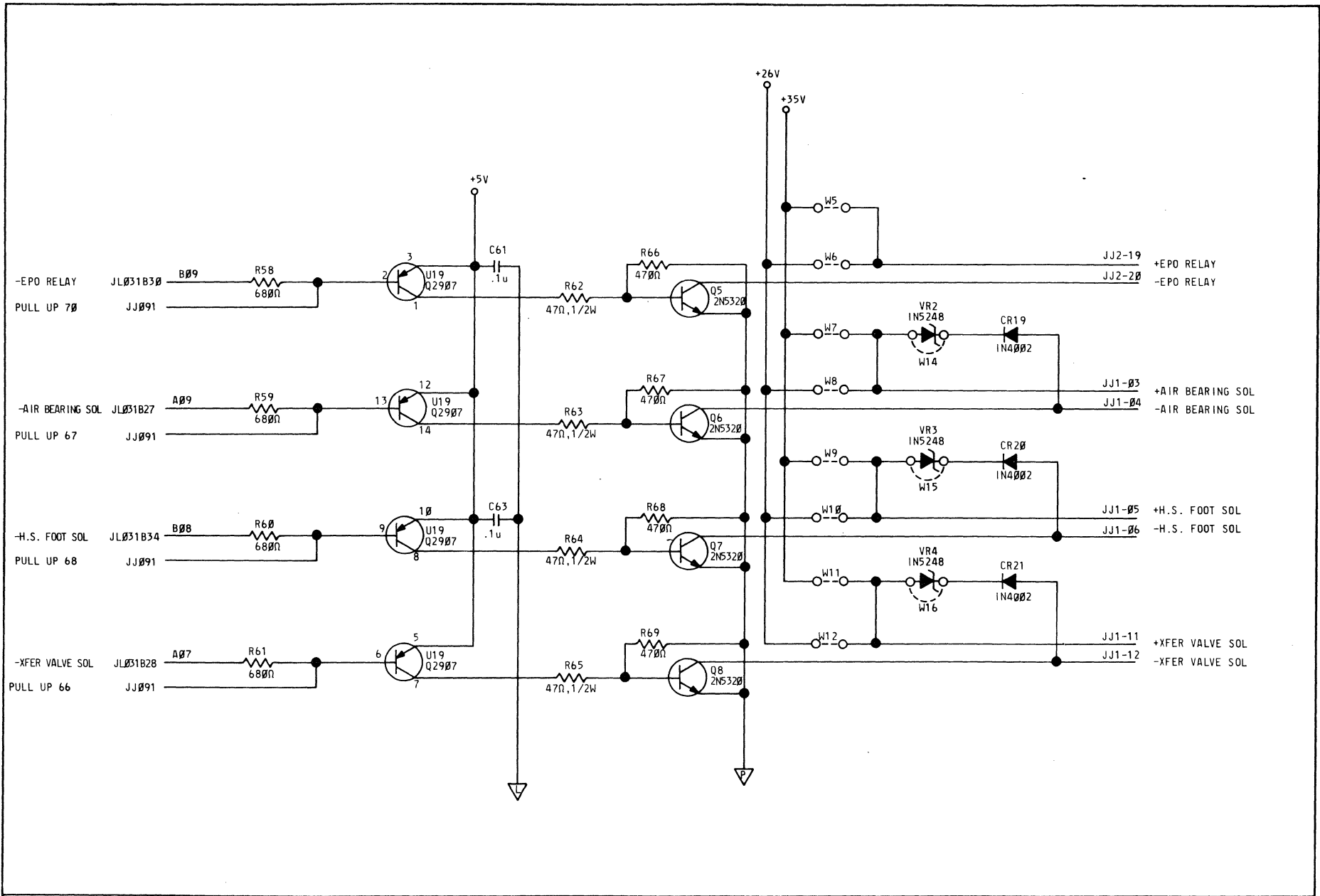
PULL UP 1			
PRES. E.C. 44065 PREV. E.C. DATE 1-31-80	MACH. 1950 VERS. GBL. ROT.	CD. LOC. A2 GATE FRAME	CD. RN. CD. TYPE JJ PG. RN. 43505017-4

J
J
0
8
1



J
J
0
9
1

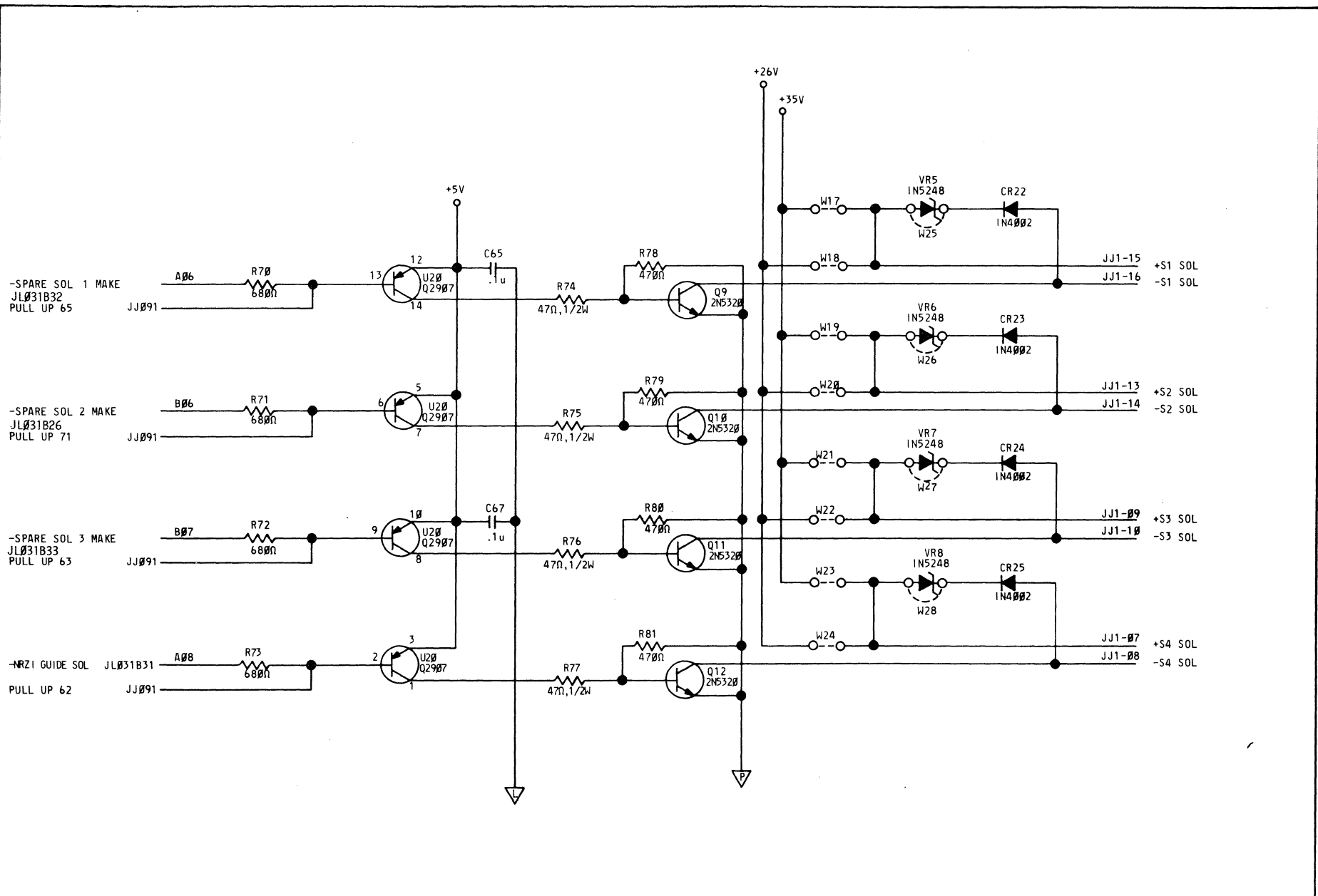
PULL UP 2				J J 0 9 1
PRES. E.C. 44065 PREV. E.C. DATE 1-31-80	MACH. 1950 VERS. GBL. ROT.	CD. LOC. 22 GATE FRAME	CD. P.N. CD. TYPE PG. P.N. JJ 43505018 2	



J
J
1
B
1

SOL DRIVERS 1			
PRES. E.C. 44352 PREV. E.C. 44061 DATE 9-26-80	MACH. 1958 VERS. GBL. ROT.	CD. LOC. A2 GATE FRAME	CD. P.N. JJ CO. TYPE PG. P.N. 43505041-4

J
J
1
B
1

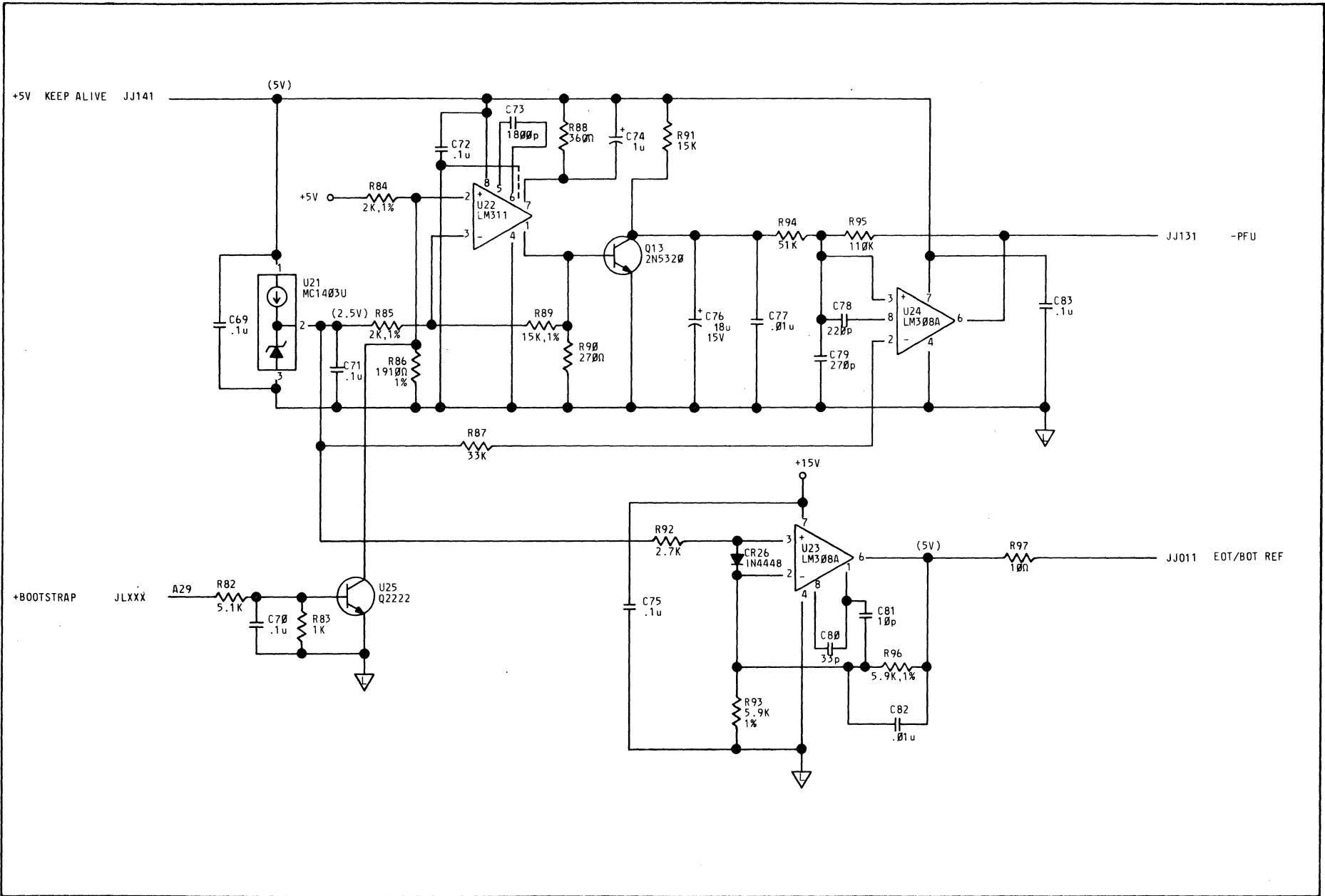


SOL DRIVERS 2

PREV. E.C.	44065	MACH. VERS.	1950	CD. LOC.	A2	CD. PN.	JJ
DATE	1/30/80	GBL. ROT.		DATE		PG. PN.	43505034-9

J
1

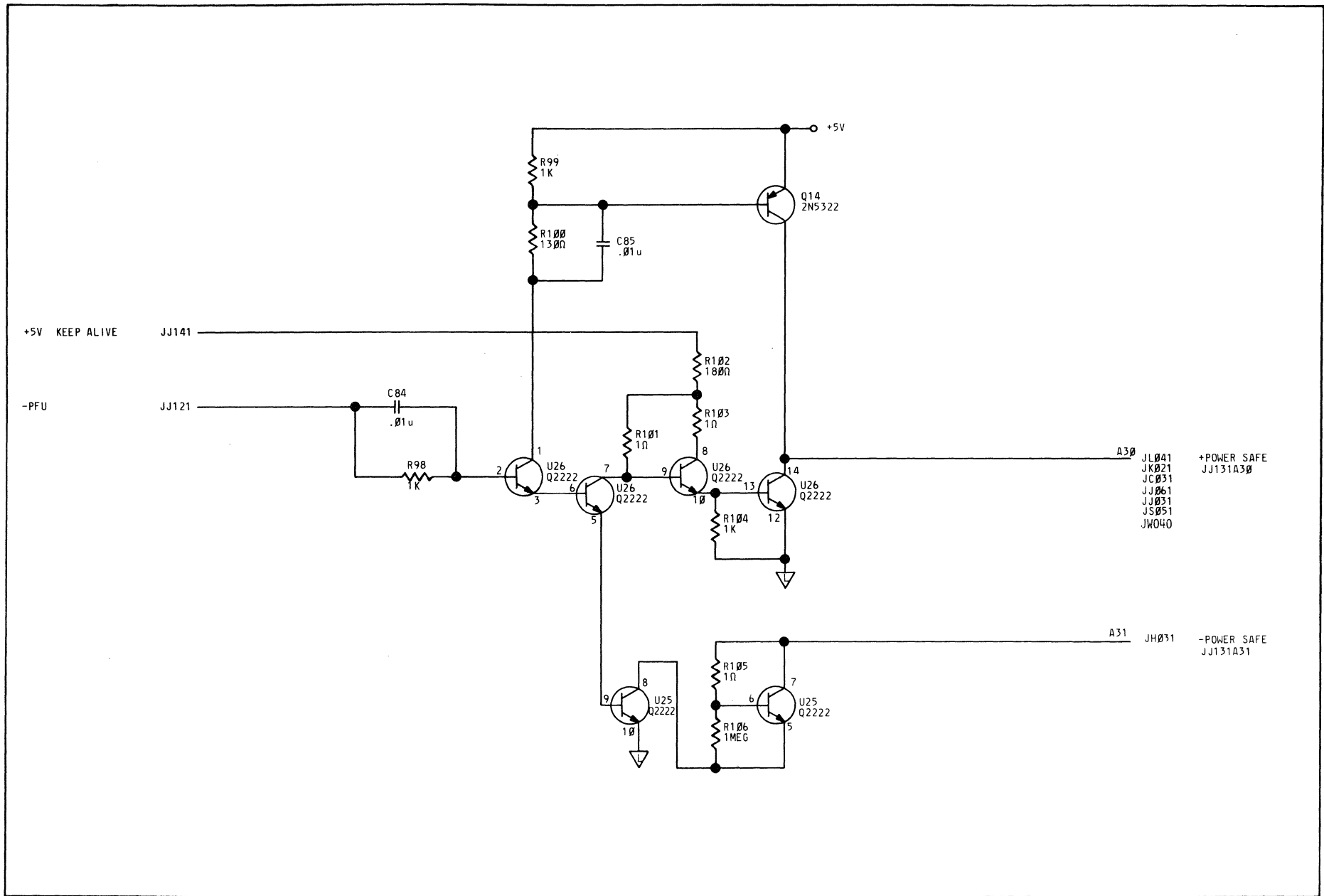
J
1



PFU SENSE			
PREL. E.C. 44352	MACH. 1950	CD. LOC. A2	CD. P.N. JJ
PREV. E.C. 44065	VER. 1	GATE	CD. TYPE
DATE 9-26-80	GBL. ROT.	FRAME	PG. P.N. 43505042-2

J
J
1
2
1

J
J
1
2
1



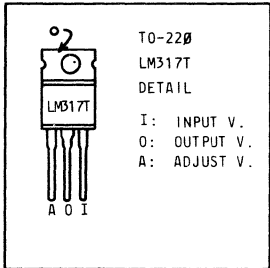
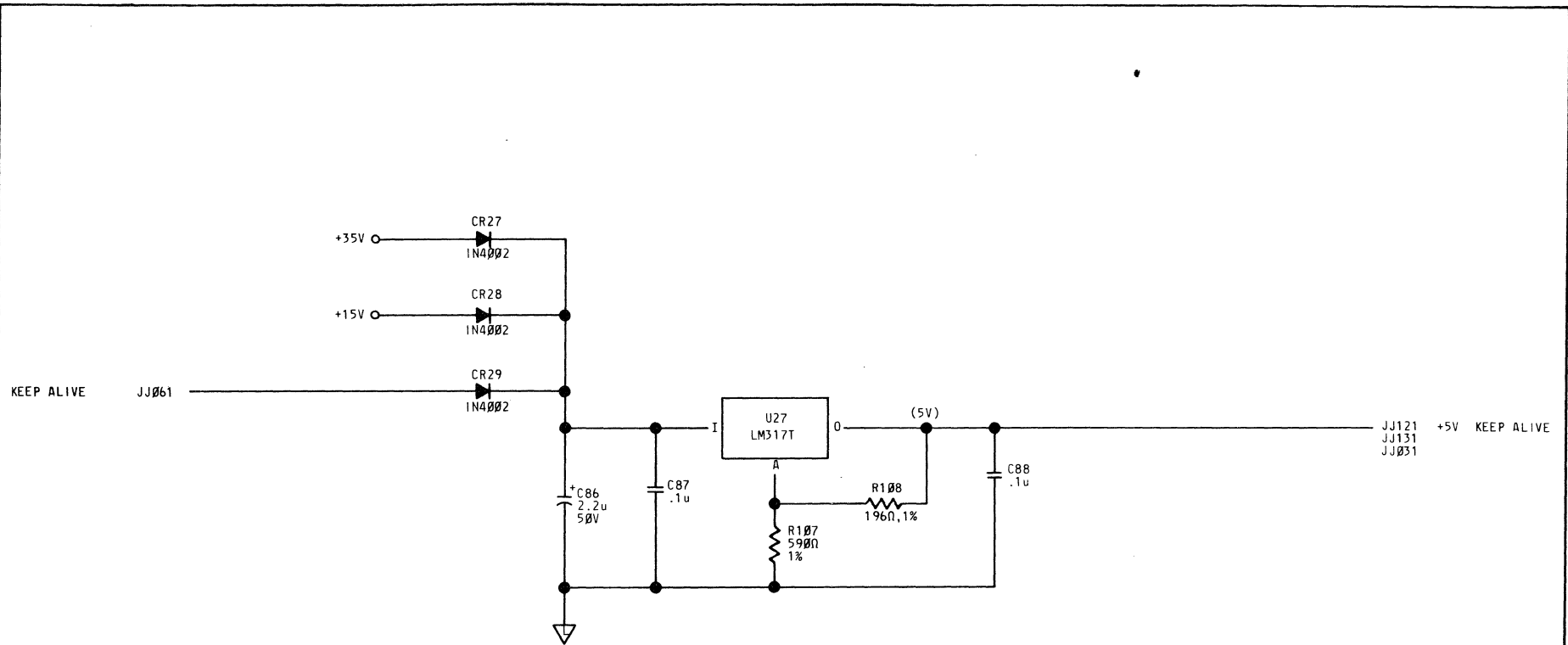
A30
 JL041
 JK021
 JC031
 JJ061
 JJ031
 JS051
 JW040
 +POWER SAFE
 JJ131A30

A31
 JH031
 -POWER SAFE
 JJ131A31

J
 J
 1
 3
 1

+PWR SAFE BUF'R			
PRE. E.C.	44065	MACH.	1950
PREV. E.C.		VERS.	
DATE	1/30/80	GBL. ROT.	
CD. LOC.	A2	CD. P.N.	
GATE FRAME		CD. TYPE	JJ
		PG. PN.	43505035-6

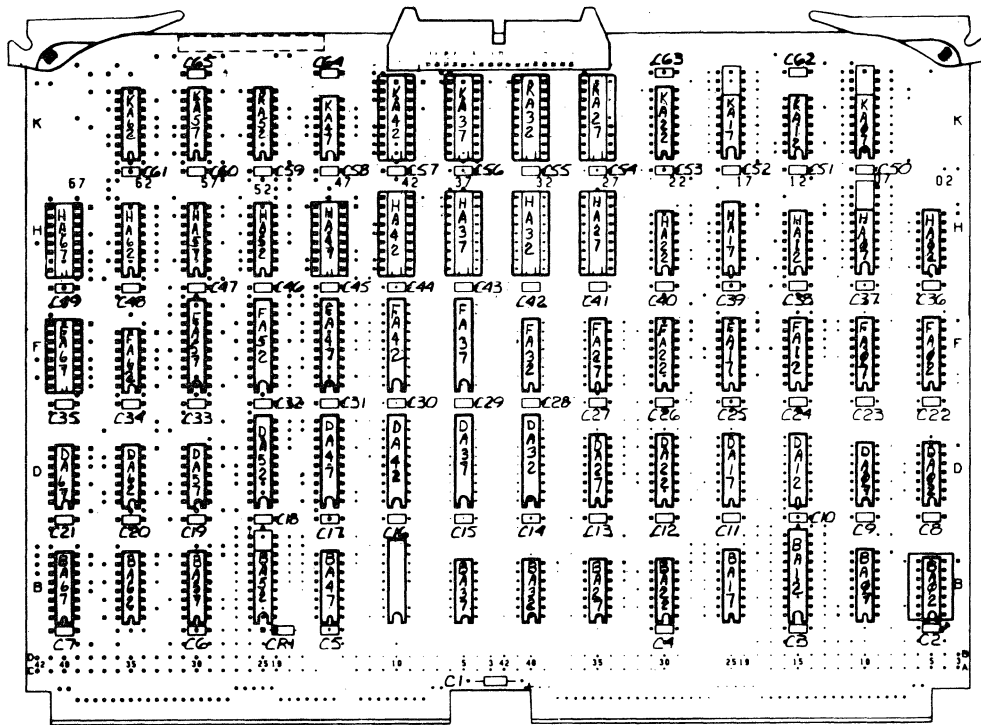
J
 J
 1
 3
 1



J
1
4
1

KEEP ALIVE REG			
PRES. E.C. 44065 PREV. E.C. DATE 1-31-80	MACH. 1958 VERS. GBL. ROT.	CD. LOC. A2 GATE FRAME	CD. P.N. CD. TYPE JJ PG. P.N. 43505023-2

J
1
4
1



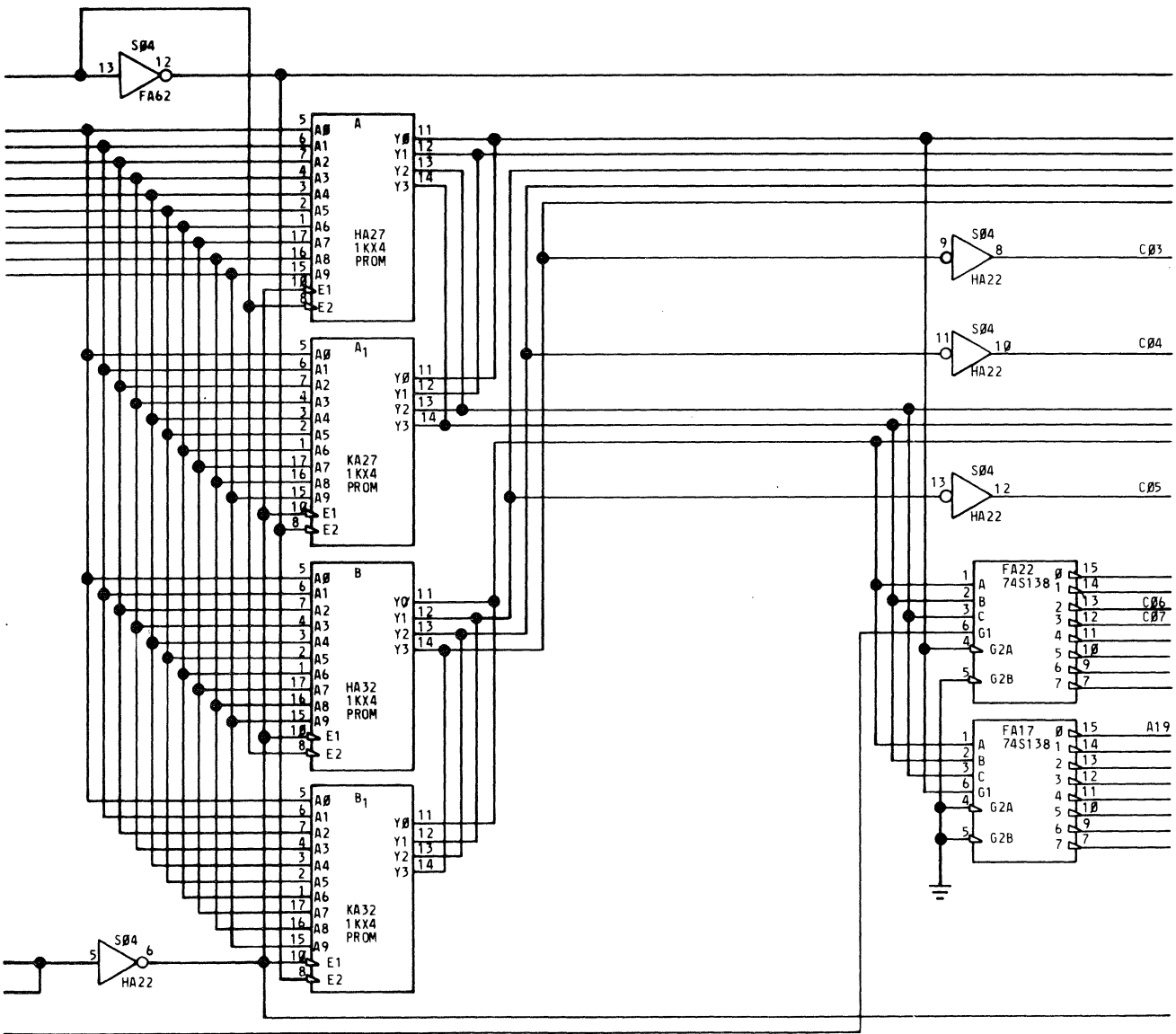
JK CARD, MICROPROGRAM CONTROL, CODE LEVEL 44346

PREV. E.C.	44346	NACH.	1950	CO. LOC.	E2	CO. RN.	431053C6-5
PREV. E.C.	44246	VERS.		GATE	1A	CO. TYPE	JK
DATE	17 17-80	SBL. NOT.		FRAME		PG. RN.	43506066-0

0000

0000

+ADDR 0 JK011 D40
 +ADDR 1 JK011 D30
 +ADDR 2 JK011 D31
 +ADDR 3 JK011 D32
 +ADDR 4 JK011 D33
 +ADDR 5 JK011 D34
 +ADDR 6 JK011 D35
 +ADDR 7 JK011 D36
 +ADDR 8 JK011 D37
 +ADDR 9 JK011 D38
 +ADDR 9 JK011 D39



-ADDR 10 JK002
 +11 JK011, JK091, JK101
 +10 JK011, JK101
 +B2 JK001, JK011, JK101, JK051
 +B1 JK011, JK101, JK051
 +B0 JK011, JK041, JK071, JK091
 JK061 JK001C03
 -B0 JK011, JK041, JK071, JK091
 JK061 JK001C04
 +G2 JK101
 +G1 JK101
 +G0 JK101
 -B2 JK011, JK041, JK071, JK091
 JK061C05
 -B GRP 0 JK011
 -B GRP 1 JK031, JK011
 -B GRP 2 JL001, JK001C06
 -B GRP 3 JL001, JK001C07
 -B GRP 4 JK031
 -B GRP 5 JK031
 -B GRP 6 JK001
 -B GRP 7 JK031
 -S/R GRP 0 JK061, JK001A19
 -S/R GRP 1 JK091
 -S/R GRP 2 JK091
 -S/R GRP 3 JK071
 -S/R GRP 4 JK091, JK071
 -S/R GRP 5 JK071
 -S/R GRP 6 JK041
 -S/R GRP 7 JK041
 +INHIBIT PROMS JK002

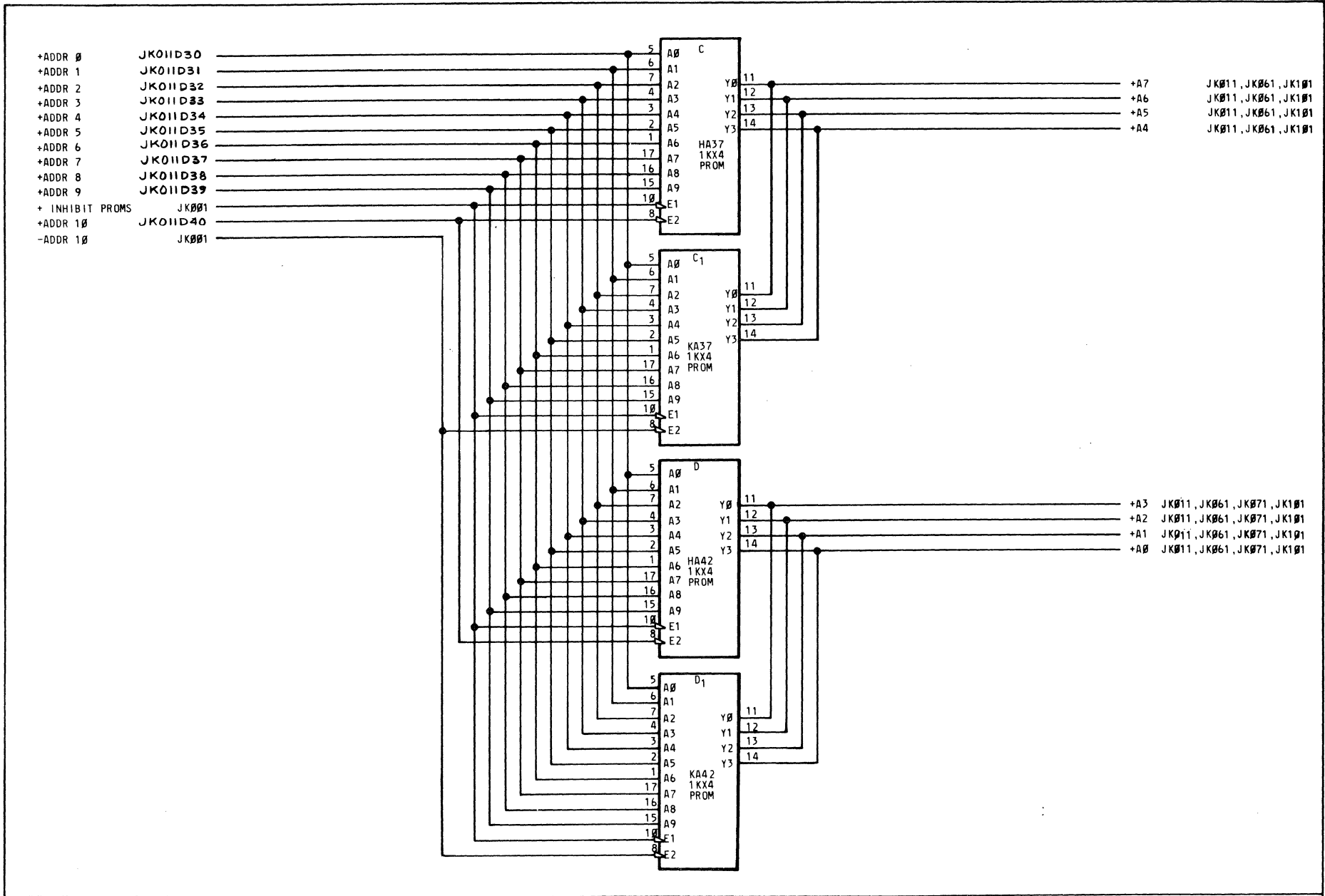
-INHIBIT PROMS JK101
 +PULL UP 1 JK011
 +TIE UP 1 JK011

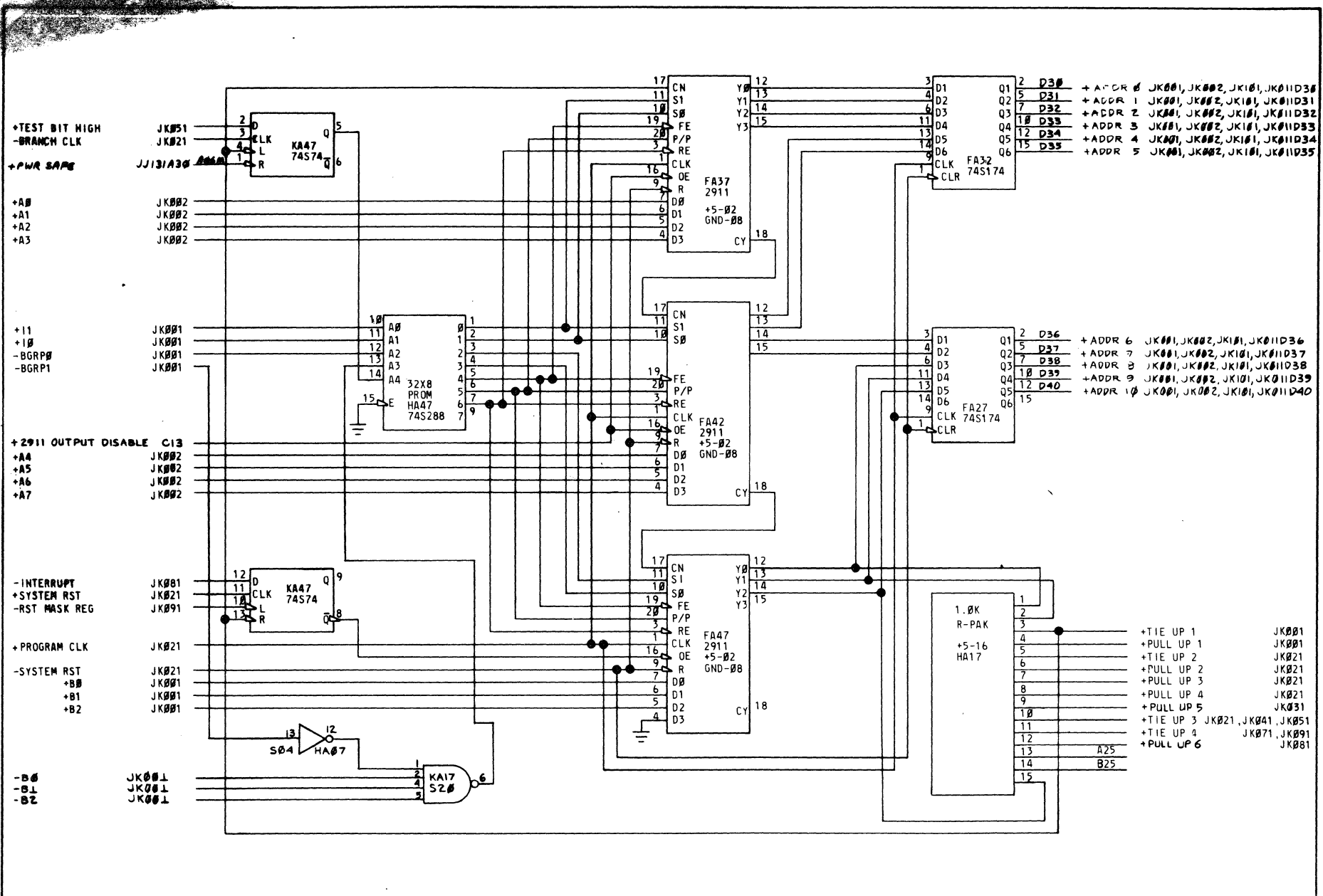
PROGRAM STORE 1, GROUP DECODE

PRES. E.C. 44056	MACH. 1958	CD LOC E2	CD P.N.	JK
PREV. E.C. C.3007	VERS.	GATE 1A	CD TYPE JK	
DATE 2-5-80	GBL. ROT.	FRAME	PG. PN. 43506047-0	

JK001

JK001

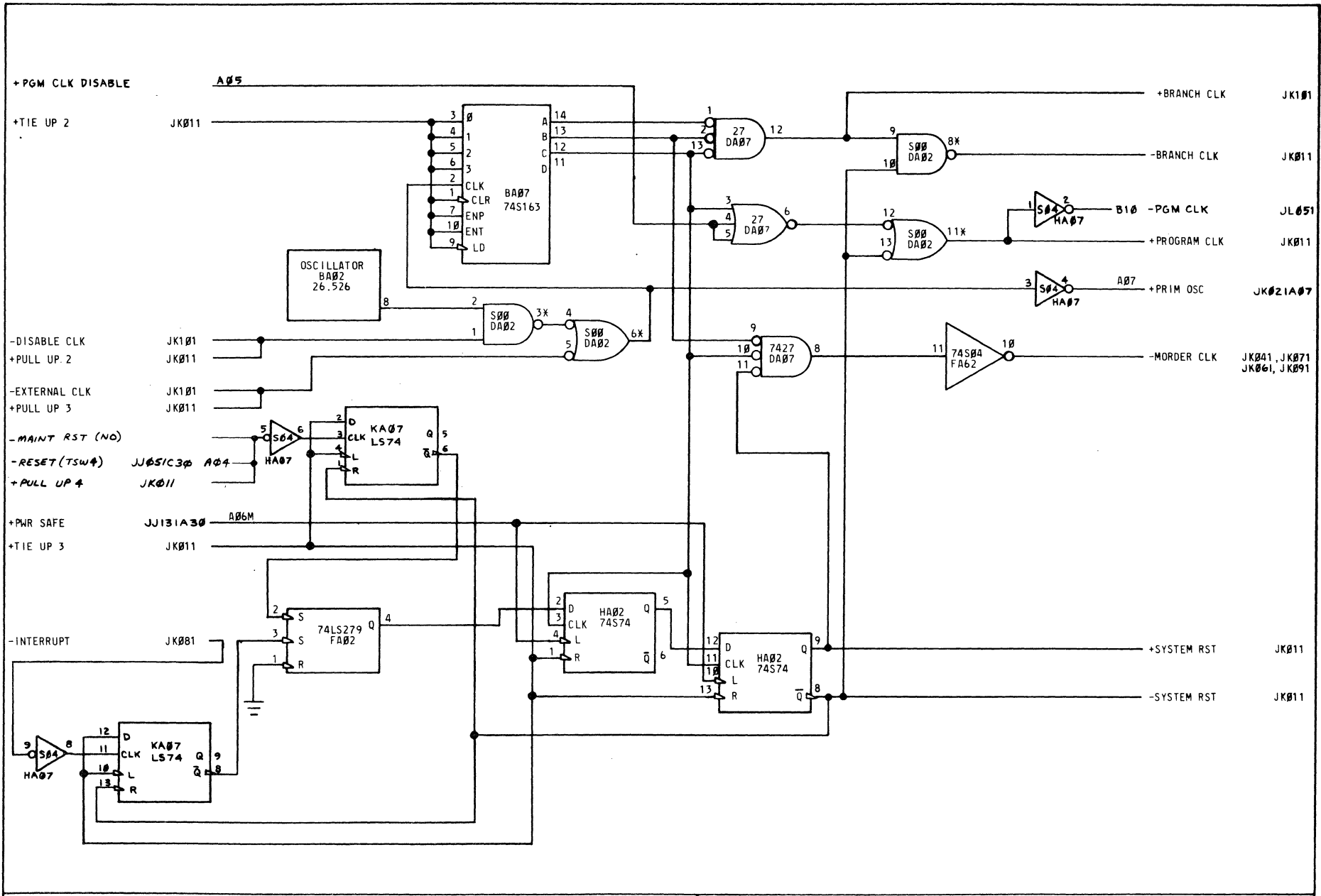




J
K
0
1
1

PRES. E.C. 44056		MACH. 1958		CD. LOC. E2		CD. P.N.	
PREV. E.C. C3069		VERS. 2-5-80		GATE 1A		CD. TYPE JK	
DATE		GBL. ROT.		FRAME		PG. PN. 4.57X6(2) 1	

J
K
0
1
1



* NOTE: WIRES ON DA02 MODULE MUST BE AS SHOWN ON LOGIC.

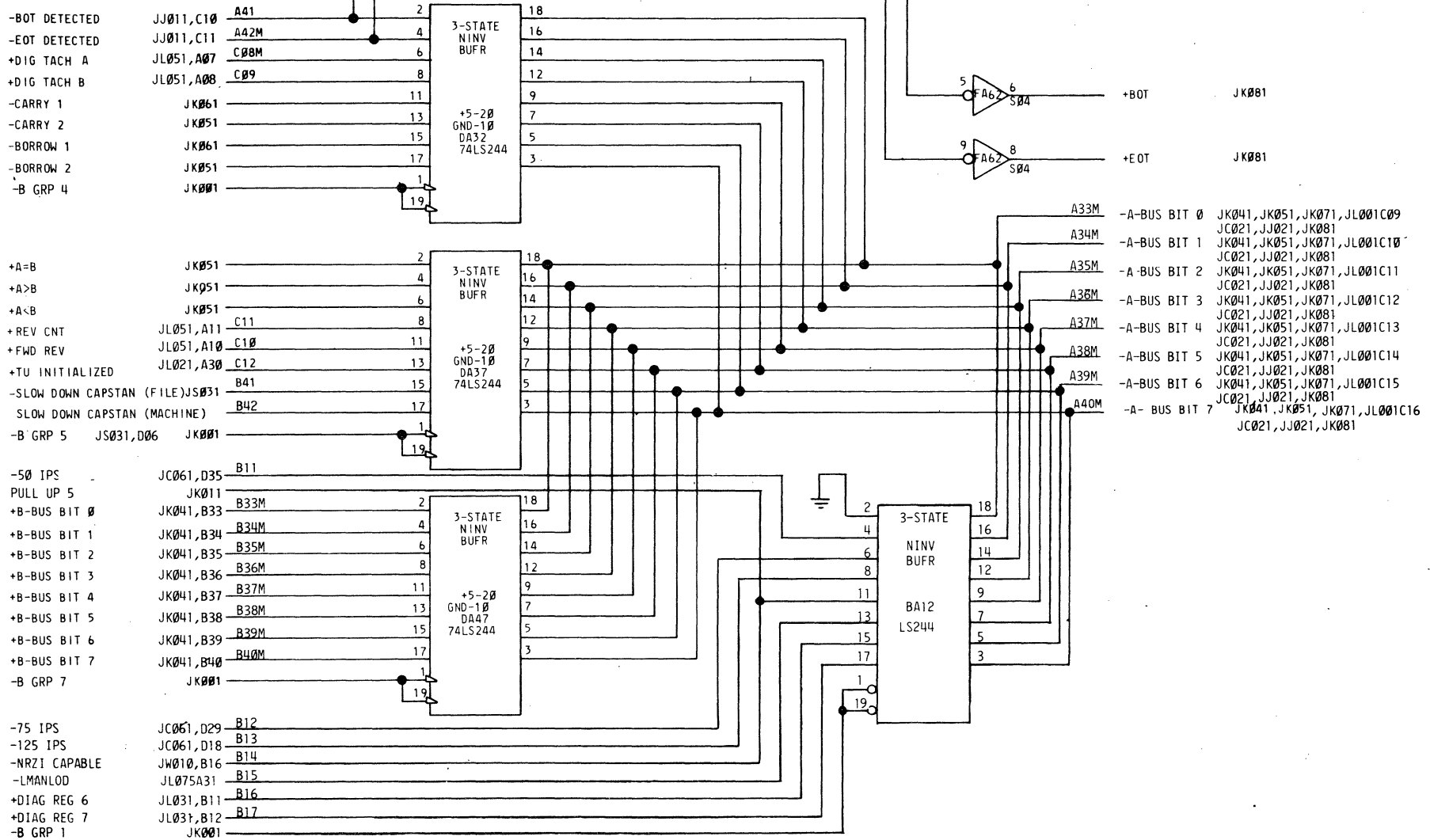
CLOCKS AND RESETS

PREV. E.C. 44056
 PREV. E.C. C3089
 DATE 2-5-80

MACH. 195B
 VERS.
 GBL. ROT.

CD. LOC. E2
 GATE 1A
 FRAME

CD. R.N.
 CD. TYPE JK
 PG. R.N. 43506050-4



J
K
0
3
1

BRANCH GROUPS 4, 5 & 7

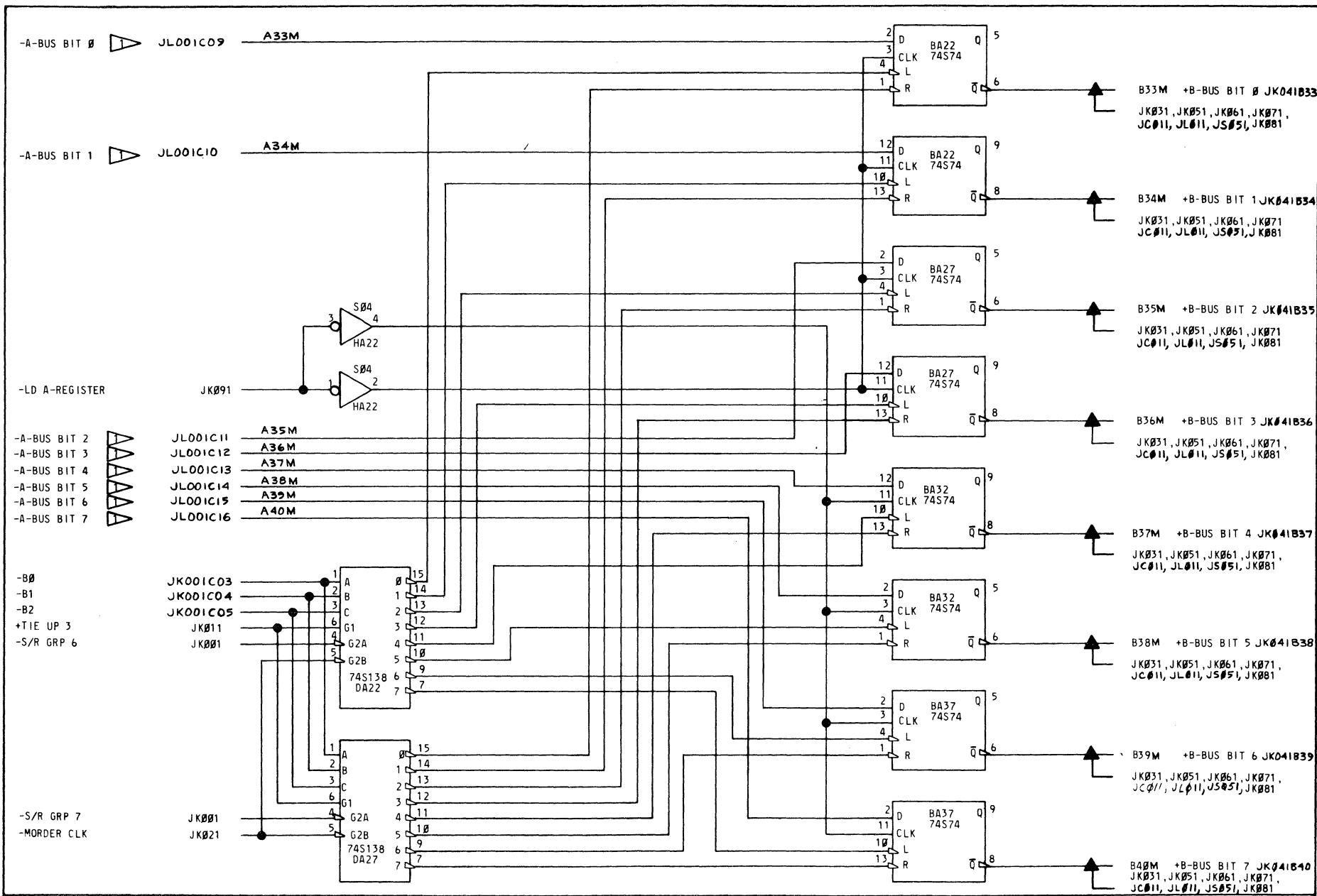
PRES. E.C. 44212
 PREV. E.C. 44056
 DATE 5-27-60

MACH. 1958
 VERS.
 GBL. ROT.

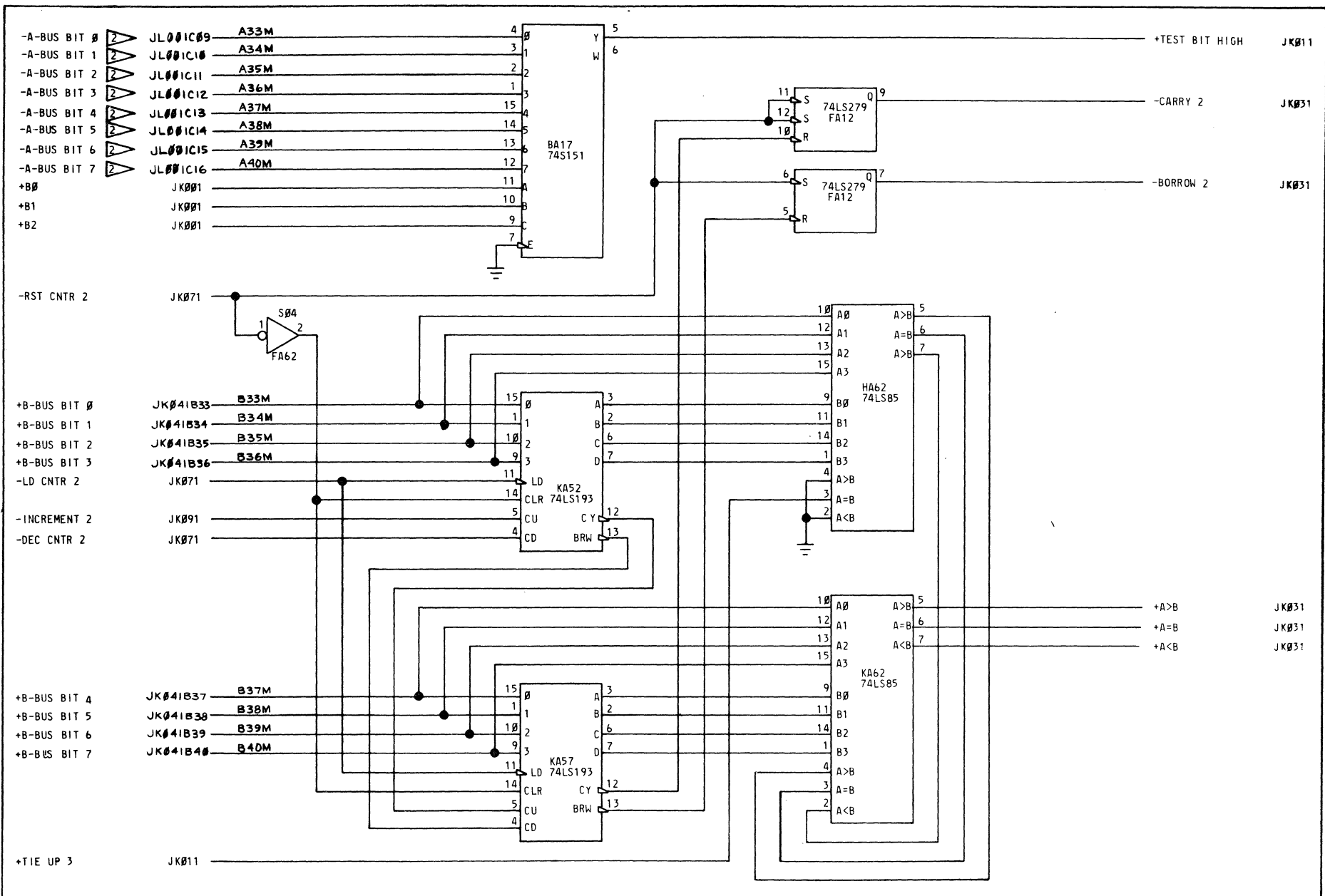
CD. LOC. E2
 GATE 1A
 FRAME

CD. P.N.
 CD. TYPE JK
 PG. P.N. 43506059-5

J
K
0
3
1

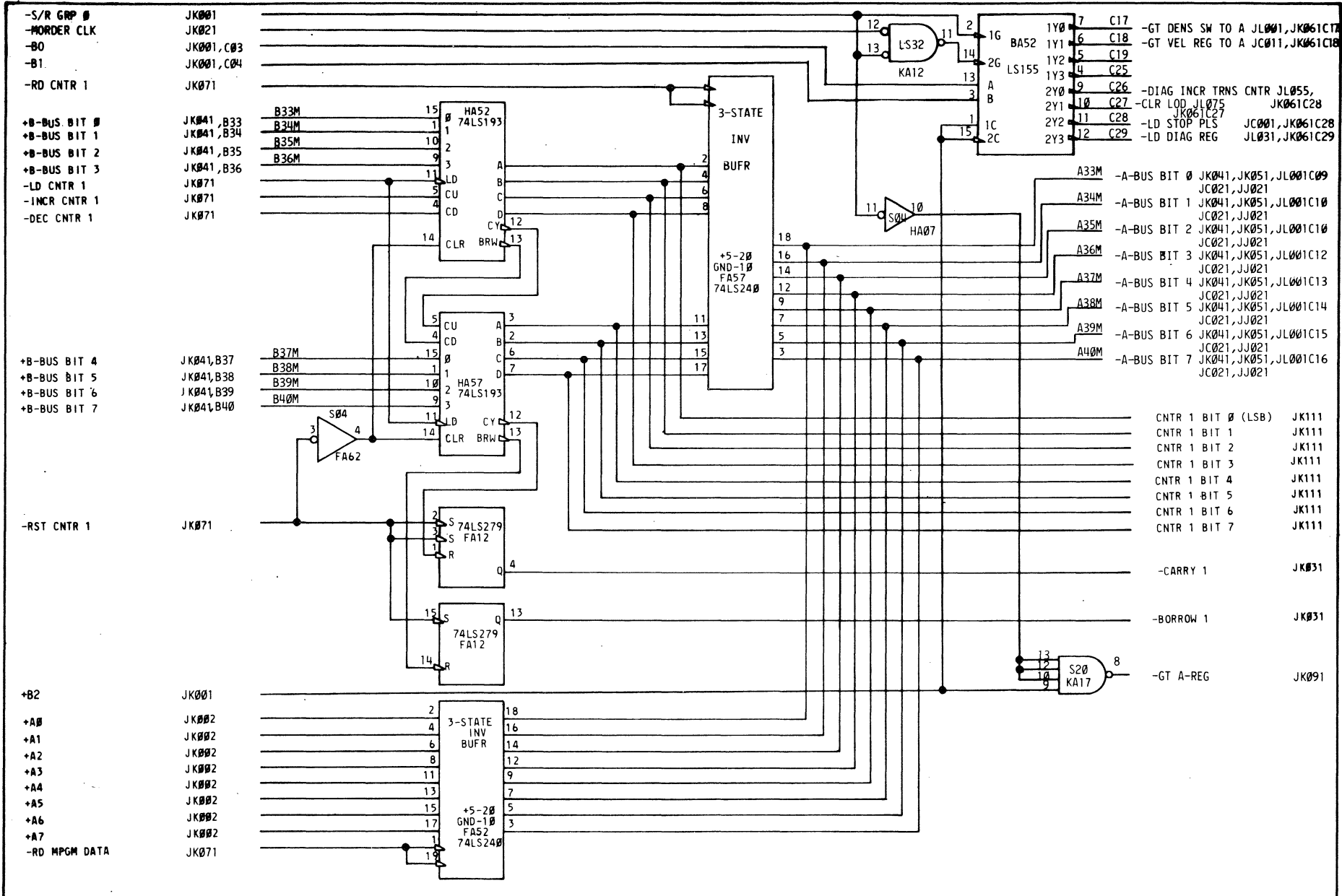


JK 0 4 1	1	THE A-BUS IS A MULTIPLE SOURCED TRI-STATE BUS. SOURCES ARE SHOWN ON LOGIC PAGES JK031, JK061, JK071, JK081 & JK111.	A-REGISTER			JK 0 4 1
	PREV. E.C. 44054		MACH. 195B	CD. LOC. E2	CD. PN.	
	DATE 2-4-60		VER. C 3087	GATE 1A	CD. TYPE JK	
			QBL. ROT.	FRAME	PG. PN. 43506019-9	

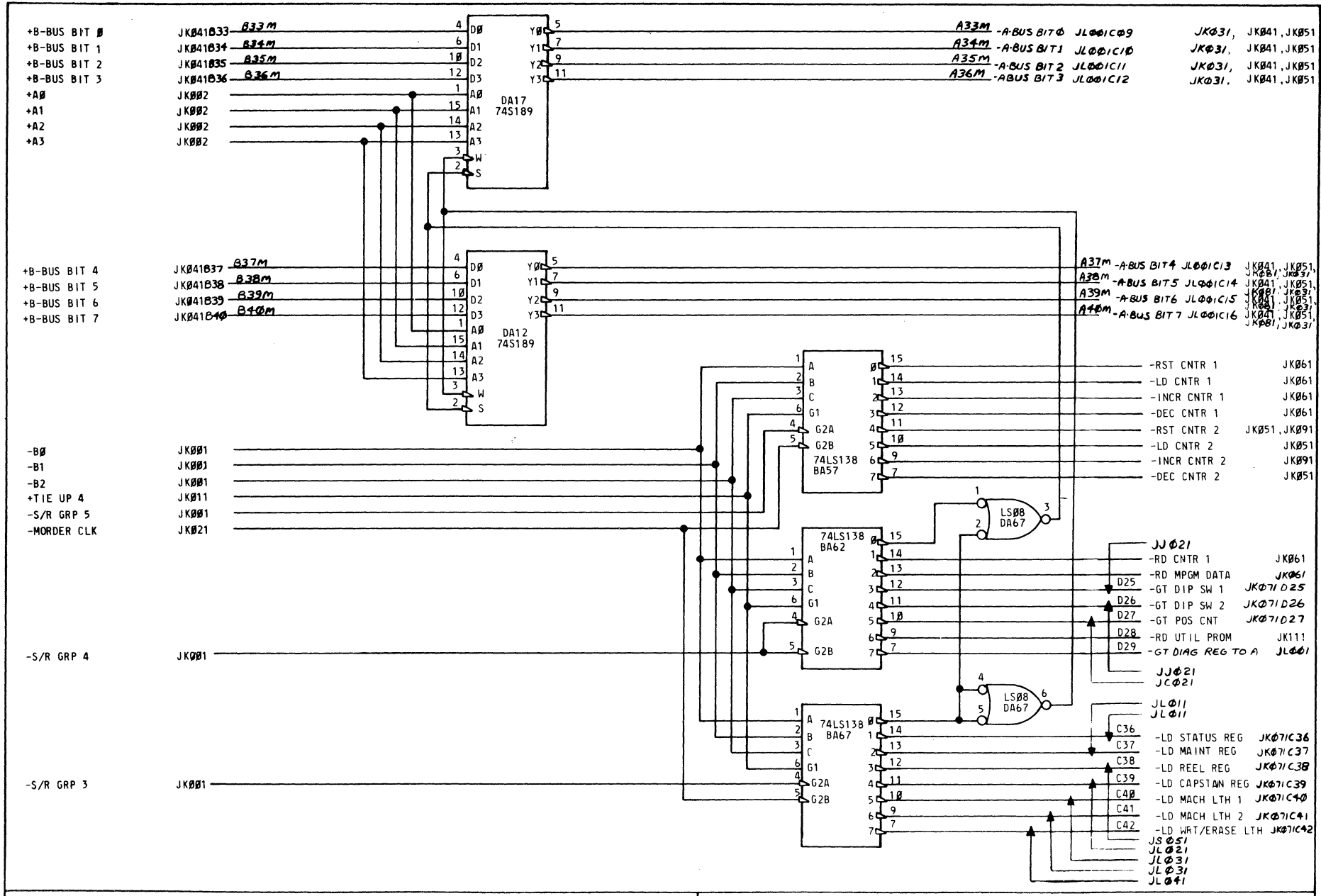


2 THE A-BUS IS A MULTIPLE SOURCED TRI-STATE BUS. SEE NOTE 1, PAGE JK041

JK051 1		COUNTER 2, COMPARATOR		JK051 1	
PRES. E.C. DATE	44056 C3089 2-4-80	MACH. VRS. 1950 74LS85 GBL. ROT.	CD. LOC. GATE FRAME E2 1A	CD. P.N. CD. TYPE PG. P.N. JK 43506020-7	JK051 1



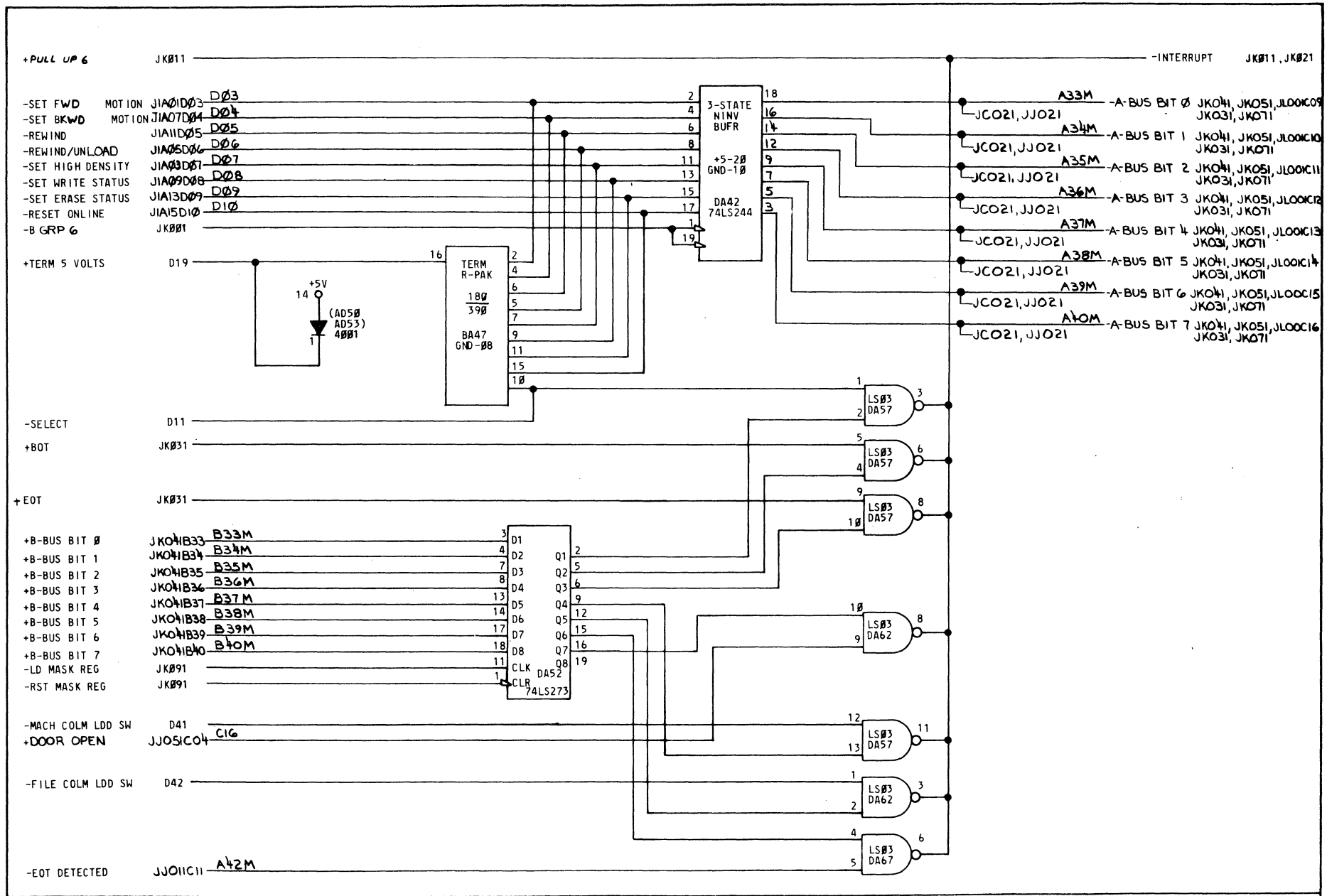
COUNTER 1, S/R GROUP 0



JK
0
7
1

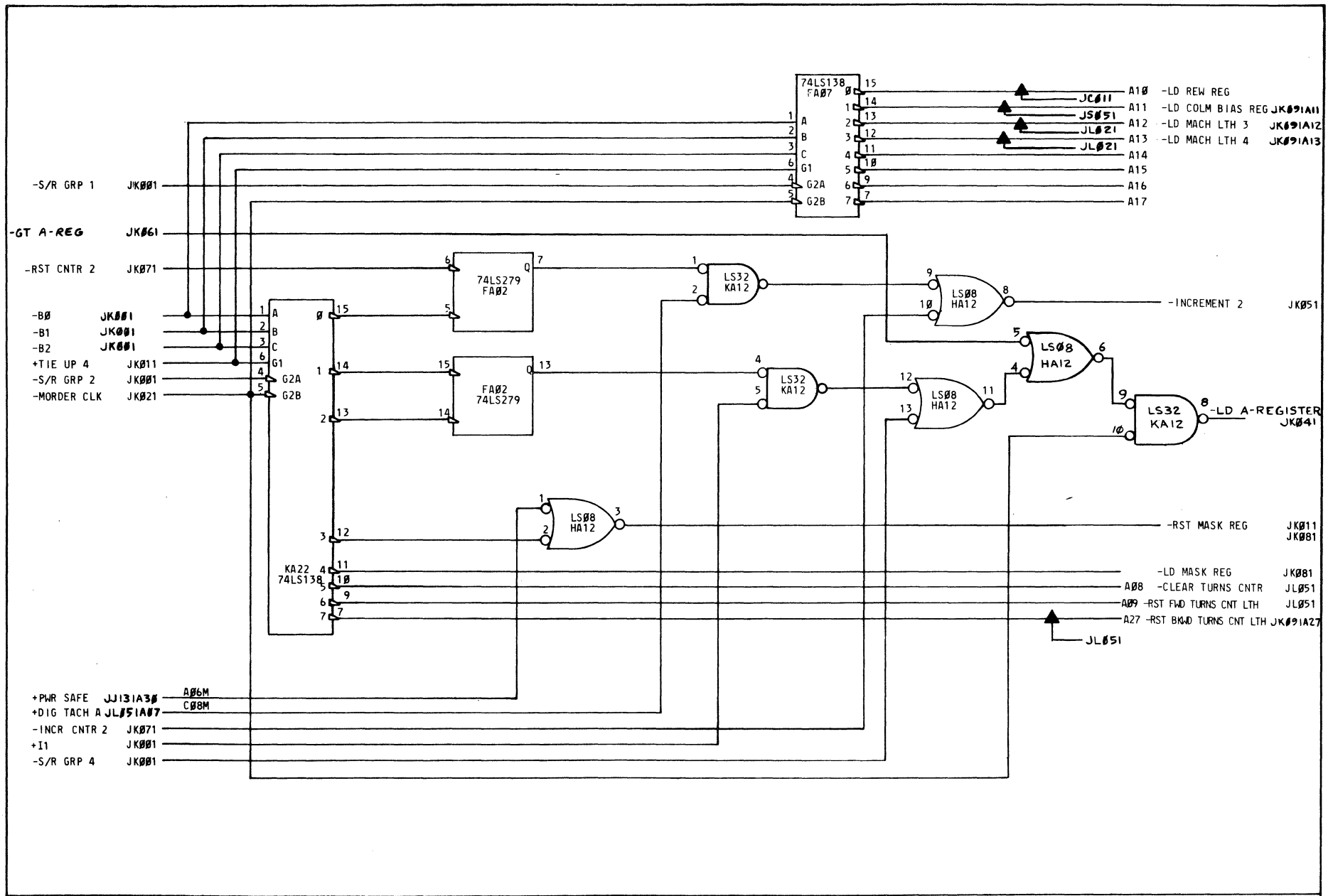
RAM							
PRES. E.C. DATE	44056 C3089 2-5-80	MACH. VERS. SBL. ROT.	1950	CD. LOC. GATE FRAME	E2 1A	CD. P.N. PG. P.N.	JK 43504C5.3-8

JK
0
7
1



JK081

INTERRUPT MASK REGISTER		JK081
PREV. E.C. 44056	MACH. 1950	CD. LOC. E2
DATE 2-5-80	VER. C3089	GATE 1A
	SBL. ROT.	FRAME
		CD. P.N. JK
		PG. P.N. 43506054-6



JK091

CNTR, REG CNTLS

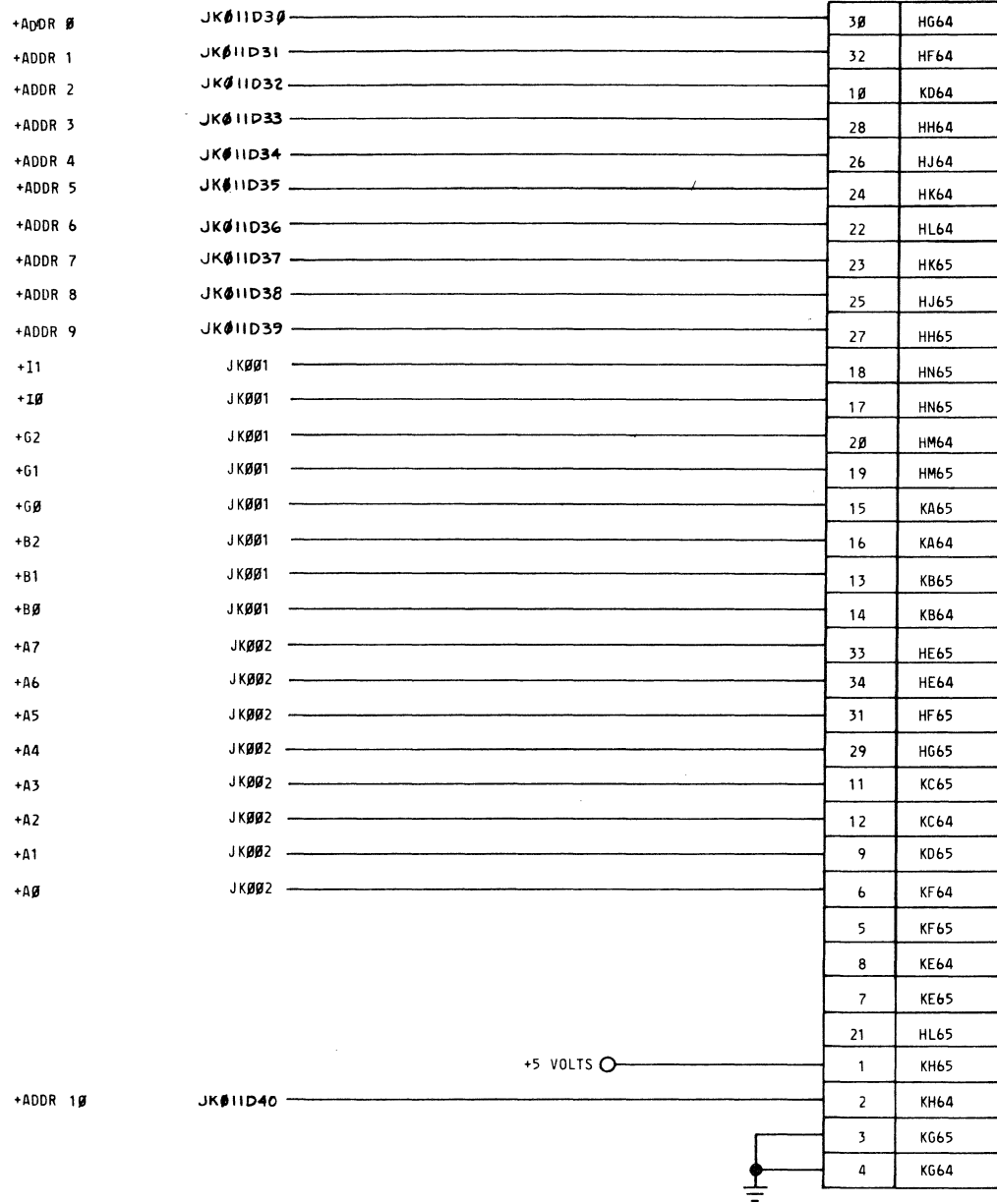
PREV. E.C. 44056
PREV. E.C. C3009
DATE 2-5-80

MACH. 195B
VER. 2-5-80
GSL. ROT.

CD. LOC. E2
GATE 1A
FRAME

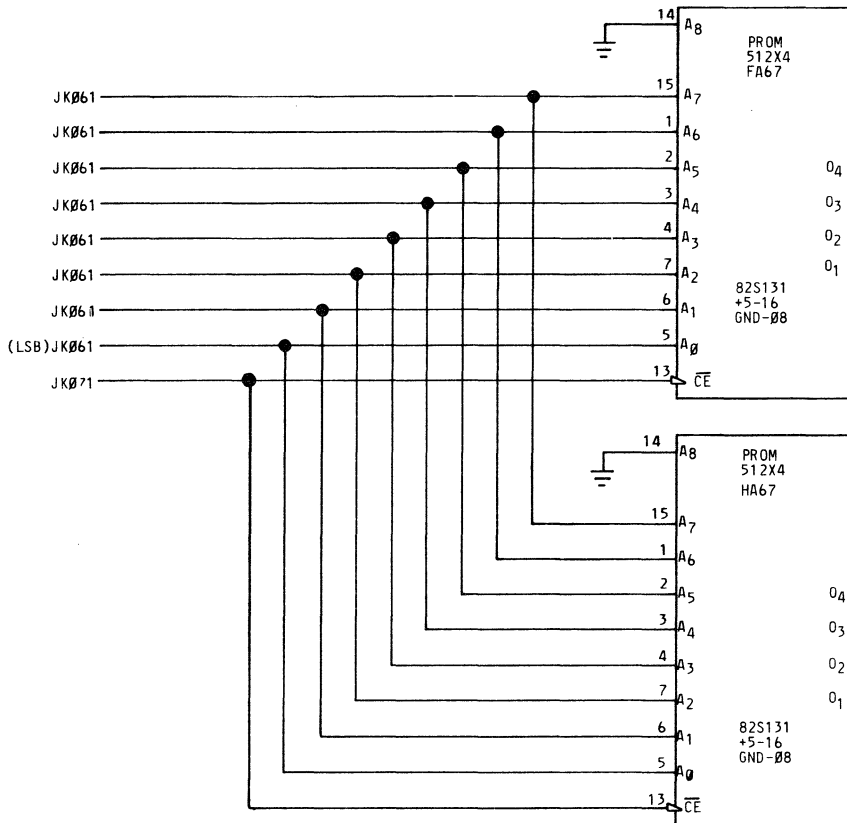
CD. P.N.
CD. TYPE JK
PG. P.N. 4406055-3

JK091



PROM SIMULATOR CONNECTOR				JK 1 0 1			
PRES. E.C. PREV. E.C. DATE	44056 C 3089 2-4-80	MACH. VERS. GSL. ROT.	1950	CD. LOC. GATE FRAME	E2 1A	CD. P.N. CD. TYPE PG. P.N.	JK 43506025-6

CNTR 1 BIT 7
 CNTR 1 BIT 6
 CNTR 1 BIT 5
 CNTR 1 BIT 4
 CNTR 1 BIT 3
 CNTR 1 BIT 2
 CNTR 1 BIT 1
 CNTR 1 BIT 0 (LSB) JK061
 -RD UTIL PROM JK071



A40M -A- BUS BIT 7 JL001C16
 JC021, JJ021, JK041, JK051, JK081
 A39M -A- BUS BIT 6 JL001C15
 JC021, JJ021, JK041, JK051, JK081
 A38M -A- BUS BIT 5 JL001C14
 JC021, JJ021, JK041, JK051, JK081
 A37M -A- BUS BIT 4 JL001C13
 JC021, JJ021, JK041, JK051, JK081

A36M -A- BUS BIT 3 JL001C12
 JC021, JJ021, JK041, JK051, JK081
 A35M -A- BUS BIT 2 JL001C11
 JC021, JJ021, JK041, JK051, JK081
 A34M -A- BUS BIT 1 JL001C10
 JC021, JJ021, JK041, JK051, JK081
 A33M -A- BUS BIT 0 (LSB) JL001C09
 JC021, JJ021, JK041, JK051, JK081

NOTE: SINCE IT IS DESIRED THAT THE OUTPUT DATA LINES BE MINUS ACTIVE, THE PROMS MUST BE PROGRAMMED WITH THE 1'S COMPLEMENT OF THE DESIRED DATA.

UTILITY PROM
 PRES. E.C. 44056
 PREV. E.C. C-3009
 DATE 2-4-80

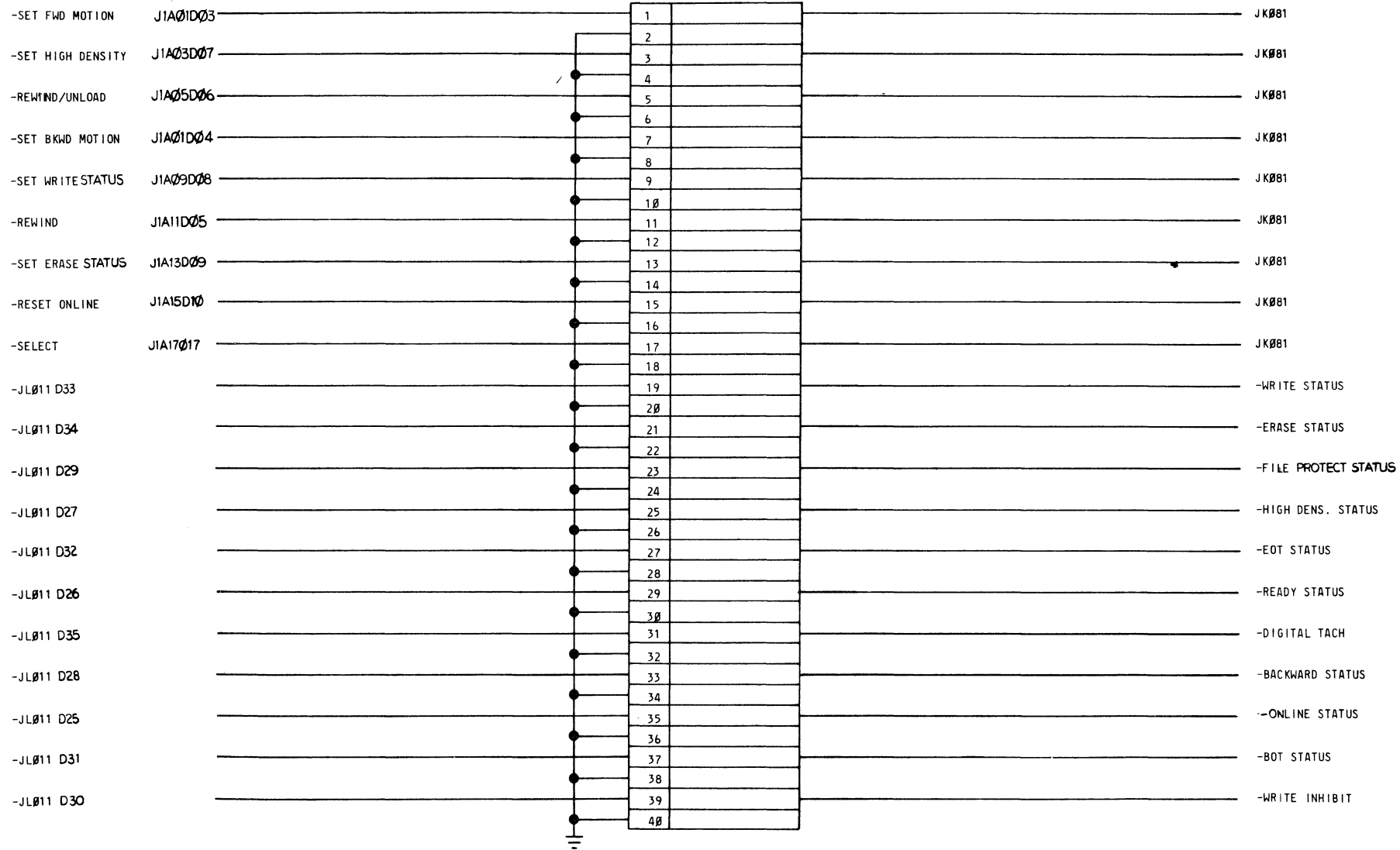
MACH. 1950
 VERS.
 GBL. ROT.

CD. LOC. E2
 GATE 1A
 FRAME

CD. PN.
 CD. TYPE JK
 PG. PN. 43506026 4

J
 K
 1
 1
 1
 1

J
 K
 1
 1
 1



JK
1
2
1

FCU TO TU CONNECTOR

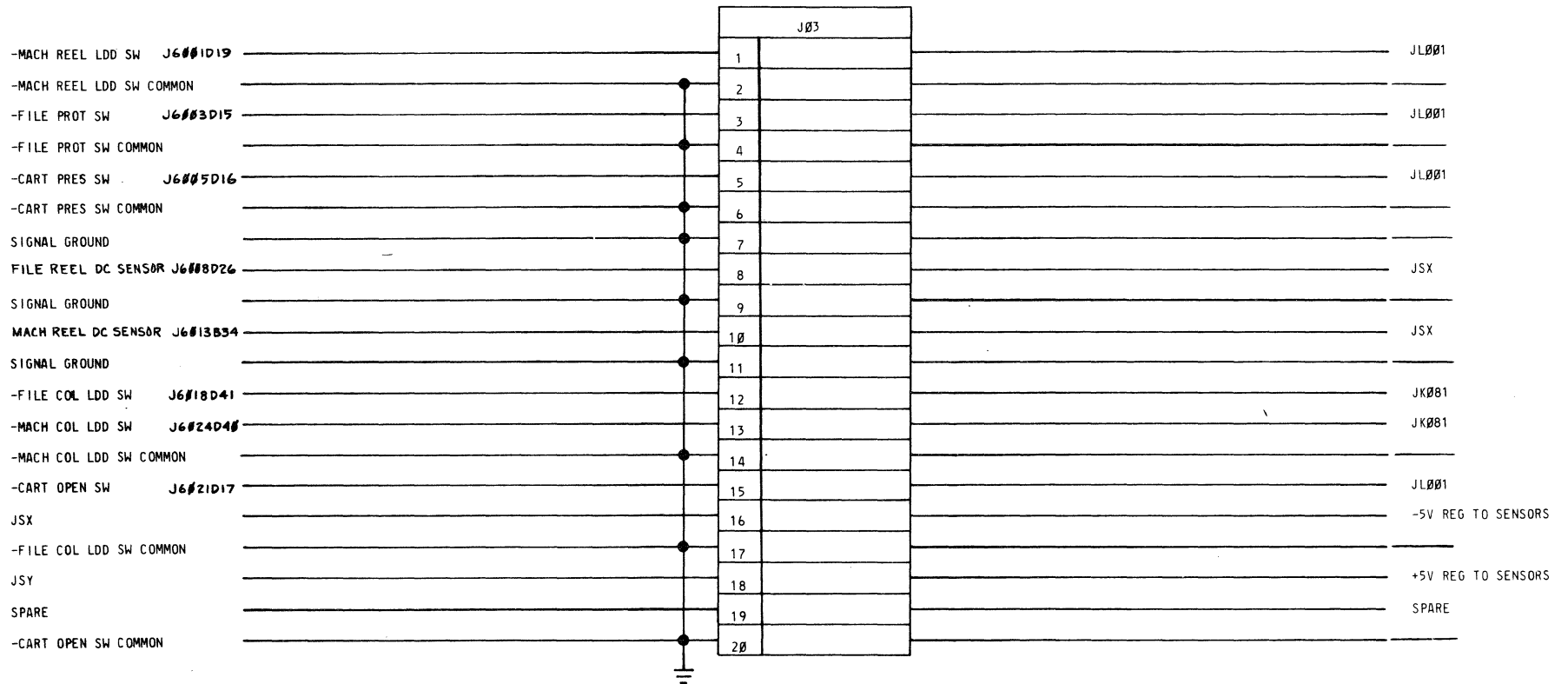
PRES. E.C. 44056
 PREV. E.C. C 3089
 DATE 2-4-80

MACH. 1950
 VERS.
 GBL. ROT.

CD. LOC. E2
 GATE 1A
 FRAME

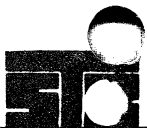
CD. P.N. JK
 CD. TYPE
 PG. P.N. 43506027-2

JK
1
2
1



JK
1
3
1

CABLE, SWITCHES & SENSORS TO MOTHERBOARD				JK 1 3 1
PRES. E.C.	44036	MACH. VERS.	1950	CD. LOC. E2
PREV. E.C.	C-3089	VER.		GATE 1A
DATE	2-4-80	GBL. ROT.		FRAME
				CD. PN. JK CO. TYPE 43506028-0 PG. PN.

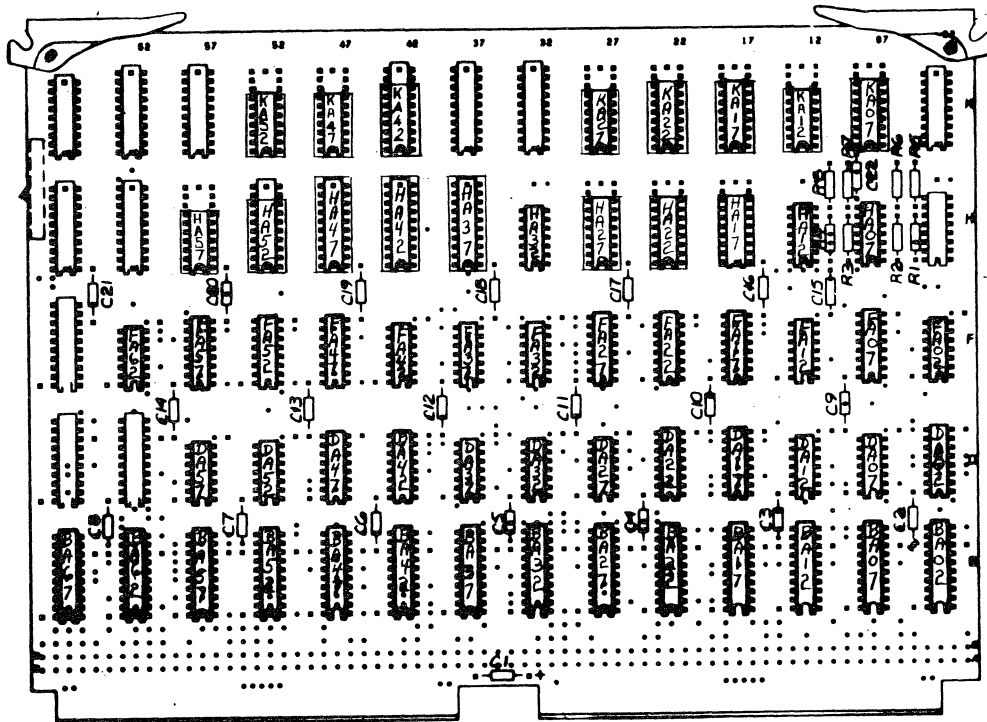


BUILD ARC DOC

ASSEMBLY PARTS LIST

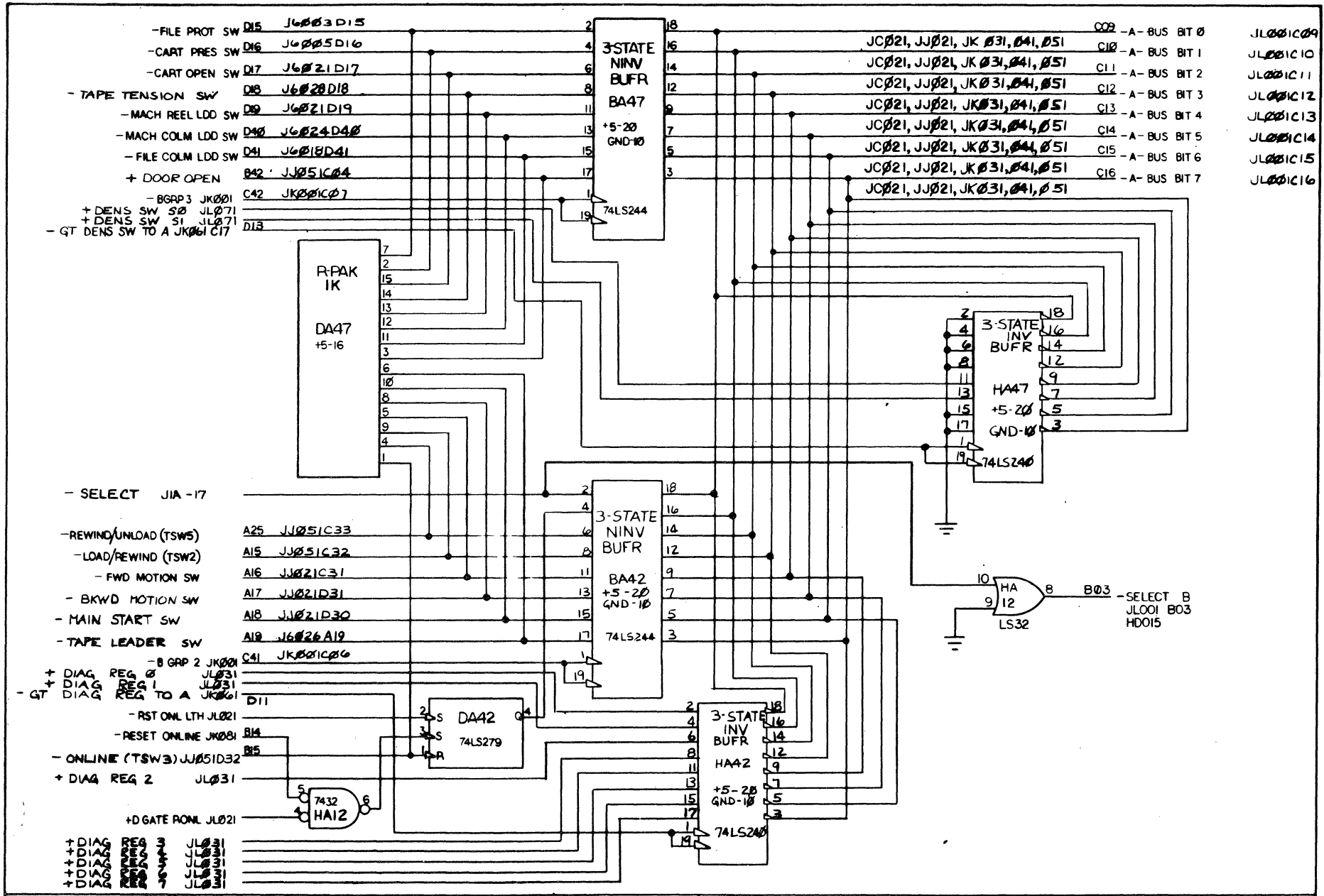
PRINT DATE	PAGE	E.C. NO.
02-20-81	1	44409

DIV.	ASSEMBLY NUMBER	CD	REV.	DWG.	DESCRIPTION	MC	STATUS	STATUS DATE	FILE DATE					
0500	43500079	9	A	N	SYS LGC GP, JL, 43106305, PC	N	REL	01-13-81	1950	01-13-81				
T FIND NO	LI	PART NUMBER	CD	M	QUANTITY	U/M	PART DESCRIPTION	MC	YLD	E.C. NO. IN	E.C. NO. OUT	S/N	WK IN	WK OUT
000	01	43507058	6		REF	PC	CD LGC, JL, AB001, PC	D						
001	01	43507059	4		REF	PC	SYS LGC, JL001, PC	D						
002	01	43507029	7		REF	PC	SYS LGC, JL011, PC	D						
003	01	43507065	1		REF	PC	SYS LGC, JL021, PC	D						
004	01	43507031	3		REF	PC	SYS LGC, JL031 PC	D						
005	01	43507032	1		REF	PC	SYS LGC, JL041, PC	D						
006	01	43507033	9		REF	PC	SYS LGC, JL051, PC	D						
007	01	43507034	7		REF	PC	SYS LGC, JL055, PC	D						
008	01	43507060	2		REF	PC	SYS LGC, JL061, PC	D						
009	01	43507061	0		REF	PC	SYS LGC, JL071, PC	D						
010	01	43507042	0		REF	PC	SYS LGC, JL075, PC	D						
500	01	43106305	6		REF	PC	CKT CD, JL, PC ASSY	S						
							0012	TOTAL LINES						

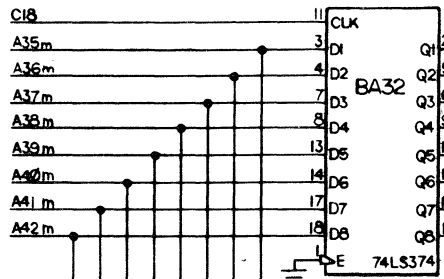


JL CARD, MACHINE LATCHES / REGISTERS				A B C D E F G H I
PREV. E.C. 44409	MACH. 1950	CD. LOC. D2	CD. RN. 43106305 - 2	
DATE 1-19-81	VER. 08L. ROT.	DATE 1A	CD. TYPE JL	
		FRAME	PR. RN. 43507058 - 6	

A
B
C
D
E
F
G
H
I



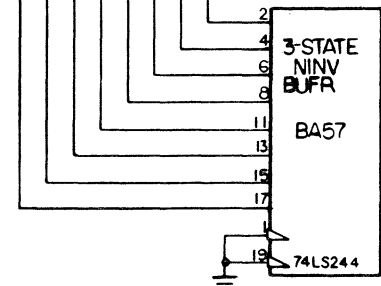
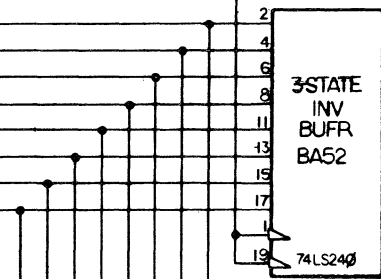
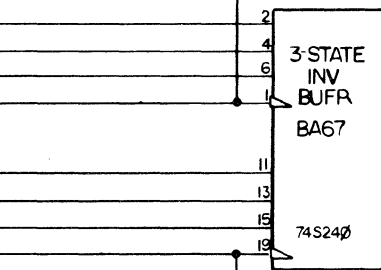
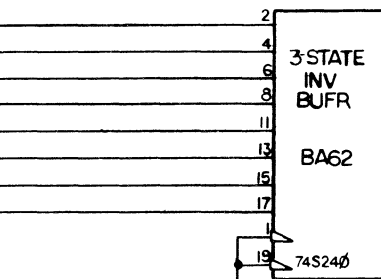
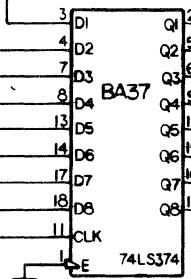
JK071C36-LD STATUS REG
 JK041B33 +B-BUS BIT 0
 JK041B34 +B-BUS BIT 1
 JK041B35 +B-BUS BIT 2
 JK041B36 +B-BUS BIT 3
 JK041B37 +B-BUS BIT 4
 JK041B38 +B-BUS BIT 5
 JK041B39 +B-BUS BIT 6
 JK041B40 +B-BUS BIT 7



+WRITE STATUS JL041
 +ERASE CURRENT JL041
 +DIG TACH AJL051
 -ENAB TU STATUS JL041
 +MAINT WRT STRB JL041
 +MAINT LRC STRB JL041
 +MAINT BIT P JL041
 -TOGGLE MAINT WRT JL071



JK071C37 -LD MAINT REG C17



D25 - ONLINE STATUS JL011D25
 D26 - READY STATUS JL011D26
 D27 - HIGH DENS STATUS JL011D27
 D28 - BACKWARD STATUS JL011D28
 D29 - FILE PROTECT STATUS JL011D29
 D30 - WRITE INHIBIT JL011D30
 D31 - BOT STATUS JL011D31
 D32 - EOT STATUS JL011D32

D33 - WRITE STATUS JL011D33
 D34 - ERASE STATUS JL011D34
 D35 - DIGITAL TACH JL011D35

D36 - MAINT WRT STRB
 D37 - MAINT LRC STRB
 D38 - MAINT WRT BIT P JL011D38

C25 - MAINT WRT BIT 0 JL011C25
 C26 - MAINT WRT BIT 1 JL011C26
 C27 - MAINT WRT BIT 2 JL011C27
 C28 - MAINT WRT BIT 3 JL011C28
 C29 - MAINT WRT BIT 4 JL011C29
 C30 - MAINT WRT BIT 5 JL011C30
 C31 - MAINT WRT BIT 6 JL011C31
 C32 - MAINT WRT BIT 7 JL011C32

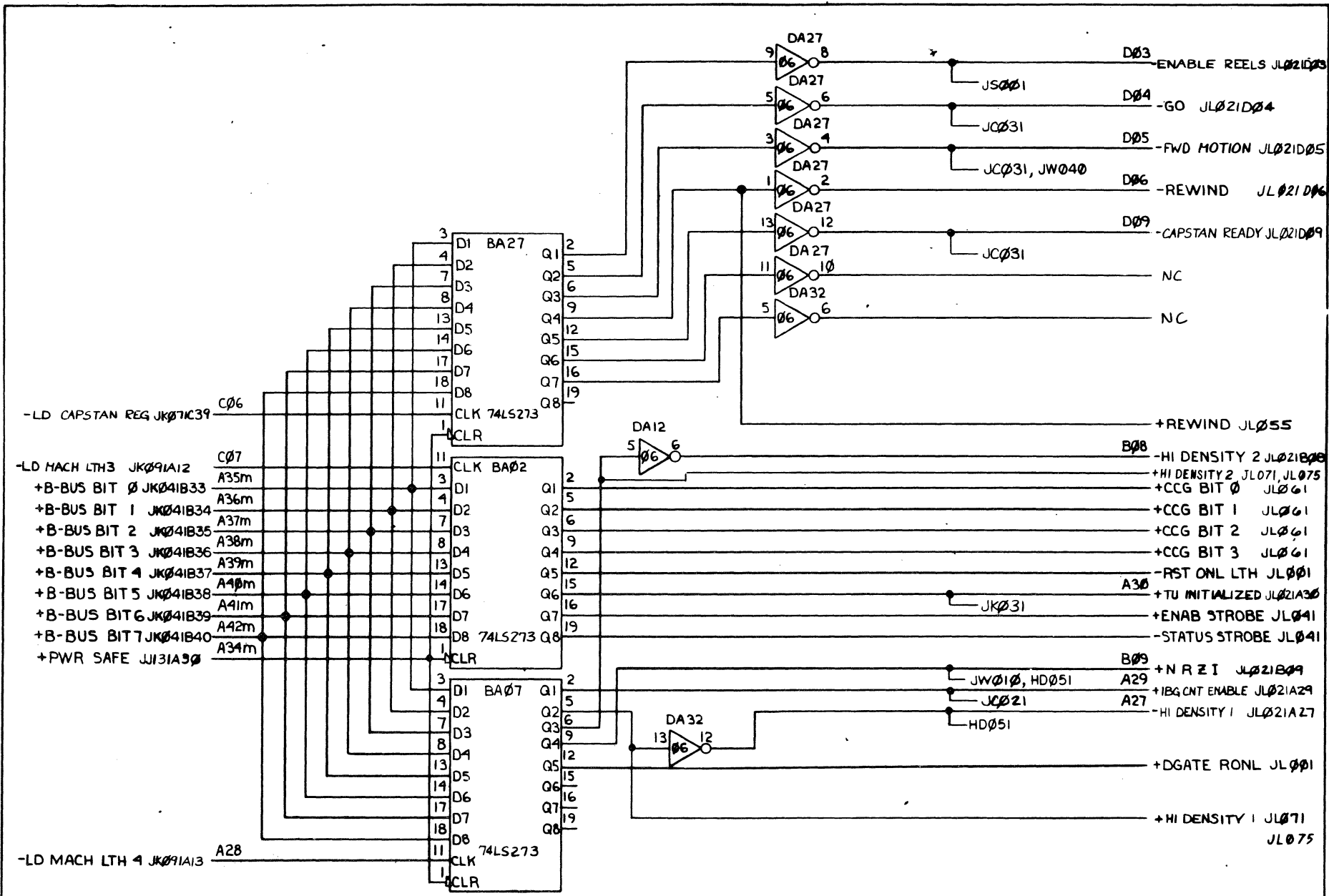
C33 +MAINT IND 0
 C34 +MAINT IND 1 JL011C34
 C35 +MAINT IND 2
 C36 +MAINT IND 3
 C37 +MAINT IND 4
 C38 +MAINT IND 5
 C39 +MAINT IND 6 JL011C39
 C40 +MAINT IND 7

MAINT AND STATUS OUTPUT REGS

PREV. E.C. 44067 PREV. E.C. C3082 DATE 2-1-80	MACH. 1950 VERS. GSL. ROT.	CD. LOC. D2 GATE [A] FRAME	CD. P.N. CD. TYPE JL PG. RN. 43507029-7
-----------------------------------------------------	----------------------------------	----------------------------------	-----------------------------------------------

101

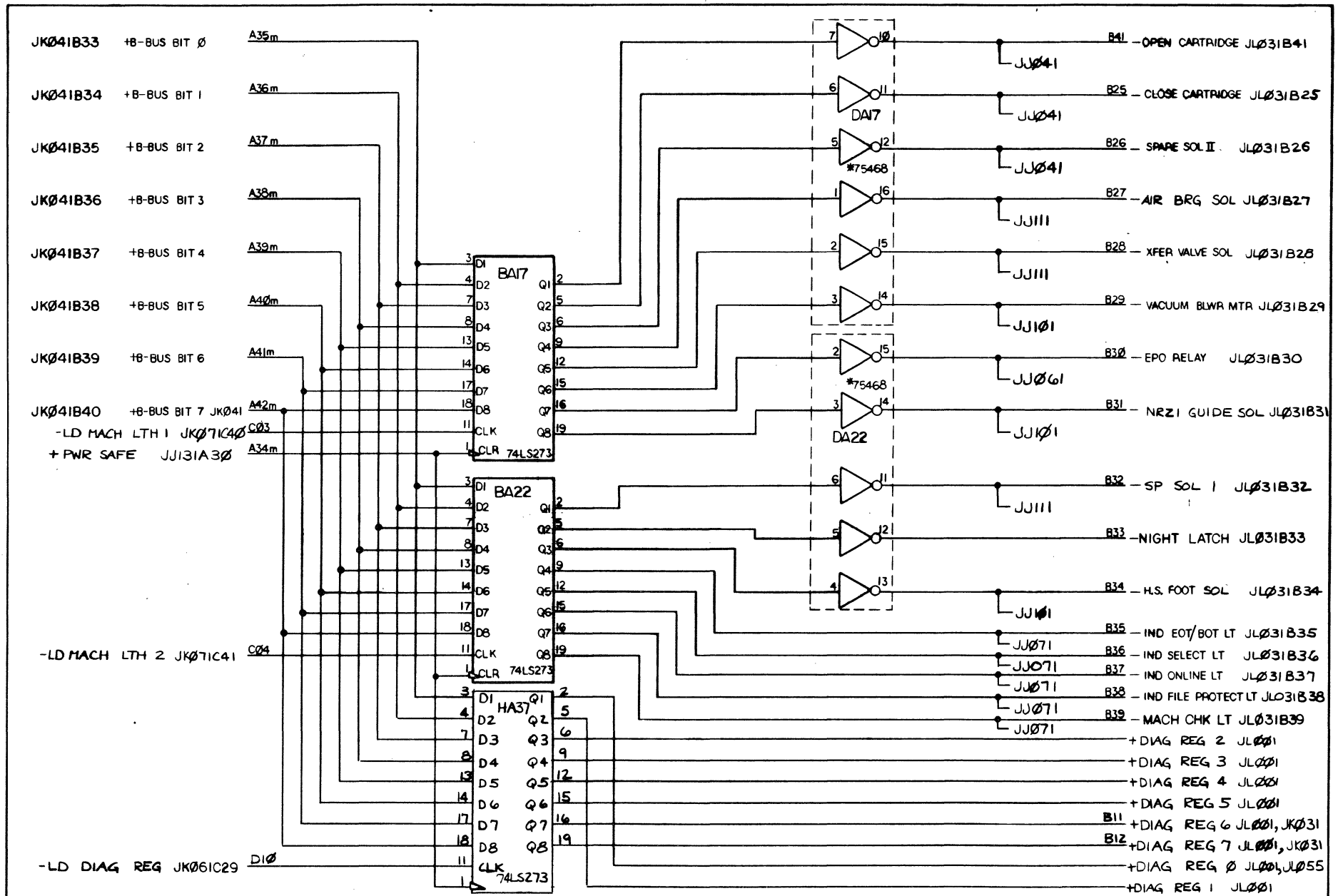
JL011



REEL/CAPSTAN REGISTER			
PREP. E.C. 44409 REV. E.C. 44221 DATE 1-19-81	MACH. 1950 VERS. SBL. ROT.	CD. LOC. D2 GATE 1A FRAME	CD. RN. CD. TYPE JL PG. RN. 43507065-1

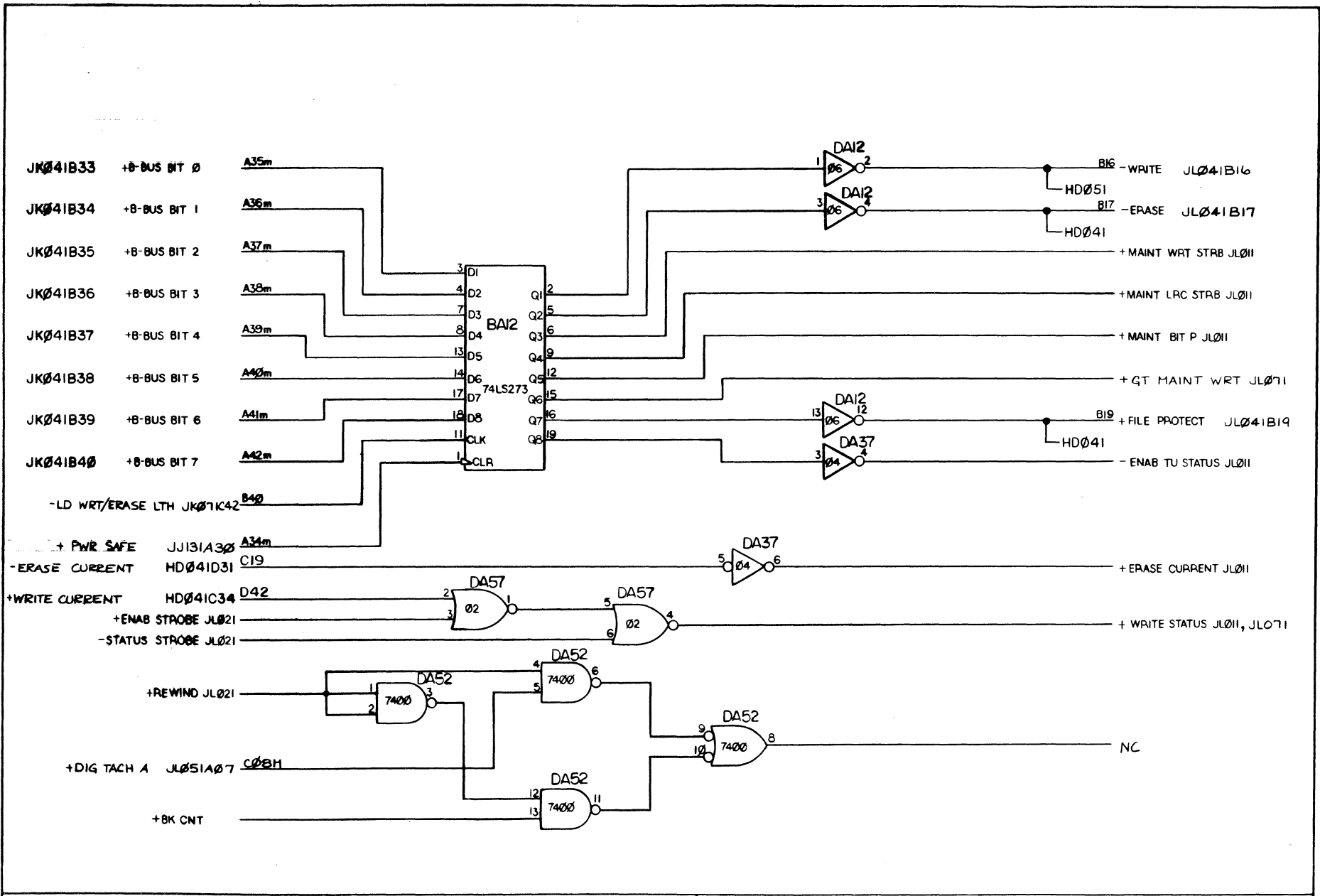
-1007C

J
02
1



* NOTE: 75468 MODULE REQUIRES NO+5V SO THESE MODULES SHOULD NOT CONTACT THE +5V VOLTAGE PLANE.

MACHINE LTHS		CD. LOC. D2		CD. P.N.	
PREV. E.C. 44067	MACH. 1950	CD. TYPE JA	CD. P.N. JL		
PREV. E.C. C3082	VERS. 08L. ROT.	FRAME	CD. P.N. 43507031-3		
DATE 2-1-80			PG. 31		



WRT/ERASE LTH

PREV. E.C. 44067
 PREV. E.C. C3082
 DATE 2-1-80

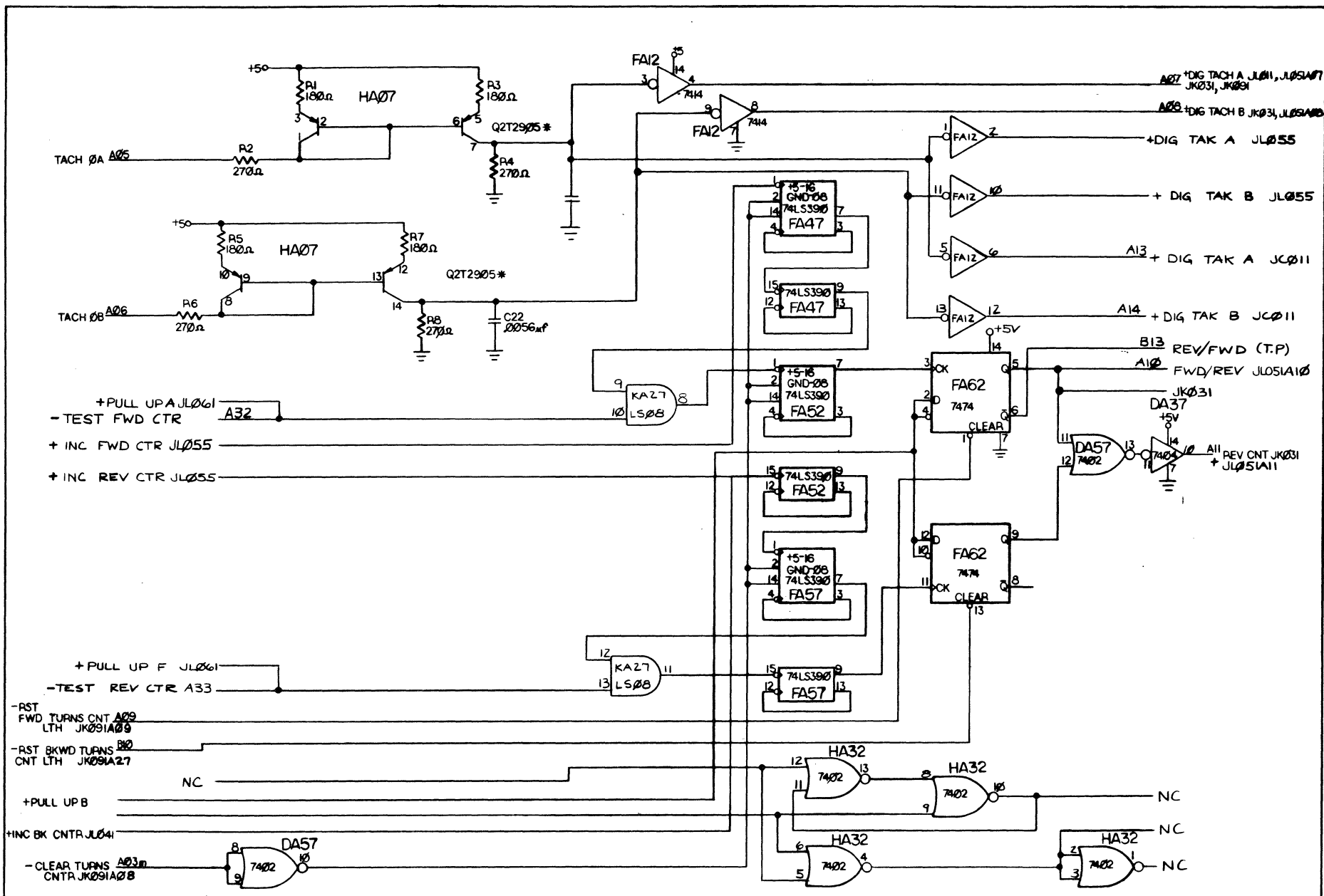
MACH. 1950
 VERS.
 OBL. ROT.

CD. LOC. D2
 GATE 1A
 FRAME

CD. P.N.
 CD. TYPE JL
 PG. P.N. 43507032-1

JL041B16

JL041B17

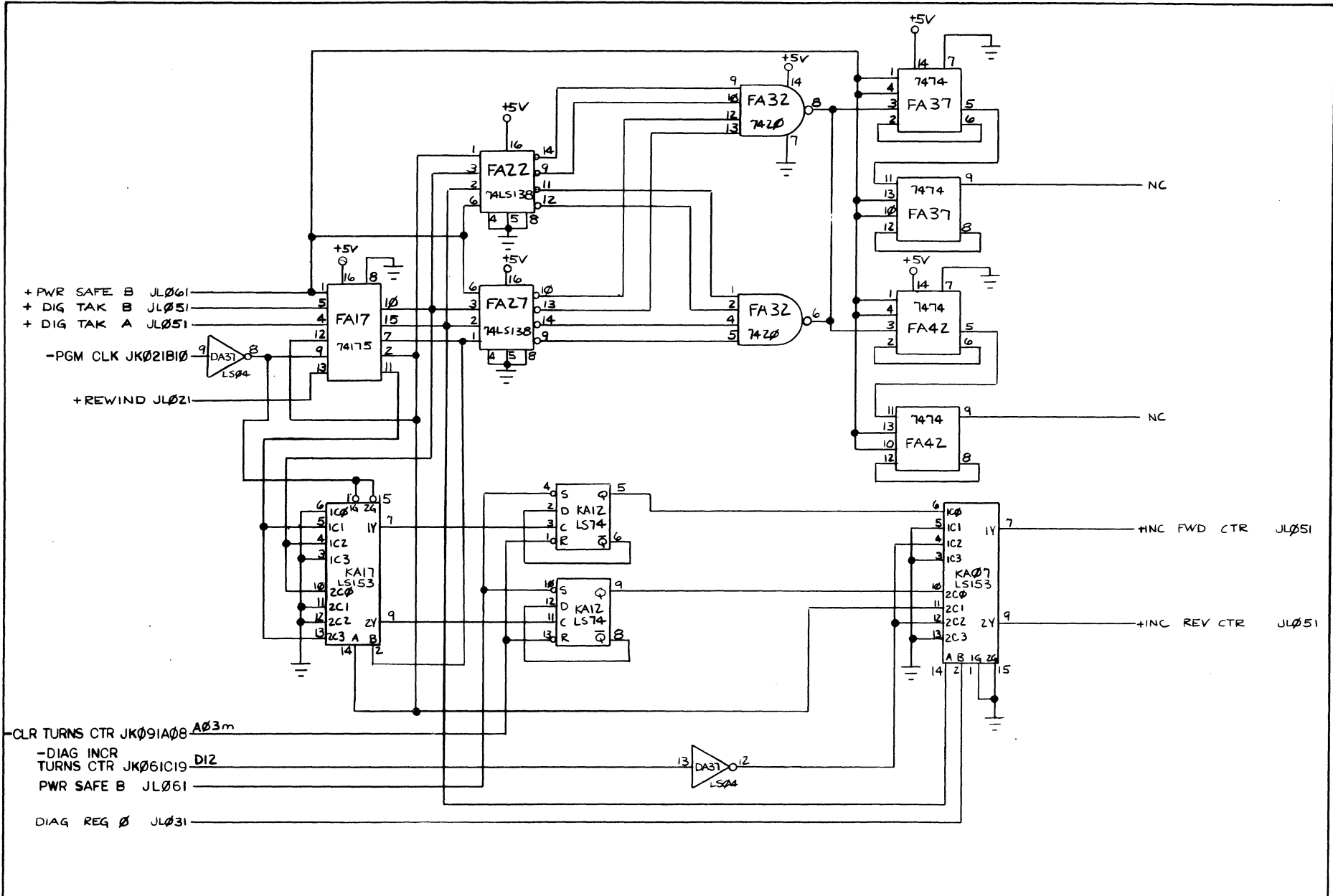


* TRANSISTOR MODULES SHOULD NOT CONTACT +5V OR GROUND PLANES.

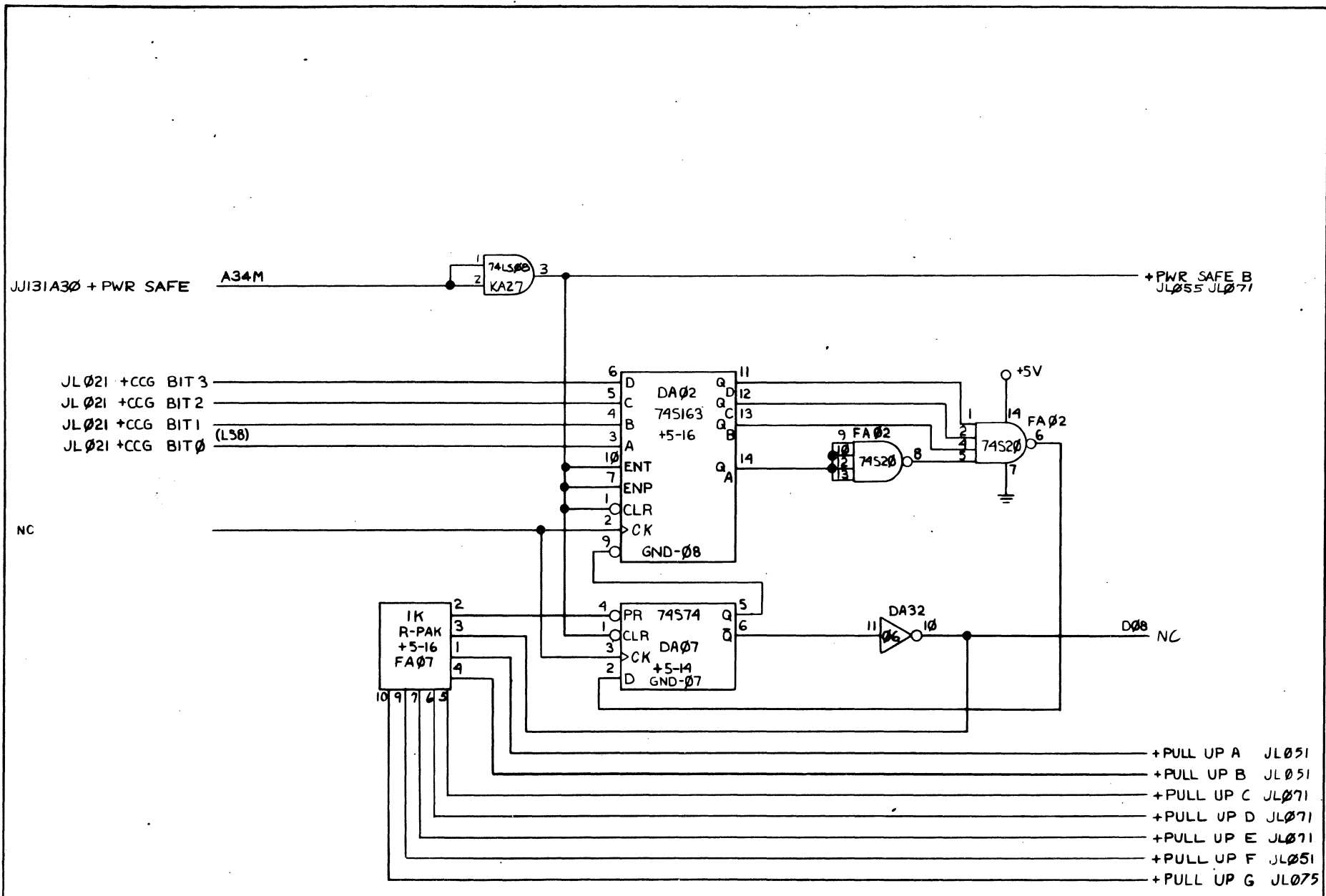
CAPSTAN TURNS COUNTER			
PRES. E.C. 44067 PREV. E.C. C3082 DATE 2-4-80	MACH. 1950 VERS. OBL. NOT.	CD. LOC. D2 GATE 1A FRAME	CD. RN. CD. TYPE JL PL. RN. 43507033-9

J
-5081

J
-5081



GAF Polytron 033	CAPSTAN TURNS COUNTER				J L 0 5 5
	PRES. E.C. 44067 PREV. E.C. C3082 DATE 2-4-80	MACH. 1950 VERS. GBL. ROT.	CD. LOC. D2 GATE 1A FRAME	CD. P.N. CD. TYPE JL PG. P.N. 43507034-7	

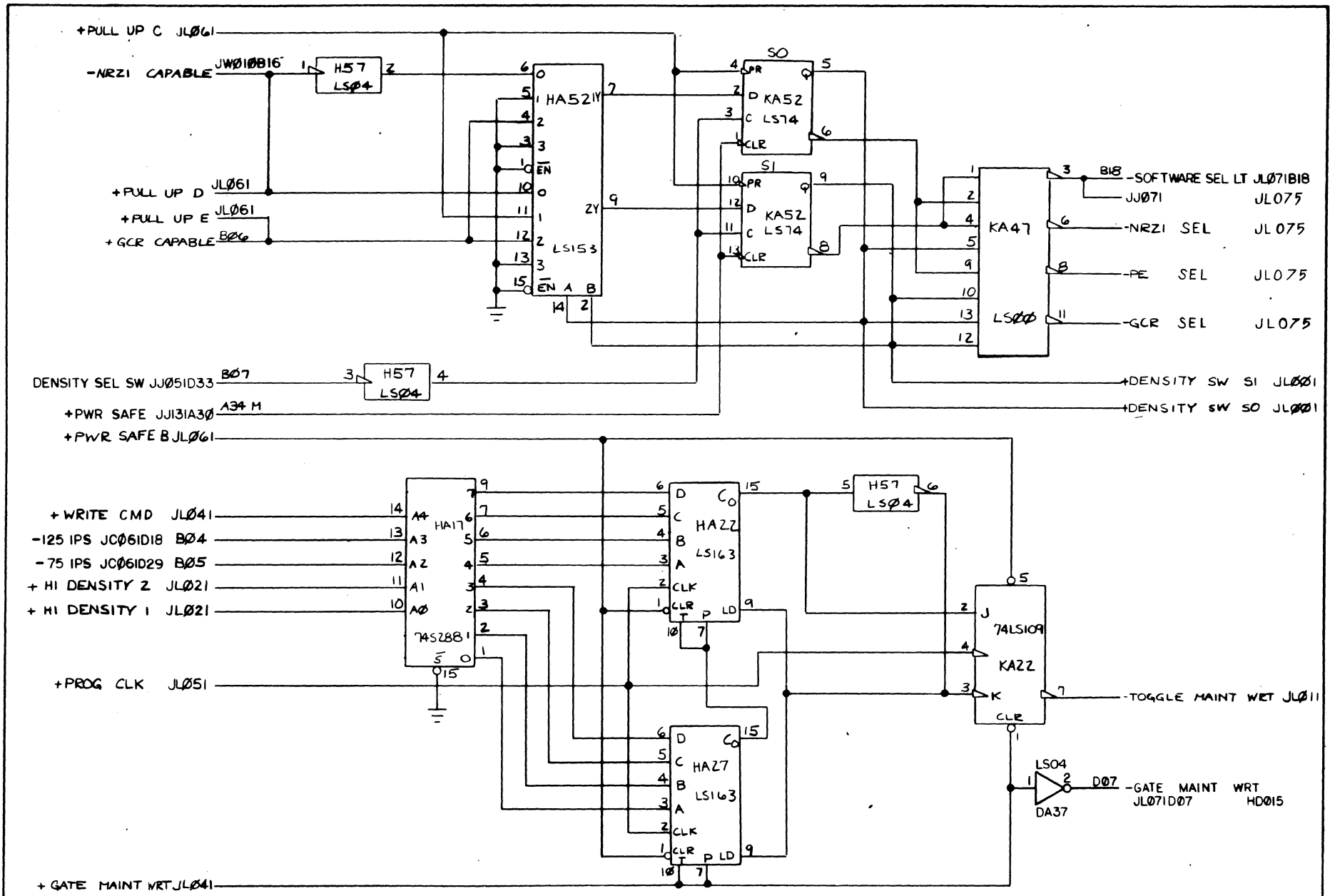


CAPSTAN SERVO CLOCK GENERATOR

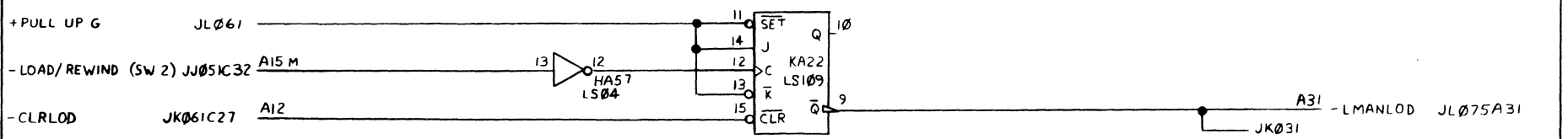
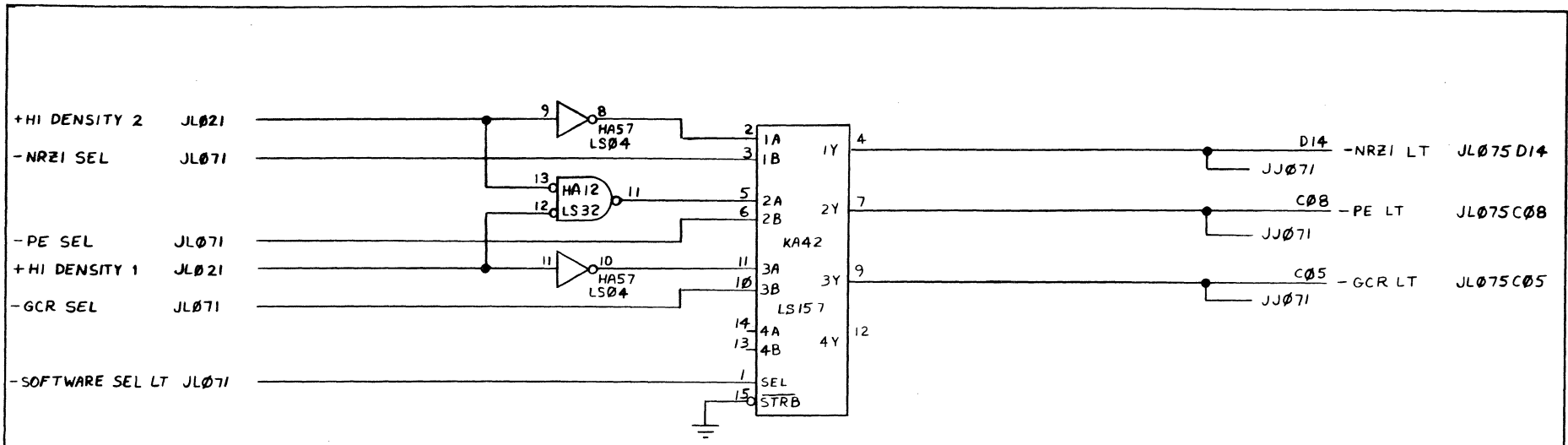
PRES. E.C. 44409 PREV. E.C. 44221 DATE 1-20-81	MACH. 1950 VERS. SOL. ROT.	CD. LOC. D2 GATE 1A FRAME	CD. RN. CD. TYPE JL PR. RN. 43507060 - 2
------------------------------------------------------	----------------------------------	---------------------------------	------------------------------------------------

-0001

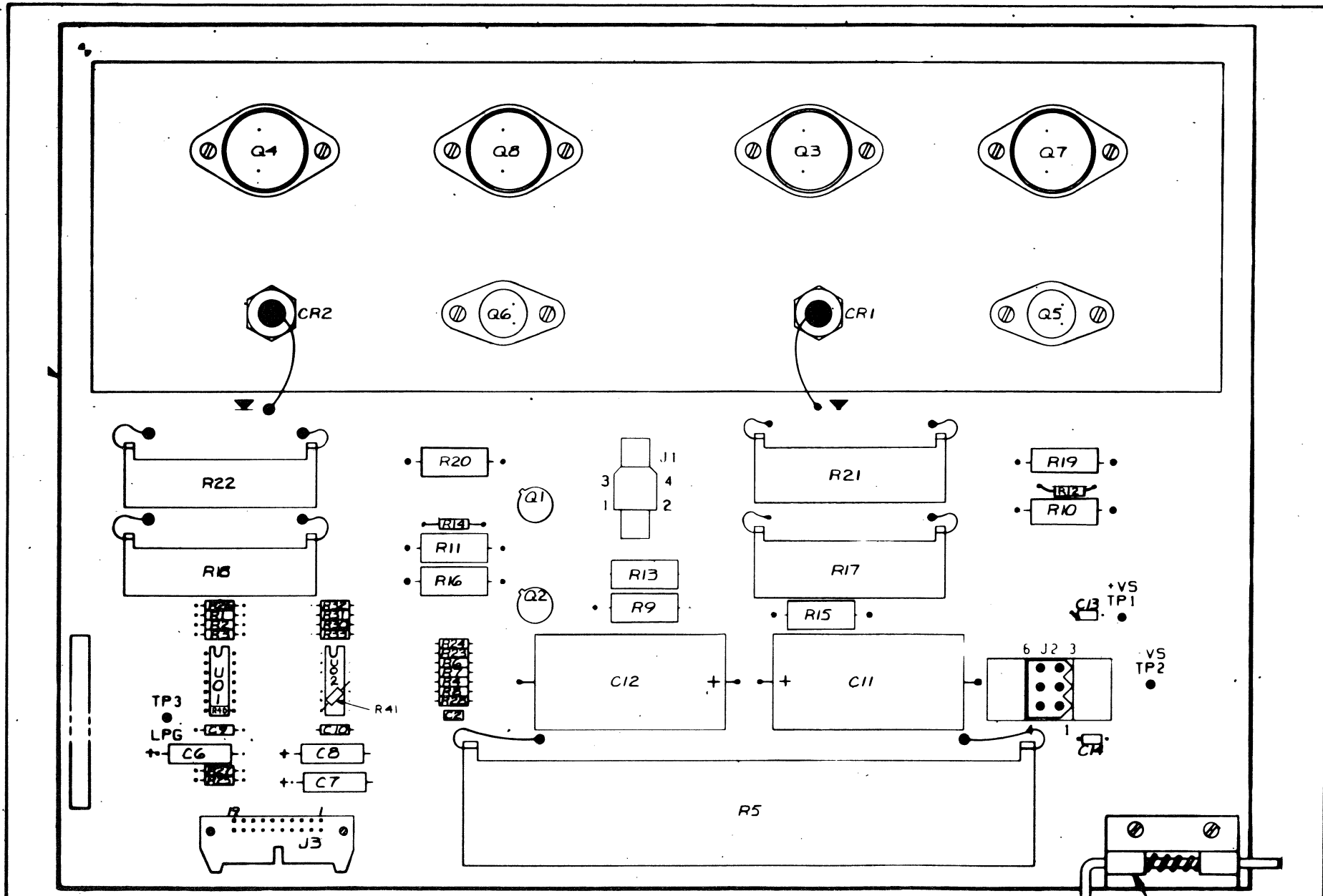
JL071



DENSITY SELECT/MAINTENANCE WRITE				J L 0 7 1
PREV. E.C. 44409	DATE 1-19-81	CD. LOC. D2	CD. RM. JL	
PREV. E.C. 44221		GATE 1A	CD. TYPE JL	
		FRAME	PG. NO. 43507061 - 0	



JL075	SIE DENS IND DECODE, LOAD LATCH				JL075
	PRES. E.C. 44221	MACH. 1950	CD. LOC. D2	CD. P.N.	
	PREV. E.C.	VERS.	GATE FRAME	CD. TYPE J1	
	DATE 20 MAY 80	GBL. ROT.		PG. RN. 43507042-0	

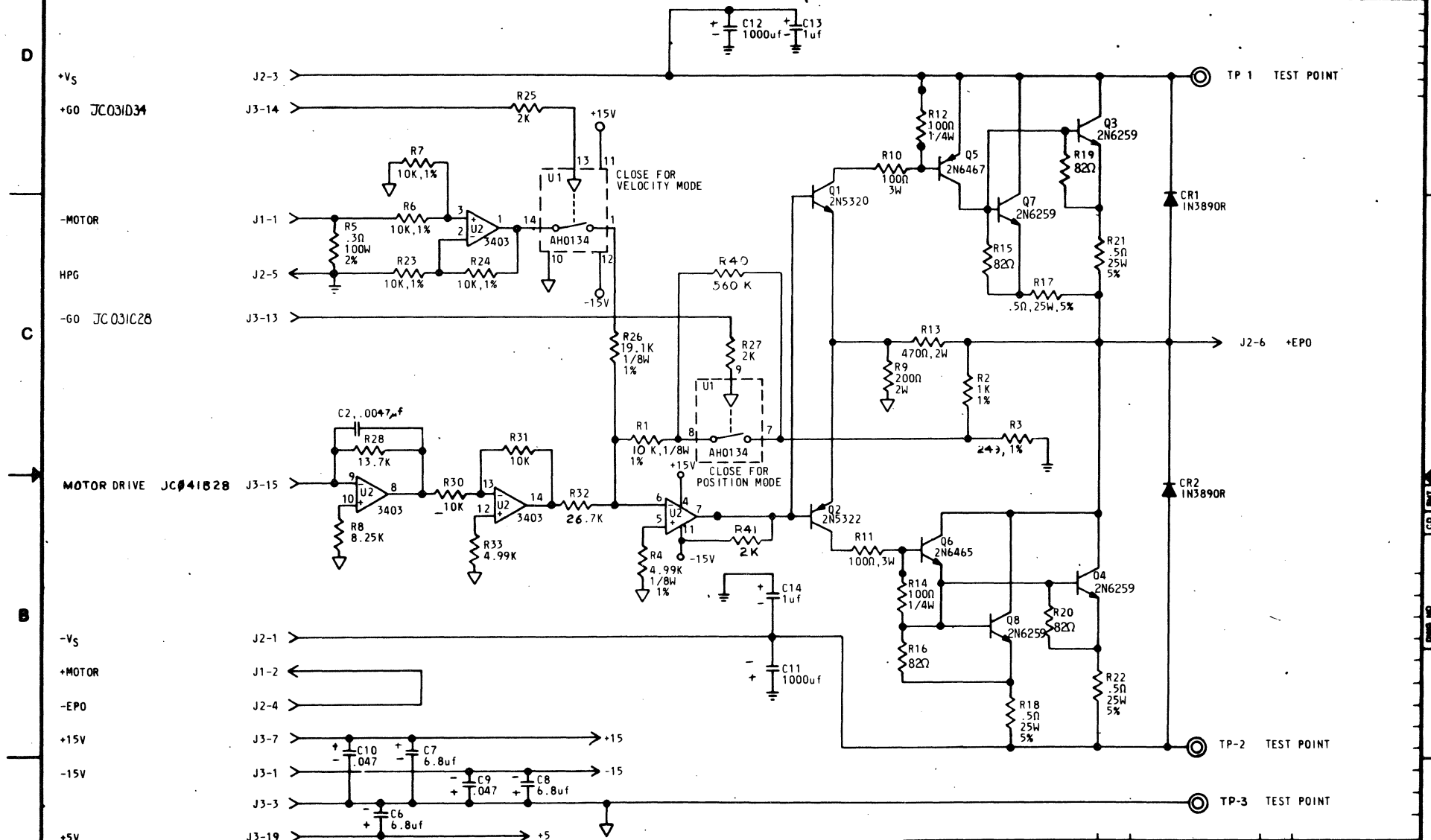


■ CAPSTAN MOTOR POWER AMP			
PREP. E.C. 44290	MACH. 1950	CD LOC.	CD. RL. 43107307-1
REV. E.C. 44245	VERS.	DATE	CD. TYPE JP
DATE 5-30-80	DDL. ROT.	FRAME	PL. RL. 43508011-4

A
B
C
D

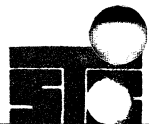
A
B
C
D

REVISIONS					
REV	ZONE	E.C.	DESCRIPTION	APPROVAL	DATE
A		44298	I. R.		



PREVIOUS DWG. NO.	REV. NO.	REV. DES.	REV. NO.	REV. DES.
UNLESS OTHERWISE SPECIFIED:				
THIS PART MUST CONFORM TO S.T.C. STANDARD 888				
STORAGE TECHNOLOGY CORP.				
TITLE: SCHEMATIC, JP CARD				
MATERIAL:				
DATE: 6-79				
DATE: 7/1/79				
DATE: 8-79				
DATE: 43508012				

43508012
 CD 11
 CD 2
 CD 1

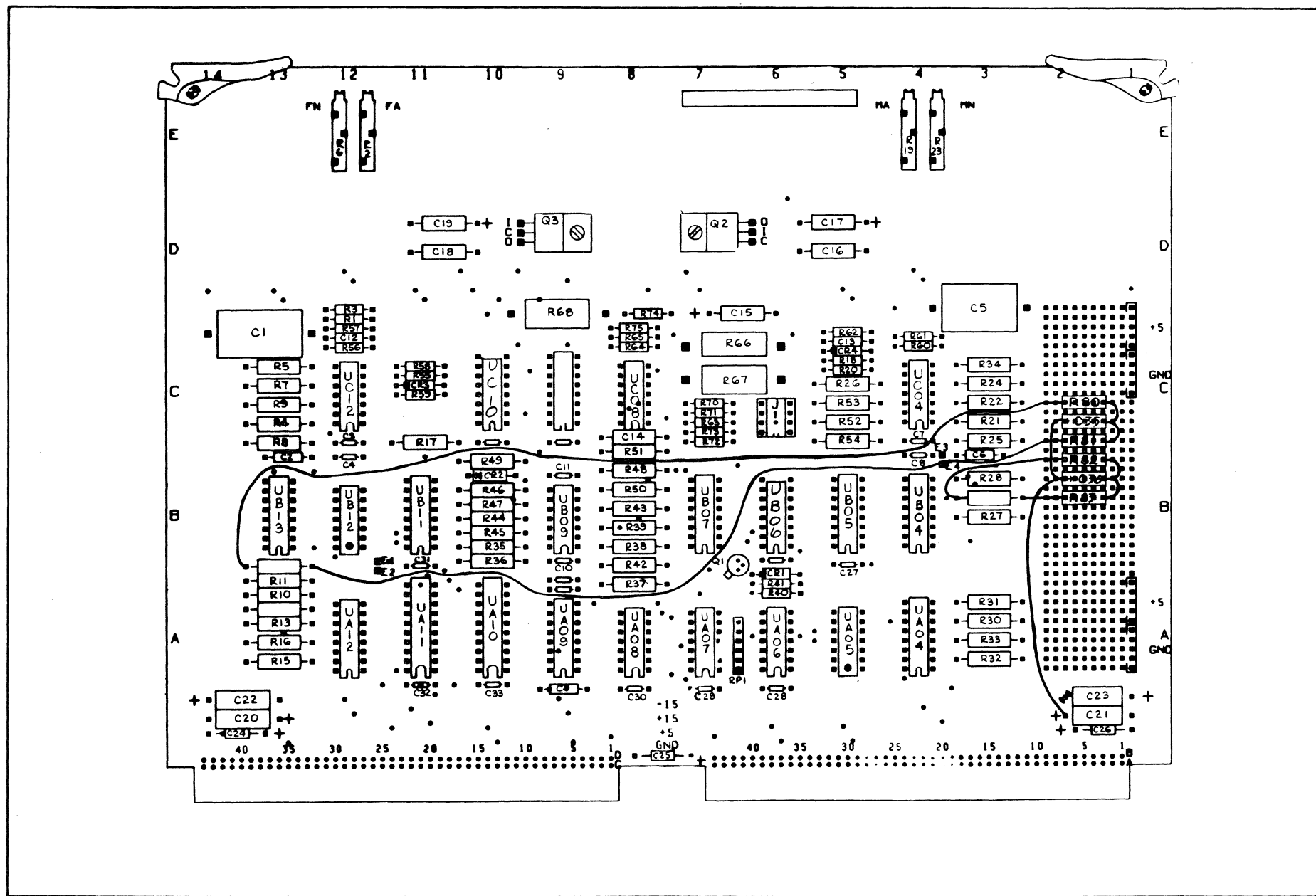


BUILD ARC: DOC

ASSEMBLY PARTS LIST

PRINT DATE	PAGE	ESS. NO.
02-20-81	1	44221

DIV.	ASSEMBLY NUMBER	CD	REV.	DWG.	DESCRIPTION	MC	STATUS	STATUS DATE	FILE DATE						
0500	43500053	4	A	N	SYSLGC GP, JS, 43109303, PC	N	REL	05-15-80	1950	05-15-80					
T	FIND NO	LI	PART NUMBER	CD	M	QUANTITY	U/M	PART DESCRIPTION	MC	YLD	E.C. NO. IN	E.C. NO. OUT	S/N	WK IN	WK OUT
	000	01	43509018	8		REF	PC	SYS LGC AB001, JS PC	D						
	001	01	43509016	2		REF	PC	SYS LGC JS 001 PC	D						
	002	01	43509017	0		REF	PC	SYS LGC JS 011 PC	D						
	003	01	43509014	7		REF	PC	SYS LGC, JS021, PC	D						
	004	01	43509009	7		REF	PC	SYS LGC, JS031, PC	D						
	005	01	43509010	5		REF	PC	SYS LGC, JS041, PC	D						
	006	01	43509015	4		REF	PC	SYS LGC, JS051, PC	D						
	500	01	43109303	8		REF	PC	CKT CD, JS, PC ASSEMBLY	S						
								0008 TOTAL LINES							

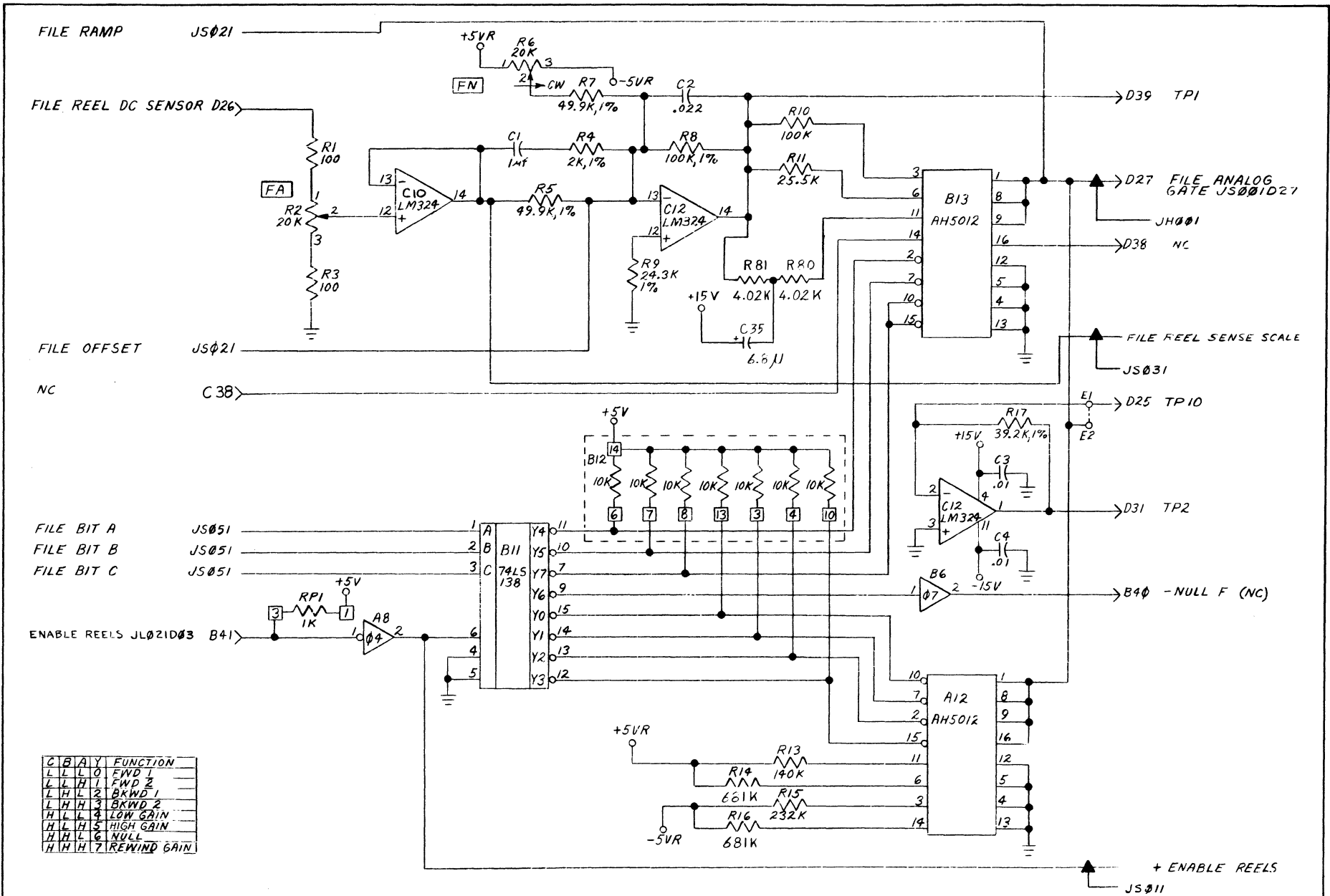


JS CARD, FILE AND MACHINE REEL CONTROL CARD

PREV. E.C.	44221	MACH.	1950	CD. LOC.	B2	CD. P.N.	43109303-8
DATE	20 MAY 80	VERS.		GATE	1A	CD. TYPE	JS
		GBL. ROT.		FRAME		PG. P.N.	43509018-8

A
B
O
O
I

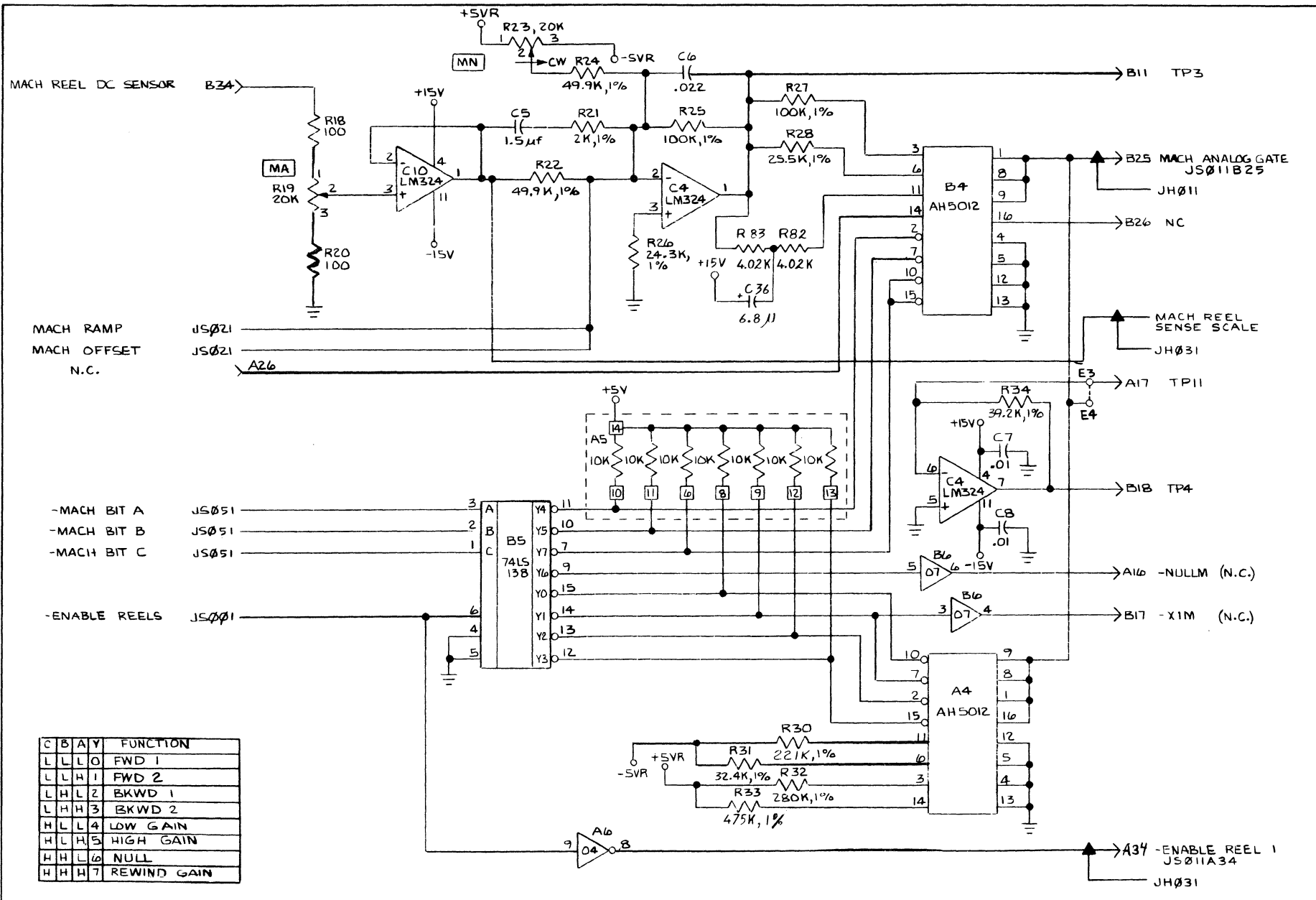
A
B
O
O
I



C	B	A	Y	FUNCTION
L	L	L	0	FWD 1
L	L	H	1	FWD 2
L	H	L	2	BKWD 1
L	H	H	3	BKWD 2
H	L	L	4	LOW GAIN
H	L	H	5	HIGH GAIN
H	H	L	6	NULL
H	H	H	7	REWIND GAIN

JS001

JS001



MACH REEL COMPENSATION & SWITCHING

PRES. E.C. 44221 PREV. E.C. 44070 DATE 20 MAY 80	MACH. VERS. 1950 GBL. ROT.	CD. LOC. B2 GATE FRAME	CD. PN. JS CD. TYPE JS PG. PN. 43509017-0
--------------------------------------------------------	-------------------------------	---------------------------	-------------------------------------------------

100-1

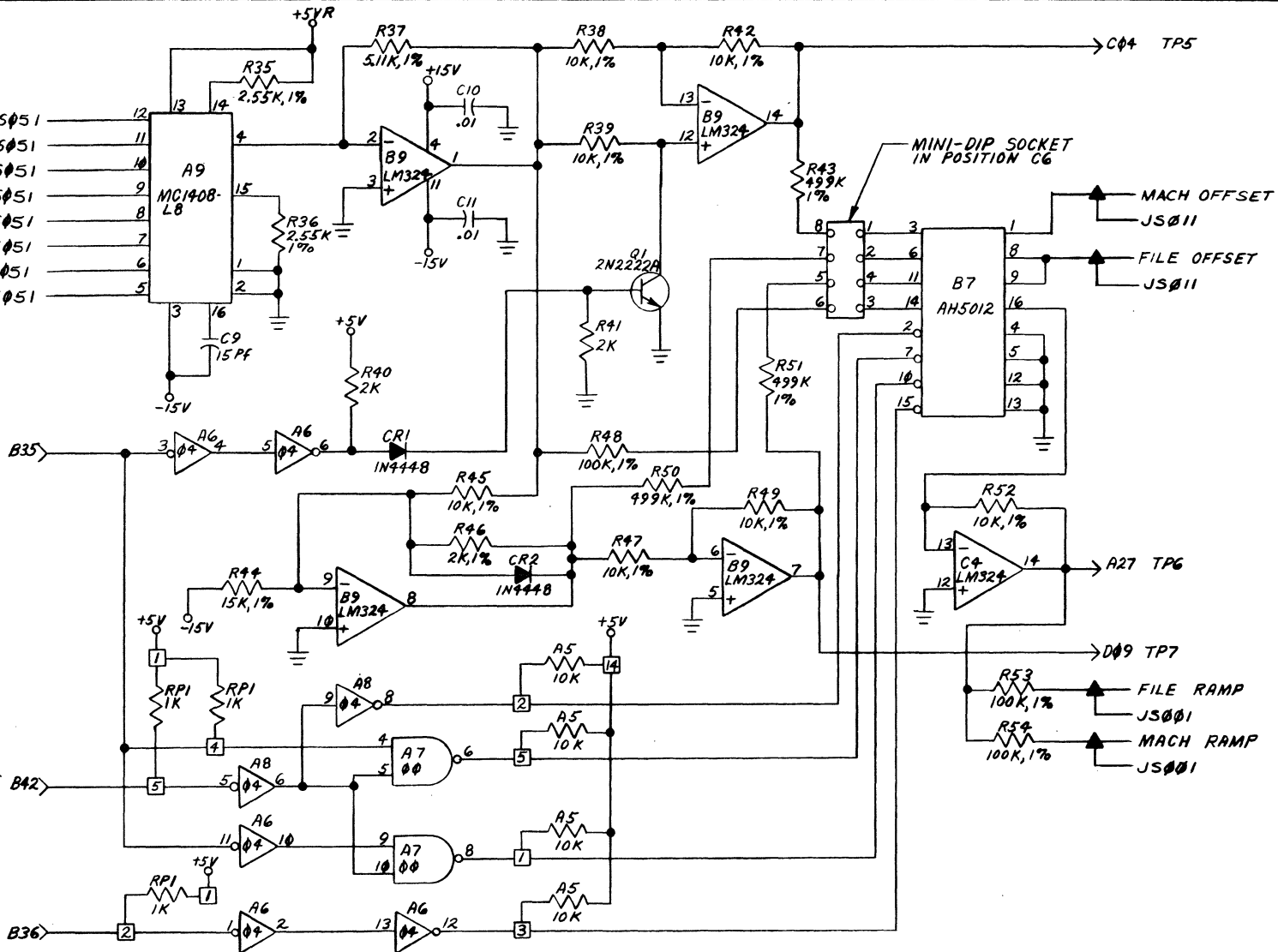
JSØ11

- CAP CNT 1 JS051
- CAP CNT 2 JS051
- CAP CNT 4 JS051
- CAP CNT 8 JS051
- CAP CNT 16 JS051
- CAP CNT 32 JS051
- CAP CNT 64 JS051
- CAP CNT 128 JS051

-FWD MOTION B35

-TURNS CNTR STATUS B42

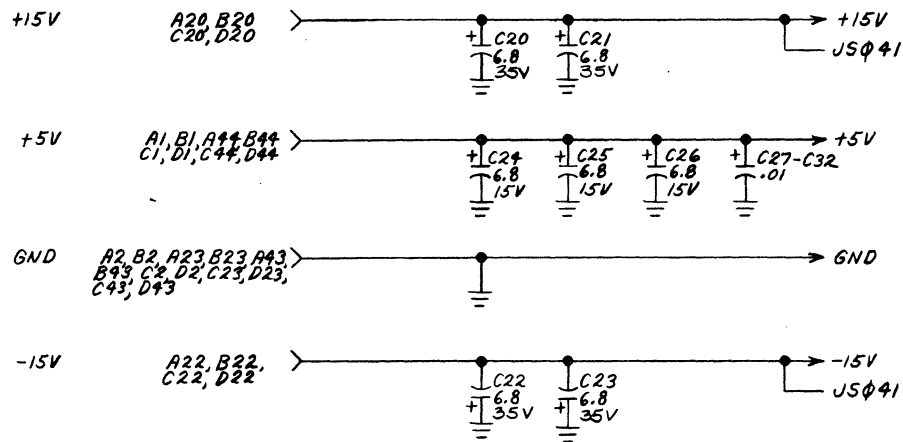
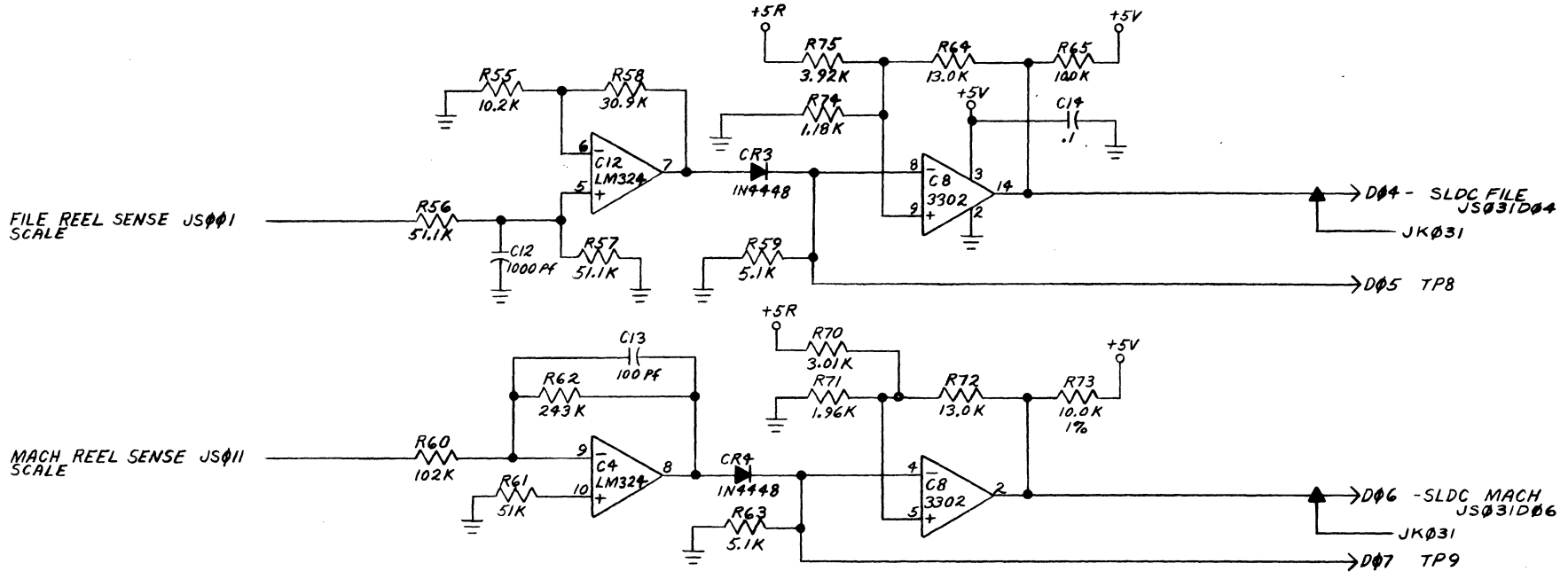
-VELOCITY STATUS B36



7505C

COLUMN OFFSET & REWIND RAMP			
PREV. E.C. 44070	MACH. 1950	CD. LOC. B2	CD. P.N.
DATE 1-23-80	VER. GBL. ROT.	GATE FRAME A1	CD. TYPE JS
			PG. P.N. 43509014-7

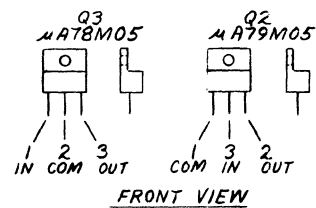
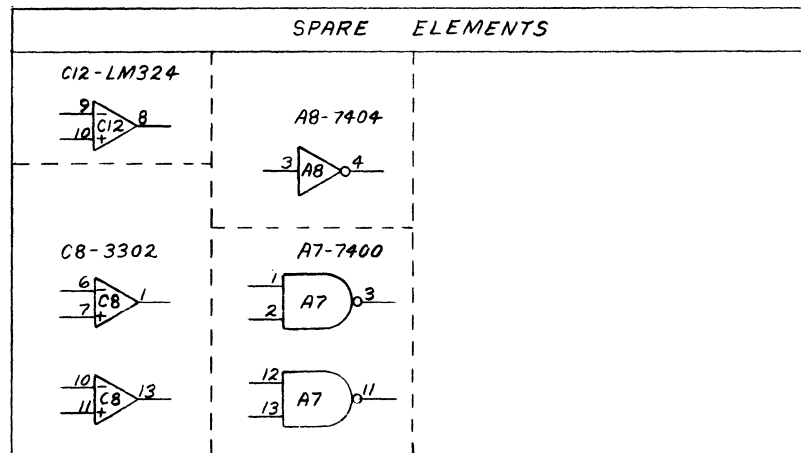
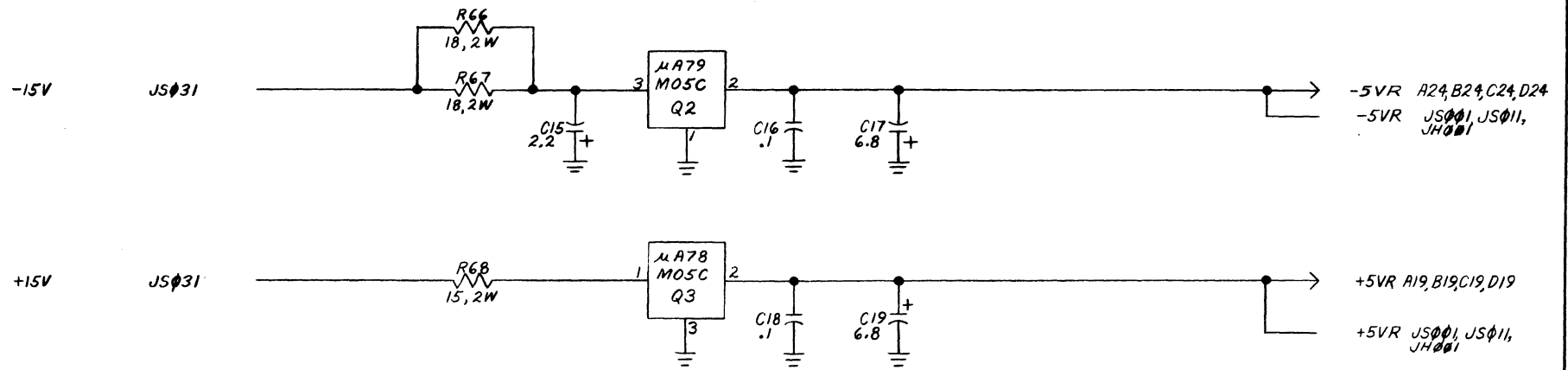
7505C



REWIND SLOW DOWN CAPSTAN			
PREV. E.C. 44070	MACH. 1950	CD. LOC. B2	CD. RN.
DATE 1-23-80	VER. 1A	GATE FRAME	CD. TYPE JS
	GBL. ROT.		PG. RN. 93509009-7

5/20/80

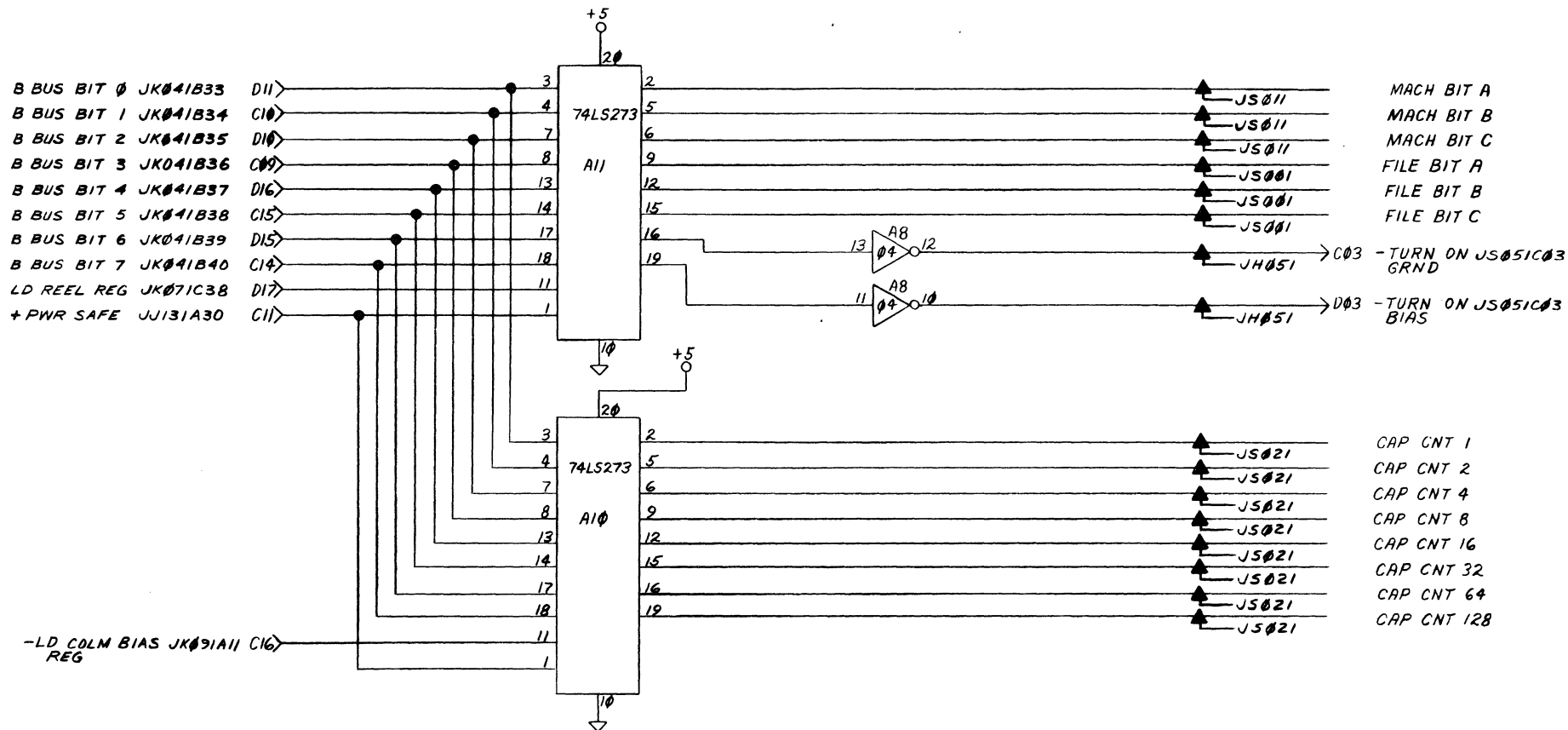
5/20/80



435041

±5V_R POWER			
PRES. E.C. 44070	MACH. 1950	CD. LOC. B2	CD. P.N.
PREV. E.C.	VERS.	GATE 1A	CD. TYPE JS
DATE 1-23-80	GBL. ROT.	FRAME	Pg. P.N. 43509010-5

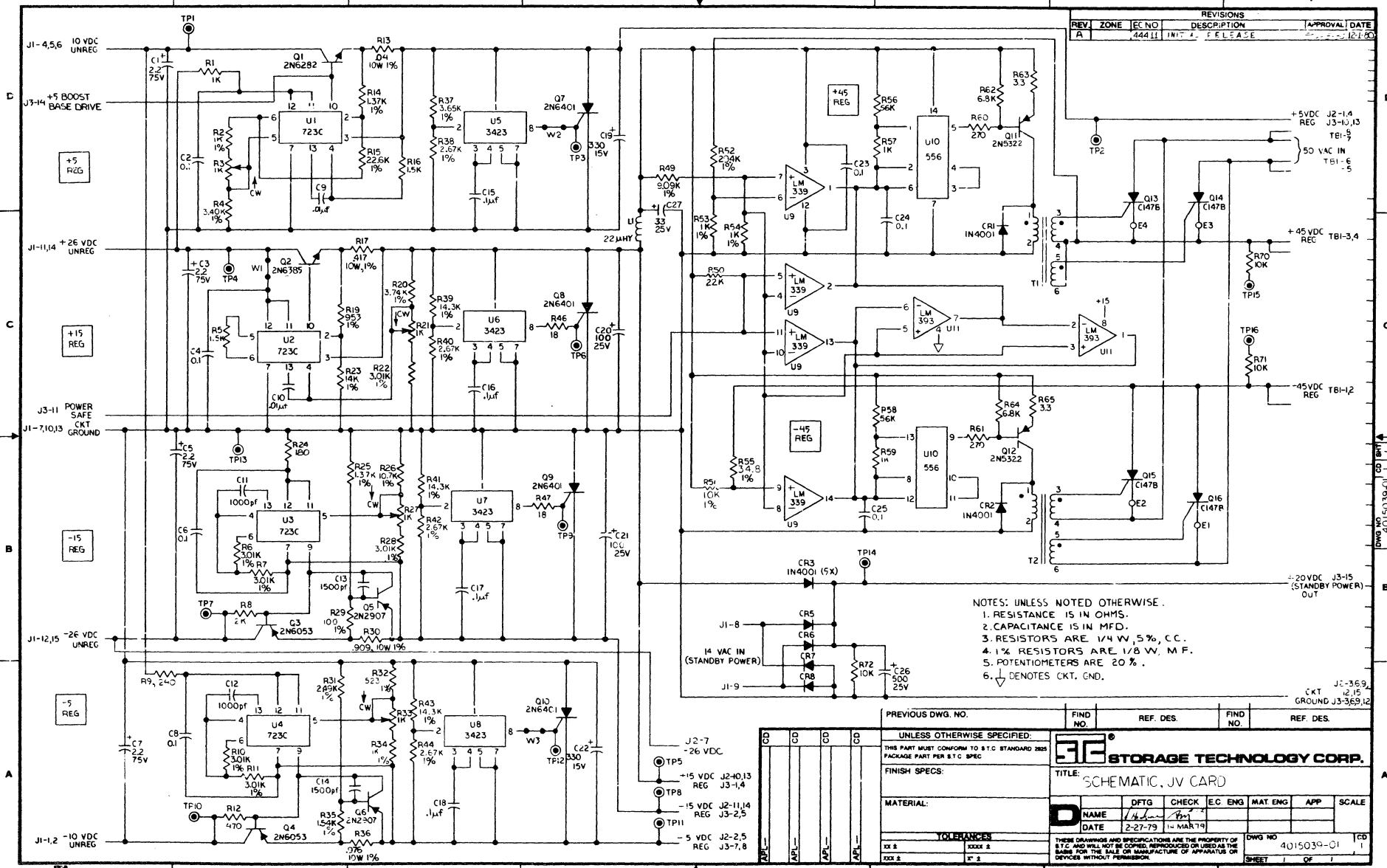
435041



4305C

SEQUENCER INTERFACE				JS051
PRES. E.C.	44070	MACH. VERS.	1950	
PREV. E.C.		GBL. ROT.		
DATE	1-23-80	CD. LOC. GATE FRAME	B2 1A	CD. P.N. CD. TYPE JS PG. P.N. 43509015-4

REVISIONS				APPROVAL	DATE
REV	ZONE	EC NO	DESCRIPTION		
A		44411	INITIAL RELEASE		10/1/80



- NOTES: UNLESS NOTED OTHERWISE.
1. RESISTANCE IS IN OHMS.
 2. CAPACITANCE IS IN MFD.
 3. RESISTORS ARE 1/4 W, 5%, C.C.
 4. 1% RESISTORS ARE 1/8 W, M.F.
 5. POTENTIOMETERS ARE 20%.
 6. ⚡ DENOTES CKT. GND.

PREVIOUS DWG. NO.		FIND NO.	REF. DES.	FIND NO.	REF. DES.
UNLESS OTHERWISE SPECIFIED:					
THIS PART MUST CONFORM TO B.T.C. STANDARD 2825					
PACKAGE PART PER B.T.C. SPEC					
FINISH SPECS:					
MATERIAL:					
TOLERANCES					
XXX 2	XXX 2				
XXX 2	XXX 2				

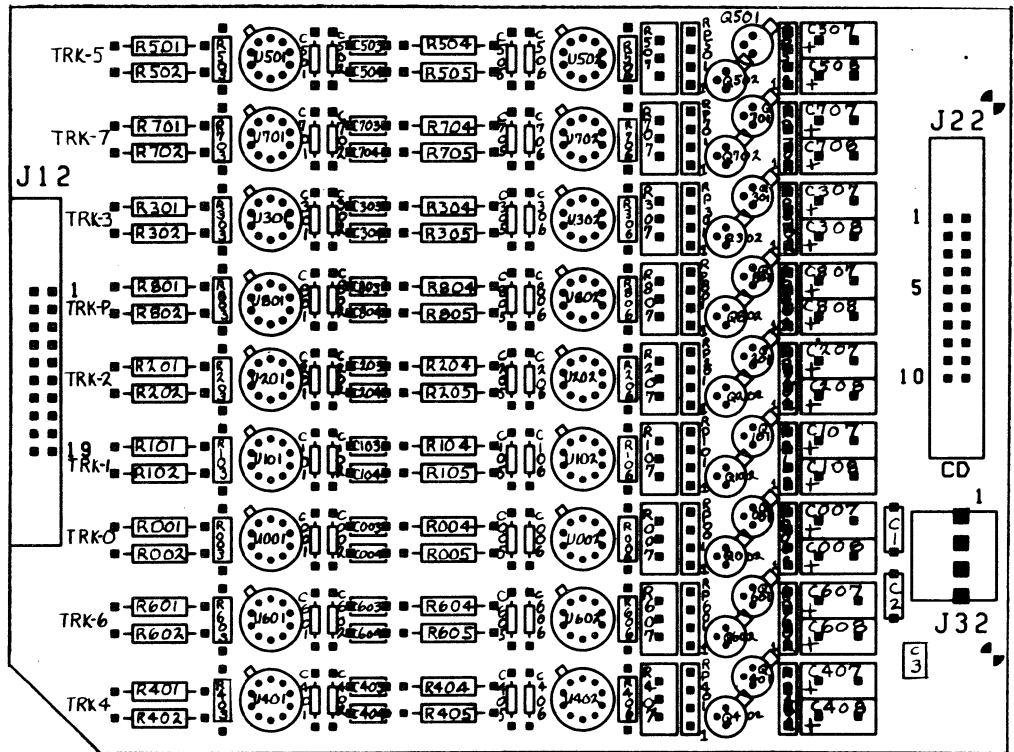
STORAGE TECHNOLOGY CORP.

TITLE: SCHEMATIC, JV CARD

NAME	DFTG	CHECK	EC. ENG	MAT. ENG	APP	SCALE
DATE	2-27-79	14 MAR 79				

THESE DRAWINGS AND SPECIFICATIONS ARE THE PROPERTY OF B.T.C. AND WILL NOT BE COPIED, REPRODUCED OR USED AS THE BASIS FOR THE SALE OR MANUFACTURE OF APPARATUS OR DEVICES WITHOUT PERMISSION.

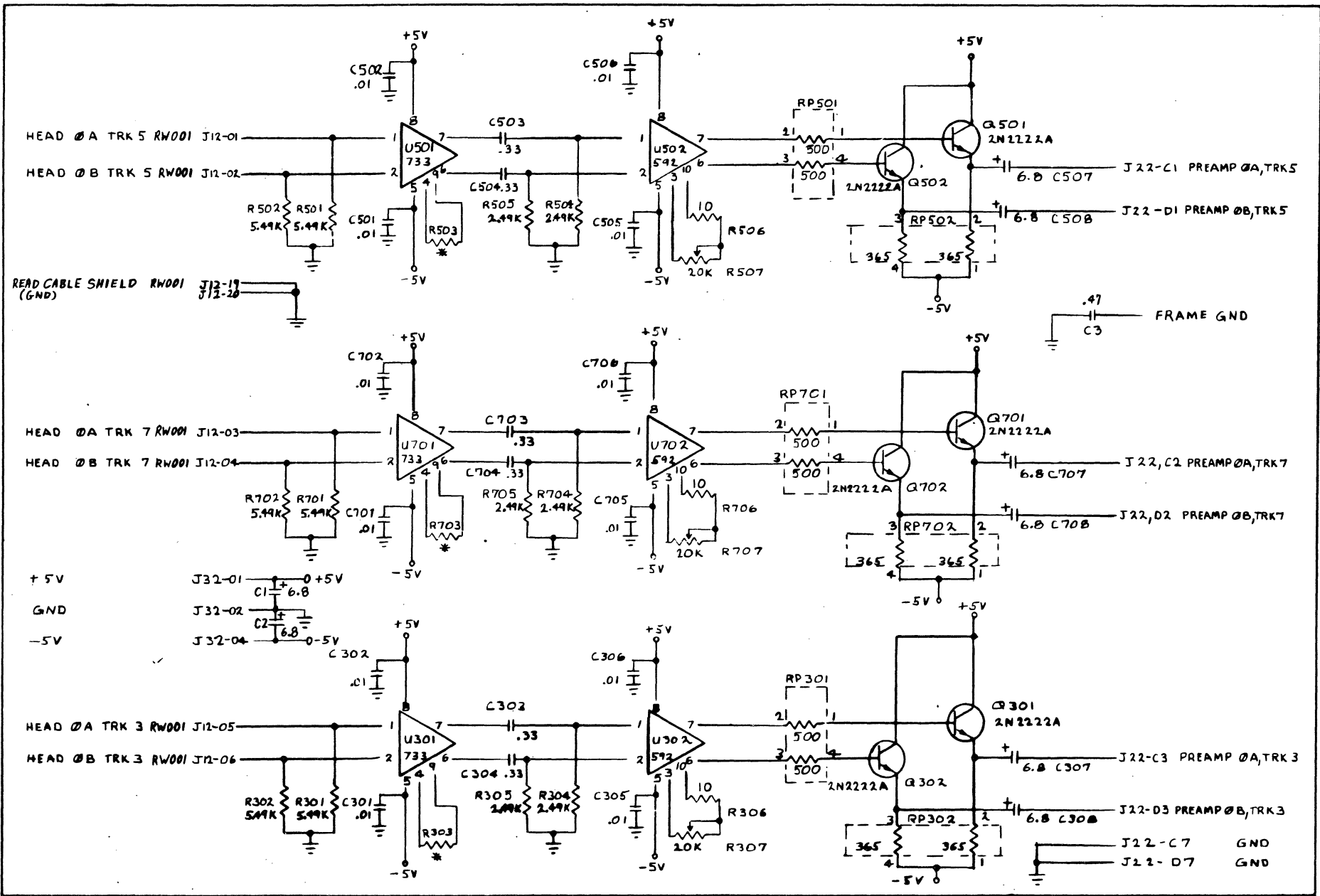
DWG NO. 4015039-01
SHEET 7 OF 7



A
B
C
D
E

JA CARD, PREAMP			
PRE. E.C. 44369	MACH. 1950	CD. LOC. CASTING, FRONT	CD. RN. 43138202-7
REV. E.C. 44078	VERB.	GATE	CD. TYPE JA
DATE 12-10-80	SBL. ROT.	FRAME	PG. RN. 43501007-9

A
B
C
D
E



* NOT INSTALLED

JA CARD TRACKS 5, 7 + 3

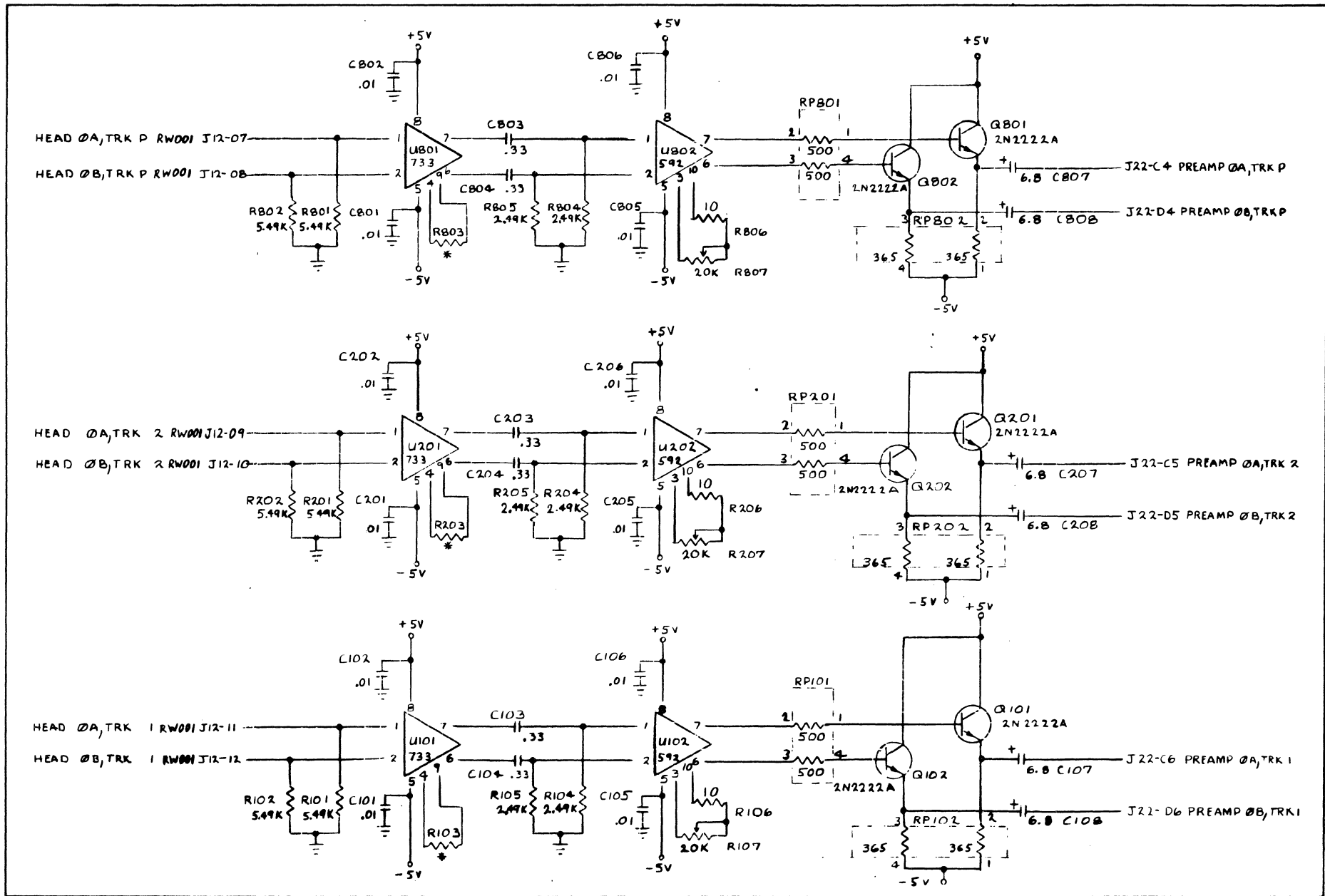
DES. E.C. 44369
 REV. E.C. 44078
 DATE 12-10-80

MACH. 1959
 VERN.
 SBL. ROT.

CB LOC. CASTING, FRONT
 FR. 11
 FR. 12
 FR. 13
 FR. 14
 FR. 15
 FR. 16
 FR. 17
 FR. 18
 FR. 19
 FR. 20
 FR. 21
 FR. 22
 FR. 23
 FR. 24
 FR. 25
 FR. 26
 FR. 27
 FR. 28
 FR. 29
 FR. 30

CD. RN.
 CD. TYPE JA
 PB. RN. 43501004-6

J A O I D

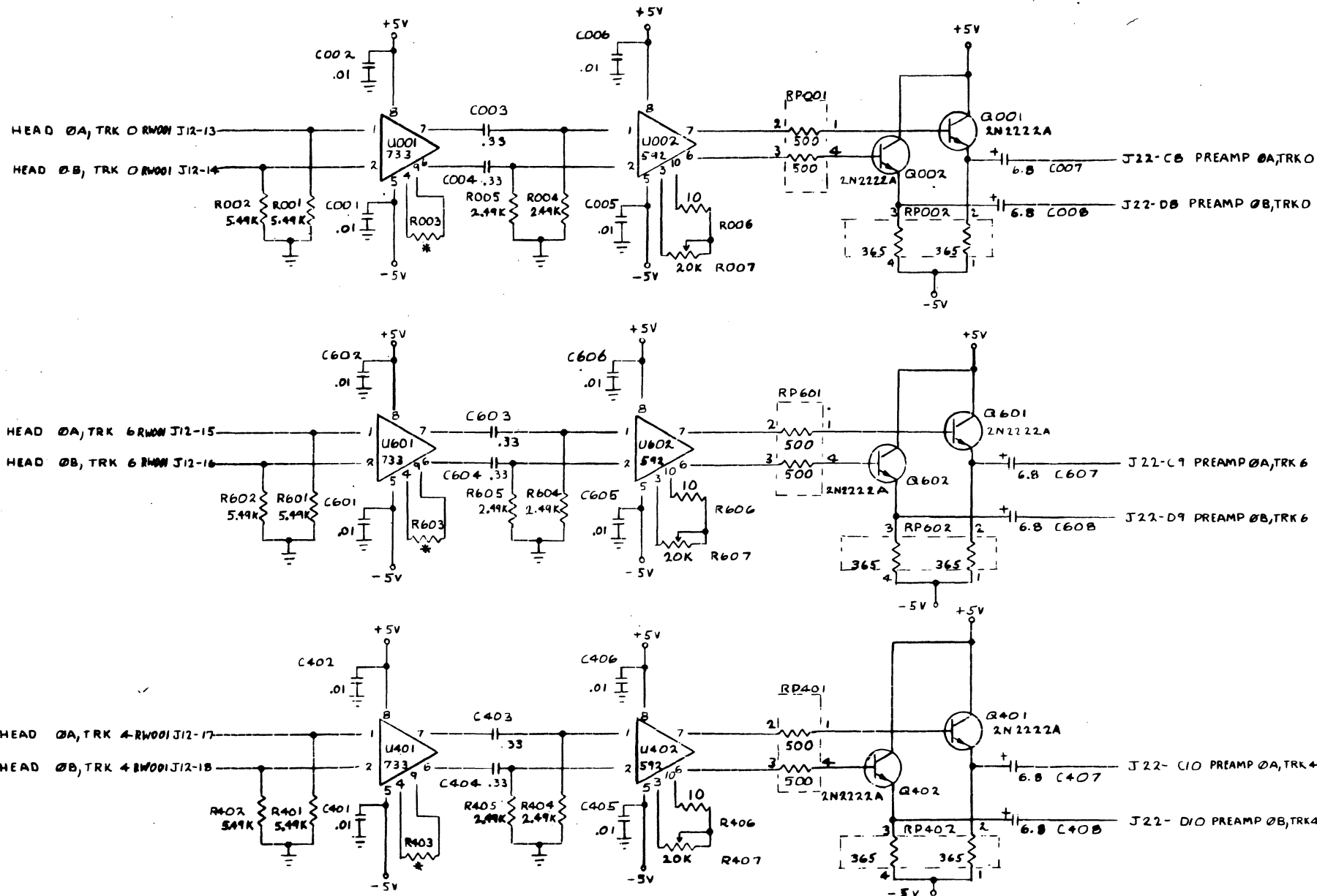


WORK

* NOT INSTALLED.

JA CARD TRACKS P, 2 + 1			
PREP. E.C. 44369 REV. E.C. 44078 DATE 12-10-80	MACH. 1960 VERS. SBL. ROT.	CD. LOG. CASTING FRONT GATE FRAME	CD. RM. CB. TYPE JA PG. RM. 43501005-3

J
200



* NOT INSTALLED.

JA CARD TRACKS 0, 6 + 4

PREV. E.C. 44369
 PREV. E.C. 44078
 DATE 12-10-80

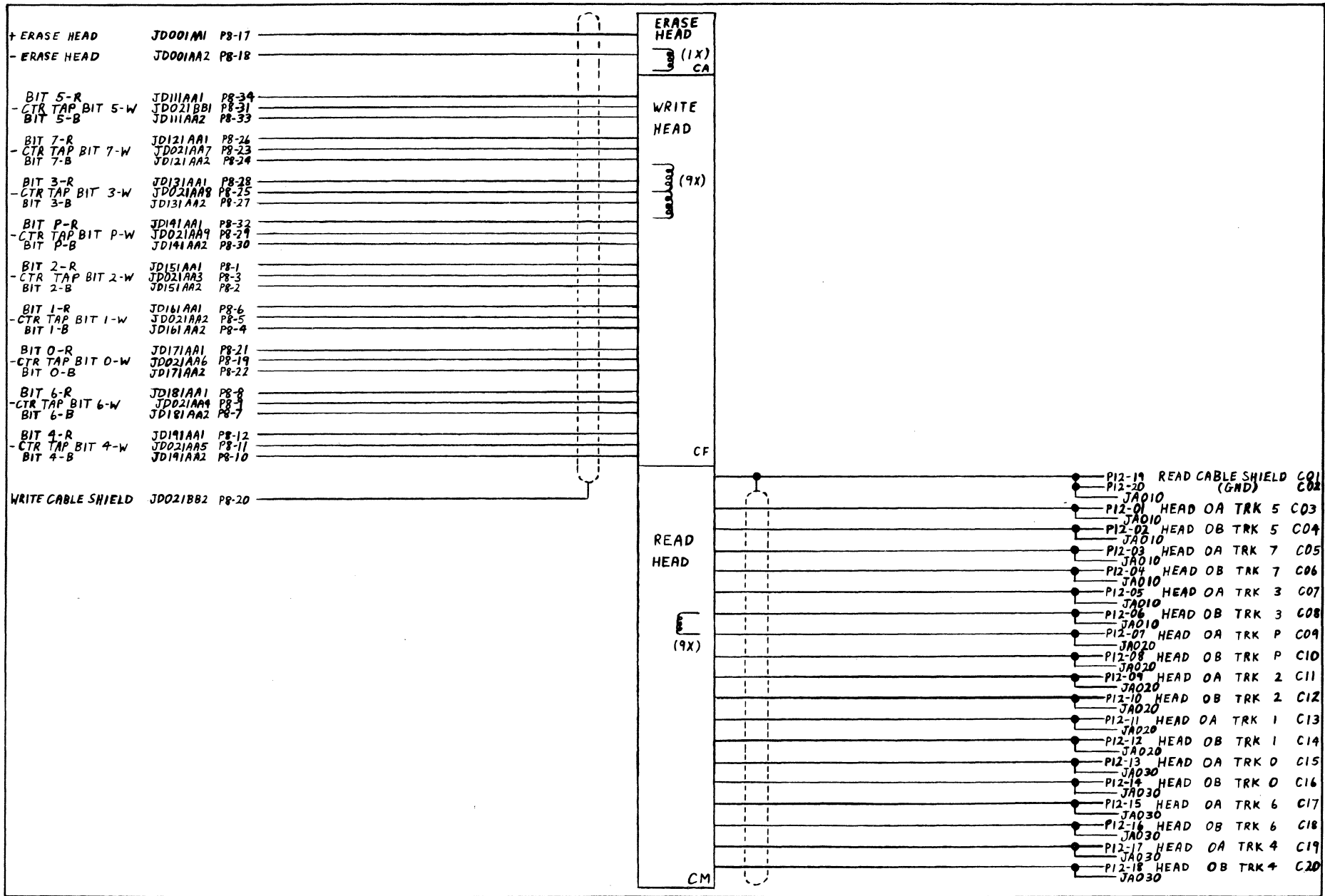
MACH. 1950
 VERN.
 SBL. ROT.

CD. LOC. CASTING, FRONT
 GATE
 FRAME

CD. P.N.
 CD. TYPE JA
 P6. P.N. 43501006-1

J
A
C
A
R
D

J
A
C
A
R
D



R
W
O
I

EFO09

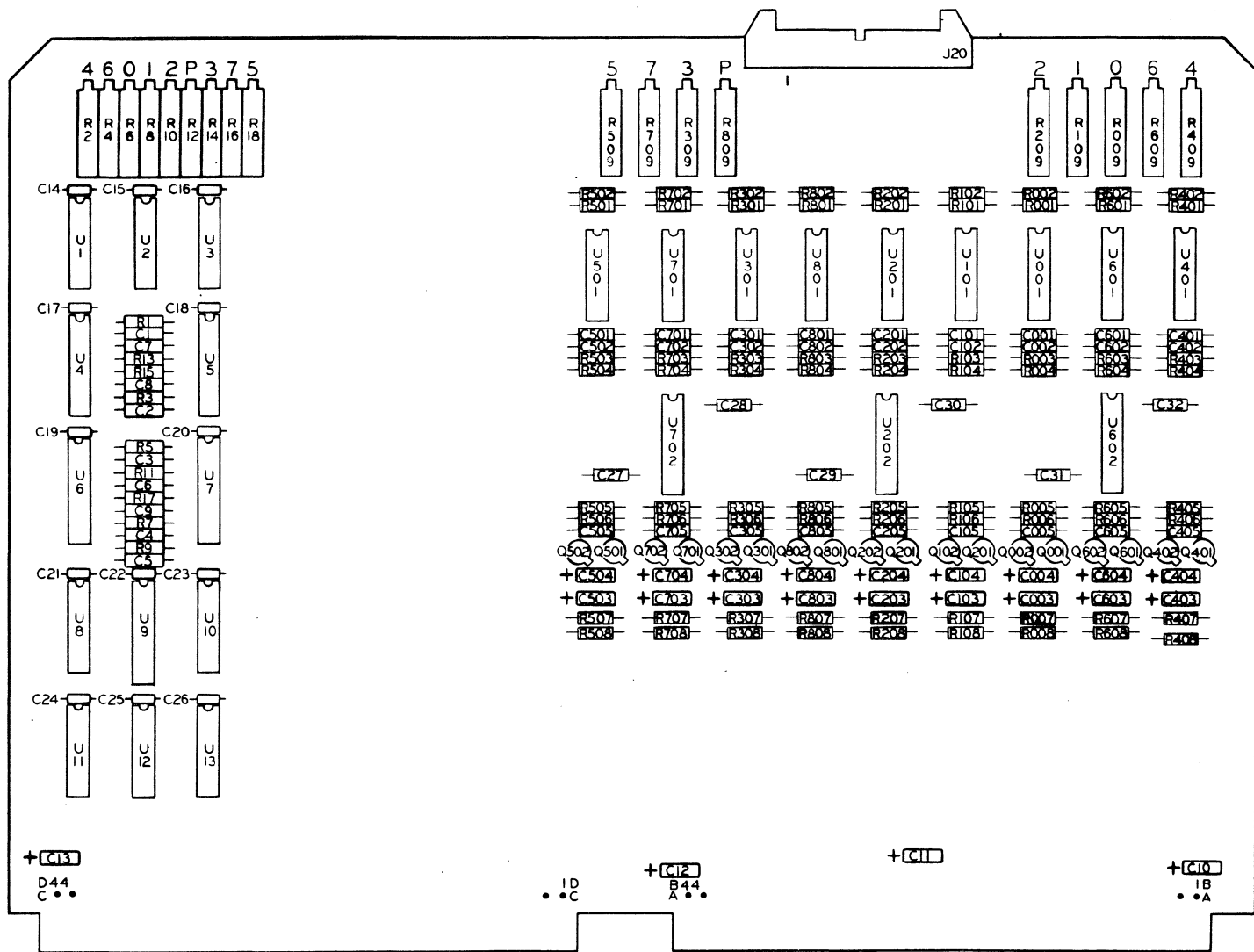
PREP. E.C. 44045
REV. E.C. C3075
DATE 2-19-80

MACH. 1950
VERB.
GBL. ROT.

CD. LOC. CASTING, FRONT
GATE
FRAME

CD. RN.
CD. TYPE R/W HEAD
PB. RN. 43516000-7

R
W
O
I



A
B
9
1
6

JW CARD, NRZI

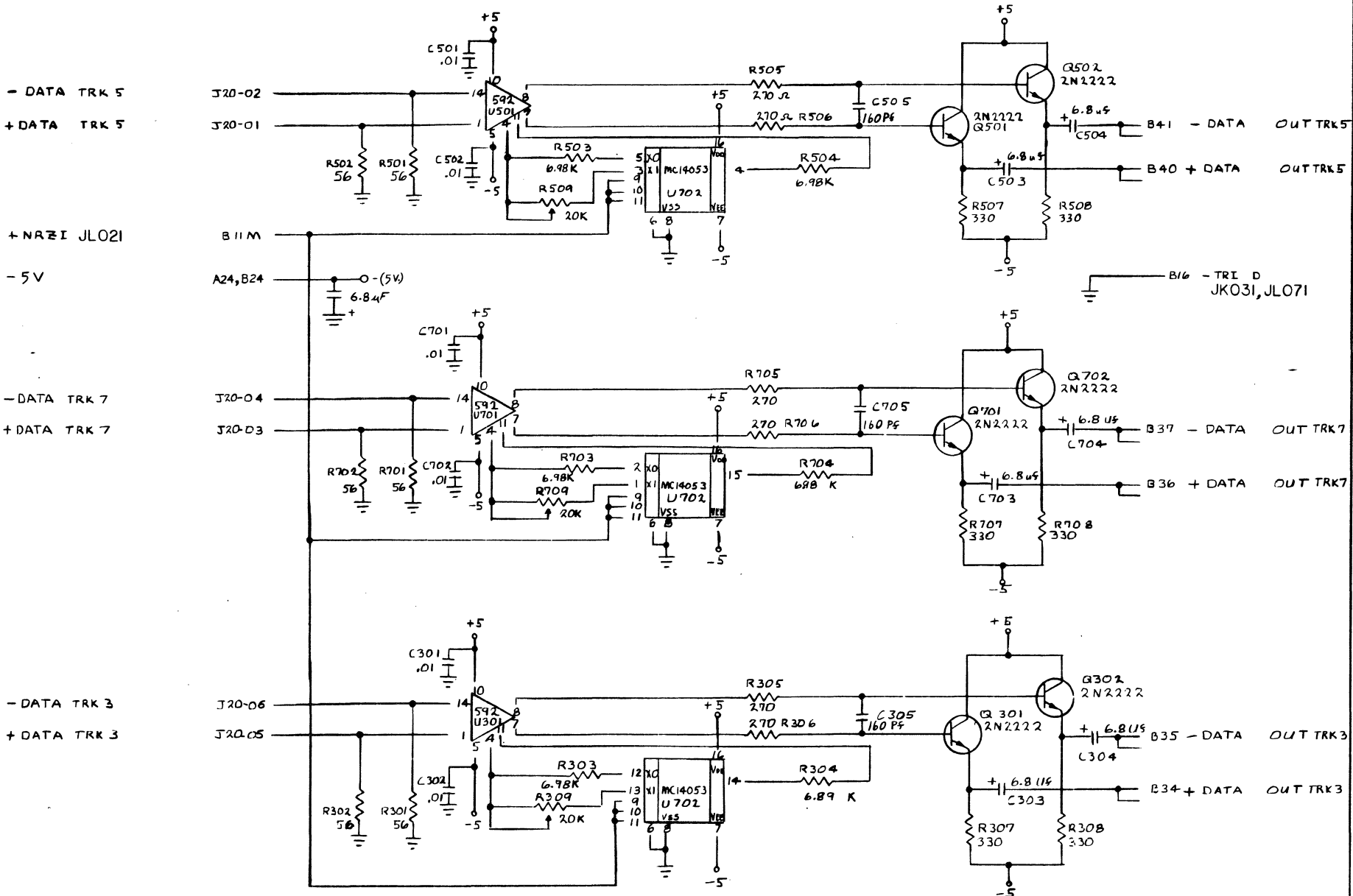
PREV. E.C. 44373
 PREV. E.C. 44168
 DATE 1-13-81

MACH. 1950
 VERS.
 SBL. ROT.

CD. LOC. H2
 GATE
 FRAME

CD. RN. 4311203-6
 CD. TYPE JW
 PG. RN. 43515015-6

A
B
9
1
6

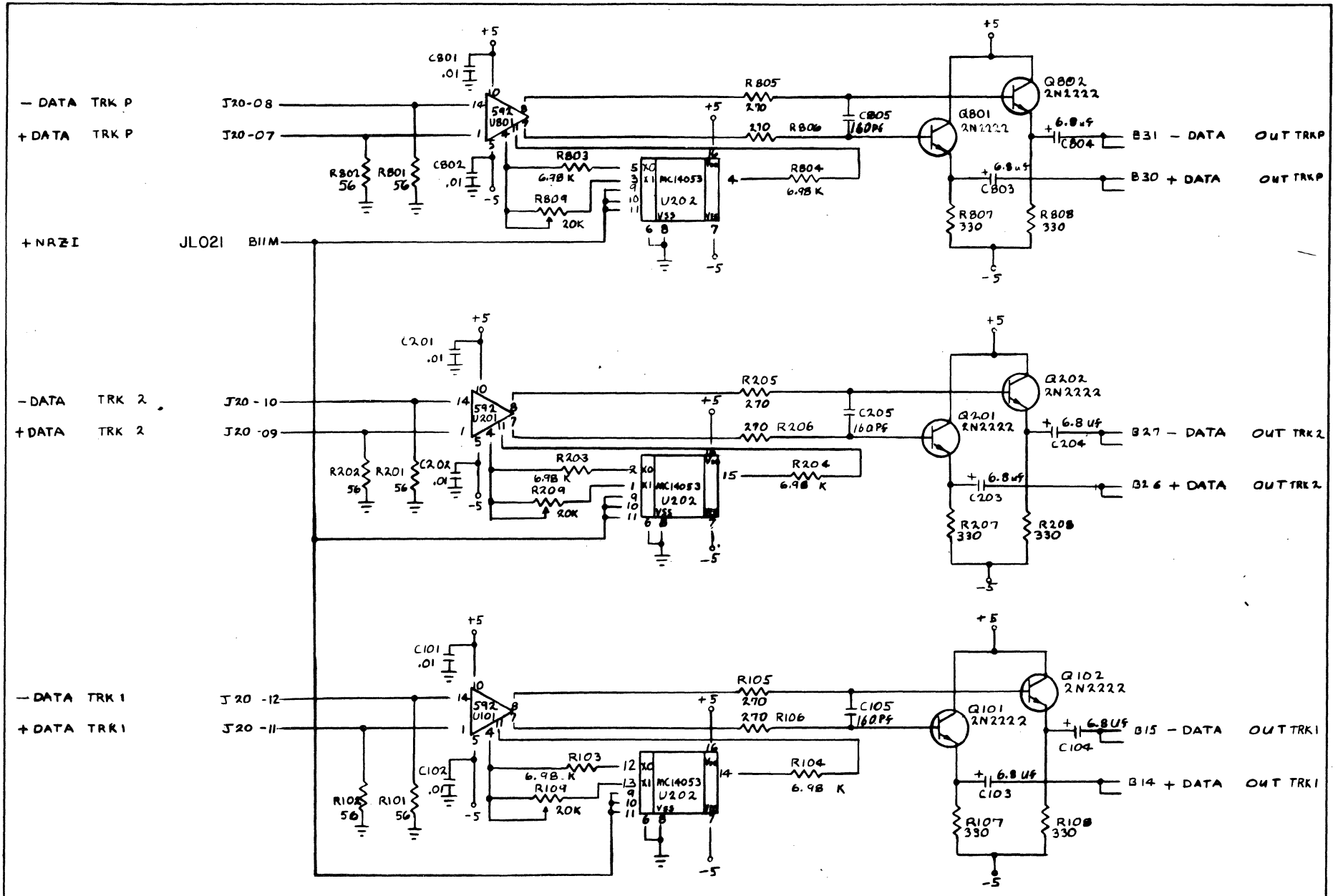


JW
0-03

EF012

JW CARD POST-AMP TRACKS 5, 7 + 3			
DES. E.C. 44373	MACH. 1950	CD. LOC. H2	CD. P.N. JW
PREV. E.C. 44128	VERS. GBL. ROT.	GATE A2	CD. TYPE
DATE 1-13-81		FRAME	PG. P.N. 43515016 - 4

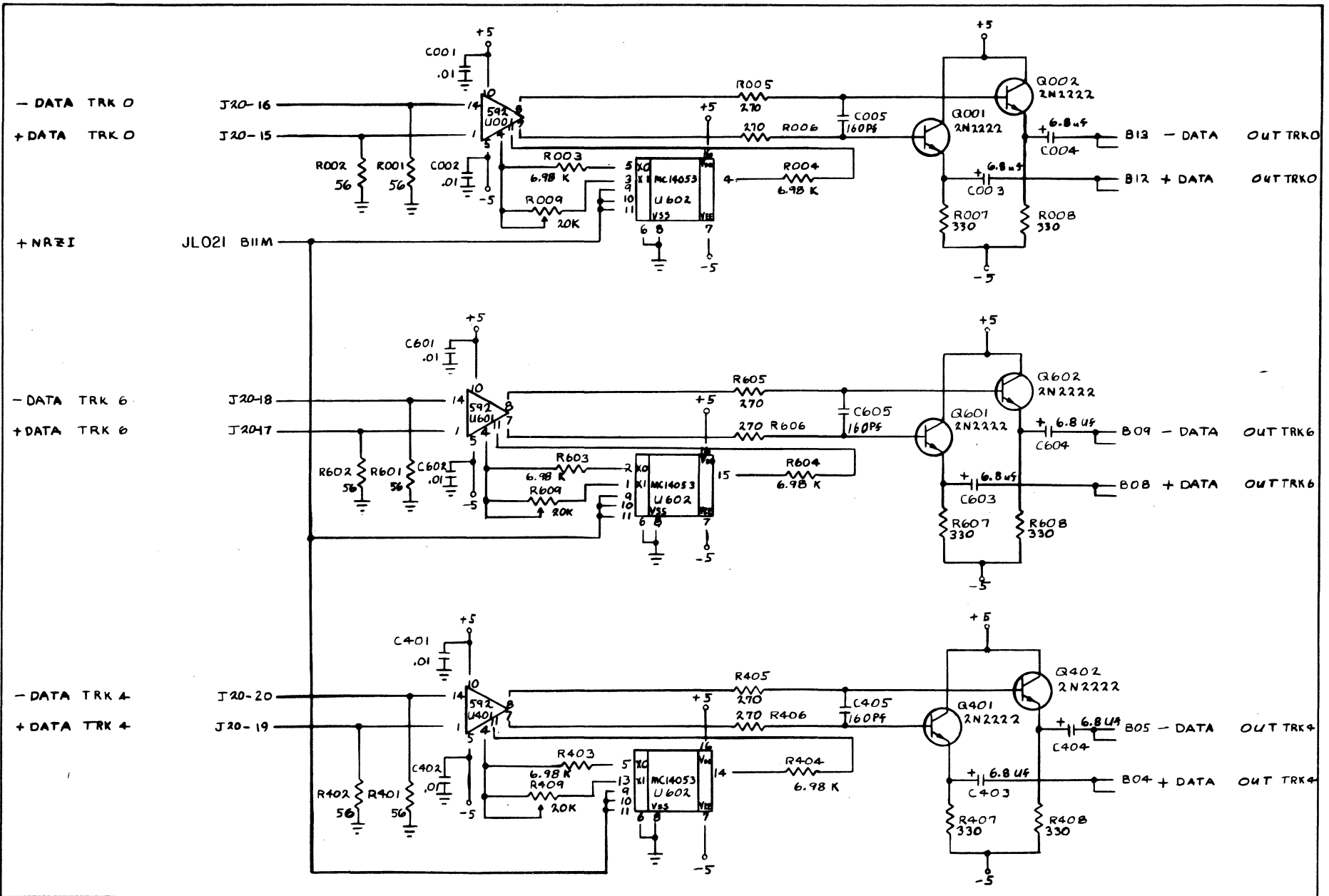
JW
0-01



JW CARD

EF012

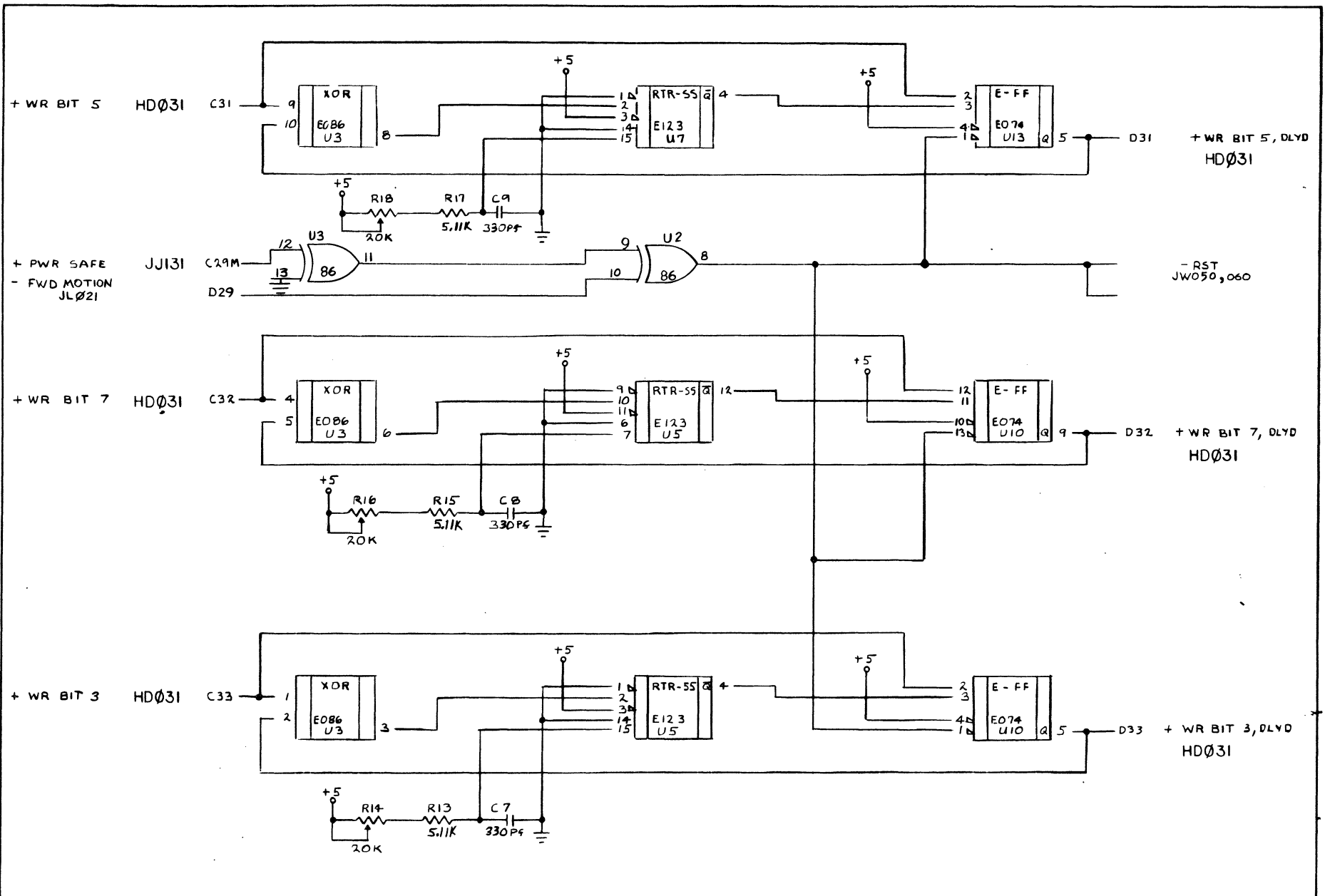
JW CARD POST-AMP TRACKS P, 2 + 1				JW 20
PREV. E.C. 44373	MACH. 1950	CD. LOC. H2	CD. PN.	
PREV. E.C. 44128	VERB. GBL. ROT.	GATE A2	CD. TYPE JW	
DATE 1-13-81		FRAME	PG. PN. 43515017-2	

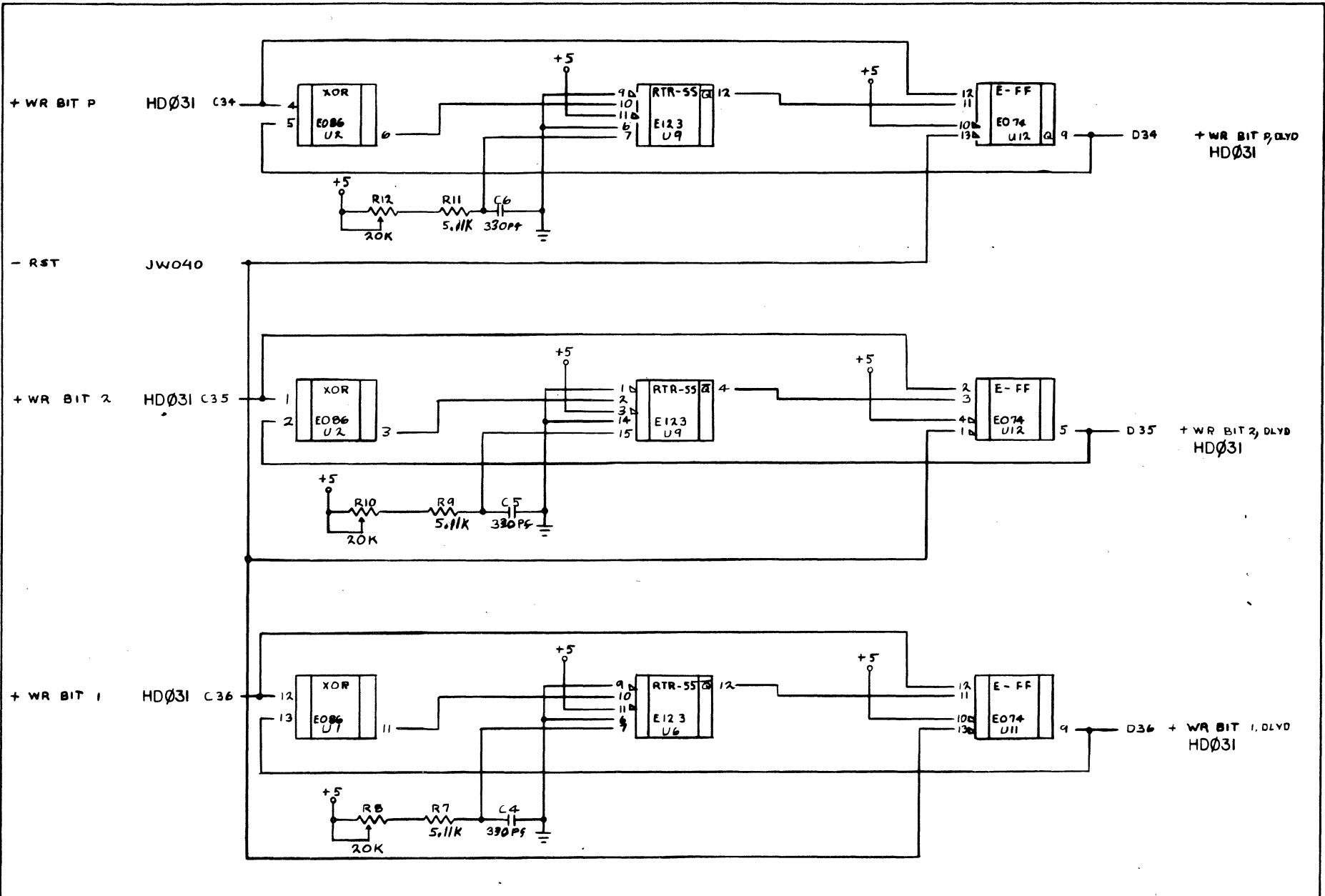


06034

EFD12

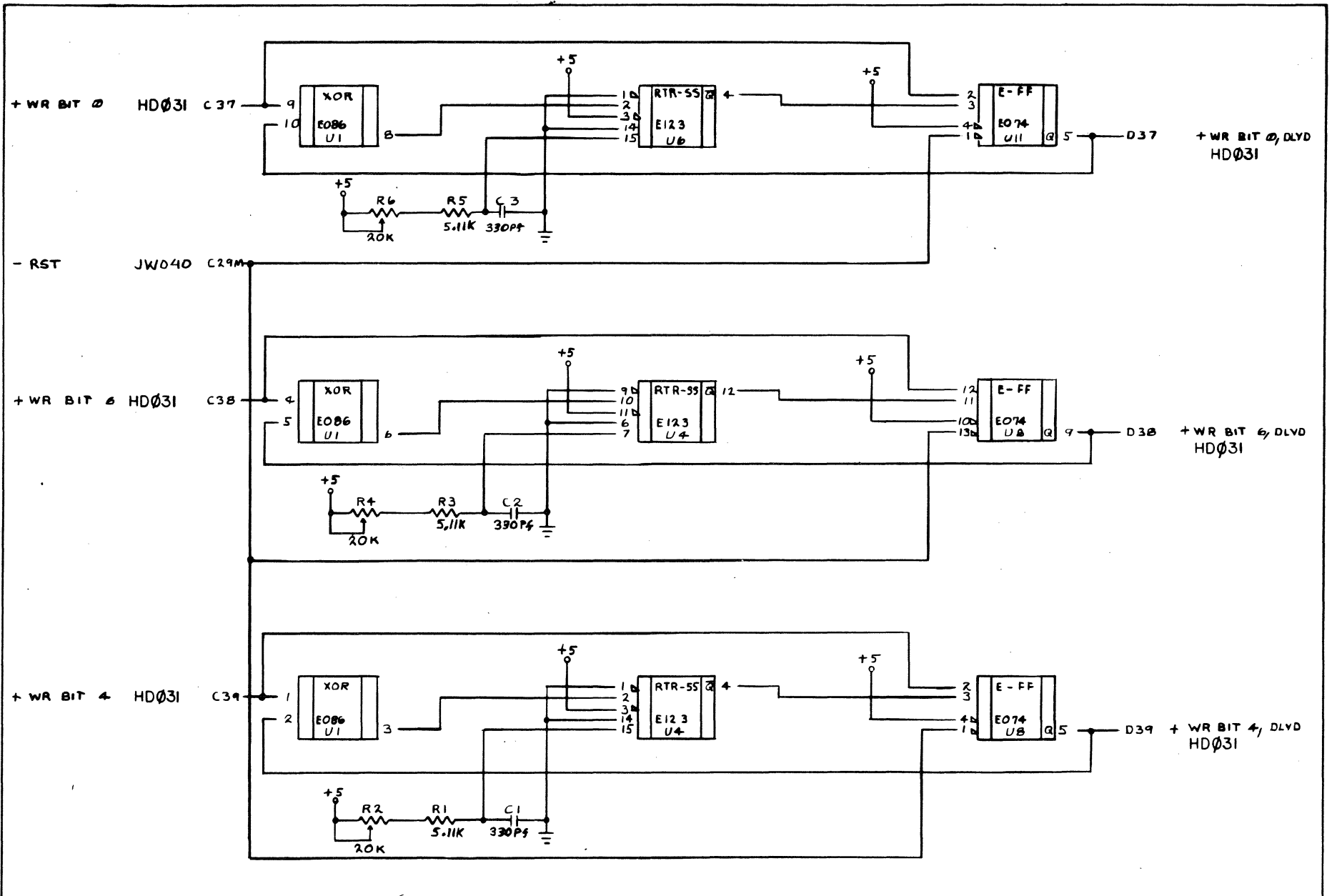
JW CARD POST-AMP TRACKS 0, 6 + 4				J W 0 3 0
PREV. E.C.	44373	MACH.	1950	
DATE	1-13-81	VERS.	GBL. ROT.	
		CD. LOC.	H2	
		GATE	A2	
		FRAME		
		CD. PN.	JW	
		CD. TYPE	JW	
		PG. PN.	43515018-0	





JW050
EF012

NRZI DESKEW TRKS P. 2 + 1				JW050
PREV. E.C. 44373	DATE 1-13-81	MACH. VERS. 1950	CD. LOC. H2	
PREV. E.C. 44128		GBL. ROT.	GATE A2	
			FRAME	
			CD. P.N. J.W.	
			PG. PN. 43515020-6	



EF012

NRZI DESKEW TKS 0, 6 + 4				J W 0 6 0
PRES. E.C.	44373	MACH.	1950	
PREV. E.C.	44128	VERS.		
DATE	1-13-81	SBL. ROT.		
CD. LOC.	H2	GATE	FRAME	CD. RN.
				CD. TYPE JW
				PG. RN. 43515021-4

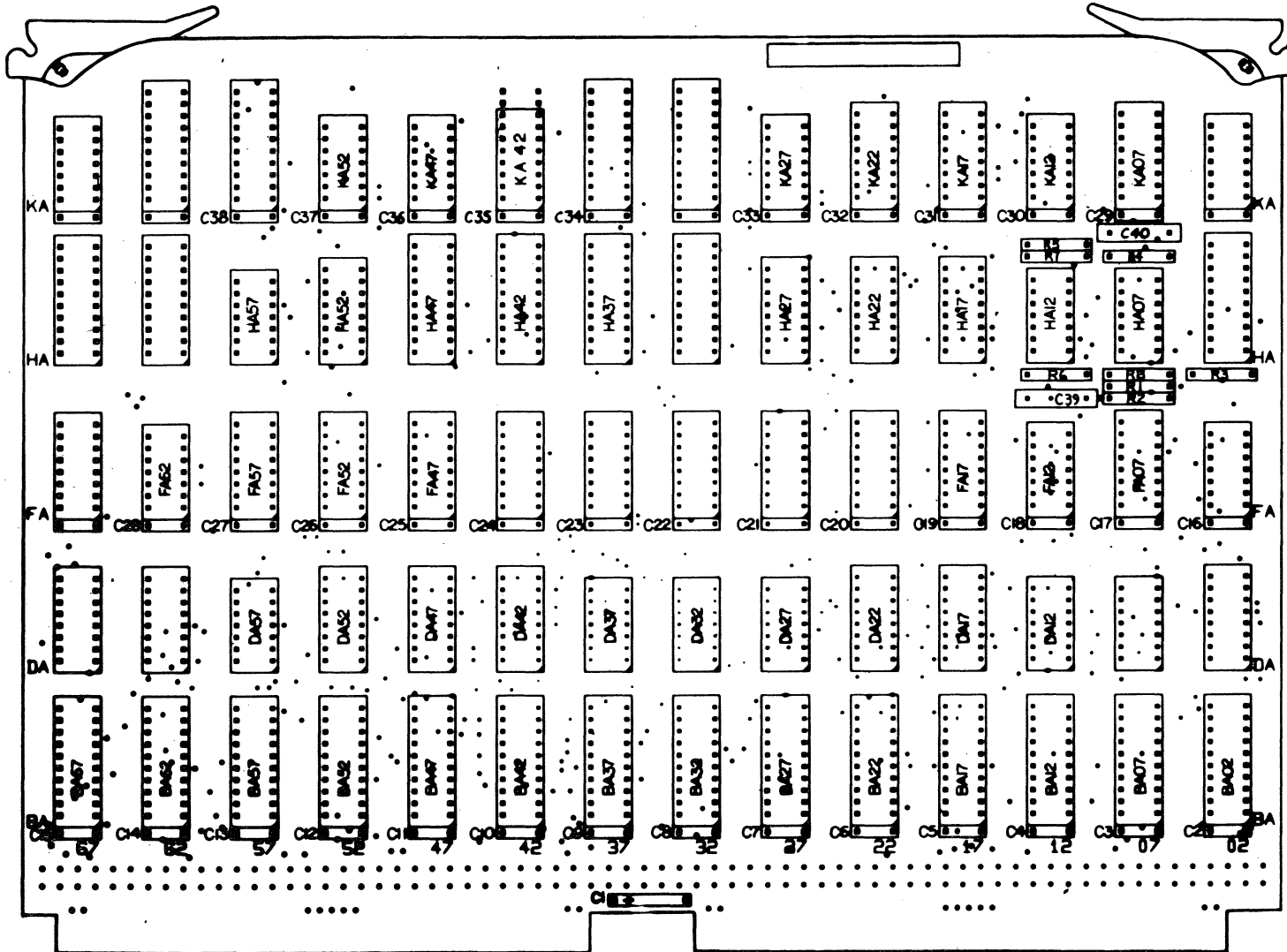


BUILD ARC DDC

ASSEMBLY PARTS LIST

PRINT DATE	PAGE	E.C. NO.
02-20-81	1	44409

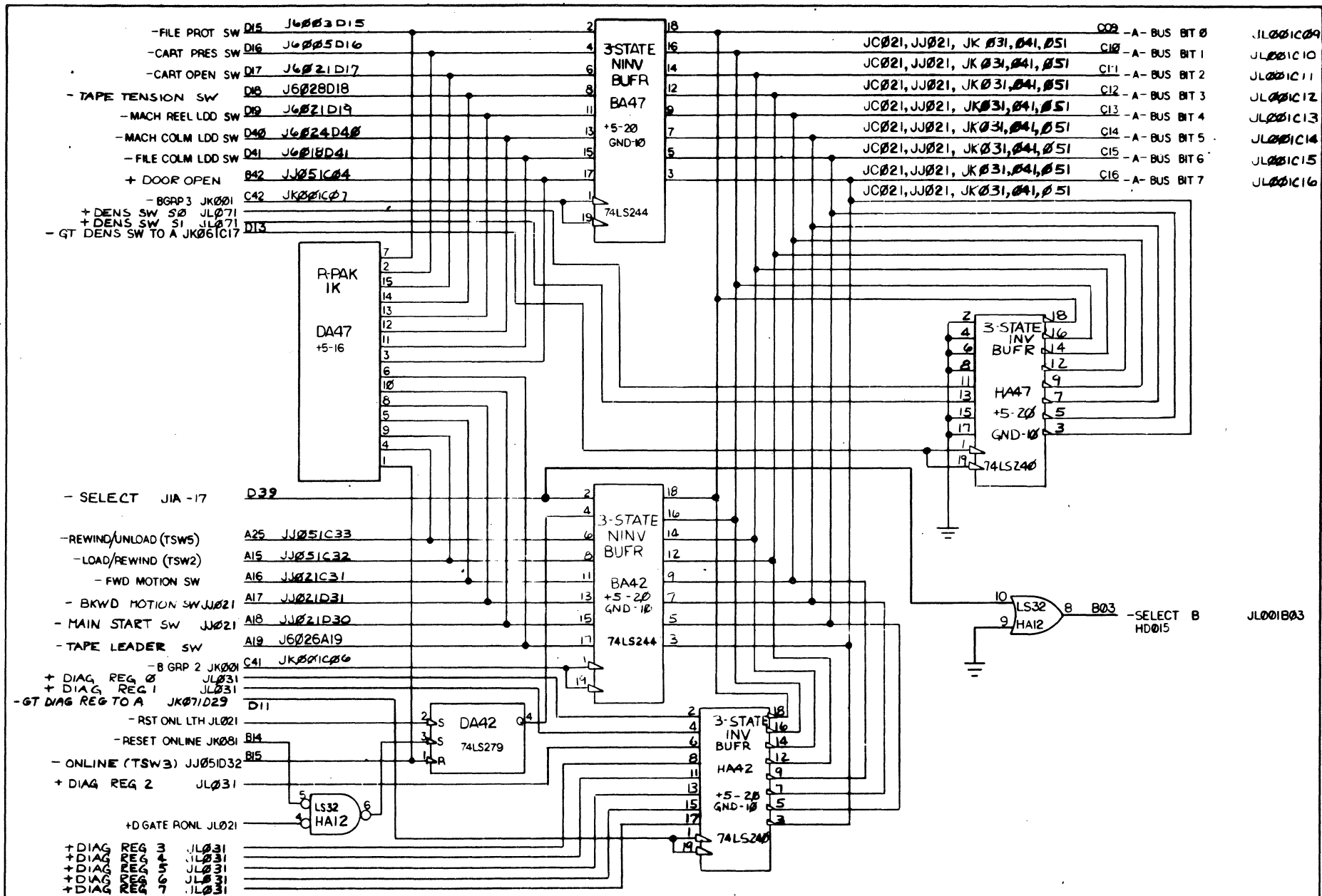
DIV.	ASSEMBLY NUMBER	CD	REV.	DWG.	DESCRIPTION	MC	STATUS	STATUS DATE	FILE DATE					
0500	4350080	7	A	N	SYS LGC GP, JL, 43106405, PC	N	REL	01-13-81	1950	01-13-81				
T FIND NO	LI	PART NUMBER	CD	M	QUANTITY	U/M	PART DESCRIPTION	MC	YLD	E.C. NO. IN	E.C. NO. OUT	S/N	WK IN	WK OUT
001	01	43507062	8		REF	PC	CD LGC, JL, AB001, PC	D						
002	01	43507051	1		REF	PC	SYS LGC, JL001, PC	D						
003	01	43507020	5		REF	PC	SYS LGC, JL011, PC	D						
004	01	43507057	8		REF	PC	SYS LGC, JL021, PC	D						
005	01	43507022	2		REF	PC	SYS LGC, JL031, PC	D						
006	01	43507023	0		REF	PC	SYS LGC, JL041, PC	D						
007	01	43507024	8		REF	PC	SYS LGC, JL051, PC	D						
008	01	43507045	3		REF	PC	SYS LGC JL055 PC	D						
009	01	43507064	4		REF	PC	SYS LGC, JL071, PC	D						
010	01	43507047	9		REF	PC	SYS LGC JL075 PC	D						
500	01	43106405	4		REF	PC	CKT CD, JL, PC ASSY	S						
							0011 TOTAL LINES							



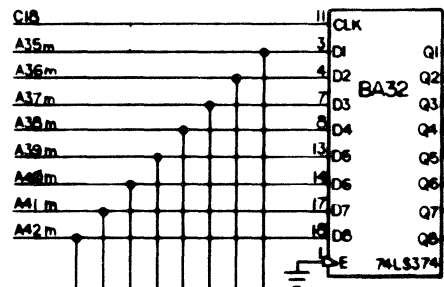
1-8100A

JL CARD, MACHINE LATCHES/REGISTERS			
DESIGN NO. 44409	DATE 1 20 81	REV. 1950	OR LOC. D2
PC 44221		VEN.	DATE 1A
		CON. ROT.	FR.
			OR. RL 43106405-4
			PC. RL 43507062-8

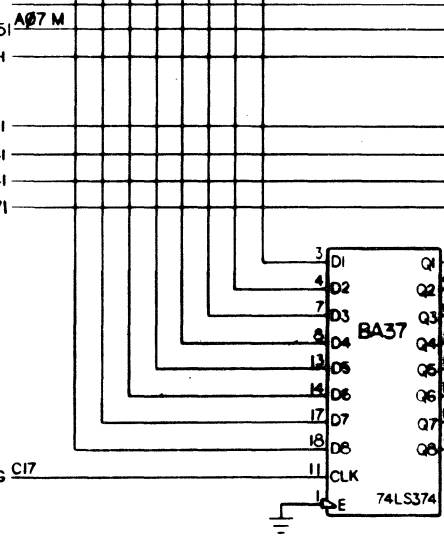
1-8100A



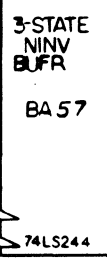
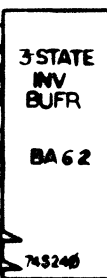
JK071C36-LD STATUS REG
 JK041B33 +B-BUS BIT 0
 JK041B34 +B-BUS BIT 1
 JK041B35 +B-BUS BIT 2
 JK041B36 +B-BUS BIT 3
 JK041B37 +B-BUS BIT 4
 JK041B38 +B-BUS BIT 5
 JK041B39 +B-BUS BIT 6
 JK041B40 +B-BUS BIT 7



+WRITE STATUS JL041
 +ERASE CURRENT JL041
 +DIG TACH AJL051
 -ENAB TU STATUS JL041
 +MAINT WRT STRB JL041
 +MAINT LRC STRB JL041
 +MAINT BIT P JL041
 -TOGGLE MAINT WRT JL071



JK071C37 -LD MAINT REG C17



D02 - ONLINE STATUS JL011D25
 D05 - READY STATUS JL011D26
 D07 - HIGH DENS STATUS JL011D27
 D08 - BACKWARD STATUS JL011D28
 D09 - FILE PROTECT STATUS JL011D29
 D30 - WRITE INHIBIT JL011D30
 D31 - BOT STATUS JL011D31
 D32 - EOT STATUS JL011D32

D33 - WRITE STATUS JL011D33
 D34 - ERASE STATUS JL011D34
 D35 - DIGITAL TACH JL011D35

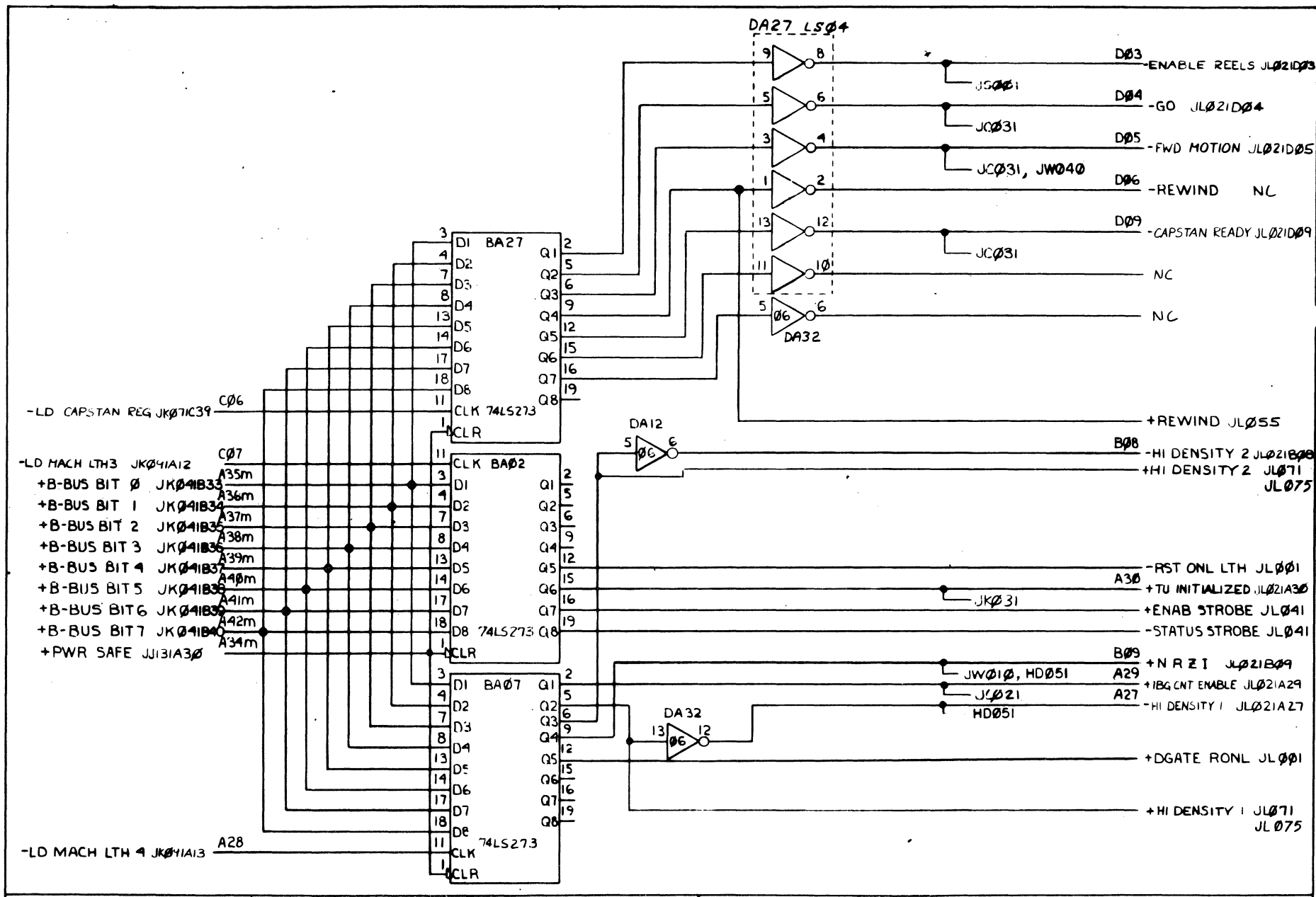
D36 - MAINT WRT STRB
 D37 - MAINT LRC STRB
 D38 - MAINT WRT BIT P JL011D38

C25 - MAINT WRT BIT 0 JL011C25
 HD021 C26 - MAINT WRT BIT 1 JL011C26
 HD021 C27 - MAINT WRT BIT 2 JL011C27
 HD021 C28 - MAINT WRT BIT 3 JL011C28
 HD021 C29 - MAINT WRT BIT 4 JL011C29
 HD021 C30 - MAINT WRT BIT 5 JL011C30
 HD021 C31 - MAINT WRT BIT 6 JL011C31
 HD021 C32 - MAINT WRT BIT 7 JL011C32

C33 + MAINT IND 0
 C34 + MAINT IND 1 JL011C34
 JJ031 C35 + MAINT IND 2
 C36 + MAINT IND 3
 C37 + MAINT IND 4
 C38 + MAINT IND 5
 C39 + MAINT IND 6 JL011C39
 JJ031 C40 + MAINT IND 7

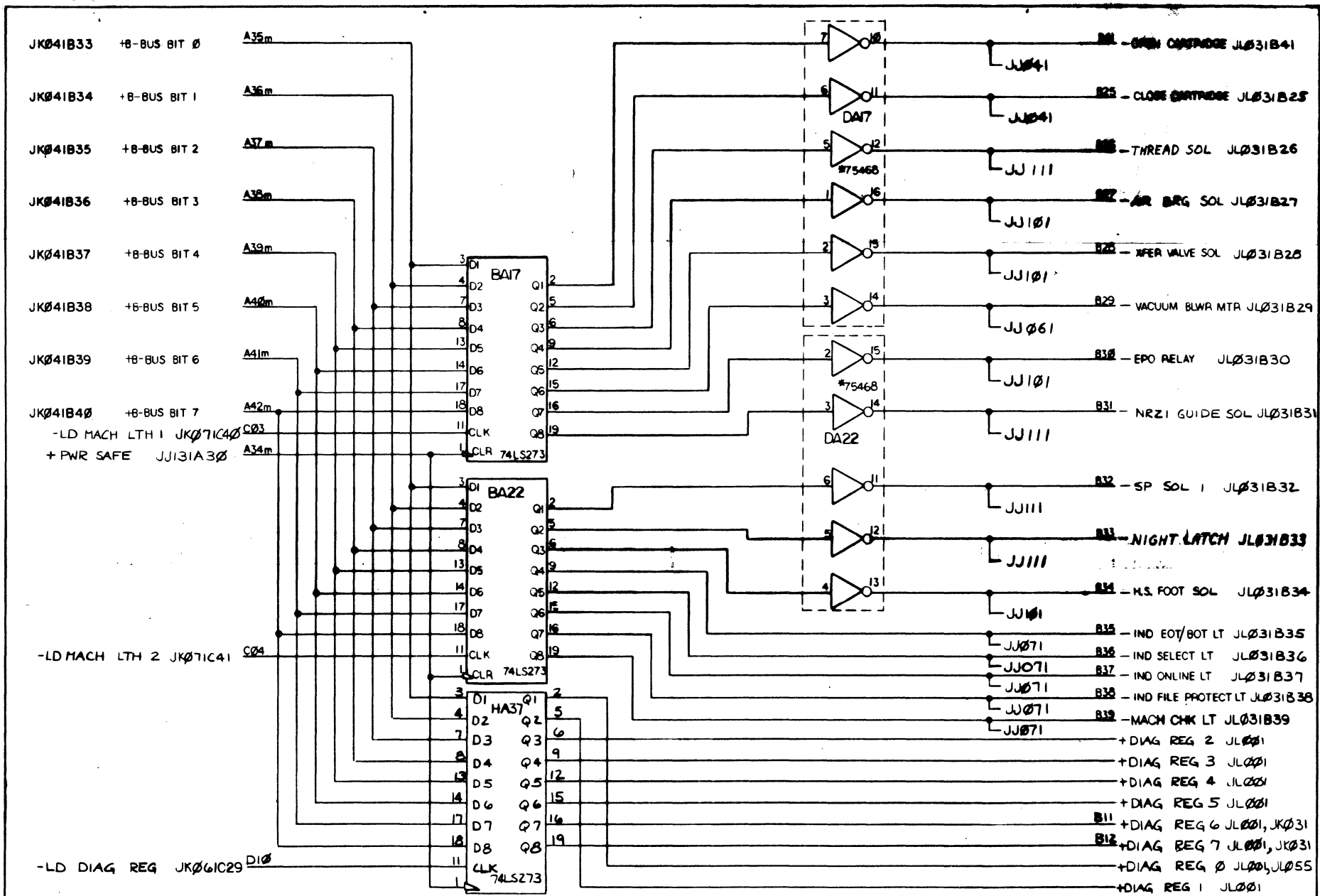
MAINT AND STATUS OUTPUT REGS

PRES. E.C. 44067 PREV. E.C. C3082 DATE 2-4-80	MACH. 1950 VERS. OBL. ROT.	CD. LOC. D2 GATE 1A FRAME	CD. P.N. CD. TYPE JL PG. RN. 43507020-6
-----------------------------------------------------	----------------------------------	---------------------------------	-----------------------------------------------



-207C

-207C

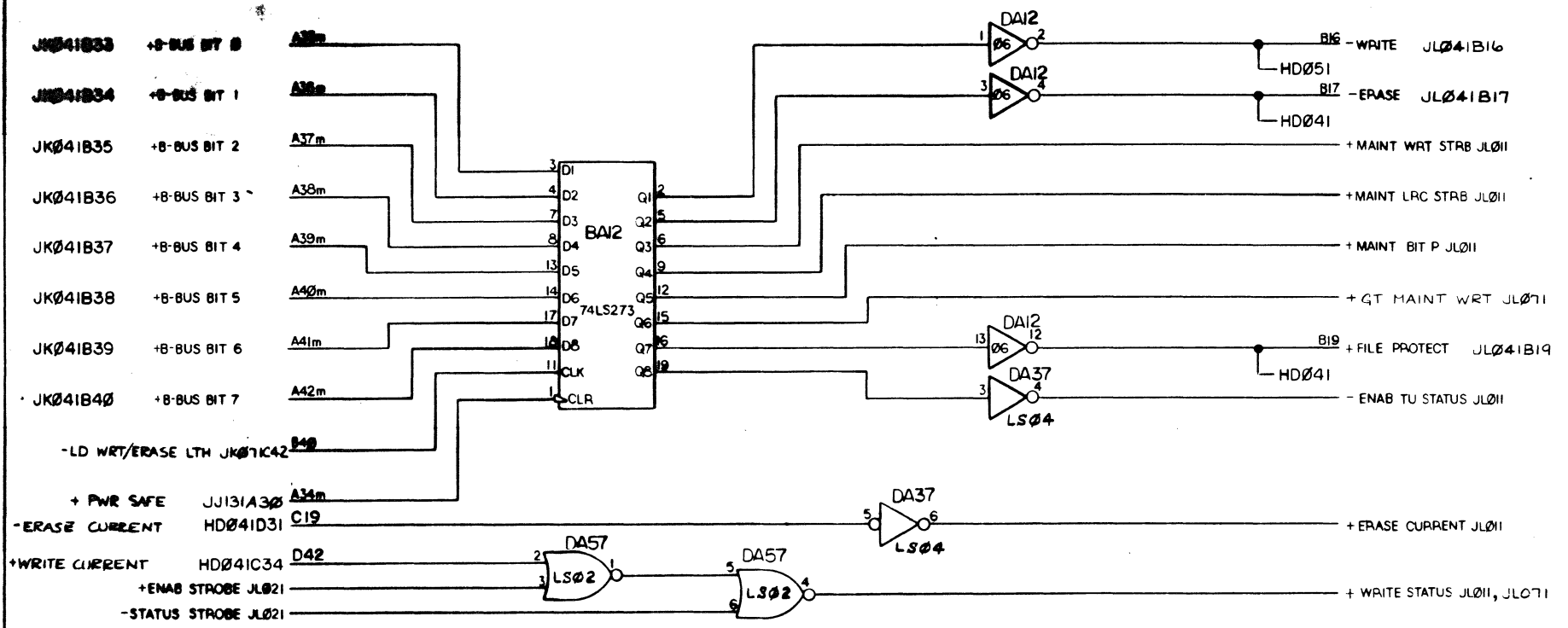


* NOTE: 75468 MODULE REQUIRES NO+5V SO THESE MODULES SHOULD NOT CONTACT THE +5V VOLTAGE PLANE.

MACHINE LTHS			
PREV. E.C. 44067	MACH. 1950	CD. LOC. D2	CD. P.N.
PREV. E.C. C3082	VERS.	GATE (A)	CD. TYPE JL
DATE 2-4-80	SSL. ROT.	FRANK	PG. PN. 43507022-2

-3074

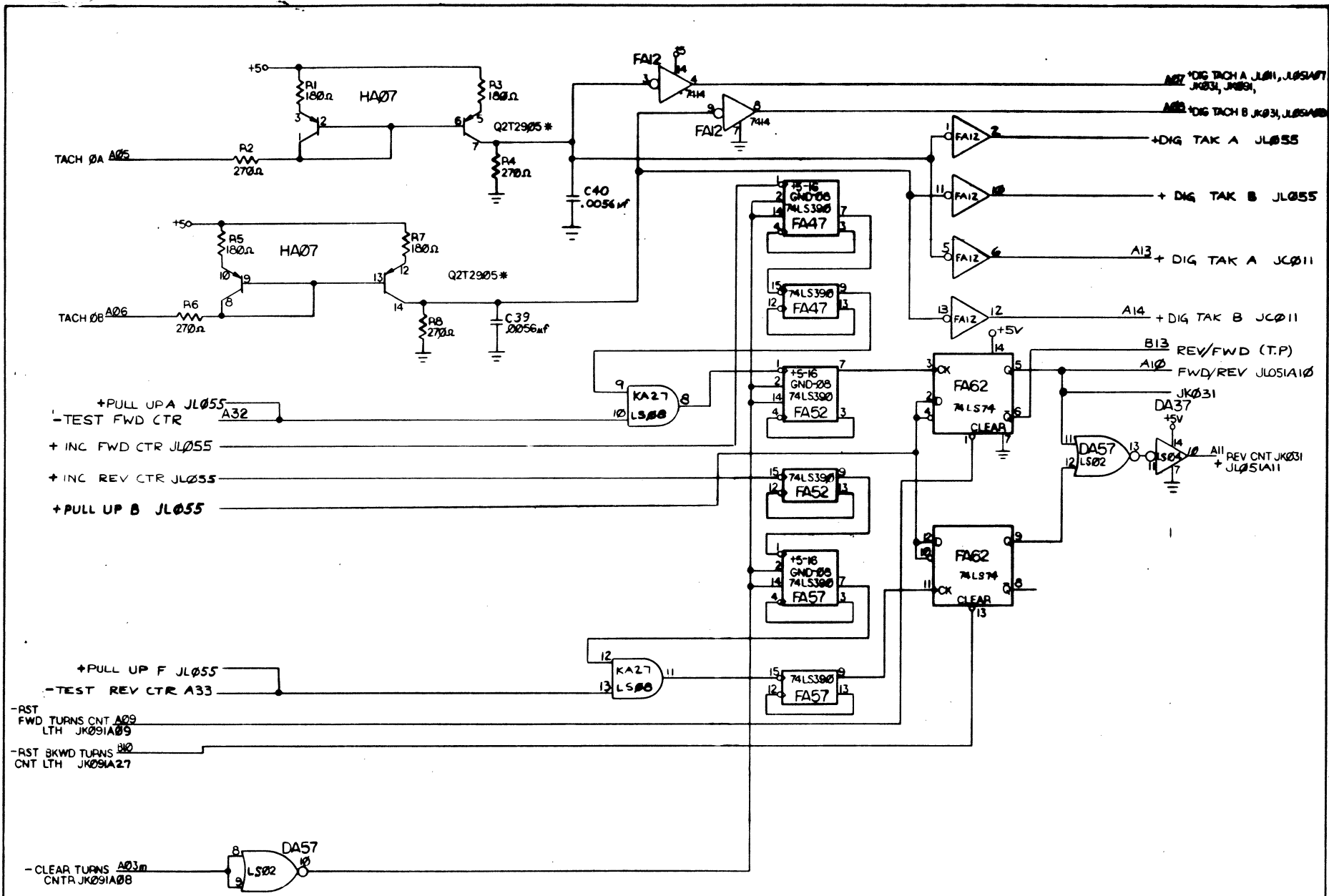
JL031



7-28-80

WRT/ERASE LTH			
PRES. E.C. 44067 PREV. E.C. C3082 DATE 2-5-80	MACH. 1950 VERS. GBL. ROT.	CD. LOC. D2 GATE 1A FRAME	CD. P.N. CD. TYPE JL PG. P.N. 43507023-0

41

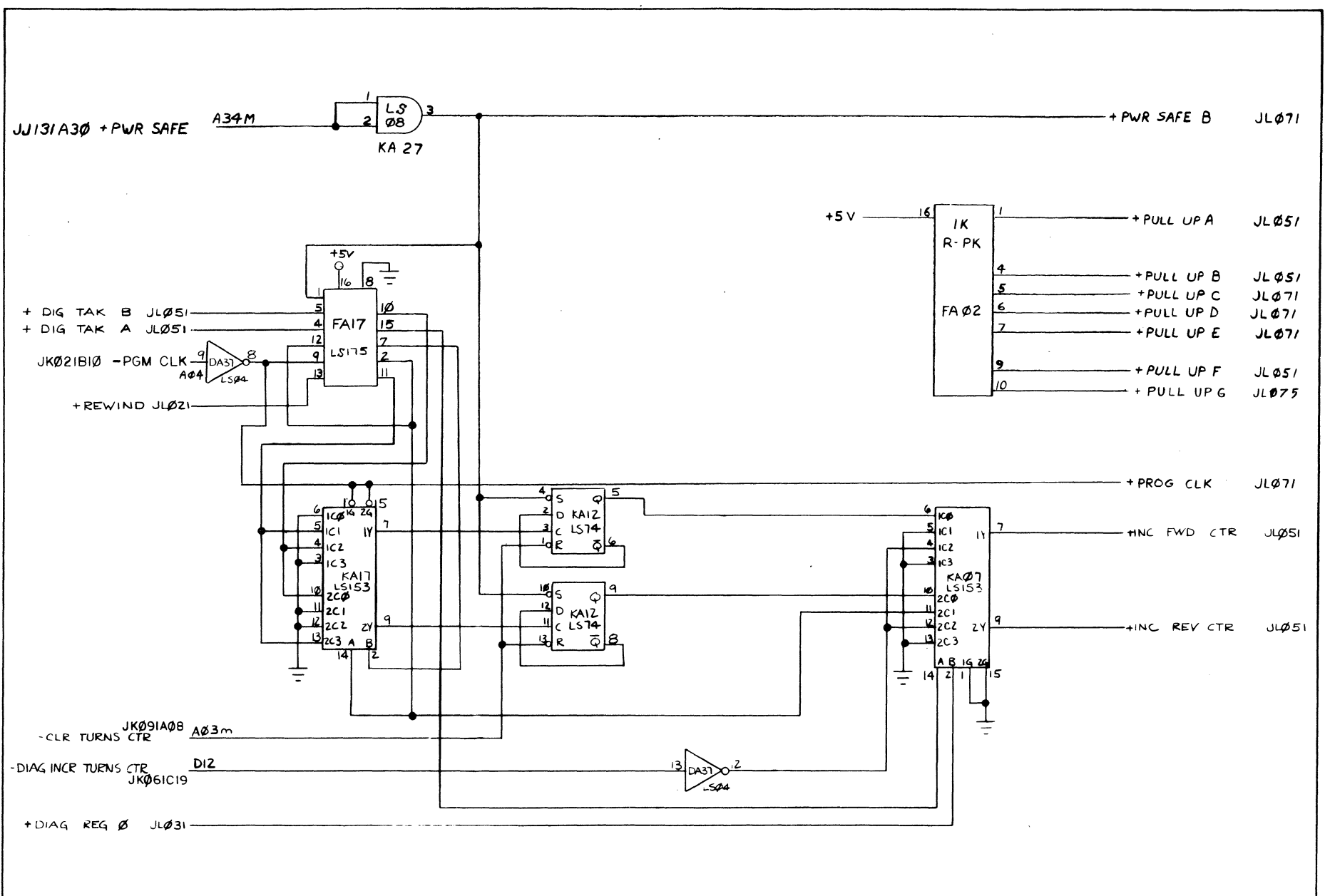


* TRANSISTOR MODULES SHOULD NOT CONTACT +5V OR GROUND PLANES.

CAPSTAN TURNS COUNTER			
PRES. E.C. 44067	MACH. 1950	CD. LOC. D2	CD. P.N.
PREV. E.C. C.3082	VERS.	GATE 1A	CD. TYPE JL
DATE 2-5-80	SBL. ROT.	FRAME	PG. PN. 435070 24-8

-0001-

JL055-1

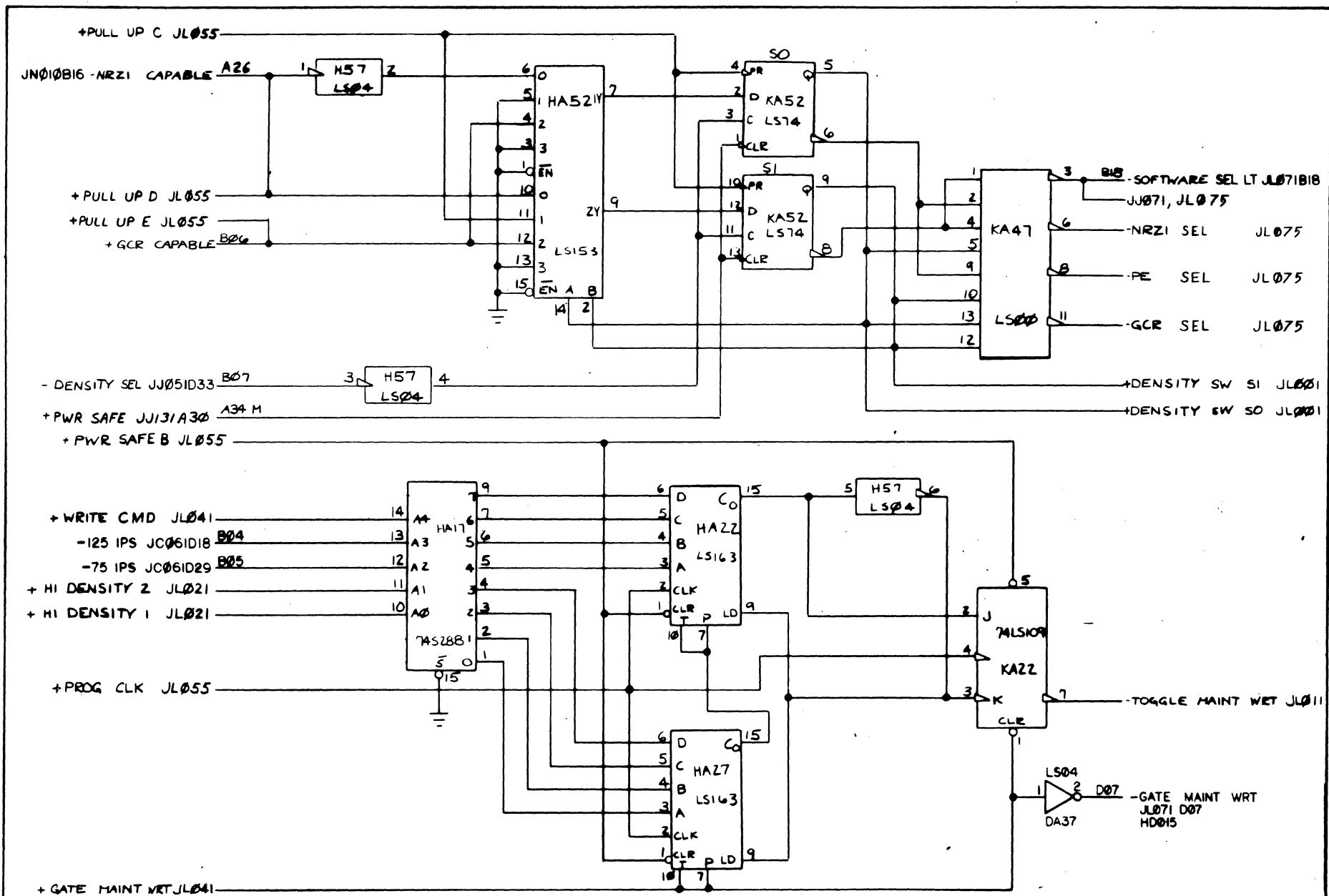


CAPSTAN TURNS COUNTER

PREV. E.C. 44221	MACH. 1950	CD. LOC. D2	CD. PN.
PREV. E.C. 44067	VERS.	GATE 1A	CD. TYPE JL
DATE 20 MAY 80	GBL. ROT.	FRAME	PG. PN. 43507045-3

UNIVERSITY

JL071

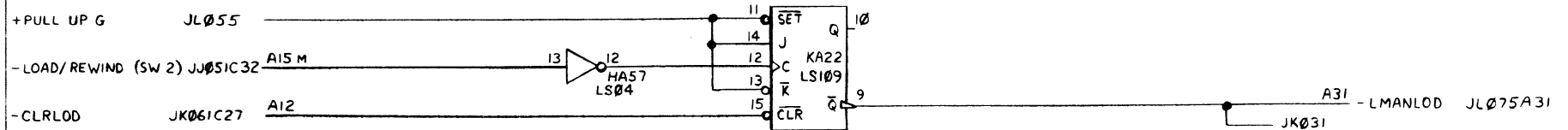
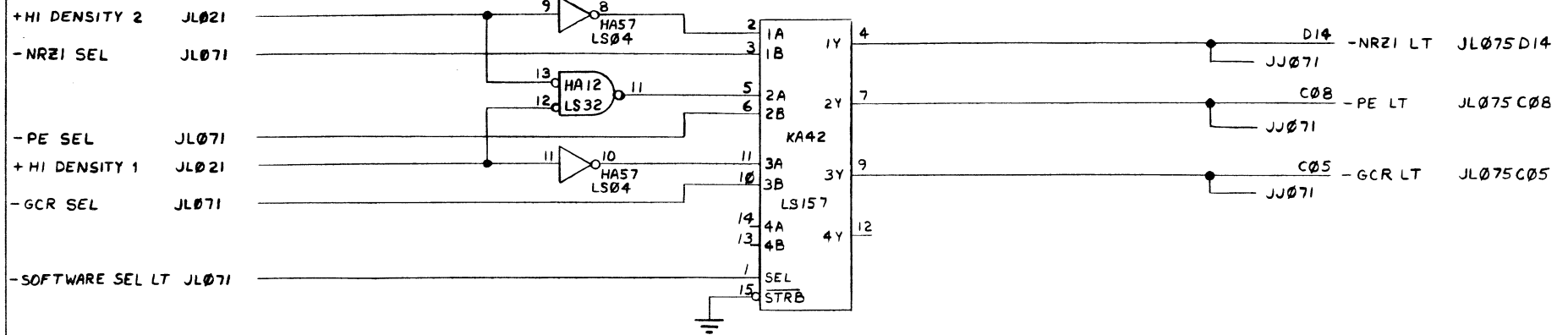


DENSITY SELECT/MAINTENANCE WRITE

DES. NO. 44409 REV. NO. 44221 DATE 1-19-81	MACH. 1950 VERN. SEL. ROT.	COMP. NAME DE IA	OPER. TYPE JL PR. NO. 43507064-4
--------------------------------------------------	----------------------------------	---------------------	-------------------------------------

JL 071

JL 071



JL
0
7
5

DENS IND DECODE, LOAD LATCH

PREV. E.C. 44221
DATE 20 MAY 60

MACH. 1950
VERS.
GBL. ROT.

CD. LOC D2
GATE
FRAME

CD. P.N.
CD. TYPE JL
PG. PN. 43507047-9

JL
0
7
5

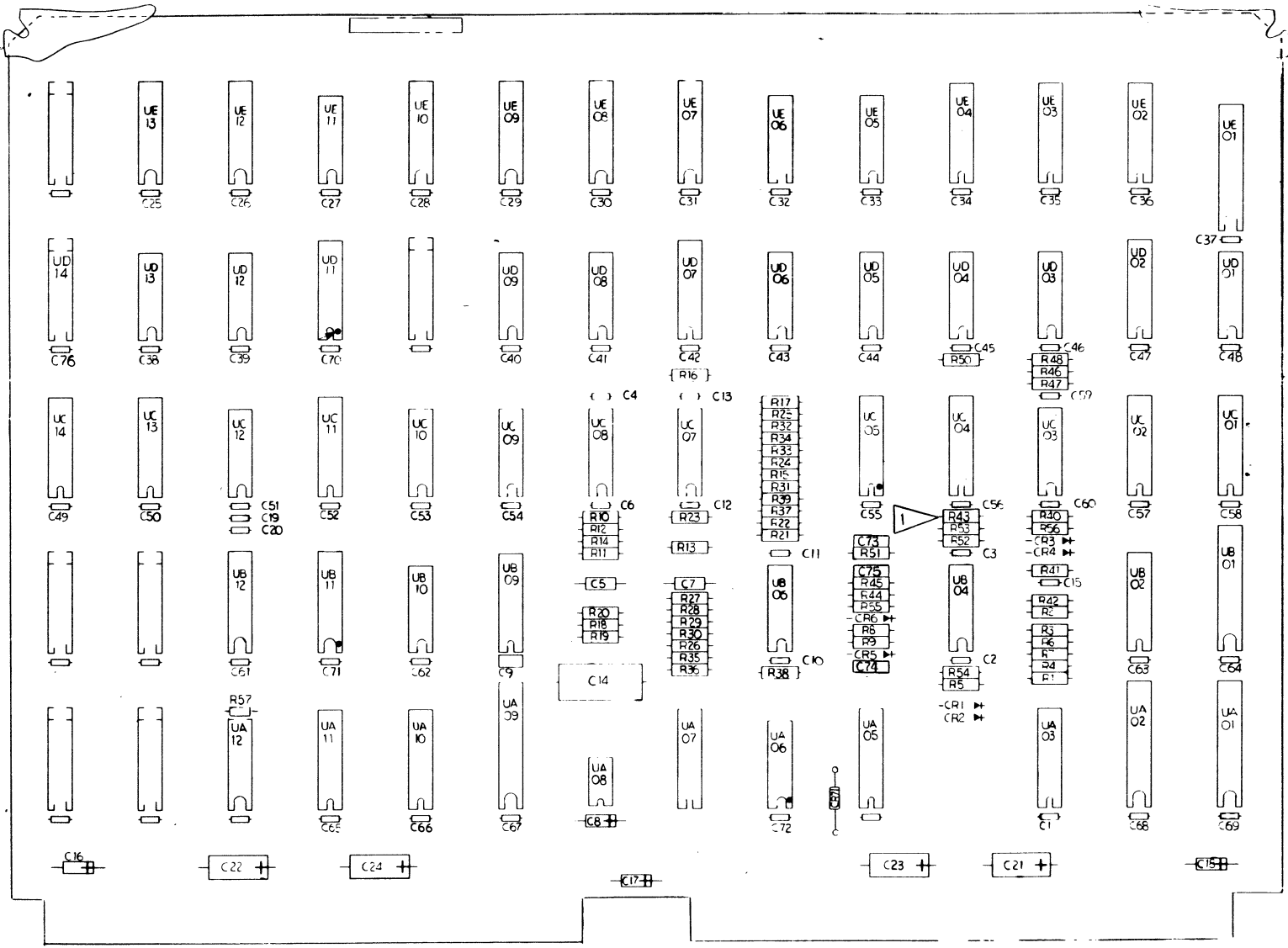


BUILD ARC DOC

ASSEMBLY PARTS LIST

PRINT DATE	PAGE	E.C. NO.
02-20-81	1	44343

DIV.	ASSEMBLY NUMBER	CD	REV.	DWG.	DESCRIPTION	MC	STATUS	STATUS DATE	FILE DATE						
0500	401229703	4	C	N	SYS LGC GP, JC, MULTI PN'S, PC	N	REL	09-03-80	1950	09-03-80					
T	FIND NO	LI	PART NUMBER	CD	M	QUANTITY	U/M	PART DESCRIPTION	MC	YLD	E.C. NO. IN	E.C. NO. OUT	S/N	WK IN	WK OUT
	001	01	401231003	5		REF	PC	SYS LGC, AB001, JC, PC	D		44343			8036	
	002	01	401231102	5		REF	PC	SYS LGC, JC001, PC	D						
	003	01	401231202	3		REF	PC	SYS LGC, JC011, PC	D						
	004	01	401231302	1		REF	PC	SYS LGC, JC021, PC	D						
	005	01	401231402	9		REF	PC	SYS LGC, JC031, PC	D						
	006	01	401231502	6		REF	PC	SYS LGC, JC041, PC	D						
	007	01	401231602	4		REF	PC	SYS LGC, JC051, PC	D						
	008	01	401231702	2		REF	PC	SYS LGC, JC061, PC	D						
	500	01	401230206	5		REF	PC	CKT CD, JC, PC ASSY, 125 IPS	S		44343			8036	
	501	01	401249202	3		REF	PC	CKT CD, JC, PC ASSY, 75 IPS	S		44343			8036	
	502	01	401248202	4		REF	PC	CKT CD, JC, PC ASSY, 50 IPS	S		44343			8036	
								0011 TOTAL LINES							



1 COMPONENT VALUE TO BE SELECTED IN CARD TEST.
 *NOTE CARD P/N'S
 50 IPS 4012482-0
 75 IPS 4012492-0
 125 IPS 4012502-0

JC CARD-CAPSTAN CONTROL CARD

PRES. E.C. _____ PREV. E.C. _____ DATE 5 26	MACH. 195C VERS. _____ GBL. ROT. _____	CD. LOC. C2 GATE _____ FRAME _____	CD. P.N. * CD. TYPE JC PG. PN. 4012310 035
---------------------------------------------------	----------------------------------------------	------------------------------------------	---------------------------------------------------------

PULL UP 33 JC061
B11-09

+REF CLK JC061
PULL UP 23 JC061
D11-08
PULL UP 22 D11-07
JC061

+POWER SAFE JC031

-GO JC031

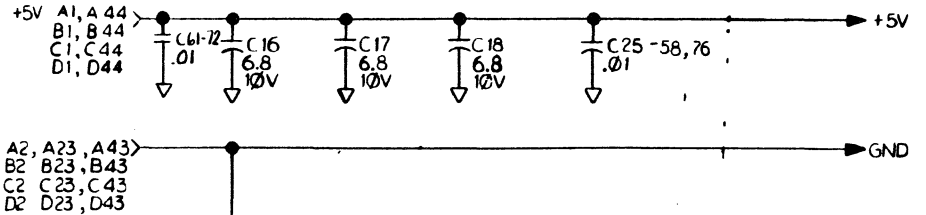
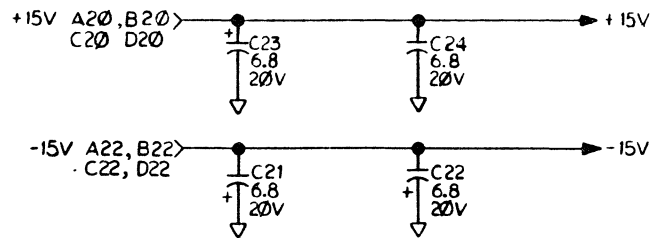
PULL UP 21 JC061
D11-06

+GO JC031
JC011

+CAPSTAN
STOP PULSE
JC031
JL021 A31

-LD VEL REG
JC011

B31



CAPSTAN STOP PULSE & VOLTAGE DISTRIBUTION

PRES. E.C. 44192
 PREV. E.C. 44097
 DATE 5-26-80

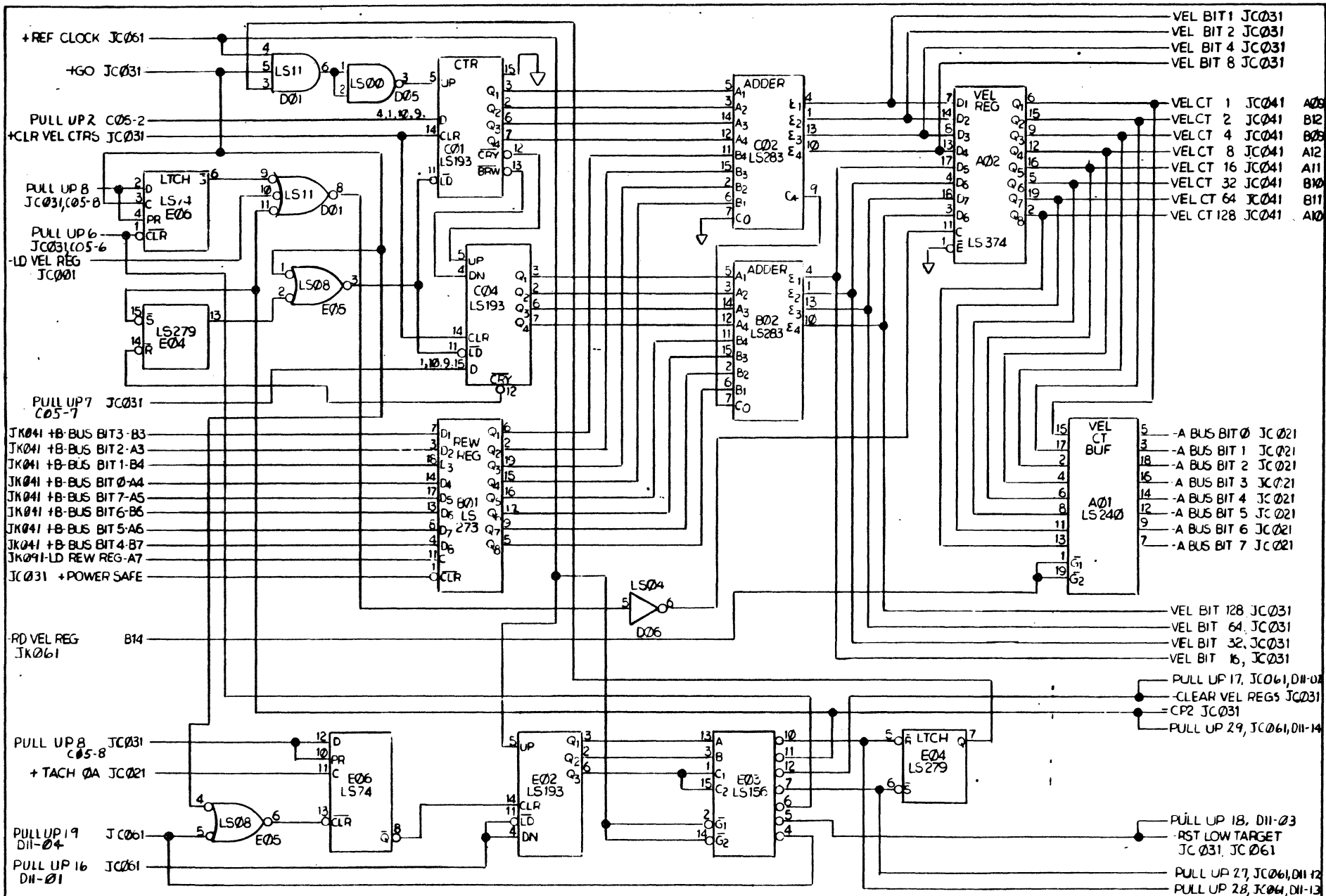
MACH. 1950
 VERS.
 GBL. ROT.

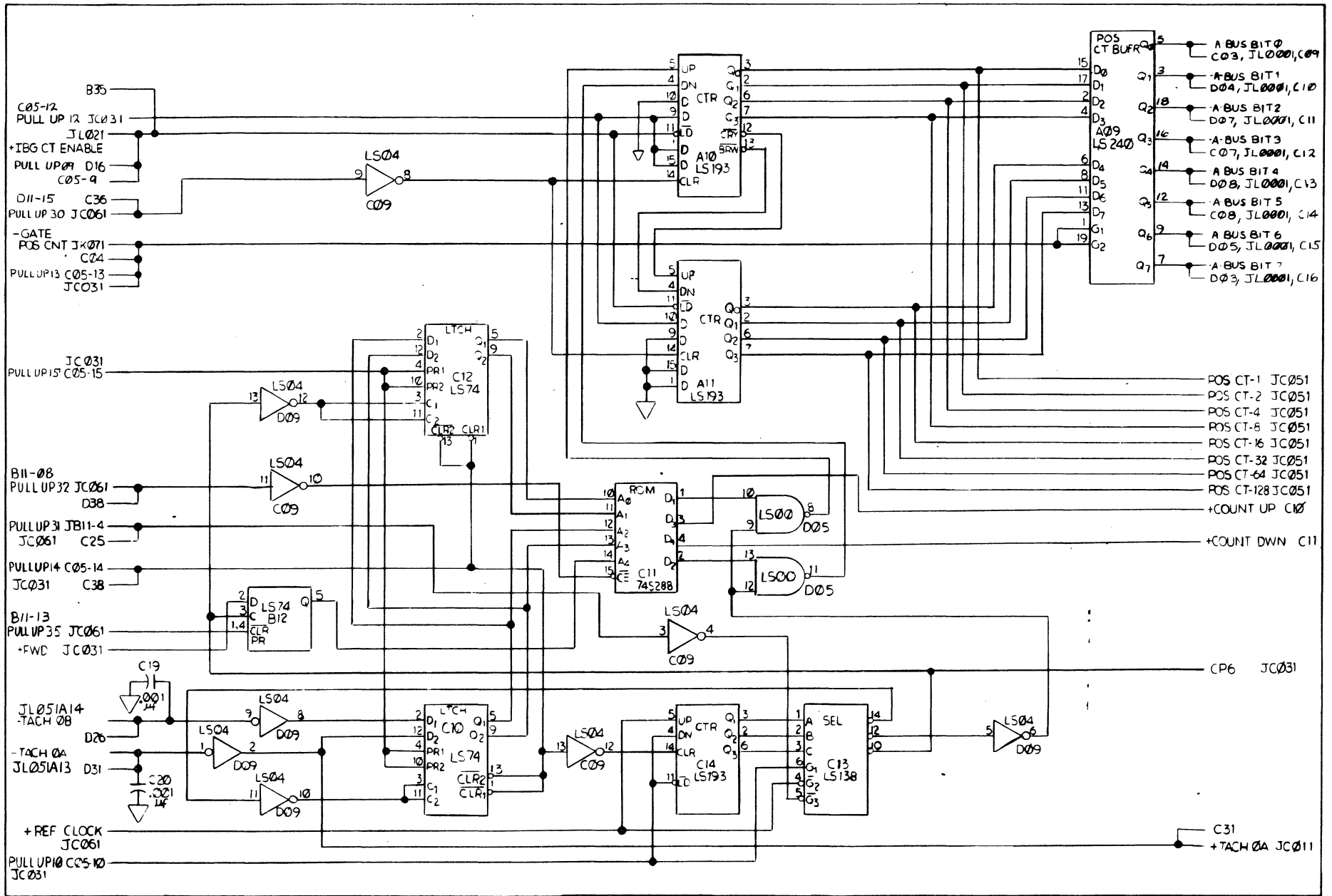
CD. LOC. C2
 GATE
 FRAME

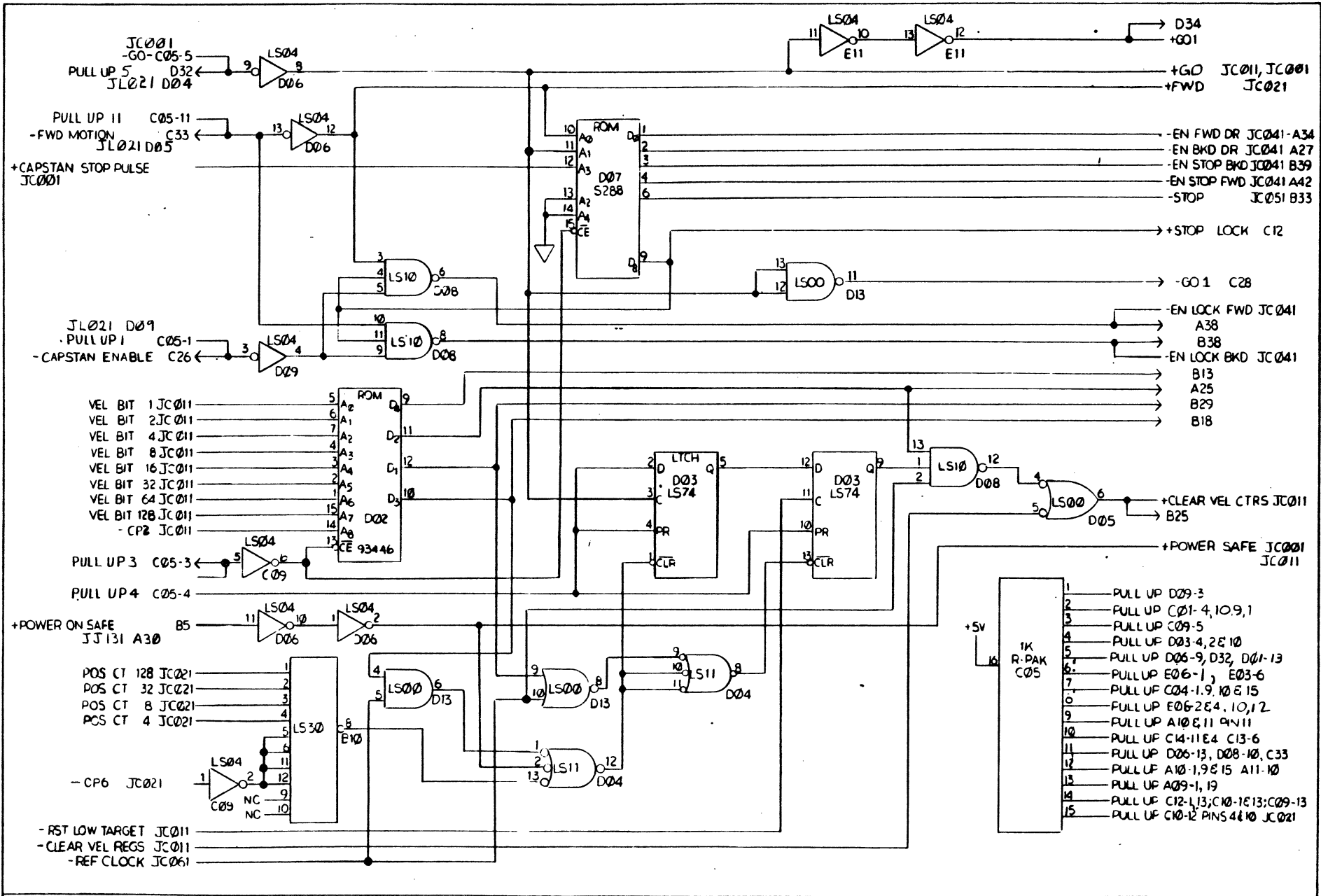
CD. P.N.
 CD. TYPE JC
 PG. P.N. 4012311-02-5

JC031

JC031

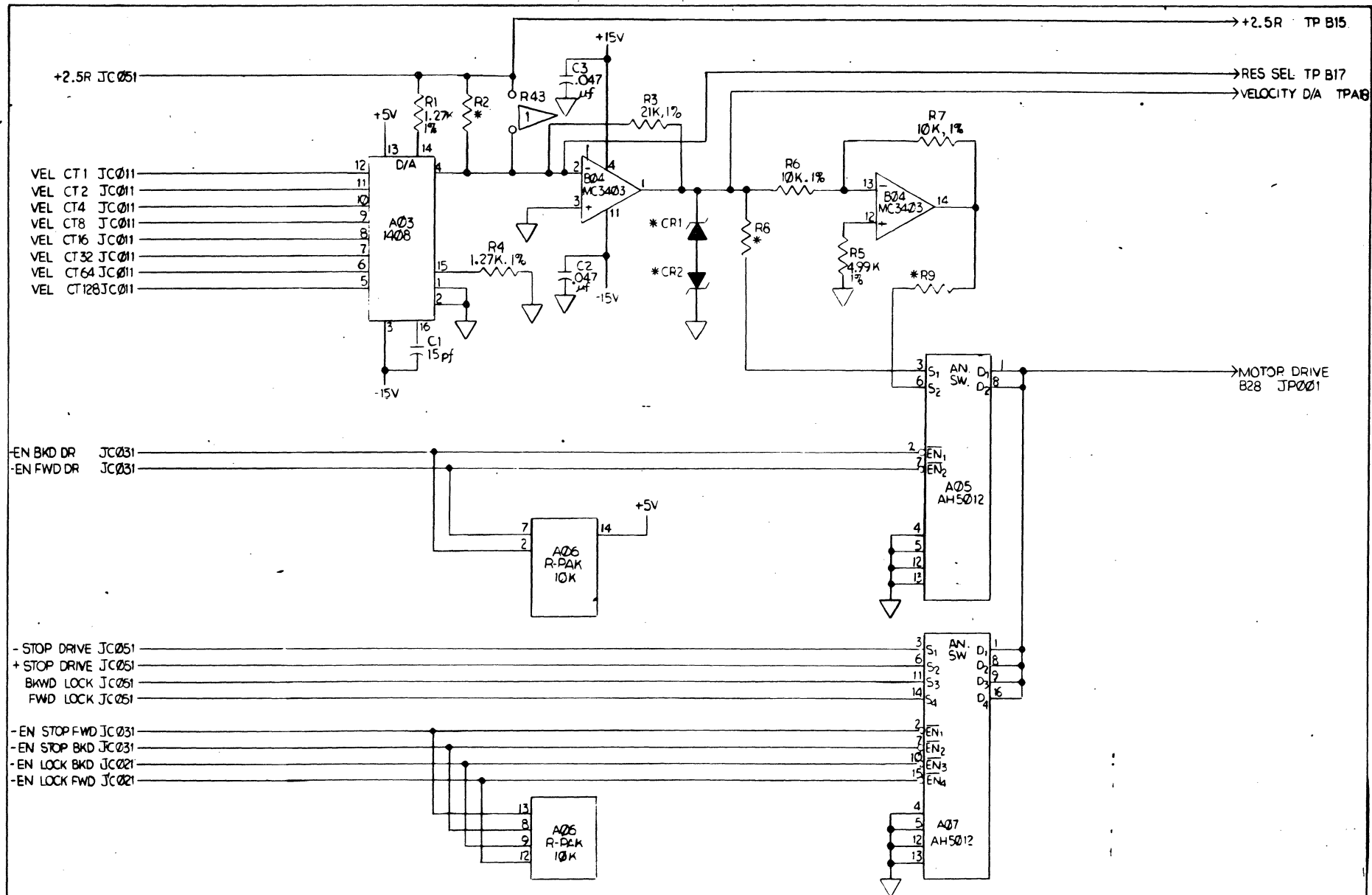






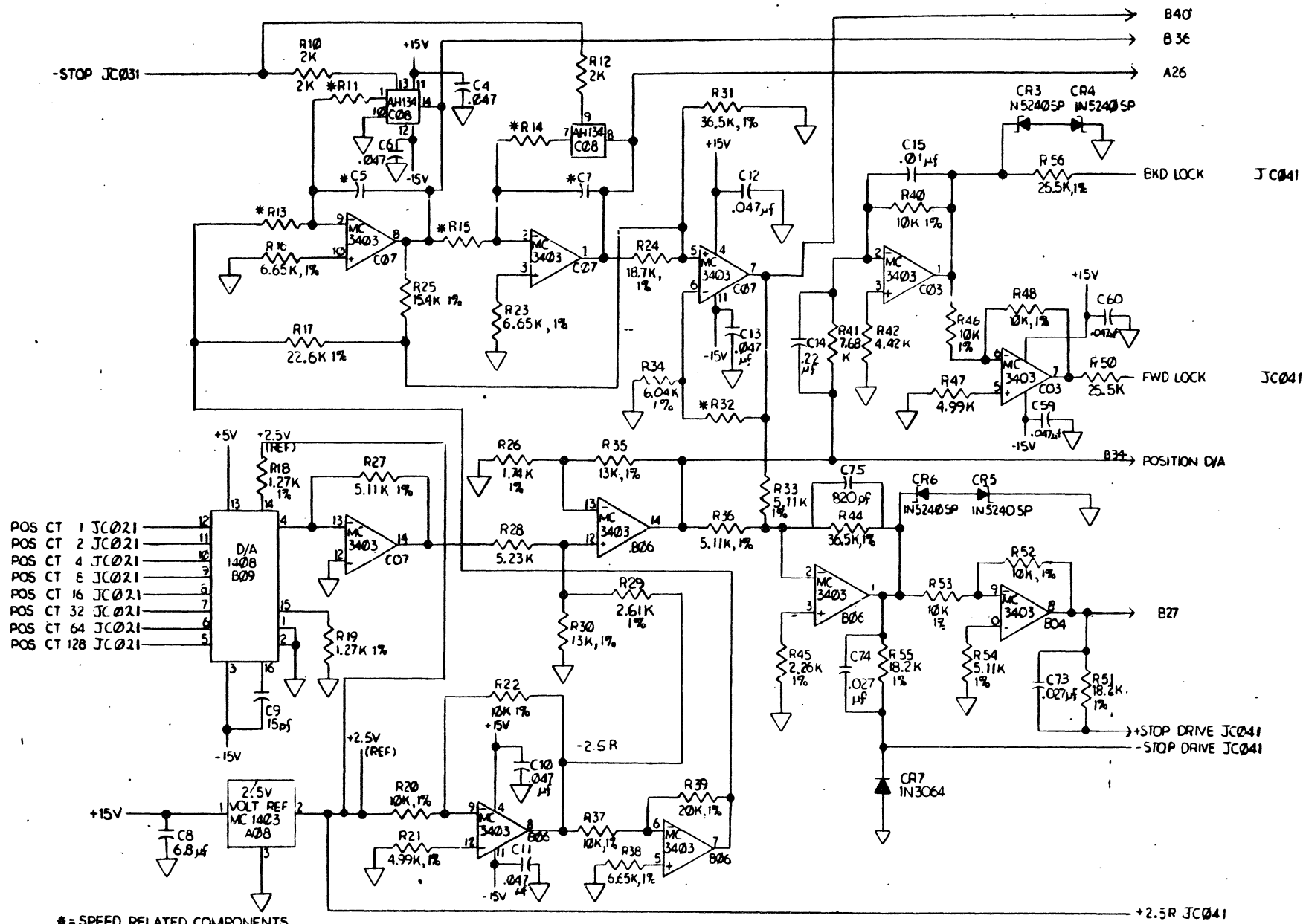
Hudson

TJ031



* = SPEED RELATED COMPONENTS

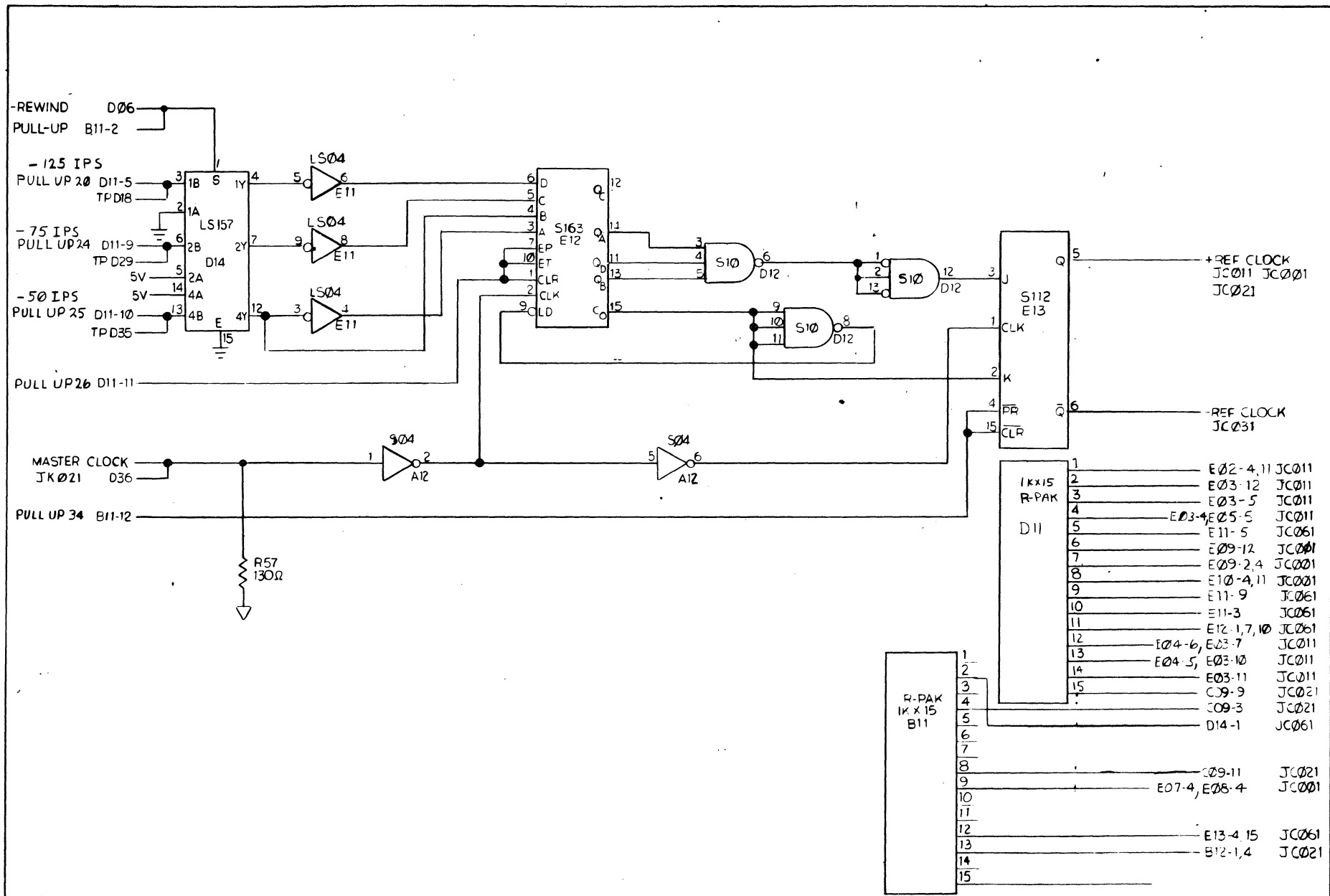
Jc011	SPEED	CR1	CR2	R2	R8	R9	COMPONENT VALUE TO BE SELECTED IN CARD TEST.	CAPSTAN VELOCITY, STOP AND LOCK SELECT				Jc041
	50 IPS	1N5230	1N5230	1.87K	49.9K	49.9K		PRES. E.C.44192 PREV. E.C.44097 DATE 5-28-80	MACH. 1950 VERS. GBL ROT	CD LOC C2 GATE FRAME	CD. P.N. CD. TYPE JC PG. P.N. 4012315-02-6	
	75 IPS	1N5230	1N5230	1.82K	26.1K	26.1K						
125 IPS	1N5240SP	1N5240SP	1.82K	18.2K	18.2K							



* = SPEED RELATED COMPONENTS

Speed	C5	C7	R11	R13	R14	R15	R32
50 IPS	.047μF	.047μF	1K	53.6K	1K	53.6K	24.9K
75 IPS	.047μF	.047μF	1K	44.2K	1K	44.2K	26.1K
125 IPS	.027μF	.027μF	7.68K	44.2K	7.68K	44.2K	36.5K

CAPSTAN STOP PROFILE GENERATOR AND POSITION D/A			
PREP E C 44192	MACH 1950	CD LOC C2	CD P/N
PREV E C 44097	VERS.	GATE	CD TYPE JC
DATE 5-28-80	GBL ROT.	FRAME	PG. PM 4012316-02-4



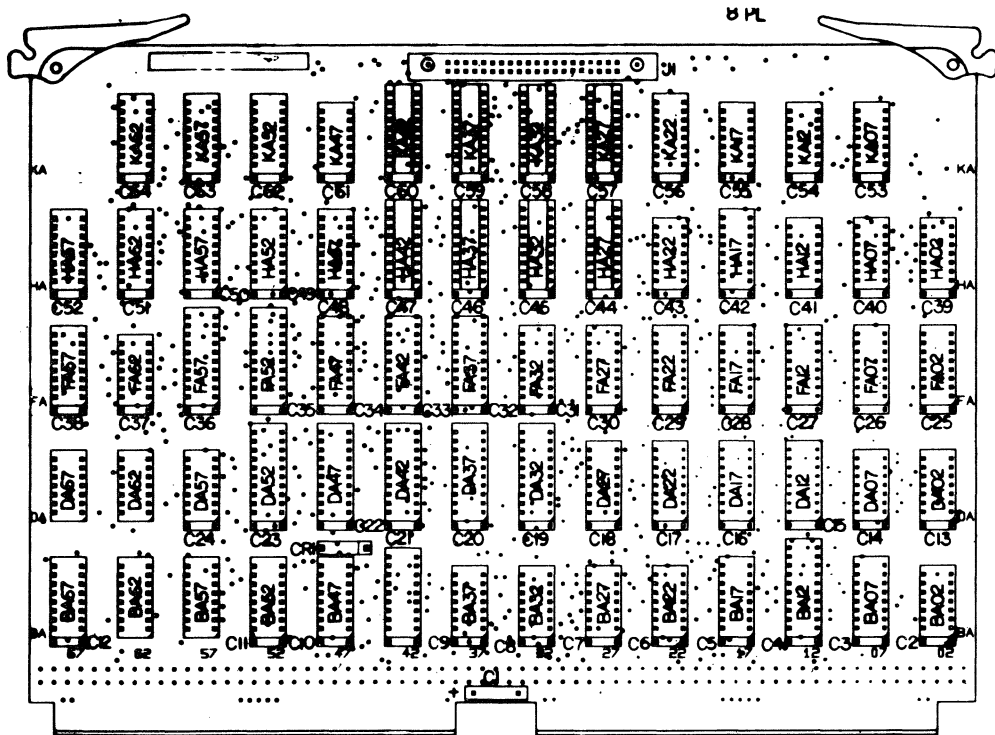


BUILD ARC DOC

ASSEMBLY PARTS LIST

PRINT DATE	PAGE	E.C. NO.
02-20-81	1	44346

. DIV.		ASSEMBLY NUMBER		CD	REV.	DWG.	DESCRIPTION			MC	STATUS	STATUS DATE		FILE DATE		
0500		43500074		0	A	N	SYS LGC GP, JK, 43105406, PC			N	REL	10-13-80	1950	10-21-80		
TFIND NO	LI	PART NUMBER	CD	M	QUANTITY	U/M	PART DESCRIPTION			MC	YLD	E.C. NO. IN	E.C. NO. OUT	S/N	WK IN	WK OUT
001	01	43506067	8		REF	PC	SYS LGC, AB001, JK, PC			D		44346			8042	
002	01	43506063	7		REF	PC	SYS LGC, JK001, PC			D						
003	01	43506032	2		REF	PC	SYS LGC, JK002, PC			D						
004	01	43506033	0		REF	PC	SYS LGC, JK011, PC			D						
005	01	43506034	8		REF	PC	SYS LGC, JK021, PC			D						
006	01	43506060	3		REF	PC	SYS LGC, JK031, PC			D						
007	01	43506036	3		REF	PC	SYS LGC, JK041, PC			D						
008	01	43506037	1		REF	PC	SYS LGC, JK051, PC			D						
009	01	43506062	9		REF	PC	SYS LGC, JK061, PC			D						
010	01	43506039	7		REF	PC	SYS LGC, JK071, PC			D						
011	01	43506040	5		REF	PC	SYS LGC, JK081, PC			D						
012	01	43506041	3		REF	PC	SYS LGC, JK091, PC			D						
013	01	43506042	1		REF	PC	SYS LGC, JK101, PC			D						
014	01	43506043	9		REF	PC	SYS LGC, JK111, PC			D						
015	01	43506044	7		REF	PC	SYS LGC, JK121, PC			D						
016	01	43506045	4		REF	PC	SYS LGC, JK131, PC			D						
500	01	43105406	3		REF	PC	CKT CD, JK, PC ASSY, CODE 44346			S		44346			8042	
							0017 TOTAL LINES									

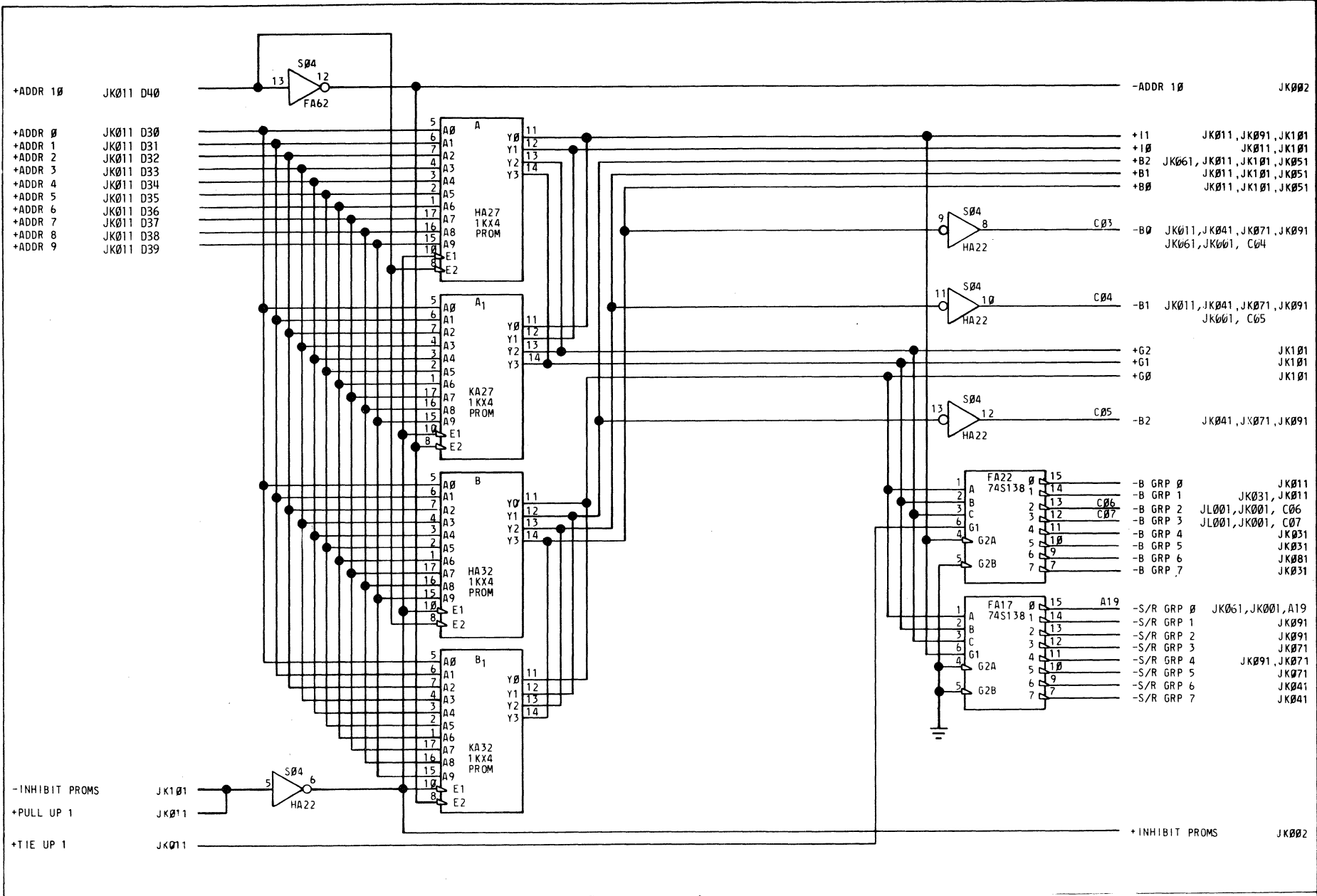


PL

A
B
C
D

JK CARD, MICROPROGRAM CONTROL, CODE LEVEL 44346			
PREV. E.C.	44346	MACH.	1950
PREV. E.C.	44246	VERS.	
DATE	10-17-80	DEL. NOT.	
CD. LOC.	E2	CD. TYPE	JK
GATE	1A	PL. NO.	43506067-8
PRIME			

A
B
C
D

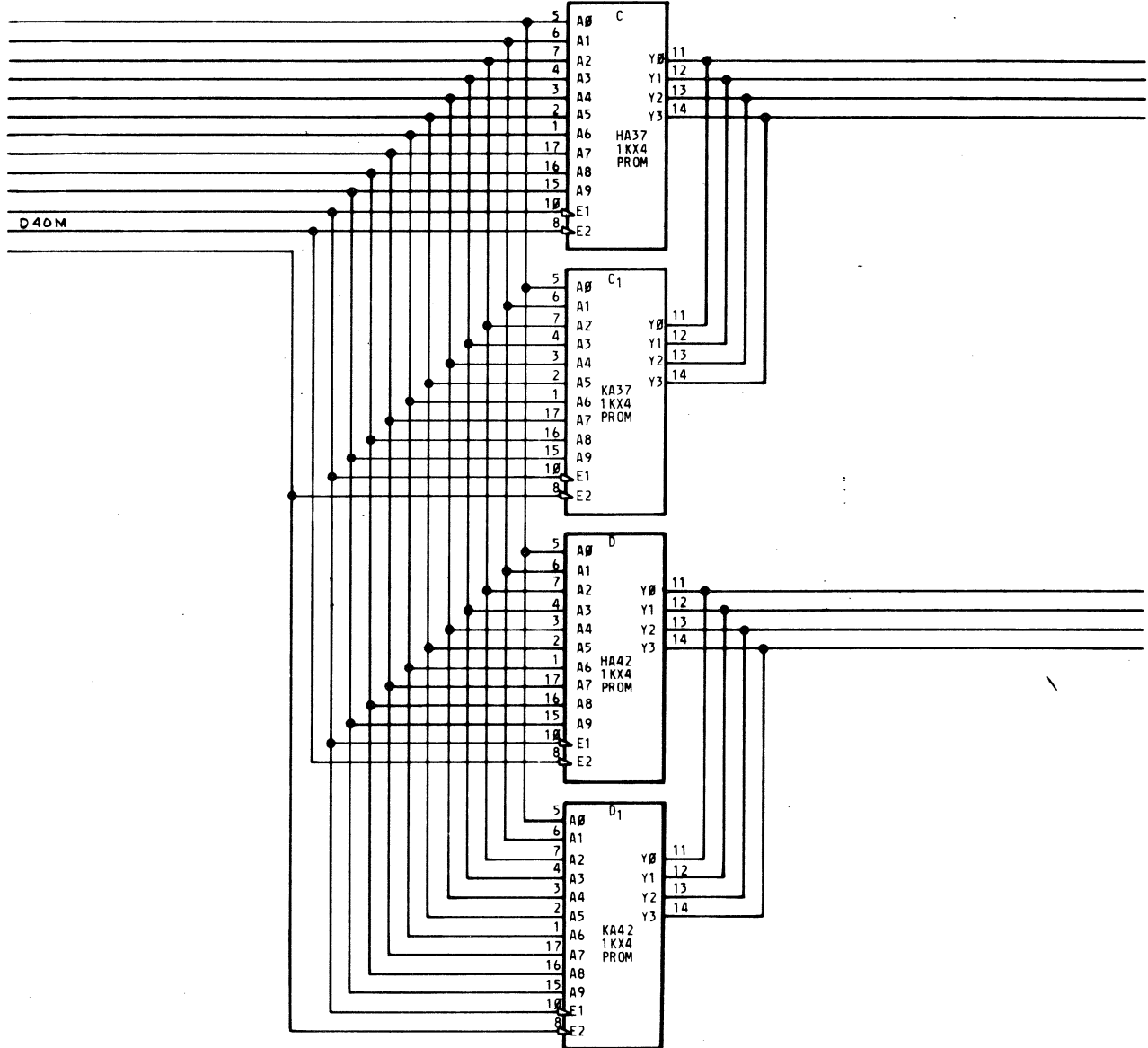


+ADDR 10 JK011 D40
 +ADDR 0 JK011 D30
 +ADDR 1 JK011 D31
 +ADDR 2 JK011 D32
 +ADDR 3 JK011 D33
 +ADDR 4 JK011 D34
 +ADDR 5 JK011 D35
 +ADDR 6 JK011 D36
 +ADDR 7 JK011 D37
 +ADDR 8 JK011 D38
 +ADDR 9 JK011 D39

-INHIBIT PROMS JK101
 +PULL UP 1 JK011
 +TIE UP 1 JK011

-ADDR 10 JK002
 +I1 JK011, JK091, JK101
 +I0 JK011, JK101
 +B2 JK061, JK011, JK101, JK051
 +B1 JK011, JK101, JK051
 +B0 JK011, JK101, JK051
 -B0 JK011, JK041, JK071, JK091
 JK061, JK001, C04
 -B1 JK011, JK041, JK071, JK091
 JK001, C05
 +G2 JK101
 +G1 JK101
 +G0 JK101
 -B2 JK041, JK071, JK091
 -B GRP 0 JK011
 -B GRP 1 JK031, JK011
 -B GRP 2 JL001, JK001, C06
 -B GRP 3 JL001, JK001, C07
 -B GRP 4 JK031
 -B GRP 5 JK031
 -B GRP 6 JK001
 -B GRP 7 JK031
 -S/R GRP 0 JK061, JK001, A19
 -S/R GRP 1 JK091
 -S/R GRP 2 JK091
 -S/R GRP 3 JK071
 -S/R GRP 4 JK091, JK071
 -S/R GRP 5 JK071
 -S/R GRP 6 JK041
 -S/R GRP 7 JK041
 +INHIBIT PROMS JK002

+ADDR 0 JK011D30
 +ADDR 1 JK011D31
 +ADDR 2 JK011D32
 +ADDR 3 JK011D33
 +ADDR 4 JK011D34
 +ADDR 5 JK011D35
 +ADDR 6 JK011D36
 +ADDR 7 JK011D37
 +ADDR 8 JK011D38
 +ADDR 9 JK011D39
 + INHIBIT PROMS JK0001
 +ADDR 10 JK011D40
 -ADDR 10 JK0001



+A7 JK011, JK061, JK101
 +A6 JK011, JK061, JK101
 +A5 JK011, JK061, JK101
 +A4 JK011, JK061, JK101

+A3 JK011, JK061, JK071, JK101
 +A2 JK011, JK061, JK071, JK101
 +A1 JK011, JK061, JK071, JK101
 +A0 JK011, JK061, JK071, JK101

JK002

PROGRAM STORE 2

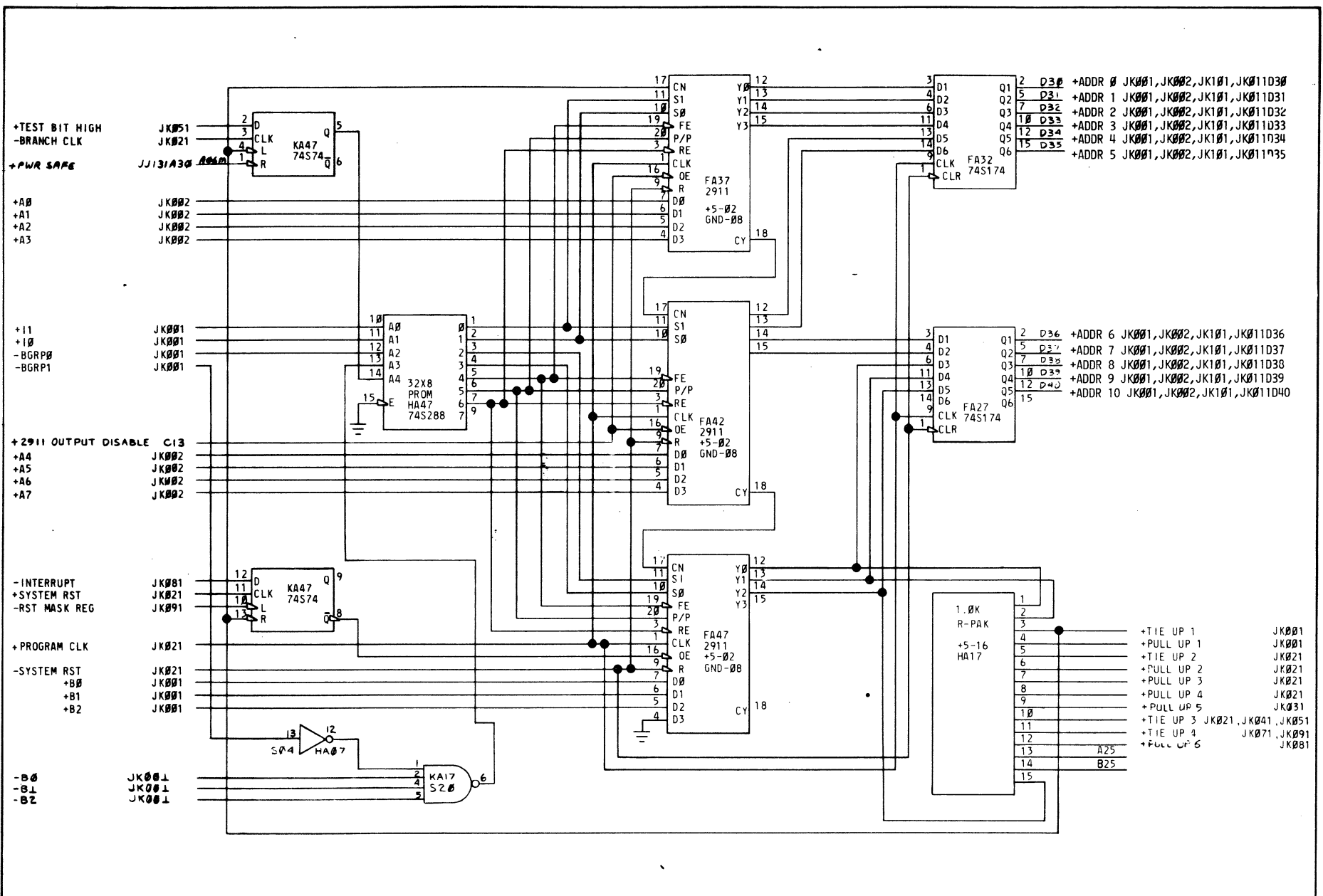
PRES. E.C. 44136
 PREV. E.C.
 DATE 3-10-66

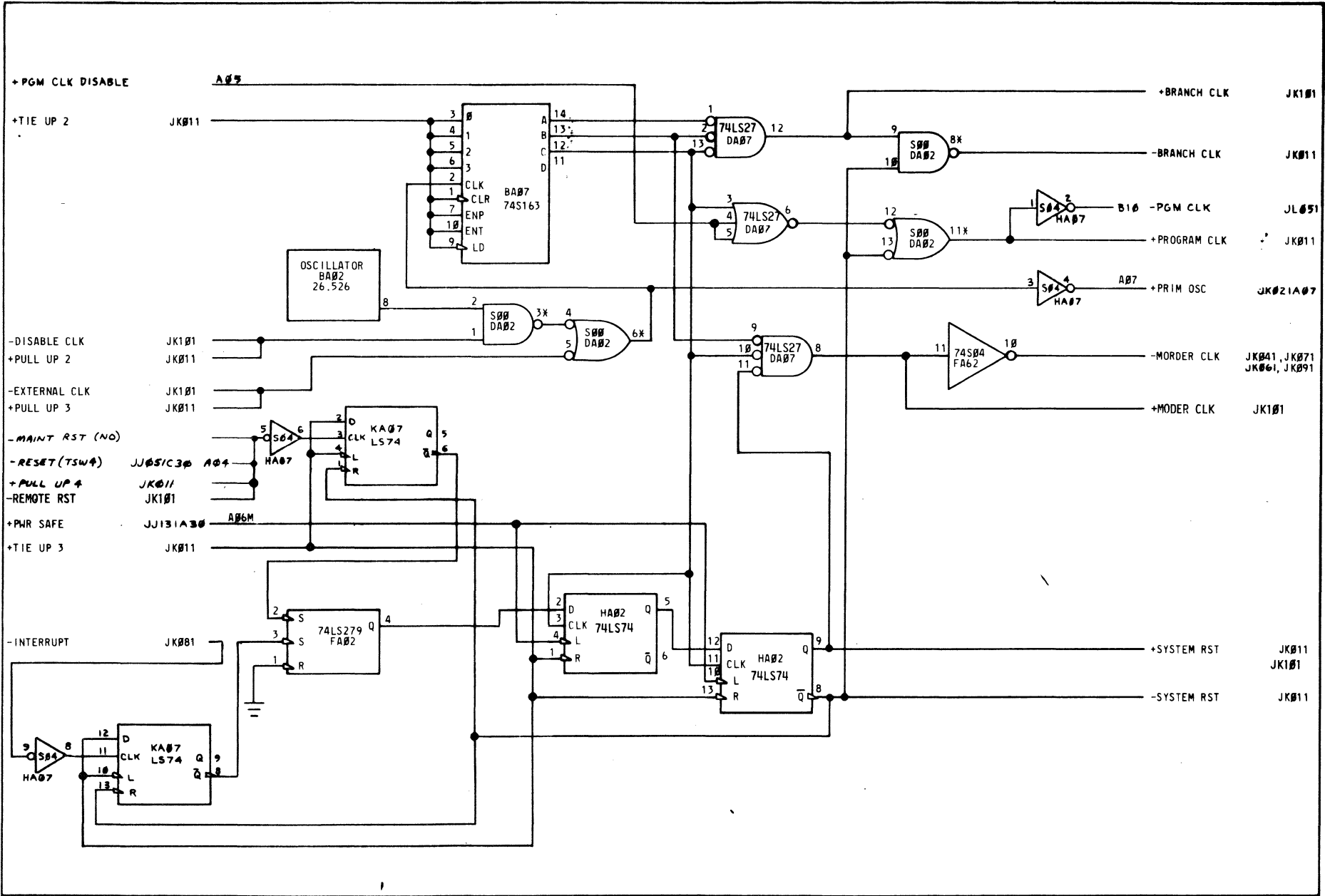
MACH. 1950
 VERS.
 SBL. ROT.

CD. LOC. E2
 GATE 1A
 FRAME

CD. RN. JK
 CD. TYPE
 PG. RN. 43506032-2

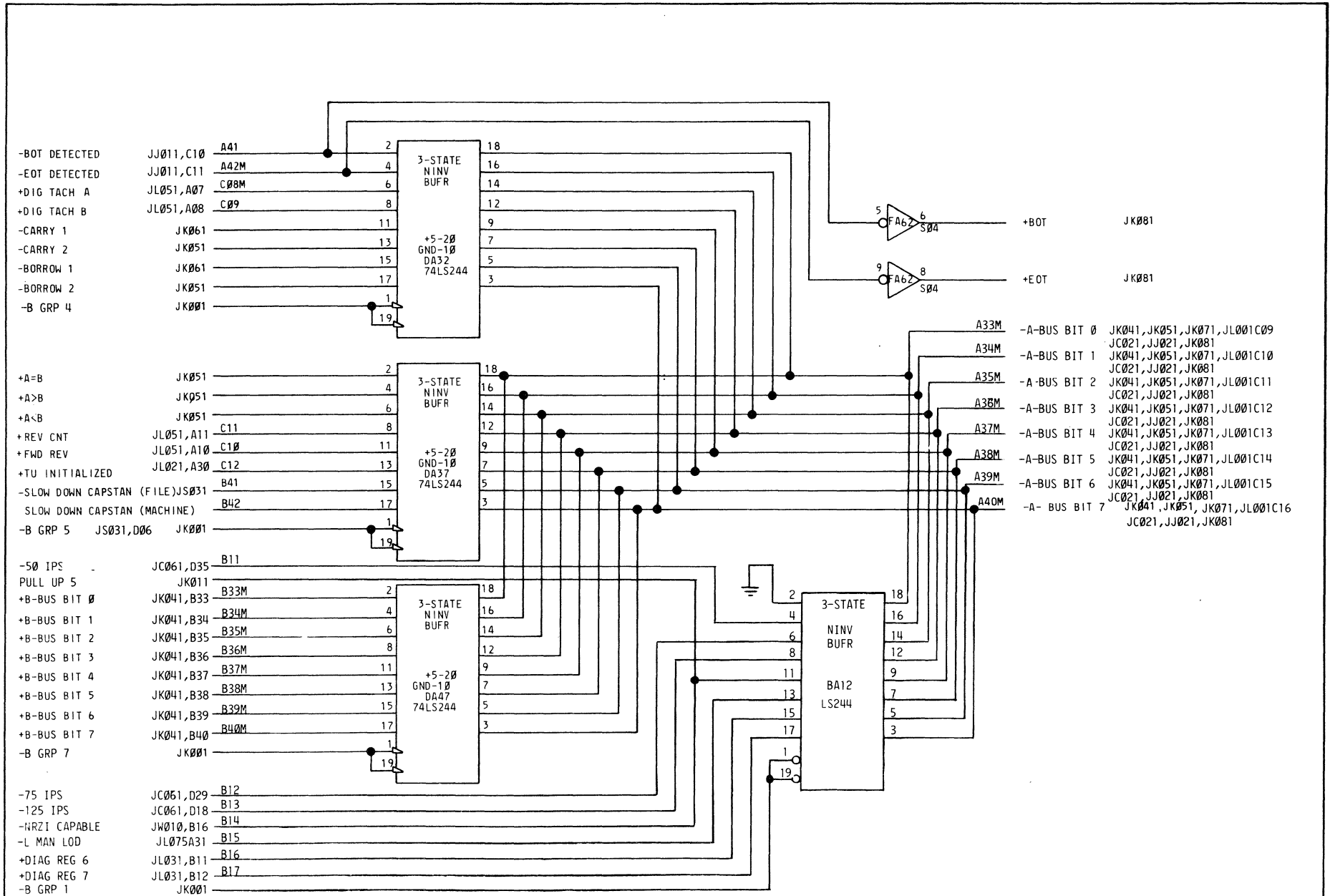
JK002

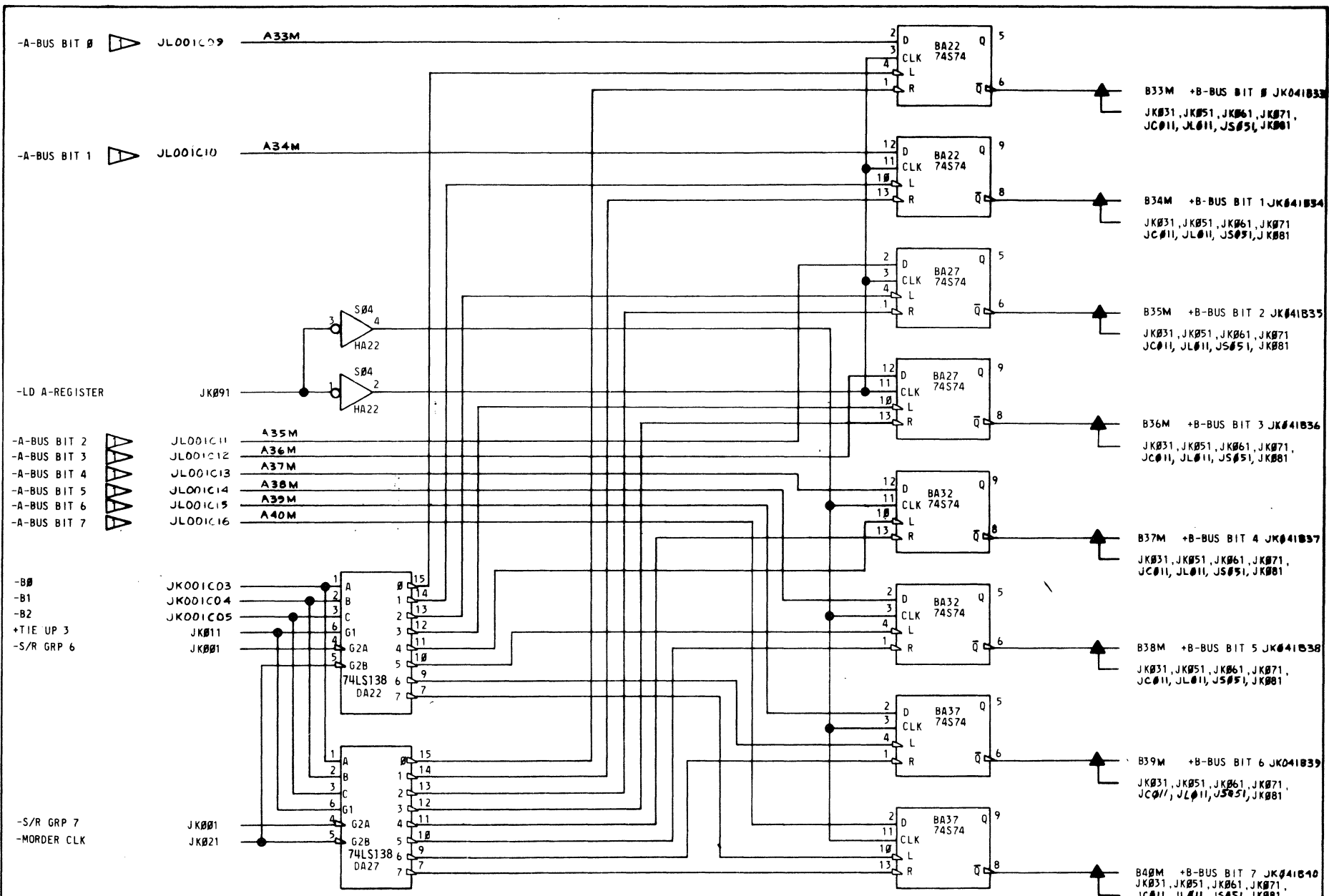




* NOTE: WIRES ON DA02 MODULE MUST BE AS SHOWN ON LOGIC.

JK 0 2 1	CLOCKS AND RESETS				JK 0 2 1				
	PREV. E.C. DATE	44136 5-10-80	MACH. VERB. OBL. ROT.	1958		CD. LOC. GATE FRAME	E2 1A	CD. PN. CD. TYPE PG. PN.	JK 43506034-8





JK041

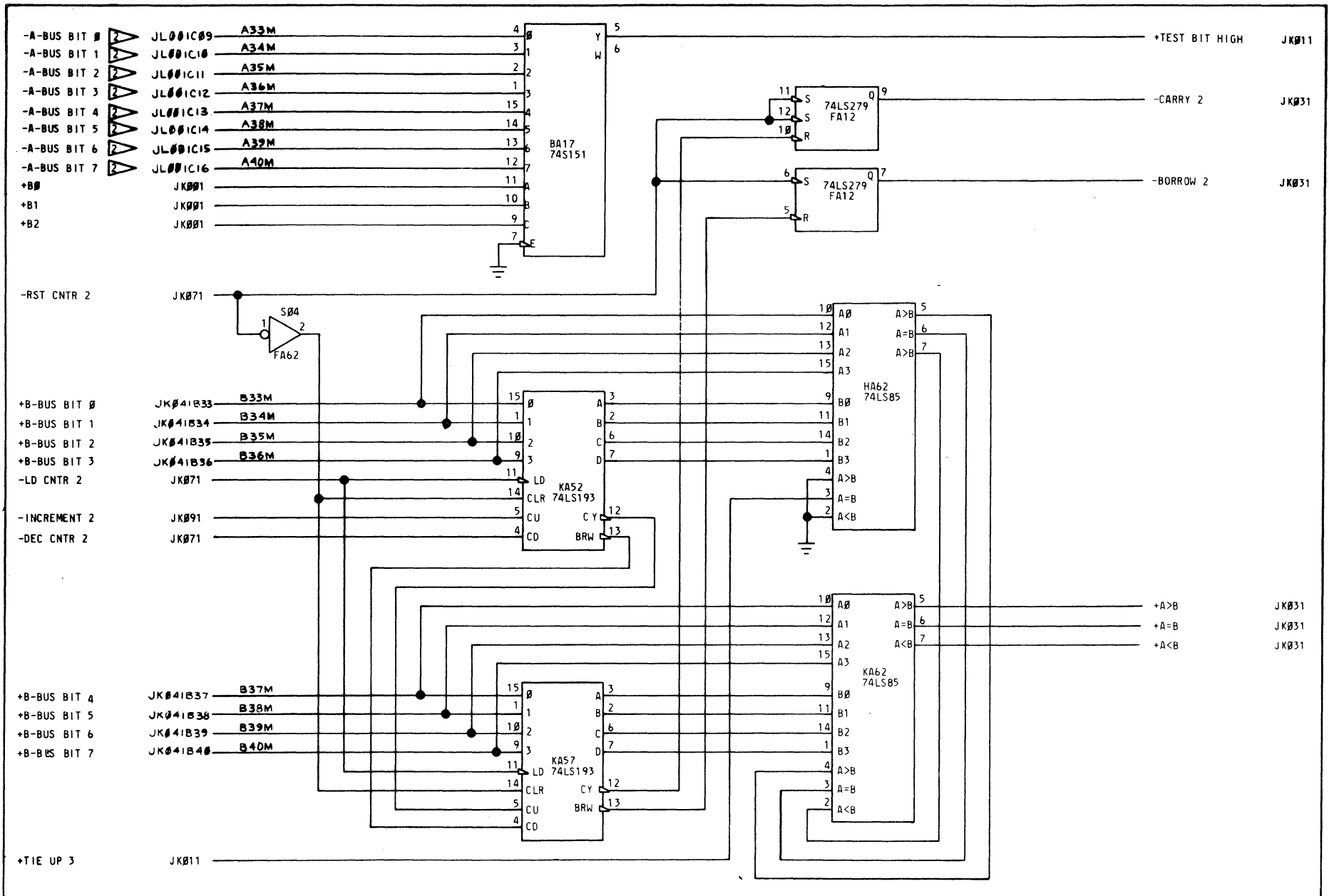


THE A-BUS IS A MULTIPLE SOURCED TRI-STATE BUS. SOURCES ARE SHOWN ON LOGIC PAGES JK031, JK061, JK071, JK081 & JK111.

A-REGISTER

PRES. E.C. 44136 PREV. E.C. DATE 3-10-80	MACH. VERS. 1950 SBL. ROT.	CD. LOC. E2 GATE FRAME 1A	CD. P.N. JK CD. TYPE JK PG. PN. 43506036-3
---------------------------------------------	-------------------------------	------------------------------	--------------------------------------------------

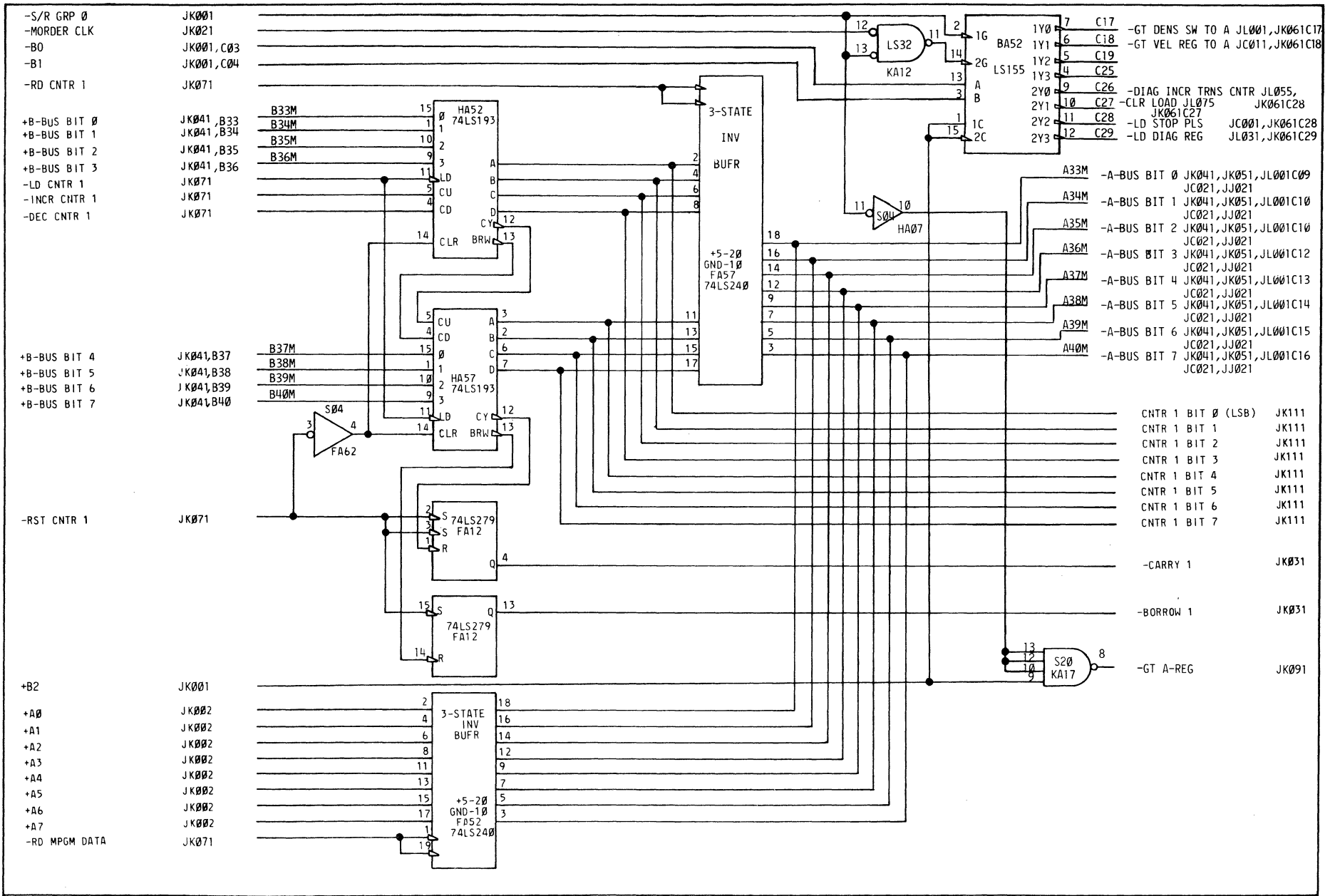
JK041



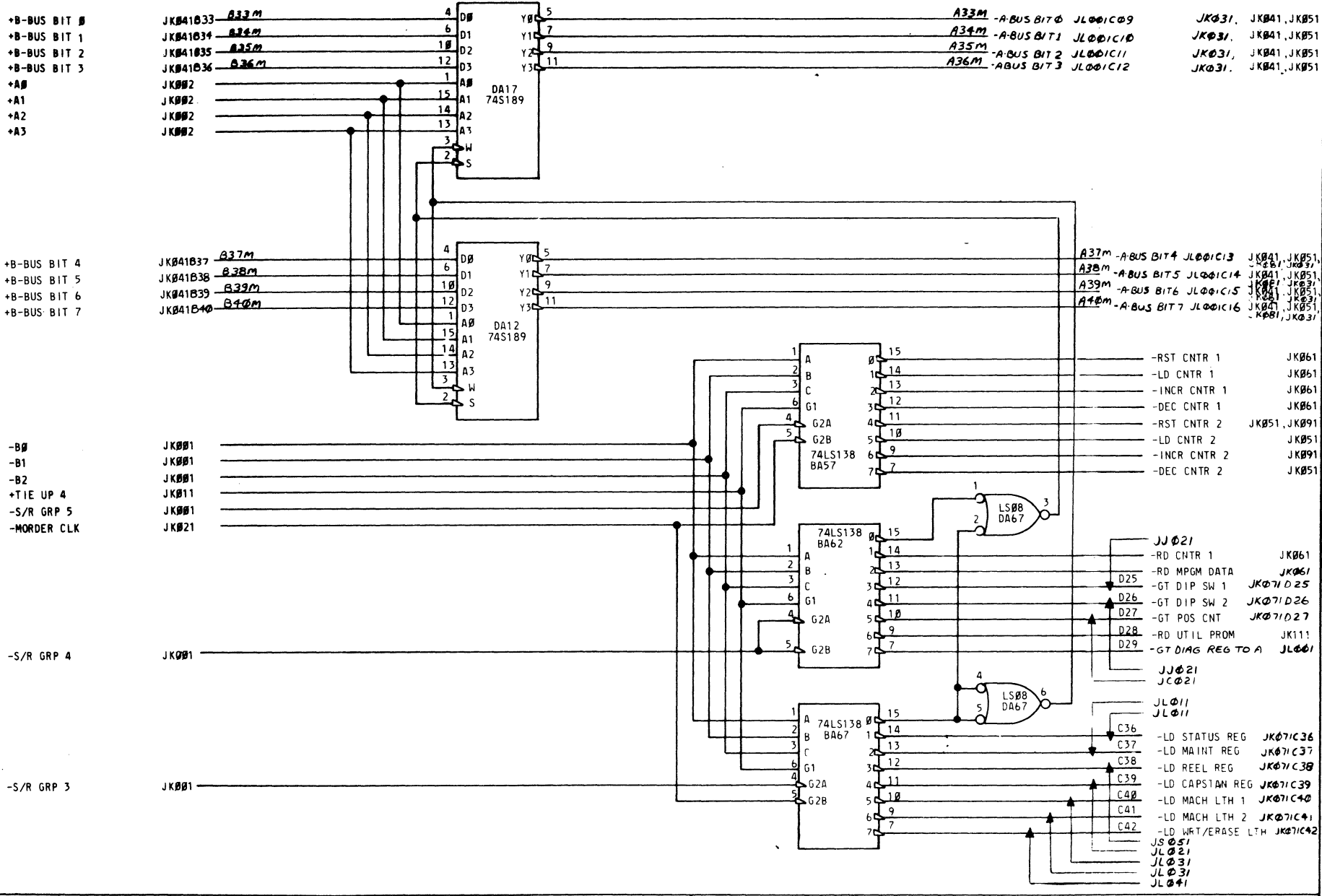
THE A-BUS IS A MULTIPLE SOURCED TRI-STATE BUS. SEE NOTE 1, PAGE JK041

COUNTER 2, COMPARATOR

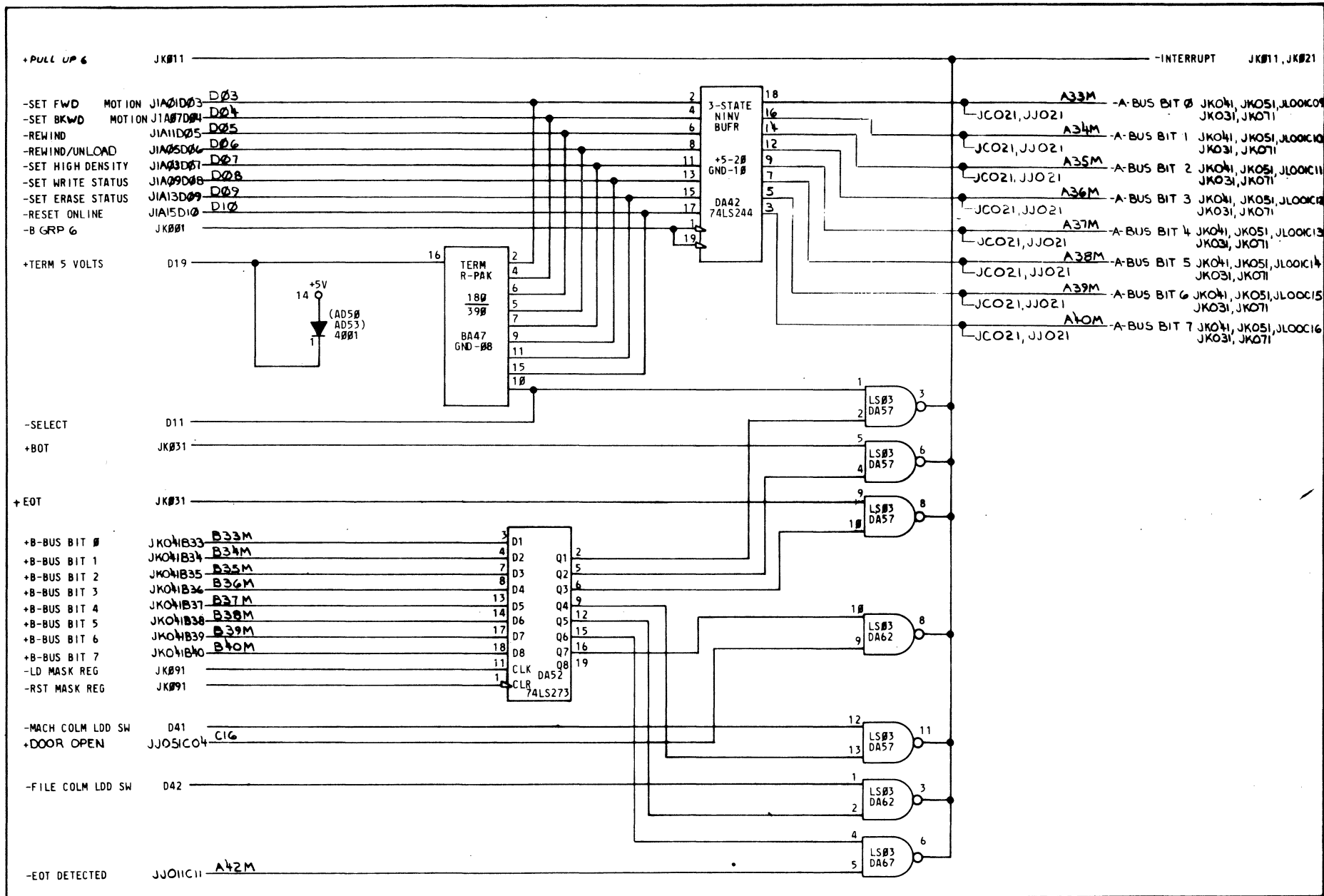
JK 05 1	PREL. E.C.	44136	MACH. VERS.	1950	CD. LOC. GATE FRAME	E2	CD. P.N.	JK	JK 05 1	
	DATE	3-10-80		GBL. ROT.		1A		PG. P.N.		43506037-1



J
K
0
6
1



J K 0 7 1	RAM	J K 0 7 1
PREL. E.C. 44136 PREV. E.C. DATE 3-10-80	MACH. 1950 VERS. GBL. ROT.	CD. LOC. E2 GATE 1A FRAME
	CD. PN. JK CD. TYPE PG. PN. 43506039-7	



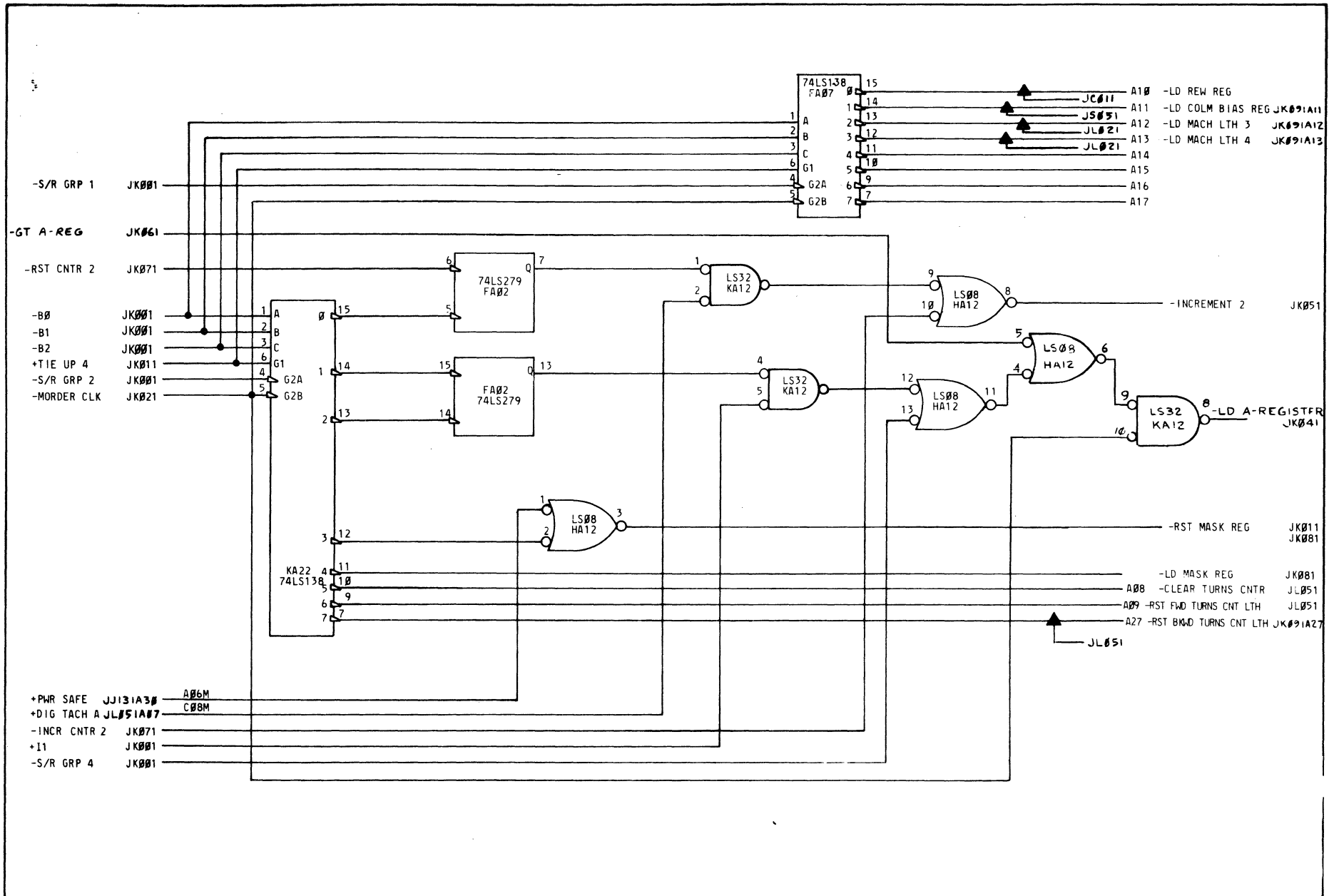
INTERRUPT MASK REGISTER			
PRES. E.C.	44136	MACH. VER.	195B
PREV. E.C.		CD. LOC.	E2
DATE	5-10-80	GATE FRAME	1A
		CD. PN.	JK
		CD. TYPE	JK
		PG. PN.	43506040-5

JK

8
1

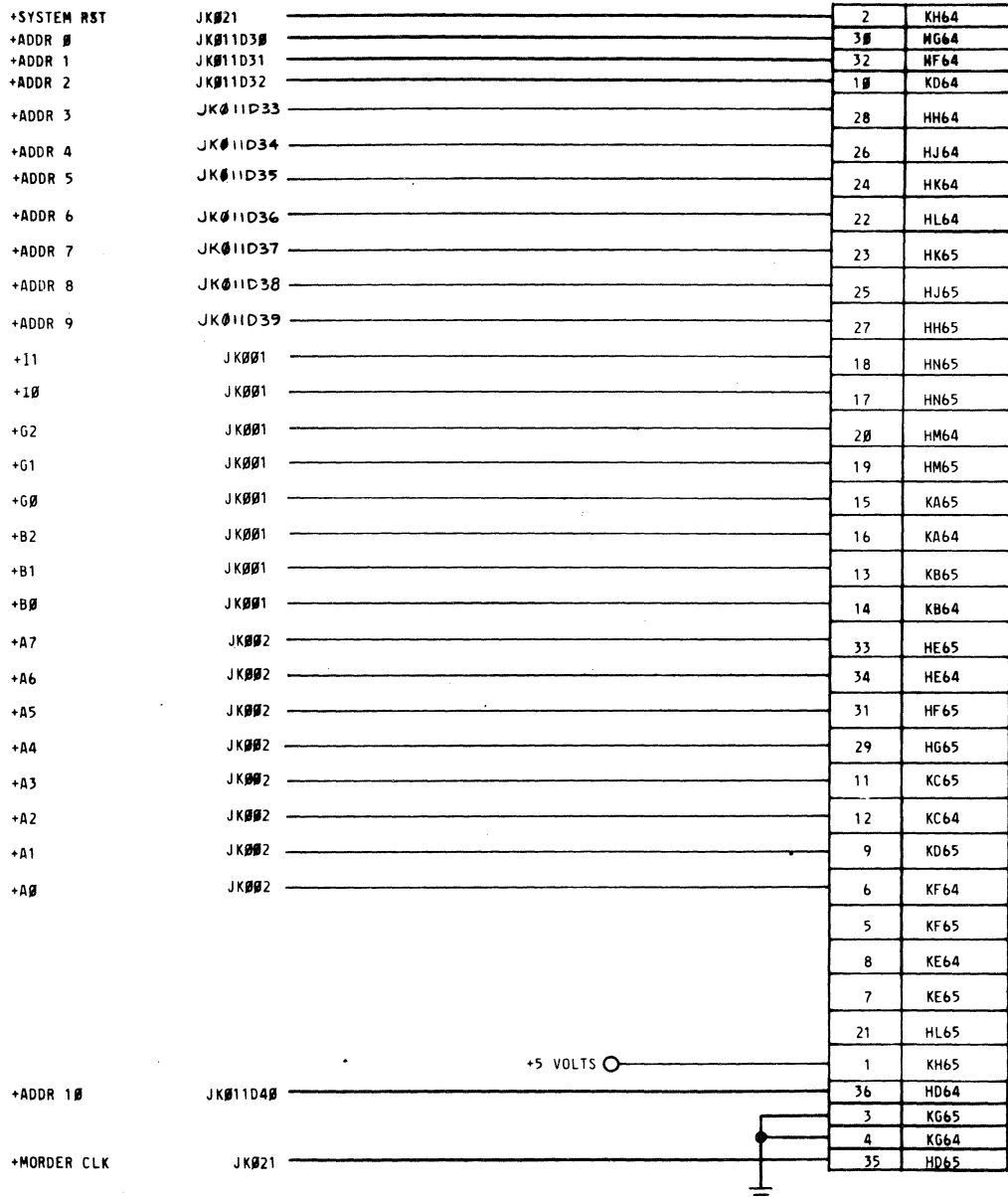
JK

8
1



JK091

CNR, REG CNTLS		JK091	
PRES. E.C.	44136	MACH. VERS.	1950
PREV. E.C.	3-10-80	GBL. ROT.	
CD. LOC.	E2	CD. P.N.	JK
GATE FRAME	1A	CD. TYPE	JK
		PG. PN.	43506041-3



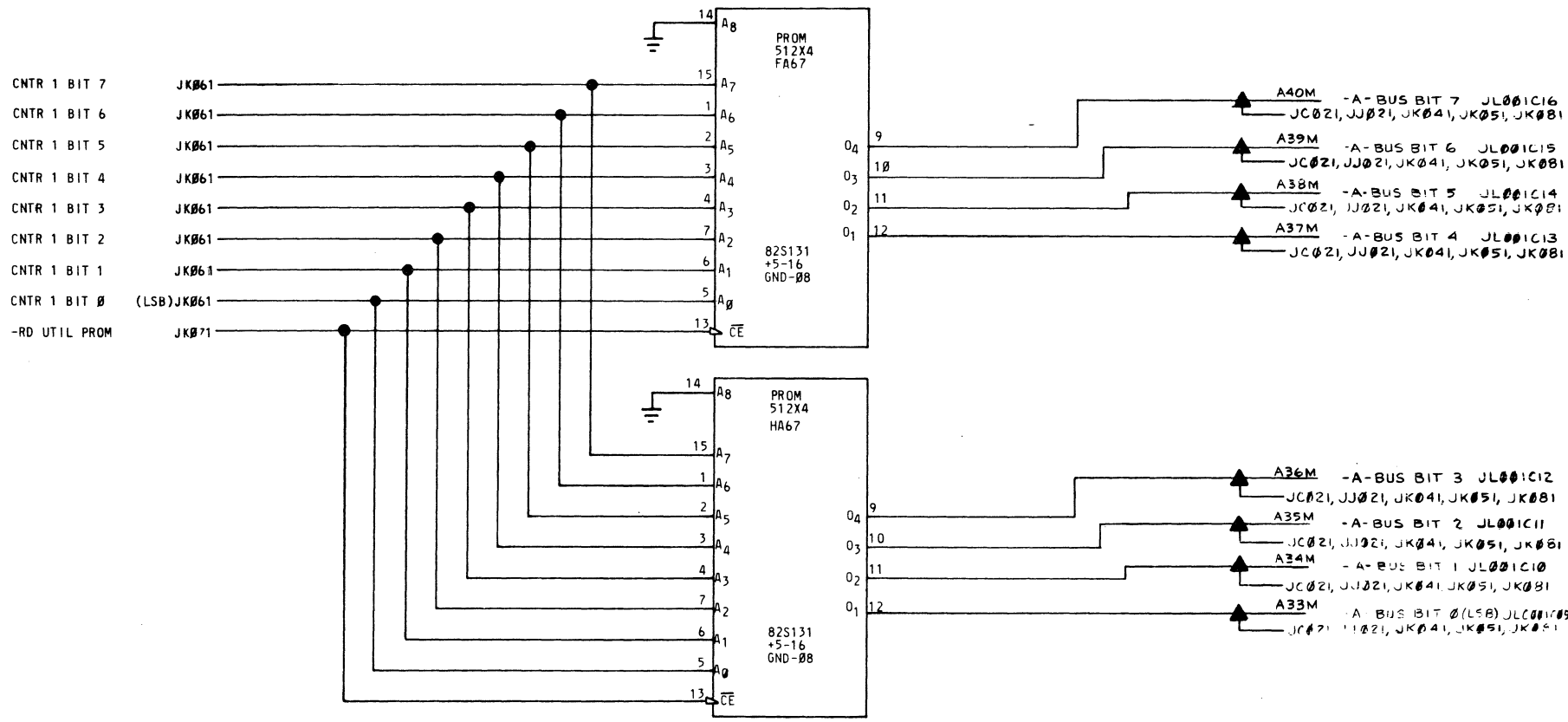
-REMOTE RST JK021
 -DISABLE CLK JK021
 -EXTERNAL CLK JK021
 -INHIBIT PROMS JK001

1. PINS 37-40 ARE SPARES

PROM SIMULATOR CONNECTOR		CD. LOC. E2		CD. P.N. JK	
PRE. E.C. 44136	MACH. VERS. 1950	GATE FRAME 1A	CD. TYPE JK	PG. P.N. 43506042-1	
DATE 5-10-80	OBL. ROT.				

JK
1
0
1

JK
1
0
1

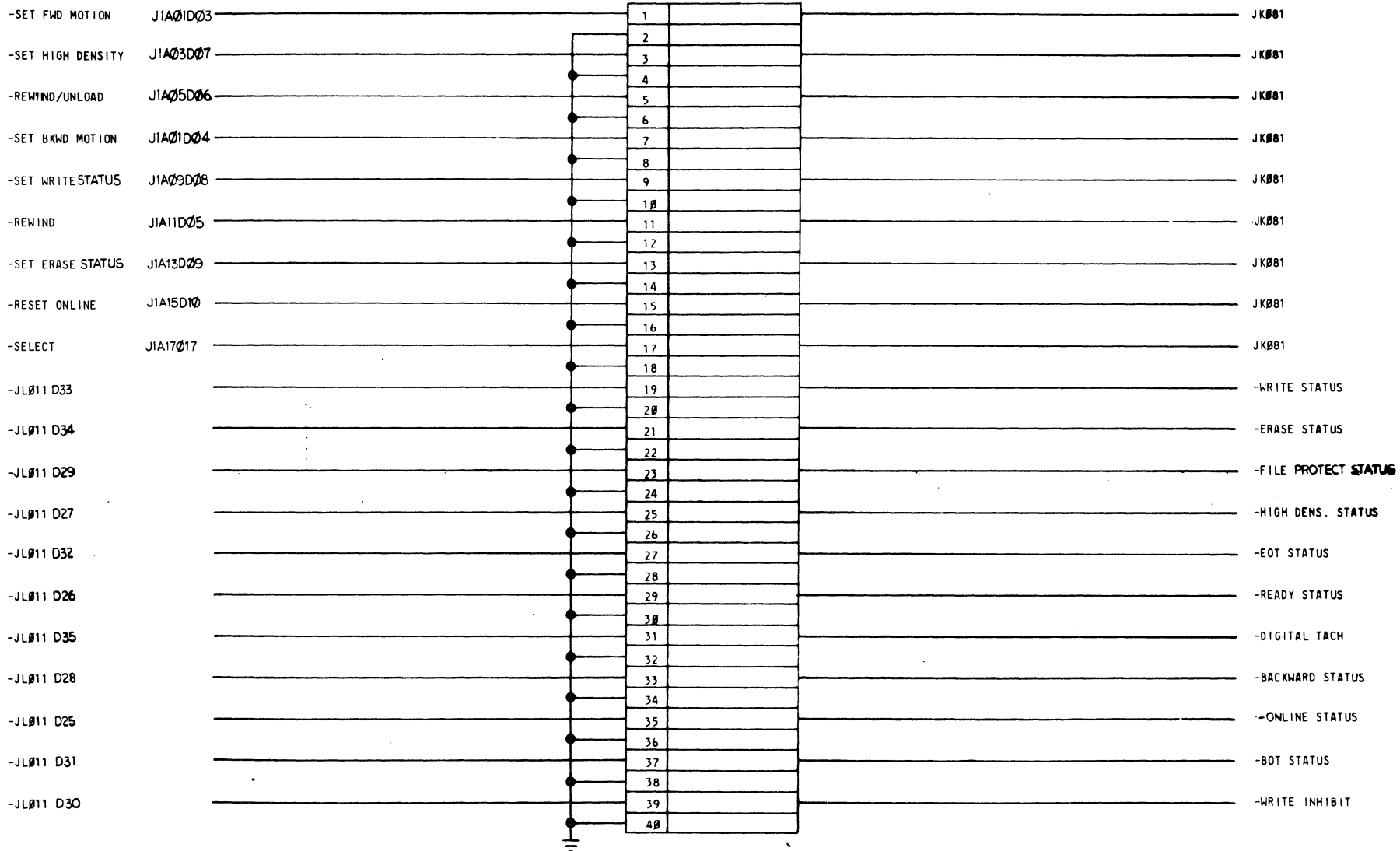


NOTE: SINCE IT IS DESIRED THAT THE OUTPUT DATA LINES BE MINUS ACTIVE, THE PROMS MUST BE PROGRAMMED WITH THE 1'S COMPLEMENT OF THE DESIRED DATA.

UTILITY PROM					
PRES. E.C.	44136	MACH. VERS.	1950	CD. LOC. GATE FRAME	E2 1A
PREV. E.C.		GBL. ROT.		CD. P.N. CD. TYPE PG. P.N.	JK 43506043-9
DATE	5-10-80				

J
K
1
1
1

J
K
1
1
1



JK
1
2
1

FCU TO TU CONNECTOR

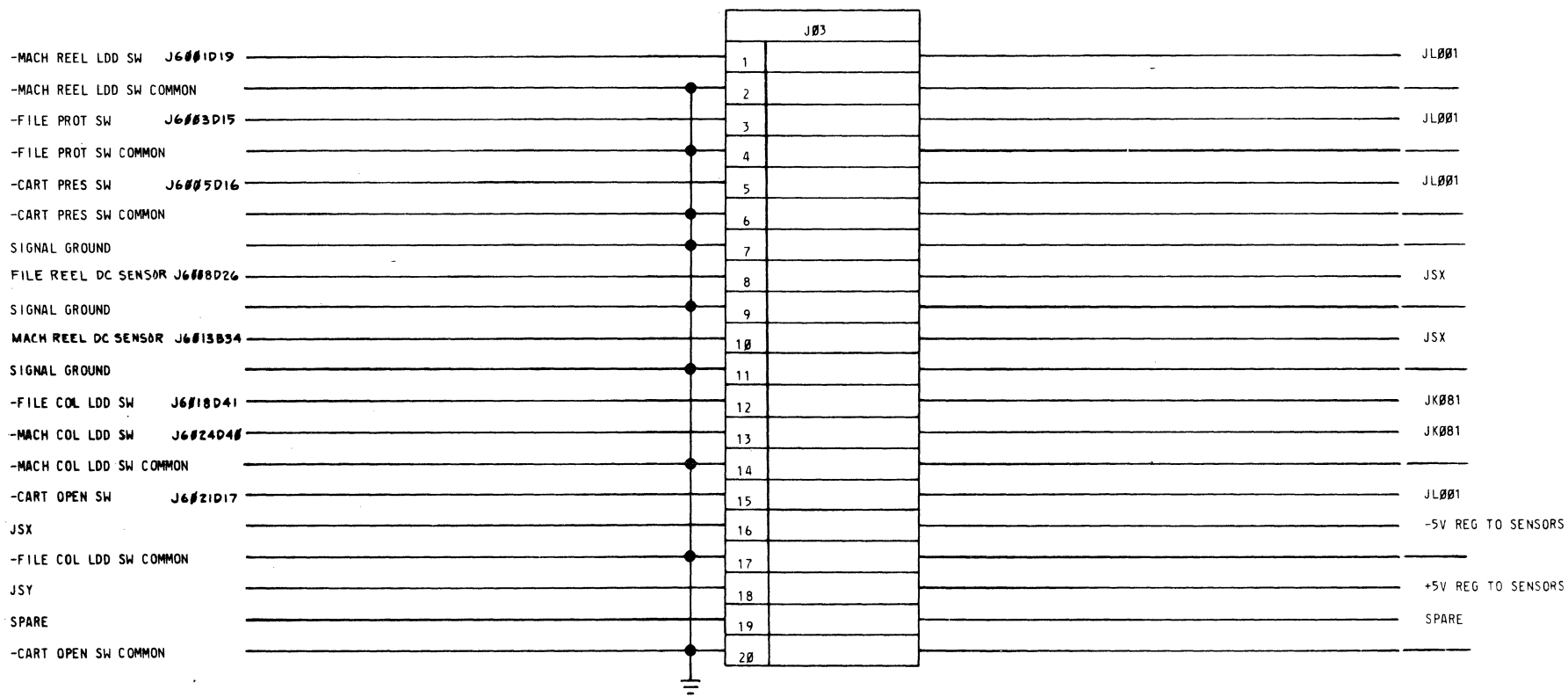
PREV. E.C. 44136
 PREV. E.C.
 DATE 3-10-80

MACH. 195B
 VERS.
 OBL. ROT.

CD. LOC. E2
 GATE 1A
 FRAME

CD. P.N. JK
 CD. TYPE JK
 PG. P.N. 43506044-7

JK
1
2
1



J
K
1
3
1

CABLE, SWITCHES & SENSORS TO MOTHERBOARD

PRES. E.C. 44136 PREV. E.C. DATE 5-10-80	MACH. 1950 VERS. GBL. ROT.	CD. LOC. E2 GATE 1A FRAME	CD. P.N. CD. TYPE JK PG. P.N. 43506045-4
------------------------------------------------	----------------------------------	---------------------------------	------------------------------------------------

J
K
1
3
1

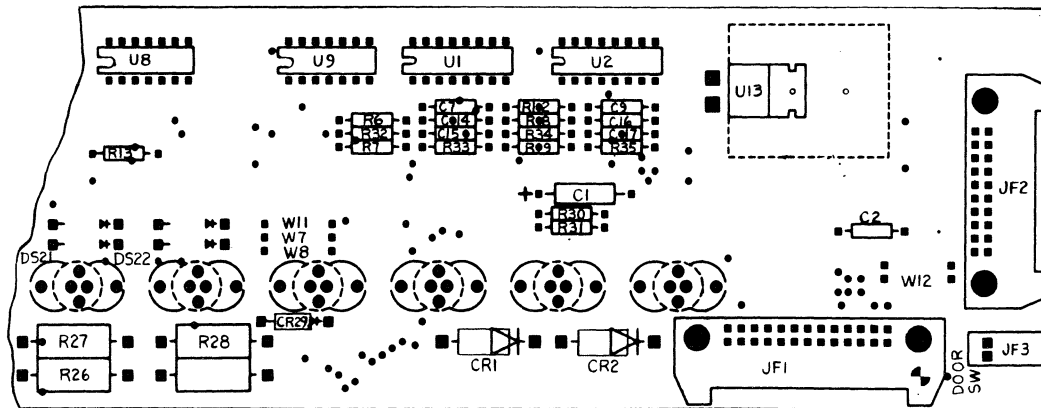
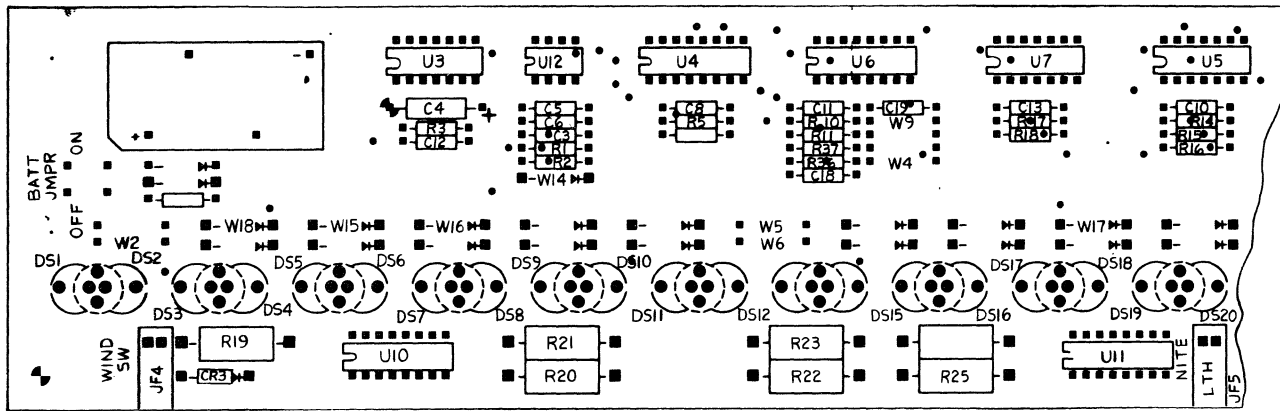


BUILD ARC DOC

ASSEMBLY PARTS LIST

PRINT DATE	PAGE	E.C. NO.
02-20-81	1	44098

DIV.	ASSEMBLY NUMBER	CD	REV.	DWG.	DESCRIPTION	MC	STATUS	STATUS DATE	FILE DATE					
0500	401256001	9	A	N	SYS LGC GP, JF401224201, PC	N	REL	05-27-80	1950	05-27-80				
T FIND NO	LI	PART NUMBER	CD	M	QUANTITY	U/M	PART DESCRIPTION	MC	YLD	E.C. NO. IN	E.C. NO. OUT	S/N	WK IN	WK OUT
001	01	401256101	7		REF	PC	SYS LGC JF AB 001, PC	D						
002	01	401256201	5		REF	PC	SYS LGC JF 001, PC	D						
003	01	401256301	3		REF	PC	SYS LGC JF011, PC	D						
004	01	401256401	1		REF	PC	SYS LGC JF 021, PC	D						
005	01	401256501	8		REF	PC	SYS LGC JF031, PC	D						
006	01	401256601	5		REF	PC	SYS LGC JF041 PC	D						
007	01	401256701	4		REF	PC	SYS LGC JF051 PC	D						
500	01	401224201	4		REF	PC	CKT CD, JF, PC ASSY, STD	S						
							0008 TOTAL LINES							



A
B
C
O
I

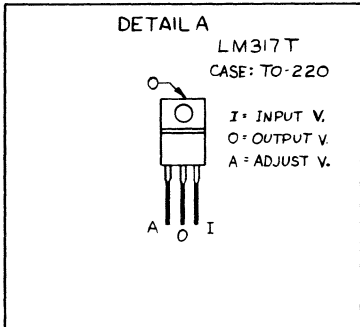
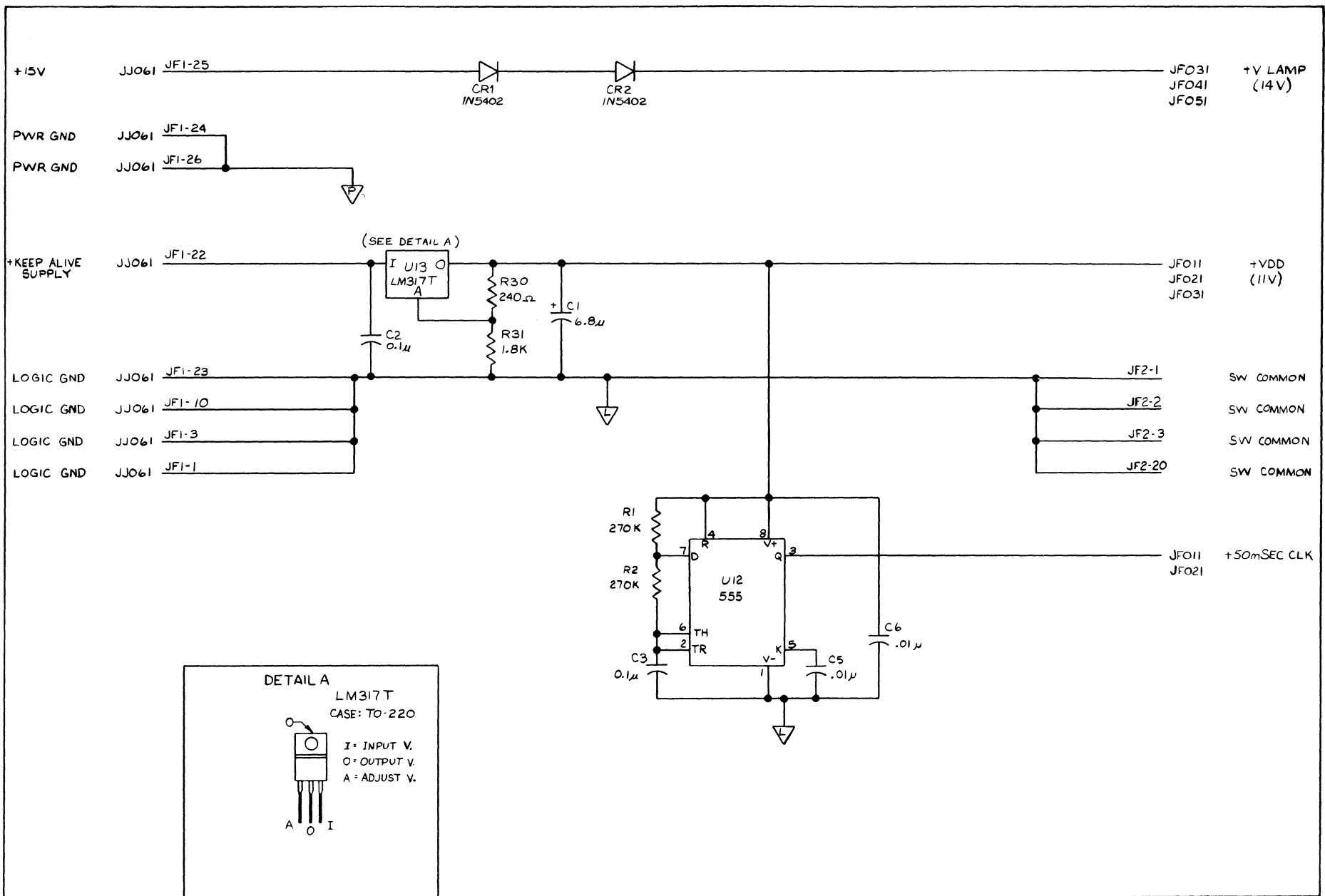
PRES. E.C. 44098
 PREV. E.C.
 DATE 1/31 4-25-80

MACH. 1950
 VERS.
 GBL. ROT.

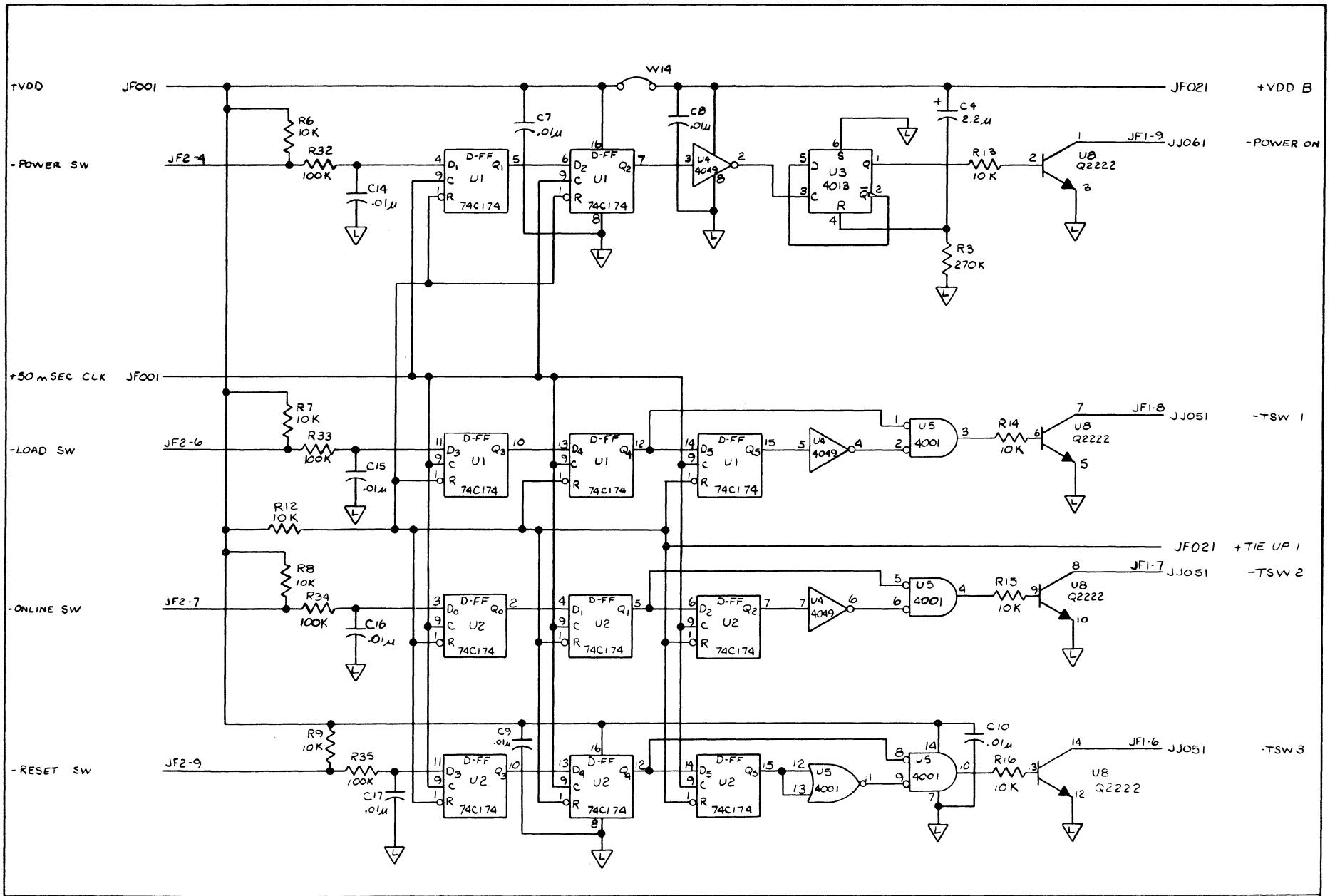
CD. LOC.
 GATE
 FRAME

CD. P.N. 401224201-4
 CD. TYPE JF
 PG. P.N. 4012561-01

A
B
C
O
I



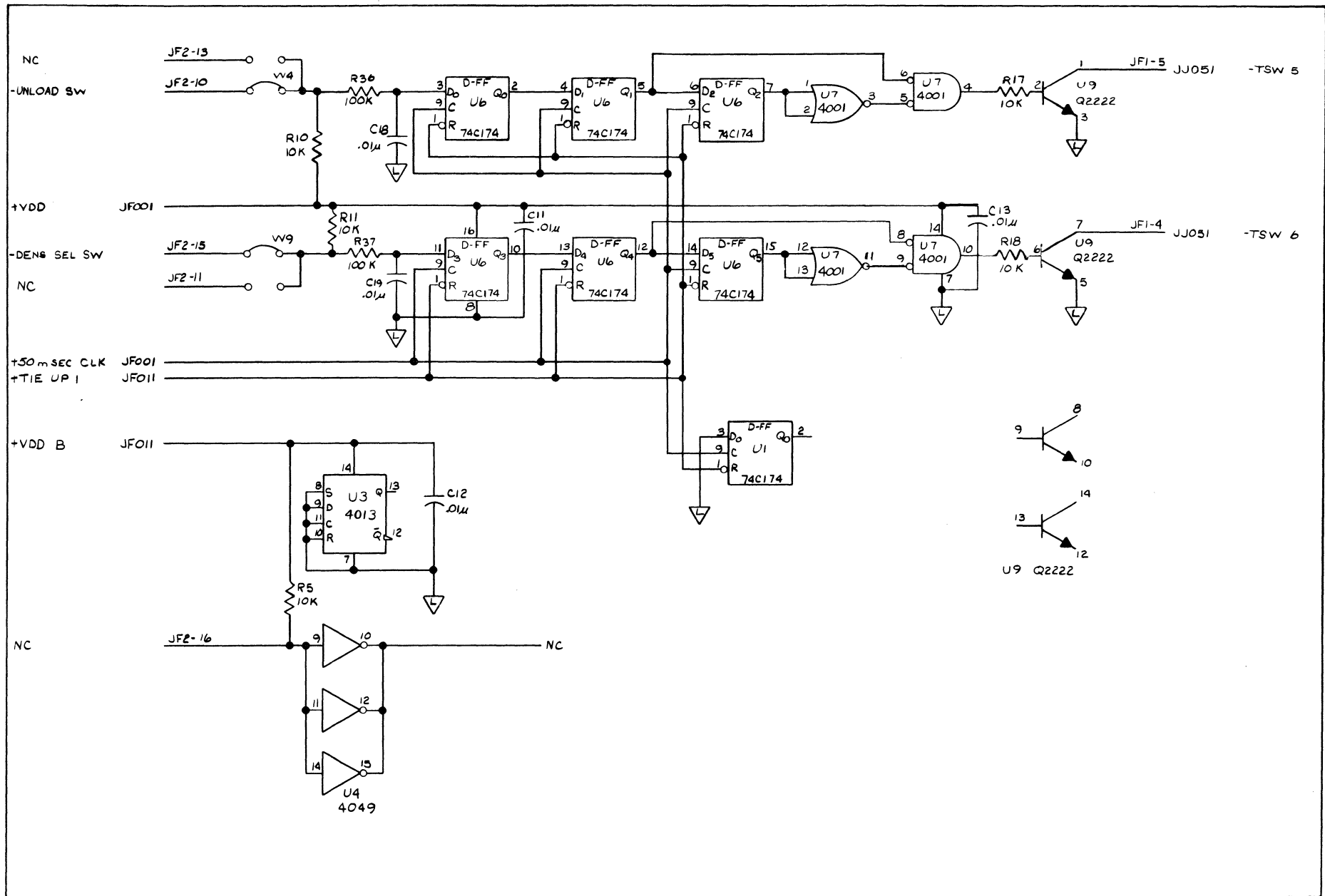
00TCL I	POWER, GROUND & CLOCK				J F 0 0 1
	PRES. E.C. 44098 PREV. E.C. DATE 4-25-80	MACH. 1950 VERS. GBL. ROT.	CD. LOC. GATE FRAME	CD. P.N. CD. TYPE JF PG. P.N. 4012562-01	



1-07C

CONTACT CONDITIONING 1			
PRES. E.C. 44098 PREV. E.C. DATE 1/7/80	MACH. 1950 VERS. GBL. ROT.	CD. LOC. GATE FRAME	CD. P.N. CD. TYPE PG. P.N. 4012563-01

1-07C



J
O
F
I

GAF Polytrac 033

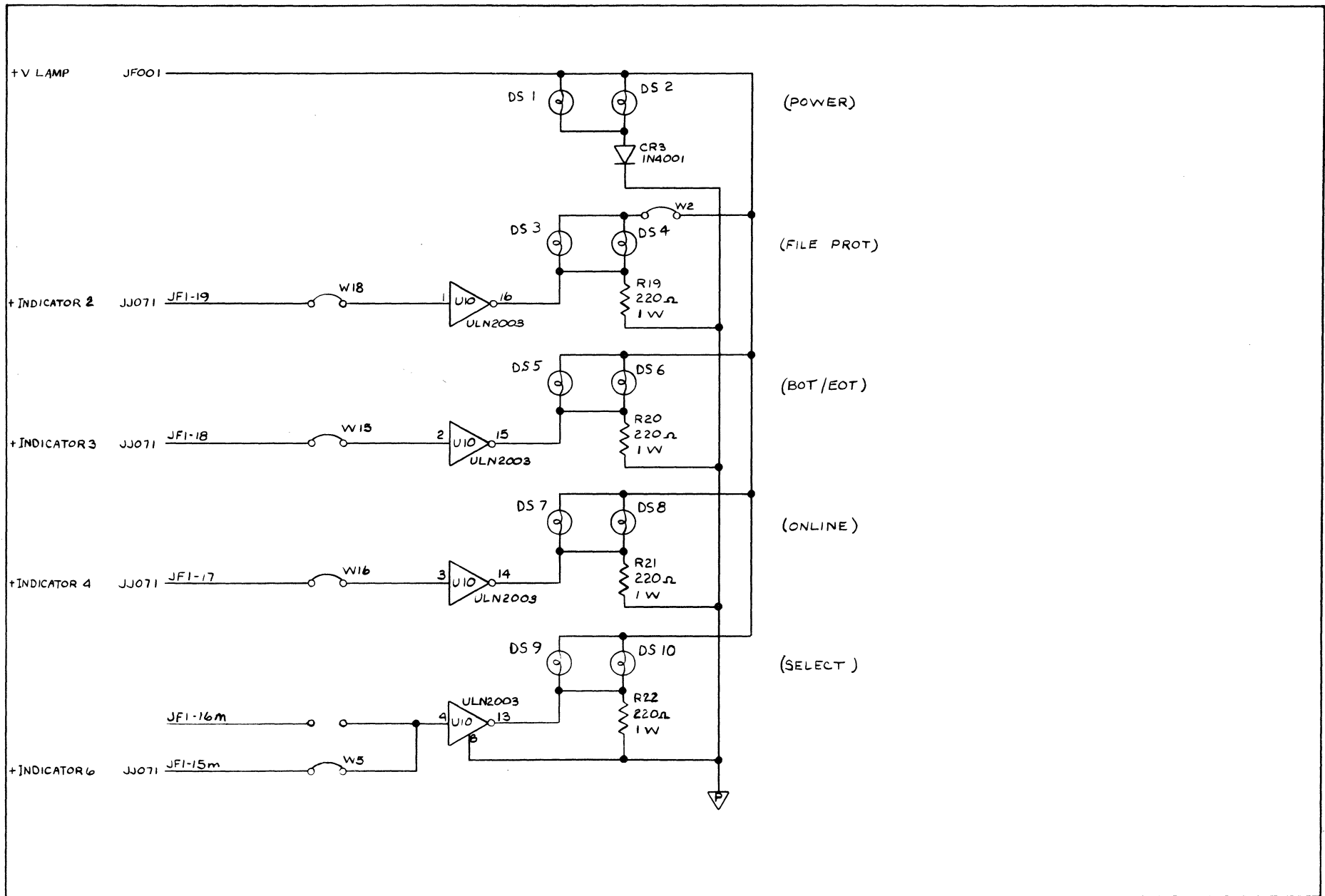
CONTACT CONDITIONING 2

PREV. E.C. 44098
 MACH. 1950
 VERS. 4-25-80
 DATE 1/20

MACH. 1950
 VERS. 4-25-80
 GBL. ROT.

CD. LOC.
 GATE
 FRAME

CD. P.N. JF
 CD. TYPE 4C1256401
 PG. P.N. 1-2071C

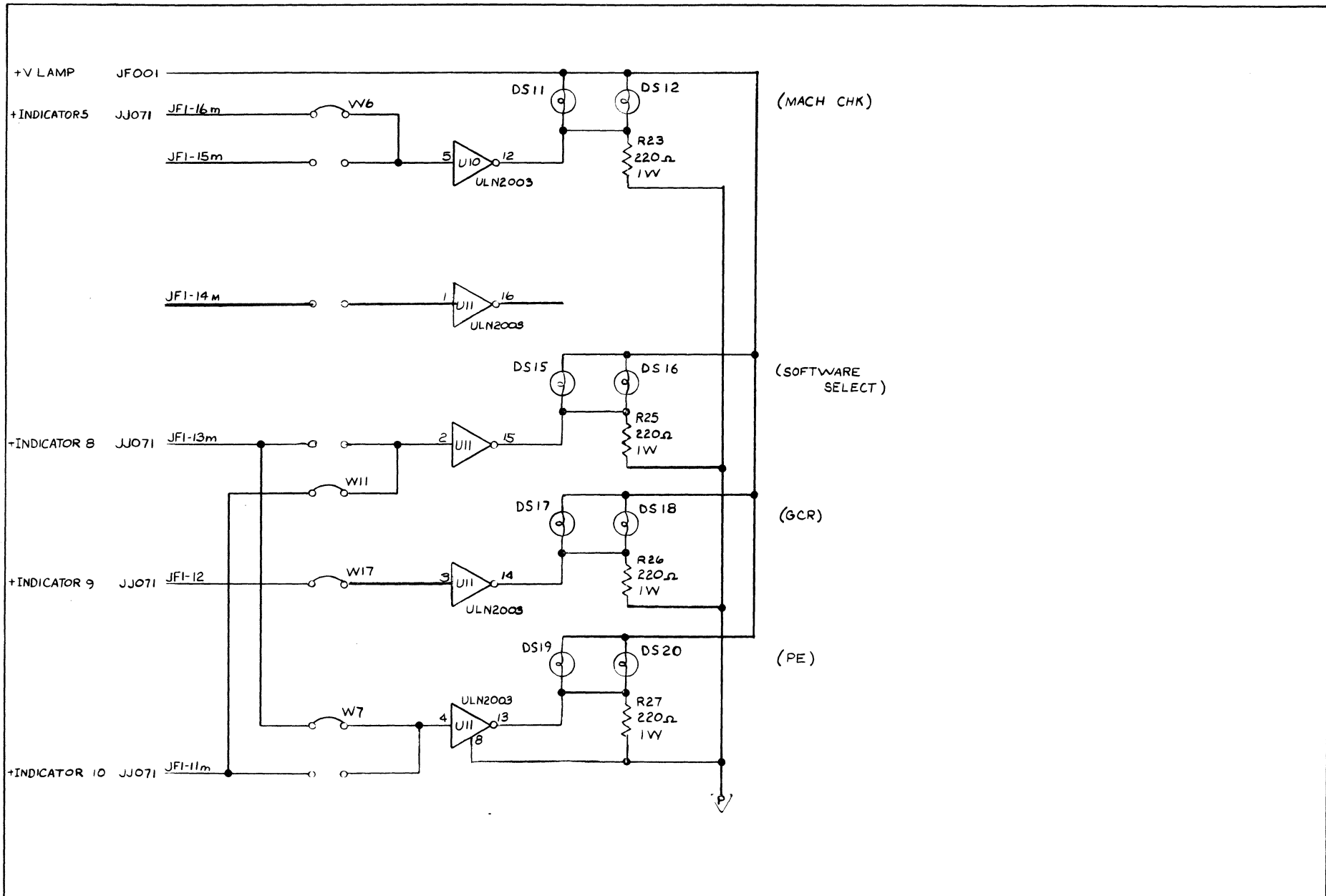


NOTE: INDICATORS DS1 THRU DS22 ARE TYPE 73, 14 V, 80 MA, INSTALLED IN SOCKET, STC P/N 10079018-7.

INDICATORS 1-5			
PREV. E.C. 44098	MACH. 1950	CD. LOC. GATE FRAME	CD. P.N. JF
DATE 4-25-80	VER. GBL. ROT.		CD. TYPE PG. P.N. 40125650

1-100 TIC

1-100 TIC



NOTE: INDICATORS DS 1 THRU DS 22 ARE TYPE 73, 14V, 80MA, INSTALLED IN SOCKET, STC P/N 10079018-7.

INDICATORS 6-10

PRES. E.C. 44098
 PREV. E.C.
 DATE *JF* 4-25-80

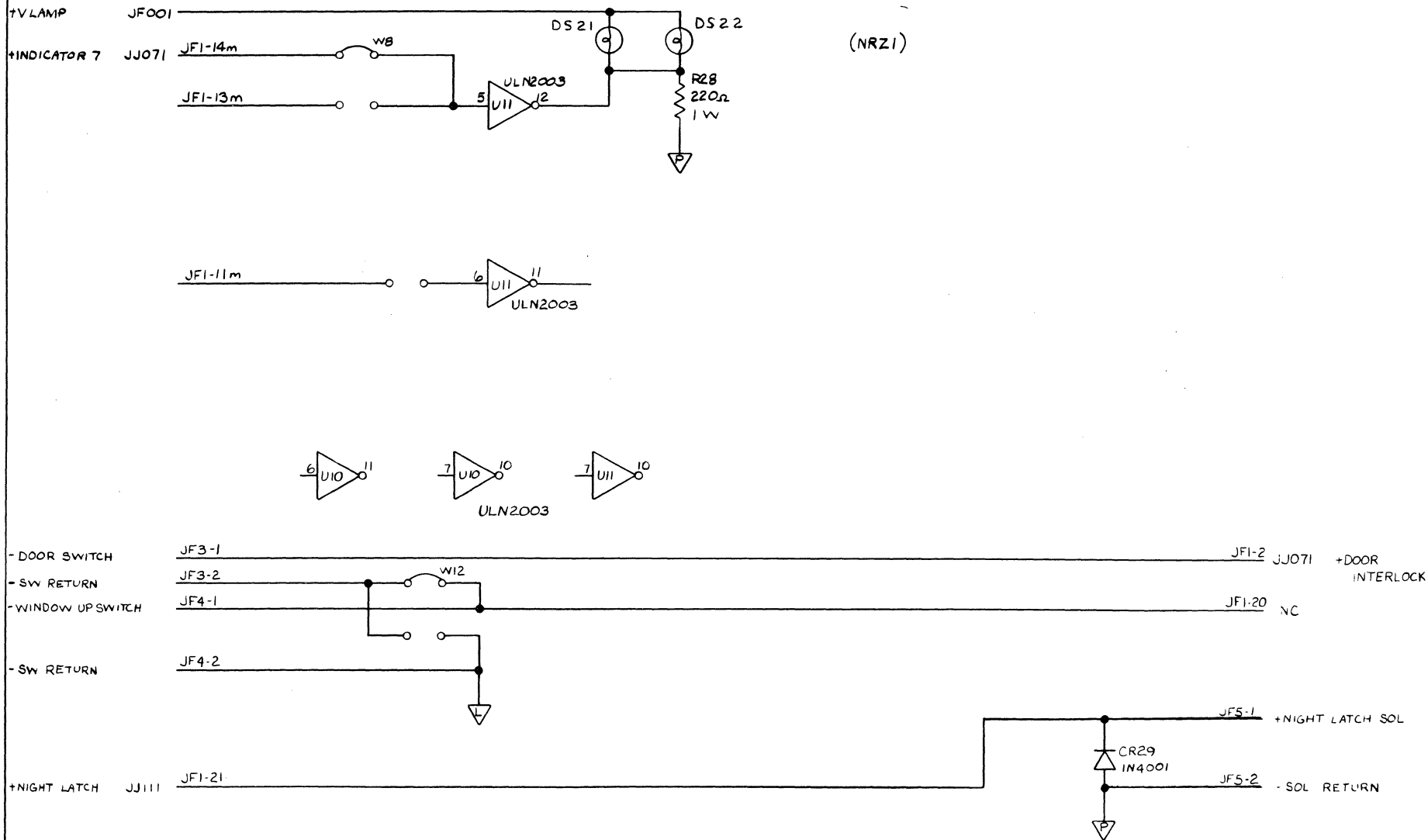
MACH. 1950
 VERS.
 GBL. ROT.

CD. LOC.
 GATE
 FRAME

CD. P.N.
 CD. TYPE
 PG. P.N. *JF* 401256601

407L

407L



INDICATORS 11 & 12, INTERLOCK SWITCHES			
PRES. E.C. 44098	MACH. 1950	CD. LOC. GATE FRAME	CD. RN. CD. TYPE JF
PREV. E.C.	VER.	PG. RN. 4012567-01	
DATE 4-25-80	GBL. ROT.		

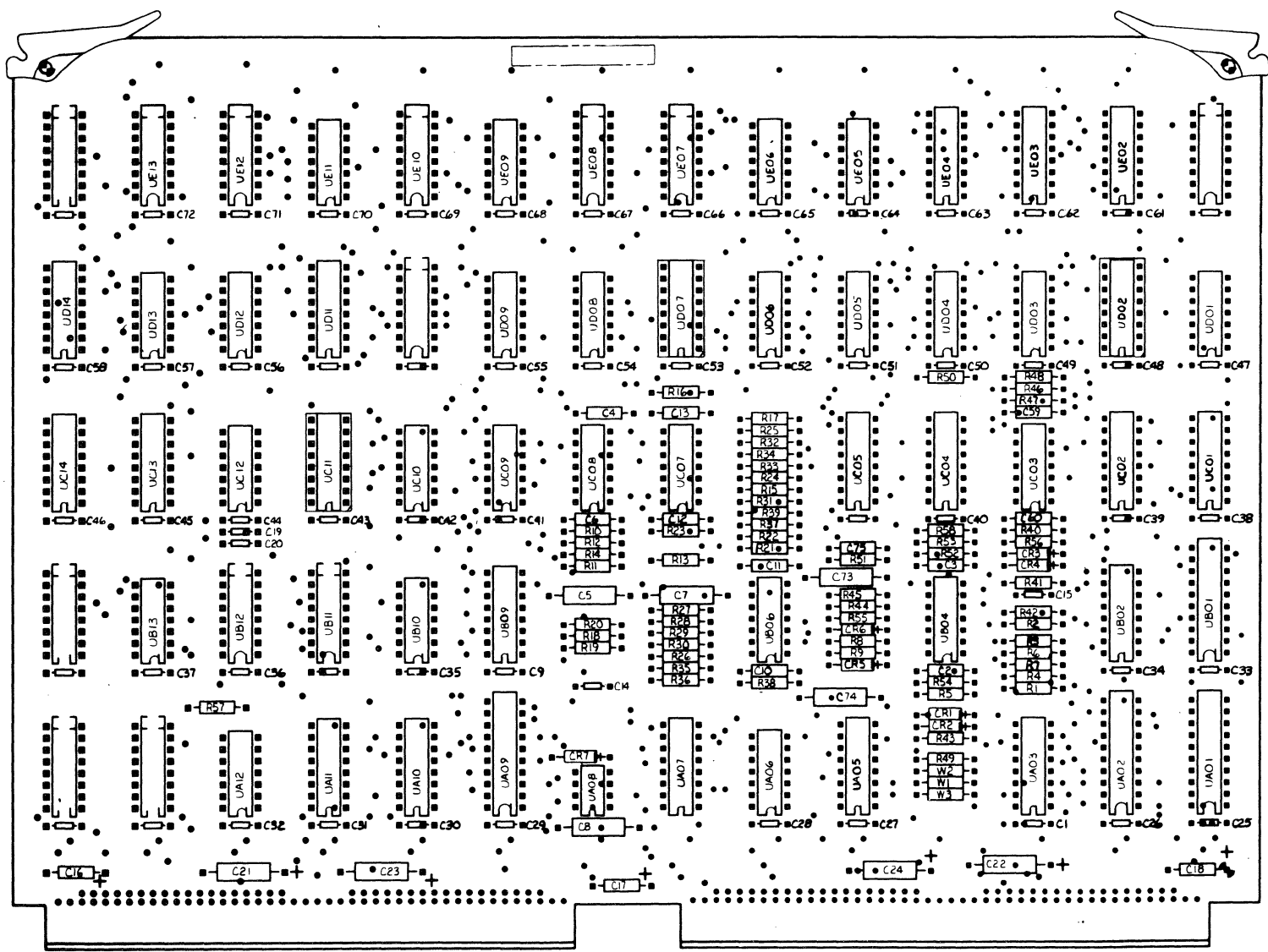


BUILD ARC DOC

ASSEMBLY PARTS LIST

PRINT DATE	PAGE	E.C. NO.
02-20-81	1	44375

DIV.	ASSEMBLY NUMBER	CD	REV.	DWG.	DESCRIPTION	MC	STATUS	STATUS DATE	FILE DATE						
0500	401257103	2	C	N	SYS LGC GP, JC, MULTI PN'S, PC	N	REL	09-25-80	1950	09-25-80					
T	FIND NO	LI	PART NUMBER	CD	M	QUANTITY	U/M	PART DESCRIPTION	MC	YLD	E.C. NO. IN	E.C. NO. OUT	S/N	WK IN	WK OUT
	000	01	401267803	5		REF	PC	SYS LGC, JC, AB001, PC	D		44375			8036	
	001	01	401231102	5		REF	PC	SYS LGC, JC001, PC	D						
	011	01	401231202	3		REF	PC	SYS LGC, JC011, PC	D						
	021	01	401268901	5		REF	PC	SYS LGC, JC021, PC	D						
	031	01	401231402	9		REF	PC	SYS LGC, JC031, PC	D						
	041	01	401269002	2		REF	PC	SYS LGC, JC041, PC	D		44343			8036	
	051	01	401231602	4		REF	PC	SYS LGC, JC051, PC	D						
	061	01	401269101	2		REF	PC	SYS LGC, JC061, PC	D						
	500	01	401230307	1		REF	PC	CKT CD, JC, PC ASSY, 125 IPS	S		44375			8036	
	501	01	401249303	9		REF	PC	CKT CD, JC, PC ASSY, 75 IPS	S		44375			8036	
	502	01	401248303	0		REF	PC	CKT CD, JC, PC ASSY, 50 IPS	S		44375			8036	
								0011 TOTAL LINES							



A
B
C

NOTE:

CARD	P/N	SPEED
401248303		50 IPS
401249303		75 IPS
401250307		125 IPS

64

JC CARD, CAPSTAN CONTROL CARD

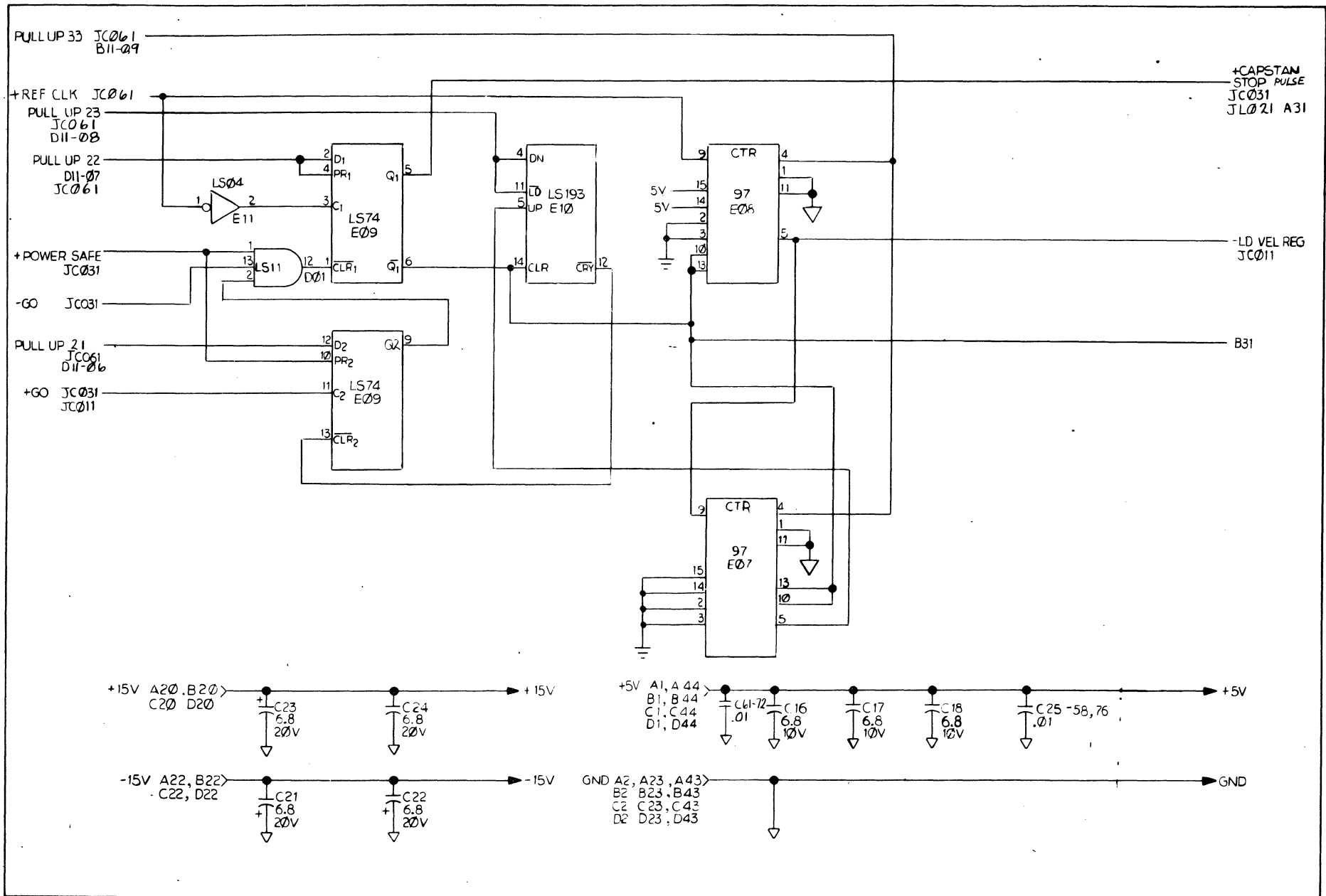
PRES. E.C. 44375
 PREV. E.C. 44343
 DATE 9-26-80

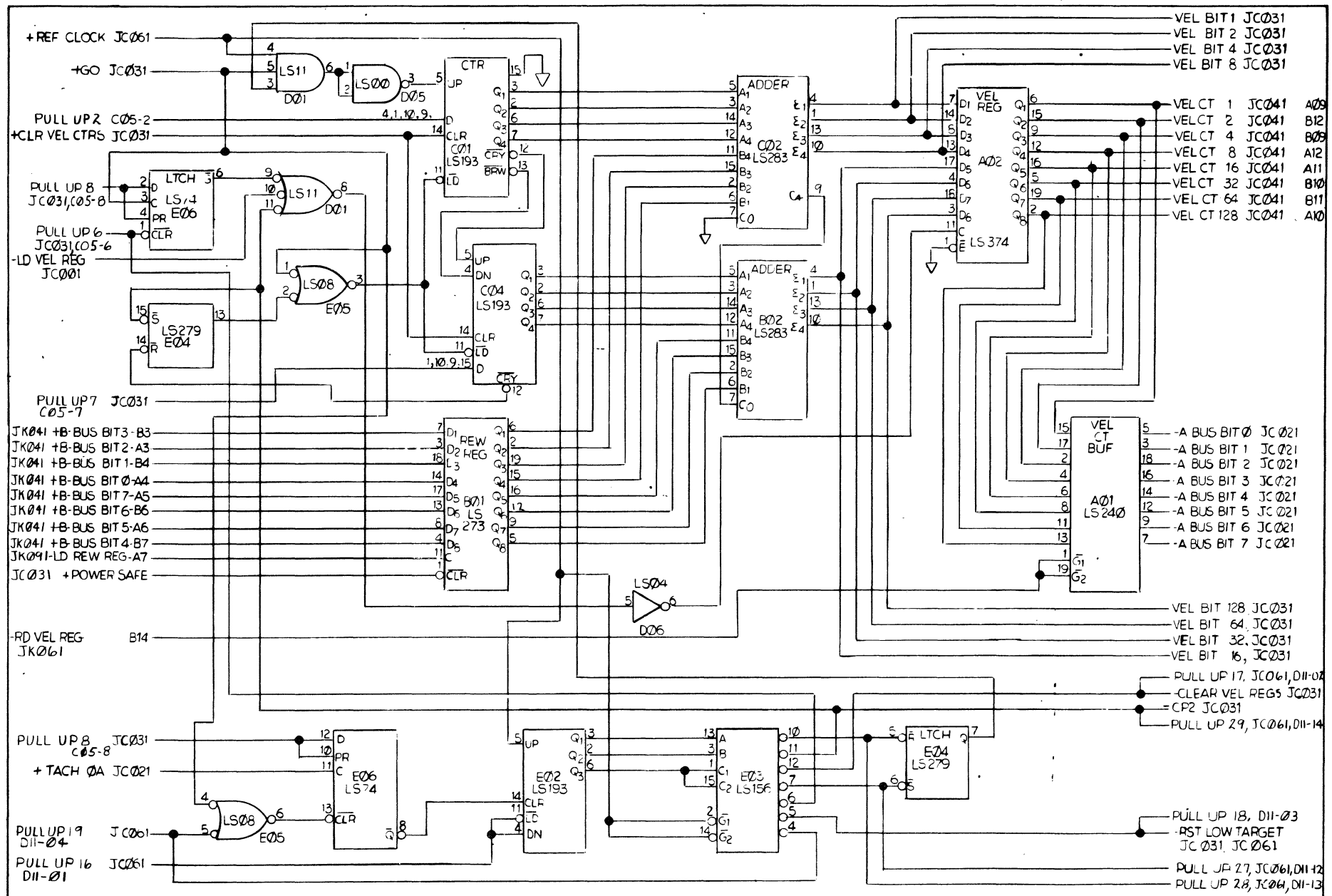
MACH. 1950
 VERS.
 GBL. ROT.

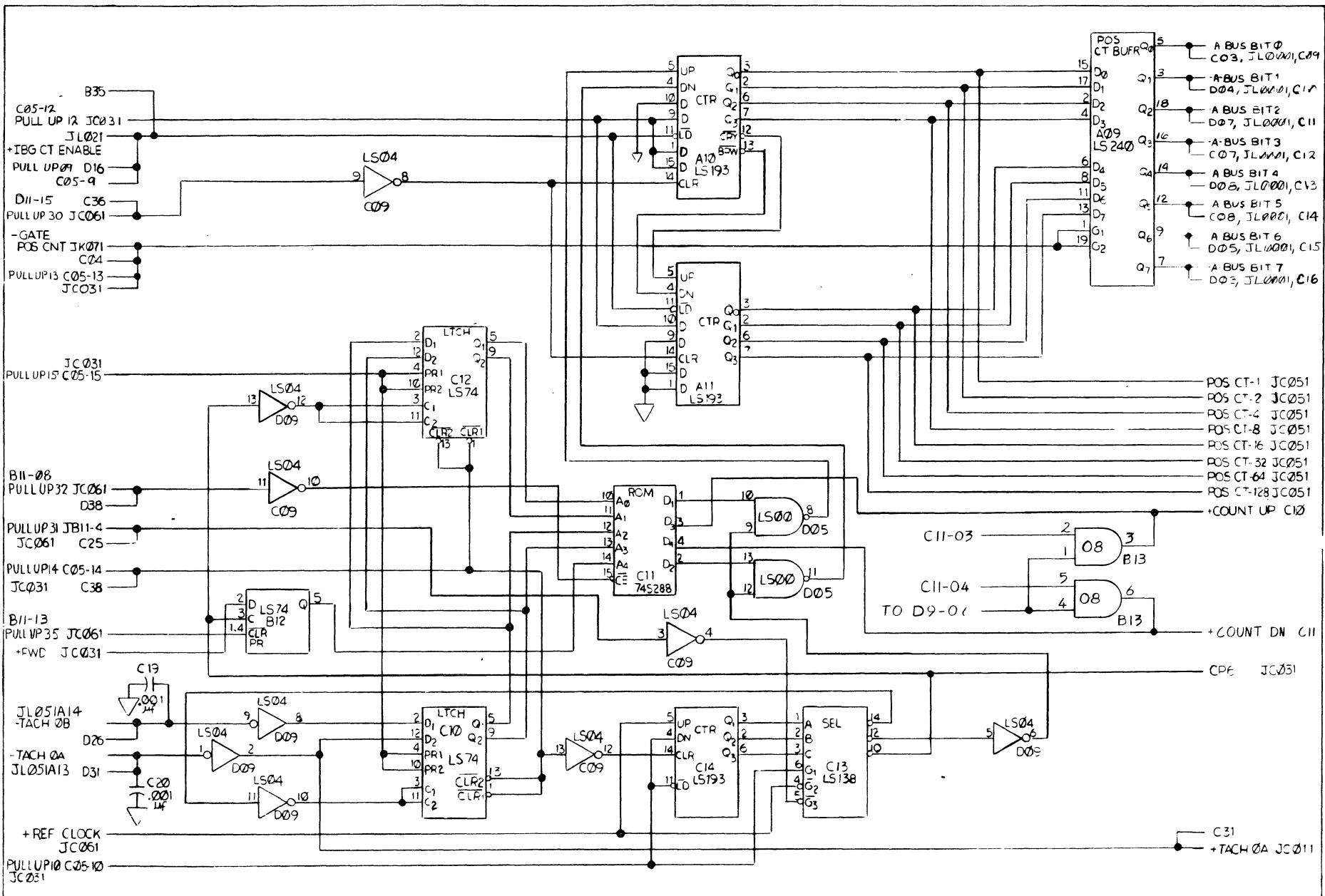
CD. LOC. C2
 GATE FRAME

CD. P/N. SEE NOTE
 CD. TYPE JC
 PG. P/N. 4012678-03

A
B
C
1



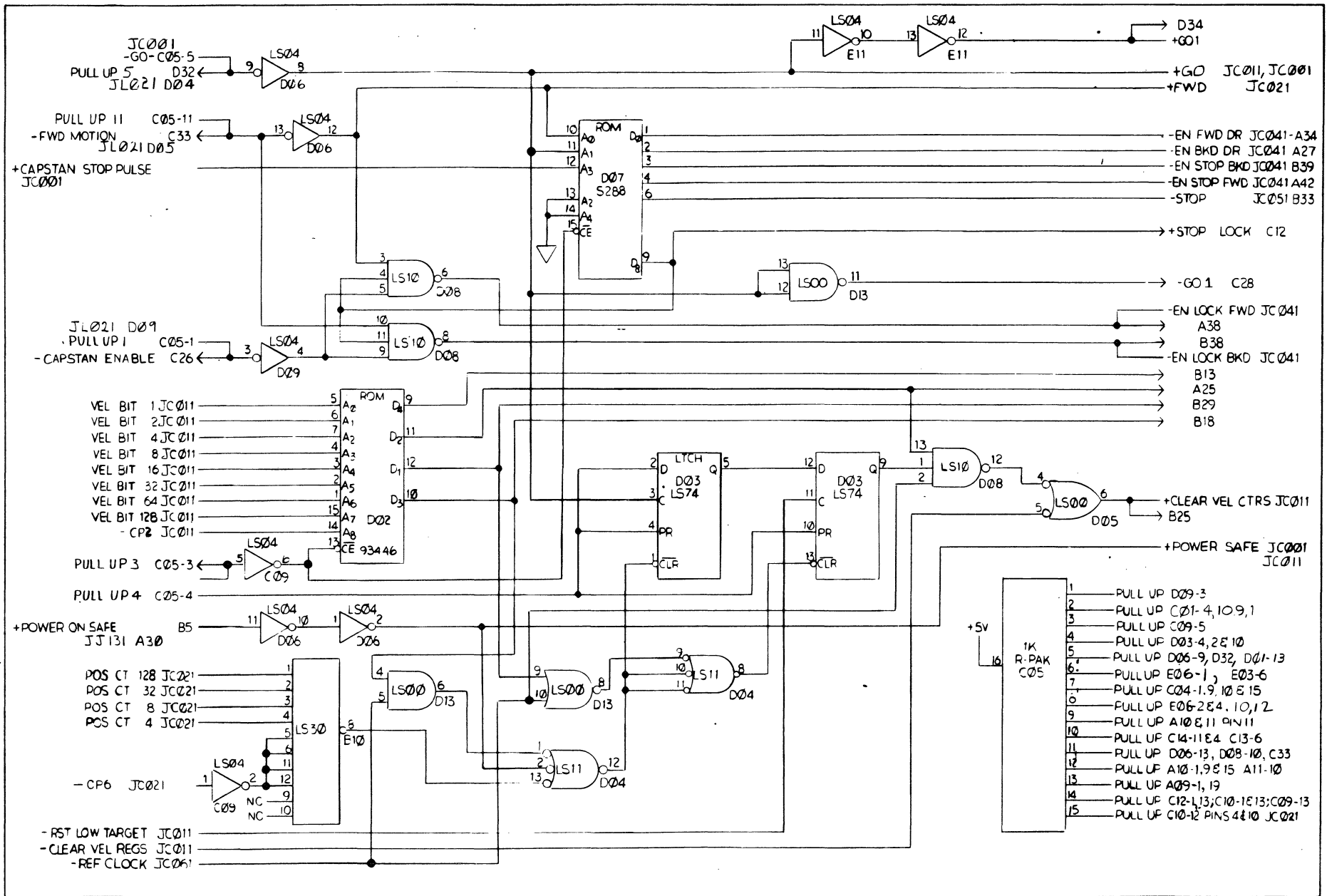




JC021

CAPSTAN LOCK CONTROL IBC REG			
PRES E C	44160	MACH	1950
PREV E C		VERS	
DATE	30 MAY 80	GBL	ROT
CD LOC	CC	GATE	
FRAME			
CD P.N.	JC	CD TYPE	JC
PG. PN.	4012689-01-6		

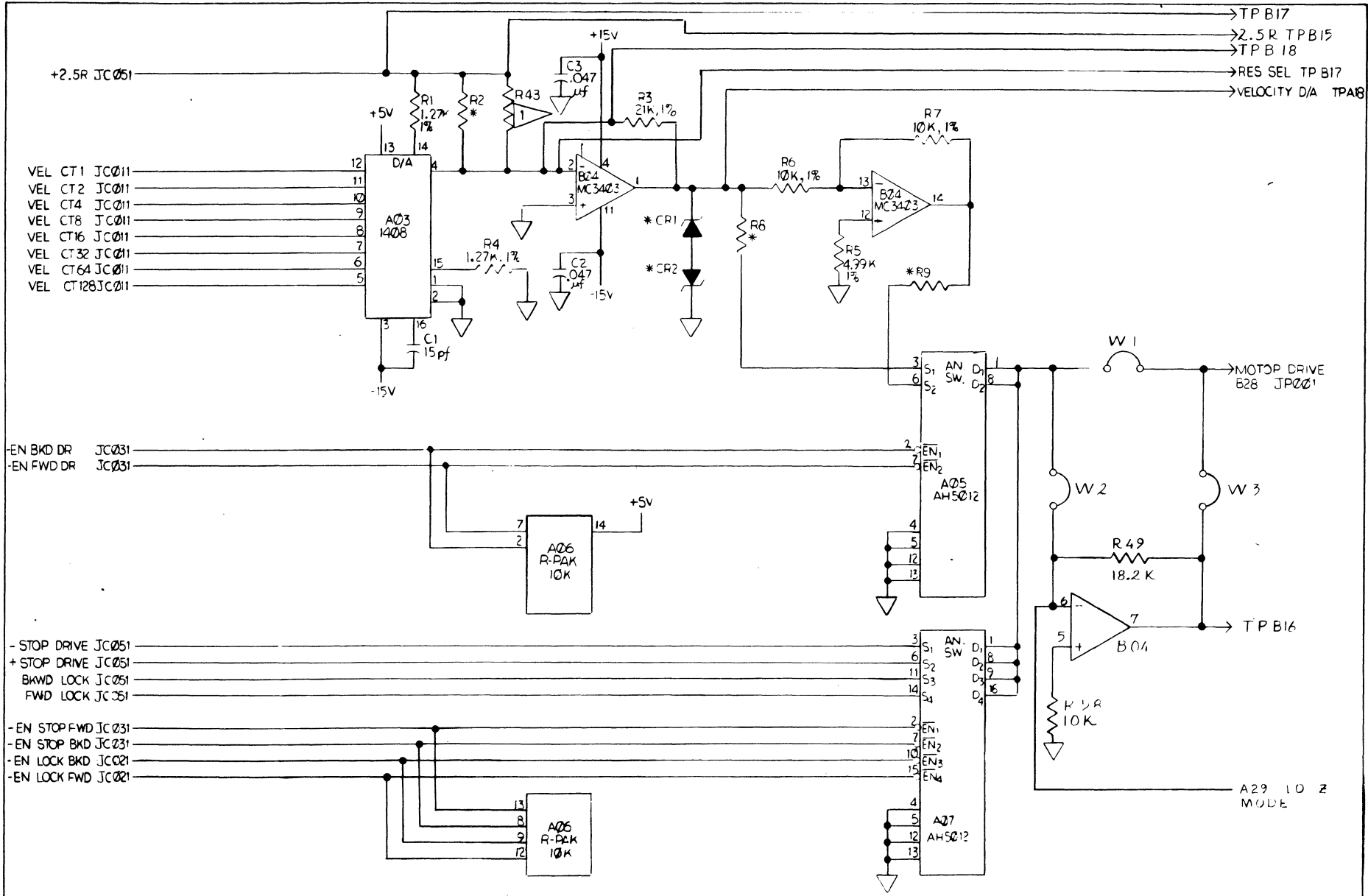
JC021



1000-

LOW TARGET CONTROL AND COMMAND DECODE			
PRES. E. C. 44192 PREV. E. C. 44097 DATE 5-28-80	MACH. 1950 VERS. GBL. ROT.	CD LOC C2 GATE FRAME	CD. PN. CD. TYPE J.C. PG. PN. 4012314-02-9

1000-3
1



* = SPEED RELATED COMPONENTS

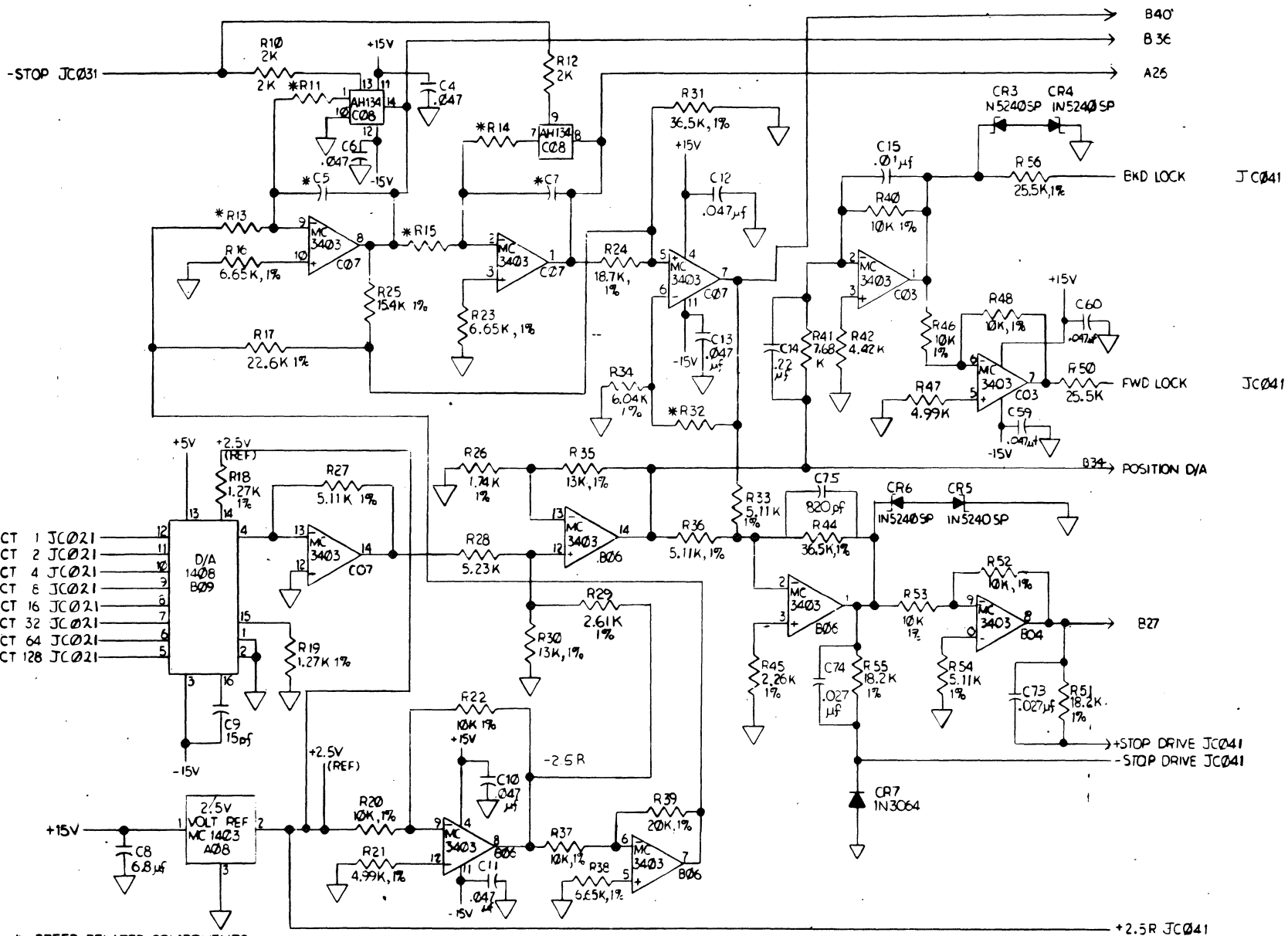
JCO 4 1	SPEED	CR1	CR2	R2	R8	R9
	50 IPS	IN5230	IN5230	1.87K	49.9K	49.9K
	75 IPS	IN5230	IN5230	1.82K	26.1K	26.1K
	125 IPS	IN5240SP	IN524CSP	1.82K	18.2K	18.2K

1 COMPONENT VALUE TO BE SELECTED IN CARD TEST.

CAPSTAN VELOCITY, STOP AND LOCK SELECT

PRES. E.C. 44343	MACH 1950	CD LOC C2	CD P.M.
PREV. E.C. 44160	VERS.	GATE	CD TYPE JC
DATE 9 JUL 80	GBL ROT	FRAME	PG. PN 4012630 C12

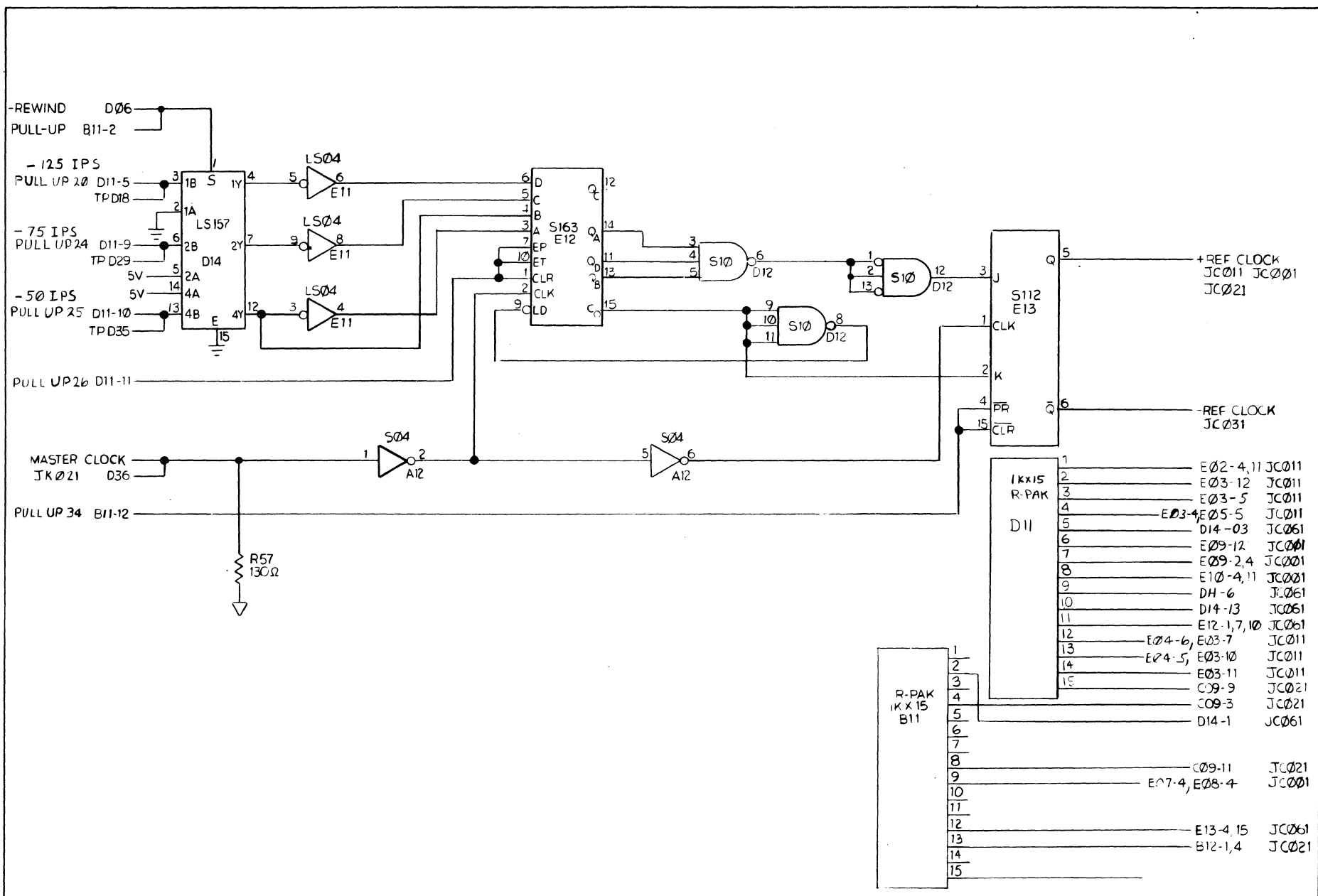
JCO 4 1



* = SPEED RELATED COMPONENTS

FUNCTION	CAPSTAN STOP PROFILE GENERATOR AND POSITION D/A								FUNCTION
	SPEED	C5	C7	R11	R13	R14	R15	R32	
	50 IPS	.047 μ F	.047 μ F	1K	53.6K	1K	53.6K	24.9K	
75 IPS	.047 μ F	.047 μ F	1K	44.2K	1K	44.2K	26.1K		
125 IPS	.027 μ F	.027 μ F	7.68K	44.2K	7.68K	44.2K	36.5K		

PRES E C 44192	MACH 1950	CD LOCC2	CD P/N
PREV E C 44097	VERS	GATE	CD TYPE JC
DATE 5-28-80	GBL ROT	FRAME	PG. P/N 4012316-02-4



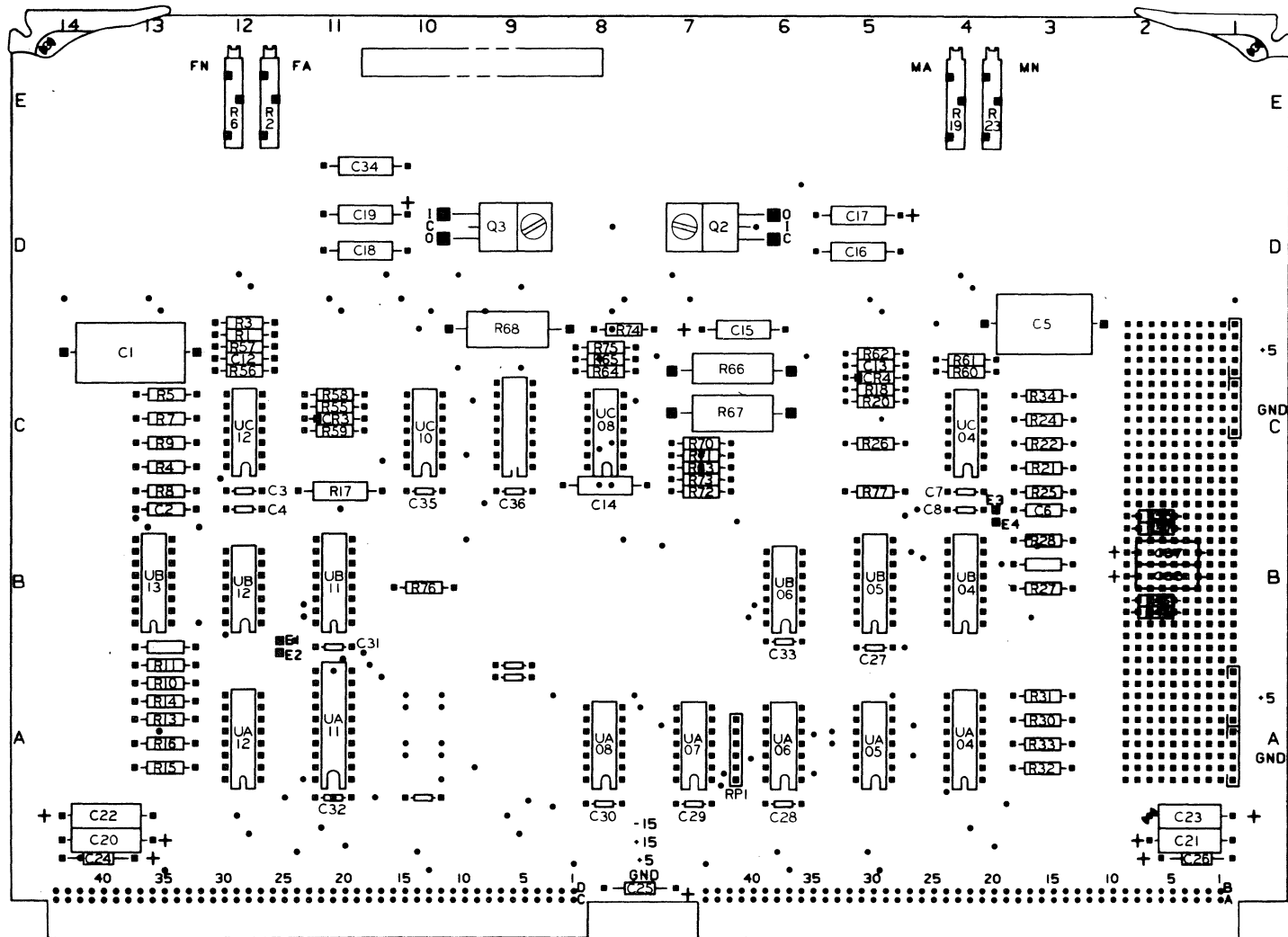


BUILD ARC DDC

ASSEMBLY PARTS LIST

PRINT DATE	PAGE	E.C. NO.
02-20-81	1	44101

DIV.	ASSEMBLY NUMBER	CD	REV.	DWG.	DESCRIPTION	MC	STATUS	STATUS DATE	FILE DATE						
0500	401273201	4	A	N	SYS LGC GP, JS, 401227203, PC	N	REL	06-25-80	1950	06-25-80					
T	FIND NO	LI	PART NUMBER	CD	M	QUANTITY	U/M	PART DESCRIPTION	MC	YLD	E.C. NO. IN	E.C. NO. OUT	S/N	WK IN	WK OUT
	000	01	401272001	9		REF	PC	SYS LGC, JS, AB001, PC	D						
	001	01	401272101	7		REF	PC	SYS LGC, JS001, PC	D						
	010	01	401272201	5		REF	PC	SYS LGC, JS011, PC	D						
	030	01	401272301	3		REF	PC	SYS LGC, JS031, PC	D						
	040	01	401272401	1		REF	PC	SYS LGC, JS041, PC	D						
	050	01	401272501	8		REF	PC	SYS LGC, JS051, PC	D						
	500	01	401227203	7		REF	PC	CKT CD, JS, PC ASSEMBLY	S						
								0007 TOTAL LINES							



JS CD, REEL MOTOR PRE-AMP

PRES. E.C. 44101
 PREV. E.C.
 DATE 6-9-80

MACH. 1950
 VERS.
 GBL. ROT.

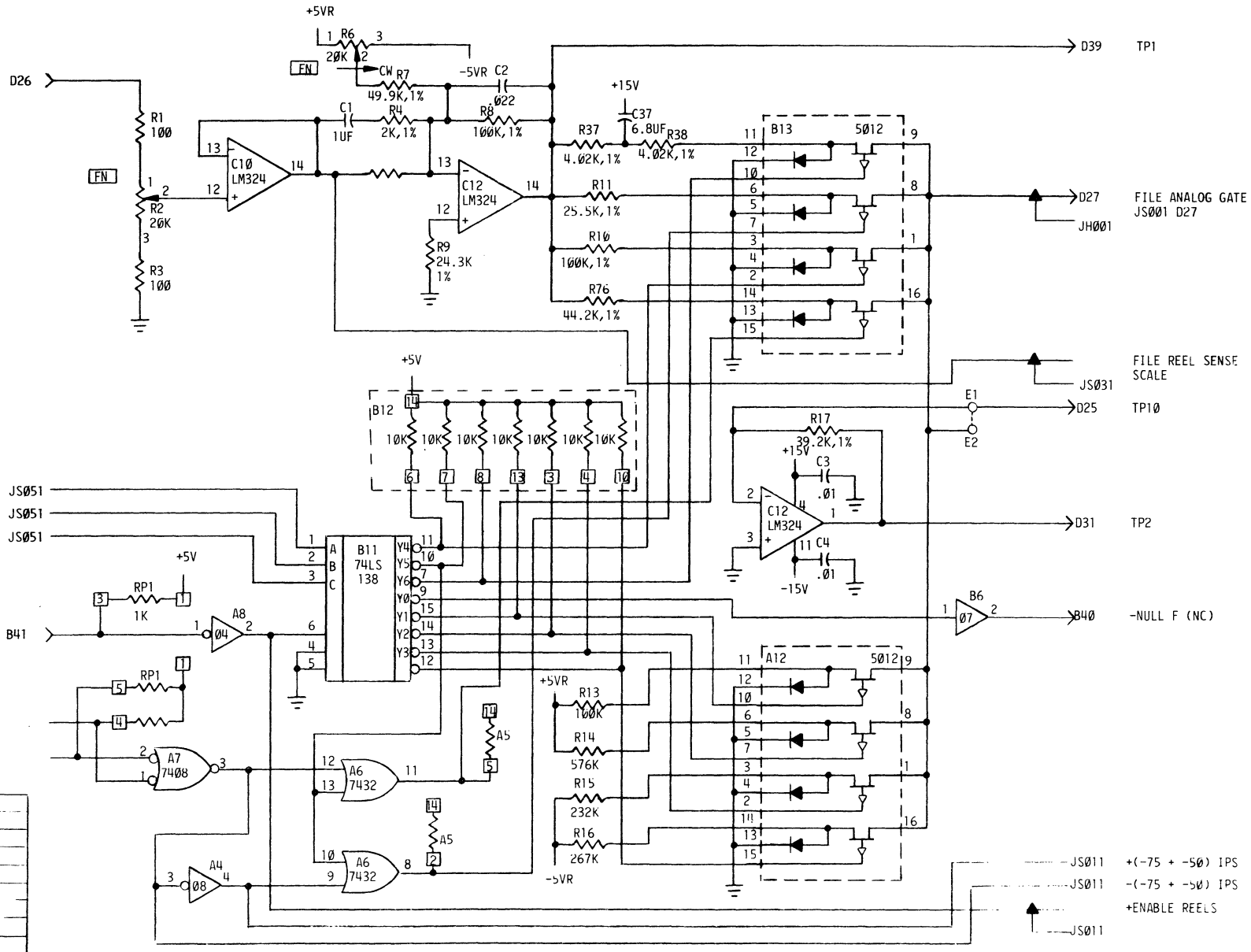
CD. LOC. B2
 GATE FRAME 1A

CD. P.N. 401227203-7
 CD. TYPE JS
 PG. P.N. 4012720-01-9

A
B
C
D
E

A
B
C
D
E

FILE REEL DC SENSOR
JZ



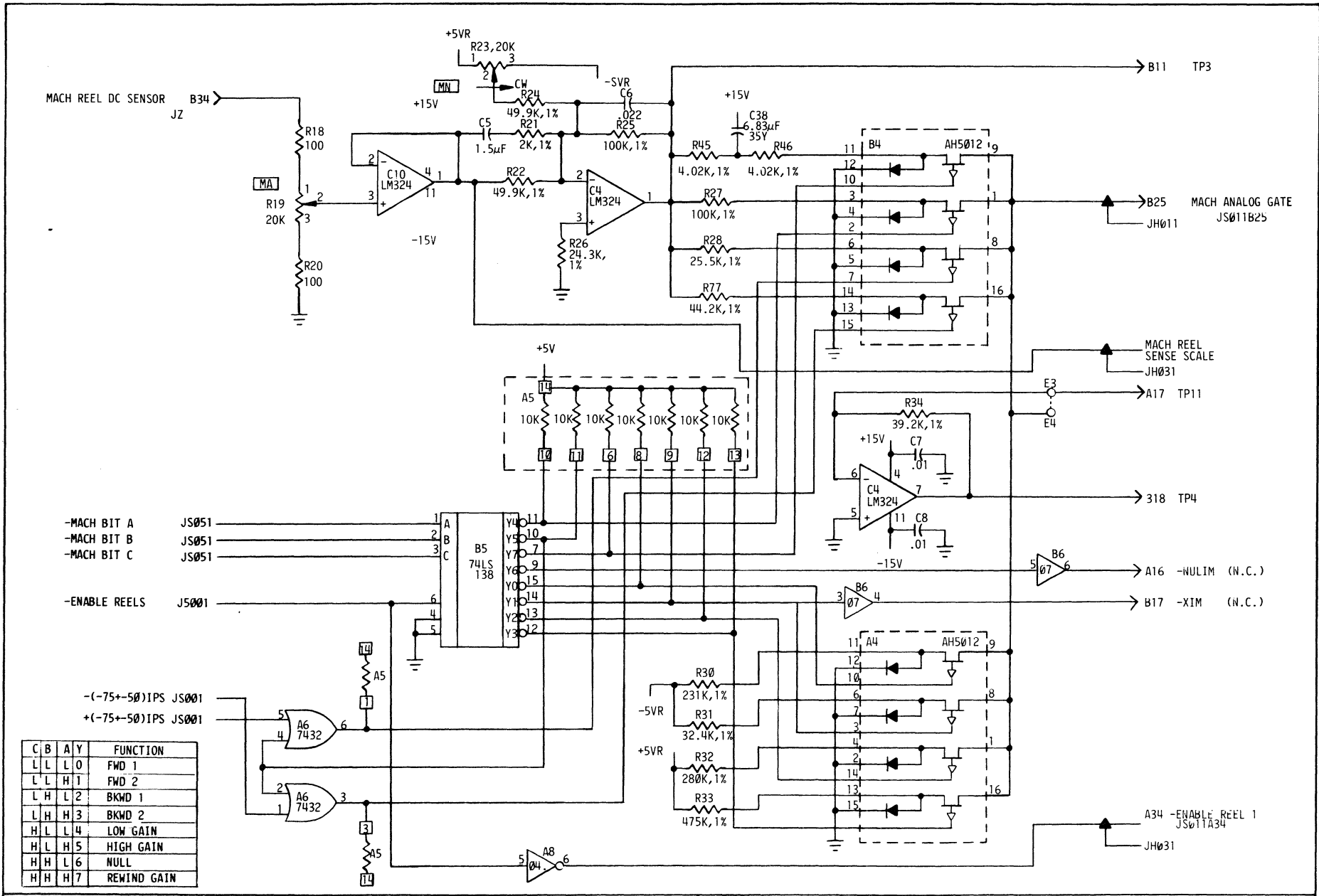
FILE BIT A
FILE BIT B
FILE BIT C

ENABLE REELS JL021D03 B41

-50 IPS C5

-75 IPS C6

C	B	A	Y	FUNCTION
L	L	L	0	FWD 1
L	L	H	1	FWD 2
L	H	L	2	BKWD 1
L	H	H	3	BKWD 2
H	L	L	4	LOW GAIN
H	L	H	5	HIGH GAIN
H	H	L	6	NULL
H	H	H	7	REWIND GAIN



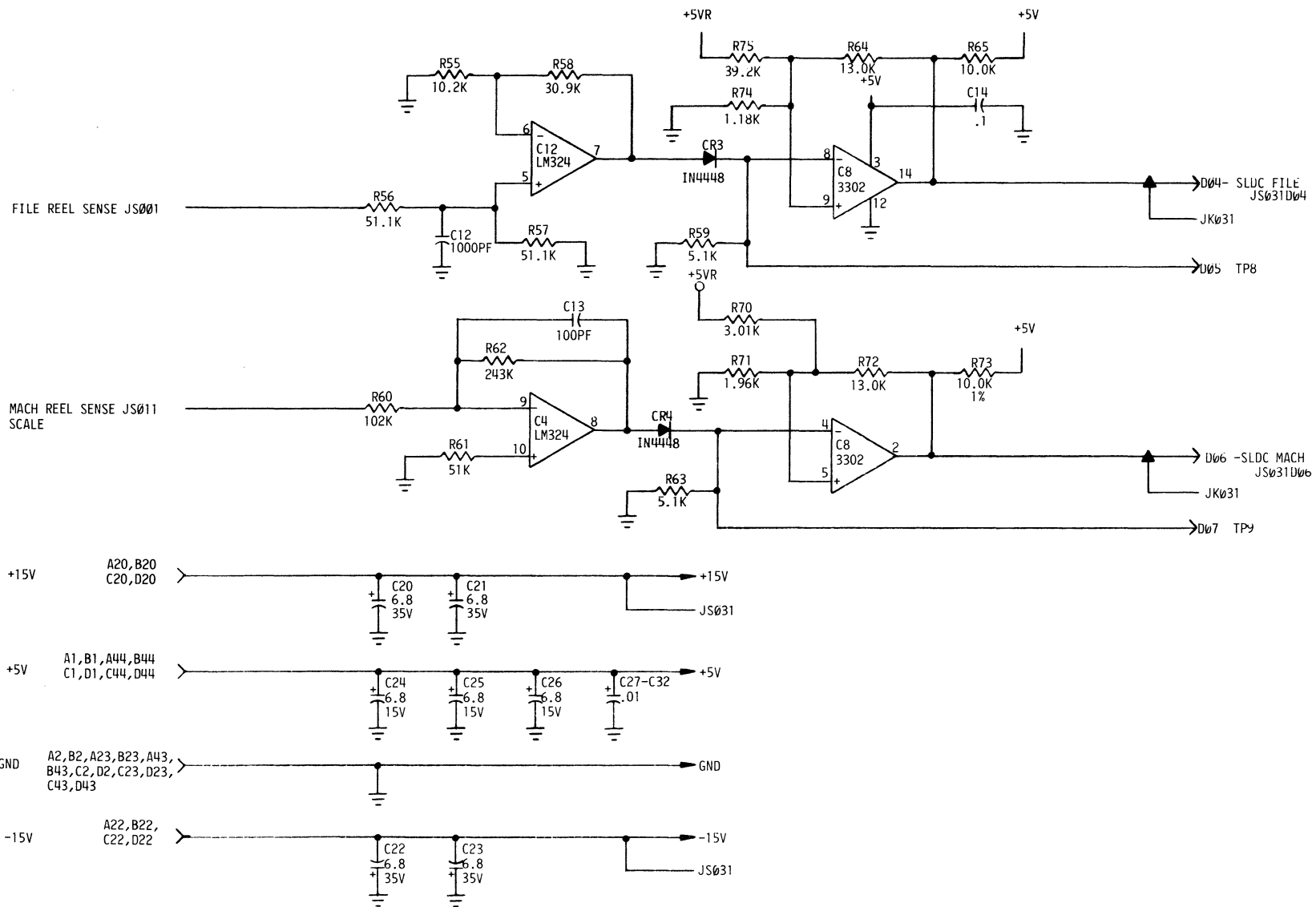
-MACH BIT A JS051
 -MACH BIT B JS051
 -MACH BIT C JS051
 -ENABLE REELS JS001

-(-75+-50)IPS JS001
 +(-75+-50)IPS JS001

C	B	A	Y	FUNCTION
L	L	L	0	FWD 1
L	L	H	1	FWD 2
L	H	L	2	BKWD 1
L	H	H	3	BKWD 2
H	L	L	4	LOW GAIN
H	L	H	5	HIGH GAIN
H	H	L	6	NULL
H	H	H	7	REWIND GAIN

JS011

JS011



REWIND SLOW DOWN CAPSTAN

PREV. E.C. 44101
 PREV. E.C.
 DATE 6/12/80

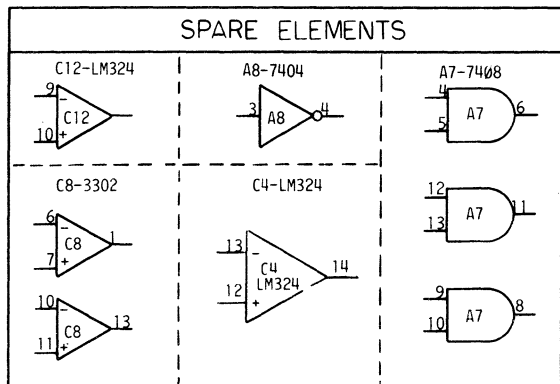
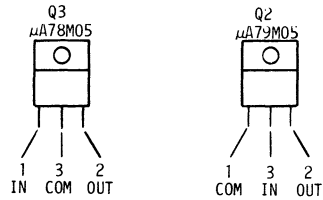
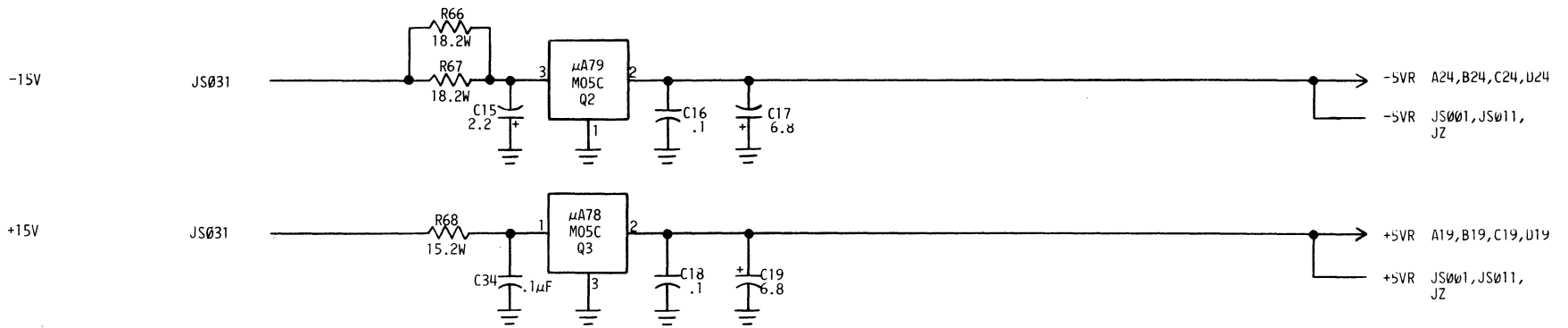
MACH. 1950
 VERS.
 GBL. ROT.

CD. LOC. B2
 GATE 1A
 FRAME

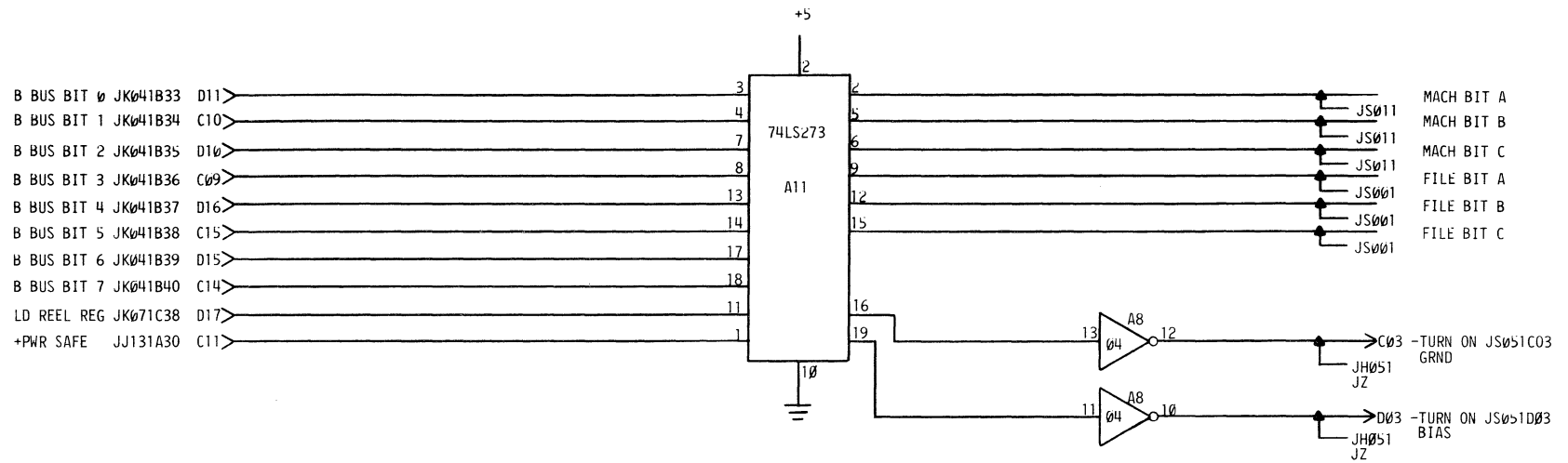
CD. P.N.
 CD. TYPE JS
 PG. P.N. 4012723-01-3

10001

10001



J S S I	±5V_R POWER				J S S I
	PRES. E.C. 44101 PREV. E.C. DATE 6/12/80	MACH. 1950 VERS. GBL. ROT.	CD. LOC. B2 GATE 1A FRAME	CD. P.N. CD. TYPE JS PG. P.N. 4012724-01-1	



SEQUENCER INTERFACE

PRES. E.C. 44101
 PREV. E.C.
 DATE 6/12/80

MACH. 1950
 VERS.
 GBL. ROT.

CD. LOC. B2
 GATE 14
 FRAME

CD. P.N.
 CD. TYPE JS
 PG. P.N. 4012725-01-8

J
S
S
I

J
S
S
I

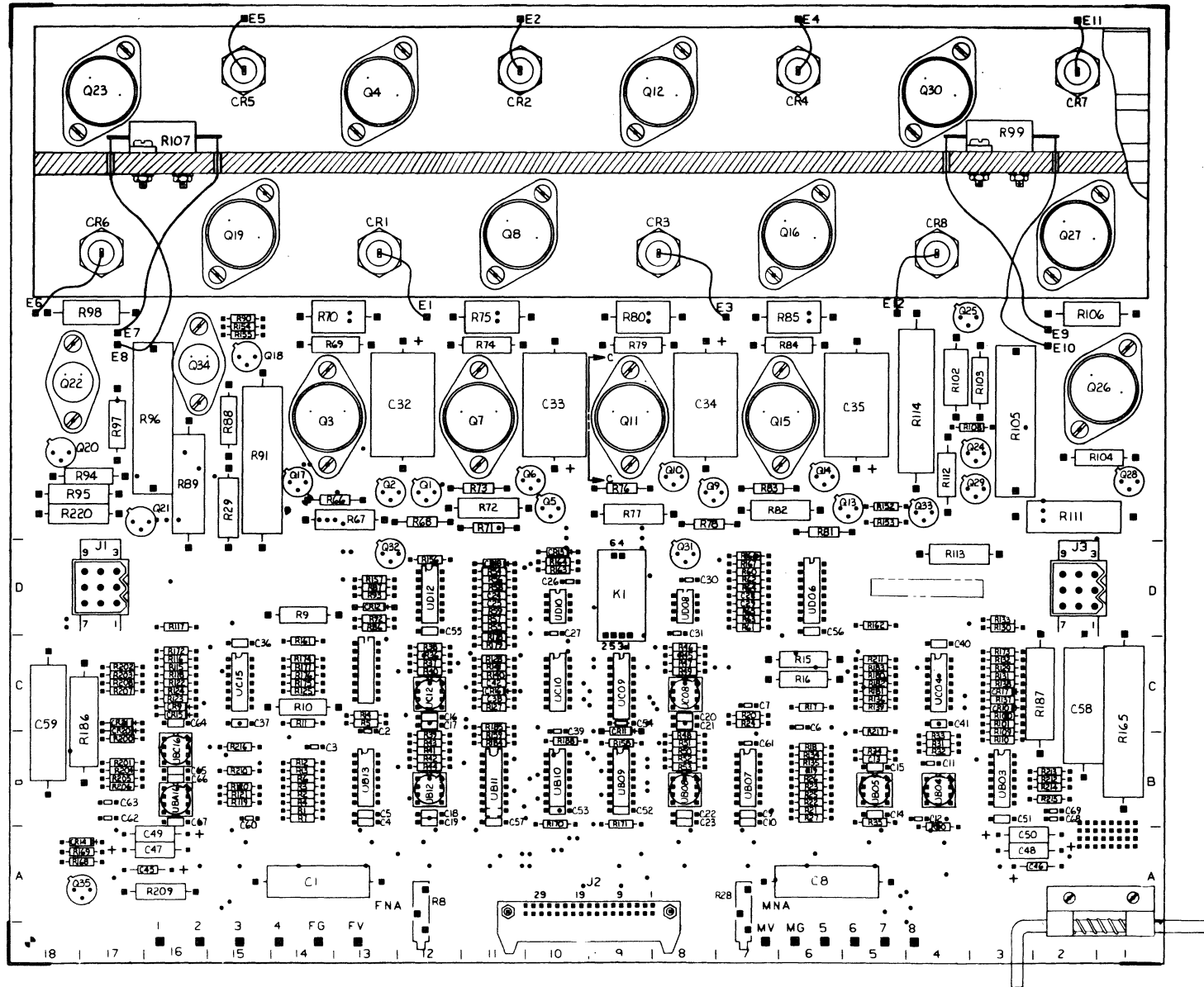


BUILD ARC DOC

ASSEMBLY PARTS LIST

PRINT DATE	PAGE	E.C. NO.
02-20-91	1	44099

DIV.	ASSEMBLY NUMBER	CD	REV.	DWG.	DESCRIPTION	MC	STATUS	STATUS DATE	FILE DATE					
0500	401275601	3	A	N	SYS LGC GP, JH, 401226201, PC	N	REL	07-14-90	1950	07-14-80				
T FIND NO	LI	PART NUMBER	CD	M	QUANTITY	U/M	PART DESCRIPTION	MC	YLD	E.C. NO. IN	E.C. NO. OUT	S/N	WK IN	WK OUT
000	01	401267701	1		REF	PC	SYS LGC, JH, AB001, PC	D						
001	01	401267901	7		REF	PC	SYS LGC, JH001, PC	D						
010	01	401268001	5		REF	PC	SYS LGC, JH011, PC	D						
020	01	401268101	3		REF	PC	SYS LGC, JH021, PC	D						
030	01	401268201	1		REF	PC	SYS LGC, JH031, PC	D						
040	01	401268301	9		REF	PC	SYS LGC, JH041, PC	D						
050	01	401268401	7		REF	PC	SYS LGC, JH051, PC	D						
060	01	401268501	4		REF	PC	SYS LGC, JH061, PC	D						
070	01	401268601	2		REF	PC	SYS LGC, JH071, PC	D						
080	01	401268701	0		REF	PC	SYS LGC, JH081, PC	D						
090	01	401268801	8		REF	PC	SYS LGC, JH091, PC	D						
500	01	401226201	2		REF	PC	CKT CD, JH, PC ASSEMBLY	S						
							0012 TOTAL LINES							



A
B
C
D

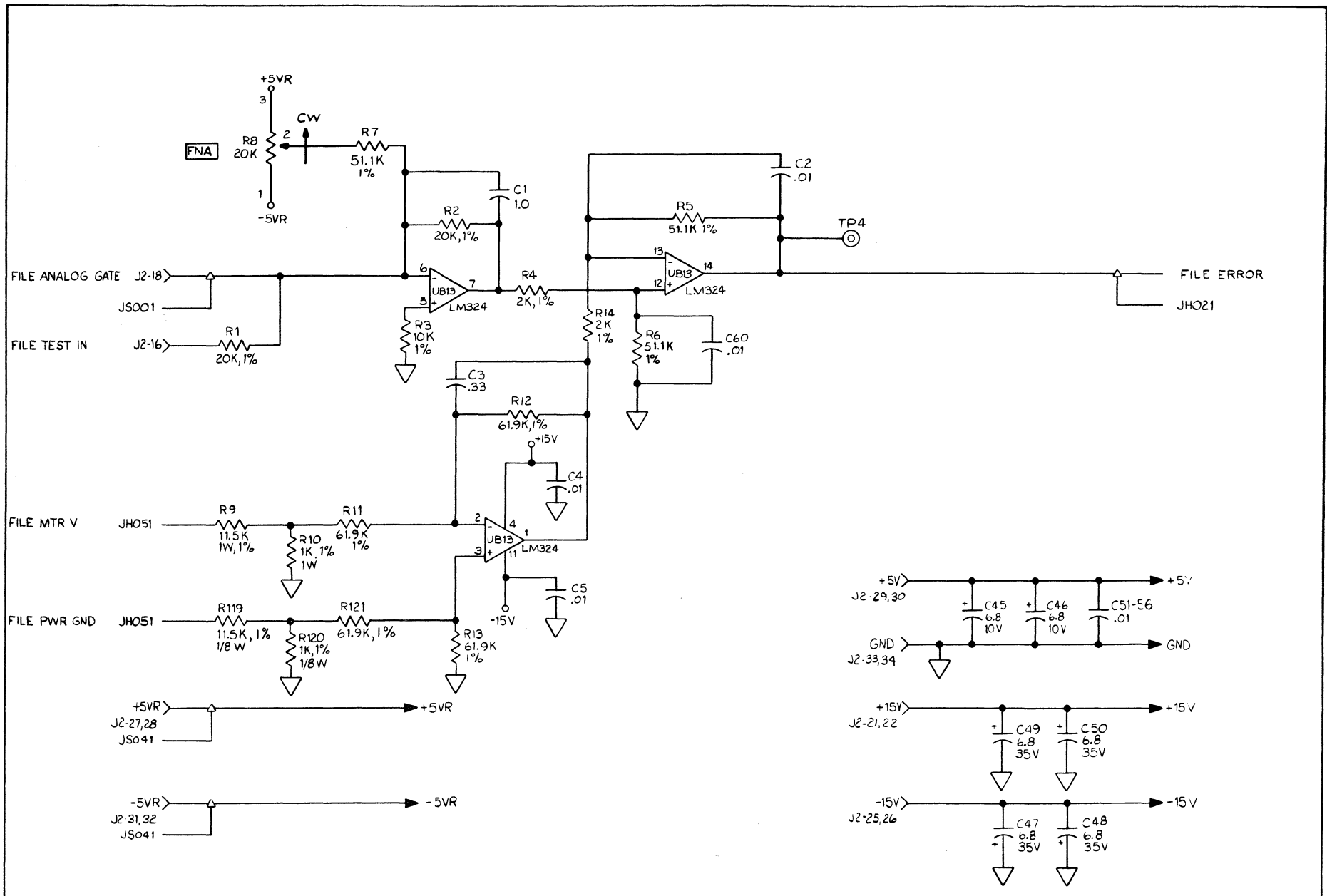
PRE. E.C. 44099
 PREV. E.C.
 DATE 6-5-40 44

MACH. 940
 VERS.
 GBL. ROT.

CD. LOC.
 GATE
 FRAME

CD. RM.
 CD. TYPE JH
 PG. PN. 4012677-01

A
B
C
D



NOTE: UNLESS OTHERWISE SPECIFIED

1. ALL CAPACITOR VALUES ARE IN μF .
2. ALL RESISTOR VALUES ARE IN OHMS 1/4 W 5% AND 1% RESISTORS ARE 1/8 W

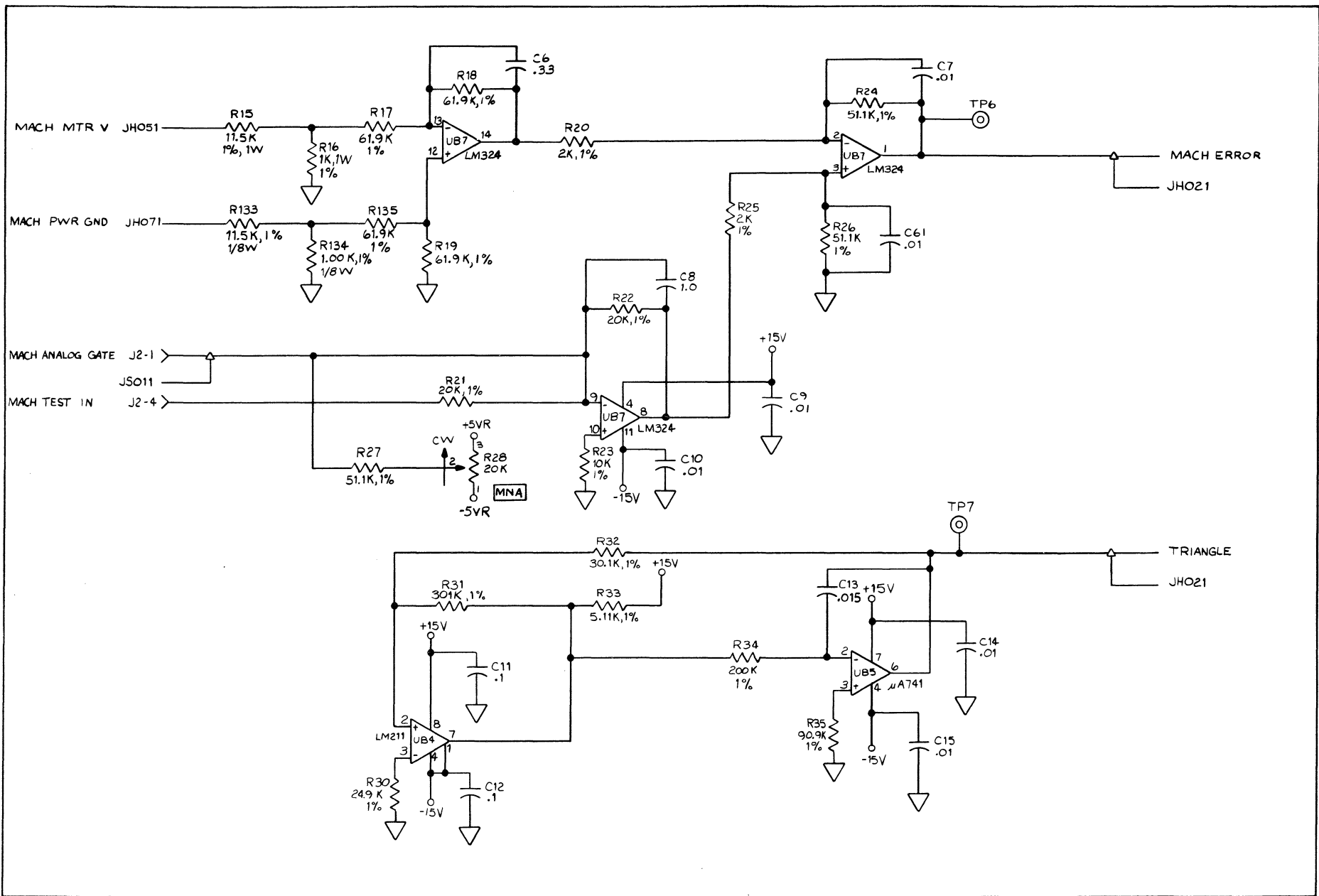
FILE REEL ERROR

PREV. E.C. 44099
 PREV. E.C. 44202
 DATE 6-5-79

MACH. 1950
 VERS.
 GBL. ROT.

CD. LOC.
 GATE
 FRAME

CD. P.N. JH
 CD. TYPE
 PG. P.N. 4012679-01-7



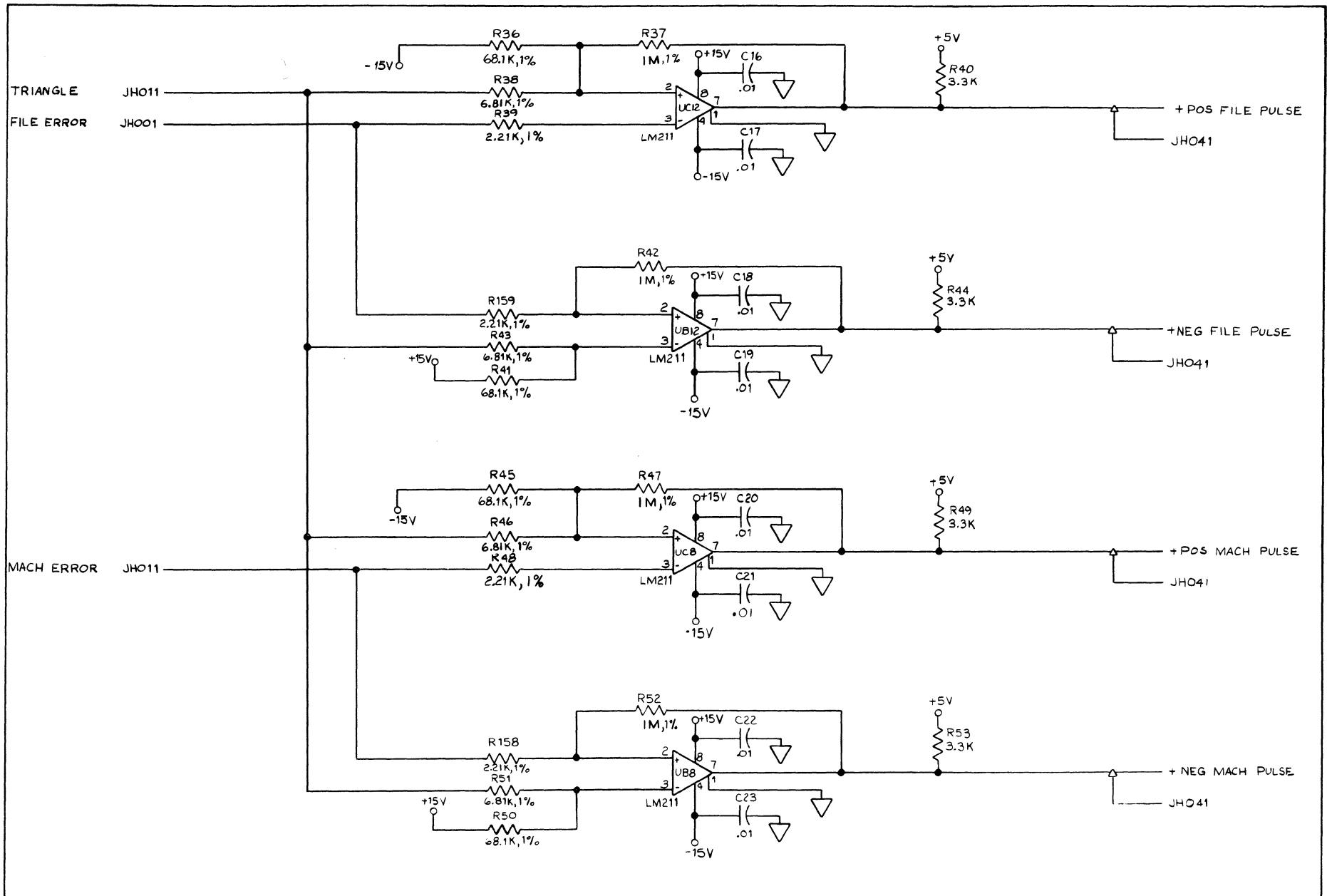
MACHINE REEL ERROR AND TRIANGLE GENERATOR

PRE. E.C. 11099
 PREV. E.C. 11202
 DATE 3-5-80 44

MACH. 950
 VERS.
 GBL. ROT.

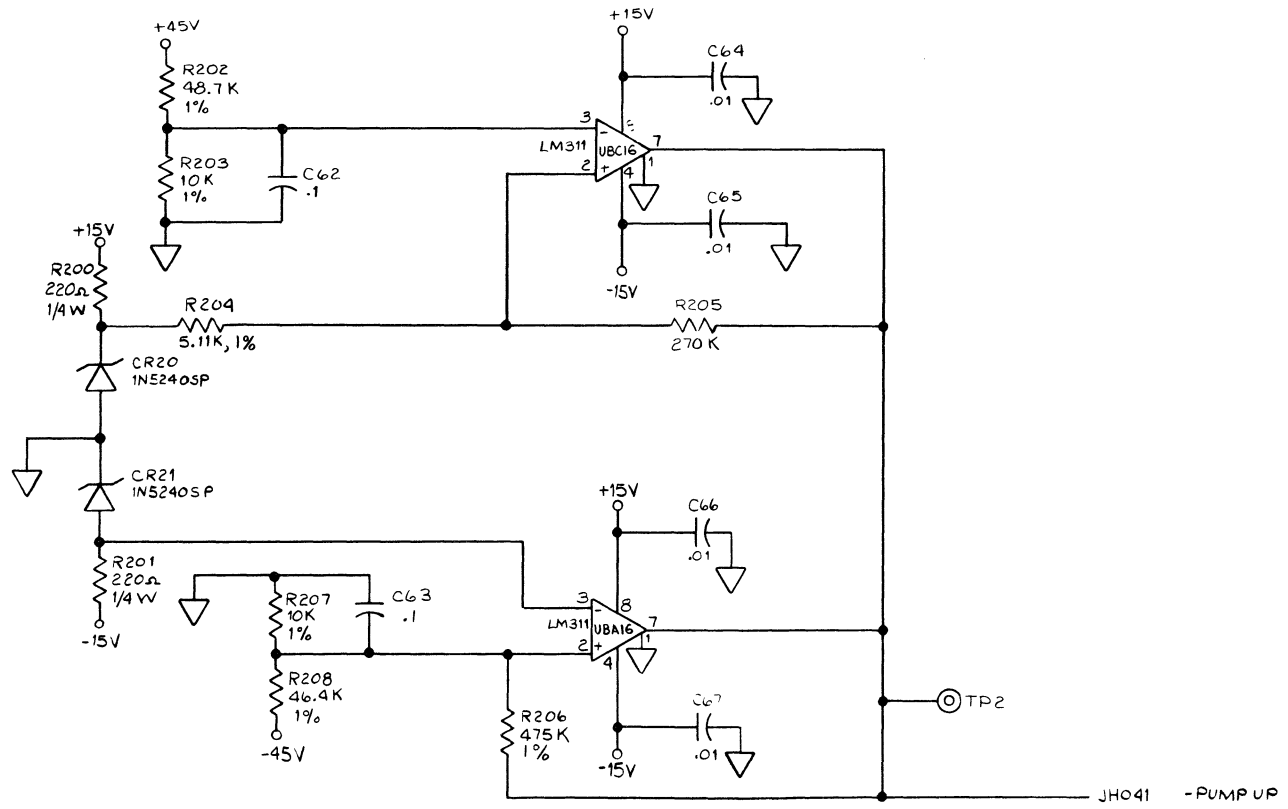
CD. LOC.
 GATE
 FRAME

CD. P.N. JH
 CD. TYPE
 PG. P.N. 4012680-01-5



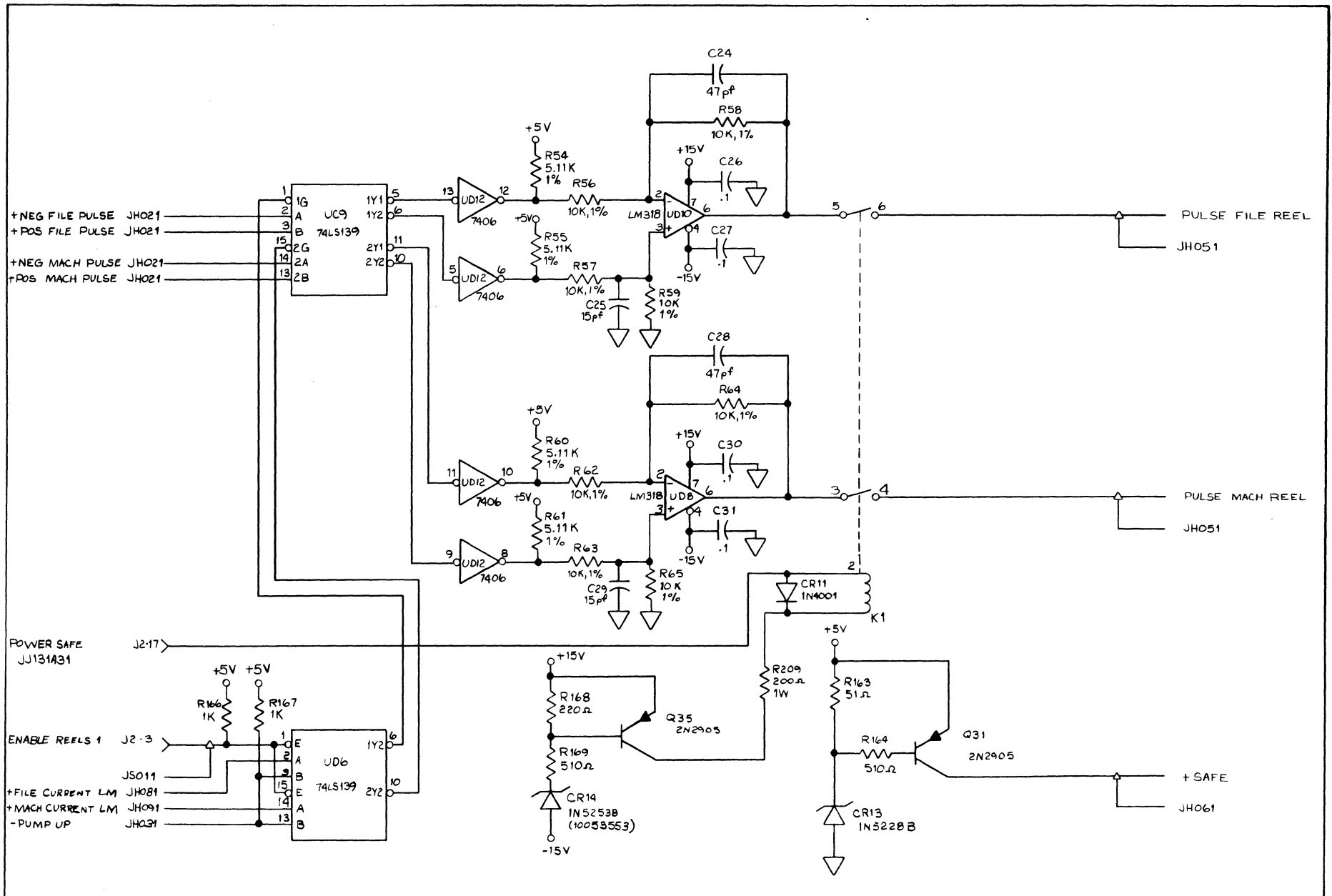
JH011
1

PULSE AMPLIFIER				JH011 1
PRES. E.C. 49099 PREV. E.C. 41202 DATE 8-5-1944	MACH. 1950 VERS. GBL. ROT.	CD. LOC. GATE FRAME	CD. RN. CD. TYPE JH PG. RN. 4012681-01-3	



-WOIL

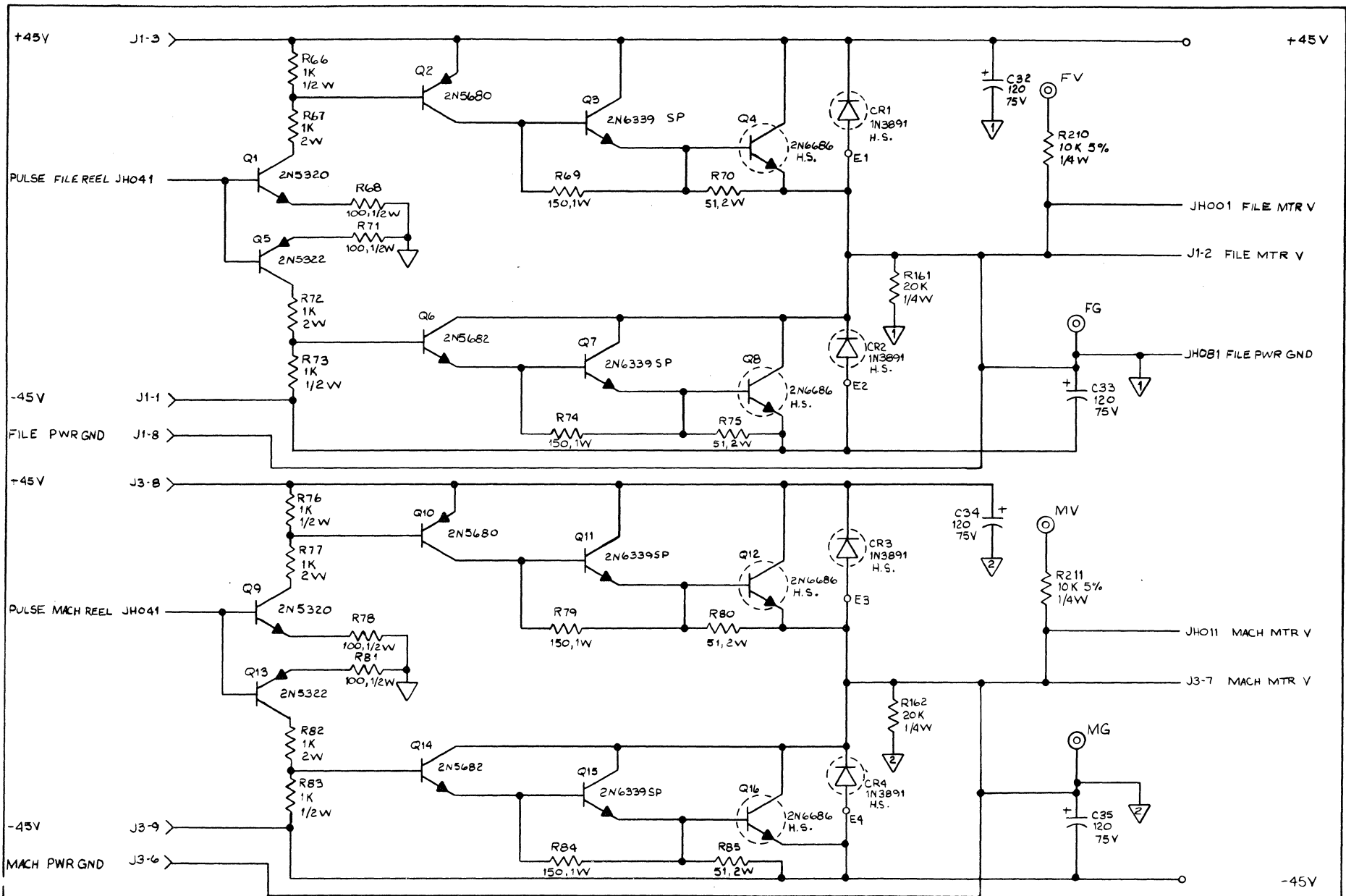
PUMP UP		CD. LOC. GATE FRAME	CD. P.N. CD. TYPE PG. P.N. 4012682-01-1	71041 1
PRES. E.C. 44099 PREV. E.C. 44202 DATE 2-5-80 G4	MACH. 1950 VERS. GBL. ROT.			



JHO41

PULSE CONTROL			
PRES. E.C. 44099 PREV. E.C. 49202 DATE 6-5-1977	MACH. 1950 VENS. GBL. ROT.	CD. LOC. GATE FRAME	CD. PN. CD. TYPE JH PG. PN. 4012683-01-9

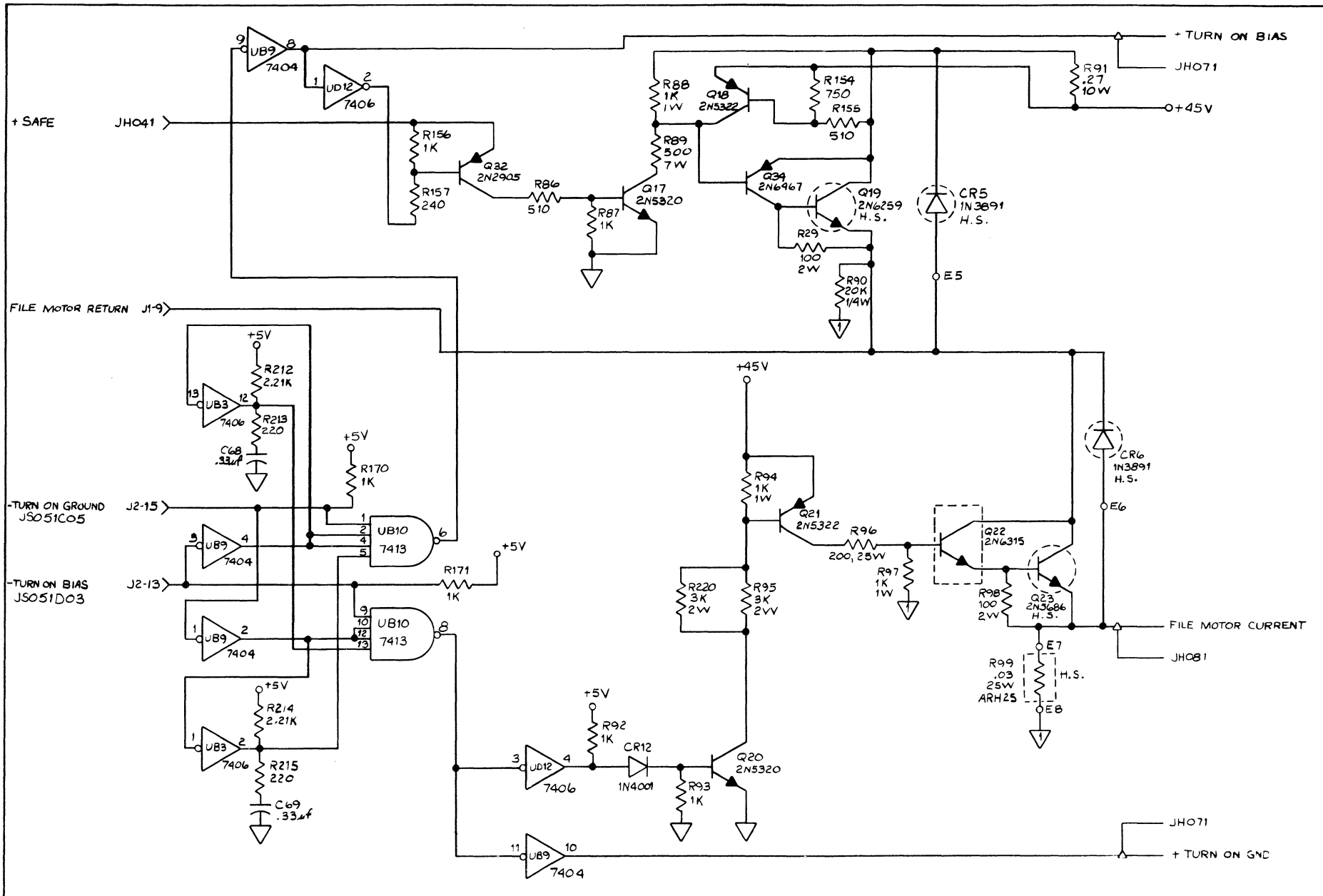
JHO41



NOTE: ∇ DENOTES LOW PWR GND
 ∇ DENOTES FILE MTR GND
 ∇ DENOTES MACH MTR GND

FILE & MACHINE REEL POWER AMP

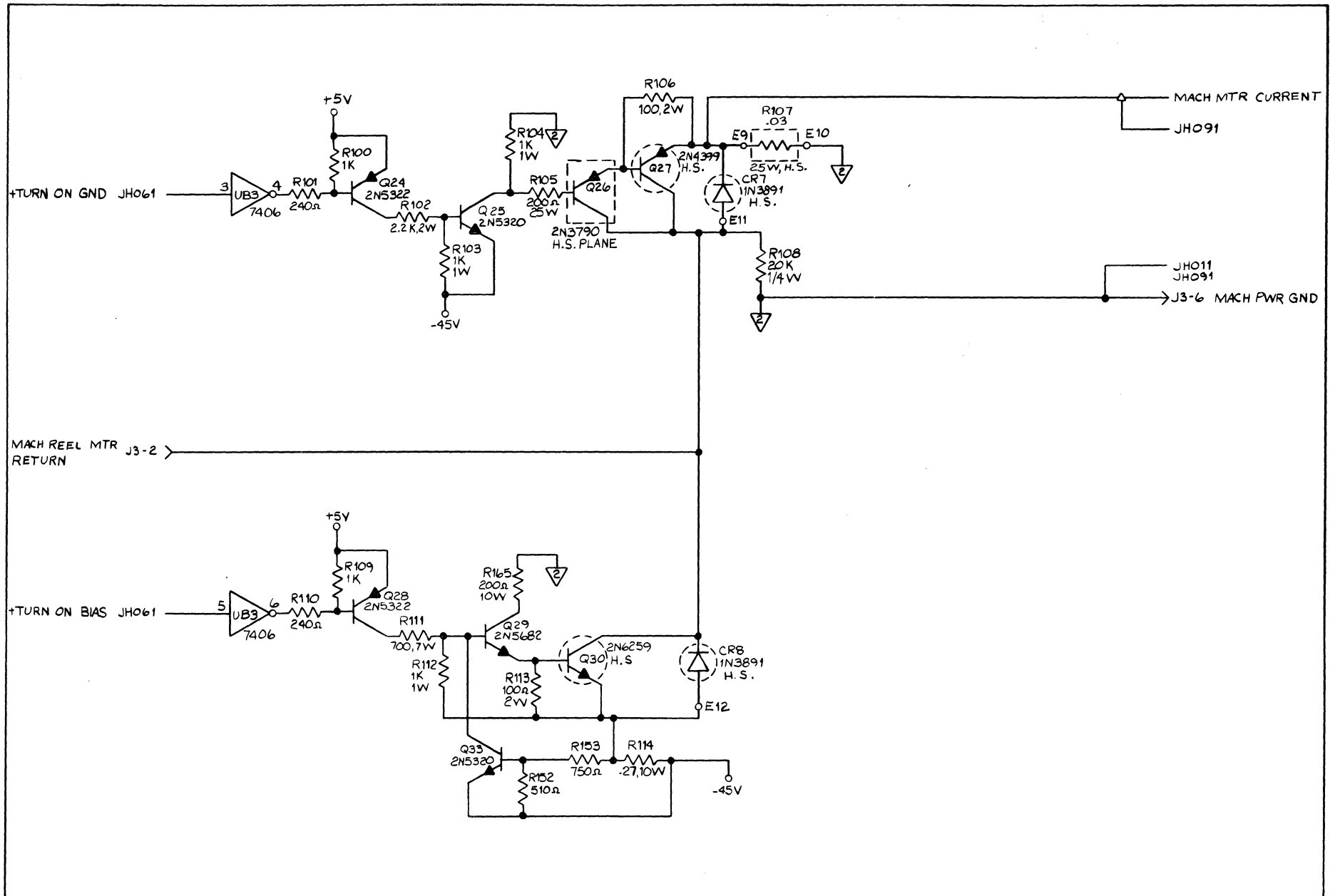
PRES. E.C. 11099 PREV. E.C. 11202 DATE 6-5-64	MACH. 1950 VRS. SBL. ROT.	CD. LOC. GATE FRAME	CD. P.N. CD. TYPE JH PG. P.N. 4012684-01-7
-----------------------------------------------------	---------------------------------	---------------------------	--------------------------------------------------



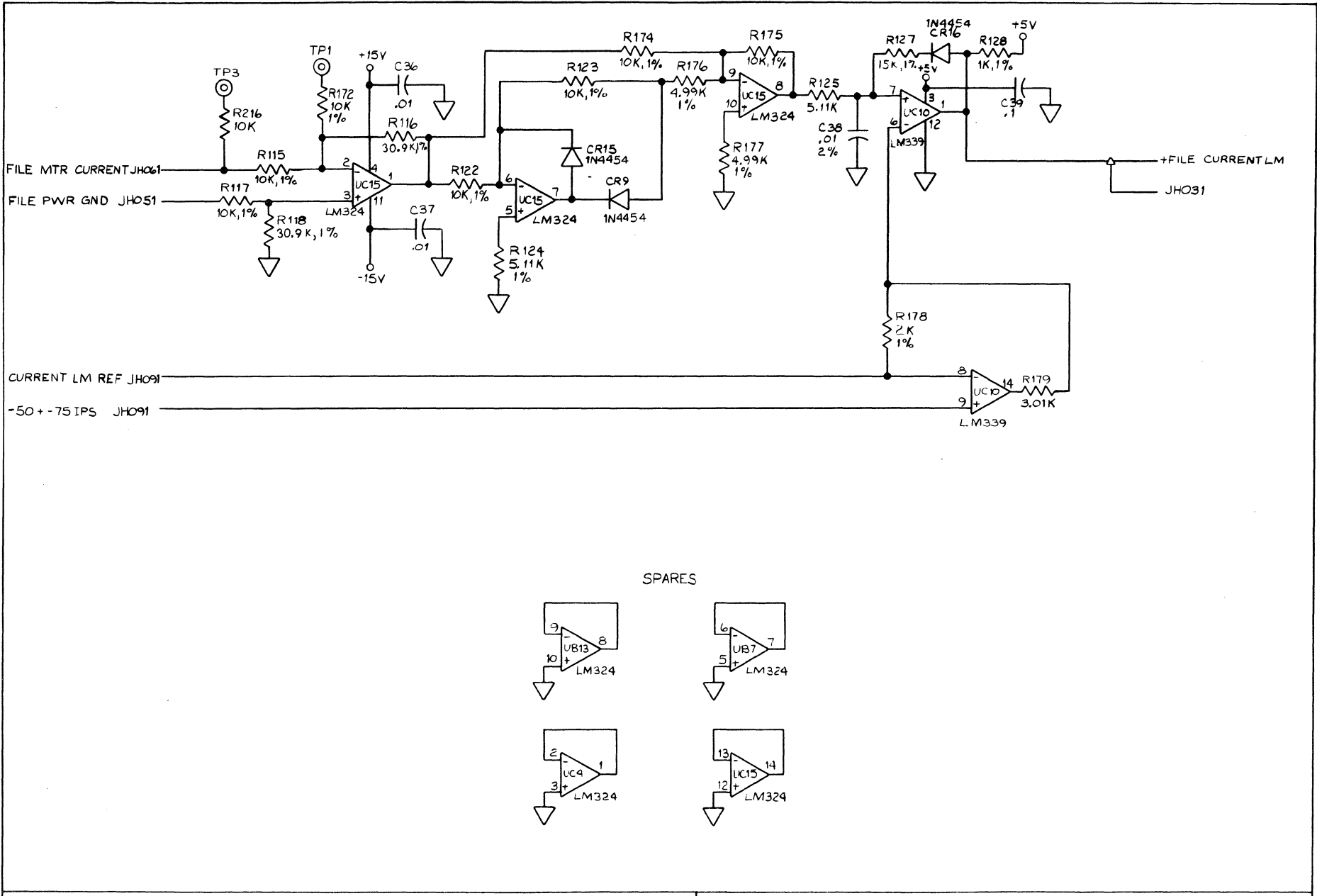
JHO61

GAF Polytrace 033

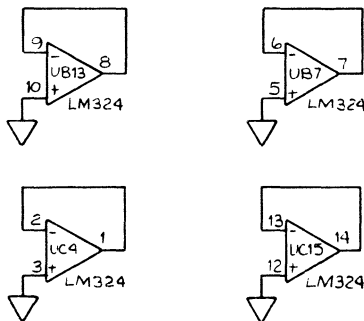
FILE REEL REWIND VOLTAGE SWITCH				CD. LOC. GATE FRAME	CD. P.N. CD. TYPE JH PG. P.N. 4012685-01-5	6014 1
PREV. E.C. 11099	MACH. 1950					
DATE 6-5-70	VER. GBL. ROT.					

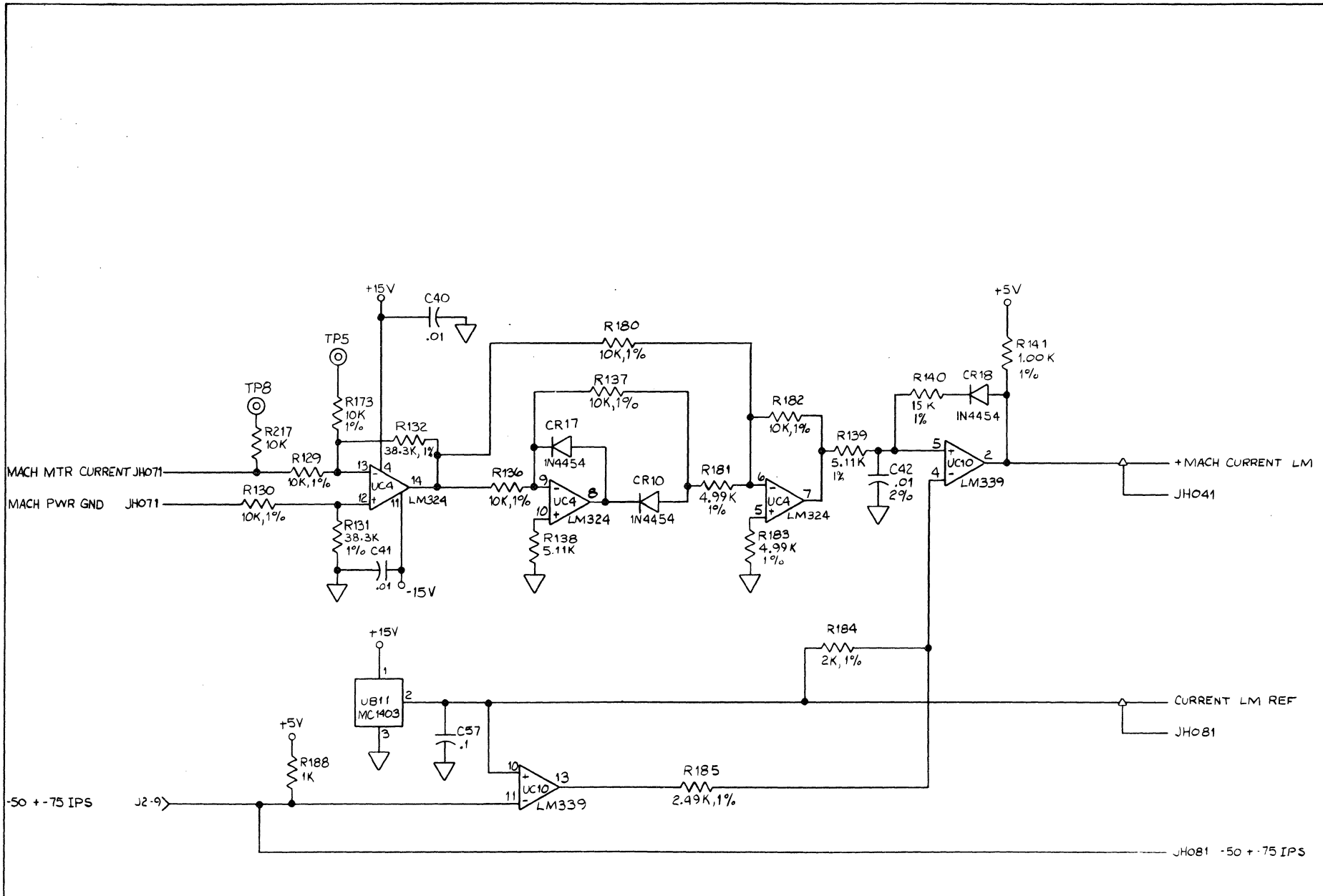


J H O 7 1	MACHINE REEL REWIND VOLTAGE				J H O 7 1
	PRES. E.C. 71099 PREV. E.C. 4202 DATE 6-5-64	MACH. 1950 VERS. GBL. ROT.	CD. LOC. GATE FRAME	CD. PN. JH CD. TYPE PG. PN. 4012686-01-3	

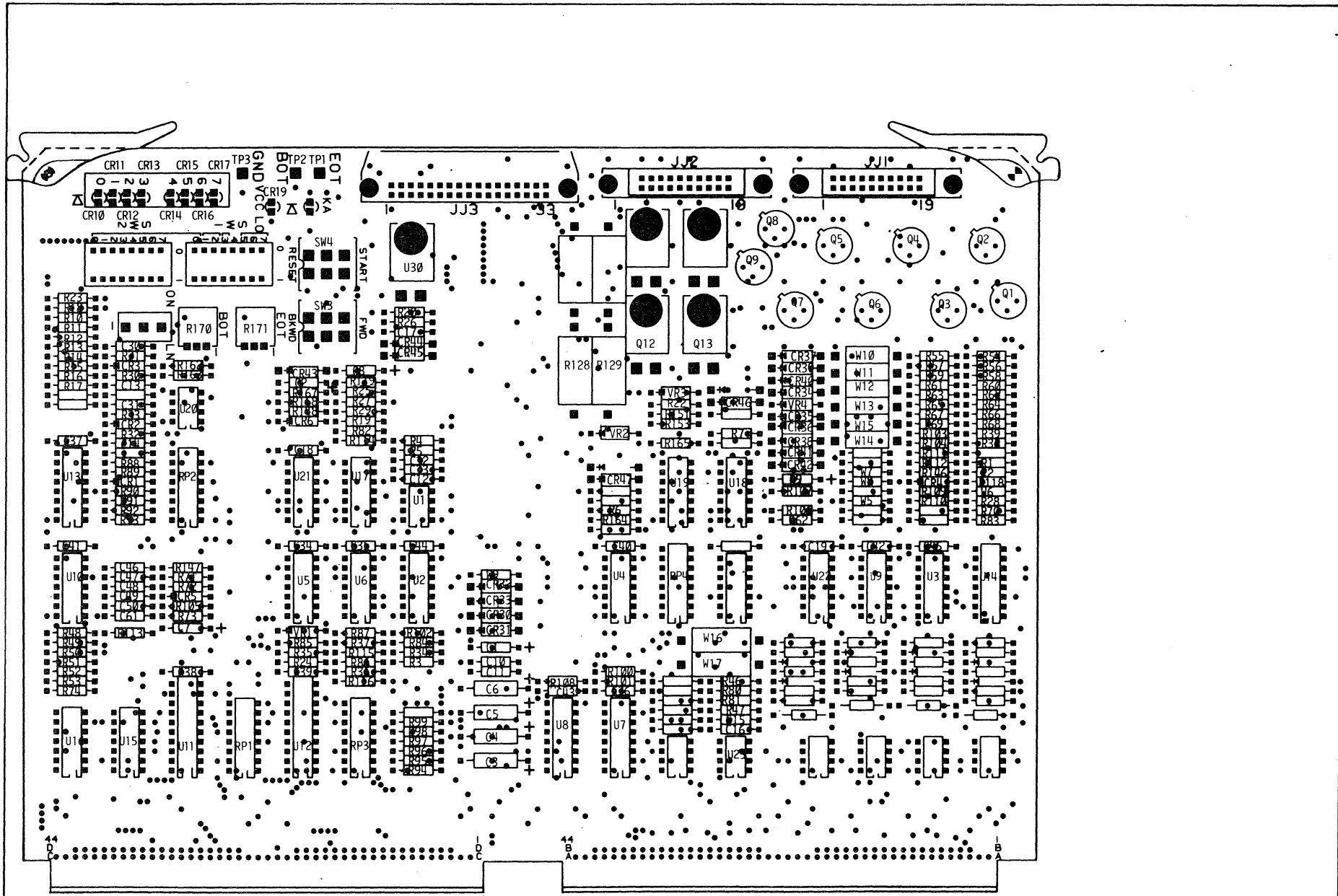



SPARES



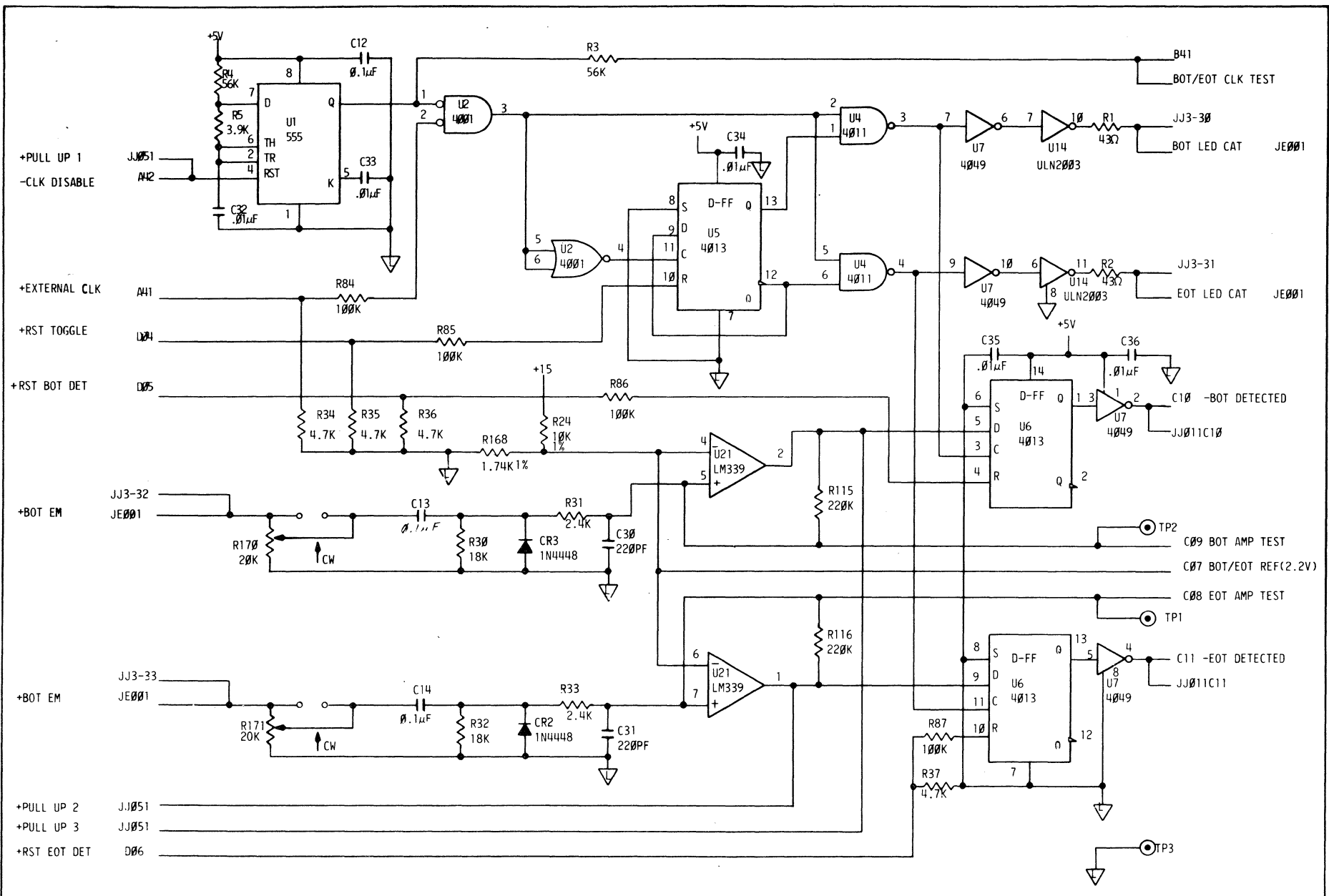


90 IL	MACH CURRENT LIMIT			90 IL
	PRES. E.C. 99099 PREV. E.C. 99202 DATE 6-5-80	MACH. 1950 VERS. GBL. ROT.	CD. LOC. GATE FRAME	



 SYSTEM LOGIC, JJ2, AB001, PC			
PRES. E.C. 44352 PREV. E.C. DATE 9-26-80	MACH. 1950 VERS. GBL. ROT.	CD. LOC. GATE FRAME	CD. PN. CD. TYPE JJ2 PB. PN. 4012539-01

A
B
0
0
1

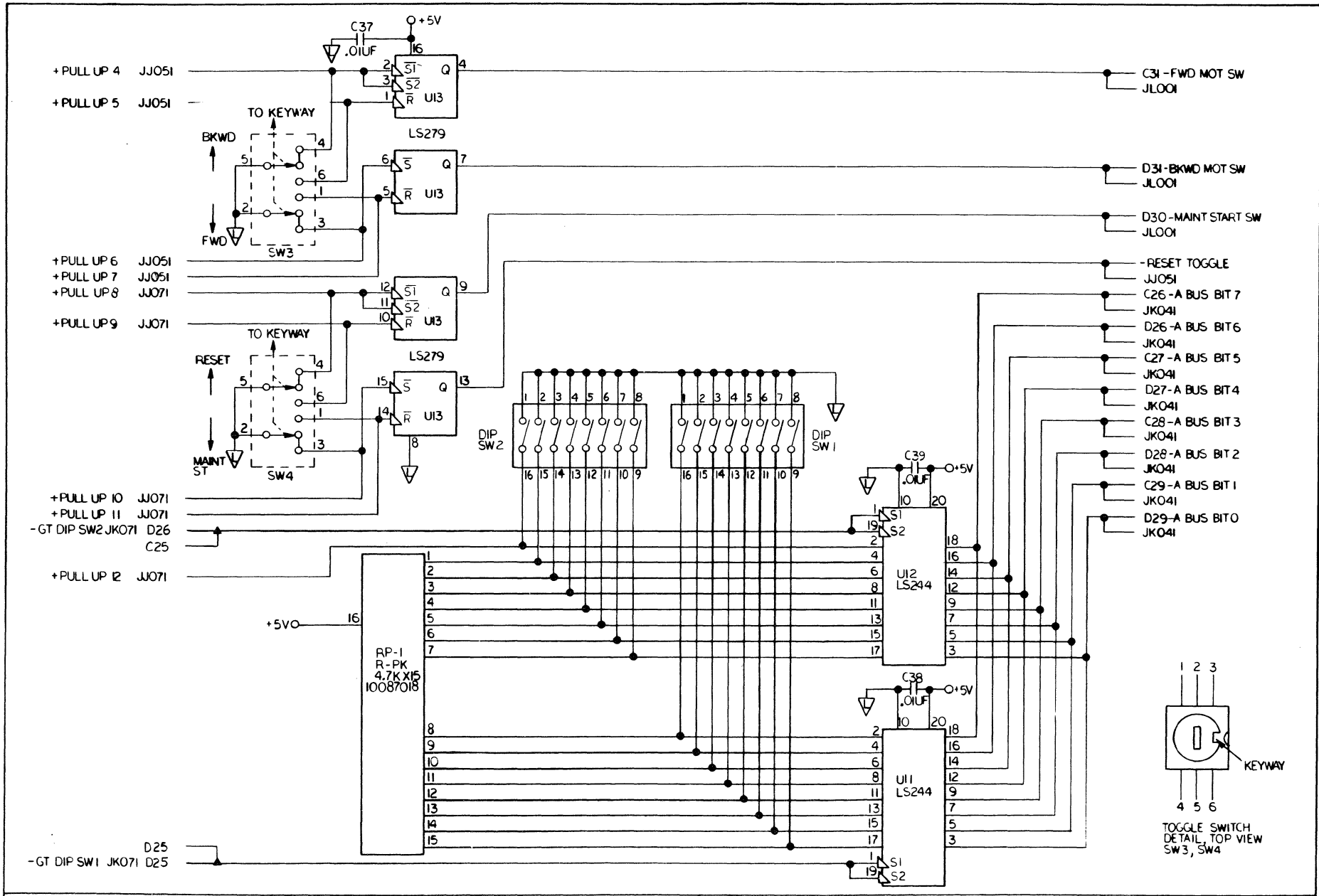


J
J
0
1
1

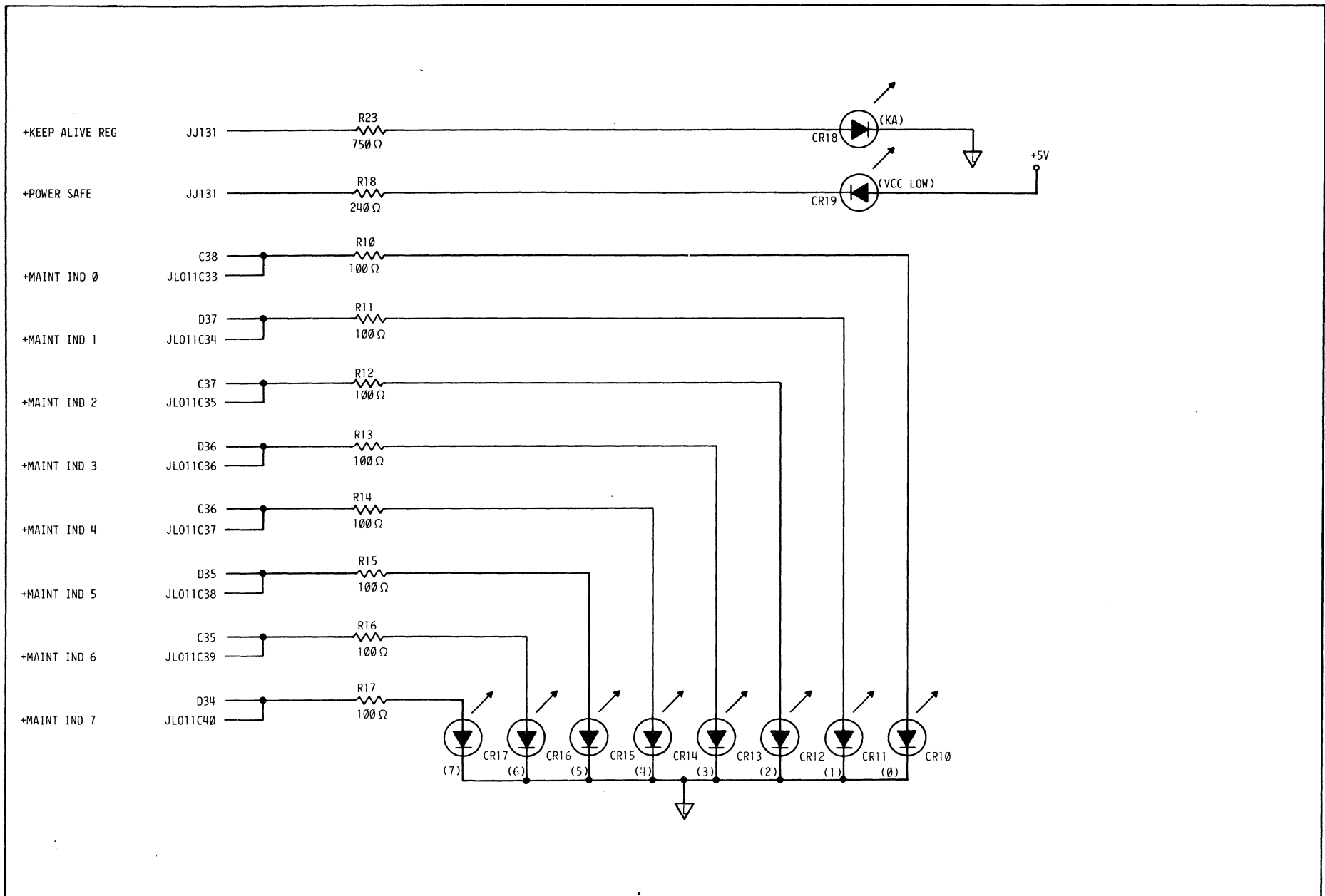
GAF Polytrace 033

BOT/EOT DRIVE & SENSE			
PRES. E.C.	44393	MACH.	1950
PREV. E.C.	44352	VERS.	
DATE	1-29-81	GBL. ROT.	
CD. LOC.	A2	GATE	FRAME
CD. P.N.	JJ	PG. P.N.	401254002-9

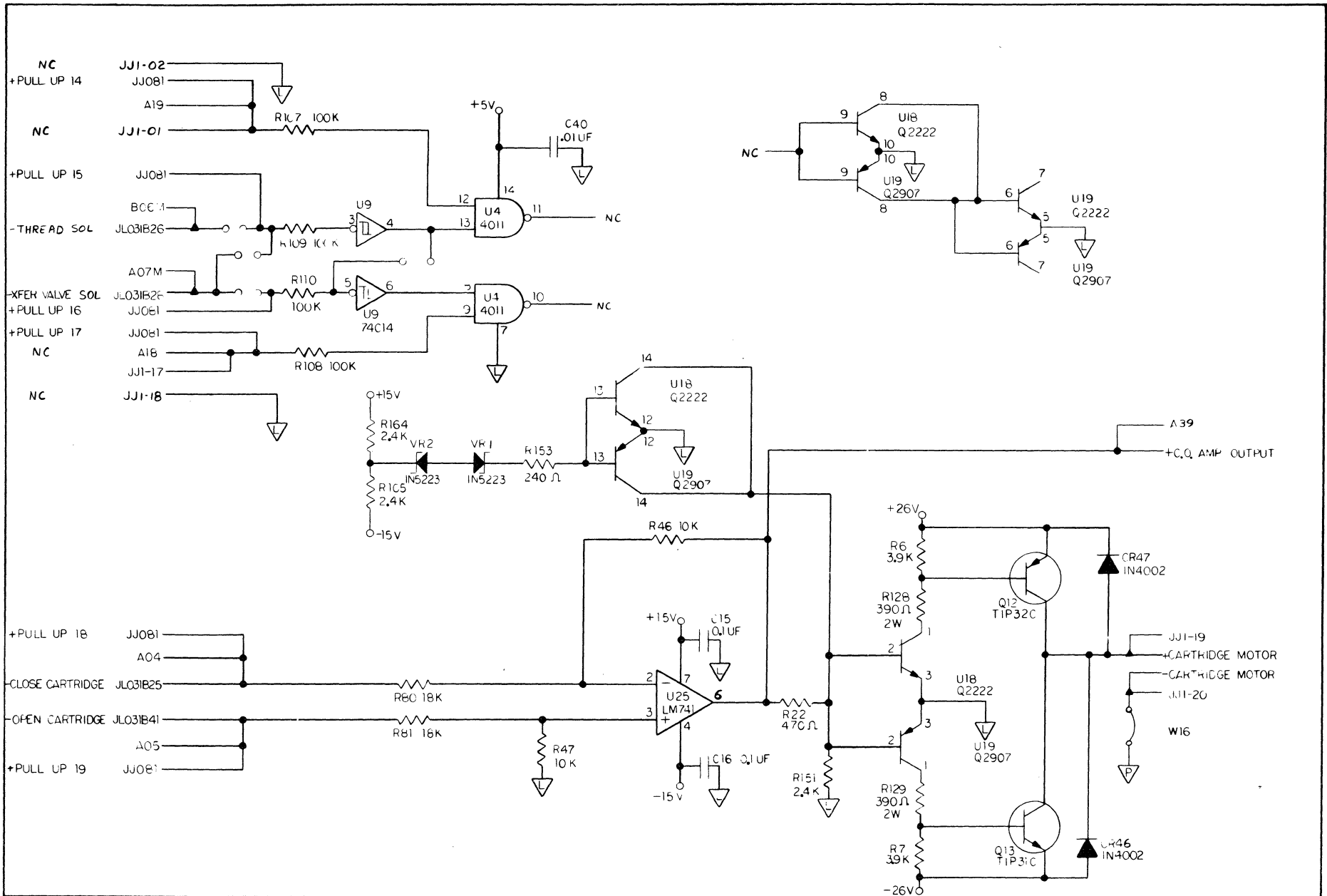
J
J
0
1
1



1001	MAINT SWITCHES				1001
	PRES. E.C. 44352 PREV. E.C. DATE 9-26-80	MACH. 1950 VERS. GBL. ROT.	CD. LOC. A2 GATE FRAME	CD. P.N. CD. TYPE JJ P.G. P.N. 4012541-01-9	
	GAF Polytrace 033				



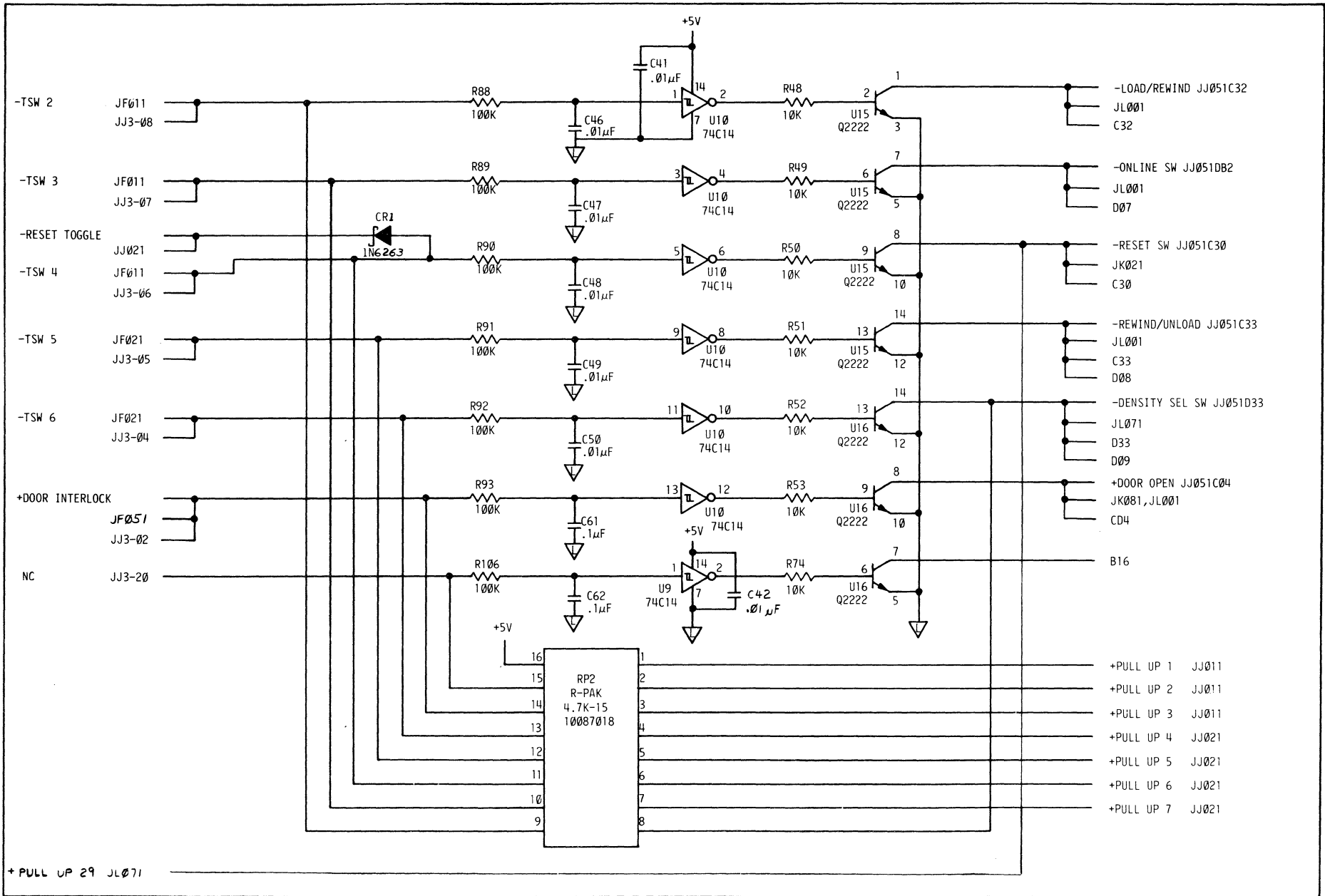
J J 0 3 1	MAINT INDICATORS			J J 0 3 1	
	PRES. E.C. 44352 PREV. E.C. DATE 9-26-80	MACH. 1950 VERS. GBL. ROT.	CD. LOC. A2 GATE FRAME		CD. P.N. JJ CD. TYPE PG. P.N. 4012542-01-7
	GAF Polytrace 033				



MOTOR DRIVE - CARTRIDGE OPEN			
PRES. E.C. 44352	MACH. 1950	CD. LOC. A2	CD. P.N. JJ
PREV. E.C.	VERS.	GATE	CD. TYPE
DATE 9-26-80	GBL. ROT.	FRAME	PG. P.N. 4012543-015

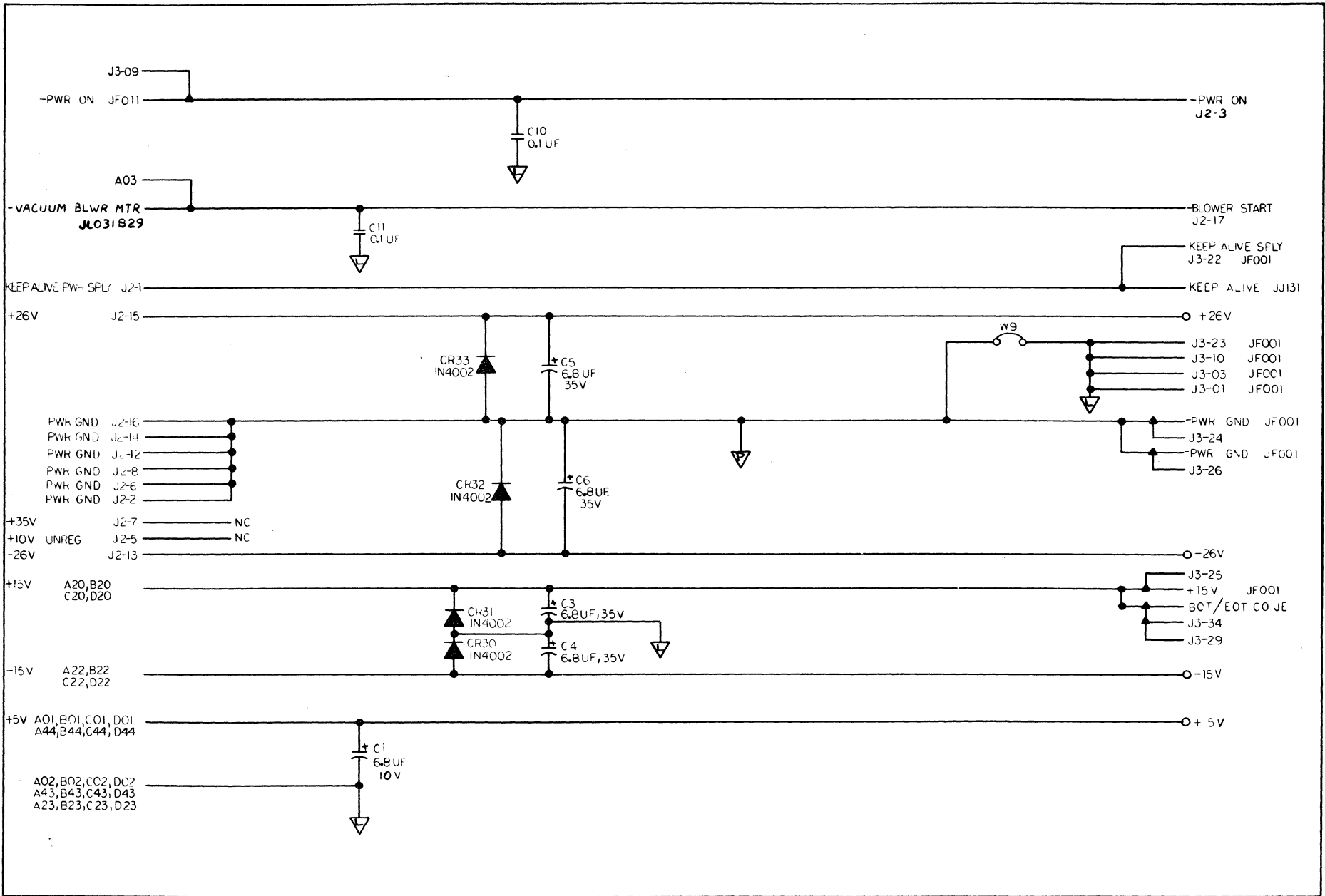
J
J
0
4
1

J
J
0
4
1

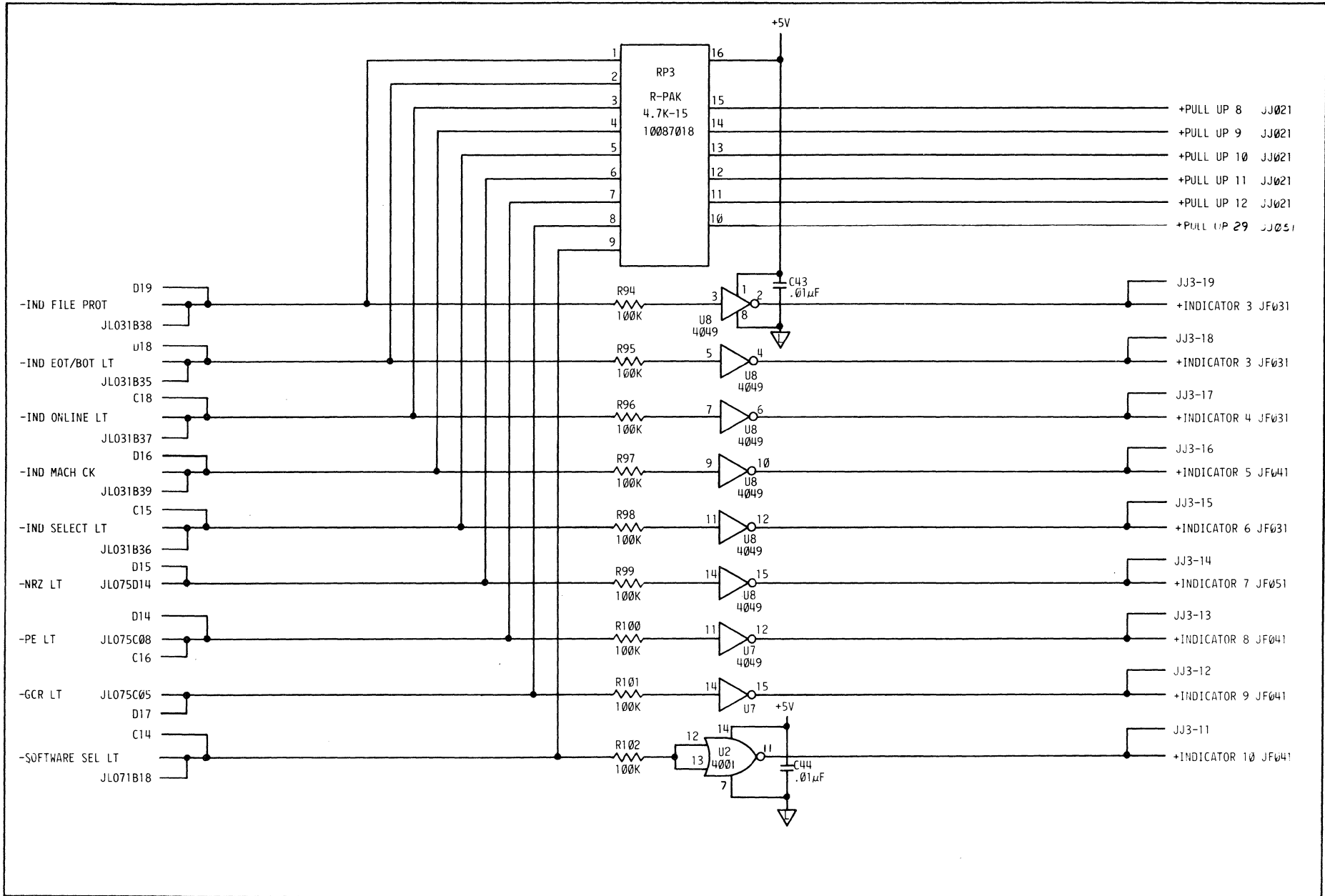


+ PULL UP 29 JL071

J J 0 5 1	SWITCH BUFFERS				J J 0 5 1
	PREV. E.C. 44352	MACH. VERS. 1950	CD. LOC. A2	CD. PN. JJ	
	DATE 9-26-80	SBL. ROT.	GATE FRAME	CD. TYPE PG. PN. 4012544-01-3	



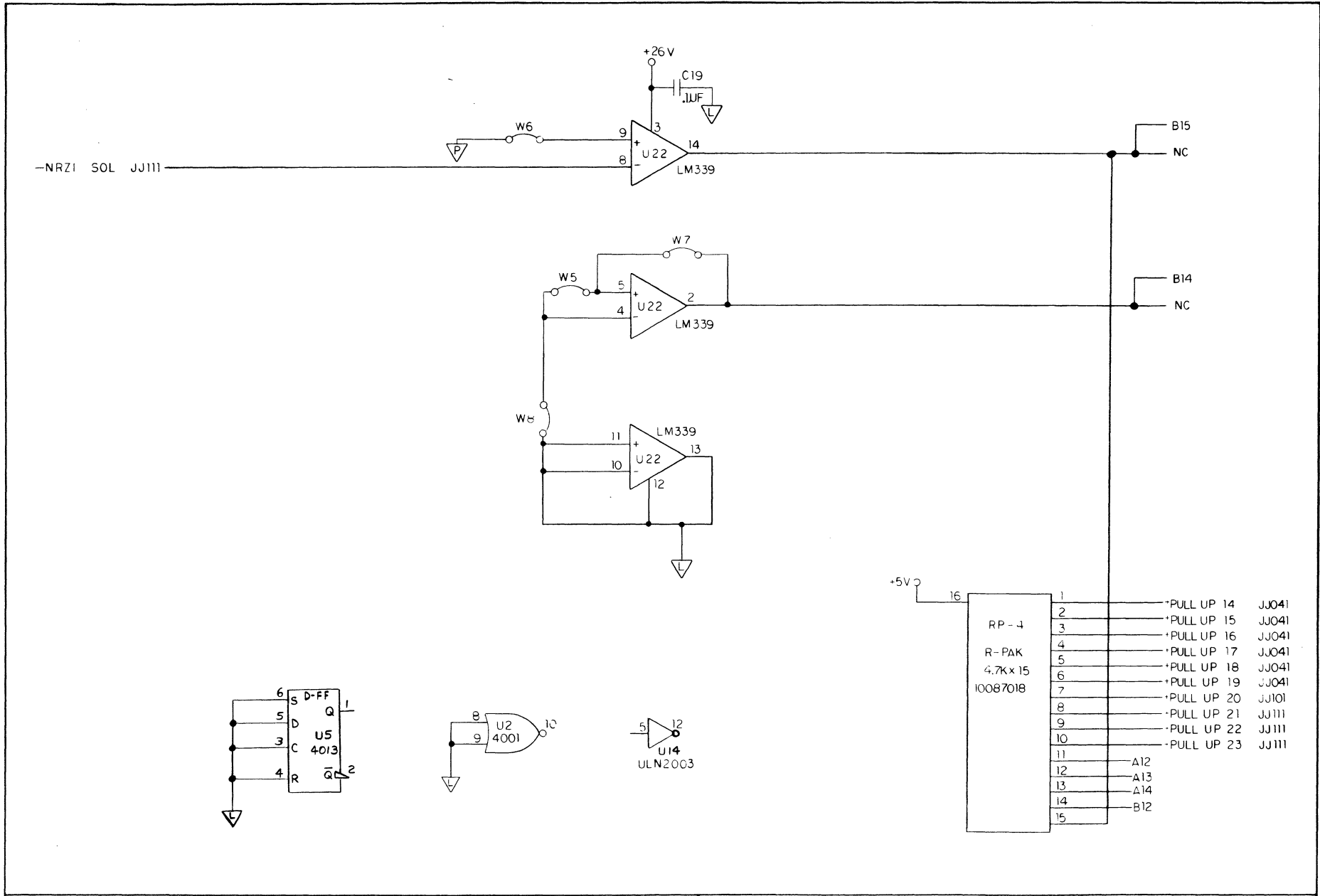
J 031	POWER INTERCON				1 1 1
	PRES. E.C. 44352 PREV. E.C. DATE 9-26-80	MACH. 1950 VERS. GBL. ROT.	CD. LOC. A2 GATE FRAME	CD. P.N. CD. TYPE JJ PG. PN. 4012-45-01-0	



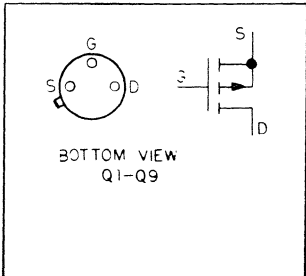
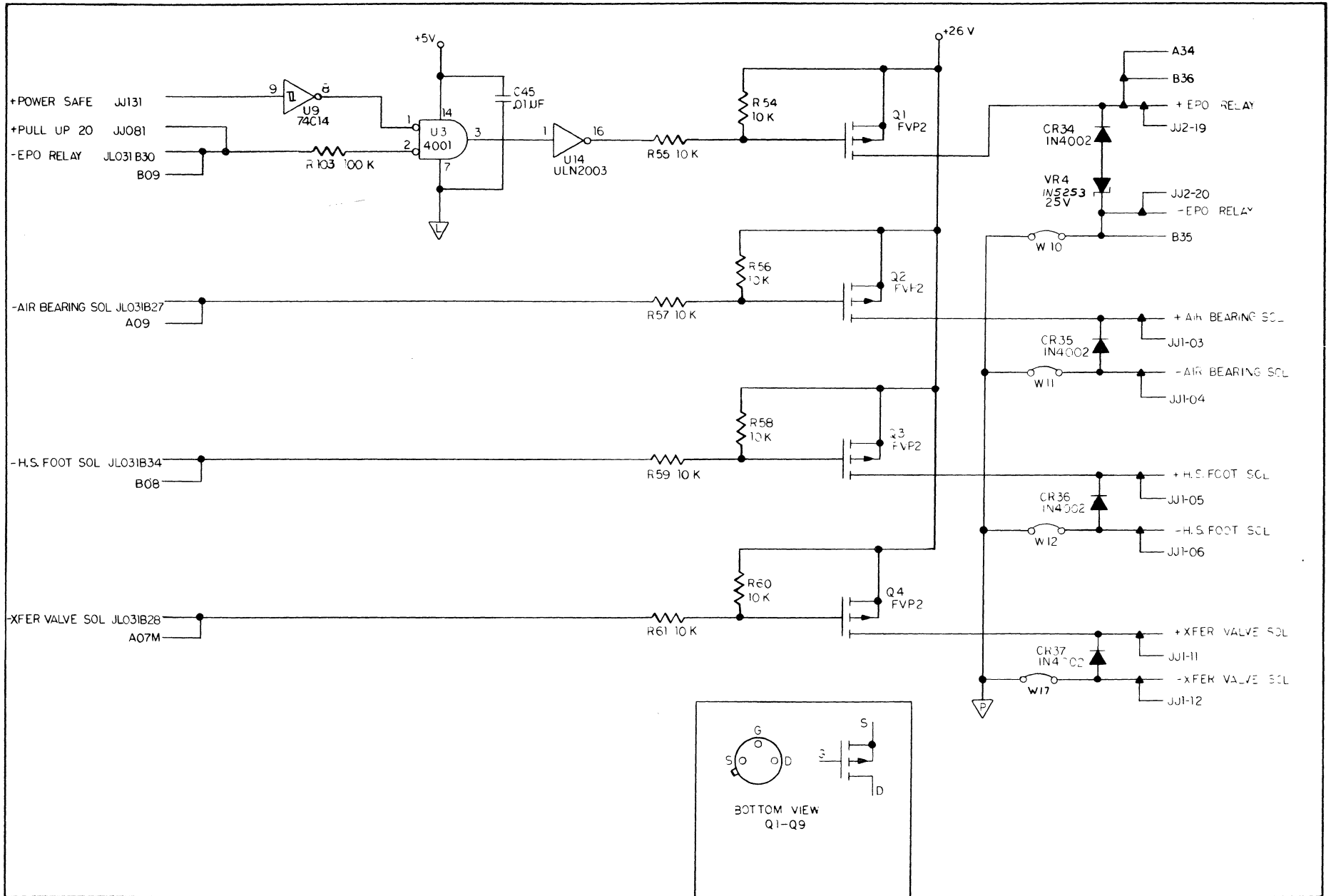
J
J
0
7
1

LAMP BUFFERS

PRES. E.C. 44352	MACH. 1950	CD. LOC. A2	CD. P.N. JJ
PREV. E.C.	VERS.	GATE FRAME	CD. TYPE
DATE 9-26-80	GBL. ROT.		PG. P.N. 4012546-01-8

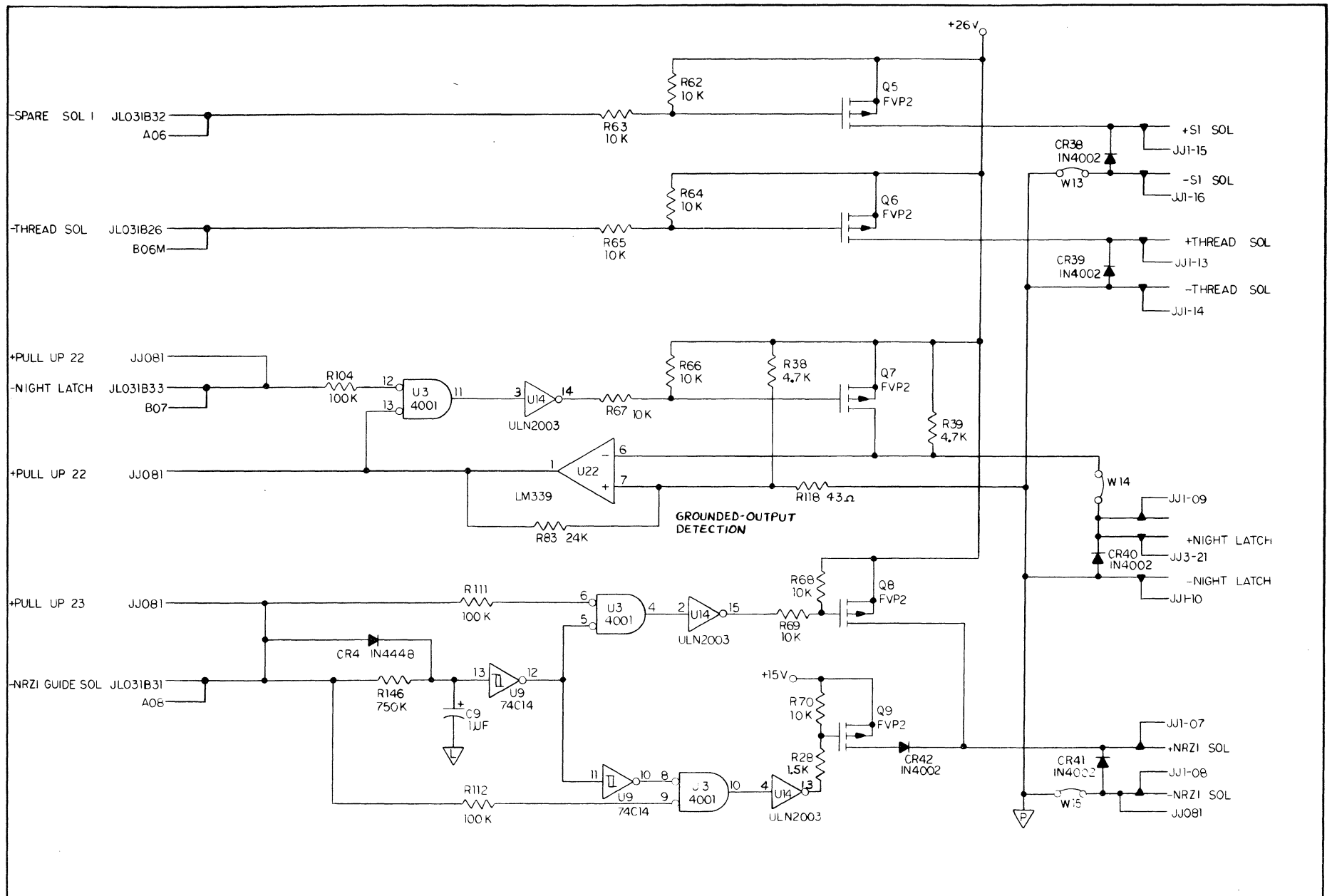


PULL UPS, SPARE COMPONENTS			
PRES. E.C. 44352 PREV. E.C. DATE 9-26-80	MACH. 1950 VERS. GBL. ROT.	CD. LOC. A 2 GATE FRAME	CD. RN. CD. TYPE JJ PG. RN. 4012547-01-6



J
J
1
0
1

SOL DRIVERS 1				J J 1 0 1
PRES. E.C. 44352	MACH. 1950	CD. LOC. A2	CD. RN.	
PREV. E.C.	VERS.	GATE	CD. TYPE JJ	
DATE 9-26-80	DBL. ROT.	FRAME	PG. PN. 4012548-01-4	



SOL DRIVERS 2

PRES. E.C. 44352
 PREV. E.C.
 DATE 9-26-80

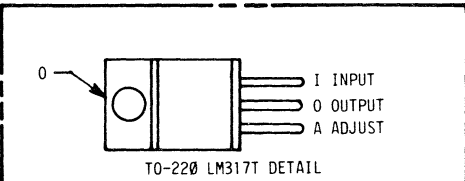
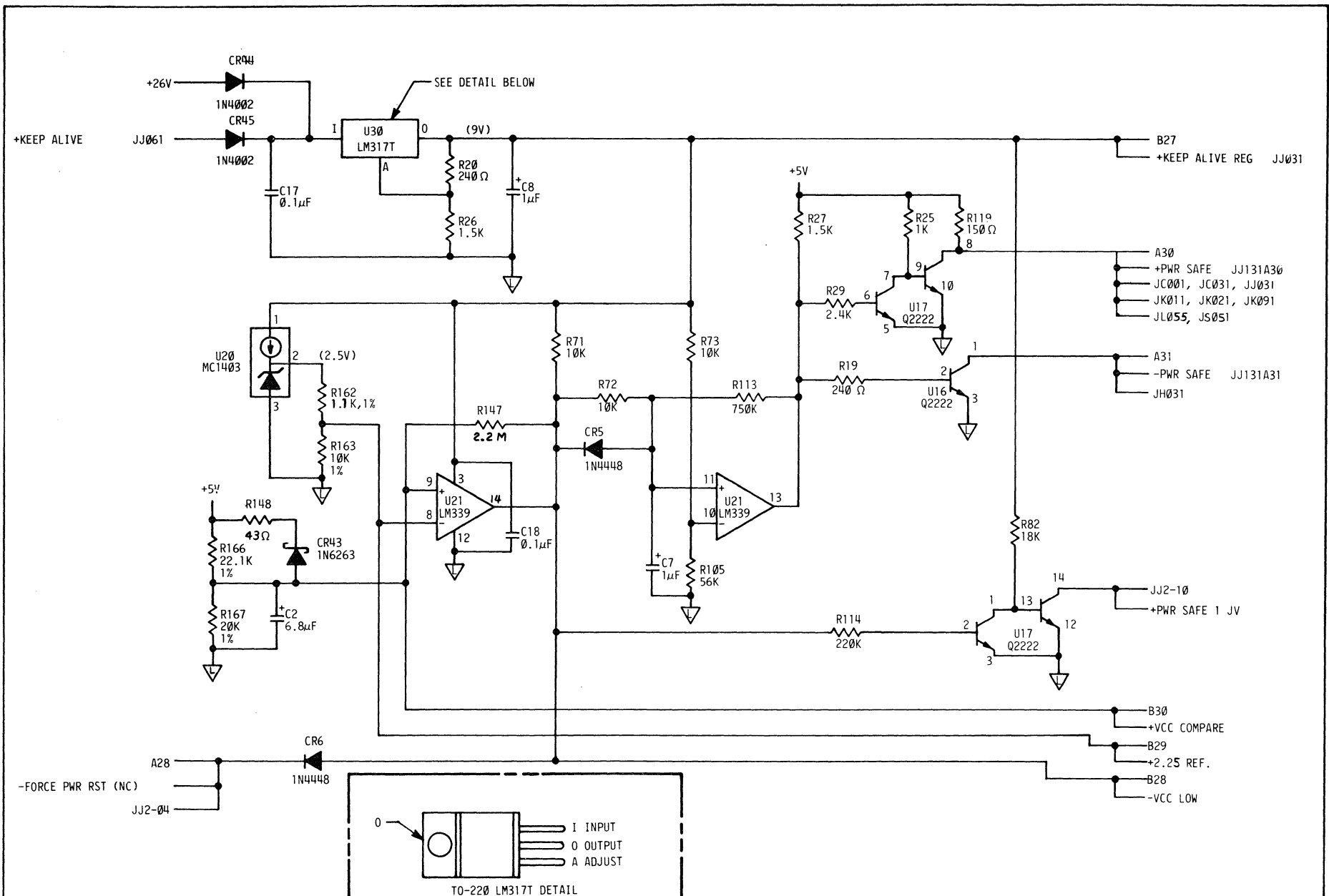
MACH. 1950
 VERS.
 8BL. ROT.

CD. LOC. A2
 GATE
 FRAME

CD. PN.
 CD. TYPE JJ
 PG. PN. 4012549-01-2

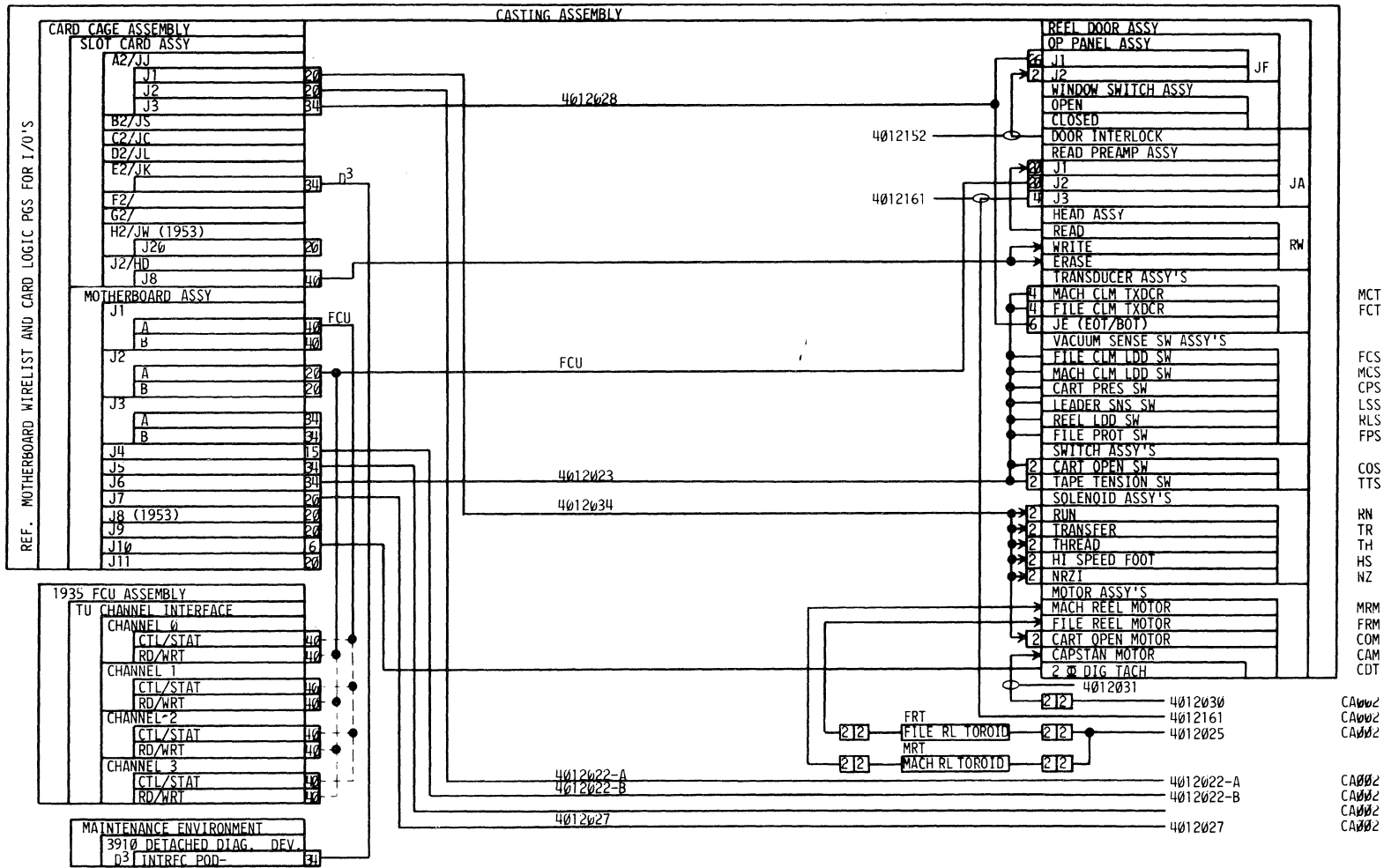
J
 J
 I
 I
 I

J
 J
 I
 I
 I



J J 1 3 1	POWER SAFE	J J 1 3 1
PRES. E.C. 44352 PREV. E.C. DATE 9-26-80	MACH. 1950 VERS. GBL. ROT.	CD. LOC. A2 GATE FRAME CD. P.N. JJ CD. TYPE 4012550-01-0 PG. P.N.

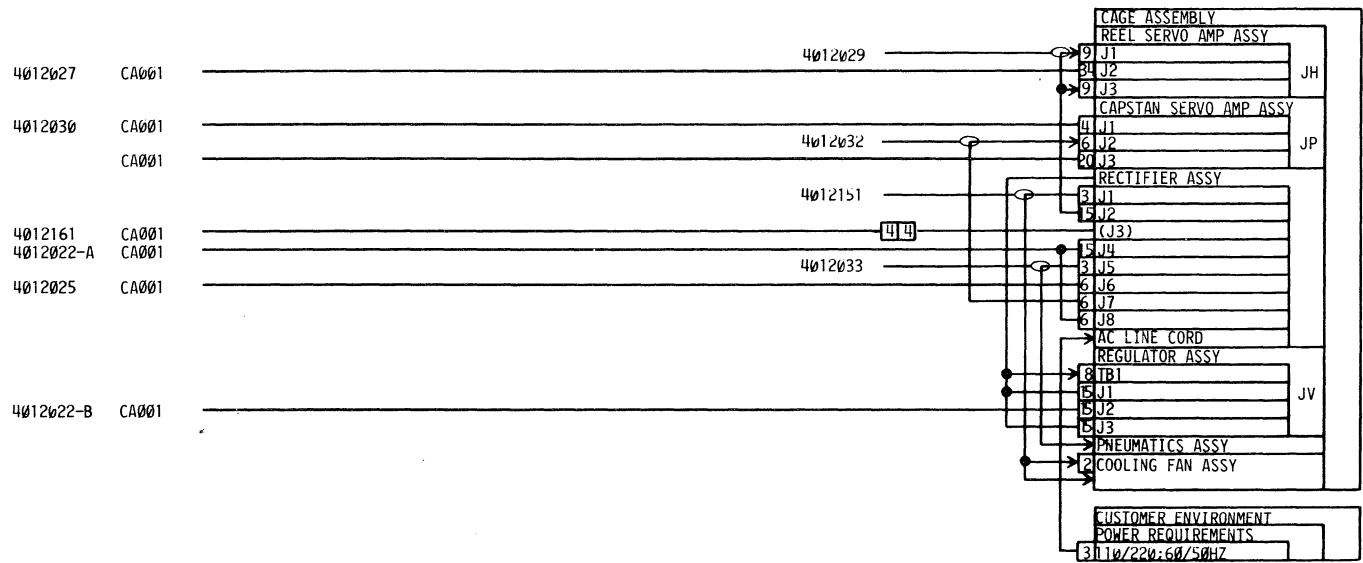
1951 TAPE DRIVE CABLING



CA001

CABLING - CASTING ASSEMBLY			
PRES. E.C. 44318 PREV. E.C. DATE 6/12/80	MACH. VERS. 6BL. ROT.	CD. LOC. GATE FRAME	CD. PN. CD. TYPE PG. PN. 4012779-01-5

CA001



CA002

CABLING - CAGE ASSEMBLY				CA002
PREV. E.C. 44518	MACH. VERS.	CD. LOC.	CD. P.N.	
DATE 6/12/80	GBL. ROT.	GATE FRAME	CD. TYPE	
			PG. P.N. 4012780-01-3	

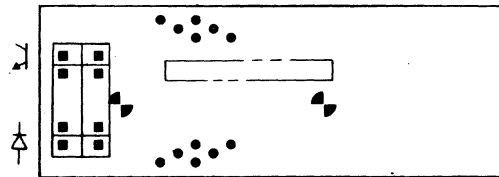
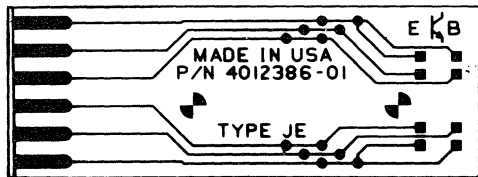


BUILD ARC DOC

ASSEMBLY PARTS LIST

PRINT DATE	PAGE	E.C. NO.
02-20-81	1	44184

DIV.	ASSEMBLY NUMBER	CD	REV.	DWG.	DESCRIPTION	MC	STATUS	STATUS DATE	FILE DATE					
0500	43500077	3	A	N	SYS LGC GP,JE,43116402,PC	N	REL	10-22-80	1950	10-22-80				
T FIND NO	LI	PART NUMBER	CD	M	QUANTITY	U/M	PART DESCRIPTION	MC	YLD	E.C. NO. IN	E.C. NO. OUT	S/N	WK IN	WK OUT
001	01	43514005	8		REF	PC	SYS LGC JE,AB001,PC		D					
002	01	43514003	3		REF	PC	SCHEMATIC,JE CARD		D					
500	01	43116402	9		REF	PC	CKT CD,JE PC ASSY		N					
							0003 TOTAL LINES							



JE CARD, EOT/BOT TRANSDUCER

PREV. E.C. 44184
PREV. E.C. 44071
DATE

MACH. 1950
VERS.
SBL. ROT.

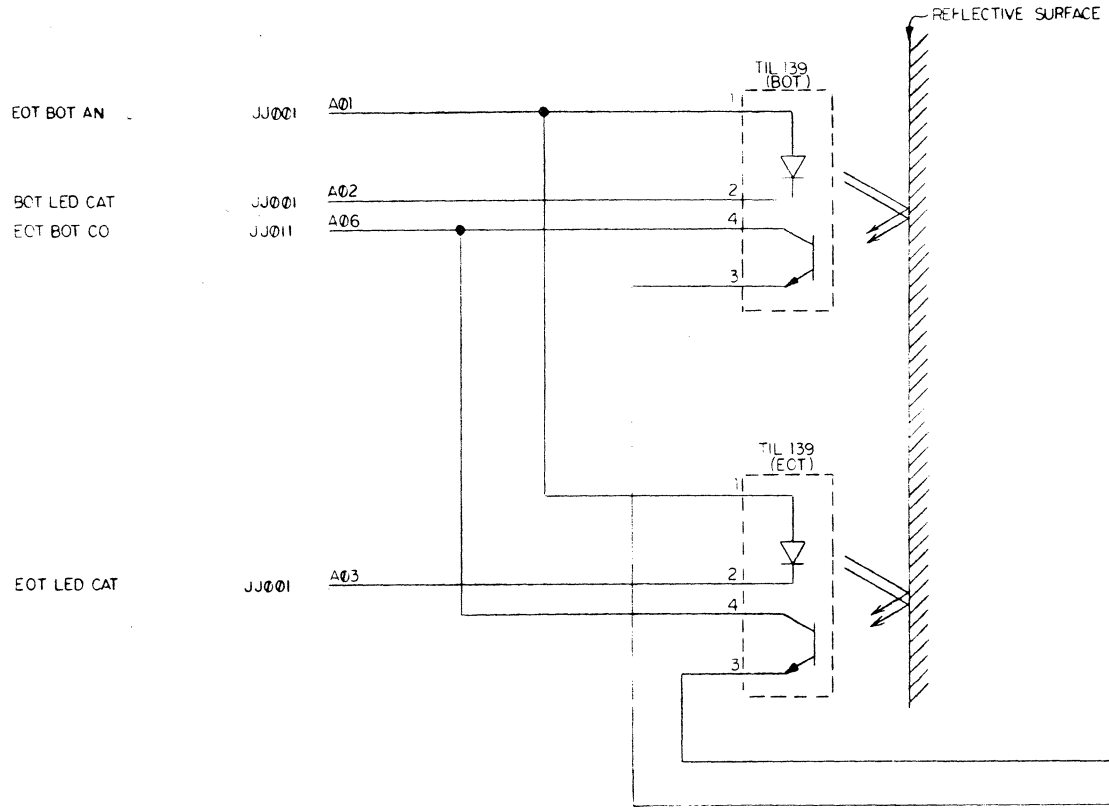
CD. LOC.
GATE
FRAME

CD. P.N. 43116402-9
CD. TYPE JE
PG. P.N. 43514005-8

A
B
0
0
1

REVISIONS					
REV	ZONE	EC NO	DESCRIPTION	APPROVAL	DATE
A		44071	INITIAL RELEASE ^{4801V PB} _{PC C 3069 WK}		1-28-80

D
C
B
A



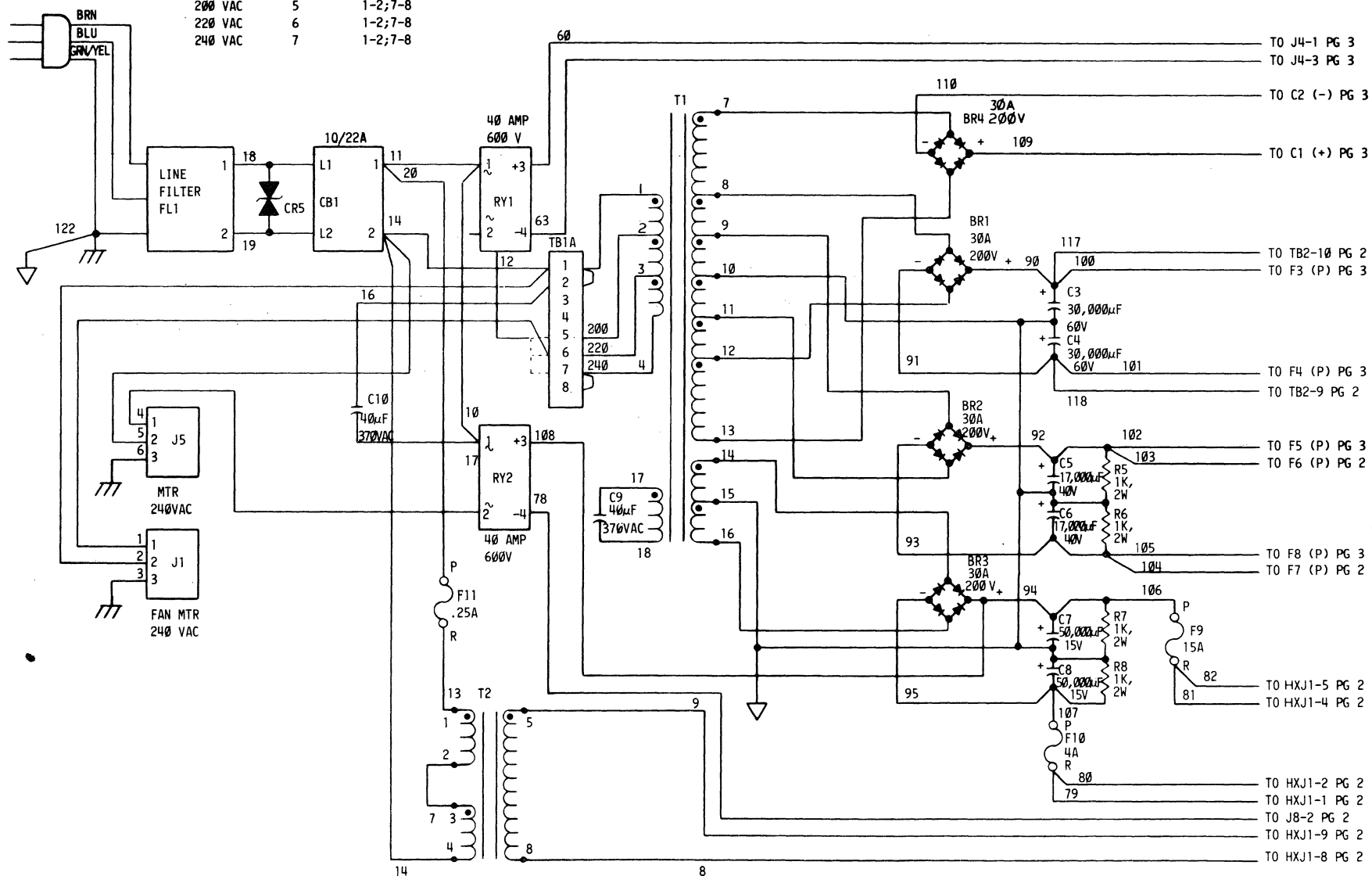
A05	JJ011	EOT FM
A04	JJ011	BCT FM

PREVIOUS DWG. NO.	FIND NO	REF DES.	FIND NO	REF DES																					
UNLESS OTHERWISE SPECIFIED:																									
THIS PART MUST CONFORM TO STC STANDARD 2229																									
FINISH SPECS:			TITLE																						
MATERIAL:			SCHEMATIC, JE CARD																						
TOLERANCES																									
<table border="1"> <thead> <tr> <th>NAME</th> <th>DFTG</th> <th>CHECK</th> <th>E.C. ENG</th> <th>MAT. ENG</th> <th>APP</th> <th>SCALE</th> </tr> </thead> <tbody> <tr> <td></td> <td></td> <td></td> <td></td> <td></td> <td></td> <td></td> </tr> <tr> <td>DATE</td> <td></td> <td></td> <td></td> <td></td> <td></td> <td></td> </tr> </tbody> </table>					NAME	DFTG	CHECK	E.C. ENG	MAT. ENG	APP	SCALE								DATE						
NAME	DFTG	CHECK	E.C. ENG	MAT. ENG	APP	SCALE																			
DATE																									
THESE DRAWINGS AND SPECIFICATIONS ARE THE PROPERTY OF STC AND WILL NOT BE COPIED, REPRODUCED OR USED AS THE BASIS FOR THE SALE OR MANUFACTURE OF APPARATUS OR DEVICES WITHOUT PERMISSION.																									
DWG NO				43514003																					
SHEET				13																					

43514003
3

PRIMARY TAP CONNECTIONS - TB1A

SUPPLY	WIRE 12 TO	JUMPER
200 VAC	5	1-2;7-8
220 VAC	6	1-2;7-8
240 VAC	7	1-2;7-8



NOTES:
1. DENOTES SINGLE POINT GROUND CONNECTION.

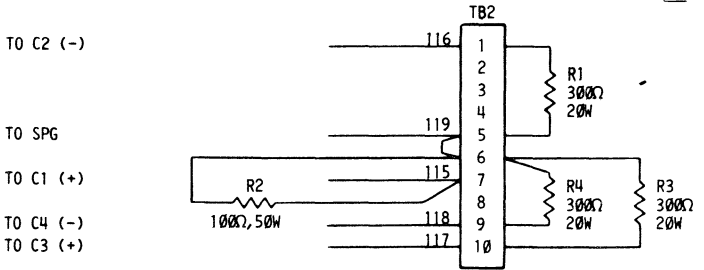
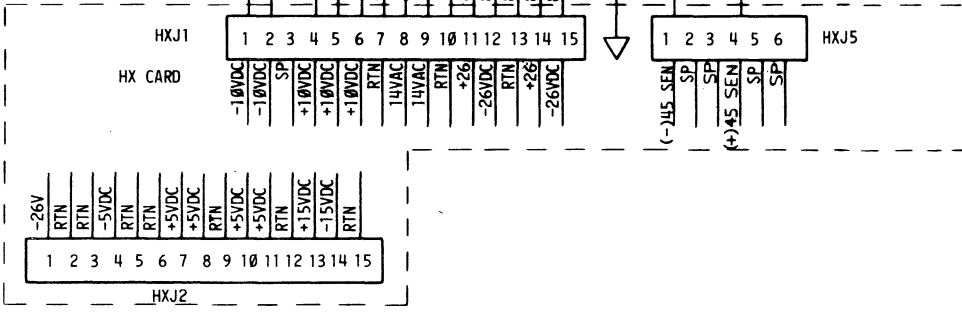
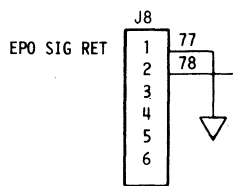
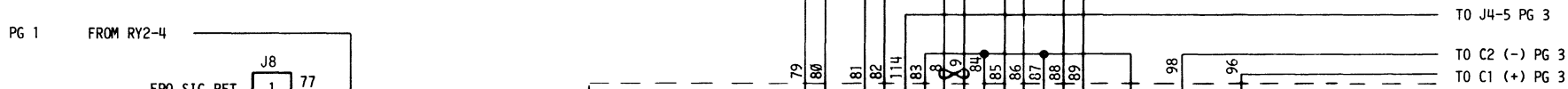
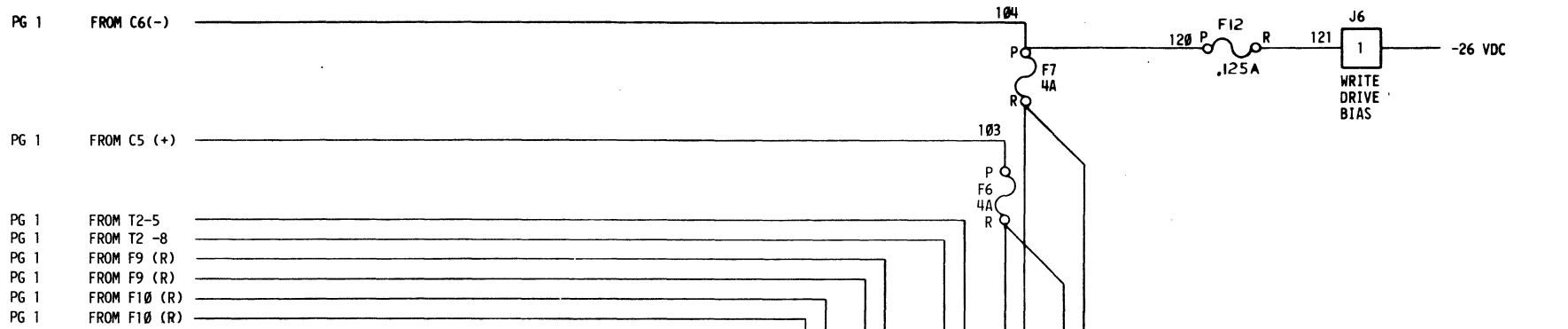
WIRING DIAGRAM, RECTIFIER, 50 HZ PG 1

PRES. E.C. 44364
PREV. E.C. NONE
DATE 12-8-80

MACH. VERS.
G.B.L. ROT.

CD. LOC.
GATE
FRAME

CD. P.N.
CD. TYPE
PG. PN. 4012993-01



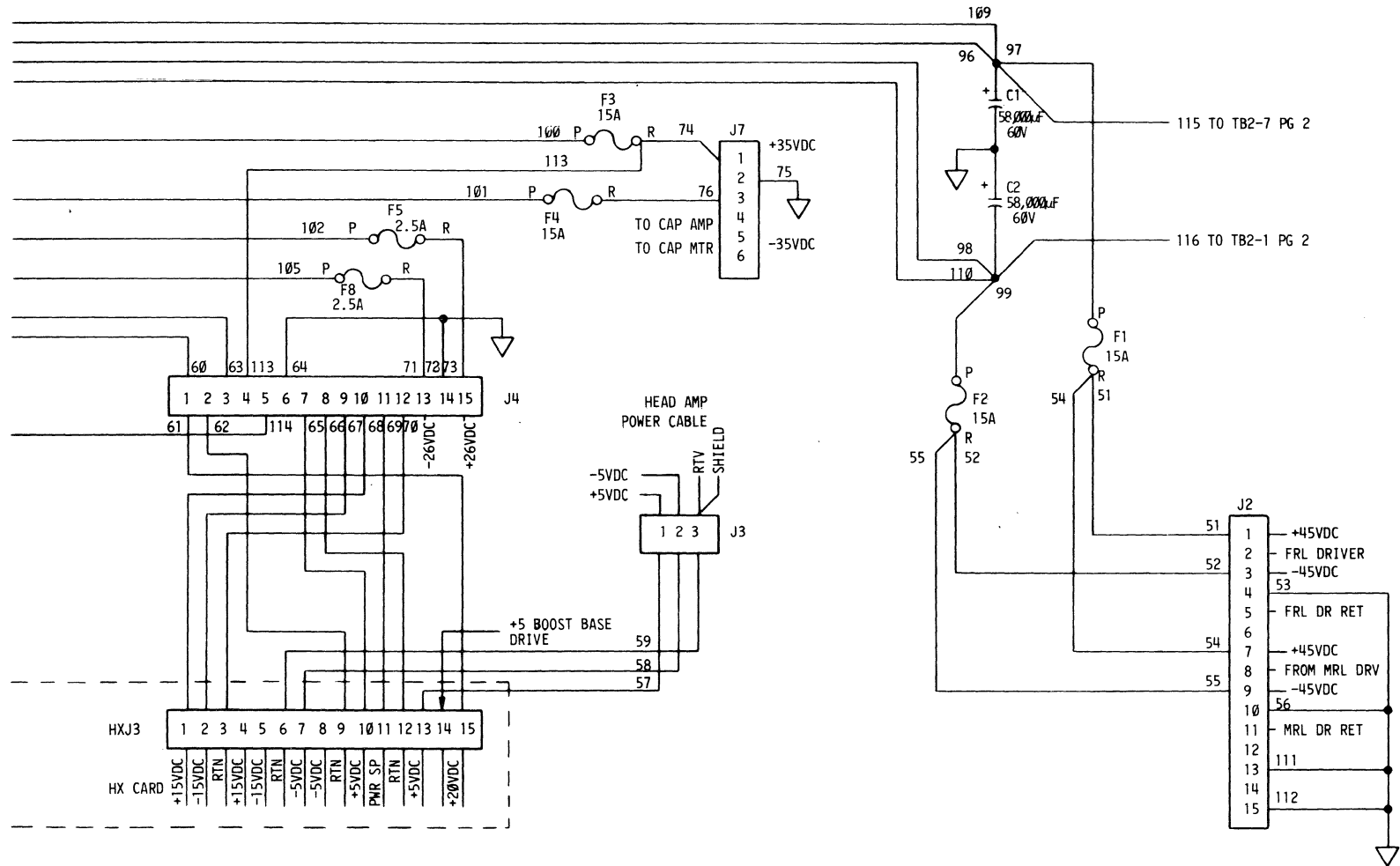
WIRING DIAGRAM, RECTIFIER, 50 HZ PG 2

PREV. E.C. DATE	44364 NONE 12-8-80	MACH. VERS. GBL. ROT.	CD. LOC. GATE FRAME	CD. P.N. CD. TYPE PG. P.N. 4012993-01
-----------------	--------------------------	-----------------------	---------------------	---------------------------------------

PG 1 FROM BR4 (+)
 PG 2 FROM HXJ5-4
 PG 2 FROM HXJ5-1
 PG 1 FROM BR4 (-)

PG 1 FROM C3 (+)
 PG 1 FROM C4 (-)
 PG 1 FROM C5 (+)
 PG 1 FROM C6 (-)
 PG 1 FROM RY-1-4
 PG 1 FROM RY1-3

PG 2 FROM HXJ1-6



WIRING DIAGRAM, RECTIFIER, 50 HZ PG 3

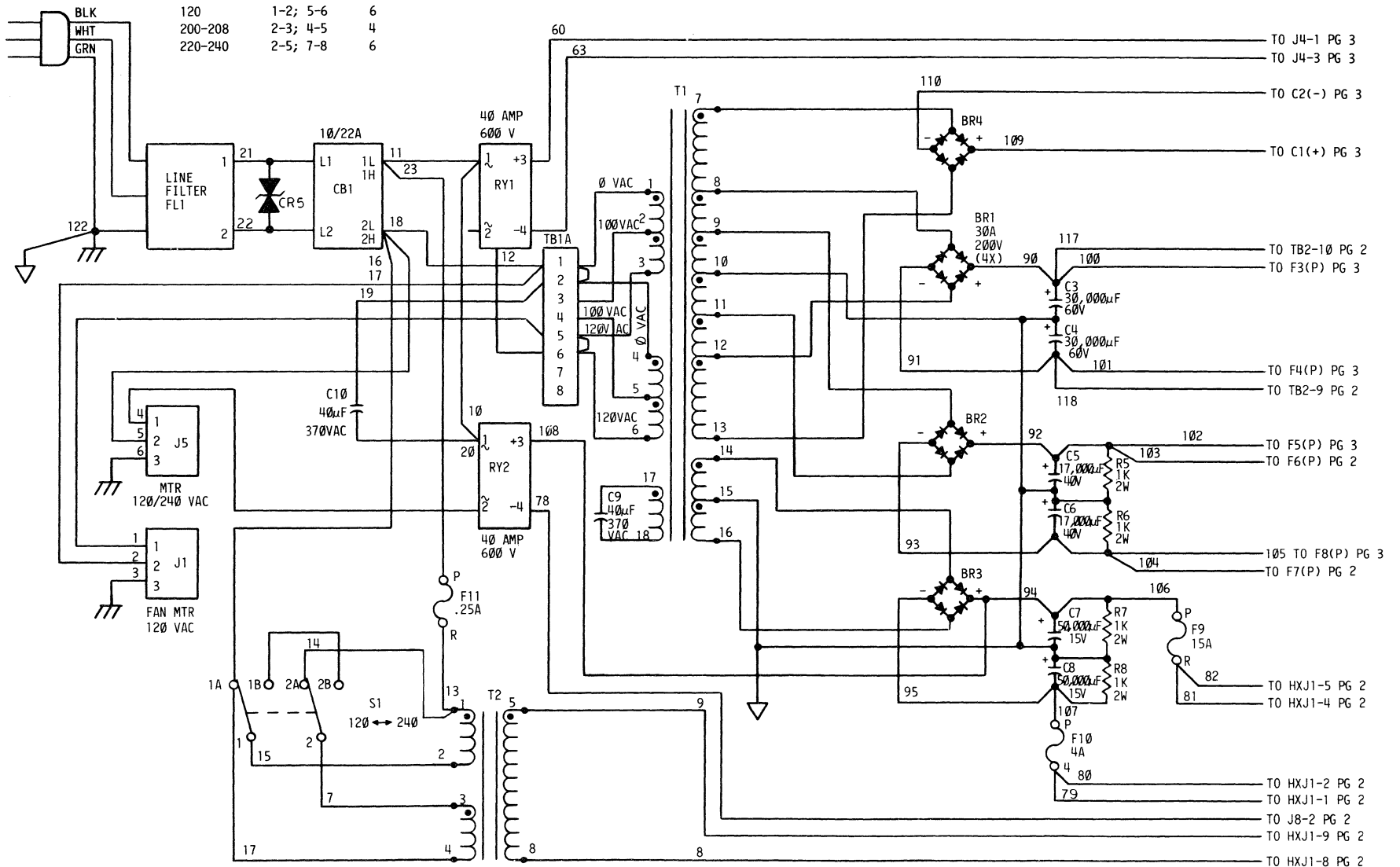
PREP. DATE 4/3/64
 REV. DATE NONE
 12-8-80

MACH. VERS. GBL. ROT.

CD. LOC. GATE FRAME

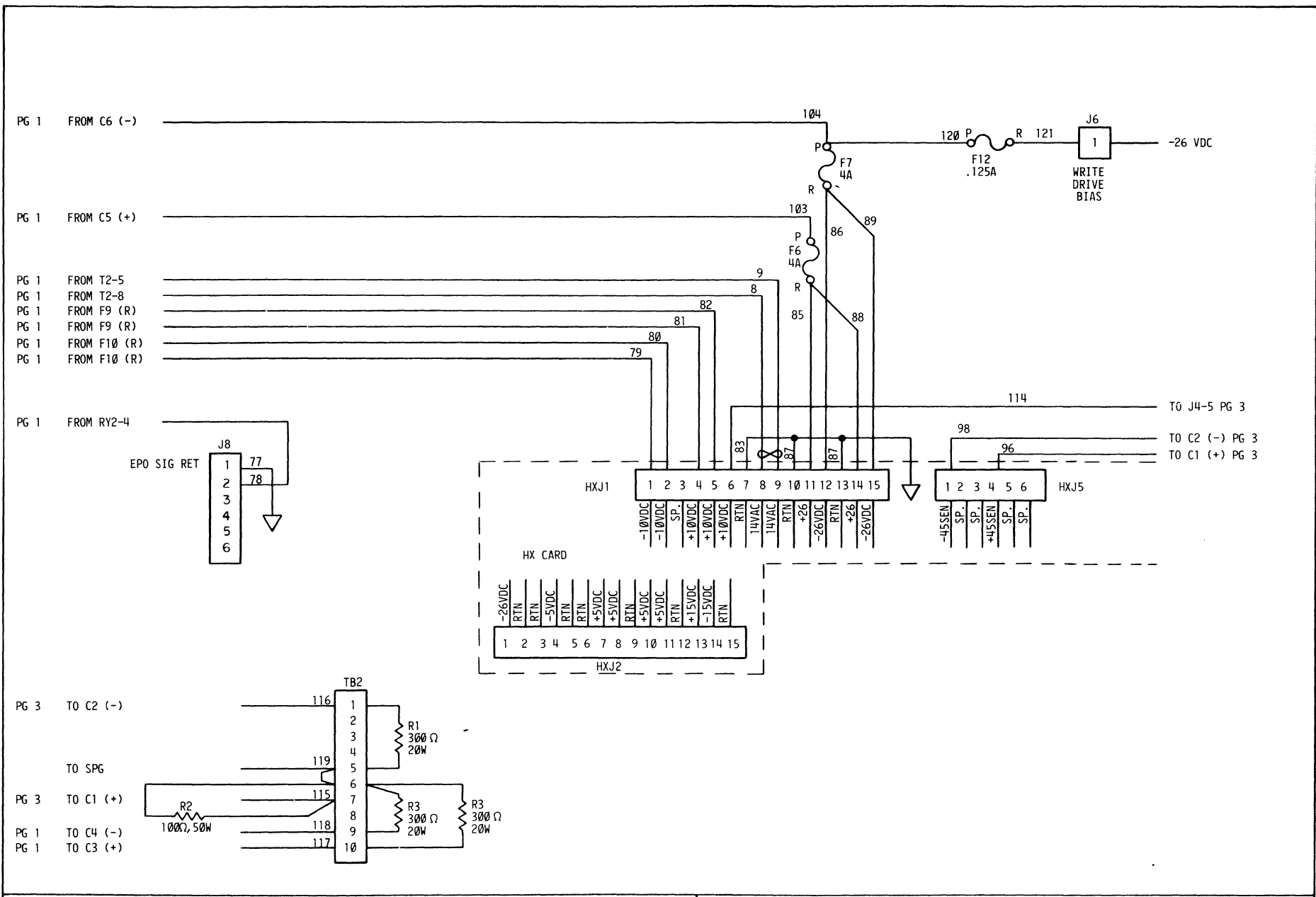
CD. PN. CD. TYPE PG. PN. 4012993-01

VOLTAGE TABLE - TB1A		
VOLTAGE	JUMPER	WIRE 12 TO
100	1-2; 5-6	4
120	1-2; 5-6	6
200-208	2-3; 4-5	4
220-240	2-5; 7-8	6



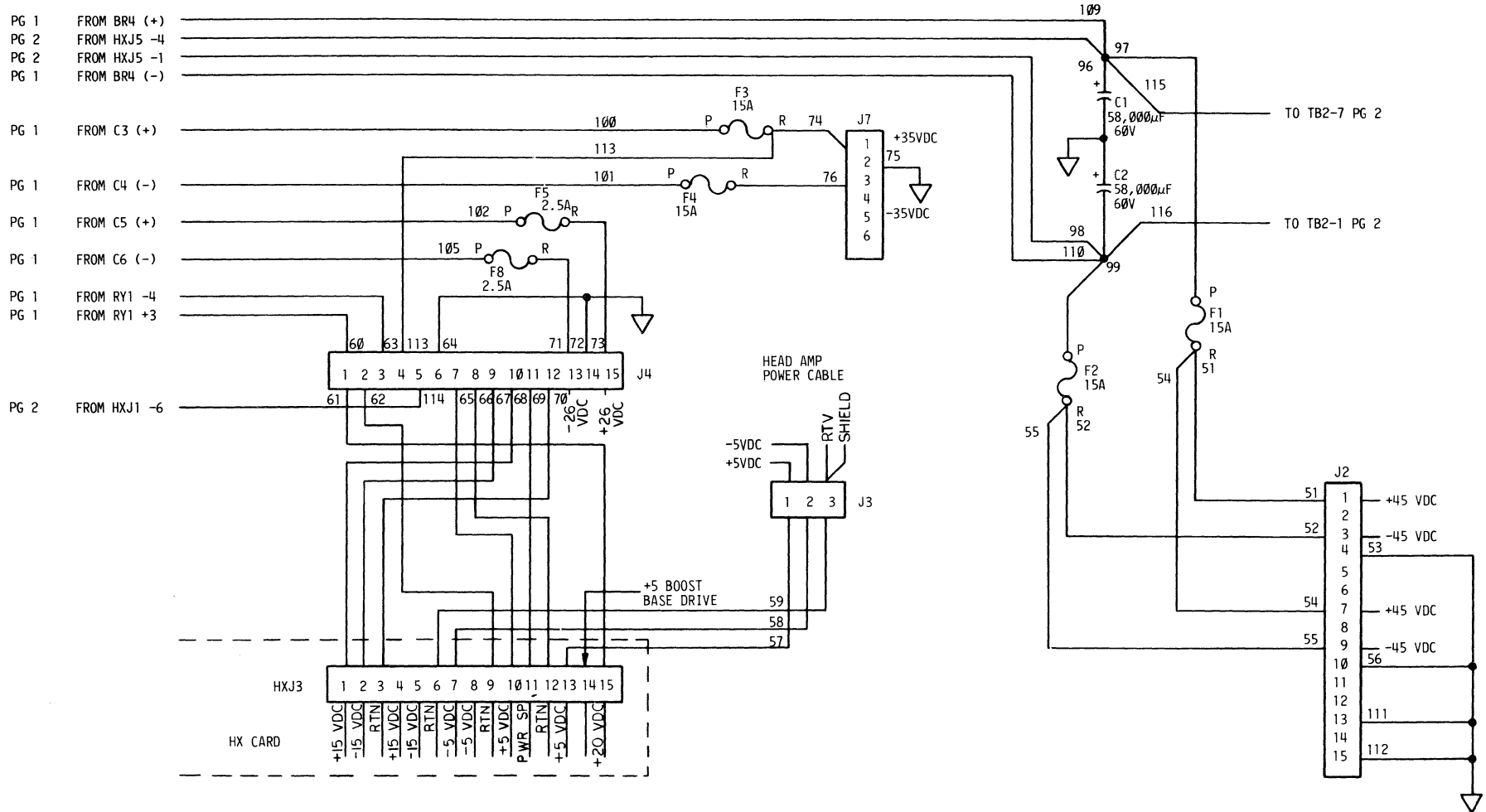
WIRING DIAGRAM, RECTIFIER, 60 HZ PG 1

PRES. E.C. PREV. E.C. DATE	44364 NONE 12-8-80	MACH. VERS. SBL. ROT.	CD. LOC. GATE FRAME	CD. P.N. CD. TYPE PG. P.N.
				4012994-01



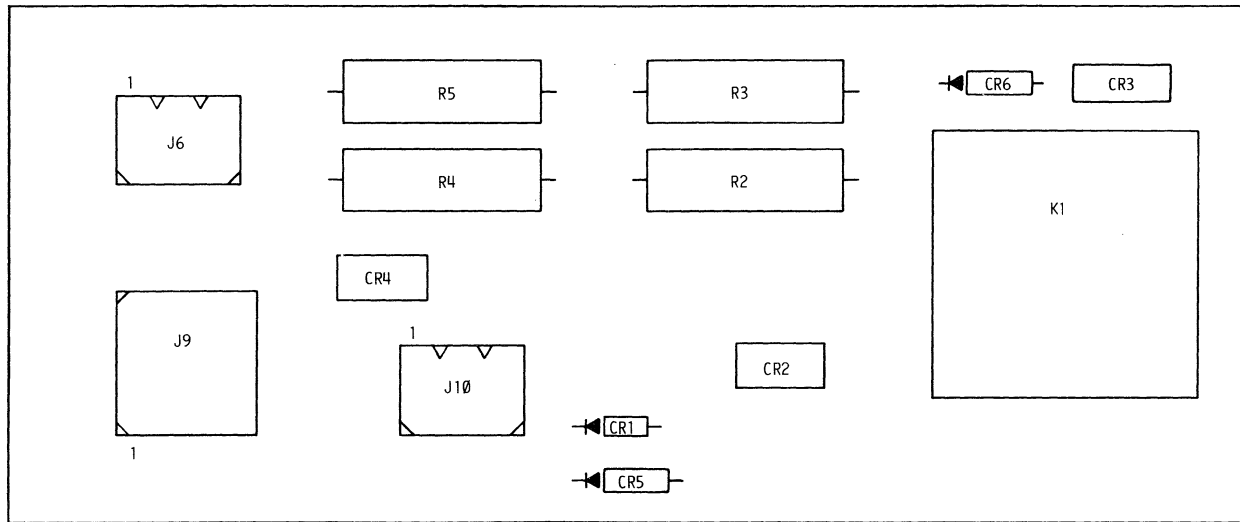
WIRING DIAGRAM, RECTIFIER, 60 HZ PG 2

PRES. E.C.	44364	MACH. VERS.		CD. LOC. GATE FRAME	
PREV. E.C.	NONE	GBL. ROT.		CD. P.N. CD. TYPE PG. P.N.	4012994-01
DATE	12-8-80				



WIRING DIAGRAM, RECTIFIER, 60 HZ PG 3

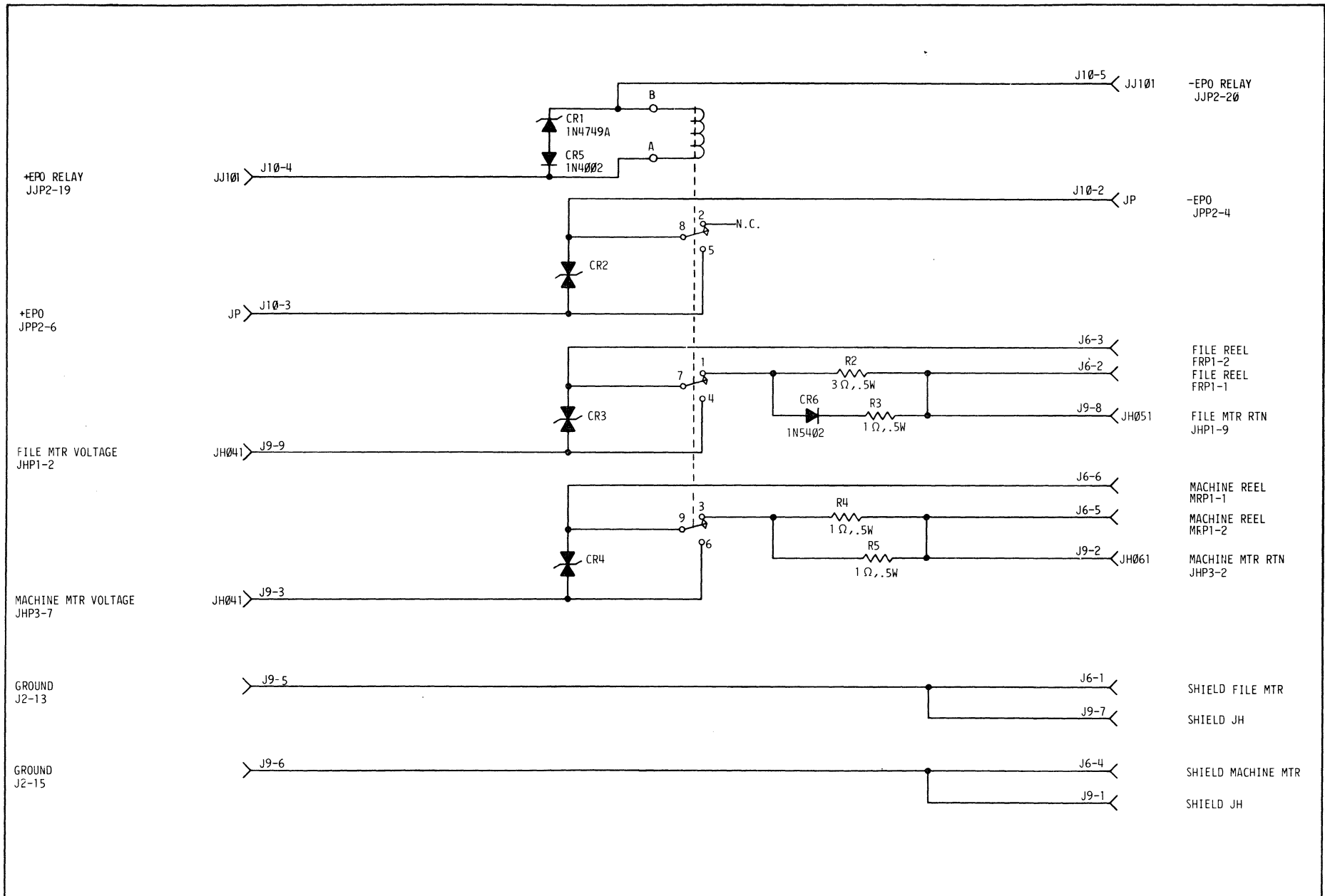
PRES. E.C.	44364	MACH. VERS.		CD. LOC. GATE FRAME	
PREV. E.C.	NONE	GBL. ROT.		CD. P.N. CD. TYPE PG. P.N.	4012994-01
DATE	12-8-80				



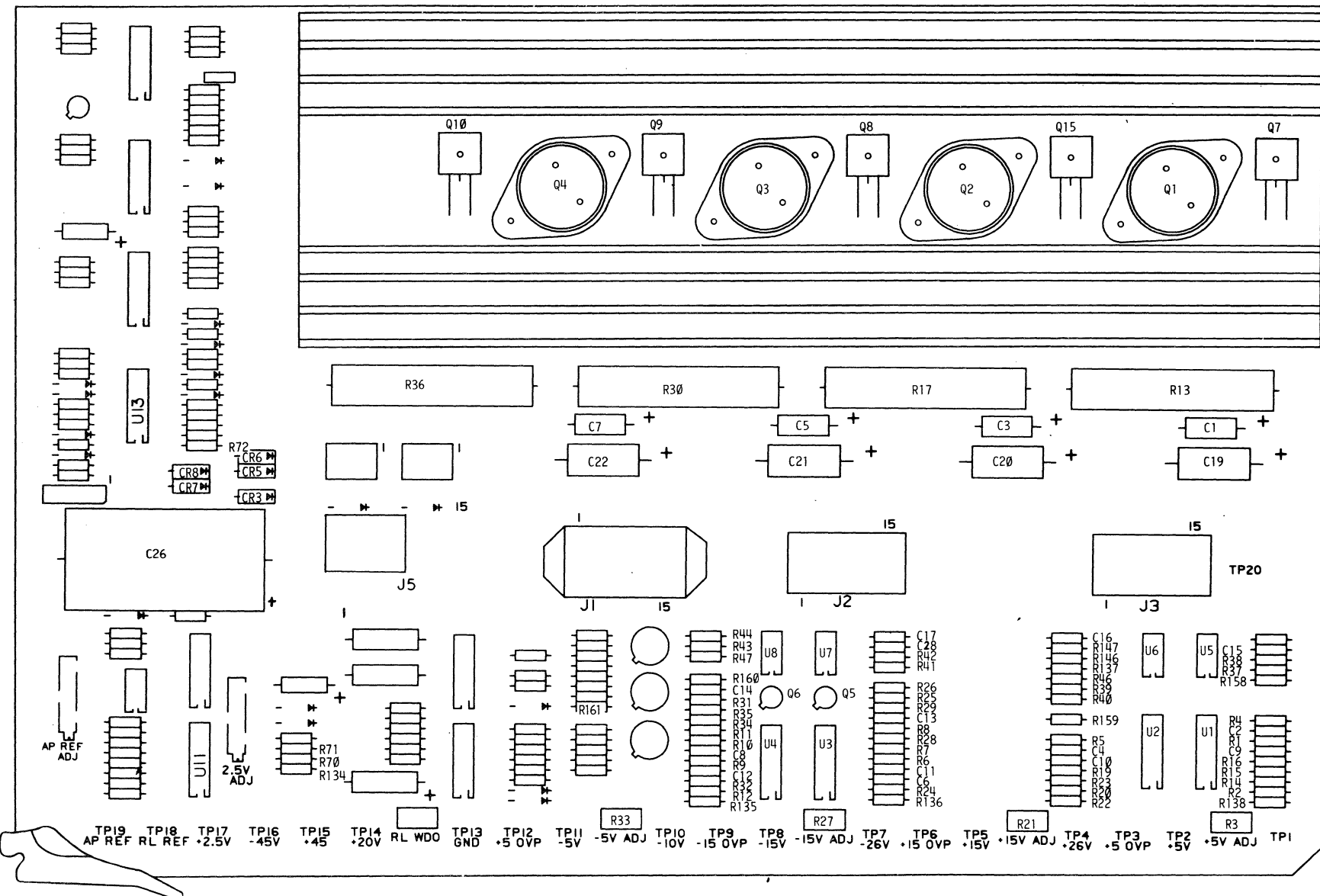
A
B
0
1

EPO, PC					
PRES. E.C.	44364	MACH. VERS.	1950	CD. LOC. GATE FRAME	CD. P.N. 4012702-01
PREV. E.C.		GBL. ROT.			CD. TYPE EPO
DATE	11-25-80				PG. P.N. 4015170-01-4

A
B
0
1



E P O 1	EPO RELAY				E P O 1
	PRES. E.C. 44364 PREV. E.C. DATE 11-25-80	MACH. VERS. GBL. ROT.	CD. LOC. GATE FRAME	CD. P.N. CD. TYPE EPO PG. P.N. 401281401-1	

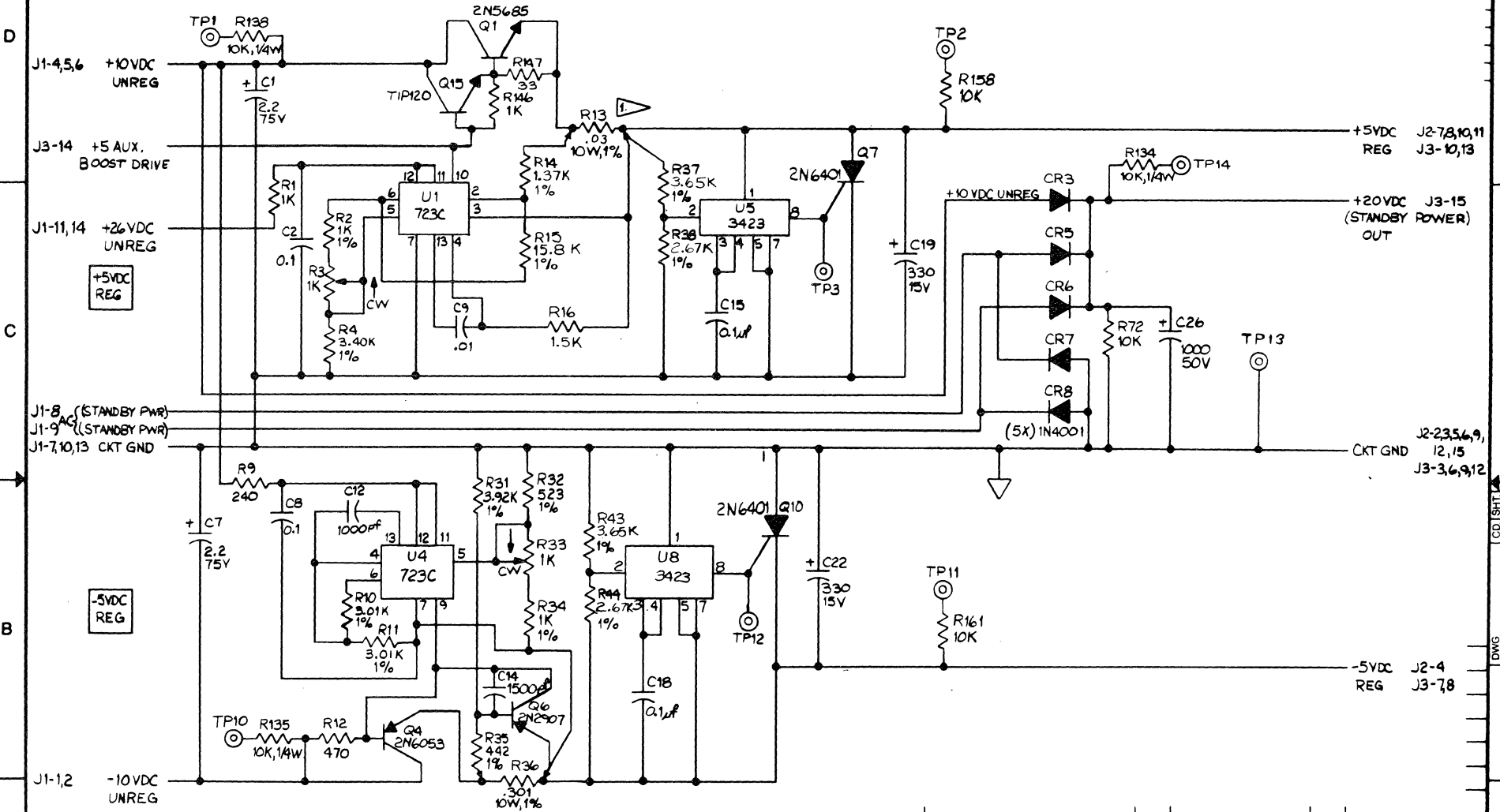


A
B
0
0
1

<p>■ ASSY DRAWING, HX, REG, P. S.</p>			
<p>PREV. E.C. 44364</p>	<p>MACH. 45XX</p>	<p>CD. LOC. DC PS</p>	<p>CD. P.N. 4012582-01-3</p>
<p>DATE 11-25-80</p>	<p>VERS. GBL. ROT.</p>	<p>GATE FRAME</p>	<p>CD. TYPE HX</p>
			<p>PG. P.N. 4015185-01-2</p>

A
B
0
0
1

REVISIONS					
REV	ZONE	EC NO	DESCRIPTION	APPROVAL	DATE
A		44364	INITIAL RELEASE	EJL/S-RO	11-25-80



- NOTES:
- INDICATES A 4-POINT MEASUREMENT, ALL PLACES.
 - TURN ALL POTS FULL CCW BEFORE POWER-UP AND VOLTAGE ADJUST.
 - ↓ DENOTES CKT GND.
 - ALL CAPACITANCES IN MICROFARADS (μ) UNLESS OTHERWISE DENOTED

CD			UNLESS OTHERWISE SPECIFIED PART MUST CONFORM TO STC SPEC 2825
			DRAWING PREPARED IN ACCORDANCE WITH STC DRAFTING STANDARD 9401
			DIMENSIONS ARE IN INCHES
			TOLERANCES: ANGLES ± 2 PL ± .03 FRACTIONS ± 3 PL ± .010
			MATERIAL
			FINISH
			APPLICATION
			NEXT ASSY USED ON

PREVIOUS DWG. NO.	ITEM NO.	REF. DES.	ITEM NO.	REF. DES.
APPROVALS		STORAGE TECHNOLOGY CORP. LOUISVILLE, COLORADO		
SIGNATURE	DATE	SCHEMATIC, HX CARD		
PREPARED		C		
CHECKED		C		
ENGINEER		C		
APPROVED		C		
THESE DRAWINGS AND SPECIFICATIONS ARE THE PROPERTY OF STORAGE TECHNOLOGY CORPORATION AND WILL NOT BE COPIED, REPRODUCED OR USED AS THE BASIS FOR SALE OR MANUFACTURE OF APPARATUS OR DEVICES WITHOUT PERMISSION		SIZE	CODE IDENT. NO.	DRAWING NO.
		C		4012604-01-5
SCALE		SHEET		OF 1

DWG 4012604-01-5

A

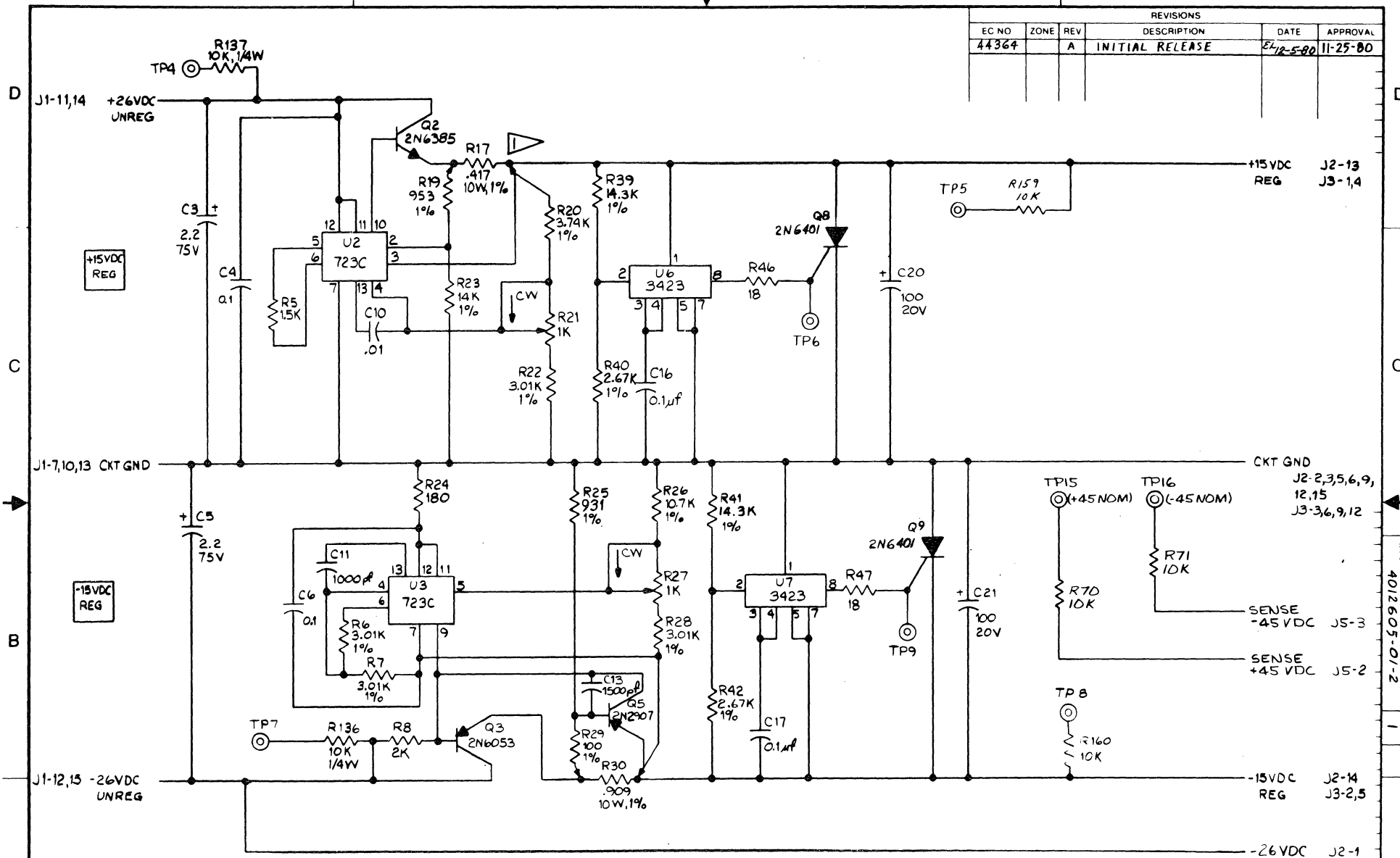
4

3

2

1

REVISIONS					
EC NO	ZONE	REV	DESCRIPTION	DATE	APPROVAL
44364		A	INITIAL RELEASE	EL-2-5-80	11-25-80



1. INDICATES A 4-POINT MEASUREMENT, ALL PLACES.
2. TURN POTS FULL CCW BEFORE POWER-UP AND VOLTAGE ADJUST.
3. ALL CAPACITANCES IN MICROFARADS (μ) UNLESS OTHERWISE SPECIFIED.

FIND NO	REFERENCE DESIGNATOR	FIND NO	REFERENCE DESIGNATOR
UNLESS OTHERWISE SPECIFIED		STORAGE TECHNOLOGY CORP. LOUISVILLE COLORADO	
MATERIAL		TITLE SCHEMATIC, HX CARD, C	
NEXT ASSY		C 55299	
MODEL		4012605-01-2	
APPLICATION		SCALE	

4

3

2

1

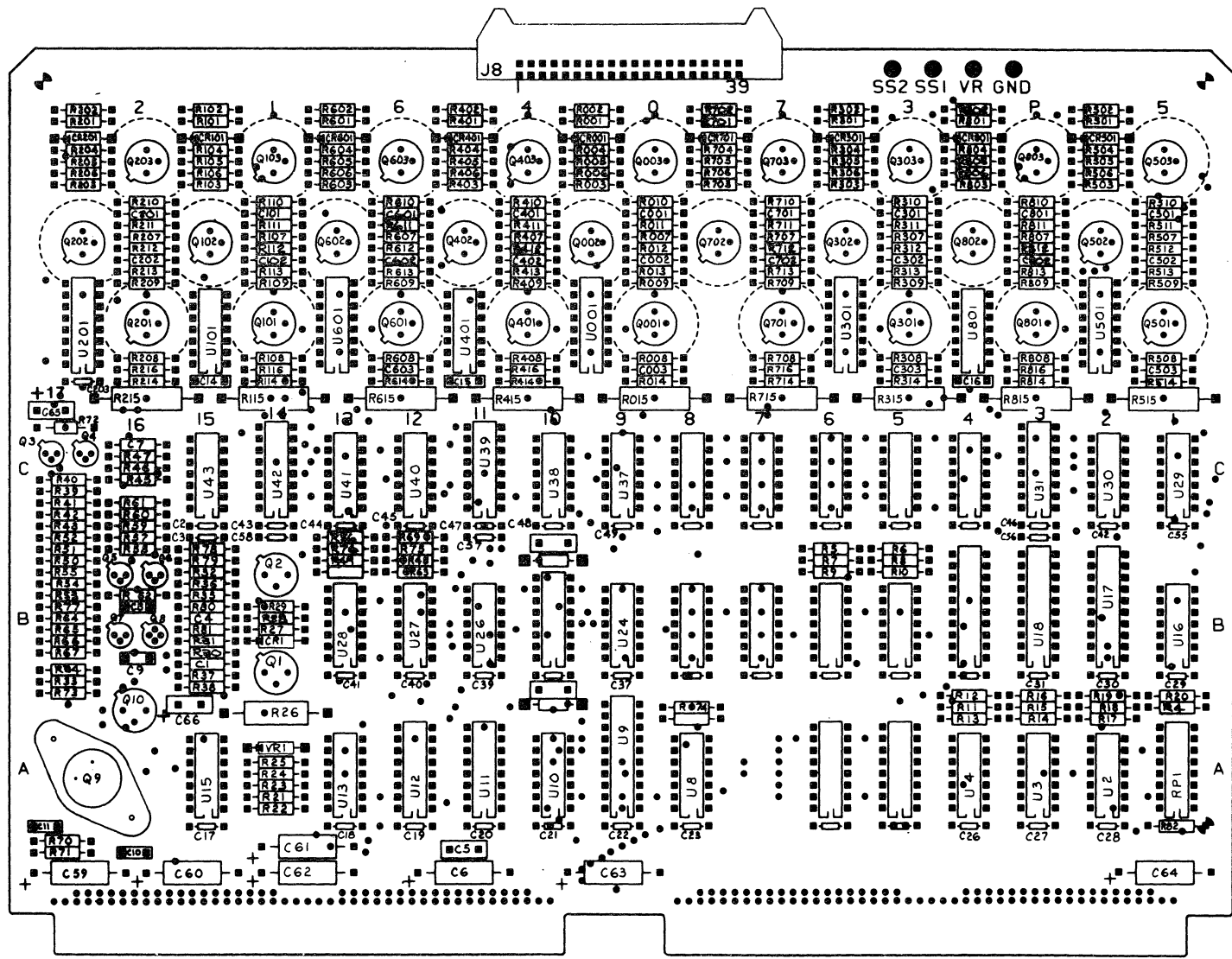


BUILD ARC DOC

ASSEMBLY PARTS LIST

PRINT DATE	PAGE	E.C. NO.
02-23-81	1	44284

DIV.	ASSEMBLY NUMBER	CD	REV.	DWG.	DESCRIPTION	MC	STATUS	STATUS DATE	FILE DATE					
0500	401534701	8	A	N	SYS LGC GP,HD,PC,MULTI PN'S	N	REL	02-01-81 1950	02-02-81					
T FIND NO	LI	PART NUMBER	CD	M	QUANTITY	U/M	PART DESCRIPTION	MC	YLD	E.C. NO. IN	E.C. NO. OUT	S/N	WK IN	WK OUT
000	01	401534801	6		REF	PC	CD LGC,HD,AB001,PC	D						
015	01	401534901	4		REF	PC	SYS LGC,HD 015,PC	D						
021	01	401535001	2		REF	PC	SYS LGC,HD 021,PC	D						
031	01	401535101	0		REF	PC	SYS LGC,HD 031,PC	D						
041	01	401535201	8		REF	PC	SYS LGC,HD041,PC	D						
051	01	401535301	6		REF	PC	SYS LGC,HD051,PC	D						
061	01	401535401	4		REF	PC	SYS LGC,HD 061,PC	D						
071	01	401535501	1		REF	PC	SYS LGC,HD 071,PC	D						
081	01	401535601	9		REF	PC	SYS LGC,HD 081,PC	D						
091	01	401535701	7		REF	PC	SYS LGC,HD 091,PC	D						
101	01	401535801	5		REF	PC	SYS LGC,HD 101,PC	D						
111	01	401535901	3		REF	PC	SYS LGC,HD 111,PC	D						
121	01	401536001	1		REF	PC	SYS LGC,HD 121,PC	D						
131	01	401536101	9		REF	PC	SYS LGC,HD 131,PC	D						
141	01	401536201	7		REF	PC	SYS LGC,HD 141,PC	D						
151	01	401536301	5		REF	PC	SYS LGC,HD 151,PC	D						
500	01	401220305	7		REF	PC	CKT CD,HD,PC ASSY,50 IPS	S						
501	01	401221305	6		REF	PC	CKT CD,HD,PC ASSY,75 IPS	S						
502	01	400521306	3		REF	PC	CKT CD,HD,PC ASSY,125 IPS	S						



NOTE: CARD PIN'S:
 50 IPS 401220305-7
 75 IPS 401221305-6
 .125 IPS 400521306-3

PREP. E.C. 44284
 REV. E.C. NONE
 DATE

MACH. 1950
 VERS.
 GBL. ROT.

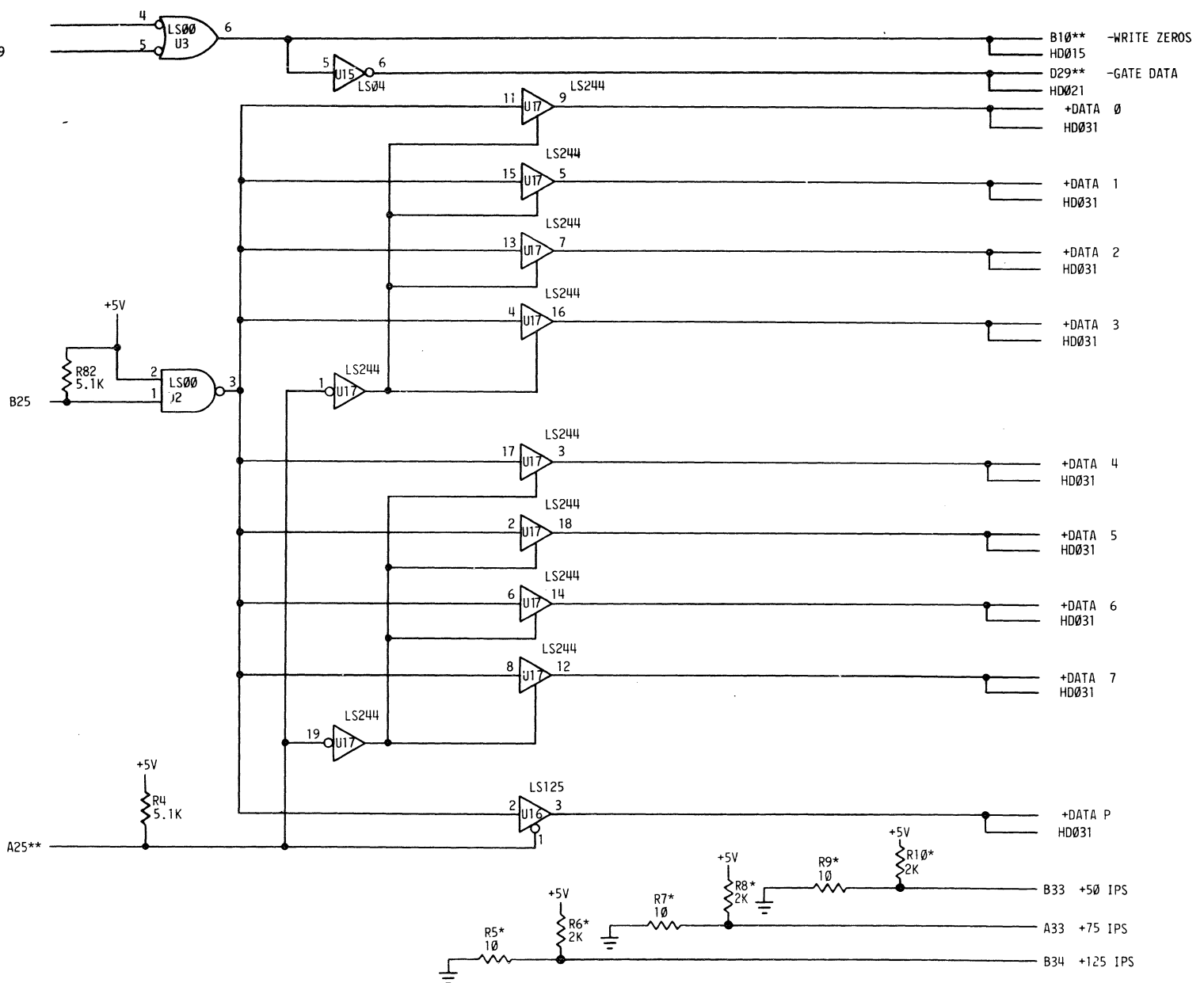
CD. LOC. J2
 GATE
 FRAME

CD. P.N. SEE NOTE
 CD. TYPE HD
 PG. P.N. 401534801-6

1-1

1-1

-SELECT B JL001B03 B08
 -GATE MAINT JL071D07 B09



N.C.

-WRITE ZEROS HD015B10 A25**

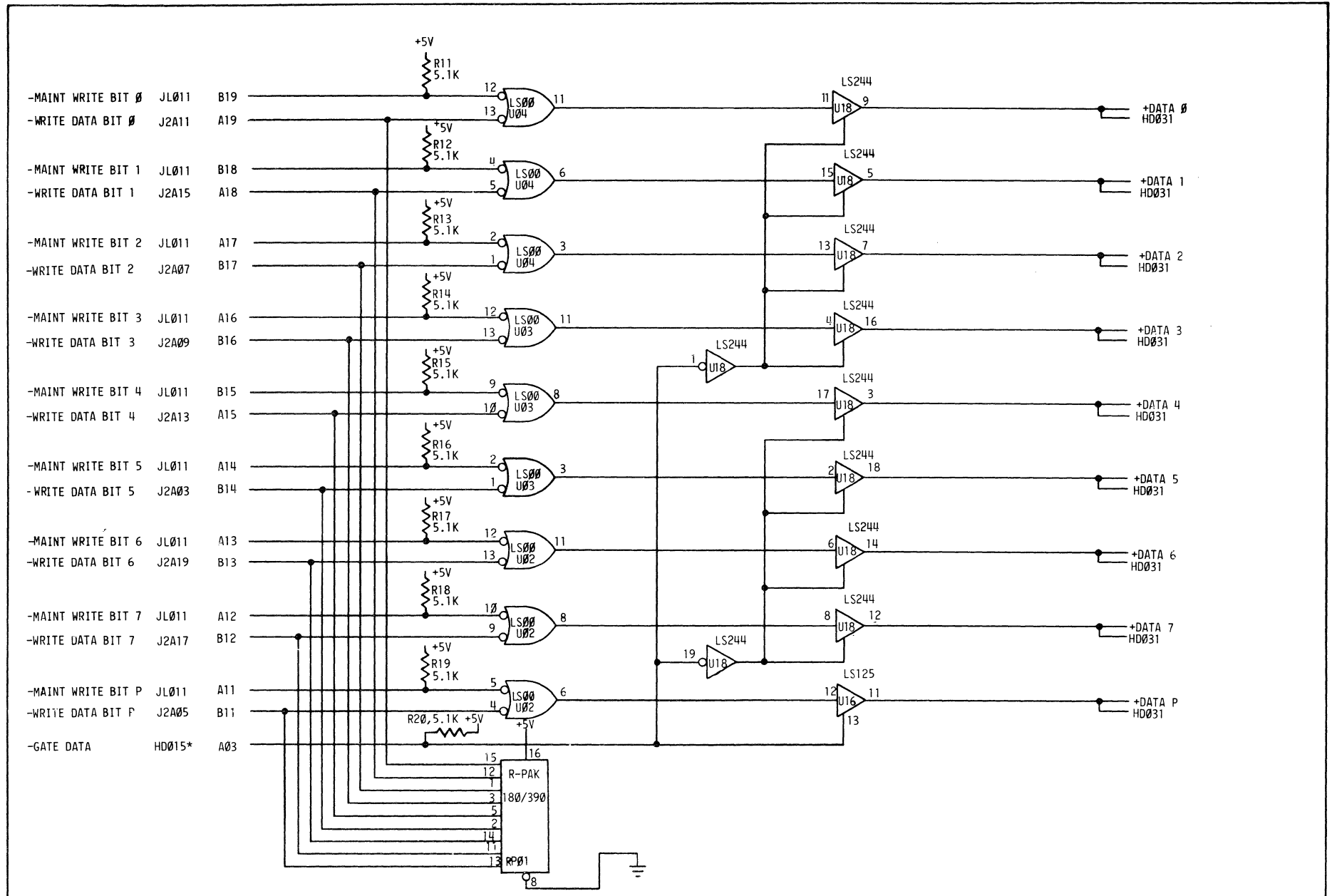
HD
0
1
5

* SPEED RELATED COMPONENTS
 50 IPS R6, R8, R9 ARE NOT INSTALLED
 75 IPS R6, R7, R10 ARE NOT INSTALLED
 125 IPS R5, R8, R10 ARE NOT INSTALLED

** B10 IS TIED TO A25 ON THE MOTHERBOARD.
 D29 IS TIED TO A03 ON THE MOTHERBOARD

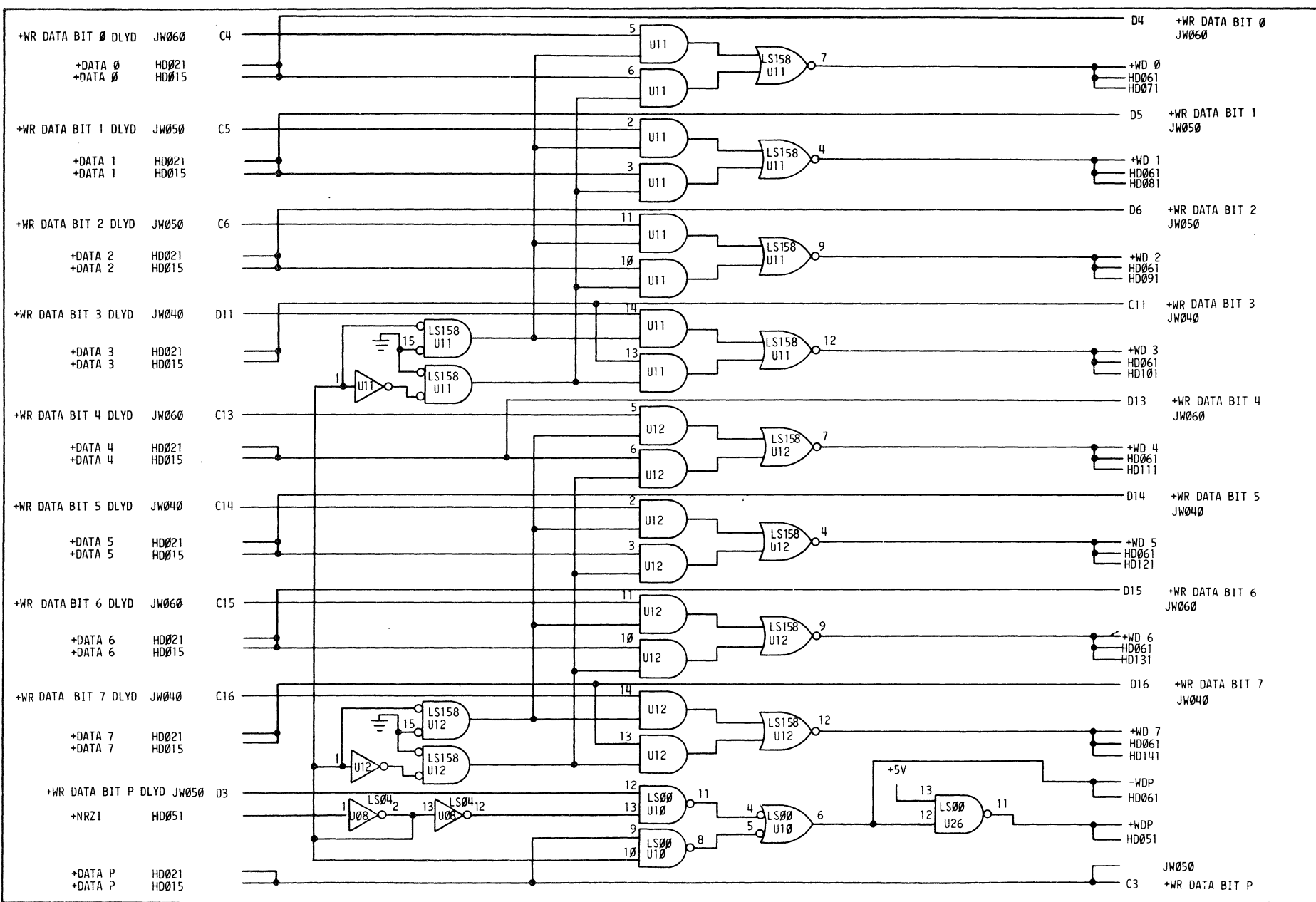
WRITE TRIGGERS DEGATING					
PRES. E.C.	44284	MACH. VERS.	1950	CD. LOC. FRAME	J2 A2
PREV. E.C.	NONE	GBL. ROT.		CD. P.N. CD. TYPE PG. P.N.	HD 401534901-4
DATE					

HD
0
1
5

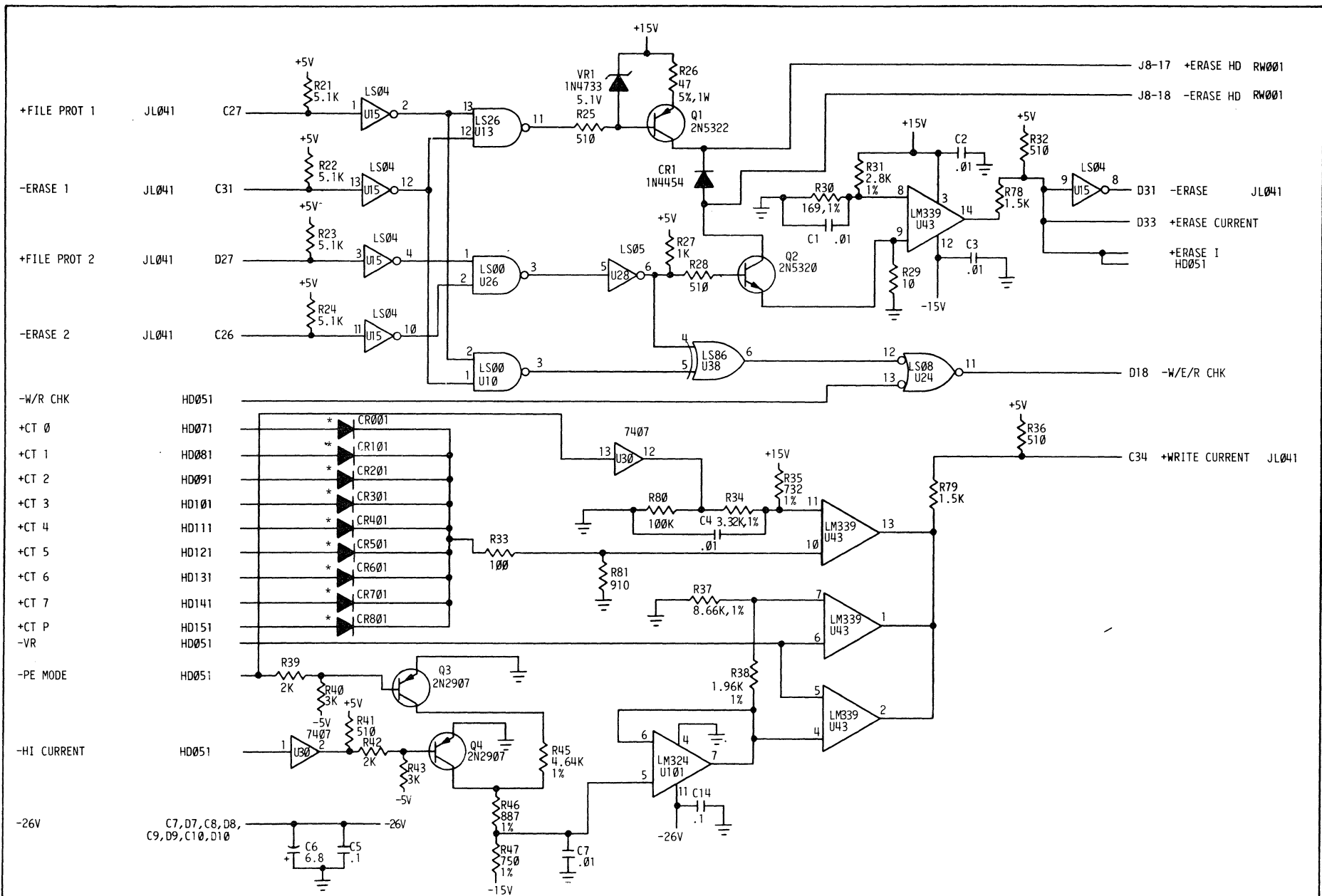


*D29 IS TIED TO A03 ON THE MOTHERBOARD

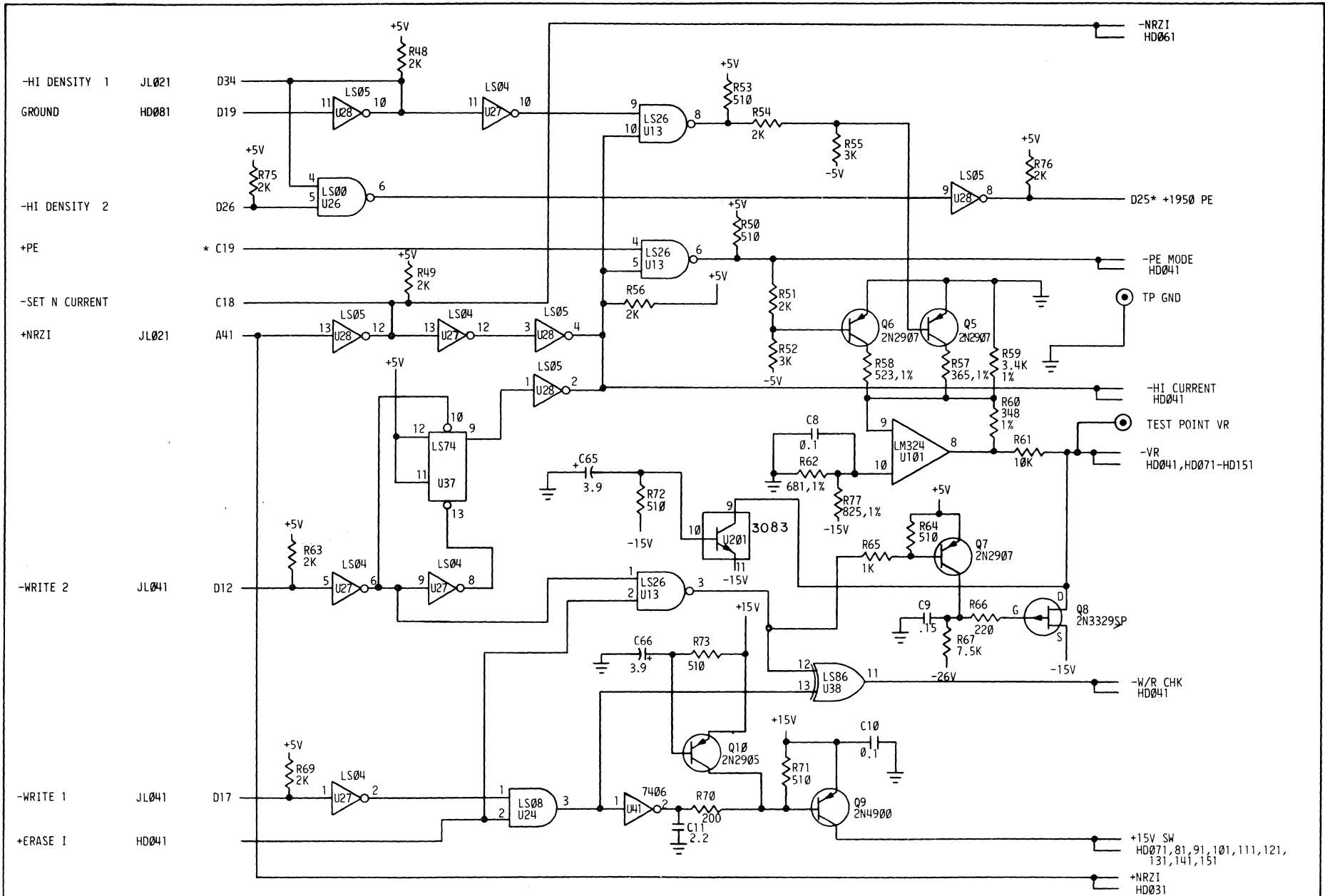
1950 DATA AND MAINT INPUTS					
PRES. E.C.	44284	MACH. VERS.	1950	CD. LOC.	J2
PREV. E.C.	NONE	6BL. ROT.		GATE FRAME	A2
DATE				CD. P.N.	HD
				CD. TYPE	4015350v1-4
				PG. P.N.	1



H D 3 1	WRITE DATA OR WRITE DATA DLYD GATING				H D 3 1		
	PRES. E.C. PREV. E.C. DATE	44284 NONE	MACH. VERS. SBL. ROT.	1950		CD. LOC. GATE FRAME	J2 A2

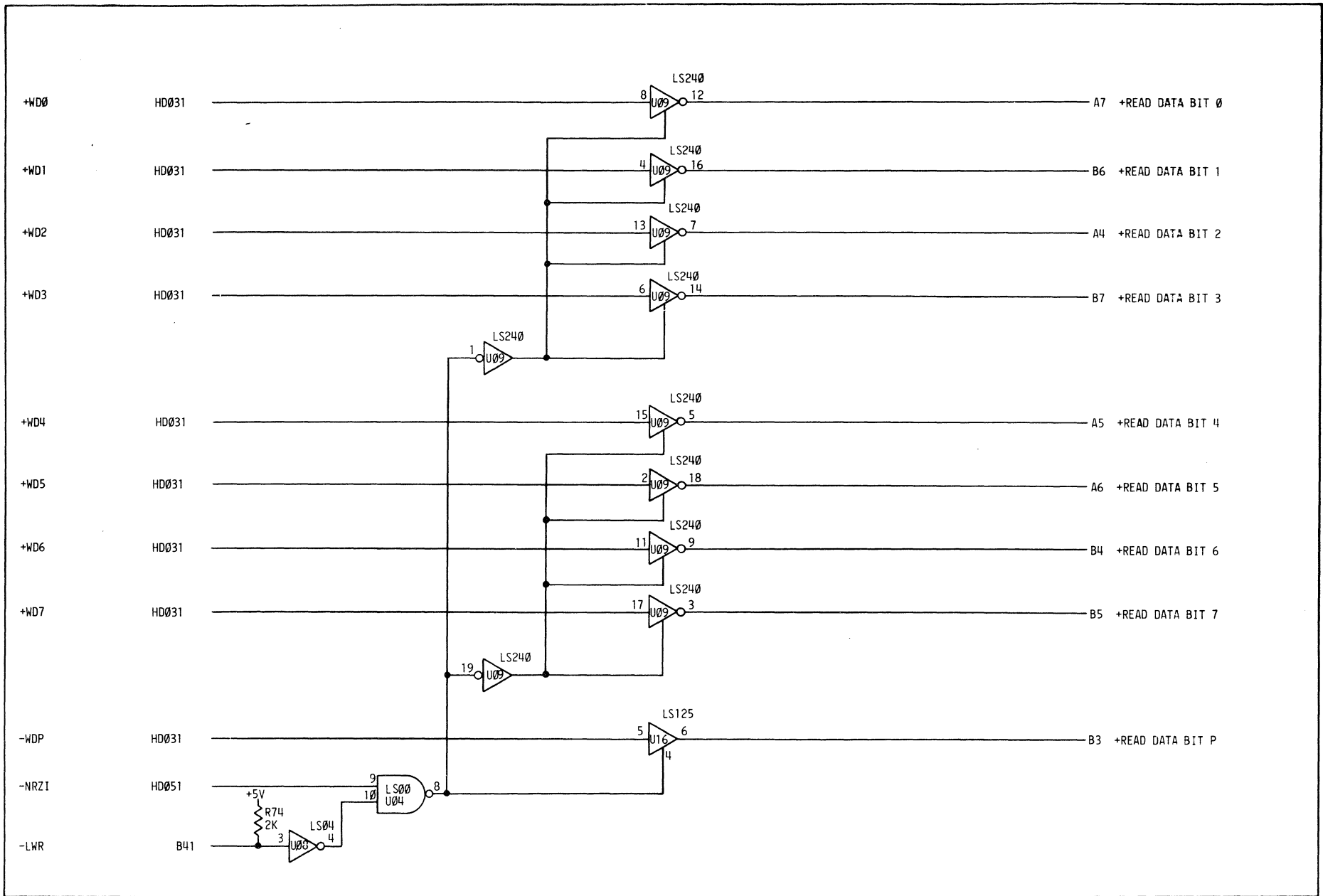


H D 0 4 1	* 1N4001	ERASE DRIVER AND WRITE CURRENT ON CHECK				H D 0 4 1
		PRES. E.C. 44284 PREV. E.C. NONE DATE	MACH. 1950 VERS. GBL. ROT.	CD. LOC. J2 GATE A2 FRAME	CD. P.N. HO CD. TYPE PG. P.N. 4w15352w1-b	



*NOTE: D25 IS TIED TO C19 ON THE MOTHERBOARD.

H D 0 5 1		VR GENERATION				H D 0 5 1	
PRES. E.C.	44284	MACH.	1950	CD. LOC.	J2	CD. P.N.	HD
PREV. E.C.	NONE	VERS.		GATE	A2	CD. TYPE	HD
DATE		GBL. ROT.		FRAME		PG. P.N.	4u15353u1-6

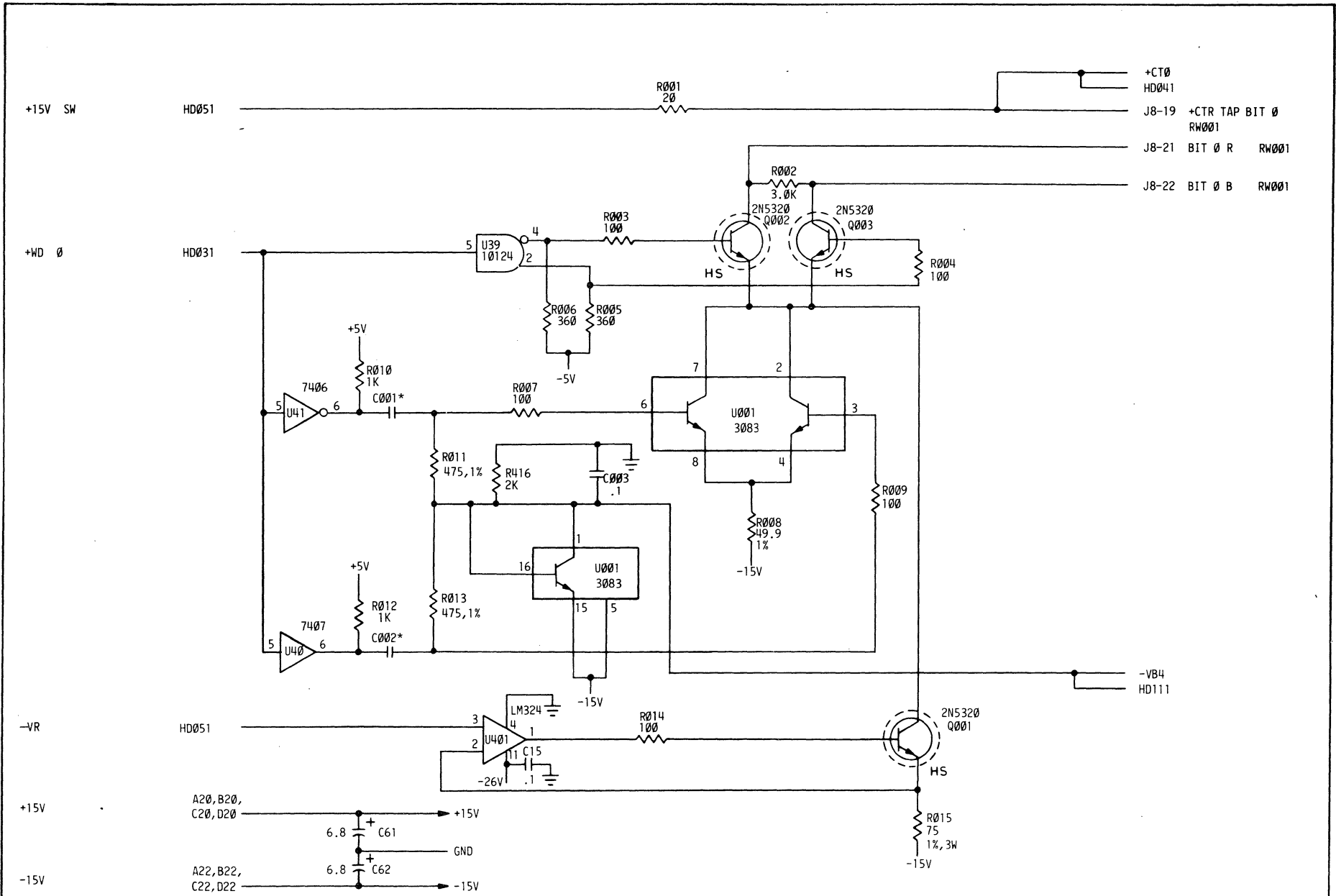


HD
0
6
1

GAF Polytrace 033

LWR BUS DRIVERS			
PRES. E.C.	44284	MACH. VERS.	1950
PREV. E.C.	NONE	GBL. ROT.	
DATE		CD. LOC. GATE FRAME	J2 A2
		CD. P.N. CD. TYPE PG. P.N.	HD 401535401-4

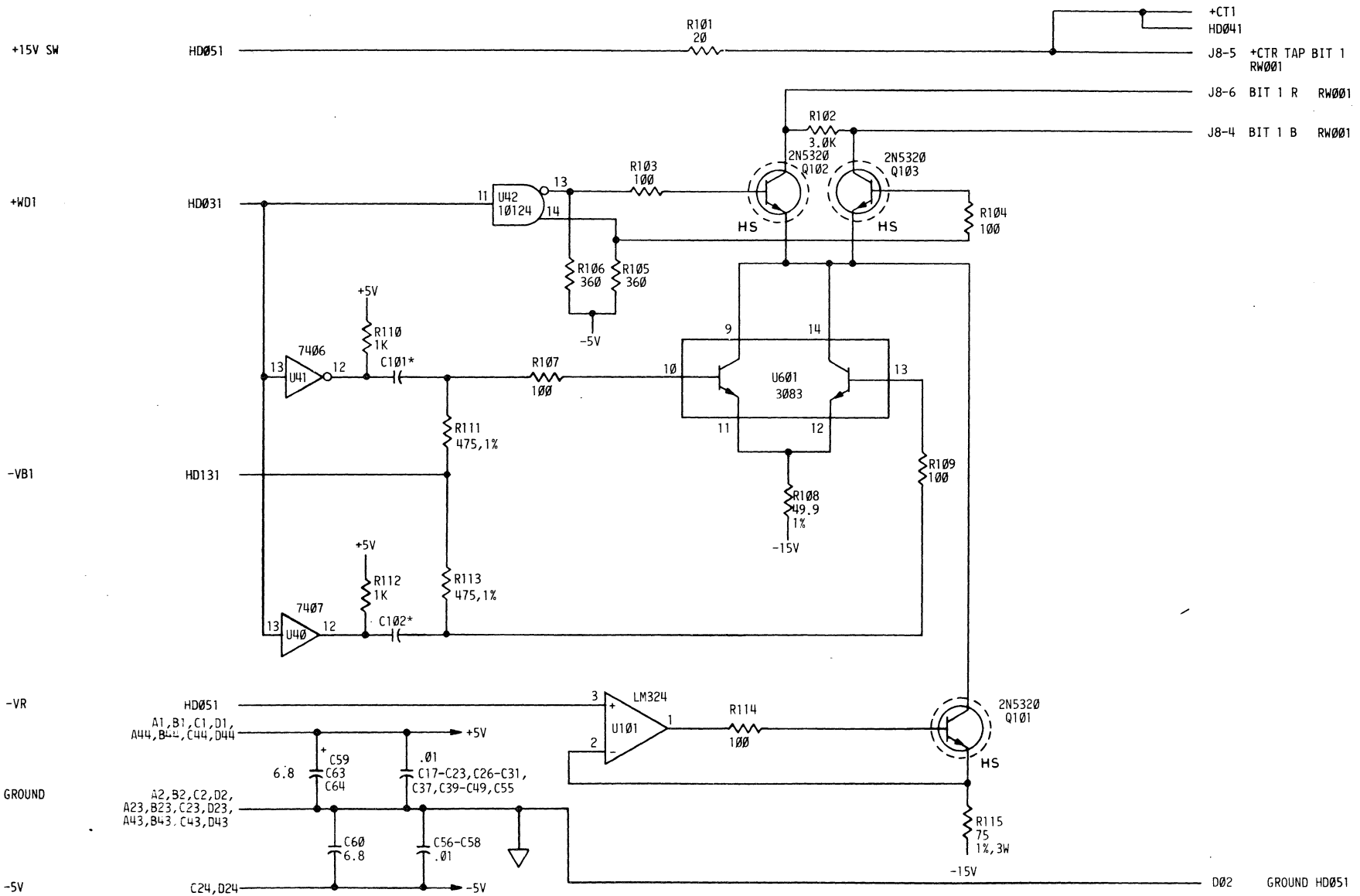
HD
0
6
1



* SPEED RELATED COMPONENTS

	C002-C002
	C001-C001
50 IPS	3900PF
75 IPS	2200PF
125 IPS	1500PF

WRITE DRIVER TRACK 0					
PRES. E.C.	44284	MACH. VERS.	1950	CD. LOC. J2	CD. P.N.
PREV. E.C.	NONE	SBL. ROT.		GATE A2	CD. TYPE HD
DATE				FRAME	PG. P.N. 401535501-i



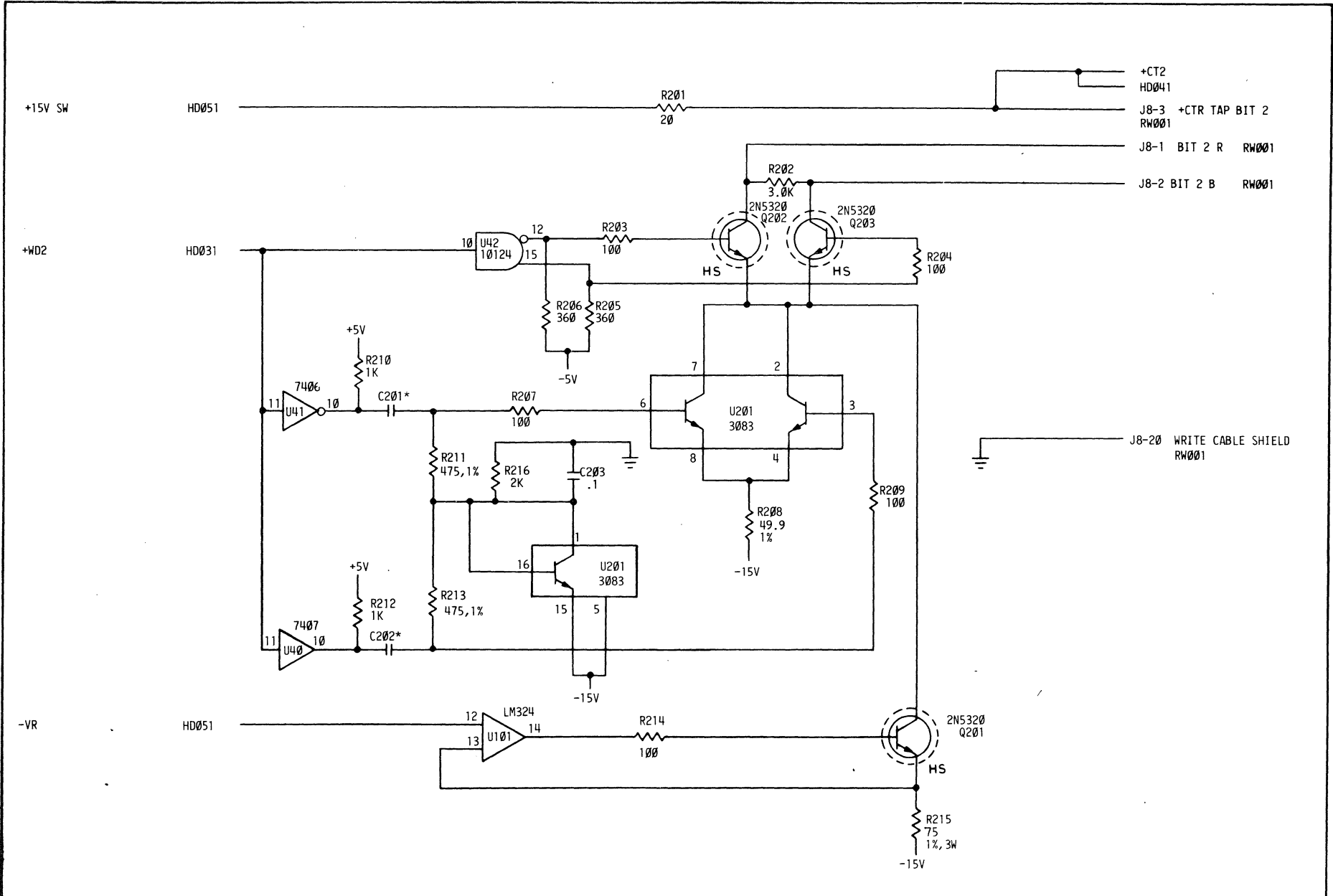
* SEE NOTE ON HD071

WRITE DRIVER TRACK 1

PRES. E.C.	44284	MACH. VERS.	1950	CD. LOC. GATE FRAME	J2 A2	CD. P.N. HD	401535601-9
PREV. E.C.	NONE	GBL. ROT.					

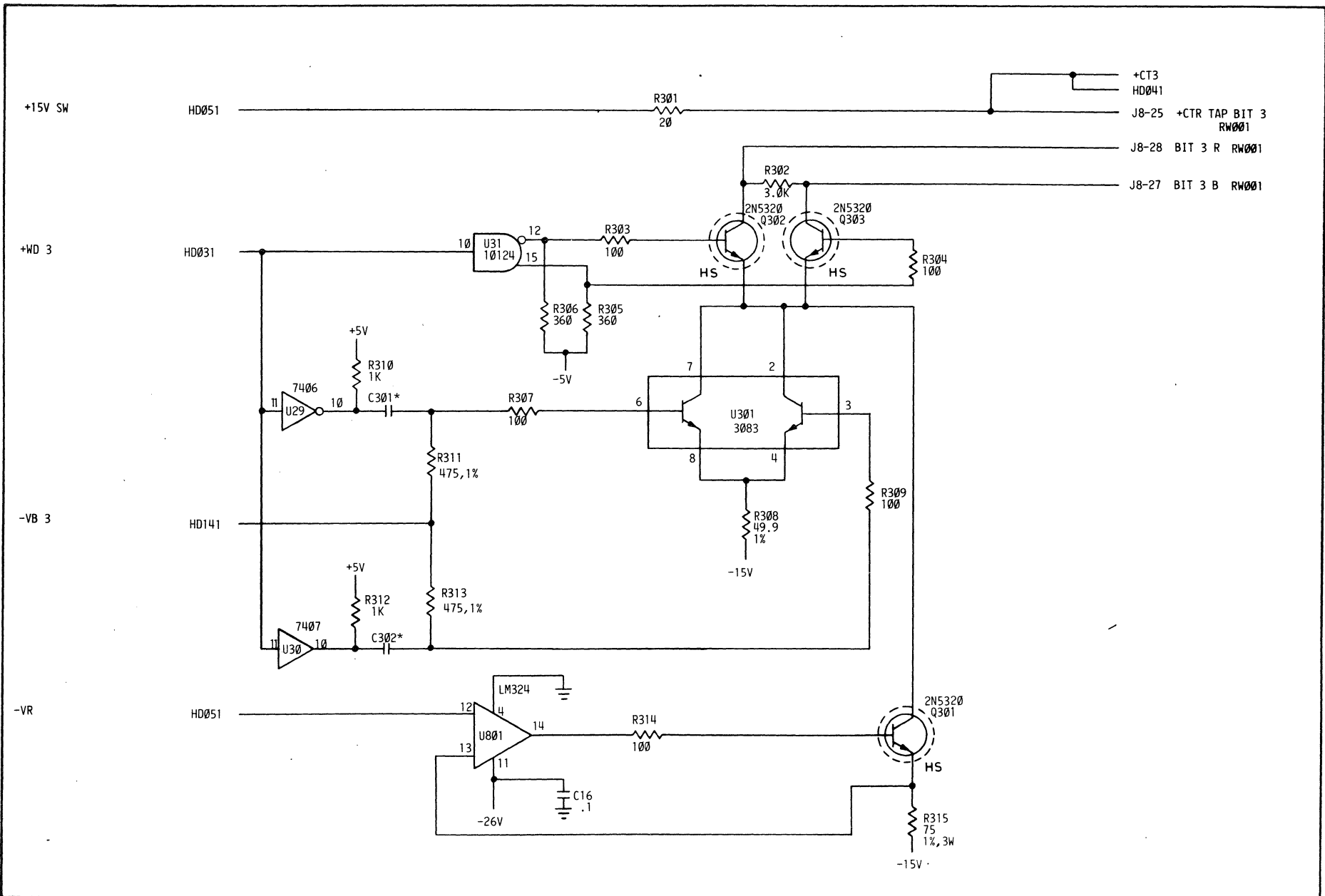
HD081

HD081



* SEE NOTE ON HD071

<p>WRITE DRIVER TRACK 2</p>		<p>CD. LOC. J2</p>		<p>CD. PN. HD</p>	
<p>PRES. E.C. 44284</p>	<p>MACH. 1950</p>	<p>BATE A2</p>	<p>CD. TYPE HD</p>	<p>PG. PN. 401535701-7</p>	
<p>PREV. E.C. NONE</p>	<p>VER. 1950</p>	<p>FRAME</p>	<p>H D 0 9 1</p>		
<p>DATE</p>	<p>QBL. ROT.</p>				



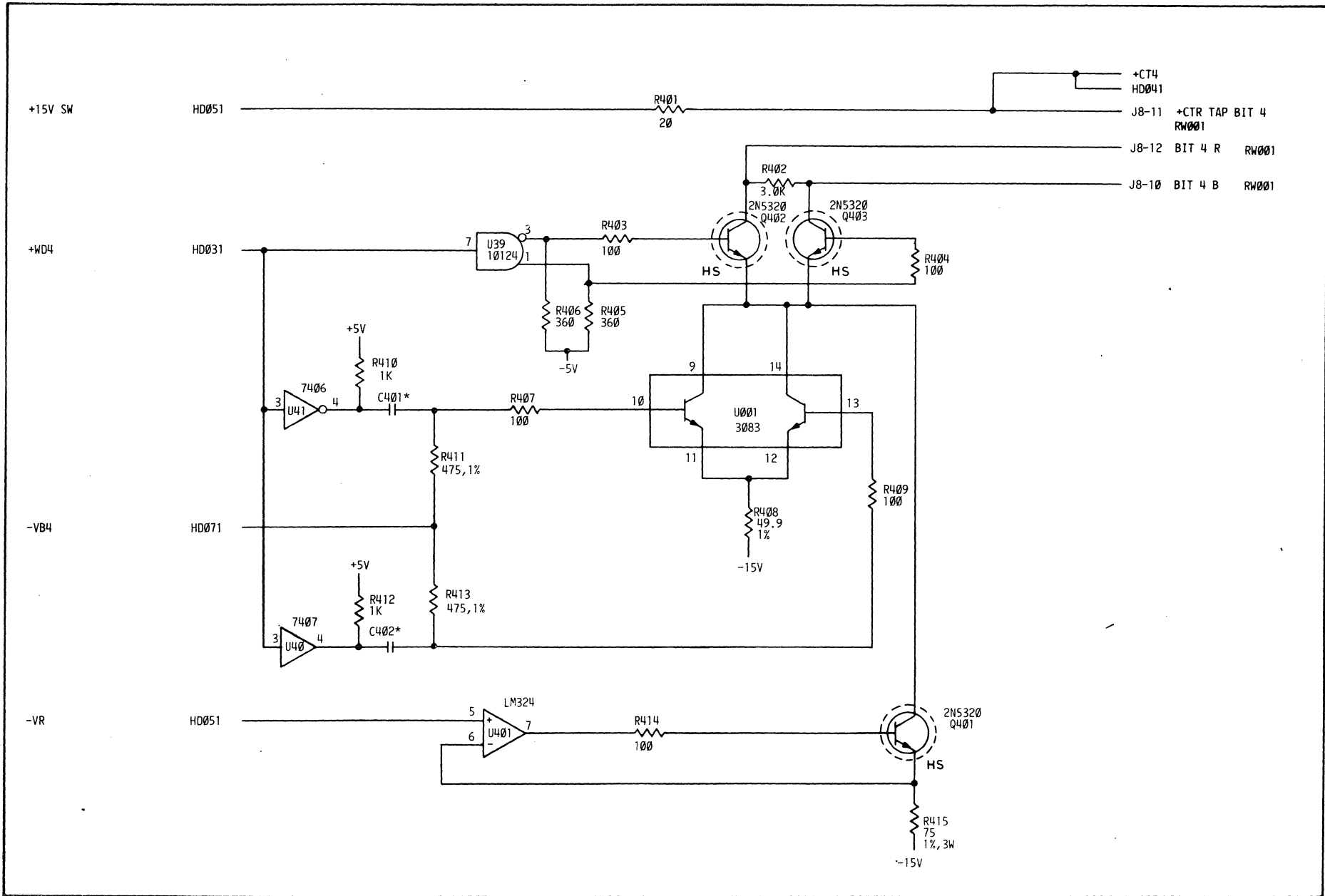
* SEE NOTE ON HD071

WRITE DRIVER TRACK 3

PRE. E.C. DATE	44284 NONE	MACH. VERS. OBL. ROT.	1950	CD. LOC. GATE FRAME	J2 A2	CD. P.N. HD PG. P.N.	401535801-5
----------------	------------	-----------------------	------	---------------------	-------	----------------------	-------------

HD
1
0
1

HD
1
0
1



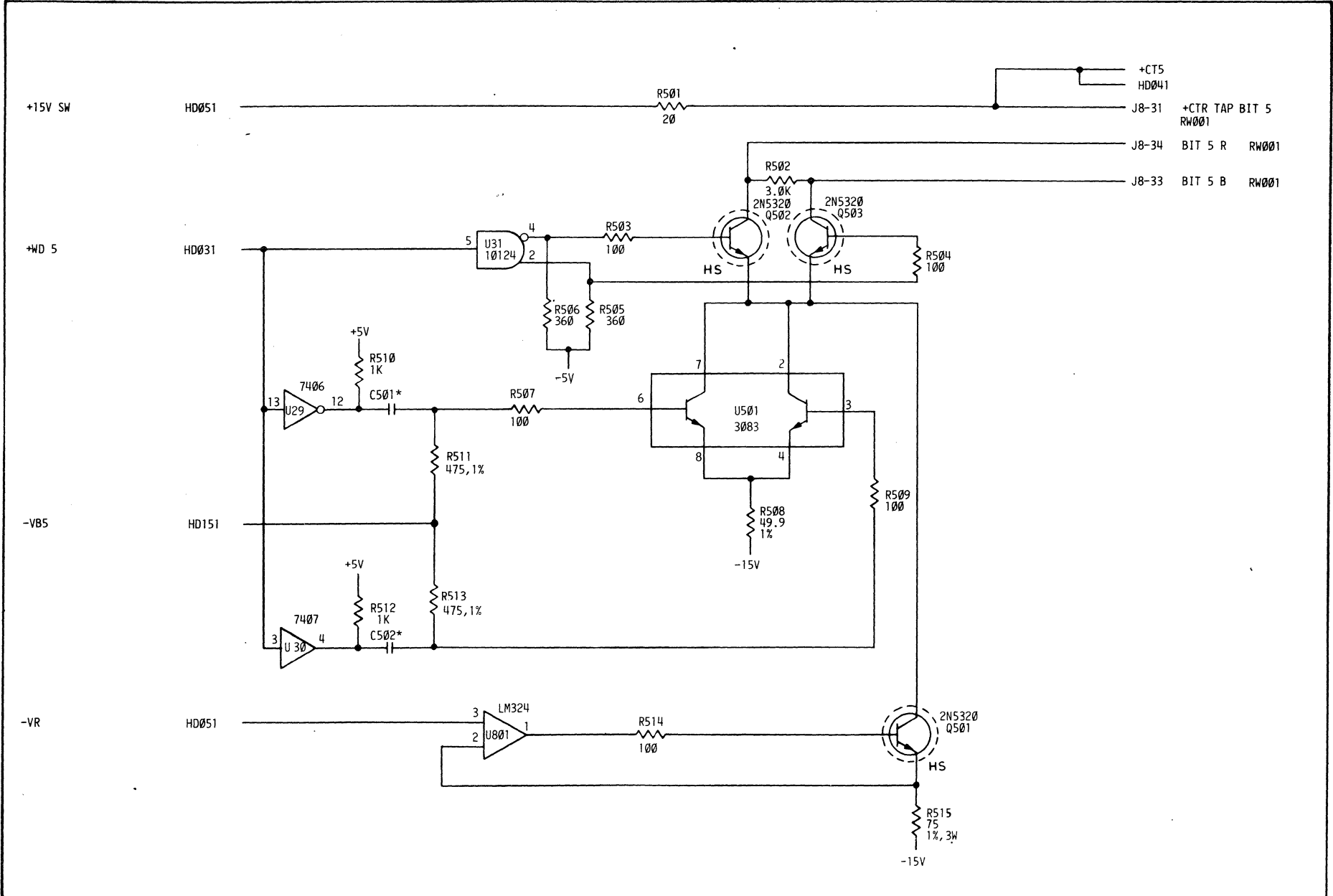
* SEE NOTE ON HD071

WRITE DRIVER TRACK 4

PREV. E.C. DATE	44284 NONE	MACH. VERS. GBL. ROT.	1950	CD. LOC. GATE FRAME	J2 A2	CD. PN. CD. TYPE PG. PN.	HD HD 401535901-3
--------------------	---------------	--------------------------	------	---------------------------	----------	--------------------------------	-------------------------

HD
1
1
1

HD
1
1
1



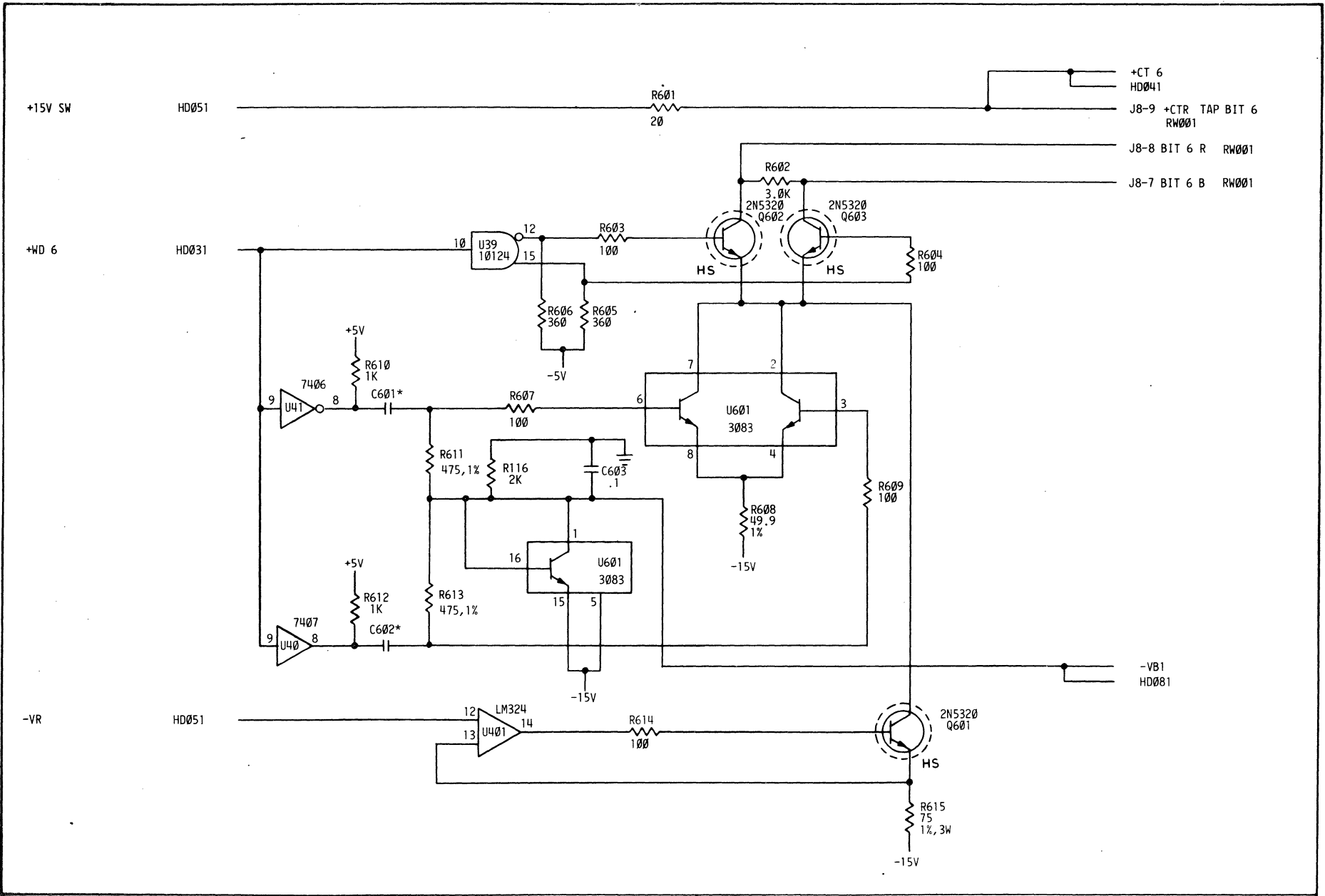
+CT5
HD041
J8-31 +CTR TAP BIT 5
RW001
J8-34 BIT 5 R RW001
J8-33 BIT 5 B RW001

* SEE NOTE ON HD071

PRES. E.C. 44284		MACH. 1950		CD. LOC. J2		CD. P.N. HD	
PREV. E.C. NONE		VER. OBL. ROT.		GATE FRAME A2		CD. TYPE PG. PN.	
DATE						401536001-1	

HD
1
2
1

HD
1
2
1



+CT 6
HD041
J8-9 +CTR TAP BIT 6
RW001
J8-8 BIT 6 R RW001
J8-7 BIT 6 B RW001

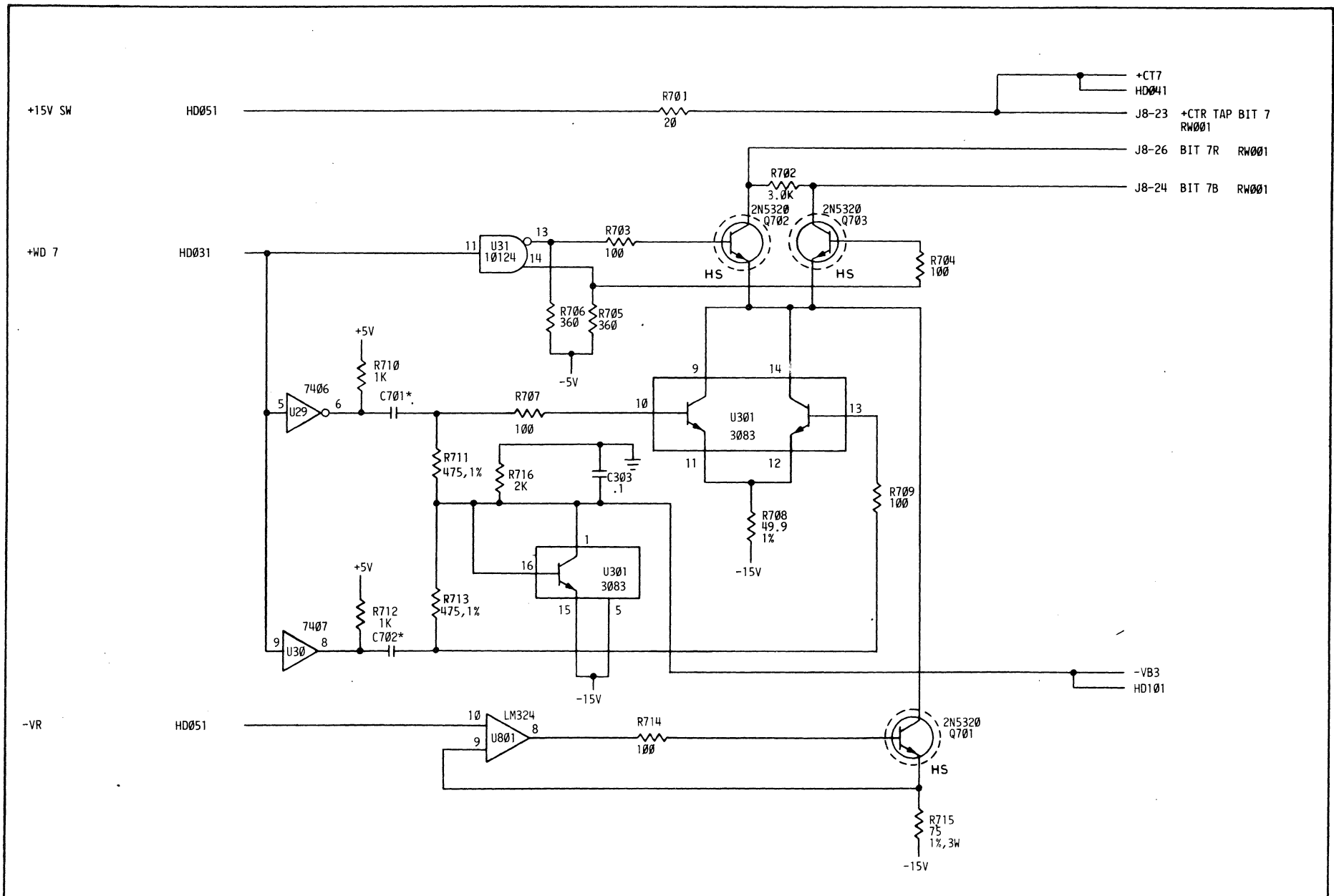
-VB1
HD081

* SEE NOTE ON HD071

WRITE DRIVER TRACK 6					
PRES. E.C.	44284	MACH.	1950	CD. LOC.	J2
PREV. E.C.	NONE	VERS.		GATE	A2
DATE		GBL. ROT.		CD. PN.	HD
				PG. PN.	401536101-9

HD
1
3
1

HD
1
3
1



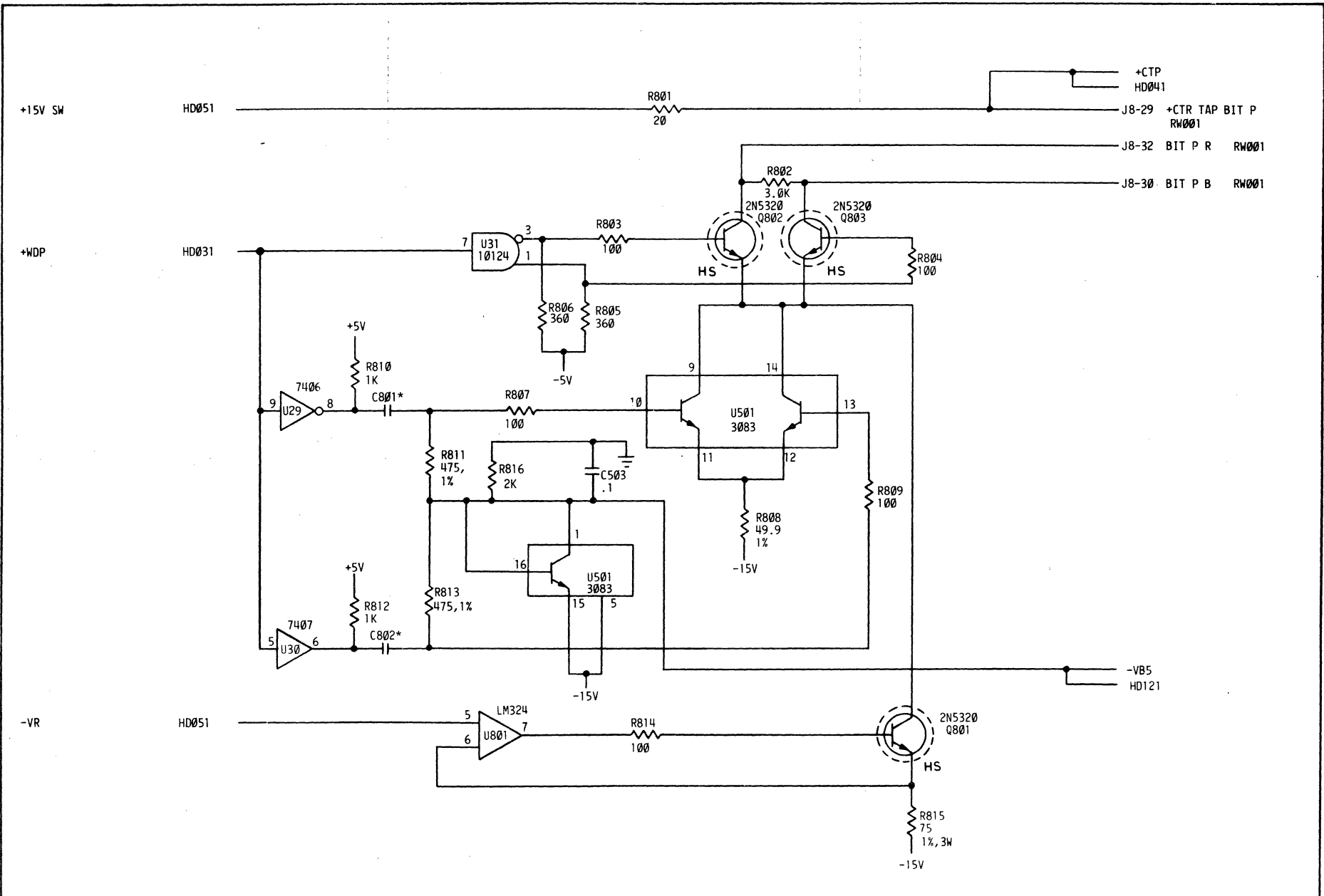
* SEE NOTE ON HD071

WRITE DRIVER TRACK 7

PRES. E.C. PREV. E.C. DATE	44-284 NONE	MACH. VERS. GBL. ROT.	1950	CD. LOC. GATE FRAME	J2 A2	CD. P.M. CD. TYPE PG. P.N.	HD 401536201-7
----------------------------------	----------------	--------------------------	------	---------------------------	----------	----------------------------------	-------------------

HD
1
4
1

HD
1
4
1



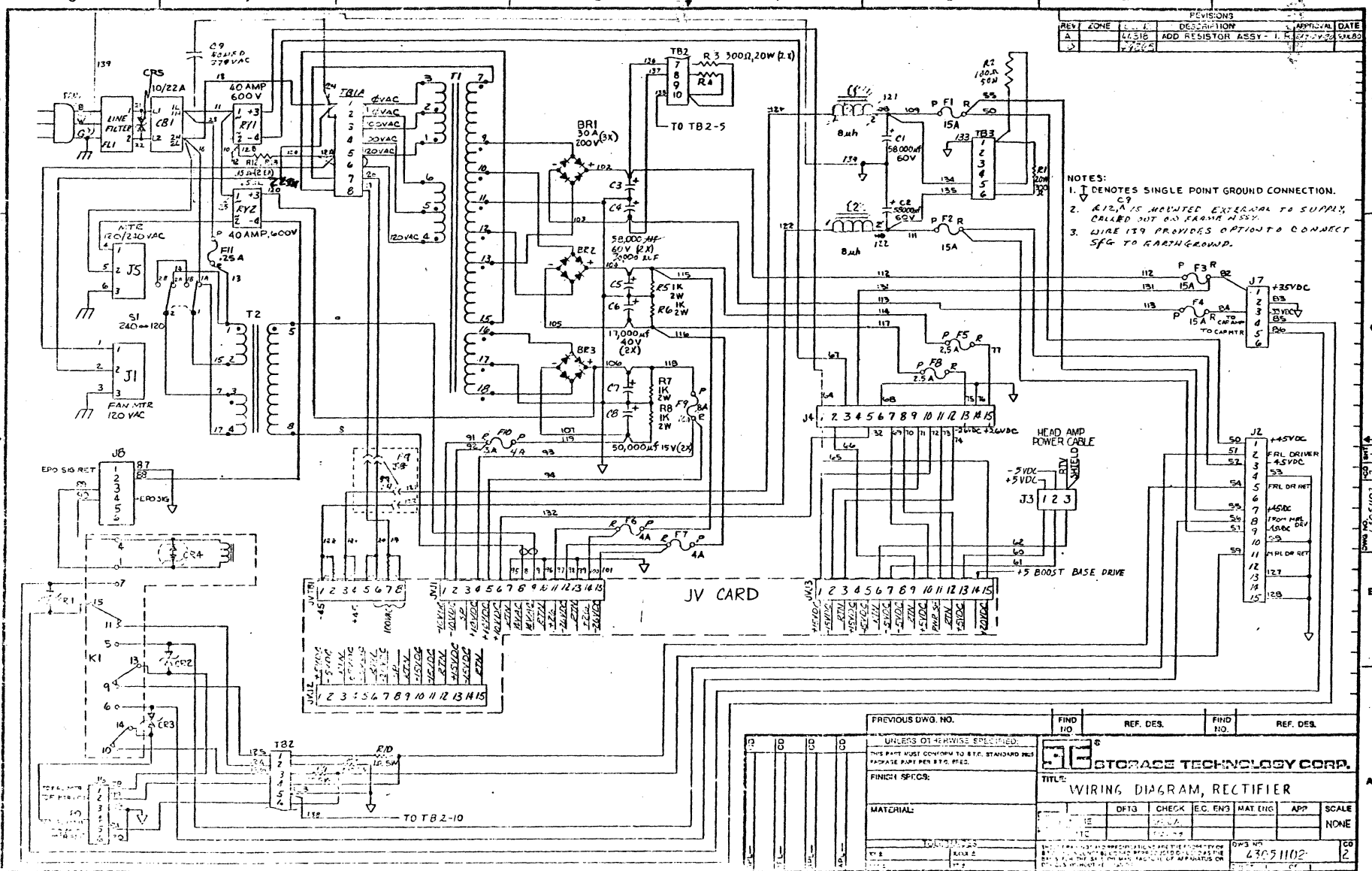
* SEE NOTE ON HD071

WRITE DRIVER TRACK P

PRES. E.C.	44284	MACH. VRS.	1950	CD. LOC.	J2	CD. P.N.	
PREV. E.C.	NONE	GBL. ROT.		GATE FRAME	A2	CD. TYPE	HD
DATE						PG. P.N.	401536301-5

REV	ZONE	DESCRIPTION	APPROVAL	DATE
A	42516	ADD RESISTOR ASSY - 1, 4		4/15/58
B	42516			

- NOTES:
1. † DENOTES SINGLE POINT GROUND CONNECTION.
 2. R12, R15 MOUNTED EXTERNAL TO SUPPLY, CALLED OUT ON FRAME ASSY.
 3. WIRE 119 PROVIDES OPTION TO CONNECT SFG TO EARTHGROUND.



PREVIOUS DWG. NO.		FIND NO.	REF. DES.	FIND NO.	REF. DES.
UNLESS OTHERWISE SPECIFIED:		 STORAGE TECHNOLOGY CORP.			
THIS PART MUST CONFORM TO STD. STANDARD AND PACKAGE PART PER B7C, REC.					
FINISH SPEC:					
MATERIAL:		TITLE: WIRING DIAGRAM, RECTIFIER			
DATE: 4/15/58		DWG NO:	DWG CHK:	EC. ENG:	APP:
REV: 1		42516	42516	42516	42516
REV: 2		42516	42516	42516	42516
REV: 3		42516	42516	42516	42516
REV: 4		42516	42516	42516	42516
REV: 5		42516	42516	42516	42516
REV: 6		42516	42516	42516	42516
REV: 7		42516	42516	42516	42516
REV: 8		42516	42516	42516	42516
REV: 9		42516	42516	42516	42516
REV: 10		42516	42516	42516	42516
REV: 11		42516	42516	42516	42516
REV: 12		42516	42516	42516	42516
REV: 13		42516	42516	42516	42516
REV: 14		42516	42516	42516	42516
REV: 15		42516	42516	42516	42516
REV: 16		42516	42516	42516	42516
REV: 17		42516	42516	42516	42516
REV: 18		42516	42516	42516	42516
REV: 19		42516	42516	42516	42516
REV: 20		42516	42516	42516	42516

40153801