

**1950 SERIES TAPE UNIT
ILLUSTRATED PARTS CATALOG**

PN 9359



STORAGE TECHNOLOGY CORPORATION

This illustrated parts catalog contains listings and illustration of the replaceable assemblies, subassemblies and detail parts for the STC Model 1950 Tape Unit. Part number information is accurate as of the STC week 8003.

Information contained in this publication is subject to change. In the event of changes, the publication will be revised. Comments concerning the contents of this manual should be directed to the Publications Department at the address below. Requests for additional copies should be directed to the Machine Level Control Department. A prepaid Reader's Comment Form is provided at the back of the manual.

This publication was prepared by Storage Technology Corporation, Publications Department, P.O. Box 98, Louisville, Colorado 80027.

Copyright©January 1980
by
Storage Technology Corporation
All Rights Reserved

LIST OF EFFECTIVE PAGES

Publication No. 9359

Issue Date: FEBRUARY 1980 EC 44152

Change Date: MARCH 1981 Change 32 Kit PN 98441-9

Total number of pages in this document is 52, consisting of the following pages:

Page	EC No.	Kit PN	Disposition
Cover	EC 44152	NONE	
ii	EC 44319	98350-2	
iii thru iv	EC 44235	98441-9	REPLACE
v	EC 44270	98342-9	
vi	Blank	NONE	
vii thru ix	EC 44152	NONE	
x	Blank	NONE	
1	EC 44152	NONE	
2	EC 44310	98421-1	
3 thru 5	EC 44357	98604-2	
6	EC 44229	98313-0	
7	EC 44267	98390-8	
8	EC 44239	98346-0	
9	EC 44405M	98618-2	
10	EC 44219M	98549-9	
11	EC 44320	98672-9	
12	EC 44372	98671-1	
13	EC 44335	98581-2	
14	EC 44372	98671-1	
15 thru 16	EC 44152	NONE	
17	EC 44220	98452-6	
18 thru 19	EC 43183M	93492-7	
20 thru 21	EC 44362M	98617-4	
21A	EC 44348	98567-1	
21B	EC 44319	98350-2	
22 thru 23A	EC 44357	98604-2	
23B	EC 44320	98672-9	
24	EC 44399	98606-7	
25	EC 44235	98441-9	REPLACE
26 thru 27	EC 44152	NONE	

LIST OF EFFECTIVE PAGES (CONT)

Page	EC No.	Kit PN	Disposition
28 thru 31	EC 44357	98604-2	
31A thru 31B	EC 44357	98604-2	
32	EC 44357	98604-2	
33	EC 44152	NONE	
34 thru 35	EC 44260	98389-0	
36 thru 38	EC 44357	98604-2	
38A thru 38B	EC 44357	98604-2	
39 thru 40	EC 44219M	98549-9	
41	EC 44270	98342-9	
42	EC 44348	98567-1	
43	EC 44270	98342-9	
44	EC 44320	98672-9	
45	EC 44405M	98618-2	
46	EC 44219M	98549-9	
47	EC 44235	98441-9	REPLACE
48	EC 44357	NONE	
Reader's Comment Form	EC 44319	98350-2	
Business Reply Mailer	EC 44319	98350-2	

TABLE OF CONTENTS

FIGURE		PAGE
	HOW TO USE THE ILLUSTRATED PARTS CATALOG	vii
1.	BASIC ASSEMBLY	3
2.	DECK ASSEMBLY	6
3.	COLUMN DOOR ASSEMBLY	16
4.	CARTRIDGE OPENER ASSEMBLY	18
5.	FRONT DOOR ASSEMBLY	20
6.	FRAME ASSEMBLY	22
7.	PNEUMATIC ASSEMBLY	24
8.	PRESSURE FILTER ASSEMBLY	26
9.	RECTIFIER ASSEMBLY	28
10.	CARD CAGE ASSEMBLY	34
11.	HARNESS AND CABLE COMPONENT ASSEMBLY	36
12.	HUB SELECT	39
13.	FRONT DOOR ASSEMBLY, FUD	41
	NUMERICAL INDEX	44



HOW TO USE THE ILLUSTRATED PARTS CATALOG

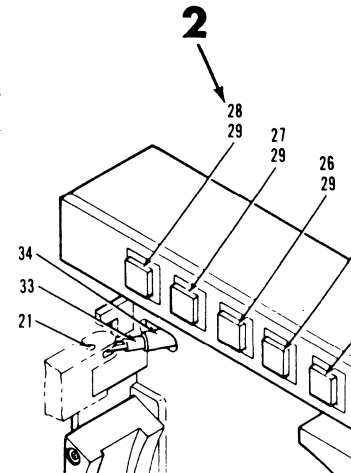
GENERAL

Illustrations always precede their parts lists, and when possible, appear on the facing page; multi-page illustrations and parts lists are exceptions. Blank pages are numbered on the printed side only.

The first number in each list identifies the figure in which the listed parts are shown (see Arrow 1). The index numbers (see Arrow 2) key the parts in the figures to the related information in the list. On subsequent pages of the same list, the first line repeats the figure number and gives the index of the next item listed (Arrow 3).

FIGURE & INDEX NUMBER	PART NUMBER	DESCRIPTION				
		1	2	3	4	
1 → 2-	42011510-7	DECK ASSEMBLY, 1910				
	42002410-1	DECK ASSEMBLY, 1920				
		SEE FIGURE 1-1 FOR NHA				
	- 1	00002708-6	CLEANER BLOCK ASSEMBLY			
	- 2	42005001-5	EOT/BOT ASSEMBLY			
- 3	42420021-0	CAPSTAN WHEEL				

FIGURE & INDEX NUMBER	PART NUMBER	DESCRIPTION			
		1	2	3	4
3 → 2-	-52	CABLE ASSEMBLY, DECK SIGNAL			
		SEE FIG. 7-6, 8, 10, 13, 22, 24, 28, 29 FOR TERMINATIONS			
	42008510-2	CABLE ASSEMBLY, DECK SIGNAL			
		SEE FIG. 7-3, 10, 22, 28, 34, 75 FOR TERMINATIONS			



The figure numbers and assemblies follow a logical sequence of breakdown. If an assembly is further detailed elsewhere in this catalog, the figure is referenced in the description column (Arrow 4).

FIGURE & INDEX NUMBER	PART NUMBER	DESCRIPTION				USABLE ON CODE	SPARES				QTY PER ASM
		1	2	3	4		R	A	B	C	
		2-	30400202-5	FINAL ASSEMBLY (SEE FIGURE 1-29 FOR NHA)							
- 1	30450217-2	CONTROL SWITCH PANEL ASSEMBLY (SEE FIGURE 9 FOR DETAILS)								1	
- 2	10028059-3	NUT, HEX, 8-32								4	
- 3	30455501-4	AC POWER SUPPLY, 60 HZ				Y	O	O	1	1	
	30456301-8	AC POWER SUPPLY, 50 HZ (SEE FIGURE 4 FOR DETAILS)				Y	O	O	1	1	
- 4	10013062-4	SCREW, MACHINE, SBNH, 10-32 X .75								3	
- 5	10030505-1	WASHER, LOCK, NO. 10								3	

Detailed figures refer back to the next higher overall view or next higher assembly (NHA) (Arrow 5). Assemblies that are not detailed can be ordered only as complete assemblies.

A detail part may be unlisted for several reasons; it is part of a matched set, part of an assembly that is purchased as a unit, or part of a welded or bonded assembly. If you need an unlisted part, you must order the assembly that contains it, and not the detailed part.

LEVEL OF ASSEMBLY

The indented parts list indicates the subordination of major assemblies, subassemblies, detail parts, and attaching hardware. The top assembly (figure number) in each parts list is level 1 (Arrow 6). Descriptions preceded by a single dot (.) (Arrow 7) are second level assemblies or details which are subordinate to those not preceded by a dot. Descriptions for levels 3 and 4, are preceded by two dots - ". . .", are subordinate to level 2, or those preceded by one dot (Arrow 8).

FIGURE & INDEX NUMBER	PART NUMBER	DESCRIPTION	USABLE ON CODE	SPARES				QTY PER ASM
				R	A	B	C	
3-	42012310-1	CAGE ASSEMBLY, 1910	A					1
	42012410-9	CAGE ASSEMBLY, 1920 SEE FIG. 1-2 FOR NHA	B					1
- 1	42420367-7	HOSE, MANUAL EXHAUST	A					1
	42420369-3	HOSE, AUTO EXHAUST	B	Y	O	O	1	1
- 2	42420370-1	HOSE, VACUUM		Y	O	O	1	1
- 3	42005700-2	PNEUMATIC SUPPLY ASSEMBLY SEE FIG. 6 FOR DETAILS						1
	42420368-1	HOSE, EXHAUST 2.25 LONG	B					1
- 5	42420389-1	TUBE, FLEXIBLE 62 X 36.0	B					1
- 6	42007200-1	DIVERTER VALVE ASSEMBLY	B	Y	O	O	1	1
- 7	PN COMP	CKT CD, DP, 1900 PC ASSEMBLY		Y	O	O	1	1
- 8	PN COMP	CKT CD, DC, 1900 PC ASSEMBLY						1
- 9	10037013-9	FAN, AXIAL, 125 VAC, 6 IN. DIA						1
	42005810-9	COVER ASSEMBLY, REAR						1
-10	42001400-6	RECTIFIER ASSEMBLY						1
-11	42024500-3	SERVO HEAT SINK ASSEMBLY SEE FIG. 5 FOR DETAILS						1
-12	42007730	TRANSFORMER ASSEMBLY						1
-13	42021000	CABLE ASSEMBLY, SERVO SIGNAL						1

USABLE ON CODE

Usable On Code identifies all related parts (Arrow 9). The code relationships are explained at the beginning of each list (Arrow 10). If there is no code identified, the specific part is interchangeable with all codes.

NUMERICAL INDEX

The numerical index beginning on page 39 of this catalog, list all part numbers in numerical order. The part number is cross referenced to each figure and index number where the part can be found in the catalog. For example (Arrow 11): Part No. 00010245-9 can be found on Figure 7, Index No. 33.

NUMERICAL INDEX

11	00002708-6	2-1	10081010-0	4-1	42017600-0	2-25	42420408-9	4-22
	00010245-9	7-33	10096273-7	2-7	42017700-8	2-24	42420421-2	2-50
	10037013-9	3-9	10097224-9	7-31	42017800-6	2-23	42420421-2	2-47
	10037015-4	6-3	10097245-4	5-3	42017900-4	2-39	42420434-5	2-16
	10041010-9	7-25	10111000-2	2-68	42018200-8	2-32	42420451-9	2-33
	10041011-7	7-18	10111004-7	2-69	42018600-9	2-74	42420465-9	2-65

CHANGE BARS

A Change Bar (Arrow 12) indicates latest revision of a parts list. These are changes that have occurred since the last issue date of the IPC.

12 →	-10	42004600-5	. FILE HUB ASSEMBLY										1
	-11	42420111-9	. HUB RING										1
	-12	42005400-9	. TAKEUP REEL ASSEMBLY, MANUAL										1
		42004700-3	. TAKEUP REEL ASSEMBLY, AUTO LOAD										1
	-13	42420337-0	. COLLAR, CLAMPTITE										2
	-14	42022200-2	. RESTRAINT COVER ASSEMBLY, UPPER										1
		42005200-3	. RESTRAINT ASSEMBLY, UPPER										1
	-15	42022100-4	. RESTRAINT COVER ASSEMBLY, LOWER										1
		42010900-1	. RESTRAINT ASSEMBLY, LOWER										1

PART NUMBER COMPATIBILITY LIST

Whenever (PN COMP) (Arrow 13) appears in the part number column, refer to the machine part number compatibility list for the latest part number.

13 →	-6	42007200-1	. DIVERTER VALVE ASSEMBLY										3
	-7	PN COMP	. CKT CD, DP, 1900 PC ASSEMBLY		Y	O	O	1					1
	-8	PN COMP	. CKT CD, DC, 1900 PC ASSEMBLY		Y	O	O	1					1
	-9	10037013-9	. FAN, AXIAL, 125 VAC, 6 IN. DIA										1
		42005810-9	. COVER ASSEMBLY, REAR										1
	-10	42001400-6	. RECTIFIER ASSEMBLY										2

1950 SERIES TAPE UNIT
ILLUSTRATED PARTS CATALOG
Part No. 9359

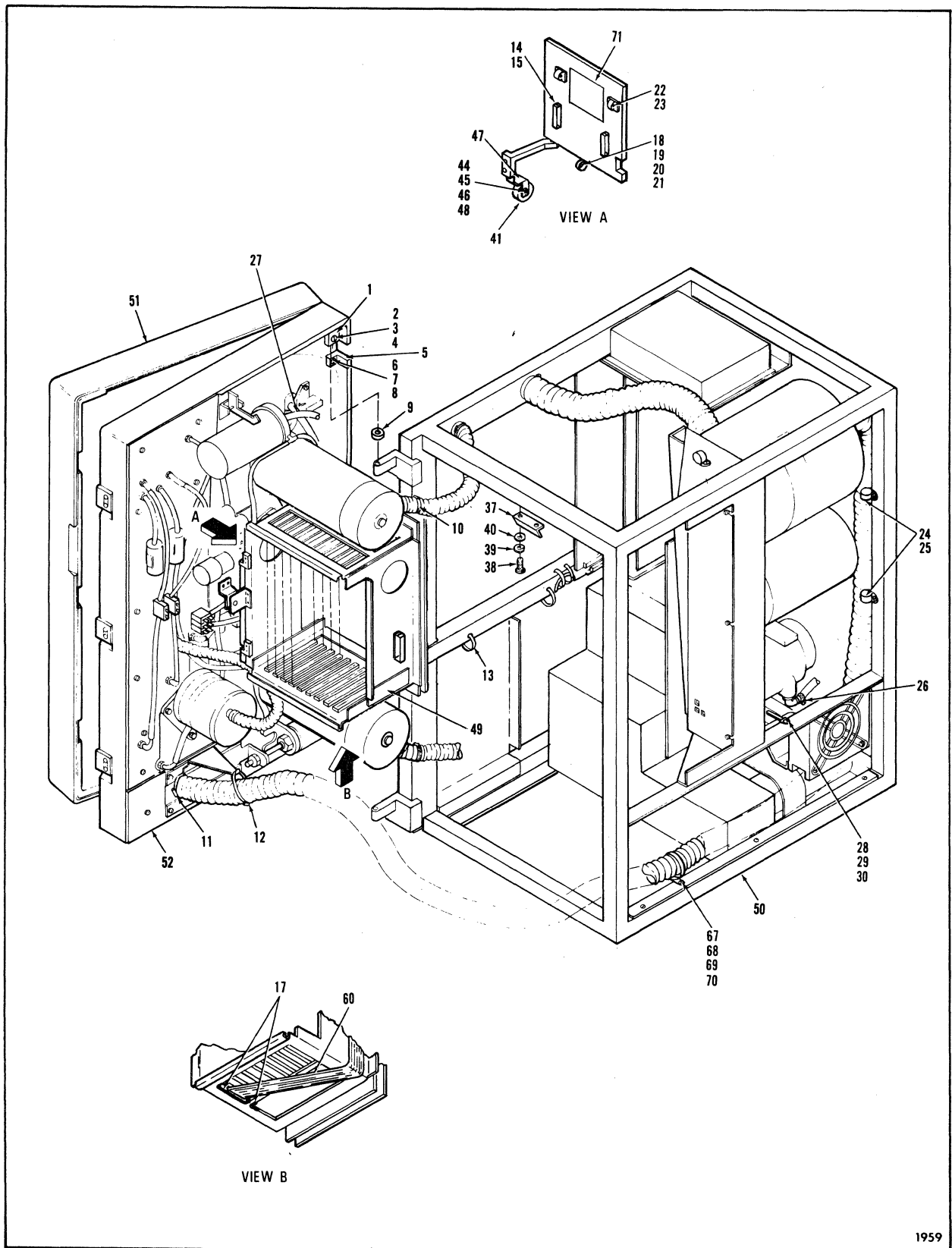
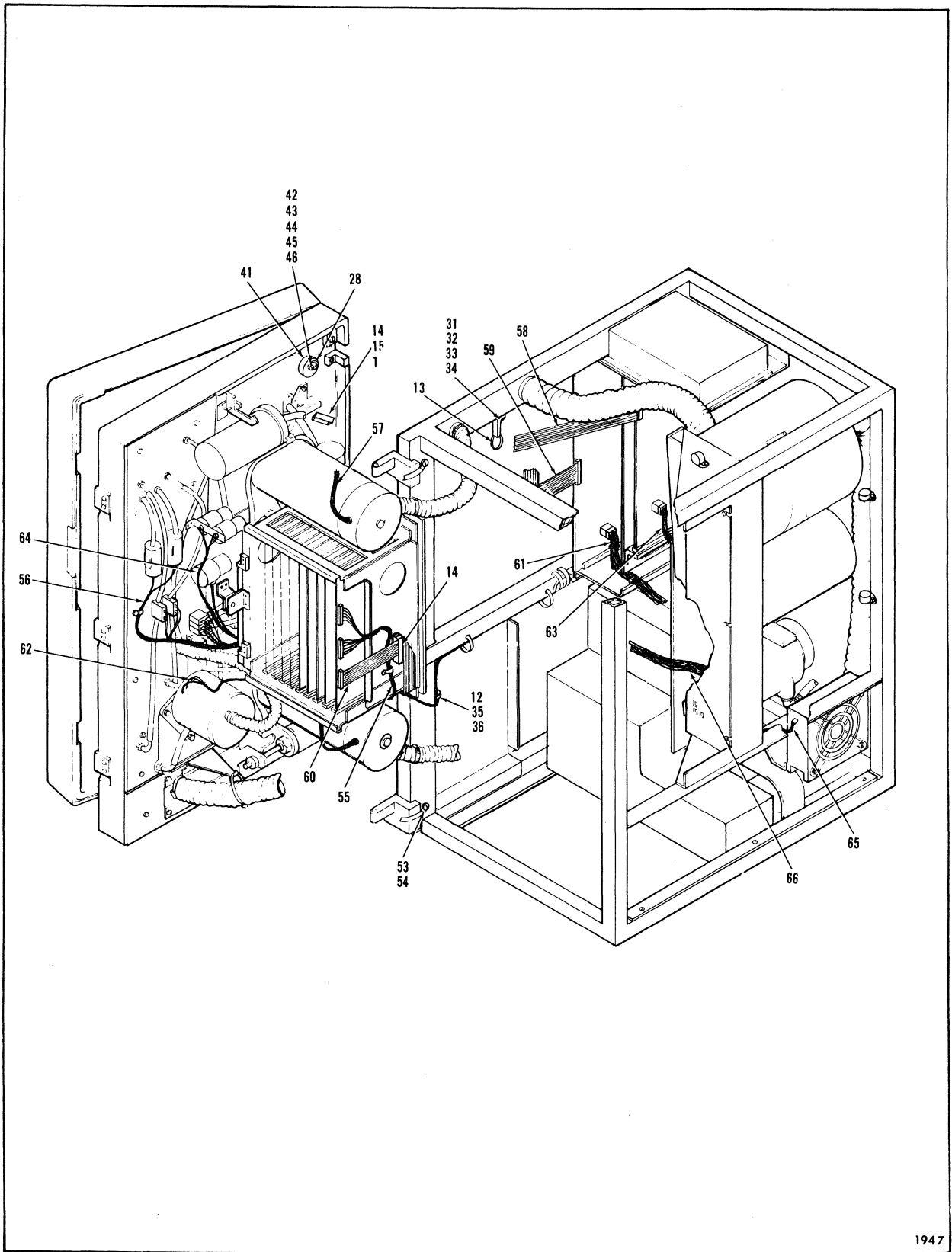


FIGURE 1. BASIC ASSEMBLY (SHEET 1 OF 2)

FIGURE & INDEX NUMBER	PART NUMBER	DESCRIPTION	USABLE ON				QTY PER ASM
			1	2	3	4	
1-	43005000-5	BASIC ASSEMBLY			A		1
		BASIC ASSEMBLY, FERRO			B		1
- 1	43430245-1	. BLOCK HINGE					1
- 2	10013067-3	. SCREW, MACHINE, SBNH, 10-32 X 1.00, PS					2
- 3	10030505-1	. WASHER, LOCK, HEL, MED, PS, NO. 10					2
- 4	10026006-6	. WASHER, FLAT, A, NO. 10					2
- 5	401217101-5	. BRACKET, FILLER, HINGE					1
- 6	10096027-7	. SCREW, MACHINE, SBNH, 6-32 X .375					2
- 7	10096070-7	. WASHER, LOCK, SPLIT, BLACK OXIDE, NO.6					2
- 8	10096055-6	. WASHER, FLAT, B, BLACK OXIDE, NO. 6N					2
- 9	10110005-5	. BEARINGS, THRUST, FLAT, 5/8 X 3/8 X 1/6					2
-10	00001170-2	. CLAMP, HOSE, WORM DRIVE, 11/16-1 1/4					2
-11	00001172-6	. CLAMP, HOSE, WORM DRIVE, 13/16-1 3/4					1
-12	10075032-2	. CLAMP, CABLE, T, 0/4, 9 IMK					6
-13	10075021-5	. CLAMP, CABLE, 1.75					11
-14	10075065-2	. CLAMP, CABLE, FLAT, ADHESIVE BACK, 2.0 "MAX					9
-15	10003013-9	. SCREW, MACHINE, SFH, 4-40 X 5/16					9
-16	401253801-5	. MOUNTING PLATE, CABLE CLAMP					1
-17	00006552-4	. GROMMET STRIP					AR
-18	10075013-2	. CLAMP, CABLE, 7/8, .203					1
-19	10013063-2	. SCREW, MACHINE, SBNH, 10-32 X .500, PS					1
-20	10030505-1	. WASHER, LOCK, HEL, MED, PS, NO. 10					1
-21	10026006-6	. WASHER, FLAT, A, NO. 10					1
-22	10075063-7	. CLAMP, CABLE, ADJ/REL, 3/16-11/16					3
-23	10003013-9	. SCREW MACHINE, SFH, 4-40 X 5/16					3
-24	10075011-6	. CLAMP, CABLE, R, .625, 5/8, .500, .203					3
-25	10013062-4	. SCREW, MACHINE, SBNH, 10-32 X .375, PS					3
-26	10096316-4	. CLAMP, HOSE, .87138, WORM DR					2
-27	401204604-3	. TUBE, .500 DIA, FLEXIBLE					1
-28	10075022-3	. CLAMP, CABLE, T, 1.750, NO. 10					4
-29	10013062-4	. SCREW, MACHINE, SBNH, 10-32 X .375, PS					1
-30	10030505-1	. WASHER, LOCK, HEL, MED, NO. 10, PS					1
-31	10075080-1	. CLAMP, CABLE, P, RT ANGLE TIE MOUNT					1
-32	10096027-7	. SCREW, MACHINE, SBNH, 6-32 X .375, BO					1
-33	10096070-7	. WASHER, LOCK, SPLIT, BO, NO. 6					1
-34	10096055-8	. WASHER, FLAT, B, NO. 6, BO					1
-35	10075028-0	. CLAMP, CABLE, T, NO. 10					1
-36	10013062-4	. SCREW, MACHINE, SBNH, 10-32 X .375, PS					1
-37	43430339-2	. KEEPER, DECK LOCK					1
-38	10013062-4	. SCREW, MACHINE, SBNH, 10-32 X .375					2
-39	10030505-1	. WASHER, LOCK, NO. 10					2
-40	10026006-6	. WASHER, FLAT, A, NO. 10					2
-41	401221001-2	. TOROID ASSEMBLY					2
-42	10097321-3	. STANDOFF, MF, H, BR, 10-32 X .625 X 3/8 H					1
-43	10200073-4	. SPACER, CH, SS, 10 X 3/16 L X .500 OD					1
-44	10013068-1	. SCREW, MACHINE, SBNH, 10-32 X 1.25, PS					2
-45	10030505-1	. WASHER, LOCK, HEL, MED, PS, NO. 10					3
-46	10026006-6	. WASHER, FLAT, A, NO. 10					2
-47	401252001-3	. TOROID BRACKET					1
-48	10028006-4	. NUT, HEX, 10-32					1
-49	43028801-9	. CARD CAGE ASSEMBLY (SEE FIGURE 10 FOR DETAILS)					1

9359-101



1947

FIGURE 1. BASIC ASSEMBLY (SHEET 2 OF 2)

FIGURE & INDEX NUMBER	PART NUMBER	DESCRIPTION				USABLE ON CODE	QTY PER ASM
		1	2	3	4		
1-							
-50	43028603-9	.	FRAME ASSEMBLY			A	1
	401506501-1	.	FRAME ASSEMBLY, FERRO (SEE FIGURE 6 FOR DETAILS)			B	1
-51	401255101-8	.	FRONT DOOR ASSEMBLY (SEE FIGURE 5 FOR DETAILS)				1
	43027601-4	.	FRONT DOOR ASSEMBLY, FUO (SEE FIGURE 13 FOR DETAILS)				1
-52	43021900-6	.	DECK ASSEMBLY (SEE FIGURE 2 FOR DETAILS)				1
-53	10013062-4	.	SCREW, MACHINE, SBNH, 10-32 X .375, PS				2
-54	10030516-8	.	WASHER, LOCK, INT, MED, PS, NO. 10				2
-55	401202204-4	.	HARNESS, MAIN POWER (SEE FIGURE 11-2, 3, 15, 16, 22, 27, 28 FOR TERMINATIONS)			A	1
	401510401-3	.	HARNESS, MAIN POWER (SEE FIGURE 11-2, 3, 15, 16, 21, 23, 26, 27, 28, 48, 49 FOR TERMINATIONS)			B	1
-56	401202302-6	.	HARNESS, SENSORS TO BACK PANEL (SEE FIGURE 11-2, 21 THRU 26 FOR TERMINATIONS)				1
-57	401202502-1	.	HARNESS, EPO TO REEL MOTORS (SEE FIGURE 11-2, 3, 26, 29 FOR TERMINATIONS)			A	1
	401510501-0	.	HARNESS, EPO TO REEL MOTORS (SEE FIGURE 11-2, 3, 26, 28 FOR TERMINATIONS)			B	1
-58	401202603-7	.	CABLE, JP TO BACKPANEL (SEE FIGURE 11-30 FOR TERMINATIONS)				1
-59	401202702-7	.	CABLE, JH TO BACKPANEL (SEE FIGURE 11-31 FOR TERMINATION)				1
-60	401202803-5	.	CABLE, JJ CARD TO OP PANEL (SEE FIGURE 11-31 THRU 34 FOR TERMINATIONS)				1
-61	401202901-5	.	HARNESS, PS TO JH CARD (SEE FIGURE 11-2, 3, 35, 36 FOR TERMINATIONS)			A	1
	401510601-8	.	HARNESS, PS TO JH CARD (SEE FIGURE 11-2, 3, 35, 36, 47 FOR TERMINATIONS)			B	1
-62	401203001-3	.	CABLE, CAPSTAN AIR CONTROL (SEE FIGURE 11-2, 3, 37, 38 FOR TERMINATIONS)				1
-63	401203201-9	.	CABLE, POWER, JP CD TO POWER SUPPLY (SEE FIGURE 11-2, 3, 14, FOR TERMINATIONS)			A	1
	401510701-6	.	POWER CABLE, JP CD TO POWER SUPPLY (SEE FIGURE 11-2, 3, 14, 28 FOR TERMINATIONS)			B	1
-64	401203403-1	.	CABLE, SOL TO JJ CARD (SEE FIGURE 11-2, 22, 26, 27, FOR TERMINATIONS)				1
-65	401221503-3	.	CABLE, FAN (SEE FIGURE 11-40 THRU 43 FOR TERMINATIONS)				1
-66	401216103-3	.	CABLE, JV TO JA (SEE FIGURE 11-3, 12, 39, 44, FOR TERMINATIONS)				1
-67	10075085-1	.	CLAMP, CABLE				1
-68	10013063-2	.	SCREW, MACHINE, SBNH, 10-32 X .500, PS				1
-69	10030505-1	.	WASHER, LOCK, HEL, MED, PS, 10				1
-70	10026058-7	.	WASHER, FLAT, NO. 10				1
-71	401219701-0	.	LABEL, CARD REPLACEMENT				1

9359-102

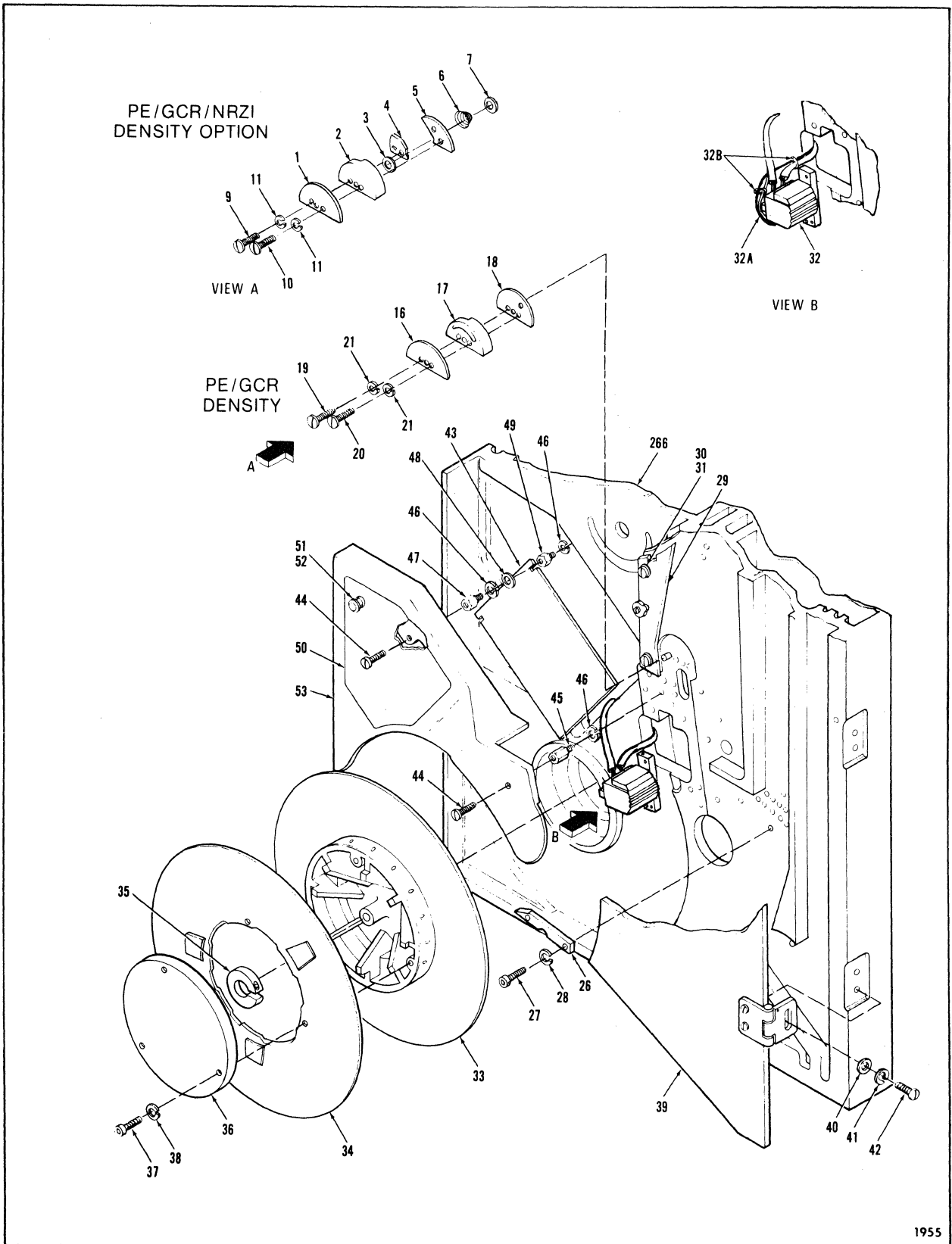


FIGURE 2. DECK ASSEMBLY (SHEET 1 OF 4)

FIGURE & INDEX NUMBER	PART NUMBER	DESCRIPTION	USABLE ON				QTY PER ASM
			1	2	3	4	
2-	43021900-6	DECK ASSEMBLY, 1950 (SEE FIGURE 1-32 FOR NHA)					1
	401206703-1	. GUIDE ASSEMBLY, RETRACTABLE (PE/GCR/NRZI)					1
- 1	401247801-4	. . FLANGE, GUIDE FRONT					1
- 2	43027101-5	. . GUIDE ASSEMBLY, AIR BEARING-NRZI					1
- 3	43430187-5	. . DIAPHRAM					1
- 4	401249001-9	. . FLANGE, GUIDE REAR, NRZI					1
- 5	401248101-8	. . FLANGE, GUIDE, REAR, NRZI					1
- 6	43430186-7	. . SPRING, COMPRESSION					1
- 7	43430188-3	. . SHIM					10
- 7A	10096703-3	. . SPRING PIN, 1/16 X 1/4					1
- 8	00001702-0	. . MANOMETER-TAP					1
- 9	10013025-1	. . SCREW, MACHINE, SBNH, 6-32 X .312, PS					2
-10	10013031-9	. . SCREW, MACHINE, SBNH, 6-32 X 1.0, PS					1
-11	10030514-3	. . WASHER, LOCK, INT, MED, PS, NO. 6					5
-12	43027001-7	. . GUIDE ASSEMBLY, DOUBLE HUMP; NRZI					1
-13	401248001-0	. . FLANGE, FRONT					1
-14	401249101-7	. . FLANGE, REAR					1
-15	10013030-1	. . SCREW, MACHINE, SBNH, 6-32 X .875					2
	401206802-1	. GUIDE ASSEMBLY, NONRETRACTABLE (PE/GCR)					1
-16	401247801-4	. . GUIDE, FLANGE, FRONT					1
-17	401240802-9	. . GUIDE ASSEMBLY, AIR BEARING					1
-18	401225002-5	. . GUIDE FLANGE, BACK					1
-19	10013025-1	. . SCREW, MACHINE, SBNH, 6-32 X .312, PS					2
-20	10013031-9	. . SCREW, MACHINE, SBNH, 6-32 X 1.0, PS					1
-21	10030514-3	. . WASHER, LOCK, INT, MED, PS, NO. 6					5
-22	401248001-0	. . FLANGE, FRONT					1
-23	43031401-3	. . GUIDE ASSEMBLY, DOUBLE HUMP					1
-24	401247901-2	. . FLANGE, REAR					1
-25	10013030-1	. . SCREW, MACHINE, SBNH, 6-32 X .875, PS					2
-26	401207502-6	. BAR, DOUBLE STUBBY					1
-27	10007015-0	. SCREW, MACHINE, SHC., 4-40 X .500					2
-28	10030502-8	. WASHER, LOCK, HEL, MED, NO. 4, PS					2
-29	43023801-4	. THREADING CHANNEL ASSEMBLY					1
-30	10096274-5	. SCREW, MACHINE, SHC, 6-32 X .625, BO					2
-31	10096070-7	. WASHER, LOCK, SPLIT, NO. 6, BO					2
-32	43030500-3	. READ/WRITE HEAD ASSEMBLY					1
-32A	401235501-4	. HEAD FILTER CAP ASSEMBLY					1
-32B	10075020-7	. TIE, CABLE					2
-33	401205701-6	. TAKE-UP REEL ASSEMBLY					1
-34	42420322-2	. FLANGE, FRONT AUTO LOAD					1
-35	42420337-0	. COLLAR, CLAMPTITE					1
-36	42420324-8	. CAP, HUB					1
-37	10096304-0	. SCREW, MACHINE, SHC, 10-32 X .625, BO					3
-38	10096072-3	. WASHER, LOCK, NO. 10, BO					3
-39	43025501-8	. COLUMN DOOR ASSEMBLY (SEE FIGURE 3 FOR DETAILS)					1
-40	10096027-7	. SCREW, MACHINE, SBNH, 6-32 X .375					6
-41	10096070-7	. WASHER, LOCK, SPLIT, NO. 6, BO					6
-42	10096055-8	. WASHER, FLAT, B, NO. 6, BO					6
-43	(PN COMP)	. CIRCUIT CARD, JA, PC ASSEMBLY					1
	401247501-0	. DECORATIVE HEAD COVER ASSEMBLY					1
-44	10096034-3	. SCREW, MACHINE, SBNH, 6-32 X .250					3
-45	10200037-9	. STANDOFF, MF, H, 6-32 X .875 X .250, HEX					1
-46	10030520-0	. WASHER, LOCK, EXT, MED, NO. 6, PS					5
-47	10200038-7	. STANDOFF, MF, BR, 6-32 X .625 X .250, HEX					2
-48	10027019-8	. WASHER, FLAT, B, NO. 6, N					2
-49	10200019-7	. STANDOFF, MF, H, N, 6-32 X .25 AF X .375					2
-50	401210803-9	. . PLATE, HEAD COVER					2
-51	10109812-7	. . FASTENER, GROMMET, PLS, 1/4 X .16					1

9359-201

9359

EC 44267

KIT PN 98390-8

7

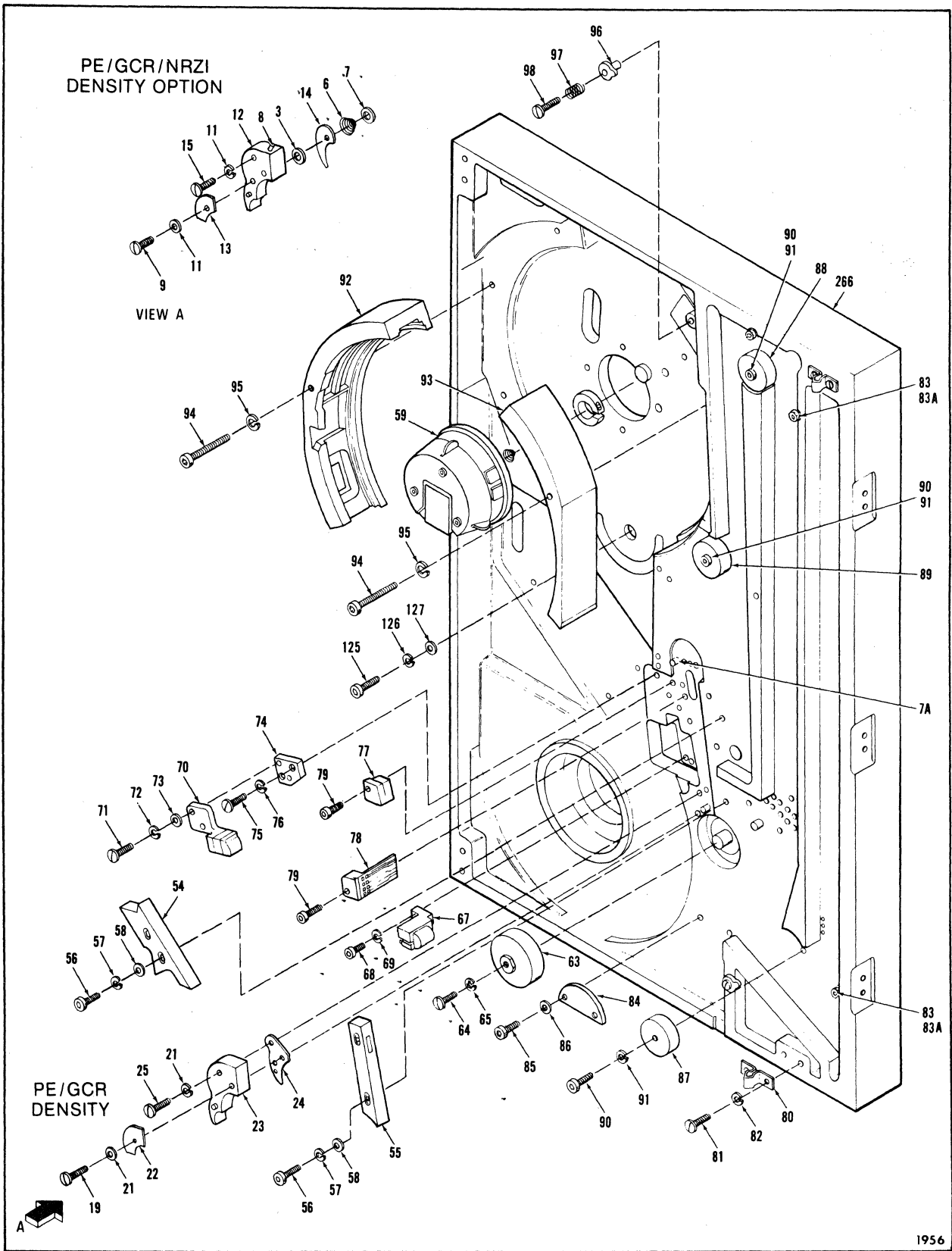
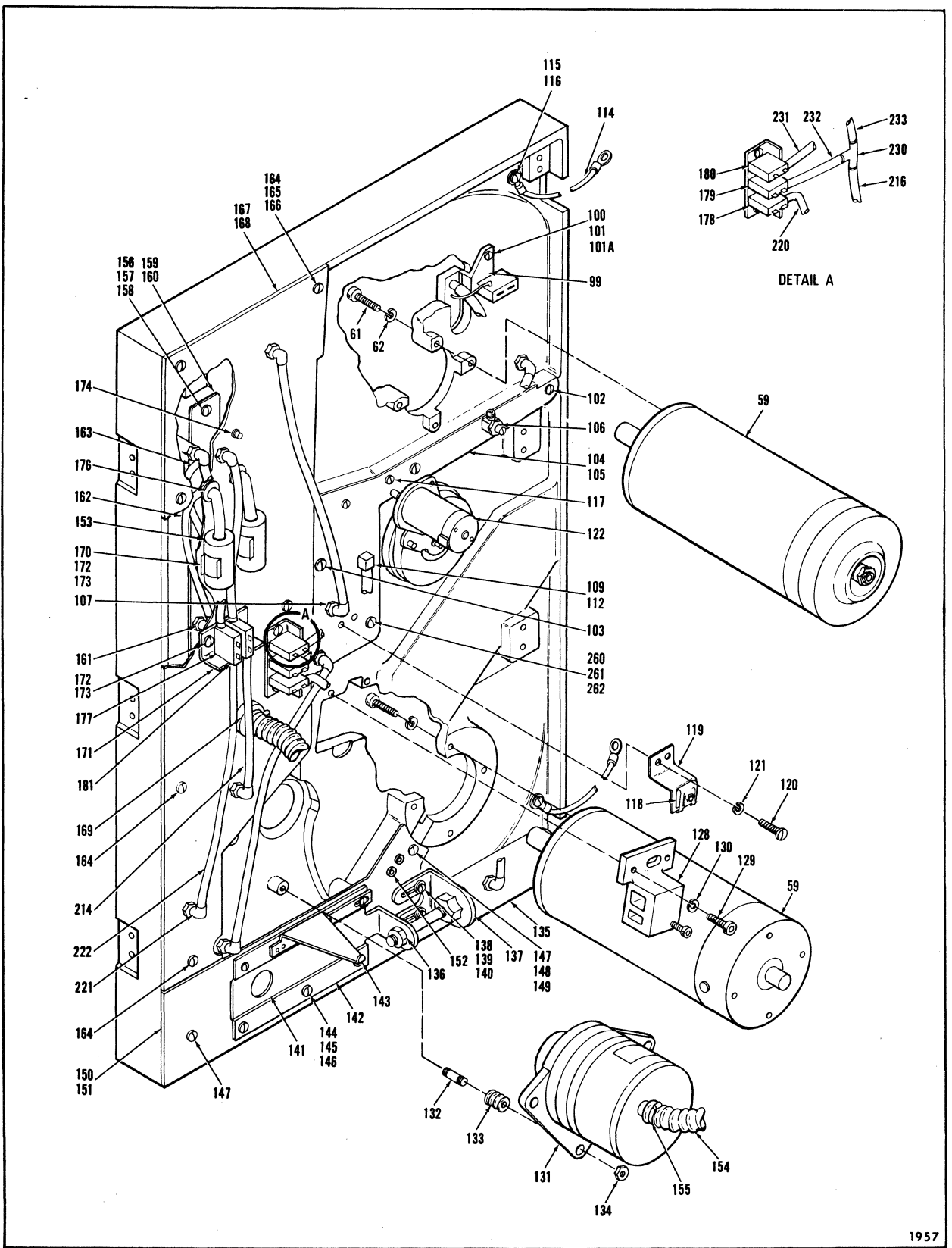


FIGURE 2. DECK ASSEMBLY (SHEET 2 of 4)

FIGURE & INDEX NUMBER	PART NUMBER	DESCRIPTION				USABLE ON CODE	QTY PER ASM
		1	2	3	4		
2-							
-52	10109813-5	.	.	FASTENER, GROMMET-PLUNGER, 1/4 X .16			1
-53	401210703-1	.	.	COVER, DECORATIVE HEAD			1
-54	401207301-3	.	.	40° STUBBY BAR ASSEMBLY			1
-55	401207402-9	.	.	CAPSTAN BAR ASSEMBLY			1
-56	10007028-3	.	.	SCREW, MACHINE, SHC, 6-33 X .625			4
-57	10030503-6	.	.	WASHER, LOCK, HEL, MED, NO. 6, PS			4
-58	10027019-8	.	.	WASHER, FLAT, B, NO. 6			4
-59	43007000-3	.	.	HUB SELECT (SEE FIGURE 12 FOR DETAILS)			1
-60		.	.	DELETED			
-61	10096309-9	.	.	SCREW, MACHINE, SHC, 10-32 X 1.250, BO			4
-62	10096072-3	.	.	WASHER, LOCK, SPLIT, BO, NO. 10			4
-63	43430289-9	.	.	CAPSTAN, VACUUM			1
-64	10013026-9	.	.	SCREW, MACHINE, SBNH, 6-32 X .375, PS			1
-65	10105514-3	.	.	WASHER, INTERNAL, A, NO. 6, PS			1
-66	10089016-9	.	.	PIN, DOWEL, SS, 1/8 X 5/16			2
-67	43027701-2	.	.	WEAR BLOCK ASSEMBLY			1
-68	10007015-0	.	.	SCREW, MACHINE, SHC, 4-40 X .500			1
-69	10030502-8	.	.	WASHER, LOCK, HEL, MED, NO. 4, PS			1
-70	401205401-3	.	.	FOOT ASSEMBLY, H.S.R., 1950			1
-71	10013027-7	.	.	SCREW, MACHINE, SBNH, 6-32 X .500			2
-72	10030503-6	.	.	WASHER, LOCK, HEL, MED, NO. 6, PS			2
-73	10026004-1	.	.	WASHER, FLAT, A, NO. 8			2
-74	00017419-3	.	.	PLATE, MOUNTING			1
-75	10013026-9	.	.	SCREW, MACHINE, SBNH, 6-32 X .375			2
-76	10030503-6	.	.	WASHER, LOCK, HEL, MED, NO. 6, PS			2
-77	00002708-6	.	.	CLEANER ASSEMBLY			1
-78	43024201-6	.	.	EOT/BOT ASSEMBLY, MOLDED			1
-79	100007029-1	.	.	SCREW, MACHINE, SHC, 6-32 X .750			2
-80	00000066-1	.	.	CATCH			2
-81	10013026-9	.	.	SCREW, MACHINE, SBNH, 6-32 X .375, PS			4
-82	10030503-6	.	.	WASHER, LOCK, HEL, MED, NO. 6, PS			4
-83	10008028-2	.	.	SCREW, MACHINE, 6-32 X .625, SHC, SS			3
-83A	42420864-3	.	.	PIN, FENCE			3
-84	43430032-3	.	.	BEARING, HYDRODYNAMIC			1
-85	10007028-3	.	.	SCREW, MACHINE, SHC, 6-32 X .375			2
-86	10030503-6	.	.	WASHER, LOCK, HEL, MED, NO. 6, PS			2
-87	43023400-5	.	.	AIR BEARING ASSEMBLY, FWD ISOLATION			1
-88	43023300-7	.	.	AIR BEARING, ASSEMBLY, COLUMN			1
-89	43023300-7	.	.	AIR BEARING ASSEMBLY, RESTRAINT			1
-90	10007028-3	.	.	SCREW, MACHINE, SHC, 6-32 X .625			3
-91	10030503-6	.	.	WASHER, LOCK, HEL, MED, NO. 6, PS			3
-92	401214001-0	.	.	RESTRAINT ASSEMBLY, LEFT HAND			1
-93	43023100-1	.	.	RESTRAINT ASSEMBLY, RIGHT HAND			1
-94	10096336-2	.	.	SCREW, MACHINE, SHC, 10-32 X 1.75, BO			5
-95	10096072-3	.	.	WASHER, LOCK, SPLIT, NO. 10, BO			5
-96	42420130-9	.	.	LATCH, COLUMN DOOR			3
-97	42420237-2	.	.	SPRING, COMPRESSION			3
-98	10096267-9	.	.	SCREW, MACHINE, SHS, 10-32 X .312, SS			3
-99	00018462-2	.	.	FILE PROTECT ASSEMBLY			1
-100	10096029-3	.	.	SCREW, MACHINE, SBNH, 6-32 X .500, BO			2
-101	10030503-6	.	.	WASHER, LOCK, HEL, MED, NO. 6, PS			2
-101A	10027019-8	.	.	WASHER, FLAT, B, NO. 6 N			2
	401203505-3	.	.	COVER ASSEMBLY, RESTRAINT PLENUM			1
-102	10013201-8	.	.	SCREW, MACHINE, SBNH, 10-32 X .875, BO			2
-103	10013067-3	.	.	SCREW, MACHINE, SBNH, 10-32 X 1.00, PS			2
-104	401214903-7	.	.	PLATE, COVER, RESTRAINT PLENUM			1
-105	401214703-1	.	.	GASKET, RESTRAINT PLENUM			1
-106	401247001-1	.	.	VALVE ASSEMBLY, 1/4 X 3/8			1

9359-202



1957

FIGURE 2. DECK ASSEMBLY (SHEET 3 of 4)

FIGURE & INDEX NUMBER	PART NUMBER	DESCRIPTION				USABLE ON CODE	QTY PER ASM
		1	2	3	4		
2-							
-107	10111106-2	.	.	FITTING, EL, BARB, 3/8 X 1/8 NPT			2
-108	401443101-1	.	.	TAP, 3/16 MANOMETER, .073 ID			1
-109	401443102-9	.	.	TAP, MANOMETER, .111 ID			1
-110	10111004-7	.	.	FITTING, EL, BARB, 1/2 X 1/4 NPT			1
-111	43431900-6	.	.	SOLENOID ASSEMBLY, RUN			1
-112	401243201-1	.	.	FITTING, EL, M-F, .111 DIA			1
-113	10111031-0	.	.	NIPPLE, HEX, NY, 1/4 NPT X 1.250			1
-114	42420503-7	.	.	CABLE, GROUND, 8.50			2
-115	10013024-4	.	.	SCREW, MACHINE, SBNH, 6-32 X .250, PS			2
-116	10030526-7	.	.	WASHER, LOCK, NO. 6			2
-117	10013026-9	.	.	SCREW, MACHINE, SBNH, 6-32 X .375, PS			2
-118	10096255-4	.	.	RECEPTACLE, 1/4 TURN STUD, CLIP			1
-119	401281501-7	.	.	BRACKET, RECEPTACLE			1
-120	10013060-8	.	.	SCREW, MACHINE, SBNH, 10-32 X 1/4, PS			2
-121	10030505-1	.	.	WASHER, LOCK, HEL, NO. 10, PS			2
-122	42024002-0	.	.	CARTRIDGE OPENER ASSEMBLY (SEE FIGURE 4 FOR DETAILS)			1
-123		.	.	DELETED			
-124		.	.	DELETED			
-125	10096274-3	.	.	SCREW, MACHINE, 6-32 X .625, BO			1
-126	10096070-7	.	.	WASHER, LOCK, NO. 6, BO			1
-127	10096054-1	.	.	WASHER, FLAT, NO. 6, BO			1
-128	43022901-3	.	.	SKEW BLOCK ASSEMBLY			1
-129	10007064-8	.	.	SCREW, MACHINE, SHC, 10-32 X .625			2
-130	10030505-1	.	.	WASHER, LOCK, HEL, MED, NO. 10, PS			2
-131	401237002-1	.	.	MOTOR, CAPSTAN ASSEMBLY, FRU			1
-132	43430244-4	.	.	STUD, CAPSTAN MOTOR MOUNT			3
-133	43430254-3	.	.	SPRING, DISC, .250			24
-134	10028103-9	.	.	NUT, HEX, LOCKING, LCST, 1/4-28			3
-135	10309001-5	.	.	AIR CYLINDER, MODIFIED, HYD, DOBLE ACT			1
-136	43430383-0	.	.	NUT, COLLAR, 7/16-20, UNF			2
-137	43430382-2	.	.	BRACKET, MOUNTING, NOSE, AIR CYLINDER			1
-138	10013062-4	.	.	SCREW, MACHINE, SBNH, 10-32 X .375, PS			2
-139	10030506-1	.	.	WASHER, LOCK, HEL, MED, NO. 10, PS			2
-140	10027025-5	.	.	WASHER, FLAT, B, NO. 10, N			2
-141	43024502-7	.	.	SLIDER ASSEMBLY, TRANSFER VALVE			1
-142	401206102-6	.	.	BAR, RETAINING			2
-143	401210901-5	.	.	BRACKET, VACUUM HOSE			1
-144	10013065-7	.	.	SCREW, MACHINE, SBNH, 10-32 X .750, PS			6
-145	10030505-1	.	.	WASHER, LOCK, HEL, MED, NO. 10, PS			6
-146	10027025-5	.	.	WASHER, FLAT, B, NO. 10, N			6
	401203601-0	.	.	COVER ASSEMBLY, TRANSFER VALVE PLENUM			1
-147	10013069-9	.	.	SCREW, MACHINE, SBNH, 10-32 X 1.500, PS			2
-148	10030505-1	.	.	WASHER, LOCK, HEL, MED, NO. 10, PS			1
-149	10027025-5	.	.	WASHER, FLAT, B, NO. 10, N			1
-150	43430376-4	.	.	PLATE, COVER, TRANSFER VALVE PLENUM			1
-151	43430377-2	.	.	GASKET, TRANSFER VALVE PLENUM			1
-152	401443101-1	.	.	TAP, 3/16 MANOMETER, .073 ID			2
-153	43022500-3	.	.	SENSOR, MAIN ASSEMBLY, 1950			1
-154	401292401-7	.	.	HOSE, STUBBY, PLENUM-UPPER STUBBY			1
-155	00001170-0	.	.	CLAMP, HOSE, 1"			2
	401203703-4	.	.	COVER ASSEMBLY, COLUMN SENSING			1
-156	10013026-9	.	.	SCREW, MACHINE, SBNH, 6-32 X .375, PS			5
-157	10030503-6	.	.	WASHER, LOCK, HEL, MED, NO. 6, PS			5
-158	10027019-8	.	.	WASHER, FLAT, B, NO. 6 N			5
-159	401445401-3	.	.	COVER, COLUMN SENSING PLENUM			1
-160	43430256-8	.	.	GASKET, COLUMN SENSING PLENUM			1

9359-203

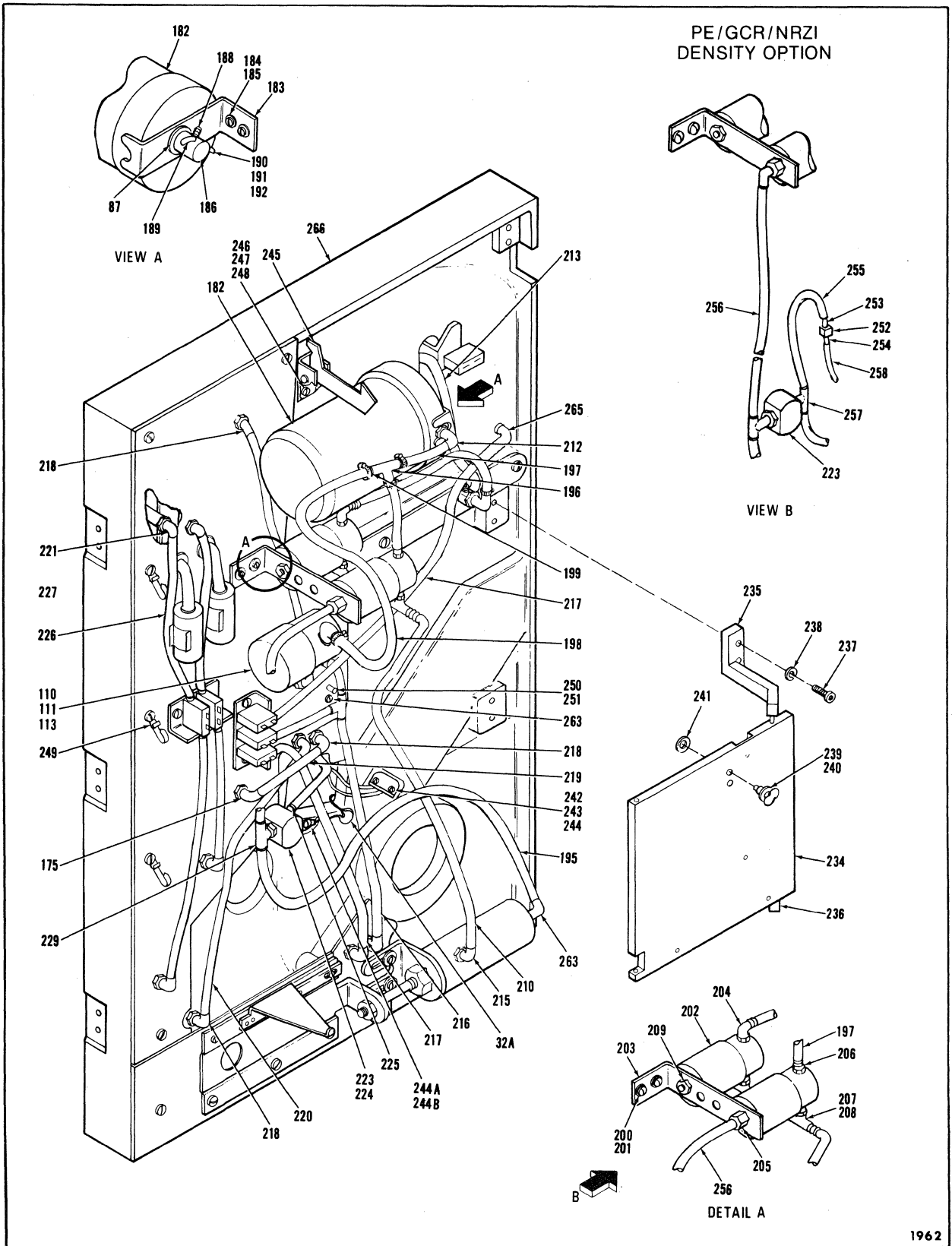


FIGURE 2. DECK ASSEMBLY (SHEET 4 OF 4)

FIGURE & INDEX NUMBER	PART NUMBER	DESCRIPTION				USABLE ON CODE	QTY PER ASM
		1	2	3	4		
2-							
-161	10111005-4	.	.	FITTING, EL, BARB, 3/16 X 1/8 NPT			2
-162	401204509-4	.	.	TUBE, FLEX, .187 DIA			1
-163	401204507-8	.	.	TUBE, FLEX, .187 DIA			1
	401214602-5	.	.	COVER PLATE ASSEMBLY, MAINPLENUM			1
-164	10019063-6	.	.	SCREW, MACHINE, SFLH, 10-32 X .500, PS			8
-165	10030505-1	.	.	WASHER, LOCK, HEL, MED, NO. 10, PS			6
-166	10027025-5	.	.	WASHER, FLAT, B, NO. 10, N			6
-167	401211003-9	.	.	PLATE, COVER, MAIN PLENUM			1
-168	401213001-1	.	.	GASKET, MAIN PLENUM COVER			1
-169	401267501-5	.	.	ORIFICE, CAPSTAN VACUUM			1
-170	10096320-6	.	.	CLIP, SPRING, 1/250 DIA DECU			2
-171	43430405-1	.	.	BRACKET, SENSE SWITCH			2
-172	10013024-4	.	.	SCREW, MACHINE, SBNH, 6-32 X .250, PS			8
-173	10030503-6	.	.	WASHER, LOCK, HEL, MED, NO.6, PS			8
-174	401443101-1	.	.	TAP, 3/16 MONOMETER, .073 ID			1
-175	10111006-2	.	.	FITTING, EL, BARB, 3/8 X 1/8 NPT			1
-176	401212801-5	.	.	GROMMET, MAIN PLENUM			2
-177	10076120-4	.	.	SWITCH, PN, 1P, 1T, SO, .02A 125V, 8 INCHES			2
-178	10076165-9	.	.	SWITCH, PN, 1P, 1T, .02A, 40V, PO, 38 INCHES			1
-179	10076158-4	.	.	SWITCH, PN, 1P, 1T, .02A, 40V, PO, 20 INCHES			1
-180	10076120-4	.	.	SWITCH, PN, 1P, 1T, .02A, 125V, 8 INCHES			1
-181	10109810-1	.	.	FASTENER, PUSH-ON, ST, .197 ID			5
-182	401204001-2	.	.	PRESSURE FILTER ASSEMBLY			1
-183	43430397-0	.	.	BRACKET, FILTER			1
-184	10013202-6	.	.	SCREW, MACHINE, SBNH, 10-32 X .375, BO			2
-185	10030505-1	.	.	WASHER, LOCK, HEL, NO. 10, PS			2
-186	401213101-9	.	.	FITTING, FILTER INPUT, 5 INCHES			1
-187	10096286-9	.	.	WASHER, .580 X .830, NEOPRENE			1
-188	10111021-1	.	.	FITTING, BARB, 1/8 X 10-32			1
-189	401443101-1	.	.	TAP, 3/16, MANO, .073 ID			1
-190	00001702-0	.	.	MANOMETER-TAP			1
-191	42420381-8	.	.	MANOMETER, TUBE, .093 X 2.50			1
-192	00001744-2	.	.	PLUG MANOMETER TUBE			1
-193	401204606-8	.	.	TUBE, FLEX, .500 DIA			1
-194	401204706-6	.	.	TUBE, FLEX, .250 DIA			1
-195	401204704-1	.	.	TUBE, FLEX, .250 DIA			1
-196	10111112-8	.	.	FITTING, TEE, BARB, NY, 1/2 X 1/2 X 1/2			1
-197	401204605-0	.	.	TUBE, FLEX, .500 DIA			2
-198	401204607-6	.	.	TUBE, FLEX, .500 DIA			1
-199	10096316-4	.	.	1/2" WORN DRIVE CLAMP			4
	401214501-9	.	.	SOLENOID ASSEMBLY, TRANSFER			1
-200	10013062-4	.	.	SCREW, MACHINE, SBNH, 10-32 X .375, PS			2
-201	10030505-1	.	.	WASHER, LOCK, HEL, MED, NO. 10, PS			2
-202	43031800-6	.	.	SOLENOID ASSEMBLY, THREAD			2
-203	401214402-0	.	.	BRACKET, MODIFIED FILTER			1
-204	10111004-7	.	.	FITTING, EL, BARB, 1/2 X 1/4 NPT, PLASTIC			2
-205	10111032-8	.	.	FITTING, CONN, BARB-THREAD, NY, 1/4 X 1/4			1
-206	10111033-6	.	.	FITTING, CONN, BARB-THREAD, NY, 1/2 X 1/4			1
-207	401214801-3	.	.	FITTING ASSEMBLY, PLASTIC			1
-208	401204605-0	.	.	TUBE, FLEX, .500 DIA			1
-209	10028104-7	.	.	NUT, HEX, 1/4, NDT			1
-210	401204705-8	.	.	TUBE, FLEX, .250 DIA			1
-211	43430404-4	.	.	TAP, 3/16, MANO, .073 ID			1
-212	10111004-7	.	.	FITTING, EL, BARB, 1/2 X 1/4 NPT			1
-213	401204512-8	.	.	TUBE, FLAX, .187 DIA			1

9359-204

FIGURE & INDEX NUMBER	PART NUMBER	DESCRIPTION				USABLE ON CODE	QTY PER ASM
		1	2	3	4		
2-							
-214	401204503-7	.	TUBE, FLEX, .187 DIA				1
-215	10111024-5	.	FITTING, EL, BARB-M, NY, 1/4 X 1/8 NPT				1
-216	401204509-4	.	TUBE, FLEX, .187 DIA				1
-217	401204510-2	.	TUBE, FLEX, .187 DIA				12
-218	10111006-2	.	FITTING, EL, BARB, 3/8 X 1/8 NPT				3
-219	401204802-3	.	FLEX, TUBE, .375 X 3.00				1
-220	401204801-5	.	TUBE, FLEX, .375 DIA				2
-221	10111005-4	.	FITTING, EL, BARB, 3/16 X 1/8 NPT				4
-222	401204506-0	.	TUBE, FLEX, .187 DIA				1
-223	43032000-2	.	SOLENOID ASSEMBLY, 24 VDC, 1/8 X 5/64				1
-224	10096365-1	.	WASHER, LOCK, INT, 3/8, .022 THK, PS				1
-225	10111023-7	.	FITTING, EL, BARB, 3/16 X 1/4 NPT				1
-226	401204507-8	.	TUBE, FLEX, .187 DIA				4
-227	401204505-2	.	TUBE, FLEX, .187 DIA				2
-228	401204502-9	.	TUBE, FLEX, .187,DIA				2
-229	10111109-4	.	FITTING, TEE, BARB, 1/4 X 1/4X 1/4 NPT				1
-230	10111110-2	.	FITTING, TEE, BARB, NY, 3/16 X 3/16 X 3/16				1
-231	401204504-5	.	TUBE, FLEX, .187 DIA				1
-232	401204502-9	.	TUBE, FLEX, .187 DIA				1
-233	401204501-1	.	TUBE, FLEX, .187 DIA				1
-234	401223902-8	.	PLATE, HINGE, LOGIC				1
-235	401207601-6	.	HINGE, CARD CAGE ASSEMBLY				1
-236	401207602-4	.	HINGE, CARD CAGE ASSEMBLY				1
-237	10013064-0	.	SCREW, MACHINE, SBNH, 10-32 X .625				4
-238	10030505-1	.	WASHER, LOCK, HEL, NO. 10				4
-239	10046253-9	.	FASTNER, 1/4 TURN				1
-240	10096254-7	.	WASHER, 1/4 TURN STUD, NYLON				1
-241	10096256-2	.	RETAINER, 1/4 TURN STUD, SPLIT				1
-242	10007028-3	.	SCREW, MACHINE, SHC, 6-32 X .625				2
-243	10030503-6	.	WASHER, LOCK, HEL, MED, NO. 6, PS				2
-244	10026004-1	.	WASHER, FLAT, A, NO. 6				2
-244A	10013026-9	.	SCREW, MACHINE, SBNH, 6-32 X .375, PS				1
-244B	10030520-0	.	WASHER, LOCK, EXT, MED, PS, NO. 6				1
-245	43029701-0	.	DECK LOCK ASSEMBLY				1
-246	10013062-4	.	SCREW, MACHINE, SBNH, 10-32 X .375, PS				2
-247	10096072-3	.	WASHER, LOCK, SPLIT, BO, NO. 10				2
-248	10026006-6	.	WASHER, FLAT, A NO. 10				2
-249	10075022-3	.	CLAMP, CABLE, T, 1.750, NO. 10				3
-250	401443101-1	.	TAP, 3/16, MANO, .073 ID				1
-251	10306002-6	.	SLEEVE, CAP, P.E., 3/16 DIA X .625				3
	401204104-4	.	AIR DISTRIBUTION ASSEMBLY, TRI-DENSITY				1
-252	401204401-4	.	FITTING, TEE, 10-32 X 10-32 X 5.40				1
-253	401443101-1	.	TAP, 3/16 MANO, .073 ID				1
-254	00001702-0	.	MANOMETER-TAP				1
-255	401204504-5	.	TUBE, FLEX, .187 DIA				2
-256	401204706-6	.	TUBE, FLEX, .250 DIA				2
-257	10111114-4	.	FITTING, TEE, BRANCH, 3/16 X 1/4 NPT				1
-258	401243701-1	.	TUBE, FLEX, .093 DIA				1
-259	401204707-4	.	TUBE, FLEX, .250 DIA				1
-260	10019063-6	.	SCREW, MACHINE, SFLH, PS, 10-32 X .500				1
-261	10030505-1	.	WASHER, LOCK, HEL, MED, PS, NO. 10				1
-262	10027025-5	.	WASHER, FLAT, B, N, NO. 10				1
-263	10111042-7	.	FITTING, ELBOW, BARB, BR, 1/4 X 1/8, NPT				1
-264		.	DELETED				
-265	10111029-4	.	FITTING, MINI ELBOW				1
-266	401250702-8	.	CASTING, DECK, MACHINED				1

9359-205

(INTENTIONALLY LEFT BLANK)

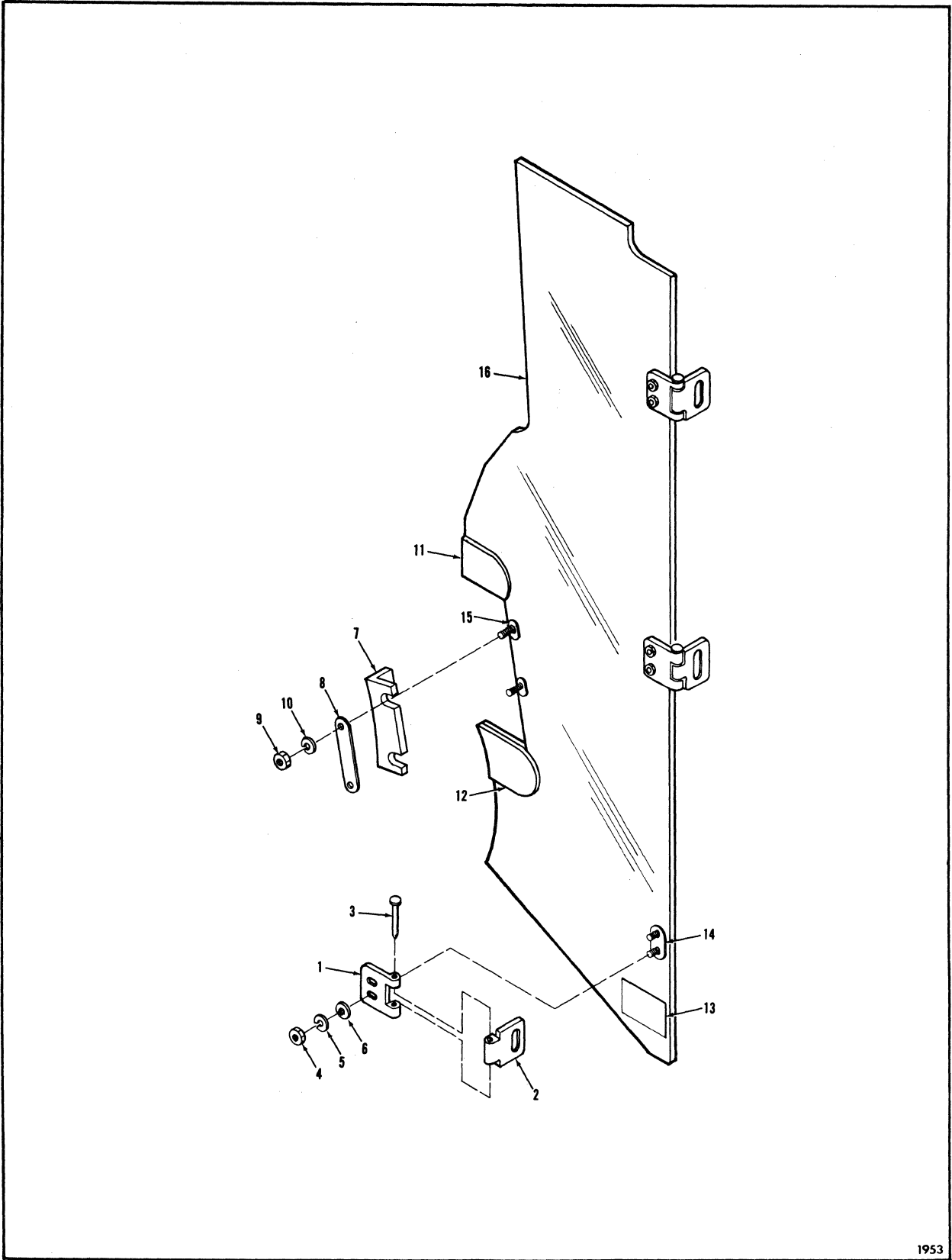


FIGURE 3. COLUMN DOOR ASSEMBLY

FIGURE & INDEX NUMBER	PART NUMBER	DESCRIPTION				USABLE ON CODE	QTY PER ASM
		1	2	3	4		
3-	43025501-8	DECK ASSEMBLY,COLUMN DOOR (SEE FIGURE 2-39 FOR NHA)					1
- 1	43430081-0	. HINGE,UPPER					3
- 2	43430082-8	. HINGE,LOWER					3
- 3	43430084-4	. PIN,HINGE,COLUMN DOOR					3
- 4	10096192-9	. NUT,HEX 6-32					6
- 5	10096070-7	. WASHER,LOCK,SPLIT,BLK OXIDE, NO.6					6
- 6	10096055-8	. WASHER,FLAT,B,BLK OXIDE,NO.6N					6
- 7	43430149-5	. GUIDE,TAPE,CENTER					1
- 8	43430167-7	. PLATE,CENTER GUIDE					1
- 9	10096192-9	. NUT,HEX,6-32					2
-10	10096070-7	. WASHER,LOCK,SPLIT,BLK OXIDE,NO.6					2
	401281901-9	. COLUMN DOOR ASSEMBLY					
-11	43430105-7	. . COVER,AIR BEARING,RIGHT					1
-12	43430250-1	. . COVER,CAPSTAN					1
-13	00023227-2	. . R-LABEL,SUBASSEMBLY					1
-14	401206001-0	. . BASE PLATE,COLUMN DOOR HINGE					3
-15	401205901-2	. . BASE PLATE,CENTER GUIDE					2
-16	43430059-6	. . DOOR,COLUMN					1

9359-301

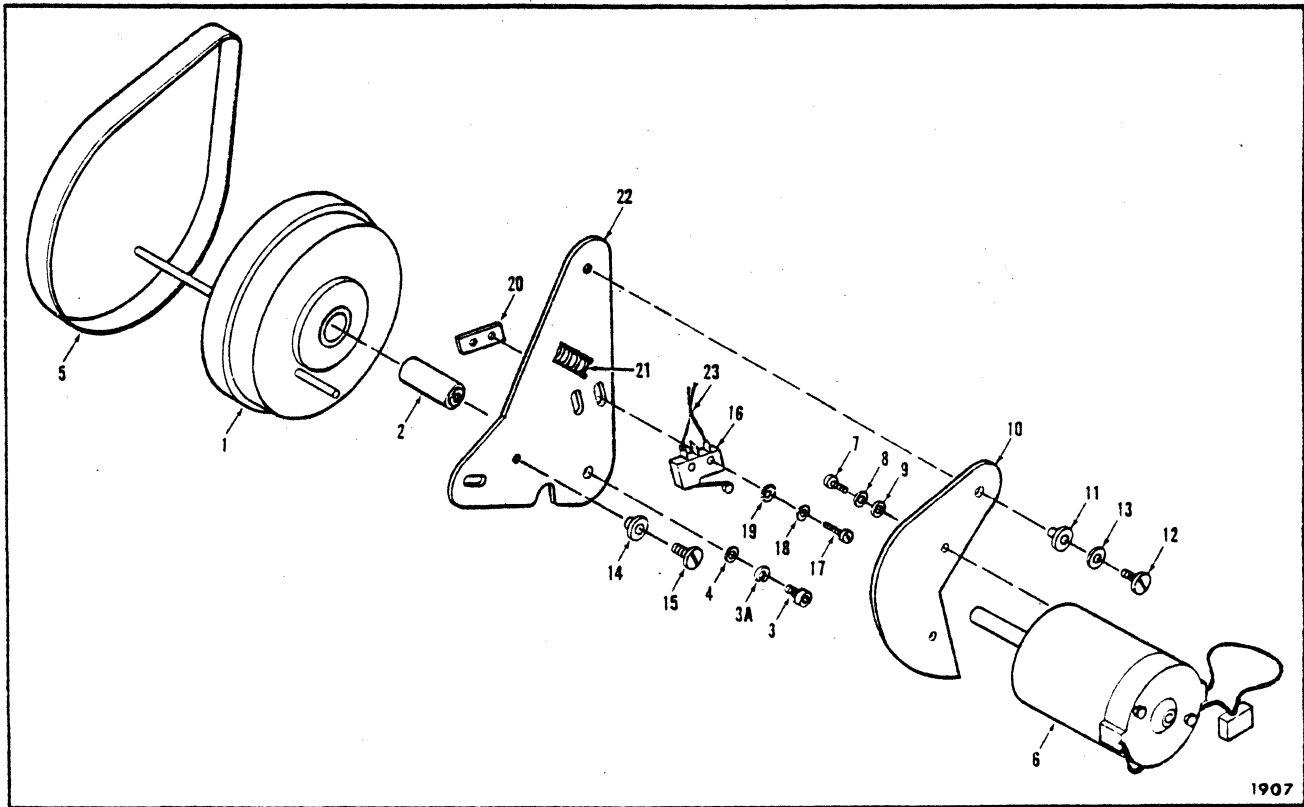


FIGURE 4. CARTRIDGE OPENER ASSEMBLY

FIGURE & INDEX NUMBER	PART NUMBER	DESCRIPTION				USABLE ON CODE	QTY PER ASM
		1	2	3	4		
4-	401227101-3	CARTRIDGE OPENER ASSEMBLY (SEE FIGURE 2-122 FOR NHA)					1
	42024002-0	. CARTRIDGE OPENER ASSEMBLY					1
- 1	42023800-8	. . . PULLEY ASSEMBLY					1
- 2	42420516-9	. . . SHAFT, PULLEY					1
- 3	10007024-2	. . . SCREW, MACHINE, SHC, 6-32 X .250					1
- 3A	10030503-6	. . . WASHER, LOCK, NO. 6					1
- 4	10026004-1	. . . WASHER, FLAT, A, NO. 6					1
- 5	42420421-2	. . . BELT					1
	42023903-0	. . . CARTRIDGE OPENER MOTOR AND PLATE ASSEMBLY					1
- 6	42420865-0 MOTOR, CARTRIDGE OPENER, BREVEL					1
- 7	10013026-9 SCREW, MACHINE, SBNH, 6-32 X .375, PS					2
- 8	10030503-6 WASHER, LOCK, NO. 6					2
- 9	10026004-1 WASHER, FLAT, A, NO. 6					2
-10	42420415-4 PLATE, PIVOT					1
-11	42420437-8 SPACER, TRANSFER VALVE					1
-12	10013024-4 SCREW, MACHINE, SBNH, 6-32 X .250, PS					1
-13	10026004-1 WASHER, FLAT, A, NO. 6					1
-14	42420414-7 BUSHING, PIVOT					1
-15	10013061-6 SCREW, MACHINE, SBNH, 10-32 X .312, PSP					1
-16	10076123-8 SWITCH, M, SP, DT, SR4A, 250V, SIMROLL					1
-17	10096019-4 SCREW, MACHINE, SBNH, 2-56 X .437					2

9359-401

FIGURE & INDEX NUMBER	PART NUMBER	DESCRIPTION				USABLE ON CODE	QTY PER ASM
		1	2	3	4		
4-							
-18	10027007-3	.	.	.	WASHER,FLAT,B.NO2,N		2
-19	10030501-0	.	.	.	WASHER,LOCK,HEL,MED,PS,2		2
-20	42420047-5	.	.	.	PLATE,THREADING		1
-21	10308010-7	.	.	.	VALVE,COM,225R,O,75FL,0.24OD,MW		1
-22	42420513-6	.	.	.	PLATE,SUPPORT		1
-23	401202401-6	.	.	.	CABLE, SWITCH (SEE FIGURE 11-3.38 FOR TERMINATIONS)		1

9359-402

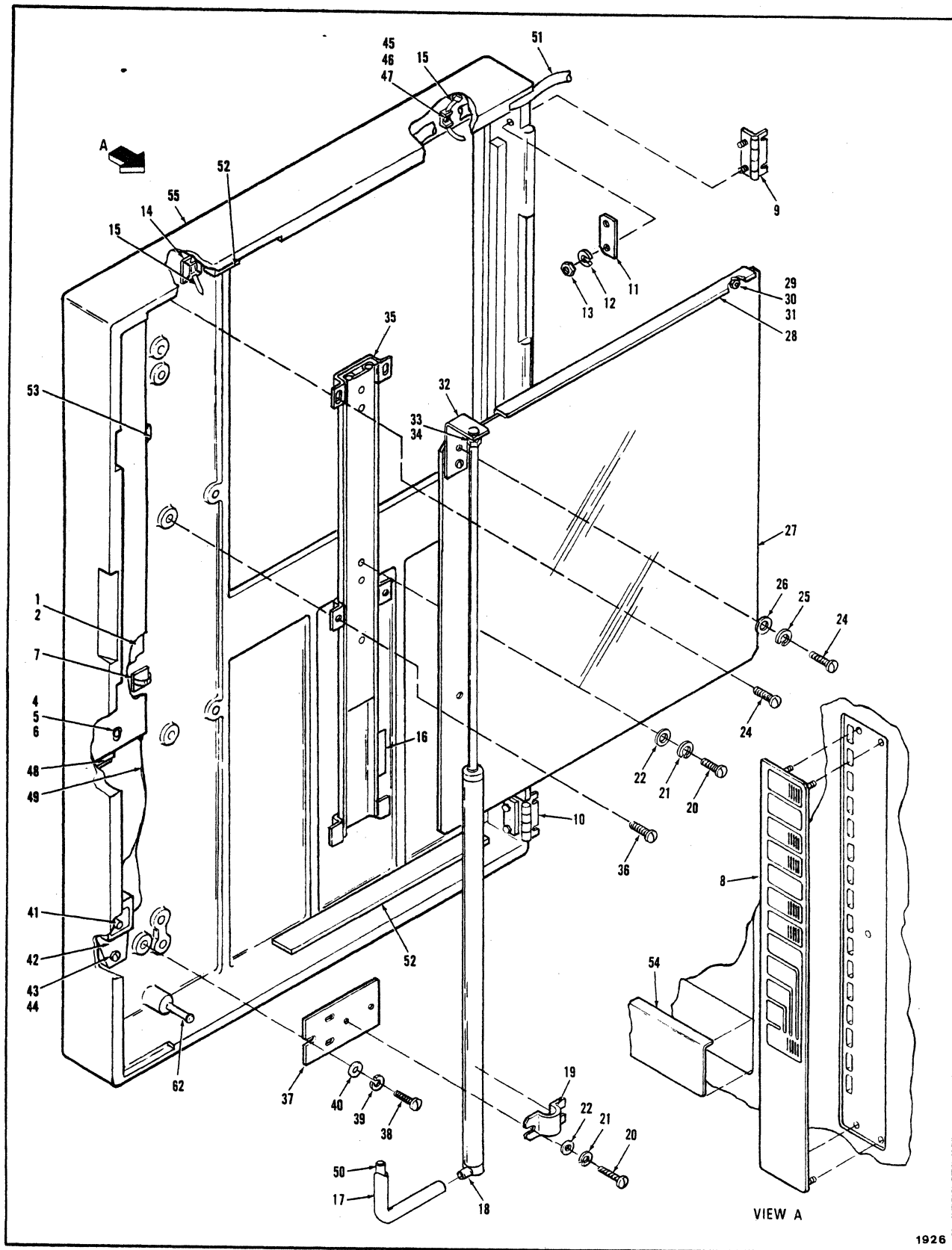


FIGURE 5. FRONT DOOR ASSEMBLY

FIGURE & INDEX NUMBER	PART NUMBER	DESCRIPTION				USABLE ON CODE	QTY PER ASM
		1	2	3	4		
5-	401255102-6	DOOR ASSEMBLY, FRONT, STANDARD (SEE FIGURE 1-31 FOR NHA)					1
- 1	(PN COMP)	. CIRCUIT CARD ASSEMBLY JF, STD					1
- 2	10079025-2	. LAMP, IND, 14V, 80HA, TYPE 73					20
- 3	400487102-6	. SHIELD, DOOR, PCB					1
- 4	10013012-9	. SCREW, MACHINE, SBNH, 4-40 X .250, PS					5
- 5	10097199-3	. STANDOFF, MF, H, AL, 4-40 X .250 HEX, .375 LONG					4
- 6	10200067-6	. STANDOFF, FF, H, BR, 4-40 X 1.0 LONG X .250 AF					5
- 7	10075063-7	. CLAMP, CABLE, ADJ/REL, 3/16-11/16					3
- 8	401211101-1	. INSERT, CONTROL PANEL, STANDARD					1
- 9	401204901-3	. HINGE, TOP					1
-10	401205001-1	. HINGE, BOTTOM					1
-11	400541202-0	. PLATE, HINGE					2
-12	10028003-1	. NUT, HEX, 6-32					4
-13	10030514-3	. WASHER, LOCK, INT, MED, NO. 6, PS					4
-14	10075076-9	. TIE MOUNT, CABLE CLAMP, 4 WAY, MINI					1
-15	10075020-7	. CLAMP, CABLE, T, 3/4					4
-16	00023227-2	. R-LABEL, SUB-ASSEMBLY					1
-17	10057044-9	. TUBING, PNEUMATIC, 1/8 I.D.					1
-18	10111021-1	. FITTING, BARB-M, BR, MINI, 10-32 X .125					1
-19	43430369-9	. STRAP, CYLINDER					1
-20	10013025-1	. SCREW, MACHINE, SBNH, 6-32 X .312, PS					5
-21	10030514-3	. WASHER, LOCK, INT, MED, NO. 6, PS					5
-22	10027020-6	. WASHER, FLAT, B, NO. 6					5
-23	400455302-2	. CYLINDER, WINDOW, 13.25 STOCK, 3/4 BORE					1
	400455802-1	. WINDOW ASSEMBLY, FRONT DOOR					1
-24	10013026-9	. SCREW, MACHINE, SBNH, 6-32 X .375, PS					4
-25	10030514-3	. WASHER, LOCK, INT, MED, NO. 6, PS					4
-26	10027020-6	. WASHER, FLAT, B, NO. 6					3
-27	400455902-9	. WINDOW, FRONT DOOR ACCESS					1
-28	400459403-4	. HANDLE, WINDOW					1
-29	10028003-1	. NUT, HEX, 6-32					4
-30	10030503-6	. WASHER, LOCK, HEL, MED, NO. 6, PS					4
-31	10026004-1	. WASHER, FLAT, A, NO. 6					4
-32	401245601-0	. BRACKET, CYLINDER ROD					1
-33	10096065-7	. NUT, HEX, 1/4-28					1
-34	10030517-6	. WASHER, LOCK, INT, MED, 1/4, PS					1
-35	401255202-4	. SLIDE, WINDOW CHASSIS					1
-36	10003026-1	. SCREW, MACHINE, SFH, 6-32 X .375					2
-37	43430368-1	. PLATE, CYLINDER BRACE					1
-38	10013026-9	. SCREW, MACHINE, SBNH, 6-32 X .375, PS					3
-39	10030514-3	. WASHER, LOCK, INT, MED, NO. 6, PS					3
-40	10027020-3	. WASHER, FLAT, B, NO. 6					3
-41	10076137-8	. SWITCH, PB, SPDT, MD, 50, 10A, 250 VAC					1
-42	43430017-4	. PLATE, DOOR SWITCH					1
-43	10013026-9	. SCREW, MACHINE, SBNH, 6-32 X .375, PS					2
-44	10030514-3	. WASHER, LOCK, INT, MED, NO. 6, PS					2
-45	10075059-5	. MOUNT, CABLE TIE, NO. 6, 38W					3
-46	10013024-4	. SCREW, MACHINE, SBNH, 6-32 X .250, PS					3
-47	10030514-3	. WASHER, LOCK, INT, MED, PS, NO. 6					3
-48	401253601-9	. CABLE, OP SWITCH (SEE FIGURE 11-23, 45, 46 FOR TERMINATIONS)					1

9359-501

FIGURE & INDEX NUMBER	PART NUMBER	DESCRIPTION				USABLE ON CODE	QTY PER ASM
		1	2	3	4		
5-							
-49	400496302-5	.			CABLE, DOOR INTERLOCK SWITCH		1
-50	401243301-9	.			ORIFICE, INSERT		1
-51	400457503-4	.			CABLE, OP PANEL		1
					(SEE FIGURE 11-31 thru 33, 44 thru 46 FOR TERMINATIONS)		
-52	00000158-6	.			FOAM (.68 X .25 - BLACK)		AR
-53	00006183-2	.			JUMPER		1
-54	401290601-4	.			PANEL, LOGO		1
-55	400535005-8	.			SHELL, FRONT DOOR		1

9359-502

(INTENTIONALLY LEFT BLANK)

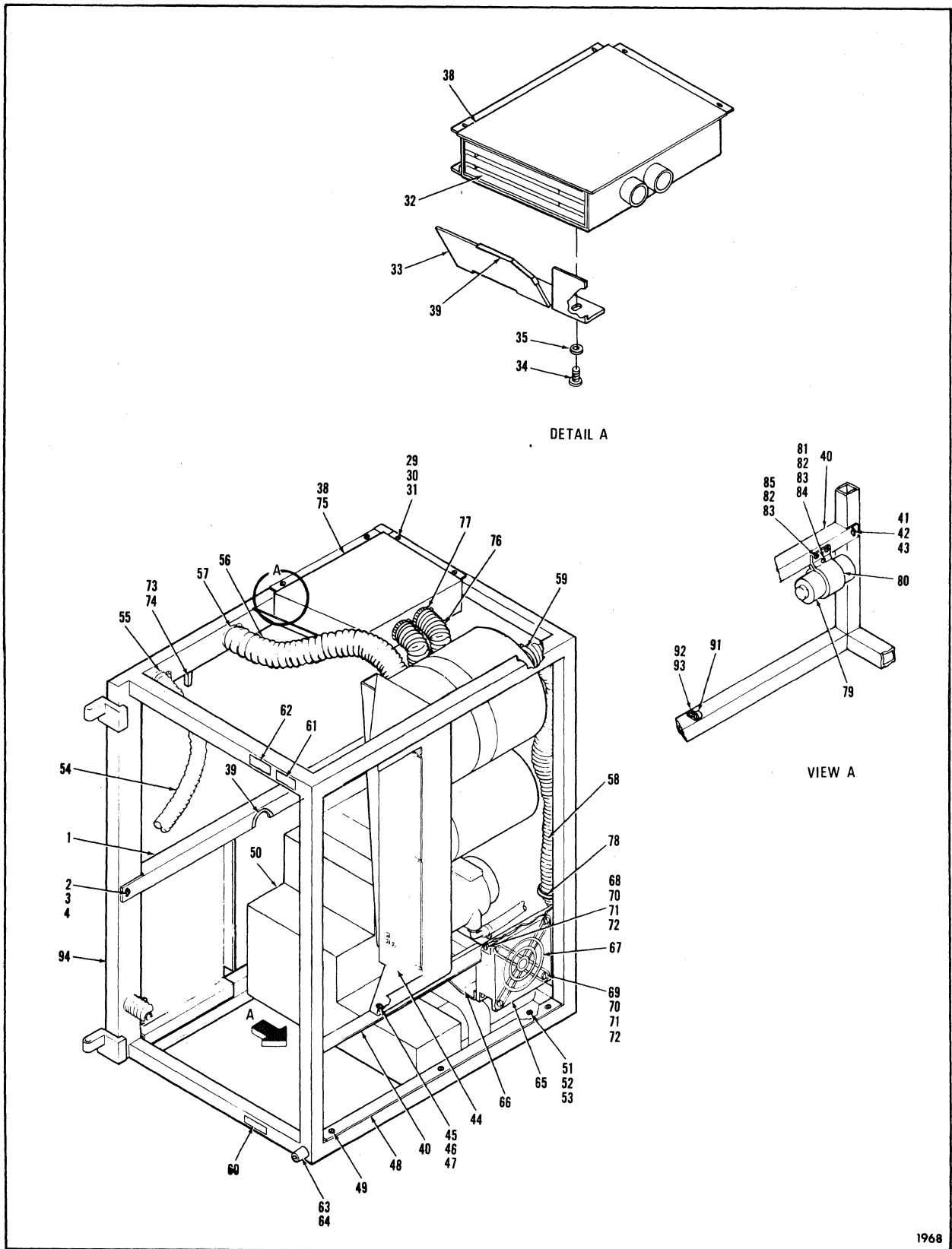


FIGURE 6. FRAME ASSEMBLY (SHEET 1 OF 2)

FIGURE & INDEX NUMBER	PART NUMBER	DESCRIPTION				USABLE ON CODE	QTY PER ASM
		1	2	3	4		
6-	43028603-9	FRAME ASSEMBLY				A	1
	401506501-6	FRAME ASSEMBLY, FERRO (SEE FIGURE 1-30 FOR NHA)				B	1
- 1	401215802-0	. BRACKET, SHIELD MOUNTING					1
- 2	10013062-4	. SCREW, MACHINE, SBNH, 10-32 X .375, PS					2
- 3	10030505-1	. WASHER, LOCK, MED, PS, NO. 10					2
- 4	10026006-6	. WASHER, FLAT, A, NO. 10					2
- 5	401282301-1	. BRACKET, RELAY MOUNTING				A	1
- 6	10013026-9	. SCREW, MACHINE, SBNH, 6-32 X .375				A	2
- 7	10030526-7	. WASHER, LOCK, NO. 6				A	4
- 8	10026004-1	. WASHER, FLAT, A, NO. 6				A	4
- 9	10028003-1	. NUT, HEX, 6-32				A	2
-10	401514001-7	. BRACKET, SURGE RESISTOR				A	1
-11	10013026-9	. SCREW, MACHINE, SBNH, 6-32 X .375				A	2
-12	10030526-7	. WASHER, LOCK, NO. 6				A	2
-13	401504001-9	. RESISTOR ASSEMBLY, IN-RUSH				A	1
-14	00003352-2	. BRACKET, RESISTOR MOUNTING				A	1
-15	10013026-9	. SCREW, MACHINE, SBNH, 6-32 X .375				A	1
-16	10026004-1	. WASHER, FLAT, A, NO. 6				A	1
	401509601-1	. BRACKET ASSEMBLY, EPO RELAY				B	1
-17	10005026-9	. SCREW, MACHINE, 6-32 X .375, PS					2
-18	10030526-7	. WASHER, LOCK, NO. 6					4
-19	10026004-1	. WASHER, FLAT, A, NO. 6					2
-20	10028003-1	. NUT, HEX, 6-32					2
-21	10030514-3	. WASHER, LOCK, INT, MED, PS, NO. 6					2
-22	401282301-1	. BRACKET, EPO RELAY				B	1
-23	(PN COMP)	. CIRCUIT CARD, EPO, PC ASSEMBLY				B	1
-24	10005028-5	. SCREW, MACHINE, NO. 6, .625				B	4
-25	10097252-0	. SPACER, NYLON OR FIBER, NO. 6, .250				B	4
-26	10092020-6	. WASHER, NO. 6, FLAT, NYLON				B	4
-27	10097322-1	. GUIDE, CARD, SNAP-IN, 6.5 LONG				B	1
-28	10097322-1	. GUIDE, CARD, SNAP-IN, 6.5 LONG				B	3
		. GUIDE, CARD, SNAP-IN, 6.5 LONG				A	4
	401292901-6	. MUFFLER ASSEMBLY					1
-29	10013062-4	. SCREW, MACHINE, SBNH, 10-32 X .375, PS					2
-30	10030505-1	. WASHER, LOCK, NO. 10					2
-31	10026006-6	. WASHER, FLAT, NO. 10					2
-32	401299501-7	. MUFFLER PACK ASSEMBLY					1
-33	401292601-2	. DEFLECTOR, MUFFLER					1
-34	10031036-6	. SCREW, NO. 8					2
-35	10027022-4	. WASHER, FLAT, NO. 8					2
-36		. DELETED					
-37		. DELETED					
-38	401292501-4	. PLENUM, MUFFLER					1
-39	00006552-4	. STRIP, GROMMET					AR
-40	401220102-8	. BRACKET, PNEUMATIC MOUNTING					1
-41	10013062-4	. SCREW, MACHINE, SBNH, 10-32 X .375, PS					2
-42	10030505-1	. WASHER, LOCK, HEL, MED, PS, NO. 10					2
-43	10026006-6	. WASHER, FLAT, A, NO. 10					2
-44	401206503-5	. PNEUMATIC ASSEMBLY, 50 HZ					1
	401206504-3	. PNEUMATIC ASSEMBLY, 60 HZ (SEE FIGURE 7 FOR NHA)					1
-45	10007079-6	. SCREW, MACHINE, SHC, 1/4-20 X 1.00					4
-46	10030506-9	. WASHER, LOCK, HEL, MED, PS, 1/4					4
-47	10026010-8	. WASHER, FLAT, A, NO. 10					4
-48	401243501-4	. RAILS, POWER SUPPLY					2
-49	10013062-4	. SCREW, MACHINE, SBNH, 10-32 X .375, PS					6

9359-601

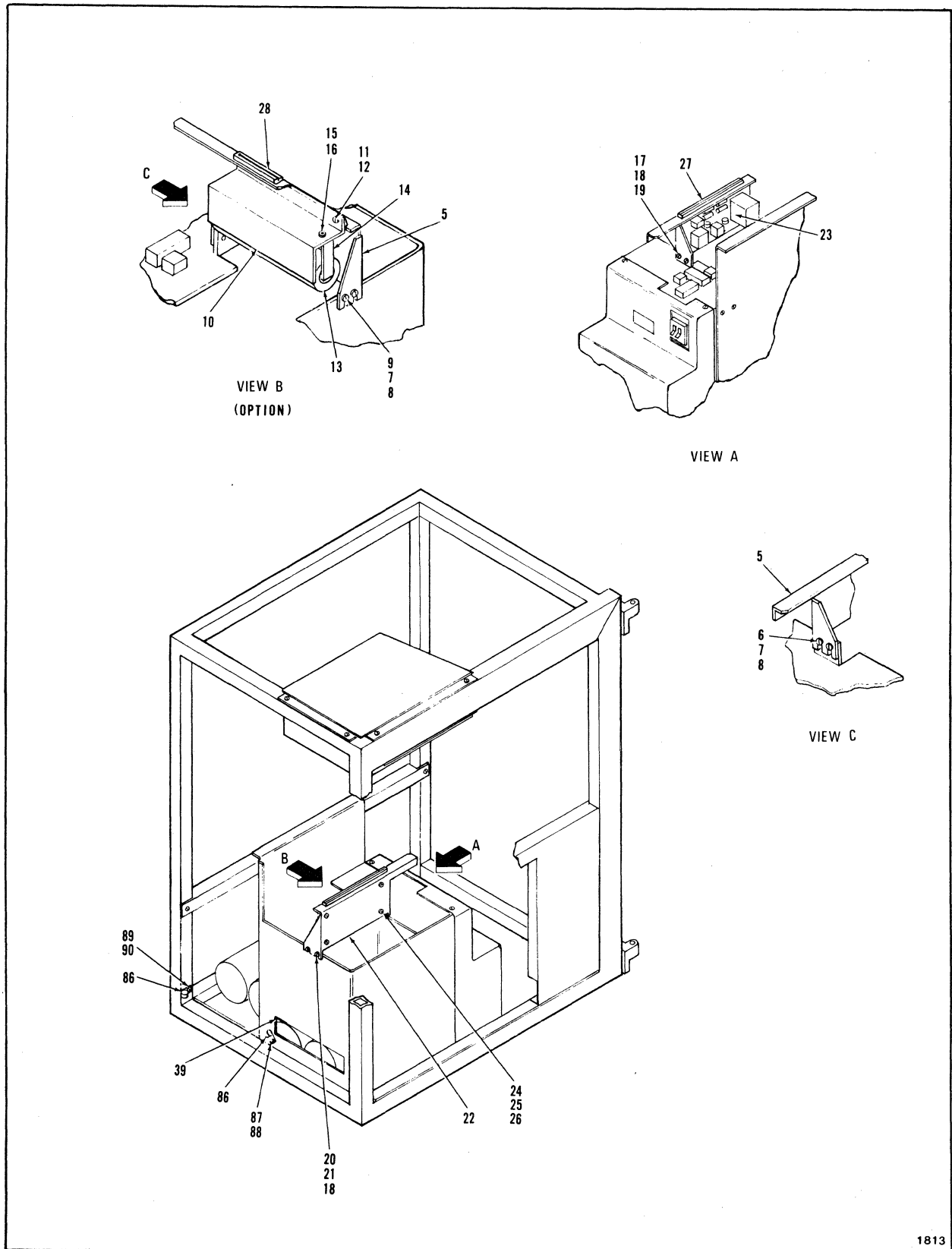
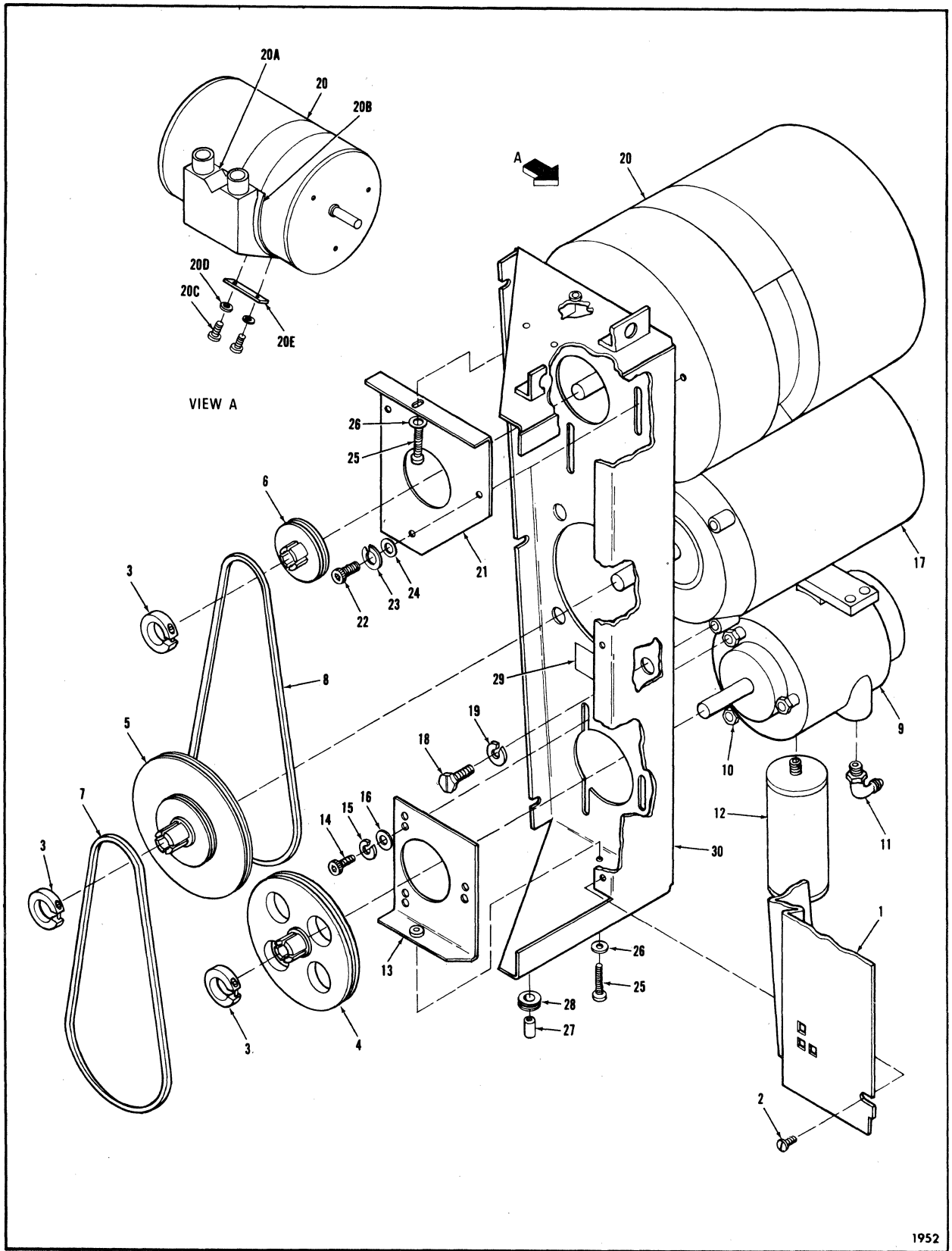


FIGURE 6. FRAME ASSEMBLY (SHEET 2 OF 2)

FIGURE & INDEX NUMBER	PART NUMBER	DESCRIPTION				USABLE ON CODE	QTY PER ASM	
		1	2	3	4			
6-	-50	401218603-9	.	RECTIFIER ASSEMBLY		A	1	
		401508001-5	.	RECTIFIER ASSEMBLY, 50 HZ		B	1	
		401508101-3	.	RECTIFIER ASSEMBLY, 60 HZ (SEE FIGURE 3 FOR DETAILS)		B	1	
		-51	10013062-4	.	SCREW, MACHINE, SBNH, 10-32 X .375			3
		-52	10030505-1	.	WASHER, LOCK, HEL. MED, PS, NO. 10			3
		-53	10026006-6	.	WASHER, FLAT, A, NO. 10			3
		-54	401292401-7	.	HOSE, STUBBY PLENUM, UPPER STUBBY			2
		-55	00001170-0	.	CLAMP, HOSE, 1 INCH			2
		-56	43430356-6	.	HOSE, BLOWER			1
		-57	10096413-9	.	CLAMP, HOSE, 2 INCH, SS			2
		-58	43430355-8	.	HOSE, TRANSFER, VALVE			1
		-59	00001172-6	.	CLAMP, HOSE, 1.50 INCHES			1
		-60	50050023-6	.	STICKER, MODIFICATION, V1 & V2			1
		-61	401203901-4	.	ID LABEL, 1950			1
		-62	42420904-7	.	LABEL, U.L. HIPOT TEST			1
		-63	10501002-9	.	BUMPER, RUBBER, ID 1 x 1 1/2			2
		-64	10007032-5	.	SCREW, MACHINE, SHC, 6-32 X 1.250			2
		-65	10037012-1	.	FAN, AXIAL, 115CFM, 115VAC, 50/60		A	1
		-66	401214301-4	.	COWL, FAN		A	1
		-67	00010257-4	.	GUARD, FINGER		A	2
		-68	10013031-9	.	SCREW, MACHINE, SBNH, 6-32 X 1.00, PS		A	2
		-69	10013028-5	.	SCREW, MACHINE, SBNH, 6-32 X .625, PS		A	6
		-70	10030514-3	.	WASHER, LOCK, INT, MED, PS, NO. 6		A	10
		-71	10026004-1	.	WASHER, FLAT, A, NO. 6		A	8
	-72	10028003-1	.	NUT, HEX, 6-32		A	10	
	-73	10075080-1	.	CLAMP, CABLE, P, RIGHT ANGLE, TIE MOUNT			1	
	-74	10013027-7	.	SCREW, MACHINE, SBNH, 6-32 X .500, PS			1	
	-75	43430310-3	.	GASKET, PLENUM			1	
	-76	00011392-8	.	HOSE, 1.25 X 8.0			2	
	-77	00001171-8	.	CLAMP, HOSE			4	
	-78	10075022-3	.	CLAMP, CABLE, T, 1 3/4, NO. 10		A	1	
	-79	401505801-0	.	CAPACITOR, 40 UFD, INSULATED		B	2	
	-80	401280801-2	.	BRACKET, CAPACITOR, 2.5 DIA		B	2	
	-81	10013065-7	.	SCREW, MACHINE, SBNH, 10-32 X .750		B	2	
	-82	10030505-1	.	WASHER, LOCK, HEL. MED, PS, NO. 10		B	6	
	-83	10026006-6	.	WASHER, FLAT, A, NO. 10		B	6	
	-84	10028046-0	.	NUT, HEX, 10-32, NYLON INSERT		B	2	
	-85	10013062-4	.	SCREW, MACHINE, SBNH, 10-32 X .375, PS		B	4	
	-86	10075022-3	.	CLAMP, CABLE, T, 1 3/4, NO. 10		B	3	
	-87	10005026-9	.	SCREW, MACHINE, 6-32 X .375, PS		B	2	
	-88	10030514-3	.	WASHER, LOCK, INT, MED, PS, NO. 6		B	2	
	-89	10013062-4	.	SCREW, MACHINE, SBNH, 10-32 X .375, PS		B	1	
	-90	10030505-1	.	WASHER, LOCK, HEL. MED, PS, NO. 10		B	1	
	-91	10075006-6	.	CLAMP, CABLE, 250, 1/4, .500, .203		B	1	
	-92	10013065-7	.	SCREW, MACHINE, SBNH, 10-32 X .750		B	1	
	-93	10030505-1	.	WASHER, LOCK, HEL. MED, PS, NO. 10		B	1	
	-94	401218802-7	.	WELDMENT, FRAME			1	

9359-602



1952

FIGURE 7. PNEUMATIC ASSEMBLY

FIGURE & INDEX NUMBER	PART NUMBER	DESCRIPTION				USABLE ON CODE	QTY PER ASM
		1	2	3	4		
7-	401206503-5	PNEUMATIC ASSEMBLY,50 HERTZ				A	1
	401206504-3	PNEUMATIC ASSEMBLY,60 HERTZ (SEE FIGURE 6-20 FOR NHA)				B	1
- 1	401207102-5	. FINGER GUARD ASSEMBLY					1
- 2	10013062-4	. SCREW,MACHINE,SBNH,10-32 X .375, PS					6
- 3	42420337-0	. COLLAR, CLAMPTITE					3
- 4	401211902-2	. PULLEY, PUMP					1
- 5	401206602-5	. PULLEY, MOTOR, 50 HZ				A	1
	401202002-2	. PULLEY, MOTOR, 60 HZ				B	1
- 6	401211802-4	. PULLEY, BLOWER					1
- 7	10307039-7	. BELT, VEE, .175 WD, 62,5 M 615				A	1
	10037010-5	. BELT, VEE, .175 WD, 62, 9.922 IN (5M600)				B	1
- 8	10307038-9	. BELT, VEE, .175 WD, 62, 5M650				A	1
	10307010-5	. BELT, VEE, .175 WD, 62, 9.922 IN (5M600)				B	1
	401227002-3	. PRESSURE PUMP ASSEMBLY					
- 9	00001126-2	. . PUMP, PRESSURE					1
-10	00017837-6	. . SPACER, PUMP, MOUNTING BRACKET					3
-11	10111004-7	. . FITTING, EL, BARB, 1/2 X 1/4 NPT, PLASTIC					1
-12	401427001-3	. . MUFFLER ASSEMBLY					1
-13	401219202-0	. PLATE, PUMP ADJUSTMENT					1
-14	10107077-0	. SCREW, MACHINE, SHC, 1/4-20 X .750					3
-15	10030506-9	. WASHER, LOCK, 1/4					3
-16	10027032-1	. WASHER, FLAT, 1/4					3
-17	401206901-1	. PNEUMATICS MOTOR ASSEMBLY, FUD					1
	401245503-8	. PNEUMATICS MOTOR ASSEMBLY					1
-18	10017085-1	. SCREW, MACHINE, SHH, 3/8-16 X .750					4
-19	10030508-5	. WASHER, LOCK, HEL, MED, 3/8					4
	401504301-8	. BLOWER, DUAL FUNCTION ASSEMBLY					1
-20	401205805-5	. . BLOWER, DUAL FUNCTION					1
-20A	400336802-6	. . ADAPTER, BLOWER EXHAUST					1
-20B	400336902-4	. . GASKET, BLOWER EXHAUST					1
-20C	10013064-0	. . SCREW, MACHINE, SBNH, 10-32 X .625, PS					2
-20D	10026006-6	. . WASHER, FLAT, NO. 10, A					2
-20E	400363702-4	. . PLATE, WASHER					1
-21	13430314-5	. PLATE, PNEUMATIC ADJUSTMENT					1
-22	10107077-0	. SCREW, MACHINE, SHC, 1/4-20 X .750					3
-23	10030506-9	. WASHER, LOCK, 1/4					3
-24	10027032-1	. WASHER, FLAT, 1/4					3
-25	10007068-9	. SCREW, MACHINE, SHC, 10-32 X 1.250					2
-26	10026006-6	. WASHER, FLAT, A, NO. 10					2
-27	00001373-0	. SPACER					4
-28	00000054-7	. GROMMET, RUBBER, .37, .75					4
-29	00023227-2	. LABEL, ASSEMBLY					1
-30	43430285-7	. BRACKET, PNEUMATIC					1

9359-701

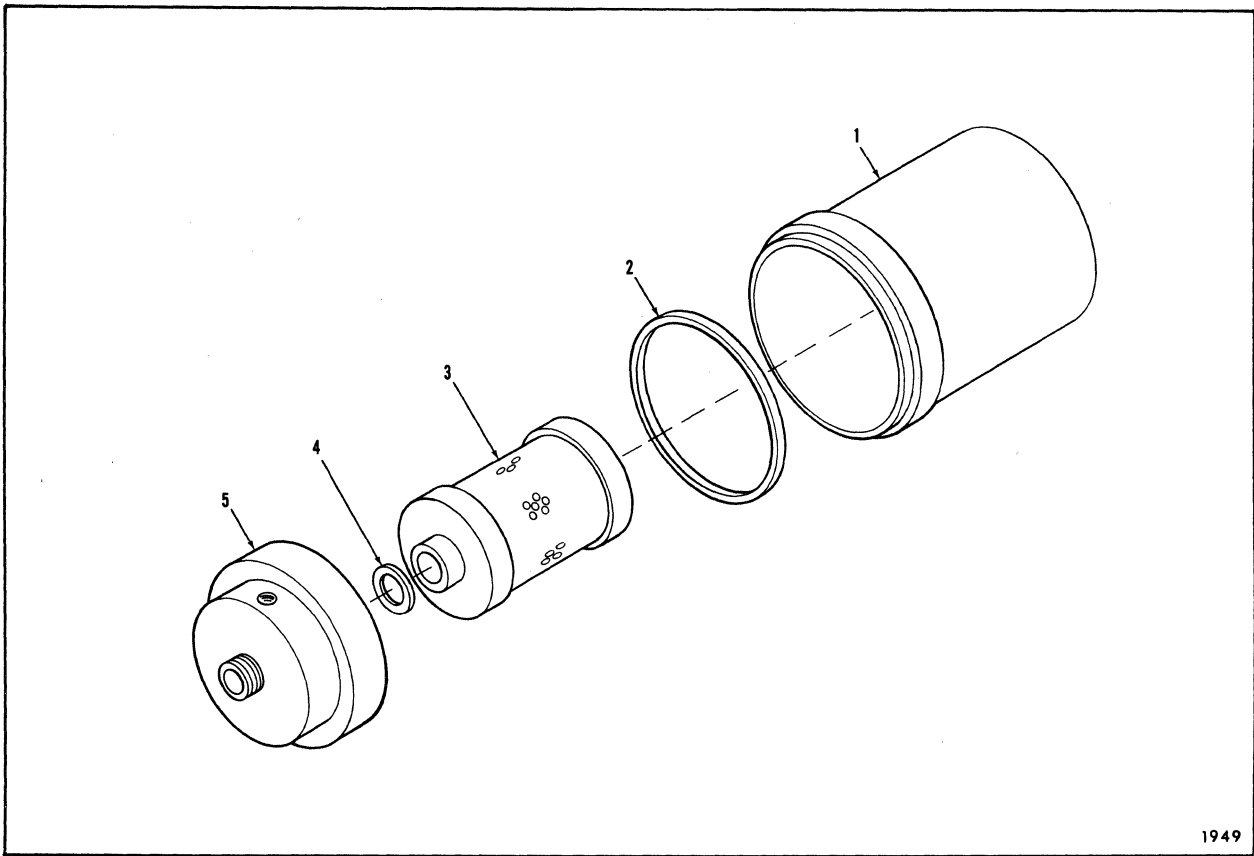


FIGURE 8. PRESSURE FILTER ASSEMBLY

FIGURE & INDEX NUMBER	PART NUMBER	DESCRIPTION				USABLE ON CODE	QTY PER ASM
		1	2	3	4		
8-	401204001-2		1
			
-1	00017364-1		1
-2	00017383-1		1
-3	00017370-8		1
-4	10096286-9		1
-5	00017363-3		1

9359-801

(INTENTIONALLY LEFT BLANK)

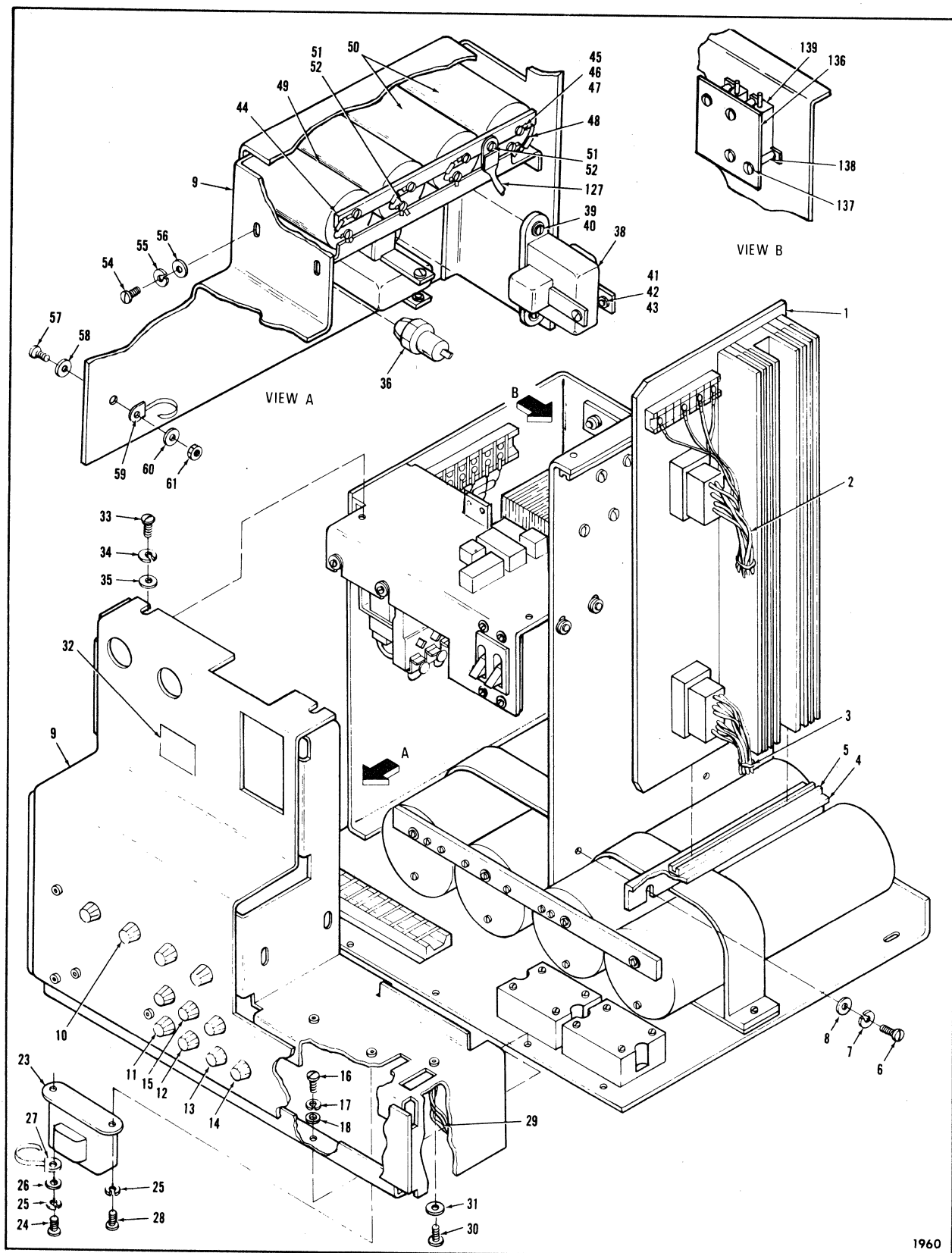


FIGURE 9. RECTIFIER ASSEMBLY (SHEET 1 of 3)

FIGURE & INDEX NUMBER	PART NUMBER	DESCRIPTION	USABLE ON	QTY
			CODE	PER ASM
9-	401508001-5	RECTIFIER ASSEMBLY, 50 HZ, CVT, FERRO	A	1
	401508101-3	RECTIFIER ASSEMBLY, 60 HZ, CVT, FERRO	B	1
	401218603-9	RECTIFIER ASSEMBLY	C	1
- 1	(PN COMP)	. CIRCUIT CARD, JV PC ASSEMBLY	C	1
	(PN COMP)	. CIRCUIT CARD, HX, PC ASSEMBLY, C	A,B	1
- 2	43050503-2	. DC HARNESS, POWER SUPPLY (SEE FIGURE 11-1 THRU 4,6,8,9,11,13 THRU 20 FOR TERMINATIONS)	C	1
	401509201-0	. DC HARNESS, POWER SUPPLY (SEE FIGURE 11-1, 4, 5, 6, 8, 9, 11, 13 thru 17, 19, 20, 38, 50, 51 FOR TERMINATIONS)	A,B	1
- 3	10075021-5	. CLAMP, CABLE, 1 3/4		7
- 4	401216901-9	. BRACKET, GUIDES		1
- 5	10097322-1	. GUIDE, CARD, SNAP IN, LKG, 6, 5LG		2
- 6	10013063-2	. SCREW, MACHINE, SBNH, 10-32 X .500		2
- 7	10030505-1	. WASHER, LOCK, NO.10		2
- 8	10026006-6	. WASHER, FLAT, NO.10		2
- 9	43028503-1	. COVER ASSEMBLY, RECTIFIER	C	1
	401507101-4	. COVER ASSEMBLY, RECTIFIER	A,B	1
-10	10080011-9	. FUSE, 3AB, 15A, 250V, NORM	C	4
	10080011-9	. FUSE, 3AB, 15A, 250V, NORM	A,B	5
-11	10080128-1	. FUSE, 25 A, 250 V, SLO-BLO	C	1
	10080128-1	. FUSE, 25A, 250V, SLO-BLO	A,B	2
-12	10080010-1	. FUSE, 8A, 125V, FAST-ACT	C	1
-13	10080002-8	. FUSE, 3A, 250V, FAST-ACT	C	1
-14	10080111-7	. FUSE, 0.25A, SLO-BLO		1
-15	10080009-3	. FUSE, 4A, 250V, FAST-ACT		3
-15A	10080060-6	. FUSE, 3AG, .125A, 250V, NORM	A,B	1
-16	10013025-1	. SCREW, MACHINE, 6-32 X .312		5
-17	10030503-6	. WASHER, LOCK, NO.6		5
-18	10026004-1	. WASHER, FLAT, A, NO.6		5
-19	10075022-3	. CLAMP, CABLE, T, 1 3/4, NO. 10		1
-20	10013026-9	. SCREW, MACHINE, SBNH, 6-32 X .375		1
-21	10030503-6	. WASHER, LOCK, HEL, PS, 6		1
-22	10026004-1	. WASHER, FLAT, A, NO. 6		1
-23	43430190-9	. TRANSFORMER, CONTROL		1
-24	10013026-9	. SCREW, MACHINE, SBNH, 6-32 X .375		1
-25	10030503-6	. WASHER, LOCK, NO.6		2
-26	10026004-1	. WASHER, FLAT, A, NO.6		1
-27	10075022-3	. CLAMP, CABLE, T 1 3/4 NO.10		1
-28	10013024-4	. SCREW, MACHINE, SBNH, 6-32 X .250		1
-29	43050603-0	. AC HARNESS, POWER SUPPLY (SEE FIGURE 11-1 thru 10, 52 FOR TERMINATIONS)	C	1
	401509301-8	. AC HARNESS, POWER SUPPLY, 50 HZ (SEE FIGURE 11-1, 4 THRU 8, 50, 51, 53 FOR TERMINATIONS)	A	1
	401509401-6	. AC HARNESS, POWER SUPPLY, 60 HZ (SEE FIGURE 11-1, 4 THRU 6, 8, 9, 50 THRU 53 FOR TERMINATIONS)	B	1
-30	10013062-4	. SCREW, MACHINE, SBNH, 10-32 X .375		1
-31	10030522-6	. WASHER, LOCK, EXT, NO.10		1
-32	00023227-2	. R-LABEL, SUB-ASSEMBLY		1
-33	10013063-2	. SCREW, MACHINE, SBNH, 10-32 X .500		2
-34	10030505-1	. WASHER, LOCK, NO.10		2
-35	10026006-6	. WASHER, FLAT, NO.10		2

9359-901

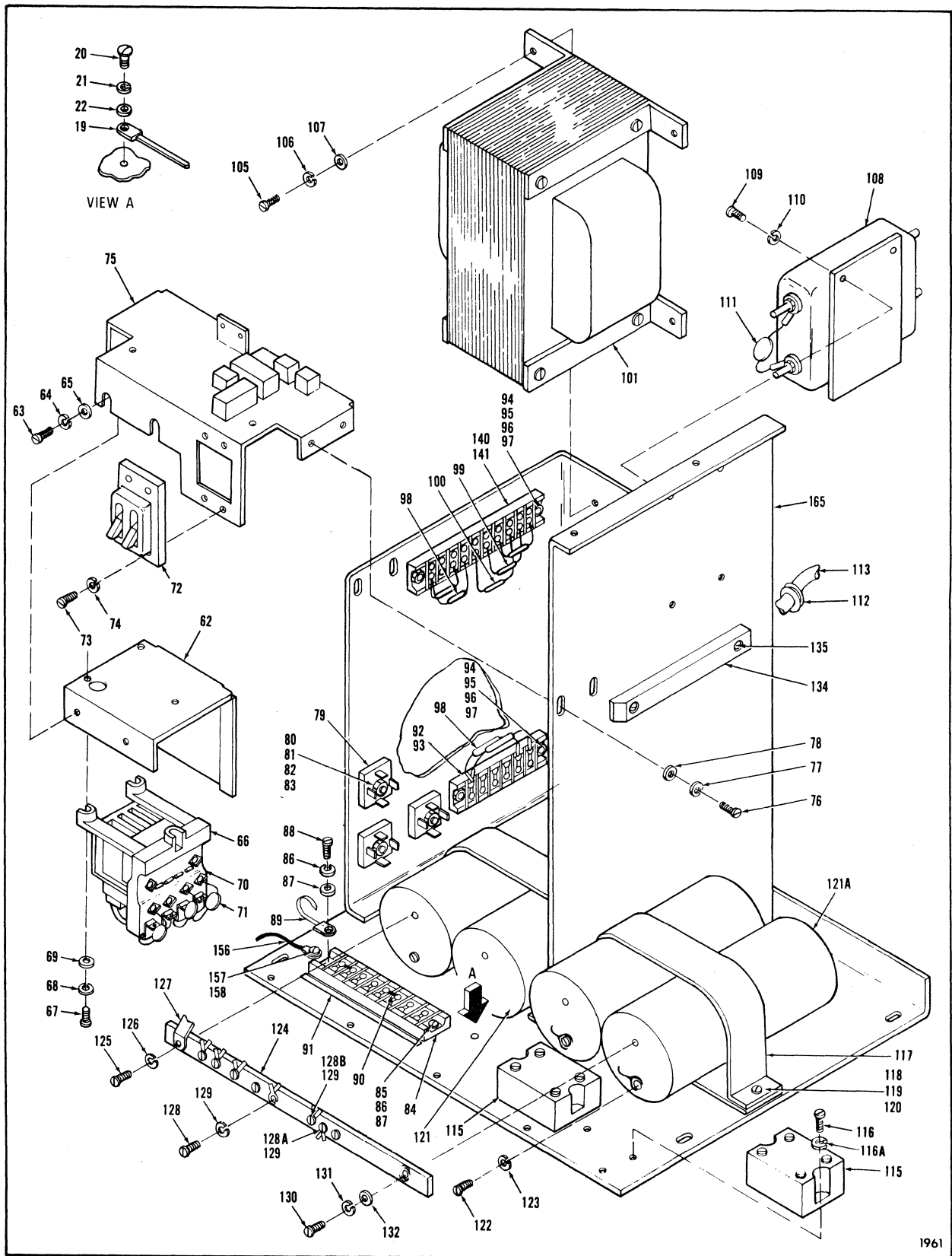


FIGURE 9. RECTIFIER ASSEMBLY (SHEET 2 of 3)

FIGURE & INDEX NUMBER	PART NUMBER	DESCRIPTION	USABLE ON CODE	QTY
				PER ASM
9-				
-36	10081010-0	. FUSEHOLDER,PMTG,3AG	C	11
	10081010-0	. FUSEHOLDER, PMTG, 3AG	A,B	12
-37		. DELETED		
-38	43430191-7	. INDUCTOR,POWER,8VH	C	2
-39	10013025-1	. SCREW,MACHINE,SBNH,6-32 X .312	C	4
-40	10030503-6	. WASHER,LOCK,NO.6	C	4
-41	10013062-4	. SCREW,MACHINE,SBNH,10-32 X .375,PS	C	4
-42	10026006-6	. WASHER,FLAT,A,NO.10	C	4
-43	10028006-4	. NUT,HEX,10-32	C	4
-44	43430252-7	. BUS BAR,CAPACITORS		1
-45	10013063-2	. SCREW, MACHINE, SBNH, 10-32 X .500		4
-46	10030505-1	. WASHER, LOCK, NO. 10		4
-47	10026006-6	. WASHER, FLAT, NO. 10		4
-48	42013700-2	. RESISTOR ASSEMBLY, 1K, 2W		4
-49	10050187-3	. CAPACITOR, EL, AVH,-10%,40V, 17000UF		2
-50	10050133-7	. CAPACITOR, EL, AVS,-10%, 15V,50000UF		2
-51	10013062-4	. SCREW,MACHINE,SBNH,10-32X.375		5
-52	10030505-1	. WASHER,LOCK,NO.10		5
-53	43430237-8	. BRACKET TRAY,CAPACITOR		1
-54	10013063-2	. SCREW,MACHINE,SBNH,10-32X.500		4
-55	10030505-1	. WASHER,LOCK,NO.10		4
-56	10026006-6	. WASHER,FLAT,NO.10		4
-57	10013026-9	. SCREW,MACHINE,SBNH,6-32X.375		1
-58	10030503-6	. WASHER,LOCK,NO.6		1
-59	10075022-3	. CLAMP,CABLE,T1 3/4, NO.10		1
-60	10026004-1	. WASHER,FLAT,NO.6		1
-61	10028003-1	. NUT,HEX,6-32		1
-62	43430364-0	. BRACKET,EPO MOUNTING	C	1
-63	10013063-2	. SCREW,MACHINE,SBNH,10-32X.500	C	2
-64	10030505-1	. WASHER,LOCK, NO.10	C	2
-65	10026006-6	. WASHER,FLAT,NO.10	C	2
-66	10078032-9	. RELAY,POWER,4P,2T,25A,24V,SCREW	C	1
-67	10013025-1	. SCREW,MACHINE,SBNH,6-32X.312	C	3
-68	10030503-6	. WASHER,LOCK,NO.6	C	3
-69	10026004-1	. WASHER,FLAT,NO.6	C	3
-70	43031101-9	. DIODE ASSEMBLY,IN4002/IN4749		1
-71	43031200-9	. VARISTOR ASSEMBLY		3
-72	10077104-7	. CIRCUIT BREAKER,T,2P,10-3210/22A,250VAC	B,C	1
	10077114-6	. CIRCUIT BREAKER, T, 2P, 10-32, 15A, 250 VAC	A	1
-73	10013025-1	. SCREW,MACHINE,SBNH,6-32X.312		4
-74	10030503-6	. WASHER,LOCK,NO.		4
-75	401218302-8	. PANEL,CB AND CONNECTOR ASSEMBLY	C	1
	401513601-5	. PANEL, CB AND CONNECTOR ASSEMBLY	A,B	1
-76	10013063-2	. SCREW,MACHINE,SBNH,10-32X.500		4
-77	10030505-1	. WASHER,LOCK,NO.10		4
-78	10026006-6	. WASHER,FLAT,NO.10		4
-79	10071049-0	. RECTIFIER,BR,30A,200V	C	3
	10071049-0	. RECTIFIER, BR, 30A, 200V	A,B	4
-80	10013023-6	. SCREW,MACHINE,SBNH,6-32X.187		AR
-81	10030503-6	. WASHER,LOCK,NO.6		AR
-82	10026004-1	. WASHER,FLAT,NO.6		AR
-83	10028003-1	. NUT,HEX,6-32		AR
-84	10056032-5	. TERMINAL BLOCK,BARRIER,8 POS,6-32		1
-85	10013027-7	. SCREW,MACHINE,SBNH,6-32X.500		1
-86	10030503-6	. WASHER,,LOCK,NO.6		2
-87	10026004-1	. WASHER,FLAT,NO.6		2

9359-902

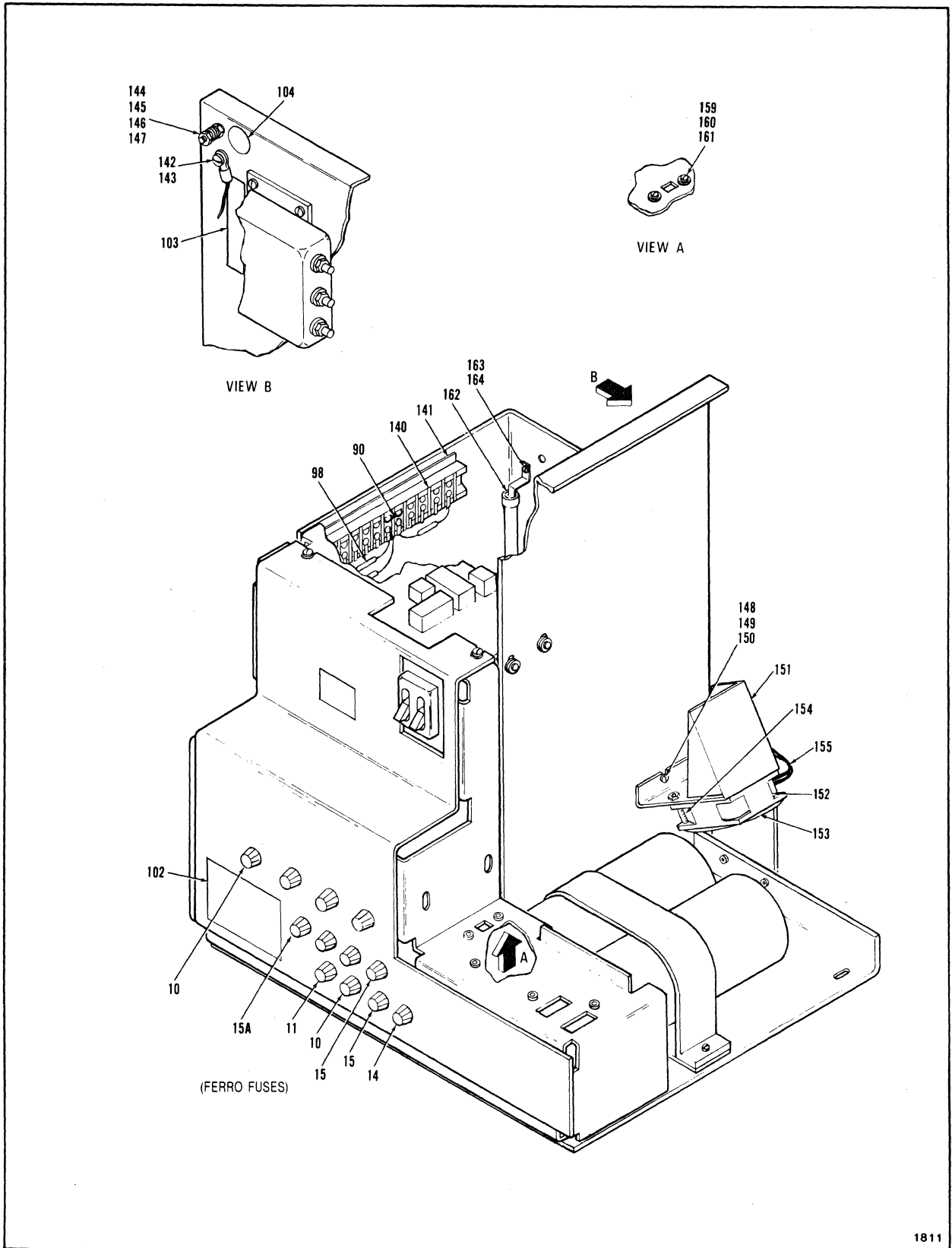


FIGURE 9. RECTIFIER ASSEMBLY (SHEET 3 OF 3)

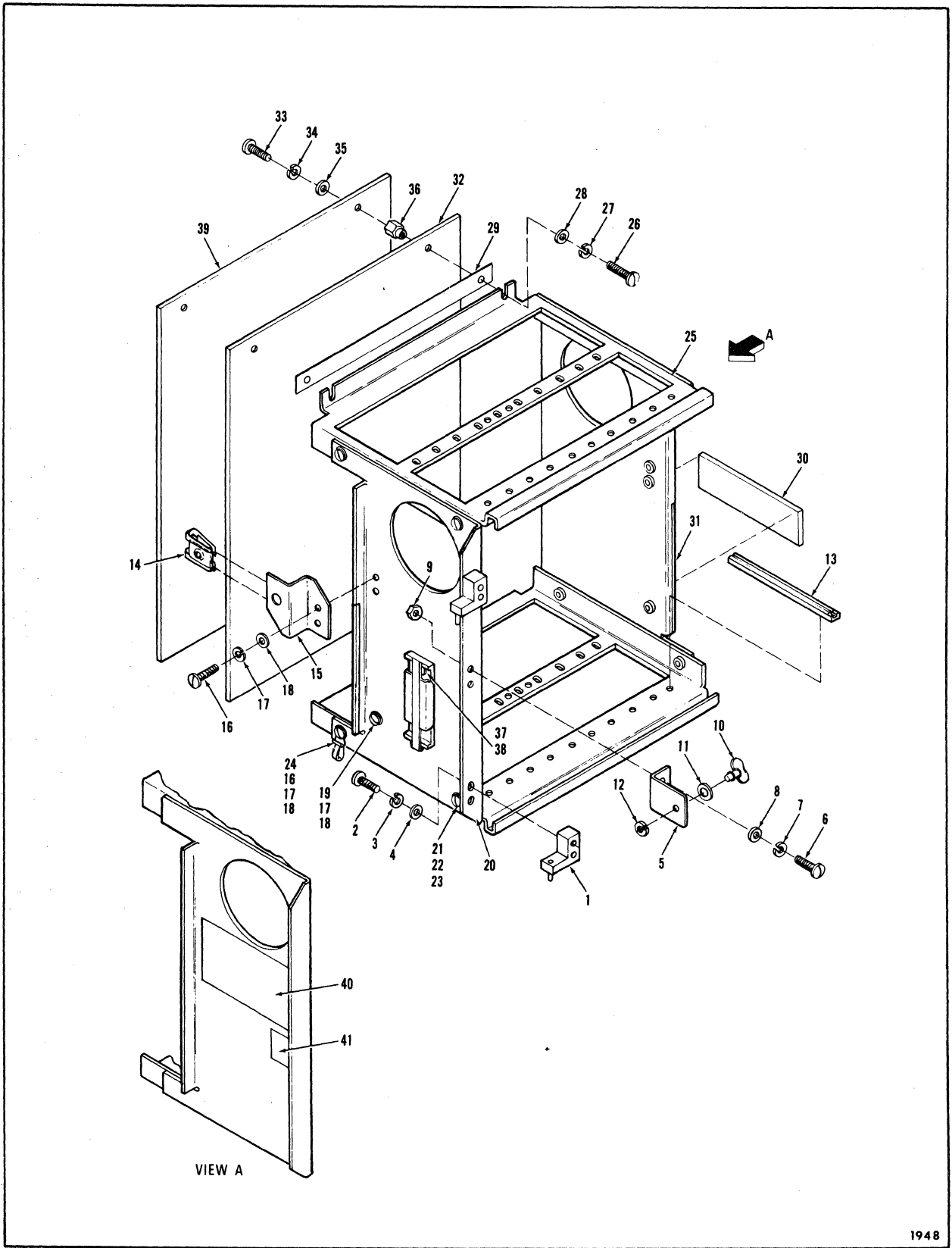
FIGURE & INDEX NUMBER	PART NUMBER	DESCRIPTION				USABLE ON CODE	QTY PER ASM
		1	2	3	4		
9-							
-88	10013028-5	.	SCREW,MACHINE,SBNH,6-32X.625,PS				1
-89	10075022-3	.	CLAMP,CABLE,T1 3/4,NO.10				1
-90	10097061-5	.	JUMPER,TERMINAL BOARD		C		2
	10097061-5	.	JUMPER, TERMINAL BOARD		A,B		3
-91	10056035-8	.	MARKER STRIP,TERMINAL BLOCK 8 POSITION				1
-92	10056023-4	.	TERMINAL BLOCK, BARRIER, 6 POS, 6-32		C		1
-93	10056027-5	.	MARKER STRIP,TERMINAL BLOCK 6 POSITION		C		2
-94	10013029-3	.	SCREW,MACHINE,SBNH,6-32X.750PS		C		2
-95	10030503-6	.	WASHER,LOCK,NO.6		C		2
-96	10026004-1	.	WASHER,FLAT,NO.6		C		2
-97	10028003-1	.	NUT,HEX,6-32		C		2
-98	00002367-1	.	RESISTOR ASSEMBLY,300 OHM,20W		C		4
	00002367-1	.	RESISTOR ASSEMBLY, 300 OHM, 20N		A,B		3
-99	43030900-5	.	RESISTOR ASSEMBLY,30 OHM,5W,R9				1
-100	43031000-3	.	RESISTOR ASSEMBLY,1 OHM,5W,R10,R11		C		2
-101	401238401-4	.	TRANSFORMER,1 PHASE,50-60HZ		C		1
	400325002-6	.	TRANASFORMER, FERRO, 1 PHASE, 50 HZ		A		1
	400467602-1	.	TRANSFORMER, FERRO, 1 PHASE, 60 HZ		B		1
-102	400364001-0	.	LABEL, 50 HZ		A		1
	400363901-2	.	LABEL, 60 HZ		B		1
-103	401514301-1	.	LABEL, FL, WIRING		A,B		1
-104	00029526-1	.	DECAL, GROUND, LOC		A,B		1
-105	10017077-8	.	SCREW,MACHINE,SHH,1/4-20X.750,PS				4
-106	10030506-9	.	WASHER,LOCK,1/4				4
-107	10026010-8	.	WASHER,FLAT1/4				4
-108	10058088-5	.	FILTER,LINE,20A,250VAC,20A6				1
-109	10013023-6	.	SCREW,MACHINE,SBNH,6-32X.187				4
-110	10030503-6	.	WASHER,LOCK,NO.6				4
-111	43031301-5	.	VARISTOR ASSEMBLY				1
-112	10097113-4	.	BUSHING,NYLON,STRAIN RELIEF				1
-113	43061701-9	.	CABLE ASSEMBLY,AC POWER INPUT (SEE FIGURE 11-4,10,11 FOR TERMINATIONS)		C		1
	401501201-8	.	CABLE ASSEMBLY, AC POWER INPUT, 50 HZ (SEE FIGURE 11-11, 54 FOR TERMINATIONS)		A		1
	401512101-9	.	CABLE ASSEMBLY, AC POWER INPUT, 60 HZ (SEE FIGURE 11-11 FOR TERMINATION)		B		1
-114		.	DELETED				
-115	10078094-9	.	RELAY,SS,IP,IT,40A,3-32VDC				2
-116	10013025-1	.	SCREW, MACHINE,SBNH,6-32X.312				4
-116A	10030503-6	.	WASHER, LOCK, HEL, MED, PS, NO. 6		A,B		4
-117	43430253-5	.	BRACKET, CAPACITOR				2
-118	10013063-2	.	SCREW,MACHINE,SBNH,10-32X.500				2
-119	10030505-1	.	WASHER,LOCK,NO.10				2
-120	10026006-6	.	WASHER,FLAT,NO.10				2
-121	10050134-5	.	CAPACITOR,EL,AVH,60V,58000 UF		C		4
	10050134-5	.	CAPACITOR, EL, AUH, -10%, 60V, 58000 UF		A,B		2
-121A	10050063-6	.	CAPACITOR, EL, AL, -10%, 60V, 3000 UFD		A,B		2
-122	10013063-2	.	SCREW,MACHINE,SBNH,10-32X.500		C		4
	10013062-4	.	SCREW, MACHINE, SBNH, 10-32 X .375, PS		A,B		4
-123	10030505-1	.	WASHER,LOCK,NO.10				4
-124	43430251-9	.	BAR,BUS				1
-125	10013063-2	.	SCREW,MACHINE,SBNH,10-32X.500				1
-126	10030505-1	.	WASHER,LOCK,NO.10				1
-127	43061801-7	.	CABLE,SINGLE POINT GROUND				1

9359-903

FIGURE & INDEX NUMBER	PART NUMBER	DESCRIPTION	USABLE ON				QTY PER ASM
			1	2	3	4	
9-							
-128	10013062-4	. SCREW,MACHINE,SBNH,10-32X.375			C	5	
-128A	10013061-6	. SCREW, MACHINE, SBNH, 10-32 X .312			A,B	4	
-128B	10013060-8	. SCREW, MACHINE, SBNH, 10-32 X .250, PS			A,B	1	
-129	10030505-1	. WASHER,LOCK,NO.10				5	
-130	10013063-2	. SCREW,MACHINE,SBNH,10-32X.500				3	
-131	10030505-1	. WASHER,LOCK,NO.10				3	
-132	10026006-6	. WASHER, FLAT, NO. 10				3	
-133		. DELETED					
-134	401216702-1	. BAR, SPACER			C	1	
-135	10092005-7	. SCREW, MACHINE, SBNH, 6-32 X .625			C	2	
-136	401280601-6	. COVER, RESISTOR			C	1	
-137	10013014-5	. SCREW, MACHINE, SBNH, 4-40 X .375, PS			C	8	
-138	10096208-3	. STANDOFF, FF, R, AL, 1/4, 4-40 X .812			C	4	
-139	401280501-8	. RESISTOR ASSEMBLY, 100W, 3%, 0.3			C	1	
-140	10056039-0	. TERMINAL BLOCK, BARRIER, 10, DL, .43, NO. 6, 20A				1	
-141	10056042-4	. MARKER, TERMINAL BLOCK, 10, DL, .43				1	
-142	10092004-0	. SCREW, SBNH, NY, 6-32 X .500			A,B	1	
-143	10092015-6	. WASHER, NYLON SHOULDER			A,B	1	
-144	10013028-5	. SCREW, MACHINE, SBNH, 6-32 X .625, PS			A,B	1	
-145	10030514-3	. WASHER, LOCK, INT, MED, PS, NO. 6			A,B	2	
-146	10026004-1	. WASHER, FLAT, A, NO. 6			A,B	2	
-147	10028003-1	. NUT, HEX, 6-32			A,B	2	
	401282704-6	. FAN ASSEMBLY, 50 HZ			A	1	
	401282703-8	. FAN ASSEMBLY, 60 HZ			B	1	
-148	10013026-9	. SCREW, MACHINE, SBNH, 6-32 X .375, PS				4	
-149	10030503-6	. WASHER, LOCK, HEL, MED, PS, NO. 6				4	
-150	10026004-1	. WASHER, FLAT, A, NO. 6				4	
-151	401282602-2	. BRACKET-SHROUD, FAN, POWER SUPPLY				1	
-152	10037005-5	. FAN			A	1	
	10037023-8	. FAN, AXIAL, 46 CFM, 115 VAC, 3.625			B	1	
-153	10037041-0	. FINGERGUARD, FAN, 3-5/8 FAN SIZE				1	
-154	10013035-0	. SCREW, MACHINE, SBNH, 6-32 X 2.00, PS				2	
-155	401487902-9	. CABLE, FAN, POWER				1	
-156	00003340-7	. JUMPER, GROUND, NO. 6			A,B	1	
-157	10013024-4	. SCREW, MACHINE, SBNH, 6-32 X .250, PS			A,B	2	
-158	10030514-3	. WASHER, LOCK, INT, MED, PS, NO. 6			A,B	2	
-159	10013014-5	. SCREW, MACHINE, SBNH, 4-40 X .375, PS			B	2	
-160	10030502-8	. WASHER, LOCK, HEL, MED, PS, NO. 4			B	2	
-161	10026003-3	. WASHER, FLAT, A, NO. 4			B	2	
-162	401500701-8	. RESISTOR ASSEMBLY, 50 W, 5%, 100			A,B	1	
-163	10013024-4	. SCREW, MACHINE, SBNH, 6-32 X .250, PS			A,B	2	
-164	10030503-6	. WASHER, LOCK, HEL, MED, PS, NO. 6			A,B	2	
-165	401217005-8	. BRACKET, TRANSFORMER			C	1	
	401509001-4	. BRACKET, TRANSFORMER			A,B	1	

9359-904

(INTENTIONALLY LEFT BLANK)

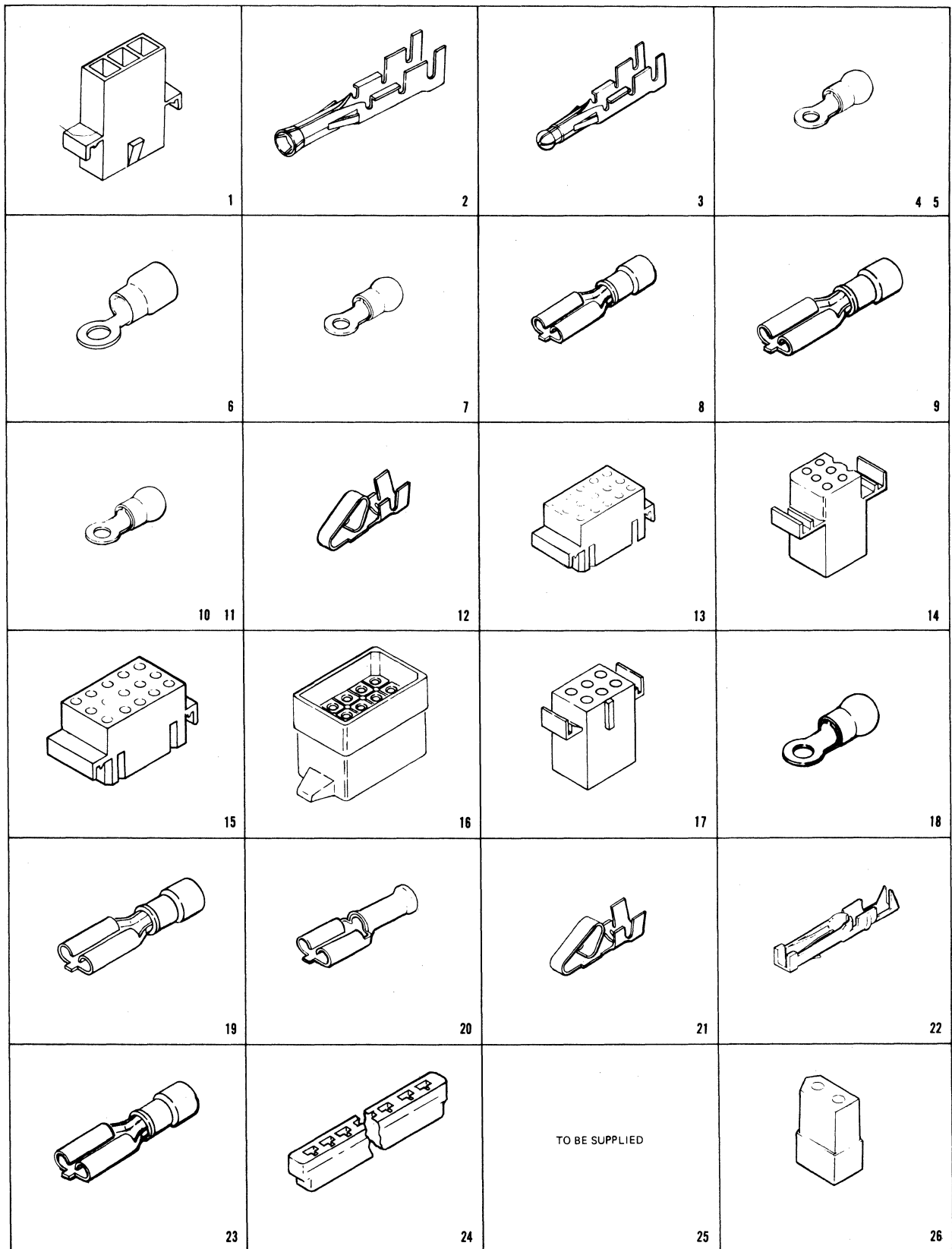


1948

FIGURE 10. CARD CAGE ASSEMBLY

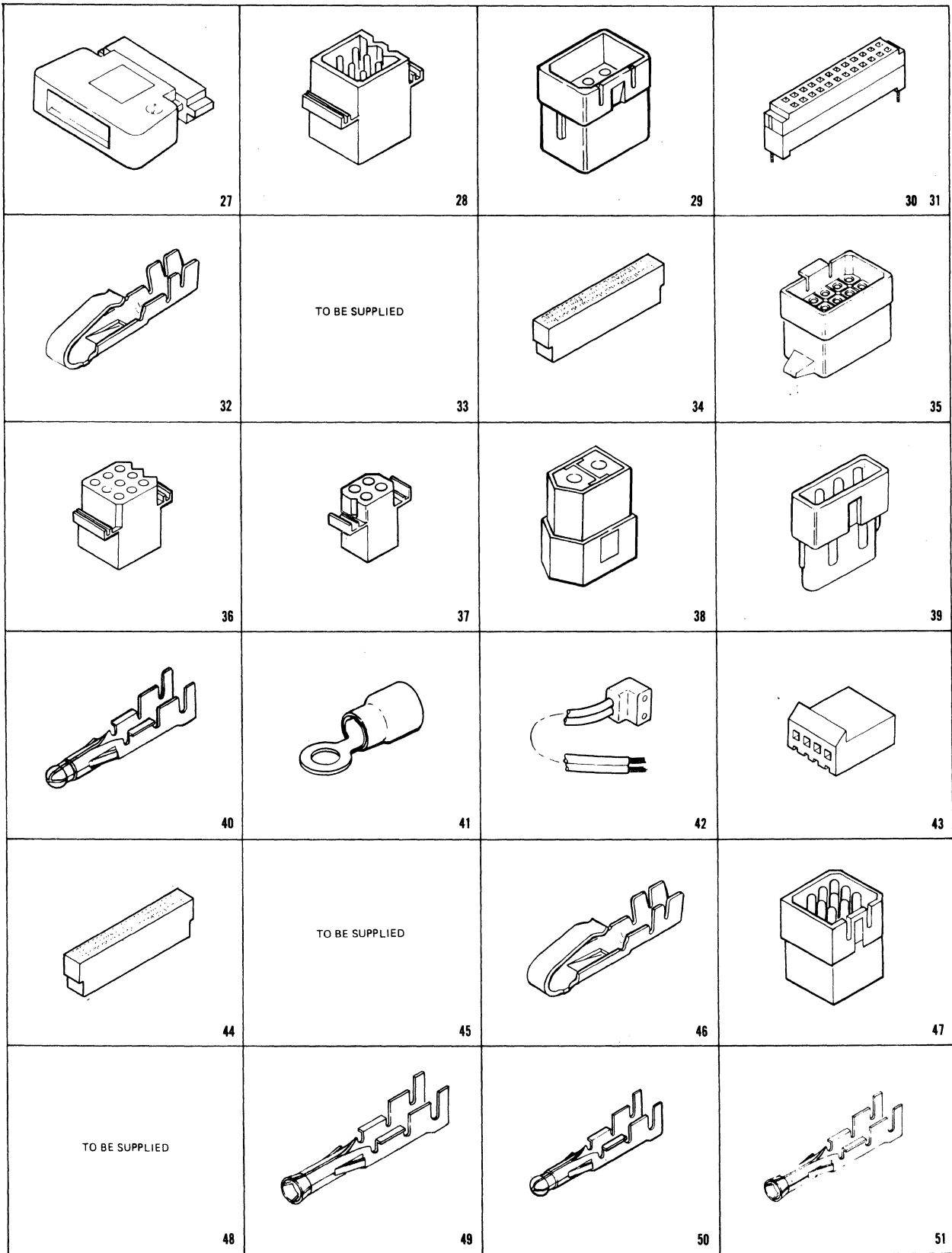
FIGURE & INDEX NUMBER	PART NUMBER	DESCRIPTION				USABLE ON CODE	QTY PER ASM
		1	2	3	4		
10-	43028801-9	CARD CAGE ASSEMBLY (SEE FIGURE 1-29 FOR NHA)					1
- 1	43430309-5	. HINGE BLOCK LOGIC					4
- 2	10013062-4	. SCREW, MACHINE, SBNH, 10-32 X .375, PS					4
- 3	10030505-1	. WASHER, LOCK, HEL, MED, NO.10, PS					4
- 4	10026006-6	. WASHER, FLAT, A, NO.10					1
- 5	43430312-9	. BRACKET, LATCH					2
- 6	10013062-4	. SCREW, MACHINE, SBNH, 10-32 X .375, PS					2
- 7	10030505-1	. WASHER, LOCK, HEL, MED, NO.10, PS					2
- 8	10026006-6	. WASHER, FLAT, A, NO.10					2
- 9	10028006-4	. NUT, HEX, 10-32					1
-10	10096253-9	. FASTENER, 1/4 TURN STUD, WING					1
-11	10096254-7	. WASHER, 1/4 TURN STUD, NYLON					1
-12	10096256-2	. RETAINER, 1/4 TURN STUD, SPLIT					18
-13	00023450-0	. GUIDE, CARD, SNAP-IN SAE					1
-14	10096255-4	. RECEPTABLE, 1/4 TURN TURN STUD, CLIP					1
-15	43430311-1	. LATCH, CARD CAGE					2
-16	10013062-4	. SCREW, MACHINE, SBNH, 10-32 X .375, PS					2
-17	10030505-1	. WASHER, LOCK, HEL, MED, NO.10, PS					2
-18	10026006-6	. WASHER, FLAT, A, NO.10					2
-19	10013063-2	. SCREW, MACHINE, SBNH, 10-32 X .500, PS					2
-20	43430260-0	. PLATE, SIDE, LOGIC					2
-21	10013062-4	. SCREW, MACHINE, SBNH, 10-32 X .375, PS					8
-22	10030505-1	. WASHER, LOCK HEL, MED, NO.10, PS					8
-23	10026006-6	. WASHER, FLAT, A, NO.10					8
-24	10075022-3	. CLAMP, CABLE, T, 1.75, NO. 10					1
-25	401206201-6	. PLATE, END, LOGIC-BOARDS					2
-26	10013063-2	. SCREW, MACHINE, SBNH, 10-32 X .500, PS					4
-27	10030505-1	. WASHER, LOCK, HEL, MED, NO.10, PS					4
-28	10026006-6	. WASHER, FLAT, A, NO.10					4
-29	43430203-0	. STRIP, INSULATOR, CARD CAGE					2
-30	401207701-4	. FOAM, CARD CAGE					1
-31	10097064-9	. STRIP, GROMMET, .150 X .60, POLY					A/R
-32	(PN COMP)	. BACKPANEL ASSEMBLY					1
-33	10013062-4	. SCREW, MACHINE, SBNH, 10-32 X .375, PS					4
-34	10030505-1	. WASHER, LOCK, HEL, MED, NO.10, PS					4
-35	10026006-6	. WASHER, FLAT, A, NO.10					4
-36	10200022-1	. STANDOFF, FF, H, A, 10-32 X .375 AFX .500					4
-37	10075065-2	. CLAMP, CABLE, FLAT, ADHESIVE BACK, 2.0" MAX					2
-38	10003026-1	. SCREW, MACHINE, SFH, 6-32 X .375					2
-39	401205101-9	. SHIELD, PROTECTIVE MBD					1
-40	401278101-1	. LABEL, MAINTENANCE PROGRAM					1
-41	00023227-2	. LABEL, SUB-ASSEMBLY					1

9359-1001



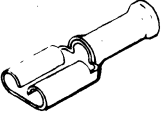
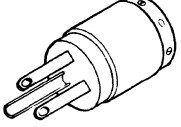
1945

FIGURE 11. HARNESS AND CABLE COMPONENT ASSEMBLY (SHEET 1 OF 3)



1946

FIGURE 11. HARNESS AND CABLE COMPONENT ASSEMBLY (SHEET 2 OF 3)

<p>TO BE SUPPLIED</p>			
52	53	54	

1810

FIGURE 11. HARNESS AND CABLE COMPONENT ASSEMBLY (SHEET 3 OF 3)

FIGURE & INDEX NUMBER	PART NUMBER	DESCRIPTION				USABLE ON CODE	QTY PER ASM
		1	2	3	4		
11-	NO NO.	HARNES AND CABLE COMPONENT ASSEMBLY					
- 1	10041151-1	.	CONNECTOR, 3, SOCKET HOUSING.	093		AR	
- 2	10073158-7	.	TERMINAL, FEMALE, 14-20 AWG			AR	
- 3	10073159-5	.	TERMINAL, PIN, MALE, 14-20 AWG			AR	
- 4	10073038-1	.	TERMINAL, RING, 14-16 AWG, 8-10, INS			AR	
- 5	10073040-7	.	TERMINAL, RING, 10-12 AWG, 8-10, INS			AR	
- 6	10073052-2	.	TERMINAL, RING, 16-14 AWG, 4-6, INS			AR	
- 7	10073033-2	.	TERMINAL, RING, 10-12, INS, 6, T1, YEL, NY			AR	
- 8	10073230-4	.	TERNIMAL, FASTON, F, 16-14, AWG, 187			AR	
- 9	10073285-8	.	TERMINAL, PO, 12 AWG, 187, INS			AR	
-10	10073034-0	.	TERMINAL, RING, 12-10 AWG, 8, INS			AR	
-11	10073032-4	.	TERNIMAL, RING, 16-14 AWG, 6-8, INS			AR	
-12	10082219-6	.	CORD, 14, 3, POWER, UL SJT, BLACK			AR	
-13	10041143-8	.	CONNECTOR, IS, POS, SKT, HSG, .093			AR	
-14	10041035-6	.	CONNECTOR, 6 PIN, POWER			AR	
-15	10041087-7	.	HOUSING, RECEPTACLE, 15 PIN			AR	
-16	10041086-9	.	CONNECTOR, 15 PIN, OTHER			AR	
-17	10041147-9	.	CONNECTOR, 6 POS			AR	
-18	10073040-7	.	TERMINAL, RG, 10-12 AWG, 8-10, INS			AR	
-19	10073043-1	.	TERNIMAL, PO, 16-14 AWG, INS			AR	
-20	10073212-2	.	TERMINAL, PO, 10-12 AWG, 250, INS			AR	
-21	10073223-9	.	TERMINAL, PIN, GOLD MOLEX, KK			AR	
-22	10073152-0	.	TERMINAL, PIN, F 24-30 AWG, .0255 Q			AR	
-23	10073058-0	.	TERMINAL, PO, 18-22 AWG, .020, INS			AR	
-24	10041319-4	.	CONNECTOR, RE, SIG, L, 4, C, PC, .062			AR	
-25	10041293-1	.	CONNECTOR, RE, SIG, F, 34, C, .025			AR	
-26	10041011-7	.	CONNECTOR, 2 PIN, REC-HSG, POWER, .093			AR	
-27	10041250-1	.	CONNECTOR, HOUSING, JACK, RECT, 20 PIN, .025			AR	
-28	10041036-4	.	CONNECTOR, HOUSING, POWER, 6 PIN, .093			AR	
-29	10041148-7	.	CONNECTOR, 6 POS, PLUG HOUSING			AR	
-30	10041222-0	.	CONNECTOR ASSEMBLY, 20 PIN, FLAT CABLE			AR	
-31	10041223-8	.	CONNECTOR ASSEMBLY, 34 PIN, FLAT CABLE			AR	
-32	10073265-0	.	CONTACT, LEAF, 18-24, .156 M			AR	
-33	10041503-3	.	CONNECTOR, RE, SIG, FEM, 26D, .025, STR			AR	
-34	401239904-6	.	CONNECTOR, MODIFIED			AR	
-35	10041144-6	.	CONNECTOR, 15 POS, PLUG HOUSING			AR	
-36	10041044-8	.	CONNECTOR, 9 PIN, POWER			AR	
-37	10041277-4	.	CONNECTOR, HOUSING, SQ, JACK, 4 PIN, W/TBSM			AR	
-38	10041010-9	.	CONNECTOR, RE, BOT, M, 2, C, .25, .09, EAR			AR	
-39	10041036-4	.	CONNECTOR, HOUSING, POWER, 6 PIN, .093			AR	
-40	10073071-2	.	TERMINAL, PIN, MALE			AR	
-41	10073063-9	.	TERMINAL, RING, 16-14 AWG, 6-8, INS			AR	
-42	00010245-9	.	PLUG AND CORD SET			AR	
-43	10041284-0	.	CONNECTOR, HOUSING, POWER, F, .156, .045, C			AR	
-44	10041288-1	.	CONNECTOR, RE, SIG, L, 6, C, .156, PC, M			AR	
-45	10041629-6	.	CONNECTOR, HOUSING, SIG, F, 2, C, .025, .098			AR	
-46	10073383-1	.	CONTACT, LF, 0, 22-30 AWG, ONS, TIN			AR	
-47	10041146-1	.	CONNECTOR, HOUSING, POWER, M, 9, C, .093, .250			AR	
-48	10073070-4	.	TERMINAL, PIN, MALE			AR	
-49	10073096-9	.	TERMINAL, PIN, FEMALE			AR	
-50	10073338-5	.	CONTACT, RN, 14-16, 093, M, UNS, TF			AR	

9359-1101

FIGURE & INDEX NUMBER	PART NUMBER	DESCRIPTION				USABLE ON CODE	QTY PER ASM
		1	2	3	4		
11-							
-51	10073330-2	.	CONTACT, RN, 14-16, 093, F, UNS, TI				AR
-52	10076167-5	.	SWITCH, 5, 2P, 2T, 2A, 250V, SR, FLUSH				AR
-53	10073242-9	.	TERMINAL, PO, 14-16 AWG, 250 INS				AR
-54	10041365-7	.	CONNECTOR, RN, POWER, M, 3, R, 250V, 15A				AR

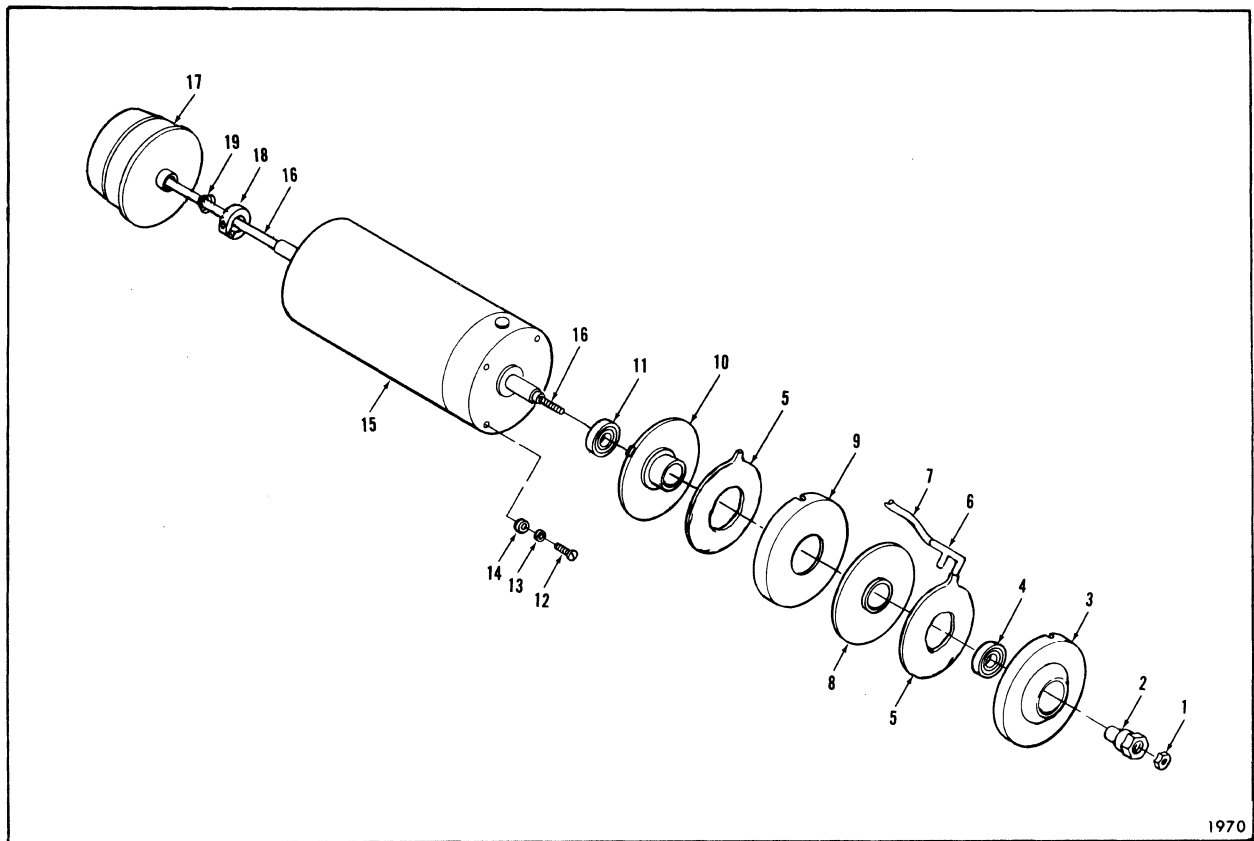


FIGURE 12. HUB SELECT

FIGURE & INDEX NUMBER	PART NUMBER	DESCRIPTION				USABLE ON CODE	QTY PER ASM
		1	2	3	4		
12-	43007000-3	HUB SELECT					1
	401208201-4	. FILE HUB ASSEMBLY, MANUAL				A	1
	43026100-9	. FILE HUB ASSEMBLY, AUTOMATIC				B	1
	401259501-5	. . . ACTUATOR ASSEMBLY				B	1
- 1	10028006-4	. . . NUT, HEX, 10-32				B	1
- 2	401229201-9	. . . SPINDLE, PILOT				B	1
- 3	401229002-1	. . . PLATE, TRAVEL, TOP, AUTO HUB				B	1
- 4	10110018-8	. . . BEARING, SR, XLT, 12 MMID, 28 MMOD				B	1
- 5	401229101-9	. . . DIAPHRAGM, AUTO HUB				B	2
- 6	401229401-5	. . . MANIFOLD, AUTO HUB				B	1
- 7	401236101-2	. . . TUBE, AUTO HUB				B	1
- 8	401228802-5	. . . PLATE, FIXED, TOP, AUTO HUB				B	1
- 9	401228901-5	. . . PLATE, TRAVEL, BOTTOM, AUTO HUB				B	1
	401281201-0	. . . MOTOR, PLATE ASSEMBLY				B	1
-10	401228702-7	. . . PLATE, FIXED, BOTTOM, AUTO HUB				B	1
-11	10110018-8	. . . BEARING, SR, XLT, 12 MMID, 28 MMOD				B	1
-12	10007064-8	. . . SCREW, MACHINE, SHC, 10-32 X .625, PS				B	1
-13	10030505-1	. . . WASHER, LOCK, HEL, MED, PS, NO. 10				B	1
-14	10097157-1	. . . SPACER, LH, R, .194 ID X 5/16 LBR				B	1
-15	401266601-4	. . . MOTOR, ELECTRIC REEL				B	1

FIGURE & INDEX NUMBER	PART NUMBER	DESCRIPTION				USABLE ON CODE	QTY PER ASM
		1	2	3	4		
12-	401207902-8	.	.	MOTOR, REEL		A	1
-16	401242202-0	.	.	CONNECTING ASSEMBLY, AUTO HUB		B	1
-17	401228502-9	.	.	FILE HUB, SUBASSEMBLY, AUTO		B	1
	401292301-9	.	.	FILE HUB, SUBASSEMBLY, MANUAL		A	1
-18	42420337-0	.	.	COLLAR, CLAMPTITE		B	1
-19	42420185-3	.	.	SPRING, CONE BUTTON		A	1

9359-1201

FIGURE & INDEX NUMBER	PART NUMBER	DESCRIPTION				USABLE ON CODE	QTY PER ASM
		1	2	3	4		
13-	43027601-4	FRONT DOOR ASSEMBLY, FUO (SEE FIGURE 1-51 FOR NHA)					1
- 1	(PN COMP)	. CIRCUIT CARD ASSEMBLY JF					1
- 2	10013026-9	. SCREW, MACHINE, SBNH, 6-32 X .375, PS					1
- 3	10030514-3	. WASHER, LOCK, INT, MED, NO. 6, PS					8
- 4	10075008-2	. CLAMP, CABLE, R, .375, 3/8, .500, .203					3
- 5	43430352-5	. INSERT, CONTROL PANEL					1
- 6	43430020-8	. HINGE, TOP					1
- 7	43430021-6	. HINGE, BOTTOM					1
- 8	43430195-8	. PLATE, HINGE					2
- 9	10028003-1	. NUT, HEX, 6-32					4
-10	10030514-3	. WASHER, LOCK, INT, MED, NO. 6, PS					4
-11	00000065-3	. CATCH					2
-12	43430146-1	. PLATE, LATCH					2
-13	10013026-9	. SCREW, MACHINE, SBNH, 6-32 X .375, PS					4
-14	10030514-3	. WASHER, LOCK, INT, MED, NO. 6, PS					4
-15	00023227-2	. R-LABEL, SUB-ASSEMBLY					1
-16	10057044-9	. TUBING, PNEUMATIC, 1/8 I.D.					1
-17	10111021-1	. FITTING, BARB-M, RR, MINI, 10-32 X .125					1
-18	42420169-7	. EXTRUSION, FRONT DOOR					AR
-19	43430369-9	. STRAP, CYLINDER					1
-20	10013026-9	. SCREW, MACHINE, SBNH, 6-32 X .375, PS					2
-21	10030514-3	. WASHER, LOCK, INT, MED, NO. 6, PS					2
-22	10027020-6	. WASHER, FLAT, B, NO. 6					2
-23	400455301-4	. CYLINDER, WINDOW, 13.25 STOCK, 3/4 BORE					1
	401245701-8	. WINDOW ASSEMBLY, FRONT DOOR, FUO					1
-24	10013026-9	. SCREW, MACHINE, SBNH, 6-32 X .375, PS					3
-25	10030514-3	. WASHER, LOCK, INT, MED, NO. 6, PS					3
-26	10027020-6	. WASHER, FLAT, B, NO. 6					3
-27	401242901-7	. . WINDOW, FRONT DOOR ACCESS					1
-28	401243101-1	. . HANDLE, WINDOW, FUO					1
-29	10028003-1	. . NUT, HEX, 6-32					4
-30	10030503-6	. . WASHER, LOCK, HEL, MED, NO. 6, PS					4
-31	10026004-1	. . WASHER, FLAT, A, NO. 6					4
-32	401245601-0	. BRACKET, CYLINDER ROD					1
-33	10096065-7	. NUT, HEX, 1/4-28					1
-34	10030517-6	. WASHER, LOCK, INT, MED, 1/4, PS					1
-35	401255202-4	. SLIDE, WINDOW CHASSIS					1
-36	10003026-1	. SCREW, MACHINE, SFH, 6-32 X .375					6
-37	10013026-9	. SCREW, MACHINE, SBNH, 6-32 X .375, PS					2
-38	43430368-1	. PLATE, CYLINDER BRACE					1
-39	10013026-9	. SCREW, MACHINE, SBNH, 6-32 X .375, PS					3
-40	10030514-3	. WASHER, LOCK, INT, MED, NO. 6, PS					3
-41	10027020-6	. WASHER, FLAT, B, NO. 6					3
-42	401215301-3	. SWITCH, DOOR INTERLOCK, SUB-ASSEMBLY, FUO					1
-43	10013026-9	. SCREW, MACHINE, SBNH, 6-32 X .375, PS					2
-44	10030514-3	. WASHER, LOCK, INT, MED, NO. 6, PS					2
-45	10075020-7	. CLAMP, CABLE, T, 3/4					3
-46	10075059-5	. MOUNT, CABLE TIE, NO. 6, 38W					3
-47	10003026-1	. SCREW, SFH, 6-32 X .375					3
-48	10075076-9	. CLAMP, CABLE, TIE MOUNT, 4 WAY, MIN					1
-49	00000158-6	. FOAM, (.68 X .25, BLACK)					1
-50	00000158-6	. FOAM, .68 X .25, BLACK					1

9359-1301

FIGURE & INDEX NUMBER	PART NUMBER	DESCRIPTION				USABLE ON CODE	QTY PER ASM
		1	2	3	4		
13-							
-51	10075063-7	.			CLAMP, CABLE, ADJ./REL. 3/16-11/16		1
-52	401243301-9	.			ORIFICE, INSERT		1
-53	401202803-3	.			CABLE, JJ CARD TO OP PANEL (SEE FIGURE 1-38 FOR NHA)		1
-54	43430411-9	.			BRACKET, LOWER CORNER		1
-55	10003064-1	.			SCREW, MACHINE, SFH, NO. 10-32		1
-56	10030505-1	.			WASHER, SPLIT, LOCK, NO. 10		1
-57	10028006-4	.			NUT, HEX, 10-32		1
-58	401238502-9	.			SHELL, FRONT DOOR, FUO		1

9359-1302

NUMERICAL INDEX

PART NUMBER	FIGURE & INDEX NUMBER
00000054-7	7-28
00000065-3	13-11
00000066-1	2-80
00000158-6	5-52
00000158-6	13-49
00000158-6	13-50
00001126-2	7-9
00001170-0	1-10
00001170-0	6-55
00001170-0	1-155
00001171-8	6-77
00001172-6	1-11
00001172-6	6-59
00001172-6	6-36
00001173-0	7-27
00001702-0	2-190
00001702-0	2-254
00001702-0	2-8
00001744-2	2-192
00001267-1	9-98
00002367-1	9-98
00002708-6	2-77
00003340-7	9-156
00003352-2	6-14
00006183-2	5-53
00006552-4	1-17
00006552-4	6-39
00010245-9	11-42
00010257-4	6-67
00011392-8	6-76
00017363-3	8-5
00017364-1	8-1
00017370-8	8-3
00017383-1	8-2
00017419-3	2-74
00017837-6	7-10
00018462-2	2-99
00023227-2	10-41
00023227-2	7-29
00023227-2	3-13
00023227-2	9-32
00023227-2	5-16
00023450-0	10-13
00029526-1	9-104
10025023-2	2-123
10026004-1	4-9
10027007-3	4-18
10037005-5	9-152
10037010-5	7-7
10037012-1	6-65
10037023-8	9-152
10037041-0	9-153
10041010-9	11-38

PART NUMBER	FIGURE & INDEX NUMBER
10041011-7	11-26
10041035-6	11-14
10041036-4	11-28
10041044-8	11-36
10041086-9	11-16
10041087-7	11-15
10041143-8	11-13
10041144-6	11-35
10041146-1	11-47
10041147-9	11-17
10041148-7	11-29
10041151-1	11-1
10041152-9	11-39
10041222-0	11-30
10041223-8	11-31
10041250-1	11-27
10041277-4	11-37
10041284-0	11-43
10041288-1	11-44
10041293-1	11-25
10041319-4	11-24
10041365-7	11-54
10041503-3	11-33
10041629-6	11-45
10046253-9	2-239
10050063-6	9-121A
10050133-7	9-50
10050134-5	9-121
10050187-3	9-49
10056023-4	9-92
10056027-5	9-93
10056032-5	9-84
10056035-8	9-91
10056039-0	9-140
10056042-4	9-141
10057044-9	5-17
10057044-9	13-16
10058088-5	9-108
10071049-0	9-79
10073008-4	11-12
10073032-4	11-11
10073033-2	11-7
10073034-0	11-10
10073038-1	11-4
10073040-7	11-5
10073040-7	11-18
10073043-1	11-19
10073052-2	11-6
10073058-0	11-23
10073063-9	11-41
10073070-4	11-48
10073071-2	11-40
10073096-9	11-49
10073152-0	11-22
10073158-7	11-2

PART NUMBER	FIGURE & INDEX NUMBER
10073159-5	11-3
10073212-2	11-20
10073223-9	11-21
10073230-4	11-8
10073242-9	11-53
10073265-0	11-32
10073285-8	11-9
10073330-2	11-51
10073338-5	11-50
10073383-1	11-46
10075006-6	6-91
10075011-6	1-24
10075013-2	1-18
10075020-7	5-15
10075020-7	2-32B
10075020-7	13-45
10075021-5	9-3
10075021-5	1-13
10075022-3	9-89
10075022-3	10-24
10075022-3	9-59
10075022-3	6-86
10075022-3	6-78
10075022-3	9-19
10075022-3	9-27
10075022-3	2-249
10075022-3	1-28
10075028-0	1-35
10075028-0	1-54
10075032-2	1-12
10075059-5	5-45
10075059-5	13-46
10075063-7	1-22
10075063-7	5-7
10075063-7	13-51
10075065-2	10-37
10075065-2	1-14
10075076-9	5-14
10075076-9	13-48
10075080-1	6-73
10075080-1	1-31
10075085-1	1-67
10076120-4	2-180
10076120-4	2-177
10076123-8	4-16
10076137-8	5-41
10076158-4	2-179
10076165-9	2-178
10076167-5	11-52
10077104-7	9-72
10077114-6	9-72
10078032-9	9-66
10078094-9	9-115
10079025-2	5-2
10080002-8	9-13

9359-N11

NUMERICAL INDEX

PART NUMBER	FIGURE & INDEX NUMBER
10080009-3	9-15
10080010-1	9-12
10080011-9	9-10
10080060-6	9-15A
10080111-7	9-14
10080128-1	9-11
10081010-0	9-36
10096208-3	9-138
10096253-9	10-10
10096255-4	10-14
10096255-4	2-118
10096256-2	2-241
10096283-6	2-155
10096316-4	1-26
10096316-4	2-199
10096320-6	2-170
10096413-9	6-57
10096703-3	2-7A
10097061-5	9-90
10097064-9	10-31
10097113-4	9-112
10097199-3	5-5
10097252-0	6-25
10097321-3	1-42
10097322-1	9-5
10097322-1	6-27
10097322-1	6-28
10109810-1	2-181
10109812-7	2-51
10109813-5	2-52
10110005-5	1-9
10110018-8	12-4
10110018-8	12-11
10111004-7	7-11
10111004-7	2-204
10111004-7	2-212
10111004-7	2-110
10111005-4	2-221
10111005-4	2-161
10111006-2	2-175
10111006-2	2-218
10111021-1	5-18
10111021-1	2-188
10111021-1	13-17
10111023-7	2-225
10111024-5	2-215
10111029-4	2-265
10111031-0	2-113
10111032-8	2-205
10111033-6	2-206
10111042-7	2-263
10111106-2	2-107
10111109-4	2-229
10111110-2	2-230
10111112-8	2-196
10111114-4	2-257
10200022-1	10-36

PART NUMBER	FIGURE & INDEX NUMBER
10200067-6	5-6
10200073-4	1-43
10307010-5	7-8
10306002-6	2-251
10307038-9	7-8
10307039-7	7-7
10308010-7	4-21
10309001-5	2-135
10501002-9	6-63
42013700-2	9-48
42023800-8	4-1
42023903-0	4-REF
42024002-0	2-122
42024002-0	4-REF
42420047-5	4-20
42420130-9	2-96
42420169-7	13-18
42420185-3	12-19
42420237-2	2-97
42420322-2	2-34
42420324-8	2-36
42420337-0	2-35
42420337-0	7-3
42420337-0	12-18
42420381-8	2-191
42420415-4	4-10
42420421-2	4-5
42420437-8	4-11
42420503-7	2-114
42420513-6	4-22
42420516-9	4-2
42420687-8	2-83
42420865-0	4-6
42420904-7	6-62
43005000-5	1-REF
43007000-3	12-REF
43007000-3	2-59
43021900-6	1-52
43022101-0	12-16
43022500-3	2-153
43022901-3	2-128
43023100-1	2-93
43023300-7	2-89
43023300-7	2-88
43023400-5	2-87
43023801-4	2-29
43024201-6	2-78
43024502-7	2-141
43025501-8	2-39
43025501-8	3-REF
43026100-9	12-REF
43027001-7	2-12
43027101-5	2-2
43027601-4	1-51

PART NUMBER	FIGURE & INDEX NUMBER
43027601-4	13-1
43027701-2	2-67
43028503-1	9-9
43028603-9	6-REF
43028603-9	1-50
43028801-9	1-49
43028801-9	10-REF
43029701-0	2-245
43030500-3	2-32
43030900-5	9-99
43031000-3	9-100
43031101-9	9-70
43031200-9	9-71
43031301-5	9-111
43031401-3	2-23
43031800-6	2-202
43032000-2	2-223
43050503-2	9-2
43050603-0	9-29
43061701-9	9-113
43061801-7	9-127
43430017-4	5-42
43430020-8	13-6
43430021-6	13-7
43430032-3	2-84
43430059-6	3-16
43430070-3	12-15
43430081-0	3-1
43430082-8	3-2
43430084-4	3-3
43430105-7	3-11
43430146-1	13-12
43430149-5	3-7
43430167-7	3-8
43430186-7	2-6
43430187-5	2-3
43430188-3	2-7
43430190-9	9-23
43430191-7	9-38
43430195-8	13-8
43430203-0	10-29
43430225-3	12-20
43430237-8	9-53
43430244-4	2-132
43430245-1	1-1
43430250-1	3-12
43430251-9	9-124
43430252-7	9-44
43430253-5	9-117
43430254-3	2-133
43430256-8	2-160
43430260-0	10-20
43430285-7	7-30
43430289-9	2-63
43430309-5	10-1

9359-NI2

NUMERICAL INDEX

PART NUMBER	FIGURE & INDEX NUMBER
43430310-3	6-75
43430311-1	10-15
43430312-9	10-5
43430314-5	7-21
43430339-2	1-37
43430352-5	13-5
43430355-8	6-58
43430356-6	6-56
43430364-0	9-62
43430368-1	5-37
43430368-1	13-38
43430369-9	5-19
43430369-9	13-19
43430376-4	2-150
43430377-2	2-151
43430382-2	2-137
43430397-0	2-183
43430404-4	2-211
43430404-4	2-189
43430404-4	2-174
43430404-4	2-253
43430405-1	2-171
43430411-9	13-54
43431900-6	2-111
50050023-6	6-60
400325002-6	9-101
400336802-6	7-20A
400336902-4	7-20B
400363702-4	7-20E
400363901-2	9-102
400364001-0	9-102
400455301-4	13-23
400455302-2	5-23
400455802-1	5-REF
400455902-9	5-27
400457503-4	5-51
400459403-4	5-28
400467602-1	9-101
400487102-6	5-3
400496302-5	5-49
400535005-8	5-55
400541202-0	5-11
401202002-2	7-5
401202204-4	1-55
401202302-6	1-56
401202401-6	4-23
401202502-1	1-57
401202603-7	1-58
401202702-7	1-59
401202803-3	1-60
401202803-3	13-53
401202901-5	1-61
401203001-3	1-62
401203201-9	1-63
401203403-1	1-64

PART NUMBER	FIGURE & INDEX NUMBER
401203505-3	2-REF
401203601-0	2-REF
401203703-4	2-REF
401203901-4	6-61
401204001-2	2-182
401204001-2	8-REF
401204104-4	2-REF
401204401-4	2-252
401204501-1	2-233
401204502-9	2-232
401204502-9	2-228
401204503-7	2-214
401204504-5	2-231
401204504-5	2-255
401204505-2	2-227
401204506-0	2-222
401204507-8	2-163
401204507-8	2-226
401204509-4	2-162
401204509-4	2-216
401204510-2	2-217
401204512-8	2-213
401204604-3	1-27
401204605-0	2-197
401204605-0	2-208
401204606-8	2-193
401204607-6	1-198
401204704-1	2-195
401204705-8	2-210
401204706-6	2-256
401204706-6	2-194
401204707-4	2-259
401204801-5	2-220
401204802-3	2-219
401204901-3	5-9
401205001-1	5-10
401205101-9	10-39
401205401-3	2-70
401205701-6	2-33
401205802-2	7-20
401205805-5	7-20
401205901-2	3-15
401206001-0	3-14
401206102-6	2-142
401206201-6	10-25
401206503-5	6-44
401206503-5	7-REF
401206504-3	6-44
401206504-3	7-REF
401206703-1	2-REF
401206802-1	2-REF
401206901-1	7-17
401207102-5	7-1
401207301-3	2-54

PART NUMBER	FIGURE & INDEX NUMBER
401207402-9	2-55
401207502-6	2-26
401207601-6	2-235
401207602-4	2-236
401207701-4	10-30
401207902-8	12-15
401208201-4	12-REF
401210703-1	2-53
401210803-9	2-50
401210901-5	2-143
401211003-9	2-167
401211101-1	5-8
401211802-4	7-6
401211902-2	7-4
401212801-5	2-176
401213001-1	2-168
401213101-9	2-186
401214001-0	2-92
401214301-4	6-66
401214402-0	2-203
401214501-9	2-REF
401214602-5	2-REF
401214703-1	2-105
401214801-3	2-207
401214903-7	2-104
401215301-3	5-42
401215301-3	13-42
401215802-0	6-1
401216103-3	1-66
401216702-1	9-134
401216901-9	9-4
401217005-8	9-165
401217101-5	1-5
401218302-8	9-75
401218603-9	9-REF
401218603-9	6-50
401218802-7	6-94
401219202-0	7-13
401219701-0	1-67
401220102-8	6-40
401221001-2	1-41
401221503-3	1-65
401223902-8	2-234
401225002-5	2-18
401226001-6	12-15
401227002-3	7-REF
401227101-3	4-REF
401228502-9	12-17
401228702-7	12-10
401228802-5	12-8
401228901-5	12-9
401229002-1	12-3
401229101-1	12-5
401229201-9	12-2

9359-NI3

