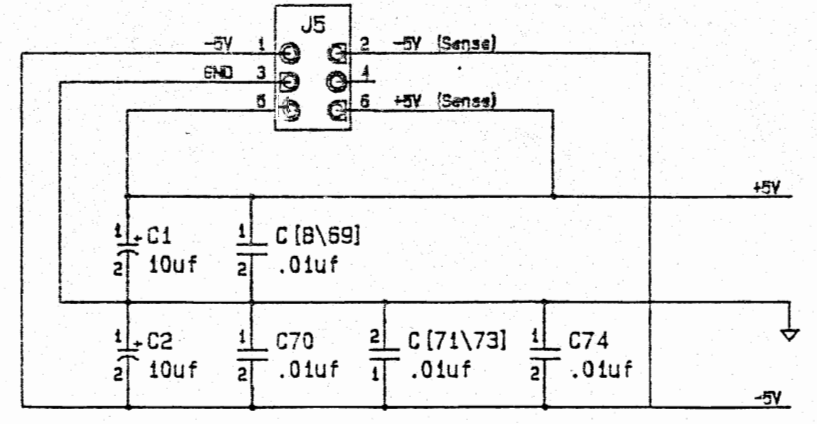
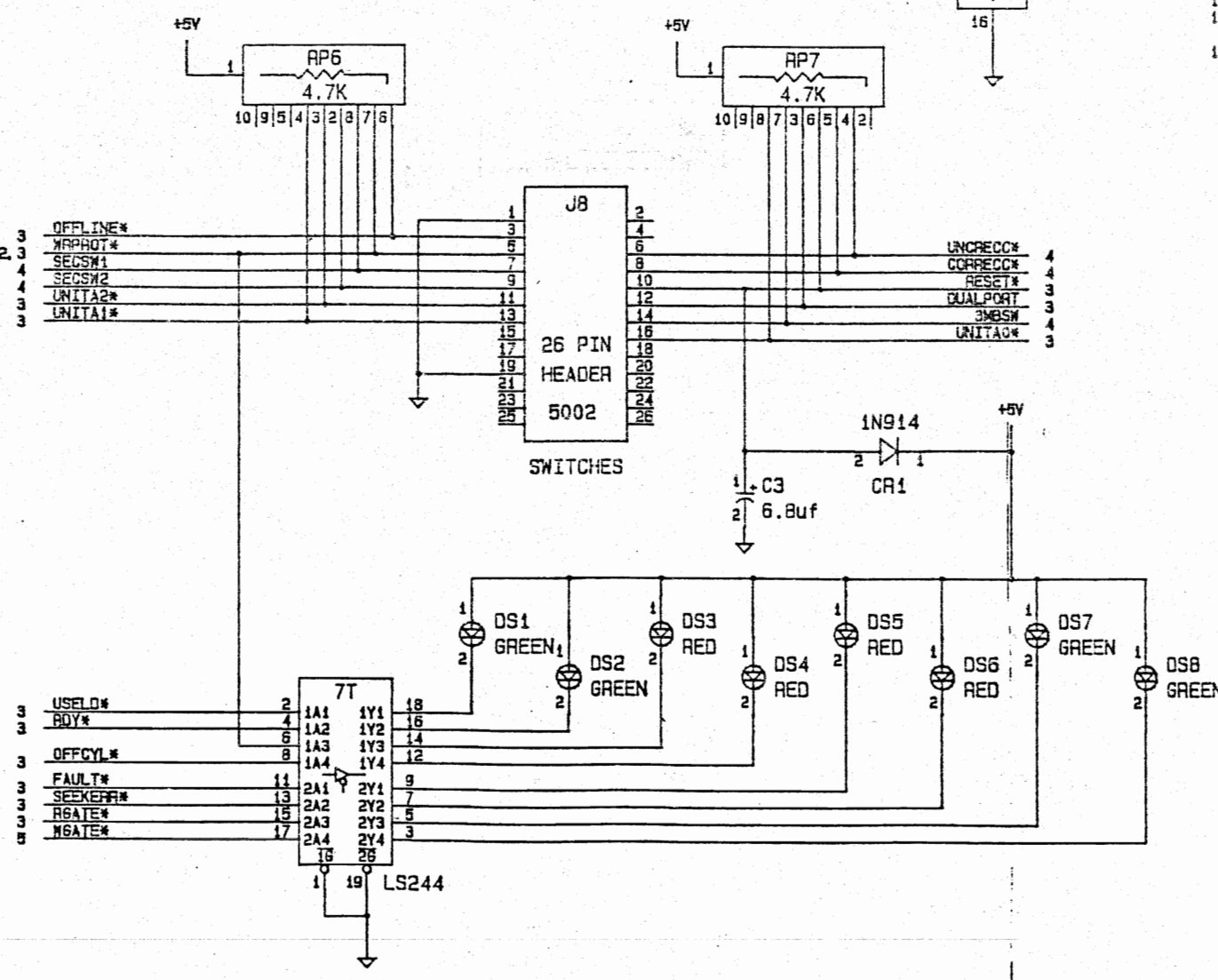
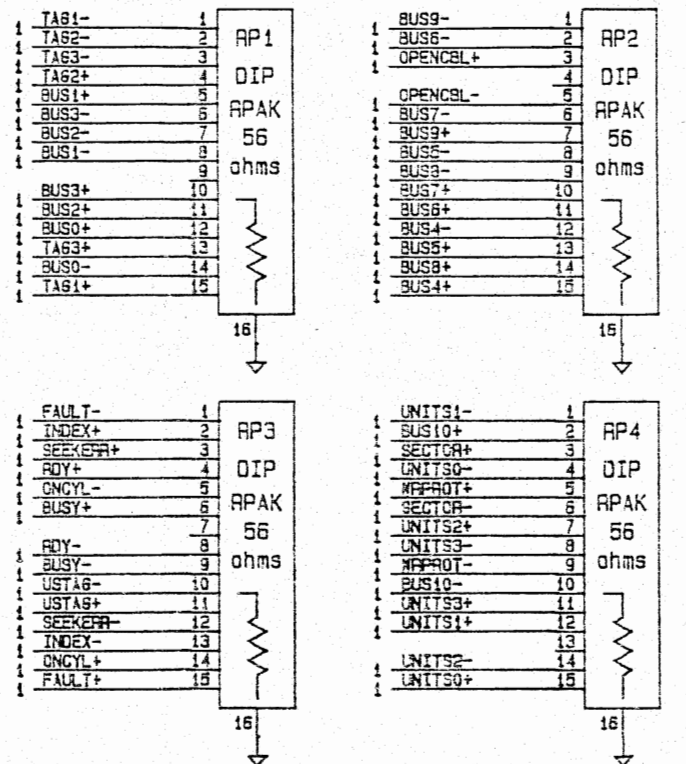
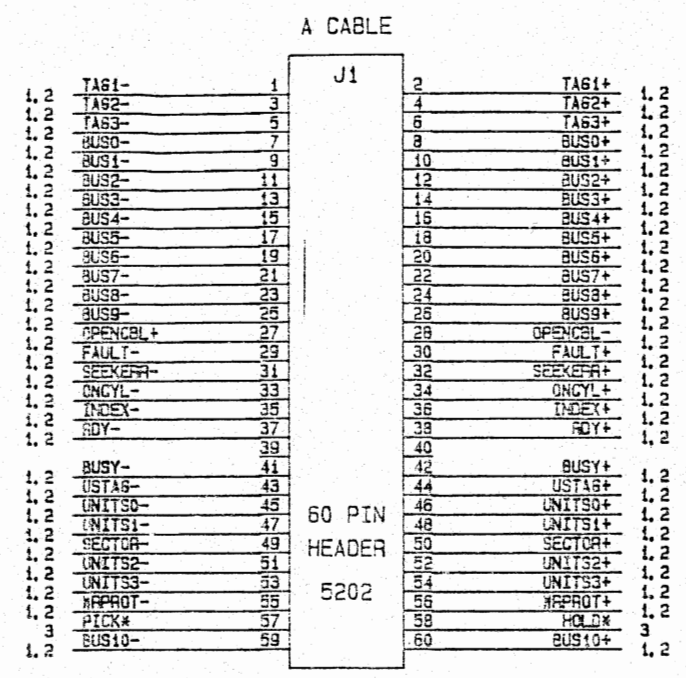
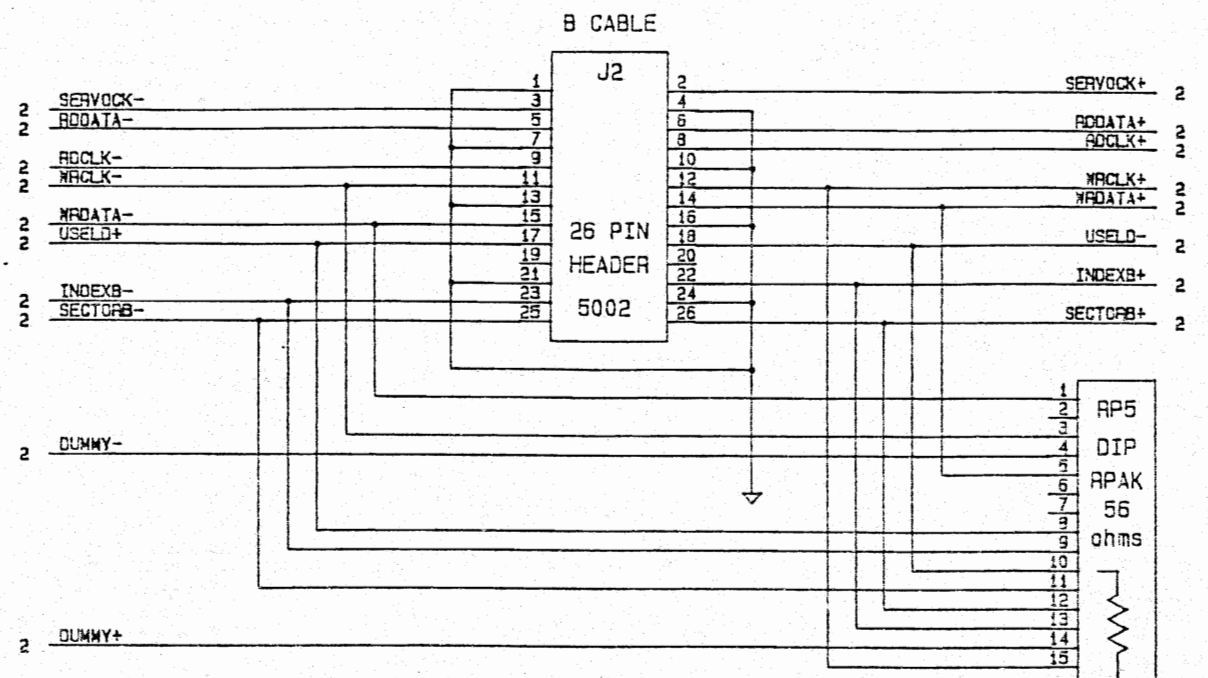
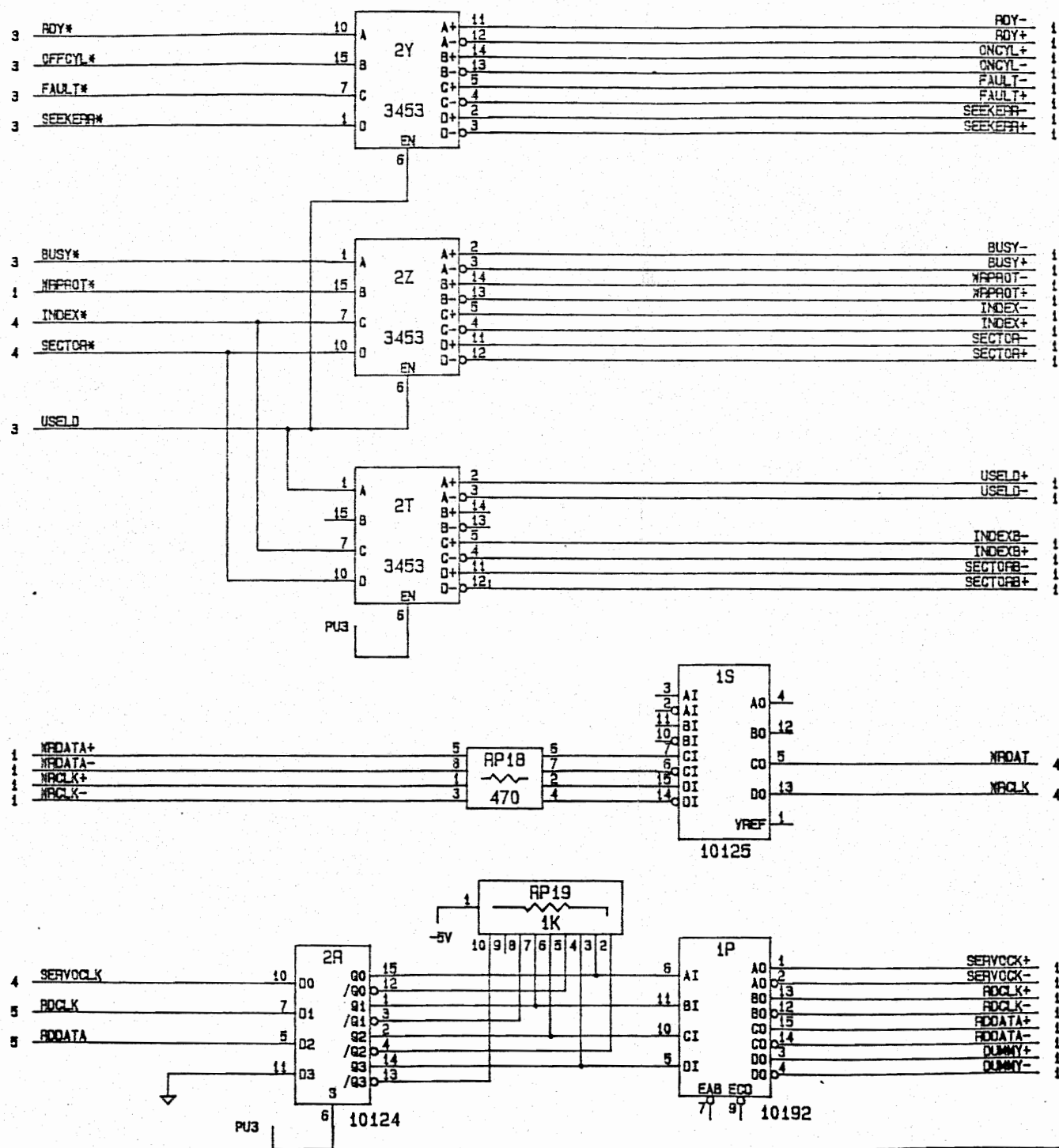
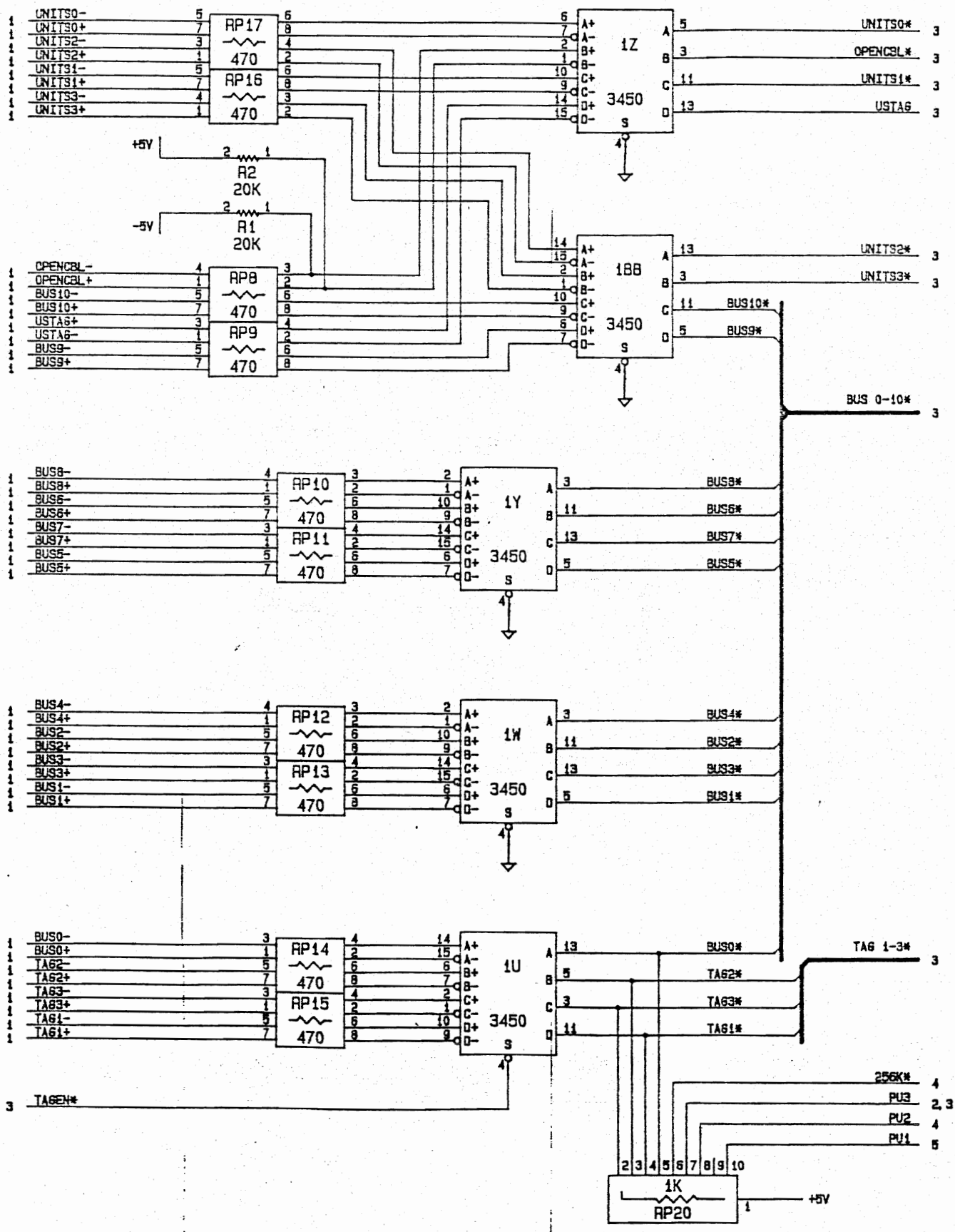


REVISIONS				
ZONE	REV	DESCRIPTION	DATE	APPROVAL
	A	PC LAYOUT	10/86	SEJB
	A1	FIRST RELEASE	11/86	SEJB



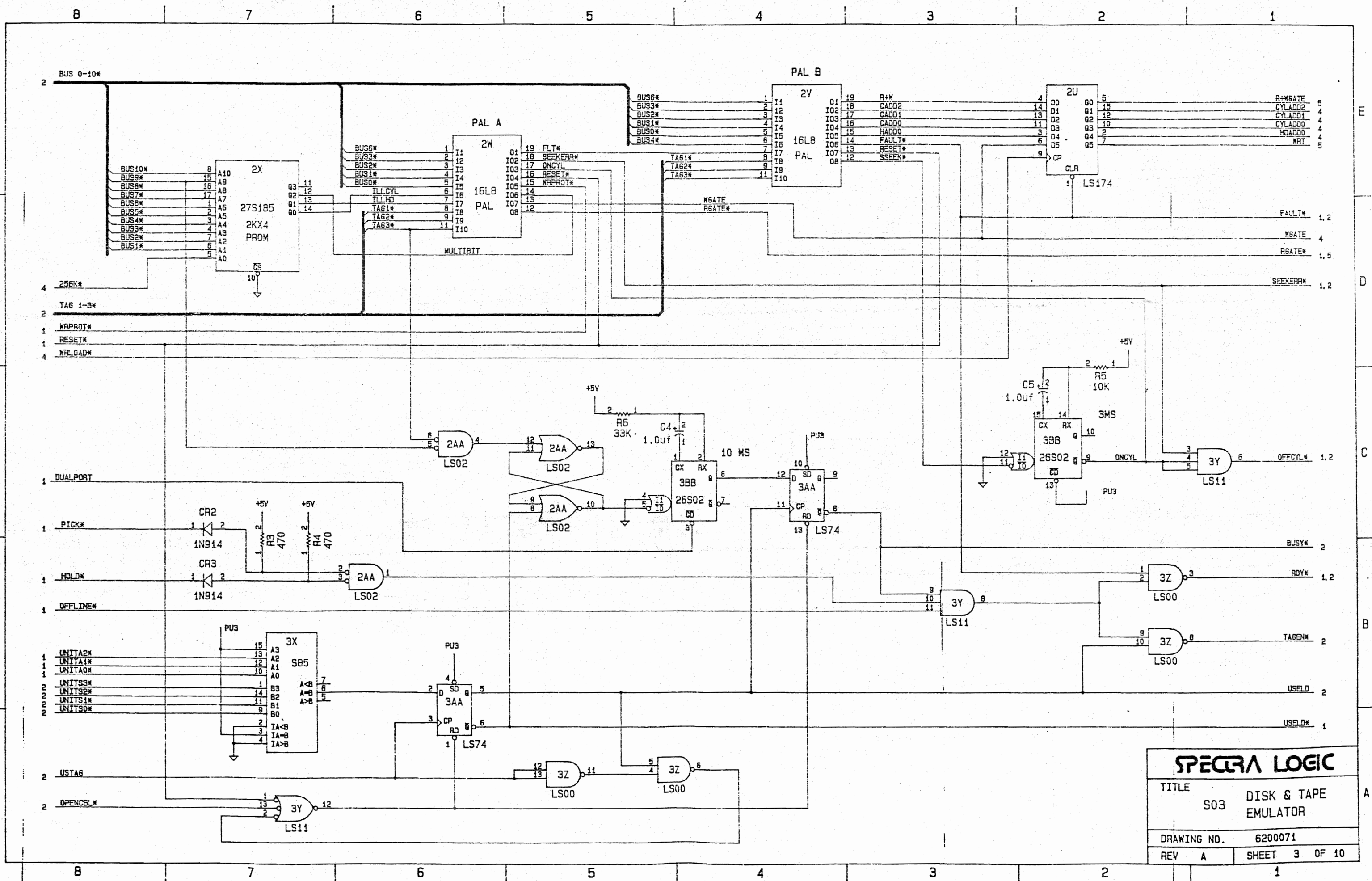
DO NOT SCALE THIS DRAWING		SPECTRA LOGIC	
SIGNATURES			
DRAWN BY:		S03	DISK & TAPE EMULATOR
CHECKED BY:		DRAWING NO.	6200071
APPROVED BY:		REV	A
		SHEET	1 OF 10

8 7 6 5 4 3 2 1

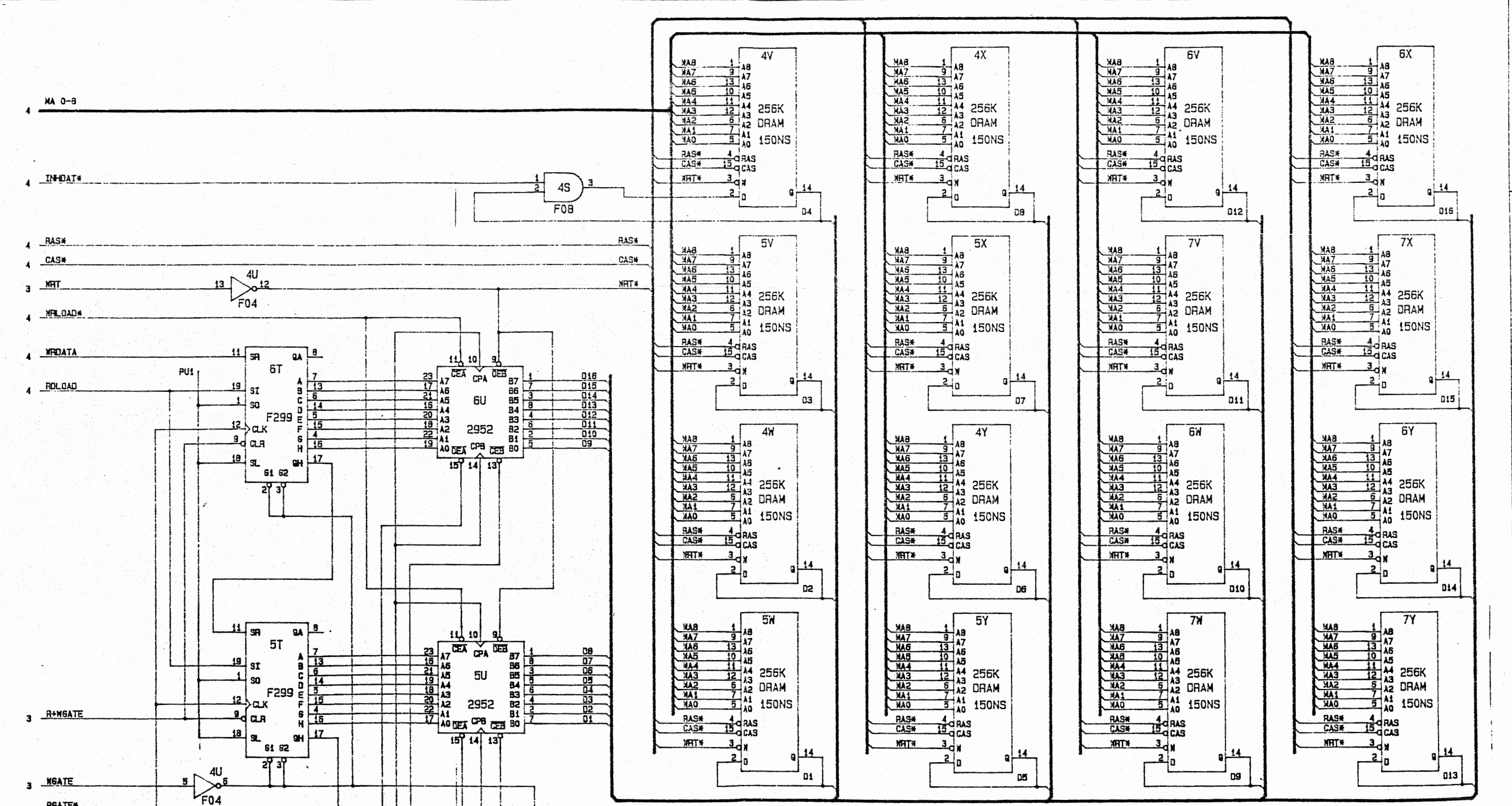


SPECTRA LOGIC	
TITLE	S03 DISK & TAPE EMULATOR
DRAWING NO.	6200071
REV	A SHEET 2 OF 10

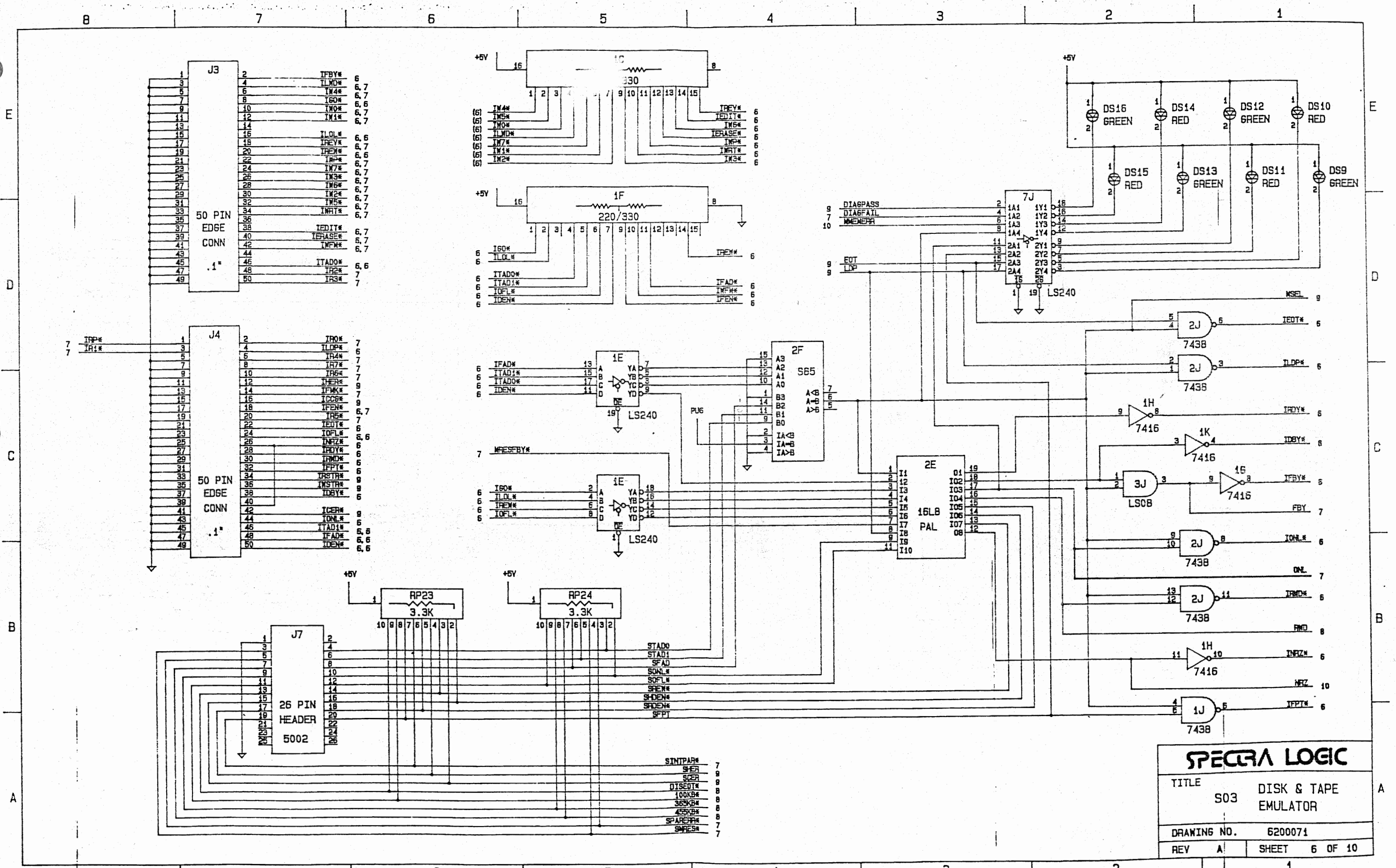
8 7 6 5 4 3 2 1



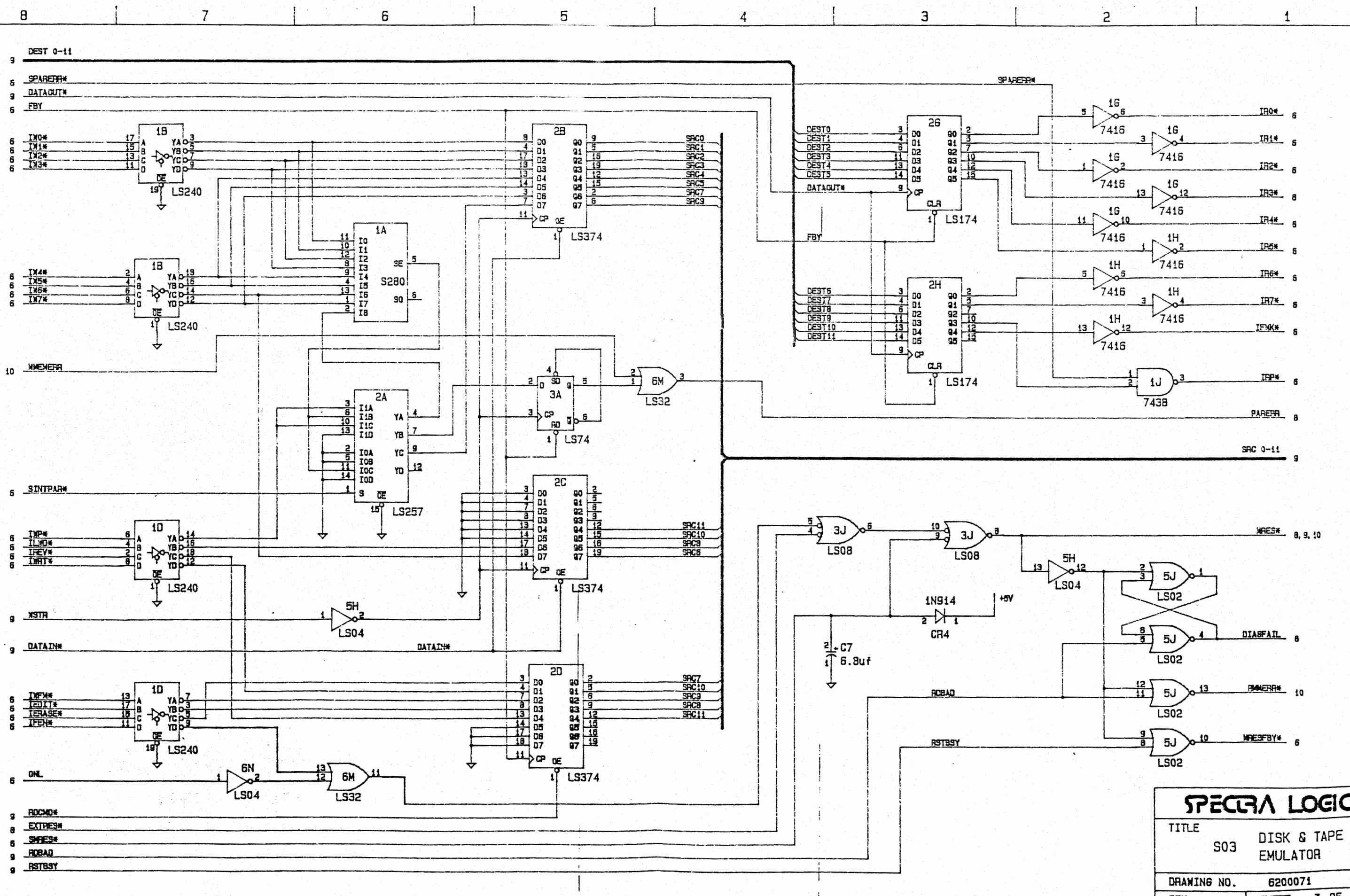
SPECTRA LOGIC	
TITLE	S03 DISK & TAPE EMULATOR
DRAWING NO.	6200071
REV	A SHEET 3 OF 10



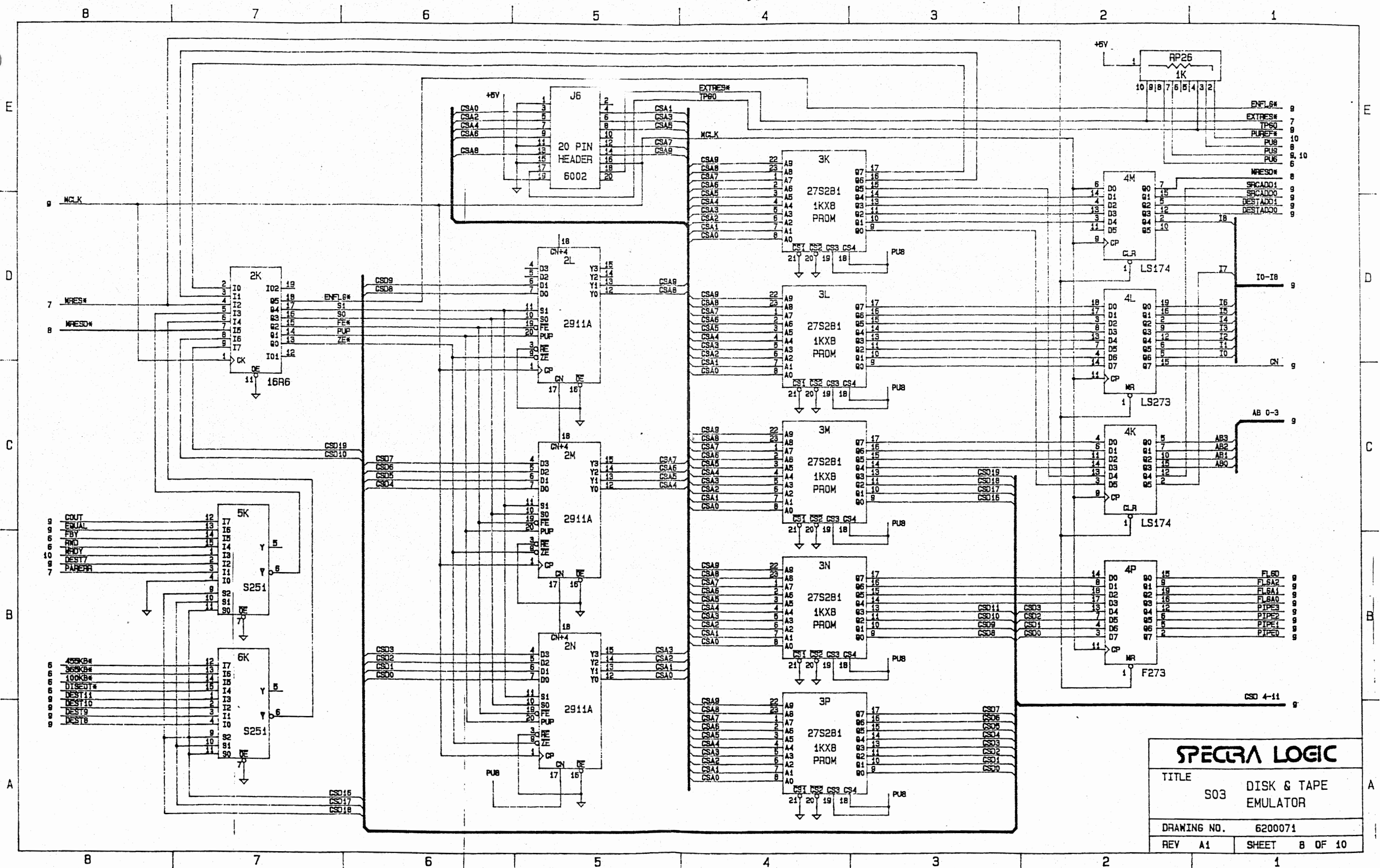
SPECTRA LOGIC	
TITLE S03 DISK & TAPE EMULATOR	
DRAWING NO. 6200071	
REV A	SHEET 5 OF 10



SPECTRA LOGIC	
TITLE	S03 DISK & TAPE EMULATOR
DRAWING NO.	6200071
REV	A
SHEET	6 OF 10



SPECTRA LOGIC	
TITLE	S03 DISK & TAPE EMULATOR
DRAWING NO.	6200071
REV	A SHEET 7 OF 10

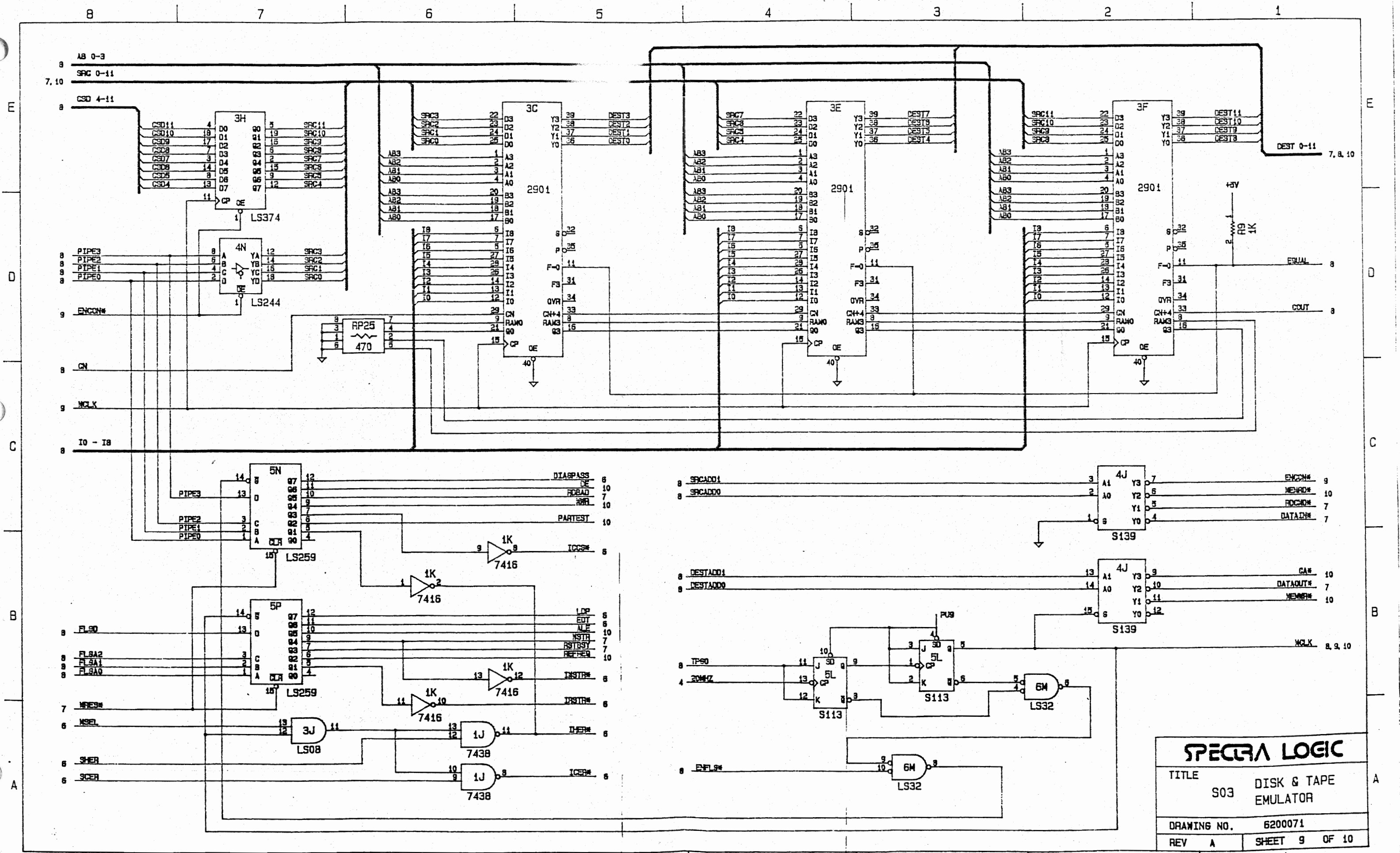


SPECTRA LOGIC

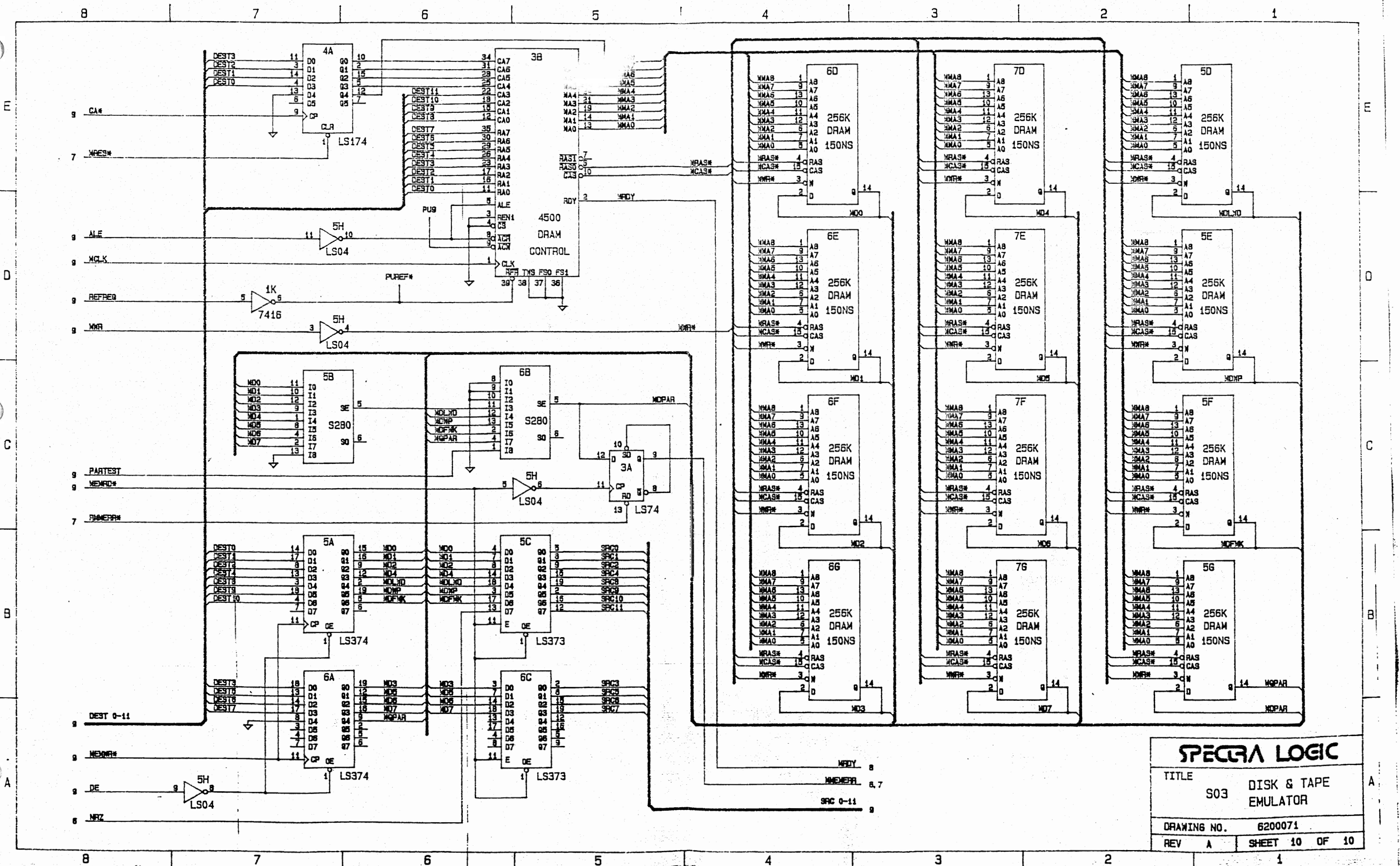
TITLE S03 DISK & TAPE EMULATOR

DRAWING NO. 6200071

REV A1 SHEET 8 OF 10



SPECTRA LOGIC	
TITLE	S03 DISK & TAPE EMULATOR
DRAWING NO.	6200071
REV	A SHEET 9 OF 10



SPECTRA LOGIC

TITLE S03 DISK & TAPE EMULATOR

DRAWING NO. 6200071

REV A SHEET 10 OF 10