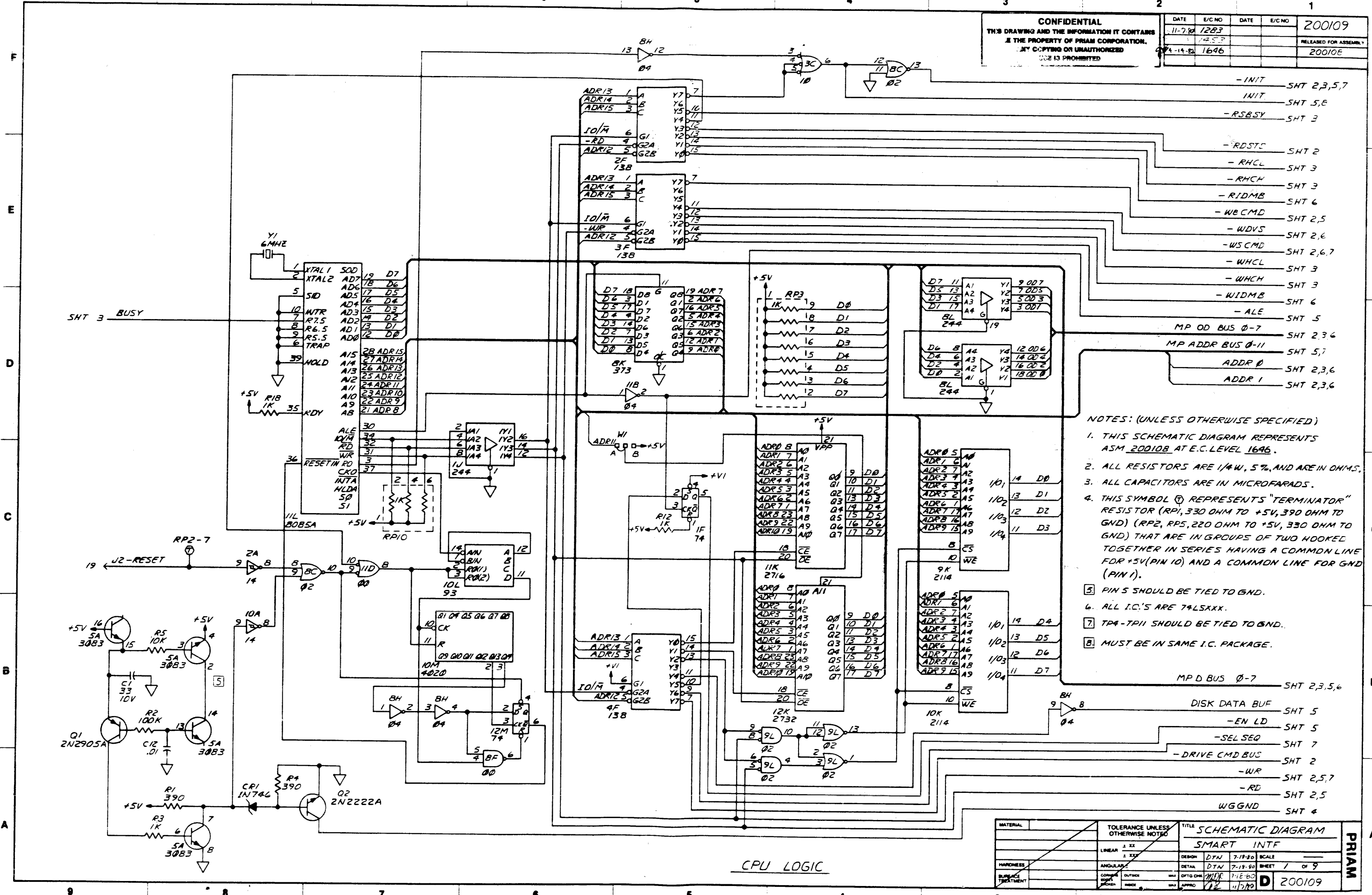


CONFIDENTIAL
THIS DRAWING AND THE INFORMATION IT CONTAINS
IS THE PROPERTY OF PRAM CORPORATION.
ANY COPYING OR UNAUTHORIZED
USE IS PROHIBITED

DATE	E/C NO	DATE	E/C NO	200109
11-7-80	1283			RELEASED FOR ASSEMBLY
7-14-80	1646			20010E



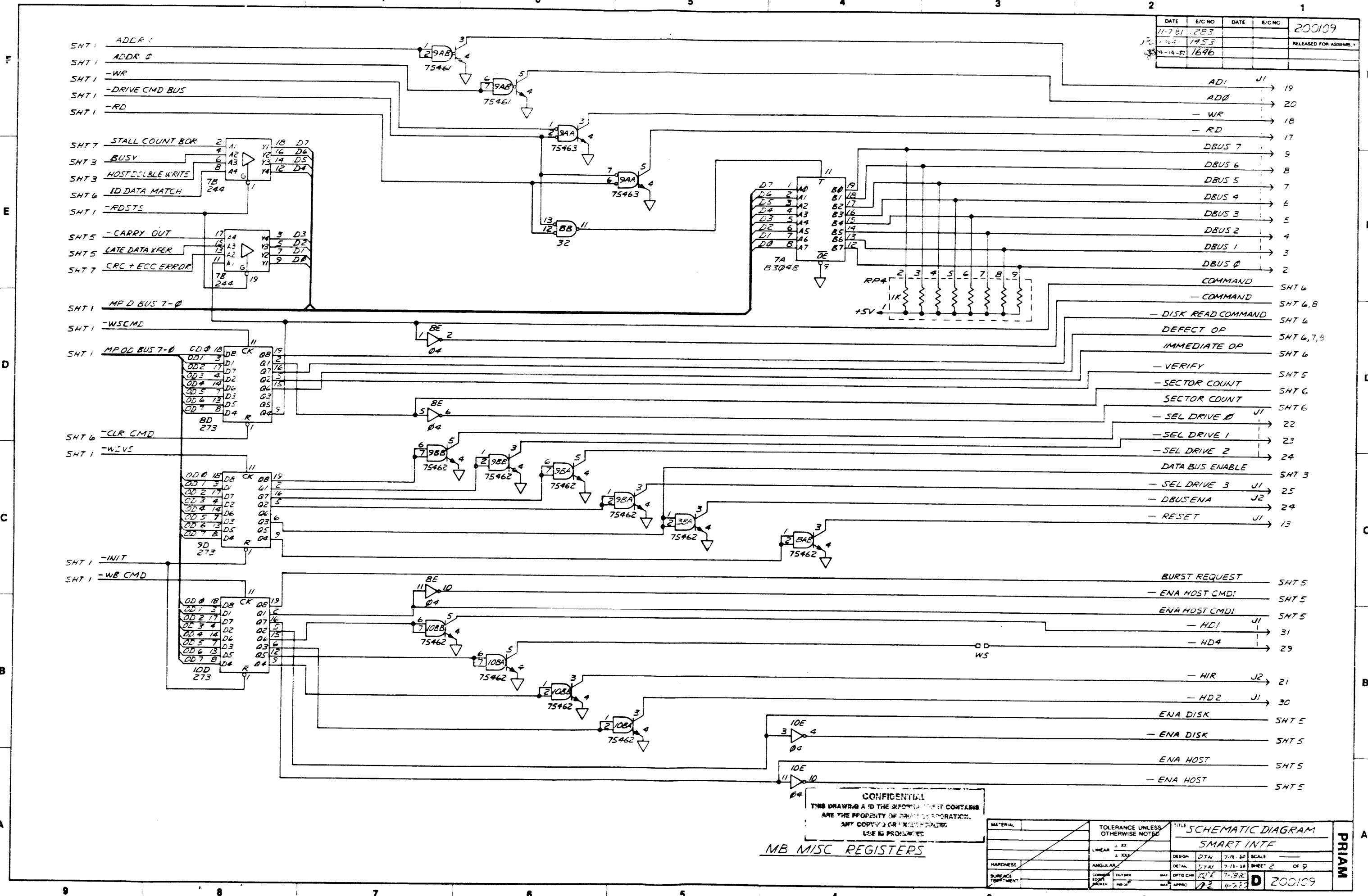
- NOTES: (UNLESS OTHERWISE SPECIFIED)
1. THIS SCHEMATIC DIAGRAM REPRESENTS ASM 20010B AT E.C. LEVEL 1646.
 2. ALL RESISTORS ARE 1/4 W, 5%, AND ARE IN OHMS.
 3. ALL CAPACITORS ARE IN MICROFARADS.
 4. THIS SYMBOL (Ⓢ) REPRESENTS "TERMINATOR" RESISTOR (RP1, 330 OHM TO +5V, 390 OHM TO GND) (RP2, RP5, 220 OHM TO +5V, 330 OHM TO GND) THAT ARE IN GROUPS OF TWO HOOKED TOGETHER IN SERIES HAVING A COMMON LINE FOR +5V (PIN 10) AND A COMMON LINE FOR GND (PIN 1).
 5. PIN 5 SHOULD BE TIED TO GND.
 6. ALL I.C.'S ARE 74LSXXX.
 7. TP4-TP11 SHOULD BE TIED TO GND.
 8. MUST BE IN SAME I.C. PACKAGE.

MATERIAL	TOLERANCE UNLESS OTHERWISE NOTED	TITLE	SCHMATIC DIAGRAM
	LINEAR ± XX	DESIGN	DTN 7-19-80
	ANGULAR ± XX	DETAIL	DTN 7-19-80
HARDNESS		DWG. CHKD	WDR 7-18-80
BURNDING TREATMENT		APPROV	WDR 11/7/80
		DATE	200109
		SHEET	1 OF 9

CPU LOGIC

PRAM

DATE	E/C NO	DATE	E/C NO	200109
11-7-81	283			
1-14-81	1953			
1-14-81	1696			



CONFIDENTIAL
 THIS DRAWING AND THE REPORTS AND TEST DATA
 CONTAINED HEREIN ARE THE PROPERTY OF
 PERIODIC CORPORATION.
 ANY COPY OF THIS DRAWING OR
 REPORTS AND TEST DATA MADE
 WITHOUT PERMISSION IS PROHIBITED.

MB MISC REGISTERS

MATERIAL	TOLERANCE UNLESS OTHERWISE NOTED	TITLE	DATE	SCALE
	LINEAR ± .005	SCHMATIC DIAGRAM	DTA	7-11-80
	ANGULAR ± .005	SMART INTF	DTA	7-11-80
HARDNESS	COMPL. FOUR	DESIGN	DTA	7-11-80
SURFACE TREATMENT	OUTSIDE	DETAIL	DTA	7-11-80
	FINISH	MAX. DIM. CHG.	DTA	7-11-80
		MAX. APPR.	DTA	7-11-80

200109

PRIAM

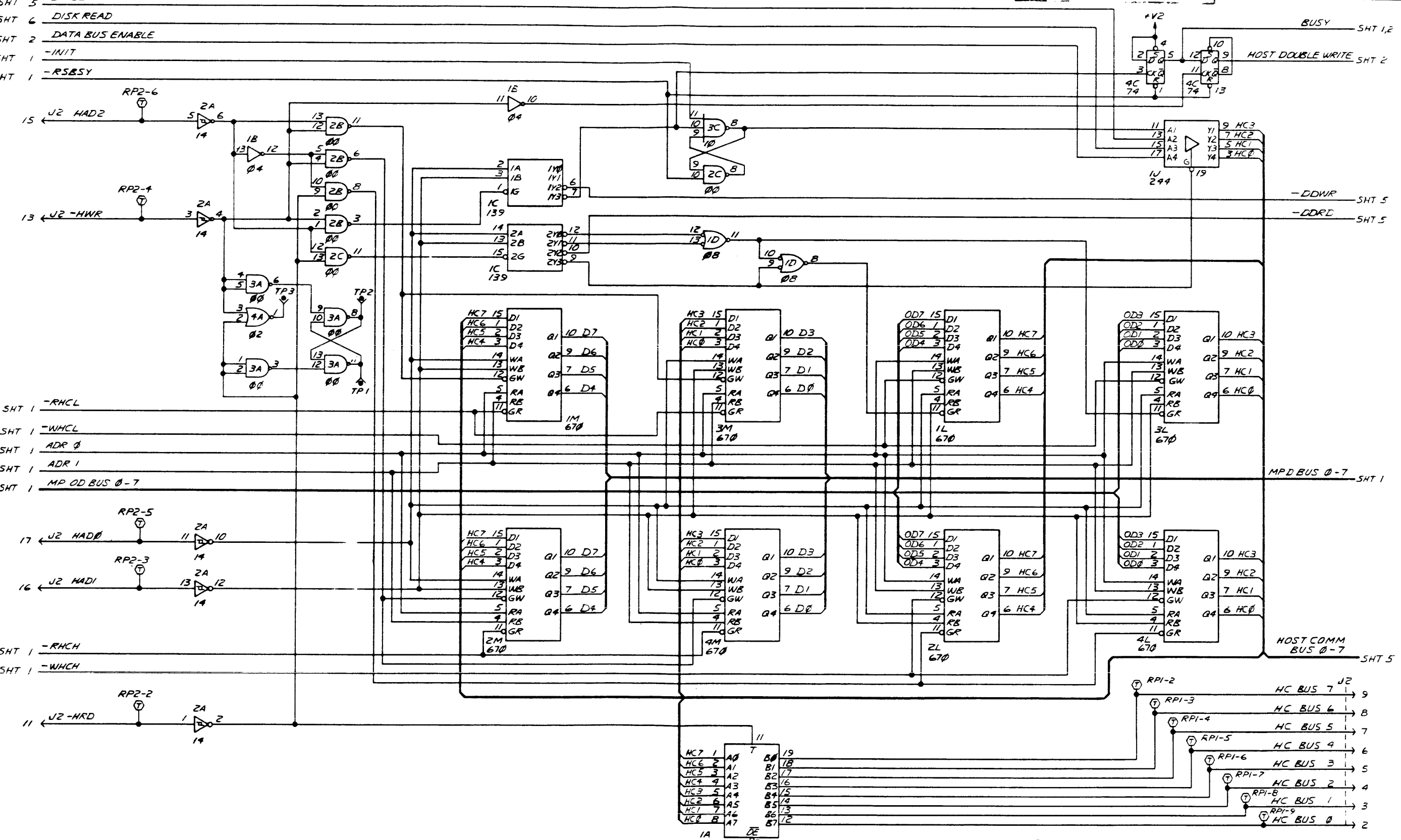
CONFIDENTIAL
 THIS DRAWING AND THE INFORMATION IT CONTAINS
 ARE THE PROPERTY OF PRIMA CORPORATION.
 ANY COPYING OR UNAUTHORIZED
 USE IS PROHIBITED.

DATE	E/C NO	DATE	E/C NO	200109
11-1-81	1696			RELEASED FOR ASSEMBLY
11-14-82	1696			

- SHT 5 DTREQ
- SHT 6 DISK READ
- SHT 2 DATA BUS ENABLE
- SHT 1 -INIT
- SHT 1 -RSBSY

- SHT 1 -RHCL
- SHT 1 -WHCL
- SHT 1 ADR 0
- SHT 1 ADR 1
- SHT 1 MP OD BUS 0-7

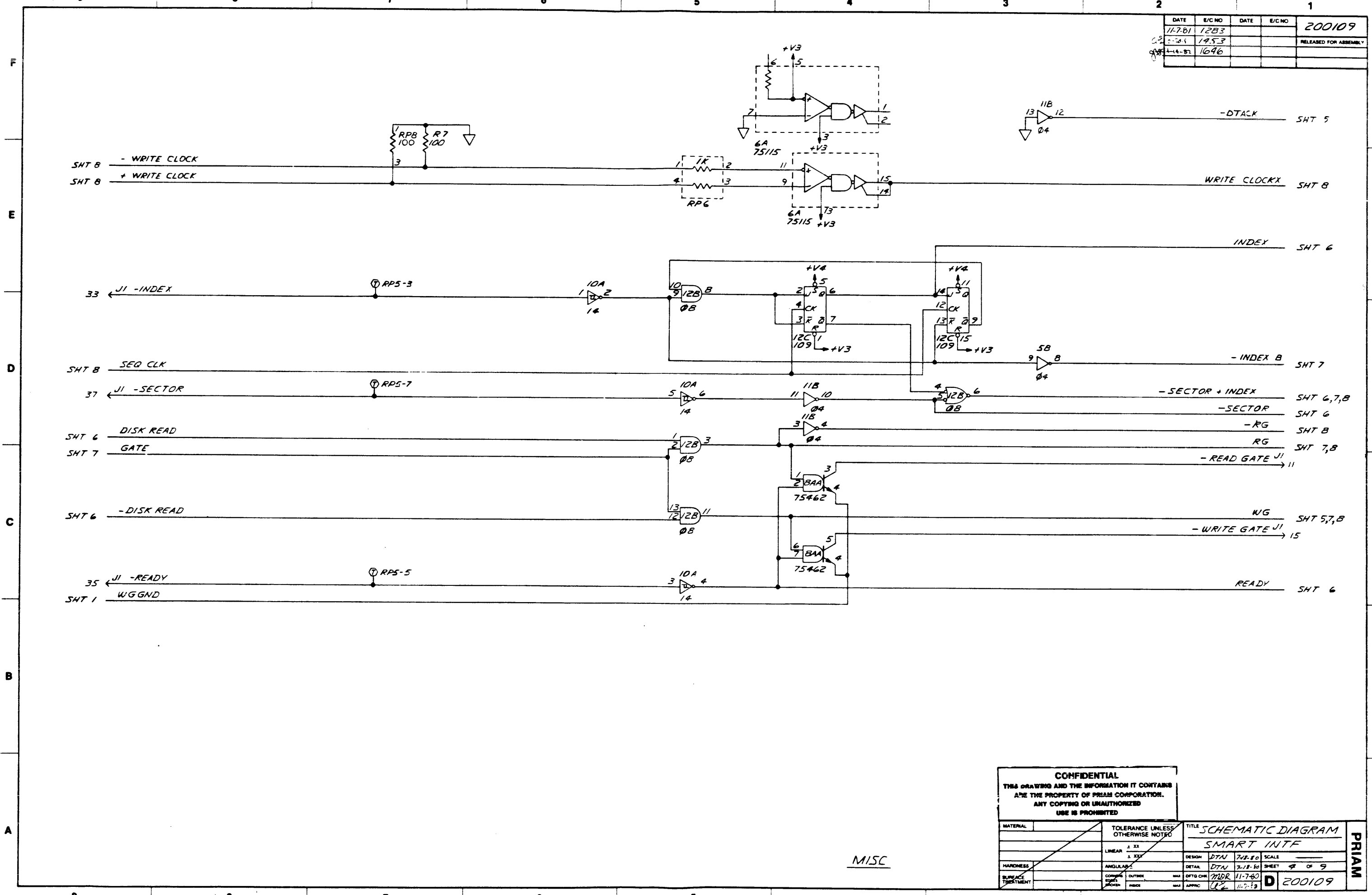
- SHT 1 -RHCH
- SHT 1 -WHCH



2-PORT FILE

MATERIAL	TOLERANCE UNLESS OTHERWISE NOTED	TITLE SCHEMATIC DIAGRAM	PRIMA
		SMART INTF	
HARDNESS	LINEAR ± XX	DESIGN DTN 7-18-80	SHEET 3 OF 9
SURFACE TREATMENT	ANGULAR ± XX	DETAN DTN 7-18-80	
	CORNER RADIUS	DATE 7-18-80	
		APPD 1/2 11-2-80	D 200109

DATE	E/C NO	DATE	E/C NO	200109
11-7-81	1283			
1-14-87	1696			RELEASED FOR ASSEMBLY



CONFIDENTIAL
 THIS DRAWING AND THE INFORMATION IT CONTAINS
 ARE THE PROPERTY OF PERAM CORPORATION.
 ANY COPYING OR UNAUTHORIZED
 USE IS PROHIBITED

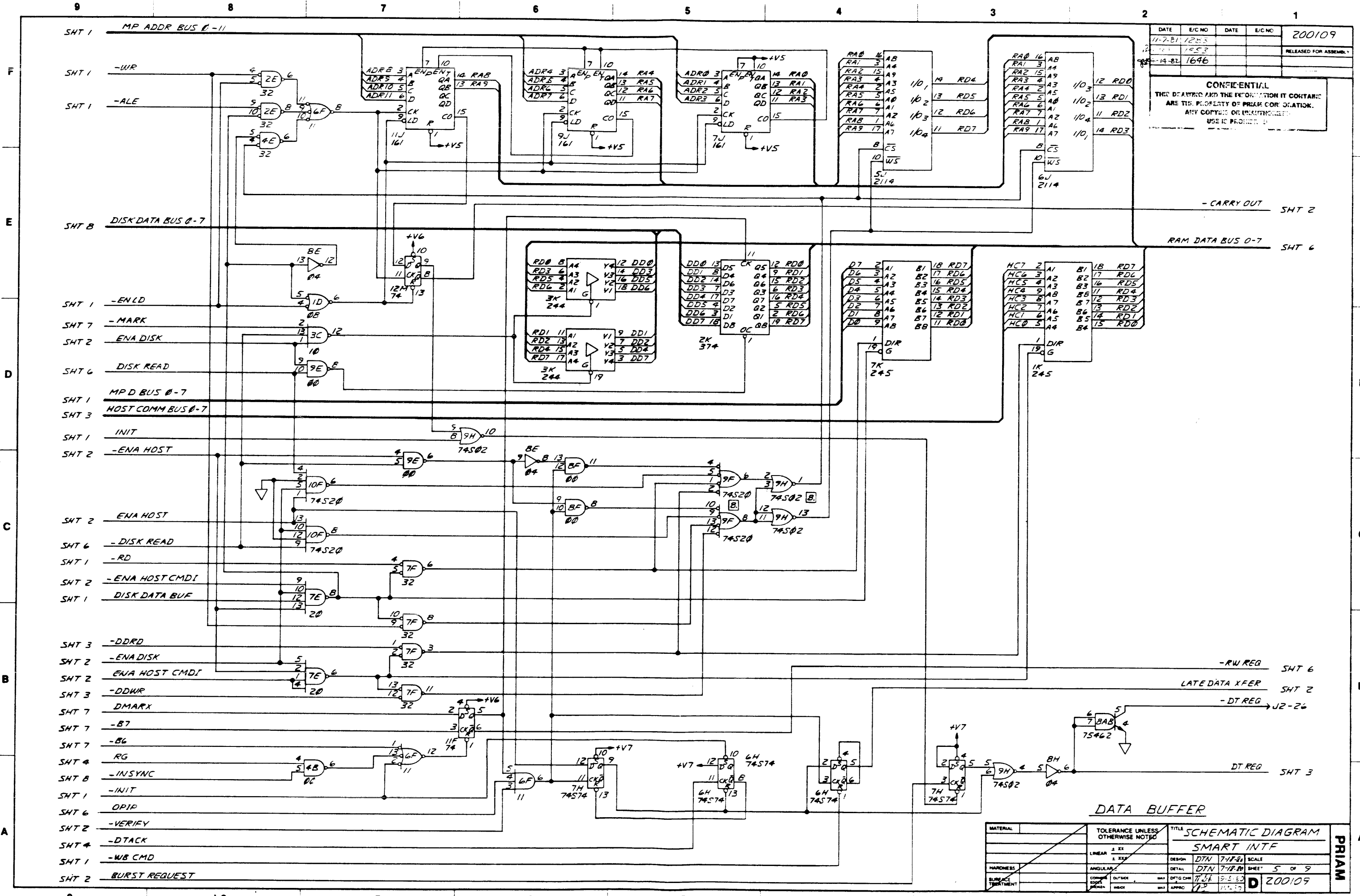
MATERIAL	TOLERANCE UNLESS OTHERWISE NOTED	TITLE	SCHMATIC DIAGRAM
	LINEAR 2 XX	SMART INTF	
	ANGULAR 2 XX	DESIGN	DTN 7/8-80
HARDNESS	CONFORM TO SPEC	DETAIL	DTN 2/8-80
SURFACE TREATMENT	OUTSIDE FINISH	SCALE	1:1
		DATE	11-7-80
		APP'D	DR
		CHK'D	UC
		DATE	11-7-80
		REV	D
		NO	200109

MISC

PRAM

DATE	E/C NO	DATE	E/C NO	200109
11-2-81	1253			
12-14-82	1696			
RELEASED FOR ASSEMBLY				

CONFIDENTIAL
 THE DRAWING AND THE INFORMATION IT CONTAINS
 ARE THE PROPERTY OF PRIMA CORPORATION.
 ANY COPIES OR REPRODUCTIONS
 USE IS PROHIBITED.



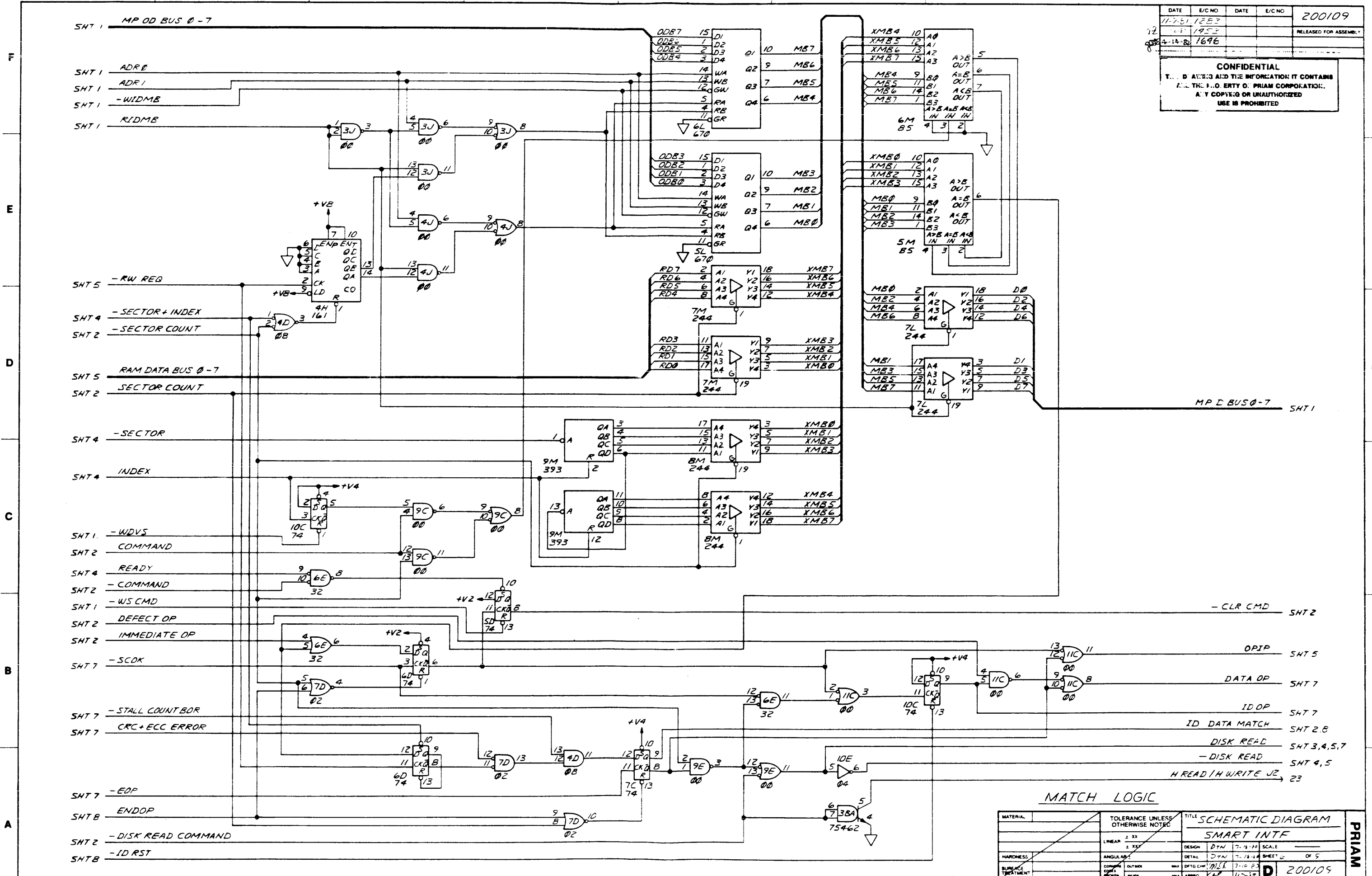
DATA BUFFER

MATERIAL	TOLERANCE UNLESS OTHERWISE NOTED	TITLE
	LINEAR 1/32"	SCHMATIC DIAGRAM
	ANGULAR 1/32"	SMART INTF
HARDNESS	DESIGN	DTN 7-11-80
SURFACE TREATMENT	DETAIL	DTN 7-11-80
	SCALE	5 OF 9
	DATE	7-11-80
	BY	JTB
	CHK	JTB
	APPR	JTB
		D 200109

PRIMA

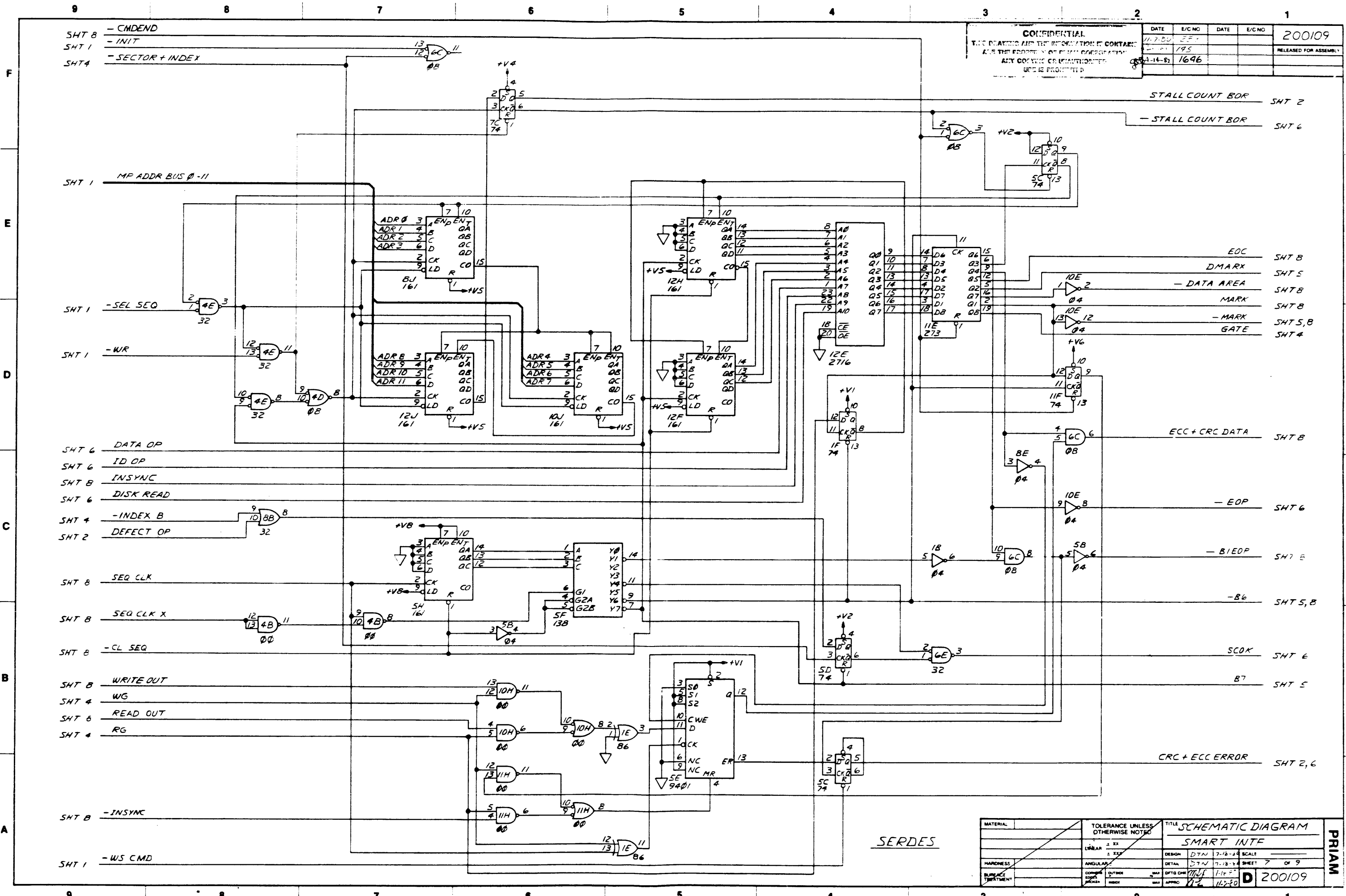
DATE	E/C NO	DATE	E/C NO	200109
11-25-1953				
4-14-82	1696			RELEASED FOR ASSEMBLY

CONFIDENTIAL
 THIS DRAWING AND THE INFORMATION IT CONTAINS
 ARE THE PROPERTY OF PRIAM CORPORATION.
 ANY COPIES OR UNAUTHORIZED
 USE IS PROHIBITED



MATCH LOGIC

MATERIAL	TOLERANCE UNLESS OTHERWISE NOTED	TITLE	SCHMATIC DIAGRAM	PRIAM
			SMART INTF	
HARDNESS	ANGULAR	DESIGN	DTN 7-18-80	SCALE
SURFACE TREATMENT	COMPL. DIM. CHECK	DETAIL	DTN 7-18-80	
		NO. APPROV	16-87	SHEET 2 OF 5
				D 200109



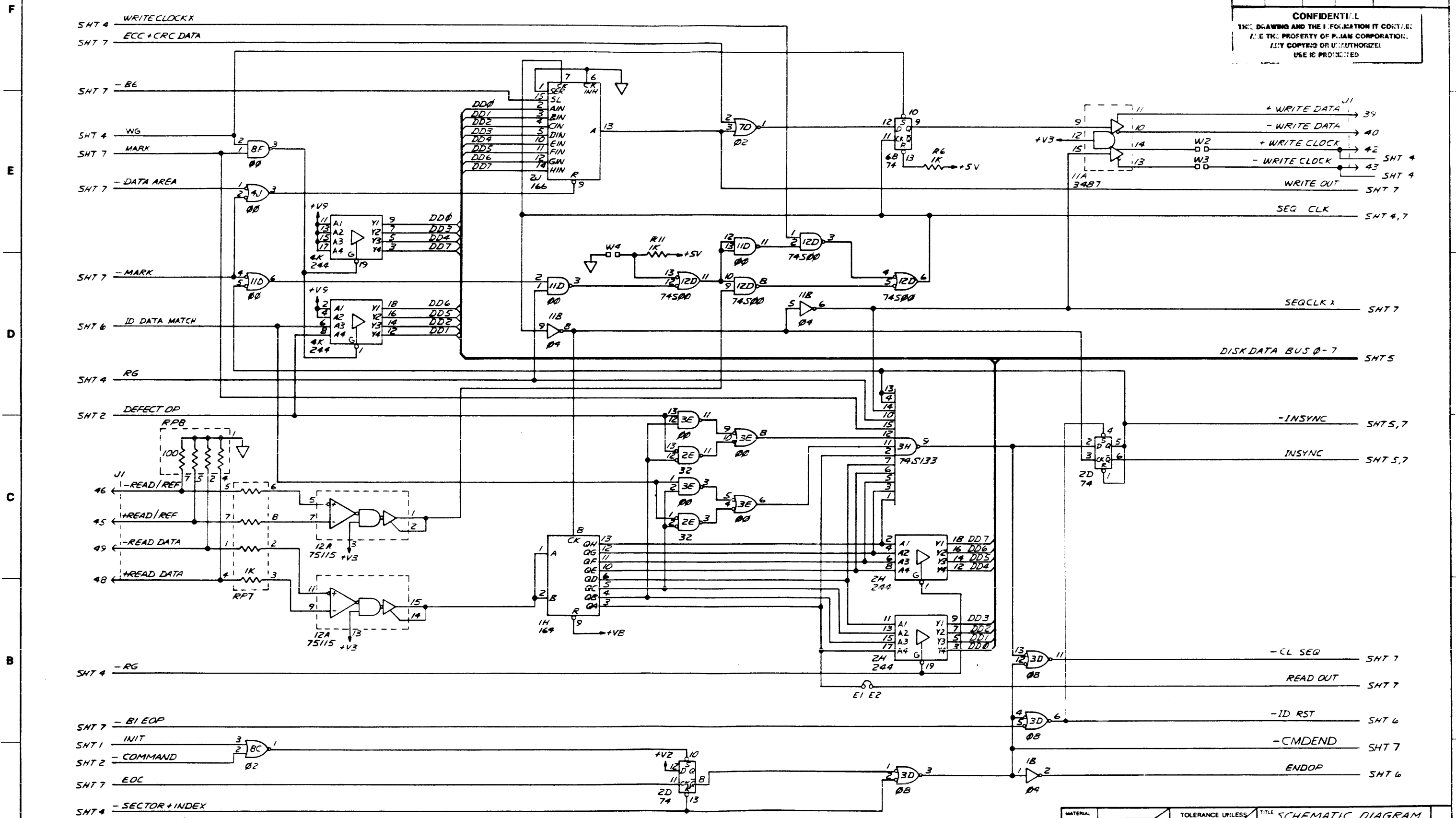
MATERIAL	TOLERANCE UNLESS OTHERWISE NOTED	TITLE
	LINEAR ± .005	SCHMATIC DIAGRAM
	ANGULAR ± .005	SMART INTF
HARDNESS	CONFORM TO SPEC	DESIGN D7N 7-18-29 SCALE
SURFACE TREATMENT	FINISH	DETAIL D7N 7-18-29 SHEET 7 OF 9
		DATE 11-7-50
		APP'D [Signature]
		200109

SERDES

PRIAM

DATE	E/C NO	DATE	E/C NO	200109
11-7-50	1253			
11-2-51	1953			RELEASED FOR ASSEMBLY
11-14-51	1646			

CONFIDENTIAL
 THE DRAWING AND THE INFORMATION IT CONTAINS ARE THE PROPERTY OF PRAM CORPORATION. ANY COPIES OR UNAUTHORIZED USE IS PROHIBITED.



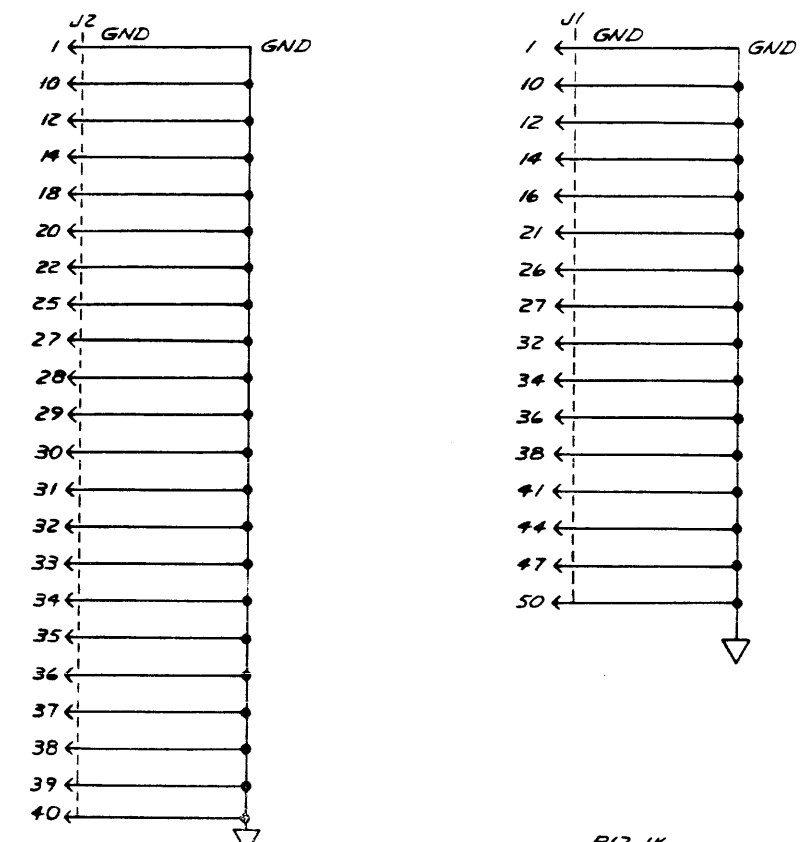
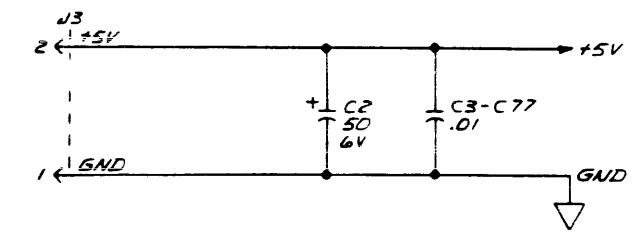
READ/WRITE LOGIC

MATERIAL	TOLERANCE UNLESS OTHERWISE NOTED	TITLE SCHEMATIC DIAGRAM
		SMART INTF
HARDNESS	ANGULAR	DESIGN DTN 7-18-50
SURFACE TREATMENT	OUTSIDE	DETAIL DTN 7-18-50
	INSIDE	DATE 7-18-50
		MAX APPR MDR
		SCALE 1:1
		SHEET 5 OF 5
		D 200109

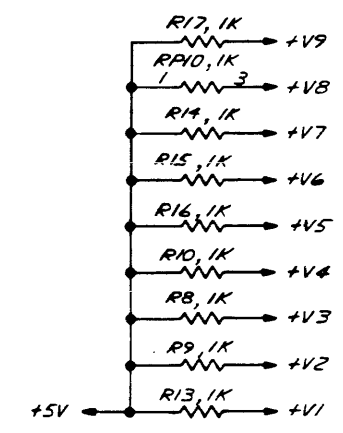
PRAM

DATE	E/C NO	DATE	E/C NO	200109
11-7-80	12E3			
4-14-87	1453			RELEASED FOR ASSEMBLY
	1646			

I.C. TYPE	LOCATION	UNUSED ELEMENTS	+5V	GND
74LS00	2B,2C,9C,11C,1D,3E,9E,BF,10H,11H,3J,4J,3A,4B	9C1,10H1,11H1,4B1,2,2C1,2	14	7
74S00	12D		14	7
74LS02	8C,7D,9L,4A	8C2,4A2,3,4	14	7
74S02	9H		14	7
74LS04	1B,11B,8E,10E,8H,5B	8H5,5B1,5,6,1B4	14	7
74LS08	12B,6C,1D,3D,4D	12B,3D3,4D2	14	7
74LS10	3C		14	7
74LS11	6F		14	7
74LS14	2A,10A	10A5,6	14	7
74LS20	7E		14	7
74S20	9F,10F		14	7
74LS32	8B,2E,4E,6E,7F	8B1,2	14	7
74LS74	4C,5C,7C,10C,2D,5D,6D,1F,11F,12M,6B	6B1	14	7
74S74	6H,7H		14	7
74LS85	5M,6M		16	8
74LS93	10L		5	10
74LS109	12C		16	8
74S133	3H		16	8
74LS138	2F,3F,4F,5F		16	8
74LS139	1C		16	8
74LS161	12F,4H,5H,12H,7J,8J,9J,10J,11J,12J		16	8
74LS164	1H		14	7
74LS166	2J		16	8
74LS244	7B,2H,1J,3K,4K,7L,8L,7M,8M		20	10
74LS245	1K,7K		20	10
74LS273	8D,9D,10D,11E		20	10
74LS373	8K		20	10
74LS374	2K		20	10
74LS393	9M		14	7
74LS670	1L,2L,3L,4L,5L,6L,1M,2M,3M,4M		16	8
75461	9AB		8	4
75462	8AB,3BA,9BA,9BB,10BA,10BB		8	4
75463	9AA		8	4
2114	5J,6J,9K,10K		18	9
2716	12E,11K		24	12
75462	8AA		8	—
3487	11A	11A1	16	8
4020	10M		16	8
8085	11L		40	20
83048	1A,7A		20	10
9401	5E		14	7
75115	6A,12A		16	8
3083	5A		—	—
74LS86	1E	1E2,3	14	7
2732	12K		24	12



REFERENCE DESIGNATION	
LAST USED	NOT USED
R18	—
C77	—
RP10	RP9
W5	—
Y1	—
CR1	—
O2	—
TP11	—
E2	—



V DESIGNATION	CONNECTED TO
V1	R13,1F4,4F6,1F10,5E2,5E5,5E8,5E9
V2	P9,4C2,4C4,6D4,5D12,5C10,5C12,5D4,2D12
V3	R8,6A5,6A3,6A13,12C1,12C15,12A3,12A13,11A12
V4	R10,2C5,12C11,10C4,10C2,7C10,10C10,10C12,7C4
V5	R16,11J1,9J1,7J10,7J7,7J1,8J1,12M9,12J1,10J1,12F9
V6	R15,12M10,11F4,11F10
V7	R14,7H10,6H12,7H4,7H2
V8	RP10-3,4H7,4H10,4H9,5H7,5H10,5H9,11H9
V9	R17,4K11,4K13,4K15,4K17,4K2,4K9

CONFIDENTIAL
THIS DRAWING AND THE INFORMATION IT CONTAINS ARE THE PROPERTY OF PRAM CORPORATION. ANY COPYING OR UNAUTHORIZED USE IS PROHIBITED.

MATERIAL	TOLERANCE UNLESS OTHERWISE NOTED	TITLE	SCHEMATIC DIAGRAM
LINEAR	ANGULAR	DESIGN	DTN 7-11-80
HARDNESS	CHANGES FROM	DETAIL	DTN 7-11-80
SURFACE TREATMENT	INDEX	DATE	7-11-80
		APPRO	DTN 7-11-80

9 OF 9
D 200109