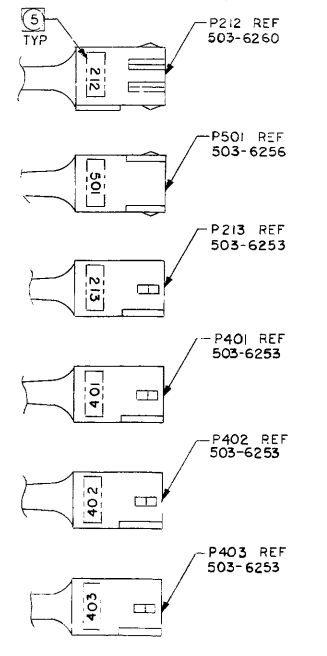
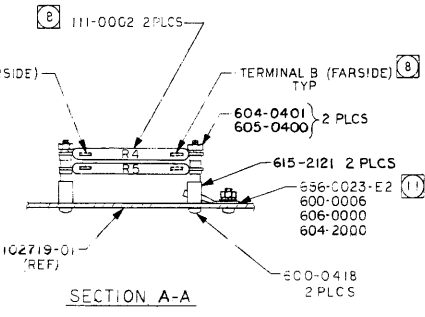
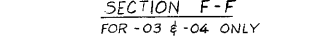
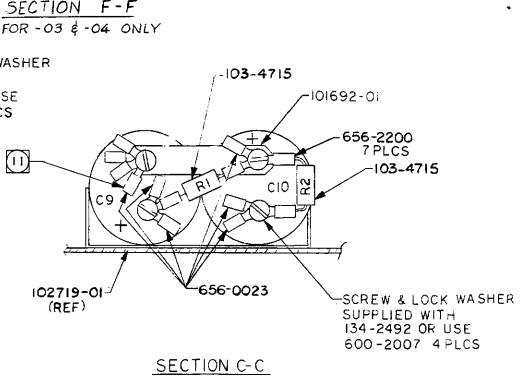
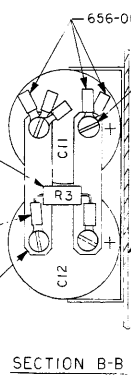


REVISIONS				
REV	DESCRIPTION	DATE	DR	CHK
A	ERN 4-KZ PRE-PROD, B EDN 4227, C EDN 4954, P/N 102741			
L	ECN 5741 REVISED & REDRAWN	11/73	W	W
F	ERN 5-N-T PROD-RELEASE	11/73	W	W
F	ECN 5741	11/73	W	W
F	ECN 5921	11/73	W	W
G	ECN 6289	11/73	W	W
H	ECN 6826	11/73	W	W

- 15. USE 667-0103 SPARINGLY ON BOTH ENGAGING THREADS.
- 14. TO ASSURE REQUIRED CLEARANCE FOR NEXT ASSEMBLY INSPECT WITH BASE CASTING SIMULATOR TOOL.
- 13. FOR PROPER ASSEMBLY FIT SHIFT SUPPORT PLATE IN DIRECTION SHOWN (TO TAKE UP HOLE CLEARANCES) BEFORE TIGHTENING OF SCREWS.
- 12. SHRINK SLEEVING 669-0038 ON ALL UNUSED TERMINALS.
- 11. FOR -02 & -04 VERSION (AND ISOLATION) DELETE CONNECTION FROM E2 TO C9 (-) (MAIN GROUND TO CHASSIS GROUND).
- 10. REMOVE OUTER SHEATH OF INSULATION BEYOND STRAIN RELIEF.
- 9. MARK ASSEMBLY P/N 102741 INCLUDING VERSION NUMBER AND VERSION ISSUE LETTER IN APPROX LOCATION SHOWN, FAR SIDE.
- 8. REFERENCE DESIGNATIONS ARE USED FOR PURPOSE OF SPECIFYING ASSEMBLY AT THIS LEVEL AND MAY NOT APPEAR ON ACTUAL COMPONENTS.
- 7. USE SLEEVING 669-0080 OVER WIRE BUNDLE ADJACENT TO THE CHASSIS BRACKET RETAINING C9 AND C10.
- 6. AFTER WIRING TRANSFORMER TERMINALS, COVER ALL TERMINALS BY SHRINKING 669-0038 IN PLACE OVER TERMINAL. USE TAPE 667-0549 IF NECESSARY TO COVER ALL EXPOSED PORTIONS OF THE TERMINAL.
- 5. MARK REFERENCE DESIGNATION AS INDICATED ON RECEPTACLE, ORIENT AS SHOWN.
- 4. DURING INSTALLATION, CARE MUST BE TAKEN TO SEE THAT CONTAMINATION HAS BEEN REMOVED FROM MATING SURFACES AND THAT THESE SURFACES DO NOT TRAP CONTAMINATION. COAT MOUNTING SURFACE OF 320-9802 WITH A THIN FILM OF 665-0002 COMPOUND (MINIMUM OF 90% COVERAGE) PRIOR TO MOUNTING. TORQUE SCREWS TO 10 ± 2 INCH POUNDS. WIPE EXCESS 665-0002 COMPOUND FROM COMPLETED ASSEMBLY.
- 3. AFTER WIRING FUSEHOLDER, SHRINK PART NO 669-0083 IN PLACE OVER FUSEHOLDER AS SHOWN (XF1 ONLY).
- 2. TIE WRAP AT 2 1/2 IN. MAX INTERVALS.
- 1. USE 2 STRIPS OF 667-0028 BETWEEN C13 & C14.

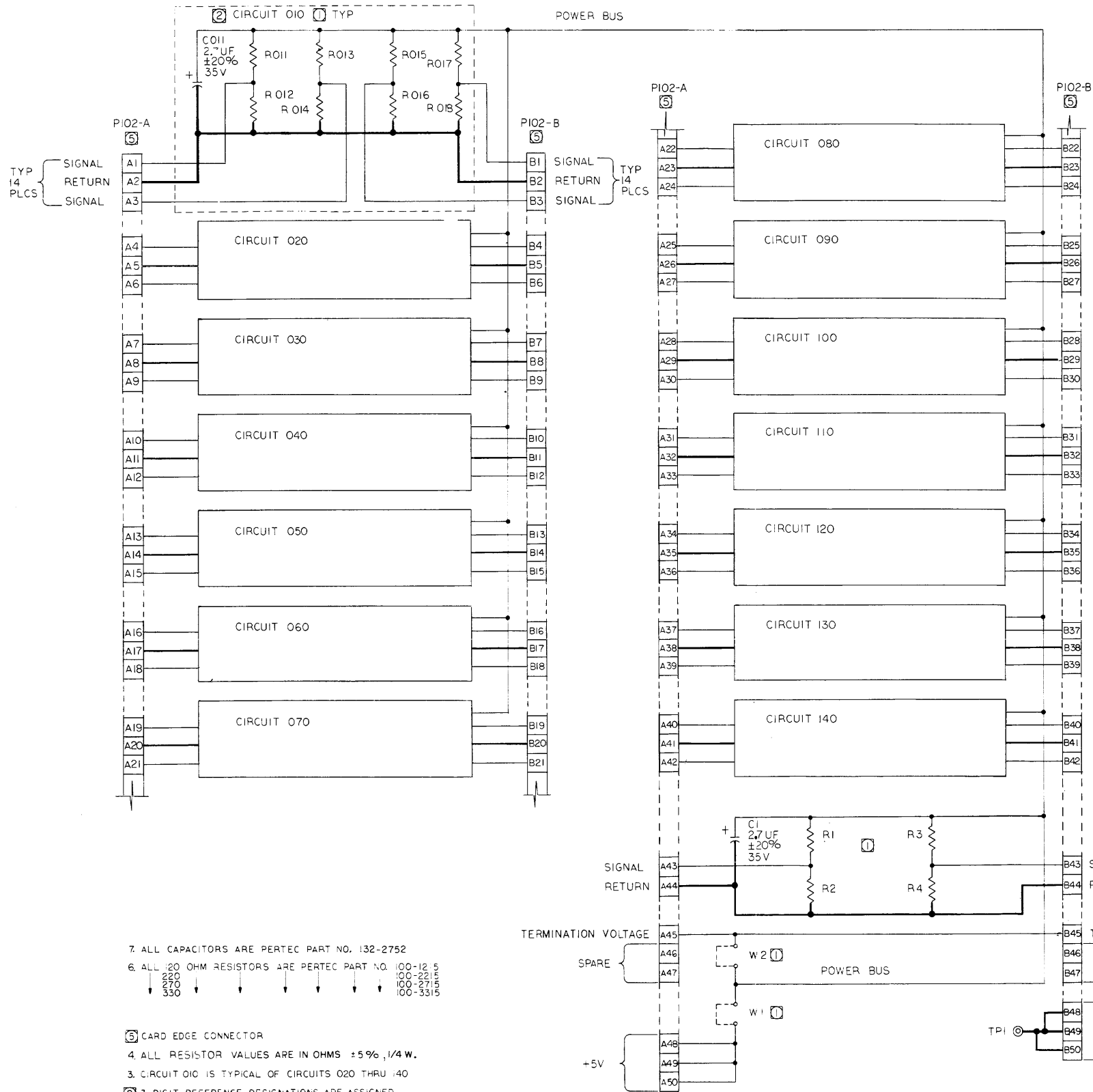
NOTES: UNLESS OTHERWISE SPECIFIED.



FOR WIRE LIST SEE 103622 FOR SCHEMATIC SEE 102742 PART NO. 102741-1 REV 1

THE INFORMATION CONTAINED HEREIN IS THE PROPERTY OF PERTEC CORPORATION. IT IS TO BE USED ONLY FOR THE SPECIFIC PROJECT AND IS NOT TO BE REPRODUCED OR TRANSMITTED IN ANY FORM OR BY ANY MEANS, ELECTRONIC OR MECHANICAL, INCLUDING PHOTOCOPYING, RECORDING, OR BY ANY INFORMATION STORAGE AND RETRIEVAL SYSTEM.		SIGNATURES: _____ DATE: _____ DR: _____ CHK: _____	
TOLERANCES: UNLESS OTHERWISE SPECIFIED: FRACTIONS: .005 & .010 - .005 DECIMALS: .005 - .010 - .005 ANGLES: 30° & 45° - .005 HOLE DIA: .005 - .010 - .005		TITLE: POWER SUPPLY ASSEMBLY	
TOP ASSY: D3000 NEXT ASSY: INT USED ON: _____ APPLICATION: _____	FINISH: _____ MATL: SEE LM	SIZE: E SCALE: NONE	DWG NO: 102741 SHEET: 1 OF 1

REVISIONS				
REV	DESCRIPTION	DATE	DR	CHK APPR
A	ERN 4-5W PRE-PRODUCTION RELEASE	10/20/70	PAS	JLJ
AI	ERN 8-7H PRODUCTION RELEASE	10/20/70	PAS	JLJ
AI	ECN 5906			



Note:
 USE Ver Q3 with 103726-Q2D
 USE Ver Q7 with 103726-Q2

DFQ No Jumpets
 DFI W2

REFERENCE DESIGNATIONS			
LAST USED		DELETED	
BASIC	REPETITIVE	BASIC	REPETITIVE
C1	C141		
R4	R148		
TPI			
W2			

- 7. ALL CAPACITORS ARE PERTEC PART NO. 132-2752
- 6. ALL 120 OHM RESISTORS ARE PERTEC PART NO.

100-12 5	100-2215
220	100-2715
270	100-3315
330	

- 5. CARD EDGE CONNECTOR
 - 4. ALL RESISTOR VALUES ARE IN OHMS ±5%, 1/4 W.
 - 3. CIRCUIT 010 IS TYPICAL OF CIRCUITS 020 THRU 140
 - 2. 3 DIGIT REFERENCE DESIGNATIONS ARE ASSIGNED TO REPETITIVE CIRCUITS
 - 1. SEE VERSION TABLE, SHEET 2, FOR VALUE OR USAGE.
- NOTES: UNLESS OTHERWISE SPECIFIED

UNLESS OTHERWISE SPECIFIED		DIMENSIONS ARE IN INCHES		PERIPHERAL EQUIPMENT CORPORATION	
TOLERANCES:	ANGULAR	SIGNATURES	DATE	TITLE	
±.010	±.015	DR LEO RENN	10/20	SCHEMATIC, I/O TERMINATION BD	
±.020	±.030	CHK		SIZE	
±.030	±.040	DES		E	
±.040	±.050	ENGR		DWG NO. 102800	
±.050	±.060	APPROV		SCALE NONE	
±.060	±.070	MATL		DO NOT SCALE DWG	
±.070	±.080			SHEET 1 OF 2	
±.080	±.090			REV AI	
±.090	±.100				

REV	DESCRIPTION	DATE	BY	CHK
SEE SHEET 1				

	-01	-02	-03	-04	-05	-06
RO11	OMIT	OMIT	220	I20	I20	220
RO12	↑	↑	330	OMIT	OMIT	330
RO13			220	I20	I20	220
RO14			330	OMIT	OMIT	330
RO15			220	I20	I20	220
RO16			330	OMIT	OMIT	330
RO17			220	I20	I20	220
RO18			330	OMIT	OMIT	330
RO21			220	I20	I20	220
RO22			330	OMIT	OMIT	330
RO23			220	I20	I20	220
RO24			330	OMIT	OMIT	330
RO25			220	I20	I20	220
RO26			330	OMIT	OMIT	330
RO27			220	I20	I20	220
RO28			330	OMIT	OMIT	330
RO31			220	I20	I20	220
RO32			330	OMIT	OMIT	330
RO33			220	I20	I20	220
RO34			330	OMIT	OMIT	330
RO35			220	I20	I20	220
RO36			330	OMIT	OMIT	330
RO37			220	I20	I20	220
RO38			330	OMIT	OMIT	330
RO41			220	I20	I20	220
RO42			330	OMIT	OMIT	330
RO43			220	I20	I20	220
RO44			330	OMIT	OMIT	330
RO45			220	I20	I20	220
RO46			330	OMIT	OMIT	330
RO47			220	I20	I20	220
RO48			330	OMIT	OMIT	330
RO51			220	I20	I20	220
RO52			330	OMIT	OMIT	330
RO53			220	I20	I20	220
RO54			330	OMIT	OMIT	330
RO55			220	I20	I20	220
RO56			330	OMIT	OMIT	330
RO57			220	I20	I20	220
RO58			330	OMIT	OMIT	330
RO61			220	I20	I20	220
RO62			330	OMIT	OMIT	330
RO63			220	I20	I20	220
RO64			330	OMIT	OMIT	330
RO65			220	I20	I20	220
RO66			330	OMIT	OMIT	330
RO67			220	I20	I20	220
RO68			330	OMIT	OMIT	330
RO71			220	I20	I20	220
RO72			330	OMIT	OMIT	330
RO73			220	I20	I20	220
RO74			330	OMIT	OMIT	330
RO75			220	I20	I20	220
RO76			330	OMIT	OMIT	330
RO77	↓	↓	220	I20	I20	220
RO78	OMIT	OMIT	330	OMIT	OMIT	330

	-01	-02	-03	-04	-05	-06
RO81	OMIT	220	220	I20	270	220
RO82	↑	330	330	OMIT	OMIT	330
RO83		220	220	I20	270	220
RO84		330	330	OMIT	OMIT	330
RO85		220	220	I20	270	220
RO86		330	330	OMIT	OMIT	330
RO87		220	220	I20	270	220
RO88		330	330	OMIT	OMIT	330
RO91		220	220	I20	270	220
RO92		330	330	OMIT	OMIT	330
RO93		220	220	I20	270	220
RO94		330	330	OMIT	OMIT	330
RO95		220	220	I20	270	220
RO96		330	330	OMIT	OMIT	330
RO97		220	220	I20	270	220
RO98		330	330	OMIT	OMIT	330
RI01		220	220	I20	270	220
RI02		330	330	OMIT	OMIT	330
RI03		220	220	I20	270	220
RI04		330	330	OMIT	OMIT	330
RI05		220	220	I20	270	220
RI06		330	330	OMIT	OMIT	330
RI07		220	220	I20	270	220
RI08		330	330	OMIT	OMIT	330
RI11		220	220	I20	270	220
RI12		330	330	OMIT	OMIT	330
RI13		220	220	I20	270	220
RI14		330	330	OMIT	OMIT	330
RI15		220	220	I20	270	220
RI16		330	330	OMIT	OMIT	330
RI17		220	220	I20	270	220
RI18		330	330	OMIT	OMIT	330
RI21		220	220	I20	270	220
RI22		330	330	OMIT	OMIT	330
RI23		220	220	I20	270	220
RI24		330	330	OMIT	OMIT	330
RI25		220	220	I20	270	220
RI26		330	330	OMIT	OMIT	330
RI27		220	220	I20	270	220
RI28		330	330	OMIT	OMIT	330
RI31		220	220	I20	270	220
RI32		330	330	OMIT	OMIT	330
RI33		220	220	I20	270	220
RI34		330	330	OMIT	OMIT	330
RI35		220	220	I20	270	220
RI36		330	330	OMIT	OMIT	330
RI37		220	220	I20	270	220
RI38		330	330	OMIT	OMIT	330
RI41		220	220	I20	270	220
RI42		330	330	OMIT	OMIT	330
RI43		220	220	I20	270	220
RI44		330	330	OMIT	OMIT	330
RI45		220	220	I20	270	220
RI46		330	330	OMIT	OMIT	330
RI47		220	220	I20	270	220
RI48		330	330	OMIT	OMIT	330
R1		220	220	I20	270	220
R2		330	330	OMIT	OMIT	330
R3		220	220	I20	270	220
R4		330	330	OMIT	OMIT	330
W1	↓	USE	USE	OMIT	OMIT	OMIT
W2	OMIT	OMIT	OMIT	USE	USE	USE
C1, C011 THRU C141	USE	USE	USE	USE	USE	USE

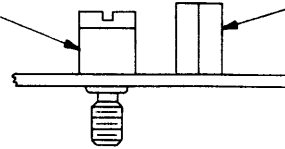
PERIPHERAL EQUIPMENT DESCRIPTION TITLE SCHEMATIC, I/O TERMINATION PD	102800 41
---	--------------

8 7 6 5 4 3 2 1

H
G
F
E
D
C
B
A

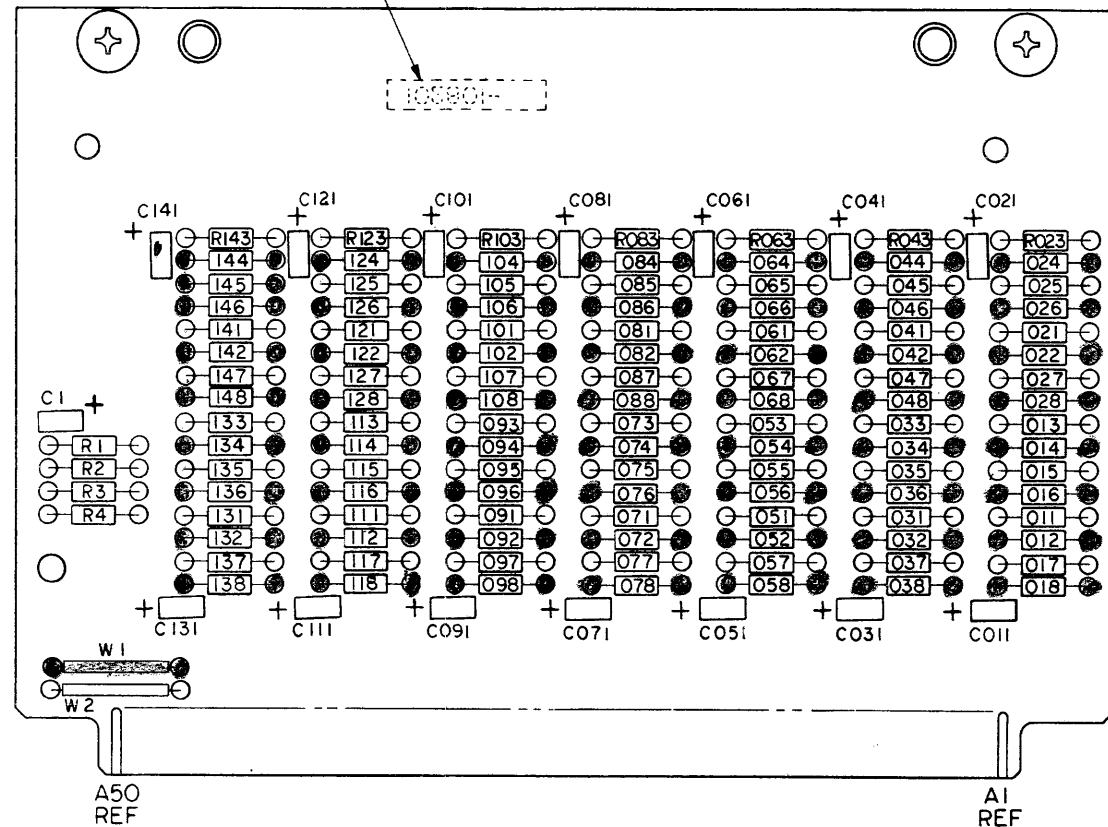
REVISIONS					
REV	DESCRIPTION	DATE	DR	CHK	APPR
A	ERN 4-G-W PRE-PRODUCTION RELEASE	5/1/72	RAS	JH	JH
	ERN 4-YH PRODUCTION RELEASE	7/1/72	PLM	BR	JH

615-6822
2 PLCS }
102709-04
601-0803 } 2 PLCS



*Cable End Terminator Card
102801-07A*

* • = NO component
** ALL Resistors = 120 ohms
*** W2 installed
W1 NOT installed



102802-01 4

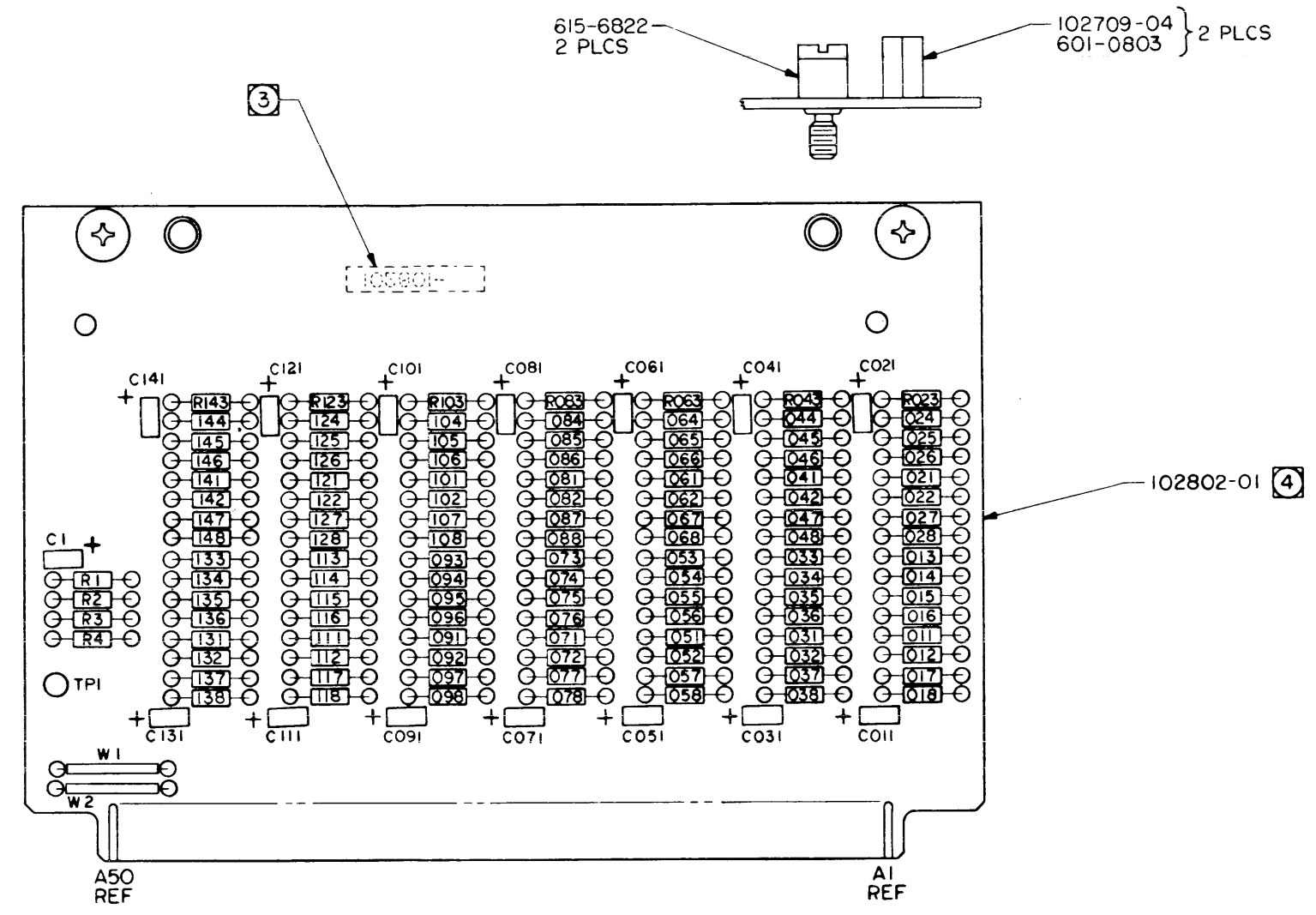
FOR ASSEMBLY VERSION INFORMATION SEE SCHEMATIC 102800.
FOR LIST OF MATERIALS SEE LM 102801 AND APPLICABLE DASH NO.
PART NO. 102801-07 REV A

- 4 THIS ASSY SHALL BE MADE FROM PROCESS BOARD 102802 REV C AND SUBSEQUENT.
- 3 RUBBER STAMP ASSY PART NO. 102801 INCLUDING VERSION NO AND VERSION ISSUE LETTER FARSIDE ORIENTED AS SHOWN.
2. ASSEMBLE PER STANDARD MFG METHODS.
1. REFERENCE DRAWING SCHEMATIC 102800.

NOTES: UNLESS OTHERWISE SPECIFIED:

The information hereon is the property of PERTEC CORPORATION. No portion of this data shall be released, disclosed, used, or duplicated, for procurement or manufacturing purposes without specific written consent of PERTEC.		SIGNATURES		DATE	PERTEC PERIPHERAL EQUIPMENT
UNLESS OTHERWISE SPECIFIED: DIMENSIONS ARE IN INCHES TOLERANCES: .XX ± — XXX ± — X ± — X ± — BREAK—ALL SHARP CORNERS APPROX—0.10		DR	CHK	DATE	
FINISH:		ENGR	PROJ. ENGR	DATE	TITLE
MATERIAL:		PCBA			I/O TERMINATION BOARD
APPLICATION		D3000		SIZE	CODE IDENT NO.
NEXT ASSY		1ST USED ON		D	DWG NO.
SCALE		DO NOT SCALE DWG		102801	REV
					A

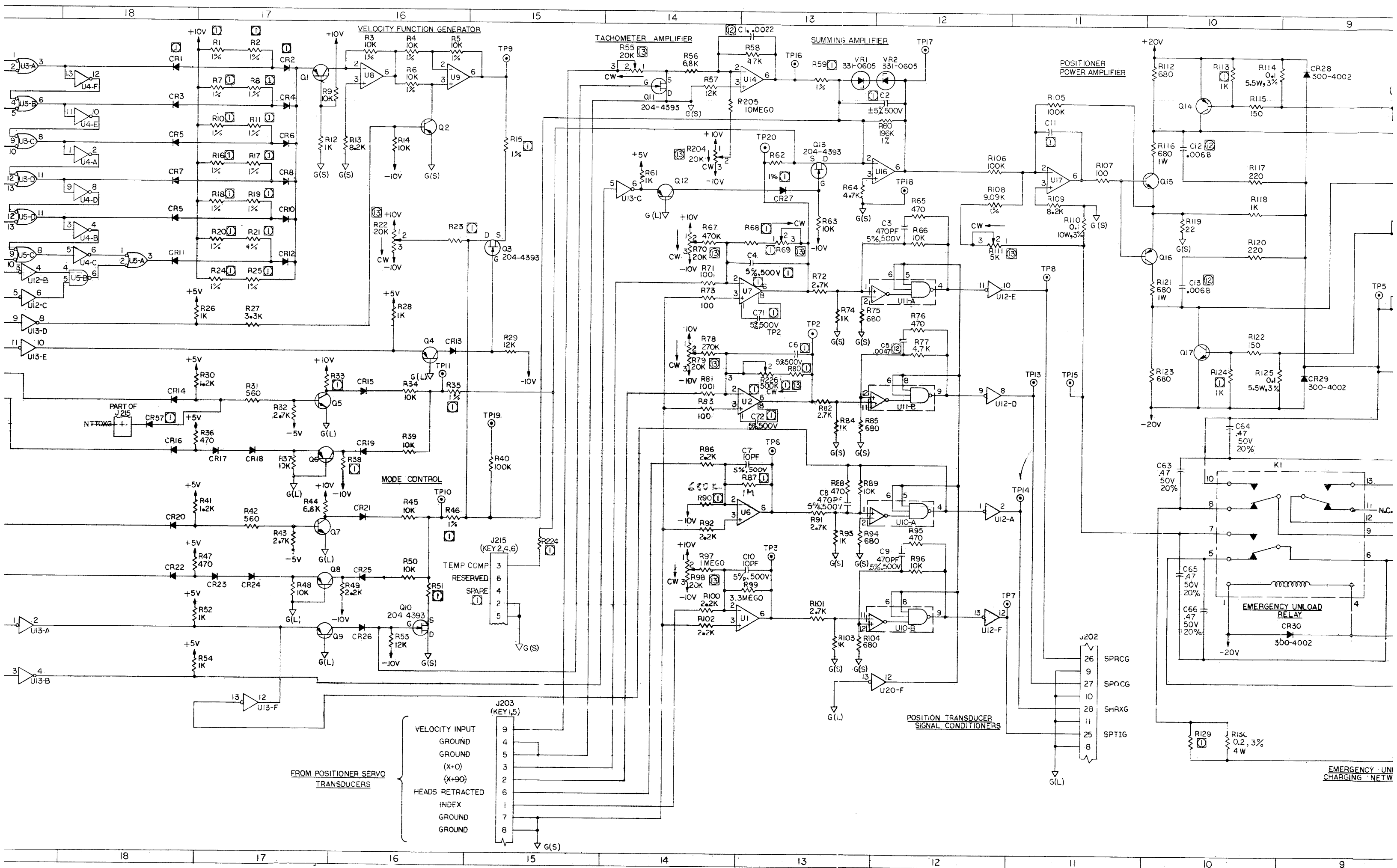
REVISIONS				
REV	DESCRIPTION	DATE	DR	CHK
A	ERN 4-G-WPRE-PRODUCTION RELEASE	1/19/72	RAS	JIT
	ERN 4-YH PRODUCTION RELEASE	1/24/72	PLW	ESB
B	ECN 7331	8/7/72	WLS	PRD



FOR ASSEMBLY VERSION INFORMATION SEE SCHEMATIC 102800.
 FOR LIST OF MATERIALS SEE LM 102801 AND APPLICABLE DASH. NO.
 PART NO. 102801-03 REV B

- ④ THIS ASSY SHALL BE MADE FROM PROCESS BOARD 102802 REV D AND SUBSEQUENT.
 - ③ RUBBER STAMP ASSY PART NO. 102801 INCLUDING VERSION NO. AND VERSION ISSUE LETTER FARSIDE ORIENTED AS SHOWN.
 - 2. ASSEMBLE PER STANDARD MFG METHODS.
 - 1. REFERENCE DRAWING SCHEMATIC 102800.
- NOTES: UNLESS OTHERWISE SPECIFIED:

<small>The information herein is the property of PERTEC CORPORATION. No portion of this data shall be released, disclosed, used, or duplicated, for procurement or manufacturing purposes without specific written consent of PERTEC.</small>		SIGNATURES DR. <i>R. Long</i> CHK. <i>W. Long</i>		DATE 6-22-72
UNLESS OTHERWISE SPECIFIED DIMENSIONS ARE IN INCHES TOLERANCES: .XXX ± .005 .XX ± .002 X ± .001 ANGULAR ± .005 PERTEC-ALL SHARP CORNERS FINISH:		PERTEC PERIPHERAL EQUIPMENT TITLE PCBA I/O TERMINATION BOARD		SIZE D
APPLICATION D3000		MATL:		CODE IDENT NO. 102801
NEXT ASSY 1ST USED ON		SCALE		DWG NO. 102801
REV B		SHEET OF		DO NOT SCALE DWG

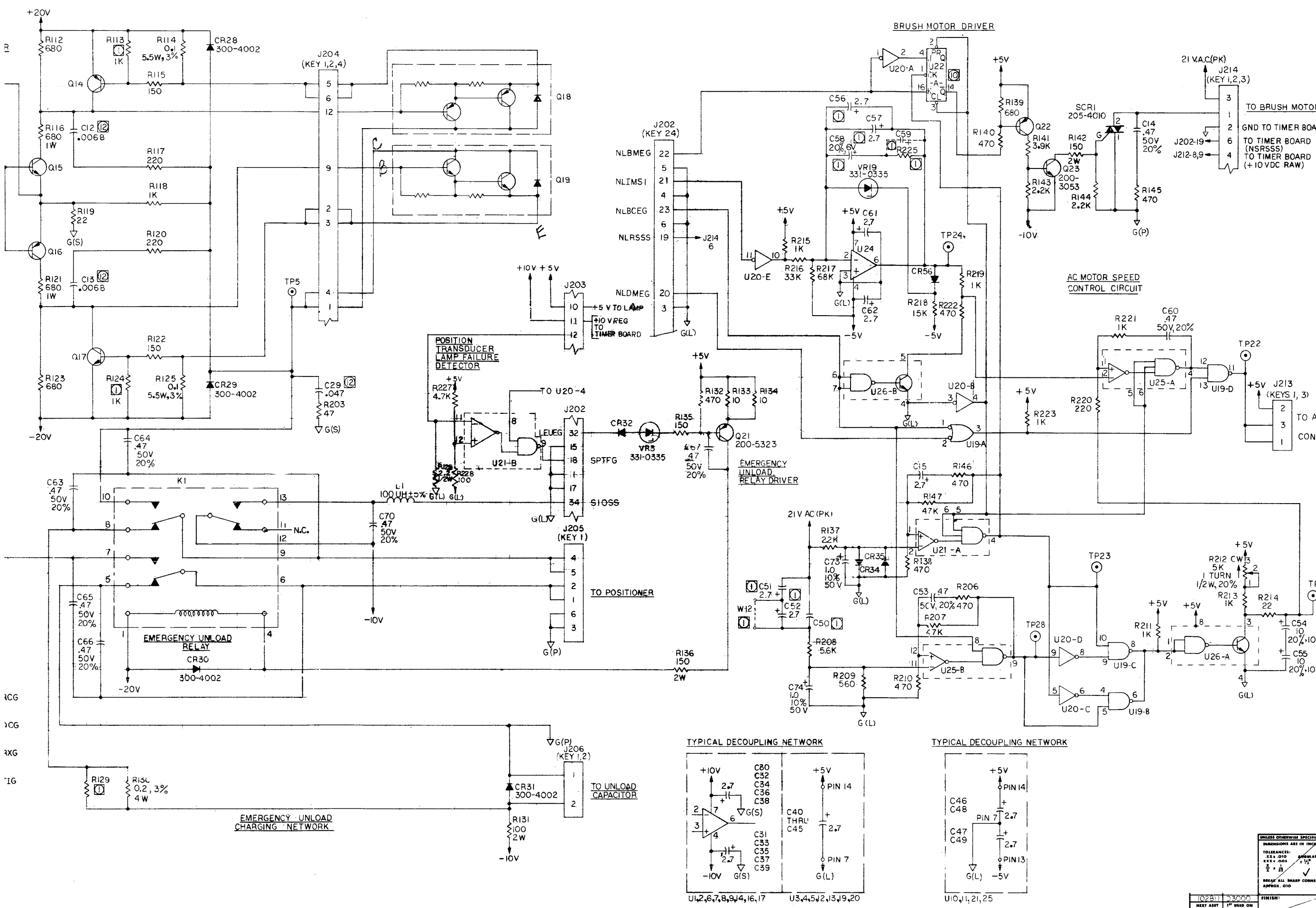


FROM POSITIONER SERVO TRANSDUCERS

- 9 VELOCITY INPUT
- 4 GROUND
- 5 GROUND
- 3 (X-0)
- 2 (X+90)
- 6 HEADS RETRACTED
- 1 INDEX
- 7 GROUND
- 8 GROUND

- 26 SPRCG
- 9 SPQCG
- 27 SPQCG
- 10 SHRXG
- 11 SHRXG
- 25 SPTIG
- 8 SPTIG

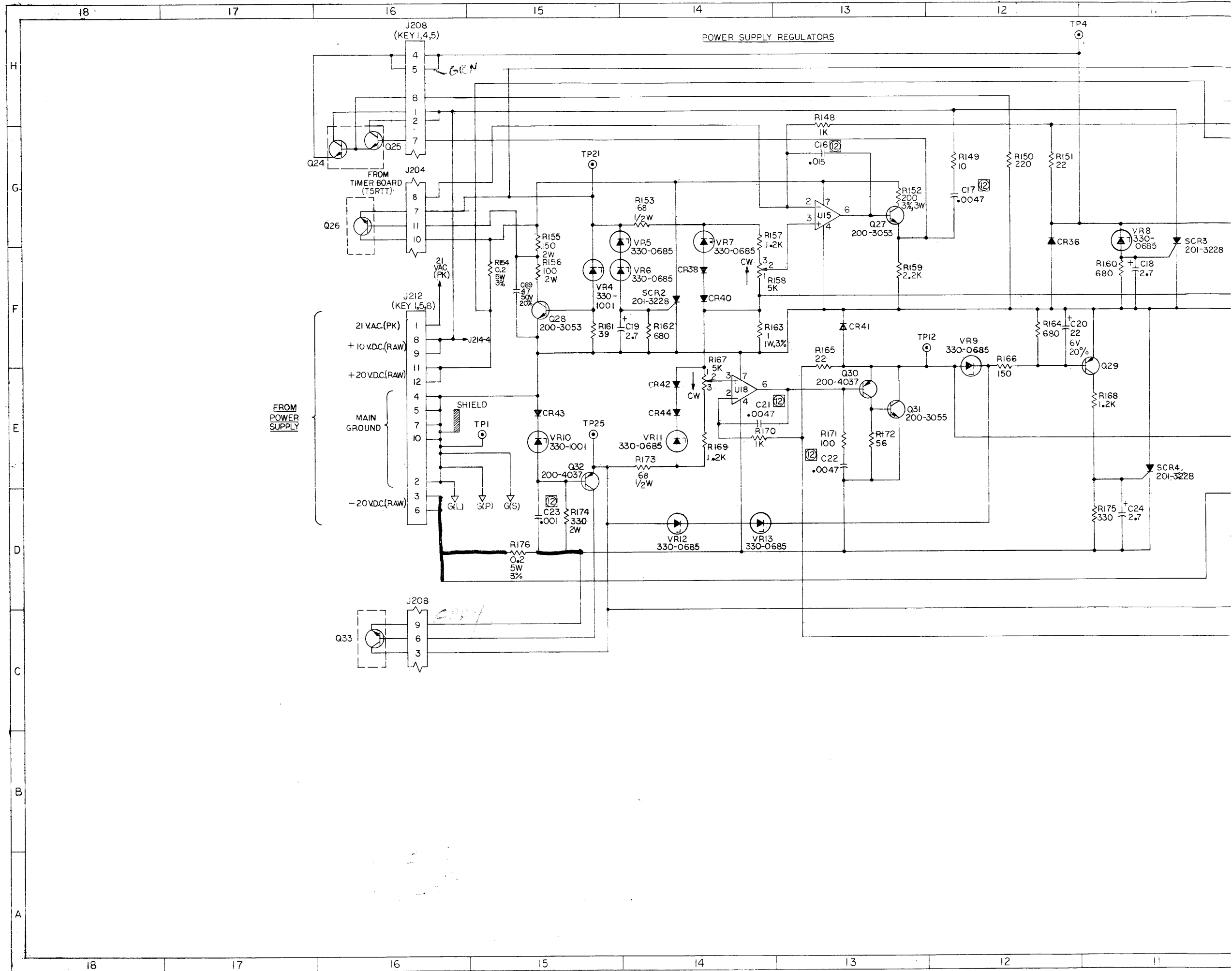
EMERGENCY UNLOADING NETWORK



REV	DESCRIPTION	DATE	BY	CHK	APP
A	ERN 4-F PRE-PROD RLSE	7/1/71	T.E.		
B	ECN 4313	9-23-71	J.C.		
C	ECN 4323	9-23-71	J.C.		
D	ECN 4563	11-22-71	J.C.		
E	ECN 4686	12-1-71	J.C.		
F	ECN 4687	12-1-71	J.C.		
G	ECN 4796	1-3-72	J.C.		
H	ECN 4943	2-11-72	J.C.		
J	ECN 5092 A	3-1-72	J.C.		
K	ERN 5-H-B PRODUCTION RELEASE	3-1-72	J.C.		
L	ECN 5443	3-1-72	J.C.		
M	ECN 5636	3-1-72	J.C.		
N	ECN 5776	3-1-72	J.C.		
P	ECN 5779	3-1-72	J.C.		
R	ECN 6096	3-1-72	J.C.		
S	ECN 6094 A	3-1-72	J.C.		
T	ECN 6117	3-1-72	J.C.		
U	ECN 6224 A	3-1-72	J.C.		
V	ECN 6569	3-1-72	J.C.		
W	ECN 7143	3-1-72	J.C.		
Y	ECN 7363	3-1-72	J.C.		
Z	ECN 7650 A	3-1-72	J.C.		
AA	ECN 7714	3-1-72	J.C.		
AB	ECN 7731 A	3-1-72	J.C.		
AC	ECN 7892	3-1-72	J.C.		
AD	ECN 8025 A	3-1-72	J.C.		
AE	ECN 8064	3-1-72	J.C.		
AF	ECN 8360	3-1-72	J.C.		
AG	ECN 8391	3-1-72	J.C.		
AH	ECN 8452	3-1-72	J.C.		
AJ	ECN 8588	3-1-72	J.C.		
AJ1	ECN 8768	3-1-72	J.C.		

REFERENCE DRAWINGS:
ASSEMBLY 102B11
SPECIFICATION 102B14

UNLESS OTHERWISE SPECIFIED, DIMENSIONS ARE IN INCHES		THE INFORMATION HEREIN IS THE PROPERTY OF PERIODIC EQUIPMENT CORPORATION. NO REPRODUCTION OR TRANSMISSION IS PERMITTED WITHOUT THE WRITTEN CONSENT OF PERIODIC EQUIPMENT CORPORATION.	
TOLERANCES: XX ± .010 XXX ± .005 Z ± .01	ANGLES 1/2° 1°	SIGNATURES DATE	
BREAK ALL SHARP CORNERS APPROX. .010		TITLE DATE	
FINISH: SCALE: NONE		DWG NO. REV	
NEXT ASSY TO BE USED ON: APPLICATION		SIZE: 102B11 DWG NO. 102B10 REV. 1	



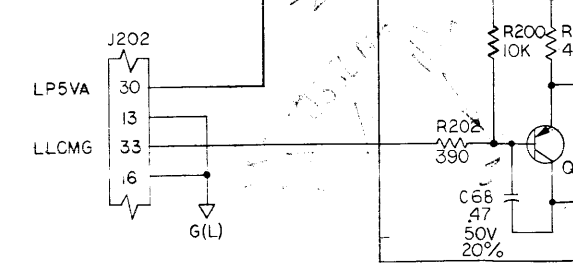
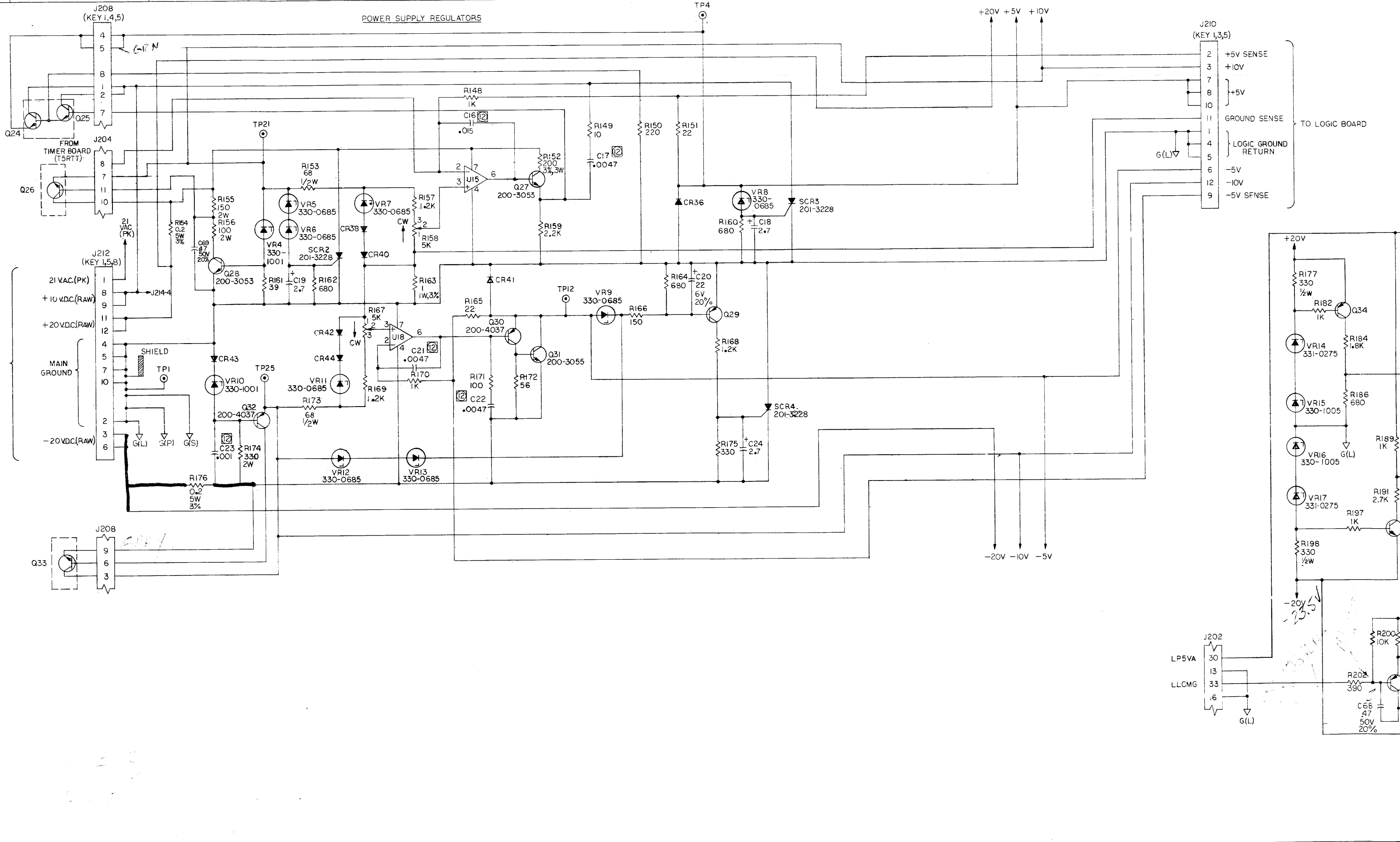


TABLE I

PART NO.	REF DESIGNATION
100-1005	R133,134,149
-1015	R107,171,71,73,81,83,228
-1025	R12,26,28,52,54,61,74,84,93,103,118,148,170,180,182,197,199,211,215,219,221,223,189,213
-1035	R9,14,34,37,39,45,48,50,63,66,89,96,83,200
-1045	R40,105,106
-1055	R97
-1225	R30,41,68,194,157,169
-235	R29,53,57
-1515	R115,122,135,166
-825	R184,192
-2205	R119,151,165,214
-2215	R117,120,220,150
-2225	R49,86,92,100,102,137,143,144,159
-2235	R188
-3905	R161
-2725	R32,43,72,82,91,101,191
-5625	R208
-3315	R175,187,190,196
-3325	R27
-3335	R216
-3355	R99
-3915	R202
-3925	R141
-4705	R193,203
-4715	R36,47,65,76,88,95,132,138,145,146,201,140,206,210,222
-4725	R64,178,227,77
-4735	R147,207,58
-4745	R67
-5605	R172
-5615	R31,42,209
-6805	R181,85
-6815	R75,85,94,104,112,123,160,162,164,186,139
-8225	R13,109
-1065	R205
-2745	R78
-1535	R218
-6835	R217
100-6825	R56,44
101-0225	R128
101-6805	R153,173
101-3315	R177,198
102-6815	R116,121
103-1015	R131,156
103-515	R136,155,142
103-3315	R174

TABLE I

PART NO.	REF DESIGNATION
104-1002	R3,4,5,6
-1961	R179
-1963	R60
-4221	R195
104-9091	R108
108-2013	R152
109-0002	R154,176
109-0003	R114,125
110-0011	R110
113-0103	R163
115-0002	R130
121-2030	R22,55,70,79,98,204
121-5020	R111,158,167
123-5020	R212
30-1005	C7,10
130-4715	C3,8,9
131-1020	C23
-2220	C1
-4720	C17,21,22,5
-4730	C29
131-6820	C12,13
131-1530	C16
132-2262	C20,25,27
132-2752	C15,18,19,24,28,30 THRU 49,61,62
132-1062	C54,55
135-4742	C14,26,53,60,63 THRU 70
139-1051	C73,74
200-3053	Q23,27,28
-3055	Q31
-4037	Q30,32
-4123	Q5,7,15,17,37 THRU 41
-4125	Q1,2,4,6,8,9,12,14,16,22,29,34,35,36,43
200-5323	Q21,42
201-3228	SCR2,3,4

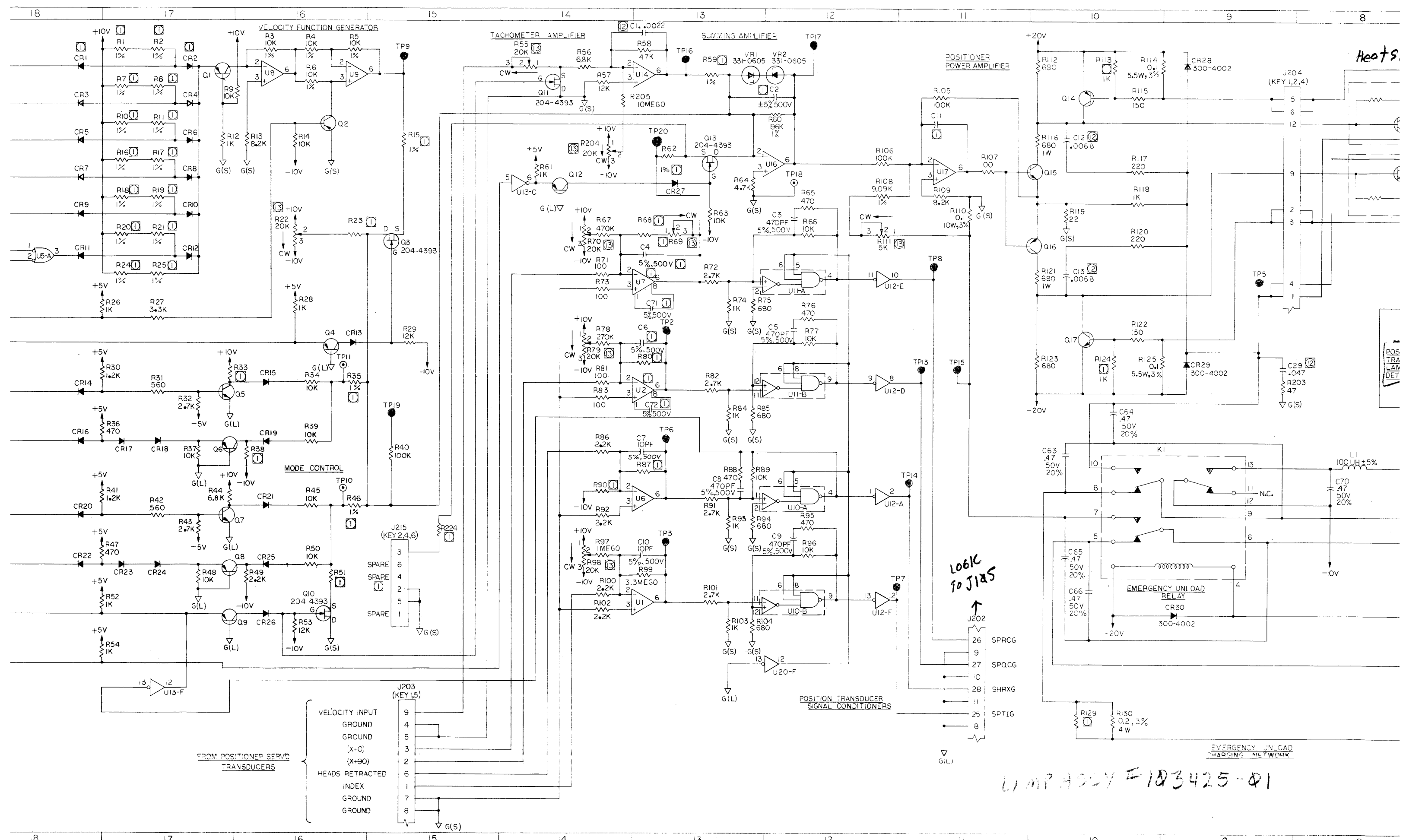
TABLE I

PART NO.	REF DESIGNATION
204-4393	Q3,10,11,13
205-4010	SCR1
300-4002	CR28-31,50
300-4446	CR3 THRU 27,32,34,35,36,38,40 THRU 44,46 THRU 49,56
330-0685	VR5 THRU 9,11 THRU 13
330-1005	VR15,16
330-1001	VR4,10
331-0275	VR18,14,17
331-0335	VR3,19
331-0605	VR1,2
400-2741	U1,6,8,9,14 THRU 18,24
502-243	K1
515-1015	L1
700-5107	U10,11,21,25
-7400	U3,5
-7404	U4,12,20
-7405	U13
-7438	U19
-7476	U22
700-7545	U26

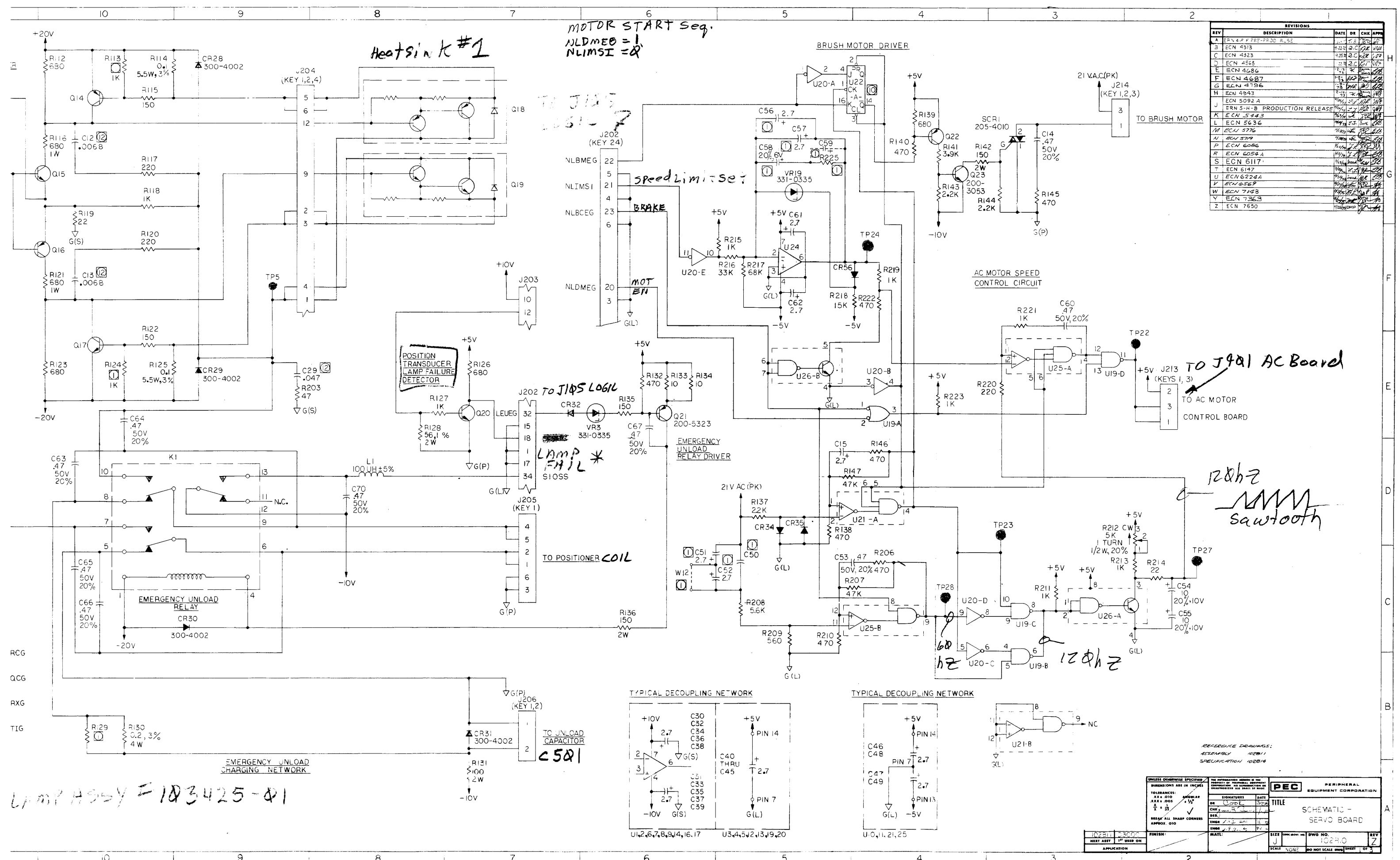
TABLE II

ASSEMBLY 102811 DASH NO.	VERSION CHARACTERISTIC			C2	C11	C1	CR2	R1	R2	R7	R8	R10	R11	R16	R17	
	100 TPI	200 TPI	+5V TIMER													
-01	X			VALUE	OMIT	OMIT	OMIT	OMIT	OMIT	51.1K	2.15K	56.2K	3.83K	82.5K	2.61K	
-02		X		VALUE	220PF	OMIT	USE	USE	51.1K	3.16K	61.9K	237	82.5K	4.64K	121K	3.16K
-31	X		X	VALUE	OMIT	OMIT	OMIT	OMIT	OMIT	51.1K	2.15K	56.2K	3.83K	82.5K	2.61K	
-32		X	X	VALUE	220 PF	OMIT	USE	USE	51.1K	3.16K	61.9K	237	82.5K	4.64K	121K	3.16K
-04		X		VALUE	220PF	OMIT	USE	USE	51.1K	3.16K	61.9K	237	82.5K	4.64K	121K	3.16K
-34		X	X	VALUE	220PF	OMIT	USE	USE	51.1K	3.16K	61.9K	237	82.5K	4.64K	121K	3.16K

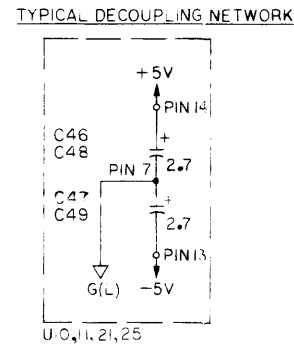
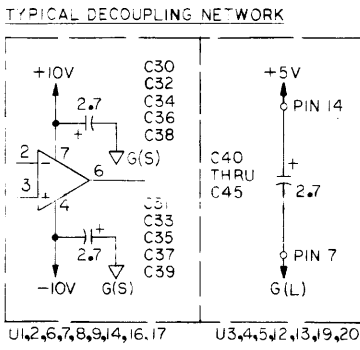
ASSEMBLY 102811 DASH NO.	VERSION CHARACTERISTIC			R69	R224	C71,72	U2,7	J215	R87	R90	R33	R38	R226	R225	R1	
	100 TPI	200 TPI	+5V TIMER													
-01	X			VALUE	500K	OMIT	OMIT	741 OP-AMP	OMIT	2.2MEGO	2.2MEGO	2.7K	2.2K	500K	3.3K	6
-02		X		VALUE	500K	220K	OMIT	318 OP-AMP	USE	1.0MEGO	680K	12K	12K	500K	3.3K	6
-31	X		X	VALUE	500K	OMIT	OMIT	741 OP-AMP	OMIT	2.2MEGO	2.2MEGO	2.7K	2.2K	500K	3.3K	6
-32		X	X	VALUE	500K	220K	OMIT	318 OP-AMP	USE	1.0MEGO	680K	12K	12K	500K	3.3K	6
-04		X		VALUE	500K	220K	OMIT	318 OP-AMP	USE	1.0MEGO	680K	12K	12K	500K	3.3K	6
-34		X	X	VALUE	500K	220K	OMIT	318 OP-AMP	USE	1.0MEGO	680K	12K	12K	500K	3.3K	6



L1 MP ASLY = 103425-01

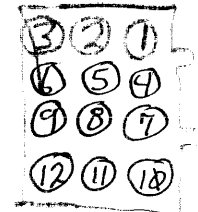
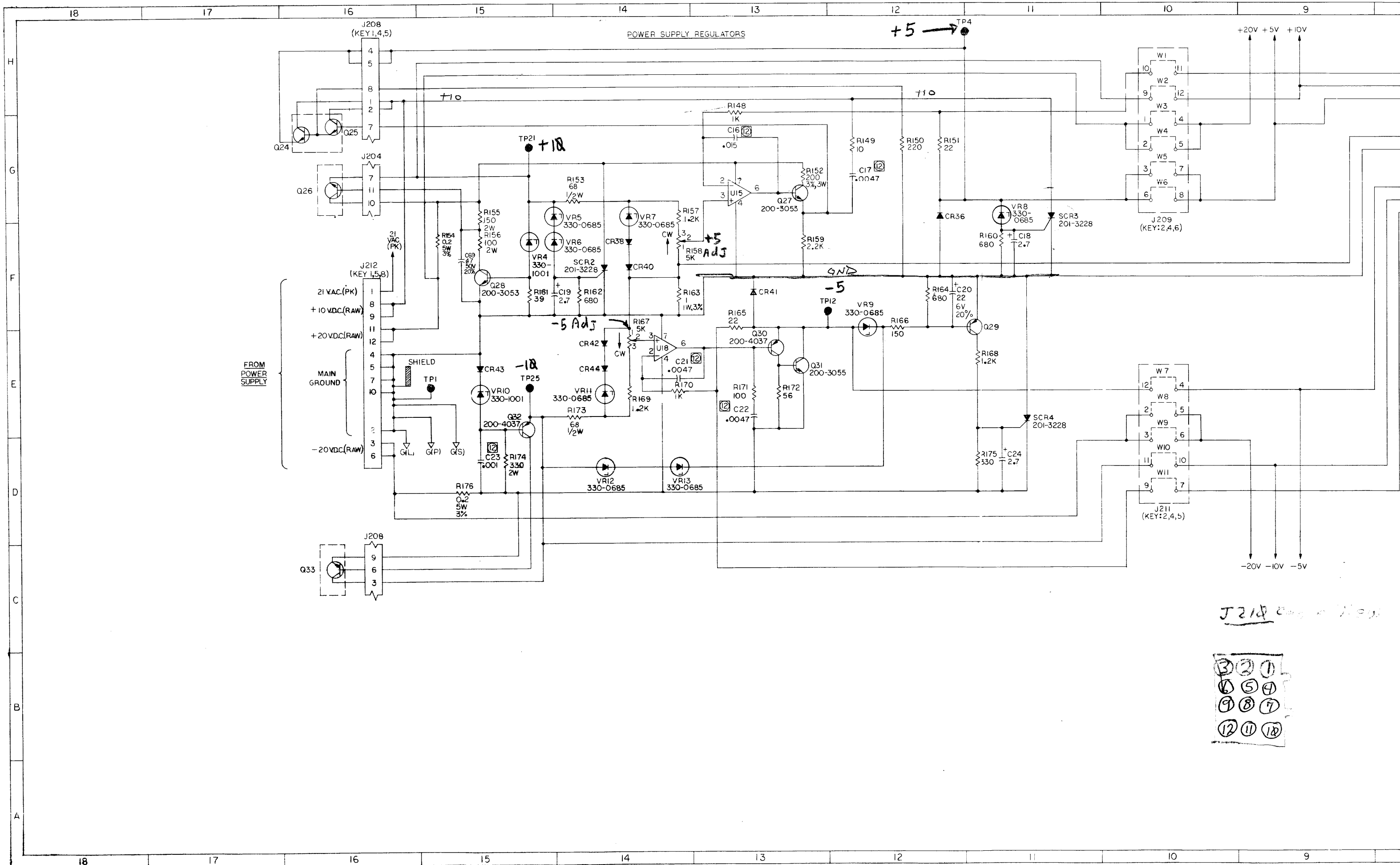


REV	DESCRIPTION	DATE	DR	CHK	APP
A	ERN 4-F PRE-PROD RISE	11-1-78
B	ECN 4513	11-22-78
C	ECN 4323	11-28-78
D	ECN 4563	12-1-78
E	ECN 4686	12-1-78
F	ECN 4687	12-1-78
G	ECN 4796	12-1-78
H	ECN 4943	12-1-78
J	ECN 5092 A	12-1-78
K	ERN 5-H-B PRODUCTION RELEASE	12-1-78
L	ECN 5443	12-1-78
M	ECN 5636	12-1-78
N	ECN 5776	12-1-78
P	ECN 5779	12-1-78
R	ECN 6082	12-1-78
S	ECN 6052 A	12-1-78
T	ECN 6117	12-1-78
U	ECN 6224 A	12-1-78
V	ECN 6568	12-1-78
W	ECN 7143	12-1-78
Y	ECN 7363	12-1-78
Z	ECN 7650	12-1-78

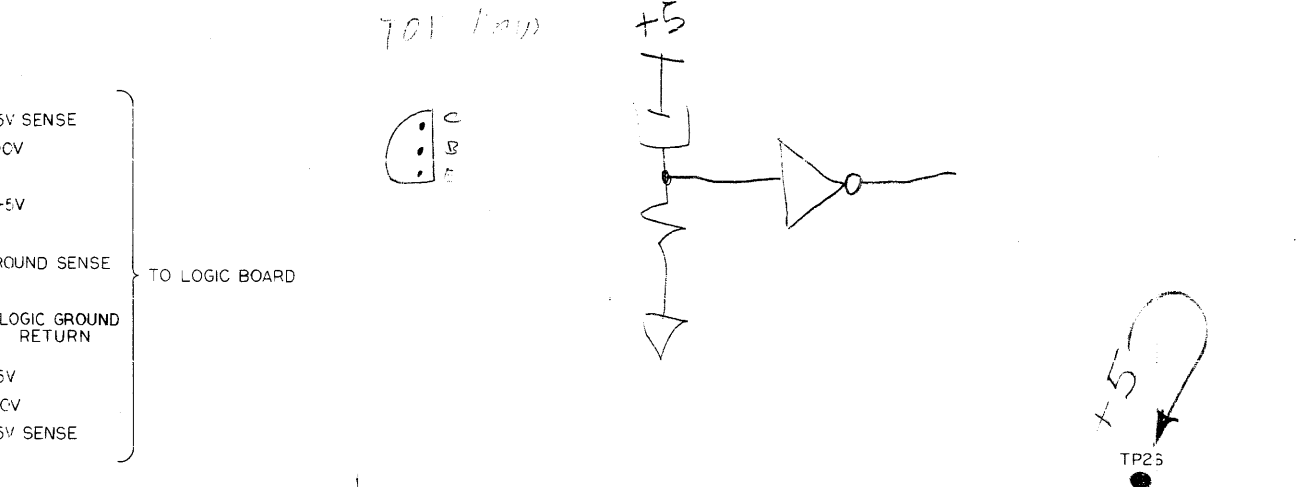
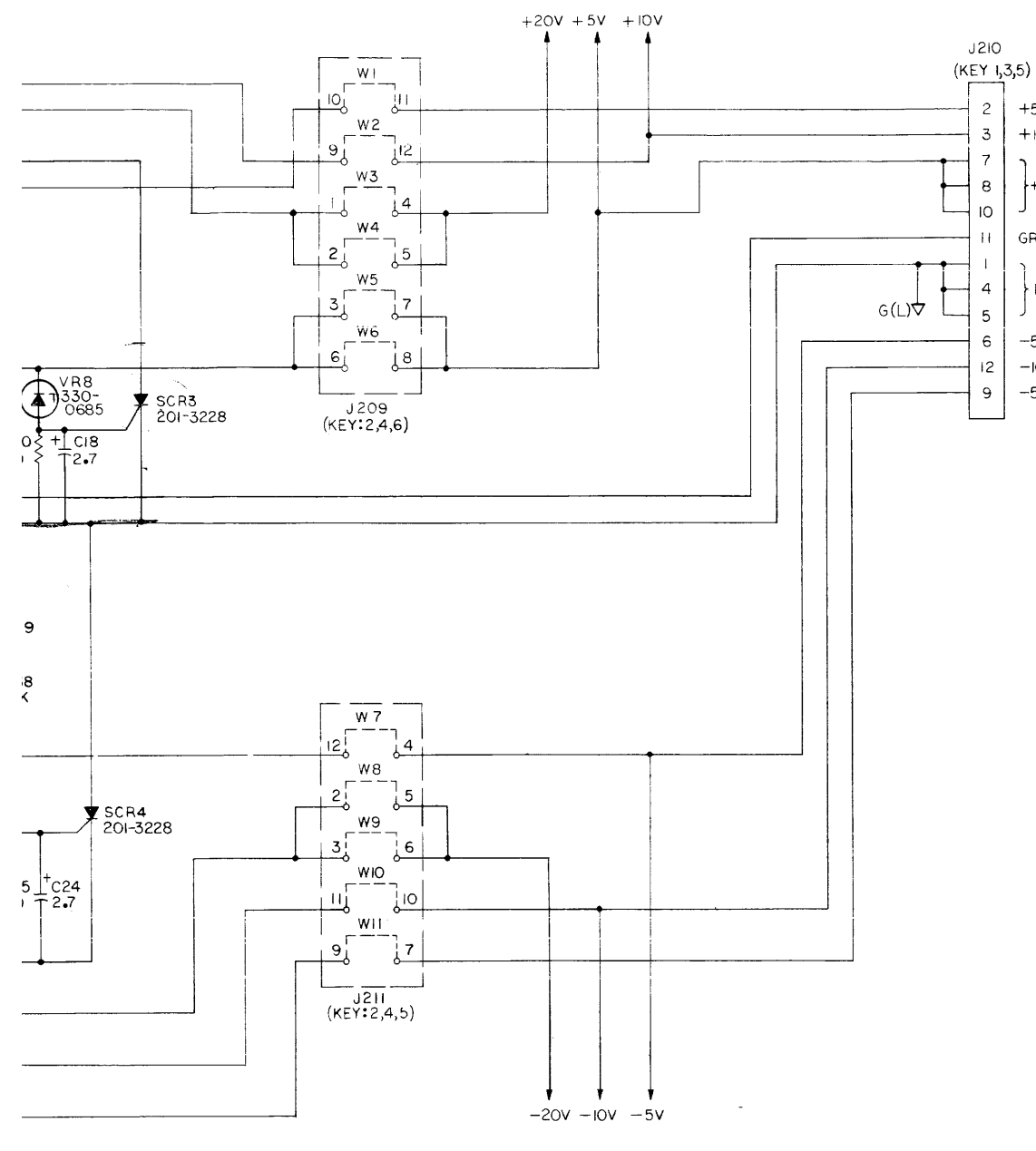


REFERENCE DRAWINGS:
 ASSEMBLY 102B/1
 SPECIFICATION 102B/4

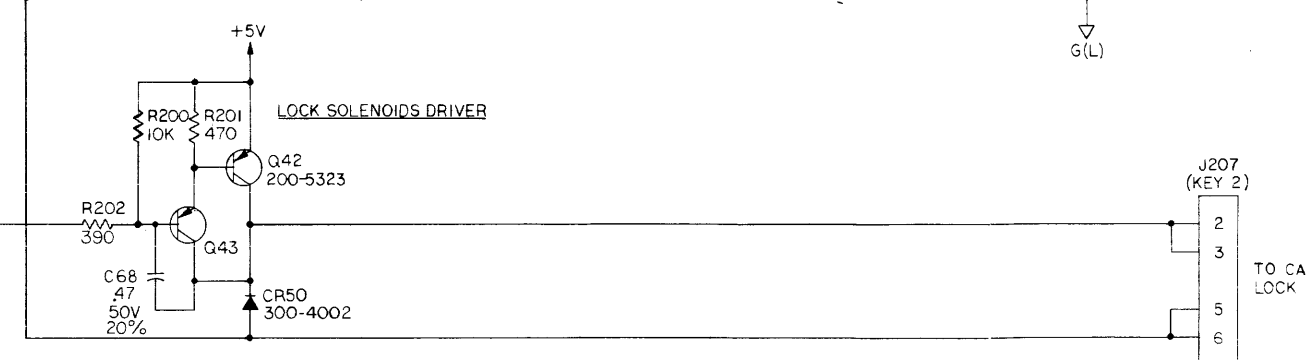
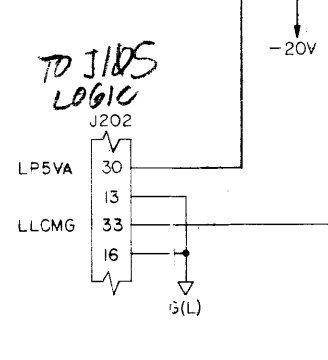
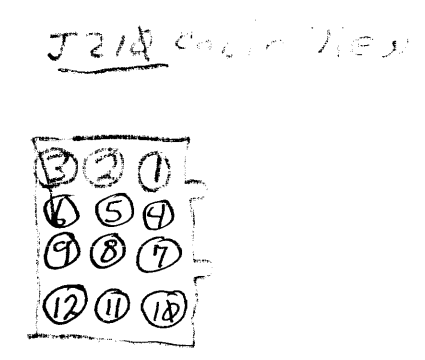
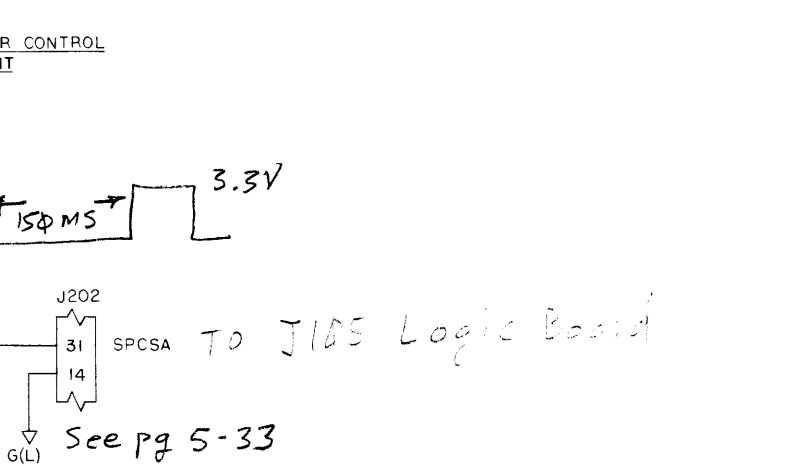
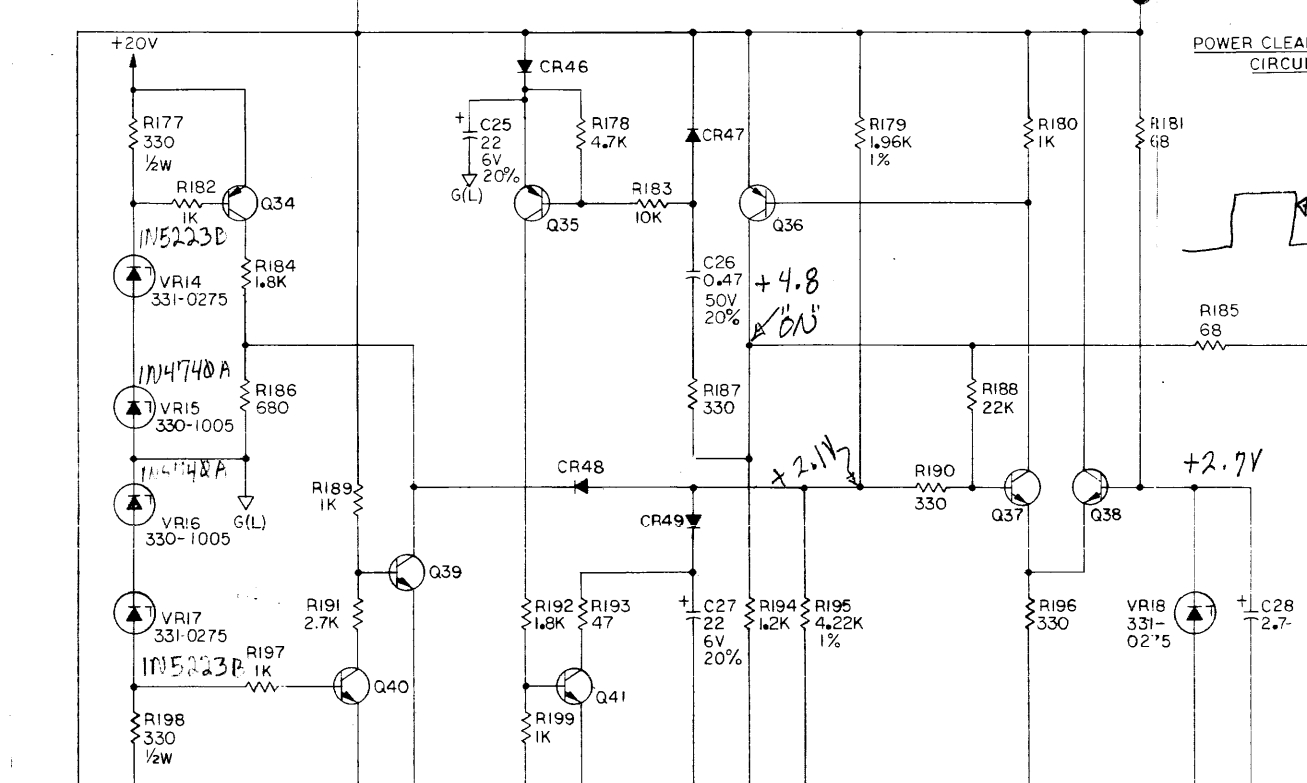
UNLESS OTHERWISE SPECIFIED: DIMENSIONS ARE IN INCHES TOLERANCES: XXX .010 XXX .005 X .5 X .3	DESIGNED BY: [Signature] CHECKED BY: [Signature] DATE: 11/28/78	PERIPHERAL EQUIPMENT CORPORATION TITLE: SCHEMATIC - SERVO BOARD
SCALE: NONE	FINISH: [Blank]	SIZE: 102B.0



REVISIONS		
REV	DESCRIPTION	DATE
1	SEE CHIT	1/7/73



POC - loop out (+5) 3-4 Volts



UNLESS OTHERWISE SPECIFIED, DIMENSIONS ARE IN INCHES		TOLERANCES:		THE INFORMATION HEREIN IS THE PROPERTY OF PERFORMER COMPANY, NO REPRODUCTION OR DISSEMINATION IS PERMITTED WITHOUT THE WRITTEN PERMISSION OF PERFORMER COMPANY.	
2X & 010	ANGULAR	FR	DATE	PEC EQUIPMENT CORP	
3X & 005	0.125	CHK	1/20/73	TITLE	
1/2 & 3/16	0.015	DES	1/20/73	SCHEMATIC -	
BREAK ALL SHARP CORNERS APPROX. 0.10		ENGR	1/20/73	SERVO PC	
		INSTR	1/20/73	SIZE (SEE REV NO) DWG NO.	
10281	03000	FINISH:	SCALE:	J	
NEXT ASSY	1 ST USER ON	APPLICATION		102810	
				SCALE NONE DO NOT SCALE DWG ON	

H
G
F
E
D
C
B
A

TABLE I

PART NO.	REF DESIGNATION
00-1005	R133,134,149
↑ -1015	R107,171,71,73,81,83
-1025	R12,26,29,52,54,61,74,84,93,103,118,127,148,170,180,182,197,199,211,215,219,221,223,189,213
-1035	R9,14,34,37,39,45,48,50,63,66,77,89,96,83,200
-1045	R40, 105,106
-1055	R97
-1225	R30,41,168,194,157,169
-235	R29,53,57
-1515	R115,122,135, 166
-1825	R184, 192
-2205	R119,151,165,214
-2215	R117,120, 220,150
-2225	R,49,86,92,100,102,137,143,144,159
-2235	R188
-3905	R161
-2725	R32,43,72,82,91,101, 191
-5625	R208
-3315	R175, 187,190,196
-3325	R27
-3335	R216
-3355	R99
-3915	R202
-3925	R141
-4705	R193,203
-4715	R36,47,65,76,88,95,132,138,145,146,201,140,206,210,222
-4725	R64,178
-4735	R147,207,58
-4745	R67
-5605	R172
-5615	R31,42,209
-6805	R181,185
-6815	R75,85,94,104,112,123,126,160,162,164,186, 139
-8225	R13,109
-1065	R205
-2745	R78
-1535	R218
-6835	R217
100-6825	R56,44
101-6805	R153,173
101-3315	R177,198
102-6815	R116,121
103-1015	R131,156
103-1515	R138,155,142
103-3315	R174

TABLE I

PART NO.	REF DESIGNATION
104-1002	R3,4,5,6
↑ -1961	R179
-1963	R60
-4221	R195
104-9091	R108
108-2013	R152
109-0002	R154,176
109-0003	R114,125
110-0011	R110
113-0103	R163
114-0561	R128
115-0002	R130
121-2030	R22,55,70,79,98,204
121-5020	R111,158,167
123-5020	R212
130-1005	C7,10
130-4715	C3,5,8,9
131-1020	C23
↑ -2220	C1
-4720	C17,21,22
↓ -4730	C29
131-6820	C12,13
131-1530	C16
132-2262	C20,25,27
132-2752	C15,18,19,24,28,30 THRU 49,61,62
132-1062	C54,55
135-4742	C14,26, 53, 60, 63 THRU 70
200-3053	Q23,27,28
↑ -3055	Q31
-4037	Q30,32
-4123	Q5,7,15,17,20,37 THRU 41
-4125	Q1,24,6,8,9,12,14,16,22,29,34,35,36,43
200-5323	Q21,42
201-3228	SCR2,3,4

TABLE I

PART NO.	REF DESIGNATION
204-4393	Q3,10,11,13
205-4010	SCRI
300-4002	CR28-31,50
300-4446	CR3 THRU 27,32,34,35,36,38,40 THRU 44,46 THRU 49, 56
330-0685	VR5 THRU 9,11 THRU 13
330-1005	VR15,16
330-1001	VR4,10
331-0275	VR18,14,17
331-0335	VR3,19
331-0605	VR1,2
400-2741	UI, 6, 8,9,14 THRU 18,24
502-1243	KI
515-1015	LI
700-5107	U10,11,21,25
↑ -7400	U3,5
-7404	U4,12,20
-7405	U13
-7438	U19
↓ -7476	U22
700-7545	U26

ASSEMBLY 102811 DASH NO.	VERSION CHARACTERISTIC		R225	C2	C11	CRI	CR2
-01	100TPI	VALUE	3.3K	OMIT	OMIT	OMIT	OMIT
		PART NO.	100-3325				
-02	200TPI	VALUE	3.3K	220PF	OMIT	USE	USE
		PART NO.	100-3325	130-2215		300-4446	300-4446

ASSEMBLY 102811 DASH NO.	VERSION CHARACTERISTIC		R15,59	R69	R224	C71,72	U2,7
-01	100TPI	VALUE	6.81K	500K	OMIT	OMIT	741 OP-A
		PART NO.	104-6811	121-5040			400-27
-02	200TPI	VALUE	6.19K	500K	220K	OMIT	741 OP-A
		PART NO.	104-6191	121-5040	100-2245		400-27

TABLE I

REF DESIGNATION
R133,134,149
R107,171,71,73,81,83
R12,26,28,52,54,61,74,84,93,103,118,127,148,170,180,182,197,199,211,215,219,221,223,189,213
R9,14,34,37,39,45,48,50,63,66,77,89,96,83,200
R40, 105,106
R97
R30,41,168,194,157,169
R29,53,57
R115,122,135, 166
R184, 192
R119,151,165,214
R117,120, 220,150
R 49, 86, 92,100,102,137, 143, 144,159
R188
R161
R32,43,72,82,91,101, 191
R208
R175, 187,190,196
R27
R216
R99
R202
R141
R193,203
R36,47,65,76,88,95,132,138,145,146,201,140,206,210,222
R64,178
R147,207,58
R67
R172
R31,42,209
R181,185
R75,85,94,104,112,123,126,160,162,164,186, 139
R13,109
R205
R78
R218
R217
R56,44
R153,173
R177,198
R116,121
R131,156
R136,155,142
R174

TABLE I

PART NO.	REF DESIGNATION
104-1002	R3,4,5,6
-1961	R179
-1963	R60
-4221	R195
104-9091	RI08
108-2013	RI52
109-0002	RI54,176
109-0003	RI14,125
110-0011	RI10
113-0103	RI63
114-0561	RI28
115-0002	RI30
121-2030	R22,55,70,79,98,204
121-5020	RI11,158,167
123-5020	R212
130-1005	C7,10
130-4715	C3,5,8,9
131-1020	C23
-2220	C1
-4720	C17,21,22
-4730	C29
131-6820	C12,13
131-1530	C16
132-2262	C20,25,27
132-2752	C15,18,19,24,28,30 THRU 49,61,62
132-1062	C54,55
135-4742	C14,26, 53, 60, 63 THRU 70
200-3053	Q23,27,28
-3055	Q31
-4037	Q30,32
-4123	Q5,7,15,17,20,37 THRU 41
-4125	Q1,2,4,6,8,9,12,14,16,22, 29,34,35,36,43
200-5323	Q21,42
201-3228	SCR2,3,4

TABLE I

PART NO.	REF DESIGNATION
204-4393	Q3,10,11,13
205-4010	SCRI
300-4002	CR28-31,50
300-4446	CR3 THRU 27,32,34,35, 36,38,40 THRU 44,46 THRU 49, 56
330-0685	VR5 THRU 9,11 THRU 13
330-1005	VR15,16
330-1001	VR4,10
331-0275	VR18,14,17
331-0335	VR3,19
331-0605	VR1,2
400-2741	U1, 6, 8,9,14 THRU 18,24
502-1243	K1
515-1015	L1
700-5107	U10,11,21,25
-7400	U3,5
-7404	U4,12,20
-7405	U13
-7438	U19
-7476	U22
700-7545	U26

TABLE II

ASSEMBLY 102811 DASH NO.	VERSION CHARACTERISTIC	R225	C2	C11	CR1	CR2	R1	R2	R7	R8	R10	R11	R16	R17	R18	R19	R20	R21	
-01	100TPI	VALUE	3.3K	OMIT	OMIT	OMIT	OMIT	OMIT	5.1K	2.5K	56.2K	3.83K	825K	2.61K	82.5K	2.61K	133K	9.09K	
		PART NO.	100-3325						104-5112	104-2151	104-5622	104-3831	104-8252	104-2611	104-8252	104-2611	104-1333	104-909	
-02	200TPI	VALUE	3.3K	220PF	OMIT	USE	USE	5.1K	3.16K	61.9K	237	82.5K	4.64K	121K	3.16K	162K	12.1K	196K	26.1K
		PART NO.	100-3325	130-2215		300-4446	300-4446	104-5112	104-316	104-6192	104-2370	104-8252	104-4641	104-1213	104-316	104-1623	104-1212	104-1963	104-26

ASSEMBLY 102811 DASH NO.	VERSION CHARACTERISTIC	R15,59	R69	R224	C71,72	U2,7	J215	R87	R90	R33	R38	
-01	100TPI	VALUE	6.81K	500K	OMIT	OMIT	741 OP-AMP	OMIT	2.2MEGO	2.2MEGO	2.7K	2.2K
		PART NO.	104-6811	121-5040			400-2741		100-2255	100-2255	100-2725	100-2225
-02	200TPI	VALUE	6.19K	500K	220K	OMIT	741 OP-AMP	USE	1.0MEGO	680K	12K	12K
		PART NO.	104-6191	121-5040	100-2245		400-2741		100-1055	100-6845	100-1235	100-1235

10 9 8 7 6 5 4 3 2

REVISIONS			
REV	DESCRIPTION	DATE	DR
1	SEE SH. 1	10/11/72	AK

TABLE II

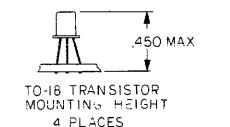
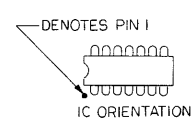
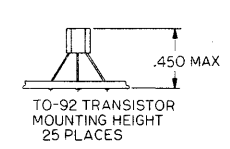
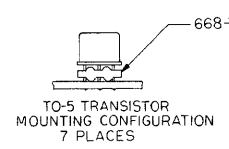
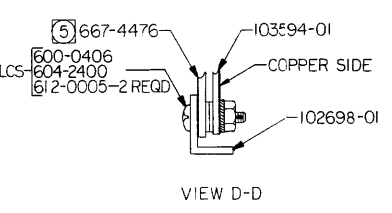
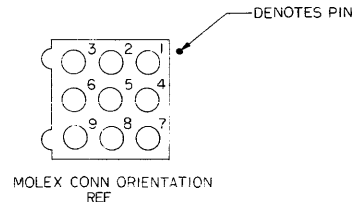
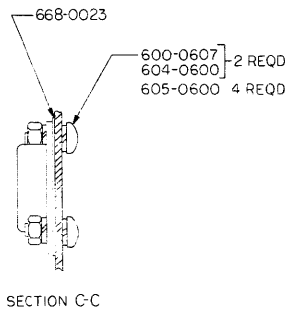
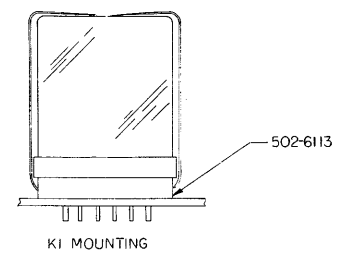
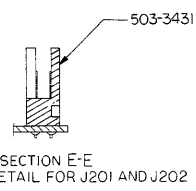
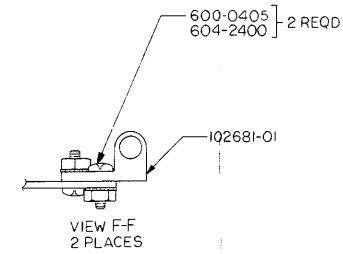
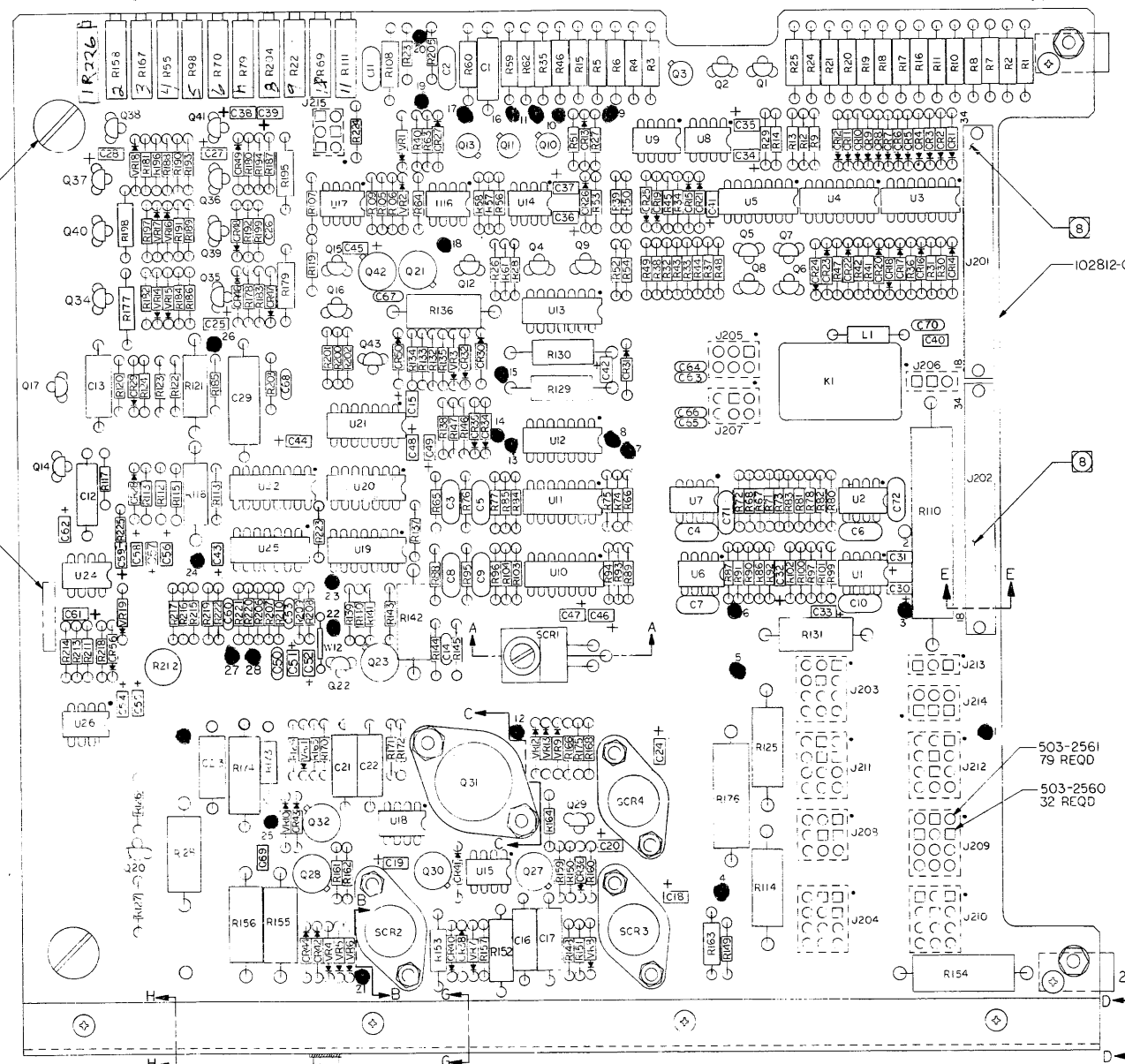
C11	CRI	CR2	R1	R2	R7	R8	R10	R11	R16	R17	R18	R19	R20	R21	R24	R25	R113	R124	C50	C51	C52	C56	C57	C58	C59	W12	C4	C6	R23	R35	R46	R51	R62	R68	R80	R129	
OMIT	OMIT	OMIT	OMIT	OMIT	5.1K	2.5K	56.2K	3.83K	82.5K	2.61K	82.5K	2.61K	133K	9.09K	196K	5.1K	1K	1K	OMIT	2.7	2.7	2.7	2.7	22	OMIT	OMIT	47 PF	47 PF	820K	422K	61.9K	220	287K	56K	220K	OMIT	
OMIT	USE	USE	5.1K	3.16K	61.9K	237	82.5K	4.64K	121K	3.16K	162K	12.1K	196K	26.1K	422K	75K	1K	1K	OMIT	2.7	2.7	2.7	2.7	22	OMIT	OMIT	15PF	15PF	820K	1.5M	100K	330	562K	100K	270K	OMIT	
	300-4446	300-4446	104-5112	104-3161	104-6192	104-2370	104-8252	104-4641	104-1213	104-3161	104-1623	104-1212	104-1963	104-2612	104-4223	104-7502	100-1025	100-1025		132-2752	132-2752	132-2752	132-2752	132-2262			130-4705	130-4705	100-8245	104-4223	104-6192	100-2215	104-2873	100-5635	100-2245		
																					132-2752	132-2752	132-2752	132-2752	132-2262			130-1505	130-1505	100-8245	104-1504	104-1003	100-3315	104-5623	100-1045	100-2745	

R224	C71,72	U2,7	J215	R87	R90	R33	R38
OMIT	OMIT	741 OP-AMP	OMIT	2.2MEGO	2.2MEGO	2.7K	2.2K
		400-2741		100-2255	100-2255	100-2725	100-2225
220K	OMIT	741 OP-AMP	USE	1.0MEGO	680K	12K	12K
100-2245		400-2741		100-1055	100-6845	100-1235	100-1235

102811		D3000		FINISH:		MATERIAL:		SIZE (SEE CONT. EDWG. NO. 102810)		SHEET 7 OF 7	
NEXT APT.		IF USED ON APPLICATION		TOLERANCES: UNLESS OTHERWISE SPECIFIED DIMENSIONS ARE IN INCHES		TOLERANCES: UNLESS OTHERWISE SPECIFIED DIMENSIONS ARE IN INCHES		SCALE NONE		DO NOT SCALE DWG	
SIGNATURES				DATE		PERTEC PERIPHERAL EQUIPMENT		TITLE			
DR. CODE				10/11/72		SCHEMATIC -		SERVO BOARD			
CHK. B. B. B.				10/11/72							
CHK. AK DECAT				10/11/72							

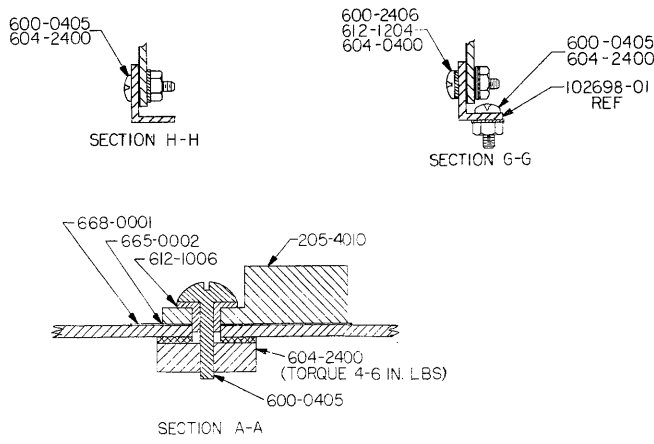
10 9 8 7 6 5 4 3 2

REV	DESCRIPTION	DATE	DR	CHK	APPR
A	ERN 4-H-XPRE-PROD RELEASE				
B	ECN 4224A				
C	ECN 4486				
D	ECN 4487				
E	ECN 5092A ERN 5-H-B PRODUCTION RELEASE				
F	ECN 5159				
G	ECN 5411A				
H	ECN 5457				
I	ECN 5776				
J	ECN 5719				
K	ECN 6086				
L	ECN 6054A				
M	ECN 6147				
N	ECN 6224 B				
P	ECN 6369				
R	ECN 6664				



FOR ASSY VERSION INFORMATION SEE SCHEMATIC 102810
FOR LIST OF MATERIALS SEE LM 102811 AND APPLICABLE
DASH NO. PART NO. 102811-02 REV J

- 8 REMOVE PIN 34 FOR J201 CONNECTOR KEYING AND REMOVE PIN 24 FOR J202 CONNECTOR KEYING.
- 7 (DELETED)
- 6 (DELETED)
- 5 BEFORE INSTALLING SUPPORT ANGLE, 102698-01 TO THE BOARD ASSY, APPLY VINYL TAPE, 667-4476 TO THE P.C. BOARD AS SHOWN IN VIEW D-D. TRIM TO CLEAR COMPONENTS AS REQD.
- 4 THIS ASSY SHALL BE MADE FROM PROCESS BOARD 102812 REV M AND SUBSEQUENT.
- 3 RUBBER STAMP ASSY PART NO. INCLUDING VERSION NO. AND VERSION ISSUE LETTER.
- 2 ASSEMBLE PER STANDARD MFG METHODS.
- 1 REFERENCE DRAWINGS: SCHEMATIC 102810 SPECIFICATION 102814



SIGNATURES		DATE
DR		10/22
CHK		
ENGR		
PROJ ENGR		
TITLE		
PCBA SERVO BOARD		
SIZE	CODE IDENT NO.	DWG NO.
E		102811
SCALE	2/1	
REV		
R		

REVISIONS				
REV	DESCRIPTION	DATE	DR	CHK
A	ERN 4-JR PRE-PROD RELEASE	7/14/72	RA5	RA5
	ERN 4-Y-Z PRODUCTION RELEASE	11/12/73	ZJ	RA5
B	ECN 5692A	10/31/73	YJ	RA5

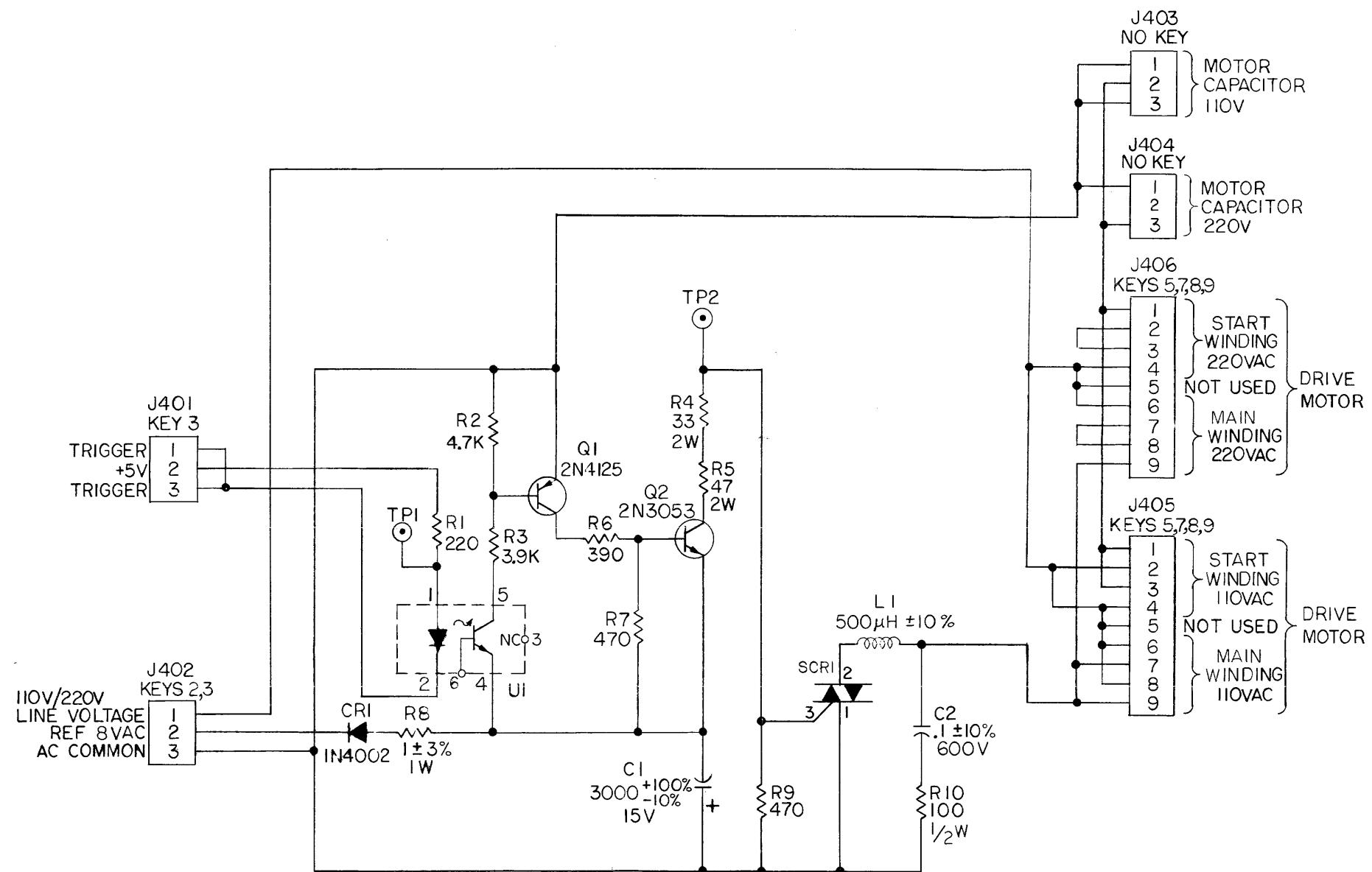
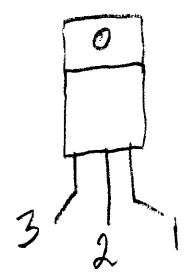


TABLE I

REF DES	VARIABLE VALUE	PART NO.	COMMON	-OI
C1		134-3000	X	X
C2		131-1046	X	X
CRI		300-4002	X	X
SCRI		205-4010	X	X
Q1		200-4125	X	X
Q2		200-3053	X	X
R1		100-2215	X	X
R2		100-4725	X	X
R3		100-3925	X	X
R4		103-3305	X	X
R5		103-4705	X	X
R6		100-3915	X	X
R7,R9		100-4715	X	X
R8		113-0103	X	X
R10		101-1015	X	X
UI		403-0001	X	X
L1		103585-01	X	X

REFERENCE DESIGNATIONS	
LAST USED	DELETED
C2	
CRI	
J406	
L1	
Q2	
R10	
SCRI	
UI	



- ALL CAPACITOR VALUES ARE IN MICROFARADS.
 - ALL RESISTOR VALUES ARE IN OHMS, 5%, 1/4W.
 - FOR VALUES, PART NOS. AND USAGE OF COMPONENTS NOT AFFECTED BY VERSION NO. SEE TABLE I.
- NOTES: UNLESS OTHERWISE SPECIFIED.

UNLESS OTHERWISE SPECIFIED DIMENSIONS ARE IN INCHES TOLERANCES: .XX ± .010 .XXX ± .005 X ± .5 ANGULAR 1/2° BREAK ALL SHARP CORNERS APPROX. .010		THE INFORMATION HEREON IS THE PROPERTY OF PERTEC PERIPHERAL EQUIPMENT CORPORATION. NO REPRODUCTION OR UNAUTHORIZED USE SHALL BE MADE.	
SIGNATURES DR: [Signature] CHK: [Signature] DES: [Signature] ENGR: [Signature]		DATE 9/1/72 6/1/72 7/1/72 7/1/72	
FINISH: NEXT ASSY: D3000 1ST USED ON: APPLICATION:		TITLE SCHEMATIC - MOTOR CONTROL	
SCALE		SIZE: D CODE IDENT. NO.: DWG. NO.: 102825 REV: B	

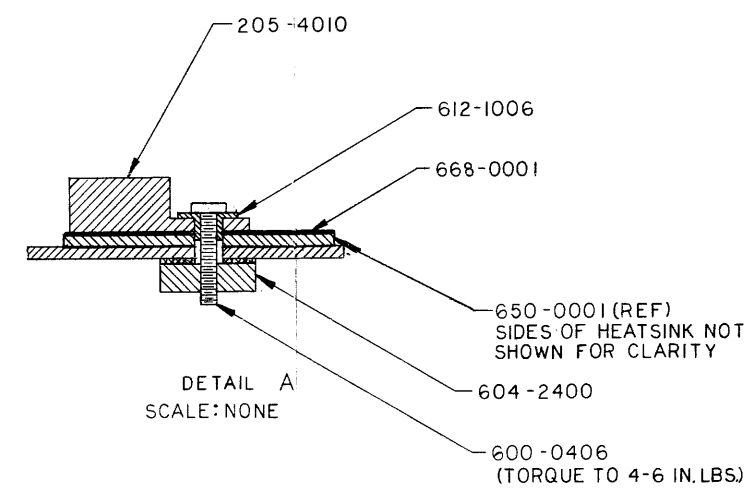
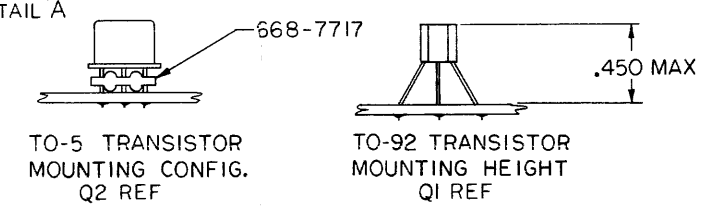
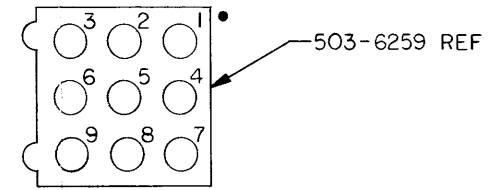
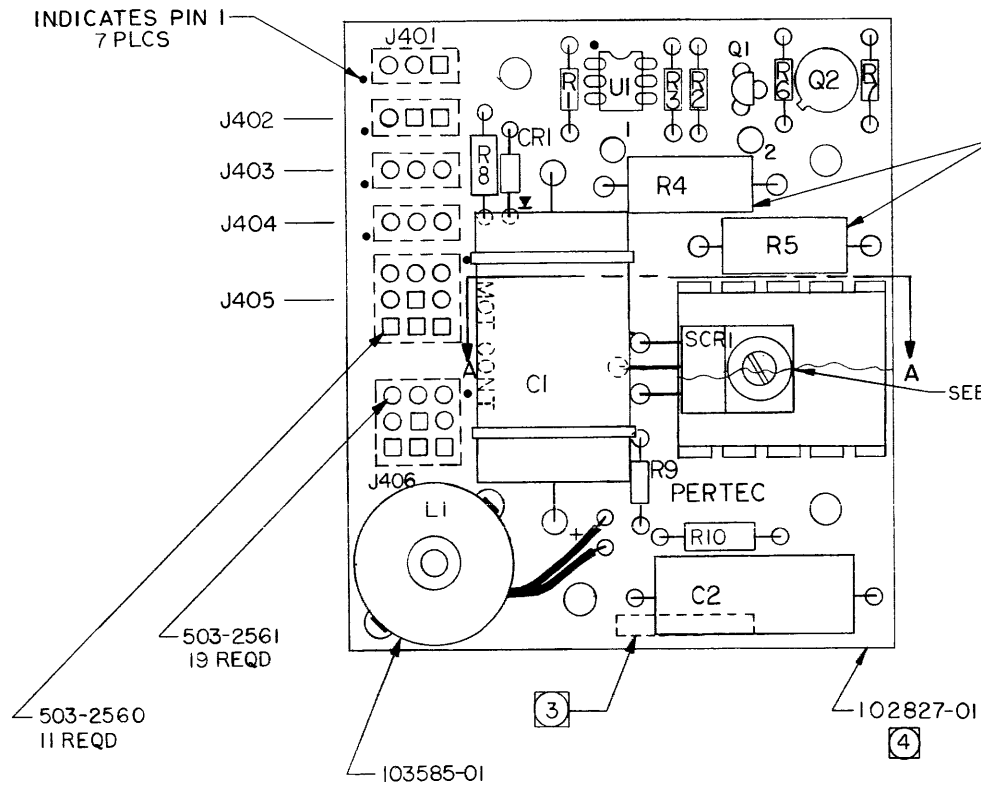
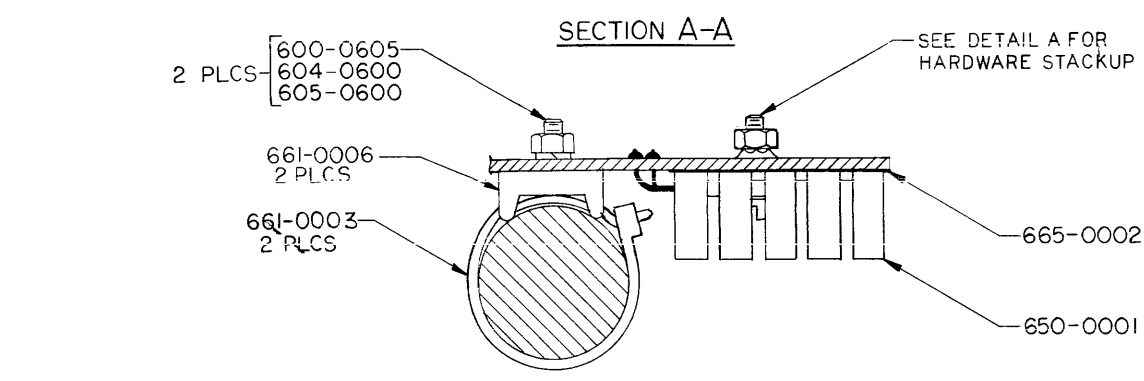
8 7 6 5 4 3 2 1

D
C
B
A

D
C
B
A

8 7 6 5 4 3 2 1

REVISIONS					
REV	DESCRIPTION	DATE	DR	CHK	APPR
A	ERN 4-HX PRE-PROD RELEASE	5-11-72	J.C.	W.H.	J.P.
B	ECN 4278	9/12/72	J.P.	J.P.	J.P.
C	ERN 4-Y-Z PRODUCTION-RELEASE	11/2/72	J.P.	J.P.	J.P.
D	ECN 5013	2/2/73	J.P.	J.P.	J.P.
	ECN 5692A	10/1/73	J.J.	J.P.	J.P.

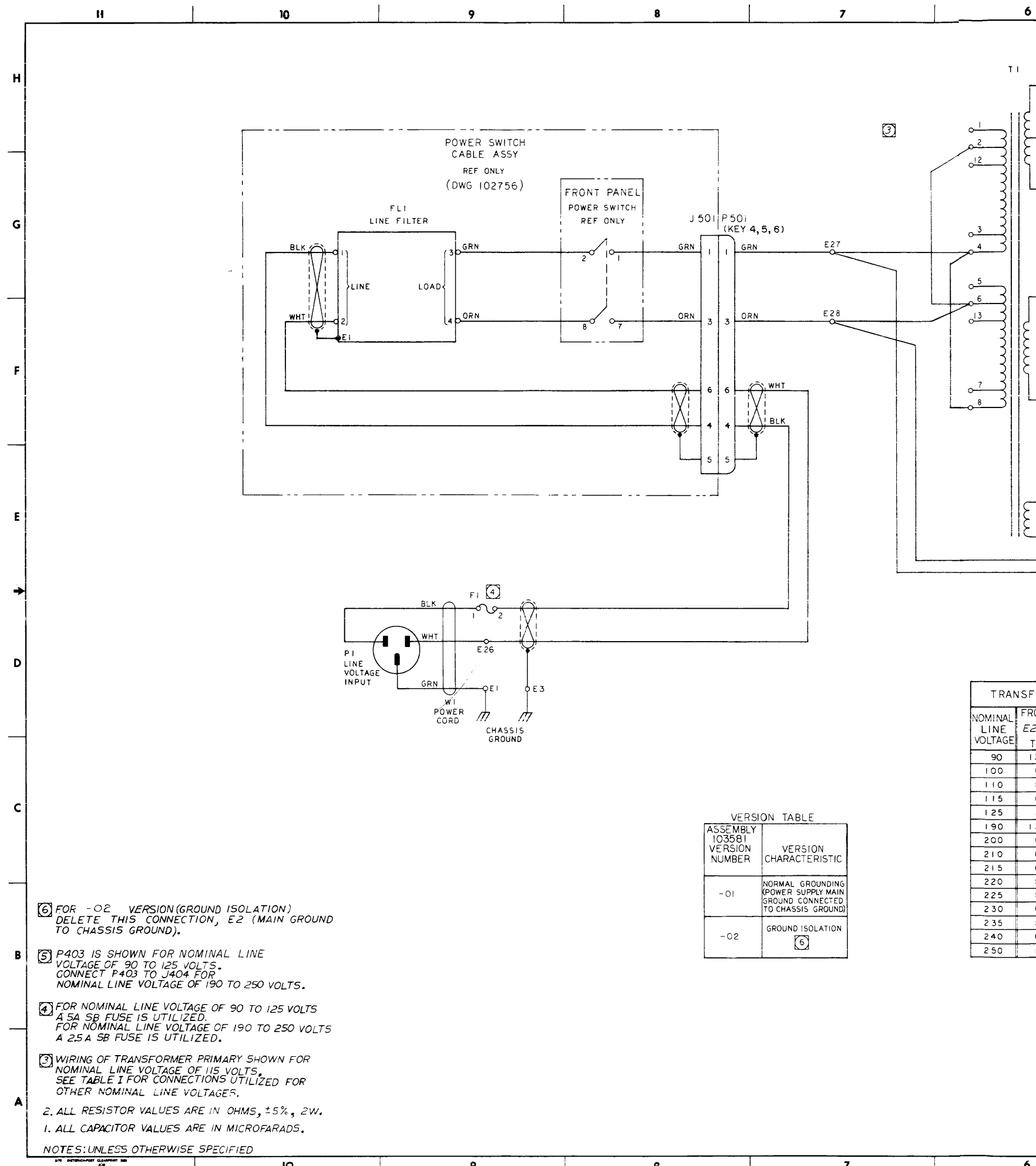


- 5 RESISTORS R4 & R5 SHOULD HAVE .100 CLEARANCE SPACE OFF THE SURFACE OF PC BOARD.
 - 4 THIS ASSY SHALL BE MADE FROM PROCESS BOARD 102827-01 REV D AND SUBSEQUENT.
 - 3 RUBBER STAMP ASSY PART NO. INCLUDING VERSION NO. AND VERSION ISSUE LETTER.
2. ASSEMBLE PER STANDARD MFG METHODS.
1. REFERENCE DRAWINGS: SCHEMATIC — 102825
SPECIFICATION — 102829
- NOTES: UNLESS OTHERWISE SPECIFIED.

Version -01 Rev D

FOR ASSY VERSION INFORMATION SEE SCHEMATIC 102825.
FOR LIST OF MATERIALS SEE LM 102826 AND APPLICABLE DASH NO.

The information herein is the property of PERTEC CORPORATION. No portion of this data shall be released, disclosed, used, or duplicated, for procurement or manufacturing purposes without specific written consent of PERTEC.		SIGNATURES		DATE	PERTEC PERIPHERAL EQUIPMENT
UNLESS OTHERWISE SPECIFIED DIMENSIONS ARE IN INCHES		DR. <i>[Signature]</i>		4/1/72	
TOLERANCES:		DES. <i>[Signature]</i>		6/1/72	
.XX ± — ANGLULAR		ENGR. <i>[Signature]</i>		6/2/72	
.XXX ± —		PROJ. ENGR. <i>[Signature]</i>		6/2/72	
X ± —					
BREAK ALL SHARP CORNERS APPROX. .010					
FINISH:		MATERIAL:			TITLE PCBA — MOTOR CONTROL
102741	D3000	SIZE	CODE IDENT NO.	DWG NO.	REV
NEXT ASSY	1ST USED ON	D		102826	D
APPLICATION		SCALE	DO NOT SCALE DWG	SHEET	OF
		2/1		1	1



- 6 FOR -02 VERSION (GROUND ISOLATION) DELETE THIS CONNECTION, E2 (MAIN GROUND TO CHASSIS GROUND).
- 5 P403 IS SHOWN FOR NOMINAL LINE VOLTAGE OF 90 TO 125 VOLTS. CONNECT P403 TO J404 FOR NOMINAL LINE VOLTAGE OF 190 TO 250 VOLTS.
- 4 FOR NOMINAL LINE VOLTAGE OF 90 TO 125 VOLTS A 5A SB FUSE IS UTILIZED. FOR NOMINAL LINE VOLTAGE OF 190 TO 250 VOLTS A 25A SB FUSE IS UTILIZED.
- 3 WIRING OF TRANSFORMER PRIMARY SHOWN FOR NOMINAL LINE VOLTAGE OF 115 VOLTS. SEE TABLE I FOR CONNECTIONS UTILIZED FOR OTHER NOMINAL LINE VOLTAGES.
2. ALL RESISTOR VALUES ARE IN OHMS, $\pm 5\%$, 2W.
1. ALL CAPACITOR VALUES ARE IN MICROFARADS.

NOTES: UNLESS OTHERWISE SPECIFIED

VERSION TABLE

ASSEMBLY VERSION NUMBER	VERSION CHARACTERISTIC
-01	NORMAL GROUNDING (POWER SUPPLY MAIN GROUND CONNECTED TO CHASSIS GROUND)
-02	GROUND ISOLATION 6

TRANSFORMER TABLE

NOMINAL LINE VOLTAGE	FRONT PANEL E28 TC
90	13
100	6
110	5
115	6
125	6
190	13
200	6
210	6
215	6
220	5
225	5
230	6
235	5
240	6
250	5

REVISIONS				
REV	DESCRIPTION	DATE	DR	CHK
A	ERN 6-VG PROD. REL.	10/1/68	RAS	RES
B	ECN 7041	10/1/68	RAS	RES

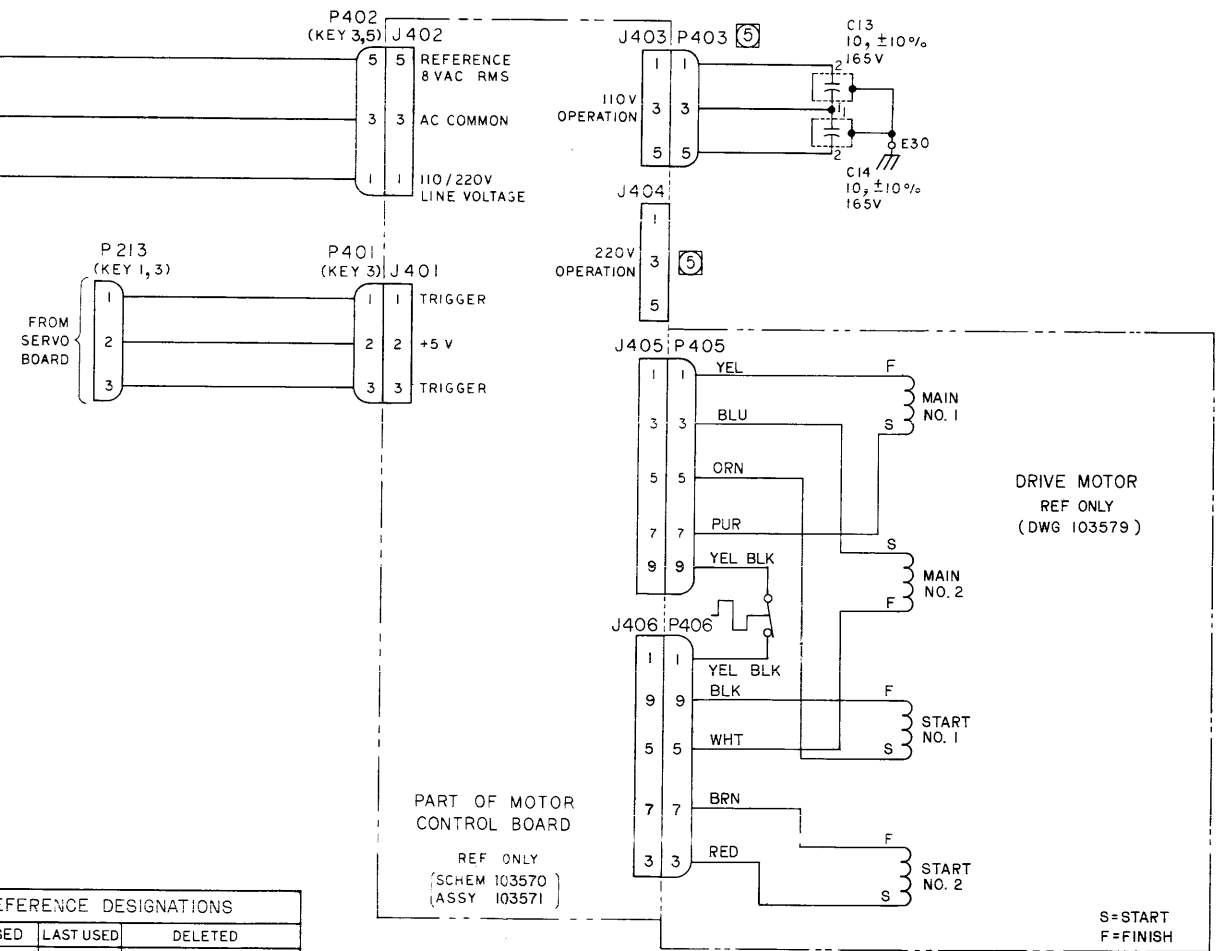
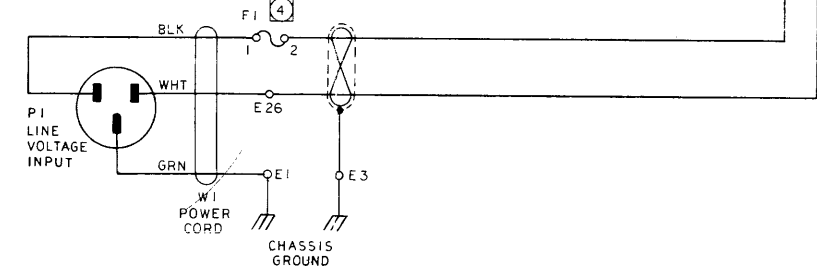
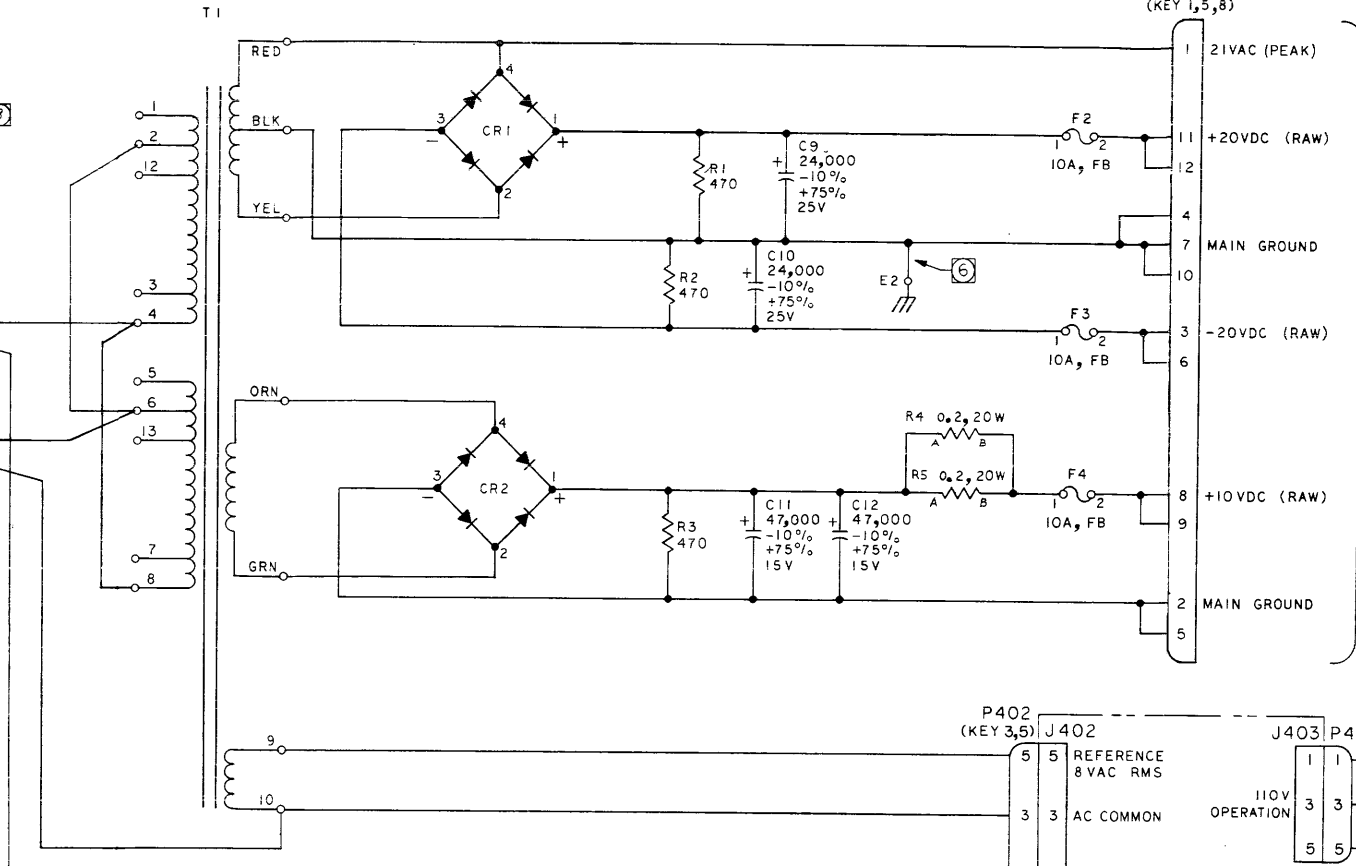
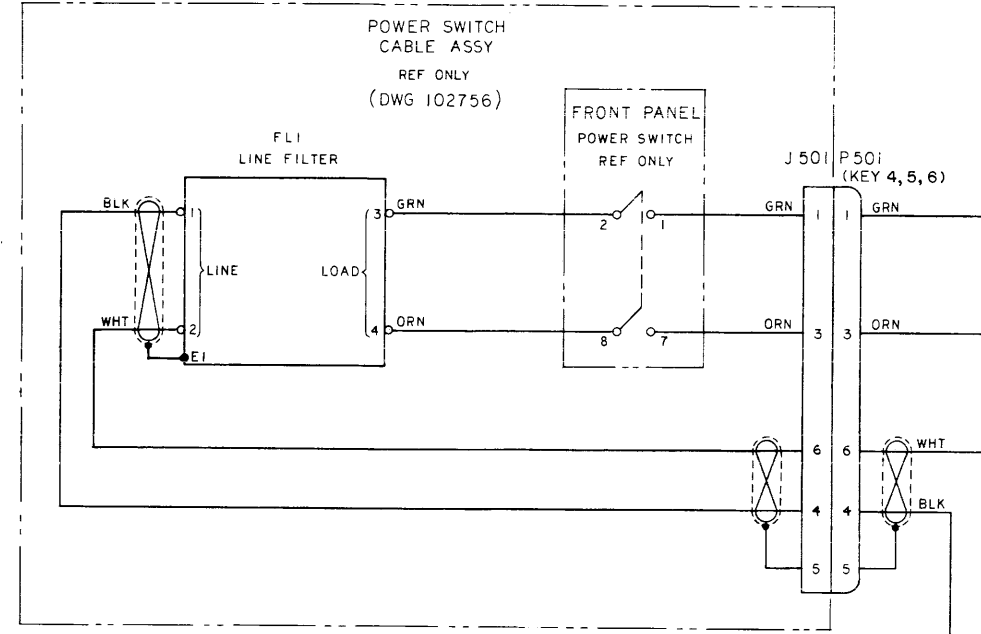


TABLE I (3)

NOMINAL LINE VOLTAGE	FROM E28		FROM E27		JUMPER FROM		JUMPER TO	
	TO	TO	FROM	TO	FROM	TO	FROM	TO
90	13	3	12	13	3	7		
100	6	3	2	6	3	7		
110	5	3	1	5	3	7		
115	6	4	2	6	4	8		
125	5	4	1	5	4	8		
190	13	3	12	7				
200	6	3	2	7				
210	6	3	1	7				
215	6	4	2	7				
220	5	3	1	7				
225	5	4	2	7				
230	6	4	2	8				
235	5	4	1	7				
240	6	4	1	8				
250	5	4	1	8				

VERSION TABLE	
ASSEMBLY NUMBER	VERSION CHARACTERISTIC
103581	
-01	NORMAL GROUNDING (POWER SUPPLY MAIN GROUND CONNECTED TO CHASSIS GROUND)
-02	GROUND ISOLATION (5)

REFERENCE DESIGNATIONS		
NOT USED	LAST USED	DELETED
C1 THRU C8	C14	
	CR2	
	F4	
	R5	
	T1	
	W1	

GROUND ISOLATION)
TION, E2 (MAIN GROUND

NOMINAL LINE
VOLTS.
FOR
190 TO 250 VOLTS.

AGE OF 90 TO 125 VOLTS
ED.
AGE OF 190 TO 250 VOLTS
ZED.

PRIMARY SHOWN FOR
IF 115 VOLTS.
IONS UTILIZED FOR
OLTAGES.

RE IN OHMS, ±5%, 2W.
RE IN MICROFARADS.

SPECIFIED

FOR ASSEMBLY SEE 103581

PERTEC PERIPHERAL EQUIPMENT

SIGNATURES DATE

DR. R. SORG

ENGR. [Signature]

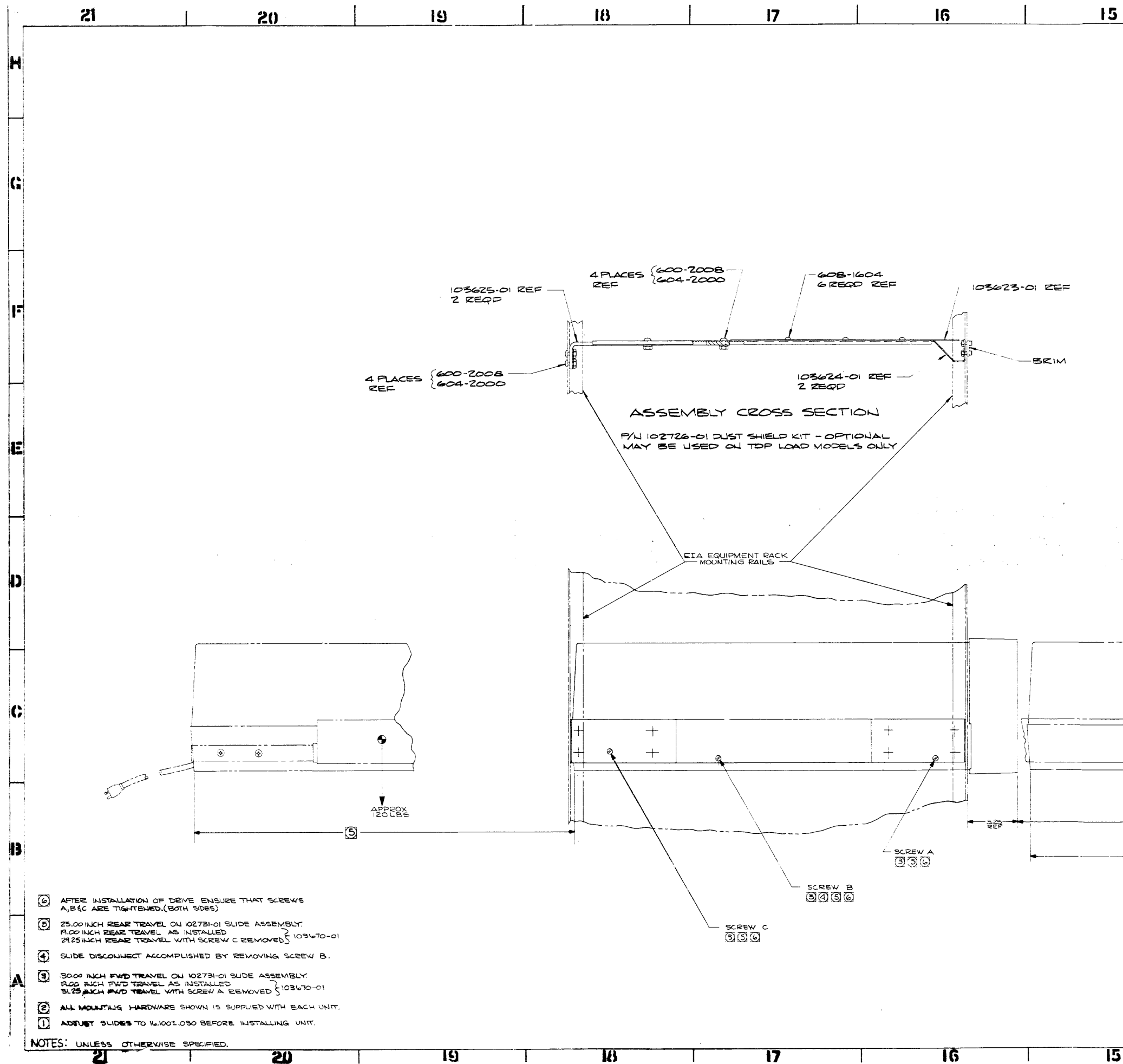
PROJ. ENGR. [Signature]

TITLE

SCHMATIC, POWER SUPPLY

SIZE CODE (DWT) NO. DWG NO. 103580

SCALE 100 NOT SCALE DIM. SHEET 1 OF 1



ASSEMBLY CROSS SECTION

P/N 102726-01 DUST SHIELD KIT - OPTIONAL
MAY BE USED ON TOP LOAD MODELS ONLY

EIA EQUIPMENT RACK
MOUNTING RAILS

- ⑥ AFTER INSTALLATION OF DRIVE ENSURE THAT SCREWS A, B & C ARE TIGHTENED. (BOTH SIDES)
- ⑤ 25.00 INCH REAR TRAVEL ON 102731-01 SLIDE ASSEMBLY
19.00 INCH REAR TRAVEL AS INSTALLED } 103670-01
29.25 INCH REAR TRAVEL WITH SCREW C REMOVED
- ④ SLIDE DISCONNECT ACCOMPLISHED BY REMOVING SCREW B.
- ③ 30.00 INCH FWD TRAVEL ON 102731-01 SLIDE ASSEMBLY
19.00 INCH FWD TRAVEL AS INSTALLED } 103670-01
31.25 INCH FWD TRAVEL WITH SCREW A REMOVED
- ② ALL MOUNTING HARDWARE SHOWN IS SUPPLIED WITH EACH UNIT.
- ① ADJUST SLIDES TO 16.001.030 BEFORE INSTALLING UNIT.

NOTES: UNLESS OTHERWISE SPECIFIED.

17

16

15

14

13

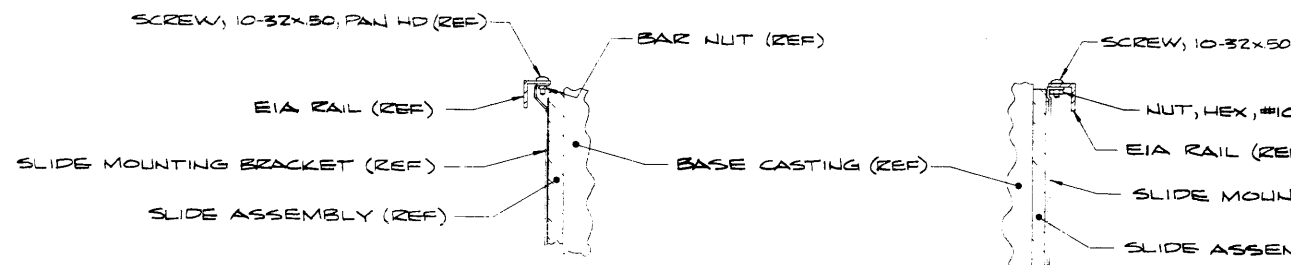
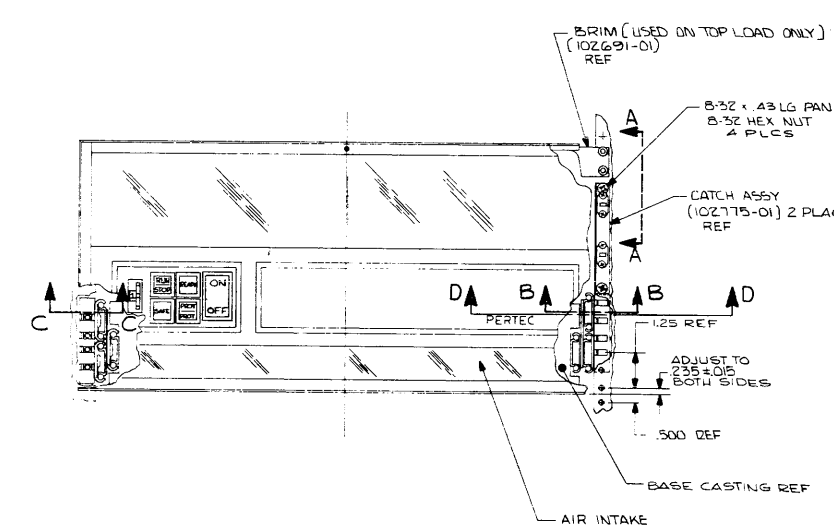
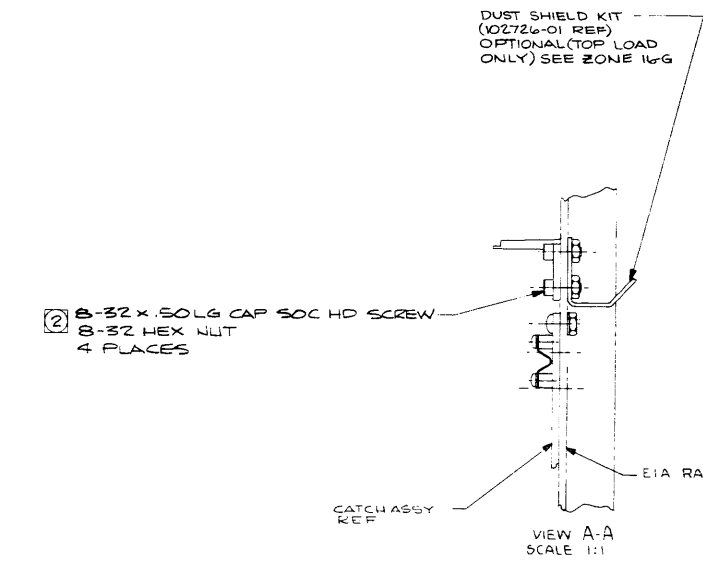
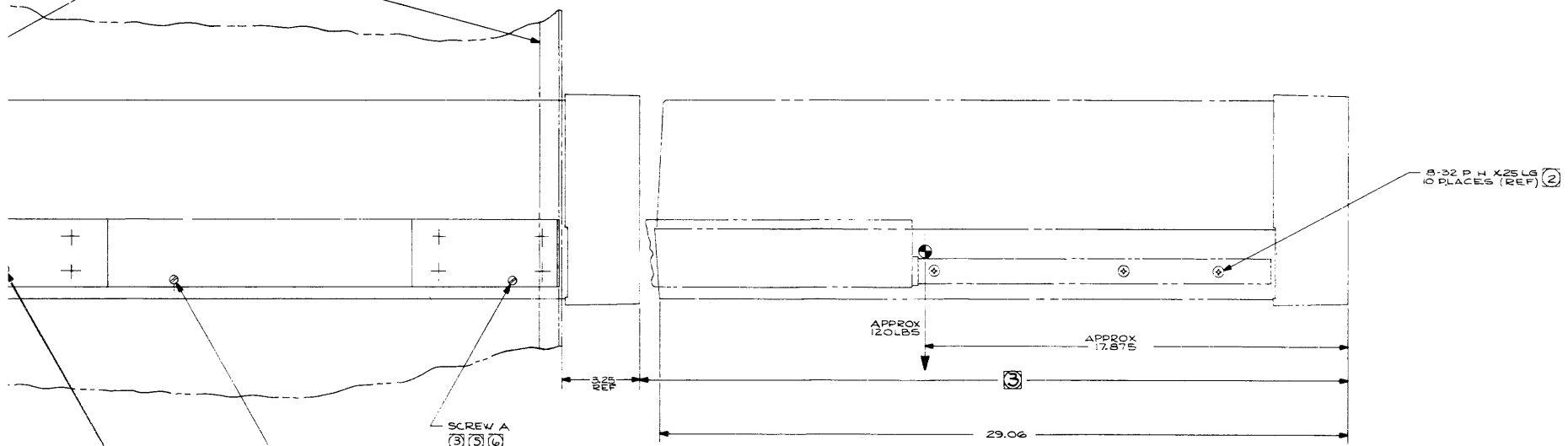
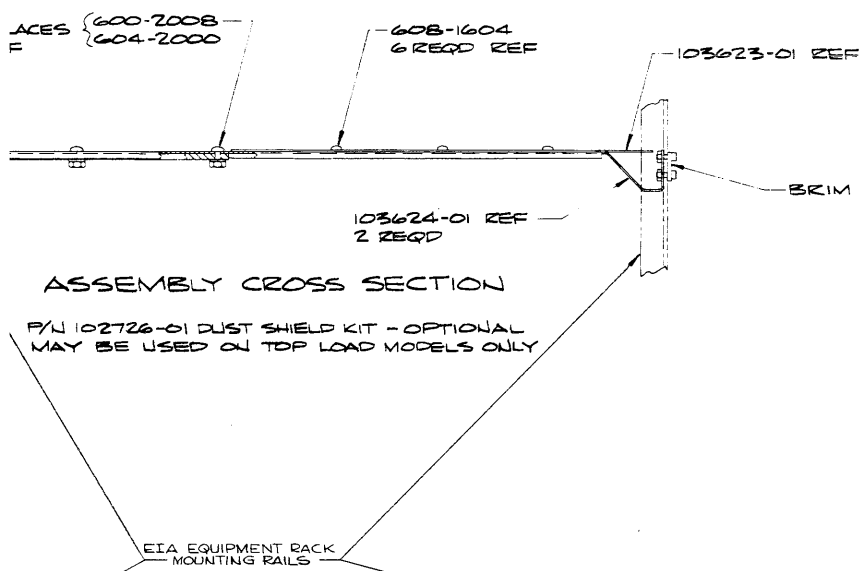
12

11

10

9

8



**SECTION C-C
CHASSIS TRACK SLIDE
(SLIDE P/N 102731-01)**

**SECTION B-B
ACCURIDE SLIDE
(SLIDE P/N 102731-01)**

17

16

15

14

13

12

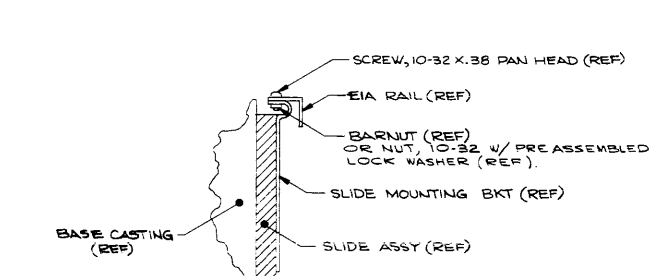
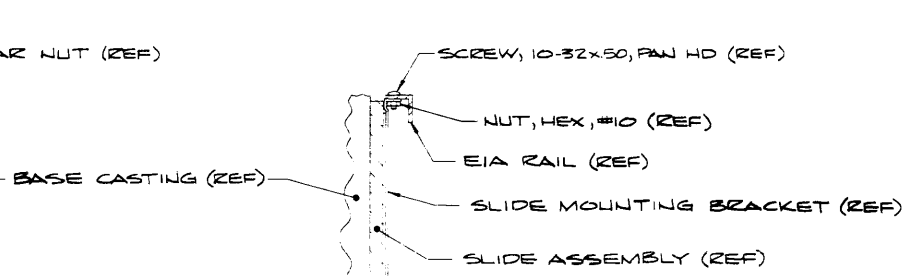
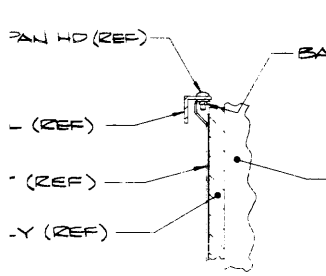
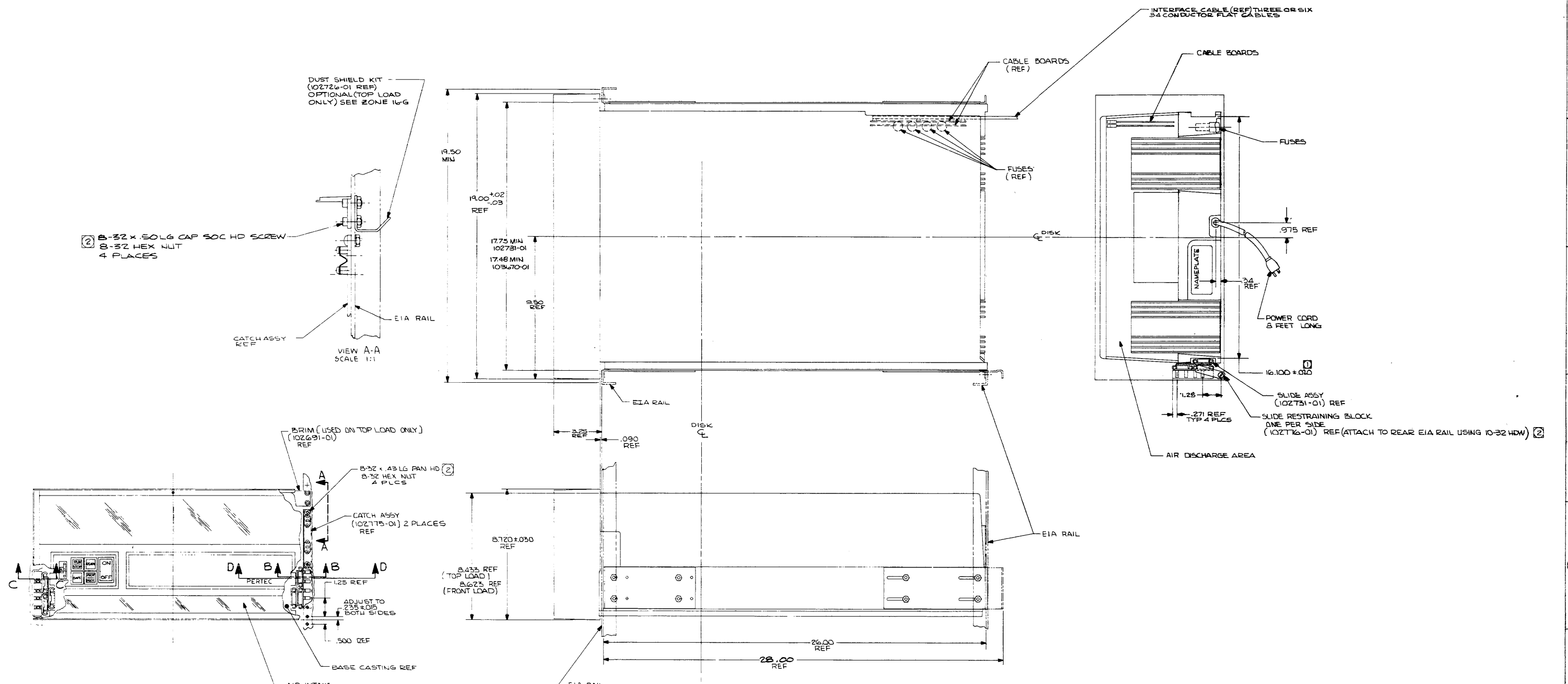
11

10

9

8

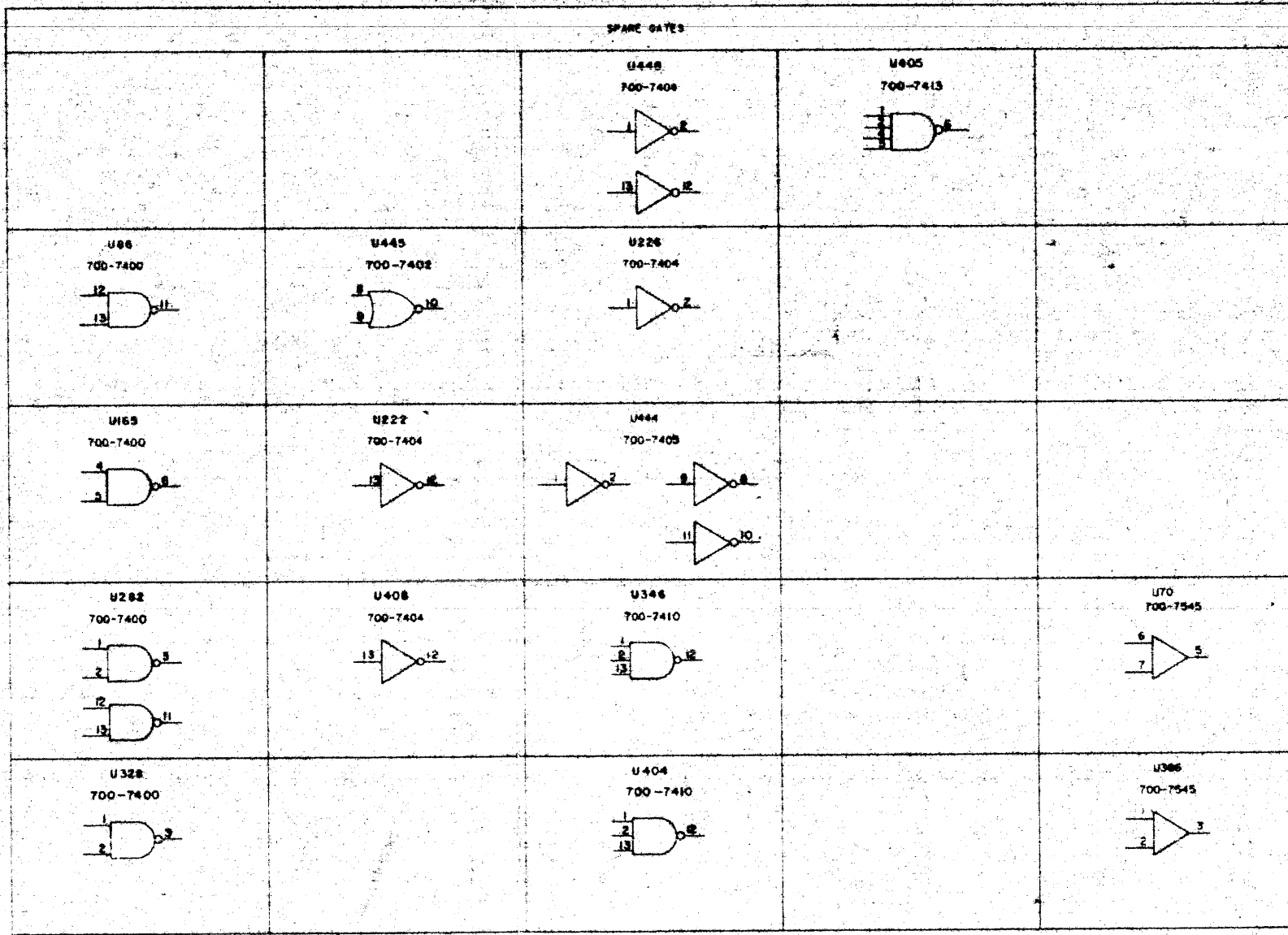
REVISIONS				
REV	DESCRIPTION	DATE	DR	CHK
A	ECN 4-LH PRE-PROD RELEASE	1/14/70	WJ	WJ
B	ECN 4-LH PRODUCTION RELEASE	1/14/70	WJ	WJ
C	ECN 5927	1/14/70	WJ	WJ
D	ECN 5992	1/14/70	WJ	WJ
E	ECN 6398	1/14/70	WJ	WJ



SIGNATURES		DATE	PERTEC PERIPHERAL EQUIPMENT
DR: <i>[Signature]</i>		1/14/70	
CHECKED BY: <i>[Signature]</i>		1/14/70	TITLE
DRAWN BY: <i>[Signature]</i>		1/14/70	INSTALLATION DWG
PROJECT NO. 103587		SCALE 1/8"	REV E

TABLE I

PART NO.	REF. DESIGNATION	PART NO.	REF. DESIGNATION
100-1019	R12	700-4181	U1, 41, 61, 109, U121, 124, 125, U143, 144, 145, U181, 184, 186, U181, 184, 202, U205, 221, 241, U283
100-1038	R1 THRU 8, 17 THRU 24, 28, 43, 46, 47, 58, 59, 67 THRU 70, 73	700-4184	U2, 22, 23, 43, 109
100-1039	R3, 52, 53	700-5107	U288, 409
100-1518	R9, 80	700-5733	U227
100-1528	R38	700-7400	U49, 86, 87, U165, 223, 246, 282, 304, 328, U343, 385, 403
100-1545	R37	700-7402	U48, 63, 82, 108, U122, 183, 187, U263, 284, 324, U327, 383, 405, 448
100-1825	R42	700-7404	U42, 50, 51, 71, U72, 81, 102, U123, 162, 185, U186, 222, 224, U226, 303, 348, U382, 363, 365, U401, 408, 423, U448
100-2218	R14	700-7405	U147, 444, 446, U447
100-2725	R1, 54	700-7410	U107, U264, 266, 326, U346, 361, 404
100-2745	R63	700-7413	U286, 405
100-3318	R11, 40	700-7430	U308, 442
100-3325	R33, 65	700-7450	U62, 84, 85, 89, U104, 105
100-4715	R27, 38, 48, 49	700-7478	U83, U129, 142, 183, U167, 203, 206, U242, 243, 267, U341, 344, 345, U364, 384, 428
100-4725	R10, 34, 51	700-7483	U382, 421
100-4735	R60, 81, 84	700-7486	U422, 441, 443
100-5635	R62	700-7493	U225, 245, 265, U285, 305, 325
100-5818	R15	700-7496	U88, 10, U182, 244, 323, 347
100-6825	R33, 56	700-7419	U287, 302, 308, U321, 342, 381
101-6805	R44, 45	700-7845	U3, 44, 45, 46, 47, U64, 65, 66, 67, U68, 69, 70, 386, U407, 424
104-2370	R13	700-7485	U261, 262, 281
104-5112	R28	700-7490	U127, 146
104-5113	R29, 30		
121-5020	R97		
130-1005	C8		
130-1518	C22		
130-4705	C11, 13, 23		
130-2215	C		
130-6805	C24		
131-1020	C12		
131-530	C79, 80		
132-2762	C18, 17		
132-2782	C6, 7, 9, 10, 13, 14, C18, 19, 20, 28, C28, 28, 29, 30 THRU 76		
136-4742	C2, 3, 8, 21, 27, 77		
200-5281	81, 2		
300-4446	CR5		
330-0685	CR6		
400-0318	U425		
400-2741	U148, 387		
524-0002	Y1		



REFERENCE DESIGNATIONS

LAST USED	NOT USED	DELETED
C8	C6	
CR6		
Q3		
J128	J115 THRU J120	
R74	R16	
TP30		
U448	U4 THRU 21, 24 THRU 40, U52 THRU 60, 73 THRU 80, U88 THRU 100, 103, 110 THRU 120, U126, 130 THRU 141, 148 THRU 160, U189 THRU 180, 188 THRU 201, U204, 207 THRU 220, 228 THRU 240, U247 THRU 260, 269 THRU 280, U288 THRU 303, 307, 309 THRU 320, U329 THRU 340, 349 THRU 360, U368 THRU 380, 388 THRU 400, U410 THRU 420, 426 THRU 440	
U26		
Y1		

ASSY 103705 VERSION NUMBER	TRACKS PER INCH		INTERNAL TERMINATION VOLTAGE POWER SUPPLY	TEMP VOL FEET
	100	200		
-01	X		X	
-02		X	X	
-03	X			
-04		X		
-05	X		X	
-06		X	X	
-07	X			
-08		X		
-09	X			
-10		X	X	
-31	X		X	
-32		X	X	
-33	X			
-34		X		
-35	X		X	
-36		X	X	
-37	X		X	
-38		X		
-39	X		X	
-40		X	X	

TABLE II

ASSY 103705 VERSION NUMBER	W23	W24	W25
	P/N 100-0005	P/N 100-0005	P/N 100-0005
	USAGE		
-01	USE	OMIT	USE
-02			
-03			
-04			
-05			
-06			
-07			
-08			
-09	USE	OMIT	USE
-10			
-31	OMIT	USE	OMIT
-32			
-33			
-34			
-35			
-36			
-37			
-39	OMIT	USE	OMIT
-40	OMIT	USE	OMIT

TABLE II ⑤

ASSY VERSION NUMBER	TRACKS PER INCH		INTERNAL TERMINATION VOLTAGE POWER SUPPLY	TERMINATION VOLTAGE FEED-THRU	GROUND ISOLATION	SPECIAL INTERFACE SIGNAL OPTION FOR SAFE CONDITION INDICATION	READY SIGNAL GATED BY INTERNAL TEMP GO 200 TP1 ONLY	200 TP1 INTERNAL TEMP GO	+5V TIMER			USAGE																				
	100	200										CR1 P/N 300-4002	C70 P/N 137-2730	R25,26 P/N 100-1015	R71	R72 P/N 101-1025	U301,322 P/N 700-7419	U402 P/N 700-7488	W1 P/N 100373-01	W3 P/N 100373-02	W4 P/N 100373-01	W6	W7	W9	W10	W11	W12	W13	W14 P/N 100373-01	W15	W16	W17
-0	X		X								USE	OMIT	USE	OMIT	OMIT	USE	USE	USE	OMIT	OMIT	USE	USE	OMIT	USE	OMIT	OMIT	USE	USE	OMIT	OMIT	USE	USE
-02	X	X	X					X			USE	OMIT	USE	OMIT	OMIT	USE	USE	USE	OMIT	OMIT	USE	USE	OMIT	USE	OMIT	OMIT	USE	USE	OMIT	OMIT	USE	USE
-03	X			X							OMIT	OMIT	OMIT	OMIT	OMIT	USE	USE	USE	OMIT	OMIT	USE	USE	OMIT	USE	OMIT	OMIT	USE	USE	OMIT	OMIT	USE	USE
-04	X	X		X				X			OMIT	OMIT	OMIT	OMIT	OMIT	USE	USE	USE	OMIT	OMIT	USE	USE	OMIT	USE	OMIT	OMIT	USE	USE	OMIT	OMIT	USE	USE
-05	X		X		X						USE	USE	USE	OMIT	USE	USE	USE	USE	OMIT	OMIT	USE	USE	OMIT	USE	OMIT	OMIT	USE	USE	OMIT	OMIT	USE	USE
-06	X	X	X		X			X			USE	USE	USE	OMIT	USE	USE	USE	USE	OMIT	OMIT	USE	USE	OMIT	USE	OMIT	OMIT	USE	USE	OMIT	OMIT	USE	USE
-07	X				X						OMIT	USE	OMIT	OMIT	USE	USE	USE	USE	OMIT	OMIT	USE	USE	OMIT	USE	OMIT	OMIT	USE	USE	OMIT	OMIT	USE	USE
-08	X	X		X				X			OMIT	USE	OMIT	OMIT	USE	USE	USE	USE	OMIT	OMIT	USE	USE	OMIT	USE	OMIT	OMIT	USE	USE	OMIT	OMIT	USE	USE
-09	X										USE	OMIT	USE	OMIT	OMIT	USE	USE	USE	OMIT	OMIT	USE	USE	OMIT	USE	OMIT	OMIT	USE	USE	OMIT	OMIT	USE	USE
-10	X	X	X								USE	OMIT	USE	OMIT	OMIT	USE	USE	USE	OMIT	OMIT	USE	USE	OMIT	USE	OMIT	OMIT	USE	USE	OMIT	OMIT	USE	USE
-31	X		X					X	X		USE	OMIT	USE	OMIT	OMIT	USE	USE	USE	OMIT	OMIT	USE	USE	OMIT	USE	OMIT	OMIT	USE	USE	OMIT	OMIT	USE	USE
-32	X	X	X					X	X		USE	OMIT	USE	OMIT	OMIT	USE	USE	USE	OMIT	OMIT	USE	USE	OMIT	USE	OMIT	OMIT	USE	USE	OMIT	OMIT	USE	USE
-33	X			X				X	X		OMIT	OMIT	OMIT	OMIT	OMIT	USE	USE	USE	OMIT	OMIT	USE	USE	OMIT	USE	OMIT	OMIT	USE	USE	OMIT	OMIT	USE	USE
-34	X	X		X				X	X		OMIT	OMIT	OMIT	OMIT	OMIT	USE	USE	USE	OMIT	OMIT	USE	USE	OMIT	USE	OMIT	OMIT	USE	USE	OMIT	OMIT	USE	USE
-35	X	X	X		X			X	X		USE	USE	USE	OMIT	USE	USE	USE	USE	OMIT	OMIT	USE	USE	OMIT	USE	OMIT	OMIT	USE	USE	OMIT	OMIT	USE	USE
-36	X	X	X		X			X	X		USE	USE	USE	OMIT	USE	USE	USE	USE	OMIT	OMIT	USE	USE	OMIT	USE	OMIT	OMIT	USE	USE	OMIT	OMIT	USE	USE
-37	X			X		X		X	X		OMIT	USE	OMIT	OMIT	USE	USE	USE	USE	OMIT	OMIT	USE	USE	OMIT	USE	OMIT	OMIT	USE	USE	OMIT	OMIT	USE	USE
-38	X	X		X		X		X	X		OMIT	USE	OMIT	OMIT	USE	USE	USE	USE	OMIT	OMIT	USE	USE	OMIT	USE	OMIT	OMIT	USE	USE	OMIT	OMIT	USE	USE
-39	X		X		X			X	X		USE	OMIT	USE	OMIT	OMIT	USE	USE	USE	OMIT	OMIT	USE	USE	OMIT	USE	OMIT	OMIT	USE	USE	OMIT	OMIT	USE	USE
-40	X	X	X			X		X	X		USE	OMIT	USE	OMIT	OMIT	USE	USE	USE	OMIT	OMIT	USE	USE	OMIT	USE	OMIT	OMIT	USE	USE	OMIT	OMIT	USE	USE

TABLE II ④

ASSY VERSION NUMBER	W23	W24	W25	W26
	P/N 100-0005	P/N 100-0005	P/N 100-0005	P/N 100-0005
-01	USE	OMIT	USE	OMIT
-02	USE	OMIT	USE	OMIT
-03				
-04				
-05				
-06				
-07				
-08				
-09	USE	OMIT	USE	OMIT
-10	OMIT	USE	OMIT	USE
-31	OMIT	USE	OMIT	USE
-32	USE	OMIT	USE	OMIT
-33				
-34				
-35				
-36				
-37				
-38				
-39	OMIT	USE	OMIT	USE
-40	OMIT	USE	OMIT	USE

REV	DESCRIPTION	DATE	DR	APPN	APPR
A	ECN 5881	10/29/70	WJ	WJ	WJ
B	ECN 6280	11/10/70	WJ	WJ	WJ
C	ECN 6538	11/10/70	WJ	WJ	WJ
D	ECN 671	11/10/70	WJ	WJ	WJ
E	ECN 786	11/10/70	WJ	WJ	WJ
F	ECN 7630	11/10/70	WJ	WJ	WJ
G	ECN 77088	11/10/70	WJ	WJ	WJ
H	ECN 8294	11/10/70	WJ	WJ	WJ
I	ECN 8336	11/10/70	WJ	WJ	WJ
J	ECN 8404	11/10/70	WJ	WJ	WJ
K	ECN 8465	11/10/70	WJ	WJ	WJ
M	ECN 8794	11/10/70	WJ	WJ	WJ

TABLE II CONTINUED (ZONE 12E)

TABLE II

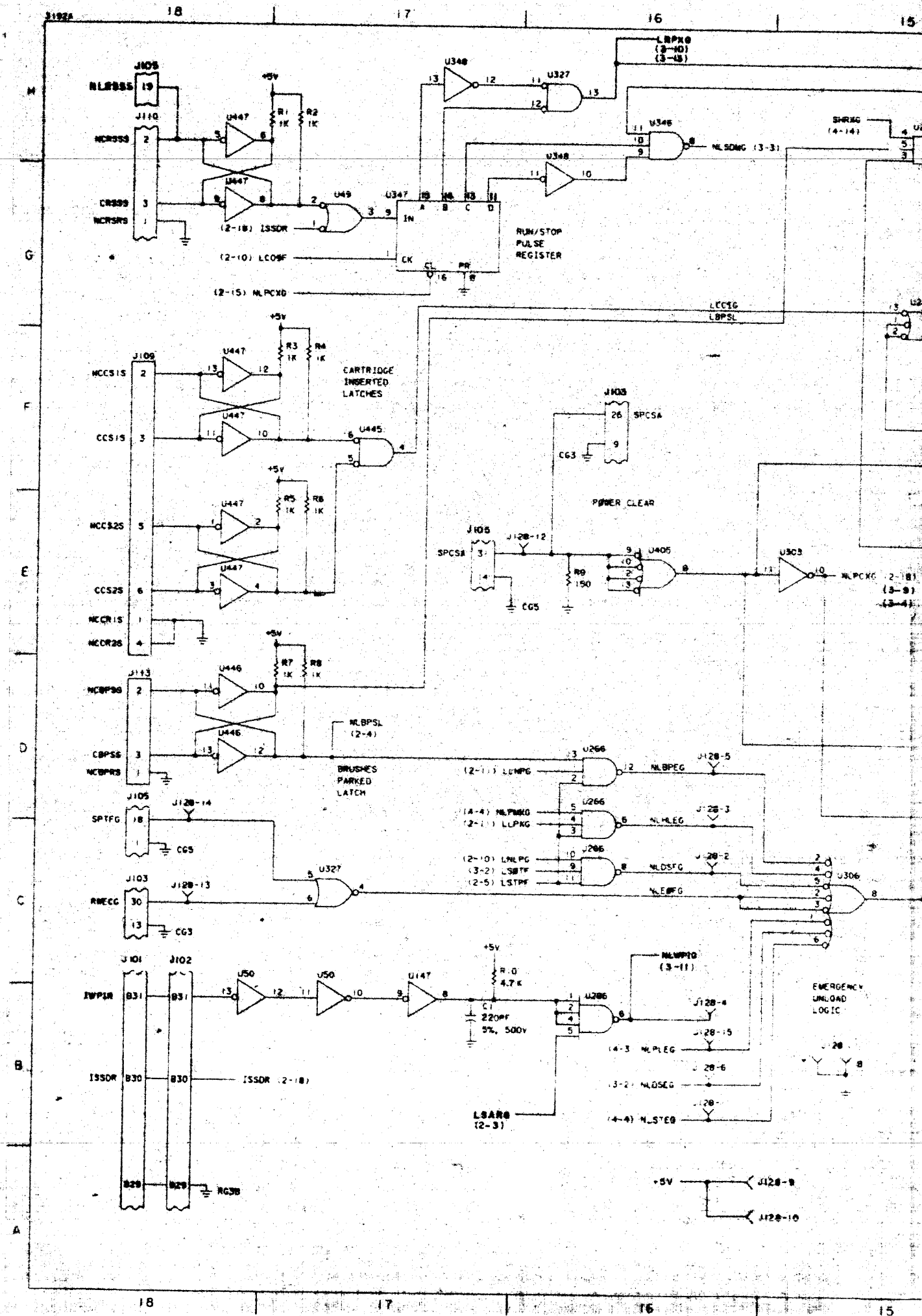
RT1	RT2	U301, 322	U402	W1	W2	W4	W5	W7	W8	W9	W10	W11	W12	W13	W14	W15	W16	W17	W18	W19	W20	W21	W22	W23	W24	W25	ASEV
	P/N 101-1826	P/N 700-7419	P/N 700-7488	P/N 100373-01	P/N 100373-02	P/N 100373-01									P/N 100373-01						P/N 100373-02	P/N 100373-01	P/N 100373-01				VERSION NUMBER
OMIT	OMIT	USE	USE	USE	OMIT	OMIT	USE	USE	OMIT	USE	OMIT	OMIT	USE	USE	OMIT	OMIT	USE	USE	OMIT	USE	OMIT	USE	OMIT	USE	OMIT	USE	-01
OMIT	OMIT	USE	USE	USE	OMIT	OMIT	USE	USE	OMIT	USE	OMIT	OMIT	USE	USE	OMIT	OMIT	USE	USE	OMIT	USE	OMIT	USE	OMIT	USE	OMIT	USE	-02
OMIT	OMIT	USE	USE	USE	OMIT	OMIT	USE	USE	OMIT	USE	OMIT	OMIT	USE	USE	OMIT	OMIT	USE	USE	OMIT	USE	OMIT	USE	OMIT	USE	OMIT	USE	-03
OMIT	OMIT	USE	USE	USE	OMIT	OMIT	USE	USE	OMIT	USE	OMIT	OMIT	USE	USE	OMIT	OMIT	USE	USE	OMIT	USE	OMIT	USE	OMIT	USE	OMIT	USE	-04
OMIT	OMIT	USE	USE	USE	OMIT	OMIT	USE	USE	OMIT	USE	OMIT	OMIT	USE	USE	OMIT	OMIT	USE	USE	OMIT	USE	OMIT	USE	OMIT	USE	OMIT	USE	-05
OMIT	OMIT	USE	USE	USE	OMIT	OMIT	USE	USE	OMIT	USE	OMIT	OMIT	USE	USE	OMIT	OMIT	USE	USE	OMIT	USE	OMIT	USE	OMIT	USE	OMIT	USE	-06
OMIT	OMIT	USE	USE	USE	OMIT	OMIT	USE	USE	OMIT	USE	OMIT	OMIT	USE	USE	OMIT	OMIT	USE	USE	OMIT	USE	OMIT	USE	OMIT	USE	OMIT	USE	-07
OMIT	OMIT	USE	USE	USE	OMIT	OMIT	USE	USE	OMIT	USE	OMIT	OMIT	USE	USE	OMIT	OMIT	USE	USE	OMIT	USE	OMIT	USE	OMIT	USE	OMIT	USE	-08
OMIT	OMIT	USE	USE	USE	OMIT	OMIT	USE	USE	OMIT	USE	OMIT	OMIT	USE	USE	OMIT	OMIT	USE	USE	OMIT	USE	OMIT	USE	OMIT	USE	OMIT	USE	-09
OMIT	OMIT	USE	USE	USE	OMIT	OMIT	USE	USE	OMIT	USE	OMIT	OMIT	USE	USE	OMIT	OMIT	USE	USE	OMIT	USE	OMIT	USE	OMIT	USE	OMIT	USE	-10
OMIT	OMIT	USE	USE	USE	OMIT	OMIT	USE	USE	OMIT	USE	OMIT	OMIT	USE	USE	OMIT	OMIT	USE	USE	OMIT	USE	OMIT	USE	OMIT	USE	OMIT	USE	-31
OMIT	OMIT	USE	USE	USE	OMIT	OMIT	USE	USE	OMIT	USE	OMIT	OMIT	USE	USE	OMIT	OMIT	USE	USE	OMIT	USE	OMIT	USE	OMIT	USE	OMIT	USE	-32
OMIT	OMIT	USE	USE	USE	OMIT	OMIT	USE	USE	OMIT	USE	OMIT	OMIT	USE	USE	OMIT	OMIT	USE	USE	OMIT	USE	OMIT	USE	OMIT	USE	OMIT	USE	-33
OMIT	OMIT	USE	USE	USE	OMIT	OMIT	USE	USE	OMIT	USE	OMIT	OMIT	USE	USE	OMIT	OMIT	USE	USE	OMIT	USE	OMIT	USE	OMIT	USE	OMIT	USE	-34
OMIT	OMIT	USE	USE	USE	OMIT	OMIT	USE	USE	OMIT	USE	OMIT	OMIT	USE	USE	OMIT	OMIT	USE	USE	OMIT	USE	OMIT	USE	OMIT	USE	OMIT	USE	-35
OMIT	OMIT	USE	USE	USE	OMIT	OMIT	USE	USE	OMIT	USE	OMIT	OMIT	USE	USE	OMIT	OMIT	USE	USE	OMIT	USE	OMIT	USE	OMIT	USE	OMIT	USE	-36
OMIT	OMIT	USE	USE	USE	OMIT	OMIT	USE	USE	OMIT	USE	OMIT	OMIT	USE	USE	OMIT	OMIT	USE	USE	OMIT	USE	OMIT	USE	OMIT	USE	OMIT	USE	-37
OMIT	OMIT	USE	USE	USE	OMIT	OMIT	USE	USE	OMIT	USE	OMIT	OMIT	USE	USE	OMIT	OMIT	USE	USE	OMIT	USE	OMIT	USE	OMIT	USE	OMIT	USE	-38
OMIT	OMIT	USE	USE	USE	OMIT	OMIT	USE	USE	OMIT	USE	OMIT	OMIT	USE	USE	OMIT	OMIT	USE	USE	OMIT	USE	OMIT	USE	OMIT	USE	OMIT	USE	-39
OMIT	OMIT	USE	USE	USE	OMIT	OMIT	USE	USE	OMIT	USE	OMIT	OMIT	USE	USE	OMIT	OMIT	USE	USE	OMIT	USE	OMIT	USE	OMIT	USE	OMIT	USE	-40

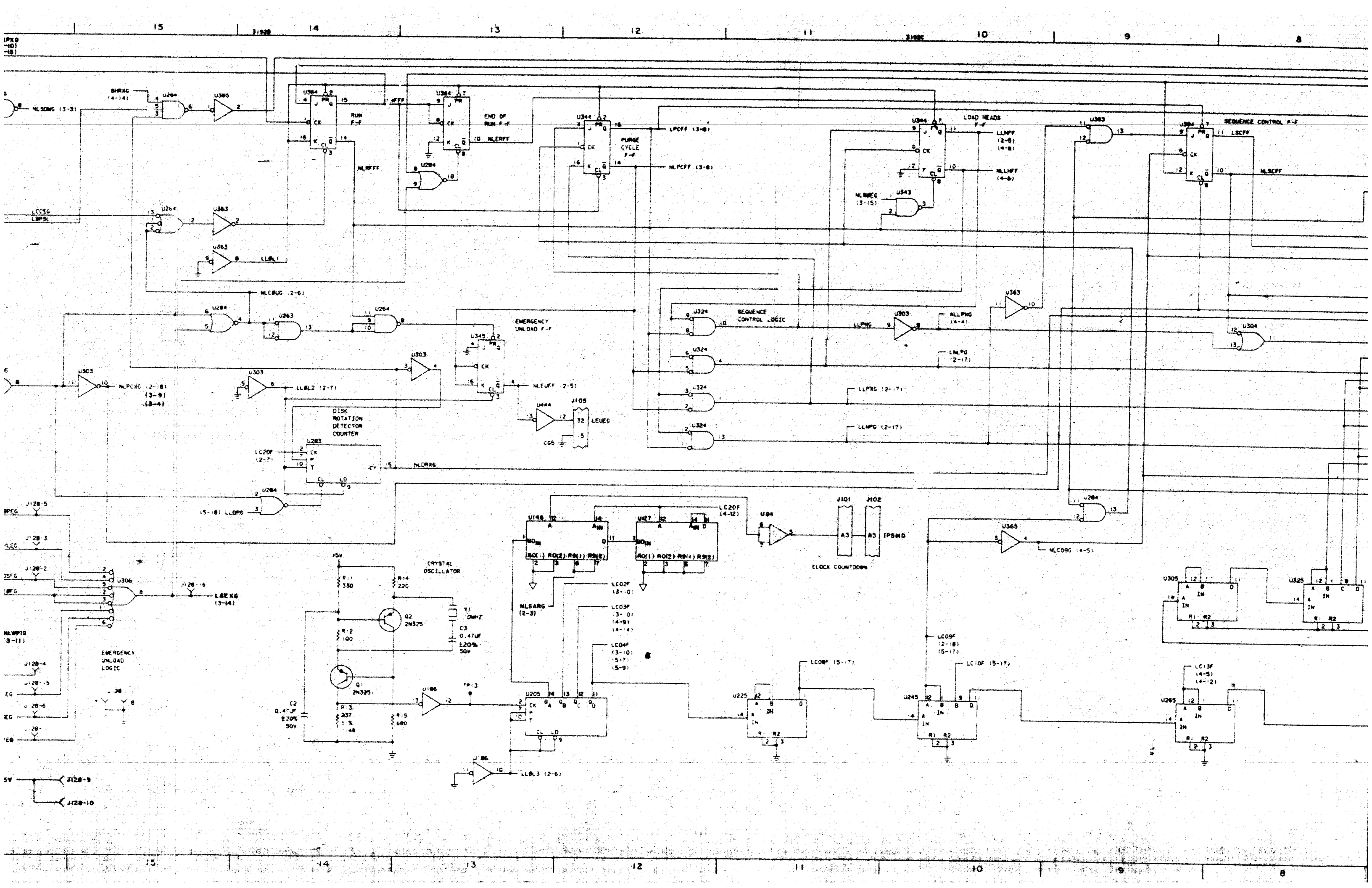
- 1. K74 IS A SELECTED RESISTOR PER TEST PROCEDURE 103784.
 - 2. THIS SIGNAL IS JUMPERED TO W1B (W1 JUMPER DELETED) FOR SPECIAL INTERFACE "SAFE" SIGNAL.
 - 3. USAGE OF W2 — TO BE DETERMINED AT TOP ASSY LEVEL.
 - 4. ALL CAPACITOR VALUES ARE IN MICROFARADS, ±20%, 50V.
 - 5. RT2 AND CT8 ARE USED AND W5 OMITTED ONLY IN GROUND ISOLATION VERSIONS. SEE TABLE II FOR VERSION NUMBER. W5 MUST BE USED FOR ALL OTHER VERSIONS.
 - 6. E1, E2, AND E3 ARE TEST PADS INTENDED FOR USE WITH MINIATURE OSCILLOSCOPE PROBE TIPS WHICH WILL FIT IN A .040 DIAMETER HOLE.
 - 7. FOR PART NUMBER AND USAGE OF COMPONENTS AFFECTED BY VERSION NUMBER SEE TABLE II.
 - 8. FOR PART NUMBER OF COMPONENTS NOT AFFECTED BY VERSION NUMBER SEE TABLE I.
2. ALL RESISTOR VALUES ARE IN OHMS, ±5% 1/4W.
- SIGNALS ARE CROSS-REFERENCED BETWEEN SHEETS AND WITHIN A SHEET BY NUMBERS APPEARING WITH THE ASSOCIATED LOGIC TERM MNEUMONIC. THE FIRST NUMBER IS THE SHEET NUMBER AND THE SECOND NUMBER IS THE ZONE NUMBER. EXAMPLE: 12-121
SHEET 3 — ZONE 12

NOTES: UNLESS OTHERWISE SPECIFIED

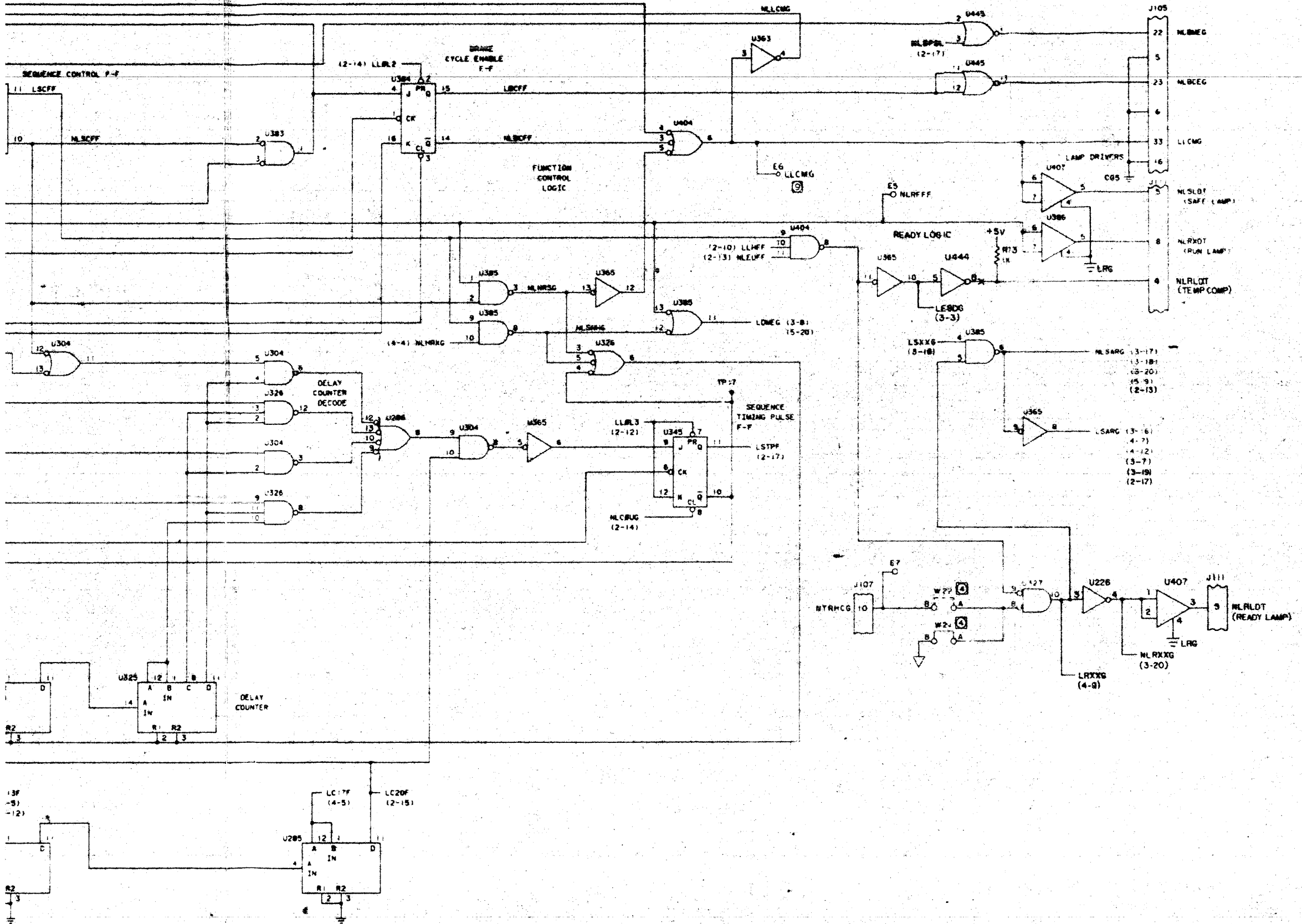
REFERENCE DRAWINGS:
ASSEMBLY 103705
SPECIFICATION 103708

103708		DIABLO		COMPAT.		APPLICATION	
SIGNATURES: _____ DATE: _____ _____ DATE: _____ _____ DATE: _____ _____ DATE: _____				PERTEC PERIPHERAL EQUIPMENT TITLE: SCHEMATIC-LOGIC BOARD DIABLO COMPATIBLE			
REV: J		REV: M		REV: M		REV: M	
103708		103708		103704		103704	

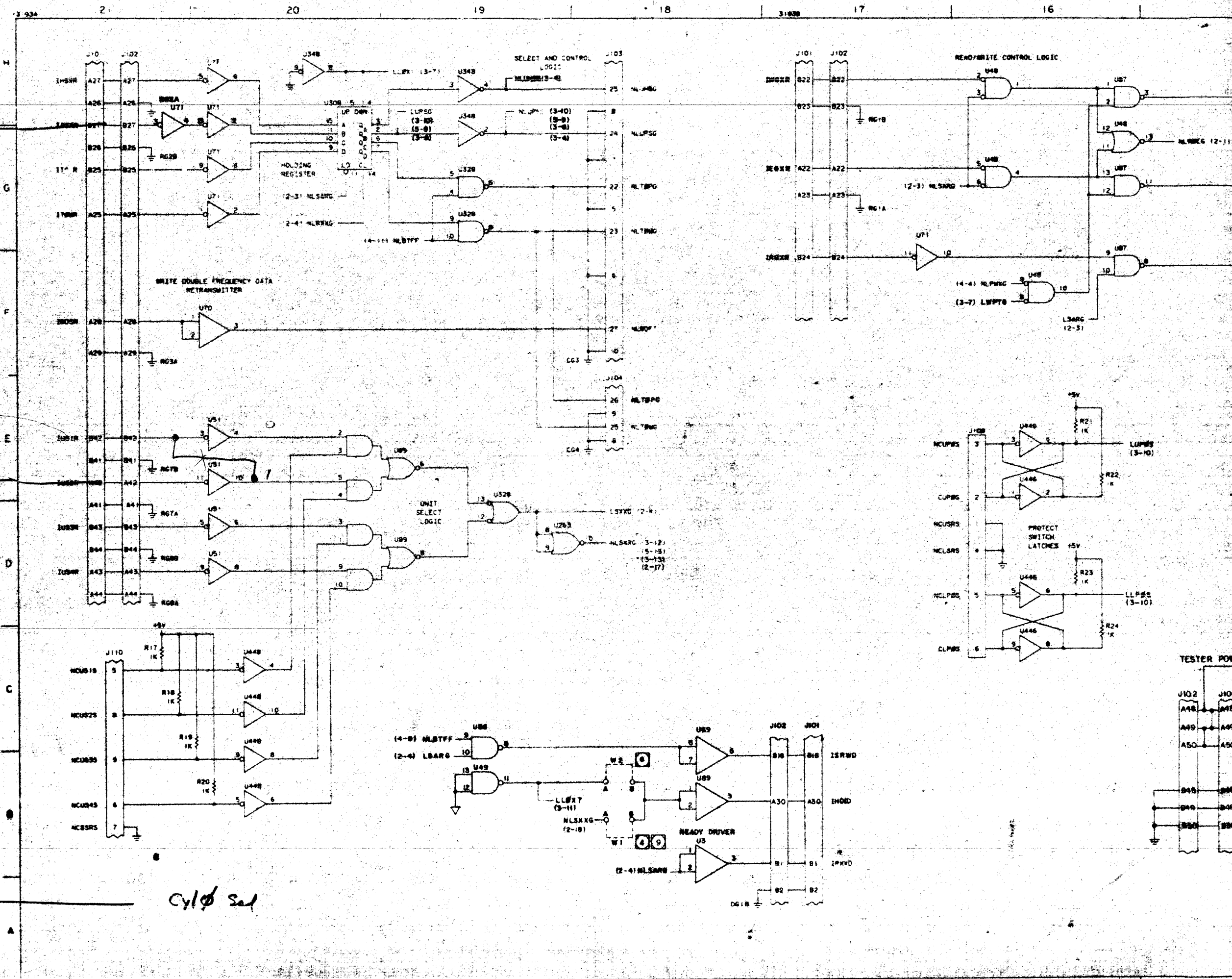




REVIEWS				
REV	DESCRIPTION	DATE	BY	CHK APPR
1	SEE SHEET 1			



SIZE	REV	REV	REV	REV	REV
103704					M
DO NOT SCALE DIM					SHEET 2 OF 3

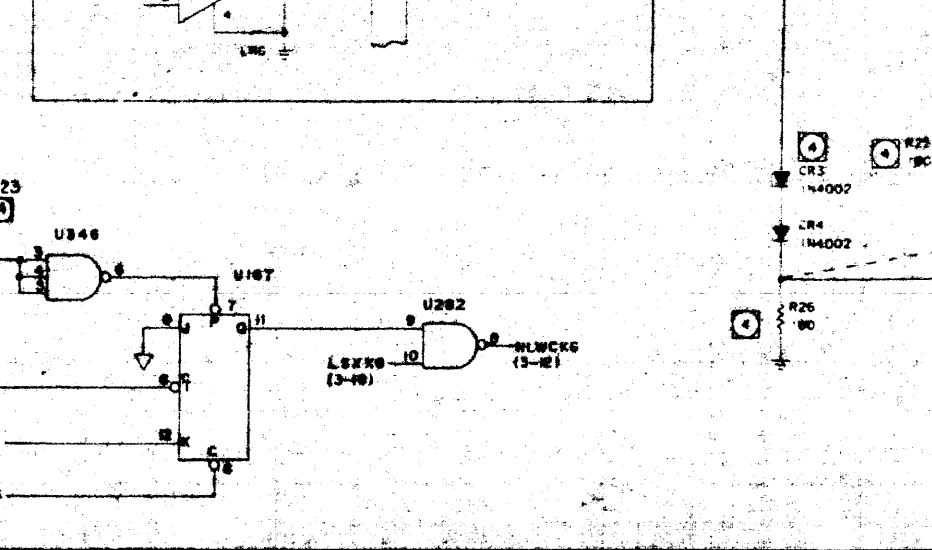
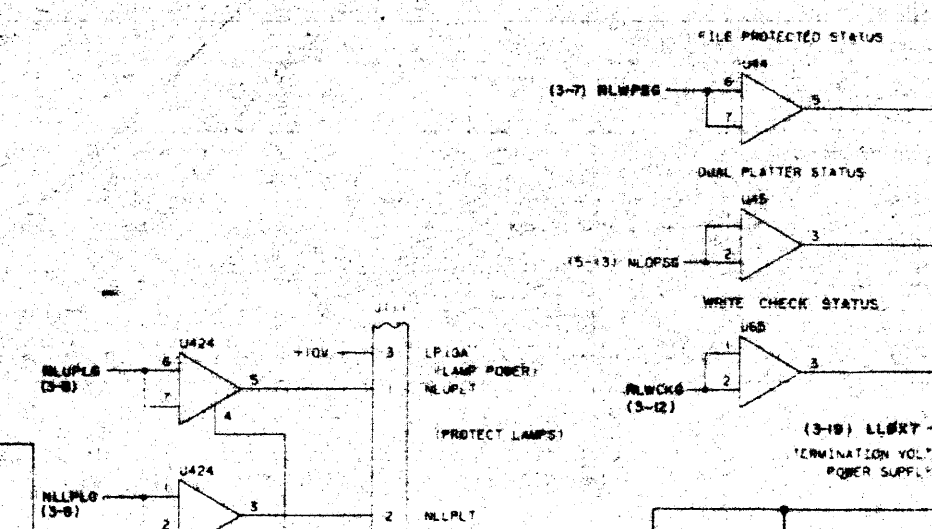
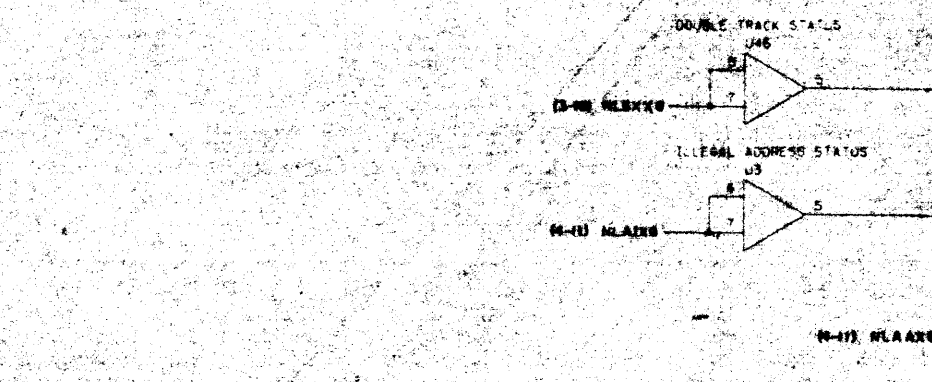
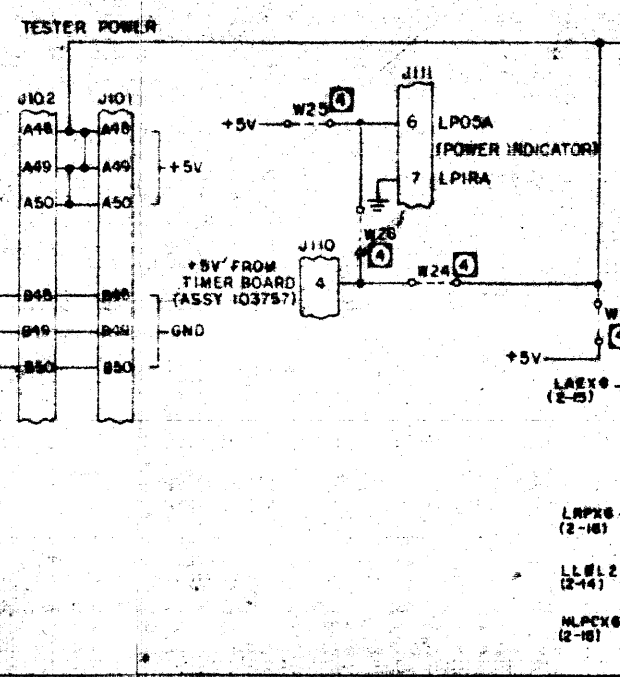
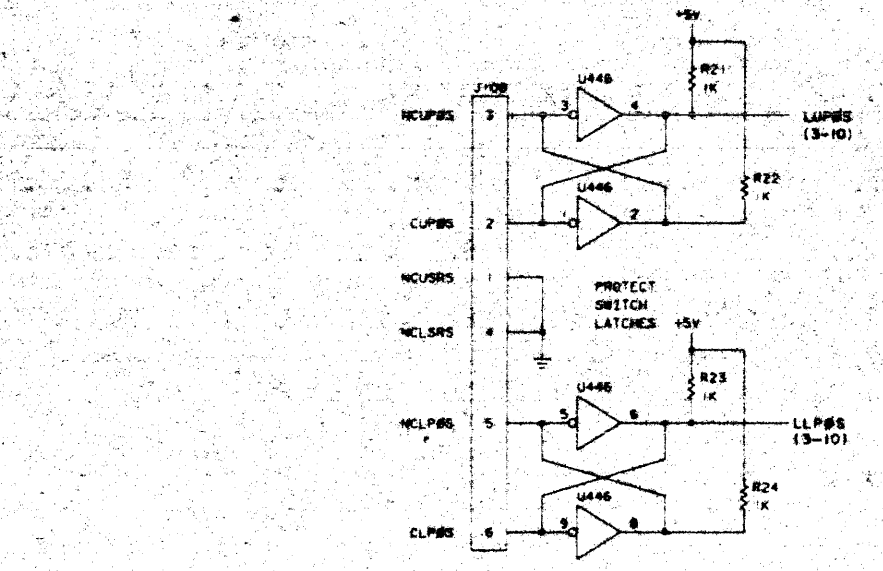
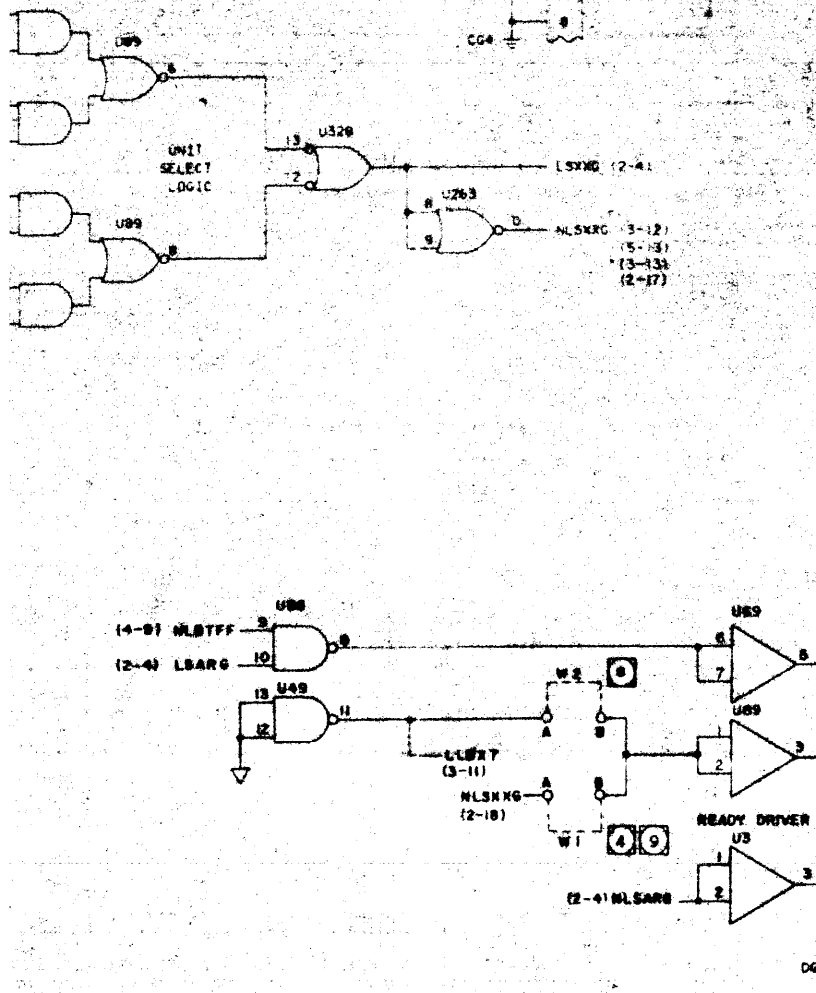
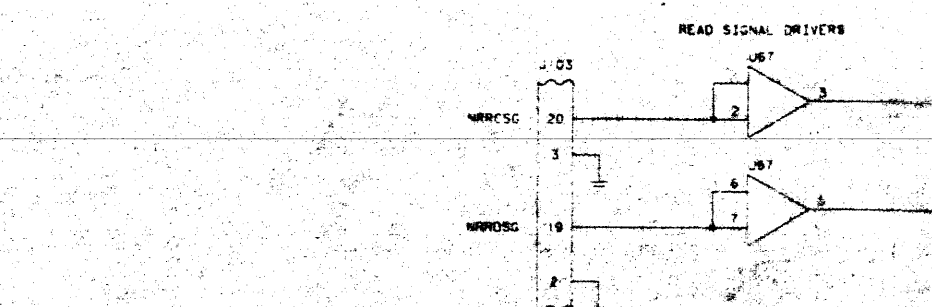
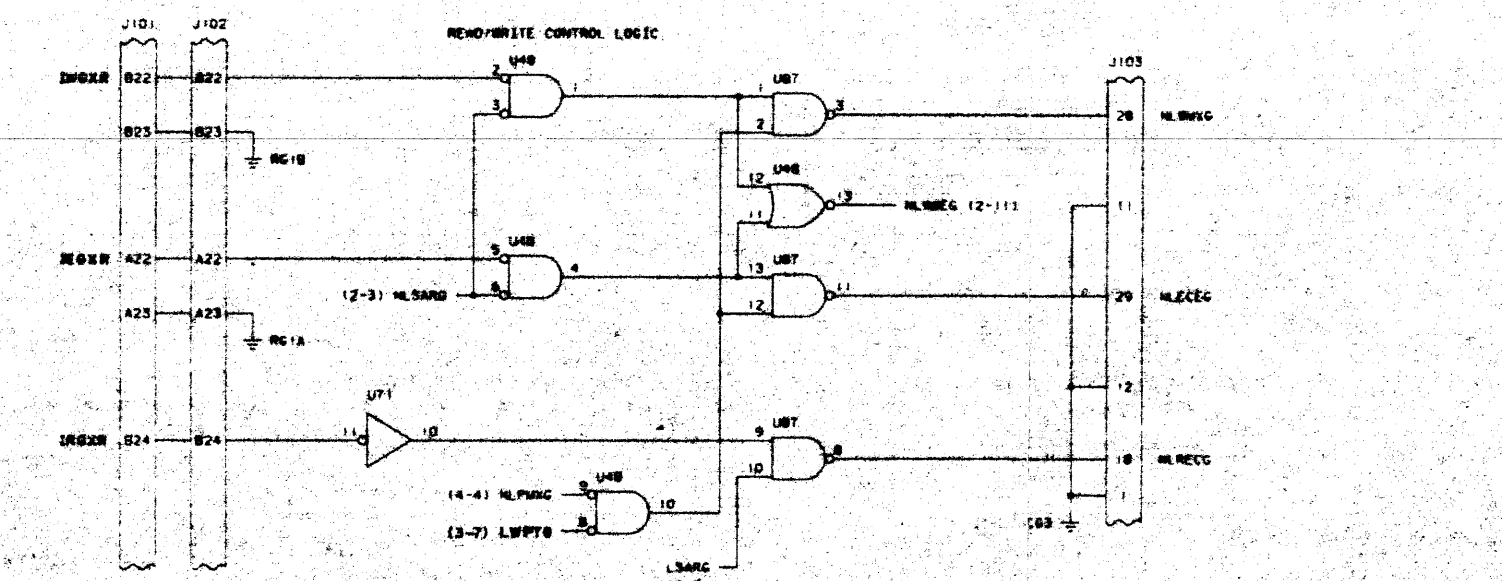
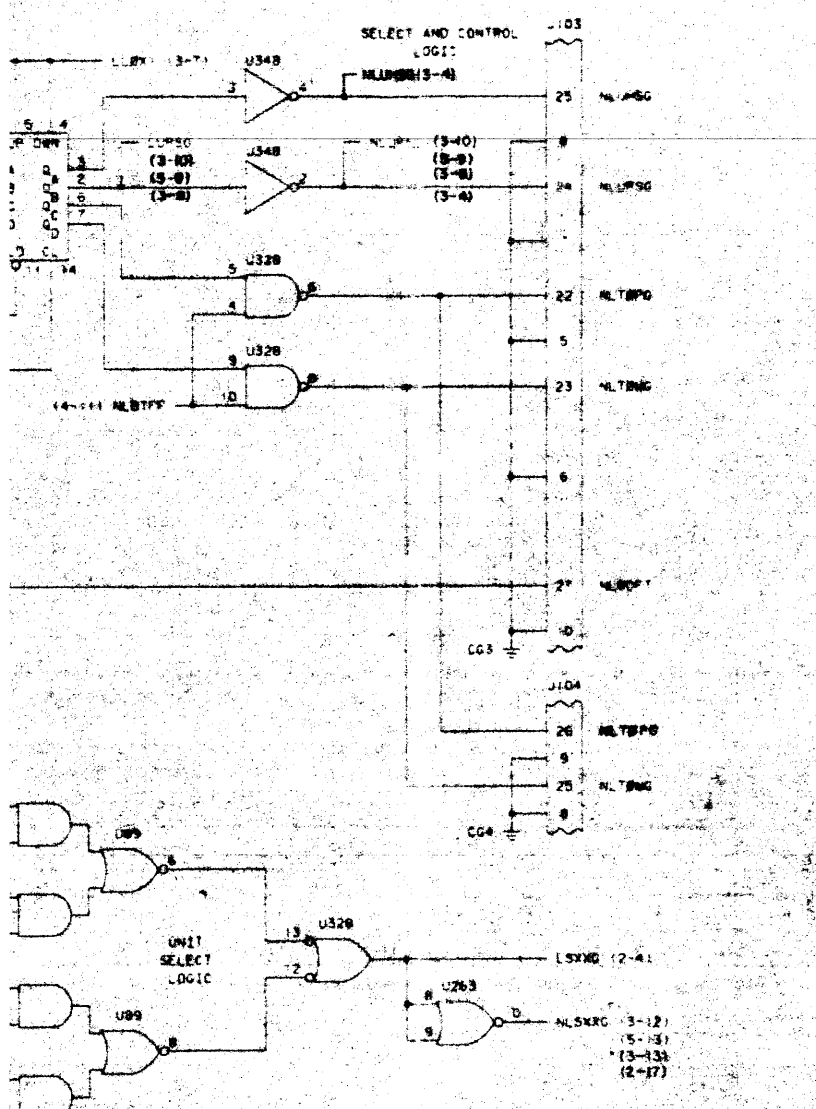


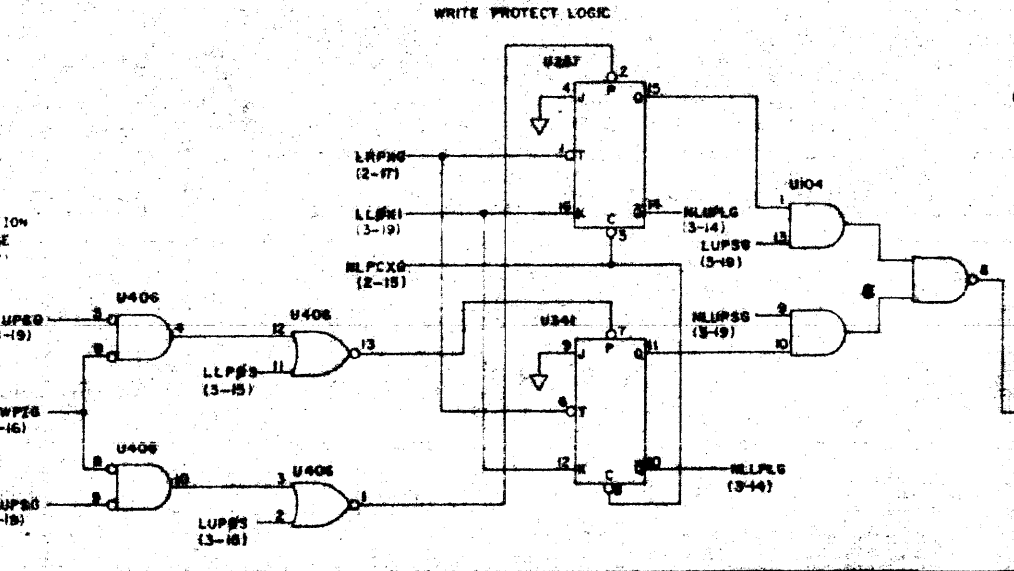
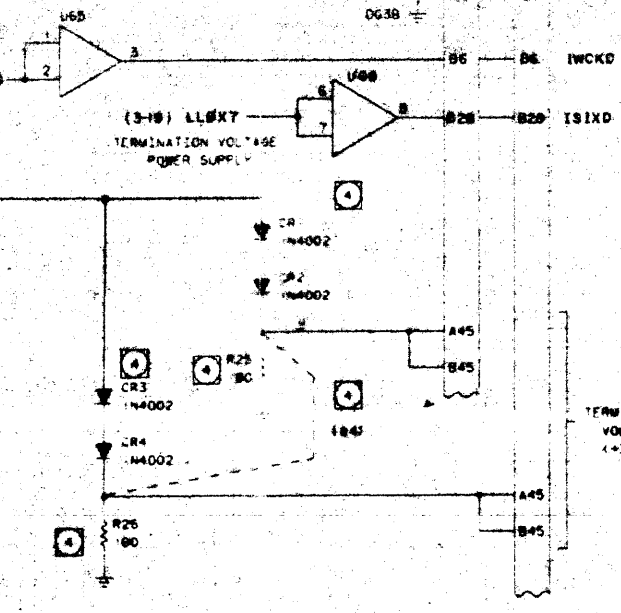
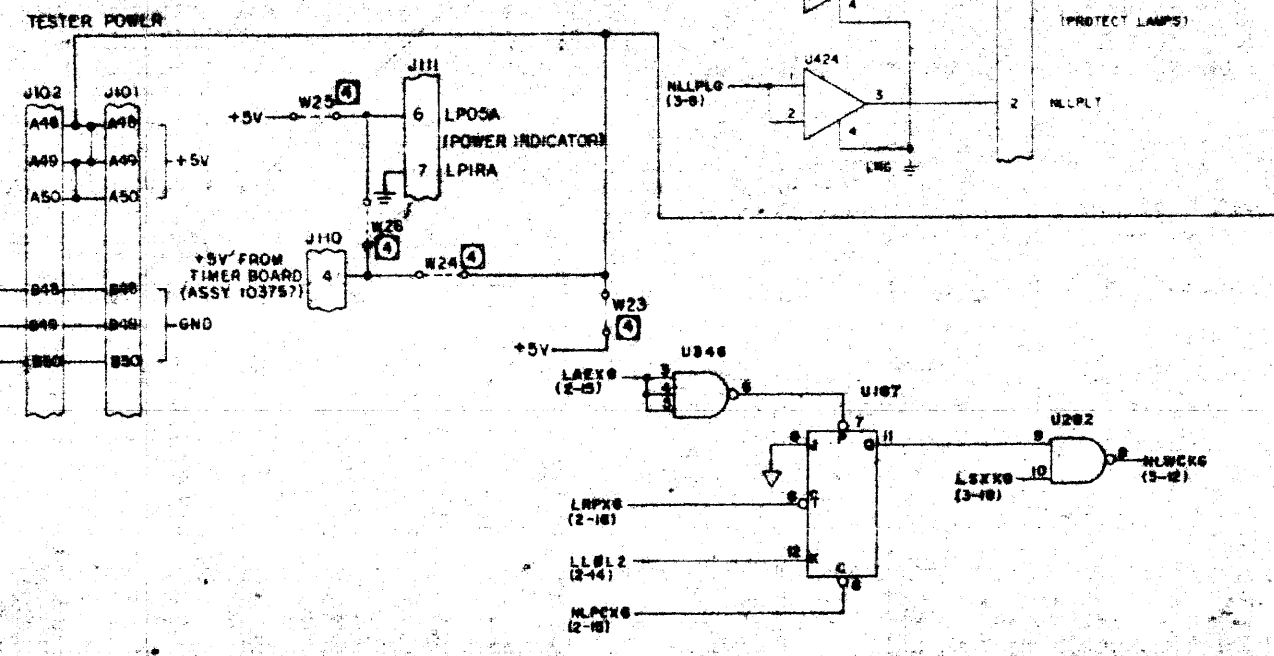
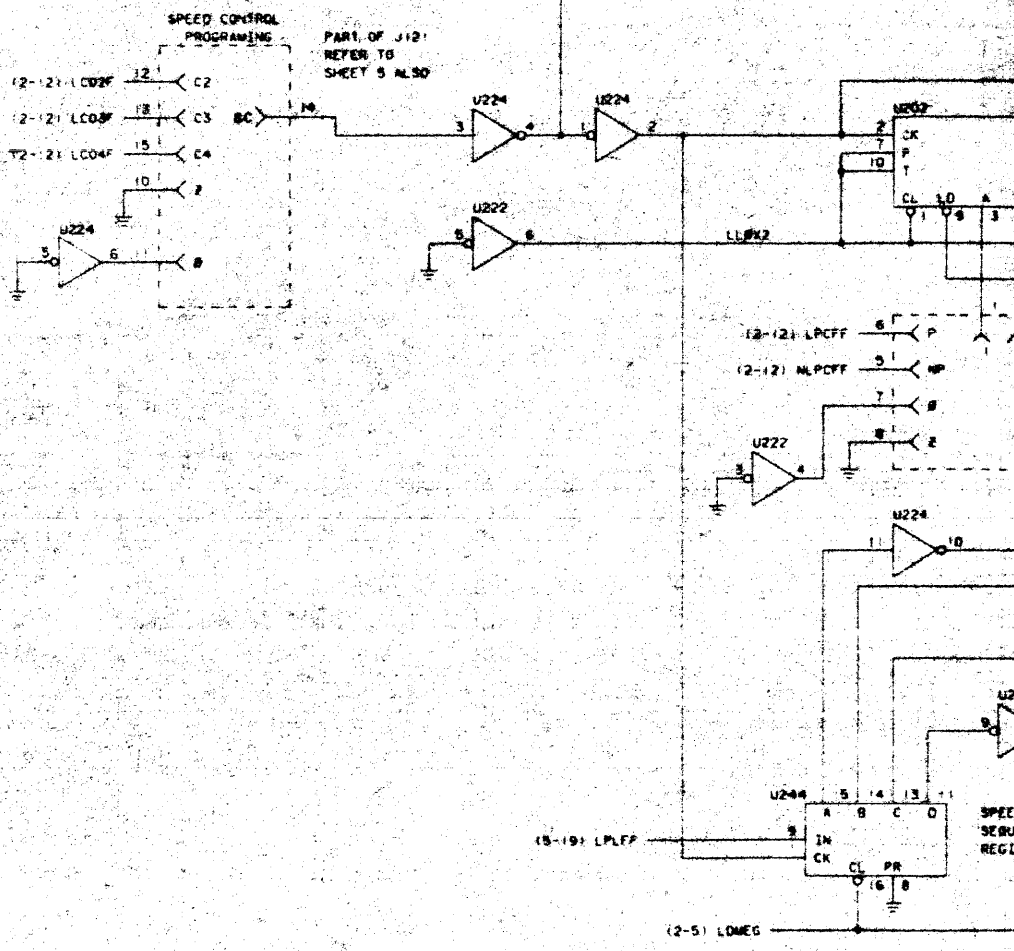
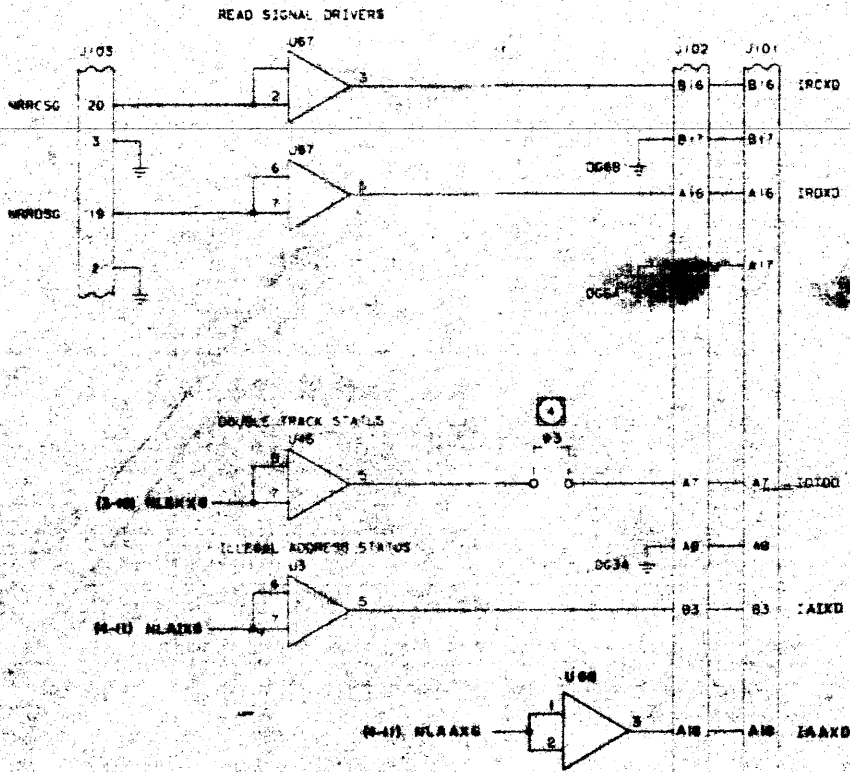
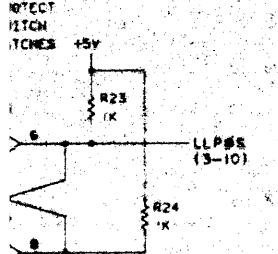
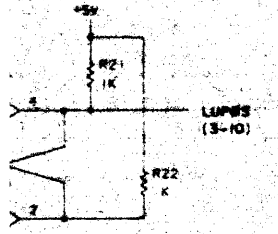
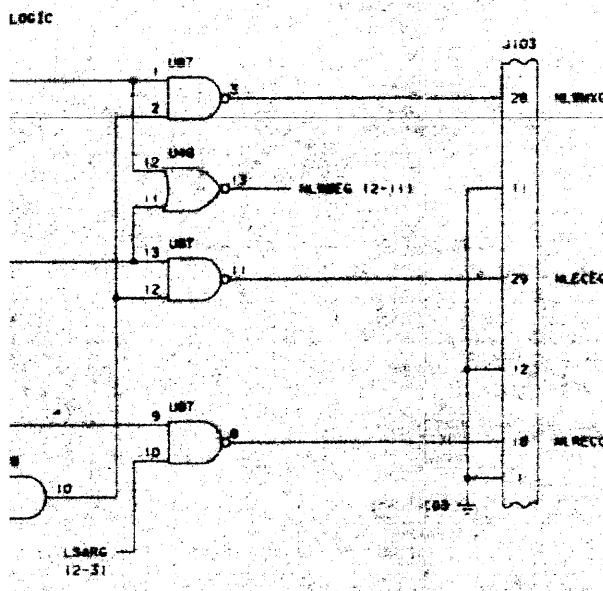
Unit Sel bit

Unit Sel 2 bit

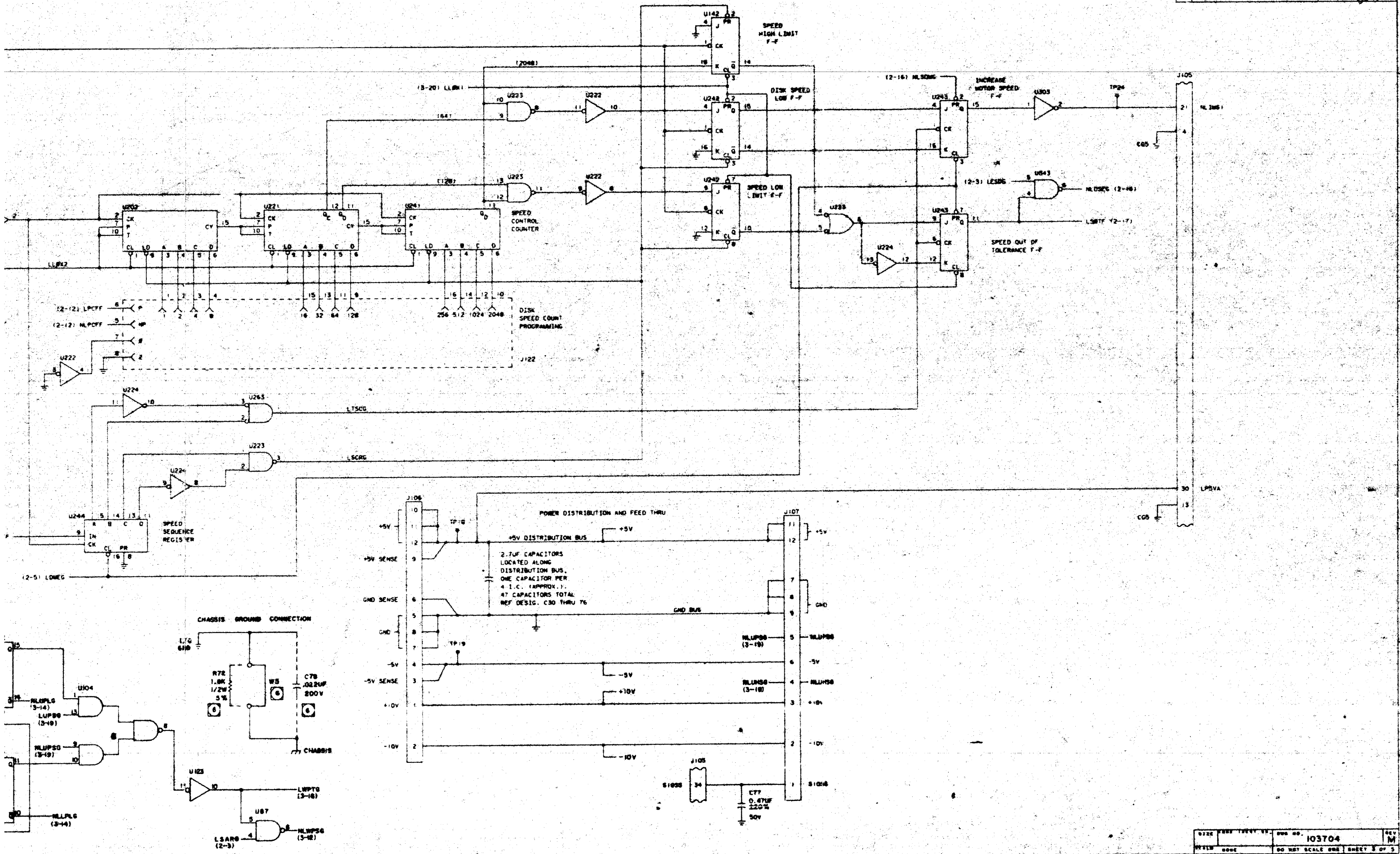
Unit Sel 0 bit

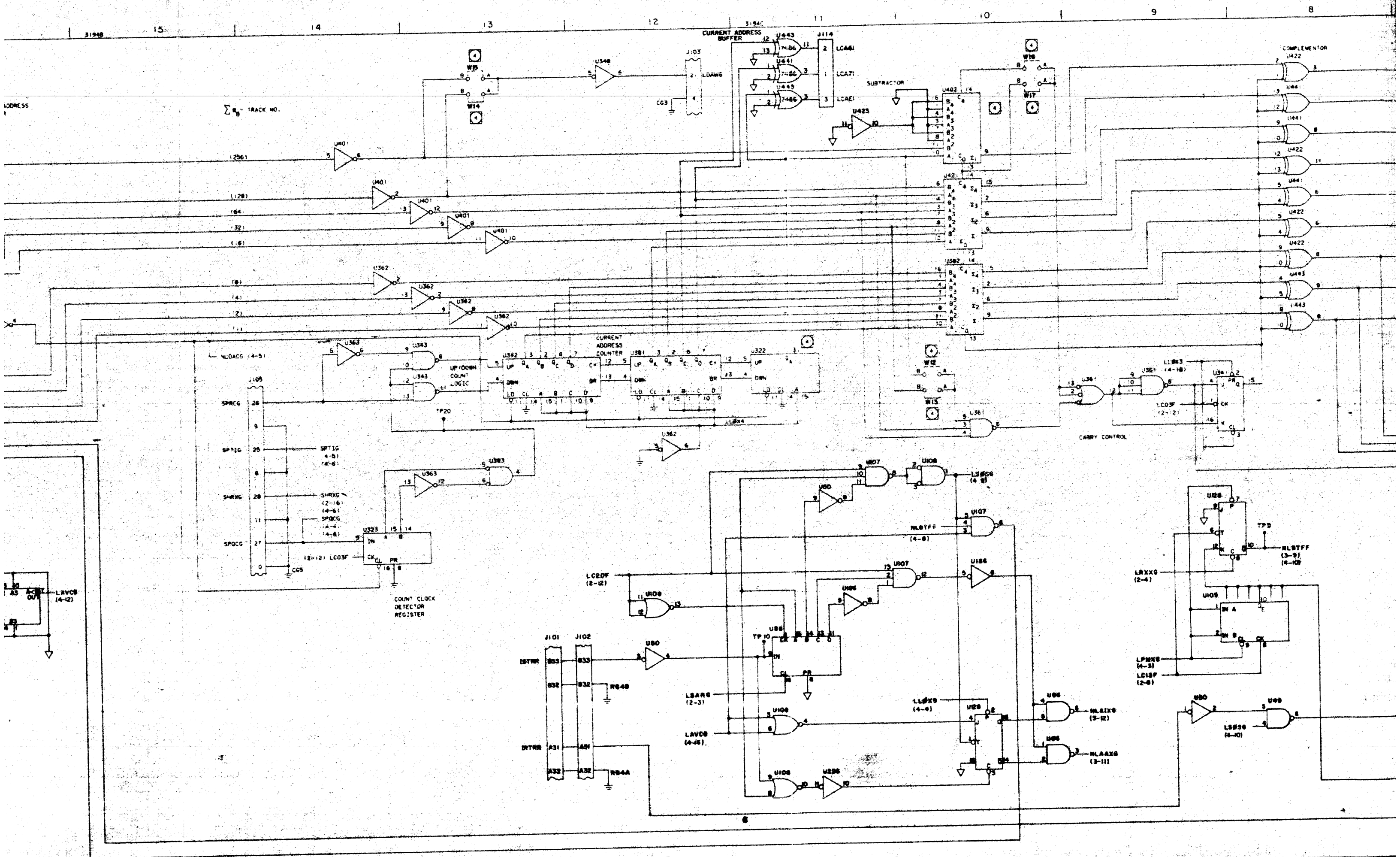
Cyl Sel



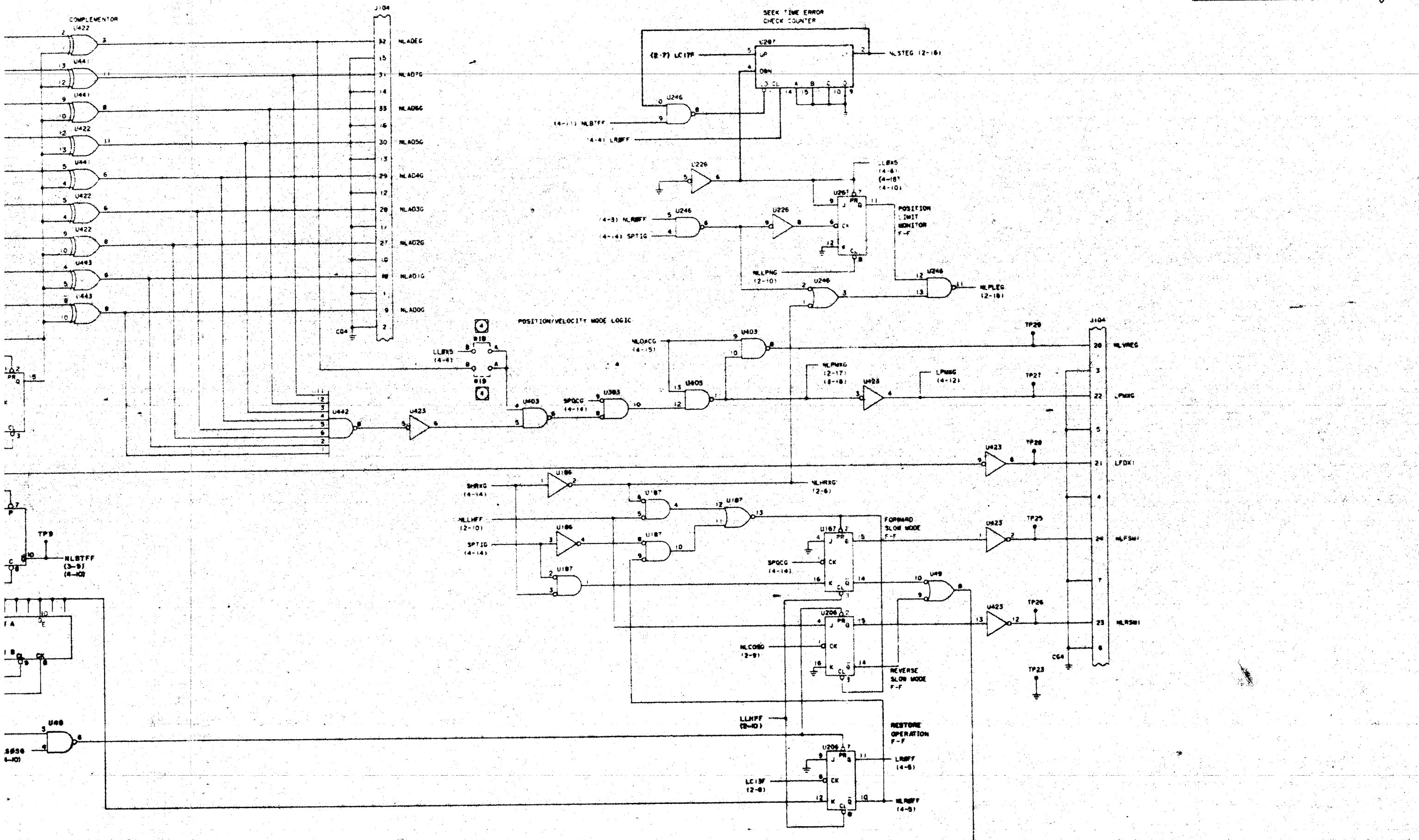


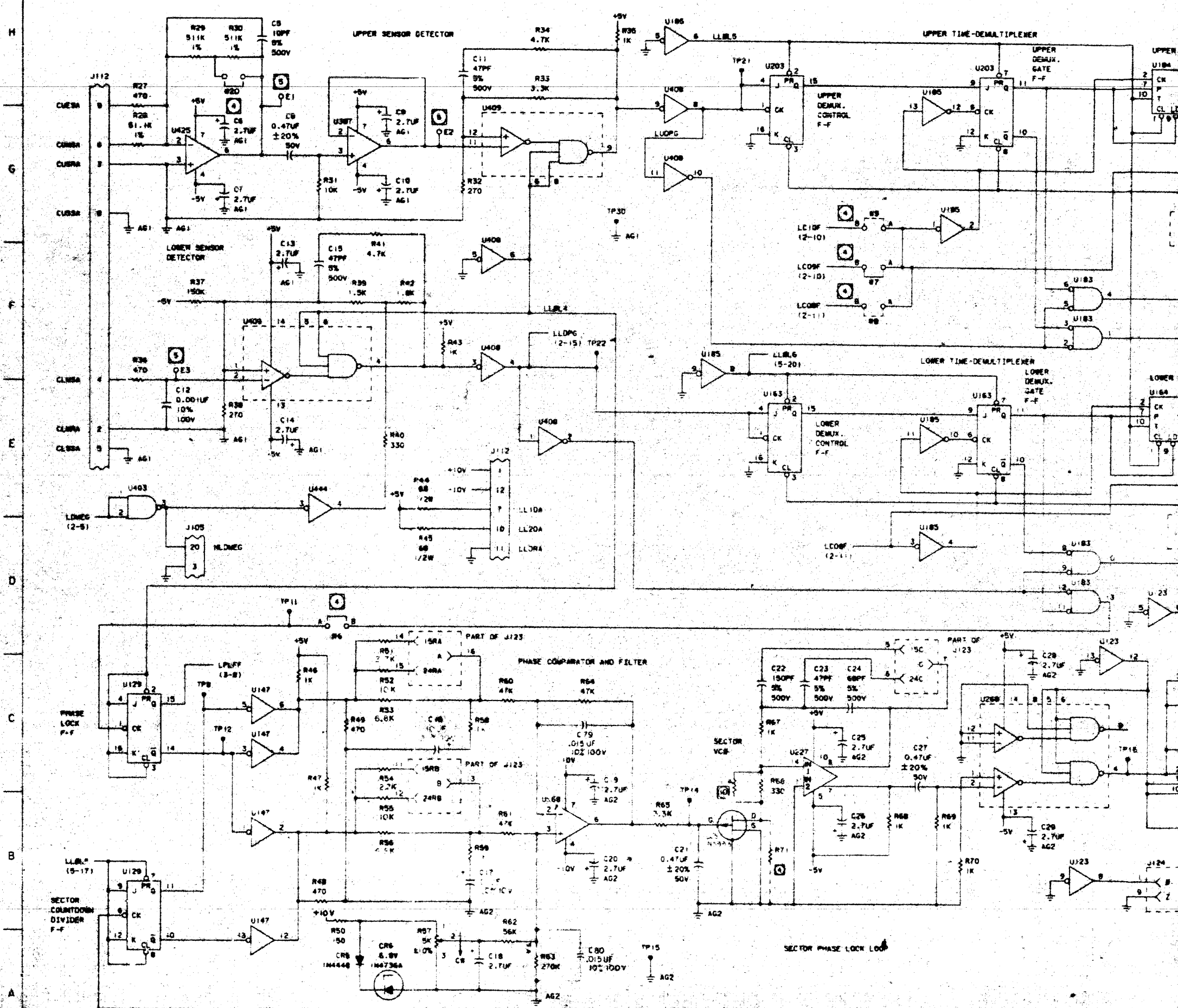
REVISIONS				
REV	DESCRIPTION	DATE	BY	CHK
1	SEE SHEET 1			

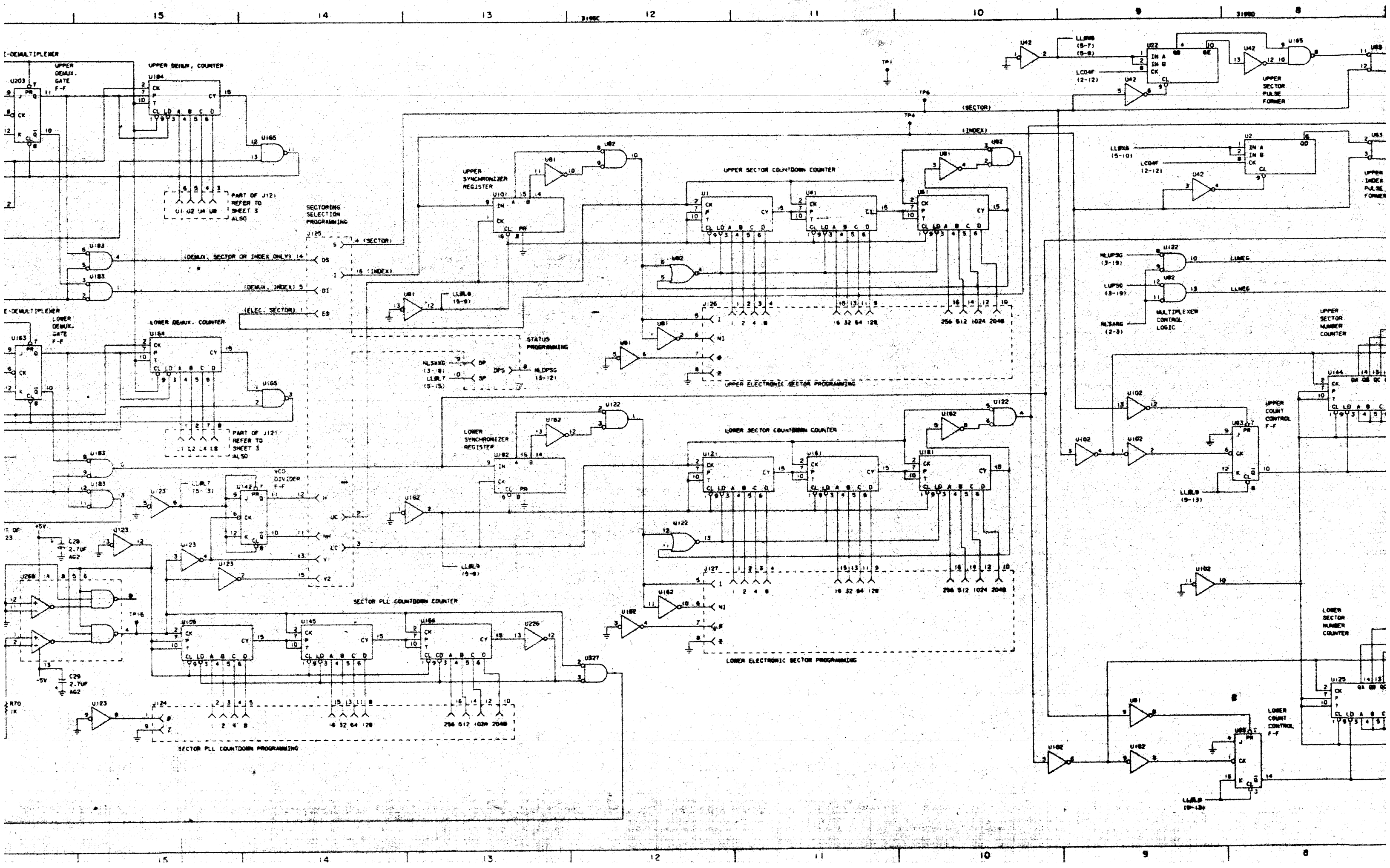




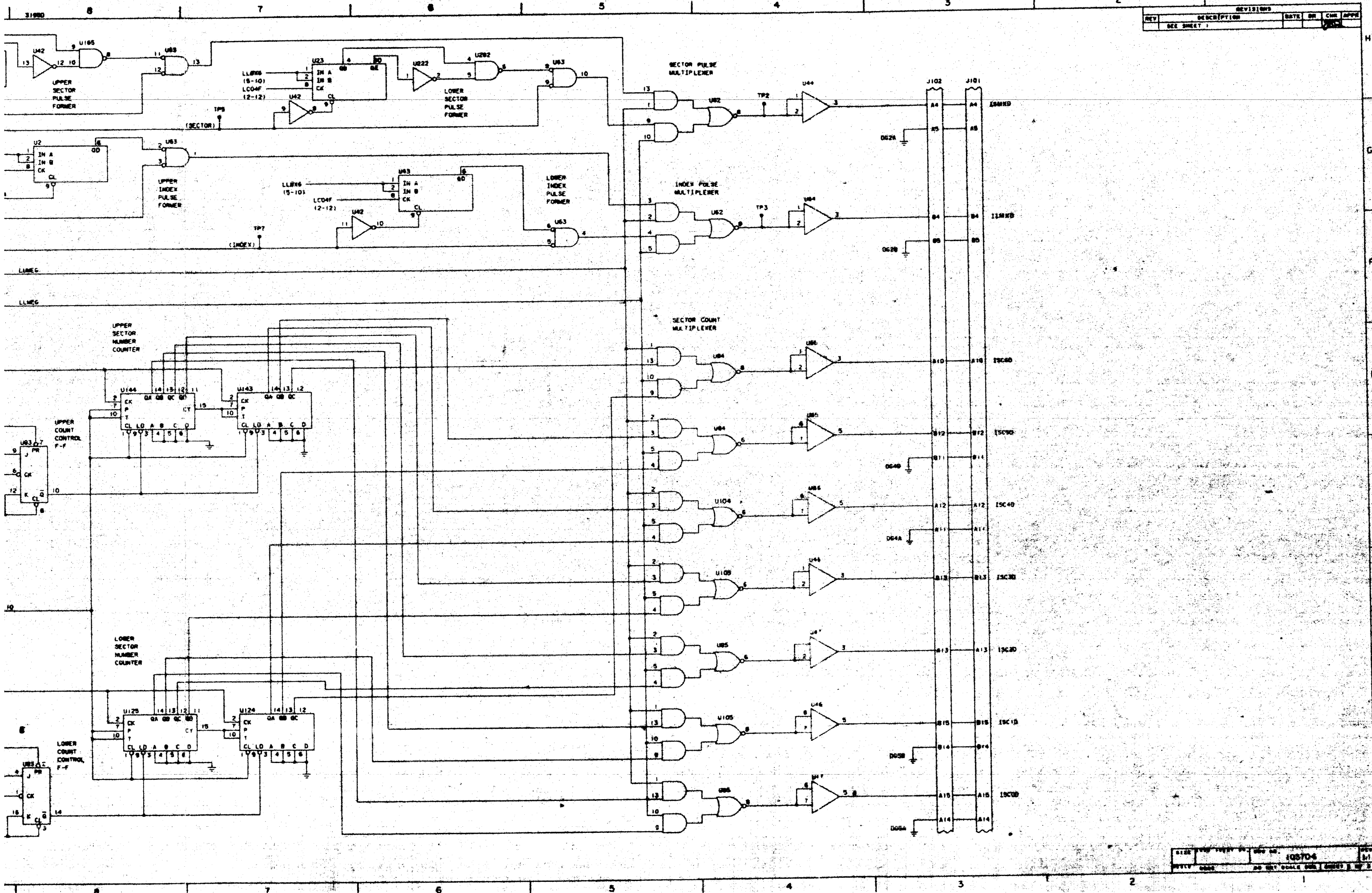
REV	DESCRIPTION	DATE	DR	CHK	APPR
1	SEE SHEET 1				

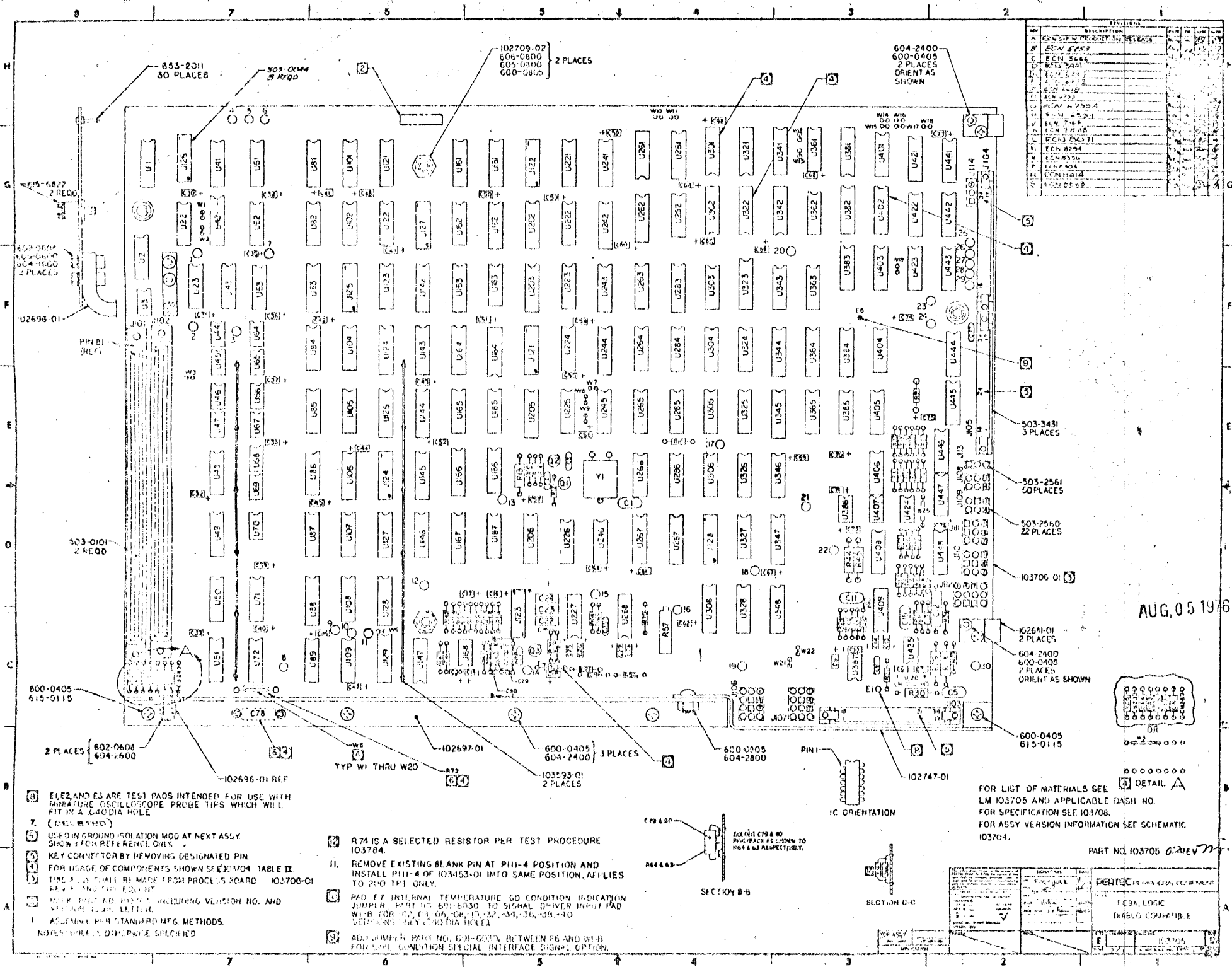






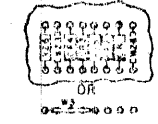
REV		DESCRIPTION		DATE		BY		CHK		APPV	
1		REV SHEET 1									





REV	DESCRIPTION	DATE	BY
A	REWORK PRODUCE IN RELEASE		
B	REVISED		
C	REVISED		
D	REVISED		
E	REVISED		
F	REVISED		
G	REVISED		
H	REVISED		
I	REVISED		
J	REVISED		
K	REVISED		
L	REVISED		
M	REVISED		
N	REVISED		
O	REVISED		
P	REVISED		
Q	REVISED		
R	REVISED		
S	REVISED		
T	REVISED		
U	REVISED		
V	REVISED		
W	REVISED		
X	REVISED		
Y	REVISED		
Z	REVISED		

AUG. 05 1966



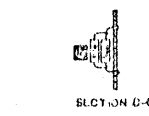
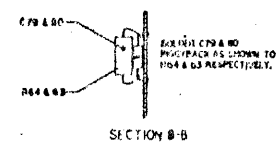
FOR LIST OF MATERIALS SEE LM 103705 AND APPLICABLE DASH NO. FOR SPECIFICATION SEE 103706. FOR ASSY VERSION INFORMATION SEE SCHEMATIC 103704.

PART NO. 103705 0212V

PERTEC	PERIPHERAL EQUIPMENT
TECA, LOGIC	
DIABLE COMPATIBLE	

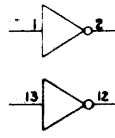
- E1E2 AND E3 ARE TEST PADS INTENDED FOR USE WITH THERMISTOR OSCILLOSCOPE PROBE TIPS WHICH WILL FIT IN A .040 DIA HOLE.
 - USED IN GROUND ISOLATION MOD AT NEXT ASSY. SHOW FOR REFERENCE ONLY.
 - KEY CONNECTOR BY REMOVING DESIGNATED PIN.
 - FOR USAGE OF COMPONENTS SHOWN SEE TABLE II.
 - THIS ASSY SHALL BE MADE FROM PROCESS BOARD 103706-01 REV 1 AND SHOWN.
 - WALK THROUGH TESTS INCLUDING VERSION NO. AND VERSION YEAR LABEL.
 - ASSEMBLY PER STANDARD MFG METHODS.
- NOTES: DIMENSIONS UNLESS OTHERWISE SPECIFIED

- R74 IS A SELECTED RESISTOR PER TEST PROCEDURE 103784.
- REMOVE EXISTING BLANK PIN AT PH1-4 POSITION AND INSTALL PH1-4 OF 103453-01 INTO SAME POSITION. APPLIES TO 2ND TR1 ONLY.
- PAD F7 INTERNAL TEMPERATURE GO CONDITION INDICATION JUMPER. POINT TO 601-6030 TO SIGNAL DRIVER INPUT PAD W/H FOR 02 (A, 04, 06, 10, 12, 14, 16, 18, 20, 22, 24, 26, 28, 30, 32, 34, 36, 38, 40). VERTICALLY .040 DIA HOLE.
- ADD JUMPER PART NO. 601-6030, BETWEEN F6 AND W1-B FOR GATE CONDITION SPECIAL INTERFACE SIGNAL OPTION.

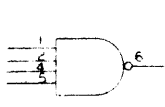


SPARE GATES

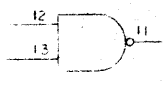
U448
700-7404



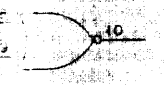
U405
700-7413



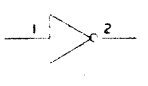
U86
700-7400



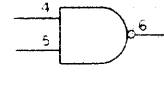
U445
700-7402



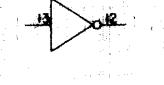
U226
700-7404



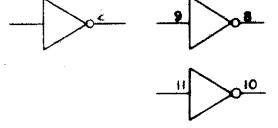
U165
700-7400



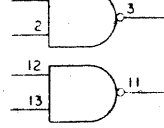
U408
700-7404



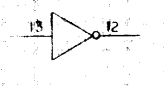
U444
700-7405



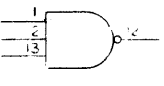
U282
700-7400



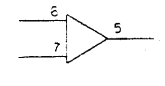
U222
700-7404



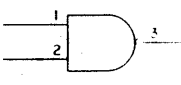
U346
700-7410



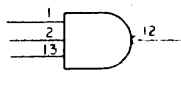
U70
700-7545



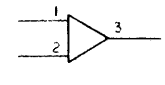
U328
700-7400



U404
700-7410



U386
700-7545



REFERENCE DESIGNATIONS

LAST USED	NOT USED	DELETED
C78	C4	
CR6		CR1, CR2
Q3		
J128	J15 THRU J20	
R74	R16	R26
TP30		
U448	U4 THRU 21, 24 THRU 40, U52 THRU 60, 73 THRU 80, U90 THRU 100, 103, 110 THRU 120, U126, 130 THRU 141, 148 THRU 160, U169 THRU 180, 188 THRU 201, U204, 207 THRU 220, 228 THRU 240, U247 THRU 260, 269 THRU 280, U288 THRU 300, 307, 309 THRU 320, U329 THRU 340, 349 THRU 360, U366 THRU 380, 388 THRU 400, U410 THRU 420, 426 THRU 440	
W23	W2	
Y1		

VERSION CHARACTERISTICS

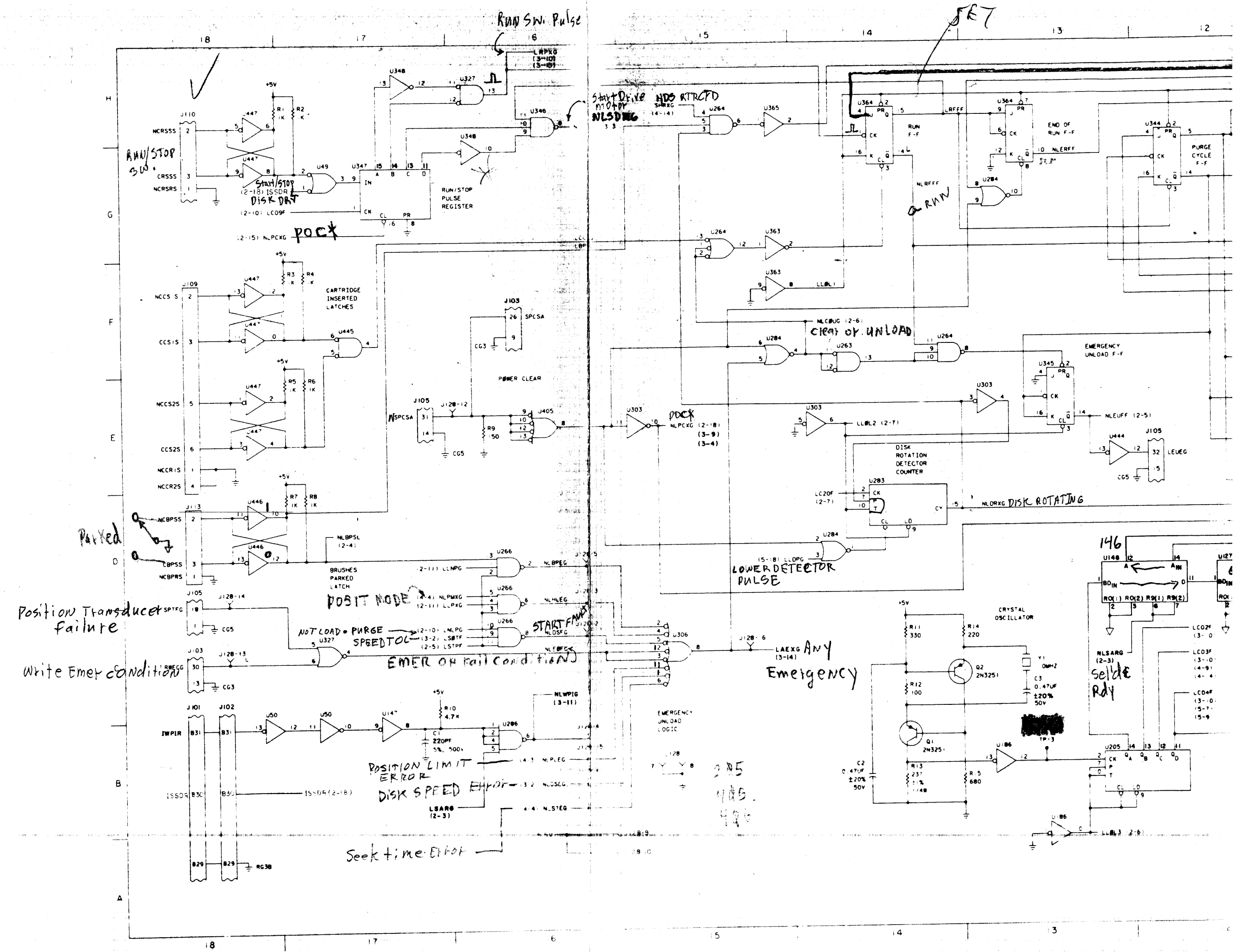
ASSY 103726 VERSION NUMBER	TRACKS PER INCH		INTERNAL TERMINATION VOLTAGE POWER SUPPLY	TERMINATION VOLTAGE FEED-THRU	GROUND ISOLATION	SPECIAL INTERFACE SIGNAL OPTION FOR SAFE CONDITION INDICATION	READY SIGNAL GATED BY INTERNAL TEMP GO 200 TPI ONLY	200 TPI INTERNAL TEMP GO	③	C78 P/N 137-2230	⑨	R71	R72 P/N 101-1825	P/N 700-7413	P/N 700-7418	USAGE	
	100	200														OMIT	USE
-01	X		X							OMIT		OMIT	OMIT			USE	
-02		X						X		OMIT			OMIT			USE	
-03	X			X						OMIT			OMIT			USE	
-04		X		X				X		OMIT			OMIT			USE	
-05	X		X		X					USE						USE	
-06		X	X		X			X		USE						USE	
-07	X			X	X					USE						USE	
-08		X		X	X			X		USE						USE	
-09	X		X			X				OMIT		OMIT	OMIT			USE	

REVISIONS					
REV	DESCRIPTION	DATE	OR	CHK	APP
1	ISSUE FOR RELEASE				

12	W1	W3	W4	W6	W7	W9	W10	W11	W12	W13	W14	W15	W16	W17	W18	W19	W21	W22	W20	W8	W5	W23	ASSY
N	P/N	P/N	P/N							P/N									P/N	P/N	P/N	P/N	VERSION
483	691-6030	103596-01	100373-01							103596-01									100373-02	103596-01	100373-01	691-6030	103726
	USE	OMIT	OMIT	USE	USE	OMIT	USE	OMIT	OMIT	USE	USE	OMIT	OMIT	USE	OMIT	OMIT	USE	OMIT	USE	OMIT	USE	USE	NUMBER
	USE	OMIT	OMIT	USE	USE	OMIT	USE	OMIT	OMIT	USE	USE	OMIT	OMIT	USE	OMIT	OMIT	USE	OMIT	USE	OMIT	USE	USE	01
	USE	OMIT	OMIT	USE	USE	OMIT	USE	OMIT	OMIT	USE	USE	OMIT	OMIT	USE	OMIT	OMIT	USE	OMIT	USE	OMIT	USE	USE	02
	USE	OMIT	OMIT	USE	USE	OMIT	USE	OMIT	OMIT	USE	USE	OMIT	OMIT	USE	OMIT	OMIT	USE	OMIT	USE	OMIT	USE	USE	03
	USE	OMIT	OMIT	USE	USE	OMIT	USE	OMIT	OMIT	USE	USE	OMIT	OMIT	USE	OMIT	OMIT	USE	OMIT	USE	OMIT	USE	USE	04
	USE	OMIT	OMIT	USE	USE	OMIT	USE	OMIT	OMIT	USE	USE	OMIT	OMIT	USE	OMIT	OMIT	USE	OMIT	USE	OMIT	USE	USE	05
	USE	OMIT	OMIT	USE	USE	OMIT	USE	OMIT	OMIT	USE	USE	OMIT	OMIT	USE	OMIT	OMIT	USE	OMIT	USE	OMIT	USE	USE	06
	USE	OMIT	OMIT	USE	USE	OMIT	USE	OMIT	OMIT	USE	USE	OMIT	OMIT	USE	OMIT	OMIT	USE	OMIT	USE	OMIT	USE	USE	07
	USE	OMIT	OMIT	USE	USE	OMIT	USE	OMIT	OMIT	USE	USE	OMIT	OMIT	USE	OMIT	OMIT	USE	OMIT	USE	OMIT	USE	USE	08
	USE	OMIT	OMIT	USE	USE	OMIT	USE	OMIT	OMIT	USE	USE	OMIT	OMIT	USE	OMIT	OMIT	USE	OMIT	USE	OMIT	USE	USE	09

- 10 THIS SIGNAL IS JUMPERED TO W1-B (W1 JUMPER DELETED) FOR SPECIAL INTERFACE "SAFE" SIGNAL.
 - 9 THIS SCHEMATIC IS IDENTICAL TO THE 103704 LOGIC SCHEMATIC EXCEPT WHERE INDICATED.
 - 8 (DELETED)
 - 7 ALL CAPACITOR VALUES ARE IN MICROFARADS, ±20%, 35V
 - 6 R72 AND C7B ARE USED AND R5 OMITTED ONLY IN GROUND ISOLATION VERSIONS. SEE TABLE II FOR VERSION NUMBER. R5 MUST BE USED FOR ALL OTHER VERSIONS.
 - 5 E1, E2, AND E3 ARE TEST PADS INTENDED FOR USE WITH MINIATURE OSCILLOSCOPE PROBE TIPS WHICH WILL FIT IN A .040 DIAMETER HOLE.
 - 4 FOR PART NUMBER AND USAGE OF COMPONENTS AFFECTED BY VERSION NUMBER SEE TABLE II.
 - 3 FOR PART NUMBER OF COMPONENTS NOT AFFECTED BY VERSION NUMBER SEE TABLE I.
2. ALL RESISTOR VALUES ARE IN OHMS, ±5% / 1/4W.
1. SIGNALS ARE CROSS-REFERENCED BETWEEN SHEETS AND WITHIN A SHEET BY NUMBERS APPEARING WITH THE ASSOCIATED LOGIC TERM MNEMONIC. THE FIRST NUMBER IS THE SHEET NUMBER AND THE SECOND NUMBER IS THE ZONE NUMBER. EXAMPLE: 3-12
SHEET 3 ZONE 12
- NOTES: UNLESS OTHERWISE SPECIFIED
- REFERENCE DRAWINGS
ASSEMBLY 103726
SPECIFICATION 103708

PREPARED BY: _____ CHECKED BY: _____ DATE: _____ TOLERANCES: _____ DIMENSIONS: _____ FINISH: _____	SIGNATURES: _____ DATE: _____	PERTEC PERIPHERAL EQUIPMENT TITLE: SCHEMATIC-LOGIC BOARD INTERDATA COMPATIBLE
	SIZE: J CODE: 103726 DWG. NO: 103725 SCALE: NONE DO NOT SCALE DIM. SHEET 1 OF 5	



Run/Stop SW

POCK

POSIT MODE

NOT LOAD = PURGE SPEEDTOL

EMER ON RAIL CONDITIONS

POSITION LIMIT ERROR

DISK SPEED ERROR

Seek time Error

START DRIVE MOTOR NLSDRG

Emergency

LOWER DETECTOR PULSE

CLEAR or UNLOAD

146

selde Rdy

Position Transducer Failure

Write Emergency Condition

Parred

Run SW Pulse

SET

H

G

F

E

D

C

B

A

18

17

6

15

14

13

12

18

17

6

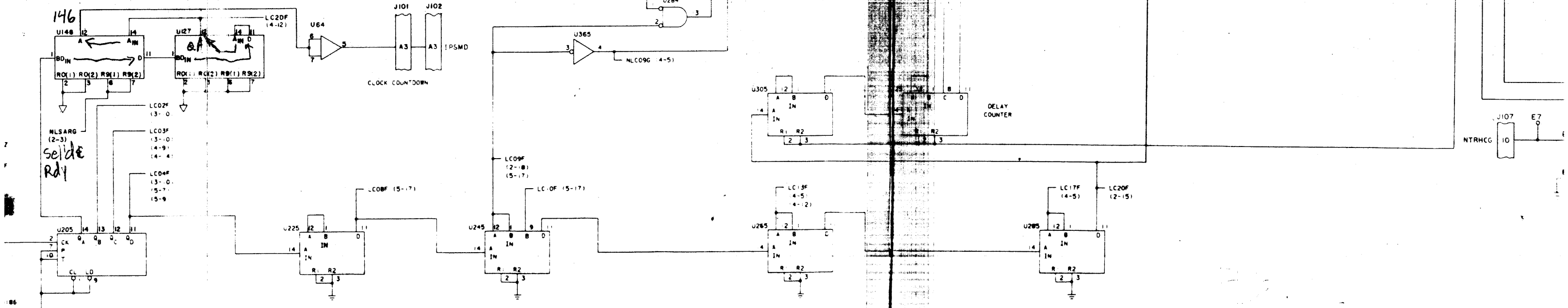
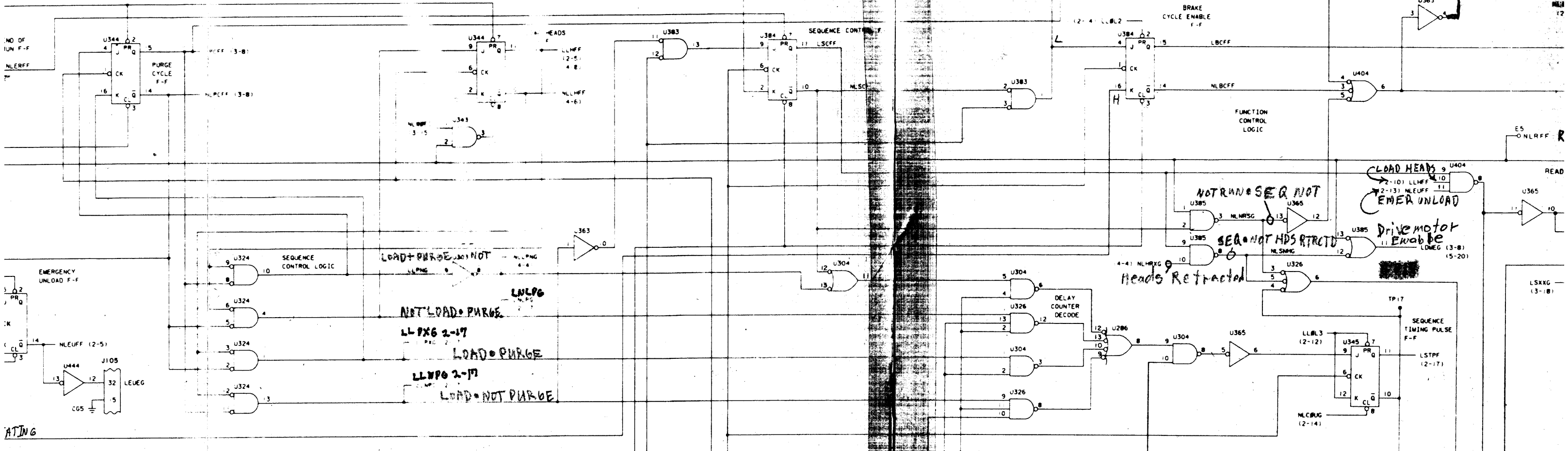
15

14

13

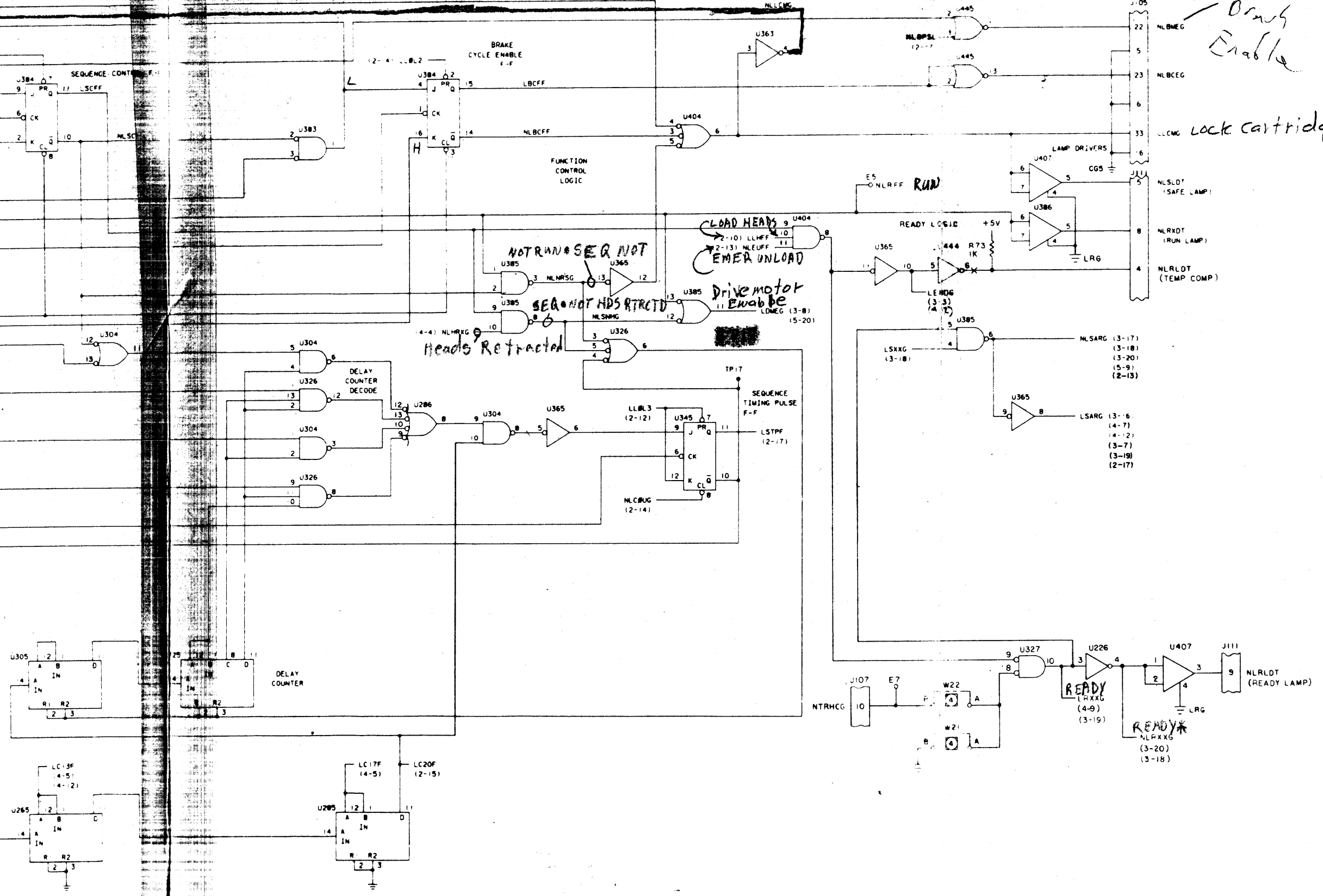
12

LOCK CARTRIDGE



LOCK CARTRIDGE

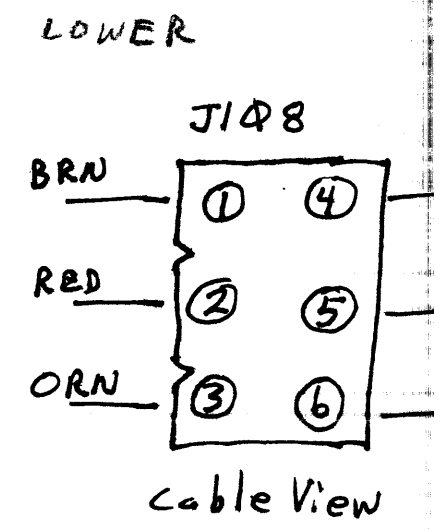
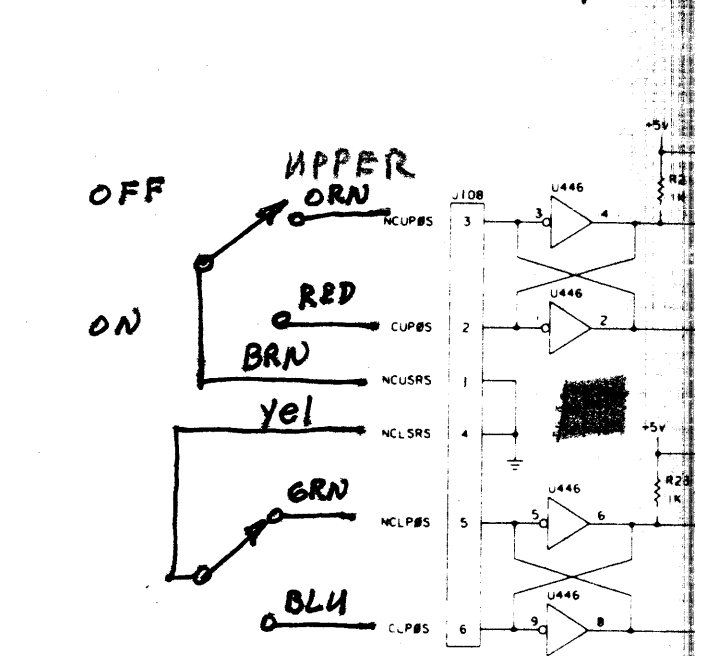
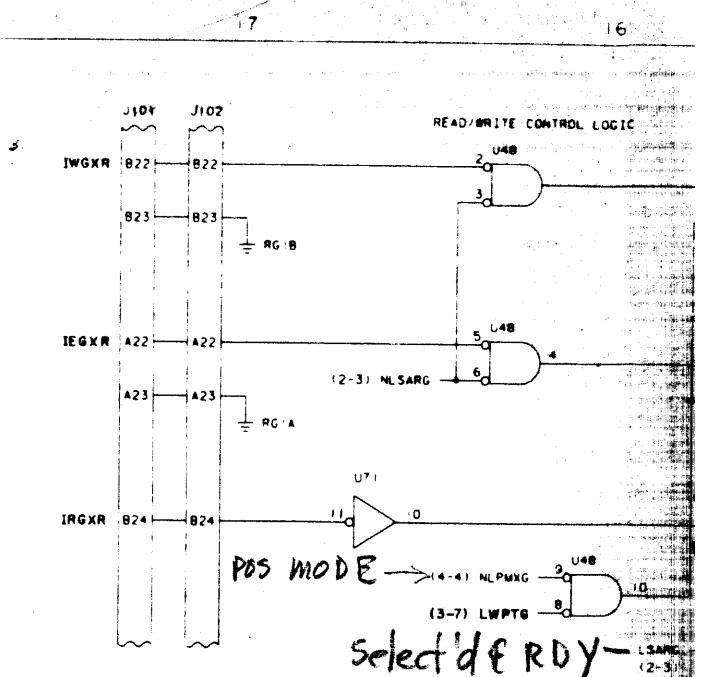
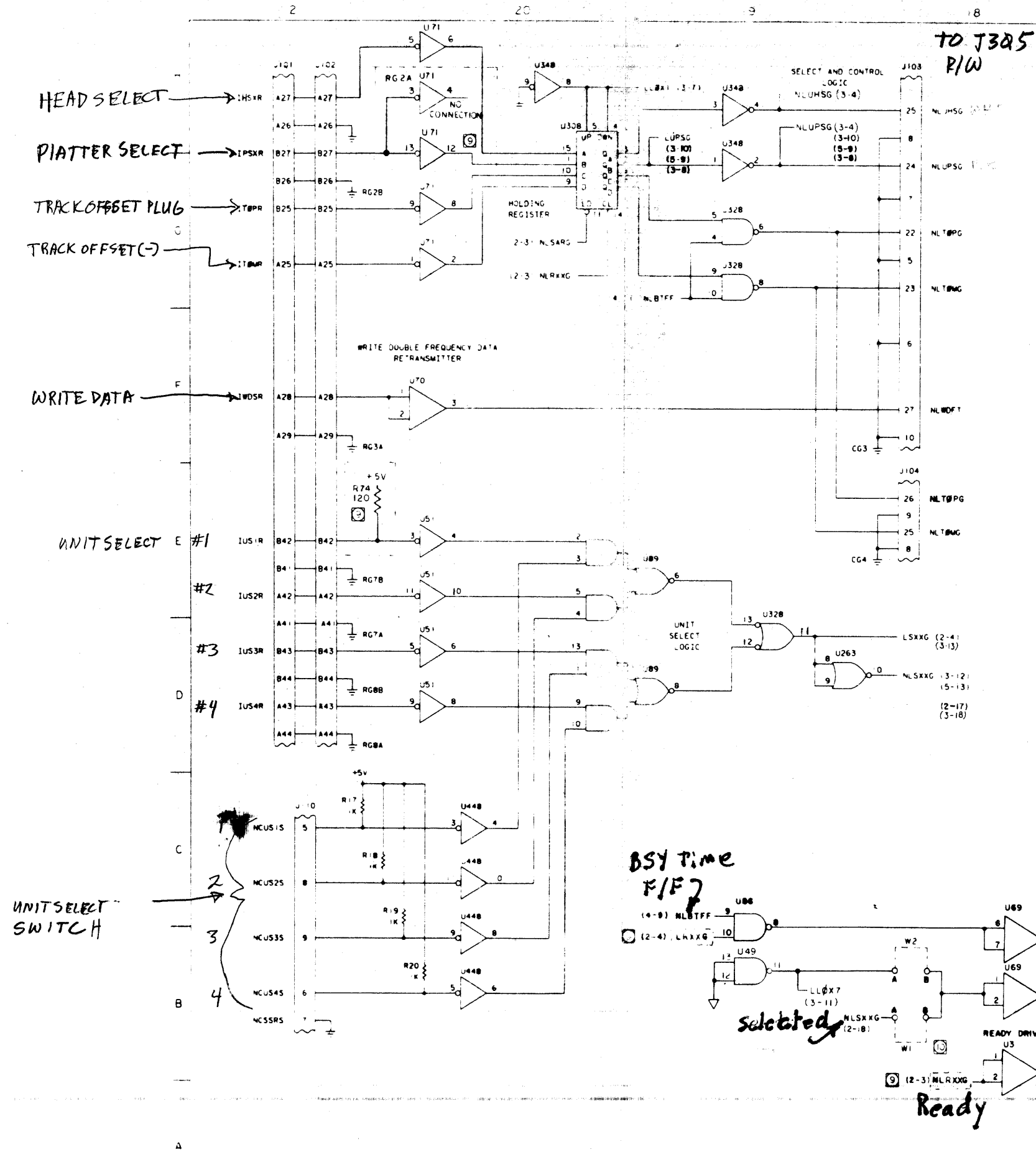
REV	DESCRIPTION	DATE	BY	CHK	APPR
1	REVISED				
2	SEE SHEET 1				

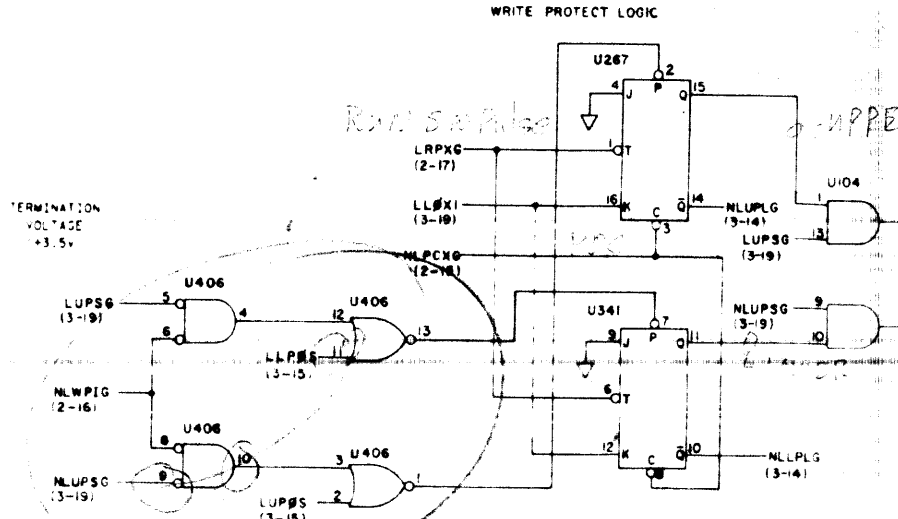
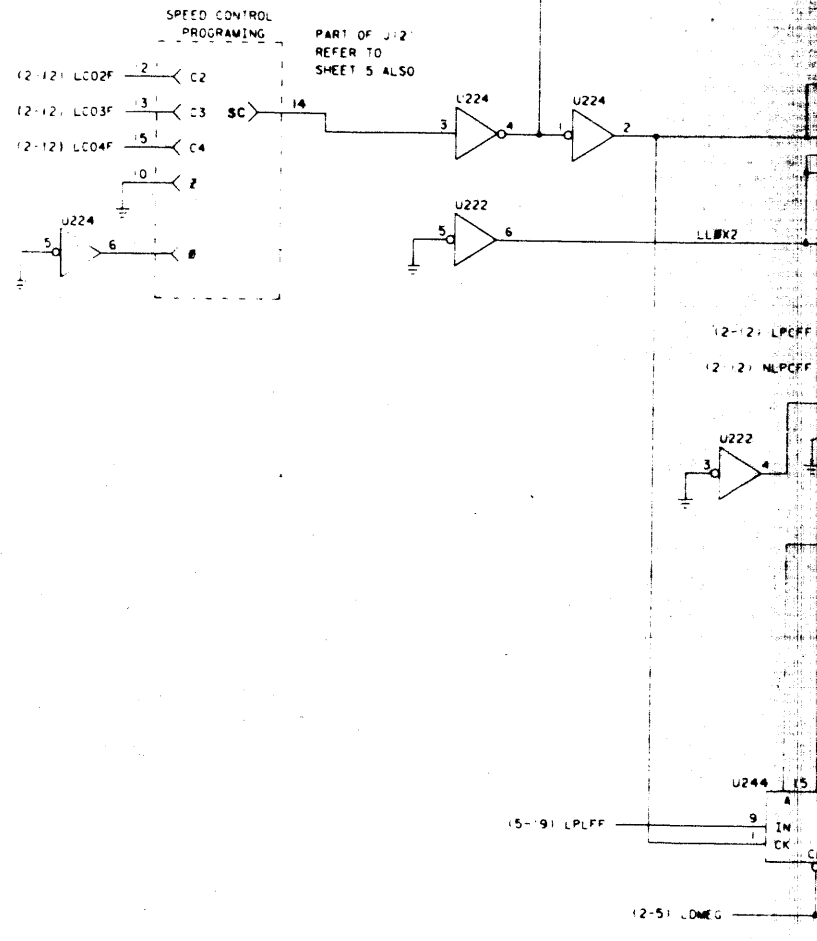
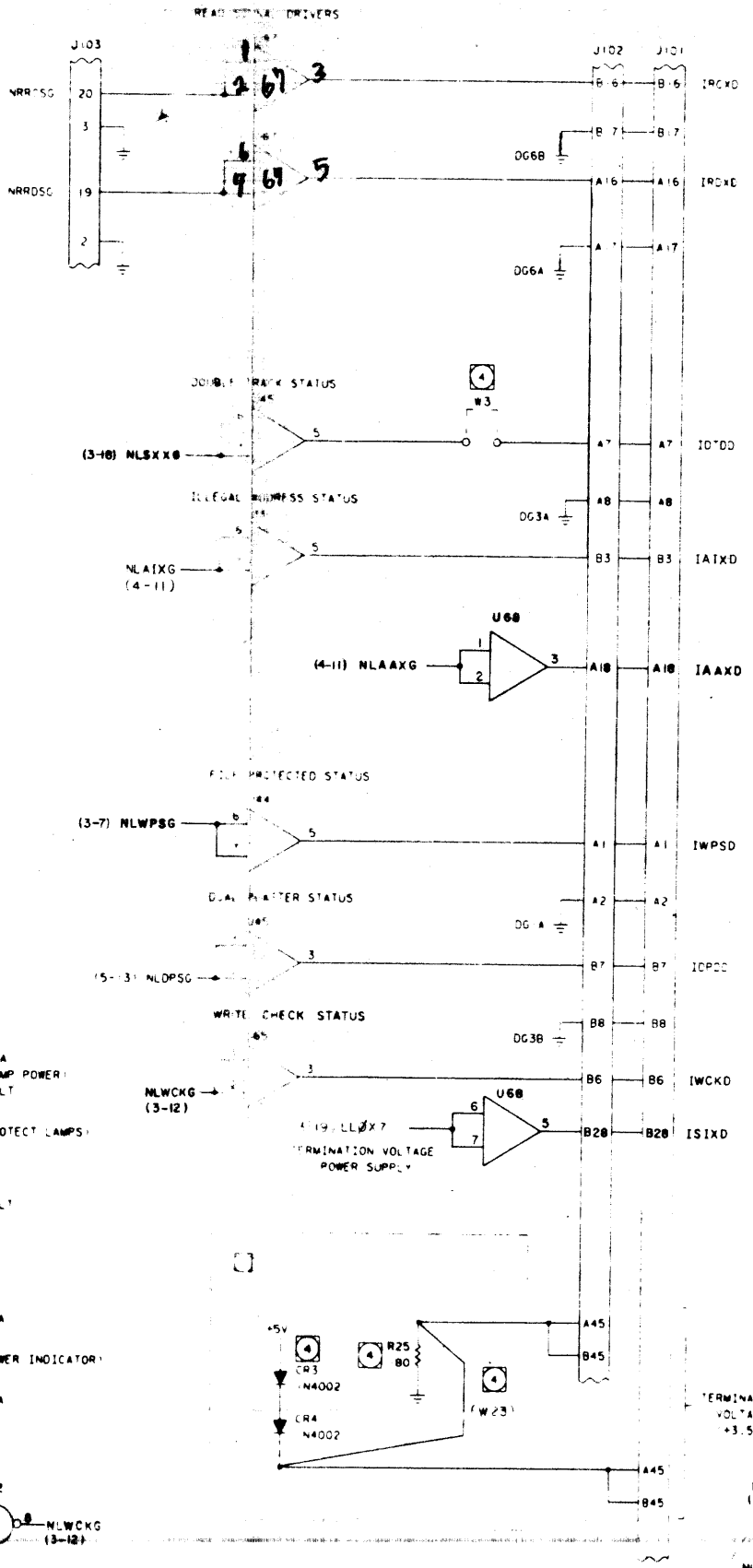
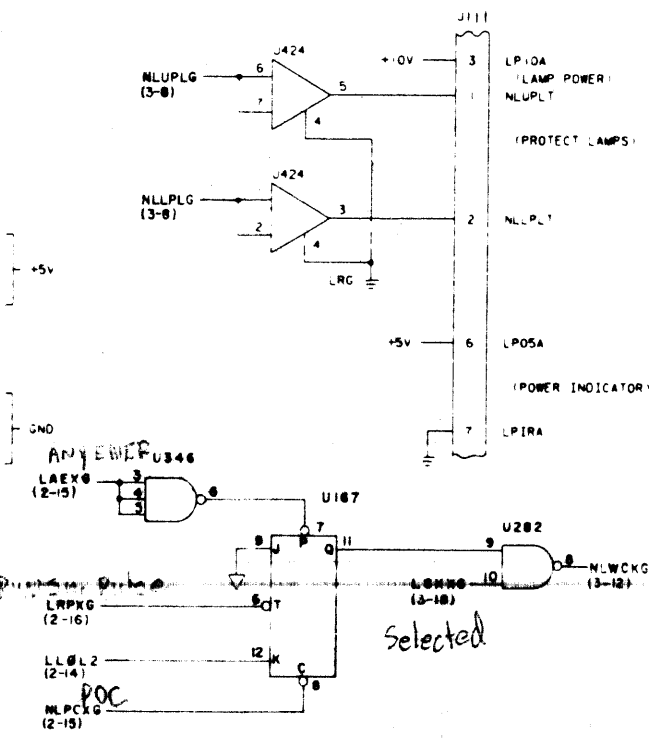
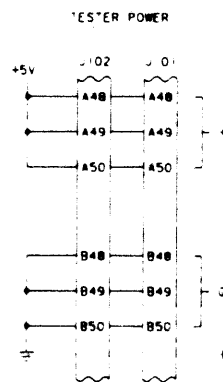
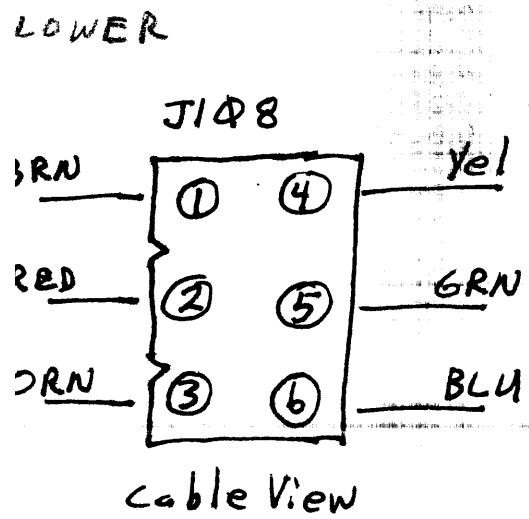
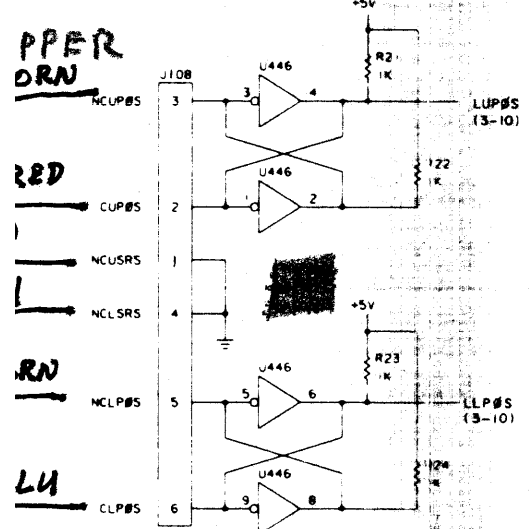
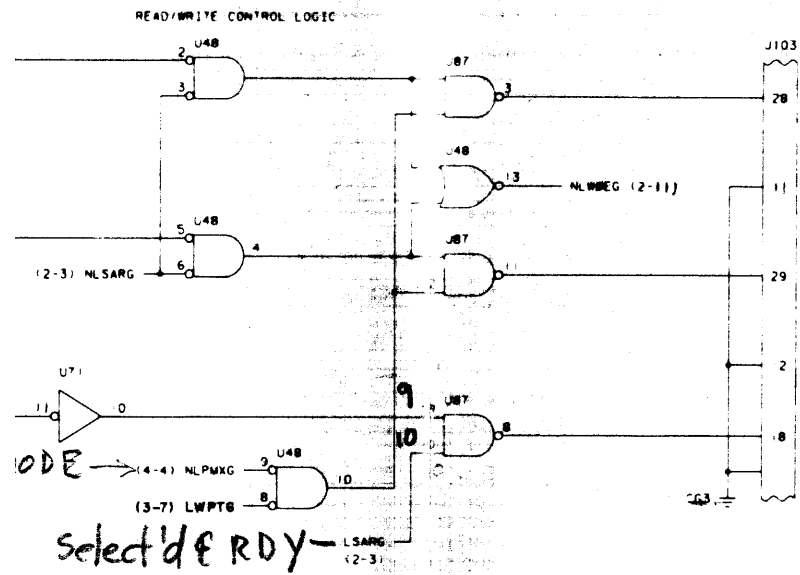


Oring Enable

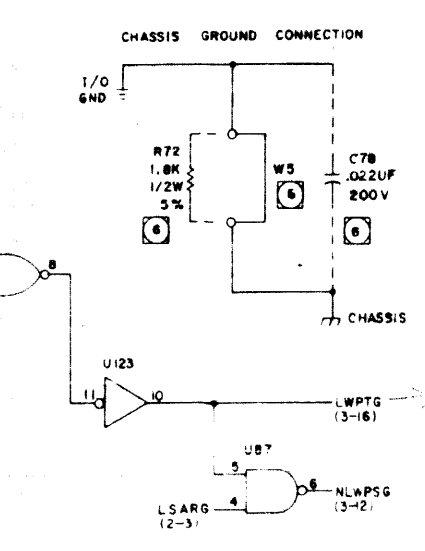
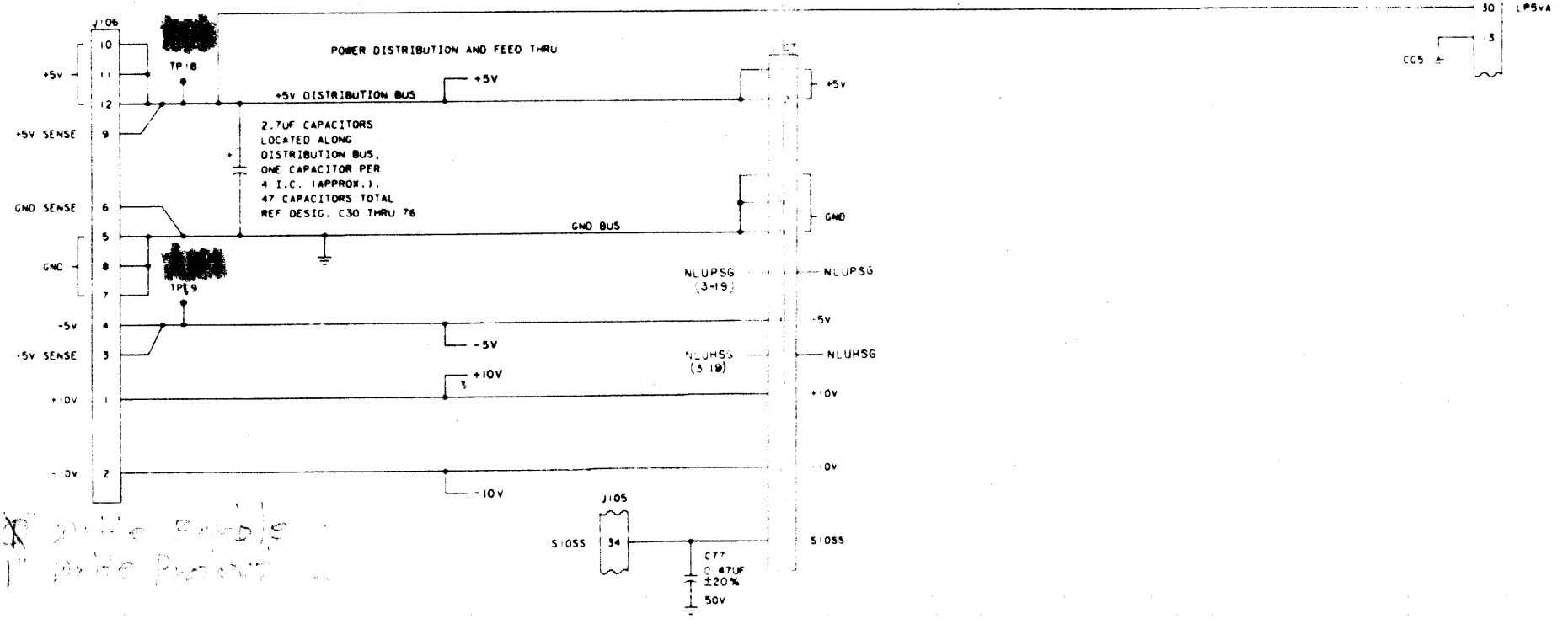
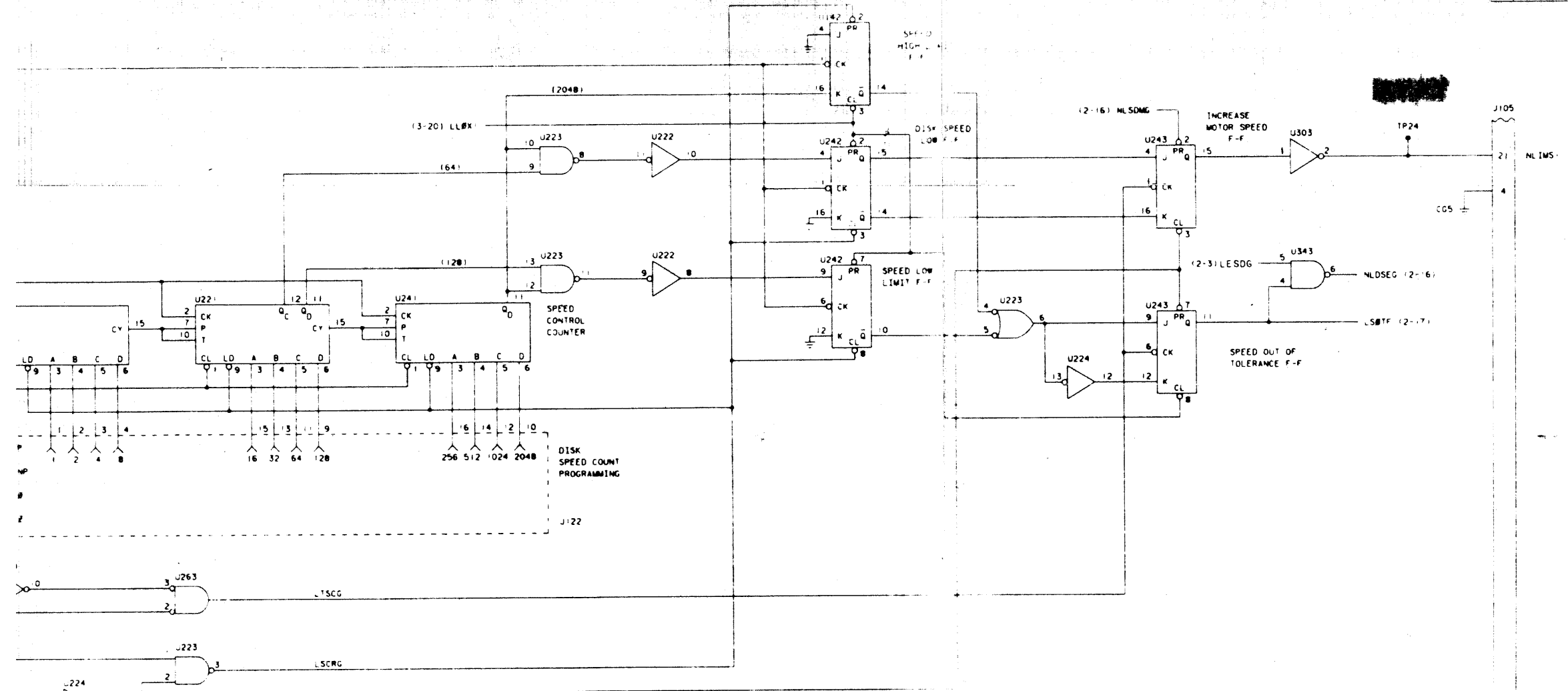
lock cartridge

READY (4-9) (3-19)
 READY* (3-20) (3-18)

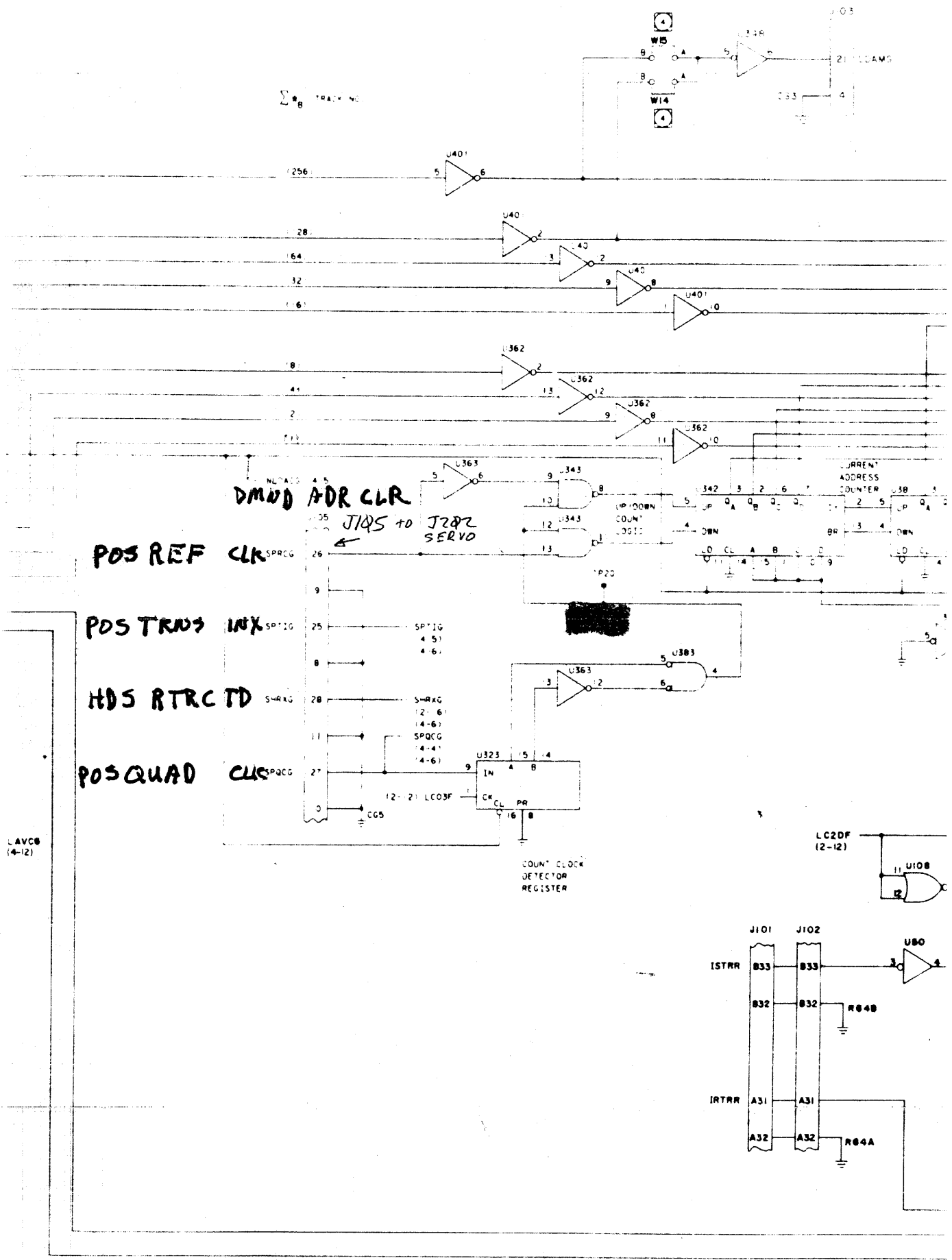
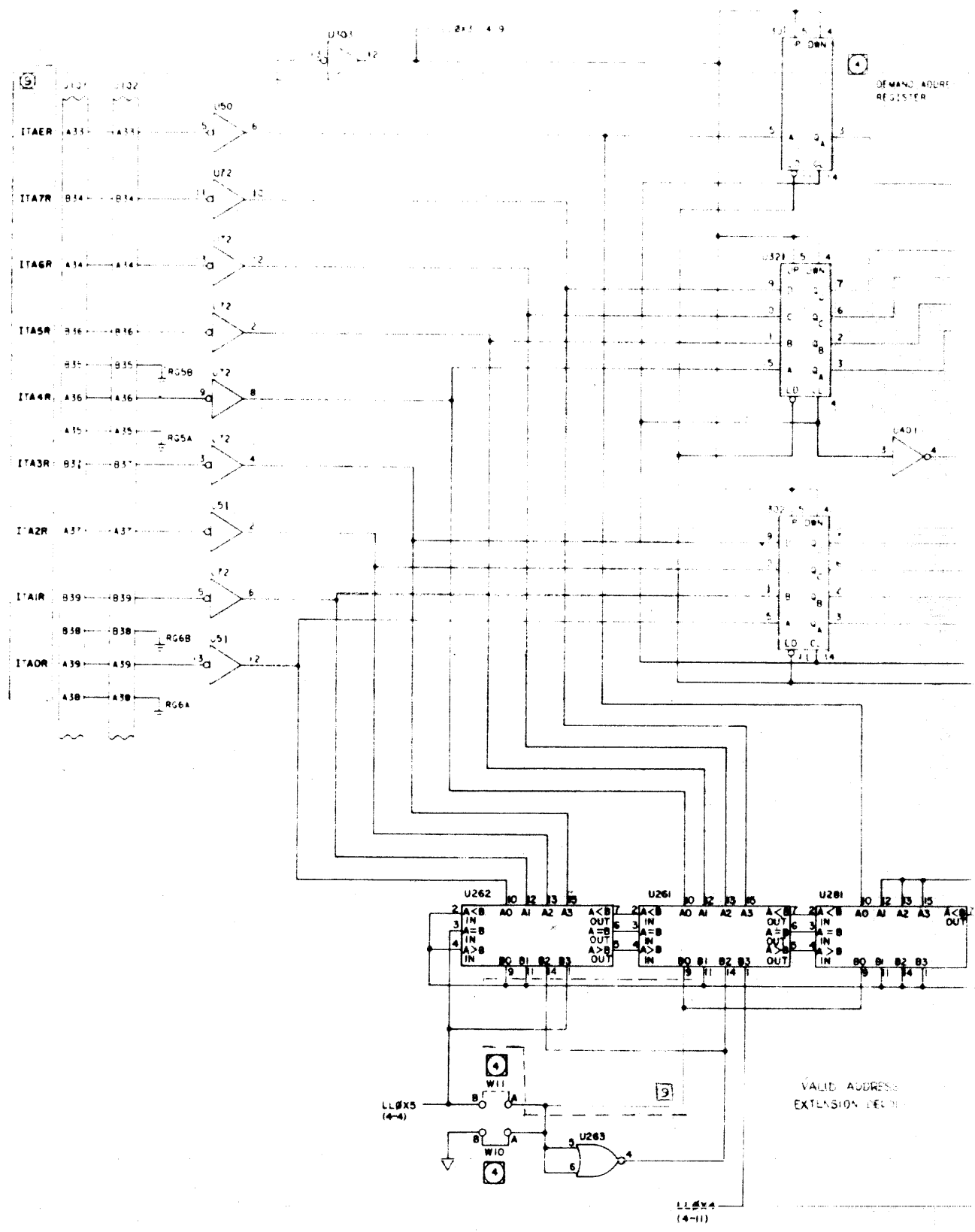


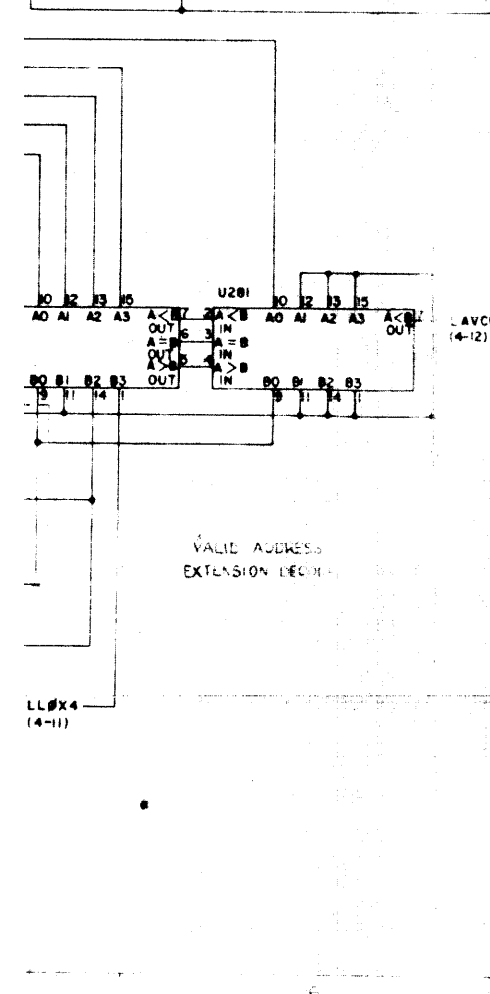
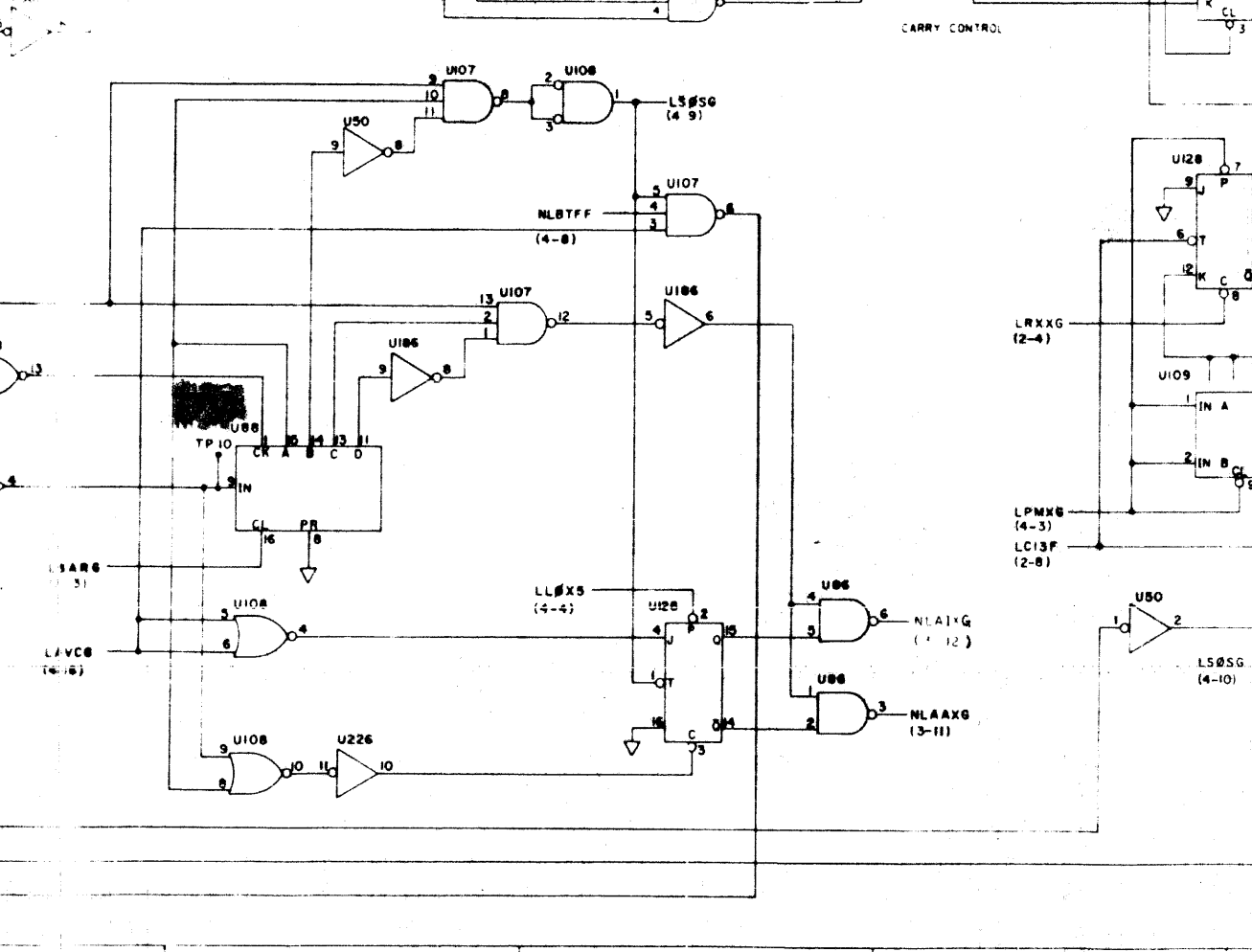
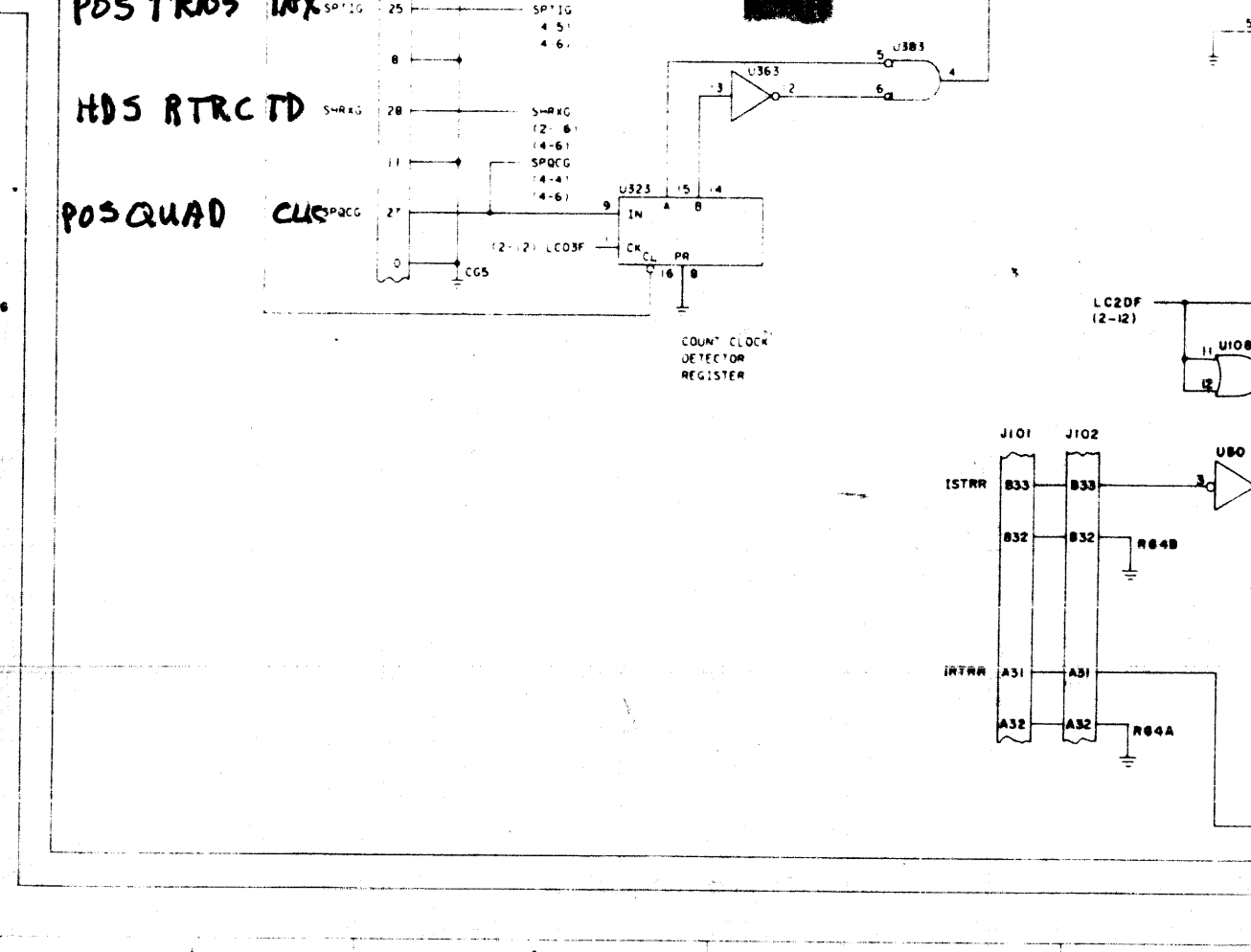
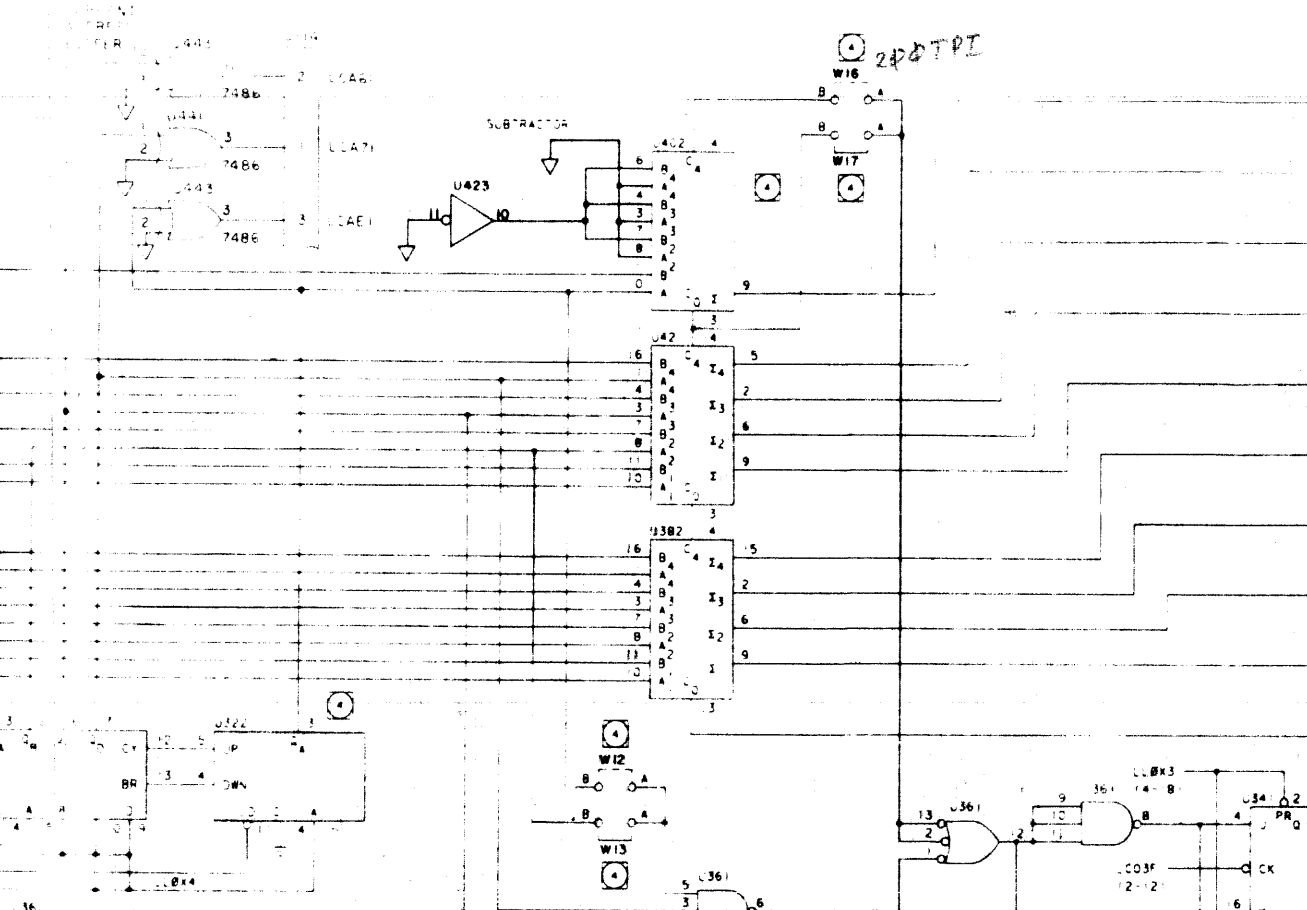
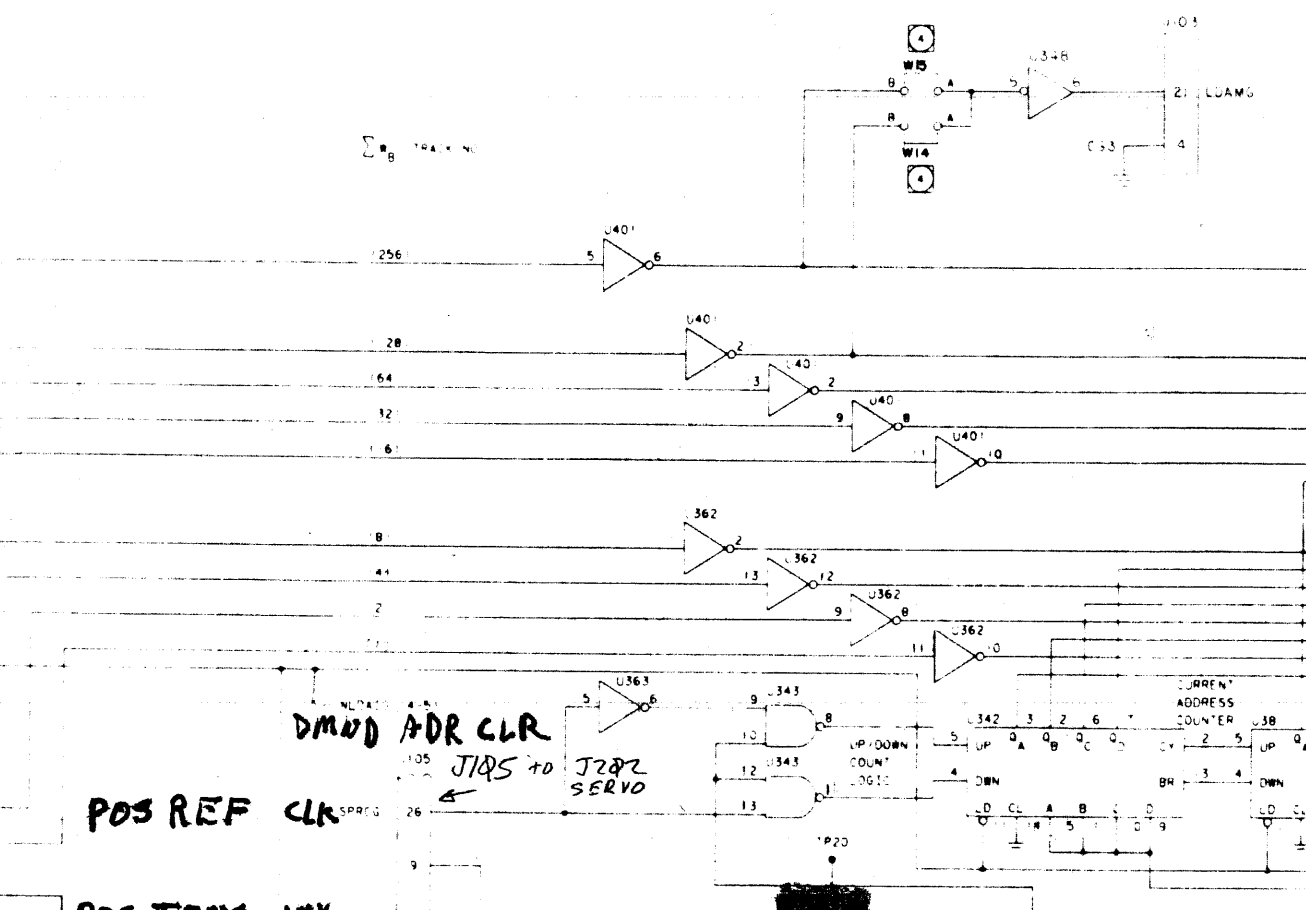
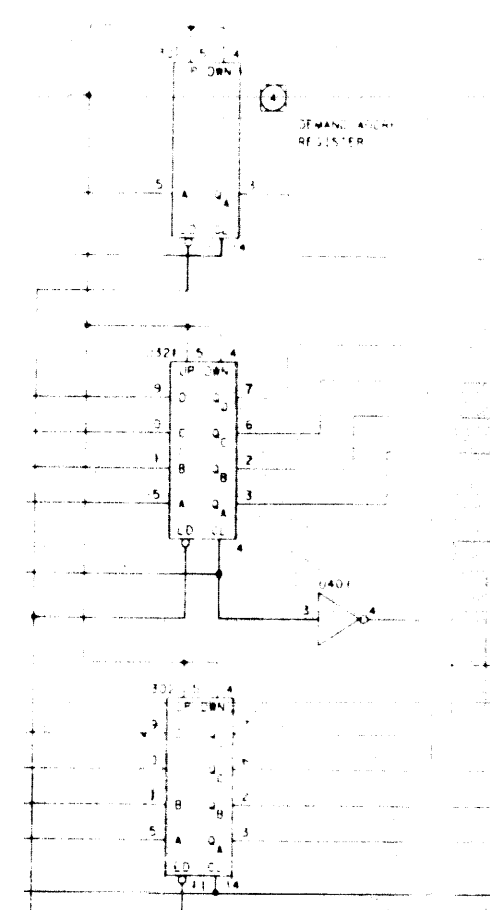


REVISIONS				
REV	DESCRIPTION	DATE	DR	APP
1	SEE SHEET			



*Write Sample
Write Program*





DMOD ADR CLR
 POS REF CLK
 POS TRNS INX
 HDS RTCTD
 POS QUAD CLK

J105 to J202 SERVO
 U323
 COUNT CLOCK DETECTOR REGISTER

CARRY CONTROL

U107, U108, U109, U110, U111, U112, U113, U114, U115, U116, U117, U118, U119, U120, U121, U122, U123, U124, U125, U126, U127, U128, U129, U130, U131, U132, U133, U134, U135, U136, U137, U138, U139, U140, U141, U142, U143, U144, U145, U146, U147, U148, U149, U150, U151, U152, U153, U154, U155, U156, U157, U158, U159, U160, U161, U162, U163, U164, U165, U166, U167, U168, U169, U170, U171, U172, U173, U174, U175, U176, U177, U178, U179, U180, U181, U182, U183, U184, U185, U186, U187, U188, U189, U190, U191, U192, U193, U194, U195, U196, U197, U198, U199, U200.

U201, U202, U203, U204, U205, U206, U207, U208, U209, U210, U211, U212, U213, U214, U215, U216, U217, U218, U219, U220, U221, U222, U223, U224, U225, U226, U227, U228, U229, U230, U231, U232, U233, U234, U235, U236, U237, U238, U239, U240, U241, U242, U243, U244, U245, U246, U247, U248, U249, U250, U251, U252, U253, U254, U255, U256, U257, U258, U259, U260, U261, U262, U263, U264, U265, U266, U267, U268, U269, U270, U271, U272, U273, U274, U275, U276, U277, U278, U279, U280, U281, U282, U283, U284, U285, U286, U287, U288, U289, U290, U291, U292, U293, U294, U295, U296, U297, U298, U299, U300.

U301, U302, U303, U304, U305, U306, U307, U308, U309, U310, U311, U312, U313, U314, U315, U316, U317, U318, U319, U320, U321, U322, U323, U324, U325, U326, U327, U328, U329, U330, U331, U332, U333, U334, U335, U336, U337, U338, U339, U340, U341, U342, U343, U344, U345, U346, U347, U348, U349, U350, U351, U352, U353, U354, U355, U356, U357, U358, U359, U360, U361, U362, U363, U364, U365, U366, U367, U368, U369, U370, U371, U372, U373, U374, U375, U376, U377, U378, U379, U380, U381, U382, U383, U384, U385, U386, U387, U388, U389, U390, U391, U392, U393, U394, U395, U396, U397, U398, U399, U400.

U401, U402, U403, U404, U405, U406, U407, U408, U409, U410, U411, U412, U413, U414, U415, U416, U417, U418, U419, U420, U421, U422, U423, U424, U425, U426, U427, U428, U429, U430, U431, U432, U433, U434, U435, U436, U437, U438, U439, U440, U441, U442, U443, U444, U445, U446, U447, U448, U449, U450, U451, U452, U453, U454, U455, U456, U457, U458, U459, U460, U461, U462, U463, U464, U465, U466, U467, U468, U469, U470, U471, U472, U473, U474, U475, U476, U477, U478, U479, U480, U481, U482, U483, U484, U485, U486, U487, U488, U489, U490, U491, U492, U493, U494, U495, U496, U497, U498, U499, U500.

U501, U502, U503, U504, U505, U506, U507, U508, U509, U510, U511, U512, U513, U514, U515, U516, U517, U518, U519, U520, U521, U522, U523, U524, U525, U526, U527, U528, U529, U530, U531, U532, U533, U534, U535, U536, U537, U538, U539, U540, U541, U542, U543, U544, U545, U546, U547, U548, U549, U550, U551, U552, U553, U554, U555, U556, U557, U558, U559, U560, U561, U562, U563, U564, U565, U566, U567, U568, U569, U570, U571, U572, U573, U574, U575, U576, U577, U578, U579, U580, U581, U582, U583, U584, U585, U586, U587, U588, U589, U590, U591, U592, U593, U594, U595, U596, U597, U598, U599, U600.

SERVO J201

Address Extension BIT 7

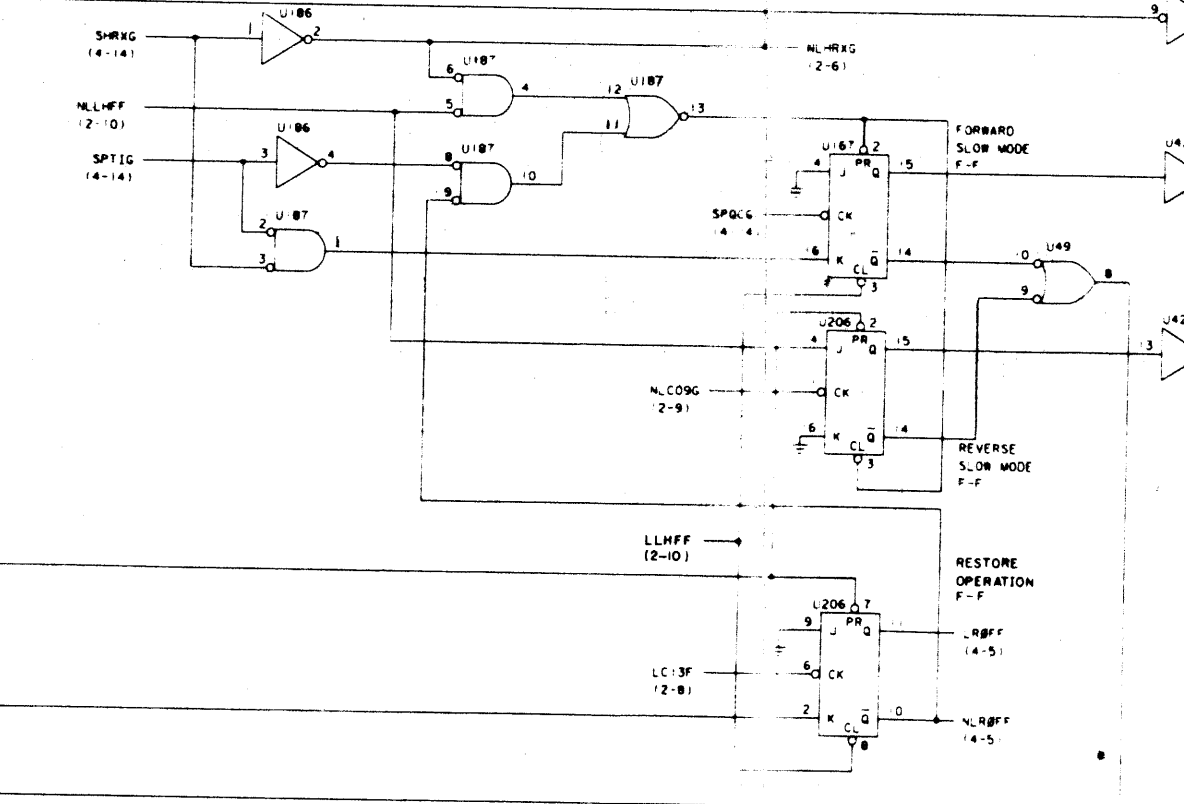
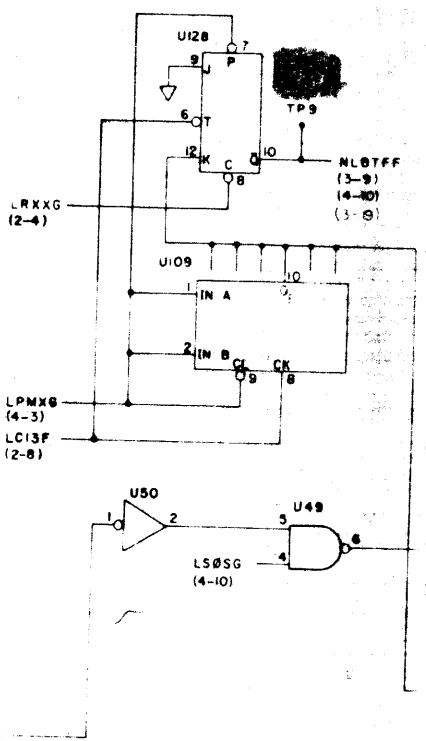
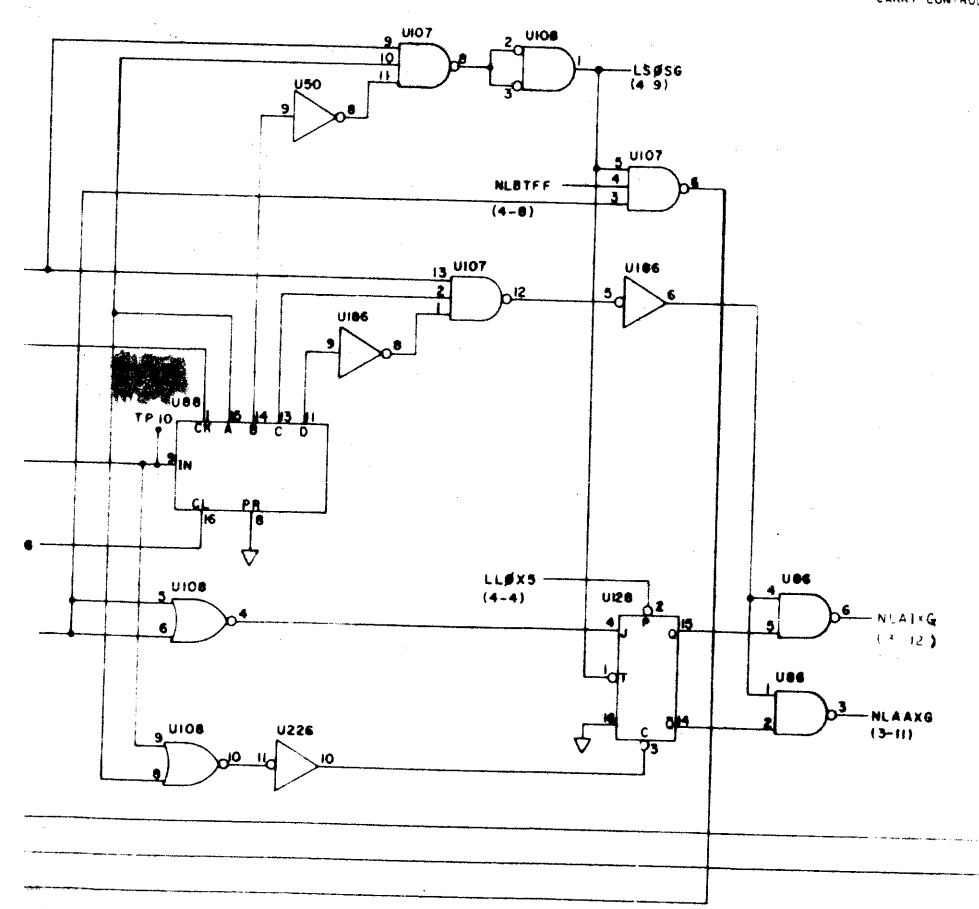
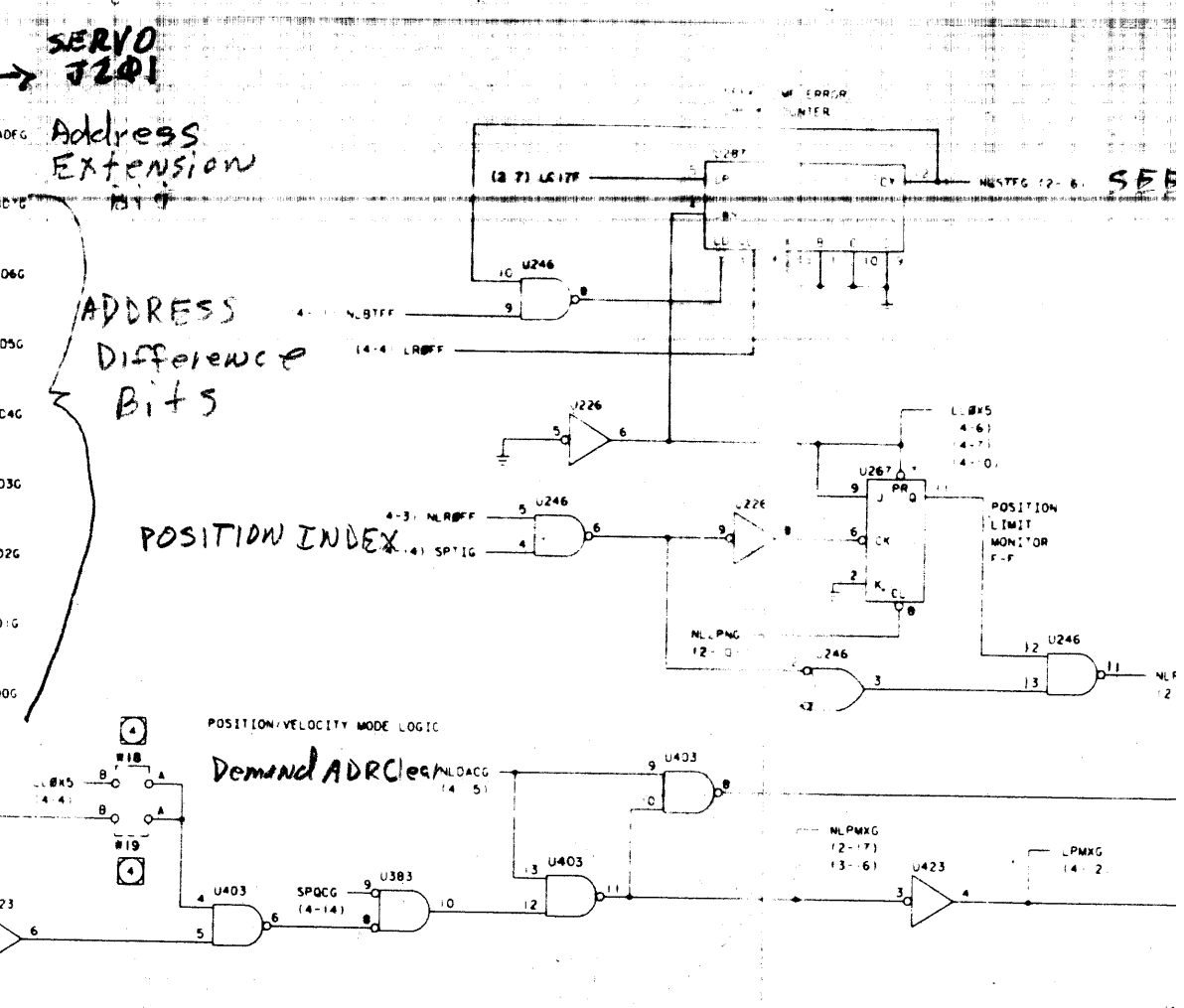
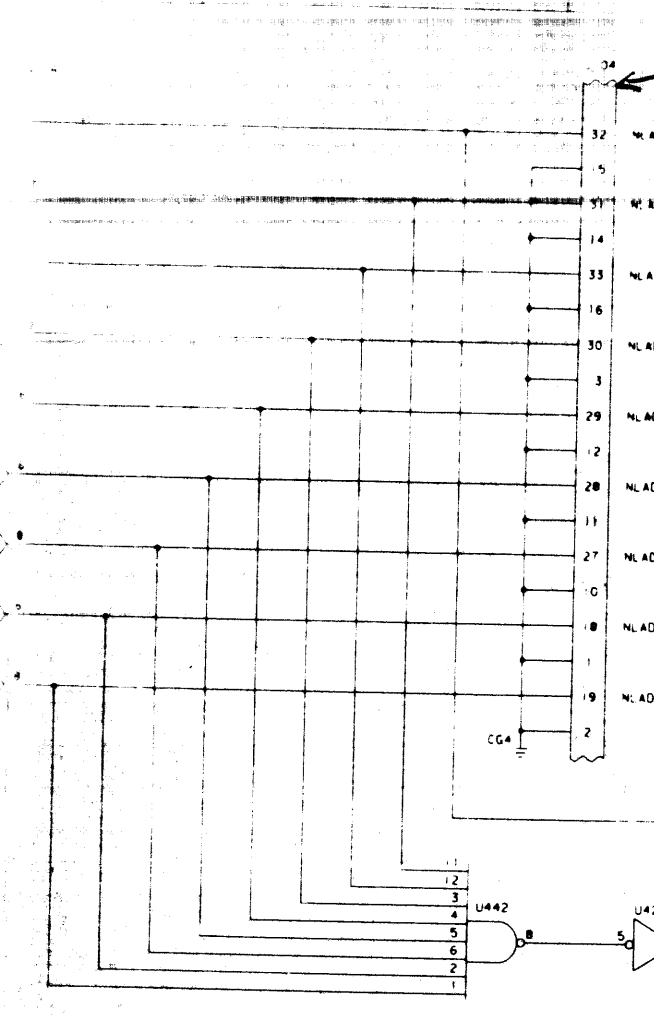
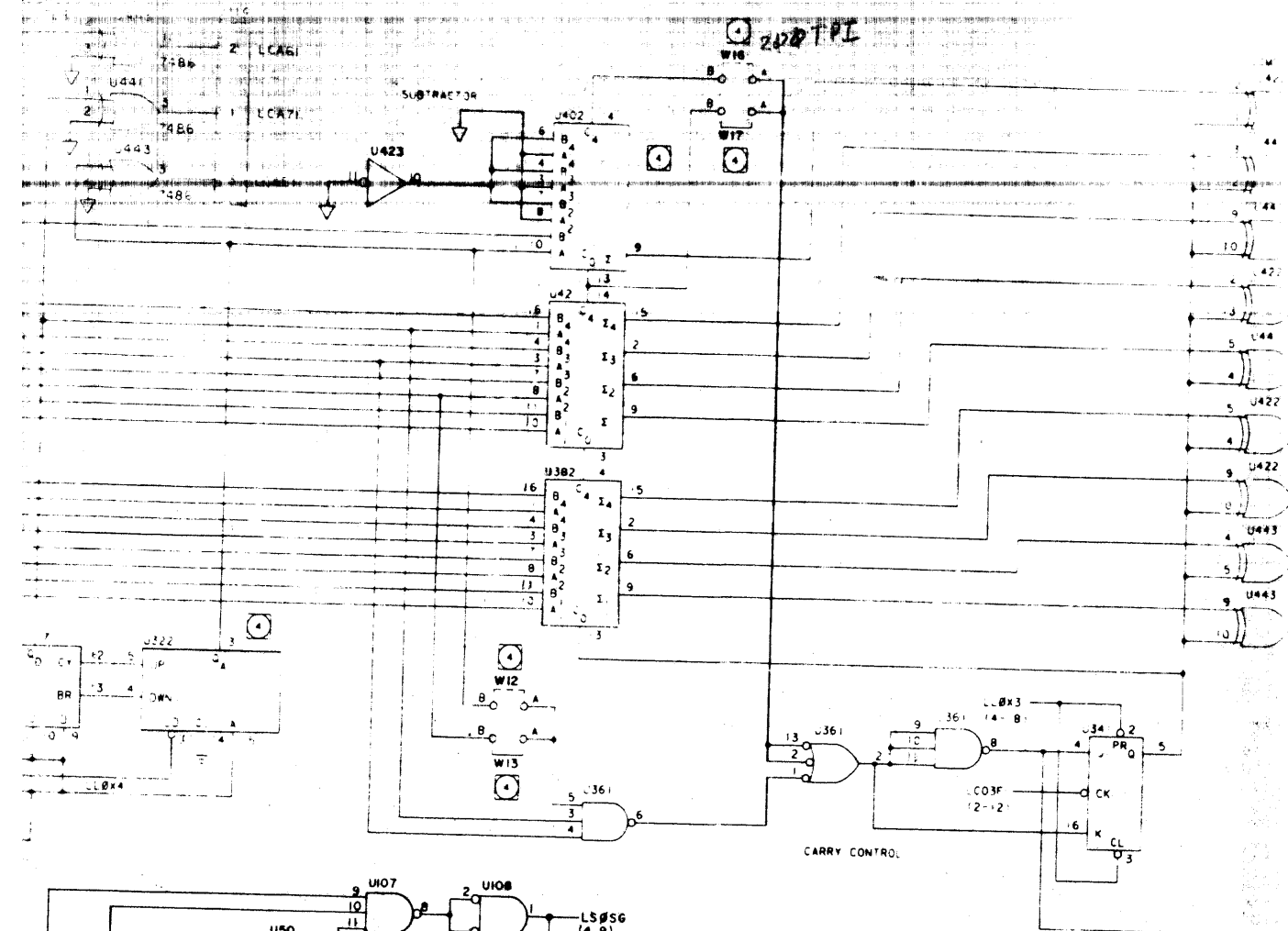
ADDRESS Difference Bits

POSITION INDEX

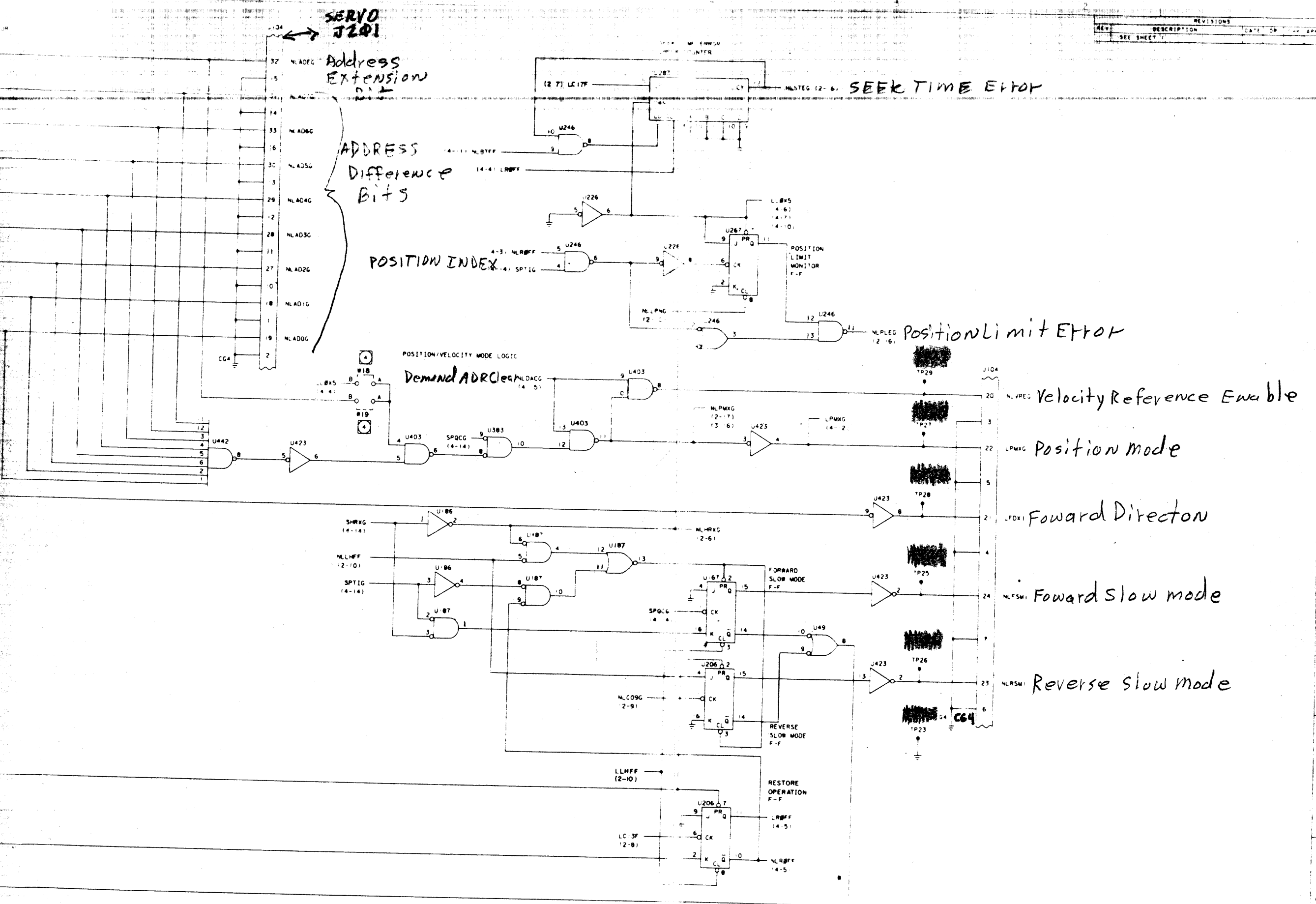
POSITION/VELOCITY MODE LOGIC

Demand ADR Clear

SEE



REV	DESCRIPTION	DATE	DR	APP
1	SEE SHEET			



SERVO J201

Address Extension Bit

ADDRESS Difference Bits

POSITION INDEX

SEEK TIME ERROR

Position Limit Error

POSITION/VELOCITY MODE LOGIC

Demand ADRClean

Velocity Reference Enable

Position mode

Forward Directon

Forward slow mode

Reverse slow mode

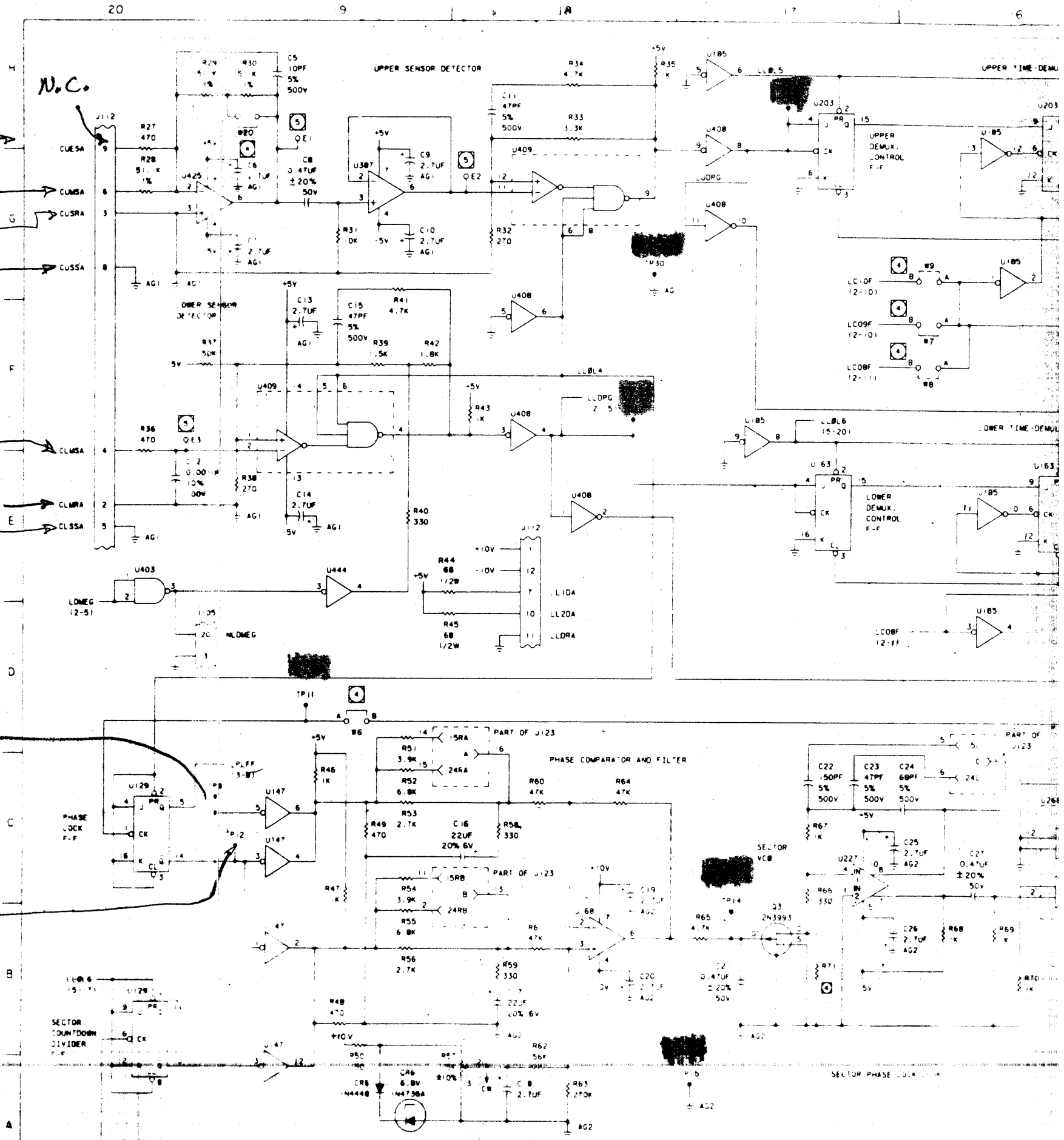
U425 - 7410N
 U387 - 741CN
 U409 - 75107A

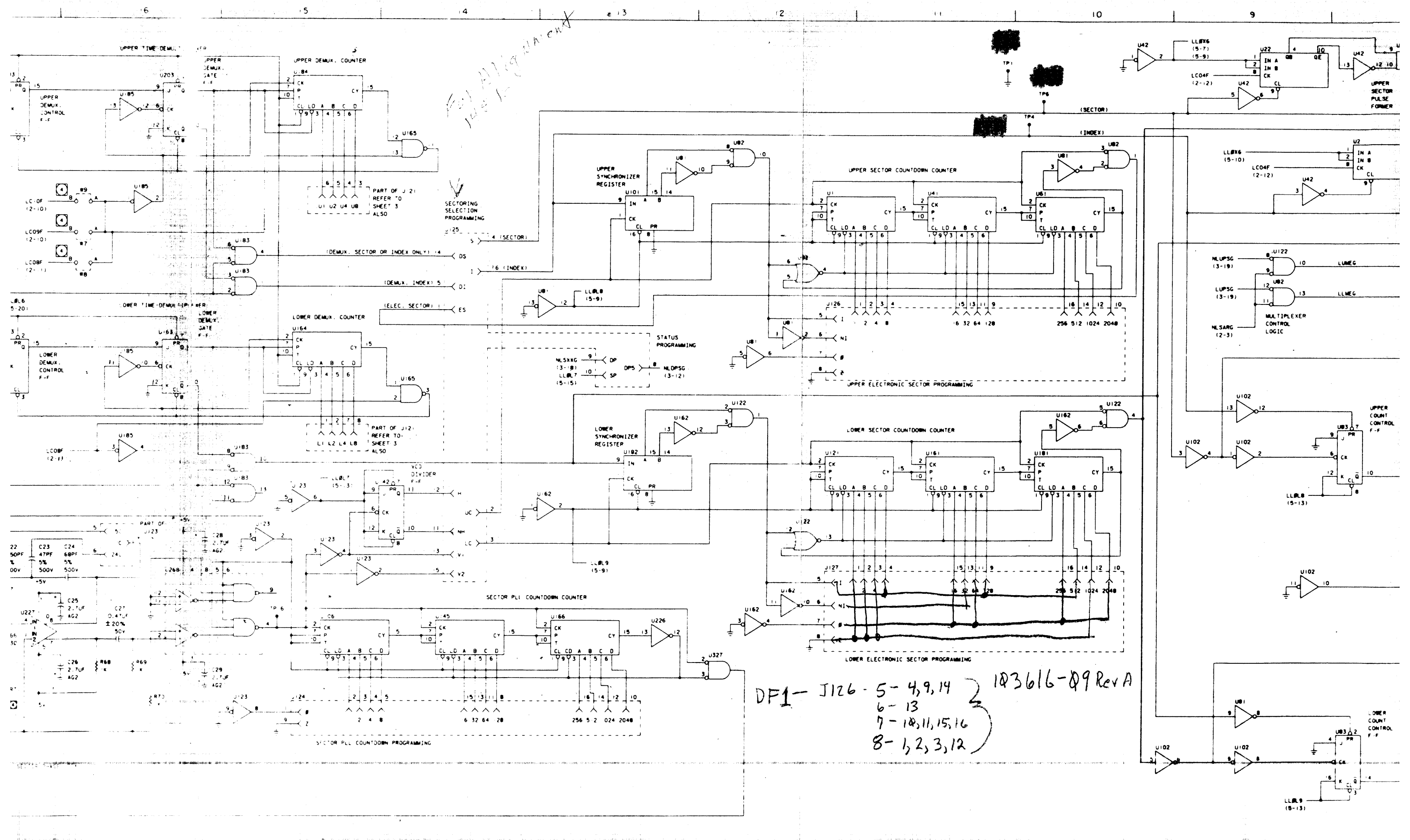
UPPER SENSOR SHEILD →
 UPPER SENSOR SIGNAL →
 UPPER SENSOR RTN →
 UPPER SENSOR SHEILD →

LOWER SENSOR SIGNAL →
 LOWER SENSOR RTN →
 LOWER SENSOR SHEILD →

TP8

TP12





FOLIO 119

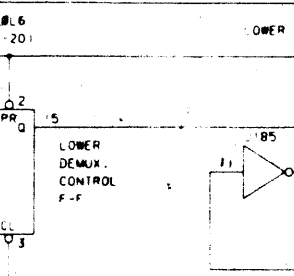
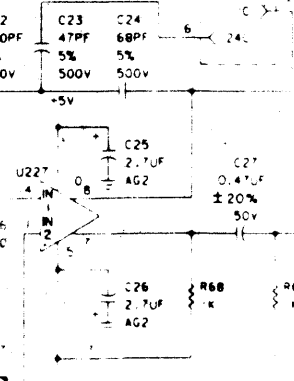
108 K

PART OF J121 REFER TO SHEET 3 ALSO

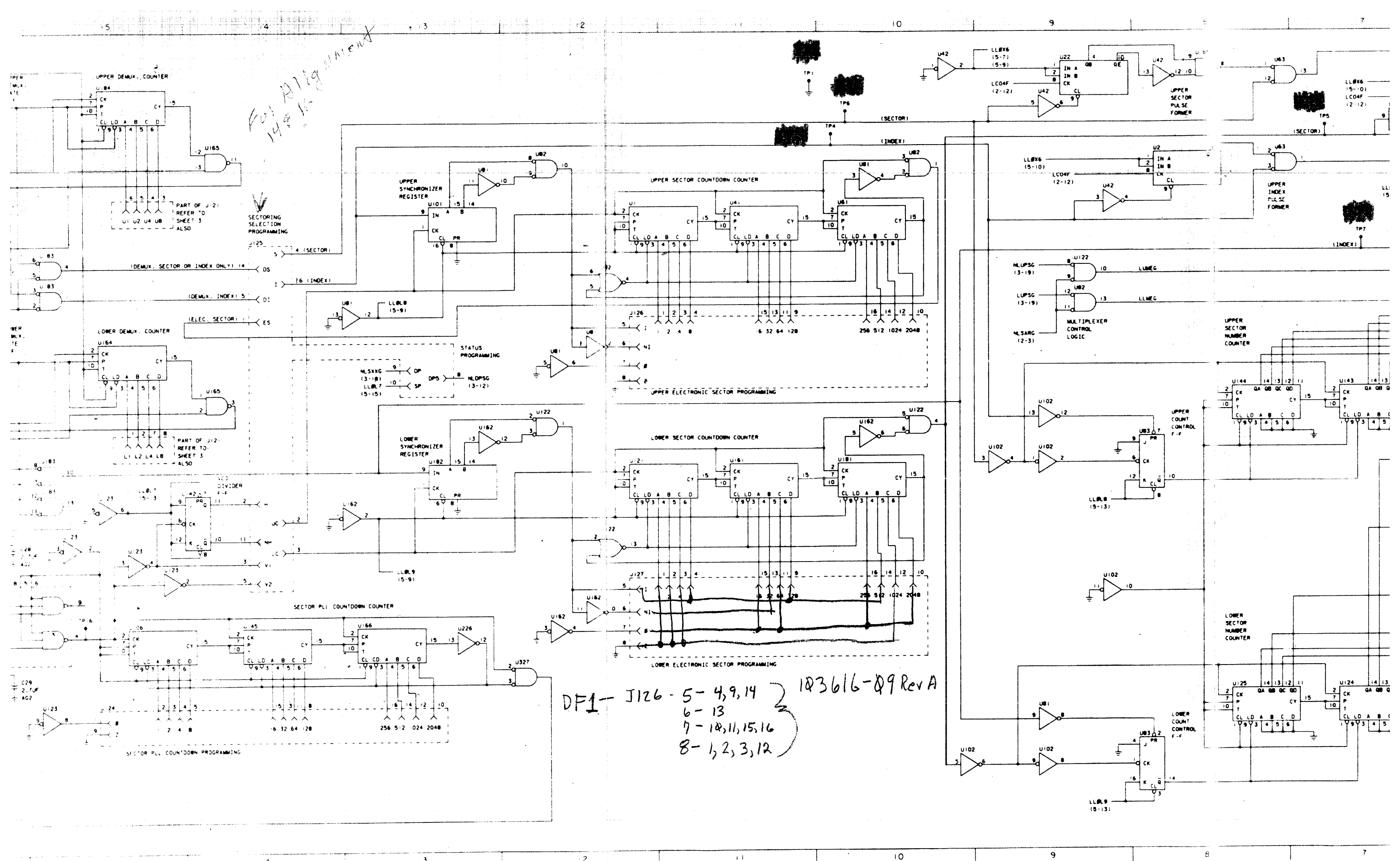
PART OF J121 REFER TO SHEET 3 ALSO

DF1 - J126 - 5 - 4, 9, 14
 6 - 13
 7 - 10, 11, 15, 16
 8 - 1, 2, 3, 12

103616-09 Rev A

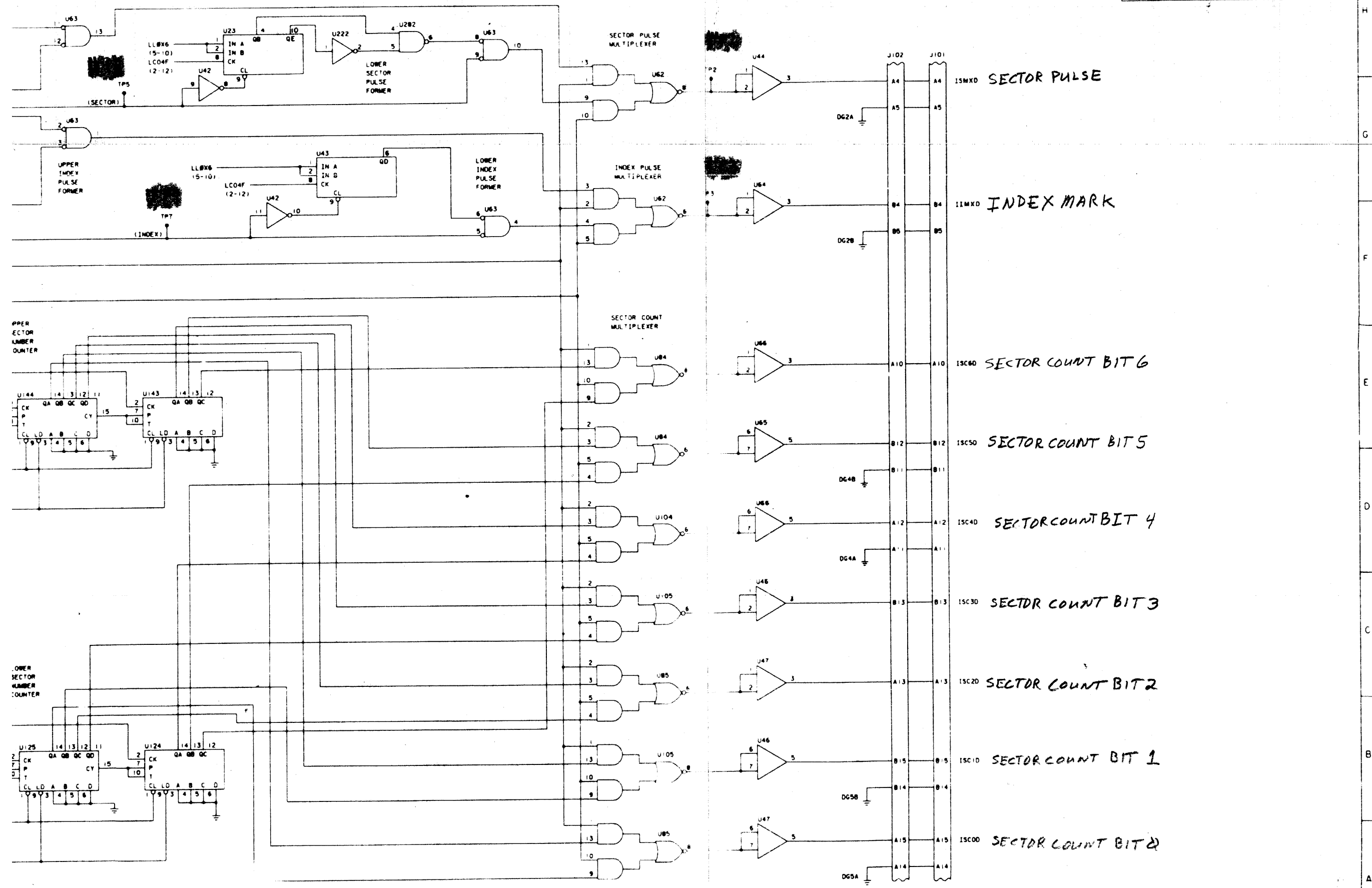


*For Alignment
14 & 16*



DF1 - J126 - 5 - 4, 9, 14 } 1Q3616-Q9 Rev A
6 - 13
7 - 10, 11, 15, 16
8 - 1, 2, 3, 12

REVISONS				
REV	DESCRIPTION	DATE	DR	CHK
1	SEE SHEET 1			



SIZE	DATE	ISSUED BY	DWG NO.	REV
			10372E	A
SCALE		DO NOT SCALE DWG		SHEET 5 OF 5

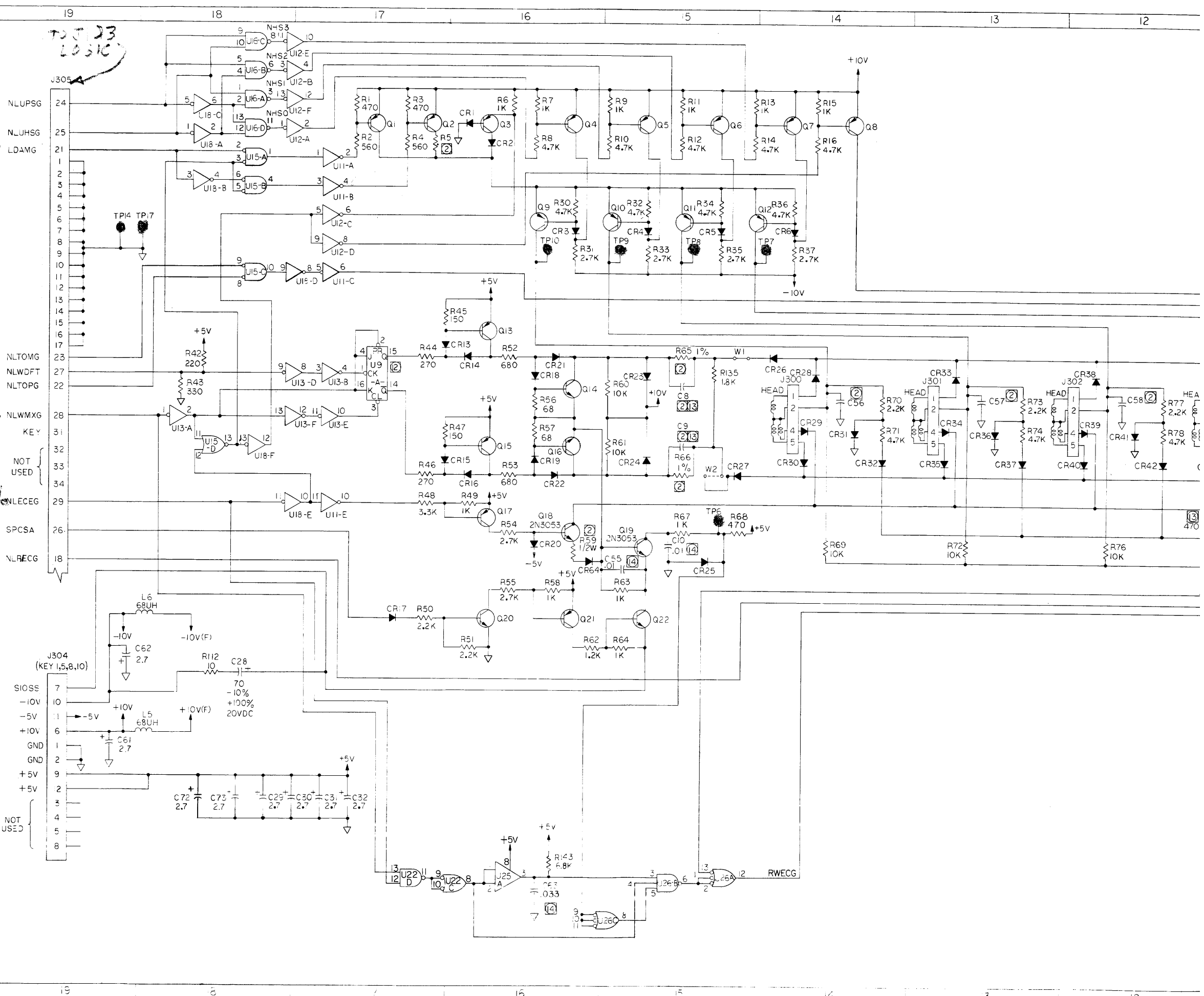
TABLE III

LAST USED	NOT USED
C78	C15,38 THRU 49,64,65,35,1 THRU 6,53,54,66,67,69,70,21
CR69	CR54,57 THRU 63,65,66,7 THRU 10,67,68
J305	
L8	
Q28	Q23,24,25
R160	R94,95,98,117 THRU 133,17 THRU 25,28,29,38,39,40,06, R144 THRU 149,137,138 139 THRU 142
U30	U10,19,23,5,3,6,17,20,21,24,
VR2	
W3	
TP25	TP3,4,5,11,12,13,20,21,22

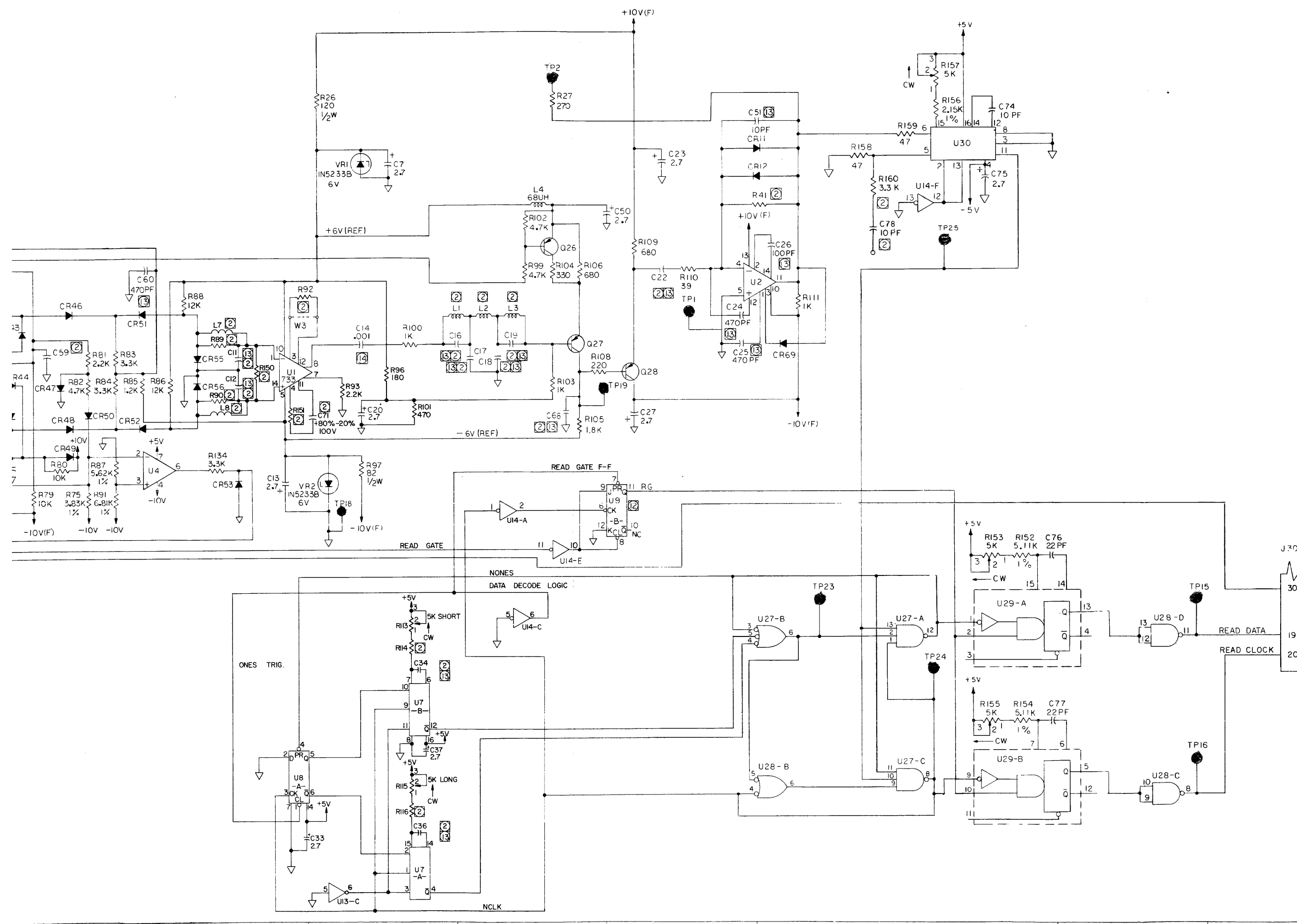
write mode -

Erase "I" Enable

- ⑤ PIN 8 (U7,29) IS 0V.
PIN 16 (U7,29) IS +5V.
 - ④ C10,14,55,63 ARE IN MICROFARADS ±10% 100 VDC.
 - ③ C 5,21,24,25,52,60,68,51,26,22 34,36,11,12,16,19,8,9,17,18,74,
76,77,78 ARE IN PICOFARADS, 5%, 500VDC.
 - ② PIN NO.5 (U9) IS +5V.
PIN NO.13 (U9) IS 0V.
 - ① FOR LAST USED AND DELETED REF DESIG, SEE TABLE III.
 - 10. CONNECTORS ARE NUMBERED FROM J300.
 - 9. PIN NO.7 OF ALL IC'S IS 0V.
PIN NO.14 OF ALL IC'S IS +5V.
 - 8. ALL NPN TRANSISTORS ARE 2N4123.
 - 7. ALL PNP TRANSISTORS ARE 2N4125.
 - 6. ALL DIODES ARE IN4446.
 - 5. ALL CAPACITOR VALUES ARE IN MICROFARADS, 20%, 35VDC.
 - 4. ALL RESISTOR VALUES ARE IN OHMS, 5%, 1/4W.
 - 3. FOR PCBA, SEE DWG. NO. 103751.
FOR SPEC., SEE DWG. NO. 103754.
 - ② FOR VALUE, PART NO. AND USAGE OF COMPONENTS AFFECTED BY VERSION NO., SEE TABLE II
 - ① FOR PART NO. OF COMPONENTS NOT AFFECTED BY VERSION NO., SEE TABLE I.
- NOTES: UNLESS OTHERWISE SPECIFIED



REVISIONS		
REV	DESCRIPTION	DATE
A	EEN 7-AM DDD Q.E.L.B.A.E	



RWECG Write Error Condition
 NRRDSG Rd data signal
 NRRCSG - Rd Clk signal

REF DWGS:
 ASSEMBLY 103751
 SPECIFICATION 103754

UNLESS OTHERWISE SPECIFIED		THE INFORMATION HEREON IS THE PROPERTY OF PERIODICAL PUBLICATIONS, INC. AND IS NOT TO BE REPRODUCED OR TRANSMITTED IN ANY FORM OR BY ANY MEANS, ELECTRONIC OR MECHANICAL, INCLUDING PHOTOCOPYING, RECORDING, OR BY ANY INFORMATION STORAGE AND RETRIEVAL SYSTEM, WITHOUT PERMISSION IN WRITING FROM PERIODICAL PUBLICATIONS, INC.		PEC EQUIPMENT CO.	
TOLERANCES: .XXX .010 ANGULAR .XXX .005 .XXX .005 .XXX .005	APPROX. .010	SIGNATURES	DATE	TITLE SCHEMATIC READ/WRITE C	
BREAK ALL SHARP CORNERS APPROX. .010		DATE		SIZE 100mm x 100mm DWG NO. 103754	
103721	COMPOSITE	MATERIAL		SCALE NONE DO NOT SCALE DWG	
APPLICATION	FINISH	MATERIAL		SCALE NONE DO NOT SCALE DWG	

① TABLE I

PART NO.	REF DESIGNATION
100-1005	R112
-1025	R6,7,9,11,13,15, 49,58, 63,64,100,103,111, 67
-1035	R60,61,69,72,76,79,80
-1225	R62,85
-1235	R86,88
-1515	R45,47
-1815	R96
-1825	R105,135
-2215	R42,108
-2225	R50,51, 70,73,77,81,93
-2715	R27,44,46
-2725	R31,33,35,37,54,55
-3315	R43,104
-3325	R48,83, 84,134
-3905	R110
-4705	R158,159
-4715	R1,3, 68, 101
-4725	R8,10,12,14,16,30,32,34,36, 71,74,78,82,99,102
-5615	R2,4
-6815	R106,52,53,109
-6825	R143
100-6805	R56,57
101-1215	R26
101-8205	R97
104-2151	R156
104-5111	R152,154
104-3831	R75
104-5621	R87
104-6811	R91
121-5020	R113, 115,153,155,157
130-1005	C51,74
130-1015	C26,
130-2205	C76,77
130-4715	C24,52,60,25

① TABLE I

PART NO.	REF DESIGNATION
131-1020	C14
131-1030	C10, 55
131-3330	C63
132-2752	C7,13,20,23,27,29,30, 31,32, 33, 37,50, 61,62,72,73,75
133-7060	C28
200-3053	Q18,19
200-4123	Q14,16,20,22
200-4125	Q1 THRU Q13,15,17,21,26, 27,28
300-4446	CR1 THRU 6, 11 THRU 53, 55,56,64,69
331-0605	VR1,2
400-0715	U2
400-2741	U4
515-6805	L4,5,6
700-4123	U7,29
700-4740	U8
700-0001	U9
-0002	U13, 14
-0003	U22
-4000	U28
-5733	U1
-7400	U16
-7402	U15
-7404	U18
-7400	U26
-7416	U11,12
700-7545	U25
700-4010	U27
700-8020	U30
690-0022	W1,2

DESCRIPTION	ASSEMBLY 103751 DASH NO.	VERSION		R41		W3		C8,C9		C11,C12		C16,C19		C17,C18		C22		VALUE
		100 TPI	200 TPI	VALUE	PART NO.	PART NO.	VALUE	PART NO.	VALUE	PART NO.	VALUE	PART NO.	VALUE	PART NO.	VALUE	PART NO.		
2400 RPM	-01	X		4.3K	100-4325	100373-02		68 PF	130-6805	22 PF	130-2205	43 PF	130-4305	56 PF	130-5605	330 PF	130-3315	OMIT
2200 BPI	-02	X		4.3K	100-4325	100373-02		68 PF	130-6805	43 PF	130-4305	56 PF	130-5605	68 PF	130-6805	560 PF	130-5615	
1500 RPM	-03		X	4.3K	100-4325	OMIT		68 PF	130-6805	22 PF	130-2205	43 PF	130-4305	56 PF	130-5605	330 PF	130-3315	
2200 BPI	-04		X	4.3K	100-4325	OMIT		68 PF	130-6805	43 PF	130-4305	56 PF	130-5605	68 PF	130-6805	560 PF	130-5615	OMIT

② TABLE II (CONT'D)

DESCRIPTION	ASSEMBLY 103751 DASH NO.	VERSION		R160		R150		R151		R89,90		R114,116,118,14W	
		100 TPI	200 TPI	VALUE	PART NO.	VALUE	PART NO.	VALUE	PART NO.	VALUE	PART NO.	VALUE	PART NO.
2400 RPM	-01	X		OMIT		OMIT		OMIT		470	100-4715	5.62K	104-5621
2200 BPI	-02	X				OMIT		OMIT		470	100-4715	4.64K	104-4641
1500 RPM	-03		X			5.6K	100-5625	15	100-1505	OMIT		5.62K	104-5621
2200 BPI	-04		X	OMIT		5.6K	100-5625	15	100-1505	OMIT		4.64K	104-4641

① TABLE I

PART NO.	REF DESIGNATION
100-1005	R112
-1025	R6,7,9,11,3,5, 49,58, 63,64,100,103,111, 67
-1035	R60,61,69,72,76,79,80
-1225	R62,85
-1235	R86,88
-1515	R45,47
-1815	R96
-1825	R105,135
-2215	R42,108
-2225	R50,51, 70,73,77,81,93
-2715	R27,44,46
-2725	R31,33,35,37,54,55
-3315	R43,104
-3325	R46,83, 84,134
-3905	R110
-4705	R158, 159
-4715	R1,3,68, 101
-4725	R8,10,12,14,16,30,32,34,36 71,74,78,82,99,102
-5615	R2,4
-6815	R106,52,53,109
-6825	R143
100-6805	R56,57
101-1215	R26
101-8205	R97
104-2151	R156
104-5111	R152,154
104-3831	R75
104-5621	R87
104-6811	R91
121-5020	R113, 115,153,155,157
130-1005	C51,74
130-1015	C26,
130-2205	C76,77
130-4715	C24,52,60,25

① TABLE I

PART NO.	REF DESIGNATION
131-1020	C14
131-1030	C10, 55
131-3330	C63
132-2752	C7,13,20,23,27,29,30, 31,32, 33, 37,50 61,62,72, 75
133-7060	C28
200-3053	Q18,19
200-4123	Q14,16,20,22
200-4125	Q1 THRU Q13,15,17,21,26, 27,28
300-4446	Q1 THRU 6, 11 THRU 53, 55,56,64,69
331-0605	VRI,2
400-0715	U2
400-2741	U4
515-6805	L4,5,6
700-4123	U7,29
700-4740	U8
700-0001	U9
-0002	U13, 14
-0003	U22
-4000	U28
-5733	U1
-7400	U16
-7402	U15
-7404	U18
-7410	U26
-7416	U11,12
700-7545	U25
700-8020	U30
690-0022	W1,2

DESCRIPTION	ASSEMBLY 103751 DASH NO.	VERSION		R41		W3		C8,C9		C11,C12		C16,C19		C17,C18		VALUE
		100 TPI	200 TPI	VALUE	PART NO.	PART NO.	VALUE	PART NO.	VALUE	PART NO.	VALUE	PART NO.	VALUE	PART NO.		
2400 RPM	-01,-05	X		4.3K	100-4325	100373-02		68 PF	130-6805	22 PF	130-2205	43 PF	130-4305	56 PF	130-5605	330 PF
2200 BPI																
1500 RPM	-02,-06	X		4.3K	100-4325	100373-02		OMIT		43 PF	130-4305	56 PF	130-5605	68 PF	130-6805	560 PF
2200 BPI																
2400 RPM	-03,-07		X	4.3K	100-4325	OMIT		68 PF	130-6805	22 PF	130-2205	43 PF	130-4305	56 PF	130-5605	330 PF
2200 BPI																
1500 RPM	-04,-08		X	4.3K	100-4325	OMIT		OMIT		43 PF	130-4305	56 PF	130-5605	68 PF	130-6805	560 PF
2200 BPI																

② TABLE II (CONT'D)

DESCRIPTION	ASSEMBLY 103751 DASH NO.	VERSION		R160		R150		R151		R89,90		R114,116,121,14W	
		100 TPI	200 TPI	VALUE	PART NO.	VALUE	PART NO.	VALUE	PART NO.	VALUE	PART NO.	VALUE	PART NO.
2400 RPM	-01,-05	X		OMIT		OMIT		OMIT		470	100-4715	5.62K	104-5621
2200 BPI													
1500 RPM	-02,-06	X				OMIT		OMIT		470	100-4715	4.64K	104-4641
2200 BPI													
2400 RPM	-03,-07		X			5.6K	100-5625	15	100-1505	OMIT		5.62K	104-5621
2200 BPI													
1500 RPM	-04,-08		X	OMIT		5.6K	100-5625	15	100-1505	OMIT		4.64K	104-4641
2200 BPI													

② TABLE II (CONT'D)

DESCRIPTION	ASSEMBLY 103751 DASH NO.	VERSION		J306	U27
		100 TPI	200 TPI	PART NO.	PART NO.
2400 RPM	-01	X		OMIT	700-4010
2200 BPI					
1500 RPM	-02	X			
2200 BPI					
2400 RPM	-03		X		
2200 BPI					
1500 RPM	-04		X	OMIT	700-4010
2200 BPI					
2400 RPM	-05	X		103662-01	OMIT
2200 BPI					
1500 RPM	-06	X			
2200 BPI					
2400 RPM	-07		X		
2200 BPI					
1500 RPM	-08		X	103662-01	OMIT
2200 BPI					

8 7 6 5 4 3 2 1

REVISIONS				
REV	DESCRIPTION	DATE	BY	APP
-	SEE SHT 1			

TABLE II

IT NO.	VALUE	PART NO.	C 34,36		C71		L7,8		C56,57,58,59		L1,L3		L2		R5		R59		R65,R66		R92		C68			
			VALUE	PART NO.	VALUE	PART NO.	VALUE	PART NO.	VALUE	PART NO.	VALUE	PART NO.	VALUE	PART NO.	VALUE	PART NO.	VALUE	PART NO.	VALUE	PART NO.	VALUE	PART NO.	VALUE	PART NO.	VALUE	PART NO.
			68 PF	130-6805	OMIT	---	OMIT	---	OMIT	---	24 UH	515-2405	68 UH	515-6805	33	100-3305	100	101-1015	464	104-4640	OMIT	---			33 PF	130-3305
			150 PF	130-1515	OMIT	---	OMIT	---	OMIT	---	33 UH	515-3305	68 UH	515-6805	33	100-3305	100	101-1015	464	104-4640	OMIT	---			47 PF	130-4705
			68 PF	130-6805	.05	135-5062	33UH	515-3305	OMIT	---	24 UH	515-2405	68 UH	515-6805	33	100-3305	100	101-1015	464	104-4640	OMIT	---			33 PF	130-3305
			150 PF	130-1515	.05	135-5062	33UH	515-3305	OMIT	---	33 UH	515-3305	68 UH	515-6805	33	100-3305	100	101-1015	464	104-4640	OMIT	---			47 PF	130-4705

H
G
F
E
D
C
B
A

<small>The information herein is the property of PERTEC CORPORATION. Its use or disclosure shall be limited to the specific application for which it was prepared. It is not to be distributed, copied, or reproduced in any form without the written consent of PERTEC CORPORATION.</small>		SIGNATURES DR _____ CR _____ DES _____ ENGR _____ PROJ ENGR _____ DATE _____	
UNLESS OTHERWISE SPECIFIED DIMENSIONS ARE IN INCHES TOLERANCES: FRACTIONS ± .005 DECIMALS ± .001 ANGULAR ± 1/2° HOLE POSITION ± .010 HOLE SIZE ± .005 HOLE LOCATION ± .010 HOLE DIA ± .005 HOLE DRILL ± .005		PERTEC PERIPHERAL EQUIPMENT TITLE SCHEMATIC READ/WRITE C	
103721 NEXT REV APPLICATION	DIABLO COMPATIBLE USE USED ON	FINISH: MATL:	SIZE CODE DWG NO. DWG NO. J 103750 A SCALE NONE 1/2" = 1" SHEET 2 OF 2

8 7 6 5 4 3 2 1

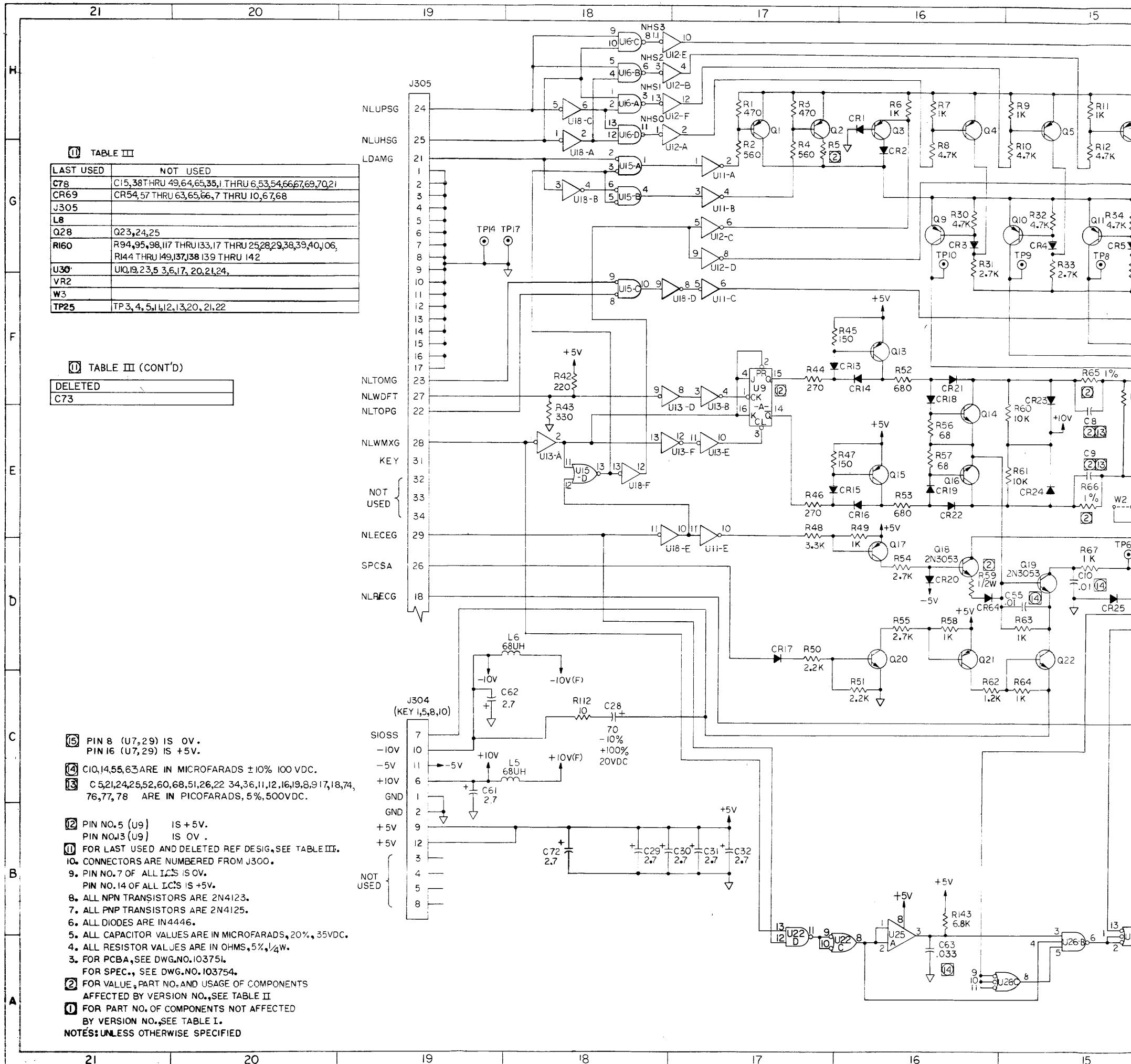


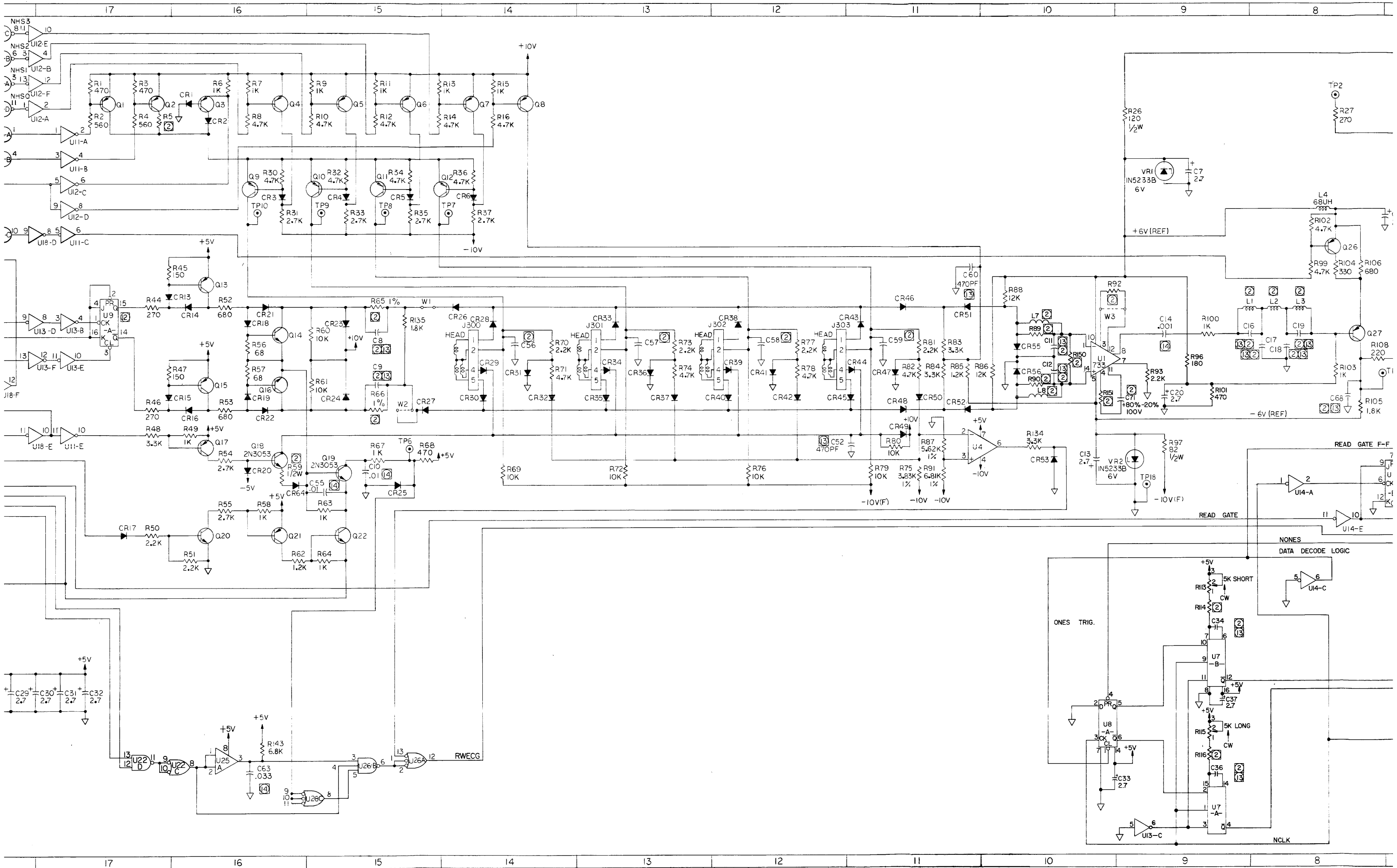
TABLE III

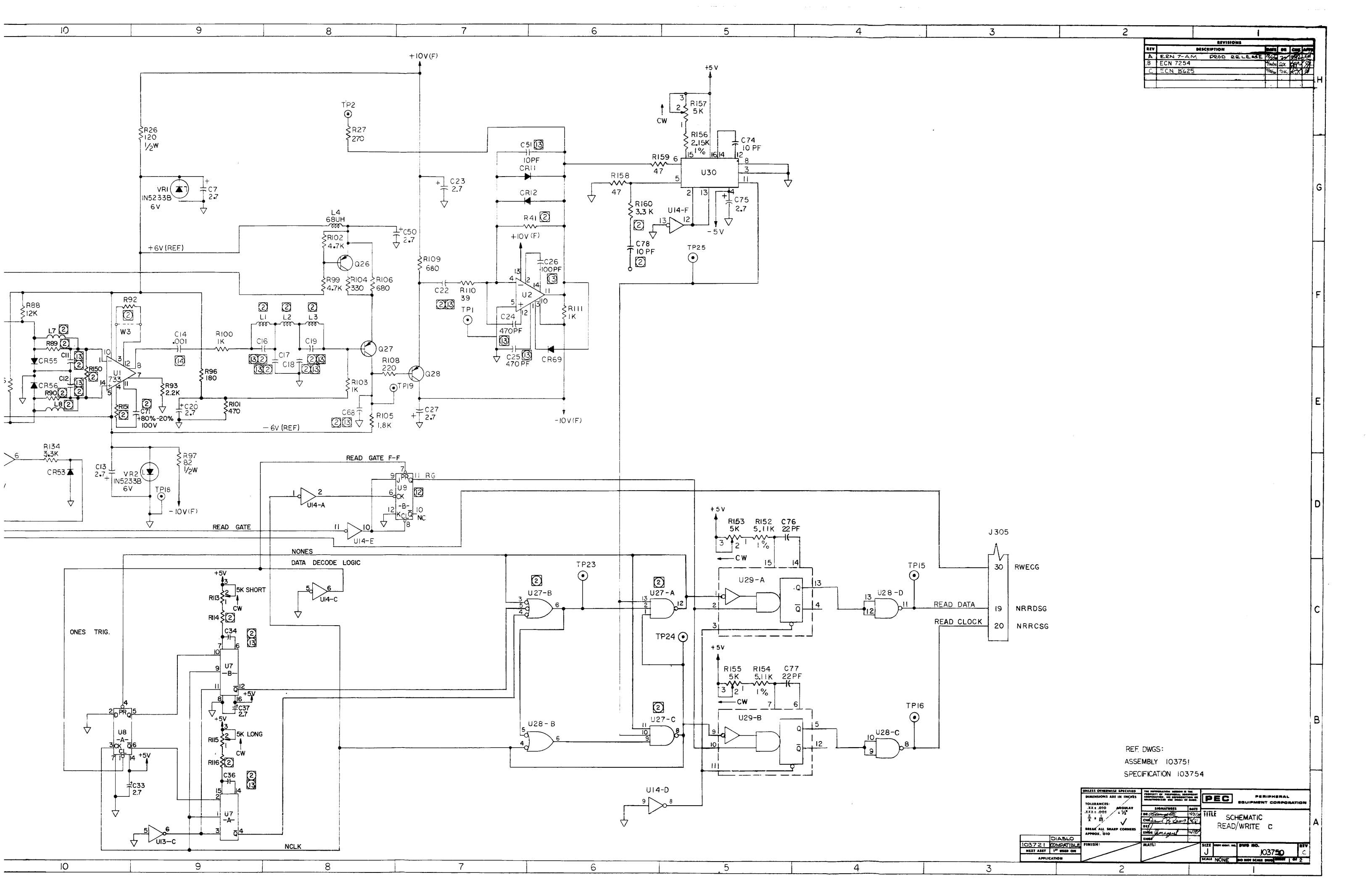
LAST USED	NOT USED
C78	C15,38 THRU 49,64,65,35,1 THRU 6,53,54,66,67,69,70,21
CR69	CR54,57 THRU 63,65,66,7 THRU 10,6,7,68
J305	
L8	
Q28	Q23,24,25
RI60	R94,95,98,117 THRU 133,17 THRU 25,28,29,38,39,40,106, R144 THRU 149,137,138 139 THRU 142
U30	U10,19,23,5 3,6,17, 20,21,24,
VR2	
W3	
TP25	TP3, 4, 5,11,12,13,20, 21,22

TABLE III (CONT'D)

DELETED
C73

- ⑮ PIN 8 (U7,29) IS 0V.
PIN 16 (U7,29) IS +5V.
 - ⑭ C10,14,55,63 ARE IN MICROFARADS ±10% 100 VDC.
 - ⑬ C5,21,24,25,52,60,68,51,26,22 34,36,11,12,16,19,8,9,17,18,74,
76,77,78 ARE IN PICOFARADS, 5%, 500VDC.
 - ⑫ PIN NO.5 (U9) IS +5V.
PIN NO.13 (U9) IS 0V.
 - ⑩ FOR LAST USED AND DELETED REF DESIG., SEE TABLE III.
 - 10. CONNECTORS ARE NUMBERED FROM J300.
 - 9. PIN NO.7 OF ALL IC'S IS 0V.
PIN NO.14 OF ALL IC'S IS +5V.
 - 8. ALL NPN TRANSISTORS ARE 2N4123.
 - 7. ALL PNP TRANSISTORS ARE 2N4125.
 - 6. ALL DIODES ARE IN4446.
 - 5. ALL CAPACITOR VALUES ARE IN MICROFARADS, 20%, 35VDC.
 - 4. ALL RESISTOR VALUES ARE IN OHMS, 5%, 1/4W.
 - 3. FOR PCBA, SEE DWG.NO.103751.
FOR SPEC., SEE DWG.NO.103754.
 - ② FOR VALUE, PART NO. AND USAGE OF COMPONENTS
AFFECTED BY VERSION NO., SEE TABLE II
 - ① FOR PART NO. OF COMPONENTS NOT AFFECTED
BY VERSION NO., SEE TABLE I.
- NOTES: UNLESS OTHERWISE SPECIFIED



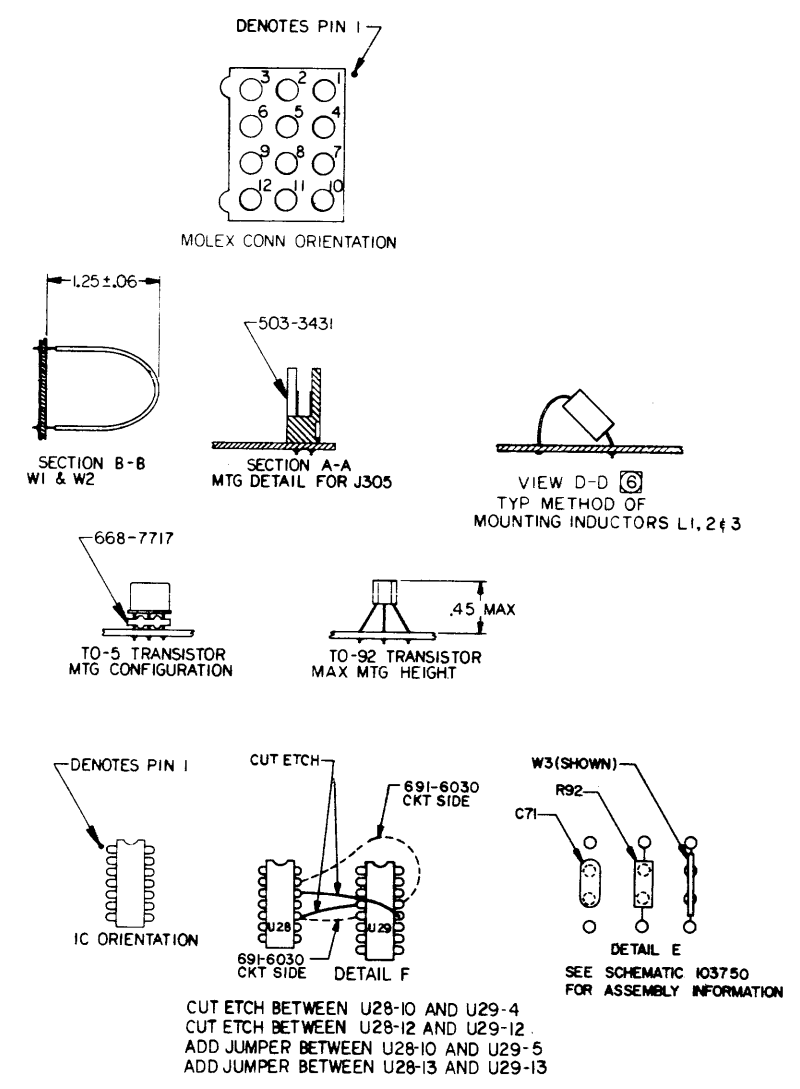
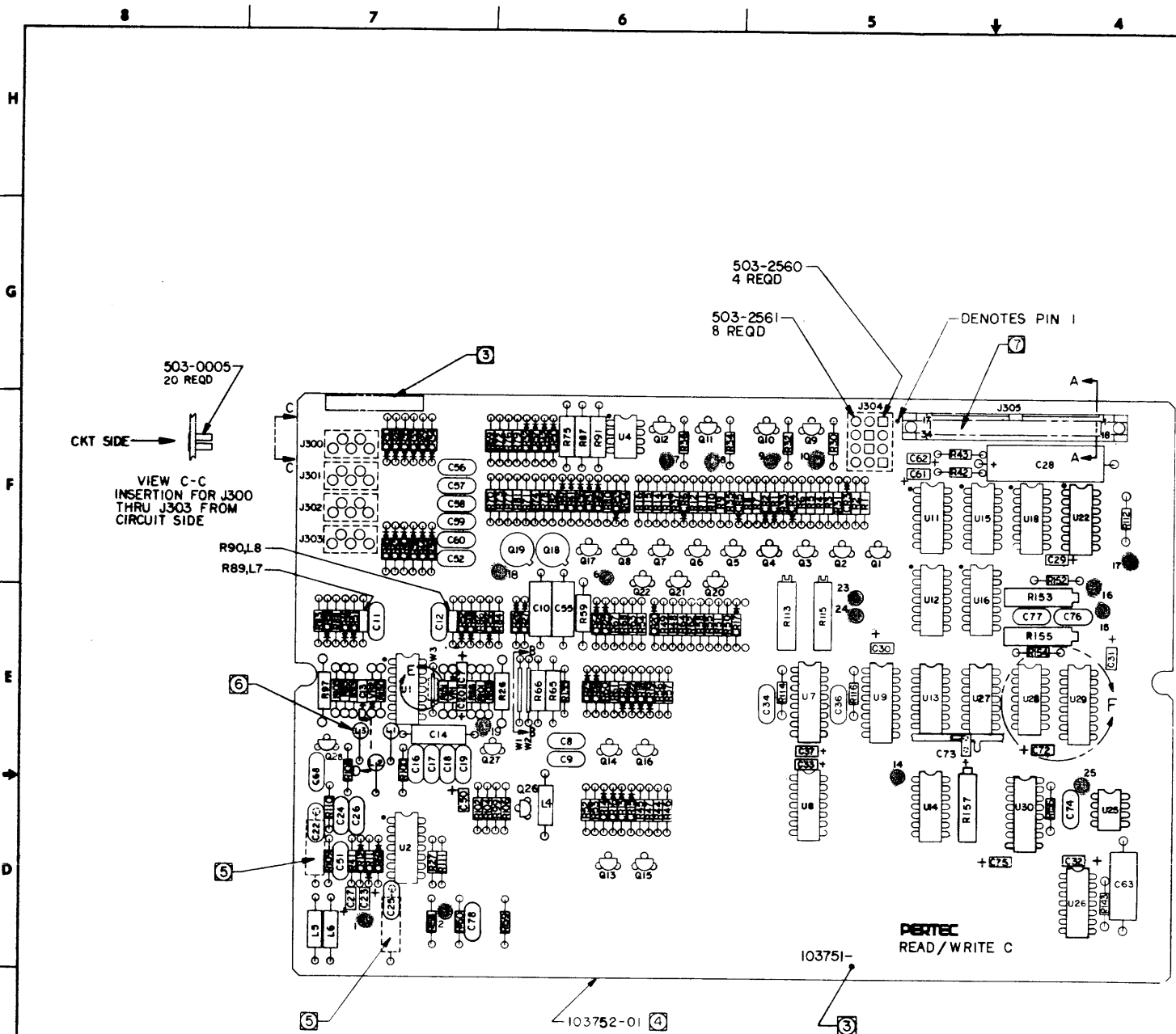


REVISIONS				
REV	DESCRIPTION	DATE	BY	APP
A	EEN 7-AM	DEC 2 1974	SK	SK
B	ECN 7254	APR 12 1975	SK	SK
C	ECN 8625	MAY 20 1975	SK	SK

REF DWGS:
 ASSEMBLY 103751
 SPECIFICATION 103754

UNLESS OTHERWISE SPECIFIED DIMENSIONS ARE IN INCHES		PERIPHERAL EQUIPMENT CORPORATION	
TOLERANCES: XX ± .010 X ± .005 Ø ± .005	ANGULAR ± 1°	SIGNATURES DATE	TITLE SCHEMATIC READ/WRITE C
BREAK ALL SHARP CORNERS APPROX. 0.10	FINISH: 103721 COMPATIBLE NEXT ASSY 1 ST USED ON	MATERIAL: J	SIZE J SCALE NONE
APPLICATION		DATE	REV C

REVISIONS				
REV	DESCRIPTION	DATE	BY	CHK
4	ERN 7-AM	PROD RELEASE	WJ	JW

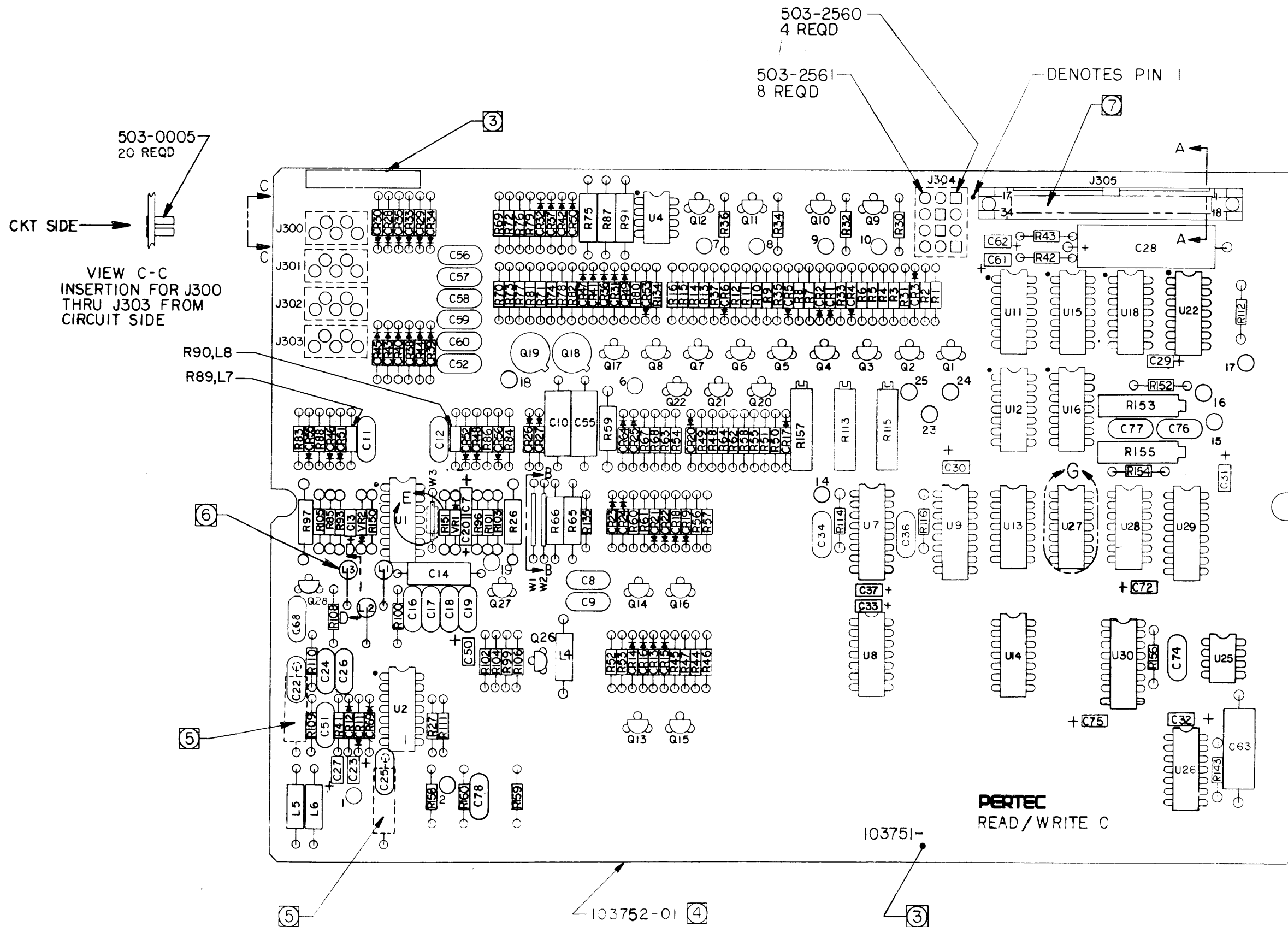


- 7 REMOVE PIN 31 FOR CONNECTOR KEYING.
 - 6 MOUNT L1, 2 & 3 ON END AS INDICATED IN VIEW D-D.
 - 5 C22 & 25 ALTERNATE CONFIGURATION SHOWN IN PHANTOM.
 - 4 THIS ASSY SHALL BE MADE FROM PROCESS BOARD 103752-01 REV A AND SUBSEQUENT.
 - 3 MARK PART ASSY VERSION NO. AND VERSION ISSUE LETTER.
2. ASSEMBLE PER STANDARD MFG METHODS.
 1. REFERENCE DRAWINGS: SCHEMATIC 103750
 SPECIFICATION 103754
- NOTES: UNLESS OTHERWISE SPECIFIED.

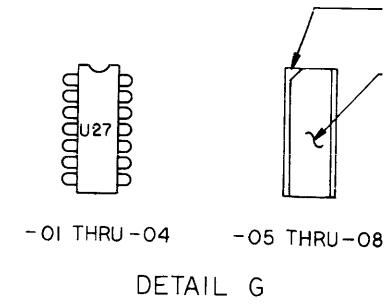
PART NO. 103751-03 REV B

FOR ASSY VERSION INFORMATION SEE SCHEMATIC 103750
 FOR LIST OF MATERIAL SEE LM103751 & APPLICABLE DASH NO.

TOP ASSY		NEXT ASSY		MATERIAL		SIZE		SCALE	
NO	DATE	NO	DATE	NO	DATE	NO	DATE	NO	DATE
PERTEC PERIPHERAL EQUIPMENT TITLE: PCBA READ/WRITE C PART NO: 103751 SCALE: 2/1						REV: A DATE: 7/1			



- ⑧ FOR VERSIONS -05 THRU U27 AS J306.
 - ⑦ REMOVE PIN 31 FOR CONNECTOR
 - ⑥ MOUNT L1, 2 & 3 ON END AS IN VIEW D-D.
 - ⑤ C22 & 25 ALTERNATE CONF SHOWN IN PHANTOM.
 - ④ THIS ASSY SHALL BE MADE FROM 103752-01 REV C AND SUBSEQUENT
 - ③ MARK PART ASSY VERSION NO AND VERSION ISSUE LETTER.
2. ASSEMBLE PER STANDARD MFG PRACTICES
1. REFERENCE DRAWINGS: SCHMATIC AND SPECIFICATIONS
- NOTES: UNLESS OTHERWISE SPECIFIED



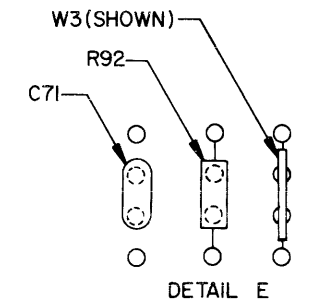
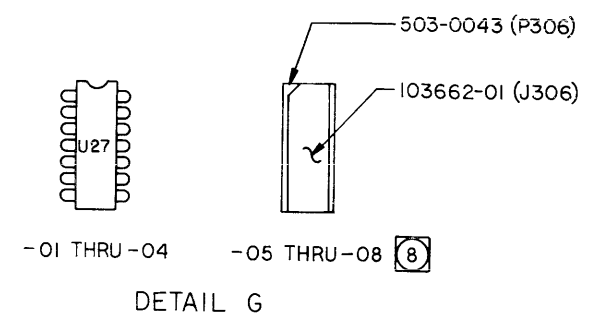
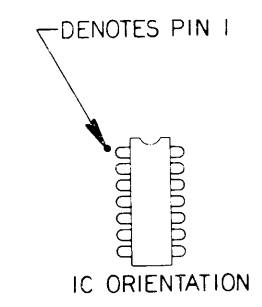
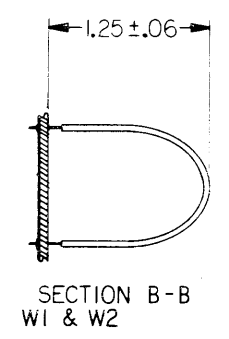
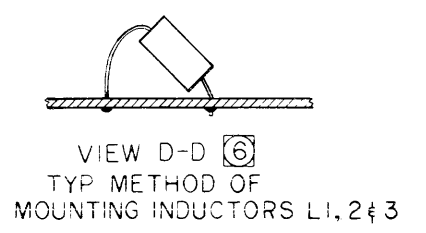
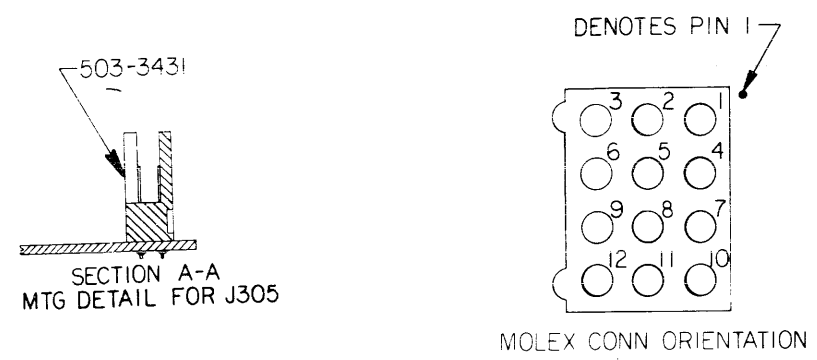
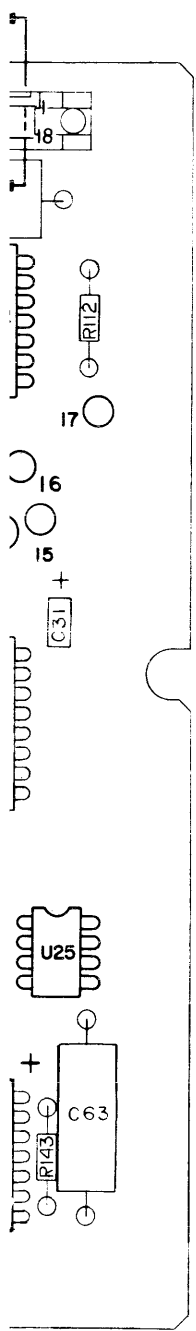
PERTEC
READ/WRITE C

103751-

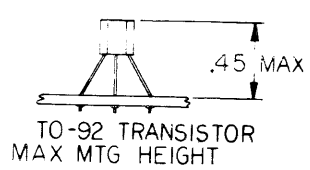
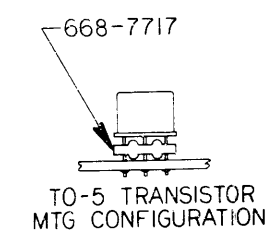
103752-01

REVISIONS					
REV	DESCRIPTION	DATE	DR	CHK	APPR
A	ERN 7-AM - PROD RELEASE	12-2-79	WLM	832	44
B	ECN 7254	4/30/79	SDL	882	78
C	ECN 7726	8/27/75	DMF	444	74

- 8 FOR VERSIONS -05 THRU -08 REIDENTIFY U27 AS J306.
 - 7 REMOVE PIN 31 FOR CONNECTOR KEYING.
 - 6 MOUNT L1, 2 & 3 ON END AS INDICATED IN VIEW D-D.
 - 5 C22 & 25 ALTERNATE CONFIGURATION SHOWN IN PHANTOM.
 - 4 THIS ASSY SHALL BE MADE FROM PROCESS BOARD 103752-01 REV C AND SUBSEQUENT.
 - 3 MARK PART ASSY VERSION NO. AND VERSION ISSUE LETTER.
2. ASSEMBLE PER STANDARD MFG METHODS.
1. REFERENCE DRAWINGS: SCHEMATIC 103750
SPECIFICATION 103754
- NOTES: UNLESS OTHERWISE SPECIFIED.



SEE SCHEMATIC 103750 FOR ASSEMBLY INFORMATION



PART NO. 103751-01 REV D

FOR ASSY VERSION INFORMATION SEE SCHEMATIC 103750
FOR LIST OF MATERIAL SEE LM103751 & APPLICABLE DASH NO.

<small>The information herein is the property of PERTEC CORPORATION. No portion of this data shall be released, disclosed, used, or duplicated for procurement or manufacturing purposes without specific written consent of PERTEC.</small> <small>UNLESS OTHERWISE SPECIFIED</small> <small>DIMENSIONS ARE IN INCHES</small> TOLERANCES XXX = ANGLULAR X = .125 X = .010 <small>BREAK-ALL SHARP CORNERS</small> <small>AIRBOX-D10</small>	SIGNATURES DR: <i>DeWitt Munsell</i> CHK: <i>James B. Davis</i> ENGR: <i>James B. Davis</i> PROJ ENGR: <i>James B. Davis</i>	DATE 12-11-79 12/11/79 12/11/79	PERTEC PERIPHERAL EQUIPMENT TITLE PCBA READ/WRITE C
	TOP ASSY NEXT ASSY USED ON APPLICATION	F NISH MATERIAL:	SIZE E SCALE 2/1

REVISIONS					
REV	DESCRIPTION	DATE	BY	CHK	APP
A	EBN TWA PROD. RISE	11/17/59	W.C.	J.F.	J.C.
B	ECN 75	11/22/59	W.C.	J.F.	J.C.
C	ECN 78 87	11/22/59	W.C.	J.F.	J.C.
D	ECN 8069	11/22/59	W.C.	J.F.	J.C.
E	ECN 9464	11/22/59	W.C.	J.F.	J.C.

TABLE I

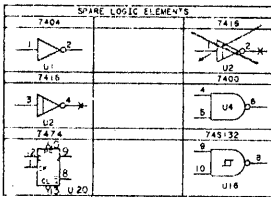
PART NO.	REFERENCE DESIGNATION
100-1025	R1, 2, 3, 20, 31, R33
100-1235	R7, 8, 9, 27
100-2135	R33
100-4725	R32
104-1001	R24
104-1002	R5, 13, 17 THRU 20, 21, 22
104-1212	R23
104-1472	R14
107-4143	R29
104-1552	R4
104-2152	R25
104-2275	R10, 11
104-3-63	R26
104-3832	R6
104-750	R7
107-3153	R26
107-1023	R38
121-2030	R 5, 16
139-2244	C1, 2, C4 THRU C7
139-2261	C3
200-1-23	Q1
200-4155	Q1, 2, 3
234-4291	C4, 5, 6
300-4446	C81 THRU 5
400-2655	S
4-741	L6, 7, 8, 9
700-7474	U20
700-7400	L4
700-7404	U1
700-74-8	L2
200-7433	L3
74457-01	ASSEMBLY 103456
74457-01	REFERENCE DESIGNATION R7

TABLE II

ASST VERSION NUMBER	VERSION CHARACTERISTIC	C9 THRU C14 CR6 Q8 R34 THRU R37 D10 THRU D15	DL1	CB	J1	WI	W2
		USAGE (3)	PART NO.	VALUE	PART NO.	PART NO.	PART NO.
-01	200 PPI ± 1500RPM 2200 BP1 ± 2400RPM	OMIT	OMIT	—	OMIT	OMIT	100-0005
-02	200 PPI ± 1500RPM 2200 BP1 ± 2400RPM	OMIT	OMIT	—	OMIT	OMIT	100-0005
-03				—	OMIT	OMIT	OMIT
-04				—	OMIT	OMIT	OMIT
-05	200 PPI ± 1500RPM 4400 BP1 ± 2400RPM	USE	120-0008	68 PF	130-0005	103982-01	OMIT
-06	200 PPI ± 1500RPM 4400 BP1 ± 2400RPM	USE	120-0004	43 PF	130-4305	103982-01	OMIT

TABLE III

PART NO.	REFERENCE DESIGNATION
100-1025	R36
100-3915	R35
101-1015	R37
104-3101	R34
39-2244	C9 THRU 14
200-4123	Q5
300-4446	C86
700-0132	U16, 18
700-4040	U10
700-4121	U12
700-4300	U15
700-4741	U17, 18, 19
103983-02	U13



REF DESIGNATION

LAST USED	NOT USED	DELETED
C14		
CR9		
DL1		
QR		
R39		
U12		
U20		
R13		R1, 3
W2		

- (3) R39 IS USED TO REDUCE TEST TIME TO BE REMOVED AFTER TEST IS COMPLETE
 - 8. ALL DIODES ARE 1N4446.
 - 7. ALL PNP TRANSISTORS ARE 2N4125.
 - 6. ALL CAPACITOR VALUES ARE IN MICROFARADS, 100%, 20 VOLTS
 - 5. ALL RESISTOR VALUES ARE IN OHMS, 1%, 1/4WATT.
 - 4. ON ALL I.C.'S PIN NO.7 IS GND AND PIN NO.14 IS +5V.
 - (3) FOR PART NUMBER, SEE TABLE III
 - (3) FOR USAGE OF COMPONENTS AFFECTED BY VERSION NUMBER, SEE TABLE II.
 - (3) FOR PART NUMBER OF COMPONENTS NOT AFFECTED BY VERSION NUMBER, SEE TABLE I.
- NOTES: UNLESS OTHERWISE SPECIFIED

TRANSISTOR MOUNT ————— 103456
TEMP & WRITE COMP. ————— 103977
SPECIFICATION NUMBER ————— 103980
REFERENCE DRAWINGS

PERTEC PERIPHERAL EQUIPMENT		DATE: 11/17/59	
TITLE: SCHEMATIC, TEMPERATURE & WRITE COMPENSATION		DRAWN BY: W.C.	
REV: F		DATE: 11/22/59	
PROJECT: 103977		REV: F	
103977 034600		REV: F	

REVISIONS		
REV	DESCRIPTION	DATE
A	FRN T-MN 800-420 R15E	
B	ECN 7511	

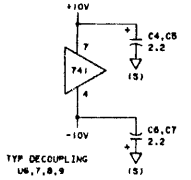


TABLE II

ASSY VERSION NUMBER	VERSION CHARACTERISTIC	CR THRU C14 OR R34 THRU R37 U10 THRU U19	USAGE	DL1	PART NO.
-01	200 TP1 2200 BP1	1500RPM 2400RPM	OMIT		OMIT
-02					
-03					
-04					
-05	200 TP1 4400 BP1	1500RPM	USE	120-0308	
-06	200 TP1 4400 BP1	2400RPM	USE	120-0004	

TABLE III

PART NO.	REFERENCE DESIGNATION
100-1529	R36
100-3915	R35
101-1015	R37
101-2811	R34
130-5605	Q8
139-2244	CR THRU 14
200-4123	Q8
300-4446	CR8
700-0132	U16, 18
700-4040	U10
700-4127	U12
700-4300	U15
700-4741	U11, 14, 17, 19
103993-02	U13

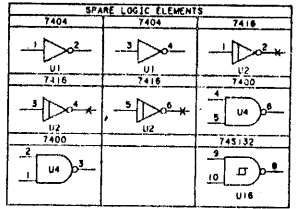


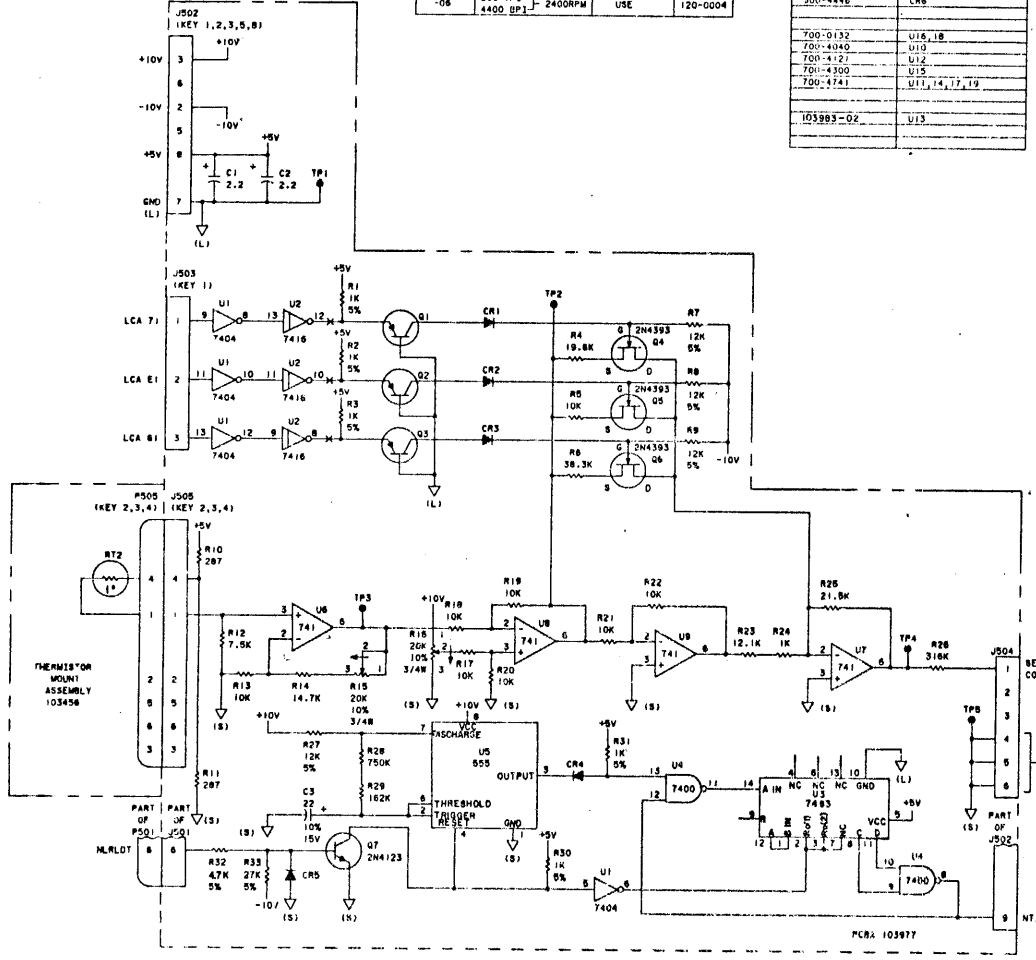
TABLE I

PART NO.	REFERENCE DESIGNATION
100-1025	R1, 2, 3, 30, 31
100-1235	R7, 8, 9, 27
100-2135	R15
100-4725	R32
104-1001	R24
104-1002	R5, 13, 17 THRU 20, 21, 22
104-1212	R23
104-1472	R14
104-1623	R29
104-1902	R4
104-2152	R25
104-2870	R10, 11
104-3163	R28
104-3032	R6
104-7501	R12
104-7503	R28
121-2030	R15, 16
139-2244	C1, 2, C4 THRU C7
139-2261	C3
200-4123	Q7
200-4125	Q1, 2, 3
204-4393	Q4, 5, 6
300-4446	CR1 THRU 5
400-0555	U5
400-2741	U6, 7, 8, 9
700-7400	U4
700-7404	U1
700-7416	U2
700-7491	U3

THE THERMISTOR MOUNT ASSEMBLY 103456
PART NO. REFERENCE DESIGNATION
103457-01 RT2

REF DESIGNATION

LAST USED	NOT USED	DELETED
C14		
CR6		
DL1		
Q8		
R37		
TP11		
U18		
RF3		RT1, 3

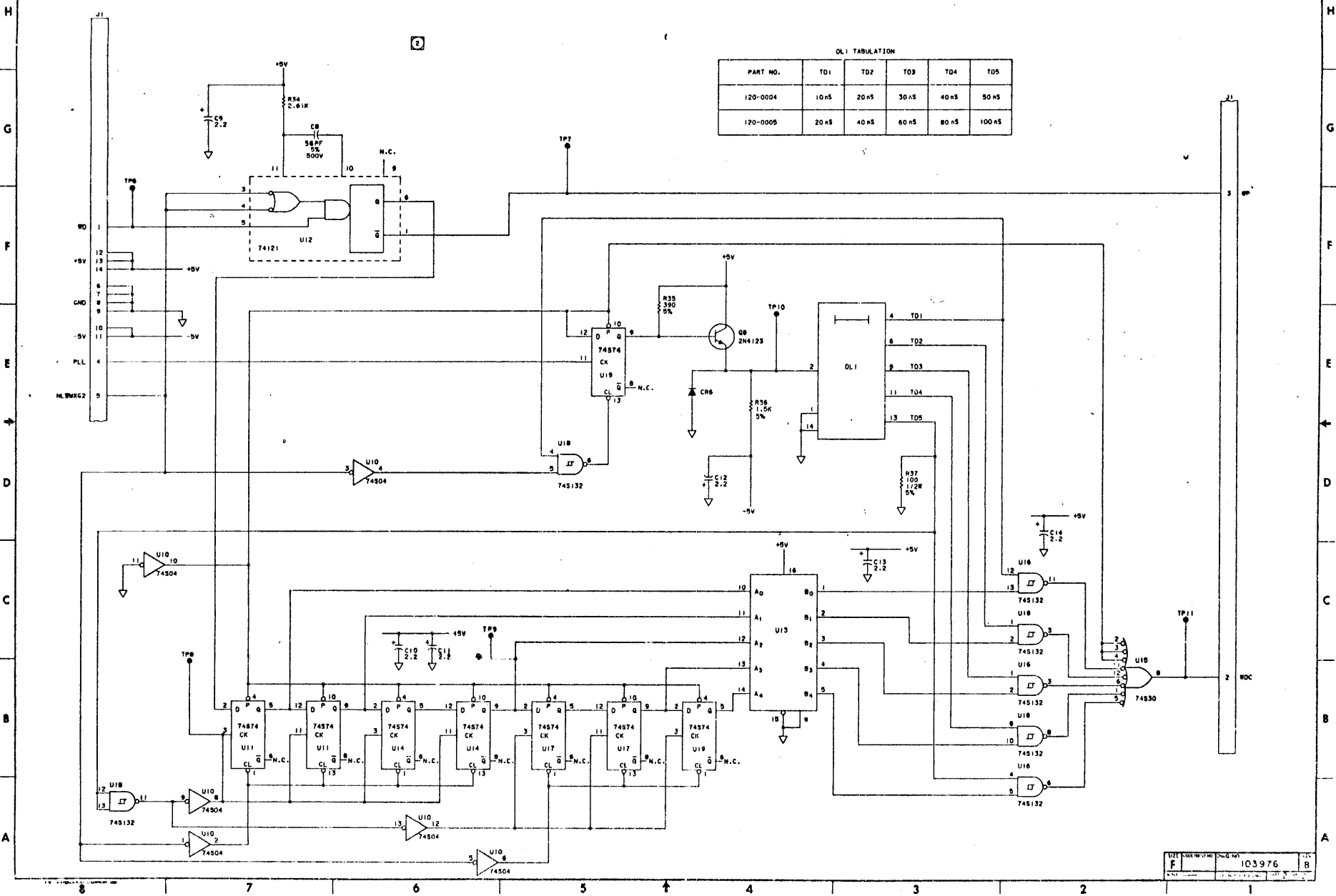


- 8. ALL DIODES ARE 1M4446.
 - 7. ALL PNP TRANSISTORS ARE 2N4125.
 - 6. ALL CAPACITOR VALUES ARE IN MICROFARADS, 120V, 20 VOLTS
 - 5. ALL RESISTOR VALUES ARE IN OHMS, RTK, 1/4WATT.
 - 4. ON ALL I.C.'S PIN NO. 7 IS GND AND PIN NO. 14 IS +5V.
 - 3. FOR PART NUMBER, SEE TABLE III
 - 2. FOR USAGE OF COMPONENTS AFFECTED BY VERSION NUMBER, SEE TABLE II.
 - 1. FOR PART NUMBER OF COMPONENTS NOT AFFECTED BY VERSION NUMBER, SEE TABLE I.
- NOTES: UNLESS OTHERWISE SPECIFIED

THERMISTOR MOUNT _____ 103456
TEMP & WRITE COMP _____ 103977
SPECIFICATION NUMBER _____ 103980
REFERENCE DRAWINGS _____

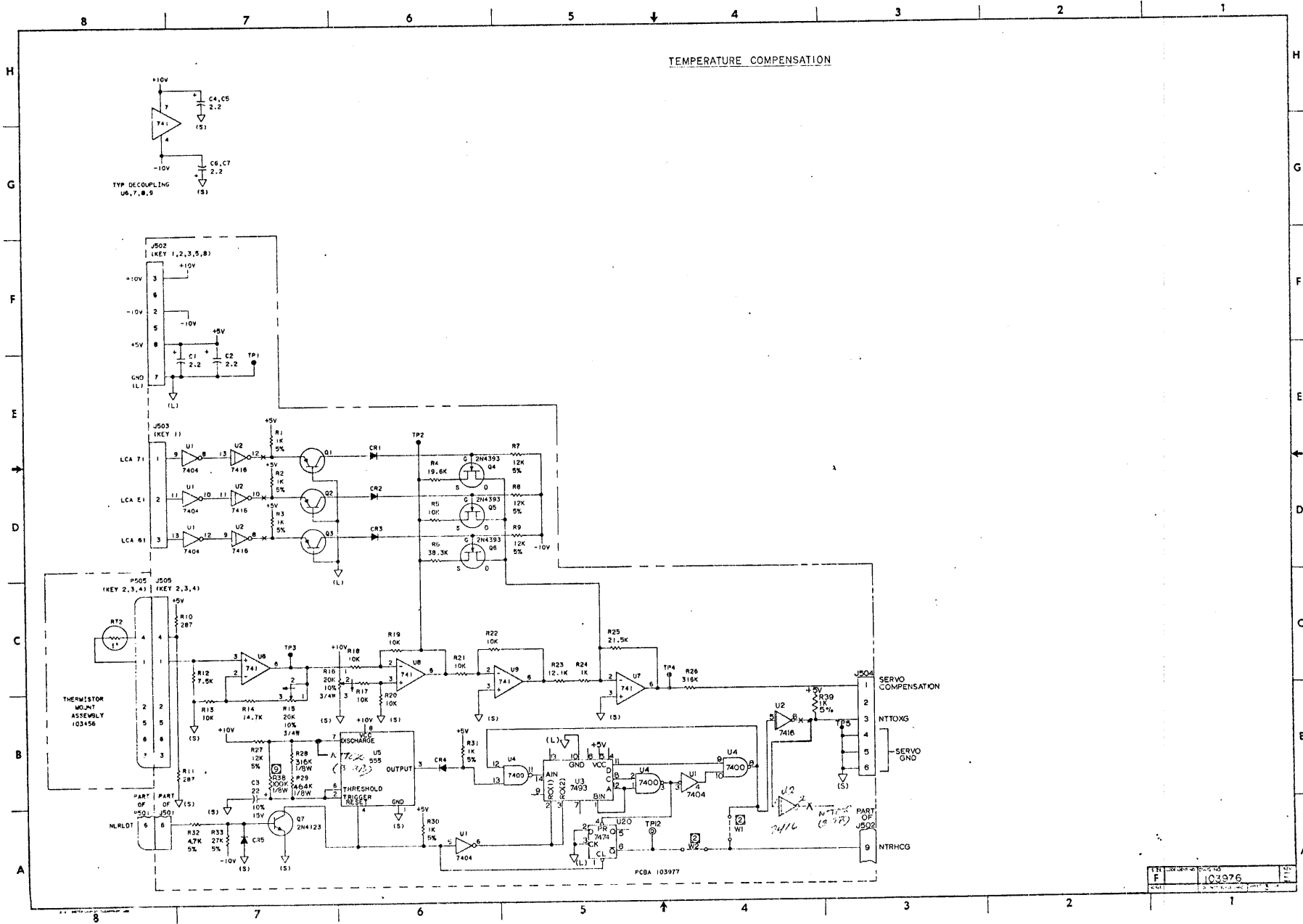
PERTEC PERIPHERAL EQUIPMENT Schematic, Temperature & Write Compensation TITLE: 103976	DATE: 4-11-71 DRAWN BY: J. B. Brown CHECKED BY: J. B. Brown APPROVED BY: J. B. Brown PART NO.: 103977 REV: 1
--	---

103977 03000
NEXT ASSY THE USED BY
APPLICATION



DL1 TABULATION

PART NO.	T01	T02	T03	T04	T05
120-0004	10nS	20nS	30nS	40nS	50nS
120-0005	20nS	40nS	60nS	80nS	100nS



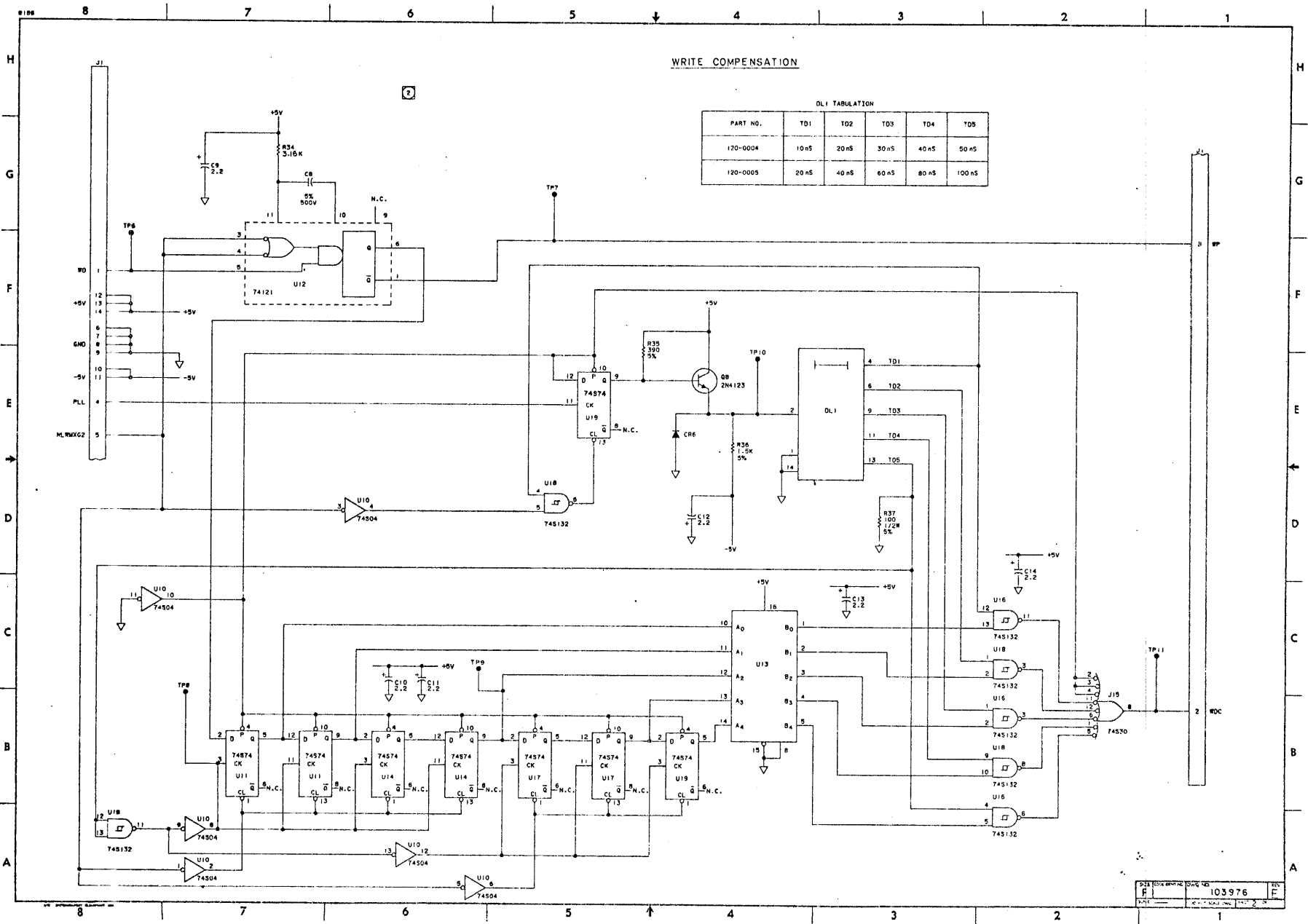
TEMPERATURE COMPENSATION

TYP DECOUPLING
U6, 7, 8, 9

THERMISTOR
MOUNT
ASSEMBLY
103456

PCBA 103977

REV	DATE	BY	CHKD
F	103976		

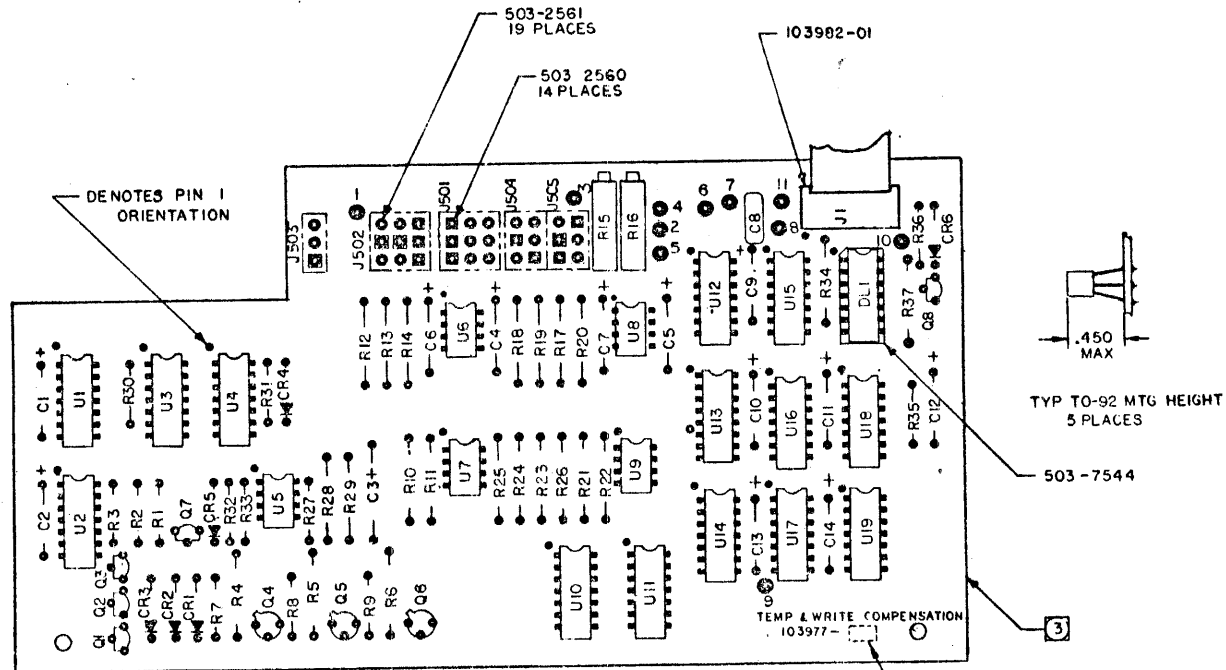


WRITE COMPENSATION

DL1 TABULATION

PART NO.	TD1	TD2	TD3	TD4	TD5
120-0004	10 nS	20 nS	30 nS	40 nS	50 nS
120-0005	20 nS	40 nS	60 nS	80 nS	100 nS

REVISIONS				
REV	DESCRIPTION	DATE	DR	CHK APPR
A	ERN 7-44 PRODUCTION REL	7/5/74		
B	ECN 7715			



SPECIFICATION 103980
 SCHEMATIC 103976
 REF. DRAWINGS

PART NO. 103977-01 REV B

3 THIS ASSEMBLY SHALL BE MADE FROM PROCESS BOARD 103978-01 REV B AND SUBSEQUENT.

2 MARK VERSION NO. AND VERSION ISSUE LETTER.

1 ASSEMBLE PER STANDARD MFG METHODS.

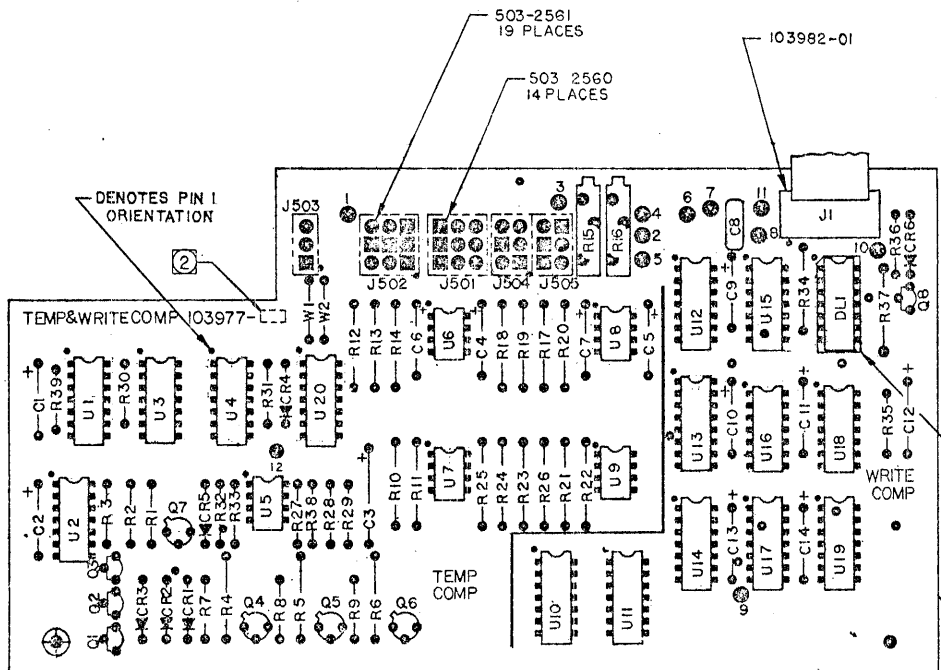
NOTES: UNLESS OTHERWISE SPECIFIED

DESIGN	DATE
BY: [Signature]	DATE: [Date]
CHKD: [Signature]	DATE: [Date]
APP: [Signature]	DATE: [Date]

<small>THE INFORMATION CONTAINED HEREIN IS THE PROPERTY OF PERTEC CORPORATION. NO PART OF THIS DOCUMENT IS TO BE REPRODUCED OR TRANSMITTED IN ANY FORM OR BY ANY MEANS, ELECTRONIC OR MECHANICAL, INCLUDING PHOTOCOPYING, RECORDING, OR BY ANY INFORMATION STORAGE AND RETRIEVAL SYSTEM, WITHOUT THE WRITTEN PERMISSION OF PERTEC CORPORATION.</small>	SIGNATURES DATE
<small>TOLERANCES: UNLESS OTHERWISE SPECIFIED DIMENSIONS ARE IN INCHES</small> FRACTIONS: 1/16" MIN. ANGULAR: 5° MIN. HOLE: .001" MIN. BREAK ALL SHARP CORNERS APPROX. 0.10"	PERTEC PERIPHERAL EQUIPMENT TITLE PCBA TEMPERATURE AND WRITE COMPENSATION
NEXT ASSY APPLICATION	MATERIAL SEE L.M. SCALE: 2/1 DO NOT SCALE DIMS SHEET 1 OF 1

SIZE	CONTR NO	DWG NO	REV
D		103977	B

REVISIONS					
REV	DESCRIPTION	DATE	DR	CHK	APP
A	ECN 7-14 PRODUCTION REL				
B	ECN 7713				
C	ECN 8069				
D	ECN 8464				
E	ECN 8521				



SPECIFICATION 103980
SCHEMATIC 103976
REF DRAWINGS

PART NO. 103977-01 REV G+EU
8729

- THIS ASSEMBLY SHALL BE MADE FROM PROCESS BOARD 103977-01 REV D AND SUBSEQUENT.
- MARK VERSION NO. AND VERSION ISSUE LETTER.

1 ASSEMBLE PER STANDARD MFG METHODS.

NOTES: UNLESS OTHERWISE SPECIFIED

<small>The information herein is the property of PERTEC CORPORATION. Its use or disclosure is restricted to the specific data shown hereon. It is not to be used, copied, or reproduced in any form without the prior written consent of PERTEC CORPORATION.</small>		SIGNATURES		DATE
UNLESS OTHERWISE SPECIFIED DIMENSIONS ARE IN INCHES TOLERANCES: .XX ± .005 .XXX ± .002 .XXX ± .001 .XXX ± .0005 .XXX ± .0002 .XXX ± .0001 BREAK ALL SHARP CORNERS APPROX. 1/16"		DR: [Signature] CK: [Signature] ENGR: [Signature] PROJ. ENGR: [Signature]		DATE: [Date]
MATERIAL: SEE L M		TITLE: PCBA		REV: E
FINISH: D8000		SIZE: D		REV: E
NEXT ASSY: APPLICATION		SCALE: 1/1		REV: E
APPLICATION		PART NO. 103977		REV: E
		DATE: 1/1		REV: E

103977

D
C
B

D
C
B

8 7 6 5 4 3 2 1

8 7 6 5 4 3 2 1