

**MR6315**


**SPERRY UNIVAC  
REMOTE DEVICE  
ADAPTER  
TYPES 8598-04, -05**

**ILLUSTRATED  
PARTS BREAKDOWN**

JUNE 1981

COMPANY CONFIDENTIAL INFORMATION

THIS DOCUMENT CONTAINS CONFIDENTIAL INFORMATION OF THE SPERRY CORPORATION. IN CONSIDERATION OF THE RECEIPT OF THIS DOCUMENT, THE RECIPIENT AGREES NOT TO REPRODUCE, COPY, USE OR TRANSMIT THIS DOCUMENT AND/OR THE INFORMATION THEREIN CONTAINED, IN WHOLE OR IN PART, OR TO SUFFER SUCH ACTION BY OTHERS, FOR ANY PURPOSE, EXCEPT WITH THE WRITTEN PERMISSION, FIRST OBTAINED, OF SPERRY UNIVAC DIVISION OF SPERRY CORPORATION, AND FURTHER AGREES TO SURRENDER SAME TO SPERRY UNIVAC WHEN THE REASON FOR ITS RECEIPT HAS TERMINATED.

SPERRY  UNIVAC

FASTRAND, SPERRY UNIVAC, UNISCOPE, UNISERVO, and UNIVAC are registered trademarks of the Sperry Corporation. ESCORT, PAGEWRITER, PIXIE, and UNIS are additional trademarks of the Sperry Corporation.

HANDBOOK APPLICATION

1900/10

HB2367 SPERRY UNIVAC Remote Keystation  
Adapter Type 8598 Servicing

Branch Library

HB1711 Miscellaneous Illustrated Parts  
Breakdown

REVISION STATUS

EFFECTIVE PAGES	REVISION HCB
iii	-
1-1 thru 1-5	-
2-1 thru 2-23	-
3-1	-
4-1	-
5-1	-



CONTENTS

Heading	Title	Page
SECTION 1		
INTRODUCTION		
1-1.	General. . . . .	1-1
1-2.	How to use the IPB . . . . .	1-2
1-3.	Illustrations and Parts List . . . . .	1-2

SECTION 2. ILLUSTRATIONS/GROUP ASSEMBLY  
PARTS LIST (GAPL)

SECTION 3. REFERENCE DESIGNATION INDEX

SECTION 4. NUMERICAL INDEX

SECTION 5. ATTACHING HARDWARE

ILLUSTRATIONS/GAPL

Figure	Title	Illus. Page	GAPL Page
A.	Figure/Assembly Locator . . . . .	2-1	
1.	Remote Device Adapter Types 8598-04, -05. . . . .	2-2	2-3
2.	Wired Assy, Remote Device Adapter . . . . .	2-4	2-5
3.	Backpanel PC Assy . . . . .	2-12	2-12
4.	U-100 External Cable Assy . . . . .	2-13	2-13
5.	Backpanel Wiring Harness. . . . .	2-14	2-14
6.	AC Power Cord . . . . .	2-15	2-15
7.	LED Switch Cable Assy . . . . .	2-16	2-16
8.	AC Power Cable. . . . .	2-17	2-17
9.	AC Power Wiring Harness . . . . .	2-18	2-18
10.	I/O Cable Assy. . . . .	2-19	2-19
11.	Cable Assy. . . . .	2-20	2-20
12.	Coaxial Cable Assy. . . . .	2-20	2-20
13.	Coaxial Cable Assy. . . . .	2-21	2-21
14.	PC Complement . . . . .	2-22	2-23



SECTION 1  
INTRODUCTION

1-1. GENERAL

This Illustrated Parts Breakdown (IPB) lists and illustrates the field-replaceable parts for the SPERRY UNIVAC Remote Device Adapter Type 8598-04, -05.

The IPB consists of five sections.

- Section 1. Introduction. This section contains information on how to use the IPB.
- Section 2. Illustrations/Group Assembly Parts List. This section consists of pictorial breakdowns and indexed parts lists of all assemblies in the unit.
- Section 3. Reference Designation Index. This section is a list of parts for which a reference designation is given in the parts list. The parts are listed in alphanumeric order by schematic reference designation; figure and index numbers are given to aid in locating the part in the parts list in Section 2.
- Section 4. Numerical Index. This section provides a numerical list of all part numbers in the IPB. The figure and index number are given for each part to aid in locating the part in the parts list in Section 2. Attaching hardware is not listed in the Numerical Index.
- Section 5. Attaching Hardware. This section provides a numerical listing of all attaching hardware listed in Section 2.

## Introduction

### 1-2. HOW TO USE THE IPB

### 1-3. FIGURE/ASSEMBLY LOCATOR (FIGURE A)

Figure A is provided as a quick reference to indicate the figure which breaks down a particular assembly. Indented figure numbers are subassemblies of the figure under which they are indented.

EXAMPLE: Figure/Assembly Locator

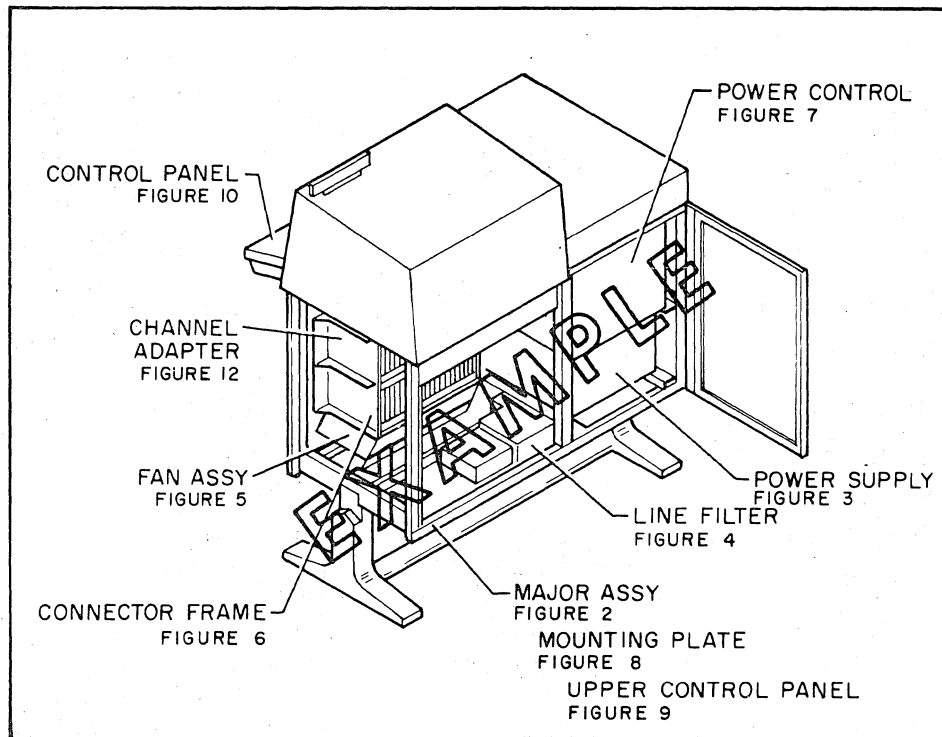


Figure A. Figure/Assembly Locator

### 1-4. ILLUSTRATION AND PARTS LIST

The callouts on the Illustration and Parts List shown have the following significance:

#### ILLUSTRATION

- A - A circled index number indicates an assembly which has its parts illustrated on the same figure. If the circled number has a figure notation next to it, its parts are shown on the indicated figure.
- B - "REF" on the illustration means that particular item has been shown on another area of the same figure and is shown at this point for reference only.



## PARTS LIST

- C - FIGURE & INDEX NO.  
The digits preceding the hyphen refer to the figure number illustrating the particular assembly. The digits after the hyphen provide a reference between the indented parts list and the callout number on the associated illustration.
- D - PART NUMBER  
This column contains the Sperry Univac part number for the item listed. "NO NUMBER" indicates the item should not be ordered. A number with a suffix "-XX" means the part number is variable and a selection must be made.
- E - REFERENCE DESIGNATION  
A unique designation which is assigned by schematic diagrams for the item listed.
- F - DESCRIPTION INDENTATION SYSTEM  
The numbers in the description header indicate the relationship of parts as shown by the dots preceding the description. An item preceded by two dots is part of the last one-dot assembly above it; a three-dot item is part of the last two-dot assembly above it; etc.
- G - NUMBER-PER-ASSEMBLY  
This is the quantity of indexed parts used on the next higher assembly. "REF" in this column means the assembly has already been listed with its quantity in a preceding figure. "AR" in this column means "AS REQUIRED" and is used when the quantity is unspecified or variable. "NP" means the part is non-procurable.
- H - ATTACHING HARDWARE  
The part numbers following the asterisk (\*) are the items needed to attach the indexed part. A numerical listing of all the attaching hardware, used in this book, can be found in Section 5.
- I - FIGURE ASSEMBLY ATTACHING HARDWARE  
The attaching hardware for the assembly listed as the figure are found on the next higher assembly indicated.
- J - ACTIVELY SUPPORTED PART NUMBERS  
A "#" symbol in this column indicates that the part is active in the WDC supply system. If an order is accepted for a part that does not have an indicator (#), the part will have to be sourced by WDC.

## Introduction

### K - USED-ON-CODE

If this column is blank, the part is applicable for all units in this book. A letter or group of letters designate the unique variable part or feature for which a selection must be made. The letters have the following significance:

USED-ON-CODE	DESCRIPTION
1	T8598-04 Remote Device Adapter, 50/60 Hz, 100-120V
2	T8598-05 Remote Device Adapter, 50/60 Hz, 200-240V
A	F3645-00 Auto Answer Feature
B	C3646-00 Local RDA Selection
C	C3646-01 Remote RDA Selection

Example: Illustration and Parts List

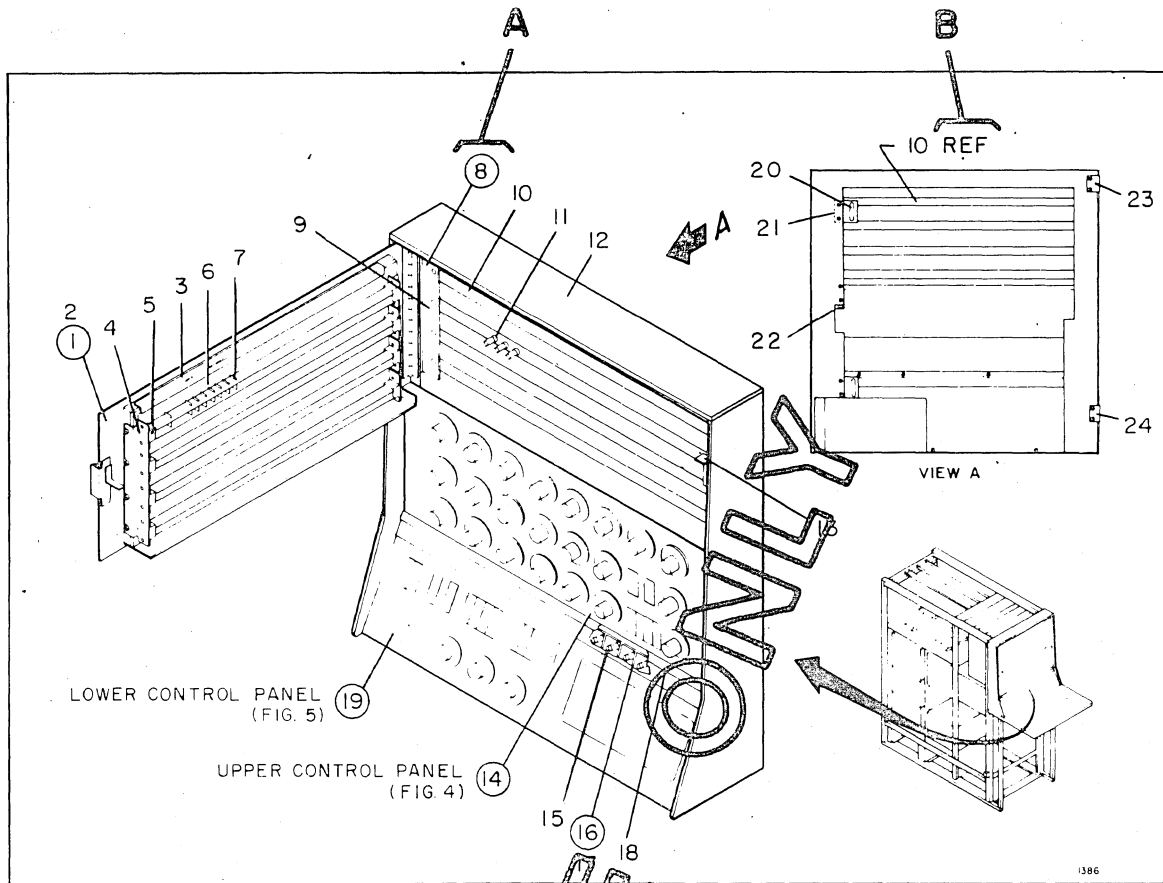


Figure 3. Maintenance Panel Assy

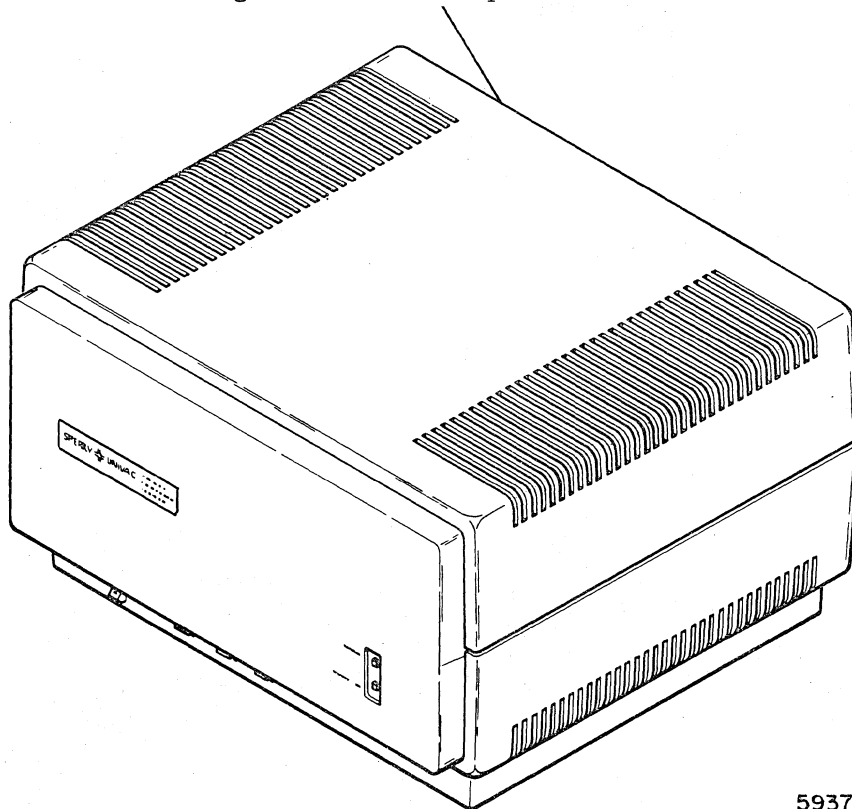
C	D	E	F	G	K
FIG & INDEX NO.	PART NUMBER	REF. DESIG	2 3 4 5 6 7	NO. USED PER ASSY	ON CODE
3-	3619897	00 A4	MAINTENANCE PANEL ASSY-WIRED (SEE FIG 2-85 FOR NEXT HIGHER ASSY)	REF	
I -1	3534414	00	. PANEL ASSY, DISPLAY SCREEN	1	
-2	3534060	00	. . FRAME, DISPLAY SCREEN PANEL	1	
-3	3184570	00	. . ANGLE, MTG	1	
-4	3184567	00	. . ANGLE, MTG-R.H. & L.H. (ATTACHING PARTS FOR NOS. 3 & 4)	2	
H -5	3184568	00	* 4912548-11, 4912862-02 . BRACKET, SUPPORT	AR 8	
-6	# 3184581	00	* 4912540-01, 4912548-11 . DISPLAY SCREEN	AR 1	
J	3534061	00	. . BARRIER, LIGHT	1	



SECTION 2

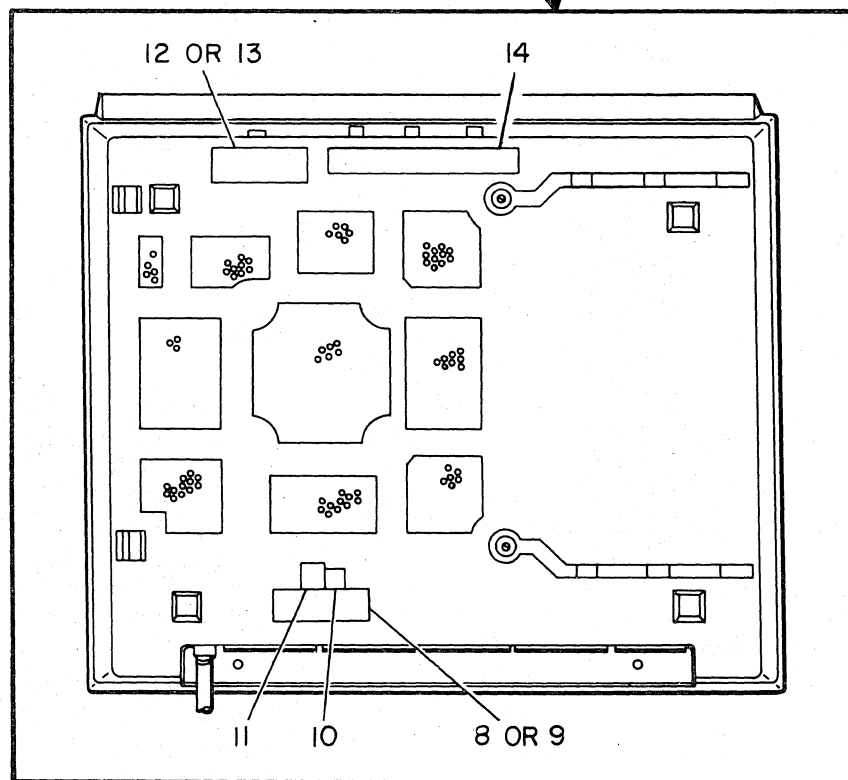
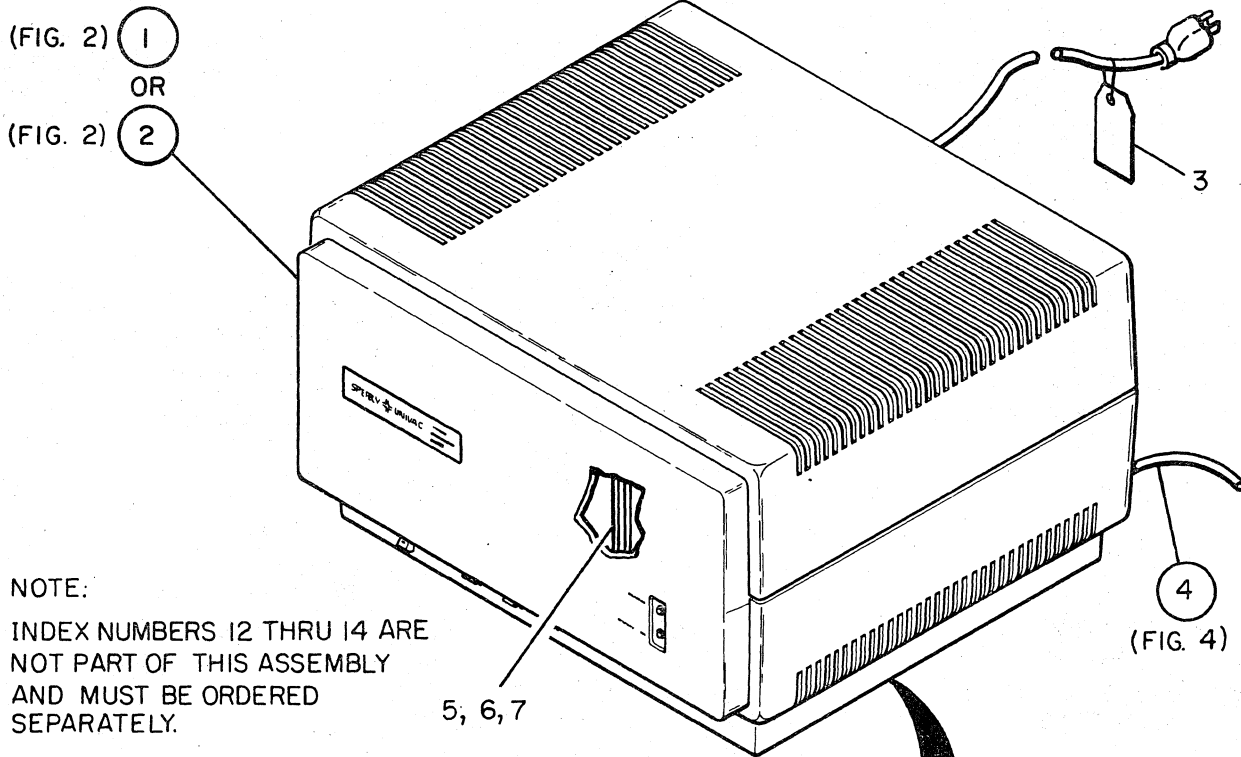
ILLUSTRATIONS/GROUP ASSEMBLY PARTS LIST

- Figure 1. Remote Device Adapter Type 8598-04, -05
- Figure 4. External Cable Assy
- Figure 2. Wired Assy, Remote Device Adapter
  - Figure 3. Backpanel PC Assy
  - Figure 5. Backpanel Wiring Harness
  - Figure 6. AC Power Cord
  - Figure 7. LED Switch Cable Assy
  - Figure 8. AC Power Cable Assy
  - Figure 9. AC Power Wiring Harness
  - Figure 10. I/O Cable Assy
  - Figure 11. Cable Assy
  - Figure 12. Coaxial Cable Assy
  - Figure 13. Coaxial Cable Assy
  - Figure 14. PC Complement



59371

Figure A. Figure/Assembly Locator



59372

Figure 1. Remote Device Adapter Types 8598-04, -05

FIG & INDEX NO.	PART NUMBER	REF. DESIG.	DESCRIPTION							NO. PER ASSY	USED ON CODE
			1	2	3	4	5	6	7		
1-	NO NUMBER		REMOTE DEVICE ADAPTER TYPE 8598-04 50/60 HZ 100-120V							NP	1
1-	NO NUMBER		REMOTE DEVICE ADAPTER TYPE 8598-05 50/60 HZ 200-240V							NP	2
-1	NO NUMBER		◦ WIRED ASSY, REMOTE DEVICE ADAPTER 50/60 HZ 100-120V (SEE FIG. 2 FOR BREAKDOWN)							NP	1
-2	NO NUMBER		◦ WIRED ASSY, REMOTE DEVICE ADAPTER 50/60 HZ 200-240V (SEE FIG. 2 FOR BREAKDOWN)							NP	2
-3	3191850	00	◦ POWER TAG							1	
-4	# 2805096	01	◦ U-100 EXTERNAL CABLE ASSY (SEE FIG. 4 FOR BREAKDOWN)							1	
-5	NO NUMBER		◦ AUTO ANSWER FEATURE F3645-00							NP	A,1,2
-6	NO NUMBER		◦ LOCAL RDA SELECTION C3646-00							NP	B,1,2
-7	NO NUMBER		◦ REMOTE RDA SELECTION C3646-01							NP	C,1,2
-8	2823162	07	◦ POWER PLATE							1	1
-9	2823162	06	◦ POWER PLATE							1	2
-10	4916046	00	◦ LABEL, DESIGNATION UL							1	
-11	4915445	06	◦ LABEL, DESIGNATION CSA SLC							1	
-12	2816463	48	◦ IDENTIFICATION PLATE, T8598-04							1	1
-13	2816463	49	◦ IDENTIFICATION PLATE, T8598-05							1	2
-14	3193594	09	◦ LABEL, DESIGNATION FEATURE/SELECTION RECORD							1	

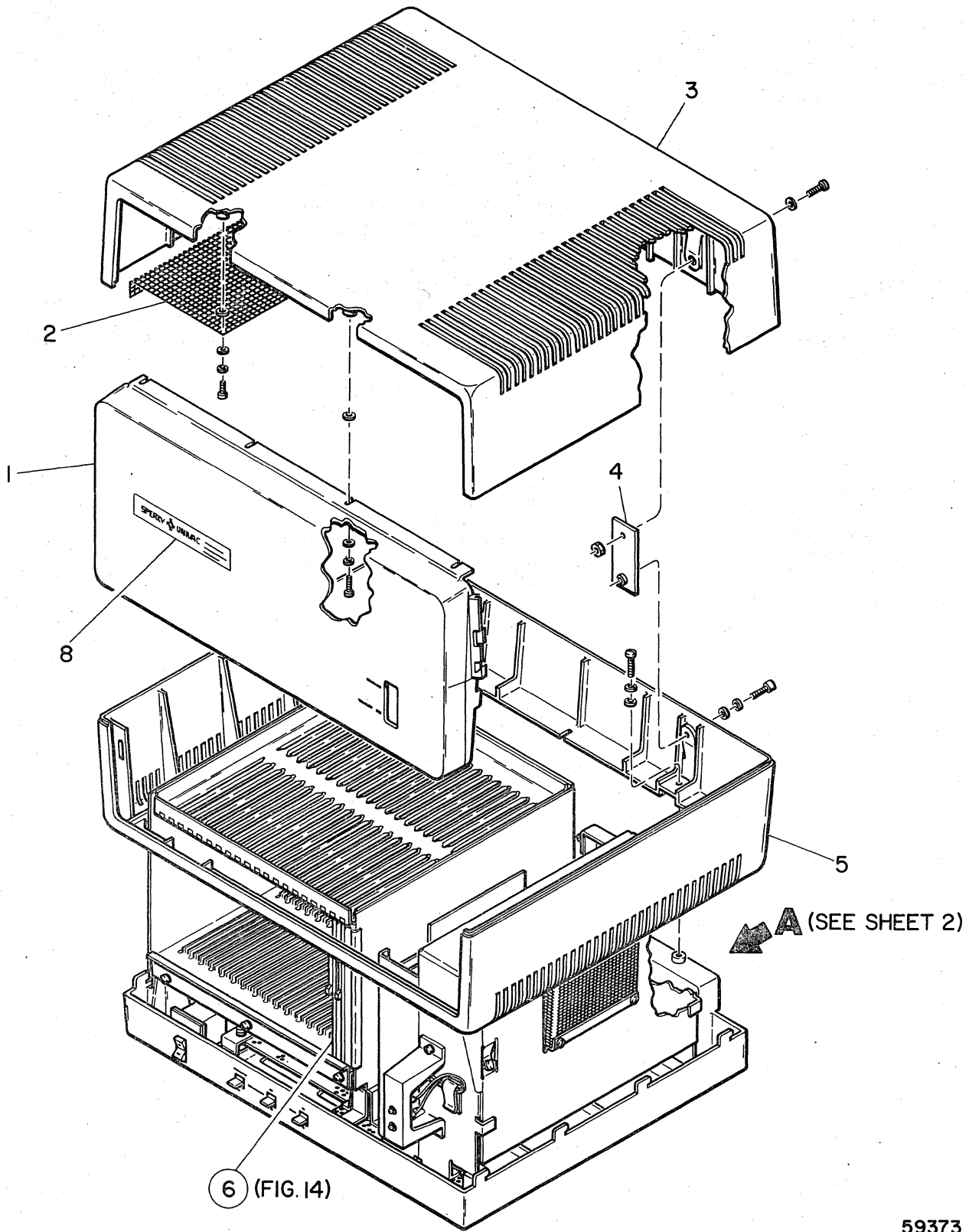


Figure 2. Wired Assy, Remote Device Adapter (Sheet 1 of 4)

59373



FIG & INDEX NO.	PART NUMBER	REF. DESIG.	1	2	3	4	5	6	7	DESCRIPTION	NO. USED PER ASSY	ON CODE
2-	NO NUMBER									WIRED ASSY. REMOTE DEVICE ADAPTER 50/60 HZ 100-120V (SEE FIG. 1-1 FOR NEXT HIGHER ASSY)	REF 1	
2-	NO NUMBER									WIRED ASSY. REMOTE DEVICE ADAPTER 50/60 HZ 200-240V (SEE FIG. 1-2 FOR NEXT HIGHER ASSY)	REF 2	
-1	2820577	00								o FRONT PANEL,	1	
-2	2820722	00								o 4912525-03, 4917260-02, 4912548-12	AR	
										o WIRE MESH COVER	2	
										o 4912525-01, 4917260-02, 4912548-12	AR	
-3	2820578	00								o ENCLOSURE, UPPER	1	
										o 4916900-01, 4912548-13, 4917273-00	AR	
-4	2820721	00								o BRACKET, COVER	2	
										o 4915108-01, 4917260-03, 4912548-13	AR	
-5	2820607	00								o ENCLOSURE, LOWER	1	
										o 4912527-02, 4917260-03, 4912548-13	AR	
-6	2825522	00								o PC COMPLEMENT	1	
										(SEE FIG. 14 FOR BREAKDOWN)		
-8	2825521	00								o NAMEPLATE LOGO	1	

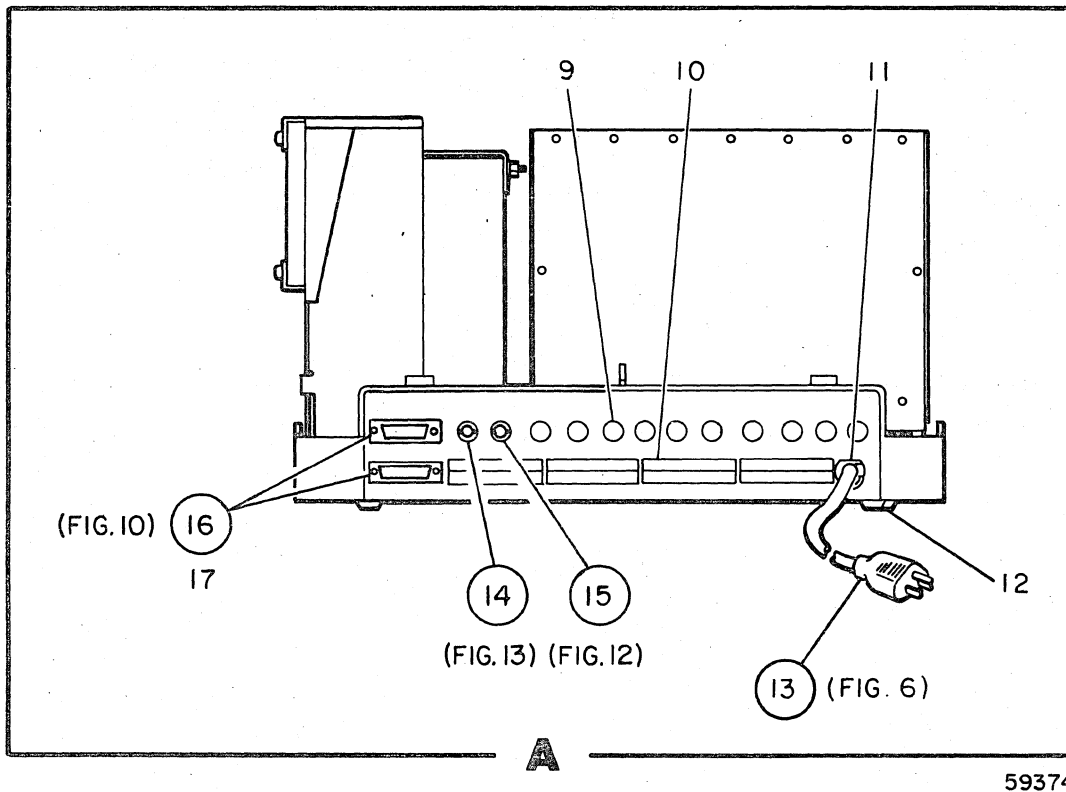
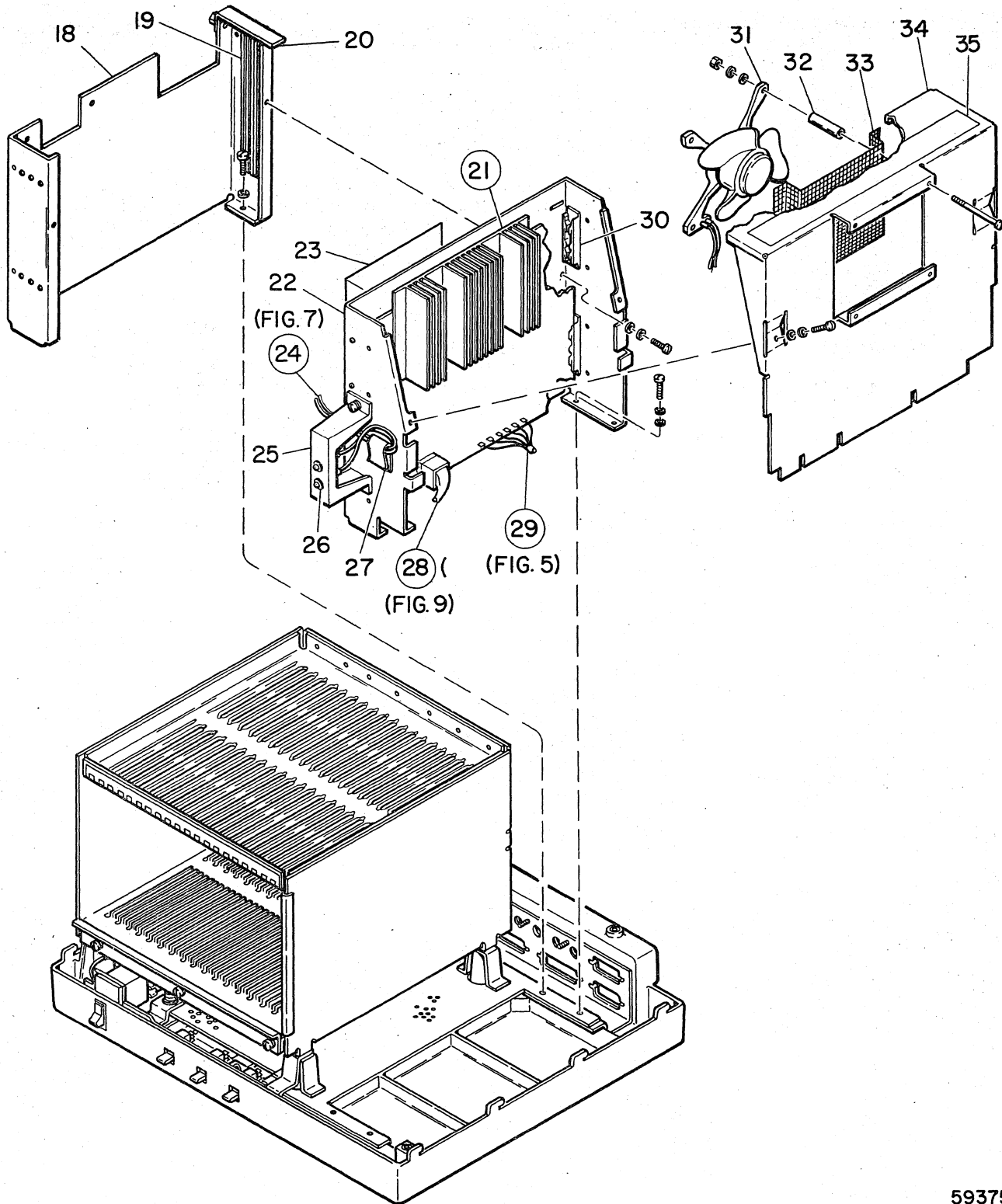


Figure 2. Wired Assy, Remote Device Adapter (Sheet 2 of 4)





59375

Figure 2. Wired Assy, Remote Device Adapter (Sheet 3 of 4)

FIG 6 INDEX NO.	PART NUMBER 987654321AANN	REF. DESIG.	1	2	3	4	5	6	7	DESCRIPTION	NO. PER ASSY	USED ON CODE
2-18	2822415	00								◦ CARD RACK, EXPANSION	1	
-19	2892222	00								◦ 4912527-02, 4917260-03	AR	
-20	2820660	01								◦ GUIDE, PTD CKT BD	6	
-21	2818584	XX								◦ RETAINER, PC BOARD 2.90 LG	1	
-22	2820695	00								◦ 4912540-01, 4912548-11, 4917260-01	AR	
										◦ PC ASSEMBLY, POWER SUPPLY	1	
										◦ HOUSING, POWER SUPPLY	1	
										◦ 4912527-02, 4917260-03, 4912548-13	AR	
										◦ 4915350-01		
-23	2820775	00								◦ DECAL, CONNECTOR LOCATION	1	
-24	2821942	01	W11							◦ CABLE ASSY, LED - SWITCH (SEE FIG. 7 FOR BREAKDOWN)	1	
-25	2820579	00								◦ BRACKET, INDICATOR	1	
										◦ 4914061-01, 4917260-02, 4912548-12	AR	
-26	2816201	01								◦ DIODE, LIGHT EMITTING GREEN	2	
-27	4916583	00								◦ CLIP, SPRING TENSION	4	
-28	2820724	00	W2							◦ AC POWER WIRING HARNESS (SEE FIG. 9 FOR BREAKDOWN)	1	
-29	2820723	00	W7							◦ BACKPANEL WIRING HARNESS (SEE FIG. 5 FOR BREAKDOWN)	1	
-30	4916108	01								◦ GUIDE, PTD CKT BD 2.50 LG MTG TAB	4	
-31	2892437	01	B02							◦ FAN, TUBE AXIAL 75 CFM 115V 50/60 HZ 2350 RPM	1	
-32	4915125	16								◦ SPACER SLEEVE	4	
-33	2821387	00								◦ SCREEN, POWER SUPPLY COVER (ATTACHING PARTS FOR INDEX NUMBERS 31 THRU 33)		
										◦ 4912524-14, 4912548-11, 4917260-01	AR	
										◦ 4912540-01, 4917271-01	AR	
-34	2821303	01								◦ COVER, POWER SUPPLY	1	
										◦ 4915350-01, 4917260-03, 4912548-13	AR	
-35	2820717	00								◦ LABEL, HIGH VOLTAGE	1	



FIG & INDEX NO.	PART NUMBER	REF. DESIG.	1	2	3	4	5	6	7	DESCRIPTION	NO. USED PER ASSY	ON CODE
2-36	2820575	00								◦ CARD RACK ASSY	1	
										◦ 4915350-04, 4917260-03, 4912548-13	AR	
-37	2826144	00								◦ LABEL, BOARD POSITION	1	
-38	3188705	09								◦ LABEL, DESIGNATION UNIT FCO RECORD	1	
-39	2820773	01								◦ DECAL, CONNECTOR LOCATION MAIN CARD RACK	1	
-40	2818798	01								◦ BACKPANEL BUSSED PC ASSY (SEE FIG. 3 FOR BREAKDOWN)	1	
										◦ 2892733-00	AR	
-42	2820598	00								◦ RETAINER, PC BOARD	1	
										◦ 2892733-00	AR	
-43	4956574	00								◦ RUBBER, SPL U SHAPED SECT	AR	
-44	2892641	03								◦ TERMINAL, QUICK DISCONNECT CLIP	2	
-45	2821886	00								◦ CABLE ASSEMBLY (SEE FIG. 11 FOR BREAKDOWN)	1	
-46	2823607	01	W12							◦ AC POWER CABLE (SEE FIG. 8 FOR BREAKDOWN)	1	
-47	2821886	01								◦ CABLE ASSEMBLY (SEE FIG. 11 FOR BREAKDOWN)	1	
-48	2892616	05								◦ FILTER, RADIO INTERFERENCE 05 AMP 115 VAC 250 VAC 50/400 HZ	1	
										◦ 4913556-02, 4917271-02, 4912548-12	AR	
										◦ 4917260-02,	AR	
-49	3156579	03								◦ STRAP, TIE NON MTG	AR	
-50	2820582	01								◦ BRACKET, CONNECTOR	1	
-51	2821824	00								◦ SCREEN, BASE ASSEMBLY (ATTACHING PARTS FOR INDEX NUMBERS 50 AND 51)	1	
										◦ 4912527-02, 4912548-13, 4917260-03	AR	
										◦ 4913556-02	AR	
-52	2892437	01	B01							◦ FAN, TUBE AXIAL 75 CFM 115V 50/60 HZ 2350 RPM	1	
										◦ 4912524-04, 4917260-01, 4912548-11	AR	
										◦ 4917271-01	AR	
-53	2820576	00								◦ BASE	1	
-54	2892339	04								◦ SWITCH, TOGGLE LEVER SPDT ON NONE ON 0.4 AMP 20V	1	
-55	2899436	00								◦ PLATE, MTG CLAMP LOOP		
-56	2892339	03								◦ SWITCH, TOGGLE LEVER SPDT ON NONE ON 0.4 AMP 20V	2	
-57	2823803	00								◦ NAMEPLATE CONTROL	1	
-58	2820580	00								◦ BRACKET, SWITCH AND CIRCUIT BREAKER	1	
										◦ 4912525-02, 4917260-02, 4912548-12	AR	
										◦ 4917271-02	AR	
-59	2892319	06								◦ CIRCUIT BREAKER, 2 POLE 250 VAC	1	

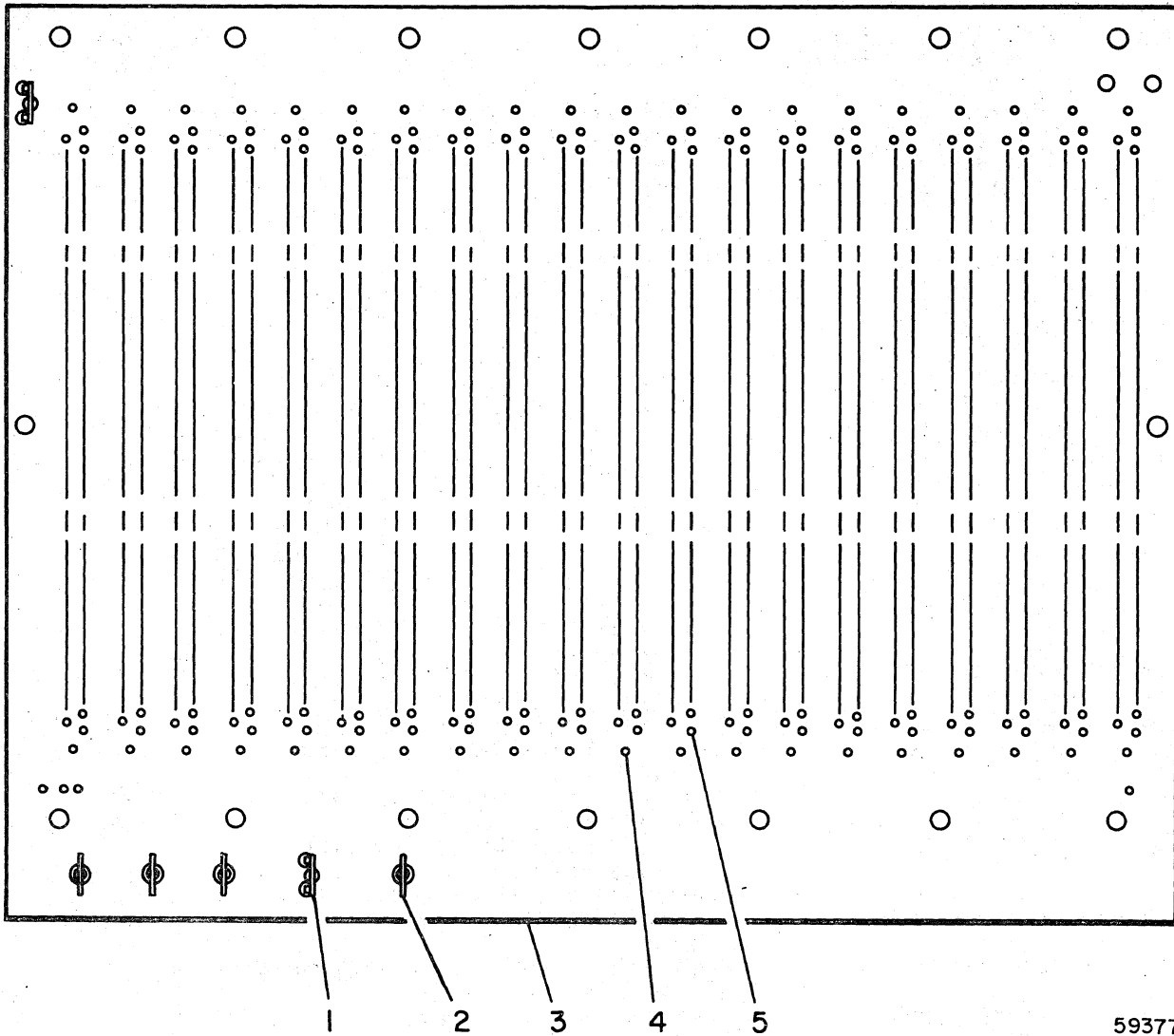
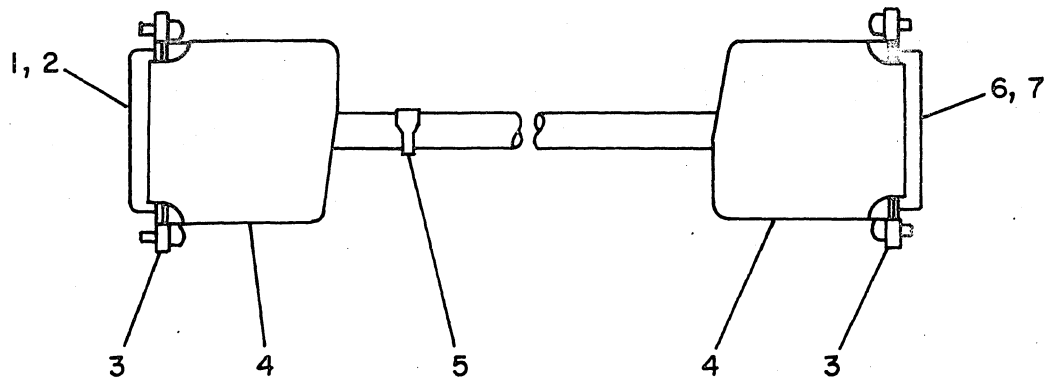


Figure 3. Backpanel PC Assy

59377

FIG & INDEX NO.	PART NUMBER	REF. DESIG.	1	2	3	4	5	6	7	DESCRIPTION	NO. PER ASSY	USED ON CODE
3-	2818798	01								BACKPANEL PC ASSY (SEE FIG. 2-40 FOR NEXT HIGHER ASSY)	REF	
-1	# 4119977	00								• TERMINAL, TAB-ON	2	
-2	# 2899065	00								• TERMINAL, TAB BRASS T1N PL 12 AWG	4	
-3	2817798	01								• BACKPANEL PC BOARD	1	
-4	2821741	00								• GUIDE PIN	40	
-5	2892463	01								• PIN, ELECTRICAL CONNECTOR MALE WIRE WRAP BRZ GOLD	AR	

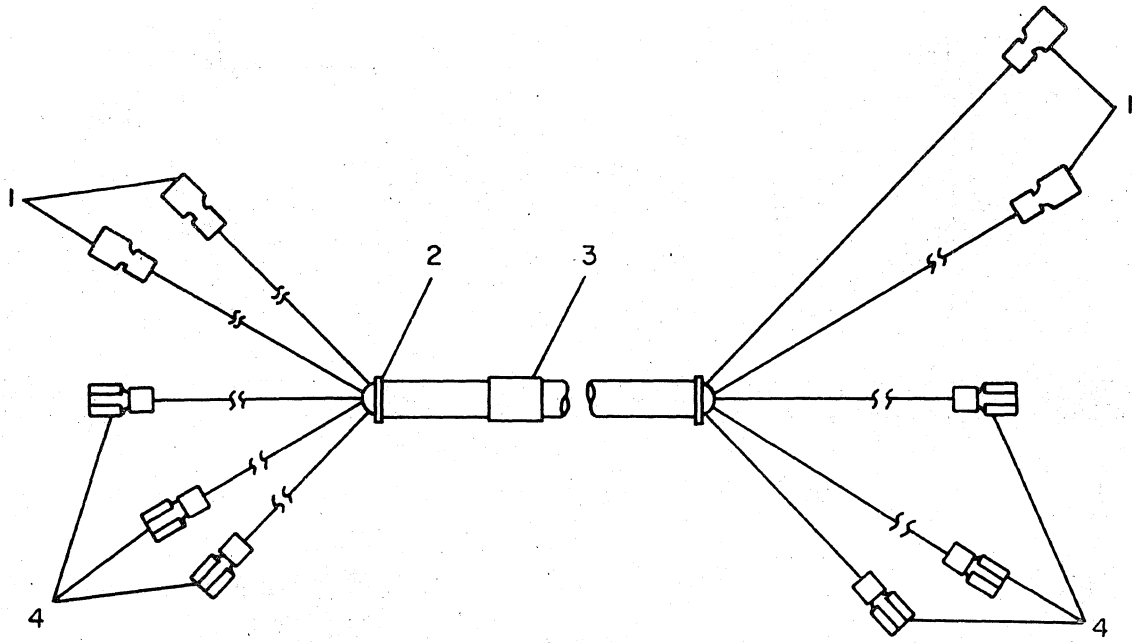




59378

Figure 4. U-100 External Cable Assy

FIG & INDEX NO.	PART NUMBER	REF. DESIG.	1	2	3	4	5	6	7	DESCRIPTION	NO. USED PER ASSY	CODE
4-	# 2805096	01								U-100 EXTERNAL CABLE ASSY (SEE FIG. 1-4 FOR NEXT HIGHER ASSY)	REF	
-1	# 4915135	00	P1							• CONNECTOR, 25 HOLES SOCKETS RECP	1	
-2	2899513	01								• SOCKET, F 20-30 AWG CRPG COP GOLD	20	
-3	# 3011816	01								• SCREW ASSY	4	
-4	2892347	02								• SHIELD	2	
-5	# 3005408	00								• IDENTITY BAND	1	
-6	# 4915136	00	P2							• CONNECTOR, 25 HOLES PINS RECP	1	
-7	2899514	01								• PIN, M 20-30 AWG CRPG COP GOLD	16	



59379

Figure 5. Backpanel Wiring Harness

FIG & INDEX NO.	PART NUMBER	REF. DESIG.	1	2	3	4	5	6	7	DESCRIPTION	NO. USED PER ASSY	USED ON CODE
5-	2820723	00 W7								BACKPANEL WIRING HARNESS (SEE FIG. 2-29 FOR NEXT HIGHER ASSY)	REF	
-1	2892438	02								• TERMINAL, TAB RECEPTACLE 0.178 ID M/0.250 W 12-16 AWG	4	
-2	2899494	00								• CLAMP LOOP, 0.082 - 0.625 FOR MTG	AR	
-3	# 3005408	00								• CLAMP, LOOP IDENT BAND	1	
-4	2892438	05								• TERMINAL, TAB RECEPTACLE 0.135 ID M/0.187 18-22 AWG	6	

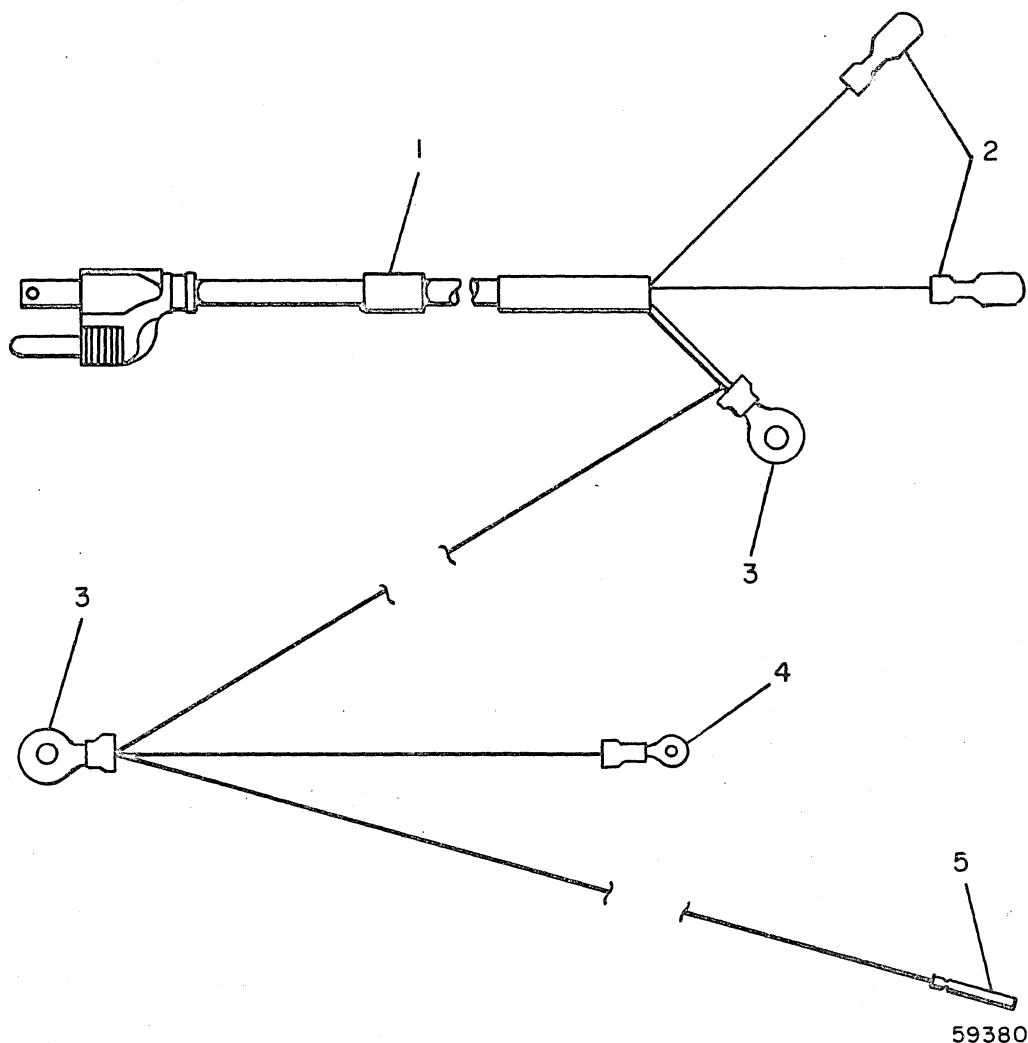
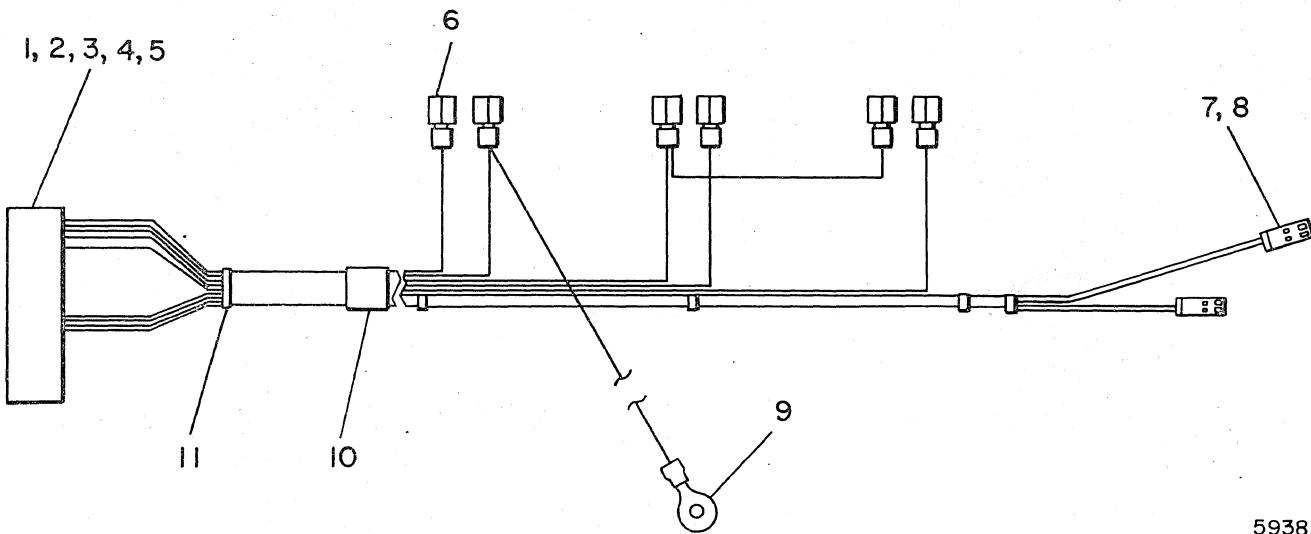


Figure 6. AC Power Cord

FIG & INDEX NO.	PART NUMBER	REF. DESIG.	1	2	3	4	5	6	7	DESCRIPTION	NO. USED PER ASSY	NO. ON CODE
6-	2823144	00								POWER CORD, AC (SEE FIG. 2-13 FOR NEXT HIGHER ASSY)		REF
-1	# 3005408	00								• CLAMP, LOOP IDENT BAND NON MTG	1	
-2	# 2892438	07								• TERMINAL TAB, RECP 0.135 ID M/O 18-22 AWG	2	
-3	# 3156271	08								• TERMINAL LUG, CRPG INS NO. 10 SCR RING 10-12 AWG	2	
-4	# 3156271	02								• TERMINAL LUG, CRPG INS NO. 6 SCR RING 18-22 AWG	1	
-5	2892332	01								• SOCKET, CRPG 14-20 AWG BRS TIN	1	



5938I

Figure 7. LED Switch Cable Assy

FIG & INDEX NO.	PART NUMBER	REF. DESIG.	1	2	3	4	5	6	7	DESCRIPTION	NO. USED PER ASSY	USED ON CODE
7-	2821942	D1	W11							LED - SWITCH CABLE ASSY (SEE FIG. 2-24 FOR NEXT HIGHER ASSY)	REF	
-1	2552442	00	A1A7P1							• CONNECTOR, ELECTRICAL INSULATOR FEMALE 44 HOLES	1	
-2	2816506	60								• LABEL, CONNECTOR DESIGNATION	1	
-3	2892312	00								• KEY POLARIZING, ELECT CONN	1	
-4	4915601	04								• SOCKET, ELECTRICAL CONNECTOR FEMALE CRPG COP	30	
-5	# 4915601	00								• SOCKET, ELECTRICAL CONNECTOR FEMALE CRPG COP GOLD 20-24 AWG	9	
-6	# 5019966	00								• TERMINAL, TAB RECEPTACLE 0.080 ID F/0.062 W 20-24 AWG	6	
-7	3012996	01								• CONNECTOR, ELECT INSULATOR F 2 HOLE	2	
-8	3012997	00								• SOCKET, F 22-26 AWG BRZ GOLD BRZ GOLD 22-26 AWG	4	
-9	# 3156271	11								• TERMINAL, LUG CRPG INSULATED NO. 10 SCREW RING 18-22 AWG	4	
-10	# 3005408	00								• CLAMP, LOOP IDENT BAND NON MTG	1	
-11	2899494	00								• CLAMP LOOP, NON MTG	1	AR

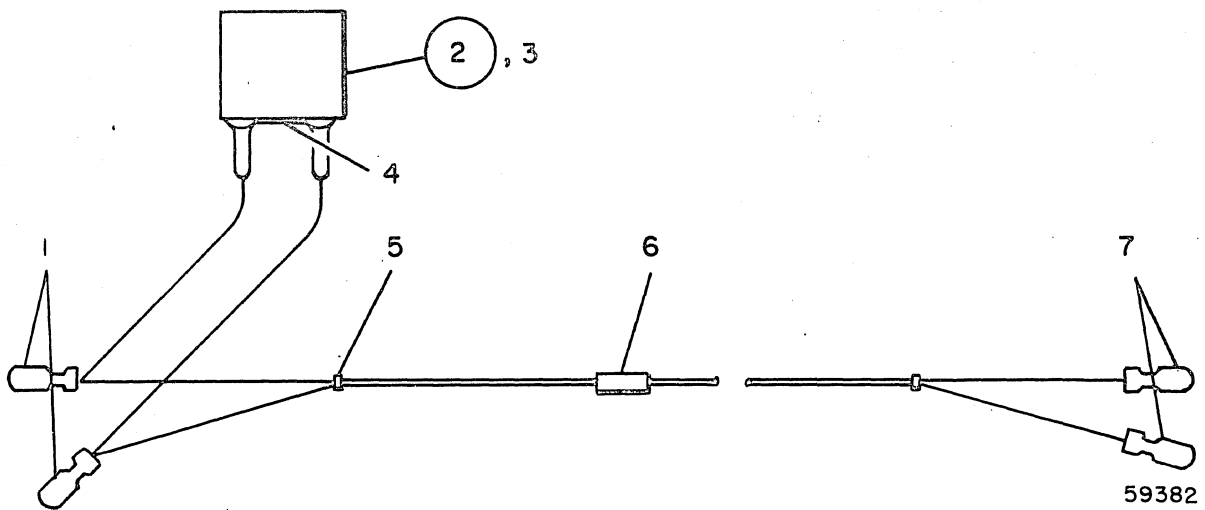


Figure 8. AC Power Cable Assy

FIG & INDEX NO.	PART NUMBER	REF. DESIG.	1	2	3	4	5	6	7	DESCRIPTION	NO. USED PER ASSY	USED ON CODE
8-	2823607	01	W12							AC POWER CABLE (SEE FIG. 2-46 FOR NEXT HIGHER ASSY)	REF	
-1	2892438	08								◦ TERMINAL, TAB RECEPTACLE 0.160 ID M/0.250 14-16 AWG	2	
-2	2823453	00								◦ FILTER ASSEMBLY	1	
-3	2892880	00								◦ ◦ CAPACITOR, FXD METAL PLATED DIELECTRIC 250V 1 UF 20%	1	
-4	# 3162268	22								◦ ◦ RESISTOR, FXD COMP 0.5W 330K 5%	1	
-5	2899494	00								◦ CLAMP LOOP, 0.082 - 0.625 DIA MTG	AR	
-7	# 3005408	00								◦ CLAMP, LOOP IDENT BAND NON MTG	1	
-8	2892438	07								◦ TERMINAL, TAB RECEPTACLE 0.135 ID. M/0.250 18-22 AWG	2	

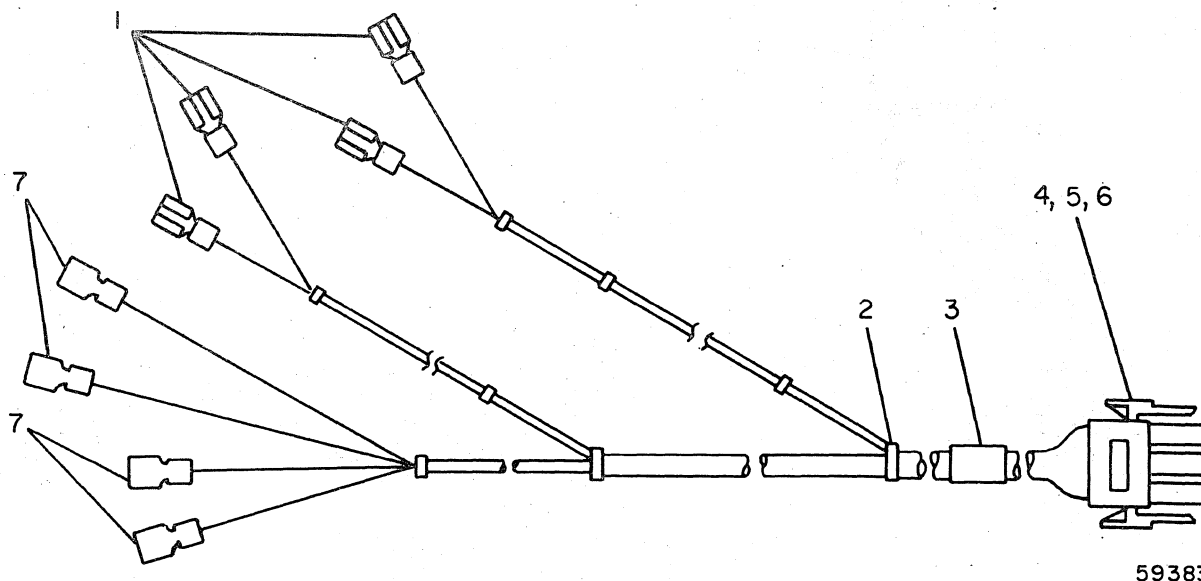


Figure 9. AC Power Wiring Harness

FIG & INDEX NO.	PART NUMBER	REF. DESIG.	1	2	3	4	5	6	7	DESCRIPTION	NO. USED PER ASSY	USED ON ASSY CODE
9-	2820724	00 W2								AC POWER WIRING HARNESS (SEE FIG. 2-28 FOR NEXT HIGHER ASSY)		REF
-1	2899565	00								• TERMINAL, TAB RECP 0.150 ID F/0.125 20-22 AWG	4	
-2	2899494	00								• CLAMP LOOP, 0.082 - 0.658 FOR MTG	AR	
-3	# 3005408	00								• CLAMP, LOOP IDENT BAND NON MTG	1	
-4	2892330	00								• CONNECTOR, RECTANGULAR ELEC PLUG 9 HOLES	1	
-5	2892332	01								• SOCKET, ELECTRICAL CONNECTOR CRPG BRS TIN F 14-20 AWG	8	
-6	2816506	23 A5A3P2								• LABEL, CONNECTOR DESIGNATION	1	
-7	2892438	07								• TERMINAL, TAB RECP 0.135 ID M/0.250 18-22 AWG	4	

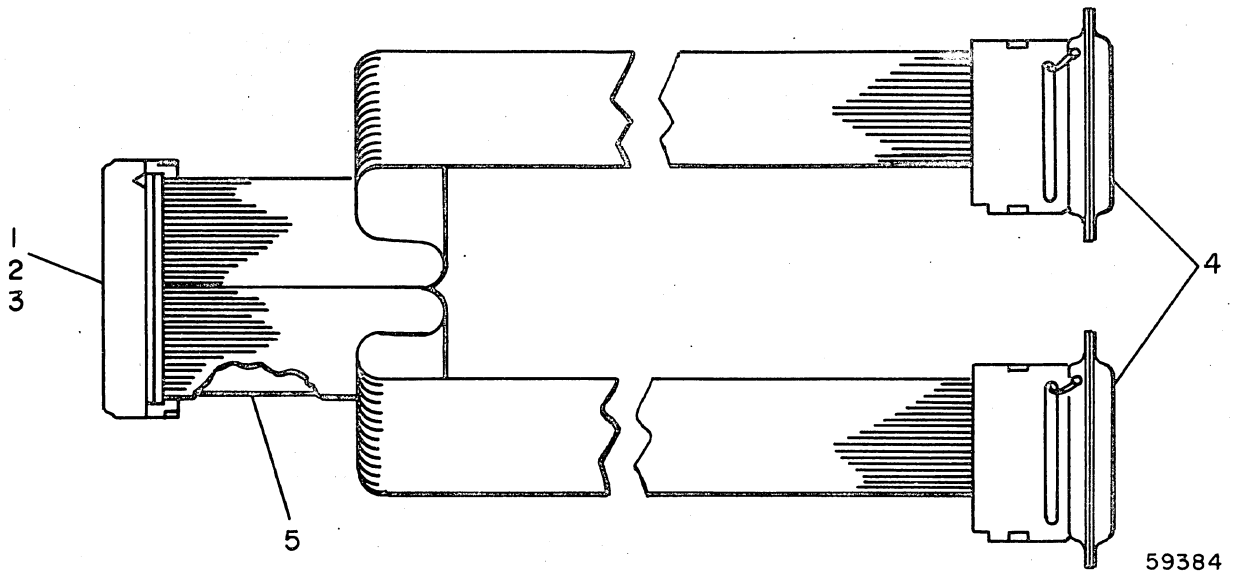


Figure 10. I/O Cable Assy

FIG & INDEX NO.	PART NUMBER	REF. DESIG.	1	2	3	4	5	6	7	DESCRIPTION	NO. USED PER ASSY	USED ON ASSY CODE
10-	2823891	01								I/O CABLE ASSY (SEE FIG. 2-16 FOR NEXT HIGHER ASSY)	REF	
-1	# 4915358	01	A1A4P1							• CONNECTOR, RECTANGULAR ELEC PLUG 40 FIXED SOCKETS STR R	1	
-2	2816506	13								• LABEL, CONNECTOR DESIGNATION	1	
-3	4915724	00								• KEY, POLARIZING	1	
-4	2892788	01	J1, J2							• CONNECTOR, 25 FXD PINS	2	
-5	2892687	07								• PULL TAB, ELECTRICAL CONNECTOR	1	

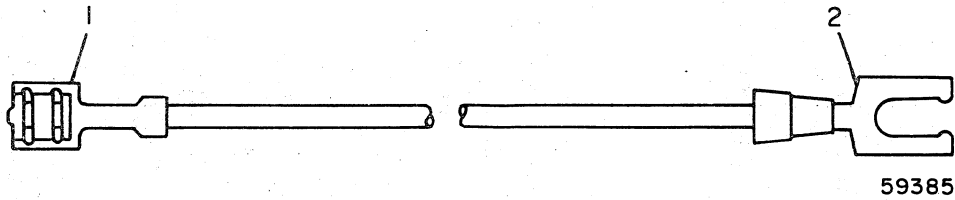


Figure 11. Cable Assy

FIG & INDEX NO.	PART NUMBER	REF. DESIG.	1	2	3	4	5	6	7	DESCRIPTION	NO. USED PER ASSY	ON CODE
11-	2821886	00								CABLE ASSEMBLY (SEE FIG. 2-45 FOR NEXT HIGHER ASSY)	REF	
11-	2821886	01								CABLE ASSEMBLY (SEE FIG. 2-47 FOR NEXT HIGHER ASSY)	REF	
-1	# 906495	02								• TERMINAL LUG, Q DISC 0.160 ID F 0.250 TAB 14-18 AWG	1	
-2	# 4914901	08								• TERMINAL LUG, CRPG NO. 10 SCR SPADE SLTD 14-16 AWG	1	

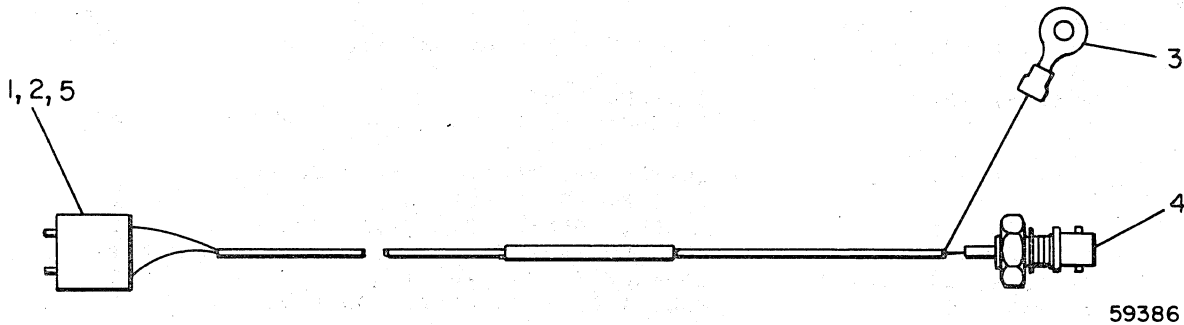


Figure 12. Coaxial Cable Assy

FIG & INDEX NO.	PART NUMBER	REF. DESIG.	1	2	3	4	5	6	7	DESCRIPTION	NO. USED PER ASSY	ON CODE
12-	2824834	00								COAXIAL CABLE ASSY (SEE FIG. 2-15 FOR NEXT HIGHER ASSY)	REF	
-1	2892124	03								• CONNECTOR, RECTANGULAR ELEC PLUG 4 HOLES	1	
-2	2892123	00								• SOCKET, ELECTRICAL CONNECTOR CRPG PHOS BRZ FEMALE 18-22 AWG	2	
-3	# 3156271	10								• TERMINAL, LUG CRPG INSULATED NO. 6 SCREW RING 24-26 AWG	1	
-4	2892048	00	J3							• CONNECTOR, COAXIAL ELEC PLUG 1 FIXED FEMALE 50 OHM	1	
-5	2816506	24								• LABEL, CONNECTOR DESIGNATION	1	



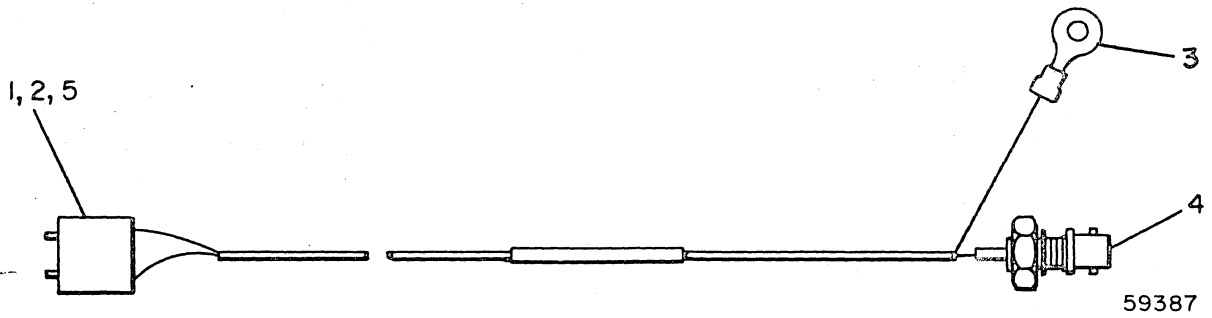
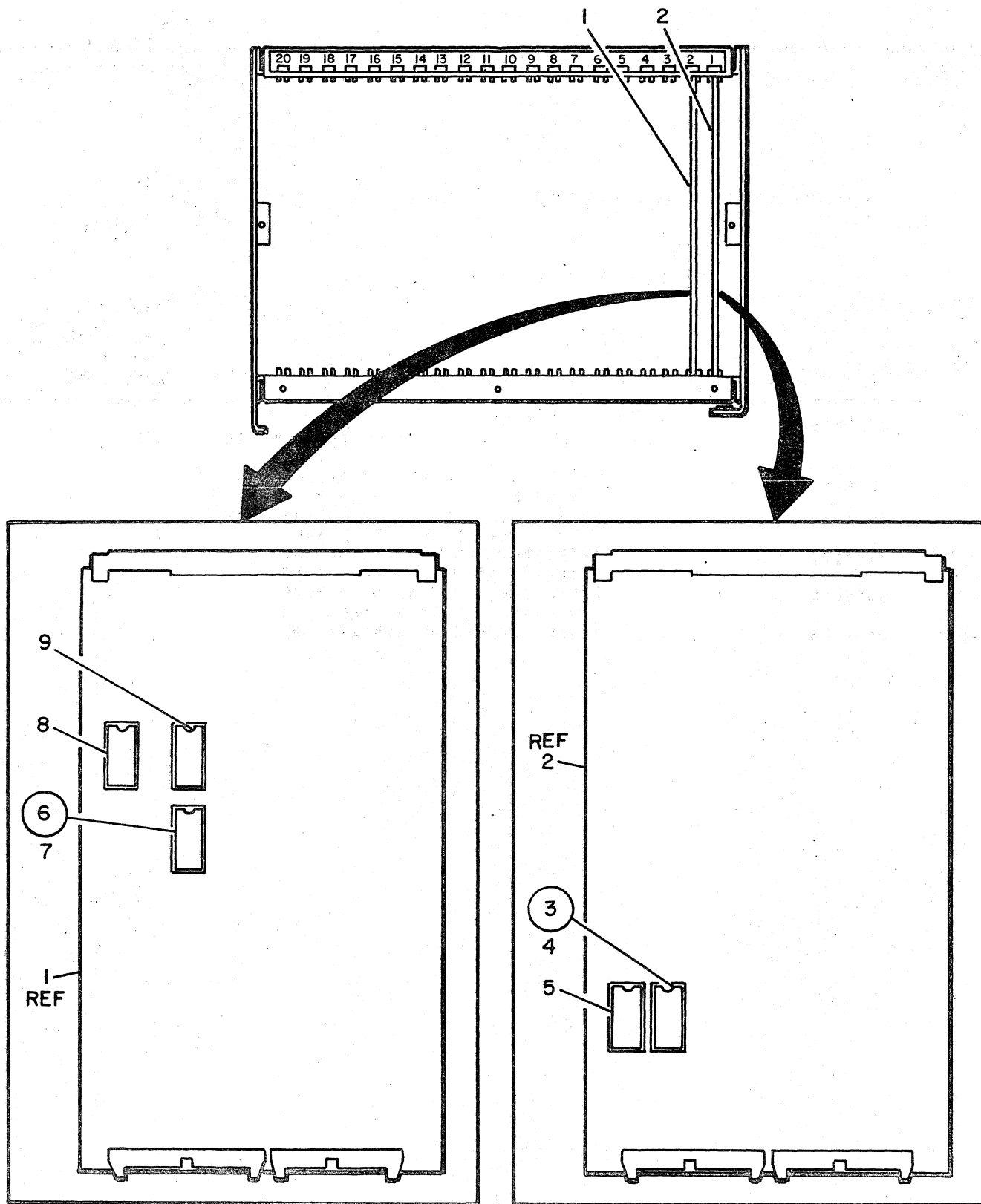


Figure 13. Coaxial Cable Assy

FIG & INDEX NO.	PART NUMBER	REF. DESIG.	1	2	3	4	5	6	7	DESCRIPTION	NO. USED PER ASSY	ON CODE
13-	2824835	00								COAXIAL CABLE ASSY (SEE FIG. 2-14 FOR NEXT HIGHER ASSY)	REF	
-1	2892124	03								• CONNECTOR, RECTANGULAR ELEC PLUG 4 HOLES	1	
-2	2892123	00								• SOCKET, ELECTRICAL CONNECTOR CRPG PHOS BRZ FEMALE 18-22 AWG	2	
-3	3156271	10								• TERMINAL, LUG CRPG INSULATED NO. 6 SCREW RING 24-26 AWG	1	
-4	2892048	00	J4							• CONNECTOR, COAXIAL ELEC PLUG 1 FIXED FEMALE 50 OHM	1	
-5	2816506	61								• LABEL, CONNECTOR DESIGNATION	1	



59388

Figure 14. PC Complement

FIG & INDEX NO.	PART NUMBER	REF. DESIG.	1	2	3	4	5	6	7	DESCRIPTION	NO. PER ASSY	USED ON CODE
14-	2825522	00								PC COMPLEMENT (SEE FIG. 2-6 FOR NEXT HIGHER ASSY)		REF
-1	2818795	XX								o PROCESSOR PC ASSY	1	
-2	2818796	XX								o COAX INTERFACE PC ASSY	1	
-3	2825922	00								o COAX PROM COMPLEMENT	1	
-4	2825913	01								o o IC TTL 8192 BIT PROM	1	
-5	2825913	00								o o IC TTL 8192 BIT PROM	1	
-6	2825921	00								o PROCESSOR PROM COMPLEMENT	1	
-7	2825911	01								o o IC MOS 2048 X 8 BIT E PROM	1	
-8	2825911	02								o o IC MOS 2048 X 8 BIT E PROM	1	
-9	2825911	00								o o IC MOS 2048 X 8 BIT E PROM	1	

SECTION 3

REFERENCE DESIGNATION INDEX

REF DESIG	FIG & INDEX NO.	REF DESIG	FIG & INDEX NO.	REF DESIG	FIG & INDEX NO.	REF DESIG	FIG & INDEX NO.
A1A4P1...	10-1	J3.....	12-4	W2.....	2-28	W11.....	7-
A1A7P1...	7-1	J4.....	13-4	W2.....	9-	W12.....	2-46
A5A3P2...	9-6	J1,J2...	10-4	W7.....	2-29	W12.....	8-
B1.....	2-52	P1.....	4-1	W7.....	5-		
B2.....	2-31	P2.....	4-6	W11.....	2-24		

## SECTION 4

## NUMERICAL INDEX

PART NUMBER	FIG 6 INDEX No.	PART NUMBER	FIG 6 INDEX No.	PART NUMBER	FIG 6 INDEX No.
# 906495	02 11-1	2823144	00 2-13	2892616	05 2-48
2552442	00 7-1	2823144	00 06-	2892641	03 2-44
# 2805096	01 1-4	2823162	06 1-9	2892687	07 10-5
# 2805096	01 4-	2823162	07 1-8	2892788	01 10-4
2816201	01 2-26	2823453	00 8-2	2892880	00 8-3
2816463	48 1-12	2823607	01 2-46	# 2899065	00 3-2
2816463	49 1-13	2823607	01 8-	2899436	00 2-55
2816506	13 10-2	2823803	00 2-57	# 2899443	20 2-11
2816506	23 9-6	2823891	01 2-16	2899494	00 5-2
2816506	24 12-5	2823891	01 10-	2899494	00 7-11
2816506	60 7-2	2824834	00 2-15	2899494	00 8-5
2816506	61 13-5	2824834	00 12-	2899494	00 9-2
2816568	01 2-10	2824835	00 2-14	2899513	01 4-2
2816570	02 2-9	2824835	00 13-	2899514	01 4-7
2817798	01 3-3	2825521	00 2-8	2899565	00 9-1
2818584	XX 2-21	2825522	00 2-6	# 3005408	00 4-5
2818795	XX 14-1	2825522	00 14-	# 3005408	00 5-3
2818796	XX 14-2	2825911	00 14-9	# 3005408	00 7-10
2818798	01 2-40	2825911	01 14-7	# 3005408	00 8-7
2818798	01 3-	2825911	02 14-8	# 3005408	00 9-3
2820575	00 2-36	2825913	00 14-5	# 3005408	00 06-1
2820576	00 2-53	2825913	01 14-4	# 3011816	01 4-3
2820577	00 2-1	2825921	00 14-6	3012996	01 7-7
2820578	00 2-3	2825922	00 14-3	3012997	00 7-8
2820579	00 2-25	2826144	00 2-37	# 3156271	02 06-4
2820580	00 2-58	2892048	00 12-4	# 3156271	08 06-3
2820582	01 2-50	2892048	00 13-4	# 3156271	10 12-3
2820598	00 2-42	2892123	00 12-2	# 3156271	10 13-3
2820607	00 2-5	2892123	00 13-2	# 3156271	11 7-9
2820660	01 2-20	2892124	03 12-1	# 3156579	03 2-49
2820695	00 2-22	2892124	03 13-1	# 3162268	22 8-4
2820717	00 2-35	2892222	00 2-19	3188705	09 2-38
2820721	00 2-4	2892297	01 2-17	3191850	00 1-3
2820722	00 2-2	2892312	00 7-3	3193594	09 1-14
2820723	00 2-29	2892319	06 2-59	# 4119977	00 3-1
2820723	00 5-	2892330	00 9-4	# 4914901	08 11-2
2820724	00 2-28	2892332	01 9-5	4915125	16 2-32
2820724	00 9-	2892332	01 06-5	# 4915135	00 4-1
2820773	01 2-39	2892339	03 2-56	# 4915136	00 4-6
2820775	00 2-23	2892339	04 2-54	# 4915358	01 10-1
2821303	01 2-34	2892347	02 4-4	4915445	06 1-11
2821387	00 2-33	2892393	03 2-12	# 4915601	00 7-5
2821741	00 3-4	2892437	01 2-31	4915601	04 7-4
2821824	00 2-51	2892437	01 2-52	4915724	00 10-3
2821886	00 2-45	2892438	02 5-1	4916046	00 1-10
2821886	00 11-	2892438	05 5-4	4916108	01 2-30
2821886	01 2-47	2892438	07 8-8	4916583	00 2-27
2821886	01 11-	2892438	07 9-7	4956574	00 2-43
2821942	01 2-24	2892438	07 06-2	# 5019966	00 7-6
2821942	01 7-	2892438	08 8-1		
2822415	00 2-18	2892463	01 3-5		

SECTION 5  
ATTACHING HARDWARE

PART NO	DESCRIPTION				
4912524	04	SCREW MACH-PAN HD SLOT. CRES	SST PASS SLTD	6-32	.500
4912524	14	SCREW MACH-PAN HD SLOT. CRES	SST PASS SLTD	6-32	2.000
4912525	01	SCREW MACH PAN HD SLOTTED CRES	SST PASS SLTD	8-32	.312
4912525	02	SCREW MACH PAN HD SLOTTED CRES	SST PASS SLTD	8-32	.375
4912525	03	SCREW MACH PAN HD SLOTTED CRES	SST PASS SLTD	8-32	.438
4912527	02	SCREW, MACH. PAN HD SLOTTED CRES	SST PASS SLTD	10-32	.500
4912527	03	SCREW, MACH. PAN HD SLOTTED CRES	SST PASS SLTD	10-32	.625
4912540	01	NUT, PLAIN, HEXAGON-MACHINE	SST PASS .312AFLT	6-32	.114
4912548	11	WASHER, FLAT - ROUND	SST PASS .065THK .164ID		.3900D
4912548	12	WASHER, FLAT - ROUND	SST PASS .065THK .196ID		.4530D
4912548	13	WASHER, FLAT - ROUND	SST PASS .065THK .227ID		.5150D
4913556	02	SCR TAP THD FRMG --	PAN STL XREC 8		.500
4914061	01	SCREW, TAPPING, THREAD FORMING	PAN CRES XREC 8		.375
4915108	01	SCREW, CAP, SOCKET HEAD -- CRE	CRES PASS HSOC	10-32	.500
4915350	01	SCREW, TAPPING, THREAD FORMING	PAN CRES XREC 10		.375
4915350	04	SCREW, TAPPING, THREAD FORMING	PAN CRES XREC 10		.750