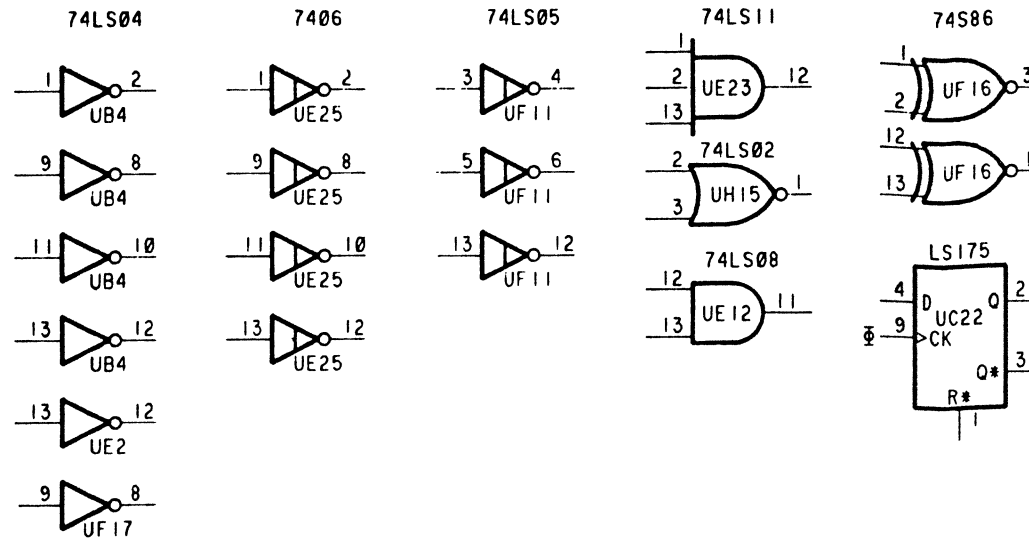
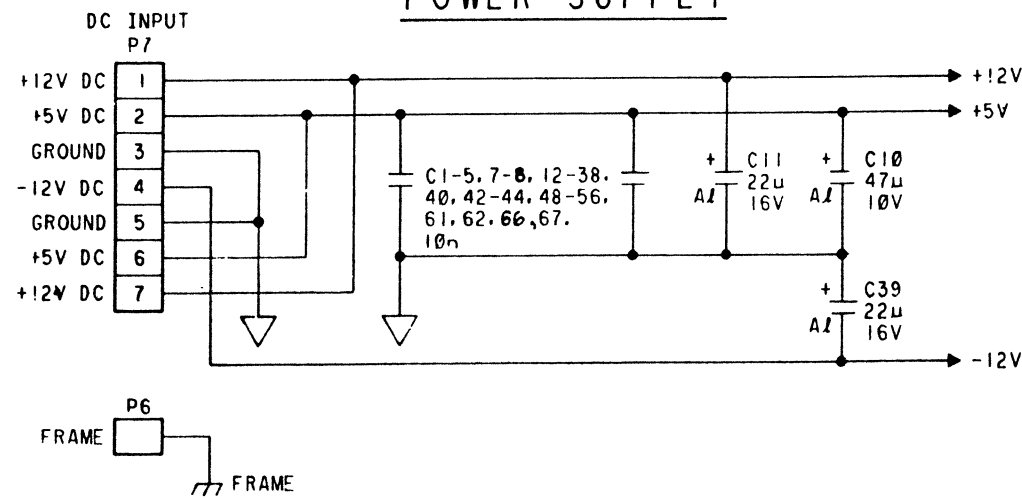


REV. NO	DESCRIPTION	DATE	BY
6	REVISED AND REDRAWN 4-21-83	4/22/83	JFK
7	ADDED REWORK	4/27/83	JFK
7	PKE PROD REL ECO # 532		
8	CHANGE REF. DESIG. ECO 581		
9	ADD CIRCUIT BETWEEN UB25 & UF25 ECO 587 B/DW 6/15/83		
10	CHANGE R18 VALUE ECO # 603		

SPARE GATES



POWER SUPPLY



POWER AND GROUND TABLE									
REF. DESIGNATION	TYPE NO.	GND	+5V	+12V	REF. DESIGNATION	TYPE NO.	GND	+5V	+12V
UE13	74LS393	7	14		UC20, UE4, UE20, UE24	74LS00	7	14	
UB23	74S04	7	14		UC21, UE6, UH15	74LS02	7	14	
UB21, UE21, UF15	74S08	7	14		UF8, UF9, UF10	74LS03	7	14	
UC19	74S32	7	14		UB4, UE2, UE7, UE15, UF17, UF19	74LS04	7	14	
UB24, UE22, UF25	74S74	7	14		UF11, UF14	74LS05	7	14	
UF16	74S86	7	14		UE12	74LS08	7	14	
UC18, UC25	74S161	8	16		UB22, UE18, UF18	74LS10	7	14	
UB25	74S175	8	16		UE23	74LS11	7	14	
UA6	74S374	10	20		UE5	74LS20	7	14	
UA18, UE25, UF7, UF22	7406	7	14		UC23, UC24, UE11, UE16, UF20, UF21	74LS74	7	14	
UA19	7407	7	14		UE3	74LS109	8	16	
UE8, UE9, UE10	7438	7	14		UE14	74LS138	8	16	
UF4, UF5	1488	7	14		UA1, UB2, UE17	74LS139	8	16	
UF1, UF2, UF6	1489A	7	14		UC13	74LS157	8	16	
UE1	4066	7	14		UC2, UC12, UC14, UC17	74LS161	8	16	
UD22	Z80A-CPU	29	11		UA13, UA17	74LS166	8	16	
UD8, UD12	6821	1	20		UA8	74LS173	8	16	
UB17	1793	20	21	40	UC22, UE19	74LS175	8	16	
UD4	Z80A-S10	31	9		UA7, UA10, UC10, UC11, UF12, UF13	74LS244	10	20	
UD18	2764	14	28		UC1, UC15, UC16	74LS257	8	16	
UD1	8253	12	24		UA9, UC9	74LS374	10	20	
UA14	9216B	4	8						
UA11, UB12, UD15	6116	14	28						
UA3, UA4, UC3, UC6	6116	12	24						
	200NS								

NOTES: UNLESS OTHERWISE SPECIFIED.

- ALL RESISTANCE VALUES ARE IN OHMS, 1/4W, 5%.
- ALL RESISTORS 4.7K.
- ALL CAPACITANCE VALUES IN FARADS.
- RAMS MUST OPERATE WITH WRITE PULSE WIDTH OF 125 NS.
- IF UA20 IS USED, OMIT UA14.
- LOCATIONAL CODING FOR SHEET TO SHEET CONNECTIONS:

INDICATES SHEET NO.

INDICATES ZONE ON THE SHEET.

THIS TRACE DOES NOT APPEAR ON BOARD. CONNECTION MUST BE COMPLETED USING JUMPER WIRE.

REFERENCE DESIGNATION	
LAST	NOT USED
C68	C9, C41
CN2	—
CR7	CR6
J13	J7
P13	P6
R26	R1, R3, R6-R9, R17
RN16	RN10
S1	—
X2	—

THIS TRACE MAY NOT BE ON SOME BOARDS, IF IT IS, CUT IT, OTHERWISE IGNORE THIS NOTE.

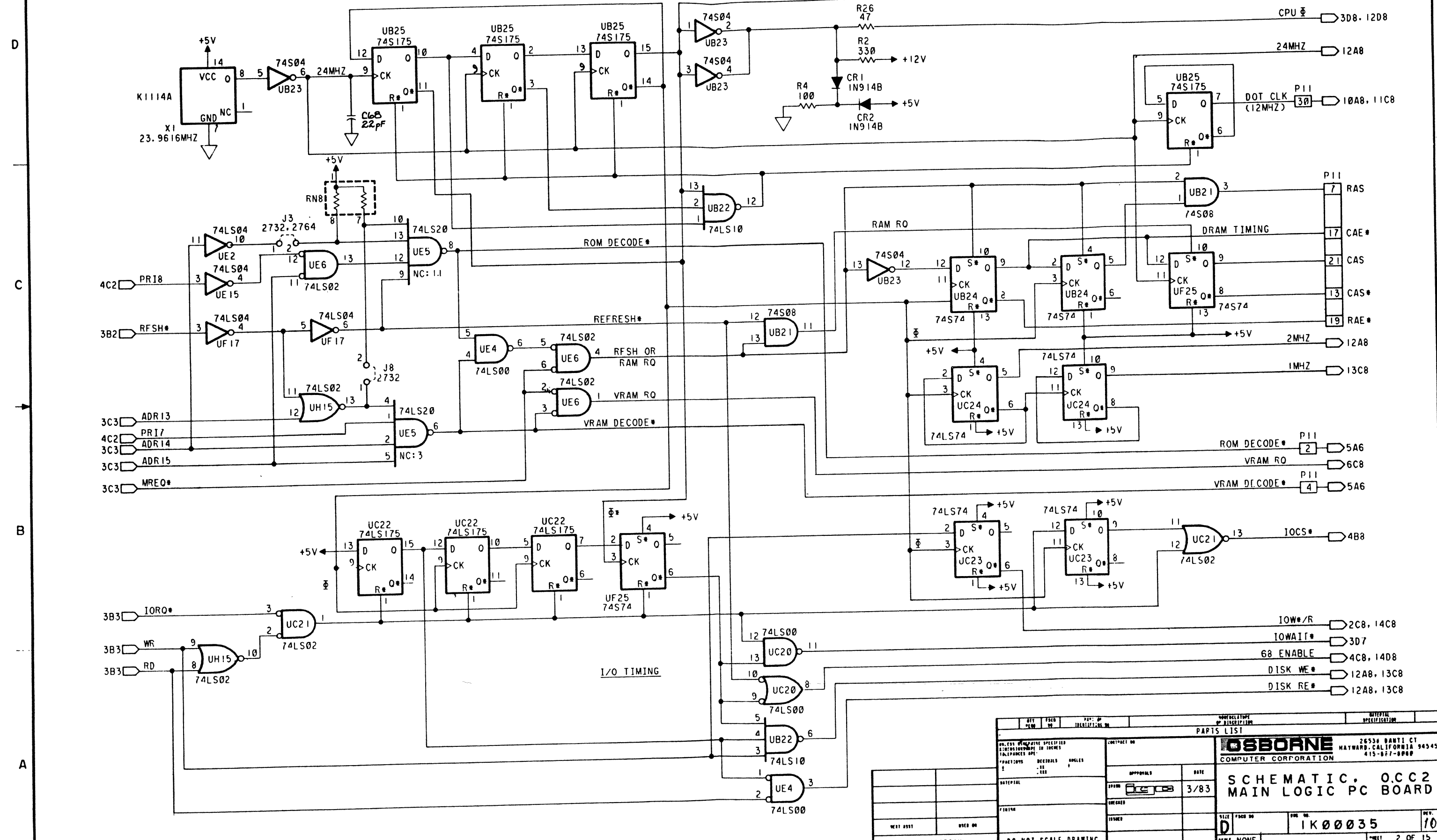
18MAR83 SJS 080127

DATE	FIG. NO.	REV. NO.	DESCRIPTION	DATE	BY

PARTS LIST		OSBORNE COMPUTER CORPORATION	
2K00073	OCC 2	DATE	3/83
APPLICATION		SCALE NONE	
DO NOT SCALE DRAWING		SHEET 1 OF 15	

OSCILLATOR, CPU, MEMORY AND I/O TIMING

REV. NO.	1K00035	REV. 10	DATE	APPROVED
DESCRIPTION	SEE SHEET ONE			

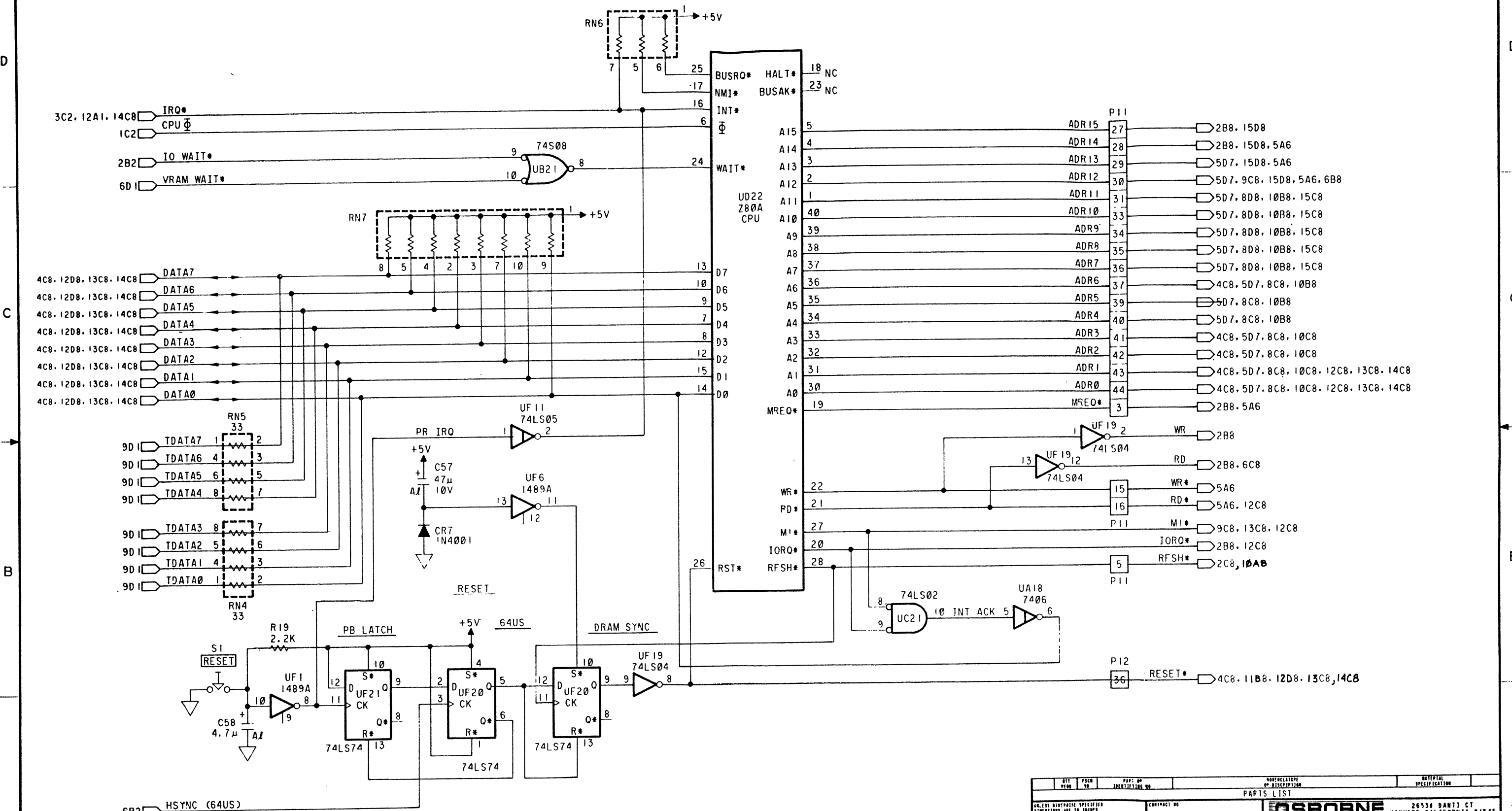


PARTS LIST		OSBORNE COMPUTER CORPORATION	
DATE	3/83	DATE	3/83
DESIGNED		ISSUED	
CHECKED		SCALE	NONE
APPROVED		REV. NO.	10
SHEET 2 OF 15		PAGE NO. 1K00035	

18MAR83 SJS 080128

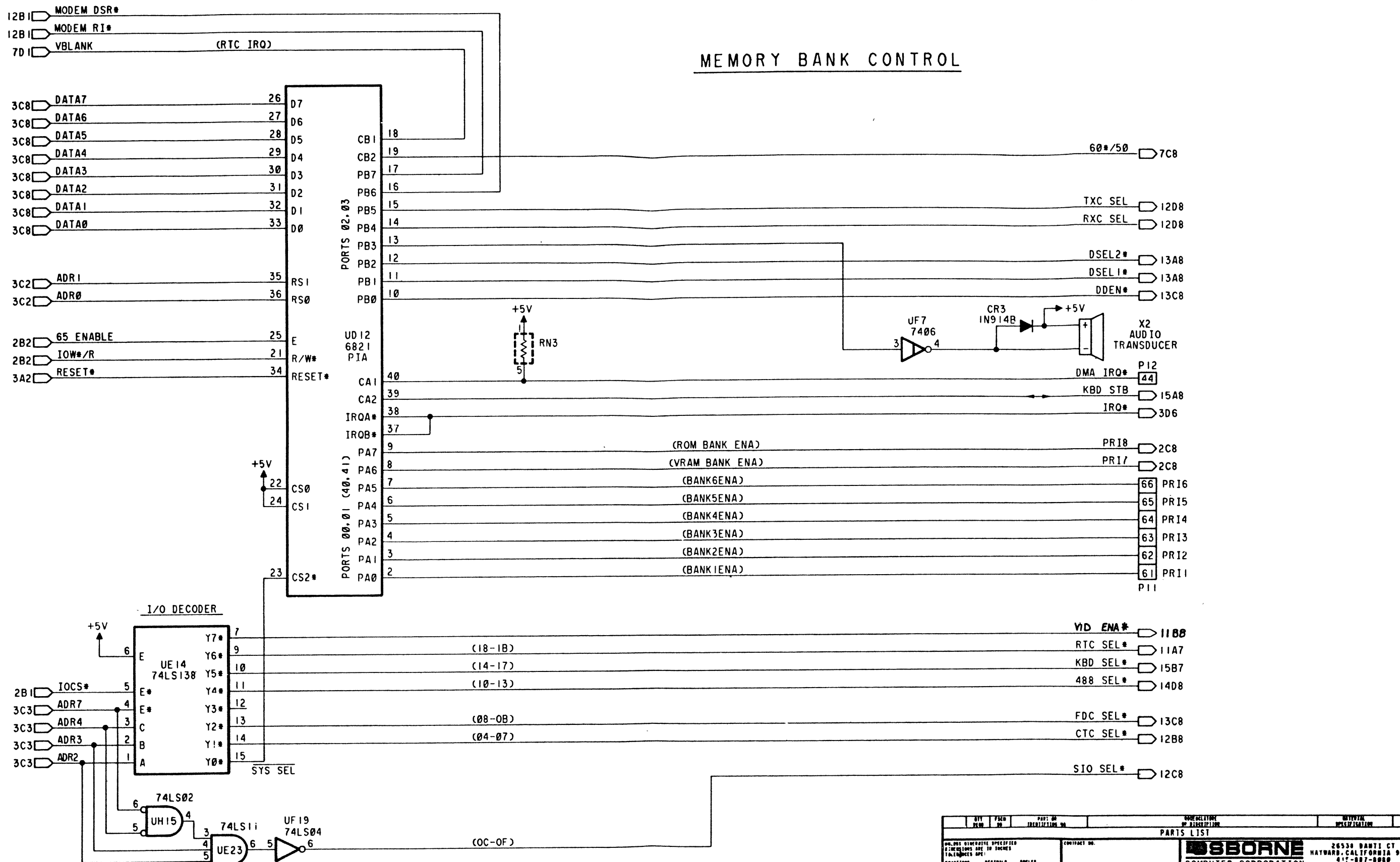
APPLICATION DO NOT SCALE DRAWING

CPU, RESET



QTY		PCHG NO		PART OR IDENTIFYING NO		NOMENCLATURE OR DESCRIPTION		MATERIAL SPECIFICATION	
PARTS LIST									
UNLESS OTHERWISE SPECIFIED DIMENSIONS ARE IN INCHES FRACTIONS ARE DECIMALS ANGLES ARE DEGREES				CONTRACT NO		OSBORNE 26534 DANF CT COMPUTER CORPORATION HAYWARD, CALIFORNIA 94545 415-867-0808			
MATERIAL		APPROVALS		DATE					
FINISH		CHECKED		ISSUED		SCHEMATIC, OCC 2 MAIN LOGIC PC BOARD		SCALE NONE SHEET 3 OF 15	
NEXT ASST		USED ON		APPLICATION		DO NOT SCALE DRAWING		18MAR83 SJS 080129 1K00035 REV 10	

MEMORY BANK CONTROL

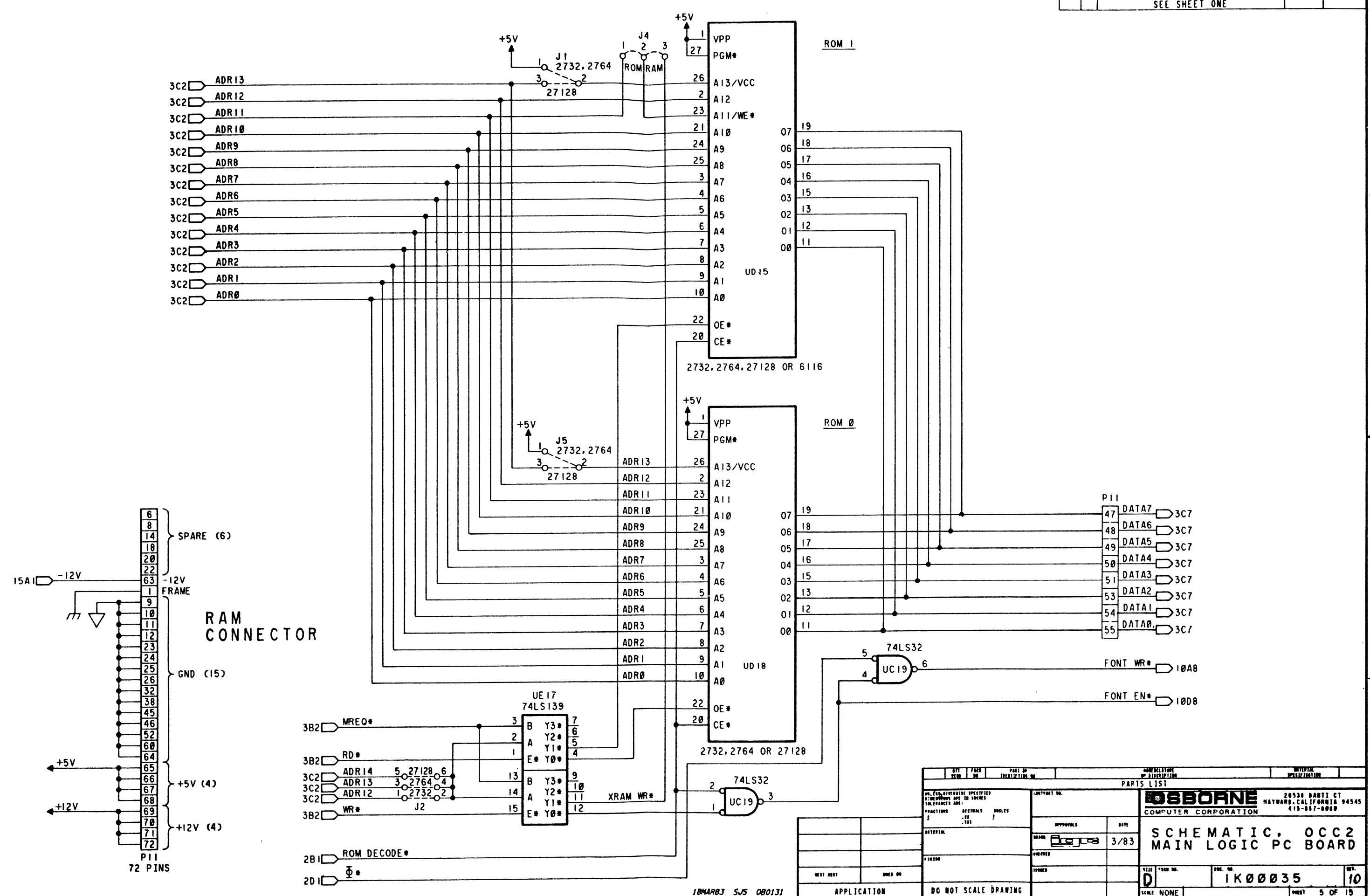


18MAR83 SJS 080130

QTY		PLW	PAGE NO.	PART OR IDENTIFICATION NO.	DESCRIPTION	REVISION
PARTS LIST						
OSBORNE COMPUTER CORPORATION 26530 BANTE CT HAYWARD, CALIFORNIA 94545 415-887-8888			APPROVALS DATE 3/83 DRAWN CHECKED ESTIMATED			
MATERIAL FINISH WEIGHT ASST USED ON			SCHEMATIC, OCC2 MAIN LOGIC PC BOARD FILE FIGURE NO. D REV. NO. 1K00035 SHEET 4 OF 15			

DO NOT SCALE DRAWING

APPLICATION



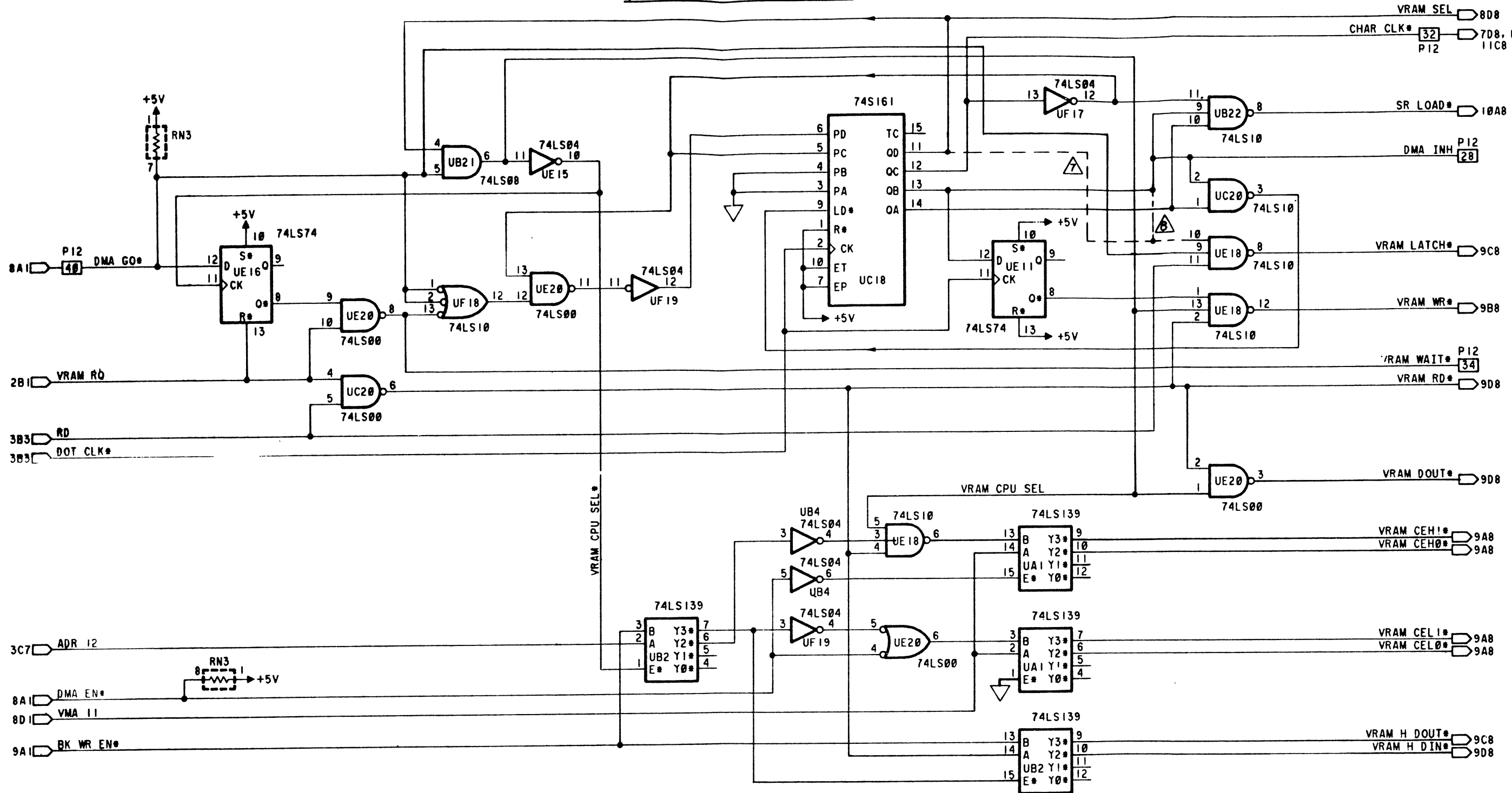
REV.	DATE	BY	CHKD.	APP.	DESCRIPTION	QUANTITY	UNIT

PARTS LIST		OSBORNE COMPUTER CORPORATION	
OSBORNE COMPUTER CORPORATION 26530 DARTMOUTH CT HAYWARD, CALIFORNIA 94545 415-887-0000		SCHEMATIC, OCC2 MAIN LOGIC PC BOARD	
DATE	3/83	REV.	10
SCALE	NONE	SHEET	5 OF 15

18MAR83 SJS 080131

APPLICATION DO NOT SCALE DRAWING

VIDEO RAM TIMING



PARTS LIST		DATE	
74LS00	10	DATE	3/83
74LS04	10	APPROVED	
74LS10	10	DESIGNED	
74LS139	10	TESTED	
74LS161	10	SCALE	NONE
74LS74	10	REV.	10

APPLICATION	DO NOT SCALE DRAWING
-------------	----------------------

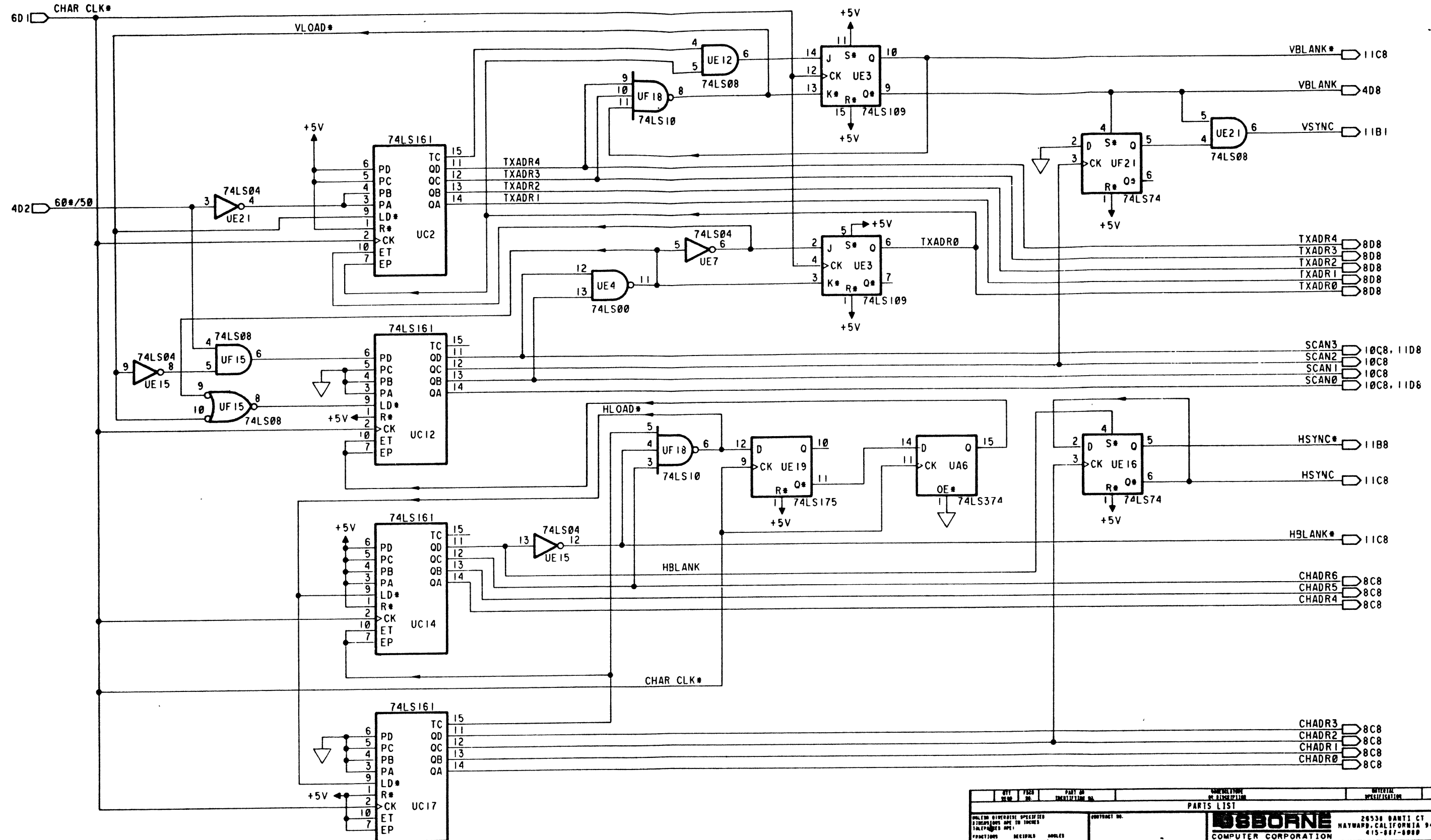
18MAR83 SJS 080132

OSBORNE
 COMPUTER CORPORATION
 26334 DANTE CT.
 HAYWARD, CALIFORNIA 94543
 415-887-8888

SCHMATIC, OCC2
 MAIN LOGIC PC BOARD

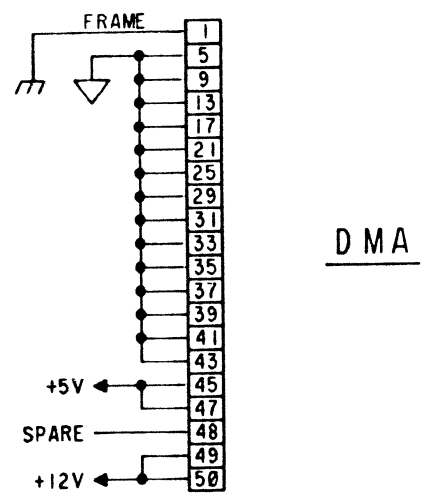
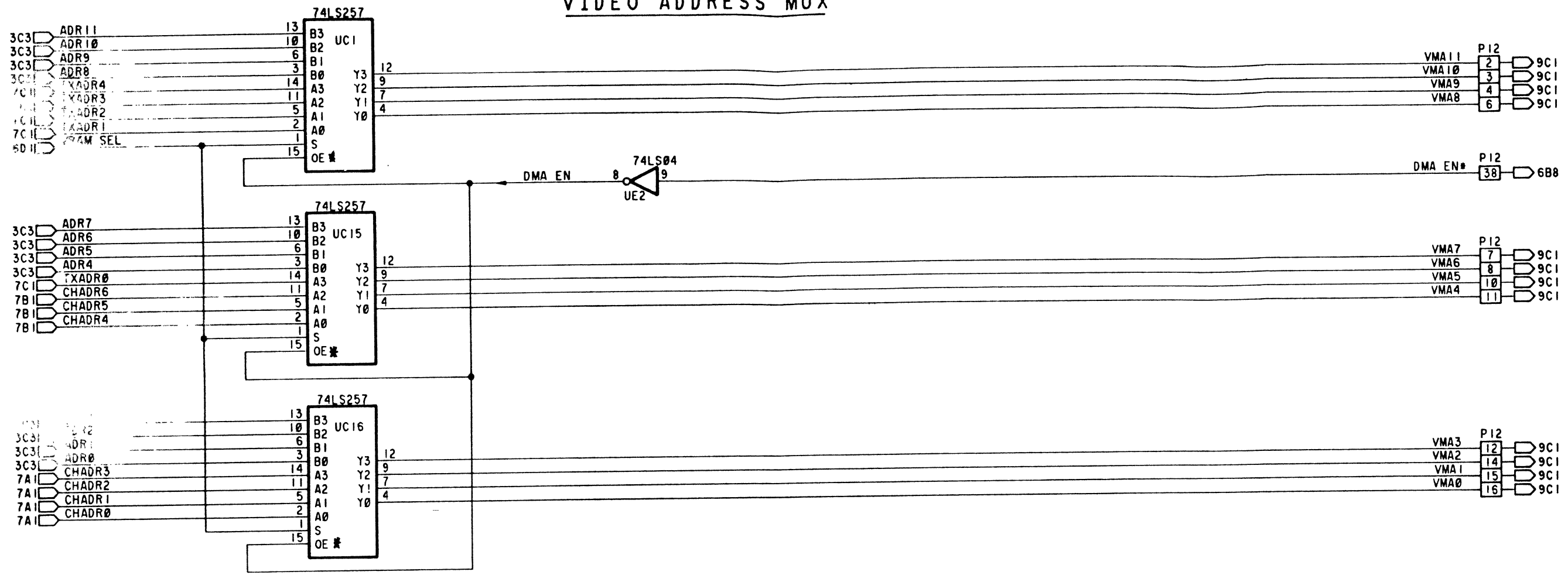
REV. NO. 1K00035
 SHEET 6 OF 15

VIDEO TIMING



QTY	PART NO.	PART OR IDENTIFICATION NO.	DESCRIPTION OR IDENTIFICATION	INTERNAL SPECIFICATION
PARTS LIST				
UNLESS OTHERWISE SPECIFIED DIMENSIONS ARE IN INCHES FRACTIONS ARE: DECIMALS ANGLES 1/16 .001 1/16		CONTRACT NO. _____ APPROVED: DATE: 3/83 DRAWN: _____ CHECKED: _____		
MATERIAL: _____ FINISH: _____		OSBORNE 28538 BANTI CT COMPUTER CORPORATION HAYWARD, CALIFORNIA 94545 415-817-8900		
NEXT ASSY: _____ USED ON: _____		SIZE: D PART NO.: 1K00035 REV. 10		SHEET 7 OF 15
APPLICATION: _____		DO NOT SCALE DRAWING		

VIDEO ADDRESS MUX

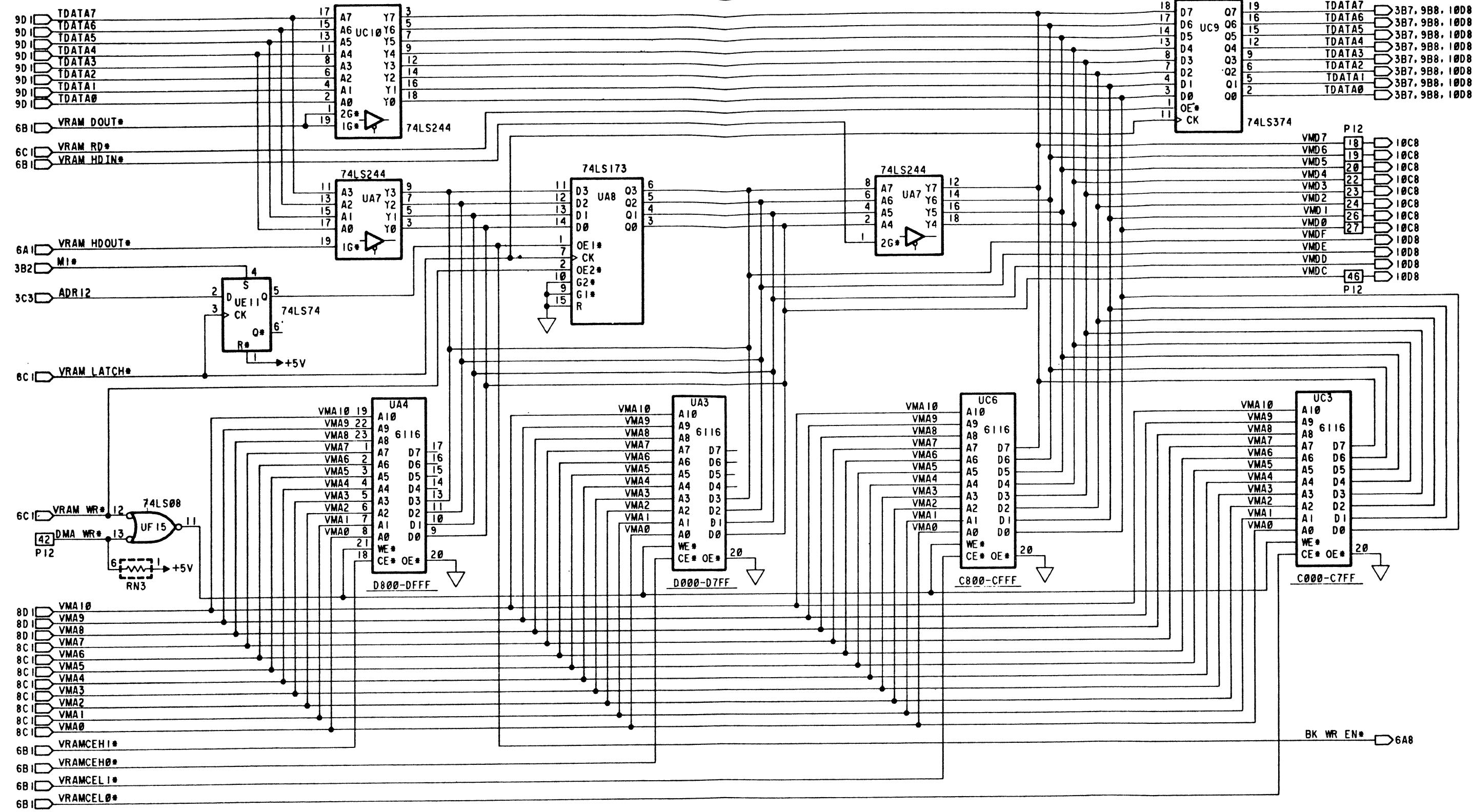


PARTS LIST		OSBORNE COMPUTER CORPORATION		26538 BARTI CT. HAYWARD, CALIFORNIA 94545 415-887-8000	
DATE	3/83	APPROVALS	DATE	SCHEMATIC, OCC2 MAIN LOGIC PC BOARD	
SIZE	D	FIG. NO.	IK00035	SHEET 8 OF 15	
SCALE	NONE	DO NOT SCALE DRAWING			

18MAR83 SJS 080134

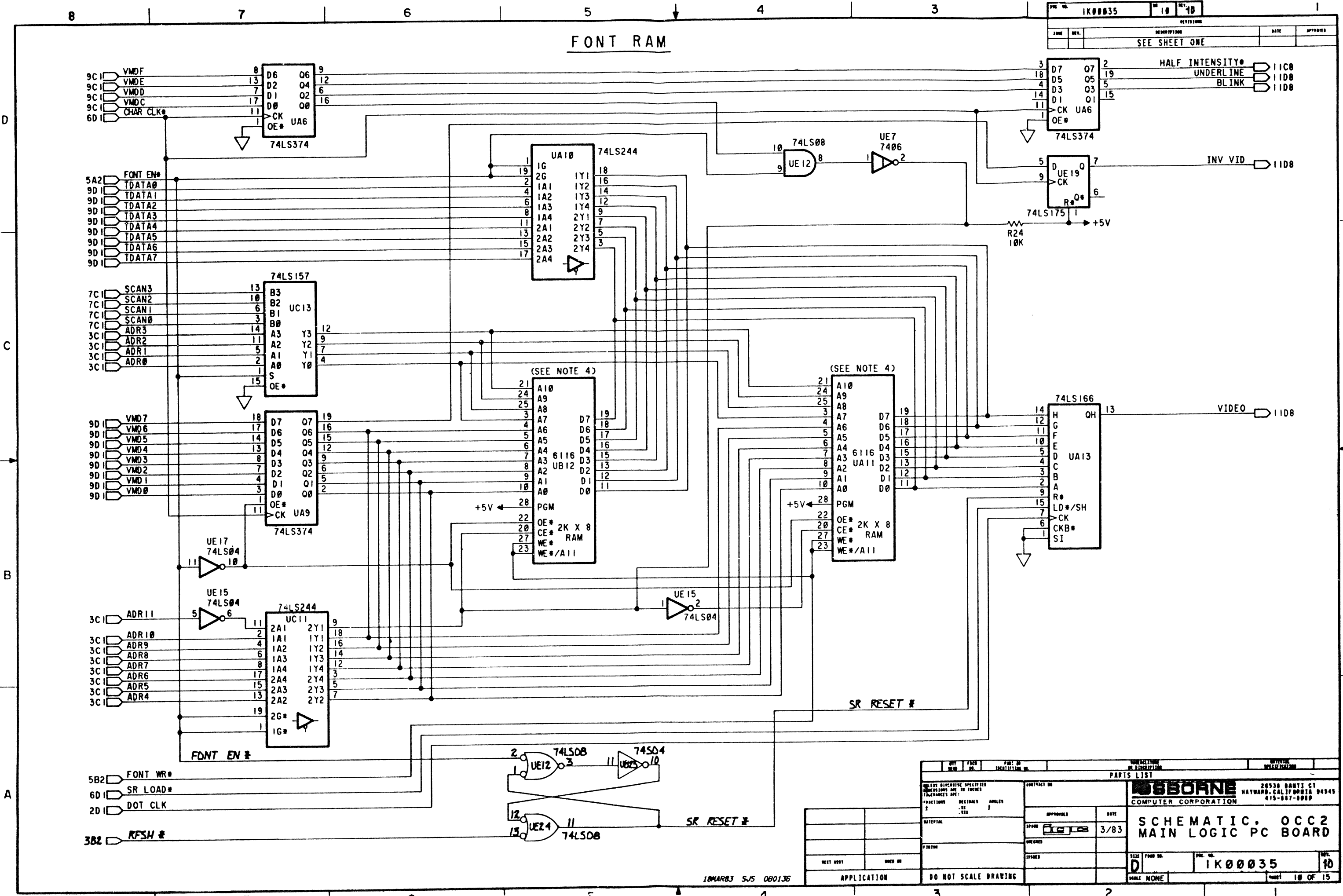
VIDEO RAM

REV. NO. 1K00035	REV. 9	REV. 10		
DESCRIPTION				
SEE SHEET ONE				
ZONE	REV.	DESCRIPTION	DATE	APPROVED



PARTS LIST				
OSBORNE COMPUTER CORPORATION				
26530 DANTI CT HAYWARD, CALIFORNIA 94545 415-887-8889				
SCHEMATIC, OCC2 MAIN LOGIC PC BOARD			DATE 3/83	REV. 10
APPLICATION			DO NOT SCALE DRAWING	SCALE NONE

REV. HISTORY			
ZONE	REV.	DESCRIPTION	DATE
		SEE SHEET ONE	



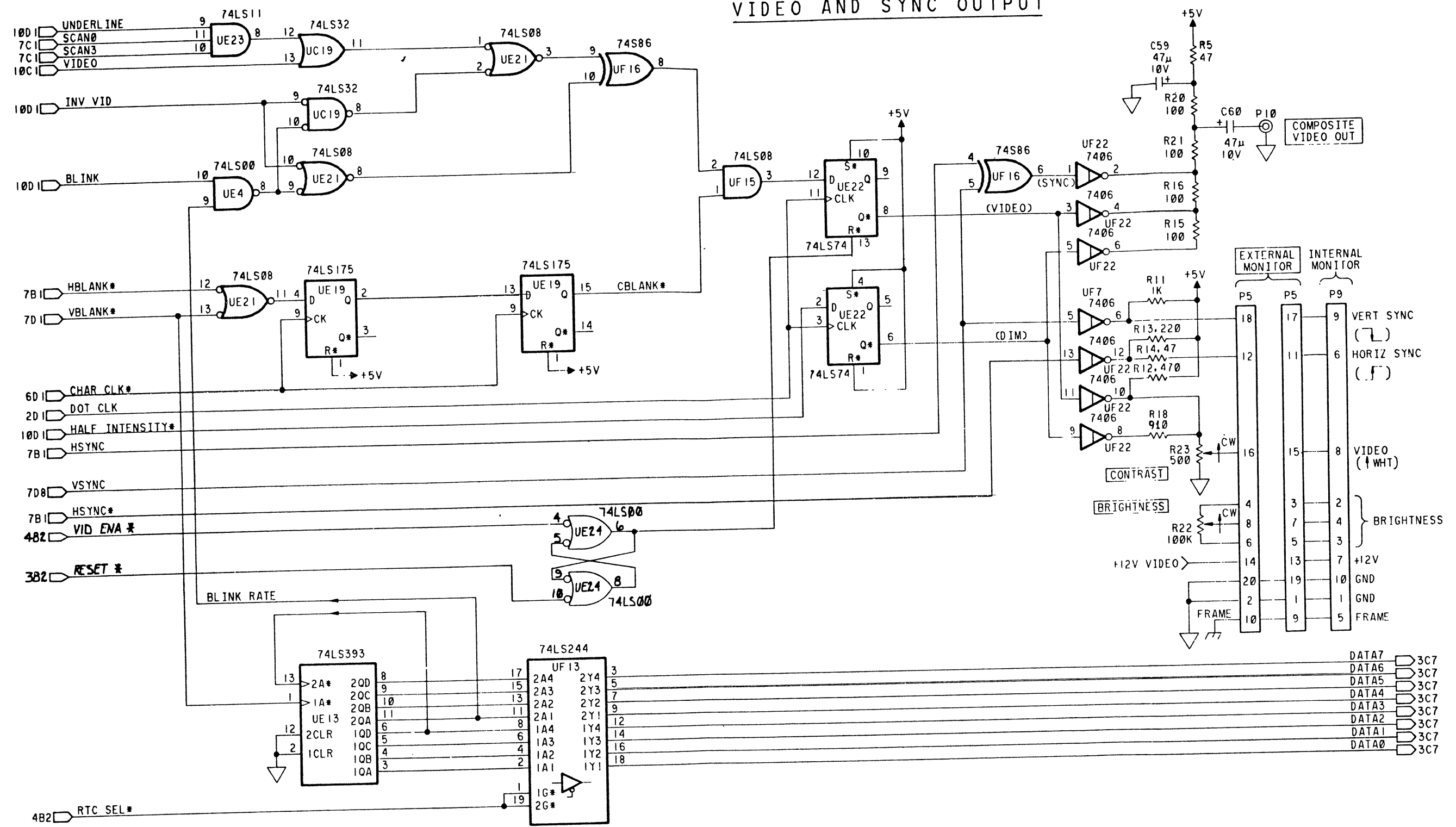
(SEE NOTE 4)

(SEE NOTE 4)

OSBORNE COMPUTER CORPORATION		26538 BANTI CT HAYWARD, CALIFORNIA 94545 415-687-0900
SCHEMATIC, OCC2 MAIN LOGIC PC BOARD		
DATE: 3/83 APPROVED:	PART NO. 1K00035 REV. 10	SHEET 10 OF 15

APPLICATION		DO NOT SCALE DRAWING	
DATE	BY	CHECKED	DATE

VIDEO AND SYNC OUTPUT

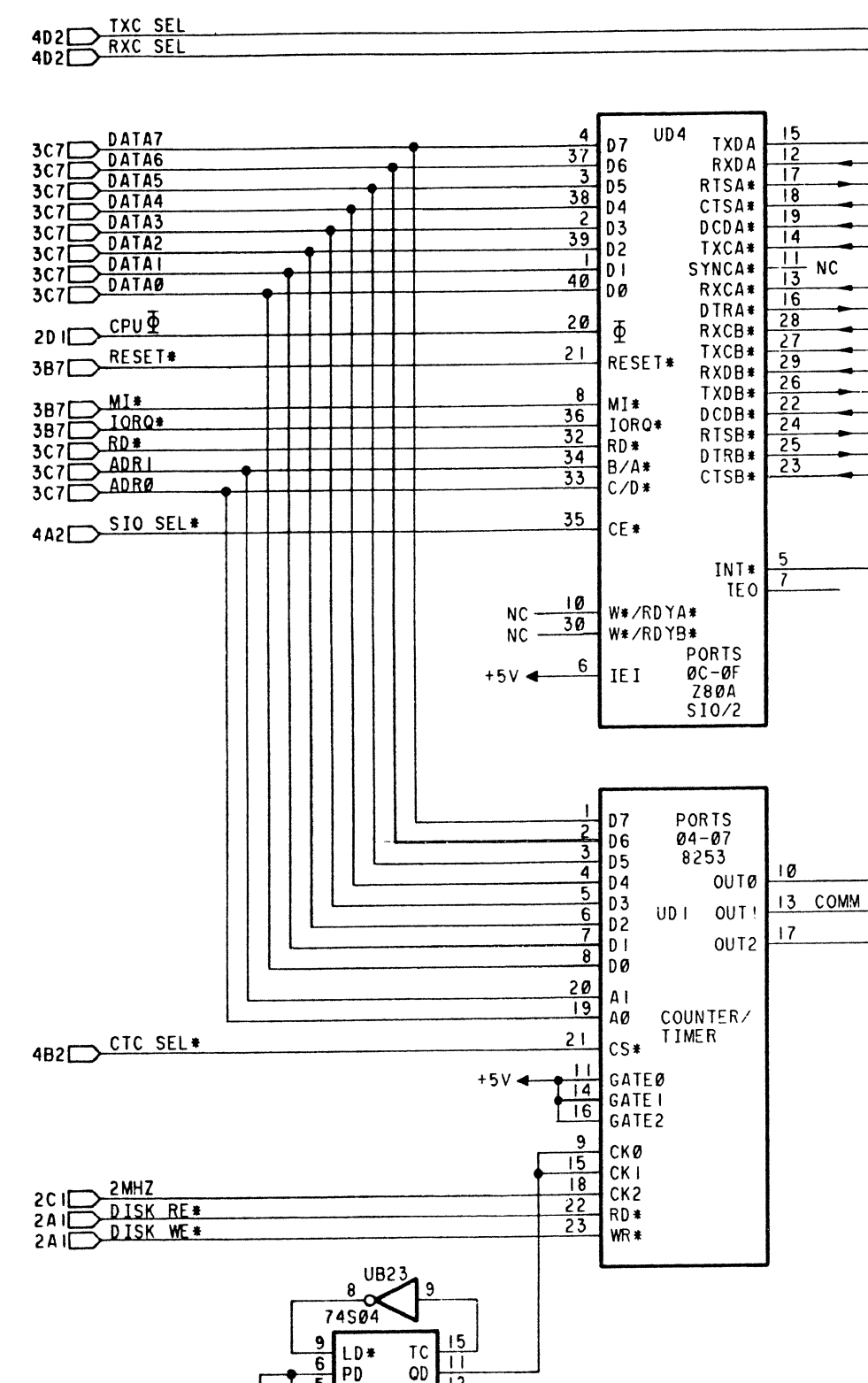
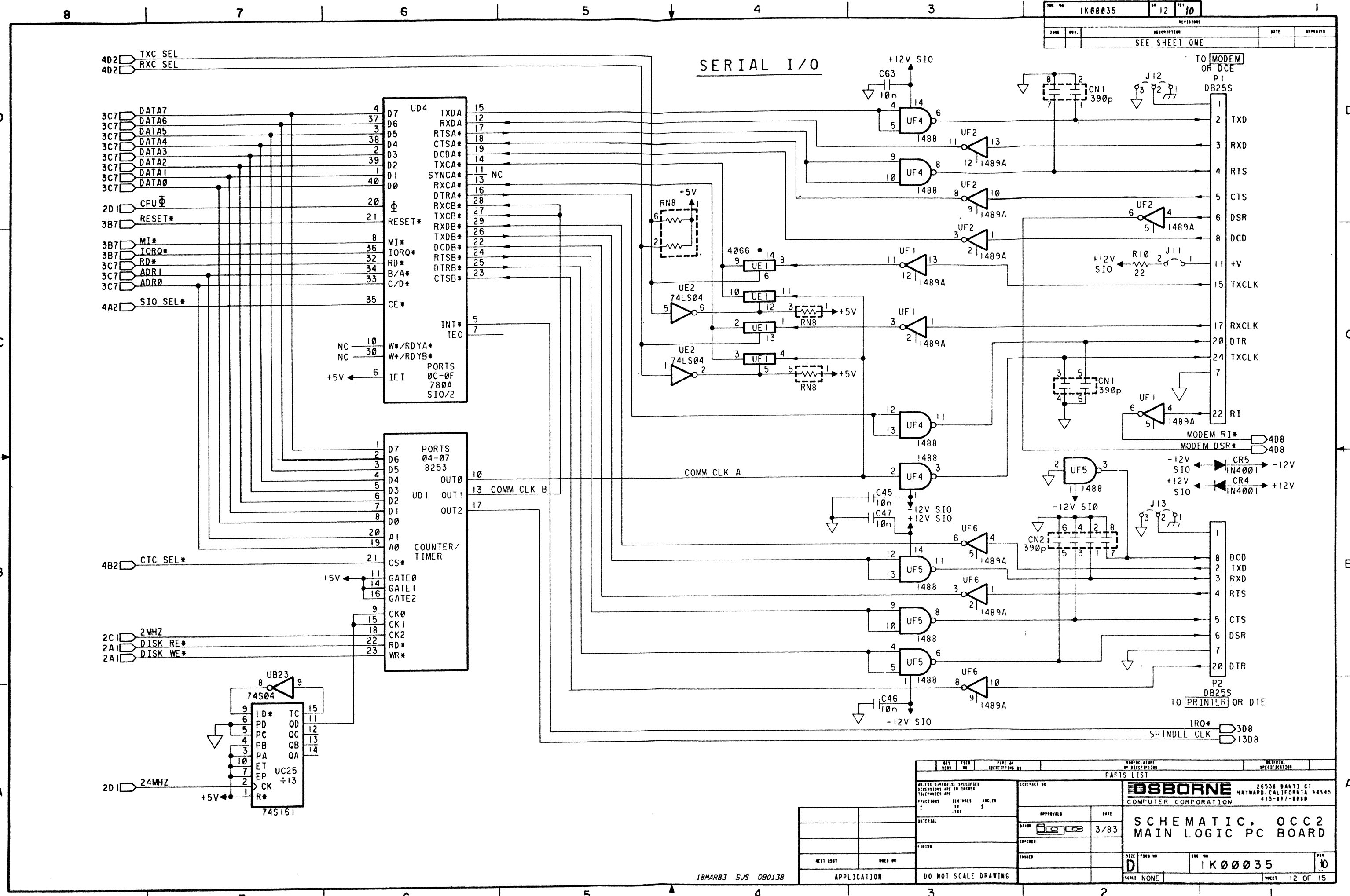


- DATA7 → 3C7
- DATA6 → 3C7
- DATA5 → 3C7
- DATA4 → 3C7
- DATA3 → 3C7
- DATA2 → 3C7
- DATA1 → 3C7
- DATA0 → 3C7

REAL TIME
CLOCK OVERFLOW

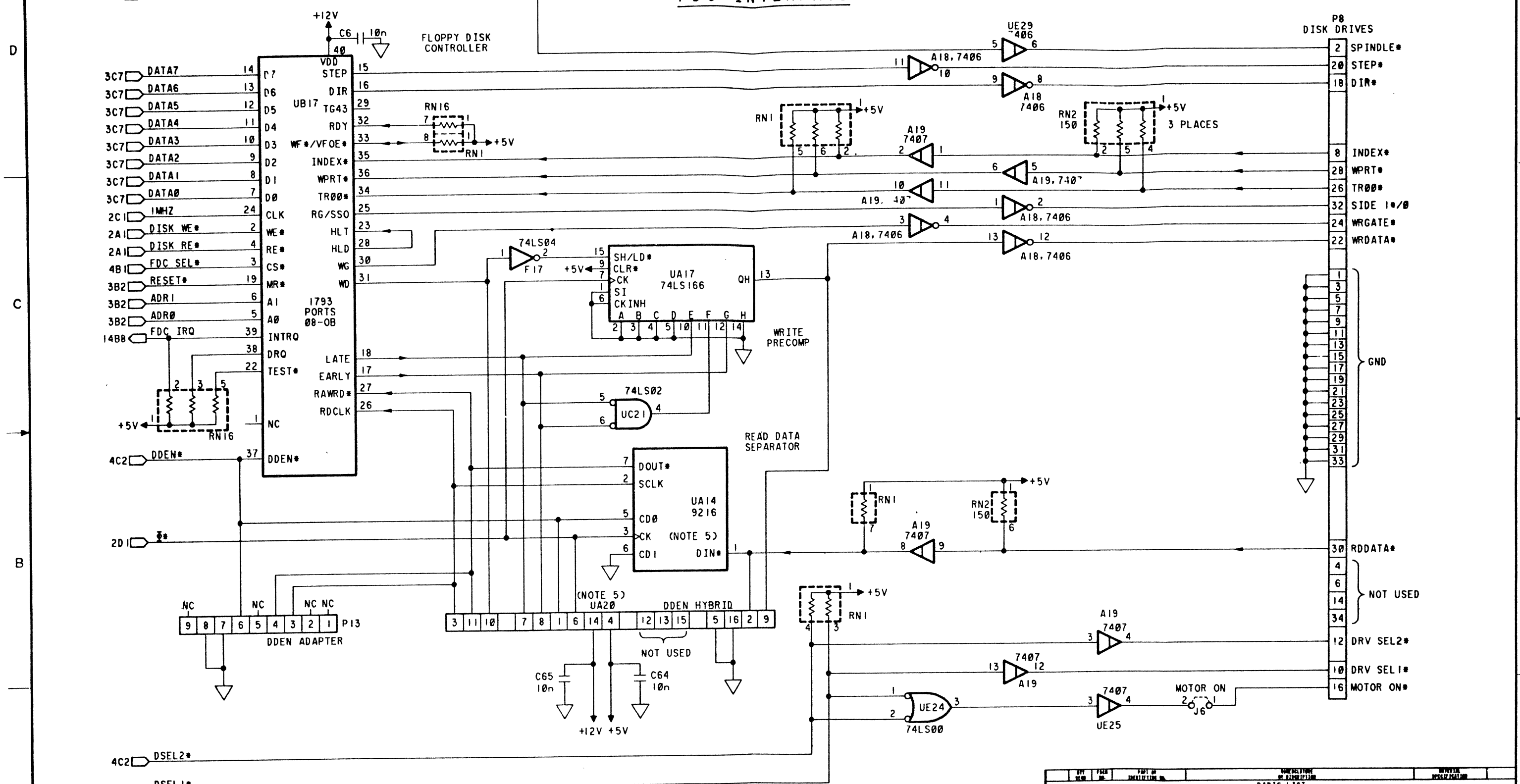
18MAR83 SJS 080137

PARTS LIST		OSBORNE COMPUTER CORPORATION	
26538 BANTU CT HAYWARD, CALIFORNIA 94545 415-887-8888		SCHEMATIC, OCC2 MAIN LOGIC PC BOARD	
DATE	3/83	SCALE	NONE
ISSUED		SCALE	NONE
APPLICATION		DO NOT SCALE DRAWING	



REV. NO.		PAP. NO.		NONENCLAVE NO.		REVISIONS	
ZONE	REV.	DESCRIPTION		DATE	APPROVED		
		SEE SHEET ONE					
PARTS LIST							
UNLESS OTHERWISE SPECIFIED DIMENSIONS ARE IN INCHES TOLERANCES ARE				CONTRACT NO.		OSBORNE COMPUTER CORPORATION	
FRACTIONS DECIMALS ANGLES ° ' " .XXX				APPROVALS		DATE	
MATERIAL				DRAWN		3/83	
FINISH				CHECKED			
NEXT ASSY				USED ON			
APPLICATION				DO NOT SCALE DRAWING		SCALE NONE	
				SIZE		D	
				FORM NO.		1K00035	
				REV. NO.		10	
				SHEET		12 OF 15	

FDC INTERFACE



REV.	DATE	BY	CHKD.	APP'D.	DATE
10	3/83				

OSBORNE COMPUTER CORPORATION 26536 BANTI CT HAYWARD, CALIFORNIA 94545 415-887-8000	
SCHEMATIC, OCC2 MAIN LOGIC PC BOARD	
PART NO. 1K00035 REV. 10	SHEET 13 OF 15

18MAR83 SJS 080139

APPLICATION	DO NOT SCALE DRAWING
-------------	----------------------

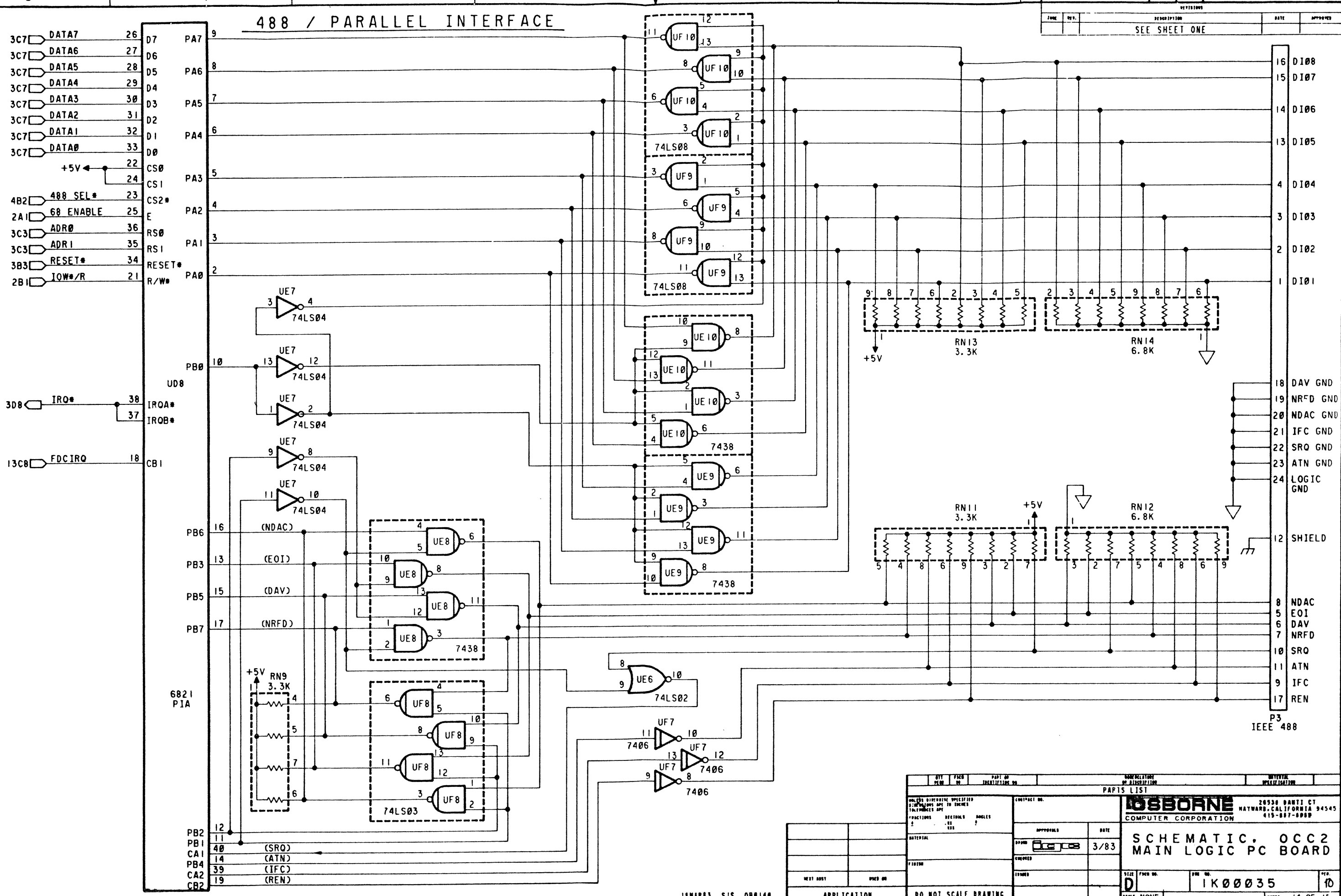
488 / PARALLEL INTERFACE

- 3C7 DATA7 26 D7 PA7 9
- 3C7 DATA6 27 D6 PA6 8
- 3C7 DATA5 28 D5 PA5 7
- 3C7 DATA4 29 D4 PA4 6
- 3C7 DATA3 30 D3 PA3 5
- 3C7 DATA2 31 D2 PA2 4
- 3C7 DATA1 32 D1 PA1 3
- 3C7 DATA0 33 D0 PA0 2
- +5V 22 CS0 PA3 5
- CS1 PA3 5
- 4B2 488 SEL* 23 CS2* PA2 4
- 2A1 68 ENABLE 25 E PA2 4
- 3C3 ADR0 36 RS0 PA1 3
- 3C3 ADR1 35 RS1 PA1 3
- 3B3 RESET* 34 RESET* PA0 2
- 2B1 IOW#/R 21 R/W# PA0 2

- 3D8 IRO* 38 IROA* 37
- 13C8 FDCIRO 18 CBI

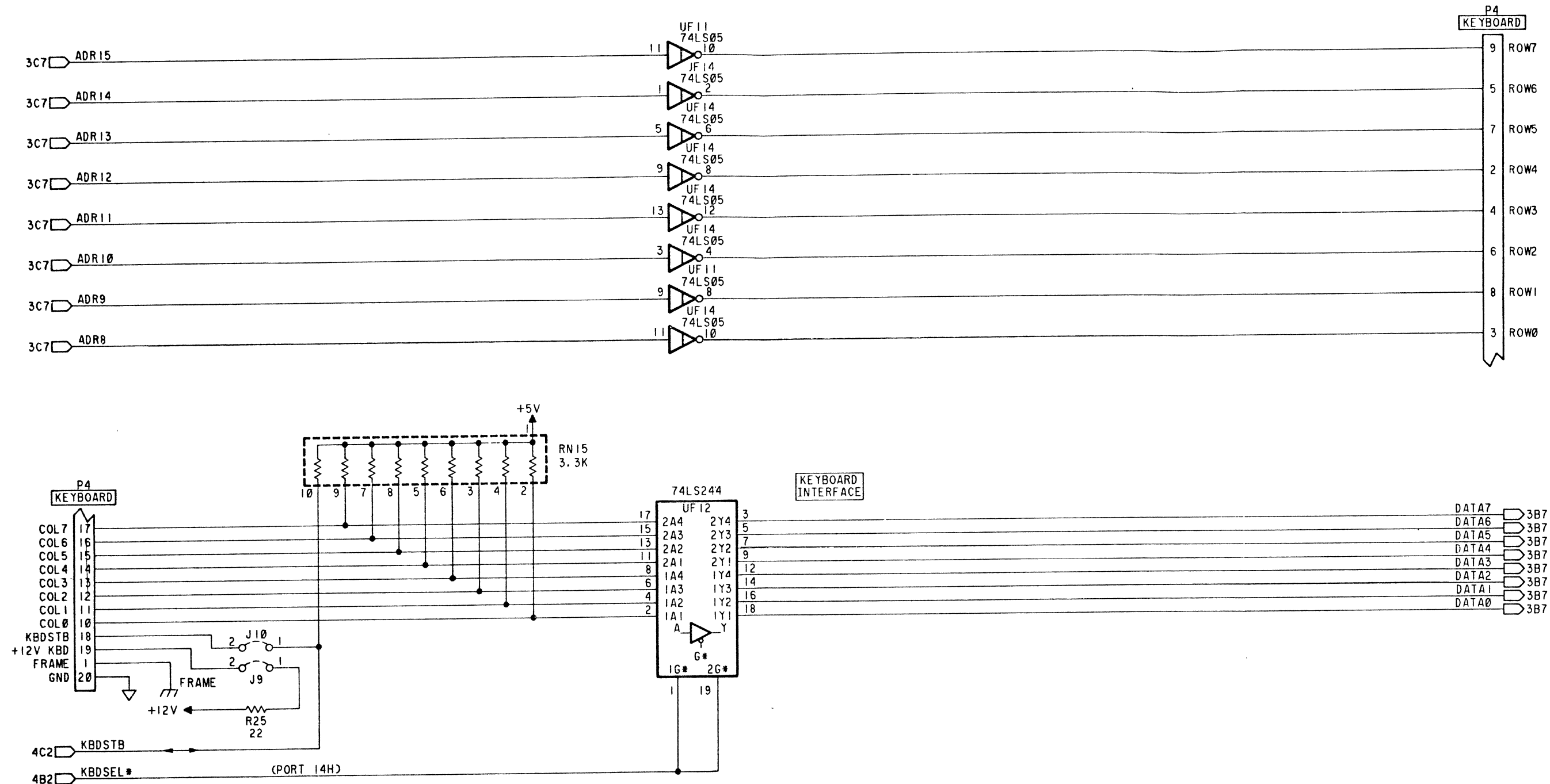
- 6821 PIA
- PB2 12
- PB1 11
- CA1 40 (SRO)
- PB4 14 (ATN)
- CA2 39 (IFC)
- CB2 19 (REN)

- 16 DI08
- 15 DI07
- 14 DI06
- 13 DI05
- 4 DI04
- 3 DI03
- 2 DI02
- 1 DI01
- 18 DAV GND
- 19 NRFD GND
- 20 NDAC GND
- 21 IFC GND
- 22 SRO GND
- 23 ATN GND
- 24 LOGIC GND
- 12 SHIELD
- 8 NDAC
- 5 EOI
- 6 DAV
- 7 NRFD
- 10 SRO
- 11 ATN
- 9 IFC
- 17 REN



REV.	DATE	BY	CHKD.	PART OF DRAWING NO.	CONTRACT NO.	REVISIONS	DATE	APPROVED
1								
PAPER LIST OSBORNE COMPUTER CORPORATION 20936 BARTI CT HAYWARD, CALIFORNIA 94545 415-887-8888					SCHEMATIC, OCC2 MAIN LOGIC PC BOARD			
MATERIAL FINISH NEXT ASSY PREP. NO.					SIZE: 14 OF 15 SHEET: 14 OF 15 PAPER NO.: 1K00035 REV. NO.: 10			

KEYBOARD INTERFACE



REV	DATE	DESCRIPTION	APPROVED
15	3/83	SCHEMATIC, OCC2 MAIN LOGIC PC BOARD	
10			

UNLESS OTHERWISE SPECIFIED DIMENSIONS ARE IN INCHES TOLERANCES ARE	CONTRACT NO.	OSBORNE COMPUTER CORPORATION	
FRACTIONS DECIMALS ANGLES	APPROVALS	26538 DANVILLE CT HAYWARD, CALIFORNIA 94545 415-887-8888	
	DATE	3/83	
MATERIAL	ENGINEER		
FINISH	DRAWN		
NEET ASST	USED ON		
APPLICATION	DO NOT SCALE DRAWING		
SIZE	DWG NO	REV	
D	1K00035	10	
SCALE NONE	SHEET		15 OF 15