

TTL DATA BOOK

National

TTL DATA BOOK

FEB 1976

National



National Semiconductor

TTL DATA BOOK

Section 1 - 54/74 SSI DEVICES

Connection Diagrams • Electrical Tables

Section 2 - 54/74 MSI DEVICES

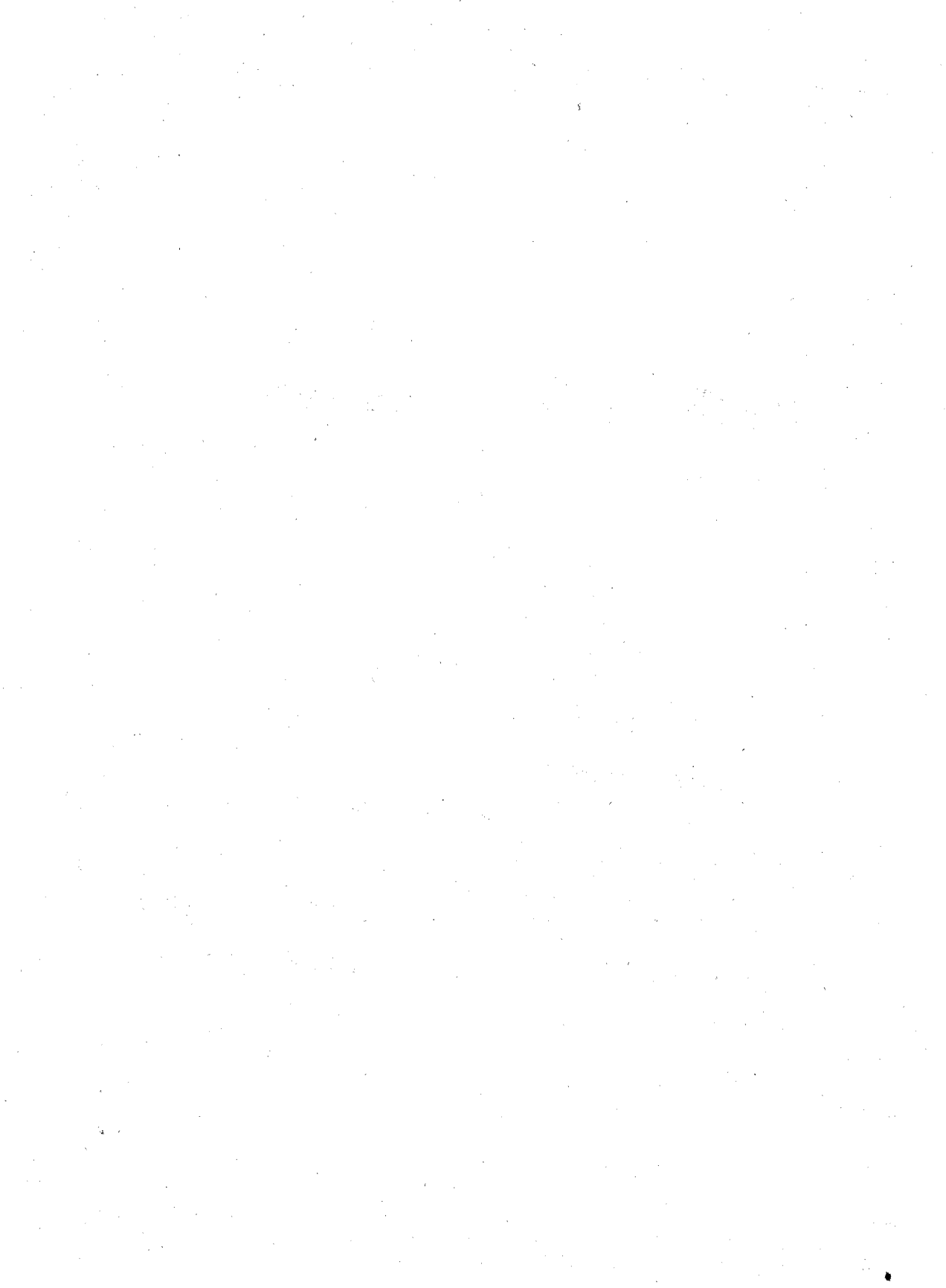
Section 3 - National Semiconductor PROPRIETARY DEVICES

Section 4 - National Semiconductor ADDITIONAL DEVICES



Manufactured under one or more of the following U.S. patents: 3083262, 3189759, 3231797, 3303356, 3317671, 3323071, 3381071, 3408542, 3421025, 3426423, 3440498, 3518750, 3519897, 3557431, 3560765, 3566218, 3571630, 3575609, 3579059, 3593099, 3597640, 3607469, 3617859, 3631312, 3633052, 3638131, 3648071, 3651885, 3693248.

National does not assume any responsibility for use of any circuitry described; no circuit patent licenses are implied; and National reserves the right, at any time without notice, to change said circuitry.



DEVICE			DEVICE			DEVICE		
MIL	COML	PAGE NO.	MIL	COML	PAGE NO.	MIL	COML	PAGE NO.
	930	4-1	5410	7410	1-4, 1-36	5446A	7446A	2-8
	932	4-1	54H10	74H10	1-4, 1-36	5447A	7447A	2-8
	933	4-1	54L10	74L10	1-4, 1-36	54LS47	74LS47	2-8
	935	4-1	54LS10	74LS10	1-4, 1-36	5448	7448	2-8
	936	4-1		74S10	1-4, 1-36	54LS48	74LS48	2-8
	937	4-1	5411	7411	1-5, 1-44	54LS49	74LS49	2-8
	944	4-1	54H11	74H11	1-5, 1-44	5450	7450	1-11, 1-50
	945	4-1	54L11	74L11	1-5, 1-44	54H50	74H50	1-11, 1-50
	946	4-1	54LS11	74LS11	1-5, 1-44	5451	7451	1-12, 1-56
	948	4-1		74S11	1-5, 1-44	54H51	74H51	1-12, 1-56
	949	4-1	54LS12	74LS12	1-5, 1-38	54L51	74L51	1-12, 1-56
	957	4-1	5413	7413	1-5, 1-48	54LS51	74LS51	1-12, 1-56
	958	4-1	54LS13	74LS13	1-5, 1-48		74S51	1-12, 1-56
	961	4-1	5414	7414	1-6, 1-48	54H52	74H52	1-13, 1-50
	962	4-1	54LS14	74LS14	1-6, 1-48	5453	7453	1-13, 1-50
	963	4-1	54LS15	74LS15	1-6, 1-46	54H53	74H53	1-13, 1-50
	1800	4-1		74S15	1-6, 1-46	5454	7454	1-14, 1-56
	1801	4-1	5416	7416	1-6, 1-42	54H54	74H54	1-14, 1-56
2502	2502C	4-6	5417	7417	1-7, 1-42	54L54	74L54	1-14, 1-56
2503	2503C	4-6	5420	7420	1-7, 1-36	54LS54	74LS54	1-14, 1-56
2504	2504C	4-6	54H20	74H20	1-7, 1-36	54H55	74H55	1-15, 1-50
5400	7400	1-1, 1-36	54L20	74L20	1-7, 1-36	54L55	74L55	1-15, 1-56
54H00	74H00	1-1, 1-36	54LS20	74LS20	1-7, 1-36	54LS55	74LS55	1-15, 1-56
54L00	74L00	1-1, 1-36		74S20	1-7, 1-36	5460	7460	1-15, 1-58
54LS00	74LS00	1-1, 1-36	54H21	74H21	1-7, 1-44	54H60	74H60	1-15, 1-59
	74S00	1-1, 1-36	54LS21	74LS21	1-7, 1-44	54H61	74H61	1-16, 1-60
5401	7401	1-1, 1-38	54H22	74H22	1-8, 1-38	54H62	74H62	1-16, 1-59
54H01	74H01	1-1, 1-38	54LS22	74LS22	1-8, 1-38		74S64	1-16, 1-56
54L01	74L01	1-1, 1-38		74S22	1-8, 1-38		74S65	1-17, 1-61
54LS01	74LS01	1-1, 1-38	5423	7423	1-8, 1-50	5470	7470	1-18, 1-62
5402	7402	1-2, 1-40	5425	7425	1-8, 1-40	54H71	74H71	1-18, 1-64
54L02	74L02	1-2, 1-40	5426	7426	1-9, 1-42	54L71	74L71	1-19, 1-66
54LS02	74LS02	1-2, 1-40	54L26	74L26	1-9, 1-42	5472	7472	1-19, 1-62
	74S02	1-2, 1-40	54LS26	74LS26	1-9, 1-42	54H72	74H72	1-19, 1-64
5403	7403	1-2, 1-38	5427	7427	1-9, 1-40	54L72	74L72	1-19, 1-66
54L03	74L03	1-2, 1-38	54LS27	74LS27	1-9, 1-40	5473	7473	1-20, 1-62
54LS03	74LS03	1-2, 1-38	5430	7430	1-9, 1-36	54H73	74H73	1-20, 1-64
	74S03	1-2, 1-38	54H30	74H30	1-9, 1-36	54L73	74L73	1-20, 1-66
5404	7404	1-2, 1-36	54L30	74L30	1-9, 1-36	54LS73	74LS73	1-20, 1-68
54H04	74H04	1-2, 1-36	54LS30	74LS30	1-9, 1-36	5474	7474	1-20, 1-62
54L04	74L04	1-2, 1-36		74S30	1-9, 1-36	54H74	74H74	1-20, 1-64
54LS04	74LS04	1-2, 1-36	5432	7432	1-10, 1-52	54L74	74L74	1-20, 1-66
	74S04	1-2, 1-36	54L32	74L32	1-10, 1-52	54LS74	74LS74	1-20, 1-68
5405	7405	1-3, 1-38	54LS32	74LS32	1-10, 1-52		74S74	1-20, 1-70
54H05	74H05	1-3, 1-38	5437	7437	1-10, 1-54	5475	7475	2-14
54L05	74L05	1-3, 1-38	54LS37	74LS37	1-10, 1-54	54L75A	74L75A	2-14
54LS05	74LS05	1-3, 1-38	5438	7438	1-10, 1-42	54LS75	74LS75	2-14
	74S05	1-3, 1-38	54LS38	74LS38	1-10, 1-42	5476	7476	1-21, 1-62
5406	7406	1-3, 1-42	5440	7440	1-11, 1-54	54H76	74H76	1-21, 1-64
5407	7407	1-3, 1-42	54H40	74H40	1-11, 1-54	54LS76	74LS76	1-21, 1-68
5408	7408	1-4, 1-44	54LS40	74LS40	1-11, 1-54	54LS77	74LS77	2-14
54H08	74H08	1-4, 1-44		74S40	1-11, 1-54	54H78	74H78	1-21, 1-64
54L08	74L08	1-4, 1-44	5441A	7441A	2-1	54L78	74L78	1-21, 1-66
54LS08	74LS08	1-4, 1-44	5442	7442	2-3	54LS78	74LS78	1-21, 1-68
5409	7409	1-4, 1-46	54L42A	74L42A	2-3	5483	7483	2-17
54L09	74L09	1-4, 1-46	54LS42	74LS42	2-3	54LS83A	74LS83A	2-17
54LS09	74LS09	1-4, 1-46	5445	7445	2-6	5485	7485	2-21

Note: When there are two sets of page numbers, the first designates the connection diagram page; the second indicates electrical tables.



DEVICE			DEVICE			DEVICE		
MIL	COML	PAGE NO.	MIL	COML	PAGE NO.	MIL	COML	PAGE NO.
54L85	74L85	2-21	54LS139	74LS139	2-46	54182	74182	2-113
54LS85	74LS85	2-21		74S139	2-46		74S182	2-113
5486	7486	1-22, 1-72		74S140	1-29, 1-54	54184	74184	2-116
54L86	74L86	1-22, 1-72	54141	74141	2-1	54185A	74185A	2-116
54LS86	74LS86	1-22, 1-72	54145	74145	2-6	54187	74187	2-122
	74S86	1-22, 1-72	54147	74147	2-49	54L187A	74L187A	2-122
5488	7488	2-25	54148	74148	2-49	54S189	74S189	2-125
5489	7489	2-28	54150	74150	2-53	54190	74190	2-128
54L89A	74L89A	2-89	54151A	74151A	2-53	54LS190	74LS190	2-128
5490A	7490A	2-30	54LS151	74LS151	2-53	54191	74191	2-128
54L90	74L90	2-30		74S151	2-53	54LS191	74LS191	2-128
54LS90	74LS90	2-30	54153	74153	2-57	54192	74192	2-133
5491A	7491A	2-34	54LS153	74LS153	2-57	54L192	74L192	2-133
54L91	74L91	2-34		74S153	2-57	54LS192	74LS192	2-133
5492A	7492A	2-30	54154	74154	2-60	54193	74193	2-133
54LS92	74LS92	2-30	54L154A	74L154A	2-60	54L193	74L193	2-133
5493A	7493A	2-30	54LS154	74LS154	2-60	54LS193	74LS193	2-133
54L93	74L93	2-30	54155	74155	2-63	54194	74194	2-140
54LS93	74LS93	2-30	54LS155	74LS155	2-63	54LS194A	74LS194A	2-140
5495	7495	2-36	54156	74156	2-63		74S194	2-140
54L95	74L95	2-36	54LS156	74LS156	2-63	54195	74195	2-144
54LS95B	74LS95B	2-36	54157	74157	2-66	54LS195A	74LS195A	2-144
5496	7496	2-39	54L157A	74L157A	2-66		74S195	2-144
54LS96	74LS96	2-39	54LS157	74LS157	2-66	54196	74196	2-101
54L98	74L98	2-42		74S157	2-66	54LS196	74LS196	2-101
54H103	74H103	1-23, 1-74	54LS158	74LS158	2-66	54197	74197	2-101
54H106	74H106	1-23, 1-74		74S158	2-66	54LS197	74LS197	2-101
54107	74107	1-23, 1-62	54160A	74160A	2-70	54198	74198	2-148
54LS107	74LS107	1-23, 1-68	54LS160	74LS160	2-70	54199	74199	2-148
54H108	74H108	1-24, 1-74	54161A	74161A	2-70	54S200	74S200	2-154
54109	74109	1-24, 1-62	54LS161	74LS161	2-70	54S206	74S206	2-157
54LS109	74LS109	1-24, 1-68	54162A	74162A	2-70	54LS221	74LS221	1-30, 1-76
54LS112	74LS112	1-24, 1-68	54LS162	74LS162	2-70	54251	74251	2-160
	74S112	1-24, 1-70	54163A	74163A	2-70	54LS251	74LS251	2-160
54LS113	74LS113	1-25, 1-68	54LS163	74LS163	2-70		74S251	2-160
	74S113	1-25, 1-70	54164	74164	2-76	54LS253	74LS253	2-163
54LS114	74LS114	1-25, 1-68	54L164A	74L164A	2-76		74S253	2-163
	74S114	1-25, 1-70	54LS164	74LS164	2-76	54LS257	74LS257	2-165
54121	74121	1-26, 1-76	54165	74165	2-79		74S257	2-165
54LS122	74LS122	1-26, 1-78	54L165A	74L165A	2-79	54LS258	74LS258	2-165
54123	74123	1-26, 1-78	54166	74166	2-82		74S258	2-165
54L123A	74L123A	1-26, 1-78	54LS168	74LS168	2-85		74S260	1-31, 1-40
54LS123	74LS123	1-26, 1-78	54LS169	74LS169	2-85	54LS266	74LS266	1-31, 1-84
54LS124	74LS124	2-44		74170	2-91	54LS279	74LS279	2-168
54125	74125	1-27, 1-80	54LS170	74LS170	2-91		74S280	2-170
54LS125	74LS125	1-27, 1-80	54173	74173	2-96		74S281	2-173
54126	74126	1-27, 1-80	54LS173	74LS173	2-96	54LS283	74LS283	2-17
54LS126	74LS126	1-27, 1-80	54174	74174	2-98	54S287	74S287	2-177
54132	74132	1-27, 1-48	54LS174	74LS174	2-98	54S289	74S289	2-179
54LS132	74LS132	1-27, 1-48		74S174	2-98	54LS295A	74LS295A	2-182
	74S133	1-28, 1-36	54175	74175	2-98	54LS298	74LS298	2-184
	74S134	1-28, 1-80	54LS175	74LS175	2-98	54365	74365	1-32, 1-86
	74S135	1-28, 1-82		74S175	2-98	54LS365	74LS365	1-32, 1-86
54LS136	74LS136	1-29, 1-84	54176	74176	2-101	54366	74366	1-32, 1-86
	74S136	1-29, 1-84	54177	74177	2-101	54LS366	74LS366	1-32, 1-86
54LS138	74LS138	2-46	54180	74180	2-105	54367	74367	1-32, 1-86
	74S138	2-46	54181	74181	2-107	54LS367	74LS367	1-32, 1-86

Note: When there are two sets of page numbers, the first designates the connection diagram page; the second indicates electrical tables.



DEVICE			DEVICE			DEVICE		
MIL	COML	PAGE NO.	MIL	COML	PAGE NO.	MIL	COML	PAGE NO.
54368	74368	1-33, 1-86	7551	8551	3-62		9006C	4-15
54LS368	74LS368	1-33, 1-86	75L51	85L51	3-62		9008C	4-15
54LS374	74LS374	2-187	7552	8552	3-64		9009C	4-15
54LS386	74LS386	1-34, 1-72	75L52	85L52	3-64		9012C	4-15
54S387	74S387	2-177	7553	8553	3-70		9016C	4-15
54LS395	74LS395	2-189	7554	8554	3-64	9024	8024	4-17
54LS670	74LS670	2-191	75L54	85L54	3-64		9093	4-1
	80L06	3-1	7555	8555	3-72		9094	4-1
7090	8090	3-3	7556	8556	3-72		9097	4-1
7091	8091	3-3	7560	8560	3-76		9099	4-1
7092	8092	3-3	75L60	85L60	3-76	9300	8300	4-19
7093	8093	3-5	7563	8563	3-76	9301	8301	4-22
7094	8094	3-5	75L63	85L63	3-76	9309	8309	4-24
7095	8095	3-7	75S68	85S68	3-82	9310	8310	4-27
70L95	80L95	3-7	7570	8570	3-86	9311	8311	4-33
7096	8096	3-7	7573	8573	3-89	9312	8312	4-24
70L96	80L96	3-7	7574	8574	3-92	9316	8316	4-27
7097	8097	3-7	7575	8575	3-95	9318	8318	4-36
70L97	80L97	3-7	7576	8576	3-95	9322	8322	4-38
7098	8098	3-7	7577	8577	3-101	9334	8334	4-40
70L98	80L98	3-7	7578	8578	3-104	9601	8601	4-43
7099	8099	3-9		8581	3-107	9602	8602	4-46
7121	8121	3-11	7590	8590	3-110			
71L22	81L22	3-13	7595	8595	3-113			
7123	8123	3-13	7596	8596	3-116			
71L23	81L23	3-13	7597	8597	3-119			
7130	8130	3-17	7598	8598	3-122			
7131	8131	3-19	7599	8599	3-127			
7136	8136	3-19	7613	8613	3-40			
7160	8160	3-17	76L13	86L13	3-40			
71LS95	81LS95	3-21	76L24	86L24	3-131			
71LS96	81LS96	3-21	76L25	86L25	3-134			
71LS97	81LS97	3-21	76L70	86L70	3-86			
71LS98	81LS98	3-21	76L75	86L75	3-137			
7200	8200	3-23	76L76	86L76	3-137			
7210	8210	3-25	7678	8678	3-140			
7211	8211	3-25	7679	8679	3-140			
7214	8214	3-28	76L90	86L90	3-110			
7219	8219	3-28	76L93	86L93	3-142			
7220	8220	3-32	76L97	86L97	3-144			
7223	8223	3-35	76L99	86L99	3-148			
7230	8230	3-37	7795	8795	3-113			
7280	8280	4-11	7796	8796	3-116			
7281	8281	4-11	7853	8853	3-151			
7288	8288	4-11	7875A	8875A	3-154			
7290	8290	4-11	7875B	8875B	3-154			
7291	8291	4-11		8898	3-156			
7511	8511	3-40		8899	3-156			
75L11	85L11	3-40	7280	8280	4-11			
7512	8512	3-40	7281	8281	4-11			
75L12	85L12	3-40	7288	8288	4-11			
7520	8520	3-44	7290	8290	4-11			
	8531	3-49	7291	8291	4-11			
7542	8542	3-52		9002C	4-15			
7544	8544	3-54		9003C	4-15			
7546	8546	3-56		9004C	4-15			
	85S50	3-60		9005C	4-15			

Note: When there are two sets of page numbers, the first designates the connection diagram page; the second indicates electrical tables.

Alpha-Numerical Index	iii
TRI-STATE Selection Guide	xvi
TTL Families Comparison Guide	xviii
Industry Cross Reference Guide	xix
Functional Index/Selection Guides	xxv
Packages	xli

54/74 SSI—SECTION 1

DM5400/DM7400 Quad 2-Input NAND Gates	1-1, 1-36
DM54H00/DM74H00 Quad 2-Input NAND Gates	1-1, 1-36
DM54L00/DM74L00 Quad 2-Input NAND Gates	1-1, 1-36
DM54LS00/DM74LS00 Quad 2-Input NAND Gates	1-1, 1-36
DM74S00 Quad 2-Input NAND Gates	1-1, 1-36
DM5401/DM7401 Quad 2-Input NAND Gates with Open-Collector Outputs	1-1, 1-38
DM54H01/DM74H01 Quad 2-Input NAND Gates with Open-Collector Outputs	1-1, 1-38
DM54L01/DM74L01 Quad 2-Input NAND Gates with Open-Collector Outputs	1-1, 1-38
DM54LS01/DM74LS01 Quad 2-Input NAND Gates with Open-Collector Outputs	1-1, 1-38
DM5402/DM7402 Quad 2-Input NOR Gates	1-2, 1-40
DM54L02/DM74L02 Quad 2-Input NOR Gates	1-2, 1-40
DM54LS02/DM74LS02 Quad 2-Input NOR Gates	1-2, 1-40
DM74S02 Quad 2-Input NOR Gates	1-2, 1-40
DM5403/DM7403 Quad 2-Input NAND Gates with Open-Collector Outputs	1-2, 1-38
DM54L03/DM74L03 Quad 2-Input NAND Gates with Open-Collector Outputs	1-2, 1-38
DM54LS03/DM74LS03 Quad 2-Input NAND Gates with Open-Collector Outputs	1-2, 1-38
DM74S03 Quad 2-Input NAND Gates with Open-Collector Outputs	1-2, 1-38
DM5404/DM7404 Hex Inverters	1-2, 1-36
DM54H04/DM74H04 Hex Inverters	1-2, 1-36
DM54L04/DM74L04 Hex Inverters	1-2, 1-36
DM54LS04/DM74LS04 Hex Inverters	1-2, 1-36
DM74S04 Hex Inverters	1-2, 1-36
DM5405/DM7405 Hex Inverters with Open-Collector Outputs	1-3, 1-38
DM54H05/DM74H05 Hex Inverters with Open-Collector Outputs	1-3, 1-38
DM54L05/DM74L05 Hex Inverters with Open-Collector Outputs	1-3, 1-38
DM54LS05/DM74LS05 Hex Inverters with Open-Collector Outputs	1-3, 1-38
DM74S05 Hex Inverters with Open-Collector Outputs	1-3, 1-38
DM5406/DM7406 Hex Buffers with Open-Collector High-Voltage Outputs	1-3, 1-42
DM5407/DM7407 Hex Buffers with Open-Collector High-Voltage Outputs	1-3, 1-42
DM5408/DM7408 Quad 2-Input AND Gates	1-4, 1-44
DM54H08/DM74H08 Quad 2-Input AND Gates	1-4, 1-44
DM54L08/DM74L08 Quad 2-Input AND Gates	1-4, 1-44
DM54LS08/DM74LS08 Quad 2-Input AND Gates	1-4, 1-44
DM5409/DM7409 Quad 2-Input AND Gates with Open-Collector Outputs	1-4, 1-46
DM54L09/DM74L09 Quad 2-Input AND Gates with Open-Collector Outputs	1-4, 1-46
DM54LS09/DM74LS09 Quad 2-Input AND Gates with Open-Collector Outputs	1-4, 1-46
DM5410/DM7410 Triple 3-Input NAND Gates	1-4, 1-36
DM54H10/DM74H10 Triple 3-Input NAND Gates	1-4, 1-36
DM54L10/DM74L10 Triple 3-Input NAND Gates	1-4, 1-36
DM54LS10/DM74LS10 Triple 3-Input NAND Gates	1-4, 1-36
DM74S10 Triple 3-Input NAND Gates	1-4, 1-36
DM5411/DM7411 Triple 3-Input AND Gates	1-5, 1-44
DM54H11/DM74H11 Triple 3-Input AND Gates	1-5, 1-44
DM54L11/DM74L11 Triple 3-Input AND Gates	1-5, 1-44
DM54LS11/DM74LS11 Triple 3-Input AND Gates	1-5, 1-44
DM74S11 Triple 3-Input AND Gates	1-5, 1-44
DM54LS12/DM74LS12 Triple 3-Input NAND Gates with Open-Collector Outputs	1-5, 1-38
DM5413/DM7413 Dual 4-Input NAND Schmitt Triggers	1-5, 1-48
DM54LS13/DM74LS13 Dual 4-Input NAND Schmitt Triggers	1-5, 1-48
DM5414/DM7414 Hex Schmitt Triggers	1-6, 1-48

Note: When there are two sets of page numbers, the first designates the connection diagram page; the second indicates electrical tables.



DM54LS14/DM74LS14 Hex Schmitt Triggers	1-6, 1-48
DM54LS15/DM74LS15 Triple 3-Input AND Gates with Open-Collector Outputs	1-6, 1-46
DM74S15 Triple 3-Input AND Gates with Open-Collector Outputs	1-6, 1-46
DM5416/DM7416 Hex Buffers with Open-Collector High-Voltage Outputs	1-6, 1-42
DM5417/DM7417 Hex Buffers with Open-Collector High-Voltage Outputs	1-7, 1-42
DM5420/DM7420 Dual 4-Input NAND Gates	1-7, 1-36
DM54H20/DM74H20 Dual 4-Input NAND Gates	1-7, 1-36
DM54L20/DM74L20 Dual 4-Input NAND Gates	1-7, 1-36
DM54LS20/DM74LS20 Dual 4-Input NAND Gates	1-7, 1-36
DM74S20 Dual 4-Input NAND Gates	1-7, 1-36
DM54H21/DM74H21 Dual 4-Input AND Gates	1-7, 1-44
DM54LS21/DM74LS21 Dual 4-Input AND Gates	1-7, 1-44
DM54H22/DM74H22 Dual 4-Input NAND Gates with Open-Collector Outputs	1-8, 1-38
DM54LS22/DM74LS22 Dual 4-Input NAND Gates with Open-Collector Outputs	1-8, 1-38
DM74S22 Dual 4-Input NAND Gates with Open-Collector Outputs	1-8, 1-38
DM5423/DM7423 Expandable Dual 4-Input NOR Gates	1-8, 1-50
DM5425/DM7425 Dual 4-Input NOR Gates	1-8, 1-40
DM5426/DM7426 Quad 2-Input High-Voltage NAND Gates	1-9, 1-42
DM54L26/DM74L26 Quad 2-Input High-Voltage NAND Gates	1-9, 1-42
DM54LS26/DM74LS26 Quad 2-Input High-Voltage NAND Gates	1-9, 1-42
DM5427/DM7427 Triple 3-Input NOR Gates	1-9, 1-40
DM54LS27/DM74LS27 Triple 3-Input NOR Gates	1-9, 1-40
DM5430/DM7430 8-Input NAND Gates	1-9, 1-36
DM54H30/DM74H30 8-Input NAND Gates	1-9, 1-36
DM54L30/DM74L30 8-Input NAND Gates	1-9, 1-36
DM54LS30/DM74LS30 8-Input NAND Gates	1-9, 1-36
DM74S30 8-Input NAND Gates	1-9, 1-36
DM5432/DM7432 Quad 2-Input OR Gates	1-10, 1-52
DM54L32/DM74L32 Quad 2-Input OR Gates	1-10, 1-52
DM54LS32/DM74LS32 Quad 2-Input OR Gates	1-10, 1-52
DM5437/DM7437 Quad 2-Input NAND Buffers	1-10, 1-54
DM54LS37/DM74LS37 Quad 2-Input NAND Buffers	1-10, 1-54
DM5438/DM7438 Quad 2-Input NAND Buffers with Open-Collector Outputs	1-10, 1-42
DM54LS38/DM74LS38 Quad 2-Input NAND Buffers with Open-Collector Outputs	1-10, 1-42
DM5440/DM7440 Dual 4-Input NAND Buffers	1-11, 1-54
DM54H40/DM74H40 Dual 4-Input NAND Buffers	1-11, 1-54
DM54LS40/DM74LS40 Dual 4-Input NAND Buffers	1-11, 1-54
DM74S40 Dual 4-Input NAND Buffers	1-11, 1-54
DM5450/DM7450 Dual 2-Wide 2-Input AND-OR-INVERT Gates	1-11, 1-50
DM54H50/DM74H50 Dual 2-Wide 2-Input AND-OR-INVERT Gates	1-11, 1-50
DM5451/DM7451 Dual 2-Wide 2-Input AND-OR-INVERT Gates	1-12, 1-56
DM54H51/DM74H51 Dual 2-Wide 2-Input AND-OR-INVERT Gates	1-12, 1-56
DM54L51/DM74L51 Dual 2-Wide 2-Input AND-OR-INVERT Gates	1-12, 1-56
DM54LS51/DM74LS51 Dual 2-Wide 2-Input AND-OR-INVERT Gates	1-12, 1-56
DM74S51 Dual 2-Wide 2-Input AND-OR-INVERT Gates	1-12, 1-56
DM54H52/DM74H52 Expandable 4-Wide AND-OR Gates	1-13, 1-50
DM5453/DM7453 Expandable 4-Wide AND-OR-INVERT Gates	1-13, 1-50
DM54H53/DM74H53 Expandable 4-Wide AND-OR-INVERT Gates	1-13, 1-50
DM5454/DM7454 4-Wide AND-OR-INVERT Gates	1-14, 1-56
DM54H54/DM74H54 4-Wide AND-OR-INVERT Gates	1-14, 1-56
DM54L54/DM74L54 4-Wide AND-OR-INVERT Gates	1-14, 1-56
DM54LS54/DM74LS54 4-Wide AND-OR-INVERT Gates	1-14, 1-56
DM54H55/DM74H55 2-Wide 4-Input AND-OR-INVERT Gates	1-15, 1-50
DM54L55/DM74L55 2-Wide 4-Input AND-OR-INVERT Gates	1-15, 1-56
DM54LS55/DM74LS55 2-Wide 4-Input AND-OR-INVERT Gates	1-15, 1-56
DM5460/DM7460 Dual 4-Input Expanders	1-15, 1-58
DM54H60/DM74H60 Dual 4-Input Expanders	1-15, 1-59
DM54H61/DM74H61 Triple 3-Input Expanders	1-16, 1-60
DM54H62/DM74H62 4-Wide AND-OR Expanders	1-16, 1-59

Note: When there are two sets of page numbers, the first designates the connection diagram page; the second indicates electrical tables.

DM74S64 4-Wide AND-OR-INVERT Gates	1-16, 1-56
DM74S65 4-Wide AND-OR-INVERT Gates with Open-Collector Outputs	1-17, 1-61
DM5470/DM7470 AND-Gated J-K Positive-Edge-Triggered Flip-Flops with Preset and Clear	1-18, 1-62
DM54H71/DM74H71 AND-OR-Gated J-K Master-Slave Flip-Flops with Preset	1-18, 1-64
DM54L71/DM74L71 AND-Gated R-S Master-Slave Flip-Flops with Preset and Clear	1-19, 1-66
DM5472/DM7472 AND-Gated J-K Master-Slave Flip-Flops with Preset and Clear	1-19, 1-62
DM54H72/DM74H72 AND-Gated J-K Master-Slave Flip-Flops with Preset and Clear	1-19, 1-64
DM54L72/DM74L72 AND-Gated J-K Master-Slave Flip-Flops with Preset and Clear	1-19, 1-66
DM5473/DM7473 Dual J-K Flip-Flops with Clear	1-20, 1-62
DM54H73/DM74H73 Dual J-K Flip-Flops with Clear	1-20, 1-64
DM54L73/DM74L73 Dual J-K Flip-Flops with Clear	1-20, 1-66
DM54LS73/DM74LS73 Dual J-K Flip-Flops with Clear	1-20, 1-68
DM5474/DM7474 Dual D Positive-Edge-Triggered Flip-Flops with Preset and Clear	1-20, 1-62
DM54H74/DM74H74 Dual D Positive-Edge-Triggered Flip-Flops with Preset and Clear	1-20, 1-64
DM54L74/DM74L74 Dual D Positive-Edge-Triggered Flip-Flops with Preset and Clear	1-20, 1-66
DM54LS74/DM74LS74 Dual D Positive-Edge-Triggered Flip-Flops with Preset and Clear	1-20, 1-68
DM74S74 Dual D Positive-Edge-Triggered Flip-Flops with Preset and Clear	1-20, 1-70
DM5476/DM7476 Dual J-K Flip-Flops with Preset and Clear	1-21, 1-62
DM54H76/DM74H76 Dual J-K Flip-Flops with Preset and Clear	1-21, 1-64
DM54LS76/DM74LS76 Dual J-K Flip-Flops with Preset and Clear	1-21, 1-68
DM54H78/DM74H78 Dual J-K Flip-Flops with Preset, Common Clear and Common Clock	1-21, 1-64
DM54L78/DM74L78 Dual J-K Flip-Flops with Preset, Common Clear and Common Clock	1-21, 1-66
DM54LS78/DM74LS78 Dual J-K Flip-Flops with Preset, Common Clear and Common Clock	1-21, 1-68
DM5486/DM7486 Quad EXCLUSIVE-OR Gates	1-22, 1-72
DM54L86/DM74L86 Quad EXCLUSIVE-OR Gates	1-22, 1-72
DM54LS86/DM74LS86 Quad EXCLUSIVE-OR Gates	1-22, 1-72
DM74S86 Quad EXCLUSIVE-OR Gates	1-22, 1-72
DM54H103/DM74H103 Dual J-K Negative-Edge-Triggered Flip-Flops with Clear	1-23, 1-74
DM54H106/DM74H106 Dual J-K Negative-Edge-Triggered Flip-Flops with Preset and Clear	1-23, 1-74
DM54107/DM74107 Dual J-K Master-Slave Flip-Flops with Clear	1-23, 1-62
DM54LS107/DM74LS107 Dual J-K Master-Slave Flip-Flops with Clear	1-23, 1-68
DM54H108/DM74H108 Dual J-K Negative-Edge-Triggered Flip-Flops with Preset, Common Clear, and Common Clock	1-24, 1-74
DM54109/DM74109 Dual J-K Positive-Edge-Triggered Flip-Flops with Preset and Clear	1-24, 1-62
DM54LS109/DM74LS109 Dual J-K Positive-Edge-Triggered Flip-Flops with Preset and Clear	1-24, 1-68
DM54LS112/DM74LS112 Dual J-K Negative-Edge-Triggered Flip-Flops with Preset and Clear	1-24, 1-68
DM74S112 Dual J-K Negative-Edge-Triggered Flip-Flops with Preset and Clear	1-24, 1-70
DM54LS113/DM74LS113 Dual J-K Negative-Edge-Triggered Flip-Flops with Preset	1-25, 1-68
DM74S113 Dual J-K Negative-Edge-Triggered Flip-Flops with Preset	1-25, 1-70
DM54LS114/DM74LS114 Dual J-K Negative-Edge-Triggered Flip-Flops with Preset, Common Clear, and Common Clock	1-25, 1-68
DM74S114 Dual J-K Negative-Edge-Triggered Flip-Flops with Preset, Common Clear, and Common Clock	1-25, 1-70
DM54121/DM74121 One Shots	1-26, 1-76
DM54LS122/DM74LS122 Retriggerable One Shots with Clear	1-26, 1-78
DM54123/DM74123 Dual Retriggerable One Shots with Clear	1-26, 1-78
DM54L123A/DM74L123A Dual Retriggerable One Shots with Clear	1-26, 1-78
DM54LS123/DM74LS123 Dual Retriggerable One Shots with Clear	1-26, 1-78
DM54125/DM74125 TRI-STATE Quad Buffers	1-27, 1-80
DM54LS125/DM74LS125 TRI-STATE Quad Buffers	1-27, 1-80
DM54126/DM74126 TRI-STATE Quad Buffers	1-27, 1-80
DM54LS126/DM74LS126 TRI-STATE Quad Buffers	1-27, 1-80
DM54132/DM74132 Quad 2-Input NAND Schmitt Triggers	1-27, 1-48
DM54LS132/DM74LS132 Quad 2-Input NAND Schmitt Triggers	1-27, 1-48
DM74S133 13-Input NAND Gates	1-28, 1-36
DM74S134 TRI-STATE 12-Input NAND Gates	1-28, 1-80
DM74S135 Quad EXCLUSIVE-OR/NOR Gates	1-28, 1-82
DM54LS136/DM74LS136 Quad EXCLUSIVE-OR Gates with Open-Collector Outputs	1-29, 1-84
DM74S136 Quad EXCLUSIVE-OR Gates with Open-Collector Outputs	1-29, 1-84
DM74S140 Dual 50-Ohm Line Drivers	1-29, 1-54

Note: When there are two sets of page numbers, the first designates the connection diagram page; the second indicates electrical tables.



DM54LS221/DM74LS221 Dual One Shots with Schmitt-Trigger Inputs	1-30, 1-76
DM74S260 Dual 5-Input NOR Gates	1-31, 1-40
DM54LS266/DM74LS266 Quad EXCLUSIVE-NOR Gates with Open-Collector Outputs	1-31, 1-84
DM54365/DM74365 TRI-STATE Hex Buffers	1-32, 1-86
DM54LS365/DM74LS365 TRI-STATE Hex Buffers	1-32, 1-86
DM54366/DM74366 TRI-STATE Hex Buffers	1-32, 1-86
DM54LS366/DM74LS366 TRI-STATE Hex Buffers	1-32, 1-86
DM54367/DM74367 TRI-STATE Hex Buffers	1-32, 1-86
DM54LS367/DM74LS367 TRI-STATE Hex Buffers	1-32, 1-86
DM54368/DM74368 TRI-STATE Hex Buffers	1-33, 1-86
DM54LS368/DM74LS368 TRI-STATE Hex Buffers	1-33, 1-86
DM54LS386/DM74LS386 Quad EXCLUSIVE-OR Gates	1-34, 1-72

54/74 MSI—SECTION 2

DM5441A/DM7441A BCD/Decimal Decoders/Drivers	2-1
DM5442/DM7442 BCD/Decimal Decoders	2-3
DM54L42A/DM74L42A BCD/Decimal Decoders	2-3
DM54LS42/DM74LS42 BCD/Decimal Decoders	2-3
DM5445/DM7445 BCD/Decimal Decoders/Drivers	2-6
DM5446A/DM7446A BCD/7-Segment Decoders/Drivers	2-8
DM5447A/DM7447A BCD/7-Segment Decoders/Drivers	2-8
DM54LS47/DM74LS47 BCD/7-Segment Decoders/Drivers	2-8
DM5448/DM7448 BCD/7-Segment Decoders/Drivers	2-8
DM54LS48/DM74LS48 BCD/7-Segment Decoders/Drivers	2-8
DM54LS49/DM74LS49 BCD/7-Segment Decoders/Drivers	2-8
DM5475/DM7475 Quad Latches	2-14
DM54L75A/DM74L75A Quad Latches	2-14
DM54LS75/DM74LS75 Quad Latches	2-14
DM54LS77/DM74LS77 Quad Latches	2-14
DM5483/DM7483 4-Bit Binary Adders with Fast Carry	2-17
DM54LS83A/DM74LS83A 4-Bit Binary Adders with Fast Carry	2-17
DM5485/DM7485 4-Bit Magnitude Comparators	2-21
DM54L85/DM74L85 4-Bit Magnitude Comparators	2-21
DM54LS85/DM74LS85 4-Bit Magnitude Comparators	2-21
DM5488/DM7488 256-Bit Read Only Memories	2-25
DM5489/DM7489 64-Bit Read/Write Memories	2-28
DM54L89A/DM74L89A 64-Bit Read/Write Memories	2-28
DM5490A/DM7490A Decade, Divide by 12, and Binary Counters	2-30
DM54L90/DM74L90 Decade, Divide by 12, and Binary Counters	2-30
DM54LS90/DM74LS90 Decade, Divide by 12, and Binary Counters	2-30
DM5491A/DM7491A 8-Bit Serial Shift Registers	2-34
DM54L91/DM74L91 8-Bit Serial Shift Registers	2-34
DM5492A/DM7492A Decade, Divide by 12, and Binary Counters	2-30
DM54LS92/DM74LS92 Decade, Divide by 12, and Binary Counters	2-30
DM5493A/DM7493A Decade, Divide by 12, and Binary Counters	2-30
DM54L93/DM74L93 Decade, Divide by 12, and Binary Counters	2-30
DM54LS93/DM74LS93 Decade, Divide by 12, and Binary Counters	2-30
DM5495/DM7495 4-Bit Parallel Access Shift Registers	2-36
DM54L95/DM74L95 4-Bit Parallel Access Shift Registers	2-36
DM54LS95B/DM74LS95B 4-Bit Parallel Access Shift Registers	2-36
DM5496/DM7496 5-Bit Shift Registers	2-39
DM54LS96/DM74LS96 5-Bit Shift Registers	2-39
DM54L98/DM74L98 4-Bit Storage Registers	2-42
DM54LS124/DM74LS124 Dual Voltage Controlled Oscillators	2-44
DM54LS138/DM74LS138 Decoders/Demultiplexers	2-46
DM74S138 Decoders/Demultiplexers	2-46
DM54LS139/DM74LS139 Decoders/Demultiplexers	2-46
DM74S139 Decoders/Demultiplexers	2-46

Note: When there are two sets of page numbers, the first designates the connection diagram page; the second indicates electrical tables.

DM54141/DM74141	BCD/Decimal Decoders/Drivers	2-1
DM54145/DM74145	BCD/Decimal Decoders/Drivers	2-6
DM54147/DM74147	Priority Encoders	2-49
DM54148/DM74148	Priority Encoders	2-49
DM54150/DM74150	Data Selectors/Multiplexers	2-53
DM54151A/DM74151A	Data Selectors/Multiplexers	2-53
DM54LS151/DM74LS151	Data Selectors/Multiplexers	2-53
DM74S151	Data Selectors/Multiplexers	2-53
DM54153/DM74153	Dual 4-Line to 1-Line Data Selectors/Multiplexers	2-57
DM54LS153/DM74LS153	Dual 4-Line to 1-Line Data Selectors/Multiplexers	2-57
DM74S153	Dual 4-Line to 1-Line Data Selectors/Multiplexers	2-57
DM54154/DM74154	4-Line to 16-Line Decoders/Demultiplexers	2-60
DM54L154A/DM74L154A	4-Line to 16-Line Decoders/Demultiplexers	2-60
DM54LS154/DM74LS154	4-Line to 16-Line Decoders/Demultiplexers	2-60
DM54155/DM74155	Dual 2-Line to 4-Line Decoders/Demultiplexers	2-63
DM54LS155/DM74LS155	Dual 2-Line to 4-Line Decoders/Demultiplexers	2-63
DM54156/DM74156	Dual 2-Line to 4-Line Decoders/Demultiplexers	2-63
DM54LS156/DM74LS156	Dual 2-Line to 4-Line Decoders/Demultiplexers	2-63
DM54157/DM74157	Quad 2-Line to 1-Line Data Selectors/Multiplexers	2-66
DM54L157A/DM74L157A	Quad 2-Line to 1-Line Data Selectors/Multiplexers	2-66
DM54LS157/DM74LS157	Quad 2-Line to 1-Line Data Selectors/Multiplexers	2-66
DM74S157	Quad 2-Line to 1-Line Data Selectors/Multiplexers	2-66
DM54LS158/DM74LS158	Quad 2-Line to 1-Line Data Selectors/Multiplexers	2-66
DM74S158	Quad 2-Line to 1-Line Data Selectors/Multiplexers	2-66
DM54160A/DM74160A	Synchronous 4-Bit Counters	2-70
DM54LS160/DM74LS160	Synchronous 4-Bit Counters	2-70
DM54161A/DM74161A	Synchronous 4-Bit Counters	2-70
DM54LS161/DM74LS161	Synchronous 4-Bit Counters	2-70
DM54162A/DM74162A	Synchronous 4-Bit Counters	2-70
DM54LS162/DM74LS162	Synchronous 4-Bit Counters	2-70
DM54163A/DM74163A	Synchronous 4-Bit Counters	2-70
DM54LS163/DM74LS163	Synchronous 4-Bit Counters	2-70
DM54164/DM74164	8-Bit Serial In/Parallel Out Shift Registers	2-76
DM54L164A/DM74L164A	8-Bit Serial In/Parallel Out Shift Registers	2-76
DM54LS164/DM74LS164	8-Bit Serial In/Parallel Out Shift Registers	2-76
DM54165/DM74165	8-Bit Parallel In/Serial Out Shift Registers	2-79
DM54L165A/DM74L165A	8-Bit Parallel In/Serial Out Shift Registers	2-79
DM54166/DM74166	8-Bit Parallel In/Serial Out Shift Registers	2-82
DM54LS168/DM74LS168	Synchronous 4-Bit Up/Down Counters	2-85
DM54LS169/DM74LS169	Synchronous 4-Bit Up/Down Counters	2-85
DM74170	4 by 4 Register Files	2-91
DM54LS170/DM74LS170	4 by 4 Register Files	2-91
DM54173/DM74173	TRI-STATE Quad D Registers	2-96
DM54LS173/DM74LS173	TRI-STATE Quad D Registers	2-96
DM54174/DM74174	Hex/Quad D Flip-Flops with Clear	2-98
DM54LS174/DM74LS174	Hex/Quad D Flip-Flops with Clear	2-98
DM74S174	Hex/Quad D Flip-Flops with Clear	2-98
DM54175/DM74175	Hex/Quad D Flip-Flops with Clear	2-98
DM54LS175/DM74LS175	Hex/Quad D Flip-Flops with Clear	2-98
DM74S175	Hex/Quad D Flip-Flops with Clear	2-98
DM54176/DM74176	Presetable Decade and Binary Counters	2-101
DM54177/DM74177	Presetable Decade and Binary Counters	2-101
DM54180/DM74180	9-Bit Parity Generators/Checkers	2-105
DM54181/DM74181	Arithmetic Logic Unit/Function Generators	2-107
DM54182/DM74182	Look-Ahead Carry Generators	2-113
DM74S182	Look-Ahead Carry Generators	2-113
DM54184/DM74184	BCD-to-Binary and Binary-to-BCD Converters	2-116
DM54185A/DM74185A	BCD-to-Binary and Binary-to-BCD Converters	2-116
DM54187/DM74187	1024-Bit Read Only Memories	2-122



DM54L187A/DM74L187A 1024-Bit Read Only Memories	2-122
DM54S189/DM74S189 TRI-STATE 64-Bit Read/Write Memories	2-125
DM54190/DM74190 Synchronous Up/Down Counters with Mode Control	2-128
DM54LS190/DM74LS190 Synchronous Up/Down Counters with Mode Control	2-128
DM54191/DM74191 Synchronous Up/Down Counters with Mode Control	2-128
DM54LS191/DM74LS191 Synchronous Up/Down Counters with Mode Control	2-128
DM54192/DM74192 Synchronous Up/Down Counters with Dual Clock	2-133
DM54L192/DM74L192 Synchronous Up/Down Counters with Dual Clock	2-133
DM54LS192/DM74LS192 Synchronous Up/Down Counters with Dual Clock	2-133
DM54193/DM74193 Synchronous Up/Down Counters with Dual Clock	2-133
DM54L193/DM74L193 Synchronous Up/Down Counters with Dual Clock	2-133
DM54LS193/DM74LS193 Synchronous Up/Down Counters with Dual Clock	2-133
DM54194/DM74194 4-Bit Bidirectional Universal Shift Registers	2-140
DM54LS194A/DM74LS194A 4-Bit Bidirectional Universal Shift Registers	2-140
DM74S194 4-Bit Bidirectional Universal Shift Registers	2-140
DM54195/DM74195 4-Bit Parallel Access Shift Registers	2-144
DM54LS195A/DM74LS195A 4-Bit Parallel Access Shift Registers	2-144
DM74S195 4-Bit Parallel Access Shift Registers	2-144
DM54196/DM74196 Presettable Decade and Binary Counters	2-101
DM54LS196/DM74LS196 Presettable Decade and Binary Counters	2-101
DM54197/DM74197 Presettable Decade and Binary Counters	2-101
DM54LS197/DM74LS197 Presettable Decade and Binary Counters	2-101
DM54198/DM74198 8-Bit Shift Registers	2-148
DM54199/DM74199 8-Bit Shift Registers	2-148
DM54S200/DM74S200 TRI-STATE 256-Bit Read/Write Memories	2-154
DM54S206/DM74S206 256-Bit Read/Write Memories with Open-Collector Outputs	2-157
DM54251/DM74251 TRI-STATE Data Selectors/Multiplexers	2-160
DM54LS251/DM74LS251 TRI-STATE Data Selectors/Multiplexers	2-160
DM74S251 TRI-STATE Data Selectors/Multiplexers	2-160
DM54LS253/DM74LS253 TRI-STATE Data Selectors/Multiplexers	2-163
DM74S253 TRI-STATE Data Selectors/Multiplexers	2-163
DM54LS257/DM74LS257 TRI-STATE Quad 2-Data Selectors/Multiplexers	2-165
DM74S257 TRI-STATE Quad 2-Data Selectors/Multiplexers	2-165
DM54LS258/DM74LS258 TRI-STATE Quad 2-Data Selectors/Multiplexers	2-165
DM74S258 TRI-STATE Quad 2-Data Selectors/Multiplexers	2-165
DM54LS279/DM74LS279 Quad S-R Latches	2-168
DM74S280 9-Bit Parity Generators/Checkers	2-170
DM74S281 4-Bit Parallel Binary Accumulators	2-173
DM54LS283/DM74LS283 4-Bit Binary Adders with Fast Carry	2-17
DM54S287/DM74S287 TRI-STATE 1024-Bit Programmable Read Only Memories	2-177
DM54S289/DM74S289 64-Bit Read/Write Memories with Open-Collector Outputs	2-179
DM54LS295A/DM74LS295A TRI-STATE 4-Bit Parallel Access Shift Registers	2-182
DM54LS298/DM74LS298 Quad 2-Multiplexers with Storage	2-184
DM54LS374/DM74LS374 TRI-STATE Octal D Flip-Flops	2-187
DM54S387/DM74S387 1024-Bit Programmable Read Only Memories	2-177
DM54LS395/DM74LS395 TRI-STATE 4-Bit Cascadable Shift Registers	2-189
DM54LS670/DM74LS670 TRI-STATE 4 by 4 Register Files	2-191

PROPRIETARY—SECTION 3

DM80L06 Quad 2-Input NAND Gates with Resistive Pull-Ups	3-1
DM7090/DM8090 Quad Inverters plus Dual 2-Input NAND Gates	3-3
DM7091/DM8091 Quad 2-Input NAND Buffers	3-3
DM7092/DM8092 Dual 5-Input NAND Gates	3-3
DM7093/DM8093 TRI-STATE Quad Buffers	3-5
DM7094/DM8094 TRI-STATE Quad Buffers	3-5
DM7095/DM8095 TRI-STATE Hex Buffers	3-7
DM70L95/DM80L95 TRI-STATE Hex Buffers	3-7
DM7096/DM8096 TRI-STATE Hex Buffers	3-7



DM70L96/DM80L96 TRI-STATE Hex Buffers	3-7
DM7097/DM8097 TRI-STATE Hex Buffers	3-7
DM70L97/DM80L97 TRI-STATE Hex Buffers	3-7
DM7098/DM8098 TRI-STATE Hex Buffers	3-7
DM70L98/DM80L98 TRI-STATE Hex Buffers	3-7
DM7099/DM8099 TRI-STATE Quad 2-Input NAND Buffers	3-9
DM7121/DM8121 TRI-STATE Data Selectors/Multiplexers	3-11
DM71L22/DM81L22 Quad 2-Input Data Selectors/Multiplexers	3-13
DM7123/DM8123 TRI-STATE Quad 2-Input Data Selectors/Multiplexers	3-13
DM71L23/DM81L23 TRI-STATE Quad 2-Input Data Selectors/Multiplexers	3-13
DM7130/DM8130 10-Bit Magnitude Comparators	3-17
DM7131/DM8131 6-Bit Unified Bus Comparators	3-19
DM7136/DM8136 6-Bit Unified Bus Comparators	3-19
DM7160/DM8160 6-Bit Magnitude Comparators	3-17
DM71LS95/DM81LS95 TRI-STATE Octal Buffers	3-21
DM71LS96/DM81LS96 TRI-STATE Octal Buffers	3-21
DM71LS97/DM81LS97 TRI-STATE Octal Buffers	3-21
DM71LS98/DM81LS98 TRI-STATE Octal Buffers	3-21
DM7200/DM8200 4-Bit Magnitude Comparators	3-23
DM7210/DM8210 8-Line Data Selectors/Multiplexers	3-25
DM7211/DM8211 8-Line Data Selectors/Multiplexers	3-25
DM7214/DM8214 TRI-STATE Data Selectors/Multiplexers	3-28
DM7219/DM8219 TRI-STATE Data Selectors/Multiplexers	3-28
DM7220/DM8220 9-Bit Parity Generators/Checkers	3-32
DM7223/DM8223 1-Line to 8-Line Demultiplexers	3-35
DM7230/DM8230 TRI-STATE Dual 2/4 Demultiplexers	3-37
DM7511/DM8511 Dual Gated Flip-Flops	3-40
DM75L11/DM85L11 Dual Gated Flip-Flops	3-40
DM7512/DM8512 Dual Gated Flip-Flops	3-40
DM75L12/DM85L12 Dual Gated Flip-Flops	3-40
DM7520/DM8520 Modulo-N Dividers	3-44
DM8531 TRI-STATE 16k Read Only Memories	3-49
DM7542/DM8542 TRI-STATE Quad I/O Registers	3-52
DM7544/DM8544 TRI-STATE Quad Switch Debouncers	3-54
DM7546/DM8546 TRI-STATE 8-Bit Universal I/O Shift Registers	3-56
DM85S50 6-Bit Shift Registers	3-60
DM7551/DM8551 TRI-STATE 4-Bit D Type Registers	3-62
DM75L51/DM85L51 TRI-STATE 4-Bit D Type Registers	3-62
DM7552/DM8552 TRI-STATE Synchronous Counters/Latches	3-64
DM75L52/DM85L52 TRI-STATE Synchronous Counters/Latches	3-64
DM7553/DM8553 TRI-STATE 8-Bit Latches	3-70
DM7554/DM8554 TRI-STATE Synchronous Counters/Latches	3-64
DM75L54/DM85L54 TRI-STATE Synchronous Counters/Latches	3-64
DM7555/DM8555 TRI-STATE Programmable Decade Counters	3-72
DM7556/DM8556 TRI-STATE Programmable Binary Counters	3-72
DM7560/DM8560 Synchronous 4-Bit Up/Down Decade Counters	3-76
DM75L60/DM85L60 Synchronous 4-Bit Up/Down Decade Counters	3-76
DM7563/DM8563 Synchronous 4-Bit Up/Down Binary Counters	3-76
DM75L63/DM85L63 Synchronous 4-Bit Up/Down Binary Counters	3-76
DM75S68/DM85S68 64-Bit Edge-Triggered Registers	3-82
DM7570/DM8570 8-Bit Serial In/Parallel Out Shift Registers	3-86
DM7573/DM8573 1024-Bit Field Programmable Read Only Memories	3-89
DM7574/DM8574 TRI-STATE 1024-Bit Field Programmable Read Only Memories	3-92
DM7575/DM8575 Programmable Logic Arrays	3-95
DM7576/DM8576 Programmable Logic Arrays	3-95
DM7577/DM8577 256-Bit Programmable Read Only Memories	3-101
DM7578/DM8578 TRI-STATE 256-Bit Programmable Read Only Memories	3-104
DM8581 TRI-STATE 16k Read Only Memories	3-107
DM7590/DM8590 8-Bit Parallel In/Serial Out Shift Registers	3-110



DM7595/DM8595 4096-Bit Read Only Memories	3-113
DM7596/DM8596 TRI-STATE 4096-Bit Read Only Memories	3-116
DM7597/DM8597 TRI-STATE 1024-Bit Read Only Memories	3-119
DM7598/DM8598 TRI-STATE 256-Bit Read Only Memories	3-122
DM7599/DM8599 TRI-STATE 64-Bit Random Access Memories	3-127
DM7613/DM8613 Quad Gated Flip-Flops	3-40
DM7613/DM8613 Quad Gated Flip-Flops	3-40
DM76L24/DM86L24 TRI-STATE Magnitude Comparators with A Almost Equal B	3-131
DM76L25/DM86L25 TRI-STATE 7-Segment to BCD Decoders	3-134
DM76L70/DM86L70 8-Bit Serial In/Parallel Out Shift Registers	3-86
DM76L75/DM86L75 Presettable Decade Counters	3-137
DM76L76/DM86L76 Presettable Binary Counters	3-137
DM7678/DM8678 7 by 9 Character Generators	3-140
DM7679/DM8679 7 by 9 Character Generators	3-140
DM76L90/DM86L90 8-Bit Parallel In/Serial Out Shift Registers	3-110
DM76L93/DM86L93 Binary Counters	3-142
DM76L97/DM86L97 TRI-STATE 1024-Bit Read Only Memories	3-144
DM76L99/DM86L99 TRI-STATE 64-Bit Random Access Memories	3-148
DM7795/DM8795 4096-Bit Read Only Memories	3-113
DM7796/DM8796 TRI-STATE 4096-Bit Read Only Memories	3-116
DM7853/DM8853 Dual Retriggerable Resettable Monostable Multivibrators	3-151
DM7875A/DM8875A TRI-STATE 4-Bit Parallel Binary Multipliers	3-154
DM7875B/DM8875B TRI-STATE 4-Bit Parallel Binary Multipliers	3-154
DM8898 TRI-STATE BCD to Binary Converters	3-156
DM8899 TRI-STATE Binary to BCD Converters	3-156

ADDITIONAL DEVICES—SECTION 4

DM930 Dual 4-Input Gates with Expanders	4-1
DM932 Dual 4-Input Buffers with Expanders	4-1
DM933 Dual 4-Input Extenders	4-1
DM935 Hex Inverters	4-1
DM936 Hex Inverters	4-1
DM937 Hex Inverters	4-1
DM944 Dual 4-Input Power Gates with Expanders	4-1
DM945 R-S Flip-Flops	4-1
DM946 Quad 2-Input Gates	4-1
DM948 R-S Flip-Flops	4-1
DM949 Quad 2-Input Gates	4-1
DM957 Quad 2-Input Buffers	4-1
DM958 Quad 2-Input Power Gates	4-1
DM961 Dual 4-Input Gates with Expanders	4-1
DM962 Triple 3-Input Gates	4-1
DM963 Triple 3-Input Gates	4-1
DM1800 Dual 5-Input Gates	4-1
DM1801 Dual 5-Input Gates	4-1
DM2502/DM2502C Successive Approximation Registers	4-6
DM2503/DM2503C Successive Approximation Registers	4-6
DM2504/DM2504C Successive Approximation Registers	4-6
DM7280/DM8280 Presettable Decade Counters	4-11
DM7281/DM8281 Presettable Binary Counters	4-11
DM7288/DM8288 Presettable Divide by 12 Counters	4-11
DM7290/DM8290 Presettable Decade Counters	4-11
DM7291/DM8291 Presettable Binary Counters	4-11
DM9002C Quad 2-Input NAND Gates	4-15
DM9003C Triple 3-Input NAND Gates	4-15
DM9004C Dual 4-Input NAND Gates	4-15
DM9005C Expandable Dual 2-Input AND-OR-INVERT Gates	4-15
DM9006C Dual 4-Input Expanders	4-15

DM9008C Expandable 4-Wide AND-OR-INVERT Gates	4-15
DM9009C Dual 4-Input NAND Buffers	4-15
DM9012C Quad 2-Input NAND Gates with Open-Collector Outputs	4-15
DM9016C Hex Inverters	4-15
DM9024/DM8024 Dual J-K̄ Flip-Flops with Preset and Clear	4-17
DM9093 Dual J-K Flip-Flops	4-1
DM9094 Dual J-K Flip-Flops	4-1
DM9097 Dual J-K Flip-Flops	4-1
DM9099 Dual J-K Flip-Flops	4-1
DM9300/DM8300 4-Bit Parallel-Access Shift Registers	4-19
DM9301/DM8301 1 of 10 Decoders	4-22
DM9309/DM8309 Dual 4-Line to 1-Line Data Selectors/Multiplexers	4-24
DM9310/DM8310 Synchronous 4-Bit Decade Counters	4-27
DM9311/DM8311 4-Line to 16-Line Decoders/Demultiplexers	4-33
DM9312/DM8312 8-Line to 1-Line Data Selectors/Multiplexers	4-24
DM9316/DM8316 Synchronous 4-Bit Binary Counters	4-27
DM9318/DM8318 Priority Encoders	4-36
DM9322/DM8322 Quad 2-Line to 1-Line Data Selectors/Multiplexers	4-38
DM9334/DM8334 8-Bit Addressable Latches	4-40
DM9601/DM8601 Retriggerable One Shots	4-43
DM9602/DM8602 Dual Retriggerable, Resettable, One Shots	4-46



DEVICE NO.	DESCRIPTION	PAGE NO.
DM54125/DM74125	TRI-STATE Quad Buffers	1-80
DM54LS125/DM74LS125	TRI-STATE Quad Buffers	1-80
DM54126/DM74126	TRI-STATE Quad Buffers	1-80
DM54LS126/DM74LS126	TRI-STATE Quad Buffers	1-80
DM74S134	TRI-STATE 12-Input NAND Gates	1-80
DM54173/DM74173	TRI-STATE Quad D Registers	2-96
DM54LS173/DM74LS173	TRI-STATE Quad D Registers	2-96
DM54S189/DM74S189	TRI-STATE 64-Bit Read/Write Memories	2-125
DM54S200/DM74S200	TRI-STATE 256-Bit Read/Write Memories	2-154
DM54251/DM74251	TRI-STATE Data Selectors/Multiplexers	2-160
DM54LS251/DM74LS251	TRI-STATE Data Selectors/Multiplexers	2-160
DM74S251	TRI-STATE Data Selectors/Multiplexers	2-160
DM54LS253/DM74LS253	TRI-STATE Data Selectors/Multiplexers	2-163
DM74S253	TRI-STATE Data Selectors/Multiplexers	2-163
DM54LS257/DM74LS257	TRI-STATE Quad 2-Data Selectors/Multiplexers	2-165
DM74S257	TRI-STATE Quad 2-Data Selectors/Multiplexers	2-165
DM54LS258/DM74LS258	TRI-STATE Quad 2-Data Selectors/Multiplexers	2-165
DM74S258	TRI-STATE Quad 2-Data Selectors/Multiplexers	2-165
DM54S287/DM74S287	TRI-STATE 1024-Bit Programmable Read Only Memories	2-177
DM54LS295A/DM74LS295A	TRI-STATE 4-Bit Parallel Access Shift Registers	2-182
DM54365/DM74365	TRI-STATE Hex Buffers	1-86
DM54LS365/DM74LS365	TRI-STATE Hex Buffers	1-86
DM54366/DM74366	TRI-STATE Hex Buffers	1-86
DM54LS366/DM74LS366	TRI-STATE Hex Buffers	1-86
DM54367/DM74367	TRI-STATE Hex Buffers	1-86
DM54LS367/DM74LS367	TRI-STATE Hex Buffers	1-86
DM54368/DM74368	TRI-STATE Hex Buffers	1-86
DM54LS368/DM74LS368	TRI-STATE Hex Buffers	1-86
DM54LS374/DM74LS374	TRI-STATE Octal D Flip-Flops	2-187
DM54LS395/DM74LS395	TRI-STATE 4-Bit Cascadable Shift Registers	2-189
DM54LS670/DM74LS670	TRI-STATE 4 By 4 Register Files	2-191
DM7093/DM8093	TRI-STATE Quad Buffers	3-5
DM7094/DM8094	TRI-STATE Quad Buffers	3-5
DM7095/DM8095	TRI-STATE Hex Buffers	3-7
DM70L95/DM80L95	TRI-STATE Hex Buffers	3-7
DM7096/DM8096	TRI-STATE Hex Buffers	3-7
DM70L96/DM80L96	TRI-STATE Hex Buffers	3-7
DM7097/DM8097	TRI-STATE Hex Buffers	3-7
DM70L97/DM80L97	TRI-STATE Hex Buffers	3-7
DM7098/DM8098	TRI-STATE Hex Buffers	3-7
DM70L98/DM80L98	TRI-STATE Hex Buffers	3-7
DM7099/DM8099	TRI-STATE Quad 2-Input NAND Buffers	3-9
DM7121/DM8121	TRI-STATE Data Selectors/Multiplexers	3-11
DM7123/DM8123	TRI-STATE Quad 2-Input Data Selectors/Multiplexers	3-13
DM71L23/DM81L23	TRI-STATE Quad 2-Input Data Selectors/Multiplexers	3-13
DM71LS95/DM81LS95	TRI-STATE Octal Buffers	3-21
DM71LS96/DM81LS96	TRI-STATE Octal Buffers	3-21
DM71LS97/DM81LS97	TRI-STATE Octal Buffers	3-21
DM71LS98/DM81LS98	TRI-STATE Octal Buffers	3-21
DM7214/DM8214	TRI-STATE Data Selectors/Multiplexers	3-28
DM7219/DM8219	TRI-STATE Data Selectors/Multiplexers	3-28
DM7230/DM8230	TRI-STATE Dual 2/4 Demultiplexers	3-37
DM8531	TRI-STATE 16K Read Only Memories	3-49
DM7542/DM8542	TRI-STATE Quad I/O Registers	3-52
DM7544/DM8544	TRI-STATE Quad Switch Debouncer	3-54
DM7546/DM8546	TRI-STATE 8-Bit Universal I/O Shift Registers	3-56
DM7551/DM8551	TRI-STATE 4-Bit D Type Registers	3-62
DM75L51/DM85L51	TRI-STATE 4-Bit D Type Registers	3-62
DM7552/DM8552	TRI-STATE Synchronous Counters/Latches	3-64

DEVICE NO.	DESCRIPTION	PAGE NO.
DM75L52/DM85L52	TRI-STATE Synchronous Counters/Latches.	3-64
DM7553/DM8553	TRI-STATE 8-Bit Latches.	3-70
DM7554/DM8554	TRI-STATE Synchronous Counters/Latches.	3-64
DM75L54/DM85L54	TRI-STATE Synchronous Counters/Latches.	3-64
DM7555/DM8555	TRI-STATE Programmable Decode Counters	3-72
DM7556/DM8556	TRI-STATE Programmable Binary Counters.	3-72
DM7574/DM8574	TRI-STATE 1024-Bit Field Programmable Read Only Memories	3-92
DM7578/DM8578	TRI-STATE 256-Bit Programmable Read Only Memories	3-104
DM8581	TRI-STATE 16k Read Only Memories.	3-107
DM7596/DM8596	TRI-STATE 4096-Bit Read Only Memories	3-116
DM7597/DM8597	TRI-STATE 1024-Bit Read Only Memories	3-119
DM7598/DM8598	TRI-STATE 256-Bit Read Only Memories	3-122
DM7599/DM8599	TRI-STATE 64-Bit Random Access Memories.	3-127
DM76L24/DM86L24	TRI-STATE Magnitude Comparators with A Almost Equal B.	3-131
DM76L25/DM86L25	TRI-STATE 7-Segment to BCD Decoders.	3-134
DM76L97/DM86L97	TRI-STATE 1024-Bit Read Only Memories	3-144
DM76L99/DM86L99	TRI-STATE 64-Bit Random Access Memories.	3-148
DM7796/DM8796	TRI-STATE 4096-Bit Read Only Memories	3-116
DM7875A/DM8875A	TRI-STATE 4-Bit Parallel Binary Multipliers.	3-154
DM7875B/DM8875B	TRI-STATE 4-Bit Parallel Binary Multipliers.	3-154
DM8898	TRI-STATE BCD to Binary Converters	3-156
DM8899	TRI-STATE BCD to Binary to BCD Converters.	3-156



PARAMETER(1)		DM54/74			DM54H/74H			DM54L/74L			DM54LS/74LS			DM54S/74S			UNITS							
		00			H00			L00			LS00			S00										
		MIN	TYP	MAX	MIN	TYP	MAX	MIN	TYP	MAX	MIN	TYP	MAX	MIN	TYP	MAX								
I_{OH}	High Level Output Current	-400			-500			-200			-400			-1000			μA							
V_{OH}	High Level Output Voltage	DM54	2.4 @ 400 μA		2.4 @ 500 μA		2.4 @ 200 μA		2.5 @ 400 μA		2.5 @ 1000 μA		V											
		DM74	2.4 @ 400 μA		2.4 @ 500 μA		2.4 @ 200 μA		2.7 @ 400 μA		2.7 @ 1000 μA													
I_{OL}	Low Level Output Current	DM54	16		20		2		4		20		mA											
		DM74	16		20		3.6		8		20													
V_{OL}	Low Level Output Voltage	DM54	0.4 @ 16 mA		0.4 @ 20 mA		0.3 @ 2 mA		0.4 @ 4 mA		0.5 @ 20 mA		V											
		DM74	0.4 @ 16 mA		0.4 @ 20 mA		0.4 @ 3.6 mA		0.5 @ 8 mA		0.5 @ 20 mA													
I_{IH}	High Level Input Current	40 @ 2.4V			50 @ 2.4V			10 @ 2.4V			20 @ 2.7V			μA										
I_{IL}	Low Level Input Current	-1.6 @ 0.4V			-2.0 @ 0.4V			-0.18 @ 0.3V			-0.36 @ 0.4V			-2.0 @ 0.5V			mA							
I_{OS}	Short Circuit Output Current	-20	-55		-40	-100		-3	-15		-30	-130		-40	-100		mA							
I_{CCH}	Supply Current (Average per Gate)	1.0			2.5			0.11			0.2			2.5			mA							
t_{PHL}	Turn "ON" Time	7		15		6.2		10		31		60		10		15		3		5		ns		
t_{PLH}	Turn "OFF" Time	11		22		5.9		10		35		60		9		15		3		4.5		ns		

Notes

- (1) The 00 gate parameters were used in all cases.
- (2) The product families below will drive the indicated number of loads of each of the above products.

FANOUT CAPABILITIES(2)	DM54/74	DM54H/74H	DM54L/74L	DM54LS/74LS	DM54S/74S
	00	H00	L00	LS00	S00
	MIN	MIN	MIN	MIN	MIN
Series DM54/74	10	8	40	20	8
Series DM54H/74H	12	10	50	25	10
Series DM54L/74L	2	1	20	10	1
Series DM54LS/74LS	5	4	40	20	4
Series DM54S/74S	12	10	100	50	10

This list is intended to give National replacements for competitors' parts not using the 54/74 numbering system.

Only the basic circuit numbers are cross referenced. As the pin-out sometimes varies between a flat package part and the equivalent DIP part, it is recommended that the manufacturer's specifications be consulted prior to specifying a direct replacement. Other than parts offered only in a flat package, the dual-in-line pin-outs were used as a guide in preparing the following cross references.

Direct Replacements were selected as pin-for-pin equivalent circuits based on similarity of electrical and mechanical characteristics as shown in currently published data. Interchangeability in any particular application is not necessarily guaranteed. Before using a substitute, the user should compare the specifications of the substitute device with the detailed specifications of the original device.

National Semiconductor makes no warranty as to the information furnished, and buyer assumes all risk in the use thereof. No liability is assumed for damages resulting from the use of the information contained in this list.

DEVICE TYPE	NATIONAL DIRECT REPLACEMENT	DEVICE TYPE	NATIONAL DIRECT REPLACEMENT
AMD		Fairchild (con't)	
AM2502	DM2502/2502C	933	DM933
AM25L02	DM2502/2502C	935	DM935
AM2503	DM2503/2503C	936	DM936
AM25L03	DM2503/2503C	937	DM937
AM2504	DM2504/2504C	944	DM944
AM25L04	DM2504/2504C	945	DM945
AM25LS138	DM54LS138/74LS138	946	DM946
AM25LS139	DM54LS139/74LS139	948	DM948
AM25LS151	DM54LS151/74LS151	949	DM949
AM25LS153	DM54LS153/74LS153	961	DM961
AM25LS157	DM54LS157/74LS157	962	DM962
AM25LS158	DM54LS158/74LS158	963	DM963
AM25LS160	DM54LS160/74LS160		
AM25LS161	DM54LS161/74LS161	9002	DM9002C
AM25LS162	DM54LS162/74LS162	9003	DM9003C
AM25LS163	DM54LS163/74LS163	9004	DM9004C
AM25LS164	DM54LS164/74LS164	9005	DM9005C
AM25LS174	DM54LS174/74LS174	9006	DM9006C
AM25LS175	DM54LS175/74LS175	9008	DM9008C
AM25LS181	DM54L181/74L181	9009	DM9009C
AM25LS190	DM54LS190/74LS190	9012	DM9012C
AM25LS191	DM54LS191/74LS191	9016	DM9016C
AM25LS192	DM54LS192/74LS192	9024	DM9024/8024
AM25LS193	DM54LS193/74LS193	9093	DM9093
AM25LS194A	DM54LS194A/74LS194A	9094	DM9094
AM25LS195A	DM54LS195A/74LS195A	9097	DM9097
AM25LS251	DM54LS251/74LS251	9099	DM9099
AM25LS253	DM54LS253/74LS253		
AM25LS257	DM54LS257/74LS257	9135	DM935
AM25LS258	DM54LS258/74LS258	9157	DM957
AM2602	DM9602/8602	9158	DM958
AM26L02	DM9602/8602		
AM26S02	DM9602/8602	9300	DM9300/8300
AM26123	DM54L123/74L123	9301	DM9301/8301
AM26L123	DM54L123A/74L123A	9307	DM5448/7448
AM93L60	DM75L60/85L60	9309	DM9309/8309
AM93L66	DM75L63/85L63	9310	DM9310/8310
		9311	DM9311/8311
		9312	DM9312/8312
Fairchild		9315	DM5441A/7441A
930	DM930	9316	DM9316/8316
932	DM932		



DEVICE TYPE	NATIONAL DIRECT REPLACEMENT	DEVICE TYPE	NATIONAL DIRECT REPLACEMENT
Fairchild (con't)		Fairchild (con't)	
9317B	DM5447A/7447A	93197	DM54197/74197
9317C	DM5446A/7446A	93198	DM54198/74198
9318	DM9318/8318	93199	DM54199/74199
9321	DM54LS139/74LS139	9H00	DM54H00/74H00
9322	DM9322/8322	9H01	DM54H01/74H01
9325	DM54141/74141	9H04	DM54H04/74H04
9341	DM54181/74181	9H05	DM54H05/74H05
9342	DM54182/74182	9H08	DM54H08/74H08
9345	DM5445/7445	9H10	DM54H10/74H10
9352	DM5442/7442	9H11	DM54H11/74H11
9357A	DM5446A/7446A	9H20	DM54H20/74H20
9357B	DM5447A/7447A	9H21	DM54H21/74H21
9358	DM5448/7448	9H22	DM54H22/74H22
9360	DM54192/74192	9H30	DM54H30/74H30
9366	DM54193/74193	9H40	DM54H40/74H40
9375	DM5475/7475	9H50	DM54H50/74H50
9377	DM54LS77/74LS77	9H51	DM54H51/74H51
9383	DM5483/7483	9H52	DM54H52/74H52
9385	DM5485/7485	9H53	DM54H53/74H53
9390	DM5490/7490	9H54	DM54H54/74H54
9391	DM5491A/7491A	9H55	DM54H55/74H55
9392	DM5492/7492	9H60	DM54H60/74H60
9393	DM5493/7493	9H61	DM54H61/74H61
9395	DM5495/7495	9H62	DM54H62/74H62
9396	DM5496/7496	9H71	DM54H71/74H71
9601	DM9601/8601	9H72	DM54H72/74H72
9602	DM9602/8602	9H73	DM54H73/74H73
9603	DM54121/74121	9H74	DM54H74/74H74
93141	DM54141/74141	9H76	DM54H76/74H76
93145	DM54145/74145	9H78	DM54H78/74H78
93150	DM54150/74150	9H103	DM54H103/74H103
93151	DM54151A/74151A	9H106	DM54H106/74H106
93153	DM54153/74153	9H108	DM54H108/74H108
93155	DM54155/74155	93H00	DM54LS195A/74LS195A
93156	DM54156/74156	9L00*	DM54L00/74L00
93157	DM54157/74157	9L04*	DM54L04/74L04
93160	DM54160A/74160A	9L24*	DM9024/8024
93161	DM54161A/74161A	9L54*	DM54L54/74L54
93162	DM54162A/74162A	9L86*	DM5486/7486
93163	DM54163A/74163A	93L00*	DM54LS195A/74LS195A
93164	DM54164/74164	93L01*	DM9301/8301
93165	DM54165/74165	93L09*	DM9309/8309
93166	DM54166/74166	93L10*	DM76L75/86L75
93170	DM74170	93L11*	DM54L154A/74L154A
93174	DM54174/74174	93L12*	DM9312/8312
93175	DM54175/74175	93L16*	DM76L76/86L76
93176	DM54176/74176	93L18*	DM9318/8318
93177	DM54177/74177	93L22*	DM54L157A/74L157A
93180	DM54180/74180	93L34*	DM9334/8334
93190	DM54190/74190	93L41*	DM54181/74181
93191	DM54191/74191	96L02*	DM9602/8602
93194	DM54194/74194		
93195	DM54195/74195		
93196	DM54196/74196		

*The National Low Power circuits are "True Tenth Power," whereas the Fairchild circuits are not.

DEVICE TYPE	NATIONAL DIRECT REPLACEMENT	DEVICE TYPE	NATIONAL DIRECT REPLACEMENT
Fairchild (con't)		Fairchild (con't)	
9LS00	DM54LS00/74LS00	9LS175	DM54LS175/74LS175
9LS02	DM54LS02/74LS02	9LS181	DM54181/74181
9LS03	DM54LS03/74LS03	9LS190	DM54LS190/74LS190
9LS04	DM54LS04/74LS04	9LS191	DM54LS191/74LS191
9LS05	DM54LS05/74LS05	9LS192	DM54LS192/74LS192
9LS08	DM54LS08/74LS08	9LS193	DM54LS193/74LS193
9LS09	DM54LS09/74LS09	9LS194	DM54LS194A/74LS194A
9LS10	DM54LS10/74LS10	9LS195	DM54LS195A/74LS195A
9LS11	DM54LS11/74LS11	9LS196	DM54LS196/74LS196
9LS14	DM54LS14/74LS14	9LS197	DM54LS197/74LS197
9LS15	DM54LS15/74LS15	9LS251	DM54LS251/74LS251
9LS20	DM54LS20/74LS20	9LS253	DM54LS253/74LS253
9LS21	DM54LS21/74LS21	9LS257	DM54LS257/74LS257
9LS22	DM54LS22/74LS22	9LS258	DM54LS258/74LS258
9LS27	DM54LS27/74LS27	9LS259	DM9334/8334
9LS30	DM54LS30/74LS30	9LS266	DM54LS266/74LS266
9LS32	DM54LS32/74LS32	9LS279	DM54LS279/74LS279
9LS37	DM54LS37/74LS37	9LS283	DM54LS283/74LS283
9LS38	DM54LS38/74LS38	9LS295	DM54LS295A/74LS295A
9LS40	DM54LS40/74LS40	9LS298	DM54LS298/74LS298
9LS42	DM54LS42/74LS42	9LS365	DM54LS365/74LS365
9LS51	DM54LS51/74LS51	9LS366	DM54LS366/74LS366
9LS54	DM54LS54/74LS54	9LS367	DM54LS367/74LS367
9LS55	DM54LS55/74LS55	9LS368	DM54LS368/74LS368
9LS73	DM54LS73/74LS73	9LS670	DM54LS670/74LS670
9LS74	DM54LS74/74LS74		
9LS83	DM54LS83A/74LS83A	9N00	DM5400/7400
9LS86	DM54LS86/74LS86	9N01	DM5401/7401
9LS90	DM54LS90/74LS90	9N02	DM5402/7402
9LS92	DM54LS92/74LS92	9N03	DM5403/7403
9LS93	DM54LS93/74LS93	9N04	DM5404/7404
9LS95	DM54LS95B/74LS95B	9N05	DM5405/7405
9LS109	DM54LS109/74LS109	9N06	DM5406/7406
9LS112	DM54LS112/74LS112	9N07	DM5407/7407
9LS113	DM54LS113/74LS113	9N08	DM5408/7408
9LS114	DM54LS114/74LS114	9N09	DM5409/7409
9LS125	DM54LS125/74LS125	9N10	DM5410/7410
9LS126	DM54LS126/74LS126	9N11	DM5411/7411
9LS132	DM54LS132/74LS132	9N12	DM54LS12/74LS12
9LS133	DM74S133	9N13	DM5413/7413
9LS136	DM54LS136/74LS136	9N14	DM5414/7414
9LS138	DM54LS138/74LS138	9N16	DM5416/7416
9LS139	DM54LS139/74LS139	9N17	DM5417/7417
9LS151	DM54LS151/74LS151	9N20	DM5420/7420
9LS153	DM54LS153/74LS153	9N21	DM54LS21/74LS21
9LS155	DM54LS155/74LS155	9N23	DM5423/7423
9LS156	DM54LS156/74LS156	9N25	DM5425/7425
9LS157	DM54LS157/74LS157	9N26	DM5426/7426
9LS158	DM54LS158/74LS158	9N27	DM5427/7427
9LS160	DM54LS160/74LS160	9N30	DM5430/7430
9LS161	DM54LS161/74LS161	9N32	DM5432/7432
9LS162	DM54LS162/74LS162	9N37	DM5437/7437
9LS163	DM54LS163/74LS163	9N38	DM5438/7438
9LS164	DM54LS164/74LS164	9N39	DM5401/7401
9LS170	DM54LS170/74LS170	9N40	DM5440/7440
9LS174	DM54LS174/74LS174	9N50	DM5450/7450

*The National Low Power circuits are "True Tenth Power," whereas the Fairchild circuits are not.



DEVICE TYPE	NATIONAL DIRECT REPLACEMENT	DEVICE TYPE	NATIONAL DIRECT REPLACEMENT
Fairchild (con't)		Fairchild (con't)	
9N51	DM5451/7451	93S138	DM74S138
9N53	DM5453/7453	93S139	DM74S139
9N54	DM5454/7454	93S151	DM74S151
9N60	DM5460/7460	93S153	DM74S153
9N70	DM5470/7470	93S157	DM74S157
9N72	DM5472/7472	93S158	DM74S158
9N73	DM5473/7473	93S174	DM74S174
9N74	DM5474/7474	93S175	DM74S175
9N76	DM5476/7476	93S194	DM74S194
9N86	DM5486/7486	93S251	DM74S251
9N107	DM54107/74107	93S253	DM74S253
9N122	DM54LS122/74LS122	93S257	DM74S257
9N123	DM54123/74123	93S258	DM74S258
9N132	DM54132/74132		
9N279	DM54LS279/74LS279	96S02	DM9602/8602
		Motorola	
9S00	DM74S00	MC830	DM930
9S02	DM74S02	MC832	DM932
9S03	DM74S03	MC833	DM933
9S04A	DM74S04	MC836	DM936
9S05A	DM74S05	MC837	DM937
9S08	DM74LS08	MC840	DM935
9S09	DM74LS09	MC844	DM944
9S10	DM74S10	MC845	DM945
9S11	DM74S11	MC846	DM946
9S15	DM74S15	MC848	DM948
9S20	DM74S20	MC849	DM949
9S22	DM74S22	MC852	DM9099
9S30	DM74S30	MC853	DM9093
9S32	DM74LS32	MC855	DM9097
9S40	DM74S40	MC856	DM9094
9S51	DM74S51	MC857	DM957
9S64	DM74S64	MC858	DM958
9S65	DM74S65	MC861	DM961
9S74	DM74S74	MC862	DM962
9S86	DM74S86	MC863	DM963
9S109	DM74LS109		
9S112	DM74S112	MC1800	DM1800
9S113	DM74S113	MC1801	DM1801
9S114	DM74S114		
9S132	DM54LS132/74LS132	Signetics	
9S133	DM74S133	8230	DM9312/8312
9S134	DM74S134	82S30	DM9312/8312
9S135	DM74S135	8241	DM54LS386/74LS386
9S140	DM74S140	82S41	DM54LS386/74LS386
		8252	DM9301/8301
93S00	DM74S195	82S52	DM9301/8301
93S10	DM54LS160/74LS160	8269	DM7200/8200
93S12	DM9312/8312	8280	DM7280/8280
93S16	DM54LS161/74LS161	82S80	DM54LS196/74LS196
93S21	DM74S139	8281	DM7281/8281
93S22	DM74S157	82S81	DM54LS197/74LS197
93S41	DM54181/74181	8290	DM7290/8290
93S42	DM74S182	82S90	DM54LS196/74LS196
93S46	DM7160/8160		
93S47	DM7160/8160	8291	DM7291/8291

*The National Low Power circuits are "True Tenth Power," whereas the Fairchild circuits are not.

DEVICE TYPE	NATIONAL DIRECT REPLACEMENT	DEVICE TYPE	NATIONAL DIRECT REPLACEMENT
Signetics (con't)		TI (con't)	
82S91	DM54LS197/74LS197	SN15848	DM948
8292	DM54LS196/74LS196	SN15849	DM949
8293	DM54LS197/74LS197	SN15857	DM957
82147	DM54147/74147	SN15858	DM958
82148	DM54148/74148	SN15861	DM961
		SN15862	DM962
8415	DM1800	SN15863	DM963
8455	DM5440/7440	SN151800	DM1800
8470	DM5410/7410	SN151801	DM1801
8471	DM54LS12/74LS12	SN168093	DM9093
8480	DM5400/7400	SN158094	DM9094
8481	DM5403/7403	SN158097	DM9097
8490	DM5404/7404	SN158099	DM9099
8806	DM5460/7460	SN29002	DM9002C
8808	DM5430/7430	SN29003	DM9003C
8815	DM5425/7425	SN29004	DM9004C
8828	DM5474/7474	SN29005	DM9005C
8840	DM5451/7451	SN29006	DM9006C
8848	DM54LS54/74LS54	SN29008	DM9008C
8859	DM5440/7440	SN29009	DM9009C
8875	DM5427/7427	SN29012	DM9012C
8881	DM5401/7401	SN29016	DM9016C
8890	DM5404/7404	SN29024	DM8024
8891	DM5405/7405	SN29300	DM8300
		SN29301	DM8301
8H16	DM54H20/74H20	SN29309	DM8309
8H70	DM54H10/74H10	SN29310	DM8310
8H80	DM54H00/74H00	SN29311	DM8311
8H90	DM54H04/74H04	SN29312	DM8312
		SN29316	DM8316
8T10	DM7551/8551	SN29318	DM8318
8T22	DM9601/8601	SN29322	DM8322
8T54	DM5448/7448	SN29334	DM8334
8T95	DM7095/8095	SN29601	DM8601
8T96	DM7096/8096	SN29602	DM8602
8T97	DM7097/8097		
8T98	DM7098/8098	SN39024	DM9024
		SN39300	DM9300
		SN39301	DM9301
		SN39309	DM9309
		SN39310	DM9310
		SN39311	DM9311
		SN39312	DM9312
		SN39316	DM9316
		SN39318	DM9318
		SN39322	DM9322
		SN39334	DM9334
		SN39601	DM9601
		SN39602	DM9602
TI			
SN15830	DM930		
SN15832	DM932		
SN15833	DM933		
SN15835	DM935		
SN15836	DM936		
SN15837	DM937		
SN15844	DM944		
SN15845	DM945		
SN15846	DM946		

The following pages contain functional indexes and selection guides designed to simplify the choice of a particular function to fit a specific application. Essential characteristics of similar or like functions are grouped for comparative analysis, and the electrical specifications are referenced by page number. The following categories of functions are covered:

SSI FUNCTIONS

AND Gates with Totem-Pole Outputs	xxvi
AND Gates with Open-Collector Outputs	xxvi
AND-OR-INVERT Gates with Totem-Pole Outputs	xxvi
AND-OR-INVERT Gates with Open-Collector Outputs	xxvii
Buffers/Clock Drivers with Totem-Pole Outputs	xxvii
Buffer and Interface Gates with Open-Collector Outputs	xxvii
Bus Interface Gates with TRI-STATE Totem-Pole Outputs	xxviii
Clock Generators	xxviii
Expandable Gates	xxviii
Expanders	xxviii
Flip-Flops, Gated	xxix
Flip-Flops, Single and Dual J-K Edge-Triggered	xxix
Flip-Flops, Dual D-Type	xxx
Flip-Flops, Single and Dual Pulse-Triggered	xxx
Latches, $\bar{S}\text{-}\bar{R}$	xxxi
Line Drivers, 50-Ohm/75-Ohm	xxxi
NAND Gates and Inverters with Open-Collector Outputs	xxxi
NAND Gates and Inverters with Totem-Pole Outputs	xxxii
NOR Gates with Totem-Pole Outputs	xxxii
One Shots, Retriggerable	xxxiii
One Shots with Schmitt-Trigger Inputs	xxxiii
OR Gates with Totem-Pole Outputs	xxxiii
Schmitt-Triggers with Totem-Pole Outputs	xxxiii

MSI FUNCTIONS

Adders	xxxiv
Accumulators, Arithmetic Logic Units, Look-Ahead Carry Generators	xxxiv
Arithmetic Operators	xxxiv
Code Converters	xxxiv
Comparators	xxxv
Counters, Asynchronous (Ripple Clock)—Negative-Edge Triggered	xxxv
Counters, Synchronous—Positive-Edge Triggered	xxxvi
Data Selectors/Multiplexers	xxxvii
Decoders/Demultiplexers	xxxviii
Display Decoders/Drivers, Open-Collector	xxxviii
Latches	xxxix
Multipliers	xxxix
Parity Generators/Checkers	xxxix
Priority Encoders	xxxix
Register Files	xxxix
Registers, Other	xl
Registers, Shift	xl



AND GATES WITH TOTEM-POLE OUTPUTS

Description	Typ. Propagation Delay Time	Typ. Power Dissipation Per Gate	Device Type and Package				Connection Diagram Page No.	Electrical Tables Page No.
			Mil.		Coml.			
Dual 4-Input AND Gates	8.2 ns	40 mW	54H21	J,N	74H21	J,N	1-7	1-44
	12 ns	4.25 mW	54LS21	J,N,W	74LS21	J,N	1-7	1-44
Triple 3-Input AND Gates	4.75 ns	31 mW			74S11	N	1-5	1-44
	8.2 ns	40 mW	54H11	J,N	74H11	J,N	1-5	1-44
	12 ns	4.25 mW	54LS11	J,N,W	74LS11	J,N	1-5	1-44
Quad 2-Input AND Gates	12 ns	4.25 mW	54LS08	J,N,W	74LS08	J,N	1-4	1-44
	15 ns	19 mW	5408	J,N,W	7408	J,N	1-4	1-44

AND GATES WITH OPEN-COLLECTOR OUTPUTS

Description	Typ. Propagation Delay Time	Typ. Power Dissipation Per Gate	Device Type and Package				Connection Diagram Page No.	Electrical Tables Page No.
			Mil.		Coml.			
Triple 3-Input AND Gates	6 ns	28 mW			74S15	N	1-6	1-46
	20 ns	4.25 mW	54LS15	J,N,W	74LS15	J,N	1-6	1-46
Quad 2-Input AND Gates	18.5 ns	19.4 mW	5409	J,N,W	7409	J,N	1-4	1-46
	20 ns	4.25 mW	54LS09	J,N,W	74LS09	J,N	1-4	1-46

AND-OR-INVERT GATES WITH TOTEM-POLE OUTPUTS

Description	Typ. Propagation Delay Time	Typ. Power Dissipation Per Gate	Device Type and Package				Connection Diagram Page No.	Electrical Tables Page No.
			Mil.		Coml.			
2-Wide 4-Input	12.5 ns	2.75 mW	54LS55	J,N,W	74LS55	J,N	1-15	1-56
	43 ns	1.5 mW	54L55	J,N,W	74L55	J,N	1-15	1-56
Dual 2-Wide 2-Input	3.5 ns	28 mW			74S51	N	1-12	1-56
	6.5 ns	29 mW	54H51	J,N	74H51	J,N	1-12	1-56
	10.5 ns	14 mW	5451	J,N,W	7451	J,N	1-12	1-56
	12.5 ns	2.75 mW	54LS51	J,N,W	74LS51	J,N	1-12	1-56
	43 ns	1.5 mW	54L51	J,N,W	74L51	J,N	1-12	1-56
4-Wide 4-2-3-2-Input	3.5 ns	29 mW			74S64	N	1-16	1-56
4-Wide 2-2-3-2-Input	6.6 ns	41 mW	54H54	J,N	74H54	J,N	1-14	1-56
4-Wide 2-Input	10.5 ns	23 mW	5454	J,N,W	7454	J,N	1-14	1-56
4-Wide 2-3-3-2-Input	12.5 ns	4.5 mW	54LS54	J,N,W	74LS54	J,N	1-14	1-56
4-Wide 2-3-3-2-Input	43 ns	1.5 mW	54L54	J,N,W	74L54	J,N	1-14	1-56

AND-OR-INVERT GATES WITH OPEN-COLLECTOR OUTPUTS

Description	Typ. Propagation Delay Time	Typ. Power Dissipation Per Gate	Device Type and Package			Connection Diagram Page No.	Electrical Tables Page No.
			Mil.	Coml.			
4-Wide 4-2-3-2-Input	5.5 ns	36 mW		74S65	N	1-17	1-61

**BUFFERS/CLOCK DRIVERS WITH TOTEM-POLE OUTPUTS
(ALSO SEE CLOCK GENERATOR CIRCUITS)**

Description	Low-Level Output Current	High-Level Output Current	Typ. Delay Time	Typ. Power Per Gate	Device Type and Package			Connection Diagram Page No.	Electrical Tables Page No.	
					Mil.	Coml.				
Dual 4-Input NAND Buffers	60 mA	-3 mA	4 ns	44 mW			74S40	N	1-11	1-54
	60 mA	-1.5 mA	7.5 ns	44 mW	54H40	J,N	74H40	J,N	1-11	1-54
	48 mA	-1.2 mA	10.5 ns	26 mW	5440	J,N,W	7440	J,N	1-11	1-54
	24 mA	-1.2 mA	12 ns	4.3 mW			74LS40	J,N	1-11	1-54
Quad 2-Input NAND Buffers	12 mA	-1.2 mA	12 ns	4.3 mW	54LS40	J,N,W			1-11	1-54
	48 mA	-1.2 mA	10 ns	25 mW	7091	J,N,W	8091	J,N	3-3	3-4
	48 mA	-1.2 mA	10.5 ns	27 mW	5437	J,N,W	7437	J,N	1-10	1-54
	24 mA	-1.2 mA	12 ns	4.3 mW			74LS37	J,N	1-10	1-54
	12 mA	-1.2 mA	12 ns	4.3 mW	54LS37	J,N,W			1-10	1-54

BUFFER AND INTERFACE GATES WITH OPEN-COLLECTOR OUTPUTS

Description	High-Level Output Voltage	Low-Level Output Current	Typ. Delay Time	Typ. Power Per Gate	Device Type and Package			Connection Diagram Page No.	Electrical Tables Page No.	
					Mil.	Coml.				
Quad 2-Input NAND Buffers	15V	16 mA	13.5 ns	10 mW	5426	J,N	7426	J,N	1-9	1-42
	15V	8 mA	16 ns	2 mW			74LS26	J,N	1-9	1-42
	15V	4 mA	16 ns	2 mW	54LS26	J,N,W			1-9	1-42
	5.5V	48 mA	12.5 ns	24.4 mW	5438	J,N,W	7438	J,N	1-10	1-42
	5.5V	24 mA	19 ns	4.3 mW			74LS38	J,N	1-10	1-42
	5.5V	12 mA	19 ns	4.3 mW	54LS38	J,N,W			1-10	1-42
Hex Buffers/Drivers	30V	40 mA	13 ns	21 mW			7407	J,N	1-3	1-42
	30V	30 mA	13 ns	21 mW	5407	J,N,W			1-3	1-42
	15V	40 mA	13 ns	21 mW			7417	J,N	1-7	1-42
	15V	30 mA	13 ns	21 mW	5417	J,N,W			1-7	1-42
Hex Inverter Buffers/Drivers	30V	40 mA	12.5 ns	26 mW			7406	J,N	1-3	1-42
	30V	30 mA	12.5 ns	26 mW	5406	J,N,W			1-3	1-42
	15V	40 mA	12.5 ns	26 mW			7416	J,N	1-6	1-42
	15V	30 mA	12.5 ns	26 mW	5416	J,N,W			1-6	1-42



BUS INTERFACE GATES WITH TRI-STATE TOTEM-POLE OUTPUTS

Description	Typ. Propagation Delay Time	Typ. Power Dissipation Per Gate	Device Type and Package				Connection Diagram Page No.	Electrical Tables Page No.
			Mil.		Coml.			
Quad Bus Buffers	10 ns	40 mW	54125	J,N,W	74125	J,N	1-27	1-80
	10 ns	45 mW	54126	J,N,W	74126	J,N	1-27	1-80
	10 ns	40 mW	7093	J,N,W	8093	J,N	3-5	3-6
	10 ns	45 mW	7094	J,N,W	8094	J,N	3-5	3-6
	9 ns	30 mW	7099	J,N,W	8099	J,N	3-9	3-10
Hex Bus Drivers	12 ns	54 mW	54365	J,W	74365	J,N	1-32	1-86
	12 ns	54 mW	54367	J,W	74367	J,N	1-32	1-86
	12 ns	54 mW	7095	J,W	8095	J,N	3-7	3-8
	12 ns	54 mW	7097	J,W	8097	J,N	3-7	3-8
	33 ns	3.3 mW	70L95	J,N,W	80L95	J,N	3-7	3-8
33 ns	3.3 mW	70L97	J,N,W	80L97	J,N	3-7	3-8	
Hex Inverter Bus Drivers	11 ns	49 mW	54366	J,W	74366	J,N	1-32	1-86
	11 ns	49 mW	54368	J,W	74368	J,N	1-33	1-86
	11 ns	49 mW	7096	J,W	8096	J,N	3-7	3-8
	11 ns	49 mW	7098	J,W	8098	J,N	3-7	3-8
	30 ns	2.5 mW	70L96	J,N,W	80L96	J,N	3-7	3-8
30 ns	2.5 mW	70L98	J,N,W	80L98	J,N	3-7	3-8	
Octal Drivers	13 ns	10 mW	71LS95	N	81LS95	N	3-21	3-22
	13 ns	10 mW	71LS97	N	81LS97	N	3-21	3-22
Octal Inverter Drivers	9.5 ns	8 mW	71LS96	N	81LS96	N	3-21	3-22
	9.5 ns	8 mW	71LS98	N	81LS98	N	3-21	3-22
12-Input NAND Gates	4.5 ns	45 mW			74S134	N	1-28	1-80

CLOCK GENERATORS

Description	Typ. Total Power Dissipation	Device Type and Package				Connection Diagram Page No.	Electrical Tables Page No.
		Mil.		Coml.			
Dual Voltage-Controlled Oscillators	90 mW	54LS124	J,N,W	74LS124	J,N	2-44	2-45

EXPANDABLE GATES

Description	Typ. Propagation Delay Time	Typ. Power Dissipation Per Gate	Device Type and Package				Connection Diagram Page No.	Electrical Tables Page No.
			Mil.		Coml.			
2-Wide AND-OR-INVERT Gates	6.8 ns	30 mW	54H55	J,N	74H55	J,N	1-15	1-50
Dual 2-Wide AND-OR-INVERT Gates	6.5 ns	29 mW	54H50	J,N	74H50	J,N	1-11	1-50
	10.5 ns	14 mW	5450	J,N,W	7450	J,N	1-11	1-50
4-Wide AND-OR Gates	9.9 ns	88 mW	54H52	J,N	74H52	J,N	1-13	1-50
4-Wide AND-OR-INVERT Gates	6.6 ns	41 mW	54H53	J,N	74H53	J,N	1-13	1-50
	10.5 ns	23 mW	5453	J,N,W	7453	J,N	1-13	1-50
Dual 4-Input NOR Gates With Strobe	10.5 ns	23 mW	5423	J,N,W	7423	J,N	1-8	1-50

EXPANDERS

Description	Typ. Power Dissipation Per Gate	Device Type and Package				Connection Diagram Page No.	Electrical Tables Page No.
		Mil.		Coml.			
Dual 4-Input Expanders	4 mW	5460	J,N,W	7460	J,N	1-15	1-58
	6 mW	54H60	J,N	74H60	J,N	1-15	1-59
3-2-2-3-Input AND-OR Expanders	25 mW	54H62	J,N	74H62	J,N	1-16	1-59
Triple 3-Input Expanders	13 mW	54H61	J,N	74H61	J,N	1-16	1-60

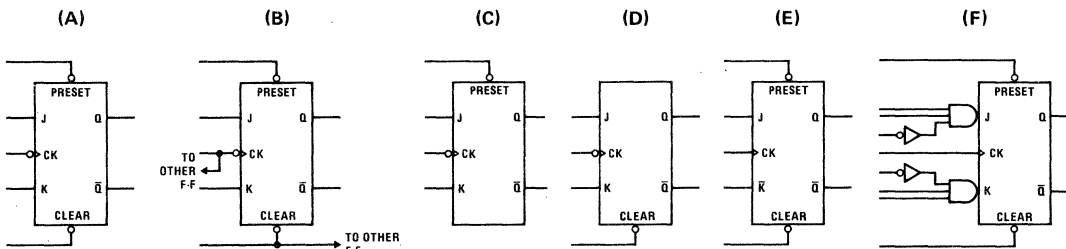
FLIP-FLOPS, GATED

Typ. Characteristics		Data Times		Device Type and Package				Connection Diagram Page No.	Electrical Tables Page No.
f _{MAX} (MHz)	Pwr/F-F (mW)	Setup (ns)	Hold (ns)	Mil.		Coml.			
45	105	15	0	7511	J,N,W	8511	J,N	3-40	3-41
30	73	24	0	7613	J,N,W	8613	J,N	3-40	3-41
28	110	15	0	7512	J,N,W	8512	J,N	3-40	3-41
10	8.0	110	0	75L12	J,N,W	85L12	J,N	3-40	3-41
9	9.3	80	0	75L11	J,N,W	85L11	J,N	3-40	3-41
7	7.3	100	0	76L13	J,N,W	86L13	J,N	3-40	3-41

FLIP-FLOPS, SINGLE AND DUAL J-K EDGE TRIGGERED

Dwg. Ref.	Typ. Characteristics		Data Times		Device Type and Package				Connection Diagram Page No.	Electrical Tables Page No.
	f _{MAX} (MHz)	Pwr/F-F (mW)	Setup (ns)	Hold (ns)	Mil.		Coml.			
A	125	75	6↓	0↓			74S112	N	1-24	1-70
	50	100	13↓	0↓	54H106	J,N	74H106	J,N	1-23	1-74
	45	10	20↓	0↓	54LS76	J,N,W	74LS76	N	1-21	1-68
	45	10	20↓	0↓	54LS112	J,N,W	74LS112	J,N	1-24	1-68
B	125	75	6↓	0↓			74S114	N	1-25	1-70
	50	100	13↓	0↓	54H108	J,N	74H108	J,N	1-24	1-74
	45	10	20↓	0↓	54LS78	J,N,W	74LS78	J,N	1-21	1-68
	45	10	20↓	0↓	54LS114	J,N,W	74LS114	J,N	1-25	1-68
C	125	75	6↓	0↓			74S113	N	1-25	1-70
	45	10	20↓	0↓	54LS113	J,N,W	74LS113	J,N	1-25	1-68
D	50	100	13↓	0↓	54H103	J,N	74H103	J,N	1-23	1-74
	45	10	20↓	0↓	54LS73	J,N,W	74LS73	J,N	1-20	1-68
	45	10	20↓	0↓	54LS107	J,N	74LS107	J,N	1-23	1-68
E	40	45	15↑	10↑	9024	J,N,W	8024	J,N	4-17	4-17
	33	10	20↑	5↑	54LS109	J,N,W	74LS109	J,N	1-24	1-68
	33	45	10↑	6↑	54109	J,N,W	74109	J,N	1-24	1-62
F	35	65	20↑	5↑	5470	J,N,W	7470	J,N	1-18	1-62

↑↓ The arrow indicates the edge of the clock pulse used for reference: ↑ for the rising edge, ↓ for the falling edge.

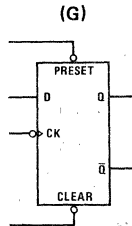




FLIP-FLOPS, DUAL D-TYPE

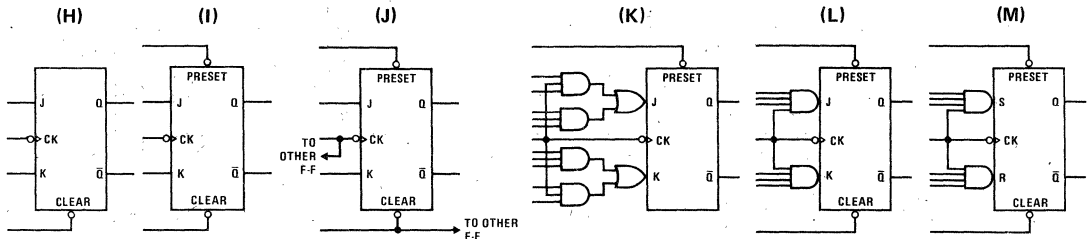
Dwg. Ref.	Typ. Characteristics		Data Times		Device Type and Package				Connection Diagram Page No.	Electrical Tables Page No.
	f _{MAX} (MHz)	Pwr/F-F (mW)	Setup (ns)	Hold (ns)	Mil.		Coml.			
G	110	75	3↑	2↑			74S74	N	1-20	1-70
	43	75	15↑	5↑	54H74	J,N	74H74	J,N	1-20	1-64
	33	10	25↑	5↑	54LS74	J,N,W	74LS74	J,N	1-20	1-68
	25	43	20↑	5↑	5474	J,N,W	7474	J,N	1-20	1-62
	6	4	50↑	15↑	54L74	J,N,W	74L74	J,N	1-20	1-66

↑↓ The arrow indicates the edge of the clock pulse used for reference: ↑ for the rising edge, ↓ for the falling edge.



FLIP-FLOPS, SINGLE AND DUAL PULSE-TRIGGERED

Dwg. Ref.	Typ. Characteristics		Data Times		Device Type and Package				Connection Diagram Page No.	Electrical Tables Page No.
	f _{MAX} (MHz)	Pwr/F-F (mW)	Setup (ns)	Hold (ns)	Mil.		Coml.			
H	30	80	0↑	0↓	54H73	J,N	74H73	J,N	1-20	1-64
	20	50	0↑	0↓	5473	J,N,W	7473	J,N	1-20	1-62
	20	50	0↑	0↓	54107	J,N	74107	J,N	1-23	1-62
	6	3.8	0↑	0↓	54L73	J,N,W	74L73	J,N	1-20	1-66
I	30	80	0↑	0↓	54H76	J,N	74H76	J,N	1-21	1-64
	20	50	0↑	0↓	5476	J,N,W	7476	J,N	1-21	1-62
J	30	80	0↑	0↓	54H78	J,N	74H78	J,N	1-21	1-64
	6	3.8	0↑	0↓	54L78	J,N,W	74L78	J,N	1-21	1-66
K	30	80	0↑	0↓	54H71	J,N	74H71	J,N	1-18	1-64
L	30	80	0↑	0↓	54H72	J,N	74H72	J,N	1-19	1-64
	20	50	0↑	0↓	5472	J,N,W	7472	J,N	1-19	1-62
	6	3.8	0↑	0↓	54L72	J,N,W	74L72	J,N	1-19	1-66
M	6	3.8	0↑	0↓	54L71	J,N,W	74L71	J,N	1-19	1-66



LATCHES, $\overline{S}\text{-}\overline{R}$

Description	Typ. Propagation Delay Time	Typ. Total Power Dissipation	Device Type and Package				Connection Diagram Page No.	Electrical Tables Page No.
			Mil.		Coml.			
Quad $\overline{S}\text{-}\overline{R}$ Latches	12 ns	19 mW	54LS279	J,N,W	74LS279	J,N	2-168	2-169

LINE DRIVERS, 50-OHM/75-OHM

Description	Low-Level Output Current	High-Level Output Current	Typ. Delay Time	Typ. Power Per Gate	Device Type and Package			Connection Diagram Page No.	Electrical Tables Page No.
					Mil.		Coml.		
Dual 4-Input NAND Line Drivers	60 mA	-40 mA	4 ns	44 mW		74S140	N	1-29	1-54

NAND GATES AND INVERTERS WITH OPEN-COLLECTOR OUTPUTS

Description	Typ. Propagation Delay Time	Typ. Power Dissipation Per Gate	Device Type and Package				Connection Diagram Page No.	Electrical Tables Page No.
			Mil.		Coml.			
Dual 4-Input NAND Gates	5 ns	17.5 mW			74S22	N	1-8	1-38
	8 ns	22 mW	54H22	J,N	74H22	J,N	1-8	1-38
	16 ns	2 mW	54LS22	J,N,W	74LS22	J,N	1-8	1-38
Triple 3-Input NAND Gates	16 ns	2 mW	54LS12	J,N,W	74LS12	J,N	1-5	1-38
Quad 2-Input NAND Gates	5 ns	17.5 mW			74S03	N	1-2	1-38
	8 ns	22 mW	54H01	J,N	74H01	J,N	1-1	1-38
	16 ns	2 mW	54LS01	J,N,W	74LS01	J,N	1-1	1-38
	16 ns	2 mW	54LS03	J,N,W	74LS03	J,N	1-2	1-38
	22 ns	10 mW	5401	J,N,W	7401	J,N	1-1	1-38
	22 ns	10 mW	5403	J,N	7403	J,N	1-2	1-38
	41 ns	1 mW	54L01	W	74L01	W	1-1	1-38
	41 ns	1 mW	54L03	J,N	74L03	J,N	1-2	1-38
	115 ns	1.8 mW			80L06	N	3-1	3-2
Hex Inverters	5 ns	17.5 mW			74S05	N	1-3	1-38
	8 ns	22 mW	54H05	J,N	74H05	J,N	1-3	1-38
	16 ns	2 mW	54LS05	J,N,W	74LS05	J,N	1-3	1-38
	22 ns	10 mW	5405	J,N,W	7405	J,N	1-3	1-38



NAND GATES AND INVERTERS WITH TOTEM-POLE OUTPUTS

Description	Typ. Propagation Delay Time	Typ. Power Dissipation Per Gate	Device Type and Package				Connection Diagram Page No.	Electrical Tables Page No.
			Mil.		Coml.			
Dual 4-Input NAND Gates	3 ns	19 mW			74S20	J,N	1-7	1-36
	6 ns	22 mW	54H20	J,N	74H20	J,N	1-7	1-36
	9.5 ns	2 mW	54LS20	J,N,W	74LS20	J,N	1-7	1-36
	10 ns	10 mW	5420	J,N,W	7420	J,N	1-7	1-36
	33 ns	1 mW	54L20	J,N,W	74L20	J,N	1-7	1-36
Dual 5-Input NAND Gates	10 ns	20 mW	7092	J,N,W	8092	J,N	3-3	3-4
Triple 3-Input NAND Gates	3 ns	19 mW			74S10	J,N	1-4	1-36
	6 ns	22 mW	54H10	J,N	74H10	J,N	1-4	1-36
	9.5 ns	2 mW	54LS10	J,N,W	74LS10	J,N	1-4	1-36
	10 ns	10 mW	5410	J,N,W	7410	J,N	1-4	1-36
	33 ns	1 mW	54L10	J,N,W	74L10	J,N	1-4	1-36
Quad 2-Input NAND Gates	3 ns	19 mW			74S00	N	1-1	1-36
	6 ns	22 mW	54H00	J,N	74H00	J,N	1-1	1-36
	9.5 ns	2 mW	54LS00	J,N,W	74LS00	J,N	1-1	1-36
	10 ns	10 mW	5400	J,N,W	7400	J,N	1-1	1-36
	33 ns	1 mW	54L00	J,N,W	74L00	J,N	1-1	1-36
Hex Inverters	3 ns	19 mW			74S04	N	1-2	1-36
	6 ns	22 mW	54H04	J,N	74H04	J,N	1-2	1-36
	9.5 ns	2 mW	54LS04	J,N,W	74LS04	J,N	1-2	1-36
	10 ns	10 mW	5404	J,N,W	7404	J,N	1-2	1-36
	11 ns	18 mW	7090	J,N,W	8090	J,N	3-3	3-4
33 ns	1 mW	54L04	J,N,W	74L04	J,N	1-2	1-36	
8-Input NAND Gates	3 ns	19 mW			74S30	J,N	1-9	1-36
	6 ns	22 mW	54H30	J,N	74H30	J,N	1-9	1-36
	10 ns	10 mW	5430	J,N,W	7430	J,N	1-9	1-36
	17 ns	2.4 mW	54LS30	J,N,W	74LS30	J,N	1-9	1-36
	33 ns	1 mW	54L30	J,N,W	74L30	J,N	1-9	1-36
13-Input NAND Gates	3 ns	19 mW			74S133	N	1-28	1-36

NOR GATES WITH TOTEM-POLE OUTPUTS

Description	Typ. Propagation Delay Time	Typ. Power Dissipation Per Gate	Device Type and Package				Connection Diagram Page No.	Electrical Tables Page No.
			Mil.		Coml.			
Dual 4-Input NOR Gates With Strobe	10.5 ns	23 mW	5425	J,N,W	7425	J,N	1-8	1-40
Dual 5-Input NOR Gates	4 ns	54 mW			74S260	N	1-31	1-40
Triple 3-Input NOR Gates	8.5 ns	22 mW	5427	J,N,W	7427	J,N	1-9	1-40
	10 ns	4.5 mW	54LS27	J,N,W	74LS27	J,N	1-9	1-40
Quad 2-Input NOR Gates	3.5 ns	29 mW			74S02	N	1-2	1-40
	10 ns	2.75 mW	54LS02	J,N,W	74LS02	J,N	1-2	1-40
	10 ns	14 mW	5402	J,N,W	7402	J,N	1-2	1-40
	33 ns	1.5 mW	54L02	J,N,W	74L02	J,N	1-2	1-40

ONE SHOTS, RETRIGGERABLE

Description	No. of Inputs		Direct Clear	Output Pulse Range	Typ. Total Power	Device Type and Package				Connection Diagram Page No.	Electrical Tables Page No.
	Positive	Negative				Mil.		Coml.			
Single	2	2	Yes	45 ns-∞	30 mW	54LS122	J,N,W	74LS122	J,N	1-26	1-78
	2	2	Yes	50 ns-∞	90 mW	9601	J,N,W	8601	J,N	4-43	4-44
Dual	1	1	Yes	45 ns-∞	230 mW	54123	J,N,W	74123	J,N	1-26	1-78
	1	1	Yes	90 ns-∞	25 mW	54L123A	J,N,W	74L123A	J,N	1-26	1-78
	1	1	Yes	45 ns-∞	60 mW	54LS123	J,N,W	74LS123	J,N	1-26	1-78
	1	1	Yes	72 ns-∞	195 mW	9602	J,N,W	8602	J,N	4-46	4-47
	2	2	Yes	72 ns-∞	275 mW	7853	J,N,W	8853	J,N	3-151	3-152

ONE SHOTS WITH SCHMITT-TRIGGER INPUTS

Description	No. of Inputs		Output Pulse Range	Typ. Total Power Dissipation	Device Type and Package				Connection Diagram Page No.	Electrical Tables Page No.
	Positive	Negative			Mil.		Coml.			
Single	1	2	40 ns-28 s	90 mW	54121	J,N,W	74121	J,N	1-26	1-76
Dual	1	1	20 ns-70 s	23 mW	54LS221	J,N,W	74LS221	J,N	1-30	1-76
	1	1	20 ns-49 s	23 mW					1-30	1-76

OR GATES WITH TOTEM-POLE OUTPUTS

Description	Typ. Propagation Delay Time	Typ. Power Dissipation Per Gate	Device Type and Package				Connection Diagram Page No.	Electrical Tables Page No.
			Mil.		Coml.			
Quad 2-Input OR Gates	12 ns	24 mW	5432	J,N,W	7432	J,N	1-10	1-52
	12 ns	5 mW	54LS32	J,N,W	74LS32	J,N	1-10	1-52

SCHMITT-TRIGGERS WITH TOTEM-POLE OUTPUTS

Description	Typ. Hysteresis	Typ. Delay Time	Device Type and Package				Connection Diagram Page No.	Electrical Tables Page No.
			Mil.		Coml.			
Dual 4-Input NAND Schmitt Triggers	0.8V	16.5 ns	5413	J,N,W	7413	J,N	1-5	1-48
	0.8V	16.5 ns	54LS13	J,N,W	74LS13	J,N	1-5	1-48
Quad 2-Input NAND Schmitt Triggers	0.8V	15 ns	54132	J,N,W	74132	J,N	1-27	1-48
	0.8V	15 ns	54LS132	J,N,W	74LS132	J,N	1-27	1-48
Hex Schmitt Trigger Inverters	0.8V	15 ns	5414	J,N,W	7414	J,N	1-6	1-48
	0.8V	15 ns	54LS14	J,N,W	74LS14	J,N	1-6	1-48

ADDERS

Description	Typ. Carry Time	Typ. Add Time	Typ. Power Dissipation Per Bit	Device Type and Package				Connection Diagram Page No.	Electrical Tables Page No.
				Mil.		Coml.			
Single 4-Bit Full Adders	10 ns	15 ns	24 mW	54LS83A	J,N,W	74LS83A	J,N	2-17	2-18
	10 ns	15 ns	24 mW	54LS283	J,N,W	74LS283	J,N	2-17	2-18
	10 ns	16 ns	76 mW	5483	J,W	7483	J,N	2-17	2-18

ACCUMULATORS, ARITHMETIC LOGIC UNITS, LOOK-AHEAD CARRY GENERATORS

Description	Typ. Carry Time	Typ. Add Time	Typ. Total Power Dissipation	Device Type and Package				Connection Diagram Page No.	Electrical Tables Page No.
				Mil.		Coml.			
4-Bit Arithmetic Logic Units/ Function Generators	12.5 ns	24 ns	455 mW	54181	J	74181	J,N	2-107	2-109
4-Bit Parallel Binary Accumulators	10 ns	20 ns	720 mW			74S281	N	2-173	2-174
Look-Ahead Carry Generators	7 ns		260 mW			74S182	N	2-113	2-114
	13 ns		180 mW	54182	J	74182	J,N	2-113	2-114

ARITHMETIC OPERATORS

Description	Typ. Delay Time	Typ. Total Power Dissipation	Device Type and Package				Connection Diagram Page No.	Electrical Tables Page No.
			Mil.		Coml.			
Quad 2-Input EXCLUSIVE-NOR Gates	18 ns	40 mW	54LS266	J,N,W	74LS266	J,N	1-31	1-84
Quad 2-Input EXCLUSIVE-OR Gates With Open Collector Outputs	18 ns	30 mW	54LS136	J,N,W	74LS136	J,N	1-29	1-84
Quad 2-Input EXCLUSIVE-OR Gates with Totem-Pole Outputs	7 ns	250 mW			74S86	N	1-22	1-72
	10 ns	30 mW	54LS86	J,N,W	74LS86	J,N	1-22	1-72
	10 ns	30 mW	54LS386	J,N,W	74LS386	J,N	1-34	1-72
	14 ns	150 mW	5486	J,N,W	7486	J,N	1-22	1-72
Quad EXCLUSIVE-OR/NOR Gates	29 ns	15 mW	54L86	J,N,W	74L86	J,N	1-22	1-72
Quad EXCLUSIVE-OR/NOR Gates	8 ns	325 mW			74S135	N	1-28	1-82

CODE CONVERTERS

Description	Typ. Delay Time Per Package Level	Typ. Total Power Dissipation	Device Type and Package				Connection Diagram Page No.	Electrical Tables Page No.
			Mil.		Coml.			
6-Bit Binary to 6-Bit BCD Converters	25 ns	280 mW	54185A	J,W	74185A	J,N	2-116	2-117
	31 ns	350 mW			8899	N	3-156	3-157
6-Line BCD to 6-Line Binary, or 4-Line to 4-Line BCD 9's/BCD 10's Converters	25 ns	280 mW	54184	J,W	74184	J,N	2-116	2-117
	31 ns	350 mW			8898	N	3-156	3-157

COMPARATORS

Description	Typ. Compare Time	Typ. Total Power Dissipation	Device Type and Package				Connection Diagram Page No.	Electrical Tables Page No.
			Mil.		Coml.			
4-Bit Magnitude Comparators	20 ns	175 mW	7200	J,N,W	8200	J,N	3-23	3-24
	21 ns	275 mW	5485	J,W	7485	J,N	2-21	2-22
	70 ns	20 mW	54L85	J,N,W	74L85	J,N	2-21	2-22
	70 ns	75 mW	76L24	J,N,W	86L24	J,N	3-131	3-132
6-Bit Magnitude Comparators	20 ns	250 mW	7131	J,W	8131	J,N	3-19	3-20
	20 ns	250 mW	7136	J,W	8136	J,N	3-19	3-20
	21 ns	205 mW	7160	J,W	8160	J,N	3-17	3-18
10-Bit Magnitude Comparators	21 ns	240 mW	7130	J,F	8130	J,N	3-17	3-18

COUNTERS, ASYNCHRONOUS (RIPPLE CLOCK) – NEGATIVE-EDGE TRIGGERED

Description	Count Freq.	Parallel Load	Clear	Typ. Total Power Dissipation	Device Type and Package				Connection Diagram Page No.	Electrical Tables Page No.
					Mil.		Coml.			
4-Bit Binary	50 MHz	Yes	Low	240 mW	54197	J,N	74197	J,N	2-101	2-102
	40 MHz	Yes	Low	150 mW	7291	J,N,W	8291	J,N	4-11	4-12
	35 MHz	Yes	Low	150 mW	54177	J	74177	J,N	2-101	2-102
	35 MHz	Yes	Low	150 mW	7281	J,W	8281	J,N	4-11	4-12
	32 MHz	None	High	39 mW	54LS93	J,N,W	74LS93	J,N	2-30	2-31
	32 MHz	None	High	160 mW	5493A	J,W	7493A	J,N	2-30	2-31
	30 MHz	Yes	Low	60 mW	54LS197	J,N,W	74LS197	J,N	2-101	2-102
	6 MHz	None	High	20 mW	54L93	J,N,W	74L93	J,N	2-30	2-31
Decade	50 MHz	Yes	Low	240 mW	54196	J,N	74196	J,N	2-101	2-102
	40 MHz	Yes	Low	150 mW	7290	J,N,W	8290	J,N	4-11	4-12
	35 MHz	Yes	Low	150 mW	54176	J	74176	J,N	2-101	2-102
	35 MHz	Yes	Low	150 mW	7280	J,W	8280	J,N	4-11	4-12
	32 MHz	Set-to-9	High	40 mW	54LS90	J,N,W	74LS90	J,N	2-30	2-31
	32 MHz	Set-to-9	High	160 mW	5490A	J,W	7490A	J,N	2-30	2-31
	30 MHz	Yes	Low	60 mW	54LS196	J,N,W	74LS196	J,N	2-101	2-102
	6 MHz	Set-to-9	High	20 mW	54L90	J,N,W	74L90	J,N	2-30	2-31
Divide by 12	35 MHz	Yes	Low	150 mW	7288	J,W	8288	J,N	4-11	4-12
	32 MHz	None	High	39 mW	54LS92	J,N,W	74LS92	J,N	2-30	2-31
	32 MHz	None	High	160 mW	5492A	J,W	7492A	J,N	2-30	2-31



COUNTERS, SYNCHRONOUS—POSITIVE-EDGE TRIGGERED

Description	Count Freq.	Parallel Load	Clear	Typ. Total Power Dissipation	Device Type and Package				Connection Diagram Page No.	Electrical Tables Page No.
					Mil.		Coml.			
4-Bit Binary	25 MHz	Sync	Sync-L	93 mW	54LS163	J,N,W	74LS163	J,N	2-70	2-71
	25 MHz	Sync	Async-L	93 mW	54LS161	J,N,W	74LS161	J,N	2-70	2-71
	25 MHz	Sync	Sync-L	305 mW	54163A	J,W	74163A	J,N	2-70	2-71
	25 MHz	Sync	Async-L	305 mW	54161A	J,W	74161A	J,N	2-70	2-71
	25 MHz	Sync	Async-L	305 mW	9316	J,W	8316	J,N	4-27	4-28
	25 MHz	Sync	Sync-L	375 mW	7556	J,W	8556	J,N	3-72	3-73
	6 MHz	Sync	Async-L	33 mW	76L76	J,N,W	86L76	J,N	3-137	3-138
4-Bit Binary Up/Down	25 MHz	Sync	None	100 mW	54LS169	J,N,W	74LS169	J,N	2-85	2-86
	25 MHz	Async	Async-H	85 mW	54LS193	J,N,W	74LS193	J,N	2-133	2-134
	20 MHz	Async	Async-H	325 mW	54193	J,W	74193	J,N	2-133	2-134
	20 MHz	Async	Async-H	325 mW	7563	J,W	8563	J,N	3-76	3-77
	20 MHz	Async	None	90 mW	54LS191	J,N,W	74LS191	J,N	2-128	2-129
	20 MHz	Async	None	325 mW	54191	J,N,W	74191	J,N	2-128	2-129
	6 MHz	Async	Async-H	40 mW	54L193	J,N,W	74L193	J,N	2-133	2-134
	6 MHz	Async	Async-H	40 mW	75L63	J,N,W	85L63	J,N	3-76	3-77
Decade	25 MHz	Sync	Sync-L	93 mW	54LS162	J,N,W	74LS162	J,N	2-70	2-71
	25 MHz	Sync	Async-L	93 mW	54LS160	J,N,W	74LS160	J,N	2-70	2-71
	25 MHz	Sync	Sync-L	305 mW	54162A	J,W	74162A	J,N	2-70	2-71
	25 MHz	Sync	Async-L	305 mW	54160A	J,W	74160A	J,N	2-70	2-71
	25 MHz	Sync	Async-L	305 mW	9310	J,W	8310	J,N	4-27	4-28
	25 MHz	Sync	Sync-L	400 mW	7555	J,W	8555	J,W	3-72	3-73
	6 MHz	Sync	Async-L	33 mW	76L75	J,N,W	86L75	J,N	3-137	3-138
Decade Up/Down	25 MHz	Sync	None	100 mW	54LS168	J,N,W	74LS168	J,N	2-85	2-86
	25 MHz	Async	Async-H	85 mW	54LS192	J,N,W	74LS192	J,N	2-133	2-134
	20 MHz	Async	Async-H	325 mW	54192	J,W	74192	J,N	2-133	2-134
	20 MHz	Async	None	100 mW	54LS190	J,N,W	74LS190	J,N	2-128	2-129
	20 MHz	Async	None	325 mW	54190	J,N,W	74190	J,N	2-128	2-129
	20 MHz	Async	Async-H	325 mW	7560	J,W	8560	J,N	3-76	3-77
	6 MHz	Async	Async-H	40 mW	54L192	J,N,W	74L192	J,N	2-133	2-134
	6 MHz	Async	Async-H	40 mW	75L60	J,N,W	85L60	J,N	3-76	3-77
Modulo-N Divider	15 MHz	Sync	None	250 mW	7520	J,W	8520	J,N	3-44	3-47

DATA SELECTORS/MULTIPLEXERS

Description	Type of Output	Typ. Delay Times			Typ. Total Power Dissipation	Device Type and Package				Connection Diagram Page No.	Electrical Tables Page No.
		Data to Inv. Output	Data to Non-Inv. Output	From Enable		Mil.		Coml.			
Quad 2-Line to 1-Line	TRI-STATE	4 ns		14 ns	280 mW			74S258	N	2-165	2-166
	TRI-STATE		5 ns	14 ns	320 mW			74S257	N	2-165	2-166
	Standard	4 ns		7 ns	195 mW			74S158	N	2-66	2-67
	Standard		5 ns	8 ns	250 mW			74S157	N	2-66	2-67
	TRI-STATE	12 ns		20 ns	35 mW	54LS258	J,N,W	74LS258	J,N	2-165	2-166
	TRI-STATE		12 ns	20 ns	50 mW	54LS257	J,N,W	74LS257	J,N	2-165	2-166
	Standard	7 ns		12 ns	24 mW	54LS158	J,N,W	74LS158	J,N	2-66	2-67
	Standard		9 ns	14 ns	49 mW	54LS157	J,N,W	74LS157	J,N	2-66	2-67
	Standard	9 ns	14 ns	150 mW	54157	J,W	74157	J,N	2-66	2-67	
	Standard	40 ns	60 ns	15 mW	54L157A	J,N,W	74L157A	J,N	2-66	2-67	
	Standard	9 ns	14 ns	150 mW	9322	J,W	8322	J,N	4-38	4-39	
	Standard	40 ns	60 ns	15 mW	71L22	J,N,W	81L22	J,N	3-13	3-14	
	TRI-STATE	9.5 ns	N/A	200 mW	7123	J,W	8123	J,N	3-13	3-14	
	TRI-STATE	40 ns	N/A	20 mW	71L23	J,N,W	81L23	J,N	3-13	3-14	
Quad 2-Line to 1-Line With Storage	Standard		20 ns from clock		65 mW	54LS298	J,N,W	74LS298	J,N	2-184	2-185
Dual 4-Line to 1-Line	TRI-STATE		12 ns	16 ns	35 mW	54LS253	J,N,W	74LS253	J,N	2-163	2-164
	Standard		6 ns	9.5 ns	225 mW			74S153	N	2-57	2-58
	Standard		14 ns	17 ns	180 mW	54153	J,W	74153	J,N	2-57	2-58
	Standard	12 ns	14 ns	17 ns	31 mW	54LS153	J,N,W	74LS153	J,N	2-57	2-58
	Standard		20 ns	20 ns	135 mW	9309	J,W	8309	J,N	4-24	4-25
TRI-STATE		13.5 ns	20 ns	170 mW	7214	J,W	8214	J,N	3-28	3-29	
8-Line to 1-Line	TRI-STATE	4.5 ns	8 ns	14 ns	275 mW			74S251	N	2-160	2-161
	TRI-STATE	11 ns	18 ns	17 ns	155 mW	54251	J,W	74251	J,N	2-160	2-161
	TRI-STATE	17 ns	21 ns	21 ns	35 mW	54LS251	J,N,W	74LS251	J,N	2-160	2-161
	Standard	4.5 ns	8 ns	9 ns	225 mW			74S151	N	2-53	2-54
	Standard	8 ns	16 ns	22 ns	145 mW	54151A	J,W	74151A	J,N	2-53	2-54
	Standard	11 ns	18 ns	27 ns	30 mW	54LS151	J,N,W	74LS151	J,N	2-53	2-54
	Standard	9 ns	16 ns	17 ns	135 mW	9312	J,W	8312	J,N	4-24	4-25
	Standard	11 ns	18 ns	17 ns	155 mW	7121	J,W	8121	J,N	3-11	3-12
	Standard	22 ns	N/A	100 mW	7210	J,W	8210	J,N	3-25	3-26	
	Standard	22 ns	20 ns	100 mW	7211	J,W	8211	J,N	3-25	3-26	
16-Line to 1-Line	Standard	11 ns		18 ns	200 mW	54150	J,F	74150	J,N	2-53	2-54
	TRI-STATE	11 ns		21 ns	225 mW	7219	J,F	8219	J,N	3-28	3-29

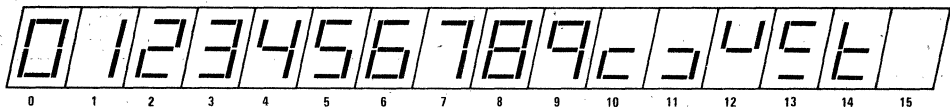
DECODERS/DEMULPLEXERS

Description	Type of Output	Typ. Select Time	Typ. Enable Time	Typ. Total Power Dissipation	Device Type and Package				Connection Diagram Page No.	Electrical Tables Page No.
					Mil.		Coml.			
Dual 2-Line to 4-Line	Totem-Pole	7.5 ns	6 ns	300 mW			74S139	N	2-46	2-47
	Totem-Pole	18 ns	15 ns	30 mW	54LS155	J,N,W	74LS155	J,N	2-63	2-64
	TRI-STATE	20 ns	15 ns	240 mW	7230	J,W	8230	J,N	3-37	3-38
	Totem-Pole	21 ns	16 ns	250 mW	54155	J,W	74155	J,N	2-63	2-64
	Totem-Pole	22 ns	19 ns	34 mW	54LS139	J,N,W	74LS139	J,N	2-46	2-47
	Open-Collector	23 ns	18 ns	250 mW	54156	J,W	74156	J,N	2-63	2-64
	Open-Collector	33 ns	26 ns	31 mW	54LS156	J,N,W	74LS156	J,N	2-63	2-64
3-Line to 8-Line	Totem-Pole	8 ns	7 ns	225 mW			74S138	N	2-46	2-47
	Totem-Pole	22 ns	21 ns	31 mW	54LS138	J,N,W	74LS138	J,N	2-46	2-47
	Totem-Pole	25 ns		140 mW	7223	J	8223	J,N	3-35	3-36
4-Line to 10-Line, BCD to Decimal	Totem-Pole	17 ns		35 mW	54LS42	J,N,W	74LS42	J,N	2-3	2-4
	Totem-Pole	17 ns		140 mW	5442	J,W	7442	J,N	2-3	2-4
	Totem-Pole	20 ns		125 mW	9301	J,W	8301	J,N	4-22	4-23
	Totem-Pole	67 ns		15 mW	54L42A	J,N,W	74L42A	J,N	2-3	2-4
4-Line to 16-Line	Totem-Pole	19.5 ns	17.5 ns	170 mW	54154	J,F	74154	J,N	2-60	2-61
	Totem-Pole	19.5 ns	17.5 ns	170 mW	9311	J,F	8311	J,N	4-33	4-34
	Totem-Pole	23 ns	19 ns	45 mW	54LS154	J,N,W	74LS154	J,N	2-60	2-61
	Totem-Pole	55 ns	45 ns	24 mW	54L154A	F,J,N	74L154A	J,N	2-60	2-61

DISPLAY DECODERS/DRIVERS, OPEN-COLLECTOR

Description	Output Sink Current	Off-State Output Voltage	Typ. Total Power Dissipation	Blanking	Device Type and Package				Connection Diagram Page No.	Electrical Tables Page No.
					Mil.		Coml.			
BCD to 7-Segment Decoders/Drivers	40 mA	30V	320 mW	Ripple	5446A	J,N,W	7446A	J,N	2-8	2-9
	40 mA	15V	320 mW	Ripple	5447A	J,N,W	7447A	J,N	2-8	2-9
	24 mA	15V	35 mW	Ripple			74LS47	J,N	2-8	2-9
	12 mA	15V	35 mW	Ripple	54LS47	J,N,W			2-8	2-9
	6.4 mA	5.5V	265 mW	Ripple	5448	J,N,W	7448	J,N	2-8	2-9
	6 mA	5.5V	125 mW	Ripple			74LS48	J,N	2-8	2-9
	4 mA	5.5V	40 mW	Direct	54LS49	J,N,W	74LS49	J,N	2-8	2-9
	2 mA	5.5V	125 mW	Ripple	54LS48	J,N,W			2-8	2-9
BCD to Decimal Decoders/Drivers	80 mA	30V	215 mW	Invalid Codes	5445	J,W	7445	J,N	2-6	2-7
	80 mA	15V	215 mW	Invalid Codes	54145	J,W	74145	J,N	2-6	2-7
	7 mA	60V	80 mW	Invalid Codes	54141	J,W	74141	J,N	2-1	2-2
7-Segment to BCD Decoders/Drivers	3.6 mA	2.4V	75 mW	Direct	76L25	J,N,W	86L25	J,N	3-134	3-135

RESULTANT DISPLAYS USING 46A, 47A, 48, LS47, LS48, LS49



LATCHES

Description	No. of Bits	Clear	Outputs	Typ. Delay Time	Typ. Total Power Dissipation	Device Type and Package				Connection Diagram Page No.	Electrical Tables Page No.
						Mil.		Coml.			
Addressable Latches	8	Low	Q	21 ns	280 mW	9334	J,W	8334	J,N	4-40	4-41
DG (Clocked) Latches	4	None	Q, Q	11 ns	32 mW	54LS75	J,N,W	74LS75	J,N	2-14	2-15
	4	None	Q	10 ns	35 mW	54LS77	W		J,N	2-14	2-15
	4	None	Q, \bar{Q}	15 ns	160 mW	5475	J,N,W	7475	J,N	2-14	2-15
	4	None	Q, \bar{Q}	52 ns	17.5 mW	54L75A	J,N,W	74L75A	J,N	2-14	2-15
\bar{S} -R Latches	4	None	Q	12 ns	19 mW	54LS279	J,N,W	74LS279	J,N	2-168	2-169
	4	None	Q	19 ns	180 mW	7544	J,N,W	8544	J,N	3-54	3-55
TRI-STATE Counters/Latches	4	High	Q	28 ns	330 mW	7552	J,W	8552	J,N	3-64	3-65
	4	High	Q	95 ns	38 mW	75L52	J,N,W	85L52	J,N	3-64	3-65
	4	High	Q	28 ns	330 mW	7554	J,W	8554	J,N	3-64	3-65
	4	High	Q	95 ns	38 mW	75L54	J,N,W	85L54	J,N	3-64	3-65
	8	High	Q	21 ns	330 mW	7553	J,W	8553	J,N	3-70	3-71

MULTIPLIERS

Description	Device Type and Package				Connection Diagram Page No.	Electrical Tables Page No.
	Mil.		Coml.			
4-Bit by 4-Bit Parallel Binary Multipliers	7875A	J	8875A	J,N	3-154	3-155
	7875B	J	8875B	J,N		

PARITY GENERATORS/CHECKERS

Description	Typ. Delay Time	Typ. Total Power Dissipation	Device Type and Package				Connection Diagram Page No.	Electrical Tables Page No.
			Mil.		Coml.			
8-Bit Odd/Even Parity Generators/Checkers	35 ns	170 mW	54180	J,W	74180	J,N	2-105	2-106
9-Bit Odd/Even Parity Generators/Checkers	13 ns	335 mW	7220	J,N,W	74S280	N	2-170	2-171
	34 ns	130 mW			8220	J,N	3-32	3-33

PRIORITY ENCODERS

Description	Typ. Propagation Delay Time	Typ. Total Power Dissipation	Device Type and Package				Connection Diagram Page No.	Electrical Tables Page No.
			Mil.		Coml.			
Cascadable Octal Priority Encoders	12 ns	190 mW	54148	J,W	74148	J,N	2-49	2-50
	12 ns	190 mW	9318	J,W	8318	J,N	4-36	4-37
Full BCD Priority Encoders	10 ns	225 mW	54147	J,W	74147	J,N	2-49	2-50

REGISTER FILES

Description	Typ. Address Time	Typ. Read Enable Time	Data Input Rate	Typ. Total Power Dissipation	Device Type and Package				Connection Diagram Page No.	Electrical Tables Page No.
					Mil.		Coml.			
4 Words of 4-Bits	27 ns	15 ns	20 MHz	125 mW	54LS170	J,N,W	74LS170	J,N	2-91	2-92
	30 ns	15 ns	20 MHz	635 mW			74170	J,N	2-91	2-92
4 Words of 4-Bits (TRI-STATE Outputs)	24 ns	19 ns	20 MHz	135 mW	54LS670	J,N,W	74LS670	J,N	2-191	2-192
	24 ns	19 ns	30 MHz	400 mW	7542	J,W	8542	J,N	3-52	3-53

REGISTERS, OTHER

Description	Freq.	Async. Clear	Typ. Total Power Dissipation	Device Type and Package				Connection Diagram Page No.	Electrical Tables Page No.
				Mil.		Coml.			
Quad Bus-Buffer Registers	25 MHz	High	250 mW	54173	J,W	74173	J,N	2-96	2-97
	25 MHz	High	250 mW	7551	J,W	8551	J,N	3-62	3-63
	6 MHz	High	28 mW	75L51	J,N,W	85L51	J,N	3-62	3-63
Quad D-Type Registers	75 MHz	Low	300 mW			74S175	N	2-98	2-99
	30 MHz	Low	55 mW	54LS175	J,N,W	74LS175	J,N	2-98	2-99
	25 MHz	Low	150 mW	54175	J,W	74175	J,N	2-98	2-99
Quad Multiplexers With Storage	25 MHz	None	65 mW	54LS298	J,N,W	74LS298	J,N	2-184	2-185
Hex D-Type Registers	75 MHz	Low	450 mW			74S174	N	2-98	2-99
	30 MHz	Low	80 mW	54LS174	J,N,W	74LS174	J,N	2-98	2-99
	25 MHz	Low	225 mW	54174	J,W	74174	J,N	2-98	2-99
8-Bit Universal Shift/Storage Registers	15 MHz	None	400 mW	7546	J,W	8546	J,N	3-56	3-57
Octal D-Type Registers	25 MHz	None	175 mW	54LS374	J,N,W	74LS374	J,N	2-187	2-188

REGISTERS, SHIFT

Description	No. of Bits	Shift Freq.	Serial Data Input	Async. Clear	Modes				Typ. Total Power Dissipation	Device Type and Package				Connection Diagram Page No.	Electrical Tables Page No.
					* S-R	* S-L	Low	Hold		Mil.		Coml.			
Parallel-In, Parallel-Out (Bidirectional)	8	25 MHz	D	Low	X	X	X	X	360 mW	54198	J	74198	J,N	2-148	2-149
	4	70 MHz	D	Low	X	X	X	X	450 mW			74S194	N	2-140	2-141
	4	25 MHz	D	Low	X	X	X	X	75 mW	54LS194A	J,N,W	74LS194A	J,N	2-140	2-141
	4	25 MHz	D	Low	X	X	X	X	195 mW	54194	J,W	74194	J,N	2-140	2-141
Parallel-In, Parallel-Out	8	25 MHz	J-K	Low	X	X	X	X	360 mW	54199	J	74199	J,N	2-148	2-149
	5	10 MHz	D	Low	X	X			60 mW	54LS96	J,N,W	74LS96	J,N	2-39	2-40
	5	10 MHz	D	Low	X	X			240 mW	5496	J,W	7496	J,N	2-39	2-40
	4	70 MHz	J-K	Low	X	X			375 mW			74S195	N	2-144	2-145
	4	30 MHz	J-K	Low	X	X			195 mW	54195	J,W	74195	J,N	2-144	2-145
	4	30 MHz	J-K	Low	X	X			300 mW	9300	J,N,W	8300	J,N	4-19	4-20
	4	30 MHz	J-K	Low	X	X			70 mW	54LS195A	J,N,W	74LS195A	J,N	2-144	2-145
	4	25 MHz	D	Low	X	X			75 mW	54LS395	J,N,W	74LS395	J,N	2-189	2-190
	4	25 MHz	D	None	X	X			195 mW	5495	J,W	7495	J,N	2-36	2-37
	4	25 MHz	D	None	X	X			65 mW	54LS95B	J,N,W	74LS95B	J,N	2-36	2-37
	4	6 MHz	D	None	X	X			24 mW	54L95	J,N,W	74L95	J,N	2-36	2-37
	Serial-In, Parallel-Out	8	25 MHz	Gated D	Low	X				80 mW	54LS164	J,N,W	74LS164	J,N	2-76
8		25 MHz	Gated D	Low	X				175 mW	54164	J,W	74164	J,N	2-76	2-77
8		25 MHz	Gated D	Low	X				175 mW	7570	J,W	8570	J,N	3-86	3-87
8		6 MHz	Gated D	Low	X				30 mW	54L164A	J,N,W	74L164A	J,N	2-76	2-77
8		6 MHz	Gated D	Low	X				30 mW	76L70	J,N,W	86L70	J,N	3-86	3-87
Parallel-In, Serial-Out	8	25 MHz	D	None	X	X	X		200 mW	54165	J,W	74165	J,N	2-79	2-80
	8	20 MHz	D	Low	X	X	X		360 mW	54166	J	74166	J,N	2-82	2-83
	8	14 MHz	D	None	X	X	X		200 mW	7590	J,W	8590	J,N	3-110	3-111
	8	6 MHz	D	None	X	X	X		30 mW	76L90	J,N,W	86L90	J,N	3-110	3-111
Serial-In, Serial-Out	8	10 MHz	Gated D	None	X				175 mW	5491A	J,W	7491A	J,N	2-34	2-35
	8	4 MHz	Gated D	None	X				17.5 mW	54L91	J,N,W	74L91	J,N	2-34	2-35

* S-R = shift right, S-L = shift left.

DUAL-IN-LINE PACKAGES

- (N) All devices ordered with the "N" suffix are supplied in either the 14-pin, 16-pin, 20-pin, or 24-pin molded dual-in-line package. Molding material is EPOXY B, a highly reliable compound suitable for military as well as commercial temperature range applications. Lead material is Alloy 42 with a hot solder dipped surface to allow for ease of solderability.
- (J) All devices ordered with the "J" suffix are supplied in either the 14-pin, 16-pin, or 24-pin ceramic dual-in-line package. The body of the package is made of ceramic and hermeticity is accomplished through a high temperature sealing of the package. Lead material is tin-plated kovar.

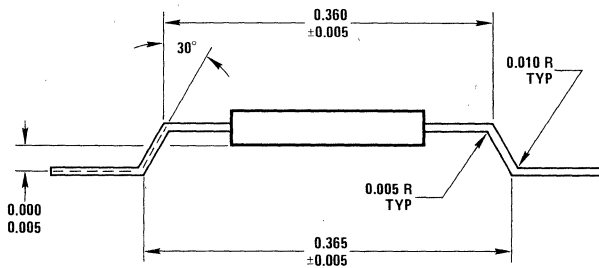
FLAT PACKAGES

- (W) All devices ordered with the "W" suffix are supplied in either the 14-pin or 16-pin ceramic flat package. The body of the package is made of ceramic and hermeticity is accomplished through a high temperature sealing of the package. Lead material is tin-plated kovar.
- (F) All devices ordered with the "F" suffix are supplied in the 24-pin glass/metal flat package. The top and bottom of the package are gold-plated kovar as are the leads. The side walls are glass, through which the leads extend forming a hermetic seal.

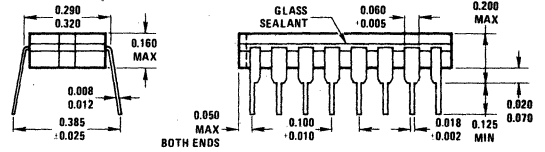
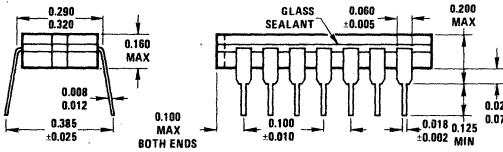
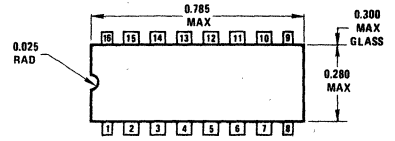
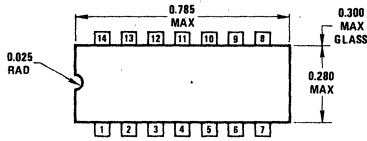
Four combinations of bottom insulator and formed leads are supplied for the W or F packages. Suffix coding is as follows:

Suffix	Bottom Insulator	Formed Leads
-00 (Ex: DM54L00W-00)	No	No
-01	Yes	Yes
-06	Yes	No
-07	No	Yes

If no suffix is added, parts will be supplied as if the -00 suffix had been ordered.

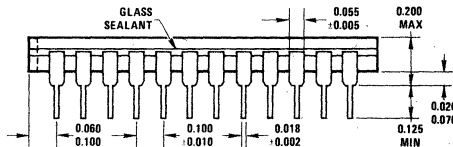
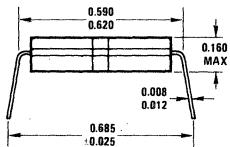
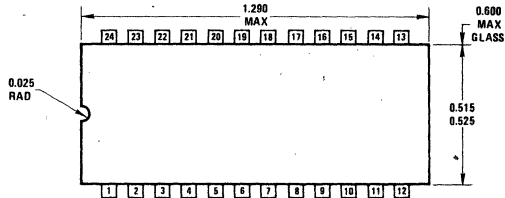


Standard Flat Pack Lead Form

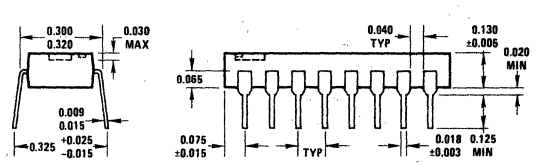
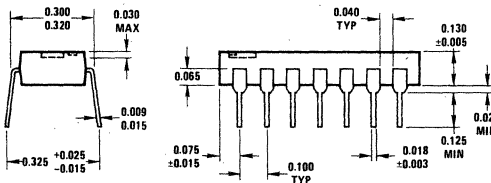
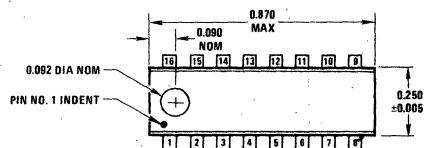
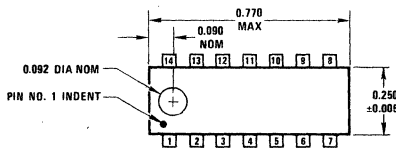


14-Pin Ceramic Dual-In-Line Package (J)

16-Pin Ceramic Dual-In-Line Package (J)

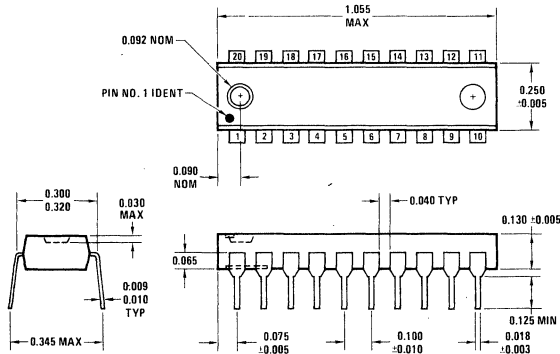


24-Pin Ceramic Dual-In-Line Package (J)

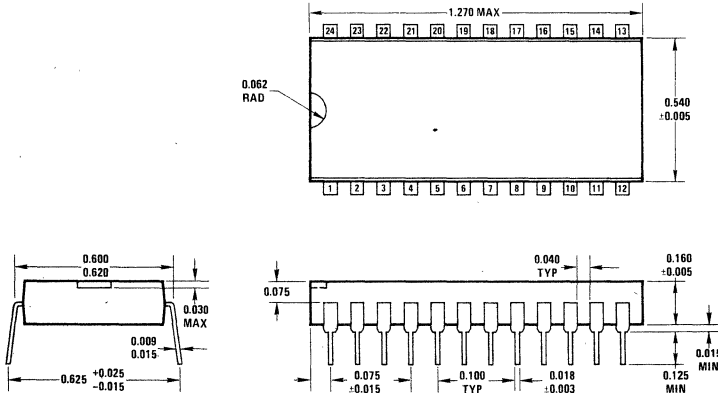


14-Pin Molded Dual-In-Line Package (N)

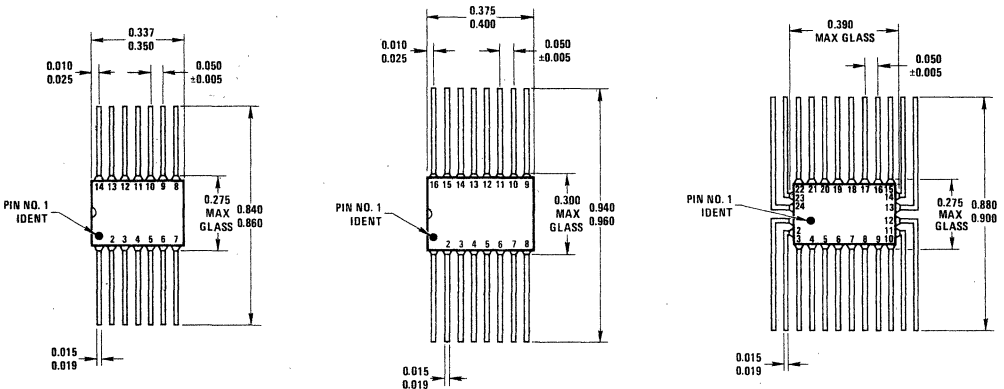
16-Pin Molded Dual-In-Line Package (N)



20-Pin Molded Dual-In-Line Package (N)



24-Pin Molded Dual-In-Line Package (N)



14-Pin Flat Package (W)

16-Pin Flat Package (W)

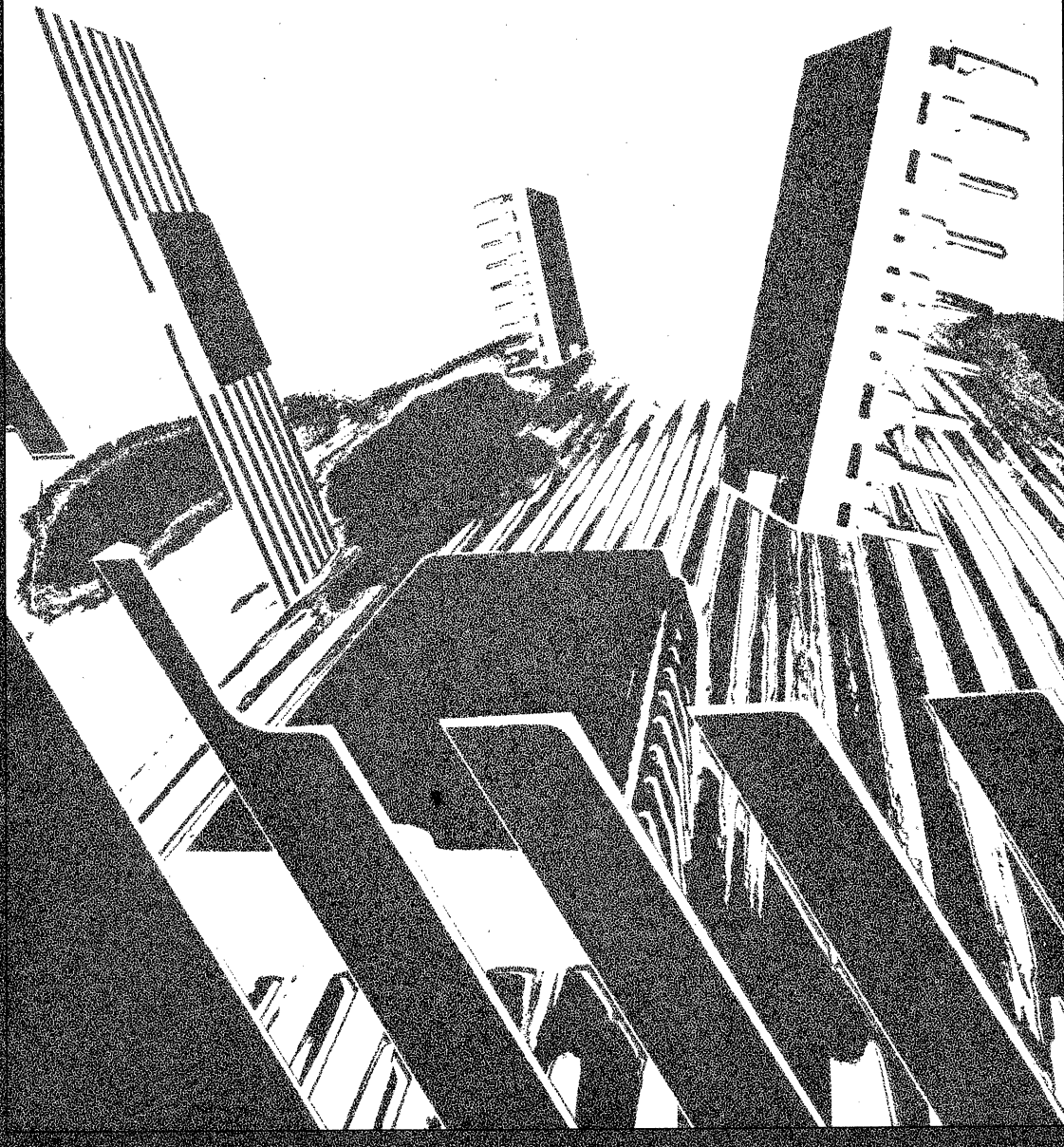
24-Pin Flat Package (F)



INCHES TO MILLIMETERS CONVERSION TABLE

INCHES	MM	INCHES	MM	INCHES	MM
0.001	0.0254	0.010	0.254	0.100	2.54
0.002	0.0508	0.020	0.508	0.200	5.08
0.003	0.0762	0.030	0.762	0.300	7.62
0.004	0.1016	0.040	1.016	0.400	10.16
0.005	0.1270	0.050	1.270	0.500	12.70
0.006	0.1524	0.060	1.524	0.600	15.24
0.007	0.1778	0.070	1.778	0.700	17.78
0.008	0.2032	0.080	2.032	0.800	20.32
0.009	0.2286	0.090	2.286	0.900	22.86

National Semiconductor 54/74 SSI DEVICES Section 1



Device No.	Description	Conn. Diag. Pg. No.	Elec. Char. Pg. No.	Package					
				J		N		W	
				Mil	Coml	Mil	Coml	Mil	Coml
DM5400/DM7400	Quad 2-Input NAND Gates	1-1	1-36	•	•	•	•	•	•
DM54H00/DM74H00	Quad 2-Input NAND Gates	1-1	1-36	•	•	•	•		N/A
DM54L00/DM74L00	Quad 2-Input NAND Gates	1-1	1-36	•	•	•	•	•	•
DM54LS00/DM74LS00	Quad 2-Input NAND Gates	1-1	1-36	•	•	•	•	•	•
DM74S00	Quad 2-Input NAND Gates	1-1	1-36		N/A		•		N/A
DM5401/DM7401	Quad 2-Input NAND Gates with Open-Collector Outputs	1-1	1-38	•	•	•	•	•	•
DM54H01/DM74H01	Quad 2-Input NAND Gates with Open-Collector Outputs	1-1	1-38	•	•	•	•		N/A
DM54L01/DM74L01	Quad 2-Input NAND Gates with Open-Collector Outputs	1-1	1-38		N/A		N/A	•	•
DM54LS01/DM74LS01	Quad 2-Input NAND Gates with Open-Collector Outputs	1-1	1-38	•	•	•	•	•	•
DM5402/DM7402	Quad 2-Input NOR Gates	1-2	1-40	•	•	•	•	•	•
DM54L02/DM74L02	Quad 2-Input NOR Gates	1-2	1-40	•	•	•	•	•	•
DM54LS02/DM74LS02	Quad 2-Input NOR Gates	1-2	1-40	•	•	•	•	•	•
DM74S02	Quad 2-Input NOR Gates	1-2	1-40		N/A		•		N/A
DM5403/DM7403	Quad 2-Input NAND Gates with Open-Collector Outputs	1-2	1-38	•	•	•	•		N/A
DM54L03/DM74L03	Quad 2-Input NAND Gates with Open-Collector Outputs	1-2	1-38	•	•	•	•		N/A
DM54LS03/DM74LS03	Quad 2-Input NAND Gates with Open-Collector Outputs	1-2	1-38	•	•	•	•	•	•
DM74S03	Quad 2-Input NAND Gates with Open-Collector Outputs	1-2	1-38		N/A		•		N/A
DM5404/DM7404	Hex Inverters	1-2	1-36	•	•	•	•	•	•
DM54H04/DM74H04	Hex Inverters	1-2	1-36	•	•	•	•		N/A
DM54L04/DM74L04	Hex Inverters	1-2	1-36	•	•	•	•	•	•
DM54LS04/DM74LS04	Hex Inverters	1-2	1-36	•	•	•	•	•	•
DM74S04	Hex Inverters	1-2	1-36		N/A		•		N/A
DM5405/DM7405	Hex Inverters with Open-Collector Outputs	1-3	1-38	•	•	•	•	•	•
DM54H05/DM74H05	Hex Inverters with Open-Collector Outputs	1-3	1-38	•	•	•	•		N/A
DM54L05/DM74L05	Hex Inverters with Open-Collector Outputs	1-3	1-38	•	•	•	•	•	•
DM54LS05/DM74LS05	Hex Inverters with Open-Collector Outputs	1-3	1-38	•	•	•	•	•	•
DM74S05	Hex Inverters with Open-Collector Outputs	1-3	1-38		N/A		•		N/A
DM5406/DM7406	Hex Buffers with Open-Collector High-Voltage Outputs	1-3	1-42	•	•	•	•	•	•
DM5407/DM7407	Hex Buffers with Open-Collector High-Voltage Outputs	1-3	1-42	•	•	•	•	•	•
DM5408/DM7408	Quad 2-Input AND Gates	1-4	1-44	•	•	•	•	•	•
DM54H08/DM74H08	Quad 2-Input AND Gates	1-4	1-44	•	•	•	•		N/A
DM54L08/DM74L08	Quad 2-Input AND Gates	1-4	1-44	•	•	•	•	•	•
DM54LS08/DM74LS08	Quad 2-Input AND Gates	1-4	1-44	•	•	•	•	•	•
DM5409/DM7409	Quad 2-Input AND Gates with Open-Collector Outputs	1-4	1-46	•	•	•	•	•	•
DM54L09/DM74L09	Quad 2-Input AND Gates with Open-Collector Outputs	1-4	1-46	•	•	•	•	•	•
DM54LS09/DM74LS09	Quad 2-Input AND Gates with Open-Collector Outputs	1-4	1-46	•	•	•	•	•	•
DM5410/DM7410	Triple 3-Input NAND Gates	1-4	1-36	•	•	•	•	•	•
DM54H10/DM74H10	Triple 3-Input NAND Gates	1-4	1-36	•	•	•	•		N/A
DM54L10/DM74L10	Triple 3-Input NAND Gates	1-4	1-36	•	•	•	•	•	•

Device No.	Description	Conn. Diag. Pg. No.	Elec. Char. Pg. No.	Package					
				J		N		W	
				Mil	Coml	Mil	Coml	Mil	Coml
DM54LS10/DM74LS10	Triple 3-Input NAND Gates	1-4	1-36	•	•	•	•	•	•
DM74S10	Triple 3-Input NAND Gates	1-4	1-36		N/A		•		N/A
DM5411/DM7411	Triple 3-Input AND Gates	1-5	1-44	•	•	•	•		N/A
DM54H11/DM74H11	Triple 3-Input AND Gates	1-5	1-44	•	•	•	•		N/A
DM54L11/DM74L11	Triple 3-Input AND Gates	1-5	1-44	•	•	•	•	•	•
DM54LS11/DM74LS11	Triple 3-Input AND Gates	1-5	1-44	•	•	•	•	•	•
DM74S11	Triple 3-Input AND Gates	1-5	1-44		N/A		•		N/A
DM54LS12/DM74LS12	Triple 3-Input NAND Gates with Open-Collector Outputs	1-5	1-38	•	•	•	•	•	•
DM5413/DM7413	Dual 4-Input NAND Schmitt Triggers	1-5	1-48	•	•	•	•	•	•
DM54LS13/DM74LS13	Dual 4-Input NAND Schmitt Triggers	1-5	1-48	•	•	•	•	•	•
DM5414/DM7414	Hex Schmitt Triggers	1-6	1-48	•	•	•	•	•	•
DM54LS14/DM74LS14	Hex Schmitt Triggers	1-6	1-48	•	•	•	•	•	•
DM54LS15/DM74LS15	Triple 3-Input AND Gates with Open-Collector Outputs	1-6	1-46	•	•	•	•	•	•
DM74S15	Triple 3-Input AND Gates with Open-Collector Outputs	1-6	1-46		N/A		•		N/A
DM5416/DM7416	Hex Buffers with Open-Collector High-Voltage Outputs	1-6	1-42	•	•	•	•	•	•
DM5417/DM7417	Hex Buffers with Open-Collector High-Voltage Outputs	1-7	1-42	•	•	•	•	•	•
DM5420/DM7420	Dual 4-Input NAND Gates	1-7	1-36	•	•	•	•	•	•
DM54H20/DM74H20	Dual 4-Input NAND Gates	1-7	1-36	•	•	•	•		N/A
DM54L20/DM74L20	Dual 4-Input NAND Gates	1-7	1-36	•	•	•	•	•	•
DM54LS20/DM74LS20	Dual 4-Input NAND Gates	1-7	1-36	•	•	•	•	•	•
DM74S20	Dual 4-Input NAND Gates	1-7	1-36		N/A		•		N/A
DM54H21/DM74H21	Dual 4-Input AND Gates	1-7	1-44	•	•	•	•		N/A
DM54LS21/DM74LS21	Dual 4-Input AND Gates	1-7	1-44	•	•	•	•	•	•
DM54H22/DM74H22	Dual 4-Input NAND Gates with Open-Collector Outputs	1-8	1-38	•	•	•	•		N/A
DM54LS22/DM74LS22	Dual 4-Input NAND Gates with Open-Collector Outputs	1-8	1-38	•	•	•	•	•	•
DM74S22	Dual 4-Input NAND Gates with Open-Collector Outputs	1-8	1-38		N/A		•		N/A
DM5423/DM7423	Expandable Dual 4-Input NOR Gates	1-8	1-50	•	•	•	•	•	•
DM5425/DM7425	Dual 4-Input NOR Gates	1-8	1-40	•	•	•	•	•	•
DM5426/DM7426	Quad 2-Input High-Voltage NAND Gates	1-9	1-42	•	•	•	•		N/A
DM54L26/DM74L26	Quad 2-Input High-Voltage NAND Gates	1-9	1-42	•	•	•	•	•	•
DM5427/DM7427	Triple 3-Input NOR Gates	1-9	1-40	•	•	•	•	•	•
DM54LS27/DM74LS27	Triple 3-Input NOR Gates	1-9	1-40	•	•	•	•	•	•
DM5430/DM7430	8-Input NAND Gates	1-9	1-36	•	•	•	•	•	•
DM54H30/DM74H30	8-Input NAND Gates	1-9	1-36	•	•	•	•		N/A
DM54L30/DM74L30	8-Input NAND Gates	1-9	1-36	•	•	•	•	•	•
DM54LS30/DM74LS30	8-Input NAND Gates	1-9	1-36	•	•	•	•	•	•
DM74S30	8-Input NAND Gates	1-9	1-36		N/A		•		N/A
DM5432/DM7432	Quad 2-Input OR Gates	1-10	1-52	•	•	•	•	•	•
DM54L32/DM74L32	Quad 2-Input OR Gates	1-10	1-52	•	•	•	•	•	•
DM54LS32/DM74LS32	Quad 2-Input OR Gates	1-10	1-52	•	•	•	•	•	•
DM5437/DM7437	Quad 2-Input NAND Buffers	1-10	1-54	•	•	•	•	•	•
DM54LS37/DM74LS37	Quad 2-Input NAND Buffers	1-10	1-54	•	•	•	•	•	•
DM5438/DM7438	Quad 2-Input NAND Buffers with Open-Collector Outputs	1-10	1-42	•	•	•	•	•	•
DM54LS38/DM74LS38	Quad 2-Input NAND Buffers with Open-Collector Outputs	1-10	1-42	•	•	•	•	•	•

Device No.	Description	Conn. Diag. Pg. No.	Elec. Char. Pg. No.	Package					
				J		N		W	
				Mil	Coml	Mil	Coml	Mil	Coml
DM5440/DM7440	Dual 4-Input NAND Buffers	1-11	1-54	•	•	•	•	•	•
DM54H40/DM74H40	Dual 4-Input NAND Buffers	1-11	1-54	•	•	•	•		N/A
DM54LS40/DM74LS40	Dual 4-Input NAND Buffers	1-11	1-54	•	•	•	•	•	•
DM74S40	Dual 4-Input NAND Buffers	1-11	1-54		N/A		•		N/A
DM5450/DM7450	Dual 2-Wide 2-Input AND-OR-INVERT Gates	1-11	1-50	•	•	•	•	•	•
DM54H50/DM74H50	Dual 2-Wide 2-Input AND-OR-INVERT Gates	1-11	1-50	•	•	•	•		N/A
DM5451/DM7451	Dual 2-Wide 2-Input AND-OR-INVERT Gates	1-12	1-56	•	•	•	•	•	•
DM54H51/DM74H51	Dual 2-Wide 2-Input AND-OR-INVERT Gates	1-12	1-56	•	•	•	•		N/A
DM54L51/DM74L51	Dual 2-Wide 2-Input AND-OR-INVERT Gates	1-12	1-56	•	•	•	•	•	•
DM54LS51/DM74LS51	Dual 2-Wide 2-Input AND-OR-INVERT Gates	1-12	1-56	•	•	•	•	•	•
DM74S51	Dual 2-Wide 2-Input AND-OR-INVERT Gates	1-12	1-56		N/A		•		N/A
DM54H52/DM74H52	Expandable 4-Wide AND-OR Gates	1-13	1-50	•	•	•	•		N/A
DM5453/DM7453	Expandable 4-Wide AND-OR INVERT Gates	1-13	1-50	•	•	•	•	•	•
DM54H53/DM74H53	Expandable 4-Wide AND-OR- INVERT Gates	1-13	1-50	•	•	•	•		N/A
DM5454/DM7454	4-Wide AND-OR-INVERT Gates	1-14	1-56	•	•	•	•	•	•
DM54H54/DM74H54	4-Wide AND-OR-INVERT Gates	1-14	1-56	•	•	•	•		N/A
DM54L54/DM74L54	4-Wide AND-OR-INVERT Gates	1-14	1-56	•	•	•	•	•	•
DM54LS54/DM74LS54	4-Wide AND-OR-INVERT Gates	1-14	1-56	•	•	•	•	•	•
DM54H55/DM74H55	2-Wide 4-Input AND-OR- INVERT Gates	1-15	1-50	•	•	•	•		N/A
DM54L55/DM74L55	2-Wide 4-Input AND-OR- INVERT Gates	1-15	1-56	•	•	•	•	•	•
DM54LS55/DM74LS55	2-Wide 4-Input AND-OR- INVERT Gates	1-15	1-56	•	•	•	•	•	•
DM5460/DM7460	Dual 4-Input Expanders	1-15	1-58	•	•	•	•	•	•
DM54H60/DM74H60	Dual 4-Input Expanders	1-15	1-59	•	•	•	•		N/A
DM54H61/DM74H61	Triple 3-Input Expanders	1-16	1-60	•	•	•	•		N/A
DM54H62/DM74H62	4-Wide AND-OR Expanders	1-16	1-59	•	•	•	•		N/A
DM74S64	4-Wide AND-OR-INVERT Gates	1-16	1-56		N/A		•		N/A
DM74S65	4-Wide AND-OR-INVERT Gates with Open-Collector Outputs	1-17	1-61		N/A		•		N/A
DM5470/DM7470	AND-Gated J-K Positive-Edge-Triggered Flip-Flops with Preset and Clear	1-18	1-62	•	•	•	•	•	•
DM54H71/DM74H71	AND-OR-Gated J-K Master-Slave Flip-Flops with Preset	1-18	1-64	•	•	•	•		N/A
DM54L71/DM74L71	AND-Gated R-S Master-Slave Flip-Flops with Preset and Clear	1-19	1-66	•	•	•	•	•	•
DM5472/DM7472	AND-Gated J-K Master-Slave Flip-Flops with Preset and Clear	1-19	1-62	•	•	•	•	•	•
DM54H72/DM74H72	AND-Gated J-K Master-Slave Flip-Flops with Preset and Clear	1-19	1-64	•	•	•	•		N/A
DM54L72/DM74L72	AND-Gated J-K Master-Slave Flip-Flops with Preset and Clear	1-19	1-66	•	•	•	•	•	•
DM5473/DM7473	Dual J-K Flip-Flops with Clear	1-20	1-62	•	•	•	•	•	•
DM54H73/DM74H73	Dual J-K Flip-Flops with Clear	1-20	1-64	•	•	•	•		N/A
DM54L73/DM74L73	Dual J-K Flip-Flops with Clear	1-20	1-66	•	•	•	•	•	•
DM54LS73/DM74LS73	Dual J-K Flip-Flops with Clear	1-20	1-68	•	•	•	•	•	•

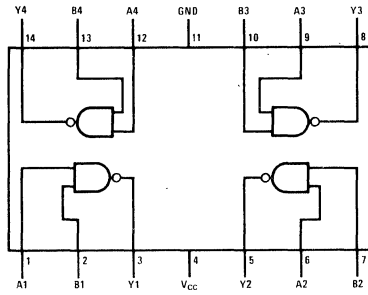
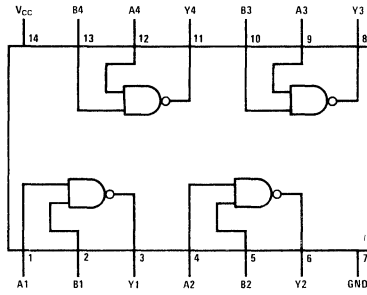
Device No.	Description	Conn. Diag. Pg. No.	Elec. Char. Pg. No.	Package					
				J		N		W	
				Mil	Coml	Mil	Coml	Mil	Coml
DM5474/DM7474	Dual D Positive-Edge-Triggered Flip-Flops with Preset and Clear	1-20	1-62	•	•	•	•	•	•
DM54H74/DM74H74	Dual D Positive-Edge-Triggered Flip-Flops with Preset and Clear	1-20	1-64	•	•	•	•	N/A	
DM54L74/DM74L74	Dual D Positive-Edge-Triggered Flip-Flops with Preset and Clear	1-20	1-66	•	•	•	•	•	•
DM54LS74/DM74LS74	Dual D Positive-Edge-Triggered Flip-Flops with Preset and Clear	1-20	1-68	•	•	•	•	•	•
DM74S74	Dual D Positive-Edge-Triggered Flip-Flops with Preset and Clear	1-20	1-70	N/A		•		N/A	
DM5476/DM7476	Dual J-K Flip-Flops with Preset and Clear	1-21	1-62	•	•	•	•	•	•
DM54H76/DM74H76	Dual J-K Flip-Flops with Preset and Clear	1-21	1-64	•	•	•	•	N/A	
DM54LS76/DM74LS76	Dual J-K Flip-Flops with Preset and Clear	1-21	1-68	•	•	•	•	•	•
DM54H78/DM74H78	Dual J-K Flip-Flops with Preset, Common Clear and Common Clock	1-21	1-64	•	•	•	•	N/A	
DM54L78/DM74L78	Dual J-K Flip-Flops with Preset, Common Clear and Common Clock	1-21	1-66	•	•	•	•	•	•
DM54LS78/DM74LS78	Dual J-K Flip-Flops with Preset, Common Clear and Common Clock	1-21	1-68	•	•	•	•	•	•
DM5486/DM7486	Quad EXCLUSIVE-OR Gates	1-22	1-72	•	•	•	•	•	•
DM54L86/DM74L86	Quad EXCLUSIVE-OR Gates	1-22	1-72	•	•	•	•	•	•
DM54LS86/DM74LS86	Quad EXCLUSIVE-OR Gates	1-22	1-72	•	•	•	•	•	•
DM74S86	Quad EXCLUSIVE-OR Gates	1-22	1-72	N/A		•		N/A	
DM54H103/DM74H103	Dual J-K Negative-Edge-Triggered Flip-Flops with Clear	1-23	1-74	•	•	•	•	N/A	
DM54H106/DM74H106	Dual J-K Negative-Edge-Triggered Flip-Flops with Preset and Clear	1-23	1-74	•	•	•	•	N/A	
DM54107/DM74107	Dual J-K Master-Slave Flip-Flops with Clear	1-23	1-62	•	•	•	•	N/A	
DM54LS107/DM74LS107	Dual J-K Master-Slave Flip-Flops with Clear	1-23	1-68	•	•	•	•	•	•
DM54H108/DM74H108	Dual J-K Negative-Edge-Triggered Flip-Flops with Preset, Common Clear, and Common Clock	1-24	1-74	•	•	•	•	N/A	
DM54109/DM74109	Dual J-K Positive-Edge-Triggered Flip-Flops with Preset and Clear	1-24	1-62	•	•	•	•	•	•
DM54LS109/DM74LS109	Dual J-K Positive-Edge-Triggered Flip-Flops with Preset and Clear	1-24	1-68	•	•	•	•	•	•
DM54LS112/DM74LS112	Dual J-K Negative-Edge-Triggered Flip-Flops with Preset and Clear	1-24	1-68	•	•	•	•	•	•
DM74S112	Dual J-K Negative-Edge-Triggered Flip-Flops with Preset and Clear	1-24	1-70	N/A		•		N/A	
DM54LS113/DM74LS113	Dual J-K Negative-Edge-Triggered Flip-Flops with Preset	1-25	1-68	•	•	•	•	•	•
DM74S113	Dual J-K Negative-Edge-Triggered Flip-Flops with Preset	1-25	1-70	N/A		•		N/A	
DM54LS114/DM74LS114	Dual J-K Negative-Edge-Triggered Flip-Flops with Preset, Common Clear, and Common Clock	1-25	1-68	•	•	•	•	•	•
DM74S114	Dual J-K Negative-Edge-Triggered Flip-Flops with Preset, Common Clear, and Common Clock	1-25	1-70	N/A		•		N/A	
DM54121/DM74121	One Shots	1-26	1-76	•	•	•	•	•	•
DM54LS122/DM74LS122	Retriggerable One Shots with Clear	1-26	1-78	•	•	•	•	•	•
DM54123/DM74123	Dual Retriggerable One Shots with Clear	1-26	1-78	•	•	•	•	•	•

Device No.	Description	Conn. Diag. Pg. No.	Elec. Char. Pg. No.	Package					
				J		N		W	
				Mil	Coml	Mil	Coml	Mil	Coml
DM54L123A/DM74L123A	Dual Retriggerable One Shots with Clear	1-26	1-78	•	•	•	•	•	•
DM54LS123/DM74LS123	Dual Retriggerable One Shots with Clear	1-26	1-78	•	•	•	•	•	•
DM54125/DM74125	TRI-STATE Quad Buffers	1-27	1-80	•	•	•	•	•	•
DM54LS125/DM74LS125	TRI-STATE Quad Buffers	1-27	1-80	•	•	•	•	•	•
DM54126/DM74126	TRI-STATE Quad Buffers	1-27	1-80	•	•	•	•	•	•
DM54LS126/DM74LS126	TRI-STATE Quad Buffers	1-27	1-80	•	•	•	•	•	•
DM54132/DM74132	Quad 2-Input NAND Schmitt Triggers	1-27	1-48	•	•	•	•	•	•
DM54LS132/DM74LS132	Quad 2-Input NAND Schmitt Triggers	1-27	1-48	•	•	•	•	•	•
DM74S133	13-Input NAND Gates	1-28	1-36	N/A		•		N/A	
DM74S134	TRI-STATE 12-Input NAND Gates	1-28	1-80	N/A		•		N/A	
DM74S135	Quad EXCLUSIVE-OR/NOR Gates	1-28	1-82	N/A		•		N/A	
DM54LS136/DM74LS136	Quad EXCLUSIVE-OR Gates with Open-Collector Outputs	1-29	1-84	•	•	•	•	•	•
DM74S136	Quad EXCLUSIVE-OR Gates with Open-Collector Outputs	1-29	1-84	N/A		•		N/A	
DM74S140	Dual 50-Ohm Line Drivers	1-29	1-54	N/A		•		N/A	
DM54LS221/DM74LS221	Dual One Shots with Schmitt-Trigger Inputs	1-30	1-76	•	•	•	•	•	•
DM74S260	Dual 5-Input NOR Gates	1-31	1-40	N/A		•		N/A	
DM54LS266/DM74LS266	Quad EXCLUSIVE-NOR Gates with Open-Collector Outputs	1-31	1-84	•	•	•	•	•	•
DM54365/DM74365	TRI-STATE Hex Buffers	1-32	1-86	•	•	•	•	•	•
DM54LS365/DM74LS365	TRI-STATE Hex Buffers	1-32	1-86	•	•	•	•	•	•
DM54366/DM74366	TRI-STATE Hex Buffers	1-32	1-86	•	•	•	•	•	•
DM54LS366/DM74LS366	TRI-STATE Hex Buffers	1-32	1-86	•	•	•	•	•	•
DM54367/DM74367	TRI-STATE Hex Buffers	1-32	1-86	•	•	•	•	•	•
DM54LS367/DM74LS367	TRI-STATE Hex Buffers	1-32	1-86	•	•	•	•	•	•
DM54368/DM74368	TRI-STATE Hex Buffers	1-33	1-86	•	•	•	•	•	•
DM54LS368/DM74LS368	TRI-STATE Hex Buffers	1-33	1-86	•	•	•	•	•	•
DM54LS386/DM74LS386	Quad EXCLUSIVE-OR Gates	1-34	1-72	•	•	•	•	•	•

National Semiconductor
54/74 SSI DEVICES
Connection Diagrams
Section 1

00 Quad 2-Input NAND Gates

$Y = \overline{AB}$



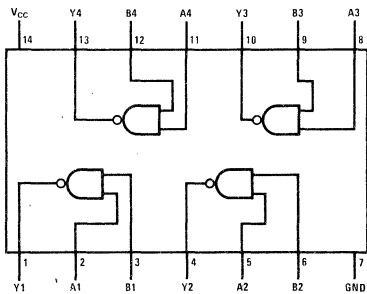
5400/7400(J), (N); 54H00/74H00(J), (N);
54L00/74L00(J), (N); 54LS00/74LS00(J), (N), (W);
74S00(N)

5400/7400(W); 54L00/74L00(W)

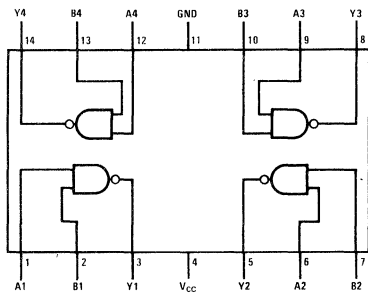
See page 1-36 for electrical tables.

01 Quad 2-Input NAND Gates with Open-Collector Outputs

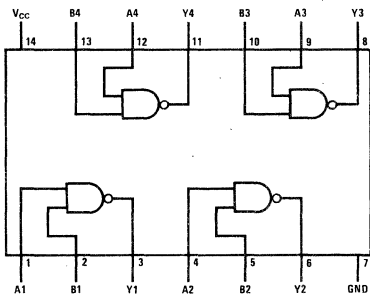
$Y = \overline{AB}$



5401/7401(J), (N); 54LS01/74LS01(J), (N), (W)



5401/7401(W); 54L01/74L01(W)

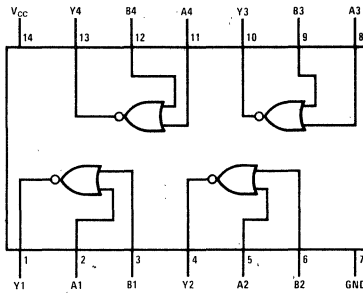


54H01/74H01(J), (N)

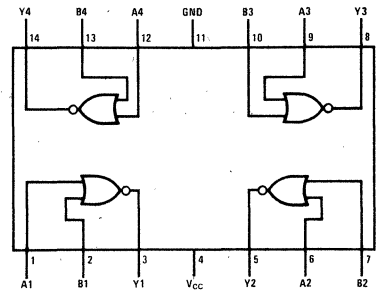
See page 1-38 for electrical tables.

02 Quad 2-Input NOR Gates

$Y = \overline{A+B}$



5402/7402(J), (N); 54L02/74L02(J), (N);
54LS02/74LS02(J), (N), (W); 74S02(N)

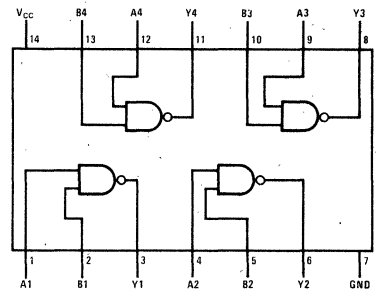


5402/7402(W); 54L02/74L02(W)

See page 1-40 for electrical tables.

03 Quad 2-Input NAND Gates with Open-Collector Outputs

$Y = \overline{AB}$

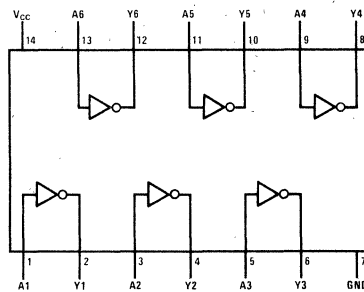


5403/7403(J), (N); 54L03/74L03(J), (N);
54LS03/74LS03(J), (N), (W); 74S03(N)

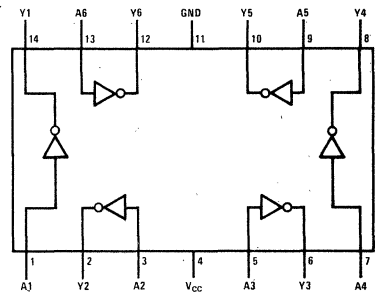
See page 1-38 for electrical tables.

04 Hex Inverters

$Y = \overline{A}$



5404/7404(J), (N); 54H04/74H04(J), (N);
54L04/74L04(J), (N); 54LS04/74LS04(J), (N), (W);
74S04(N)

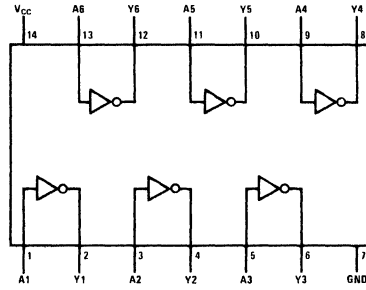


5404/7404(W); 54L04/74L04(W)

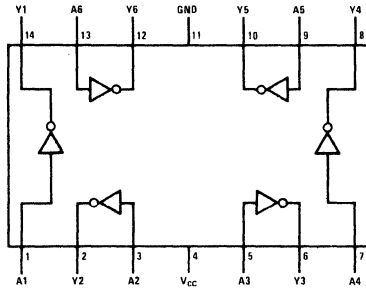
See page 1-36 for electrical tables.

05 Hex Inverters with Open-Collector Outputs

$Y = \bar{A}$



5405/7405(J), (N); 54H05/74H05(J), (N);
54L05/74L05(J), (N); 54LS05/74LS05(J), (N), (W);
74S05(N)

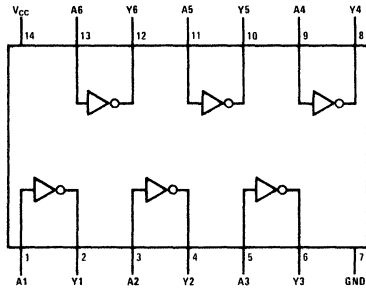


5405/7405(W); 54L05/74L05(W)

See page 1-38 for electrical tables.

06 Hex Buffers with Open-Collector High-Voltage Outputs

$Y = \bar{A}$

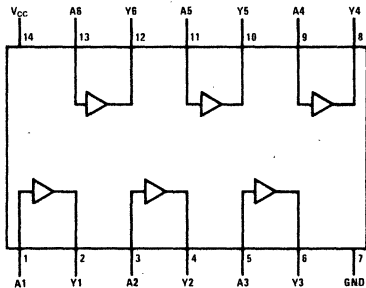


5406/7406(J), (N), (W)

See page 1-42 for electrical tables.

07 Hex Buffers with Open-Collector High-Voltage Outputs

$Y = A$

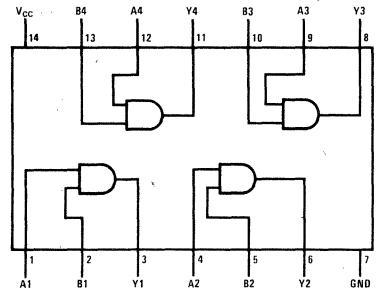


5407/7407(J), (N), (W)

See page 1-42 for electrical tables.

08 Quad 2-Input AND Gates

$Y = AB$

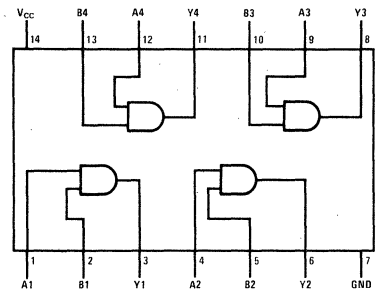


5408/7408(J), (N), (W); 54H08/74H08(J), (N);
54L08/74L08(J), (N), (W);
54LS08/74LS08(J), (N), (W)

See page 1-44 for electrical tables.

09 Quad 2-Input AND Gates with Open-Collector Outputs

$Y = AB$

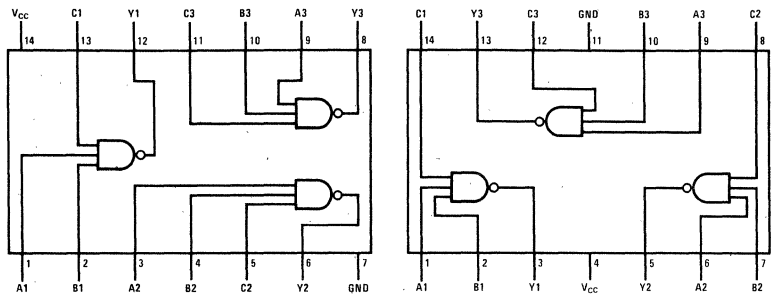


5409/7409(J), (N), (W); 54L09/74L09(J), (N), (W);
54LS09/74LS09(J), (N), (W)

See page 1-46 for electrical tables.

10 Triple 3-Input NAND Gates

$Y = \overline{ABC}$



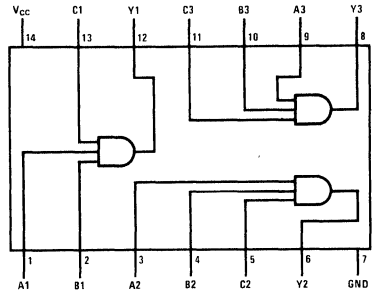
5410/7410(J), (N); 54H10/74H10(J), (N);
54L10/74L10(J), (N); 54LS10/74LS10(J), (N), (W);
74S10(N)

5410/7410(W); 54L10/74L10(W)

See page 1-36 for electrical tables.

11 Triple 3-Input AND Gates

$Y = ABC$

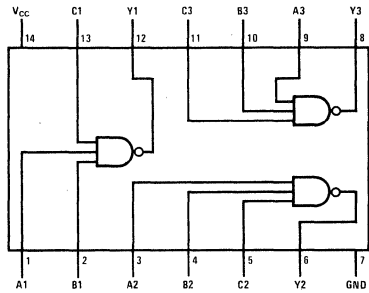


5411/7411(J), (N); 54H11/74H11(J), (N);
54L11/74L11(J), (N), (W); 54LS11/74LS11(J), (N), (W);
74S11(N)

See page 1-44 for electrical tables.

12 Triple 3-Input NAND Gates with Open-Collector Outputs

$Y = \overline{ABC}$

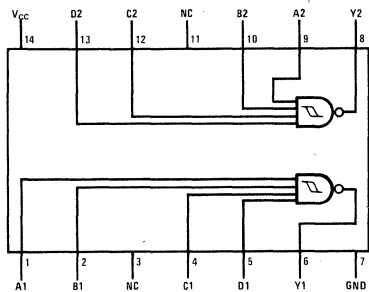


54LS12/74LS12(J), (N), (W)

See page 1-38 for electrical tables.

13 Dual 4-Input NAND Schmitt Triggers

$Y = \overline{ABCD}$

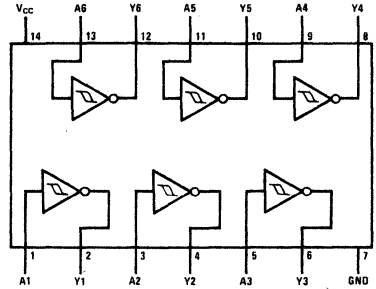


5413/7413(J),(N),(W); 54LS13/74LS13(J),(N),(W)

See page 1-48 for electrical tables.

14 Hex Schmitt Triggers

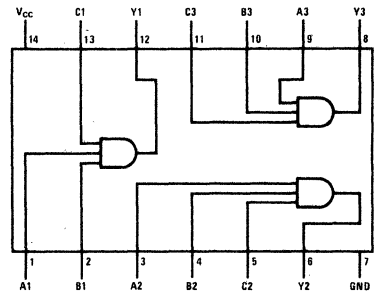
$$Y = \bar{A}$$


5414/7414(J),(N),(W); 54LS14/74LS14(J),(N),(W)

See page 1-48 for electrical tables.

15 Triple 3-Input AND Gates with Open-Collector Outputs

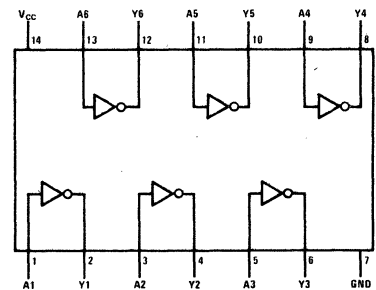
$$Y = ABC$$


54LS15/74LS15(J),(N),(W); 74S15(N)

See page 1-46 for electrical tables.

16 Hex Buffers with Open-Collector High-Voltage Outputs

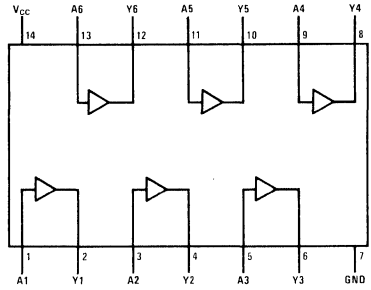
$$Y = \bar{A}$$


5416/7416(J),(N),(W)

See page 1-42 for electrical tables.

17 Hex Buffers with Open-Collector High-Voltage Outputs

$Y = A$

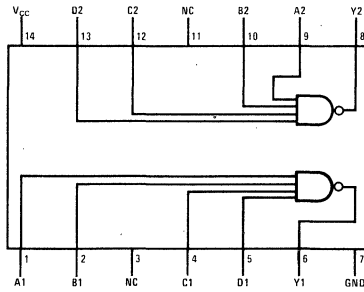


5417/7417(J),(N),(W)

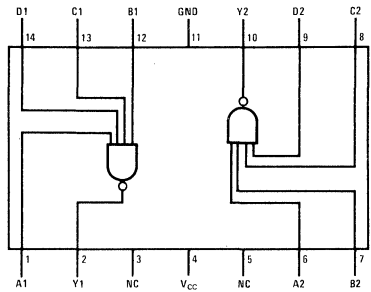
See page 1-42 for electrical tables.

20 Dual 4-Input NAND Gates

$Y = \overline{ABCD}$



5420/7420(J),(N); 54H20/74H20(J),(N);
54L20/74L20(J),(N); 54LS20/74LS20(J),(N),(W);
74S20(N)

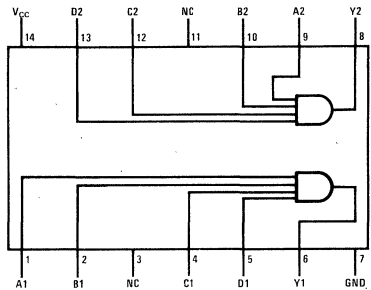


5420/7420(W); 54L20/74L20(W)

See page 1-36 for electrical tables.

21 Dual 4-Input AND Gates

$Y = ABCD$

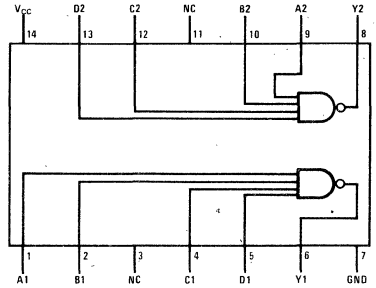


54H21/74H21(J),(N); 54LS21/74LS21(J),(N),(W)

See page 1-44 for electrical tables.

22 Dual 4-Input NAND Gates with Open Collector Outputs

$Y = \overline{ABCD}$



54H22/74H22(J),(N); 54LS22/74LS22(J),(N),(W); 74S22(N)

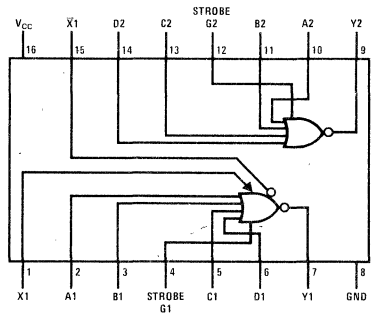
See page 1-38 for electrical tables.

23 Expandable Dual 4-Input NOR Gates with Strobe

$Y1 = G1 (A1+B1+C1+D1)+X$

$Y2 = G2 (A2+B2+C2+D2)$

X = output of 5460/7460

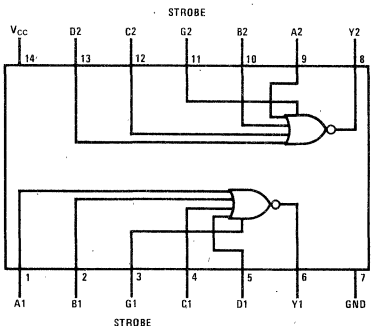


5423/7423(J),(N),(W)

See page 1-50 for electrical tables.

25 Dual 4-Input NOR Gates with Strobe

$Y = G(A+B+C+D)$

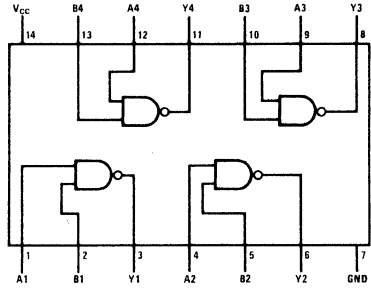


5425/7425(J),(N),(W)

See page 1-40 for electrical tables.

26 Quad 2-Input High-Voltage NAND Gates

$Y = \overline{AB}$

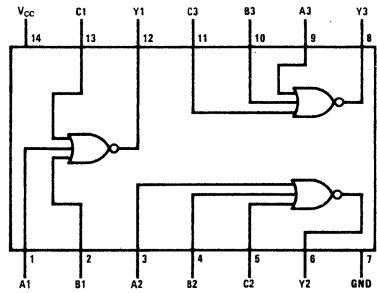


5426/7426(J),(N); 54L26/74L26(J),(N);
54LS26/74LS26(J),(N),(W)

See page 1-42 for electrical tables.

27 Triple 3-Input NOR Gates

$Y = \overline{A+B+C}$

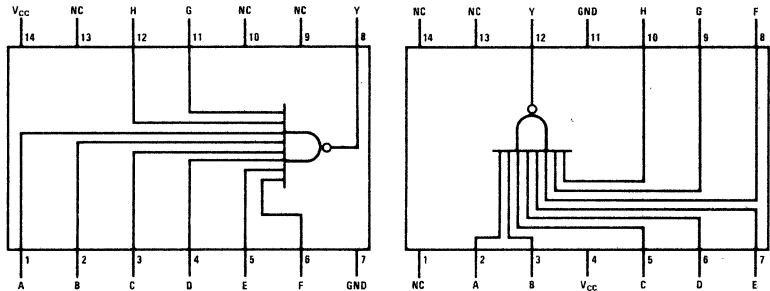


5427/7427(J),(N),(W); 54LS27/74LS27(J),(N),(W)

See page 1-40 for electrical tables.

30 8-Input NAND Gates

$Y = \overline{ABCDEFGH}$



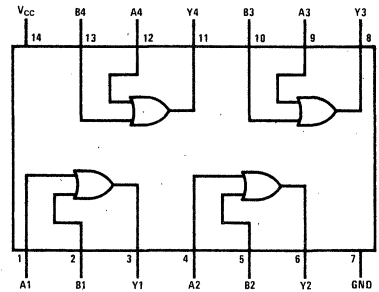
5430/7430(J),(N); 54H30/74H30(J),(N);
54L30/74L30(J),(N); 54LS30/74LS30(J),(N),(W)
74S30(N)

5430/7430(W); 54L30/74L30(W)

See page 1-36 for electrical tables.

32 Quad 2-Input OR Gates

$$Y = A + B$$

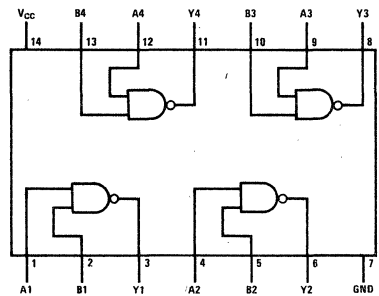


5432/7432(J),(N),(W);54L32/74L32(J),(N),(W);
54LS32/74LS32(J),(N),(W)

See page 1-52 for electrical tables.

37 Quad 2-Input NAND Buffers

$$Y = \overline{AB}$$

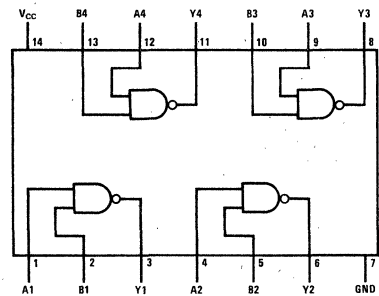


5437/7437(J),(N),(W);54LS37/74LS37(J),(N),(W)

See page 1-54 for electrical tables.

38 Quad 2-Input NAND Buffers with Open-Collector Outputs

$$Y = \overline{AB}$$

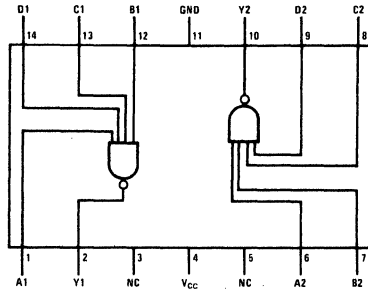
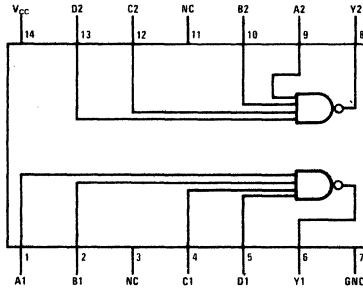


5438/7438(J),(N),(W);54LS38/74LS38(J),(N),(W)

See page 1-42 for electrical tables.

40 Dual 4-Input NAND Buffers

$Y = ABCD$



5440/7440(J, (N)); 54H40/74H40(J, (N));
54LS40/74LS40(J, (N), (W)); 74S40(N)

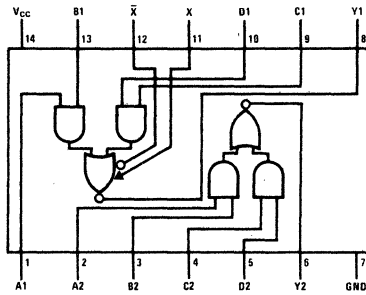
5440/7440(W)

See page 1-54 for electrical tables.

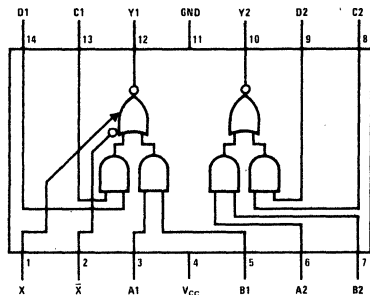
50 Dual 2-Wide, 2-Input, AND-OR-INVERT Gates

$Y = \overline{AB+CD+X}$

- 50: X = output of 5460/7460
- H50: X = output of 54H60/74H60
or 54H62/74H62



5450/7450(J, (N)); 54H50/74H50(J, (N))

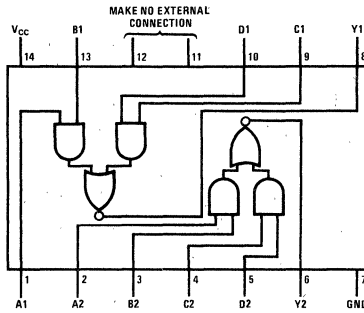


5450/7450(W)

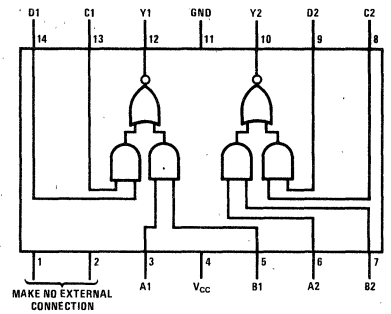
See page 1-50 for electrical tables.

51 Dual 2-Wide, 2-Input AND-OR-INVERT Gates

51, H51, S51
 $Y = \overline{AB+CD}$

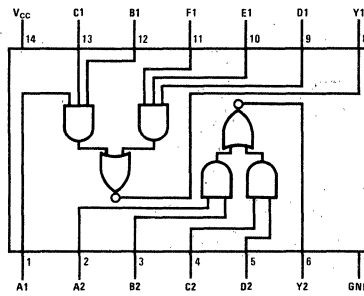


5451/7451(J), (N); 54H51/74H51(J), (N);
 74S51(N)

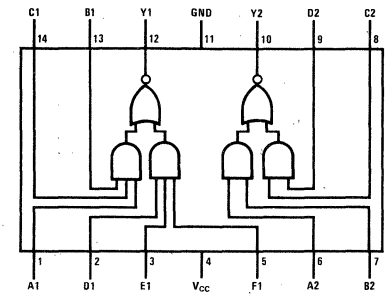


5451/7451(W)

L51, LS51
 $Y1 = \overline{(A1 \cdot B1 \cdot C1) + (D1 \cdot E1 \cdot F1)}$
 $Y2 = \overline{(A2 \cdot B2) + (C2 \cdot D2)}$



54L51/74L51(J),(N); 54LS51/74LS51(J),(N),(W)

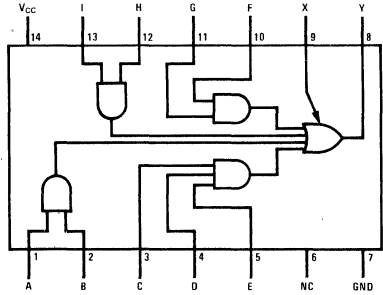


54L51/74L51(W)

See page 1-56 for electrical tables.

52 Expandable 4-Wide AND-OR Gates

$Y = AB+CDE+FG+HI+X$
 X = output of 54H61/74H61

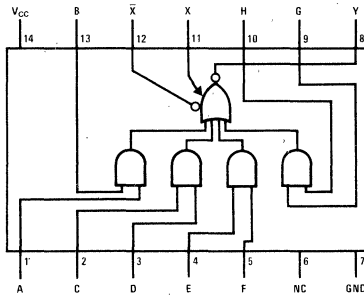


54H52/74H52(J), (N)

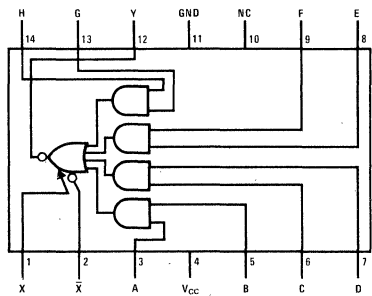
See page 1-50 for electrical tables.

53 Expandable 4-Wide AND-OR-INVERT Gates

53
 $Y = \overline{AB+CD+EF+GH+X}$
 X = output of 5460/7460

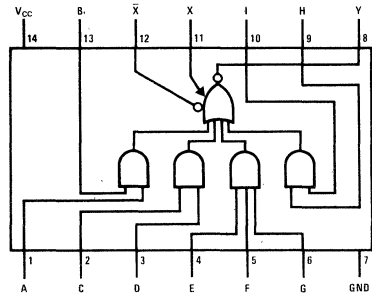


5453/7453(J), (N)



5453/7453(W)

H53
 $Y = \overline{AB+CD+EFG+HI+X}$
 X = output of 54H60/74H60
 or 54H62/74H62



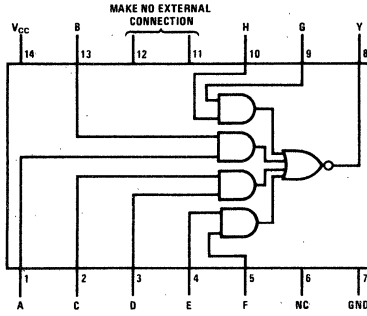
54H53/74H53(J), (N)

See page 1-50 for electrical tables.

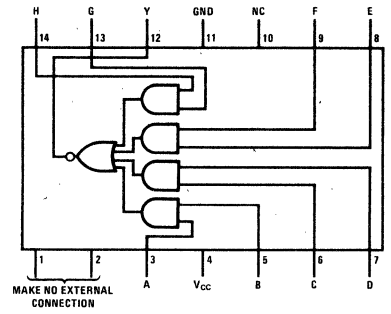
54 4-Wide AND-OR-INVERT Gates

54

$Y = AB + CD + EF + GH$



5454/7454(J), (N)



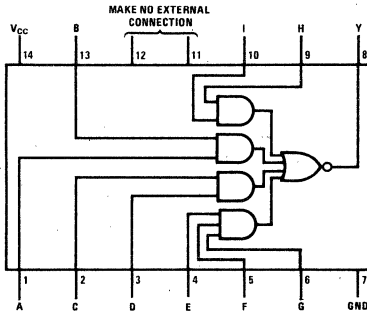
5454/7454(W)

H54

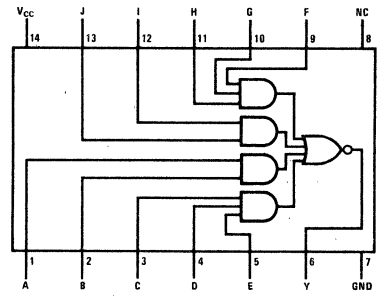
$Y = AB + CD + EFG + HI$

L54(J, N), LS54

$Y = AB + CDE + FGH + IJ$



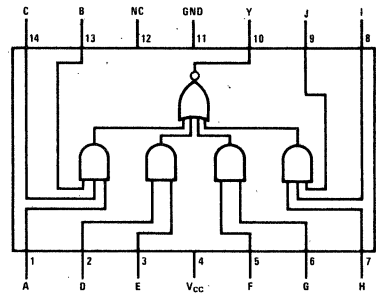
54H54/74H54(J), (N)



54L54/74L54(J), (N); 54LS54/74LS54(J), (N), (W)

L54(W)

$Y = ABC + DE + FG + HIJ$



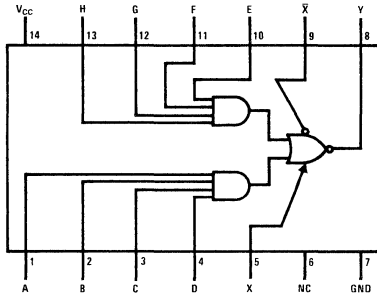
54L54/74L54(W)

55 2-Wide, 4-Input AND-OR-INVERT Gates

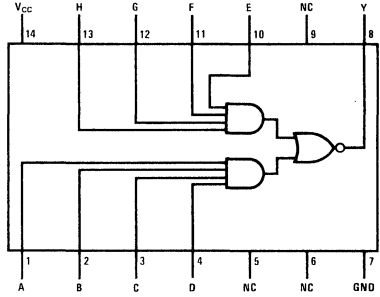
H55 (EXPANDABLE)

$Y = ABCD + EFGH + X$
 $X = \text{output of 54H60/74H60}$
 or 54H62/74H62

L55(J, N), LS55
 $Y = ABCD + EFGH$



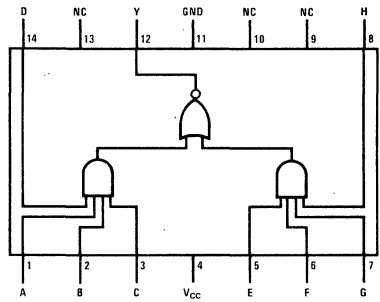
54H55/74H55(J),(N)



54L55/74L55(J),(N); 54LS55/74LS55(J),(N),(W)

L55(W)

$Y = ABCD + EFGH$



54L55/74L55(W)

See page 1-50 (H55), 1-56 (L55 and LS55) for electrical tables.

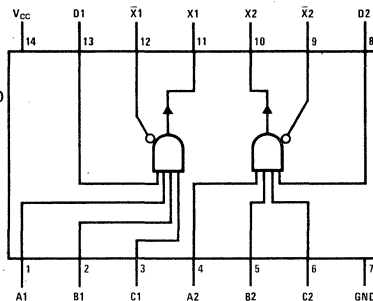
60 Dual 4-Input Expanders

60

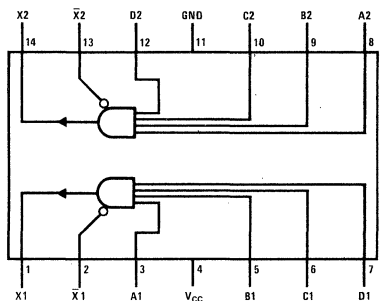
$X = ABCD$ when connected to X and \bar{X} inputs of 5423/7423, 5450/7450 or 5453/7453

H60

$X = ABCD$ when connected to X and \bar{X} inputs of 54H50/74H50, 54H53/74H53, or 54H55/74H55



5460/7460(J),(N); 54H60/74H60(J),(N)

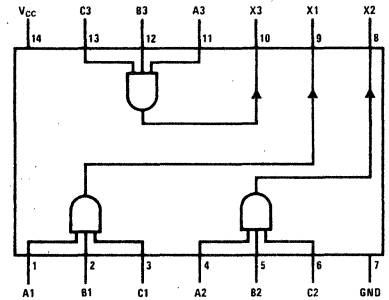


5460/7460(W)

See page 1-58 (60), 1-59 (H60) for electrical tables.

61 Triple 3-Input Expanders

X = ABC when connected to X input of 54H52/74H52

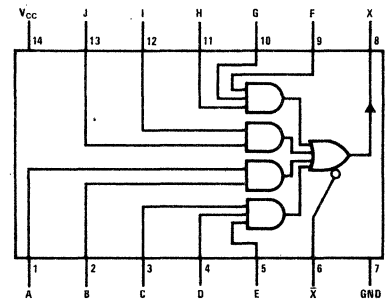


54H61/74H61(J),(N)

See page 1-60 for electrical tables.

62 4-Wide AND-OR Expander

X = AB + CDE + FGH + IJ when connected to X and \bar{X} inputs of 54H50/74H50, 54H53/74H53 or 54H55/74H55

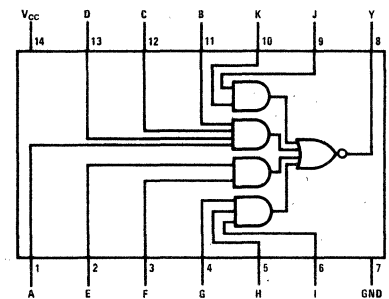


54H62/74H62(J),(N)

See page 1-59 for electrical tables.

64 4 Wide AND-OR-INVERT Gates

$Y = \overline{ABCD + EF + GHI + JK}$

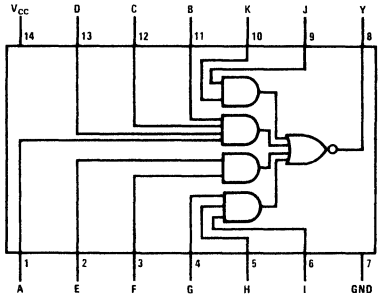


74S64(N)

See page 1-56 for electrical tables.

65 4 Wide AND-OR-INVERT Gates with Open-Collector Outputs

$$Y = \overline{ABCD + EF + GHI + JK}$$



74S65(N)

See page 1-61 for electrical tables.

70 AND-Gated J-K Positive-Edge-Triggered Flip-Flops with Preset and Clear

TRUTH TABLE

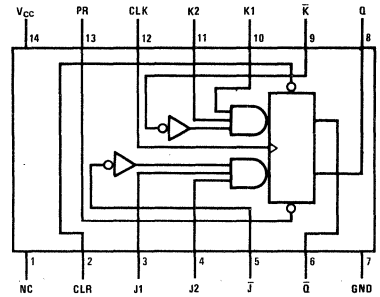
INPUTS					OUTPUTS	
PR	CLR	CLK	J	K	Q	\bar{Q}
L	H	L	X	X	H	L
H	L	L	X	X	L	H
L	L	X	X	X	H*	H*
H	H	↑	L	L	Q0	$\bar{Q}0$
H	H	↑	H	L	H	L
H	H	↑	L	H	L	H
H	H	↑	H	H	TOGGLE	TOGGLE
H	H	L	X	X	Q0	$\bar{Q}0$

$$J = J1 \cdot J2 \cdot \bar{J}$$

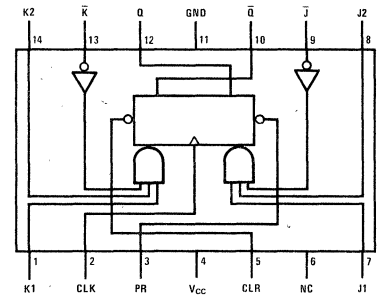
$$K = K1 \cdot K2 \cdot \bar{K}$$

If inputs \bar{J} and \bar{K} are not used, they must be grounded.

Preset or Clear function can occur only when clock input is low.



5470/7470(J),(N)



5470/7470(W)

See page 1-62 for electrical tables.

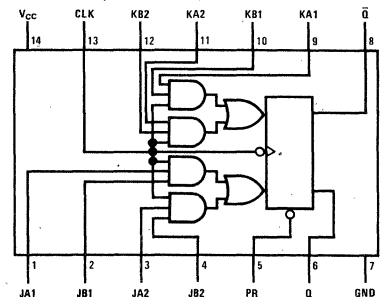
H71 AND-OR-Gated J-K Master-Slave Flip-Flops with Preset

TRUTH TABLE

INPUTS				OUTPUTS	
PR	CLK	J	K	Q	\bar{Q}
L	X	X	X	H	L
H	⌊	L	L	Q0	$\bar{Q}0$
H	⌊	H	L	H	L
H	⌊	L	H	L	H
H	⌊	H	H	TOGGLE	TOGGLE

$$J = (J1A \cdot J1B) + (J2A \cdot J2B)$$

$$K = (K1A \cdot K1B) + (K2A \cdot K2B)$$



54H71/74H71(J),(N)

See page 1-64 for electrical tables.

Notes: \lceil = high-level pulse; data inputs should be held constant while clock is high; data is transferred to output on the falling edge of the pulse.

Q0 = the level of Q before the indicated input conditions were established.

TOGGLE: Each output changes to the complement of its previous level on each active transition (pulse) of the clock.

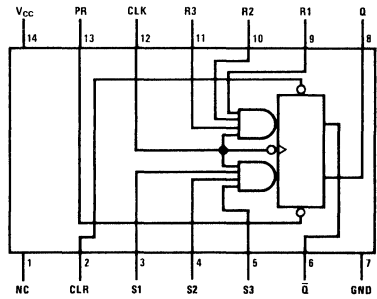
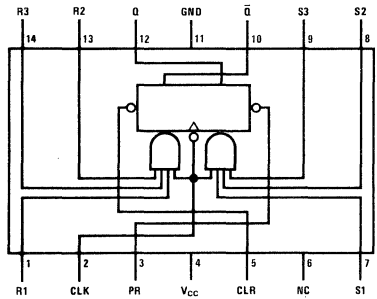
*This configuration is nonstable, that is, it will not persist when preset and clear inputs return to their inactive (high) level.

L71 AND-Gated R-S Master-Slave Flip-Flops with Preset and Clear
TRUTH TABLE

INPUTS					OUTPUTS	
PR	CLR	CLK	S	R	Q	\bar{Q}
L	H	X	X	X	H	L
H	L	X	X	X	L	H
L	L	X	X	X	H*	H*
H	H		L	L	Q0	$\bar{Q}0$
H	H		H	L	H	L
H	H		L	H	L	H
H	H		H	H	INDETER-	MINATE

$$R = R1 \cdot R2 \cdot R3$$

$$S = S1 \cdot S2 \cdot S3$$


54L71/74L71(J),(N)

54L71/74L71(W)

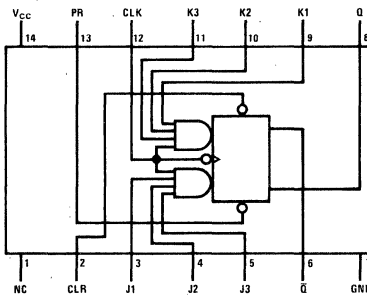
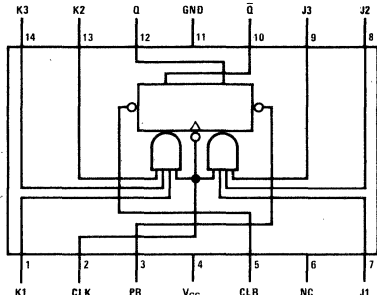
See page 1-66 for electrical tables.

72 AND-Gated J-K Master-Slave Flip-Flops with Preset and Clear
TRUTH TABLE

INPUTS					OUTPUTS	
PR	CLR	CLK	J	K	Q	\bar{Q}
L	H	X	X	X	H	L
H	L	X	X	X	L	H
L	L	X	X	X	H*	H*
H	H		L	L	Q0	$\bar{Q}0$
H	H		H	L	H	L
H	H		L	H	L	H
H	H		H	H	TOGGLE	

$$J = J1 \cdot J2 \cdot J3$$

$$K = K1 \cdot K2 \cdot K3$$


**5472/7472(J),(N);54H72/74H72(J),(N);
54L72/74L72(J),(N)**

5472/7472(W);54L72/74L72(W)

See page 1-62 (72), 1-64 (H72), 1-66 (L72) for electrical tables.

Notes: = high-level pulse; data inputs should be held constant while clock is high; data is transferred to output on the falling edge of the pulse.

Q0 = the level of Q before the indicated input conditions were established.

TOGGLE: Each output changes to the complement of its previous level on each active transition (pulse) of the clock.

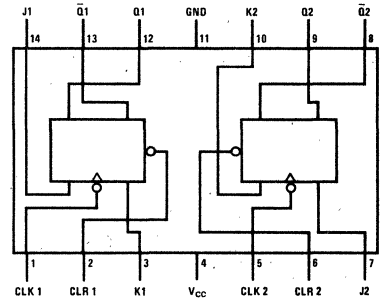
*This configuration is nonstable; that is, it will not persist when preset and clear inputs return to their inactive (high) level.

73 Dual J-K Flip-Flops with Clear
TRUTH TABLE
73, H73, L73

INPUTS				OUTPUTS	
CLR	CLK	J	K	Q	\bar{Q}
L	X	X	X	L	H
H		L	L	Q0	$\bar{Q}0$
H		H	L	H	L
H		L	H	L	H
H		H	H	TOGGLE	TOGGLE

TRUTH TABLE
LS73

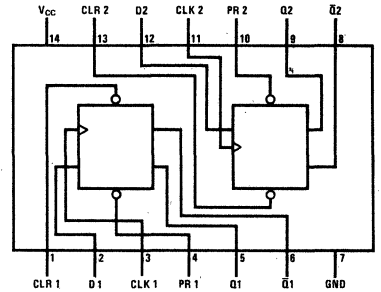
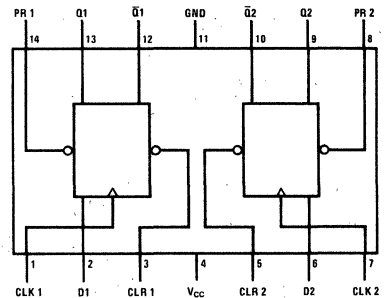
INPUTS				OUTPUTS	
CLR	CLK	J	K	Q	\bar{Q}
L	X	X	X	L	H
H	↓	L	L	Q0	$\bar{Q}0$
H	↓	H	L	H	L
H	↓	L	H	L	H
H	↓	H	H	TOGGLE	TOGGLE
H	H	X	X	Q0	$\bar{Q}0$


5473/7473(J, (N), (W); 54H73/74H73(J, (N); 54L73/74L73 (J, (N), (W); 54LS73/74LS73(J, (N), (W)

See page 1-62 (73), 1-64 (H73), 1-66 (L73), 1-68 (LS73) for electrical tables.

74 Dual D Positive-Edge-Triggered Flip-Flops with Preset and Clear
TRUTH TABLE

INPUTS				OUTPUTS	
PR	CLR	CLK	D	Q	\bar{Q}
L	H	X	X	H	L
H	L	X	X	L	H
L	L	X	X	H*	H*
H	H	↑	H	H	L
H	H	↑	L	L	H
H	H	L	X	Q0	$\bar{Q}0$


5474/7474(J, (N); 54H74/74H74(J, (N); 54L74/74L74(J, (N); 54LS74/74LS74(J, (N), (W); 74S74(N)

5474/7474(W); 54L74/74L74(W)

See page 1-62 (74), 1-64 (H74), 1-66 (L74), 1-68 (LS74), 1-70 (S74) for electrical tables.

Notes: = high-level pulse; data inputs should be held constant while clock is high; data is transferred to output on the falling edge of the pulse.

Q0 = the level of Q before the indicated input conditions were established.

TOGGLE: Each output changes to the complement of its previous level on each active transition (pulse) of the clock.

*This configuration is nonstable, that is, it will not persist when preset and clear inputs return to their inactive (high) level.

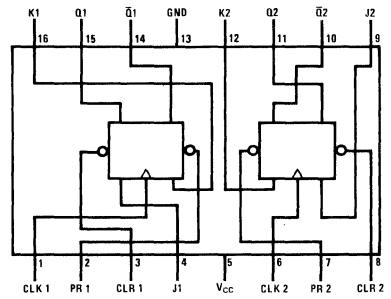
76 Dual J-K Flip-Flops with Preset and Clear

TRUTH TABLE
76, H76

INPUTS					OUTPUTS	
PR	CLR	CLK	J	K	Q	\bar{Q}
L	H	X	X	X	H	L
H	L	X	X	X	L	H
L	L	X	X	X	H*	H*
H	H	\square	L	L	Q0	$\bar{Q}0$
H	H	\square	H	L	H	L
H	H	\square	L	H	L	H
H	H	\square	H	H	TOGGLE	

TRUTH TABLE
LS76

INPUTS					OUTPUTS	
PR	CLR	CLK	J	K	Q	\bar{Q}
L	H	X	X	X	H	L
H	L	X	X	X	L	H
L	L	X	X	X	H*	H*
H	H	\downarrow	L	L	Q0	$\bar{Q}0$
H	H	\downarrow	H	L	H	L
H	H	\downarrow	L	H	L	H
H	H	\downarrow	H	H	TOGGLE	
H	H	H	X	X	Q0	$\bar{Q}0$



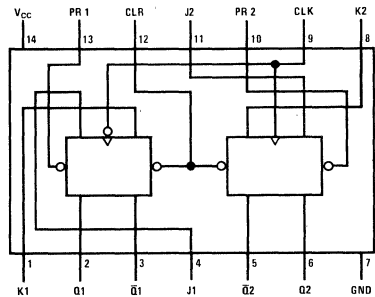
5476/7476(J), (N), (W); 54H76/74H76(J), (N);
54LS76/74LS76(J), (N), (W)

See page 1-62 (76), 1-64 (H76), 1-68 (LS76) for electrical tables.

78 Dual J-K Flip-Flops with Preset, Common Clear, and Common Clock

TRUTH TABLE
H78, L78

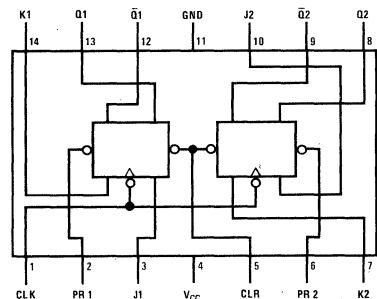
INPUTS					OUTPUTS	
PR	CLR	CLK	J	K	Q	\bar{Q}
L	H	X	X	X	H	L
H	L	X	X	X	L	H
L	L	X	X	X	H*	H*
H	H	\square	L	L	Q0	$\bar{Q}0$
H	H	\square	H	L	H	L
H	H	\square	L	H	L	H
H	H	\square	H	H	TOGGLE	



54H78/74H78(J), (N)

TRUTH TABLE
LS78

INPUTS					OUTPUTS	
PR	CLR	CLK	J	K	Q	\bar{Q}
L	H	X	X	X	H	L
H	L	X	X	X	L	H
L	L	X	X	X	H*	H*
H	H	\downarrow	L	L	Q0	$\bar{Q}0$
H	H	\downarrow	H	L	H	L
H	H	\downarrow	L	H	L	H
H	H	\downarrow	H	H	TOGGLE	
H	H	H	X	X	Q0	$\bar{Q}0$



54L78/74L78(J), (N), (W);
54LS78/74LS78(J), (N), (W)

See page 1-64 (H78), 1-66 (L78), 1-68 (LS78) for electrical tables.

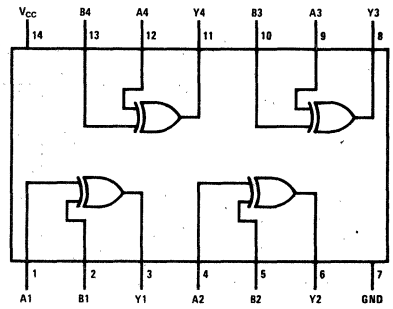
Notes: \square = high-level pulse; data inputs should be held constant while clock is high; data is transferred to output on the falling edge of the pulse.

Q0 = the level of Q before the indicated input conditions were established.

TOGGLE: Each output changes to the complement of its previous level on each active transition (pulse) of the clock.

*This configuration is nonstable; that is, it will not persist when preset and clear inputs return to their inactive (high) level.

86 Quad 2-Input EXCLUSIVE-OR Gates

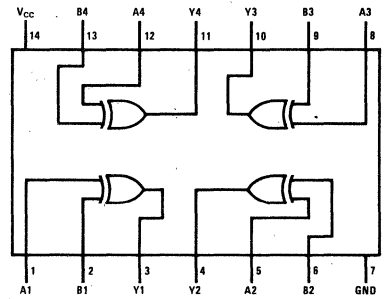


5486/7486(J), (N), (W);
54LS86/74LS86(J), (N), (W); 74S86(N)

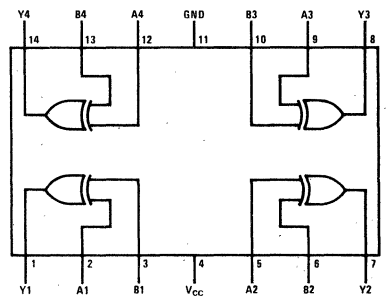
TRUTH TABLE
(86, L86, LS86, S86)

INPUTS		OUTPUT
A	B	Y
L	L	L
L	H	H
H	L	H
H	H	L

$$Y = A \oplus B = \bar{A}B + A\bar{B}$$



54L86/74L86(J), (N)



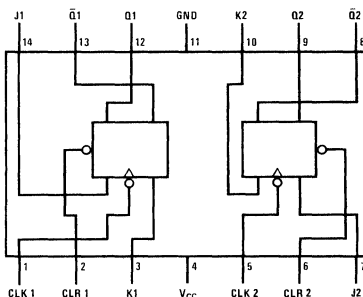
54L86/74L86(W)

See page 1-72 for electrical tables.

103 Dual J-K Negative-Edge-Triggered Flip-Flops with Clear

TRUTH TABLE

INPUTS				OUTPUTS	
CLR	CLK	J	K	Q	\bar{Q}
L	X	X	X	L	H
H	↓	L	L	Q0	$\bar{Q}0$
H	↓	H	L	H	L
H	↓	L	H	L	H
H	↓	H	H	TOGGLE	TOGGLE
H	H	X	X	Q0	$\bar{Q}0$



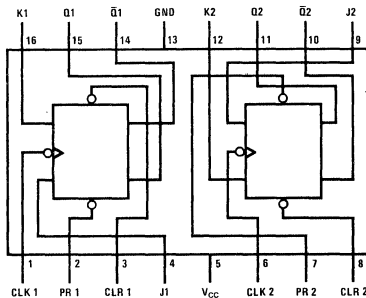
54H103/74H103(J),(N)

See page 1-74 for electrical tables.

106 Dual J-K Negative-Edge-Triggered Flip-Flops with Preset and Clear

TRUTH TABLE

INPUTS					OUTPUTS	
PR	CLR	CLK	J	K	Q	\bar{Q}
L	H	X	X	X	H	L
H	L	X	X	X	L	H
L	L	X	X	X	H*	H*
H	H	↓	L	L	Q0	$\bar{Q}0$
H	H	↓	H	L	H	L
H	H	↓	L	H	L	H
H	H	↓	H	H	TOGGLE	TOGGLE
H	H	H	X	X	Q0	$\bar{Q}0$



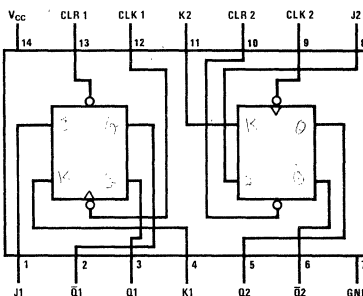
54H106/74H106(J), (N)

See page 1-74 for electrical tables.

107 Dual J-K Master-Slave Flip-Flops with Clear

TRUTH TABLE

INPUTS				OUTPUTS	
CLR	CLK	J	K	Q	\bar{Q}
L	X	X	X	L	H
H	⌋	L	L	Q0	$\bar{Q}0$
H	⌋	H	L	H	L
H	⌋	L	H	L	H
H	⌋	H	H	TOGGLE	TOGGLE



54107/74107(J),(N);
54LS107/74LS107(J), (N), (W)

See page 1-62 (107), 1-68 (LS107) for electrical tables.

Notes: ⌋ = high-level pulse; data inputs should be held constant while clock is high; data is transferred to output on the falling edge of the pulse.

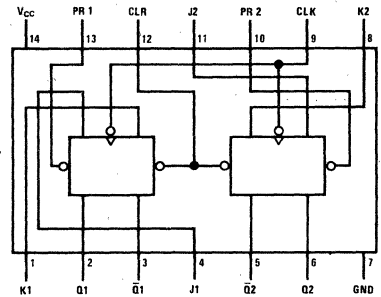
Q0 = the level of Q before the indicated input conditions were established.

TOGGLE: Each output changes to the complement of its previous level on each active transition (pulse) of the clock.

*This configuration is nonstable; that is, it will not persist when preset and clear inputs return to their inactive (high) level.

108 Dual J-K Negative-Edge-Triggered Flip-Flops with Preset, Common Clear, and Common Clock
TRUTH TABLE

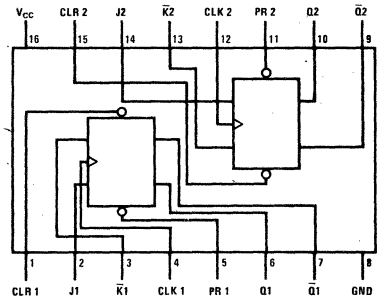
INPUTS					OUTPUTS	
PR	CLR	CLK	J	K	Q	\bar{Q}
L	H	X	X	X	H	L
H	L	X	X	X	L	H
L	L	X	X	X	H*	H*
H	H	↓	L	L	Q0	$\bar{Q}0$
H	H	↓	H	L	H	L
H	H	↓	L	H	L	H
H	H	↓	H	H	TOGGLE	
H	H	H	X	X	Q0	$\bar{Q}0$


54H108/74H108(J), (N)

See page 1-74 for electrical tables.

109 Dual J-K Positive-Edge-Triggered Flip-Flops with Preset and Clear
TRUTH TABLE

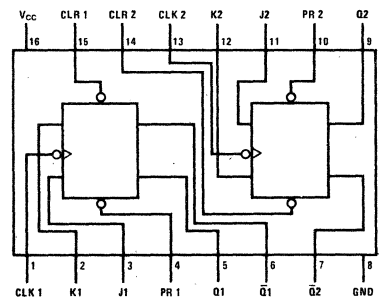
INPUTS					OUTPUTS	
PR	CLR	CLK	J	\bar{K}	Q	\bar{Q}
L	H	X	X	X	H	L
H	L	X	X	X	L	H
L	L	X	X	X	H*	H*
H	H	↑	L	L	L	H
H	H	↑	H	L	TOGGLE	
H	H	↑	L	H	Q0	$\bar{Q}0$
H	H	↑	H	H	H	L
H	H	L	X	X	Q0	$\bar{Q}0$


**54109/74109(J), (N), (W);
54LS109/74LS109(J), (N), (W)**

See page 1-62 (109), 1-68 (LS109) for electrical tables.

112 Dual J-K Negative-Edge-Triggered Flip-Flops with Preset and Clear
TRUTH TABLE

INPUTS					OUTPUTS	
PR	CLR	CLK	J	K	Q	\bar{Q}
L	H	X	X	X	H	L
H	L	X	X	X	L	H
L	L	X	X	X	H*	H*
H	H	↓	L	L	Q0	$\bar{Q}0$
H	H	↓	H	L	H	L
H	H	↓	L	H	L	H
H	H	↓	H	H	TOGGLE	
H	H	H	X	X	Q0	$\bar{Q}0$


54LS112/74LS112(J), (N), (W); 74S112(N)

See page 1-68 (LS112), 1-70 (S112) for electrical tables.

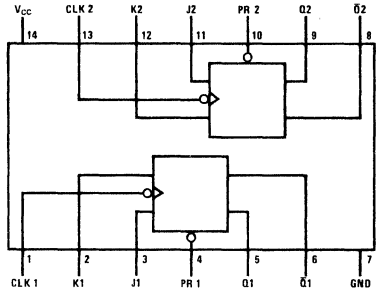
Notes: Q0 = the level of Q before the indicated input conditions were established.

TOGGLE: Each output changes to the complement of its previous level on each active transition of the clock.

*This configuration is nonstable; that is, it will not persist when preset and clear inputs return to their inactive (high) level.

113 Dual J-K Negative-Edge-Triggered Flip-Flops with Preset
TRUTH TABLE

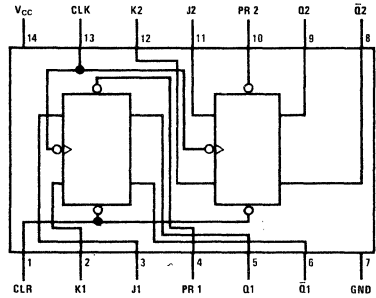
INPUTS				OUTPUTS	
PR	CLK	J	K	Q	\bar{Q}
L	X	X	X	H	L
H	↓	L	L	Q0	$\bar{Q}0$
H	↓	H	L	H	L
H	↓	L	H	L	H
H	↓	H	H	TOGGLE	
H	H	X	X	Q0	$\bar{Q}0$


54LS113/74LS113(J), (N), (W); 74S113(N)

See page 1-68 (LS113), 1-70 (S113) for electrical tables.

114 Dual J-K Negative-Edge-Triggered Flip-Flops with Preset, Common Clear, and Common Clock
TRUTH TABLE

INPUTS					OUTPUTS	
PR	CLR	CLK	J	K	Q	\bar{Q}
L	H	X	X	X	H	L
H	L	X	X	X	L	H
L	L	X	X	X	H*	H*
H	H	↓	L	L	Q0	$\bar{Q}0$
H	H	↓	H	L	H	L
H	H	↓	L	H	L	H
H	H	↓	H	H	TOGGLE	
H	H	H	X	X	Q0	$\bar{Q}0$


54LS114/74LS114(J), (N), (W); 74S114(N)

See page 1-68 (LS114), 1-70 (S114) for electrical tables.

Notes: Q0 = the level of Q before the indicated input conditions were established.

TOGGLE: Each output changes to the complement of its previous level on each active transition of the clock.

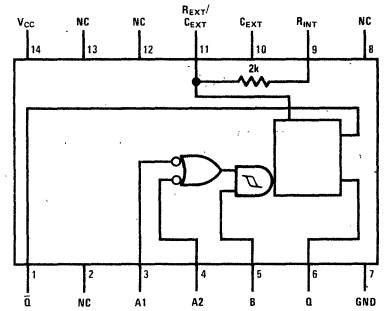
*This configuration is nonstable; that is, it will not persist when preset and clear inputs return to their inactive (high) level.

121 One Shots

TRUTH TABLE

INPUTS			OUTPUTS	
A1	A2	B	Q	\bar{Q}
L	X	H	L	H
X	L	H	L	H
X	X	L	L	H
H	H	X	L	H
H	↓	H	⎓	⎓
↓	H	H	⎓	⎓
↓	↓	H	⎓	⎓
L	X	↑	⎓	⎓
X	L	↑	⎓	⎓

See page 1-76 for electrical tables.



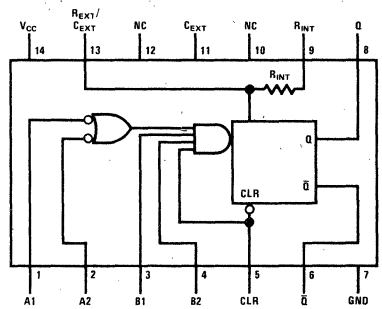
54121/74121(J), (N), (W)

122 Retriggerable One Shots with Clear

TRUTH TABLE

INPUTS					OUTPUTS	
CLEAR	A1	A2	B1	B2	Q	\bar{Q}
L	X	X	X	X	L	H
X	H	H	X	X	L	H
X	X	X	L	X	L	H
X	X	X	X	L	L	H
X	L	X	H	H	L	H
H	L	X	↑	H	⎓	⎓
H	L	X	H	↑	⎓	⎓
H	X	L	H	H	L	H
H	X	L	↑	H	⎓	⎓
H	X	L	H	↑	⎓	⎓
H	H	↓	H	H	⎓	⎓
H	↓	↓	H	H	⎓	⎓
H	↓	H	H	H	⎓	⎓
↑	L	X	H	H	⎓	⎓
↑	X	L	H	H	⎓	⎓

See page 1-78 for electrical tables.



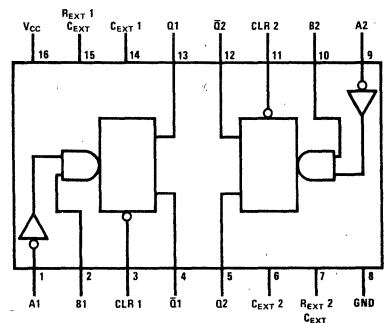
54LS122(J), (W); 74LS122(J), (N)

123,123A Dual Retriggerable One Shots with Clear

TRUTH TABLE

INPUTS			OUTPUTS	
A	B	CLR	Q	\bar{Q}
H	X	H	L	H
X	L	H	L	H
L	↑	H	⎓	⎓
↓	H	H	⎓	⎓
X	X	L	L	H

See page 1-78 for electrical tables.



54123/74123(J), (N), (W);
54L123A/74L123A(J), (N), (W);
54LS123/74LS123(J), (N), (W)

Notes: \square = one high-level pulse, \sqcap = one low-level pulse.

To use the internal timing resistor of 54121/74121, connect RINT to VCC.

An external timing capacitor may be connected between CEXT and REXT/CEXT (positive).

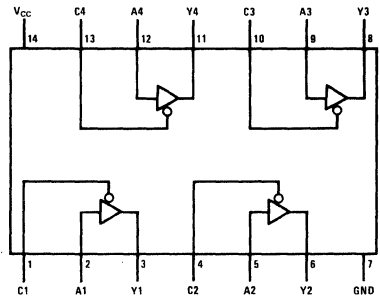
For accurate repeatable pulse widths, connect an external resistor between REXT/CEXT and VCC with RINT open-circuited.

To obtain variable pulse widths, connect external variable resistance between RINT or REXT/CEXT and VCC.

125 TRI-STATE Quad Buffers
TRUTH TABLE

INPUTS		OUTPUT
A	C	Y
H	L	H
L	L	L
X	H	Hi-Z

$$Y = A$$



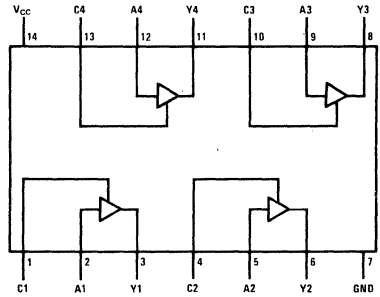
54125/74125(J), (N), (W);
54LS125/74LS125(J), (N), (W)

See page 1-80 for electrical tables.

126 TRI-STATE Quad Buffers
TRUTH TABLE

INPUTS		OUTPUT
A	C	Y
H	H	H
L	H	L
X	L	Hi-Z

$$Y = A$$

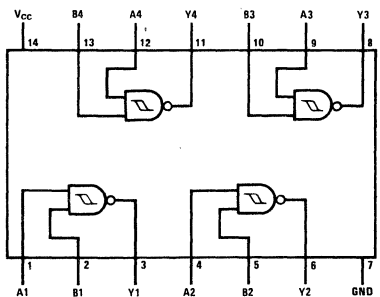


54126/74126(J), (N), (W);
54LS126/74LS126(J), (N), (W)

See page 1-80 for electrical tables.

132 Quad 2-Input NAND Schmitt Triggers

$$Y = \overline{AB}$$

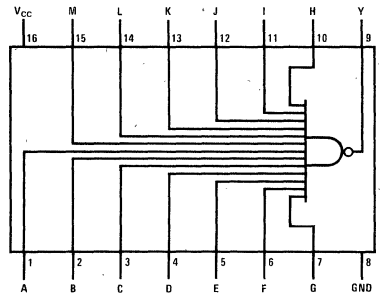


54132/74132(J), (N), (W);
54LS132/74LS132(J), (N), (W)

See page 1-48 for electrical tables.

133 13-Input NAND Gates

$Y = \overline{ABCDEFGHIJKLM}$

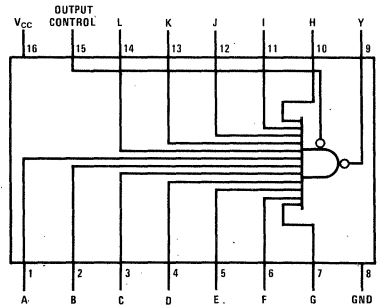


74S133(N)

See page 1-36 for electrical tables.

134 TRI-STATE 12-Input NAND Gates

$Y = \overline{ABCDEFGHIJKL}$
Output is off (disabled) when output control is high.



74S134(N)

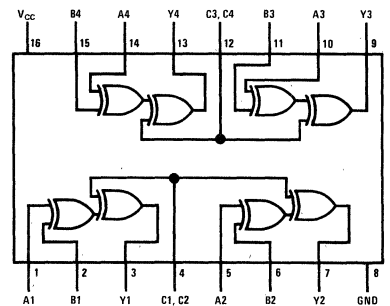
See page 1-80 for electrical tables.

135 Quad EXCLUSIVE-OR/NOR Gates

TRUTH TABLE

INPUTS			OUTPUT
A	B	C	Y
L	L	L	L
L	H	L	H
H	L	L	H
H	H	L	L
L	L	H	H
L	H	H	L
H	L	H	L
H	H	H	H

$Y = (A \oplus B) \oplus C = \overline{ABC} + \overline{A}BC + A\overline{B}C + ABC$



74S135(N)

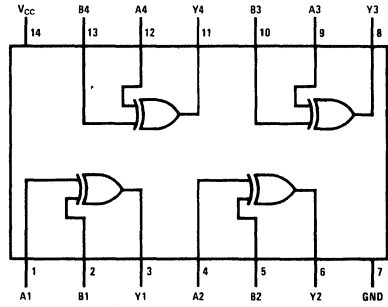
See page 1-82 for electrical tables.

136 Quad EXCLUSIVE-OR Gates with Open-Collector Outputs

TRUTH TABLE

INPUTS		OUTPUT
A	B	Y
L	L	L
L	H	H
H	L	H
H	H	L

$Y = A \oplus B = \bar{A}B + A\bar{B}$

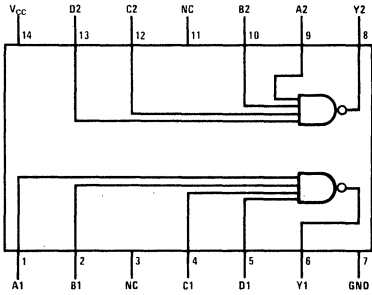


54LS136/74LS136(J), (N), (W)
74S136(N)

See page 1-84 for electrical tables.

140 Dual 50-Ohm Line Drivers

$Y = \overline{ABCD}$



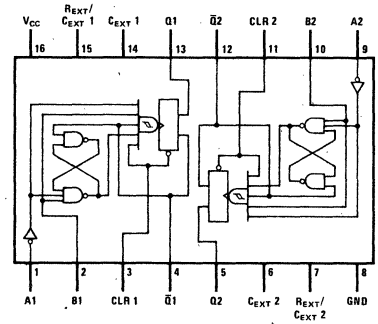
74S140(N)

See page 1-54 for electrical tables.

221 Dual One Shots with Schmitt-Trigger Inputs

TRUTH TABLE

INPUTS			OUTPUTS	
CLEAR	A	B	Q	\bar{Q}
L	X	X	L	H
X	H	X	L	H
X	X	L	L	H
H	L	↑		
H	↓	H		



54LS221/74LS221(J), (N), (W)

See page 1-76 for electrical tables.

Notes: = one high-level pulse, = one low-level pulse.

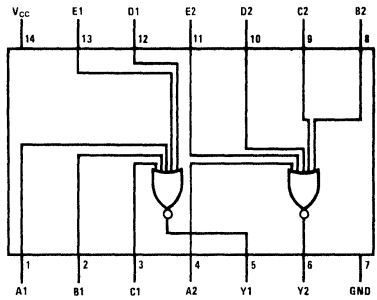
An external timing capacitor may be connected between CEXT and REXT/CEXT (positive).

For accurate repeatable pulse widths, connect an external resistor between REXT/CEXT and VCC.

To obtain variable pulse widths, connect external variable resistance between REXT/CEXT and VCC.

260 Dual 5-Input NOR Gates

$$Y = \overline{A+B+C+D+E}$$



74S260(N)

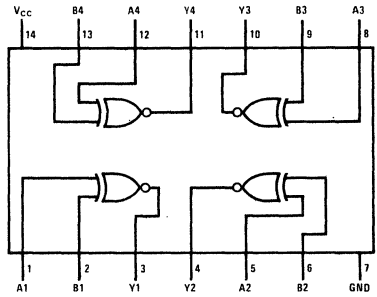
See page 1-40 for electrical tables.

266 Quad EXCLUSIVE-NOR Gates with Open-Collector Outputs

TRUTH TABLE

INPUTS		OUTPUT
A	B	Y
L	L	H
L	H	L
H	L	L
H	H	H

$$Y = A \oplus B = AB + \overline{A}\overline{B}$$

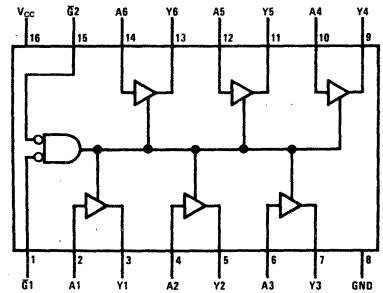


54LS266/74LS266(J, (N), (W)

See page 1-84 for electrical tables.

365 TRI-STATE Hex Buffers
TRUTH TABLE

INPUTS			OUTPUT
$\bar{G}1$	$\bar{G}2$	A	Y
H	X	X	Z
X	H	X	Z
L	L	H	H
L	L	L	L

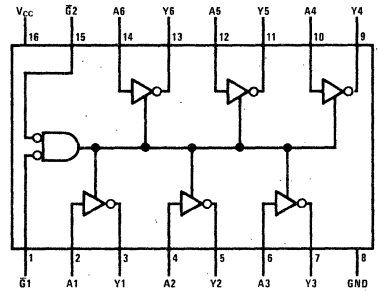


54365(J), (W)/74365(J), (N), (W);
54LS365/74LS365(J), (N), (W)

See page 1-86 for electrical tables.

366 TRI-STATE Hex Buffers
TRUTH TABLE

INPUTS			OUTPUT
$\bar{G}1$	$\bar{G}2$	A	Y
H	X	X	Z
X	H	X	Z
L	L	H	L
L	L	L	H

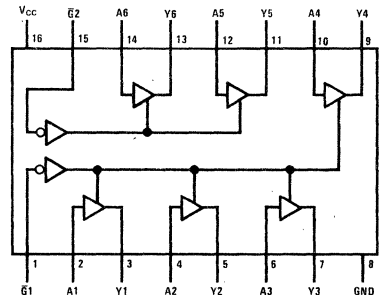


54366(J), (W)/74366(J), (N), (W);
54LS366/74LS366(J), (N), (W)

See page 1-86 for electrical tables.

367 TRI-STATE Hex Buffers
TRUTH TABLE

INPUTS		OUTPUT
\bar{G}	A	Y
H	X	Z
L	H	H
L	L	L



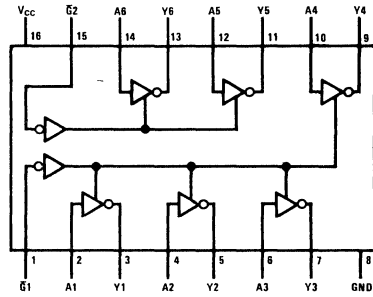
54367(J), (W)/74367(J), (N), (W);
54LS367/74LS367(J), (N), (W)

See page 1-86 for electrical tables.

368 TRI-STATE Hex Buffers

TRUTH TABLE

INPUTS		OUTPUT
\bar{G}	A	Y
H	X	Z
L	H	L
L	L	H



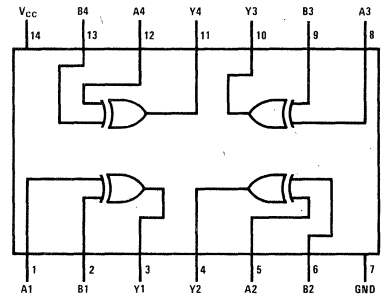
54368(J), (W)/74368(J), (N), (W);
54LS368/74LS368(J), (N), (W)

See page 1-86 for electrical tables.

386 Quad EXCLUSIVE-OR Gates
TRUTH TABLE

INPUTS		OUTPUT
A	B	
L	L	L
L	H	H
H	L	H
H	H	L

$$Y = A \oplus B = \bar{A}B + A\bar{B}$$


54LS386/74LS386(J), (N), (W)

See page 1-72 for electrical tables.

National Semiconductor

54/74 SSI DEVICES

Electrical Tables

Section 1

Max Ratings/Operating Conditions

RATINGS	54/74 SERIES	54H/74H SERIES	54L/74L SERIES	54LS/74LS SERIES		54S/74S SERIES	UNITS
				DIODE INPUTS	EMITTER INPUTS		
Maximum Allowable Supply Voltage	7	7	8	7	7	7	V
Guaranteed Operating Supply Voltage Range	54	4.50 to 5.50					V
	74	4.75 to 5.25					
Maximum Input Voltage	5.5	5.5	5.5	7	5.5	5.5	V
Maximum Voltage to Open- Collector Outputs*	7	7	8	7	7	7	V
Operating Free-Air Temperature Range	54	-55 to +125					°C
	74	0 to +70					
Storage Temperature Range	-65 to +150					°C	

*Except for selected high voltage types, as specified in electrical tables.

Electrical Characteristics over recommended operating free-air temperature range (unless otherwise noted).

PARAMETER		CONDITIONS		DM54/74			DM54H/74H			DM54L/74L			DM54LS/74LS			DM74S			UNITS				
				00, 04 10, 20, 30			H00, H04 H10, H20, H30			L00, L04 L10, L20, L30			LS00 LS04, LS10 LS20, LS30			S00, S04 S10, S20 S30, S133							
				MIN	TYP(1)	MAX	MIN	TYP(1)	MAX	MIN	TYP(1)	MAX	MIN	TYP(1)	MAX	MIN	TYP(1)	MAX					
V _{IH}	High Level Input Voltage			2			2			2			2						V				
V _{IL}	Low Level Input Voltage			DM54			0.8			0.8			0.7			0.7			N/A	V			
				DM74			0.8			0.8			0.7			0.8			0.8				
V _I	Input Clamp Voltage	V _{CC} = Min	I _I = -8 mA					-1.5			N/A									V			
			I _I = -12 mA		-1.5			N/A															
			I _I = -18 mA					N/A			-1.5			-1.2									
I _{OH}	High Level Output Current			-400			-500			-200			-400			-1000			μA				
V _{OH}	High Level Output Voltage	V _{CC} = Min, V _{IL} = Max		DM54			2.4 3.4			2.4 3.5			2.4 3.3			2.5 3.4			N/A			V	
		I _{OH} = Max		DM74			2.4 3.4			2.4 3.5			2.4 3.2			2.7 3.4			2.7 3.4				
I _{OL}	Low Level Output Current			DM54			16			20			2			4			N/A			mA	
				DM74			16			20			3.6			8			20				
V _{OL}	Low Level Output Voltage	V _{CC} = Min V _{IH} = 2V	I _{OL} = Max		DM54			0.2 0.4			0.2 0.4			0.15 0.3			0.25 0.4			N/A			V
			I _{OL} = 4 mA		DM74			0.2 0.4			0.2 0.4			0.2 0.4			0.35 0.5			0.5			
					DM74									0.4									
I _I	Input Current at Maximum Input Voltage	V _{CC} = Max	V _I = 5.5V		1			1			0.1						1			mA			
			V _I = 7V																				
I _{IH}	High Level Input Current	V _{CC} = Max	V _I = 2.4V		40			50			10									μA			
			V _I = 2.7V											20			50						
I _{IL}	Low Level Input Current	V _{CC} = Max	V _I = 0.3V								-0.18									mA			
			V _I = 0.4V		LS30									-0.4									
					Others			-1.6			-2						-0.36						
			V _I = 0.5V														-2						
I _{OS}	Short Circuit Output Current	V _{CC} = Max(2)		DM54			-20 -55 -40			-100 -3			-15 -30 -130			N/A			mA				
				DM74			-18 -55 -40			-100 -3			-15 -30 -130			-40 -100							
I _{CC}	Supply Current	V _{CC} = Max		See Table																			

Notes

- (1) All typical values are at V_{CC} = 5V, T_A = 25°C.
- (2) Not more than one output should be shorted at a time, and for DM54H/DM74H, DM54LS/DM74LS and DM74S, duration of short circuit should not exceed one second.
- (3) National Semiconductor temporarily reserves the right to ship DM54/DM74LS00, LS04, LS10, LS20, LS30 devices which have a minimum I_{OS} = 5.0 mA.

Supply Currents

DEVICE	I _{CCH} (mA)		I _{CCL} (mA)	
	Total With Outputs High		Total With Outputs Low	
	TYP	MAX	TYP	MAX
00	4	8	12	22
04	6	12	18	33
10	3	6	9	16.5
20	2	4	6	11
30	1	2	3	6
H00	10	16.8	26	40
H04	16	26	40	58
H10	7.5	12.6	19.5	30
H20	5	8.4	13	20
H30	2.5	4.2	6.5	10
L00	0.44	0.8	1.16	2.04
L04	0.66	1.2	1.74	3.06
L10	0.33	0.6	0.87	1.53
L20	0.22	0.4	0.58	1.02
L30	0.11	0.2	0.29	0.51
LS00	0.8	1.6	2.4	4.4
LS04	1.2	2.4	3.6	6.6
LS10	0.6	1.2	1.8	3.3
LS20	0.4	0.8	1.2	2.2
LS30	0.35	0.5	0.6	1.1
S00	10	16	20	36
S04	15	24	30	54
S10	7.5	12	15	27
S20	5	8	10	18
S30	3	5	5.5	10
S133	3	5	5.5	10

Switching Characteristics at V_{CC} = 5V, T_A = 25°C

DEVICE	CONDITIONS	t _{PLH} (ns)			t _{PHL} (ns)		
		Propagation Delay Time, Low-To-High Level Output			Propagation Delay Time, High-To-Low Level Output		
		MIN	TYP	MAX	MIN	TYP	MAX
00, 10	C _L = 15 pF, R _L = 400Ω	11	22		7	15	
04, 20		12	22		8	15	
30		13	22		8	15	
H00		5.9	10		6.2	10	
H04	C _L = 25 pF, R _L = 280Ω	6	10		6.5	10	
H10		5.9	10		6.3	10	
H20		6	10		7	10	
H30		6.8	10		8.9	12	
L00, L04	C _L = 50 pF, R _L = 4 kΩ	35	60		31	60	
L10, L20		35	60		70	100	
L30							
LS00, LS04	C _L = 15 pF, R _L = 2 kΩ	9	15		10	15	
LS10, LS20		9	15		15	20	
LS30							
S00, S04	C _L = 15 pF, R _L = 280Ω	2	3	4.5	2	3	5
S10, S20	C _L = 50 pF, R _L = 280Ω		4.5	7		5	8
S30, S133	C _L = 15 pF, R _L = 280Ω	2	4	6	2	4.5	7
	C _L = 50 pF, R _L = 280Ω		5.5	8		6.5	10

Electrical Characteristics over recommended operating free-air temperature range (unless otherwise noted).

PARAMETER		CONDITIONS		DM54/74			DM54H/74H			DM54L/74L			DM54LS/74LS			DM74S			UNITS			
				01, 03 05			H01 H05, H22			L01, L03 L05			LS01, LS03 LS05, LS12, LS22			S03 S05, S22						
				MIN	TYP(1)	MAX	MIN	TYP(1)	MAX	MIN	TYP(1)	MAX	MIN	TYP(1)	MAX	MIN	TYP(1)	MAX				
V _{IH}	High Level Input Voltage			2			2			2			2			2			V			
V _{IL}	Low Level Input Voltage			DM54			0.8			0.8			0.6			0.7			N/A			V
				DM74			0.8			0.8			0.6			0.8			0.8			
V _I	Input Clamp Voltage	V _{CC} = Min	I _I = -8 mA				-1.5			N/A									V			
			I _I = -12 mA	-1.5			N/A															
			I _I = -18 mA				N/A			-1.5			-1.2									
I _{OH}	High Level Output Current	V _{CC} = Min, V _{IL} = Max V _{OH} = 5.5V		250			250			50			100			250			μA			
V _{OH}	High Level Output Voltage			5.5			5.5			5.5			5.5			5.5			V			
I _{OL}	Low Level Output Current			DM54			16			20			2			4			N/A			mA
				DM74			16			20			3.6			8			20			
V _{OL}	Low Level Output Voltage	V _{CC} = Min V _{IH} = 2V	I _{OL} = Max I _{OL} = 4 mA	DM54			0.2 0.4			0.2 0.4			0.15 0.3			0.25 0.4			N/A			V
				DM74			0.2 0.4			0.2 0.4			0.2 0.4			0.35 0.5			0.5			
				DM74												0.4						
I _I	Input Current at Maximum Input Voltage	V _{CC} = Max		V _I = 5.5V V _I = 7V			1			1			0.1			0.1			1			mA
I _{IH}	High Level Input Current	V _{CC} = Max		V _I = 2.4V			40			50			10									μA
				V _I = 2.7V									20			50						
I _{IL}	Low Level Input Current	V _{CC} = Max		V _I = 0.3V									-0.18									mA
				V _I = 0.4V			-1.6			-2						-0.36						
				V _I = 0.5V															-2			
I _{CC}	Supply Current	V _{CC} = Max		See Table																		

Notes

(1) All typical values are at V_{CC} = 5V, T_A = 25°C

Supply Currents

DEVICE	I _{CCH} (mA) Total With Outputs High		I _{CCL} (mA) Total With Outputs Low	
	TYP	MAX	TYP	MAX
	01	4	8	12
03	4	8	12	22
05	6	12	18	33
H01	6.8	10	26	40
H05	16	26	40	58
H22	3.4	5	13	20
L01	0.44	0.8	1.16	2.04
L03	0.44	0.8	1.16	2.04
L05	0.66	1.20	1.74	3.06
LS01	0.8	1.6	2.4	4.4
LS03	0.8	1.6	2.4	4.4
LS05	1.2	2.4	3.6	6.6
LS12	0.7	1.4	1.8	3.3
LS22	0.4	0.8	1.2	2.2
S03	6	13.2	20	36
S05	9	19.8	30	54
S22	3	6.6	10	18

Switching Characteristics at V_{CC} = 5V, T_A = 25°C

DEVICE	CONDITIONS	t _{PLH} (ns) Propagation Delay Time, Low-To-High Level Output			t _{PHL} (ns) Propagation Delay Time, High-To-Low Level Output		
		MIN	TYP	MAX	MIN	TYP	MAX
		01, 03	C _L = 15 pF R _L = 4 kΩ for t _{PLH} R _L = 400Ω for t _{PHL}		35	45	
05	R _L = 400Ω for t _{PHL}		40	55		8	15
H01, H05 H22	C _L = 25 pF R _L = 280Ω		10	15		7.5	12
L01, L03 L05	C _L = 50 pF R _L = 4 kΩ		60	90		33	60
LS01, LS03 LS05, LS12 LS22	C _L = 15 pF R _L = 2 kΩ		17	32		15	28
S03, S05 S22	C _L = 15 pF R _L = 280Ω	2	5	7.5	2	4.5	7
	C _L = 50 pF R _L = 280Ω		7.5	11		7	11

Electrical Characteristics over recommended operating free-air temperature range (unless otherwise noted).

PARAMETER		CONDITIONS		DM54/74			DM54L/74L			DM54LS/74LS			DM74S			UNITS
				02, 25, 27			L02			LS02, LS27			S02, S260			
				MIN	TYP(1)	MAX	MIN	TYP(1)	MAX	MIN	TYP(1)	MAX	MIN	TYP(1)	MAX	
V_{IH}	High Level Input Voltage			2			2			2			2			V
V_{IL}	Low Level Input Voltage			DM54			0.8			0.7			0.7			V
				DM74			0.8			0.7			0.8			
V_I	Input Clamp Voltage	$V_{CC} = \text{Min}$	$I_I = -12 \text{ mA}$				-1.5			N/A						V
			$I_I = -18 \text{ mA}$				N/A			-1.5			-1.2			
I_{OH}	High Level Output Current			25, 27	-800									μA		
				Others	-400			-200			-400				-1000	
V_{OH}	High Level Output Voltage	$V_{CC} = \text{Min}$ $V_{IL} = \text{Max}$ $I_{OH} = \text{Max}$	LS27								2.4			V		
			Others	DM54	2.4	3.4	2.4	3.3	2.5	3.4	N/A					
				DM74	2.4	3.4	2.4	3.2	2.7	3.4	2.7 3.4					
I_{OL}	Low Level Output Current			DM54	16			2			4			mA		
				DM74	16			3.6			8				20	
V_{OL}	Low Level Output Voltage	$V_{CC} = \text{Min}$ $V_{IH} = 2\text{V}$	$I_{OL} = \text{Max}$	DM54	0.2	0.4	0.15	0.3	0.25	0.4	N/A			V		
				DM74	0.2	0.4	0.2	0.4	0.35	0.5	0.5					
				DM74							0.4					
I_I	Input Current at Maximum Input Voltage	$V_{CC} = \text{Max}$	$V_I = 5.5\text{V}$	1			0.1			1			mA			
$V_I = 7\text{V}$				0.1												
I_{IH}	High Level Input Current	$V_{CC} = \text{Max}$	Data Inputs	40			10						μA			
			Strobe of 25	160			N/A									
			All Inputs				20			50						
I_{IL}	Low Level Input Current	$V_{CC} = \text{Max}$	All Inputs	$V_I = 0.3\text{V}$			-0.18						mA			
			Data Inputs	$V_I = 0.4\text{V}$			-1.6			-0.36						
			Strobe of 25				-6.4			N/A						
			All Inputs	$V_I = 0.5\text{V}$						-2						
I_{OS}	Short Circuit Output Current	$V_{CC} = \text{Max}(2)$	DM54	-20	-55	-3	-15	-30	-130	N/A			mA			
			DM74	-18	-55	-3	-15	-30	-130	-40	-100					
I_{CC}	Supply Current	$V_{CC} = \text{Max}$		See Table												

Notes

- (1) All typical values are at $V_{CC} = 5\text{V}$, $T_A = 25^\circ\text{C}$.
- (2) Not more than one output should be shorted at a time, and for DM54LS/DM74LS and DM74S, duration of short circuit should not exceed one second.
- (3) National Semiconductor temporarily reserves the right to ship DM54/DM74LS02, LS27 devices which have a minimum $I_{OS} = 5.0 \text{ mA}$.



SSI

DM54/DM7402,25,27,S260 NOR Gates

1-40

Supply Currents

DEVICE	I_{CCH} (mA) Total With Outputs High		I_{CCL} (mA) Total With Outputs Low	
	TYP	MAX	TYP	MAX
02	8	16	14	27
25	8	16	10	19
27	10	16	16	26
L02	0.8	1.6	1.4	2.6
LS02	1.6	3.2	2.8	5.4
LS27	2.0	4	3.4	6.8
S02	17	29	26	45
S260	17	29	26	45

Switching Characteristics at $V_{CC} = 5V, T_A = 25^\circ C$

DEVICE	CONDITIONS	t_{PLH} (ns) Propagation Delay Time, Low-To-High Level Output			t_{PHL} (ns) Propagation Delay Time, High-To-Low Level Output		
		MIN	TYP	MAX	MIN	TYP	MAX
		02		12	22	8	15
25	$C_L = 15 \text{ pF}, R_L = 400\Omega$	13	22	8	15		
27		7	11	10	15		
L02	$C_L = 50 \text{ pF}, R_L = 4 \text{ k}\Omega$	31	60	35	60		
LS02, LS27	$C_L = 15 \text{ pF}, R_L = 2 \text{ k}\Omega$	10	15	10	15		
S02	$C_L = 15 \text{ pF}, R_L = 280\Omega$	3.5	5.5	3.5	5.5		
	$C_L = 50 \text{ pF}, R_L = 280\Omega$	5	7.5	5	7.5		
S260	$C_L = 15 \text{ pF}, R_L = 280\Omega$	4	5.5	4	6		

Electrical Characteristics over recommended operating free-air temperature range (unless otherwise noted).

PARAMETER	CONDITIONS		DMS4/74									DM54L/74L			DM54LS/74LS						UNITS						
			06, 07, 16, 17			26			38			L26			LS26			LS38									
			MIN	TYP(1)	MAX	MIN	TYP(1)	MAX	MIN	TYP(1)	MAX	MIN	TYP(1)	MAX	MIN	TYP(1)	MAX	MIN	TYP(1)	MAX							
V_{IH} High Level Input Voltage			2			2			2			2			2			2			V						
V_{IL} Low Level Input Voltage			DM54			0.8			0.8			0.7			0.7			0.7			V						
			DM74			0.8			0.8			0.7			0.8			0.8									
V_I Input Clamp Voltage	$V_{CC} = \text{Min}$	$I_I = -12 \text{ mA}$				-1.5			-1.5			N/A			N/A			V									
		$I_I = -18 \text{ mA}$										N/A			-1.5												
I_{OH} High Level Output Current	$V_{CC} = \text{Min}$ $V_I = (2)$	$V_{OH} = 12\text{V}$				50						200			50			μA									
		$V_{OH} = \text{Max}$				250			1000			250			1000												
V_{OH} High Level Output Voltage			06, 07			30												V									
			16, 17			15																					
			Others						15			5.5			15												
I_{OL} Low Level Output Current			DM54			30			16			48			2			4			12			mA			
			DM74			40			16			48			3.6			8			24						
V_{OL} Low Level Output Voltage	$V_{CC} = \text{Min}$ $V_I = (2)$	$I_{OL} = \text{Max}$	DM54			0.7			0.4			0.4			0.15			0.3			0.25			0.4			V
		$I_{OL} = 4 \text{ mA}$	DM74			0.7			0.4			0.4			0.4			0.4			0.35			0.5			
		$I_{OL} = 12 \text{ mA}$	DM74																		0.25			0.4			
		$I_{OL} = 16 \text{ mA}$				0.4																					
I_I Input Current at Maximum Input Voltage	$V_{CC} = \text{Max}$	$V_I = 5.5\text{V}$				1			1			1			0.1						mA						
		$V_I = 7\text{V}$																0.1									
I_{IH} High Level Input Current	$V_{CC} = \text{Max}$	$V_I = 2.4\text{V}$	40			40			40			10									μA						
		$V_I = 2.7\text{V}$													20			20									
I_{IL} Low Level Input Current	$V_{CC} = \text{Max}$	$V_I = 0.3\text{V}$										-0.18									mA						
		$V_I = 0.4\text{V}$	-1.6			-1.6			-1.6						-0.36			-0.36									
I_{CC} Supply Current	$V_{CC} = \text{Max}$	See Table																									

Notes

- (1) All typical values are at $V_{CC} = 5\text{V}$, $T_A = 25^\circ\text{C}$.
- (2) The input voltage is $V_{IH} = 2\text{V}$ or $V_{IL} = \text{max}$, as appropriate.

LS38 To Be Announced In 1976



Supply Currents

DEVICE	I_{CCH} (mA) Total With Outputs High		I_{CCL} (mA) Total With Outputs Low	
	TYP	MAX	TYP	MAX
06, 16	30	42	27	38
07, 17	29	41	21	30
26	4	8	12	22
38	5	8.5	34	54
L26	0.48	0.8	1.32	2.04
LS26	0.8	1.6	2.4	4.4
LS38	0.9	2	6	12

Switching Characteristics at $V_{CC} = 5V$, $T_A = 25^\circ C$

DEVICE	CONDITIONS	t_{PLH} (ns) Propagation Delay Time, Low-To-High Level Output			t_{PHL} (ns) Propagation Delay Time, High-To-Low Level Output		
		MIN	TYP	MAX	MIN	TYP	MAX
		06, 16 07, 17	$C_L = 15 \text{ pF}$ $R_L = 110\Omega$	10 6	15 10	15 20	23 30
26	$C_L = 15 \text{ pF}$ $R_L = 1 \text{ k}\Omega$	16	24	11	17		
38	$C_L = 45 \text{ pF}$ $R_L = 133\Omega$	14	22	11	18		
L26	$C_L = 15 \text{ pF}$ $R_L = 4 \text{ k}\Omega$	40	90	25	60		
LS26	$C_L = 15 \text{ pF}$ $R_L = 2 \text{ k}\Omega$	17	32	15	28		
LS38	$C_L = 45 \text{ pF}$ $R_L = 667\Omega$	20	32	18	28		



SSI

DM54/DM7406,07,16,17,26,38 Open Collector, Hi-Voltage Buffers

Electrical Characteristics over recommended operating free-air temperature range (unless otherwise noted).

PARAMETER	CONDITIONS	DM54/74		DM54H/74H		DM54L/74L		DM54LS/74LS		DM74S		UNITS			
		08, 11		H08, H11, H21		L08, L11		LS08, LS11, LS21		S11					
		MIN	TYP(1)	MAX	MIN	TYP(1)	MAX	MIN	TYP(1)	MAX	MIN		TYP(1)	MAX	
V_{IH}	High Level Input Voltage	2		2		2		2		2		V			
V_{IL}	Low Level Input Voltage	DM54	0.8		0.8		0.7		0.7		N/A		V		
		DM74	0.8		0.8		0.7		0.8		0.8				
V_I	Input Clamp Voltage	$V_{CC} = \text{Min}$	$I_I = -8 \text{ mA}$		-1.5		N/A						V		
			$I_I = -12 \text{ mA}$		-1.5		N/A								
			$I_I = -18 \text{ mA}$						N/A		-1.5			-1.2	
I_{OH}	High Level Output Current	-800		-500		-200		-400		-1000		μA			
V_{OH}	High Level Output Voltage	$V_{CC} = \text{Min}, V_{IH} = 2\text{V}$ $I_{OH} = \text{Max}$	DM54	2.4	3.4	2.4	3.4	2.4	3.3	2.5	3.4	N/A		V	
			DM74	2.4	3.4	2.4	3.4	2.4	3.2	2.7	3.4	2.7	3.4		
I_{OL}	Low Level Output Current	DM54		16		20		2		4		N/A		mA	
		DM74		16		20		3.6		8		20			
V_{OL}	Low Level Output Voltage	$V_{CC} = \text{Min}$ $V_{IL} = \text{Max}$	$I_{OL} = \text{Max}$	DM54	0.2	0.4	0.2	0.4	0.15	0.3	0.25	0.4	N/A		V
				DM74	0.2	0.4	0.2	0.4	0.2	0.4	0.35	0.5	0.5		
				DM74							0.4				
I_I	Input Current at Maximum Input Voltage	$V_{CC} = \text{Max}$	$V_I = 5.5\text{V}$		1		1		0.1		1		mA		
			$V_I = 7\text{V}$								0.1				
I_{IH}	High Level Input Current	$V_{CC} = \text{Max}$	$V_I = 2.4\text{V}$		40		50		10				μA		
			$V_I = 2.7\text{V}$								20			50	
I_{IL}	Low Level Input Current	$V_{CC} = \text{Max}$	$V_I = 0.3\text{V}$						-0.18				mA		
			$V_I = 0.4\text{V}$		-1.6		-2				-0.36				
			$V_I = 0.5\text{V}$											-2	
I_{OS}	Short Circuit Output Current	$V_{CC} = \text{Max}(2)$	DM54	-20	-55	-40	-100	-3	-15	-30	-130	N/A		mA	
			DM74	-18	-55	-40	-100	-3	-15	-30	-130	-40	-100		
I_{CC}	Supply Current	$V_{CC} = \text{Max}$	See Table												

- Notes**
- (1) All typical values are at $V_{CC} = 5\text{V}$, $T_A = 25^\circ\text{C}$.
 - (2) Not more than one output should be shorted at a time, and for DM54H/DM74H, DM54LS/DM74LS and DM74S, duration of short circuit should not exceed one second.

LS11, LS21 To Be Announced In 1976

Supply Currents

DEVICE	I_{CCH} (mA) Total With Outputs High		I_{CCL} (mA) Total With Outputs Low	
	TYP	MAX	TYP	MAX
08 11	11 8	21 15	20 14	33 22
H08 H11 H21	28 18 12	40 30 20	42 30 20	64 48 32
L08 L11	1.1 1.0	2.1 1.5	2.0 1.6	3.3 2.2
LS08 LS11 LS21	2.4 1.8 1.2	4.8 3.6 2.4	4.4 3.3 2.2	8.8 6.6 4.4
S11	13.5	24	24	42

Switching Characteristics at $V_{CC} = 5V$, $T_A = 25^\circ C$

DEVICE	CONDITIONS	t_{PLH} (ns) Propagation Delay Time Low-To-High Level Output			t_{PHL} (ns) Propagation Delay Time, High-To-Low Level Output		
		MIN	TYP	MAX	MIN	TYP	MAX
08, 11	$C_L = 15 \text{ pF}$ $R_L = 400\Omega$		17.5	27		12	19
H08, H11 H21	$C_L = 25 \text{ pF}$ $R_L = 280\Omega$		7.6	12		8.8	12
L08 L11	$C_L = 50 \text{ pF}$ $R_L = 4 \text{ k}\Omega$		45 40	90 80		45 45	90 90
LS08, LS11 LS21	$C_L = 15 \text{ pF}$ $R_L = 2 \text{ k}\Omega$		10	15		12	20
S11	$C_L = 15 \text{ pF}$ $R_L = 280\Omega$	2.5	4.5	7	2.5	5	7.5
	$C_L = 50 \text{ pF}$ $R_L = 280\Omega$		6	9		7.5	11

Electrical Characteristics over recommended operating free-air temperature range (unless otherwise noted).

PARAMETER		CONDITIONS		DM54/74			DM54L/DM74L			DM54LS/DM74LS			DM74S			UNITS		
				09			L09			LS09, LS15			S15					
				MIN	TYP(1)	MAX	MIN	TYP(1)	MAX	MIN	TYP(1)	MAX	MIN	TYP(1)	MAX			
V_{IH}	High Level Input Voltage			2			2			2			2			V		
V_{IL}	Low Level Input Voltage			DM54			0.8			0.7			N/A			V		
				DM74			0.8			0.7			0.8			V		
V_I	Input Clamp Voltage	$V_{CC} = \text{Min}$	$I_I = -12 \text{ mA}$	-1.5			N/A									V		
			$I_I = -18 \text{ mA}$				N/A			-1.5			-1.2			V		
I_{OH}	High Level Output Current	$V_{CC} = \text{Min}, V_{IH} = 2\text{V}, V_{OH} = 5.5\text{V}$		250			50			100			250			μA		
V_{OH}	High Level Output Voltage			5.5			5.5			5.5			5.5			V		
I_{OL}	Low Level Output Current			DM54			16			2			N/A			V		
				DM74			16			3.6			8			20	mA	
V_{OL}	Low Level Output Voltage	$V_{CC} = \text{Min}$ $V_{IL} = \text{Max}$	$I_{OL} = \text{Max}$	DM54			0.2 0.4			0.15 0.3			0.25 0.4			N/A		
				DM74			0.2 0.4			0.2 0.4			0.35 0.5			0.5		
				DM74									0.4					
I_I	Input Current at Maximum Input Voltage	$V_{CC} = \text{Max}$	$V_I = 5.5\text{V}$	1			0.1						1			mA		
			$V_I = 7\text{V}$							0.1						mA		
I_{IH}	High Level Input Current	$V_{CC} = \text{Max}$	$V_I = 2.4\text{V}$	40			10									μA		
			$V_I = 2.7\text{V}$							20			50			μA		
I_{IL}	Low Level Input Current	$V_{CC} = \text{Max}$	$V_I = 0.3\text{V}$				-0.18									mA		
			$V_I = 0.4\text{V}$	-1.6						-0.36						mA		
			$V_I = 0.5\text{V}$										-2			mA		
I_{CC}	Supply Current	$V_{CC} = \text{Max}$		See Table														

Notes

(1) All typical values are at $V_{CC} = 5\text{V}$, $T_A = 25^\circ\text{C}$.

LS15 To Be Announced In 1976

Supply Currents

DEVICE	I _{CCH} (mA) Total With Outputs High		I _{CCL} (mA) Total With Outputs Low	
	TYP	MAX	TYP	MAX
09	11	21	20	33
L09	1.1	2.1	2	3.3
LS09	2.4	4.8	4.4	8.8
LS15	1.8	3.6	3.3	6.6
S15	10.5	19.5	24	42

Switching Characteristics at V_{CC} = 5V, T_A = 25°C

DEVICE	CONDITIONS	t _{PLH} (ns) Propagation Delay Time, Low-To-High Level Output			t _{PHL} (ns) Propagation Delay Time, High-To-Low Level Output		
		MIN	TYP	MAX	MIN	TYP	MAX
09	C _L = 15 pF R _L = 400Ω		21	32		16	24
L09	C _L = 15 pF R _L = 4 kΩ		50	110		50	110
LS09, LS15	C _L = 15 pF R _L = 2 kΩ		20	35		20	35
S15	C _L = 15 pF R _L = 280Ω	2.5	5.5	8.5	2.5	6	9
	C _L = 50 pF R _L = 280Ω		8.5	13		8	12

Electrical Characteristics over recommended operating free-air temperature range (unless otherwise noted).

PARAMETER		CONDITIONS		DM54/74									DM54LS/74LS			UNITS
				13			14			132			LS13, LS14, LS132			
				MIN	TYP(1)	MAX	MIN	TYP(1)	MAX	MIN	TYP(1)	MAX	MIN	TYP(1)	MAX	
V_{T+}	Positive-Going Threshold Voltage	$V_{CC} = 5V$		1.5	1.7	2	1.5	1.7	2	1.5	1.7	2	1.4	1.6	1.9	V
V_{T-}	Negative-Going Threshold Voltage	$V_{CC} = 5V$		0.6	0.9	1.1	0.6	0.9	1.1	0.6	0.9	1.1	0.5	0.8	1.0	V
V_{T+} V_{T-}	Hysteresis	$V_{CC} = 5V$		0.4	0.8		0.4	0.8		0.4	0.8		0.4	0.8		V
V_I	Input Clamp Voltage	$V_{CC} = \text{Min}$	$I_I = -12 \text{ mA}$			-1.5			-1.5			-1.5			-1.5	V
			$I_I = -18 \text{ mA}$													
I_{OH}	High Level Output Current					-800			-800			-800			-400	μA
V_{OH}	High Level Output Voltage	$V_{CC} = \text{Min}, V_I = V_{T-} \text{ Min}$ $I_{OH} = \text{Max}$	DM54	2.4	3.4		2.4	3.4		2.4	3.4		2.5	3.4		V
			DM74	2.4	3.4		2.4	3.4		2.4	3.4		2.7	3.4		
I_{OL}	Low Level Output Current			DM54		16			16			16			4	mA
				DM74		16			16			16			8	
V_{OL}	Low Level Output Voltage	$V_{CC} = \text{Min}$ $V_I = V_{T+} \text{ Max}$	$I_{OL} = 4 \text{ mA}$										0.25	0.4		V
			$I_{OL} = 8 \text{ mA}$	DM74										0.35	0.5	
			$I_{OL} = 16 \text{ mA}$		0.2	0.4		0.2	0.4		0.2	0.4				
I_{T+}	Input Current at Positive-Going Threshold	$V_{CC} = 5V, V_I = V_{T+}$			-0.65			-0.43			-0.43			-0.14		mA
I_{T-}	Input Current at Negative-Going Threshold	$V_{CC} = 5V, V_I = V_{T-}$			-0.85			-0.56			-0.56			-0.18		mA
I_I	Input Current at Maximum Input Voltage	$V_{CC} = \text{Max}$	$V_I = 5.5V$			1			1			1				mA
			$V_I = 7.0V$												0.1	
I_{IH}	High Level Input Current	$V_{CC} = \text{Max}$	$V_I = 2.4V$			40			40			40				μA
			$V_I = 2.7V$												20	
I_{IL}	Low Level Input Current	$V_{CC} = \text{Max}, V_I = 0.4V$			-1.0	-1.6		-0.8	-1.2		-0.8	-1.2		-0.4		mA
I_{OS}	Short Circuit Output Current	$V_{CC} = \text{Max} (2)$			-18	-55		-18	-55		-18	-55		-30	-130	mA
I_{CC}	Supply Current	Total Output High	$V_{CC} = \text{Max}$	$V_I = 0V$	LS13								2.9	6		mA
					LS14								8.6	16		
					LS132								5.9	11		
					Others	14	23		22	36		15	24			
	Total Output Low	$V_I = 4.5V$	LS13										4.1	7		
			LS14										12	21		
			LS132										8.2	14		
			Others	20	32		39	60		26	40					

Notes

(1) All typical values are at $V_{CC} = 5V, T_A = 25^\circ\text{C}$.

(2) Not more than one output should be shorted at a time, and for DM54LS/DM74LS, duration of short circuit should not exceed one second.

LS13, LS14, LS132 To Be Announced In 1976

Switching Characteristics at $V_{CC} = 5V$, $T_A = 25^\circ C$

DEVICE	CONDITIONS	t_{PLH} (ns) Propagation Delay Time, Low-To-High Level Output		t_{PHL} (ns) Propagation Delay Time, High-To-Low Level Output	
		TYP	MAX	TYP	MAX
		13	$C_L = 15 \text{ pF}$, $R_L = 400\Omega$	18	27
14, 132	15	22		15	22
LS13	$C_L = 15 \text{ pF}$, $R_L = 2 \text{ k}\Omega$	15	22	18	27
LS14, LS132		15	22	15	22

Electrical Characteristics over recommended operating free-air temperature range (unless otherwise noted).

PARAMETER		CONDITIONS		DM54/74						DM54H/74H			UNITS
				23			50, 53			H50, H52 H53, H55			
				MIN	TYP(1)	MAX	MIN	TYP(1)	MAX	MIN	TYP(1)	MAX	
V_{IH}	High Level Input Voltage			2			2			2			V
V_{IL}	Low Level Input Voltage			0.8			0.8			0.8			V
V_I	Input Clamp Voltage	$V_{CC} = \text{Min}$	$I_I = -8 \text{ mA}$							-1.5			V
			$I_I = -12 \text{ mA}$	-1.5			-1.5						
I_{OH}	High Level Output Current			-800			-400			-500			μA
V_{OH}	High Level Output Voltage	$V_{CC} = \text{Min}, V_I = (2), I_{OH} = \text{Max}$		2.4	3.4		2.4	3.4		2.4	3.4		V
I_{OL}	Low Level Output Current			16			16			20			mA
V_{OL}	Low Level Output Voltage	$V_{CC} = \text{Min}, V_I = (2), I_{OL} = \text{Max}$		0.2	0.4		0.2	0.4		0.2	0.4		V
I_I	Input Current at Maximum Input Voltage	$V_{CC} = \text{Max}, V_I = 5.5\text{V}$		1			1			1			mA
I_{IH}	High Level Input Current	Data Inputs	$V_{CC} = \text{Max}, V_I = 2.4\text{V}$	40			40			50			μA
		Strobe of 23		160			N/A			N/A			
I_{IL}	Low Level Input Current	Data Inputs	$V_{CC} = \text{Max}, V_I = 0.4\text{V}$	-1.6			-1.6			-2			mA
		Strobe of 23		-6.4			N/A			N/A			
I_{OS}	Short Circuit Output Current	$V_{CC} = \text{Max} (3)$	DM54	-20	-55		-20	-55		-40	-100		mA
			DM74	-18	-55		-18	-55		-40	-100		
I_{CC}	Supply Current	$V_{CC} = \text{Max}$		See Table									

Notes

- (1) All typical values are at $V_{CC} = 5\text{V}, T_A = 25^\circ\text{C}$.
- (2) The input voltage is $V_{IH} = 2\text{V}$ or $V_{IL} = V_{IL \text{ max}}$, as appropriate.
- (3) Not more than one output should be shorted at a time, and for the DM54H/DM74H, duration of short circuit should not exceed one second.

Electrical Characteristics using expander inputs, $V_{CC} = \text{Min}$, $T_A = \text{Min}$ (unless otherwise noted) (4), (5), (6)

DEVICE	$I_{\bar{X}}$ (mA) (I_X for H52) Expander Current				$V_{BE(O)}$ (V) Base-Emitter Voltage of Output Transistor Q				V_{OH} (V) High Level Output Voltage				V_{OL} (V) Low Level Output Voltage				
	CONDITIONS		MIN	TYP(1)	MAX	CONDITIONS		MIN	TYP(1)	MAX	CONDITIONS		MIN	TYP(1)	MAX		
	DM5423 DM5450 DM5453	$V_{\bar{X}\bar{X}} = 0.4V$ $I_{OL} = 16 \text{ mA}$				-3.5 -2.9 -2.9	$I_X + I_{\bar{X}} = 410\mu A$ $R_{\bar{X}\bar{X}} = 0$ $I_{OL} = 16 \text{ mA}$				1.1	$I_X = 150\mu A$ $I_{\bar{X}} = -150\mu A$ $I_{OH} = -400\mu A$		2.4	3.4	$I_X + I_{\bar{X}} = 300\mu A$ $R_{\bar{X}\bar{X}} = 138\Omega$ $I_{OL} = 16 \text{ mA}$	0.2
DM7423 DM7450 DM7453	$V_{\bar{X}\bar{X}} = 0.4V$ $I_{OL} = 16 \text{ mA}$				-3.5 -3.1 -3.1	$I_X + I_{\bar{X}} = 620\mu A$ $R_{\bar{X}\bar{X}} = 0$ $I_{OL} = 16 \text{ mA}$				1.0	$I_X = 270\mu A$ $I_{\bar{X}} = -270\mu A$ $I_{OH} = -400\mu A$		2.4	3.4	$I_X + I_{\bar{X}} = 430\mu A$ $R_{\bar{X}\bar{X}} = 130\Omega$ $I_{OL} = 16 \text{ mA}$	0.2	0.4
DM54H50 DM54H53 DM54H55	$V_{\bar{X}} = 1.4V$ $I_X = 0$ $I_{OL} = 0$				-5.85	$I_X + I_{\bar{X}} = 700\mu A$ $R_{\bar{X}\bar{X}} = 0$ $I_{OL} = 20 \text{ mA}$				1.1	$I_X = 320\mu A$ $I_{\bar{X}} = -320\mu A$ $I_{OH} = -500\mu A$		2.4	3.4	$I_X + I_{\bar{X}} = 470\mu A$ $R_{\bar{X}\bar{X}} = 68\Omega$ $I_{OL} = 20 \text{ mA}$	0.2	0.4
DM74H50 DM74H53 DM74H55	$V_{\bar{X}} = 1.4V$ $I_X = 0$ $I_{OL} = 0$				-6.3	$I_X + I_{\bar{X}} = 1.1 \text{ mA}$ $R_{\bar{X}\bar{X}} = 0$ $I_{OL} = 20 \text{ mA}$				1.0	$I_X = 570\mu A$ $I_{\bar{X}} = -570\mu A$ $I_{OH} = -500\mu A$		2.4	3.4	$I_X + I_{\bar{X}} = 600\mu A$ $R_{\bar{X}\bar{X}} = 63\Omega$ $I_{OL} = 20 \text{ mA}$	0.2	0.4
DM54H52 DM74H52	$V_X = 1V$ $I_{OH} = -500\mu A$		-2.7		-4.5						$V_X = 1V$ $I_{OH} = -500\mu A$		2.4	3.4	$I_X = -300\mu A$ $I_{OL} = 20 \text{ mA}$ $T_A = \text{Max}$	0.2	0.4

Notes

- (1) All typical values are at $V_{CC} = 5V$, $T_A = 25^\circ C$.
 (4) The 23, 50, and 53 are designed for use with up to four 60 expanders.
 (5) The H50, H53, and H55 are designed for use with up to four H60 expanders or one H62 expander.
 (6) The H52 is designed for use with up to six H61 expanders.

Switching Characteristics at $V_{CC} = 5V$, $T_A = 25^\circ C$

DEVICE	CONDITIONS	t_{PLH} (ns) Propagation Delay Time, Low-To-High Level Output		t_{PLL} (ns) Propagation Delay Time, High-To-Low Level Output	
		TYP	MAX	TYP	MAX
		23, 50, 53	$C_L = 15 \text{ pF}$, $R_L = 400\Omega$ Expander Pins Open	13	22
50	$C_L = 15 \text{ pF}$, $R_L = 400\Omega$ From Input of 60 Expander	15	30	10	20
H50	$C_L = 25 \text{ pF}$, $R_L = 280\Omega$ Expander Pins Open	6.8	11	6.2	11
H52		10.6	15	9.2	15
H53		7	11	6.2	11
H55		7	11	6.5	11
H50		$C_L = 25 \text{ pF}$, $R_L = 280\Omega$	11		7.4
H52	$C = 15 \text{ pF}$, (GND to X of	14.8		9.8	
H53	H50, H53, or H55; or	11.4		7.4	
H55	to X of H52)	11.4		7.7	

Supply Currents

DEVICE	I_{CCH} (mA) Total With Outputs High		I_{CCL} (mA) Total With Outputs Low	
	TYP	MAX	TYP	MAX
	23	8	16	10
50	4	8	7.4	14
53	4	8	5.1	9.5
H50	8.2	12.8	15.2	24
H52	20	31	15.2	24
H53	7.1	11	9.4	14
H55	4.5	6.4	7.5	12

Electrical Characteristics over recommended operating free-air temperature range (unless otherwise noted).

PARAMETER		CONDITIONS		DM54/74			DM54L/74L			DM54LS/74LS			UNITS				
				32			L32			LS32							
				MIN	TYP(1)	MAX	MIN	TYP(1)	MAX	MIN	TYP(1)	MAX					
V_{IH}	High Level Input Voltage			2			2			2			V				
V_{IL}	Low Level Input Voltage			DM54	0.8			0.7			0.7		V				
				DM74	0.8			0.7			0.8						
V_I	Input Clamp Voltage	$V_{CC} = \text{Min}$	$I_I = -12 \text{ mA}$	-1.5			N/A						V				
			$I_I = -18 \text{ mA}$				N/A			-1.5							
I_{OH}	High Level Output Current			-800			-200			-400			μA				
V_{OH}	High Level Output Voltage	$V_{CC} = \text{Min}, V_{IH} = 2\text{V}, I_{OH} = \text{Max}$		DM54	2.4	3.4	2.4	2.8	2.5	3.4			V				
				DM74	2.4	3.4	2.4	2.8	2.7	3.4							
I_{OL}	Low Level Output Current			DM54	16			2			4		mA				
				DM74	16			3.6			8						
V_{OL}	Low Level Output Voltage	$V_{CC} = \text{Min}, V_{IL} = \text{Max}$		$I_{OL} = \text{Max}$	DM54	0.2	0.4	0.15	0.3	0.25	0.4			V			
					DM74	0.2	0.4	0.4			0.35	0.5					
					DM74							0.4					
I_I	Input Current at Maximum Input Voltage	$V_{CC} = \text{Max}$	$V_I = 5.5\text{V}$	1			0.1						mA				
			$V_I = 7\text{V}$							0.1							
I_{IH}	High Level Input Current	$V_{CC} = \text{Max}$	$V_I = 2.4\text{V}$	40			10						μA				
			$V_I = 2.7\text{V}$							20							
I_{IL}	Low Level Input Current	$V_{CC} = \text{Max}$	$V_I = 0.3\text{V}$				-0.12			-0.18			mA				
			$V_I = 0.4\text{V}$	-1.6						-0.36							
I_{OS}	Short Circuit Output Current	$V_{CC} = \text{Max (2)}$		DM54	-20	-55	-3	-9	-15	-30	-130			mA			
				DM74	-18	-55	-3	-9	-15	-30	-130						
I_{CC}	Supply Current	Total, Outputs High	$V_{CC} = \text{Max}$		15		22		1.5		2.2		3.1		6.2		mA
		Total, Outputs Low			23		38		2.3		3.8		4.9		9.8		

Notes

- (1) All typical values are at $V_{CC} = 5\text{V}, T_A = 25^\circ\text{C}$.
- (2) Not more than one output should be shorted at a time, and for DM54LS/DM74LS, duration of short circuit should not exceed one second.

Switching Characteristics at $V_{CC} = 5V$, $T_A = 25^\circ C$

DEVICE	CONDITIONS	t _{PLH} (ns)			t _{PHL} (ns)		
		Propagation Delay Time, Low-To-High Level Output			Propagation Delay Time, High-To-Low Level Output		
		MIN	TYP	MAX	MIN	TYP	MAX
32	C _L = 15 pF R _L = 400Ω		10	15		14	22
L32	C _L = 50 pF R _L = 4 kΩ		40	80		50	100
LS32	C _L = 15 pF R _L = 2 kΩ		14	22		14	22

Electrical Characteristics over recommended operating free-air temperature range (unless otherwise noted).

PARAMETER		CONDITIONS		DM54/74		DM54H/74H		DM54LS/74LS			DM74S			UNITS	
				37, 40		H40		LS37, LS40			S40, S140				
				MIN	TYP(1)	MAX	MIN	TYP(1)	MAX	MIN	TYP(1)	MAX	MIN		TYP(1)
V_{IH}	High Level Input Voltage			2		2		2			2			V	
V_{IL}	Low Level Input Voltage			DM54		0.8		0.8			0.7			N/A	
				DM74		0.8		0.8			0.8			0.8	
V_I	Input Clamp Voltage	$V_{CC} = \text{Min}$	$I_I = -8 \text{ mA}$				-1.5								
			$I_I = -12 \text{ mA}$				-1.5								
			$I_I = -18 \text{ mA}$							-1.5			-1.2		
I_{OH}	High Level Output Current			Others		-1.2		-1.5			-1.2			-3	
				S140										-40	
V_{OH}	High Level Output Voltage	$V_{CC} = \text{Min}$	$V_{IL} = \text{Max}$	$I_{OH} = \text{Max}$		2.4	3.3	2.4	3.4	2.7	3.4				
				$I_{OH} = -3 \text{ mA}$							2.7 3.4				
				$V_{IL} = 0.5 \text{ V}$, $R_O = 50 \Omega$ to GND, S140 Only							2				
I_{OL}	Low Level Output Current			DM54		48		60			12			N/A	
				DM74		48		60			24			60	
V_{OL}	Low Level Output Voltage	$V_{CC} = \text{Min}$	$V_{IH} = 2 \text{ V}$	$I_{OL} = \text{Max}$	DM54		0.2	0.4	0.2	0.4	0.25	0.4	N/A		
					DM74		0.2	0.4	0.2	0.4	0.35	0.5	0.5		
					DM74							0.4			
I_I	Input Current at Maximum Input Voltage	$V_{CC} = \text{Max}$	$V_I = 5.5 \text{ V}$		1		1			1			1		
			$V_I = 7 \text{ V}$							0.1					
I_{IH}	High Level Input Current	$V_{CC} = \text{Max}$	$V_I = 2.4 \text{ V}$		40		100								
			$V_I = 2.7 \text{ V}$							20			100		
I_{IL}	Low Level Input Current	$V_{CC} = \text{Max}$	$V_I = 0.4 \text{ V}$		-1.6		-4			-0.36					
			$V_I = 0.5 \text{ V}$										-4		
I_{OS}	Short Circuit Output Current	$V_{CC} = \text{Max (2)}$	DM54		-20	-70	-40	-125	-30	-130	N/A				
			DM74		-18	-70	-40	-125	-30	-130	-50	-225			
I_{CC}	Supply Current	$V_{CC} = \text{Max}$		See Table											

Notes

(1) All typical values are at $V_{CC} = 5 \text{ V}$, $T_A = 25^\circ \text{ C}$.

(2) Not more than one output should be shorted at a time, and duration of the short circuit should not exceed one second for 37, LS37, 40, H40 or LS40; or 100 milliseconds for S40 and S140.

LS37, LS40 To Be Announced In 1976

Supply Currents

DEVICE	I_{CCH} (mA) Total With Outputs High		I_{CCL} (mA) Total With Outputs Low	
	TYP	MAX	TYP	MAX
37	9	15.5	34	54
40	4	8	17	27
H40	10.4	16	25	40
LS37	0.9	2	6	12
LS40	0.45	1	3	6
S40	10	18	25	44
S140	10	18	25	44

Switching Characteristics at $V_{CC} = 5V, T_A = 25^\circ C$

DEVICE	CONDITIONS	t_{PLH} (ns) Propagation Delay Time, Low-To-High Level Output			t_{PHL} (ns) Propagation Delay Time, High-To-Low Level Output		
		MIN	TYP	MAX	MIN	TYP	MAX
37	$C_L = 45 \text{ pF}, R_L = 133\Omega$		13	22		8	15
40	$C_L = 15 \text{ pF}, R_L = 133\Omega$		13	22		8	15
H40	$C_L = 25 \text{ pF}, R_L = 93\Omega$		8.5	12		6.5	12
LS37 LS40	$C_L = 45 \text{ pF}, R_L = 667\Omega$		12	24		12	24
S40	$C_L = 50 \text{ pF}, R_L = 93\Omega$	2	4	6.5	2	4	6.5
S140	$C_L = 150 \text{ pF}, R_L = 93\Omega$		6	9		6	9

Electrical Characteristics over recommended operating free-air temperature range (unless otherwise noted).

PARAMETER		CONDITIONS(1)		DM54/74		DM54H/74H		DM54L/74L		DM54LS/74LS		DM74S		UNITS	
				51, 54		H51, H54		L51, L54 LS5		LS51, LS54 LS55		S51, S64			
				MIN	TYP(1)	MAX	MIN	TYP(1)	MAX	MIN	TYP(1)	MAX	MIN		TYP(1)
V _{IH}	High Level Input Voltage			2		2		2		2		2		V	
V _{IL}	Low Level Input Voltage	DM54		0.8		0.8		0.7		0.7		N/A		V	
		DM74		0.8		0.8		0.7		0.8		0.8			
V _I	Input Clamp Voltage	V _{CC} = Min	I _I = -8 mA			-1.5		N/A						V	
			I _I = -12 mA	-1.5		N/A				-1.5		-1.2			
			I _I = -18 mA			N/A				-1.5		-1.2			
I _{OH}	High Level Output Current			-400		-500		-200		-400		-1000		μA	
V _{OH}	High Level Output Voltage	V _{CC} = Min	LS54							2.4				V	
		V _{IL} = Max	Others	DM54	2.4	3.4	2.4	3.4	2.4	3.3	2.5	3.4	N/A		
		I _{OH} = Max		DM74	2.4	3.4	2.4	3.4	2.4	3.2	2.7	3.4	2.7		3.4
I _{OL}	Low Level Output Current	DM54		16		20		2		4		N/A		mA	
		DM74		16		20		3.6		8		20			
V _{OL}	Low Level Output Voltage	V _{CC} = Min V _{IH} = 2V	I _{OL} = Max	DM54	0.2	0.4	0.2	0.4	0.15	0.3	0.25	0.4	N/A		V
				DM74	0.2	0.4	0.2	0.4	0.2	0.4	0.35	0.5	0.5		
				DM74							0.4				
I _I	Input Current at Maximum Input Voltage	V _{CC} = Max	V _I = 5.5V V _I = 7V	1		1		0.1		0.1		1		mA	
I _{IH}	High Level Input Current	V _{CC} = Max	V _I = 2.4V V _I = 2.7V	40		50		10		20		50		μA	
I _{IL}	Low Level Input Current	V _{CC} = Max	V _I = 0.3V					-0.18						mA	
			V _I = 0.4V	-1.6		-2				-0.36					
			V _I = 0.5V									-2			
I _{OS}	Short Circuit Output Current	V _{CC} = Max (2)	DM54	-20	-55	-40	-100	-3	-15	-30	-130	N/A		mA	
			DM74	-18	-55	-40	-100	-3	-15	-30	-130	-40	-100		
I _{CC}	Supply Current	V _{CC} = Max	See Table												

Notes

- (1) All typical values are at V_{CC} = 5V, T_A = 25°C.
- (2) Not more than one output should be shorted at a time, and for DM54H/DM74H, DM54LS/DM74LS and DM74S, duration of the short circuit should not exceed one second.
- (3) National Semiconductor temporarily reserves the right to ship DM54/DM74LS51, LS54, LS55 devices which have a minimum I_{OS} = 5.0 mA.

74S51 To Be Announced In 1976



DM54/DM74S1,54,55,S64 AND-OR-Invert Gates

Supply Currents

DEVICE	I _{CCH} (mA) Total With Outputs High		I _{CCL} (mA) Total With Outputs Low	
	TYP	MAX	TYP	MAX
51	4	8	7.4	14
54	4	8	5.1	9.5
H51	8.2	12.8	15.2	24
H54	7.1	11	9.4	14
L51	0.44	0.8	0.76	1.3
L54	0.39	0.8	0.60	0.99
L55	0.22	0.4	0.38	0.65
LS51	0.8	1.6	1.4	2.8
LS54	0.8	1.6	1.0	2
LS55	0.4	0.8	0.7	1.3
S51	8.2	17.8	13.6	22
S64	7	12.5	8.5	16

Switching Characteristics at V_{CC} = 5V, T_A = 25°C

DEVICE	CONDITIONS	t _{PLH} (ns) Propagation Delay Time, Low-To-High Level Output			t _{PHL} (ns) Propagation Delay Time, High-To-Low Level Output		
		MIN	TYP	MAX	MIN	TYP	MAX
H51	C _L = 25 pF, R _L = 280Ω	6.8	11	6.2	11		
H54	C _L = 25 pF, R _L = 280Ω	7	11	6.2	11		
L51, L54 L55	C _L = 50 pF, R _L = 4 kΩ	50	90	35	60		
LS51, LS55	C _L = 15 pF, R _L = 2 kΩ	12	20	12.5	20		
LS54	C _L = 15 pF, R _L = 2 kΩ	16	20	12.5	20		
S51, S64	C _L = 15 pF, R _L = 280Ω	2	3.5	5.5	2	3.5	5.5
	C _L = 50 pF, R _L = 280Ω	5	8	5.5	8		

Electrical Characteristics over recommended operating free-air temperature range (unless otherwise noted).

PARAMETER		DM54				DM74				UNITS
		60				60				
		CONDITIONS	MIN	TYP(1)	MAX	CONDITIONS	MIN	TYP(1)	MAX	
V_{IH}	High Level Input Voltage		2			2			V	
V_{IL}	Low Level Input Voltage							0.8	V	
$V_{\bar{X}(ON)}$	On-State Voltage Between Expander Outputs	$V_{CC} = 4.5V, V_{IH} = 2V$ $V_X = 1.1V, I_{\bar{X}} = 3.5 \text{ mA}$ $T_A = -55^\circ\text{C}$			0.4	$V_{CC} = 4.75V, V_{IH} = 2V$ $V_X = 1V, I_{\bar{X}} = 3.5 \text{ mA}$ $T_A = 0^\circ\text{C}$			0.4	V
$I_{X(ON)}$	On-State Expander Current	$V_{CC} = 4.5V, V_{IH} = 2V$ $V_X = 1.1V, I_{\bar{X}} = 0$ $T_A = -55^\circ\text{C}$	-0.3			$V_{CC} = 4.75V, V_{IH} = 2V$ $V_X = 1V, I_{\bar{X}} = 0$ $T_A = 0^\circ\text{C}$	-0.43			mA
$I_{\bar{X}(OFF)}$	Off-State Expander Current	$V_{CC} = 4.5V, V_{IL} = 0.8V$ $V_{\bar{X}} = 4.5V, R_X = 1.2 \text{ k}\Omega$ $T_A = -55^\circ\text{C}$			150	$V_{CC} = 4.75V, V_{IL} = 0.8V$ $V_{\bar{X}} = 4.5V, R_X = 1.2 \text{ k}\Omega$ $T_A = 0^\circ\text{C}$			270	μA
I_I	Input Current at Maximum Input Voltage	$V_{CC} = 5.5V, V_I = 5.5V$			1	$V_{CC} = 5.25V, V_I = 5.5V$			1	mA
I_{IH}	High Level Input Current	$V_{CC} = 5.5V, V_I = 2.4V$			40	$V_{CC} = 5.25V, V_I = 2.4V$			40	μA
I_{IL}	Low Level Input Current	$V_{CC} = 5.5V, V_I = 0.4V$			-1.6	$V_{CC} = 5.25V, V_I = 0.4V$			-1.6	mA
$I_{CC(ON)}$	Supply Current, Expander On	$V_{CC} = 5.5V, V_I = 4.5V$ $V_X = 0.85V, I_{\bar{X}} = 0$		1.2	2.5	$V_{CC} = 5.25V, V_I = 4.5V$ $V_X = 0.85V, I_{\bar{X}} = 0$		1.2	2.5	mA
$I_{CC(OFF)}$	Supply Current, Expander Off	$V_{CC} = 5.5V, V_I = 0$ $V_X = 0.85V, I_{\bar{X}} = 0$		2	4	$V_{CC} = 5.25V, V_I = 0$ $V_X = 0.85V, I_{\bar{X}} = 0$		2	4	mA

Notes

(1) All typical values are at $V_{CC} = 5V, T_A = 25^\circ\text{C}$.

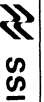
Electrical Characteristics over recommended operating free-air temperature range (unless otherwise noted).

PARAMETER		DM54H				DM74H				UNITS
		H60, H62				H60, H62				
		CONDITIONS	MIN	TYP(1)	MAX	CONDITIONS	MIN	TYP(1)	MAX	
V_{IH}	High Level Input Voltage		2			2			V	
V_{IL}	Low Level Input Voltage			0.8			0.8		V	
V_{X(XON)}	On-State Voltage Between Expander Outputs	V _{CC} = 4.5V, V _{IH} = 2V V _X = 1V, I _X = 5.85 mA T _A = -55°C		0.4	V _{CC} = 4.75V, V _{IH} = 2V V _X = 1V, I _X = 6.3 mA T _A = 0°C		0.4		V	
		V _{CC} = 5.5V, V _{IH} = 2V V _X = 1V, I _X = 7.85 mA T _A = 125°C		0.4	V _{CC} = 5.25V, V _{IH} = 2V V _X = 1V, I _X = 7.4 mA T _A = 70°C		0.4			
I_{X(ON)}	On-State Expander Current	V _{CC} = 4.5V, V _{IH} = 2V V _X = 1V, I _X = 0 T _A = -55°C	-470		V _{CC} = 4.75V, V _{IH} = 2V V _X = 1V, I _X = 0 T _A = 0°C	-600			μA	
I_{X(OFF)}	Off-State Expander Current	V _{CC} = 4.5V, V _{IL} = 0.8V V _X = 4.5V, R _X = 575Ω T _A = -55°C		320	V _{CC} = 4.75V, V _{IL} = 0.8V V _X = 4.5V, R _X = 575Ω T _A = 0°C		570		μA	
I_I	Input Current at Maximum Input Voltage	V _{CC} = 5.5V, V _I = 5.5V		1	V _{CC} = 5.25V, V _I = 5.5V		1		mA	
I_{IH}	High Level Input Current	V _{CC} = 5.5V, V _I = 2.4V		50	V _{CC} = 5.25V, V _I = 2.4V		50		μA	
I_{IL}	Low Level Input Current	V _{CC} = 5.5V, V _I = 0.4V		-2	V _{CC} = 5.25V, V _I = 0.4V		-2		mA	
I_{CC(ON)}	Supply Current, Expander On	H60	V _{CC} = 5.5V, V _I = 4.5V	1.9	3.5	V _{CC} = 5.25V, V _I = 4.5V	1.9	3.5	mA	
		H62	V _X = 0.85V, I _X = 0	3.8	7	V _X = 0.85V, I _X = 0	3.8	7		
I_{CC(OFF)}	Supply Current, Expander Off	H60	V _{CC} = 5.5V, V _I = 0	3	4.5	V _{CC} = 5.25V, V _I = 0	3	4.5	mA	
		H62	V _X = 0.85V, I _X = 0	6	9	V _X = 0.85, I _X = 0	6	9		
C_X	Expander Output Capacitance	H60	V _{CC} , Inputs, and X Open; f = 1 MHz	5.4		V _{CC} , Inputs, and X Open; f = 1 MHz	5.4		pF	
		H62		6.0			6.0			

Notes

(1) All typical values are at V_{CC} = 5V (except C_X), T_A = 25°C.

1-59



DM54/DM74H60, H62 Expanders

Electrical Characteristics over recommended operating free-air temperature range (unless otherwise noted).

PARAMETER		DM54H/74H			UNITS	
		H61				
		CONDITIONS	MIN	TYP(1)		MAX
V_{IH}	High Level Input Voltage		2		V	
V_{IL}	Low Level Input Voltage			0.8	V	
$V_{X(ON)}$	On-State Expander Output Voltage	$V_{CC} = \text{Min}, V_{IH} = 2\text{V}, I_X = 4.5 \text{ mA for DM54H61}$ $5.35 \text{ mA for DM74H61}, T_A = \text{Min}$		1	V	
$I_{X(OFF)}$	Off-State Expander Current	$V_{CC} = \text{Min}, V_{IL} = 0.8\text{V}, V_X = 2.2\text{V}, T_A = \text{Max}$		50	μA	
I_I	Input Current at Maximum Input Voltage	$V_{CC} = 5.5\text{V}, V_I = 5.5\text{V}$		1	mA	
I_{IH}	High Level Input Current	$V_{CC} = 5.5\text{V}, V_I = 2.4\text{V}$		50	μA	
I_{IL}	Low Level Input Current	$V_{CC} = 5.5\text{V}, V_I = 0.4\text{V}$		-2	mA	
$I_{CC(ON)}$	Supply Current, Expander On	$V_{CC} = 5.5\text{V}, V_I = 4.5\text{V}$		11	16	mA
$I_{CC(OFF)}$	Supply Current, Expander Off	$V_{CC} = 5.5\text{V}, V_I = 0$		5	7	mA
C_X	Expander Output Capacitance	V_{CC} and Inputs Open, $f = 1 \text{ MHz}$		5.4		pF

Notes

- (1) All typical values are at $V_{CC} = 5\text{V}$ (except C_X), $T_A = 25^\circ\text{C}$.
- (2) The H52 is designed for use with up to six H61 expanders.

Electrical Characteristics over recommended operating free-air temperature range (unless otherwise noted).

PARAMETER		CONDITIONS	DM74S			UNITS
			S65			
			MIN	TYP(1)	MAX	
V_{IH}	High Level Input Voltage		2			V
V_{IL}	Low Level Input Voltage				0.8	V
V_I	Input Clamp Voltage	$V_{CC} = \text{Min}, I_I = -18 \text{ mA}$			-1.2	V
I_{OH}	High Level Output Current	$V_{CC} = \text{Min}, V_{IL} = 0.8\text{V}$ $V_{OH} = 5.5\text{V}$			250	μA
V_{OH}	High Level Output Voltage				5.5	V
I_{OL}	Low Level Output Current				20	mA
V_{OL}	Low Level Output Voltage	$V_{CC} = \text{Min}, V_{IH} = 2\text{V}, I_{OL} = 20 \text{ mA}$			0.5	V
I_I	Input Current at Maximum Input Voltage	$V_{CC} = \text{Max}, V_I = 5.5\text{V}$			1	mA
I_{IH}	High Level Input Current	$V_{CC} = \text{Max}, V_I = 2.7\text{V}$			50	μA
I_{IL}	Low Level Input Current	$V_{CC} = \text{Max}, V_I = 0.5\text{V}$			-2	mA
I_{CCH}	Supply Current, Output High	$V_{CC} = \text{Max}$		6	11	mA
I_{CCL}	Supply Current, Output Low	$V_{CC} = \text{Max}$		8.5	16	mA

Notes

(1) All typical values are at $V_{CC} = 5\text{V}, T_A = 25^\circ\text{C}$.

Switching Characteristics at $V_{CC} = 5\text{V}, T_A = 25^\circ\text{C}$

PARAMETER		CONDITIONS	DM74S			UNITS
			S65			
			MIN	TYP	MAX	
t_{PLH}	Propagation Delay Time, Low-To-High Level Output	$C_L = 15 \text{ pF}, R_L = 280\Omega$	2	5	7.5	ns
		$C_L = 50 \text{ pF}, R_L = 280\Omega$		8	12	ns
t_{PHL}	Propagation Delay Time, High-To-Low Level Output	$C_L = 15 \text{ pF}, R_L = 280\Omega$	2	5.5	8.5	ns
		$C_L = 50 \text{ pF}, R_L = 280\Omega$		6.5	10	ns

Electrical Characteristics over recommended operating free-air temperature range (unless otherwise noted).

PARAMETER		CONDITIONS	DM54/74												UNITS	
			70			72, 73, 76, 107			74			109				
			MIN	TYP(1)	MAX	MIN	TYP(1)	MAX	MIN	TYP(1)	MAX	MIN	TYP(1)	MAX		
V _{IH}	High Level Input Voltage		2			2			2			2			V	
V _{IL}	Low Level Input Voltage		0.8			0.8			0.8			0.8			V	
V _I	Input Clamp Voltage	V _{CC} = Min, I _I = -12 mA	-1.5			-1.5			-1.5			-1.5			V	
I _{OH}	High Level Output Current		-400			-400			-400			-1200			μA	
V _{OH}	High Level Output Voltage	V _{CC} = Min, V _{IH} = 2V V _{IL} = 0.8V, I _{OH} = Max	2.4	3.4		2.4	3.4		2.4	3.4		2.4			V	
I _{OL}	Low Level Output Current		16			16			16			16			mA	
V _{OL}	Low Level Output Voltage	V _{CC} = Min, V _{IH} = 2V V _{IL} = 0.8V, I _{OL} = 16 mA	0.2			0.2			0.2			0.2			V	
I _I	Input Current at Maximum Input Voltage	V _{CC} = Max, V _I = 5.5V	1			1			1			1			mA	
I _{IH}	High Level Input Current	V _{CC} = Max, V _I = 2.4V	D, J, K, or \bar{K}	40			40			40			40			μA
			Clear	80			80			120			160			
			Preset	80			80			40			80			
			Clock	40			80			80			80			
I _{IL}	Low Level Input Current	V _{CC} = Max, V _I = 0.4V	D, J, K, or \bar{K}	-1.6			-1.6			-1.6			-1.6			mA
			Clear	-3.2			-3.2			-3.2			-4.8			
			Preset	-3.2			-3.2			-1.6			-3.2			
			Clock	-1.6			-3.2			-3.2			-3.2			
I _{OS}	Short Circuit Output Current	V _{CC} = Max(2)	DM54	-20	-57	-20	-55	-20	-55	-30	-55	-85			mA	
			DM74	-18	-57	-18	-55	-18	-55	-30	-55	-85				
I _{CC}	Supply Current (Average per Flip-Flop)	V _{CC} = Max(3)	13			9			8.5			10			mA	

Notes

- (1) All typical values are at V_{CC} = 5V, T_A = 25°C.
- (2) Not more than one output should be shorted at a time.
- (3) With all outputs open, I_{CC} is measured with the Q and \bar{Q} outputs high in turn. At the time of measurement, the clock input is at 4.5V for the 70, and is grounded for all the others.

Switching Characteristics at $V_{CC} = 5V$, $T_A = 25^\circ C$

PARAMETER		FROM (INPUT)	TO (OUTPUT)	CONDITIONS	DM54/74												UNITS	
					70			72, 73, 76, 107			74			109				
					MIN	TYP	MAX	MIN	TYP	MAX	MIN	TYP	MAX	MIN	TYP	MAX		
f_{MAX}	Maximum Clock Frequency			$C_L = 15 \text{ pF}, R_L = 400\Omega$	20	35		15	20		20	25		30	40	MHz		
t_{PLH}	Propagation Delay Time, Low-to-High Level Output	Preset (as applicable)	Q				50		16	25			25		9	14	ns	
t_{PHL}	Propagation Delay Time, High-to-Low Level Output		\bar{Q}				50		25	40			40		18	29		
t_{PLH}	Propagation Delay Time, Low-to-High Level Output	Clear (as applicable)	\bar{Q}				50		16	25			25		9	14	ns	
t_{PHL}	Propagation Delay Time, High-to-Low Level Output		Q				50		25	40			40		17	25		
t_{PLH}	Propagation Delay Time, Low-to-High Level Output	Clock	\bar{Q} or $\bar{\bar{Q}}$				27	50		16	25		14	25		12	18	ns
t_{PHL}	Propagation Delay Time, High-to-Low Level Output		Q or \bar{Q}				18	50		25	40		20	40		19	28	
t_w	Pulse Width								20		20			30		20	ns	
								30		47		37		20				
								25		25		30		20				
t_{SETUP}	Input Setup Time(4)							20†		0†			20†		15†	ns		
t_{HOLD}	Input Hold Time(4)							5†		0†			5†		10†	ns		

Notes

(4) † ‡ The arrow indicates the edge of the clock pulse used for reference: † for the rising edge, ‡ for the falling edge.

Electrical Characteristics over recommended operating free-air temperature range (unless otherwise noted).

PARAMETER		CONDITIONS	DM54H/74H												UNITS
			H71			H72, H73, H76			H74			H78			
			MIN	TYP(1)	MAX	MIN	TYP(1)	MAX	MIN	TYP(1)	MAX	MIN	TYP(1)	MAX	
V_{IH}	High Level Input Voltage		2			2			2			2			V
V_{IL}	Low Level Input Voltage		0.8			0.8			0.8			0.8			V
V_I	Input Clamp Voltage	$V_{CC} = \text{Min}, I_I = -8 \text{ mA}$	-1.5			-1.5			-1.5			-1.5			V
I_{OH}	High Level Output Current		-500			-500			-1000			-500			μA
V_{OH}	High Level Output Voltage	$V_{CC} = \text{Min}, V_{IH} = 2\text{V}$ $V_{IL} = 0.8\text{V}, I_{OH} = \text{Max}$	2.4	3.4		2.4	3.4		2.4	3.4		2.4	3.4	V	
I_{OL}	Low Level Output Current		20			20			20			20			mA
V_{OL}	Low Level Output Voltage	$V_{CC} = \text{Min}, V_{IH} = 2\text{V}$ $V_{IL} = 0.8\text{V}, I_{OL} = 20 \text{ mA}$	0.2	0.4		0.2	0.4		0.2	0.4		0.2	0.4	V	
I_I	Input Current at Maximum Input Voltage	$V_{CC} = \text{Max}, V_I = 5.5\text{V}$	1			1			1			1			mA
I_{IH}	High Level Input Current	D, J, or K	50			50			50			50			μA
		Clear	N/A			100			150			200			
		Preset	150			100			100			100			
		Clock	100			50			100			100			
I_{IL}	Low Level Input Current	D, J, or K	-2			-2			-2			-2			mA
		Clear	N/A			-4			-4			-8			
		Preset	-6			-4			-2			-4			
		Clock	-4			-2			-4			-4			
I_{OS}	Short Circuit Output Current	$V_{CC} = \text{Max}(2)$	-40			-100			-40			-100			mA
I_{CC}	Supply Current (Average per Flip-Flop)	$V_{CC} = \text{Max}(3)$	DM54	19	30	16	25	15	21	16	25	mA			
			DM74	19	30	16	25	15	25	16	25				

Notes

- (1) All typical values are at $V_{CC} = 5\text{V}, T_A = 25^\circ\text{C}$.
- (2) Not more than one output should be shorted at a time, and duration of the short circuit should not exceed one second.
- (3) With all outputs open, I_{CC} is measured with the Q and \bar{Q} outputs high in turn. At the time of measurement, the clock input is grounded.

Switching Characteristics at $V_{CC} = 5V$, $T_A = 25^\circ C$



DM54/DM74H71,H72,H73,H74,H76,H78 Flip-Flops

PARAMETER		FROM (INPUT)	TO (OUTPUT)	CONDITIONS	DM54H/74H						UNITS
					H71, H72 H73, H76, H78			H74			
					MIN	TYP	MAX	MIN	TYP	MAX	
f_{MAX}	Maximum Clock Frequency.				25	30		35	43		MHz
t_{PLH}	Propagation Delay Time, Low-to-High Level Output	Preset (as applicable)	Q	$C_L = 25 \text{ pF}, R_L = 280\Omega$		6	13		20		ns
t_{PHL}	Propagation Delay Time, High-to-Low Level Output		\bar{Q}			12	24		30		
t_{PLH}	Propagation Delay Time, Low-to-High Level Output	Clear (as applicable)	\bar{Q}			6	13		20		ns
t_{PHL}	Propagation Delay Time, High-to-Low Level Output		Q			12	24		30		
t_{PLH}	Propagation Delay Time, Low-to-High Level Output	Clock	Q or \bar{Q}			14	21		8.5	15	ns
t_{PHL}	Propagation Delay Time, High-to-Low Level Output						22	27		13	
t_w	Pulse Width		Clock High			12			15		ns
			Clock Low		28			13.5			
			Clear or Preset Low		16			25			
t_{SETUP}	Setup Time(4)		High Level Data		0↑			10↑		ns	
			Low Level Data		0↑			15↑			
t_{HOLD}	Hold Time(4)				0↓			5↑		ns	

Notes

(4) ↓ ↑ The arrow indicates the edge of the clock pulse used for reference; ↑ for the rising edge, ↓ for the falling edge.

Electrical Characteristics over recommended operating free-air temperature range (unless otherwise noted).

PARAMETER		CONDITIONS		DM54L/74L												UNITS			
				L71, L72			L73			L74			L78						
				MIN	TYP(1)	MAX	MIN	TYP(1)	MAX	MIN	TYP(1)	MAX	MIN	TYP(1)	MAX				
V_{IH}	High Level Input Voltage					2			2			2			2			V	
V_{IL}	Low Level Input Voltage	Clock Input						0.6			0.6			0.7			0.6	V	
		All Other Inputs						0.7			0.7			0.7			0.7	V	
I_{OH}	High Level Output Current							-200			-200			-200			-200	μ A	
V_{OH}	High Level Output Voltage	$V_{CC} = \text{Min}, V_{IH} = 2\text{V}$ $V_{IL} = \text{Max}, I_{OH} = \text{Max}$	DM54L	2.4	3.3		2.4	3.3		2.4	3.3		2.4	3.3		2.4	3.3	V	
			DM74L	2.4	3.2		2.4	3.2		2.4	3.2		2.4	3.2		2.4	3.2		V
I_{OL}	Low Level Output Current		DM54		2			2			2			2			2	mA	
			DM74		3.6			3.6			3.6			3.6			3.6		mA
V_{OL}	Low Level Output Voltage	$V_{CC} = \text{Min}, V_{IH} = 2\text{V}$ $V_{IL} = \text{Max}, I_{OL} = \text{Max}$	DM54L		0.15	0.3		0.15	0.3		0.15	0.3		0.15	0.3		0.15	0.3	V
			DM74L		0.2	0.4		0.2	0.4		0.2	0.4		0.2	0.4		0.2	0.4	
I_I	Input Current at Maximum Input Voltage	R, S, J, K, or D	$V_{CC} = \text{Max}, V_I = 5.5\text{V}$					100			100			100			100	μ A	
		Clear					200			200			300			400			
		Preset					200			200			200			200			
		Clock					200			200			200			400			
I_{IH}	High Level Input Current	R, S, J, K, or D	$V_{CC} = \text{Max}, V_I = 2.4\text{V}$					10			10			10			10	μ A	
		Clear					20			20			30			40			
		Preset					20			20			20			20			
		Clock					-200			-200			20			-400			
I_{IL}	Low Level Input Current	R, S, J, K, or D	$V_{CC} = \text{Max}, V_I = 0.3\text{V}$					-0.18			-0.18			-0.18			-0.18	mA	
		Clear					-0.36			-0.36			-0.36			-0.72			
		Preset					-0.36			-0.36			-0.18			-0.36			
		Clock					-0.36			-0.36			-0.36			-0.72			
I_{OS}	Short Circuit Output Current	$V_{CC} = \text{Max}$		-3	-9	-15		-3	-9	-15		-3	-9	-15		-3	-9	-15	mA
I_{CC}	Supply Current	$V_{CC} = \text{Max}(2)$			0.76	1.44			1.52	2.88			1.6	3.0		1.52	2.88	mA	

Notes

- (1) All typical values are at $V_{CC} = 5\text{V}, T_A = 25^\circ\text{C}$.
- (2) With all outputs open, I_{CC} is measured with the Q and \bar{Q} outputs high in turn. At the time of measurement, the clock input is grounded.

Switching Characteristics at $V_{CC} = 5V$, $T_A = 25^\circ C$



DM54/DM74L71, L72, L73, L74, L78 Flip-Flops

PARAMETER		FROM (INPUT)	TO (OUTPUT)	CONDITIONS	DM54L/74L						UNITS	
					L71, L72, L73, L78			L74				
					MIN	TYP	MAX	MIN	TYP	MAX		
f_{MAX}	Maximum Clock Frequency			$C_L = 50 \text{ pF}$, $R_L = 4 \text{ k}\Omega$	6	11		6	11		MHz	
t_{PLH}	Propagation Delay Time, Low-to-High Level Output	Preset or Clear	Q or \bar{Q}			35	75		40	60		ns
t_{PHL}	Propagation Delay Time, High-to-Low Level Output	Preset or Clear	(Clock High)		\bar{Q} or Q		60	150		60	120	ns
			(Clock Low)					150		60	120	
t_{PLH}	Propagation Delay Time, Low-to-High Level Output	Clock	Q or \bar{Q}			10	35	75	10	50	90	ns
t_{PHL}	Propagation Delay Time, High-to-Low Level Output					10	60	150	10	60	120	
t_W	Pulse Width	Clock High				100			75			ns
		Clock Low				100			75			
		Clear or Preset Low			100			75				
t_{SETUP}	Setup Time(3)				0↑			50↑			ns	
t_{HOLD}	Hold Time(3)				0↓			15↑			ns	

Notes

(3) ↑↓ The arrow indicates the edge of the clock pulse used for reference: ↑ for the rising edge ↓ for the falling edge.

Electrical Characteristics over recommended operating free-air temperature range (unless otherwise noted).

PARAMETER		CONDITIONS		DM54LS/74LS												UNITS		
				LS73, LS76, LS107 LS112, LS113			LS74			LS78, LS114			LS109					
				MIN	TYP(1)	MAX	MIN	TYP(1)	MAX	MIN	TYP(1)	MAX	MIN	TYP(1)	MAX			
V_{IH}	High Level Input Voltage			2			2			2			2			V		
V_{IL}	Low Level Input Voltage			DM54			0.7			0.7			0.7			V		
		DM74		0.8			0.8			0.8			0.8			V		
V_I	Input Clamp Voltage	$V_{CC} = \text{Min}, I_I = -18 \text{ mA}$		-1.5			-1.5			-1.5			-1.5			V		
I_{OH}	High Level Output Current			-400			-400			-400			-400			μA		
V_{OH}	High Level Output Voltage	$V_{CC} = \text{Min}, V_{IH} = 2\text{V}$ $V_{IL} = \text{Max}, I_{OH} = -400\mu\text{A}$		DM54			2.5 3.4			2.5 3.4			2.5 3.4			V		
		DM74		2.7 3.4			2.7 3.4			2.7 3.4			2.7 3.4			V		
I_{OL}	Low Level Output Current			DM54			4			4			4			mA		
		DM74		8			8			8			8			mA		
V_{OL}	Low Level Output Voltage	$V_{CC} = \text{Min}$ $V_{IH} = 2\text{V}$ $V_{IL} = \text{Max}$		$I_{OL} = \text{Max}$		DM54			0.25 0.4			0.25 0.4			0.25 0.4			V
				$I_{OL} = 4 \text{ mA}$		DM74			0.35 0.5			0.35 0.5			0.35 0.5			V
				DM74			0.4			0.4			0.4			V		
I_I	Input Current at Maximum Input Voltage	D, J, K, or \bar{K}	Clear	$V_{CC} = \text{Max}$	$V_I = 5.5\text{V}$				0.1						0.1			
					$V_I = 7\text{V}$	0.1			0.1									
					$V_I = 5.5\text{V}$				0.3						0.4			
					$V_I = 7\text{V}$	0.3			0.6									
					$V_I = 5.5\text{V}$				0.2						0.2			
					$V_I = 7\text{V}$	0.3			0.3									
					$V_I = 5.5\text{V}$				0.2						0.2			
					$V_I = 7\text{V}$	0.4			0.8									
I_{IH}	High Level Input Current	D, J, K or \bar{K}	Clear	$V_{CC} = \text{Max}, V_I = 2.7\text{V}$	20			20			20			20				
					60			60			120			80				
					60			40			60			40				
					80			40			160			40				
I_{IL}	Low Level Input Current	D, J, K or \bar{K}	Clear	$V_{CC} = \text{Max}, V_I = 0.4\text{V}$	-0.36			-0.4			-0.36			-0.4				
					-0.8			-1.2			-1.6			-1.6				
					-0.8			-0.8			-0.8			-0.8				
					-0.72			-0.8			-1.44			-0.8				
I_{OS}	Short Circuit Output Current	$V_{CC} = \text{Max}(2)$		-30			-130			-30			-130			mA		
I_{CC}	Supply Current	$V_{CC} = \text{Max}(3)$		4			8			4			8			mA		

Notes

- (1) All typical values are at $V_{CC} = 5\text{V}, T_A = 25^\circ\text{C}$.
- (2) Not more than one output should be shorted at a time, and the duration of the short circuit should not exceed one second.
- (3) With all outputs open, I_{CC} is measured with the Q and \bar{Q} outputs high in turn. At the time of measurement, the clock input is grounded.
- (4) National Semiconductor temporarily reserves the right to ship DM54/DM74LS73, LS74, LS76, LS78, LS107, LS109, LS112, LS113, LS114 devices which have a minimum $I_{OS} = 5.0 \text{ mA}$.

Switching Characteristics at $V_{CC} = 5V$, $T_A = 25^\circ C$



SSI

DM54LS/DM74LS73, 74, 76, 78, 107, 109, 112, 113, 114 Dual Flip-Flops

PARAMETER		FROM (INPUT)	TO (OUTPUT)	CONDITIONS	DM54LS/74LS						UNITS			
					LS73, LS76, LS78, LS107 LS112, LS113, LS114			LS74		LS109				
					MIN	TYP	MAX	MIN	TYP	MAX		MIN	TYP	MAX
f_{MAX}	Maximum Clock Frequency				30	45		25	33		25	33		MHz
t_{PLH}	Propagation Delay Time, Low-to-High Level Output	Clear, Preset, or Clock (as appropriate)	Q or \bar{Q}	$C_L = 15 \text{ pF}$, $R_L = 2 \text{ k}\Omega$		11	20		13	25		13	25	ns
t_{PHL}	Propagation Delay Time, High-to-Low Level Output					15	30		25	40		25	40	ns
t_W	Pulse Width							20		25		25		ns
					Clock High			25		25		25		
t_{SETUP}	Setup Time(5)							20↓		25↑		20↑		ns
					High Level Data			20↓		20↑		20↑		
t_{HOLD}	Hold Time(5)				0↓			5↑		5↑		5↑		ns

Notes

(5) ↑↓ The arrow indicates the edge of the clock pulse used for reference: ↑ for the rising edge, ↓ for the falling edge.

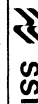
Electrical Characteristics over recommended operating free-air temperature range (unless otherwise noted).

PARAMETER		CONDITIONS	DM74S												UNITS		
			S74			S112			S113			S114					
			MIN	TYP(1)	MAX	MIN	TYP(1)	MAX	MIN	TYP(1)	MAX	MIN	TYP(1)	MAX			
V _{IH}	High Level Input Voltage		2			2			2			2			V		
V _{IL}	Low Level Input Voltage			0.8			0.8			0.8			0.8		V		
V _I	Input Clamp Voltage	V _{CC} = Min, I _I = -18 mA			-1.2			-1.2			-1.2			-1.2	V		
I _{OH}	High Level Output Current				-1			-1			-1			-1	mA		
V _{OH}	High Level Output Voltage	V _{CC} = Min, V _{IH} = 2V V _{IL} = 0.8V, I _{OH} = -1 mA	2.7	3.4		2.7	3.4		2.7	3.4		2.7	3.4		V		
I _{OL}	Low Level Output Current				20			20			20			20	mA		
V _{OL}	Low Level Output Voltage	V _{CC} = Min, V _{IH} = 2V V _{IL} = 0.8V, I _{OL} = 20 mA			0.5			0.5			0.5			0.5	V		
I _I	Input Current at Maximum Input Voltage	V _{CC} = Max, V _I = 5.5V			1			1			1			1	mA		
I _{IH}	High Level Input Current	J, K, or D			50			50			50			50	μA		
		Clear			150			100			N/A			200			
		Preset			100			100			100			100			
		Clock			100			100			100			200			
I _{IL}	Low Level Input Current	J, K, or D			-2			-1.6			-1.6			-1.6	mA		
		Clear			-6			-7			N/A			-14			
		Preset			-4			-7			-7			-7			
		Clock			-4			-4			-4			-8			
I _{OS}	Short Circuit Output Current	V _{CC} = Max(2)	-40		-100			-40			-100			-40	-100	mA	
I _{CC}	Supply Current	V _{CC} = Max(3)		30	50			30	50			30	50		30	50	mA

Notes

- (1) All typical values are at V_{CC} = 5V, T_A = 25°C.
- (2) Not more than one output should be shorted at a time, and duration of short circuit should not exceed one second.
- (3) With all outputs open, I_{CC} is measured with the Q and \bar{Q} outputs high in turn. At the time of measurement, the clock input is grounded.

Switching Characteristics at $V_{CC} = 5V$, $T_A = 25^\circ C$



DM74S74, S112, S113, S114 Dual Flip-Flops

PARAMETER		FROM (INPUT)		TO (OUTPUT)		DM74S			UNITS			
						S74				S112, S113, S114		
						MIN	TYP	MAX		MIN	TYP	MAX
f_{MAX}	Maximum Clock Frequency					75	110		80	125		MHz
t_{PLH}	Propagation Delay Time, Low-to-High Level Output	Preset or Clear		Q or \bar{Q}			4	6	2	4	7	ns
t_{PHL}	Propagation Delay Time, High-to-Low Level Output	Preset or Clear	(Clock High)	\bar{Q} or Q			9	13.5	2	5	7	ns
			(Clock Low)				5	8	2	5	7	
t_{PLH}	Propagation Delay Time, Low-to-High Level Output	Clock		Q or \bar{Q}			6	9	2	4	7	ns
t_{PHL}	Propagation Delay Time, High-to-Low Level Output						6	9	2	5	7	
t_W	Pulse Width	Clock High						6		6		ns
		Clock Low				7.3		6.5				
		Clear or Preset Low				7		8				
t_{SETUP}	Input Setup Time(4)	High Level Data				3↑		3↓				ns
		Low Level Data				3↑		3↓				
t_{HOLD}	Input Hold Time(4)					2↑		0↓				ns

$C_L = 15 \text{ pF}$, $R_L = 280\Omega$

Notes

(4) ↑↓ The arrow indicates the edge of the clock pulse used for reference: ↑ for the rising edge, ↓ for the falling edge.

Electrical Characteristics over recommended operating free-air temperature range (unless otherwise noted).

PARAMETER		CONDITIONS		DM54/74			DM54L/74L			DM54LS/74LS			DM74S			UNITS	
				86			L86			LS86, LS386			S86				
				MIN	TYP(1)	MAX	MIN	TYP(1)	MAX	MIN	TYP(1)	MAX	MIN	TYP(1)	MAX		
V _{IH}	High Level Input Voltage			2			2			2			2			V	
V _{IL}	Low Level Input Voltage	DM54		0.8			0.7			0.7			N/A			V	
		DM74		0.8			0.7			0.8			0.8				
V _I	Input Clamp Voltage	V _{CC} = Min	I _I = -8 mA	-1.5			N/A									V	
			I _I = -18 mA				N/A			-1.5			-1.2				
I _{OH}	High Level Output Current			-800			-200			-400			1000			μA	
V _{OH}	High Level Output Voltage	V _{CC} = Min, V _{IH} = 2V		DM54	2.4	3.4	2.4	3.3	2.5	3.4	N/A			V			
		V _{IL} = Max, I _{OH} = Max		DM74	2.4	3.4	2.4	3.2	2.7	3.4	2.7	3.4					
I _{OL}	Low Level Output Current			DM54	16			2			4			N/A			mA
				DM74	16			3.6			8			20			
V _{OL}	Low Level Output Voltage	V _{CC} = Min V _{IH} = 2V V _{IL} = Max	I _{OL} = Max	DM54	0.2	0.4	0.15	0.3	0.25	0.4	N/A			V			
				DM74	0.2	0.4	0.2	0.4	0.35	0.5	0.5						
			I _{OL} = 4 mA	DM74							0.4						
I _I	Input Current at Maximum Input Voltage	V _{CC} = Max	V _I = 5.5V		1			0.2			1			mA			
			V _I = 7V								0.2						
I _{IH}	High Level Input Current	V _{CC} = Max	V _I = 2.4V		40			20						μA			
			V _I = 2.7V								40				50		
I _{IL}	Low Level Input Current	V _{CC} = Max	V _I = 0.3V					-0.36						mA			
			V _I = 0.4V		-1.6						-0.6						
			V _I = 0.5V								-2						
I _{OS}	Short Circuit Output Current	V _{CC} = Max(2)		DM54	-20	-55	-3	-15	-30	-130	N/A			mA			
				DM74	-18	-55	-3	-15	-30	-130	-40	-100					
I _{CCH}	Supply Current, All Outputs High	V _{CC} = Max(3)		DM54	30	43	2.2	4.4	6.1	10	N/A			mA			
				DM74	30	50	2.2	4.4	6.1	10	50	75					
I _{CCL}	Supply Current, All Outputs Low	V _{CC} = Max(4)		36			57	3.8	6.68				mA				

Notes

- (1) All typical values are at V_{CC} = 5V, T_A = 25°C.
- (2) Not more than one output should be shorted at a time, and for DM54LS/DM74LS and DM74S, duration of short circuit should not exceed one second.
- (3) I_{CCH} is measured with all outputs open, one input of each gate at 4.5V, and the other inputs grounded.
- (4) I_{CCL} is measured with all outputs open and all inputs at 4.5V.

Switching Characteristics at $V_{CC} = 5V$, $T_A = 25^\circ C$

DEVICE	CONDITIONS (FROM INPUT A OR B)		t _{PLH} (ns)		t _{PHL} (ns)	
			Propagation Delay Time, Low-to-High Level Output		Propagation Delay Time, High-to-Low Level Output	
			TYP	MAX	TYP	MAX
86	C _L = 15 pF R _L = 400Ω	Other Input Low	15	23	11	17
		Other Input High	18	30	13	22
L86	C _L = 50 pF R _L = 4kΩ	Other Input Low	37	60	21	60
		Other Input High	25	60	35	60
LS86	C _L = 15 pF R _L = 2kΩ	Other Input Low	12	23	10	17
		Other Input High	18	30	13	22
LS386	C _L = 15 pF R _L = 2kΩ	Other Input Low	12	23	10	17
		Other Input High	18	30	13	22
S86	C _L = 15 pF R _L = 280Ω	Other Input Low	7	10.5	6.5	10
		Other Input High	7	10.5	6.5	10

Electrical Characteristics over recommended operating free-air temperature range (unless otherwise noted).

PARAMETER		CONDITIONS	DM54H/74H									UNITS
			H103			H106			H108			
			MIN	TYP(1)	MAX	MIN	TYP(1)	MAX	MIN	TYP(1)	MAX	
V_{IH}	High Level Input Voltage		2			2			2			V
V_{IL}	Low Level Input Voltage				0.8			0.8			0.8	V
V_I	Input Clamp Voltage	$V_{CC} = \text{Min}, I_I = -8 \text{ mA}$			-1.5			-1.5			-1.5	V
I_{OH}	High Level Output Current				-500			-500			-500	μA
V_{OH}	High Level Output Voltage	$V_{CC} = \text{Min}, V_{IH} = 2\text{V}$ $V_{IL} = 0.8\text{V}, I_{OH} = -500\mu\text{A}$	2.4	3.4		2.4	3.4		2.4	3.4		V
I_{OL}	Low Level Output Current				20			20			20	mA
V_{OL}	Low Level Output Voltage	$V_{CC} = \text{Min}, V_{IH} = 2\text{V}$ $V_{IL} = 0.8\text{V}, I_{OL} = 20 \text{ mA}$		0.2	0.4		0.2	0.4		0.2	0.4	V
I_I	Input Current at Maximum Input Voltage	$V_{CC} = \text{Max}, V_I = 5.5\text{V}$			1			1			-1	mA
I_{IH}	High Level Input Current	Any J or K			50			50			50	μA
		Clear			100			100			200	
		Preset			N/A			100			100	
		Clock		0	-1	0	-1	0	-1		-1	
I_{IL}	Low Level Input Current	Any J or K		-1	-2		-1	-2		-1	-2	mA
		Clear		-1	-2		-1	-2		-2	-4	
		Preset			N/A		-1	-2		-1	-2	
		Clock		-3	-4.8		-3	-4.8		-6	-9.6	
I_{OS}	Short Circuit Output Current	$V_{CC} = \text{Max}(2)$	-40		-100	-40		-100	-40		-100	mA
I_{CC}	Supply Current	$V_{CC} = \text{Max}, (3)$		40	76		40	76		40	76	mA

Notes

- (1) All typical values are at $V_{CC} = 5\text{V}, T_A = 25^\circ\text{C}$.
- (2) Not more than one output should be shorted at a time, and duration of short circuit should not exceed one second.
- (3) With all outputs open, I_{CC} is measured with the Q and \bar{Q} outputs high in turn. At the time of measurement, the clock input is grounded.



Switching Characteristics at $V_{CC} = 5V$, $T_A = 25^\circ C$

PARAMETER		FROM (INPUT)		TO (OUTPUT)	CONDITIONS	MIN	TYP	MAX	UNITS
f_{MAX}	Maximum Clock Frequency				$C_L = 25 \text{ pF}, R_L = 280\Omega$	40	50		MHz
t_{PLH}	Propagation Delay Time, Low-to-High Level Output	Preset or Clear		Q or \bar{Q}			8	12	ns
t_{PHL}	Propagation Delay Time, High-to-Low Level Output	Preset or Clear	Clock High	\bar{Q} or Q			15	20	ns
			Clock Low				23	35	
t_{PLH}	Propagation Delay Time, Low-to-High Level Output	Clock		Q or \bar{Q}			10	15	ns
t_{PHL}	Propagation Delay Time, High-to-Low Level Output						16	20	
t_W	Pulse Width	Clock High					10		ns
		Clock Low					15		
		Clear or Preset Low				16			
t_{SETUP}	Setup Time(4)	High Level Data				10↓		ns	
		Low Level Data				13↓			
t_{HOLD}	Hold Time(4)						0↓		ns

Notes

(4) ↓ The arrow indicates that the falling edge of the clock pulse is used for reference.

Electrical Characteristics over recommended operating free-air temperature range (unless otherwise noted).

PARAMETER		CONDITIONS		DM54/74			DM54LS/74LS			UNITS
				121			LS221			
				MIN	TYP(1)	MAX	MIN	TYP(1)	MAX	
V_{T+}	Positive-Going Threshold Voltage at A Input	$V_{CC} = \text{Min}$		1.4		2	1.0		2	V
V_{T-}	Negative-Going Threshold Voltage at A Input	$V_{CC} = \text{Min}$		DM54	0.8	1.4	0.7	1.0	V	
				DM74	0.8	1.4	0.8	1.0		
V_{T+}	Positive-Going Threshold Voltage at B Input	$V_{CC} = \text{Min}$		1.55		2	1.0		2	V
V_{T-}	Negative-Going Threshold Voltage at B Input	$V_{CC} = \text{Min}$		DM54	0.8	1.35	0.7	0.9	V	
				DM74	0.8	1.35	0.8	0.9		
V_I	Input Clamp Voltage	$V_{CC} = \text{Min}$		$I_I = -12 \text{ mA}$		-1.5		V		
				$I_I = -18 \text{ mA}$		-1.5				
I_{OH}	High Level Output Current			-400		-400		μA		
V_{OH}	High Level Output Voltage	$V_{CC} = \text{Min}$ $I_{OH} = -400\mu\text{A}$		DM54	2.4	3.4	2.5	3.5	V	
				DM74	2.4	3.4	2.7	3.5		
I_{OL}	Low Level Output Current			DM54	16		4		mA	
				DM74	16		8			
V_{OL}	Low Level Output Voltage	$V_{CC} = \text{Min}$		$I_{OL} = 4 \text{ mA}$		0.25		0.4	V	
				$I_{OL} = 8 \text{ mA}$		0.35		0.5		
				$I_{OL} = 16 \text{ mA}$		0.2		0.4		
I_I	Input Current at Maximum Input Voltage	$V_{CC} = \text{Max}$		$V_I = 5.5\text{V}$		1		mA		
				$V_I = 7\text{V}$		0.1				
I_{IH}	High Level Input Current	$V_{CC} = \text{Max}$		$V_I = 2.4\text{V}$	A1 or A2	40		μA		
					B	80				
				$V_I = 2.7\text{V}$	A11	20				
I_{IL}	Low Level Input Current	$V_{CC} = \text{Max}, V_I = 0.4\text{V}$		A1 or A2		-1.6		-0.36	mA	
				B		-3.2		-0.44		
				Clear		N/A		-0.54		
I_{OS}	Short Circuit Output Current	$V_{CC} = \text{Max}(2)$		DM54	-20	-55	-30	-150	mA	
				DM74	-18	-55	-30	-150		
I_{CC}	Supply Current	$V_{CC} = \text{Max}$		Quiescent		13	25	4.7	11	mA
				Triggered		23	40	19	27	

Notes

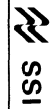
- (1) All typical values are at $V_{CC} = 5\text{V}$, $T_A = 25^\circ\text{C}$.
- (2) Not more than one output should be shorted at a time, and for DM54LS221/DM74LS221, duration of short circuit should not exceed one second.

LS221 To Be Announced In 1976

Switching Characteristics at $V_{CC} = 5V$, $T_A = 25^\circ C$

PARAMETER		FROM (INPUT)	TO (OUTPUT)	DM54/74			DM54LS/74LS			UNITS									
				121			LS221												
				CONDITIONS	MIN	TYP	MAX	CONDITIONS	MIN		TYP	MAX							
t_{PLH}	Propagation Delay Time, Low-to-High Level Output	A1 or A2	Q	$C_L = 15 \text{ pF}$ $R_L = 400\Omega$	$C_T = 80 \text{ pF}$ $R_{INT} \text{ to } V_{CC}$	45	70	$C_L = 15 \text{ pF}$ $R_L = 2 \text{ k}\Omega$	$C_T = 80 \text{ pF}$ $R_T = 2 \text{ k}\Omega$	45	70	ns							
t_{PLH}	Propagation Delay Time, Low-to-High Level Output	B	Q			35	55			35	55	ns							
t_{PLH}	Propagation Delay Time, Low-to-High Level Output	Clear	\bar{Q}				N/A				65	ns							
t_{PHL}	Propagation Delay Time, High-to-Low Level Output	A1 or A2	\bar{Q}			50	80			50	80	ns							
t_{PHL}	Propagation Delay Time, High-to-Low Level Output	B	\bar{Q}			40	65			40	65	ns							
t_{PHL}	Propagation Delay Time, High-to-Low Level Output	Clear	Q				N/A				55	ns							
$t_{W(OUT)}$	Output Pulse Width	A1, A2 or B	Q or \bar{Q}	$C_L = 15 \text{ pF}$ $R_L = 400\Omega$	$C_T = 80 \text{ pF}$ $R_{INT} \text{ to } V_{CC}$	70	110	150	$C_L = 15 \text{ pF}$ $R_L = 2 \text{ k}\Omega$	$C_{EXT} = 80 \text{ pF}$ $R_{EXT} = 2 \text{ k}\Omega$	70	120	150	ms					
						Zero-Timing Capacitance	$C_T = 0$	30			50	$C_{EXT} = 0$ $R_{EXT} = 2 \text{ k}\Omega$	20		47	70			
							External Timing Resistor	$C_T = 100 \text{ pF}$ $R_T = 10 \text{ k}\Omega$			600		700		800	$C_T = 100 \text{ pF}$ $R_T = 10 \text{ k}\Omega$	600	670	750
								$C_T = 1\mu\text{F}$ $R_T = 10 \text{ k}\Omega$			6		7		8		$C_T = 1\mu\text{F}$ $R_T = 10 \text{ k}\Omega$	6	6.7
$t_{W(IN)}$	Input Pulse Width					50				40		ns							
$t_{W(CLEAR)}$	Clear Pulse Width					N/A					40		ns						
dv/dt	Rate of Rise or Fall of Input Pulse	Schmitt Input, B	Logic Input, A			1					1		V/s						
						1					1	V/ μs							
R_{EXT}	External Timing Resistance					DM54	1.4	30			DM54	1.4	70	k Ω					
						DM74	1.4	40			DM74	1.4	100						
C_{EXT}	External Timing Capacitance					0	1000				0	1000	μF						
t_{SETUP}	Clear-Inactive State Setup Time						N/A				15		ns						
	Duty Cycle					$R_T = 2 \text{ k}\Omega$		67			$R_T = 2 \text{ k}\Omega$		67	%					
						$R_T = \text{Max}$		90			$R_T = \text{Max } R_T$		90						

1-77



DM54/DM74/121/LS221 One Shots

Electrical Characteristics over recommended operating free-air temperature range (unless otherwise noted).

PARAMETER		CONDITIONS		DM54/74			DM54L/74L			DM54LS/74LS			UNITS			
				123			L123A			LS122, LS123						
				MIN	TYP(1)	MAX	MIN	TYP(1)	MAX	MIN	TYP(1)	MAX				
V_{IH}	High Level Input Voltage			2			2			2			V			
V_{IL}	Low Level Input Voltage			DM54			0.8			0.7			V			
				DM74			0.8			0.8						
V_I	Input Clamp Voltage	V _{CC} = Min	I _I = -12 mA	-1.5			-N/A						V			
			I _I = -18 mA							-1.5						
I_{OH}	High Level Output Current			-800			-200			-400			μA			
V_{OH}	High Level Output Voltage	V _{CC} = Min, I _{OH} = Max(3)		DM54			2.4 3.4			2.5 3.5			V			
				DM74			2.4 3.4			2.7 3.5						
I_{OL}	Low Level Output Current			DM54			16			2.0			mA			
				DM74			16			3.6						
V_{OL}	Low Level Output Voltage	V _{CC} = Min (3)	I _{OL} = Max	DM54			0.2 0.4			0.22 0.3			0.25 0.4		V	
				DM74			0.2 0.4			0.4			0.35 0.5			
			I _{OL} = 4 mA	DM74									0.25 0.4			
I_I	Input Current at Maximum Input Voltage	V _{CC} = Max	V _I = 5.5V		1			0.1					mA			
			V _I = 7V								0.1					
I_{IH}	High Level Input Current	Data Inputs	V _{CC} = Max	V _I = 2.4V			40			10					μA	
				V _I = 2.7V									20			
				Clear Input	V _I = 2.4V			80			10					
					V _I = 2.7V									20		
I_{IL}	Low Level Input Current	Data Inputs	V _{CC} = Max, V _I = 0.4V		-1.6			-0.18			-0.4		mA			
		Clear Input			-1.6			-0.18			-0.4					
I_{OS}	Short Circuit Output Current	V _{CC} = Max(2)(3)		-10	-40	-2.5	-12	-30	-150			mA				
I_{CC}	Supply Current (Quiescent or Triggered)	V _{CC} = Max(4)(5)(6)		LS122						6 11		mA				
				Others			46 66			5 7.5			12 20			

1-78



DM54/DM74LS122,123,123A Dual One Shots

Switching Characteristics at $V_{CC} = 5V$, $T_A = 25^\circ C$

PARAMETER		FROM (INPUT)	TO (OUTPUT)	DM54/74			DM54L/74L			DM54LS/74LS			UNITS						
				123			L123A			LS122, LS123									
				CONDITIONS	MIN	TYP	MAX	CONDITIONS	MIN	TYP	MAX	CONDITIONS		MIN	TYP	MAX			
t _{PLH}	Propagation Delay Time, Low-to-High Level Output	A	Q	C _{EXT} = 0 R _{EXT} = 5 kΩ C _L = 15 pF R _L = 400Ω	C _{EXT} = 0 R _{EXT} = 32 kΩ C _L = 50 pF R _L = 4 kΩ	C _{EXT} = 0 R _{EXT} = 5 kΩ C _L = 15 pF R _L = 2 kΩ	22	33	120	175	22	33	ns						
		B					19	28	86	135	29	44							
t _{PHL}	Propagation Delay Time, High-to-Low Level Output	A	Q̄				30	40	120	180	30	45	ns						
		B					27	36	86	135	37	56							
t _{PHL}	Propagation Delay Time, High-to-Low Level Output	Clear	Q				18	27	45	65	18	27	ns						
t _{PLH}	Propagation Delay Time, Low-to-High Level Output		Q̄				30	40	95	140	30	45							
t _{WQ(MIN)}	Minimum Width of Pulse at Output Q	A or B	Q				45	65	220	330	116	200	ns						
t _{WQ}	Width of Pulse at Output Q	A or B	Q				C _{EXT} = 1000 pF R _{EXT} = 10 kΩ C _L = 15 pF R _L = 400Ω	2.76	3.03	3.37	C _{EXT} = 1000 pF R _{EXT} = 100 kΩ C _L = 50 pF R _L = 4 kΩ	30.6	34.0	37.4	C _{EXT} = 1000 pF R _{EXT} = 10 kΩ C _L = 15 pF R _L = 2 kΩ	4	4.5	5	ns
t _w	Pulse Width	A or B Inputs High					40	130	40	130	40	130	40	225	360	kΩ			
		A or B Inputs Low					40		40										
		Clear Low		40	40														
R _{EXT}	External Timing Resistance	DM54		5	25	5	200	5	200	5	225	kΩ							
		DM74		5	50	5	400	5	360										
C _{EXT}	External Capacitance			No Restriction			No Restriction			No Restriction									
C _{WIRE}	Wiring Capacitance at R _{EXT} /C _{EXT} Terminal	DM54		50			40			50			pF						
		DM74		50			50			50									

Notes

- (1) All typical values are at $V_{CC} = 5V$, $T_A = 25^\circ C$.
- (2) Not more than one output should be shorted at a time, and for DM54LS/74LS duration of short circuit should not exceed one second.
- (3) Ground C_{EXT} to measure V_{OH} at Q, V_{OL} at Q̄, or I_{OS} at Q. C_{EXT} is open to measure V_{OH} at Q̄, V_{OL} at Q, or I_{OS} at Q̄.
- (4) Quiescent I_{CC} is measured (after clearing) with 2.4V applied to all clear and A inputs, B inputs grounded, all outputs open, C_{EXT} = 0.02μF, and R_{EXT} = 25 kΩ.
- (5) I_{CC} is measured in the triggered state with 2.4V applied to all clear and B inputs. A inputs grounded, all outputs open, C_{EXT} = 0.02μF, and R_{EXT} = 25 kΩ.
- (6) With all outputs open and 4.5V applied to all data and clear inputs, I_{CC} is measured after a momentary ground, then 4.5V, is applied to clock. (LS122, LS123)

LS122, LS123 To Be Announced In 1976

Electrical Characteristics over recommended operating free-air temperature range (unless otherwise noted).

PARAMETER		CONDITIONS		DM54/74			DM54LS/74LS			DM74S			UNITS
				125, 126			LS125, LS126			S134			
				MIN	TYP(1)	MAX	MIN	TYP(1)	MAX	MIN	TYP(1)	MAX	
V_{IH}	High Level Input Voltage			2			2			2			V
V_{IL}	Low Level Input Voltage			DM54	0.8		0.7			N/A			V
				DM74	0.8		0.8			0.8			
V_I	Input Clamp Voltage ³	V _{CC} = Min	I _I = -12 mA				-1.5						V
			I _I = -18 mA				-1.5			-1.2			
I_{OH}	High Level Output Current			DM54	-2.0		-1.0			N/A			mA
				DM74	-5.2		-2.6			-6.5			
V_{OH}	High Level Output Voltage	V _{CC} = Min, V _{IH} = 2V		DM54	2.4	3.3	2.4	3.4	N/A			V	
		V _{IL} = Max, I _{OH} = Max		DM74	2.4	3.1	2.4	3.1	2.4 3.2				
I_{OL}	Low Level Output Current			DM54	16		8			N/A			mA
				DM74	16		16			20			
V_{OL}	Low Level Output Voltage	V _{CC} = Min V _{IH} = 2V V _{IL} = Max	I _{OL} = Max	DM54	0.4		0.4			N/A			V
				DM74	0.4		0.5			0.5			
			I _{OL} = 4 mA	DM74			0.4						
I_{O(OFF)}	Off-State (High Impedance State) Output Current	V _{CC} = Max V _{IH} = 2V	V _{IL} = 0.7V	V _O = 0.4V		-20						μA	
				V _O = 2.7V		20							
			V _{IL} = 0.8V	V _O = 0.4V		-40							
				V _O = 0.5V					-50				
				V _O = 2.4V		40			50				
I_I	Input Current at Maximum Input Voltage	V _{CC} = Max	V _I = 5.5V		1			1			mA		
			V _I = 7.0V		0.1								
I_{IH}	High Level Input Current	V _{CC} = Max	V _I = 2.4V		40						μA		
			V _I = 2.7V		20			50					
I_{IL}	Low Level Input Current	V _{CC} = Max	V _I = 0.4V		-1.6			-0.4			mA		
			V _I = 0.5V					-2					
I_{OS}	Short Circuit Output Current	V _{CC} = Max(2)		DM54	-30	-70	-30	-130	N/A			mA	
				DM74	-28	-70	-30	-130	-40 -100				
I_{CC}	Supply Current	V _{CC} = Max		See Table									

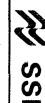
Notes

(1) All typical values are at V_{CC} = 5V, T_A = 25°C.

(2) Not more than one output should be shorted at a time, and for DM54LS/DM74LS and DM74S, duration of short circuit should not exceed one second.

(3) Data for DM54LS/74LS125, 126 is preliminary.

LS125, LS126 To Be Announced In 1976



DM54/DM74125,126,S134 TRI-STATE Buffers

Supply Currents

DEVICE	CONDITIONS		I _{CC} (mA)		
	DATA INPUTS	OUTPUT CONTROLS	MIN	TYP(1)	MAX
125	0V	4.5V		32	54
126	0V	0V		36	62
LS125	0V	4.5V		11	18
LS126	0V	0V		12	21
S134	0V	0V		7	13
	5V	0V		9	16
	5V	5V		14	25

 Switching Characteristics at V_{CC} = 5V, T_A = 25°C

PARAMETER		CONDITIONS	DM54/74						DM54LS/74LS						DM74S						UNITS
			125			126			LS125			LS126			S134						
			MIN	TYP	MAX	MIN	TYP	MAX	MIN	TYP	MAX	MIN	TYP	MAX	MIN	TYP	MAX				
t _{PLH}	Propagation Delay Time, Low-to-High Level Output	C _L = 50 pF R _L = 400Ω R _L = 2 kΩ (LS)	10			15			10			15			C _L = 15 pF, R _L = 280Ω			4	6	ns	
			12			18			12			18			C _L = 50 pF, R _L = 280Ω			5.5	9		
t _{PHL}	Propagation Delay Time, High-to-Low Level Output		12			18			12			18			C _L = 15 pF, R _L = 280Ω			5	7.5	ns	
12			18			12			18			C _L = 50 pF, R _L = 280Ω			7	11					
t _{ZH}	Output Enable Time to High Level		12			18			12			18			C _L = 50 pF, R _L = 280Ω			13	19.5	ns	
t _{ZL}	Output Enable Time to Low Level		16			25			16			25			C _L = 50 pF, R _L = 280Ω			14	21		
t _{HZ}	Output Disable Time From High Level		5			8			5			8			C _L = 5 pF, R _L = 280Ω			5.5	8.5	ns	
t _{LZ}	Output Disable Time From Low Level		9			14			9			14			C _L = 5 pF, R _L = 280Ω			9	14		

Electrical Characteristics over recommended operating free-air temperature range (unless otherwise noted).

PARAMETER		CONDITIONS	DM74S			UNITS
			S135			
			MIN	TYP(1)	MAX	
V_{IH}	High Level Input Voltage		2			V
V_{IL}	Low Level Input Voltage				0.8	V
V_I	Input Clamp Voltage	$V_{CC} = \text{Min}, I_I = -18 \text{ mA}$			-1.2	V
I_{OH}	High Level Output Current				-1	mA
V_{OH}	High Level Output Voltage	$V_{CC} = \text{Min}, V_{IH} = 2\text{V}, V_{IL} = 0.8\text{V}, I_{OH} = -1 \text{ mA}$	2.7	3.4		V
I_{OL}	Low Level Output Current				20	mA
V_{OL}	Low Level Output Voltage	$V_{CC} = \text{Min}, V_{IH} = 2\text{V}, V_{IL} = 0.8\text{V}, I_{OL} = 20 \text{ mA}$			0.5	V
I_I	Input Current at Maximum Input Voltage	$V_{CC} = \text{Max}, V_I = 5.5\text{V}$			1	mA
I_{IH}	High Level Input Current	$V_{CC} = \text{Max}, V_I = 2.7\text{V}$			50	μA
I_{IL}	Low Level Input Current	$V_{CC} = \text{Max}, V_I = 0.5\text{V}$			-2	mA
I_{OS}	Short Circuit Output Current	$V_{CC} = \text{Max}(2)$	-40		-100	mA
I_{CC}	Supply Current	$V_{CC} = \text{Max}(3)$		65	99	mA

Notes

- (1) All typical values are at $V_{CC} = 5\text{V}, T_A = 25^\circ\text{C}$.
- (2) Not more than one output should be shorted at a time and duration of the short circuit should not exceed one second.
- (3) I_{CC} is measured with the inputs grounded and the outputs open.

Switching Characteristics at $V_{CC} = 5V$, $T_A = 25^\circ C$

PARAMETER(4)		FROM (INPUT)	CONDITIONS		DM74S			UNITS
					S135			
					MIN	TYP	MAX	
t_{PLH}	Propagation Delay Time, Low-to-High Level Output	A or B	B or A = L, C = L	$C_L = 15 \text{ pF}, R_L = 280\Omega$	8.5	13	ns	
t_{PHL}	Propagation Delay Time, High-to-Low Level Output				11	15		
t_{PLH}	Propagation Delay Time, Low-to-High Level Output	A or B	B or A = H, C = L		8	12	ns	
t_{PHL}	Propagation Delay Time, High-to-Low Level Output				9	13.5		
t_{PLH}	Propagation Delay Time, Low-to-High Level Output	A or B	B or A = L, C = H		10	15	ns	
t_{PHL}	Propagation Delay Time, High-to-Low Level Output				6.5	10		
t_{PLH}	Propagation Delay Time, Low-to-High Level Output	A or B	B or A = H, C = H		8.5	12	ns	
t_{PHL}	Propagation Delay Time, High-to-Low Level Output				7	11		
t_{PLH}	Propagation Delay Time, Low-to-High Level Output	C	A = B		8	12	ns	
t_{PHL}	Propagation Delay Time, High-to-Low Level Output				9.5	14.5		
t_{PLH}	Propagation Delay Time, Low-to-High Level Output	C	A \neq B	7.5	11.5	ns		
t_{PHL}	Propagation Delay Time, High-to-Low Level Output			8	12			

Electrical Characteristics over recommended operating free-air temperature range (unless otherwise noted).

PARAMETER		CONDITIONS		DM54LS/74LS			DM74S			UNITS
				LS136, LS266			S136			
				MIN	TYP(1)	MAX	MIN	TYP(1)	MAX	
V_{IH}	High Level Input Voltage			2			2			V
V_{IL}	Low Level Input Voltage					0.7			N/A	V
				DM54					0.8	
V_I	Input Clamp Voltage	$V_{CC} = \text{Min}, I_I = -18 \text{ mA}$				-1.5			-1.2	V
I_{OH}	High Level Output Current	$V_{CC} = \text{Min}, V_{IH} = 2V$ $V_{IL} = \text{Max}, V_{OH} = 5.5V$				100			250	μA
V_{OH}	High Level Output Voltage					5.5			5.5	V
I_{OL}	Low Level Output Current			DM54		4			N/A	mA
				DM74		8			20	
V_{OL}	Low Level Output Voltage	$V_{CC} = \text{Min}$ $V_{IH} = 2V$ $V_{IL} = \text{Max}$	$I_{OL} = \text{Max}$	DM54	0.25	0.4			N/A	V
				DM74	0.35	0.5			0.5	
				DM74		0.4				
I_I	Input Current at Maximum Input Voltage	$V_{CC} = \text{Max}$	$V_I = 5.5V$						1	mA
			$V_I = 7V$					0.2		
I_{IH}	High Level Input Current	$V_{CC} = \text{Max}, V_I = 2.7V$				40			50	μA
I_{IL}	Low Level Input Current	$V_{CC} = \text{Max}$	$V_I = 0.4V$			-0.6				mA
			$V_I = 0.5V$					-2		
I_{CC}	Supply Current	$V_{CC} = \text{Max}(2)$		LS136	6.1	10				mA
				Others	8	13		50	75	

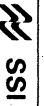
Notes

- (1) All typical values are at $V_{CC} = 5V, T_A = 25^\circ\text{C}$.
 (2) I_{CC} is measured with one input of each gate at 4.5V, the other inputs grounded, and the outputs open.

Switching Characteristics at $V_{CC} = 5V$, $T_A = 25^\circ C$

PARAMETER		FROM (INPUT)	CONDITIONS		DM54LS/74LS			DM74S			UNITS
					LS136, LS266			S136			
					MIN	TYP	MAX	MIN	TYP	MAX	
t_{PLH}	Propagation Delay Time, Low-to-High Level Output	A or B	Other Input Low	$C_L = 15 \text{ pF}$ $R_L = 2 \text{ k}\Omega$ (54LS/74LS) $R_L = 280\Omega$ (74S)	18	30		8	12.5	ns	
t_{PHL}	Propagation Delay Time, High-to-Low Level Output				18	30		7.5	12	ns	
t_{PLH}	Propagation Delay Time, Low-to-High Level Output	A or B	Other Input High		18	30		8	12.5	ns	
t_{PHL}	Propagation Delay Time, High-to-Low Level Output				18	30		7.5	12	ns	

Electrical Characteristics over recommended operating free-air temperature range (unless otherwise noted).



PARAMETER		CONDITIONS		DM54/74			DM54LS/74LS			UNITS		
				365, 366, 367, 368			LS365, LS366 LS367, LS368					
				MIN	TYP(1)	MAX	MIN	TYP(1)	MAX			
V _{IH}	High Level Input Voltage					2		2		V		
V _{IL}	Low Level Input Voltage		DM54						0.8	0.7	V	
			DM74						0.8	0.8		
V _I	Input Clamp Voltage	V _{CC} = Min	I _I = -12 mA						-1.5		V	
			I _I = -18 mA							-1.5		
I _{OH}	High Level Output Current		DM54						-2.0	-1.0	mA	
			DM74						-5.2	-2.6		
V _{OH}	High Level Output Voltage	V _{CC} = Min, V _{IH} = 2V	DM54	2.4	3.1		2.4	3.4			V	
		V _{IL} = Max, I _{OH} = Max	DM74	2.4	3.1		2.4	3.1				
I _{OL}	Low Level Output Current		DM54						32	8	mA	
			DM74						32	16		
V _{OL}	Low Level Output Voltage	V _{CC} = Min	I _{OL} = 8 mA							0.4	V	
		V _{IH} = 2V	I _{OL} = 16 mA, DM74							0.5		
		V _{IL} = Max	I _{OL} = 32 mA						0.4			
I _{O(OFF)}	Off-State (High Impedance State) Output Current	V _{CC} = Max V _{IH} = 2V	V _O = 0.4V						-40	-20	μA	
			V _O = 2.4V						40			
			V _O = 2.7V							20		
I _I	Input Current at Maximum Input Voltage	V _{CC} = Max	V _I = 5.5V						1		mA	
			V _I = 7.0V							0.1		
I _{IH}	High Level Input Current	V _{CC} = Max	V _I = 2.4V						40		μA	
			V _I = 2.7V							20		
I _{IL}	Low Level Input Current	A Input	V _{CC} = Max	V _I = 0.5V, Both \bar{G} Inputs at 2V					-40	-20	μA	
				V _I = 0.4V, Both \bar{G} Inputs at 0.4V						-1.6		-0.4
				V _I = 0.4V								-1.6
I _{OS}	Short Circuit Output Current	V _{CC} = Max(2)						-40	-115	-30	-130	mA
I _{CC}	Supply Current	V _{CC} = Max	365, LS365, 367, LS367	65	85				22	28	mA	
			366, LS366, 368, LS368	59	77				20	26		

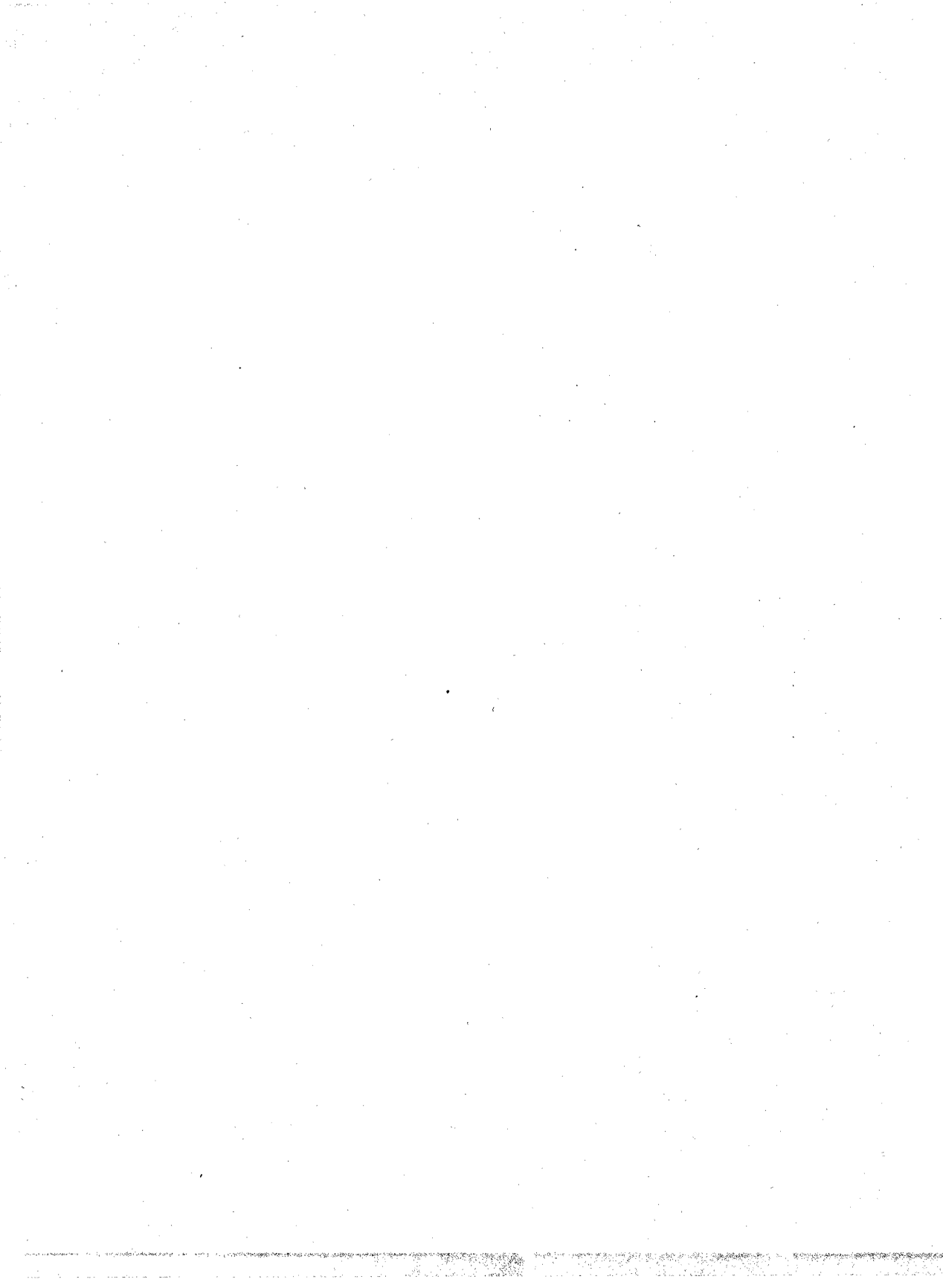
Switching Characteristics at $V_{CC} = 5V$, $T_A = 25^\circ C$

PARAMETER		DM54/74				DM54LS/74LS				UNITS		
		CONDITIONS	365, 367		366, 368		CONDITIONS	LS365, LS367			LS366, LS368	
			TYP	MAX	TYP	MAX		TYP	MAX		TYP	MAX
t_{PLH}	Propagation Delay Time, Low-to-High Level Output	$C_L = 50 \text{ pF}$, $R_L = 400\Omega$	10	16	11	17	$C_L = 15 \text{ pF}$, $R_L = 2 \text{ k}\Omega$	16		17		ns
t_{PHL}	Propagation Delay Time, High-to-Low Level Output		14	22	10	16		22		16		ns
t_{ZH}	Output Enable Time to High Level		21	35	21	35		35		35		ns
t_{ZL}	Output Enable Time to Low Level		24	37	24	37		37		37		ns
t_{HZ}	Output Disable Time From High Level	$C_L = 5 \text{ pF}$, $R_L = 400\Omega$	6	11	6	11	$C_L = 5 \text{ pF}$, $R_L = 2 \text{ k}\Omega$	11		11		ns
t_{LZ}	Output Disable Time From Low Level		16	27	16	27		27		27		ns

Notes

- (1) All typical values are at $V_{CC} = 5V$, $T_A = 25^\circ C$.
- (2) Not more than one output should be shorted at a time, and duration of short circuit should not exceed one second.
- (3) Data for DM54LS/74LS is preliminary.

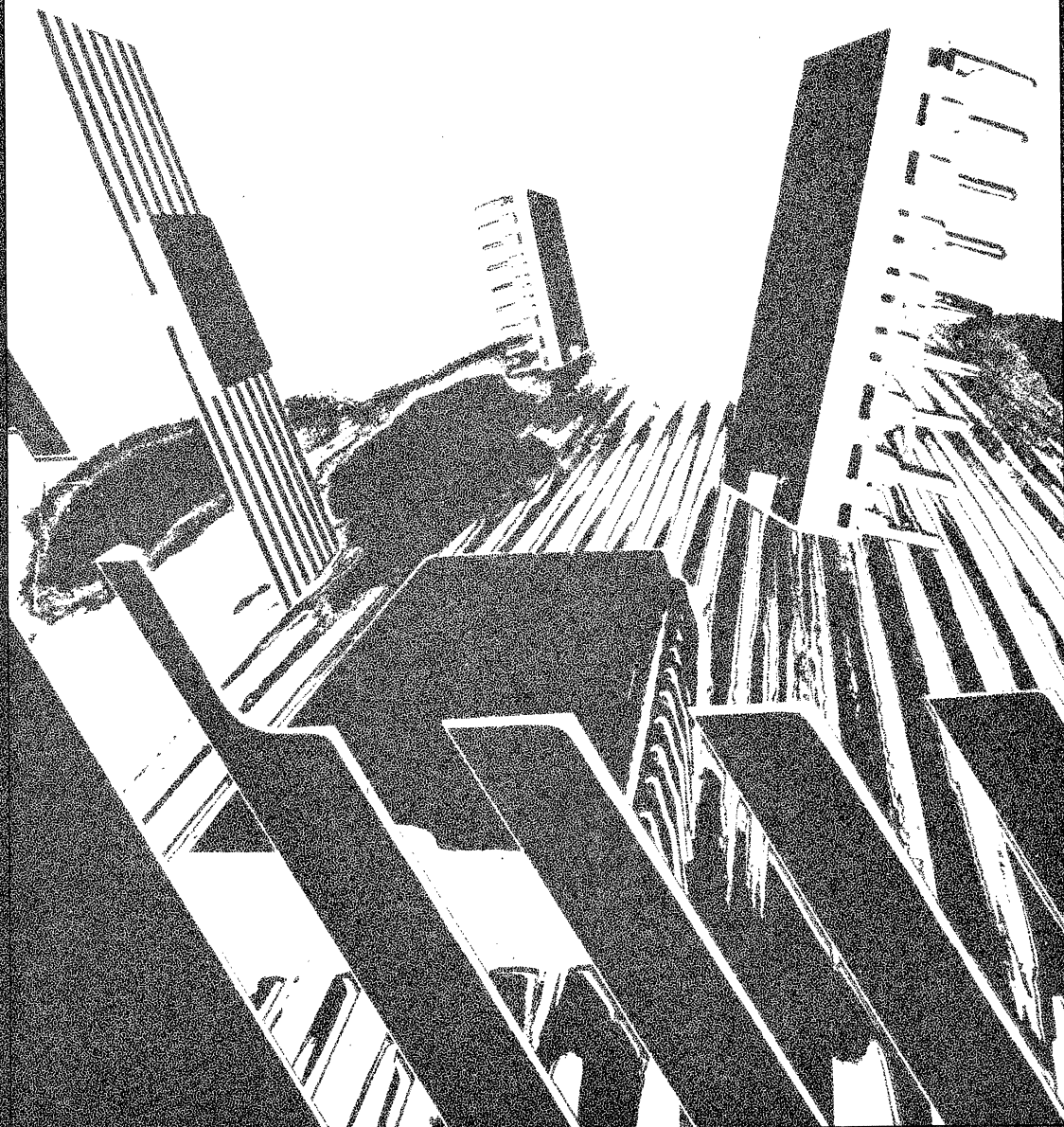
LS365, LS366, LS367, LS368 To Be Announced In 1976



National Semiconductor

54/74 MSI DEVICES

Section 2



RATINGS	54/74 SERIES	54H/74H SERIES	54L/74L SERIES	54LS/74LS SERIES		54S/74S SERIES	UNITS
				DIODE INPUTS	EMITTER INPUTS		
Maximum Allowable Supply Voltage	7	7	8	7	7	7	V
Guaranteed Operating Supply Voltage Range	54	4.50 to 5.50					V
	74	4.75 to 5.25					
Maximum Input Voltage	5.5	5.5	5.5	7	5.5	5.5	V
Maximum Voltage to Open- Collector Outputs*	7	7	8	7	7	7	V
Operating Free-Air Temperature Range	54	-55 to +125					°C
	74	0 to +70					
Storage Temperature Range	-65 to +150						°C

*Except for selected high voltage types, as specified in electrical tables.

Device No.	Description	Page No.	Package					
			J		N		W	
			Mil	Coml	Mil	Coml	Mil	Coml
DM5441A/DM7441A	BCD/Decimal Decoders/Drivers	2-1	•	•		•	•	•
DM5442/DM7442	BCD/Decimal Decoders	2-3	•	•		•	•	•
DM54L42A/DM74L42A	BCD/Decimal Decoders	2-3	•	•	•	•	•	•
DM54LS42/DM74LS42	BCD/Decimal Decoders	2-3	•	•	•	•	•	•
DM5445/DM7445	BCD/Decimal Decoders/Drivers	2-6	•	•	•	•	•	•
DM5446A/DM7446A	BCD/7-Segment Decoders/Drivers	2-8	•	•	•	•	•	•
DM5447A/DM7447A	BCD/7-Segment Decoders/Drivers	2-8	•	•	•	•	•	•
DM54LS47/DM74LS47	BCD/7-Segment Decoders/Drivers	2-8	•	•	•	•	•	•
DM5448/DM7448	BCD/7-Segment Decoders/Drivers	2-8	•	•	•	•	•	•
DM54LS48/DM74LS48	BCD/7-Segment Decoders/Drivers	2-8	•	•	•	•	•	•
DM54LS49/DM74LS49	BCD/7-Segment Decoders/Drivers	2-8	•	•	•	•	•	•
DM5475/DM7475	Quad Latches	2-14	•	•	•	•	•	•
DM54L75A/DM74L75A	Quad Latches	2-14	•	•	•	•	•	•
DM54LS75/DM74LS75	Quad Latches	2-14	•	•	•	•	•	•
DM54LS77/DM74LS77	Quad Latches	2-14	•	•	•	•	•	•
DM5483/DM7483	4-Bit Binary Adders with Fast Carry	2-17	•	•	•	•	•	•
DM54LS83A/DM74LS83A	4-Bit Binary Adders with Fast Carry	2-17	•	•	•	•	•	•
DM5485/DM7485	4-Bit Magnitude Comparators	2-21	•	•	•	•	•	•
DM54L85/DM74L85	4-Bit Magnitude Comparators	2-21	•	•	•	•	•	•
DM54LS85/DM74LS85	4-Bit Magnitude Comparators	2-21	•	•	•	•	•	•
DM5488/DM7488	256-Bit Read Only Memories	2-25	•	•	•	•	•	•
DM5489/DM7489	64-Bit Read/Write Memories	2-28	•	•				N/A
DM54L89A/DM74L89A	64-Bit Read/Write Memories	2-28	•	•	•	•	•	•
DM5490A/DM7490A	Decade, Divide by 12, and Binary Counters	2-30	•	•	•	•	•	•
DM54L90/DM74L90	Decade, Divide by 12, and Binary Counters	2-30	•	•	•	•	•	•
DM54LS90/DM74LS90	Decade, Divide by 12, and Binary Counters	2-30	•	•	•	•	•	•
DM5491A/DM7491A	8-Bit Serial Shift Registers	2-34	•	•	•	•	•	•
DM54L91/DM74L91	8-Bit Serial Shift Registers	2-34	•	•	•	•	•	•
DM5492A/DM7492A	Decade, Divide by 12, and Binary Counters	2-30	•	•	•	•	•	•
DM54LS92/DM74LS92	Decade, Divide by 12, and Binary Counters	2-30	•	•	•	•	•	•
DM5493A/DM7493A	Decade, Divide by 12, and Binary Counters	2-30	•	•	•	•	•	•
DM54L93/DM74L93	Decade, Divide by 12, and Binary Counters	2-30	•	•	•	•	•	•
DM54LS93/DM74LS93	Decade, Divide by 12, and Binary Counters	2-30	•	•	•	•	•	•
DM5495/DM7495	4-Bit Parallel Access Shift Registers	2-36	•	•	•	•	•	•
DM54L95/DM74L95	4-Bit Parallel Access Shift Registers	2-36	•	•	•	•	•	•
DM54LS95B/DM74LS95B	4-Bit Parallel Access Shift Registers	2-36	•	•	•	•	•	•
DM5496/DM7496	5-Bit Shift Registers	2-39	•	•	•	•	•	•
DM54LS96/DM74LS96	5-Bit Shift Registers	2-39	•	•	•	•	•	•
DM54L98/DM74L98	4-Bit Storage Registers	2-42	•	•	•	•	•	•
DM54LS124/DM74LS124	Dual Voltage Controlled Oscillators	2-44	•	•	•	•	•	•
DM54LS138/DM74LS138	Decoders/Demultiplexers	2-46	•	•	•	•	•	•
DM74S138	Decoders/Demultiplexers	2-46		N/A	•			N/A
DM54LS139/DM74LS139	Decoders/Demultiplexers	2-46	•	•	•	•	•	•
DM74S139	Decoders/Demultiplexers	2-46		N/A	•			N/A
DM54141/DM74141	BCD/Decimal Decoders/Drivers	2-1	•	•	•	•	•	•
DM54145/DM74145	BCD/Decimal Decoders/Drivers	2-6	•	•	•	•	•	•
DM54147/DM74147	Priority Encoders	2-49	•	•	•	•	•	•
DM54148/DM74148	Priority Encoders	2-49	•	•	•	•	•	•
DM54150/DM74150	Data Selectors/Multiplexers	2-53	•	•	•	•	•	•
DM54151A/DM74151A	Data Selectors/Multiplexers	2-53	•	•	•	•	•	•
DM54LS151/DM74LS151	Data Selectors/Multiplexers	2-53	•	•	•	•	•	•
DM74S151	Data Selectors/Multiplexers	2-53		N/A	•			N/A
DM54153/DM74153	Dual 4-Line to 1-Line Data Selectors/ Multiplexers	2-57	•	•	•	•	•	•
DM54LS153/DM74LS153	Dual 4-Line to 1-Line Data Selectors/ Multiplexers	2-57	•	•	•	•	•	•

Device No.	Description	Page No.	Package					
			J		N		W	
			Mil	Coml	Mil	Coml	Mil	Coml
DM74S153	Dual 4-Line to 1-Line Data Selectors/ Multiplexers	2-57	N/A		•		N/A	
DM54154/DM74154	4-Line to 16-Line Decoders/Demultiplexers	2-60	•	•		•	(F)	(F)
DM54L154A/DM74L154A	4-Line to 16-Line Decoders/Demultiplexers	2-60	•	•	•	•	(F)	(F)
DM54LS154/DM74LS154	4-Line to 16-Line Decoders/Demultiplexers	2-60	•	•	•	•	(F)	(F)
DM54155/DM74155	Dual 2-Line to 4-Line Decoders/ Demultiplexers	2-63	•	•		•	•	•
DM54LS155/DM74LS155	Dual 2-Line to 4-Line Decoders/ Demultiplexers	2-63	•	•	•	•	•	•
DM54156/DM74156	Dual 2-Line to 4-Line Decoders/ Demultiplexers	2-63	•	•		•	•	•
DM54LS156/DM74LS156	Dual 2-Line to 4-Line Decoders/ Demultiplexers	2-63	•	•	•	•	•	•
DM54157/DM74157	Quad 2-Line to 1-Line Data Selectors/ Multiplexers	2-66	•	•		•	•	•
DM54L157A/DM74L157A	Quad 2-Line to 1-Line Data Selectors/ Multiplexers	2-66	•	•	•	•	•	•
DM54LS157/DM74LS157	Quad 2-Line to 1-Line Data Selectors/ Multiplexers	2-66	•	•	•	•	•	•
DM74S157	Quad 2-Line to 1-Line Data Selectors/ Multiplexers	2-66	N/A		•		N/A	
DM54LS158/DM74LS158	Quad 2-Line to 1-Line Data Selectors/ Multiplexers	2-66	•	•	•	•	•	•
DM74S158	Quad 2-Line to 1-Line Data Selectors/ Multiplexers	2-66	N/A		•		N/A	
DM54160A/DM74160A	Synchronous 4-Bit Counters	2-70	•	•		•	•	•
DM54LS160/DM74LS160	Synchronous 4-Bit Counters	2-70	•	•	•	•	•	•
DM54161A/DM74161A	Synchronous 4-Bit Counters	2-70	•	•		•	•	•
DM54LS161/DM74LS161	Synchronous 4-Bit Counters	2-70	•	•	•	•	•	•
DM54162A/DM74162A	Synchronous 4-Bit Counters	2-70	•	•		•	•	•
DM54LS162/DM74LS162	Synchronous 4-Bit Counters	2-70	•	•	•	•	•	•
DM54163A/DM74163A	Synchronous 4-Bit Counters	2-70	•	•		•	•	•
DM54LS163/DM74LS163	Synchronous 4-Bit Counters	2-70	•	•	•	•	•	•
DM54164/DM74164	8-Bit Serial In/Parallel Out Shift Registers	2-76	•	•		•	•	•
DM54L164A/DM74L164A	8-Bit Serial In/Parallel Out Shift Registers	2-76	•	•	•	•	•	•
DM54LS164/DM74LS164	8-Bit Serial In/Parallel Out Shift Registers	2-76	•	•	•	•	•	•
DM54165/DM74165	8-Bit Parallel In/Serial Out Shift Registers	2-79	•	•		•	•	•
DM54L165A/DM74L165A	8-Bit Parallel In/Serial Out Shift Registers	2-79	•	•	•	•	•	•
DM54166/DM74166	8-Bit Parallel In/Serial Out Shift Registers	2-82	•	•				N/A
DM54LS168/DM74LS168	Synchronous 4-Bit Up/Down Counters	2-85	•	•	•	•	•	•
DM54LS169/DM74LS169	Synchronous 4-Bit Up/Down Counters	2-85	•	•	•	•	•	•
DM74170	4 by 4 Register Files	2-91						N/A
DM54LS170/DM74LS170	4 by 4 Register Files	2-91	•	•	•	•	•	•
DM54173/DM74173	TRI-STATE Quad D Registers	2-96	•	•	•	•	•	•
DM54LS173/DM74LS173	TRI-STATE Quad D Registers	2-96	•	•	•	•	•	•
DM54174/DM74174	Hex/Quad D Flip-Flops with Clear	2-98	•	•		•	•	•
DM54LS174/DM74LS174	Hex/Quad D Flip-Flops with Clear	2-98	•	•	•	•	•	•
DM74S174	Hex/Quad D Flip-Flops with Clear	2-98	N/A		•		N/A	
DM54175/DM74175	Hex/Quad D Flip-Flops with Clear	2-98	•	•		•	•	•
DM54LS175/DM74LS175	Hex/Quad D Flip-Flops with Clear	2-98	•	•	•	•	•	•
DM74S175	Hex/Quad D Flip-Flops with Clear	2-98	N/A		•		N/A	
DM54176/DM74176	Presetable Decade and Binary Counters	2-101	•	•		•	N/A	
DM54177/DM74177	Presetable Decade and Binary Counters	2-101	•	•	•	•	N/A	
DM54180/DM74180	9-Bit Parity Generators/Checkers	2-105	•	•		•	•	•
DM54181/DM74181	Arithmetic Logic Unit/Function Generators	2-107	•	•		•	N/A	
DM54182/DM74182	Look-Ahead Carry Generators	2-113	•	•		•	N/A	

Device No.	Description	Page No.	Package					
			J		N		W	
			Mil	Coml	Mil	Coml	Mil	Coml
DM74S182	Look-Ahead Carry Generators	2-113	N/A		•		N/A	
DM54184/DM74184	BCD-to-Binary and Binary-to-BCD Converters	2-116	•	•		•	•	•
DM54185A/DM74185A	BCD-to-Binary and Binary-to-BCD Converters	2-116	•	•		•	•	•
DM54187/DM74187	1024-Bit Read Only Memories	2-122	•	•		•	N/A	
DM54L187A/DM74L187A	1024-Bit Read Only Memories	2-122	•	•	•	•	•	•
DM54S189/DM74S189	TRI-STATE 64-Bit Read/Write Memories	2-125	•	•		•	N/A	
DM54190/DM74190	Synchronous Up/Down Counters with Mode Control	2-128	•	•	•	•	•	•
DM54LS190/DM74LS190	Synchronous Up/Down Counters with Mode Control	2-128	•	•	•	•	•	•
DM54191/DM74191	Synchronous Up/Down Counters with Mode Control	2-128	•	•	•	•	•	•
DM54LS191/DM74LS191	Synchronous Up/Down Counters with Mode Control	2-128	•	•	•	•	•	•
DM54192/DM74192	Synchronous Up/Down Counters with Dual Clock	2-133	•	•		•	•	•
DM54L192/DM74L192	Synchronous Up/Down Counters with Dual Clock	2-133	•	•	•	•	•	•
DM54LS192/DM74LS192	Synchronous Up/Down Counters with Dual Clock	2-133	•	•	•	•	•	•
DM54193/DM74193	Synchronous Up/Down Counters with Dual Clock	2-133	•	•		•	•	•
DM54L193/DM74L193	Synchronous Up/Down Counters with Dual Clock	2-133	•	•	•	•	•	•
DM54LS193/DM74LS193	Synchronous Up/Down Counters with Dual Clock	2-133	•	•	•	•	•	•
DM54194/DM74194	4-Bit Bidirectional Universal Shift Registers	2-140	•	•		•	•	•
DM54LS194A/DM74LS194A	4-Bit Bidirectional Universal Shift Registers	2-140	•	•	•	•	•	•
DM74S194	4-Bit Bidirectional Universal Shift Registers	2-140	N/A			•	N/A	
DM54195/DM74195	4-Bit Parallel Access Shift Registers	2-144	•	•		•	•	•
DM54LS195A/DM74LS195A	4-Bit Parallel Access Shift Registers	2-144	•	•	•	•	•	•
DM74S195	4-Bit Parallel Access Shift Registers	2-144	N/A			•	N/A	
DM54196/DM74196	Presettable Decade and Binary Counters	2-101	•	•	•	•	N/A	
DM54LS196/DM74LS196	Presettable Decade and Binary Counters	2-101	•	•	•	•	•	•
DM54197/DM74197	Presettable Decade and Binary Counters	2-101	•	•	•	•	N/A	
DM54LS197/DM74LS197	Presettable Decade and Binary Counters	2-101	•	•	•	•	•	•
DM54198/DM74198	8-Bit Shift Registers	2-148	•	•	•	•	N/A	
DM54199/DM74199	8-Bit Shift Registers	2-148	•	•	•	•	N/A	
DM54S200/DM74S200	TRI-STATE 256-Bit Read/Write Memories	2-154	•	•	•	•	•	•
DM54S206/DM74S206	256-Bit Read/Write Memories with Open-Collector Outputs	2-157	•	•	•	•	•	•
DM54251/DM74251	TRI-STATE Data Selectors/Multiplexers	2-160	•	•		•	•	•
DM54LS251/DM74LS251	TRI-STATE Data Selectors/Multiplexers	2-160	•	•	•	•	•	•
DM74S251	TRI-STATE Data Selectors/Multiplexers	2-160	N/A			•	N/A	
DM54LS253/DM74LS253	TRI-STATE Data Selectors/Multiplexers	2-163	•	•	•	•	•	•
DM74S253	TRI-STATE Data Selectors/Multiplexers	2-163	N/A			•	N/A	
DM54LS257/DM74LS257	TRI-STATE Quad 2-Data Selectors/Multiplexers	2-165	•	•	•	•	•	•
DM74S257	TRI-STATE Quad 2-Data Selectors/Multiplexers	2-165	N/A			•	N/A	
DM54LS258/DM74LS258	TRI-STATE Quad 2-Data Selectors/Multiplexers	2-165	•	•	•	•	•	•
DM74S258	TRI-STATE Quad 2-Data Selectors/Multiplexers	2-165	N/A			•	N/A	
DM54LS279/DM74LS279	Quad S-R Latches	2-168	•	•	•	•	•	•
DM74S280	9-Bit Parity Generators/Checkers	2-170	N/A			•	N/A	

Device No.	Description	Page No.	Package					
			J		N		W	
			Mil	Coml	Mil	Coml	Mil	Coml
DM74S281	4-Bit Parallel Binary Accumulators	2-173	N/A		•		N/A	
DM54LS283/DM74LS283	4-Bit Binary Adders with Fast Carry	2-17	•	•	•	•	• •	
DM54S287/DM74S287	TRI-STATE 1024-Bit Programmable Read Only Memories	2-177	N/A		•		N/A	
DM54S289/DM74S289	64-Bit Read/Write Memories with Open-Collector Outputs	2-179	•	•	•		N/A	
DM54LS295A/DM74LS295A	TRI-STATE 4-Bit Parallel Access Shift Registers	2-182	•	•	•	•	• •	
DM54LS298/DM74LS298	Quad 2-Multiplexers with Storage	2-184	•	•	•	•	• •	
DM54LS374/DM74LS374	TRI-STATE Octal D Flip-Flops	2-187	•	•	•	•	• •	
DM54S387/DM74S387	1024-Bit Programmable Read Only Memories	2-177	N/A		•		N/A	
DM54LS395/DM74LS395	TRI-STATE 4-Bit Cascadable Shift Registers	2-189	•	•	•	•	• •	
DM54LS670/DM74LS670	TRI-STATE 4 by 4 Register Files	2-191	•	•	•	•	• •	

BCD/Decimal Decoders/Drivers

General Description

The DM5441A/DM7441A is a BCD-to-decimal decoder designed to drive gas-filled NIXIE tubes. The device is also capable of driving other types of low-current lamps and relays.

An over-range decoding feature provides that if binary numbers between 10 and 15 are applied to the input, the least significant bit (0-5) will be decoded on the output.

The DM54141/DM74141 is a BCD-to-decimal decoder designed specifically to drive cold-cathode indicator tubes.

Full decoding is provided for all possible input states. For binary inputs 10 through 15, all the outputs are off. Therefore the DM54141/DM74141, combined with

a minimum of external circuitry, can use these invalid codes in blanking leading- and/or trailing-edge zeros in a display.

Input clamp diodes are also provided to clamp negative-voltage transitions in order to minimize transmission-line effects.

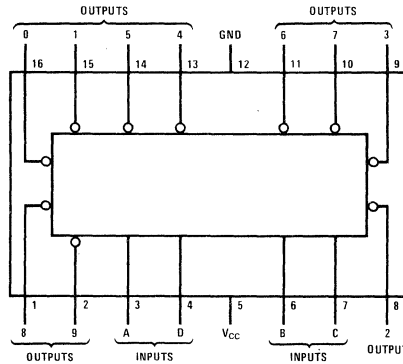
Features

- Drive cold-cathode, numeric indicator tubes directly
- Fully decoded inputs
- Low leakage current

DM54/7441A	1.8μA @ 50V
DM54/74141	50μA @ 55V
- Low power dissipation

DM54/7441A	105 mW typical
DM54/74141	55 mW typical

Connection Diagram



5441A(J), (W); 7441A(J), (N), (W);
54141(J), (W); 74141(J), (N), (W)

Truth Tables

5441A/7441A

INPUT				OUTPUT ON*
D	C	B	A	
L	L	L	L	0
L	L	L	H	1
L	L	H	L	2
L	L	H	H	3
L	H	L	L	4
L	H	L	H	5
L	H	H	L	6
L	H	H	H	7
H	L	L	L	8
H	L	L	H	9
(OVER RANGE)				
H	L	H	L	0
H	L	H	H	1
H	H	L	L	2
H	H	L	H	3
H	H	H	L	4
H	H	H	H	5

54141/74141

INPUT				OUTPUT ON*
D	C	B	A	
L	L	L	L	0
L	L	L	H	1
L	L	H	L	2
L	L	H	H	3
L	H	L	L	4
L	H	L	H	5
L	H	H	L	6
L	H	H	H	7
H	L	L	L	8
H	L	L	H	9
(OVER RANGE)				
H	L	H	L	NONE
H	L	H	H	NONE
H	H	L	L	NONE
H	H	L	H	NONE
H	H	H	L	NONE
H	H	H	H	NONE

H = High Level, L = Low Level

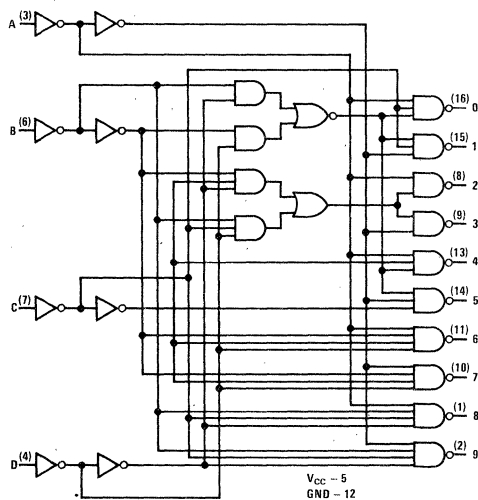
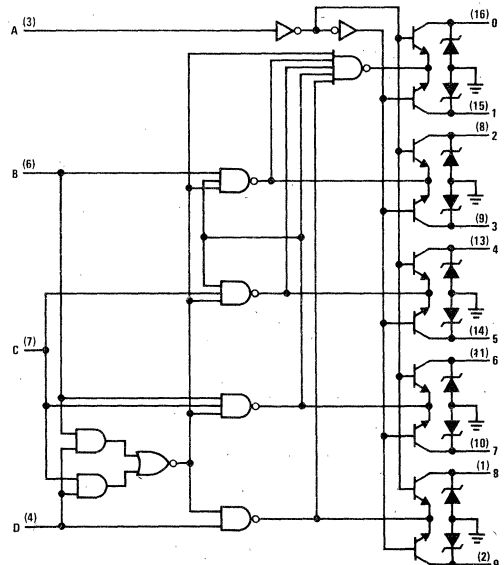
*All other outputs are off

Electrical Characteristics over recommended operating free-air temperature range (unless otherwise noted)

PARAMETER		CONDITIONS		DM54/74			UNITS			
				41A		141				
				MIN	TYP(1)	MAX		MIN	TYP(1)	MAX
V_{IH}	High Level Input Voltage			2			2		V	
V_{IL}	Low Level Input Voltage					0.8		0.8	V	
V_I	Input Clamp Voltage	$V_{CC} = \text{Min}, I_I = -12 \text{ mA}$				N/A		-1.5	V	
V_{OL}	On-State Output Voltage	$V_{CC} = \text{Min}, I_O = 7 \text{ mA}$	$-55^\circ\text{C to } +70^\circ\text{C}$			2.5		2.5	V	
			125°C			3.0		3.0		
I_{OH}	Off-State Reverse Current	$V_{CC} = \text{Max}$	$V_O = 50\text{V}$	$T_A = 125^\circ\text{C}$				60	μA	
				$T_A = 70^\circ\text{C}$				40		
				$T_A = -55^\circ\text{C}, 0^\circ\text{C}, 25^\circ\text{C}$				1.8		
				$V_O = 55\text{V}$				50		
I_{OH}	Off-State Reverse Current for Input Counts 10-15	$V_{CC} = \text{Max}, V_O = 30\text{V}$	$T_A = 55^\circ\text{C}$			N/A		5	μA	
			$T_A = 70^\circ\text{C}$			N/A		15		
V_{OH}	Off-State Output Voltage	$V_{CC} = \text{Max}$	$I_O = 0.5 \text{ mA}$				60		V	
			$I_O = 1.0 \text{ mA}$		70					
I_I	Input Current at Maximum Input Voltage	$V_{CC} = \text{Max}, V_I = 5.5\text{V}$				1		1.0	mA	
I_{IH}	High Level Input Current	$V_{CC} = \text{Max}, V_I = 2.4\text{V}$	A Input		3	40		40	μA	
			B, C, or D Input		3	40		80		
I_{IL}	Low Level Input Current	$V_{CC} = \text{Max}, V_I = 0.4\text{V}$	A Input		-1.0	-1.6		-1.6	mA	
			B, C, or D Input		-1.0	-1.6		-3.2		
I_{CC}	Supply Current	$V_{CC} = \text{Max}(2)$			21	36		11	25	mA

Notes

- (1) All typical values are at $V_{CC} = 5\text{V}, T_A = 25^\circ\text{C}$.
- (2) I_{CC} is measured with all inputs grounded and outputs open.

Logic Diagrams
5441A/7441A

54141/74141


General Description

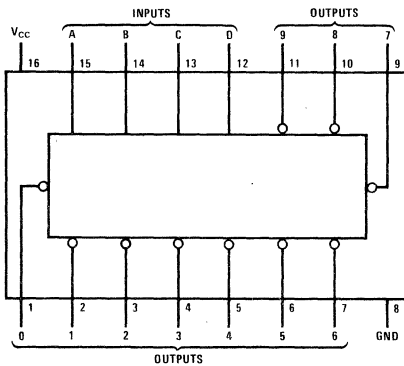
These BCD-to-decimal decoders consist of eight inverters and ten, four-input NAND gates. The inverters are connected in pairs to make BCD input data available for decoding by the NAND gates. Full decoding of input logic ensures that all outputs remain off for all invalid (10-15) input conditions.

- Also for application as 4-line-to-16-line decoders; 3-line-to-8-line decoders
- All outputs are high for invalid input conditions

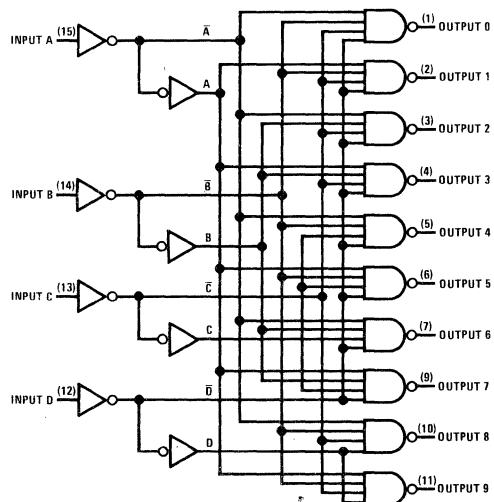
Features

- Diode clamped inputs

TYPE	TYPICAL POWER DISSIPATION	TYPICAL PROPAGATION DELAY
42	140 mW	17 ns
L42A	15 mW	53 ns
LS42	35 mW	17 ns

Connection Diagram


5442(J), (W); 7442(J), (N), (W);
54L42A/74L42A(J), (N), (W);
54LS42/74LS42(J), (N), (W)

Logic Diagram

Truth Table

NO.	42, L42A, LS42 BCD INPUT				ALL TYPES DECIMAL OUTPUT										
	D	C	B	A	0	1	2	3	4	5	6	7	8	9	
0	L	L	L	L	L	H	H	H	H	H	H	H	H	H	H
1	L	L	L	H	H	L	H	H	H	H	H	H	H	H	H
2	L	L	H	L	H	H	L	H	H	H	H	H	H	H	H
3	L	L	H	H	H	H	H	L	H	H	H	H	H	H	H
4	L	H	L	L	H	H	H	H	L	H	H	H	H	H	H
5	L	H	L	H	H	H	H	H	H	L	H	H	H	H	H
6	L	H	H	L	H	H	H	H	H	H	L	H	H	H	H
7	L	H	H	H	H	H	H	H	H	H	H	L	H	H	H
8	H	L	L	L	H	H	H	H	H	H	H	H	L	H	H
9	H	L	L	H	H	H	H	H	H	H	H	H	H	L	H
INVALID	H	L	H	L	H	H	H	H	H	H	H	H	H	H	H
	H	L	H	H	H	H	H	H	H	H	H	H	H	H	H
	H	H	L	L	H	H	H	H	H	H	H	H	H	H	H
	H	H	L	H	H	H	H	H	H	H	H	H	H	H	H
	H	H	H	L	H	H	H	H	H	H	H	H	H	H	H

H = High Level
L = Low Level

Electrical Characteristics over recommended operating free-air temperature range (unless otherwise noted)

PARAMETER		CONDITIONS		DM54/74			DM54L/74L			DM54LS/74LS			UNITS
				42			L42A			LS42			
				MIN	TYP(1)	MAX	MIN	TYP(1)	MAX	MIN	TYP(1)	MAX	
V_{IH}	High Level Input Voltage			2			2			2			V
V_{IL}	Low Level Input Voltage	DM54		0.8			0.7			0.7			V
		DM74		0.8			0.7			0.8			
V_I	Input Clamp Voltage	$V_{CC} = \text{Min}$	$I_I = -12 \text{ mA}$	-1.5			N/A						V
			$I_I = -18 \text{ mA}$				N/A			-1.5			
I_{OH}	High Level Output Current			-800			-200			-400			μA
V_{OH}	High Level Output Voltage	$V_{CC} = \text{Min}$ $V_{IH} = 2\text{V}$ $V_{IL} = \text{Max}$	$I_{OH} = \text{Max}$	DM54	2.4	3.4	2.4	3.4	2.5	3.5			V
				DM74	2.4	3.4	2.4	3.4	2.7	3.5			
I_{OL}	Low Level Output Current			DM54	16			2			4		mA
				DM74	16			3.6			8		
V_{OL}	Low Level Output Voltage	$V_{CC} = \text{Min}$ $V_{IH} = 2\text{V}$ $V_{IL} = \text{Max}$	$I_{OL} = 4 \text{ mA}$	DM74							0.25	0.4	V
			$I_{OL} = \text{Max}$	DM54	0.2	0.4	0.15	0.3	0.25	0.4			
				DM74	0.2	0.4	0.2	0.4	0.35	0.5			
I_I	Input Current at Maximum Input Voltage	$V_{CC} = \text{Max}$	$V_I = 5.5\text{V}$	1			0.1						mA
			$V_I = 7\text{V}$							0.1			
I_{IH}	High Level Input Current	$V_{CC} = \text{Max}$	$V_I = 2.4\text{V}$	40			10						μA
			$V_I = 2.7\text{V}$							20			
I_{IL}	Low Level Input Current	$V_{CC} = \text{Max}$	$V_I = 0.3\text{V}$ for L42A				-0.18						mA
			$V_I = 0.4\text{V}$ for Others	-1.6						-0.4			
I_{OS}	Short Circuit Output Current	$V_{CC} = \text{Max}(2)$	DM54	-20	-55	-3	-15	-30	-130			mA	
			DM74	-18	-55	-3	-15	-30	-130				
I_{CC}	Supply Current	$V_{CC} = \text{Max}(3)$	DM54	28	41	3.0	5.3	7	13			mA	
			DM74	28	56	3.0	5.3	7	13				

Notes:

- (1) All typical values are at $V_{CC} = 5\text{V}$, $T_A = 25^\circ\text{C}$.
- (2) Not more than one output should be shorted at a time, and for DM54LS/74LS duration of short circuit should not exceed one second.
- (3) I_{CC} is measured with all outputs open and all inputs grounded.

Switching Characteristics $V_{CC} = 5V, T_A = 25^\circ C$

PARAMETER		DM54/74				DM54L/74L				DM54LS/74LS				UNITS
		42				L42A				LS42				
		CONDITIONS	MIN	TYP	MAX	CONDITIONS	MIN	TYP	MAX	CONDITIONS	MIN	TYP	MAX	
t_{PHL}	Propagation Delay Time, High-to-Low Level Output From A, B, C, or D Through 2 Levels of Logic	$C_L = 15 \text{ pF}$ $R_L = 400\Omega$	14	25	$C_L = 50 \text{ pF}$ $R_L = 4 \text{ k}\Omega$	65	130	$C_L = 15 \text{ pF}$ $R_L = 2 \text{ k}\Omega$	14	25	ns			
t_{PHL}	Propagation Delay Time, High-to-Low Level Output From A, B, C, or D Through 3 Levels of Logic		17	30		70	140		17	30	ns			
t_{PLH}	Propagation Delay Time, Low-to-High Level Output From A, B, C, and D Through 2 Levels of Logic		10	25		30	60		10	25	ns			
t_{PLH}	Propagation Delay Time, Low-to-High Level Output From A, B, C, and D Through 3 Levels of Logic		17	30		35	70		17	30	ns			

BCD/Decimal Decoders/Drivers

General Description

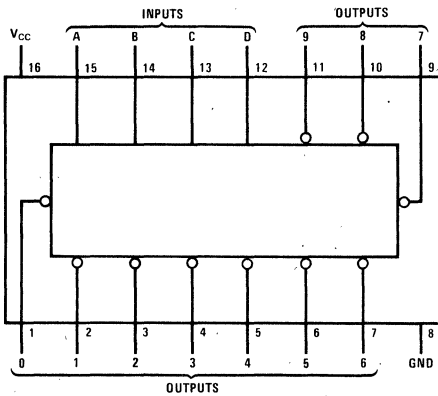
These BCD-to-decimal decoders/drivers consist of eight inverters and ten, four-input NAND gates. The inverters are connected in pairs to make BCD input data available for decoding by the NAND gates. Full decoding of BCD input logic ensures that all outputs remain off for all invalid (10-15) binary input conditions. These decoders feature high-performance, NPN output transistors designed for use as indicator/relay drivers, or as open-collector logic-circuit drivers. The high-breakdown output

transistors are compatible for interfacing with most MOS integrated circuits.

Features

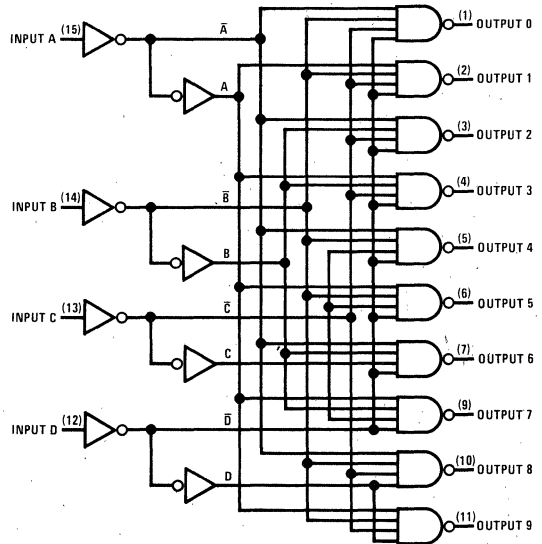
- Full decoding of input logic
- 80 mA sink-current capability
- All outputs are off for invalid BCD input conditions

Connection Diagram



5445(J), (W); 7445(J), (N), (W);
54145(J), (W); 74145(J), (N), (W)

Logic Diagram



Truth Table

NO.	INPUTS				OUTPUTS									
	D	C	B	A	0	1	2	3	4	5	6	7	8	9
0	L	L	L	L	L	H	H	H	H	H	H	H	H	H
1	L	L	L	H	H	L	H	H	H	H	H	H	H	H
2	L	L	H	L	H	H	L	H	H	H	H	H	H	H
3	L	L	H	H	H	H	H	L	H	H	H	H	H	H
4	L	H	L	L	H	H	H	H	L	H	H	H	H	H
5	L	H	L	H	H	H	H	H	H	L	H	H	H	H
6	L	H	H	L	H	H	H	H	H	H	L	H	H	H
7	L	H	H	H	H	H	H	H	H	H	H	L	H	H
8	H	L	L	L	H	H	H	H	H	H	H	H	L	H
9	H	L	L	H	H	H	H	H	H	H	H	H	H	L
INVALID	H	L	H	L	H	H	H	H	H	H	H	H	H	H
	H	L	H	H	H	H	H	H	H	H	H	H	H	H
	H	H	L	L	H	H	H	H	H	H	H	H	H	H
	H	H	L	H	H	H	H	H	H	H	H	H	H	H
	H	H	H	L	H	H	H	H	H	H	H	H	H	H

H = High Level (Off), L = Low Level (On)

Electrical Characteristics over recommended operating free-air temperature range (unless otherwise noted)

PARAMETER		CONDITIONS	DM54/74			UNITS
			45, 145			
			MIN	TYP(1)	MAX	
V_{IH}	High Level Input Voltage		2			V
V_{IL}	Low Level Input Voltage				0.8	V
V_I	Input Clamp Voltage	$V_{CC} = \text{Min}, I_I = -12 \text{ mA}$				-1.5 V
$V_{O(ON)}$	On-State Output Voltage	$V_{CC} = \text{Min}, V_{IH} = 2\text{V}$ $V_{IL} = 0.8\text{V}$	$I_{O(ON)} = 80 \text{ mA}$	0.5	0.9	V
			$I_{O(ON)} = 20 \text{ mA}$		0.4	
$V_{O(OFF)}$	Off-State Output Voltage	$V_{CC} = \text{Min}, V_{IH} = 2\text{V}$ $V_{IL} = 0.8\text{V}, I_{O(OFF)} = 250\mu\text{A}$	45	30		V
			145	15		
I_I	Input Current at Maximum Input Voltage	$V_{CC} = \text{Max}, V_I = 5.5\text{V}$			1	mA
I_{IH}	High Level Input Current	$V_{CC} = \text{Max}, V_I = 2.4\text{V}$			40	μA
I_{IL}	Low Level Input Current	$V_{CC} = \text{Max}, V_I = 0.4\text{V}$			-1.6	mA
I_{CC}	Supply Current	$V_{CC} = \text{Max}(2)$	DM54	43	62	mA
			DM74	43	70	

Notes

- (1) All typical values are at $V_{CC} = 5\text{V}, T_A = 25^\circ\text{C}$.
 (2) I_{CC} is measured with all inputs grounded and outputs open.

Switching Characteristics $V_{CC} = 5\text{V}, T_A = 25^\circ\text{C}$

PARAMETER		CONDITIONS	DM54/74			UNITS
			45, 145			
			MIN	TYP	MAX	
t_{PLH}	Propagation Delay Time, Low-to-High Level Output	$C_L = 15 \text{ pF}$ $R_L = 100\Omega$			30	ns
t_{PHL}	Propagation Delay Time, High-to-Low Level Output				30	ns

BCD/7-Segment Decoders/Drivers
General Description

The 46A, 47A and LS47 feature active-low outputs designed for driving common-anode LED's or incandescent indicators directly; and the 48, LS48 and LS49 feature active-high outputs for driving lamp buffers or common-cathode LED's. All of the circuits except the LS49 have full ripple-blanking input/output controls and a lamp test input. The LS49 features a direct blanking input. Segment identification and resultant displays are shown on a following page. Display patterns for BCD input counts above nine are unique symbols to authenticate input conditions.

All of the circuits except the LS49 incorporate automatic leading and/or trailing-edge, zero-blanking control (RBI and RBO). Lamp test (LT) of these devices may be performed at any time when the BI/RBO node is at a high logic level. All types (including LS49) contain an overriding blanking input (BI) which can be used to control the lamp intensity (by pulsing), or to inhibit the outputs.

Features

- All circuit types feature lamp intensity modulation capability

5446A/7446A, 5447A/7447A, 54LS47/74LS47

- Open-collector outputs drive indicators directly
- Lamp-test provision
- Leading/trailing zero suppression

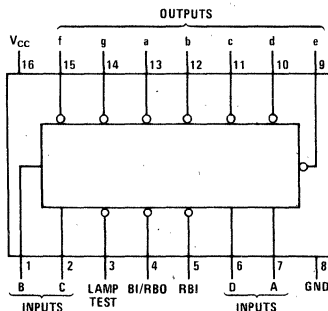
5448/7448, 54LS48/74LS48

- Internal pull-ups eliminate need for external resistors
- Lamp-test provision
- Leading/trailing zero suppression

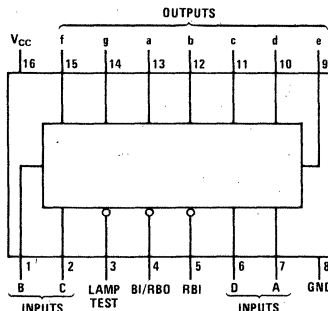
54LS49/74LS49

- Open-collector outputs
- Blanking input

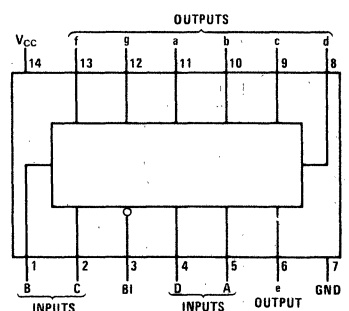
TYPE	DRIVER OUTPUTS				TYPICAL POWER DISSIPATION	PACKAGES
	ACTIVE LEVEL	OUTPUT CONFIGURATION	SINK CURRENT	MAX VOLTAGE		
DM5446A	low	open-collector	40 mA	30V	320 mW	J, N, W
DM5447A	low	open-collector	40 mA	15V	320 mW	J, N, W
DM5448	high	2-k Ω pull-up	6.4 mA	5.5V	265 mW	J, N, W
DM54LS47	low	open-collector	12 mA	15V	35 mW	J, N, W
DM54LS48	high	2 k Ω pull-up	2 mA	5.5V	125 mW	J, N, W
DM54LS49	high	open-collector	4 mA	5.5V	40 mW	J, N, W
DM7446A	low	open-collector	40 mA	30V	320 mW	J, N, W
DM7447A	low	open-collector	40 mA	15V	320 mW	J, N, W
DM7448	high	2-k Ω pull-up	6.4 mA	5.5V	265 mW	J, N, W
DM74LS47	low	open-collector	24 mA	15V	35 mW	J, N, W
DM74LS48	high	2 k Ω pull-up	6 mA	5.5V	125 mW	J, N, W
DM74LS49	high	open-collector	8 mA	5.5V	40 mW	J, N, W

Connection Diagrams


5446A/7446A(J), (N), (W);
5447A/7447A(J), (N), (W);
54LS47/74LS47(J), (N), (W)



5448/7448(J), (N), (W);
54LS48/74LS48(J), (N), (W)



54LS49/74LS49(J), (N), (W)

Electrical Characteristics over recommended operating free-air temperature range (unless otherwise noted)

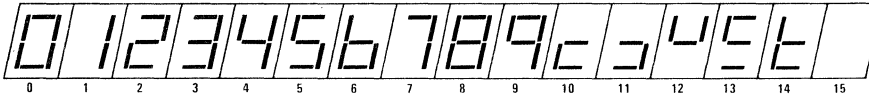
PARAMETER		CONDITIONS		DM54/74						DM54LS/74LS						UNITS			
				46A, 47A			48			LS47			LS48				LS49		
				MIN	TYP(1)	MAX	MIN	TYP(1)	MAX	MIN	TYP(1)	MAX	MIN	TYP(1)	MAX		MIN	TYP(1)	MAX
V _{IH}	High Level Input Voltage			2			2			2			2			V			
V _{IL}	Low Level Input Voltage	DM54		0.8			0.8			0.7			0.7			V			
		DM74		0.8			0.8			0.8			0.8						
V _I	Input Clamp Voltage	V _{CC} = Min	I _I = -12 mA	-1.5			-1.5						-1.5			V			
			I _I = -18 mA							-1.5			-1.5						
I _{OH}	High Level Output Current	a thru g	V _{CC} = Min, V _{IH} = 2V				-400						-100			μA			
	Output Current	BI/RBO	V _{IL} = Max	-200			-200			-50			-50						
			V _{OH} = 5.5V										250						
V _{OH}	High Level Output Voltage	a thru g	V _{CC} = Min, V _{IH} = 2V	2.4		4.2					2.4		4.2			5.5	V		
	Output Voltage	BI/RBO	V _{IL} = Max, I _{OH} = Max	2.4	3.7	2.4	3.7	2.4	4.2	2.4	4.2				N/A				
I _{OL}	Low Level Output Current	a thru g	DM54	40		6.4		12		2		4		mA					
			DM74	40		6.4		24		6		8							
		BI/RBO	DM54	8		8		1.6		1.6		N/A							
			DM74	8		8		3.2		3.2		N/A							
V _{OL}	Low Level Output Voltage	a thru g	I _{OL} = Max	DM54	0.3	0.4	0.27	0.4	0.25	0.4	0.25	0.4	0.25	0.4	V				
				DM74	0.3	0.4	0.27	0.4	0.35	0.5	0.35	0.5	0.35	0.5					
		V _{CC} = Max	I _{OL} = Max/2	N/A			N/A			0.25		0.4	0.25			0.4			
		BI/RBO	I _{OL} = Max	DM54	0.27	0.4	0.27	0.4	0.25	0.4	0.25	0.4	N/A						
		V _{CC} = Min	I _{OL} = Max/2	N/A			N/A			0.25		0.4	0.25			0.4	N/A		
I _{O(OFF)}	Off-State Output Current	a thru g	V _{CC} = Max, V _{IH} = 2V	V _{O(OFF)} = Max		0.25		0.25						N/A		mA			
			V _{IL} = Max	V _O = 0.85V		-1.3		-2		-1.3		-2							
V _{O(OFF)}	Off-State Output Voltage	a thru g	46A	30									5.5			V			
			Others	15			5.5			15		5.5		5.5					
I _I	Input Current at Maximum Input Voltage	Any Input except BI/RBO	V _{CC} = Max	V _I = 5.5V		1		1								mA			
		BI/RBO		V _I = 7V				0.1		0.1		1							
				V _I = 7V				0.1				N/A							
I _{IH}	High Level Input Current	Any Input Except BI/RBO	V _{CC} = Max	V _I = 2.4V		40		40								μA			
		BI/RBO		V _I = 2.7V				20		20		20							
				V _I = 2.7V				20				N/A							
I _{IL}	Low Level Input Current	Any Input Except BI/RBO	V _{CC} = Max, V _I = 0.4V	-1.6			-1.6			-0.36		-0.36		-0.36		mA			
		BI/RBO		-4			-4			-1		-1		N/A					
I _{OS}	Short Circuit Output Current	BI/RBO	V _{CC} = Max	-4		-4		-0.3		-2		-0.3		-2		N/A	mA		
I _{CC}	Supply Current	V _{CC} = Max(2)	DM54	60	85	50	76	7	13	25	38	8	15						
			DM74	60	103	50	90	7	13	25	38	8	15						

Switching Characteristics $V_{CC} = 5V, T_A = 25^\circ C$

DEVICE	CONDITIONS	t_{PLH} and t_{PHL} (ns) Propagation Delay Time From A Input			t_{PLH} and t_{PHL} (ns) Propagation Delay Time From RBI Input		
		MIN	TYP	MAX	MIN	TYP	MAX
		46A, 47A	$C_L = 15 \text{ pF}, R_L = 120\Omega$			100	
48	$C_L = 15 \text{ pF}, R_L = 1 \text{ k}\Omega$			100			100
LS47	$C_L = 15 \text{ pF}, R_L = 665\Omega$			100			100
LS48	$C_L = 15 \text{ pF}, R_L = 4 \text{ k}\Omega$			100			
	$C_L = 15 \text{ pF}, R_L = 6 \text{ k}\Omega$						100
LS49	$C_L = 15 \text{ pF}, R_L = 2 \text{ k}\Omega$			100			
	$C_L = 15 \text{ pF}, R_L = 6 \text{ k}\Omega$						100

Notes

- (1) All typical values are at $V_{CC} = 5V, T_A = 25^\circ C$.
- (2) I_{CC} is measured with all outputs open and all inputs at 4.5V.

Output Display
NUMERICAL DESIGNATIONS AND RESULTANT DISPLAYS
SEGMENT IDENTIFICATION

Truth Tables
46A, 47A, LS47

DECIMAL OR FUNCTION	INPUTS						BI/RBO(1)	OUTPUTS							NOTE
	LT	RBI	D	C	B	A		a	b	c	d	e	f	g	
0	H	H	L	L	L	L	H	L	L	L	L	L	L	H	(2)
1	H	X	L	L	L	H	H	H	L	L	H	H	H	H	
2	H	X	L	L	H	L	H	L	L	H	L	L	H	L	
3	H	X	L	L	H	H	H	L	L	L	L	H	H	L	
4	H	X	L	H	L	L	H	H	L	L	H	H	L	L	
5	H	X	L	H	L	H	H	L	H	L	L	H	L	L	
6	H	X	L	H	H	L	H	H	H	L	L	L	L	L	
7	H	X	L	H	H	H	H	L	L	L	H	H	H	H	
8	H	X	H	L	L	L	H	L	L	L	L	L	L	L	
9	H	X	H	L	L	H	H	L	L	L	H	H	L	L	
10	H	X	H	L	H	L	H	H	H	L	L	L	H	L	
11	H	X	H	L	H	H	H	H	H	L	L	H	H	L	
12	H	X	H	H	L	L	H	H	L	H	H	H	L	L	
13	H	X	H	H	L	H	H	L	H	H	L	H	L	L	
14	H	X	H	H	H	L	H	H	H	L	L	L	L	L	
15	H	X	H	H	H	H	H	H	H	H	H	H	H	H	
BI	X	X	X	X	X	X	L	H	H	H	H	H	H	H	(3)
RBI	H	L	L	L	L	L	L	H	H	H	H	H	H	H	(4)
LT	L	X	X	X	X	X	H	L	L	L	L	L	L	L	(5)

48, LS48

DECIMAL OR FUNCTION	INPUTS						BI/RBO(1)	OUTPUTS							NOTE
	LT	RBI	D	C	B	A		a	b	c	d	e	f	g	
0	H	H	L	L	L	L	H	H	H	H	H	H	L	(2)	
1	H	X	L	L	L	H	H	L	H	H	L	L	L		
2	H	X	L	L	H	L	H	H	H	L	H	L	H		
3	H	X	L	L	H	H	H	H	H	H	L	L	H		
4	H	X	L	H	L	L	H	L	H	H	L	L	H		
5	H	X	L	H	L	H	H	H	L	H	H	L	H		
6	H	X	L	H	H	L	H	L	L	H	H	H	H		
7	H	X	L	H	H	H	H	H	H	H	L	L	L		
8	H	X	H	L	L	L	H	H	H	H	H	H	H		
9	H	X	H	L	L	H	H	H	H	L	L	H	H		
10	H	X	H	L	H	L	H	L	L	L	H	L	H		
11	H	X	H	L	H	H	H	L	L	H	L	L	H		
12	H	X	H	H	L	L	H	L	H	L	L	L	H		
13	H	X	H	H	L	H	H	H	L	L	H	L	H		
14	H	X	H	H	H	L	H	L	L	L	H	H	H		
15	H	X	H	H	H	H	H	L	L	L	L	L	L		
BI	X	X	X	X	X	X	L	L	L	L	L	L	L	(3)	
RBI	H	L	L	L	L	L	L	L	L	L	L	L	L	(4)	
LT	L	X	X	X	X	X	H	H	H	H	H	H	H	(5)	

Notes

- (1) BI/RBO is wire-AND logic serving as blanking input (BI) and/or ripple-blanking output (RBO).
- (2) The blanking input (BI) must be open or held at a high logic level when output functions 0 through 15 are desired. The ripple-blanking input (RBI) must be open or high if blanking of a decimal zero is not desired.
- (3) When a low logic level is applied directly to the blanking input (BI), all segment outputs are H regardless of the level of any other input.
- (4) When ripple-blanking input (RBI) and inputs A, B, C, and D are at a low level with the lamp test input high, all segment outputs go H and the ripple-blanking output (RBO) goes to a low level (response condition).
- (5) When the blanking input/ripple blanking output (BI/RBO) is open or held high and a low is applied to the lamp-test input, all segment outputs are L.

H = High Level, L = Low Level, X = Don't Care

Truth Tables (Continued)

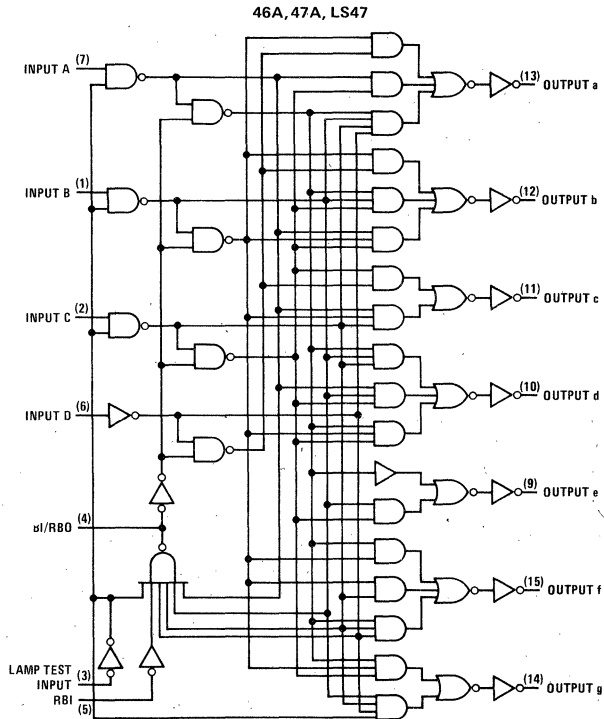
LS49

DECIMAL OR FUNCTION	INPUTS					OUTPUTS							NOTE
	D	C	B	A	BI	a	b	c	d	e	f	g	
0	L	L	L	L	H	H	H	H	H	H	H	L	
1	L	L	L	H	H	L	H	H	L	L	L	L	
2	L	L	H	L	H	H	H	L	H	H	L	H	
3	L	L	H	H	H	H	H	H	H	L	L	H	
4	L	H	L	L	H	L	H	H	L	L	H	H	
5	L	H	L	H	H	H	L	H	H	L	H	H	
6	L	H	H	L	H	L	L	H	H	H	H	H	
7	L	H	H	H	H	H	H	H	L	L	L	L	
8	H	L	L	L	H	H	H	H	H	H	H	H	
9	H	L	L	H	H	H	H	H	L	L	H	H	
10	H	L	H	L	H	L	L	L	H	H	L	H	
11	H	L	H	H	H	L	L	H	H	L	L	H	
12	H	H	L	L	H	L	H	L	L	L	H	H	
13	H	H	L	H	H	H	L	L	H	L	H	H	
14	H	H	H	L	H	L	L	L	H	H	H	H	
15	H	H	H	H	H	L	L	L	L	L	L	L	
BI	X	X	X	X	L	L	L	L	L	L	L	L	

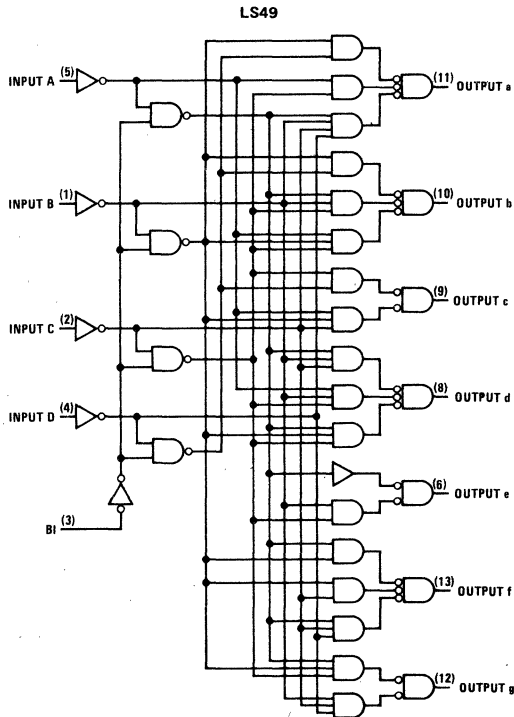
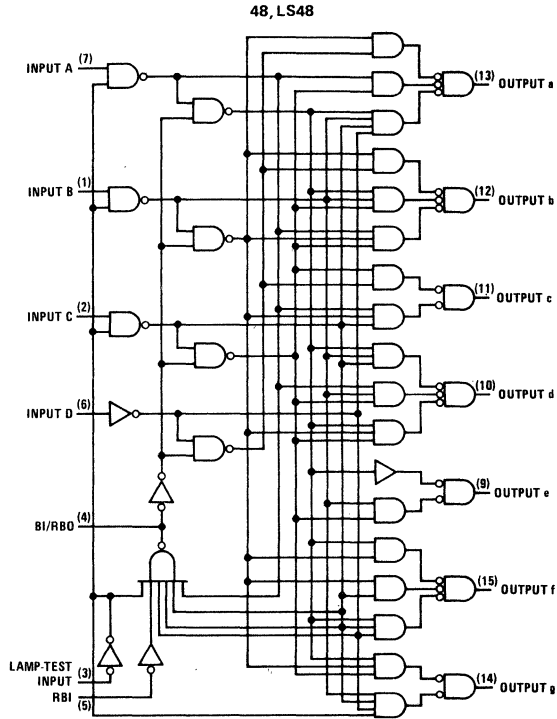
Notes

- (1) The blanking input (BI) must be open or held at a high logic level when output functions 0 through 15 are desired.
 - (2) When a low logic level is applied directly to the blanking input (BI), all segment outputs are low regardless of the level of any other input.
- H = High Level, L = Low Level, X = Don't Care

Logic Diagrams



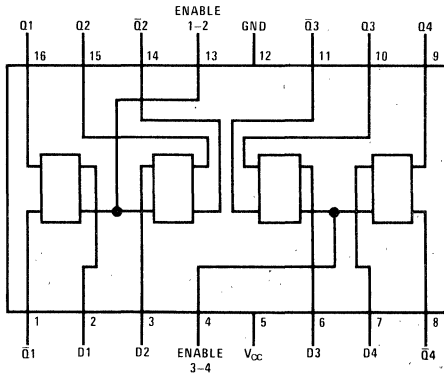
Logic Diagrams (Continued)



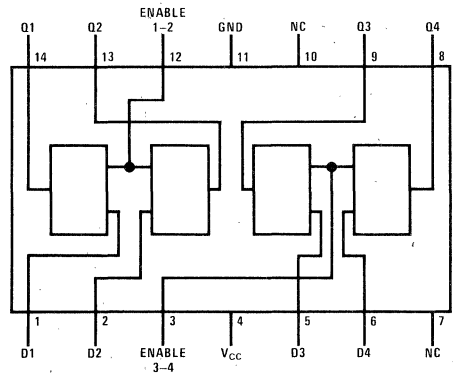
Quad Latches
General Description

These latches are ideally suited for use as temporary storage for binary information between processing units and input/output or indicator units. Information present at a data (D) input is transferred to the Q output when the enable (G) is high, and the Q output will follow the data input as long as the enable remains high. When the enable goes low, the information (that was present at the data input at the time the transition occurred) is retained at the Q output until the enable is permitted to go high.

The DM5475/DM7475, DM54L75A/DM74L75A, and DM54LS75/DM74LS75 feature complementary Q and \bar{Q} outputs from a 4-bit latch, and are available in 16-pin packages. For higher component density applications, the DM54LS77/DM74LS77 4-bit latches are available in 14-pin flat packages (only).

Connection Diagrams


5475/7475(J), (N), (W); 54L75A/74L75A(J), (N), (W);
54LS75/74LS75(J), (N), (W)



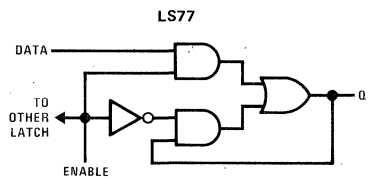
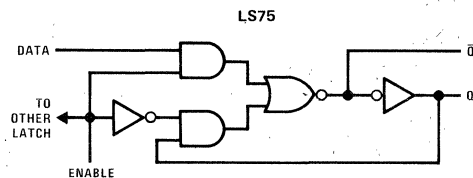
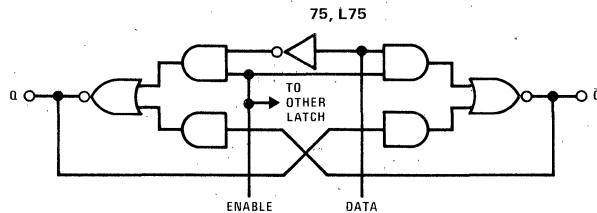
54LS77/74LS77(W)

Truth Table (Each Latch)

INPUTS		OUTPUTS	
D	G	Q	\bar{Q}
L	H	L	H
H	H	H	L
X	L	Q_0	\bar{Q}_0

H = High Level, L = Low Level, X = Don't Care

Q_0 = The Level of Q Before the High-to-Low Transition of G

Logic Diagrams (Each Latch)


Electrical Characteristics over recommended operating free-air temperature range (unless otherwise noted)

PARAMETER		CONDITIONS		DM54/74			DM54L/74L			DM54LS/74LS			UNITS
				75			L75A			LS75, LS77			
				MIN	TYP(1)	MAX	MIN	TYP(1)	MAX	MIN	TYP(1)	MAX	
V_{IH}	High Level Input Voltage			2			2			2			V
V_{IL}	Low Level Input Voltage	DM54		0.8			0.7			0.7			V
		DM74		0.8			0.7			0.8			
V_I	Input Clamp Voltage	$V_{CC} = \text{Min}$	$I_I = -12 \text{ mA}$	-1.5			-1.5						V
			$I_I = -18 \text{ mA}$							-1.5			
I_{OH}	High Level Output Current			-400			-200			-400			μA
V_{OH}	High Level Output Voltage	$V_{CC} = \text{Min}, V_{IH} = 2\text{V}$		DM54	2.4	3.4	2.4	3.4	2.5	3.5			V
		$V_{IL} = \text{Max}, I_{OH} = \text{Max}$		DM74	2.4	3.4	2.4	3.4	2.7	3.5			
I_{OL}	Low Level Output Current	DM54		16			2			4			mA
		DM74		16			3.6			8			
V_{OL}	Low Level Output Voltage	$V_{CC} = \text{Min}, V_{IH} = 2\text{V}, V_{IL} = \text{Max}$	$I_{OL} = 4 \text{ mA}$	DM74							0.25	0.4	V
				DM54	0.2 0.4		0.3			0.25 0.4			
					DM74	0.2 0.4		0.2 0.4		0.35 0.5			
I_I	Input Current at Maximum Input Voltage	$V_{CC} = \text{Max}$	$V_I = 5.5\text{V}$	D Input	1		0.2						mA
				G Input	1		0.4						
				$V_I = 7\text{V}$	D Input						0.1		
					G Input						0.4		
I_{IH}	High Level Input Current	$V_{CC} = \text{Max}$	$V_I = 2.4\text{V}$	D Input	80		20						μA
				G Input	80		40						
				$V_I = 2.7\text{V}$	D Input						20		
					G Input						80		
I_{IL}	Low Level Input Current	$V_{CC} = \text{Max}$	$V_I = 0.3\text{V}, 54\text{L}/74\text{L}$	D Input	-3.2		-0.36			-0.4		mA	
				$V_I = 0.4\text{V}, \text{Others}$	G Input	-3.2		-0.72			-1.6		
I_{OS}	Short Circuit Output Current	$V_{CC} = \text{Max}(2)$	DM54		-20	-55	-3	-9	-15	-30	-130	mA	
			DM74		-18	-55	-3	-9	-15	-30	-130		
I_{CC}	Supply Current	$V_{CC} = \text{Max}(3)$	DM54	LS75							6.3	12	mA
				Others	32	46	3.5	5.0	6.9	13			
			DM74	LS75							6.3	12	
				Others	32	50	3.5	5.0	6.9	13			

Switching Characteristics $V_{CC} = 5V, T_A = 25^{\circ}C$

PARAMETER		FROM (INPUT)	TO (OUTPUT)	DM54/74			DM54L/74L				DM54LS/74LS						UNITS																	
				75			L75A				CONDITIONS			LS75				LS77																
				CONDITIONS	MIN	TYP	MAX	CONDITIONS	MIN	TYP	MAX	MIN	TYP	MAX	MIN	TYP		MAX																
t_{PLH}	Propagation Delay Time, Low-to-High Level Output	D	Q	$C_L = 15 \text{ pF}$ $R_L = 400\Omega$			$C_L = 50 \text{ pF}$ $R_L = 4 \text{ k}\Omega$			$C_L = 15 \text{ pF}$ $R_L = 2 \text{ k}\Omega$													ns											
t_{PHL}	Propagation Delay Time, High-to-Low Level Output																							D	\bar{Q}	16	30	55	100	15	27	11	19	
t_{PLH}	Propagation Delay Time, Low-to-High Level Output	7	15																							32	80	7	15	N/A	N/A	ns		
t_{PHL}	Propagation Delay Time, High-to-Low Level Output	24	40																							75	120	15	27	10	18		ns	
t_{PLH}	Propagation Delay Time, Low-to-High Level Output	G	Q																							7	15	32	80	14	25	10		18
t_{PHL}	Propagation Delay Time, High-to-Low Level Output																									16	30	48	100	7	15	N/A	N/A	ns
t_{PLH}	Propagation Delay Time, Low-to-High Level Output	G	\bar{Q}																							7	15	38	80	16	30	N/A	N/A	
t_{PHL}	Propagation Delay Time, High-to-Low Level Output																							20		100		20		20		ns		
t_W	Width of Enabling Pulse			20		100		20		20		ns																						
t_{SETUP}	Setup Time			20		100		20		20		ns																						
t_{HOLD}	Hold Time			5		25		0		0		ns																						

Notes

- (1) All typical values are at $V_{CC} = 5V, T_A = 25^{\circ}C$.
- (2) Not more than one output should be shorted at a time, and for the DM54LS/74LS duration of short circuit should not exceed one second.
- (3) I_{CC} is tested with all inputs grounded and all outputs open.

4-Bit Binary Adders with Fast Carry

General Description

These full adders perform the addition of two 4-bit binary numbers. The sum (Σ) outputs are provided for each bit and the resultant carry (C_4) is obtained from the fourth bit. These adders feature full internal look ahead across all four bits. This provides the system designer with partial look-ahead performance at the economy and reduced package count of a ripple-carry implementation.

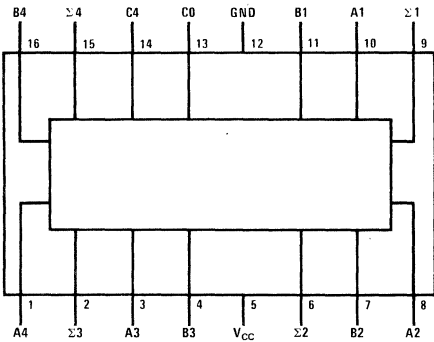
The adder logic, including the carry, is implemented in its true form meaning that the end-around carry can be accomplished without the need for logic or level inversion.

Features

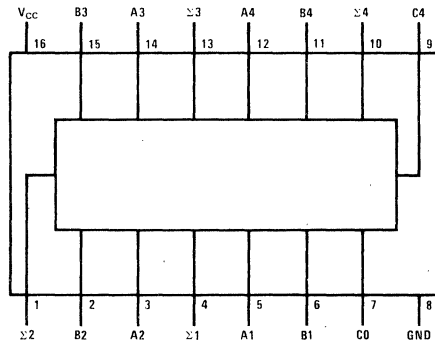
- Full-carry look-ahead across the four bits
- Systems achieve partial look-ahead performance with the economy of ripple carry

TYPE	TYPICAL ADD TIMES		TYPICAL POWER DISSIPATION PER 4-BIT ADDER
	TWO 8-BIT WORDS	TWO 16-BIT WORDS	
83	23 ns	43 ns	290 mW
LS83A	25 ns	45 ns	95 mW
LS283	25 ns	45 ns	95 mW

Connection Diagrams and Truth Table



5483(J, W); 7483(J, N), (W),
54LS83A/74LS83A(J), (N), (W)



54LS283/74LS283(J), (N), (W)

INPUT								OUTPUT											
								WHEN C0 = L				WHEN C0 = H							
A1	A3	B1	B3	A2	A4	B2	B4	$\Sigma 1$	$\Sigma 3$	$\Sigma 2$	$\Sigma 4$	C2	C4	$\Sigma 1$	$\Sigma 3$	$\Sigma 2$	$\Sigma 4$	C2	C4
L	L	L	L	L	L	L	L	L	L	L	L	L	L	H	L	L	L		
L	L	L	L	L	L	L	L	L	L	L	L	L	L	L	H	L	L		
L	L	L	L	L	L	L	L	L	L	L	L	L	L	L	H	L	L		
L	L	L	L	L	L	L	L	L	L	L	L	L	L	L	H	L	L		
L	L	L	L	L	L	L	L	L	L	L	L	L	L	L	H	L	L		
L	L	L	L	L	L	L	L	L	L	L	L	L	L	L	H	L	L		
L	L	L	L	L	L	L	L	L	L	L	L	L	L	L	H	L	L		
L	L	L	L	L	L	L	L	L	L	L	L	L	L	L	H	L	L		
L	L	L	L	L	L	L	L	L	L	L	L	L	L	L	H	L	L		
L	L	L	L	L	L	L	L	L	L	L	L	L	L	L	H	L	L		
L	L	L	L	L	L	L	L	L	L	L	L	L	L	L	H	L	L		
L	L	L	L	L	L	L	L	L	L	L	L	L	L	L	H	L	L		
L	L	L	L	L	L	L	L	L	L	L	L	L	L	L	H	L	L		
L	L	L	L	L	L	L	L	L	L	L	L	L	L	L	H	L	L		
L	L	L	L	L	L	L	L	L	L	L	L	L	L	L	H	L	L		
L	L	L	L	L	L	L	L	L	L	L	L	L	L	L	H	L	L		
L	L	L	L	L	L	L	L	L	L	L	L	L	L	L	H	L	L		

H = High Level, L = Low Level
Note : Input conditions at A1, B1, A2, B2, and C0 are used to determine outputs $\Sigma 1$ and $\Sigma 2$ and the value of the internal carry C2. The values at C2, A3, B3, A4, and B4 are then used to determine outputs $\Sigma 3$, $\Sigma 4$, and C4.

Electrical Characteristics over recommended operating free-air temperature range (unless otherwise noted)

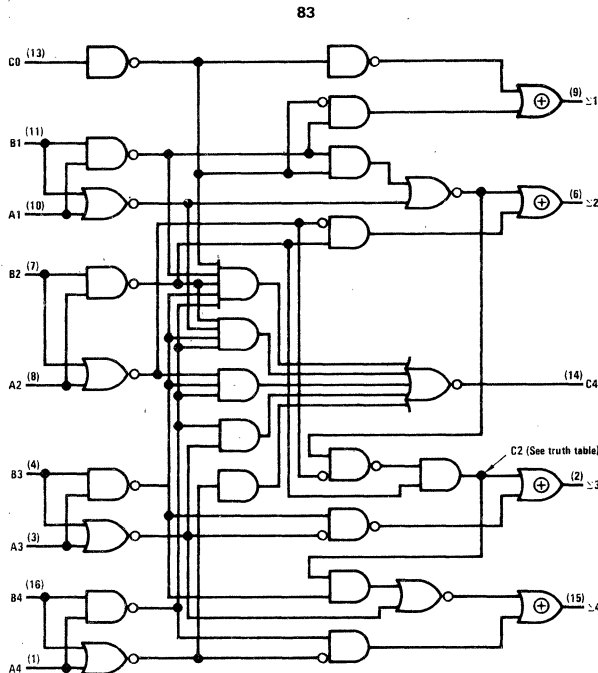
PARAMETER		CONDITIONS		DM54/74		DM54LS/74LS		UNITS	
				83		LS83A, LS283			
				MIN	TYP(1) MAX	MIN	TYP(1) MAX		
V_{IH}	High Level Input Voltage			2		2		V	
V_{IL}	Low Level Input Voltage				0.8		0.7	V	
		DM74			0.8		0.8		
V_I	Input Clamp Voltage	$V_{CC} = \text{Min}$	$I_I = -12 \text{ mA}$ $I_I = -18 \text{ mA}$		-1.5		-1.5	V	
I_{OH}	High Level Output Current	Any Output Except C4			-800		-400	μA	
		Output C4			-400		-400		
V_{OH}	High Level Output Voltage	$V_{CC} = \text{Min}, V_{IH} = 2\text{V}$ $V_{IL} = \text{Max}, I_{OH} = \text{Max}$	DM54	2.4	3.4	2.5	3.4	V	
			DM74	2.4	3.4	2.7	3.4		
I_{OL}	Low Level Output Current	Any Output Except C4 Output C4	DM54	16		4		mA	
			DM74	16		8			
			DM54	8		4			
			DM74	8		8			
V_{OL}	Low Level Output Voltage	$V_{CC} = \text{Min}$ $V_{IH} = 2\text{V}$ $V_{IL} = \text{Max}$	$I_{OL} = 4 \text{ mA}$			0.25	0.4	V	
			$I_{OL} = 8 \text{ mA}$	DM74			0.35		0.5
			$I_{OL} = \text{Max}$		0.2	0.4			
I_I	Input Current at Maximum Input Voltage	Any A or B	$V_{CC} = \text{Max}$	$V_I = 5.5\text{V}$	1			mA	
				$V_I = 7\text{V}$			0.2		
		C0		$V_I = 5.5\text{V}$	1				
				$V_I = 7\text{V}$			0.1		
I_{IH}	High Level Input Current	Any A or B	$V_{CC} = \text{Max}$	$V_I = 2.4\text{V}$	80			μA	
				$V_I = 2.7\text{V}$			40		
		C0		$V_I = 2.4\text{V}$	80				
				$V_I = 2.7\text{V}$			20		
I_{IL}	Low Level Input Current	Any A or B	$V_{CC} = \text{Max}, V_I = 0.4\text{V}$		-3.2		-0.8	mA	
		C0			-3.2		-0.4		
I_{OS}	Short Circuit Output Current	Any Output Except C4	$V_{CC} = \text{Max}(2)$	DM54	-20	-55	-30	-130	mA
				DM74	-18	-55	-30	-130	
		Output C4		DM54	-20	-70	-30	-130	
				DM74	-18	-70	-30	-130	
I_{CC}	Supply Current	$V_{CC} = \text{Max}$ Outputs Open	All Inputs Grounded			22	39	mA	
			All B Low, Other Inputs at 4.5V			19	34		
			All Inputs at 4.5V	58	79	19	34		

Notes

- (1) All typical values are at $V_{CC} = 5\text{V}$, $T_A = 25^\circ\text{C}$.
- (2) Only one output should be shorted at a time, and for 54LS/74LS duration of short circuit should not exceed one second.

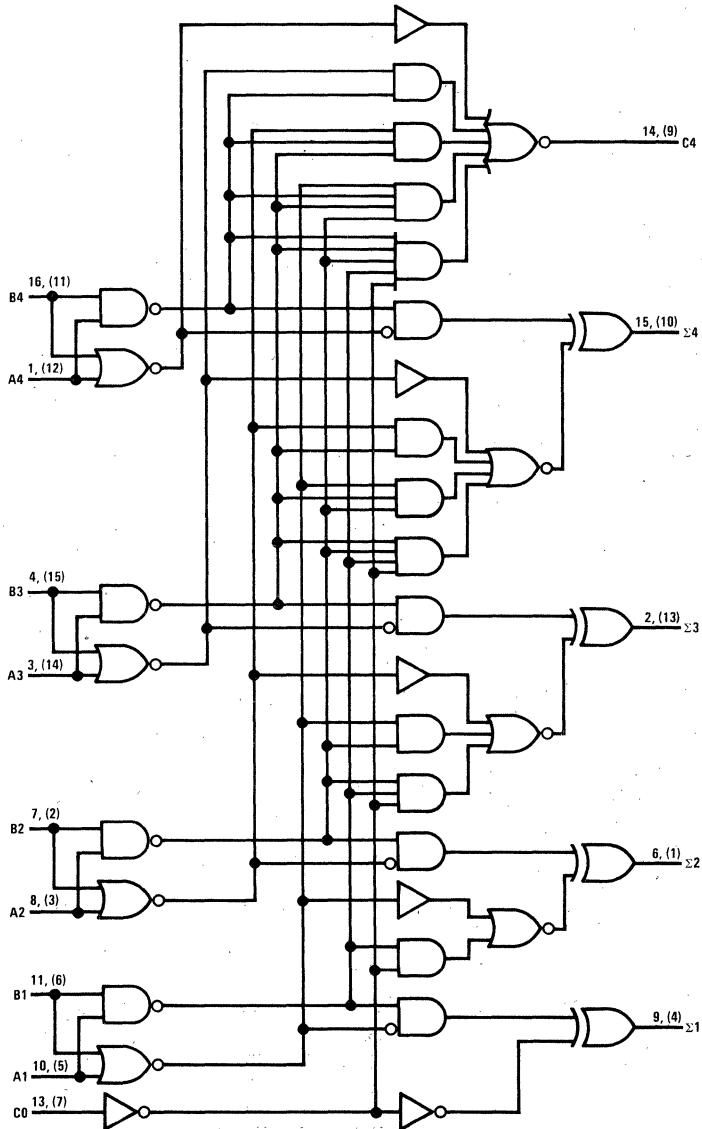
Switching Characteristics $V_{CC} = 5V, T_A = 25^{\circ}C$

PARAMETER	FROM (INPUT)	TO (OUTPUT)	DM54/74				DM54LS/74LS				UNITS
			83				LS83A, LS283				
			CONDITIONS	MIN	TYP	MAX	CONDITIONS	MIN	TYP	MAX	
t_{PLH} Propagation Delay Time, Low-to-High Level Output	C0	Σ_1 or Σ_2	$C_L = 15 \text{ pF}$ $R_L = 400\Omega$		22	32	$C_L = 15 \text{ pF}$ $R_L = 2 \text{ k}\Omega$		16	24	ns
t_{PHL} Propagation Delay Time, High-to-Low Level Output					20	32			15	24	ns
t_{PLH} Propagation Delay Time, Low-to-High Level Output	C0	Σ_3		28	47	16		24	ns		
t_{PHL} Propagation Delay Time, High-to-Low Level Output				22	38	15		24	ns		
t_{PLH} Propagation Delay Time, Low-to-High Level Output	C0	Σ_4		28	47	16		24	ns		
t_{PHL} Propagation Delay Time, High-to-Low Level Output				28	47	15		24	ns		
t_{PLH} Propagation Delay Time, Low-to-High Level Output	A_i or B_i	Σ_i		38		15		24	ns		
t_{PHL} Propagation Delay Time, High-to-Low Level Output				33		15		24	ns		
t_{PLH} Propagation Delay Time, Low-to-High Level Output	C0	C4		12	19	11		17	ns		
t_{PHL} Propagation Delay Time, High-to-Low Level Output				12	19	11		17	ns		
t_{PLH} Propagation Delay Time, Low-to-High Level Output	A_i or B_i	C4	$C_L = 15 \text{ pF}$ $R_L = 780\Omega$	12	19	11	17	ns			
t_{PHL} Propagation Delay Time, High-to-Low Level Output				12	19	12	17	ns			

Logic Diagrams


Logic Diagrams (Continued)

LS83A, LS283



Note: Pin numbers shown in parenthesis are for LS283

4-Bit Magnitude Comparators

General Description

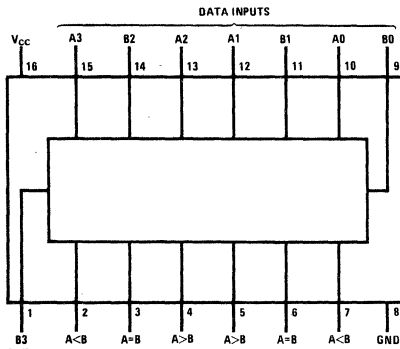
These four-bit magnitude comparators perform comparison of straight binary or BCD codes. Three fully-decoded decisions about two, 4-bit words (A, B) are made and are externally available at three outputs. These devices are fully expandable to any number of bits without external gates. Words of greater length may be compared by connecting comparators in cascade. The A > B, A < B, and A = B outputs of a stage handling less-significant bits are connected to the corresponding inputs of the next stage handling more-significant bits. The stage handling the least-significant bits must have a high-level voltage applied to the A = B input and in addition for the L85, low-level voltages applied to the

A > B and A < B inputs. The cascading paths of the 85, and LS85 are implemented with only a two-gate-level delay to reduce overall comparison times for long words.

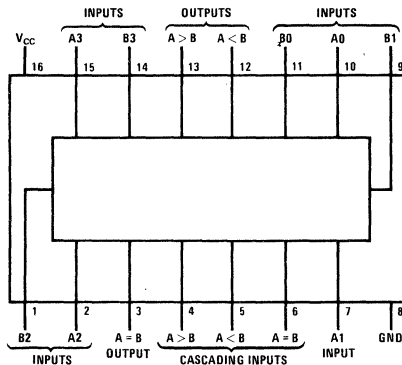
Features

TYPE	TYPICAL POWER DISSIPATION	TYPICAL DELAY (4-BIT WORDS)
85	275 mW	23 ns
L85	20 mW	55 ns
LS85	52 mW	24 ns

Connection Diagrams



5485(J), (W); 7485(J), (N), (W);
54LS85/74LS85(J), (N), (W)



54L85/74L85(J), (N), (W)

Truth Tables

COMPARING INPUTS				CASCADING INPUTS			OUTPUTS		
A3, B3	A2, B2	A1, B1	A0, B0	A > B	A < B	A = B	A > B	A < B	A = B
A3 > B3	X	X	X	X	X	X	H	L	L
A3 < B3	X	X	X	X	X	X	L	H	L
A3 = B3	A2 > B2	X	X	X	X	X	H	L	L
A3 = B3	A2 < B2	X	X	X	X	X	L	H	L
A3 = B3	A2 = B2	A1 > B1	X	X	X	X	H	L	L
A3 = B3	A2 = B2	A1 < B1	X	X	X	X	L	H	L
A3 = B3	A2 = B2	A1 = B1	A0 > B0	X	X	X	H	L	L
A3 = B3	A2 = B2	A1 = B1	A0 < B0	X	X	X	L	H	L
A3 = B3	A2 = B2	A1 = B1	A0 = B0	H	L	L	H	L	L
A3 = B3	A2 = B2	A1 = B1	A0 = B0	L	H	L	L	H	L
A3 = B3	A2 = B2	A1 = B1	A0 = B0	L	L	H	L	L	H

85, LS85

A3 = B3	A2 = B2	A1 = B1	A0 = B0	X	X	H	L	L	H
A3 = B3	A2 = B2	A1 = B1	A0 = B0	H	H	L	L	L	L
A3 = B3	A2 = B2	A1 = B1	A0 = B0	L	L	L	H	H	L

L85

A3 = B3	A2 = B2	A1 = B1	A0 = B0	L	H	H	L	H	H
A3 = B3	A2 = B2	A1 = B1	A0 = B0	H	L	H	H	L	H
A3 = B3	A2 = B2	A1 = B1	A0 = B0	H	H	H	H	H	H
A3 = B3	A2 = B2	A1 = B1	A0 = B0	H	H	L	H	H	L
A3 = B3	A2 = B2	A1 = B1	A0 = B0	L	L	L	L	L	L

H = High Level, L = Low Level, X = Don't Care

Electrical Characteristics over recommended operating free-air temperature range (unless otherwise noted)

PARAMETER		CONDITIONS		DM54/74		DM54L/74L		DM54LS/74LS		UNITS		
				85		L85		LS85				
				MIN	TYP(1)	MAX	MIN	TYP(1)	MAX		MIN	TYP(1)
V_{IH}	High Level Input Voltage				2		2	1.3	2		V	
V_{IL}	Low Level Input Voltage		DM54				0.8	1.3	0.7		0.7	V
			DM74				0.8	1.3	0.7		0.8	
V_I	Input Clamp Voltage	V _{CC} = Min	I _I = -12 mA I _I = -18 mA				-1.5	N/A	N/A		-1.5	V
I_{OH}	High Level Output Current						-800		-200		-400	μA
V_{OH}	High Level Output Voltage	V _{CC} = Min, V _{IH} = 2V V _{IL} = Max, I _{OH} = Max			2.4		2.4		2.4	3.4		V
I_{OL}	Low Level Output Current		DM54				16		2		4	mA
			DM74				16		3.6		8	
V_{OL}	Low Level Output Voltage	V _{CC} = Min	I _{OL} = Max	DM54			0.4	0.15	0.3	0.25	0.4	V
		V _{IH} = 2V		DM74			0.4	0.2	0.4	0.35	0.5	
		V _{IL} = Max		DM74						0.25	0.4	
I_I	Input Current at Maximum Input Voltage	A < B, A > B, or A = B (5) All Other Inputs	V _{CC} = Max	V _I = 5.5V			1.0		0.1			mA
				V _I = 7V						0.1		
				V _I = 5.5V			1.0		0.3			
				V _I = 7V						0.3		
I_{IH}	High Level Input Current	A < B, A > B, or A = B (5) All Other Inputs	V _{CC} = Max	V _I = 2.4V			40		10			μA
				V _I = 2.7V						20		
				V _I = 2.4V			120		30			
				V _I = 2.7V						60		
I_{IL}	Low Level Input Current	A < B, A > B, or A = B (5) All Other Inputs	V _{CC} = Max	V _I = 0.3V					-0.18			mA
				V _I = 0.4V			-1.6			-0.4		
				V _I = 0.3V						-0.54		
				V _I = 0.4V			-4.8			-1.2		
I_{OS}	Short Circuit Output Current	V _{CC} = Max(2)	DM54			-20	-55	-3	-15	-30	-130	mA
			DM74			-18	-55	-3	-15	-30	-130	
I_{CC}	Supply Current	V _{CC} = Max	Condition A	(3)					6.6			mA
			Condition B	(4)					7.0			
						55	88				10.4	

Switching Characteristics $V_{CC} = 5V, T_A = 25^\circ C$

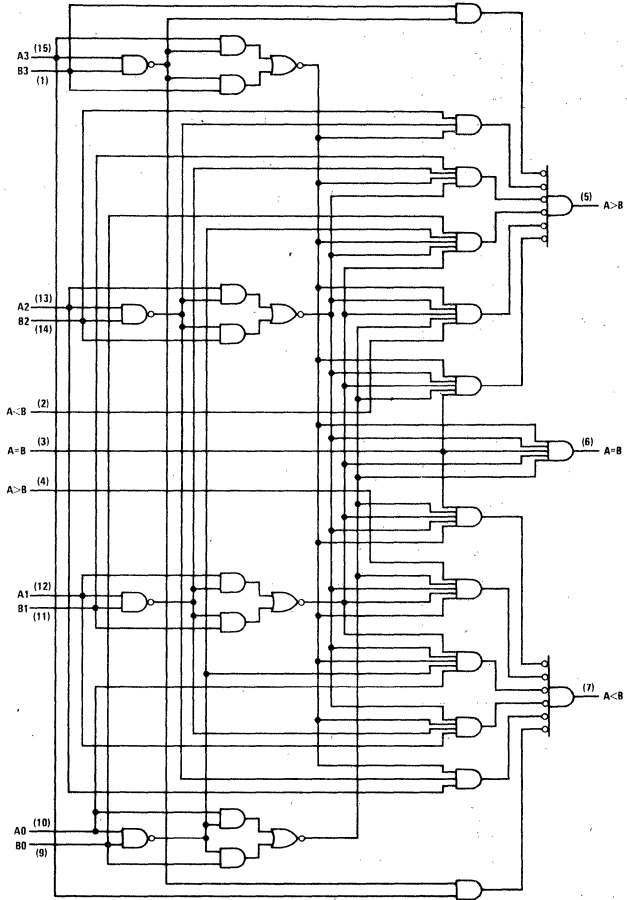
PARAMETER		FROM INPUT	TO OUTPUT	NUMBER OF GATE LEVELS	DM54/74			DM54L/74L			DM54LS/74LS			UNITS			
					85			L85			LS85						
					CONDITIONS	MIN	TYP	MAX	CONDITIONS	MIN	TYP	MAX	CONDITIONS		MIN	TYP	MAX
t _{PLH}	Propagation Delay Time, Low-to-High Level Output	Any A or B Data Input	A < B, A > B	1	C _L = 15 pF R _L = 400Ω	7			C _L = 50 pF R _L = 4 kΩ	70 115			C _L = 15 pF R _L = 2 kΩ	14			ns
				2		12				70 115				19			
				3		17 26				70 115				24 36			
				4		23 35				70 115				23 40			
t _{PHL}	Propagation Delay Time, High-to-Low Level Output	Any A or B Data Input	A < B, A > B	1		11				55 90				11			ns
				2		15				55 90				15			
				3		20 30				55 90				20 30			
				4		20 30				55 90				20 30			
t _{PLH}	Propagation Delay Time, Low-to-High Level Output	A < B or A = B	A > B	1		7 11				55 100				14 22			ns
t _{PHL}	Propagation Delay Time, High-to-Low Level Output	A < B or A = B	A > B	1		11 17				40 65				11 17			ns
t _{PLH}	Propagation Delay Time, Low-to-High Level Output	A = B	A = B	2		13 20				55 100				13 20			ns
t _{PHL}	Propagation Delay Time, High-to-Low Level Output	A = B	A = B	2		11 17				40 65				11 17			ns
t _{PLH}	Propagation Delay Time, Low-to-High Level Output	A > B or A = B	A < B	1	7 11			55 100			14 22			ns			
t _{PHL}	Propagation Delay Time, High-to-Low Level Output	A > B or A = B	A < B	1	11 17			40 65			11 17			ns			

Notes

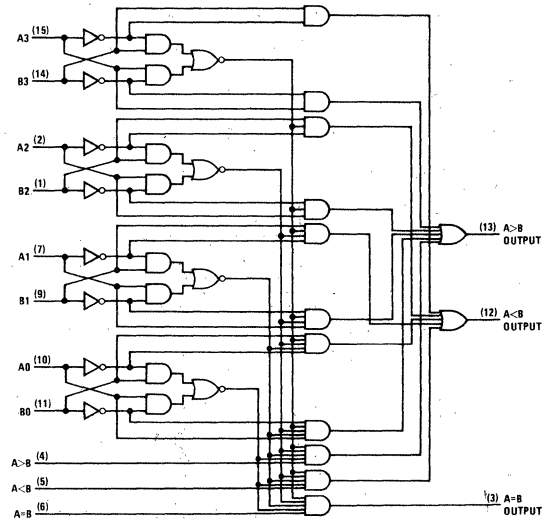
- (1) All typical values are at $V_{CC} = 5V, T_A = 25^\circ C$.
- (2) Not more than one output should be shorted at a time, and for DM54LS/74LS duration of short circuit should not exceed one second.
- (3) With all outputs open, I_{CC} is measured for Condition A with all inputs at 4.5V, and for Condition B with all inputs grounded.
- (4) I_{CC} is measured with outputs open, A = B grounded, and all other inputs at 4.5V.
- (5) The condition A = B applies to L85 values only. For DM5485/DM7485 and LS85 use the values for "All Other Inputs."

Logic Diagrams

85, LS85



L85



General Description

These custom-programmed, 256-bit, read-only memories are organized as 32 words of eight bits each. Each 32-word memory array is addressed in straight 5-bit binary with full on-chip decoding. An overriding memory-enable input is provided which, when taken high, will inhibit the 32 address gates and cause all eight outputs to remain high (off). Data, as specified by the customer, are permanently programmed into the monolithic structure for the 256-bit locations. This organization is expandable to n-words of N-bit length.

The address of an eight-bit word is accomplished through the buffered, binary select inputs which are decoded by the 32, five-input address gates. When the memory-enable input is high, all 32 gate outputs are low, turning off the eight output buffers.

Data are programmed into the memory at the 32, eight-emitter transistors. The programming process involves connecting or not connecting each of the 256 emitters. If an emitter is connected, a low-level voltage is read out of that bit location when its decoding gate is addressed. If the emitter is not connected, a high-level voltage is read when addressed. Those decoding-gate output emitters which are used are connected to their respective bit lines to drive the eight output buffers. Since

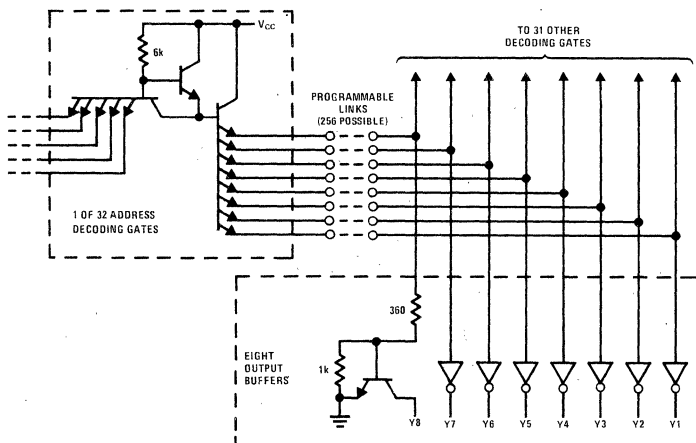
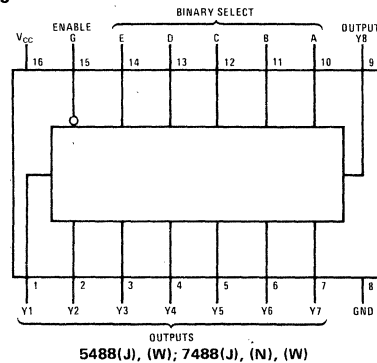
256-Bit Read Only Memories

only one decoding gate is addressed at a time, only one of the 32 transistors can supply current to the output buffers at a time.

Input buffers lower the fan-in requirement to only one normalized DM54/74 load for all inputs including enable (G). The open-collector outputs are capable of sinking 12 milliampères of current and may be wire-AND connected to increase the number of words available. An external pull-up resistor from each output to the supply line (V_{CC}) is required to define the high-level output voltage. Where multiple devices are used in a memory system, the enable input allows easy decoding of additional address bits.

Features

- Typical access time: 20 ns
- Typical power dissipation: 240 mW
- Applications in computer subroutines
- Useful in display systems and readouts
- Memory organized as 32 words of 8 bits each
- Input clamping diodes simplify system design
- Open-collector outputs permit wire-AND capability

Connection and Schematic Diagrams


Electrical Characteristics over recommended operating free-air temperature range (unless otherwise noted)

PARAMETER		CONDITIONS	DM54/74			UNITS
			88			
			MIN	TYP(1)	MAX	
V_{IH}	High Level Input Voltage		2			V
V_{IL}	Low Level Input Voltage		0.8			V
V_I	Input Clamp Voltage	$V_{CC} = \text{Min}, I_I = -12 \text{ mA}$	-1.5			V
I_{OH}	High Level Output Current	$V_{CC} = \text{Min}, V_{IH} = 2\text{V}$ $V_{IL} = 0.8\text{V}, V_{OH} = 5.5\text{V}$	40			μA
I_{OL}	Low Level Output Current		12			mA
V_{OL}	Low Level Output Voltage	$V_{CC} = \text{Min}, V_{IH} = 2\text{V}$ $V_{IL} = 0.8\text{V}, I_{OL} = 12 \text{ mA}$	0.2	0.4		V
I_I	Input Current at Maximum Input Voltage	$V_{CC} = \text{Max}, V_I = 5.5\text{V}$	1			mA
I_{IH}	High Level Input Current	$V_{CC} = \text{Max}, V_I = 2.4\text{V}$	25			μA
I_{IL}	Low Level Input Current	$V_{CC} = \text{Max}, V_I = 0.4\text{V}$	-1			mA
I_{CCH}	Supply Current, All Outputs High	$V_{CC} = \text{Max}(2)$	37		65	mA
I_{CCL}	Supply Current, All Outputs Low		48		80	

Notes

 (1) All typical values are at $V_{CC} = 5\text{V}, T_A = 25^\circ\text{C}$.

(2) All 32 words are addressed separately to ensure that the supply current does not exceed the stated maximum. The typical value shown is for the worst-case condition of all eight outputs driven low at one time.

Switching Characteristics $V_{CC} = 5\text{V}, T_A = 25^\circ\text{C}$

PARAMETER		FROM (INPUT)	TO (OUTPUT)	CONDITIONS	DM54/74			UNITS
					88			
					MIN	TYP	MAX	
t_{PLH}	Propagation Delay Time, Low-to-High Level Output	Enable	Any	$C_L = 30 \text{ pF}$ $R_{L1} = 400\Omega$ $R_{L2} = 600\Omega$	19	35	ns	
t_{PHL}	Propagation Delay Time, High-to-Low Level Output	Enable	Any		18	35	ns	
t_{PLH}	Propagation Delay Time, Low-to-High Level Output	Select	Any		21	35	ns	
t_{PHL}	Propagation Delay Time, High-to-Low Level Output	Select	Any		17	35	ns	

Ordering Instructions

Programming instructions for the DM5488 or DM7488 are solicited in the form of a sequenced deck of 32 standard 80-column data cards providing the information requested under "data card format," accompanied by a properly sequenced listing of these cards, and the supplementary ordering data. Upon receipt of these items, a computer run will be made from the deck of cards which will produce a complete function table of the requested part. This function table, showing output conditions for each of the 32 words, will be forwarded to the purchaser as verification of the input data as interpreted by the computer-automated design (CAD) program. This single run also generates mask and test program data; therefore, verification of the function table should be completed promptly.

Each card in the data deck prepared by the purchaser identifies the word specified and describes the levels at the eight outputs for that word. All addresses must have all outputs defined and columns designated as "blank" must not be punched. Cards should be punched according to the data card format shown.

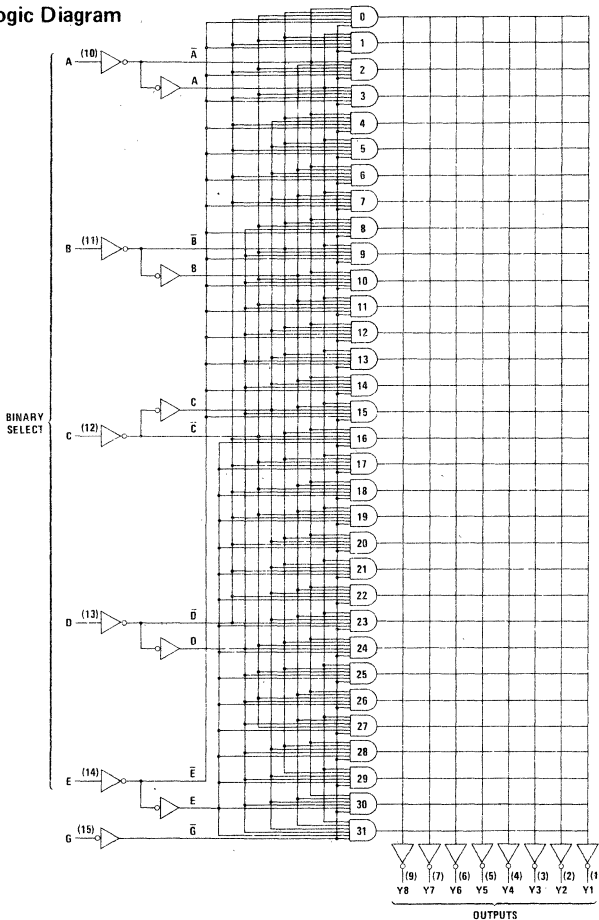
Supplementary Ordering Data

Submit the following information with the data cards:

- Customer's name and address
- Customer's purchase order number
- Customer's drawing number

Data Card Format
Column

- | | | | |
|-------|--|-------|---|
| 1-2 | Punch a right-justified integer representing the positive-logic binary input address (00-31) for the word described on the card. | 31-34 | Blank |
| 3-4 | Blank | 35 | Punch "H," "L," or "X" for output Y2. |
| 5 | Punch "H," "L," or "X" for output Y8. H = high-voltage-level output, L = low-voltage-level output, X = output irrelevant. | 36-39 | Blank |
| 6-9 | Blank | 40 | Punch "H," "L," or "X" for output Y1. |
| 10 | Punch "H," "L," or "X" for output Y7. | 41-49 | Blank |
| 11-14 | Blank | 50-51 | Punch a right-justified integer representing the current calendar day of the month. |
| 15 | Punch "H," "L," or "X" for output Y6. | 52 | Blank |
| 16-19 | Blank | 53-55 | Punch an alphabetic abbreviation representing the current month. |
| 20 | Punch "H," "L," or "X" for output Y5. | 56 | Blank |
| 21-24 | Blank | 57-58 | Punch the last two digits of the current year. |
| 25 | Punch "H," "L," or "X" for output Y4. | 59 | Blank |
| 26-29 | Blank | 60-61 | Punch "DM" |
| 30 | Punch "H," "L," or "X" for output Y3. | 62-65 | Punch the National Semiconductor part number 5488 or 7488. |
| | | 66-70 | Blank |

Logic Diagram

Word Select Table

WORD	INPUTS				
	E	D	C	B	A
0	L	L	L	L	L
1	L	L	L	L	H
2	L	L	L	H	L
3	L	L	L	H	H
4	L	L	H	L	L
5	L	L	H	L	H
6	L	L	H	H	L
7	L	L	H	H	H
8	L	H	L	L	L
9	L	H	L	L	H
10	L	H	L	H	L
11	L	H	L	H	H
12	L	H	H	L	L
13	L	H	H	L	H
14	L	H	H	H	L
15	L	H	H	H	H
16	H	L	L	L	L
17	H	L	L	L	H
18	H	L	L	H	L
19	H	L	L	H	H
20	H	L	H	L	L
21	H	L	H	L	H
22	H	L	H	H	L
23	H	L	H	H	H
24	H	H	L	L	L
25	H	H	L	L	H
26	H	H	L	H	L
27	H	H	L	H	H
28	H	H	H	L	L
29	H	H	H	L	H
30	H	H	H	H	L
31	H	H	H	H	H

H = High Level, L = Low Level

64-Bit Read/Write Memories

General Description

The DM5489/DM7489, DM54L89A/DM74L89A are fully decoded 64-bit RAMs organized as 16, 4-bit words. The memory is addressed by applying a binary number to the four Address inputs. After addressing, information may be either written into or read from the memory. To write, both the Memory Enable and the Write Enable inputs must be in the logical "0" state. Information applied to the four Write inputs will then be written into the addressed location. To read information from the memory the Memory Enable input must be in the logical "0" state and the Write Enable input in the logical "1" state. Information will be read as the complement of what was written into the memory. When the Memory Enable input is in the logical "1" state, the outputs will go to the logical "1" state.

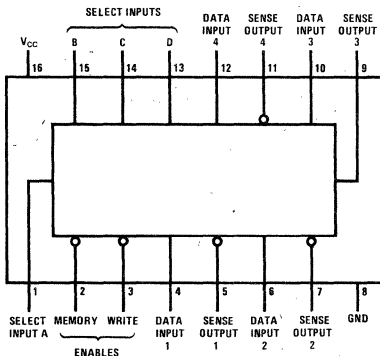
denote that full "tenth-power" technology has been employed in building this RAM.

Features

- For application as a "scratch pad" memory with nondestructive read-out
- Fully decoded memory organized as 16 words of four bits each
- Fast access time
DM54/74—35 ns typical
DM54L/74L—110 ns
- Diode-clamped, buffered inputs
- Open-collector outputs provide wire-OR capability
- Typical power dissipation
DM54/74—400 mW
DM54L/74L—75 mW
- Pin compatible with 3101, MM5501

The "A" suffix on the low power versions is used to

Connection Diagram

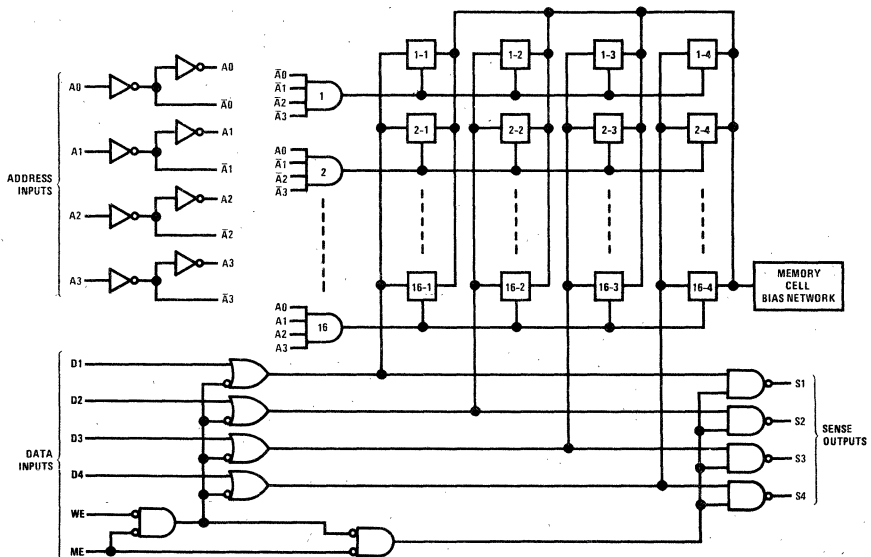


5489(J); 7489(J), (N);
54L89A/74L89A(J), (N), (W)

Truth Table

MEMORY ENABLE	WRITE ENABLE	OPERATION	OUTPUTS
0	0	Write	Logical "1" State
0	1	Read	Complement of Data Stored in Memory
1	X	Hold	Logical "1" State

Logic Diagram



Electrical Characteristics over recommended operating free-air temperature range (unless otherwise noted)

PARAMETER		CONDITIONS		DM54/74			DM54L/74L			UNITS
				89			L89A			
				MIN	TYP(1)	MAX	MIN	TYP(1)	MAX	
V _{IH}	High Level Input Voltage			2			2			V
V _{IL}	Low Level Input Voltage					0.8	0.7		V	
V _I	Input Clamp Voltage	V _{CC} = Min, I _I = -12 mA				-1.5	-1.5		V	
I _{OH}	High Level Output Current	V _{CC} = Min, V _{IH} = 2V	DM54	100		50		μA		
		V _{IL} = Max, V _{OH} = 5.5V	DM74	20		50				
V _{OH}	High Level Output Voltage			5.5		5.5		V		
I _{OL}	Low Level Output Current			DM54	12		2.0		mA	
				DM74	12		3.6			
V _{OL}	Low Level Output Voltage	V _{CC} = Min, V _{IH} = 2V	DM54	0.4		0.3		V		
		V _{IL} = Max, I _{OL} = Max	DM74	0.4		0.4				
I _I	Input Current at Maximum Input Voltage	V _{CC} = Max, V _I = 5.5V		1		0.1		mA		
I _{IH}	High Level Input Current	V _{CC} = Max, V _I = 2.4V		40		10		μA		
I _{IL}	Low Level Input Current	V _{CC} = Max	V _I = 0.3V					mA		
			V _I = 0.4V			-0.18				
I _{CC}	Supply Current	V _{CC} = Max(2)		80	120	15	19	mA		
C _O	Off-State Output Capacitance	V _{CC} = 5V, V _O = 2.0V, f = 1 MHz		6		N/A		pF		

Notes

- (1) All typical values are at V_{CC} = 5V, T_A = 25°C.
 (2) I_{CC} is measured with all inputs grounded.

Switching Characteristics V_{CC} = 5V, T_A = 25°C

PARAMETER		CONDITIONS	DM54/74			CONDITIONS	DM54L/74L			UNITS
			89				L89A			
			MIN	TYP	MAX		MIN	TYP	MAX	
t _{PLH}	Propagation Delay Time, Low-to-High Level Output From Memory Enable	C _L = 30 pF R _{L1} = 300Ω R _{L2} = 600Ω	23		35	C _L = 50 pF R _L = 4 kΩ	64	90	ns	
t _{PHL}	Propagation Delay Time, High-to-Low Level Output From Memory Enable		23		35		33	60	ns	
t _{PLH}	Propagation Delay Time, Low-to-High Level Output From Select		34		50		90	150	ns	
t _{PHL}	Propagation Delay Time, High-to-Low Level Output From Select		35		50		78	150	ns	
t _{SR}	Sense Recovery Time After Writing		35		50		110	165	ns	
t _W	Width of Write-Enable Pulse		40				50		ns	
t _{SETUP}	Setup Time, Data Input With Respect to Write Enable	0			0		ns			
t _{SETUP}	Select Input Setup Time With Respect to Write Enable	0			0		ns			
t _{HOLD}	Hold Time, Data Input With Respect to Write Enable	0			0		ns			
t _{HOLD}	Select Input Hold Time after Writing	5			0		ns			

Decade, Divide by 12, and Binary Counters
General Description

Each of these monolithic counters contains four master-slave flip-flops and additional gating to provide a divide-by-two counter and a three-stage binary counter for which the count cycle length is divide-by-five for the 90A, L90, and LS90, divide-by-six for the 92A and LS92, and divide-by-eight for the 93A, L93, and LS93.

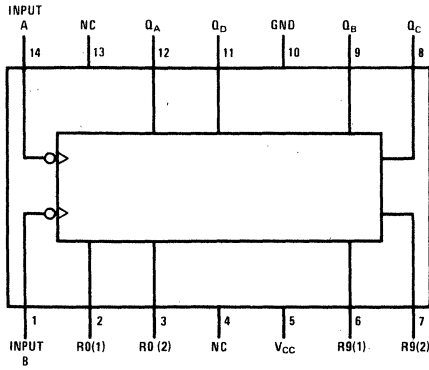
All of these counters have a gated zero reset and the 90A, L90, and LS90 also have gated set-to-nine inputs for use in BCD nine's complement applications.

To use their maximum count length (decade, divide-by-twelve, or four-bit binary), the B input is connected to the Q_A output. The input count pulses are applied to input A and the outputs are as described in the appropriate truth table. A symmetrical divide-by-ten count can be

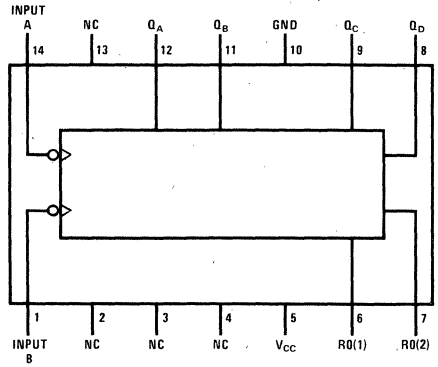
obtained from the 90A, L90, or LS90 counters by connecting the Q_D output to the A input and applying the input count to the B input which gives a divide-by-ten square wave at output Q_A .

Features

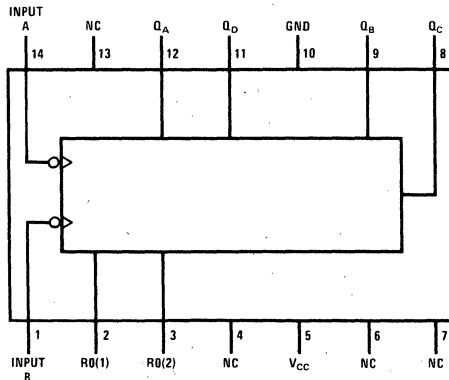
TYPE	TYPICAL POWER DISSIPATION	COUNT FREQUENCY
90A	145 mW	42 MHz
L90	20 mW	11 MHz
LS90	45 mW	42 MHz
92A, 93A	130 mW	42 MHz
LS92, LS93	45 mW	42 MHz
L93	16 mW	15 MHz

Connection Diagrams


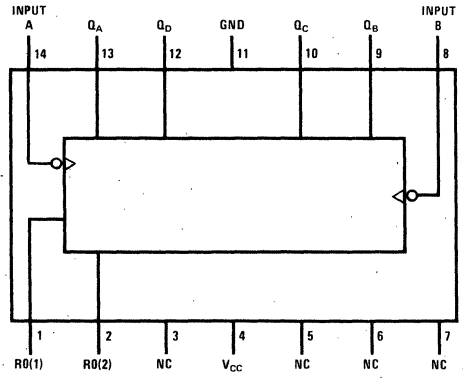
5490A/7490A(J), (N), (W);
54L90/74L90(J), (N), (W);
54LS90/74LS90(J), (N), (W)



5492A/7492A(J), (N), (W);
54LS92/74LS92(J), (N), (W)



5493A/7493A(J), (N), (W);
54LS93/74LS93(J), (N), (W)



54L93/74L93(J), (N), (W)

Electrical Characteristics over recommended operating free-air temperature range (unless otherwise noted)

PARAMETER		CONDITIONS		DM54/74			DM54L/74L			DM54LS/74LS			UNITS	
				90A, 92A, 93A			L90, L93			LS90, LS92, LS93				
				MIN	TYP(1)	MAX	MIN	TYP(1)	MAX	MIN	TYP(1)	MAX		
V_{IH}	High Level Input Voltage			2			2			2			V	
V_{IL}	Low Level Input Voltage				0.8			0.7			0.7		V	
					0.8			0.7			0.8			
V_I	Input Clamp Voltage	$V_{CC} = \text{Min}$	$I_i = -12 \text{ mA}$				-1.5			N/A			V	
			$I_i = -18 \text{ mA}$							-1.5				
I_{OH}	High Level Output Current						-800			-200			μA	
V_{OH}	High Level Output Voltage	$V_{CC} = \text{Min}, V_{IH} = 2\text{V}$ $V_{IL} = \text{Max}, I_{OH} = \text{Max}$		DM54	2.4	3.4	2.4			2.5	3.4			V
				DM74	2.4	3.4	2.4			2.7	3.4			
I_{OL}	Low Level Output Current			DM54				16			2			mA
				DM74				16			3.6			
V_{OL}	Low Level Output Voltage	$V_{CC} = \text{Min}$ $V_{IH} = 2\text{V}$ $V_{IL} = \text{Max}$	$I_{OL} = \text{Max (3)}$	DM54	0.2	0.4	0.15	0.3	0.25		0.4		V	
				DM74	0.2	0.4	0.2	0.4	0.35		0.5			
			$I_{OL} = 4 \text{ mA}$	DM74							0.25			0.4
I_i	Input Current at Maximum Input Voltage	Any Reset	$V_{CC} = \text{Min}$	$V_i = 5.5\text{V}$		1		0.1					mA	
				$V_i = 7\text{V}$						0.1				
		A Input	$V_i = 5.5\text{V}$		1		0.2		0.4					
		B Input	$V_i = 5.5\text{V}$		L90				0.4					
				Others		1		0.2		0.8				
I_{IH}	High Level Input Current	Any Reset	$V_{CC} = \text{Max}$	$V_i = 2.7\text{V}$ for LS		40		10		20		μA		
				$V_i = 2.4\text{V}$ for Others		80		20		120				
		A Input				93		80		20			40	
		B Input				Others		120		40			80	
I_{IL}	Low Level Input Current	Any Reset	$V_{CC} = \text{Max}$	$V_i = 0.3\text{V}$ for L		-1.6		-0.18		-0.4		mA		
				$V_i = 0.4\text{V}$ for Others		-3.2		-0.36		-2.4				
		A Input				93		-3.2		-0.36			-1.6	
		B Input				Others		-4.8		-0.72			-3.2	
I_{OS}	Short Circuit Output Current	$V_{CC} = \text{Max}(2)$	DM54	-20	-57	-3	-9	-15	-30	-130			mA	
			DM74	-18	-57	-3	-9	-15	-30	-130				
I_{CC}	Supply Current	$V_{CC} = \text{Max}(4)$	90A	29		42							mA	
			Others	26		39		5.5			9			15

Switching Characteristics $V_{CC} = 5V, T_A = 25^\circ C$

PARAMETER		FROM (INPUT)	TO (OUTPUT)	CONDITIONS	DM54/74									DM54L/74L						UNITS
					90A, LS90			92A, LS92			93A, LS93			L90			L93			
					MIN	TYP	MAX	MIN	TYP	MAX	MIN	TYP	MAX	MIN	TYP	MAX	MIN	TYP	MAX	
f_{max}	Maximum Count Frequency	A	Q_A	$C_L = 50 \text{ pF}$ For L90 and L93 $C_L = 15 \text{ pF}$ For All Others $R_L = 400\Omega$ For 90A, 92A and 93A $R_L = 2 \text{ k}\Omega$ For LS90, LS92 and LS93 $R_L = 4 \text{ k}\Omega$ For L90 and L93	32	42		32	42		32	42		6	11		6	15	MHz	
		B	Q_B		16			16												
t_{PLH}	Propagation Delay Time, Low-to-High Level Output	A	Q_A			10	16		10	16		10	16							ns
t_{PHL}	Propagation Delay Time, High-to-Low Level Output				12	18		12	18		12	18								
t_{PLH}	Propagation Delay Time, Low-to-High Level Output	A	Q_D			32	48		32	48		46	70		175	300		210	400	ns
t_{PHL}	Propagation Delay Time, High-to-Low Level Output				34	50		34	50		46	70		190	300		230	400		
t_{PLH}	Propagation Delay Time, Low-to-High Level Output	B	Q_B			10	16		10	16		10	16							ns
t_{PHL}	Propagation Delay Time, High-to-Low Level Output				14	21		14	21		14	21								
t_{PLH}	Propagation Delay Time, Low-to-High Level Output	B	Q_C			21	32		10	16		21	32							ns
t_{PHL}	Propagation Delay Time, High-to-Low Level Output				23	35		14	21		23	35								
t_{PLH}	Propagation Delay Time, Low-to-High Level Output	B	Q_D			21	32		21	32		34	51							ns
t_{PHL}	Propagation Delay Time, High-to-Low Level Output				23	35		23	35		34	51								
t_{PHL}	Propagation Delay Time, High-to-Low Level Output	Set-to-0	Any			26	40		26	40		26	40							ns
t_{PLH}	Propagation Delay Time, Low-to-High Level Output	Set-to-9	Q_A, Q_D			20	30													ns
t_{PHL}	Propagation Delay Time, High-to-Low Level Output				Q_B, Q_C		26	40												
t_W	Pulse Width	A Input				15			15			15			90			90		ns
		B Input			30			30			30			90			90			
		Reset Input			15			15			15			200			200			
t_{SETUP}	Reset Inactive State Setup Time				25			25			25			200			200		ns	

Notes

- (1) All typical values are at $V_{CC} = 5V, T_A = 25^\circ C$.
- (2) Not more than one output should be shorted at a time, and for DM54LS/74LS duration of short circuit should not exceed one second.
- (3) Q_A outputs are tested at $I_{OL} = \text{max}$ plus the limit value for I_{IL} for the B input. This permits driving the B input while maintaining full fan-out capability.
- (4) I_{CC} is measured with all outputs open, both R_O inputs grounded following momentary connection to 4.5V and all other inputs grounded.

Truth Tables
**90A, L90, LS90
BCD COUNT SEQUENCE
(See Note A)**

COUNT	OUTPUT			
	Q _D	Q _C	Q _B	Q _A
0	L	L	L	L
1	L	L	L	H
2	L	L	H	L
3	L	L	H	H
4	L	H	L	L
5	L	H	L	H
6	L	H	H	L
7	L	H	H	H
8	H	L	L	L
9	H	L	L	H

**90A, L90, LS90
BI-QUINARY (5-2)
(See Note B)**

COUNT	OUTPUT			
	Q _A	Q _D	Q _C	Q _B
0	L	L	L	L
1	L	L	L	H
2	L	L	H	L
3	L	L	H	H
4	L	H	L	L
5	H	L	L	L
6	H	L	L	H
7	H	L	H	L
8	H	L	H	H
9	H	H	L	L

**92A, LS92
COUNT SEQUENCE
(See Note C)**

COUNT	OUTPUT			
	Q _D	Q _C	Q _B	Q _A
0	L	L	L	L
1	L	L	L	H
2	L	L	H	L
3	L	L	H	H
4	L	H	L	L
5	L	H	L	H
6	H	L	L	L
7	H	L	L	H
8	H	L	H	L
9	H	L	H	H
10	H	H	L	L
11	H	H	L	H

**93A, L93, LS93
COUNT SEQUENCE
(See Note C)**

COUNT	OUTPUT			
	Q _D	Q _C	Q _B	Q _A
0	L	L	L	L
1	L	L	L	H
2	L	L	H	L
3	L	L	H	H
4	L	H	L	L
5	L	H	L	H
6	L	H	H	L
7	L	H	H	H
8	H	L	L	L
9	H	L	L	H
10	H	L	H	L
11	H	L	H	H
12	H	H	L	L
13	H	H	L	H
14	H	H	H	L
15	H	H	H	H

**90A, L90, LS90
RESET/COUNT TRUTH TABLE**

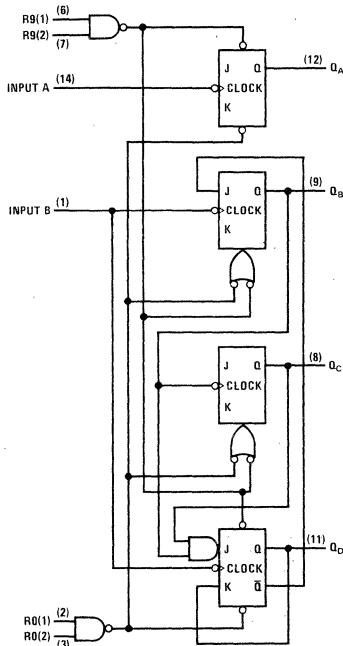
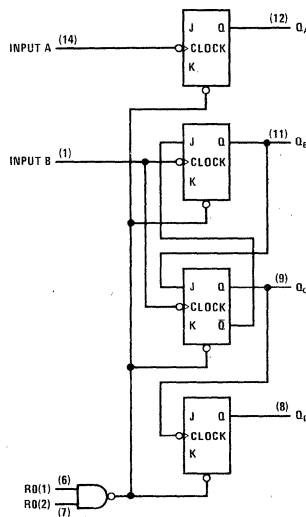
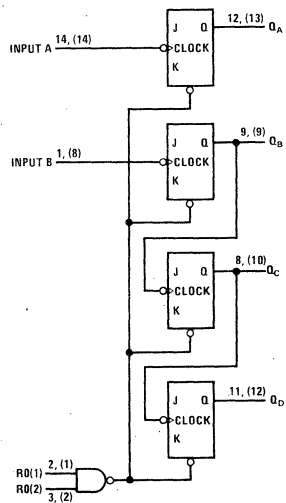
RESET INPUTS				OUTPUT			
R0(1)	R0(2)	R9(1)	R9(2)	Q _D	Q _C	Q _B	Q _A
H	H	L	X	L	L	L	L
H	H	X	L	L	L	L	L
X	X	H	H	H	L	L	H
X	L	X	L	COUNT			
L	X	L	X	COUNT			
L	X	X	L	COUNT			
X	L	L	X	COUNT			

**92A, LS92, 93A, L93, LS93
RESET/COUNT TRUTH TABLE**

RESET INPUTS		OUTPUT			
R0(1)	R0(2)	Q _D	Q _C	Q _B	Q _A
H	H	L	L	L	L
L	X	COUNT			
X	L	COUNT			

Notes:

- (A) Output Q_A is connected to input B for BCD count.
- (B) Output Q_D is connected to input A for bi-quinary count.
- (C) Output Q_A is connected to input B.
- (D) H = High Level, L = Low Level, X = Don't Care.

Logic Diagrams
90A, L90, LS90

92A, LS92

93A, L93, LS93


Note: Numbers in parenthesis are for L93 only.

The J and K inputs shown without connection are for reference only and are functionally at a high level.

8-Bit Serial Shift Registers

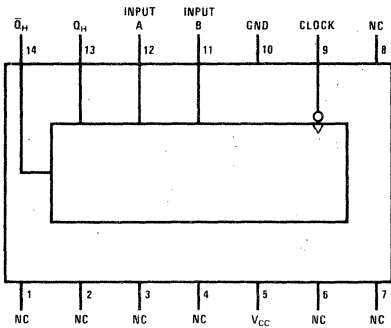
General Description

These serial-in, serial-out 8-bit shift registers are composed of eight R-S master-slave flip-flops, input gating, and a clock driver. Single-rail data and input control are gated through inputs A and B and an internal inverter to form the complementary inputs to the first bit of the shift-register. Drive for the internal common clock line is provided by an inverting clock driver. This clock pulse inverter/driver causes these circuits to shift information one bit on the positive edge of an input clock pulse.

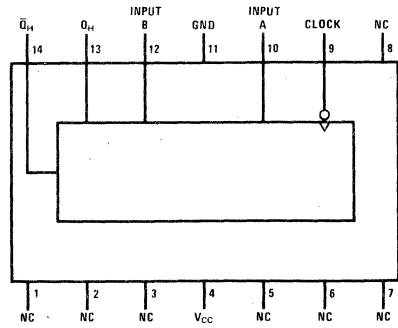
Features

TYPE	TYPICAL CLOCK FREQUENCY	TYPICAL POWER DISSIPATION
91A	22 MHz	175 mW
L91	8 MHz	17.5 mW

Connection Diagrams



5491A/7491A(J), (N);
54L91/74L91(J), (N)



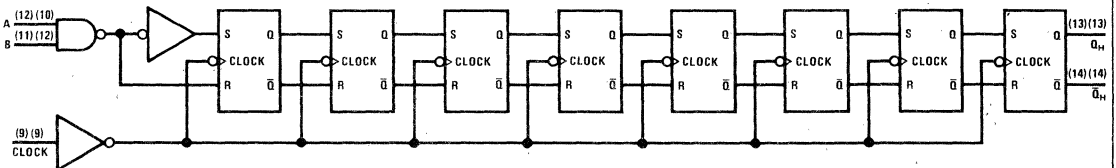
5491A/7491A(W);
54L91/74L91(W)

Truth Table

INPUTS AT t_n		OUTPUTS AT t_{n+8}	
A	B	Q_H	\bar{Q}_H
H	H	H	L
L	X	L	H
X	L	L	H

H = High, L = Low,
X = Don't Care
 t_n = Reference bit time, clock low,
 t_{n+8} = Bit time after 8
low-to-high
clock transitions.

Logic Diagram



Electrical Characteristics over recommended operating free air temperature range (unless otherwise noted)

PARAMETER		CONDITIONS	DM54/74			DM54L/74L			UNITS
			91A			L91			
			MIN	TYP(1)	MAX	MIN	TYP(1)	MAX	
V_{IH}	High Level Input Voltage		2			2		V	
V_{IL}	Low Level Input Voltage				0.8		0.7	V	
I_{OH}	High Level Output Current				-800		-200	μ A	
V_{OH}	High Level Output Voltage	$V_{CC} = \text{Min}, V_{IH} = 2V$ $V_{IL} = \text{Max}, I_{OH} = \text{Max}$	2.4	3.5		2.4	2.8	V	
I_{OL}	Low Level Output Current		DM54		16		2	mA	
			DM74		16		3.6		
V_{OL}	Low Level Output Voltage	$V_{CC} = \text{Min}, V_{IH} = 2V$ $V_{IL} = \text{Max}, I_{OL} = \text{Max}$	DM54	0.22	0.4	0.15	0.3	V	
			DM74	0.22	0.4	0.2	0.4		
I_I	Input Current at Maximum Input Voltage	$V_{CC} = \text{Max}, V_I = 5.5V$			1		0.1	mA	
I_{IH}	High Level Input Current	$V_{CC} = \text{Max}, V_I = 2.4V$			40		10	μ A	
I_{IL}	Low Level Input Current	$V_{CC} = \text{Max}$	$V_I = 0.3V$				-0.18	mA	
			$V_I = 0.4V$			-1.6			
I_{OS}	Short Circuit Output Current	$V_{CC} = \text{Max}(2)$	DM54	-20	-57	-3	-8	-15	mA
			DM74	-18	-57	-3	-8	-15	
I_{CC}	Supply Current	$V_{CC} = \text{Max}(3)$	DM54	35	50	3.5	6.6	mA	
			DM74	35	58	3.5	6.6		

Notes

- (1) All typical values are at $V_{CC} = 5V, T_A = 25^\circ C$.
- (2) Not more than one output should be shorted at a time.
- (3) I_{CC} is measured after the eighth clock pulse with the output open and A and B inputs grounded.

Switching Characteristics $V_{CC} = 5V, T_A = 25^\circ C$

PARAMETER		CONDITIONS	DM54/74			CONDITIONS	DM54L/74L			UNITS	
			91A				L91				
			MIN	TYP	MAX		MIN	TYP	MAX		
f_{max}	Maximum Clock Frequency	$C_L = 15 \text{ pF}$ $R_L = 400\Omega$	10	22		$C_L = 50 \text{ pF}$ $R_L = 4 \text{ k}\Omega$	4	8		MHz	
t_{PLH}	Propagation Delay Time, Low-to-High Level Output			18	40			40	80		ns
t_{PHL}	Propagation Delay Time, High-to-Low Level Output			27	40			65	130		ns
$t_{W(CLOCK)}$	Width of Clock Input Pulse		25				120			ns	
t_{SETUP}	Setup Time		25				120			ns	
t_{HOLD}	Hold Time		0				0			ns	

4-Bit Parallel Access Shift Registers

General Description

These 4-bit registers feature parallel and serial inputs, parallel outputs, mode control, and two clock inputs. The registers have three modes of operation.

- Parallel (broadside) load
- Shift right (the direction Q_A toward Q_D)
- Shift left (the direction Q_D toward Q_A)

Parallel loading is accomplished by applying the four bits of data and taking the mode control input high. The data is loaded into the associated flip-flops and appears at the outputs after the high-to-low transition of the clock-2 input. During loading, the entry of serial data is inhibited.

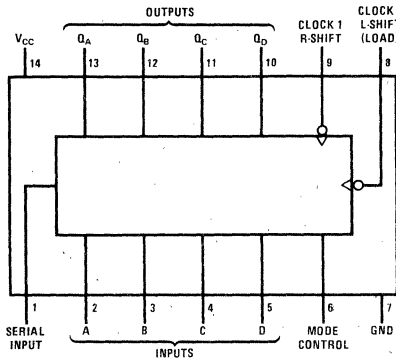
Shift right is accomplished on the high-to-low transition of clock 1 when the mode control is low; shift left is accomplished on the high-to-low transition of clock 2

when the mode control is high by connecting the output of each flip-flop to the parallel input of the previous flip-flop (Q_D to input C, etc.) and serial data is entered at input D. The clock input may be applied simultaneously to clock 1 and clock 2 if both modes can be clocked from the same source. Changes at the mode control input should normally be made while both clock inputs are low; however, conditions described in the last three lines of the truth table will also ensure that register contents are protected.

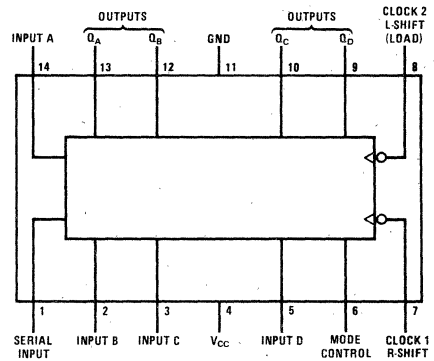
Features

TYPE	TYPICAL MAXIMUM CLOCK FREQUENCY	TYPICAL POWER DISSIPATION
95	36 MHz	250 mW
L95	14 MHz	24 mW
LS95B	36 MHz	65 mW

Connection Diagrams

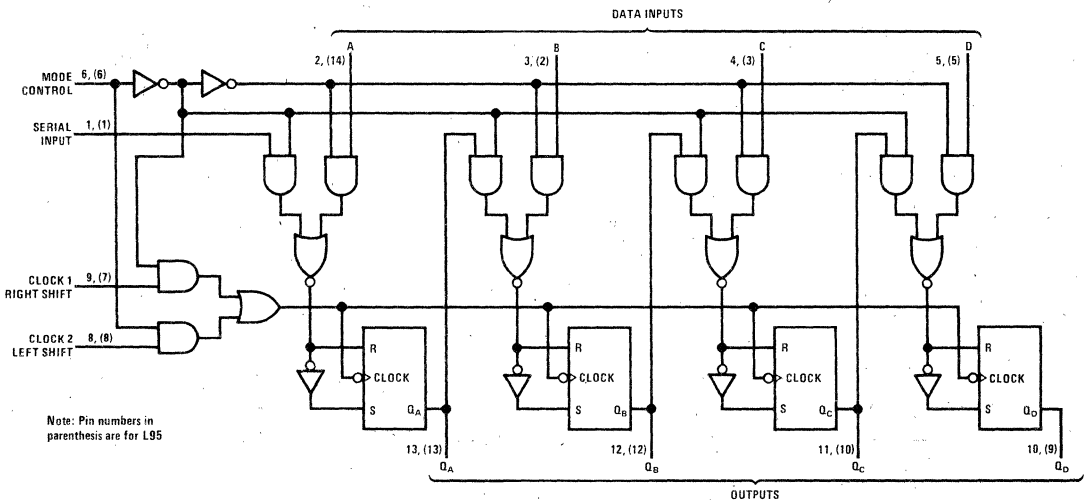


5495(J, W); 7495(J, N), (W);
54LS95B/74LS95B(J, N), (W)



54L95/74L95(J, N), (W)

Logic Diagram



Note: Pin numbers in parenthesis are for L95

Electrical Characteristics over recommended operating free-air temperature range (unless otherwise noted)

PARAMETER		CONDITIONS		DM54/74			DM54L/74L			DM54LS/74LS			UNITS
				95			L95			LS95B			
				MIN	TYP(1)	MAX	MIN	TYP(1)	MAX	MIN	TYP(1)	MAX	
V_{IH}	High Level Input Voltage			2			2			2			V
V_{IL}	Low Level Input Voltage			DM54	0.8		0.7			0.7			V
				DM74	0.8		0.7			0.8			
V_I	Input Clamp Voltage	$V_{CC} = \text{Min}$	$I_I = -12 \text{ mA}$	-1.5			N/A						V
			$I_I = -18 \text{ mA}$				N/A			-1.5			
I_{OH}	High Level Output Current			-800			-200			-400			μA
V_{OH}	High Level Output Voltage	$V_{CC} = \text{Min}, V_{IH} = 2\text{V}$ $V_{IL} = \text{Max}, I_{OH} = \text{Max}$		DM54	2.4	3.4	2.4	3.1	2.5	3.4			V
				DM74	2.4	3.4	2.4	3.1	2.7	3.4			
I_{OL}	Low Level Output Current			DM54	16		2			4			mA
				DM74	16		3.6			8			
V_{OL}	Low Level Output Voltage	$V_{CC} = \text{Min}$	$I_{OL} = \text{Max}$	DM54	0.2	0.4	0.13	0.3	0.25	0.4			V
		$V_{IH} = 2\text{V}$		DM74	0.2	0.4	0.2	0.4	0.35	0.5			
		$V_{IL} = \text{Max}$		DM74					0.25	0.4			
I_I	Input Current at Maximum Input Voltage	Mode Control	$V_{CC} = \text{Max}$	$V_I = 5.5\text{V}$	1			0.2					mA
		Others			1			0.1					
		Clock Inputs									0.2		
		Others			$V_I = 7\text{V}$						0.1		
I_{IH}	High Level Input Current	Mode Control	$V_{CC} = \text{Max}$	$V_I = 2.4\text{V}$	80			20					μA
		Others			40			10					
		Clock Inputs									40		
		Others			$V_I = 2.7\text{V}$						20		
I_{IL}	Low Level Input Current	Mode Control	$V_{CC} = \text{Max}$	$V_I = 0.3\text{V}$				-0.36					mA
		Others						-0.18					
		Mode Control			-3.2						-0.4		
		Clocks			-1.6						-0.8		
		Others			-1.6						-0.4		
I_{OS}	Short Circuit Output Current	$V_{CC} = \text{Max}(2)$		-18	-57		-3	-9	-15	-30	-130		mA
I_{CC}	Supply Current	$V_{CC} = \text{Max}(3)$		50		75	4.8		8	13		21	mA

- Notes**
- (1) All typical values are at $V_{CC} = 5\text{V}, T_A = 25^\circ\text{C}$.
 - (2) Not more than one output should be shorted at a time, and for DM54LS/74LS duration of short circuit should not exceed one second.
 - (3) I_{CC} is measured with all outputs and serial input open; A, B, C, and D inputs grounded; mode control at 4.5V; and a momentary 3V, then ground, applied to both clock inputs.

Switching Characteristics $V_{CC} = 5V, T_A = 25^\circ C$

PARAMETER		DM54/74				DM54L/74L				DM54LS/74LS				UNITS		
		95				L95				LS95B						
		CONDITIONS	MIN	TYP	MAX	CONDITIONS	MIN	TYP	MAX	CONDITIONS	MIN	TYP	MAX			
f_{max}	Maximum Clock Frequency	$C_L = 15 \text{ pF}$ $R_L = 400\Omega$	25	36	$C_L = 50 \text{ pF}$ $R_L = 4 \text{ k}\Omega$	6	14	$C_L = 15 \text{ pF}$ $R_L = 2 \text{ k}\Omega$	25	36			MHz			
t_{PLH}	Propagation Delay Time, Low-to-High Level Output From Clock			25		35			42	90		18	27			ns
t_{PHL}	Propagation Delay Time, High-to-Low Level Output From Clock			25		35			48	90		21	32			ns
$t_{W(CLOCK)}$	Width of Clock Pulse		15			90			25				ns			
t_{SETUP}	Setup Time, High-Level Data		20	10		50			20				ns			
t_{SETUP}	Setup Time, Low-Level Data		20	10		50			20				ns			
t_{HOLD}	Hold Time, High-Level or Low-Level Data		0	-10		0			10				ns			
$t_{ENABLE1}$	Time to Enable Clock 1		20			120			20				ns			
$t_{ENABLE2}$	Time to Enable Clock 2		15			100			20				ns			
$t_{INHIBIT1}$	Time to Inhibit Clock 1		10			0			20				ns			
$t_{INHIBIT2}$	Time to Inhibit Clock 2		10			0			20				ns			

Truth Table

MODE CONTROL		INPUTS			PARALLEL				OUTPUTS			
		CLOCKS		SERIAL	A	B	C	D	Q_A	Q_B	Q_C	Q_D
		2 (L)	1 (R)									
H	H	X	X	X	X	X	X	Q_{A0}	Q_{B0}	Q_{C0}	Q_{D0}	
H	↓	X	X	a	b	c	d	a	b	c	d	
H	↓	X	X	Q_B^\dagger	Q_C^\dagger	Q_D^\dagger	d	Q_{Bn}	Q_{Cn}	Q_{Dn}	d	
L	↓	H	X	X	X	X	X	Q_{A0}	Q_{B0}	Q_{C0}	Q_{D0}	
L	X	↓	H	X	X	X	X	H	Q_{An}	Q_{Bn}	Q_{Cn}	
L	X	↓	L	X	X	X	X	L	Q_{An}	Q_{Bn}	Q_{Cn}	
↑	L	L	X	X	X	X	X	Q_{A0}	Q_{B0}	Q_{C0}	Q_{D0}	
↓	L	L	X	X	X	X	X	Q_{A0}	Q_{B0}	Q_{C0}	Q_{D0}	
↓	L	H	X	X	X	X	X	Q_{A0}	Q_{B0}	Q_{C0}	Q_{D0}	
↑	H	L	X	X	X	X	X	Q_{A0}	Q_{B0}	Q_{C0}	Q_{D0}	
↑	H	H	X	X	X	X	X	Q_{A0}	Q_{B0}	Q_{C0}	Q_{D0}	

†Shifting left requires external connection of Q_B to A, Q_C to B, Q_D to C. Serial data is entered at input D.

H = High Level (Steady State), L = Low Level (Steady State), X = Don't Care (Any input, including transitions)

↓ = Transition from high to low level, ↑ = Transition from low to high level

a, b, c, d = The level of steady state input at inputs A, B, C, or D, respectively.

$Q_{A0}, Q_{B0}, Q_{C0}, Q_{D0}$ = The level of $Q_A, Q_B, Q_C,$ or $Q_D,$ respectively, before the indicated steady state input conditions were established.

$Q_{An}, Q_{Bn}, Q_{Cn}, Q_{Dn}$ = The level of $Q_A, Q_B, Q_C,$ or $Q_D,$ respectively, before the most recent ↓ transition of the clock.

5-Bit Shift Registers

General Description

These shift registers consist of five R-S master-slave flip-flops connected to perform parallel-to-serial or serial-to-parallel conversion of binary data. Since both inputs and outputs for all flip-flops are accessible, parallel-in/parallel-out or serial-in/serial-out operation may also be performed.

All flip-flops are simultaneously set to a low output level by applying a low-level voltage to the clear input while the preset is low. Clearing is independent of the level of the clock input.

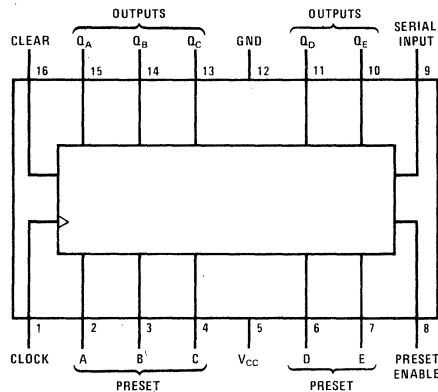
The register may be parallel loaded by using the clear input in conjunction with the preset inputs. After clearing all stages to low output levels, data to be loaded is applied to the individual preset inputs (A, B, C, D, and E) and a high-level load pulse is applied to the preset enable input. Presetting is also independent of the level of the clock input.

Transfer of information to the outputs occurs on the positive-going edge of the clock pulse. The proper information must be set up at the R-S inputs of each flip-flop prior to the rising edge of the clock input waveform. The serial input provides this information to the first flip-flop, while the outputs of the subsequent flip-flops provide information for the remaining R-S inputs. The clear input must be high and the preset or preset enable inputs must be low when clocking occurs.

Features

- N-bit serial-to-parallel converter
- N-bit parallel-to-serial converter
- N-bit storage register

Connection Diagram



5496(J), (W); 7496(J), (N), (W);
54LS96/74LS96(J), (N), (W)

Truth Table

CLEAR	PRESET ENABLE	INPUTS					CLOCK	SERIAL	OUTPUTS				
		A	B	C	D	E			Q _A	Q _B	Q _C	Q _D	Q _E
L	L	X	X	X	X	X	X	X	L	L	L	L	L
L	X	L	L	L	L	L	X	X	L	L	L	L	L
H	H	H	H	H	H	H	X	X	H	H	H	H	H
H	H	L	L	L	L	L	X	X	Q _{A0}	Q _{B0}	Q _{C0}	Q _{D0}	Q _{E0}
H	H	H	L	H	L	H	L	X	H	Q _{B0}	H	Q _{D0}	H
H	L	X	X	X	X	X	L	X	Q _{A0}	Q _{B0}	Q _{C0}	Q _{D0}	Q _{E0}
H	L	X	X	X	X	X	↑	H	H	Q _{A_n}	Q _{B_n}	Q _{C_n}	Q _{D_n}
H	L	X	X	X	X	X	↑	L	L	Q _{A_n}	Q _{B_n}	Q _{C_n}	Q _{D_n}

H = high level (steady state), L = low level (steady state)

X = don't care (any input, including transitions)

↑ = transition from low to high level

Q_{A0}, Q_{B0}, etc. = the level of Q_A, Q_B, etc., respectively before the indicated steady state input conditions were established.

Q_{An}, Q_{Bn}, etc. = the level of Q_A, Q_B, etc., respectively before the most recent ↑ transition of the clock.

Electrical Characteristics over recommended operating free-air temperature range (unless otherwise noted)

PARAMETER		CONDITIONS		DM54/74			DM54LS/74LS			UNITS
				96			LS96			
				MIN	TYP(1)	MAX	MIN	TYP(1)	MAX	
V_{IH}	High Level Input Voltage					2			2	V
V_{IL}	Low Level Input Voltage			DM54		0.8			0.7	V
				DM74		0.8			0.8	V
V_I	Input Clamp Voltage	$V_{CC} = \text{Min}$	$I_I = -12 \text{ mA}$ $I_I = -18 \text{ mA}$			-1.5			-1.5	V
I_{OH}	High Level Output Current					-400			-400	μA
V_{OH}	High Level Output Voltage	$V_{CC} = \text{Min}, V_{IH} = 2\text{V}$ $V_{IL} = \text{Max}, I_{OH} = -400\mu\text{A}$		DM54	2.4	3.4		2.5	3.5	V
				DM74	2.4	3.4		2.7	3.5	V
I_{OL}	Low Level Output Current			DM54		16			4	mA
				DM74		16			8	mA
V_{OL}	Low Level Output Voltage	$V_{CC} = \text{Min}$ $V_{IH} = 2\text{V}$ $V_{IL} = \text{Max}$	$I_{OL} = \text{Max}$ $I_{OL} = 4 \text{ mA}$	DM54	0.2	0.4		0.25	0.4	V
				DM74	0.2	0.4		0.35	0.5	V
				DM74				0.25	0.4	V
I_I	Input Current at Maximum Input Voltage	$V_{CC} = \text{Max}$	$V_I = 5.5\text{V}$ $V_I = 7\text{V}$			1			0.1	mA
I_{IH}	High Level Input Current	Any Input Except Preset Enable Preset Enable	$V_{CC} = \text{Max}$ $V_I = 2.4\text{V}$ $V_I = 2.7\text{V}$ $V_I = 2.4\text{V}$ $V_I = 2.7\text{V}$			40			20	μA
									20	μA
I_{IL}	Low Level Input Current	Any Input Except Preset Enable Preset Enable	$V_{CC} = \text{Max}, V_I = 0.4\text{V}$			-1.6			-0.4	mA
						-8			-2	mA
I_{OS}	Short Circuit Output Current	$V_{CC} = \text{Max}(2)$		DM54	-20	-57		-30	-130	mA
				DM74	-18	-57		-30	-130	mA
I_{CC}	Supply Current	$V_{CC} = \text{Max}(3)$		DM54	48	68		12	20	mA
				DM74	48	79		12	20	mA

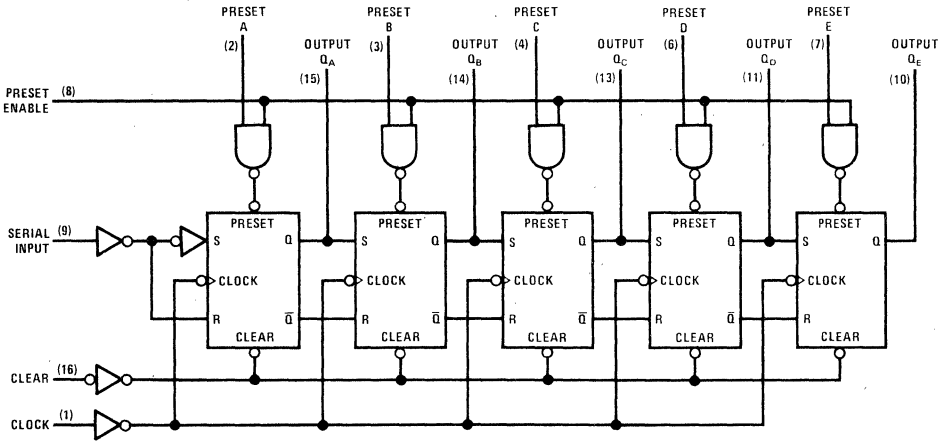
Notes

- (1) All typical values are at $V_{CC} = 5\text{V}, T_A = 25^\circ\text{C}$.
- (2) Not more than one output should be shorted at a time, and for DM54LS/74LS duration of short circuit should not exceed one second.
- (3) I_{CC} is measured with the clear input grounded and all other inputs and outputs open.

Switching Characteristics $V_{CC} = 5\text{V}, T_A = 25^\circ\text{C}$

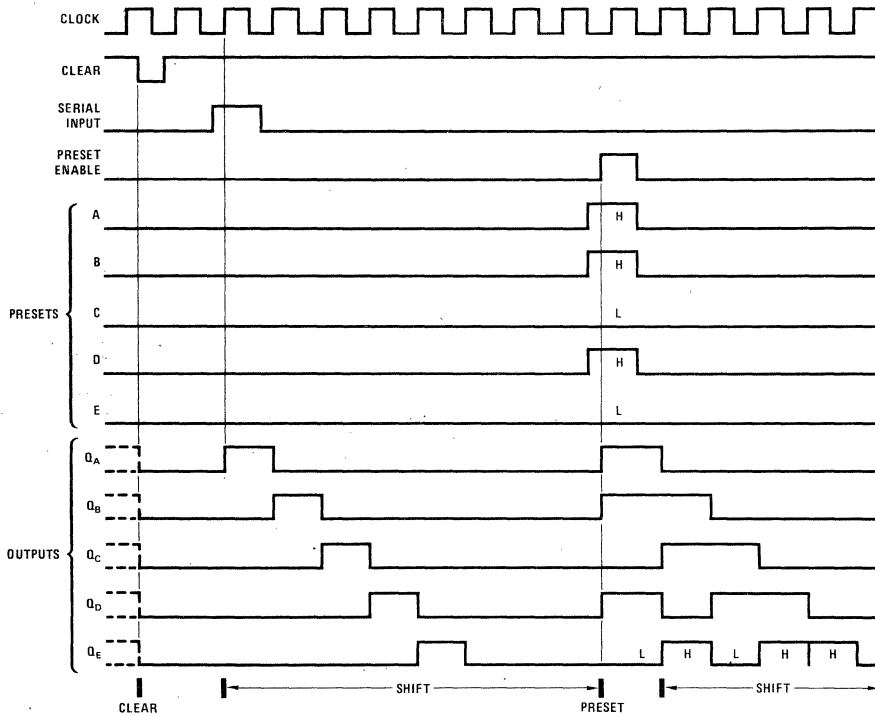
PARAMETER		DM54/74				DM54LS/74LS				UNITS
		96				LS96				
		CONDITIONS		MIN	TYP	MAX	CONDITIONS		MIN	
f_{max}	Maximum Shift Frequency			10				10		MHz
t_{PLH}	Propagation Delay Time, Low-to-High Level Output From Clock			25	40			25	40	ns
t_{PHL}	Propagation Delay Time, High-to-Low Level Output From Clock			25	40			25	40	ns
t_{PLH}	Propagation Delay Time, Low-to-High Level Output From Preset or Preset Enable	$C_L = 15 \text{ pF}, R_L = 400\Omega$		25	35	$C_L = 15 \text{ pF}, R_L = 2 \text{ k}\Omega$		28	35	ns
t_{PHL}	Propagation Delay Time, High-to-Low Level Output From Clear				55				55	ns
$t_{W(\text{CLOCK})}$	Width of Clock Input Pulse			35				35		ns
t_W	Width of Preset and Clear Input Pulse			30				30		ns
t_{SETUP}	Serial Input Setup Time			30				30		ns
t_{HOLD}	Serial Input Hold Time			0				0		ns

Logic Diagram



Timing Diagram

TYPICAL CLEAR, SHIFT, PRESET, AND SHIFT SEQUENCES



4-Bit Storage Registers

General Description

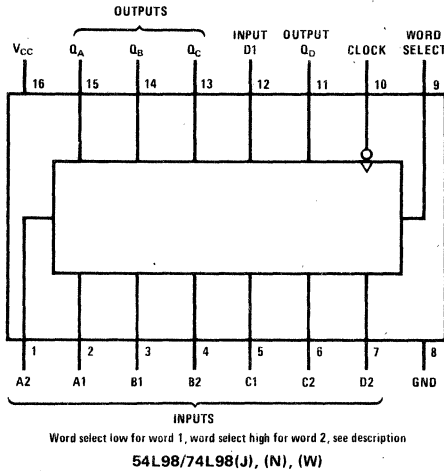
These data selectors/storage registers are composed of four S-R master-slave flip-flops, four AND-OR INVERT gates, one buffer, and six inverter/drivers.

word select will cause the selection of word 2 (A2, B2, C2, D2). The selected word is shifted to the output terminals on the negative-going edge of the clock pulse.

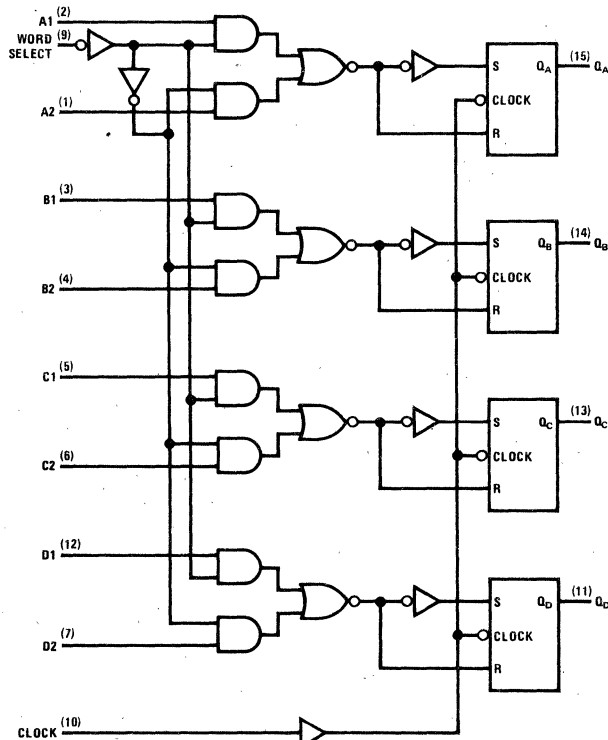
When the word select input is low, word 1 (A1, B1, C1, D1) is applied to the flip-flops. A high level input to

Typical clock frequency is 12 MHz.

Connection Diagram



Logic Diagram



Electrical Characteristics over recommended operating free-air temperature range (unless otherwise noted)

PARAMETER		CONDITIONS	DM54L/74L			UNITS
			L98			
			MIN	TYP(1)	MAX	
V_{IH}	High Level Input Voltage		2			V
V_{IL}	Low Level Input Voltage				0.7	V
I_{OH}	High Level Output Current				-200	μ A
V_{OH}	High Level Output Voltage	$V_{CC} = \text{Min}, V_{IH} = 2V$ $V_{IL} = 0.7V, I_{OH} = -200\mu A$	2.4			V
I_{OL}	Low Level Output Current		DM54		2	mA
			DM74		3.6	
V_{OL}	Low Level Output Voltage	$V_{CC} = \text{Min}, V_{IH} = 2V$ $V_{IL} = 0.7V, I_{OL} = \text{Max}$	DM54	0.15	0.3	V
			DM74		0.4	
I_I	Input Current at Maximum Input Voltage	$V_{CC} = \text{Max}, V_I = 5.5V$			100	μ A
I_{IH}	High Level Input Current	$V_{CC} = \text{Max}, V_I = 2.4V$			10	μ A
I_{IL}	Low Level Input Current	$V_{CC} = \text{Max}, V_I = 0.3V$			-0.18	mA
I_{OS}	Short Circuit Output Current	$V_{CC} = \text{Max}$	-3	-9	-15	mA
I_{CC}	Supply Current	$V_{CC} = \text{Max}(2)$		6	8	mA

Notes

- (1) All typical values are at $V_{CC} = 5V, T_A = 25^\circ C$.
 (2) I_{CC} is measured with all inputs grounded and all outputs open.

Switching Characteristics $V_{CC} = 5V, T_A = 25^\circ C$

PARAMETER		CONDITIONS	DM54L/74L			UNITS
			L98			
			MIN	TYP	MAX	
f_{max}	Maximum Clock Frequency		6	12		MHz
t_{PLH}	Propagation Delay Time, Low-to-High Level Output From Clock	$C_L = 50 \text{ pF}, R_L = 4 \text{ k}\Omega$		40	80	ns
t_{PHL}	Propagation Delay Time, High-to-Low Level Output From Clock			65	100	ns
$t_{W(\text{CLOCK})}$	Width of Clock Pulse		100	65		ns
$t_{SETUP(H)}$	Setup Time for High-Level Data	A, B, C, or D	100			ns
		Word Select	150			
$t_{SETUP(L)}$	Setup Time for Low-Level Data	A, B, C, or D	120			ns
		Word Select	100			

Dual Voltage Controlled Oscillators

General Description

The DM54LS124/DM74LS124 features two fully independent voltage-controlled oscillators (VCO's) in a single monolithic chip. The output frequency of each is established by a single external component, either a capacitor or a crystal, in combination with two voltage-sensitive inputs, one for frequency range and one for frequency control. An enable input is provided that can be used to start or stop the output pulses when it is low or high, respectively. The internal oscillator runs continuously, even while the output is disabled. A pulse synchronizer ensures that the first output pulse is neither clipped nor extended. Duty cycle of the output pulses is fixed at approximately 50 percent.

The highly stable oscillator can be set to operate at any frequency between 0.12 Hz and 50 MHz typically. The output frequency can be approximated as follows:

$$f_o = \frac{500}{C_{EXT}}$$

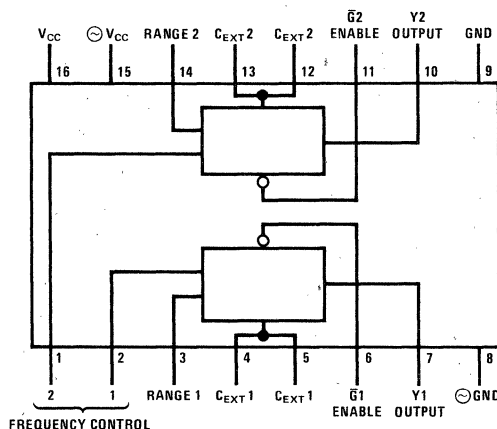
where: f_o = output frequency in MHz
 C_{EXT} = external capacitance in pF

The enable input and the buffered output operate at standard Schottky-clamped TTL levels. The enable input is one standard load in each series. Although these devices can operate from a single 5-volt supply, separate supply-voltage and ground pins are provided for the digital logic and for the oscillator/range control circuits so that effective isolation can be accomplished in the system.

Features

- Two fully independent VCO's in a 16-pin package
- Output frequency set by single external component:
 - Crystal for high-stability fixed-frequency operation
 - Capacitor for fixed- or variable-frequency operation
- Separate supply voltage pins for isolation of inputs and oscillators from logic circuitry
- Stable operation over specified temperature and/or supply voltage ranges

Connection Diagram



Note: While the enable input is low, the output is enabled. While the enable input is high, the output is high.

54LS124/74LS124(J), (N), (W)

Electrical Characteristics over recommended operating free-air temperature range (unless otherwise noted)

PARAMETER		CONDITIONS		DM54		DM74		UNITS	
				LS124		LS124			
				MIN	TYP(1) MAX	MIN	TYP(1) MAX		
V _{IH}	High Level Input Voltage at Enable			2		2		V	
V _{IL}	Low Level Input Voltage at Enable				0.7		0.8	V	
V _I	Input Clamp Voltage at Enable	V _{CC} = Min, I _I = -18 mA			-1.5		-1.5	V	
I _{OH}	High Level Output Current				-1.2		-1.2	mA	
V _{OH}	High Level Output Voltage	V _{CC} = Min, V _{IH} = 2V, I _{OH} = -1.2 mA		2.5	3.4	2.7	3.4	V	
I _{OL}	Low Level Output Current				12		24	mA	
V _{OL}	Low Level Output Voltage	V _{CC} = Min, V _{ENABLE} = V _{IL} Pins 4 and 13 = V _{CC} (Min) - 2V	I _{OL} = 12 mA	0.25	0.4	0.25	0.4	V	
			I _{OL} = 24 mA			0.35	0.5		
I _I	Input Current	Freq Control or range	V _{CC} = Max	V _I = 5V	50	250	50	250	μA
				V _I = 1V	10	50	10	50	
I _I	Input Current at Maximum Input Voltage	Enable	V _{CC} = Max, V _I = 7V		0.1		0.1	mA	
I _{IH}	High Level Input Current	Enable	V _{CC} = Max, V _I = 2.7V		20		20	μA	
I _{IL}	Low Level Input Current	Enable	V _{CC} = Max, V _I = 0.5V		-0.4		-0.4	mA	
I _{OS}	Short Circuit Output Current		V _{CC} = Max, V _{ENABLE} = 4.5V(2)	-30	-150	-30	-150	mA	
I _{CC}	Supply Current, Total into Pins 15 and 16		V _{CC} = Max(3)	22	37	22	37	mA	
V _I	Input Voltage at Frequency Control or Range Input			0	5	0	5	V	

Notes

- (1) All typical values are at V_{CC} = 5V, T_A = 25°C.
- (2) Not more than one output should be shorted at a time and duration of the short circuit should not exceed one second.
- (3) I_{CC} is measured with the outputs disabled and open.

Switching Characteristics V_{CC} = 5V, R_L = 667Ω, C_L = 45 pF, T_A = 25°C

PARAMETER		CONDITIONS		MIN	TYP	MAX	UNITS
f _o	Output Frequency	C _{EXT} = 2 pF	V _{I(FREQ)} = 5V, V _{I(RNG)} = 0V	35	50		MHz
			V _{I(FREQ)} = 0V, V _{I(RNG)} = 5V	11	20		
	Output Duty Cycle	C _{EXT} = 8.3 pF to 500μF		50%			
t _{PHL}	Propagation Delay Time, High-to-Low Level Output From Enable	f _o ≥ 1 Hz		30+(4)			ns

Notes

- (4) The delay will typically be 30 ns plus up to one half the period of one cycle (i.e. 30 ns to 30 ns + 5 × 10⁸/f_o(Hz)) depending upon the timing of the enable pulse with respect to the signal generated by the internal oscillator.

Decoders/Demultiplexers

General Description

These Schottky-clamped circuits are designed to be used in high-performance memory-decoding or data-routing applications, requiring very short propagation delay times. In high-performance memory systems these decoders can be used to minimize the effects of system decoding. When used with high-speed memories, the delay times of these decoders are usually less than the typical access time of the memory. This means that the effective system delay introduced by the decoder is negligible.

The LS138 and S138 decode one-of-eight lines, based upon the conditions at the three binary select inputs and the three enable inputs. Two active-low and one active-high enable inputs reduce the need for external gates or inverters when expanding. A 24-line decoder can be implemented with no external inverters, and a 32-line decoder requires only one inverter. An enable input can be used as a data input for demultiplexing applications.

The LS139 and S139 comprise two separate two-line-to-four-line decoders in a single package. The active-low enable input can be used as a data line in demultiplexing applications.

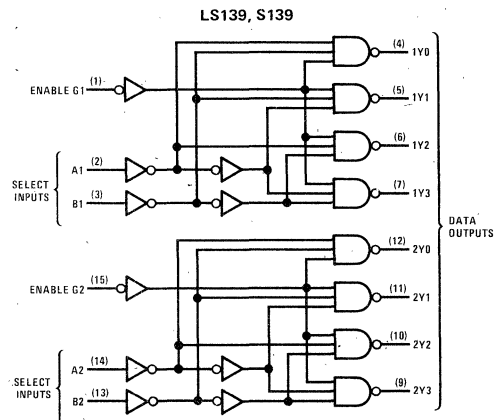
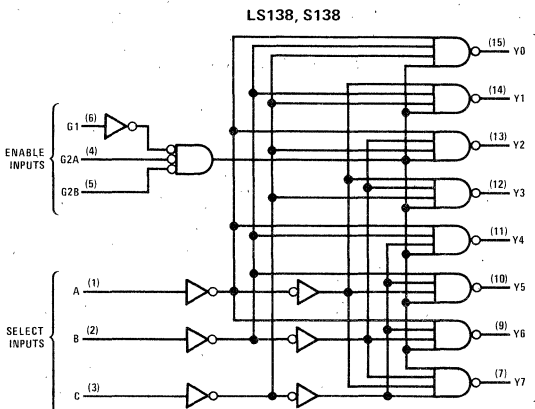
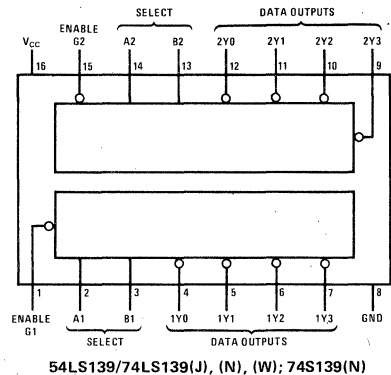
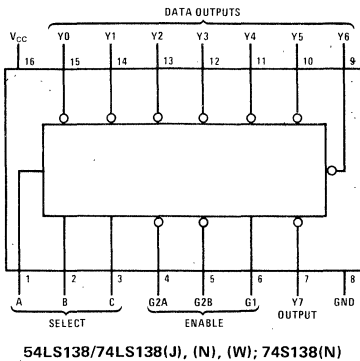
All of these decoders/demultiplexers feature fully buffered inputs, presenting only one normalized load to its driving circuit. All inputs are clamped with high-performance Schottky diodes to suppress line-ringing and simplify system design.

Features

- Designed specifically for high-speed:
 - Memory decoders
 - Data transmission systems
- S138 and LS138 3-to-8-line decoders incorporate 3 enable inputs to simplify cascading and/or data reception
- S139 and LS139 contain two fully independent 2-to-4-line decoders/demultiplexers
- Schottky clamped for high performance

TYPE	TYPICAL PROPAGATION DELAY (3 LEVELS OF LOGIC)	TYPICAL POWER DISSIPATION
LS138	21 ns	32 mW
S138	8 ns	245 mW
LS139	21 ns	34 mW
S139	7.5 ns	300 mW

Connection and Logic Diagrams



Electrical Characteristics over recommended operating free-air temperature range (unless otherwise noted)

PARAMETER		CONDITIONS		DM54LS/74LS			DM74S			UNITS
				LS138, LS139			S138, S139			
				MIN	TYP(1)	MAX	MIN	TYP(1)	MAX	
V_{IH}	High Level Input Voltage			2			2			V
V_{IL}	Low Level Input Voltage		DM54	0.7			N/A			V
			DM74	0.8			0.8			
V_I	Input Clamp Voltage	$V_{CC} = \text{Min}, I_I = -18 \text{ mA}$		-1.5			-1.2			V
I_{OH}	High Level Output Current			-400			-1000			μA
V_{OH}	High Level Output Voltage	$V_{CC} = \text{Min}, V_{IH} = 2\text{V}$ $V_{IL} = \text{Max}, I_{OH} = \text{Max}$	DM54	2.5	3.4		N/A			V
			DM74	2.7	3.4		2.7	3.4		
I_{OL}	Low Level Output Current		DM54	4			N/A			mA
			DM74	8			20			
V_{OL}	Low Level Output Voltage	$V_{CC} = \text{Min}, V_{IH} = 2\text{V}$ $V_{IL} = \text{Max}$	$I_{OL} = \text{Max}$	DM54	0.25	0.4	N/A			V
				DM74	0.35	0.5	0.5			
				DM74	0.4					
I_I	Input Current at Maximum Input Voltage	$V_{CC} = \text{Max}$	$V_I = 5.5\text{V}$				1			mA
	$V_I = 7\text{V}$		0.1							
I_{IH}	High Level Input Current	$V_{CC} = \text{Max}$	$V_I = 2.7\text{V}$	20			50			μA
I_{IL}	Low Level Input Current	$V_{CC} = \text{Max}$	$V_I = 0.4\text{V}$	-0.36						mA
			$V_I = 0.5\text{V}$				-2			
I_{OS}	Short Circuit Output Current	$V_{CC} = \text{Max}(2)$	DM54	-30	-130	N/A			mA	
			DM74	-30	-130	-40	-100			
I_{CC}	Supply Current	$V_{CC} = \text{Max}$ Outputs Enabled and Open	LS138, S138	6.3	10	49	74			mA
			LS139, S139	6.8	11	60	90			

Notes

- (1) All typical values are at $V_{CC} = 5\text{V}, T_A = 25^\circ\text{C}$.
- (2) Not more than one output should be shorted at a time, and duration of short circuit should not exceed one second.

Switching Characteristics $V_{CC} = 5V, T_A = 25^\circ C$

PARAMETER		FROM (INPUT)	TO (OUTPUT)	LEVELS OF DELAY	CONDITIONS	DM54LS/74LS			DM54LS/74LS			CONDITIONS			DM74S			DM74S			UNITS								
						LS138			LS139						S138			S139											
						MIN	TYP	MAX	MIN	TYP	MAX	MIN	TYP	MAX	MIN	TYP	MAX	MIN	TYP	MAX		MIN	TYP	MAX					
t_{PLH}	Propagation Delay Time, Low-to-High Level Output	Binary Select	Any	2	$C_L = 15\text{ pF}$ $R_L = 2\text{ k}\Omega$	$C_L = 15\text{ pF}$ $R_L = 280\Omega$															13	20	13	20	4.5	7	5	7.5	ns
t_{PHL}	Propagation Delay Time, High-to-Low Level Output																				27	41	22	33	7	10.5	6.5	10	ns
t_{PLH}	Propagation Delay Time, Low-to-High Level Output			3																	18	27	18	29	7.5	12	7	12	ns
t_{PHL}	Propagation Delay Time, High-to-Low Level Output																				26	39	25	38	8	12	8	12	ns
t_{PLH}	Propagation Delay Time, Low-to-High Level Output	Enable	Any	2																	12	18	16	24	5	8	5	8	ns
t_{PHL}	Propagation Delay Time, High-to-Low Level Output																				21	32	21	32	7	11	6.5	10	ns
t_{PLH}	Propagation Delay Time, Low-to-High Level Output			3																	17	26	N/A	7	11	N/A	ns		
t_{PHL}	Propagation Delay Time, High-to-Low Level Output																				25	38	N/A	7	11	N/A	ns		

2-48

Truth Tables

LS138, S138

INPUTS					OUTPUTS							
ENABLE		SELECT										
G1	G2*	C	B	A	Y0	Y1	Y2	Y3	Y4	Y5	Y6	Y7
X	H	X	X	X	H	H	H	H	H	H	H	H
L	X	X	X	X	H	H	H	H	H	H	H	H
H	L	L	L	L	L	H	H	H	H	H	H	H
H	L	L	L	H	H	L	H	H	H	H	H	H
H	L	L	H	L	H	H	L	H	H	H	H	H
H	L	L	H	H	H	H	H	L	H	H	H	H
H	L	H	L	L	H	H	H	H	L	H	H	H
H	L	H	L	H	H	H	H	H	H	L	H	H
H	L	H	H	L	H	H	H	H	H	H	L	H
H	L	H	H	H	H	H	H	H	H	H	H	L

*G2 = G2A + G2B

H = High level, L = low level, X = don't care

LS139, S139

INPUTS			OUTPUTS			
ENABLE		SELECT				
G	B	A	Y0	Y1	Y2	Y3
H	X	X	H	H	H	H
L	L	L	L	H	H	H
L	L	H	H	L	H	H
L	H	L	H	H	L	H
L	H	H	H	H	H	L

H = high level, L = low level, X = don't care

Priority Encoders
General Description

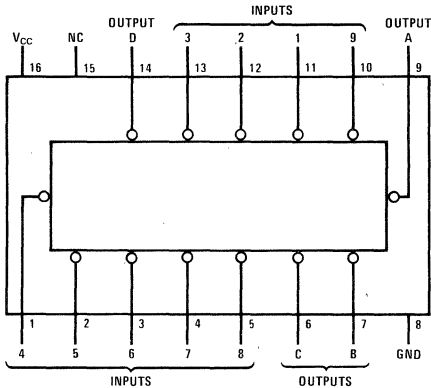
These TTL encoders feature priority decoding of the input data to ensure that only the highest-order data line is encoded. The DM54147 and DM74147 encode nine data lines to four-line (8-4-2-1) BCD. The implied decimal zero condition requires no input condition as zero is encoded when all nine data lines are at a high logic level. All inputs are buffered to represent one normalized Series 54/74 load. The DM54148 and DM74148 encode eight data lines to three-line (4-2-1) binary (octal). Cascading circuitry (enable input EI and enable output EO) has been provided to allow octal expansion without the need for external circuitry. For all types, data inputs and outputs are active at the low logic level.

Features
DM54147, DM74147

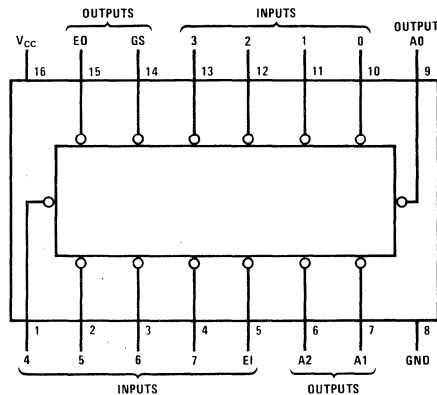
- Encodes 10-line decimal to 4-line BCD
- Applications include:
Keyboard encoding
Range selection
- Typical data delay 10 ns
- Typical power dissipation 225 mW

DM54148, DM74148

- Encodes 8 data lines to 3-line binary (octal)
- Applications include:
N-bit encoding
Code converters and generators
- Typical data delay 10 ns
- Typical power dissipation 190 mW

Connection Diagrams


54147(J), (W); 74147(J), (N), (W)



54148(J), (W); 74148(J), (N), (W)

Truth Tables

54147/74147

INPUTS									OUTPUTS			
1	2	3	4	5	6	7	8	9	D	C	B	A
H	H	H	H	H	H	H	H	H	H	H	H	H
X	X	X	X	X	X	X	X	L	L	H	H	L
X	X	X	X	X	X	X	L	H	L	H	H	H
X	X	X	X	X	L	H	H	H	H	L	L	L
X	X	X	X	L	H	H	H	H	H	L	L	L
X	X	X	L	H	H	H	H	H	H	L	H	L
X	X	L	H	H	H	H	H	H	H	H	L	L
X	L	H	H	H	H	H	H	H	H	H	L	H
L	H	H	H	H	H	H	H	H	H	H	H	L

54148/74148

EI	INPUTS							OUTPUTS					
	0	1	2	3	4	5	6	7	A2	A1	A0	GS	EO
H	X	X	X	X	X	X	X	X	H	H	H	H	H
L	H	H	H	H	H	H	H	H	H	H	H	H	L
L	X	X	X	X	X	X	L	L	L	L	L	L	H
L	X	X	X	X	X	L	H	L	L	L	L	L	H
L	X	X	X	X	X	X	H	L	L	L	L	L	H
L	X	X	X	X	L	H	H	H	L	H	H	L	H
L	X	X	X	L	H	H	H	H	H	L	L	L	H
L	X	X	L	H	H	H	H	H	H	L	L	L	H
L	X	L	H	H	H	H	H	H	H	H	L	L	H
L	L	H	H	H	H	H	H	H	H	H	H	L	H

H = High Logic Level, L = Low Logic Level, X = Don't Care

Electrical Characteristics over recommended operating free-air temperature range (unless otherwise noted)

PARAMETER		CONDITIONS	DM54/74						UNITS
			147			148			
			MIN	TYP(1)	MAX	MIN	TYP(1)	MAX	
V_{IH}	High Level Input Voltage		2			2			V
V_{IL}	Low Level Input Voltage					0.8			V
V_I	Input Clamp Voltage	$V_{CC} = \text{Min}, I_I = -12 \text{ mA}$				-1.5			V
I_{OH}	High Level Output Current					-800			μA
V_{OH}	High Level Output Voltage	$V_{CC} = \text{Min}, V_{IH} = 2\text{V}$ $V_{IL} = 0.8\text{V}, I_{OH} = -800\mu\text{A}$	2.4			2.4			V
I_{OL}	Low Level Output Current					16			mA
V_{OL}	Low Level Output Voltage	$V_{CC} = \text{Min}, V_{IH} = 2\text{V}$ $V_{IL} = 0.8\text{V}, I_{OL} = 16 \text{ mA}$				0.4			V
I_I	Input Current at Maximum Input Voltage	$V_{CC} = \text{Max}, V_I = 5.5\text{V}$	1			1			mA
I_{IH}	High Level Input Current	0 Input				N/A			μA
		Others	$V_{CC} = \text{Max}, V_I = 2.4\text{V}$			40			
I_{IL}	Low Level Input Current	0 Input				N/A			mA
		Others	$V_{CC} = \text{Max}, V_I = 0.4\text{V}$			-1.6			
I_{OS}	Short Circuit Output Current	$V_{CC} = \text{Max}(2)$	-35		-85	-35		-85	mA
I_{CC}	Supply Current	$V_{CC} = \text{Max}$ (3)	Condition 1		50	70	40	60	mA
			Condition 2		42	62	35	55	

Notes

(1) All typical values are at $V_{CC} = 5\text{V}, T_A = 25^\circ\text{C}$.

(2) Not more than one output should be shorted at a time.

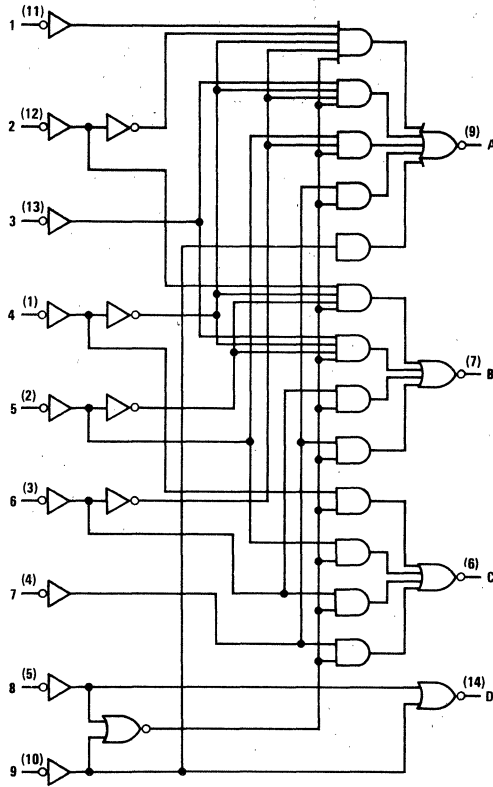
(3) For DM54147/DM74147, I_{CC} (condition 1) is measured with input 7 grounded, other inputs and outputs open; I_{CC} (condition 2) is measured with all inputs and outputs open. For DM54148/DM74148, I_{CC} (condition 1) is measured with inputs 7 and EI grounded, other inputs and outputs open; I_{CC} (condition 2) is measured with all inputs and outputs open.

Switching Characteristics $V_{CC} = 5V, T_A = 25^\circ C$

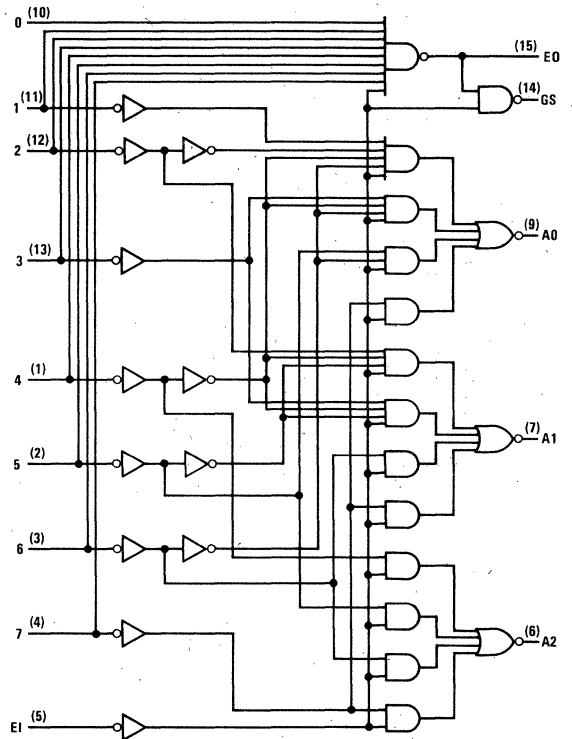
PARAMETER		FROM (INPUT)	TO (OUTPUT)	WAVEFORM	CONDITIONS	DM54/74				UNITS
						147		148		
						MIN	TYP	MAX	MIN	
t_{PLH}	Propagation Delay Time, Low-to-High Level Output	0 thru 9	A, B, C, D	In-Phase Output	$C_L = 15\text{ pF}$ $R_L = 400\Omega$	9	14	10	15	ns
t_{PHL}	Propagation Delay Time, High-to-Low Level Output					7	11	9	14	ns
t_{PLH}	Propagation Delay Time, Low-to-High Level Output	0 thru 9	A, B, C, D	Out-of-Phase Output		13	19	13	19	ns
t_{PHL}	Propagation Delay Time, High-to-Low Level Output					12	19	12	19	ns
t_{PLH}	Propagation Delay Time, Low-to-High Level Output	0 thru 7	EO	Out-of-Phase Output		N/A		6	10	ns
t_{PHL}	Propagation Delay Time, High-to-Low Level Output					N/A		14	25	ns
t_{PLH}	Propagation Delay Time, Low-to-High Level Output	0 thru 7	GS	In-Phase Output		N/A		18	30	ns
t_{PHL}	Propagation Delay Time, High-to-Low Level Output					N/A		14	25	ns
t_{PLH}	Propagation Delay Time, Low-to-High Level Output	EI	A0, A1, or A2	In-Phase Output		N/A		10	15	ns
t_{PHL}	Propagation Delay Time, High-to-Low Level Output					N/A		10	15	ns
t_{PLH}	Propagation Delay Time, Low-to-High Level Output	EI	GS	In-Phase Output		N/A		8	12	ns
t_{PHL}	Propagation Delay Time, High-to-Low Level Output					N/A		10	15	ns
t_{PLH}	Propagation Delay Time, Low-to-High Level Output	EI	EO	In-Phase Output		N/A		10	15	ns
t_{PHL}	Propagation Delay Time, High-to-Low Level Output					N/A		17	30	ns

Logic Diagrams

147



148



Data Selectors/Multiplexers

General Description

These data selectors/multiplexers contain full on-chip decoding to select the desired data source. The 150 selects one-of-sixteen data sources; the 151A, LS151, and S151 select one-of-eight data sources. The 150, 151A, LS151, and S151 have a strobe input which must be at a low logic level to enable these devices. A high level at the strobe forces the W output high, and the Y output (as applicable) low.

The 151A, LS151, and S151 feature complementary W and Y outputs whereas the 150 has an inverted (W) output only.

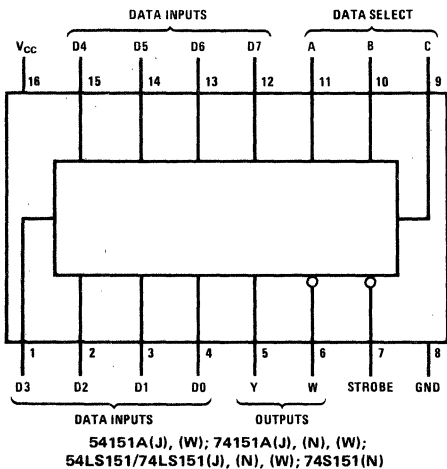
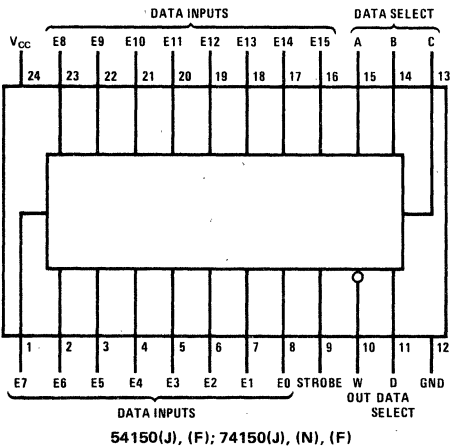
The 151A incorporates address buffers which have symmetrical propagation delay times through the complementary paths. This reduces the possibility of transients occurring at the output(s) due to changes made at the select inputs, even when the 151A outputs are enabled (i.e., strobe low).

Features

- 150 selects one-of-sixteen data lines
- Others select one-of-eight data lines
- Performs parallel-to-serial conversion
- Permits multiplexing from N lines to one line
- Also for use as Boolean function generator

TYPE	TYPICAL AVERAGE PROPAGATION DELAY TIME DATA INPUT TO W OUTPUT	TYPICAL POWER DISSIPATION
150	11 ns	200 mW
151A	9 ns	135 mW
LS151	12.5 ns	30 mW
S151	4.5 ns	225 mW

Connection Diagrams



Truth Tables

54150/74150

INPUTS					STROBE S	OUTPUT W
SELECT						
D	C	B	A			
X	X	X	X	H	H	
L	L	L	L	L	$\overline{E_0}$	
L	L	L	H	L	$\overline{E_1}$	
L	L	H	L	L	$\overline{E_2}$	
L	L	H	H	L	$\overline{E_3}$	
L	H	L	L	L	$\overline{E_4}$	
L	H	L	H	L	$\overline{E_5}$	
L	H	H	L	L	$\overline{E_6}$	
L	H	H	H	L	$\overline{E_7}$	
H	L	L	L	L	$\overline{E_8}$	
H	L	L	H	L	$\overline{E_9}$	
H	L	H	L	L	$\overline{E_{10}}$	
H	L	H	H	L	$\overline{E_{11}}$	
H	H	L	L	L	$\overline{E_{12}}$	
H	H	L	H	L	$\overline{E_{13}}$	
H	H	H	L	L	$\overline{E_{14}}$	
H	H	H	H	L	$\overline{E_{15}}$	

54151A/74151A, 54LS151/74LS151, 74S151

INPUTS				OUTPUTS	
SELECT			STROBE S	Y	W
C	B	A			
X	X	X	H	L	H
L	L	L	L	D0	$\overline{D_0}$
L	L	H	L	D1	$\overline{D_1}$
L	H	L	L	D2	$\overline{D_2}$
L	H	H	L	D3	$\overline{D_3}$
H	L	L	L	D4	$\overline{D_4}$
H	L	H	L	D5	$\overline{D_5}$
H	H	L	L	D6	$\overline{D_6}$
H	H	H	L	D7	$\overline{D_7}$

H = High Level, L = Low Level, X = Don't Care
 $\overline{E_0}, \overline{E_1} \dots \overline{E_{15}}$ = the complement of the level of the respective E input
 $\overline{D_0}, \overline{D_1} \dots \overline{D_7}$ = the level of the respective D input

Electrical Characteristics over recommended operating free-air temperature range (unless otherwise noted)

PARAMETER		CONDITIONS		DM54/74			DM54/74			DM74S			UNITS	
				150, 151A			LS151			S151				
				MIN	TYP(1)	MAX	MIN	TYP(1)	MAX	MIN	TYP(1)	MAX		
V_{IH}	High Level Input Voltage			2			2			2			V	
V_{IL}	Low Level Input Voltage			DM54	0.8			0.7			N/A			V
				DM74	0.8			0.8			0.8			
V_I	Input Clamp Voltage	$V_{CC} = \text{Min}$	$I_I = -12 \text{ mA}$										V	
			$I_I = -18 \text{ mA}$				-1.5			-1.2				
I_{OH}	High Level Output Current			-800			-400			-1000			μA	
V_{OH}	High Level Output Voltage	$V_{CC} = \text{Min}, V_{IH} = 2\text{V}$ $V_{IL} = \text{Max}, I_{OH} = \text{Max}$	DM54	2.4			2.5 3.4			N/A			V	
			DM74	2.4			2.7 3.4			2.7 3.4				
I_{OL}	Low Level Output Current			DM54	16			4			N/A			mA
				DM74	16			8			20			
V_{OL}	Low Level Output Voltage	$V_{CC} = \text{Min}, V_{IH} = 2\text{V}$ $V_{IL} = \text{Max}$	$I_{OL} = \text{Max}$	DM54	0.4			0.25 0.4			N/A			V
				DM74	0.4			0.35 0.5			0.5			
				DM74				0.4						
I_I	Input Current at Maximum Input Voltage	$V_{CC} = \text{Max}$	$V_I = 5.5\text{V}$	1						1			mA	
			$V_I = 7\text{V}$				0.1							
I_{IH}	High Level Input Current	$V_{CC} = \text{Max}$	$V_I = 2.4\text{V}$	40									μA	
			$V_I = 2.7\text{V}$				20			50				
I_{IL}	Low Level Input Current	$V_{CC} = \text{Max}$	$V_I = 0.4\text{V}$	-1.6			-0.4						mA	
			$V_I = 0.5\text{V}$							-2				
I_{OS}	Short Circuit Output Current	$V_{CC} = \text{Max}(2)$	DM54	-20 -55			-30 -130			N/A			mA	
			DM74	-18 -55			-30 -130			-40 -100				
I_{CC}	Supply Current	$V_{CC} = \text{Max}(3)$	150	40 68									mA	
			151A	27 48										
			Others				6 10			45 70				

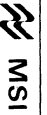
Notes

- All typical values are at $V_{CC} = 5\text{V}$, $T_A = 25^\circ\text{C}$.
- Not more than one output should be shorted at a time, and for DM54LS/74LS or DM74S duration of short circuit should not exceed one second.
- I_{CC} is measured with the strobe and data select inputs at 4.5V, all other inputs and outputs open.
- National Semiconductor temporarily reserves the right to ship DM54LS/DM74LS151 devices which have a minimum $I_{OS} = 5.0 \text{ mA}$.

Switching Characteristics $V_{CC} = 5V, T_A = 25^\circ C$

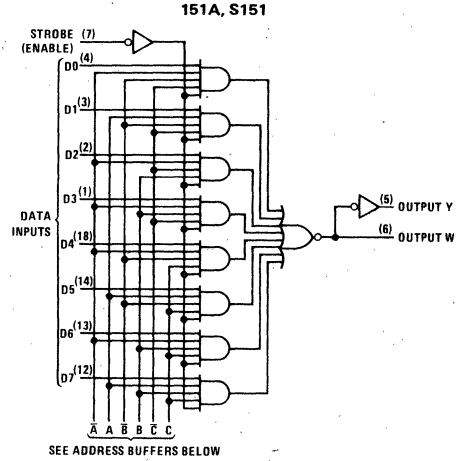
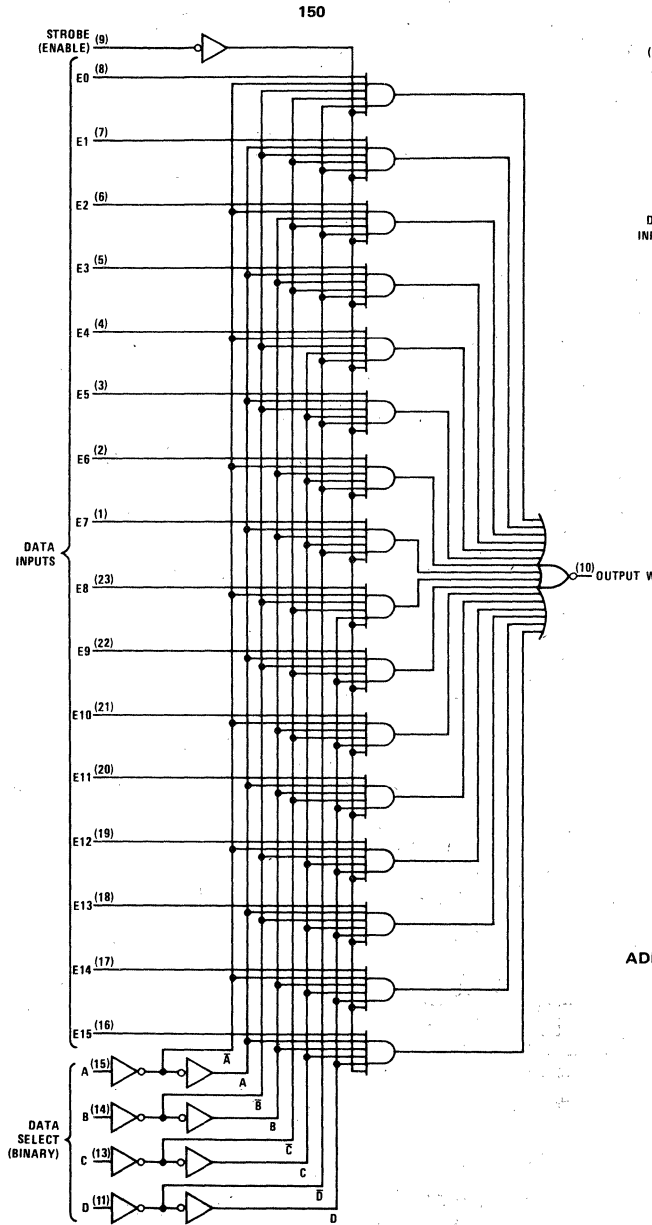
PARAMETER		FROM (INPUT)	TO (OUTPUT)	CONDITIONS	DM54/74						CONDITIONS	DM54LS/74LS			CONDITIONS	DM74S			UNITS
					150			151A				LS151				S151			
					MIN	TYP	MAX	MIN	TYP	MAX		MIN	TYP	MAX		MIN	TYP	MAX	
t_{PLH}	Propagation Delay Time, Low-to-High Level Output	Select (4 levels)	Y	$C_L = 15 \text{ pF}$ $R_L = 400\Omega$	N/A			23	38	$C_L = 15 \text{ pF}$ $R_L = 2 \text{ k}\Omega$	27	43	$C_L = 15 \text{ pF}$ $R_L = 280\Omega$	12	18	ns			
t_{PHL}	Propagation Delay Time, High-to-Low Level Output				N/A			23	30		18	30		12	18	ns			
t_{PLH}	Propagation Delay Time, Low-to-High Level Output	Select (3 levels)	W		21	35	16	26	14		23	10		15	ns				
t_{PHL}	Propagation Delay Time, High-to-Low Level Output				22	33	16	30	20		32	9		13.5	ns				
t_{PLH}	Propagation Delay Time, Low-to-High Level Output	Strobe	Y		N/A			25	33		26	42		11	16.5	ns			
t_{PHL}	Propagation Delay Time, High-to-Low Level Output				N/A			19	30		20	32		12	18	ns			
t_{PLH}	Propagation Delay Time, Low-to-High Level Output	Strobe	W		15.5	24	11	21	15		24	9		13	ns				
t_{PHL}	Propagation Delay Time, High-to-Low Level Output				21	30	17	25	18		30	8.5		12	ns				
t_{PLH}	Propagation Delay Time, Low-to-High Level Output	D0 thru D7	Y		N/A			17	24		20	32		8	12	ns			
t_{PHL}	Propagation Delay Time, High-to-Low Level Output				N/A			18	24		16	26		8	12	ns			
t_{PLH}	Propagation Delay Time, Low-to-High Level Output	E0 thru E15 or D0 thru D7	W		13	20	10	14	13		21	4.5		7	ns				
t_{PHL}	Propagation Delay Time, High-to-Low Level Output				8.5	14	8	14	12		20	4.5		7	ns				

2-55

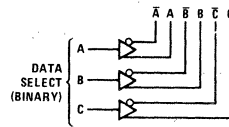


DM54/DM74150, 151A, LS151, S151

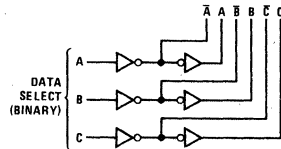
Logic Diagrams



ADDRESS BUFFERS FOR 54151A/74151A



ADDRESS BUFFERS FOR 54LS151/74LS151, 74S151



Dual 4-Line to 1-Line Data Selectors/Multiplexers

General Description

Each of these data selectors/multiplexers contains inverters and drivers to supply fully complementary, on-chip, binary decoding data selection to the AND-OR-invert gates. Separate strobe inputs are provided for each of the two four-line sections.

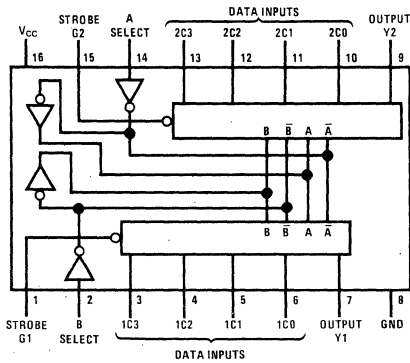
- Strobe (enable) line provided for cascading (N lines to n lines)
- High fan-out, low-impedance, totem-pole outputs

Features

- Permits multiplexing from N lines to 1 line
- Performs parallel-to-serial conversion

TYPE	TYPICAL AVERAGE PROPAGATION DELAY TIMES			TYPICAL POWER DISSIPATION
	FROM DATA	FROM STROBE	FROM SELECT	
153	11 ns	18 ns	20 ns	170 mW
LS153	14 ns	19 ns	22 ns	31 mW
S153	6 ns	9.5 ns	12 ns	225 mW

Connection Diagram



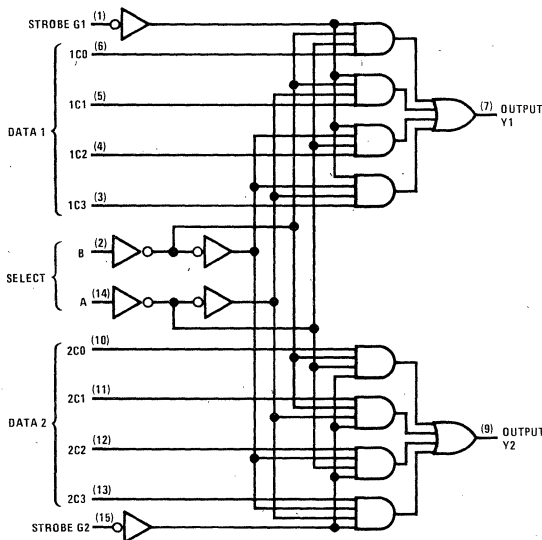
54153(J), (W); 74153(J), (N), (W);
54LS153/74LS153(J), (N), (W);
74S153(N)

Truth Table

SELECT INPUTS		DATA INPUTS				STROBE	OUTPUT
B	A	C0	C1	C2	C3	G	Y
X	X	X	X	X	X	H	L
L	L	L	X	X	X	L	L
L	L	H	X	X	X	L	H
L	H	X	L	X	X	L	L
L	H	X	H	X	X	L	H
H	L	X	X	L	X	L	L
H	L	X	X	H	X	L	H
H	H	X	X	X	L	L	L
H	H	X	X	X	H	L	H

Select inputs A and B are common to both sections.
H = High Level, L = Low Level, X = Don't Care

Logic Diagram



Electrical Characteristics over recommended operating free-air temperature range (unless otherwise noted)

PARAMETER		CONDITIONS		DM54/74			DM54LS/74LS			DM74S			UNITS		
				153			LS153			S153					
				MIN	TYP(1)	MAX	MIN	TYP(1)	MAX	MIN	TYP(1)	MAX			
V _{IH}	High Level Input Voltage			2			2			2			V		
V _{IL}	Low Level Input Voltage			DM54			0.8			0.7			N/A	V	
				DM74			0.8			0.8			0.8		
V _I	Input Clamp Voltage	V _{CC} = Min	I _I = -12 mA										V		
			I _I = -18 mA				-1.5			-1.2					
I _{OH}	High Level Output Current			-800			-400			-1000			μA		
V _{OH}	High Level Output Voltage	V _{CC} = Min, V _{IH} = 2V V _{IL} = Max, I _{OH} = Max		DM54			2.4 3.2			2.5 3.4			N/A	V	
				DM74			2.4 3.2			2.7 3.4			2.7 3.4		
I _{OL}	Low Level Output Current			DM54			16			4			N/A	mA	
				DM74			16			8			20		
V _{OL}	Low Level Output Voltage	V _{CC} = Min V _{IH} = 2V V _{IL} = Max	I _{OL} = Max	DM54			0.2 0.4			0.25 0.4			N/A	V	
				DM74			0.2 0.4			0.35 0.5			0.5		
				DM74LS						0.4					
I _I	Input Current at Maximum Input Voltage	V _{CC} = Max	V _I = 5.5V		1						1		mA		
			V _I = 7V					0.1							
I _{IH}	High Level Input Current	V _{CC} = Max	V _I = 2.4V		40								μA		
			V _I = 2.7V					20			50				
I _{IL}	Low Level Input Current	V _{CC} = Max	V _I = 0.4V		-1.6			-0.36					mA		
			V _I = 0.5V								-2				
I _{OS}	Short Circuit Output Current	V _{CC} = Max(2)		DM54			-20 -55			-30 -130			N/A	mA	
				DM74			-18 -57			-30 -130			-40 -100		
I _{CC}	Supply Current	V _{CC} = Max(3)		DM54			34 52			6.2 10			N/A	mA	
				DM74			34 60			6.2 10			45 70		

Notes

- All typical values are at V_{CC} = 5V, T_A = 25°C.
- Not more than one output should be shorted at a time, and for DM54LS/74LS or DM74S duration of short circuit should not exceed one second.
- I_{CC} is measured with the outputs open and all inputs grounded.
- National Semiconductor temporarily reserves the right to ship DM54LS/DM74LS153 devices which have a minimum I_{OS} = 5.0 mA.

Switching Characteristics $V_{CC} = 5V, T_A = 25^\circ C$

PARAMETER		FROM (INPUT)	TO (OUTPUT)	DM54/74			DM54LS/74LS				DM74S				UNITS
				153			LS153				S153				
				CONDITIONS	MIN	TYP	MAX	CONDITIONS	MIN	TYP	MAX	CONDITIONS	MIN	TYP	
t_{PLH}	Propagation Delay Time, Low-to-High Level Output	Data	Y	$C_L = 30 \text{ pF}$ $R_L = 400\Omega$	11	18	$C_L = 15 \text{ pF}$ $R_L = 2 \text{ k}\Omega$	10	15	$C_L = 15 \text{ pF}$ $R_L = 280\Omega$	6	9	ns		
t_{PHL}	Propagation Delay Time, High-to-Low Level Output	Data	Y		10	23		17	26		6	9	ns		
t_{PLH}	Propagation Delay Time, Low-to-High Level Output	Select	Y		20	34		19	29		11.5	18	ns		
t_{PHL}	Propagation Delay Time, High-to-Low Level Output	Select	Y		20	34		25	38		12	18	ns		
t_{PLH}	Propagation Delay Time, Low-to-High Level Output	Strobe	Y		19	30		16	24		10	15	ns		
t_{PHL}	Propagation Delay Time, High-to-Low Level Output	Strobe	Y		17	23		21	32		9	13.5	ns		

4-Line to 16-Line Decoders/Demultiplexers

General Description

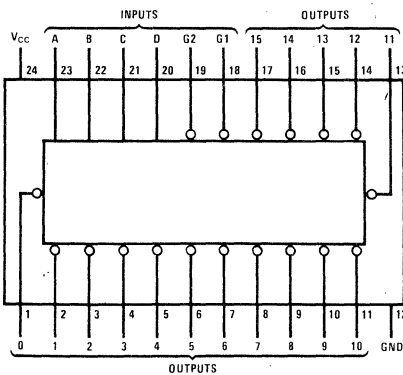
Each of these 4-line-to-16-line decoders utilizes TTL circuitry to decode four binary-coded inputs into one of sixteen mutually exclusive outputs when both the strobe inputs, G1 and G2, are low. The demultiplexing function is performed by using the 4 input lines to address the output line, passing data from one of the strobe inputs with the other strobe input low. When either strobe input is high, all outputs are high. These demultiplexers are ideally suited for implementing high-performance memory decoders. All inputs are buffered and input clamping diodes are provided to minimize transmission-line effects and thereby simplify system design.

Features

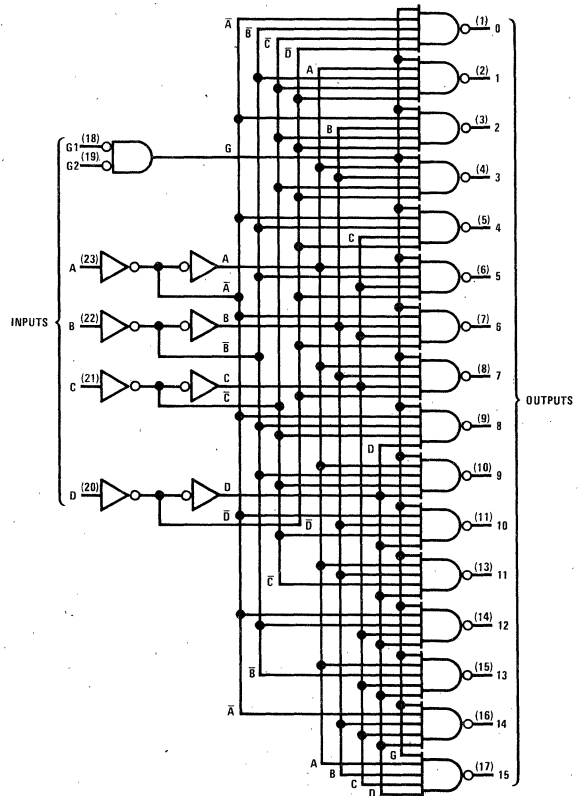
- Decodes 4 binary-coded inputs into one of 16 mutually exclusive outputs
- Performs the demultiplexing function by distributing data from one input line to any one of 16 outputs
- Input clamping diodes simplify system design
- High fan-out, low-impedance, totem-pole outputs

TYPE	TYPICAL PROPAGATION DELAY		TYPICAL POWER DISSIPATION
	3 LEVELS OF LOGIC	STROBE	
154	19 ns	18 ns	170 mW
L154A	55 ns	45 ns	24 mW
LS154	23 ns	19 ns	45 mW

Connection and Logic Diagrams



54154(J), (F); 74154(J), (N), (F);
 54L154A/74L154A(J), (N), (F);
 54LS154/74LS154(J), (N), (F)



Electrical Characteristics over recommended operating free-air temperature range (unless otherwise noted)

PARAMETER		CONDITIONS		DM54/74			DM54L/74L			DM54LS/74LS			UNITS
				154			L154A			LS154(4)			
				MIN	TYP(1)	MAX	MIN	TYP(1)	MAX	MIN	TYP(1)	MAX	
V_{IH}	High Level Input Voltage			2			2			2			V
V_{IL}	Low Level Input Voltage	DM54		0.8			0.7			0.7			V
		DM74		0.8			0.7			0.8			
V_I	Input Clamp Voltage	$V_{CC} = \text{Min}$	$I_I = -12 \text{ mA}$	-1.5			N/A						V
			$I_I = -18 \text{ mA}$							-1.5			
I_{OH}	High Level Output Current			-800			-200			-400			μA
V_{OH}	High Level Output Voltage	$V_{CC} = \text{Min}, V_{IH} = 2\text{V}$ $V_{IL} = \text{Max}, I_{OH} = \text{Max}$		DM54	2.4	3.4	2.4	2.8	2.5	3.5			V
				DM74	2.4	3.4	2.4	2.8	2.7	3.5			
I_{OL}	Low Level Output Current			DM54	16		2		4			mA	
				DM74	16		3.6		8				
V_{OL}	Low Level Output Voltage	$V_{CC} = \text{Min}, V_{IH} = 2\text{V}$ $V_{IL} = \text{Max}, I_{OL} = \text{Max}$		DM54	0.25	0.4	0.15	0.3	0.25	0.4			V
				DM74	0.25	0.4	0.20	0.4	0.35	0.5			
I_I	Input Current at Maximum Input Voltage	$V_{CC} = \text{Max}$	$V_I = 5.5\text{V}$	1			0.1						mA
			$V_I = 7\text{V}$							0.1			
I_{IH}	High Level Input Current	$V_{CC} = \text{Max}$	$V_I = 2.4\text{V}$	40			10						μA
			$V_I = 2.7\text{V}$							20			
I_{IL}	Low Level Input Current	$V_{CC} = \text{Max}$	$V_I = 0.3\text{V}$				-0.18						mA
			$V_I = 0.4\text{V}$	-1.6						-0.36			
I_{OS}	Short Circuit Output Current	$V_{CC} = \text{Max}(2)$		DM54	-20	-55	-3	-9	-15	-30	-130	mA	
				DM74	-18	-57	-3	-9	-15	-30	-130		
I_{CC}	Supply Current	$V_{CC} = \text{Max}(3)$		DM54	34	49	4.8	6.0	9	14	mA		
				DM74	34	56	4.8	6.0	9	14			

Notes

- (1) All typical values are at $V_{CC} = 5\text{V}, T_A = 25^\circ\text{C}$.
- (2) Not more than one output should be shorted at a time, and for DM54LS/74LS duration of short circuit should not exceed one second.
- (3) I_{CC} is measured with all inputs grounded and all outputs open.
- (4) Tentative data.

Switching Characteristics $V_{CC} = 5V$, $T_A = 25^\circ C$

PARAMETER		DM54/74				DM54L/74L				DM54LS/74LS				UNITS
		154				L154A				LS154(4)				
		CONDITIONS	MIN	TYP	MAX	CONDITIONS	MIN	TYP	MAX	CONDITIONS	MIN	TYP	MAX	
t_{PLH}	Propagation Delay Time, Low-to-High Level Output, From A, B, C, or D Inputs Through 3 Levels of Logic	$C_L = 15 \text{ pF}$ $R_L = 400\Omega$	18 36		$C_L = 50 \text{ pF}$ $R_L = 4 \text{ k}\Omega$	35 70		$C_L = 15 \text{ pF}$ $R_L = 2 \text{ k}\Omega$	24 36		ns			
t_{PHL}	Propagation Delay Time, High-to-Low Level Output, From A, B, C, or D Inputs Through 3 Levels of Logic		21 33			75 150			22 33					
t_{PLH}	Propagation Delay Time, Low-to-High Level Output, From Either Strobe Input		17 30			35 70			20 30					
t_{PHL}	Propagation Delay Time, High-to-Low Level Output, From Either Strobe Input		18 27			55 110			18 27					

Truth Table

INPUTS					OUTPUTS																	
G1	G2	D	C	B	A	0	1	2	3	4	5	6	7	8	9	10	11	12	13	14	15	
L	L	L	L	L	L	L	H	H	H	H	H	H	H	H	H	H	H	H	H	H	H	H
L	L	L	L	L	H	H	L	H	H	H	H	H	H	H	H	H	H	H	H	H	H	H
L	L	L	L	H	L	H	H	L	H	H	H	H	H	H	H	H	H	H	H	H	H	H
L	L	L	L	H	H	H	H	H	L	H	H	H	H	H	H	H	H	H	H	H	H	H
L	L	L	H	L	L	H	H	H	H	H	L	H	H	H	H	H	H	H	H	H	H	H
L	L	L	H	H	L	H	H	H	H	H	H	L	H	H	H	H	H	H	H	H	H	H
L	L	L	H	H	H	H	H	H	H	H	H	H	L	H	H	H	H	H	H	H	H	H
L	L	H	L	L	L	H	H	H	H	H	H	H	H	H	H	L	H	H	H	H	H	H
L	L	H	L	L	H	H	H	H	H	H	H	H	H	H	H	H	L	H	H	H	H	H
L	L	H	L	H	L	H	H	H	H	H	H	H	H	H	H	H	H	L	H	H	H	H
L	L	H	H	L	H	H	H	H	H	H	H	H	H	H	H	H	H	H	L	H	H	H
L	L	H	H	H	L	H	H	H	H	H	H	H	H	H	H	H	H	H	H	L	H	H
L	L	H	H	H	H	H	H	H	H	H	H	H	H	H	H	H	H	H	H	H	L	H
L	H	X	X	X	X	H	H	H	H	H	H	H	H	H	H	H	H	H	H	H	H	H
H	L	X	X	X	X	H	H	H	H	H	H	H	H	H	H	H	H	H	H	H	H	H
H	H	X	X	X	X	H	H	H	H	H	H	H	H	H	H	H	H	H	H	H	H	H

H = High Level, L = Low Level, X = Don't Care

Dual 2-Line to 4-Line Decoders/Demultiplexers

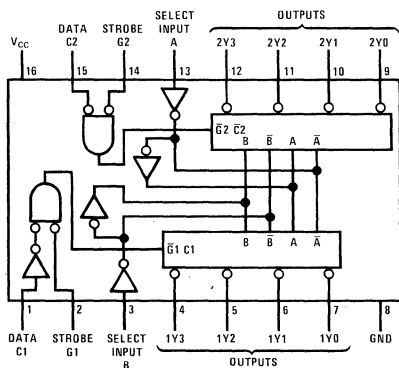
General Description

These TTL circuits feature dual 1-line-to-4-line demultiplexers with individual strobes and common binary-address inputs in a single 16-pin package. When both sections are enabled by the strobes, the common address inputs sequentially select and route associated input data to the appropriate output of each section. The individual strobes permit activating or inhibiting each of the 4-bit sections as desired. Data applied to input C1 is inverted at its outputs and data applied at C2 is true through its outputs. The inverter following the C1 data input permits use as a 3-to-8-line decoder, or 1-to-8-line demultiplexer, without external gating. Input clamping diodes are provided on these circuits to minimize transmission-line effects and simplify system design.

Features

- Applications:
 - Dual 2-to-4-line decoder
 - Dual 1-to-4-line demultiplexer
 - 3-to-8-line decoder
 - 1-to-8-line demultiplexer
- Individual strobes simplify cascading for decoding or demultiplexing larger words
- Input clamping diodes simplify system design
- Choice of outputs:
 - Totem-pole (155, LS155)
 - Open-collector (156, LS156)

Connection Diagram



54155(J), (W); 74155(J), (N), (W);
 54LS155/74LS155(J), (N), (W);
 54156(J), (W); 74156(J), (N), (W);
 54LS156/74LS156(J), (N), (W)

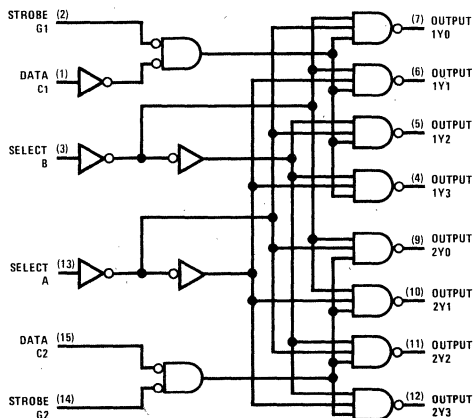
Truth Tables

2-LINE-TO-4-LINE DECODER
OR 1-LINE-TO-4-LINE DEMULTIPLEXER

INPUTS			OUTPUTS			
SELECT	STROBE	DATA	1Y0	1Y1	1Y2	1Y3
B	A	C1				
X	X	H	X	H	H	H
L	L	L	H	L	H	H
L	H	L	H	H	L	H
H	L	L	H	H	H	L
H	H	L	H	H	H	L
X	X	X	L	H	H	H

INPUTS			OUTPUTS			
SELECT	STROBE	DATA	2Y0	2Y1	2Y2	2Y3
B	A	C2				
X	X	H	X	H	H	H
L	L	L	L	L	H	H
L	H	L	L	H	L	H
H	L	L	L	H	H	L
H	H	L	L	H	H	L
X	X	X	H	H	H	H

Logic Diagram



3-LINE-TO-8-LINE DECODER
OR 1-LINE-TO-8-LINE DEMULTIPLEXER

INPUTS				OUTPUTS							
SELECT	STROBE	OR DATA		(0)	(1)	(2)	(3)	(4)	(5)	(6)	(7)
C [†]	B	A	G [‡]	2Y0	2Y1	2Y2	2Y3	1Y0	1Y1	1Y2	1Y3
X	X	X	H	H	H	H	H	H	H	H	H
L	L	L	L	L	H	H	H	H	H	H	H
L	L	H	L	H	L	H	H	H	H	H	H
L	H	L	L	H	H	L	H	H	H	H	H
L	H	H	L	H	H	H	L	H	H	H	H
H	L	L	L	H	H	H	H	L	H	H	H
H	L	H	L	H	H	H	H	H	L	H	H
H	H	L	L	H	H	H	H	H	H	L	H
H	H	H	L	H	H	H	H	H	H	H	L

† C = inputs C1 and C2 connected together
 ‡ G = inputs G1 and G2 connected together
 H = high level, L = low level, X = don't care

Electrical Characteristics over recommended operating free-air temperature range (unless otherwise noted)

PARAMETER		CONDITIONS		DM54/74						DM54LS/74LS						UNITS	
				155			156			LS155			LS156				
				MIN	TYP(1)	MAX	MIN	TYP(1)	MAX	MIN	TYP(1)	MAX	MIN	TYP(1)	MAX		
V _{IH}	High Level Input Voltage			2			2			2			2			V	
V _{IL}	Low Level Input Voltage	DM54		0.8			0.8			0.7			0.7			V	
		DM74		0.8			0.8			0.8			0.8				
V _I	Input Clamp Voltage	V _{CC} = Min	I _I = -12 mA I _I = -18 mA	-1.5			-1.5			-1.5			-1.5			V	
I _{OH}	High Level Output Current	V _{CC} = Min, V _{IH} = 2V, V _{IL} = Max, V _{OH} = 5.5V		250			250			100			100			μA	
				-800			-800			-400			-400				
V _{OH}	High Level Output Voltage	V _{CC} = Min, V _{IH} = 2V V _{IL} = Max, I _{OH} = Max		DM54	2.4			2.5 3.4			2.5 3.4						V
				DM74	2.4			2.7 3.4			2.7 3.4						
I _{OL}	Low Level Output Current	DM54		16			16			4			4			mA	
		DM74		16			16			8			8				
V _{OL}	Low Level Output Voltage	V _{CC} = Min, V _{IH} = 2V V _{IL} = 0.8V		I _{OL} = 4 mA			I _{OL} = 4 mA			0.25 0.4			0.25 0.4			V	
				I _{OL} = 8 mA, DM74			I _{OL} = 8 mA, DM74			0.35 0.5			0.35 0.5				
				I _{OL} = 16 mA			I _{OL} = 16 mA			0.4			0.4				
I _I	Input Current at Maximum Input Voltage	V _{CC} = Max	V _I = 5.5V V _I = 7V	1			1			0.1			0.1			mA	
I _{IH}	High Level Input Current	V _{CC} = Max		V _I = 2.4V			V _I = 2.4V			40			40			μA	
				V _I = 2.7V			V _I = 2.7V			20			20				
I _{IL}	Low Level Input Current	V _{CC} = Max, V _I = 0.4V		-1.6			-1.6			-0.36			-0.36			mA	
I _{OS}	Short Circuit Output Current	V _{CC} = Max(2)		DM54	-20	-32	-55	N/A			-30	-130	N/A			mA	
				DM74	-18	-32	-55				-30	-130					
I _{CC}	Supply Current	V _{CC} = Max(3)		DM54	25 35		25 35		6.1 10		6.1 10		6.1 10		mA		
				DM74	25 40		25 40		6.1 10		6.1 10		6.1 10				

Notes

- (1) All typical values are at V_{CC} = 5V, T_A = 25°C.
- (2) Not more than one output should be shorted at a time, and for DM54LS/74LS duration of short circuit should not exceed one second.
- (3) I_{CC} is measured with outputs open, A, B, and C1 inputs at 4.5V, and C2, G1 and G2 inputs grounded.

Switching Characteristics $V_{CC} = 5V, T_A = 25^\circ C$

PARAMETER		FROM (INPUT)	TO (OUTPUT)	LEVELS OF LOGIC	CONDITIONS	DM54/74						DM54LS/74LS						UNITS
						155			156			LS155			LS156			
						MIN	TYP	MAX	MIN	TYP	MAX	MIN	TYP	MAX	MIN	TYP	MAX	
t_{PLH}	Propagation Delay Time, Low-to-High Level Output	A, B, C2 G1 or G2	Y	2	$C_L = 15 \text{ pF}$ $R_L = 400\Omega$		13	20		15	23		10	15		25	40	ns
t_{PHL}	Propagation Delay Time, High-to-Low Level Output	A, B, C2 G1 or G2	Y	2			18	27		19	30		19	30		34	51	ns
t_{PLH}	Propagation Delay Time, Low-to-High Level Output	A or B	Y	3			18	27		21	32		17	26		31	46	ns
t_{PHL}	Propagation Delay Time, High-to-Low Level Output	A or B	Y	3			17	26		18	27		19	30		34	51	ns
t_{PLH}	Propagation Delay Time, Low-to-High Level Output	C1	Y	3			17	24		19	27		18	27		32	48	ns
t_{PHL}	Propagation Delay Time, High-to-Low Level Output	C1	Y	3			17	26		18	27		18	27		32	48	ns

2-65

Quad 2-Line to 1-Line Data Selectors/Multiplexers

General Description

These data selectors/multiplexers contain inverters and drivers to supply full on-chip data selection to the four output gates. A separate strobe input is provided. A 4-bit word is selected from one of two sources and is routed to the four outputs. The 157, L157A, LS157, and S157 present true data whereas the LS158 and S158 present inverted data to minimize propagation delay time.

Applications

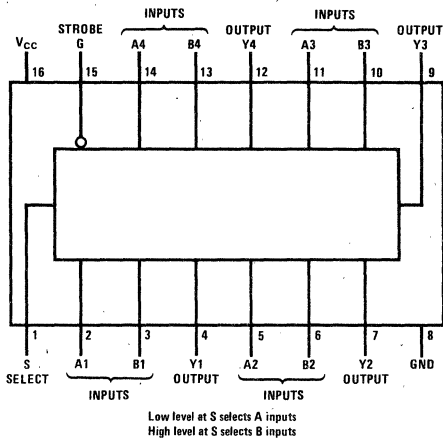
- Expand any data input point
- Multiplex dual data buses
- Generate four functions of two variables (one variable is common)
- Source programmable counters

Features

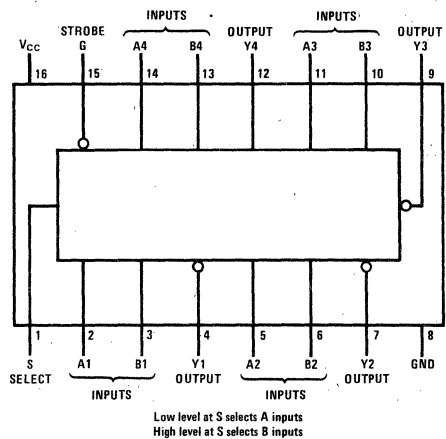
- Buffered inputs and outputs
- Three speed/power ranges available

TYPE	TYPICAL PROPAGATION TIME	TYPICAL POWER DISSIPATION
157	9 ns	150 mW
L157A	40 ns	15 mW
LS157	9 ns	49 mW
S157	5 ns	250 mW
LS158	7 ns	24 mW
S158	4 ns	195 mW

Connection Diagrams



54157(J), (W); 74157(J), (N), (W);
54L157A/74L157A(J), (N), (W);
54LS157/74LS157(J), (N), (W); 74S157(N)



54LS158/74LS158(J), (N), (W);
74S158(N)

Truth Table

INPUTS		OUTPUT Y			
STROBE	SELECT	A	B	157, L157A LS157, S157	LS158 S158
H	X	X	X	L	H
L	L	L	X	L	H
L	L	H	X	H	L
L	H	X	L	L	H
L	H	X	H	H	L

H = High Level, L = Low Level, X = Don't Care

Electrical Characteristics over recommended operating free-air temperature range (unless otherwise noted)

PARAMETER		CONDITIONS		DM54/74			DM54L/74L			DM54LS/74LS			DM74S			UNITS
				157			L157A			LS157, LS158			S157, S158			
				MIN	TYP(1)	MAX	MIN	TYP(1)	MAX	MIN	TYP(1)	MAX	MIN	TYP(1)	MAX	
V _{IH}	High Level Input Voltage			2			2			2			2			V
V _{IL}	Low Level Input Voltage			DM54			DM54L/74L			DM54LS/74LS			DM74S			V
				DM74												V
V _I	Input Clamp Voltage	V _{CC} = Min	I _I = -12 mA				-1.5			N/A						V
			I _I = -18 mA							-1.5			-1.2			V
I _{OH}	High Level Output Current			-800			-200			-400			-1000			μA
V _{OH}	High Level Output Voltage	V _{CC} = Min, V _{IH} = 2V V _{IL} = Max, I _{OH} = Max	DM54	2.4	3.4		2.4			2.5	3.4		N/A			V
			DM74	2.4	3.4		2.4			2.7	3.4		2.7	3.4		V
I _{OL}	Low Level Output Current			DM54	16			2			4	N/A			mA	
				DM74	16			3.6			8	20			mA	
V _{OL}	Low Level Output Voltage	V _{CC} = Min V _{IH} = 2V V _{IL} = Max	I _{OL} = 4 mA	DM74							0.25	0.4				V
			I _{OL} = Max	DM54	0.4			0.3			0.25	0.4	N/A			V
			I _{OL} = Max	DM74	0.4			0.4			0.35	0.5	0.5			V
I _I	Input Current at Maximum Input Voltage	Any Input S or G Input A or B Input	V _{CC} = Max	V _I = 5.5V	1			0.1			1			mA		
				V _I = 7V							0.2			mA		
				V _I = 7V							0.1			mA		
I _{IH}	High Level Input Current	Any Input S or G Input A or B Input	V _{CC} = Max	V _I = 2.4V	40			10						μA		
				V _I = 2.7V							40			50	μA	
				V _I = 2.7V							20			50	μA	
I _{IL}	Low Level Input Current	Any Input S or G Input A or B Input Any Input	V _{CC} = Max	V _I = 0.3V				-0.18						mA		
				V _I = 0.4V	-1.6						-0.8			mA		
				V _I = 0.4V	-1.6						-0.4			mA		
				V _I = 0.5V							-2			mA		
I _{OS}	Short Circuit Output Current	V _{CC} = Max(2)	DM54	-20	-55		-3	-9	-15	-30	-130	N/A		mA		
			DM74	-18	-55		-3	-9	-15	-30	-130	-40	-100	mA		
I _{CC}	Supply Current	V _{CC} = Max(3)	157	30 48			3	4		9.7	16	50	78		mA	
			158	N/A			N/A		4.8	8	39	61		mA		

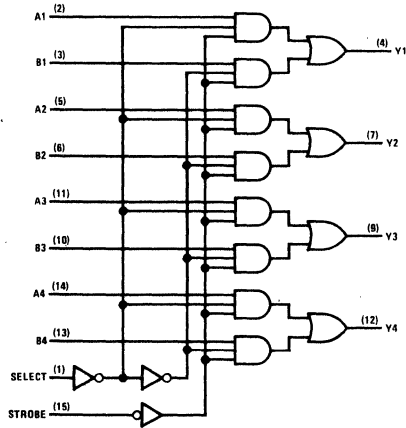
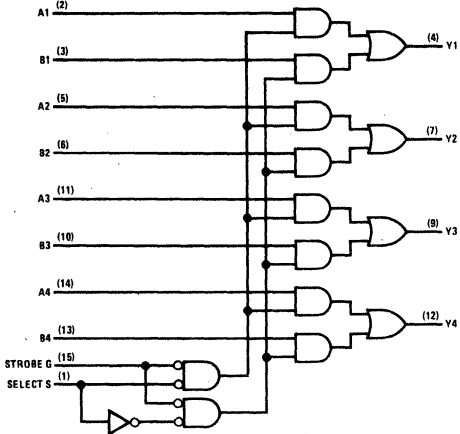
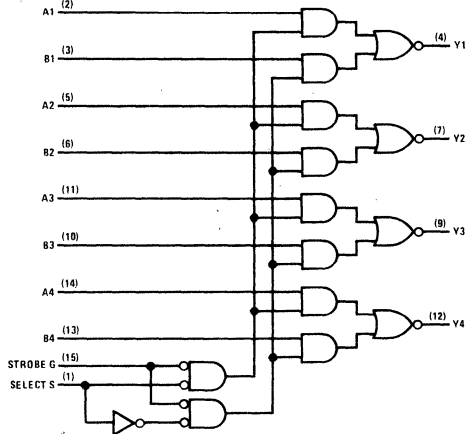
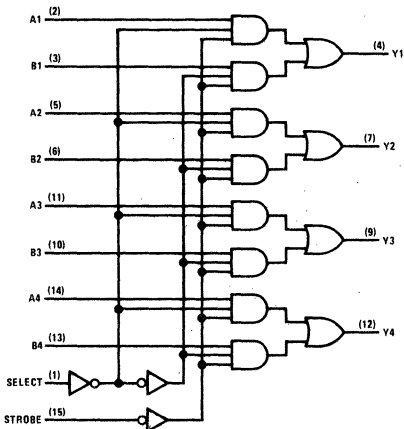
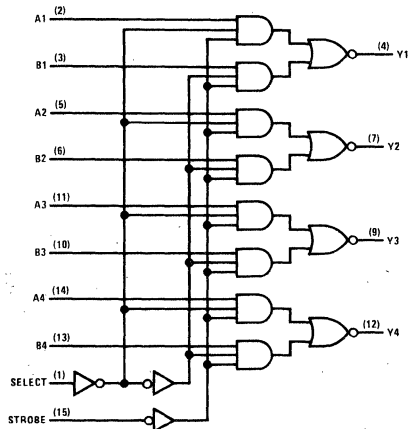
Notes

- (1) All typical values are at V_{CC} = 5V, T_A = 25°C.
- (2) Not more than one output should be shorted at a time, and for the DM54LS/74LS or DM74S duration of the short circuit should not exceed one second.
- (3) I_{CC} is measured with 4.5V applied to all inputs and all outputs open.

Switching Characteristics $V_{CC} = 5V, T_A = 25^\circ C$

PARAMETER			FROM (INPUT)	DM54/74				DM54L/74L				DM54LS/74LS				DM74S				UNITS
				157				L157A				LS157, LS158				S157, S158				
				CONDITIONS	MIN	TYP	MAX	CONDITIONS	MIN	TYP	MAX	CONDITIONS	MIN	TYP	MAX	CONDITIONS	MIN	TYP	MAX	
t _{PLH}	Propagation Delay Time, Low-to-High Level Output	157	Data	C _L = 15 pF R _L = 400Ω	C _L = 50 pF R _L = 4 kΩ	C _L = 15 pF R _L = 2 kΩ	C _L = 15 pF R _L = 280Ω	8	14	40	80	9	14	5	7.5	ns				
		158						N/A	N/A	8	13	4	6							
t _{PHL}	Propagation Delay Time, High-to-Low Level Output	157	10					14	40	80	12	19	4.5	6.5	ns					
		158	N/A					N/A	8	13	4	6								
t _{PLH}	Propagation Delay Time, Low-to-High Level Output	157	Strobe					13	20	60	120	16	25	8.5	12.5	ns				
		158						N/A	N/A	14	25	6.5	11.5							
t _{PHL}	Propagation Delay Time, High-to-Low Level Output	157						14	21	60	120	17	27	7.5	12	ns				
		158						N/A	N/A	16	27	7	12							
t _{PLH}	Propagation Delay Time, Low-to-High Level Output	157						Select	15	23	70	140	16.5	26	9.5	15	ns			
		158							N/A	N/A	13	20	8	12						
t _{PHL}	Propagation Delay Time, High-to-Low Level Output	157	17						27	50	100	19	30	9.5	15	ns				
		158	N/A						N/A	16	24	8	12							

2-68

Logic Diagrams
157, L157A

LS157

LS158

S157

S158


Synchronous 4-Bit Counters

General Description

These synchronous, presettable counters feature an internal carry look-ahead for application in high-speed counting designs. The 160A, 162A, LS160, LS162, are decade counters and the 161A, 163A, LS161, LS163 are 4-bit binary counters. The carry output is decoded by means of a NOR gate, thus preventing spikes during the normal counting mode of operation. Synchronous operation is provided by having all flip-flops clocked simultaneously so that the outputs change coincident with each other when so instructed by the count-enable inputs and internal gating. This mode of operation eliminates the output counting spikes which are normally associated with asynchronous (ripple clock) counters. A buffered clock input triggers the four flip-flops on the rising (positive-going) edge of the clock input waveform.

These counters are fully programmable; that is, the outputs may be preset to either level. As presetting is synchronous, setting up a low level at the load input disables the counter and causes the outputs to agree with the setup data after the next clock pulse regardless of the levels of the enable input. Low-to-high transitions at the load input of the 160A through 163A or LS160 through LS163 are perfectly acceptable, regardless of the logic levels on the clock or enable inputs. The clear function for the 160A, 161A, LS160, and LS161 is asynchronous; and a low level at the clear input sets all four of the flip-flop outputs low regardless of the levels of clock, load, or enable inputs. The clear function for the 162A, 163A, LS162, LS163, is synchronous; and a

low level at the clear input sets all four of the flip-flop outputs low after the next clock pulse, regardless of the levels of the enable inputs. This synchronous clear allows the count length to be modified easily, as decoding the maximum count desired can be accomplished with one external NAND gate. The gate output is connected to the clear input to synchronously clear the counter to all low outputs. Low-to-high transitions at the clear input of the 162A and 163A are also permissible regardless of the logic levels on the clock, enable, or load inputs.

The carry look-ahead circuitry provides for cascading counters for n-bit synchronous applications without additional gating. Instrumental in accomplishing this function are two count-enable inputs and a ripple carry output. Both count-enable inputs (P and T) must be high to count, and input T is fed forward to enable the ripple carry output. The ripple carry output thus enabled will produce a high-level output pulse with a duration approximately equal to the high-level portion of the Q_A output. This high-level overflow ripple carry pulse can be used to enable successive cascaded stages. High-to-low-level transitions at the enable P or T inputs of the 160A through 163A or LS160 through LS163, may occur regardless of the logic level on the clock.

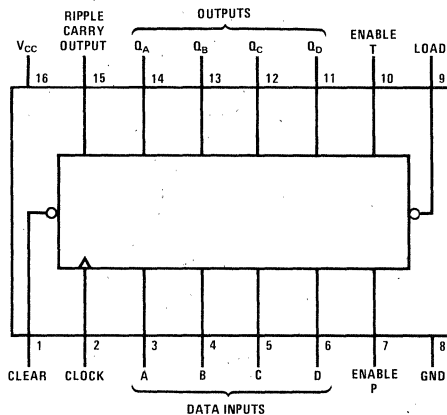
LS160 through LS163 feature a fully independent clock circuit. Changes made to control inputs (enable P or T, load or clear) that will modify the operating mode have no effect until clocking occurs. The function of the counter (whether enabled, disabled, loading, or counting) will be dictated solely by the conditions meeting the stable setup and hold times.

Features

- Synchronously programmable
- Internal look-ahead for fast counting
- Carry output for n-bit cascading
- Synchronous counting
- Load control line
- Diode-clamped inputs

TYPE	TYPICAL PROPAGATION TIME, CLOCK TO Q OUTPUT	TYPICAL CLOCK FREQUENCY	TYPICAL POWER DISSIPATION
160 thru 163	14 ns	35 MHz	315 mW
LS160 thru LS163	14 ns	32 MHz	93 mW

Connection Diagram



- 54160A(J), (W); 74160A(J), (N), (W);
- 54LS160/74LS160(J), (N), (W);
- 54161A(J), (W); 74161A(J), (N), (W);
- 54LS161/74LS161(J), (N), (W);
- 54162A(J), (W); 74162A(J), (N), (W);
- 54LS162/74LS162(J), (N), (W);
- 54163A(J), (W); 74163A(J), (N), (W);
- 54LS163/74LS163(J), (N), (W)

Electrical Characteristics over recommended operating free-air temperature range (unless otherwise noted)

PARAMETER		CONDITIONS		DM54/74		DM54LS/74LS		UNITS		
				160A, 161A 162A, 163A		LS160, LS161 LS162, LS163				
				MIN	TYP(1) MAX	MIN	TYP(1) MAX			
V_{IH}	High Level Input Voltage			2		2		V		
V_{IL}	Low Level Input Voltage			DM54	0.8		0.7	V		
				DM74	0.8		0.8			
V_I	Input Clamp Voltage	V _{CC} = Min	I _I = -12 mA			-1.5		V		
			I _I = -18 mA				-1.5			
I_{OH}	High Level Output Current					-800	-400	μA		
V_{OH}	High Level Output Voltage	V _{CC} = Min, V _{IH} = 2V		DM54	2.4 3.4	2.5 3.4		V		
		V _{IL} = Max, I _{OH} = Max		DM74	2.4 3.4	2.7 3.4				
I_{OL}	Low Level Output Current			DM54	16	4		mA		
				DM74	16	8				
V_{OL}	Low Level Output Voltage	V _{CC} = Min	V _{IH} = 2V	I _{OL} = Max	DM54	0.2 0.4	0.25 0.4	V		
					DM74	0.2 0.4	0.35 0.5			
					DM74		0.25 0.4			
I_I	Input Current at Maximum Input Voltage	V _{CC} = Max	V _I = 5.5V			1		mA		
				All						
				Data or Enable P						0.1
				Load, Clock, or Enable T Clear (LS160, LS161)						0.2
				Clear (LS162, LS163)						0.1
I_{IH}	High Level Input Current	V _{CC} = Max	V _I = 2.4V (160A-163A) V _I = 2.7V (LS160-LS163)			40	40	μA		
				Load		80	40			
				Clock, Enable T		40	20			
				Data		40	20			
				Enable P		40	20			
				Clear (160, 161)		40	20			
				Clear (162, 163)		40	40			
I_{IL}	Low Level Input Current	V _{CC} = Max	V _I = 0.4V			-1.6	-0.4	mA		
				Data, Enable P		-3.2	-1.2			
				Clock		-1.6	-0.8			
				Load		-3.2	-0.8			
				Enable T		-1.6	-0.4			
				Clear (160, 161)		-1.6	-0.8			
				Clear (162, 163)		-1.6	-0.8			
I_{OS}	Short Circuit Output Current	V _{CC} = Max(2)			DM54	-20 -57	-30 -130	mA		
					DM74	-18 -57	-30 -130			
I_{CCH}	Supply Current, All Outputs High	V _{CC} = Max(3)			DM54	59 85	18 31	mA		
					DM74	59 94	18 31			
I_{CC_L}	Supply Current, All Outputs Low	V _{CC} = Max(4)			DM54	63 91	19 32	mA		
					DM74	63 101	19 32			

Notes

- (1) All typical values are at V_{CC} = 5V, T_A = 25°C.
- (2) Not more than one output should be shorted at a time, and for DM54LS/74LS duration of short circuit should not exceed one second.
- (3) I_{CCH} is measured with the load input high, then again with the load input low, with all other inputs high and all outputs open.
- (4) I_{CC_L} is measured with the clock input high, then again with the clock input low, with all other inputs low and all outputs open.



MSI

DM54/DM74160A,LS160,161A,LS161,162A,LS162,163A,LS163

Switching Characteristics $V_{CC} = 5V, T_A = 25^\circ C$

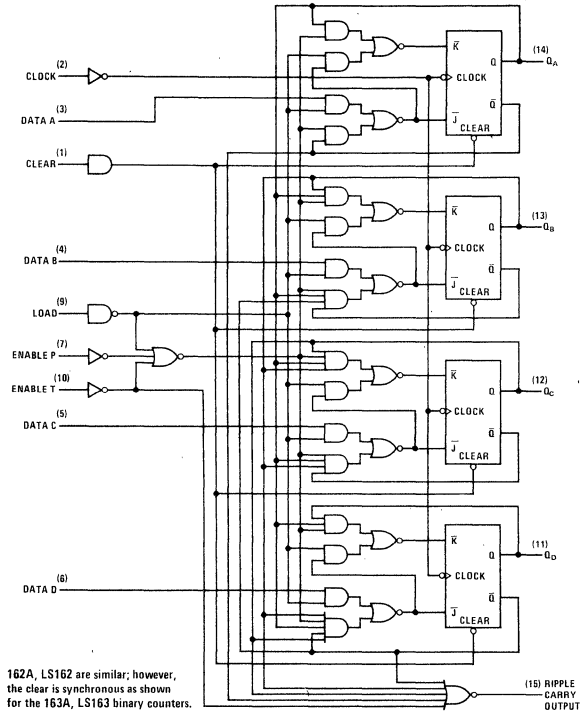
PARAMETER		FROM (INPUT)	TO (OUTPUT)	DM54/74			DM54LS/74LS			UNITS								
				160A, 161A, 162A, 163A			LS160, LS161, LS162, LS163											
				CONDITIONS	MIN	TYP	MAX	CONDITIONS	MIN		TYP	MAX						
f_{MAX}	Maximum Clock Frequency				25	35		25	32	MHz								
t_{PLH}	Propagation Delay Time, Low-to-High Level Output	Clock	Ripple carry	$C_L = 15 pF$ $R_L = 400\Omega$			$C_L = 15 pF$ $R_L = 2 k\Omega$		18	27	23	35	ns					
t_{PHL}	Propagation Delay Time, High-to-Low Level Output								16	24	23	35	ns					
t_{PLH}	Propagation Delay Time, Low-to-High Level Output								14	20	16	24	ns					
t_{PHL}	Propagation Delay Time, High-to-Low Level Output	(Load Input High)	Any Q						16	23	18	27	ns					
t_{PLH}	Propagation Delay Time, Low-to-High Level Output	Clock (Load Input Low)	Any Q						14	21	17	25	ns					
t_{PHL}	Propagation Delay Time, High-to-Low Level Output								18	25	19	29	ns					
t_{PLH}	Propagation Delay Time, Low-to-High Level Output								Enable T	Ripple carry	10	15	15	23	ns			
t_{PHL}	Propagation Delay Time, High-to-Low Level Output	12	16								15	23	ns					
t_{PHL}	Propagation Delay Time, High-to-Low Level Output	Clear (5)	Any Q								24	36	26	38	ns			
$t_{W(CLOCK)}$	Width of Clock Pulse									25			25		ns			
$t_{W(CLEAR)}$	Width of Clear Pulse				20			20		ns								
t_{SETUP}	Setup Time	Data Inputs A, B, C, D																
														Enable P	20	25	25	ns
														Load	20	25	25	ns
														Clear(6)	20	25	25	ns
t_{HOLD}	Hold Time at Any Input				0			0		ns								

Notes

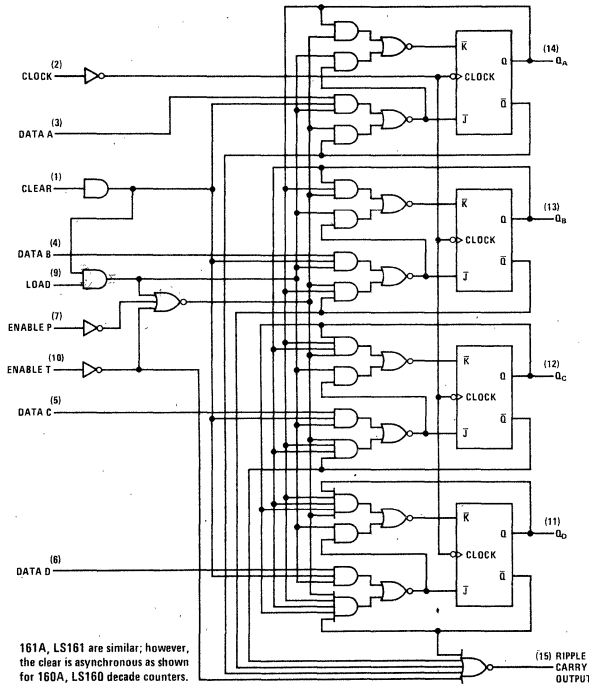
- (5) Propagation delay for clearing is measured from the clear input for the 160A, LS160, 161A and LS161 or from the clock input transition for the 162A, LS162, 163A and LS163.
- (6) This applies only for 162, 163, LS162 and LS163, which have synchronous clear inputs.

Logic Diagrams

160A, LS160

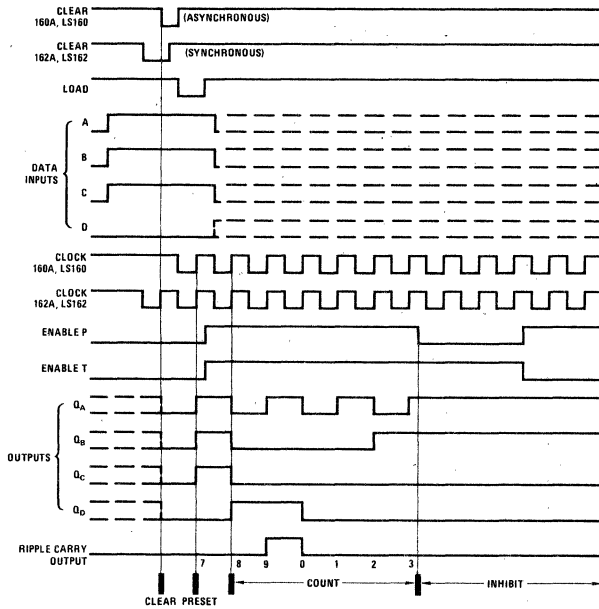


163A, LS163



Timing Diagrams

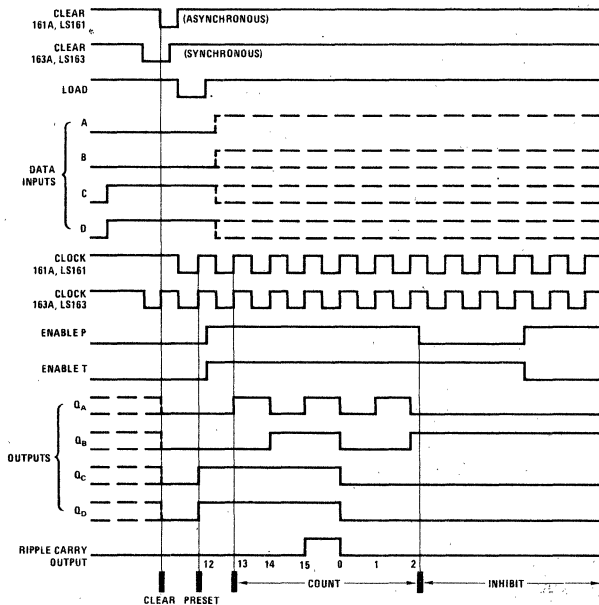
160, 162, LS160, LS162 SYNCHRONOUS DECADE COUNTERS
TYPICAL CLEAR, PRESET, COUNT AND INHIBIT SEQUENCES



Sequence:

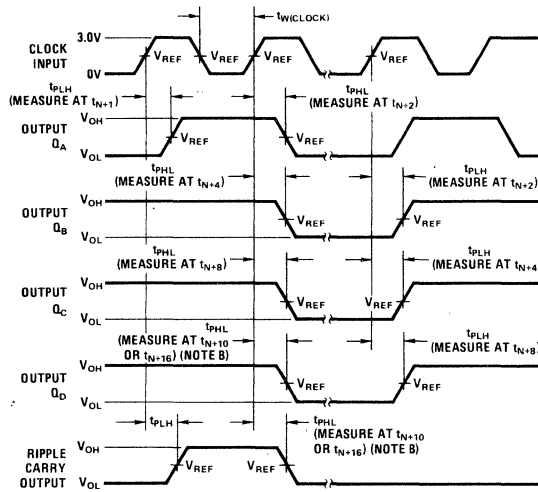
- (1) Clear outputs to zero
- (2) Preset to BCD seven
- (3) Count to eight, nine, zero, one, two, and three
- (4) Inhibit

161, LS161, 163, LS163 SYNCHRONOUS BINARY COUNTERS
TYPICAL CLEAR, PRESET, COUNT AND INHIBIT SEQUENCES

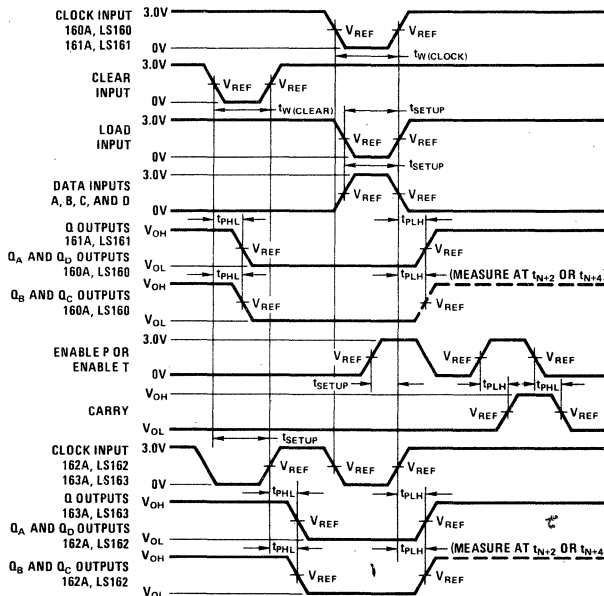


Sequence:

- (1) Clear outputs to zero
- (2) Preset to binary twelve
- (3) Count to thirteen, fourteen, fifteen, zero, one, and two
- (4) Inhibit

Parameter Measurement Information
SWITCHING TIME WAVEFORMS


- Notes:**
- (A) The input pulses are supplied by a generator having the following characteristics: $PRR \leq 1$ MHz, duty cycle $\leq 50\%$, $Z_{OUT} \approx 50\Omega$, for 160A through 163A, $t_r \leq 10$ ns, $t_f \leq 10$ ns; for LS160 through LS163, $t_r \leq 15$ ns, $t_f \leq 6$ ns. Vary PRR to measure f_{MAX} .
 - (B) Outputs Q_D and carry are tested at t_{n+10} for 160A, 162A, LS160, LS162, and at t_{n+16} for 161A, 163A, LS161, LS163, where t_n is the bit time when all outputs are low.
 - (C) For 160A through 163A, $V_{REF} = 1.5V$; for LS160 through LS163, $V_{REF} = 1.3V$.

SWITCHING TIME WAVEFORMS


- Notes:**
- (A) The input pulses are supplied by generators having the following characteristics: $PRR \leq 1$ MHz, duty cycle $\leq 50\%$, $Z_{OUT} \approx 50\Omega$. For 160A through 163A, $t_r \leq 10$ ns, $t_f \leq 10$ ns, and for LS160 through LS163, $t_r \leq 15$ ns, $t_f \leq 6$ ns.
 - (B) Enable P and enable T setup times are measured at t_{n+0} .
 - (C) For 160A through 163A, $V_{REF} = 1.5V$; for LS160 through LS163, $V_{REF} = 1.3V$.

8-Bit Serial In/Parallel Out Shift Registers

General Description

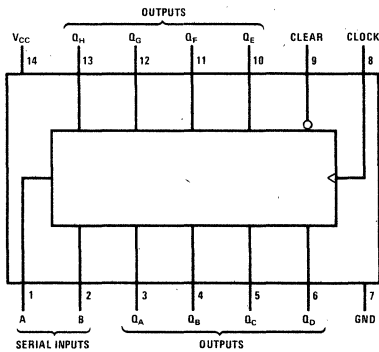
These 8-bit shift registers feature gated serial inputs and an asynchronous clear. A low logic level at either input inhibits entry of the new data, and resets the first flip-flop to the low level at the next clock pulse, thus providing complete control over incoming data. A high logic level on either input enables the other input, which will then determine the state of the first flip-flop. Data at the serial inputs may be changed while the clock is high or low, but only information meeting the setup requirements will be entered. Clocking occurs on the low-to-high level transition of the clock input. All inputs are diode-clamped to minimize transmission-line effects.

Features

- Gated (enable/disable) serial inputs
- Fully buffered clock and serial inputs
- Asynchronous clear

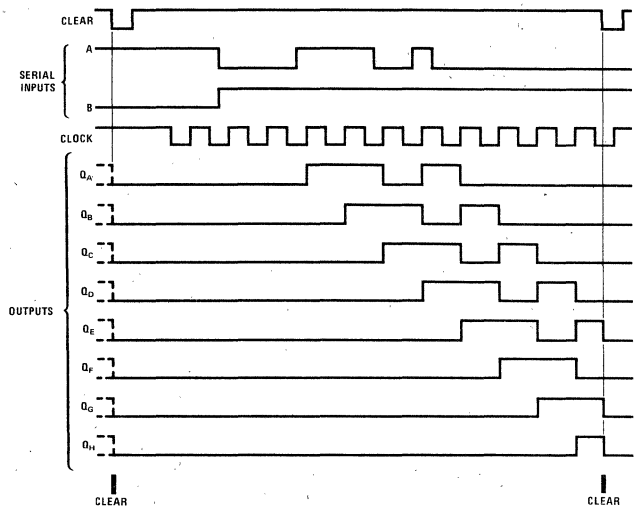
TYPE	TYPICAL CLOCK FREQUENCY	TYPICAL POWER DISSIPATION
164	36 MHz	185 mW
L164A	14 MHz	30 mW
LS164	36 MHz	80 mW

Connection Diagram

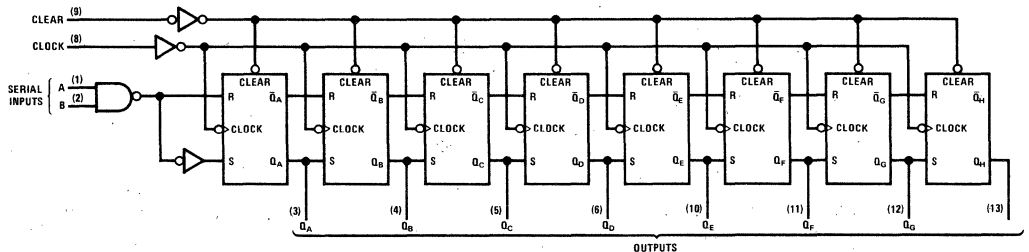


54164(J), (W); 74164(J), (N), (W);
54L164A/74L164A(J), (N), (W);
54LS164/74LS164(J), (N), (W)

Timing Diagram



Logic Diagram



Electrical Characteristics over recommended operating free-air temperature range (unless otherwise noted)

2-77

PARAMETER		CONDITIONS		DM54/74			DM54L/74L			DM54LS/74LS			UNITS						
				164			L164A			LS164									
				MIN	TYP(1)	MAX	MIN	TYP(1)	MAX	MIN	TYP(1)	MAX							
V_{IH}	High Level Input Voltage			2			2			2			V						
V_{IL}	Low Level Input Voltage			DM54			0.8			0.7			V						
				DM74			0.8			0.7									
V_I	Input Clamp Voltage	V _{CC} = Min	I _I = -12 mA	-1.5			N/A						V						
			I _I = -18 mA							-1.5									
I_{OH}	High Level Output Current			-400			-200			-400			μA						
V_{OH}	High Level Output Voltage	V _{CC} = Min, V _{IH} = 2V		DM54			2.4			2.5			V						
		V _{IL} = Max, I _{OH} = Max		DM74			2.4			2.7									
I_{OL}	Low Level Output Current			DM54			8			4			mA						
				DM74			8			8									
V_{OL}	Low Level Output Voltage	V _{CC} = Min V _{IH} = 2V V _{IL} = Max	I _{OL} = Max	DM54			0.2			0.25			V						
				DM74			0.4			0.4									
				DM74			0.4			0.4									
I_I	Input Current at Maximum Input Voltage	V _{CC} = Max	V _I = 5.5V	Clear	1			0.2					mA						
				Other	1			0.1											
				All							0.1								
I_{IH}	High Level Input Current	V _{CC} = Max	V _I = 2.4V	Clear	40			20					μA						
				Other	40			10											
				All							20								
I_{IL}	Low Level Input Current	V _{CC} = Max	V _I = 0.3V, L164A V _I = 0.4V, Others	Clear	-1.6			-0.36			-0.4		mA						
				Other	-1.6			-0.18			-0.4								
I_{OS}	Short Circuit Output Current	V _{CC} = Max(2)		DM54	-10			-3			-9		mA						
				DM74	-27.5			-3			-9								
I_{CC}	Supply Current	V _{CC} = Max(3)		37			54			6		9		16		27		mA	

Notes

- (1) All typical values are at V_{CC} = 5V, T_A = 25°C.
- (2) Not more than one output should be shorted at a time, and for DM54LS/74LS duration of short circuit should not exceed one second.
- (3) I_{CC} is measured with outputs open, serial inputs grounded, the clock input at 2.4V, and a momentary ground, then 4.5V, applied to clear.

Switching Characteristics $V_{CC} = 5V, T_A = 25^{\circ}C$

PARAMETER		CONDITIONS		DM54/74			DM54L/74L			DM54LS/74LS			UNITS
				164			L164A			LS164			
				MIN	TYP	MAX	MIN	TYP	MAX	MIN	TYP	MAX	
f_{MAX}	Maximum Clock Frequency	$R_L = 800\Omega$ for the 164 $R_L = 4\text{ k}\Omega$ for the L164A $R_L = 2\text{ k}\Omega$ for the LS164	$C_L = 15\text{ pF}$	25	36		6	14		25	36	MHz	
t_{PHL}	Propagation Delay Time, High-to-Low Level Outputs From Clear Input		$C_L = 15\text{ pF}$		24	36					24	36	ns
			$C_L = 50\text{ pF}$		28	42		75	120				
t_{PLH}	Propagation Delay Time, Low-to-High Level Outputs From Clock Input		$C_L = 15\text{ pF}$	8	17	27					17	27	ns
			$C_L = 50\text{ pF}$	10	20	30		50	85				
t_{PHL}	Propagation Delay Time, High-to-Low Level Outputs From the Clock Input		$C_L = 15\text{ pF}$	10	21	32					21	32	ns
		$C_L = 50\text{ pF}$	10	25	37		90	135					
t_W	Width of Clock or Clear Input Pulse			20			60	40		20		ns	
t_{SETUP}	Data Setup Time			15			40	20		15		ns	
t_{HOLD}	Data Hold Time			5			20	-5		5		ns	

Truth Table

INPUTS				OUTPUTS			
CLEAR	CLOCK	A	B	Q_A	Q_B . . .	Q_H	
L	X	X	X	L	L	L	
H	L	X	X	Q_{A0}	Q_{B0}	Q_{H0}	
H	\uparrow	H	H	H	Q_{An}	Q_{Gn}	
H	\uparrow	L	X	L	Q_{An}	Q_{Gn}	
H	\uparrow	X	L	L	Q_{An}	Q_{Gn}	

H = High Level (steady state), L = Low Level (steady state)

X = Don't Care (any input, including transitions)

 \uparrow = Transition from low to high level

 Q_{A0}, Q_{B0}, Q_{H0} = The level of $Q_A, Q_B,$ or $Q_H,$ respectively, before the indicated steady-state input conditions were established.

 Q_{An}, Q_{Gn} = The level of Q_A or Q_G before the most recent \uparrow transition of the clock; indicates a one-bit shift.

8-Bit Parallel In/Serial Out Shift Registers

General Description

These are 8-bit serial shift registers which shift the data in the direction of Q_A toward Q_H when clocked. Parallel-in access is made available by eight individual direct data inputs, which are enabled by a low level at the shift/load input. These registers also feature gated clock inputs and complementary outputs from the eighth bit.

Clocking is accomplished through a 2-input NOR gate, permitting one input to be used as a clock-inhibit function. Holding either of the clock inputs high inhibits clocking, and holding either clock input low with the load input high enables the other clock input. The clock-inhibit input should be changed to the high level only while the clock input is high. Parallel loading is inhibited as long as the load input is high. Data at the

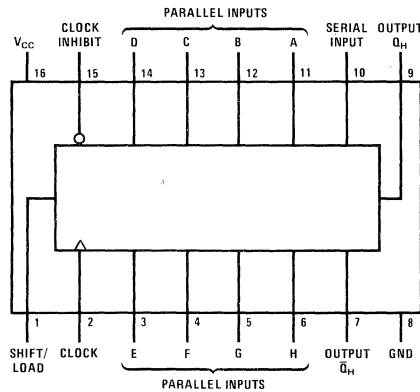
parallel inputs are loaded directly into the register on a high-to-low transition of the shift/load input, regardless of the logic levels on the clock, clock inhibit, or serial inputs.

Features

- Complementary outputs
- Direct overriding load (data) inputs
- Gated clock inputs
- Parallel-to-serial data conversion

TYPE	TYPICAL FREQUENCY	TYPICAL POWER DISSIPATION
165	20 MHz	200 mW
L165A	14 MHz	30 mW

Connection Diagram



54165(J), (W); 74165(J), (N), (W);
54L165A/74L165A(J), (N), (W)

Truth Table

SHIFT/LOAD	CLOCK INHIBIT	INPUTS			INTERNAL OUTPUTS		OUTPUT Q_H
		CLOCK	SERIAL	PARALLEL A...H	Q_A	Q_B	
L	X	X	X	a...h	a	b	h
H	L	L	X	X	Q_{A0}	Q_{B0}	Q_{H0}
H	L	↑	H	X	H	Q_{An}	Q_{Gn}
H	L	↑	L	X	L	Q_{An}	Q_{Gn}
H	H	↑	X	X	Q_{A0}	Q_{B0}	Q_{H0}

H = High Level (steady state), L = Low Level (steady state)

X = Don't Care (any input, including transitions)

↑ = Transition from low-to-high level

a...h = The level of steady-state input at inputs A through H, respectively.

Q_{A0} , Q_{B0} , Q_{H0} = The level of Q_A , Q_B , or Q_H , respectively, before the indicated steady-state input conditions were established.

Q_{An} , Q_{Gn} = The level of Q_A or Q_G , respectively, before the most recent ↑ transition of the clock.

Electrical Characteristics over recommended operating free-air temperature range (unless otherwise noted)

PARAMETER		CONDITIONS	DM54/74			DM54L/74L			UNITS
			165			L165A			
			MIN	TYP(1)	MAX	MIN	TYP(1)	MAX	
V_{IH}	High Level Input Voltage		2			2		V	
V_{IL}	Low Level Input Voltage				0.8		0.7	V	
V_I	Input Clamp Voltage	$V_{CC} = \text{Min.}, I_I = -12 \text{ mA}$			-1.5		N/A	V	
I_{OH}	High Level Output Current				-800		-200	μA	
V_{OH}	High Level Output Voltage	$V_{CC} = \text{Min.}, V_{IH} = 2\text{V}$ $V_{IL} = \text{Max.}, I_{OH} = \text{Max}$	2.4			2.4		V	
I_{OL}	Low Level Output Current		DM54	16		2		mA	
			DM74	16		3.6			
V_{OL}	Low Level Output Voltage	$V_{CC} = \text{Min.}, V_{IH} = 2\text{V}$ $V_{IL} = \text{Max.}, I_{OL} = \text{Max}$	DM54	0.2	0.4		0.3	V	
			DM74	0.2	0.4		0.4		
I_I	Input Current at Maximum Input Voltage	$V_{CC} = \text{Max.}, V_I = 5.5\text{V}$		1			0.1	mA	
I_{IH}	High Level Input Current	Load Input Other Inputs	$V_{CC} = \text{Max.}, V_I = 2.4\text{V}$		80		30	μA	
					40		10		
I_{IL}	Low Level Input Current	Load Input Other Inputs	$V_{CC} = \text{Max.}, V_I = 0.3\text{V}$ for L165A $V_I = 0.4\text{V}$ for 165		-3.2		-0.54	mA	
					-1.6		-0.18		
I_{OS}	Short Circuit Output Current	$V_{CC} = \text{Max}(2)$	DM54	-20	-55	-3	-9	-15	mA
			DM74	-18	-55	-3	-9	-15	
I_{CC}	Supply Current	$V_{CC} = \text{Max}(3)$	40	63			9.5	mA	

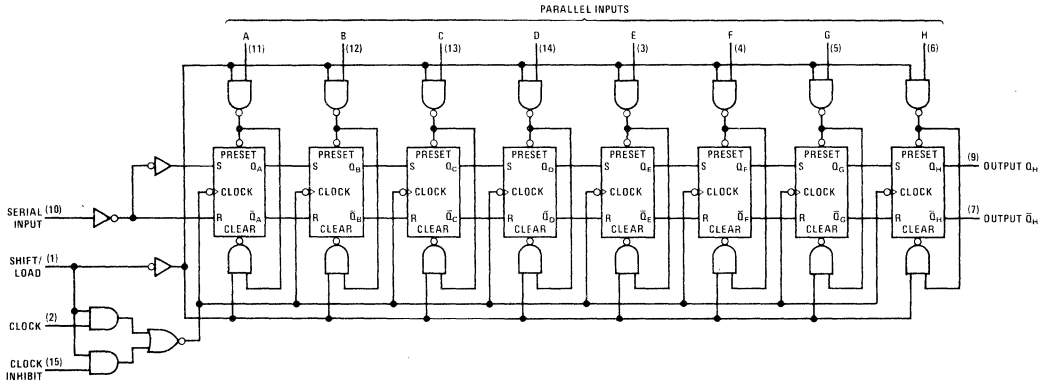
Notes

- (1) All typical values are at $V_{CC} = 5\text{V}, T_A = 25^\circ\text{C}$.
- (2) Not more than one output should be shorted at a time.
- (3) With the outputs open, clock inhibit and shift/load at 4.5V, and a clock pulse applied to the clock input, I_{CC} is measured first with the parallel inputs at 4.5V, then with the parallel inputs grounded.

Switching Characteristics $V_{CC} = 5\text{V}, T_A = 25^\circ\text{C}$

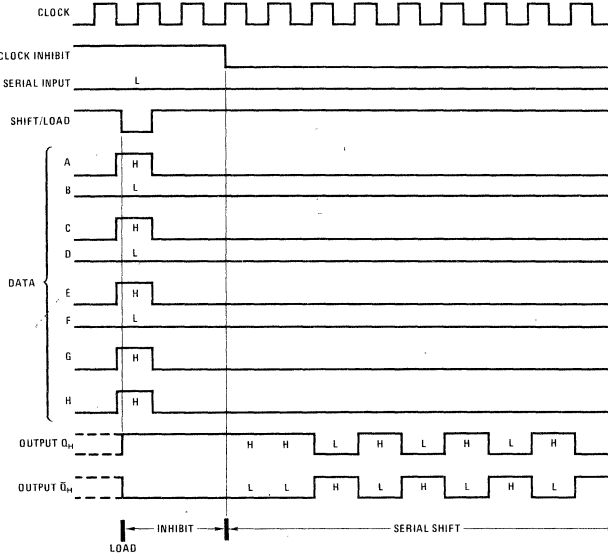
PARAMETER		FROM (INPUT)	TO (OUTPUT)	DM54/74			DM54L/74L			UNITS	
				165			L165A				
				CONDITIONS	MIN	TYP	MAX	CONDITIONS	MIN		TYP
f_{MAX}	Maximum Clock Frequency			14	20		6	14	MHz		
t_{PLH}	Propagation Delay Time, Low-to-High Level Output	Load	Any		34	50		44	88	ns	
t_{PHL}	Propagation Delay Time, High-to-Low Level Output				42	60		62	124	ns	
t_{PLH}	Propagation Delay Time, Low-to-High Level Output	Clock	Any		26	40		35	70	ns	
t_{PHL}	Propagation Delay Time, High-to-Low Level Output				35	50		50	100	ns	
t_{PLH}	Propagation Delay Time, Low-to-High Level Output	H	Q_H	$C_L = 15 \text{ pF}$ $R_L = 400\Omega$		25	40	$C_L = 50 \text{ pF}$ $R_L = 4 \text{ k}\Omega$	33	66	ns
t_{PHL}	Propagation Delay Time, High-to-Low Level Output					36	50		56	112	ns
t_{PLH}	Propagation Delay Time, Low-to-High Level Output	H	\bar{Q}_H			25	40		33	66	ns
t_{PHL}	Propagation Delay Time, High-to-Low Level Output					36	50		56	112	ns
$t_{W(CLOCK)}$	Width of Clock Input Pulse				35	25		100	ns		
$t_{W(LOAD)}$	Width of Load Input Pulse				35	24		100	ns		
t_{SETUP}	Parallel Input Setup Time				25	10		44	22	ns	
t_{SETUP}	Serial Input Setup Time				40	23		44	22	ns	
t_{HOLD}	Hold Time at Any Input				5			10		ns	

Logic Diagram



Timing Diagram

TYPICAL SHIFT, LOAD, AND INHIBIT SEQUENCES



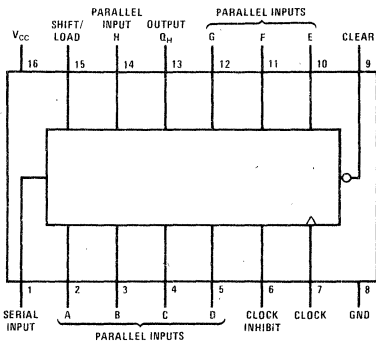
8-Bit Parallel In/Serial Out Shift Registers

General Description

These parallel-in or serial-in, serial-out shift registers feature gated clock inputs and an overriding clear input. All inputs are buffered to lower the drive requirements to one normalized Series 54/74 load, and input clamping diodes minimize switching transients to simplify system design. The load mode is established by the shift/load input. When high, this input enables the serial data input and couples the eight flip-flops for serial shifting with each clock pulse. When low, the parallel (broadside) data inputs are enabled and synchronous loading occurs on the next clock pulse. During parallel loading, serial data flow is inhibited. Clocking is accomplished on the low-to-

high-level edge of the clock pulse through a two-input NOR gate, permitting one input to be used as a clock-enable or clock-inhibit function. Holding either of the clock inputs high inhibits clocking; holding either low enables the other clock input. This allows the system clock to be free-running, and the register can be stopped on command with the other clock input. The clock-inhibit input should be changed to the high level only while the clock input is high. A buffered, direct clear input overrides all other inputs, including the clock, and sets all flip-flops to zero.

Connection Diagram



54166/74166(J), (N)

Truth Table

CLEAR	SHIFT/LOAD	CLOCK INHIBIT	CLOCK	SERIAL	INTERNAL OUTPUTS		OUTPUT Q _H
					PARALLEL A...H	Q _A Q _B	
L	X	X	X	X	X	L L	L
H	X	L	L	X	X	Q _{A0} Q _{B0}	Q _{H0}
H	L	L	↑	X	a...h	a b	h
H	H	L	↑	H	X	H Q _{An}	Q _{Gn}
H	H	L	↑	L	X	L Q _{An}	Q _{Gn}
H	X	H	↑	X	X	Q _{A0} Q _{B0}	Q _{H0}

H = High Level (steady state), L = Low Level (steady state)

X = Don't Care (any input, including transitions)

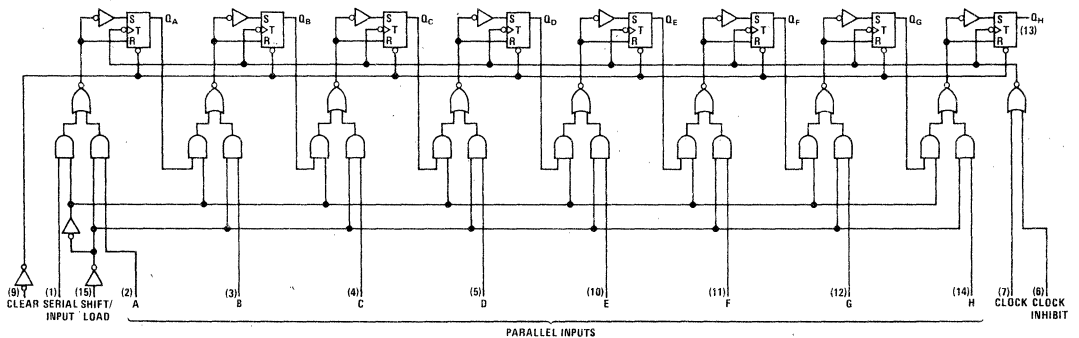
↑ = Transition from low to high level

a...h = The level of steady-state input at inputs A through H, respectively.

Q_{A0}, Q_{B0}, Q_{H0} = The level of Q_A, Q_B or Q_H, respectively, before the indicated steady-state input conditions were established.

Q_{An}, Q_{Gn} = The level of Q_A or Q_G, respectively, before the most recent ↑ transition of the clock

Logic Diagram



Electrical Characteristics over recommended operating free-air temperature range (unless otherwise noted)

PARAMETER		CONDITIONS	DM54/74			UNITS
			166			
			MIN	TYP(1)	MAX	
V_{IH}	High Level Input Voltage		2			V
V_{IL}	Low Level Input Voltage		0.8			V
V_I	Input Clamp Voltage	$V_{CC} = \text{Min}, I_I = -12 \text{ mA}$	-1.5			V
I_{OH}	High Level Output Current		-800			μA
V_{OH}	High Level Output Voltage	$V_{CC} = \text{Min}, V_{IH} = 2\text{V}$ $V_{IL} = 0.8\text{V}, I_{OH} = -800\mu\text{A}$	2.4			V
I_{OL}	Low Level Output Current		16			mA
V_{OL}	Low Level Output Voltage	$V_{CC} = \text{Min}, V_{IH} = 2\text{V}$ $V_{IL} = 0.8\text{V}, I_{OL} = 16 \text{ mA}$	0.4			V
I_I	Input Current at Maximum Input Voltage	$V_{CC} = \text{Max}, V_I = 5.5\text{V}$	1			mA
I_{IH}	High Level Input Current	$V_{CC} = \text{Max}, V_I = 2.4\text{V}$	40			μA
I_{IL}	Low Level Input Current	$V_{CC} = \text{Max}, V_I = 0.4\text{V}$	-1.6			mA
I_{OS}	Short Circuit Output Current	$V_{CC} = \text{Max}(2)$	DM54	-20	-57	mA
			DM74	-18	-57	
I_{CC}	Supply Current	$V_{CC} = \text{Max}(3)$	DM54	72	104	mA
			DM74	72	116	

Notes

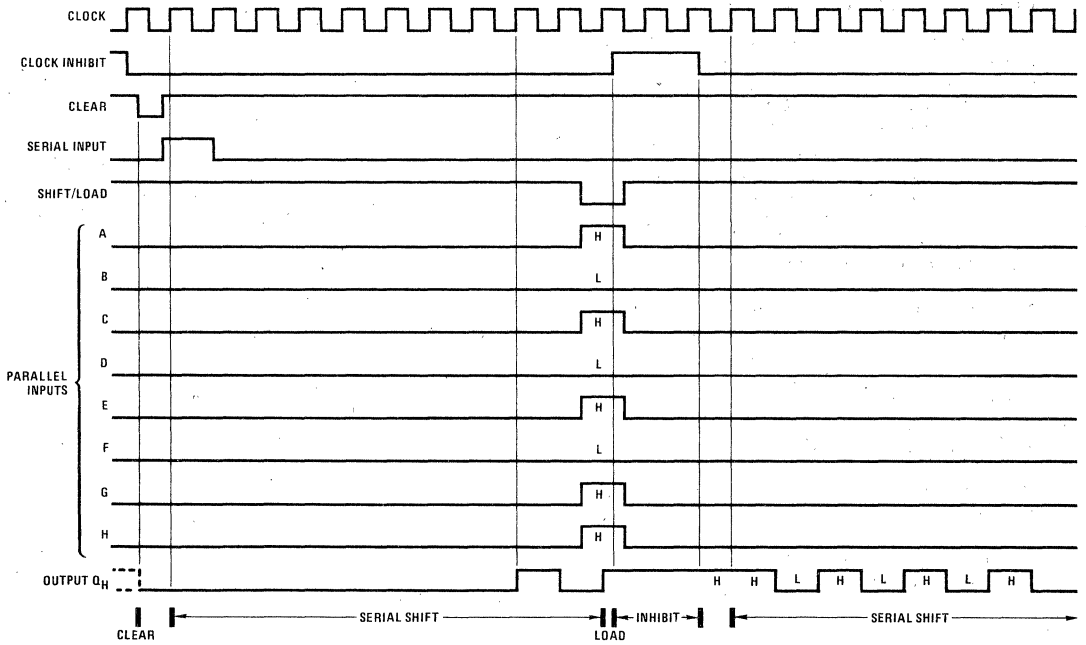
- (1) All typical values are at $V_{CC} = 5\text{V}, T_A = 25^\circ\text{C}$.
- (2) Not more than one output should be shorted at a time.
- (3) With all outputs open, 4.5V applied to the serial input, all other inputs except the clock grounded, I_{CC} is measured after a momentary ground, then 4.5V, is applied to clock.

Switching Characteristics $V_{CC} = 5\text{V}, T_A = 25^\circ\text{C}$

PARAMETER		CONDITIONS	DM54/74			UNITS
			166			
			MIN	TYP	MAX	
f_{MAX}	Maximum Clock Frequency	$C_L = 15 \text{ pF}, R_L = 400\Omega$	25	35		MHz
t_{PHL}	Propagation Delay Time, High-to-Low Level Output From Clear			23	35	ns
t_{PHL}	Propagation Delay Time, High-to-Low Level Output From Clock		8	20	30	ns
t_{PLH}	Propagation Delay Time, Low-to-High Level Output From Clock		8	17	26	ns
t_W	Width of Clock or Clear Pulse			20		ns
t_{SETUP}	Mode Control Setup Time			30		ns
t_{SETUP}	Data Setup Time			20		ns
t_{HOLD}	Hold Time at Any Input		0		ns	

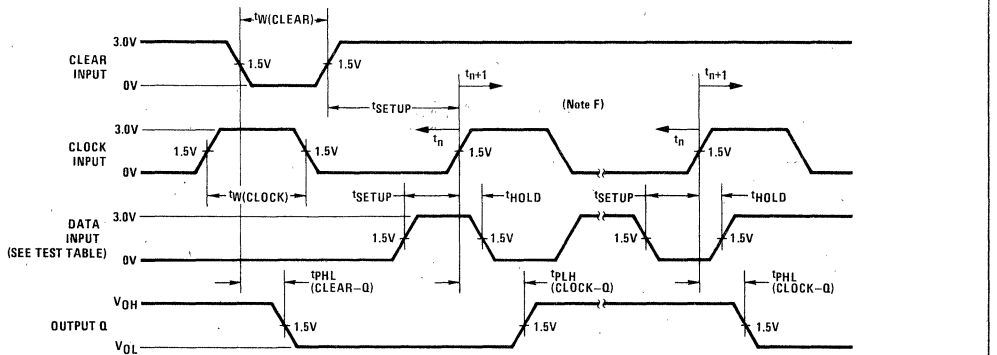
Timing Diagram

TYPICAL CLEAR, SHIFT, LOAD, INHIBIT, AND SHIFT SEQUENCES



Parameter Measurement Information

VOLTAGE WAVEFORMS



Notes

- (A) The clock pulse has the following characteristics: $tW(\text{clock}) \geq 20 \text{ ns}$ and $\text{PRR} = 1 \text{ MHz}$. The clear pulse has the following characteristics: $tW(\text{clear}) \geq 20 \text{ ns}$ and $t_{\text{HOLD}} = 0 \text{ ns}$. When testing f_{MAX} , vary the clock PRR.
- (B) C_L includes probe and jig capacitance.
- (C) All diodes are 1N3064.
- (D) A clear pulse is applied prior to each test.
- (E) Propagation delay times (t_{PLH} and t_{PHL}) are measured at t_{n+1} . Proper shifting of data is verified at t_{n+8} with a functional test.
- (F) t_n = bit time before clocking transition
 t_{n+1} = bit time after one clocking transition
 t_{n+8} = bit time after eight clocking transitions

TEST TABLE FOR SYNCHRONOUS INPUTS

DATA INPUT FOR TEST	SHIFT/LOAD	OUTPUT TESTED (SEE NOTE E)
H	0V	Q_H at t_{n+1}
Serial Input	4.5V	Q_H at t_{n+8}

Synchronous 4-Bit Up/Down Counters

General Description

These synchronous presettable counters feature an internal carry look-ahead for cascading in high-speed counting applications. Synchronous operation is provided by having all flip-flops clocked simultaneously, so that the outputs all change at the same time when so instructed by the count-enable inputs and internal gating. This mode of operation helps eliminate the output counting spikes that are normally associated with asynchronous (ripple clock) counters. A buffered clock input triggers the four master-slave flip-flops on the rising edge of the clock waveform.

These counters are fully programmable; that is, the outputs may each be preset either high or low. The load input circuitry allows loading with the carry-enable output of cascaded counters: As loading is synchronous, setting up a low level at the load input disables the counter and causes the outputs to agree with the data inputs after the next clock pulse.

The carry look-ahead circuitry permits cascading counters for n-bit synchronous applications without additional gating. Both count-enable inputs (\bar{P} and \bar{T}) must be low to count. The direction of the count is determined by the level of the up/down input. When the input is high, the counter counts up; when low, it counts down. Input \bar{T} is fed forward to enable the carry output. The carry

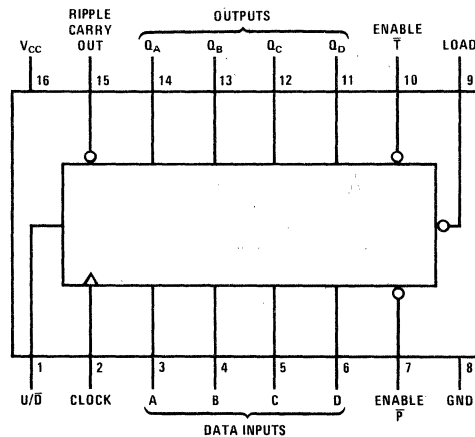
output thus enabled will produce a low-level output pulse with a duration approximately equal to the high portion of the Q_A output when counting up, and approximately equal to the low portion of the Q_A output when counting down. This low-level overflow carry pulse can be used to enable successive cascaded stages. Transitions at the enable \bar{P} or \bar{T} inputs are allowed regardless of the level of the clock input. All inputs are diode clamped to minimize transmission-line effects, thereby simplifying system design.

These counters feature a fully independent clock circuit. Changes at control inputs (enable \bar{P} , enable \bar{T} , load, up/down), which modify the operating mode, have no effect until clocking occurs. The function of the counter (whether enabled, disabled, loading, or counting) will be dictated solely by the conditions meeting the stable setup and hold times.

Features

- Fully synchronous operation for counting and programming
- Internal look-ahead for fast counting
- Carry output for n-bit cascading
- Fully independent clock circuit

Connection Diagram



54LS168/74LS168(J), (N), (W);
54LS169/74LS169(J), (N), (W)

Electrical Characteristics over recommended operating free-air temperature range (unless otherwise noted)

PARAMETER		CONDITIONS		DM54LS/74LS168, LS169			UNITS	
				MIN	TYP(1)	MAX		
V _{IH}	High Level Input Voltage			2			V	
V _{IL}	Low Level Input Voltage		DM54	0.7			V	
			DM74	0.8				
V _I	Input Clamp Voltage	V _{CC} = Min, I _I = -18 mA					-1.5	V
I _{OH}	High Level Output Current						-400	μA
V _{OH}	High Level Output Voltage	V _{CC} = Min, V _{IH} = 2V V _{IL} = Max, I _{OH} = -400μA		DM54	2.5	3.4	V	
			DM74	2.7	3.4			
I _{OL}	Low Level Output Current			DM54	4		mA	
			DM74	8				
V _{OL}	Low Level Output Voltage	V _{CC} = Min V _{IH} = 2V V _{IL} = Max		I _{OL} = 4 mA	0.25		0.4	V
			I _{OL} = 8 mA, DM74	0.35		0.5		
I _I	Input Current at Maximum Input Voltage	A, B, C, D, \bar{P} , U/ \bar{D}		V _{CC} = Max, V _I = 7V		0.1		mA
		Clock, \bar{T}				0.2		
		Load				0.3		
I _{IH}	High Level Input Current	A, B, C, D, \bar{P} , U/ \bar{D}		V _{CC} = Max, V _I = 2.7V		20		μA
		Clock, \bar{T}				40		
		Load				60		
I _{IL}	Low Level Input Current	A, B, C, D, \bar{P} , U/ \bar{D}		V _{CC} = Max, V _I = 0.4V		-0.4		mA
		\bar{T}				-0.8		
		Load, Clock				-1.2		
I _{OS}	Short Circuit Output Current	V _{CC} = Max(2)		-30		-130		mA
I _{CC}	Supply Current	V _{CC} = Max(3)		20		34		mA

Notes (1) All typical values are at V_{CC} = 5V, T_A = 25°C.

(2) Not more than one output should be shorted at a time, and duration of short circuit should not exceed one second.

(3) I_{CC} is measured after applying a momentary 4.5V, then ground, to the clock input with all other inputs grounded and the outputs open.

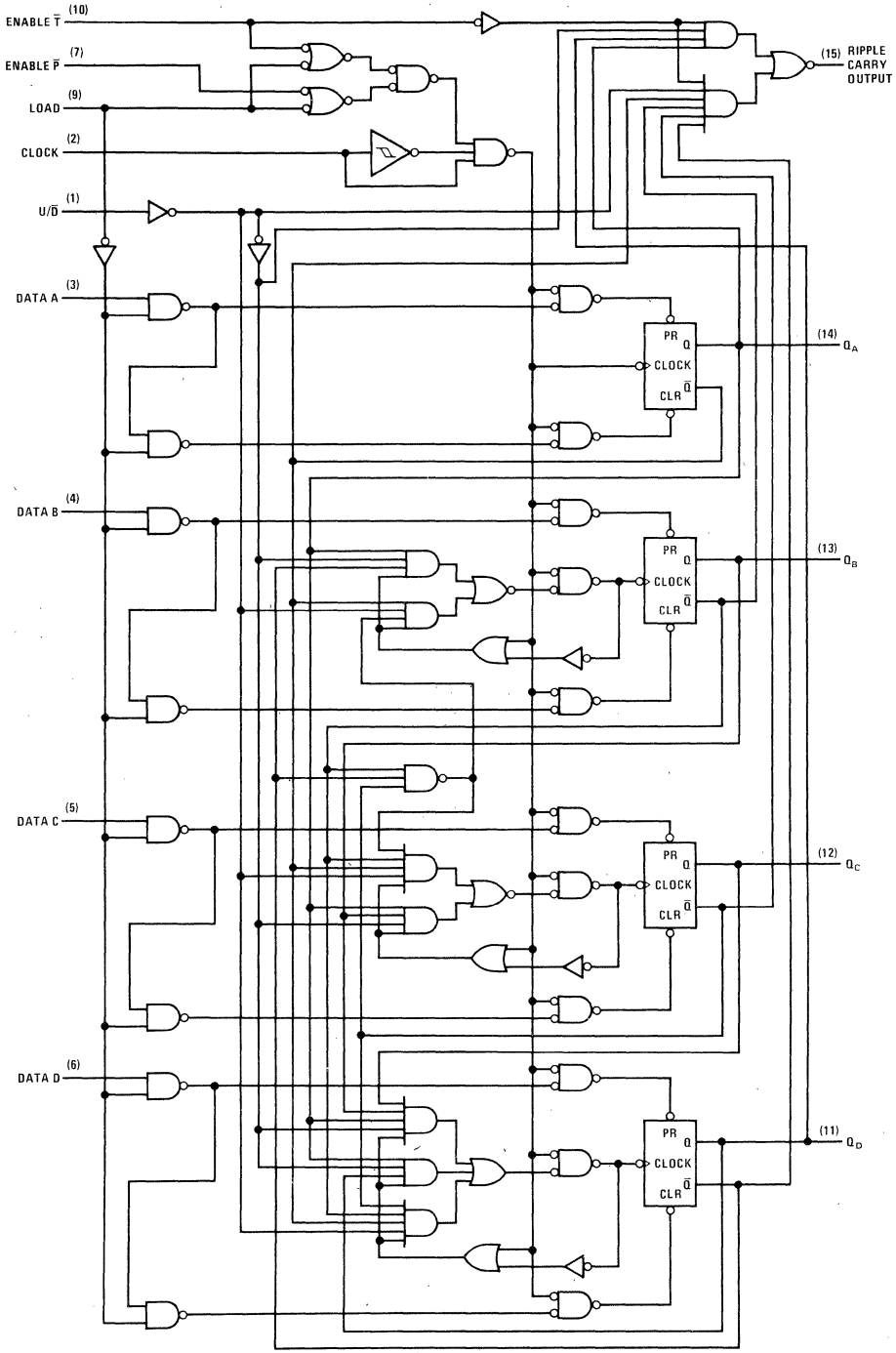
Switching Characteristics V_{CC} = 5V, T_A = 25°C

PARAMETER		FROM (INPUT)	TO (OUTPUT)	CONDITIONS	DM54LS/74LS168, LS169			UNITS	
					MIN	TYP	MAX		
f _{MAX}	Maximum Clock Frequency			C _L = 15 pF, R _L = 2 kΩ	25	32		MHz	
t _{PLH}	Propagation Delay Time, Low-to-High Level Output	Clock	Ripple Carry			23	35		ns
t _{PHL}	Propagation Delay Time, High-to-Low Level Output					23	35		ns
t _{PLH}	Propagation Delay Time, Low-to-High Level Output	Clock	Any Q			13	20		ns
t _{PHL}	Propagation Delay Time, High-to-Low Level Output					15	23		ns
t _{PLH}	Propagation Delay Time, Low-to-High Level Output	Enable \bar{T}	Ripple Carry			10	15		ns
t _{PHL}	Propagation Delay Time, High-to-Low Level Output					16	23		ns
t _{PLH}	Propagation Delay Time, Low-to-High Level Output	Up/Down (4)	Ripple Carry			17	25		ns
t _{PHL}	Propagation Delay Time, High-to-Low Level Output					19	29		ns
t _{W(CLOCK)}	Width of Clock Pulse (High or Low)					25			ns
t _{SETUP}	Setup Time	Data Inputs A, B, C, D			20			ns	
		Enable \bar{P} or \bar{T}			25				
		Load			25				
		Up/Down			30				
t _{HOLD}	Hold Time	Data Inputs A, B, C, D			0			ns	
		Enable \bar{P} or \bar{T}			0				
		Load, Up/Down			0				

Notes (4) Propagation delay time from up/down to ripple carry must be measured with the counter at either a minimum or a maximum count. As the logic level of the up/down input is changed, the ripple carry output will follow. If the count is minimum (0), the ripple carry output transition will be in phase. If the count is maximum (9 for LS168 or 15 for LS169), the ripple carry output will be out of phase.

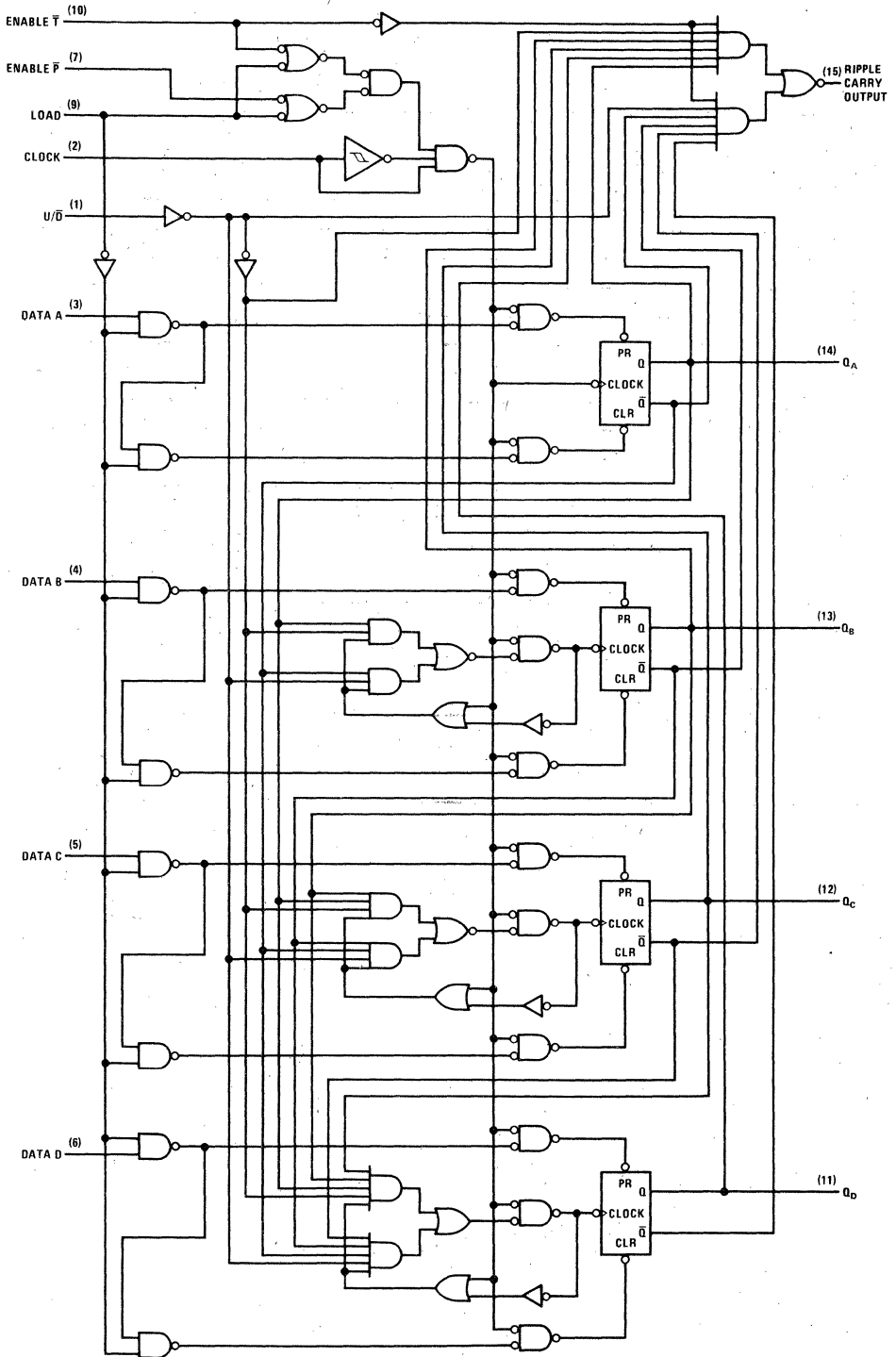
Logic Diagrams

LS168 DECADE COUNTERS

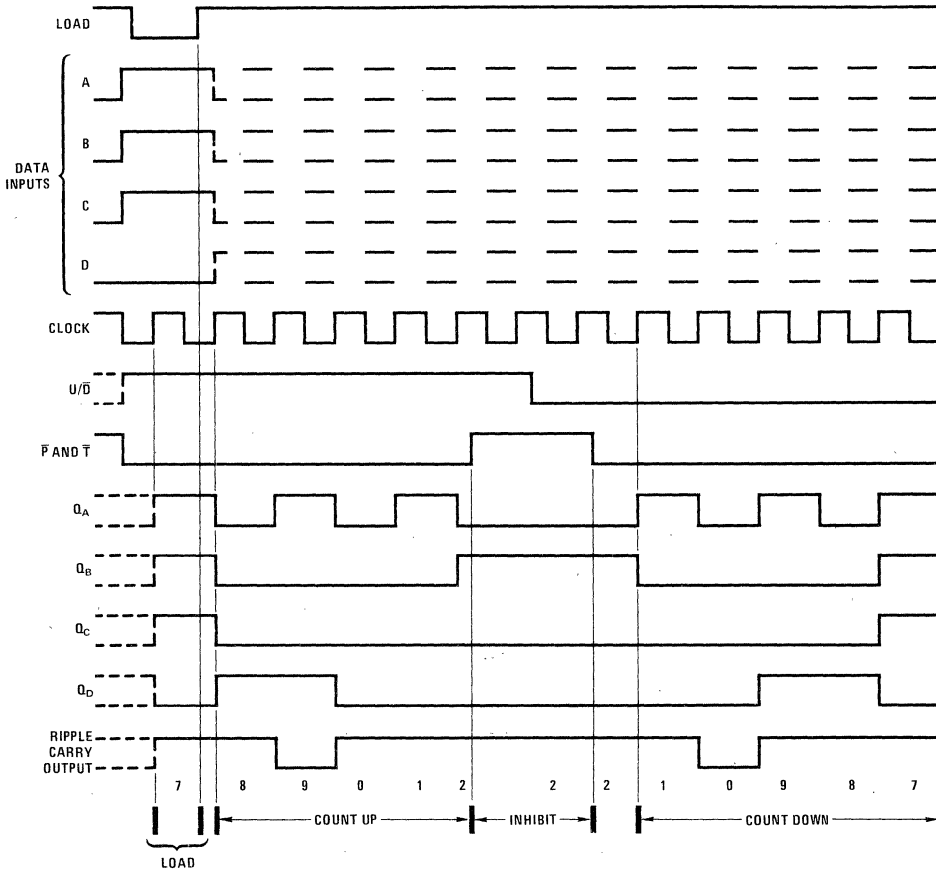


Logic Diagrams (Continued)

LS169 BINARY COUNTERS



Timing Diagrams

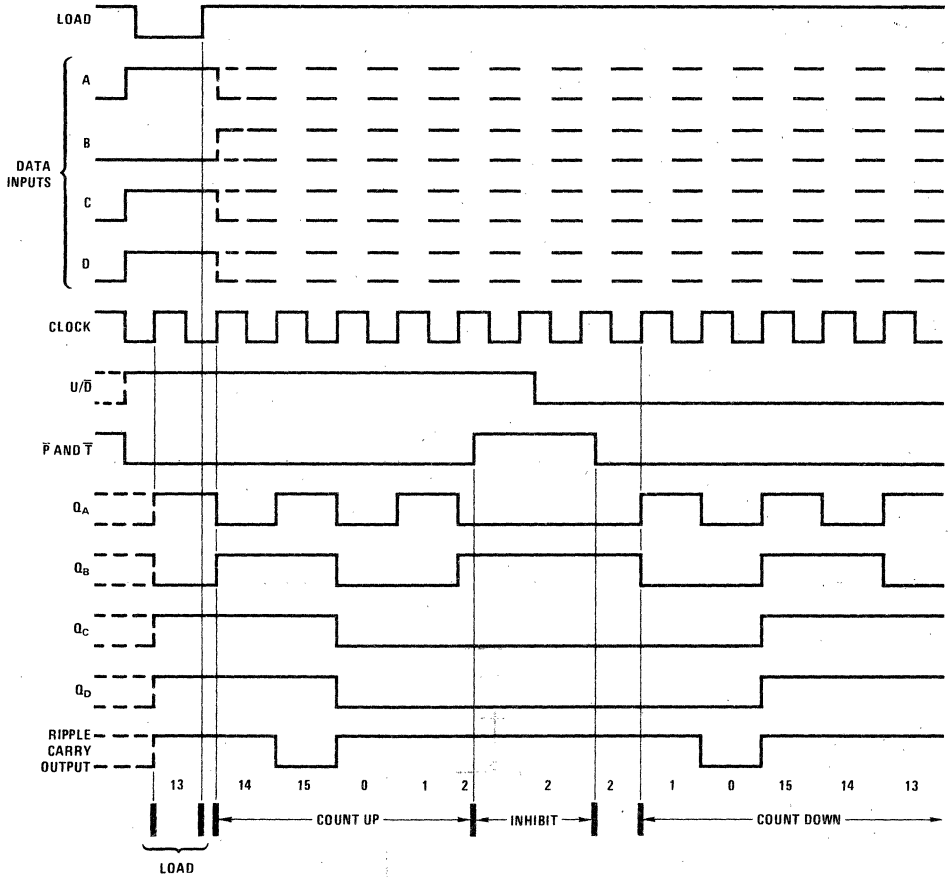
 LS168 DECADE COUNTERS
 TYPICAL LOAD, COUNT, AND INHIBIT SEQUENCES


Sequence:

- (1) Load (preset) to BCD seven
- (2) Count up to eight, nine, zero, one and two
- (3) Inhibit
- (4) Count down to one, zero, nine, eight and seven

Timing Diagrams (Continued)

LS169 BINARY COUNTERS
TYPICAL LOAD, COUNT, AND INHIBIT SEQUENCES



Sequence:

- (1) Load (preset) to binary thirteen
- (2) Count up to fourteen, fifteen, zero, one and two
- (3) Inhibit
- (4) Count down to one, zero, fifteen, fourteen and thirteen

General Description

These 16-bit TTL register files are organized as 4 words of 4 bits each, and separate on-chip decoding is provided for addressing the four word locations to either write-in or retrieve data. This permits writing into one location and reading from another word location, simultaneously.

Four data inputs are available to supply the 4-bit word to be stored. Location of the word is determined by the write-address inputs A and B, in conjunction with a write-enable signal. Data applied at the inputs should be in its true form. That is, if a high-level signal is desired from the output, a high level is applied at the data input for that particular bit location. The latch inputs are arranged so that new data will be accepted only if both internal address gate inputs are high. When this condition exists, data at the D input is transferred to the latch output. When the write-enable input, G_W , is high, the data inputs are inhibited and their levels can cause no change in the information stored in the internal latches. When the read-enable input, G_R , is high, the data outputs are inhibited and remain high.

The individual address lines permit direct reading of data stored in any four of the latches. Four individual decoding gates are used to complete the address for reading a word. When the read address is made in conjunction with the read-enable signal, the word appears at the four outputs.

This arrangement—data entry addressing separate from data-read addressing and individual sense line—eliminates recovery times, permits simultaneous reading and writing, and is limited in speed only by the write time (30 ns

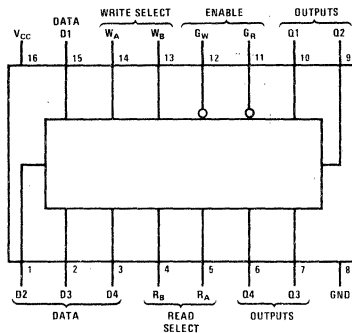
typical) and the read time (25 ns typical). The register file has a nondestructive readout in that data is not lost when addressed.

All 170 inputs and all inputs except the read enable and write enable of the LS170 are buffered to lower the drive requirements to one standard load. Input-clamping diodes minimize switching transients to simplify system design. High-speed, double-ended AND-OR-INVERT gates are employed for the read-address function and drive high-sink-current, open-collector outputs. Up to 256 of these outputs may be wire-AND connected for increasing the capacity up to 1024 words. Any number of these registers may be paralleled to provide n-bit word length.

Features

- Separate addressing permits simultaneous reading and writing
- Fast access times typically 20 ns
- Organized as 4 words of 4 bits
- Expandable to 1024 words of n-bits
- For use as:
 - Scratch-pad memory
 - Buffer storage between processors
 - Bit storage in fast multiplication designs
- Open-collector outputs with low maximum off-state current:

170	30 μ A
LS170	20 μ A
- DM54LS670 and DM74LS670 are similar but have TRI-STATE outputs

Connection Diagram


74170(J), (N);
54LS170/74LS170(J), (N), (W)

Truth Tables
WRITE TRUTH TABLE (SEE NOTES A, B, AND C)

WRITE INPUTS			WORD			
W_B	W_A	G_W	0	1	2	3
L	L	L	$Q = D$	Q_0	Q_0	Q_0
L	H	L	Q_0	$Q = D$	Q_0	Q_0
H	L	L	Q_0	Q_0	$Q = D$	Q_0
H	H	L	Q_0	Q_0	Q_0	$Q = D$
X	X	H	Q_0	Q_0	Q_0	Q_0

READ TRUTH TABLE (SEE NOTES A AND D)

READ INPUTS			OUTPUTS			
R_B	R_A	G_R	Q1	Q2	Q3	Q4
L	L	L	W0B1	W0B2	W0B3	W0B4
L	H	L	W1B1	W1B2	W1B3	W1B4
H	L	L	W2B1	W2B2	W2B3	W2B4
H	H	L	W3B1	W3B2	W3B3	W3B4
X	X	H	H	H	H	H

Notes

- (A) H = High Level, L = Low Level, X = Don't Care
 (B) ($Q = D$) = The four selected internal flip-flop outputs will assume the states applied to the four external data inputs.
 (C) Q_0 = The level of Q before the indicated input conditions were established.
 (D) W0B1 = The first bit of word 0, etc.

Electrical Characteristics over recommended operating free-air temperature range (unless otherwise noted)

PARAMETER		CONDITIONS		DM74			DM54LS/74LS			UNITS	
				170			LS170				
				MIN	TYP(1)	MAX	MIN	TYP(1)	MAX		
V_{IH}	High Level Input Voltage			2			2			V	
V_{IL}	Low Level Input Voltage			DM54			N/A			0.7	
				DM74			0.8			0.8	
V_I	Input Clamp Voltage	$V_{CC} = \text{Min}$	$I_I = -12 \text{ mA}$	-1.5						V	
			$I_I = -18 \text{ mA}$				-1.5				
I_{OH}	High Level Output Current	$V_{CC} = \text{Min}, V_{IH} = 2\text{V}, V_{IL} = \text{Max}, V_{OH} = 5.5\text{V}$		30			20			μA	
V_{OH}	High Level Output Voltage			5.5			5.5			V	
I_{OL}	Low Level Output Current			DM54			N/A			4	
				DM74			16			8	
V_{OL}	Low Level Output Voltage	$V_{CC} = \text{Min}, V_{IH} = 2\text{V}$	$I_{OL} = 4 \text{ mA}$	DM74			0.25			0.4	
			$V_{IL} = \text{Max}$	$I_{OL} = \text{Max}$	DM54			N/A			0.25
					DM74			0.2			0.4
								0.35			0.5
I_I	Input Current at Maximum Input Voltage	Any	$V_{CC} = \text{Max}$	$V_I = 5.5\text{V}$	1						mA
		Any D, R, or W		$V_I = 7\text{V}$				0.1			
		G_R or G_W		$V_I = 7\text{V}$				0.2			
I_{IH}	High Level Input Current	Any	$V_{CC} = \text{Max}$	$V_I = 2.4\text{V}$	40						μA
		Any D, R, or W		$V_I = 2.7\text{V}$				20			
		G_R or G_W						40			
I_{IL}	Low Level Input Current	Any D, R, or W	$V_{CC} = \text{Max}, V_I = 0.4\text{V}$				-1.6			-0.4	
		G_R or G_W					-1.6			-0.8	
I_{CC}	Supply Current	$V_{CC} = \text{Max}(2)$		127			150			25	
				40			40			mA	

Notes

- (1) All typical values are at $V_{CC} = 5\text{V}$, $T_A = 25^\circ\text{C}$.
(2) I_{CC} is measured under the following worst-case conditions: 4.5V is applied to all data inputs and both enable inputs, all address inputs are grounded, and all outputs are open.

Switching Characteristics $V_{CC} = 5V, T_A = 25^\circ C$

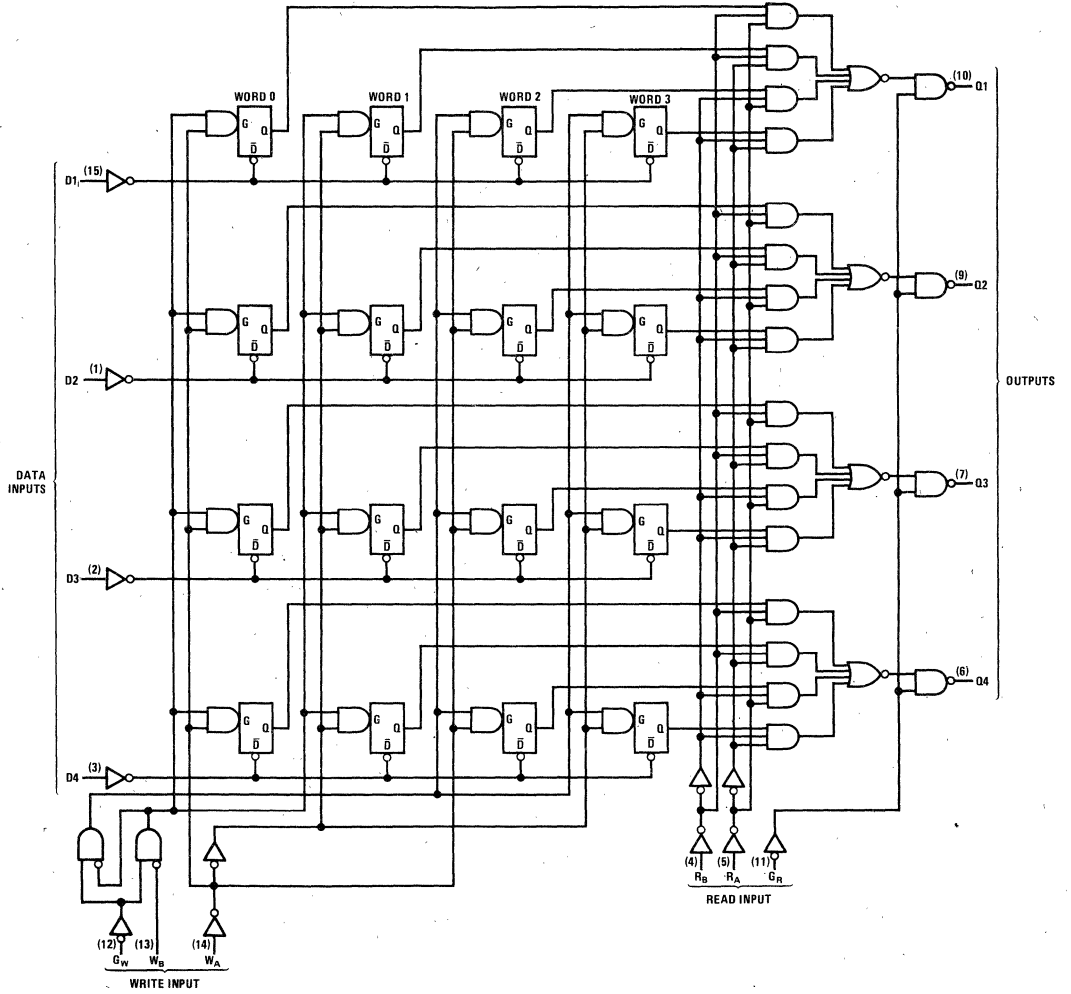
PARAMETER		FROM (INPUT)	TO (OUTPUT)	DM74			DM54LS/74LS				UNITS
				170			LS170				
				CONDITIONS	MIN	TYP	MAX	CONDITIONS	MIN	TYP	
t_{PLH}	Propagation Delay Time, Low-to-High Level Output	Read Enable	Any Q	C _L = 15 pF R _L = 400Ω	C _L = 15 pF R _L = 2 kΩ	10	15		20	30	ns
t_{PHL}	Propagation Delay Time, High-to-Low Level Output					20	30		20	30	
t_{PLH}	Propagation Delay Time, Low-to-High Level Output	Read Select	Any Q			23	35		25	40	ns
t_{PHL}	Propagation Delay Time, High-to-Low Level Output					30	40		24	40	
t_{PLH}	Propagation Delay Time, Low-to-High Level Output	Write Enable	Any Q			25	40		30	45	ns
t_{PHL}	Propagation Delay Time, High-to-Low Level Output					34	45		26	40	
t_{PLH}	Propagation Delay Time, Low-to-High Level Output	Data	Any Q			20	30		30	45	ns
t_{PHL}	Propagation Delay Time, High-to-Low Level Output					30	45		22	35	
t_W	Width of Write-Enable or Read-Enable Pulse			25		25		ns			
t_{SETUP}	Setup Times, High- or Low-Level Data(3)	Data Input With Respect to Write Enable, t _{SETUP(D)}		10		10		ns			
		Write Select With Respect to Write Enable, t _{SETUP(W)}		15		15		ns			
t_{HOLD}	Hold Times, High- or Low-Level Data(3)	Data Input With Respect to Write Enable, t _{HOLD(D)}		15		15		ns			
		Write Select With Respect to Write Enable, t _{HOLD(W)}		5		5		ns			
t_{LATCH}	Latch Time for New Data(4)			25		25		ns			

Notes

- (3) Write-select setup time will protect the data written into the previous address. If protection of data in the previous address is not required, t_{SETUP(W)} can be ignored as any address selection sustained for the final 30 ns of the write-enable pulse and during t_{HOLD(W)} will result in data being written into that location. Depending on the duration of the input conditions, one or a number of previous addresses may have been written into.
- (4) Latch time is the time allowed for the internal output of the latch to assume the state of new data. This is important only when attempting to read from a location immediately after that location has received new data.

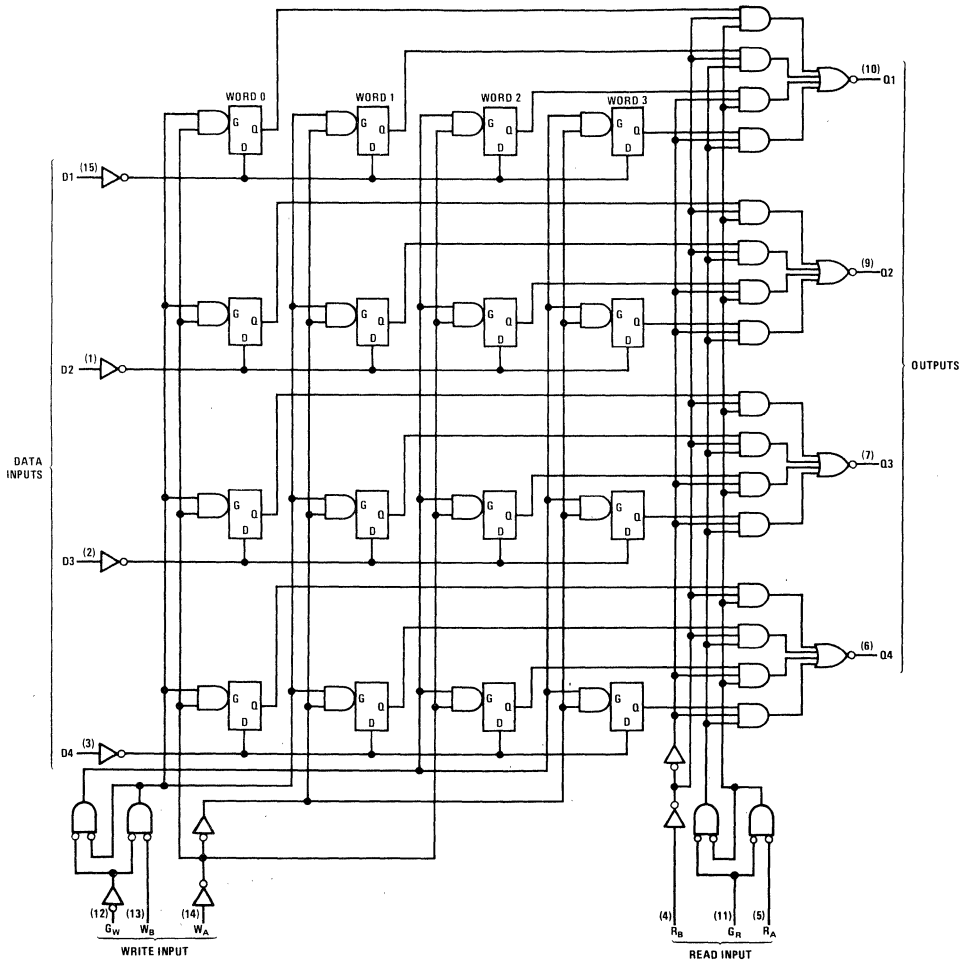
Logic Diagrams

170



Logic Diagrams (Continued)

LS170



General Description

These four-bit registers contain D-type flip-flops with totem-pole TRI-STATE outputs, capable of driving highly capacitive or low-impedance loads. The high-impedance state and increased high-logic-level drive provide these flip-flops with the capability of driving the bus lines in a bus-organized system without need for interface or pull-up components.

Gated enable inputs are provided for controlling the entry of data into the flip-flops. When both data-enable inputs are low, data at the D inputs are loaded into their respective flip-flops on the next positive transition of the buffered clock input. Gate output control inputs are also provided. When both are low, the normal logic states of the four outputs are available for driving the loads or bus lines. The outputs are disabled independently from the level of the clock by a high logic level at either output control input. The outputs then present a high impedance and neither load nor drive the bus line. Detailed operation is given in the truth table.

To minimize the possibility that two outputs will attempt to take a common bus to opposite logic levels,

TRI-STATE Quad D Registers

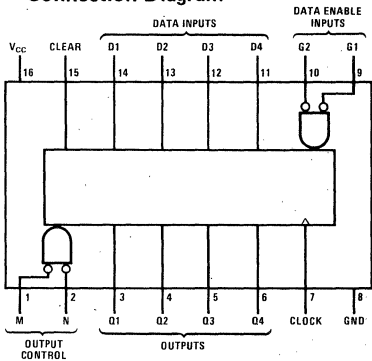
the output control circuitry is designed so that the average output disable times are shorter than the average output enable times.

Features

- TRI-STATE outputs interface directly with system bus
- Gated output control lines for enabling or disabling the outputs
- Fully independent clock eliminates restrictions for operating in one of two modes:
 - Parallel load
 - Do nothing (hold)
- For application as bus buffer registers

TYPE	TYPICAL PROPAGATION DELAY	TYPICAL FREQUENCY	TYPICAL POWER DISSIPATION
173	18 ns	30 MHz	250 mW
LS173	18 ns	30 MHz	85 mW

Connection Diagram



54173(J), (W); 74173(J), (N), (W);
54LS173/74LS173(J), (N), (W)

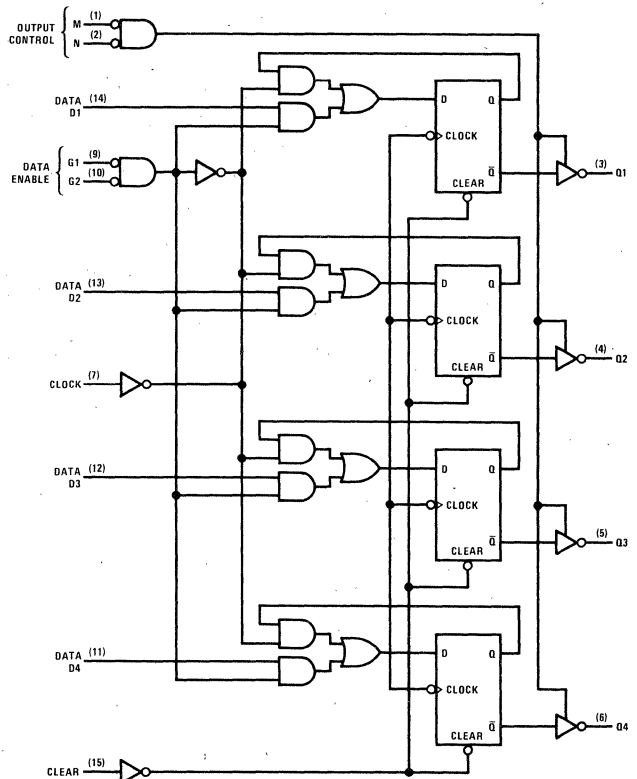
Truth Table

CLEAR	CLOCK	DATA ENABLE		DATA D	OUTPUT Q
		G1	G2		
H	X	X	X	X	L
L	L	X	X	X	Q ₀
L	↑	H	X	X	Q ₀
L	↑	X	H	X	Q ₀
L	↑	L	L	L	L
L	↑	L	L	H	H

When either M or N (or both) is (are) high the output is disabled to the high-impedance state; however, sequential operation of the flip-flops is not affected.

H = high level (steady state)
 L = low level (steady state)
 ↑ = low-to-high level transition
 X = don't care (any input including transitions)
 Q₀ = the level of Q before the indicated steady state input conditions were established

Logic Diagram



Electrical Characteristics over recommended operating free-air temperature range (unless otherwise noted)

PARAMETER		CONDITIONS		DM54/74			DM54LS/74LS			UNITS
				173			LS173(4)			
				MIN	TYP(1)	MAX	MIN	TYP(1)	MAX	
V_{IH}	High Level Input Voltage			2			2			V
V_{IL}	Low Level Input Voltage			DM54 0.8			DM74 0.7			V
V_I	Input Clamp Voltage	$V_{CC} = \text{Min}$	$I_I = -12 \text{ mA}$	-1.5			$I_I = 18 \text{ mA}$ -1.5			V
I_{OH}	High Level Output Current			DM54 -2			DM74 -1.0			mA
V_{OH}	High Level Output Voltage	$V_{CC} = \text{Min}, V_{IH} = 2\text{V}$ $V_{IL} = 0.8\text{V}, I_{OH} = \text{Max}$		DM54 2.4			DM74 2.5			V
I_{OL}	Low Level Output Current			DM54 16			DM74 8			mA
V_{OL}	Low Level Output Voltage	$V_{CC} = \text{Min}$ $V_{IH} = 2\text{V}$ $V_{IL} = 0.8\text{V}$	$I_{OL} = \text{Max}$ $I_{OL} = 4 \text{ mA}$	DM54 0.4			DM74 0.5			V
$I_{O(OFF)}$	Off-State (High-Impedance State) Output Current	$V_{CC} = \text{Max}$ $V_{IH} = 2\text{V}$	$V_O = 0.4\text{V}$ $V_O = 2.4\text{V}$ $V_O = 2.7\text{V}$	-40			-20			μA
I_I	Input Current at Maximum Input Voltage	$V_{CC} = \text{Max}$	$V_I = 5.5\text{V}$ $V_I = 7.0\text{V}$	1			0.1			mA
I_{IH}	High Level Input Current	$V_{CC} = \text{Max}$	$V_I = 2.4\text{V}$ $V_I = 2.7\text{V}$	40			20			μA
I_{IL}	Low Level Input Current	$V_{CC} = \text{Max}$	$V_I = 0.4\text{V}$	-1.6			-0.4			mA
I_{OS}	Short Circuit Output Current	$V_{CC} = \text{Max}(2)$		-30			-70			mA
I_{CC}	Supply Current	$V_{CC} = \text{Max}(3)$		50			72			mA

Notes

- All typical values are at $V_{CC} = 5\text{V}$, $T_A = 25^\circ\text{C}$.
- Not more than one output should be shorted at a time, and for DM54LS/74LS duration of short circuit should not exceed one second.
- I_{CC} is measured with all outputs open; clear grounded following momentary connection to 4.5V; N, G1, G2, and all data inputs grounded; and the clock input and M at 4.5V.

Switching Characteristics $V_{CC} = 5\text{V}$, $T_A = 25^\circ\text{C}$

PARAMETER		CONDITIONS	DM54/74			CONDITIONS	DM54LS/74LS			UNITS
			173				LS173(4)			
			MIN	TYP	MAX		MIN	TYP	MAX	
f_{MAX}	Maximum Clock Frequency			25 30			25 30			MHz
t_{PHL}	Propagation Delay Time, High-to-Low Level Output From Clear			18 27			18 27			ns
t_{PLH}	Propagation Delay Time, Low-to-High Level Output From Clock	$C_L = 50 \text{ pF}$		16 25			$C_L = 15 \text{ pF}$			ns
t_{PHL}	Propagation Delay Time, High-to-Low Level Output From Clock	$R_L = 400\Omega$		20 28			$R_L = 2 \text{ k}\Omega$			ns
t_{ZH}	Output Enable Time to High Level			7 16 30			7 16 30			ns
t_{ZL}	Output Enable Time to Low Level			7 21 30			7 21 30			ns
t_{HZ}	Output Disable Time From High Level	$C_L = 5 \text{ pF}$		3 5 14			$C_L = 5 \text{ pF}$			ns
t_{LZ}	Output Disable Time From Low Level	$R_L = 400\Omega$		3 11 20			$R_L = 2 \text{ k}\Omega$			ns
t_W	Width of Clock or Clear Pulse			20			20			ns
t_{SETUP}	Setup Time	Data Enable	17			17			ns	
		Data	10			10				
		Clear Inactive State	10			10				
t_{HOLD}	Hold Time	Data Enable	2			2			ns	
		Data	10			10				

Hex/Quad D Flip-Flops with Clear

General Description

These positive-edge-triggered flip-flops utilize TTL circuitry to implement D-type flip-flop logic. All have a direct clear input, and the quad (175) versions feature complementary outputs from each flip-flop.

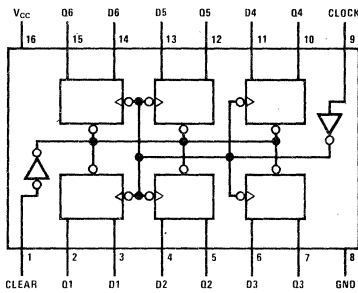
Information at the D inputs meeting the setup time requirements is transferred to the Q outputs on the positive-going edge of the clock pulse. Clock triggering occurs at a particular voltage level and is not directly related to the transition time of the positive-going pulse. When the clock input is at either the high or low level, the D input signal has no effect at the output.

Features

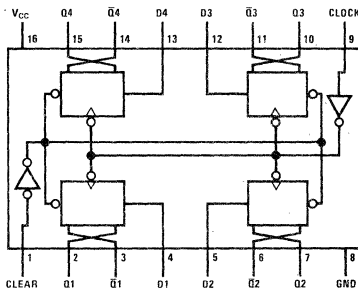
- 174, LS174, S174 contain six flip-flops with single-rail outputs
- 175, LS175, S175 contain four flip-flops with double-rail outputs
- Buffered clock and direct clear inputs
- Individual data input to each flip-flop
- Applications include:
 - Buffer/storage registers
 - Shift registers
 - Pattern generators

TYPE	TYPICAL CLOCK FREQUENCY	TYPICAL POWER DISSIPATION PER FLIP-FLOP
174, 175	40 MHz	38 mW
LS174, LS175	40 MHz	14 mW
S174, S175	110 MHz	75 mW

Connection Diagrams

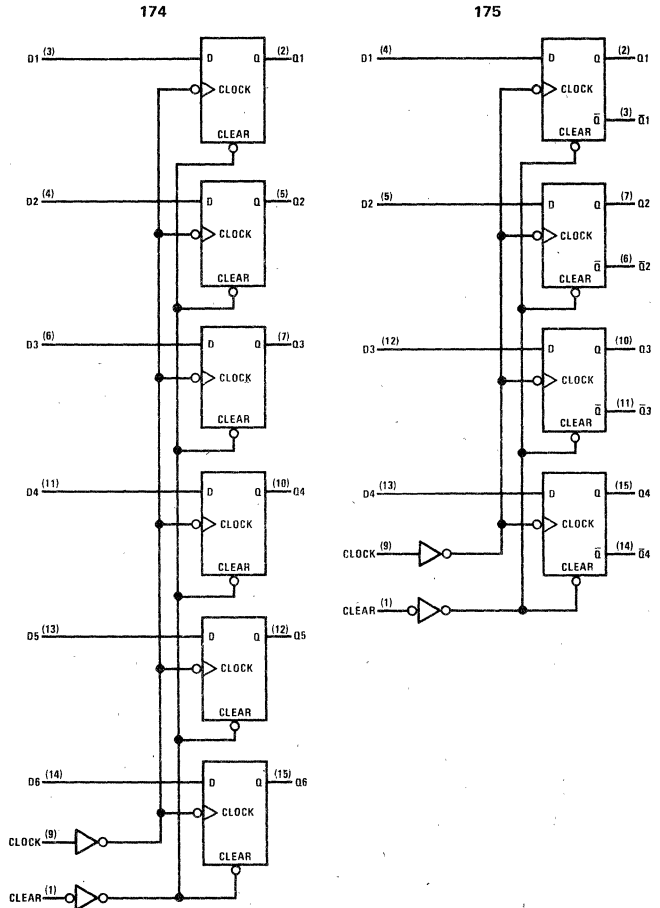


54174(J, (W); 74174(J, (N), (W);
54LS174/74LS174(J, (N), (W); 74S174(N)



54175(J, (W); 74175(J, (N), (W);
54LS175/74LS175(J, (N), (W); 74S175(N)

Logic Diagrams



Electrical Characteristics over recommended operating free-air temperature range (unless otherwise noted)

PARAMETER		CONDITIONS		DM54/74		DM54LS/74LS			DM74S			UNITS	
				174, 175		LS174, LS175			S174, S175				
				MIN	TYP(1)	MAX	MIN	TYP(1)	MAX	MIN	TYP(1)		MAX
V_{IH}	High Level Input Voltage			2		2			2			V	
V_{IL}	Low Level Input Voltage			DM54	0.8		0.7			N/A			V
				DM74	0.8		0.8			0.8			V
V_I	Input Clamp Voltage	$V_{CC} = \text{Min}$	$I_I = -12 \text{ mA}$			-1.5							V
			$I_I = -18 \text{ mA}$					-1.5			-1.2		V
I_{OH}	High Level Output Current*					-800		-400			-1000		μA
V_{OH}	High Level Output Voltage	$V_{CC} = \text{Min}, V_{IH} = 2\text{V}$		DM54	2.4		2.5 3.5		N/A			V	
		$V_{IL} = \text{Max}, I_{OH} = \text{Max}$		DM74	2.4		2.7 3.5		2.7 3.4				V
I_{OL}	Low Level Output Current			DM54	16		4			N/A			mA
				DM74	16		8			20			mA
V_{OL}	Low Level Output Voltage	$V_{CC} = \text{Min}, V_{IH} = 2\text{V}$		DM54	0.4		0.25 0.4		N/A			V	
		$V_{IL} = \text{Max}$		DM74	0.4		0.35 0.5		0.5			V	
				DM74			0.4					V	
I_I	Input Current at Maximum Input Voltage	$V_{CC} = \text{Max}$	$V_I = 5.5\text{V}$			1					1		mA
			$V_I = 7\text{V}$					0.1					mA
I_{IH}	High Level Input Current	$V_{CC} = \text{Max}$				40					50		μA
								20					μA
													μA
I_{IL}	Low Level Input Current	Clock, Clear	$V_{CC} = \text{Max}$			-1.6		-0.4					mA
		Data				-1.6		-0.36					mA
		Any									-2		mA
I_{OS}	Short Circuit Output Current	$V_{CC} = \text{Max}(2)$		DM54	-20	-57	-30	-130	N/A			mA	
				DM74	-18	-57	-30	-130	-40	-100		mA	
I_{CC}	Supply Current	$V_{CC} = \text{Max}(3)$		174, LS174, S174		45	65	16	26	90	144	mA	
				175, LS175, S175		30	45	11	18	60	96	mA	

Notes

- (1) All typical values are at $V_{CC} = 5\text{V}$, $T_A = 25^\circ\text{C}$.
- (2) Not more than one output should be shorted at a time, and for DM54LS/74LS and DM74S duration of short circuit should not exceed one second.
- (3) With all outputs open and 4.5V applied to all data and clear inputs, I_{CC} is measured after a momentary ground, then 4.5V applied to clock.
- (4) National Semiconductor temporarily reserves the right to ship DM54LS/DM74LS174, LS175 devices which have a minimum $I_{OS} = 5.0 \text{ mA}$.

Switching Characteristics $V_{CC} = 5V$, $T_A = 25^\circ C$

PARAMETER		DM54/74				DM54LS/74LS				DM74S				UNITS
		174, 175				LS174, LS175				S174, S175				
		CONDITIONS	MIN	TYP	MAX	CONDITIONS	MIN	TYP	MAX	CONDITIONS	MIN	TYP	MAX	
f_{MAX}	Maximum Clock Frequency	C _L = 15 pF R _L = 400Ω	30	40	C _L = 15 pF R _L = 2 kΩ	30	40	C _L = 15 pF R _L = 280Ω	75	110		MHz		
t_{PLH}	Propagation Delay Time, Low-to-High Level Output From Clear (175 Only)			14		25			16	25		10	15	ns
t_{PHL}	Propagation Delay Time, High-to-Low Level Output From Clear			20		30			23	35		13	22	ns
t_{PLH}	Propagation Delay Time, Low-to-High Level Output From Clock			14		25			20	30		8	12	ns
t_{PHL}	Propagation Delay Time, High-to-Low Level Output From Clock			17		25			23	35		11.5	17	ns
t_W	Pulse Width		Clock	20			20				7			ns
		Clear	20		20			10						
t_{SETUP}	Setup Time	Data Input	20		20			5			ns			
		Clear Inactive-State	30		25			5						
t_{HOLD}	Data Hold Time		0		5			3			ns			

Truth Table (Each Flip-Flop)

INPUTS			OUTPUTS	
CLEAR	CLOCK	D	Q	Q̄†
L	X	X	L	H
H	↑	H	H	L
H	↑	L	L	H
H	L	X	Q ₀	Q̄ ₀

H = High Level (steady state)

L = Low Level (steady state)

X = Don't Care

↑ = Transition from low to high level

Q₀ = The level of Q before the indicated steady-state input conditions were established.

† = 175, LS175, and S175 only

Presetable Decade and Binary Counters
General Description

These high-speed counters consist of four d-c coupled, master-slave flip-flops which are internally interconnected to provide either a divide-by-two and a divide-by-five counter (176, 196) or a divide-by-two and a divide-by-eight counter (177, 197). These counters are fully programmable; that is, the outputs may be preset to any state by placing a low on the count/load input and entering the desired data at the data inputs. The outputs will change independent of the state of the clocks.

During the count operation, transfer of information to the outputs occurs on the negative-going edge of the clock pulse. These counters feature a direct clear which, when taken low, sets all outputs low regardless of the state of the clocks.

These counters may also be used as 4-bit latches by using the count/load input as the strobe and entering data at the data inputs. The outputs will directly follow the data inputs when the count/load is low, but will remain unchanged when the count/load is high and the clock inputs are inactive.

TYPICAL COUNT CONFIGURATIONS 176, 196 AND LS196

The output of flip-flop A is not internally connected to the succeeding flip-flops; therefore, the count may be operated in three independent modes:

1. When used as a BCD decade counter, the clock-2 input must be externally connected to the Q_A output. The clock-1 input receives the incoming count, and a count sequence is obtained in accordance with the BCD count sequence truth table.
2. If a symmetrical divide-by-ten count is desired for frequency synthesizers (or other applications requiring division of a binary count by a power of ten), the Q_D output must be externally connected to the clock-1 input. The input count is then applied at the clock-2 input and a divide-by-ten square wave is obtained at output Q_A in accordance with the bi-quinary truth table.
3. For operation as a divide-by-two counter and a divide-by-five counter, no external interconnections

are required. Flip-flop A is used as a binary element for the divide-by-two function. The clock-2 input is used to obtain binary divide-by-five operation at the Q_B , Q_C , and Q_D outputs. In this mode, the two counters operate independently; however, all four flip-flops are loaded and cleared simultaneously.

177, 197 AND LS197

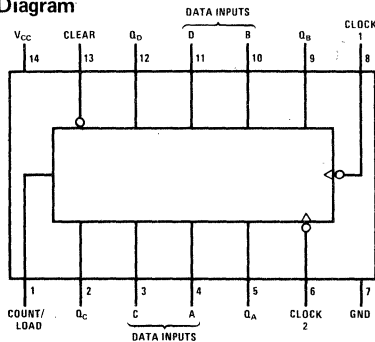
The output of flip-flop A is not internally connected to the succeeding flip-flops; therefore the counter may be operated in two independent modes:

1. When used as a high-speed 4-bit ripple-through counter, output Q_A must be externally connected to the clock-2 input. The input count pulses are applied to the clock-1 input. Simultaneous divisions by 2, 4, 8, and 16 are performed at the Q_A , Q_B , Q_C , and Q_D outputs as shown in the truth table.
2. When used as a 3-bit ripple-through counter, the input count pulses are applied to the clock-2 input. Simultaneous frequency divisions by 2, 4, and 8 are available at the Q_B , Q_C , and Q_D outputs. Independent use of flip-flop A is available if the load and clear functions coincide with those of the 3-bit ripple-through counter.

Features

- Performs BCD, bi-quinary, or binary counting
- Fully programmable
- Fully independent clear input
- Output Q_A maintains full fan-out capability in addition to driving clock-2 input

TYPE	TYPICAL COUNT FREQUENCY		TYPICAL POWER DISSIPATION
	CLOCK 1	CLOCK 2	
176, 177	50 MHz	25 MHz	150 mW
196, 197	50 MHz	25 MHz	240 mW
LS196, LS197	40 MHz	20 MHz	80 mW

Connection Diagram


54176(J); 74176(J), (N); 54177(J); 74177(J), (N);
 54196/74196(J), (N); 54LS196/74LS196(J), (N), (W);
 54197/74197(J), (N); 54LS197/74LS197(J), (N), (W)



MSI

DM54/DM74/176, 177, 196, LS196, 197, LS197

Electrical Characteristics over recommended operating free-air temperature range (unless otherwise noted)

PARAMETER		CONDITIONS		DM54/74			DM54LS/74LS			UNITS				
				176, 177		196, 197		LS196, LS197						
				MIN	TYP(1)	MAX	MIN	TYP(1)	MAX		MIN	TYP(1)	MAX	
V _{IH}	High Level Input Voltage			2			2			2	V			
V _{IL}	Low Level Input Voltage									0.7	V			
V _I	Input Clamp Voltage	V _{CC} = Min	I _I = -12 mA							0.8	V			
			I _I = -18 mA							0.8	V			
I _{OH}	High Level Output Current									-1.5	V			
I _{OH}	High Level Output Current									-800	μA			
V _{OH}	High Level Output Voltage	V _{CC} = Min, V _{IH} = 2V V _{IL} = Max, I _{OH} = Max		DM54	2.4	3.4	2.4	3.4	2.5	3.4	V			
I _{OL}	Low Level Output Current			DM74	2.4	3.4	2.4	3.4	2.7	3.4	V			
				DM54							4	mA		
V _{OL}	Low Level Output Voltage	V _{CC} = Min								16	mA			
		V _{IH} = 2V								16	mA			
I _I	Input Current at Maximum Input Voltage	Data, Count/Load									0.4	V		
		Clear, Clock 1									0.5	V		
I _I	Input Current at Maximum Input Voltage	Clock 2									0.2	0.4		
											0.2	0.4		
I _{IH}	High Level Input Current	Data, Count/Load									1	1	0.1	
		Clear, Clock 1									1	1	0.2	
		Clock 2									176, 196	1	1	0.4
											177, 197	1	1	0.2
I _{IH}	High Level Input Current	Data, Count/Load									40	40	20	
		Clear, Clock 1									80	80	40	
		Clock 2									176, 196	120	120	80
											177, 197	80	80	40
I _{IL}	Low Level Input Current	Data, Count/Load									-1.6	-1.6	-0.36	
		Clear									-3.2	-3.2	-0.72	
		Clock 1									-4.8	-4.8	-2.4	
											176, 196	-4.8	-6.4	-2.8
		Clock 2									177, 197	-3.2	-3.2	-1.3
I _{OS}	Short Circuit Output Current	V _{CC} = Max(2)		DM54	-20	-57	-20	-57	-30	-130	mA			
I _{CC}	Supply Current	V _{CC} = Max(4)		DM74	-18	-57	-18	-57	-30	-130	mA			
										30	48	39	54	16

Notes

- (1) All typical values are at V_{CC} = 5V, T_A = 25°C.
- (2) Not more than one output should be shorted at a time, and for DM54LS/74LS duration of short circuit should not exceed one second.
- (3) Q_A outputs are tested at specified I_{OL} plus the limit value of I_{IL} for the clock-2 input. This permits driving the clock-2 input while maintaining full fan-out capability.
- (4) I_{CC} is measured with all inputs grounded and all outputs open.

Switching Characteristics $V_{CC} = 5V, T_A = 25^\circ C$

2-103

PARAMETER		FROM (INPUT)	TO (OUTPUT)	CONDITIONS	DM54/74						CONDITIONS	DM54LS/74LS						UNITS
					176, 177			196, 197				LS196			LS197			
					MIN	TYP	MAX	MIN	TYP	MAX		MIN	TYP	MAX	MIN	TYP	MAX	
f_{MAX}	Maximum Input Count Frequency	Clock 1	Q_A	$C_L = 15 \text{ pF}$ $R_L = 400\Omega$	35	50		40	50		$C_L = 15 \text{ pF}$ $R_L = 2 \text{ k}\Omega(5)$	30	40		30	40		MHz
t_{PLH}	Propagation Delay Time, Low-to-High Level Output	Clock 1	Q_A		9	13		9	13			8	15		8	15		ns
t_{PHL}	Propagation Delay Time, High-to-Low Level Output				11	17		11	16			13	20		14	21		ns
t_{PLH}	Propagation Delay Time, Low-to-High Level Output	Clock 2	Q_B		12	18		12	18			16	24		12	19		ns
t_{PHL}	Propagation Delay Time, High-to-Low Level Output				14	21		14	21			22	33		23	35		ns
t_{PLH}	Propagation Delay Time, Low-to-High Level Output	Clock 2	Q_C		27	41		24	36			38	57		34	51		ns
t_{PHL}	Propagation Delay Time, High-to-Low Level Output				34	51		28	42			41	62		42	63		ns
t_{PLH}	Propagation Delay Time, Low-to-High Level Output	Clock 2	Q_D		13	20		14	21			12	18					ns
t_{PHL}	Propagation Delay Time, High-to-Low Level Output				44	66		36	54						55	78		ns
t_{PLH}	Propagation Delay Time, Low-to-High Level Output				17	26		16	23			30	45					ns
t_{PHL}	Propagation Delay Time, High-to-Low Level Output				50	75		42	63						63	95		ns
t_{PLH}	Propagation Delay Time, Low-to-High Level Output	A, B, C, D	Q_A, Q_B, Q_C, Q_D		19	29		16	24			20	30		18	27		ns
t_{PHL}	Propagation Delay Time, High-to-Low Level Output				31	46		25	38			29	44		29	44		ns
t_{PLH}	Propagation Delay Time, Low-to-High Level Output	Load	Any		29	43		22	33			27	41		26	39		ns
t_{PHL}	Propagation Delay Time, High-to-Low Level Output				32	48		24	36			30	45		30	45		ns
t_{PHL}	Propagation Delay Time, High-to-Low Level Output	Clear	Any		32	48		25	37			34	51		34	51		ns
t_W	Pulse Width	Clock-1 Input		14		14		20		20						ns		
		Clock-2 Input		28		28		30		30								
		Clear		25		25		15		15								
		Load		20		20		20		20								
t_{HOLD}	Input Hold Time	High-Level Data		$t_{W(Load)}$		$t_{W(Load)}$		$t_{W(Load)}$		$t_{W(Load)}$		$t_{W(Load)}$			ns			
		Low-Level Data		$t_{W(Load)}$		$t_{W(Load)}$		$t_{W(Load)}$		$t_{W(Load)}$		$t_{W(Load)}$						
t_{SETUP}	Input Setup Time	High-Level Data		15		10		10		10		10			ns			
		Low-Level Data		20		15		15		15		15						
t_{ENABLE}	Count Enable Time(6)			25		30		20		20		20			ns			

Notes
 (5) Load circuit, input conditions, and voltage waveforms are the same as those for the 176, 177 except that for the LS196, LS197 $t_r \leq 15 \text{ ns}$, $t_f \leq 6 \text{ ns}$, and $V_{REF} = 1.3V$ (as opposed to 1.5V).
 (6) Count enable time is the interval immediately preceding the negative-going edge of the clock pulse during which interval the count/load and clear inputs must both be high to ensure counting.

Truth Tables
176, 196, LS196
DECADE (BCD)
 (See Note A)

COUNT	OUTPUT			
	Q _D	Q _C	Q _B	Q _A
0	L	L	L	L
1	L	L	L	H
2	L	L	H	L
3	L	L	H	H
4	L	H	L	L
5	L	H	L	H
6	L	H	H	L
7	L	H	H	H
8	H	L	L	L
9	H	L	L	H

176, 196, LS196
BI-QUINARY (5-2)
 (See Note B)

COUNT	OUTPUT			
	Q _A	Q _D	Q _C	Q _B
0	L	L	L	L
1	L	L	L	H
2	L	L	H	L
3	L	L	H	H
4	L	H	L	L
5	H	L	L	L
6	H	L	L	H
7	H	L	H	L
8	H	L	H	H
9	H	H	L	L

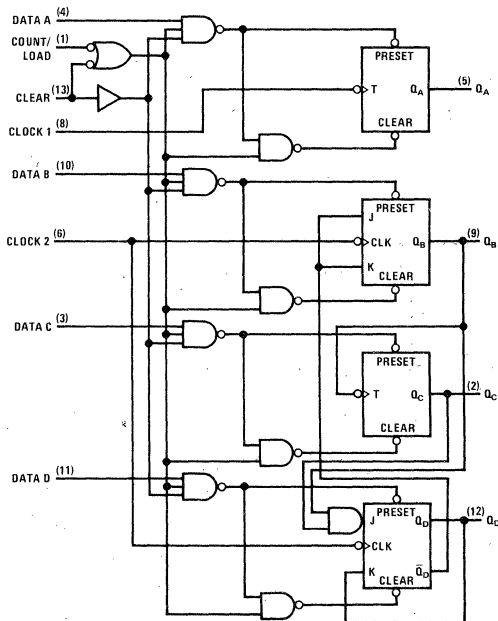
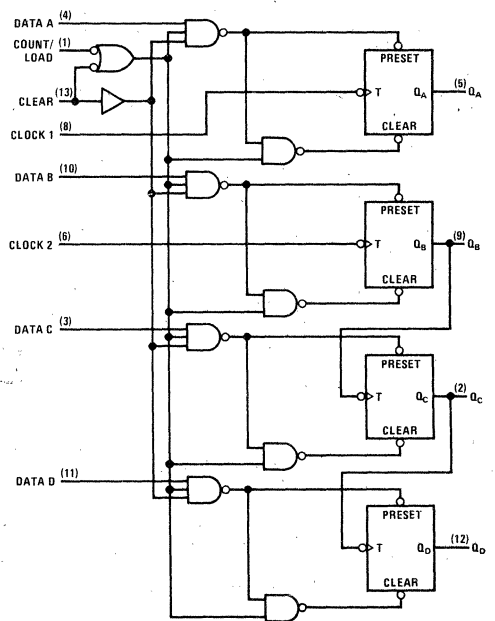
177, 197, LS197
 (See Note A)

COUNT	OUTPUT			
	Q _D	Q _C	Q _B	Q _A
0	L	L	L	L
1	L	L	L	H
2	L	L	H	L
3	L	L	H	H
4	L	H	L	L
5	L	H	L	H
6	L	H	H	L
7	L	H	H	H
8	H	L	L	L
9	H	L	L	H
10	H	L	H	L
11	H	L	H	H
12	H	H	L	L
13	H	H	L	H
14	H	H	H	L
15	H	H	H	H

H = High Level, L = Low Level

Notes:

- (A) Output Q_A connected to clock-2 input.
- (B) Output Q_D connected to clock-1 input.

Logic Diagrams
196, LS196

197, LS197


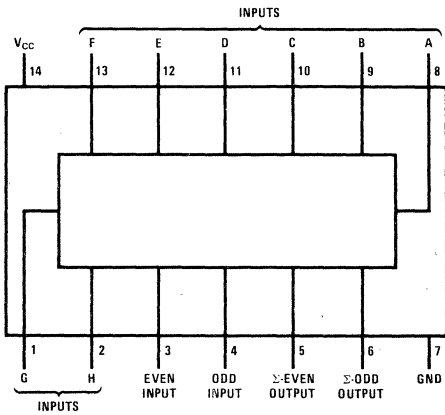
9-Bit Parity Generators/Checkers

General Description

These universal 9-bit (8 data bits plus 1 parity bit) parity generators/checkers feature odd/even outputs and control inputs to facilitate operation in either odd or even parity applications. Depending on whether even or odd parity is being generated or checked, the even or odd inputs can be utilized as the parity or 9th-bit input. The word-length capability is easily expanded by cascading.

Input buffers are provided so that each data input represents only one normalized series 54/74 load. A full fan-out to 10 normalized series 54/74 loads is available from each of the outputs at a low logic level. A fan-out to 20 normalized loads is provided at a high logic level to facilitate the connection of unused inputs to used inputs.

Connection Diagram



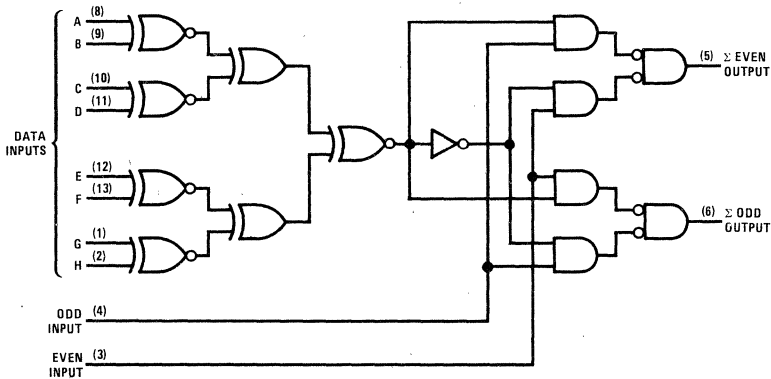
54180(J), (W); 74180(J), (N), (W)

Truth Table

INPUTS			OUTPUTS	
Σ OF H's AT A THRU H	EVEN	ODD	Σ EVEN	Σ ODD
EVEN	H	L	H	L
ODD	H	L	L	H
EVEN	L	H	L	H
ODD	L	H	H	L
X	H	H	L	L
X	L	L	H	H

H = High Level, L = Low Level, X = Don't Care

Logic Diagram



Electrical Characteristics over recommended operating free-air temperature range (unless otherwise noted)

PARAMETER		CONDITIONS	DM54/74			UNITS
			180			
			MIN	TYP(1)	MAX	
V_{IH}	High Level Input Voltage		2			V
V_{IL}	Low Level Input Voltage		0.8			V
V_I	Input Clamp Voltage	V _{CC} = Min, I _I = -12 mA	-1.5			V
I_{OH}	High Level Output Current		-800			μA
V_{OH}	High Level Output Voltage	V _{CC} = Min, V _{IH} = 2V V _{IL} = 0.8V, I _{OH} = -800μA	2.4			V
I_{OL}	Low Level Output Current		16			mA
V_{OL}	Low Level Output Voltage	V _{CC} = Min, V _{IH} = 2V V _{IL} = 0.8V, I _{OL} = 16 mA	0.4			V
I_I	Input Current at Maximum Input Voltage	V _{CC} = Max, V _I = 5.5V	1			mA
I_{IH}	High Level Input Current	Any Data Input	40			μA
		Even or Odd Input	80			
I_{IL}	Low Level Input Current	Any Data Input	-1.6			mA
		Even or Odd Input	-3.2			
I_{OS}	Short Circuit Output Current	V _{CC} = Max(2)	DM54	-20	-55	mA
			DM74	-18	-55	
I_{CC}	Supply Current	V _{CC} = Max(3)	DM54	34	49	mA
			DM74	34	56	

Notes

- (1) All typical values are at V_{CC} = 5V, T_A = 25°C.
- (2) Not more than one output should be shorted at a time.
- (3) I_{CC} is measured with even and odd inputs at 4.5V, all other inputs and outputs open.

Switching Characteristics V_{CC} = 5V, T_A = 25°C

PARAMETER		FROM (INPUT)	TO (OUTPUT)	CONDITIONS	DM54/74			UNITS
					180			
					MIN	TYP	MAX	
t_{PLH}	Propagation Delay Time, Low-to-High Level Output	Data	Σ Even	C _L = 15 pF, R _L = 400Ω Odd Input Grounded	40	60	ns	
t_{PHL}	Propagation Delay Time, High-to-Low Level Output				45	68	ns	
t_{PLH}	Propagation Delay Time, Low-to-High Level Output	Data	Σ Odd		32	48	ns	
t_{PHL}	Propagation Delay Time, High-to-Low Level Output				25	38	ns	
t_{PLH}	Propagation Delay Time, Low-to-High Level Output	Data	Σ Even	C _L = 15 pF, R _L = 400Ω Even Input Grounded	32	48	ns	
t_{PHL}	Propagation Delay Time, High-to-Low Level Output				25	38	ns	
t_{PLH}	Propagation Delay Time, Low-to-High Level Output	Data	Σ Odd		40	60	ns	
t_{PHL}	Propagation Delay Time, High-to-Low Level Output				45	68	ns	
t_{PLH}	Propagation Delay Time, Low-to-High Level Output	Even or Odd	Σ Even or Σ Odd	C _L = 15 pF, R _L = 400Ω	13	20	ns	
t_{PHL}	Propagation Delay Time, High-to-Low Level Output				7	10	ns	

Arithmetic Logic Unit/Function Generators

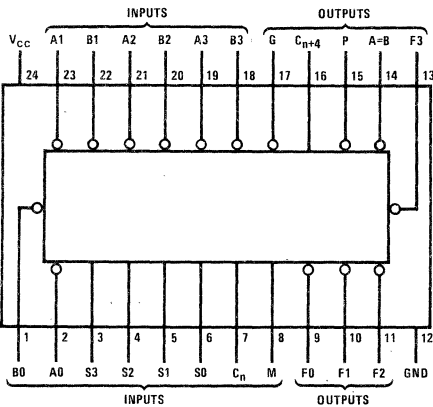
General Description

These arithmetic logic units (ALU)/function generators perform 16 binary arithmetic operations on two 4-bit words, as shown in Tables 1 and 2. These operations are selected by the four function-select lines (S0, S1, S2, S3) and include addition, subtraction, decrement, and straight transfer. When performing arithmetic manipulations, the internal carries must be enabled by applying a low-level voltage to the mode control input (M). A full carry look-ahead scheme is available in these devices for fast, simultaneous carry generation by means of two cascade-outputs (P and G) for the four bits in the package. When used in conjunction with the DM54182/DM74182 full carry look-ahead circuits, high-speed arithmetic operations can be performed. The typical addition times shown below illustrate how little time is required for addition of longer words, when full carry look-ahead is employed. The method of cascading 182 circuits with these ALU's to provide multi-level full carry look-ahead is illustrated under typical applications data for the DM54182/DM74182. (Continued)

Features

- Arithmetic operating modes:
 - Addition
 - Subtraction
 - Shift operand A one position
 - Magnitude comparison
 - Plus twelve other arithmetic operations
- Logic function modes:
 - EXCLUSIVE-OR
 - Comparator
 - AND, NAND, OR, NOR
 - Plus ten other logic operations
- Full look-ahead for high-speed operations on long words

Connection Diagram



54181(J); 74181(J), (N)

Pin Designations

DESIGNATION	PIN NOS.	FUNCTION
A3, A2, A1, A0	19, 21, 23, 2	WORD A INPUTS
B3, B2, B1, B0	18, 20, 22, 1	WORD B INPUTS
S3, S2, S1, S0	3, 4, 5, 6	FUNCTION-SELECT INPUTS
C _n	7	INV. CARRY INPUT
M	8	MODE CONTROL INPUT
F3, F2, F1, F0	13, 11, 10, 9	FUNCTION OUTPUTS
A = B	14	COMPARATOR OUTPUT
P	15	CARRY PROPAGATE OUTPUT,
C _{n+4}	16	INV. CARRY OUTPUT
G	17	CARRY GENERATE OUTPUT
V _{CC}	24	SUPPLY VOLTAGE
GND	12	GROUND

NUMBER OF BITS	TYPICAL ADDITION TIMES	PACKAGE COUNT		CARRY METHOD BETWEEN ALU's
		ARITHMETIC/ LOGIC UNITS	LOOK AHEAD CARRY GENERATORS	
1 to 4	20 ns	1	0	NONE
5 to 8	30 ns	2	0	RIPPLE
9 to 16	30 ns	3 or 4	1	FULL LOOK-AHEAD
17 to 64	50 ns	5 to 16	2 to 5	FULL LOOK-AHEAD

General Description (Continued)

If high speed is not important, a ripple-carry input (C_n) and a ripple-carry output (C_{n+4}) are available. However, the ripple-carry delay has also been minimized so that arithmetic manipulations for small word lengths can be performed without external circuitry.

These circuits will accommodate active-high or active-low data, if the pin designations are interpreted as shown below.

Subtraction is accomplished by 1's complement addition where the 1's complement of the subtrahend is generated internally. The resultant output is $A-B-1$, which requires an end-around or forced carry to provide $A-B$.

The 181 can also be utilized as a comparator. The $A = B$ output is internally decoded from the function outputs (F_0, F_1, F_2, F_3) so that when two words of equal magnitude are applied at the A and B inputs, it will assume a high level to indicate equality ($A = B$). The ALU should be in the subtract mode with $C_n = H$ when performing this comparison. The $A = B$ output is open-collector so that it can be wire-AND connected to give a comparison for more than four bits. The carry output (C_{n+4}) can also be used to supply relative magnitude

information. Again, the ALU should be placed in the subtract mode by placing the function select inputs S_3, S_2, S_1, S_0 at L, H, H, L, respectively.

These circuits have been designed to not only incorporate all of the designer's requirements for arithmetic operations, but also to provide 16 possible functions of two Boolean variables without the use of external circuitry. These logic functions are selected by use of the four function-select inputs (S_0, S_1, S_2, S_3) with the mode-control input (M) at a high level to disable the internal carry. The 16 logic functions are detailed in Tables 1 and 2 and include exclusive-OR, NAND, AND, NOR, and OR functions.

ALU SIGNAL DESIGNATIONS

The DM54181/DM74181 can be used with the signal designations of either Figure 1 or Figure 2.

The logic functions and arithmetic operations obtained with signal designations as in Figure 1 are given in Table 1; those obtained with the signal designations of Figure 2 are given in Table 2.

PIN NUMBER	2	1	23	22	21	20	19	18	9	10	11	13	7	16	15	17
Active-High Data (Table I)	A0	B0	A1	B1	A2	B2	A3	B3	F0	F1	F2	F3	\bar{C}_n	\bar{C}_{n+4}	X	Y
Active-Low Data (Table II)	$\bar{A}0$	$\bar{B}0$	$\bar{A}1$	$\bar{B}1$	$\bar{A}2$	$\bar{B}2$	$\bar{A}3$	$\bar{B}3$	$\bar{F}0$	$\bar{F}1$	$\bar{F}2$	$\bar{F}3$	C_n	C_{n+4}	\bar{P}	\bar{G}

INPUT C_n	OUTPUT C_{n+4}	ACTIVE-HIGH DATA (FIGURE 1)	ACTIVE-LOW DATA (FIGURE 2)
H	H	$A \leq B$	$A \geq B$
H	L	$A > B$	$A < B$
L	H	$A < B$	$A > B$
L	L	$A \geq B$	$A \leq B$

TABLE 1

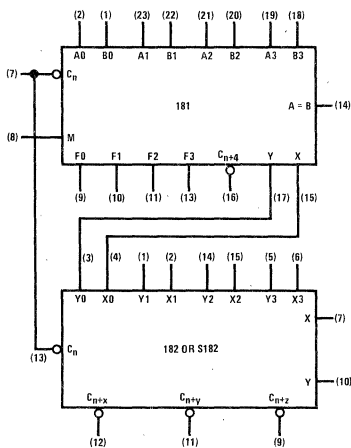
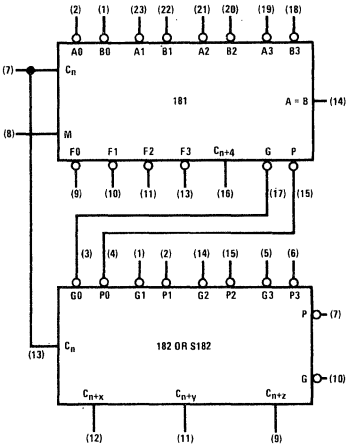


FIGURE 1

SELECTION	ACTIVE HIGH DATA						
	S3	S2	S1	S0	M = H LOGIC FUNCTIONS	M = L; ARITHMETIC OPERATIONS	
						$C_n = H$ (no carry)	$C_n = L$ (with carry)
L L L L	L	L	L	L	$F = \bar{A}$	$F = A$	$F = A \text{ PLUS } 1$
L L L H	L	L	L	H	$F = \overline{A+B}$	$F = A + B$	$F = (A + B) \text{ PLUS } 1$
L L H L	L	L	H	L	$F = AB$	$F = A + B$	$F = (A + B) \text{ PLUS } 1$
L L H H	L	L	H	H	$F = 0$	$F = \text{MINUS } 1$ (2's COMPL)	$F = \text{ZERO}$
L H L L	L	H	L	L	$F = \overline{AB}$	$F = A \text{ PLUS } \bar{A}\bar{B}$	$F = A \text{ PLUS } \bar{A}\bar{B} \text{ PLUS } 1$
L H L H	L	H	L	H	$F = \bar{B}$	$F = (A + B) \text{ PLUS } \bar{A}\bar{B}$	$F = (A + B) \text{ PLUS } \bar{A}\bar{B} \text{ PLUS } 1$
L H H L	L	H	H	L	$F = A \oplus B$	$F = A \text{ MINUS } B \text{ MINUS } 1$	$F = A \text{ MINUS } B$
L H H H	L	H	H	H	$F = \bar{A}\bar{B}$	$F = \bar{A}\bar{B} \text{ MINUS } 1$	$F = \bar{A}\bar{B}$
H L L L	H	L	L	L	$F = \bar{A} + B$	$F = A \text{ PLUS } AB$	$F = A \text{ PLUS } AB \text{ PLUS } 1$
H L L H	H	L	L	H	$F = A \oplus \bar{B}$	$F = A \text{ PLUS } B$	$F = A \text{ PLUS } B \text{ PLUS } 1$
H L H L	H	L	H	L	$F = B$	$F = (A + \bar{B}) \text{ PLUS } AB$	$F = (A + \bar{B}) \text{ PLUS } AB \text{ PLUS } 1$
H L H H	H	L	H	H	$F = AB$	$F = AB \text{ MINUS } 1$	$F = AB$
H H L L	H	H	L	L	$F = 1$	$F = A \text{ PLUS } A^*$	$F = A \text{ PLUS } A \text{ PLUS } 1$
H H L H	H	H	L	H	$F = A + \bar{B}$	$F = (A + B) \text{ PLUS } A$	$F = (A + B) \text{ PLUS } A \text{ PLUS } 1$
H H H L	H	H	H	L	$F = A + B$	$F = A + B$	$F = (A + \bar{B}) \text{ PLUS } A \text{ PLUS } 1$
H H H H	H	H	H	H	$F = A$	$F = A \text{ MINUS } 1$	$F = A$

*Each bit is shifted to the next more significant position.

General Description (Continued)

FIGURE 2
TABLE 2

SELECTION				ACTIVE LOW DATA		
				M = H LOGIC FUNCTIONS	M = L; ARITHMETIC OPERATIONS	
S3	S2	S1	S0		C _n = L (no carry)	C _n = H (with carry)
L	L	L	L	$F = \bar{A}$	F = A MINUS 1	F = A
L	L	L	H	$F = \overline{AB}$	F = AB MINUS 1	F = AB
L	L	H	L	$F = \bar{A} + B$	F = AB MINUS 1	F = AB
L	L	H	H	$F = 1$	F = MINUS 1 (2's COMP)	F = ZERO
L	H	L	L	$F = \bar{A} + \bar{B}$	F = A PLUS (A + \bar{B})	F = A PLUS (A + \bar{B}) PLUS 1
L	H	L	H	$F = \bar{B}$	F = AB PLUS (A + \bar{B})	F = AB PLUS (A + \bar{B}) PLUS 1
L	H	H	L	$F = \bar{A} \oplus \bar{B}$	F = A MINUS B MINUS 1	F = A MINUS B
L	H	H	H	$F = A + \bar{B}$	F = A + B	F = (A + B) PLUS 1
H	L	L	L	$F = \overline{AB}$	F = A PLUS (A + B)	F = A PLUS (A + B) PLUS 1
H	L	L	H	$F = A \oplus B$	F = A PLUS B	F = A PLUS B PLUS 1
H	L	H	L	F = B	F = \overline{AB} PLUS (A + B)	F = \overline{AB} PLUS (A + B) PLUS 1
H	L	H	H	F = A + B	F = A + B	F = (A + B) PLUS 1
H	H	L	L	F = 0	F = A PLUS A*	F = A PLUS A PLUS 1
H	H	L	H	F = \overline{AB}	F = AB PLUS A	F = AB PLUS A PLUS 1
H	H	H	L	F = AB	F = \overline{AB} PLUS A	F = \overline{AB} PLUS A PLUS 1
H	H	H	H	F = A	F = A	F = A PLUS 1

*Each bit is shifted to the next more significant position.

Electrical Characteristics over recommended operating free-air temperature range (unless otherwise noted)

PARAMETER		CONDITIONS	DM54/74			UNITS	
			181				
				MIN	TYP(1)	MAX	
V _{IH}	High Level Input Voltage			2		V	
V _{IL}	Low Level Input Voltage					0.8	
V _I	Input Clamp Voltage	V _{CC} = Min, I _I = -12 mA				-1.5	
I _{OH}	High Level Output Current (Any Output Except A = B)					-800	
I _{OH}	High Level Output Current (A = B Output Only)	V _{CC} = Min, V _{IH} = 2V V _{IL} = 0.8V, V _{OH} = 5.5V				250	
V _{OH}	High Level Output Voltage (Any Output Except A = B)	V _{CC} = Min, V _{IH} = 2V V _{IL} = 0.8V, I _{OH} = -800μA		2.4		V	
I _{OL}	Low Level Output Current					16	
V _{OL}	Low Level Output Voltage	V _{CC} = Min, V _{IH} = 2V V _{IL} = 0.8V, I _{OL} = 16 mA				0.4	
I _I	Input Current at Maximum Input Voltage	V _{CC} = Max, V _I = 5.5V				1	
I _{IH}	High Level Input Current	Mode Input	V _{CC} = Max, V _I = 2.4V			40	
		Any A or B Input				120	
		Any S Input				160	
		Carry Input				200	
I _{IL}	Low Level Input Current	Mode Input	V _{CC} = Max, V _I = 0.4V			-1.6	
		Any A or B Input				-4.8	
		Any S Input				-6.4	
		Carry Input				-8.0	
I _{OS}	Short Circuit Output Current (Any Output Except A = B)	V _{CC} = Max(2)	DM54	-20	-55	mA	
			DM74	-18	-57		
I _{CC}	Supply Current	V _{CC} = Max(3)	Condition A	DM54	88	127	mA
				DM74	88	140	
			Condition B	DM54	92	135	
				DM74	92	150	

Notes

- (1) All typical values are at V_{CC} = 5V, T_A = 25°C.
- (2) Not more than one output should be shorted at a time.
- (3) With outputs open, I_{CC} is measured for the following conditions:
 - A. S0 through S3, M, and A inputs are at 4.5V, all other inputs are grounded.
 - B. S0 through S3 and M are at 4.5V, all other inputs are grounded.

Switching Characteristics $V_{CC} = 5V, T_A = 25^\circ C$

PARAMETER		FROM (INPUT)	TO (OUTPUT)	CONDITIONS	DM54/74			UNITS
					181			
					MIN	TYP	MAX	
t_{PLH}	Propagation Delay Time, Low-to-High Level Output	C_n	C_{n+4}		9	18	ns	
t_{PHL}	Propagation Delay Time, High-to-Low Level Output				13	19		
t_{PLH}	Propagation Delay Time, Low-to-High Level Output	Any A or B	C_{n+4}	M = 0V, S0 = S3 = 4.5V S1 = S2 = 0V (SUM mode)	20	30	ns	
t_{PHL}	Propagation Delay Time, High-to-Low Level Output				22	33		
t_{PLH}	Propagation Delay Time, Low-to-High Level Output	Any A or B	C_{n+4}	M = 0V, S0 = S3 = 0V S1 = S2 = 4.5V (DIFF mode)	20	30	ns	
t_{PHL}	Propagation Delay Time, High-to-Low Level Output				22	33		
t_{PLH}	Propagation Delay Time, Low-to-High Level Output	C_n	Any F	M = 0V (SUM or DIFF mode)	11	19	ns	
t_{PHL}	Propagation Delay Time, High-to-Low Level Output				12	18		
t_{PLH}	Propagation Delay Time, Low-to-High Level Output	Any A or B	G	M = 0V, S0 = S3 = 4.5V S1 = S2 = 0V (SUM mode)	13	19	ns	
t_{PHL}	Propagation Delay Time, High-to-Low Level Output				14	19		
t_{PLH}	Propagation Delay Time, Low-to-High Level Output	Any A or B	G	M = 0V, S0 = S3 = 0V S1 = S2 = 4.5V (DIFF mode)	12	20	ns	
t_{PHL}	Propagation Delay Time, High-to-Low Level Output				15	25		
t_{PLH}	Propagation Delay Time, Low-to-High Level Output	Any A or B	P	M = 0V, S0 = S3 = 4.5V S1 = S2 = 0V (SUM mode)	12	19	ns	
t_{PHL}	Propagation Delay Time, High-to-Low Level Output				17	25		
t_{PLH}	Propagation Delay Time, Low-to-High Level Output	Any A or B	P	M = 0V, S0 = S3 = 0V S1 = S2 = 4.5V (DIFF mode)	14	25	ns	
t_{PHL}	Propagation Delay Time, High-to-Low Level Output				17	25		
t_{PLH}	Propagation Delay Time, Low-to-High Level Output	A_i or B_i	F_i	M = 0V, S0 = S3 = 4.5V S1 = S2 = 0V (SUM mode)	18	30	ns	
t_{PHL}	Propagation Delay Time, High-to-Low Level Output				19	30		
t_{PLH}	Propagation Delay Time, Low-to-High Level Output	A_i or B_i	F_i	M = 0V, S0 = S3 = 0V S1 = S2 = 4.5V (DIFF mode)	14	24	ns	
t_{PHL}	Propagation Delay Time, High-to-Low Level Output				14	24		
t_{PLH}	Propagation Delay Time, Low-to-High Level Output	A_i or B_i	F_i	M = 4.5V (logic mode)	17	28	ns	
t_{PHL}	Propagation Delay Time, High-to-Low Level Output				19	30		
t_{PLH}	Propagation Delay Time, Low-to-High Level Output	Any A or B	A = B	M = 0V, S0 = S3 = 0V S1 = S2 = 4.5V (DIFF mode)	26	40	ns	
t_{PHL}	Propagation Delay Time, High-to-Low Level Output				25	40		

Parameter Measurement Information
LOGIC MODE TEST TABLE
FUNCTION INPUTS: S1 = S2 = M = 4.5V, S0 = S3 = 0V

PARAMETER	INPUT UNDER TEST	OTHER INPUT SAME BIT		OTHER DATA INPUTS		OUTPUT UNDER TEST	OUTPUT WAVEFORM
		APPLY 4.5V	APPLY GND	APPLY 4.5V	APPLY GND		
t_{PLH}	A_i	B_i	None	None	Remaining A and B, C_n	F_i	Out-of-Phase
t_{PHL}							
t_{PLH}	B_i	A_i	None	None	Remaining A and B, C_n	F_i	Out-of-Phase
t_{PHL}							

Parameter Measurement Information (Continued)

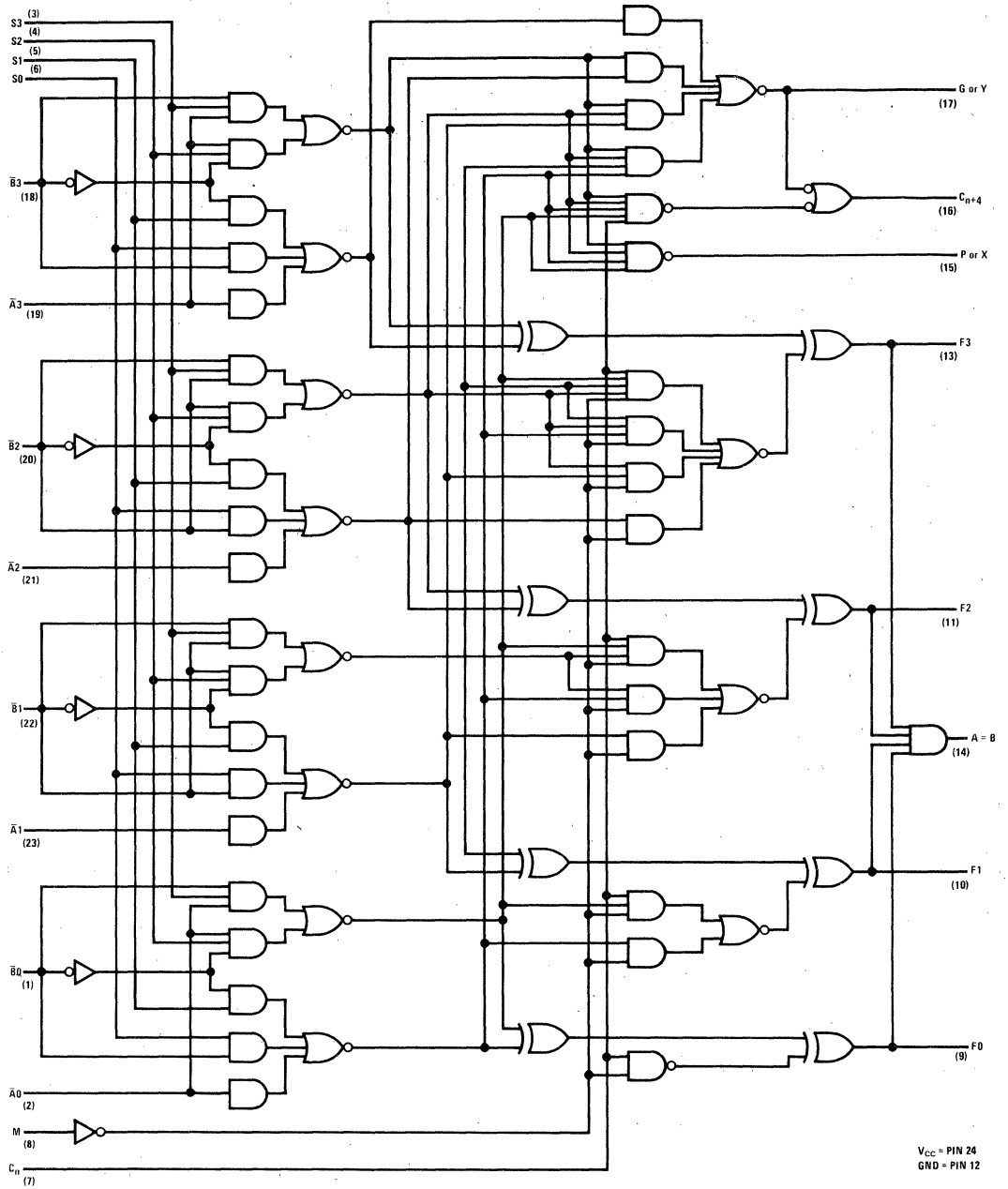
SUM MODE TEST TABLE
FUNCTION INPUTS: S0 = S3 = 4.5V, S1 = S2 = M = 0V

PARAMETER	INPUT UNDER TEST	OTHER INPUT SAME BIT		OTHER DATA INPUTS		OUTPUT UNDER TEST	OUTPUT WAVEFORM
		APPLY 4.5V	APPLY GND	APPLY 4.5V	APPLY GND		
t_{PLH}	A_i	B_i	None	Remaining A and B	C_n	F_i	In-Phase
t_{PHL}							
t_{PLH}	B_i	A_i	None	Remaining A and B	C_n	F_i	In-Phase
t_{PHL}							
t_{PLH}	A_i	B_i	None	None	Remaining A and B, C_n	P	In-Phase
t_{PHL}							
t_{PLH}	B_i	A_i	None	None	Remaining A and B, C_n	P	In-Phase
t_{PHL}							
t_{PLH}	A_i	None	B_i	Remaining B	Remaining A, C_n	G	In-Phase
t_{PHL}							
t_{PLH}	B_i	None	A_i	Remaining B	Remaining A, C_n	G	In-Phase
t_{PHL}							
t_{PLH}	C_n	None	None	All A	All B	Any F or C_{n+4}	In-Phase
t_{PHL}							
t_{PLH}	A_i	None	B_i	Remaining B	Remaining A, C_n	C_{n+4}	Out-of-Phase
t_{PHL}							
t_{PLH}	B_i	None	A_i	Remaining B	Remaining A, C_n	C_{n+4}	Out-of-Phase
t_{PHL}							

DIFF MODE TEST TABLE
FUNCTION INPUTS: S1 = S2 = 4.5V, S0 = S3 = M = 0V

PARAMETER	INPUT UNDER TEST	OTHER INPUT SAME BIT		OTHER DATA INPUTS		OUTPUT UNDER TEST	OUTPUT WAVEFORM
		APPLY 4.5V	APPLY GND	APPLY 4.5V	APPLY GND		
t_{PLH}	A_i	None	B_i	Remaining A	Remaining B, C_n	F_i	In-Phase
t_{PHL}							
t_{PLH}	B_i	A_i	None	Remaining A	Remaining B, C_n	F_i	Out-of-Phase
t_{PHL}							
t_{PLH}	A_i	None	B_i	None	Remaining A and B, C_n	P	In-Phase
t_{PHL}							
t_{PLH}	B_i	A_i	None	None	Remaining A and B, C_n	P	Out-of-Phase
t_{PHL}							
t_{PLH}	A_i	B_i	None	None	Remaining A and B, C_n	G	In-Phase
t_{PHL}							
t_{PLH}	B_i	None	A_i	None	Remaining A and B, C_n	G	Out-of-Phase
t_{PHL}							
t_{PLH}	A_i	None	B_i	Remaining A	Remaining B, C_n	A = B	In-Phase
t_{PHL}							
t_{PLH}	B_i	A_i	None	Remaining A	Remaining B, C_n	A = B	Out-of-Phase
t_{PHL}							
t_{PLH}	C_n	None	None	All A and B	None	C_{n+4} or any F	In-Phase
t_{PHL}							
t_{PLH}	A_i	B_i	None	None	Remaining A, B, C_n	C_{n+4}	Out-of-Phase
t_{PHL}							
t_{PLH}	B_i	None	A_i	None	Remaining A, B, C_n	C_{n+4}	In-Phase
t_{PHL}							

Logic Diagram



Look-Ahead Carry Generators

General Description

These circuits are high-speed, look-ahead carry generators, capable of anticipating a carry across four binary adders or groups of adders. They are cascadable to perform full look-ahead across n-bit adders. Carry, generate-carry, and propagate-carry functions are provided as shown in the pin designation table.

When used in conjunction with the 181 arithmetic logic unit, these generators provide high-speed carry look-ahead capability for any word length. Each 182 or S182 generates the look-ahead (anticipated carry) across a group of four ALU's and, in addition, other carry look-ahead circuits may be employed to anticipate carry across sections of four look-ahead packages up to n-bits. The method of cascading circuits to perform multi-level look-ahead is illustrated under typical application data.

Carry input and output of the ALU's are in their true form, and the carry propagate (P) and carry generate (G) are in negated form; therefore, the carry functions (inputs, outputs, generate, and propagate) of the look-ahead

generators are implemented in the compatible forms for direct connection to the ALU. Reinterpretations of carry functions, as explained on the 181 data sheet are also applicable to and compatible with the look-ahead generator. Positive logic equations for the 182 and S182 are:

$$C_{n+x} = \overline{G0} + \overline{P0} C_n$$

$$C_{n+y} = \overline{G1} + \overline{P1} \overline{G0} + \overline{P1} \overline{P0} C_n$$

$$C_{n+z} = \overline{G2} + \overline{P2} \overline{G1} + \overline{P2} \overline{P1} \overline{G0} + \overline{P2} \overline{P1} \overline{P0} C_n$$

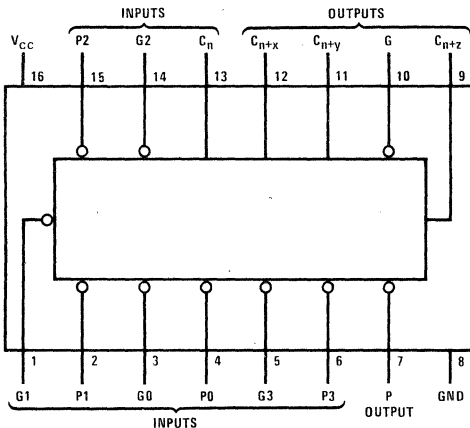
$$\overline{G} = \overline{G3} (\overline{P3} + \overline{G2}) (\overline{P3} + \overline{P2} + \overline{G1}) (\overline{P3} + \overline{P2} + \overline{P1} + \overline{G0})$$

$$\overline{P} = \overline{P3} \overline{P2} \overline{P1} \overline{P0}$$

Features

TYPE	TYPICAL PROPAGATION DELAY TIME	TYPICAL POWER DISSIPATION
182	12 ns	180 mW
S182	7 ns	260 mW

Connection Diagram



54182(J); 74182(J), (N); 74S182(N)

Pin Designations

DESIGNATION	PIN NOS.	FUNCTION
G0, G1, G2, G3	3, 1, 14, 5	ACTIVE LOW CARRY GENERATE INPUTS
P0, P1, P2, P3	4, 2, 15, 6	ACTIVE LOW CARRY PROPAGATE INPUTS
C _n	13	CARRY INPUT
C _{n+x} , C _{n+y} , C _{n+z}	12, 11, 9	CARRY OUTPUTS
G	10	ACTIVE LOW CARRY GENERATE OUTPUT
P	7	ACTIVE LOW CARRY PROPAGATE OUTPUT
V _{CC}	16	SUPPLY VOLTAGE
GND	8	GROUND

Electrical Characteristics over recommended operating free-air temperature range (unless otherwise noted)

PARAMETER		CONDITIONS		DM54/74		DM74S		UNITS
				182		S182		
				MIN	TYP(1)	MAX	MIN	
V _{IH}	High Level Input Voltage			2		2		V
V _{IL}	Low Level Input Voltage					0.8		V
V _I	Input Clamp Voltage	V _{CC} = Min	I _I = -12 mA I _I = -18 mA					V
I _{OH}	High Level Output Current			-800		-1000		μA
V _{OH}	High Level Output Voltage	V _{CC} = Min, V _{IH} = 2V V _{IL} = 0.8V, I _{OH} = Max	DM54 DM74	2.4 2.4	N/A 2.7 3.4			V
I _{OL}	Low Level Output Current			16		20		mA
V _{OL}	Low Level Output Voltage	V _{CC} = Min, V _{IH} = 2V V _{IL} = 0.8V, I _{OL} = Max			0.4		0.5	V
I _I	Input Current at Maximum Input Voltage	V _{CC} = Max, V _I = 5.5V		1		1		mA
I _{IH}	High Level Input Current	C _n Input P3 Input P2 Input P0, P1, or G3 Input G0 or G2 Input G1 Input	V _{CC} = Max V _I = 2.4V (182) V _I = 2.7V (S182)			80	50	μA
						120	100	
						160	150	
						200	200	
						360	350	
						400	400	
I _{IL}	Low Level Input Current	C _n Input P3 Input P2 Input P0, P1, or G3 Input G0 or G2 Input G1 Input	V _{CC} = Max V _I = 0.4V (182) V _I = 0.5V (S182)			-3.2	-2	mA
						-4.8	-4	
						-6.4	-6	
						-8.0	-8	
						-14.4	-14	
						-16	-16	
I _{OS}	Short Circuit Output Current	V _{CC} = Max(2)		-40	-100	-40	-100	mA
I _{CCH}	Supply Current, All Outputs High	V _{CC} = 5V(3)		27		35		mA
I _{CCL}	Supply Current, All Outputs Low	V _{CC} = Max(4)	DM54	45	65	N/A		mA
			DM74	45	72	69	109	

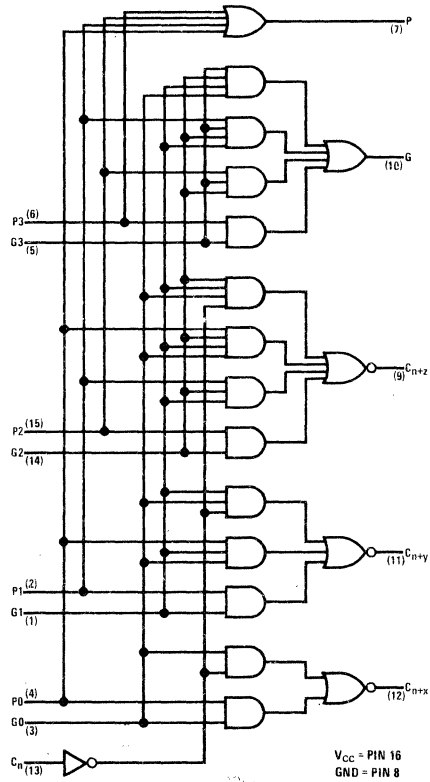
Notes

- (1) All typical values are at V_{CC} = 5V, T_A = 25°C.
- (2) Not more than one output should be shorted at a time, and duration of the short-circuit should not exceed one second.
- (3) I_{CCH} is measured with all outputs open, inputs P3 and G3 at 4.5V, and all other inputs grounded.
- (4) I_{CCL} is measured with all outputs open; inputs G0, G1, and G2 at 4.5V, and all other inputs grounded.

Switching Characteristics V_{CC} = 5V, T_A = 25°C

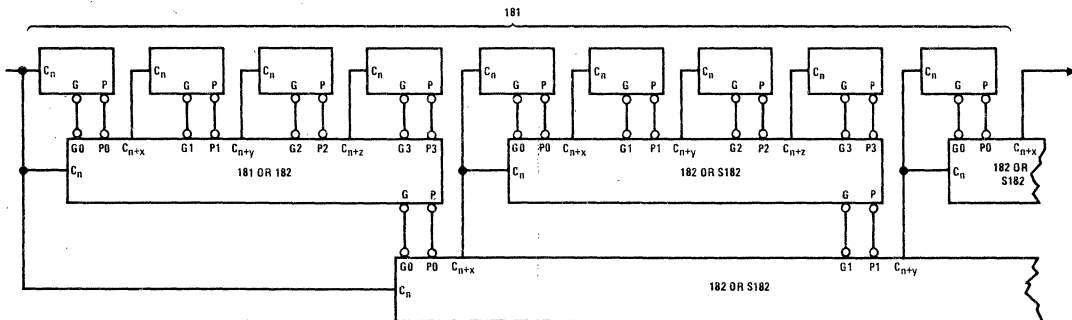
PARAMETER		FROM (INPUT)	TO (OUTPUT)	CONDITIONS	DM54/74		DM74S		UNITS	
					182		S182			
					MIN	TYP	MAX	MIN		TYP
t _{PLH}	Propagation Delay Time, Low-to-High Level Output	G0, G1, G2, G3, P0, P1, P2, or P3	C _{n1x} , C _{n1y} , or C _{n1z}	R _L = 400Ω C _L = 15 pF (182)	11	17	4.5	7	ns	
t _{PHL}	Propagation Delay Time, High-to-Low Level Output				13	22	4.5	7		
t _{PLH}	Propagation Delay Time, Low-to-High Level Output	G0, G1, G2, G3, P1, P2, or P3	G		11	17	5	7.5	ns	
t _{PHL}	Propagation Delay Time, High-to-Low Level Output				13	22	7	10.5		
t _{PLH}	Propagation Delay Time, Low-to-High Level Output	P0, P1, P2, or P3	P _i		R _L = 280Ω C _L = 15 pF (S182)	11	17	4.5	6.5	ns
t _{PHL}	Propagation Delay Time, High-to-Low Level Output					13	22	6.5	10	
t _{PLH}	Propagation Delay Time, Low-to-High Level Output	C _n	C _{n+x} , C _{n+y} , or C _{n+z}	11		17	6.5	10	ns	
t _{PHL}	Propagation Delay Time, High-to-Low Level Output			13		22	7	10.5		

Logic Diagram



Typical Application

64-BIT ALU, FULL-CARRY LOOK AHEAD IN THREE LEVELS



A and B inputs, and F outputs of 181 are not shown.

BCD-to-Binary and Binary-to-BCD Converters

General Description

These monolithic converters are derived from the 256-bit read only memories, DM5488 and DM7488. Emitter connections are made to provide direct read-out of converted codes at outputs Y8 through Y1, as shown in the truth tables. These converters demonstrate the versatility of a read only memory in that an unlimited number of reference tables or conversion tables may be built into a system. Both of these converters comprehend that the least significant bits (LSB) of the binary and BCD codes are logically equal, and in each case the LSB bypasses the converter as illustrated in the typical applications. This means that a 6-bit converter is produced in each case. Both devices are cascadable to N bits.

An overriding enable input is provided on each converter which when taken high inhibits the function, causing all outputs to go high. For this reason, and to minimize power consumption, unused outputs Y7 and Y8 of the 185A and all "don't care" conditions of the 184 are programmed high. The outputs are of the open-collector type.

DM54184 AND DM74184 BCD-TO-BINARY CONVERTERS

The 6-bit BCD-to-binary function of the DM54184 and DM74184 is analogous to the algorithm:

- a. Shift BCD number right one bit and examine each decade. Subtract three from each 4-bit decade containing a binary value greater than seven.

- b. Shift right, examine, and correct after each shift until the least significant decade contains a number smaller than eight and all other converted decades contain zeros.

In addition to BCD-to-binary conversion, the DM54184 and DM74184 are programmed to generate BCD 9's complement or BCD 10's complement. Again, in each case, one bit of the complement code is logically equal to one of the BCD bits; therefore, these complements can be produced on three lines. As outputs Y6, Y7, and Y8 are not required in the BCD-to-binary conversion, they are utilized to provide these complement codes as specified in the truth table when the devices are connected as shown.

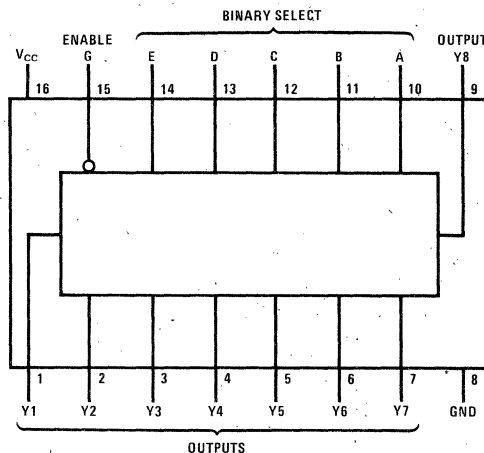
DM54185A AND DM74185A BINARY-TO-BCD CONVERTERS

The function performed by these 6-bit binary-to-BCD converters is analogous to the algorithm:

- a. Examine the three most significant bits. If the sum is greater than four, add three and shift left one bit.
- b. Examine each BCD decade. If the sum is greater than four, add three and shift left one bit.
- c. Repeat step b until the least-significant binary bit is in the least-significant BCD location.

(Continued)

Connection Diagram



54184(J), (W); 74184(J), (N), (W);
54185A(J), (W); 74185A(J), (N), (W)

Electrical Characteristics over recommended operating free-air temperature range (unless otherwise noted)

PARAMETER		CONDITIONS	DM54/74			UNITS
			184, 185A			
			MIN	TYP(1)	MAX	
V_{IH}	High Level Input Voltage		2			V
V_{IL}	Low Level Input Voltage		0.8			V
V_I	Input Clamp Voltage	$V_{CC} = \text{Min}, I_I = -12 \text{ mA}$	-1.5			V
I_{OH}	High Level Output Current	$V_{CC} = \text{Min}, V_{IH} = 2\text{V}$ $V_{IL} = 0.8\text{V}, V_{OH} = 5.5\text{V}$	100			μA
I_{OL}	Low Level Output Current		12			mA
V_{OL}	Low Level Output Voltage	$V_{CC} = \text{Min}, V_{IH} = 2\text{V}$ $V_{IL} = 0.8\text{V}, I_{OL} = 12 \text{ mA}$	0.4			V
I_I	Input Current at Maximum Input Voltage	$V_{CC} = \text{Max}, V_I = 5.5\text{V}$	1			mA
I_{IH}	High Level Input Current	$V_{CC} = \text{Max}, V_I = 2.4\text{V}$	25			μA
I_{IL}	Low Level Input Current	$V_{CC} = \text{Max}, V_I = 0.4\text{V}$	-1			mA
I_{CCH}	Supply Current, All Outputs High	$V_{CC} = \text{Max}$	40	65		mA
I_{CCL}	Supply Current, All Programmed Outputs Low	$V_{CC} = \text{Max}$	50	80		mA

Notes

 (1) All typical values are at $V_{CC} = 5\text{V}, T_A = 25^\circ\text{C}$.

Switching Characteristics $V_{CC} = 5\text{V}, T_A = 25^\circ\text{C}$

PARAMETER		CONDITIONS	MIN	TYP	MAX	UNITS
t_{PLH}	Propagation Delay Time, Low-to-High Level Output From Enable G	$C_L = 15 \text{ pF}, R_{L1} = 400\Omega$ $R_{L2} = 600\Omega$		20	35	ns
t_{PHL}	Propagation Delay Time, High-to-Low Level Output From Enable G			20	35	ns
t_{PLH}	Propagation Delay Time, Low-to-High Level Output From Binary Select			20	35	ns
t_{PHL}	Propagation Delay Time, High-to-Low Level Output From Binary Select			20	35	ns

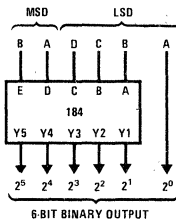
General Description (Continued)

DM54184 AND DM74184 BCD-TO-BINARY

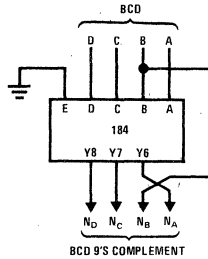
TABLE I
PACKAGE COUNT AND DELAY TIMES
FOR BCD-TO-BINARY CONVERSION

INPUT (DECADES)	PACKAGES REQUIRED	TOTAL DELAY TIMES (ns)	
		TYP	MAX
2	2	56	80
3	6	140	200
4	11	196	280
5	19	280	400
6	28	364	520

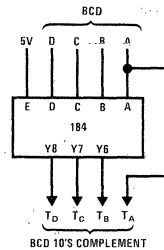
6-BIT CONVERTER



BCD 9'S
COMPLEMENT CONVERTER



BCD 10'S
COMPLEMENT CONVERTER



Truth Tables

BCD-TO-BINARY
CONVERTER

BCD WORDS	INPUTS (See Note A)						OUTPUTS (See Note B)				
	E	D	C	B	A	G	Y5	Y4	Y3	Y2	Y1
0 1	L	L	L	L	L	L	L	L	L	L	L
2 3	L	L	L	L	H	L	L	L	L	L	H
4 5	L	L	L	H	L	L	L	L	H	L	L
6 7	L	L	L	H	H	L	L	L	L	H	H
8 9	L	L	H	L	L	L	L	L	H	L	L
10 11	L	H	L	L	L	L	L	L	H	L	H
12 13	L	H	L	L	H	L	L	L	H	H	L
14 15	L	H	L	H	L	L	L	L	H	H	H
16 17	L	H	L	H	H	L	L	H	L	L	L
18 19	L	H	H	L	L	L	L	L	H	L	L
20 21	H	L	L	L	L	L	L	H	L	H	L
22 23	H	L	L	L	H	L	L	H	L	H	H
24 25	H	L	L	H	L	L	L	H	H	L	L
26 27	H	L	L	H	H	L	L	H	H	L	H
28 29	H	L	H	L	L	L	L	L	H	H	L
30 31	H	H	L	L	L	L	L	L	H	H	H
32 33	H	H	L	L	H	L	H	L	L	L	L
34 35	H	H	L	H	L	L	H	L	L	L	H
36 37	H	H	L	H	H	L	H	L	L	H	L
38 39	H	H	H	L	L	L	H	L	L	H	H
ANY	X	X	X	X	X	H	H	H	H	H	H

BCD 9'S OR BCD 10'S
COMPLEMENT CONVERTER

BCD WORD	INPUTS (See Note C)						OUTPUTS (See Note D)		
	E [†]	D	C	B	A	G	Y8	Y7	Y6
0	L	L	L	L	L	L	H	L	H
1	L	L	L	L	H	L	H	L	L
2	L	L	L	H	L	L	L	H	H
3	L	L	L	H	H	L	L	L	H
4	L	L	H	L	L	L	L	H	H
5	L	L	H	L	H	L	L	H	L
6	L	L	H	H	L	L	L	L	H
7	L	L	H	H	H	L	L	L	L
8	L	H	L	L	L	L	L	L	H
9	L	H	L	L	H	L	L	L	L
0	H	L	L	L	L	L	L	L	L
1	H	L	L	L	H	L	H	L	L
2	H	L	L	H	L	L	H	L	L
3	H	L	L	H	H	L	L	H	H
4	H	L	H	L	L	L	L	H	H
5	H	L	H	L	H	L	L	H	L
6	H	L	H	H	L	L	L	L	H
7	H	L	H	H	H	L	L	L	H
8	H	H	L	L	L	L	L	L	H
9	H	H	L	L	H	L	L	L	L
ANY	X	X	X	X	X	H	H	H	H

H = High Level, L = Low Level, X = Don't Care

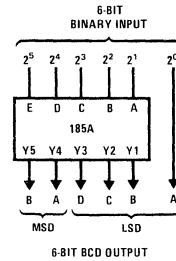
Notes:

- (A) Input conditions other than those shown produce highs at outputs Y1 through Y5.
- (B) Output Y6, Y7, and Y8 are not used for BCD-to-binary conversion.
- (C) Input conditions other than those shown produce highs at outputs Y6, Y7, and Y8.
- (D) Outputs Y1 through Y5 are not used for BCD 9's or BCD 10's complement conversion.

[†]When these devices are used as complement converters, input E is used as a mode control. With this input low, the BCD 9's complement is generated; when it is high, the BCD 10's complement is generated.

General Description (Continued)
DM54185A AND DM74185A BINARY-TO-BCD
**TABLE II
PACKAGE COUNT AND DELAY TIMES
FOR BINARY-TO-BCD CONVERSION**

INPUT (BITS)	PACKAGES REQUIRED	TOTAL DELAY TIME (ns)	
		TYP	MAX
4 to 6	1	25	40
7 or 8	3	50	80
9	4	75	120
10	6	100	160
11	7	125	200
12	8	125	200
13	10	150	240
14	12	175	280
15	14	175	280
16	16	200	320
17	19	225	360
18	21	225	360
19	24	250	400
20	27	275	440

6-BIT CONVERTER

Truth Tables (Continued)

BINARY WORDS	INPUTS						OUTPUTS							
	BINARY SELECT					ENABLE G	Y8	Y7	Y6	Y5	Y4	Y3	Y2	Y1
	E	D	C	B	A									
0 1	L	L	L	L	L	L	H	H	L	L	L	L	L	L
2 3	L	L	L	L	H	L	H	H	L	L	L	L	L	H
4 5	L	L	L	H	L	L	H	H	L	L	L	L	H	L
6 7	L	L	L	H	H	L	H	H	L	L	L	L	H	H
8 9	L	L	H	L	L	L	H	H	L	L	L	H	L	L
10 11	L	L	H	L	H	L	H	H	L	L	H	L	L	L
12 13	L	L	H	H	L	L	H	H	L	L	H	L	L	H
14 15	L	L	H	H	H	L	H	H	L	L	H	L	H	L
16 17	L	H	L	L	L	L	H	H	L	L	H	L	H	H
18 19	L	H	L	L	H	L	H	H	L	L	H	H	L	L
20 21	L	H	L	H	L	L	H	H	L	H	L	L	L	L
22 23	L	H	L	H	H	L	H	H	L	H	L	L	L	H
24 25	L	H	H	L	L	L	H	H	L	H	L	L	H	L
26 27	L	H	H	L	H	L	H	H	L	H	L	L	H	H
28 29	L	H	H	H	L	L	H	H	L	H	L	H	L	L
30 31	L	H	H	H	H	L	H	H	L	H	H	L	L	L
32 33	H	L	L	L	L	L	H	H	L	H	H	L	L	H
34 35	H	L	L	L	H	L	H	H	L	H	L	L	H	L
36 37	H	L	L	H	L	L	H	H	L	H	H	L	H	H
38 39	H	L	L	H	H	L	H	H	L	H	H	L	L	L
40 41	H	L	H	L	L	L	H	H	H	L	L	L	L	L
42 43	H	L	H	L	H	L	H	H	H	L	L	L	L	H
44 45	H	L	H	H	L	L	H	H	H	L	L	L	H	L
46 47	H	L	H	H	H	L	H	H	H	L	L	L	H	H
48 49	H	H	L	L	L	L	H	H	H	L	L	H	L	L
50 51	H	H	L	L	H	L	H	H	H	L	H	L	L	L
52 53	H	H	L	H	L	L	H	H	H	L	H	L	L	H
54 55	H	H	L	H	H	L	H	H	H	L	H	L	H	L
56 57	H	H	H	L	L	L	H	H	H	L	H	L	H	H
58 59	H	H	H	L	H	L	H	H	H	L	H	H	L	L
60 61	H	H	H	H	L	L	H	H	H	H	L	L	L	L
62 63	H	H	H	H	H	L	H	H	H	H	L	L	L	H
ALL	X	X	X	X	X	H	H	H	H	H	H	H	H	H

H = High Level, L = Low Level, X = Don't Care

Typical Applications

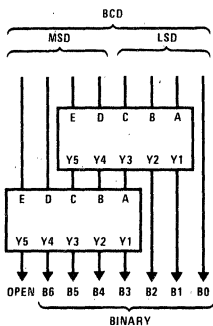


FIGURE 1: BCD-TO-BINARY CONVERTER FOR TWO BCD DECADES

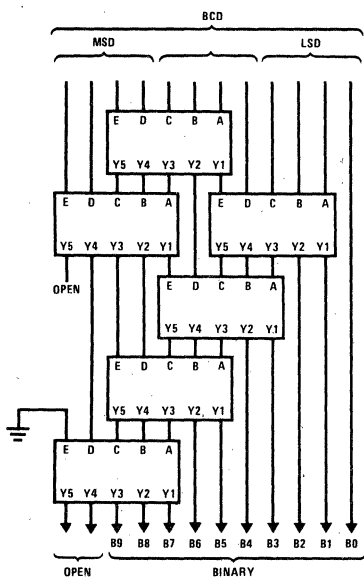


FIGURE 2: BCD-TO-BINARY CONVERTER FOR THREE BCD DECADES

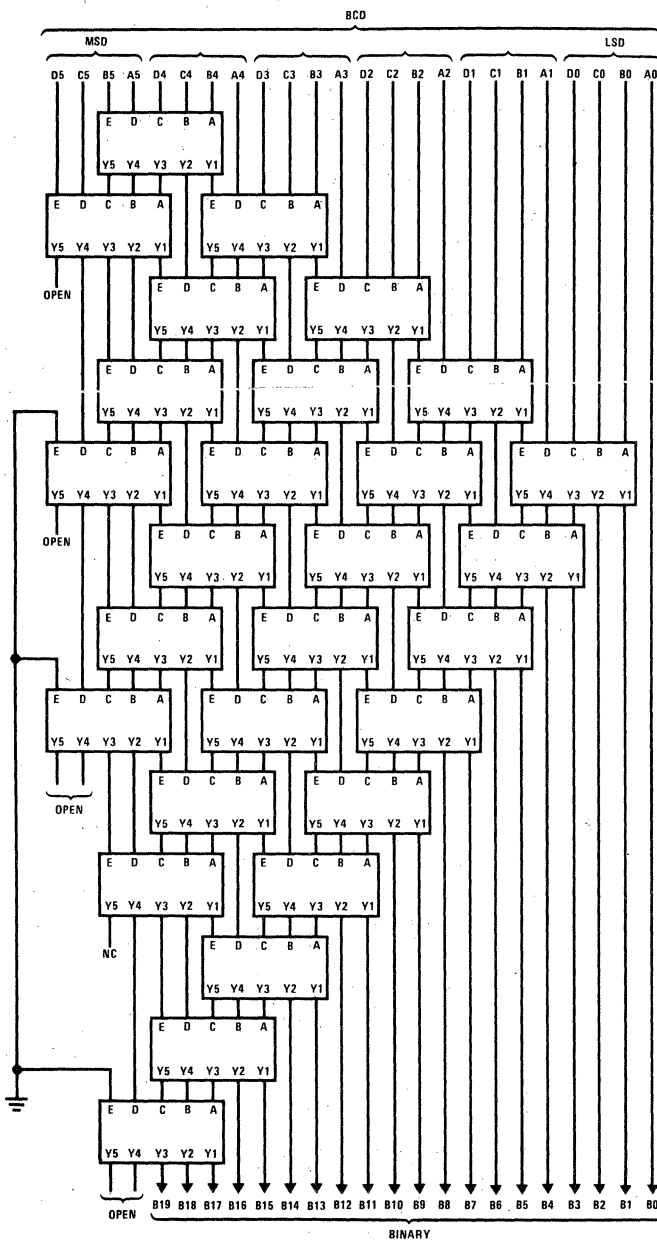


FIGURE 3: BCD-TO-BINARY CONVERTER FOR SIX BCD DECADES

MSD – Most significant decade
 LSD – Least significant decade
 Each rectangle represents a DM54184 or DM74184

Typical Applications (Continued)

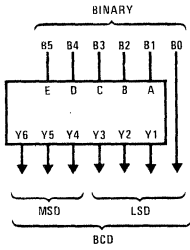


FIGURE 4: 6-BIT BINARY-TO-BCD CONVERTER

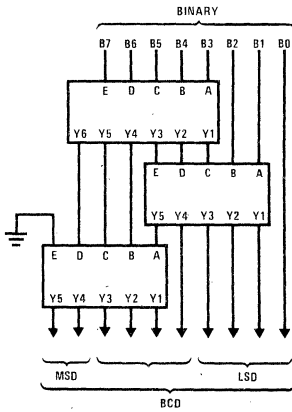


FIGURE 5: 8-BIT BINARY-TO-BCD CONVERTER

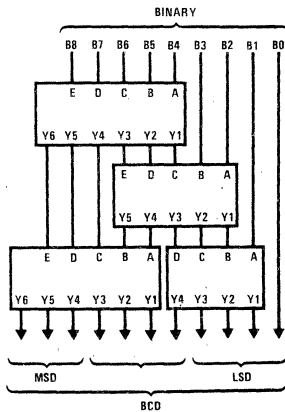


FIGURE 6: 9-BIT BINARY-TO-BCD CONVERTER

MSD — Most significant decade

LSD — Least significant decade

Notes

(A) Each rectangle represents a DM54185A or a DM74185A.

(B) All unused E inputs are grounded.

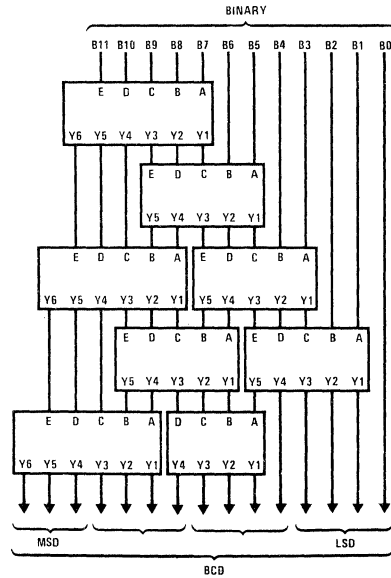


FIGURE 7: 12-BIT BINARY-TO-BCD CONVERTER (SEE NOTE B)

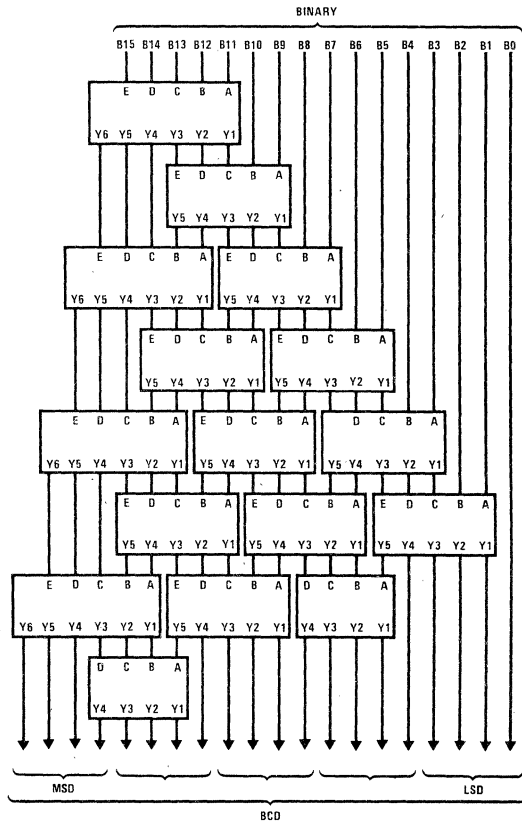


FIGURE 8: 16-BIT BINARY-TO-BCD CONVERTER (SEE NOTE B)

1024-Bit Read Only Memories

General Description

These circuits are custom-programmed, 1024-bit read only memories organized as 256 words of four bits each. These high-speed TTL memory arrays are addressed in straight eight-bit binary, with full on-chip decoding. Two overriding memory-enable inputs are provided which, when either one or both are taken high, will inhibit the function causing all four outputs to remain high (off). Data, as specified by the customer, are permanently programmed into the 1024-bit locations. This organization is expandable to 41,472 words of n-bits, with no additional output buffering.

The address of a four-bit word is accomplished through the buffered binary select inputs, with low-level voltages at both enable inputs. The most significant binary select inputs, D through H, are decoded internally in the X plane to select one-of-32 lines, and the least significant bits, A, B, and C, are internally decoded in the Y plane to accomplish one-of-eight decoding to drive the four output buffers. Where multiple devices are used in a memory system, the enable input allows easy decoding of additional address bits.

Data are programmed into the memory cell at the emitters of a 32-by-32 matrix of transistors. In the X plane each of the 32 address decoding gate outputs supply common base drive to 32 transistors. In the Y plane the 32 transistors are arranged into four groups of eight. This permits each of the bit lines to be terminated in four one-of-eight decoders, which achieves the four-bit word length.

The open-collector outputs are capable of sinking 16 milliamperes of current and may be wire-AND connected to increase the number of words available. An external pull-up resistor is recommended for definition of the high (off) level output voltage.

The customer can specify the output logic level desired at each of the 1024 bit locations by completing the supplementary ordering data and a set of data cards, punched in accordance with the data format shown under ordering instructions. It is important that the customer specify not only the output levels desired at all 1024 bit locations, but also the other information requested.

WORD SELECTION

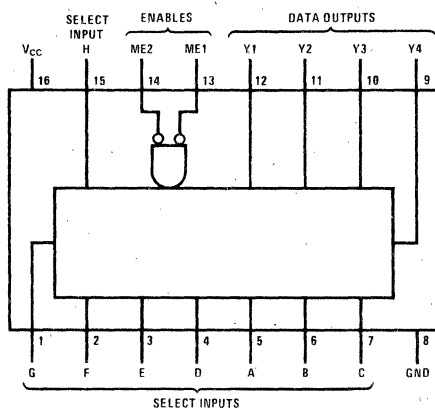
Word selection is accomplished in a conventional 8-bit positive-logic binary code with the A select input being the least-significant bit progressing alphabetically through the select inputs to H which is the most-significant bit.

Features

- Organized as 256 words by 4 bits
- Ideal for microprogramming, reference tables and code converters
- Easily expandable
- Fully decoded, buffered inputs
- Diode-clamped inputs
- Full fan-out, open-collector outputs

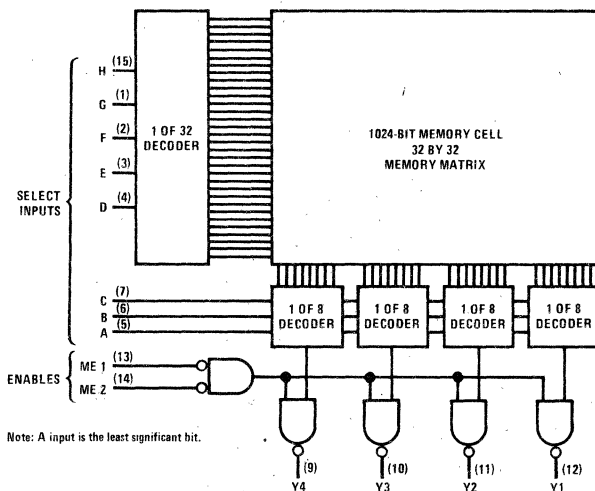
TYPE	TYPICAL ACCESS TIME	TYPICAL POWER DISSIPATION
187	37 ns	0.36 mW/Bit
L187A	90 ns	0.09 mW/Bit

Connection Diagram



54187(J); 74187(J), (N);
54L187A/74L187A(J), (N), (W)

Logic Diagram



Note: A input is the least significant bit.

Electrical Characteristics over recommended operating free-air temperature range (unless otherwise noted)

PARAMETER		CONDITIONS	DM54/74		DM54L/74L		UNITS	
			187		L187A			
			MIN	TYP(1)	MAX	MIN		TYP(1)
V_{IH}	High Level Input Voltage		2		2		V	
V_{IL}	Low Level Input Voltage			0.8		0.7	V	
V_I	Input Clamp Voltage	$V_{CC} = \text{Min}, I_I = -12 \text{ mA}$		-1.5		-1.5	V	
I_{OH}	High Level Output Current	$V_{CC} = \text{Min}, V_{IH} = 2\text{V}$ $V_{IL} = \text{Max}, V_{OH} = 5.5\text{V}$		40		50	μA	
V_{OH}	High Level Output Voltage			5.5		5.5	V	
I_{OL}	Low Level Output Current		DM54	16		2.0	mA	
			DM74	16		3.6		
V_{OL}	Low Level Output Voltage	$V_{CC} = \text{Min}, V_{IH} = 2\text{V}$ $V_{IL} = \text{Max}, I_{OL} = \text{Max}$	DM54	0.4		0.3	V	
			DM74	0.4		0.4		
I_I	Input Current at Maximum Input Voltage	$V_{CC} = \text{Max}, V_I = 5.5\text{V}$		1		0.1	mA	
I_{IH}	High Level Input Current	$V_{CC} = \text{Max}, V_I = 2.4\text{V}$		40		10	μA	
I_{IL}	Low Level Input Current	$V_{CC} = \text{Max}$	$V_I = 0.3\text{V}$			-0.18	mA	
			$V_I = 0.4\text{V}$		-1			
I_{CC}	Supply Current	$V_{CC} = \text{Max}(2)$		75	110	18	25	mA

Notes

- (1) All typical values are at $V_{CC} = 5\text{V}, T_A = 25^\circ\text{C}$.
- (2) With outputs open and both ME inputs grounded, I_{CC} is measured first by selecting a word which contains the maximum number of programmed high level outputs, then by selecting a word which contains the maximum number of programmed low level outputs.

Switching Characteristics $V_{CC} = 5\text{V}, T_A = 25^\circ\text{C}$

PARAMETER		DM54/74			DM54L/74L			UNITS
		187			L187A			
		CONDITIONS	MIN	TYP	MAX	CONDITIONS	MIN	
t_{PLH}	Propagation Delay Time, Low-to-High Level Output From Enable	$C_L = 30 \text{ pF to GND}$ $R_{L1} = 300\Omega \text{ to } V_{CC}$ $R_{L2} = 600\Omega \text{ to GND}$	20	30	$C_L = 15 \text{ pF}$ $R_L = 2 \text{ k}\Omega$	85	130	ns
t_{PHL}	Propagation Delay Time, High-to-Low Level Output From Enable		20	30		46	70	ns
t_{PLH}	Propagation Delay Time, Low-to-High Level Output From Select		36	60		120	180	ns
t_{PHL}	Propagation Delay Time, High-to-Low Level Output From Select		37	60		65	98	ns

Ordering Instructions

Programming instructions for the 187 or L187A are solicited in the form of a sequenced deck of 32 standard 80 column data cards providing the information requested under "data card format," accompanied by a properly sequenced listing of these cards, and the supplementary ordering data. Upon receipt of these items, a computer run will be made from the deck of cards which will produce a complete truth table of the requested part. This truth table, showing output conditions for each of the 256 words, will be forwarded to the purchaser as verification of the input data as interpreted by the computer-automated design (CAD) program. This single run also generates mask and test program data; therefore, verification of the truth table should be completed promptly.

Each card in the data deck prepared by the purchaser identifies the eight words specified and describes the levels at the four outputs for each of the eight words. All addresses must have all outputs defined and columns designated as "blank" must not be punched. Cards should be punched according to the data card format shown.

SUPPLEMENTARY ORDERING DATA

Submit the following information with the data cards:

- Customer's name and address
- Customer's purchase order number
- Customer's drawing number.

Ordering Instructions (Continued)

DATA CARD FORMAT

Column

1-3	Punch a right-justified integer representing the binary input address (000-248) for the first set of outputs described on the card.	34	Blank
4	Punch a "-" (Minus sign)	35-38	Punch "H," "L," or "X" for the sixth set of outputs.
5-7	Punch a right-justified integer representing the binary input address (007-255) for the last set of outputs described on the card.	39	Blank
8-9	Blank	40-43	Punch "H," "L," or "X" for the seventh set of outputs.
10-13	Punch "H," "L," or "X" for bits four, three, two, and one (outputs Y4, Y3, Y2, and Y1 in that order) for the first set of outputs specified on the card. H = high voltage level output, L = low voltage level output, X = don't care.	44	Blank
14	Blank	45-48	Punch "H," "L," or "X" for the eighth set of outputs.
15-18	Punch "H," "L," or "X" for the second set of outputs.	49	Blank
19	Blank	50-51	Punch a right-justified integer representing the current calendar day of the month.
20-23	Punch "H," "L," or "X" for the third set of outputs.	52	Blank
24	Blank	53-55	Punch an alphabetic abbreviation representing the current month.
25-28	Punch "H," "L," or "X" for the fourth set of outputs.	56	Blank
29	Blank	57-58	Punch the last two digits of the current year.
30-33	Punch "H," "L," or "X" for the fifth set of outputs.	59	Blank
		60-61	Punch "DM"
		62-66	Punch a left-justified integer representing the National Semiconductor part number, 54187, 54L187A, 74187, or 74L187A.
		67-70	Blank

TRI-STATE 64-Bit Read/Write Memories

General Description

These 64-bit active-element memories are monolithic Schottky-clamped transistor-transistor logic (TTL) arrays organized as 16 words of four-bits each. They are fully decoded and feature a chip-enable input to simplify decoding required to achieve the desired system organization. The memories feature PNP input transistors that reduce the low level input current requirement to a maximum of -0.25 mA, only one-eighth that of a DM54S/D74S standard load factor. The chip-enable circuitry is implemented with minimal delay times to compensate for added system decoding.

The TRI-STATE output combines the convenience of open-collector with the speed of a totem-pole output. It can be bus-connected to other similar outputs, yet it retains the fast-rise-time characteristics of the TTL totem-pole output. Systems utilizing data-bus lines with a defined pull-up impedance can employ the open-collector DM54S289/D74S289.

Write Cycle: The complement of the information at the data input is written into the selected location when both the chip-enable input and the read/write input are low. While the read/write input is low, the outputs are in the high-impedance state. When a number of these outputs are bus-connected, the high-impedance state will neither load nor drive the bus line, but it will allow the bus line to be driven by another active output or a passive pull-up if desired.

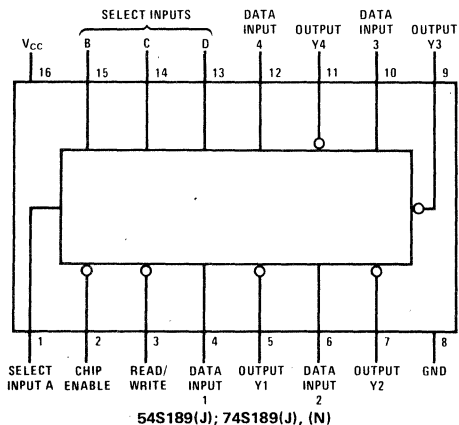
Read Cycle: The stored information (complement of information applied at the data inputs during the write cycle) is available at the outputs when the read/write input is high and the chip-enable is low. When the chip-enable input is high, the outputs will be in the high-impedance state.

The fast access time of the DM54S189 makes it particularly attractive for implementing high-performance memory functions requiring access times on the order of 25 ns. The high capacitive-drive capability of the outputs permits expansion without additional output buffering. The unique functional capability of the DM54S189 outputs being at a high impedance during writing, combined with the data inputs being inhibited during reading, means that both data inputs and outputs can be connected to the data lines of a bus-organized system without the need for interface circuits.

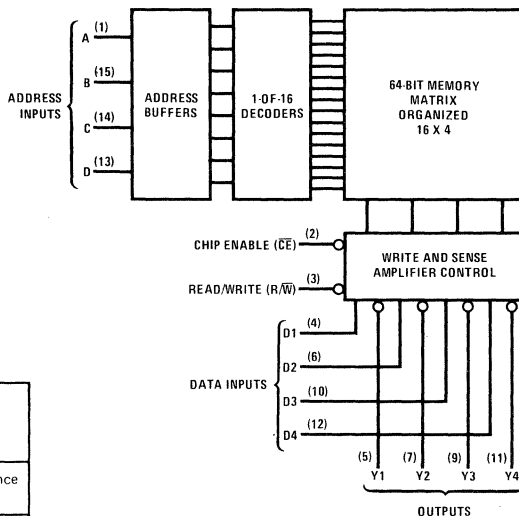
Features

- Schottky-clamped for high-speed applications:
 - access from chip-enable input 12 ns typ
 - access from address inputs 25 ns typ
- TRI-STATE outputs drive bus-organized systems and/or high capacitive loads
- DM54S289/D74S289 are functionally equivalent, have open-collector outputs, and are compatible with Intel 3101A in most applications
- Chip-enable input simplifies system decoding

Connection Diagram



Logic Diagram



Truth Table

FUNCTION	INPUTS		OUTPUT
	CHIP ENABLE	READ/WRITE	
Write (Store Complement of Data)	L	L	High Impedance
Read	L	H	Stored Data
Inhibit	H	X	High Impedance

H = High Level
L = Low Level
X = Don't Care

Electrical Characteristics over recommended operating free-air temperature range (unless otherwise noted)

PARAMETER		CONDITIONS	DM54S189			DM74S189			UNITS	
			MIN	TYP(1)	MAX	MIN	TYP(1)	MAX		
V _{IH}	High Level Input Voltage		2			2			V	
V _{IL}	Low Level Input Voltage				0.8			0.8	V	
V _I	Input Clamp Voltage	V _{CC} = Min, I _I = -18 mA			-1.2			-1.2	V	
I _{OH}	High Level Output Current				-2.0			-6.5	mA	
V _{OH}	High Level Output Voltage	V _{CC} = Min, V _{IH} = 2V V _{IL} = 0.8V, I _{OH} = Max	2.4	3.4		2.4	3.2		V	
I _{OL}	Low Level Output Current				16			16	mA	
V _{OL}	Low Level Output Voltage	V _{CC} = Min, V _{IH} = 2V V _{IL} = 0.8V, I _{OL} = 16 mA			0.50			0.45	V	
I _{O(OFF)}	Off State (High Impedance State) Output Current	V _{CC} = Max V _{IH} = 2V V _{IL} = 0.8V			-50			-50	μA	
		V _O = 0.45V V _O = 2.4V			50			50		
I _I	Input Current at Maximum Input Voltage	V _{CC} = Max, V _I = 5.5V			1.0			1.0	mA	
I _{IH}	High Level Input Current	V _{CC} = Max, V _I = 2.7V			25			25	μA	
I _{IL}	Low Level Input Current	V _{CC} = Max, V _I = 0.45V			-0.25			-0.25	mA	
I _{OS}	Short Circuit Output Current	V _{CC} = Max(2)	-30	-100		-30	-100		mA	
I _{CC}	Supply Current	V _{CC} = Max			75	110		75	110	mA

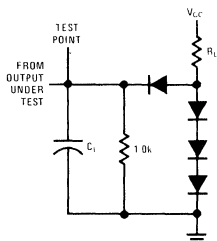
Notes

 (1) All typical values are at V_{CC} = 5V, T_A = 25°C.

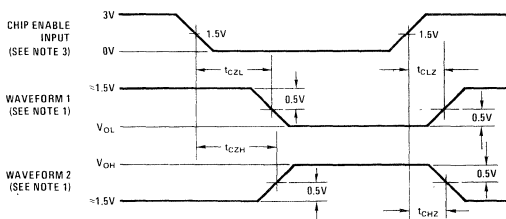
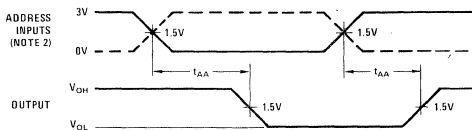
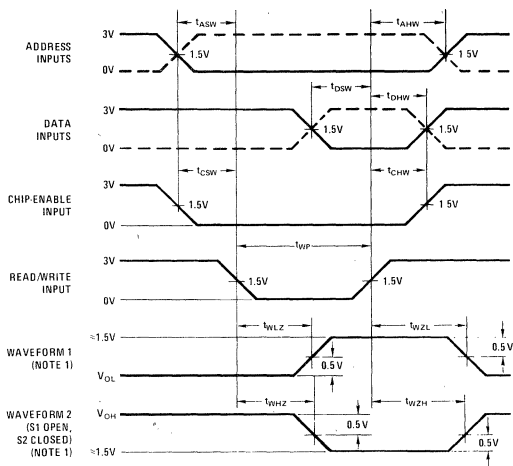
(2) Not more than one output should be shorted at a time, and the duration of the short circuit should not exceed one second.

Switching Characteristics V_{CC} = 5V, T_A = 25°C

PARAMETER		CONDITIONS	DM54S189			DM74S189			UNITS
			MIN	TYP	MAX	MIN	TYP	MAX	
t _{AA}	Access Time From Address			25	50		25	35	ns
t _{CZH}	Output Enable Time to High Level from Chip Enable	C _L = 30 pF R _L = 280Ω		12	25		12	17	ns
t _{WZH}	Output Enable Time to High Level from Read/Write			22	40		22	35	ns
t _{CZL}	Output Enable Time to Low Level from Chip Enable			22	40		22	35	ns
t _{WZL}	Output Enable Time to Low Level from Read/Write			22	40		22	35	ns
t _{CHZ}	Output Disable Time from High Level from Chip Enable	C _L = 5 pF R _L = 280Ω		12	25		12	17	ns
t _{WHZ}	Output Disable Time from High Level from Read/Write			12			12		ns
t _{CLZ}	Output Disable Time from Low Level from Chip Enable			12	25		12	17	ns
t _{WLZ}	Output Disable Time from Low Level from Read/Write			12			12		ns
t _{WP}	Width of Write-Enable Pulse		25			25			ns
t _{ASW}	Setup Time	Address	0			0			ns
t _{CSW}		Chip Enable	0			0			
t _{DSW}		Data	25			25			
t _{AHW}	Hold Time	Address	0			0			ns
t _{CHW}		Chip Enable	0			0			
t _{DHW}		Data	0			0			

Parameter Measurement Information
LOAD CIRCUIT


C_1 includes probe and jig capacitance.
All diodes are 1N3064.

ENABLE AND DISABLE TIME FROM CHIP ENABLE

ACCESS TIME FROM ADDRESS INPUTS

WRITE CYCLE

Notes

- (1) Waveform 1 is for the output with internal conditions such that the output is low except when disabled. Waveform 2 is for the output with internal conditions such that the output is high except when disabled.
- (2) When measuring delay times from address inputs, the chip enable input is low and the read/write input is high.
- (3) When measuring delay times from chip enable input, the address inputs are steady-state and the read/write input is high.
- (4) Input waveforms are supplied by pulse generators having the following characteristics: $t_r \leq 2.5$ ns, $t_f \leq 2.5$ ns, $PRR \leq 1$ MHz, and $Z_{OUT} \approx 50\Omega$.

Synchronous Up/Down Counters with Mode Control

General Description

These circuits are synchronous, reversible, up/down counters. The 191 and LS191 are 4-bit binary counters and the 190 and LS190 are BCD counters. Synchronous operation is provided by having all flip-flops clocked simultaneously, so that the outputs change simultaneously when so instructed by the steering logic. This mode of operation eliminates the output counting spikes normally associated with asynchronous (ripple clock) counters.

The outputs of the four master-slave flip-flops are triggered on a low-to-high level transition of the clock input, if the enable input is low. A high at the enable input inhibits counting. Level changes at either the enable input or the down/up input should be made only when the clock input is high. The direction of the count is determined by the level of the down/up input. When low, the counter counts up and when high, it counts down.

These counters are fully programmable; that is, the outputs may be preset to either level by placing a low on the load input and entering the desired data at the data inputs. The output will change independent of the level of the clock input. This feature allows the counters to be used as modulo-N dividers by simply modifying the count length with the preset inputs.

The clock, down/up, and load inputs are buffered to lower the drive requirement; which significantly reduces the number of clock drivers, etc., required for long parallel words.

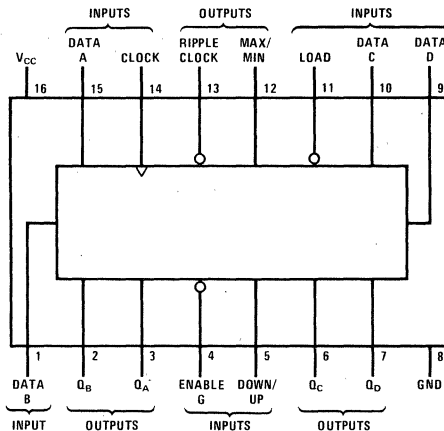
Two outputs have been made available to perform the cascading function: ripple clock and maximum/minimum count. The latter output produces a high-level output pulse with a duration approximately equal to one complete cycle of the clock when the counter overflows or underflows. The ripple clock output produces a low-level output pulse equal in width to the low-level portion of the clock input when an overflow or underflow condition exists. The counters can be easily cascaded by feeding the ripple clock output to the enable input of the succeeding counter if parallel clocking is used, or to the clock input if parallel enabling is used. The maximum/minimum count output can be used to accomplish look-ahead for high speed operation.

Features

- Counts 8-4-2-1 BCD or binary
- Single down/up count control line
- Count enable control input
- Ripple clock output for cascading
- Asynchronously presettable with load control
- Parallel outputs
- Cascadable for n-bit applications

TYPE	AVERAGE PROPAGATION DELAY	TYPICAL CLOCK FREQUENCY	TYPICAL POWER DISSIPATION
190, 191	20 ns	25 MHz	325 mW
LS190, LS191	20 ns	25 MHz	100 mW

Connection Diagram



54190/74190(J), (N), (W); 54LS190/74LS190(J), (N), (W);
54191/74191(J), (N), (W); 54LS191/74LS191(J), (N), (W)

Electrical Characteristics over recommended operating free-air temperature range (unless otherwise noted)

PARAMETER		CONDITIONS		DM54/74			DM54LS/74LS			UNITS	
				190, 191			LS190, LS191				
				MIN	TYP(1)	MAX	MIN	TYP(1)	MAX		
V_{IH}	High Level Input Voltage			2			2			V	
V_{IL}	Low Level Input Voltage			DM54	0.8			0.7			V
				DM74	0.8			0.8			V
V_I	Input Clamp Voltage	$V_{CC} = \text{Min}$	$I_I = -12 \text{ mA}$				-1.5			V	
			$I_I = -18 \text{ mA}$				-1.5			V	
I_{OH}	High Level Output Current			800			-400			μA	
V_{OH}	High Level Output Voltage	$V_{CC} = \text{Min}, V_{IH} = 2\text{V}$		DM54	2.4	3.4	2.5	3.4	V		
		$V_{IL} = \text{Max}, I_{OH} = \text{Max}$		DM74	2.4	3.4	2.7	3.4	V		
I_{OL}	Low Level Output Current			DM54	16			4			mA
				DM74	16			8			mA
V_{OL}	Low Level Output Voltage	$V_{CC} = \text{Min}, V_{IH} = 2\text{V}$		DM54	0.2	0.4	0.25	0.4	V		
		$V_{IL} = \text{Max}$			DM74	0.2	0.4	0.35	0.5		
				DM74				0.4			V
I_I	Input Current at Maximum Input Voltage	Enable	$V_{CC} = \text{Max}$	$V_I = 5.5\text{V}$				1			mA
				$V_I = 7\text{V}$				0.3			
		Others		$V_I = 5.5\text{V}$				1			
				$V_I = 7\text{V}$				0.1			
I_{IH}	High Level Input Current	Enable	$V_{CC} = \text{Max}$	$V_I = 2.4\text{V}$				120			μA
				$V_I = 2.7\text{V}$				60			
		Others		$V_I = 2.4\text{V}$				40			
				$V_I = 2.7\text{V}$				20			
I_{IL}	Low Level Input Current	Enable	$V_{CC} = \text{Max}, V_I = 0.4\text{V}$				-4.8			mA	
		Others					-1.6				
I_{OS}	Short Circuit Output Current	$V_{CC} = \text{Max}(2)$		DM54	-20	-65	-30	-130	mA		
				DM74	-18	-65	-30	-130			
I_{CC}	Supply Current	$V_{CC} = \text{Max}(3)$		DM54	65	99	20	35	mA		
				DM74	65	105	20	35			

Notes

- (1) All typical values are at $V_{CC} = 5\text{V}, T_A = 25^\circ\text{C}$.
- (2) Not more than one output should be shorted at a time, and for DM54LS/74LS duration of short circuit should not exceed one second.
- (3) I_{CC} is measured with all inputs grounded and all outputs open.

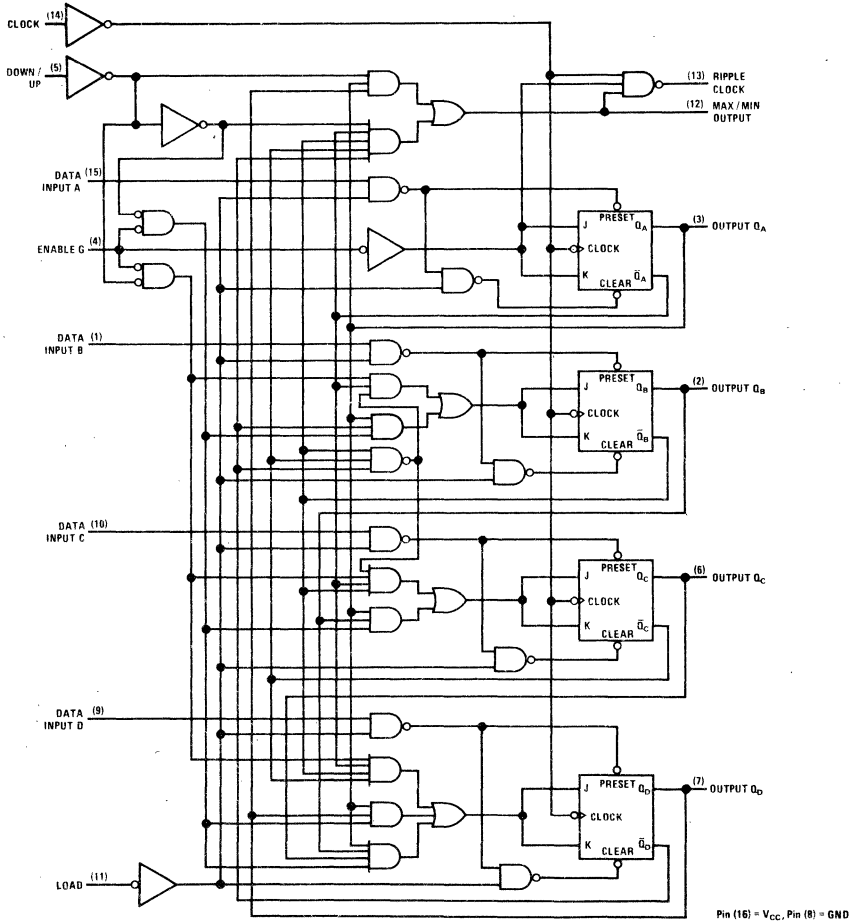
Switching Characteristics $V_{CC} = 5V, T_A = 25^\circ C$

PARAMETER		FROM (INPUT)	TO (OUTPUT)	CONDITIONS	DM54/74			DM54LS/74LS			UNITS
					190, 191			LS190, LS191			
					MIN	TYP	MAX	MIN	TYP	MAX	
f_{MAX}	Maximum Clock Frequency				20	25		20	25		MHz
t_{PLH}	Propagation Delay Time, Low-to-High Level Output	Load	Q_A, Q_B, Q_C, Q_D			22	33		22	33	ns
t_{PHL}	Propagation Delay Time, High-to-Low Level Output					33	50		33	50	
t_{PLH}	Propagation Delay Time, Low-to-High Level Output	Data A, B, C, D	Q_A, Q_B, Q_C, Q_D			14	22		14	22	ns
t_{PHL}	Propagation Delay Time, High-to-Low Level Output					35	50		35	50	
t_{PLH}	Propagation Delay Time, Low-to-High Level Output	Clock	Ripple Clock			13	20		13	20	ns
t_{PHL}	Propagation Delay Time, High-to-Low Level Output					16	24		16	24	
t_{PLH}	Propagation Delay Time, Low-to-High Level Output	Clock	Q_A, Q_B, Q_C, Q_D			16	24		16	24	ns
t_{PHL}	Propagation Delay Time, High-to-Low Level Output					24	36		24	36	
t_{PLH}	Propagation Delay Time, Low-to-High Level Output	Clock	Max/Min			28	42		28	42	ns
t_{PHL}	Propagation Delay Time, High-to-Low Level Output					37	52		37	52	
t_{PLH}	Propagation Delay Time, Low-to-High Level Output	Down/Up	Ripple Clock			30	45		30	45	ns
t_{PHL}	Propagation Delay Time, High-to-Low Level Output					30	45		30	45	
t_{PLH}	Propagation Delay Time, Low-to-High Level Output	Down/Up	Max/Min			21	33		21	33	ns
t_{PHL}	Propagation Delay Time, High-to-Low Level Output					22	33		22	33	
t_{PLH}	Propagation Delay Time, Low-to-High Level Output	Enable	Ripple Clock						21	33	ns
t_{PHL}	Propagation Delay Time, High-to-Low Level Output								22	33	
$t_{W(CLOCK)}$	Width of Clock Input Pulse					25			25		ns
$t_{W(LOAD)}$	Width of Load Input Pulse					35			35		ns
t_{SETUP}	Data Setup Time					20			20		ns
t_{HOLD}	Data Hold Time					0			0		ns
t_{ENABLE}	Enable Time to Clock								30		ns

$C_L = 15 \text{ pF}$
 $R_L = 400\Omega$
 (54/74)
 $C_L = 15 \text{ pF}$
 $R_L = 2 \text{ k}\Omega$
 (54LS/74LS)

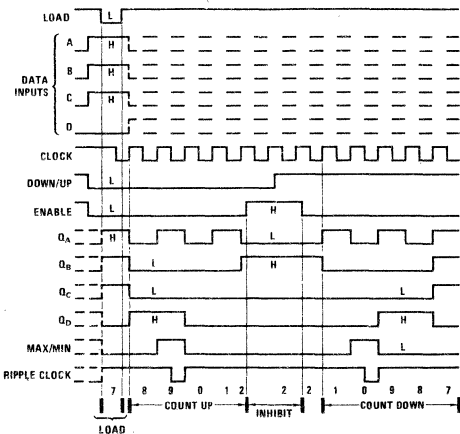
Logic Diagrams

190, LS190 DECADE COUNTERS



Timing Diagrams

190, LS190 DECADE COUNTERS
TYPICAL LOAD, COUNT, AND INHIBIT SEQUENCES

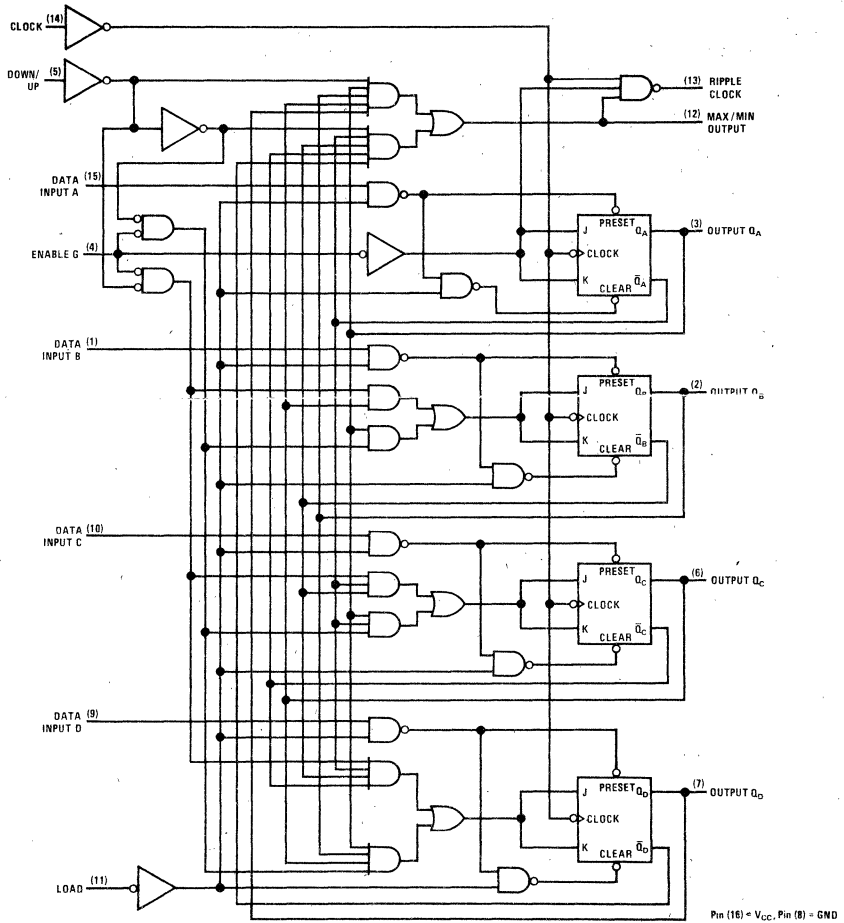


Sequence:

- (1) Load (preset) to BCD seven
- (2) Count up to eight, nine, zero, one, and two
- (3) Inhibit
- (4) Count down to one, zero, nine, eight, and seven

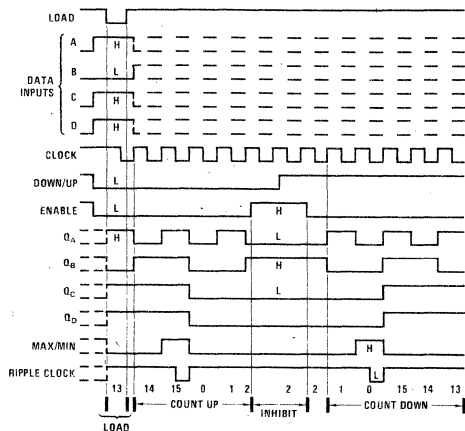
Logic Diagrams (Continued)

191, LS191 BINARY COUNTERS



Timing Diagrams (Continued)

191, LS191 DECODE COUNTERS
TYPICAL LOAD, COUNT, AND INHIBIT SEQUENCES



Sequence:

- (1) Load (preset) to binary thirteen
- (2) Count up to fourteen, fifteen, zero, one, and two
- (3) Inhibit
- (4) Count down to one, zero, fifteen, fourteen, and thirteen

Synchronous Up/Down Counters with Dual Clock

General Description

These circuits are synchronous up/down counters; the 192, L192 and LS192 circuits are BCD counters and the 193, L193 and LS193 are 4-bit binary counters. Synchronous operation is provided by having all flip-flops clocked simultaneously, so that the outputs change together when so instructed by the steering logic. This mode of operation eliminates the output counting spikes normally associated with asynchronous (ripple-clock) counters.

The outputs of the four master-slave flip-flops are triggered by a low-to-high level transition of either count (clock) input. The direction of counting is determined by which count input is pulsed, while the other count input is held high.

All four counters are fully programmable; that is, each output may be preset to either level by entering the desired data at the inputs while the load input is low. The output will change independently of the count pulses. This feature allows the counters to be used as modulo-N dividers by simply modifying the count length with the preset inputs.

A clear input has been provided which, when taken to a high level, forces all outputs to the low level; independent of the count and load inputs. The clear, count, and load inputs are buffered to lower the drive requirements of clock drivers, etc., required for long words.

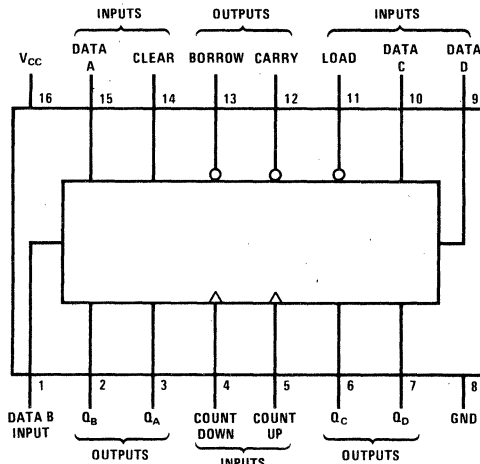
These counters were designed to be cascaded without the need for external circuitry. Both borrow and carry outputs are available to cascade both the up and down counting functions. The borrow output produces a pulse equal in width to the count down input when the counter underflows. Similarly, the carry output produces a pulse equal in width to the count down input when an overflow condition exists. The counters can then be easily cascaded by feeding the borrow and carry outputs to the count down and count up inputs respectively of the succeeding counter.

Features

- Fully independent clear input
- Synchronous operation
- Cascading circuitry provided internally
- Individual preset each flip-flop

TYPE	TYPICAL COUNT FREQUENCY	TYPICAL POWER DISSIPATION
192, 193	25 MHz	325 mW
L192, L193	12 MHz	40 mW
LS192, LS193	32 MHz	95 mW

Connection Diagram



Note: Low input to load sets $Q_A = A$, $Q_B = B$, $Q_C = C$, and $Q_D = D$.

54192(J), (W); 74192(J), (N), (W); 54L192/74L192(J), (N), (W);
 54LS192/74LS192(J), (N), (W); 54193(J), (W); 74193(J), (N), (W);
 54L193/74L193(J), (N), (W); 54LS193/74LS193(J), (N), (W)

Electrical Characteristics over recommended operating free-air temperature range (unless otherwise noted)

PARAMETER		CONDITIONS		DM54/74		DM54L/74L			DM54LS/74LS			UNITS	
				192, 193		L192, L193			LS192, LS193				
				MIN	TYP(1)	MAX	MIN	TYP(1)	MAX	MIN	TYP(1)		MAX
V_{IH}	High Level Input Voltage			2		2			2			V	
V_{IL}	Low Level Input Voltage			DM54	0.8		0.7			0.7		V	
				DM74	0.8		0.7			0.8			
V_I	Input Clamp Voltage	$V_{CC} = \text{Min}$	$I_I = -12 \text{ mA}$		-1.5		-1.5					V	
			$I_I = -18 \text{ mA}$							-1.5			
I_{OH}	High Level Output Current			-400		-200			-400			μA	
V_{OH}	High Level Output Voltage	$V_{CC} = \text{Min}, V_{IH} = 2\text{V}$ $V_{IL} = \text{Max}, I_{OH} = \text{Max}$		DM54	2.4		2.4			2.5 3.4		V	
				DM74	2.4		2.4			2.7 3.4			
I_{OL}	Low Level Output Current			DM54	16		2			4		mA	
				DM74	16		3.6			8			
V_{OL}	Low Level Output Voltage	$V_{CC} = \text{Min}, V_{IH} = 2\text{V}$ $V_{IL} = \text{Max}$		$I_{OL} = \text{Max}$		DM54	0.4		0.15 0.3		0.25 0.4		V
						DM74	0.4		0.2 0.4		0.35 0.5		
				$I_{OL} = 4 \text{ mA}$		DM74						0.4	
I_I	Input Current at Maximum Input Voltage	$V_{CC} = \text{Max}$	$V_I = 5.5\text{V}$			1		0.1			mA		
			$V_I = 7\text{V}$				0.1						
I_{IH}	High Level Input Current	$V_{CC} = \text{Max}$	$V_I = 2.4\text{V}$		40		<1 10					μA	
			$V_I = 2.7\text{V}$							20			
I_{IL}	Low Level Input Current	$V_{CC} = \text{Max}$	$V_I = 0.3\text{V}$				-0.10 -0.18					mA	
			$V_I = 0.4\text{V}$		-1.6					-0.4			
I_{OS}	Short Circuit Output Current	$V_{CC} = \text{Max}(2)$		DM54	-20 -55		-3 -9 -15		-30 -130		mA		
				DM74	-18 -55		-3 -9 -15		-30 -130				
I_{CC}	Supply Current	$V_{CC} = \text{Max}(3)$		DM54	65 89		8 13		19 34		mA		
				DM74	65 102		8 13		19 34				

Notes

- (1) All typical values are at $V_{CC} = 5\text{V}, T_A = 25^\circ\text{C}$.
- (2) Not more than one output should be shorted at a time, and for DM54LS/74LS duration of short circuit should not exceed one second.
- (3) I_{CC} is measured with all outputs open, clear and load inputs grounded, and all other inputs at 4.5V.

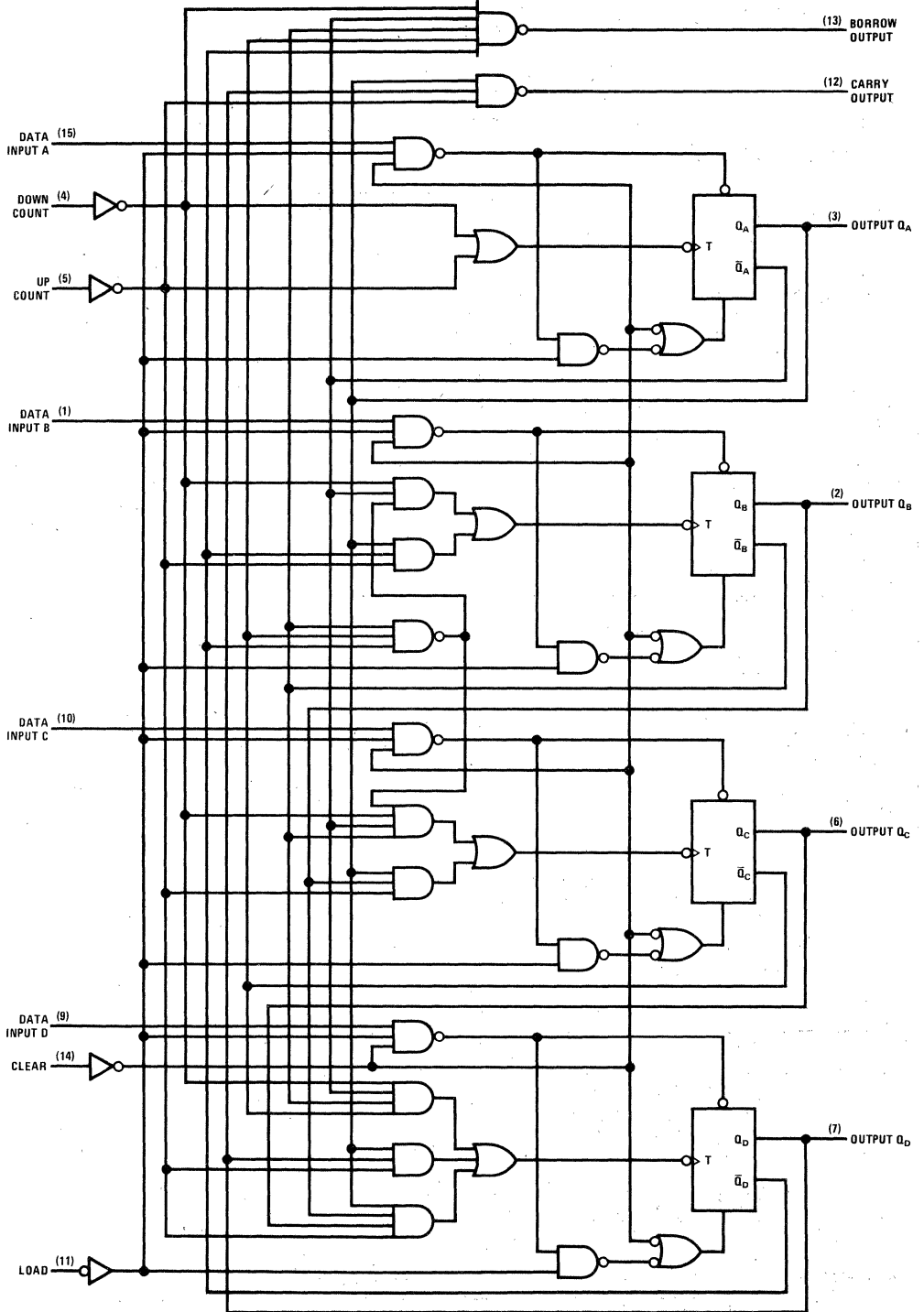
Switching Characteristics $V_{CC} = 5V, T_A = 25^\circ C$

PARAMETER		FROM INPUT	TO OUTPUT	DM54/74				DM54L/74L				DM54LS/74LS				UNITS
				192, 193				L192, L193				LS192, LS193				
				CONDITIONS	MIN	TYP	MAX	CONDITIONS	MIN	TYP	MAX	CONDITIONS	MIN	TYP	MAX	
f_{MAX}	Maximum Clock Frequency				20	25				6	12			25	32	MHz
t_{PLH}	Propagation Delay Time, Low-to-High Level Output	Count up	Carry	$C_L = 15 \text{ pF}$ $R_L = 400\Omega$	$C_L = 50 \text{ pF}$ $R_L = 4 \text{ k}\Omega$	$C_L = 15 \text{ pF}$ $R_L = 2 \text{ k}\Omega$										
t_{PHL}	Propagation Delay Time, High-to-Low Level Output							17	26		30	60		17	26	ns
t_{PLH}	Propagation Delay Time, Low-to-High Level Output	Count down	Borrow					16	24		60	120		21	33	ns
t_{PHL}	Propagation Delay Time, High-to-Low Level Output							16	24		30	60		16	24	ns
t_{PLH}	Propagation Delay Time, Low-to-High Level Output	Either Count	Q					16	24		50	100		21	33	ns
t_{PHL}	Propagation Delay Time, High-to-Low Level Output							25	38		45	90		25	38	ns
t_{PLH}	Propagation Delay Time, Low-to-High Level Output	Load	Q					31	47		75	150		31	47	ns
t_{PHL}	Propagation Delay Time, High-to-Low Level Output							27	40		55	110		27	40	ns
t_{PHL}	Propagation Delay Time, High-to-Low Level Output	Clear	Q					29	40		105	200		29	40	ns
t_{PHL}	Propagation Delay Time, High-to-Low Level Output							22	35		95	190		22	35	ns
t_w	Width of Any Input Pulse				25				70				20		ns	
t_{SETUP}	Data Setup Time				20				30				20		ns	
t_{HOLD}	Data Hold Time				0				0				0		ns	

2-135

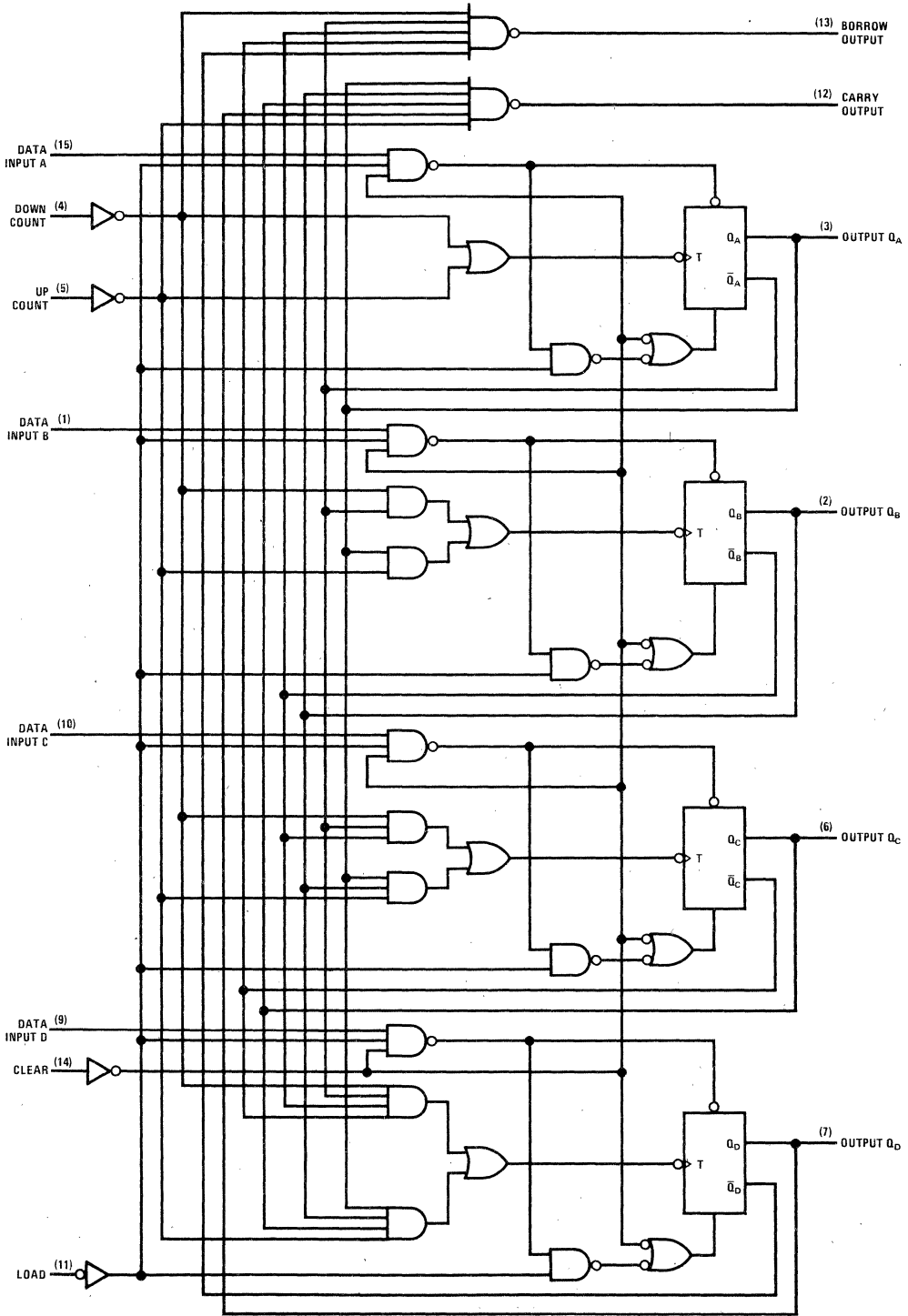
Logic Diagrams

192, L192, LS192



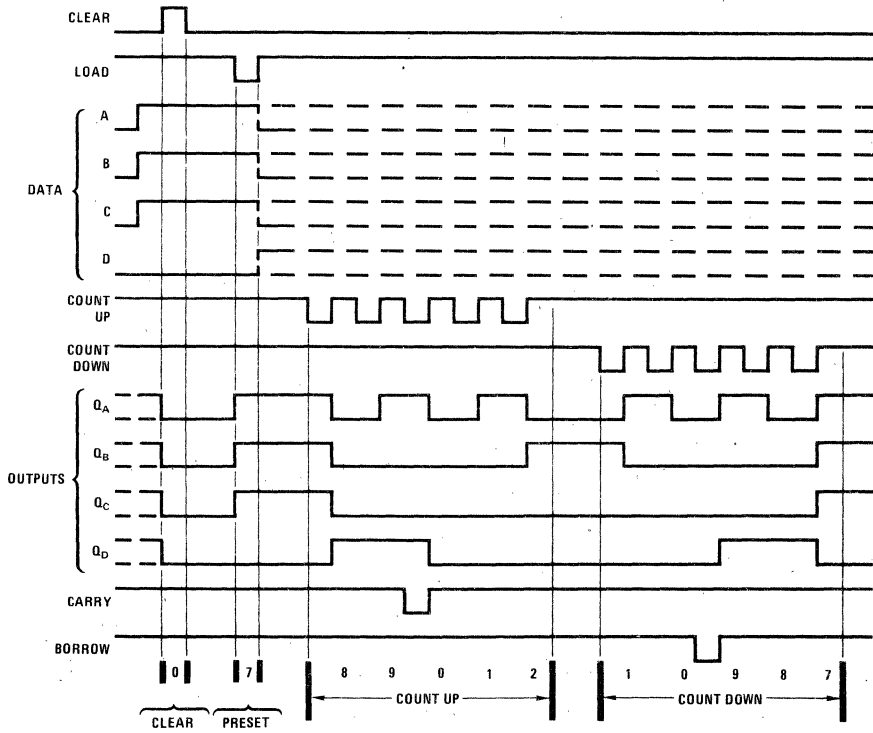
Logic Diagrams (Continued)

193, L193, LS193



Timing Diagrams

192, L192, LS192 DECADE COUNTERS
TYPICAL CLEAR, LOAD, AND COUNT SEQUENCES

**Sequence:**

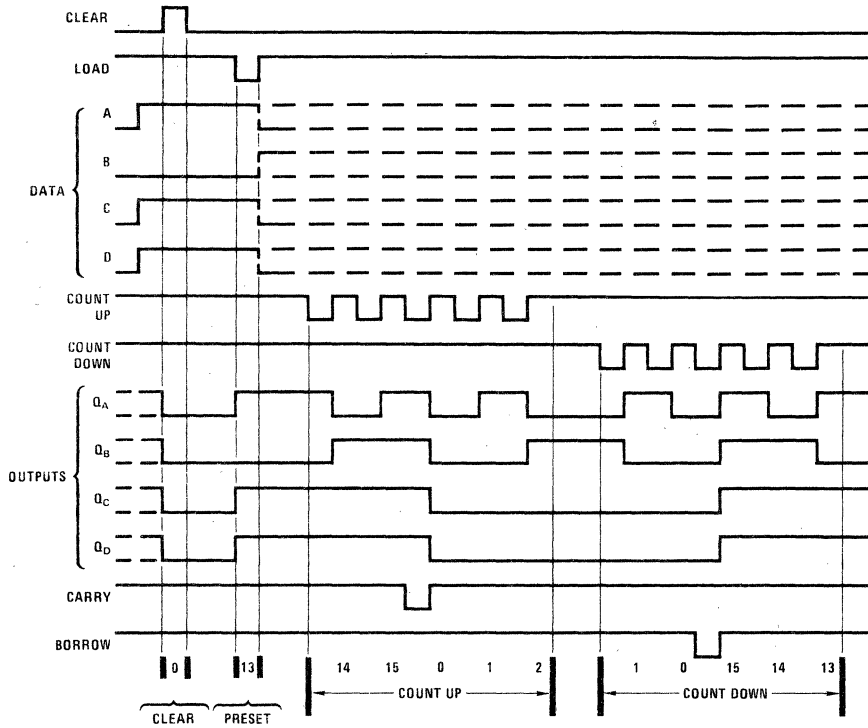
- (1) Clear outputs to zero.
- (2) Load (preset) to BCD seven.
- (3) Count up to eight, nine, carry, zero, one, and two.
- (4) Count down to one, zero, borrow, nine, eight, and seven.

Notes:

- (A) Clear overrides load, data, and count inputs.
- (B) When counting up, count-down input must be high; when counting down, count-up input must be high.

Timing Diagrams (Continued)

193, L193, LS193 BINARY COUNTERS
TYPICAL CLEAR, LOAD, AND COUNT SEQUENCES



Sequence:

- (1) Clear outputs to zero.
- (2) Load (preset) to binary thirteen.
- (3) Count up to fourteen, fifteen, carry, zero, one, and two.
- (4) Count down to one, zero, borrow, fifteen, fourteen, and thirteen.

Notes:

- (A) Clear overrides load, data, and count inputs.
- (B) When counting up, count-down input must be high; when counting down, count-up input must be high.

4-Bit Bidirectional Universal Shift Registers

General Description

These bidirectional shift registers are designed to incorporate virtually all of the features a system designer may want in a shift register; they feature parallel inputs, parallel outputs, right-shift and left-shift serial inputs, operating-mode-control inputs, and a direct overriding clear line. The register has four distinct modes of operation, namely:

- Parallel (broadside) load
- Shift right (in the direction Q_A toward Q_D)
- Shift left (in the direction Q_D toward Q_A)
- Inhibit clock (do nothing)

Synchronous parallel loading is accomplished by applying the four bits of data and taking both mode control inputs, S0 and S1, high. The data are loaded into the associated flip-flops and appear at the outputs after the positive transition of the clock input. During loading, serial data flow is inhibited.

Shift right is accomplished synchronously with the rising edge of the clock pulse when S0 is high and S1 is low. Serial data for this mode is entered at the shift-right data input. When S0 is low and S1 is high, data

shifts left synchronously and new data is entered at the shift-left serial input.

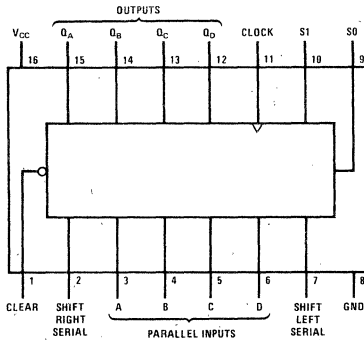
Clocking of the flip-flop is inhibited when both mode control inputs are low. The mode controls of the DM54194/DM74194 should be changed only while the clock input is high.

Features

- Parallel inputs and outputs
- Four operating modes:
 - Synchronous parallel load
 - Right shift
 - Left shift
 - Do nothing
- Positive edge-triggered clocking
- Direct overriding clear

TYPE	TYPICAL CLOCK FREQUENCY	TYPICAL POWER DISSIPATION
194	36 MHz	195 mW
LS194A	36 MHz	75 mW
S194	105 MHz	425 mW

Connection Diagram



54194(J), (W); 74194(J), (N), (W);
54LS194A/74LS194A(J), (N), (W); 74S194(N)

Truth Table

CLEAR	MODE		CLOCK	INPUTS				OUTPUTS					
	S1	S0		SERIAL		PARALLEL		Q_A	Q_B	Q_C	Q_D		
				LEFT	RIGHT	A	B					C	D
L	X	X	X	X	X	X	X	X	X	L	L	L	L
H	X	X	L	X	X	X	X	X	X	Q_{A0}	Q_{B0}	Q_{C0}	Q_{D0}
H	H	H	↑	X	X	a	b	c	d	a	b	c	d
H	L	H	↑	X	H	X	X	X	X	H	Q_{An}	Q_{Bn}	Q_{Cn}
H	L	H	↑	X	L	X	X	X	X	L	Q_{An}	Q_{Bn}	Q_{Cn}
H	H	L	↑	H	X	X	X	X	X	Q_{Bn}	Q_{Cn}	Q_{Dn}	H
H	H	L	↑	L	X	X	X	X	X	Q_{Bn}	Q_{Cn}	Q_{Dn}	L
H	L	L	X	X	X	X	X	X	X	Q_{A0}	Q_{B0}	Q_{C0}	Q_{D0}

H = High Level (steady state), L = Low Level (steady state), X = Don't Care (any input, including transitions)

↑ = Transition from low to high level

a, b, c, d = The level of steady state input at inputs A, B, C, or D, respectively.

$Q_{A0}, Q_{B0}, Q_{C0}, Q_{D0}$ = The level of $Q_A, Q_B, Q_C,$ or $Q_D,$ respectively, before the indicated steady state input conditions were established.

$Q_{An}, Q_{Bn}, Q_{Cn}, Q_{Dn}$ = The level of $Q_A, Q_B, Q_C,$ respectively, before the most recent ↑ transition of the clock.

Electrical Characteristics over recommended operating free-air temperature range (unless otherwise noted)

PARAMETER		CONDITIONS		DM54/74			DM54LS/74LS			DM74S			UNITS	
				194			LS194A			S194				
				MIN	TYP(1)	MAX	MIN	TYP(1)	MAX	MIN	TYP(1)	MAX		
V_{IH}	High Level Input Voltage			2			2			2			V	
V_{IL}	Low Level Input Voltage			DM54	0.8			0.7			N/A			V
				DM74	0.8			0.8			0.8			
V_I	Input Clamp Voltage	$V_{CC} = \text{Min}$	$I_I = -12 \text{ mA}$	-1.5									V	
			$I_I = -18 \text{ mA}$				-1.5			-1.2				
I_{OH}	High Level Output Current			-800			-400			-1000			μA	
V_{OH}	High Level Output Voltage	$V_{CC} = \text{Min}, V_{IH} = 2\text{V}$ $V_{IL} = \text{Max}, I_{OH} = \text{Max}$	DM54	2.4	3.4		2.5	3.5		N/A			V	
			DM74	2.4	3.4		2.7	3.5		2.7	3.4			
I_{OL}	Low Level Output Current			DM54	16			4			N/A			mA
				DM74	16			8			20			
V_{OL}	Low Level Output Voltage	$V_{CC} = \text{Min}, V_{IH} = 2\text{V}$ $V_{IL} = \text{Max}$	$I_{OL} = \text{Max}$	DM54	0.2	0.4		0.25	0.4		N/A			V
				DM74	0.2	0.4		0.35	0.5		0.5			
			DM74				0.25			0.4				
I_I	Input Current at Maximum Input Voltage	$V_{CC} = \text{Max}$	$V_I = 5.5\text{V}$	1						1			mA	
			$V_I = 7\text{V}$				0.1							
I_{IH}	High Level Input Current	$V_{CC} = \text{Max}$	$V_I = 2.4\text{V}$	40						50			μA	
			$V_I = 2.7\text{V}$				20							
I_{IL}	Low Level Input Current	$V_{CC} = \text{Max}$	$V_I = 0.4\text{V}$	-1.6			-0.4			-2			mA	
I_{OS}	Short Circuit Output Current	$V_{CC} = \text{Max}(2)$	DM54	-20	-57		-30	-130		N/A			mA	
			DM74	-18	-57		-30	-130		-40	-100			
I_{CC}	Supply Current	$V_{CC} = \text{Max}(3)$			39	63		15	23		85	135	mA	

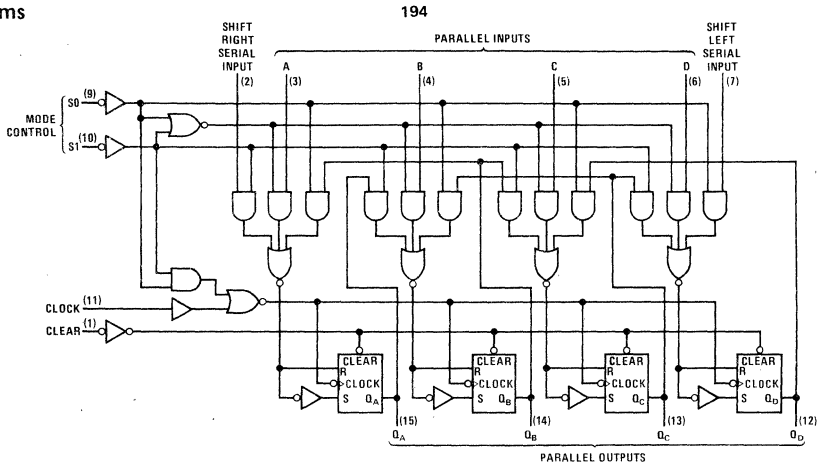
- Notes**
- (1) All typical values are at $V_{CC} = 5\text{V}, T_A = 25^\circ\text{C}$.
 - (2) Not more than one output should be shorted at a time, and for DM54LS/74LS or DM74S duration of short circuit should not exceed one second.
 - (3) With all outputs open, inputs A through D grounded, and 4.5V applied to S0, S1, clear, and the serial inputs, I_{CC} is tested with a momentary GND, then 4.5V applied to clock.

Switching Characteristics $V_{CC} = 5V, T_A = 25^\circ C$

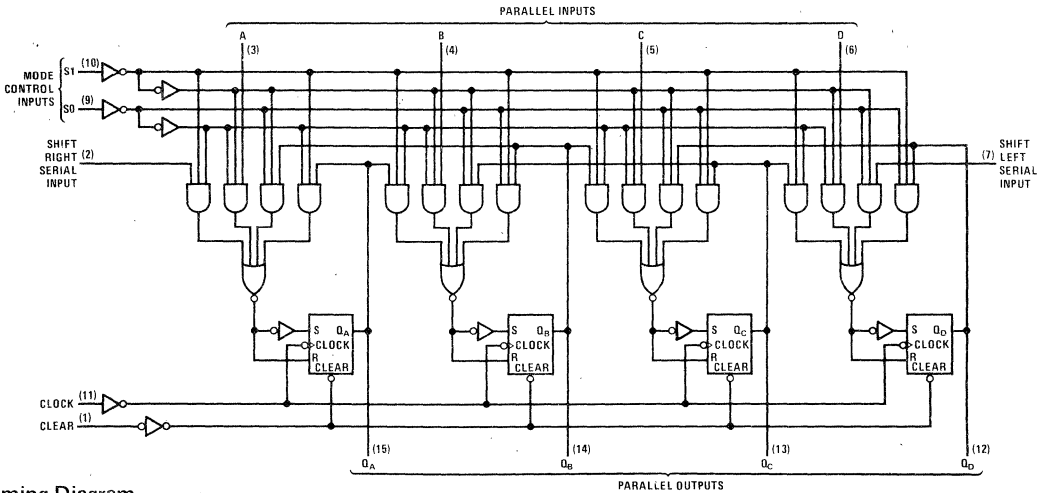
PARAMETER		DM54/74				DM54LS/74LS				DM74S				UNITS
		194				LS194A				S194				
		CONDITIONS	MIN	TYP	MAX	CONDITIONS	MIN	TYP	MAX	CONDITIONS	MIN	TYP	MAX	
f_{MAX}	Maximum Clock Frequency	$C_L = 15\text{ pF}$ $R_L = 400\Omega$	25	36	$C_L = 15\text{ pF}$ $R_L = 2\text{ k}\Omega$	25	36	$C_L = 15\text{ pF}$ $R_L = 280\Omega$	70	105			MHz	
t_{PHL}	Propagation Delay Time, High-to-Low Level Output From Clear		19	30		19	30		12.5	18.5	ns			
t_{PLH}	Propagation Delay Time, Low-to-High Level Output From Clock		14	22		14	22		4	8	12	ns		
t_{PHL}	Propagation Delay Time, High-to-Low Level Output From Clock		14	22		17	22		4	11	16.5	ns		
$t_{W(CLOCK)}$	Width of Clock Pulse		20		20				7			ns		
$t_{W(CLEAR)}$	Width of Clear Pulse		20		20				12			ns		
t_{SETUP}	Setup Time	Mode Control	30		30				11			ns		
		Serial and Parallel Data	20		20				5					
		Clear Inactive State	25		25				9					
t_{HOLD}	Hold Time at Any Input		0		0				3			ns		

2-142

Logic Diagrams

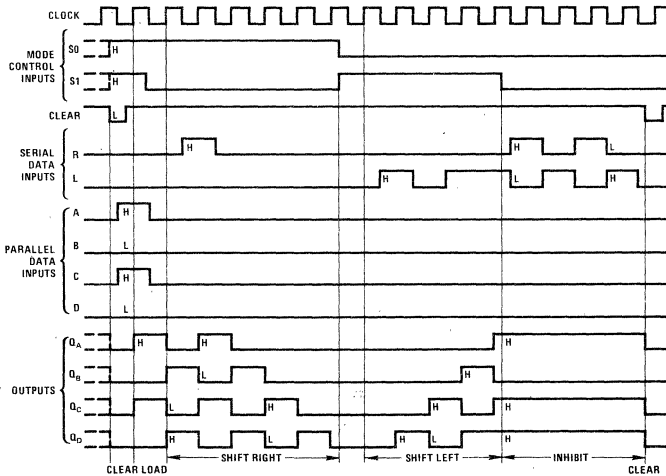


LS194A, S194



Timing Diagram

TYPICAL CLEAR, LOAD, RIGHT-SHIFT, LEFT-SHIFT, INHIBIT, AND CLEAR SEQUENCES



4-Bit Parallel Access Shift Registers

General Description

These 4-bit registers feature parallel inputs, parallel outputs, J-K serial inputs, shift/load control input, and a direct overriding clear. All inputs are buffered to lower the input drive requirements. The registers have two modes of operation:

- Parallel (broadside) load
- Shift (in the direction Q_A toward Q_D)

Parallel loading is accomplished by applying the four bits of data and taking the shift/load control input low. The data is loaded into the associated flip-flop and appears at the outputs after the positive transition of the clock input. During loading, serial data flow is inhibited.

Shifting is accomplished synchronously when the shift/load control input is high. Serial data for this mode is entered at the J-K inputs. These inputs permit the first stage to perform as a J-K, D, or T-type flip-flop as shown in the truth table.

The high-performance S195, with a 105 MHz typical shift frequency, is particularly attractive for very high-

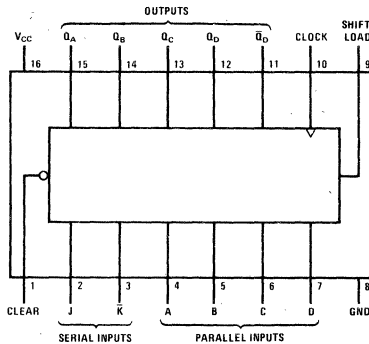
speed data processing systems. In most cases existing systems can be upgraded merely by using this Schottky-clamped shift register.

Features

- Synchronous parallel load
- Positive-edge-triggered clocking
- Parallel inputs and outputs from each flip-flop
- Direct overriding clear
- J and K inputs to first stage
- Complementary outputs from last stage
- For use in high-performance:
 - accumulators/processors
 - serial-to-parallel, parallel-to-serial converters

TYPE	TYPICAL CLOCK FREQUENCY	TYPICAL POWER DISSIPATION
195	39 MHz	195 mW
LS195A	39 MHz	70 mW
S195	105 MHz	350 mW

Connection Diagram



54195(J), (W); 74195(J), (N), (W);
54LS195A/74LS195A(J), (N), (W); 74S195(N)

Truth Table

INPUTS								OUTPUTS					
CLEAR	SHIFT/LOAD	CLOCK	SERIAL		PARALLEL				Q_A	Q_B	Q_C	Q_D	\bar{Q}_D
			J	K	A	B	C	D					
L	X	X	X	X	X	X	X	X	L	L	L	L	H
H	L	↑	X	X	a	b	c	d	a	b	c	d	\bar{d}
H	H	L	X	X	X	X	X	X	Q_{A0}	Q_{B0}	Q_{C0}	Q_{D0}	\bar{Q}_{D0}
H	H	↑	L	H	X	X	X	X	Q_{A0}	Q_{A0}	Q_{Bn}	Q_{Cn}	\bar{Q}_{Cn}
H	H	↑	L	L	X	X	X	X	L	Q_{An}	Q_{Bn}	Q_{Cn}	\bar{Q}_{Cn}
H	H	↑	H	H	X	X	X	X	H	Q_{An}	Q_{Bn}	Q_{Cn}	\bar{Q}_{Cn}
H	H	↑	H	L	X	X	X	X	Q_{An}	Q_{An}	Q_{Bn}	Q_{Cn}	\bar{Q}_{Cn}

H = High Level (steady state), L = Low Level (steady state), X = Don't Care (any input, including transitions)

↑ = Transition from low to high level

a, b, c, d = The level of steady state input at A, B, C, or D, respectively.

Q_{A0} , Q_{B0} , Q_{C0} , Q_{D0} = The level of Q_A , Q_B , Q_C , or Q_D , respectively, before the indicated steady state input conditions were established.

Q_{An} , Q_{Bn} , Q_{Cn} = The level of Q_A , Q_B , or Q_C , respectively, before the most recent transition of the clock.

Electrical Characteristics over recommended operating free-air temperature range (unless otherwise noted)

PARAMETER		CONDITIONS		DM54/74			DM54LS/74LS			DM74S			UNITS						
				195			LS195A			S195									
				MIN	TYP(1)	MAX	MIN	TYP(1)	MAX	MIN	TYP(1)	MAX							
V_{IH}	High Level Input Voltage			2			2			2			V						
V_{IL}	Low Level Input Voltage			DM54	0.8			0.7			N/A		V						
				DM74	0.8			0.8			0.8								
V_I	Input Clamp Voltage	V _{CC} = Min	I _I = -12 mA	-1.5									V						
			I _I = -18 mA				-1.5			-1.2									
I_{OH}	High Level Output Current			-800			-400			-1000			μA						
V_{OH}	High Level Output Voltage	V _{CC} = Min, V _{IH} = 2V V _{IL} = Max, I _{OH} = Max	DM54	2.4	3.4		2.5	3.4		N/A			V						
			DM74	2.4	3.4		2.7	3.4		2.7	3.4								
I_{OL}	Low Level Output Current			DM54	16			4			N/A		mA						
				DM74	16			8			20								
V_{OL}	Low Level Output Voltage	V _{CC} = Min, V _{IH} = 2V V _{IL} = Max	I _{OL} = Max	DM54	0.2	0.4	0.25	0.4		N/A			V						
				DM74	0.2	0.4	0.35	0.5	0.5										
			DM74	I _{OL} = 4 mA					0.25			0.4							
I_I	Input Current at Maximum Input Voltage	V _{CC} = Max	V _I = 5.5V	1						1			mA						
			V _I = 7V				0.1												
I_{IH}	High Level Input Current	V _{CC} = Max	V _I = 2.4V	40									μA						
			V _I = 2.7V				20			50									
I_{IL}	Low Level Input Current	V _{CC} = Max	V _I = 0.4V	-1.6			-0.4						mA						
			V _I = 0.5V							-2									
I_{OS}	Short Circuit Output Current	V _{CC} = Max(2)	DM54	-20	-57		-30	-130		N/A			mA						
			DM74	-18	-57		-30	-130		-40		-100							
I_{CC}	Supply Current	V _{CC} = Max(3)		39			63			14			21		70		109		mA

Notes

- (1) All typical values are at V_{CC} = 5V, T_A = 25°C.
- (2) Not more than one output should be shorted at a time, and for DM54LS/74LS or DM74S duration of short circuit should not exceed one second.
- (3) With all outputs open, shift/load grounded, and 4.5V applied to the J, \bar{K} , and data inputs, I_{CC} is measured by applying a momentary ground, followed by 4.5V, to clear and then applying a momentary ground, followed by 4.5V, to clock.

Switching Characteristics $V_{CC} = 5V, T_A = 25^\circ C$

PARAMETER		DM54/74				DM54LS/74LS				DM74S				UNITS		
		195				LS195				S195						
		CONDITIONS	MIN	TYP	MAX	CONDITIONS	MIN	TYP	MAX	CONDITIONS	MIN	TYP	MAX			
f_{MAX}	Maximum Clock Frequency	$C_L = 15 \text{ pF}$ $R_L = 400\Omega$	30	39	$C_L = 15 \text{ pF}$ $R_L = 2 \text{ k}\Omega$	30	39	$C_L = 15 \text{ pF}$ $R_L = 280\Omega$	70	105			MHz			
t_{PHL}	Propagation Delay Time, High-to-Low Level Output From Clear			19		30			19	30		12.5	18.5			ns
t_{PLH}	Propagation Delay Time, Low-to-High Level Output From Clock			14		22			14	22		8	12			ns
t_{PHL}	Propagation Delay Time, High-to-Low Level Output From Clock			17		26			17	26		11	16.5			ns
$t_{W(CLOCK)}$	Width of Clock Input Pulse		16			16				7			ns			
$t_{W(CLEAR)}$	Width of Clear Input Pulse		12			12				12			ns			
t_{SETUP}	Setup Time		Shift/Load	25			25			11			ns			
			Serial and Parallel Data	15			15			5						
			Clear Inactive-State	25			25			9						
$t_{RELEASE}$	Shift/Load Release Time				10			10				6			ns	
t_{HOLD}	Serial and Parallel Data Hold Time			0			0			3			ns			

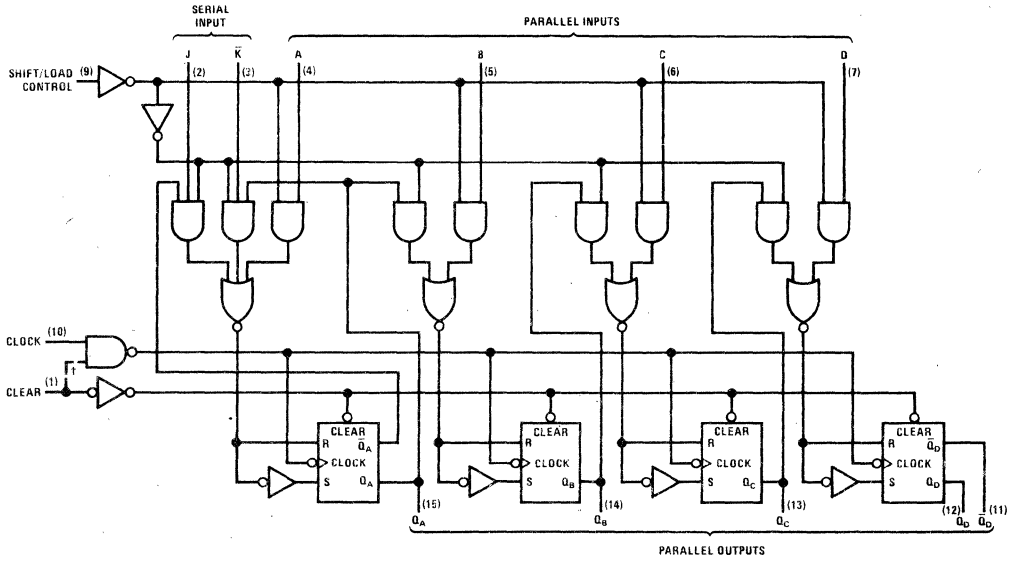
2-146



MSI

DM54/DM74195,LS195A,S195

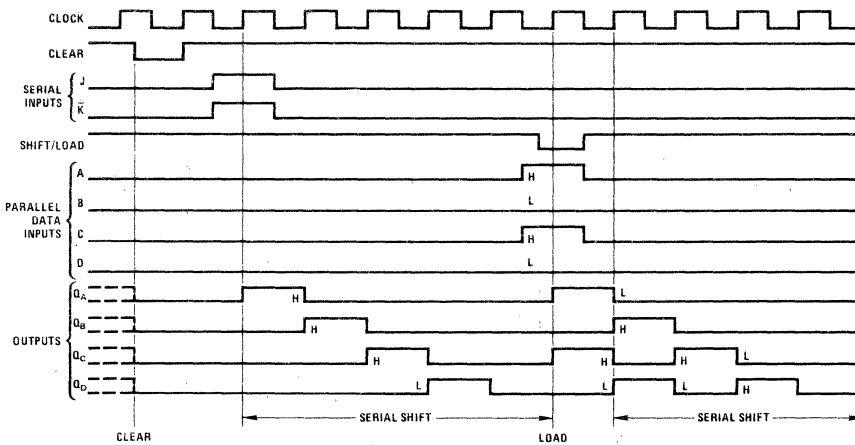
Logic Diagram



† This connection is made on 195 only.

Timing Diagram

TYPICAL CLEAR, SHIFT, AND LOAD SEQUENCES



8-Bit Shift Registers

General Description

These 8-bit shift registers feature buffered inputs to lower the drive requirements to one normalized Series 54/74 load, and input clamping diodes to minimize switching transients and simplify system design. Maximum input clock frequency is typically 35 MHz and power dissipation is typically 360 mW.

DM54198/DM74198

These bidirectional registers are designed to incorporate virtually all of the features a system designer may want in a shift register. They feature parallel inputs, parallel outputs, right-shift and left-shift serial inputs, operating mode control inputs, and a direct overriding clear line. The register has four distinct modes of operation, namely:

- Parallel (broadside) load
- Shift right (in the direction Q_A toward Q_H)
- Shift left (in the direction Q_H toward Q_A)
- Inhibit clock (do nothing)

Synchronous parallel loading is accomplished by applying the eight bits of data and taking both mode control inputs, S0 and S1 high. The data is loaded into the associated flip-flop and appears at the outputs after the positive transition of the clock input. During loading, serial data flow is inhibited.

Shift right is accomplished synchronously with the rising edge of the clock pulse when S0 is high and S1 is low. Serial data for this mode is entered at the shift-right data input. When S0 is low and S1 is high, data shifts left synchronously and new data is entered at the shift-left serial input.

Clocking of the flip-flop is inhibited when both mode control inputs are low. The mode controls should be changed only while the clock input is high.

DM54199/DM74199

These registers feature parallel inputs, parallel outputs, J-K serial inputs, shift/load control input, a direct overriding clear line, and gated clock inputs. The register has three modes of operation:

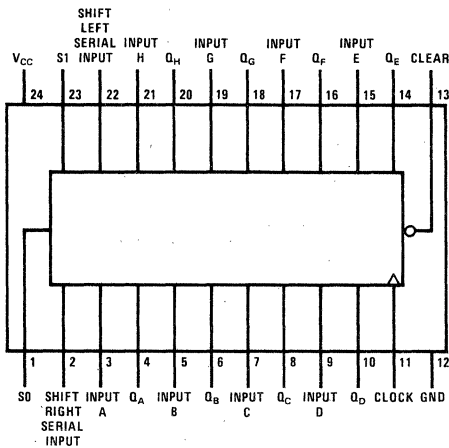
- Parallel (broadside) load
- Shift (in the direction Q_A toward Q_H)
- Inhibit clock (do nothing)

Parallel loading is accomplished by applying the eight bits of data and taking the shift/load control input low when the clock input is not inhibited. The data is loaded into the associated flip-flop and appears at the outputs after the positive transition of the clock input. During loading, serial data flow is inhibited.

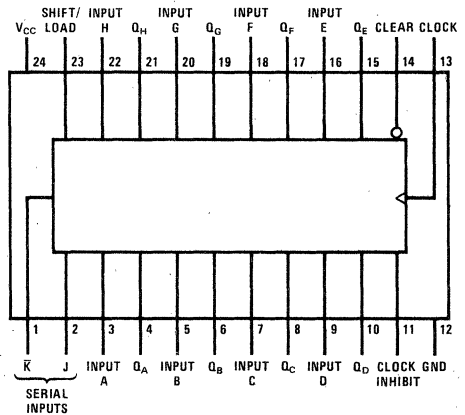
Shifting is accomplished synchronously when shift/load is high and the clock input is not inhibited. Serial data for this mode is entered at the J-K inputs. See the truth table for levels required to enter serial data into the first flip-flop.

Both of the clock inputs are identical in function and may be used interchangeably to serve as clock or clock-inhibit inputs. Holding either clock input high inhibits clocking; but when one is held low, a clock input applied to the other input is passed to the eight flip-flops of the register. The clock-inhibit input should be changed to the high level only while the clock input is high.

Connection Diagrams



54198/74198(J), (N)



54199/74199(J), (N)

Electrical Characteristics over recommended operating free-air temperature range (unless otherwise noted)

PARAMETER		CONDITIONS	DM54/74			UNITS
			198, 199			
			MIN	TYP(1)	MAX	
V _{IH}	High Level Input Voltage		2			V
V _{IL}	Low Level Input Voltage				0.8	V
V _I	Input Clamp Voltage	V _{CC} = Min, I _I = -12 mA			-1.5	V
I _{OH}	High Level Output Current				-800	μA
V _{OH}	High Level Output Voltage	V _{CC} = Min, V _{IH} = 2V V _{IL} = 0.8V, I _{OH} = -800μA	2.4			V
I _{OL}	Low Level Output Current				16	mA
V _{OL}	Low Level Output Voltage	V _{CC} = Min, V _{IH} = 2V V _{IL} = 0.8V, I _{OL} = 16 mA			0.4	V
I _I	Input Current at Maximum Input Voltage	V _{CC} = Max, V _I = 5.5V			1	mA
I _{IH}	High Level Input Current	V _{CC} = Max, V _I = 2.4V			40	μA
I _{IL}	Low Level Input Current	V _{CC} = Max, V _I = 0.4V			-1.6	mA
I _{OS}	Short Circuit Output Current	V _{CC} = Max(2)	DM54	-20	-57	mA
			DM74	-18	-57	
I _{CC}	Supply Current	V _{CC} = Max (See Conditions for I _{CC} Table)	DM54	72	104	mA
			DM74	72	116	

Notes

 (1) All typical values are at V_{CC} = 5V, T_A = 25°C.

(2) Not more than one output should be shorted at a time.

Switching Characteristics V_{CC} = 5V, T_A = 25°C

PARAMETER		CONDITIONS	DM54/74			UNITS
			198, 199			
			MIN	TYP	MAX	
f _{MAX}	Maximum Input Count Frequency	C _L = 15 pF, R _L = 400Ω	25	35		MHz
t _{PHL}	Propagation Delay Time, High-to-Low Level Output From Clear			23	35	ns
t _{PHL}	Propagation Delay Time, High-to-Low Level Output From Clock			20	30	ns
t _{PLH}	Propagation Delay Time, Low-to-High Level Output From Clock			17	26	ns
t _W	Width of Clock or Clear Pulse			20		ns
t _{SETUP}	Mode-Control Setup Time			30		ns
t _{SETUP}	Data Setup Time			20		ns
t _{HOLD}	Hold Time at Any Input			0		ns

Conditions for I_{CC} (All outputs are open)

TYPE	APPLY 4.5V	FIRST GROUND, THEN APPLY 4.5V	GROUND
198	Serial Input, S0, S1	Clock	Clear, Inputs A thru H
199	J, K̄, Inputs A thru H	Clock	Clock Inhibit, Clear, Shift/Load

Truth Tables

198

CLEAR	MODE		CLOCK	INPUTS			OUTPUTS				
	S1	S0		SERIAL		PARALLEL	Q _A	Q _B	...	Q _G	Q _H
				LEFT	RIGHT	A...H					
L	X	X	X	X	X	X	L	L	L	L	
H	X	X	L	X	X	X	Q _{A0}	Q _{B0}	Q _{G0}	Q _{H0}	
H	H	H	↑	X	X	a...h	a	b	g	h	
H	L	H	↑	X	H	X	H	Q _{An}	Q _{Fn}	Q _{Gn}	
H	L	H	↑	X	L	X	L	Q _{An}	Q _{Fn}	Q _{Gn}	
H	H	L	↑	H	X	X	Q _{Bn}	Q _{Cn}	Q _{Hn}	H	
H	H	L	↑	L	X	X	Q _{Bn}	Q _{Cn}	Q _{Hn}	L	
H	L	L	X	X	X	X	Q _{A0}	Q _{B0}	Q _{G0}	Q _{H0}	

H = High Level (steady state), L = Low Level (steady state)

X = Don't care (any input, including transitions)

↑ = Transition from low to high level

a...h = The level of steady state input at inputs A thru H, respectively.

 Q_{A0}, Q_{B0}, Q_{G0}, Q_{H0} = The level of Q_A, Q_B, Q_G, or Q_H, respectively, before the indicated steady-state input conditions were established.

 Q_{An}, Q_{Bn}, etc. = The level of Q_A, Q_B, etc., respectively, before the most-recent ↑ transition of the clock.

199

CLEAR	INPUTS				OUTPUTS						
	SHIFT/ LOAD	CLOCK INHIBIT	CLOCK	SERIAL		PARALLEL	Q _A	Q _B	Q _C	...	Q _H
				J	\bar{K}	A...H					
L	X	X	X	X	X	X	L	L	L	L	
H	X	L	L	X	X	X	Q _{A0}	Q _{B0}	Q _{C0}	Q _{H0}	
H	L	L	↑	X	X	a...h	a	b	c	h	
H	H	L	↑	L	H	X	Q _{A0}	Q _{A0}	Q _{B0}	Q _{Gn}	
H	H	L	↑	L	L	X	L	Q _{An}	Q _{Bn}	Q _{Gn}	
H	H	L	↑	H	H	X	H	Q _{An}	Q _{Bn}	Q _{Gn}	
H	H	L	↑	H	L	X	Q _{An}	Q _{An}	Q _{Bn}	Q _{Gn}	
H	X	H	↑	X	X	X	Q _{A0}	Q _{B0}	Q _{B0}	Q _{H0}	

H = High Level (steady state), L = Low Level (steady state)

X = Don't care (any input, including transitions)

↑ = Transition from low to high level

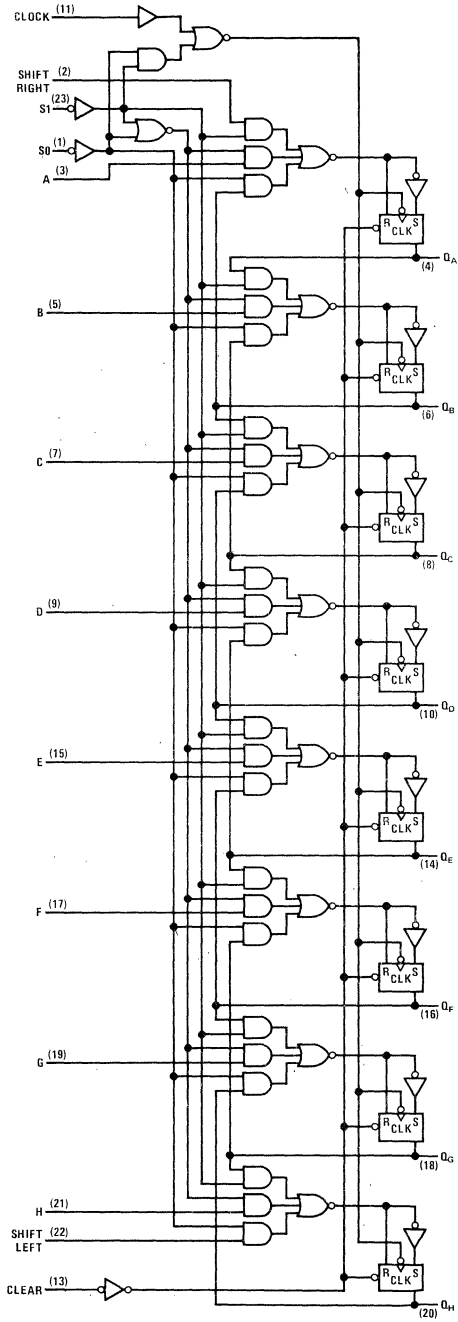
a...h = The level of steady state input at inputs A thru H, respectively.

 Q_{A0}, Q_{B0}, Q_{C0}, ... Q_{H0} = The level of Q_A, Q_B, or Q_C thru Q_H, respectively, before the indicated steady-state input conditions were established.

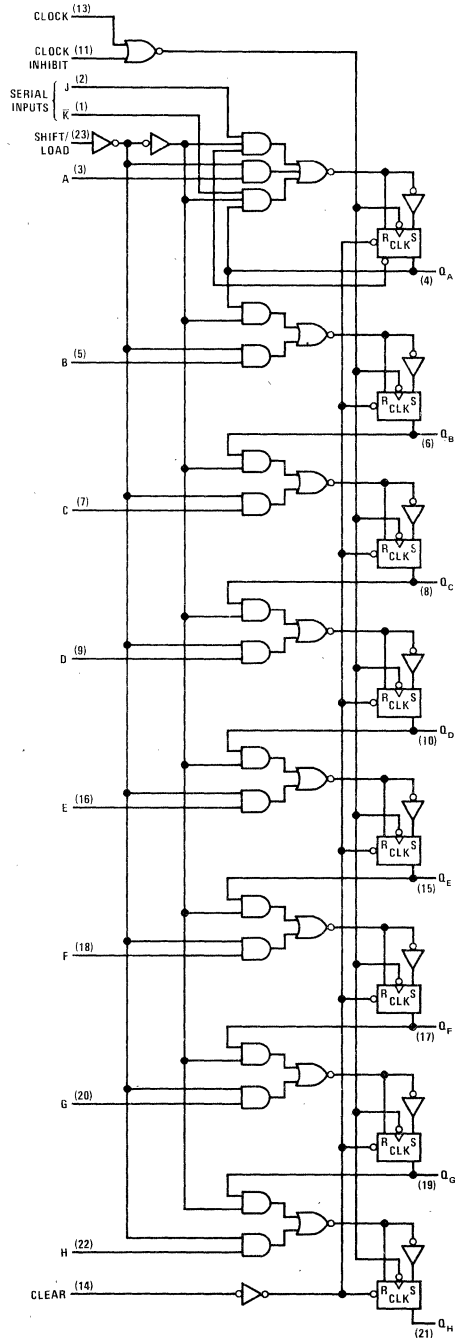
 Q_{An}, Q_{Bn}, ... Q_{Gn} = The level of Q_A or Q_B thru Q_G, respectively, before the most-recent ↑ transition of the clock.

Logic Diagrams

198



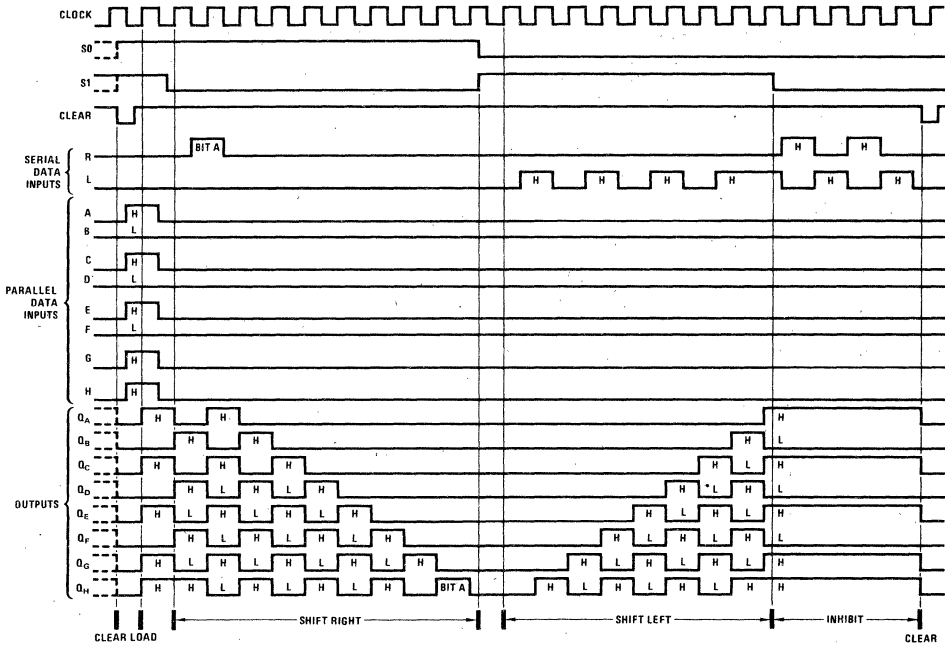
199



Timing Diagrams

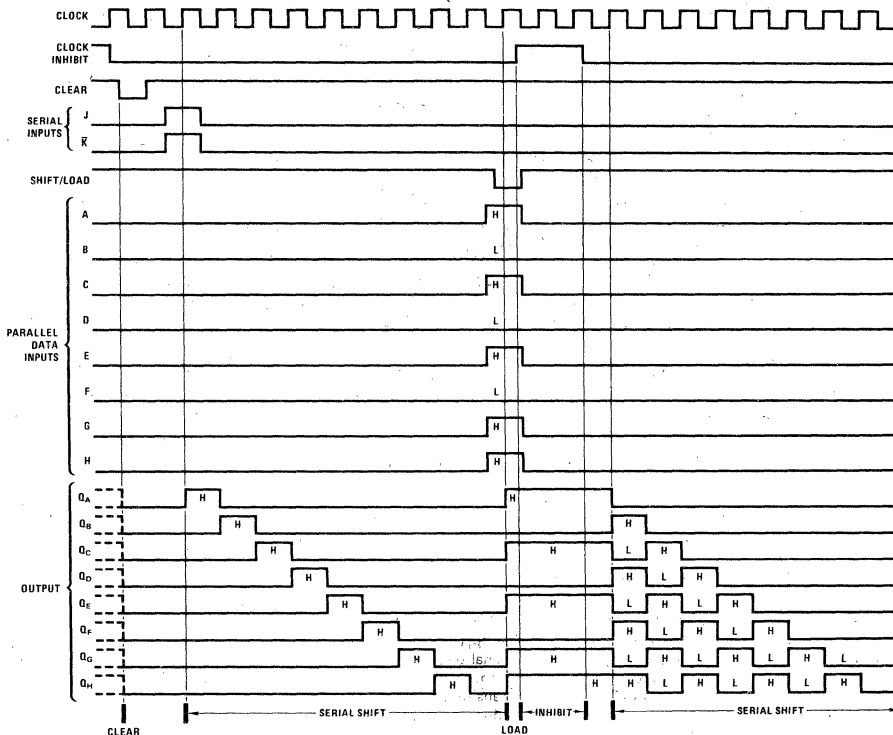
198

TYPICAL CLEAR, LOAD, RIGHT-SHIFT, LEFT-SHIFT, INHIBIT, AND CLEAR SEQUENCES



199

TYPICAL CLEAR, SHIFT, LOAD, AND INHIBIT SEQUENCES



Parameter Measurement Information

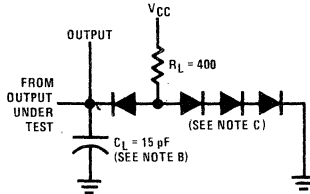
198
TEST TABLE FOR SYNCHRONOUS INPUTS

DATA INPUT FOR TEST	S ₁	S ₀	OUTPUT TESTED (SEE NOTE E)
A	4.5V	4.5V	Q _A at t _{n+1}
B	4.5V	4.5V	Q _B at t _{n+1}
C	4.5V	4.5V	Q _C at t _{n+1}
D	4.5V	4.5V	Q _D at t _{n+1}
E	4.5V	4.5V	Q _E at t _{n+1}
F	4.5V	4.5V	Q _F at t _{n+1}
G	4.5V	4.5V	Q _G at t _{n+1}
H	4.5V	4.5V	Q _H at t _{n+1}
L Serial Input	4.5V	0V	Q _A at t _{n+8}
R Serial Input	0V	4.5V	Q _H at t _{n+8}

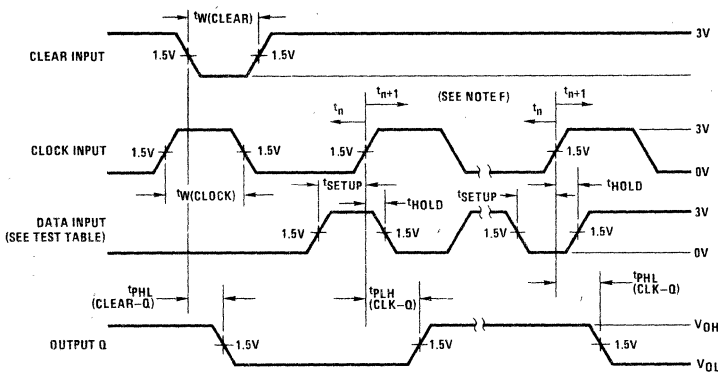
199
TEST TABLE FOR SYNCHRONOUS INPUTS

DATA INPUT FOR TEST	SHIFT/LOAD	OUTPUT TESTED (SEE NOTE E)
A	0V	Q _A at t _{n+1}
B	0V	Q _B at t _{n+1}
C	0V	Q _C at t _{n+1}
D	0V	Q _D at t _{n+1}
E	0V	Q _E at t _{n+1}
F	0V	Q _F at t _{n+1}
G	0V	Q _G at t _{n+1}
H	0V	Q _H at t _{n+1}
J and \bar{K}	4.5V	Q _H at t _{n+8}

LOAD FOR OUTPUT UNDER TEST



SWITCHING TIME WAVEFORMS



Notes

- (A) The clock pulse has the following characteristics: $t_w(\text{clock}) \geq 20 \text{ ns}$ and $\text{PRR} = 1 \text{ MHz}$. The clear pulse has the following characteristics: $t_w(\text{clear}) \geq 20 \text{ ns}$ and $t_{\text{HOLD}} = 0 \text{ ns}$. When testing f_{MAX} , vary the clock PRR.
- (B) C_L includes probe and jig capacitance.
- (C) All diodes are 1N3064.
- (D) A clear pulse is applied prior to each test.
- (E) Propagation delay times (t_{PLH} and t_{PHL}) are measured at t_{n+1} . Proper shifting of data is verified at t_{n+8} with a functional test.
- (F) t_n = bit time before clocking transition.
 t_{n+1} = bit time after one clocking transition
 t_{n+8} = bit time after clocking transitions

General Description

The DM54S200/DM74S200 256-bit active-element memories are monolithic transistor-transistor logic (TTL) integrated circuits organized as 256 words of one bit each. They are fully decoded and have three gated memory-enable inputs to simplify decoding required to achieve the desired system organization. The memories feature PNP input transistors which reduce the low-level input current requirement to a maximum of -0.25 mA , only one-eighth that of a normal Series 54S/74S load factor. The memory-enable circuitry is implemented with minimal delay times to compensate for added system decoding.

The TRI-STATE output combines the convenience of an open-collector with the speed of a totem-pole output; it can be bus-connected to other similar outputs, yet it retains the fast rise time characteristics of the TTL totem-pole output.

Write Cycle: The complement of the information at the data input is written into the selected location when all memory-enable inputs and the write-enable input are low. While the write-enable input is low, the output is in the high-impedance state. When a number of outputs are bus-connected, this high-impedance output state will

TRI-STATE 256-Bit Read/Write Memories

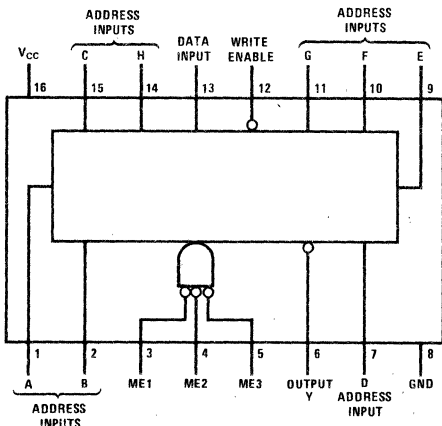
neither load nor drive the bus line, but it will allow the bus line to be driven by another active output or a passive pull-up if desired.

Read Cycle: The stored information (complement of information applied at the data input during the write cycle) is available at the output when the write-enable input is high and the three memory-enable inputs are low. When any one of the memory enable inputs is high, the output will be in the high-impedance state.

Features

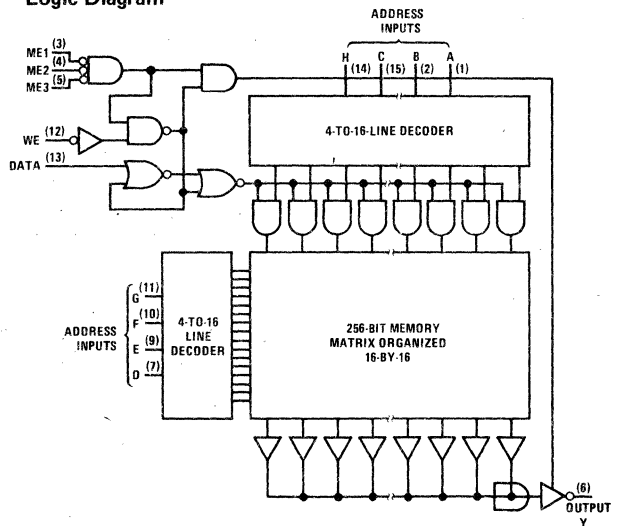
- Schottky-clamped for high-speed memory systems:
 - Access from memory-enable inputs 20 ns typ
 - Access from address inputs 31 ns typ
 - Power dissipation 1.7 mW/bit typ
- TRI-STATE output for driving bus-organized systems and/or highly capacitive loads
- Fully decoded, organized as 256 words of one bit each
- Compatible with most TTL and DTL logic circuits
- Multiple memory-enable inputs to minimize external decoding

Connection Diagram



54S200(J), (W); 74S200(J), (N), (W)

Logic Diagram



Truth Table

FUNCTION	INPUTS		OUTPUT
	MEMORY ENABLE†	WRITE ENABLE	
Write (Store Complement of Data)	L	L	High Impedance
Read	L	H	Stored Data
Inhibit	H	X	High Impedance

H = High Level, L = Low Level, X = irrelevant
 † = For memory enable; L = All ME inputs low
 H = One or more ME inputs high

Electrical Characteristics over recommended operating free-air temperature range (unless otherwise noted)

PARAMETER		CONDITIONS	DM54S/74S			UNITS	
			S200				
			MIN	TYP(1)	MAX		
V_{IH}	High Level Input Voltage		2.0			V	
V_{IL}	Low Level Input Voltage		0.8			V	
V_I	Input Clamp Voltage	$V_{CC} = \text{Min}, I_I = -18 \text{ mA}$	-1.2			V	
I_{OH}	High Level Output Current		DM54	-2.0		mA	
			DM74	-5.2			
V_{OH}	High Level Output Voltage	$V_{CC} = \text{Min}, V_{IH} = 2V$ $V_{IL} = 0.8V, I_{OH} = \text{Max}$	2.4			V	
I_{OL}	Low Level Output Current		16			mA	
V_{OL}	Low Level Output Voltage	$V_{CC} = \text{Min}, V_{IH} = 2V$ $V_{IL} = 0.8V, I_{OL} = 16 \text{ mA}$	DM54	0.5		V	
			DM74	0.45			
$I_{O(OFF)}$	Off-State (High Impedance State) Output Current	$V_{CC} = \text{Max}, V_O = 0.45V$ $V_{IH} = 2.0V, V_O = 2.4V$	-50			μA	
			50				
I_I	Input Current at Maximum Input Voltage	$V_{CC} = \text{Max}, V_I = 5.5V$	1.0			mA	
I_{IH}	High Level Input Current	$V_{CC} = \text{Max}, V_I = 2.7V$	25			μA	
I_{IL}	Low Level Input Current	$V_{CC} = \text{Max}, V_I = 0.45V$	-250			μA	
I_{OS}	Short Circuit Output Current	$V_{CC} = \text{Max}(2)$	-30	-100		mA	
I_{CC}	Supply Current	$V_{CC} = \text{Max}(3)$	87			130	mA

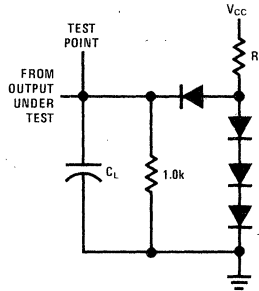
Notes

- (1) All typical values are at $V_{CC} = 5V, T_A = 25^\circ\text{C}$.
- (2) Not more than one output should be shorted at a time, and duration of short circuit should not exceed one second.
- (3) I_{CC} is measured with the write enable and memory enable grounded, all other inputs at 4.5V and the output open.

Switching Characteristics $V_{CC} = 5V, T_A = 25^\circ\text{C}$

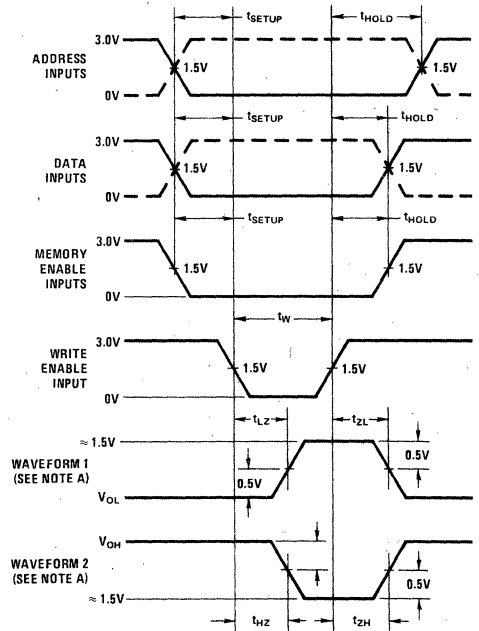
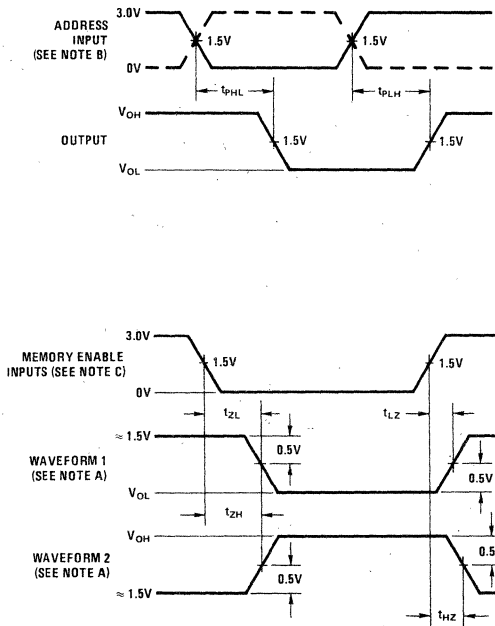
PARAMETER			CONDITIONS	DM54S/74S						UNITS	
				54S200			74S200				
				MIN	TYP	MAX	MIN	TYP	MAX		
t_{PLH}	Propagation Delay Time, Low-to-High Level Output	Access Time From Address	$C_L = 15 \text{ pF}, R_L = 280\Omega$	33	70		33	50		ns	
t_{PHL}	Propagation Delay Time, High-to-Low Level Output	Access Time From Address		29	70		29	50		ns	
t_{ZH}	Output Enable Time To High Level	Access Time From Memory Enable		21	45		21	35		ns	
t_{ZL}	Output Enable Time To Low Level	Access Time From Memory Enable		10	30		10	20		ns	
t_{ZH}	Output Enable Time To High Level	Sense Recovery Time From Write Enable		24	50		24	40		ns	
t_{ZL}	Output Enable Time To Low Level	Sense Recovery Time From Write Enable		12	50		12	40		ns	
t_{HZ}	Output Disable Time From High Level	Disable Time From Memory Enable		$C_L = 5.0 \text{ pF}, R_L = 280\Omega$	7.0	30		7.0	20		ns
t_{LZ}	Output Disable Time From Low Level	Disable Time From Memory Enable			20	45		20	35		ns
t_{HZ}	Output Disable Time From High Level	Disable Time From Write Enable			13	40		13	30		ns
t_{LZ}	Output Disable Time From Low Level	Disable Time From Write Enable			16	40		16	30		ns
t_W	Width of Write Enable Pulse		50				40			ns	
t_{SETUP}	Setup Time	Address to Write Enable	0				0			ns	
		Data to Write Enable	0			0					
		Memory Enable to Write Enable	0			0					
t_{HOLD}	Hold Time	Address From Write Enable	10			10			ns		
		Data From Write Enable	10			10					
		Memory Enable to Write Enable	0			0					

AC Test Circuit



C_L includes probe and jig capacitance.
All diodes are 1N3064.

Switching Time Waveforms



Notes:

- (A) Waveform 1 is for the output with internal conditions such that the output is low except when disabled. Waveform 2 is for the output with internal conditions such that the output is high except when disabled.
- (B) When measuring delay times from address inputs, the memory enable inputs are low and the write enable input is high.
- (C) When measuring delay times from memory enable inputs, the address inputs are steady-state and the write enable input is high.
- (D) Input waveforms are supplied by pulse generators having the following characteristics: $t_r \leq 7$ ns, $t_f \leq 7$ ns, PRR ≤ 1.0 MHz, and $Z_{OUT} \approx 50\Omega$.

256-Bit Read/Write Memories with Open Collector Outputs

General Description

The DM54S206/DM74S206 256-bit active-element memories are monolithic transistor-transistor logic (TTL) integrated circuits organized as 256 words of one bit each. They are fully decoded and have three gated memory-enable inputs to simplify decoding required to achieve the desired system organization. The memories feature PNP input transistors which reduce the low-level input current requirement to a maximum of -0.25 milliamperes, only one-eighth that of a normal Series 54S/74S load factor. The memory-enable circuitry is implemented with minimal delay times to compensate for added system decoding.

Write Cycle: The complement of the information at the data input is written into the selected location when all memory-enable inputs and the write-enable input are low. While the write-enable input is low, the output is off.

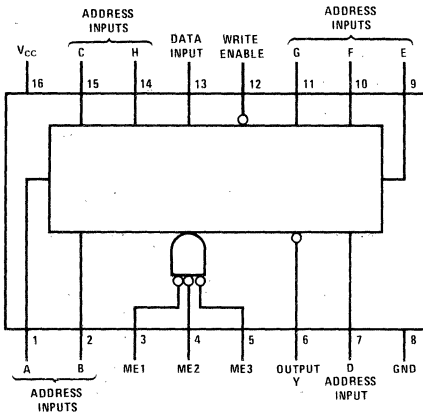
Read Cycle: The stored information (complement of information applied at the data input during the write cycle) is available at the output when the write-enable input is high and the three memory-enable inputs are low. When any one of the memory enable inputs is high, the output will be off.

Features

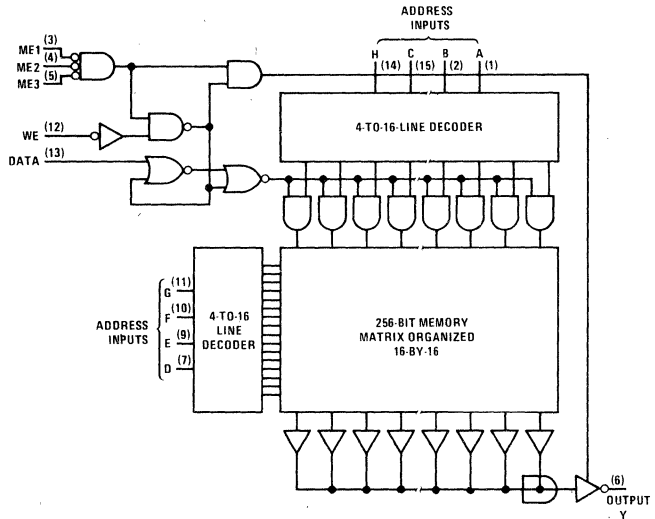
- Schottky-clamped for high-speed memory systems:
 - Access from memory-enable inputs 17 ns typ
 - Access from address inputs 35 ns typ
 - Power dissipation 1.4 mW/bit typ
- Open-collector output for word expansion
- Fully decoded, organized as 256 words of one bit each
- Compatible with most TTL and DTL logic circuits
- Multiple memory-enable inputs to minimize external decoding

Connection Diagram

Logic Diagram



54S206(J), (W); 74S206(J), (N), (W)



Truth Table

FUNCTION	INPUTS		OUTPUT
	MEMORY ENABLE†	WRITE ENABLE	
Write (Store Complement of Data)	L	L	Hi-Z
Read	L	H	Stored Data
Inhibit	H	X	Hi-Z

H = high level, L = low level, X = irrelevant
 †For memory enable: L = all ME inputs low;
 H = one or more ME inputs high.

Electrical Characteristics over recommended operating free-air temperature range (unless otherwise noted)

PARAMETER		CONDITIONS	DM54S/74S			UNITS
			S206			
			MIN	TYP(1)	MAX	
V_{IH}	High Level Input Voltage		2			V
V_{IL}	Low Level Input Voltage			0.8		V
V_I	Input Clamp Voltage	$V_{CC} = \text{Min}, I_I = -18 \text{ mA}$		-1.2		V
I_{OH}	High Level Output Current	$V_{CC} = \text{Min}, V_{IH} = 2 \text{ V}$ $V_{IL} = 0.8 \text{ V}$	$V_{OH} = 2.4 \text{ V}$	40		μA
			$V_{OH} = 5.5 \text{ V}$	100		
I_{OL}	Low Level Output Current			16		mA
V_{OL}	Low Level Output Voltage	$V_{CC} = \text{Min}, V_{IH} = 2 \text{ V}$ $V_{IL} = 0.8 \text{ V}, I_{OL} = 16 \text{ mA}$	DM54	0.5		V
			DM74	0.45		
I_I	Input Current at Maximum Input Voltage	$V_{CC} = \text{Max}, V_I = 5.5 \text{ V}$		1		mA
I_{IH}	High Level Input Current	$V_{CC} = \text{Max}, V_I = 2.7 \text{ V}$		25		μA
I_{IL}	Low Level Input Current	$V_{CC} = \text{Max}, V_I = 0.45 \text{ V}$		-250		μA
I_{CC}	Supply Current	$V_{CC} = \text{Max}(2)$	70	130		mA

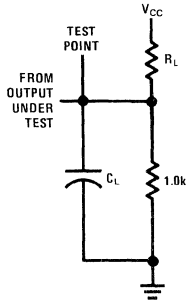
Notes

- (1) All typical values are at $V_{CC} = 5 \text{ V}, T_A = 25^\circ \text{C}$.
(2) I_{CC} is measured with the write enable and memory enable inputs grounded, all other inputs at 4.5V, and the output open.

Switching Characteristics $V_{CC} = 5 \text{ V}, T_A = 25^\circ \text{C}$

PARAMETER			CONDITIONS	DM54S/74S						UNITS
				54S206			74S206			
				MIN	TYP	MAX	MIN	TYP	MAX	
t_{PLH}	Propagation Delay Time, Low-to-High Level Output	Access Times from Address	$C_L = 15 \text{ pF}$ $R_L = 300\Omega$	38	80		38	60		ns
t_{PHL}	Propagation Delay Time, High-to-Low Level Output	Access Times from Address		32	80		32	60		ns
t_{PLH}	Propagation Delay Time, Low-to-High Level Output	Disable Time from Memory Enable		21	45		21	35		ns
t_{PHL}	Propagation Delay Time, High-to-Low Level Output	Enable Time from Memory Enable		13	35		13	25		ns
t_{PLH}	Propagation Delay Time, Low-to-High Level Output	Disable Time from Write Enable		20	50		20	40		ns
t_{SR}	Sense Recovery Time			14	50		14	40		ns
t_W	Width of Write Enable Pulse		50			40			ns	
t_{SETUP}	Setup Time	Address to Write Enable	0			0			ns	
		Data to Write Enable	0			0				
		Memory Enable to Write Enable	0			0				
t_{HOLD}	Hold Time	Address from Write Enable	10			10		ns		
		Data from Write Enable	10			10				
		Memory Enable to Write Enable	0			0				

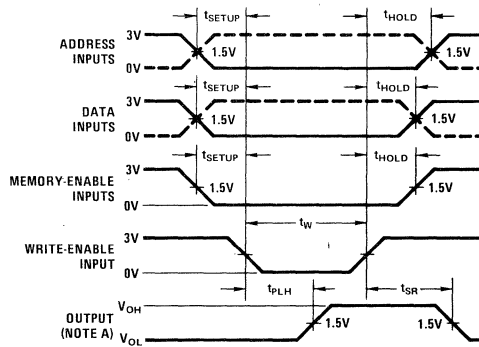
AC Test Circuit



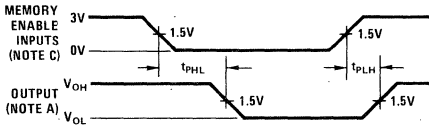
C_L includes probe and jig capacitance.

Switching Time Waveforms

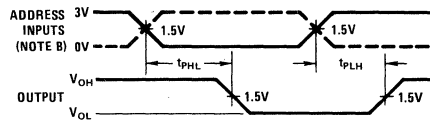
WRITE CYCLE



ACCESS (ENABLE) TIME AND
DISABLE TIME FROM MEMORY ENABLE



ACCESS TIME FROM ADDRESS INPUTS



Notes:

- (A) Waveform shown is for the output with internal conditions such that the output is low except when disabled.
- (B) When measuring delay times from address inputs, the memory-enable inputs are low and the write-enable input is high.
- (C) When measuring delay times from memory-enable inputs, the address inputs are steady-state and the write-enable input is high.
- (D) Input waveforms are supplied by pulse generators having the following characteristics: $t_r \leq 2.5$ ns, $t_f \leq 2.5$ ns, $PRR \leq 1$ MHz, and $Z_{OUT} \approx 50\Omega$.

TRI-STATE Data Selectors/Multiplexers

General Description

These data selectors/multiplexers contain full on-chip binary decoding to select one-of-eight data sources, and feature a strobe-controlled TRI-STATE output. The strobe must be at a low logic level to enable these devices. The TRI-STATE outputs permit direct connection to a common bus. When the strobe input is high, both outputs are in a high-impedance state in which both the upper and lower transistors of each totem-pole output are off, and the output neither drives nor loads the bus significantly. When the strobe is low, the outputs are activated and operate as standard TTL totem-pole outputs.

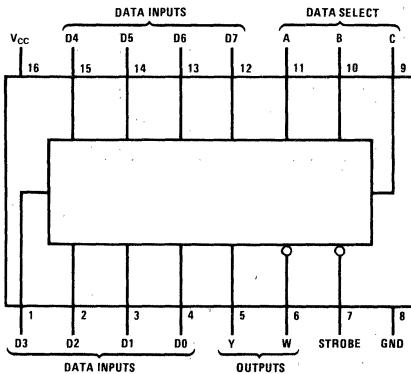
To minimize the possibility that two outputs will attempt to take a common bus to opposite logic levels, the output control circuitry is designed so that the average output disable time is shorter than the average output enable time.

Features

- TRI-STATE versions of 151, LS151, S151
- Interface directly with system bus
- Perform parallel-to-serial conversion
- Permit multiplexing from N-lines to one line
- Complementary outputs provide true and inverted data

TYPE	MAX NO. OF COMMON OUTPUTS	TYPICAL PROP DELAY TIME (D TO Y)	TYPICAL POWER DISSIPATION
54251	49	17 ns	155 mW
74251	129	17 ns	155 mW
54LS251	49	17 ns	35 mW
74LS251	129	17 ns	35 mW
74S251	129	8 ns	275 mW

Connection Diagram



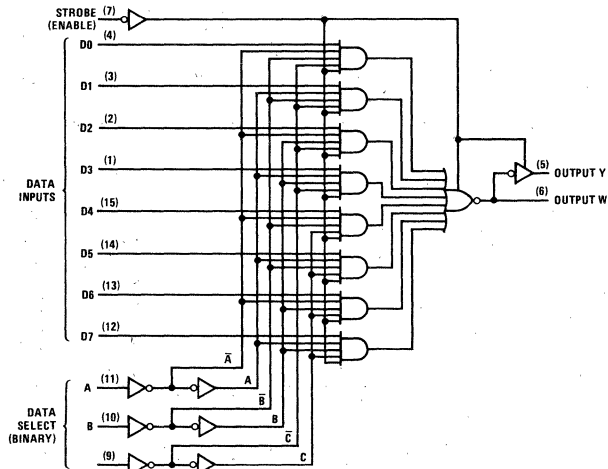
54251(J), (W); 74251(J), (N), (W);
54LS251/74LS251(J), (N), (W); 74S251(N)

Truth Table

INPUTS				OUTPUTS	
SELECT			STROBE S	Y	W
C	B	A			
X	X	X	H	Z	Z
L	L	L	L	D0	$\overline{D0}$
L	L	H	L	D1	$\overline{D1}$
L	H	L	L	D2	$\overline{D2}$
L	H	H	L	D3	$\overline{D3}$
H	L	L	L	D4	$\overline{D4}$
H	L	H	L	D5	$\overline{D5}$
H	H	L	L	D6	$\overline{D6}$
H	H	H	L	D7	$\overline{D7}$

H = High Logic Level, L = Low Logic Level
X = Don't Care, Z = High Impedance (Off)
D0, D1, . . . D7 = The level of the respective D input.

Logic Diagram



Electrical Characteristics over recommended operating free-air temperature range (unless otherwise noted)

PARAMETER		CONDITIONS		DM54/74		DM54LS/74LS		DM74S		UNITS		
				251		LS251		S251				
				MIN	TYP(1)	MAX	MIN	TYP(1)	MAX		MIN	TYP(1)
V_{IH}	High Level Input Voltage			2			2		2	V		
V_{IL}	Low Level Input Voltage				0.8		0.7		N/A	V		
				DM74	0.8		0.8		0.8			
V_I	Input Clamp Voltage	$V_{CC} = \text{Min}$	$I_I = -12 \text{ mA}$							V		
			$I_I = -18 \text{ mA}$					-1.5	-1.2			
I_{OH}	High Level Output Current			DM54	-2		-1		N/A	mA		
				DM74	-5.2		-2.6		-6.5			
V_{OH}	High Level Output Voltage	$V_{CC} = \text{Min}, V_{IH} = 2\text{V}$		DM54	2.4		2.4		N/A	V		
		$V_{IL} = \text{Max}, I_{OH} = \text{Max}$		DM74	2.4		2.4		2.4 3.2			
I_{OL}	Low Level Output Current			DM54	16		4		N/A	mA		
				DM74	16		8		20			
V_{OL}	Low Level Output Voltage	$V_{CC} = \text{Min}, V_{IH} = 2\text{V}$ $V_{IL} = \text{Max}$		$I_{OL} = \text{Max}$	DM54	0.4	0.25	0.4		N/A	V	
					DM74	0.4	0.35	0.5		0.5		
					DM74			0.4				
$I_{O(\text{OFF})}$	Off-State (High Impedance State) Output Current	$V_{CC} = \text{Max}$		$V_O = 0.4\text{V}$			-40		-20	μA		
		$V_{IH} = 2\text{V}$			$V_O = 0.5\text{V}$						-50	
		$V_{IL} = \text{Max}$				$V_O = 2.4\text{V}$			40		20	50
I_I	Input Current at Maximum Input Voltage	$V_{CC} = \text{Max}$		$V_I = 5.5\text{V}$			1		1	mA		
					$V_I = 7\text{V}$				0.1			
I_{IH}	High Level Input Current	$V_{CC} = \text{Max}$		$V_I = 2.4\text{V}$				40			μA	
					$V_I = 2.7\text{V}$				20			50
I_{IL}	Low Level Input Current	$V_{CC} = \text{Max}$		$V_I = 0.4\text{V}$				-1.6		-0.4	mA	
					$V_I = 0.5\text{V}$							-2
I_{QS}	Short Circuit Output Current	$V_{CC} = \text{Max}(2)$				-18	-55	-30	-130	-40	-100	mA
I_{CC}	Supply Current	$V_{CC} = \text{Max}(3)$		Strobe Grounded		31	51	6.1	10	55	85	mA
				Strobe at 4.5V		31	51	7.1	12	55	85	

Notes

- All typical values are at $V_{CC} = 5\text{V}$, $T_A = 25^\circ\text{C}$.
- Not more than one output should be shorted at a time, and for DM54LS/74LS or DM74S duration of short circuit should not exceed one second.
- All outputs open, all inputs at 4.5V.

Switching Characteristics $V_{CC} = 5V$, $T_A = 25^\circ C$

PARAMETER		FROM (INPUT)	TO (OUTPUT)	DM54/74				DM54LS/74LS				DM74S				UNITS												
				251				LS251				S251																
				CONDITIONS	MIN	TYP	MAX	CONDITIONS	MIN	TYP	MAX	CONDITIONS	MIN	TYP	MAX													
t_{PLH}	Propagation Delay Time, Low-to-High Level Output	A, B, or C (4 levels)	Y	$C_L = 50\text{ pF}$ $R_L = 400\Omega$				$C_L = 15\text{ pF}$ $R_L = 2\text{ k}\Omega$					$C_L = 15\text{ pF}$ $R_L = 280\Omega$					22	36			29	45			12	18	ns
t_{PHL}	Propagation Delay Time, High-to-Low Level Output																	23	36	28	45	13	19.5	ns				
t_{PLH}	Propagation Delay Time, Low-to-High Level Output	A, B, or C (3 levels)	W															18	29	20	33	10	15	ns				
t_{PHL}	Propagation Delay Time, High-to-Low Level Output																	16	27	21	33	9	13.5	ns				
t_{PLH}	Propagation Delay Time, Low-to-High Level Output	Any D	Y															17	28	17	28	8	12	ns				
t_{PHL}	Propagation Delay Time, High-to-Low Level Output																	18	28	18	28	8	12	ns				
t_{PLH}	Propagation Delay Time, Low-to-High Level Output	Any D	W															11	15	10	15	4.5	7	ns				
t_{PHL}	Propagation Delay Time, High-to-Low Level Output																	10	15	9	15	4.5	7	ns				
t_{ZH}	Output Enable Time to High Level	Strobe	Y															15	27	30	45	13	19.5	ns				
t_{ZL}	Output Enable Time to Low Level																	18	36	26	40	14	21	ns				
t_{ZH}	Output Enable Time to High Level	Strobe	W															15	27	17	27	13	19.5	ns				
t_{ZL}	Output Enable Time to Low Level																	19	38	24	40	14	21	ns				
t_{HZ}	Output Disable Time from High Level	Strobe	Y	4	8	30	45	5.5	8.5	ns																		
t_{LZ}	Output Disable Time from Low Level			14	23	15	25	9	14	ns																		
t_{HZ}	Output Disable Time from High Level	Strobe	W	4	8	37	55	5.5	8.5	ns																		
t_{LZ}	Output Disable Time from Low Level			15	23	15	25	9	14	ns																		

TRI-STATE Data Selectors/Multiplexers

General Description

Each of these Schottky-clamped data selectors/multiplexers contains inverters and drivers to supply fully complementary, on-chip, binary decoding data selection to the AND-OR gates. Separate output control inputs are provided for each of the two four-line sections.

The TRI-STATE outputs can interface directly with data lines of bus-organized systems. With all but one of the common outputs disabled (at a high impedance state), the low impedance of the single enabled output will drive the bus line to a high or low logic level.

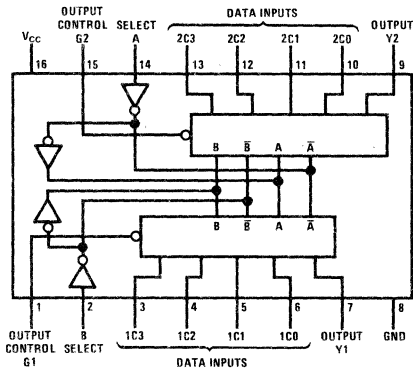
Features

- TRI-STATE version of LS153, S153 with same pin-out
- Schottky-diode-clamped transistors

- Permits multiplexing from N lines to 1 line
- Performs parallel-to-serial conversion
- Strobe/output control
- High fan-out totem-pole outputs

TYPE	TYPICAL PROPAGATION DELAY	TYPICAL POWER DISSIPATION
LS253	Data to Output	12 ns
	Select to Output	21 ns
S253	Data to Output	6 ns
	Select to Output	12 ns

Connection Diagram



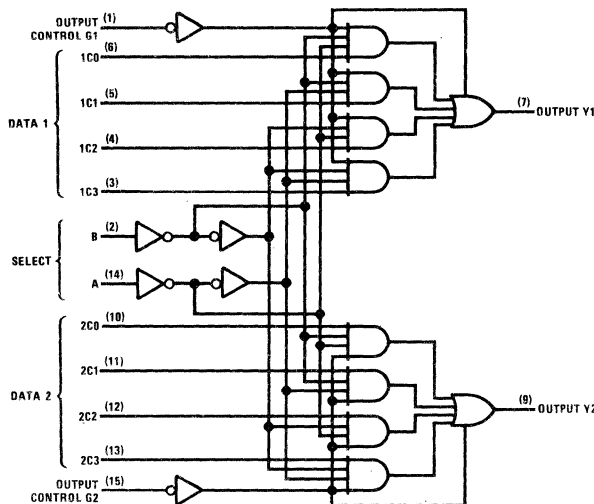
54LS253/74LS253(J), (N), (W); 74S253(N)

Truth Table

SELECT INPUTS		DATA INPUTS				OUTPUT CONTROL	OUTPUT
B	A	C0	C1	C2	C3	G	Y
X	X	X	X	X	X	H	Z
L	L	L	X	X	X	L	L
L	L	H	X	X	X	L	H
L	H	X	L	X	X	L	L
L	H	X	H	X	X	L	H
H	L	X	X	L	X	L	L
H	L	X	X	H	X	L	H
H	H	X	X	X	L	L	L
H	H	X	X	X	H	L	H

Address inputs A and B are common to both sections.
 H = High Level, L = Low Level, X = Don't Care,
 Z = High Impedance

Logic Diagram



Electrical Characteristics over recommended operating free-air temperature range (unless otherwise noted)

PARAMETER		CONDITIONS		DM54LS/74LS			DM74			UNITS	
				LS253			S253				
				MIN	TYP(1)	MAX	MIN	TYP(1)	MAX		
V_{IH}	High Level Input Voltage			2			2			V	
V_{IL}	Low Level Input Voltage			DM54	0.7		N/A			V	
				DM74	0.8						
V_I	Input Clamp Voltage	$V_{CC} = \text{Min}, I_I = -18 \text{ mA}$		-1.5			-1.2			V	
I_{OH}	High Level Output Current			DM54	-1		N/A			mA	
				DM74	-2.6		-6.5				
V_{OH}	High Level Output Voltage	$V_{CC} = \text{Min}, V_{IH} = 2\text{V}$ $V_{IL} = \text{Max}, I_{OH} = \text{Max}$		DM54	2.4	3.4	N/A			V	
				DM74	2.4	3.1	2.7	3.2			
I_{OL}	Low Level Output Current			DM54	4		N/A			mA	
				DM74	8		20				
V_{OL}	Low Level Output Voltage	$V_{CC} = \text{Min}, V_{IH} = 2\text{V}$ $V_{IL} = \text{Max}$		$I_{OL} = \text{Max}$	DM54	0.4		N/A			V
					DM74	0.5		0.5			
				$I_{OL} = 4 \text{ mA}$	DM74	0.4					
$I_{O(\text{OFF})}$	Off-State (High-Impedance State) Output Current	$V_{CC} = \text{Max}, V_{IH} = 2\text{V}$ $V_{IL} = \text{Max}$		$V_O = 0.4\text{V}$			-20			μA	
				$V_O = 0.5\text{V}$			-50				
				$V_O = 2.4\text{V}$			20				
I_I	Input Current at Maximum Input Voltage	$V_{CC} = \text{Max}$		$V_I = 5.5\text{V}$			1.0			mA	
				$V_I = 7\text{V}$			0.1				
I_{IH}	High Level Input Current	$V_{CC} = \text{Max}, V_I = 2.7\text{V}$		20			50			μA	
I_{IL}	Low Level Input Current	$V_{CC} = \text{Max}$		$V_I = 0.4\text{V}$			-0.36			mA	
				$V_I = 0.5\text{V}$			-2				
I_{OS}	Short Circuit Output Current	$V_{CC} = \text{Max}(2)$		-30	-130	-40	-100			mA	
I_{CC}	Supply Current	$V_{CC} = \text{Max}(3)$		Condition A	7	12				mA	
				Condition B	8.5	14					
				All Outputs Open			55	70			

Notes

- All typical values are at $V_{CC} = 5\text{V}, T_A = 25^\circ\text{C}$.
- Not more than one output should be shorted at a time, and duration of short circuit should not exceed one second.
- I_{CC} is measured with the outputs open under the following conditions:
 - All inputs grounded.
 - Output control at 4.5V, all inputs grounded.
- National Semiconductor temporarily reserves the right to ship DM54/DM74LS253 devices which have a minimum $I_{OS} = 5.0 \text{ mA}$.

Switching Characteristics $V_{CC} = 5\text{V}, T_A = 25^\circ\text{C}$

PARAMETER		FROM (INPUT)	TO (OUTPUT)	DM54LS/74LS				DM74				UNITS				
				LS253				S253								
				CONDITIONS		MIN	TYP	MAX	CONDITIONS		MIN		TYP	MAX		
t_{PLH}	Propagation Delay Time, Low-to-High Level Output	Data	Y	$C_L = 15 \text{ pF}$ $R_L = 2 \text{ k}\Omega$				$C_L = 15 \text{ pF}$ $R_L = 280\Omega$				ns				
t_{PHL}	Propagation Delay Time, High-to-Low Level Output												17	25	6	9
t_{PLH}	Propagation Delay Time, Low-to-High Level Output	Select	Y										30	45	11.5	18
t_{PHL}	Propagation Delay Time, High-to-Low Level Output												21	32	12	18
t_{ZH}	Output Enable Time to High Level	Output Control	Y										15	23	13	19.5
t_{ZL}	Output Enable Time to Low Level												15	23	14	21
t_{HZ}	Output Disable Time From High Level	Output Control	Y	$C_L = 5 \text{ pF}$ $R_L = 2 \text{ k}\Omega$	27	41	$C_L = 5 \text{ pF}$ $R_L = 280\Omega$	5.5	8.5	ns						
t_{LZ}	Output Disable Time From Low Level			18	27	9	14	ns								

TRI-STATE Quad 2-Data Selectors/Multiplexers
General Description

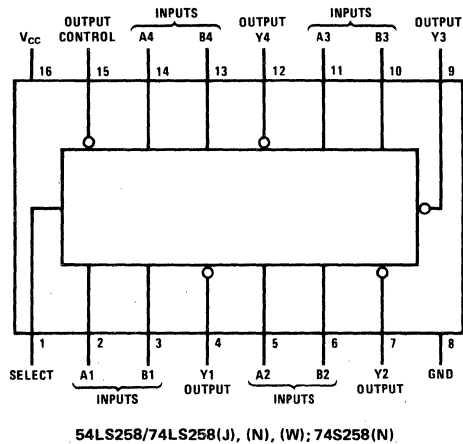
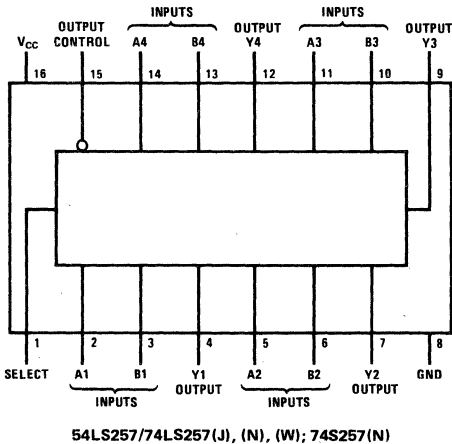
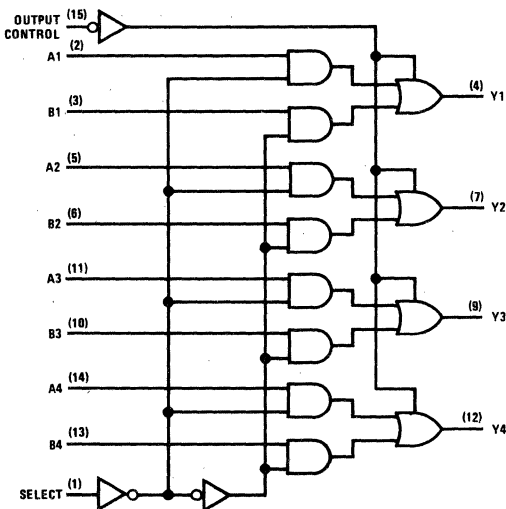
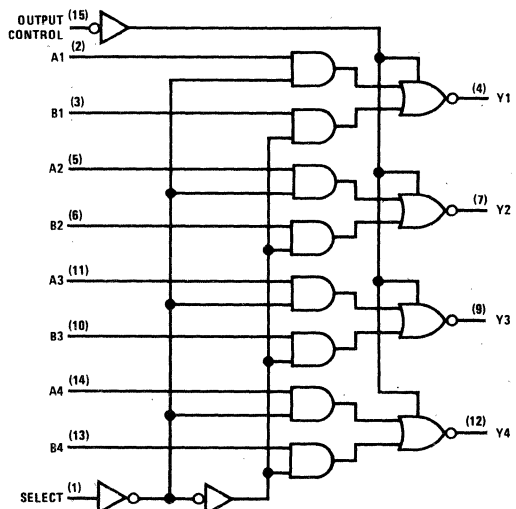
These Schottky-clamped high-performance multiplexers feature TRI-STATE outputs that can interface directly with data lines of bus-organized systems. With all but one of the common outputs disabled (at a high impedance state), the low impedance of the single enabled output will drive the bus line to a high or low logic level. To minimize the possibility that two outputs will attempt to take a common bus to opposite logic levels, the output enable circuitry is designed such that the output disable times are shorter than the output enable times.

This TRI-STATE output feature means that n-bit (paralleled) data selectors with up to 258 sources can be implemented for data buses. It also permits the use of standard TTL registers for data retention throughout the system.

Features

- TRI-STATE versions LS157, S157, LS158, S158, with same pin-outs
- Schottky-clamped for significant improvement in A-C performance
- Provides bus interface from multiple sources in high-performance systems

TYPE	AVERAGE PROPAGATION DELAY FROM DATA INPUT	TYPICAL POWER DISSIPATION
LS257	12 ns	50 mW
LS258	12 ns	35 mW
S257	4.8 ns	320 mW
S258	4 ns	280 mW

Connection and Logic Diagrams

LS257, S257

LS258, S258


Electrical Characteristics over recommended operating free-air temperature range (unless otherwise noted)

PARAMETER		CONDITIONS		DM54LS/74LS			DM74S			UNITS											
				LS257, LS258			S257, S258														
				MIN	TYP(1)	MAX	MIN	TYP(1)	MAX												
V_{IH}	High Level Input Voltage					2			2	V											
V_{IL}	Low Level Input Voltage			DM54						N/A	V										
				DM74						0.8											
V_I	Input Clamp Voltage	$V_{CC} = \text{Min}, I_I = -18\text{mA}$							-1.5	-1.2	V										
I_{OH}	High Level Output Current			DM54						-1.0	N/A	mA									
				DM74						-2.6	-6.5										
V_{OH}	High Level Output Voltage	$V_{CC} = \text{Min}, V_{IH} = 2\text{V}$ $V_{IL} = \text{Max}, I_{OH} = \text{Max}$		DM54	2.4	3.4			N/A			V									
				DM74	2.4	3.1			2.4	3.2											
I_{OL}	Low Level Output Current			DM54						4	N/A	mA									
				DM74						8	20										
V_{OL}	Low Level Output Voltage	$V_{CC} = \text{Min}, V_{IH} = 2\text{V}$ $V_{IL} = \text{Max}$		DM54								V									
		$I_{OL} = \text{Max}$											0.25	0.4		N/A					
			$I_{OL} = 4\text{mA}$	DM74							0.35		0.5	0.5							
$I_{O(OFF)}$	Off State (High Impedance State) Output Current	$V_{CC} = \text{Max}$										μA									
		$V_{IH} = 2\text{V}$											-20								
		$V_{IL} = \text{Max}$											20	50							
I_I	Input Current at Maximum Input Voltage	S Input	$V_{CC} = \text{Max}$									1	mA								
														0.2							
		Any Other													1						
															0.1						
I_{IH}	High Level Input Current	S Input	$V_{CC} = \text{Max}, V_I = 2.7\text{V}$							40	50	μA									
		Any Other								20	50										
I_{IL}	Low Level Input Current	S Input	$V_{CC} = \text{Max}$										mA								
														-0.8							
		Any Other													-2						
															-0.4	-2					
I_{OS}	Short Circuit Output Current	$V_{CC} = \text{Max}(2)$										mA									
I_{CC}	Supply Current	All Outputs High	$V_{CC} = \text{Max}(3)$	LS257, S257									mA								
		All Outputs Low												5.9	10	44	68				
		All Outputs Off														9.2	16	60	93		
		All Outputs High															10	17	64	99	
		All Outputs Low																4.1	7	36	56
		All Outputs Off																	6.2	11	52
				LS258, S258											7.0	12	56	87			

2-166



DM54/DM74LS257, S257, LS258, S258

Switching Characteristics $V_{CC} = 5V, T_A = 25^\circ C$

PARAMETER		FROM (INPUT)	TO (OUTPUT)	DM54LS/74LS				DM74S						UNITS	
				LS257, LS258				CONDITIONS	S257			S258			
				CONDITIONS	MIN	TYP	MAX		MIN	TYP	MAX	MIN	TYP		MAX
t_{PLH}	Propagation Delay Time, Low-to-High Level Output	Data	Any	$C_L = 15 \text{ pF}$ $R_L = 2 \text{ k}\Omega$	$C_L = 15 \text{ pF}$ $R_L = 280\Omega$		12	18	5	7.5	4	6	ns		
t_{PHL}	Propagation Delay Time, High-to-Low Level Output						12	18	4.5	6.5	4	6	ns		
t_{PLH}	Propagation Delay Time, Low-to-High Level Output	Select	Any				14	21	8.5	15	8	12	ns		
t_{PHL}	Propagation Delay Time, High-to-Low Level Output						14	21	8.5	15	7.5	12	ns		
t_{ZH}	Output Enable Time to High Level	Output Control	Any				20	30	13	19.5	13	19.5	ns		
t_{ZL}	Output Enable Time to Low Level						20	30	14	21	14	21	ns		
t_{HZ}	Output Disable Time From High Level	Output Control	Any				20	30	5.5	8.5	5.5	8.5	ns		
t_{LZ}	Output Disable Time From Low Level						17	25	9	14	9	14	ns		

Notes

- (1) All typical values are at $V_{CC} = 5V, T_A = 25^\circ C$.
- (2) Not more than one output should be shorted at a time, and duration of the short circuit should not exceed one second.
- (3) I_{CC} is measured with all outputs open and all possible inputs grounded, while achieving the stated output conditions.

Truth Table

INPUTS			OUTPUT Y	
OUTPUT CONTROL	SELECT	A B	LS257 S257	LS258 S258
H	X	X X	Z	Z
L	L	L X	L	H
L	L	H X	H	L
L	H	X L	L	H
L	H	X H	H	L

H = High Level, L = Low Level, X = Don't Care, Z = High Impedance (off)

Quad $\bar{S}\text{-}\bar{R}$ Latches

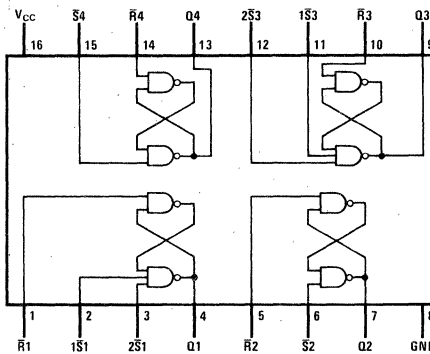
General Description

These latches are ideally suited for use as temporary storage of binary information between processing units and I/O units. When either one of the data inputs is at a low logic level, the output will follow the level of the R input. When both data inputs are high, the output will remain latched in its previous state. When both inputs are low, the output will go high. However, this high level may not persist when either one of the data inputs returns to the high state.

Features

- For more advanced design $\bar{S}\text{-}\bar{R}$ latches, see DM7544/8544
- Typical power dissipation 19 mW
- Typical propagation delay 12 ns

Connection Diagram



54LS279/74LS279(J), (N), (W)

Truth Table

INPUTS		OUTPUT
S†	\bar{R}	Q
H	H	Q ₀
L	H	H
H	L	L
L	L	H*

H = High Level

L = Low Level

Q₀ = The level of Q before the indicated input conditions were established.

* This output level is pseudo stable: that is, it may not persist when the S and R inputs return to their inactive (high) level.

† For latches with double \bar{S} inputs:

H = both \bar{S} inputs high

L = one or both \bar{S} inputs low

Electrical Characteristics over recommended operating free-air temperature range (unless otherwise noted)

PARAMETER		CONDITIONS		DM54LS/74LS			UNITS	
				LS279				
				MIN	TYP(1)	MAX		
V_{IH}	High Level Input Voltage				2		V	
V_{IL}	Low Level Input Voltage		DM54		0.7		V	
			DM74		0.8			
V_I	Input Clamp Voltage	$V_{CC} = \text{Min}, I_I = -18 \text{ mA}$				-1.5	V	
I_{OH}	High Level Output Current					-400	μA	
V_{OH}	High Level Output Voltage	$V_{CC} = \text{Min}, V_{IH} = 2\text{V}$ $V_{IL} = \text{Max}, I_{OH} = -400\mu\text{A}$	DM54	2.5	3.5		V	
			DM74	2.7	3.5			
I_{OL}	Low Level Output Current		DM54			4	mA	
			DM74			8		
V_{OL}	Low Level Output Voltage	$V_{CC} = \text{Min}$ $V_{IH} = 2\text{V}$ $V_{IL} = \text{Max}$	$I_{OL} = 4 \text{ mA}$			0.25	0.4	V
			$I_{OL} = 8 \text{ mA}$	DM74			0.35	
I_I	Input Current at Maximum Input Voltage	$V_{CC} = \text{Max}, V_I = 7\text{V}$				0.1	mA	
I_{IH}	High Level Input Current	$V_{CC} = \text{Max}, V_I = 2.7\text{V}$				20	μA	
I_{IL}	Low Level Input Current	$V_{CC} = \text{Max}, V_I = 0.4\text{V}$				-0.4	mA	
I_{OS}	Short Circuit Output Current	$V_{CC} = \text{Max}(2)$				-30	-130	mA
I_{CC}	Supply Current	$V_{CC} = \text{Max} (3)$				3.8	7	mA

Notes

- (1) All typical values are at $V_{CC} = 5\text{V}, T_A = 25^\circ\text{C}$.
 (2) Not more than one output should be shorted at a time, and duration of short circuit should not exceed one second.
 (3) I_{CC} is measured with all \bar{R} inputs grounded, all \bar{S} inputs at 4.5V, and all outputs open.

Switching Characteristics $V_{CC} = 5\text{V}, T_A = 25^\circ\text{C}$

PARAMETER		CONDITIONS	MIN	TYP	MAX	UNITS
t_{PLH}	Propagation Delay Time, Low-to-High Level Output From \bar{S} Input	$C_L = 15 \text{ pF}$ $R_L = 2 \text{ k}\Omega$		12	22	ns
t_{PHL}	Propagation Delay Time, High-to-Low Level Output From \bar{S} Input		9	15	ns	
t_{PHL}	Propagation Delay Time, High-to-Low Level Output From \bar{R} Input		15	27	ns	

9-Bit Parity Generators/Checkers

General Description

These universal, nine-bit parity generators/checkers utilize Schottky-clamped TTL high-performance circuitry, and feature odd/even outputs to facilitate operation of either odd or even parity applications. The word-length capability is easily expanded by cascading.

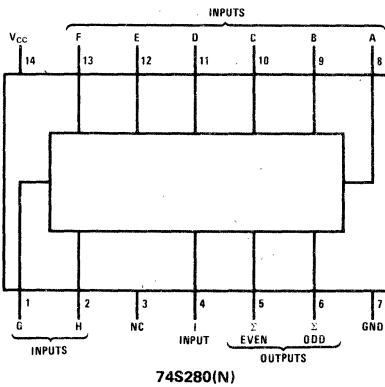
The S280 can be used to upgrade the performance of most systems utilizing the DM74180 parity generator/checker. Although the S280 is implemented without expander inputs, the corresponding function is provided by the availability of an input at pin 4, and no internal connection at pin 3. This permits the S280 to be substituted for the 180 in existing designs to produce an identical function, even if S280's are mixed with existing 180's.

Input buffers are provided so that each input represents only one normal 74S load, and full fan-out to 10 normal Series 74S loads is available from each of the outputs at low logic levels. A fan-out to 20 normal Series 74S loads is provided at high logic levels, to facilitate connection of unused inputs to used inputs.

Features

- Generates either odd or even parity for nine data lines
- Cascadable for n-bits
- Can be used to upgrade existing systems using MSI parity circuits
- Typical data-to-output delay—14 ns

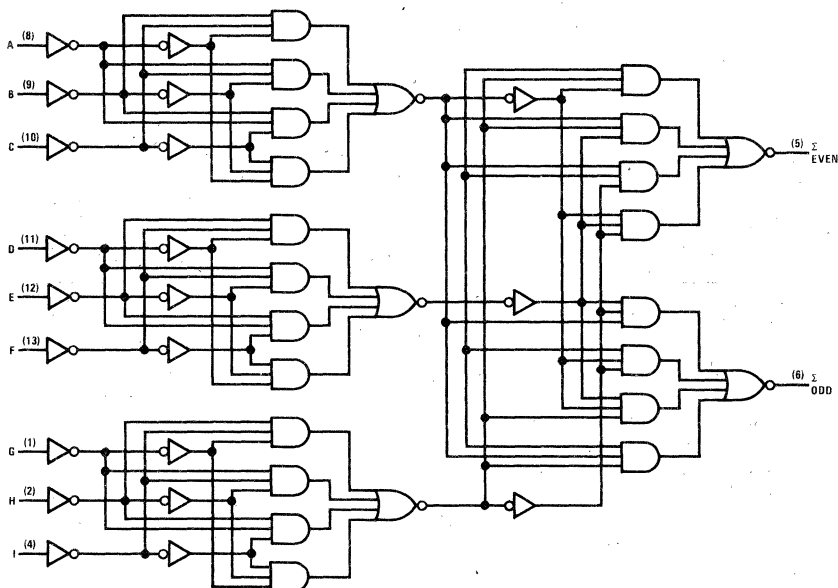
Connection Diagram



Truth Table

NUMBER OF INPUTS (A THRU I) THAT ARE HIGH	OUTPUTS	
	Σ EVEN	Σ ODD
0, 2, 4, 6, 8	H	L
1, 3, 5, 7, 9	L	H

Logic Diagram



Electrical Characteristics over recommended operating free-air temperature range (unless otherwise noted)

PARAMETER		CONDITIONS	DM74S			UNITS
			S280			
			MIN	TYP(1)	MAX	
V_{IH}	High Level Input Voltage		2			V
V_{IL}	Low Level Input Voltage				0.8	V
V_I	Input Clamp Voltage	$V_{CC} = \text{Min}, I_I = -18 \text{ mA}$			-1.2	V
I_{OH}	High Level Output Current				-1	mA
V_{OH}	High Level Output Voltage	$V_{CC} = \text{Min}, V_{IH} = 2\text{V}$ $V_{IL} = 0.8\text{V}, I_{OH} = -1 \text{ mA}$	2.7	3.4		V
I_{OL}	Low Level Output Current				20	mA
V_{OL}	Low Level Output Voltage	$V_{CC} = \text{Min}, V_{IH} = 2\text{V}$ $V_{IL} = 0.8\text{V}, I_{OL} = 20 \text{ mA}$			0.5	V
I_I	Input Current at Maximum Input Voltage	$V_{CC} = \text{Max}, V_I = 5.5\text{V}$			1	mA
I_{IH}	High Level Input Current	$V_{CC} = \text{Max}, V_I = 2.7\text{V}$			50	μA
I_{IL}	Low Level Input Current	$V_{CC} = \text{Max}, V_I = 0.5\text{V}$			-2	mA
I_{OS}	Short Circuit Output Current	$V_{CC} = \text{Max}(2)$	-40		-100	mA
I_{CC}	Supply Current	$V_{CC} = \text{Max}(3)$		67	105	mA

Notes

- (1) All typical values are at $V_{CC} = 5\text{V}, T_A = 25^\circ\text{C}$.
- (2) Not more than one output should be shorted at a time, and duration of the short circuit should not exceed one second.
- (3) I_{CC} is measured with all inputs grounded and all outputs open.

Switching Characteristics $V_{CC} = 5\text{V}, T_A = 25^\circ\text{C}$

PARAMETER		FROM (INPUT)	TO (OUTPUT)	CONDITIONS	DM74S			UNITS
					S280			
					MIN	TYP	MAX	
t_{PLH}	Propagation Delay Time, Low-to-High Level Output	Data	Σ Even	$C_L = 15 \text{ pF}, R_L = 180\Omega$	14	21	ns	
t_{PHL}	Propagation Delay Time, High-to-Low Level Output				11.5	18	ns	
t_{PLH}	Propagation Delay Time, Low-to-High Level Output	Data	Σ Odd		14	21	ns	
t_{PHL}	Propagation Delay Time, High-to-Low Level Output				11.5	18	ns	

Typical Applications

Three S280's can be used to implement a 25-line parity generator/checker. This arrangement will provide parity in typically 25 ns. (See *Figure 1*.)

As an alternative, the outputs of two or three parity generators/checkers can be decoded with a 2-input

(S86) or 3-input (S135) exclusive-OR gate for 18 or 27-line parity applications.

Longer word lengths can be implemented by cascading S280's. As shown in *Figure 2*, parity can be generated for word lengths up to 81 bits in typically 25 ns.

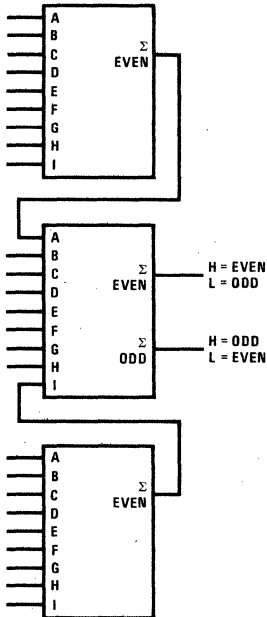


FIGURE 1: 25-LINE PARITY/GENERATOR CHECKER

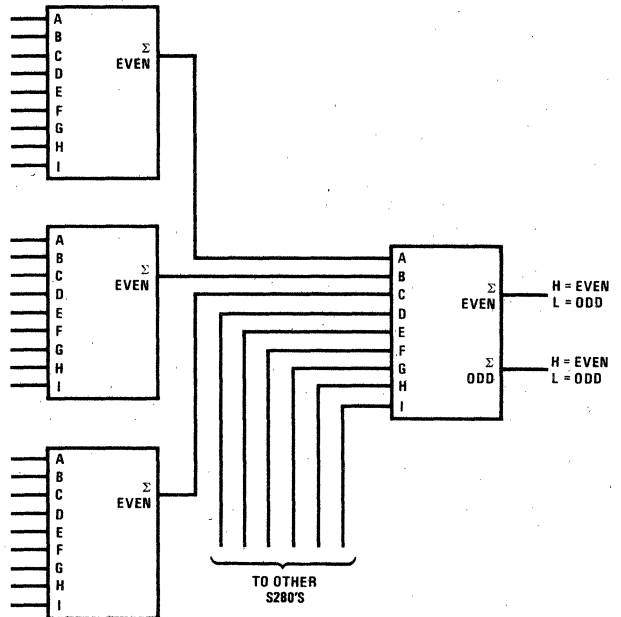


FIGURE 2: 81-LINE PARITY/GENERATOR CHECKER

4-Bit Parallel Binary Accumulators

General Description

These Schottky-clamped four-bit accumulators integrate high-performance versions of an arithmetic logic unit/function generator, and a shift/storage matrix in a single circuit. The arithmetic logic unit (ALU) portion provides the capability of 16 arithmetic/logic type operations, as detailed in Table I. The accumulator includes an exchange of subtract operands by which either A-B or B-A can be accomplished directly. The ALU is controlled by three function-select inputs (AS0, AS1, AS2) and a mode-control input (M). When the mode-control input is high, the ALU may perform any of seven logic functions on two binary variables, as detailed in Table II. Full carry look-ahead is provided for fast, simultaneous carry generation. The carry input (C_n) and propagate and generate outputs (P, G) are implemented for direct use with the DM74S182 look-ahead/carry generators. This permits systems to be implemented with the added advantage of full look-ahead across any word length to minimize the accumulator delay times. Once data is loaded into the accumulator, the typical add time with full look-ahead is 29 nanoseconds for 16-bit words.

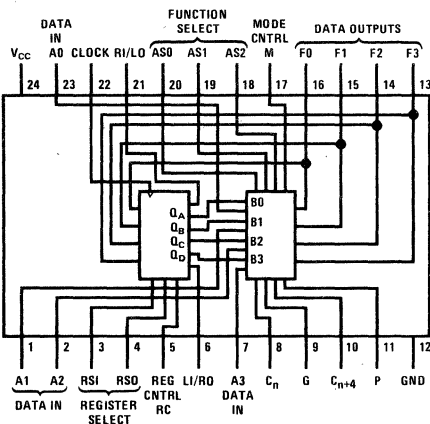
The shift/storage matrix has capabilities similar to the DM74S194 universal bidirectional shift register, with the added advantage of multiplexed input/output (I/O) cascading lines which comprehend arithmetic shift functions having a sign bit, such as 2's complements. The matrix can be used to perform either logic or arithmetic shifts in either direction (left or right), parallel load,

or hold. Control of the register is accomplished with three inputs: register control (RC) and register selection (RS0, RS1). The cascading input/output lines incorporate TRI-STATE outputs multiplexed with an input. The least-significant cascading bit is combined with the A0/F0 circuitry to provide the shift-right input and the shift-left output (RI/LO), and the most significant bit is coupled with the A3/F3 circuitry to provide the shift-left input and the shift-right output (LI/RO).

Features

- Logic mode operation provides seven Boolean functions of the two variables
- Full shifting capabilities:
 - Logic shift (left or right)
 - Arithmetic shift (left or right) for sign bit protection
 - Hold
 - Parallel load
- Expandable to handle n-bit words with full carry look-ahead
- 15 arithmetic/logic operations:
 - Add
 - Subtract (B-A or A-B)
 - Complement
 - Increment
 - Transfer
 - Plus 10 other functions
- Full 4-bit binary accumulator in a single package

Connection Diagram



74S281(N)

Truth Tables Notes Shown on Following Page

TABLE I-ARITHMETIC FUNCTIONS
Mode Control (M) = Low

ALU SELECTION			ACTIVE HIGH DATA	
AS2	AS1	AS0	C _n = H (with carry)	C _n = L (no carry)
L	L	L	F ₀ = L, F ₁ = F ₂ = F ₃ = H	F _n = H
L	L	H	F = B MINUS A	F = B MINUS A MINUS 1
L	H	L	F = A MINUS B	F = A MINUS B MINUS 1
L	H	H	F = A PLUS B PLUS 1	F = A PLUS B
H	L	L	F = B PLUS 1	F _n = B _n
H	L	H	F = \bar{B} PLUS 1	$\bar{F}_n = \bar{B}_n$
H	H	L	F = A PLUS 1	F _n = A _n
H	H	H	F = \bar{A} PLUS 1	$\bar{F}_n = \bar{A}_n$

TABLE II-LOGIC FUNCTIONS
Mode Control (M) = High
Carry Input (C_n) = X (Don't Care)

ALU SELECTION			ACTIVE-HIGH DATA FUNCTION
AS2	AS1	AS0	
L	L	L	F _n = L
L	X	H	F _n = A _n ⊕ B _n
L	H	L	F _n = $\bar{A}_n \oplus \bar{B}_n$
H	L	L	F _n = A _n B _n
H	L	H	F _n = $\bar{A}_n + \bar{B}_n$
H	H	L	F _n = $\bar{A}_n \bar{B}_n$
H	H	H	F _n = A _n + B _n

Truth Tables (Continued)
TABLE III—SHIFT MODE FUNCTIONS
 $C_n = M = S_0 = S_1 = \text{Low, and } S_2 = \text{High}$

REGISTER SELECTION		REGISTER CONTROL INPUT	SHIFT-MATRIX INPUTS				CLOCK INPUT	INPUT/OUTPUT RI/LO	SHIFT-MATRIX OUTPUTS (INTERNAL)				INPUT/OUTPUT LI/RO
RS1	RS0		F0	F1	F2	F3			QA	QB	QC	QD	
L	L	X	f0	f1	f2	f3	↑	Z	f0	f1	f2	f3	Z
L	H	L	Q _{Bn}	Q _{Cn}	Q _{Dn}	li	↑	Q _{Bn}	Q _{Bn}	Q _{Cn}	Q _{Dn}	li	li
L	H	H	Q _{A0}	Q _{Cn}	Q _{Dn}	li	↑	Q _{Bn}	Q _{Bn}	Q _{Cn}	li	Q _{D0}	li
H	L	L	ri	Q _{An}	Q _{Bn}	Q _{Cn}	↑	ri	ri	Q _{An}	Q _{Bn}	Q _{Cn}	Q _{Cn}
H	L	H	ri	Q _{An}	Q _{Bn}	Q _{D0}	↑	ri	ri	Q _{An}	Q _{Bn}	Q _{D0}	Q _{Cn}
H	H	X	Q _{A0}	Q _{B0}	Q _{C0}	Q _{D0}	↑	Z	Q _{A0}	Q _{B0}	Q _{C0}	Q _{D0}	Z
X	X	X	Q _{A0}	Q _{B0}	Q _{C0}	Q _{D0}	L	X	Q _{A0}	Q _{B0}	Q _{C0}	Q _{D0}	X

H = High Level (steady state)

L = Low Level (steady state)

X = Don't Care (any input, including transitions)

Z = High Impedance (output off)

↑ = Transition from low to high level

f0, f1, f2, f3, ri, li = The level of steady-state conditions at F0, F1, F2, F3, RI/LO or LI/RO respectively.

 Q_{A0}, Q_{B0}, Q_{C0}, Q_{D0} = The level of Q_A, Q_B, Q_C, or Q_D, respectively, before the indicated steady state input conditions were established.

 Q_{An}, Q_{Bn}, Q_{Cn}, Q_{Dn} = The level of Q_A, Q_B, Q_C, or Q_D, respectively, before the most recent transition of the clock.

Electrical Characteristics over recommended operating free-air temperature range (unless otherwise noted)

PARAMETER		CONDITIONS	DM74S			UNITS	
			S281				
			MIN	TYP(1)	MAX		
V _{IH}	High Level Input Voltage		2			V	
V _{IL}	Low Level Input Voltage				0.8	V	
V _I	Input Clamp Voltage	Any Input Except LI/RO and RI/LO	V _{CC} = Min, I _I = -18 mA		-1.2	V	
I _{OH}	High Level Output Current	Any Output Except LI/RO and RI/LO			-1	mA	
		LI/RO and RI/LO			-2		
V _{OH}	High Level Output Voltage	Any Output Except LI/RO and RI/LO	V _{CC} = Min, V _{IH} = 2V		2.7	3.4	V
		LI/RO, RI/LO	V _{IL} = 0.8V, I _{OH} = Max		2.4	3.4	
I _{OL}	Low Level Output Current	Any Output Except LI/RO and RI/LO			20	mA	
		LI/RO and RI/LO			10		
V _{OL}	Low Level Output Voltage		V _{CC} = Min, V _{IH} = 2V V _{IL} = 0.8V, I _{OL} = Max		0.5	V	
I _I	Input Current at Maximum Input Voltage(3)		V _{CC} = Max, V _I = 5.5V		1	mA	
I _{IH}	High Level Input Current	RS0, RS1	V _{CC} = Max, V _I = 2.7V		50	μA	
		M, Clock			150		
		LI/RO, RI/LO(3)			200		
		AS2			300		
		Others			250		
I _{IL}	Low Level Input Current	RS0, RS1, LI/RO(3)	V _{CC} = Max, V _I = 0.5V		-2	mA	
		RI/LO			-3		
		M, Clock			-4		
		AS0, AS1			-6		
		Others			-8		
I _{OS}	Short Circuit Output Current	V _{CC} = Max(2)	-40	-110	mA		
I _{CC}	Supply Current	V _{CC} = Max	144	230	mA		

Notes

 (1) All typical values are at V_{CC} = 5V, T_A = 25°C.

(2) Not more than one output should be shorted at a time, and duration of short circuit should not exceed one second.

(3) When testing input current at the RI/LO or LI/RO terminals, the output under test must be in the high-impedance (off) state.

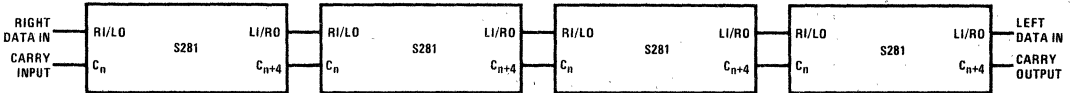
Switching Characteristics $V_{CC} = 5V, T_A = 25^\circ C$

PARAMETER		FROM (INPUT)	TO (OUTPUT)	CONDITIONS	DM74S			UNITS
					S281			
					MIN	TYP	MAX	
f_{MAX}	Clock Frequency (For Shifting)				50			MHz
t_{PLH}	Propagation Delay Time, Low-to-High Level Output	C_n	C_{n+4}	$C_L = 15\text{ pF}$ I/O Outputs: $R_L = 560\Omega$ Other Outputs: $R_L = 280\Omega$	10	20	ns	
t_{PHL}	Propagation Delay Time, High-to-Low Level Output				10	20	ns	
t_{PLH}	Propagation Delay Time, Low-to-High Level Output	Any A	C_{n+4}		18	30	ns	
t_{PHL}	Propagation Delay Time, High-to-Low Level Output				18	30	ns	
t_{PLH}	Propagation Delay Time, Low-to-High Level Output	C_n	Any F		10	20	ns	
t_{PHL}	Propagation Delay Time, High-to-Low Level Output				10	20	ns	
t_{PLH}	Propagation Delay Time, Low-to-High Level Output	Any A	G		14	24	ns	
t_{PHL}	Propagation Delay Time, High-to-Low Level Output				14	24	ns	
t_{PLH}	Propagation Delay Time, Low-to-High Level Output	Any A	P		12	20	ns	
t_{PHL}	Propagation Delay Time, High-to-Low Level Output				12	20	ns	
t_{PLH}	Propagation Delay Time, Low-to-High Level Output	A_i	F_i		20	35	ns	
t_{PHL}	Propagation Delay Time, High-to-Low Level Output				20	35	ns	
t_{PLH}	Propagation Delay Time, Low-to-High Level Output	A_0	RI/LO		30	45	ns	
t_{PHL}	Propagation Delay Time, High-to-Low Level Output				30	45	ns	
t_{PLH}	Propagation Delay Time, Low-to-High Level Output	A_3	LI/RO		30	45	ns	
t_{PHL}	Propagation Delay Time, High-to-Low Level Output				30	45	ns	
t_{PLH}	Propagation Delay Time, Low-to-High Level Output	F_0	RI/LO		7	11	ns	
t_{PHL}	Propagation Delay Time, High-to-Low Level Output				7	11	ns	
t_{PLH}	Propagation Delay Time, Low-to-High Level Output	F_3	LI/RO		7	11	ns	
t_{PHL}	Propagation Delay Time, High-to-Low Level Output				7	11	ns	
t_{PLH}	Propagation Delay Time, Low-to-High Level Output	Any AS	Any F or C_{n+4}		28	45	ns	
t_{PHL}	Propagation Delay Time, High-to-Low Level Output				28	45	ns	
t_{PLH}	Propagation Delay Time, Low-to-High Level Output	Any AS	P or G		20	33	ns	
t_{PHL}	Propagation Delay Time, High-to-Low Level Output				20	33	ns	
t_{PLH}	Propagation Delay Time, Low-to-High Level Output	Clock	Any F		30	45	ns	
t_{PHL}	Propagation Delay Time, High-to-Low Level Output				30	45	ns	
t_{PLH}	Propagation Delay Time, Low-to-High Level Output	Clock	RI/LO or LI/RO		35	55	ns	
t_{PHL}	Propagation Delay Time, High-to-Low Level Output				35	55	ns	
$t_{W(CLOCK)}$	Width of Clock Pulse				8		ns	
t_{SETUP}	Data Setup Time With Respect to Clock				0† (5)		ns	
t_{HOLD}	Data Hold Time With Respect to Clock				18† (5)		ns	

Notes

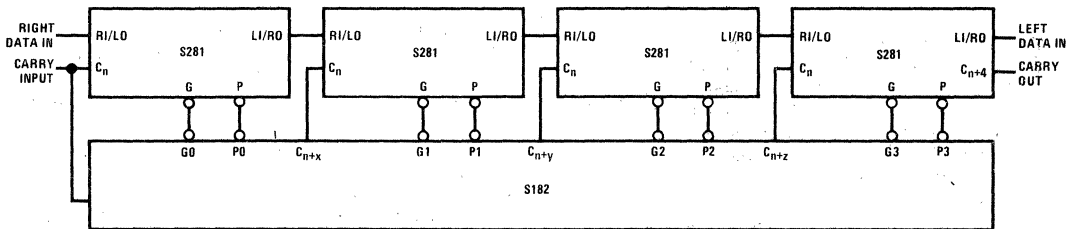
(5) † The arrow indicates that the rising edge of the clock pulse is used for reference.

Typical Applications



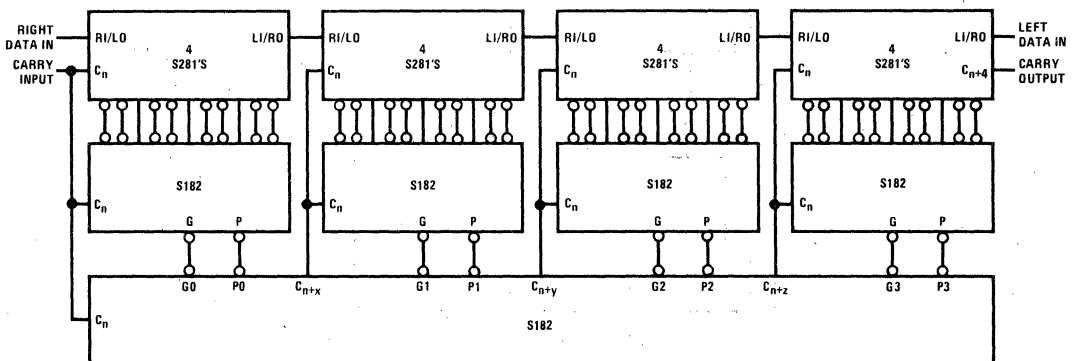
Enter and store time: 38 ns typ
 Each successive addition to stored data: 44 ns typ

FIGURE A: 16-BIT BINARY ACCUMULATOR USING FOUR DM74S281 CIRCUITS IN RIPPLE-CARRY MODE



Enter and store time: 37 ns typ
 Each successive addition to stored data: 29 ns typ

FIGURE B: 16-BIT BINARY ACCUMULATOR USING FOUR DM74S281 CIRCUITS AND ONE DM74S182 FOR FULL CARRY LOOK-AHEAD



Enter and store time: 42 ns typ
 Each successive addition to stored data: 34 ns typ

FIGURE C: 64-BIT BINARY ACCUMULATOR USING 16 DM74S281 CIRCUITS AND FIVE DM74S182 CIRCUITS FOR FULL CARRY LOOK-AHEAD

1024-Bit Programmable Read Only Memories

General Description

These circuits are field-programmable, 1024-bit, read-only memories organized as 256 words of four bits each. This high-speed, Schottky-clamped, TTL memory array is addressed in 8-bit binary with full on-chip decoding. Two overriding chip-select inputs are provided which, when either one or both are high, cause all four outputs to be off (high Z state for S287). This memory features PNP input transistors, which reduce the low level input current requirement to a maximum of -0.25 mA, only one-eighth that of a standard Series 74S load. The organization is expandable with no additional output buffering.

The address of a 4-bit word is accomplished through the buffered binary select inputs, with a low level at both chip-select inputs. Where multiple devices are used in a memory system, the chip-select inputs allow easy decoding of additional address bits.

Data can be electronically programmed at any of the 1024-bit locations. Prior to programming, the memory contains a low logic level output condition at all bit locations. The programming procedure open-circuits metal links, which results in a high logic level output at the selected locations. The procedure is irreversible; once altered, the output for that bit is permanently programmed to provide a high logic level. Outputs never having been altered may later be programmed to supply a high level output. Operation of the device with-

in the recommended operating conditions will not alter the memory content.

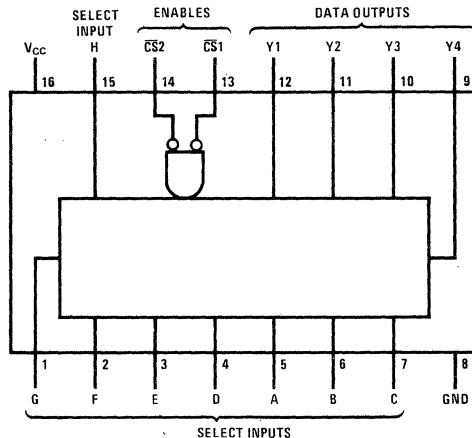
These programmable memories can be used to replace the DM74187, as they are functionally and mechanically identical.

Features

- Fully decoded, low-current PNP inputs
- S387 has open-collector outputs for easy word expansion
- S287 is functionally equivalent but has TRI-STATE outputs
- Provides the versatility of custom designs virtually "off the shelf"
- Applications include:
 - Microprogramming
 - Look-up tables for any fixed program
 - Parallel Code Converters
 - Sequence, routine, and subroutine generators
 - Random logic function generator
- Interchangeable with most other 256 words by 4-bit TTL PROMs/ROMs
- Fully compatible with most TTL and other saturated low level logic families
- Schottky-clamped for high performance:

Chip-select access time	15 ns typ
Address access time	30 ns typ

Connection Diagram



54S287(J); 74S287(J), (N);
54S387(J); 74S387(J), (N)

Electrical Characteristics over recommended operating free-air temperature range (unless otherwise noted)

PARAMETER		CONDITIONS		DM54S/74S						UNITS
				S287			S387			
				MIN	TYP(1)	MAX	MIN	TYP(1)	MAX	
V _{IH}	High Level Input Voltage			2			2			V
V _{IL}	Low Level Input Voltage					0.8			0.8	V
V _I	Input Clamp Voltage	V _{CC} = Min, I _I = -18 mA				-1.2			-1.2	V
I _{OH}	High Level Output Current	V _{CC} = Min, V _{IH} = 2V V _{IL} = 0.8V	V _{OH} = 2.4V			N/A			50	μA
			V _{OH} = 5.5V			N/A			100	μA
			DM54			-2.0			N/A	mA
			DM74			-6.5			N/A	mA
V _{OH}	High Level Output Voltage	V _{CC} = Min, V _{IH} = 2V V _{IL} = 0.8V, I _{OH} = Max		2.4	3.2				5.5	V
I _{OL}	Low Level Output Current					16			16	mA
V _{OL}	Low Level Output Voltage	V _{CC} = Min, V _{IH} = 2V V _{IL} = 0.8V, I _{OL} = 16 mA				0.5			0.5	V
I _{O(OFF)}	Off-State (High Impedance State) Output Current	V _{CC} = Max, V _{IH} = 2V	V _O = 0.5V			-50			N/A	μA
			V _O = 2.4V			50			N/A	μA
I _I	Input Current at Maximum Input Voltage	V _{CC} = Max, V _I = 5.5V				1			1	mA
I _{IH}	High Level Input Current	V _{CC} = Max, V _I = 2.7V				25			25	μA
I _{IL}	Low Level Input Current	V _{CC} = Max, V _I = 0.45V				-250			-250	μA
I _{OS}	Short Circuit Output Current	V _{CC} = Max(2)		-30		-100			N/A	mA
I _{CC}	Supply Current	V _{CC} = Max(3)		100	135		100	135		mA

Notes

- All typical values are at V_{CC} = 5V, T_A = 25°C.
- Not more than one output should be shorted at a time, and duration of the short circuit should not exceed one second.
- I_{CC} is measured with outputs open and both \overline{CS} inputs grounded.

Switching Characteristics V_{CC} = 5V, T_A = 25°C

PARAMETER		FROM (INPUT)	TO (OUTPUT)	DM54S/74S									UNITS
				S287						S387			
				CONDITIONS	MIN	TYP	MAX	CONDITIONS	MIN	TYP	MAX		
t _{PLH}	Propagation Delay Time, Low-to-High Level Output	Address	Any	C _L = 30 pF R _L = 400Ω	C _L = 30 pF R _{L1} = 400Ω to V _{CC} R _{L2} = 600Ω to GND	30			35			ns	
t _{PHL}	Propagation Delay Time, High-to-Low Level Output					30			35			ns	
t _{PLH}	Propagation Delay Time, Low-to-High Level Output	Chip Select	Any			N/A			15			ns	
t _{PHL}	Propagation Delay Time, High-to-Low Level Output					N/A			15			ns	
t _{ZH}	Output Enable Time to High Level	Chip Select	Any			15			N/A			ns	
t _{ZL}	Output Enable Time to Low Level					15			N/A			ns	
t _{HZ}	Output Disable Time From High Level	Chip Select	Any			12			N/A			ns	
t _{LZ}	Output Disable Time From Low Level					12			N/A			ns	

Notes

- When measuring times from address inputs, both $\overline{CS1}$ and $\overline{CS2}$ are low. When measuring times from chip-select inputs, the address inputs are held steady.

64-Bit Read/Write Memories with Open Collector Outputs

General Description

These 64-bit active element memories are Schottky-clamped TTL arrays organized as 16 words of four bits each. They are fully decoded and feature a chip-enable input to simplify decoding required to achieve the desired system organization. The memories feature PNP input transistors that reduce the low level input current requirement to a maximum of -0.25 mA, only one-eighth that of a (standard) Series 54S/74S load factor. The chip-enable circuitry is implemented with minimal delay times to compensate for added system decoding.

Write Cycle: The complement of the information at the data input is written into the selected location when both the chip-enable input and the read/write input are low. While the read/write input is low, the outputs are at a high logic level (off).

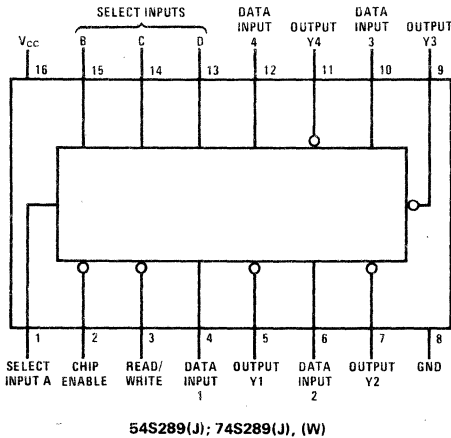
Read Cycle: The stored information (complement of information applied at the data inputs during the write cycle) is available at the outputs when the read/write input is high and the chip-enable input is low. When the chip-enable input is high, the outputs are high (off).

The fast access time of the S289 makes it particularly attractive for implementing high performance memory functions requiring access times on the order of 25 ns. The unique functional capability of the S289 outputs being high during writing, combined with the data inputs being inhibited during reading, means that both data inputs and outputs can be connected to the data lines of a bus organized system without the need for interface circuits.

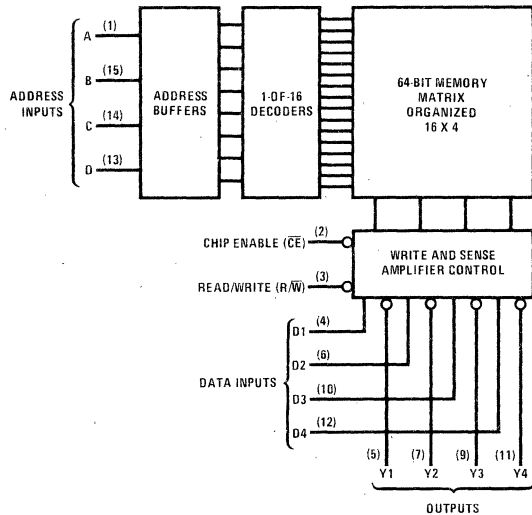
Features

- Schottky-clamped for high-speed applications:
 - Access from chip-enable inputs 12 ns typ
 - Access from address inputs 25 ns typ
- Open-collector outputs for controlled-impedance bus lines
- DM54S189/DM74S189 are functionally equivalent but have TRI-STATE outputs
- Chip-enable input simplifies system decoding
- Compatible with Intel 3101A in most applications

Connection Diagram



Logic Diagram



Truth Table

FUNCTION	INPUTS		OUTPUT
	CHIP ENABLE	READ/WRITE	
Write (Store Complement of Data)	L	L	H
Read	L	H	Stored Data
Inhibit	H	X	H

H = High Level, L = Low Level, X = Don't Care

Electrical Characteristics over recommended operating free-air temperature range (unless otherwise noted)

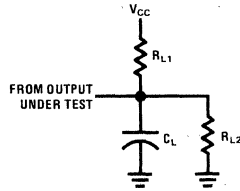
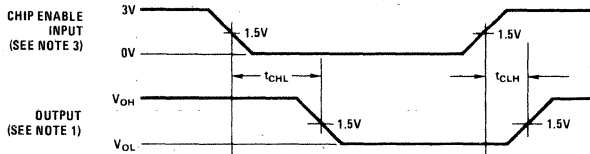
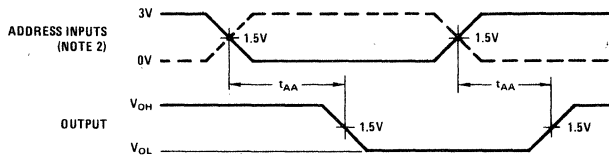
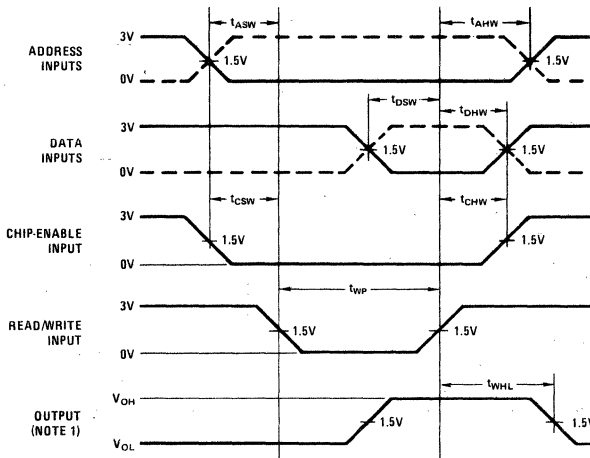
PARAMETER		CONDITIONS		DM54S/74S			UNITS
				S289			
				MIN	TYP(1)	MAX	
V_{IH}	High Level Input Voltage			2			V
V_{IL}	Low Level Input Voltage			0.8		V	
V_I	Input Clamp Voltage	$V_{CC} = \text{Min}, I_I = -18 \text{ mA}$		-1.2		V	
I_{OH}	High Level Output Current	$V_{CC} = \text{Min}, V_{IH} = 2\text{V}$ $V_{IL} = 0.8\text{V}$	$V_{OH} = 2.4\text{V}$	40		μA	
			$V_{OH} = 5.5\text{V}$	100			
V_{OH}	High Level Output Voltage			5.5		V	
I_{OL}	Low Level Output Current			16		mA	
V_{OL}	Low Level Output Voltage	$V_{CC} = \text{Min}, V_{IH} = 2\text{V}$ $V_{IL} = 0.8\text{V}, I_{OL} = 16 \text{ mA}$	DM54	0.5		V	
			DM74	0.45			
I_I	Input Current at Maximum Input Voltage	$V_{CC} = \text{Max}, V_I = 5.5\text{V}$		1		mA	
I_{IH}	High Level Input Current	$V_{CC} = \text{Max}, V_I = 2.7\text{V}$		25		μA	
I_{IL}	Low Level Input Current	$V_{CC} = \text{Max}, V_I = 0.45\text{V}$		-250		μA	
I_{CC}	Supply Current	$V_{CC} = \text{Max}(2)$		75	105	mA	

Notes

- (1) All typical values are at $V_{CC} = 5\text{V}, T_A = 25^\circ\text{C}$.
 (2) I_{CC} is measured with all inputs grounded, and the outputs open.

Switching Characteristics over recommended operating ranges of V_{CC} and T_A (unless otherwise noted)

PARAMETER			CONDITIONS	DM54S			DM74S			UNITS
				S289			S289			
				MIN	TYP	MAX	MIN	TYP	MAX	
t_{AA}	Access Times From Address		$C_L = 30 \text{ pF}$ $R_{L1} = 300\Omega$ $R_{L2} = 600\Omega$	25	50		25	35	ns	
t_{CLH}	Disable Time From Chip Enable			12	25		12	17	ns	
t_{CHL}	Enable Time From Chip Enable			12	25		12	17	ns	
t_{WHL}	Sense-Recovery Time From Read/Write			22	40		22	35	ns	
t_{WP}	Width of Write-Enable Pulse (Read/Write Low)			25			25		ns	
t_{ASW}	Setup Time	Address to Read/Write	0			0		ns		
		Data to Read/Write	25			25				
		Chip Enable to Read/Write	0			0				
t_{AHW}	Hold Time	Address From Read/Write	0			0		ns		
		Data From Read/Write	0			0				
		Chip Enable From Read/Write	0			0				

Parameter Measurement Information
LOAD CIRCUIT

ENABLE AND DISABLE TIME FROM CHIP ENABLE

ACCESS TIME FROM ADDRESS INPUTS

WRITE CYCLE

Notes

- (1) Waveform 1 is for the output with internal conditions such that the output is low except when disabled.
- (2) When measuring delay times from address inputs, the chip enable input is low and the read/write input is high.
- (3) When measuring delay times from chip enable input, the address inputs are steady state and the read/write input is high.
- (4) Input waveforms are supplied by pulse generators having the following characteristics: $t_r \leq 2.5$ ns, $t_f \leq 2.5$ ns, $PRR \leq 1$ MHz and $Z_{OUT} \approx 50\Omega$.

TRI-STATE 4-Bit Parallel Access Shift Registers

General Description

These 4-bit registers feature parallel inputs, parallel outputs, and clock, serial, mode, and output control inputs. The registers have three modes of operation:

- Parallel (broadside) load
- Shift right (the direction Q_A toward Q_D)
- Shift left (the direction Q_D toward Q_A)

Parallel loading is accomplished by applying the four bits of data and taking the mode control input high. The data is loaded into the associated flip-flops and appears at the outputs after the high to low transition of the clock input. During parallel loading, the entry of serial data is inhibited.

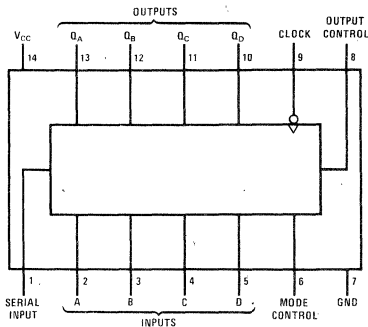
Shift right is accomplished when the mode control is low; shift left is accomplished when the mode control is high by connecting the output of each flip-flop to the parallel input of the previous flip-flop (Q_D to input C, etc.) and serial data is entered at input D.

When the output control is high, the normal logic levels of the four outputs are available for driving the loads or bus lines. The outputs are disabled independently from the level of the clock by a low logic level at the output control input. The outputs then present a high impedance and neither load nor drive the bus line; however, sequential operation of the register is not affected.

Features

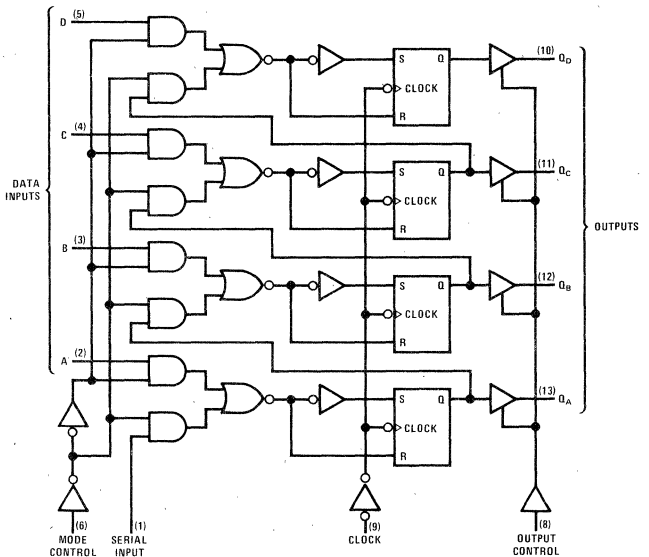
- TRI-STATE versions of DM54LS95B/DM74LS95B
- Schottky diode clamped transistors
- Low power dissipation (enabled) 70 mW typical
- Applications:
 - N-bit serial-to-parallel converter
 - N-bit parallel-to-serial converter
 - N-bit storage register

Connection Diagram



54LS295A/74LS295A(J), (N), (W)

Logic Diagram



Truth Table

MODE CONTROL	INPUTS				OUTPUTS					
	CLOCK	SERIAL	PARALLEL				Q_A	Q_B	Q_C	Q_D
			A	B	C	D	Q_{A0}	Q_{B0}	Q_{C0}	Q_{D0}
H	H	X	X	X	X	X	a	b	c	d
H	↓	X	a	b	c	d	Q_{A0}	Q_{B0}	Q_{C0}	Q_{D0}
H	↓	X	Q_{B0}^{\dagger}	Q_{C0}^{\dagger}	Q_{D0}^{\dagger}	d	Q_{A0}	Q_{B0}	Q_{C0}	Q_{D0}
L	H	X	X	X	X	X	Q_{A0}	Q_{B0}	Q_{C0}	Q_{D0}
L	↓	H	X	X	X	X	Q_{A0}	Q_{B0}	Q_{C0}	Q_{D0}
L	↓	L	X	X	X	X	L	Q_{An}	Q_{Bn}	Q_{Cn}

When the output control is low, the outputs are disabled to the high-impedance state; however, sequential operation of the registers is not affected.

H = High Level (steady-state), L = Low Level (steady-state), X = Don't Care (any input including transitions)
 ↓ = Transition from high to low level
 a, b, c, d = The level of steady-state input at inputs A, B, C, or D, respectively.
 $Q_{A0}, Q_{B0}, Q_{C0}, Q_{D0}$ = The level of $Q_A, Q_B, Q_C,$ or $Q_D,$ respectively, before the indicated steady-state input conditions were established.
 $Q_{An}, Q_{Bn}, Q_{Cn}, Q_{Dn}$ = The level of $Q_A, Q_B, Q_C,$ or $Q_D,$ respectively, before the most recent ↓ transition of the clock.
 † Shifting left requires external connection of Q_B to A, Q_C to B, and Q_D to C. Serial data is entered at input D.

Electrical Characteristics over recommended operating free-air temperature range (unless otherwise noted)

PARAMETER		CONDITIONS		DM54LS			DM74LS			UNITS
				LS295A			LS295A			
				MIN	TYP(1)	MAX	MIN	TYP(1)	MAX	
V_{IH}	High Level Input Voltage			2			2			V
V_{IL}	Low Level Input Voltage					0.7			0.8	V
V_I	Input Clamp Voltage	$V_{CC} = \text{Min}, I_I = -18 \text{ mA}$				-1.5			-1.5	V
I_{OH}	High Level Output Current					-1			-2.6	mA
V_{OH}	High Level Output Voltage	$V_{CC} = \text{Min}, V_{IH} = 2V$ $V_{IL} = \text{Max}, I_{OH} = \text{Max}$		2.4	3.4		2.4	3.1		V
I_{OL}	Low Level Output Current					4			8	mA
V_{OL}	Low Level Output Voltage	$V_{CC} = \text{Min}, V_{IH} = 2V$ $V_{IL} = \text{Max}$	$I_{OL} = 4 \text{ mA}$	0.25	0.4		0.25	0.4		V
			$I_{OL} = 8 \text{ mA}$				0.35	0.5		
$I_{O(OFF)}$	Off-State (High Impedance State) Output Current	$V_{CC} = \text{Max}, V_{IH} = 2V$ $V_{IL} = \text{Max}$	$V_O = 0.4V$		-20			-20		μA
			$V_O = 2.7V$		20			20		
I_I	Input Current at Maximum Input Voltage	$V_{CC} = \text{Max}, V_I = 7V$				0.1			0.1	mA
I_{IH}	High Level Input Current	$V_{CC} = \text{Max}, V_I = 2.7V$				20			20	μA
I_{IL}	Low Level Input Current	$V_{CC} = \text{Max}, V_I = 0.4V$				-0.4			-0.4	mA
I_{OS}	Short Circuit Output Current	$V_{CC} = \text{Max}(2)$		-30	-130		-30	-130		mA
I_{CC}	Supply Current	$V_{CC} = \text{Max}(3)$	Condition A	14	23		14	23		mA
			Condition B	15	25		15	25		

- Notes**
- (1) All typical values are at $V_{CC} = 5V, T_A = 25^\circ\text{C}$.
 - (2) Not more than one output should be shorted at a time, and duration of short circuit should not exceed one second.
 - (3) I_{CC} is measured with the outputs open, the serial input and mode control at 4.5V, and the data inputs grounded under the following conditions:
 - A. Output control at 4.5V and a momentary 3V, then ground, applied to clock input.
 - B. Output control and clock input grounded.

Switching Characteristics $V_{CC} = 5V, T_A = 25^\circ\text{C}$

PARAMETER		CONDITIONS	DM54LS/74LS			UNITS
			LS295A			
			MIN	TYP	MAX	
f_{MAX}	Maximum Clock Frequency		20	28		MHz
t_{PLH}	Propagation Delay Time, Low-to-High Level Output	$C_L = 15 \text{ pF}$ $R_L = 400\Omega$		40	60	ns
t_{PHL}	Propagation Delay Time, High-to-Low Level Output			47	70	ns
t_{ZH}	Output Enable Time to High Level			15	25	ns
t_{ZL}	Output Enable Time to Low Level			21	30	ns
t_{HZ}	Output Disable Time From High Level	$C_L = 5 \text{ pF}$ $R_L = 400\Omega$		39	60	ns
t_{LZ}	Output Disable Time From Low Level			32	50	ns
$t_{W(CLOCK)}$	Width of Clock Pulse		25			ns
t_{SETUP}	Setup Time, High Level or Low Level Data		20			ns
t_{HOLD}	Hold Time, High Level or Low Level Data		20			ns

Quad 2-Multiplexers with Storage

General Description

These integrated circuits provide essentially the equivalent functional capabilities of two separate MSI functions (DM54157/DM74157 or DM54LS157/DM74LS157 and DM54175/DM74175 or DM54LS175/DM74LS175) in a single 16-pin package.

When the word-select input is low, word 1 (A1, B1, C1, D1) is entered into the flip-flops. A high input to word select will cause the selection of word 2 (A2, B2, C2, D2). The selected word is then clocked to the output terminals on the negative-going edge of the clock pulse.

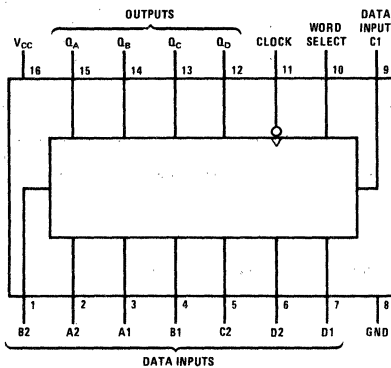
Features

- Selects one of two 4-bit data sources and stores data synchronously with system clock
- Applications:
Dual source for operands and constants in arithmetic processor; can release processor register files for acquiring new data

Implement separate registers capable of parallel exchange of contents, yet retain external load capability

Universal type register for implementing various shift patterns; even has compound left-right capabilities

Connection Diagram



54LS298/74LS298(J), (N), (W)

Truth Table

INPUTS		OUTPUTS			
WORD SELECT	CLOCK	Q _A	Q _B	Q _C	Q _D
L	↓	a1	b1	c1	d1
H	↓	a2	b2	c2	d2
X	H	Q _{A0}	Q _{B0}	Q _{C0}	Q _{D0}

H = High Level (steady state)

L = Low Level (steady state)

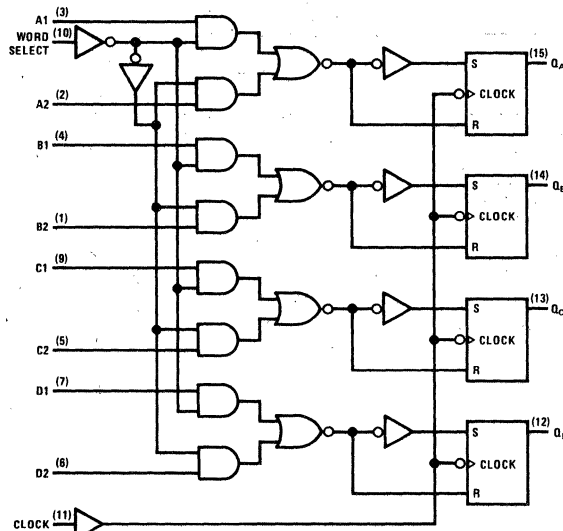
X = Don't Care (any input, including transitions)

↓ = Transition from high to low level

a1, a2, etc. = The level of steady-state input at A1, A2, etc.

Q_{A0}, Q_{B0}, etc. = The level of Q_A, Q_B, etc. entered on the most recent ↓ transition of the clock input.

Logic Diagram



Electrical Characteristics over recommended operating free-air temperature range (unless otherwise noted)

PARAMETER		CONDITIONS		DM54LS/74LS			UNITS	
				LS298				
				MIN	TYP(1)	MAX		
V _{IH}	High Level Input Voltage			2			V	
V _{IL}	Low Level Input Voltage			0.7			V	
		DM54			0.8			
V _I	Input Clamp Voltage	V _{CC} = Min, I _I = -18 mA					-1.5	V
I _{OH}	High Level Output Current						-400	μA
V _{OH}	High Level Output Voltage	V _{CC} = Min, V _{IH} = 2V		DM54	2.5	3.4	V	
		V _{IL} = Max, I _{OH} = -400μA		DM74	2.7	3.4		
I _{OL}	Low Level Output Current			DM54	4		mA	
				DM74	8			
V _{OL}	Low Level Output Voltage	V _{CC} = Min, V _{IH} = 2V				0.25	0.4	V
		V _{IL} = Max		I _{OL} = 4 mA				
				DM74	0.35	0.5		
I _I	Input Current at Maximum Input Voltage	V _{CC} = Max, V _I = 7V					0.1	mA
I _{IH}	High Level Input Current	V _{CC} = Max, V _I = 2.7V					20	μA
I _{IL}	Low Level Input Current	V _{CC} = Max, V _I = 0.4V					-0.4	mA
I _{OS}	Short Circuit Output Current	V _{CC} = Max(2)		-30			-130	mA
I _{CC}	Supply Current	V _{CC} = Max(3)		13			21	mA

Notes

- (1) All typical values are at V_{CC} = 5V, T_A = 25°C.
- (2) Not more than one output should be shorted at a time, and duration of short circuit should not exceed one second.
- (3) With all outputs open and all inputs except clock low, I_{CC} is measured after applying a momentary 4.5V, followed by ground, to the clock input.

Switching Characteristics V_{CC} = 5V, T_A = 25°C

PARAMETER		CONDITIONS		DM54LS/74LS			UNITS
				LS298			
				MIN	TYP	MAX	
t _{PLH}	Propagation Delay Time, Low-to-High Level Output	C _L = 15 pF, R _L = 2 kΩ		18		27	ns
t _{PHL}	Propagation Delay Time, High-to-Low Level Output			21		32	ns
t _w	Width of Clock Pulse, High or Low Level			20			ns
t _{SETUP}	Setup Time	Data		15			ns
		Word Select		25			
t _{HOLD}	Hold Time	Data		5			ns
		Word Select		0			

Typical Applications

Figure 1 illustrates a BCD shift register that will shift an entire 4-bit BCD digit in one clock pulse.

When the word select input is high and the registers are clocked, the contents of register 1 is transferred (shifted) to register 2, etc. In effect, the BCD digits are shifted one position. In addition, this application retains a parallel-load capability which means that new BCD data can be entered into the entire register with one clock pulse. This arrangement can be modified to perform the shifting of binary data for any number of bit locations.

Another function that can be implemented with the LS298 is a register that can be designed specifically for supporting multiplier or division operations. Figure 2 is an example of a one place/two place shift register.

When word select is low and the register is clocked, the outputs of the arithmetic/logic units (ALU's) are shifted one place. When word select is high and the registers are clocked, the data is shifted two places.

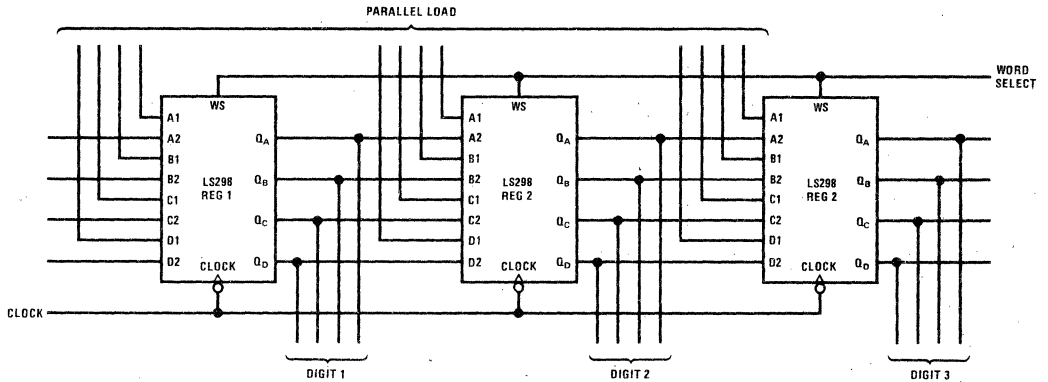


FIGURE 1

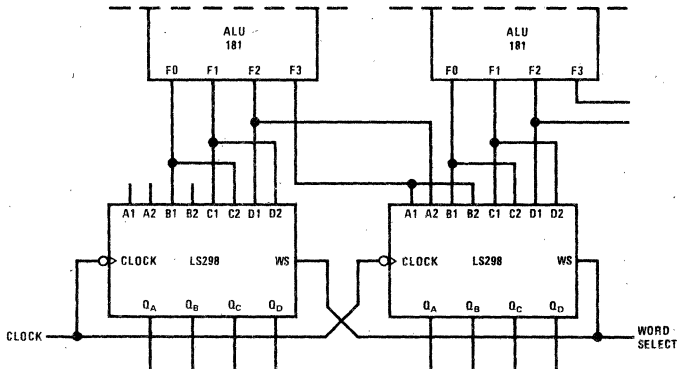


FIGURE 2

TRI-STATE Octal D Flip-Flops

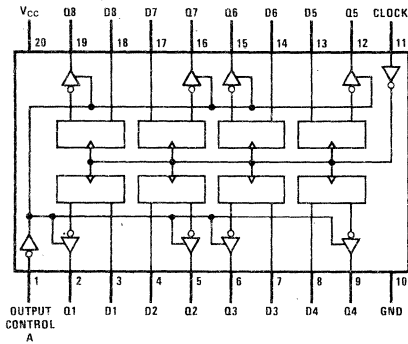
General Description

These 8-bit registers contain D-type flip-flops with totem-pole TRI-STATE outputs capable of driving highly-capacitive or low-impedance loads. When the output control is taken to a high logic level, the outputs go into the high impedance state. When a low logic level is applied to the output control, data at the D inputs are loaded into their respective flip-flops on the next positive-going transition of the clock. Clocked flip-flops provide fully synchronous operation and, in addition, these devices come in the new 20-pin dual-in-line packages with the 0.3" centers.

Features

- TRI-STATE bus driving outputs
- Parallel access for loading and reading
- Many applications
 - Holding/working registers
 - I/O register port
 - Buffer registers
 - Register files
- Typical propagation delay 19 ns

Connection Diagram

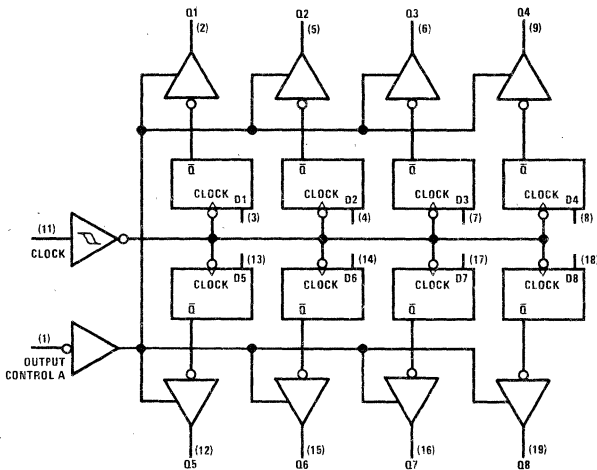


54LS374/74LS374(N)

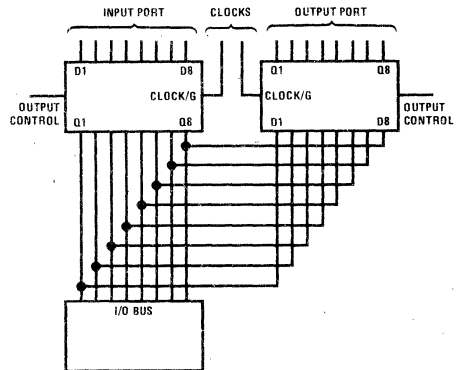
Truth Table

OUTPUT CONTROL	CLOCK	D	OUTPUT
L	↑	H	H
L	↑	L	L
L	L	X	00
H	X	X	Z

Logic Diagram



Typical Application



Electrical Characteristics over recommended operating free-air temperature range (unless otherwise noted)

PARAMETER		CONDITIONS		DM54			DM74			UNITS	
				LS374			LS374				
				MIN	TYP(1)	MAX	MIN	TYP(1)	MAX		
V _{IH}	High Level Input Voltage			2			2			V	
V _{IL}	Low Level Input Voltage					0.7			0.8	V	
V _I	Input Clamp Voltage	V _{CC} = Min, I _I = -18 mA				-1.5			-1.5	V	
I _{OH}	High Level Output Current								-5.0	mA	
V _{OH}	High Level Output Voltage	V _{CC} = Min V _{IH} = 2V V _{IL} = Max	I _{OH} = -1 mA	2.5						V	
			I _{OH} = -2.6 mA				2.7				
			I _{OH} = -5 mA				2.4				
I _{OL}	Low Level Output Current					4			8	mA	
V _{OL}	Low Level Output Voltage	V _{CC} = Min V _{IH} = 2V V _{IL} = Max	I _{OL} = 4 mA			0.4			0.4	V	
			I _{OL} = 8 mA					0.5			
I _{O(OFF)}	Off State (High Impedance State) Output Current	V _{CC} = Max V _{IH} = 2V V _{IL} = Max	V _O = 0.4V			-20			-20	μA	
			V _O = 2.7V			20		20			
I _I	Input Current at Maximum Input Voltage	V _{CC} = Max, V _I = 7V				0.1			0.1	mA	
I _{IH}	High Level Input Current	V _{CC} = Max, V _I = 2.7V				20			20	μA	
I _{IL}	Low Level Input Current	V _{CC} = Max, V _I = 0.4V				-0.4			-0.4	mA	
I _{OS}	Short Circuit Output Current	V _{CC} = Max(2)				-30		-130	-30	-130	mA
I _{CC}	Supply Current	V _{CC} = Max							50	mA	

Notes:

- (1) All typical values are at V_{CC} = 5V, T_A = 25°C.
 (2) Not more than one output should be shorted at a time, and duration of short circuit should not exceed one second.

Switching Characteristics V_{CC} = 5V, T_A = 25°C

PARAMETER		FROM	TO	CONDITIONS	DM54LS/74LS			UNITS		
					LS374					
					MIN	TYP	MAX			
f _{MAX}	Maximum Clock Frequency			C _L = 15 pF, R _L = 2 kΩ	25	30		MHz		
t _{PLH}	Propagation Delay Time, Low-to-High Level Output	Clock	Output			18	30		ns	
t _{PHL}	Propagation Delay Time, High-to-Low Level Output	Clock	Output			20	30		ns	
t _{ZH}	Output Enable Time to High Level					15	20		ns	
t _{ZL}	Output Enable Time to Low Level					10	20		ns	
t _{HZ}	Output Disable Time from High Level				C _L = 5 pF, R _L = 2 kΩ		13	20		ns
t _{LZ}	Output Disable Time from Low Level						15	20		ns
t _{SETUP}	Setup Time	Data			10			ns		
		Output Control			20					
t _{HOLD}	Hold Time	Data			10			ns		
		Output Control			2					

TRI-STATE 4-Bit Cascadable Shift Registers

General Description

These 4-bit registers feature parallel inputs, parallel outputs, and clock, serial, load/shift, output control and direct overriding clear inputs.

Shifting is accomplished when the load/shift control is low. Parallel loading is accomplished by applying the four bits of data and taking the load/shift control input high. The data is loaded into the associated flip-flops and appears at the outputs after the high to low transition of the clock input. During parallel loading, the entry of serial data is inhibited.

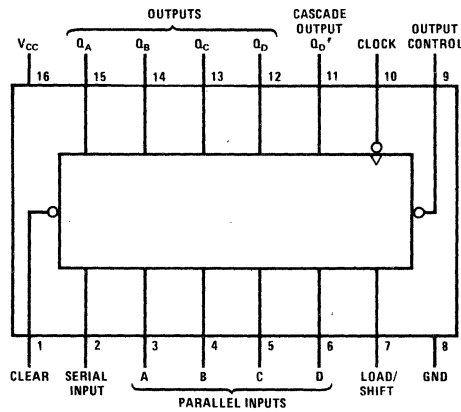
When the output control is low, the normal logic levels of the four outputs are available for driving the loads or bus lines. The outputs are disabled independently from the level of the clock by a high logic level at the output

control input. The outputs then present a high impedance, and neither load nor drive the bus line; however, sequential operation of the registers is not affected. During the high-impedance mode, the output at Q_D' is still available for cascading.

Features

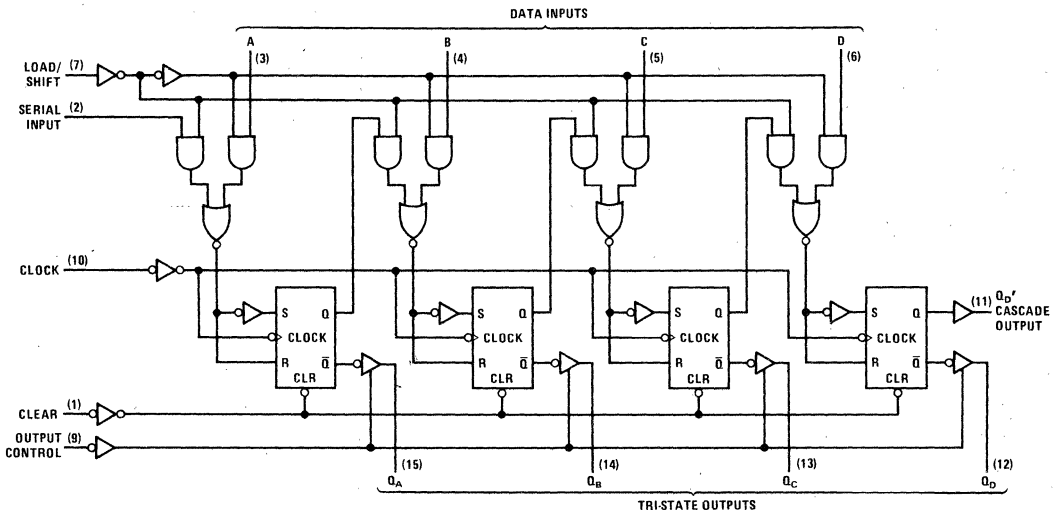
- Applications:
 - N-bit serial-to-parallel converter
 - N-bit parallel-to-serial converter
 - N-bit storage register
- TRI-STATE, 4-bit, cascadable, parallel-in, parallel-out registers
- Schottky diode clamped transistors
- Low power dissipation (enabled) 75 mW typical

Connection Diagram



54LS395/74LS395(J), (N), (W)

Logic Diagram



Truth Table

INPUTS					TRI-STATE OUTPUTS				CASCADE OUTPUT Q _D '			
CLEAR	LOAD/SHIFT CONTROL	CLOCK	SERIAL	PARALLEL				Q _A		Q _B	Q _C	Q _D
				A	B	C	D					
L	X	X	X	X	X	X	X	L	L	L	L	L
H	H	H	X	X	X	X	X	Q _{A0}	Q _{B0}	Q _{C0}	Q _{D0}	Q _{D0}
H	H	↓	X	a	b	c	d	a	b	c	d	d
H	L	H	X	X	X	X	X	Q _{A0}	Q _{B0}	Q _{C0}	Q _{D0}	Q _{D0}
H	L	↓	H	X	X	X	X	H	Q _{An}	Q _{Bn}	Q _{Cn}	Q _{Cn}
H	L	↓	L	X	X	X	X	L	Q _{An}	Q _{Bn}	Q _{Cn}	Q _{Cn}

H = High Level (steady state), L = Low Level (steady state),
X = Don't Care (any input including transitions)

↓ = Transition from high to low level.

Q_{A0}, Q_{B0}, Q_{C0}, Q_{D0} = The level of Q_A, Q_B, Q_C, or Q_D, respectively, before the indicated steady state input conditions were established.

Q_{An}, Q_{Bn}, Q_{Cn}, Q_{Dn} = The level of Q_A, Q_B, Q_C, or Q_D, respectively, before the more recent ↓ transition of the clock.

When the output control is high, the TRI-STATE outputs are disabled to the high-impedance state; however, sequential operation of the registers and the output at Q_D' are not affected.

Electrical Characteristics over recommended operating free-air temperature range (unless otherwise noted)

PARAMETER		CONDITIONS	DM54LS		DM74LS		UNITS
			LS395		LS395		
			MIN	TYP(1)	MAX	MIN	
V _{IH}	High Level Input Voltage		2		2		V
V _{IL}	Low Level Input Voltage			0.7		0.8	V
V _I	Input Clamp Voltage	V _{CC} = Min, I _I = -18 mA		-1.5		-1.5	V
I _{OH}	High Level Output Current			-1		-2.6	mA
V _{OH}	High Level Output Voltage	V _{CC} = Min, V _{IH} = 2V V _{IL} = Max, I _{OH} = Max	2.4	3.4		2.4 3.1	V
I _{OL}	Low Level Output Current			4		8	mA
V _{OL}	Low Level Output Voltage	V _{CC} = Min, V _{IH} = 2V V _{IL} = Max		I _{OL} = 4 mA I _{OL} = 8 mA	0.25 0.4	0.25 0.4 0.35 0.5	V
I _{O(OFF)}	Off-State (High Impedance State) Output Current	V _{CC} = Max, V _{IH} = 2V V _{IL} = Max		V _O = 0.4V V _O = 2.7V	-20 20	-20 20	μA
I _I	Input Current at Maximum Input Voltage	V _{CC} = Max, V _I = 7V		0.1		0.1	mA
I _{IH}	High Level Input Current	V _{CC} = Max, V _I = 2.7V		20		20	μA
I _{IL}	Low Level Input Current	V _{CC} = Max, V _I = 0.4V		-0.4		-0.4	mA
I _{OS}	Short Circuit Output Current	V _{CC} = Max(2)	-30	-130		-30 -130	mA
I _{CC}	Supply Current	V _{CC} = Max(3)		Condition A Condition B	18 29 15 25	18 29 15 25	mA

Notes

- All typical values are at V_{CC} = 5V, T_A = 25°C.
- Not more than one output should be shorted at a time, and duration of short circuit should not exceed one second.
- I_{CC} is measured with the outputs open, the serial input and mode control at 4.5V, and the data inputs grounded under the following conditions:
A. Output control at 4.5V and a momentary 3V, then ground, applied to clock input.
B. Output control and clock input grounded.

Switching Characteristics V_{CC} = 5V, T_A = 25°C

PARAMETER		CONDITIONS	DM54LS/74LS			UNITS
			LS395			
			MIN	TYP	MAX	
f _{MAX}	Maximum Clock Frequency		25	35		MHz
t _{PLH}	Propagation Delay Time, Low-to-High Level Output	C _L = 15 pF R _L = 400Ω		18	27	ns
t _{PHL}	Propagation Delay Time, High-to-Low Level Output			21	32	ns
t _{ZH}	Output Enable Time to High Level			15	25	ns
t _{ZL}	Output Enable Time to Low Level			20	30	ns
t _{HZ}	Output Disable Time From High Level	C _L = 5 pF R _L = 400Ω		30	50	ns
t _{LZ}	Output Disable Time From Low Level			30	50	ns
t _{W(CLOCK)}	Width of Clock Pulse		25			ns
t _{SETUP}	Setup Time, High Level or Low Level Data		20			ns
t _{HOLD}	Hold Time, High Level or Low Level Data		10			ns

TRI-STATE 4 by 4 Register Files

General Description

These register files are organized as 4 words of 4 bits each, and separate on-chip decoding is provided for addressing the four word locations to either write-in or retrieve data. This permits writing into one location, and reading from another word location, simultaneously.

Four data inputs are available to supply the word to be stored. Location of the word is determined by the write select inputs A and B, in conjunction with a write-enable signal. Data applied at the inputs should be in its true form. That is, if a high level signal is desired from the output, a high level is applied at the data input for that particular bit location. The latch inputs are arranged so that new data will be accepted only if both internal address gate inputs are high. When this condition exists, data at the D input is transferred to the latch output. When the write-enable input, G_W , is high, the data inputs are inhibited and their levels can cause no change in the information stored in the internal latches. When the read-enable input, G_R , is high, the data outputs are inhibited and go into the high impedance state.

The individual address lines permit direct acquisition of data stored in any four of the latches. Four individual decoding gates are used to complete the address for reading a word. When the read address is made in conjunction with the read-enable signal, the word appears at the four outputs.

This arrangement—data entry addressing separate from data read addressing and individual sense line—eliminates

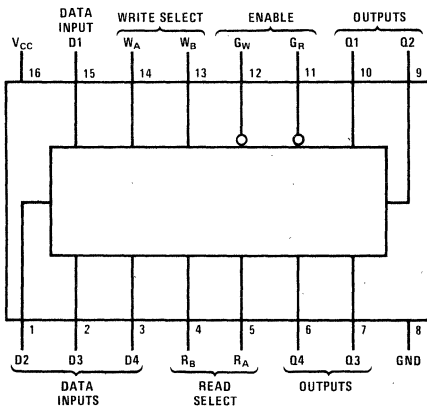
recovery times, permits simultaneous reading and writing, and is limited in speed only by the write time (27 ns typical) and the read time (24 ns typical). The register file has a non-volatile readout in that data is not lost when addressed.

All inputs (except read enable and write enable) are buffered to lower the drive requirements to one normal Series 54LS/74LS load, and input clamping diodes minimize switching transients to simplify system design. High speed, double ended AND-OR-INVERT gates are employed for the read-address function and have high sink current, TRI-STATE outputs. Up to 128 of these outputs may be wire-AND connected for increasing the capacity up to 512 words. Any number of these registers may be paralleled to provide n-bit word length.

Features

- For use as:
 - Scratch pad memory
 - Buffer storage between processors
 - Bit storage in fast multiplication designs
- Separate read/write addressing permits simultaneous reading and writing
- Organized as 4 words of 4 bits
- Expandable to 512 words of n-bits
- TRI-STATE versions of DM54LS170/DM74LS170
- Fast access times 20 ns typ

Connection Diagram



54LS670/74LS670(J), (N), (W)

Truth Tables

WRITE TABLE (SEE NOTES A, B, AND C)

WRITE INPUTS			WORD			
W_B	W_A	G_W	0	1	2	3
L	L	L	$Q = D$	Q_0	Q_0	Q_0
L	H	L	Q_0	$Q = D$	Q_0	Q_0
H	L	L	Q_0	Q_0	$Q = D$	Q_0
H	H	L	Q_0	Q_0	Q_0	$Q = D$
X	X	H	Q_0	Q_0	Q_0	Q_0

READ TABLE (SEE NOTES A AND D)

READ INPUTS			OUTPUTS			
R_B	R_A	G_R	Q1	Q2	Q3	Q4
L	L	L	W0B1	W0B2	W0B3	W0B4
L	H	L	W1B1	W1B2	W1B3	W1B4
H	L	L	W2B1	W2B2	W2B3	W2B4
H	H	L	W3B1	W3B2	W3B3	W3B4
X	X	H	Z	Z	Z	Z

Notes:

- (A) H = High Level, L = Low Level, X = Don't Care, Z = High Impedance (Off)
- (B) (Q = D) = The four selected internal flip-flop outputs will assume the states applied to the four external data inputs.
- (C) Q_0 = The level of Q before the indicated input conditions were established.
- (D) W0B1 = The first bit of word 0, etc.

Electrical Characteristics over recommended operating free-air temperature range (unless otherwise noted)

PARAMETER		CONDITIONS		DM54LS			DM74LS			UNITS	
				LS670			LS670				
				MIN	TYP(1)	MAX	MIN	TYP(1)	MAX		
V_{IH}	High Level Input Voltage					2		2		V	
V_{IL}	Low Level Input Voltage								0.8	V	
V_I	Input Clamp Voltage	$V_{CC} = \text{Min}, I_I = -18 \text{ mA}$							-1.5	V	
I_{OH}	High Level Output Current								-2.6	mA	
V_{OH}	High Level Output Voltage	$V_{CC} = \text{Min}, V_{IH} = 2\text{V}$ $V_{IL} = \text{Max}, I_{OH} = \text{Max}$				2.5	3.4		2.7	3.4	V
I_{OL}	Low Level Output Current								8	mA	
V_{OL}	Low Level Output Voltage	$V_{CC} = \text{Min}, V_{IH} = 2\text{V}$ $V_{IL} = \text{Max}$		$I_{OL} = 4 \text{ mA}$		0.25	0.4		0.25	0.4	V
				$I_{OL} = 8 \text{ mA}$					0.35	0.5	
$I_{O(OFF)}$	Off-State (High Impedance State) Output Current	$V_{CC} = \text{Max}, V_{IH} = 2\text{V}$ $V_{IL} = \text{Max}$		$V_O = 0.4\text{V}$					-20	μA	
				$V_O = 2.7\text{V}$					20		
I_I	Input Current at Maximum Input Voltage	$V_{CC} = \text{Max}, V_I = 7\text{V}$		Any D, R, or W					0.1	mA	
				G_W					0.2		
				G_R					0.3		
I_{IH}	High Level Input Current	$V_{CC} = \text{Max}, V_I = 2.7\text{V}$		Any D, R, or W					20	μA	
				G_W					40		
				G_R					60		
I_{IL}	Low Level Input Current	$V_{CC} = \text{Max}, V_I = 0.4\text{V}$		Any D, R, or W					-0.4	mA	
				G_W					-0.8		
				G_R					-1.2		
I_{OS}	Short Circuit Output Current	$V_{CC} = \text{Max}(2)$				-30	-130	-30	-130	mA	
I_{CC}	Supply Current	$V_{CC} = \text{Max}(3)$					30	50	30	50	mA

Notes

(1) All typical values are at $V_{CC} = 5\text{V}$, $T_A = 25^\circ\text{C}$.

(2) Not more than one output should be shorted at a time, and duration of short circuit should not exceed one second.

(3) Maximum I_{CC} is guaranteed for the following worst-case conditions: 4.5V is applied to all data inputs and both enable inputs, all address inputs are grounded and all outputs are open.

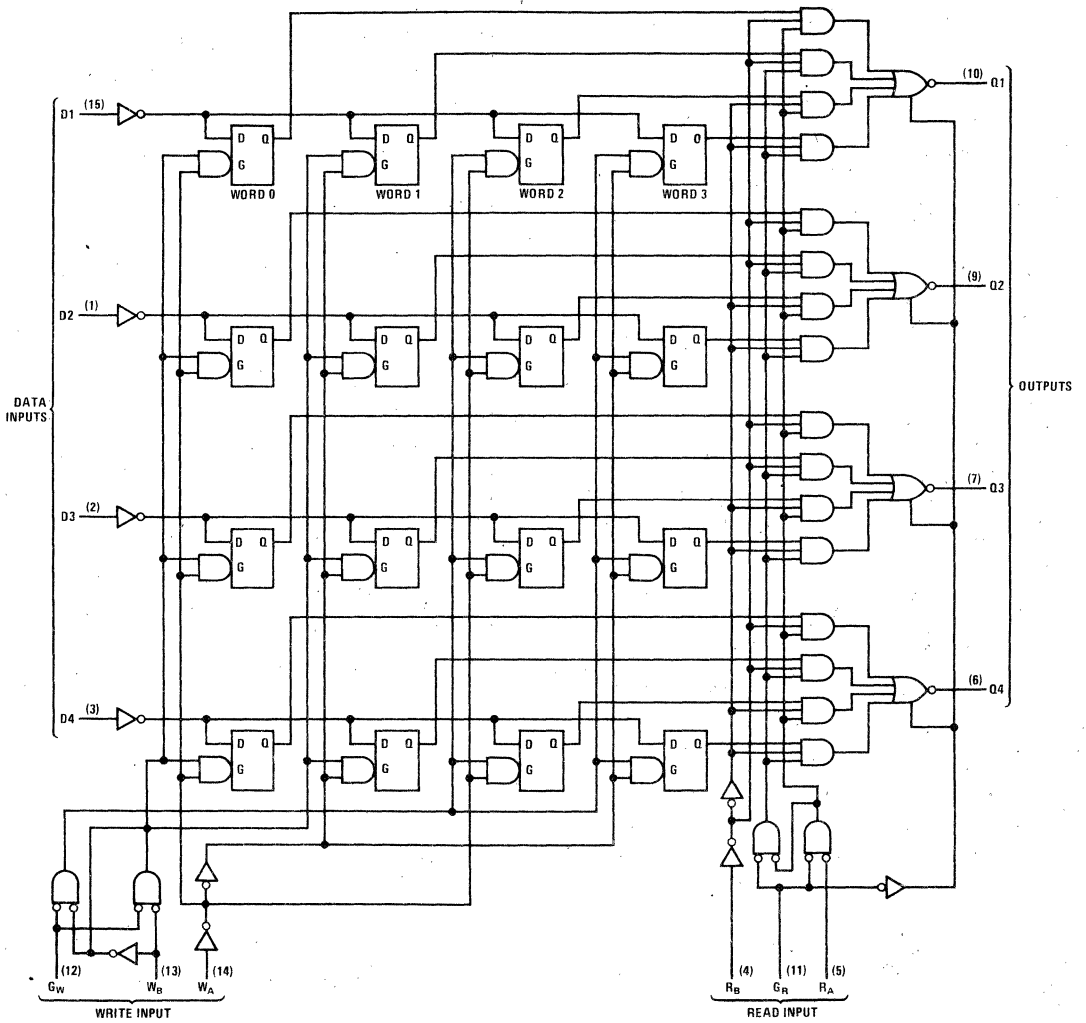
Switching Characteristics $V_{CC} = 5V, T_A = 25^\circ C$

PARAMETER			FROM (INPUT)	TO (OUTPUT)	DM54LS/74LS			UNITS
					LS670			
					CONDITIONS	MIN	TYP MAX	
t_{PLH}	Propagation Delay Time, Low-to-High Level Output		Read Select	Any Q	$C_L = 15 \text{ pF}$ $R_L = 2 \text{ k}\Omega$	23	40	ns
t_{PHL}	Propagation Delay Time, High-to-Low Level Output					25	45	ns
t_{PLH}	Propagation Delay Time, Low-to-High Level Output		Write Enable	Any Q		26	45	ns
t_{PHL}	Propagation Delay Time, High-to-Low Level Output					28	50	ns
t_{PLH}	Propagation Delay Time, Low-to-High Level Output		Data	Any Q		25	45	ns
t_{PHL}	Propagation Delay Time, High-to-Low Level Output					23	40	ns
t_{ZH}	Output Enable Time to High Level		Read Enable	Any Q	$C_L = 5 \text{ pF}$ $R_L = 2 \text{ k}\Omega$	15	35	ns
t_{ZL}	Output Enable Time to Low Level					22	40	ns
t_{HZ}	Output Disable Time From High Level		Read Enable	Any Q		30	50	ns
t_{LZ}	Output Disable Time From Low Level					16	35	ns
t_W	Width of Write-Enable or Read-Enable Pulse					25		ns
t_{SETUP}	Setup Times, High or Low Level Data(4)	Data Input With Respect to Write-Enable, $t_{SETUP(D)}$				10		ns
		Write-Select With Respect to Write-Enable, $t_{SETUP(W)}$			15		ns	
t_{HOLD}	Hold Times, High or Low Level Data(4)	Data Input With Respect to Write-Enable, $t_{HOLD(D)}$			15		ns	
		Write-Select With Respect to Write-Enable, $t_{HOLD(W)}$			5		ns	
t_{LATCH}	Latch Time for New Data(5)				25		ns	

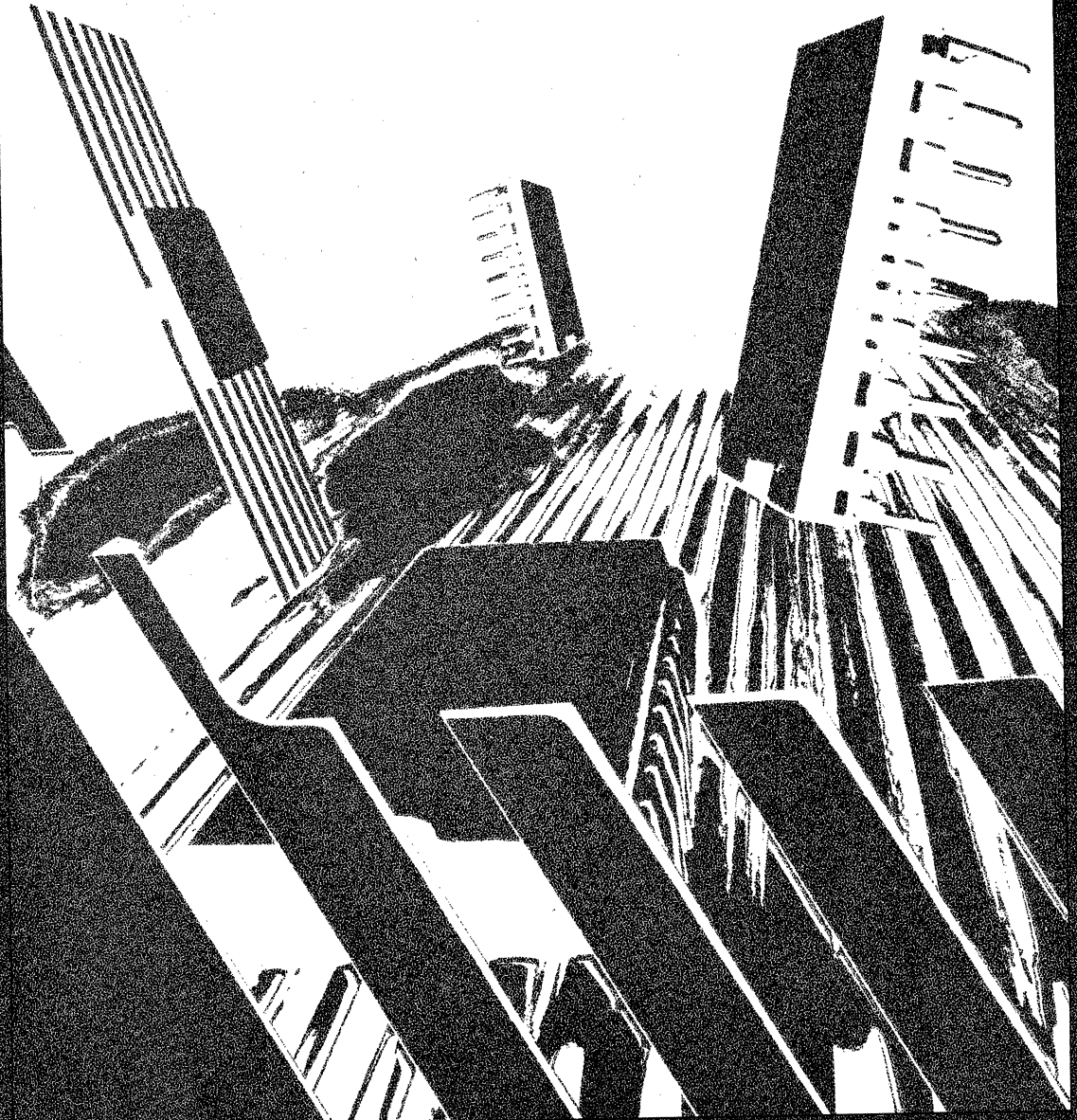
Notes

- (4) Write-select setup time will protect the data written into the previous address. If protection of data in the previous address is not required, $t_{SETUP(W)}$ can be ignored as any address selection sustained for the final 30 ns of the write-enable pulse and during $t_{HOLD(W)}$ will result in data being written into that location. Depending on the duration of the input conditions, one or a number of previous addresses may have been written into.
- (5) Latch time is the time allowed for the internal output of the latch to assume the state of new data. This is important only when attempting to read from a location immediately after that location has received new data.

Logic Diagram



National Semiconductor PROPRIETARY DEVICES Section 3



RATINGS	7X/8X SERIES	7XL/8XL SERIES	71LS/81LS		75S/85S SERIES	UNITS
			DIODE INPUTS	EMITTER INPUTS		
Maximum Allowable Supply Voltage	7	8	7	7	7	V
Guaranteed Operating Supply Voltage Range	Mil	4.50 to 5.50				V
	Coml	4.75 to 5.25				
Maximum Input Voltage	5.5	5.5	7	5.5	5.5	V
Maximum Voltage to Open- Collector Outputs*	7	8	7	7	7	V
Operating Free-Air Temperature Range	Mil	-55 to +125				°C
	Coml	0 to +70				
Storage Temperature Range	-65 to +150					°C

Device No.	Description	Page No.	Package					
			J		N		W	
			Mil	Coml	Mil	Coml	Mil	Coml
DM80L06	Quad 2-Input NAND Gates with Resistive Pull-Ups	3-1	N/A		•		N/A	
DM7090/DM8090	Quad Inverters plus Dual 2-Input NAND Gates	3-3	•	•	•	•	•	
DM7091/DM8091	Quad 2-Input NAND Buffers	3-3	•	•	•	•	•	
DM7092/DM8092	Dual 5-Input NAND Gates	3-3	•	•	•	•	•	
DM7093/DM8093	TRI-STATE Quad Buffers	3-5	•	•	•	•	•	
DM7094/DM8094	TRI-STATE Quad Buffers	3-5	•	•	•	•	•	
DM7095/DM8095	TRI-STATE Hex Buffers	3-7	•	•	•	•	•	
DM70L95/DM80L95	TRI-STATE Hex Buffers	3-7	•	•	•	•	•	
DM7096/DM8096	TRI-STATE Hex Buffers	3-7	•	•	•	•	•	
DM70L96/DM80L96	TRI-STATE Hex Buffers	3-7	•	•	•	•	•	
DM7097/DM8097	TRI-STATE Hex Buffers	3-7	•	•	•	•	•	
DM70L97/DM80L97	TRI-STATE Hex Buffers	3-7	•	•	•	•	•	
DM7098/DM8098	TRI-STATE Hex Buffers	3-7	•	•	•	•	•	
DM70L98/DM80L98	TRI-STATE Hex Buffers	3-7	•	•	•	•	•	
DM7099/DM8099	TRI-STATE Quad 2-Input NAND Buffers	3-9	•	•	•	•	•	
DM7121/DM8121	TRI-STATE Data Selectors/Multiplexers	3-11	•	•	•	•	•	
DM71L22/DM81L22	Quad 2-Input Data Selectors/Multiplexers	3-13	•	•	•	•	•	
DM7123/DM8123	TRI-STATE Quad 2-Input Data Selectors/Multiplexers	3-13	•	•	•	•	•	
DM71L23/DM81L23	TRI-STATE Quad 2-Input Data Selectors/Multiplexers	3-13	•	•	•	•	•	
DM7130/DM8130	10-Bit Magnitude Comparators	3-17	•	•	•	(F)	(F)	
DM7131/DM8131	6-Bit Unified Bus Comparators	3-19	•	•	•	•	•	
DM7136/DM8136	6-Bit Unified Bus Comparators	3-19	•	•	•	•	•	
DM7160/DM8160	6-Bit Magnitude Comparators	3-17	•	•	•	•	•	
DM71LS95/DM81LS95	TRI-STATE Octal Buffers	3-21	•	•	•	•	•	
DM71LS96/DM81LS96	TRI-STATE Octal Buffers	3-21	•	•	•	•	•	
DM71LS97/DM81LS97	TRI-STATE Octal Buffers	3-21	•	•	•	•	•	
DM71LS98/DM81LS98	TRI-STATE Octal Buffers	3-21	•	•	•	•	•	
DM7200/DM8200	4-Bit Magnitude Comparators	3-23	•	•	•	•	•	
DM7210/DM8210	8-Line Data Selectors/Multiplexers	3-25	•	•	•	•	•	
DM7211/DM8211	8-Line Data Selectors/Multiplexers	3-25	•	•	•	•	•	
DM7214/DM8214	TRI-STATE Data Selectors/Multiplexers	3-28	•	•	•	•	•	
DM7219/DM8219	TRI-STATE Data Selectors/Multiplexers	3-28	•	•	•	(F)	(F)	
DM7220/DM8220	9-Bit Parity Generators/Checkers	3-32	•	•	•	•	•	
DM7223/DM8223	1-Line to 8-Line Demultiplexers	3-35	•	•	•	N/A		
DM7230/DM8230	TRI-STATE Dual 2/4 Demultiplexers	3-37	•	•	•	•	•	
DM7511/DM8511	Dual Gated Flip-Flops	3-40	•	•	•	•	•	
DM75L11/DM85L11	Dual Gated Flip-Flops	3-40	•	•	•	•	•	
DM7512/DM8512	Dual Gated Flip-Flops	3-40	•	•	•	•	•	
DM75L12/DM85L12	Dual Gated Flip-Flops	3-40	•	•	•	•	•	
DM7520/DM8520	Modulo-N Dividers	3-44	•	•	•	•	•	
DM8531	TRI-STATE 16k Read Only Memories	3-49	•	•	•	N/A		
DM7542/DM8542	TRI-STATE Quad I/O Registers	3-52	•	•	•	•	•	
DM7544/DM8544	TRI-STATE Quad Switch Debouncers	3-54	•	•	•	•	•	
DM7546/DM8546	TRI-STATE 8-Bit Universal I/O Shift Registers	3-56	•	•	•	•	•	
DM85S50	6-Bit Shift Registers	3-60	N/A		•	N/A		
DM7551/DM8551	TRI-STATE 4-Bit D Type Registers	3-62	•	•	•	•	•	
DM75L51/DM85L51	TRI-STATE 4-Bit D Type Registers	3-62	•	•	•	•	•	
DM7552/DM8552	TRI-STATE Synchronous Counters/Latches	3-64	•	•	•	•	•	
DM75L52/DM85L52	TRI-STATE Synchronous Counters/Latches	3-64	•	•	•	•	•	
DM7553/DM8553	TRI-STATE 8-Bit Latches	3-70	•	•	•	•	•	
DM7554/DM8554	TRI-STATE Synchronous Counters/Latches	3-64	•	•	•	•	•	
DM75L54/DM85L54	TRI-STATE Synchronous Counters/Latches	3-64	•	•	•	•	•	

Device No.	Description	Page No.	Package					
			J		N		W	
			Mil	Coml	Mil	Coml	Mil	Coml
DM7555/DM8555	TRI-STATE Programmable Decade Counters	3-72	•	•		•	•	•
DM7556/DM8556	TRI-STATE Programmable Binary Counters	3-72	•	•		•	•	•
DM7560/DM8560	Synchronous 4-Bit Up/Down Decade Counters	3-76	•	•		•	•	•
DM75L60/DM85L60	Synchronous 4-Bit Up/Down Decade Counters	3-76	•	•	•	•	•	•
DM7563/DM8563	Synchronous 4-Bit Up/Down Binary Counters	3-76	•	•		•	•	•
DM75L63/DM85L63	Synchronous 4-Bit Up/Down Binary Counters	3-76	•	•	•	•	•	•
DM75S68/DM85S68	64-Bit Edge-Triggered Registers	3-82	D	D		•		N/A
DM7570/DM8570	8-Bit Serial In/Parallel Out Shift Registers	3-86	•	•		•	•	•
DM7573/DM8573	1024-Bit Field Programmable Read Only Memories	3-89	•	•		•		N/A
DM7574/DM8574	TRI-STATE 1024-Bit Field Programmable Read Only Memories	3-92	•	•		•		N/A
DM7575/DM8575	Programmable Logic Arrays	3-95	•	•		•		N/A
DM7576/DM8576	Programmable Logic Arrays	3-95	•	•		•		N/A
DM7577/DM8577	256-Bit Programmable Read Only Memories	3-101	•	•		•		N/A
DM7578/DM8578	TRI-STATE 256-Bit Programmable Read Only Memories	3-104	•	•		•		N/A
DM8581	TRI-STATE 16k Read Only Memories	3-107		D		•		N/A
DM7590/DM8590	8-Bit Parallel In/Serial Out Shift Registers	3-110	•	•		•	•	•
DM7595/DM8595	4096-Bit Read Only Memories	3-113	•	•		•		N/A
DM7596/DM8596	TRI-STATE 4096-Bit Read Only Memories	3-116	•	•		•		N/A
DM7597/DM8597	TRI-STATE 1024-Bit Read Only Memories	3-119	•	•		•		N/A
DM7598/DM8598	TRI-STATE 256-Bit Read Only Memories	3-122	•	•		•		N/A
DM7599/DM8599	TRI-STATE 64-Bit Random Access Memories	3-127	•	•		•		N/A
DM7613/DM8613	Quad Gated Flip-Flops	3-40	•	•		•	•	•
DM76L13/DM86L13	Quad Gated Flip-Flops	3-40	•	•		•	•	•
DM76L24/DM86L24	TRI-STATE Magnitude Comparators with A Almost Equal B	3-131	•	•		•	•	•
DM76L25/DM86L25	TRI-STATE 7-Segment to BCD Decoders	3-134	•	•		•	•	•
DM76L70/DM86L70	8-Bit Serial In/Parallel Out Shift Registers	3-86		N/A		N/A		•
DM76L75/DM86L75	Presetable Decade Counters	3-137	•	•		•	•	•
DM76L76/DM86L76	Presetable Binary Counters	3-137	•	•		•	•	•
DM7678/DM8678	7 by 9 Character Generators	3-140	•	•		•		N/A
DM7679/DM8679	7 by 9 Character Generators	3-140	•	•		•		N/A
DM76L90/DM86L90	8-Bit Parallel In/Serial Out Shift Registers	3-110	•	•		•	•	•
DM76L93/DM86L93	Binary Counters	3-142	•	•		•	•	•
DM76L97/DM86L97	TRI-STATE 1024-Bit Read Only Memories	3-144	•	•		•	•	•
DM76L99/DM86L99	TRI-STATE 64-Bit Random Access Memories	3-148	•	•		•	•	•
DM7795/DM8795	4096-Bit Read Only Memories	3-113	•	•		•		N/A
DM7796/DM8796	TRI-STATE 4096-Bit Read Only Memories	3-116	•	•		•		N/A
DM7853/DM8853	Dual Retriggerable Resetable Monostable Multivibrators	3-151	•	•		•	•	•
DM7875A/DM8875A	TRI-STATE 4-Bit Parallel Binary Multipliers	3-154	•	•		•		N/A
DM7875B/DM8875B	TRI-STATE 4-Bit Parallel Binary Multipliers	3-154	•	•		•		N/A
DM8898	TRI-STATE BCD to Binary Converters	3-156		N/A		•		N/A
DM8899	TRI-STATE Binary to BCD Converters	3-156		N/A		•		N/A

Quad 2-Input NAND Gates with Resistive Pull Up

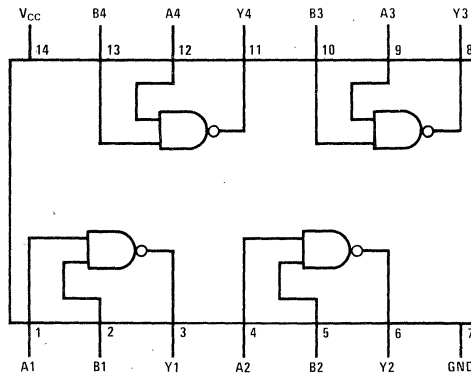
General Description

These quad two-input NAND gates feature internally-connected, 20 kΩ pull-up resistors on the outputs. The pinout is the same as the very popular DM54L03/DM74L03, and these devices provide the same “one-tenth-power technology” as well.

Features

- Typical power dissipation 12 mW
- Typical propagation delay 115 ns

Connection Diagram



80L06(N)

Electrical Characteristics over recommended operating free-air temperature range (unless otherwise noted)

PARAMETER		CONDITIONS	DM80L			UNITS
			L06			
			MIN	TYP(1)	MAX	
V_{IH}	High Level Input Voltage		2			V
V_{IL}	Low Level Input Voltage				0.7	V
I_{OH}	High Level Output Current				200	μA
V_{OH}	High Level Output Voltage	$V_{CC} = 5.0V, V_{IL} = 0.7V, I_{OH} = 100\mu A$	2.0	2.5		V
I_{OL}	Low Level Output Current				3.6	mA
V_{OL}	Low Level Output Voltage	$V_{CC} = \text{Min}, I_{OL} = \text{Max}, V_{IH} = 2V$			0.4	V
I_I	Input Current at Maximum Input Voltage	$V_{CC} = \text{Max}, V_I = 5.5V$			100	μA
I_{IH}	High Level Input Current	$V_{CC} = \text{Max}, V_I = 2.4V$		<1	10	μA
I_{IL}	Low Level Input Current	$V_{CC} = \text{Max}, V_I = 0.3V$		-0.12	-0.18	mA
I_{OS}	Short Circuit Output Current	$V_{CC} = \text{Max}$	-0.17	-0.25	-0.33	mA
I_{CCH}	Supply Current (Total with Outputs High)	$V_{CC} = \text{Max}, V_I = 0$		0.48	0.8	mA
I_{CCL}	Supply Current (Total with Outputs Low)	$V_{CC} = \text{Max}, V_I = 5V$		2.38	3.68	mA

Notes

 (1) All typical values are at $V_{CC} = 5V, T_A = 25^\circ C$.

Switching Characteristics $V_{CC} = 5V, T_A = 25^\circ C$

PARAMETER		FROM	TO	CONDITIONS	DM80L			UNITS
					L06			
					MIN	TYP	MAX	
t_{PLH}	Propagation Delay Time, Low-to-High Level Output	Input	Output	$C_L = 15 \text{ pF}$	193	290		ns
t_{PHL}	Propagation Delay Time, High-to-Low Level Output	Input	Output	$R_L = 4 \text{ k}\Omega$	37	56		ns

DM7090/8090 Quad Inverter plus Dual 2-Input NAND Gates
DM7091/8091 Quad 2-Input NAND Buffers
DM7092/8092 Dual 5-Input NAND Gates

General Description

DM7090/DM8090

These devices optimize the flexible utilization of the popular 16-pin package by providing two, 2-input NAND gates plus four inverters in the same package. The electrical specifications are completely compatible with all series 54/74 devices.

DM7091/DM8091

These devices provide four, 2-input NAND buffers in the same package, each with a fan-out of 30 standard TTL loads. These devices are very similar to the popular DM5437/DM7437; however, the DIP pinout is the same as the 5401/7401, whereas the DIP pinout of the 5437/7437 is the same as the 5400/7400.

DM7092/DM8092

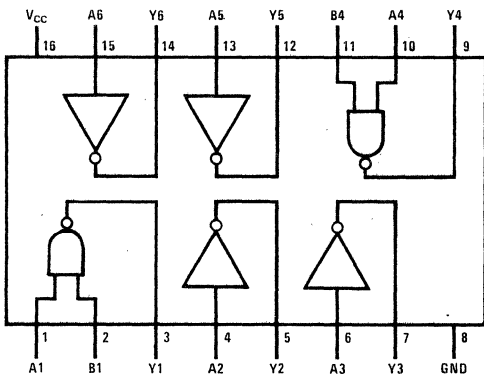
These devices provide two, 5-input NAND gates in the same package. Their primary advantage is that they fill a product void in the popular DM5400/DM7400 family. The electrical specifications are completely compatible with the series 54/74 devices.

Features

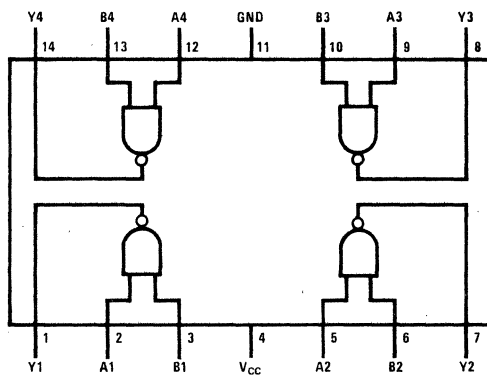
- Typical propagation delay 11 ns
- Typical power dissipation

DM7090/DM8090	115 mW
DM7091/DM8091	155 mW
DM7092/DM8092	35 mW

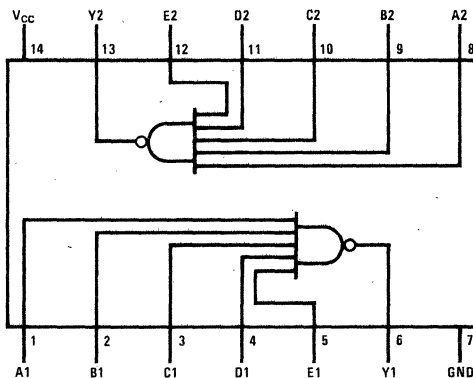
Connection Diagrams



7090/8090(J, N, W)



7091/8091(J, N, W)



7092/8092(J, N, W)

Electrical Characteristics over recommended operating free-air temperature range (unless otherwise noted)

PARAMETER		CONDITIONS	DM70/80									UNITS
			90			91			92			
			MIN	TYP(1)	MAX	MIN	TYP(1)	MAX	MIN	TYP(1)	MAX	
V_{IH}	High Level Input Voltage		2			2			2			V
V_{IL}	Low Level Input Voltage				0.8			0.8			0.8	V
V_I	Input Clamp Voltage	$V_{CC} = \text{Min}, I_I = -12 \text{ mA}, T_A = 25^\circ\text{C}$			-1.5			-1.5			-1.5	V
I_{OH}	High Level Output Current				-400			-1200			-400	μA
V_{OH}	High Level Output Voltage	$V_{CC} = \text{Min}, V_{IL} = 0.8\text{V}, I_{OH} = \text{Max}$	2.4			2.4			2.4			V
I_{OL}	Low Level Output Current				16			48			16	mA
V_{OL}	Low Level Output Voltage	$V_{CC} = \text{Min}, V_{IH} = 2.0\text{V}, I_{OL} = \text{Max}$			0.4			0.4			0.4	V
I_I	Input Current at Maximum Input Voltage	$V_{CC} = \text{Max}, V_I = 5.5\text{V}$			1			1			1	mA
I_{IH}	High Level Input Current	$V_{CC} = \text{Max}, V_I = 2.4\text{V}$			40			40			40	μA
I_{IL}	Low Level Input Current	$V_{CC} = \text{Max}, V_I = 0.4\text{V}$			-1.6			-1.6			-1.6	mA
I_{OS}	Short Circuit Output Current	$V_{CC} = \text{Max}(2)$	-18		-55	-18		-70	-18		-55	mA
I_{CCH}	Supply Current (Total with Outputs High)	$V_{CC} = \text{Max}, V_I = 0$			11			15			3.6	mA
I_{CCL}	Supply Current (Total with Outputs Low)	$V_{CC} = \text{Max}, V_I = 5.0\text{V}$			31			46			10.2	mA

Notes

- (1) All typical values are at $V_{CC} = 5\text{V}, T_A = 25^\circ\text{C}$.
(2) Not more than one output should be shorted at a time.

Switching Characteristics $V_{CC} = 5\text{V}, T_A = 25^\circ\text{C}$

PARAMETER		FROM	TO	CONDITIONS	DM70/80									UNITS
					90			91			92			
					MIN	TYP	MAX	MIN	TYP	MAX	MIN	TYP	MAX	
t_{PLH}	Propagation Delay Time, Low-to-High Level Output	Input	Output	$C_L = 15 \text{ pF}$ $R_L = 400\Omega$	13	25		13	22		13	25	ns	
t_{PHL}	Propagation Delay Time, High-to-Low Level Output	Input	Output		9	15		8	15		8	15	ns	

TRI-STATE Quad Buffers

General Description

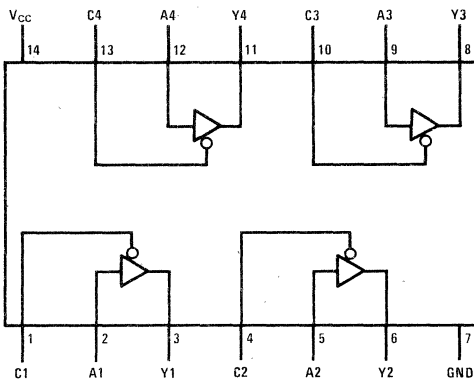
The DM7093/DM8093 and DM7094/DM8094 are quad two-input buffers which accept normal TTL or DTL input levels; and have outputs which provide either normal low-impedance TTL characteristics, or a high-impedance third logic state. One of the two inputs to each buffer is used as a control line to gate the output into the high-impedance state. The other input simply passes the non-inverted data through the buffer. The DM7093/DM8093 provides the high-impedance state when a high logic level is applied to the control input, the DM7094/DM8094 when a low logic level is applied to the control input. The low output impedance of these devices provides good capacitive-drive capability and rapid transition from the low to the high logic levels, thus assuring both speed and waveform

integrity. It is possible to connect as many as 128 devices to a common bus line, and still have adequate drive capability.

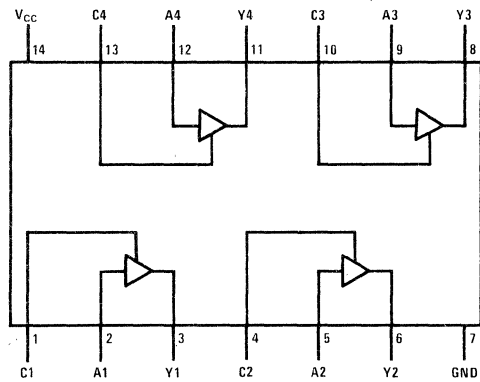
Features

- Pin equivalent to DM54125/74125 (7093/8093) and DM54126/74126 (7094/8094)
- Up to 128 devices can be connected to a common bus line
- High capacitive-drive capability
- Independent control of each buffer
- Typical propagation delay—12 ns

Connection Diagrams



7093/8093(J), (N), (W)



7094/8094(J), (N), (W)

Truth Tables

DM7093/DM8093

DATA	CONTROL	OUTPUT
H	L	H
L	L	L
X	H	Hi-Z

DM7094/DM8094

DATA	CONTROL	OUTPUT
H	H	H
L	H	L
X	L	Hi-Z

Electrical Characteristics over recommended operating free-air temperature range (unless otherwise noted)

PARAMETER		CONDITIONS	DM70			DM80			UNITS
			93, 94			93, 94			
			MIN	TYP(1)	MAX	MIN	TYP(1)	MAX	
V_{IH}	High Level Input Voltage		2			2		V	
V_{IL}	Low Level Input Voltage				0.8		0.8	V	
V_I	Input Clamp Voltage	$V_{CC} = \text{Min}, I_I = -12 \text{ mA}$			-1.5		-1.5	V	
I_{OH}	High Level Output Current				-2.0		-5.2	mA	
V_{OH}	High Level Output Voltage	$V_{CC} = \text{Min}, V_{IH} = 2\text{V}$ $V_{IL} = 0.8\text{V}, I_{OH} = \text{Max}$	2.4	3.4		2.4	3.1	V	
I_{OL}	Low Level Output Current			16			16	mA	
V_{OL}	Low Level Output Voltage	$V_{CC} = \text{Min}, V_{IH} = 2\text{V}$ $V_{IL} = 0.8\text{V}, I_{OL} = 16 \text{ mA}$		0.4			0.4	V	
$I_{O(\text{OFF})}$	Off-State (High-Impedance State) Output Current	$V_{CC} = \text{Max}, V_{IH} = 2\text{V}$ $V_{IL} = 0.8\text{V}$	$V_O = 0.4\text{V}$		-40		-40	μA	
			$V_O = 2.4\text{V}$		40		40		
I_I	Input Current at Maximum Input Voltage	$V_{CC} = \text{Max}, V_I = 5.5\text{V}$		1			1	mA	
I_{IH}	High Level Input Current	$V_{CC} = \text{Max}, V_I = 2.4\text{V}$		40			40	μA	
I_{IL}	Low Level Input Current	$V_{CC} = \text{Max}, V_I = 0.4\text{V}$			-1.6		-1.6	mA	
I_{OS}	Short Circuit Output Current	$V_{CC} = \text{Max}(2)$	-30		-70	-28		mA	
I_{CCH}	Supply Current (Total, Outputs High)	$V_{CC} = \text{Max}$		32	54		32	54	mA
I_{CCL}	Supply Current (Total, Outputs Low)	$V_{CC} = \text{Max}$		36	62		36	62	mA

Notes

- (1) All typical values are at $V_{CC} = 5\text{V}, T_A = 25^\circ\text{C}$.
 (2) Not more than one output should be shorted at a time.

Switching Characteristics $V_{CC} = 5\text{V}, T_A = 25^\circ\text{C}$

PARAMETER		CONDITIONS	DM70/80			DM70/80			UNITS
			93			94			
			MIN	TYP	MAX	MIN	TYP	MAX	
t_{PLH}	Propagation Delay Time, Low-to-High Level Output	$C_L = 50 \text{ pF}, R_L = 400\Omega$	10	15		10	15	ns	
t_{PHL}	Propagation Delay Time, High-to-Low Level Output		12	18		12	18	ns	
t_{ZH}	Output Enable Time to High Level		12	18		13	19	ns	
t_{ZL}	Output Enable Time to Low Level		16	25		16	25	ns	
t_{HZ}	Output Disable Time from High Level		5	8		10	16	ns	
t_{LZ}	Output Disable Time from Low Level	$C_L = 5 \text{ pF}, R_L = 400\Omega$	9	14		14	20	ns	

TRI-STATE Hex Buffers

General Description

These devices provide six, two-input buffers in each package. Both the standard (7400 compatible) TTL technology, and the "true tenth-power" (74L compatible) low power versions are available for each of the four types. One of the two inputs to each buffer is used as a control line to gate the output into the high-impedance state, while the other input passes the data through the buffer. The 95 and 97 present the true data at the outputs, while the 96 and 98 are inverting. On the 95 and 96 versions, all six control lines for TRI-STATE enable are common in a single line. On the 97 and 98 versions, four buffers are enabled from a common line, and the other two buffers from a separate common line. In all cases, the outputs are placed in the TRI-STATE condition by applying a high logic level to

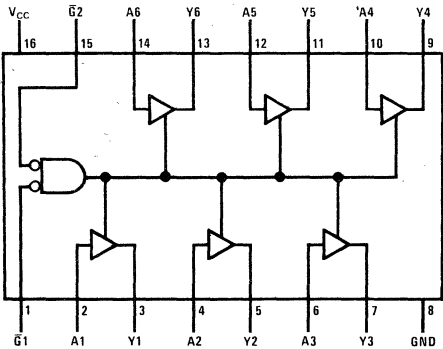
the control pins. With either the standard TTL or the low power versions of these circuits, it is possible to connect over 100 like devices to a common bus line and still have adequate drive capability.

Features

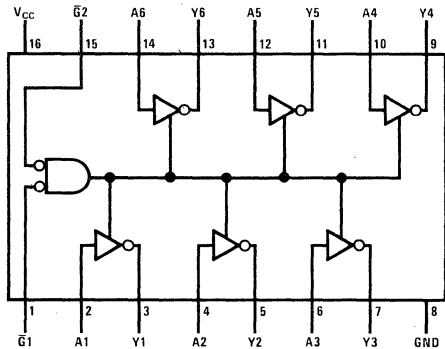
TYPE	TYPICAL POWER DISSIPATION	TYPICAL PROPAGATION DELAY
95, 97	325 mW	12 ns
L95, L97	20 mW	34 ns
96, 98	295 mW	11 ns
L96, L98	15 mW	31 ns

- Pin equivalent to DM54365 (95), DM54366 (96), DM54367 (97), DM54368 (98)

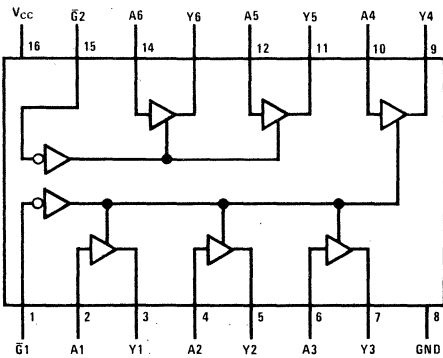
Connection Diagrams



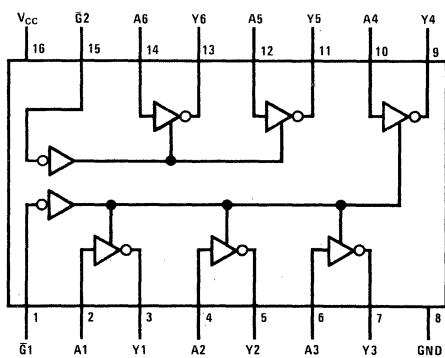
7095(J), (W); 8095(J), (N), (W);
70L95/80L95(J), (N), (W)



7096(J), (W); 8096(J), (N), (W);
70L96/80L96(J), (N), (W)



7097(J), (W); 8097(J), (N), (W);
70L97/80L97(J), (N), (W)



7098(J), (W); 8098(J), (N), (W);
70L98/80L98(J), (N), (W)

Truth Tables (Each Driver)

95, L95

INPUTS		OUTPUT	
$\bar{G}1$	$\bar{G}2$	A	Y
H	X	X	Hi-Z
X	H	X	Hi-Z
L	L	H	H
L	L	L	L

96, L96

INPUTS		OUTPUT	
$\bar{G}1$	$\bar{G}2$	A	Y
H	X	X	Hi-Z
X	H	X	Hi-Z
L	L	H	L
L	L	L	H

97, L97

INPUTS		OUTPUT
\bar{G}	A	Y
H	X	Hi-Z
L	H	H
L	L	L

98, L98

INPUTS		OUTPUT
\bar{G}	A	Y
H	X	Hi-Z
L	H	L
L	L	H

Electrical Characteristics over recommended operating free-air temperature range (unless otherwise noted)

PARAMETER		CONDITIONS		DM70/80			DM70L/80L			UNITS	
				95, 96, 97, 98			L95, L96, L97, L98				
				MIN	TYP(1)	MAX	MIN	TYP(1)	MAX		
V _{IH}	High Level Input Voltage			2			2			V	
V _{IL}	Low Level Input Voltage			0.8			0.7			V	
V _I	Input Clamp Voltage	V _{CC} = Min, I _I = -12 mA		-1.5			-1.5			V	
I _{OH}	High Level Output Current			DM70	-2.0			-1.0			mA
				DM80	-5.2			-1.0			
V _{OH}	High Level Output Voltage	V _{CC} = Min, V _{IH} = 2V V _{IL} = Max, I _{OH} = Max		2.4	3.1		2.4			V	
I _{OL}	Low Level Output Current			DM70	32			2.0			mA
				DM80	32			3.6			
V _{OL}	Low Level Output Voltage	V _{CC} = Min, V _{IH} = 2V V _{IL} = Max, I _{OL} = Max		DM70	0.4			0.3			V
				DM80	0.4			0.4			
I _{O(OFF)}	Off-State (High-Impedance State) Output Current	V _{CC} = Max		V _O = 0.3V			-10			μA	
		V _{IH} = 2V		V _O = 0.4V			-40				
		V _{IL} = Max		V _O = 2.4V			40				
I _I	Input Current at Maximum Input Voltage	V _{CC} = Max, V _I = 5.5V		1			1			mA	
I _{IH}	High Level Input Current	V _{CC} = Max, V _I = 2.4V		40			10			μA	
I _{IL}	Low Level Input Current	A Input	V _{CC} = Max	Both \bar{G} Inputs at 2V		V _I = 0.3V		-10			μA
						V _I = 0.5V		-40			
				Both \bar{G} Inputs at 0.4V		V _I = 0.3V		-0.18			mA
						V _I = 0.4V		-1.6			
						V _I = 0.3V		-0.18			
		V _I = 0.4V		-1.6							
I _{OS}	Short Circuit Output Current	V _{CC} = Max(2)		-40	-115		-3	-15		mA	
I _{CC}	Supply Current	V _{CC} = Max		95, 97	65 85		4.0 5.8		mA		
				96, 98	59 77		3.0 4.5				

Notes

(1) All typical values are at V_{CC} = 5V, T_A = 25°C.

(2) Not more than one output should be shorted at a time, and for the DM70/DM8095, 96, 97, 98 duration of short circuit should not exceed one second.

Switching Characteristics V_{CC} = 5V, T_A = 25°C

PARAMETER		CONDITIONS			DM70/80				DM70L/80L				UNITS
					95, 97		96, 98		L95, L97		L96, L98		
					TYP	MAX	TYP	MAX	TYP	MAX	TYP	MAX	
t _{PLH}	Propagation Delay Time, Low-to-High Level Output	C _L = 50 pF	R _L = 400Ω	R _L = 4 kΩ	10	16	11	17	30	60	26	48	ns
t _{FHL}	Propagation Delay Time, High-to-Low Level Output				14	22	10	16	37	75	35	53	ns
t _{ZH}	Output Enable Time to High Level				21	35	21	35	47	96	42	90	ns
t _{ZL}	Output Enable Time to Low Level				24	37	24	37	21	45	42	75	ns
t _{HZ}	Output Disable Time from High Level	C _L = 5 pF			6	11	6	11	47	90	25	43	ns
t _{LZ}	Output Disable Time from Low Level				16	27	16	27	30	63	34	63	ns

TRI-STATE Quad 2-Input NAND Buffers

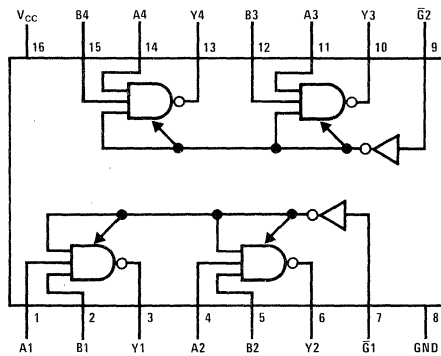
General Description

These devices provide four, two-input NAND buffers in each package. They accept normal TTL or DTL input levels, and have outputs which provide either normal low-impedance TTL characteristics, or a high-impedance third logic state. There are two independent disable lines, each of which controls two gates. When the disable input is taken to a high logic level, the outputs go into the high-impedance state. The low output impedance of these devices provides good capacitive-drive capability and rapid transition from the low to the high logic levels, thus assuring both speed and waveform integrity.

Features

- Combines logic gating with TRI-STATE outputs
- Typical propagation delay 9 ns
- High capacitive-drive capability
- Up to 128 devices can be connected to a common bus line

Connection Diagram



7099/8099(J), (N), (W)

Truth Table

DISABLE	INPUTS		OUTPUT
\bar{G}	A	B	Y
L	L	H	H
L	H	L	H
L	L	L	H
L	H	H	L
H	X	X	Hi-Z

Electrical Characteristics over recommended operating free-air temperature range (unless otherwise noted)

PARAMETER		CONDITIONS	DM70		DM80		UNITS
			99		99		
			MIN	TYP(1)	MAX	MIN	
V_{IH}	High Level Input Voltage		2		2		V
V_{IL}	Low Level Input Voltage			0.8		0.8	V
V_I	Input Clamp Voltage	$V_{CC} = \text{Min}, I_I = -12 \text{ mA}$		-1.5		-1.5	V
I_{OH}	High Level Output Current			-2.0		-5.2	mA
V_{OH}	High Level Output Voltage	$V_{CC} = \text{Min}, V_{IH} = 2\text{V}$ $V_{IL} = 0.8\text{V}, I_{OH} = \text{Max}$	2.4		2.4		V
I_{OL}	Low Level Output Current			16		16	mA
V_{OL}	Low Level Output Voltage	$V_{CC} = \text{Min}, V_{IH} = 2\text{V}$ $V_{IL} = 0.8\text{V}, I_{OL} = 16 \text{ mA}$		0.4		0.4	V
$I_{O(\text{OFF})}$	Off-State (High-Impedance State) Output Current	$V_{CC} = \text{Max}, V_{IH} = 2\text{V}$ $V_{IL} = 0.8\text{V}$	$V_O = 0.4\text{V}$	-40	$V_O = 2.4\text{V}$	-40	μA
			$V_O = 2.4\text{V}$	40	$V_O = 0.4\text{V}$	40	
I_I	Input Current at Maximum Input Voltage	$V_{CC} = \text{Max}, V_I = 5.5\text{V}$		1		1	mA
I_{IH}	High Level Input Current	$V_{CC} = \text{Max}, V_I = 2.4\text{V}$		40		40	μA
I_{IL}	Low Level Input Current	$V_{CC} = \text{Max}$	Either Data Input	\bar{G} Input at $2\text{V}, V_I = 0.4\text{V}$	-40	-40	μA
			\bar{G} Input	\bar{G} Input at $0.4\text{V}, V_I = 0.4\text{V}$	-1.6	-1.6	
					$V_I = 0.4\text{V}$	-1.6	-1.6
I_{OS}	Short Circuit Output Current	$V_{CC} = \text{Max}(2)$	-25	-70	-25	-70	mA
I_{CC}	Supply Current	$V_{CC} = \text{Max}$		35		35	mA

Notes

- (1) All typical values are at $V_{CC} = 5\text{V}, T_A = 25^\circ\text{C}$.
 (2) Not more than one output should be shorted at a time.

Switching Characteristics $V_{CC} = 5\text{V}, T_A = 25^\circ\text{C}$

PARAMETER		CONDITIONS	DM70/80			UNITS
			99			
			MIN	TYP	MAX	
t_{PLH}	Propagation Delay Time, Low-to-High Level Output	$C_L = 50 \text{ pF}, R_L = 400\Omega$		10	15	ns
t_{PHL}	Propagation Delay Time, High-to-Low Level Output			8	15	
t_{ZH}	Output Enable Time to High Level			13	20	ns
t_{ZL}	Output Enable Time to Low Level			13	20	
t_{HZ}	Output Disable Time from High Level		$C_L = 5 \text{ pF}, R_L = 400\Omega$		4	7
t_{LZ}	Output Disable Time from Low Level			11	17	

TRI-STATE Data Selectors/Multiplexers

General Description

These data selectors/multiplexers contain full on-chip binary decoding to select one-of-eight data sources, and feature a strobe-controlled TRI-STATE output. The strobe must be at a low logic level to enable these devices. The TRI-STATE outputs permit direct connection to a common bus. When the strobe input is high, both outputs are in a high-impedance state in which both the upper and lower transistors of each totem-pole output are off, and the output neither drives nor loads the bus significantly. When the strobe is low, the outputs are activated and operate as standard TTL totem-pole outputs.

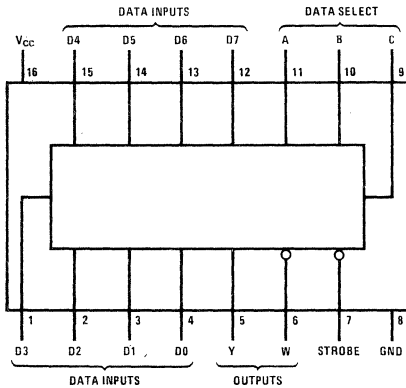
To minimize the possibility that two outputs will attempt to take a common bus to opposite logic levels, the output control circuitry is designed so that the average output disable time is shorter than the average output enable time.

Features

- TRI-STATE versions of DM54/74151
- Interface directly with system bus
- Perform parallel-to-serial conversion
- Permit multiplexing from N-lines to one line
- Complementary outputs provide true and inverted data
- Pin equivalent DM54251/DM74251

TYPE	MAX NO. OF COMMON OUTPUTS	TYPICAL PROP DELAY TIME (D TO Y)	TYPICAL POWER DISSIPATION
DM7121	49	17 ns	155 mW
DM8121	129	17 ns	155 mW

Connection Diagram



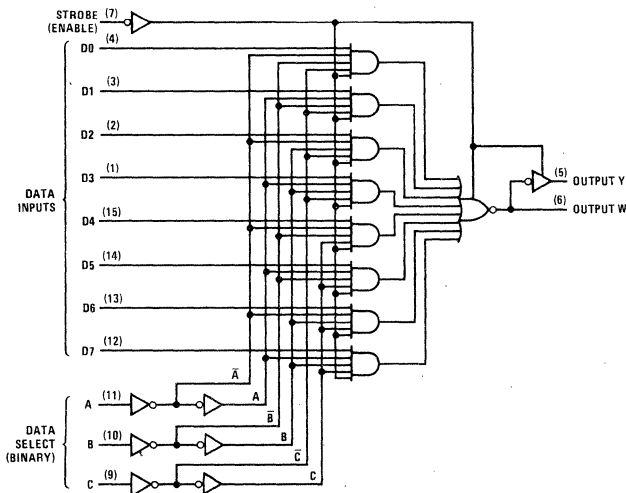
7121(J), (W); 8121(J), (N), (W)

Truth Table

INPUTS				OUTPUTS	
SELECT			STROBE	Y	W
C	B	A	S		
X	X	X	H	Z	Z
L	L	L	L	D0	$\overline{D0}$
L	L	H	L	D1	$\overline{D1}$
L	H	L	L	D2	$\overline{D2}$
L	H	H	L	D3	$\overline{D3}$
H	L	L	L	D4	$\overline{D4}$
H	L	H	L	D5	$\overline{D5}$
H	H	L	L	D6	$\overline{D6}$
H	H	H	L	D7	$\overline{D7}$

H = High Logic Level, L = Low Logic Level
 X = Don't Care, Z = High Impedance (Off)
 D0, D1, . . . D7 = The level of the respective D input.

Logic Diagram



Electrical Characteristics over recommended operating free-air temperature range (unless otherwise noted)

PARAMETER		CONDITIONS		DM71/81			UNITS
				21			
				MIN	TYP(1)	MAX	
V_{IH}	High Level Input Voltage			2			V
V_{IL}	Low Level Input Voltage					0.8	V
V_I	Input Clamp Voltage	$V_{CC} = \text{Min}, I_I = -12 \text{ mA}$				-1.5	V
I_{OH}	High Level Output Current			DM54		-2	mA
				DM74		-5.2	
V_{OH}	High Level Output Voltage	$V_{CC} = \text{Min}, V_{IH} = 2\text{V}$ $V_{IL} = 0.8\text{V}, I_{OH} = \text{Max}$				2.4	V
I_{OL}	Low Level Output Current					16	mA
V_{OL}	Low Level Output Voltage	$V_{CC} = \text{Min}, V_{IH} = 2\text{V}$ $V_{IL} = 0.8\text{V}, I_{OL} = 16 \text{ mA}$				0.4	V
$I_{O(\text{OFF})}$	Off-State (High-Impedance State) Output Current	$V_{CC} = \text{Max}$	$V_O = 0.4\text{V}$			-40	μA
			$V_O = 2.4\text{V}$			40	
I_I	Input Current at Maximum Input Voltage	$V_{CC} = \text{Max}, V_I = 5.5\text{V}$				1	mA
I_{IH}	High Level Input Current	$V_{CC} = \text{Max}, V_I = 2.4\text{V}$				40	μA
I_{IL}	Low Level Input Current	$V_{CC} = \text{Max}, V_I = 0.4\text{V}$				-1.6	mA
I_{OS}	Short Circuit Output Current	$V_{CC} = \text{Max}(2)$				-18	mA
I_{CC}	Supply Current	$V_{CC} = \text{Max}(3)$				31	51

Notes

- (1) All typical values are at $V_{CC} = 5\text{V}, T_A = 25^\circ\text{C}$.
- (2) Not more than one output should be shorted at a time.
- (3) All inputs at 4.5V and all outputs open.

Switching Characteristics $V_{CC} = 5\text{V}, T_A = 25^\circ\text{C}$

PARAMETER		FROM (INPUT)	TO (OUTPUT)	CONDITIONS	DM71/81			UNITS
					21			
					MIN	TYP	MAX	
t_{PLH}	Propagation Delay Time, Low-to-High Level Output	A, B, or C (4 levels)	Y	$C_L = 50 \text{ pF}$ $R_L = 400\Omega$	22	36	ns	
t_{PHL}	Propagation Delay Time, High-to-Low Level Output				23	36	ns	
t_{PLH}	Propagation Delay Time, Low-to-High Level Output	A, B, or C (3 levels)	W		18	29	ns	
t_{PHL}	Propagation Delay Time, High-to-Low Level Output				16	27	ns	
t_{PLH}	Propagation Delay Time, Low-to-High Level Output	Any D	Y		17	28	ns	
t_{PHL}	Propagation Delay Time, High-to-Low Level Output				18	28	ns	
t_{PLH}	Propagation Delay Time, Low-to-High Level Output	Strobe	W		11	15	ns	
t_{PHL}	Propagation Delay Time, High-to-Low Level Output				10	15	ns	
t_{ZH}	Output Enable Time to High Level	Strobe	Y		15	27	ns	
t_{ZL}	Output Enable Time to Low Level				18	36	ns	
t_{ZH}	Output Enable Time to High Level		W	15	27	ns		
t_{ZL}	Output Enable Time to Low Level			19	38	ns		
t_{HZ}	Output Disable Time from High Level		Y	4	8	ns		
t_{LZ}	Output Disable Time from Low Level			14	23	ns		
t_{HZ}	Output Disable Time from High Level			W	4	8	ns	
t_{LZ}	Output Disable Time from Low Level				15	23	ns	

Quad 2-Input Data Selectors/Multiplexers

General Description

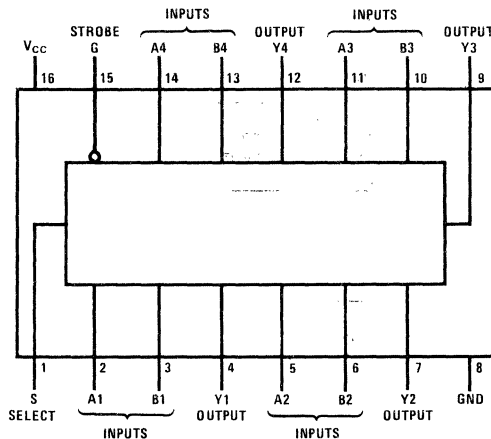
These devices contain four, two-input multiplexers with common input select logic and common output disable circuitry. The DM71L22/81L22 provides conventional totem-pole output TTL construction, whereas the DM7123/8123 and the DM71L23/81L23 provide both conventional TTL outputs and TRI-STATE outputs. When the enable/strobe input is at a low logic level, the outputs of all devices are conventional TTL. However, when the enable/strobe input is raised to a high logic level, the outputs of the DM71L22/81L22 go to the low logic state, and the outputs of the DM7123/8123 and DM71L23/81L23 go to the high-impedance third state. These devices provide the designer with TRI-STATE and/or low power pin/pin replacements for the popular 9322 and 54/74157 multiplexers.

Features

- Pin equivalents popular 9322 and 54/74157 multiplexers
- Both conventional TTL and TRI-STATE outputs available
- Both conventional TTL and "one-tenth-power technology" available

TYPE	TYPICAL PROPAGATION DELAY	TYPICAL POWER DISSIPATION
7123/8123	9.5 ns	200 mW
71L22/81L22	40 ns	15 mW
71L23/81L23	40 ns	20 mW

Connection Diagram



71L22/81L22(J), (N), (W); 7123(J), (W);
8123(J), (N), (W); 71L23/81L23(J), (N), (W)

Truth Tables

L22

STROBE	SELECT	INPUTS		OUTPUT
		A	B	Y
L	L	L	X	L
L	L	H	X	H
L	H	X	L	L
L	H	X	H	H
H	X	X	X	L

23, L23

ENABLE	SELECT	INPUTS		OUTPUT
		A	B	Y
L	L	L	X	L
L	L	H	X	H
L	H	X	L	L
L	H	X	H	H
H	X	X	X	Hi-Z

Electrical Characteristics over recommended operating free-air temperature range (unless otherwise noted)

PARAMETER		CONDITIONS		DM71/81			DM71L/81L						UNITS
				23			L22			L23			
				MIN	TYP(1)	MAX	MIN	TYP(1)	MAX	MIN	TYP(1)	MAX	
V_{IH}	High Level Input Voltage			2			2			2			V
V_{IL}	Low Level Input Voltage			0.8			0.7			0.7			V
V_I	Input Clamp Voltage	$V_{CC} = \text{Min}, I_I = -12 \text{ mA}, T_A = 25^\circ\text{C}$		-1.5			N/A			N/A			V
I_{OH}	High Level Output Current			DM71			-2.0			-0.2			mA
				DM81			-5.2			-0.2			
V_{OH}	High Level Output Voltage	$V_{CC} = \text{Min}, V_{IH} = 2\text{V}$ $V_{IL} = \text{Max}, I_{OH} = \text{Max}$		2.4			2.4 2.8			2.4 2.8			V
I_{OL}	Low Level Output Current			DM71			16			2.0			mA
				DM81			16			3.6			
V_{OL}	Low Level Output Voltage	$V_{CC} = \text{Min}, V_{IH} = 2\text{V}$ $V_{IL} = \text{Max}, I_{OL} = \text{Max}$		DM71			0.4 0.15 0.3			0.15 0.3			V
				DM81			0.4 0.20 0.4			0.20 0.4			
$I_{O(\text{OFF})}$	Off-State (High-Impedance State) Output Current	$V_{CC} = \text{Max}$ $V_{IH} = 2\text{V}$ $V_{IL} = \text{Max}$	$V_O = 0.3\text{V}$				N/A			-40			μA
			$V_O = 0.4\text{V}$				N/A			-40			
			$V_O = 2.4\text{V}$	40			N/A			20			
I_I	Input Current at Maximum Input Voltage	$V_{CC} = \text{Max}, V_I = 5.5\text{V}$		1.0			0.1			0.1			mA
I_{IH}	High Level Input Current	$V_{CC} = \text{Max}, V_I = 2.4\text{V}$		40			10			10			μA
I_{IL}	Low Level Input Current	$V_{CC} = \text{Max}$	$V_I = 0.3\text{V}$				-0.18			-0.18			mA
			$V_I = 0.4\text{V}$	-1.0 -1.6									
I_{OS}	Short Circuit Output Current	$V_{CC} = \text{Max}(2)$		-30 -50 -70			-3 -9 -15			-3 -9 -15			mA
I_{CC}	Supply Current	$V_{CC} = \text{Max}(3)$		40 51			3 4			4 5.3			mA

Notes

- (1) All typical values are at $V_{CC} = 5\text{V}, T_A = 25^\circ\text{C}$.
- (2) Not more than one output should be shorted at a time.
- (3) I_{CC} is measured with all inputs grounded, and all outputs open.

Switching Characteristics $V_{CC} = 5V, T_A = 25^\circ C$

PARAMETER		FROM	TO	CONDITIONS		DM71/81			DM71L/81L						UNITS
				DM71/81	DM71L/81L	23			L22			L23			
						MIN	TYP	MAX	MIN	TYP	MAX	MIN	TYP	MAX	
t_{PLH}	Propagation Delay Time, Low-to-High Level Output	Data	Output	$C_L = 50 \text{ pF}$ $R_L = 400\Omega$	$C_L = 50 \text{ pF}$ $R_L = 4 \text{ k}\Omega$	4	8	15	20	40	80	20	40	80	ns
t_{PHL}	Propagation Delay Time, High-to-Low Level Output	Data	Output			5	11	18	20	40	80	20	40	80	ns
t_{PLH}	Propagation Delay Time, Low-to-High Level Output	Strobe	Output			N/A	30	60	120	N/A	ns				
t_{PHL}	Propagation Delay Time, High-to-Low Level Output	Strobe	Output			N/A	30	60	120	N/A	ns				
t_{PLH}	Propagation Delay Time, Low-to-High Level Output	Select	Output			5	15	23	35	70	140	35	70	140	ns
t_{PHL}	Propagation Delay Time, High-to-Low Level Output	Select	Output			8	17	24	25	50	100	25	50	100	ns
t_{ZH}	Output Enable Time to High Level					9	18	25	N/A	15	30	60	ns		
t_{ZL}	Output Enable Time to Low Level					10	23	30	N/A	20	35	70	ns		
t_{HZ}	Output Disable Time from High Level			$C_L = 5 \text{ pF}$ $R_L = 400\Omega$	$C_L = 5 \text{ pF}$ $R_L = 4 \text{ k}\Omega$	4	7	11	N/A	15	30	60	ns		
t_{LZ}	Output Disable Time from Low Level					9	19	27	N/A	35	75	150	ns		

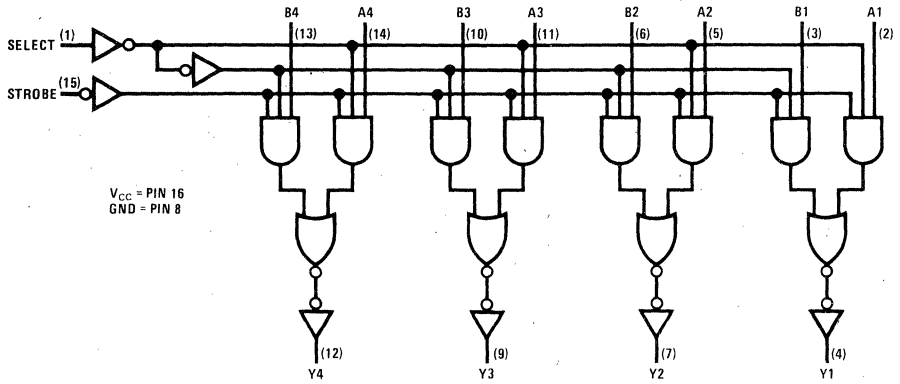
3-15

Proprietary

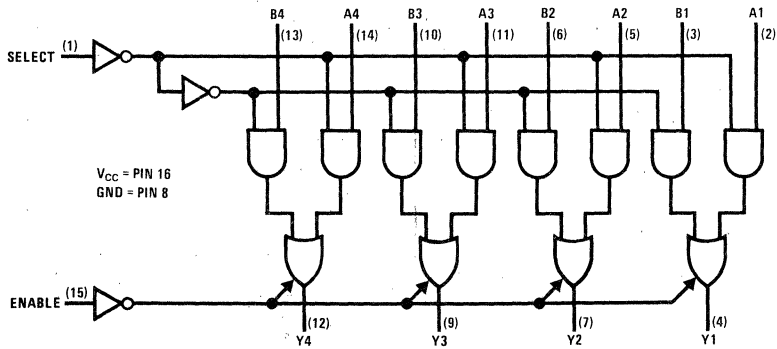
DM71/DM81L22,23,L23

Logic Diagrams

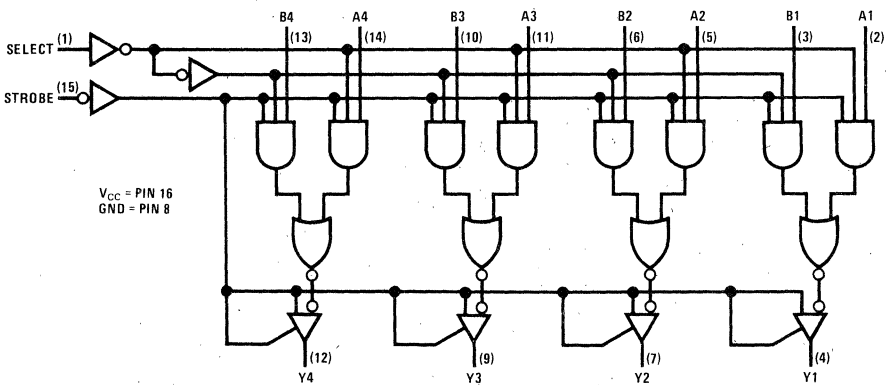
L22



23



L23



Magnitude Comparators

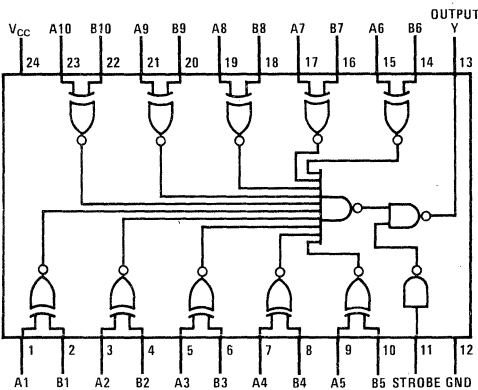
General Description

These devices offer comparisons to determine equality between two binary words. The DM7130/DM8130 compares two ten-bit words, and the DM7160/DM8160 compares two six-bit words. A strobe override is provided on both devices. When the strobe is taken to a high logic level, the output is forced to a high logic level. The devices also feature open collector outputs for expansion.

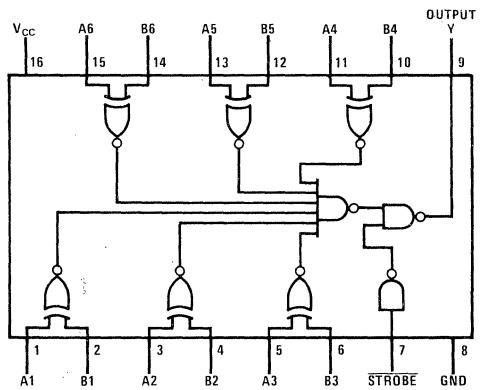
Features

- Typical propagation delay 21 ns
- Typical power dissipation
 - DM7130/8130 240 mW
 - DM7160/8160 205 mW
- Open-collector outputs for expansion

Connection Diagrams



7130(J), (F); 8130(J), (N), (F)



7160(J), (W); 8160(J), (N), (W)

Truth Table

CONDITION	STROBE S	OUTPUT Y
A = B, A ≠ B	H	H
A = B	L	H
A ≠ B	L	L

Electrical Characteristics over recommended operating free-air temperature range (unless otherwise noted)

PARAMETER		CONDITIONS	DM71/81						UNITS
			30			60			
			MIN	TYP(1)	MAX	MIN	TYP(1)	MAX	
V_{IH}	High Level Input Voltage		2			2			V
V_{IL}	Low Level Input Voltage		0.8			0.8			V
V_I	Input Clamp Voltage	$V_{CC} = \text{Min}, I_I = -12 \text{ mA}$ $T_A = 25^\circ\text{C}$	-1.5			-1.5			V
I_{OH}	High Level Output Current	$V_{CC} = \text{Min}, V_{IH} = 2\text{V}$ $V_{OH} = 5.5\text{V}$	100			100			μA
V_{OH}	High Level Output Voltage		5.5			5.5			V
I_{OL}	Low Level Output Current		16			16			mA
V_{OL}	Low Level Output Voltage	$V_{CC} = \text{Min}, V_{IL} = 0.8\text{V}$ $I_{OL} = 16 \text{ mA}$	0.2		0.4	0.2		0.4	V
I_I	Input Current at Maximum Input Voltage	$V_{CC} = \text{Max}, V_I = 5.5\text{V}$	1			1			mA
I_{IH}	High Level Input Current	$V_{CC} = \text{Max}, V_I = 2.4\text{V}$	40			40			μA
I_{IL}	Low Level Input Current	$V_{CC} = \text{Max}, V_I = 0.4\text{V}$	-1.6			-1.6			mA
I_{CC}	Supply Current	$V_{CC} = \text{Max}$	48		70	41		60	mA

Notes

 (1) All typical values are at $V_{CC} = 5\text{V}, T_A = 25^\circ\text{C}$.

Switching Characteristics $V_{CC} = 5\text{V}, T_A = 25^\circ\text{C}$

PARAMETER		FROM	TO	CONDITIONS	DM71/81						UNITS
					30			60			
					MIN	TYP	MAX	MIN	TYP	MAX	
t_{PLH}	Propagation Delay Time, Low-to-High Level Output	Data	Output	$C_L = 15 \text{ pF}, R_L = 400\Omega$	15	25		15	25		ns
t_{PHL}	Propagation Delay Time, High-to-Low Level Output	Data	Output		27	40		27	40		ns
t_{PLH}	Propagation Delay Time, Low-to-High Level Output	Strobe	Output		9	18		9	18		ns
t_{PHL}	Propagation Delay Time, High-to-Low Level Output	Strobe	Output		20	30		20	30		ns

6-Bit Unified Bus Comparators

General Description

The DM7131/DM8131, DM7136/DM8136 compare two binary words of two-to-six-bits in length, and indicates matching (bit-for-bit) of the two words. Inputs for one word are 54/74 series-compatible TTL inputs, whereas those of the second word are high-impedance receivers driven by a terminated data bus. These bus inputs include 0.65V typical hysteresis, which provides 1.4V noise immunity. The DM7131/DM8131 has active pull-up outputs and goes to the low state upon equality. The DM7136/DM8136 has open-collector outputs which go to the high state upon equality, and is expandable to n bits by collector-ORing. Both devices have an output latch which is strobe controlled.

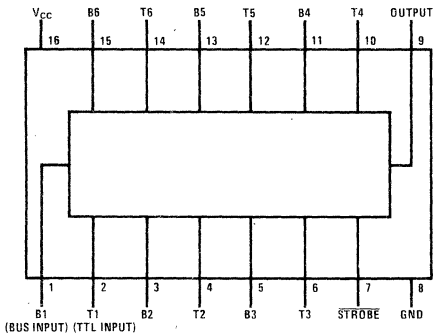
The transfer of information to the output occurs when the STROBE input goes from a logic "1" to a logic

"0" state. Inputs may be changed while the STROBE is at the logic "1" level, without affecting the state of the output. These devices are useful as address comparators in computer systems utilizing unified data bus organization.

Features

- Low bus input current 15μA typ
- High bus input noise immunity 1.4 typ
- Bus inputs comply with IEEE 488-1975
- TTL-compatible output
- Output latch provision

Connection Diagram



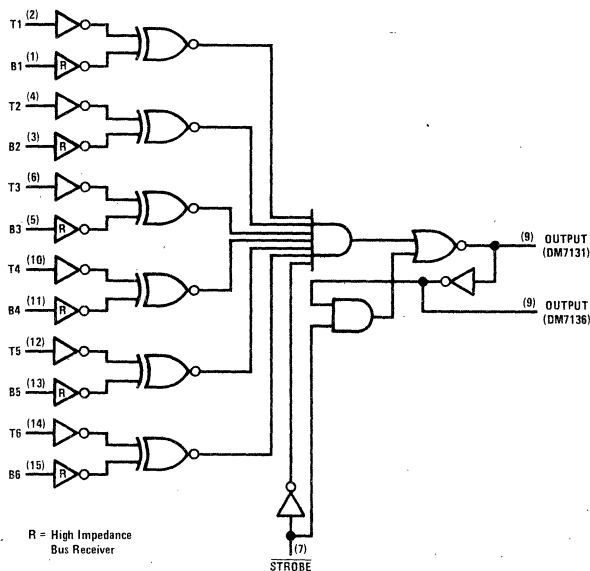
7131(J), (W); 8131(J), (N), (W);
7136(J), (W); 8136(J), (N), (W)

Truth Table

CONDITION	STROBE	OUTPUT	
		DM71/8131	DM71/8136
T = B, T ≠ B	H	Q _{N-1} *	Q _{N-1} *
T = B	L	L	H
T ≠ B	L	H	L

* Latched in previous state

Logic Diagram



Electrical Characteristics over recommended operating free-air temperature range (unless otherwise noted)

PARAMETER		CONDITIONS		DM71/81						UNITS		
				31			36					
				MIN	TYP(1)	MAX	MIN	TYP(1)	MAX			
V_{IH}	High Level Input Voltage	(Exc. Bus Inputs)		2			2			V		
V_{IL}	Low Level Input Voltage	(Exc. Bus Inputs)		0.8			0.8			V		
V_{T+}	Positive Going Threshold Voltage	$V_{CC} = 5V$, Bus Inputs	DM71	1.40	1.75	2.0	1.40	1.75	2.0	V		
			DM81	1.45	1.75	1.95	1.45	1.75	1.95			
V_{T-}	Negative Going Threshold Voltage	$V_{CC} = 5V$, Bus Inputs	DM71	0.90	1.10	1.35	0.90	1.10	1.35	V		
			DM81	0.95	1.10	1.30	0.95	1.10	1.30			
V_I	Input Clamp Voltage	$V_{CC} = \text{Min}$, $I_I = -12 \text{ mA}$ $T_A = 25^\circ\text{C}$		-1.5			-1.5			V		
I_{OH}	High Level Output Current	$V_{CC} = \text{Min}$ $V_{IH} = 2V$	$V_{OH} = 5.5V$					250		μA		
			-400									
V_{OH}	High Level Output Voltage	$V_{CC} = \text{Min}$, $V_{IH} = 2V$ $V_{IL} = 0.8V$, $I_{OH} = \text{Max}$		2.4			5.5			V		
I_{OL}	Low Level Output Current			16			16			mA		
V_{OL}	Low Level Output Voltage	$V_{CC} = \text{Min}$, $V_{IH} = 2V$ $V_{IL} = 0.8V$, $I_{OL} = 16 \text{ mA}$		0.4			0.4			V		
I_I	Input Current at Maximum Input Voltage	$V_{CC} = \text{Max}$ $V_I = 5.5V$	TTL Input	1			1			mA		
			Strobe	2			2					
I_{IH}	High Level Input Current	$V_{CC} = \text{Max}$ $V_I = 2.4V$	TTL Input	40			40			μA		
			Strobe	80			80					
I_{IL}	Low Level Input Current	$V_{CC} = \text{Max}$ $V_I = 0.4V$	TTL Input	-1.6			-1.6			mA		
			Strobe	-2.4			-2.4					
I_{IN}	Bus Input Current	$V_I = 4V$	$V_{CC} = \text{Max}$	15		50		15		50		μA
			$V_{CC} = 0$	1		50		1		50		
I_{OS}	Short Circuit Output Current	$V_{CC} = \text{Max}(2)$		-18		-55		N/A		mA		
I_{CC}	Supply Current	$V_{CC} = \text{Max}$		50		74		50		74		mA

Notes

- (1) All typical values are at $V_{CC} = 5V$, $T_A = 25^\circ\text{C}$.
- (2) Not more than one output should be shorted at a time.

Switching Characteristics $V_{CC} = 5V$, $T_A = 25^\circ\text{C}$

PARAMETER		FROM (INPUT)	TO (OUTPUT)	CONDITIONS	DM71/81						UNITS
					31			36			
					MIN	TYP	MAX	MIN	TYP	MAX	
t_{PLH}	Propagation Delay Time, Low-to-High Level Output	TTL Input	Output	$C_L = 15 \text{ pF}$ $R_L = 400\Omega$	20		30	20		30	ns
t_{PHL}	Propagation Delay Time, High-to-Low Level Output	TTL Input	Output		20		30	20		30	ns
t_{PLH}	Propagation Delay Time, Low-to-High Level Output	Bus Input	Output		30		45	30		45	ns
t_{PHL}	Propagation Delay Time, High-to-Low Level Output	Bus Input	Output		30		45	30		45	ns
t_{PLH}	Propagation Delay Time, Low-to-High Level Output	Strobe Input	Output		20		30	20		30	ns
t_{PHL}	Propagation Delay Time, High-to-Low Level Output	Strobe Input	Output		20		30	20		30	ns

TRI-STATE Octal Buffers

General Description

These devices provide eight, two-input buffers in each package. All employ the newest low-power-Schottky TTL technology. One of the two inputs to each buffer is used as a control line to gate the output into the high-impedance state, while the other input passes the data through the buffer. The 95 and 97 present true data at the outputs, while the 96 and 98 are inverting. On the 95 and 96 versions, all eight TRI-STATE enable lines are common, with access through a 2-input NOR gate. On the 97 and 98 versions, four buffers are enabled from one common line, and the other four buffers are enabled from another common line. In all cases the outputs are placed in the TRI-STATE condition by applying a high logic level to the enable pins. These devices represent octal, low power-Schottky versions of the very popular DM70/8095, 96, 97, and 98 TRI-STATE hex buffers.

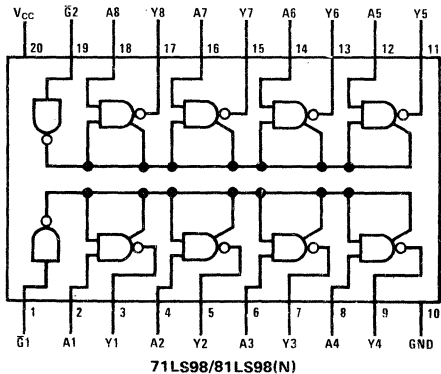
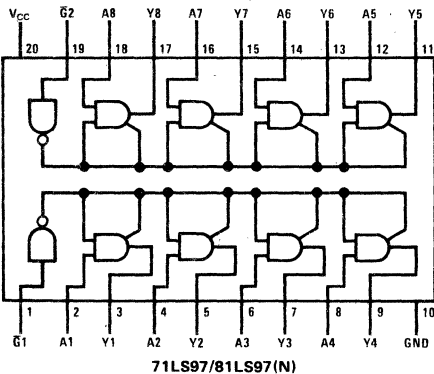
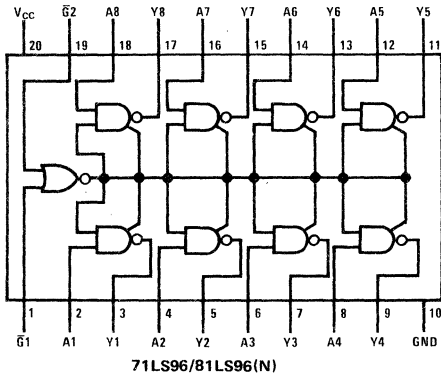
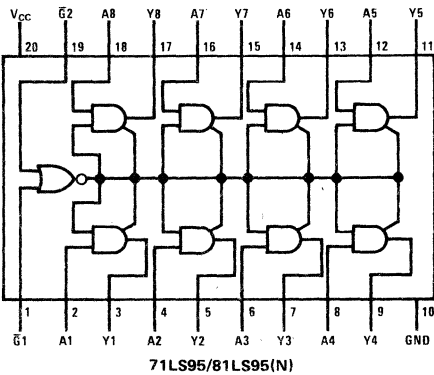
Features

- Octal versions of popular DM8095, 8096, 8097, 8098
- Typical power dissipation

LS95, LS97	80 mW
LS96, LS98	65 mW
- Typical propagation delay

LS95, LS97	13 ns
LS96, LS98	10 ns
- Low power-Schottky, TRI-STATE technology

Connection Diagrams



Truth Tables

LS95

INPUTS			OUTPUT
Ḡ1	Ḡ2	A	Y
H	X	X	Z
X	H	X	Z
L	L	H	H
L	L	L	L

LS96

INPUTS			OUTPUT
Ḡ1	Ḡ2	A	Y
H	X	X	Z
X	H	X	Z
L	L	H	L
L	L	L	H

LS97

INPUTS		OUTPUT
Ḡ	A	Y
H	X	Z
L	H	H
L	L	L

LS98

INPUTS		OUTPUT
Ḡ	A	Y
H	X	Z
L	H	L
L	L	H

Electrical Characteristics over recommended operating free-air temperature range (unless otherwise noted)

PARAMETER		CONDITIONS		DM71LS			DM81LS			UNITS		
				LS95, LS96, LS97, LS98			LS95, LS96, LS97, LS98					
				MIN	TYP(1)	MAX	MIN	TYP(1)	MAX			
V _{IH}	High Level Input Voltage			2			2			V		
V _{IL}	Low Level Input Voltage			0.8			0.8			V		
V _I	Input Clamp Voltage	V _{CC} = Min, I _I = -18 mA		-1.5			-1.5			V		
I _{OH}	High Level Output Current			-1.0			-2.6			mA		
V _{OH}	High Level Output Voltage	V _{CC} = Min, V _{IH} = 2V V _{IL} = 0.8V	I _{OH} = Max	2.5		2.7				V		
			I _{OH} = -5 mA	N/A		2.4						
I _{OL}	Low Level Output Current			8			16			mA		
V _{OL}	Low Level Output Voltage	V _{CC} = Min, V _{IH} = 2V V _{IL} = 0.8V, I _{OL} = Max		0.4			0.5			V		
I _{O(OFF)}	Off-State (High-Impedance State) Output Current	V _{CC} = Max, V _{IH} = 2V V _{IL} = 0.8V	V _O = 0.4V	-20		-20				μA		
			V _O = 2.4V	20		20						
I _I	Input Current at Maximum Input Voltage	V _{CC} = Max, V _I = 7V		0.1			0.1			mA		
I _{IH}	High Level Input Current	V _{CC} = Max, V _I = 2.7V		20			20			μA		
I _{IL}	Low Level Input Current	A Input V _{CC} = Max G Input	Both \bar{G} Inputs at 2V	V _I = 0.5V	-20		-20				μA	
			Both \bar{G} Inputs at 0.4V	V _I = 0.4V	-0.36		-0.36					
				V _I = 0.4V	-0.36		-0.36				mA	
I _{OS}	Short Circuit Output Current	V _{CC} = Max(2)		-30	-60	-130	-30	-60	-130	mA		
I _{CC}	Supply Current	V _{CC} = Max	95, 97	16		26		16		26		mA
			96, 98	13		21		13		21		

Notes

 (1) All typical values are at V_{CC} = 5V, T_A = 25°C.

(2) Not more than one output should be shorted at a time, and duration of the short circuit should not exceed one second.

Switching Characteristics V_{CC} = 5V, T_A = 25°C

PARAMETER		CONDITIONS		DM71LS/81LS						UNITS
				LS95, LS97			LS96, LS98			
				MIN	TYP	MAX	MIN	TYP	MAX	
t _{PLH}	Propagation Delay Time, Low-to-High Level Output	C _L = 15 pF, R _L = 2 kΩ		11	16			6	10	ns
t _{PHL}	Propagation Delay Time, High-to-Low Level Output			15	22			13	17	ns
t _{ZH}	Output Enable Time to High Level			16	25			17	27	ns
t _{ZL}	Output Enable Time to Low Level			13	20			16	25	ns
t _{HZ}	Output Disable Time from High Level			13	20			13	20	ns
t _{LZ}	Output Disable Time from Low Level	C _L = 5 pF, R _L = 2 kΩ		19	27			18	27	ns

4-Bit Magnitude Comparators

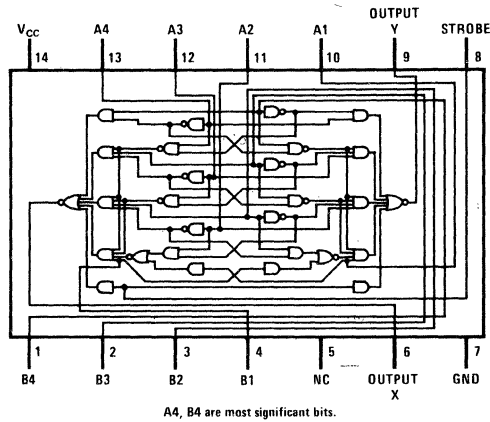
General Description

These devices compare two binary words of four bits in length; and the outputs indicate 1) word A > word B, 2) word A < word B, or 3) word A = word B. A strobe input overrides all other inputs, and when taken to a high logic level, places both outputs in the low state. Comparison of words longer than four bits each may be accomplished through the use of additional DM7200/DM8200 devices.

Features

- Typical power dissipation 175 mW
- Typical propagation delay 20 ns

Connection Diagram



7200/8200(J), (N), (W)

Truth Table

INPUTS		OUTPUTS	
CONDITION	STROBE	X	Y
DON'T CARE	H	L	L
A > B	L	H	L
A < B	L	L	H
A = B	L	H	H

Electrical Characteristics over recommended operating free-air temperature range (unless otherwise noted)

PARAMETER		CONDITIONS	DM72/82			UNITS
			00			
			MIN	TYP(1)	MAX	
V_{IH}	High Level Input Voltage		2			V
V_{IL}	Low Level Input Voltage				0.8	V
V_I	Input Clamp Voltage	$V_{CC} = \text{Min}, I_I = -12 \text{ mA}$			-1.5	V
I_{OH}	High Level Output Current				-400	μA
V_{OH}	High Level Output Voltage	$V_{CC} = \text{Min}, V_{IH} = 2\text{V}$ $V_{IL} = 0.8\text{V}, I_{OH} = -400\mu\text{A}$	2.4			V
I_{OL}	Low Level Output Current				16	mA
V_{OL}	Low Level Output Voltage	$V_{CC} = \text{Min}, V_{IH} = 2\text{V}$ $V_{IL} = 0.8\text{V}, I_{OL} = 16 \text{ mA}$			0.4	V
I_I	Input Current at Maximum Input Voltage	$V_{CC} = \text{Max}, V_I = 5.5\text{V}$			1	mA
I_{IH}	High Level Input Current	$V_{CC} = \text{Max}, V_I = 2.4\text{V}$			80	μA
I_{IL}	Low Level Input Current	$V_{CC} = \text{Max}, V_I = 0.4\text{V}$			-3.2	mA
I_{OS}	Short Circuit Output Current	$V_{CC} = \text{Max}(2)$	-18		-55	mA
I_{CC}	Supply Current	$V_{CC} = \text{Max}$		35	53	mA

Notes

- (1) All typical values are at $V_{CC} = 5\text{V}, T_A = 25^\circ\text{C}$.
 (2) Not more than one output should be shorted at a time.

Switching Characteristics $V_{CC} = 5\text{V}, T_A = 25^\circ\text{C}$

PARAMETER		FROM (INPUT)	TO (OUTPUT)	CONDITIONS	DM72/82			UNITS
					00			
					MIN	TYP	MAX	
t_{PLH}	Propagation Delay Time, Low-to-High Level Output	Data	Output	$C_L = 15 \text{ pF}$ $R_L = 400\Omega$	24	40	ns	
t_{PHL}	Propagation Delay Time, High-to-Low Level Output	Data	Output		17	30	ns	
t_{PLH}	Propagation Delay Time, Low-to-High Level Output	Strobe	Output		15	27	ns	
t_{PHL}	Propagation Delay Time, High-to-Low Level Output	Strobe	Output		8	18	ns	
t_{SETUP}	Setup Time				10	0	ns	
t_{HOLD}	Hold Time				0	-10	ns	

8-Line Data Selectors/Multiplexers

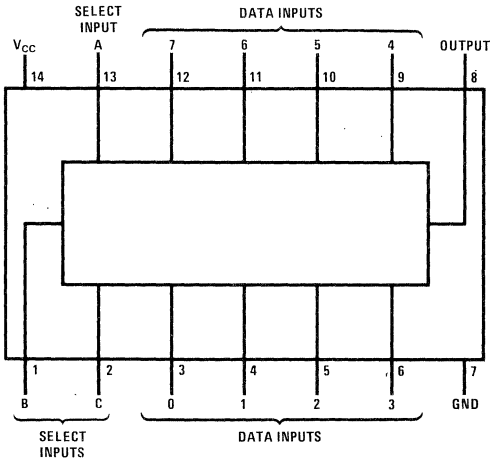
General Description

These monolithic data selectors/multiplexers contain full on-chip binary decoding to select the desired one of eight data sources. The DM7211/8211 have a strobe input, which must be at a low logic level to enable these devices. A high logic level on the strobe latches the output in a high logic state, regardless of the conditions on the other inputs. Depending upon the 3-bit binary number applied to the select lines, the non-inverted data present on the selected input is passed to the output. The circuit can also be used to convert parallel input data to serial output data. If 8 bits of parallel information are applied to the inputs, and if the binary numbers 000 through 111 are sequenced on the select lines, the output will provide a serial presentation of the input bits.

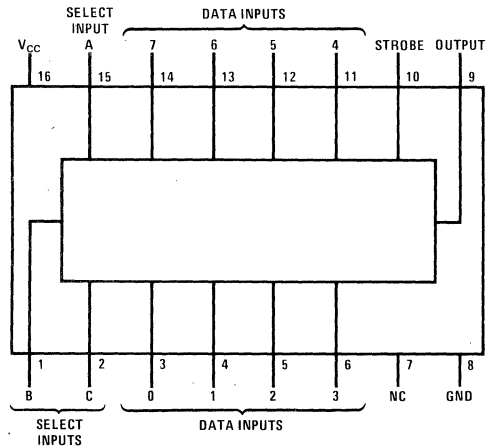
Features

- Full on-chip decoding
- Series 54/74 compatible
- Converts parallel data to serial data
- One volt typical noise immunity
- Typical propagation delay 22 ns
- Typical power dissipation 100 mW

Connection Diagrams



7210(J), (W); 8210(J), (N), (W)



7211(J), (W); 8211(J), (N), (W)

Truth Table

SELECT INPUTS			STROBE (DM7211/DM8211 ONLY)	DATA INPUTS								OUTPUT
C	B	A		0	1	2	3	4	5	6	7	
L	L	L	L	L	X	X	X	X	X	X	X	L
L	L	L	L	H	X	X	X	X	X	X	X	H
L	L	H	L	X	L	X	X	X	X	X	X	L
L	L	H	H	L	X	H	X	X	X	X	X	H
L	H	L	L	X	X	L	X	X	X	X	X	L
L	H	L	H	L	X	X	H	X	X	X	X	H
L	H	H	L	X	X	X	L	X	X	X	X	L
L	H	H	H	L	X	X	X	H	X	X	X	H
H	L	L	L	X	X	X	X	L	X	X	X	L
H	L	L	H	L	X	X	X	X	H	X	X	H
H	L	H	L	L	X	X	X	X	L	X	X	L
H	L	H	H	L	X	X	X	X	X	H	X	H
H	H	L	L	L	X	X	X	X	X	L	X	L
H	H	L	H	L	X	X	X	X	X	X	X	L
H	H	H	L	L	X	X	X	X	X	X	H	H
H	H	H	H	L	X	X	X	X	X	X	X	L
X	X	X	X	H	X	X	X	X	X	X	X	H

H = High Level
L = Low Level
X = Don't Care

Electrical Characteristics over recommended operating free-air temperature range (unless otherwise noted)

PARAMETER		CONDITIONS	DM72/82						UNITS
			10			11			
			MIN	TYP(1)	MAX	MIN	TYP(1)	MAX	
V_{IH}	High Level Input Voltage		2			2			V
V_{IL}	Low Level Input Voltage				0.8			0.8	V
V_I	Input Clamp Voltage	$V_{CC} = \text{Min}, I_I = -12 \text{ mA}$ $T_A = 25^\circ\text{C}$			-1.5			-1.5	V
I_{OH}	High Level Output Current				-400			-400	μA
V_{OH}	High Level Output Voltage	$V_{CC} = \text{Min}, V_{IH} = 2\text{V}$ $I_{OH} = -400\mu\text{A}$	2.4			2.4			V
I_{OL}	Low Level Output Current				16			16	mA
V_{OL}	Low Level Output Voltage	$V_{CC} = \text{Min}, V_{IL} = 0.8\text{V}$ $I_{OL} = 16 \text{ mA}$			0.4			0.4	V
I_I	Input Current at Maximum Input Voltage	$V_{CC} = \text{Max}, V_I = 5.5\text{V}$			1			1	mA
I_{IH}	High Level Input Current	$V_{CC} = \text{Max}, V_I = 2.4\text{V}$			40			40	μA
I_{IL}	Low Level Input Current	$V_{CC} = \text{Max}, V_I = 0.4\text{V}$			-1.6			-1.6	mA
I_{OS}	Short Circuit Output Current	$V_{CC} = \text{Max}(2)$	-18		-55	-18		-55	mA
I_{CC}	Supply Current	$V_{CC} = \text{Max}(3)$	20	33		20	33		mA

Notes

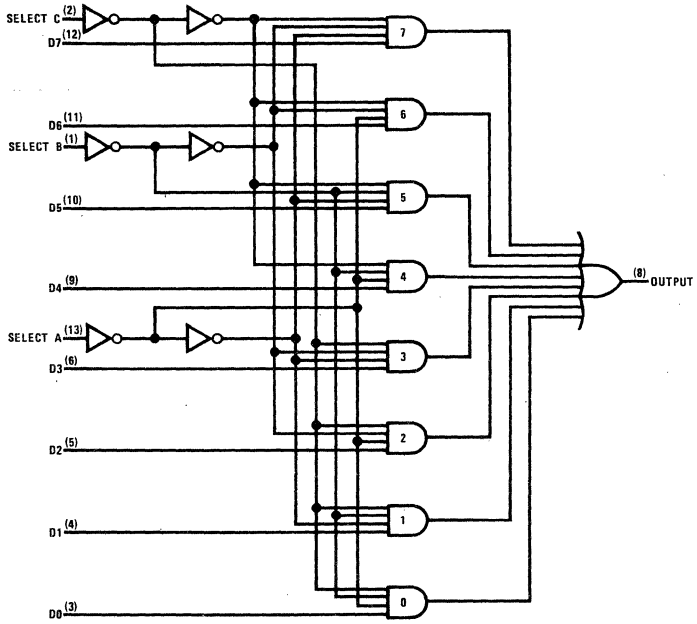
- (1) All typical values are at $V_{CC} = 5\text{V}, T_A = 25^\circ\text{C}$.
- (2) Not more than one output should be shorted at a time.
- (3) I_{CC} is measured with all inputs grounded.

Switching Characteristics $V_{CC} = 5\text{V}, T_A = 25^\circ\text{C}$

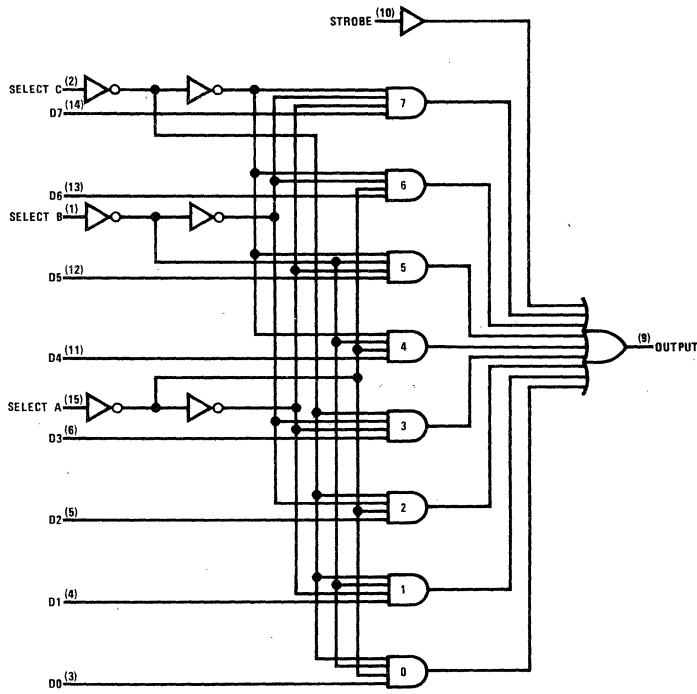
PARAMETER		FROM	TO	CONDITIONS	DM72/82						UNITS
					10			11			
					MIN	TYP	MAX	MIN	TYP	MAX	
t_{PLH}	Propagation Delay Time, Low-to-High Level Output	Data	Output	$C_L = 15 \text{ pF}, R_L = 400\Omega$	23	32		23	32		ns
t_{PHL}	Propagation Delay Time, High-to-Low Level Output	Data	Output		21	30		21	30		ns
t_{PLH}	Propagation Delay Time, Low-to-High Level Output	Strobe	Output		N/A			21	30		ns
t_{PHL}	Propagation Delay Time, High-to-Low Level Output	Strobe	Output		N/A			19	27		ns
t_{PLH}	Propagation Delay Time, Low-to-High Level Output	Select	Output		31	43		31	43		ns
t_{PHL}	Propagation Delay Time, High-to-Low Level Output	Select	Output		31	42		31	42		ns

Logic Diagrams

10



11



TRI-STATE Data Selectors/Multiplexers

General Description

These devices are the TRI-STATE versions of the very popular DM54153 (DM7214) and DM54150 (DM7219) data selectors/multiplexers. They contain full on-chip decoding to select the desired data input. The DM7214/8214 is a dual, four-line multiplexer, while the DM7219/8219 selects one of sixteen input data lines, depending upon the binary number applied to the select inputs. The DM7214/8214 has common select lines, which therefore select the same input line of both multiplexers. However, the two outputs can be individually controlled by means of the separate enable lines; which, when taken to a high logic level, places the output in the high-impedance TRI-STATE condition. The data at the output of the DM7214/8214 is true, whereas the DM7219/8219 is inverted.

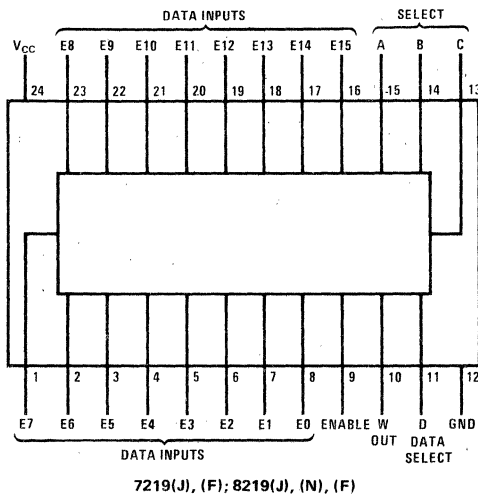
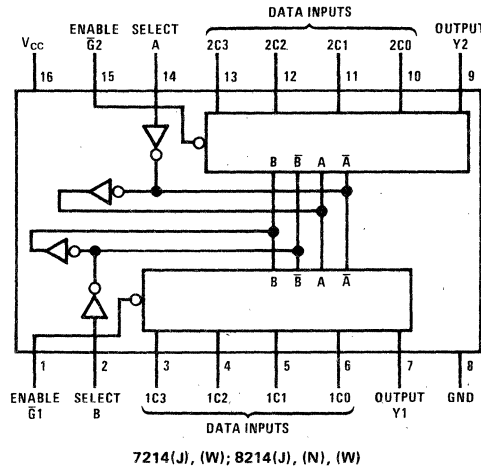
Features

- TRI-STATE pin equivalents to popular 54/74 TTL devices
 - DM7214/8214 – 54153/74153
 - DM7219/8219 – 54150/74150
- Typical propagation delay

DM7214/8214	13.5 ns
DM7219/8219	11 ns
- Typical power dissipation

DM7214/8214	170 mW
DM7219/8219	225 mW
- Strobe/enable override

Connection Diagrams



Electrical Characteristics over recommended operating free-air temperature range (unless otherwise noted)

PARAMETER		CONDITIONS		DM72/82						UNITS	
				14			19				
				MIN	TYP(1)	MAX	MIN	TYP(1)	MAX		
V_{IH}	High Level Input Voltage			2			2			V	
V_{IL}	Low Level Input Voltage			0.8			0.8			V	
V_I	Input Clamp Voltage	$V_{CC} = \text{Min}, I_I = -12 \text{ mA}$		-1.5			-1.5			V	
I_{OH}	High Level Output Current			DM72	-2.0			-2.0			mA
				DM82	-5.2			-5.2			
V_{OH}	High Level Output Voltage	$V_{CC} = \text{Min}, V_{IH} = 2\text{V}$ $V_{IL} = 0.8\text{V}, I_{OH} = \text{Max}$		2.4			2.4			V	
I_{OL}	Low Level Output Current			16			16			mA	
V_{OL}	Low Level Output Voltage	$V_{CC} = \text{Min}, V_{IH} = 2\text{V}$ $V_{IL} = 0.8\text{V}, I_{OL} = 16 \text{ mA}$		0.4			0.4			V	
$I_{O(OFF)}$	Off-State (High-Impedance State) Output Current	$V_{CC} = \text{Max}, V_{IH} = 2\text{V}$ $V_{IL} = 0.8\text{V}$		$V_O = 0.4\text{V}$	-40			-40			μA
				$V_O = 2.4\text{V}$	40			40			
I_I	Input Current at Maximum Input Voltage	$V_{CC} = \text{Max}, V_I = 5.5\text{V}$		1			1			mA	
I_{IH}	High Level Input Current	$V_{CC} = \text{Max}, V_I = 2.4\text{V}$		40			40			μA	
I_{IL}	Low Level Input Current	$V_{CC} = \text{Max}, V_I = 0.4\text{V}$		-1.6			-1.6			mA	
I_{OS}	Short Circuit Output Current	$V_{CC} = \text{Max}(2)$		-18	-55		-28	-100		mA	
I_{CC}	Supply Current	$V_{CC} = \text{Max}(3)$		DM72	34 56		45 68		mA		
				DM82	34 65		45 68				

- Notes**
- (1) All typical values are at $V_{CC} = 5\text{V}, T_A = 25^\circ\text{C}$.
 - (2) Not more than one output should be shorted at a time, and for the DM7219/DM8219 duration of short circuit should not exceed one second.
 - (3) I_{CC} is measured with all inputs grounded.

Switching Characteristics $V_{CC} = 5\text{V}, T_A = 25^\circ\text{C}$

PARAMETER		FROM	TO	CONDITIONS	DM72/82						UNITS
					14			19			
					MIN	TYP	MAX	MIN	TYP	MAX	
t_{PLH}	Propagation Delay Time, Low-to-High Level Output	Data	Output	$C_L = 50 \text{ pF}, R_L = 400\Omega$						ns	
t_{PHL}	Propagation Delay Time, High-to-Low Level Output	Data	Output								
t_{PLH}	Propagation Delay Time, Low-to-High Level Output	Select	Output								
t_{PHL}	Propagation Delay Time, High-to-Low Level Output	Select	Output								
t_{ZH}	Output Enable Time to High Level			$C_L = 5 \text{ pF}, R_L = 400\Omega$						ns	
t_{ZL}	Output Enable Time to Low Level										
t_{HZ}	Output Disable Time from High Level										
t_{LZ}	Output Disable Time from Low Level										

Truth Tables

14

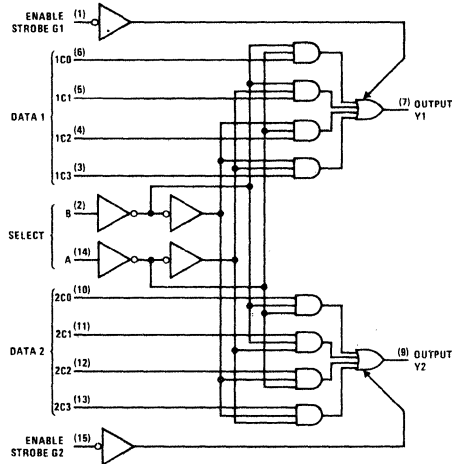
SELECT INPUTS		DATA INPUTS				ENABLE	OUTPUT
B	A	C0	C1	C2	C3	\bar{G}	Y
X	X	X	X	X	X	H	Hi-Z
L	L	L	X	X	X	L	L
L	L	H	X	X	X	L	H
L	H	X	L	X	X	L	L
L	H	X	H	X	X	L	H
H	L	X	X	L	X	L	L
H	L	X	X	H	X	L	H
H	H	X	X	X	L	L	L
H	H	X	X	X	H	L	H

19

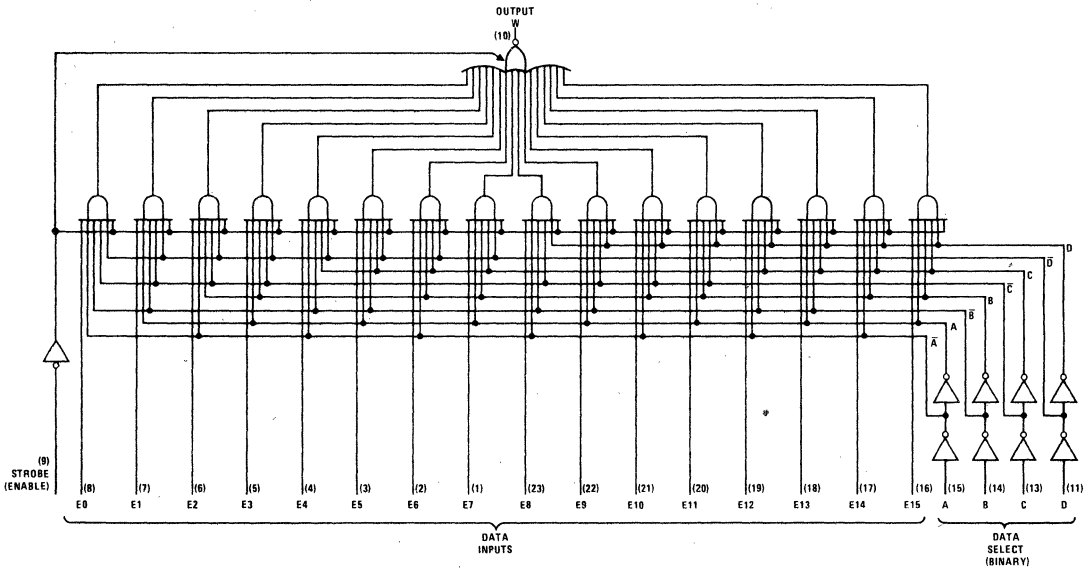
SELECT				ENABLE	DATA INPUTS														OUTPUT			
D	C	B	A	\bar{G}	E0	E1	E2	E3	E4	E5	E6	E7	E8	E9	E10	E11	E12	E13	E14	E15	Y	
X	X	X	X	H	X	X	X	X	X	X	X	X	X	X	X	X	X	X	X	X	X	Hi-Z
L	L	L	L	L	L	X	X	X	X	X	X	X	X	X	X	X	X	X	X	X	X	H
L	L	L	L	L	L	H	X	X	X	X	X	X	X	X	X	X	X	X	X	X	X	L
L	L	L	H	L	L	X	L	X	X	X	X	X	X	X	X	X	X	X	X	X	X	H
L	L	L	H	L	L	X	H	X	X	X	X	X	X	X	X	X	X	X	X	X	X	L
L	L	H	L	L	L	X	X	L	X	X	X	X	X	X	X	X	X	X	X	X	X	H
L	L	H	L	L	L	X	X	H	X	X	X	X	X	X	X	X	X	X	X	X	X	L
L	L	H	H	L	L	X	X	X	L	X	X	X	X	X	X	X	X	X	X	X	X	H
L	L	H	H	L	L	X	X	X	H	X	X	X	X	X	X	X	X	X	X	X	X	L
L	H	L	L	L	L	X	X	X	X	X	X	X	X	X	X	X	X	X	X	X	X	H
L	H	L	H	L	L	X	X	X	X	L	X	X	X	X	X	X	X	X	X	X	X	L
L	H	L	H	L	L	X	X	X	X	H	X	X	X	X	X	X	X	X	X	X	X	L
L	H	H	L	L	L	X	X	X	X	X	X	X	X	X	X	X	X	X	X	X	X	H
L	H	H	L	L	L	X	X	X	L	X	X	X	X	X	X	X	X	X	X	X	X	L
L	H	H	H	L	L	X	X	X	X	X	X	X	X	X	X	X	X	X	X	X	X	H
L	H	H	H	L	L	X	X	X	X	X	X	X	X	X	X	X	X	X	X	X	X	L
H	L	L	L	L	L	X	X	X	X	X	X	X	X	X	X	X	X	X	X	X	X	H
H	L	L	L	L	L	X	X	X	X	X	X	X	X	L	X	X	X	X	X	X	X	H
H	L	L	H	L	L	X	X	X	X	X	X	X	X	X	X	X	X	X	X	X	X	L
H	L	L	H	L	L	X	X	X	X	X	X	X	X	X	X	X	X	X	X	X	X	L
H	L	H	L	L	L	X	X	X	X	X	X	X	X	X	X	X	X	X	X	X	X	H
H	L	H	L	L	L	X	X	X	X	X	X	X	X	X	X	X	X	X	X	X	X	L
H	L	H	H	L	L	X	X	X	X	X	X	X	X	X	X	X	X	X	X	X	X	H
H	L	H	H	L	L	X	X	X	X	X	X	X	X	X	X	X	X	X	X	X	X	L
H	H	L	L	L	L	X	X	X	X	X	X	X	X	X	X	X	X	X	X	X	X	H
H	H	L	L	L	L	X	X	X	X	X	X	X	X	X	X	X	X	X	X	X	X	L
H	H	L	H	L	L	X	X	X	X	X	X	X	X	X	X	X	X	X	X	X	X	H
H	H	H	L	L	L	X	X	X	X	X	X	X	X	X	X	X	X	X	X	X	X	L
H	H	H	L	L	L	X	X	X	X	X	X	X	X	X	X	X	X	X	X	X	X	L
H	H	H	H	L	L	X	X	X	X	X	X	X	X	X	X	X	X	X	X	X	X	H
H	H	H	H	L	L	X	X	X	X	X	X	X	X	X	X	X	X	X	X	X	X	L
H	H	H	H	L	L	X	X	X	X	X	X	X	X	X	X	X	X	X	X	X	X	H
H	H	H	H	L	L	X	X	X	X	X	X	X	X	X	X	X	X	X	X	X	X	L

Logic Diagrams

14



19



9-Bit Parity Generators/Checkers

General Description

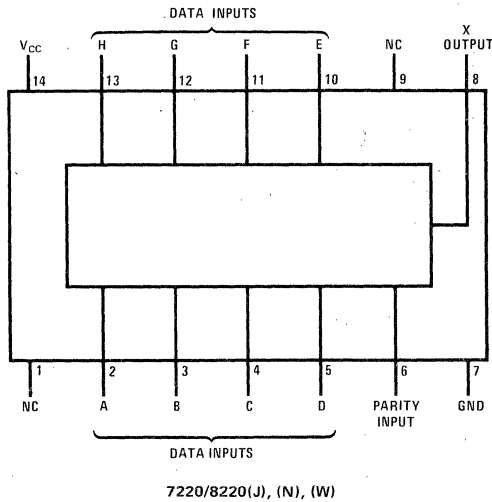
These circuits can be used both to check for parity and to generate a parity bit. When the generation of a parity bit is desired, the eight data inputs are connected to the transmission lines. If a low logic level is then connected to the parity input, the circuit will generate odd parity. The succeeding parity checker will acknowledge an odd number of "1's" (odd parity) with a low logic level on its output. If a high logic level is connected to the parity

input of the first parity generator, the parity checker will acknowledge even parity with a high logic level on its output, although the output of the parity generator will be low.

Features

- Typical propagation delay 34 ns
- Typical power dissipation 130 mW

Connection Diagram



Truth Table

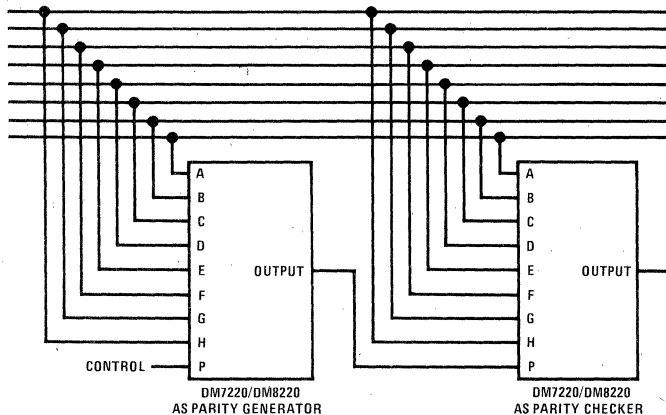
PARITY INPUT	OUTPUT*	INPUTS A THRU H
H	L	Even number of inputs are High
L	L	Odd number of inputs are High

*Single device

Typical Application

If the control line is a logical "0" the parity generator will generate odd parity. The parity checker will acknowledge the presence of an odd number of "1's" (odd parity) with a logical "0" on its output.

If the control line is a logical "1" the parity generator will generate even parity. The parity checker will acknowledge the presence of an even number of "1's" (even parity) with a logical "1" on its output.



Electrical Characteristics over recommended operating free-air temperature range (unless otherwise noted)

PARAMETER		CONDITIONS	DM72			DM82			UNITS	
			20			20				
			MIN	TYP(1)	MAX	MIN	TYP(1)	MAX		
V_{IH}	High Level Input Voltage		2			2			V	
V_{IL}	Low Level Input Voltage				0.8			0.8	V	
V_I	Input Clamp Voltage	$V_{CC} = \text{Min}, I_I = -12 \text{ mA}$ $T_A = 25^\circ\text{C}$			-1.5			-1.5	V	
I_{OH}	High Level Output Current				-400			-400	μA	
V_{OH}	High Level Output Voltage	$V_{CC} = \text{Min}, V_{IH} = 2\text{V}$ $V_{IL} = 0.8\text{V}, I_{OH} = -400\mu\text{A}$	2.4			2.4			V	
I_{OL}	Low Level Output Current				16			16	mA	
V_{OL}	Low Level Output Voltage	$V_{CC} = \text{Min}, V_{IH} = 2\text{V}$ $V_{IL} = 0.8\text{V}, I_{OL} = 16 \text{ mA}$			0.4			0.4	V	
I_I	Input Current at Maximum Input Voltage	$V_{CC} = \text{Max}, V_I = 5.5\text{V}$			1			1	mA	
I_{IH}	High Level Input Current	$V_{CC} = \text{Max}, V_I = 2.4\text{V}$			40			40	μA	
I_{IL}	Low Level Input Current	$V_{CC} = \text{Max}, V_I = 0.4\text{V}$			-1.6			-1.6	mA	
I_{OS}	Short Circuit Output Current	$V_{CC} = \text{Max}(2)$	-20		-55	-18		-55	mA	
I_{CC}	Supply Current	$V_{CC} = \text{Max}$			26	35		26	35	mA

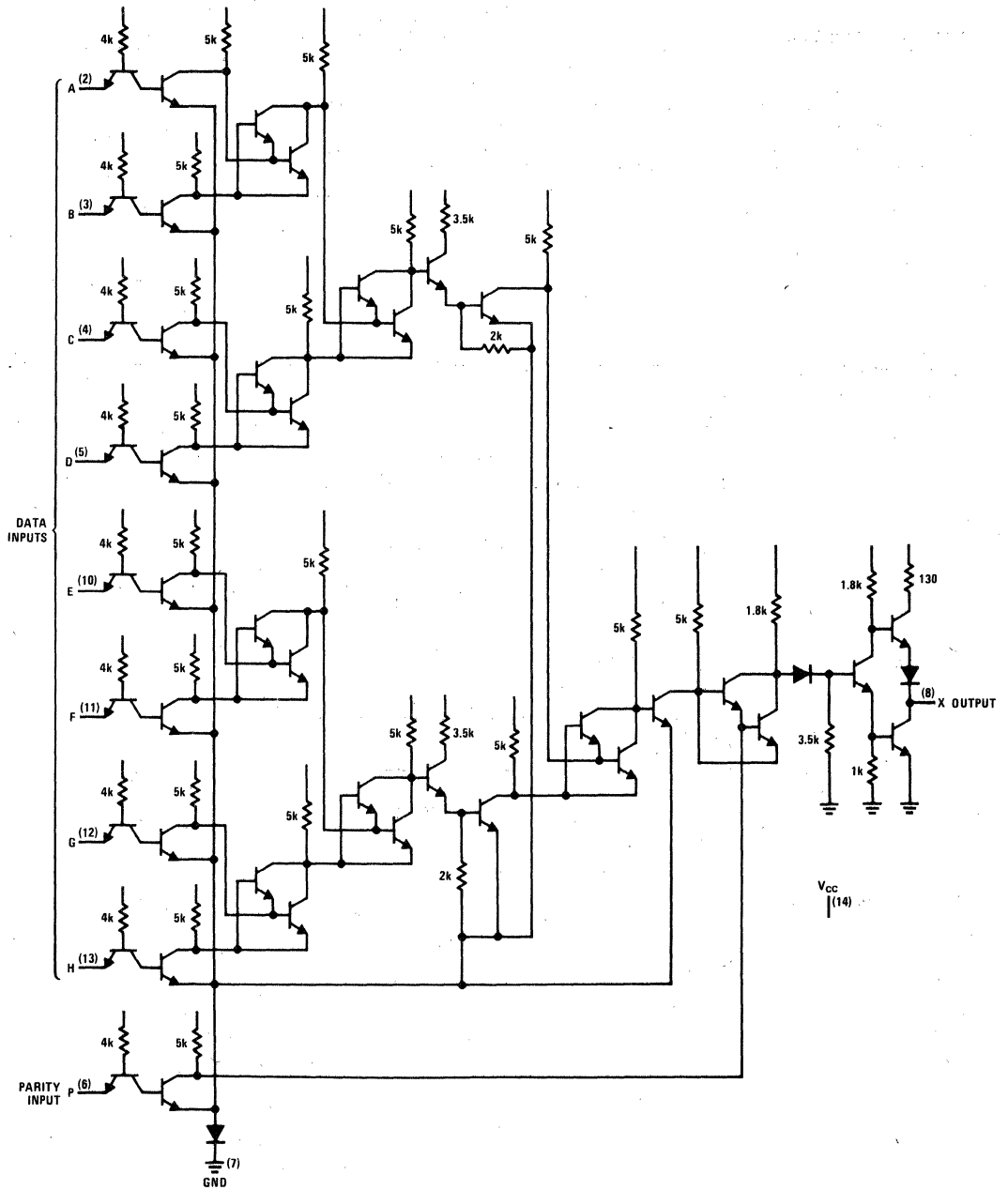
Notes

- (1) All typical values are at $V_{CC} = 5\text{V}, T_A = 25^\circ\text{C}$.
(2) Not more than one output should be shorted at a time.

Switching Characteristics $V_{CC} = 5\text{V}, T_A = 25^\circ\text{C}$

PARAMETER		FROM	TO	CONDITIONS	DM72/DM82			UNITS
					20			
					MIN	TYP	MAX	
t_{PLH}	Propagation Delay Time, Low-to-High Level Output	Data Inputs	Output	$C_L = 15 \text{ pF}, R_L = 400\Omega$	36	58	ns	
t_{PHL}	Propagation Delay Time, High-to-Low Level Output	Data Inputs	Output		32	52	ns	
t_{PLH}	Propagation Delay Time, Low-to-High Level Output	Parity Input	Output		21	35	ns	
t_{PHL}	Propagation Delay Time, High-to Low Level Output	Parity Input	Output		14	25	ns	

Schematic Diagram



1-Line to 8-Line Demultiplexers

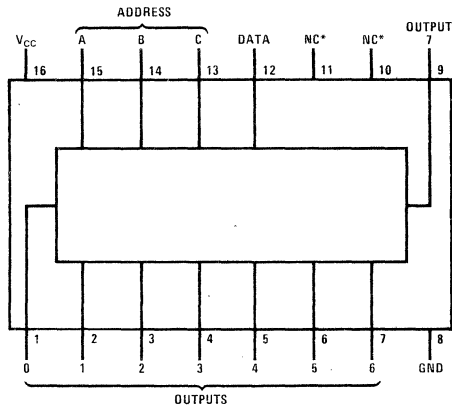
General Description

These circuits demultiplex a data train, and route the data to one of eight outputs. The binary code which is applied to three address lines determines which unique output receives the data. When the data input is at a logical "0," only the addressed output will be a logical "0." When the data input is at a logical "1," all outputs, and therefore the addressed output, will be at a logical "1."

Features

- Typical power dissipation 140 mW
- Typical propagation delay 25 ns

Connection Diagram



*Do not make connection to pins 10 or 11.

7223(J); 8223(J), (N)

Truth Table

DATA INPUT	ADDRESS INPUTS			OUTPUTS							
	C	B	A	0	1	2	3	4	5	6	7
L	L	L	L	L	H	H	H	H	H	H	H
L	L	L	H	H	L	H	H	H	H	H	H
L	L	H	L	H	H	L	H	H	H	H	H
L	L	H	H	H	H	H	L	H	H	H	H
L	H	L	L	H	H	H	H	L	H	H	H
L	H	L	H	H	H	H	H	H	L	H	H
L	H	H	L	H	H	H	H	H	H	L	H
L	H	H	H	H	H	H	H	H	H	H	L
H	X	X	X	H	H	H	H	H	H	H	H

X = Don't Care

Electrical Characteristics over recommended operating free-air temperature range (unless otherwise noted)

PARAMETER		CONDITIONS	DM72			DM82			UNITS
			23			23			
			MIN	TYP(1)	MAX	MIN	TYP(1)	MAX	
V_{IH}	High Level Input Voltage		2			2			V
V_{IL}	Low Level Input Voltage				0.8			0.8	V
V_I	Input Clamp Voltage	V _{CC} = Min, I _I = -12 mA			-1.5			-1.5	V
I_{OH}	High Level Output Current				-400			-400	μA
V_{OH}	High Level Output Voltage	V _{CC} = Min, V _{IH} = 2V V _{IL} = 0.8V, I _{OH} = -400μA	2.4			2.4			V
I_{OL}	Low Level Output Current				16			16	mA
V_{OL}	Low Level Output Voltage	V _{CC} = Min, V _{IH} = 2V V _{IL} = 0.8V, I _{OL} = 16 mA			0.4			0.4	V
I_I	Input Current at Maximum Input Voltage	V _{CC} = Max, V _I = 5.5V			1			1	mA
I_{IH}	High Level Input Current	V _{CC} = Max, V _I = 2.4V			40			40	μA
I_{IL}	Low Level Input Current	V _{CC} = Max, V _I = 0.4V			-1.6			-1.6	mA
I_{OS}	Short Circuit Output Current	V _{CC} = Max(2)	-20		-55	-18		-57	mA
I_{CC}	Supply Current	V _{CC} = Max		28	41		28	41	mA

Notes

- (1) All typical values are at V_{CC} = 5V, T_A = 25°C.
 (2) Not more than one output should be shorted at a time.

Switching Characteristics V_{CC} = 5V, T_A = 25°C

PARAMETER		CONDITIONS	DM72/82			UNITS
			23			
			MIN	TYP	MAX	
t_{PLH}	Propagation Delay Time, Low-to-High Level Output	C _L = 15 pF, R _L = 400Ω		26	35	ns
t_{PHL}	Propagation Delay Time, High-to-Low Level Output			24	35	ns

TRI-STATE Dual 2/4 Demultiplexers

General Description

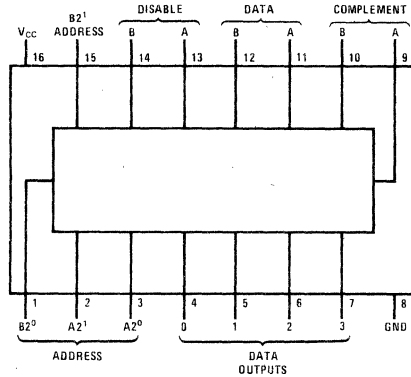
These circuits route both a data input, as well as its complement, to two of four output lines, depending upon the binary code applied to the address lines. There are two separate data lines, separate address lines for each, as well as the complement of each data line. Which set of address lines is active depends upon which disable line has a low logic level applied. The disable inputs have the additional feature that when both have a high logic

level applied, the outputs go to the third (high-impedance) state.

Features

- Separate input disables
- Data complement capability
- Typical propagation delay 20 ns
- Low output impedance — high drive capability

Connection Diagram



7230(J), (W); 8230(J), (N), (W)

Truth Table

DATA A	COMP A	DATA B	COMP B	ADDRESS A 2 ¹	ADDRESS A 2 ⁰	ADDRESS B 2 ¹	ADDRESS B 2 ⁰	DIS A	DIS B	OUT 0	OUT 1	OUT 2	OUT 3
L	L	X	X	L	L	X	X	L	H	L	H	H	H
L	H	X	X	L	L	X	X	L	H	H	H	H	H
H	L	X	X	L	L	X	X	L	H	H	H	H	H
H	H	X	X	L	L	X	X	L	H	L	H	H	H
L	L	X	X	L	H	X	X	L	H	H	L	H	H
L	H	X	X	L	H	X	X	L	H	H	H	H	H
H	L	X	X	L	H	X	X	L	H	H	H	H	H
H	H	X	X	L	H	X	X	L	H	H	L	H	H
L	L	X	X	H	L	X	X	L	H	H	H	L	H
L	H	X	X	H	L	X	X	L	H	H	H	H	H
H	L	X	X	H	L	X	X	L	H	H	H	L	H
H	H	X	X	H	L	X	X	L	H	H	H	H	H
L	L	X	X	H	H	X	X	L	H	H	H	H	L
L	H	X	X	H	H	X	X	L	H	H	H	H	H
H	L	X	X	H	H	X	X	L	H	H	H	H	H
H	H	X	X	H	H	X	X	L	H	H	H	H	L
X	X	L	L	X	X	L	L	H	L	L	H	H	H
X	X	L	L	X	X	L	L	H	L	L	H	H	H
X	X	H	H	X	X	L	L	H	L	L	H	H	H
X	X	H	H	X	X	L	L	H	L	L	H	H	H
X	X	L	L	X	X	L	H	H	L	H	L	H	H
X	X	L	L	X	X	L	H	H	L	H	L	H	H
X	X	H	H	X	X	L	H	H	L	H	H	H	H
X	X	H	H	X	X	L	H	H	L	H	H	H	H
X	X	L	L	X	X	H	L	H	L	H	H	L	H
X	X	L	L	X	X	H	L	H	L	H	H	L	H
X	X	H	H	X	X	L	H	L	H	L	H	H	H
X	X	H	H	X	X	L	H	L	H	L	H	H	H
X	X	L	L	X	X	H	H	H	L	H	H	L	L
X	X	L	L	X	X	H	H	H	L	H	H	L	L
X	X	H	H	X	X	H	H	H	L	H	H	H	L
X	X	H	H	X	X	H	H	H	L	H	H	H	L
X	X	X	X	X	X	X	X	H	H	Hi-Z	Hi-Z	Hi-Z	Hi-Z

Electrical Characteristics over recommended operating free-air temperature range (unless otherwise noted)

PARAMETER		CONDITIONS	DM72			DM82			UNITS	
			30			30				
			MIN	TYP(1)	MAX	MIN	TYP(1)	MAX		
V _{IH}	High Level Input Voltage		2			2			V	
V _{IL}	Low Level Input Voltage				0.8			0.8	V	
V _I	Input Clamp Voltage	V _{CC} = Min, I _I = -12 mA T _A = 25°C			-1.5			-1.5	V	
I _{OH}	High Level Output Current				-2.0			-5.2	mA	
V _{OH}	High Level Output Voltage	V _{CC} = Min, V _{IH} = 2V V _{IL} = 0.8V, I _{OH} = Max	2.4	3.5		2.4	3.5		V	
I _{OL}	Low Level Output Current				16			16	mA	
V _{OL}	Low Level Output Voltage	V _{CC} = Min, V _{IH} = 2V V _{IL} = 0.8V, I _{OL} = 16 mA		0.2	0.4		0.2	0.4	V	
I _{O(OFF)}	Off-State (High-Impedance State) Output Current	V _{CC} = Max, V _{IH} = 2V V _{IL} = 0.8V			-40			-40	μA	
		V _O = 0.4V			40			40		
		V _O = 2.4V								
I _I	Input Current at Maximum Input Voltage	V _{CC} = Max, V _I = 5.5V			1			1	mA	
I _{IH}	High Level Input Current	V _{CC} = Max, V _I = 2.4V			80			80	μA	
		Disable			40			40		
I _{IL}	Low Level Input Current	V _{CC} = Max, V _I = 0.4V			-2.0	-3.2		-2.0	-3.2	mA
		Disable			-1.0	-1.6		-1.0	-1.6	
		Other								
I _{OS}	Short Circuit Output Current	V _{CC} = Max(2)	-30		-70			-28	-70	mA
I _{CC}	Supply Current	V _{CC} = Max	48		75			48	75	mA

Notes

 (1) All typical values are at V_{CC} = 5V, T_A = 25°C.

(2) Not more than one output should be shorted at a time.

Switching Characteristics V_{CC} = 5V, T_A = 25°C

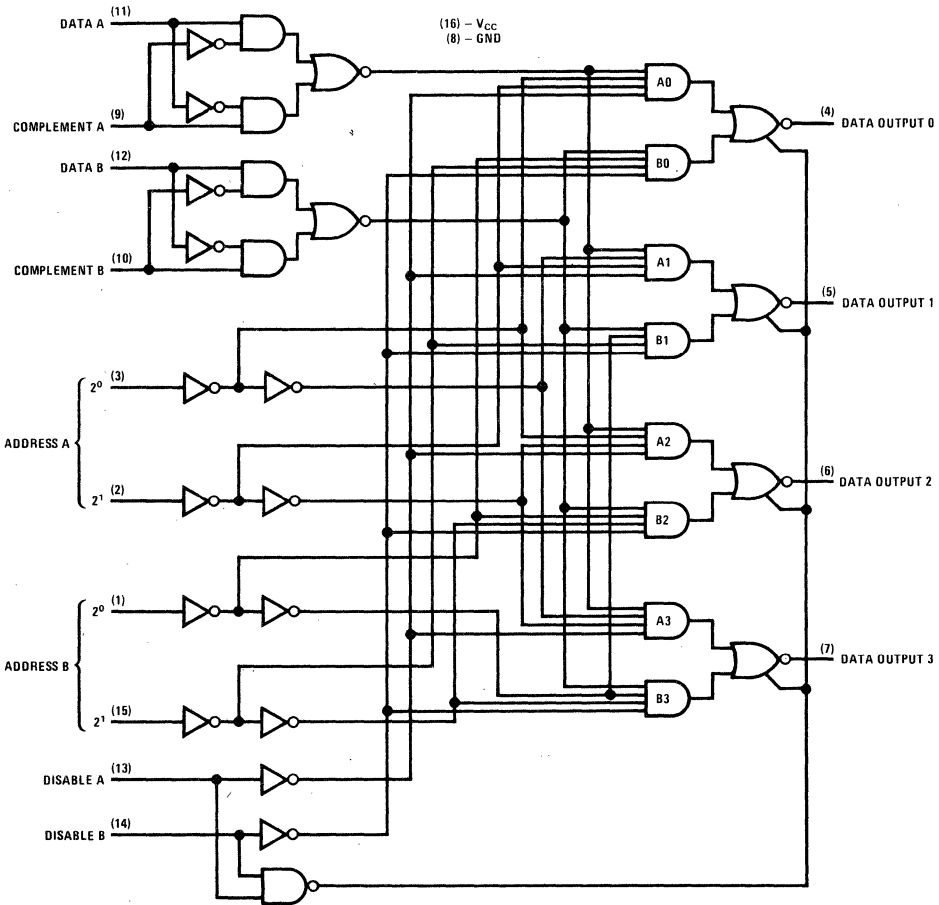
PARAMETER		FROM	TO	CONDITIONS	DM72/82			UNITS
					30			
					MIN	TYP	MAX	
t _{PLH}	Propagation Delay Time, Low-to-High Level Output	Data	Output	Inverting	20	36	ns	
				Non-Inverting	13	24		
t _{PHL}	Propagation Delay Time, High-to-Low Level Output	Data	Output	Inverting	18	26	ns	
				Non-Inverting	18	26		
t _{PLH}	Propagation Delay Time, Low-to-High Level Output	Address(3)	Output	C _L = 50 pF, R _L = 400Ω	20	36	ns	
t _{PHL}	Propagation Delay Time, High-to-Low Level Output	Address(3)	Output		20	30	ns	
t _{PLH}	Propagation Delay Time, Low-to-High Level Output	Disable(4)	Output		13	25	ns	
t _{PHL}	Propagation Delay Time, High-to-Low Level Output	Disable(4)	Output		16	25	ns	
t _{ZH}	Output Enable Time to High Level				15	23	ns	
t _{ZL}	Output Enable Time to Low Level				18	27	ns	
t _{HZ}	Output Disable Time from High Level			C _L = 5 pF, R _L = 400Ω	7	14	ns	
t _{LZ}	Output Disable Time from Low Level				15	27	ns	

Notes

 (3) The only conditions under which a t_{PHL} from the Address inputs can be observed is when an output goes from being nonselected to being selected and the information being routed to that output is a logical "0." If the information had been a logical "1," no change would have occurred and no measurement could have been made. Similarly, the only time a t_{PLH} from the Address inputs can be observed, is when an output goes from being selected to being nonselected and the information that had been routed to that output was a logical "0." If the information had been a logical "1," no change would have occurred and no measurement could have been made.

 (4) Information in Note 3 concerning t_{PLH} and t_{PHL} from the address inputs are applicable here also.

Logic Diagram



Dual/Quad Gated Flip-Flops

General Description

The DM7511/8511 or the low-power versions DM75L11/85L11, are dual, gated, D-type flip-flops. Each flip-flop has its own clock, clear line, and two gated inputs. Both gate inputs must be low to enable data transfer to the output.

The DM7512/8512, and DM75L12/85L12 are dual, gated flip-flops which can operate in either a J-K mode, or as D-type flip-flops. They have a common clock and common, asynchronous clear, but have separate mode inputs such that one side can operate as J-K while the other side operates as a D-type flip-flop.

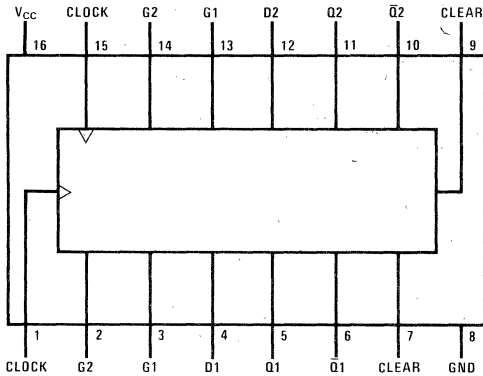
The DM7613/8613, and DM76L13/86L13 are quad, gated, D-type flip-flops with common clock; common clear, and gated input. When a high logic level is applied to the gated input, data entry to the flip-flop is inhibited.

Features

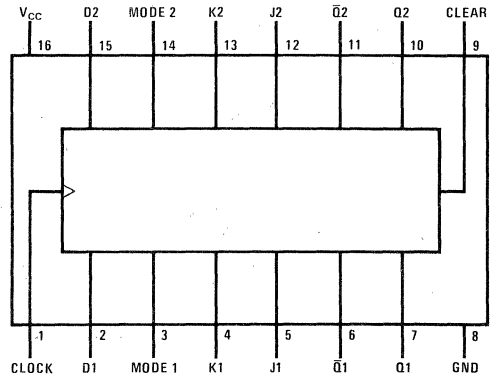
- Positive-edge triggered
- Do-nothing state
- Buffered inputs

TYPE	TYPICAL TOGGLE RATE	TYPICAL POWER DISSIPATION
DM7511/8511	45 MHz	210 mW
DM75L11/85L11	9 MHz	17.5 mW
DM7512/8512	28 MHz	220 mW
DM75L12/85L12	10 MHz	16.0 mW
DM7613/8613	30 MHz	290 mW
DM76L13/86L13	7 MHz	28.5 mW

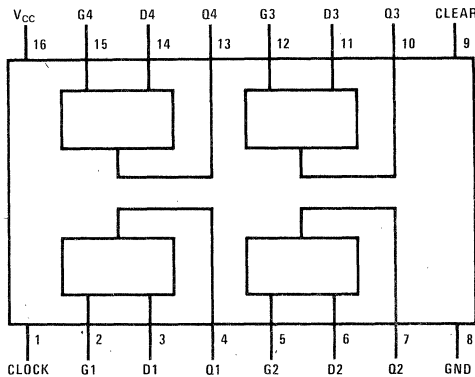
Connection Diagrams



7511/8511(J), (N), (W); 75L11/85L11(J), (N), (W)



7512/8512(J), (N), (W); 75L12/85L12(J), (N), (W)



7613/8613(J), (N), (W); 76L13/86L13(J), (N), (W)

Electrical Characteristics over recommended operating free-air temperature range (unless otherwise noted)

PARAMETER		CONDITIONS		DM75/85			DM76/86			DM75L/85L11, 12			UNITS	
				11, 12			13			DM76L/86L13				
				MIN	TYP(1)	MAX	MIN	TYP(1)	MAX	MIN	TYP(1)	MAX		
V_{IH}	High Level Input Voltage				2			2			2		V	
V_{IL}	Low Level Input Voltage					0.8			0.8			0.7	V	
V_I	Input Clamp Voltage	$V_{CC} = \text{Min}, I_i = -12 \text{ mA}$				-1.5			-1.5			N/A	V	
I_{OH}	High Level Output Current					-800			-800			-200	μA	
V_{OH}	High Level Output Voltage	$V_{CC} = \text{Min}, V_{IH} = 2\text{V}$ $V_{IL} = \text{Max}, I_{OH} = \text{Max}$			2.4			2.4			2.4		V	
I_{OL}	Low Level Output Current			Military		16			16			2.0	mA	
				Commercial		16			16			3.6		
V_{OL}	Low Level Output Voltage	$V_{CC} = \text{Min}, V_{IH} = 2\text{V}$ $V_{IL} = \text{Max}, I_{OL} = \text{Max}$		Military		0.4			0.4			0.3	V	
				Commercial		0.4			0.4			0.4		
I_i	Input Current at Maximum Input Voltage	$V_{CC} = \text{Max}, V_i = 5.5\text{V}$				1.0			1.0			0.1	mA	
I_{IH}	High Level Input Current	$V_{CC} = \text{Max}, V_i = 2.4\text{V}$				40			40			10	μA	
I_{IL}	Low Level Input Current	$V_{CC} = \text{Max}$		$V_i = 0.3\text{V}$								-0.18	mA	
				$V_i = 0.4\text{V}$								-1.6		
I_{OS}	Short Circuit Output Current	$V_{CC} = \text{Max}(2)$			-18	-55		-18	-55		-3	-9	-15	mA
I_{CC}	Supply Current	$V_{CC} = \text{Max}(3)$		11, L11		42	55					3.5	4.9	mA
				12, L12		44	57					3.2	4.5	
				13, L13					58	76			5.7	

Notes

- (1) All typical values are at $V_{CC} = 5\text{V}, T_A = 25^\circ\text{C}$.
- (2) Not more than one output should be shorted at a time.
- (3) Supply current is measured with clear/clock at 3V, all other inputs at 0V.

Switching Characteristics $V_{CC} = 5V, T_A = 25^\circ C$

PARAMETER		FROM	TO	CONDITIONS	DM75/85			DM75/85			DM76/86			UNITS
					11, L11			12, L12			13, L13			
					MIN	TYP	MAX	MIN	TYP	MAX	MIN	TYP	MAX	
f_{MAX}	Maximum Clock Frequency			$C_L = 15\text{ pF}$ $R_L = 400\Omega$ (Standard) $C_L = 50\text{ pF}$ $R_L = 4\text{ k}\Omega$ (Low Power)	30	45		20	28		20	30	MHz	
					6	9		6	10		5	7		
t_{PLH}	Propagation Delay Time, Low-to-High Level Output	Clock	Q			14	20		21	35		17	24	ns
						55	95		35	70		41	60	
t_{PHL}	Propagation Delay Time, High-to-Low Level Output	Clock	Q			19	30		26	40		22	33	ns
						75	125		60	120		70	100	
t_{PLH}	Propagation Delay Time, Low-to-High Level Output	Clear	\bar{Q}			14	20		22	35		N/A		ns
						55	95		32	65		N/A		
t_{PHL}	Propagation Delay Time, High-to-Low Level Output	Clear	Q			19	30		26	40		21	31	ns
						75	125		57	114		68	100	
t_{w(CLOCK)}	Width of Clock Pulse					20	11		25	15		24	16	ns
						100	30		100	30		100	50	
t_{w(CLEAR)}	Width of Clear Pulse				20	10		25	13		27	18	ns	
					100	30		100	30		100	50		
t_{SETUP}	Setup Time			J, D Inputs	15	9		15	9		24	16	ns	
					80	40		110	55		100	55		
				Mode Inputs		N/A		30	20		N/A			ns
						N/A		150	85		N/A			
				K Inputs		N/A		20	13		N/A			ns
						N/A		150	80		N/A			
				G1 or G2 Inputs	30	21		N/A		30	21			ns
					120	60		N/A		150	85			
t_{HOLD}	Hold Time		All		0		0		0		0	ns		
					0		0		0					

Truth Tables

11, L11

D	G1	G2	CLR	Q_{n+1}	\bar{Q}_{n+1}
L	L	L	L	L	H
H	L	L	L	H	L
X	H	X	L	Q_n	\bar{Q}_n
X	X	H	L	Q_n	\bar{Q}_n
X	X	X	H	L	H*

12, L12

J	K	M	CLEAR	Q_{n+1}
L	L	H	L	Q_n
L	H	H	L	H
L	H	H	L	L
L	H	H	L	\bar{Q}_n
X	X	L	L	D
X	X	X	H	L*

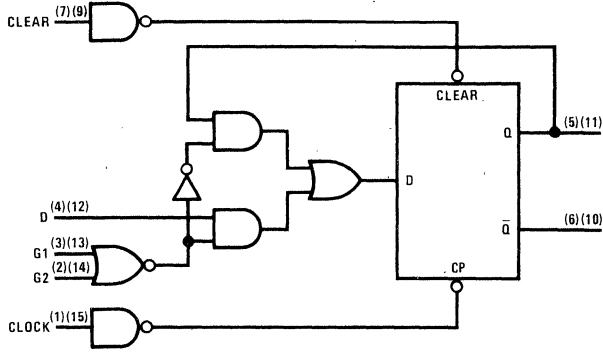
13, L13

D	G	CLR	Q_{n+1}
H	L	L	H
L	L	L	L
X	H	L	Q_n
X	X	H	L*

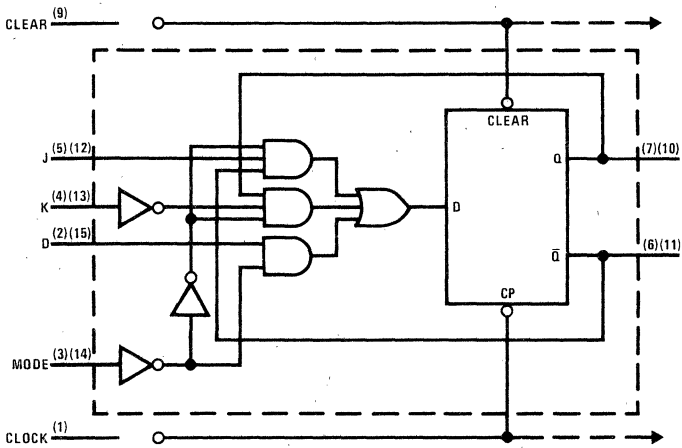
*Asynchronous Transition
X = Don't Care

Logic Diagrams

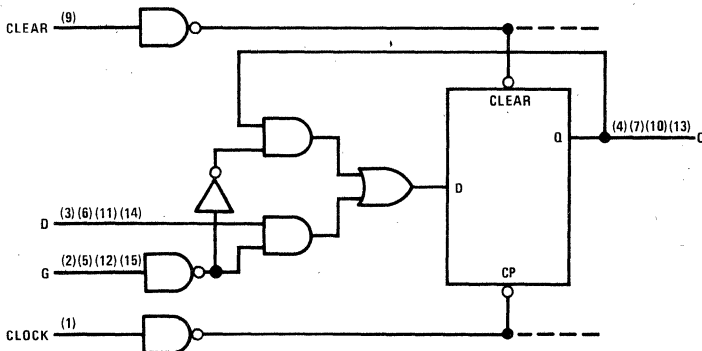
11, L11



12, L12



13, L13



General Description

Although extremely versatile in a number of applications, the primary uses of these circuits are in two areas:

1. MODULO-N DIVIDER

A single DM7520/DM8520 can be programmed without external components to divide by any number from 2 to 15. Cascading of these dividers will provide division by any number from 2 to very large numbers.

2. SHIFT REGISTER

Since the basic organization of the logic is that of a

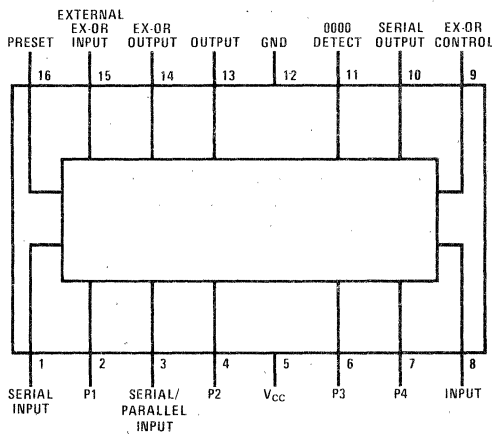
serial shift register, the device may be used where four-bit parallel-in-serial-out shifting is required.

(continued)

Features

- Fully programmable divider—any number from 2 to ∞
- Also functions as a four-bit parallel shift register
- Typical propagation delay 36 ns
- Typical power dissipation 250 mW

Connection Diagram



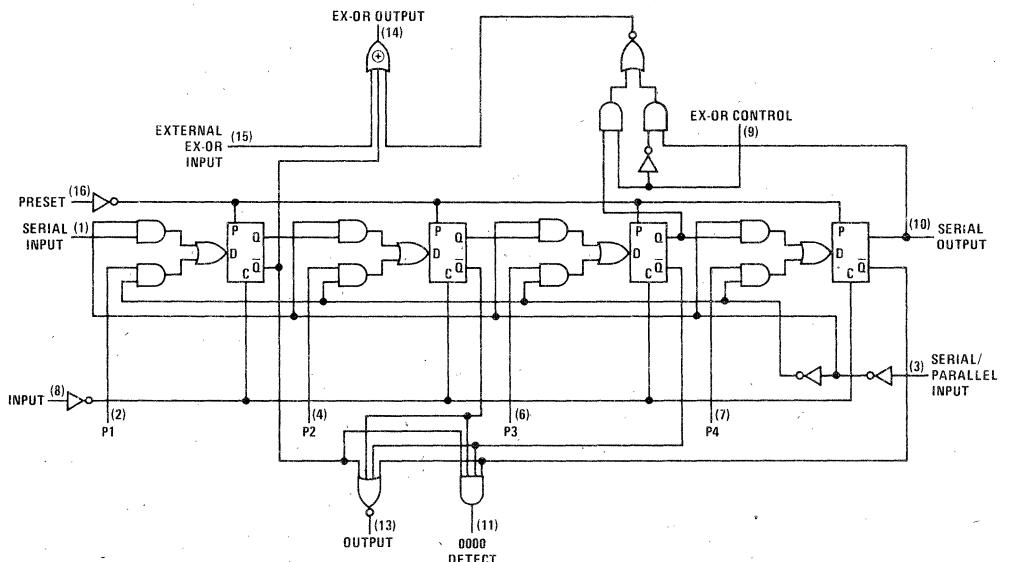
7520(J), (W); 8520(J), (N), (W)

Truth Table

TABLE FOR DIVISION BY N

SETTING				÷BY
P1	P2	P3	P4	
H	H	H	L	2
H	H	L	L	3
H	L	L	L	4
L	L	L	H	5
L	L	H	L	6
L	H	L	L	7
H	L	L	H	8
L	L	H	H	9
L	H	H	L	10
H	H	L	H	11
H	L	H	L	12
L	H	L	H	13
H	L	H	H	14
L	H	H	H	15

Logic Diagram



General Description (Continued)

THEORY OF OPERATION

The basic operation of the DM7520/DM8520 is derived from the fact that when several outputs of a shift register are EXCLUSIVE OR'ed and the result fed back to the register's input, a unique progression of stable states results on the outputs of the flip-flops. Depending upon which outputs are EXCLUSIVE OR'ed, the number of different states can be varied. Even if optimum gating is provided the most states which can be obtained is $2^n - 1$, where n is equal to the number of flip-flops in the register. The all-zero state is precluded; and, therefore, the maximum number of states is always one less than the theoretical maximum number. Since the DM7520/DM8520 contains four flip-flops, its maximum number of states is 15. Because the 1111 state occurs only once during a 15-state sequence this state is detected, and its output becomes the output of the divider.

To obtain frequency division by numbers other than the maximum, it is necessary to cause the register to "jump" immediately from its initial 1111 to the state which it would normally reach in $16-m$ (m = desired frequency division) pulses. For example, to divide by eleven it would be necessary to jump to the fifth state and then simply allow the register to normally progress forward to its original state. The output of the divider is also used as a control pulse. Since the 1111 state is detected and since the "jump-state" information is of interest only at the time that this state is reached, the OUTPUT is used to gate the parallel inputs, through the SERIAL/PARALLEL input, so that it recognizes this "jump-state" information only at this time. Subsequently as the states change, the parallel information is locked from the divider.

Should the divider ever be accidentally set in the forbidden 0000 state, an output is provided to detect this state. If this output is in turn fed into the EXTERNAL EX-OR input, a 1 will be forced into the register at the next clock pulse, thus clearing the unallowed state.

A PRESET input is provided which when taken to a logical "1" level overrides all other inputs and sets the register to the 1111 state.

To summarize, the following connections should be made for operation of a single DM7520/DM8520.

- Ex-Or Output to Serial Input
- 0000 Detect to External Ex-Or Input
- Output to Serial/Parallel Input
- Preset to Ground
- Ex-Or Control to Ground

To divide by numbers greater than 15, it is necessary to cascade DM7520/DM8520's. Both the OUTPUT and the 0000 DETECT output are capable of being connected directly to other like outputs, thus providing the "WIRED-OR" configuration. These outputs should be connected to the similar outputs on other dividers for proper operation. All SERIAL/PARALLEL inputs should be connected to the common OUTPUT.

Figure 1 indicates connections for 2 dividers or a maximum frequency division of 255.

To divide by numbers between 16 and 255, the table in Figure 2 will apply.

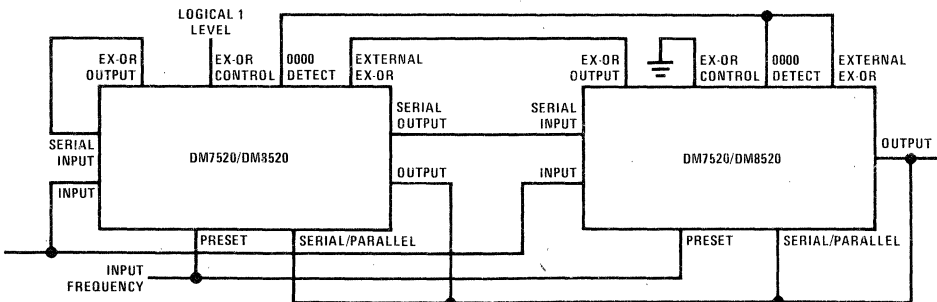


FIGURE 1. CONNECTION FOR 2 DIVIDERS FOR MAXIMUM FREQUENCY DIVISION OF 255

THEORY OF OPERATION (Continued)

SETTING					BY	SETTING					BY	SETTING					BY									
DIVIDER 1				DIVIDER 2				DIVIDER 1				DIVIDER 2														
P1	P2	P3	P4	P1		P2	P3	P4	P1	P2		P3	P4	P1	P2	P3		P4	P1	P2	P3	P4				
L	H	H	H	H	H	H	H	H	H	L	L	L	L	H	L	L	L	H	L	L	H	L	L	H	135	
H	L	H	H	H	H	H	H	H	H	H	H	L	L	L	L	H	L	L	L	H	H	L	L	L	L	134
L	H	L	H	H	H	H	H	H	H	H	H	L	L	H	L	L	L	L	H	H	H	L	L	L	L	133
L	L	H	L	H	H	H	H	H	H	H	H	L	H	L	L	H	L	L	L	H	H	H	L	L	L	132
H	L	L	H	L	H	H	H	H	H	H	H	L	L	L	L	H	L	L	L	L	H	H	L	L	L	131
L	H	L	L	H	L	H	H	H	H	H	H	L	L	L	H	H	L	L	L	L	H	L	L	L	L	130
L	L	H	L	L	H	L	H	H	H	H	H	H	L	L	L	L	H	H	L	L	H	L	L	L	L	129
L	L	L	H	L	L	H	L	H	H	H	H	L	H	L	L	L	H	H	H	L	H	L	L	L	L	128
L	L	L	L	H	L	L	L	H	H	H	H	H	L	L	H	L	L	L	L	H	H	L	L	L	L	127
L	L	L	L	L	H	L	L	L	L	L	L	L	L	L	L	H	L	L	L	H	L	L	L	L	L	126
L	L	L	L	L	L	H	L	H	L	H	L	H	L	L	L	L	L	L	L	H	L	H	H	L	L	125
L	L	L	L	L	L	L	L	L	H	L	L	L	L	L	H	L	L	L	L	H	L	L	L	L	L	124
H	L	L	L	L	L	L	L	L	L	L	L	L	L	L	H	L	H	L	L	H	L	H	L	L	L	123
H	H	L	L	L	L	L	L	L	L	L	L	L	L	L	H	L	L	L	L	H	L	L	L	L	L	122
H	H	H	L	L	L	L	L	L	L	L	L	L	L	L	L	H	L	L	L	L	H	L	L	L	L	121
L	H	H	H	L	L	L	L	L	L	L	L	L	L	L	L	H	L	L	L	L	H	L	L	L	L	120
H	L	H	H	H	L	L	L	L	L	L	L	L	L	L	L	H	L	L	L	L	L	L	L	L	L	119
H	H	L	H	H	H	H	L	L	L	L	L	L	L	L	L	L	H	L	L	L	L	L	L	L	L	118
L	H	H	L	H	H	H	L	L	L	L	L	L	L	L	L	L	H	L	L	L	L	L	L	L	L	117
L	L	H	H	L	H	H	H	H	H	H	H	L	L	L	L	L	L	L	L	L	L	L	L	L	L	116
L	L	L	H	H	L	H	H	H	H	H	H	L	H	L	L	L	L	L	L	L	H	H	H	L	L	115
L	L	L	L	H	H	L	L	L	L	L	L	L	L	L	L	L	L	L	L	L	L	L	L	L	L	114
L	L	L	L	L	H	H	L	L	L	L	L	L	L	L	L	L	L	L	L	L	L	L	L	L	L	113
L	L	L	L	L	L	L	H	H	H	H	H	L	L	L	L	L	L	L	L	L	L	L	L	L	L	112
H	L	L	L	L	L	L	L	L	L	L	L	L	L	L	L	L	L	L	L	L	L	L	L	L	L	111
L	H	L	L	L	L	L	L	L	L	L	L	L	L	L	L	L	L	L	L	L	L	L	L	L	L	110
L	L	H	L	L	L	L	L	L	L	L	L	L	L	L	L	L	L	L	L	L	L	L	L	L	L	109
H	L	L	H	L	L	L	L	L	L	L	L	L	L	L	L	L	L	L	L	L	L	L	L	L	L	108
H	H	L	L	H	L	L	L	L	L	L	L	L	L	L	L	L	L	L	L	L	L	L	L	L	L	107
L	H	H	L	L	H	L	L	L	L	L	L	L	L	L	L	L	L	L	L	L	L	L	L	L	L	106
H	L	H	H	L	L	H	L	L	L	L	L	L	L	L	L	L	L	L	L	L	L	L	L	L	L	105
L	H	L	H	H	L	L	L	L	L	L	L	L	L	L	L	L	L	L	L	L	L	L	L	L	L	104
L	L	H	L	H	H	L	L	L	L	L	L	L	L	L	L	L	L	L	L	L	L	L	L	L	L	103
L	L	L	H	L	H	H	L	L	L	L	L	L	L	L	L	L	L	L	L	L	L	L	L	L	L	102
L	L	L	L	H	L	H	H	L	L	L	L	L	L	L	L	L	L	L	L	L	L	L	L	L	L	101
L	L	L	L	L	H	L	H	L	L	L	L	L	L	L	L	L	L	L	L	L	L	L	L	L	L	100
H	L	L	L	L	L	L	H	L	L	L	L	L	L	L	L	L	L	L	L	L	L	L	L	L	L	99
H	H	L	L	L	L	L	L	L	L	L	L	L	L	L	L	L	L	L	L	L	L	L	L	L	L	98
L	H	H	L	L	L	L	L	L	L	L	L	L	L	L	L	L	L	L	L	L	L	L	L	L	L	97
H	L	H	H	L	L	L	L	L	L	L	L	L	L	L	L	L	L	L	L	L	L	L	L	L	L	96
L	H	L	H	H	L	L	L	L	L	L	L	L	L	L	L	L	L	L	L	L	L	L	L	L	L	95
H	L	H	L	H	H	L	L	L	L	L	L	L	L	L	L	L	L	L	L	L	L	L	L	L	L	94
H	H	L	H	L	H	H	L	L	L	L	L	L	L	L	L	L	L	L	L	L	L	L	L	L	L	93
H	H	H	L	H	L	H	H	L	L	L	L	L	L	L	L	L	L	L	L	L	L	L	L	L	L	92
L	H	H	H	L	H	L	H	L	L	L	L	L	L	L	L	L	L	L	L	L	L	L	L	L	L	91
L	L	H	H	H	L	H	L	L	L	L	L	L	L	L	L	L	L	L	L	L	L	L	L	L	L	90
L	L	L	H	H	H	L	L	L	L	L	L	L	L	L	L	L	L	L	L	L	L	L	L	L	L	89
L	L	L	L	H	H	H	L	L	L	L	L	L	L	L	L	L	L	L	L	L	L	L	L	L	L	88
H	L	L	L	L	H	H	H	L	L	L	L	L	L	L	L	L	L	L	L	L	L	L	L	L	L	87
L	H	L	L	L	L	L	H	H	H	L	L	L	L	L	L	L	L	L	L	L	L	L	L	L	L	86
H	L	H	L	L	L	L	L	L	L	L	L	L	L	L	L	L	L	L	L	L	L	L	L	L	L	85
H	H	L	H	L	L	L	L	L	L	L	L	L	L	L	L	L	L	L	L	L	L	L	L	L	L	84
H	H	H	L	H	L	L	L	L	L	L	L	L	L	L	L	L	L	L	L	L	L	L	L	L	L	83
H	H	H	H	L	H	L	L	L	L	L	L	L	L	L	L	L	L	L	L	L	L	L	L	L	L	82
L	H	H	H	H	L	H	L	L	L	L	L	L	L	L	L	L	L	L	L	L	L	L	L	L	L	81
L	L	H	H	H	H	L	L	L	L	L	L	L	L	L	L	L	L	L	L	L	L	L	L	L	L	80
H	L	L	H	H	H	L	L	L	L	L	L	L	L	L	L	L	L	L	L	L	L	L	L	L	L	79
L	H	L	L	H	H	H	L	L	L	L	L	L	L	L	L	L	L	L	L	L	L	L	L	L	L	78
L	L	H	L	L	H	H	H	L	L	L	L	L	L	L	L	L	L	L	L	L	L	L	L	L	L	77
L	L	L	H	L	L	H	H	L	L	L	L	L	L	L	L	L	L	L	L	L	L	L	L	L	L	76

FIGURE 2. DM7520/DM8520 SHIFT REGISTER DIVIDER INPUT CODING TABLE (2 PACKAGE COMBINATIONS)

THEORY OF OPERATION (Continued)

SETTING									SETTING									SETTING								
DIVIDER 1				DIVIDER 2				BY	DIVIDER 1				DIVIDER 2				BY	DIVIDER 1				DIVIDER 2				BY
P1	P2	P3	P4	P1	P2	P3	P4		P1	P2	P3	P4	P1	P2	P3	P4		P1	P2	P3	P4	P1	P2	P3	P4	
H	H	H	L	L	H	H	H	75	L	L	H	H	H	H	L	L	50	L	H	H	L	L	H	H	L	25
H	H	H	H	L	L	H	H	74	L	L	L	H	H	H	H	L	49	H	L	H	H	L	L	H	H	24
H	H	H	H	H	L	L	H	73	H	L	L	L	L	H	H	H	48	H	H	L	H	H	L	L	H	23
L	H	H	H	H	H	L	L	72	H	H	L	L	L	H	H	H	47	H	H	H	L	H	H	L	L	22
L	L	H	H	H	H	H	L	71	L	H	H	L	L	L	H	H	46	H	H	H	H	L	H	H	L	21
L	L	L	H	H	H	H	H	70	L	L	H	H	L	L	L	H	45	L	H	H	H	H	L	H	H	20
L	L	L	L	H	H	H	H	69	L	L	L	H	H	L	L	L	44	H	L	H	H	H	H	L	H	19
L	L	L	L	L	H	H	H	68	H	L	L	L	L	H	H	L	43	L	H	L	H	H	H	H	L	18
H	L	L	L	L	L	H	H	67	L	H	L	L	L	H	H	L	42	H	L	H	L	H	H	H	H	17
L	H	L	L	L	L	L	H	66	L	L	H	L	L	L	H	H	41	L	H	L	H	L	H	H	H	16
H	L	H	L	L	L	L	L	65	L	L	L	H	L	L	L	H	40	H	L	H	L	H	L	H	H	15
L	H	L	H	L	L	L	L	64	H	L	L	L	H	L	L	L	39	L	H	L	H	L	H	L	H	14
L	L	H	L	H	L	L	L	63	L	H	L	L	L	H	L	L	38	H	L	H	L	H	L	H	L	13
L	L	L	H	L	H	L	L	62	L	L	H	L	L	L	H	L	37	H	H	L	H	L	L	H	L	12
L	L	L	L	H	L	H	L	61	H	L	L	H	L	L	L	H	36	L	H	H	L	H	L	H	L	11
H	L	L	L	L	H	L	H	60	L	H	L	L	H	L	L	L	35	L	L	H	H	L	H	L	H	10
L	H	L	L	L	L	H	L	59	H	L	H	L	L	H	L	L	34	L	L	L	H	H	L	H	L	9
L	L	H	L	L	L	L	H	58	L	H	L	H	L	L	H	L	33	H	L	L	L	H	H	L	H	8
L	L	L	H	L	L	L	L	57	L	L	H	L	H	L	L	H	32	H	H	L	L	L	H	H	L	7
L	L	L	L	H	L	L	L	56	H	L	L	H	L	H	L	L	31	H	H	H	L	L	L	H	H	6
H	L	L	L	L	H	L	L	55	H	H	L	L	H	L	H	L	30	H	H	H	H	L	L	L	H	5
H	H	L	L	L	L	H	L	54	L	H	H	L	L	H	L	H	29	H	H	H	H	H	L	L	L	4
H	H	H	L	L	L	L	H	53	L	L	H	H	L	L	H	L	28	H	H	H	H	H	H	L	L	3
H	H	H	H	L	L	L	L	52	H	L	L	H	H	L	L	H	27	H	H	H	H	H	H	H	L	2
L	H	H	H	H	L	L	L	51	H	H	L	L	H	H	L	L	26									

FIGURE 2. DM7520/DM8520 SHIFT REGISTER DIVIDER INPUT CODING TABLE (2 PACKAGE COMBINATIONS) (CONTINUED)

Electrical Characteristics over recommended operating free-air temperature range (unless otherwise noted)

PARAMETER		CONDITIONS	DM75		DM85		UNITS
			20		20		
			MIN	TYP(1)	MAX	MIN	
V _{IH}	High Level Input Voltage		2			2	V
V _{IL}	Low Level Input Voltage			0.8		0.8	V
V _I	Input Clamp Voltage	V _{CC} = Min, I _I = -12 mA		-1.5		-1.5	V
I _{OH}	High Level Output Current			-400		-400	μA
V _{OH}	High Level Output Voltage	V _{CC} = Min, V _{IH} = 2V V _{IL} = 0.8V, I _{OH} = -400μA	2.4		2.4		V
I _{OL}	Low Level Output Current			16		16	mA
V _{OL}	Low Level Output Voltage	V _{CC} = Min, V _{IH} = 2V V _{IL} = 0.8V, I _{OL} = 16 mA		0.4		0.4	V
I _I	Input Current at Maximum Input Voltage	V _{CC} = Max, V _I = 5.5V		1		1	mA
I _{IH}	High Level Input Current	V _{CC} = Max, V _I = 2.4V	Ex-Or Input	80		80	μA
			Others	40		40	
I _{IL}	Low Level Input Current	V _{CC} = Max, V _I = 0.4V	Ex-Or Input	-3.2		-3.2	mA
			Others	-1.6		-1.6	
I _{OS}	Short Circuit Output Current	V _{CC} = Max(2)	-20	-55	-18	-55	mA
I _{CC}	Supply Current	V _{CC} = Max	50	75	50	75	mA

Notes

- (1) All typical values are at V_{CC} = 5V, T_A = 25°C.
- (2) Not more than one output should be shorted at a time.



Switching Characteristics $V_{CC} = 5V, T_A = 25^\circ C$

PARAMETER		CONDITIONS	DM75/85			UNITS	
			20				
			MIN	TYP	MAX		
f _{MAX}	Maximum Clock Frequency	C _L = 15 pF, R _L = 400Ω	15	20		MHz	
t _{PHL}	Propagation Delay Time, High-to-Low Level Output			38	55		ns
t _{PLH}	Propagation Delay Time, Low-to-High Level Output			35	50		ns

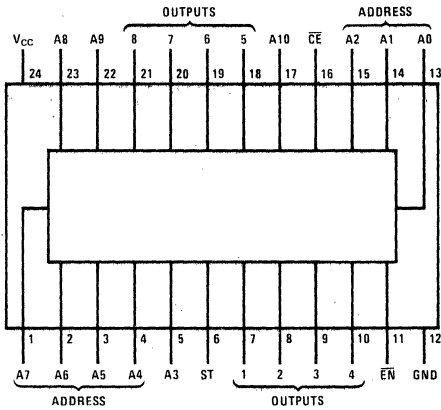
TRI-STATE 16K Read Only Memories

General Description

The DM8531 is a 16,384-bit bipolar, mask-programmable ROM organized as 2048, 8-bit words. Eleven address inputs select the desired one-of-2048 words. All eleven address inputs and one of the two enable inputs have a latch feature. The latch function is controlled by the

strobe input. The two enable lines are used to either enable or disable the circuit. TRI-STATE outputs allow for expansion to greater numbers of words without sacrifice in speed, as would be the case with open-collector outputs.

Connection Diagram

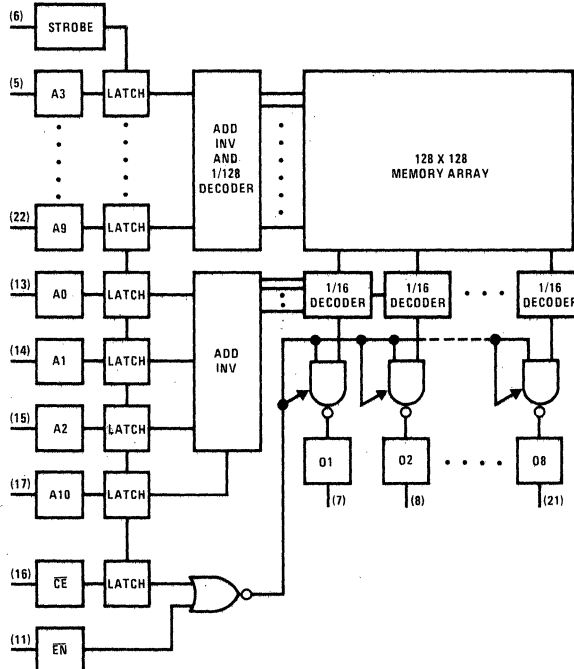


8531(J), (N)

Truth Table

t			t + 1			OUTPUTS
CE	EN	ST	CE	EN	ST	
X	X	X	L	L	H	Read stored data
X	X	X	H	X	H	Hi-Z
X	X	X	X	H	H	Hi-Z
L	X	H	X	L	L	Read stored data for address inputs at t
H	X	H	X	X	L	Hi-Z
X	X	X	X	H	L	Hi-Z

Logic Diagram



Electrical Characteristics over recommended operating free-air temperature range (unless otherwise noted)

PARAMETER		CONDITIONS		DM85			UNITS
				31			
				MIN	TYP(1)	MAX	
V_{IH}	High Level Input Voltage	$V_{CC} = \text{Min}$		2			V
V_{IL}	Low Level Input Voltage	$V_{CC} = \text{Min}$				0.8	V
V_I	Input Clamp Voltage	$V_{CC} = \text{Min}, I_I = -12 \text{ mA}$				-1.5	V
I_{OH}	High Level Output Current					-400	μA
V_{OH}	High Level Output Voltage	$V_{CC} = \text{Min}, I_{OH} = -400\mu\text{A}$		2.4			V
I_{OL}	Low Level Output Current					6	mA
V_{OL}	Low Level Output Voltage	$V_{CC} = \text{Min}, I_{OL} = 6 \text{ mA}$				0.45	V
$I_{O(\text{OFF})}$	Off State (High Impedance State) Output Current	$V_{CC} = \text{Max}$	$V_O = 0.4\text{V}$			-40	μA
			$V_O = 2.4\text{V}$			40	
I_I	Input Current at Maximum Input Voltage	$V_{CC} = \text{Max}, V_I = 5.5\text{V}$				1	mA
I_{IH}	High Level Input Current	$V_{CC} = \text{Max}, V_I = 2.4\text{V}$				40	μA
I_{IL}	Low Level Input Current	$V_{CC} = \text{Max}, V_I = 0.4\text{V}$				-0.8	mA
I_{OS}	Short Circuit Output Current	$V_{CC} = \text{Max}(2)$		-15		-50	mA
I_{CC}	Supply Current	$V_{CC} = \text{Max}$			115	160	mA

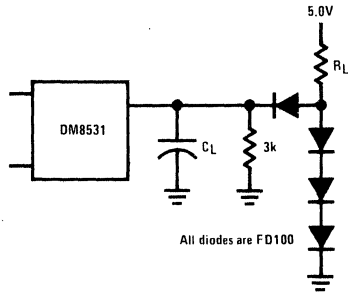
Notes

- (1) All typical values are at $V_{CC} = 5\text{V}, T_A = 25^\circ\text{C}$.
- (2) Not more than one output should be shorted at a time.
- (3) Tentative data.

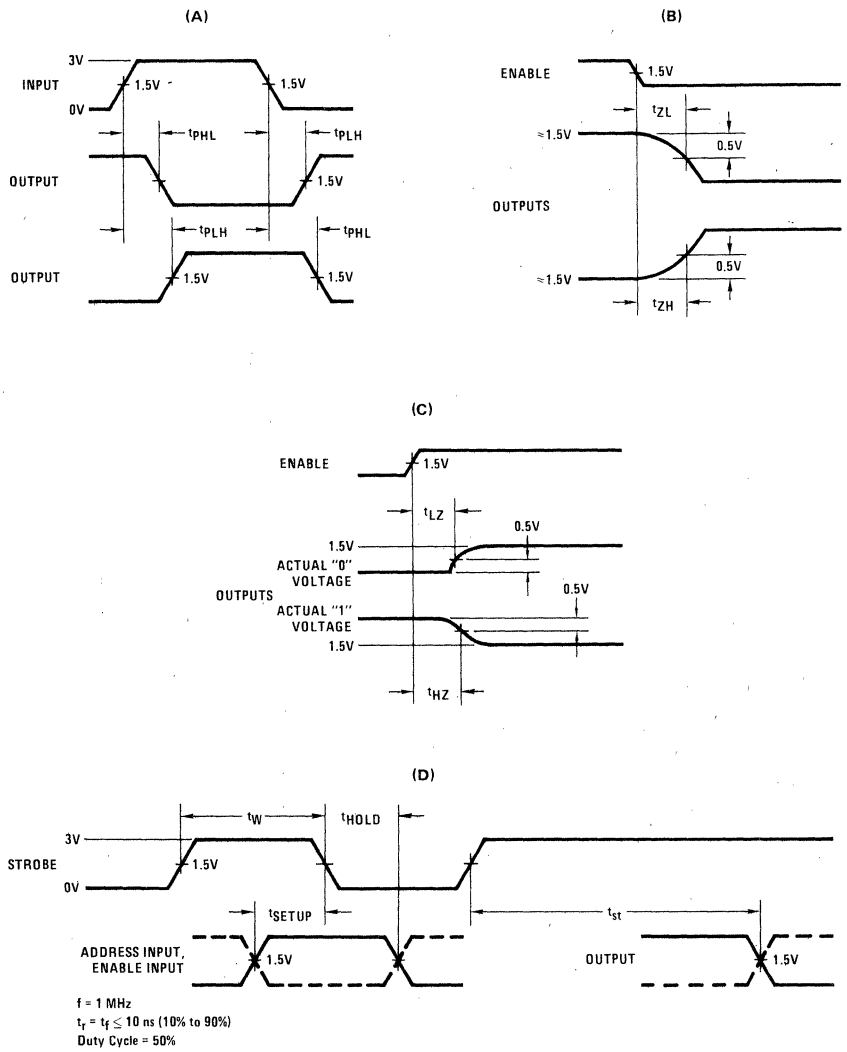
Switching Characteristics $V_{CC} = 5\text{V}, T_A = 25^\circ\text{C}$

PARAMETER		FROM	TO	CONDITIONS	DM85			UNITS
					31			
					MIN	TYP	MAX	
t_{PLH}	Propagation Delay Time, Low-to-High Level Output	Address	Output	$C_L = 50 \text{ pF}$ $R_L = 600\Omega$	200	450	ns	
t_{PHL}	Propagation Delay Time, High-to-Low Level Output	Address	Output		150	450	ns	
t_{ZH}	Output Enable Time to High Level				40	80	ns	
t_{ZL}	Output Enable Time to Low Level				70	165	ns	
t_S	Address, Chip Enable ($\overline{\text{CE}}$) Set-Up Time				30	10	ns	
t_H	Address, Chip Enable ($\overline{\text{CE}}$) Hold Time				30	10	ns	
t_{HZ}	Output Disable Time from High Level				$C_L = 5 \text{ pF}$ $R_L = 600\Omega$	20	50	ns
t_{LZ}	Output Disable Time from Low Level					40	60	ns
t_W	Minimum Strobe Pulse Width				40	20	ns	
t_{ST}	Strobe Access Time				250	450	ns	

AC Test Circuit



Switching Time Waveforms



TRI-STATE Quad I/O Registers

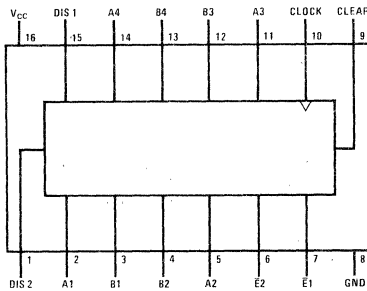
General Description

These circuits are four-bit storage registers having two terminals per bit, which may be used as either inputs or outputs while tied to their individual bus lines. Storage capability is also provided by means of positive-edge triggered flip-flops having a common clock and asynchronous clear. Each I/O terminal can be forced into the high-impedance state by applying a high logic level to its disable control. The four A outputs are tied together on one disable control, while the four B outputs are tied together on a separate disable control.

Features

- TRI-STATE outputs
- Typical clock frequency 40 MHz
- Typical propagation delay 24 ns
- Typical power dissipation 400 mW

Connection Diagram



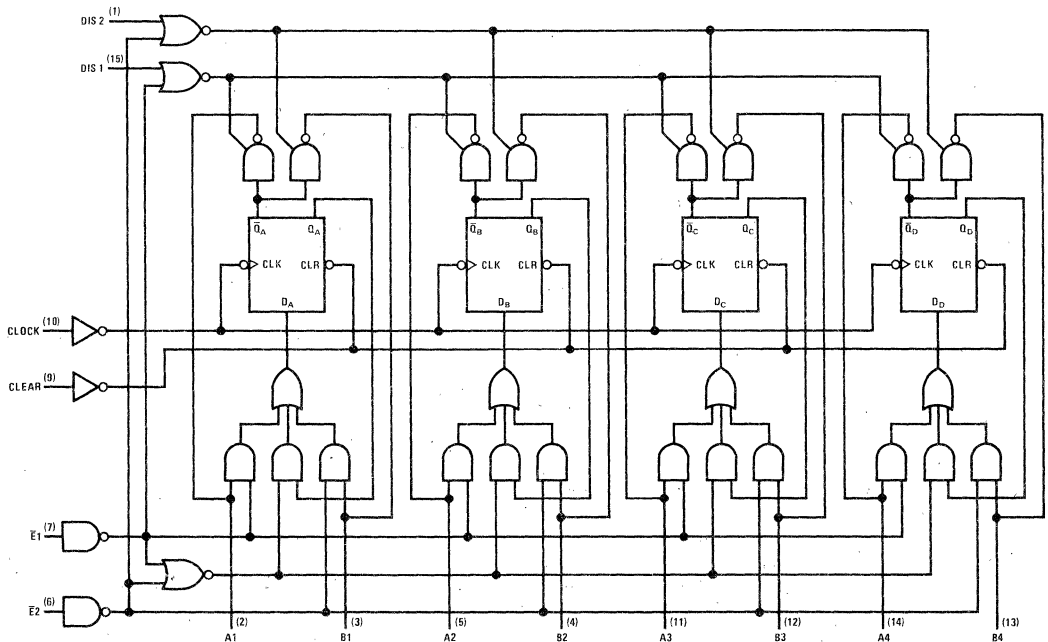
7542(J), (W); 8542(J), (N), (W)

Truth Table

MODES OF OPERATION						COMMENTS
DIS 1	DIS 2	$\bar{E}1$	$\bar{E}2$	A (1-4)	B (1-4)	
L	H	H	H	Q	Hi-Z	Output data to Bus A
H	L	H	H	Hi-Z	Q	Output data to Bus B
L	L	H	H	Q	Q	Output data to both buses
H	H	H	H	Hi-Z	Hi-Z	Store data with output in high impedance state
X	L	L	H	Data	Q_n	Enter data from Bus A
X	H	L	H	Data	Hi-Z	Enter data from Bus A
L	X	H	L	Q_n	Data	Enter data from Bus B
H	X	H	L	Hi-Z	Data	Enter data from Bus B
X	X	L	L	Data	Data	Enter data from both buses (logical "1" on either will dominate)

Clear = Logical "1," puts all outputs to L state.
 X = Don't Care
 Q_n = Data After Clock Transition

Logic Diagram



Electrical Characteristics over recommended operating free-air temperature range (unless otherwise noted)

PARAMETER		CONDITIONS	DM75			DM85			UNITS
			42			42			
			MIN	TYP(1)	MAX	MIN	TYP(1)	MAX	
V_{IH}	High Level Input Voltage		2			2		V	
V_{IL}	Low Level Input Voltage				0.8		0.8	V	
V_I	Input Clamp Voltage	$V_{CC} = \text{Min}, I_I = -12 \text{ mA}$			-1.5		-1.5	V	
I_{OH}	High Level Output Current				-2.0		-5.2	mA	
V_{OH}	High Level Output Voltage	$V_{CC} = \text{Min}, V_{IH} = 2\text{V}$ $V_{IL} = 0.8\text{V}, I_{OH} = \text{Max}$	2.4			2.4		V	
I_{OL}	Low Level Output Current				16		16	mA	
V_{OL}	Low Level Output Voltage	$V_{CC} = \text{Min}, V_{IH} = 2\text{V}$ $V_{IL} = 0.8\text{V}, I_{OL} = 16 \text{ mA}$			0.4		0.4	V	
$I_{O(OFF)}$	Off State (High Impedance State) Output Current	$V_{CC} = \text{Max}, V_{IH} = 2\text{V}$ $V_{IL} = 0.8\text{V}$	$V_O = 0.4\text{V}$		-40		-40	μA	
			$V_O = 2.4\text{V}$		40		40		
I_I	Input Current at Maximum Input Voltage	$V_{CC} = \text{Max}, V_I = 5.5\text{V}$			1		1	mA	
I_{IH}	High Level Input Current	$V_{CC} = \text{Max}, V_I = 2.4\text{V}$			40		40	μA	
I_{IL}	Low Level Input Current	$V_{CC} = \text{Max}, V_I = 0.4\text{V}$		-1.0	-1.6		-1.0	-1.6	mA
I_{OS}	Short Circuit Output Current	$V_{CC} = \text{Max}(2)$	-25		-70	-25		-70	mA
I_{CC}	Supply Current	$V_{CC} = \text{Max}$		80	120		80	120	mA

Notes

- (1) All typical values are at $V_{CC} = 5\text{V}, T_A = 25^\circ\text{C}$.
(2) Not more than one output should be shorted at a time.

Switching Characteristics $V_{CC} = 5\text{V}, T_A = 25^\circ\text{C}$

PARAMETER		FROM	TO	CONDITIONS	DM75/85			UNITS	
					42				
					MIN	TYP	MAX		
f_{MAX}	Maximum Clock Frequency			$C_L = 50 \text{ pF}, R_L = 400\Omega$	30	40		MHz	
t_{PLH}	Propagation Delay Time, Low-to-High Level Output	Clock	Output			25	38		ns
t_{PHL}	Propagation Delay Time, High-to-Low Level Output	Clock	Output			23	35		ns
t_{PHL}	Propagation Delay Time, High-to-Low Level Output	Clear	Output			24	36		ns
t_{ZH}	Output Enable Time to High Level					20	30		ns
t_{ZL}	Output Enable Time to Low Level					17	25		ns
t_{HZ}	Output Disable Time from High Level				$C_L = 5 \text{ pF}, R_L = 400\Omega$		6	15	ns
t_{LZ}	Output Disable Time from Low Level					15	25	ns	
$t_{W(CLOCK)}$	Clock Pulse Width			$C_L = 50 \text{ pF}, R_L = 400\Omega$	20			ns	
$t_{W(CLEAR)}$	Clear Pulse Width				20			ns	
t_{SETUP}	Enable Setup Time	High Level			20	12		ns	
		Low Level			20	13			
t_{SETUP}	Data Setup Time	High Level			5.0	-4.0		ns	
		Low Level			10	4.5			
t_{HOLD}	Data Hold Time	High Level			5.0	-3.5		ns	
		Low Level			10	4.5			

TRI-STATE Quad Switch Debouncers

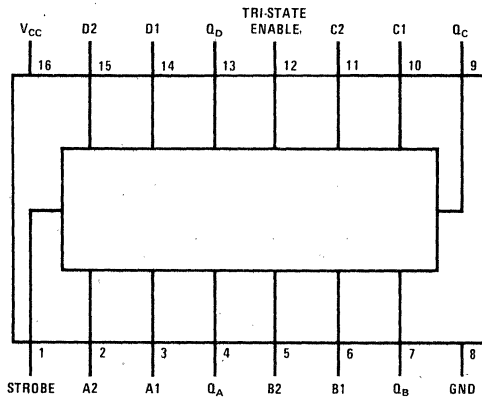
General Description

These circuits are for use in front panels, and similar applications where contact bounce must be eliminated. Within the single package, these circuits do the job of four R-S latches plus pull-up resistors. A strobe is also available which permits sampling of the switch information at a predetermined time. TRI-STATE outputs are also provided for direct connections to the switch line bus.

Features

- Replaces SN54279/74279
- Eliminates push-button noise
- Allows clocked devices to be operated from switches
- Maximum power dissipation 250 mW
- Bus-line connectable
- TRI-STATE outputs
- Typical propagation delay 18 ns

Connection Diagram

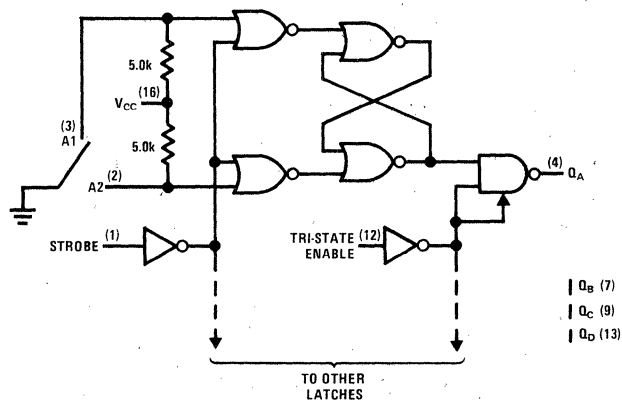


7544/8544(J), (N), (W)

Truth Table

A1	A2	TRI-STATE ENABLE	STROBE	Q _{A(t)}
X	X	H	X	Hi-Z
X	X	L	L	Q _{A(t-1)}
L	L	L	\downarrow	Indeterminate
L	H	L	H	L
H	L	L	H	H
H	H	L	H	Q _{A(t)}

Logic Diagram



Electrical Characteristics over recommended operating free-air temperature range (unless otherwise noted)

PARAMETER		CONDITIONS	DM75			DM85			UNITS
			44			44			
			MIN	TYP(1)	MAX	MIN	TYP(1)	MAX	
V _{IH}	High Level Input Voltage		2			2		V	
V _{IL}	Low Level Input Voltage				0.8		0.8	V	
V _I	Input Clamp Voltage	V _{CC} = Min, I _I = -12 mA			-1.5		-1.5	V	
I _{OH}	High Level Output Current				-2.0		-5.2	mA	
V _{OH}	High Level Output Voltage	V _{CC} = Min, V _{IH} = 2V V _{IL} = 0.8V, I _{OH} = Max	2.4			2.4		V	
I _{OL}	Low Level Output Current				16		16	mA	
V _{OL}	Low Level Output Voltage	V _{CC} = Min, V _{IH} = 2V V _{IL} = 0.8V, I _{OL} = 16 mA			0.4		0.4	V	
I _{O(OFF)}	Off State (High Impedance State) Output Current	V _{CC} = Max, V _{IH} = 2V V _{IL} = 0.8V	V _O = 0.4V V _O = 2.4V		-40		-40	μA	
I _I	Input Current at Maximum Input Voltage	V _{CC} = Max, V _I = 5.5V			1		1	mA	
I _{IH}	High Level Input Current	V _{CC} = Max, V _I = 2.4V			40		40	μA	
I _{IL}	Low Level Input Current	V _{CC} = Max, V _I = 0.4V	Strobe/Enable Data		-1.6 -2.5		-1.6 -2.5	mA	
I _{OS}	Short Circuit Output Current	V _{CC} = Max(2)		-18 -30 -55		-18 -30 -55		mA	
I _{CC}	Supply Current	V _{CC} = Max			50		50	mA	

Notes

- (1) All typical values are at V_{CC} = 5V, T_A = 25°C.
- (2) Not more than one output should be shorted at a time.

Switching Characteristics V_{CC} = 5V, T_A = 25°C

PARAMETER		FROM	TO	CONDITIONS	DM75/85			UNITS
					44			
					MIN	TYP	MAX	
t _{PLH}	Propagation Delay Time, Low-to-High Level Output	Data	Output	C _L = 50 pF, R _L = 400Ω	20	36	ns	
t _{PHL}	Propagation Delay Time, High-to-Low Level Output	Data	Output		17	30	ns	
t _{ZH}	Output Enable Time to High Level				15	25	ns	
t _{ZL}	Output Enable Time to Low Level				12	24	ns	
t _{HZ}	Output Disable Time from High Level			C _L = 5 pF, R _L = 400Ω	5	10	ns	
t _{LZ}	Output Disable Time from Low Level				10	20	ns	

TRI-STATE 8-Bit Universal I/O Shift Registers

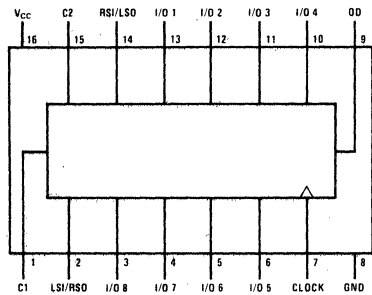
General Description

These circuits are TRI-STATE, 8-bit, edge-triggered, universal shift registers which are capable of operating in any of the following modes: shift left, shift right, parallel load, or inhibit. Since the clock is edge-triggered, the control lines which determine the mode of operation are completely independent of the logic level applied to the clock. Designed for bus-oriented systems, these circuits have their TRI-STATE inputs and outputs on the same pins.

Features

- Positive-edge triggered clock
- "Do nothing" state without gating the clock
- Both parallel and serial data lines are TRI-STATE
- High impedance state does not impede shift mode with parallel outputs

Connection Diagram



7546(J), (W); 8546(J), (N), (W)

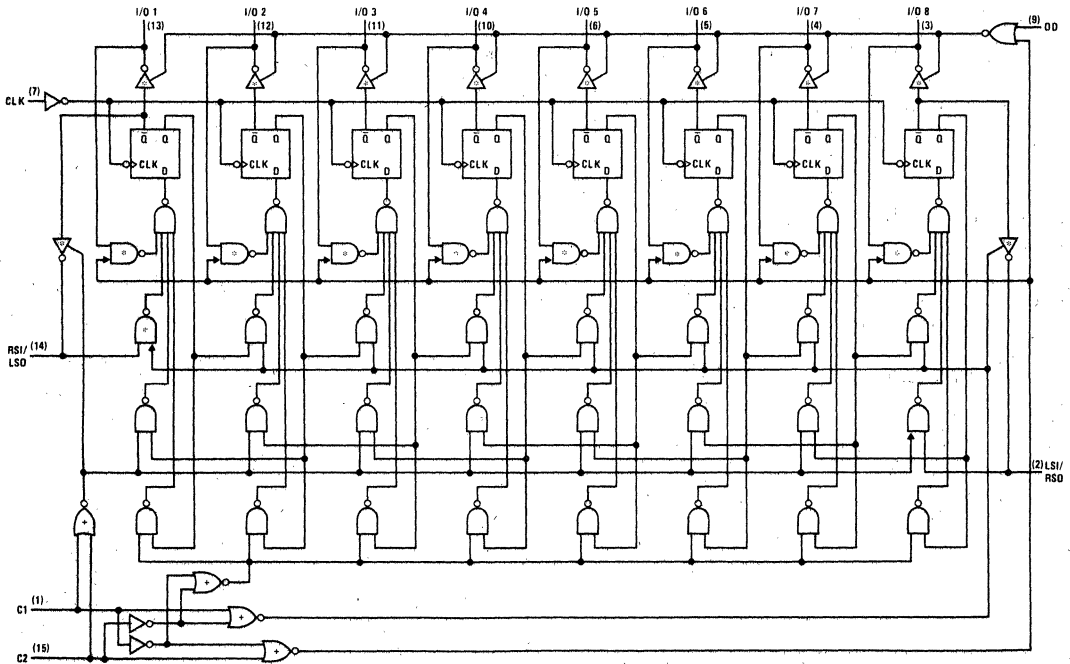
Truth Table

OD	C1	C2	MODE OF OPERATION	STATE OF PARALLEL I/O	STATE OF SERIAL I/O	
					RSI/LSO	LSI/RSO
L	H	H	Inhibit	Q _{OUT}	Hi-Z*	Hi-Z*
H	H	H	Inhibit	Hi-Z*	Hi-Z*	Hi-Z*
X	H	L	Parallel Load	Data In	Hi-Z*	Hi-Z*
L	L	H	Right Shift	Q _{OUT}	Data In	Q _{OUT 8}
H	L	H	Right Shift	Hi-Z*	Data In	Q _{OUT 8}
L	L	L	Left Shift	Q _{OUT}	Q _{OUT 1}	Data In
H	L	L	Left Shift	Hi-Z*	Q _{OUT 1}	Data In

OD = Output Disable (C1, C2 = Mode Controls)

*Both Input and Output of the I/O pin are in the high impedance state.

Logic Diagram



*TRI-STATE GATE

Electrical Characteristics over recommended operating free-air temperature range (unless otherwise noted)

PARAMETER		CONDITIONS	DM75			DM85			UNITS
			46			46			
			MIN	TYP(1)	MAX	MIN	TYP(1)	MAX	
V_{IH}	High Level Input Voltage		2			2		V	
V_{IL}	Low Level Input Voltage			0.8		0.8		V	
V_I	Input Clamp Voltage	$V_{CC} = \text{Min}, I_I = -12 \text{ mA}$		-1.5		-1.5		V	
I_{OH}	High Level Output Current			-2.0		-5.2		mA	
V_{OH}	High Level Output Voltage	$V_{CC} = \text{Min}, V_{IH} = 2 \text{ V}$ $V_{IL} = 0.8 \text{ V}, I_{OH} = \text{Max}$	2.4		2.4			V	
I_{OL}	Low Level Output Current			16		16		mA	
V_{OL}	Low Level Output Voltage	$V_{CC} = \text{Min}, V_{IH} = 2 \text{ V}$ $V_{IL} = 0.8 \text{ V}, I_{OL} = 16 \text{ mA}$		0.4		0.4		V	
$I_{O(\text{OFF})}$	Off State (High Impedance State) Output Current	$V_{CC} = \text{Max}, V_{IH} = 2 \text{ V}$ $V_{IL} = 0.8 \text{ V}$	$V_O = 0.4 \text{ V}$	-40		-40		μA	
			$V_O = 2.4 \text{ V}$	40		40			
I_I	Input Current at Maximum Input Voltage	$V_{CC} = \text{Max}, V_I = 5.5 \text{ V}$		1		1		mA	
I_{IH}	High Level Input Current	$V_{CC} = \text{Max}, V_I = 2.4 \text{ V}$	C2 Input	80		80		μA	
			Others	40		40			
I_{IL}	Low Level Input Current	$V_{CC} = \text{Max}, V_I = 0.4 \text{ V}$	C2 Input	-3.2		-3.2		mA	
			Others	-1.6		-1.6			
I_{OS}	Short Circuit Output Current	$V_{CC} = \text{Max}(2)$	-30	-70	-30	-70		mA	
I_{CC}	Supply Current	$V_{CC} = \text{Max}$	80	115	80	125		mA	

Notes

- (1) All typical values are at $V_{CC} = 5 \text{ V}, T_A = 25^\circ \text{C}$.
(2) Not more than one output should be shorted at a time.

Switching Characteristics $V_{CC} = 5 \text{ V}, T_A = 25^\circ \text{C}$

PARAMETER		CONDITIONS	DM75/85			UNITS
			46			
			MIN	TYP	MAX	
f_{MAX}	Maximum Clock Frequency	$C_L = 50 \text{ pF}, R_L = 400\Omega$	15	22		MHz
t_{PLH}	Propagation Delay, Low-to-High Level, From Clock to Output		16	24		ns
t_{PHL}	Propagation Delay, High-to-Low Level, From Clock to Output		27	40		ns
t_{ZH}	Propagation Delay From High Impedance State to High Logic Level (From Output Disable)		22	33		ns
t_{ZH}	Propagation Delay From High Impedance State to High Logic Level (From Mode Control C1/C2)		13	20		ns
t_{ZL}	Propagation Delay From High Impedance State to Low Logic Level (From Output Disable)		18	27		ns
t_{ZL}	Propagation Delay From High Impedance State to Low Logic Level (From Mode Control C1/C2)		15	23		ns
t_{HZ}	Propagation Delay From High Logic Level to High Impedance State (From Output Disable)		5	8		ns
t_{HZ}	Propagation Delay From High Logic Level to High Impedance State (From Mode Control C1/C2)		9	14		ns
t_{LZ}	Propagation Delay From Low Logic Level to High Impedance State (From Output Disable)		16	24		ns
t_{LZ}	Propagation Delay From Low Logic Level to High Impedance State (From Mode Control C1/C2)	17	26		ns	

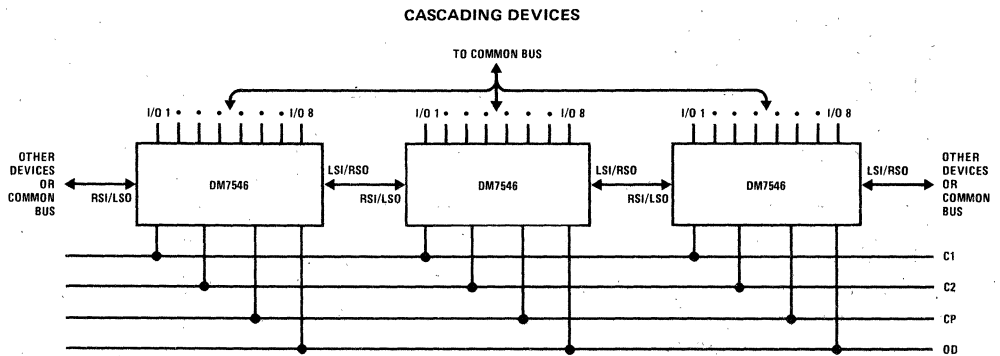
Switching Characteristics $V_{CC} = 5V, T_A = 25^\circ C$

PARAMETER		CONDITIONS	DM75/85			UNITS
			46			
			MIN	TYP	MAX	
$t_{W(CLOCK)}$	Clock Pulse Width	$C_L = 50 \text{ pF}, R_L = 400\Omega$	18	12		ns
$t_{SETUP (HIGH)}$	Serial Data		38	25		ns
$t_{SETUP (HIGH)}$	Parallel Data		33	22		ns
$t_{SETUP (LOW)}$	Serial Data		21	14		ns
$t_{SETUP (LOW)}$	Parallel Data		18	12		ns
$t_{HOLD (HIGH)}$	Serial Data		0	-11		ns
$t_{HOLD (HIGH)}$	Parallel Data		0	-11		ns
$t_{HOLD (LOW)}$	Serial Data		0	-22		ns
$t_{HOLD (LOW)}$	Parallel Data		0	-21		ns

SETUP AND HOLD TIMES BETWEEN CHANGES IN MODE CONTROL AND CLOCKING

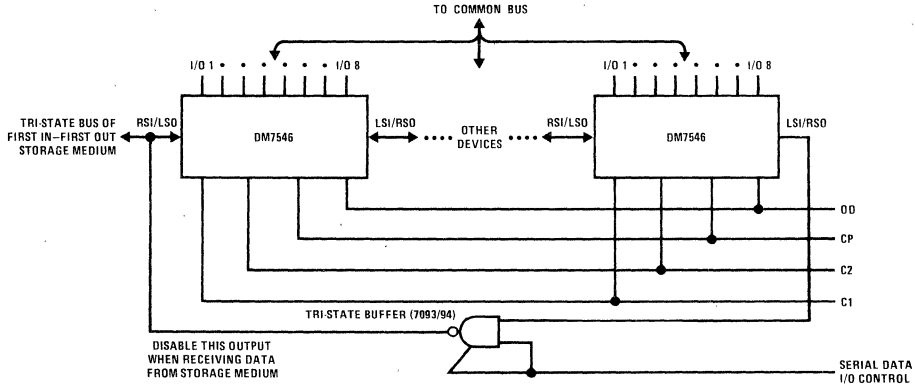
t_{SETUP}	Parallel Load to Right Shift	$C_L = 50 \text{ pF}, R_L = 400\Omega$	32	21		ns
t_{SETUP}	Parallel Load to Left Shift		40	27		ns
t_{SETUP}	Right Shift to Parallel Load		60	40		ns
t_{SETUP}	Left Shift to Parallel Load		53	35		ns
t_{SETUP}	Right Shift to Left Shift		33	21		ns
t_{SETUP}	Left Shift to Right Shift		56	37		ns
t_{SETUP}	Inhibit to Right Shift		57	38		ns
t_{SETUP}	Inhibit to Left Shift		65	43		ns
t_{SETUP}	Right Shift to Inhibit		50	33		ns
t_{SETUP}	Left Shift to Inhibit		50	32		ns
t_{HOLD}	Parallel Load to Right Shift		9	6		ns
t_{HOLD}	Parallel Load to Left Shift		6	4		ns
t_{HOLD}	Right Shift to Parallel Load		0	-13		ns
t_{HOLD}	Left Shift to Parallel Load		0	-46		ns
t_{HOLD}	Right Shift to Left Shift		0	-10		ns
t_{HOLD}	Left Shift to Right Shift		0	-23		ns
t_{HOLD}	Inhibit to Right Shift		0	-18		ns
t_{HOLD}	Inhibit to Left Shift		0	-16		ns
t_{HOLD}	Right Shift to Inhibit	0	-12		ns	
t_{HOLD}	Left Shift to Inhibit	0	-29		ns	

Typical Applications



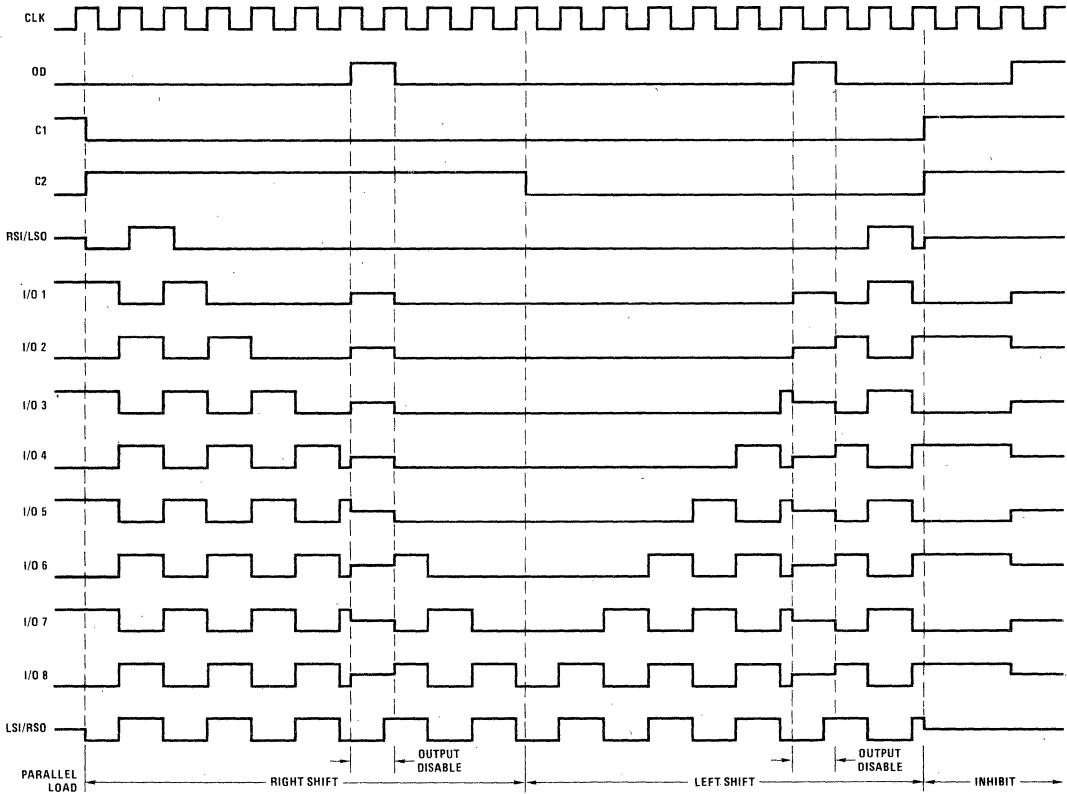
Typical Applications (Continued)

SERIAL DATA TRANSFER TO A FIRST IN-FIRST OUT STORAGE MEDIUM



Timing Diagram

TYPICAL PARALLEL LOAD, RIGHT SHIFT, LEFT SHIFT AND INHIBIT SEQUENCES



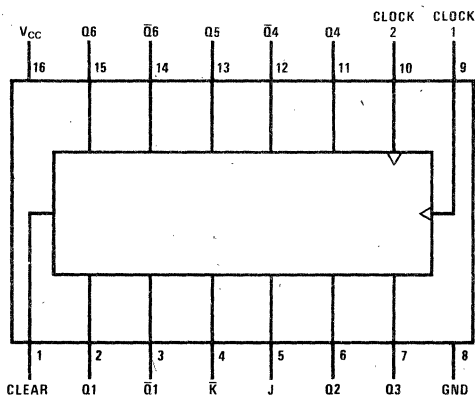
6-Bit Shift Registers

General Description

These 6-bit shift registers feature J-K serial inputs, parallel outputs, and a direct overriding clear. All inputs are buffered to lower the input drive requirements to one standard DM74S load. Furthermore, shifting is

synchronous, and occurs on the positive-going edge of the clock pulse. These shift registers are particularly well-suited for very high speed data processing systems.

Connection Diagram



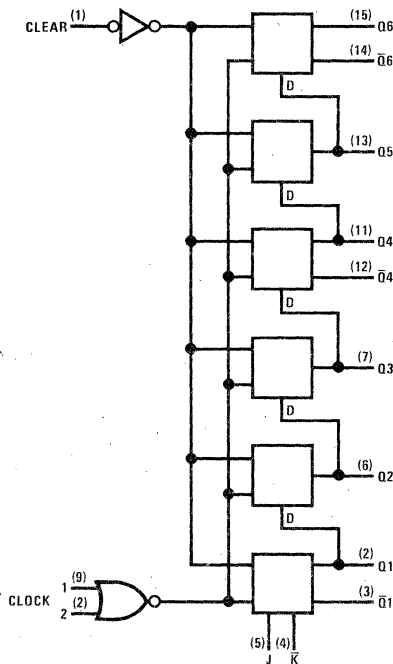
Truth Table

CLEAR	CLOCKS		J	\bar{K}	OUTPUTS					
	1	2			Q1	Q2	Q3	Q4	Q5	Q6
L	X	X	X	X	L	L	L	L	L	L
H	L	L	X	X	Q1 ₀	Q2 ₀	Q3 ₀	Q4 ₀	Q5 ₀	Q6 ₀
H	L	H	X	X	Q1 ₀	Q2 ₀	Q3 ₀	Q4 ₀	Q5 ₀	Q6 ₀
H	H	L	X	X	Q1 ₀	Q2 ₀	Q3 ₀	Q4 ₀	Q5 ₀	Q6 ₀
H	H	H	X	X	Q1 ₀	Q2 ₀	Q3 ₀	Q4 ₀	Q5 ₀	Q6 ₀
H	↑	L	L	L	L	Q1 _N	Q2 _N	Q3 _N	Q4 _N	Q5 _N
H	↑	L	L	H	Q1 _N	Q1 _N	Q2 _N	Q3 _N	Q4 _N	Q5 _N
H	↑	L	H	L	$\bar{Q1}_N$	Q1 _N	Q2 _N	Q3 _N	Q4 _N	Q5 _N
H	↑	L	H	H	H	Q1 _N	Q2 _N	Q3 _N	Q4 _N	Q5 _N
H	L	↑	L	L	L	Q1 _N	Q2 _N	Q3 _N	Q4 _N	Q5 _N
H	L	↑	L	H	Q1 _N	Q1 _N	Q2 _N	Q3 _N	Q4 _N	Q5 _N
H	L	↑	H	L	$\bar{Q1}_N$	Q1 _N	Q2 _N	Q3 _N	Q4 _N	Q5 _N
H	L	↑	H	H	H	Q1 _N	Q2 _N	Q3 _N	Q4 _N	Q5 _N
H	↑	H	X	X	Q1 _N	Q2 _N	Q3 _N	Q4 _N	Q5 _N	Q6 _N
H	H	↑	X	X	Q1 _N	Q2 _N	Q3 _N	Q4 _N	Q5 _N	Q6 _N

Q1₀, Q2₀, etc. = The level of Q1, Q2, etc. before the indicated steady-state input conditions were established.

Q1_N, Q2_N, etc. = The level of Q1, Q2, etc. before the most-recent ↑ transition of the clock; indicates a 1-bit shift.

Logic Diagram



Electrical Characteristics over recommended operating free-air temperature range (unless otherwise noted)

PARAMETER		CONDITIONS	DM85S			UNITS
			S50			
			MIN	TYP(1)	MAX	
V_{IH}	High Level Input Voltage		2			V
V_{IL}	Low Level Input Voltage		0.8			V
V_I	Input Clamp Voltage	$V_{CC} = \text{Min}, I_I = -18 \text{ mA}$	-1.2			V
I_{OH}	High Level Output Current		-1.0			mA
V_{OH}	High Level Output Voltage	$V_{CC} = \text{Min}, V_{IH} = 2\text{V}$ $V_{IL} = 0.8\text{V}, I_{OH} = -1 \text{ mA}$	2.7	3.4		V
I_{OL}	Low Level Output Current		20			mA
V_{OL}	Low Level Output Voltage	$V_{CC} = \text{Min}, V_{IH} = 2\text{V}$ $V_{IL} = 0.8\text{V}, I_{OL} = 20 \text{ mA}$	0.5			V
I_I	Input Current at Maximum Input Voltage	$V_{CC} = \text{Max}, V_I = 5.5\text{V}$	1			mA
I_{IH}	High Level Input Current	$V_{CC} = \text{Max}, V_I = 2.7\text{V}$	50			μA
I_{IL}	Low Level Input Current	$V_{CC} = \text{Max}, V_I = 0.5\text{V}$	-2			mA
I_{OS}	Short Circuit Output Current	$V_{CC} = \text{Max}(2)$	-40		-100	mA
I_{CC}	Supply Current	$V_{CC} = \text{Max}$	90		150	mA

Notes

 (1) All typical values are at $V_{CC} = 5\text{V}, T_A = 25^\circ\text{C}$.

(2) Not more than one output should be shorted at a time, and the duration of the short circuit should not exceed one second.

Switching Characteristics $V_{CC} = 5\text{V}, T_A = 25^\circ\text{C}$

PARAMETER		FROM	TO	CONDITIONS	DM85S			UNITS
					S50			
					MIN	TYP	MAX	
f_{MAX}	Maximum Clock Frequency			$C_L = 15 \text{ pF}, R_L = 280\Omega$	75	110		MHz
t_{PLH}	Propagation Delay Time, Low-to-High Level Output	Clock	Q or \bar{Q}		8	12		ns
t_{PHL}	Propagation Delay Time, High-to-Low Level Output	Clock	Q or \bar{Q}		12	18		ns
t_{PLH}	Propagation Delay Time, Low-to-High Level Output	Clear	\bar{Q}		10	15		ns
t_{PHL}	Propagation Delay Time, High-to-Low Level Output	Clear	Q		13	20		ns

General Description

These four-bit registers contain D-type flip-flops with totem-pole TRI-STATE outputs, capable of driving highly capacitive or low-impedance loads. The high-impedance state and increased high-logic-level drive provide these flip-flops with the capability of driving the bus lines in a bus-organized system without need for interface or pull-up components.

Gated enable inputs are provided for controlling the entry of data into the flip-flops. When both data-enable inputs are low, data at the D inputs are loaded into their respective flip-flops on the next positive transition of the buffered clock input. Gate output control inputs are also provided. When both are low, the normal logic states of the four outputs are available for driving the loads or bus lines. The outputs are disabled independently from the level of the clock by a high logic level at either output control input. The outputs then present a high impedance and neither load nor drive the bus line. Detailed operation is given in the truth table.

To minimize the possibility that two outputs will attempt to take a common bus to opposite logic levels,

TRI-STATE 4-Bit D Type Registers

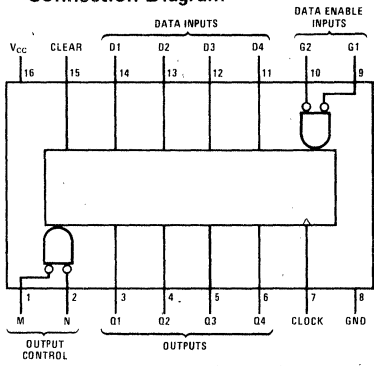
the output control circuitry is designed so that the average output disable times are shorter than the average output enable times.

Features

- TRI-STATE outputs interface directly with system bus
- Gated output control lines for enabling or disabling the outputs
- Fully independent clock eliminates restrictions for operating in one of two modes:
 - Parallel load
 - Do nothing (hold)
- For application as bus buffer registers

TYPE	TYPICAL PROPAGATION DELAY	TYPICAL FREQUENCY	TYPICAL POWER DISSIPATION
7551/8551	18 ns	30 MHz	250 mW
75L51/85L51	59 ns	15 MHz	27.5 mW

Connection Diagram



7551(J), (W); 8551(J), (N), (W);
75L51/85L51(J), (N), (W)

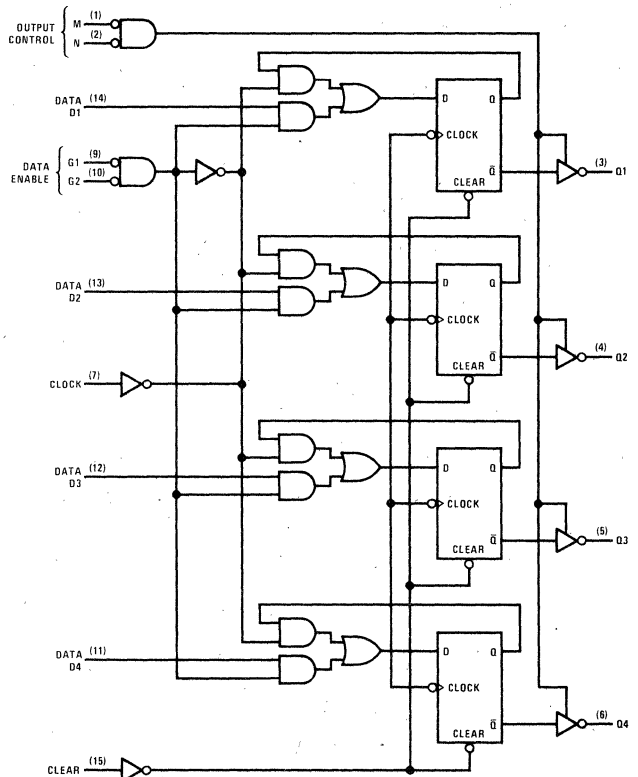
Truth Table

CLEAR	CLOCK	DATA ENABLE		DATA D	OUTPUT Q
		G1	G2		
H	X	X	X	X	L
L	L	X	X	X	Q ₀
L	↑	H	X	X	Q ₀
L	↑	X	H	X	Q ₀
L	↑	L	L	L	L
L	↑	L	L	H	H

When either M or N (or both) is (are) high the output is disabled to the high-impedance state; however, sequential operation of the flip-flops is not affected.

H = high level (steady state)
 L = low level (steady state)
 ↑ = low-to-high level transition
 X = don't care (any input including transitions)
 Q₀ = the level of Q before the indicated steady state input conditions were established

Logic Diagram



Electrical Characteristics over recommended operating free-air temperature range (unless otherwise noted)

PARAMETER		CONDITIONS		DM75/85			DM75L/85L			UNITS
				51			L51			
				MIN	TYP(1)	MAX	MIN	TYP(1)	MAX	
V _{IH}	High Level Input Voltage			2			2			V
V _{IL}	Low Level Input Voltage						0.8			V
V _I	Input Clamp Voltage	V _{CC} = Min, I _I = -12 mA					-1.5			N/A
I _{OH}	High Level Output Current			DM75			-2.0			-1.0
				DM85			-5.2			-1.0
VOH	High Level Output Voltage	V _{CC} = Min, V _{IH} = 2V V _{IL} = Max, I _{OH} = Max		2.4			2.4			V
I _{OL}	Low Level Output Current			DM75			16			2.0
				DM85			16			3.6
VOL	Low Level Output Voltage	V _{CC} = Min, V _{IH} = 2V V _{IL} = Max, I _{OL} = Max		DM75			0.4			0.15
				DM85			0.4			0.2
I _{O(OFF)}	Off State (High Impedance State) Output Current	V _{CC} = Max		V _O = 0.3V						μA
		V _{IH} = 2V		V _O = 0.4V			-40			
		V _{IL} = Max		V _O = 2.4V			40			
							20			
I _I	Input Current at Maximum Input Voltage	V _{CC} = Max, V _I = 5.5V		1			0.01			0.1
I _{IH}	High Level Input Current	V _{CC} = Max, V _I = 2.4V		40			1			10
I _{IL}	Low Level Input Current	V _{CC} = Max		V _I = 0.3V						-0.18
				V _I = 0.4V			-1.6			
I _{OS}	Short Circuit Output Current	V _{CC} = Max(2)		-30			-70			-3
I _{CC}	Supply Current	V _{CC} = Max(3)		50			72			5.5
				9						9

Notes

- (1) All typical values are at V_{CC} = 5V, T_A = 25°C.
- (2) Not more than one output should be shorted at a time.
- (3) I_{CC} is measured with all outputs open; clear grounded following momentary connection to 4.5V; N, G1, G2, and all data inputs grounded; and the clock input and M at 4.5V.

Switching Characteristics V_{CC} = 5V, T_A = 25°C

PARAMETER		FROM	TO	CONDITIONS			DM75/85			DM75L/85L			UNITS			
				BOTH	STD.	LOW POWER	51			L51						
							MIN	TYP	MAX	MIN	TYP	MAX				
f _{MAX}	Maximum Clock Frequency			C _L = 50 pF	R _L = 400Ω	R _L = 4 kΩ	25			30			6	15	MHz	
t _{PHL}	Propagation Delay Time, High-to-Low Level Output	Clear	Output				18			27			72	110	ns	
t _{PLH}	Propagation Delay Time, Low-to-High Level Output	Clock	Output				16			25			39	70	ns	
t _{PHL}	Propagation Delay Time, High-to-Low Level Output	Clock	Output				20			28			77	120	ns	
t _{ZH}	Output Enable Time to High Level						7			16			30	28	55	ns
t _{ZL}	Output Enable Time to Low Level						7			21			30	35	60	ns
t _{HZ}	Output Disable Time from High Level						3			5			14	18	50	ns
t _{LZ}	Output Disable Time from Low Level						3			11			20	32	75	ns
t _W	Width of Clock or Clear Pulse			20			100						ns			
t _{SETUP}	Setup Time	Data Enable		17			45						ns			
		Data		10			30									
		Clear Inactive State		10			30									
t _{HOLD}	Hold Time	Data Enable		2			0						ns			
		Data		10			10									

TRI-STATE Synchronous Counters/Latches

General Description

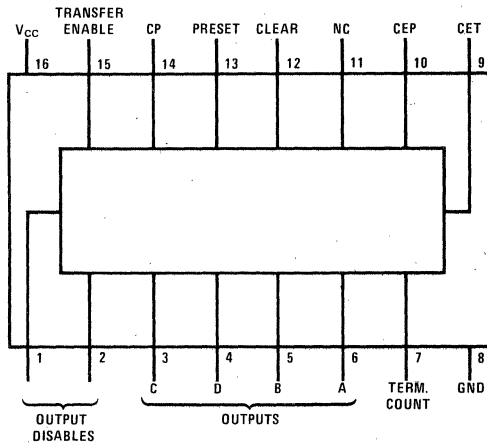
These circuits logically combine the functions of counters for frequency division, latches to store the data from the counters, and output buffer gates which provide both standard TTL outputs as well as high-impedance outputs for multiplexing of data. The counters are fully synchronous, and are made up of four edge-triggered JK flip-flops. To further facilitate operation, the Count Mode and Terminal Count outputs are also operable when the data outputs are in the high-impedance state or the latch mode.

Features

- DM7552/8552
DM75L52/85L52 Decade counter/latch
- DM7554/8554
DM75L54/85L54 Binary counter/latch

TYPE	TYPICAL POWER DISSIPATION	TYPICAL CLOCK FREQUENCY
52, 54	330 mW	23 MHz
L52, L54	38 mW	11 MHz

Connection Diagram



7552(J), (W); 8552(J), (N), (W);
75L52/85L52(J), (N), (W);
7554(J), (W); 8554(J), (N), (W);
75L54/85L54(J), (N), (W)

Truth Table

INPUTS							OUTPUTS				
OD1	OD2	CEP	CET	CLEAR	PRESET	TE	A	B	C	D	TC
H	X	X	X	X	X	X	"High Impedance State"				*
X	H	X	X	X	X	X	"High Impedance State"				*
L	L	X	X	H	X	H	L	L	L	L	L
L	L	X	X	L	H	H	H	H	H	H	*
L	L	X	X	X	X	L	LATCH				*
L	L	H	H	L	L	H	COUNT				*

*Function of the count sequence.

Electrical Characteristics over recommended operating free-air temperature range (unless otherwise noted)

PARAMETER		CONDITIONS		DM75/85			DM75L/85L			UNITS				
				52, 54			L52, L54							
				MIN	TYP(1)	MAX	MIN	TYP(1)	MAX					
V _{IH}	High Level Input Voltage			2			2			V				
V _{IL}	Low Level Input Voltage			0.8			0.7			V				
V _I	Input Clamp Voltage	V _{CC} = Min, I _I = -12 mA		-1.5			N/A			V				
I _{OH}	High Level Output Current			DM75	-2.0			-1.0			mA			
				DM85	-5.2			-1.0						
V _{OH}	High Level Output Voltage	Terminal Count	V _{CC} = Min, V _{IH} = 2V V _{IL} = Max	I _{OH} = 0.2 mA		2.4			2.8		V			
				I _{OH} = 0.4 mA		2.4		3.3						
				I _{OH} = Max		2.4		3.3						
I _{OL}	Low Level Output Current			DM75	16			2.0			mA			
				DM85	16			3.6						
V _{OL}	Low Level Output Voltage	V _{CC} = Min, V _{IH} = 2V V _{IL} = Max, I _{OL} = Max		DM75	0.2		0.4		0.15		0.3		V	
				DM85	0.2		0.4		0.2		0.4			
I _{O(OFF)}	Off State (High Impedance State) Output Current	V _{CC} = Max, V _{IH} = 2V V _{IL} = Max		V _O = 0.3V					-40			μA		
				V _O = 0.4V					-40					
				V _O = 2.4V		40			20					
I _I	Input Current at Maximum Input Voltage	V _{CC} = Max, V _I = 5.5V		CET Input	2		0.02		0.2		mA			
				Others	1		0.01		0.1					
I _{IH}	High Level Input Current	V _{CC} = Max, V _I = 2.4V		CET Input	80		2		20		μA			
				Others	40		1		10					
I _{IL}	Low Level Input Current	V _{CC} = Max, V _I = 0.4V (Std.) V _I = 0.3V (75L/85L)		CET Input	-2.0		-3.2		-0.24		-0.36		mA	
				Others	-1.0		-1.6		-0.12		-0.18			
I _{OS}	Short Circuit Output Current	V _{CC} = Max(2)		TC Output	-20		-55		-3		-8		mA	
				Others	-30		-70		-3		-8			
I _{CC}	Supply Current	V _{CC} = Max		66			106			7.6		13		mA

Notes

- All typical values are at V_{CC} = 5V, T_A = 25°C.
- Not more than one output should be shorted at a time, and for DM7552/8552 or DM7554/8554 duration of short circuit should not exceed one second.

Switching Characteristics V_{CC} = 5V, T_A = 25°C

PARAMETER		FROM	TO	CONDITIONS			DM75/85			DM75L/85L			UNITS		
							52, 54			L52, L54					
				BOTH	STD.	LOW POWER	MIN	TYP	MAX	MIN	TYP	MAX			
f _{MAX}	Maximum Clock Frequency						15	23			6	11	MHz		
t _{PLH}	Propagation Delay Time, Low-to-High Level Output	Clock	Output	C _L = 50 pF R _L = 400Ω R _L = 4 kΩ			34		70		115		220		ns
t _{PHL}	Propagation Delay Time, High-to-Low Level Output	Clock	Output				23		45		75		150		ns
t _{PLH}	Propagation Delay Time, Low-to-High Level Output	Transfer Enable	Output				26		50		90		160		ns
t _{PHL}	Propagation Delay Time, High-to-Low Level Output	Transfer Enable	Output				26		50		90		160		ns
t _{ZH}	Output Enable Time to High Level						21		45		75		150		ns
t _{ZL}	Output Enable Time to Low Level						25		50		90		150		ns
t _{HZ}	Output Disable Time from High Level						3		8		8		15		ns
t _{LZ}	Output Disable Time from Low Level						17		40		57		105		ns

Mode of Operation

When the Transfer Enable (TE) is at a logical "1" level, the data transfer paths between the counter outputs and the output buffer gates are maintained. When the Transfer Enable is at a logical "0" level, the data transfer paths are inhibited, and the state of the output buffer gates are locked in by the latches. The counter and Terminal Count (TC) output remain operable during this time.

Asynchronous Clear resets the counter to 0000.

Asynchronous Preset sets the counter to 1111. The 1111 state may be used in the 52 for blanking out leading zeroes in visual displays. The next clock pulse will advance the 52 to 0001 which denotes the first count of the blanked zero. The next clock pulse will advance the 54 to 0000.

The Terminal Count (TC) output is active high when the counters are at terminal count and the CET is high. The Terminal Count logic equations are:

$$(52) \quad TC = CET \cdot A \cdot \bar{B} \cdot \bar{C} \cdot D$$

$$(54) \quad TC = CET \cdot A \cdot B \cdot C \cdot D$$

The following logic levels control the device:

- The counters change state on the positive-going transition of the clock.
- Clearing or presetting is enabled by taking the respective input to a logical "1" level.

- To enable the count mode both CET and CEP inputs must be at a logical "1" level.
- To latch the outputs the Transfer Enable (TE) input must be taken to the logical "0" level.
- To place the TRI-STATE outputs into the "third-state," either of the Output Disable (OD) inputs must be taken to the logical "1" level.

The clock input must be high during the high to low transition of CEP and/or CET for correct logic operation. The CEP and CET inputs may be used in a high speed look ahead technique.

Counter stages can be cascaded to provide multiple stage BCD or Binary synchronous counting by using the 52 or the 54 respectively. With a Terminal Count (TC) fan out of ten, eleven stages are able to operate at the maximum frequency equivalent to a two stage counter.

The characters displayed can be held with a low level on the strobe line while the counters can continue counting. The display can be updated at any time by applying a positive pulse to the strobe line.

DM7552/DM8552
DM75L52/DM85L52
DECADE COUNT SEQUENCE

COUNT	OUTPUTS				
	A	B	C	D	TC
0	L	L	L	L	L
1	H	L	L	L	L
2	L	H	L	L	L
3	H	H	L	L	L
4	L	L	H	L	L
5	H	L	H	L	L
6	L	H	H	L	L
7	H	H	H	L	L
8	L	L	L	H	L
9	H	L	L	H	H
**If Preset Applied					
Next-Count	H	H	H	H	L
Count	H	L	L	L	L

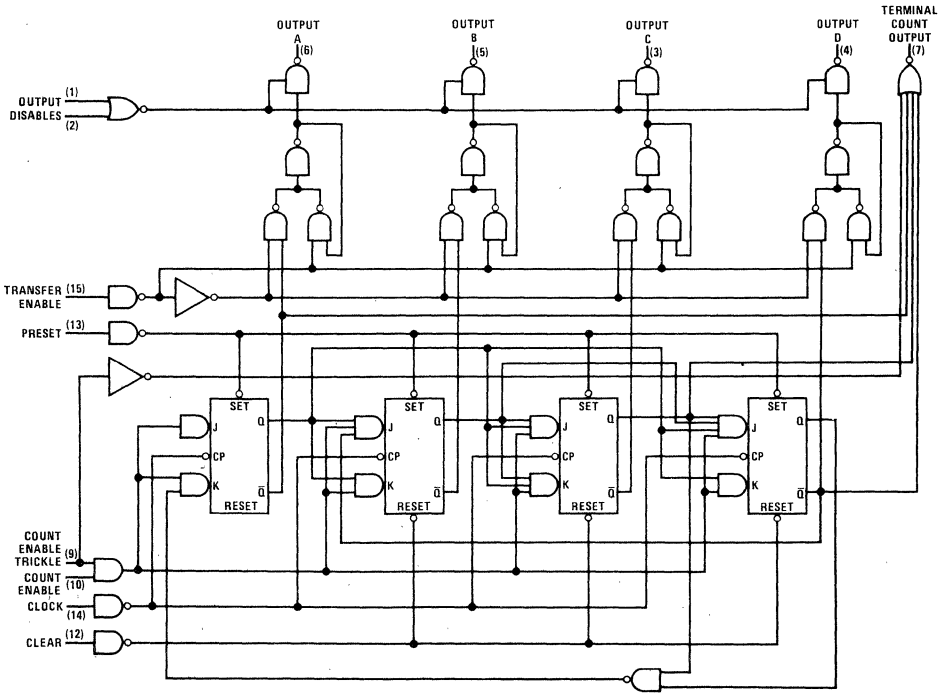
DM7554/DM8554
DM75L54/DM85L54
BINARY COUNT SEQUENCE

COUNT	OUTPUTS				
	A	B	C	D	TC
0	L	L	L	L	L
1	H	L	L	L	L
2	L	H	L	L	L
3	H	H	L	L	L
4	L	L	H	L	L
5	H	L	H	L	L
6	L	H	H	L	L
7	H	H	H	L	L
8	L	L	L	H	L
9	H	L	L	H	L
10	L	H	L	H	L
11	H	H	L	H	L
12	L	L	H	H	L
13	H	L	H	H	L
14	L	H	H	H	L
15	H	H	H	H	H

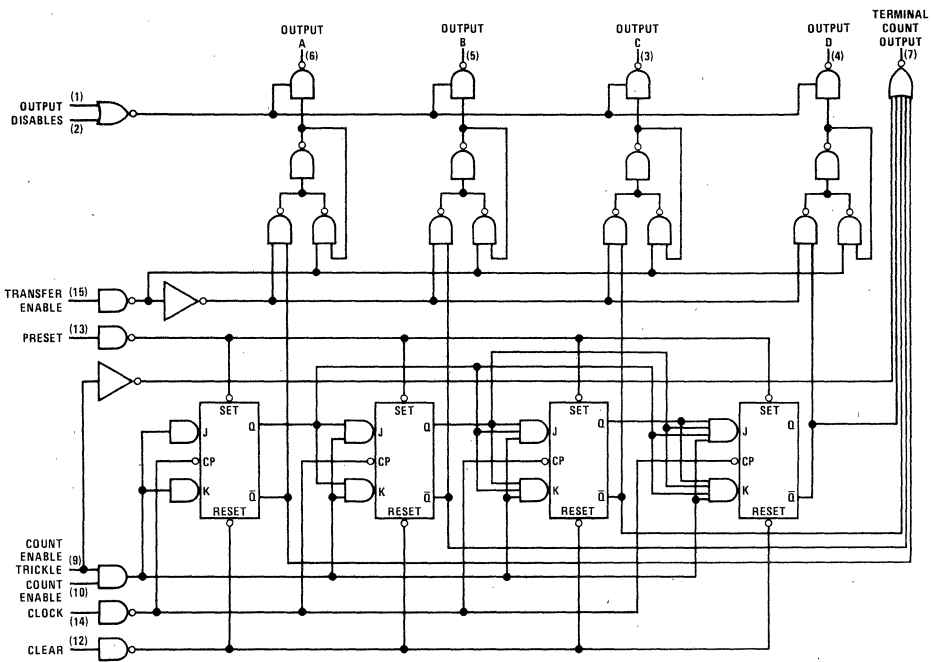
**The 1111 state may be used in conjunction with certain decoder/drivers (DM7446A, 7447A, 7448) for blanking leading zeroes.

Logic Diagrams

52, L52

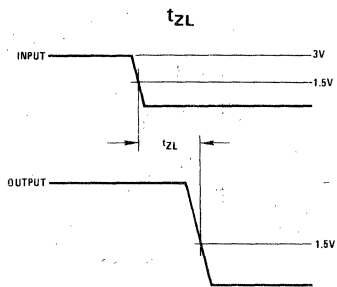
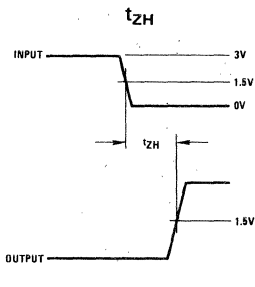
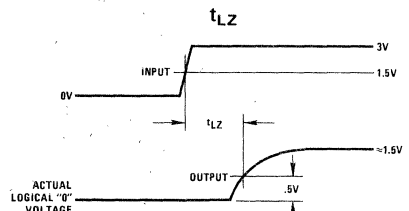
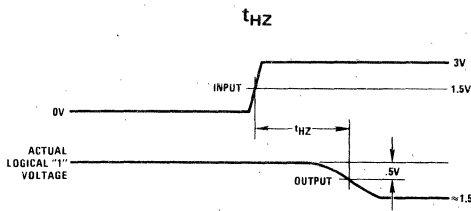
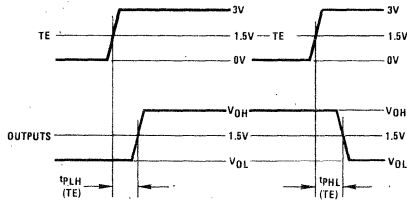
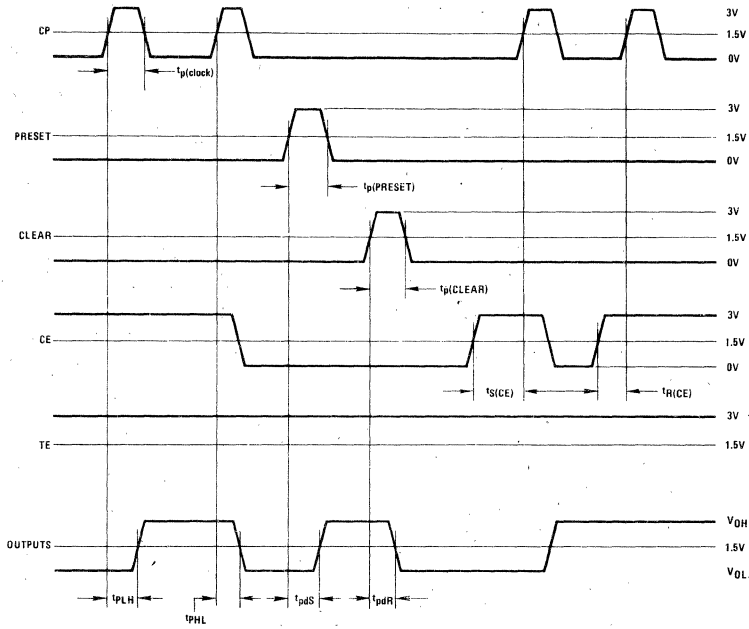


54, L54



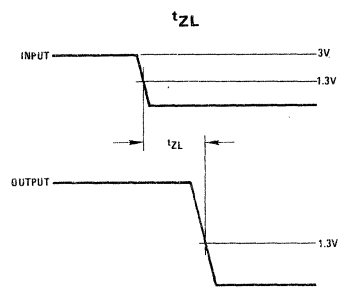
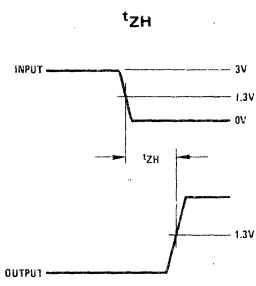
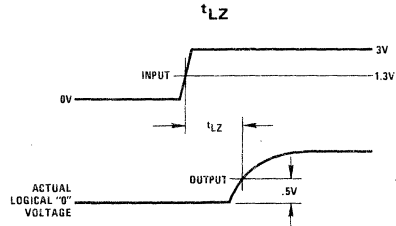
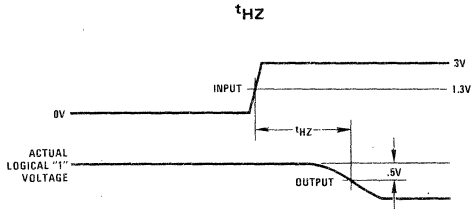
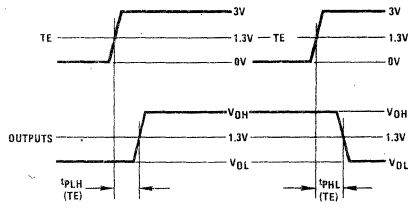
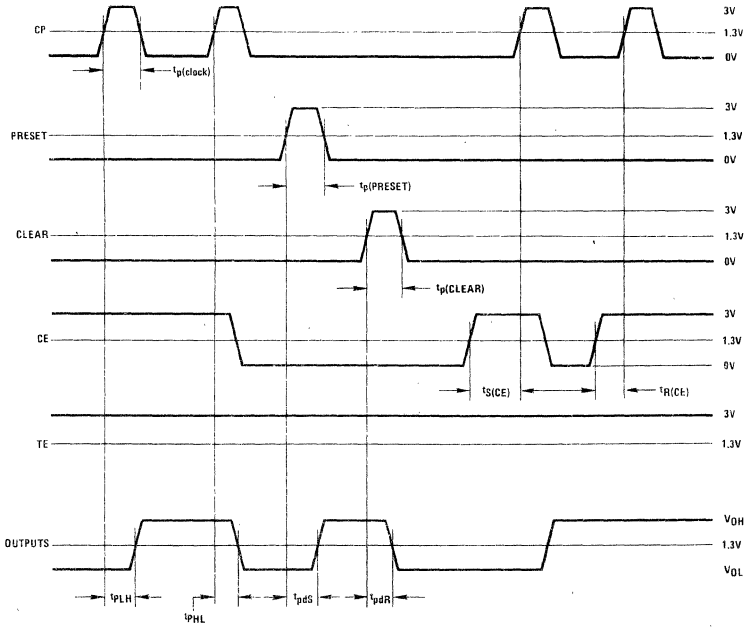
Switching Time Waveforms

52, 54



Switching Time Waveforms (Continued)

L52, L54



TRI-STATE 8-Bit Latches

General Description

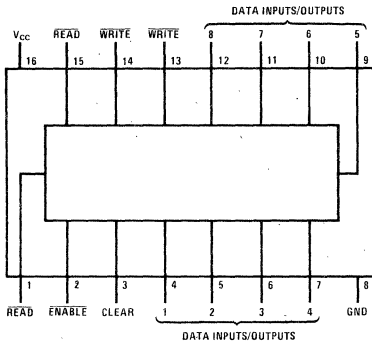
By utilizing TRI-STATE circuitry on the outputs, the inputs and outputs can be accessed on the same pins, and these circuits provide eight separate R-S latches in the popular 16-pin package. While in the high-impedance state, the inputs and outputs are disabled and no information can be entered. When both WRITE inputs are brought to a low logic level, the outputs are disabled and new information may be entered at the inputs. When a low logic level is applied to both READ inputs, and a

high logic level to both $\overline{\text{WRITE}}$ inputs, the inputs are rendered inactive and data may be read from the outputs.

Features

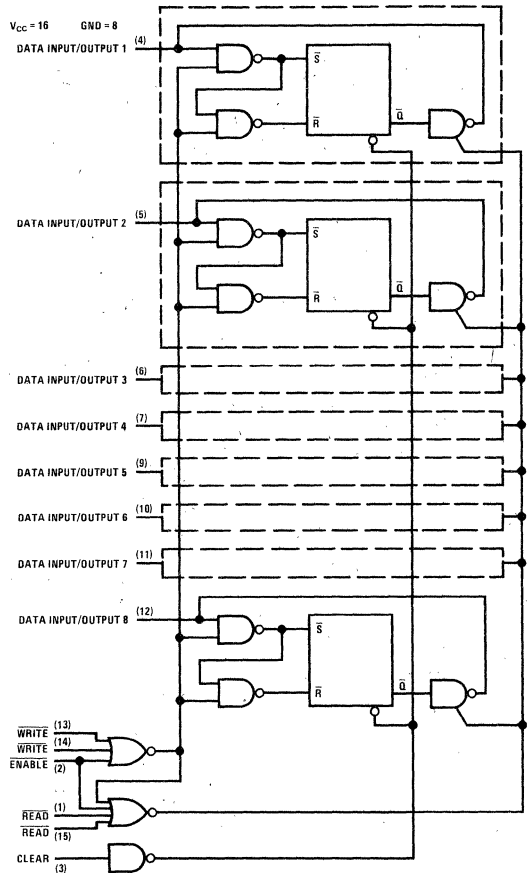
- TRI-STATE I/O pins
- 8 latches in popular 16-pin package
- Typical propagation delay—22 ns

Connection Diagram



7553(J), (W); 8553(J), (N), (W)

Logic Diagram



Truth Table

CLEAR	ENABLE	READ*	WRITE**	OPERATION	STATE OF BUS
H	L	L	H	Enter L	L
H	L	L	L	Enter L	Hi-Z
L	X	H	H	Do Nothing	Hi-Z
L	H	X	X	Do Nothing	Hi-Z
L	L	X	L	Write	H or L***
L	L	L	H	Read	H or L***

*Both Read Inputs

**Both Write Inputs

***Depends on State of Latch

Electrical Characteristics over recommended operating free-air temperature range (unless otherwise noted)

PARAMETER		CONDITIONS	DM75			DM85			UNITS
			53			53			
			MIN	TYP(1)	MAX	MIN	TYP(1)	MAX	
V_{IH}	High Level Input Voltage		2			2		V	
V_{IL}	Low Level Input Voltage				0.8		0.8	V	
V_I	Input Clamp Voltage	$V_{CC} = \text{Min}, I_I = -12 \text{ mA}$			-1.5		-1.5	V	
I_{OH}	High Level Output Current				-2.0		-5.2	mA	
V_{OH}	High Level Output Voltage	$V_{CC} = \text{Min}, V_{IH} = 2\text{V}$ $V_{IL} = 0.8\text{V}, I_{OH} = \text{Max}$	2.4			2.4		V	
I_{OL}	Low Level Output Current			16			16	mA	
V_{OL}	Low Level Output Voltage	$V_{CC} = \text{Min}, V_{IH} = 2\text{V}$ $V_{IL} = 0.8\text{V}, I_{OL} = 16 \text{ mA}$		0.4			0.4	V	
$I_{O(\text{OFF})}$	Off State (High Impedance State) Output Current	$V_{CC} = \text{Max}, V_{IH} = 2\text{V}$ $V_{IL} = 0.8\text{V}$	$V_O = 0.4\text{V}$	-40		-40		μA	
			$V_O = 2.4\text{V}$	40		40			
I_I	Input Current at Maximum Input Voltage	$V_{CC} = \text{Max}, V_I = 5.5\text{V}$		1			1	mA	
I_{IH}	High Level Input Current	$V_{CC} = \text{Max}, V_I = 2.4\text{V}$		40			40	μA	
I_{IL}	Low Level Input Current	$V_{CC} = \text{Max}, V_I = 0.4\text{V}$		-1.6			-1.6	mA	
I_{OS}	Short Circuit Output Current	$V_{CC} = \text{Max}(2)$	-28	-70		-28	-70	mA	
I_{CC}	Supply Current	$V_{CC} = \text{Max}$		66 93			66 93	mA	

Notes

- (1) All typical values are at $V_{CC} = 5\text{V}, T_A = 25^\circ\text{C}$
(2) Not more than one output should be shorted at a time.

Switching Characteristics $V_{CC} = 5\text{V}, T_A = 25^\circ\text{C}$

PARAMETER		FROM	TO	CONDITIONS	DM75/85			UNITS
					53			
					MIN	TYP	MAX	
t_{PHL}	Propagation Delay Time, High-to-Low Level Output	Clear	Output	$C_L = 50 \text{ pF}, R_L = 400\Omega$	21	32	ns	
t_{ZH}	Output Enable Time to High Level				22	33	ns	
t_{ZL}	Output Enable Time to Low Level				25	38	ns	
t_{HZ}	Output Disable Time from High Level			$C_L = 5 \text{ pF}, R_L = 400\Omega$	7	12	ns	
t_{LZ}	Output Disable Time from Low Level				20	30	ns	
t_W	Minimum Pulse Width	Clear			15	10	ns	
		Write			40	28		
t_{SETUP}	Minimum Data Setup Time	High Level			20	14	ns	
		Low Level			36	26		
t_{HOLD}	Minimum Data Hold Time	High Level			-15	-26	ns	
		Low Level			-8	-14		

TRI-STATE Programmable Decade/Binary Counters

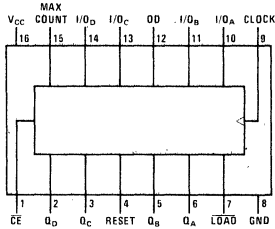
General Description

These circuits are synchronous, edge-sensitive, fully-programmable 4-bit counters. The counters feature both conventional totem-pole and TRI-STATE outputs; such that when the outputs are in the high-impedance mode, they can be used to enter data from the bus lines. In addition, the clear input operates completely independent of all other inputs. During the programming operation, data is loaded into the flip-flops on the positive-going edge of the clock pulse. To facilitate cascading of these counters, the MAX COUNT output can be tied directly into the count enable input.

Features

- DM7555/8555—Decade counter
- DM7556/8556—Binary counter
- Typical clock frequency 35 MHz
- TRI-STATE outputs
- Fully independent clear
- Synchronous loading
- Cascading circuitry provided internally

Connection Diagram



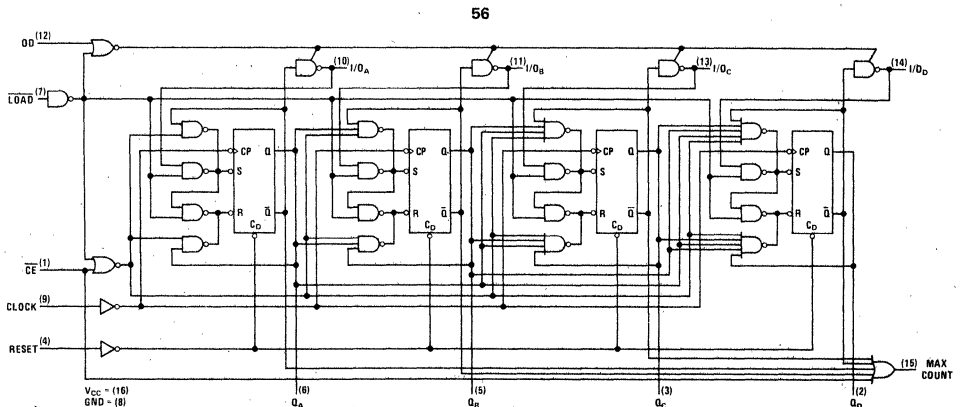
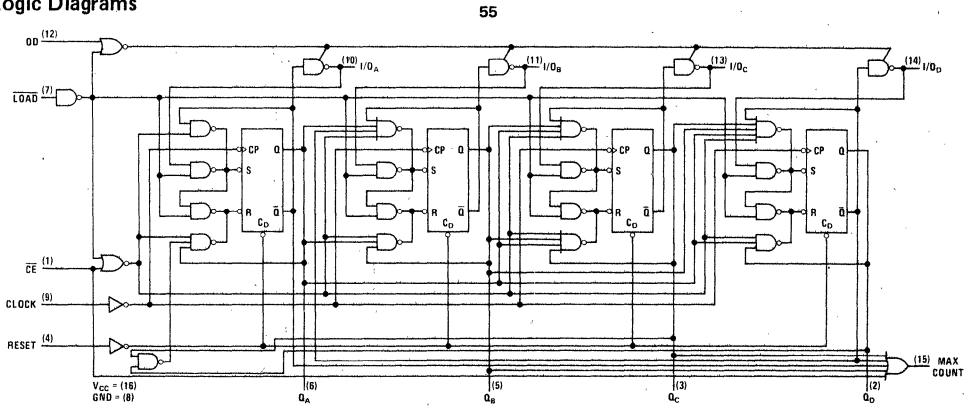
7555(J), (W); 8555(J), (N), (W);
7556(J), (W); 8556(J), (N), (W)

Truth Table

J	K	M	CLEAR	Q _{n+1}
0	0	1	0	Q _n
1	0	1	0	1
0	1	1	0	0
1	1	1	0	\bar{Q}_n
X	X	0	0	D
X	X	X	1	0*

*Asynchronous Transition
Note: See Timing Diagrams

Logic Diagrams



Electrical Characteristics over recommended operating free-air temperature range (unless otherwise noted)

PARAMETER		CONDITIONS		DM75/8555		DM75/8556		UNITS	
				MIN	TYP(1)	MAX	MIN		TYP(1)
V_{IH}	High Level Input Voltage			2		2		V	
V_{IL}	Low Level Input Voltage				0.8		0.8	V	
V_I	Input Clamp Voltage	$V_{CC} = \text{Min}, I_I = -12 \text{ mA}$			-1.5		-1.5	V	
I_{OH}	High Level Output Current				-2.0		-2.0	mA	
			DM85		-5.2		-5.2		
V_{OH}	High Level Output Voltage	$V_{CC} = \text{Min}, V_{IH} = 2\text{V}$ $V_{IL} = 0.8\text{V}, I_{OH} = \text{Max}$		2.4		2.4		V	
I_{OL}	Low Level Output Current				16		16	mA	
V_{OL}	Low Level Output Voltage	$V_{CC} = \text{Min}, V_{IH} = 2\text{V}$ $V_{IL} = 0.8\text{V}, I_{OL} = 16 \text{ mA}$		0.4		0.4		V	
$I_{O(\text{OFF})}$	Off State (High Impedance State) Output Current	$V_{CC} = \text{Max}$			-40		-40	μA	
		$V_{IH} = 2\text{V}$ $V_{IL} = \text{Max}$	$V_O = 0.4\text{V}$ $V_O = 2.4\text{V}$		40		40		
I_I	Input Current at Maximum Input Voltage	$V_{CC} = \text{Max}, V_I = 5.5\text{V}$			1		1	mA	
I_{IH}	High Level Input Current	$V_{CC} = \text{Max}, V_I = 2.4\text{V}$			40		40	μA	
I_{IL}	Low Level Input Current	$V_{CC} = \text{Max}, V_I = 0.4\text{V}$			1.6		-1.6	mA	
I_{OS}	Short Circuit Output Current	$V_{CC} = \text{Max}(2)$			-25		-70	mA	
I_{CC}	Supply Current	$V_{CC} = \text{Max}$			80	110	75	100	mA

Notes

 (1) All typical values are at $V_{CC} = 5\text{V}, T_A = 25^\circ\text{C}$.

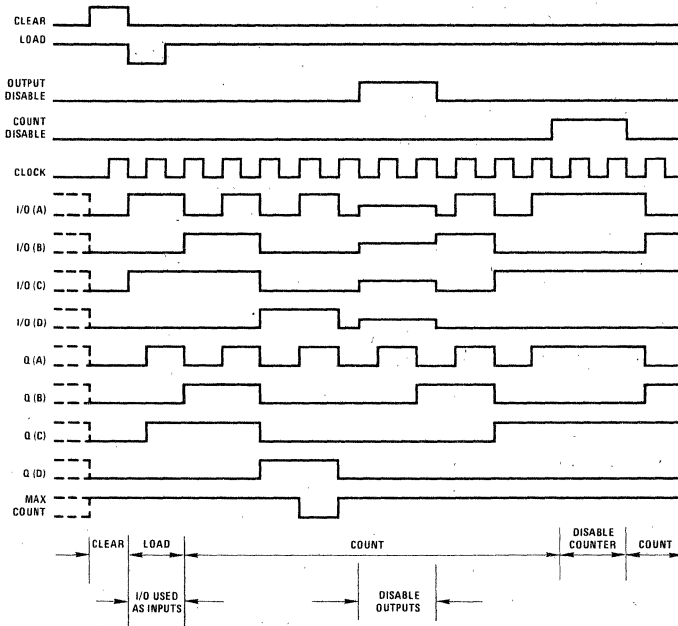
(2) Not more than one output should be shorted at a time.

Switching Characteristics $V_{CC} = 5\text{V}, T_A = 25^\circ\text{C}$

PARAMETER		FROM	TO	CONDITIONS	DM75/8555, 56			UNITS		
					MIN	TYP	MAX			
f_{MAX}	Maximum Clock Frequency			$C_L = 50 \text{ pF}, R_L = 400\Omega$	25	35		MHz		
t_{PLH}	Propagation Delay Time, Low-to-High Level Output	Clock	Output			15	22		ns	
	Propagation Delay Time, High-to-Low Level Output	Clock	Output			34	44		ns	
t_{PLH}	Propagation Delay Time, Low-to-High Level Output	Clock	Max Count			23	33		ns	
	Propagation Delay Time, High-to-Low Level Output	Clock	Max Count			23	33		ns	
t_{PHL}	Propagation Delay Time, High-to-Low Level Output	Clear	Output			30	44		ns	
t_{ZH}	Output Enable Time to High Level					13	20		ns	
t_{ZL}	Output Enable Time to Low Level					14	20		ns	
t_{HZ}	Output Disable Time from High Level				$C_L = 5 \text{ pF}, R_L = 400\Omega$		6	12		ns
	Output Disable Time from Low Level						12	20		ns
t_W	Minimum Pulse Width	Clock			25			ns		
		Clear			20					
		Load			30					
t_{CE}	Count Enable Time	Setup			30			ns		
		Hold			-30					
$t_{\text{SETUP}(1)}$	Setup Time – High Logic Level	Data			25			ns		
		Load			30					
$t_{\text{HOLD}(1)}$	Hold Time – High Logic Level	Data			5			ns		
		Load			-10					
$t_{\text{SETUP}(0)}$	Setup Time – Low Logic Level	Data			30			ns		
		Load			25					
$t_{\text{HOLD}(0)}$	Hold Time – Low Logic Level	Data			5			ns		
		Load			-10					

Timing Diagrams

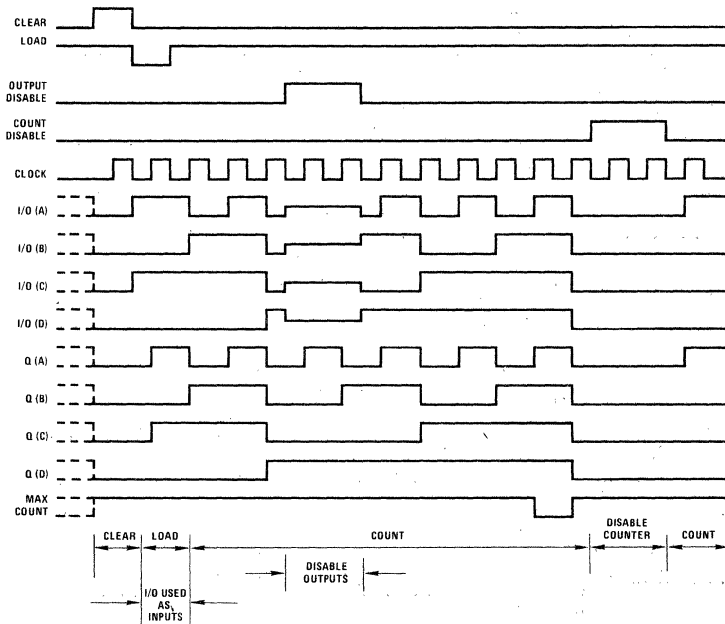
55 TYPICAL CLEAR, PRESET, COUNT, INHIBIT SEQUENCE



Sequence

- (1) Clear to zero.
- (2) Load BCD five.
- (3) Count six, seven, eight, nine, zero, one, two, three, four.
- (4) Disable TRI-STATE outputs.
- (5) Disable counter.
- (6) Count to six.

56 TYPICAL CLEAR, PRESET, COUNT, INHIBIT SEQUENCE

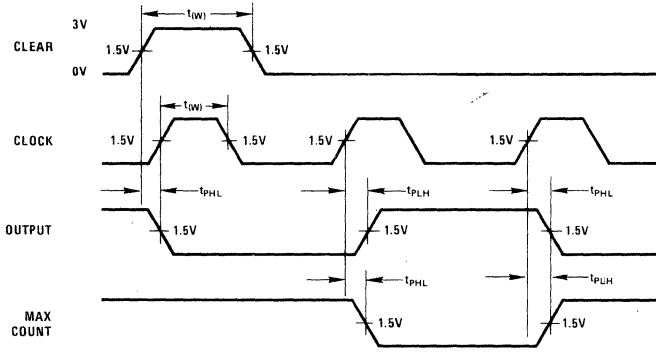


Sequence

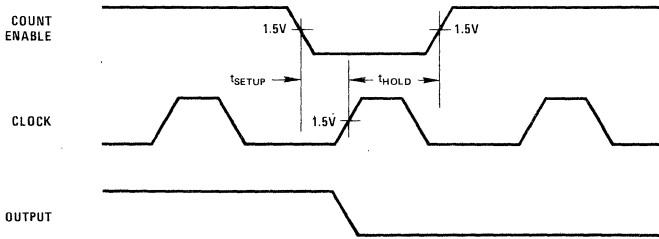
- (1) Clear to zero.
- (2) Load binary five.
- (3) Count six, seven, eight, nine, ten, eleven, twelve, thirteen, fourteen, fifteen, zero.
- (4) Disable TRI-STATE outputs.
- (5) Disable counter.
- (6) Count to one.

Switching Time Waveforms

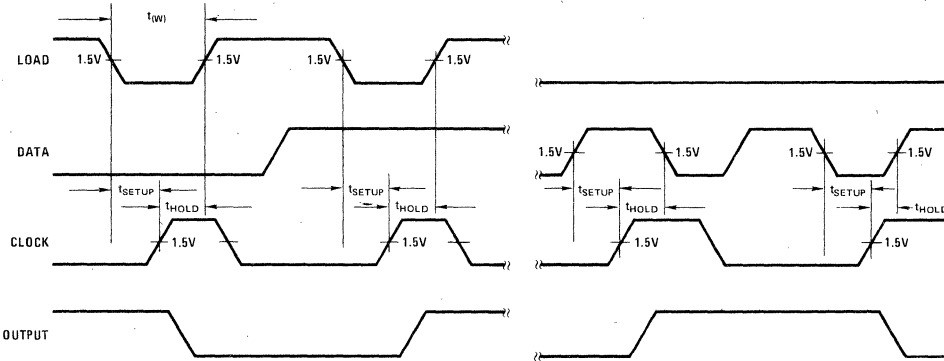
CLOCK AND CLEAR VOLTAGE



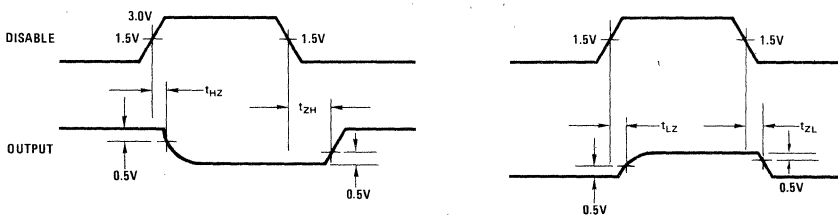
COUNT ENABLE AND CLOCK



LOAD, DATA AND CLOCK



OUTPUT DISABLE



Synchronous 4-Bit Up/Down Decade Counters

General Description

These circuits are synchronous up/down counters; the 60 and L60 circuits are BCD counters and the 63 and L63 are 4-bit binary counters. Synchronous operation is provided by having all flip-flops clocked simultaneously, so that the outputs change together when so instructed by the steering logic. This mode of operation eliminates the output counting spikes normally associated with asynchronous (ripple-clock) counters.

The outputs of the four master-slave flip-flops are triggered by a low-to-high level transition of either count (clock) input. The direction of counting is determined by which count input is pulsed, while the other count input is held high.

All four counters are fully programmable; that is, each output may be preset to either level by entering the desired data at the inputs while the load input is low. The output will change independently of the count pulses. This feature allows the counters to be used as modulo-N dividers by simply modifying the count length with the preset inputs.

A clear input has been provided which, when taken to a high level, forces all outputs to the low level; independent

of the count and load inputs. The clear, count, and load inputs are buffered to lower the drive requirements of clock drivers, etc., required for long words.

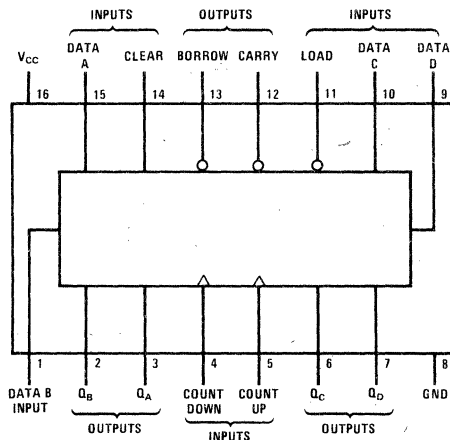
These circuits are synchronous up/down counters; the 60 and L60 circuits are BCD counters and the 63 and L63 are 4-bit binary counters. Synchronous operation is provided by having all flip-flops clocked simultaneously, so that the outputs change together when so instructed by the steering logic. This mode of operation eliminates the output counting spikes normally associated with asynchronous (ripple-clock) counters.

Features

- Fully independent clear input
- Synchronous operation
- Cascading circuitry provided internally
- Individual preset each flip-flop

TYPE	TYPICAL COUNT FREQUENCY	TYPICAL POWER DISSIPATION
60, 63	25 MHz	325 mW
L60, L63	12 MHz	40 mW

Connection Diagram



7560(J), (W); 8560(J), (N), (W);
 75L60/85L60(J), (N), (W);
 7563(J), (W); 8563(J), (N), (W);
 75L63/85L63(J), (N), (W)

Electrical Characteristics over recommended operating free-air temperature range (unless otherwise noted)

PARAMETER		CONDITIONS	DM75/85			DM75L/85L			UNITS
			60, 63			L60, L63			
			MIN	TYP(1)	MAX	MIN	TYP(1)	MAX	
V _{IH}	High Level Input Voltage		2			2		V	
V _{IL}	Low Level Input Voltage			0.8			0.7	V	
V _I	Input Clamp Voltage	V _{CC} = Min, I _I = -12 mA		-1.5			-1.5	V	
I _{OH}	High Level Output Current			-400			-200	μA	
V _{OH}	High Level Output Voltage	V _{CC} = Min, V _{IH} = 2V V _{IL} = Max, I _{OH} = Max	2.4			2.4		V	
I _{OL}	Low Level Output Current		DM75	16		2.0		mA	
			DM85	16		3.6			
V _{OL}	Low Level Output Voltage	V _{CC} = Min, V _{IH} = 2V V _{IL} = Max, I _{OL} = Max	DM75	0.4		0.15	0.3	V	
			DM85	0.4		0.2	0.4		
I _I	Input Current at Maximum Input Voltage	V _{CC} = Max, V _I = 5.5V		1			0.1	mA	
I _{IH}	High Level Input Current	V _{CC} = Max, V _I = 2.4V		40		<1	10	μA	
I _{IL}	Low Level Input Current	V _{CC} = Max	V _I = 0.3V				-0.10	-0.18	mA
			V _I = 0.4V		-1.6				
I _{OS}	Short Circuit Output Current	V _{CC} = Max(2)	DM75	-20	-55	-3	-9	-15	mA
			DM85	-18	-55	-3	-9	-15	
I _{CC}	Supply Current	V _{CC} = Max(3)	DM75	65	89	8	13	mA	
			DM85	65	102	8	13		

Notes

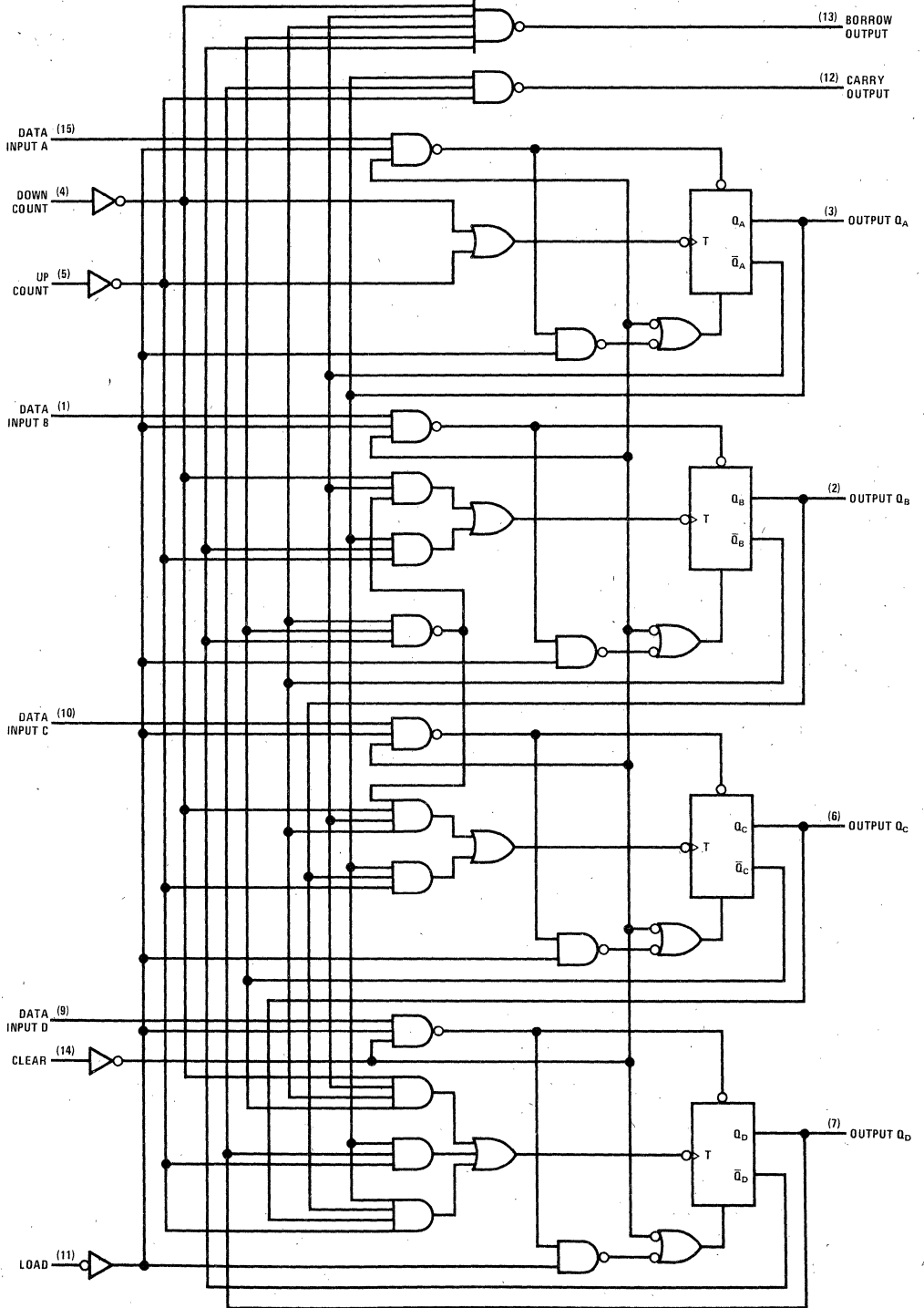
- (1) All typical values are at V_{CC} = 5V, T_A = 25°C.
 (2) Not more than one output should be shorted at a time.
 (3) I_{CC} is measured with all outputs open, clear and load inputs grounded, and all other inputs at 4.5V.

Switching Characteristics V_{CC} = 5V, T_A = 25°C

PARAMETER		FROM INPUT	TO OUTPUT	DM75/85			DM75L/85L			UNITS
				60, 63			L60, L63			
				CONDITIONS	MIN	TYP	MAX	CONDITIONS	MIN	
f _{MAX}	Maximum Clock Frequency			20	25			6	12	MHz
t _{PLH}	Propagation Delay Time, Low-to-High Level Output	Count up	Carry		17	26		30	60	ns
t _{PHL}	Propagation Delay Time, High-to-Low Level Output				16	24		60	120	ns
t _{PLH}	Propagation Delay Time, Low-to-High Level Output	Count down	Borrow		16	24		30	60	ns
t _{PHL}	Propagation Delay Time, High-to-Low Level Output				16	24		50	100	ns
t _{PLH}	Propagation Delay Time, Low-to-High Level Output	Either Count	Q	C _L = 15 pF R _L = 400Ω	25	38	C _L = 50 pF R _L = 4 kΩ	45	90	ns
t _{PHL}	Propagation Delay Time, High-to-Low Level Output					31		47	75	150
t _{PLH}	Propagation Delay Time, Low-to-High Level Output	Load	Q		27	40		55	110	ns
t _{PHL}	Propagation Delay Time, High-to-Low Level Output					29		40	105	200
t _{PHL}	Propagation Delay Time, High-to-Low Level Output	Clear	Q		22	35		95	190	ns
t _W	Width of Any Input Pulse				25			70		ns
t _{SETUP}	Data Setup Time				20			30		ns
t _{HOLD}	Data Hold Time				0			0		ns

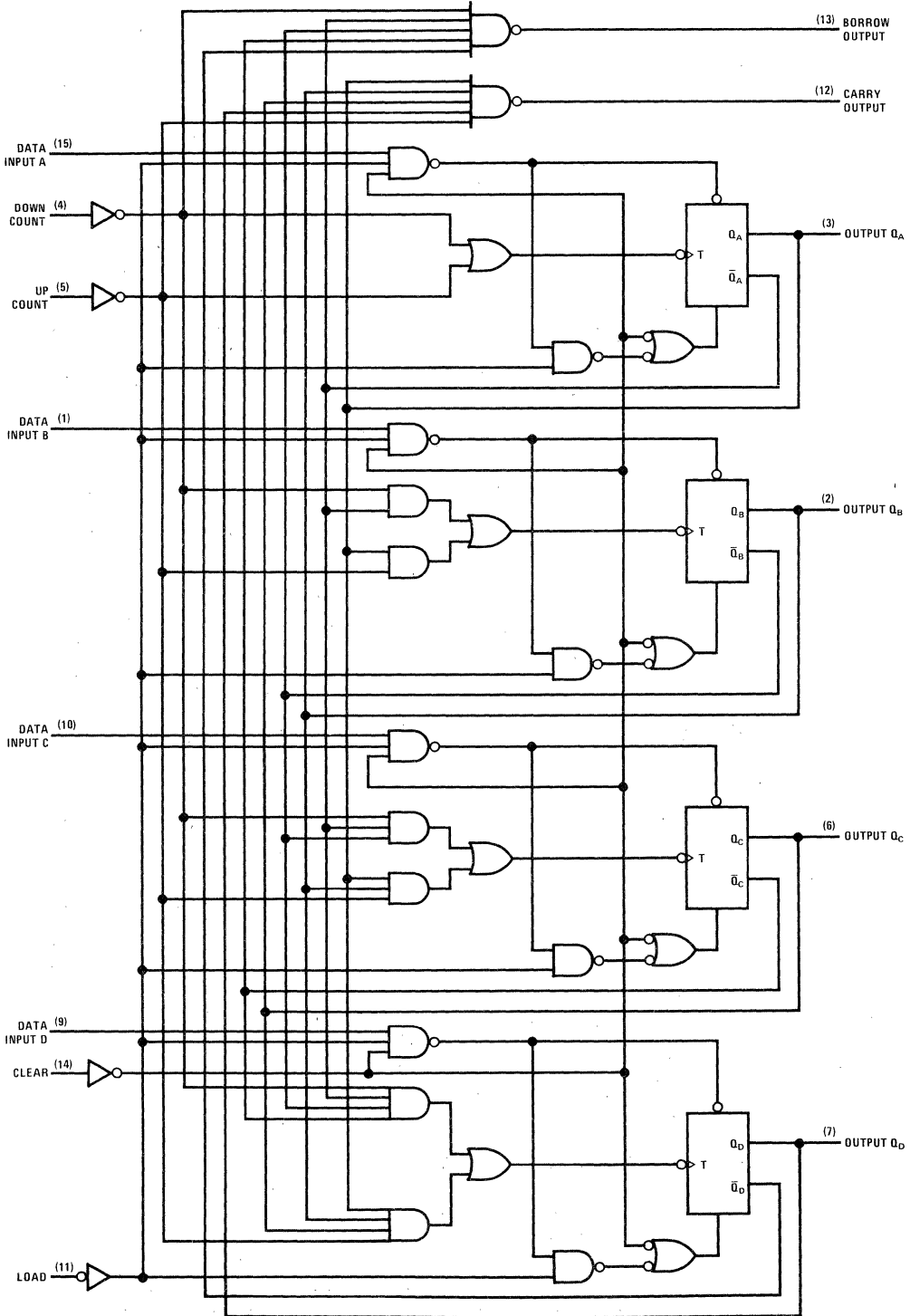
Logic Diagrams

60, L60



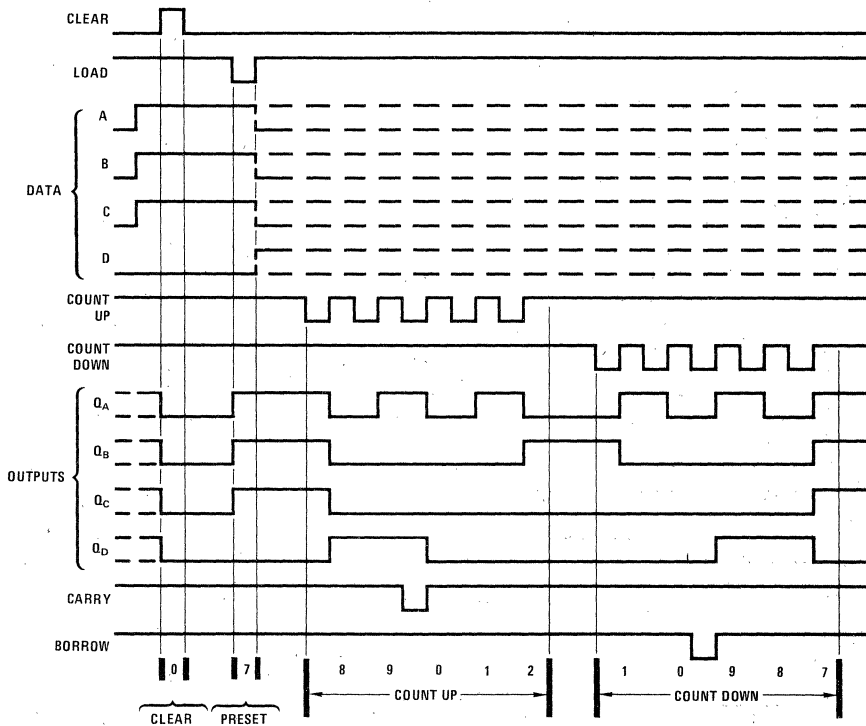
Logic Diagrams (Continued)

63, L63



Timing Diagrams

60, L60 DECADE COUNTERS
TYPICAL CLEAR, LOAD, AND COUNT SEQUENCES



Sequence:

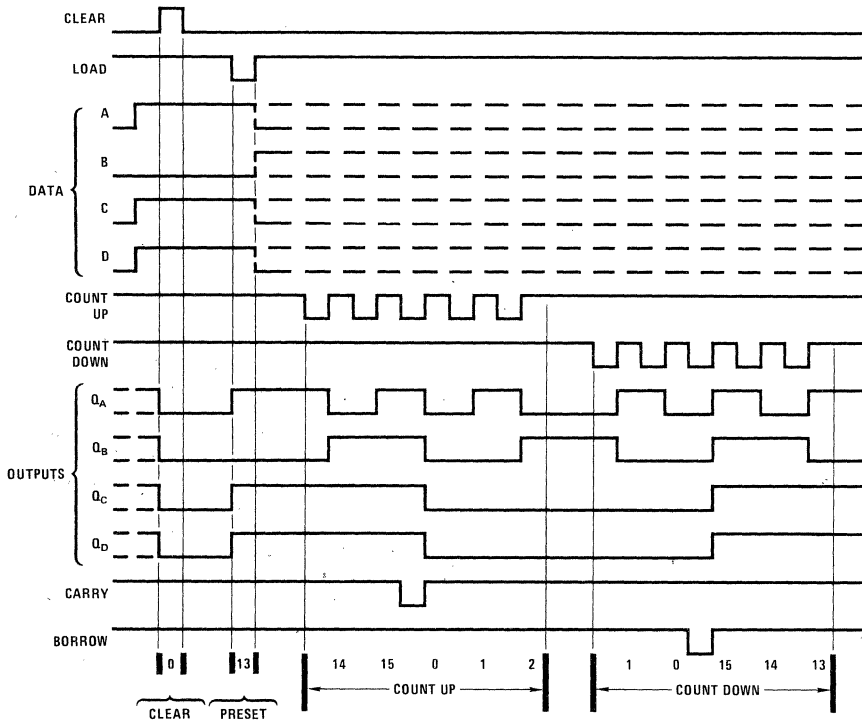
- (1) Clear outputs to zero.
- (2) Load (preset) to BCD seven.
- (3) Count up to eight, nine, carry, zero, one, and two.
- (4) Count down to one, zero, borrow, nine, eight, and seven.

Notes:

- (A) Clear overrides load, data, and count inputs.
- (B) When counting up, count-down input must be high; when counting down, count-up input must be high.

Timing Diagrams (Continued)

63, L63 BINARY COUNTERS
TYPICAL CLEAR, LOAD, AND COUNT SEQUENCES



Sequence:

- (1) Clear outputs to zero.
- (2) Load (preset) to binary thirteen.
- (3) Count up to fourteen, fifteen, carry, zero, one, and two.
- (4) Count down to one, zero, borrow, fifteen, fourteen, and thirteen.

Notes:

- (A) Clear overrides load, data, and count inputs.
- (B) When counting up, count-down input must be high; when counting down, count-up input must be high.

64-Bit Edge Triggered Registers

General Description

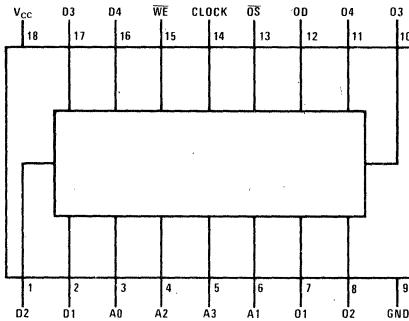
The DM75S68/DM85S68 is an addressable "D" register file. Any of its 16 four-bit words may be asynchronously read or may be written into on the next clock transition. An input terminal is provided to enable or disable the synchronous writing of the input data into the location specified by the address terminals. An output disable terminal operates only as a TRI-STATE output control terminal. The addressable register data may be latched at the outputs and retained as long as the output store terminal is held in a low state. This memory storage condition is independent of the state of the output disable terminal.

All input terminals are high impedance at all times, and all outputs have low impedance active drive logic states and the high impedance TRI-STATE condition.

Features

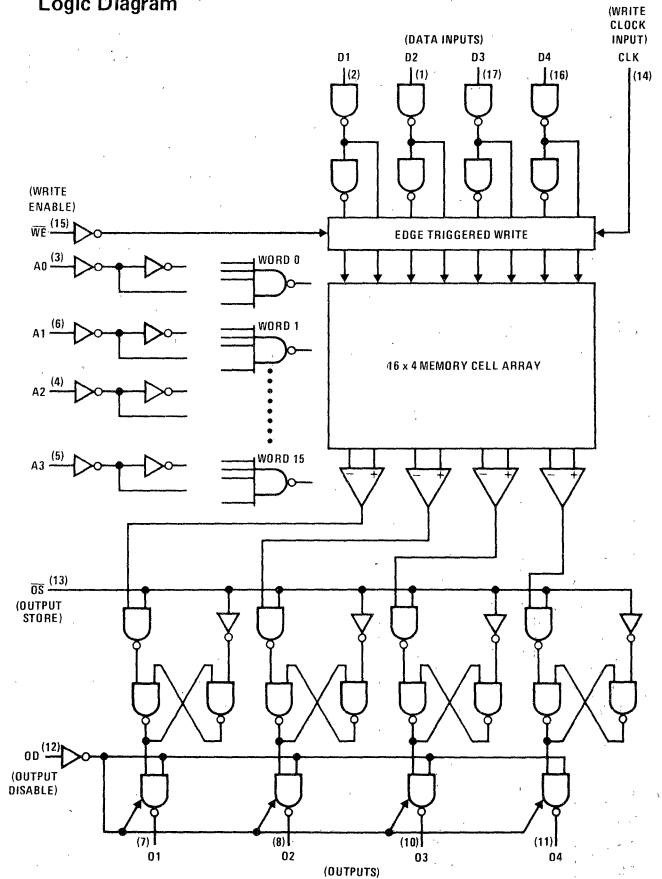
- On chip output register
- Edge triggered write
- High speed 30 ns typ
- TRI-STATE outputs
- Optimized for register stack applications
- Typical power dissipation 350 mW
- 18-pin package

Connection Diagram



75S68(D); 85S68(D, N)

Logic Diagram



Electrical Characteristics over recommended operating free-air temperature range (unless otherwise noted)

PARAMETER		CONDITIONS		DM75S/85S			UNITS
				S68			
				MIN	TYP(1)	MAX	
V_{IH}	High Level Input Voltage			2			V
V_{IL}	Low Level Input Voltage			0.8			V
V_I	Input Clamp Voltage	$V_{CC} = \text{Min}, I_{IN} = -18 \text{ mA}$		-1.2			V
I_{OH}	High Level Output Current			DM75	-2.0		mA
				DM85	-5.2		
V_{OH}	High Level Output Voltage	$V_{CC} = \text{Min}$	$I_{OH} = -2.0 \text{ mA}$	DM75	2.4		V
			$I_{OH} = -5.2 \text{ mA}$	DM85			
I_{OL}	Low Level Output Current			16			mA
V_{OL}	Low Level Output Voltage	$V_{CC} = \text{Min}, I_{OL} = 16 \text{ mA}$		DM75	0.5		V
				DM85	0.45		
$I_{O(OFF)}$	Off-State (High Impedance State) Output Current	$V_{CC} = \text{Max}$	$V_O = 0.5\text{V}$	-40			μA
			$V_O = 2.4\text{V}$				
I_I	Input Current at Maximum Voltage	$V_{CC} = \text{Max}, V_I = 5.5\text{V}$		1.0			mA
I_{IH}	High Level Input Current	$V_{CC} = \text{Max}$ $V_I = 2.4\text{V}$	Clock Input	50			μA
			All Others	25			
I_{IL}	Low Level Input Current	$V_{CC} = \text{Max}$ $V_I = 0.5\text{V}$	Clock Input	-500			μA
			All Others	-250			
I_{OS}	Short Circuit Output Current	$V_{CC} = \text{Max}(2)$		-20	-55		mA
I_{CC}	Supply Current	$V_{CC} = \text{Max}$		70	100		mA

Notes

- (1) All typical values are at $V_{CC} = 5\text{V}$ and $T_A = 25^\circ\text{C}$.
(2) Not more than one output should be shorted at a time.

Switching Characteristics

PARAMETER			CONDITIONS	DM75S			DM85S			UNITS
				MIN	TYP	MAX	MIN	TYP	MAX	
t_{AA}	Access Time	Address to Output	$C_L = 30 \text{ pF}$ $R_L = 400\Omega$	30	55	30	40	ns		
		Output Store to Output		20	35	20	30			
		Clock to Output		25	50	25	40			
t_{ZH}	Output Enable to High Level	20		40	20	35	ns			
t_{ZL}	Output Enable to Low Level	14		30	14	24	ns			
t_{HZ}	Output Disable Time From High Level	10		18	10	15	ns			
t_{LZ}	Output Disable Time From Low Level	12	22	12	18	ns				
t_{ASC}	Set-Up Time	Address to Clock	$C_L = 5 \text{ pF}$ $R_L = 400\Omega$	25	5	15	5	ns		
		Data to Clock		15	0	5	0			
		Address to Output Store		40	15	30	15			
		Write Enable Set-Up Time		10	0	5	0			
		Store Before Write		15	0	10	0			
t_{AHC}	Hold Time	Address From Clock		$C_L = 5 \text{ pF}$ $R_L = 400\Omega$	15	5	10		5	ns
		Data From Clock			20	5	15		5	
		Address From Output Store			10	0	5		0	
		Write Enable Hold Time			20	5	15		5	

Typical Applications

The DM85S68 can enhance the dynamic performance of a TTL processor, since it may safely operate using single phase clocking instead of the multiphase clocking systems being used currently. This simple feature not only enhances the system's dynamic performance, since multiple levels of registers need not be activated, but also reduces component count by elimination of one set of buffer registers. For example, note the simplicity of the register file/ALU loop shown in *Figure 1*.

In a 4-bit slice with zero delay within the arithmetic logic unit, a level-triggered memory with buffering to prevent logic oscillation requires about 80 ns to make the loop whereas the DM85S68 does it in 35 ns. With a 30 ns delay in the ALU, the two compared system speeds are 110 ns and 65 ns, respectively.

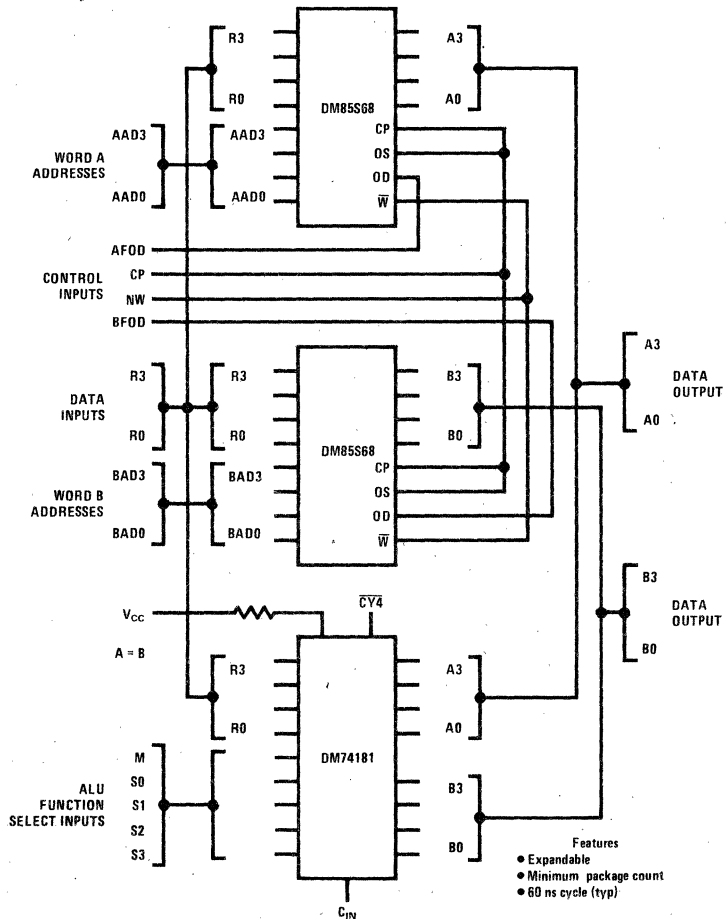
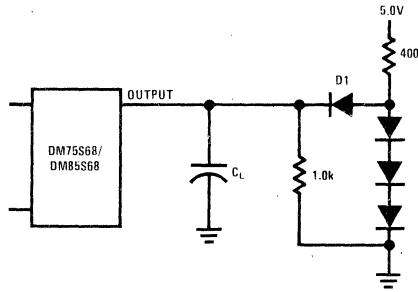


FIGURE 1. 4-BIT REGISTER ALU

Truth Table

OD	WE	CLK	OS	MODE	OUTPUTS
X	X	X	L	Output Store	Data From Last Addressed Location
X	L	⌋	X	Write Data	Dependent on State of OD and OS
L	X	X	H	Read Data	Data Stored in Addressed Location
H	X	X	L	Output Store	Hi-Z
H	X	X	H	Output Disable	Hi-Z

AC Test Circuit and Switching Time Waveforms



C_L includes probe and jig capacitance
All diodes are 1N3064

WRITE CYCLE

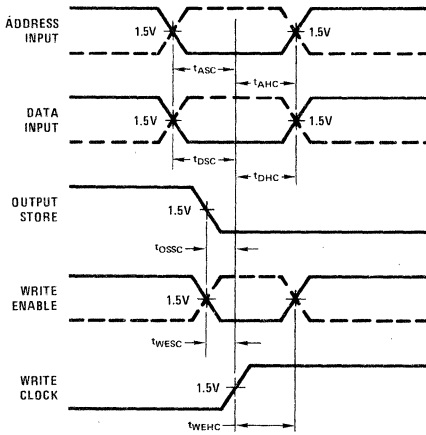


FIGURE 2. CLOCK SET-UP AND HOLD TIME

READ CYCLE

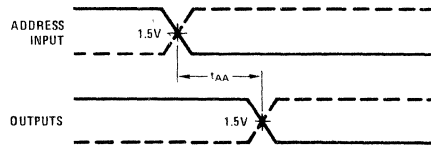


FIGURE 4. ADDRESS TO OUTPUT ACCESS TIME

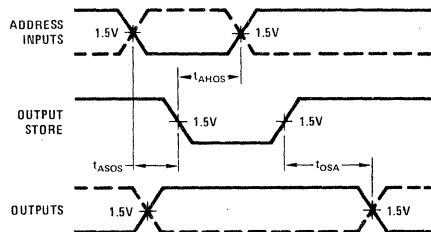


FIGURE 5. OUTPUT STORE ACCESS, SET-UP AND HOLD TIME

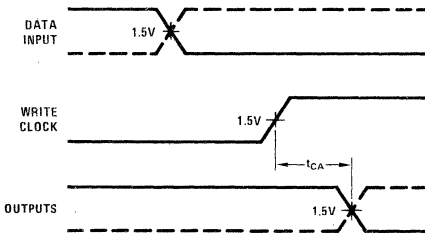


FIGURE 3. CLOCK TO OUTPUT ACCESS

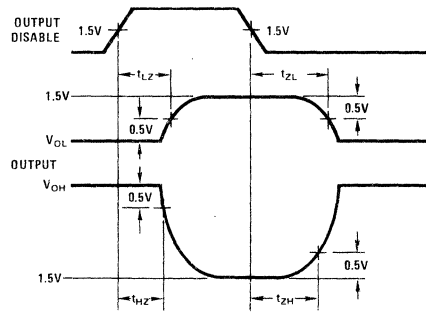


FIGURE 6. OUTPUT DISABLE AND ENABLE TIME

Note: Input waveforms supplied by pulse generator having the following characteristics: $V = 3.0V$, $t_R \leq 2.5$ ns, $PRR \leq 1.0$ MHz, and $Z_{OUT} = 50$ Ω .

8-Bit Serial In/Parallel Out Shift Registers

General Description

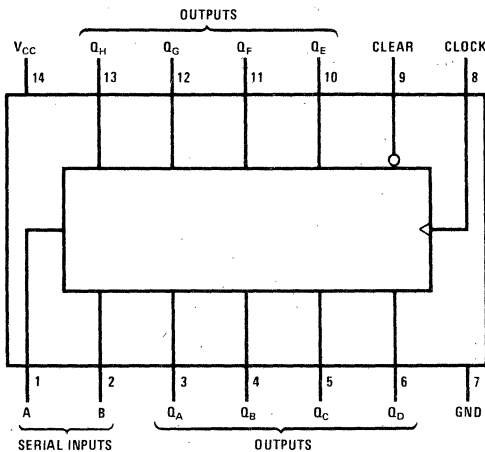
These 8-bit shift registers feature gated serial inputs and an asynchronous clear. A low logic level at either input inhibits entry of the new data, and resets the first flip-flop to the low level at the next clock pulse, thus providing complete control over incoming data. A high logic level on either input enables the other input, which will then determine the state of the first flip-flop. Data at the serial inputs may be changed while the clock is high or low, but only information meeting the setup requirements will be entered. Clocking occurs on the low-to-high level transition of the clock input. All inputs are diode-clamped to minimize transmission-line effects.

Features

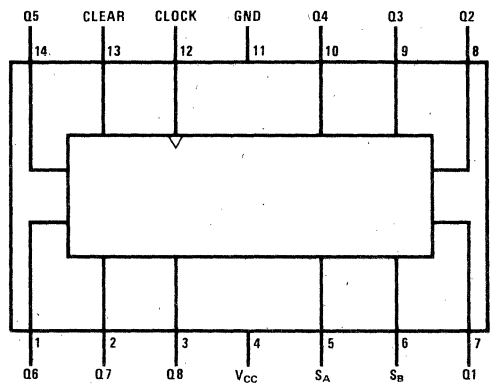
- Gated (enable/disable) serial inputs
- Fully buffered clock and serial inputs
- Asynchronous clear

TYPE	TYPICAL CLOCK FREQUENCY	TYPICAL POWER DISSIPATION
70	36 MHz	185 mW
L70	14 MHz	30 mW

Connection Diagrams



7570(J), (W); 8570(J), (N), (W)



76L70/86L70(W)

Truth Table

INPUTS		OUTPUTS					
CLEAR	CLOCK	A	B	Q _A	Q _B	... Q _H	
L	X	X	X	L	L	L	
H	L	X	X	Q _{A0}	Q _{B0}	Q _{H0}	
H	↑	H	H	H	Q _{An}	Q _{Gn}	
H	↑	L	X	L	Q _{An}	Q _{Gn}	
H	↑	X	L	L	Q _{An}	Q _{Gn}	

H = High Level (steady state), L = Low Level (steady state)

X = Don't Care (any input, including transitions)

↑ = Transition from low to high level

Q_{A0}, Q_{B0}, Q_{H0} = The level of Q_A, Q_B, or Q_H, respectively, before the indicated steady-state input conditions were established.

Q_{An}, Q_{Gn} = The level of Q_A or Q_G before the most recent ↑ transition of the clock; indicates a one-bit shift.

Electrical Characteristics over recommended operating free-air temperature range (unless otherwise noted)

PARAMETER		CONDITIONS		DM75/85			DM76L/86L			UNITS	
				70			L70				
				MIN	TYP(1)	MAX	MIN	TYP(1)	MAX		
V _{IH}	High Level Input Voltage					2			2	V	
V _{IL}	Low Level Input Voltage							0.8	0.7	V	
V _I	Input Clamp Voltage	V _{CC} = Min, I _I = -12 mA						-1.5	N/A	V	
I _{OH}	High Level Output Current							-400	-200	μA	
V _{OH}	High Level Output Voltage	V _{CC} = Min, V _{IH} = 2V V _{IL} = Max, I _{OH} = Max				2.4	3.2		2.4	V	
I _{OL}	Low Level Output Current			DM75, 76L				8	2	mA	
				DM85, 86L				8	3.6		
V _{OL}	Low Level Output Voltage	V _{CC} = Min, V _{IH} = 2V V _{IL} = Max, I _{OL} = Max		DM75, 76L		0.2	0.4		0.3	V	
				DM85, 86L		0.2	0.4		0.4		
I _I	Input Current at Maximum Input Voltage	V _{CC} = Max, V _I = 5.5V		Clear				1	0.2	mA	
				Other				1	0.1		
I _{IH}	High Level Input Current	V _{CC} = Max, V _I = 2.4V		Clear				40	20	μA	
				Other				40	10		
I _{IL}	Low Level Input Current	V _{CC} = Max	V _I = 0.3V (DM76L, 86L)	Clear				-1.6	-0.36	mA	
			V _I = 0.4V (DM75, 85)	Other				-1.6	-0.18		
I _{OS}	Short Circuit Output Current	V _{CC} = Max(2)		DM75, 76L		-10	-27.5	-3	-9	-15	mA
				DM85, 86L		-9	-27.5	-3	-9	-15	
I _{CC}	Supply Current	V _{CC} = Max(3)				37	54		6	9	mA

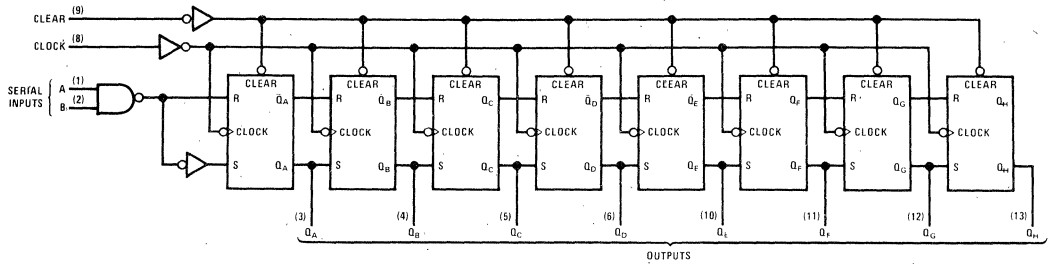
Notes

- (1) All typical values are at V_{CC} = 5V, T_A = 25°C.
- (2) Not more than one output should be shorted at a time.
- (3) I_{CC} is measured with outputs open, serial inputs grounded, the clock input at 2.4V, and a momentary ground, then 4.5V, applied to clear.

Switching Characteristics V_{CC} = 5V, T_A = 25°C

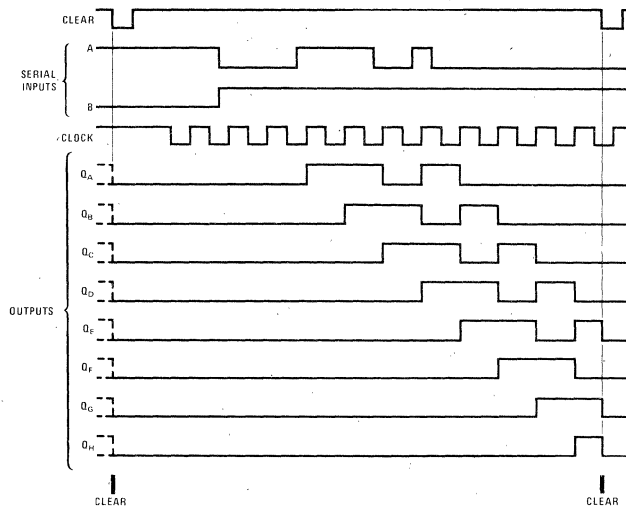
PARAMETER		CONDITIONS		DM75/85			DM76L/86L			UNITS
				70			L70			
				MIN	TYP	MAX	MIN	TYP	MAX	
f _{MAX}	Maximum Clock Frequency	C _L = 15 pF		25	36		6	14		MHz
t _{PHL}	Propagation Delay Time, High-to-Low Level Outputs From Clear Input	R _L = 800Ω (DM75, 85)		C _L = 15 pF		24	36			ns
				C _L = 50 pF		28	42	75	120	
t _{PLH}	Propagation Delay Time, Low-to-High Level Outputs From Clock Input	R _L = 4 kΩ (DM76L, 86L)		C _L = 15 pF		8	17	27		ns
				C _L = 50 pF		10	20	30	50	
t _{PHL}	Propagation Delay Time, High-to-Low Level Outputs From the Clock Input			C _L = 15 pF		10	21	32		ns
				C _L = 50 pF		10	25	37	90	
t _W	Width of Clock or Clear Input Pulse			20			60		40	ns
t _{SETUP}	Data Setup Time			15			40		20	ns
t _{HOLD}	Data Hold Time			5			20		-5	ns

Logic Diagram



Timing Diagram

TYPICAL CLEAR, SHIFT, AND CLEAR SEQUENCES



1024-Bit Field Programmable Read Only Memories

General Description

The DM7573/DM8573 is a field-programmable read-only memory organized as 256 four-bit words. Selection of the proper word is accomplished through the eight address inputs. Two overriding memory enable inputs are provided; when either or both of the enable inputs are taken to a high state, all the outputs will be turned off. A logical "1" has been built into each bit location. A logical "0" can be programmed into any bit by selecting the proper word, disabling the chip, and applying a programming pulse to the proper output.

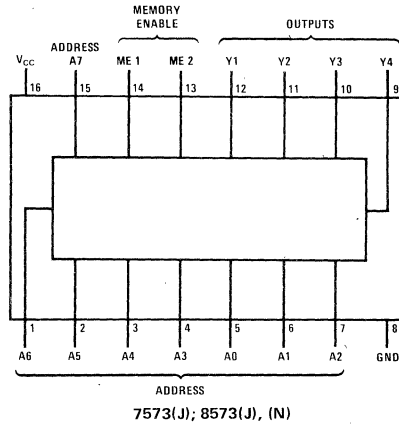
An additional feature of the DM7573/DM8573 is that its outputs can be tested in the logical "0" state without permanently programming the memory. In order to place

all outputs in the logical "0" state, a 10V level is applied to the most significant address input, Pin 15. This feature will allow a much more complete test to be made before a part is shipped, thus minimizing customer problems.

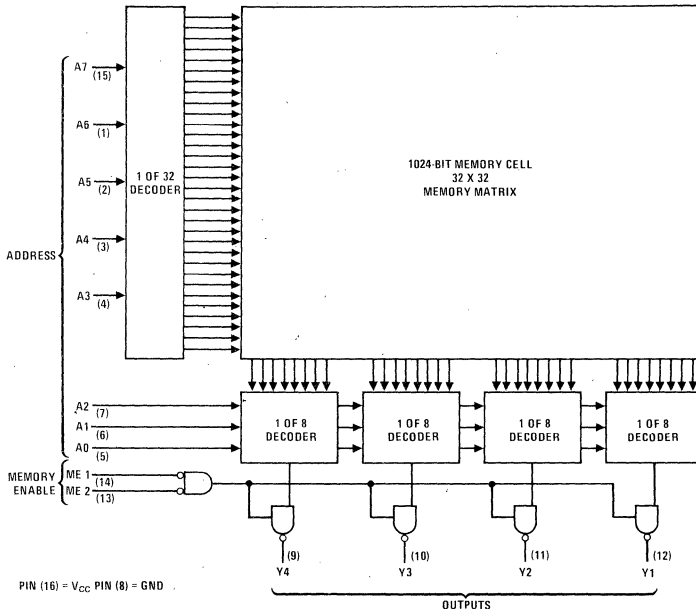
Features

- Pin-compatible with SN54187/SN74187
- Outputs can be fully tested before programming
- Typical power dissipation 400 mW
- Propagation delay 60 ns

Connection Diagram



Logic Diagram



Electrical Characteristics over recommended operating free-air temperature range (unless otherwise noted)

PARAMETER		CONDITIONS	DM75/85			UNITS
			73			
			MIN	TYP(1)	MAX	
V_{IH}	High Level Input Voltage	$V_{CC} = \text{Min}$	2			V
V_{IL}	Low Level Input Voltage	$V_{CC} = \text{Min}$	0.8			V
V_I	Input Clamp Voltage	$V_{CC} = \text{Min}, I_I = -12 \text{ mA}$	-1.5			V
I_{OH}	High Level Output Current	$V_{CC} = \text{Max}, V_{OH} = 4.0\text{V}$	50			μA
I_{OL}	Low Level Output Current		16			mA
V_{OL}	High Level Output Voltage	$V_{CC} = \text{Min}, V_{IH} = 2\text{V}$ $V_{IL} = 0.8\text{V}, I_{OL} = 16 \text{ mA}$	0.4			V
I_I	Input Current at Maximum Input Voltage	$V_{CC} = \text{Max}, V_I = 5.5\text{V}$	1			mA
I_{IH}	High Level Input Current	$V_{CC} = \text{Max}, V_I = 2.4\text{V}$	40			μA
I_{IL}	Low Level Input Current	$V_{CC} = \text{Max}, V_I = 0.4\text{V}$	-1			mA
I_{CC}	Supply Current	$V_{CC} = \text{Max}$	80	110		mA

Notes

 (1) All typical values are at $V_{CC} = 5\text{V}$ and $T_A = 25^\circ\text{C}$.

Switching Characteristics $V_{CC} = 5\text{V}, T_A = 25^\circ\text{C}$

PARAMETER		FROM	TO	CONDITIONS	DM75/85			UNITS
					73			
					MIN	TYP	MAX	
t_{PLH}	Propagation Delay Time, Low-to-High Level Output	Address	Output	$C_L = 30 \text{ pF}$ $R_{L1} = 600\Omega$ To Gnd $R_{L2} = 300\Omega$ To V_{CC}	60	80	ns	
t_{PHL}	Propagation Delay Time, High-to-Low Level Output	Address	Output		60	80	ns	
t_{PLH}	Propagation Delay Time, Low-to-High Level Output	Enable	Output		28	40	ns	
t_{PHL}	Propagation Delay Time, High-to-Low Level Output	Enable	Output		28	40	ns	

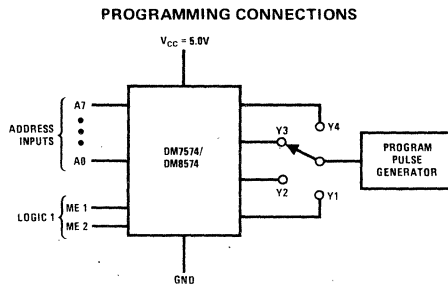
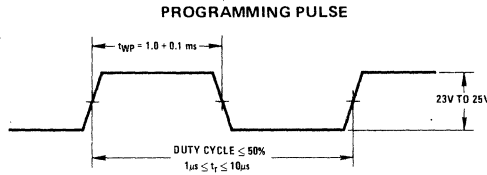
Programming Procedure

The DM7573/DM8573 is manufactured such that the outputs are high for all addresses. To program a logic zero (low output level), the following procedure should be followed:

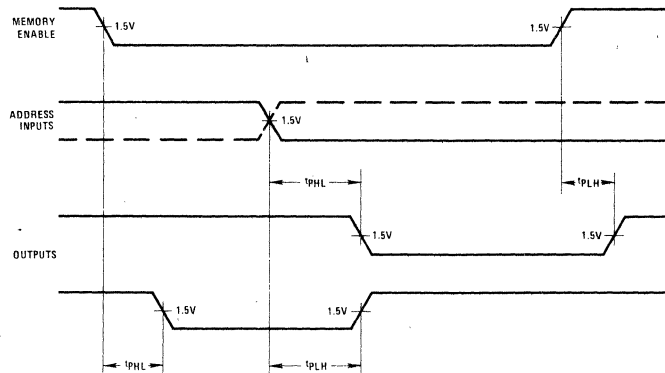
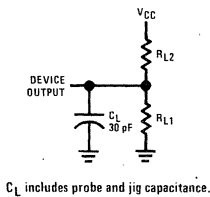
1. Apply a V_{CC} voltage of 5.0V and select the word to be programmed using address inputs A7 – A0.
2. Apply a high level (logic 1) to either or both of the ENABLE inputs (Pins 13 and 14).
3. Apply a programming pulse to the output where a

low level is desired. The voltage should be 23V to 25V; the current should be limited to 70 mA. Apply the pulse as shown in the diagram. A reduction in current of approximately 15 mA indicates the bit is programmed.

4. To verify that the bit has been programmed, apply a logic zero to both of the enable inputs and check for a low level on the programmed output.
5. Advance to the next output and/or word, programming only one bit at a time.



AC Test Circuit and Switching Time Waveforms



Input waveforms are supplied by pulse generators having the following characteristics: $t_r \le 10$ ns; $t_f \le 10$ ns; PRR = 1 MHz; PDC = 50%; Amplitude = 3.0V, and $Z_0 = 50\Omega$.

TRI-STATE 1024-Bit Field Programmable Read Only Memories

General Description

The DM7574/DM8574 is a field-programmable read-only memory organized as 256 four-bit words. Selection of the proper word is accomplished through the eight select inputs. Two overriding memory enable inputs are provided; when either or both of the enable inputs are taken to a high state, all the outputs go to the high impedance state. A logical "1" has been built into each bit location. A logical "0" can be programmed into any bit by selecting the proper word, disabling the chip, and applying a programming pulse to the proper output.

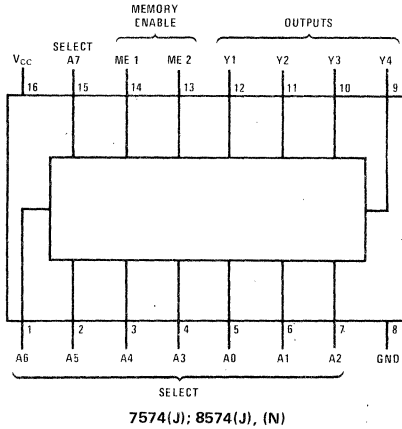
An additional feature of the DM7574/DM8574 is that its outputs can be tested in the logical "0" state without permanently programming the memory. In order to

place all outputs in the logical "0" state, a 10V level is applied to the most significant address input, Pin 15. This feature will allow a much more complete test to be made before a part is shipped, thus minimizing customer problems.

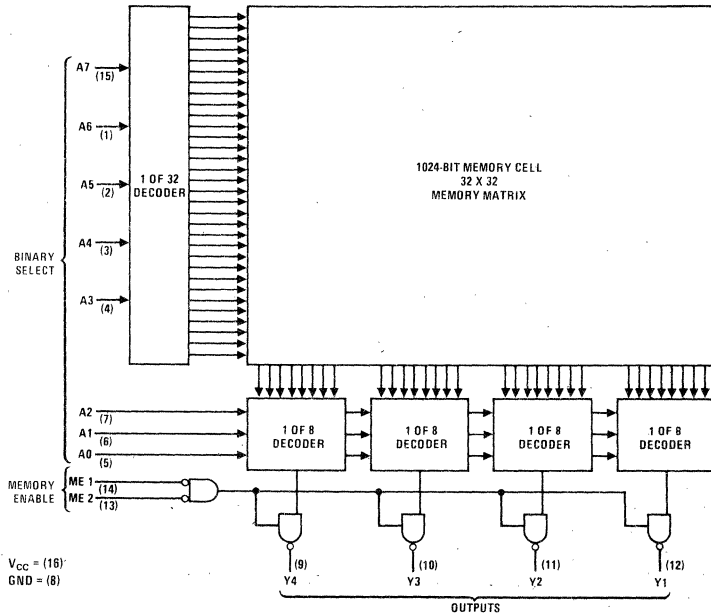
Features

- Pin compatible with SN54187/SN74187
- Outputs can be fully tested before programming
- Typical power dissipation 400 mW
- Propagation delay 60 ns

Connection Diagram



Logic Diagram



Electrical Characteristics over recommended operating free-air temperature range (unless otherwise noted)

PARAMETER		CONDITIONS		DM75/85			UNITS
				74			
				MIN	TYP(1)	MAX	
V_{IH}	High Level Input Voltage	$V_{CC} = \text{Min}$		2.0			V
V_{IL}	Low Level Input Voltage	$V_{CC} = \text{Min}$				0.8	V
V_I	Input Clamp Voltage	$V_{CC} = \text{Min}, I_I = -12 \text{ mA}$				-1.5	V
I_{OH}	High Level Output Current		DM75			-2.0	mA
			DM85			-5.2	
V_{OH}	High Level Output Voltage	$V_{CC} = \text{Max}, V_{IH} = 2\text{V}$ $V_{IL} = 0.8\text{V}, I_{OH} = \text{Max}$		2.4			V
I_{OL}	Low Level Output Current					16	mA
V_{OL}	Low Level Output Voltage	$V_{CC} = \text{Min}, V_{IH} = 2\text{V}$ $V_{IL} = 0.8\text{V}, I_{OL} = 16 \text{ mA}$				0.4	V
$I_{O(\text{OFF})}$	Off State (High Impedance State) Output Current	$V_{CC} = \text{Max}$	$V_O = 0.4\text{V}$			-40	μA
			$V_O = 2.4\text{V}$			40	
I_I	Input Current at Maximum Input Voltage	$V_{CC} = \text{Max}, V_I = 5.5\text{V}$				1.0	mA
I_{IH}	High Level Input Current	$V_{CC} = \text{Max}, V_I = 2.4\text{V}$				40	μA
I_{IL}	Low Level Input Current	$V_{CC} = \text{Max}, V_I = 0.4\text{V}$				-1.0	mA
I_{OS}	Short Circuit Output Current	$V_{CC} = \text{Max}(2)$		-15		-70	mA
I_{CC}	Supply Current	$V_{CC} = \text{Max}$			80	110	mA

Notes

- (1) All typical values are at $V_{CC} = 5\text{V}$ and $T_A = 25^\circ\text{C}$
(2) Not more than one output should be shorted at a time.

Switching Characteristics $V_{CC} = 5\text{V}, T_A = 25^\circ\text{C}$

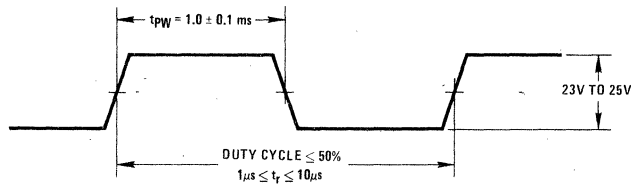
PARAMETER		FROM	TO	CONDITIONS	DM75/85			UNITS
					74			
					MIN	TYP	MAX	
t_{PLH}	Propagation Delay Time, Low-to-High Level Output	Address	Output	$C_L = 30 \text{ pF}, R_L = 600\Omega$	60	80	ns	
t_{PHL}	Propagation Delay Time, High-to-Low Level Output	Address	Output		60	80	ns	
t_{PLH}	Propagation Delay Time, Low-to-High Level Output	Enable	Output		28	40	ns	
t_{PHL}	Propagation Delay Time, High-to-Low Level Output	Enable	Output		28	40	ns	

Programming Procedure

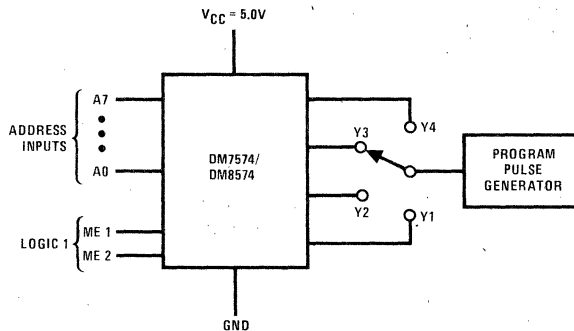
The DM7574/DM8574 is manufactured such that the outputs are high for all addresses. To program a logic zero (low output level), the following procedure should be followed:

1. Apply a V_{CC} voltage of 5.0V and select the word to be programmed using address inputs A7 – A0.
2. Apply a high level (logic 1) to either or both of the ENABLE inputs (Pins 13 and 14).
3. Apply a programming pulse to the output where a low level is desired. The voltage should be 23V to 25V; the current should be limited to 70 mA. Apply the pulse as shown in the diagram. A reduction in current of approximately 15 mA indicates the bit is programmed.
4. To verify that the bit has been programmed, apply a logic zero to both of the enable inputs and check for a low level on the programmed output.
5. Advance to the next output and/or word, programming only one bit at a time.

PROGRAMMING PULSE



PROGRAMMING CONNECTIONS



General Description

The DM7575/DM8575 and DM7576/DM8576 are mask-programmable logic arrays designed for use in applications where random logic is required. The devices have fourteen data inputs and eight outputs. Each output provides a sum of product terms where each product term can contain any combination of 14 variables or their complements. The total number of product terms which can be provided is 96. Any product term which is repeated is counted only once. Since some functions are more easily represented in their inverted form, an option is provided to allow for either the true or complement of the function on each output. The products are particularly useful in providing control

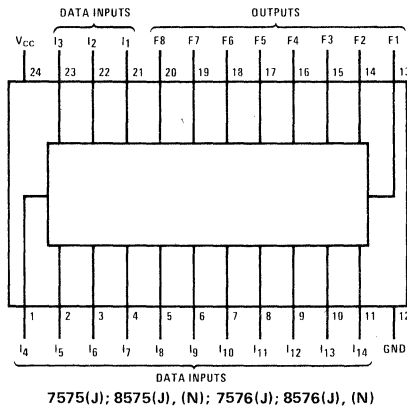
Programmable Logic Arrays

logic for digital systems. The DM7575/DM8575 has a conventional totem-pole output whereas the DM7576/DM8576 is provided with a passive pullup output. This latter configuration is useful in expanding functions by connection of outputs of different packages.

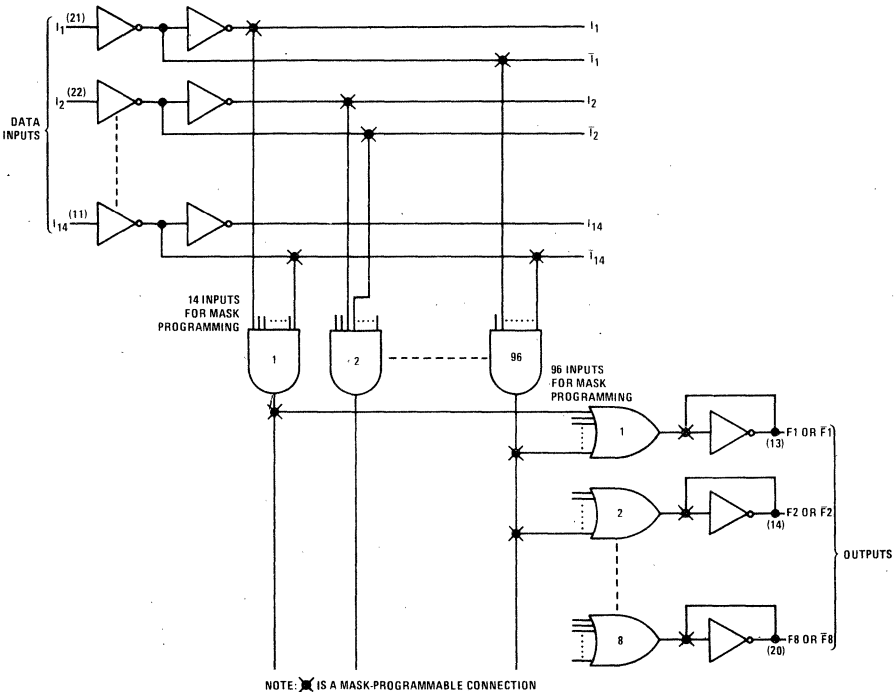
Features

- A 2^{14} -by-8 (128k) bit memory would be needed to provide equivalent function
- Typical delay 90 ns
- Typical power dissipation 550 mW

Connection Diagram



Logic Diagram



Electrical Characteristics over recommended operating free-air temperature range (unless otherwise noted)

PARAMETER		CONDITIONS		DM75/85			UNITS
				75, 76			
				MIN	TYP(1)	MAX	
V_{IH}	High Level Input Voltage	$V_{CC} = \text{Min}$		2			V
V_{IL}	Low Level Input Voltage	$V_{CC} = \text{Min}$		0.8			V
V_I	Input Clamp Voltage	$V_{CC} = \text{Min}, I_I = -12 \text{ mA}$		-1.5			V
I_{OH}	High Level Output Current		DM75/8575	-800		μA	
		$V_{OH} = 5.5\text{V}$	DM75/8576	100			
V_{OH}	High Level Output Voltage	$V_{CC} = \text{Min}$ $V_{IH} = 2\text{V}$ $V_{IL} = 0.8\text{V}$ $I_{OH} = \text{Max}$	DM75/8575	2.4		V	
			DM75/8576	5.5			
I_{OL}	Low Level Output Current			12		mA	
V_{OL}	Low Level Output Voltage	$V_{CC} = \text{Min}, V_{IH} = 2\text{V}$ $V_{IL} = 0.8\text{V}, I_{OL} = 12 \text{ mA}$		0.4		V	
I_I	Input Current at Maximum Input Voltage	$V_{CC} = \text{Max}, V_I = 5.5\text{V}$		1		mA	
I_{IH}	High Level Input Current	$V_{CC} = \text{Max}, V_I = 2.4\text{V}$		40		μA	
I_{IL}	Low Level Input Current	$V_{CC} = \text{Max}, V_I = 0.4\text{V}$		-1.0		mA	
I_{OS}	Short Circuit Output Current	$V_{CC} = \text{Max}(2)$	DM75	-20	-55	mA	
			DM85	-18	-55		
I_{CC}	Supply Current	$V_{CC} = \text{Max}$		110	170	mA	

Notes

- (1) All typical values are at $V_{CC} = 5\text{V}$ and $T_A = 25^\circ\text{C}$.
 (2) Not more than one output should be shorted at a time.

Switching Characteristics $V_{CC} = 5\text{V}, T_A = 25^\circ\text{C}$

PARAMETER		FROM	TO	CONDITIONS	DM75/85			UNITS
					75, 76			
					MIN	TYP	MAX	
t_{PLH}	Propagation Delay Time, Low-to-High Level Output	Data	Output	$C_L = 50 \text{ pF}, R_L = 400\Omega$	80	150	ns	
t_{PHL}	Propagation Delay Time, High-to-Low Level Output	Data	Output		100	150	ns	

PLA Programming Information

Information to program the PLA can be supplied in one of two formats:

1. Punched 80-column cards
2. The applicable section of this data sheet (manual entry of information).

PUNCHED CARDS
CARD 1: (Used to determine whether outputs are presented in their true or inverted form. If this card is not used it is assumed that all eight outputs are true.)

Col. 1-6: DM7575 or DM8575 or DM7576 or DM8576.

PLA Programming Information (Continued)

Col. 7-9: (Blank)

Col. 10-17: Output Data. Outputs are F8 (most significant) to F1 (least significant). All eight outputs must be specified.

A 'T' in an output location indicates that the output is true.

A 'C' in an output location indicates that the output is complemented (inverted).

Col. 18-39: (Blank)

Col. 40-75: This space is reserved for any unique letters/numbers desired by the customer (special part number, program number, etc.). However the exact combination of characters must appear on all cards, associated with that particular device.

Col. 76-78: (Blank)

Col. 79-80: 00

CARDS 2-97: Term Data Cards. Used to specify the input and output conditions.

Col. 1-6: DM7575 or DM8575 or DM7576 or DM8576.

Col. 7-9: (Blank)

Col. 10-17: Output Connections. Outputs are F8, (most significant) to F1 (least significant). This field describes the outputs on which the product term appears.

A '+' in one of the eight output locations indicates that the term described by the card is one of the "OR" terms in that output.

A '(blank)' in one of the eight output locations indicates that the term described by the card is not one of the "OR" terms in that output.

(Care should be exercised in punching this particular field; since in most cases, unless a product term is repeated, this field will appear as one '+' and seven blanks.)

Col. 18: (Blank)

Col. 19: = (equal sign)

Col. 20: (Blank)

Col. 21-34: Input Data. Inputs are I13 (most significant) to I0 (least significant).

An 'H' in one of the fourteen locations indicates that input appears in the high state in the output term.

An 'L' in one of the fourteen input locations indicates that input appears in the low state in the output term.

An 'X' in one of the fourteen input locations indicates that input does not appear in the output term.

Col. 35-39: (Blank)

Col. 40-75: This space is reserved for any unique letter/number desired by the customer (special part

number, program number, etc.). However the exact combination of characters must appear on all cards, associated with that particular device. The purpose of this section is to prevent mixing of cards.

Col. 76-78: (Blank)

Col. 79-80: Product Term Number 01 to 96. (All 96 cards need not be used.) Zero in column 79 may be suppressed.

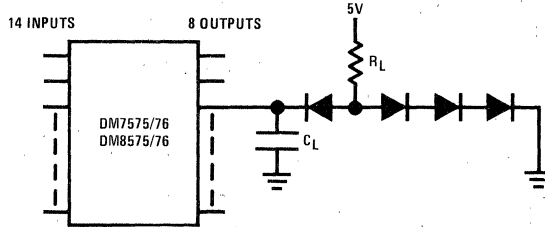
MANUAL ENTRY

The matrix-blank shown in this data sheet can be used in lieu of punched cards to submit information for programming the PLA.

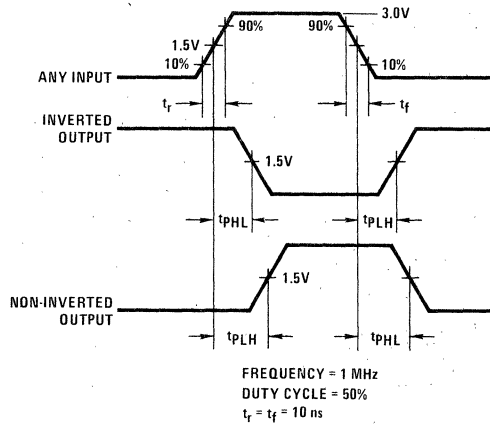
INSTRUCTIONS

1. Circle the appropriate part number. In the event a catalog part is not being purchased, circle the closest catalog part number. If an electrical screen is required between the military and commercial devices, the military designation should be circled.
2. Customer should write the name of his company.
3. Enter the total number of unique product terms found in all eight outputs. Repeated terms count only once.
4. Output Inverter Option. Under the appropriate output designation specify a 'T' when the high (true) level is desired on the output for the given input conditions. Specify a 'C' if the complement is needed.
5. Matrix
 - a. Input data. This block is used to describe what comprises each of the 96 (maximum) product terms. In each row, opposite the appropriate Product Term number, information on the fourteen Input Data locations is entered. Information must be entered on all 14 inputs.
 - 1). Enter an "H" under the appropriate input designation if that particular input appears in the product term as a high (true) level.
 - 2). Enter an "L" under the appropriate input designation if that particular input appears in the product term as a low (complemented) level.
 - 3). Enter an "X" under the appropriate input designation if that particular input does not appear in the product term.If less than 96 product terms are used leave all spaces for the unused terms blank.
 - b. Output Data. This block is used to describe the outputs on which the product terms appear.
 - 1). Enter a '+' under the appropriate output designation if the product term is contained in that output's expression.
 - 2). Leave a location blank if the product term is not contained in that output's expression.

AC Test Circuit



Switching Time Waveforms



Truth Table/Order Blank

1. PART NO. — (DM7575, DM8575, DM7576, DM8576)

2. CUSTOMER IDENTIFICATION —

3. TOTAL NO. OF UNIQUE PRODUCT TERMS USED —
(Repeated Terms Count Only Once)

F8	F7	F6	F5	F4	F3	F2	F1

4. OUTPUT INVERTER OPTION

5. MATRIX

PRODUCT TERM	INPUT DATA															OUTPUT DATA							
	I ₁₃	I ₁₂	I ₁₁	I ₁₀	I ₉	I ₈	I ₇	I ₆	I ₅	I ₄	I ₃	I ₂	I ₁	I ₀	F8	F7	F6	F5	F4	F3	F2	F1	
1																							
2																							
3																							
4																							
5																							
6																							
7																							
8																							
9																							
10																							
11																							
12																							
13																							
14																							
15																							
16																							
17																							
18																							
19																							
20																							
21																							
22																							
23																							
24																							
25																							
26																							
27																							
28																							
29																							
30																							
31																							
32																							
33																							
34																							
35																							
36																							
37																							
38																							
39																							
40																							
41																							
42																							

Truth Table/Order Blank (Continued)

PRODUCT TERM	INPUT DATA															OUTPUT DATA							
	I ₁₃	I ₁₂	I ₁₁	I ₁₀	I ₉	I ₈	I ₇	I ₆	I ₅	I ₄	I ₃	I ₂	I ₁	I ₀	F ₈	F ₇	F ₆	F ₅	F ₄	F ₃	F ₂	F ₁	
43																							
44																							
45																							
46																							
47																							
48																							
49																							
50																							
51																							
52																							
53																							
54																							
55																							
56																							
57																							
58																							
59																							
60																							
61																							
62																							
63																							
64																							
65																							
66																							
67																							
68																							
69																							
70																							
71																							
72																							
73																							
74																							
75																							
76																							
77																							
78																							
79																							
80																							
81																							
82																							
83																							
84																							
85																							
86																							
87																							
88																							
89																							
90																							
91																							
92																							
93																							
94																							
95																							
96																							

256-Bit Programmable Read Only Memories

General Description

The DM7577/DM8577 is a field-programmable, 256-bit, read only memory organized as 32 words of 8 bits each. This monolithic, high-speed, transistor-transistor-logic (TTL) memory array is addressed in 5-bit binary with full on-chip decoding. An overriding memory-enable input is provided which, when taken high, will inhibit the function causing all eight outputs to remain high. The organization is expandable to 1,856 words of n-bits with no additional output buffering.

The address of an 8-bit word is accomplished through the buffered binary select inputs in coincidence with a low logic level at the enable input. Where multiple DM7577/DM8577 devices are used in a memory system, the enable input allows easy decoding of additional address bits.

Data can be electronically programmed, as desired, at any of the 256-bit locations of the DM7577/DM8577 in accordance with the programming procedure specified. Prior to programming, the memory contains a high-logic-level output condition at all 256 bit locations. The programming procedure open-circuits nichrome links which results in a low-logic-level output at selected locations. The procedure is irreversible and, once altered, the

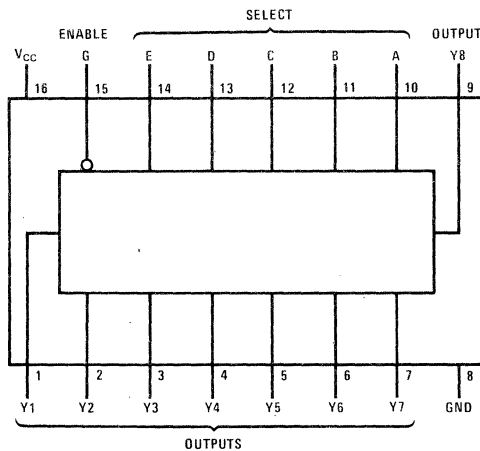
output for that bit is permanently programmed to provide a low logic level. Outputs never having been altered may later be programmed to supply a low-level output. Operation of the unit within the recommended operating conditions will not alter the memory content.

The mask-programmable DM5488/DM7488 can be used to replace the DM7577/DM8577 as they are functionally and mechanically identical.

Features

- Field programmable for custom or prototype memories
- Mask-programmable DM5488/DM7488 is a direct replacement for the DM7577/DM8577
- Typical access time 35 ns
- Organized as 32 words of 8-bits each
- Ideal for microprogramming and code converters
- Open-collector outputs are easily expanded
- Fully-decoded buffered inputs
- Fully compatible with most TTL and DTL circuits
- Pin compatible with SN74188A

Connection Diagram



7577(J); 8577(J), (N)

Electrical Characteristics over recommended operating free-air temperature range (unless otherwise noted)

PARAMETER		CONDITIONS	DM75/85			UNITS
			77			
			MIN	TYP(1)	MAX	
V_{IH}	High Level Input Voltage		2			V
V_{IL}	Low Level Input Voltage		0.8			V
V_I	Input Clamp Voltage	$V_{CC} = \text{Min}, I_I = -12 \text{ mA}$	-1.5			V
I_{OH}	High Level Output Current	$V_{CC} = \text{Min}, V_{IH} = 2\text{V}$ $V_{IL} = 0.8\text{V}, V_{OH} = 5.5\text{V}$	100			μA
I_{OL}	Low Level Output Current		12			mA
V_{OL}	Low Level Output Voltage	$V_{CC} = \text{Min}, V_{IH} = 2\text{V}$ $V_{IL} = 0.8\text{V}, I_{OL} = 12 \text{ mA}$	0.4			V
I_I	Input Current at Maximum Input Voltage	$V_{CC} = \text{Max}, V_I = 5.5\text{V}$	1			mA
I_{IH}	High Level Input Current	$V_{CC} = \text{Max}, V_I = 2.4\text{V}$	40			μA
I_{IL}	Low Level Input Current	$V_{CC} = \text{Max}, V_I = 0.4\text{V}$	-1			mA
I_{CCH}	Supply Current, Outputs High	$V_{CC} = \text{Max}(2)$	50	80		mA
I_{CCL}	Supply Current, Outputs Low	$V_{CC} = \text{Max}(3)$	82	110		mA

Notes

(1) All typical values are at $V_{CC} = 5\text{V}$ and $T_A = 25^\circ\text{C}$.

(2) I_{CCH} is measured with all inputs at 4.5V, all outputs open.

(3) I_{CCL} is measured with enable input grounded, all other inputs at 4.5V, and all outputs open. The typical value shown is for the worst-case condition of all eight outputs low at one time. This condition may not be possible after the device has been programmed.

Switching Characteristics $V_{CC} = 5\text{V}, T_A = 25^\circ\text{C}$

PARAMETER		FROM	TO	CONDITIONS	DM75/85			UNITS
					77			
					MIN	TYP	MAX	
t_{PLH}	Propagation Delay Time, Low-to-High Level Output	Enable	Any	$C_L = 30 \text{ pF to GND}$ $R_{L1} = 400\Omega \text{ to } V_{CC}$ $R_{L2} = 600\Omega \text{ to GND}$	22	35	ns	
t_{PHL}	Propagation Delay Time, High-to-Low Level Output	Enable	Any		15	35	ns	
t_{PLH}	Propagation Delay Time, Low-to-High Level Output	Select	Any		35	50	ns	
t_{PHL}	Propagation Delay Time, High-to-Low Level Output	Select	Any		35	50	ns	

Programming Procedure

1. Apply steady-state supply voltage ($V_{CC} = 5.0V$, $GND = 0V$) and address the word to be programmed with specified input voltages.
2. Disable the outputs by applying a high logic level to the enable input.
3. Only one bit location is programmed at a time. Open circuit all outputs except the one to be programmed as a low logic level.
4. Apply the specified programming pulse to the output to be programmed. The recommended pulse width is 1.0 ms.

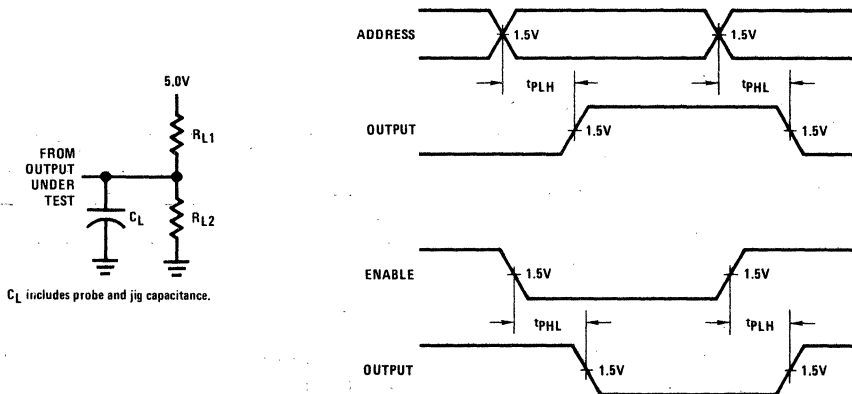
The bit programmed may be verified by checking the output for a low logic level after the enable input reaches a low logic level.

5. Repeat steps 2 through 4 for each output of this address to be programmed as a low level.
6. Advance to next address location and repeat steps 2 through 5.

Recommended Conditions for Programming

CONDITIONS	MIN	TYP	MAX	UNITS
Supply Voltage, V_{CC}	5.0		5.5	V
Input Voltage	Low Level	0	0.5	V
	High Level	2.4	5.0	V
Programming Pulse Amplitude	20		22	V
Programming Pulse Rise Time	1.0	5.0	10	μs
Programming Pulse Current Limit	100		200	mA
Programming Pulse Width	10	20	50	ms
Case Temperature	25		75	$^{\circ}C$

AC Test Circuit and Switching Time Waveforms



Input waveforms are supplied by pulse generators having the following characteristics: $t_r \leq 10$ ns, $t_f \leq 10$ ns, PRR = 1 MHz, PDC = 50%, Amplitude = 3.0V, and $Z_0 = 50\Omega$.

TRI-STATE 256-Bit Programmable Read Only Memories

General Description

The DM7578/DM8578 is a field-programmable, 256-bit, read only memory organized as 32 words of 8 bits each. This monolithic, high-speed, transistor-transistor-logic (TTL) memory array is addressed in 5-bit binary with full on-chip decoding. An overriding memory-enable input is provided which, when taken high, will inhibit the function causing all eight outputs to remain in the high impedance (Z) state.

The address of an 8-bit word is accomplished through the buffered binary select inputs in coincidence with a low logic level at the enable input. Where multiple DM7578/DM8578 devices are used in a memory system, the enable input allows easy decoding of additional address bits. The TRI-STATE outputs eliminate the need for external pull-up resistors, and provide good capacitance drive capability.

Data can be electronically programmed, as desired, at any of the 256-bit locations of the DM7578/DM8578 in accordance with the programming procedure specified. Prior to programming, the memory contains a high-logic-level output condition at all 256 bit locations. The programming procedure open-circuits nichrome links which results in a low-logic-level output at selected locations.

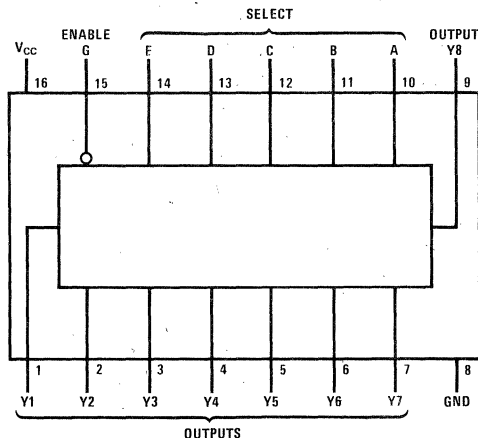
The procedure is irreversible and, once altered, the output for that bit is permanently programmed to provide a low logic level. Outputs never having been altered may later be programmed to supply a low-level output. Operation of the unit within the recommended operating conditions will not alter the memory content.

The mask-programmable DM7598/DM8598 can be used to replace the DM7578/DM8578 as they are functionally and mechanically identical.

Features

- Field programmable for custom or prototype memories
- Mask-programmable DM7598/DM8598 is a direct replacement for the DM7578/DM8578.
- Typical access time 35 ns
- Organized as 32 words of 8-bits each
- Ideal for microprogramming and code converters
- TRI-STATE outputs are easily expanded
- Fully-decoded buffered inputs
- Fully compatible with most TTL and DTL circuits
- Pin compatible with SN74188A

Connection Diagram



7578(J); 8578(J), (N)

Electrical Characteristics over recommended operating free-air temperature range (unless otherwise noted)

PARAMETER		CONDITIONS		DM75/85			UNITS
				78			
				MIN	TYP(1)	MAX	
V_{IH}	High Level Input Voltage			2			V
V_{IL}	Low Level Input Voltage					0.8	V
V_I	Input Clamp Voltage	$V_{CC} = \text{Min}, I_I = -12 \text{ mA}$				-1.5	V
I_{OH}	High Level Output Current	DM75				-2.0	mA
		DM85				-5.2	
V_{OH}	High Level Output Voltage	$V_{CC} = \text{Min}, V_{IH} = 2\text{V}$ $V_{IL} = 0.8\text{V}, I_{OH} = \text{Max}$		2.4			V
I_{OL}	Low Level Output Current					12	mA
V_{OL}	Low Level Output Voltage	$V_{CC} = \text{Min}, V_{IH} = 2\text{V}$ $V_{IL} = 0.8\text{V}, I_{OL} = 12 \text{ mA}$				0.4	V
$I_{O(\text{OFF})}$	Off State (High Impedance State) Output Current	$V_{CC} = \text{Max}$ $V_{IH} = 2.0\text{V}$	$V_O = 0.4\text{V}$			-40	μA
			$V_O = 2.4\text{V}$			40	
I_I	Input Current at Maximum Input Voltage	$V_{CC} = \text{Max}, V_I = 5.5\text{V}$				1	mA
I_{IH}	High Level Input Current	$V_{CC} = \text{Max}, V_I = 2.4\text{V}$				40	μA
I_{IL}	Low Level Input Current	$V_{CC} = \text{Max}, V_I = 0.4\text{V}$				-1	mA
I_{OS}	Short Circuit Output Current	$V_{CC} = \text{Max}(2)$		-30		-70	mA
I_{CC}	Supply Current	$V_{CC} = \text{Max}(3)$			82	110	mA

Notes

 (1) All typical values are at $V_{CC} = 5\text{V}$ and $T_A = 25^\circ\text{C}$.

(2) Not more than one output should be shorted at a time, and duration of the short-circuit should not exceed one second.

 (3) I_{CC} is measured with all inputs at 4.5V, all outputs open.

Switching Characteristics $V_{CC} = 5\text{V}, T_A = 25^\circ\text{C}$

PARAMETER		FROM	TO	CONDITIONS	DM75/85			UNITS
					78			
					MIN	TYP	MAX	
t_{PLH}	Propagation Delay Time, Low-to-High Level Output	Select	Any	$C_L = 50 \text{ pF}$ $R_L = 400\Omega$		35	50	ns
t_{PHL}	Propagation Delay Time, High-to-Low Level Output	Select	Any			35	50	ns
t_{ZH}	Output Enable Time to High Level	Enable	Any			19	35	ns
t_{ZL}	Output Enable Time to Low Level	Enable	Any			17	35	ns
t_{HZ}	Output Disable Time from High Level	Enable	Any		$C_L = 5 \text{ pF}$ $R_L = 400\Omega$		11	35
t_{LZ}	Output Disable Time from Low Level	Enable	Any			21	35	ns

Programming Procedure

1. Apply steady-state supply voltage ($V_{CC} = 5.0V$, $GND = 0V$) and address the word to be programmed with specified input voltages.
2. Disable the outputs by applying a high logic level to the enable input.
3. Only one bit location is programmed at a time. Open circuit all outputs except the one to be programmed as a low logic level.
4. Apply the specified programming pulse to the output

to be programmed. The recommended pulse width is 1.0 ms.

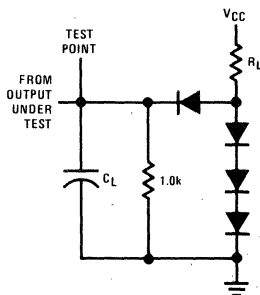
The bit programmed may be verified by checking the output for a low logic level after the enable input reaches a low logic level.

5. Repeat steps 2 through 4 for each output of this address to be programmed as a low level.
6. Advance to next address location and repeat steps 2 through 5.

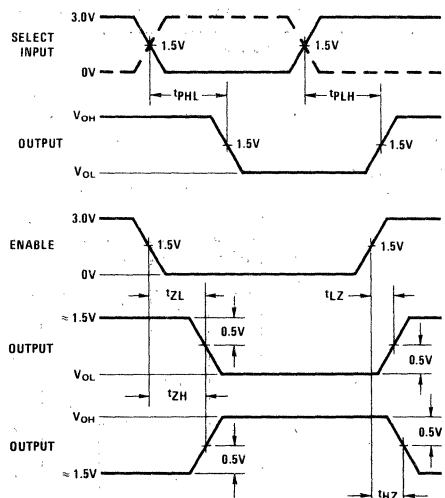
Recommended Conditions for Programming

CONDITIONS	MIN	TYP	MAX	UNITS
Supply Voltage (V_{CC})	5		5.5	V
Input Voltage	Low Level	0	0.5	V
	High Level	2.4	5	V
Programming Pulse Amplitude	20		22	V
Programming Pulse Rise Time	1	5	10	μs
Programming Pulse Current Limit	100		200	mA
Programming Pulse Width	10	1.0	50	ms
Case Temperature	25		75	$^{\circ}C$

AC Test Circuit and Switching Time Waveforms



C_L includes probe and jig capacitance. All diodes are 1N3064.



Input waveforms are supplied by pulse generators having the following characteristics: $t_r \leq 10$ ns, $t_f \leq 10$ ns, PRR = 1 MHz, PDC = 50%, Amplitude = 3.0V and $Z_0 = 50\Omega$

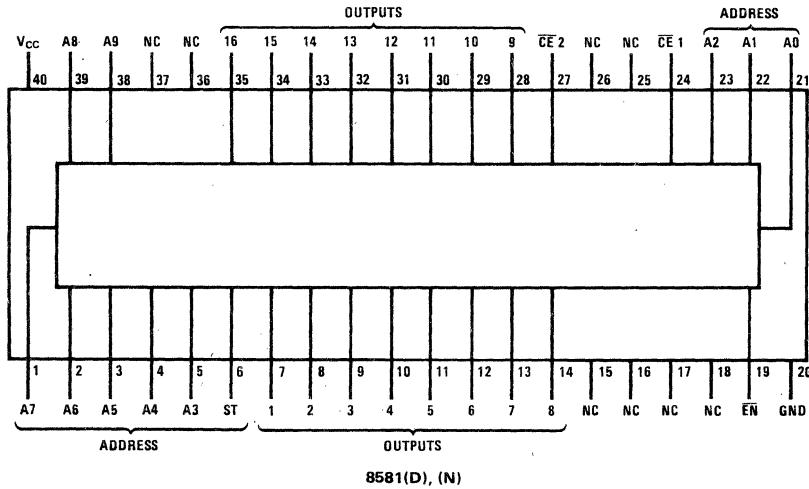
TRI-STATE 16K Read Only Memories

General Description

The DM8581 is a 16,384-bit, bipolar, mask-programmable ROM organized as 1024, 16-bit words. Ten address inputs select the desired one-of-1024 words. All ten address inputs, and two of the three enable inputs have a latch feature. The latch function is controlled by the strobe

input. The three enable lines are used to either enable or disable the circuit. TRI-STATE outputs allow for expansion to greater number of words without sacrifice in speed as would be the case with open-collector outputs.

Connection Diagram



Truth Table

CE 1 t	CE 2 t	ST t	CE 1 t+1	CE 2 t+1	EN t+1	ST t+1	OUTPUT t+1
X	X	X	L	L	L	H	Read stored data for add inputs at t+1
X	X	X	H	X	X	H	Hi-Z
X	X	X	X	H	X	H	Hi-Z
X	X	X	X	X	H	H	Hi-Z
L	L	H	X	X	L	L	Read stored data for add inputs at t
H	X	H	X	X	X	L	Hi-Z
X	H	H	X	X	X	L	Hi-Z
X	X	X	X	X	H	L	Hi-Z

Electrical Characteristics over recommended operating free-air temperature range (unless otherwise noted)

PARAMETER		CONDITIONS		DM85			UNITS	
				81				
				MIN	TYP(1)	MAX		
V_{IH}	High Level Input Voltage	$V_{CC} = \text{Min}$		2			V	
V_{IL}	Low Level Input Voltage	$V_{CC} = \text{Min}$		0.8			V	
V_I	Input Clamp Voltage	$V_{CC} = \text{Min}, I_I = -12 \text{ mA}$		-1.5			V	
I_{OH}	High Level Output Current			-400			μA	
V_{OH}	High Level Output Voltage	$V_{CC} = \text{Min}, I_{OH} = -400\mu\text{A}$		2.4			V	
I_{OL}	Low Level Output Current			6			mA	
V_{OL}	Low Level Output Voltage	$V_{CC} = \text{Min}, I_{OL} = 6 \text{ mA}$		0.45			V	
$I_{O(\text{OFF})}$	Off State (High Impedance State) Output Current	$V_{CC} = \text{Max}$	$V_O = 0.4 \text{ V}$	-40			μA	
			$V_O = 2.4 \text{ V}$	40				
I_I	Input Current at Maximum Input Voltage	$V_{CC} = \text{Max}, V_I = 5.5 \text{ V}$		1			mA	
I_{IH}	High Level Input Current	$V_{CC} = \text{Max}, V_I = 2.4 \text{ V}$		40			μA	
I_{IL}	Low Level Input Current	$V_{CC} = \text{Max}, V_I = 0.4 \text{ V}$		-0.8			mA	
I_{OS}	Short Circuit Output Current	$V_{CC} = \text{Max}(2)$		-15			mA	
I_{CC}	Supply Current	$V_{CC} = \text{Max}$		115			160	mA

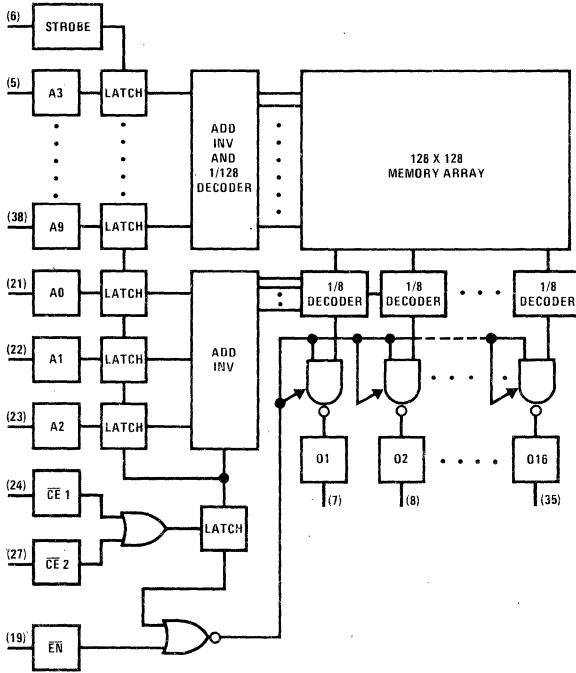
Notes

- (1) All typical values are at $V_{CC} = 5 \text{ V}, T_A = 25^\circ\text{C}$.
- (2) Not more than one output should be shorted at a time.
- (3) Tentative data

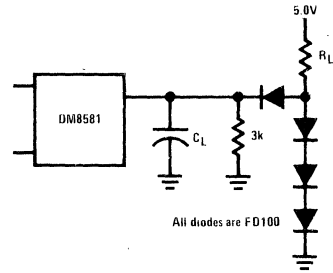
Switching Characteristics

PARAMETER		FROM	TO	CONDITIONS	DM85			UNITS		
					81					
					MIN	TYP	MAX			
t_{PLH}	Propagation Delay Time, Low-to-High Level Output	Address	Output	$C_L = 50 \text{ pF}$ $R_L = 600\Omega$	200			450	ns	
t_{PHL}	Propagation Delay Time, High-to-Low Level Output	Address	Output		150			450	ns	
t_{ZH}	Output Enable Time to High Level				40			80	ns	
t_{ZL}	Output Enable Time to Low Level				70			165	ns	
t_S	Address, Chip Enable (\overline{CE}) Set-Up Time				30			10	ns	
t_H	Address, Chip Enable (\overline{CE}) Hold Time				30			10	ns	
t_{HZ}	Output Disable Time from High Level				$C_L = 5 \text{ pF}$ $R_L = 600\Omega$	20			50	ns
t_{LZ}	Output Disable Time from Low Level					40			60	ns
t_W	Minimum Strobe Pulse Width				40			20	ns	
t_{ST}	Strobe Access Time				250			450	ns	

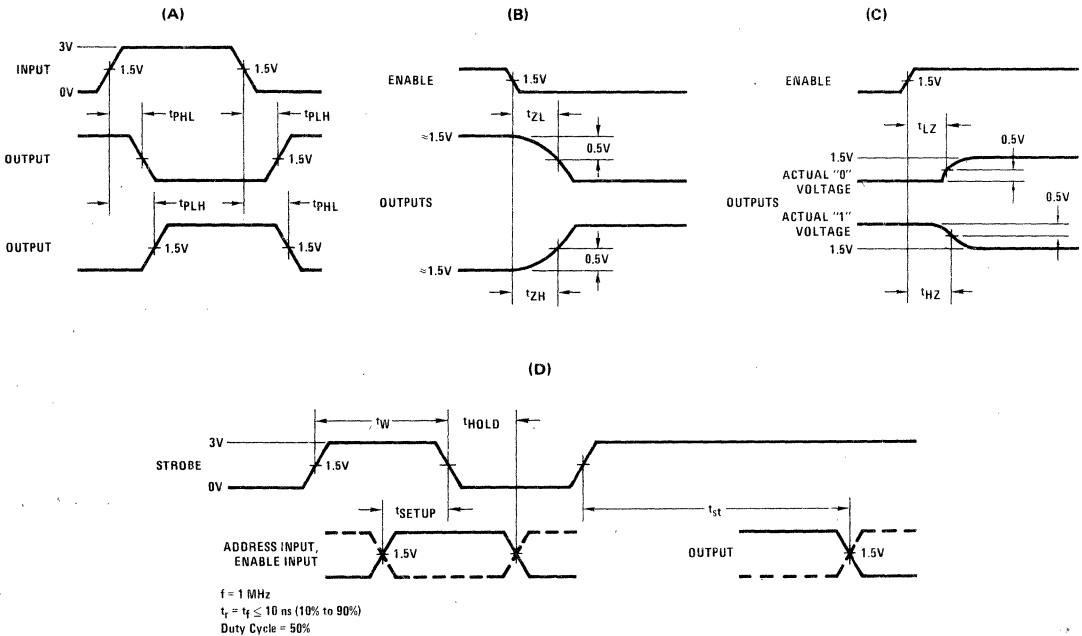
Logic Diagram



AC Test Circuit



Switching Time Waveforms



8-Bit Parallel In/Serial Out Shift Registers

General Description

These are 8-bit serial shift registers which shift the data in the direction of Q_A toward Q_H when clocked. Parallel-in access is made available by eight individual direct data inputs, which are enabled by a low level at the shift/load input. These registers also feature gated clock inputs and complementary outputs from the eighth bit.

Clocking is accomplished through a 2-input NOR gate, permitting one input to be used as a clock-inhibit function. Holding either of the clock inputs high inhibits clocking, and holding either clock input low with the load input high enables the other clock input. The clock-inhibit input should be changed to the high level only while the clock input is high. Parallel loading is inhibited as long as the load input is high. Data at the

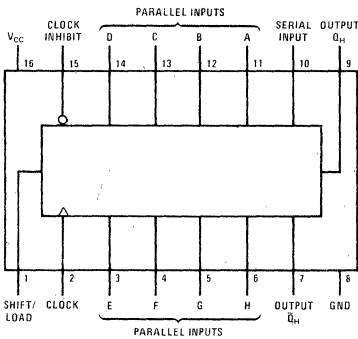
parallel inputs are loaded directly into the register on a high-to-low transition of the shift/load input, regardless of the logic levels on the clock, clock inhibit, or serial inputs.

Features

- Complementary outputs
- Direct overriding load (data) inputs
- Gated clock inputs
- Parallel-to-serial data conversion

TYPE	TYPICAL FREQUENCY	TYPICAL POWER DISSIPATION
90	20 MHz	200 mW
L90	14 MHz	30 mW

Connection Diagram



7590(J), (W); 8590(J), (N), (W);
76L90/86L90(J), (N), (W)

Truth Table

SHIFT/ LOAD	CLOCK INHIBIT	INPUTS			INTERNAL OUTPUTS		OUTPUT Q_H
		CLOCK	SERIAL	PARALLEL A...H	Q_A	Q_B	
L	X	X	X	a...h	a	b	h
H	L	L	X	X	Q_{A0}	Q_{B0}	Q_{H0}
H	L	↑	H	X	H	Q_{An}	Q_{Gn}
H	L	↑	L	X	L	Q_{An}	Q_{Gn}
H	H	↑	X	X	Q_{A0}	Q_{B0}	Q_{H0}

H = High Level (steady state), L = Low Level (steady state)

X = Don't Care (any input, including transitions)

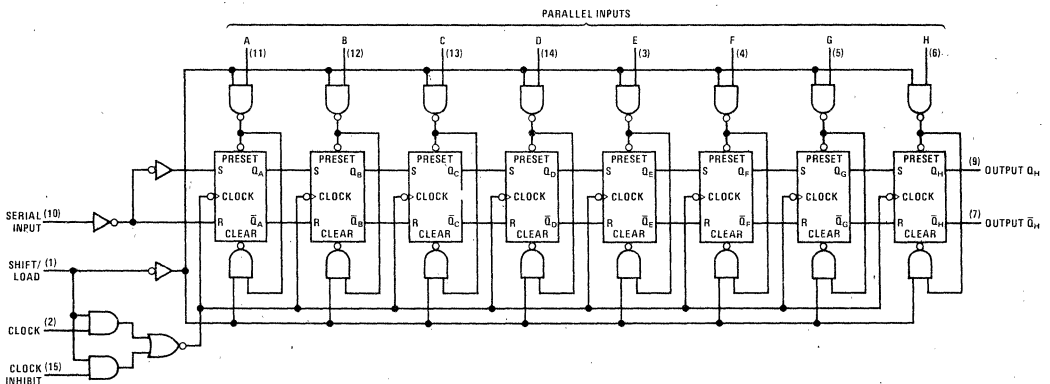
↑ = Transition from low-to-high level

a...h = The level of steady-state input at inputs A through H, respectively.

Q_{A0} , Q_{B0} , Q_{H0} = The level of Q_A , Q_B , or Q_H , respectively, before the indicated steady-state input conditions were established.

Q_{An} , Q_{Gn} = The level of Q_A or Q_G , respectively, before the most recent ↑ transition of the clock.

Logic Diagram



Electrical Characteristics over recommended operating free-air temperature range (unless otherwise noted)

PARAMETER		CONDITIONS	DM75/85			DM76L/86L			UNITS
			90			L90			
			MIN	TYP(1)	MAX	MIN	TYP(1)	MAX	
V_{IH}	High Level Input Voltage		2		2			V	
V_{IL}	Low Level Input Voltage				0.8		0.7	V	
V_I	Input Clamp Voltage	$V_{CC} = \text{Min}, I_I = -12 \text{ mA}$			-1.5		N/A	V	
I_{OH}	High Level Output Current				-800		-200	μA	
V_{OH}	High Level Output Voltage	$V_{CC} = \text{Min}, V_{IH} = 2\text{V}$ $V_{IL} = \text{Max}, I_{OH} = \text{Max}$	2.4		2.4			V	
I_{OL}	Low Level Output Current		DM75, DM76				2	mA	
			DM85, DM86				3.6		
V_{OL}	Low Level Output Voltage	$V_{CC} = \text{Min}, V_{IH} = 2\text{V}$ $V_{IL} = \text{Max}, I_{OL} = \text{Max}$	DM75, DM76	0.2	0.4		0.3	V	
			DM85, DM86	0.2	0.4		0.4		
I_I	Input Current at Maximum Input Voltage	$V_{CC} = \text{Max}, V_I = 5.5\text{V}$		1			0.1	mA	
I_{IH}	High Level Input Current	Load Input Other Inputs	$V_{CC} = \text{Max}, V_I = 2.4\text{V}$		80		30	μA	
					40		10		
I_{IL}	Low Level Input Current	Load Input Other Inputs	$V_{CC} = \text{Max},$ $V_I = 0.3\text{V}$ (DM76/86) $V_I = 0.4\text{V}$ (DM75/85)		-3.2		-0.54	mA	
					-1.6		-0.18		
I_{OS}	Short Circuit Output Current	$V_{CC} = \text{Max}(2)$	DM75, DM76	-20	-55	-3	-9	-15	mA
			DM85, DM86	-18	-55	-3	-9	-15	
I_{CC}	Supply Current	$V_{CC} = \text{Max}(3)$		40	63		9.5	mA	

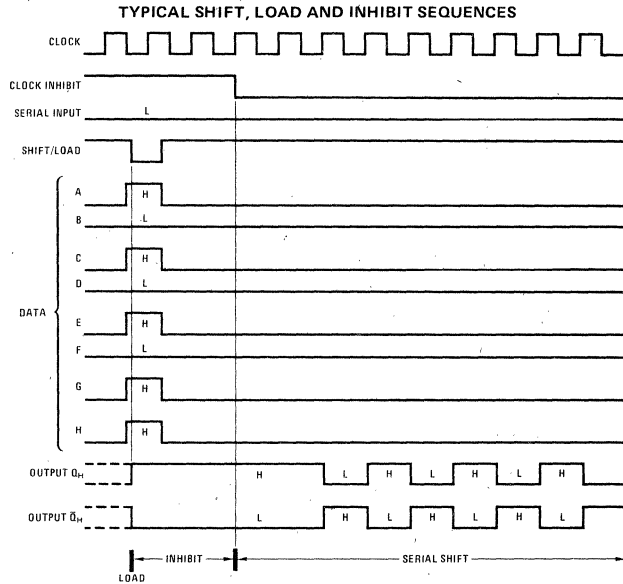
Notes

- (1) All typical values are at $V_{CC} = 5\text{V}, T_A = 25^\circ\text{C}$.
- (2) Not more than one output should be shorted at a time.
- (3) With the outputs open, clock inhibit and shift/load at 4.5V, and a clock pulse applied to the clock input, I_{CC} is measured first with the parallel inputs at 4.5V, then with the parallel inputs grounded.

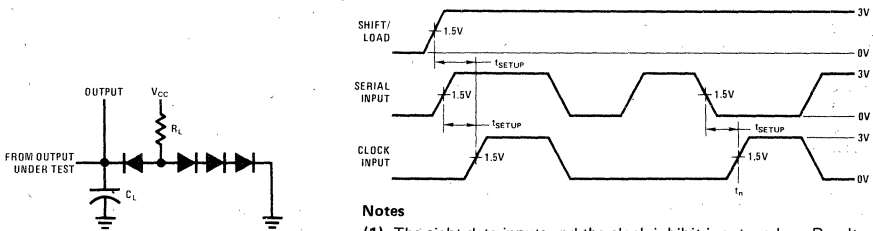
Switching Characteristics $V_{CC} = 5\text{V}, T_A = 25^\circ\text{C}$

PARAMETER		FROM (INPUT)	TO (OUTPUT)	DM75/85			DM76L/86L			UNITS	
				90			L90				
				CONDITIONS	MIN	TYP	MAX	CONDITIONS	MIN		TYP
f_{MAX}	Maximum Clock Frequency			14	20		6	14	MHz		
t_{PLH}	Propagation Delay Time, Low-to-High Level Output	Load	Any		34	50		44	88	ns	
t_{PHL}	Propagation Delay Time, High-to-Low Level Output				42	60		62	124	ns	
t_{PLH}	Propagation Delay Time, Low-to-High Level Output	Clock	Any		26	40		35	70	ns	
t_{PHL}	Propagation Delay Time, High-to-Low Level Output				35	50		50	100	ns	
t_{PLH}	Propagation Delay Time, Low-to-High Level Output	H	Q_H	$C_L = 15 \text{ pF}$ $R_L = 400\Omega$		25	40	$C_L = 50 \text{ pF}$ $R_L = 4 \text{ k}\Omega$	33	66	ns
t_{PHL}	Propagation Delay Time, High-to-Low Level Output					36	50			56	112
t_{PLH}	Propagation Delay Time, Low-to-High Level Output	H	\bar{Q}_H			25	40		33	66	ns
t_{PHL}	Propagation Delay Time, High-to-Low Level Output					36	50		56	112	ns
$t_{W(CLOCK)}$	Width of Clock Input Pulse				35	25		100	ns		
$t_{W(LOAD)}$	Width of Load Input Pulse				35	24		100	ns		
t_{SETUP}	Parallel Input Setup Time				25	10		44	22	ns	
t_{SETUP}	Serial Input Setup Time				40	23		44	22	ns	
t_{HOLD}	Hold Time at Any Input				5			10	ns		

Timing Diagram

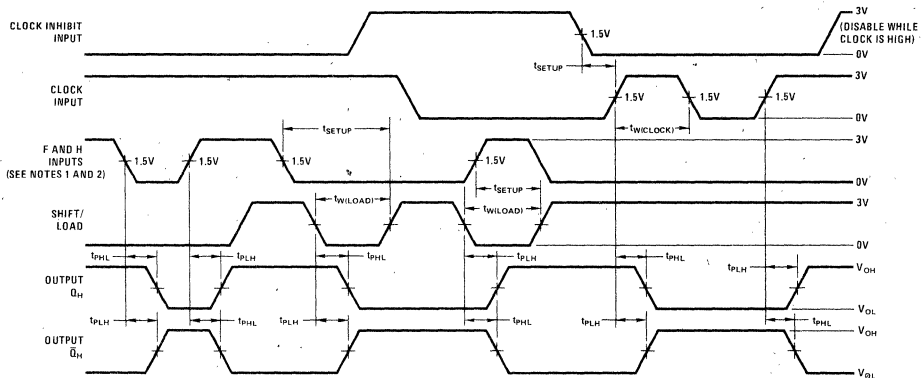


AC Test Circuit and Switching Time Waveforms



Notes

- (1) The eight data inputs and the clock inhibit input are low. Results are monitored at output Q_H at t_n+7 .
- (2) The input pulse generators have the following characteristics: $t_r \leq 10$ ns, $t_f \leq 10$ ns, PRR ≤ 1 MHz, duty cycle $\leq 50\%$, $Z_{OUT} \approx 50\Omega$.



Notes

- (1) The remaining six data inputs and the serial input are low.
- (2) Prior to test, high level data is loaded into H input.
- (3) The input pulse generators have the following characteristics: $t_r \leq 10$ ns, $t_f \leq 10$ ns, PRR ≤ 1 MHz, duty cycle $\leq 50\%$, $Z_{OUT} \approx 50\Omega$. When testing f_{MAX} , vary clock PRR.

4096-Bit Read Only Memories

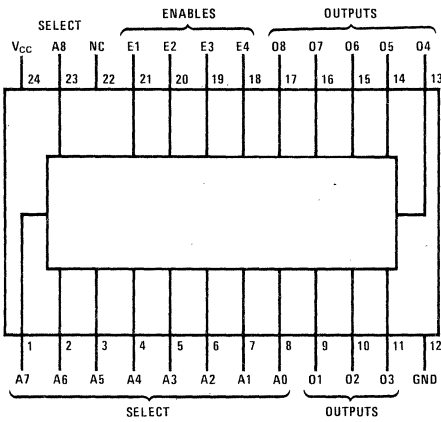
General Description

The DM7595/DM8595 and DM7795/DM8795 are 4096-bit, bipolar, mask-programmable ROMs organized as 512 eight-bit words. Nine address inputs select the desired one-of-512 words. Four enable lines are used to either enable or disable the circuit. The two devices differ in the enable logic. Truth tables and logic diagrams for each device are shown below. Open collector outputs allow for expansion to a greater number of words.

Features

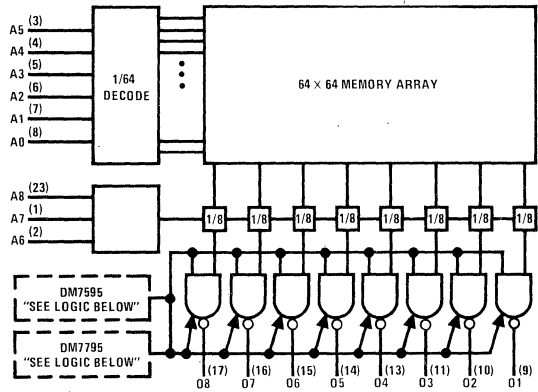
- Series 54/74 specification compatibility
- Pin compatible with Monolithic Memories 5240/6240
- Typical address time 80 ns
- Open collector outputs

Connection Diagram



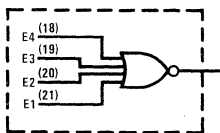
7595(J); 8595(J), (N);
7795(J); 8795(J), (N)

Logic Diagram



Logic Diagrams and Truth Tables for Enable Circuitry

DM7595/DM8595

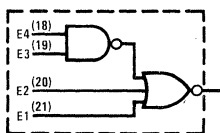


DM7595/DM8595

E1	E2	E3	E4	OUTPUT
L	L	L	L	Read Stored Data
H	X	X	X	H
X	H	X	X	H
X	X	H	X	H
X	X	X	H	H

X = Don't Care
ENABLE = E1 · E2 · E3 · E4

DM7795/DM8795



DM7795/DM8795

E1	E2	E3	E4	OUTPUT
L	L	H	H	Read Stored Data
H	X	X	X	H
X	H	X	X	H
X	X	L	X	H
X	X	X	L	H

X = Don't Care
ENABLE = E1 · E2 · E3 · E4

Electrical Characteristics over recommended operating free-air temperature range (unless otherwise noted)

PARAMETER		CONDITIONS	DM75/85, DM77/87			UNITS
			95			
			MIN	TYP(1)	MAX	
V _{IH}	High Level Input Voltage	V _{CC} = Min	2.0			V
V _{IL}	Low Level Input Voltage	V _{CC} = Min	0.8			V
V _I	Input Clamp Voltage	V _{CC} = Min, I _I = -12 mA	-1.5			V
I _{OH}	High Level Output Current	V _{CC} = Max, V _O = 5.5V	100			μA
I _{OL}	Low Level Output Current		12			mA
V _{OL}	Low Level Output Voltage	V _{CC} = Min, I _O = 12 mA	0.4			V
I _I	Input Current at Maximum Input Voltage	V _{CC} = Max, V _I = 5.5V	1			mA
I _{IH}	High Level Input Current	V _{CC} = Max, V _I = 2.4V	40			μA
I _{IL}	Low Level Input Current	V _{CC} = Max, V _I = 0.4V	-1.0			mA
I _{CC}	Supply Current	V _{CC} = Max	103	158		mA

Notes

 (1) All typical values are at V_{CC} = 5V at T_A = 25°C.

Switching Characteristics V_{CC} = 5V, T_A = 25°C

PARAMETER		PARAMETER CONDITIONS	TEST CONDITIONS	DM7595,DM7795			DM8595,DM8795			UNITS
				MIN	TYP	MAX	MIN	TYP	MAX	
t _{PLH}	Propagation Delay Time, Low to High Level Output	Access Time from Address	C _L = 30 pF R _L = 400Ω	80	150		80	120	ns	
t _{PHL}	Propagation Delay Time, High to Low Level Output	Access Time from Address		80	150		80	120	ns	
t _{PLH}	Output Disable Time to High Level	Disable Time from Memory Enables		60	120		60	90	ns	
t _{PHL}	Output Enable Time to Low Level	Access Times from Memory Enables		60	120		60	90	ns	

80-Column Card Program Data Format

Col. 1-3: 3 Character ID code (any 3 alpha-numeric characters). Must be the same on all cards associated with a particular pattern, but different for the ID code used on other patterns. The purpose of this code is to prevent mixing of cards.

Col. 4: (Blank)

Col. 5-12: Word Data. Order is 08 (most significant) to 01 (least significant). *Note 1.* Characters—For TTL high level are: H or 1. Characters—For TTL low are L or 0. "Don't Care" is X.

Col. 13: (Blank)

Col. 14-21: Word Data—same format as 5-12.

Col. 22: (Blank)

Col. 23-30: Word Data

Col. 31: (Blank)

Col. 32-39: Word Data

Col. 40: (Blank)

Col. 41-48: Word Data

Col. 49: (Blank)

Col. 50-57: Word Data

Col. 58: (Blank)

Col. 59-66: Word Data

Col. 67: (Blank)

Col. 68-75: Word Data

Col. 76-78: (Blank)

Col. 79-80: Card sequence number. 1 to 64. Leading zeros may be punched or suppressed. (*Note 2*)

Notes

(1) The words are listed in sequence beginning on the first card with the word associated with address 0 and ending on the last card with the word associated with address 511. Address input A8 is the most significant; A0, the least significant.

(2) Card sequence numbers reference a specific group of 8 words, i.e.:

Card 01: Word address 0 to 7

Card 02: Word address 8 to 15

Card 03: Word address 16 to 23

⋮

⋮

⋮

⋮

⋮

⋮

⋮

⋮

⋮

⋮

⋮

⋮

⋮

⋮

⋮

⋮

⋮

⋮

⋮

⋮

⋮

⋮

⋮

⋮

⋮

⋮

⋮

⋮

⋮

⋮

⋮

⋮

⋮

⋮

⋮

⋮

⋮

⋮

⋮

⋮

⋮

⋮

⋮

⋮

⋮

⋮

⋮

⋮

⋮

⋮

⋮

⋮

⋮

⋮

⋮

⋮

⋮

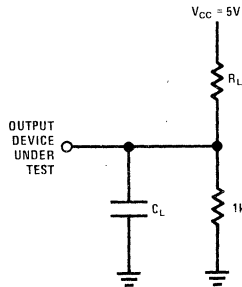
⋮

⋮

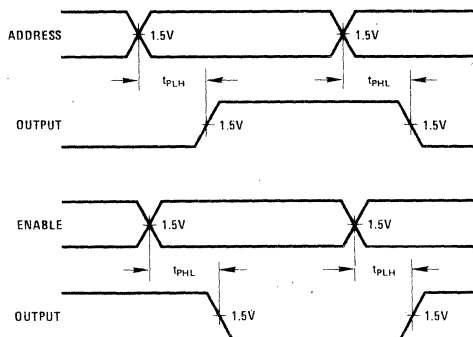
⋮

Card 64: Word address 504 to 511.

AC Test Circuit



Switching Time Waveforms



Input waveforms are supplied by pulse generators having the following characteristics: $t_r \leq 10$ ns, $t_f \leq 10$ ns, PRR = 1 MHz, Amplitude = 3.0V, PDC = 50%, and $Z_O = 50\Omega$.

TRI-STATE 4096-Bit Read Only Memories

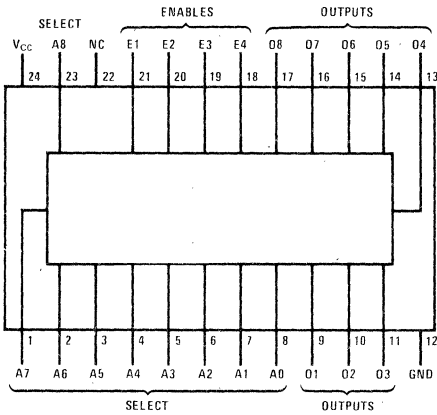
General Description

The DM7596/DM8596 and DM7796/DM8796 are 4096-bit, bipolar, mask-programmable ROMs organized as 512 eight-bit words. Nine address inputs select the desired one-of-512 words. Four enable lines are used to either enable or disable the circuit. The two devices differ in the enable logic. Truth tables and logic diagrams for each device are shown below. TRI-STATE outputs allow for expansion to greater numbers of words without sacrifice in speed as would be the case with open-collector outputs.

Features

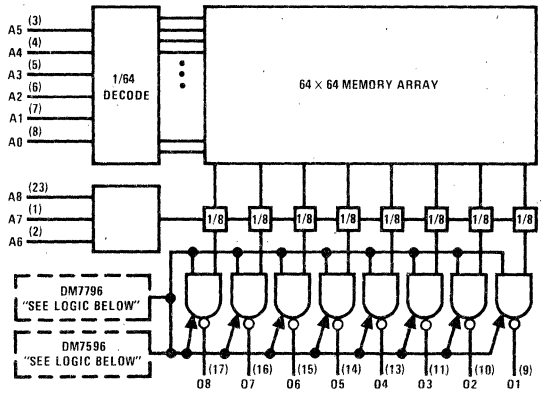
- Series 54/74 specification compatibility
- Pin compatible with Monolithic Memories MM5241/ MM6241
- Typical address time 80 ns
- TRI-STATE outputs

Connection Diagram

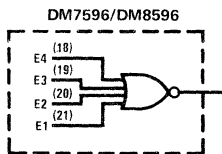


7596(J); 8596(J), (N);
7796(J); 8796(J), (N)

Logic Diagram

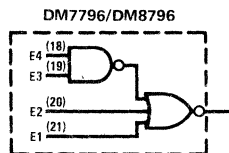


Logic Diagrams and Truth Tables for Enable Circuitry



DM7596/DM8596				
E1	E2	E3	E4	OUTPUT
L	L	L	L	Read Stored Data
H	X	X	X	Hi - Z
X	H	X	X	Hi - Z
X	X	H	X	Hi - Z
X	X	X	H	Hi - Z

X = Don't Care
ENABLE = $\bar{E}1 \cdot \bar{E}2 \cdot \bar{E}3 \cdot \bar{E}4$



DM7796/DM8796				
E1	E2	E3	E4	OUTPUT
L	L	H	H	Read Stored Data
H	X	X	X	Hi - Z
X	H	X	X	Hi - Z
X	X	L	X	Hi - Z
X	X	X	L	Hi - Z

X = Don't Care
ENABLE = $\bar{E}1 \cdot \bar{E}2 \cdot E3 \cdot E4$

Electrical Characteristics over recommended operating free-air temperature range (unless otherwise noted)

PARAMETER		CONDITIONS	DM75/85, DM77/87			UNITS
			96			
			MIN	TYP(1)	MAX	
V_{IH}	High Level Input Voltage	$V_{CC} = \text{Min}$	2.0			V
V_{IL}	Low Level Input Voltage	$V_{CC} = \text{Min}$	0.8			V
V_I	Input Clamp Voltage	$V_{CC} = \text{Min}, I_I = -12 \text{ mA}$	-1.5			V
I_{OH}	High Level Output Current		-2			mA
V_{OH}	High Level Output Voltage	$V_{CC} = \text{Min}, I_O = -2 \text{ mA}$	2.4			V
I_{OL}	Low Level Output Current		12			mA
V_{OL}	Low Level Output Voltage	$V_{CC} = \text{Min}, I_O = 12 \text{ mA}$	0.4			V
$I_{O(OFF)}$	Off-State (High Impedance State) Output Current	$V_{CC} = \text{Max}$	$V_O = 0.4\text{V}$	-40		μA
			$V_O = 2.4\text{V}$	40		
I_I	Input Current at Maximum Input Voltage	$V_{CC} = \text{Min}, V_I = 5.5\text{V}$	1			mA
I_{IH}	High Level Input Current	$V_{CC} = \text{Max}, V_I = 2.4\text{V}$	40			μA
I_{IL}	Low Level Input Current	$V_{CC} = \text{Max}, V_I = 0.4\text{V}$	-1.0			mA
I_{OS}	Output Short Circuit Current	$V_{CC} = \text{Max}(2)$	-15	-70		mA
I_{CC}	Supply Current	$V_{CC} = \text{Max}, \text{Inputs Grounded}$	106	170		mA

Notes

- (1) All typical values are at $V_{CC} = 5\text{V}$ and $T_A = 25^\circ\text{C}$.
(2) Not more than one output should be shorted at a time.

Switching Characteristics $V_{CC} = 5\text{V}, T_A = 25^\circ\text{C}$

PARAMETER		PARAMETER CONDITIONS	TEST CONDITIONS	DM7596,DM7796			DM8596,DM8796			UNITS
				MIN	TYP	MAX	MIN	TYP	MAX	
t_{PLH}	Propagation Delay Time, Low to High Level Output	Access Time from Address	$C_L = 50 \text{ pF}$ $R_L = 400\Omega$	80	150	80	120	ns		
t_{PHL}	Propagation Delay Time, High to Low Level Output	Access Time from Address		80	150	80	120	ns		
t_{ZH}	Output Enable Time to High Level	Access Times from Memory Enables		40	120	40	90	ns		
t_{ZL}	Output Enable Time to Low Level	Access Times from Memory Enables		60	120	60	90	ns		
t_{HZ}	Output Disable Time from High Level	Disable Times from Memory Enables	$C_L = 50 \text{ pF}$ $R_L = 400\Omega$	20	70	20	50	ns		
t_{LZ}	Output Disable Time from Low Level	Disable Times from Memory Enables		25	70	25	50	ns		

80-Column Card Program Data Format

Col. 1-3: 3 Character ID code (any 3 alpha-numeric characters). Must be the same on all cards associated with a particular pattern, but different for the ID code used on other patterns. The purpose of this code is to prevent mixing of cards.

Col. 4: (Blank)

Col. 5-12: Word Data. Order is 08 (most significant) to 01 (least significant). Note 1. Characters—For TTL high level are: H or 1. Characters—For TTL low are L or 0. "Don't Care" is X.

Col. 13: (Blank)

Col. 14-21: Word Data—same format as 5-12.

Col. 22: (Blank)

Col. 23-30: Word Data

Col. 31: (Blank)

Col. 32-39: Word Data

Col. 40: (Blank)

Col. 41-48: Word Data

Col. 49: (Blank)

Col. 50-57: Word Data

Col. 58: (Blank)

Col. 59-66: Word Data

Col. 67: (Blank)

Col. 68-75: Word Data

Col. 76-78: (Blank)

Col. 79-80: Card sequence number. 1 to 64. Leading zeros may be punched or suppressed. (Note 2)

Notes

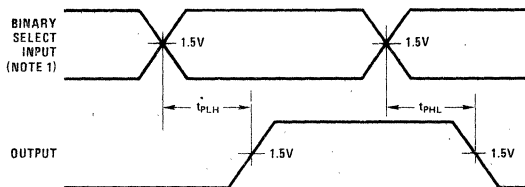
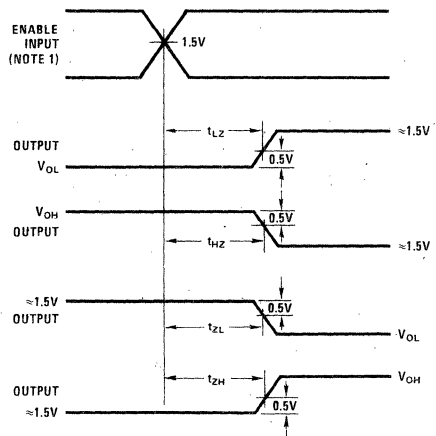
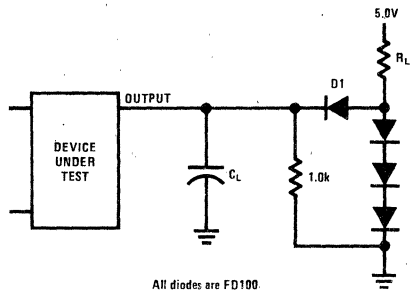
(1) The words are listed in sequence beginning on the first card with the word associated with address 0 and ending on the last card with the word associated with address 511. Address input A8 is the most significant; A0, the least significant.

(2) Card sequence numbers reference a specific group of 8 words, i.e.:

- Card 01: Word address 0 to 7
- Card 02: Word address 8 to 15
- Card 03: Word address 16 to 23

Card 64: Word address 504 to 511

AC Test Circuit and Switching Time Waveforms



Note 1: Input waveforms are supplied by pulse generators having the following characteristics: $t_r \leq 10$ ns, $t_f \leq 10$ ns, PRR = 1 MHz, PDC = 50%, Amplitude = 3.0V, and $Z_o = 50\Omega$.

TRI-STATE 1024-Bit Read Only Memories

General Description

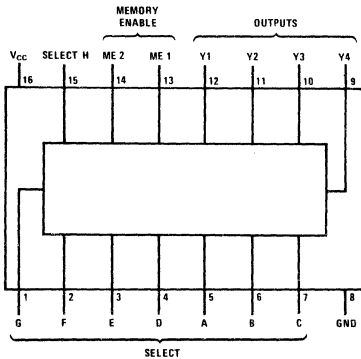
The DM7597/DM8597 is a custom-programmed read only memory organized as 256 4-bit words. Selection of the proper word is accomplished through the eight select inputs. Two overriding memory enable inputs are provided, which when mask-programmed in one of three options described will cause all four outputs to either read the normal memory contents or go to the "high impedance" state. In this state both the upper and lower output transistors are turned "OFF." The outputs may therefore be paralleled to increase word capacity;

since in the high-impedance state they present only a minimal load to the active output.

Features

- TRI-STATE outputs
- Pin compatible with DM54187/DM74187
- 35 ns typical delay from address to output
- Can be expanded to 32,768 4-bit words by simple paralleling of outputs
- Programmable memory enable inputs

Connection Diagram



7597(J); 8597(J), (N)

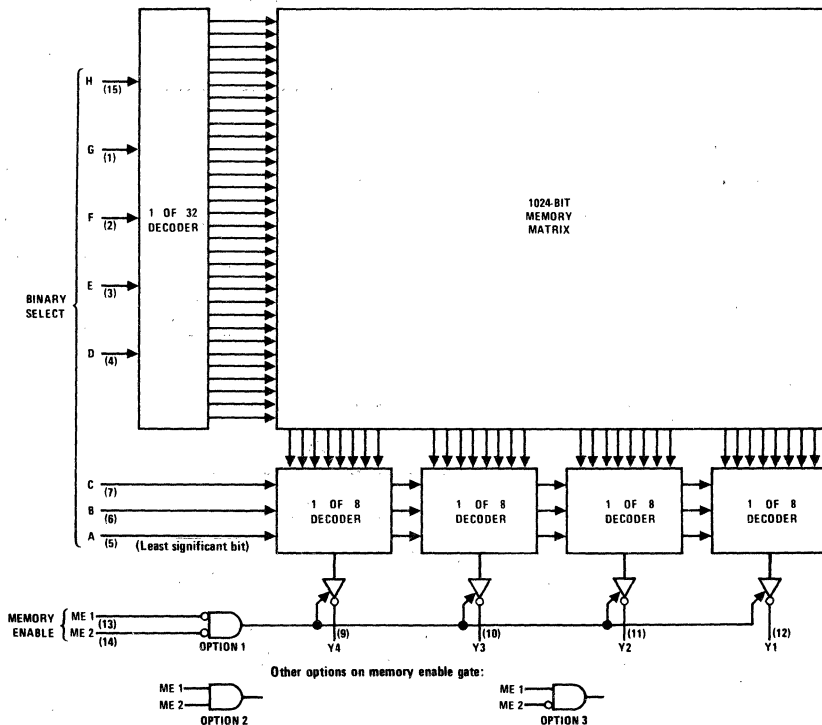
Truth Table

PROGRAMMABLE MEMORY ENABLE OPTIONS

OPTION	ME 1	ME 2	OUTPUTS
1	L	L	Normal
	H	X	Hi-Z
	X	H	Hi-Z
2	H	H	Normal
	L	X	Hi-Z
	X	L	Hi-Z
3	H	L	Normal
	X	H	Hi-Z
	L	X	Hi-Z

X = Don't Care

Logic Diagram



Electrical Characteristics over recommended operating free-air temperature range (unless otherwise noted)

PARAMETER		CONDITIONS		DM75/85			UNITS
				97			
				MIN	TYP(1)	MAX	
V_{IH}	High Level Input Voltage	$V_{CC} = \text{Min}$		2.0			V
V_{IL}	Low Level Input Voltage	$V_{CC} = \text{Min}$		0.8			V
V_I	Input Clamp Voltage	$V_{CC} = \text{Min}, I_I = -12 \text{ mA}$		-1.5			V
I_{OH}	High Level Output Current		DM75	-2.0			mA
			DM85	-5.2			
V_{OH}	High Level Output Voltage	$V_{CC} = \text{Min}, V_{IH} = 2\text{V}$ $V_{IL} = 0.8\text{V}, I_{OH} = \text{Max}$		2.4			V
I_{OL}	Low Level Output Current			16			mA
V_{OL}	Low Level Output Voltage	$V_{CC} = \text{Min}, V_{IH} = 2\text{V}$ $V_{IL} = 0.8\text{V}, I_{OL} = \text{Max}$		0.4			V
$I_{O(\text{OFF})}$	Off State (High Impedance State) Output Current	$V_{CC} = \text{Max}$	$V_O = 0.4\text{V}$	-40			μA
			$V_O = 2.4\text{V}$	40			
I_I	Input Current at Maximum Input Voltage	$V_{CC} = \text{Max}, V_I = 5.5\text{V}$		1.0			mA
I_{IH}	High Level Input Current	$V_{CC} = \text{Max}, V_I = 2.4\text{V}$		40			μA
I_{IL}	Low Level Input Current	$V_{CC} = \text{Max}, V_I = 0.4\text{V}$		-1.0			mA
I_{OS}	Short Circuit Output Current	$V_{CC} = \text{Max}(2)$		-20	-70		mA
I_{CC}	Supply Current	$V_{CC} = \text{Max}$		75	110		mA

Notes

- (1) All typical values are at $V_{CC} = 5\text{V}$ and $T_A = 25^\circ\text{C}$.
(2) Not more than one output should be shorted at a time.

Switching Characteristics $V_{CC} = 5\text{V}, T_A = 25^\circ\text{C}$

PARAMETER		FROM	TO	CONDITIONS	DM75/85			UNITS
					97			
					MIN	TYP	MAX	
t_{PLH}	Propagation Delay Time, Low-to-High Level Output	Address	Output	$C_L = 50 \text{ pF}$ $R_L = 400\Omega$		31	60	ns
t_{PHL}	Propagation Delay Time, High-to-Low Level Output	Address	Output			39	60	ns
t_{ZH}	Output Enable Time to High Level	Enable	Any			20	30	ns
t_{ZL}	Output Enable Time to Low Level	Enable	Any			20	30	ns
t_{HZ}	Output Disable Time from High Level	Enable	Any	$C_L = 5 \text{ pF}$ $R_L = 400\Omega$		20	30	ns
t_{LZ}	Output Disable Time from Low Level	Enable	Any			20	30	ns

Ordering Instructions

Programming instructions for the DM7597 or DM8597 are solicited in the form of a sequenced deck of 32 standard 80-column data cards providing the information requested under data card format, accompanied by a properly sequenced listing of these cards, and the supplementary ordering data. Upon receipt of these items, a computer run will be made from the deck of cards which will produce a complete truth table of the requested part. This truth table, showing output conditions for each of the 256 words, will be forwarded to the purchaser as verification of the input data as interpreted by the computer-automated design (CAD) program. This single run also generates mask and test program data; therefore, verification of the truth table should be completed promptly.

Each card in the data deck prepared by the purchaser identifies the eight words specified and describes the conditions at the four outputs for each of the eight words. All addresses must have all outputs defined and columns designated as "blank" must not be punched. Cards should be punched according to the data card format shown.

Supplementary Ordering Data

Submit the following information with the data cards:

- a) Customer's name and address
- b) Customer's purchase order number
- c) Customer's drawing number

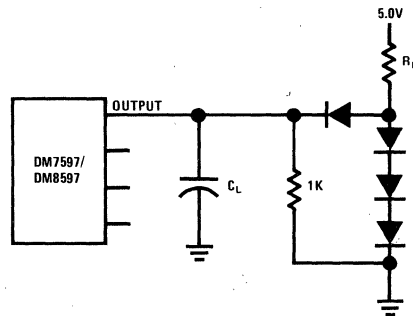
Data Card Format

Column

- 1-3 Punch a right-justified integer representing the binary input address (00-248) for the first set of outputs described on the card.
- 4 Punch a "-" (minus sign)
- 5-7 Punch a right-justified integer representing the binary input address (007-255) for the last set of outputs described on the card.
- 8-9 Blank
- 10-13 Punch "H," "L," or "X" for bits four, three, two and one (outputs Y4, Y3, Y2, and Y1 in that order) for the first set of outputs specified on the card. H = high level output, L = low level output, X = output irrelevant.
- 14 Blank
- 15-18 Punch "H," "L," or "X" for the second set of outputs.
- 19 Blank

- 20-23 Punch "H," "L," or "X" for the third set of outputs.
- 24 Blank
- 25-28 Punch "H," "L," or "X" for the fourth set of outputs.
- 29 Blank
- 30-33 Punch "H," "L," or "X" for the fifth set of outputs.
- 34 Blank
- 35-38 Punch "H," "L," or "X" for the sixth set of outputs.
- 39 Blank
- 40-43 Punch "H," "L," or "X" for the seventh set of outputs.
- 44 Blank
- 45-48 Punch "H," "L," or "X" for the eighth set of outputs.
- 49 Blank
- 50-51 Punch a right-justified integer representing the current calendar day of the month.
- 52 Blank
- 53-55 Punch an alphabetic abbreviation representing the current month.
- 56 Blank
- 57-58 Punch the last two digits of the current year.
- 59 Blank
- 60-61 Punch "DM"
- 62-65 Punch 7597 or 8597
- 66-70 Blank
- 71 Punch 1, 2 or 3 for memory enable option desired (assumed 1 if not punched).

AC Test Circuit



TRI-STATE 256-Bit Read Only Memories

General Description

The DM7598/DM8598 is a mask-programmed 256-bit read only memory, organized as 32, 8-bit words. A 5-bit input code selects the appropriate word which then appears on the eight outputs. An enable input overrides the select inputs and blanks all outputs.

Although the DM7598/DM8598 can have its outputs tied together for word-expansion, the outputs are not open-collector, but rather the familiar totem-pole output with the capability of being placed in a "third-state." This unique TRI-STATE concept allows outputs to be tied together and then connected to a common bus line. Normal TTL outputs cannot be connected due to the low-impedance logical "1" output current which one device would have to sink from the other. If, however, on all but one of the connected devices both the upper and lower output transistors are turned "OFF," then the one remaining device in the normal low impedance state will have to supply to, or sink from, the other devices only a small amount of leakage current.

While it is true that in a TTL system open-collector gates could be used to perform the logic function of these

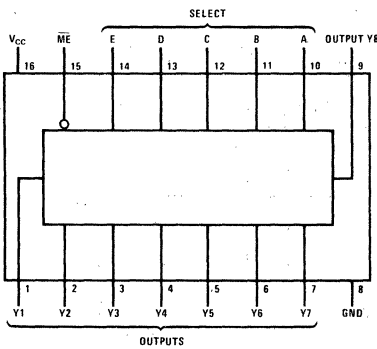
TRI-STATE elements, neither waveform integrity nor optimum speed would be achieved. The low output impedance of the DM7598/DM8598 provides good capacitance drive capability and rapid transition from the logical "0" to logical "1" level, thus assuring both speed and waveform integrity.

It is possible to connect as many as 128 DM8598s to a common bus line and still have adequate drive capability to allow fan-out from the bus.

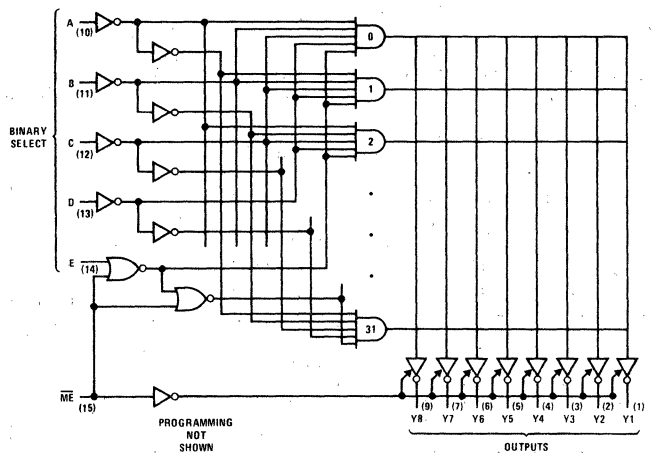
Features

- TRI-STATE outputs
- Pin compatible with DM5488/DM7488
- Organized as 32 8-bit words
- Full internal decoding
- 26 ns typical access time
- 350 mW typical power dissipation
- Designed for bus-organized systems

Connection and Logic Diagrams



7598(J); 8598(J, (N)



Electrical Characteristics over recommended operating free-air temperature range (unless otherwise noted)

PARAMETER		CONDITIONS		DM75/85			UNITS	
				98				
				MIN	TYP(1)	MAX		
V_{IH}	High Level Input Voltage	$V_{CC} = \text{Min}$		2			V	
V_{IL}	Low Level Input Voltage	$V_{CC} = \text{Min}$		0.8			V	
V_I	Input Clamp Voltage	$V_{CC} = \text{Min}, I_I = -12 \text{ mA}$		-1.5			V	
I_{OH}	High Level Output Current	DM75		-2.0			mA	
		DM85		-5.2				
V_{OH}	High Level Output Voltage	$V_{CC} = \text{Min}, V_{IH} = 2 \text{ V}$ $V_{IL} = 0.8 \text{ V}, I_{OH} = \text{Max}$		2.4			V	
I_{OL}	Low Level Output Current			12			mA	
V_{OL}	Low Level Output Voltage	$V_{CC} = \text{Min}, V_{IH} = 2 \text{ V}$ $V_{IL} = 0.8 \text{ V}, I_{OL} = 12 \text{ mA}$		0.4			V	
$I_{O(\text{OFF})}$	Off-State (High Impedance State) Output Current	$V_{CC} = \text{Max}$		-40			μA	
				40				
I_I	Input Current at Maximum Input Voltage	$V_{CC} = \text{Min}, V_I = 5.5 \text{ V}$		1			mA	
I_{IH}	High Level Input Current	$V_{CC} = \text{Max}, V_I = 2.4 \text{ V}$		25			μA	
I_{IL}	Low Level Input Current	$V_{CC} = \text{Max}, V_I = 0.4 \text{ V}$		-1.0			mA	
I_{OS}	Output Short Circuit Current	$V_{CC} = \text{Max}(2)$		-20			-70	mA
I_{CC}	Supply Current	$V_{CC} = \text{Max}, \text{Inputs Grounded}$		70			99	mA

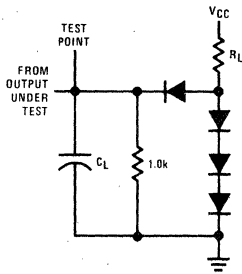
Notes

- (1) All typical values are at $V_{CC} = 5 \text{ V}$ and $T_A = 25^\circ\text{C}$.
 (2) Not more than one output should be shorted at a time.

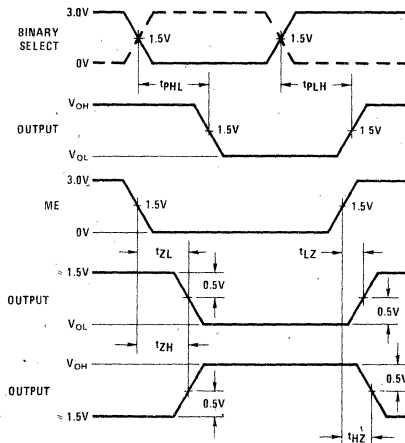
Switching Characteristics $V_{CC} = 5 \text{ V}, T_A = 25^\circ\text{C}$

PARAMETER		PARAMETER CONDITIONS	CONDITIONS	DM75			DM85			UNITS
				MIN	TYP	MAX	MIN	TYP	MAX	
t_{PLH}	Propagation Delay Time, Low to High Level Output	Access Time from Address	$C_L = 50 \text{ pF}$ $R_L = 400\Omega$	23	65		23	50		ns
t_{PHL}	Propagation Delay Time, High to Low Level Output	Access Time from Address		29	65		29	50		ns
t_{ZH}	Output Enable Time to High Level	Access Time from Memory Enable		16	40		16	30		ns
t_{ZL}	Output Enable Time to Low Level	Access Time from Memory Enable		20	40		20	30		ns
t_{HZ}	Output Disable Time from High Level	Disable Time from Memory Enable	$C_L = 5.0 \text{ pF}$ $R_L = 400\Omega$	10	30		10	20		ns
t_{LZ}	Output Disable Time from Low Level	Disable Time from Memory Enable		22	45		22	40		ns

AC Test Circuit and Switching Time Waveforms



CL includes probe and jig capacitance. All diodes are 1N3064.



Note: Input waveforms are supplied by pulse generators having the following characteristics: $t_r \leq 10$ ns, $t_s \leq 10$ ns, $PRR \leq 1.0$ MHz and $Z_{OUT} \approx 50\Omega$.

Truth Table

A special pattern has been generated for the DM7598/DM8598. The AA pattern provides a sine look up table. The 5-bit input code linearly divides 90° into 32 equal segments. Each 8-bit output is therefore the sine of the angle applied.

EXAMPLE: Input 11010 means $26/32$ of 90° , or about 73° . The corresponding output 1110100 indicates $(1/2 + 1/4 + 1/8 + 1/16 + 1/64)$ or about 0.95, which is close to the sine of 73° . Rounding-off has not been employed, since without rounding-off, it is possible to extend the accuracy with additional ROMs.

WORD	INPUTS					ENABLE	OUTPUTS								
	E	D	C	B	A		ME	Y8	Y7	Y6	Y5	Y4	Y3	Y2	Y1
0	L	L	L	L	L	L	L	L	L	L	L	L	L	L	L
1	L	L	L	L	H	L	L	L	L	L	H	H	L	L	H
2	L	L	L	H	L	L	L	L	L	H	H	L	L	L	H
3	L	L	L	H	H	L	L	L	H	L	L	H	L	L	H
4	L	L	H	L	L	L	L	L	L	H	H	L	L	L	H
5	L	L	H	L	H	L	L	L	L	H	H	H	H	H	L
6	L	L	H	H	L	L	L	L	H	L	L	H	L	H	L
7	L	L	H	H	H	L	L	L	H	L	H	L	H	H	L
8	L	H	L	L	L	L	L	L	H	H	L	L	L	L	H
9	L	H	L	L	H	L	L	L	H	H	L	H	H	L	H
10	L	H	L	H	L	L	L	L	H	H	H	H	L	L	L
11	L	H	L	H	H	L	L	L	L	L	L	L	H	H	L
12	L	H	H	L	L	L	L	L	H	L	L	L	H	H	L
13	L	H	H	L	H	L	L	L	H	L	L	L	L	L	L
14	L	H	H	H	L	L	L	L	H	L	H	L	L	L	H
15	L	H	H	H	H	L	L	L	H	L	H	L	H	L	H
16	H	L	L	L	L	L	L	L	H	L	H	H	L	H	L
17	H	L	L	L	H	L	L	L	H	L	H	H	H	L	H
18	H	L	L	H	L	L	L	L	H	H	L	L	L	H	L
19	H	L	L	H	H	L	L	L	H	H	L	L	L	H	L
20	H	L	H	L	L	L	L	L	H	H	L	H	L	H	L
21	H	L	H	L	H	L	L	L	H	H	H	L	L	L	H
22	H	L	H	H	L	L	L	L	H	H	H	L	L	L	H
23	H	L	H	H	H	L	L	L	H	H	H	L	L	H	H
24	H	H	L	L	L	L	L	L	H	H	H	L	H	H	L
25	H	H	L	L	H	L	L	L	H	H	H	H	L	L	H
26	H	H	L	H	L	L	L	L	H	H	H	H	L	H	L
27	H	H	L	H	H	L	L	L	H	H	H	H	H	L	L
28	H	H	H	L	L	L	L	L	H	H	H	H	H	L	H
29	H	H	H	L	H	L	L	L	H	H	H	H	H	L	H
30	H	H	H	H	L	L	L	L	H	H	H	H	H	H	L
31	H	H	H	H	H	L	L	L	H	H	H	H	H	H	H
All	X	X	X	X	X	H	Hi-Z	Hi-Z	Hi-Z	Hi-Z	Hi-Z	Hi-Z	Hi-Z	Hi-Z	Hi-Z

X = Don't Care

Truth Table/Order Blank

The output levels are not shown on the truth table since the customer specifies the output condition he desires at each of the eight outputs for each of the 32 words (256 bits). The customer does this by filling out the Truth Table on this data sheet, and sending it in with his purchase order

WORD	INPUTS						OUTPUTS							
	BINARY SELECT					ENABLE	Y8	Y7	Y6	Y5	Y4	Y3	Y2	Y1
	E	D	C	B	A	\overline{ME}								
0	L	L	L	L	L	L								
1	L	L	L	L	H	L								
2	L	L	L	H	L	L								
3	L	L	L	H	H	L								
4	L	L	H	L	L	L								
5	L	L	H	L	H	L								
6	L	L	H	H	L	L								
7	L	L	H	H	H	L								
8	L	H	L	L	L	L								
9	L	H	L	L	H	L								
10	L	H	L	H	L	L								
11	L	H	L	H	H	L								
12	L	H	H	L	L	L								
13	L	H	H	L	H	L								
14	L	H	H	H	L	L								
15	L	H	H	H	H	L								
16	H	L	L	L	L	L								
17	H	L	L	L	H	L								
18	H	L	L	H	L	L								
19	H	L	L	H	H	L								
20	H	L	H	L	L	L								
21	H	L	H	L	H	L								
22	H	L	H	H	L	L								
23	H	L	H	H	H	L								
24	H	H	L	L	L	L								
25	H	H	L	L	H	L								
26	H	H	L	H	L	L								
27	H	H	L	H	H	L								
28	H	H	H	L	L	L								
29	H	H	H	L	H	L								
30	H	H	H	H	L	L								
31	H	H	H	H	H	L								
All	X	X	X	X	X	H	Hi-Z	Hi-Z	Hi-Z	Hi-Z	Hi-Z	Hi-Z	Hi-Z	Hi-Z

X = Don't Care

Notice: This sheet must be completed and signed by an authorized representative of the customer's company before an order can be entered.

To be used by National only

_____ Part Number
 _____ S.O. Number
 _____ Date Received

 Authorized Representative

 Date

 Company

Desired Part

DM7598

DM8598

Ordering Instructions

Programming instructions for the DM7598/DM8598 are solicited in the form of a sequenced deck of 32 standard 80-column data cards providing the information requested under "data card format," accompanied by a properly sequenced listing of these cards, and the supplementary ordering data. Upon receipt of these items, a computer run will be made from the deck of cards which will produce a complete function table of the requested part. This function table, showing output conditions for each of the 32 words, will be forwarded to the purchaser as verification of the input data as interpreted by the computer-automated design (CAD) program. This single run also generates mask and test program data; therefore, verification of the function table should be completed promptly.

Each card in the data deck prepared by the purchaser identifies the word specified and describes the levels at the eight outputs for that word. All addresses must have all outputs defined and columns designated as "blank" must not be punched. Cards should be punched according to the data card format shown.

Supplementary Ordering Data

Submit the following information with the data cards:

- a) Customer's name and address
- b) Customer's purchase order number
- c) Customer's drawing number

The following information will be furnished to the customer:

- a) National's part number
- b) National's sales order number
- c) Date received

Data Card Format

Col. 1–2: Punch a right-justified integer representing the positive-logic binary input address (00–31) for the word described on the card.

Col. 3–4: Blank

Col. 5: Punch "H" or "L" for output Y8. H = high-voltage level output, L = low-voltage level output.

Col. 6–9: Blank

Col. 10: Punch "H" or "L" for output Y7.

Col. 11–14: Blank

Col. 15: Punch "H" or "L" for output Y6.

Col. 16–19: Blank

Col. 20: Punch "H" or "L" for output Y5.

Col. 21–24: Blank

Col. 25: Punch "H" or "L" for output Y4.

Col. 26–29: Blank

Col. 30: Punch "H" or "L" for output Y3.

Col. 31–34: Blank

Col. 35: Punch "H" or "L" for output Y2.

Col. 36–39: Blank

Col. 40: Punch "H" or "L" for output Y1.

Col. 41–49: Blank

Col. 50–51: Punch a right-justified integer representing the current calendar day of the month.

Col. 52: Blank

Col. 53–55: Punch an alphabetic abbreviation representing the current month.

Col. 56: Blank

Col. 57–58: Punch the last two digits of the current year.

Col. 59: Blank

Col. 60–61: Punch "DM,"

Col. 62–66: Punch "7598" or "8598."

Col. 67–68: Blank

Col. 69–80: These columns may be used for any customer information or identification.

TRI-STATE 64-Bit Random Access Memories

General Description

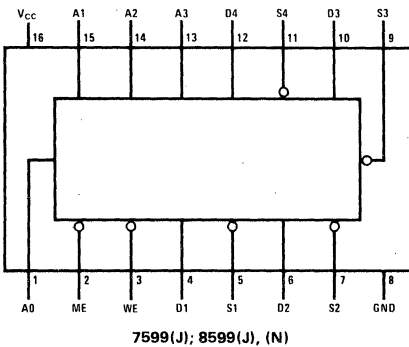
The DM7599/DM8599 is a fully decoded 64-bit RAM organized as 16 4-bit words. The memory is addressed by applying a binary number to the four address inputs. After addressing, information may be either written into or read from the memory. To write, both the memory enable and the write enable inputs must be in the logical "0" state. Information applied to the four write inputs will then be written into the addressed location. To read information from the memory the memory enable input must be in the logical "0" state and the write enable input in the logical "1" state. Information will be read as the complement of what was written into the memory. When the memory enable input is in the logical "1" state, the outputs will go to the high-impedance state. This allows up to 128 memories to be connected to a common bus line with-

out the use of pull-up resistors. All memories except one are gated into the high impedance state while the one selected memory exhibits the normal low impedance output characteristics of TTL.

Features

- TRI-STATE outputs
- Same pin-out as DM5489/DM7489
- Organized as 16, 4-bit words
- Expandable to 2048, 4-bit words without additional resistors (DM8599 only)
- Typical access from chip enable 20 ns
- Typical access time 28 ns

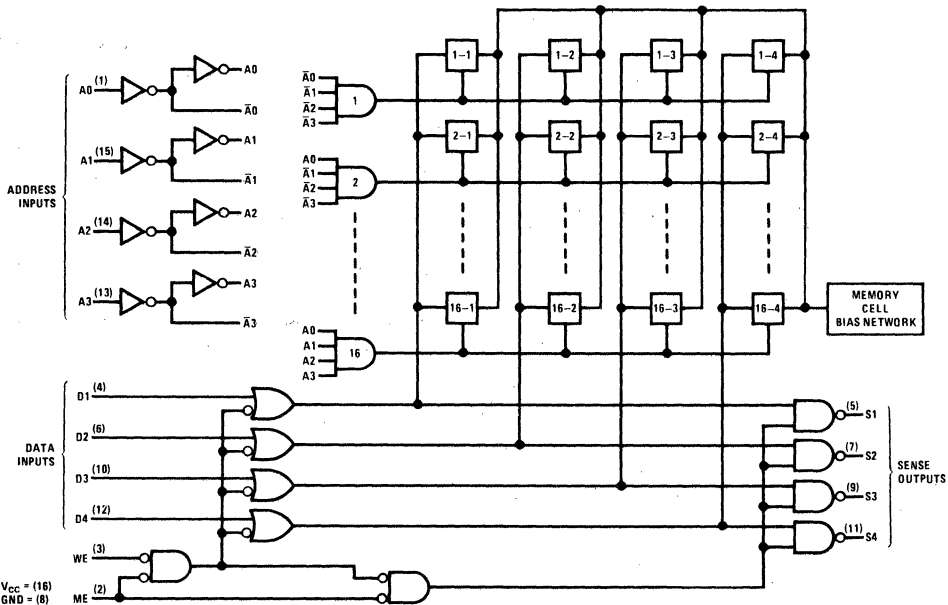
Connection Diagram



Truth Table

MEMORY ENABLE	WRITE ENABLE	OPERATION	OUTPUTS
L	L	Write	Hi-Z
L	H	Read	Complement of Data Stored in Memory
H	X	Hold	Hi-Z

Logic Diagram



Electrical Characteristics over recommended operating free-air temperature range (unless otherwise noted)

PARAMETER		CONDITIONS		DM75/85			UNITS
				99			
				MIN	TYP(1)	MAX	
V_{IH}	High Level Input Voltage	$V_{CC} = \text{Min}$		2			V
V_{IL}	Low Level Input Voltage	$V_{CC} = \text{Min}$		0.8			V
V_I	Input Clamp Voltage	$V_{CC} = \text{Min}, I_I = -12 \text{ mA}$		-1.5			V
I_{OH}	High Level Output Current	DM75		-2.0			mA
		DM85		-5.2			
V_{OH}	High Level Output Voltage	$V_{CC} = \text{Min}, V_{IH} = 2\text{V}$ $V_{IL} = 0.8\text{V}, I_{OH} = \text{Max}$		2.4			V
I_{OL}	Low Level Output Current			12			mA
V_{OL}	Low Level Output Voltage	$V_{CC} = \text{Min}, V_{IH} = 2\text{V}$ $V_{IL} = 0.8\text{V}, I_{OL} = 12 \text{ mA}$		0.4			V
$I_{O(OFF)}$	Off State (High Impedance State) Output Current	$V_{CC} = \text{Max}$	$V_O = 0.4\text{V}$	-40			μA
			$V_O = 2.4\text{V}$	40			
I_I	Input Current at Maximum Input Voltage	$V_{CC} = \text{Max}, V_I = 5.5\text{V}$		1			mA
I_{IH}	High Level Input Current	$V_{CC} = \text{Max}, V_I = 2.4\text{V}$		40			μA
I_{IL}	Low Level Input Current	$V_{CC} = \text{Max}, V_I = 0.4\text{V}$		-1.6			mA
I_{OS}	Short Circuit Output Current	$V_{CC} = \text{Max}(2)$		-30	-70		mA
I_{CC}	Supply Current	$V_{CC} = \text{Max}$		80	120		mA

Notes:

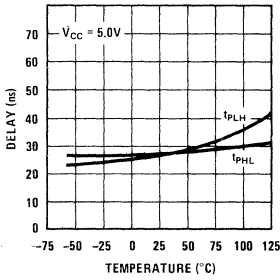
- (1) All typical values are at $V_{CC} = 5\text{V}$ and $T_A = 25^\circ\text{C}$.
- (2) Not more than one output should be shorted at a time.

Switching Characteristics $V_{CC} = 5\text{V}, T_A = 25^\circ\text{C}$

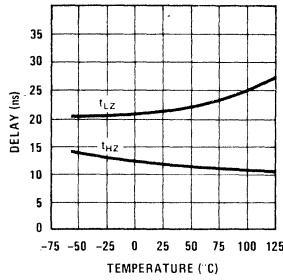
PARAMETER		FROM	TO	CONDITIONS	DM75/85			UNITS
					99			
					MIN	TYP	MAX	
t_{PLH}	Propagation Delay Time, Low-to-High Level Output	Address	Output	$C_L = 50 \text{ pF}$ $R_L = 400\Omega$	27	45	ns	
t_{PHL}	Propagation Delay Time, High-to-Low Level Output	Address	Output		28	45	ns	
t_{ZH}	Output Enable Time to High Level	ME	Output		14	20	ns	
t_{ZL}	Output Enable Time to Low Level	ME	Output		19	30	ns	
t_{HZ}	Output Disable Time from High Level	ME	Output	$C_L = 5 \text{ pF}$ $R_L = 400\Omega$	12	20	ns	
t_{LZ}	Output Disable Time from Low Level	ME	Output		21	30	ns	
t_{SETUP}	Setup Time	Address			0	-17	ns	
		Data			0	-15		
t_{HOLD}	Hold Time	Address			5	-7	ns	
		Data			0	-14		
t_{WP}	Write Enable Pulse Width					40	23	ns
t_{SR}	Sense Recovery Time					42	60	ns

Typical Performance Curves

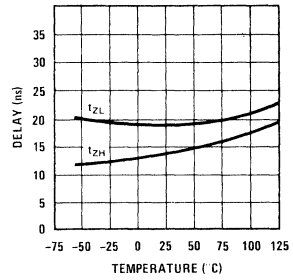
DELAY FROM ADDRESS TO OUTPUT



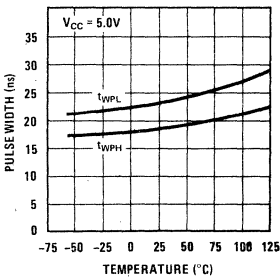
DELAY FROM ENABLE TO HIGH IMPEDANCE STATE



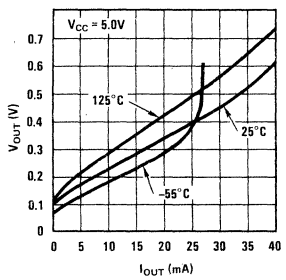
DELAY FROM ENABLE TO LOW IMPEDANCE STATE



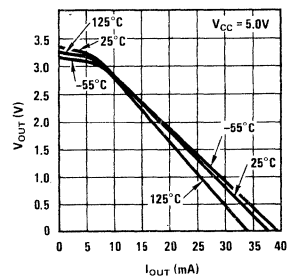
MINIMUM WRITE PULSE WIDTH



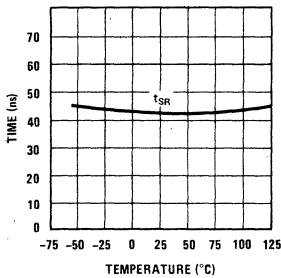
LOGICAL "0" OUTPUT VOLTAGE VS SINK CURRENT



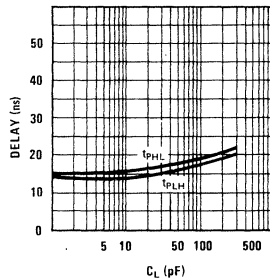
LOGICAL "1" OUTPUT VOLTAGE VS SOURCE CURRENT



SENSE RECOVERY TIME

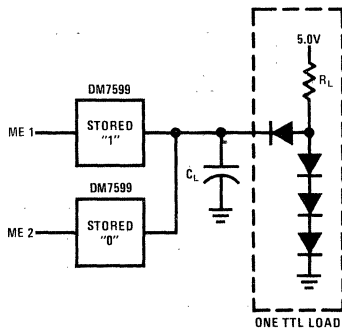


DELAY FROM ENABLE TO OUTPUT VS LOAD CAPACITANCE



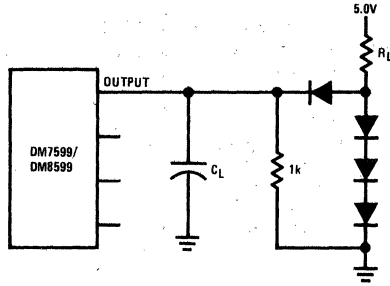
Test Circuit

TEST CIRCUIT FOR DELAY VS LOAD CAPACITANCE

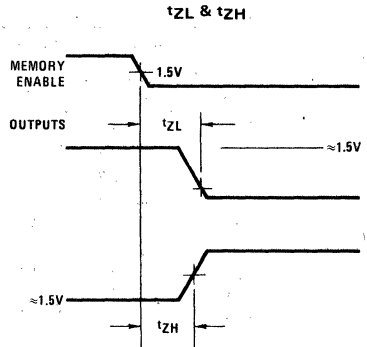
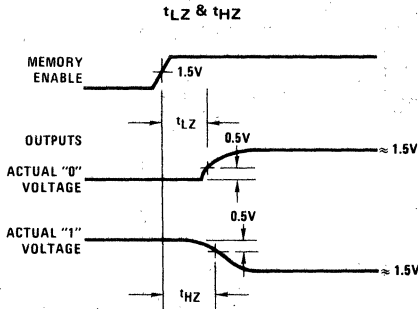
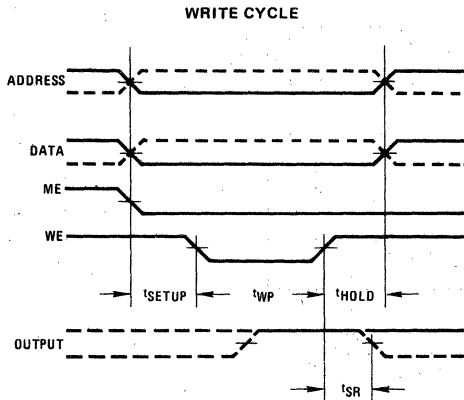


Note: In a typical application the output of the TRI-STATE memories might be wired together and one would be switching to the low impedance state at the same time the circuit previously selected would be switching back into the high impedance state. The measurements of delay versus load capacitance were made under conditions which simulate actual operating conditions in an application. (See test circuit.)

AC Test Circuit



Switching Time Waveforms



Note: The pulse generator has the following characteristics: $V = 3.0V$, $t_r = 15\text{ ns}$, $t_f = 5.0\text{ ns}$, $f = 500\text{ kHz}$, duty cycle = 50%, $Z_{OUT} = 50\Omega$, $V_t = 1.3V @ 25^\circ C$.

TRI-STATE Magnitude Comparators with A almost equal B

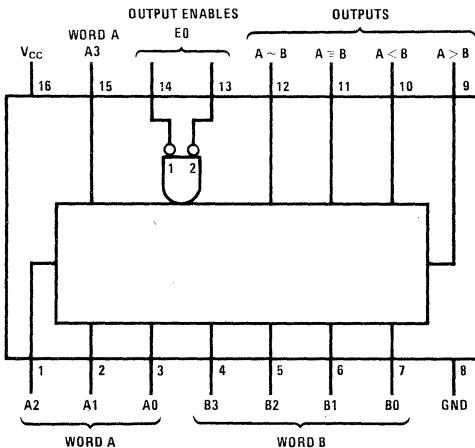
General Description

These circuits are low power, 4-bit, magnitude comparators which provide both standard totem-pole TTL outputs as well as TRI-STATE outputs. A comparison of two, 4-bit words is performed, and the result indicated by the four outputs: $A > B$, $A < B$, $A \equiv B$, and $A \sim B$. The $A \sim B$ output is unique with this device, and is enabled only when Word A is within one binary count of Word B. The comparison is expandable to any number, without the need for external gates. The maximum speed method of cascading, and typical comparison times are shown in *Figures 1 and 2*.

Features

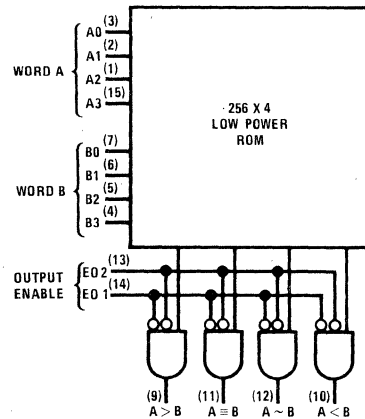
- TRI-STATE outputs
- May be cascaded to compare words of greater length
- Typical power dissipation 75 mW
- Four separate outputs
 - $A \equiv B$
 - $A < B$
 - $A > B$
 - $A \sim B$
- A almost equal to B ($A \sim B$) output permits look-ahead and anticipation of a match ($A \equiv B$)

Connection Diagram



76L24/86L24(J), (N), (W)

Logic Diagram



Truth Table

COMPARING INPUTS				ENABLE INPUTS		OUTPUTS			
(MSB)		(LSB)		E01	E02	A < B	A ≡ B	A ~ B	A > B
A3 B3	A2 B2	A1 B1	A0 B0						
A3 > B3	A2 > B2	A1 > B1	A0 > B0	L	L	L	L	H	H
A3 < B3	A2 < B2	A1 < B1	A0 < B0	L	L	H	L	H	L
A3 = B3	A2 > B2	X	X	L	L	L	L	L	H
A3 = B3	A2 < B2	X	X	L	L	H	L	L	L
A3 = B3	A2 = B2	A1 > B1	X	L	L	L	L	L	H
A3 = B3	A2 = B2	A1 < B1	X	L	L	H	L	L	L
A3 = B3*	A2 = B2	A1 = B1	A0 > B0	L	L	L	L	H	H
A3 = B3**	A2 = B2	A1 = B1	A0 < B0	L	L	H	L	H	L
A3 = B3	A2 = B2	A1 = B1	A0 = B0	L	L	L	L	H	L
X	X	X	X	H	X	Hi-Z	Hi-Z	Hi-Z	Hi-Z
X	X	X	X	X	H	Hi-Z	Hi-Z	Hi-Z	Hi-Z

*Word A > Word B By 1

**Word A < Word B By 1

H = High Level, L = Low Level, X = Don't Care

Electrical Characteristics over recommended operating free-air temperature range (unless otherwise noted)

PARAMETER		CONDITIONS	DM76			DM86			UNITS
			L24			L24			
			MIN	TYP(1)	MAX	MIN	TYP(1)	MAX	
V_{IH}	High Level Input Voltage		2			2		V	
V_{IL}	Low Level Input Voltage					0.7		V	
V_I	Input Clamp Voltage	$V_{CC} = \text{Min}, I_I = -12 \text{ mA}$			-1.5		-1.5	V	
I_{OH}	High Level Output Current				-1.0		-1.0	mA	
V_{OH}	High Level Output Voltage	$V_{CC} = \text{Min}, V_{IH} = 2\text{V}$ $V_{IL} = 0.7\text{V}, I_{OH} = -1.0 \text{ mA}$	2.4			2.4		V	
I_{OL}	Low Level Output Current				2.0		3.6	mA	
V_{OL}	Low Level Output Voltage	$V_{CC} = \text{Min}, V_{IH} = 2\text{V}$ $V_{IL} = 0.7\text{V}, I_{OL} = \text{Max}$			0.3		0.4	V	
$I_{O(OFF)}$	Off State (High Impedance State) Output Current	$V_{CC} = \text{Max}, V_{IH} = 2\text{V}$ $V_{IL} = 0.7\text{V}$	$V_O = 0.3\text{V}$		-40		-40	μA	
			$V_O = 2.4\text{V}$		40		40		
I_I	Input Current at Maximum Input Voltage	$V_{CC} = \text{Max}, V_I = 5.5\text{V}$			100		100	μA	
I_{IH}	High Level Input Current	$V_{CC} = \text{Max}, V_I = 2.4\text{V}$			10		10	μA	
I_{IL}	Low Level Input Current	$V_{CC} = \text{Max}, V_I = 0.3\text{V}$			-180		-180	μA	
I_{OS}	Short Circuit Output Current	$V_{CC} = \text{Max}(2)$	-6	-30	-6	-30		mA	
I_{CC}	Supply Current	$V_{CC} = \text{Max}, V_I = 0\text{V}$		15 20		15 20		mA	

Notes

- (1) All typical values are at $V_{CC} = 5\text{V}, T_A = 25^\circ\text{C}$.
(2) Not more than one output should be shorted at a time.

Switching Characteristics $V_{CC} = 5\text{V}, T_A = 25^\circ\text{C}$

PARAMETER		FROM	TO	CONDITIONS	DM76L/86L			UNITS	
					L24				
					MIN	TYP	MAX		
t_{PLH}	Propagation Delay Time, Low-to-High Level Output	Data	Output	$C_L = 50 \text{ pF}, R_L = 4 \text{ k}\Omega$		86	130	ns	
t_{PHL}	Propagation Delay Time, High-to-Low Level Output	Data	Output			55	85	ns	
t_{ZH}	Output Enable Time to High Level					34	51	ns	
t_{ZL}	Output Enable Time to Low Level					47	70	ns	
t_{HZ}	Output Disable Time from High Level				$C_L = 5 \text{ pF}, R_L = 4 \text{ k}\Omega$		15	23	ns
t_{LZ}	Output Disable Time from Low Level						57	86	ns

Typical Applications

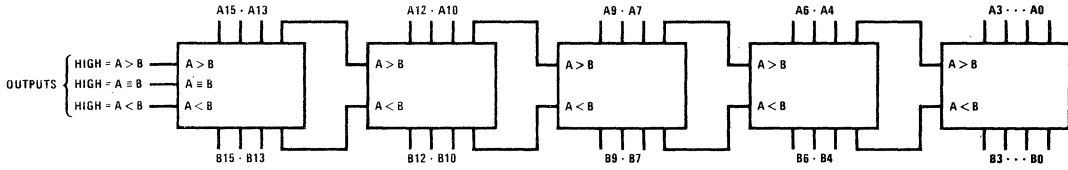


FIGURE 1. 16-BIT COMPARATOR, MAXIMUM LOGIC EXPANSION (NOT SUITABLE FOR A ~ B)

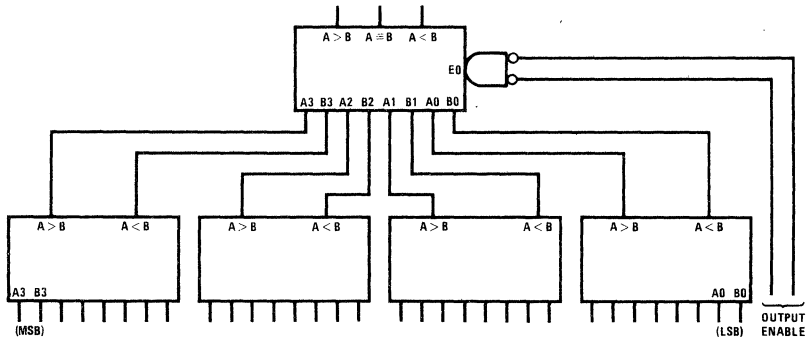
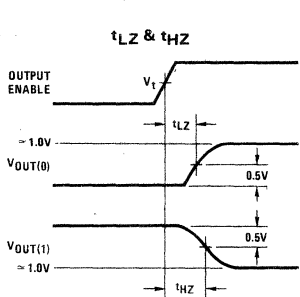
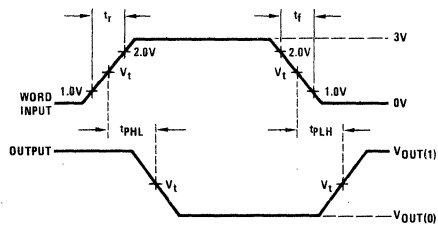
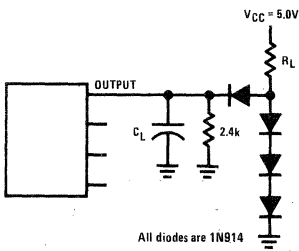


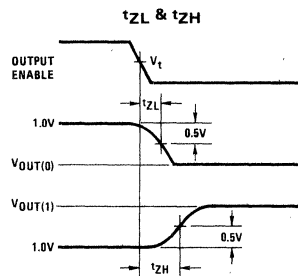
FIGURE 2. MAXIMUM SPEED EXPANSION (NOT SUITABLE FOR A ~ B)

COMPARE (FIGURE 2)	CIRCUIT DELAY	NUMBER OF CIRCUITS
1-4 BITS	1 DELAY	1
5-7 BITS	2 DELAYS	2
8-10 BITS	2 DELAYS	3
11-13 BITS	2 DELAYS	4
14-16 BITS	2 DELAYS	5

AC Test Circuit and Switching Time Waveforms



OUTPUT ENABLE



Note: The pulse generator has the following characteristics: $V = 3.0V$, $t_r = 15\text{ ns}$, $t_f = 5.0\text{ ns}$, $f = 500\text{ kHz}$, duty cycle = 50%, $Z_{OUT} = 50\Omega$, $V_t = 1.3V @ 25^\circ C$.

TRI-STATE 7-Segment to BCD Decoder

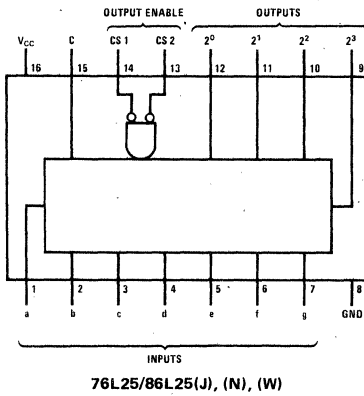
General Description

These circuits are low power converters which accept 7-segment data on the inputs, and provide binary-coded decimal (BCD) data on the outputs. An input control line is also provided, in the event that the 7-segment input data is presented in inverted form. The BCD outputs are normally of the standard totem-pole TTL type, however they may also be converted to high-impedance (TRI-STATE) types by applying a high logic level to either of the two output enable pins.

Features

- TRI-STATE outputs
- Typical power dissipation 75 mW
- Typical propagation delay 70 ns

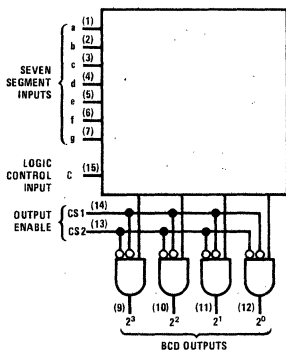
Connection Diagram



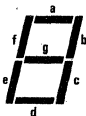
Truth Table

DIGIT	a	b	c	d	e	f	g	CTL	CS 1	CS 2	2 ³	2 ²	2 ¹	2 ⁰
0	H	H	H	H	H	H	L	H	L	L	L	L	L	L
1	L	H	H	L	L	L	L	H	L	L	L	L	L	H
2	H	H	L	H	H	L	H	H	L	L	L	L	H	L
3	H	H	H	H	L	L	H	H	L	L	L	L	H	H
4	L	H	H	L	L	H	H	H	L	L	L	H	L	L
5	H	L	H	H	L	H	H	H	L	L	L	H	L	H
6	L	L	H	H	H	H	H	H	L	L	L	H	H	L
7	H	L	H	H	H	H	H	H	L	L	L	H	H	L
8	H	H	H	L	L	L	L	H	L	L	L	H	H	H
9	H	H	H	H	H	H	H	H	L	L	L	H	L	L
9	H	H	H	H	L	H	H	H	L	L	L	H	L	H
BLANK	L	L	L	L	L	L	L	H	L	L	L	H	H	H
L	L	L	L	H	H	H	L	H	L	L	L	H	H	L
E	L	L	L	H	H	H	H	H	L	L	L	H	H	L
A	H	H	H	L	H	H	H	H	L	L	L	H	L	L
P	H	H	L	L	H	H	H	H	L	L	L	H	L	L
-	L	L	L	L	L	L	H	H	L	L	L	H	H	L
0	L	L	L	L	L	L	H	L	L	L	L	L	L	L
1	H	L	L	H	H	H	H	L	L	L	L	L	L	H
2	L	L	H	L	L	H	L	L	L	L	L	L	H	L
3	L	L	L	L	H	H	L	L	L	L	L	L	L	H
4	H	L	L	H	H	L	L	L	L	L	L	L	H	L
5	L	H	L	L	H	L	L	L	L	L	L	L	H	L
6	H	H	L	L	L	L	L	L	L	L	L	L	H	L
7	L	H	L	L	L	L	L	L	L	L	L	L	H	L
8	L	L	L	H	H	H	H	L	L	L	L	L	H	H
9	L	L	L	L	L	L	L	L	L	L	L	L	H	L
9	L	L	L	L	H	H	L	L	L	L	L	L	H	L
BLANK	H	H	H	H	H	H	H	L	L	L	L	H	H	H
L	H	H	H	L	L	L	H	L	L	L	L	H	H	L
E	L	H	H	L	L	L	L	L	L	L	L	H	H	L
A	L	L	L	H	L	L	L	L	L	L	L	H	L	L
P	L	L	L	H	L	L	L	L	L	L	L	H	L	L
-	H	H	H	H	H	H	H	L	L	L	L	H	H	L
X	X	X	X	X	X	X	X	X	H	X	Z	Z	Z	Z
X	X	X	X	X	X	X	X	X	X	H	Z	Z	Z	Z
All Other Input Combinations	L	L	L	L	L	L	L	L	L	L	H	H	H	H

Logic Diagram



Segment Identification



Electrical Characteristics over recommended operating free-air temperature range (unless otherwise noted)

PARAMETER		CONDITIONS	DM76L		DM86L		UNITS	
			L25			L25		
			MIN	TYP(1)	MAX	MIN		TYP(1)
V_{IH}	High Level Input Voltage		2		2		V	
V_{IL}	Low Level Input Voltage			0.7		0.7	V	
V_I	Input Clamp Voltage	$V_{CC} = \text{Min}, I_I = -12 \text{ mA}$		-1.5		-1.5	V	
I_{OH}	High Level Output Current			-1.0		-1.0	mA	
V_{OH}	High Level Output Voltage	$V_{CC} = \text{Min}, V_{IH} = 2\text{V}$ $V_{IL} = 0.7\text{V}, I_{OH} = -1.0 \text{ mA}$	2.4		2.4		V	
I_{OL}	Low Level Output Current			2.0		3.6	mA	
V_{OL}	Low Level Output Voltage	$V_{CC} = \text{Min}, V_{IH} = 2\text{V}$ $V_{IL} = 0.7\text{V}, I_{OL} = \text{Max}$		0.3		0.4	V	
$I_{O(\text{OFF})}$	Off State (High Impedance State) Output Current	$V_{CC} = \text{Max}, V_{IH} = 2\text{V}$ $V_{IL} = 0.7\text{V}$	$V_O = 0.3\text{V}$	-40		-40	μA	
			$V_O = 2.4\text{V}$	40		40		
I_I	Input Current at Maximum Input Voltage	$V_{CC} = \text{Max}, V_I = 5.5\text{V}$		100		100	μA	
I_{IH}	High Level Input Current	$V_{CC} = \text{Max}, V_I = 2.4\text{V}$		10		10	μA	
I_{IL}	Low Level Input Current	$V_{CC} = \text{Max}, V_I = 0.3\text{V}$		-180		-180	μA	
I_{OS}	Short Circuit Output Current	$V_{CC} = \text{Max}(2)$	-6	-30	-6	-30	mA	
I_{CC}	Supply Current	$V_{CC} = \text{Max}, V_I = 0\text{V}$	15	20	15	20	mA	

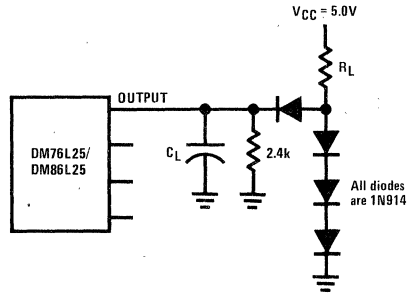
Notes

- (1) All typical values are at $V_{CC} = 5\text{V}, T_A = 25^\circ\text{C}$.
(2) Not more than one output should be shorted at a time.

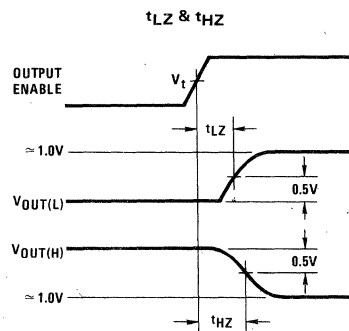
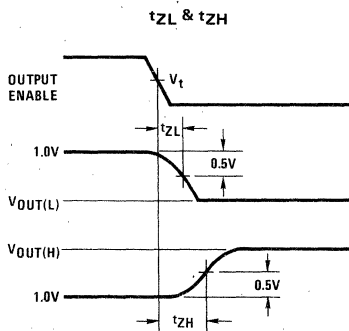
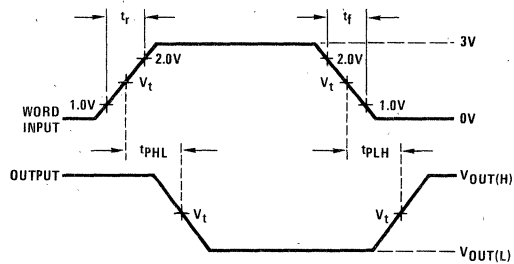
Switching Characteristics $V_{CC} = 5\text{V}, T_A = 25^\circ\text{C}$

PARAMETER		FROM	TO	CONDITIONS	DM76L/86L			UNITS
					L25			
					MIN	TYP	MAX	
t_{PLH}	Propagation Delay Time, Low-to-High Level Output	Data	Output	$C_L = 50 \text{ pF}, R_L = 4 \text{ k}\Omega$	86	130	ns	
t_{PHL}	Propagation Delay Time, High-to-Low Level Output	Data	Output		55	85	ns	
t_{ZH}	Output Enable Time to High Level				34	51	ns	
t_{ZL}	Output Enable Time to Low Level				47	70	ns	
t_{HZ}	Output Disable Time from High Level				$C_L = 5 \text{ pF}, R_L = 4 \text{ k}\Omega$	15	23	ns
t_{LZ}	Output Disable Time from Low Level					57	86	ns

AC Test Circuit



Switching Time Waveforms



Note: The pulse generator has the following characteristics: $V = 3.0V$, $t_r = 15$ ns, $t_f = 5.0$ ns, $f = 500$ kHz, duty cycle = 50%, $Z_{OUT} = 50\Omega$, $V_t = 1.3V$ @ 25°C.

Presettable Decade/Binary Counters

General Description

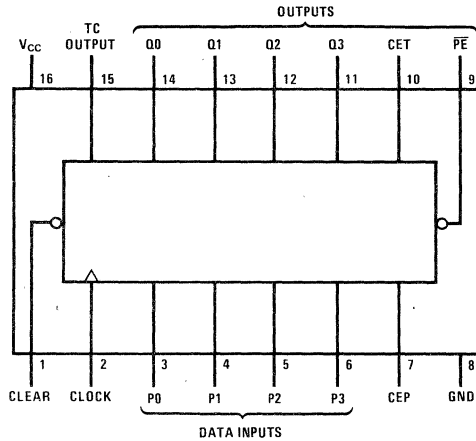
These synchronous, presettable counters are true tenth-power versions of the popular DM54160A/DM74160A, DM54161A/DM74161A, DM9310, and DM9316 counters. They feature an internal carry/look ahead for high-speed cascading, and trigger on the positive-going transition of the clock pulse. The counters are fully programmable; and, since presetting is synchronous, applying a low logic level to the load input disables the counter and forces the outputs to agree with the setup data after the next clock pulse, regardless of the levels of the enable inputs. Low-to-high transitions at the load inputs are acceptable, regardless of the logic levels on the clock or enable inputs. The clear (reset) function is asynchronous, and a low level applied to the clear input sets all four outputs low regardless of the levels on the clock, load, or enable inputs. In high-speed cascading arrangements, both count-enable inputs (P, T) must be high to count, and input T is fed

forward to enable the ripple carry output. This high-level overflow ripple carry pulse can be used to enable successive stages. High-to-low level transitions at the P or T enable inputs are permitted, regardless of the logic level on the clock.

Features

- Low power versions popular counters
 DM76L75/DM86L75 = DM54160A/DM74160A,
 DM9310 – decade counter
- DM76L76/DM86L76 = DM54161A/DM74161A,
 DM9316 – binary counter
- Internal look-ahead for fast cascading
- Counters are fully synchronous and presettable
- Typical power dissipation 33 mW

Connection Diagram



76L75/86L75(J), (N), (W);
 76L76/86L76(J), (N), (W)

Electrical Characteristics over recommended operating free-air temperature range (unless otherwise noted)

PARAMETER		CONDITIONS	DM76L			DM86L			UNITS	
			L75, L76			L75, L76				
			MIN	TYP(1)	MAX	MIN	TYP(1)	MAX		
V _{IH}	High Level Input Voltage		2			2			V	
V _{IL}	Low Level Input Voltage					0.7			V	
I _{OH}	High Level Output Current					-200			μA	
V _{OH}	High Level Output Voltage	V _{CC} = Min, V _{IH} = 2V V _{IL} = 0.7V, I _{OH} = -200μA	2.4	3.1		2.4	3.1		V	
I _{OL}	Low Level Output Current		2.0			3.6			mA	
V _{OL}	Low Level Output Voltage	V _{CC} = Min, V _{IH} = 2V V _{IL} = 0.7V, I _{OL} = Max	0.2 0.3			0.2 0.4			V	
I _I	Input Current at Maximum Input Voltage	V _{CC} = Max, V _I = 5.5V	CET Input		200			200		μA
			Others		100			100		
I _{IH}	High Level Input Current	V _{CC} = Max, V _I = 2.4V	CET Input		20			20		μA
			Others		10			10		
I _{IL}	Low Level Input Current	V _{CC} = Max, V _I = 0.3V	CET Input		-360			-360		μA
			Others		-180			-180		
I _{OS}	Short Circuit Output Current	V _{CC} = Max	-3	-9	-15	-3	-9	-15	mA	
I _{CC}	Supply Current	V _{CC} = Max	6.5 9			6.5 9			mA	

Notes

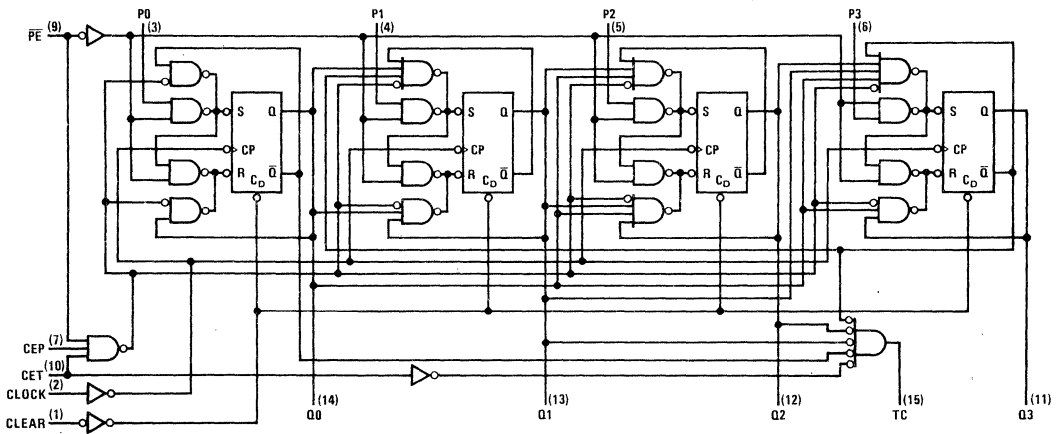
 (1) All typical values are at V_{CC} = 5V, T_A = 25°C.

Switching Characteristics V_{CC} = 5V, T_A = 25°C

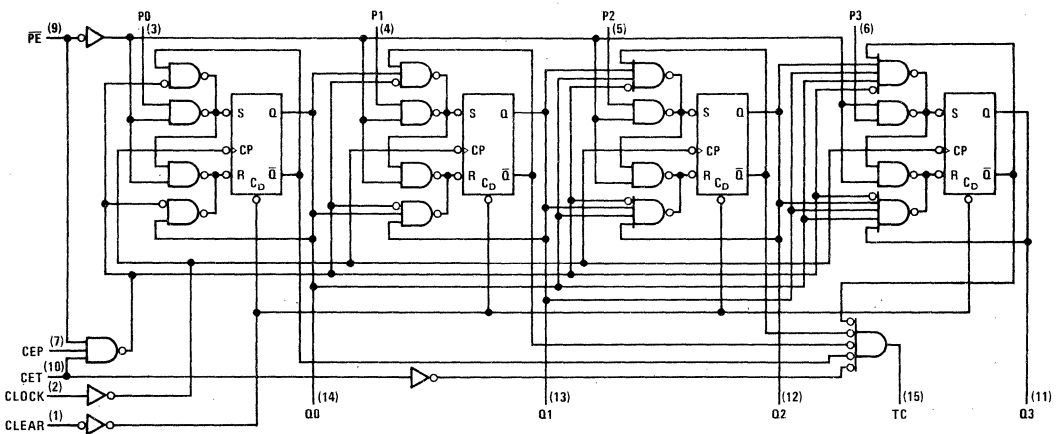
PARAMETER		FROM	TO	CONDITIONS	DM76L/86L			UNITS
					L75, L76			
					MIN	TYP	MAX	
f _{MAX}	Maximum Clock Frequency			C _L = 50 pF, R _L = 4 kΩ	6	13		MHz
t _{PLH}	Propagation Delay Time, Low-to-High Level Output	Clock	Q Output		45	75		ns
t _{PHL}	Propagation Delay Time, High-to-Low Level Output	Clock	Q Output		65	110		ns
t _{PLH}	Propagation Delay Time, Low-to-High Level Output	Clock	TC Output		70	115		ns
t _{PHL}	Propagation Delay Time, High-to-Low Level Output	Clock	TC Output		85	140		ns
t _{PLH}	Propagation Delay Time, Low-to-High Level Output	CET	TC Output		35	60		ns
t _{PHL}	Propagation Delay Time, High-to-Low Level Output	CET	TC Output		35	60		ns
t _{W(CLOCK)}	Minimum Pulse Width				60	25		ns
t _{W(RESET)}	Minimum Pulse Width				80	30		ns
t _{SETUP}	Setup Time	CE		65	40		ns	
		P Inputs		30	15			
		Parallel Entry		65	40			
t _{HOLD}	Hold Time	CE		80	50		ns	
		P Inputs		30	15			
		Parallel Entry		65	40			

Logic Diagrams

76L75/86L75 (DECADE)



76L76/86L76 (BINARY)



V_{CC} = (16)
GND = (8)

7 by 9 Character Generators

General Description

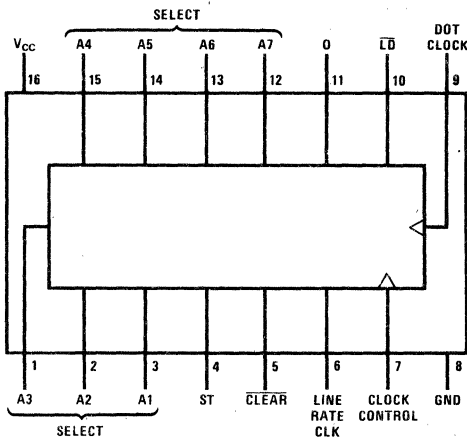
The DM7678/8678 and DM7679/DM8679 are bipolar character generators. A maximum of 64 characters can be displayed in a 7X9 dot matrix. Shifted characters can be generated by the on-chip subtractor. On-chip line counter and parallel-in-serial-out shift register reduce package pin-out.

The clear input and the load input are active low. Load is synchronous with the Dot Rate Clock. Both the line rate clock and the dot rate clock are positive triggered. When the strobe input receives a low signal, the character address will be held at the inputs.

Features

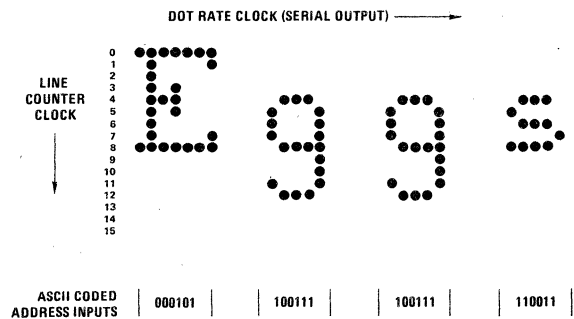
- TRI-STATE outputs
- On-chip input latches
- On-chip line counter
- On-chip shift register
- Serial output
- 20 MHz typical clock rate
- Shifted characters

Connection Diagram



7678(J); 8678(J), (N);
7679(J); 8679(J), (N)

Character Display Example



Electrical Characteristics over recommended operating free-air temperature range (unless otherwise noted)

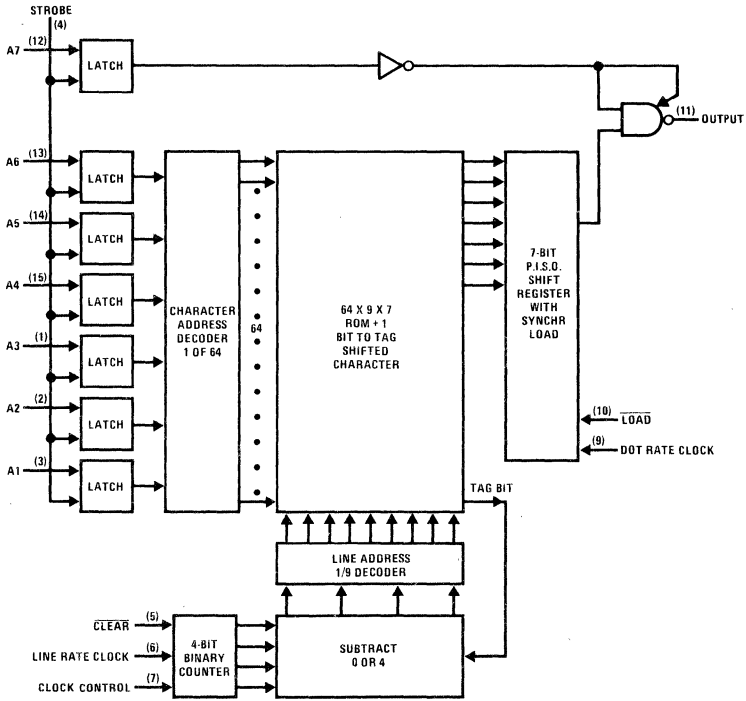
PARAMETER	CONDITIONS	DM76/86			UNITS
		78, 79			
		MIN	TYP(1)	MAX	
V _{OH}	High Level Output Voltage	V _{CC} = Min, I _{OH} = -2 mA			V
V _{OL}	Low Level Output Voltage	V _{CC} = Min, I _{OL} = 16 mA			V
I _{IH}	High Level Input Current	V _{CC} = Max, V _I = 2.4V			μA
I _{IL}	Low Level Input Current	V _{CC} = Max, V _I = 0.4V			mA
I _{CC}	Supply Current	V _{CC} = Max			mA
f _{MAX}	Maximum Clock Frequency	V _{CC} = 5V, T _A = 25°C			MHz

Notes:

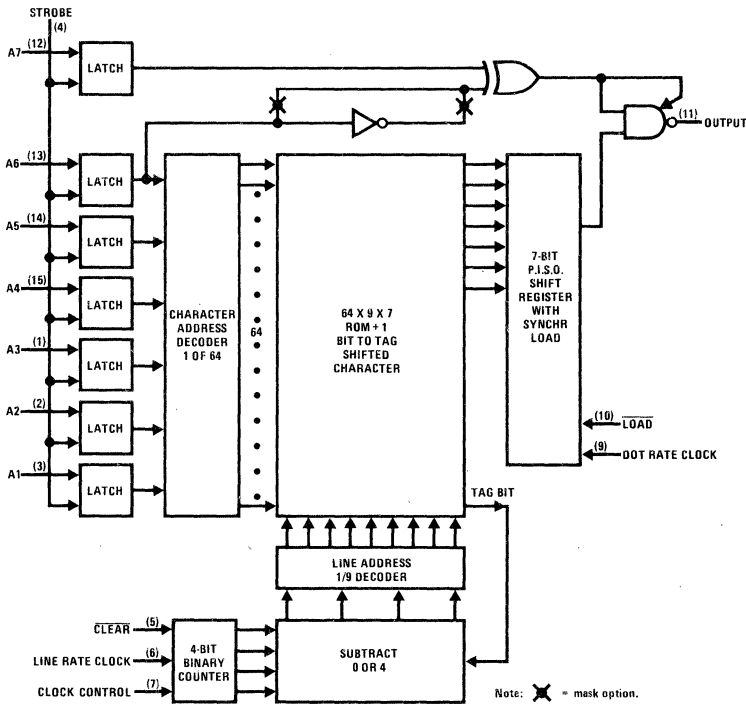
(1) All typical values are at V_{CC} = 5V, T_A = 25°C

Logic Diagrams

78



79

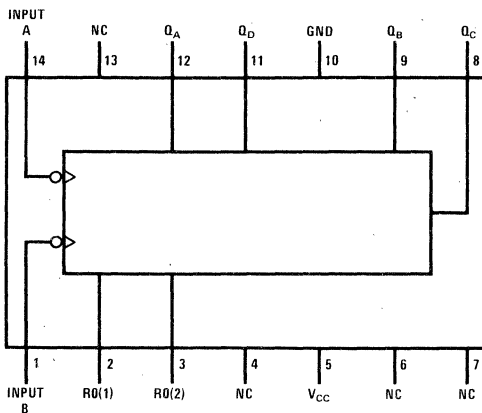


General Description

These circuits are full tenth-power versions of the popular DM5493A/DM7493A binary counters. The important feature is that they provide the same pinout as the DM5493A/DM7493A, whereas the DM54L93/DM74L93 has a completely different pinout. Otherwise

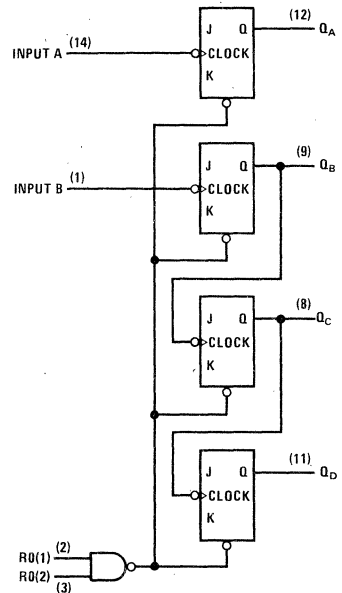
they offer the same features and electrical characteristics as the DM54L93/DM74L93. To employ the maximum count length, the B input is connected to the Q_A output. The input count pulses are applied to the A input, and the outputs are as described below in the truth table.

Connection Diagram



76L93/86L93(J), (N), (W)

Logic Diagram



Truth Tables

RESET/COUNT TRUTH TABLE

RESET INPUTS		OUTPUT			
R0(1)	R0(2)	Q _D	Q _C	Q _B	Q _A
H	H	L	L	L	L
L	X	COUNT			
X	L	COUNT			

COUNT SEQUENCE TABLE

COUNT	OUTPUT			
	Q _D	Q _C	Q _B	Q _A
0	L	L	L	L
1	L	L	L	H
2	L	L	H	L
3	L	L	H	H
4	L	H	L	L
5	L	H	L	H
6	L	H	H	L
7	L	H	H	H
8	H	L	L	L
9	H	L	L	H
10	H	L	H	L
11	H	L	H	H
12	H	H	L	L
13	H	H	L	H
14	H	H	H	L
15	H	H	H	H

Electrical Characteristics over recommended operating free-air temperature range (unless otherwise noted)

PARAMETER		CONDITIONS	DM76L			DM86L			UNITS
			L93			L93			
			MIN	TYP(1)	MAX	MIN	TYP(1)	MAX	
V_{IH}	High Level Input Voltage		2			2		V	
V_{IL}	Low Level Input Voltage			0.7			0.7	V	
I_{OH}	High Level Output Current				-200		-200	μ A	
V_{OH}	High Level Output Voltage	$V_{CC} = \text{Min}, V_{IH} = 2V$ $V_{IL} = 0.7V, I_{OH} = -200\mu A$	2.4	2.8		2.4	2.8	V	
I_{OL}	Low Level Output Current			2.0			3.6	mA	
V_{OL}	Low Level Output Voltage	$V_{CC} = \text{Min}, V_{IH} = 2V$ $V_{IL} = 0.7V, I_{OL} = \text{Max}$		0.15	0.3		0.2	0.4	V
I_I	Input Current at Maximum Input Voltage	$V_{CC} = \text{Max}, V_I = 5.5V$	Reset		100		100	μ A	
			A Input		200		200		
			B Input		200		200		
I_{IH}	High Level Input Current	$V_{CC} = \text{Max}, V_I = 2.4V$	Reset		10		10	μ A	
			A Input		20		20		
			B Input		20		20		
I_{IL}	Low Level Input Current	$V_{CC} = \text{Max}, V_I = 0.3V$	Reset		-180		-180	μ A	
			A Input		-360		-360		
			B Input		-360		-360		
I_{OS}	Short Circuit Output Current	$V_{CC} = \text{Max}$	-3	-9	-15	-3	-9	-15	mA
I_{CC}	Supply Current	$V_{CC} = \text{Max}(2)$			5.5			5.5	mA

- Notes**
- (1) All typical values are at $V_{CC} = 5V, T_A = 25^\circ C$.
 - (2) I_{CC} is measured with all outputs open, both R_O inputs grounded following momentary connection to 4.5V, and all other inputs grounded.

Switching Characteristics $V_{CC} = 5V, T_A = 25^\circ C$

PARAMETER		FROM	TO	CONDITIONS	DM76L/86L			UNITS	
					L93				
					MIN	TYP	MAX		
f_{MAX}	Maximum Clock Frequency			$C_L = 50 \text{ pF}, R_L = 4 \text{ k}\Omega$	6	15		MHz	
t_{PLH}	Propagation Delay Time, Low-to-High Level Output	A	Q_D			210	400		ns
t_{PHL}	Propagation Delay Time, High-to-Low Level Output	A	Q_D			230	400		ns
t_W	Pulse Width (All Inputs)					200			ns
t_{SETUP}	Reset Inactive State Setup Time					200			ns

TRI-STATE 1024-Bit Read Only Memories

General Description

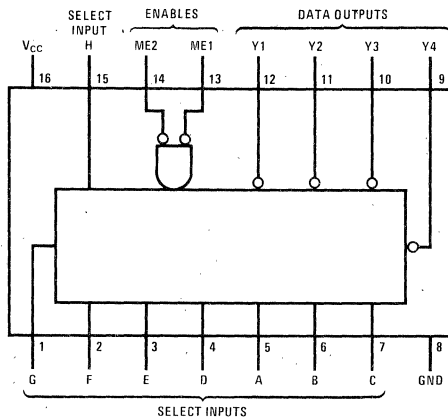
The DM76L97/DM86L97 is a custom-programmed Read Only Memory organized as 256 four-bit words. Selection of the proper word is accomplished through the eight select inputs.

Two overriding memory enable inputs are provided which when mask-programmed in one of the three options described will cause all four outputs to read either the normal memory contents or go to the high impedance state.

Features

- Full tenth-power technology
- Pin compatible with SN54187/SN74187
- Typical power dissipation 75 mW
- Typical access time 70 ns
- Custom-programmed memory enable inputs
- TRI-STATE outputs

Connection Diagram



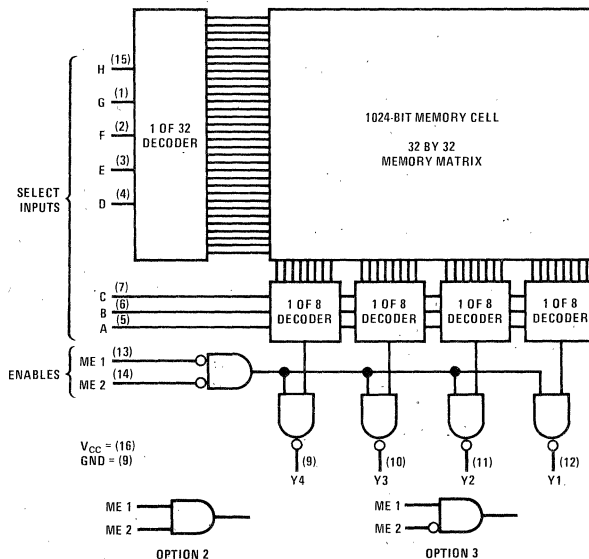
76L97/86L97(J), (N), (W)

Truth Table

OPTION	ME1	ME2	OUTPUTS
1	L	L	Normal
	H	X	High Impedance
2	L	X	High Impedance
	X	H	High Impedance
3	H	H	Normal
	X	L	High Impedance
	L	X	High Impedance

X = Don't Care

Logic Diagram



Electrical Characteristics over recommended operating free-air temperature range (unless otherwise noted)

PARAMETER		CONDITIONS		DM76L/86L			UNITS
				L97			
				MIN	TYP(1)	MAX	
V_{IH}	High Level Input Voltage	$V_{CC} = \text{Min}$		2			V
V_{IL}	Low Level Input Voltage	$V_{CC} = \text{Min}$		0.7			V
V_I	Input Clamp Voltage	$V_{CC} = \text{Min}, I_I = -12 \text{ mA}$		-1.5			V
I_{OH}	High Level Output Current			-1.0			mA
V_{OH}	High Level Output Voltage	$V_{CC} = \text{Min}, I_{OH} = -1.0 \text{ mA}$		2.4			V
I_{OL}	Low Level Output Current	DM76		2.0			mA
		DM86		3.6			
V_{OL}	Low Level Output Voltage	$V_{CC} = \text{Min}$ $I_{OL} = \text{Max}$	DM76	0.3			V
			DM86	0.4			
$I_{O(\text{OFF})}$	Off State (High Impedance State) Output Current	$V_{CC} = \text{Max}$	$V_O = 0.4 \text{ V}$	-40			μA
			$V_O = 2.4 \text{ V}$	40			
I_I	Input Current at Maximum Input Voltage	$V_{CC} = \text{Max}, V_I = 5.5 \text{ V}$		100			μA
I_{IH}	High Level Input Current	$V_{CC} = \text{Max}, V_I = 2.4 \text{ V}$		10			μA
I_{IL}	Low Level Input Current	$V_{CC} = \text{Max}, V_I = 0.3 \text{ V}$		-180			μA
I_{OS}	Short Circuit Output Current	$V_{CC} = \text{Max}(2)$		-6	-30		mA
I_{CC}	Supply Current	$V_{CC} = \text{Max}$		15	20		mA

Notes

- (1) All typical values are at $V_{CC} = 5 \text{ V}$ and $T_A = 25^\circ\text{C}$.
(2) Not more than one output should be shorted at a time.

Switching Characteristics $V_{CC} = 5 \text{ V}, T_A = 25^\circ\text{C}$

PARAMETER		FROM	TO	CONDITIONS	DM76L/86L			UNITS
					L97			
					MIN	TYP	MAX	
t_{PLH}	Propagation Delay Time, Low-to-High Level Output	Address	Output	$C_L = 50 \text{ pF}, R_L = 4 \text{ k}\Omega$	86	130	ns	
t_{PHL}	Propagation Delay Time, High-to-Low Level Output	Address	Output		55	85	ns	
t_{ZH}	Output Enable Time to High Level	Enable	Any		34	51	ns	
t_{ZL}	Output Enable Time to Low Level	Enable	Any		47	70	ns	
t_{HZ}	Output Disable Time from High Level	Enable	Any	$C_L = 5.0 \text{ pF}, R_L = 4 \text{ k}\Omega$	15	23	ns	
t_{LZ}	Output Disable Time from Low Level	Enable	Any		57	86	ns	

Ordering Instructions

Programming instructions for the DM76L97 or DM86L97 are solicited in the form of a sequenced deck of 32 standard 80-column data cards providing the information requested under data card format, accompanied by a properly sequenced listing of these cards, and the supplementary ordering data. Upon receipt of these items, a computer run will be made from the deck of cards which will produce a complete truth table of the requested part. This truth table, showing output conditions for each of the 256 words, will be forwarded to the purchaser as verification of the input data as interpreted by the computer-automated design (CAD) program. This single run also generates mask and test program data; therefore, verification of the truth table should be completed promptly.

Each card in the data deck prepared by the purchaser identifies the eight words specified and describes the conditions at the four outputs for each of the eight words. All addresses must have all outputs defined and columns designated as "blank" must not be punched. Cards should be punched according to the data card format shown.

Supplementary Ordering Data

Submit the following information with the data cards:

- a) Customer's name and address
- b) Customer's purchase order number
- c) Customer's drawing number.

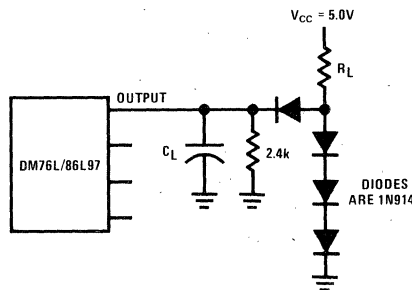
Data Card Format

Column

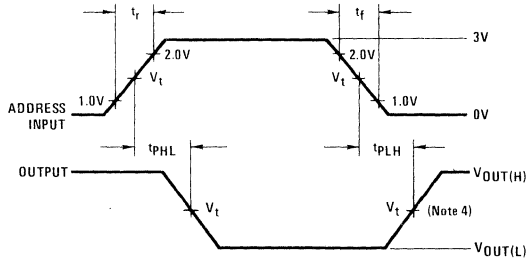
- 1- 3 Punch a right-justified integer representing the binary input address (000-248) for the first set of outputs described on the card.
- 4 Punch a "-" (Minus sign)
- 5- 7 Punch a right-justified integer representing the binary input address (007-255) for the last set of outputs described on the card.
- 8- 9 Blank

- 10-13 Punch "H," "L," or "X" for bits four, three, two, and one (outputs Y4, Y3, Y2, and Y1 in that order) for the first set of outputs specified on the card. (H = high level output, L = low level output, X = don't care.)
- 14 Blank
- 15-18 Punch "H," "L," or "X" for the second set of outputs.
- 19 Blank
- 20-23 Punch "H," "L," or "X" for the third set of outputs.
- 24 Blank
- 25-28 Punch "H," "L," or "X" for the fourth set of outputs.
- 29 Blank
- 30-33 Punch "H," "L," or "X" for the fifth set of outputs.
- 34 Blank
- 35-38 Punch "H," "L," or "X" for the sixth set of outputs.
- 39 Blank
- 40-43 Punch "H," "L," or "X" for the seventh set of outputs.
- 44 Blank
- 45-48 Punch "H," "L," or "X" for the eighth set of outputs.
- 49 Blank
- 50-51 Punch a right-justified integer representing the current calendar day of the month.
- 52 Blank
- 53-55 Punch an alphabetic abbreviation representing the current month.
- 56 Blank
- 57-58 Punch the last two digits of the current year.
- 59 Blank
- 60-61 Punch "DM"
- 62-67 Punch the National Semiconductor part number DM76L97 or DM86L97.
- 68-70 Blank

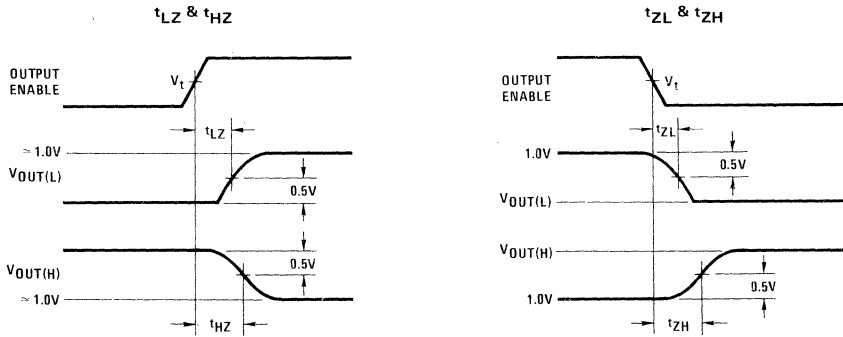
AC Test Circuit



Switching Time Waveforms



MEMORY ENABLE



Note: The pulse generator has the following characteristics: $V = 3.0V$, $t_r = 15$ ns, $t_f = 5.0$ ns, $f = 500$ kHz, duty cycle = 50%, $Z_{OUT} = 50\Omega$, $V_t = 1.3V$ @ 25°C.

TRI-STATE 64-Bit Random Access Memories

General Description

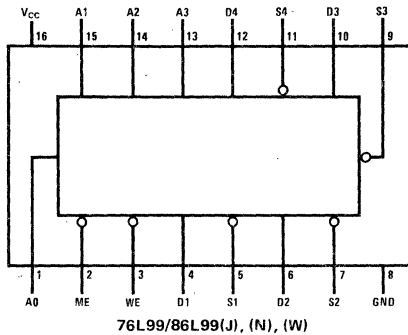
The DM76L99/DM86L99 is a fully decoded 64-bit RAM organized as 16 4-bit words. The memory is addressed by applying a binary number to the four Address inputs. After addressing, information may be either written into or read from the memory. To write, both the Memory Enable and the Write Enable inputs must be in the logical "0" state. Information applied to the four Write inputs will then be written into the addressed location. To read information from the memory, the Memory Enable input must be in the logical "0" state and the Write Enable input in the logical "1" state. Information will be read as the complement of what was written into the memory. When the Memory Enable input is in the logical "1" state, the outputs will go to the high-impedance state. This allows up to 75 memories to be connected to a common bus-line without the use of

pull-up resistors. All memories except one are gated into the high-impedance state while the one selected memory exhibits the normal totem-pole, low impedance output characteristics of TTL.

Features

- Same pin-out as SN5489/SN7489, 3101, MM5501
- Organized as 16, 4-bit words
- Expandable to 1200, 4-bit words without additional resistors
- Typical access from chip enable 50 ns
- Typical access time 80 ns
- Typical power dissipation 75 mW

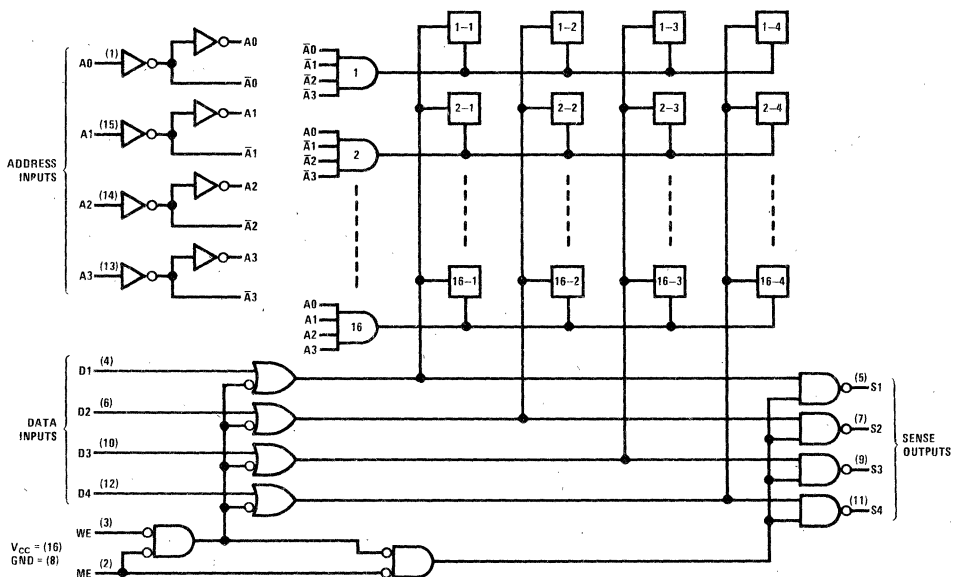
Connection Diagram



Truth Table

MEMORY ENABLE	WRITE ENABLE	OPERATION	OUTPUTS
L	L	Write	Hi-Z
L	H	Read	Complement of Data Stored in Memory
H	X	Hold	Hi-Z

Logic Diagram



Electrical Characteristics over recommended operating free-air temperature range (unless otherwise noted)

PARAMETER		CONDITIONS		DM76L/86L			UNITS
				L99			
				MIN	TYP(1)	MAX	
V_{IH}	High Level Input Voltage	$V_{CC} = \text{Min}$		2			V
V_{IL}	Low Level Input Voltage	$V_{CC} = \text{Min}$			0.7		V
V_I	Input Clamp Voltage	$V_{CC} = \text{Min}, I_I = -12 \text{ mA}$				-1.5	V
I_{OH}	High Level Output Current					-1.0	mA
V_{OH}	High Level Output Voltage	$V_{CC} = \text{Min}, I_{OH} = -1.0 \text{ mA}$		2.4			V
I_{OL}	Low Level Output Current		DM76L		2.0		mA
			DM86L			3.6	
V_{OL}	Low Level Output Voltage	$V_{CC} = \text{Min}$ $I_{OL} = \text{Max}$	DM76L		0.3		V
			DM86L			0.4	
$I_{O(OFF)}$	Off State (High Impedance State) Output Current	$V_{CC} = \text{Max}$	$V_O = 0.3\text{V}$		-40		μA
			$V_O = 2.4\text{V}$			40	
I_I	Input Current at Maximum Input Voltage	$V_{CC} = \text{Max}, V_I = 5.5\text{V}$				100	μA
I_{IH}	High Level Input Current	$V_{CC} = \text{Max}, V_I = 2.4\text{V}$				10	μA
I_{IL}	Low Level Input Current	$V_{CC} = \text{Max}, V_I = 0.3\text{V}$				-180	μA
I_{OS}	Short Circuit Output Current	$V_{CC} = \text{Max}(2)$		-6		-30	mA
I_{CC}	Supply Current	$V_{CC} = \text{Max}$		15	19		mA

Notes

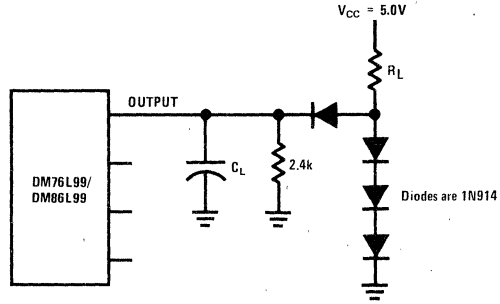
 (1) All typical values are at $V_{CC} = 5\text{V}, T_A = 25^\circ\text{C}$.

(2) Not more than one output should be shorted at a time.

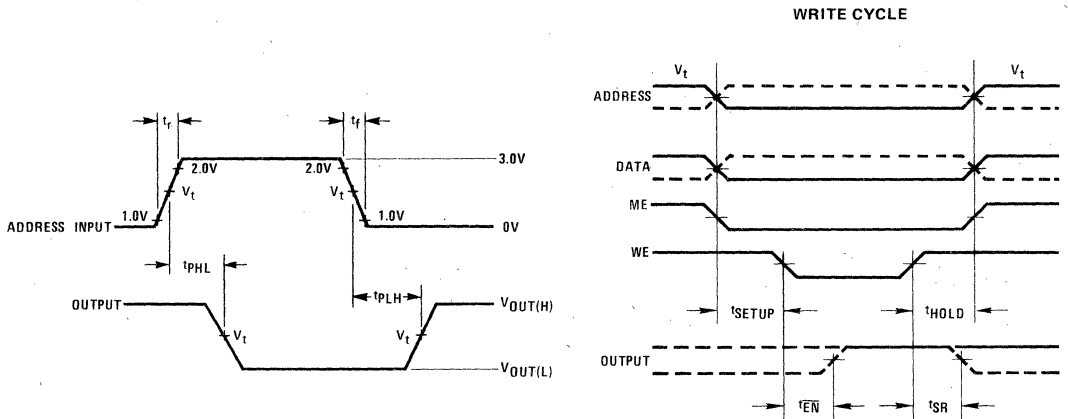
Switching Characteristics $V_{CC} = 5\text{V}, T_A = 25^\circ\text{C}$

PARAMETER		FROM	TO	CONDITIONS	DM76L/86L			UNITS
					L99			
					MIN	TYP	MAX	
t_{PLH}	Propagation Delay Time, Low-to-High Level Output	Address	Output	$C_L = 50 \text{ pF}, R_L = 4 \text{ k}\Omega$	51	120	ns	
t_{PHL}	Propagation Delay Time, High-to-Low Level Output	Address	Output		77	150	ns	
t_{EN}	Output Disable Time from Write Enable	WE	Output		73	110	ns	
t_{SR}	Sense Recovery Time from Write Enable	WE	Output		110	165	ns	
t_{ZH}	Output Enable Time to High Level	ME	Output		30	50	ns	
t_{ZL}	Output Enable Time to Low Level	ME	Output		29	43	ns	
t_{HZ}	Output Disable Time from High Level	ME	Output	$C_L = 5 \text{ pF}, R_L = 4 \text{ k}\Omega$	18	27	ns	
t_{LZ}	Output Disable Time from Low Level	ME	Output		37	56	ns	
t_{SETUP}	Setup Time	Data			0		ns	
		Address			0			
		ME			0			
t_{HOLD}	Hold Time	Data			0		ns	
		Address			0			
		ME			0			
t_{WP}	Write Enable Pulse Width				50	30	ns	

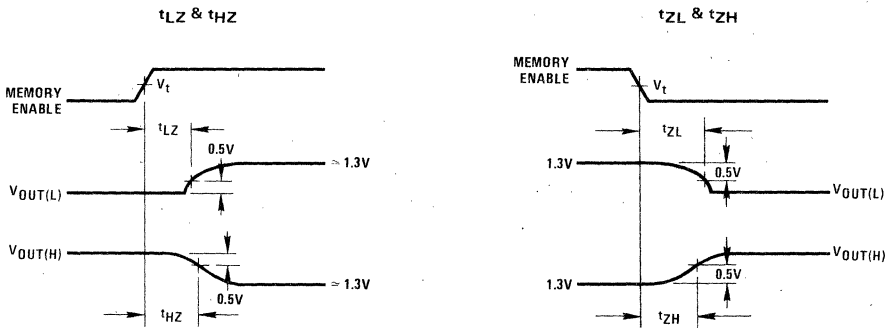
AC Test Circuit



Switching Time Waveforms



MEMORY ENABLE



Note: The pulse generator has the following characteristics: $V = 3.0V$, $t_r = 15\text{ ns}$, $t_f = 5.0\text{ ns}$, $f = 500\text{ kHz}$, duty cycle = 50%, $Z_{OUT} = 50\Omega$, $V_t = 1.3V @ 25^\circ\text{C}$.

Dual Retriggerable Resettable One Shots

General Description

The DM7853/DM8853 is a dual, retriggerable, resettable monostable multivibrator similar to the DM9602/DM8602 but with a unique input triggering logic.

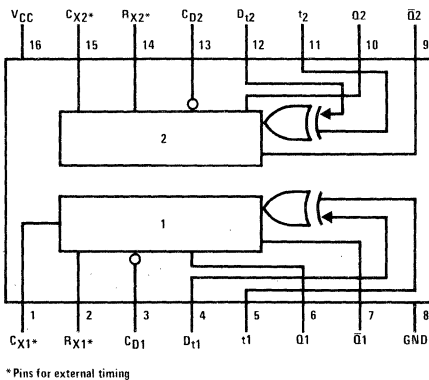
This device has two trigger inputs—a standard input and a delayed input—which are Exclusive OR'ed together. In the dual-edge triggering mode, the two inputs are tied together. On either a positive or negative transition the Exclusive-OR logic is satisfied for a length of time equal to the delay on the delayed input—approximately 15 ns—thus triggering or retriggering the one-shot.

Once fired, the accuracy and performance of the DM7853/DM8853 is identical to that of the DM9602/DM8602.

Features

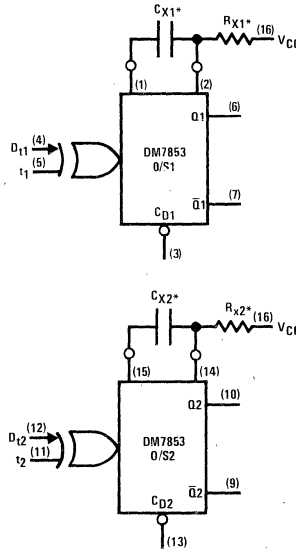
- 72 ns to ∞ output width range
- Retriggerable 0 to 100% duty cycle
- TTL input gating—leading AND/OR trailing edge triggering
- Complementary TTL outputs
- Pulse width compensated for V_{CC} and temperature variations
- Resettable

Connection Diagram



7853/8853(J), (N), (W)

Logic Diagrams



*A non-inverting buffer with delay

Truth Tables

TRIGGERING TRUTH TABLE

t	D _t	C _D	OPERATION
L → H	L	H	Trigger
H	H → L	H	Trigger
H → L	H	H	Trigger
L	L → H	H	Trigger
H → L	Same as t	H	Trigger
L → H	Same as t	H	Trigger
X	X	L	Reset

LOADING RULES

INPUTS	LOAD	
	HIGH	LOW
3, 4, 5, 11, 12, 13	1 U.L.	1 U.L.

OUTPUTS	DRIVE FACTOR	
	HIGH	LOW
6, 7, 9, 10	16 U.L.	8 U.L.

Electrical Characteristics over recommended operating free-air temperature range (unless otherwise noted)

PARAMETER		CONDITIONS(2)	DM78			DM88			UNITS
			53			53			
			MIN	TYP(1)	MAX	MIN	TYP(1)	MAX	
V_{IH}	High Level Input Voltage		2			2			V
V_{IL}	Low Level Input Voltage		0.8			0.8			V
V_I	Input Clamp Voltage	$V_{CC} = \text{Min}, I_I = -12 \text{ mA}$	-1.5			-1.5			V
I_{OH}	High Level Output Current		-800			-800			μA
V_{OH}	High Level Output Voltage	$V_{CC} = \text{Min}, V_{IH} = 2\text{V}$ $V_{IL} = 0.8\text{V}, I_{OH} = -800\mu\text{A}(3)$	2.4	3.3		2.4	3.4		V
I_{OL}	Low Level Output Current		16			16			mA
V_{OL}	Low Level Output Voltage	$V_{CC} = \text{Min}, V_{IH} = 2\text{V}$ $V_{IL} = 0.8\text{V}, I_{OL} = 16 \text{ mA}(3)$	0.2 0.4			0.2 0.4			V
I_I	Input Current at Maximum Input Voltage	$V_{CC} = \text{Max}, V_I = 5.5\text{V}$	1			1			mA
I_{IH}	High Level Input Current	$V_{CC} = \text{Max}, V_I = 4.5\text{V}$	10	60		10	60		μA
I_{IL}	Low Level Input Current	$V_{CC} = \text{Max}$ $V_I = 0.4\text{V}$ $V_I = 0.45\text{V}$	-1.1	-1.6		-1.0	-1.6		mA
I_{OS}	Short Circuit Output Current	$V_{CC} = \text{Max}, V_{OUT} = 1.0\text{V}(3)$	-25			-35			mA
I_{CC}	Supply Current	$V_{CC} = \text{Max}$	55	72		55	72		mA

Notes

(1) All typical values are at $V_{CC} = 5\text{V}, T_A = 25^\circ\text{C}$.

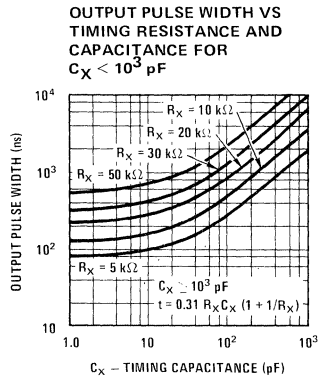
(2) Unless otherwise noted, 10 k Ω resistor placed between R_X and V_{CC} for all tests.

(3) Ground Pin 1 (15) for V_{OL} on Pin 7 (9), or for V_{OH} on Pin 6 (10), or for I_{OS} on Pin 6 (10); also, apply momentary ground to Pin 4 (12). Open Pin 1 (15) for V_{OL} on Pin 6 (10), or for V_{OH} on Pin 7 (9), or for I_{OS} on Pin 7 (9).

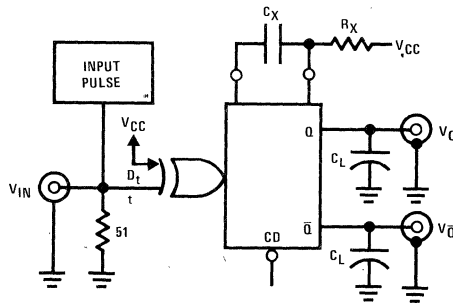
Switching Characteristics $V_{CC} = 5\text{V}, T_A = 25^\circ\text{C}$

PARAMETER		FROM	TO	CONDITIONS	DM78			DM88			UNITS	
					53			53				
					MIN	TYP	MAX	MIN	TYP	MAX		
t_{PLH}	Propagation Delay Time, Low-to-High Level Output	Standard Trigger Input	Q	$C_L = 15 \text{ pF}, R_X = 5 \text{ k}\Omega$ $C_X = 0$	25	35		25	40		ns	
t_{PHL}	Propagation Delay Time, High-to-Low Level Output	Standard Trigger Input	\bar{Q}		29	43		29	48		ns	
t_{PLH}	Propagation Delay Time, Low-to-High Level Output	Delayed Trigger Input	Q		40	53		40	58		ns	
t_{PHL}	Propagation Delay Time, High-to-Low Level Output	Delayed Trigger Input	\bar{Q}		44	61		44	66		ns	
$t_{W(MIN)}$	Minimum Possible Output Pulse	Q			72	90		72	100		ns	
		\bar{Q}			78	100		78	110			
t_W	Pulse Width Tolerance				$C_X = 1000 \text{ pF}, R_X = 10 \text{ k}\Omega$ Pins (2) and (14) to GND	3.08	3.42	3.76	3.08	3.42	3.76	μs
C_{STRAY}	Maximum Allowable Wiring Capacitance					50			50			pF
R_X	Timing Resistor			5		25		5	50		k Ω	

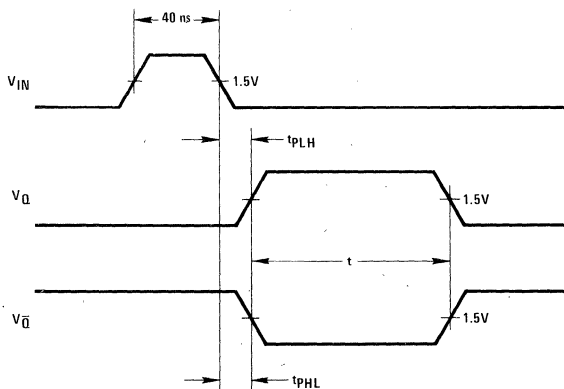
Typical Performance Characteristics



Switching Circuit



Switching Time Waveforms



INPUT PULSES
 $f \approx 100 \text{ kHz}$
AMP $\approx 3.0\text{V}$
WIDTH $\approx 40 \text{ ns}$
 $t_r = t_f \leq 10 \text{ ns}$

TRI-STATE 4-Bit Parallel Binary Multipliers

General Description

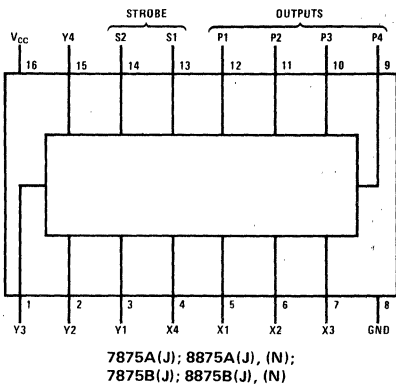
These circuits are capable of multiplying together two 4-bit binary numbers when used together in pairs. The DM7875A/8875A provides the most significant four bits, and the DM7875B/8875B provides the least significant four bits. Since the largest number that can be obtained by multiplying two 4-bit numbers is 225 (15 x 15), the eight output pins (four from each package) are sufficient to produce this number. Both the multiplier and the multiplicand must be connected to the eight input pins of each device. These devices are pin compatible with the SN54284/74284, and SN54285/74285; but have the advantage that these circuits provide either standard totem-pole TTL or TRI-STATE

outputs. A gated two-input strobe control is provided. When either one, or both, of the strobe inputs is raised to a high logic level the outputs are forced into the high-impedance state. Thus, multiple devices may be connected to a common bus line.

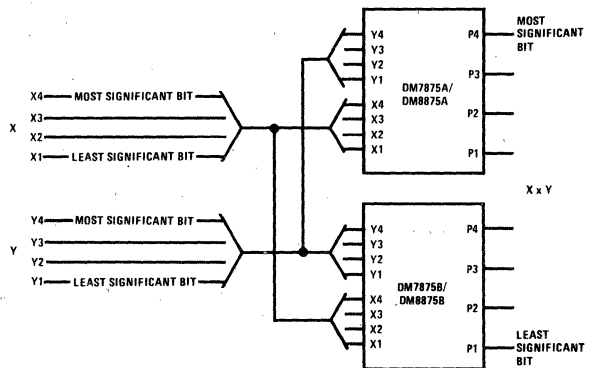
Features

- Pin compatible replacements for SN54284/74284 (DM7875A/8875A) and SN54285/74285 (DM7875B/8875B)
- TRI-STATE outputs
- Typical propagation delay 35 ns

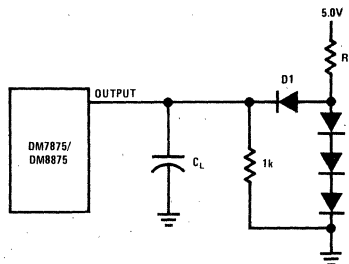
Connection Diagram



Typical Application



AC Test Circuit



Electrical Characteristics over recommended operating free-air temperature range (unless otherwise noted)

PARAMETER		CONDITIONS	DM78			DM88			UNITS
			75A, 75B			75A, 75B			
			MIN	TYP(1)	MAX	MIN	TYP(1)	MAX	
V_{IH}	High Level Input Voltage		2		2			V	
V_{IL}	Low Level Input Voltage			0.8		0.8		V	
V_I	Input Clamp Voltage	$V_{CC} = \text{Min}, I_I = -12 \text{ mA}$		-1.5		-1.5		V	
I_{OH}	High Level Output Current			-2.0		-5.2		mA	
V_{OH}	High Level Output Voltage	$V_{CC} = \text{Min}, V_{IH} = 2\text{V}$ $V_{IL} = 0.8\text{V}, I_{OH} = \text{Max}$	2.4		2.4			V	
I_{OL}	Low Level Output Current			16		16		mA	
V_{OL}	Low Level Output Voltage	$V_{CC} = \text{Min}, V_{IH} = 2\text{V}$ $V_{IL} = 0.8\text{V}, I_{OL} = 16 \text{ mA}$		0.4		0.4		V	
$I_{O(OFF)}$	Off State (High Impedance State) Output Current	$V_{CC} = \text{Max}, V_{IH} = 2\text{V}$ $V_{IL} = 0.8\text{V}$	$V_O = 0.4\text{V}$	-40		-40		μA	
			$V_O = 2.4\text{V}$	40		40			
I_I	Input Current at Maximum Input Voltage	$V_{CC} = \text{Max}, V_I = 5.5\text{V}$		1		1		mA	
I_{IH}	High Level Input Current	$V_{CC} = \text{Max}, V_I = 2.4\text{V}$		40		40		μA	
I_{IL}	Low Level Input Current	$V_{CC} = \text{Max}, V_I = 0.4\text{V}$		-1.0		-1.0		mA	
I_{OS}	Short Circuit Output Current	$V_{CC} = \text{Max}(2)$	-20	-70	-20	-70		mA	
I_{CC}	Supply Current	$V_{CC} = \text{Max}(3)$	75	110	75	110		mA	

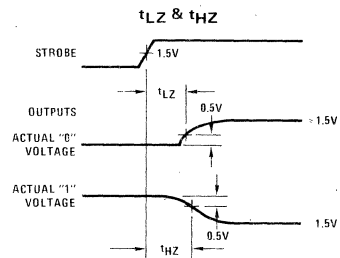
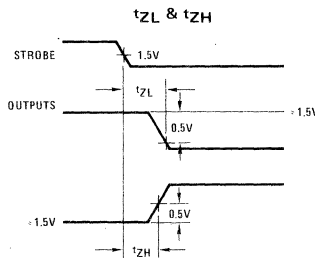
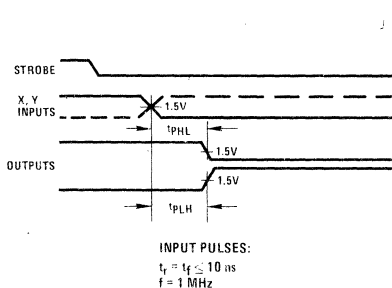
Notes

- (1) All typical values are at $V_{CC} = 5\text{V}, T_A = 25^\circ\text{C}$.
- (2) Not more than one output should be shorted at a time.
- (3) I_{CC} is measured with all inputs grounded.

Switching Characteristics $V_{CC} = 5\text{V}, T_A = 25^\circ\text{C}$

PARAMETER		FROM	TO	CONDITIONS	DM78/88			UNITS
					75A, 75B			
					MIN	TYP	MAX	
t_{PLH}	Propagation Delay Time, Low-to-High Level Output	Data	Output	$C_L = 50 \text{ pF}, R_L = 400\Omega$	35	60	ns	
t_{PHL}	Propagation Delay Time, High-to-Low Level Output	Data	Output		35	60	ns	
t_{ZH}	Output Enable Time to High Level				20	30	ns	
t_{ZL}	Output Enable Time to Low Level				20	30	ns	
t_{HZ}	Output Disable Time from High Level			$C_L = 5 \text{ pF}, R_L = 400\Omega$	20	30	ns	
t_{LZ}	Output Disable Time from Low Level				20	30	ns	

Switching Time Waveforms



TRI-STATE BCD to Binary/Binary to BCD Converters

General Description

These circuits are the TRI-STATE versions of the popular BCD to binary and binary to BCD converters, DM74184 and DM74185A respectively. They are derived from the 256-bit ROM, DM8598. Emitter connections are made to provide direct read out of converted codes at outputs Y8 through Y1, as shown in the truth tables. Both converters comprehend the fact that the least significant bits (LSB) of the binary and BCD codes are logically equal, and in each case the LSB bypasses the converter. Thus a 6-bit converter is produced in each case, and both devices are cascadable.

An overriding enable input is provided on each converter which, when taken high, inhibits the function, causing all outputs to go into the high-impedance state. For this reason, and to minimize power consumption, unused outputs Y7 and Y8 of the 185A and all "don't care" conditions of the 184 are programmed high.

DM8898 BCD-TO-BINARY CONVERTERS

The 6-bit BCD-to-binary function of the DM8898 is analogous to the algorithm:

- a. Shift BCD number right one bit and examine each decade. Subtract three from each 4-bit decade containing a binary value greater than seven.
- b. Shift right, examine, and correct after each shift until the least significant decade contains a number smaller than eight and all other converted decades contain zeros.

In addition to BCD-to-binary conversion, the DM8898 is programmed to generate BCD 9's complement or BCD 10's complement. In each case, one bit of the complement code is logically equal to one of the BCD bits; therefore, these complements can be produced on three lines. As outputs Y6, Y7, and Y8 are not required in the BCD-to-binary conversion, they are utilized to provide these complement codes as specified in the truth table when the devices are connected as shown.

DM8899 BINARY-TO-BCD CONVERTERS

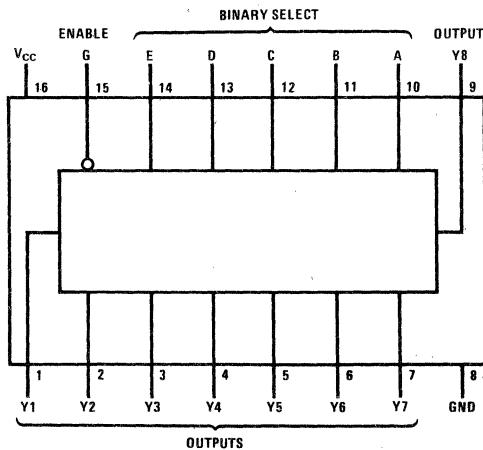
The function performed by these 6-bit binary-to-BCD converters is analogous to the algorithm:

- a. Examine the three most significant bits. If the sum is greater than four, add three and shift left one bit.
- b. Examine each BCD decade. If the sum is greater than four, add three and shift left one bit.
- c. Repeat step b until the least-significant binary bit is in the least-significant BCD location.

Features

- TRI-STATE versions DM74184, DM74185A
- Typical propagation delay 30 ns

Connection Diagram



Electrical Characteristics over recommended operating free-air temperature range (unless otherwise noted)

PARAMETER		CONDITIONS		DM88			UNITS
				98, 99			
				MIN	TYP(1)	MAX	
V_{IH}	High Level Input Voltage			2			V
V_{IL}	Low Level Input Voltage					0.8	V
V_I	Input Clamp Voltage	$V_{CC} = \text{Min}, I_I = -12 \text{ mA}$				-1.5	V
I_{OH}	High Level Output Current					-5.2	mA
V_{OH}	High Level Output Voltage	$V_{CC} = 4.75\text{V}, V_{IH} = 2\text{V}$ $V_{IL} = 0.8\text{V}, I_{OH} = -5.2 \text{ mA}$		2.4			V
I_{OL}	Low Level Output Current					12	mA
V_{OL}	Low Level Output Voltage	$V_{CC} = 4.75\text{V}, V_{IH} = 2\text{V}$ $V_{IL} = 0.8\text{V}, I_{OL} = 12 \text{ mA}$				0.4	V
$I_{O(\text{OFF})}$	Off State (High Impedance State) Output Current	$V_{CC} = \text{Max}, V_{IH} = 2\text{V}$ $V_{IL} = 0.8\text{V}$	$V_O = 0.4\text{V}$			-40	μA
			$V_O = 2.4\text{V}$			40	
I_I	Input Current at Maximum Input Voltage	$V_{CC} = \text{Max}, V_I = 5.5\text{V}$				1	mA
I_{IH}	High Level Input Current	$V_{CC} = \text{Max}, V_I = 2.4\text{V}$				40	μA
I_{IL}	Low Level Input Current	$V_{CC} = \text{Max}, V_I = 0.4\text{V}$				-1.6	mA
I_{OS}	Short Circuit Output Current	$V_{CC} = \text{Max}(2)$		-20		-70	mA
I_{CC}	Supply Current	$V_{CC} = \text{Max}, V_I = 0\text{V}$			70	99	mA

Notes

- (1) All typical values are at $V_{CC} = 5\text{V}, T_A = 25^\circ\text{C}$.
(2) Not more than one output should be shorted at a time.

Switching Characteristics $V_{CC} = 5\text{V}, T_A = 25^\circ\text{C}$

PARAMETER		FROM	TO	CONDITIONS	DM88			UNITS
					98, 99			
					MIN	TYP	MAX	
t_{PLH}	Propagation Delay Time, Low-to-High Level Output	Binary Select	Output	$C_L = 50 \text{ pF}, R_L = 400\Omega$	29	50	ns	
t_{PHL}	Propagation Delay Time, High-to-Low Level Output	Binary Select	Output		33	50	ns	
t_{PLH}	Propagation Delay Time, Low-to-High Level Output	Enable	Output		23	40	ns	
t_{PHL}	Propagation Delay Time, High-to-Low Level Output	Enable	Output		29	40	ns	
t_{ZH}	Output Enable Time to High Level				16	25	ns	
t_{ZL}	Output Enable Time to Low Level				26	40	ns	
t_{HZ}	Output Disable Time from High Level				$C_L = 5 \text{ pF}, R_L = 400\Omega$	13	20	ns
t_{LZ}	Output Disable Time from Low Level					24	36	ns

Truth Tables

BCD-TO-BINARY CONVERTER

BCD WORDS	INPUTS (See Note A)					OUTPUTS (See Note B)					
	E	D	C	B	A	G	Y5	Y4	Y3	Y2	Y1
0 1	L	L	L	L	L	L	L	L	L	L	L
2 3	L	L	L	L	H	L	L	L	L	L	H
4 5	L	L	L	H	L	L	L	L	H	L	L
6 7	L	L	L	H	H	L	L	L	L	H	H
8 9	L	L	H	L	L	L	L	L	H	L	L
10 11	L	H	L	L	L	L	L	L	H	L	H
12 13	L	H	L	L	H	L	L	L	H	H	L
14 15	L	H	L	H	L	L	L	L	H	H	H
16 17	L	H	L	H	H	L	L	H	L	L	L
18 19	L	H	H	L	L	L	L	H	L	L	H
20 21	H	L	L	L	L	L	L	H	L	H	L
22 23	H	L	L	L	H	L	L	H	L	H	H
24 25	H	L	L	H	L	L	L	H	H	L	L
26 27	H	L	L	H	H	L	L	H	H	L	H
28 29	H	L	H	L	L	L	L	H	H	H	L
30 31	H	H	L	L	L	L	L	H	H	H	H
32 33	H	H	L	L	H	L	H	L	L	L	L
34 35	H	H	L	H	L	L	H	L	L	L	H
36 37	H	H	L	H	H	L	H	L	L	H	L
38 39	H	H	H	L	L	L	H	L	L	H	H
ANY	X	X	X	X	X	H	Z	Z	Z	Z	Z

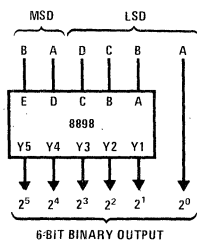
H = High Level, L = Low Level,
X = Don't Care, Z = High Impedance

BCD 9's OR BCD 10's COMPLEMENT CONVERTER

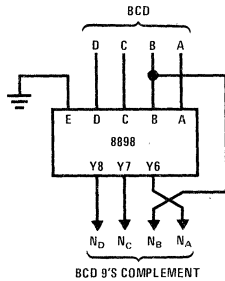
BCD WORD	INPUTS (See Note C)					OUTPUTS (See Note D)			
	E [†]	D	C	B	A	G	Y8	Y7	Y6
0	L	L	L	L	L	L	H	L	H
1	L	L	L	L	H	L	H	L	L
2	L	L	L	H	L	L	L	H	H
3	L	L	L	H	H	L	L	H	L
4	L	L	H	L	L	L	L	H	H
5	L	L	H	L	H	L	L	H	L
6	L	L	H	H	L	L	L	L	H
7	L	L	H	H	H	L	L	L	L
8	L	H	L	L	L	L	L	L	H
9	L	H	L	L	H	L	L	L	L
0	H	L	L	L	L	L	L	L	L
1	H	L	L	L	H	L	H	L	L
2	H	L	L	H	L	L	H	L	L
3	H	L	L	H	H	L	L	H	H
4	H	L	H	L	L	L	L	H	H
5	H	L	H	L	H	L	L	H	L
6	H	L	H	H	L	L	L	H	L
7	H	L	H	H	H	L	L	L	H
8	H	H	L	L	L	L	L	L	H
9	H	H	L	L	H	L	L	L	L
ANY	X	X	X	X	X	H	Z	Z	Z

H = High Level, L = Low Level,
X = Don't Care, Z = High Impedance

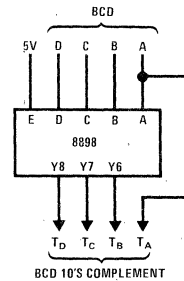
6-BIT CONVERTER



BCD 9's COMPLEMENT CONVERTER



BCD 10's COMPLEMENT CONVERTER



Notes:

- (A) Input conditions other than those shown produce highs at outputs Y1 through Y5.
- (B) Outputs Y6, Y7, and Y8 are not used for BCD-to-binary conversion.
- (C) Input conditions other than those shown produce highs at outputs Y6, Y7, and Y8.
- (D) Outputs Y1 through Y5 are not used for BCD 9's or BCD 10's complement conversion.

[†]When these devices are used as complement converters, input E is used as a mode control. With this input low, the BCD 9's complement is generated; when it is high, the BCD 10's complement is generated.

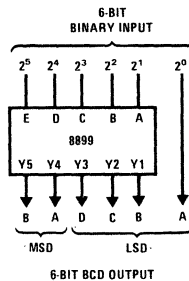
Truth Tables (Continued)

BINARY-TO-BCD CONVERTER

BINARY WORDS	INPUTS					OUTPUTS								
	BINARY SELECT					ENABLE G	Y8	Y7	Y6	Y5	Y4	Y3	Y2	Y1
	E	D	C	B	A									
0 1	L	L	L	L	L	L	H	H	L	L	L	L	L	L
2 3	L	L	L	L	H	L	H	H	L	L	L	L	L	H
4 5	L	L	L	H	L	L	H	H	L	L	L	L	H	L
6 7	L	L	L	H	H	L	H	H	L	L	L	L	H	H
8 9	L	L	H	L	L	L	H	H	L	L	L	H	L	L
10 11	L	L	H	L	H	L	H	H	L	L	H	L	L	L
12 13	L	L	H	H	L	L	H	H	L	L	H	L	L	H
14 15	L	L	H	H	H	L	H	H	L	L	H	L	H	L
16 17	L	H	L	L	L	L	H	H	L	L	H	L	H	H
18 19	L	H	L	L	H	L	H	H	L	L	H	H	L	L
20 21	L	H	L	H	L	L	H	H	L	H	L	L	L	L
22 23	L	H	L	H	H	L	H	H	L	H	L	L	L	H
24 25	L	H	H	L	L	L	H	H	L	H	L	L	H	L
26 27	L	H	H	L	H	L	H	H	L	H	L	L	H	H
28 29	L	H	H	H	L	L	H	H	L	H	L	H	L	L
30 31	L	H	H	H	H	L	H	H	L	H	H	L	L	L
32 33	H	L	L	L	L	L	H	H	L	H	H	L	L	H
34 35	H	L	L	L	H	L	H	H	L	H	H	L	H	L
36 37	H	L	L	H	L	L	H	H	L	H	H	L	H	H
38 39	H	L	L	H	H	L	H	H	L	H	H	H	L	L
40 41	H	L	H	L	L	L	H	H	H	L	L	L	L	L
42 43	H	L	H	L	H	L	H	H	H	L	L	L	L	H
44 45	H	L	H	H	L	L	H	H	H	L	L	L	H	L
46 47	H	L	H	H	H	L	H	H	H	L	L	L	H	H
48 49	H	H	L	L	L	L	H	H	H	L	L	H	L	L
50 51	H	H	L	L	H	L	H	H	H	L	H	L	L	L
52 53	H	H	L	H	L	L	H	H	H	L	H	L	L	H
54 55	H	H	L	H	H	L	H	H	H	L	H	L	H	H
56 57	H	H	H	L	L	L	H	H	H	L	H	L	H	H
58 59	H	H	H	L	H	L	H	H	H	L	H	H	L	L
60 61	H	H	H	H	L	L	H	H	H	H	L	L	L	L
62 63	H	H	H	H	H	L	H	H	H	H	L	L	L	H
ALL	X	X	X	X	X	H	Z	Z	Z	Z	Z	Z	Z	Z

H = High Level, L = Low Level, X = Don't Care, Z = High Impedance

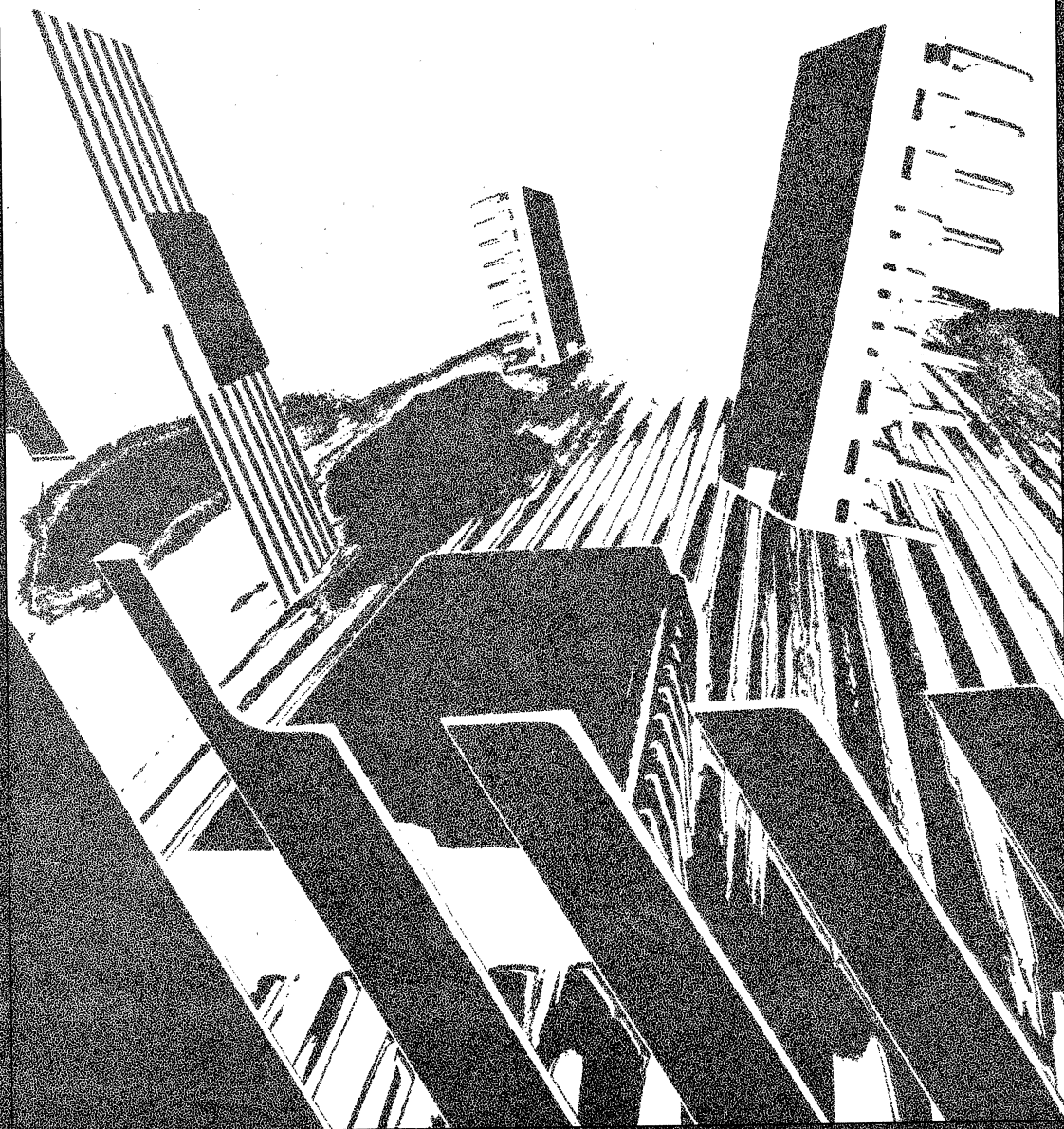
6-BIT CONVERTER



National Semiconductor

ADDITIONAL DEVICES

Section 4





RATINGS		DTL	2502 SERIES	72XX/ 82XX	9000C SERIES	93XX/ 83XX	96XX/ 86XX	UNITS
Maximum Allowable Supply Voltage		8	7	7	7	7	7	V
Guaranteed Operating Supply Voltage Range	Mil	N/A	4.50 to 5.50	N/A	4.50 to 5.50			V
	Coml	5	4.75 to 5.25	4.75-5.25	4.75 to 5.25			
Maximum Input Voltage		5.5	5.5	5.5	5.5	5.5	5.5	V
Maximum Voltage to Open- Collector Outputs		8	7	7	7	7	7	V
Operating Free-Air Temperature Range	Mil	N/A	-55 to +125	N/A	-55 to +125			°C
	Coml	0 to +75	0 to +70	0 to +75				
Storage Temperature Range		-65 to +150						°C

Device No.	Description	Page No.	Package						
			J		N		W		
			Mil	Coml	Mil	Coml	Mil	Coml	
DM930	Dual 4-Input Gates with Expanders	4-1		•		•			N/A
DM932	Dual 4-Input Buffers with Expanders	4-1		•		•			N/A
DM933	Dual 4-Input Extenders	4-1		•		•			N/A
DM935	Hex Inverters	4-1		•		•			N/A
DM936	Hex Inverters	4-1		•		•			N/A
DM937	Hex Inverters	4-1		•		•			N/A
DM944	Dual 4-Input Power Gates with Expanders	4-1		•		•			N/A
DM945	R-S Flip-Flops	4-1		•		•			N/A
DM946	Quad 2-Input Gates	4-1		•		•			N/A
DM948	R-S Flip-Flops	4-1		•		•			N/A
DM949	Quad 2-Input Gates	4-1		•		•			N/A
DM957	Quad 2-Input Buffers	4-1		•		•			N/A
DM958	Quad 2-Input Power Gates	4-1		•		•			N/A
DM961	Dual 4-Input Gates with Expanders	4-1		•		•			N/A
DM962	Triple 3-Input Gates	4-1		•		•			N/A
DM963	Triple 3-Input Gates	4-1		•		•			N/A
DM1800	Dual 5-Input Gates	4-1		•		•			N/A
DM1801	Dual 5-Input Gates	4-1		•		•			N/A
DM2502/DM2502C	Successive Approximation Registers	4-6	•	•		•		•	•
DM2503/DM2503C	Successive Approximation Registers	4-6	•	•		•		•	•
DM2504/DM2504C	Successive Approximation Registers	4-6	•	•		•		(F)	(F)
DM7280/DM8280	Presetable Decade Counters	4-11	•	•		•		•	•
DM7281/DM8281	Presetable Binary Counters	4-11	•	•		•		•	•
DM7288/DM8288	Presetable Divide-by-12 Counters	4-11	•	•		•		•	•
DM7290/DM8290	Presetable Decade Counters	4-11	•	•		•		•	•
DM7291/DM8291	Presetable Binary Counters	4-11	•	•		•		•	•
DM9002C	Quad 2-Input NAND Gates	4-15		•		•			N/A
DM9003C	Triple 3-Input NAND Gates	4-15		•		•			N/A
DM9004C	Dual 4-Input NAND Gates	4-15		•		•			N/A
DM9005C	Expandable Dual 2-Input AND-OR-INVERT Gates	4-15		•		•			N/A
DM9006C	Dual 4-Input Expanders	4-15		•		•			N/A
DM9008C	Expandable 4-Wide AND-OR-INVERT Gates	4-15		•		•			N/A
DM9009C	Dual 4-Input NAND Buffers	4-15		•		•			N/A
DM9012C	Quad 2-Input NAND Gates with Open-Collector Outputs	4-15		•		•			N/A
DM9016C	Hex Inverters	4-15		•		•			N/A
DM9024/DM8024	Dual J-K Flip-Flops with Preset and Clear	4-17	•	•		•		•	•
DM9093	Dual J-K Flip-Flops	4-1		•		•			N/A
DM9094	Dual J-K Flip-Flops	4-1		•		•			N/A
DM9097	Dual J-K Flip-Flops	4-1		•		•			N/A
DM9099	Dual J-K Flip-Flops	4-1		•		•			N/A
DM9300/DM8300	4-Bit Parallel-Access Shift Registers	4-19	•	•		•		•	•
DM9301/DM8301	1 of 10 Decoders	4-22	•	•		•		•	•
DM9309/DM8309	Dual 4-Line to 1-Line Data Selectors/ Multiplexers	4-24	•	•		•		•	•
DM9310/DM8310	Synchronous 4-Bit Decade Counters	4-27	•	•		•		•	•
DM9311/DM8311	4-Line to 16-Line Decoders/Demultiplexers	4-33	•	•		•		(F)	(F)
DM9312/DM8312	8-Line to 1-Line Data Selectors/Multiplexers	4-24	•	•		•		•	•
DM9316/DM8316	Synchronous 4-Bit Binary Counters	4-27	•	•		•		•	•
DM9318/DM8318	Priority Encoders	4-36	•	•		•		•	•
DM9322/DM8322	Quad 2-Line to 1-Line Data Selectors/ Multiplexers	4-38	•	•		•		•	•
DM9334/DM8334	8-Bit Addressable Latches	4-40	•	•		•		•	•
DM9601/DM8601	Retriggerable One Shots	4-43	•	•		•		•	•
DM9602/DM8602	Dual Retriggerable, Resettable, One Shots	4-46	•	•		•		•	•

General Description

The National Semiconductor family of DTL is a complete line of compatible monolithic integrated circuits designed to operate at medium speed with medium power dissipation and high fan-out. The DTL family is available in 14-pin epoxy B or ceramic dual-in-line packages for operation over the 0°C to +75°C temperature range.

The DTL line is composed of a variety of NAND gates that allow complete design flexibility. The gates are available with either 6k pull-up resistors for low power dissipation, or 2k pull-up resistors for increased speed. The gate outputs can be wired together to achieve the wired-OR function.

The NAND gates are complemented with the DM932 and DM957 buffers which provide higher fan-out; the DM944 and DM958 power gates which have an open collector, and the DM933 extender which allows increased fan-in for both buffers and DM930 and DM961 gates.

The flip-flops in this family are of the direct coupled master-slave type, with direct clear and direct set lines. The dual flip-flops include ones with either common or separate clocks.

The DM945 and DM948 are R-S flip-flops which can be externally cross coupled to perform in the JK mode. They are of the master-slave type with output buffers to provide isolation from the output load. These flip-flops feature both asynchronous set and clear lines. The DM945 has a 6k pull-up resistor and the DM948 has a 2k pull-up resistor.

The DM9093 and DM9094 are dual JK flip-flops of the DM945 and DM948 variety respectively. Both flip-flops have separate clocks and no asynchronous clear lines.

The DM9097 and DM9099 are dual JK flip-flops of the DM948 and DM945 variety respectively. Both flip-flops have common clocks and both asynchronous set and clear lines.

The DM930 series is directly compatible with the TTL devices manufactured by National and can be used in conjunction with them in those portions of a system where speed is not the main consideration.

Features

- **NAND Gates**
 - DM930, DM961 - dual four input gates with expanders
 - DM935, DM936, DM937 - hex inverters
 - DM946, DM949 - quad two input gates
 - DM962, DM963 - triple three input gates
 - DM1800, DM1801 - dual five input gates
- **Buffers/Extenders**
 - DM932 - dual four input buffer with expander
 - DM933 - dual four input extender
 - DM944 - dual four input power gate with expander
 - DM957 - quad two input buffer
 - DM958 - quad two input power gate
- **Flip-Flops**
 - DM945, DM948 - RS flip-flops
 - DM9093, DM9094, DM9097, DM9099 - dual JK flip-flops

Truth Tables

SYNCHRONOUS TRUTH TABLE

t_n				$t_n + 1$
S1 Pin 3	S2 Pin 4	C1 Pin 12	C2 Pin 11	Q Pin 6
L	X	L	X	Q_n
L	X	X	L	Q_n
X	L	L	X	Q_n
X	L	X	L	Q_n
L	X	H	H	L
X	L	H	H	L
H	H	L	X	H
H	H	X	L	H
H	H	H	H	*

ASYNCHRONOUS TRUTH TABLE

S_D Pin 10	C_D Pin 5	Q Pin 6	\bar{Q} Pin 9
H	H	NC	NC
L	H	H	L
H	L	L	H
L	L	H	H

JK TRUTH TABLE

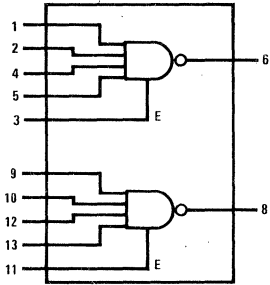
t_n		$t_n + 1$
S1 Pin 3	C1 Pin 12	Q Pin 6
L	L	Q_n
H	L	H
L	H	L
H	H	\bar{Q}_n

(Connect S2 to \bar{Q} , C2 to Q) Asynchronous inputs, direct set (S_D) and direct clear (C_D), override the synchronous inputs, and are independent of all other inputs.

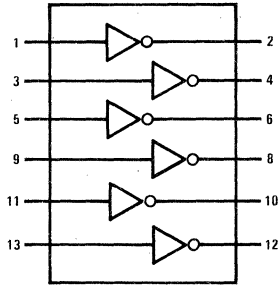
* - Indeterminate State
X - Don't Care



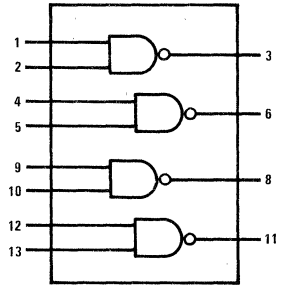
Connection and Logic Diagrams



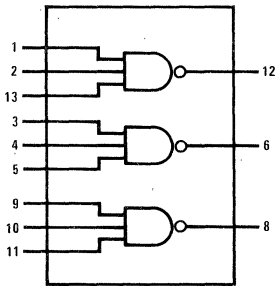
930(J), (N); 932(J), (N);
944(J), (N); 961(J), (N);
1800(J), (N); 1801(J), (N)



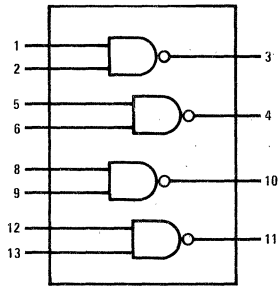
935(J), (N); 936(J), (N);
937(J), (N)



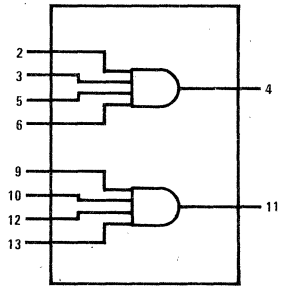
946(J), (N); 949(J), (N)



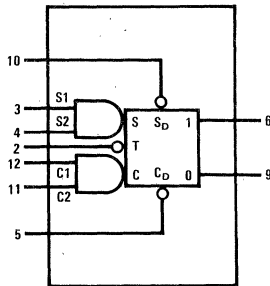
962(J), (N); 963(J), (N)



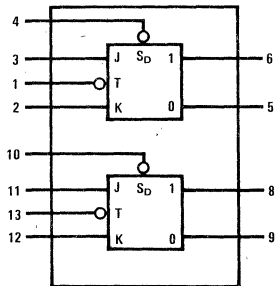
957(J), (N); 958(J), (N)



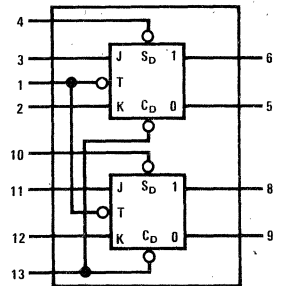
933(J), (N)



945(J), (N); 948(J), (N)



9093(J), (N); 9094(J), (N)



9097(J), (N); 9099(J), (N)

Electrical Characteristics ($V_{CC} = 5.0V$)

PARAMETER		CONDITIONS		DM930, DM935, DM936, DM937, DM946 DM949, DM961, DM962, DM963, DM1800, DM1801						UNITS
				0°C		25°C		75°C		
				MIN	MAX	MIN	MAX	MIN	MAX	
I_{CEX}	Output Leakage Current	$V_i = 0, V_o = 5V$	2k Gates			100			μA	
			6k Gates			100				
V_{OH}	High Level Output Voltage(1)	$V_{iL} = \text{Max}, I_{OH} = \text{Max}$		2.6		2.6		2.5	V	
V_{OL}	Low Level Output Voltage	$V_i = V_{IH}, I_{OL} = \text{Max}$			0.45		0.45	0.50	V	
I_{IH}	High Level Input Current (1)	$V_i = V_R$			5		5	10	μA	
I_{iL}	Low Level Input Current	$V_i = V_F$			-1.40		-1.40	-1.33	mA	
I_{OS}	Short Circuit Output Current	$V_i = 0$	2k Gates			-1.85	-3.90		mA	
			6k Gates		1.30	-0.61	-1.30	-1.25		
I_{CC1}	Supply Current	$V_{CC} = 5V, V_i = V_R$	2k Gates				5.9		mA	
			6k Gates				4			
I_{CC2}	Supply Current	$V_{CC} = 8V, V_i = 0$					4		mA	
t_{PLH}	Propagation Delay Time, Low-to-High Level Output	$C_L = 30 \text{ pF}, R_L = 3.9 \text{ k}\Omega$	2k Gates			15	60		ns	
			6k Gates			25	80			
t_{PHL}	Propagation Delay Time, High-to-Low Level Output	$C_L = 50 \text{ pF}, R_L = 400\Omega$	2k Gates			10	30		ns	
			6k Gates			10	30			

Notes

(1) Applies to all gates except DM935.

Test Conditions
GATES

TEMP.	V_{IH} VOLTS	V_{iL} VOLTS	V_R VOLTS	V_F VOLTS	V_{CEX} VOLTS	(6k) I_{OL} (mA)	(2k) I_{OL} (mA)	(6k) I_{OH} (mA)	(2k) I_{OH} (mA)
0°C	2.0	1.2	4.0	0.45	-	12.0	11.0	-0.12	-0.5
+25°C	1.9	1.1	4.0	0.45	5.0	12.0	11.0	-0.12	-0.5
+75°C	1.8	0.95	4.0	0.50	-	11.4	10.4	-0.12	-0.5

Electrical Characteristics ($V_{CC} = 5.0V$)

PARAMETER		CONDITIONS		DM932, DM933, DM944, DM957, DM958						UNITS
				0°C		25°C		75°C		
				MIN	MAX	MIN	MAX	MIN	MAX	
V_{IL}	Low Level Input Voltage	$I_{IL} = I_{FD}$	933	0.75	0.90	0.68	0.82	0.60	0.75	V
I_{CEX}	Output Leakage Current	$V_I = 0, V_O = 5V$	932, 957				100			μA
			944, 958		25		100		200	
V_{OH}	High Level Output Voltage	$V_I = V_{IL}, I_{OH} = Max$	932, 957	2.6		2.6		2.5		V
V_{OL}	Low Level Output Voltage	$V_I = V_{IH}, I_{OL} = Max$	All Except 933		0.45		0.45		0.50	V
I_{IH}	High Level Input Current	$V_I = V_R$	933		5		5		10	μA
			Others		5		5		10	
I_{IL}	Low Level Input Current	$V_I = V_F$	All Except 933		-1.40		-1.40		-1.33	mA
I_{OS}	Short Circuit Output Current	$V_I = 0$	932, 957		-16		-16		-14	mA
I_{CC1}	Supply Current	$V_{CC} = 5V, V_I = V_R$	932				30.0			mA
			944				22.5			
			957				60.0			
			958				4.5			
I_{CC2}	Supply Current	$V_{CC} = 8V, V_I = 0$	All Except 933				4			mA
t_{PLH}	Propagation Delay Time, Low-to-High Level Output	$C_L = 500 pF, R_L = 510\Omega$	932, 957			25	80			ns
		$C_L = 20 pF, R_L = 510\Omega$	944, 958			15	50			
t_{PHL}	Propagation Delay Time, High-to-Low Level Output	$C_L = 500 pF, R_L = 150\Omega$	932, 957			15	40			ns
		$C_L = 100 pF, R_L = 150\Omega$	944, 958			10	35			

Test Conditions

BUFFERS/EXTENDERS

TEMP.	V_{IH} VOLTS	V_{IL} VOLTS	V_R VOLTS	V_F VOLTS	V_{CEX} VOLTS	I_{FD} mA	932	944	932
							957	958	957
							I_{OL} (mA)	I_{OL} (mA)	I_{OH} (mA)
0°C	2.0	1.2	4.0	0.45	-	-2	36	40	-2.0
+25°C	1.9	1.1	4.0	0.45	5.0	-2	36	40	-2.5
+75°C	1.8	0.95	4.0	0.50	-	-2	34	36	-3.0

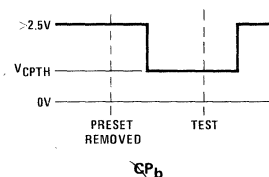
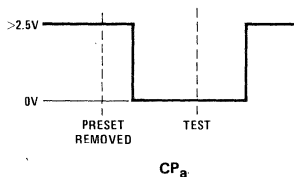
Electrical Characteristics ($V_{CC} = 5.0V$)

PARAMETER		CONDITIONS		DM945, DM948, DM9093, DM9094 DM9097, DM9099						UNITS	
				0°C		25°C		75°C			
				MIN	MAX	MIN	MAX	MIN	MAX		
I_{CEX}	Output Leakage Current	$V_i = 0, V_o = 5V$		945, 948		100				μA	
V_{OH}	High Level Output Voltage	$V_i = V_{iL}$ $I_{OH} = \text{Max}$	Data	945, 948	2.6	2.6	2.5			V	
			Set, Reset	945, 948	2.6	2.6	2.6				
			All	9093, 9094 9097, 9099	2.6	2.6	2.5				
V_{OL}	Low Level Output Voltage	$V_i = V_{iH}, I_{OL} = \text{Max}$		All		0.45	0.45	0.50			V
I_{IH}	High Level Input Current	$V_i = V_R$	Data	945, 948	5.0	5.0	10.0			μA	
			Set, Reset	945, 948	5.0	5.0	10.0				
			Clock	945, 948	30	30	40				
				9093, 9094 9097, 9099	20	20	30				
			Clear	9097, 9099	40	40	60				
			All Except Clocks, and Direct Clear on 9097, 9099	9093, 9094 9097, 9099	10	10	20				
I_{IL}	Low Level Input Current	$V_i = -V_F$	Data	All	-0.95	-0.95	-0.90			mA	
			Set, Reset	945, 948	-2.8	-2.8	-2.67				
			Direct Set	9093, 9094 9097, 9099	-2.8	-2.8	-2.67				
				945	-2.8	-2.8	-2.66				
			Clock	948, 9093 9094	-2.8	-2.8	-2.67				
				9097, 9099	-5.6	-5.6	-5.34				
I_{OS}	Short Circuit Output Current	$V_i = 0$	2k	-1.77 -4.2	-1.77 -4.2	-1.60 -4.0			mA		
			6k	0.59 -1.41	-0.59 -1.41	-0.55 -1.38					
I_{CC1}	Supply Current	$V_{CC} = 5V$ (Inputs Open)	945			14			mA		
			948			17					
			9093, 9099			28					
			9094, 9097			34					
I_{CC2}	Supply Current	$V_{CC} = 8V, V_i = 0$	945			18			mA		
			948			23					
			9093, 9099			36					
			9094, 9097			45					
t_{PLH}	Propagation Delay Time, Low-to-High Level Output	$C_L = 30 \text{ pF}, R_L = 2 \text{ k}\Omega$	2k		25	75			ns		
			6k		25	100					
t_{PHL}	Propagation Delay Time, High-to-Low Level Output	$C_L = 50 \text{ pF}, R_L = 330\Omega$			15	55			ns		

Test Conditions

FLIP-FLOPS

TEMP.	V _{IH} VOLTS	V _{IL} VOLTS	V _R VOLTS	V _F VOLTS	V _{CEX} VOLTS	945 9093 9099 (6k)	948 9094 9097 (2k)	945 9093 9099 (6k)	948 9094 9097 (2k)	945 9093 9099 (6k)	948 9094 9097 (2k)
						V _{CPTH} (VOLTS)	V _{CPTH} (VOLTS)	I _{OL} (mA)	I _{OL} (mA)	I _{OH} (mA)	I _{OH} (mA)
						0°C	+25°C	+75°C	0°C	+25°C	+75°C
0°C	2.0	1.2	4.0	0.45	-	1.15	1.30	16.8	15.4	-0.12	-0.5
+25°C	1.9	1.1	4.0	0.45	5.0	0.95	1.15	16.8	15.4	-0.12	-0.5
+75°C	1.8	0.95	4.0	0.50	-	0.65	0.85	16.0	14.6	-0.12	-0.5





Successive Approximation Registers

General Description

The DM2502, DM2503 and DM2504 are 8-bit and 12-bit TTL registers designed for use in successive approximation A/D converters. These devices contain all the logic and control circuits necessary (in combination with a D/A converter) to perform successive approximation analog-to-digital conversions.

The DM2502 has 8 bits with serial capability and is not expandable.

The DM2503 has 8 bits and is expandable without serial capability.

The DM2504 has 12 bits with serial capability and expandability.

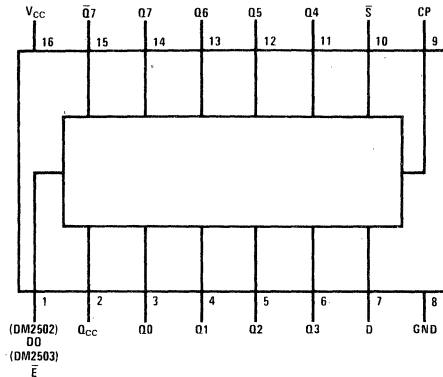
All three devices are available in ceramic DIP, ceramic flatpak, and molded Epoxy-B DIPs. The DM2502,

DM2503 and DM2504 operate over -55°C to $+125^{\circ}\text{C}$; the DM2502C, DM2503C and DM2504C operate over 0°C to $+70^{\circ}\text{C}$.

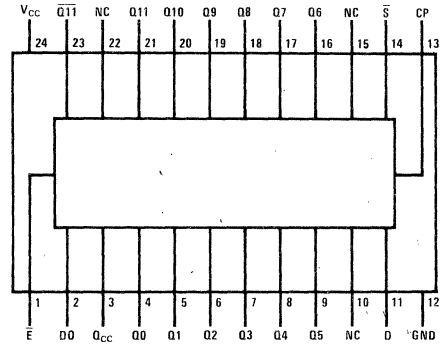
Features

- Complete logic for successive approximation A/D converters
- 8-bit and 12-bit registers
- Capable of short cycle or expanded operation
- Continuous or start-stop operation
- Compatible with D/A converters using any logic code
- Active low or active high logic outputs
- Use as general purpose serial-to-parallel converter or ring counter

Connection Diagrams



2502(J), (W); 2502C(J), (N), (W);
2503(J), (W); 2503C(J), (N), (W)



2504(J), (F); 2504C(J), (N), (F)

Truth Table

TIME	INPUTS			OUTPUTS(1)									
	D	S	E(2)	D0(3)	Q7	Q6	Q5	Q4	Q3	Q2	Q1	Q0	Qcc
0	X	L	L	X	X	X	X	X	X	X	X	X	X
1	D7	H	L	X	L	H	H	H	H	H	H	H	H
2	D6	H	L	D7	D7	L	H	H	H	H	H	H	H
3	D5	H	L	D6	D7	D6	L	H	H	H	H	H	H
4	D4	H	L	D5	D7	D6	D5	L	H	H	H	H	H
5	D3	H	L	D4	D7	D6	D5	D4	L	H	H	H	H
6	D2	H	L	D3	D7	D6	D5	D4	D3	L	H	H	H
7	D1	H	L	D2	D7	D6	D5	D4	D3	D2	L	H	H
8	D0	H	L	D1	D7	D6	D5	D4	D3	D2	D1	L	H
9	X	H	L	D0	D7	D6	D5	D4	D3	D2	D1	D0	L
10	X	X	L	X	D7	D6	D5	D4	D3	D2	D1	D0	L
	X	X	H	X	H	NC	NC	NC	NC	NC	NC	NC	NC

Notes

- (1) Truth table for DM2504 is extended to include 12 outputs.
- (2) Truth table for DM2502 does not include E column or last line in truth table shown.
- (3) Truth table for DM2503 does not include D0 column.

H = High Level
L = Low Level
X = Don't Care
NC = No Change

Electrical Characteristics over recommended operating free-air temperature range (unless otherwise noted)

PARAMETER		CONDITIONS	DM25									UNITS	
			02, 02C			03, 03C			04, 04C				
			MIN	TYP(1)	MAX	MIN	TYP(1)	MAX	MIN	TYP(1)	MAX		
V _{IH}	High Level Input Voltage		2			2			2			V	
V _{IL}	Low Level Input Voltage		0.8			0.8			0.8			V	
V _I	Input Clamp Voltage	V _{CC} = Min, I _I = -12 mA	-1.5			-1.5			-1.5			V	
I _{OH}	High Level Output Current		-480			-480			-480			μA	
V _{OH}	High Level Output Voltage	V _{CC} = Min, V _{IH} = 2V V _{IL} = 0.8V, I _{OH} = -480μA	2.4	3.6		2.4	3.6		2.4	3.6		V	
I _{OL}	Low Level Output Current		9.6			9.6			9.6			mA	
V _{OL}	Low Level Output Voltage	V _{CC} = Min, V _{IH} = 2V V _{IL} = 0.8V, I _{OL} = 9.6 mA	0.2			0.4			0.2			0.4	V
I _I	Input Current at Maximum Input Voltage	V _{CC} = Max, V _I = 5.5V	1			1			1			mA	
I _{IH}	High Level Input Current	V _{CC} = Max	CP Input		6	40	6	40	6	40		μA	
		V _I = 2.4V	D, \bar{E} , \bar{S} Inputs		12	80	12	80	12	80			
I _{IL}	Low Level Input Current	V _{CC} = Max	CP, \bar{S} Inputs		-1.0	-1.6	-1.0	-1.6	-1.0	-1.6		mA	
		V _I = 0.4V	D, \bar{E} Inputs		-2.0	-3.2	-2.0	-3.2	-2.0	-3.2			
I _{OS}	Short Circuit Output Current	V _{CC} = Max(2)	-10	-20	-45	-10	-20	-45	-10	-20	-45	mA	
I _{CC}	Supply Current	V _{CC} = Max	Military		65	85	60	80	90	110		mA	
		Commercial		65	95	60	90	90	124				

Notes

(1) All typical values are at V_{CC} = 5V, T_A = 25°C.

(2) Not more than one output should be shorted at a time.

Switching Characteristics V_{CC} = 5V, T_A = 25°C

PARAMETER		FROM	TO	CONDITIONS	DM25									UNITS
					02, 02C			03, 03C			04, 04C			
					MIN	TYP	MAX	MIN	TYP	MAX	MIN	TYP	MAX	
f _{MAX}	Maximum Clock Frequency			C _L = 15 pF R _L = 400Ω	15	21		15	21		15	21		MHz
t _{PLH}	Propagation Delay Time, Low-to-High Level Output	CP	Output		10	26	38	10	26	38	10	26	38	ns
t _{PHL}	Propagation Delay Time, High-to-Low Level Output				10	18	28	10	18	28	10	18	28	ns
t _{PLH}	Propagation Delay Time, Low-to-High Level Output	\bar{E}	Q7 (Q11) CP High \bar{S} Low		N/A			13	19	13			19	ns
t _{PHL}	Propagation Delay Time, High-to-Low Level Output				N/A			16	24	16			24	ns
t _w	Width of Clock Pulse				Low Level	42	30		42	30		42	30	ns
					High Level	24	17		24	17		24	17	
t _{SETUP}	Setup Time				\bar{S} Input	16	9		16	9		16	9	ns
				D Input	8	4		8	4		8	4		

Application Information

OPERATION

The registers consist of a set of master latches that act as the control elements in the device and change state on the input clock high-to-low transition and a set of slave latches that hold the register data and change on the input clock low-to-high transition. Externally the device acts as a special purpose serial-to-parallel converter that accepts data at the D input of the register and sends the data to the appropriate slave latch to appear at the register output and the DO output on the DM2502 and DM2504 when the clock goes from low-to-high. There are no restrictions on the data input; it can change state at any time except during a short interval centered about the clock low-to-high transition. At the same time that data enters the register bit the next less significant bit register is set to a low ready for the next iteration.

The register is reset by holding the \bar{S} (Start) signal low during the clock low-to-high transition. The register synchronously resets to the state Q7 (11) low, and all the remaining register outputs high. The Q_{CC} (Conversion Complete) signal is also set high at this time. The \bar{S} signal should not be brought back high until after the clock low-to-high transition in order to guarantee correct resetting. After the clock has gone high resetting the register; the \bar{S} signal must be removed. On the next clock low-to-high transition the data on the D input is set into the Q7 (11) register bit and the Q6 (10) register bit is set to a low ready for the next clock cycle. On the next clock low-to-high transition data enters the Q6 (10) register bit and Q5 (9) is set to a low. This operation is repeated for each register bit in turn until the register has been filled. When the data goes into Q0, the Q_{CC} signal goes low, and the register is inhibited from further change until reset by a Start signal.

The DM2502, DM2503 and DM2504 have a specially tailored two-phase clock generator to provide non-overlapping two-phase clock pulses (i.e., the clock waveforms intersect below the thresholds of the gates they drive). Thus, even at very slow dV/dt rates at the clock input (such as from relatively weak comparator outputs), improper logic operation will not result.

LOGIC CODES

All three registers can be operated with various logic codes. Two's complement code is used by offsetting the comparator $1/2$ full range + $1/2$ LSB and using the complement of the MSB ($\bar{Q}7$ or $\bar{Q}11$) with a binary D/A converter. Offset binary is used in the same manner but with the MSB (Q7 or Q11). BCD D/A converters can be used with the addition of illegal code suppression logic.

ACTIVE HIGH OR ACTIVE LOW LOGIC

The register can be used with either D/A converters that require a low voltage level to turn on, or D/A converters that require a high voltage level to turn the switch on. If D/A converters are used which turn on with a low logic level, the resulting digital output from the register is active low. That is, a logic "1" is represented as a low

voltage level. If D/A converters are used that turn on with a high logic level then the digital output is active high; a logic "1" is represented as a high voltage level.

EXPANDED OPERATION

An active low enable input, \bar{E} , on the DM2503 and DM2504 allows registers to be connected together to form a longer register by connecting the clock, D, and \bar{S} inputs in parallel and connecting the Q_{CC} output of one register to the \bar{E} input of the next less significant register. When the start signal resets the register, the \bar{E} signal goes high, forcing the Q7 (11) bit high and inhibiting the register from accepting data until the previous register is full and its Q_{CC} goes low. If only one register is used the \bar{E} input should be held at a low logic level.

SHORT CYCLE

If all bits are not required, the register may be truncated and conversion time saved by using a register output going low rather than the Q_{CC} signal to indicate the end of conversion. If the register is truncated and operated in the continuous conversion mode, a lock-up condition may occur on power turn-on. This condition can be avoided by making the start input the OR function of Q_{CC} and the appropriate register output.

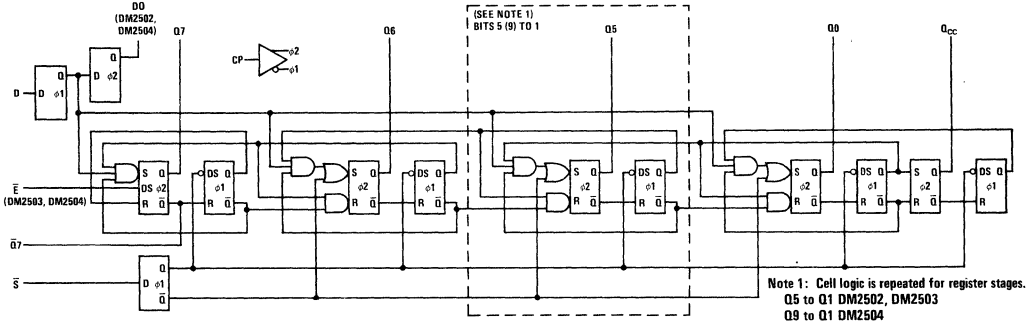
COMPARATOR BIAS

To minimize the digital error below $\pm 1/2$ LSB, the comparator must be biased. If a D/A converter is used which requires a low voltage level to turn on, the comparator should be biased $+1/2$ LSB. If the D/A converter requires a high logic level to turn on, the comparator must be biased $-1/2$ LSB.

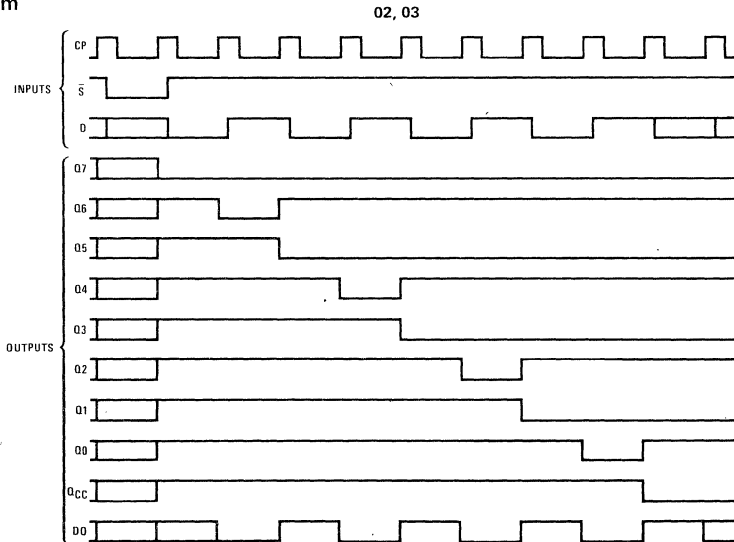
Definition of Terms (See Timing Diagram)

- CP:** The clock input of the register.
- D:** The serial data input of the register.
- DO:** The serial data out. (The D input delayed one bit).
- \bar{E} :** The register enable. This input is used to expand the length of the register and when high forces the Q7 (11) register output high and inhibits conversion. When not used for expansion the enable is held at a low logic level (ground).
- Q_i $i = 7$ (11) to 0:** The outputs of the register.
- Q_{CC} :** The conversion complete output. This output remains high during a conversion and goes low when a conversion is complete.
- Q7 (11):** The true output of the MSB of the register.
- $\bar{Q}7$ (11):** The complement output of the MSB of the register.
- \bar{S} :** The start input. If the start input is held low for at least a clock period the register will be reset to Q7 (11) low and all the remaining outputs high. A start pulse that is low for a shorter period of time can be used if it meets the set-up time requirements of the \bar{S} input.

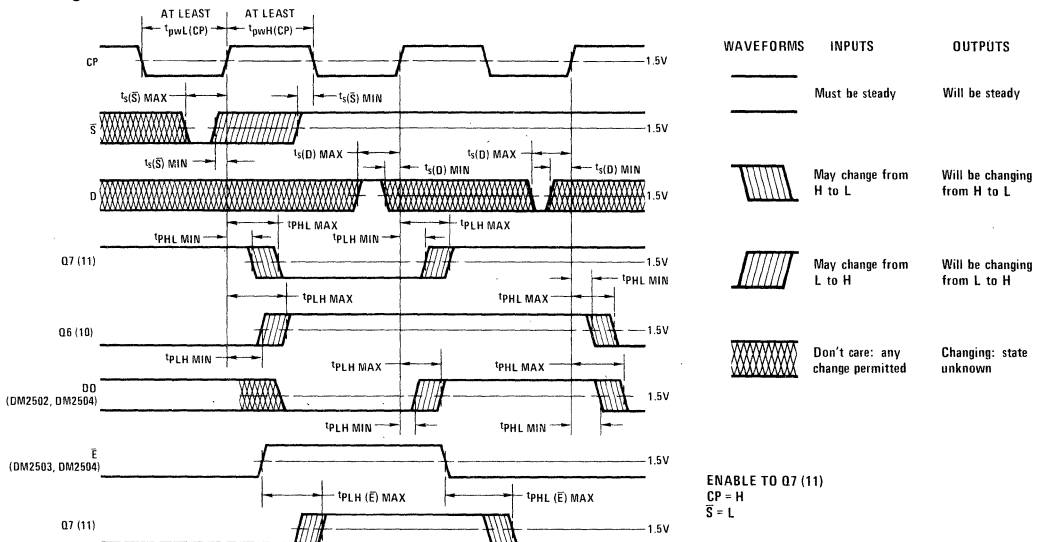
Logic Diagram



Timing Diagram



Switching Time Waveforms

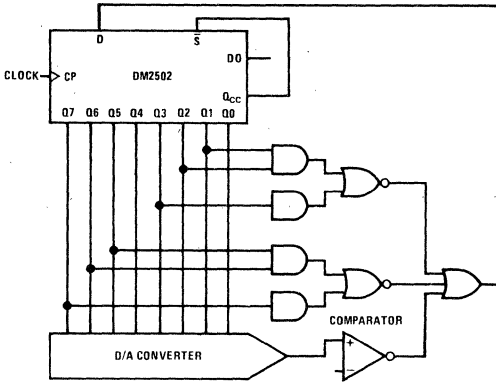




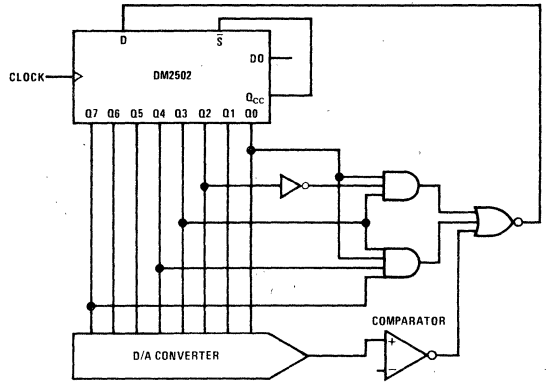
Typical Applications

BCD ILLEGAL CODE SUPPRESSION

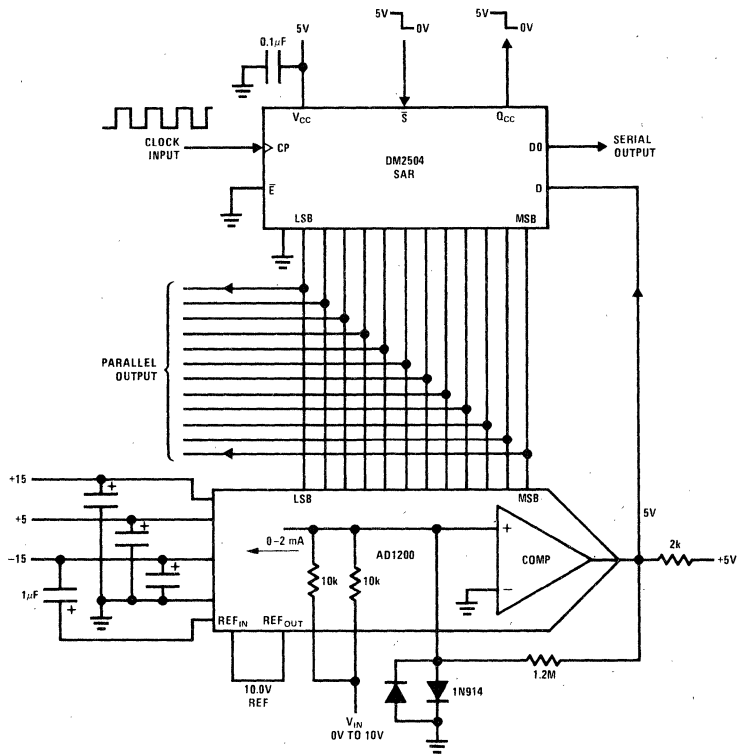
ACTIVE HIGH



ACTIVE LOW



HIGH SPEED 12-BIT A/D CONVERTER



General Description

These high-speed counters consist of four dc-coupled, master-slave flip-flops which are internally interconnected to provide divide-by-two, divide-by-four, divide-by-five, divide-by-six, divide-by-eight, divide-by-ten, divide-by-twelve, or divide-by-sixteen operations. The counters are fully programmable; that is, the outputs may be preset to any number by placing a low logic level on the count/load input and entering the desired number at the data inputs. Transfer of information to the outputs occurs on the negative-going edge of the clock pulse. These counters also feature a direct clear which, when placed at a low logic level, sets all outputs low regardless of the conditions on the clocks.

Typical Count Configurations

DM7280/DM8280, DM7290/DM8290

The output of flip-flop A is not internally connected to the succeeding flip-flops; therefore, the count may be operated in three independent modes:

1. When used as a binary-coded decimal decade counter, the clock-2 input must be externally connected to the Q_A output. The clock-1 input receives the incoming count, and a count sequence is obtained in accordance with the BCD count sequence truth table.
2. If a symmetrical divide-by-ten count is desired for frequency synthesizers (or other applications requiring division of a binary count by a power of ten), the Q_D output must be externally connected to the clock-1 input. The input count is then applied at the clock-2 input and a divide-by-ten square wave is obtained at output Q_A in accordance with the bi-quinary truth table.
3. For operation as a divide-by-two counter and a divide-by-five counter, no external interconnections are required. Flip-flop A is used as a binary element for the divide-by-two function. The clock-2 input is used to obtain binary divide-by-five operation at the Q_B , Q_C , and Q_D outputs. In this mode, the two counters operate independently; however, all four flip-flops are loaded and cleared simultaneously.

DM7281/DM8281, DM7291/DM8291

The output of flip-flop A is not internally connected to the succeeding flip-flops, therefore the counter may be

Presettable Counters

operated in two independent modes:

1. When used as a high-speed 4-bit ripple-through counter, output Q_A must be externally connected to the clock-2 input. The input count pulses are applied to the clock-1 input. Simultaneous divisions by 2, 4, 8, and 16 are performed at the Q_A , Q_B , Q_C , and Q_D outputs as shown in the truth table for the DM7281/8281, DM7291/8291.
2. When used as a 3-bit ripple-through counter, the input count pulses are applied to the clock-2 input. Simultaneous frequency divisions by 2, 4, and 8 are available at the Q_B , Q_C , and Q_D outputs. Independent use of flip-flop A is available if the load and clear functions coincide with those of the 3-bit ripple-through counter.

DM7288/DM8288

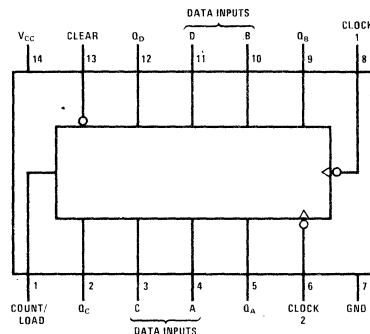
The 8288 divide-by-twelve counter is a four-bit subsystem consisting of divide-by-two and divide-by-six counters in a 14-pin package. For divide-by-twelve operation, output A is connected externally to the clock-2 input.

Features

- Direct replacements Signetics 8280, 8281, 8288, 8290, 8291
- Pin-for-pin with popular Series 54 counters: 8280, 8290—54176, 54196 8281, 8291—54177, 54197
- Fully programmable
- Independent clear input
- Performs BCD, bi-quinary, or quinary counting
- Output Q_A maintains full fan-out while driving clock 2

TYPE	TYPICAL CLOCK FREQUENCY		TYPICAL POWER DISSIPATION
	CLOCK 1	CLOCK 2	
7280/8280	50 MHz	25 MHz	150 mW
7281/8281			
7288/8288			
7290/8290	50 MHz	25 MHz	150 mW
7291/8291			

Connection Diagram



7280(J), (W); 8280(J), (N), (W); 7281(J), (W); 8281(J), (N), (W);
 7288(J), (W); 8288(J), (N), (W); 7290/8290(J), (N), (W);
 7291/8291(J), (N), (W)

Electrical Characteristics over recommended operating free-air temperature range (unless otherwise noted)

PARAMETER		CONDITIONS		DM72/82						UNITS								
				80, 81			88				90, 91							
				MIN	TYP(1)	MAX	MIN	TYP(1)	MAX		MIN	TYP(1)	MAX					
V_{IH}	High Level Input Voltage				2			2			2		V					
V_{IL}	Low Level Input Voltage					0.8			0.8			0.8	V					
V_I	Input Clamp Voltage	$V_{CC} = \text{Min}, I_I = -12 \text{ mA}$					-1.5			-1.5			-1.5	V				
I_{OH}	High Level Output Current						-800			-800			-800	μA				
V_{OH}	High Level Output Voltage	$V_{CC} = \text{Min}, V_{IH} = 2\text{V}$ $V_{IL} = 0.8\text{V}, I_{OH} = -800\mu\text{A}$			2.6				2.6			2.6		V				
I_{OL}	Low Level Output Current					16			16			16	mA					
V_{OL}	Low Level Output Voltage	$V_{CC} = \text{Min}, V_{IH} = 2\text{V}$ $V_{IL} = 0.8\text{V}, I_{OL} = 16 \text{ mA}$				0.4			0.4			0.4	V					
I_I	Input Current at Maximum Input Voltage	$V_{CC} = \text{Max}, V_I = 5.5\text{V}$				1			1			1	mA					
I_{IH}	High Level Input Current	$V_{CC} = \text{Max}$ $V_I = 4.5\text{V}$	Count/Load, Data			40			40			40	μA					
			Clear, Clock 1			80			80			80						
			Clock 2 (8281, 8291)			40			N/A			80						
			Clock 2 (Others)			80			80			120						
I_{IL}	Low Level Input Current	$V_{CC} = \text{Max}$ $V_I = 0.4\text{V}$	Count/Load			-1.6			-1.6			-1.6	mA					
			Data			-1.2			-1.2			-1.2						
			Clear			-3.2			-3.2			-2.8						
			Cik 1, Cik 2 (8280, 8290)			-3.2			-3.2			-4.8						
			Clock 2 (Others)			-1.6			-1.6			-2.4						
I_{OS}	Short Circuit Output Current	$V_{CC} = \text{Max}(2)$			-18		-57		-18		-57		mA					
I_{CC}	Supply Current	$V_{CC} = \text{Max}$				30		45			30		45		30		48	mA

Notes

- (1) All typical values are at $V_{CC} = 5\text{V}, T_A = 25^\circ\text{C}$.
- (2) Not more than one output should be shorted at a time.

Switching Characteristics $V_{CC} = 5V, T_A = 25^\circ C$

PARAMETER		FROM	TO	CONDITIONS	DM72/82									UNITS
					80, 81			88			90, 91			
					MIN	TYP	MAX	MIN	TYP	MAX	MIN	TYP	MAX	
f_{MAX}	Maximum Clock Frequency	Clock 1	Q_A	$C_L = 15\text{ pF}$ $R_L = 400\Omega$	35	50		35	50		40	50		MHz
t_{PLH}	Propagation Delay Time, Low-to-High Level Output	Clock 1	Q_A		9	13		9	13		9	13		ns
t_{PHL}	Propagation Delay Time, High-to-Low Level Output	Clock 1	Q_A		11	17		11	17		11	17		ns
t_{PLH}	Propagation Delay Time, Low-to-High Level Output	Clock 2	Q_B		12	18		12	18		12	18		ns
t_{PHL}	Propagation Delay Time, High-to-Low Level Output	Clock 2	Q_B		14	21		14	21		14	21		ns
t_{PLH}	Propagation Delay Time, Low-to-High Level Output	Clock 2	Q_C		27	41		27	41		24	36		ns
t_{PHL}	Propagation Delay Time, High-to-Low Level Output	Clock 2	Q_C		34	51		34	51		28	42		ns
t_{PLH}	Propagation Delay Time, Low-to-High Level Output	Clock 2	Q_D		13	20		13	20		14	21		ns
t_{PHL}	Propagation Delay Time, High-to-Low Level Output	Clock 2	Q_D		44	66		N/A			36	54		ns
t_{PLH}	Propagation Delay Time, Low-to-High Level Output	Clock 2	Q_D		17	26		17	26		16	23		ns
t_{PHL}	Propagation Delay Time, High-to-Low Level Output	Clock 2	Q_D		50	75		N/A			42	63		ns
t_{PLH}	Propagation Delay Time, Low-to-High Level Output	Any Data Input	Any Output		19	29		19	29		16	24		ns
t_{PHL}	Propagation Delay Time, High-to-Low Level Output	Any Data Input	Any Output		31	46		31	46		25	38		ns
t_{PLH}	Propagation Delay Time, Low-to-High Level Output	Load	Any Output		29	43		29	43		22	33		ns
t_{PHL}	Propagation Delay Time, High-to-Low Level Output	Load	Any Output		32	48		32	48		24	36		ns
t_{PHL}	Propagation Delay Time, High-to-Low Level Output	Clear	Any Output		32	48		32	48		25	37		ns
t_W	Pulse Width			Clock 1	14			14			14			ns
				Clock 2	28			28			28			
				Clear	25			25			25			
				Load	20			20			20			
t_{HOLD}	Input Hold Time			High-Level Data	$t_{W(Load)}$			$t_{W(Load)}$			$t_{W(Load)}$			ns
				Low-Level Data	$t_{W(Load)}$			$t_{W(Load)}$			$t_{W(Load)}$			
t_{SETUP}	Input Setup Time			High-Level Data	15			15			10			ns
				Low-Level Data	20			20			15			
t_{ENABLE}	Count Enable Time				25			25			30			ns

4-13

Truth Tables

**80, 90
DECADE (BCD)
(See Note A)**

COUNT	OUTPUT			
	Q _D	Q _C	Q _B	Q _A
0	L	L	L	L
1	L	L	L	H
2	L	L	H	L
3	L	L	H	H
4	L	H	L	L
5	L	H	L	H
6	L	H	H	L
7	L	H	H	H
8	H	L	L	L
9	H	L	L	H

**80, 90
BI-QUINARY (5-2)
(See Note B)**

COUNT	OUTPUT			
	Q _A	Q _D	Q _C	Q _B
0	L	L	L	L
1	L	L	L	H
2	L	L	H	L
3	L	L	H	H
4	L	H	L	L
5	H	L	L	L
6	H	L	L	H
7	H	L	H	L
8	H	L	H	H
9	H	H	L	L

**81, 91
TRUTH TABLE
(See Note A)**

COUNT	OUTPUT			
	Q _D	Q _C	Q _B	Q _A
0	L	L	L	L
1	L	L	L	H
2	L	L	H	L
3	L	L	H	H
4	L	H	L	L
5	L	H	L	H
6	L	H	H	L
7	L	H	H	H
8	H	L	L	L
9	H	L	L	H
10	H	L	H	L
11	H	L	H	H
12	H	H	L	L
13	H	H	L	H
14	H	H	H	L
15	H	H	H	H

**88
TRUTH TABLE**

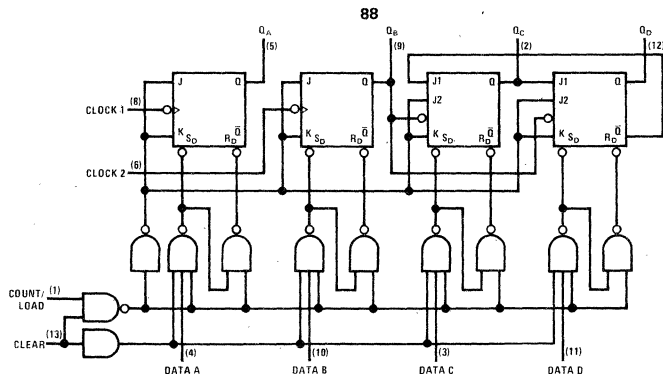
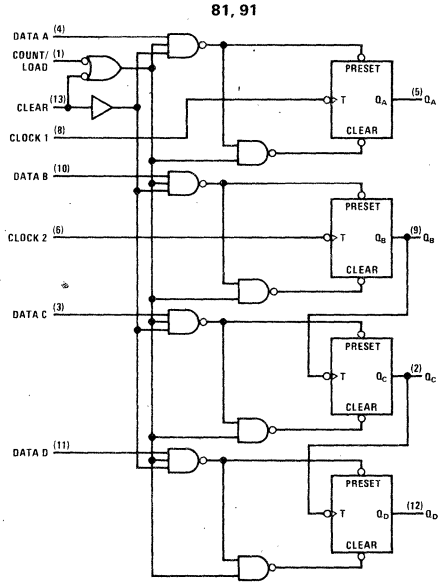
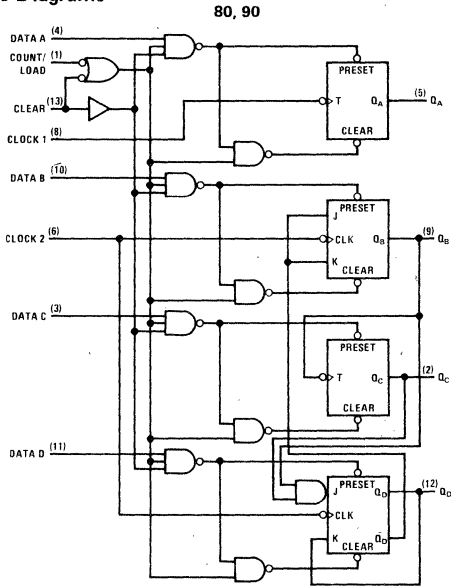
COUNT	OUTPUT			
	Q _D	Q _C	Q _B	Q _A
0	L	L	L	L
1	L	L	L	H
2	L	L	H	L
3	L	L	H	H
4	L	H	L	L
5	L	H	L	H
6	L	H	H	L
7	L	H	H	H
8	H	L	L	L
9	H	L	L	H
10	H	L	H	L
11	H	L	H	H

H = High Level, L = Low Level

Notes:

- (A) Output Q_A connected to clock 2 input.
- (B) Output Q_D connected to clock 1 input.

Logic Diagrams



Gates/Inverters

General Description

DM9000C series devices are designed to be used in existing systems as replacements for Fairchild 9000-type circuits. These DM9000C circuits offer several significant advantages over 9000 type circuits, some of which are:

- Input clamp diodes
- Output short-circuit current specified to guarantee the high-level impedance.
- Power dissipation of DM9000C circuits is in most cases lower than that for the equivalent 9000 type.

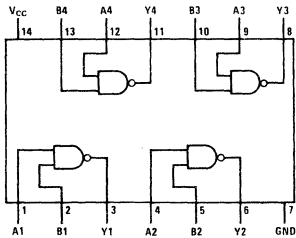
DM9000C circuits are characterized for operation over the industrial temperature range of 0°C to 75°C.

For new designs, the 54/74 families of TTL circuits offer the industry's broadest choice of high-performance digital circuits. Included are several families of compatible

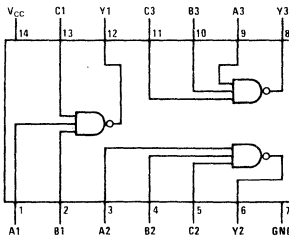
TTL circuits offering a choice of specific performance ranges (see Sections 1 and 2); and are designed to serve any application from industrial numerical controllers or high-speed computers, to sophisticated high-reliability aerospace and defense systems. Series 54/74 pin-for-pin equivalents are available for the following SSI types:

DM9000C SERIES	EQUIVALENT SERIES 74
DM9002C	DM7400
DM9003C	DM7410
DM9004C	DM7420
DM9005C	DM7450
DM9006C	DM74H60
DM9008C	DM74H53
DM9009C	DM7440
DM9012C	DM7403
DM9016C	DM7404
DM9024C	DM74109

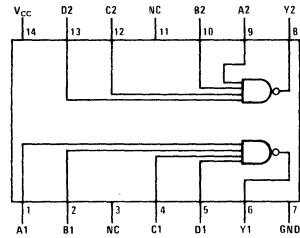
Connection Diagrams



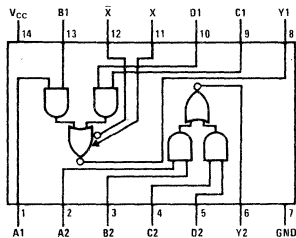
9002C(J, N); 9012C(J, N)



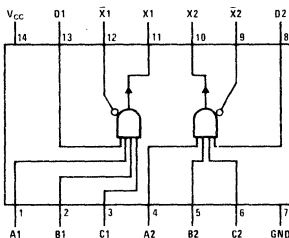
9003C(J, N)



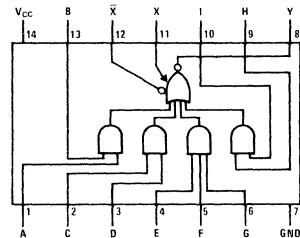
9004C(J, N); 9009C(J, N)



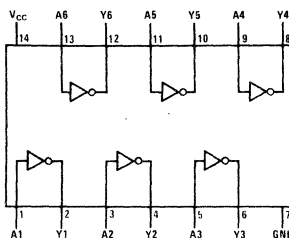
9005C(J, N)



9006C(J, N)



9008C(J, N)



9016C(J, N)

Electrical Characteristics over recommended operating free-air temperature range (unless otherwise noted)

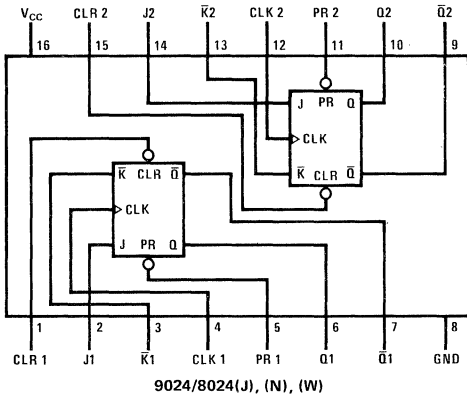
PARAMETER		CONDITIONS		DM90						UNITS			
				02C, 03C 04C, 16C		05C		06C, 08C	09C		12C		
						EXPAND- ABLE GATE	NON- EXPAND- ABLE GATE						
				MIN	MAX	MIN	MAX	MIN	MAX		MIN	MAX	
V _{IH}	High Level Input Voltage		0°C	1.9	1.9	1.9	1.9	1.9	1.9	V			
			25°C	1.8	1.8	1.8	1.8	1.8	1.8				
			75°C	1.6	1.6	1.6	1.6	1.6	1.6				
V _{IL}	Low Level Input Voltage		0.85	0.85	0.85	0.85	0.85	0.85	V				
V _I	Input Clamp Voltage	V _{CC} = 4.75V, I _I = -12 mA	-1.5	-1.5	-1.5	-1.5	-1.5	-1.5	V				
I _{OH}	High Level Output Current	V _{CC} = 4.75V, V _{IL} = 0.85V V _{OH} = 5.5V	-1.2	-1.2	-1.2	-1.2	-3.6	0.25	mA				
V _{OH}	High Level Output Voltage	V _{CC} = 4.75V	I _{OH} = -1.2 mA	2.4	2.4	2.4	2.4		N/A	V			
		V _{IL} = 0.85V	I _{OH} = -3.6 mA					2.4	N/A				
I _{OL}	Low Level Output Current		50	50	50	50	100	50	mA				
V _{OL}	Low Level Output Voltage	V _{CC} = 5.25V	I _{OL} = 16 mA	0.45	0.45	0.45	0.45		0.45	V			
		V _{IH} = Min	I _{OL} = 48 mA						0.45				
		V _{CC} = 4.75V	I _{OL} = 14.1 mA	0.45	0.45	0.45	0.45		0.45				
		V _{IH} = Min	I _{OL} = 42.3 mA						0.45				
I _{IH}	High Level Input Current	V _{CC} = 5.25V, V _I = 4.5V Other Inputs at Ground	60	90	60	90	120	60	μA				
I _{IL}	Low Level Input Current	V _I = 0.45V	V _{CC} = 5.25V	-1.6	-2.4	-1.6	-2.4	-3.2	-1.6	mA			
		Other Inputs at 5.25V	V _{CC} = 4.75V	-1.41	-2.12	-1.41	-2.12	-2.82	-1.41				
I _{OS}	Short Circuit Output Current	V _{CC} = 5.25V(1)	-18 -55	-20 -70	-20 -70	-40 -100	-20 -70	N/A	mA				
I _{CCH}	Supply Current, All Outputs High	V _{CC} = 5V	1.7	5.1	3.4	10.2	3.4	1.7	mA				
I _{CCL}	Supply Current, All Outputs Low	V _{CC} = 5V	6.1	13.6	7.7	17.7	14.6	6.1	mA				
ΔI _{CCH}	ΔSupply Current Additional Supply Current when one DM9006C Ex- tender is connected to a DM9005C Gate in the Logical "1" State	V _{CC} = 5V	N/A	2.05	N/A	2.05	N/A	N/A	mA				
ΔI _{CCL}	Additional . . . in the Logical "0" State	V _{CC} = 5V	N/A	2.54	N/A	2.54	N/A	N/A	mA				
t _{PLH}	Propagation Delay Time, Low-to-High Level Output	C _L = 15 pF, R _L = 400Ω (2)(3) V _{CC} = 5V, T _A = 25°C	3	13	3	15	3	15	3	17	3	45	ns
t _{PHL}	Propagation Delay Time, High-to-Low Level Output		3	15	3	12	3	14	3	12	2	13	

Notes

- (1) Not more than one output should be shorted at a time and duration of the short-circuit should not exceed one second.
- (2) For testing t_{PLH} of DM9012C, R_L = 4 kΩ.
- (3) t_{PLH} and t_{PHL} for DM9006C = 4 ns max. additional, as measured through the DM9005C.

Dual J-K Flip-Flops with Preset and Clear

Connection Diagram



Truth Table

INPUTS					OUTPUTS	
PRESET	CLEAR	CLOCK	J	\bar{K}	Q	\bar{Q}
L	H	X	X	X	H	L
H	L	X	X	X	L	H
L	L	X	X	X	H*	H*
H	H	↑	L	L	L	H
H	H	↑	H	L	TOGGLE	TOGGLE
H	H	↑	L	H	Q0	$\bar{Q}0$
H	H	↑	H	H	H	L
H	H	L	X	X	Q0	$\bar{Q}0$

H = High Level (Steady State), L = Low Level (Steady State),
 X = Don't Care
 ↑ = Transition from low to high level
 Q0 = The level of Q before the indicated input conditions were established.
 TOGGLE: Each output changes to the complement of its previous level on each active transition of the clock.
 *This configuration is nonstable. That is, it will not persist when preset and clear inputs return to their inactive (high) level.

Electrical Characteristics over recommended operating free-air temperature range (unless otherwise noted)

PARAMETER		CONDITIONS		DM90		DM80		UNITS	
				24		24			
				MIN	MAX	MIN	MAX		
V_{IH}	High Level Input Voltage	$T_A = \text{Min}$		2.0	1.9			V	
		$T_A = 25^\circ\text{C}$		1.7	1.8				
		$T_A = \text{Max}$		1.4	1.6				
V_{IL}	Low Level Input Voltage			0.9	0.85			V	
V_I	Input Clamp Voltage	$V_{CC} = \text{Min}, I_I = -12 \text{ mA}$		-1.5	-1.5			V	
I_{OH}	High Level Output Current			-1.2	-1.2			mA	
V_{OH}	High Level Output Voltage	$V_{CC} = \text{Min}, V_{IH} = \text{Min}$ $V_{IL} = \text{Max}, I_{OH} = -1.2 \text{ mA}$		2.4	2.4			V	
I_{OL}	Low Level Output Current			12.4	14.1			mA	
V_{OL}	Low Level Output Voltage	$V_{IH} = \text{Min}$ $V_{IL} = \text{Max}$	$V_{CC} = \text{Min}$	$I_{OL} = 12.4 \text{ mA}$ $I_{OL} = 14.1 \text{ mA}$	0.40	0.45		V	
			$V_{CC} = \text{Max}$	$I_{OL} = 16 \text{ mA}$	0.40	0.45			
						0.40	0.45		
I_{IH}	High Level Input Current	J, K, J or K	$V_{CC} = \text{Max}, V_I = 4.5 \text{ V}$ Other Inputs at Gnd	$T_A = 25^\circ\text{C}$ and 125°C (DM90) $T_A = 25^\circ\text{C}$ and 75°C (DM80)	60	60		μA	
		Clock			120	120			
		Preset			120	120			
		Clear			240	240			
I_{IL}	Low Level Input Current	J, K, J or K	$V_I = 0.40 \text{ V}$ (DM90) $V_I = 0.45 \text{ V}$ (DM80) Other Inputs at 4.5V	$V_{CC} = \text{Max}$	-1.6	-1.6		mA	
		Clock			-3.2	-3.2			
		Preset			-3.2	-3.2			
		Clear			-4.8	-4.8			
		J, K, J or K			$V_{CC} = \text{Min}$	-1.24	-1.41		
		Clock				-2.48	-2.82		
		Preset				-2.48	-2.82		
		Clear				-3.72	-4.23		
I_{OS}	Short Circuit Output Current	$V_{CC} = \text{Max}(1)$		-30	-85	-30	-85	mA	
I_{CC}	Supply Current	$V_{CC} = 5 \text{ V}, T_A = 25^\circ\text{C}(2)$		28	28		mA		

- Notes**
 (1) Not more than one output should be shorted at a time, and duration of the short circuit should not exceed one second.
 (2) I_{CC} is measured with all outputs open, first with preset at 4.5V and all other inputs grounded, then with clear at 4.5V and all other inputs grounded.

Switching Characteristics $V_{CC} = 5V, T_A = 25^\circ C$

PARAMETER		FROM (INPUT)	TO (OUTPUT)	CONDITIONS	DM90/80			UNITS
					24			
					MIN	TYP	MAX	
f_{MAX}	Maximum Clock Frequency			$C_L = 15 \text{ pF}, R_L = 400\Omega$	30	40		MHz
t_{PLH}	Propagation Delay Time, Low-to-High Level Output	Preset	Q		9	14		ns
t_{PHL}	Propagation Delay Time, High-to-Low Level Output		\bar{Q}		18	29		
t_{PLH}	Propagation Delay Time, Low-to-High Level Output	Clear	\bar{Q}		9	14		ns
t_{PHL}	Propagation Delay Time, High-to-Low Level Output		Q		17	25		
t_{PLH}	Propagation Delay Time, Low-to-High Level Output	Clock	Q or \bar{Q}		12	18		ns
t_{PHL}	Propagation Delay Time, High-to-Low Level Output				19	28		
t_W	Pulse Width	Clock High		20			ns	
		Clock Low		20				
		Preset or Clear Low		20				
t_{SETUP}	Input Setup Time(3)			15†			ns	
t_{HOLD}	Input Hold Time(3)			10†			ns	

Notes

(3) † The arrow indicates the edge of the clock pulse used for reference: † for the rising edge.

4-Bit Parallel-Access Shift Registers

General Description

These 4-bit registers feature parallel inputs, parallel outputs, JK serial inputs, shift/load control input, and a direct overriding clear. The registers have two modes of operation: parallel (broadside) load and shift (in direction Q_A toward Q_D).

Parallel loading is accomplished by applying the four bits of data and taking the shift/load control input low. The data is loaded into the associated flip-flops, and appears at the outputs after the positive transition of the clock input. During loading, serial data flow is inhibited.

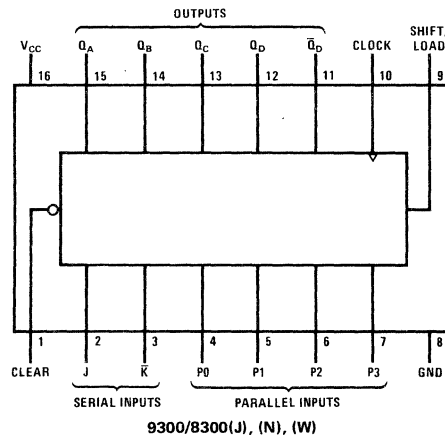
Shifting is accomplished synchronously when the shift/load control input is high. Serial data for this mode is entered at the JK inputs. These inputs permit the first stage to perform as a JK, D or T-type flip-flop as shown in the truth table.

These shift registers are fully compatible with most other TTL and DTL families. All inputs, including the clock, are buffered to lower the drive requirements to one normalized Series 54/74 load.

Features

- Direct replacement for Fairchild 9300
- Fully buffered inputs
- Direct overriding clear
- Synchronous parallel load
- Parallel inputs and outputs from each flip-flop
- Positive edge-triggered clocking
- J and \bar{K} inputs to first stage
- Typical shift frequency—39 MHz

Connection Diagram



Truth Table

CLEAR	SHIFT/LOAD	CLOCK	INPUTS				OUTPUTS						
			SERIAL		PARALLEL				Q_A	Q_B	Q_C	Q_D	\bar{Q}_D
			J	\bar{K}	P0	P1	P2	P3					
L	X	X	X	X	X	X	X	X	L	L	L	L	H
H	L	↑	X	X	a	b	c	d	a	b	c	d	\bar{d}
H	H	L	X	X	X	X	X	X	Q_{A0}	Q_{B0}	Q_{C0}	Q_{D0}	\bar{Q}_{D0}
H	H	↑	L	H	X	X	X	X	Q_{A0}	Q_{A0}	Q_{Bn}	Q_{Cn}	\bar{Q}_{Cn}
H	H	↑	L	L	X	X	X	X	L	Q_{An}	Q_{Bn}	Q_{Cn}	\bar{Q}_{Cn}
H	H	↑	H	H	X	X	X	X	H	Q_{An}	Q_{Bn}	Q_{Cn}	\bar{Q}_{Cn}
H	H	↑	H	L	X	X	X	X	\bar{Q}_{An}	Q_{An}	Q_{Bn}	Q_{Bn}	\bar{Q}_{Cn}

H = High Level (Steady State)

L = Low Level (Steady State)

X = Don't Care

↑ = Transition from low-to-high level

a, b, c, d = The level of steady state input at P0, P1, P2, or P3, respectively.

$Q_{A0}, Q_{B0}, Q_{C0}, Q_{D0}$ = The level of Q_A, Q_B, Q_C or Q_D , respectively, before the indicated steady state input conditions were established.

Q_{An}, Q_{Bn}, Q_{Cn} = The level of Q_A, Q_B or Q_C , respectively, before the most recent ↑ transition of the clock.



Electrical Characteristics over recommended operating free-air temperature range (unless otherwise noted)

PARAMETER		CONDITIONS	DM93/83			UNITS
			00			
			MIN	TYP(1)	MAX	
V_{IH}	High Level Input Voltage		2			V
V_{IL}	Low Level Input Voltage				0.8	V
V_I	Input Clamp Voltage	$V_{CC} = \text{Min}, I_I = -12 \text{ mA}$			-1.5	V
I_{OH}	High Level Output Current				-800	μA
V_{OH}	High Level Output Voltage	$V_{CC} = \text{Min}, V_{IH} = 2\text{V}$ $V_{IL} = 0.8\text{V}, I_{OH} = -800\mu\text{A}$	2.4			V
I_{OL}	Low Level Output Current				16	mA
V_{OL}	Low Level Output Voltage	$V_{CC} = \text{Min}, V_{IH} = 2\text{V}$ $V_{IL} = 0.8\text{V}, I_{OL} = 16 \text{ mA}$			0.4	V
I_I	Input Current at Maximum Input Voltage	$V_{CC} = \text{Max}, V_I = 5.5\text{V}$			1	mA
I_{IH}	High Level Input Current	$V_{CC} = \text{Max}, V_I = 2.4\text{V}$			40	μA
I_{IL}	Low Level Input Current	$V_{CC} = \text{Max}, V_I = 0.4\text{V}$			-1.6	mA
I_{OS}	Short Circuit Output Current	$V_{CC} = \text{Max}(2)$	-18		-55	mA
I_{CC}	Supply Current	$V_{CC} = \text{Max}(3)$	9300		86	mA
			8300		92	

Notes

- (1) All typical values are at $V_{CC} = 5\text{V}, T_A = 25^\circ\text{C}$.
(2) Not more than one output should be shorted at a time.
(3) With all outputs open, shift/load grounded, and 4.5V applied to the J, K, and data inputs, I_{CC} is measured by applying a momentary ground, followed by 4.5V, to clear, and then applying a momentary ground, followed by 4.5V, to clock.

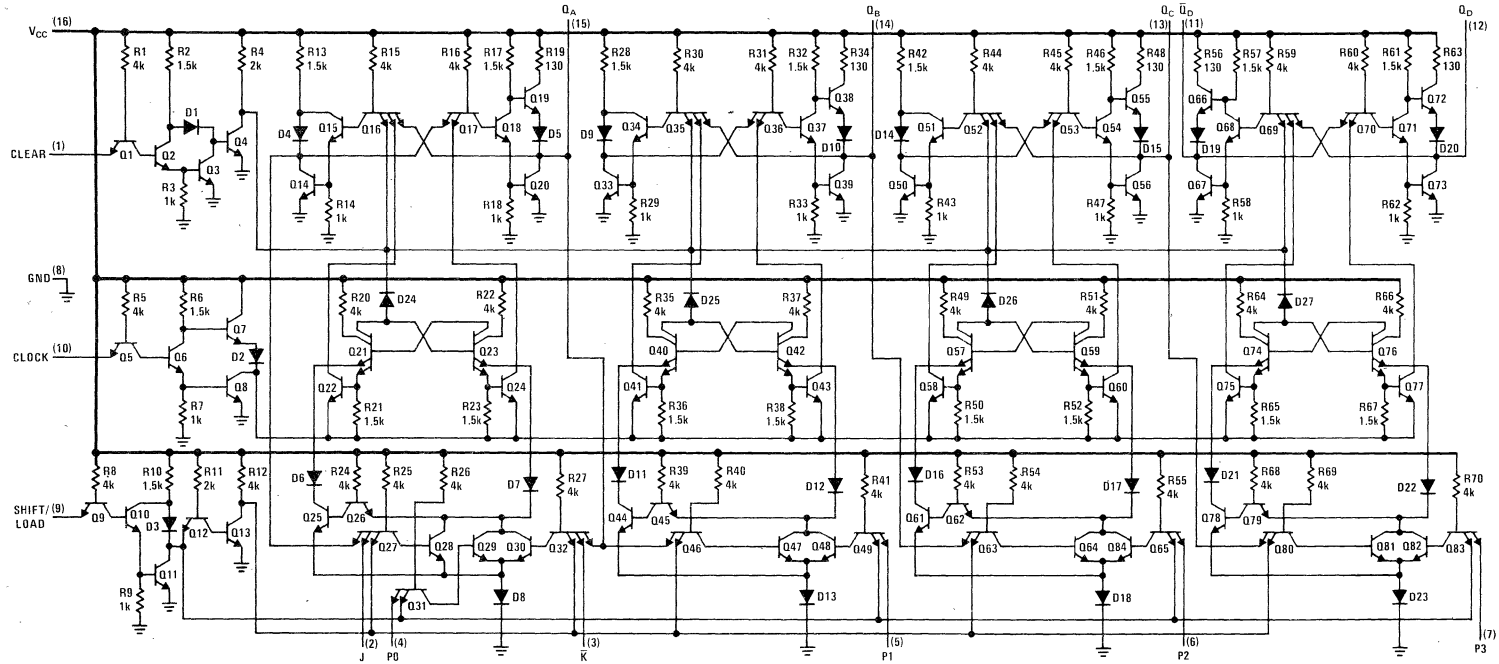
Switching Characteristics $V_{CC} = 5\text{V}, T_A = 25^\circ\text{C}$

PARAMETER		CONDITIONS	DM93/83			UNITS
			00			
			MIN	TYP	MAX	
f_{MAX}	Maximum Clock Frequency		30	39		MHz
t_{PHL}	Propagation Delay Time, High-to-Low Level (Q) Output from Clear	$C_L = 15 \text{ pF}, R_L = 400\Omega$		19	30	ns
t_{PLH}	Propagation Delay Time, Low-to-High Level Output from Clock			14	22	ns
t_{PHL}	Propagation Delay Time, High-to-Low Level Output from Clock			17	26	ns
$t_{W(\text{CLOCK})}$	Width of Clock Input Pulse			16	11	ns
$t_{W(\text{CLEAR})}$	Width of Clear Input Pulse		30	15	ns	
t_{SETUP}	Setup Time (4)	Shift/Load	30	13	ns	
		Serial and Parallel Data	20	13		
		Clear Inactive-State	30	13		
$t_{RELEASE}$	Shift/Load Release Time (5)			10	ns	
t_{HOLD}	Serial and Parallel Data Hold Time		0	-11	ns	

Notes

- (4) **SET UP TIME:** t_{SETUP} is defined as the minimum time required for the logic level to be present at the logic input prior to the clock transition from low to high in order for the flip-flop(s) to respond.
(5) **RELEASE TIME:** $t_{RELEASE}$ is defined as the maximum time allowed for the logic level to be present at the logic input prior to the clock transition from low to high in order for the flip-flop(s) *not* to respond.

Schematic Diagram



4-21



Additional Devices

DM93/DM8300

General Description

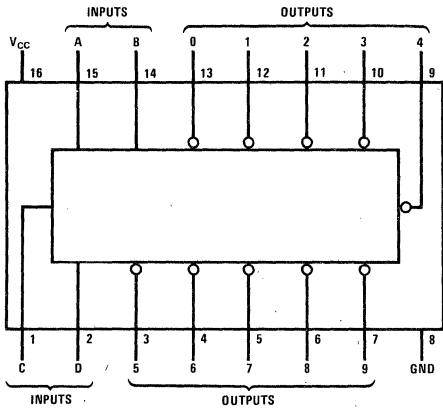
These BCD-to-decimal decoders consist of eight inverters and ten 4-input NAND gates. The inverters are connected in pairs to make BCD input data available for decoding by the NAND gates. Full decoding of valid input logic ensures that all outputs remain "OFF" for all invalid input conditions.

These circuits provide familiar TTL inputs and outputs which are compatible for use with other TTL and DTL circuits. DC noise margins are typically 1V and power dissipation is typically 125 mW. The diode-clamped, buffered inputs represent only one normalized Series 54/74 load.

Features

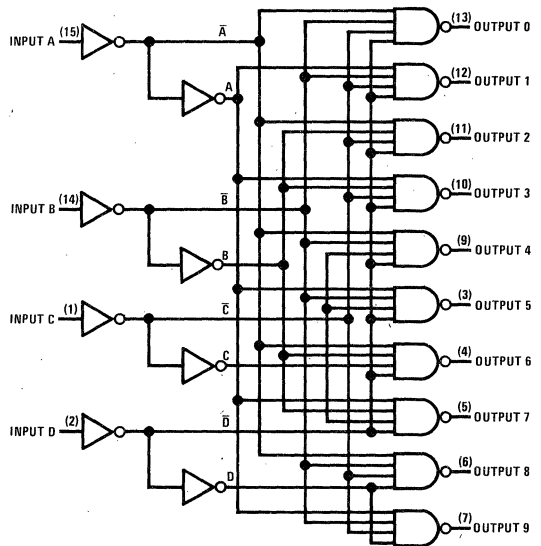
- Direct replacement for Fairchild 9301 and Signetics 8252
- Diode-clamped inputs
- All outputs are high for invalid BCD input conditions
- Typical power dissipation 125 mW
- Typical propagation delay 20 ns

Connection Diagram



9301(J), (W); 8301(J), (N), (W)

Logic Diagram



Truth Table

NO.	BCD INPUT				DECIMAL OUTPUT									
	D	C	B	A	0	1	2	3	4	5	6	7	8	9
0	L	L	L	L	L	H	H	H	H	H	H	H	H	H
1	L	L	L	H	H	L	H	H	H	H	H	H	H	H
2	L	L	H	L	H	H	L	H	H	H	H	H	H	H
3	L	L	H	H	H	H	H	L	H	H	H	H	H	H
4	L	H	L	L	H	H	H	H	L	H	H	H	H	H
5	L	H	L	H	H	H	H	H	H	L	H	H	H	H
6	L	H	H	L	H	H	H	H	H	H	L	H	H	H
7	L	H	H	H	H	H	H	H	H	H	H	L	H	H
8	H	L	L	L	H	H	H	H	H	H	H	H	L	H
9	H	L	L	H	H	H	H	H	H	H	H	H	H	L
INVALID	H	L	H	L	H	H	H	H	H	H	H	H	H	H
	H	L	H	H	H	H	H	H	H	H	H	H	H	H
	H	H	L	L	H	H	H	H	H	H	H	H	H	H
	H	H	L	H	H	H	H	H	H	H	H	H	H	H
	H	H	H	L	H	H	H	H	H	H	H	H	H	H

Electrical Characteristics over recommended operating free-air temperature range (unless otherwise noted)

PARAMETER		CONDITIONS	DM93/83			UNITS
			01			
			MIN	TYP(1)	MAX	
V_{IH}	High Level Input Voltage		2			V
V_{IL}	Low Level Input Voltage				0.8	V
V_I	Input Clamp Voltage	$V_{CC} = \text{Min}, I_I = -12 \text{ mA}$			-1.5	V
I_{OH}	High Level Output Current				-800	μA
V_{OH}	High Level Output Voltage	$V_{CC} = \text{Min}, V_{IH} = 2\text{V}$ $V_{IL} = 0.8\text{V}, I_{OH} = -800\mu\text{A}$	2.4			V
I_{OL}	Low Level Output Current				16	mA
V_{OL}	Low Level Output Voltage	$V_{CC} = \text{Min}, V_{IH} = 2\text{V}$ $V_{IL} = 0.8\text{V}, I_{OL} = 16 \text{ mA}$			0.4	V
I_I	Input Current at Maximum Input Voltage	$V_{CC} = \text{Max}, V_I = 5.5\text{V}$			1	mA
I_{IH}	High Level Input Current	$V_{CC} = \text{Max}, V_I = 2.4\text{V}$			40	μA
I_{IL}	Low Level Input Current	$V_{CC} = \text{Max}, V_I = 0.4\text{V}$			-1.6	mA
I_{OS}	Short Circuit Output Current	$V_{CC} = \text{Max}(2)$	-20		-55	mA
I_{CC}	Supply Current	$V_{CC} = \text{Max}(3)$	25		41	mA

Notes

- (1) All typical values are at $V_{CC} = 5\text{V}, T_A = 25^\circ\text{C}$.
- (2) Not more than one output should be shorted at a time.
- (3) I_{CC} is measured with the outputs open and all inputs grounded.

Switching Characteristics $V_{CC} = 5\text{V}, T_A = 25^\circ\text{C}$

PARAMETER		CONDITIONS	DM93/83			UNITS
			01			
			MIN	TYP	MAX	
t_{PHL}	Propagation Delay Time, High-to-Low Level, Any Output from A, B, C, or D	$C_L = 15 \text{ pF}, R_L = 400\Omega$		19	30	ns
t_{PLH}	Propagation Delay Time, Low-to-High Level, Any Output from A, B, C, or D			20	30	ns

Data Selectors/Multiplexers

General Description

These data selectors/multiplexers contain inverter/drivers to supply full complementary, on-chip, binary decoded data selection to the AND-OR-INVERT gates.

The DM9309/8309 contains two separate 4-bit multiplexers with complementary Y and \bar{Y} outputs; however, the two sections have common address select inputs.

The DM9312/8312 is a single 8-bit multiplexer with complementary outputs and a strobe control. When the strobe is low, the function is enabled. When a high logic level is applied to the strobe, the outputs are latched.

Features

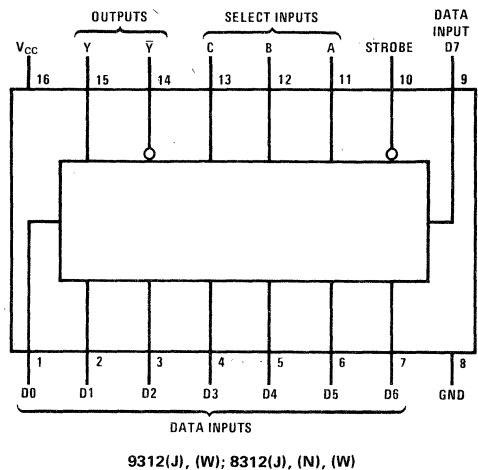
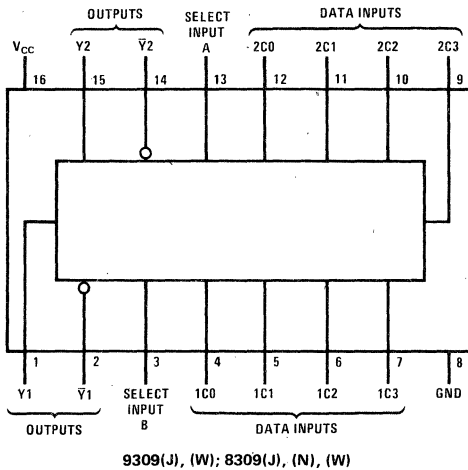
DM9309/8309

- Direct replacement for Fairchild 9309
- Complementary outputs
- Dual one-of-four data selectors

DM9312/8312

- Direct replacement for Fairchild 9312
- Selects one-of-eight data sources
- Performs parallel to serial conversion
- Strobe controlled outputs
- Complementary outputs

Connection Diagrams



Truth Tables

09

SELECT		DATA				OUTPUTS	
B	A	C0	C1	C2	C3	Y	\bar{Y}
L	L	L	X	X	X	L	H
L	L	H	X	X	X	H	L
L	H	X	L	X	X	L	H
L	H	X	H	X	X	H	L
H	L	X	X	L	X	L	H
H	L	X	X	H	X	H	L
H	H	X	X	X	L	L	H
H	H	X	X	X	H	H	L

Select inputs A and B are common to both sections.
H = High Level, L = Low Level, X = Don't Care.

12

INPUTS			STROBE	OUTPUTS	
C	B	A		Y	\bar{Y}
X	X	X	H	L	H
L	L	L	L	D0	$\bar{D0}$
L	L	H	L	D1	$\bar{D1}$
L	H	L	L	D2	$\bar{D2}$
L	H	H	L	D3	$\bar{D3}$
H	L	L	L	D4	$\bar{D4}$
H	L	H	L	D5	$\bar{D5}$
H	H	L	L	D6	$\bar{D6}$
H	H	H	L	D7	$\bar{D7}$

H = High Level, L = Low Level, X = Don't Care.
D0, D1 . . . D7 = The level of the respective D input.

Electrical Characteristics over recommended operating free-air temperature range (unless otherwise noted)

PARAMETER		CONDITIONS	DM93/83			UNITS
			09, 12			
			MIN	TYP(1)	MAX	
V_{IH}	High Level Input Voltage		2			V
V_{IL}	Low Level Input Voltage				0.8	V
V_I	Input Clamp Voltage	$V_{CC} = \text{Min}, I_I = -12 \text{ mA}$			-1.5	V
I_{OH}	High Level Output Current				-800	μA
V_{OH}	High Level Output Voltage	$V_{CC} = \text{Min}, V_{IH} = 2\text{V}$ $V_{IL} = 0.8\text{V}, I_{OH} = -800\mu\text{A}$	2.4	3.4		V
I_{OL}	Low Level Output Current				16	mA
V_{OL}	Low Level Output Voltage	$V_{CC} = \text{Min}, V_{IH} = 2\text{V}$ $V_{IL} = 0.8\text{V}, I_{OL} = 16 \text{ mA}$		0.2	0.4	V
I_I	Input Current at Maximum Input Voltage	$V_{CC} = \text{Max}, V_I = 5.5\text{V}$			1	mA
I_{IH}	High Level Input Current	$V_{CC} = \text{Max}, V_I = 2.4\text{V}$			40	μA
I_{IL}	Low Level Input Current	$V_{CC} = \text{Max}, V_I = 0.4\text{V}$			-1.6	mA
I_{OS}	Short Circuit Output Current	$V_{CC} = \text{Max}(2)$	-30		-85	mA
I_{CC}	Supply Current	$V_{CC} = \text{Max}(3)$		27	44	mA

Notes

- (1) All typical values are at $V_{CC} = 5\text{V}, T_A = 25\text{C}$.
- (2) Not more than one output should be shorted at a time.
- (3) I_{CC} is measured with the outputs open and all inputs at 4.5V for the DM9309/8309, and with the strobe and data select inputs at 4.5V, all other inputs and outputs open for the DM9312/8312.

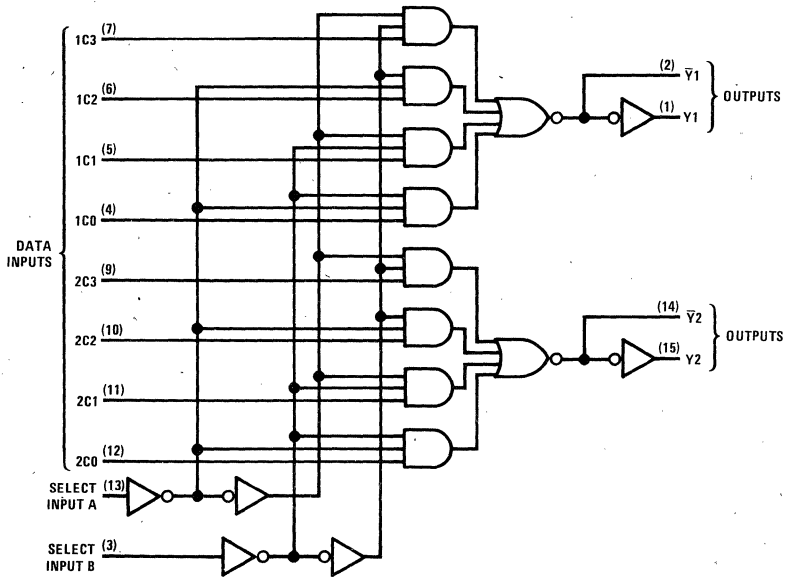
Switching Characteristics $V_{CC} = 5\text{V}, T_A = 25^\circ\text{C}$

PARAMETER	FROM	TO	CONDITIONS	DM93/83			DM93/83			UNITS
				09			12			
				MIN	TYP	MAX	MIN	TYP	MAX	
t_{PLH}	Propagation Delay Time, Low-to-High Level Output	Select	Y	27	40		22	33	ns	
t_{PHL}	Propagation Delay Time, High-to-Low Level Output	Select	Y	23	36		23	35	ns	
t_{PLH}	Propagation Delay Time, Low-to-High Level Output	Select	\bar{Y}	17	24		18	28	ns	
t_{PHL}	Propagation Delay Time, High-to-Low Level Output	Select	\bar{Y}	20	29		16	25	ns	
t_{PLH}	Propagation Delay Time, Low-to-High Level Output	Data	Y	18	27		16	23	ns	
t_{PHL}	Propagation Delay Time, High-to-Low Level Output	Data	Y	23	34		17	25	ns	
t_{PLH}	Propagation Delay Time, Low-to-High Level Output	Data	\bar{Y}	14	21		9	13	ns	
t_{PHL}	Propagation Delay Time, High-to-Low Level Output	Data	\bar{Y}	9	13		9	13	ns	
t_{PLH}	Propagation Delay Time, Low-to-High Level Output	Strobe	Y	N/A			22	33	ns	
t_{PHL}	Propagation Delay Time, High-to-Low Level Output	Strobe	Y	N/A			21	32	ns	
t_{PLH}	Propagation Delay Time, Low-to-High Level Output	Strobe	\bar{Y}	N/A			13	19	ns	
t_{PHL}	Propagation Delay Time, High-to-Low Level Output	Strobe	\bar{Y}	N/A			15	21	ns	

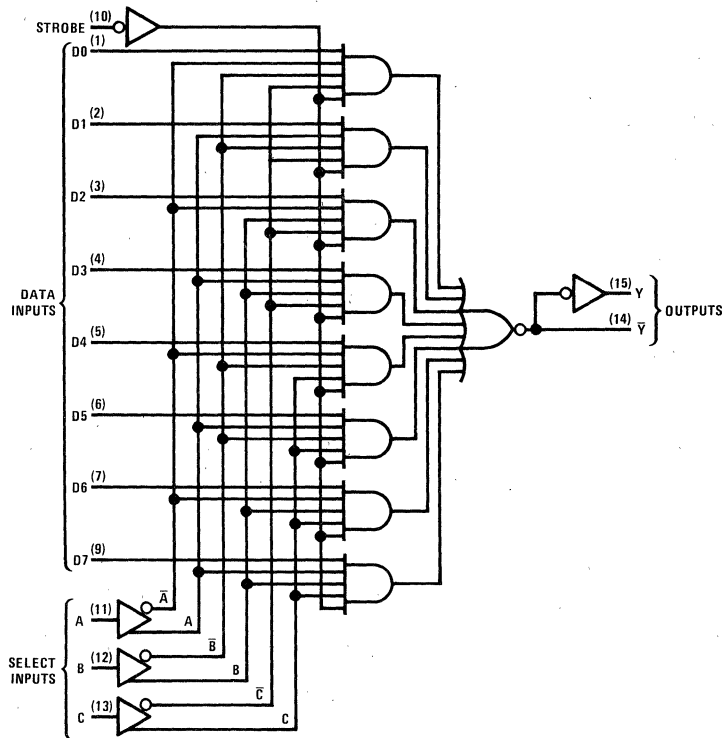
$C_L = 15 \text{ pF}$
 $R_L = 400\Omega$

Logic Diagrams

09



12



Synchronous 4-Bit Counters

General Description

These synchronous, presettable counters feature an internal carry look-ahead for application in high-speed counting designs. The DM9310/DM8310 are decade counters and the DM9316/DM8316 are 4-bit binary counters. The carry output is decoded by means of a NOR gate, thus preventing spikes during the normal counting mode of operation. Synchronous operation is provided by having all flip-flops clocked simultaneously so that the outputs change coincident with each other when so instructed by the count-enable inputs and internal gating. This mode of operation eliminates the output counting spikes which are normally associated with asynchronous (ripple clock) counters. A buffered clock input triggers the four flip-flops on the rising (positive-going) edge of the clock input waveform.

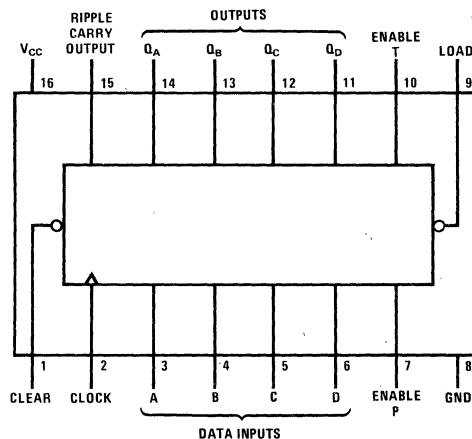
These counters are fully programmable; that is, the outputs may be preset to either level. As presetting is synchronous, setting up a low level at the load input disables the counter and causes the outputs to agree with the setup data after the next clock pulse regardless of the levels of the enable input. Low-to-high transitions at the load input are perfectly acceptable regardless of the logic levels on the clock or enable inputs. The clear function is asynchronous and a low level at the clear input sets all four of the flip-flop outputs low regardless of the levels of clock, load, or enable inputs.

The carry look-ahead circuitry provides for cascading counters for n-bit synchronous applications without additional gating. Instrumental in accomplishing this function are two count-enable inputs and a ripple carry output. Both count-enable inputs (P and T) must be high to count, and input T is fed-forward to enable the ripple carry output. The ripple carry output thus enabled will produce a high-level output pulse with a duration approximately equal to the high-level portion of the Q_A output. This high-level overflow ripple carry pulse can be used to enable successive cascaded stages. High-to-low level transitions at the enable P or T inputs may occur regardless of the logic level in the clock.

Features

- Direct replacement for Fairchild 9310, 9316
 - Internal look-ahead for fast counting
 - Carry output for n-bit cascading
 - Synchronous counting
 - Load control line
 - Diode-clamped inputs
 - Typical clock frequency 35 MHz
 - Pin-for-pin replacements popular 54/74 counters
- 9310 — 54160A/74160A (decade)
 9316 — 54161A/74161A (binary)

Connection Diagram



9310(J), (W); 8310(J), (N), (W);
 9316(J), (W); 8316(J), (N), (W)



Electrical Characteristics over recommended operating free-air temperature range (unless otherwise noted)

PARAMETER		CONDITIONS		DM93/83			UNITS	
				10, 16				
				MIN	TYP(1)	MAX		
V_{IH}	High Level Input Voltage			2			V	
V_{IL}	Low Level Input Voltage					0.8	V	
V_I	Input Clamp Voltage	$V_{CC} = \text{Min}, I_I = -12 \text{ mA}$				-1.5	V	
I_{OH}	High Level Output Current					-800	μA	
V_{OH}	High Level Output Voltage	$V_{CC} = \text{Min}, V_{IH} = 2\text{V}$ $V_{IL} = 0.8\text{V}, I_{OH} = -800\mu\text{A}$		2.4	3.4		V	
I_{OL}	Low Level Output Current					16	mA	
V_{OL}	Low Level Output Voltage	$V_{CC} = \text{Min}, V_{IH} = 2\text{V}$ $V_{IL} = 0.8\text{V}, I_{OL} = 16 \text{ mA}$				0.2	0.4	V
I_I	Input Current at Maximum Input Voltage	$V_{CC} = \text{Max}, V_I = 5.5\text{V}$				1	mA	
I_{IH}	High Level Input Current	Clock or Enable T	$V_{CC} = \text{Max}, V_I = 2.4\text{V}$			80	μA	
		Other Inputs				40		
I_{IL}	Low Level Input Current	Clock or Enable T	$V_{CC} = \text{Max}, V_I = 0.4\text{V}$			-3.2	mA	
		Other Inputs				-1.6		
I_{OS}	Short Circuit Output Current	$V_{CC} = \text{Max}(2)$	DM93	-20		-57	mA	
			DM83	-18		-57		
I_{CCH}	Supply Current (High Level)	$V_{CC} = \text{Max}(3)$	DM93		59	85	mA	
			DM83		59	94		
I_{CCL}	Supply Current (Low Level)	$V_{CC} = \text{Max}(4)$	DM93		63	91	mA	
			DM83		63	101		

Notes(1) All typical values are at $V_{CC} = 5\text{V}, T_A = 25^\circ\text{C}$.

(2) Not more than one output should be shorted at a time.

(3) I_{CCH} is measured with the load input high, then again with the load input low, with all other inputs high and all outputs open.(4) I_{CCL} is measured with the clock input high, then again with the clock input low, with all other inputs low and all outputs open.

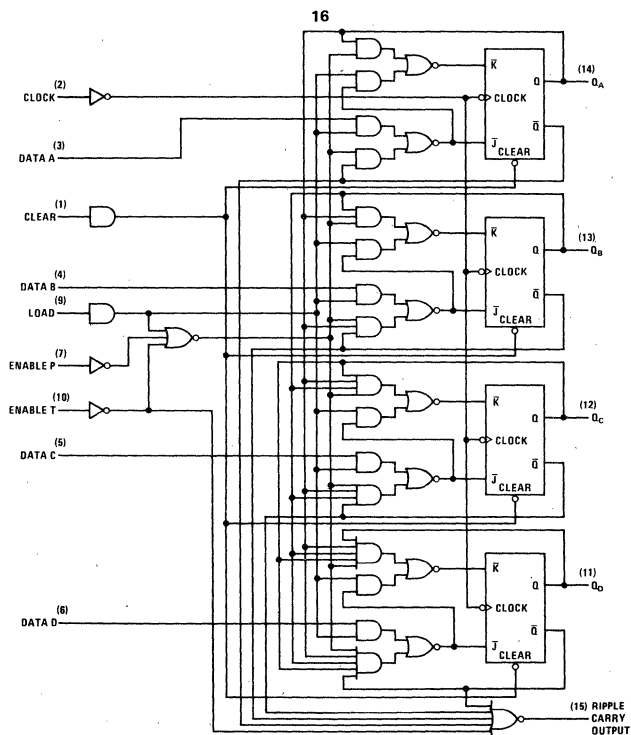
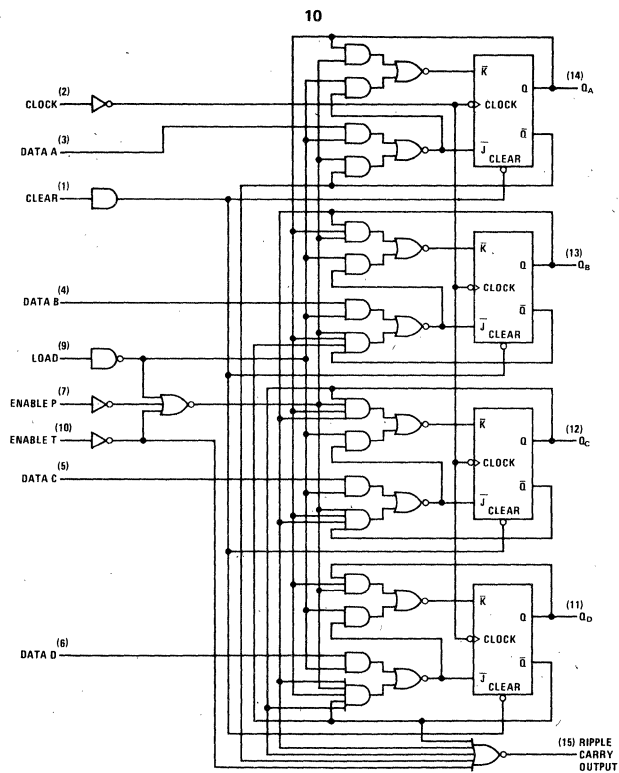
Switching Characteristics $V_{CC} = 5V, T_A = 25^\circ C$

PARAMETER		FROM (INPUT)	TO (OUTPUT)	CONDITIONS	DM93/83			UNITS
					10, 16			
					MIN	TYP	MAX	
f_{MAX}	Maximum Clock Frequency				25	35		MHz
t_{PLH}	Propagation Delay Time, Low-to-High Level Output	Clock	Ripple carry	$C_L = 15\text{ pF}$ $R_L = 400\Omega$		18	27	ns
t_{PHL}	Propagation Delay Time, High-to-Low Level Output					16	24	ns
t_{PLH}	Propagation Delay Time, Low-to-High Level Output	Clock (Load Input High)	Any Q			14	20	ns
t_{PHL}	Propagation Delay Time, High-to-Low Level Output					16	23	ns
t_{PLH}	Propagation Delay Time, Low-to-High Level Output	Clock (Load Input Low)	Any Q			14	21	ns
t_{PHL}	Propagation Delay Time, High-to-Low Level Output					18	25	ns
t_{PLH}	Propagation Delay Time, Low-to-High Level Output	Enable T	Ripple carry			10	15	ns
t_{PHL}	Propagation Delay Time, High-to-Low Level Output					12	16	ns
t_{PHL}	Propagation Delay Time, High-to-Low Level Output	Clear	Any Q			24	36	ns
$t_{W(CLOCK)}$	Width of Clock Pulse					25		ns
$t_{W(CLEAR)}$	Width of Clear Pulse				20		ns	
t_{SETUP}	Setup Time	Data Inputs A, B, C, D			20		ns	
		Enable P			20			
		Load			25			
		Clear			20			
t_{HOLD}	Hold Time at Any Input (5)				0		ns	

Notes

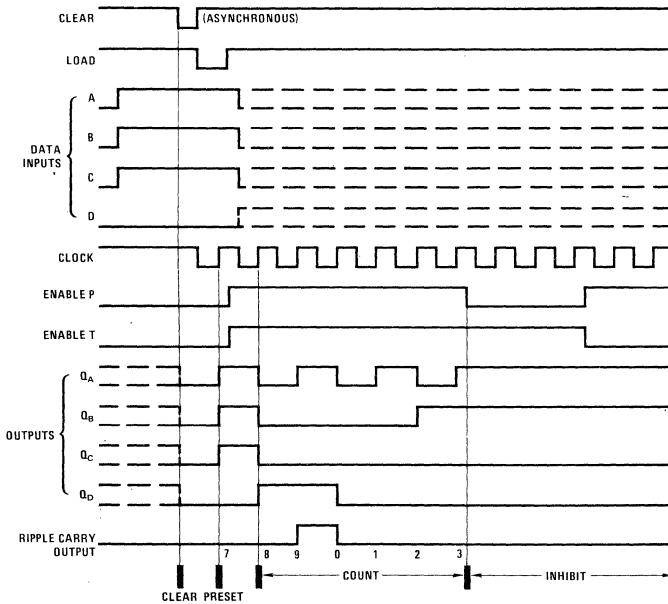
(5) The minimum hold time is as specified or as long as the clock input takes to rise from 0.8V to 2V, whichever is longer.

Logic Diagrams



Timing Diagrams

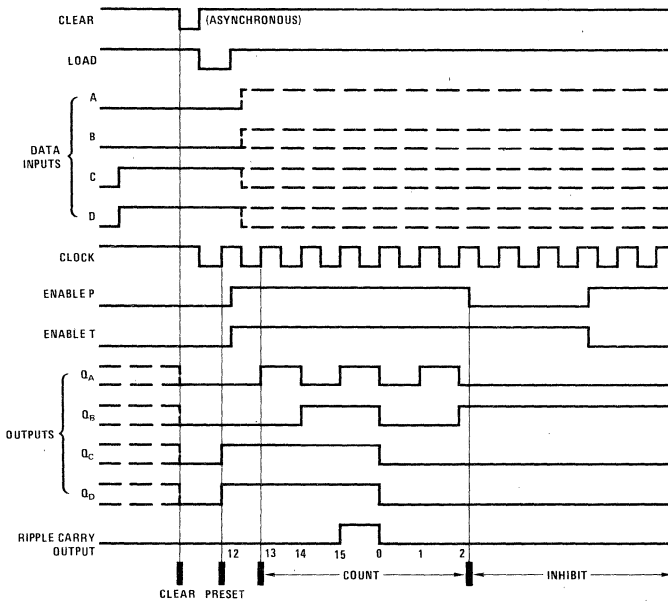
**9310/8310 SYNCHRONOUS DECADE COUNTERS
TYPICAL CLEAR, PRESET, COUNT AND INHIBIT SEQUENCES**



Sequence:

- (1) Clear outputs to zero
- (2) Preset to BCD seven
- (3) Count to eight, nine, zero, one, two, and three
- (4) Inhibit

**9316/8316 SYNCHRONOUS BINARY COUNTERS
TYPICAL CLEAR, PRESET, COUNT AND INHIBIT SEQUENCES**



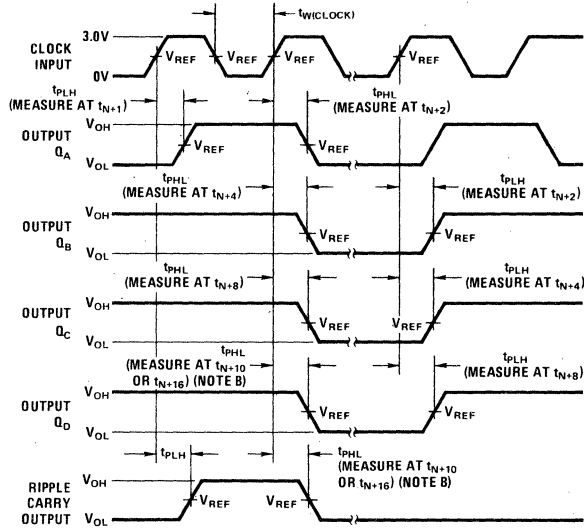
Sequence:

- (1) Clear outputs to zero
- (2) Preset to binary twelve
- (3) Count to thirteen, fourteen, fifteen, zero, one, and two
- (4) Inhibit



Parameter Measurement Information

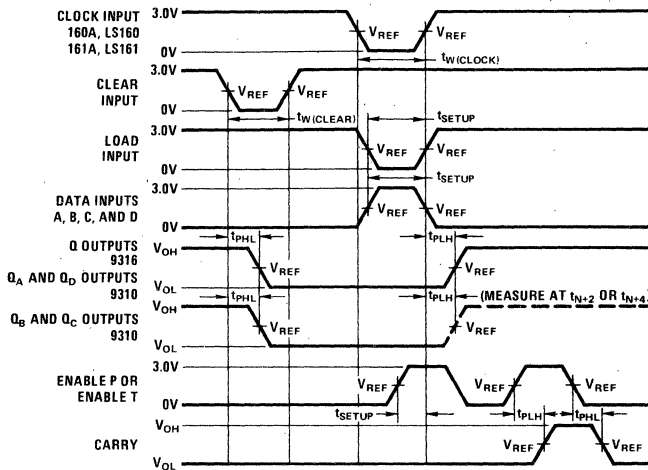
SWITCHING TIME WAVEFORMS



Notes:

- (A) The input pulses are supplied by a generator having the following characteristics: PRR ≤ 1 MHz, duty cycle ≤ 50%, Z_{OUT} ≈ 50Ω, t_r ≤ 10 ns, t_f ≤ 10 ns. Vary PRR to measure f_{MAX}.
- (B) Outputs Q_D and carry are tested at t_{n+10} for 9310/8310, and at t_{n+16} for 9316/8316, where t_n is the bit time when all outputs are low.
- (C) V_{REF} = 1.5V.

SWITCHING TIME WAVEFORMS



Notes:

- (A) The input pulses are supplied by generators having the following characteristics: PRR ≤ 1 MHz, duty cycle ≤ 50%, Z_{OUT} ≈ 50Ω, t_r ≤ 10 ns, t_f ≤ 10 ns.
- (B) Enable P and enable T setup times are measured at t_{n+0}.
- (C) V_{REF} = 1.5V.

4-Line to 16-Line Decoders/Demultiplexers

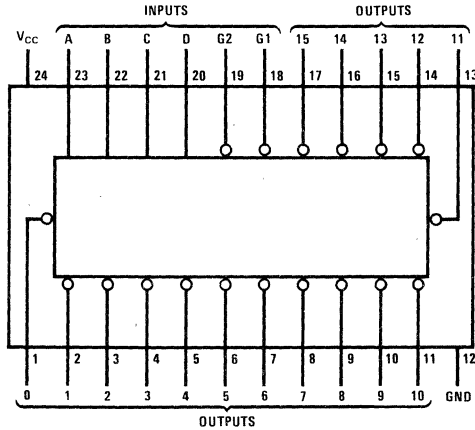
General Description

Each of these 4-line-to-16-line decoders utilizes TTL circuitry to decode four binary-coded inputs into one of sixteen mutually exclusive outputs when both the strobe inputs, G1 and G2, are low. The demultiplexing function is performed by using the 4 input lines to address the output line, passing data from one of the strobe inputs with the other strobe input low. When either strobe input is high, all outputs are high. These demultiplexers are ideally suited for implementing high-performance memory decoders. All inputs are buffered and input clamping diodes are provided to minimize transmission-line effects and thereby simplify system design.

Features

- Direct replacement for Fairchild 9311
- Pin for pin with popular 54154/74154
- Decodes 4 binary-coded inputs into one of 16 mutually exclusive outputs
- Performs the demultiplexing function by distributing data from one input line to any one of 16 outputs
- Input clamping diodes simplify system design
- High fan-out, low-impedance, totem-pole outputs
- Typical propagation delay 19 ns
- Typical power dissipation 170 mW

Connection Diagram



Truth Table

INPUTS		OUTPUTS																				
G1	G2	D	C	B	A	0	1	2	3	4	5	6	7	8	9	10	11	12	13	14	15	
L	L	L	L	L	L	L	H	H	H	H	H	H	H	H	H	H	H	H	H	H	H	H
L	L	L	L	L	L	H	L	H	H	H	H	H	H	H	H	H	H	H	H	H	H	H
L	L	L	L	H	L	H	H	L	H	H	H	H	H	H	H	H	H	H	H	H	H	H
L	L	L	L	H	H	H	H	H	L	H	H	H	H	H	H	H	H	H	H	H	H	H
L	L	L	H	L	L	H	H	H	H	L	H	H	H	H	H	H	H	H	H	H	H	H
L	L	L	H	H	L	H	H	H	H	H	L	H	H	H	H	H	H	H	H	H	H	H
L	L	L	H	L	L	H	H	H	H	H	H	H	H	L	H	H	H	H	H	H	H	H
L	L	L	H	L	L	H	H	H	H	H	H	H	H	H	L	H	H	H	H	H	H	H
L	L	L	H	L	H	H	H	H	H	H	H	H	H	H	H	L	H	H	H	H	H	H
L	L	L	H	H	L	L	H	H	H	H	H	H	H	H	H	H	L	H	H	H	H	H
L	L	L	H	H	L	H	H	H	H	H	H	H	H	H	H	H	H	L	H	H	H	H
L	L	L	H	H	H	L	H	H	H	H	H	H	H	H	H	H	H	H	L	H	H	H
L	L	L	H	H	H	H	H	H	H	H	H	H	H	H	H	H	H	H	H	L	H	H
L	L	L	H	H	H	H	H	H	H	H	H	H	H	H	H	H	H	H	H	H	L	H
L	L	L	H	H	H	H	H	H	H	H	H	H	H	H	H	H	H	H	H	H	H	L
L	L	L	H	H	H	H	H	H	H	H	H	H	H	H	H	H	H	H	H	H	H	L
L	H	X	X	X	X	H	H	H	H	H	H	H	H	H	H	H	H	H	H	H	H	H
H	L	X	X	X	X	H	H	H	H	H	H	H	H	H	H	H	H	H	H	H	H	H
H	H	X	X	X	X	H	H	H	H	H	H	H	H	H	H	H	H	H	H	H	H	H

H = High Level, L = Low Level, X = Don't Care

Electrical Characteristics over recommended operating free-air temperature range (unless otherwise noted)

PARAMETER		CONDITIONS	DM93/83			UNITS
			11			
			MIN	TYP(1)	MAX	
V_{IH}	High Level Input Voltage		2			V
V_{IL}	Low Level Input Voltage		0.8			V
V_I	Input Clamp Voltage	$V_{CC} = \text{Min}, I_I = -12 \text{ mA}$	-1.5			V
I_{OH}	High Level Output Current		-800			μA
V_{OH}	High Level Output Voltage	$V_{CC} = \text{Min}, V_{IH} = 2\text{V}$ $V_{IL} = 0.8\text{V}, I_{OH} = -800\mu\text{A}$	2.4	3.4		V
I_{OL}	Low Level Output Current		16			mA
V_{OL}	Low Level Output Voltage	$V_{CC} = \text{Min}, V_{IH} = 2\text{V}$ $V_{IL} = 0.8\text{V}, I_{OL} = 16 \text{ mA}$	0.25 0.4			V
I_I	Input Current at Maximum Input Voltage	$V_{CC} = \text{Max}, V_I = 5.5\text{V}$	1			mA
I_{IH}	High Level Input Current	$V_{CC} = \text{Max}, V_I = 2.4\text{V}$	40			μA
I_{IL}	Low Level Input Current	$V_{CC} = \text{Max}, V_I = 0.4\text{V}$	-1.6			mA
I_{OS}	Short Circuit Output Current	$V_{CC} = \text{Max}(2)$	DM93	-20	-55	mA
			DM83	-18	-57	
I_{CC}	Supply Current	$V_{CC} = \text{Max}(3)$	DM93	34	49	mA
			DM83	34	56	

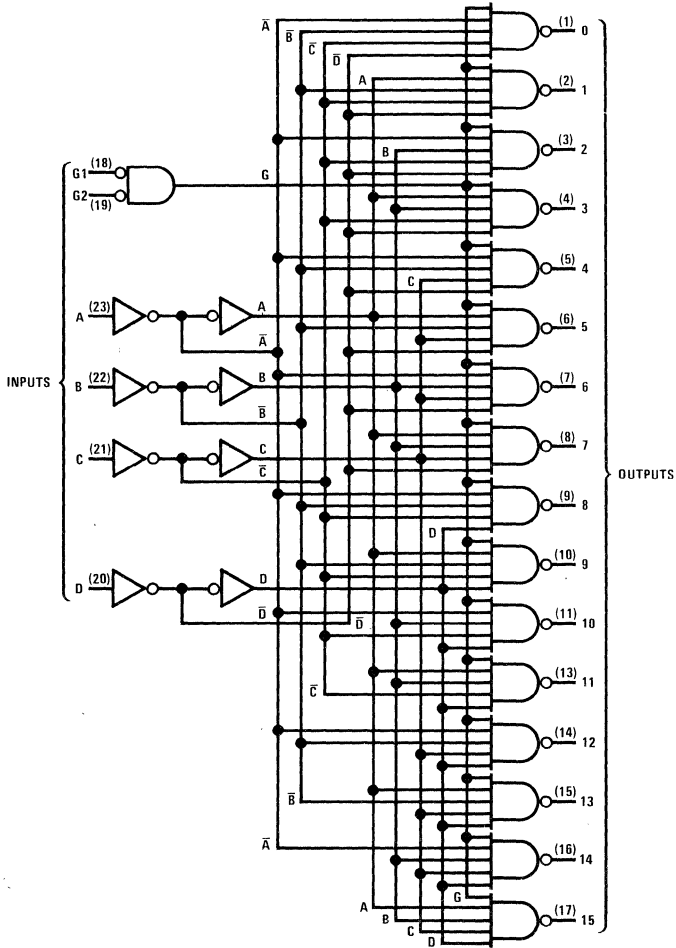
Notes

- (1) All typical values are at $V_{CC} = 5\text{V}, T_A = 25^\circ\text{C}$.
- (2) Not more than one output should be shorted at a time.
- (3) I_{CC} is measured with all inputs grounded and all outputs open.

Switching Characteristics $V_{CC} = 5\text{V}, T_A = 25^\circ\text{C}$

PARAMETER		CONDITIONS	DM93/83			UNITS
			11			
			MIN	TYP	MAX	
t_{PLH}	Propagation Delay Time, Low-to-High Level Output, From A, B, C, or D Inputs Through 3 Levels of Logic	$C_L = 15 \text{ pF}$ $R_L = 400\Omega$	18 27			ns
t_{PHL}	Propagation Delay Time, High-to-Low Level Output, From A, B, C, or D Inputs Through 3 Levels of Logic		21 30			ns
t_{PLH}	Propagation Delay Time, Low-to-High Level Output, From Either Strobe Input		17 25			ns
t_{PHL}	Propagation Delay Time, High-to-Low Level Output, From Either Strobe Input		18 27			ns

Logic Diagram





General Description

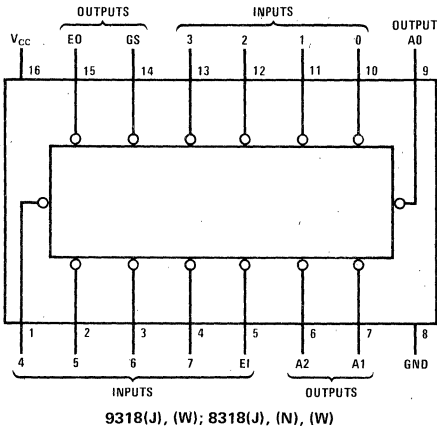
These TTL encoders feature priority decoding of the input data to ensure that only the highest-order data line is encoded. All inputs are buffered to represent one normalized Series 54/74 load. The DM9318 and DM8318 encode eight data lines to three-line (4-2-1) binary (octal). Cascading circuitry (enable input E1 and enable output E0) has been provided to allow octal expansion without the need for external circuitry. For all types, data inputs and outputs are active at the low logic level.

Features

- Direct replacement for Fairchild 9318
- Pin for pin with popular DM54148/74148
- Encodes 8 data lines to 3-line binary (octal)
- Applications include:
 - N-bit encoding
 - Code converters and generators
- Typical data delay 10 ns
- Typical power dissipation 190 mW

Priority Encoders

Connection Diagram

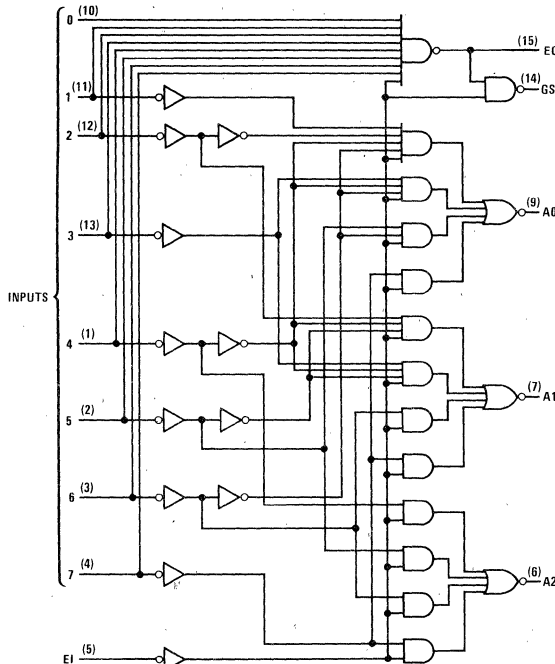


Truth Table

EI	INPUTS								OUTPUTS				
	0	1	2	3	4	5	6	7	A2	A1	A0	GS	EO
H	X	X	X	X	X	X	X	X	H	H	H	H	H
L	H	H	H	H	H	H	H	H	H	H	H	H	L
L	X	X	X	X	X	X	X	L	L	L	L	L	H
L	X	X	X	X	X	X	L	H	L	L	L	L	H
L	X	X	X	X	X	L	H	H	L	L	L	L	H
L	X	X	X	X	L	H	H	H	H	L	L	L	H
L	X	X	L	H	H	H	H	H	H	L	L	L	H
L	X	L	H	H	H	H	H	H	H	H	L	L	H
L	L	H	H	H	H	H	H	H	H	H	H	L	H

H = High Logic Level, L = Low Logic Level, X = Don't Care

Logic Diagram



Electrical Characteristics over recommended operating free-air temperature range (unless otherwise noted)

PARAMETER		CONDITIONS		DM93/83			UNITS	
				18				
				MIN	TYP(1)	MAX		
V_{IH}	High Level Input Voltage			2			V	
V_{IL}	Low Level Input Voltage					0.8	V	
V_I	Input Clamp Voltage	$V_{CC} = \text{Min}, I_I = -12 \text{ mA}$				-1.5	V	
I_{OH}	High Level Output Current					-800	μA	
V_{OH}	High Level Output Voltage	$V_{CC} = \text{Min}, V_{IH} = 2\text{V}$ $V_{IL} = 0.8\text{V}, I_{OH} = -800\mu\text{A}$		2.4			V	
I_{OL}	Low Level Output Current					16	mA	
V_{OL}	Low Level Output Voltage	$V_{CC} = \text{Min}, V_{IH} = 2\text{V}$ $V_{IL} = 0.8\text{V}, I_{OL} = 16 \text{ mA}$				0.4	V	
I_I	Input Current at Maximum Input Voltage	$V_{CC} = \text{Max}, V_I = 5.5\text{V}$				1	mA	
I_{IH}	High Level Input Current	0 Input	$V_{CC} = \text{Max}, V_I = 2.4\text{V}$			40	μA	
		Others				80		
I_{IL}	Low Level Input Current	0 Input	$V_{CC} = \text{Max}, V_I = 0.4\text{V}$			-1.6	mA	
		Others				-3.2		
I_{OS}	Short Circuit Output Current	$V_{CC} = \text{Max}(2)$				-35	-85	mA
I_{CC}	Supply Current	$V_{CC} = \text{Max}$ (3)	Condition 1			40	60	mA
			Condition 2			35	55	

Notes

- (1) All typical values are at $V_{CC} = 5\text{V}, T_A = 25^\circ\text{C}$.
 (2) Not more than one output should be shorted at a time.
 (3) I_{CC} (condition 1) is measured with inputs 7 and E1 grounded, other inputs and outputs open; I_{CC} (condition 2) is measured with all inputs and outputs open.

Switching Characteristics $V_{CC} = 5\text{V}, T_A = 25^\circ\text{C}$

PARAMETER		FROM (INPUT)	TO (OUTPUT)	WAVEFORM	CONDITIONS	DM93/83			UNITS
						18			
						MIN	TYP	MAX	
t_{PLH}	Propagation Delay Time, Low-to-High Level Output	0 thru 7	A, B, C, D	In-Phase Output	$C_L = 15 \text{ pF}$ $R_L = 400\Omega$	10	15	ns	
t_{PHL}	Propagation Delay Time, High-to-Low Level Output					9	14	ns	
t_{PLH}	Propagation Delay Time, Low-to-High Level Output	0 thru 7	A, B, C, D	Out-of-Phase Output		13	19	ns	
t_{PHL}	Propagation Delay Time, High-to-Low Level Output					12	19	ns	
t_{PLH}	Propagation Delay Time, Low-to-High Level Output	0 thru 7	EO	Out-of-Phase Output		6	9	ns	
t_{PHL}	Propagation Delay Time, High-to-Low Level Output					14	21	ns	
t_{PLH}	Propagation Delay Time, Low-to-High Level Output	0 thru 7	GS	In-Phase Output		18	27	ns	
t_{PHL}	Propagation Delay Time, High-to-Low Level Output					14	21	ns	
t_{PLH}	Propagation Delay Time, Low-to-High Level Output	EI	A0, A1, or A2	In-Phase Output		10	15	ns	
t_{PHL}	Propagation Delay Time, High-to-Low Level Output					10	15	ns	
t_{PLH}	Propagation Delay Time, Low-to-High Level Output	EI	GS	In-Phase Output		8	12	ns	
t_{PHL}	Propagation Delay Time, High-to-Low Level Output					10	15	ns	
t_{PLH}	Propagation Delay Time, Low-to-High Level Output	EI	EO	In-Phase Output		10	15	ns	
t_{PHL}	Propagation Delay Time, High-to-Low Level Output					17	26	ns	

Quad 2-Line to 1-Line Data Selectors/Multiplexers

General Description

These data selectors/multiplexers contain inverters and drivers to supply full on-chip data selection to the four output gates. A separate strobe input is provided. A 4-bit word is selected from one of two sources and is routed to the four outputs. True data is presented at the outputs.

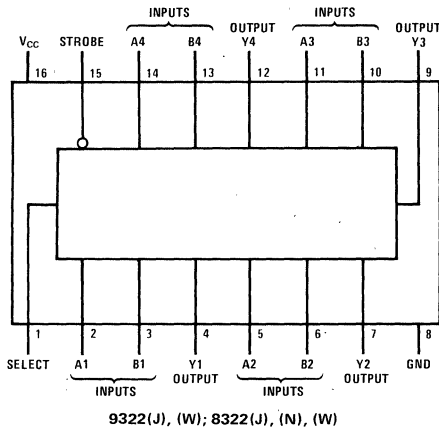
Features

- Direct replacement for Fairchild 9322
- Pin-for-pin with popular DM54157/74157
- Buffered inputs and outputs

Applications

- Expand any data input point
- Multiplex dual-data buses
- Generate four functions of two variables (one variable is common)
- Source programmable counters

Connection Diagram

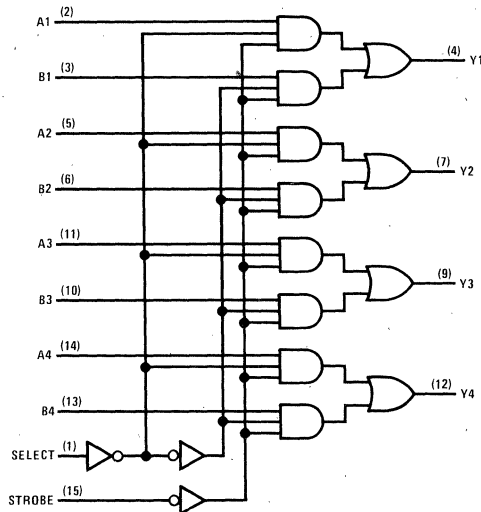


Truth Table

STROBE	INPUTS			OUTPUT Y
	SELECT	A	B	
H	X	X	X	L
L	L	L	X	L
L	L	H	X	H
L	H	X	L	L
L	H	X	H	H

H = High Level, L = Low Level, X = Don't Care

Logic Diagram



Electrical Characteristics over recommended operating free-air temperature range (unless otherwise noted)

PARAMETER		CONDITIONS	DM93			DM83			UNITS
			22			22			
			MIN	TYP(1)	MAX	MIN	TYP(1)	MAX	
V_{IH}	High Level Input Voltage		2			2			V
V_{IL}	Low Level Input Voltage		0.8			0.8			V
V_I	Input Clamp Voltage	$V_{CC} = \text{Min}, I_I = -12 \text{ mA}$	-1.5			-1.5			V
I_{OH}	High Level Output Current		-800			-800			μA
V_{OH}	High Level Output Voltage	$V_{CC} = \text{Min}, V_{IH} = 2\text{V}$ $V_{IL} = 0.8\text{V}, I_{OH} = -800\mu\text{A}$	2.4	3.4		2.4	3.4		V
I_{OL}	Low Level Output Current		16			16			mA
V_{OL}	Low Level Output Voltage	$V_{CC} = \text{Min}, V_{IH} = 2\text{V}$ $V_{IL} = 0.8\text{V}, I_{OL} = 16 \text{ mA}$	0.2	0.4		0.2	0.4		V
I_I	Input Current at Maximum Input Voltage	$V_{CC} = \text{Max}, V_I = 5.5\text{V}$	1			1			mA
I_{IH}	High Level Input Current	$V_{CC} = \text{Max}, V_I = 2.4\text{V}$	40			40			μA
I_{IL}	Low Level Input Current	$V_{CC} = \text{Max}, V_I = 0.4\text{V}$	-1.6			-1.6			mA
I_{OS}	Short Circuit Output Current	$V_{CC} = \text{Max}(2)$	-20	-55		-18	-55		mA
I_{CC}	Supply Current	$V_{CC} = \text{Max}(3)$	30	48		30	48		mA

Notes

- (1) All typical values are at $V_{CC} = 5\text{V}, T_A = 25^\circ\text{C}$.
- (2) Not more than one output should be shorted at a time.
- (3) I_{CC} is measured with 4.5V applied to all inputs and all outputs open.

Switching Characteristics $V_{CC} = 5\text{V}, T_A = 25^\circ\text{C}$

PARAMETER		FROM (INPUT)	CONDITIONS	DM93/83			UNITS
				22			
				MIN	TYP	MAX	
t_{PLH}	Propagation Delay Time, Low-to-High Level Output	Data	$C_L = 15 \text{ pF}, R_L = 400\Omega$	8	14		ns
t_{PHL}	Propagation Delay Time, High-to-Low Level Output			10	14		ns
t_{PLH}	Propagation Delay Time, Low-to-High Level Output	Strobe		13	20		ns
t_{PHL}	Propagation Delay Time, High-to-Low Level Output			14	21		ns
t_{PLH}	Propagation Delay Time, Low-to-High Level Output	Select		15	23		ns
t_{PHL}	Propagation Delay Time, High-to-Low Level Output			17	27		ns

8-Bit Addressable Latches

General Description

The DM9334/DM8334 is a high speed 8-bit Addressable Latch designed for general purpose storage applications in digital systems. It is a multifunctional device capable of storing single line data in eight addressable latches, and being a one-of-eight decoder and demultiplexer with active level high outputs. The device also incorporates an active level low common clear for resetting all latches, as well as an active level low enable.

The DM9334/DM8334 has four modes of operation which are shown in the mode selection table. In the addressable latch mode, data on the data line (D) is written into the addressed latch. The addressed latch will follow the data input with all non-addressed latches remaining in their previous states. In the memory mode, all latches remain in their previous state and are unaffected by the data or address inputs.

In the one-of-eight decoding or demultiplexing mode, the addressed output will follow the state of the D input with all other inputs in the low state. In the clear mode

all outputs are low and unaffected by the address and data inputs.

When operating the device as an addressable latch, changing more than one bit of the address could impose a transient wrong address. Therefore, this should only be done while in the memory mode.

The truth table below summarizes the operation of the product.

Features

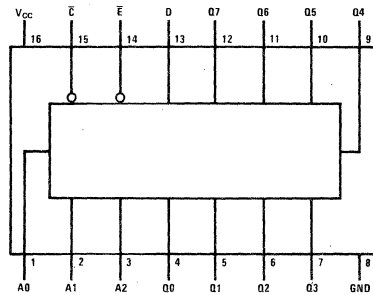
- Direct replacement for Fairchild 9334
- Common clear
- Easily expandable
- Random (addressable) data entry
- Serial to parallel capability
- 8 bits of storage/output of each bit available
- Active high demultiplexing/decoding capability

Truth Tables

\bar{E}	\bar{C}	MODE
L	H	Addressable Latch
H	H	Memory
L	L	Active High Eight-Channel Demultiplexer
H	L	Clear

X = Don't Care Condition
 L = Low Voltage Level
 H = High Voltage Level
 Q_{N-1} = Previous Output State

Connection Diagram



INPUTS				PRESENT OUTPUT STATES								MODE			
\bar{C}	\bar{E}	D	A0	A1	A2	Q0	Q1	Q2	Q3	Q4	Q5	Q6	Q7		
L	H	X	X	X	X	L	L	L	L	L	L	L	L	CLEAR	
L	L	L	L	L	L	L	L	L	L	L	L	L	L	DEMULTIPLEX	
L	L	H	L	L	L	H	L	L	L	L	L	L	L		
L	L	L	H	L	L	L	L	L	L	L	L	L	L		
L	L	L	H	L	L	L	H	L	L	L	L	L	L		
L	L	H	H	H	H	L	L	L	L	L	L	L	H		
H	H	X	X	X	X	Q_{N-1} →								MEMORY	
H	L	L	L	L	L	L	Q_{N-1}	Q_{N-1}	Q_{N-1}	Q_{N-1}	→				ADDRESSABLE LATCH
H	L	H	L	L	L	H	Q_{N-1}	Q_{N-1}	Q_{N-1}	Q_{N-1}	→				
H	L	L	H	L	L	Q_{N-1}	L	Q_{N-1}	Q_{N-1}	Q_{N-1}	→				
H	L	H	H	L	L	Q_{N-1}	H	Q_{N-1}	Q_{N-1}	Q_{N-1}	→				
•	•	•	•	•	•	•	•	•	•	•	•				
•	•	•	•	•	•	•	•	•	•	•	•				
•	•	•	•	•	•	•	•	•	•	•	•				
H	L	L	H	H	H	Q_{N-1}	→				Q_{N-1}	L			
H	L	H	H	H	H	Q_{N-1}	→				Q_{N-1}	H			

Electrical Characteristics over recommended operating free-air temperature range (unless otherwise noted)

PARAMETER		CONDITIONS	DM93/83			UNITS
			34			
			MIN	TYP(1)	MAX	
V_{IH}	High Level Input Voltage		2			V
V_{IL}	Low Level Input Voltage				0.8	V
V_I	Input Clamp Voltage	$V_{CC} = \text{Min}, I_I = -12 \text{ mA}$			-1.5	V
I_{OH}	High Level Output Current				-800	μA
V_{OH}	High Level Output Voltage	$V_{CC} = \text{Min}, V_{IH} = 2\text{V}$ $V_{IL} = 0.8\text{V}, I_{OH} = -800\mu\text{A}$	2.4	3.6		V
I_{OL}	Low Level Output Current				16	mA
V_{OL}	Low Level Output Voltage	$V_{CC} = \text{Min}, V_{IH} = 2\text{V}$ $V_{IL} = 0.8\text{V}, I_{OL} = 16 \text{ mA}$		0.2	0.4	V
I_I	Input Current at Maximum Input Voltage	$V_{CC} = \text{Max}, V_I = 5.5\text{V}$			1	mA
I_{IH}	High Level Input Current	$V_{CC} = \text{Max}, V_I = 2.4\text{V}$	\bar{E} Input	15	60	μA
			Others	10	40	
I_{IL}	Low Level Input Current	$V_{CC} = \text{Max}, V_I = 0.4\text{V}$	\bar{E} Input	-1.44	-2.4	mA
			Others	-0.96	-1.6	
I_{OS}	Short Circuit Output Current	$V_{CC} = \text{Max}(2)$	-30	-65	-100	mA
I_{CC}	Supply Current	$V_{CC} = \text{Max}$		56	86	mA

Notes

(1) All typical values are at $V_{CC} = 5\text{V}, T_A = 25^\circ\text{C}$.

(2) Not more than one output should be shorted at a time, and duration of short circuit should not exceed one second.

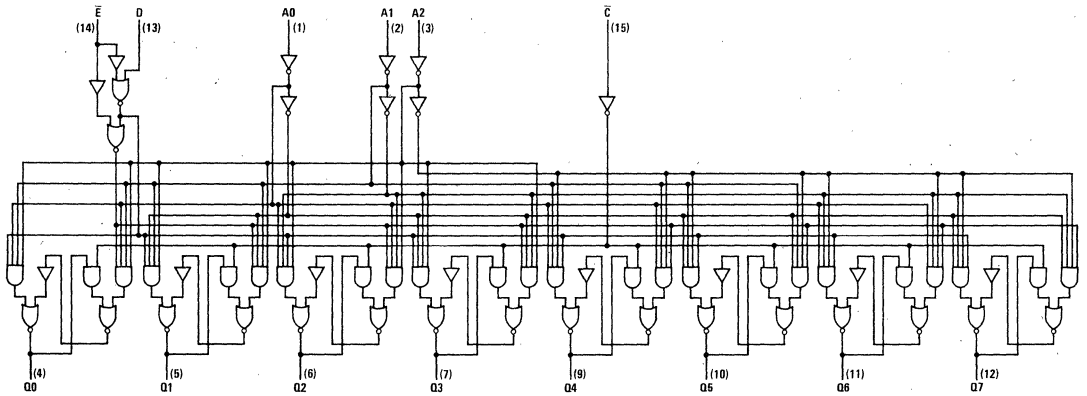
Switching Characteristics $V_{CC} = 5\text{V}, T_A = 25^\circ\text{C}$

PARAMETER		FROM	TO	CONDITIONS	DM93/83			UNITS
					34			
					MIN	TYP	MAX	
t_{PLH}	Propagation Delay Time, Low-to-High Level Output	Enable	Output (Figure 1)	$C_L = 15 \text{ pF}$ $R_L = 400\Omega$	19	28	ns	
t_{PHL}	Propagation Delay Time, High-to-Low Level Output				18	27	ns	
t_{PLH}	Propagation Delay Time, Low-to-High Level Output	Data	Output (Figure 2)		24	35	ns	
t_{PHL}	Propagation Delay Time, High-to-Low Level Output				19	28	ns	
t_{PLH}	Propagation Delay Time, Low-to-High Level Output	Address	Output (Figure 3)		23	35	ns	
t_{PHL}	Propagation Delay Time, High-to-Low Level Output				21	35	ns	
t_{PHL}	Propagation Delay Time, Low-to-High Level Output	Clear	Output (Figure 5)		21	31	ns	
t_W	Enable Pulse Width (Figure 1)				19	13	ns	
t_{SETUP}	High Data to Enable (Figure 4)				20	13	ns	
	Low Data to Enable (Figure 4)				20	14		
	Address to Enable(3) (Figure 6)			10	5			
t_{HOLD}	High Data to Enable (Figure 4)			0	-10	ns		
	Low Data to Enable (Figure 4)			0	-13	ns		

Notes

(3) The Address to Enable Set-Up Time is the time before the High-to-Low Enable transition that the Address must be stable so that the correct latch is addressed and the other latches are not affected.

Logic Diagram



Switching Time Waveforms

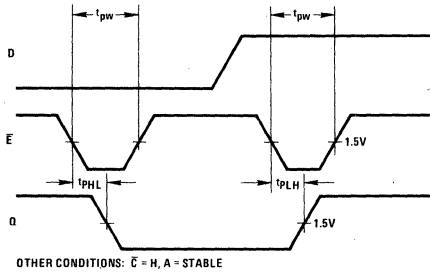


FIGURE 1

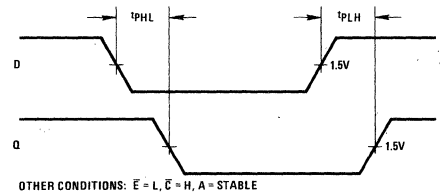


FIGURE 2

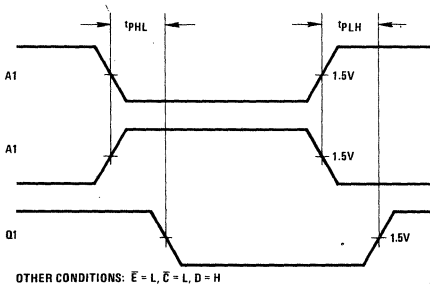


FIGURE 3

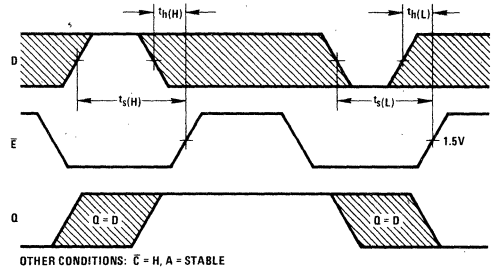


FIGURE 4

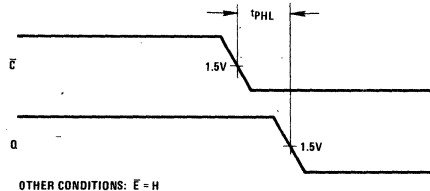


FIGURE 5

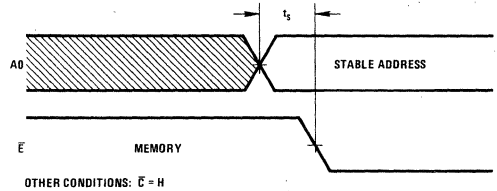


FIGURE 6

Note. The shaded areas indicate when the inputs are permitted to change for predictable output performance.

Retriggerable One Shots

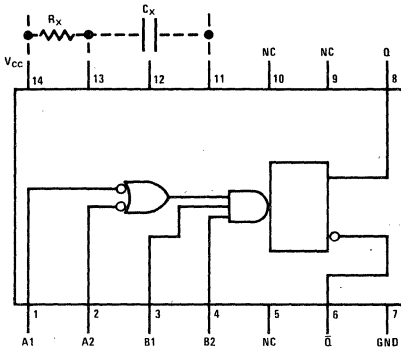
General Description

These retriggerable one shots provide the designer with four inputs; two active high and two active low. This permits a choice of either leading-edge or trailing-edge triggering, independent of input transition times. When input conditions for triggering are met, a new cycle starts and the external capacitor is rapidly discharged and then allowed to charge again. The retriggerable feature allows for output pulse widths to be expanded. In fact a continuous true output can be maintained by having an input cycle time which is shorter than the output cycle time. Retriggering may be inhibited by tying the \bar{Q} output to an active low input.

Features

- High speed operation—input repetition rate > 10 MHz
- Flexibility of operation—optional retriggering/lock-out capability
- Output pulse width range—50 ns to ∞
- Leading or trailing edge triggering
- Complementary outputs/inputs
- Input clamping diodes
- DTL/TTL compatible logic levels

Connection Diagram

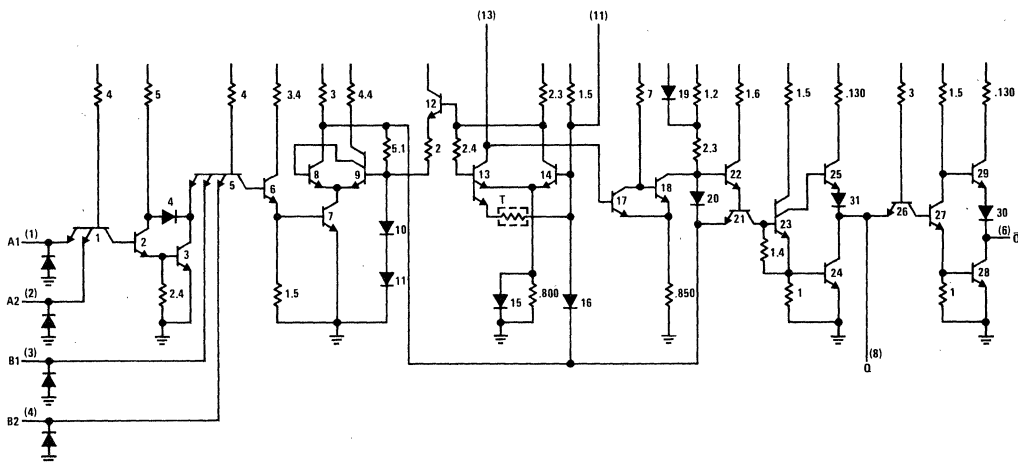


9601/8601(J), (N), (W)

Truth Table

INPUTS				OUTPUTS	
A1	A2	B1	B2	Q	\bar{Q}
H	H	X	X	L	H
X	X	L	X	L	H
X	X	X	L	L	H
L	X	H	H	L	H
L	X	↑	H		
L	X	H	↑		
X	L	H	H	L	H
X	L	↑	H		
X	L	H	↑		
H	↓	H	H		
↓	↓	H	H		
↓	H	H	H		

Schematic Diagram





Electrical Characteristics over recommended operating free-air temperature range (unless otherwise noted)

PARAMETER		CONDITIONS		DM96			DM86			UNITS			
				01			01						
				MIN	TYP(1)	MAX	MIN	TYP(1)	MAX				
V _{IH}	High Level Input Voltage		T _A = -55°C	2.0						V			
				T _A = 0°C				1.9					
					T _A = 25°C	1.7			1.8				
						T _A = 75°C					1.6		
							T _A = 125°C	1.5					
V _{IL}	Low Level Input Voltage		T _A = -55°C				0.85			V			
				T _A = 0°C				0.85					
					T _A = 25°C				0.85				
						T _A = 75°C					0.85		
							T _A = 125°C	0.85					
V _I	Input Clamp Voltage	V _{CC} = Min, I _I = -12 mA		-1.5			-1.5			V			
I _{OH}	High Level Output Current			-720			-960			μA			
V _{OH}	High Level Output Voltage	V _{CC} = Min, I _{OH} = Max		2.4			2.4			V			
I _{OL}	Low Level Output Current			10			12.8			mA			
V _{OL}	Low Level Output Voltage	V _{CC} = Min, I _{OL} = Max		0.40			0.45			V			
I _{IH}	High Level Input Current	V _{CC} = Max, V _I = 4.5V		15			60			μA			
I _{IL}	Low Level Input Current	V _{CC} = Max	V _I = 0.40V	-1.6						mA			
			V _I = 0.45V				-1.6						
I _{OS}	Short Circuit Output Current	V _{CC} = Max(2)		-10			-40			mA			
I _{CC}	Supply Current	V _{CC} = Max		25			25			mA			

Notes

- (1) All typical values are at V_{CC} = 5V, T_A = 25°C.
- (2) Not more than one output should be shorted at a time.
- (3) Unless otherwise specified, R_X = 10 kΩ between Pin 13 and V_{CC} on all tests.
- (4) Ground Pin 11 for V_{OL} test on Pin 6, V_{OH} test on Pin 8 and I_{OS} test on Pin 8. Open Pin 11 for V_{OL} test on Pin 8, V_{OH} test on Pin 6 and I_{OS} test on Pin 6.

Switching Characteristics V_{CC} = 5V, T_A = 25°C

PARAMETER			CONDITIONS		DM96			DM86			UNITS				
					01			01							
					MIN	TYP	MAX	MIN	TYP	MAX					
t _{PLH}	Propagation Delay Time, Low-to-High Level Output	Negative Trigger Input to True Output	C _L = 15 pF, C _X = 0 R _X = 5 kΩ			25			40			ns			
						25			40						
t _{PHL}	Propagation Delay Time, High-to-Low Level Output	Negative Trigger Input to Complement Output				45			65			ns			
t _{pw (MIN)}	Minimum True Output Pulse Width		3.08			3.42			3.76			μs			
t _{pw}	Pulse Width		R _X = 10 kΩ, C _X = 1000 pF			3.08			3.42			3.76			μs
C _{STRAY}	Maximum Allowable Wiring Capacitance		Pin 13 to GND			50			50			pF			
R _X	External Timing Resistor					5			25			50			kΩ

Operating Rules

1. An external resistor R_X and an external capacitor C_X are required for operation. The value of R_X can vary between the limits shown in switching characteristics. The value of C_X is optional and may be adjusted to achieve the required output pulse width.
2. Output pulse width t_{PW} may be calculated as follows:

$$t_{PW} = 0.32 R_X C_X \left[1 + \frac{0.7}{R_X} \right] \text{ (for } C_X \geq 10^3 \text{ pF)}$$

R_X in k Ω , C_X in pF and t_{PW} in ns.
(For $C_X < 10^3$ pF, see curve.)

3. R_X and C_X must be kept as close as possible to the circuit in order to minimize stray capacitance and

noise pickup. If remote trimming is required, R_X may be split up such that at least $R_{X(MIN)}$ must be as close as possible to the circuit and the remote portion of the trimming resistor $R < R_{X(MAX)} - R_X$.

4. Set-up time (t_1) for input trigger pulse must be > 40 ns. (See Figure 1).

Release time (t_2) for input trigger pulse must be > 40 ns. (See Figure 2).

5. Retrigger pulse width (see Figure 3) is calculated as follows:

$$t_W = t_{PW} + t_{PLH} = 0.32 R_X C_X \left[1 + \frac{0.7}{R_X} \right] + t_{PLH}$$

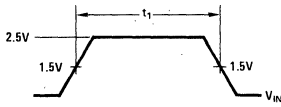


FIGURE 1

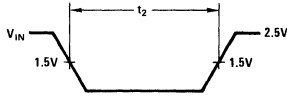


FIGURE 2

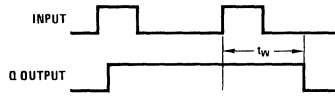
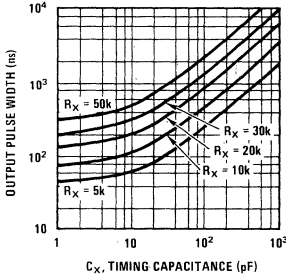


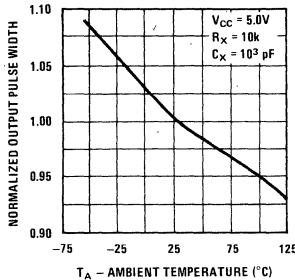
FIGURE 3

Typical Performance Characteristics

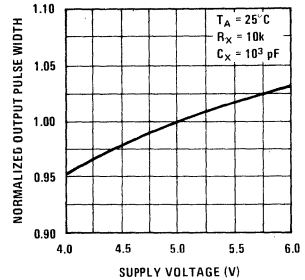
OUTPUT PULSE WIDTH VS TIMING RESISTANCE AND CAPACITANCE FOR $C_X < 10^3$ pF



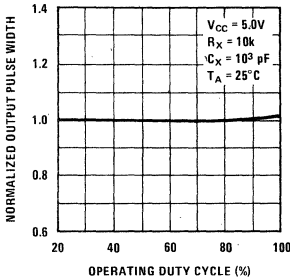
NORMALIZED OUTPUT PULSE WIDTH VS AMBIENT TEMPERATURE



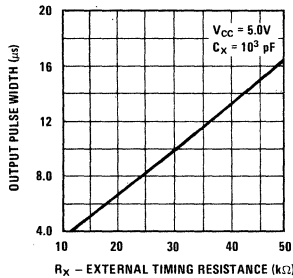
NORMALIZED OUTPUT PULSE WIDTH VS SUPPLY VOLTAGE



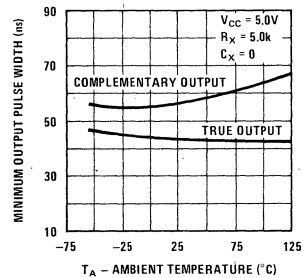
NORMALIZED OUTPUT PULSE WIDTH VS OPERATING DUTY CYCLE



PULSE WIDTH VS TIMING RESISTANCE



OUTPUT PULSE WIDTH VS AMBIENT TEMPERATURE



Dual Retriggerable, Resettable One Shots

General Description

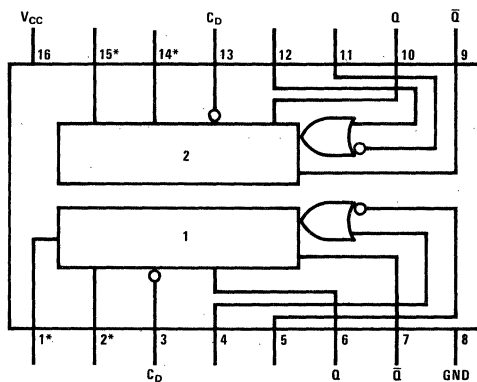
These dual resettable, retriggerable one shots have two inputs per function; one which is active high, and one which is active low. This allows the designer to employ either leading-edge or trailing-edge triggering, which is independent of input transition times. When input conditions for triggering are met, a new cycle starts and the external capacitor is allowed to rapidly discharge and then charge again. The retriggerable feature permits output pulse widths to be extended. In fact a continuous true output can be maintained by having an input cycle time which is shorter than the output cycle time. The output pulse may then be terminated at any time by applying a low logic level to the RESET pin. Retriggering

may be inhibited by either connecting the Q output to an active high input, or the \bar{Q} output to an active low input.

Features

- 70 ns to ∞ output width range
- Resettable and retriggerable—0% to 100% duty cycle
- TTL input gating—leading or trailing edge triggering
- Complementary TTL outputs
- Optional retrigger lock-out capability
- Pulse width compensated for V_{CC} and temperature variations

Connection Diagram



*Pins for external timing

9602/8602(J), (N), (W)

Truth Table

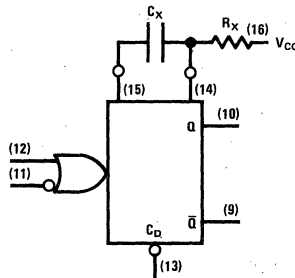
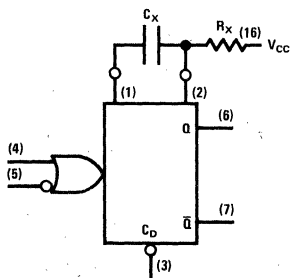
PIN NO.'S.			OPERATION
5(11)	4(12)	3(13)	
H→L	L	H	Trigger
H	L→H	H	Trigger
X	X	L	Reset

H = High Voltage Level

L = Low Voltage Level

X = Don't Care

Logic Diagrams



Electrical Characteristics over recommended operating free-air temperature range (unless otherwise noted)

PARAMETER		CONDITIONS		DM96			DM86			UNITS
				02			02			
				MIN	TYP(1)	MAX	MIN	TYP(1)	MAX	
V _{IH}	High Level Input Voltage		T _A = -55°C	2.0						V
			T _A = 0°C				1.9			
			T _A = 25°C	1.7			1.8			
			T _A = 75°C				1.65			
			T _A = 125°C	1.5						
V _{IL}	Low Level Input Voltage		T _A = -55°C				0.85			V
			T _A = 0°C				0.85			
			T _A = 25°C				0.85			
			T _A = 75°C				0.85			
			T _A = 125°C				0.85			
V _I	Input Clamp Voltage	V _{CC} = Min, I _I = -12 mA		-1.5			-1.5			V
I _{OH}	High Level Output Current			-800			-800			μA
V _{OH}	High Level Output Voltage	V _{CC} = Min, V _{IH} = Min, V _{IL} = Max, I _{OH} = -800μA		2.4			2.4			V
I _{OL}	Low Level Output Current			16			16			mA
V _{OL}	Low Level Output Voltage	V _{CC} = Min, V _{IH} = Min, V _{IL} = Max, I _{OL} = 16 mA		0.40			0.45			V
I _{IH}	High Level Input Current	V _{CC} = Max, V _I = 4.5V		10			60			μA
I _{IL}	Low Level Input Current	V _{CC} = Max	V _I = 0.40V				-1.6			mA
			V _I = 0.45V				-1.6			
		V _{CC} = Min	V _I = 0.40V				-1.24			
			V _I = 0.45V				-1.41			
I _{OS}	Short Circuit Output Current	V _{CC} = Max(2)		-25			-35			mA
I _{CC}	Supply Current	V _{CC} = Max		39			45			mA

Notes

- (1) All typical values are at V_{CC} = 5V, T_A = 25°C.
- (2) Not more than one output should be shorted at a time.
- (3) Unless otherwise noted, R_X = 10 kΩ for all tests.
- (4) Ground Pin 1 (15) for V_{OL} on Pin 7 (9), or for V_{OH} on Pin 6 (10), or for I_{OS} on Pins 6 (10); also, apply momentary ground to Pin 4 (12). Open Pin 1 (15) for V_{OL} on Pin 6 (10), or for V_{OH} on Pin 7 (9), or for I_{OS} on Pin 7 (9).

Switching Characteristics V_{CC} = 5V, T_A = 25°C

PARAMETER		CONDITIONS		DM96			DM86			UNITS
				02			02			
				MIN	TYP	MAX	MIN	TYP	MAX	
t _{PLH}	Propagation Delay Time, Low-to-High Level Output	Negative Trigger Input to True Output		25			35			ns
t _{PHL}	Propagation Delay Time, High-to-Low Level Output	Negative Trigger Input To Complement Output		29			43			
t _{PW} (MIN)	Minimum True Output Pulse Width	C _L = 15 pF C _X = 0 R _X = 5 kΩ		72			90			ns
	Minimum Complement Pulse Width			78			100			
t _{PW}	Pulse Width	R _X = 10 kΩ; C _X = 1000 pF		3.08			3.42			μs
C _{STRAY}	Maximum Allowable Wiring Capacitance	Pins 2, 14 to GND		50			50			pF
R _X	External Timing Resistor			5			25			kΩ

Operating Rules

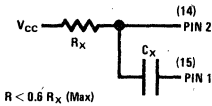
1. An external resistor (R_X) and external capacitor (C_X) are required as shown in the Logic Diagram.
2. The value of C_X may vary from 0 to any necessary value available. If, however, the capacitor has leakages approaching $3.0\mu A$ or if stray capacitance from either terminal to ground is more than 50 pF , the timing equations may not represent the pulse width obtained.
3. The output pulse with (t) is defined as follows:

$$t = 0.31 R_X C_X \left[1 + \frac{1}{R_X} \right]$$

where R_X is in $k\Omega$, C_X is in pF
 t is in ns
 for $C_X < 10^3\text{ pF}$, see Figure 1.

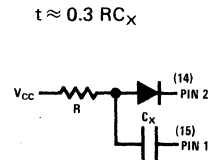
4. If electrolytic type capacitors are to be used, the following three configurations are recommended:

- A. Use with low leakage capacitors:
 The normal RC configuration can be used predictably only if the forward capacitor leakage at $5.0V$ is less than $3\mu A$, and the inverse capacitor leakage at $1.0V$ is less than $5\mu A$ over the operational temperature range.



- B. Use with high inverse leakage current electrolytic capacitors:

The diode in this configuration prevents high inverse leakage currents through the capacitor by preventing an inverse voltage across the capacitor. The use of this configuration is not recommended with retriggerable operation.

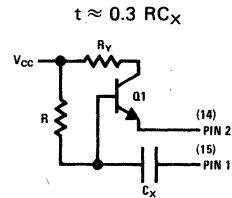


- C. Use to obtain extended pulse widths:
 This configuration can be used to obtain extended pulse widths, because of the larger timing resistor allowed by beta multiplication. Electrolytics with high inverse leakage currents can be used.

$R < R_X (0.7) (h_{FE} Q1)$ or $< 2.5\text{ M}\Omega$, whichever is the lesser

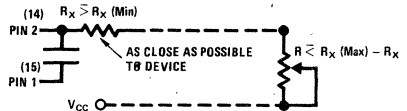
$R_X (\text{min}) < R_Y < R_X (\text{max})$
 $(5\text{ k}\Omega \leq R_Y \leq 10\text{ k}\Omega \text{ is recommended})$

Q1: NPN silicon transistor with h_{FE} requirements of above equations, such as 2N5961 or 2N5962.



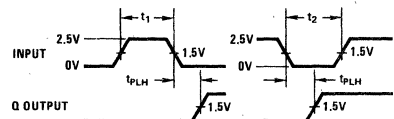
This configuration is not recommended with retriggerable operation.

5. To obtain variable pulse width by remote trimming, the following circuit is recommended:



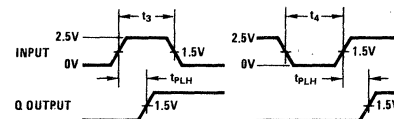
6. Under any operating condition, C_X and R_X (min) must be kept as close to the circuit as possible to minimize stray capacitance and reduce noise pickup.

7. Input Trigger Pulse Rules (See Triggering Truth Table)



Input to Pin 5 (11), (Pin 3 (13) = HIGH)
 Pin 4 (12) = LOW

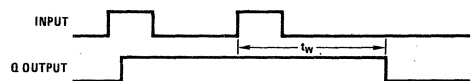
$t_1, t_3 = \text{Min. Positive Input Pulse Width} > 40\text{ ns}$
 $t_2, t_4 = \text{Min. Negative Input Pulse Width} > 40\text{ ns}$



Input to Pin 4 (12), (Pin 3 (13) = HIGH)
 Pin 5 (11) = HIGH

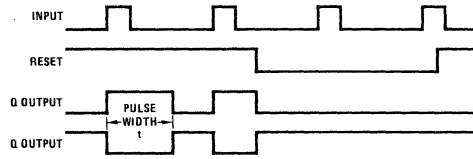
8. The retriggerable pulse width is calculated as shown below:

$$t_w = t + t_{PLH} = 0.31 R_X C_X \left(1 + \frac{1}{R_X} \right) + t_{PLH}$$



Operating Rules (Continued)

The retrigger pulse width is equal to the pulse width (t) plus a delay time. For pulse widths greater than 500 ns, t_w can be approximated as t. Retriggering will not occur if the retrigger pulse comes within $\approx 0.3 C_x$ (ns) after the initial trigger pulse. (i.e., during the discharge cycle).



9. Reset Operation — An overriding clear (active LOW level) is provided on each one shot. By applying a LOW to the reset, any timing cycle can be terminated or any new cycle inhibited until the LOW reset input is removed. Trigger inputs will not produce spikes in the output when the reset is held LOW.

10. V_{CC} and Ground wiring should conform to good high frequency standards so that switching transients on V_{CC} and Ground leads do not cause interaction between one shots. Use of a 0.01 to 0.1 μ F bypass capacitor between V_{CC} and Ground located near the DM9602/DM8602 is recommended.

Typical Performance Characteristics

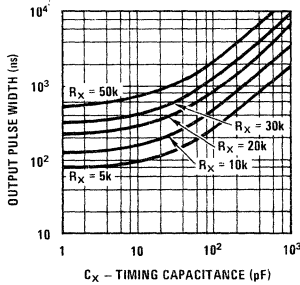


FIGURE 1. OUTPUT PULSE WIDTH VS TIMING RESISTANCE AND CAPACITANCE FOR $C_x < 10^3$ pF

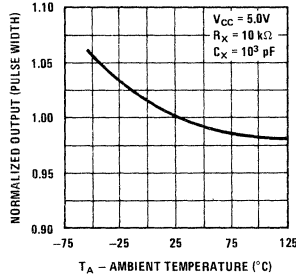


FIGURE 2. NORMALIZED OUTPUT PULSE WIDTH VS AMBIENT TEMPERATURE

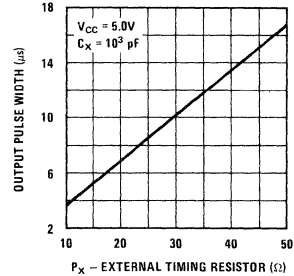


FIGURE 3. PULSE WIDTH VS TIMING RESISTOR

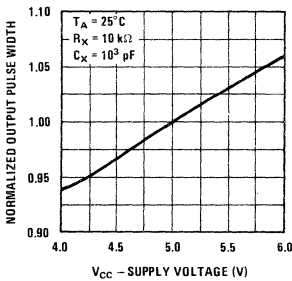


FIGURE 4. NORMALIZED OUTPUT PULSE WIDTH VS SUPPLY VOLTAGE

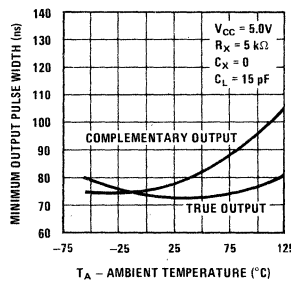


FIGURE 5. MINIMUM OUTPUT PULSE WIDTH VS AMBIENT TEMPERATURE

Notes

Notes

National Semiconductor Corporation · 2900 Semiconductor Drive · Santa Clara, CA 95051

© 1976 National Semiconductor Corp.

Printed in U.S.A.



National Semiconductor Corporation

2900 Semiconductor Drive
Santa Clara, California 95051
(408) 737-5000
TWX: 910-339-9240

National Semiconductor GmbH

808 Fuerstenfeldbruck
Industriestrasse 10
West Germany
Telephone: (08141) 1371
Telex: 05-27649

National Semiconductor (UK) Ltd.

Larkfield Industrial Estate
Greenock, Scotland
Telephone: GOUROCK 33251
Telex: 778 632

NS Electronics SDN BHD

Batu Berendam
Free Trade Zone
Malacca, Malaysia
Telephone: 5171
Telex: NSELECT 519 MALACCA (c/o Kuala Lumpur)

NS Electronics (PTE) Ltd.

No. 1100 Lower Delta Rd.
Singapore 3
Telephone: 630011
Telex: NATSEMI RS 21402