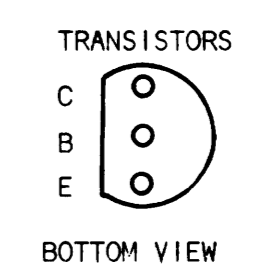
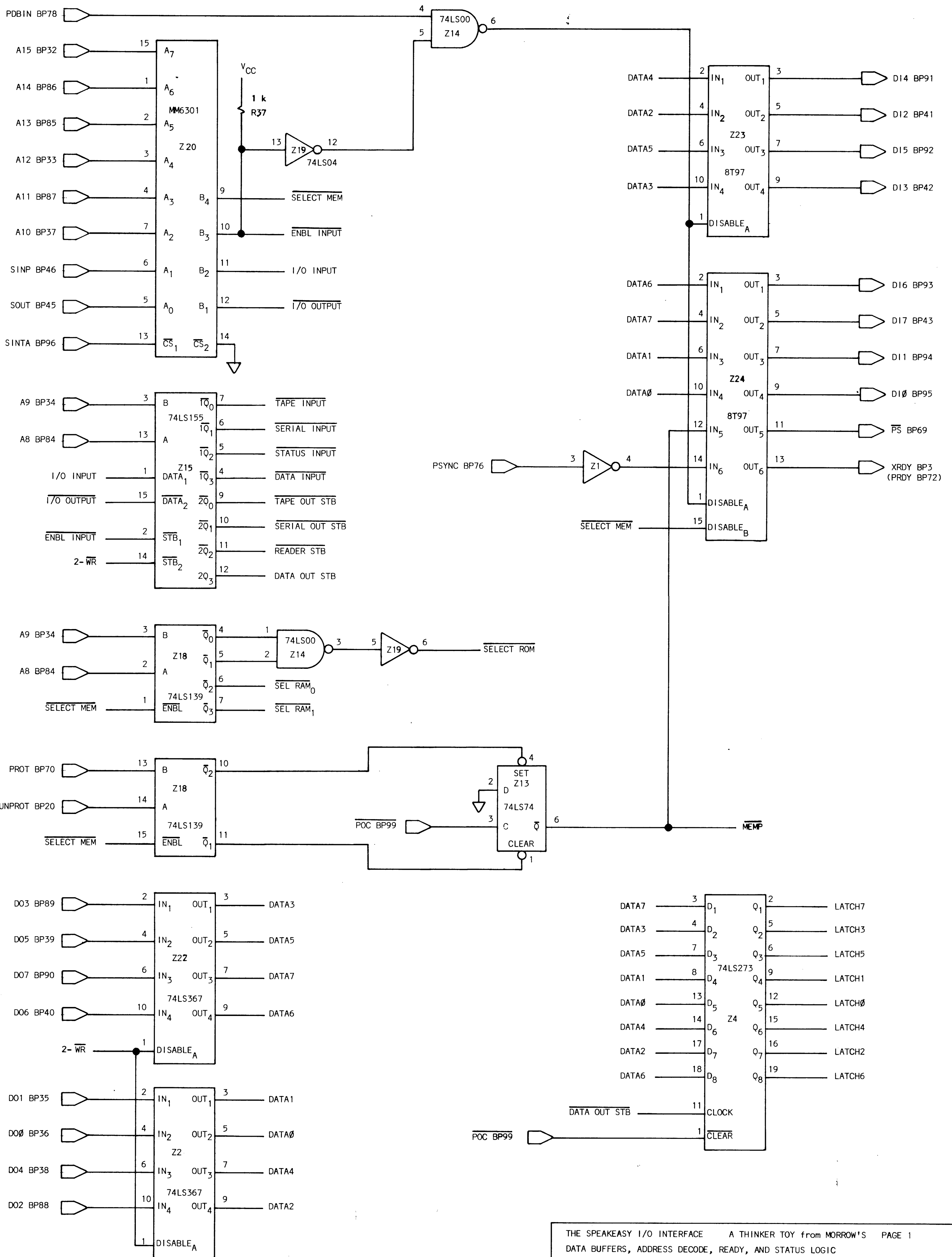


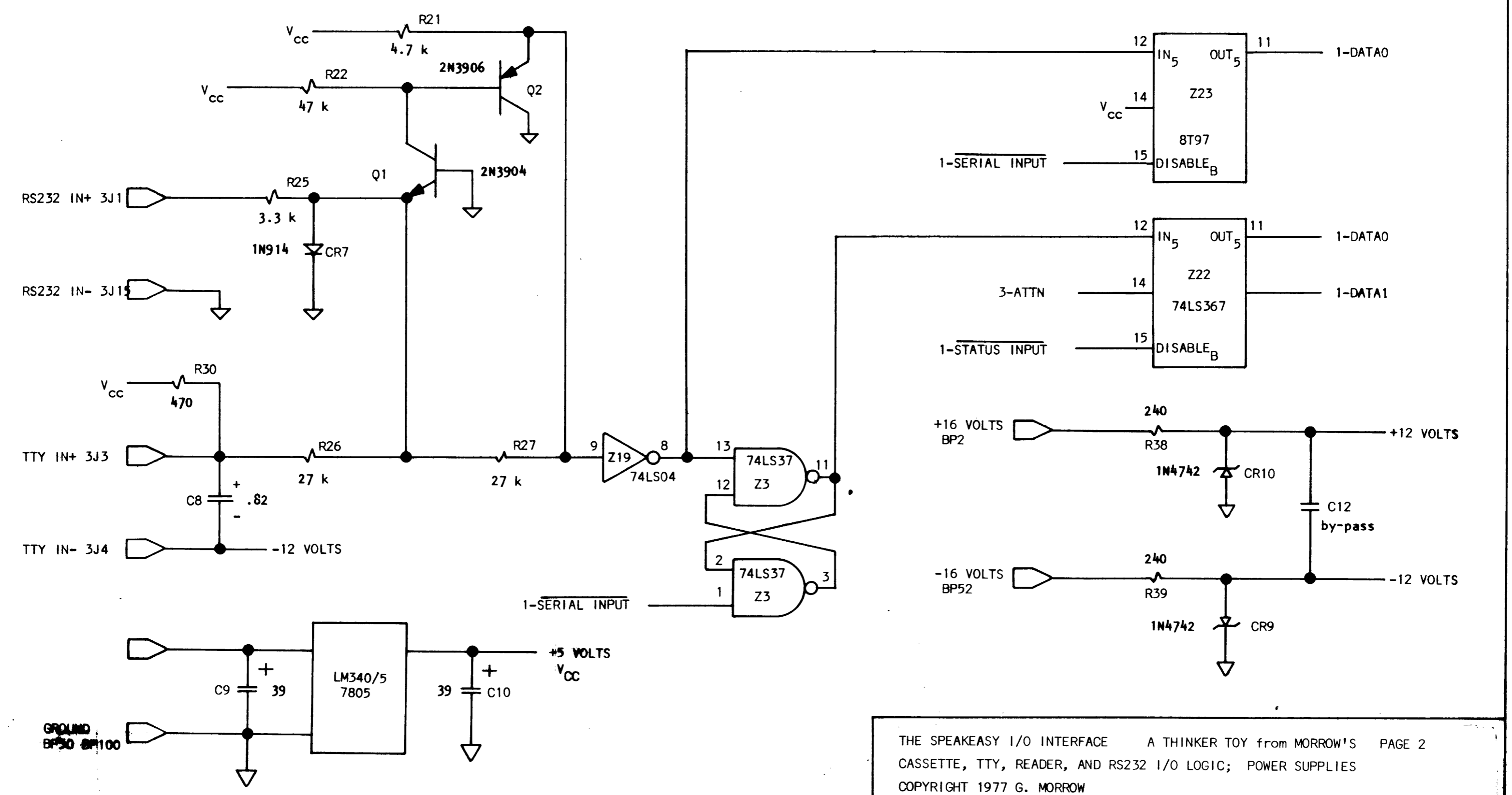
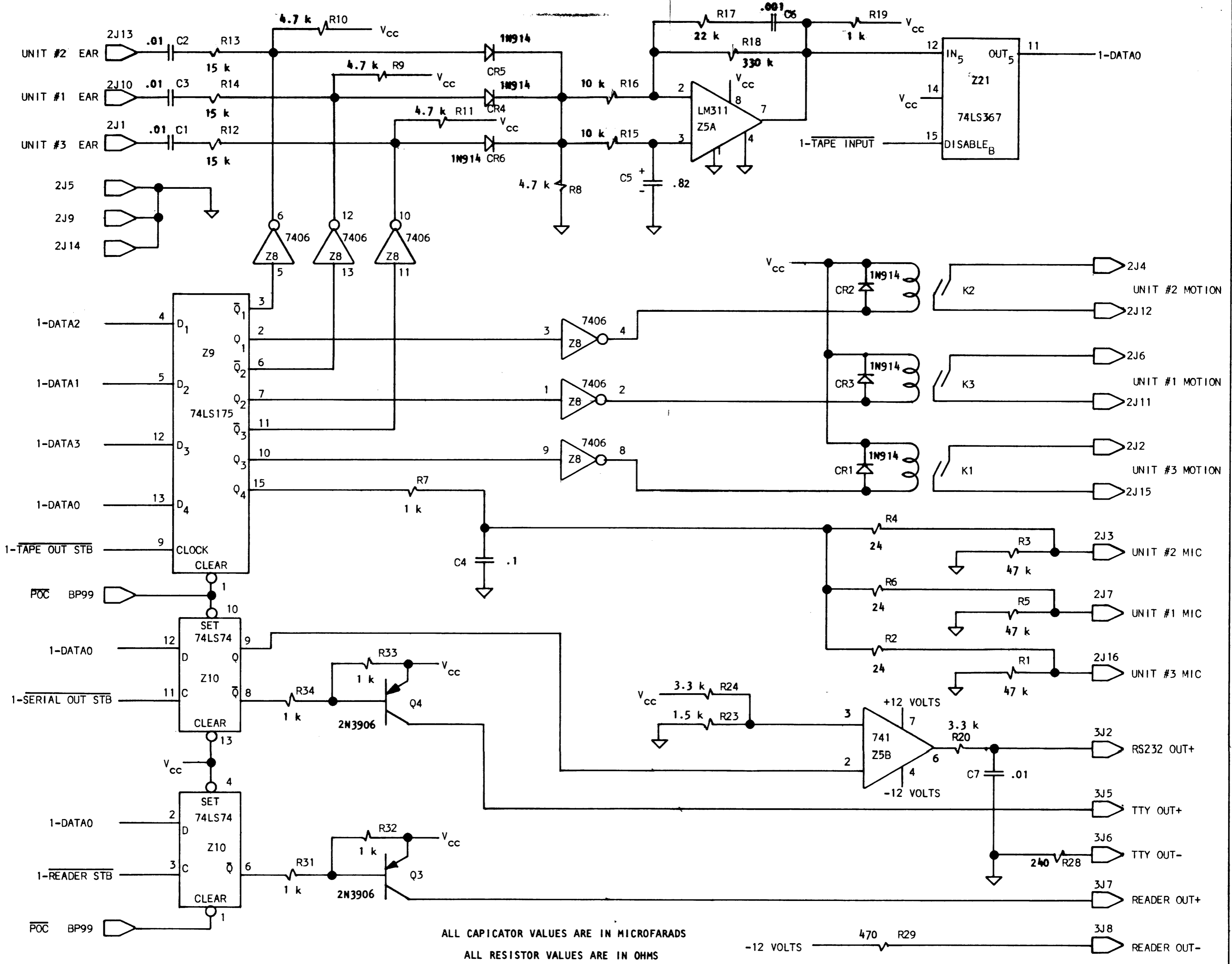
R1	47	kΩ	R22	47	kΩ	C1	.01	μfd	C22	by-pass	K1	Gordos 761A52	Z12	2112/5039927 INTEL
R2	24	Ω	R23	1.5	"	C2	.01	"	C23	by-pass	K2	"	Z13	74LS74
R3	47	kΩ	R24	3.3	"	C3	.01	"	C24	by-pass	K3	"	Z14	74LS00
R4	24	Ω	R25	3.3	"	C4	.1	"	C25	by-pass	Q1	2N3904	Z15	74LS155
R5	47	kΩ	R26	27	"	C5	.82	"	C26	by-pass	Q2	2N3906	Z16	6306-1 MONOLITHIC MEMORYS
R6	24	Ω	R27	27	"	C6	.001	"	C27	by-pass	Q3	2N3906	Z17	6306-1
R7	1	kΩ	R28	240	Ω 1/2W	C7	.01	"	C28	by-pass	Q4	2N3906	Z18	74LS139
R8	4.7	"	R29	470	" 1W	C8	.82	"			Z19	74LS04	Z19	74LS04
R9	4.7	"	R30	470	" 1W	C9	.39	"			Z20	6301-1 MONOLITHIC MEMORYS	Z20	6301-1 MONOLITHIC MEMORYS
R10	4.7	"	R31	1	kΩ	C10	.39	"	CR1	1N914/4820-0201	Z21	74LS367	Z21	74LS367
R11	4.7	"	R32	1	"	C11	.39	"	CR2	"	Z22	74LS367	Z22	74LS367
R12	15	"	R33	1	"	C12	by-pass		CR3	"	Z23	8T97 SIGNETICS	Z23	8T97 SIGNETICS
R13	15	"	R34	1	"	C13	by-pass		CR4	"	Z24	8T97	Z24	8T97
R14	15	"	R35	1	"	C14	by-pass		CR5	"				
R15	10	"	R36	1	"	C15	by-pass		CR6	"				
R16	10	"	R37	1	"	C16	by-pass		CR7	"				
R17	22	"	R38	240	Ω 1/2W	C17	by-pass		CR8	non-existent				
R18	330	"	R39	"	"	C18	by-pass		CR9	1N4742 12V 1W				
R19	1	"				C19	by-pass		CR10	"				
R20	3.3	"				C20	by-pass		CR11	1N4585				
R21	4.7	"				C21	by-pass							
											Z1	DS8835 NATIONAL	Z2	DS8835
											Z2	DS8835	Z3	74LS37
											Z3	74LS37	Z4	74LS273
											Z4	74LS273	Z5A	LM311
											Z5A	LM311	Z5B	741
											Z5B	741	Z6	2112/5039927 INTEL
											Z6	2112/5039927 INTEL	Z7	2112/5039927 INTEL
											Z7	2112/5039927 INTEL	Z8	7406
											Z8	7406	Z9	74LS175
											Z9	74LS175	Z10	74LS74
											Z10	74LS74	Z11	2112/5039927 INTEL
											Z11	2112/5039927 INTEL		

by-pass capacitors vary from kit to kit from .01 μfd to .1 μfd

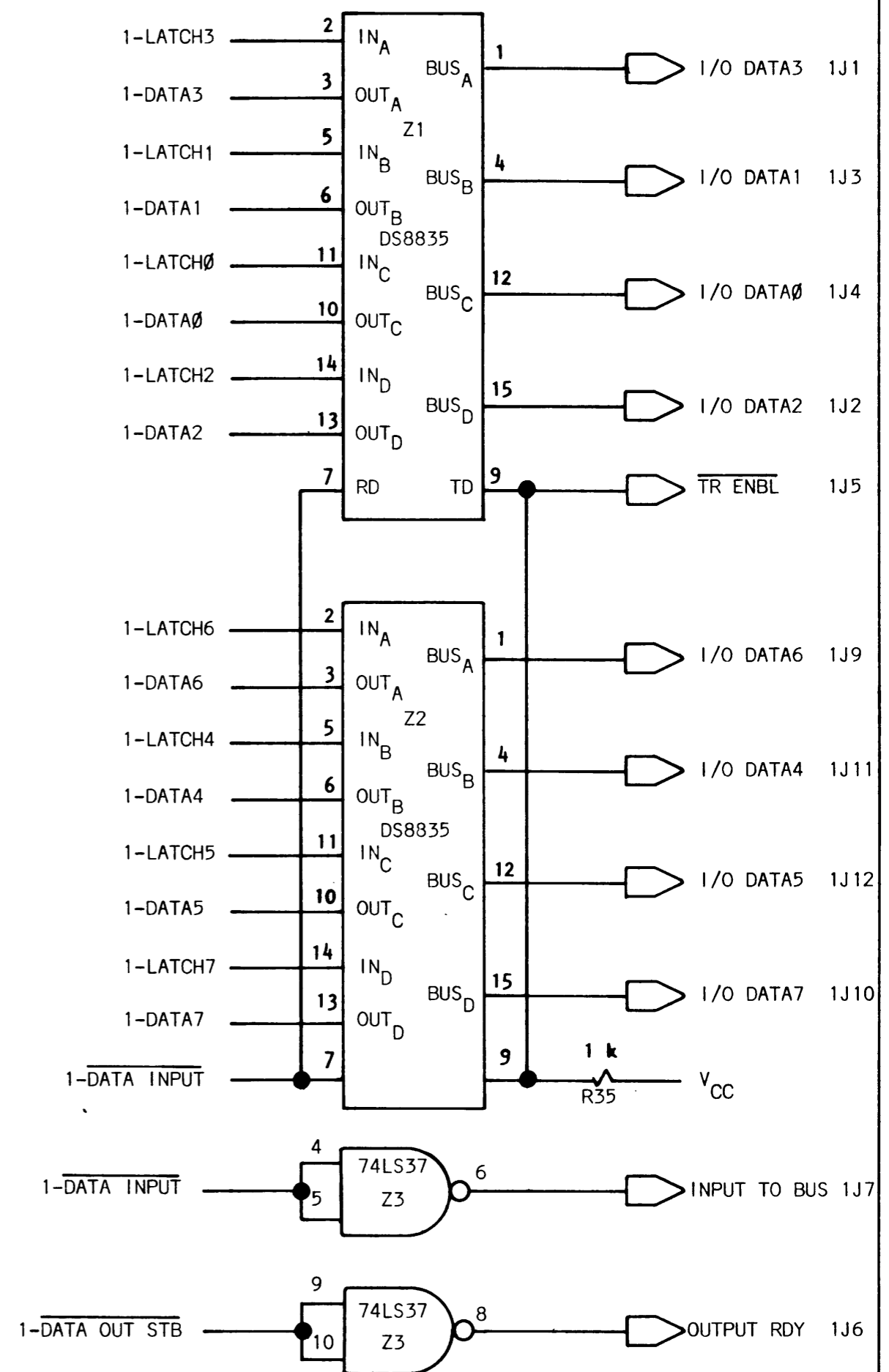
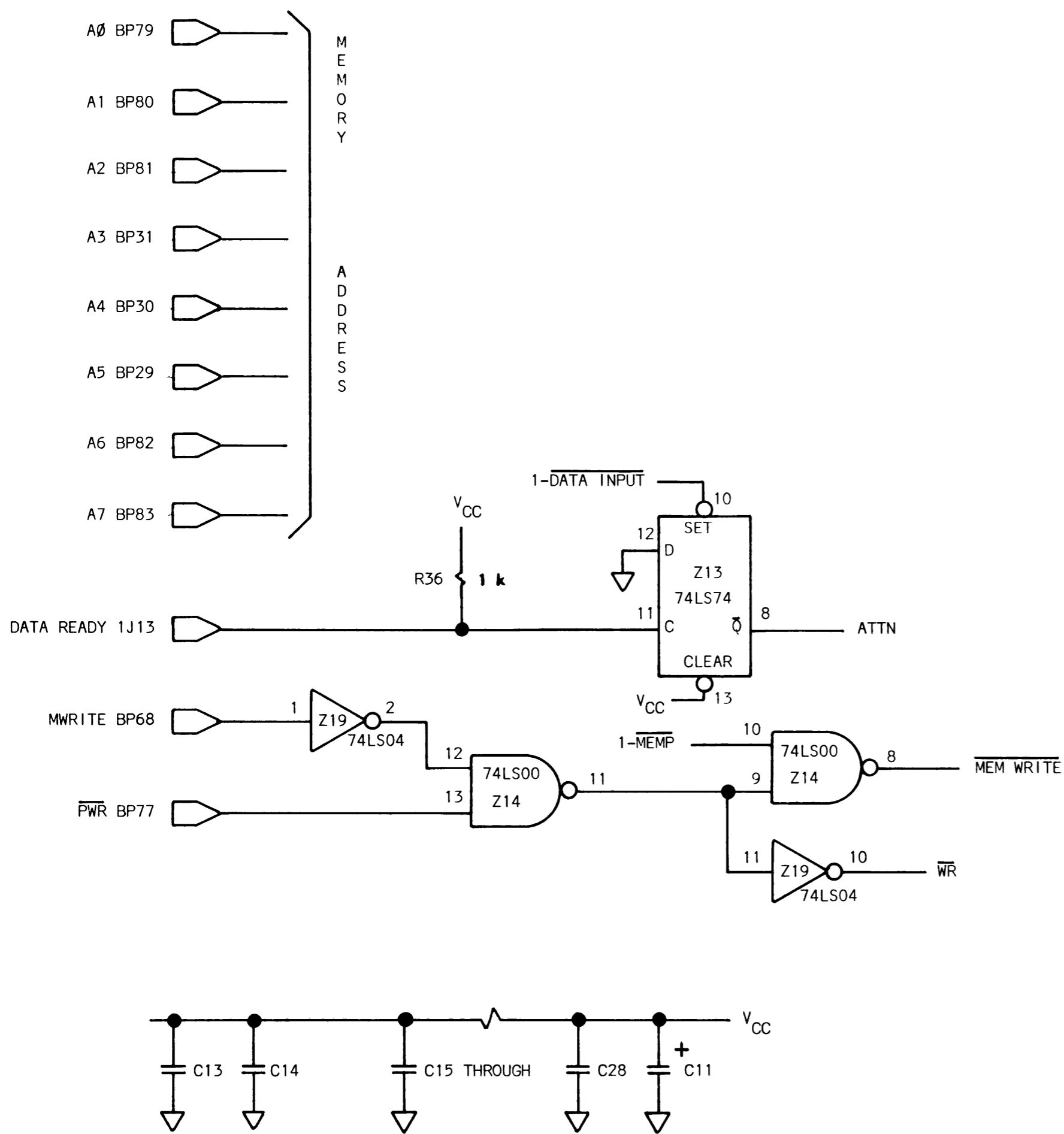
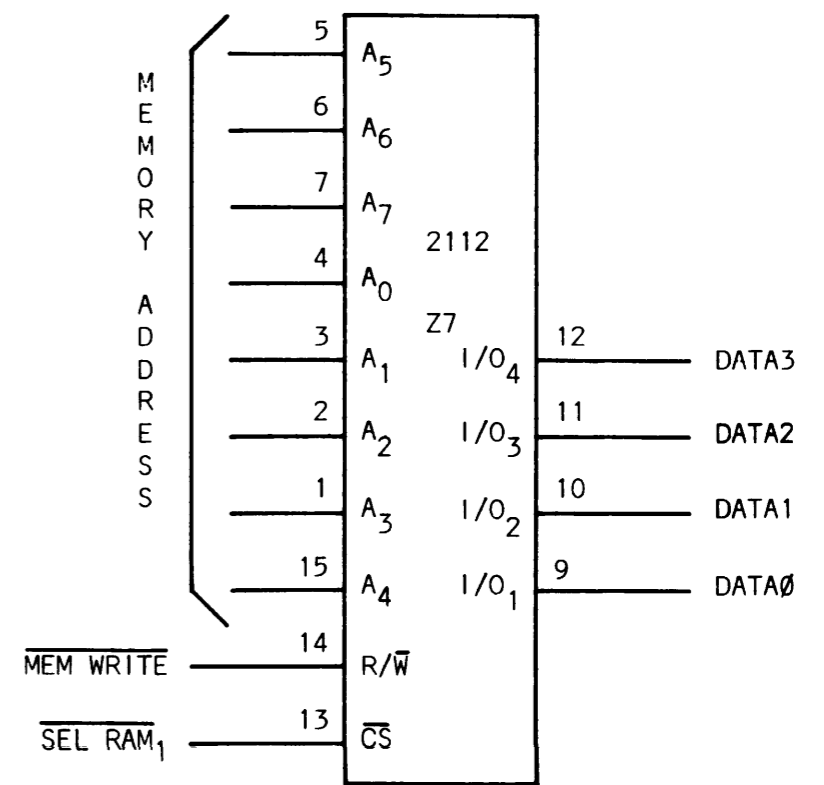
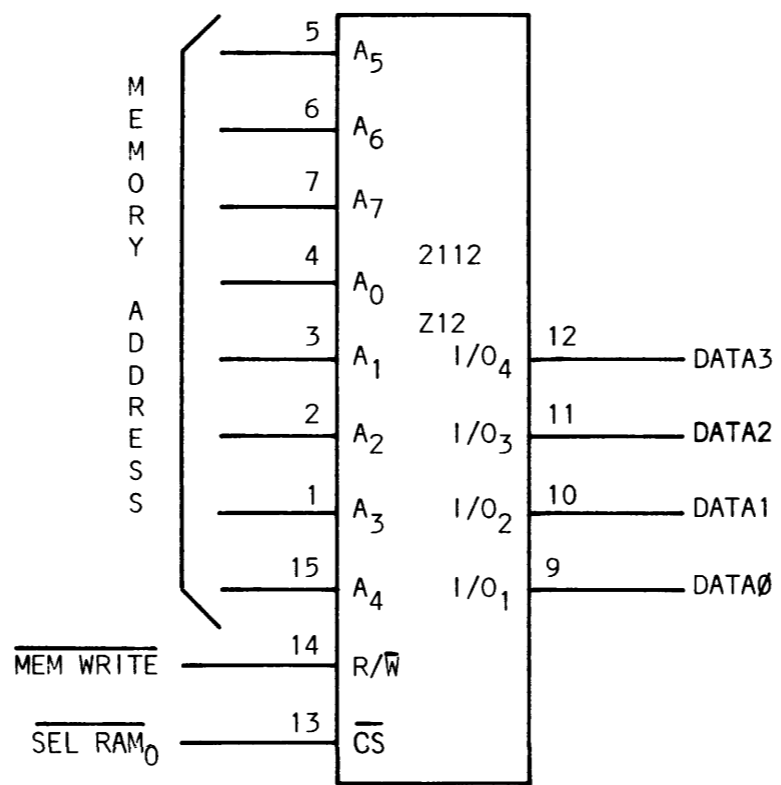
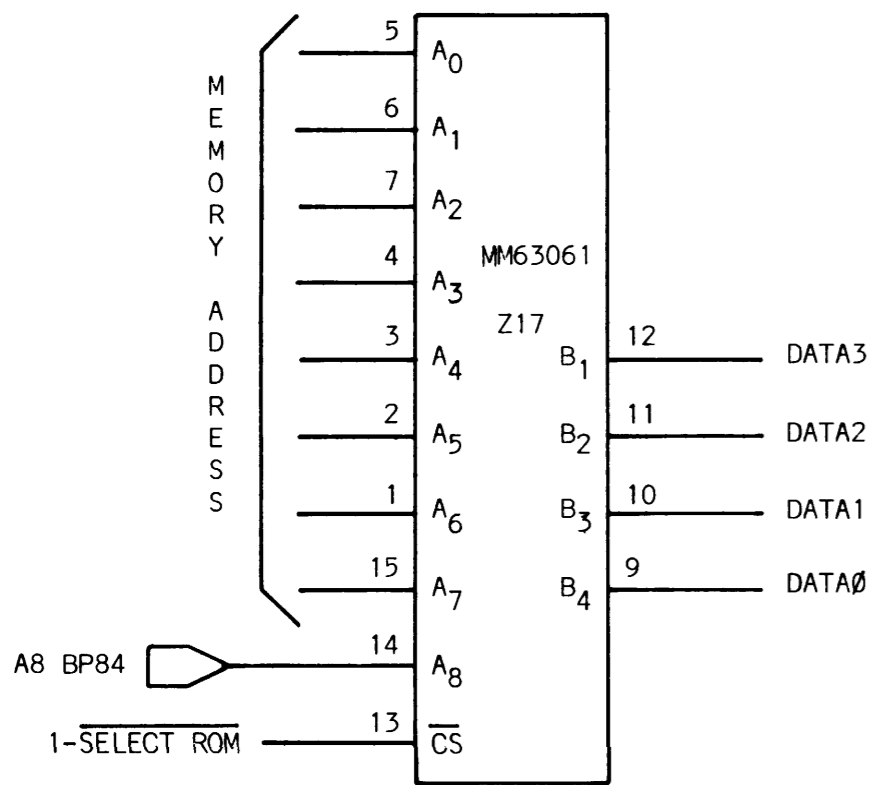
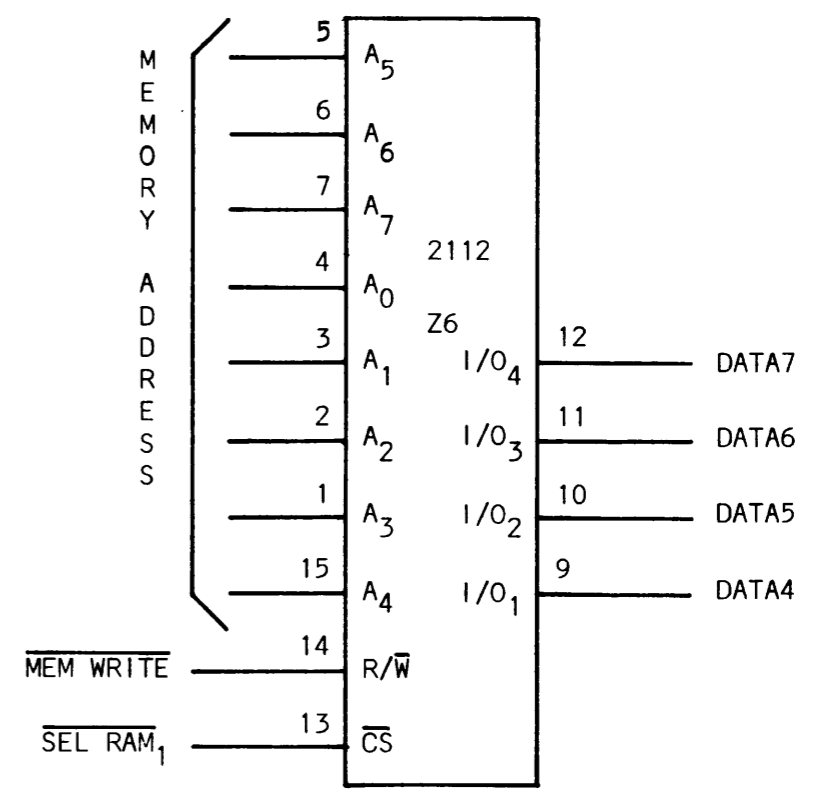
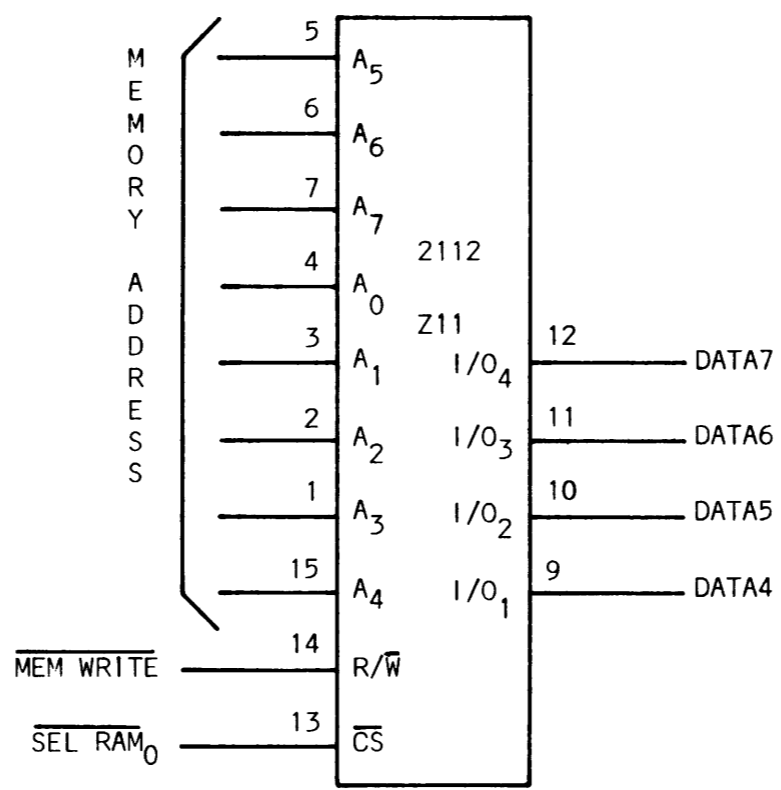
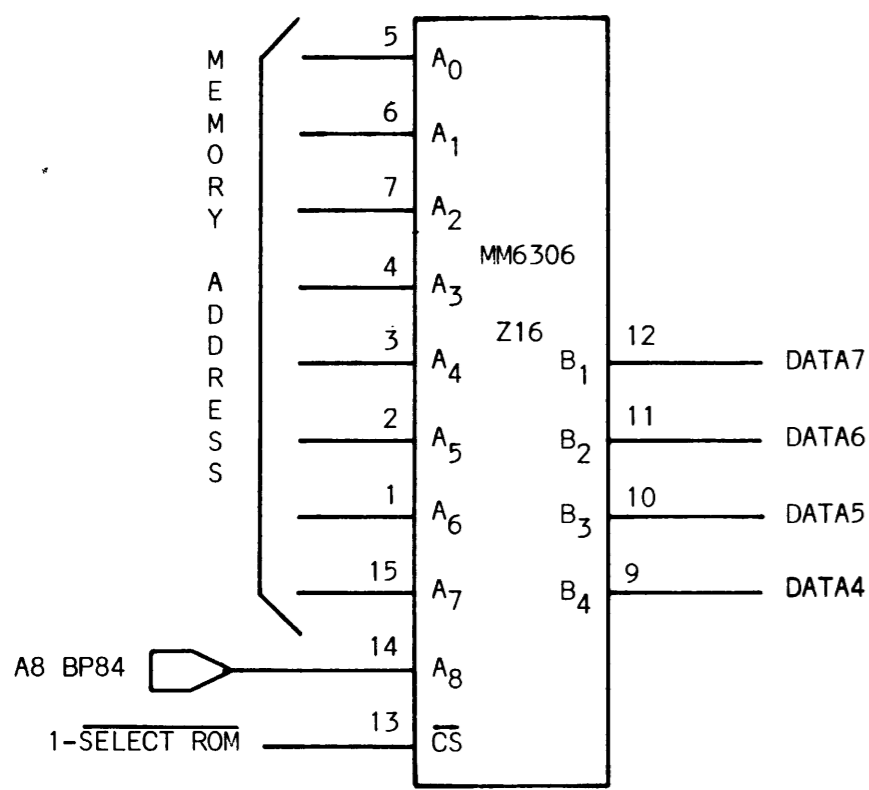


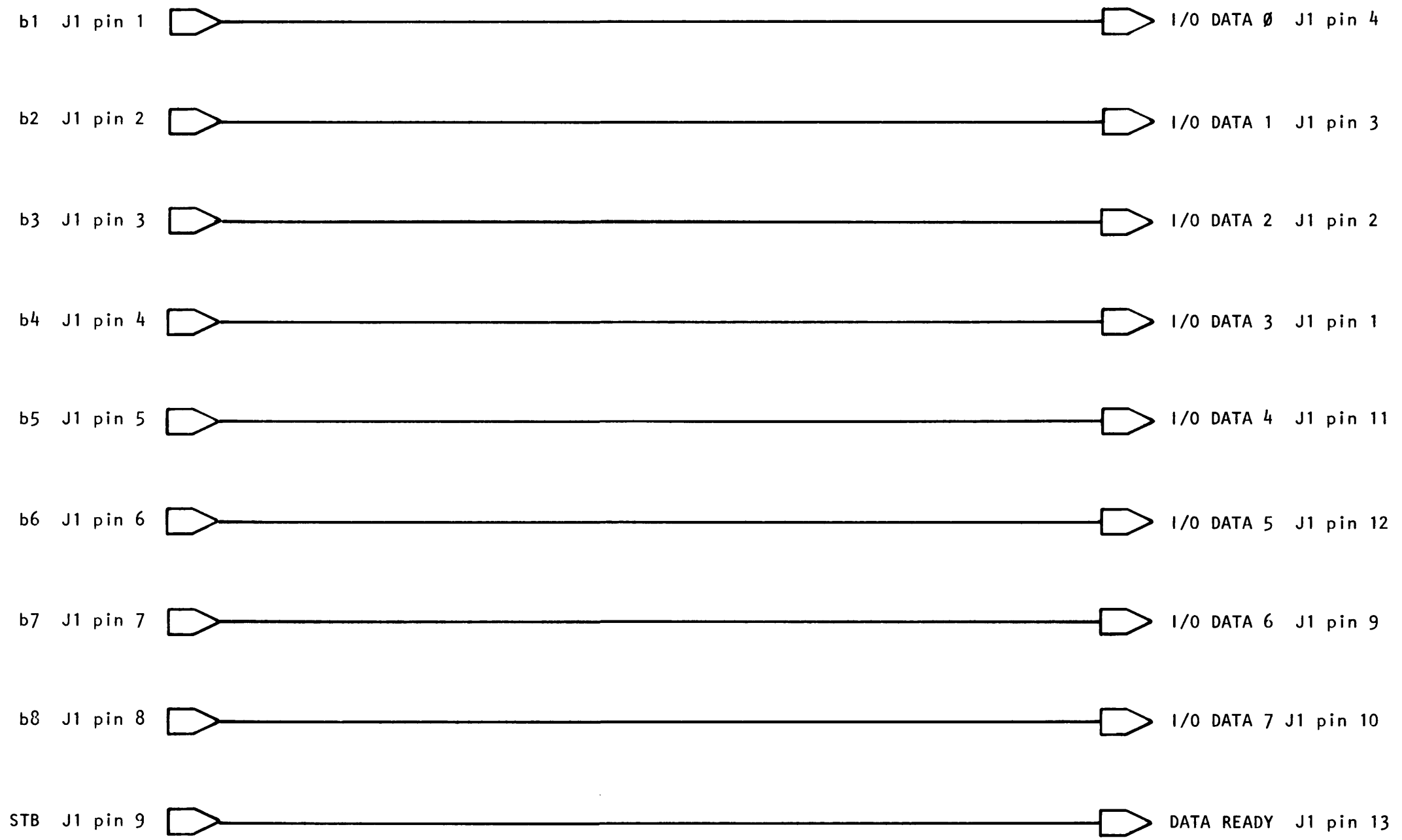
THE SPEAKEASY I/O INTERFACE A THINKER TOY from MORROW'S
COMPONENT LAYOUT
COPYRIGHT 1977 G. MORROW



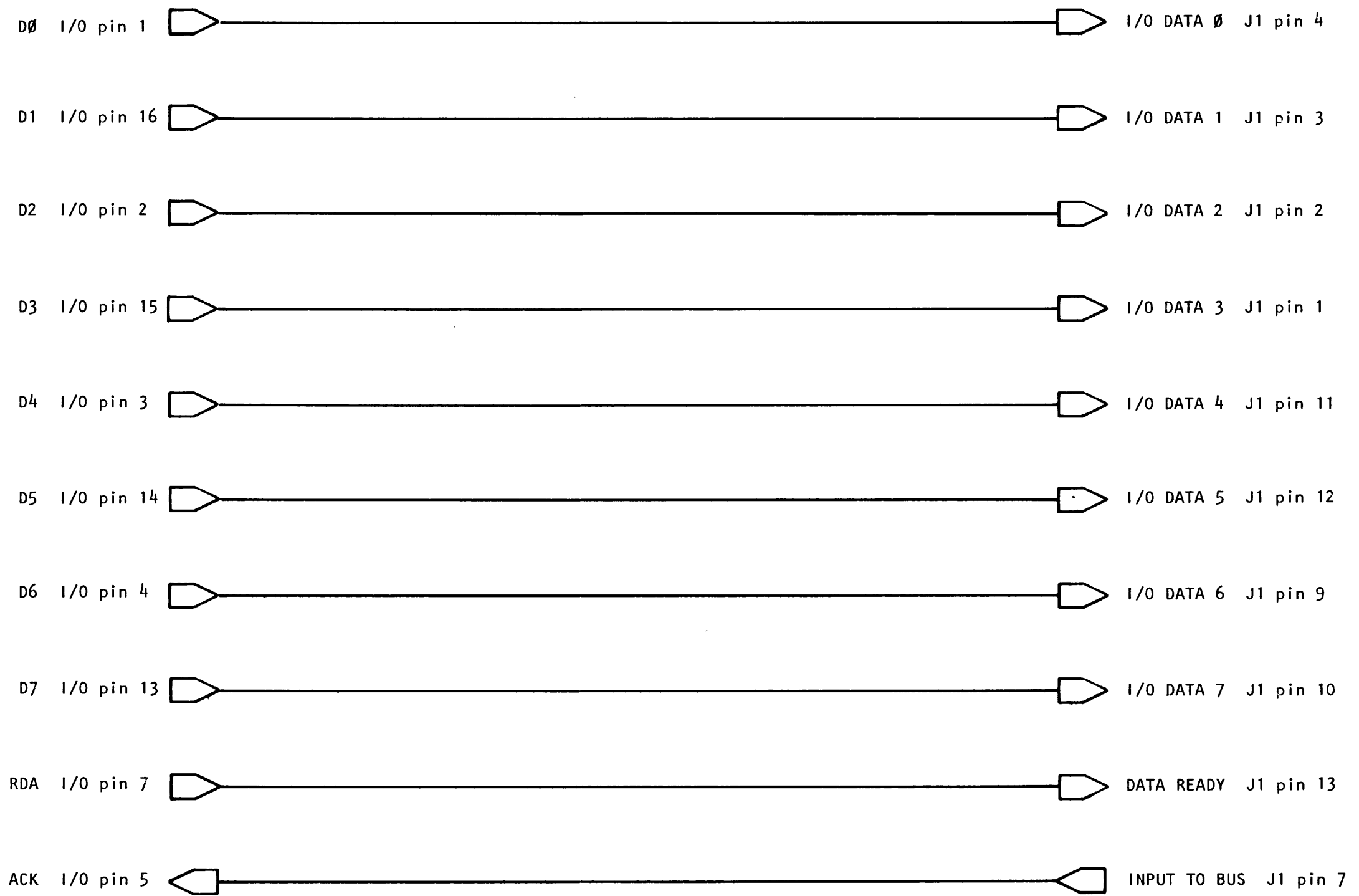


THE SPEAKEASY I/O INTERFACE A THINKER TOY FROM MORROW'S PAGE 2
CASSETTE, TTY, READER, AND RS232 I/O LOGIC; POWER SUPPLIES
COPYRIGHT 1977 G. MORROW





CHERRY "PRO" KEYBOARD INTERFACE EXAMPLE



OLIVER PAPER TAPE READER INTERFACE EXAMPLE

