



1AJ1-1 — MEM31  
 1AJ1-2 — MEM30  
 1AJ1-3 — MEM29  
 1AJ1-4 — MEM28  
 1AJ1-5 — MEM27  
 1AJ1-6 — MEM26  
 1AJ1-7 — MEM25  
 1AJ1-8 — MEM24  
 1AJ1-9 — MEM23  
 1AJ1-10 — MEM22  
 1AJ1-11 — MEM21  
 1AJ1-12 — MEM20  
 1AJ1-13 — MEM19  
 1AJ1-14 — MEM18  
 1AJ1-15 — MEM17  
 1AJ1-16 — MEM16  
 1AJ1-17 — MEM15  
 1AJ1-18 — MEM14  
 1AJ1-19 — MEM13  
 1AJ1-20 — MEM12

TO BUSINT  
J11

1BJ1-1 — MEM11  
 1BJ1-2 — MEM10  
 1BJ1-3 — MEM9  
 1BJ1-4 — MEM8  
 1BJ1-5 — MEM7  
 1BJ1-6 — MEM6  
 1BJ1-7 — MEM5  
 1BJ1-8 — MEM4  
 1BJ1-9 — MEM3  
 1BJ1-10 — MEM2  
 1BJ1-11 — MEM1  
 1BJ1-12 — MEM0  
 1BJ1-13 — MEMPAR IN  
 1BJ1-14 — ADRPAR  
 1BJ1-15 — PMA21  
 1BJ1-16 — PMA20  
 1BJ1-17 — PMA19  
 1BJ1-18 — PMA18  
 1BJ1-19 — PMA17  
 1BJ1-20 — PMA16

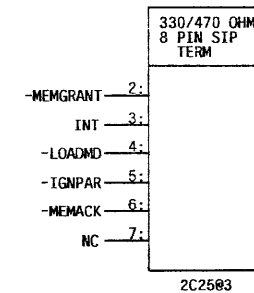
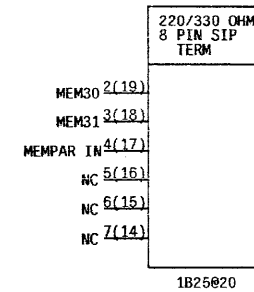
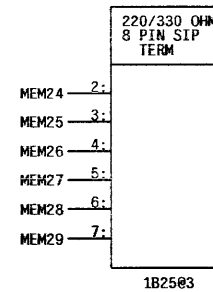
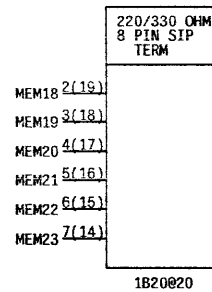
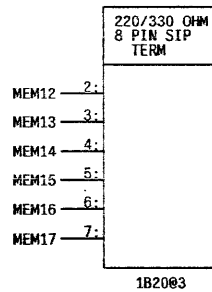
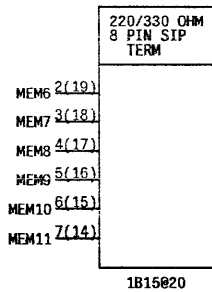
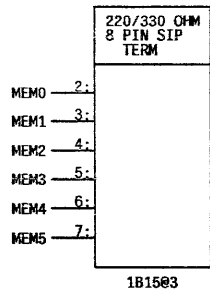
TO BUSINT  
J12

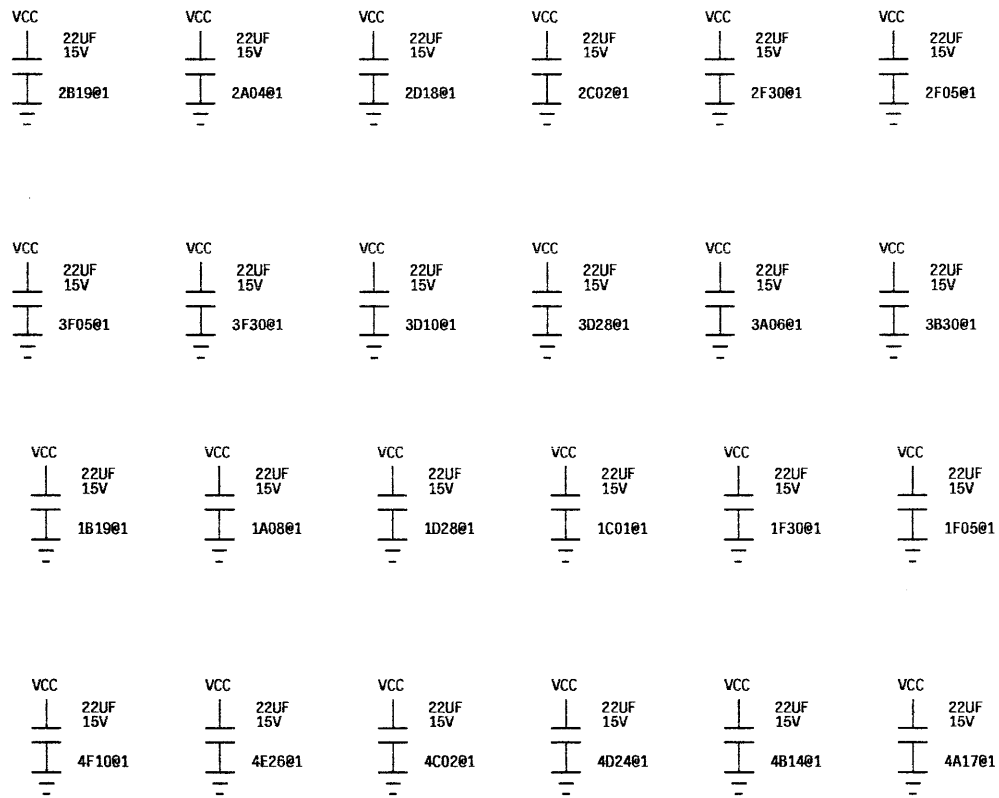
1CJ1-1 — PMA15  
 1CJ1-2 — PMA14  
 1CJ1-3 — PMA13  
 1CJ1-4 — PMA12  
 1CJ1-5 — PMA11  
 1CJ1-6 — PMA10  
 1CJ1-7 — PMA9  
 1CJ1-8 — PMA8  
 1CJ1-9 — VMA7  
 1CJ1-10 — VMA6  
 1CJ1-11 — VMA5  
 1CJ1-12 — VMA4  
 1CJ1-13 — VMA3  
 1CJ1-14 — VMA2  
 1CJ1-15 — VMA1  
 1CJ1-16 — VMA0  
 1CJ1-17 — MEMRQ  
 1CJ1-18 — MEMACK  
 1CJ1-19 — LOADMD  
 1CJ1-20 — IGNPAR

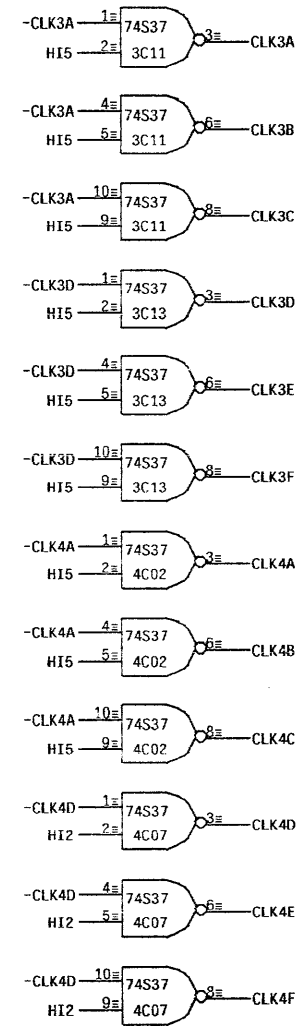
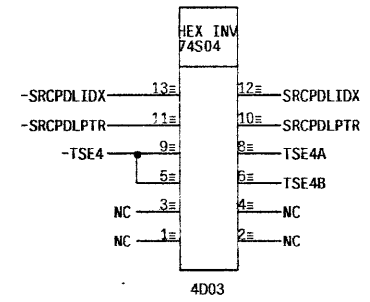
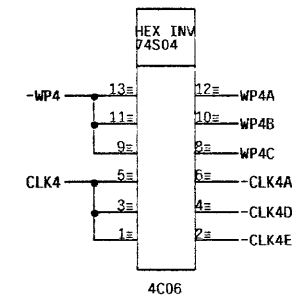
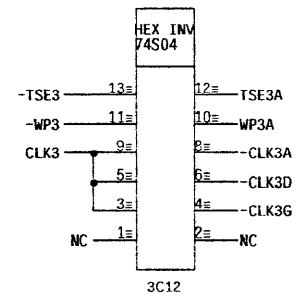
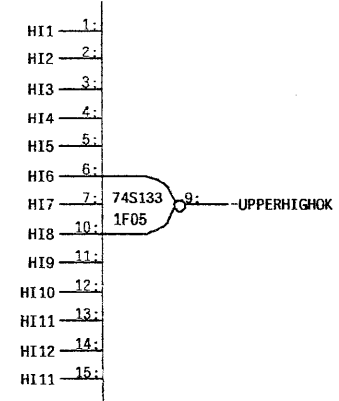
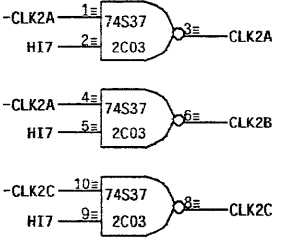
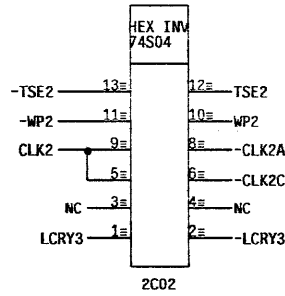
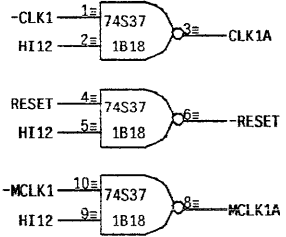
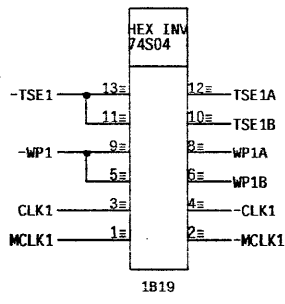
TO BUSINT  
J09

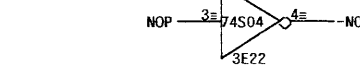
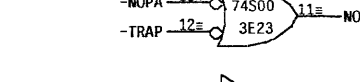
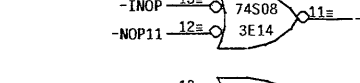
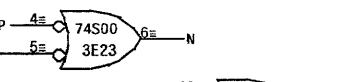
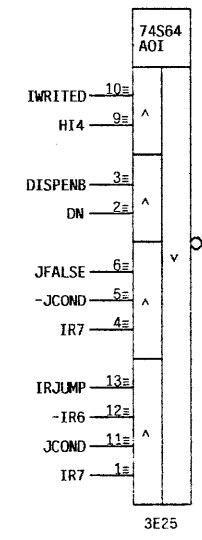
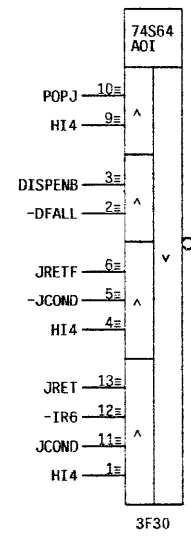
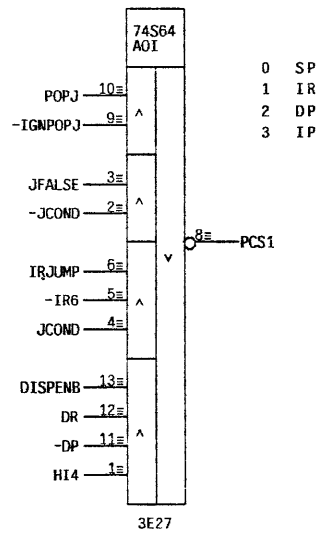
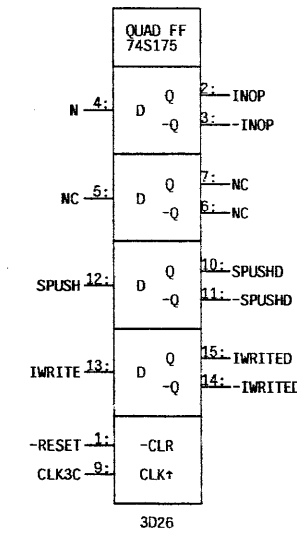
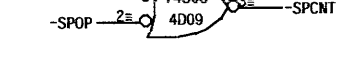
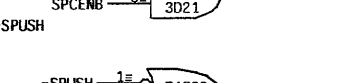
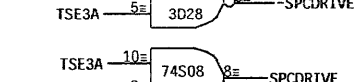
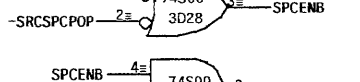
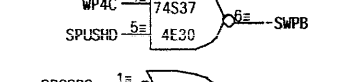
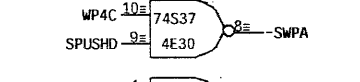
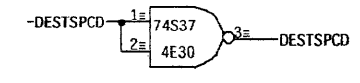
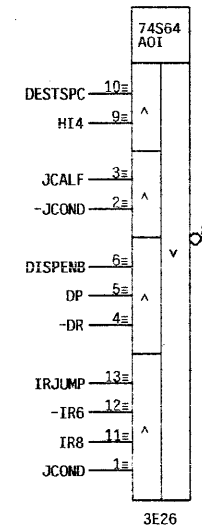
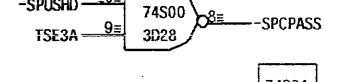
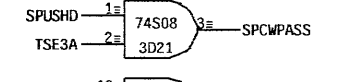
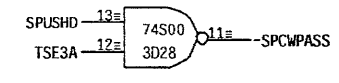
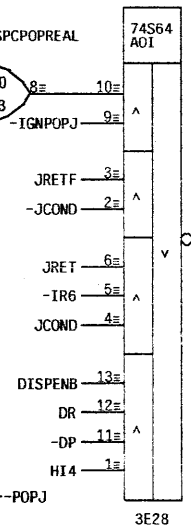
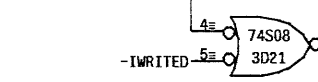
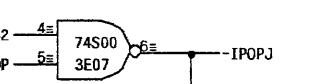
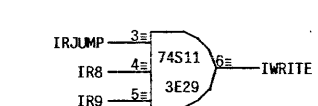
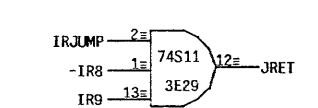
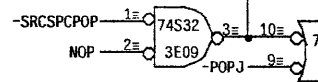
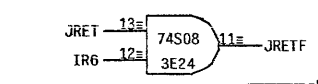
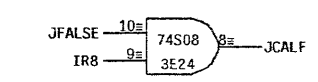
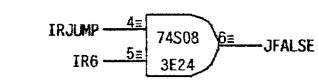
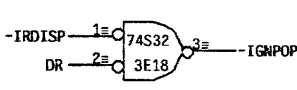
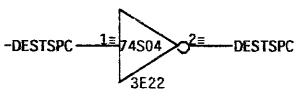
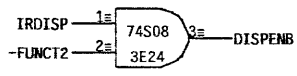
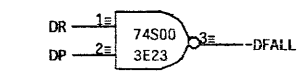
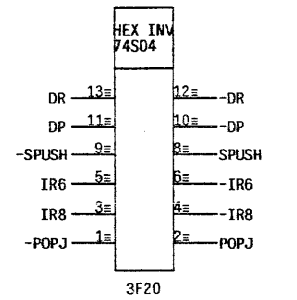
3AJ1-1 — SPY0  
 3AJ1-2 — SPY1  
 3AJ1-3 — SPY2  
 3AJ1-4 — SPY3  
 3AJ1-5 — SPY4  
 3AJ1-6 — SPY5  
 3AJ1-7 — SPY6  
 3AJ1-8 — SPY7  
 3AJ1-9 — SPY8  
 3AJ1-10 — SPY9  
 3AJ1-11 — SPY10  
 3AJ1-12 — SPY11  
 3AJ1-13 — SPY12  
 3AJ1-14 — SPY13  
 3AJ1-15 — SPY14  
 3AJ1-16 — SPY15  
 3AJ1-17 — MEMGRANT  
 3AJ1-18 — WRCYC  
 3AJ1-19 — INT  
 3AJ1-20 — MEMPAR OUT

TO BUSINT  
J07



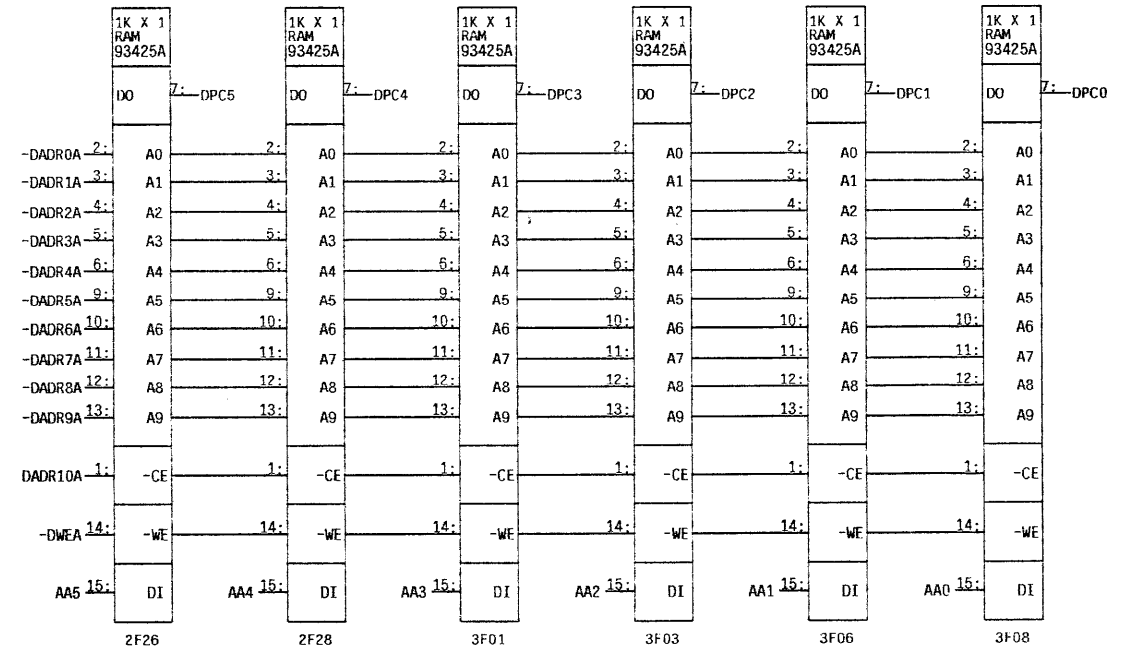
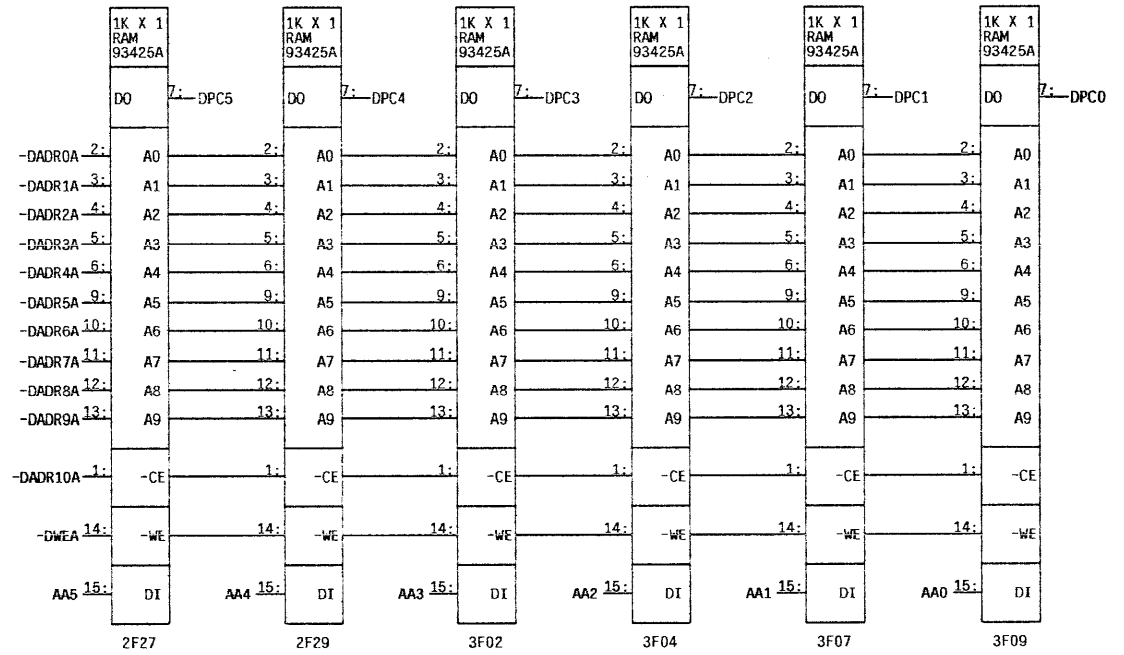
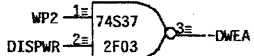
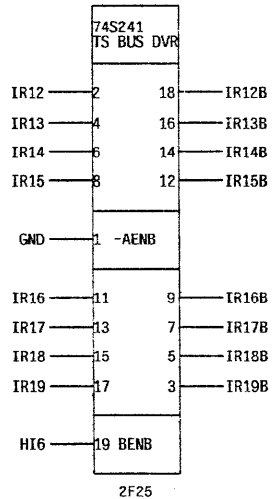
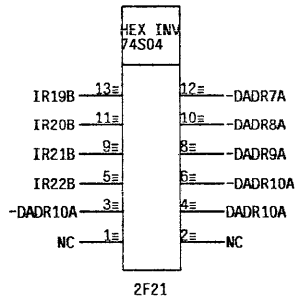
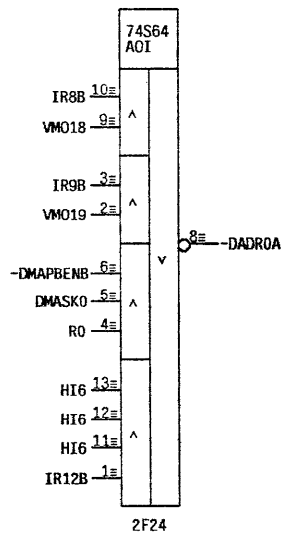
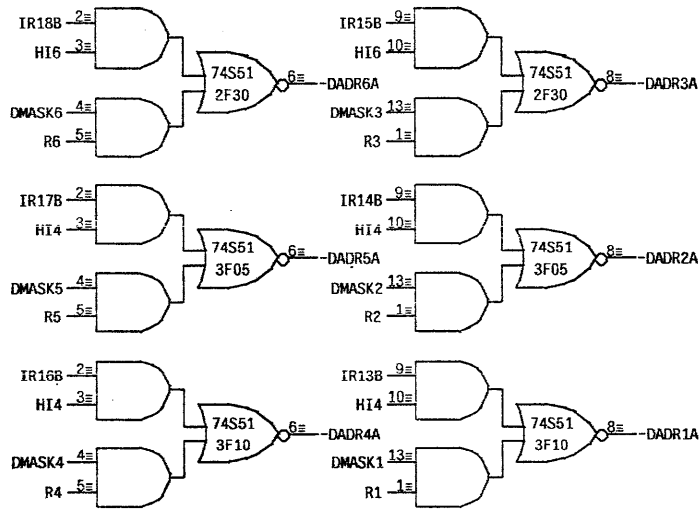


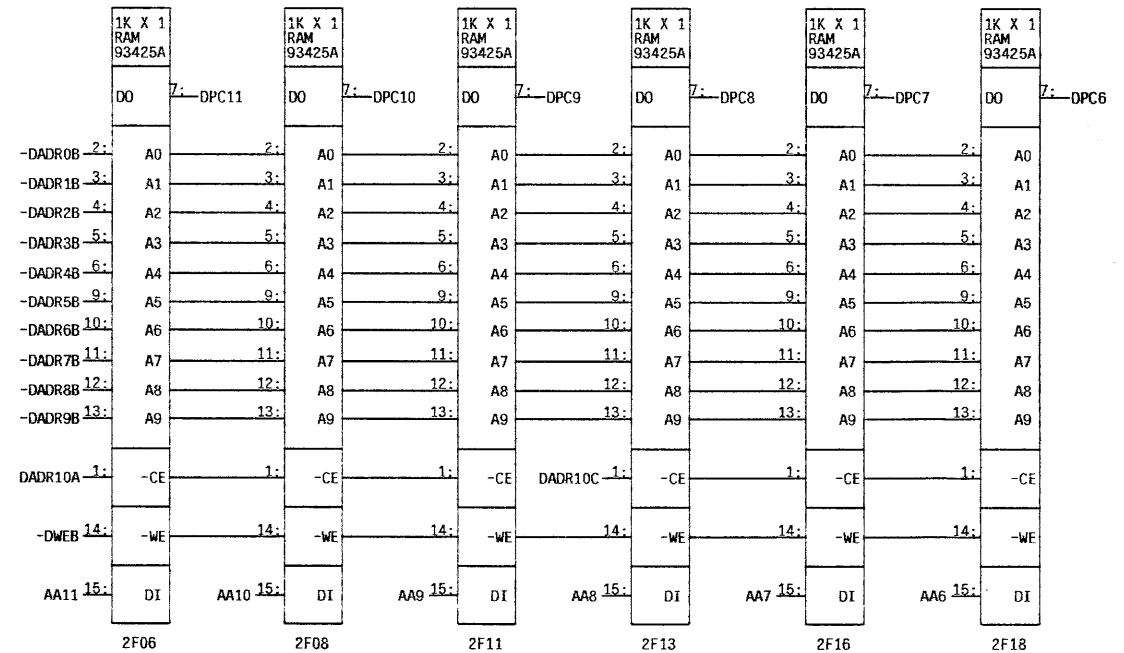
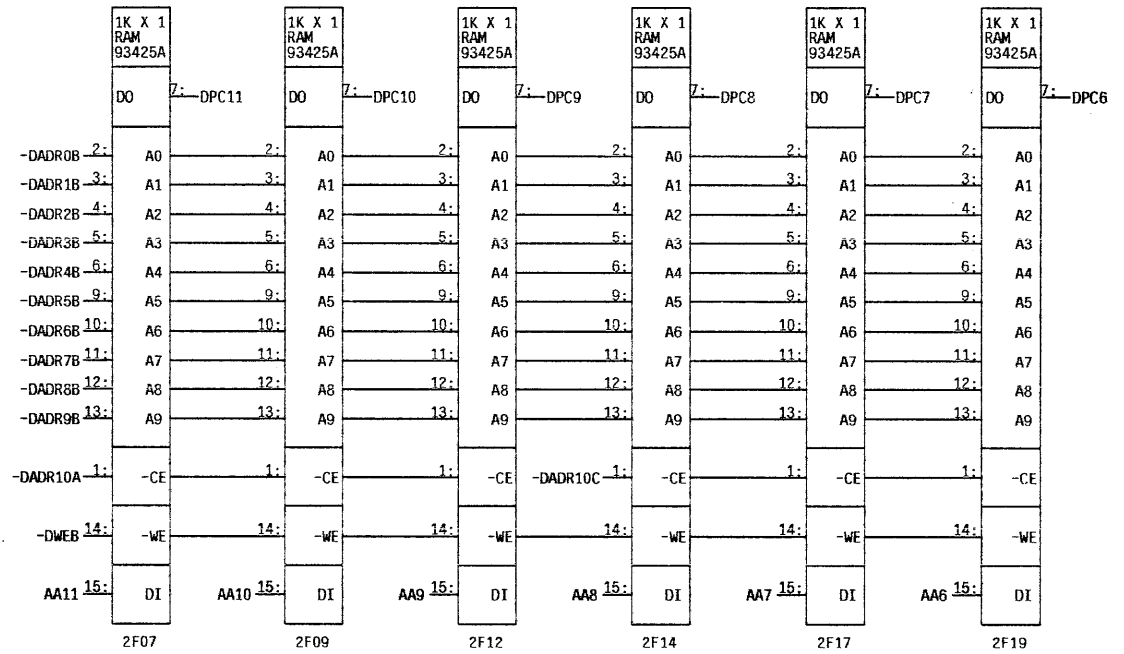
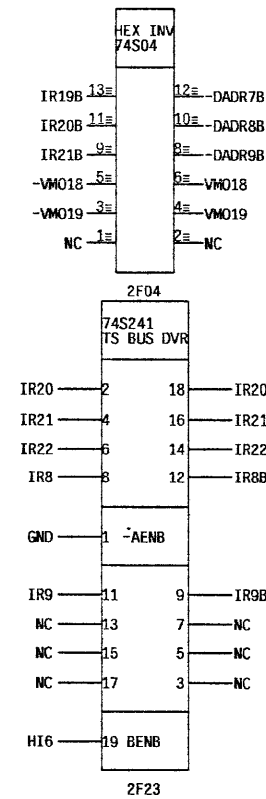
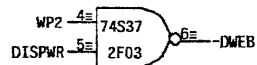
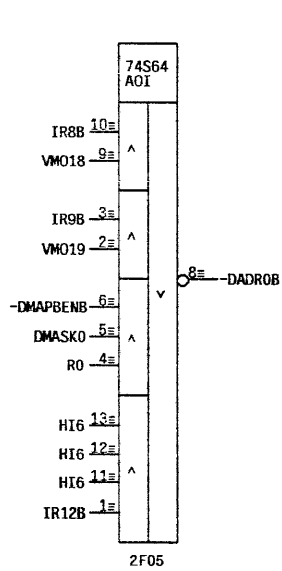
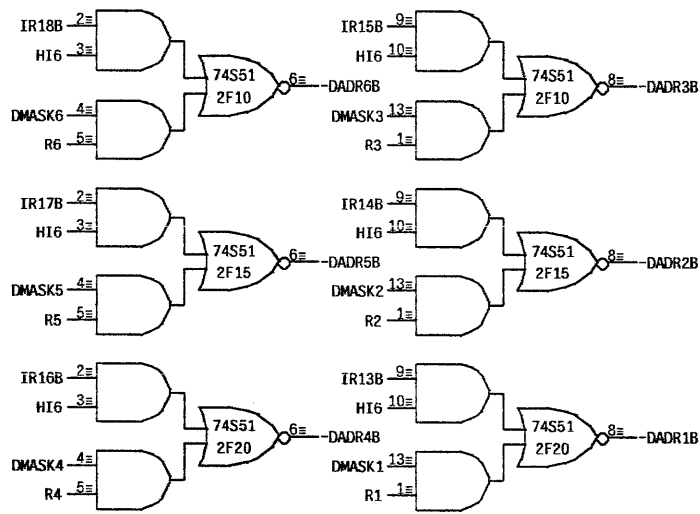




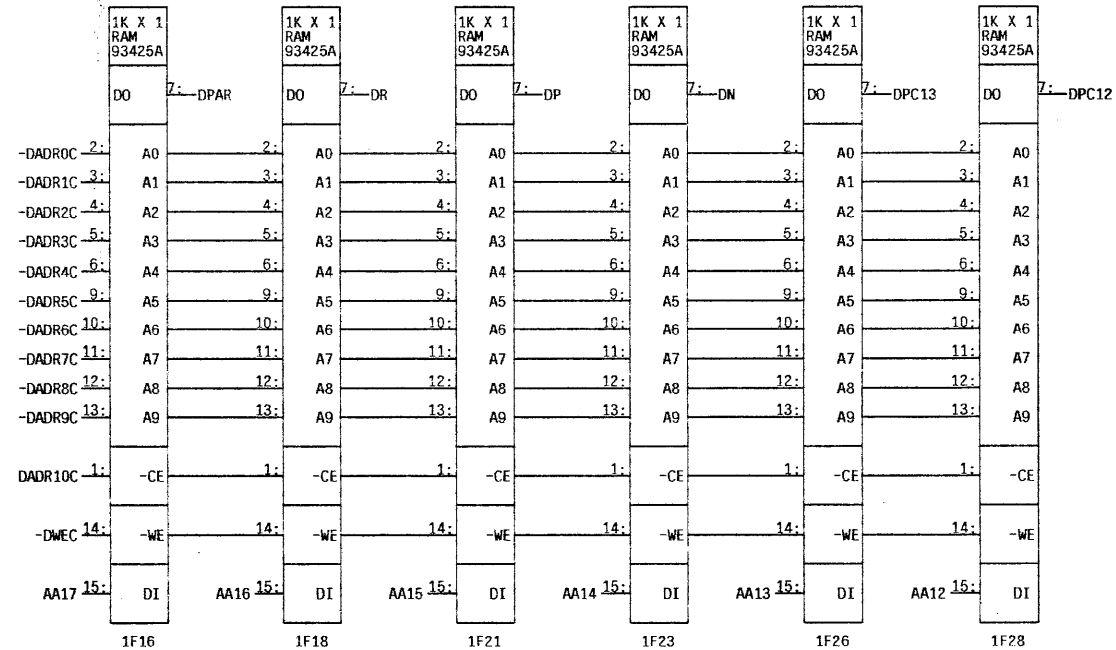
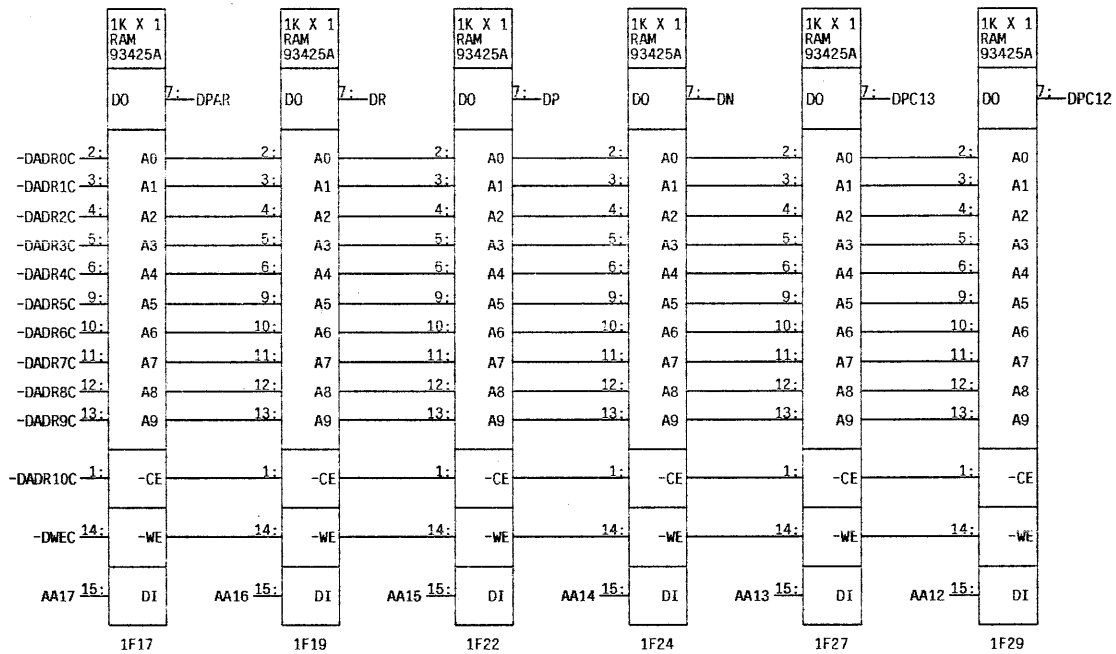
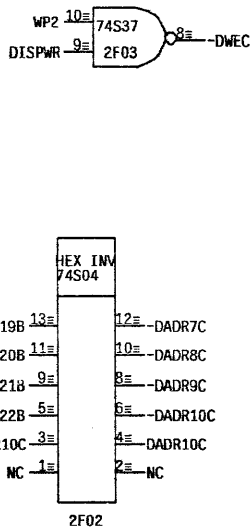
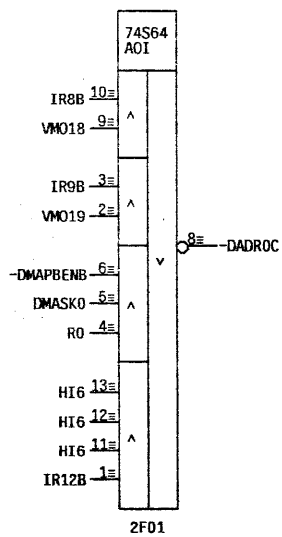
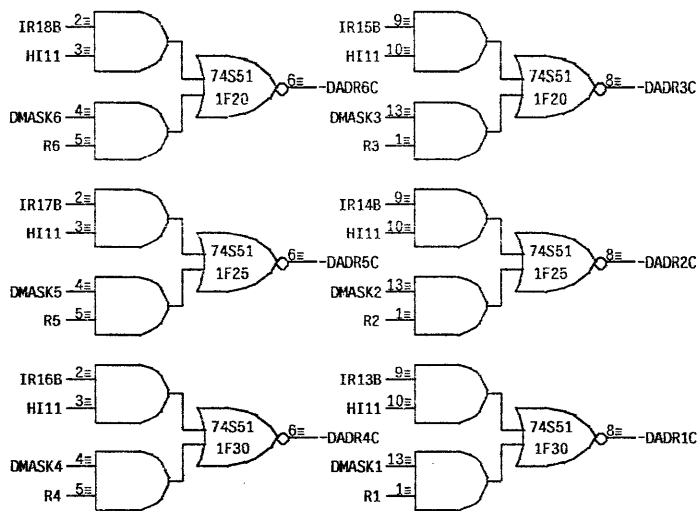
- 0 SPC
- 1 IR
- 2 DPC
- 3 IPC

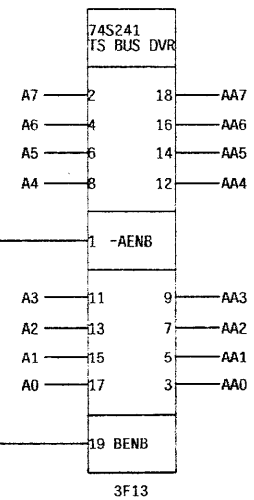
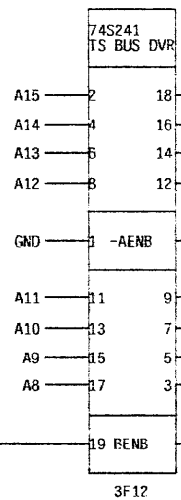
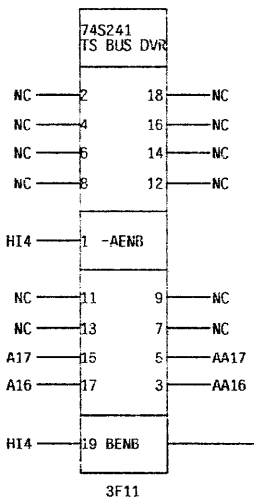
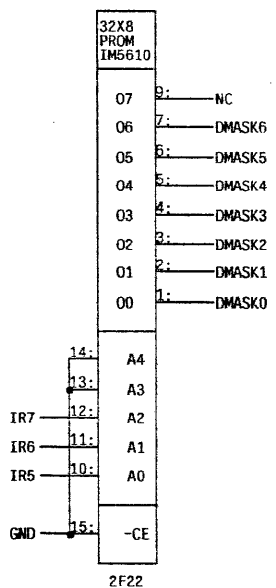
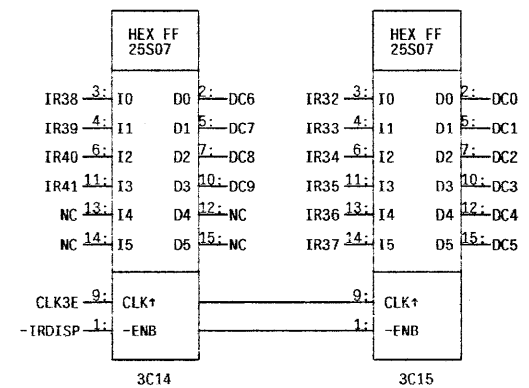
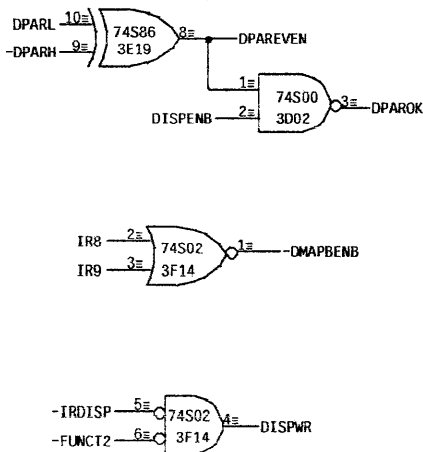
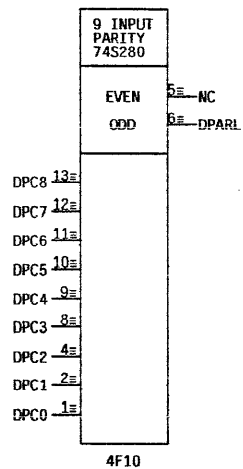
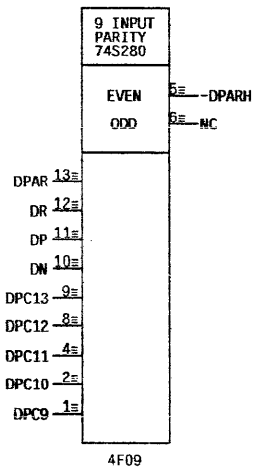
|         |              |         |          |         |                   |         |           |         |           |
|---------|--------------|---------|----------|---------|-------------------|---------|-----------|---------|-----------|
| 2FJ1-1  | OPC0         | 3CJ1-1  | I0       | 3FJ1-1  | I32               | 4BJ1-1  | IWR20     | 4EJ1-1  | PC0B      |
| 2FJ1-2  | OPC1         | 3CJ1-2  | I1       | 3FJ1-2  | I33               | 4BJ1-2  | IWR21     | 4EJ1-2  | PC1B      |
| 2FJ1-3  | OPC2         | 3CJ1-3  | I2       | 3FJ1-3  | I34               | 4BJ1-3  | IWR22     | 4EJ1-3  | PC2B      |
| 2FJ1-4  | OPC3         | 3CJ1-4  | I3       | 3FJ1-4  | I35               | 4BJ1-4  | IWR23     | 4EJ1-4  | PC3B      |
| 2FJ1-5  | OPC4         | 3CJ1-5  | I4       | 3FJ1-5  | I36               | 4BJ1-5  | IWR24     | 4EJ1-5  | PC4B      |
| 2FJ1-6  | OPC5         | 3CJ1-6  | I5       | 3FJ1-6  | I37               | 4BJ1-6  | IWR25     | 4EJ1-6  | PC5B      |
| 2FJ1-7  | OPC6         | 3CJ1-7  | I6       | 3FJ1-7  | I38               | 4BJ1-7  | IWR26     | 4EJ1-7  | PC6B      |
| 2FJ1-8  | OPC7         | 3CJ1-8  | I7       | 3FJ1-8  | I39               | 4BJ1-8  | IWR27     | 4EJ1-8  | PC7B      |
| 2FJ1-9  | OPC8         | 3CJ1-9  | I8       | 3FJ1-9  | I40               | 4BJ1-9  | IWR28     | 4EJ1-9  | PC8B      |
| 2FJ1-10 | OPC9         | 3CJ1-10 | I9       | 3FJ1-10 | I41               | 4BJ1-10 | IWR29     | 4EJ1-10 | PC9B      |
| 2FJ1-11 | OPC10        | 3CJ1-11 | I10      | 3FJ1-11 | I42               | 4BJ1-11 | IWR30     | 4EJ1-11 | PC10B     |
| 2FJ1-12 | OPC11        | 3CJ1-12 | I11      | 3FJ1-12 | I43               | 4BJ1-12 | IWR31     | 4EJ1-12 | PC11B     |
| 2FJ1-13 | OPC12        | 3CJ1-13 | I12      | 3FJ1-13 | I44               | 4BJ1-13 | -SPY_ML   | 4EJ1-13 | PC12B     |
| 2FJ1-14 | OPC13        | 3CJ1-14 | I13      | 3FJ1-14 | I45               | 4BJ1-14 | -SPY_MH   | 4EJ1-14 | PC13B     |
| 2FJ1-15 | -SPY.AL      | 3CJ1-15 | I14      | 3FJ1-15 | I46               | 4BJ1-15 | MEMPAPROK | 4EJ1-15 | TRAPENB   |
| 2FJ1-16 | UPPERHIGHOK  | 3CJ1-16 | I15      | 3FJ1-16 | I47               | 4BJ1-16 | PDL.PAROK | 4EJ1-16 | -IWRITED  |
| 2FJ1-17 | VMOPAROK     | 3CJ1-17 | -SPY.OBL | 3FJ1-17 | I48               | 4BJ1-17 | APAROK    | 4EJ1-17 | -IDEBUG   |
| 2FJ1-18 | VOPAROK      | 3CJ1-18 | -SPY.OBH | 3FJ1-18 | -SPY.FLAG2        | 4BJ1-18 | -SPY.AH   | 4EJ1-18 | LPC.HOLD  |
| 2FJ1-19 | LM DRIVE ENB | 3CJ1-19 | -FUNC1   | 3FJ1-19 | -NOP11            | 4BJ1-19 | NC        | 4EJ1-19 | -SPCPAROK |
| 2FJ1-20 | NC           | 3CJ1-20 | NC       | 3FJ1-20 | PROG.UNIBUS.RESET | 4BJ1-20 | NC        | 4EJ1-20 | IPAROK    |
|         |              | 3DJ1-1  | I16      | 3FJ1-1  | IWR32             | 4CJ1-1  | IWR0      | 4DJ1-1  | SPY0      |
|         |              | 3DJ1-2  | I17      | 3FJ1-2  | IWR33             | 4CJ1-2  | IWR1      | 4DJ1-2  | SPY1      |
|         |              | 3DJ1-3  | I18      | 3FJ1-3  | IWR34             | 4CJ1-3  | IWR2      | 4DJ1-3  | SPY2      |
|         |              | 3DJ1-4  | I19      | 3FJ1-4  | IWR35             | 4CJ1-4  | IWR3      | 4DJ1-4  | SPY3      |
|         |              | 3DJ1-5  | I20      | 3FJ1-5  | IWR36             | 4CJ1-5  | IWR4      | 4DJ1-5  | SPY4      |
|         |              | 3DJ1-6  | I21      | 3FJ1-6  | IWR37             | 4CJ1-6  | IWR5      | 4DJ1-6  | SPY5      |
|         |              | 3DJ1-7  | I22      | 3FJ1-7  | IWR38             | 4CJ1-7  | IWR6      | 4DJ1-7  | SPY6      |
|         |              | 3DJ1-8  | I23      | 3FJ1-8  | IWR39             | 4CJ1-8  | IWR7      | 4DJ1-8  | SPY7      |
|         |              | 3DJ1-9  | I24      | 3FJ1-9  | IWR40             | 4CJ1-9  | IWR8      | 4DJ1-9  | SPY8      |
|         |              | 3DJ1-10 | I25      | 3FJ1-10 | IWR41             | 4CJ1-10 | IWR9      | 4DJ1-10 | SPY9      |
|         |              | 3DJ1-11 | I26      | 3FJ1-11 | IWR42             | 4CJ1-11 | IWR10     | 4DJ1-11 | SPY10     |
|         |              | 3DJ1-12 | I27      | 3FJ1-12 | IWR43             | 4CJ1-12 | IWR11     | 4DJ1-12 | SPY11     |
|         |              | 3DJ1-13 | I28      | 3FJ1-13 | IWR44             | 4CJ1-13 | IWR12     | 4DJ1-13 | SPY12     |
|         |              | 3DJ1-14 | I29      | 3FJ1-14 | IWR45             | 4CJ1-14 | IWR13     | 4DJ1-14 | SPY13     |
|         |              | 3DJ1-15 | I30      | 3FJ1-15 | IWR46             | 4CJ1-15 | IWR14     | 4DJ1-15 | SPY14     |
|         |              | 3DJ1-16 | I31      | 3FJ1-16 | IWR47             | 4CJ1-16 | IWR15     | 4DJ1-16 | SPY15     |
|         |              | 3DJ1-17 | -SPY.IRL | 3FJ1-17 | -STATBIT          | 4CJ1-17 | IWR16     | 4DJ1-17 | -WAIT     |
|         |              | 3DJ1-18 | -SPY.IRM | 3FJ1-18 | -ILONG            | 4CJ1-18 | IWR17     | 4DJ1-18 | -HANG     |
|         |              | 3DJ1-19 | -SPY.IRH | 3FJ1-19 | NC                | 4CJ1-19 | IWR18     | 4DJ1-19 | BOOT.TRAP |
|         |              | 3DJ1-20 | DPAROK   | 3FJ1-20 | NC                | 4CJ1-20 | IWR19     | 4DJ1-20 | MEMPAPROK |

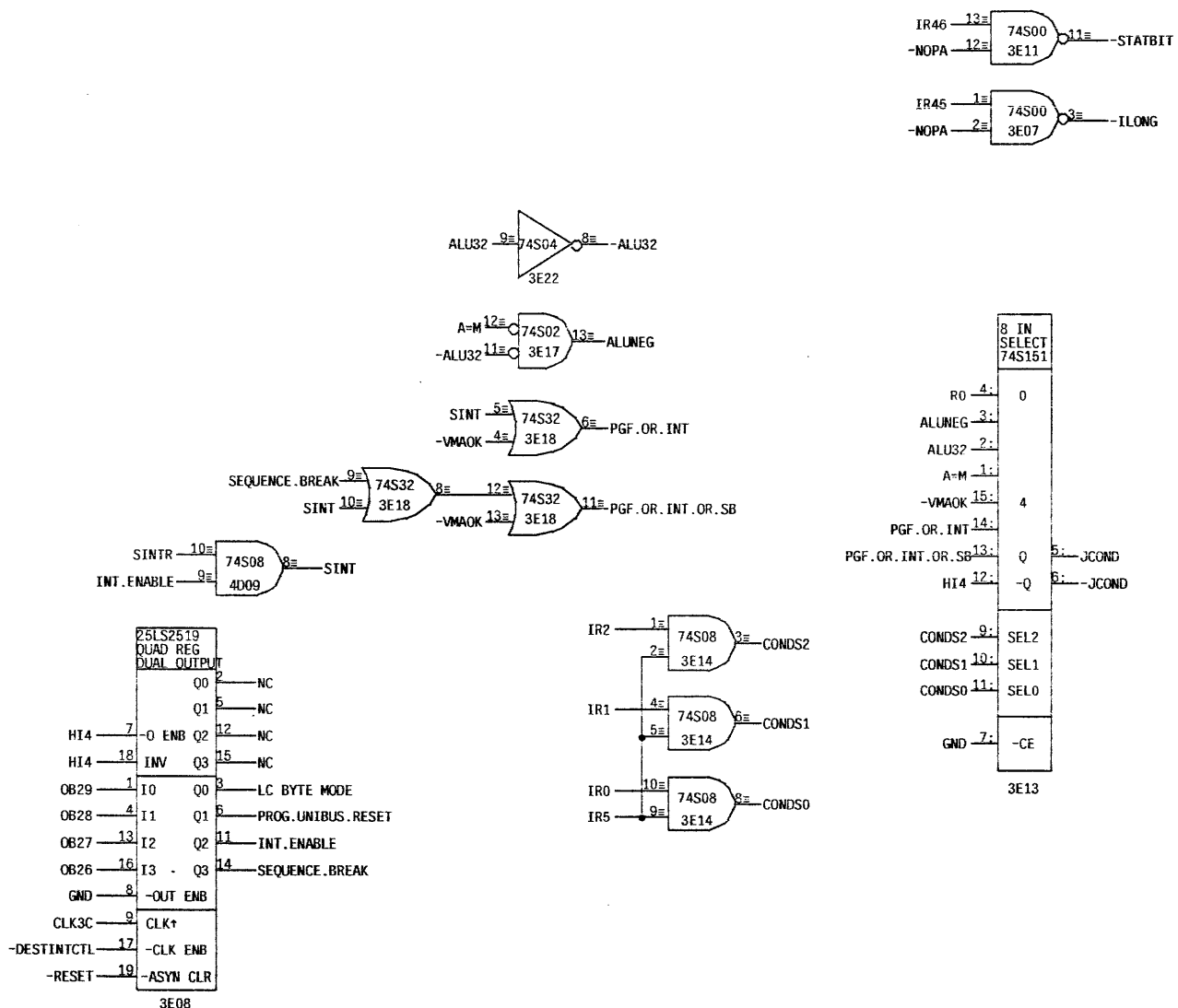


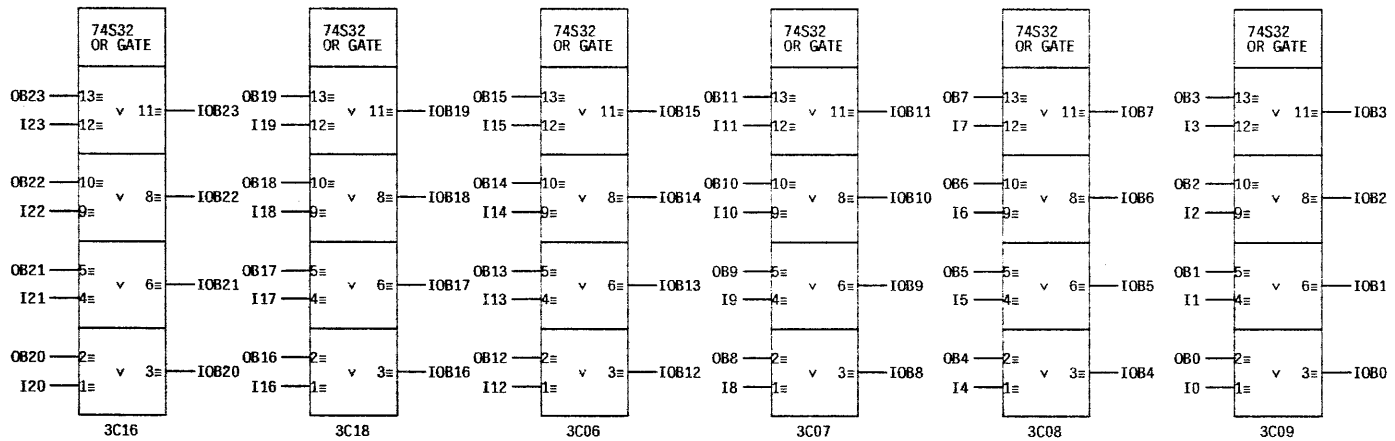
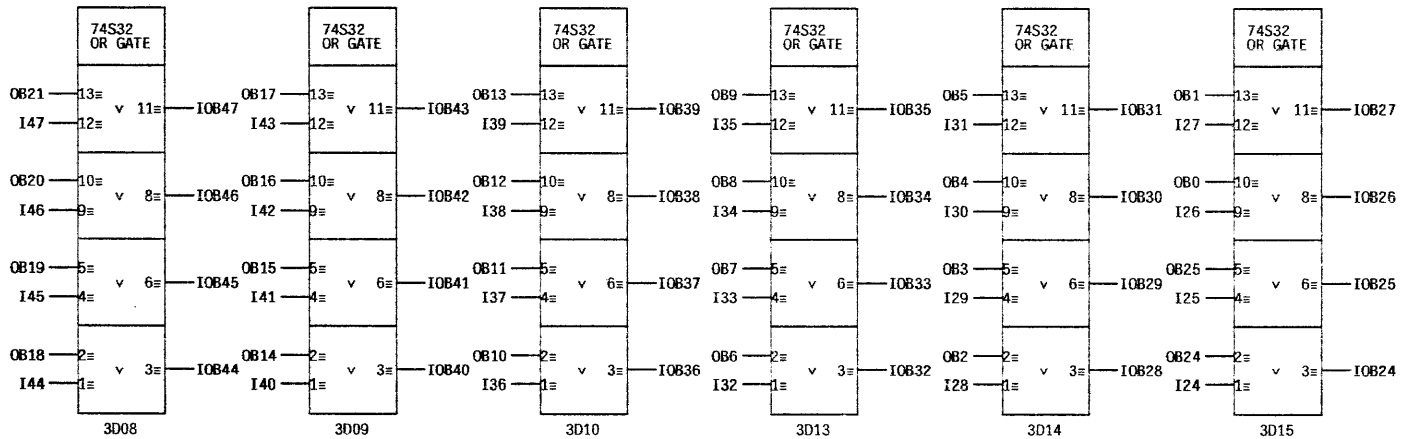


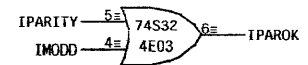
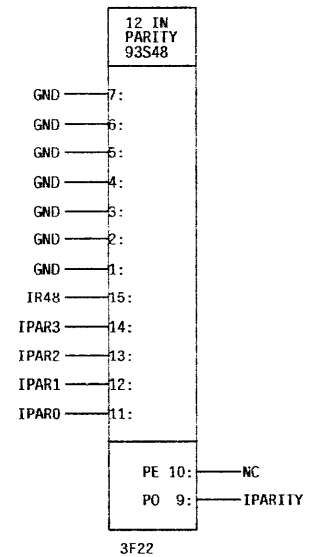
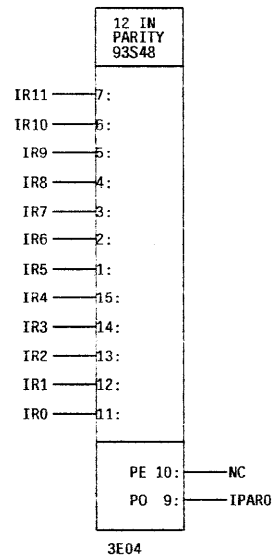
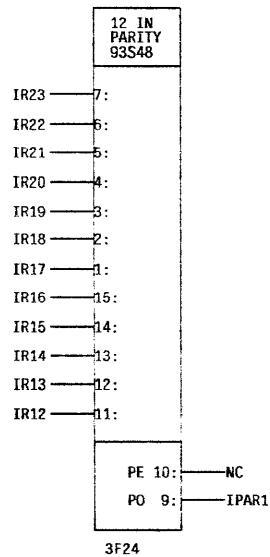
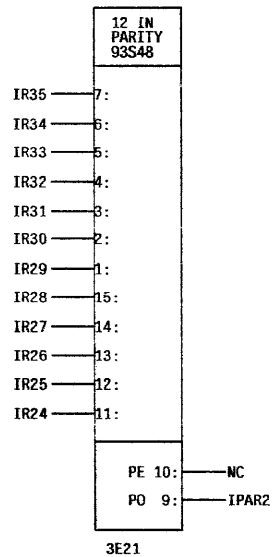
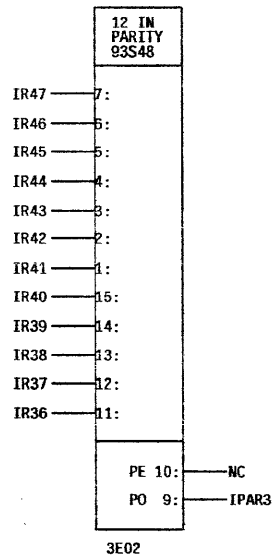


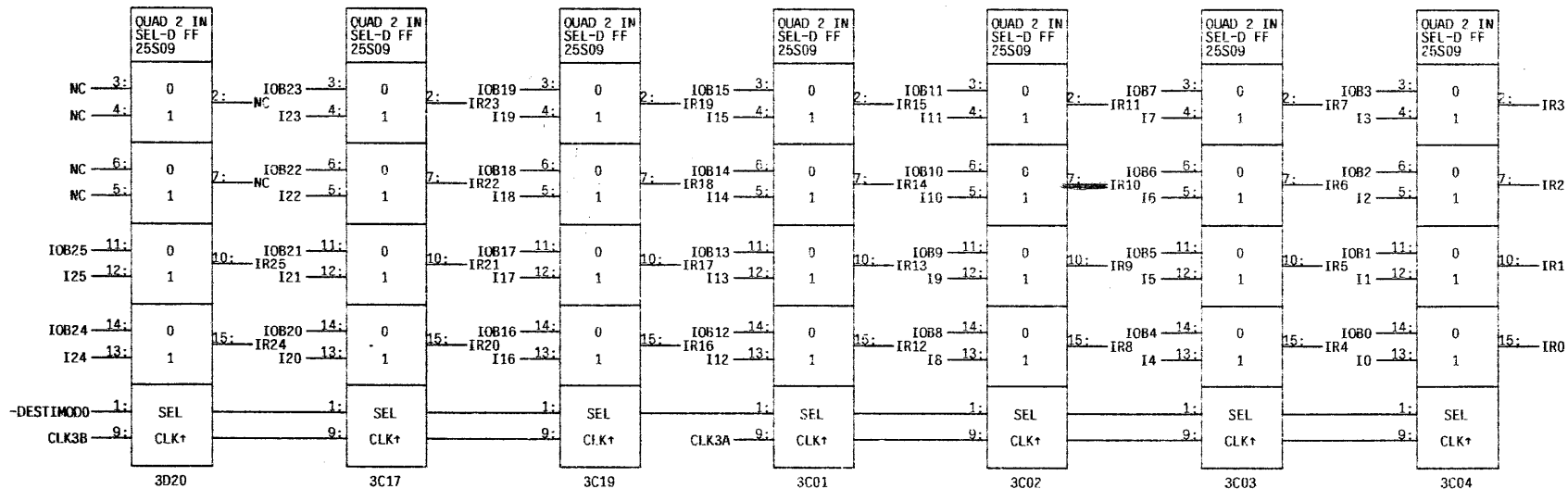
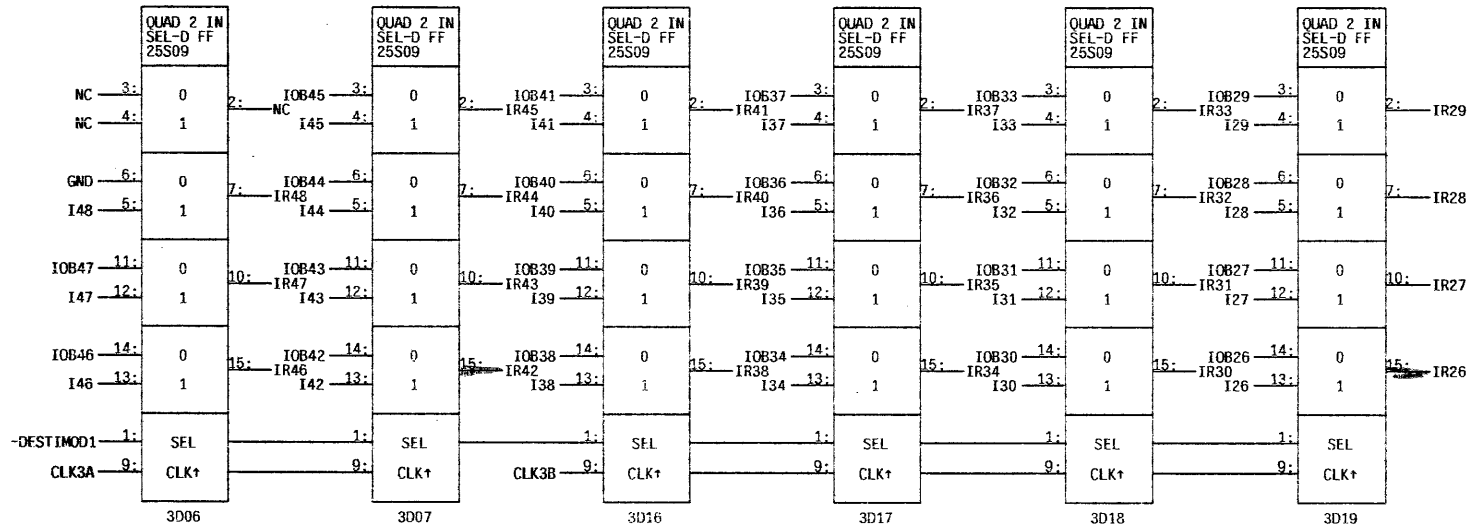


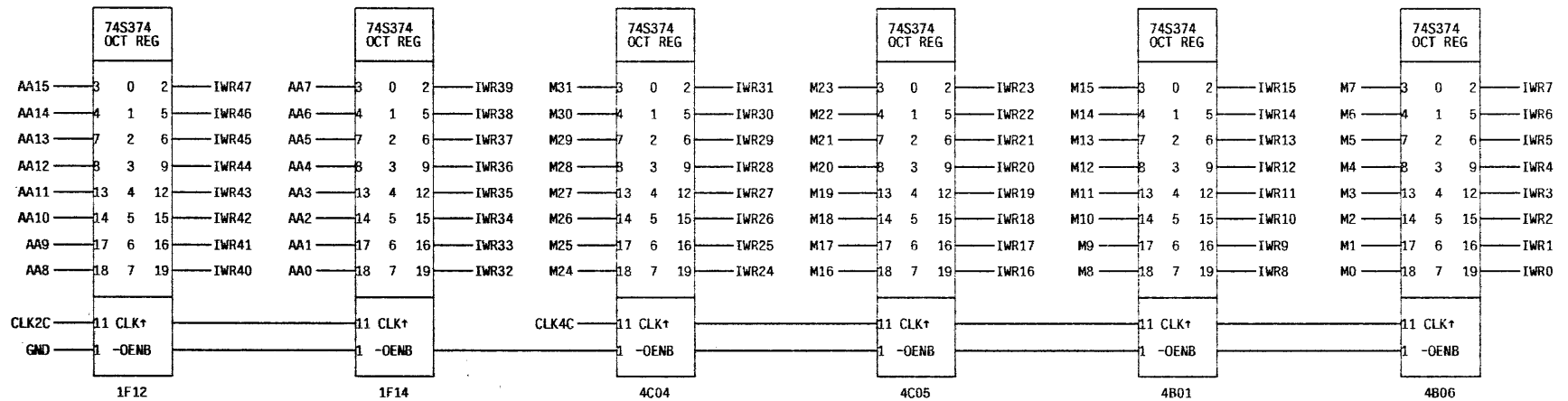


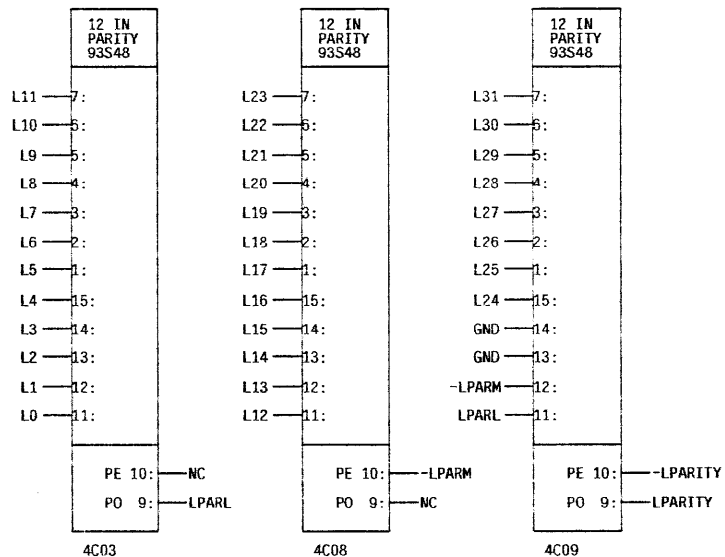
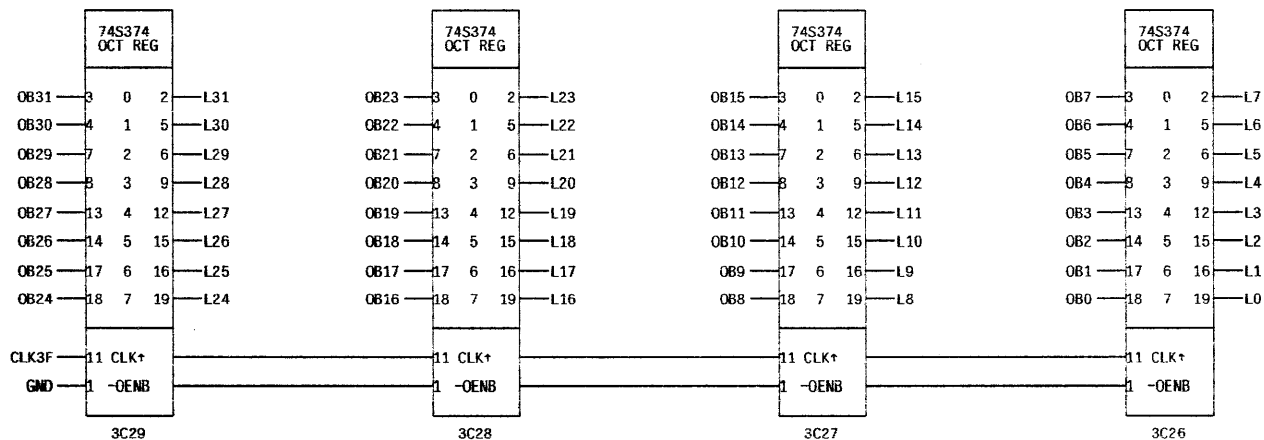




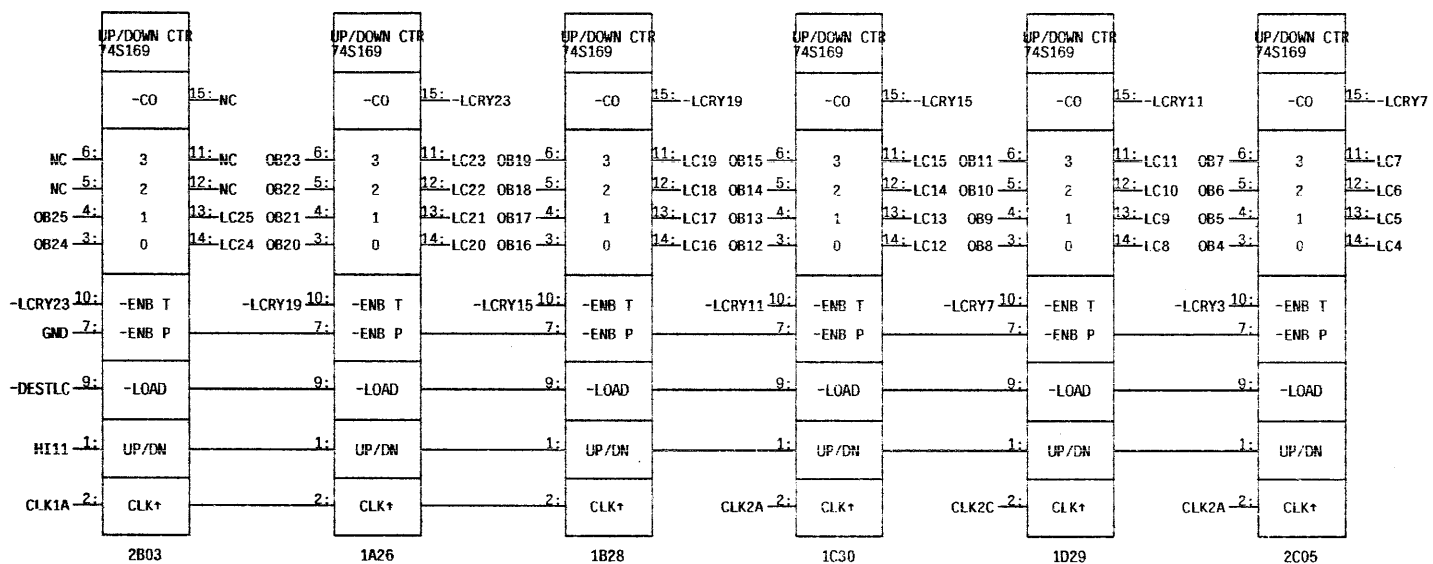




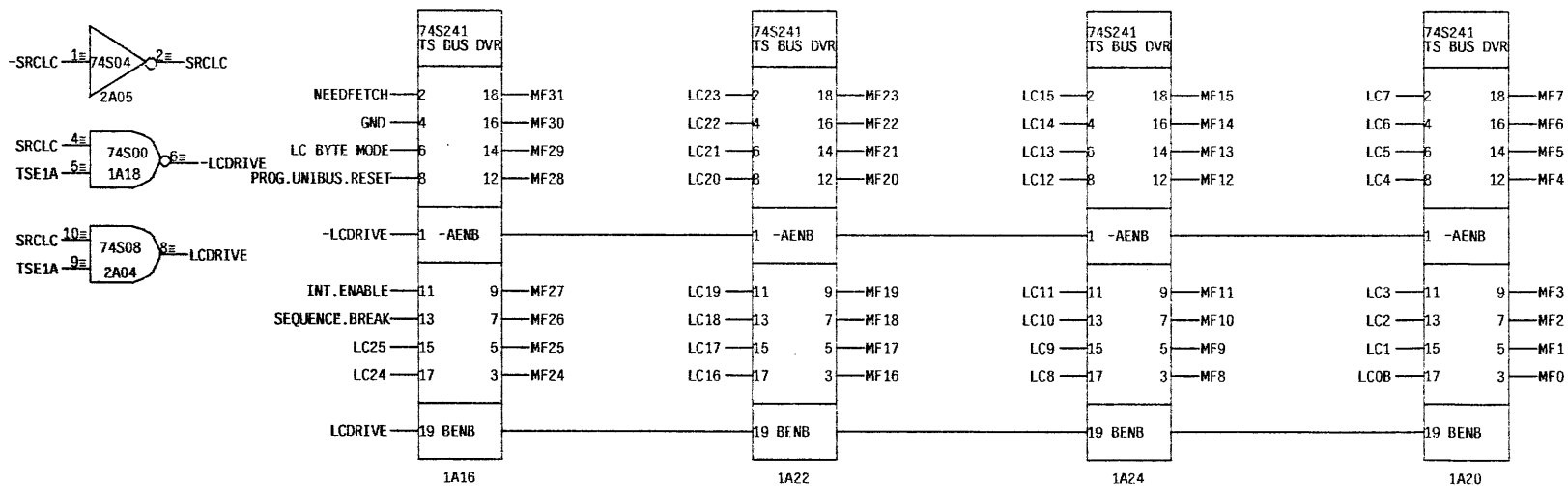


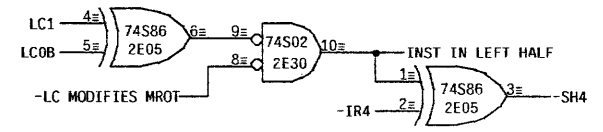
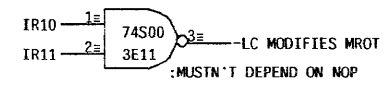
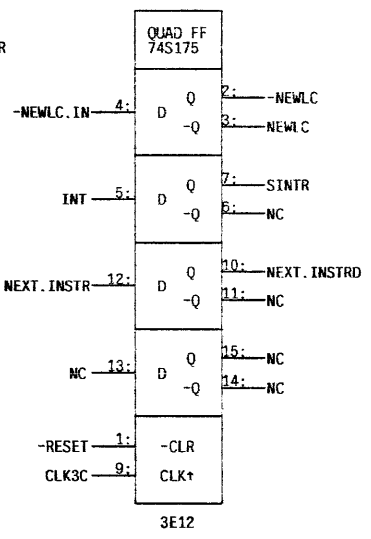
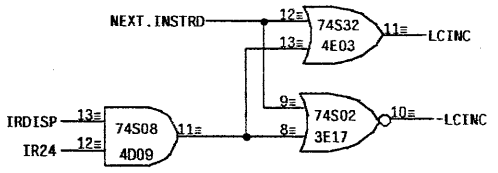
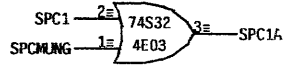
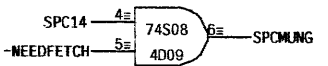
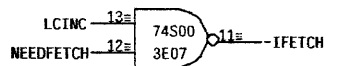
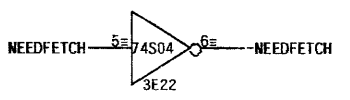
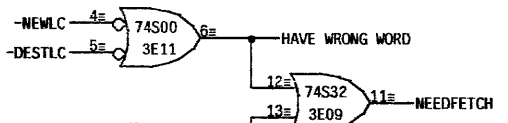
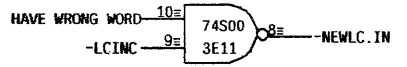
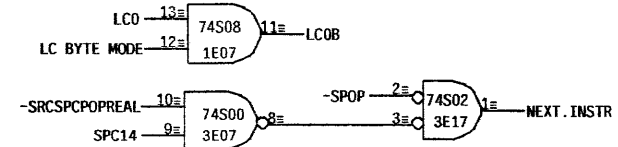






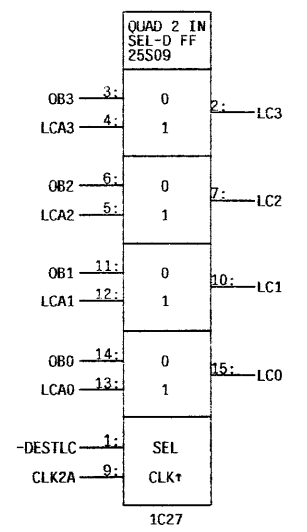
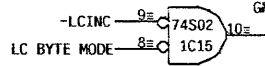
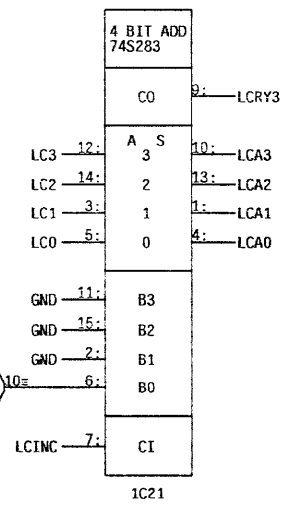
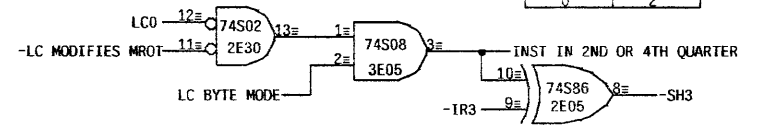
See LCC for low 4 bits

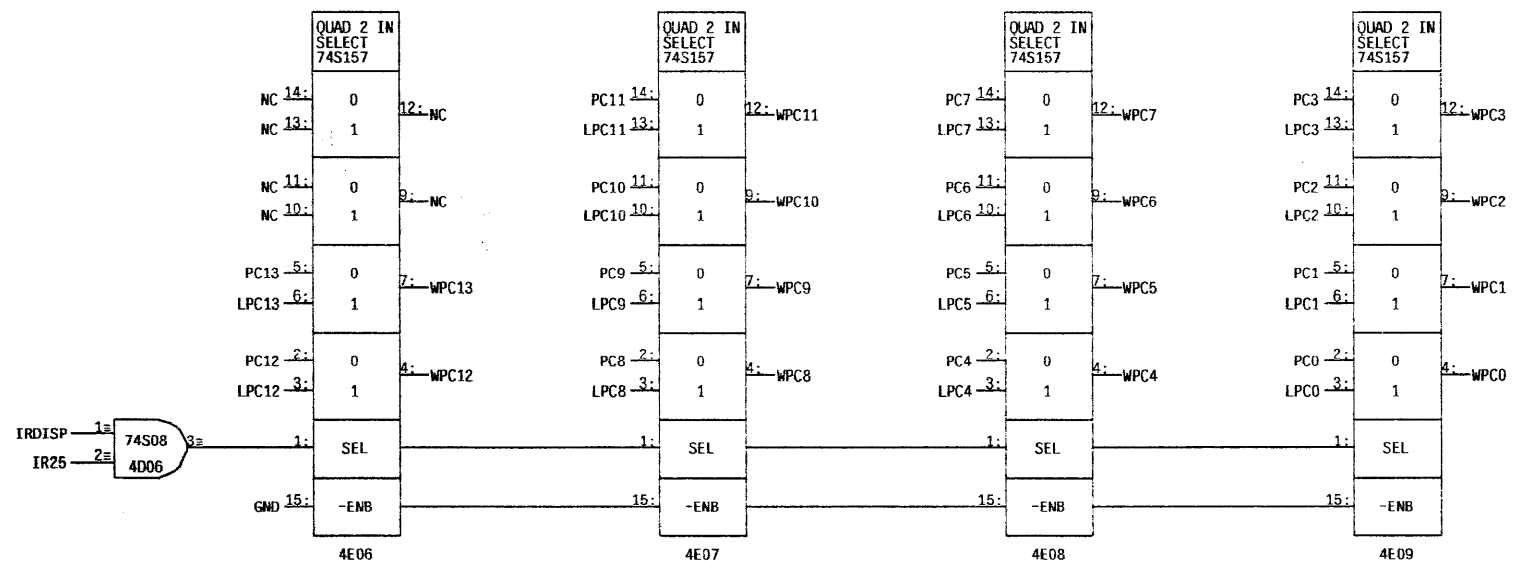
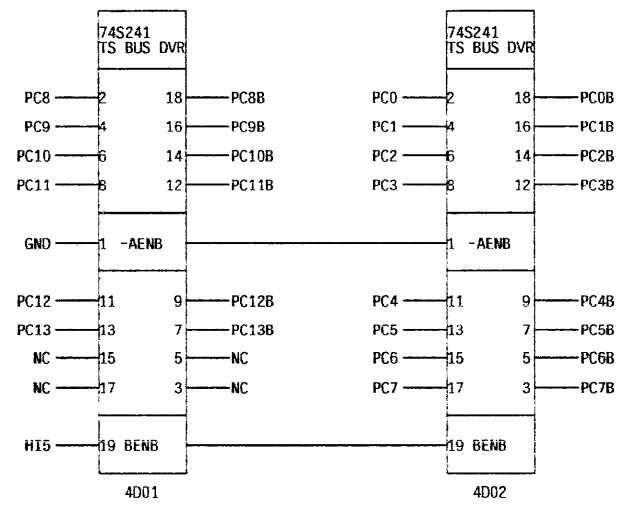
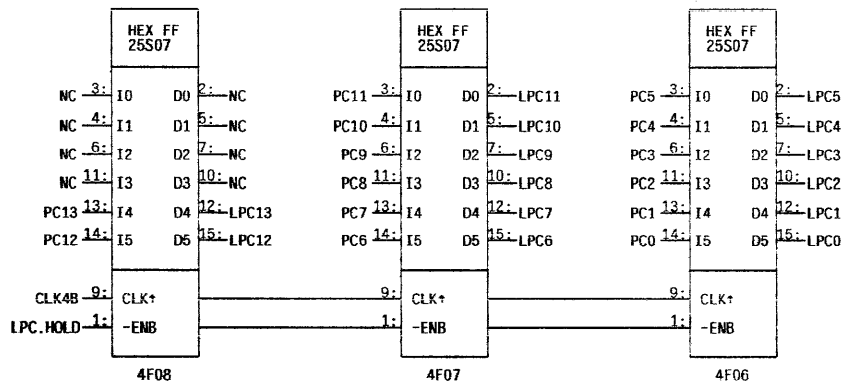


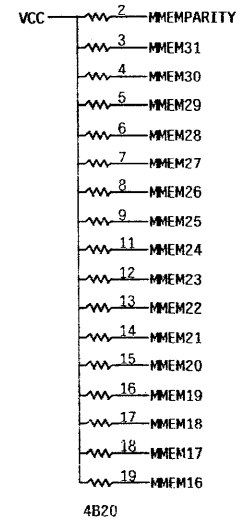
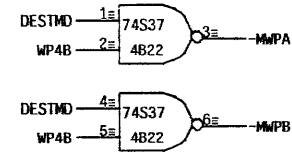
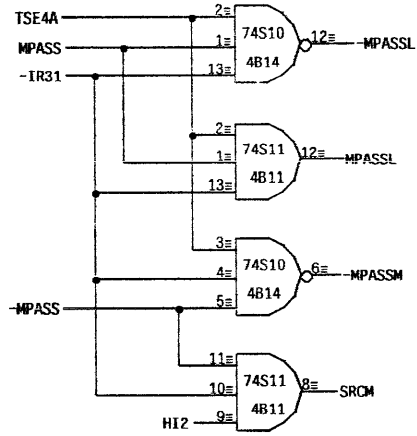
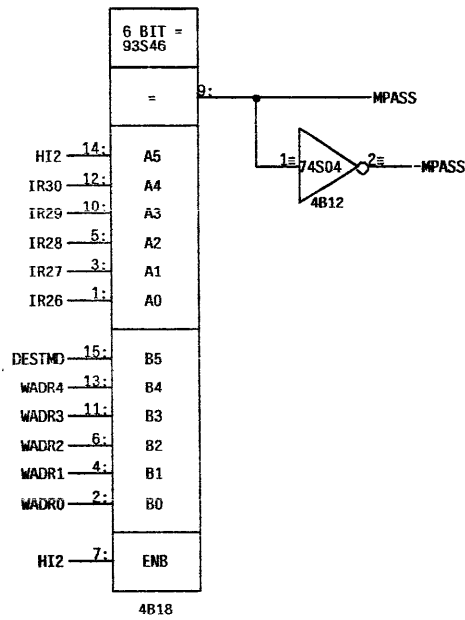


LC < 1: 0 >

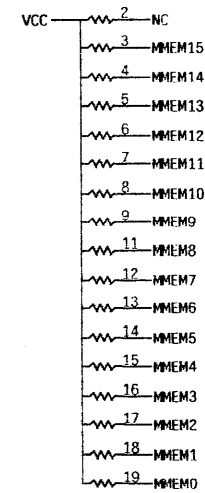
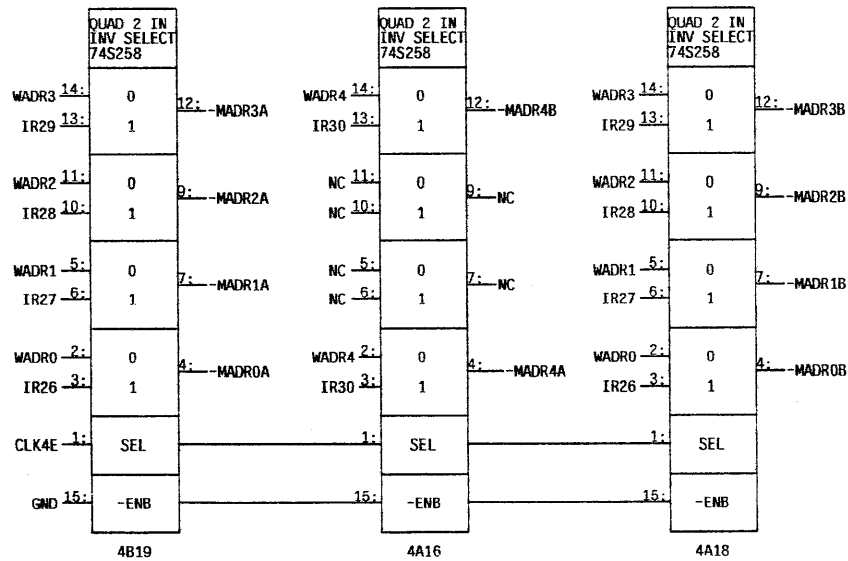
|   |   |   |   |
|---|---|---|---|
| 0 | 3 | 2 | 1 |
| 0 |   | 2 |   |



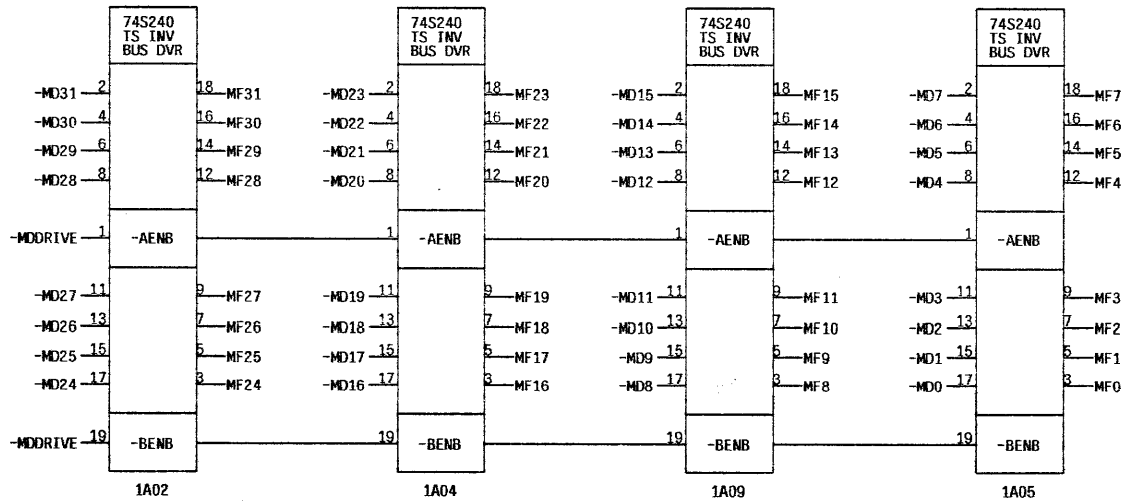
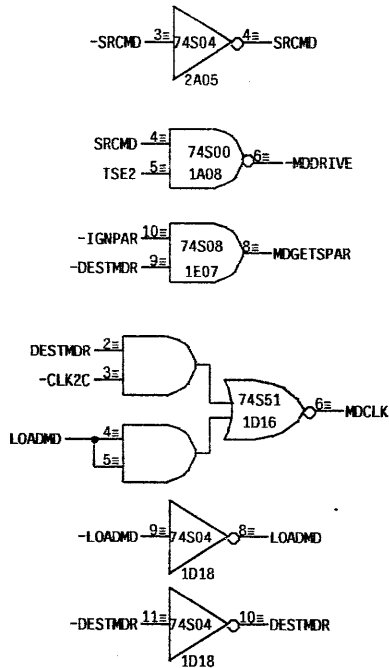
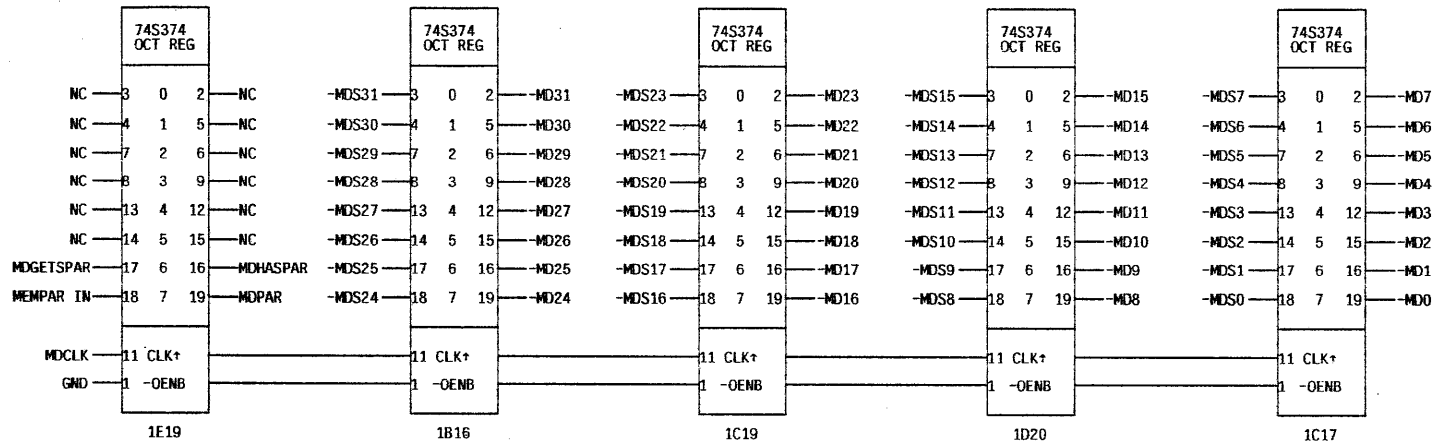


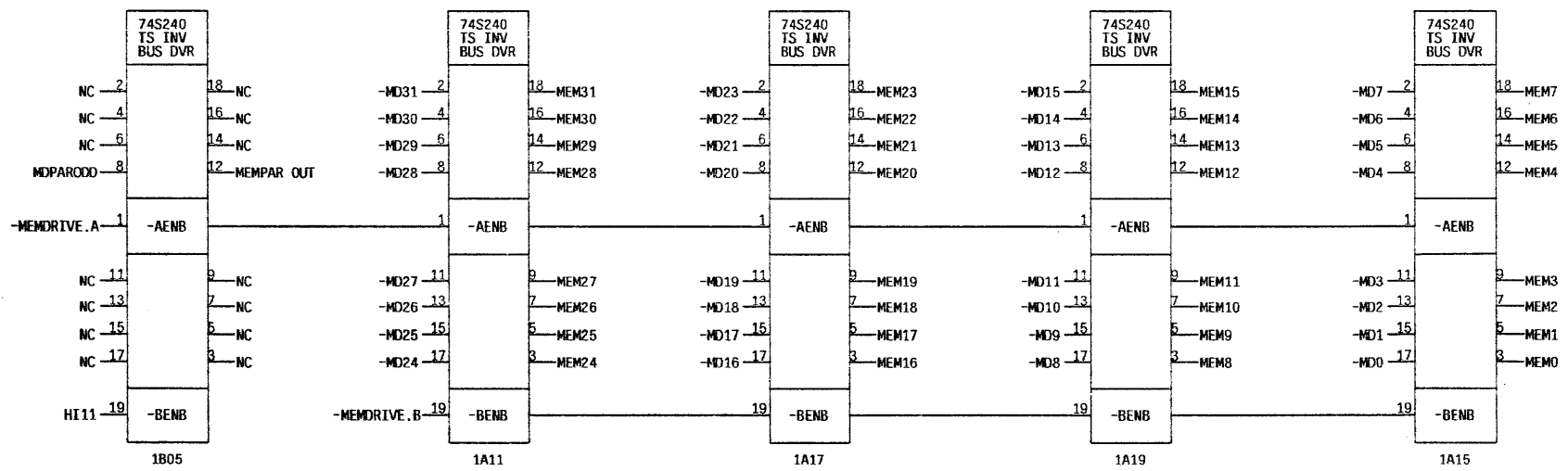
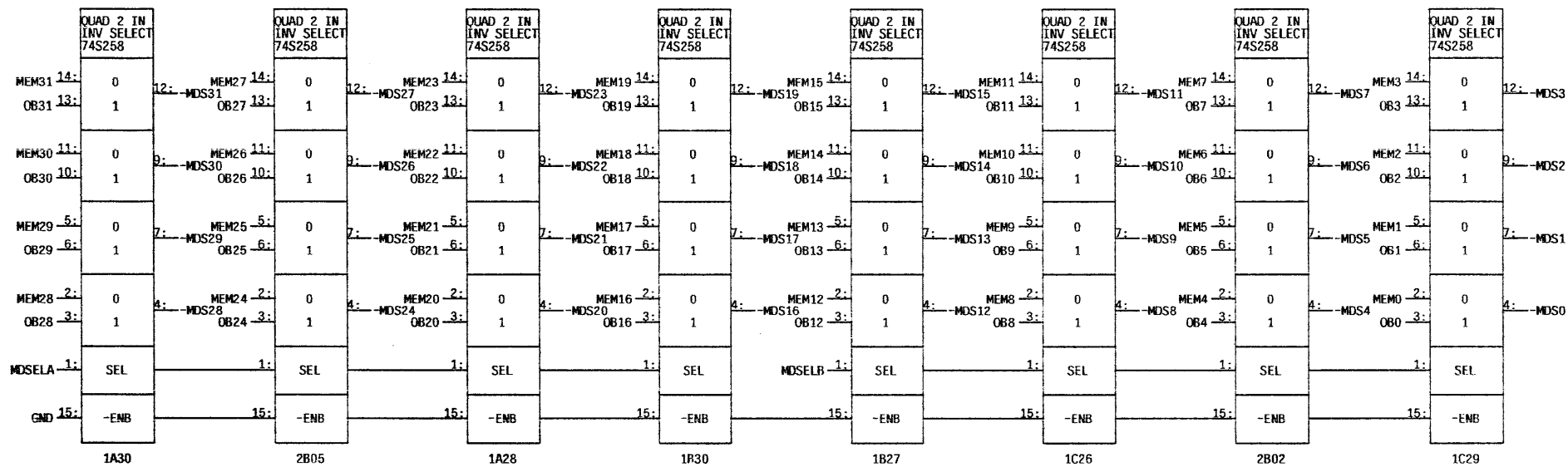


A PAIR OF 330 Ohm  
10 PIN SIPS  
BECKMAN 785-1-R330

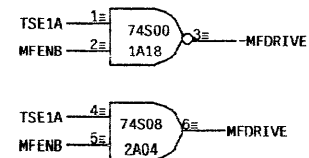
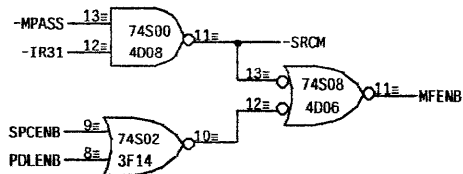
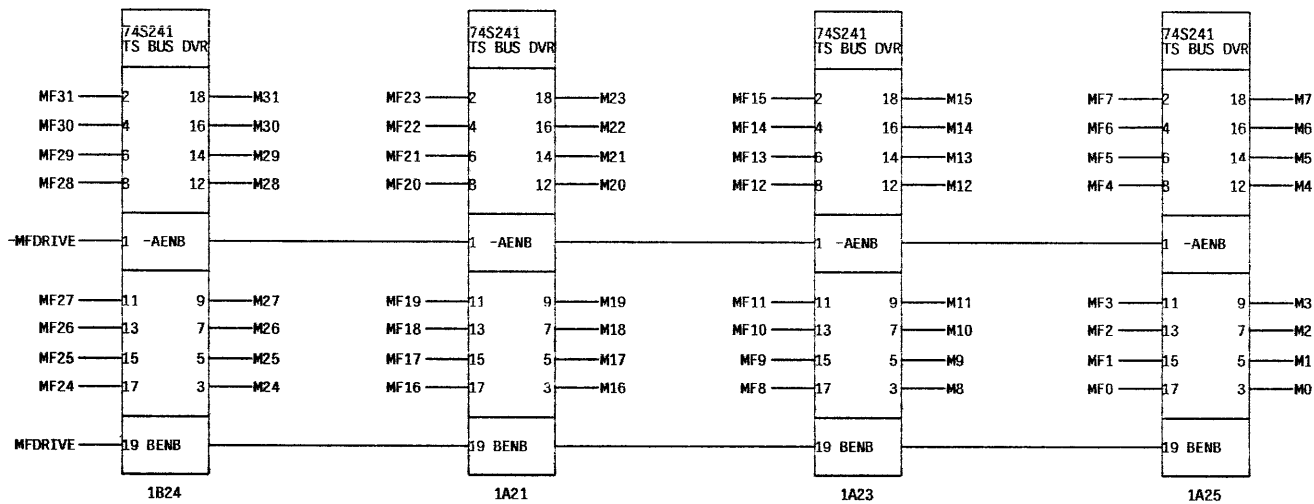


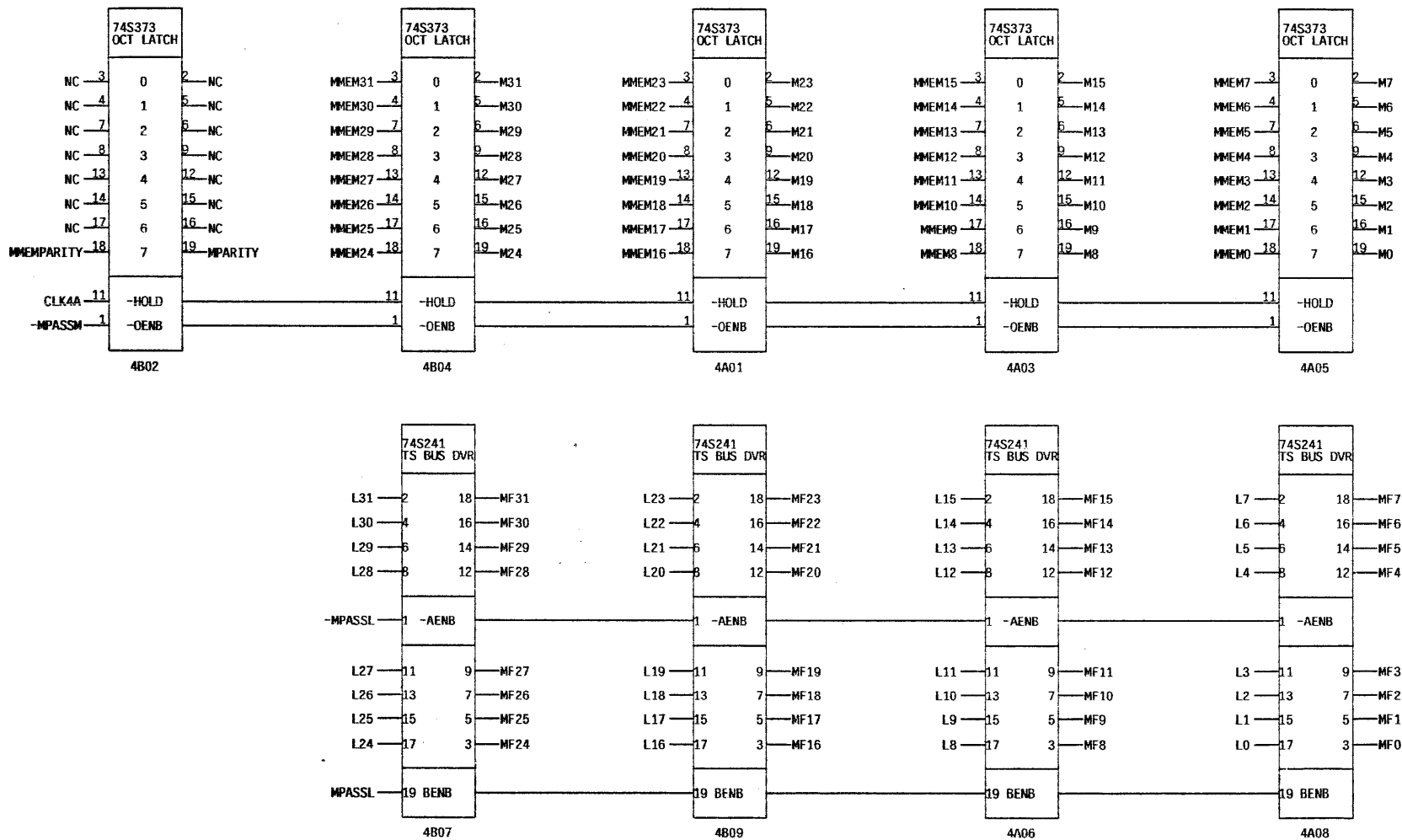
A PAIR OF 330 Ohm  
10 PIN SIPS  
BECKMAN 785-1-R330



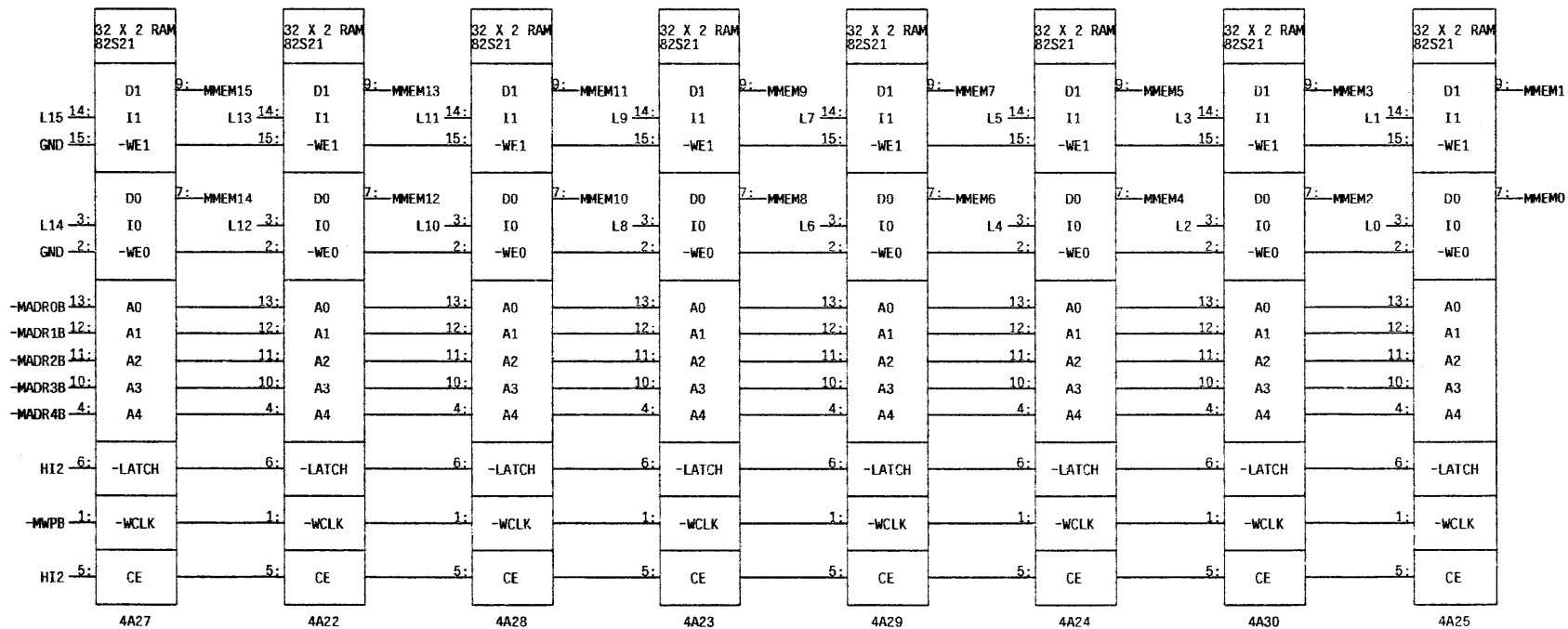
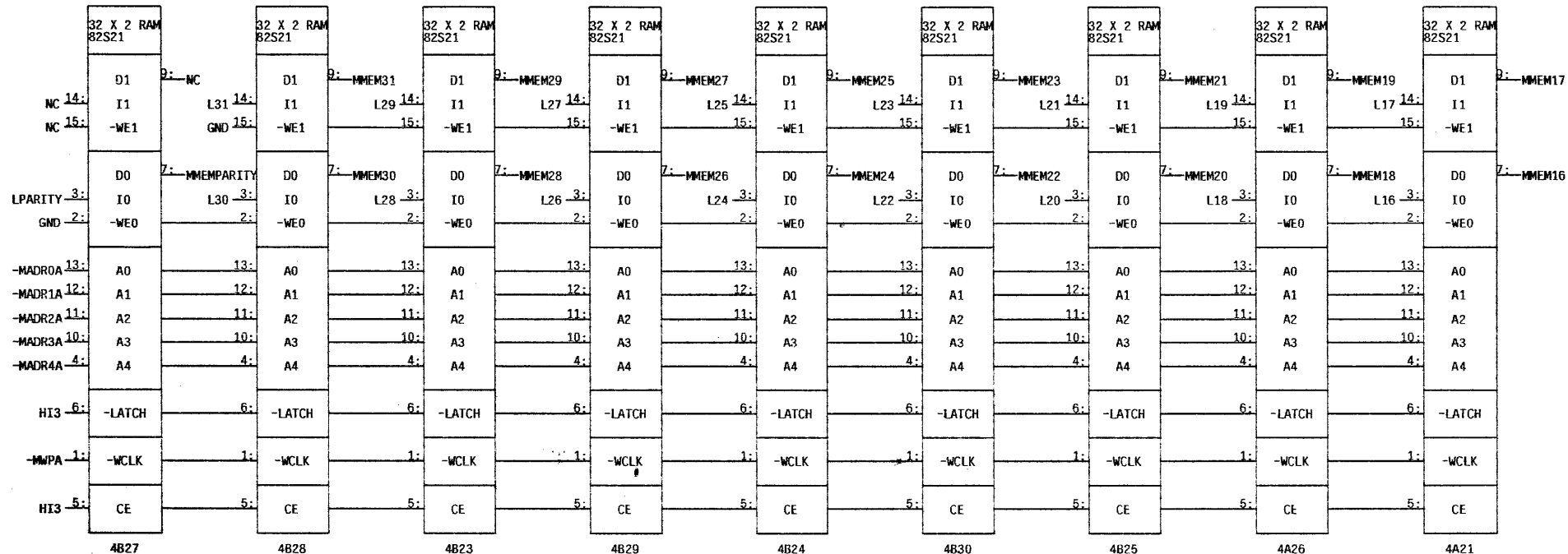


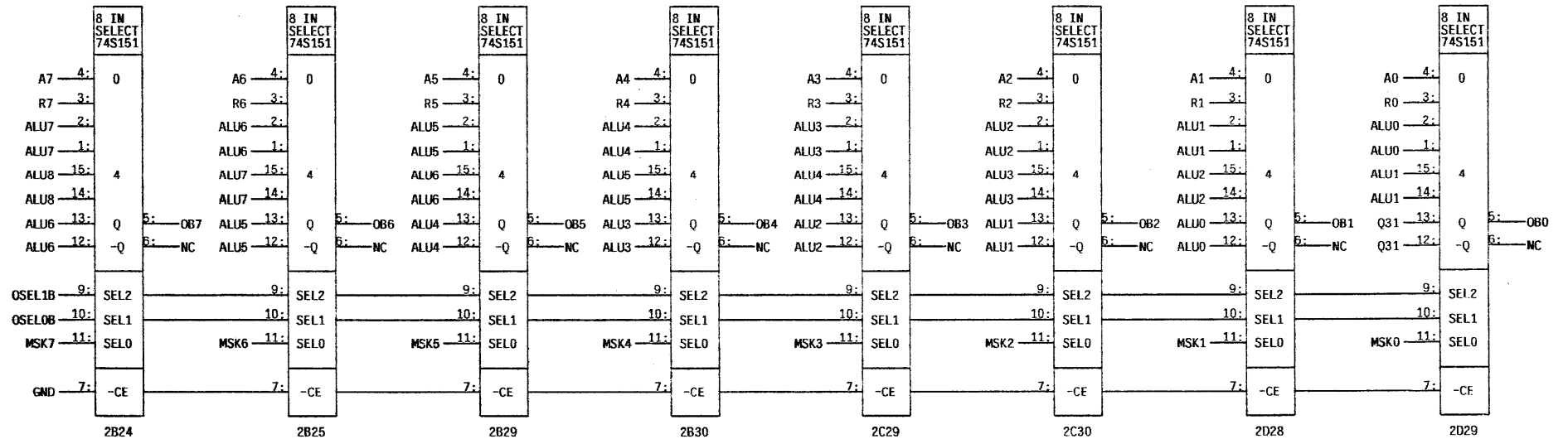
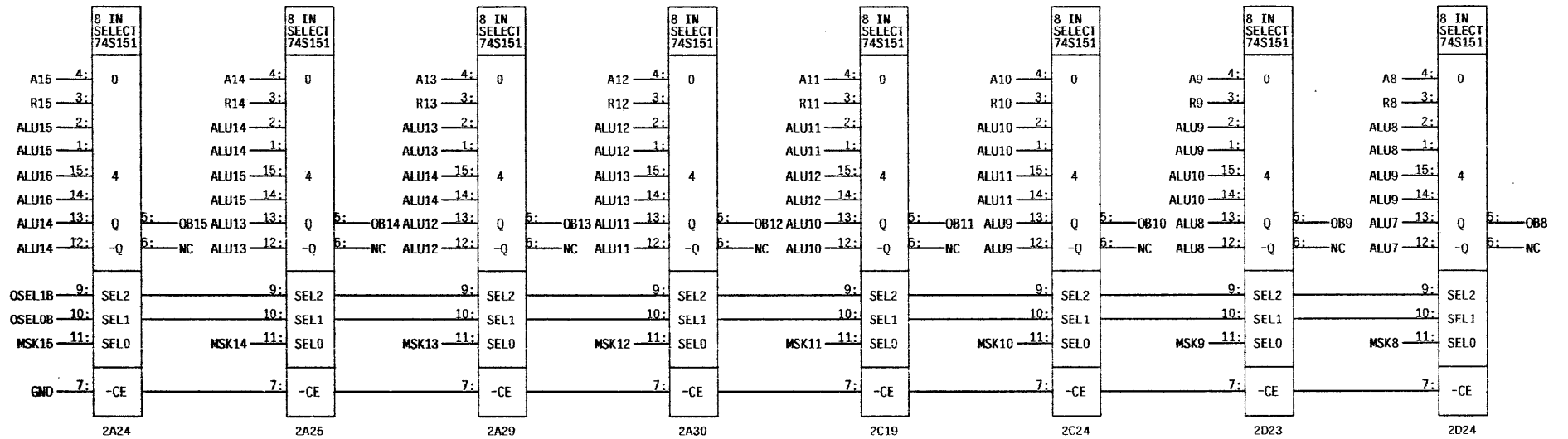
NOTE: MDPARODD ON [TRAP]

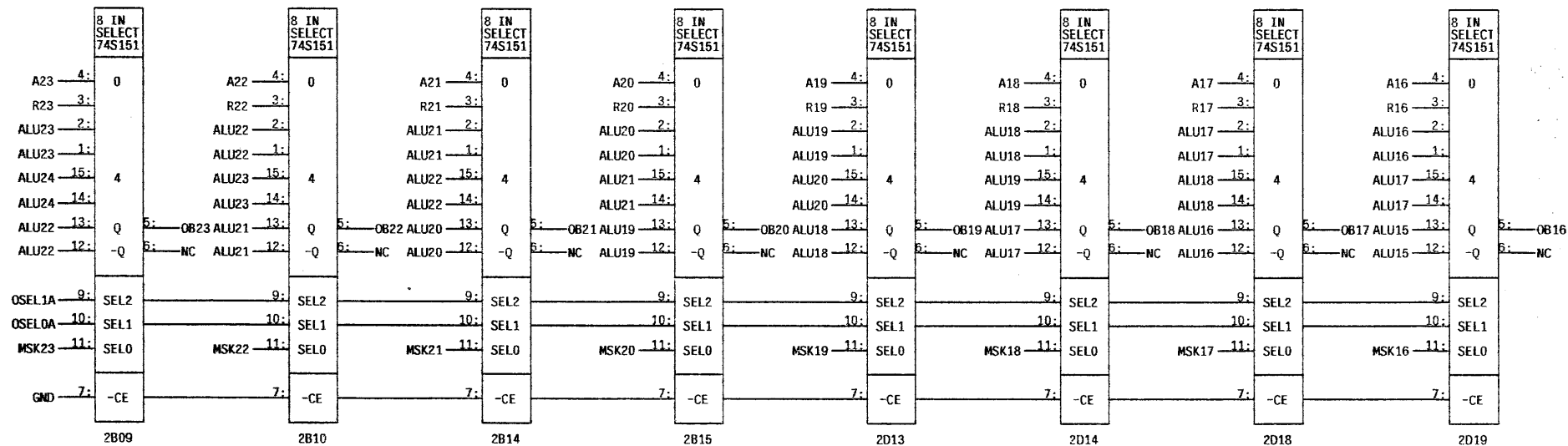
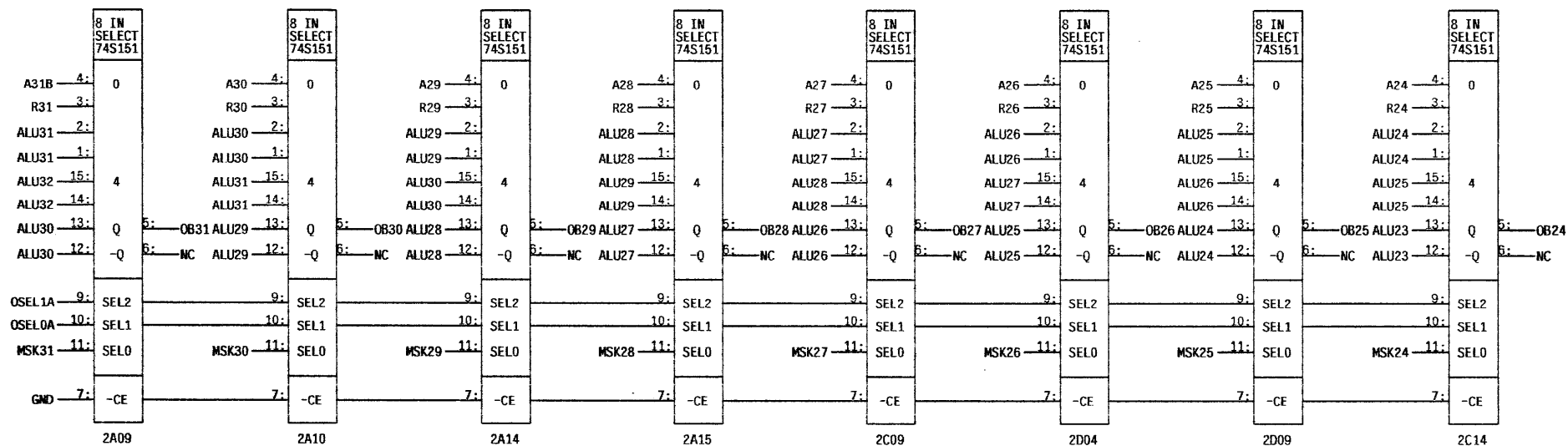


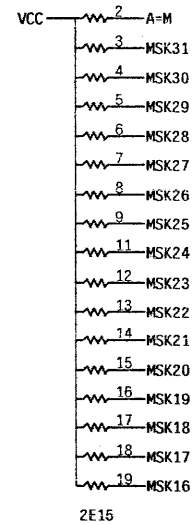
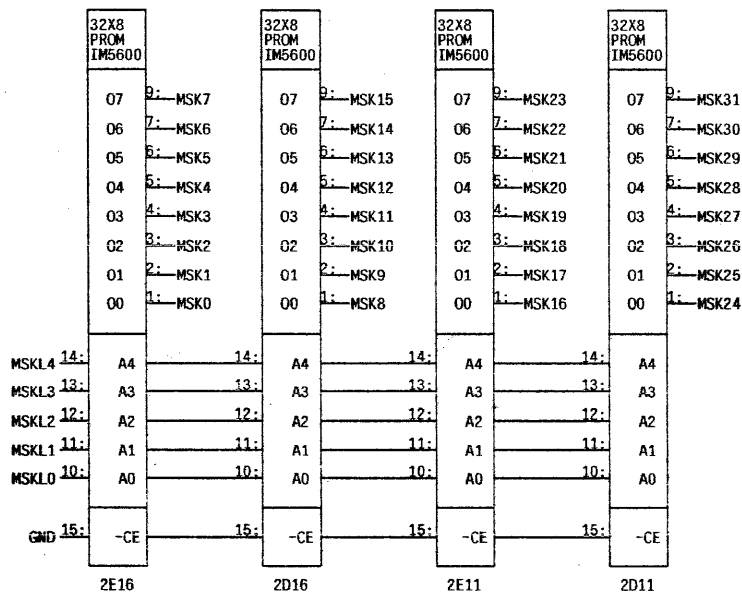




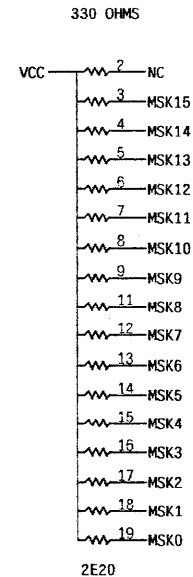
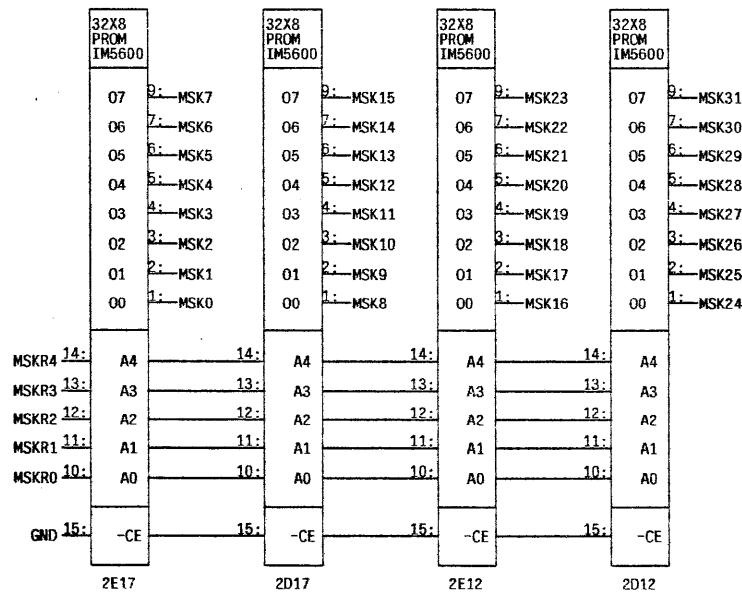




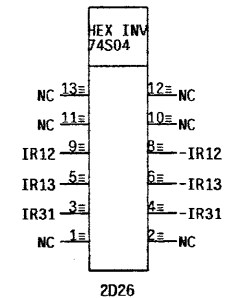


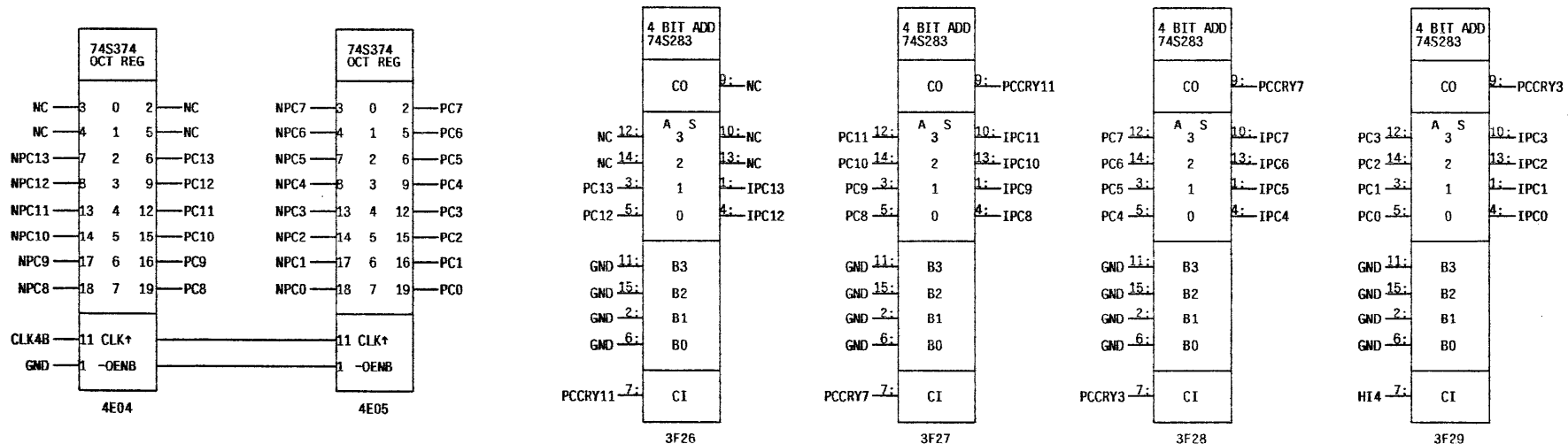
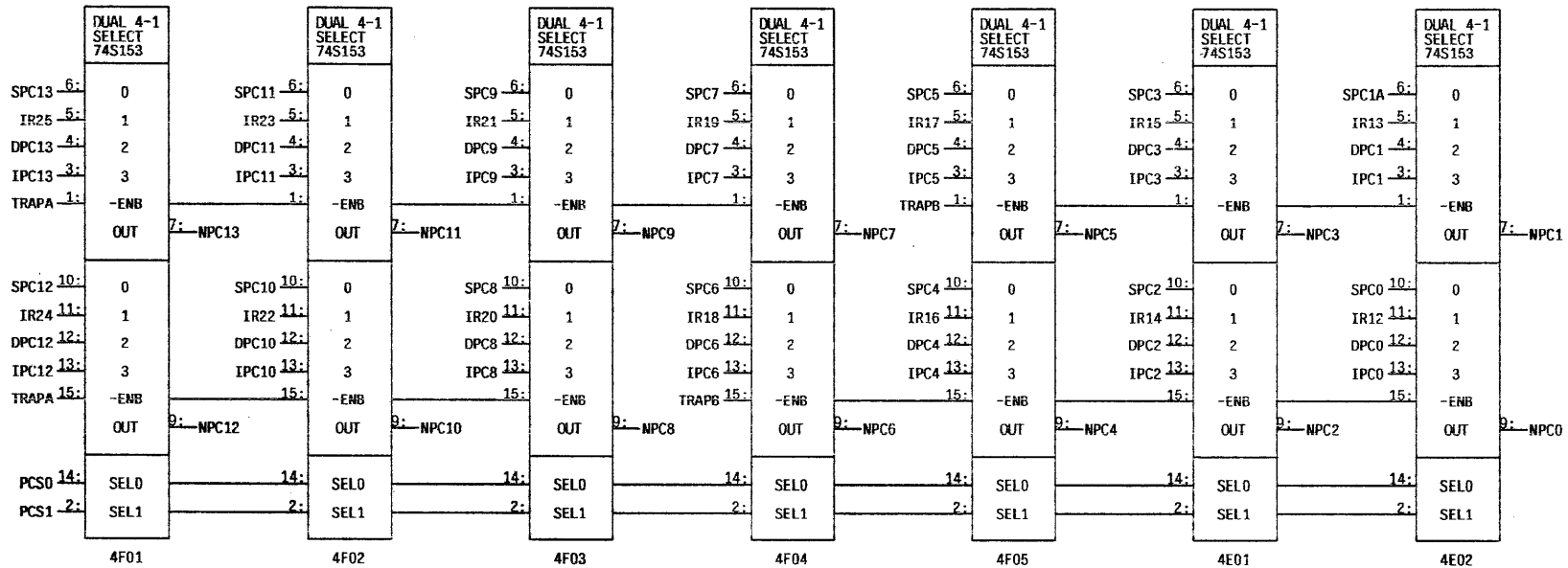


A PAIR OF 330 Ohm  
10 PIN SIPS  
BECKMAN 785-1-R330

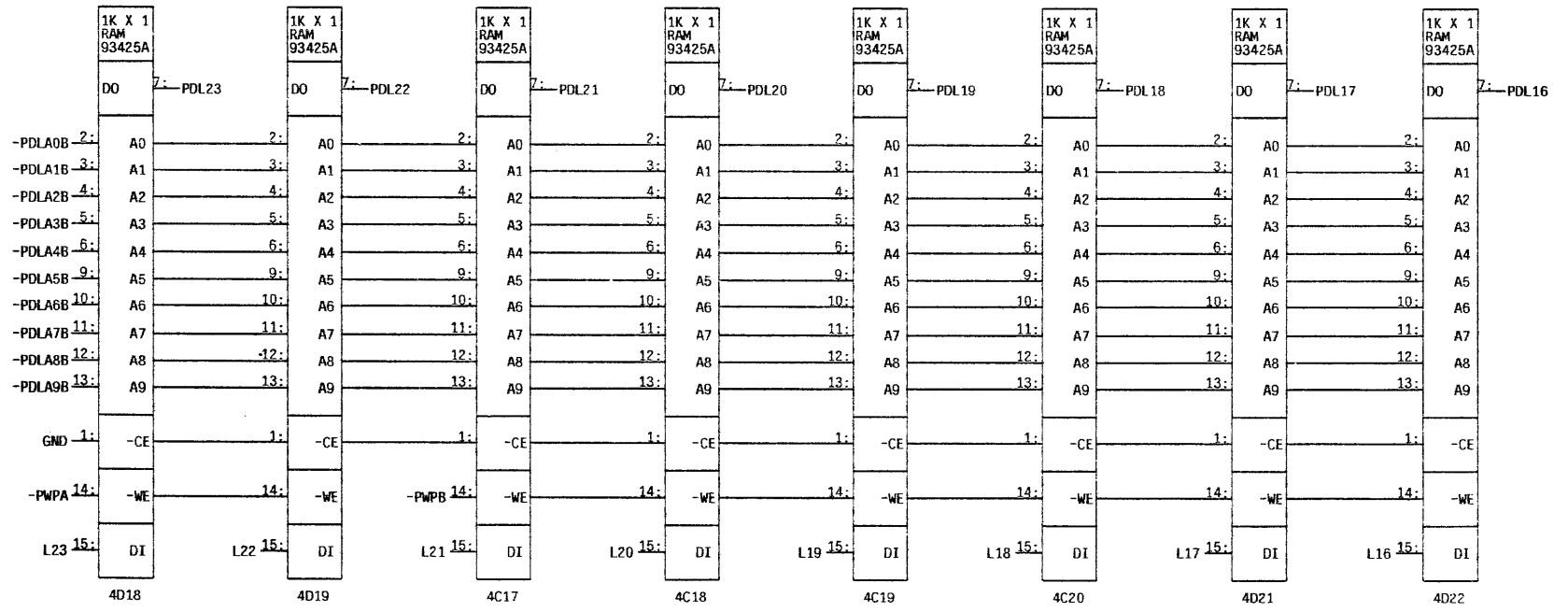
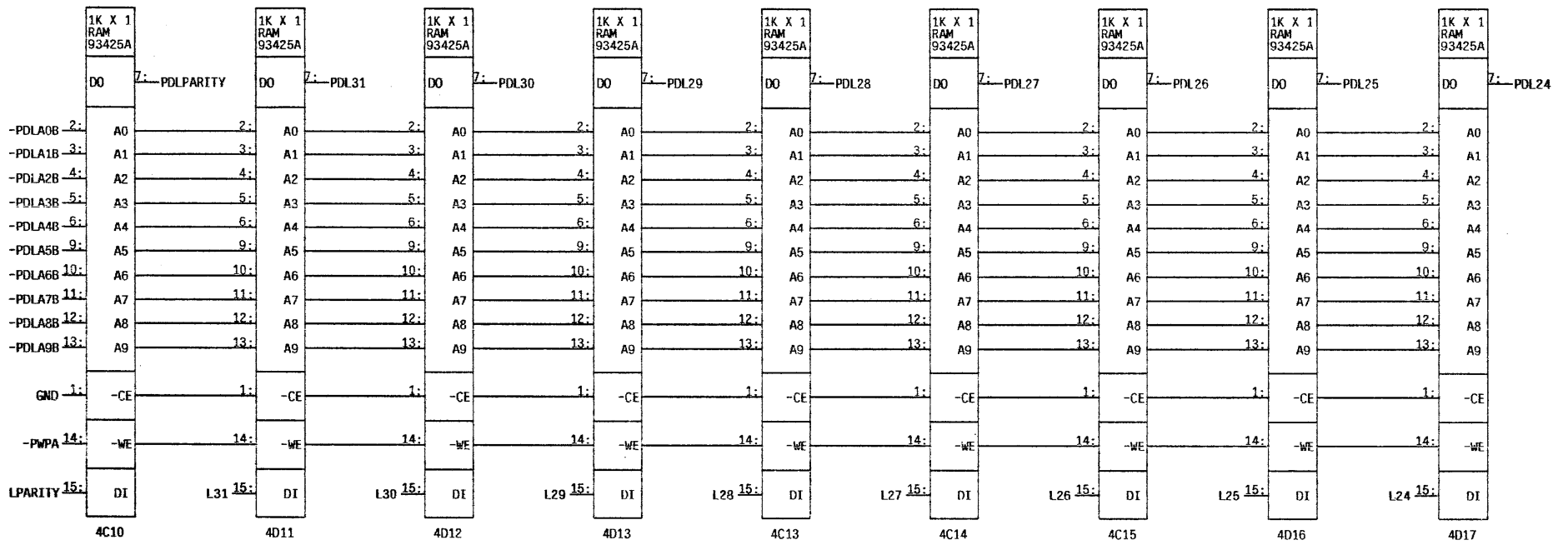


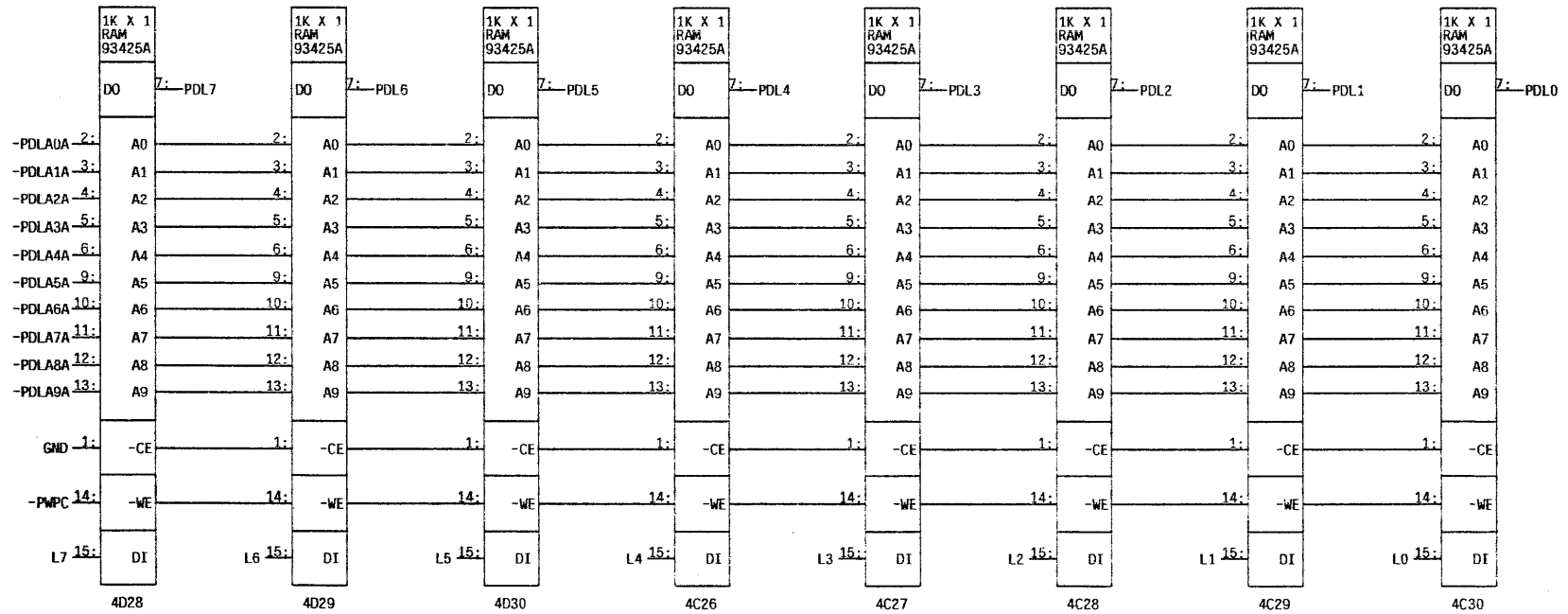
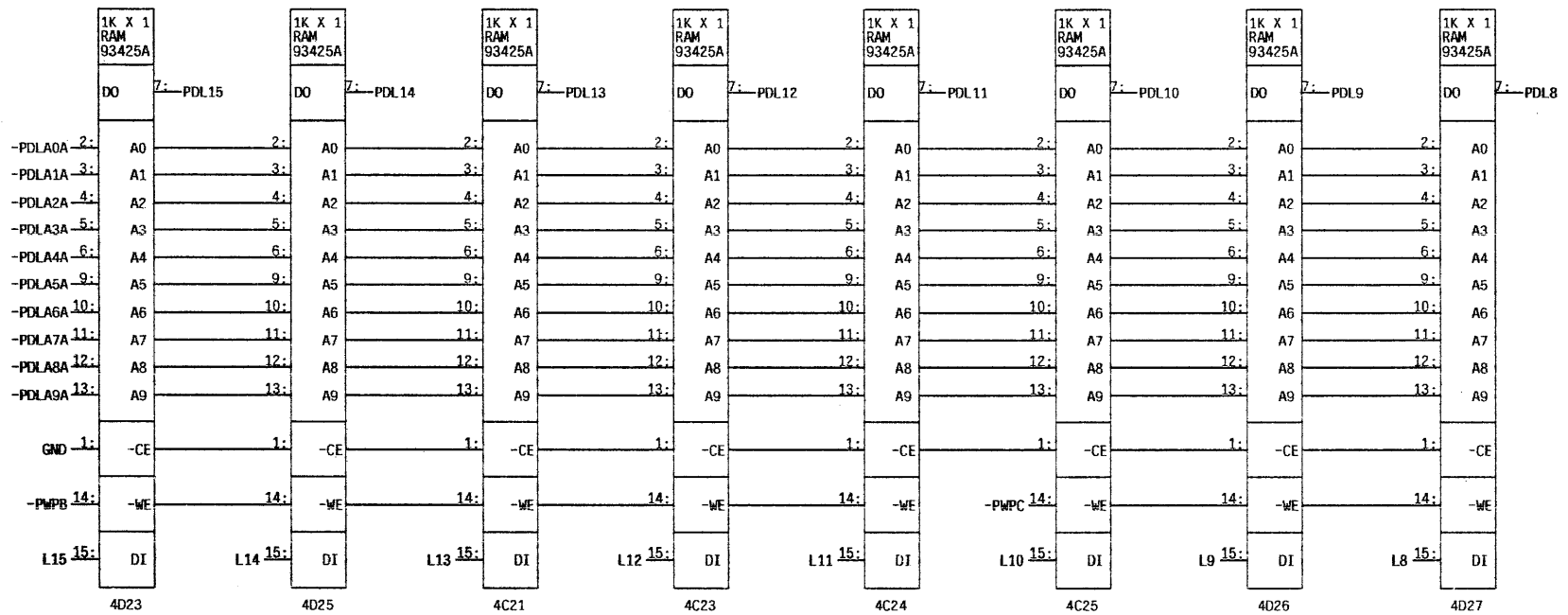
330 OHMS  
A PAIR OF 330 Ohm  
10 PIN SIPS  
BECKMAN 785-1-R330





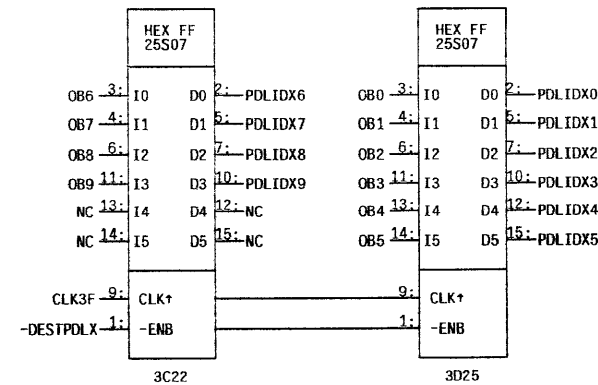
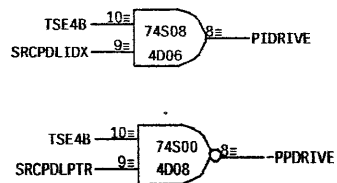
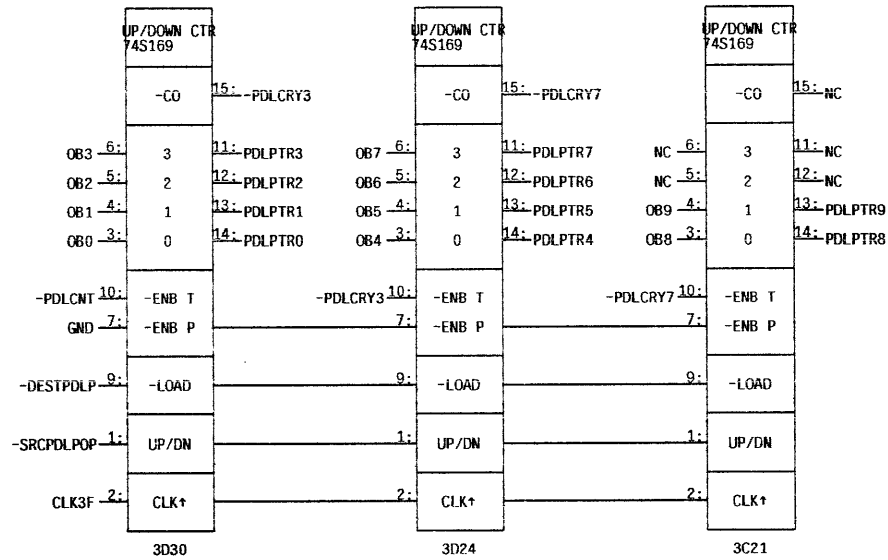
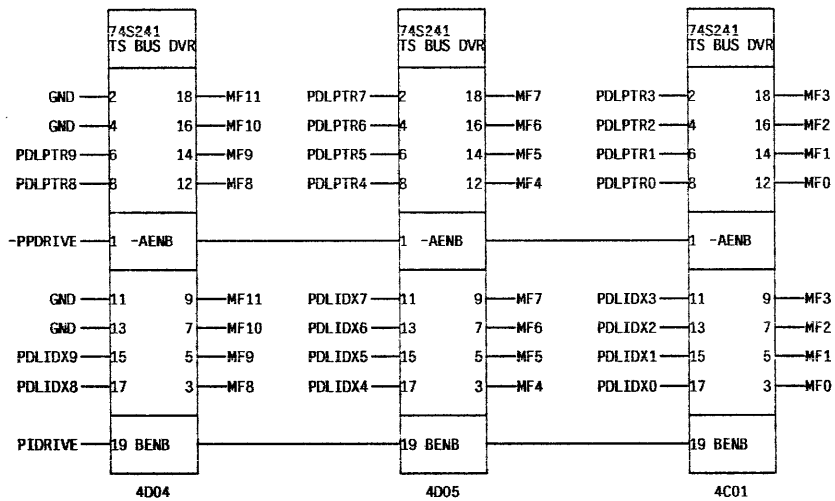


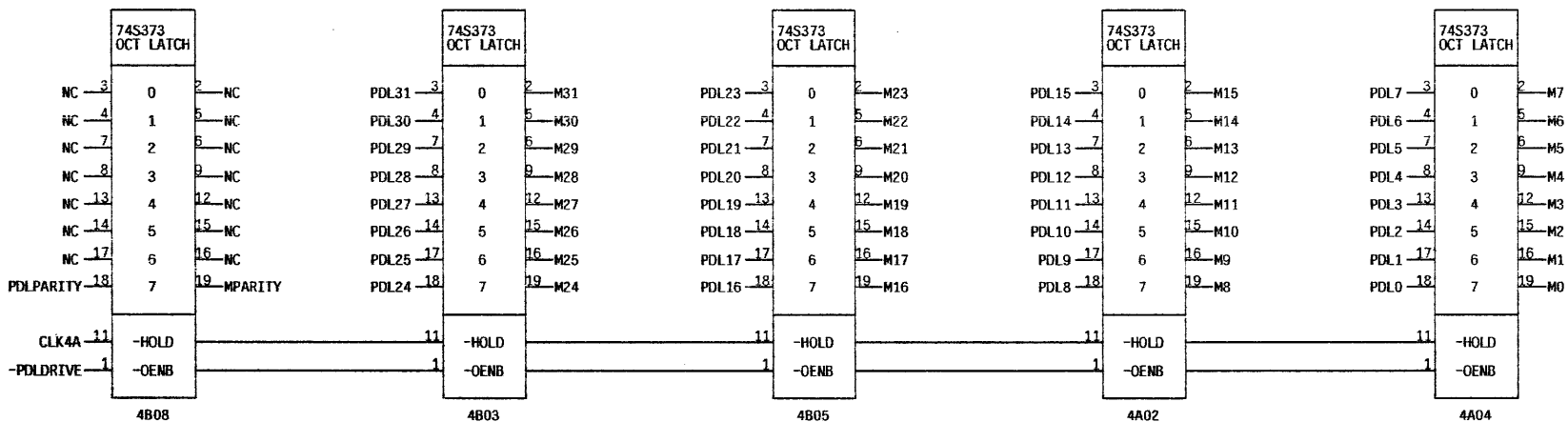


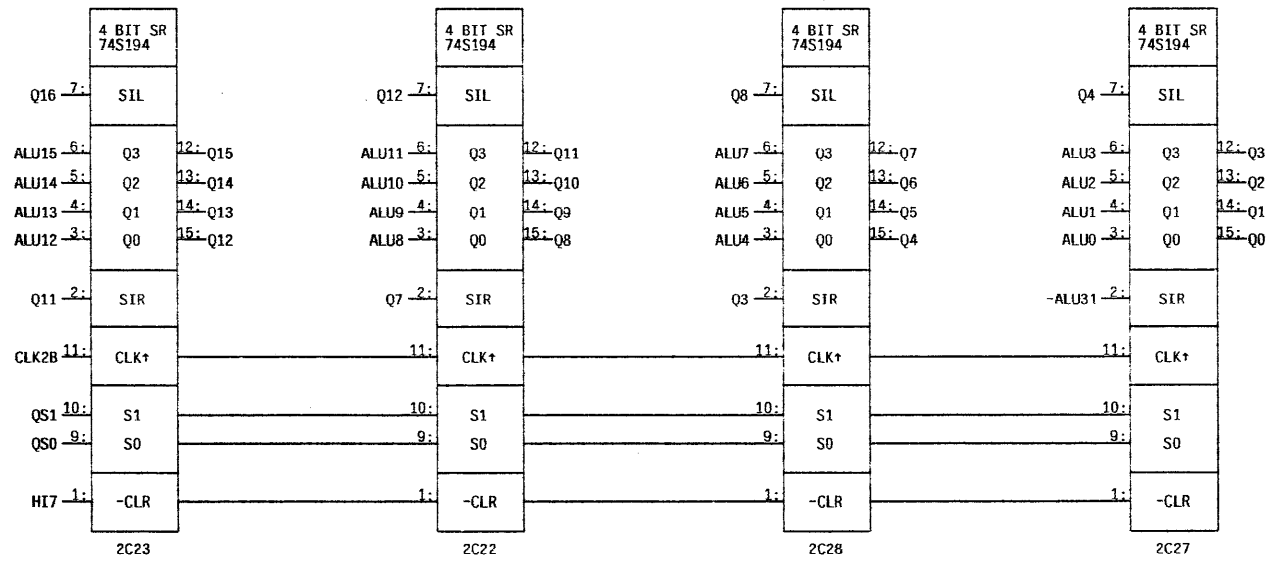
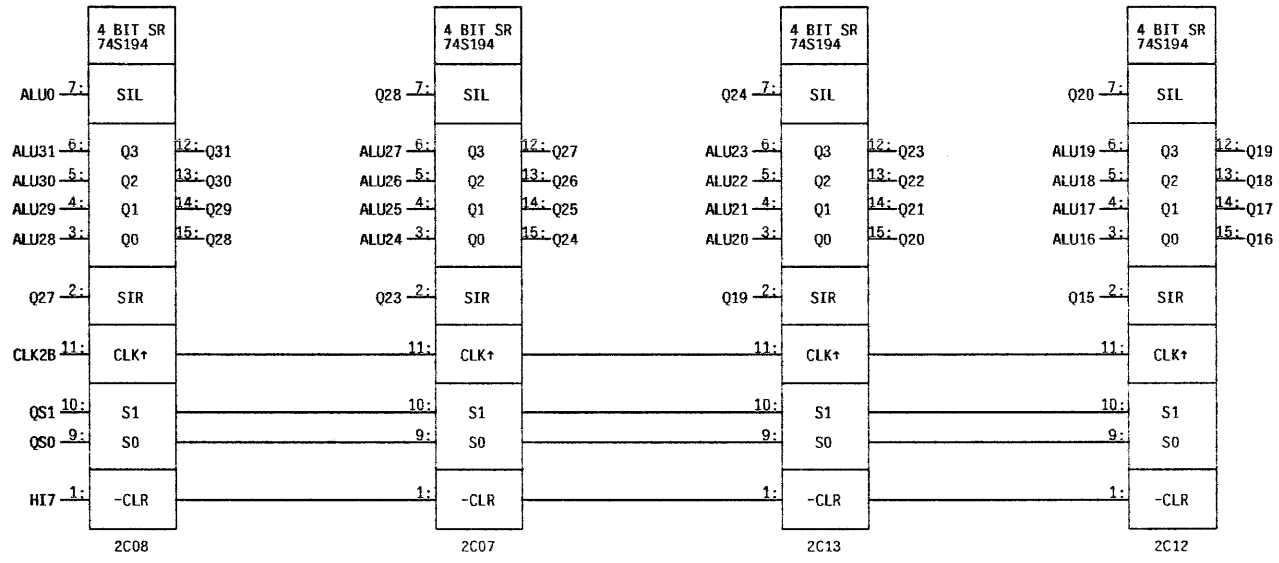


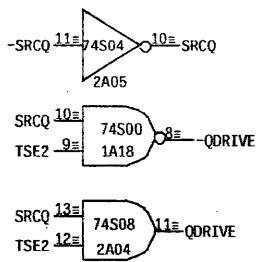
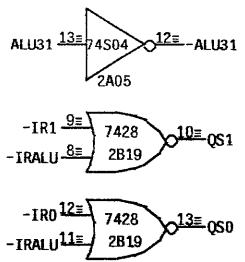
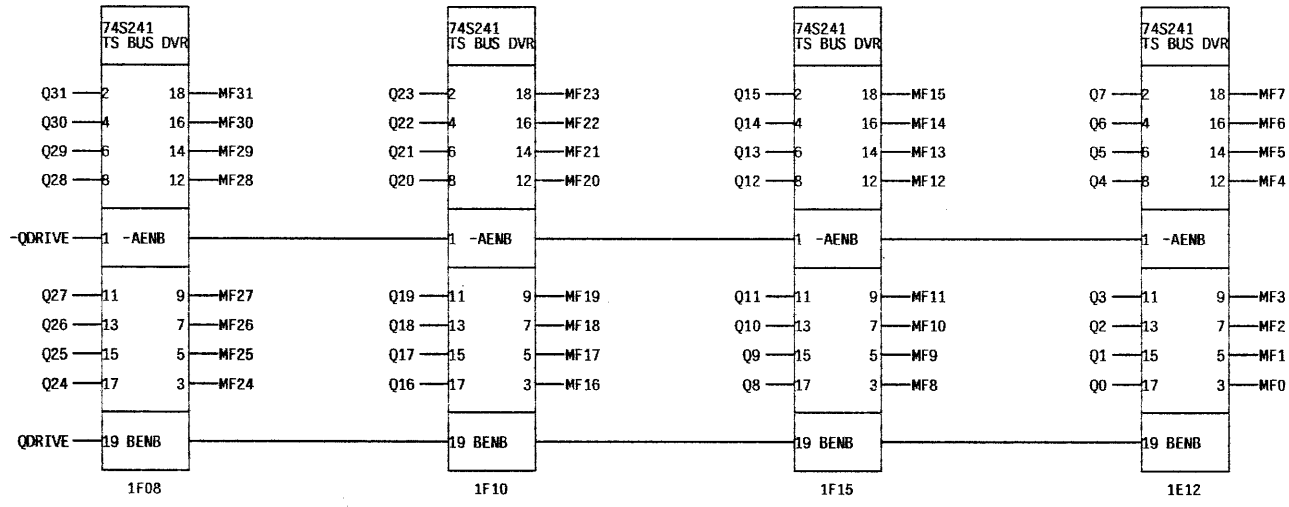


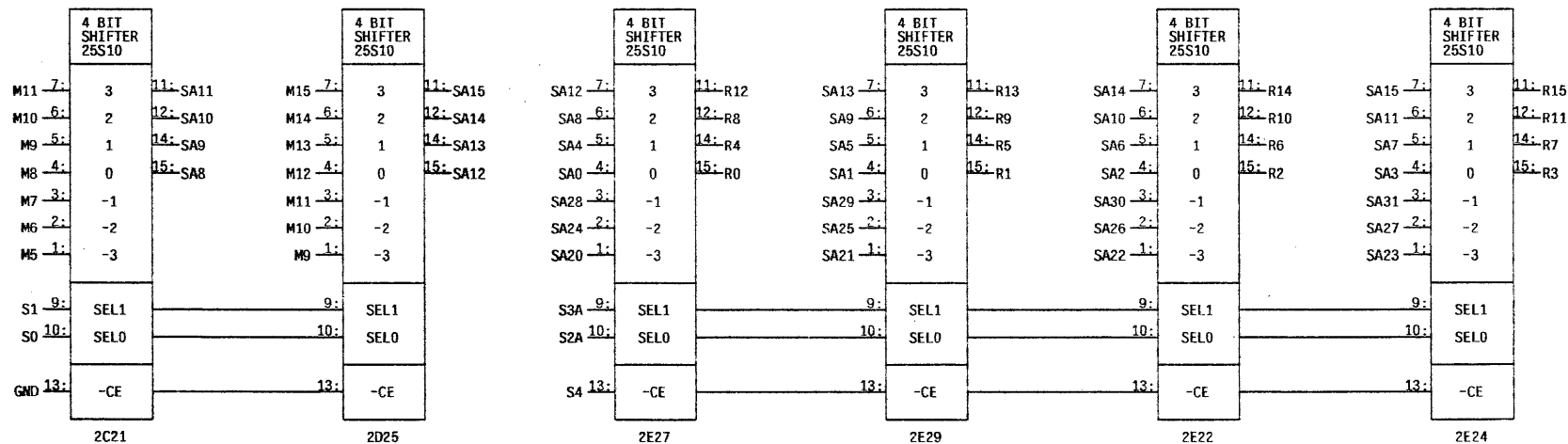
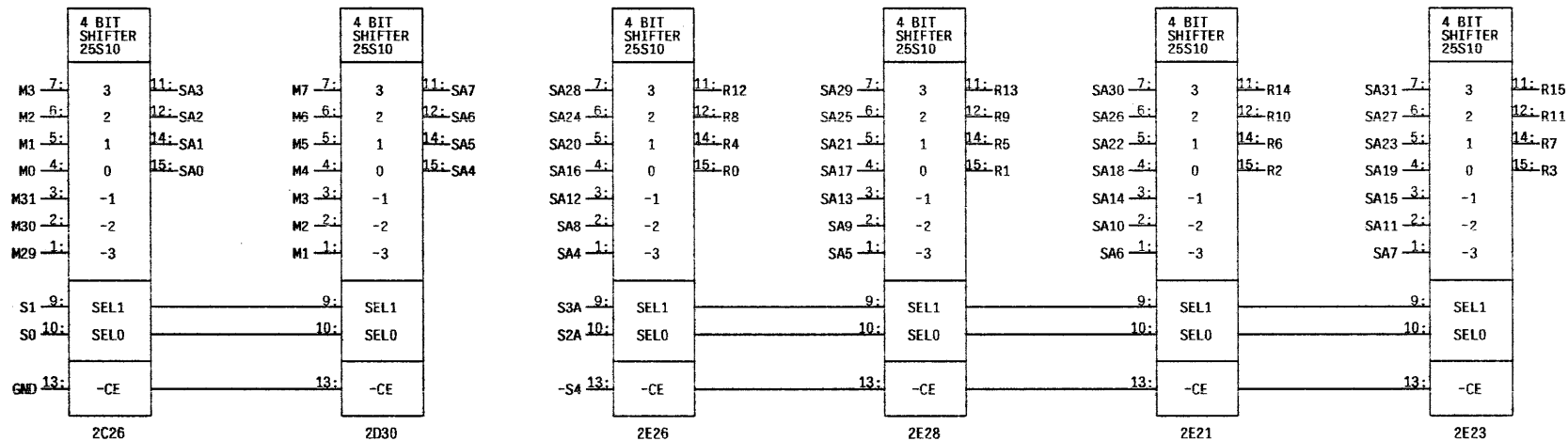


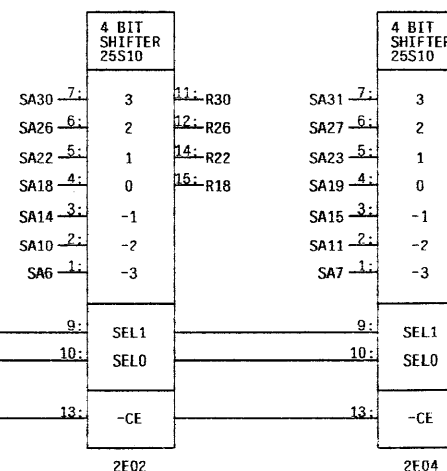
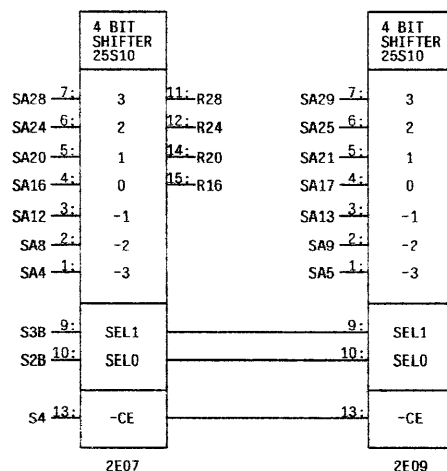
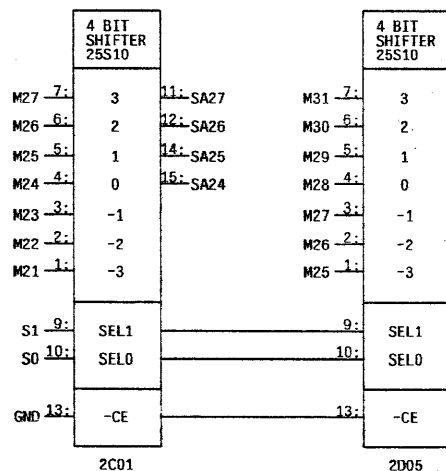
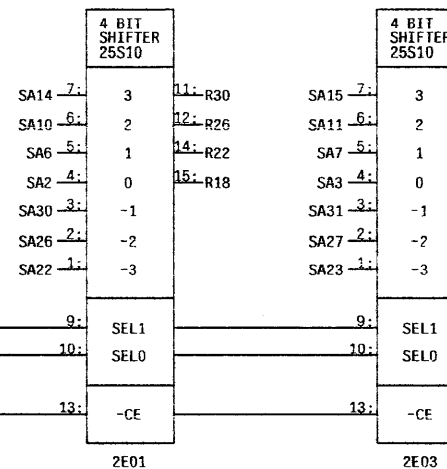
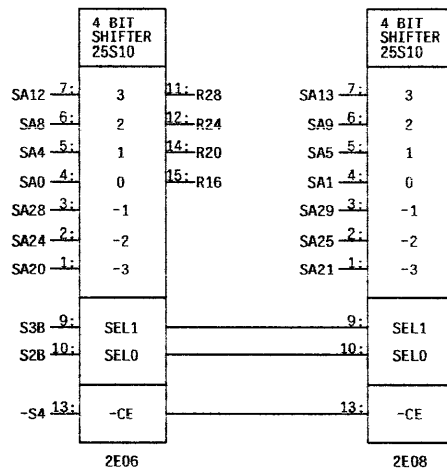
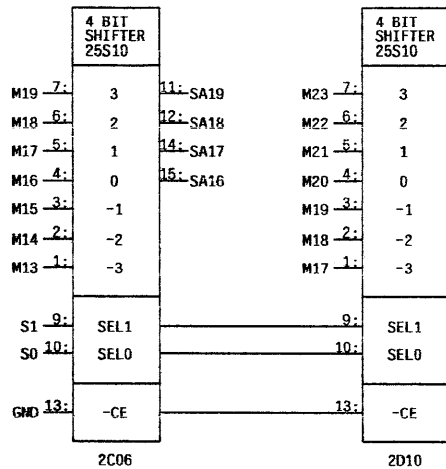


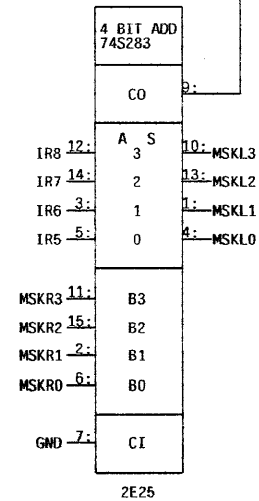
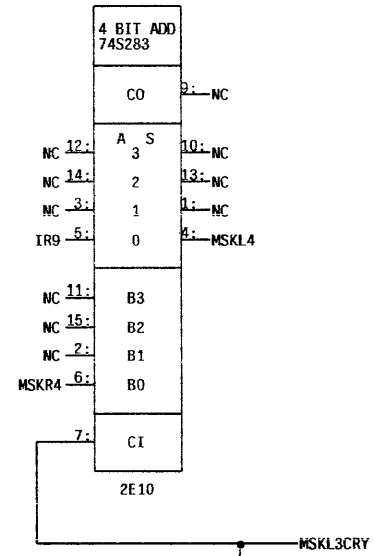
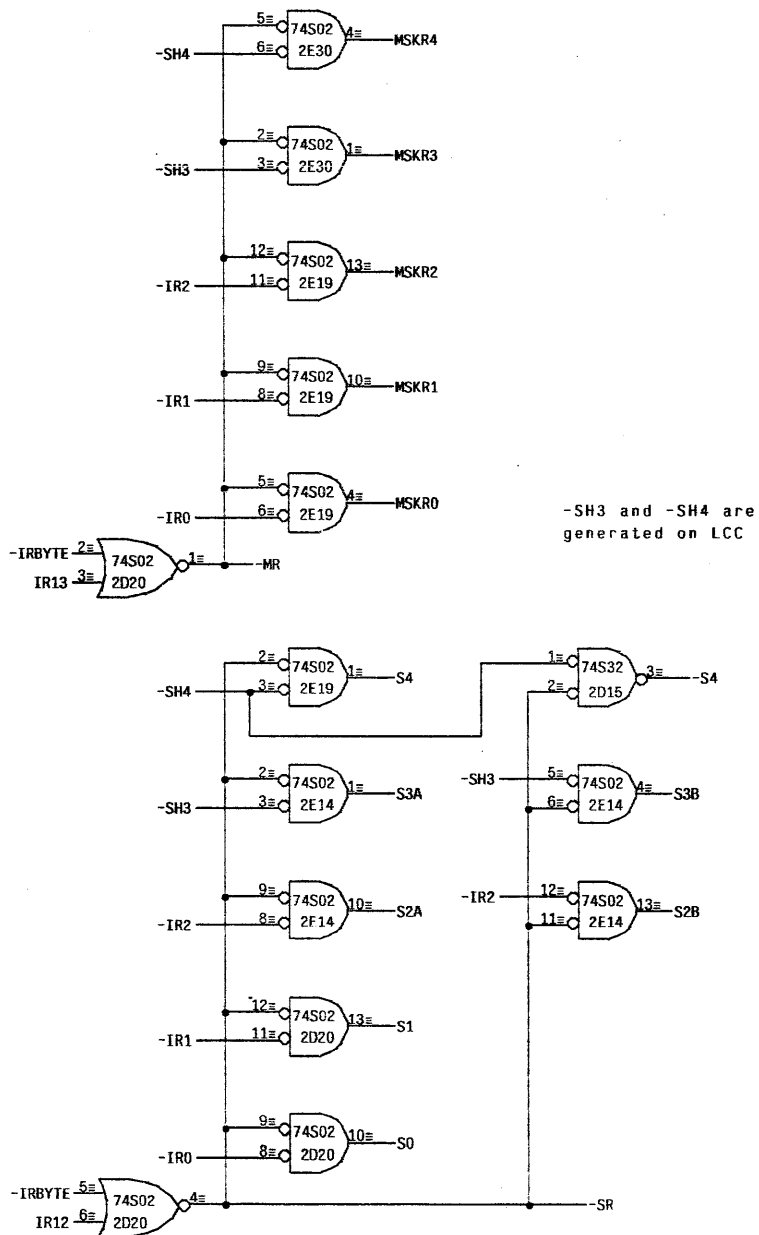




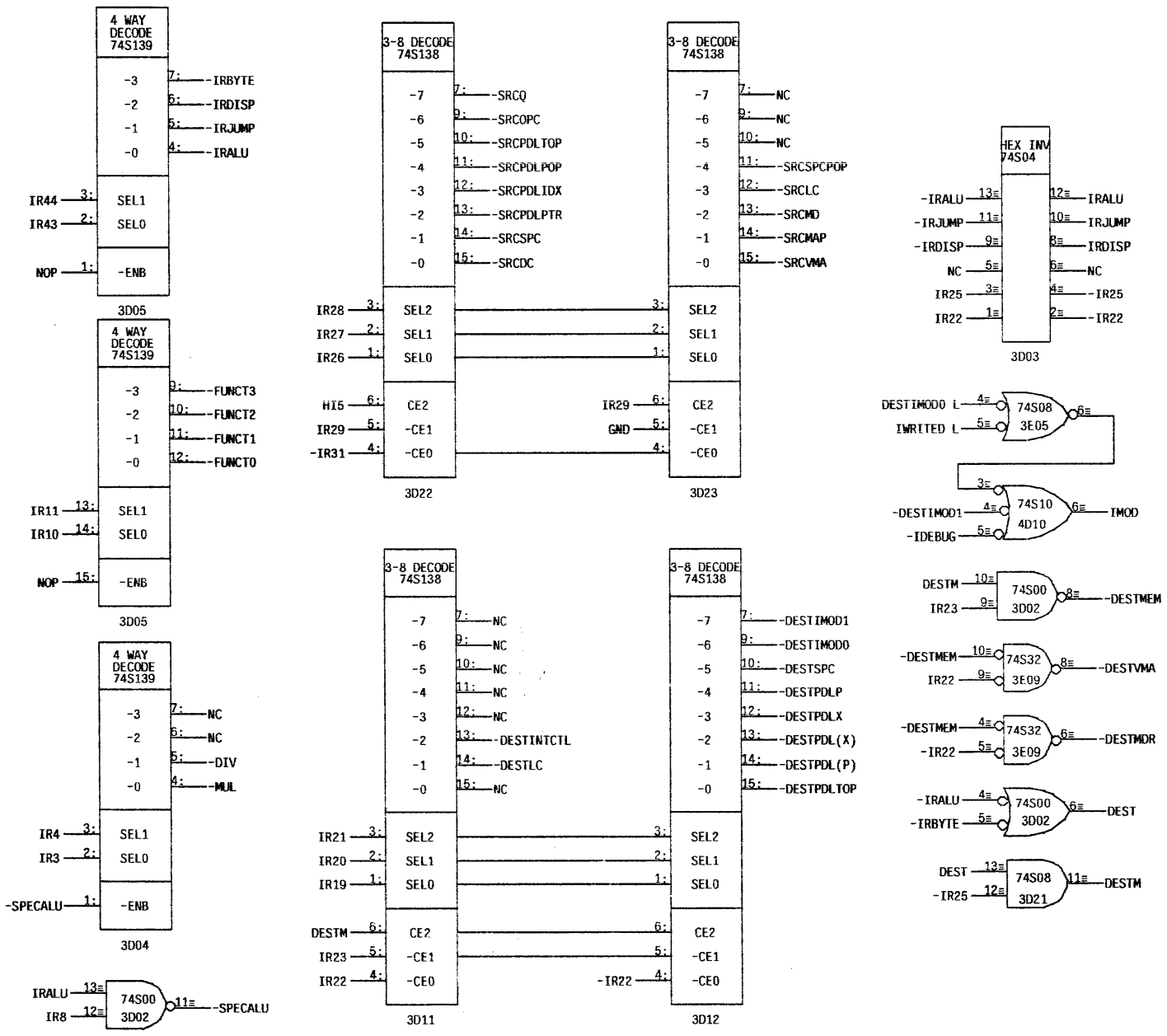


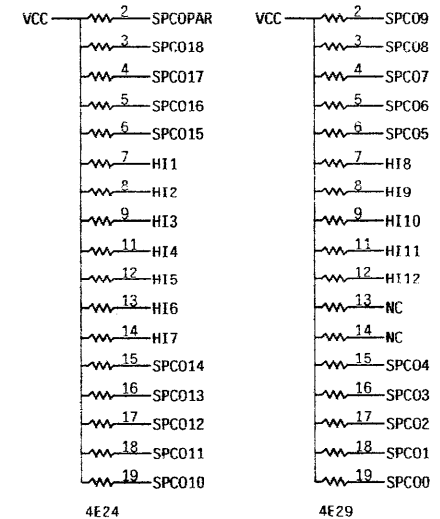
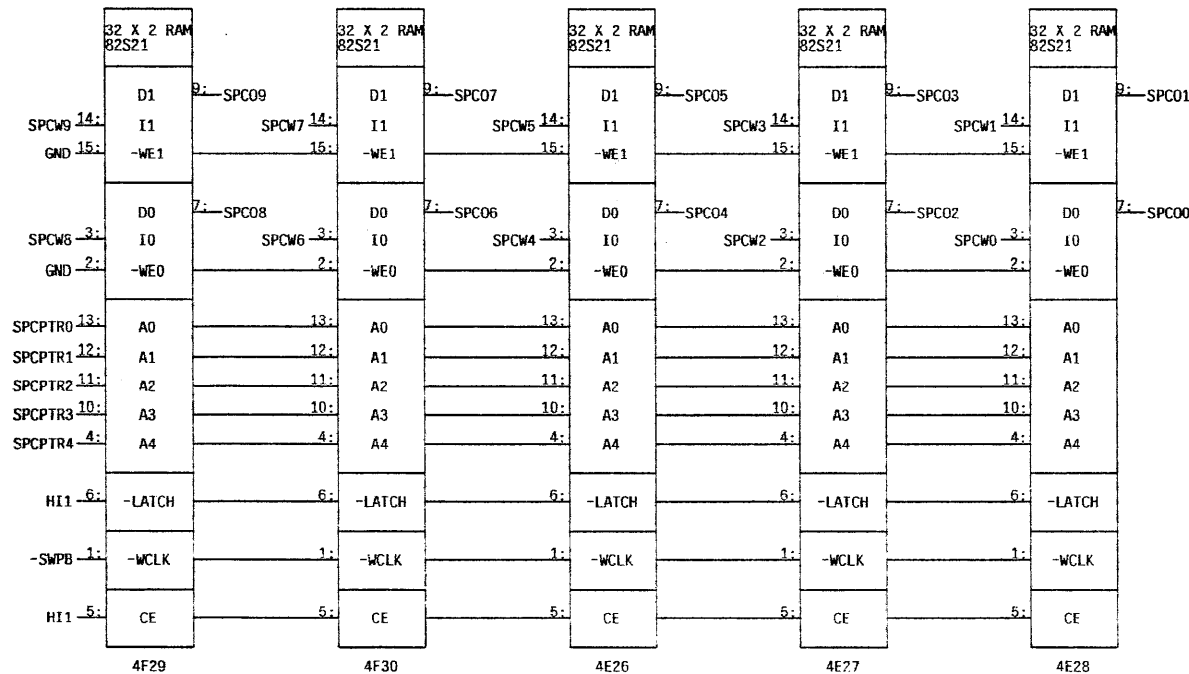
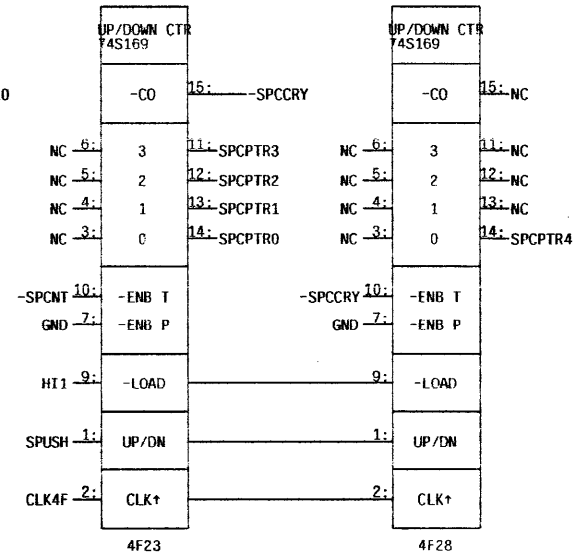
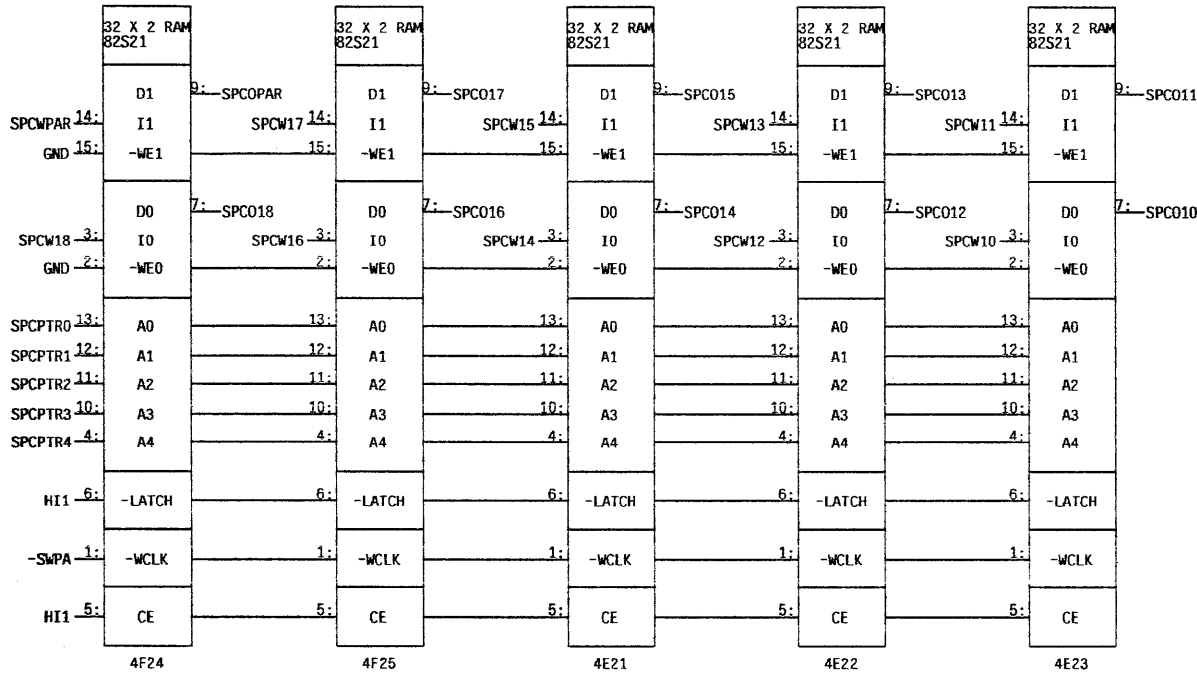






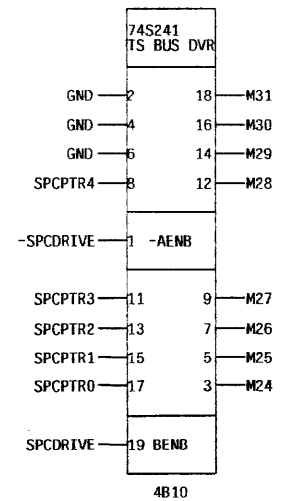
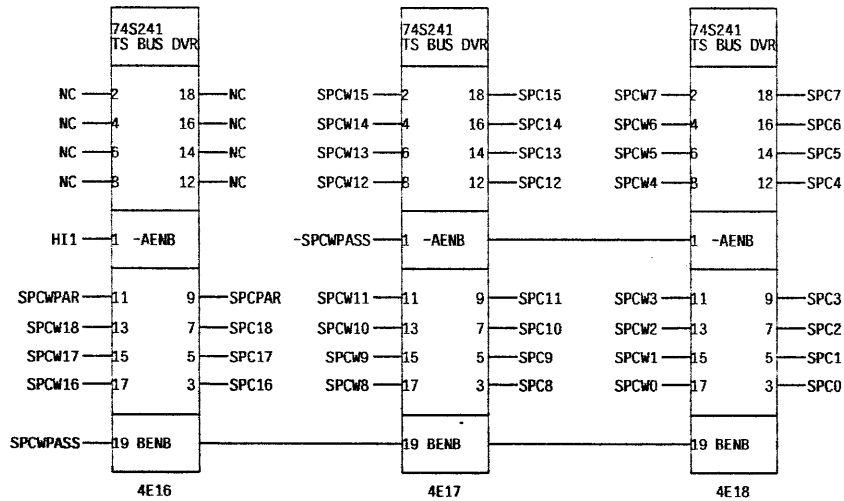
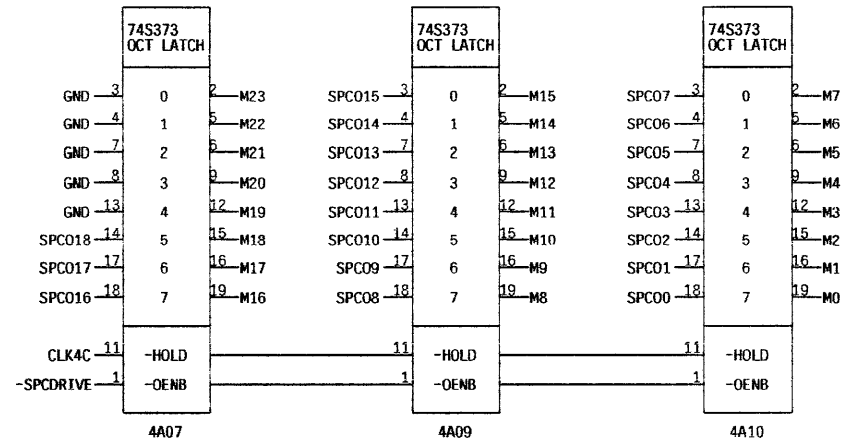
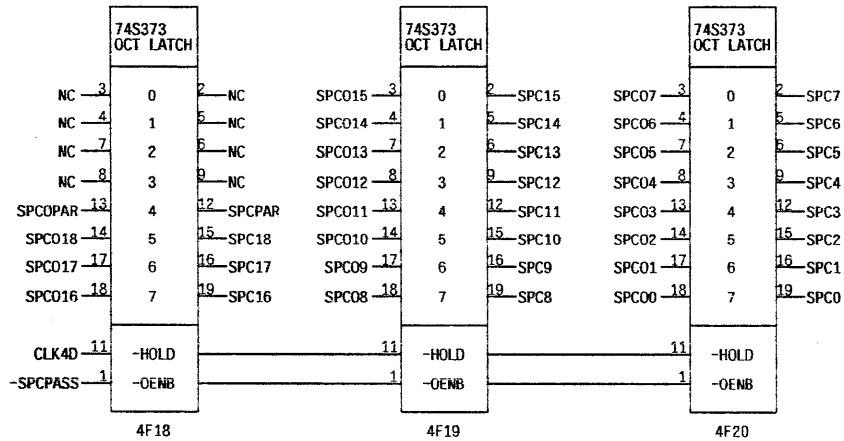


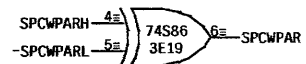
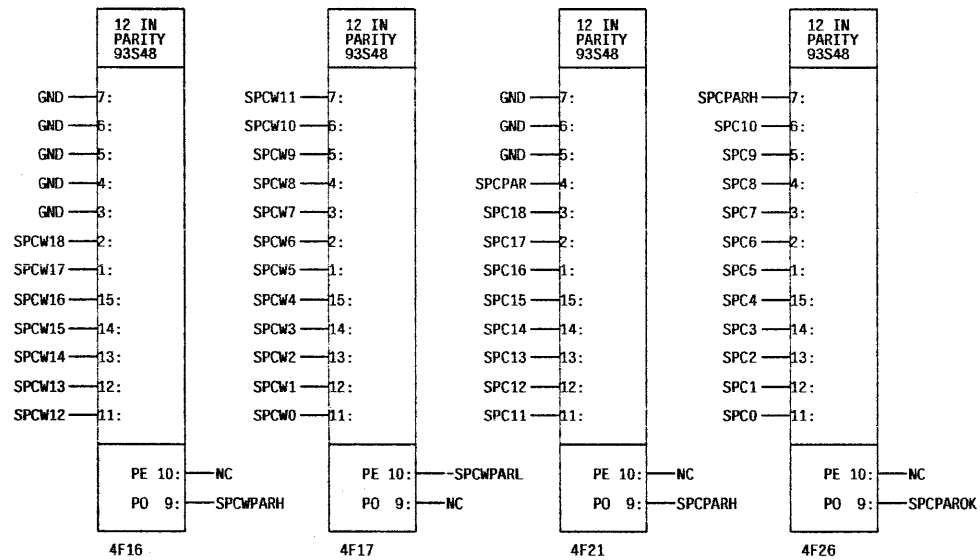


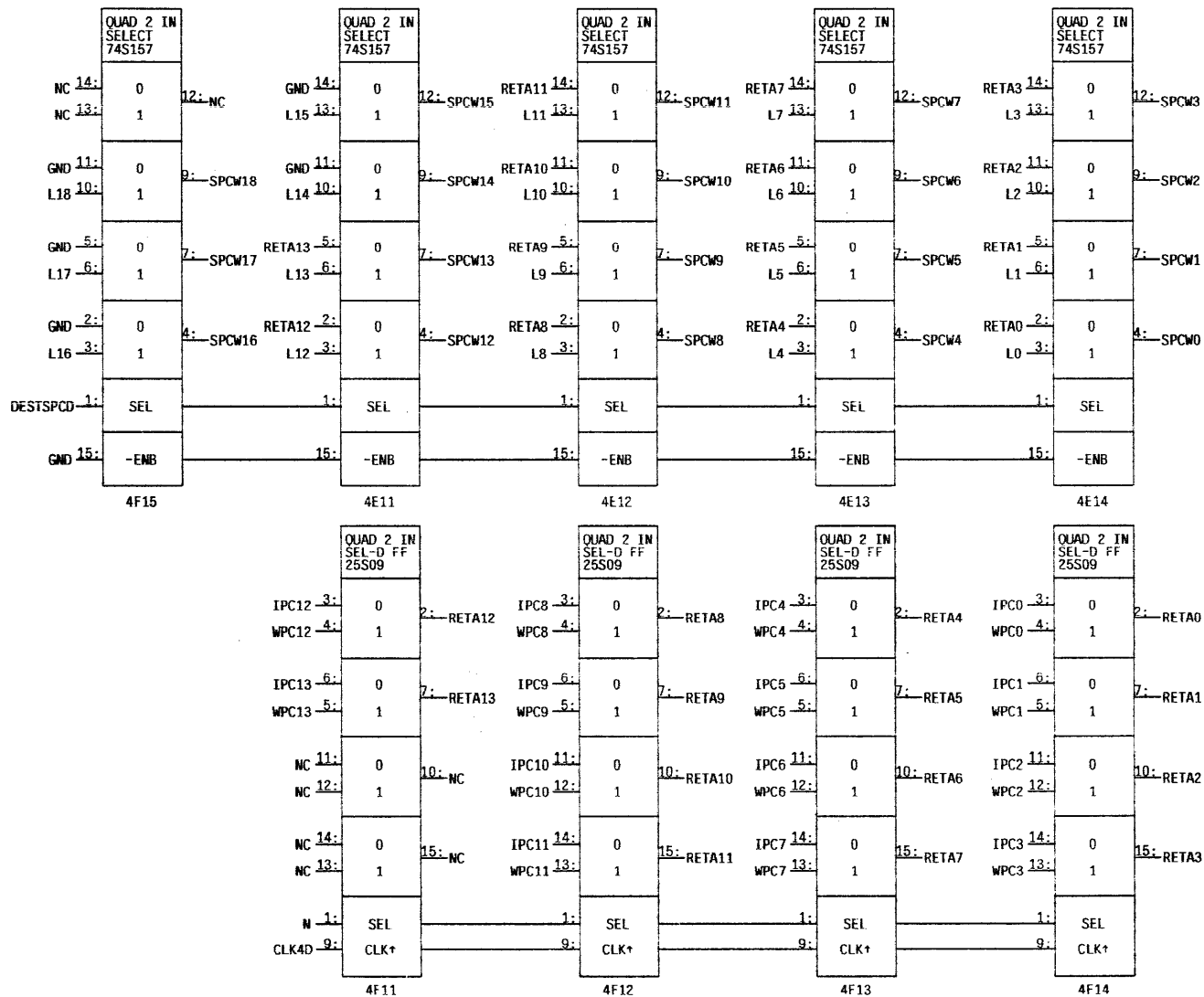


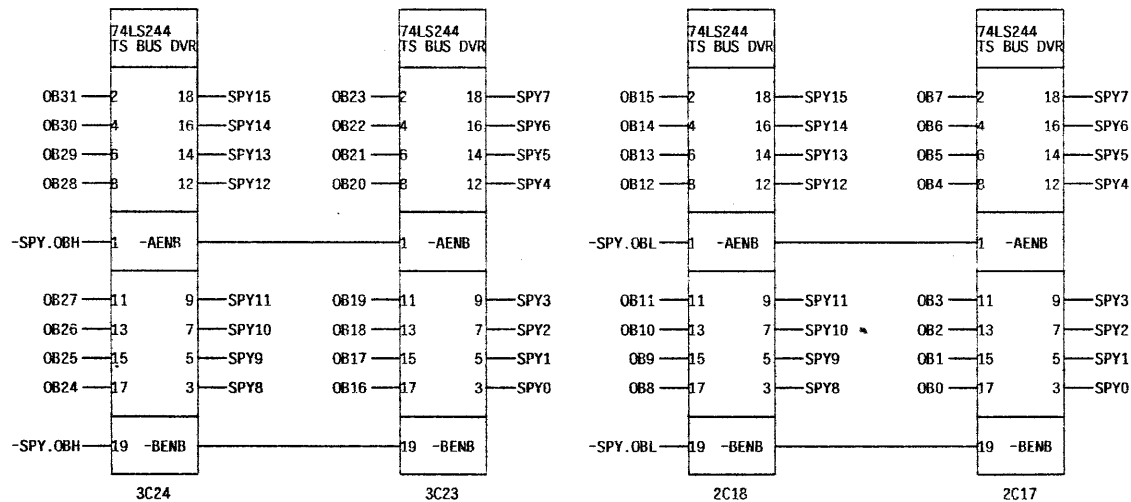
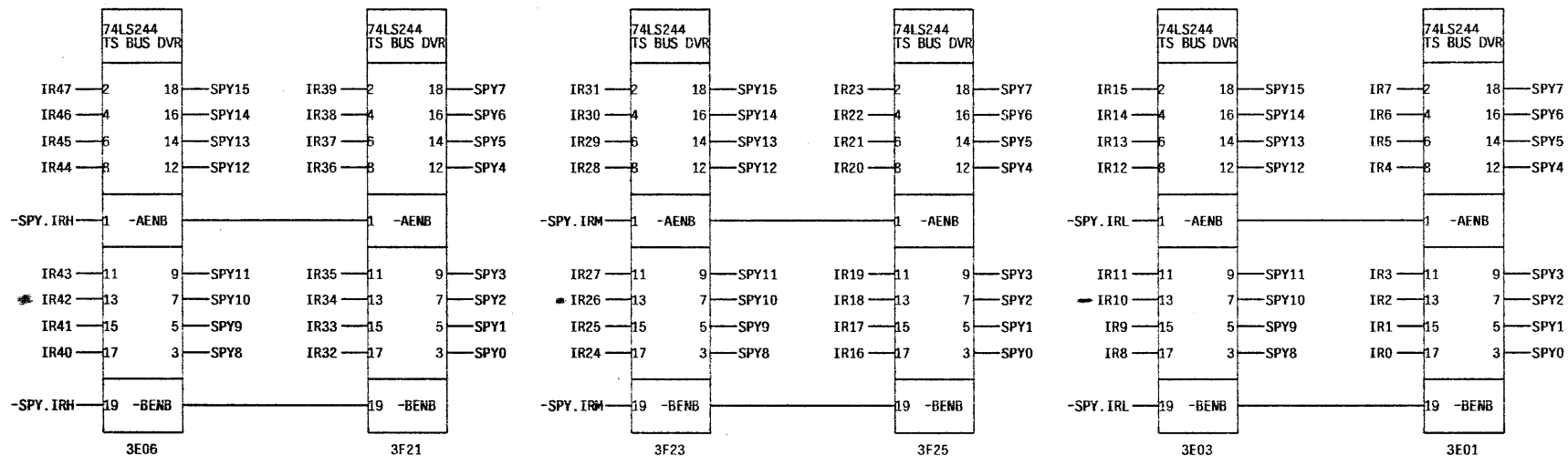
A PAIR OF 330 Ohm  
10 PIN SIPS  
BECKMAN 785-1-R330

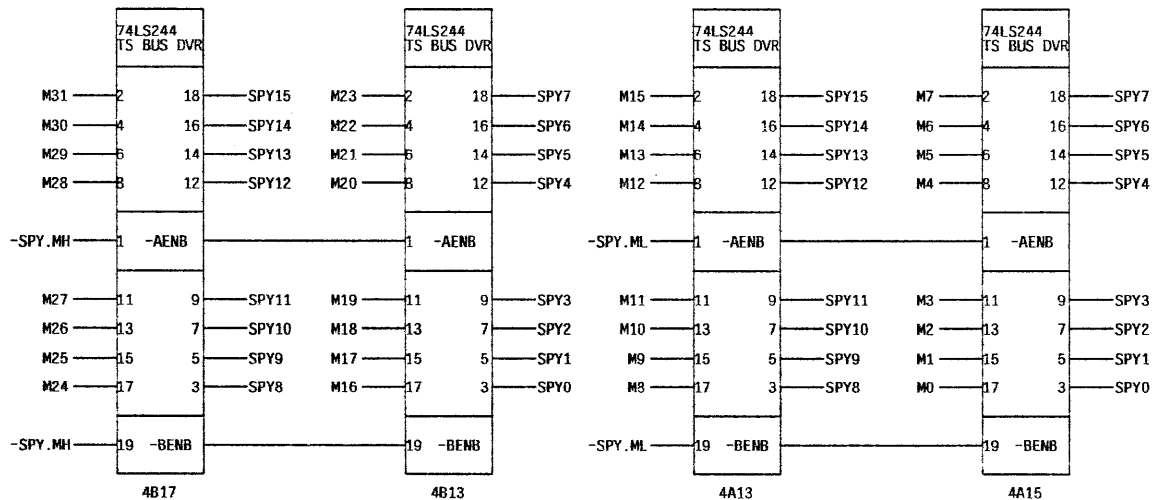
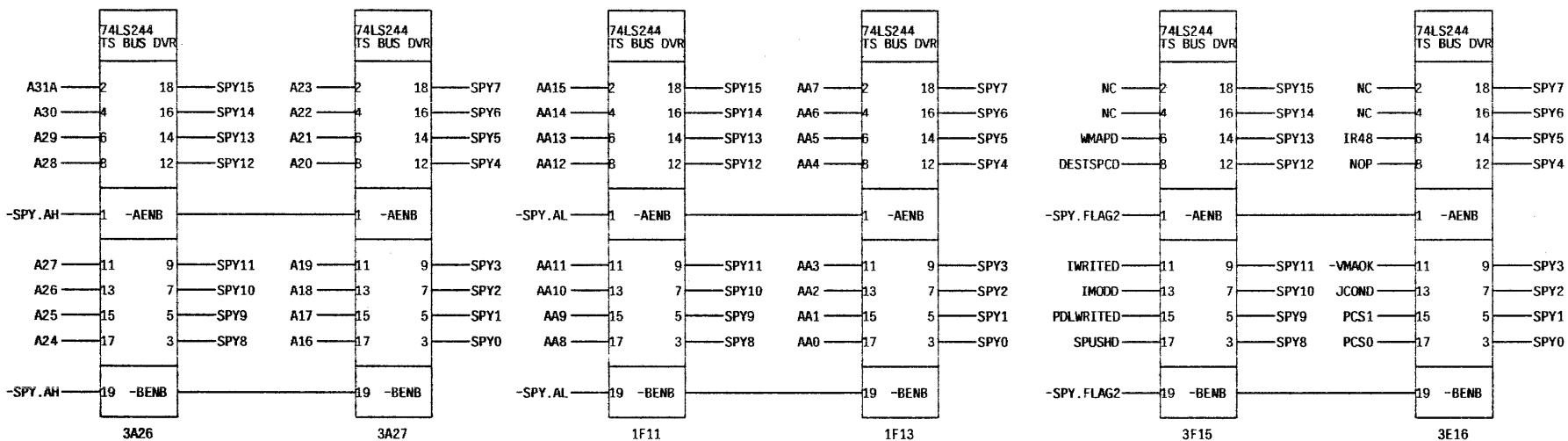
A PAIR OF 330 Ohm  
10 PIN SIPS  
BECKMAN 785-1-R330

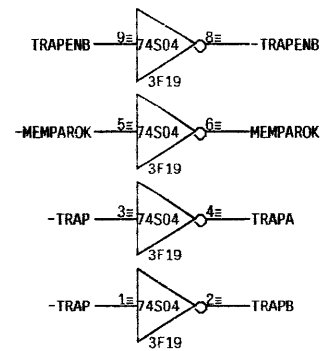
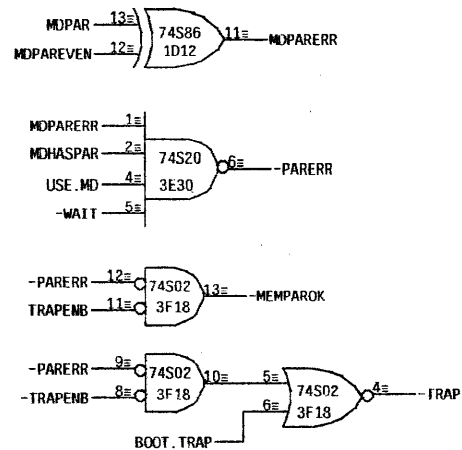
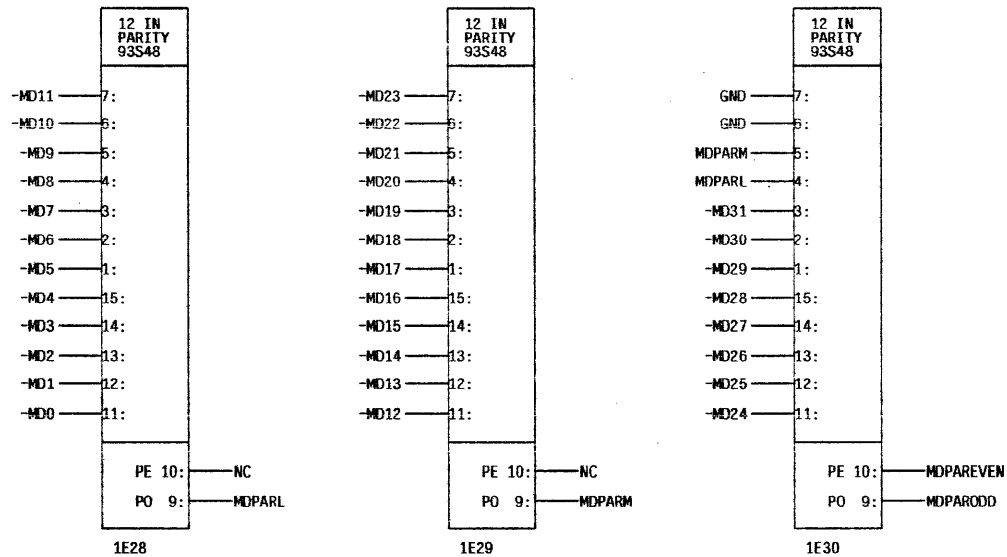




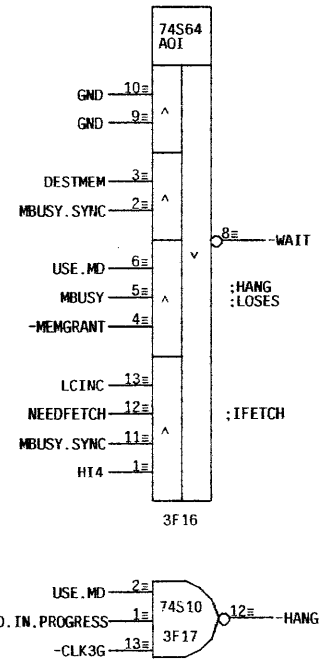
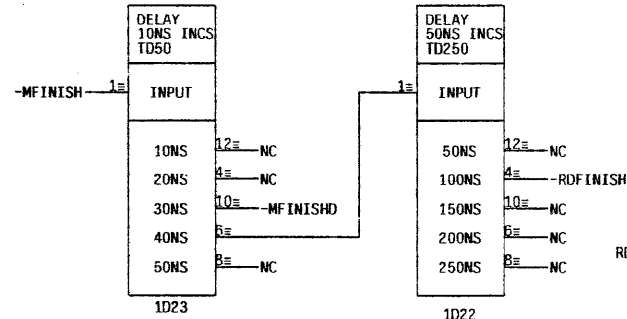
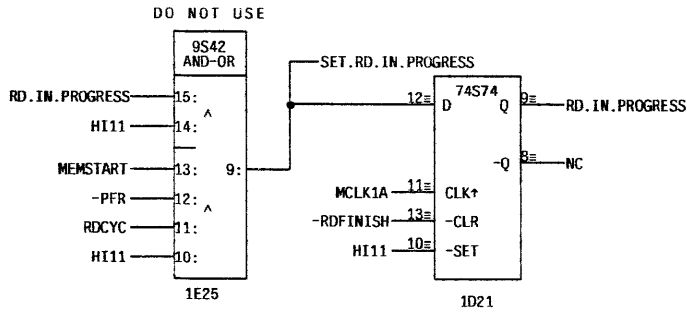
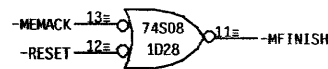
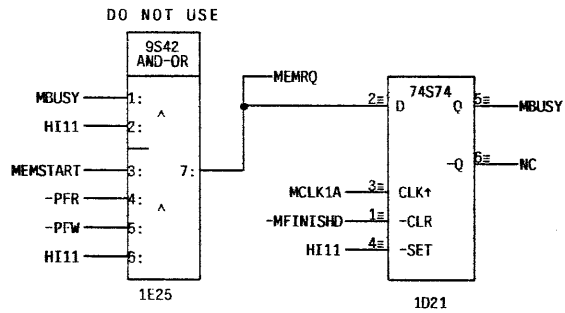
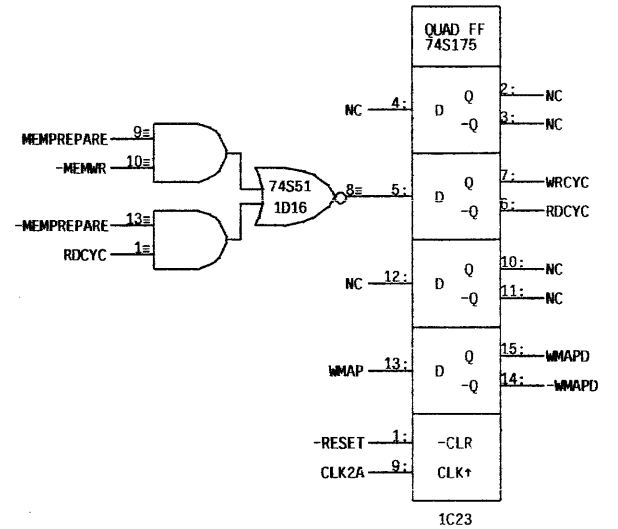
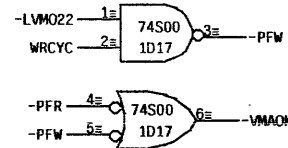
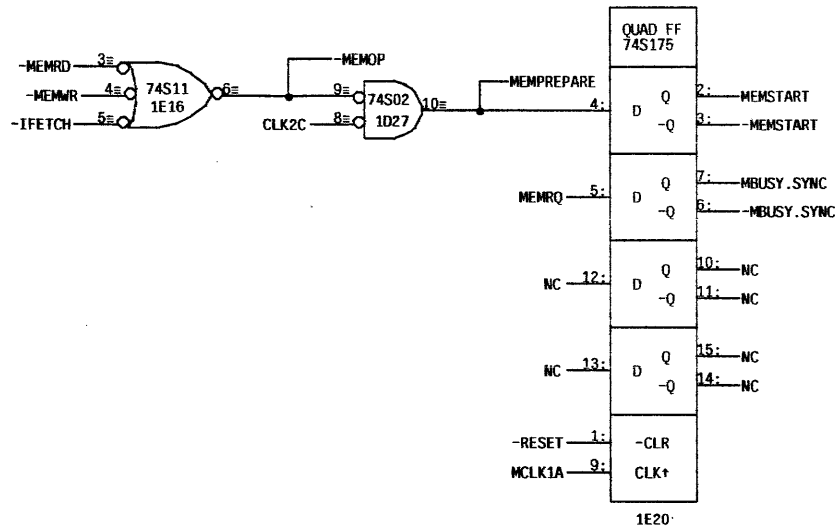


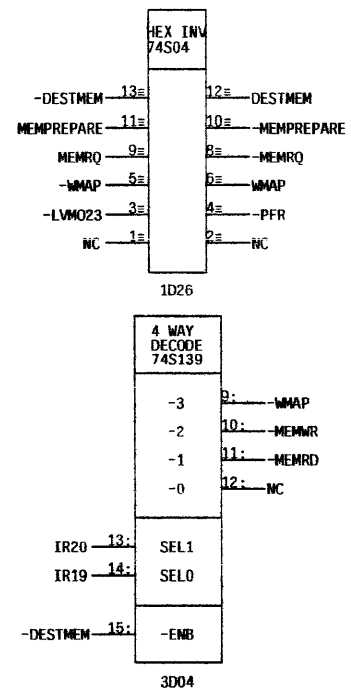
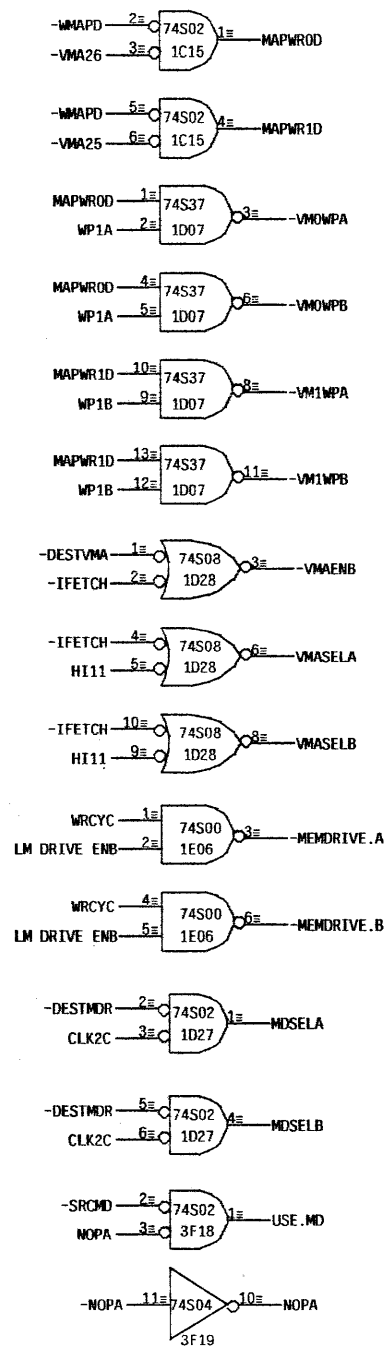


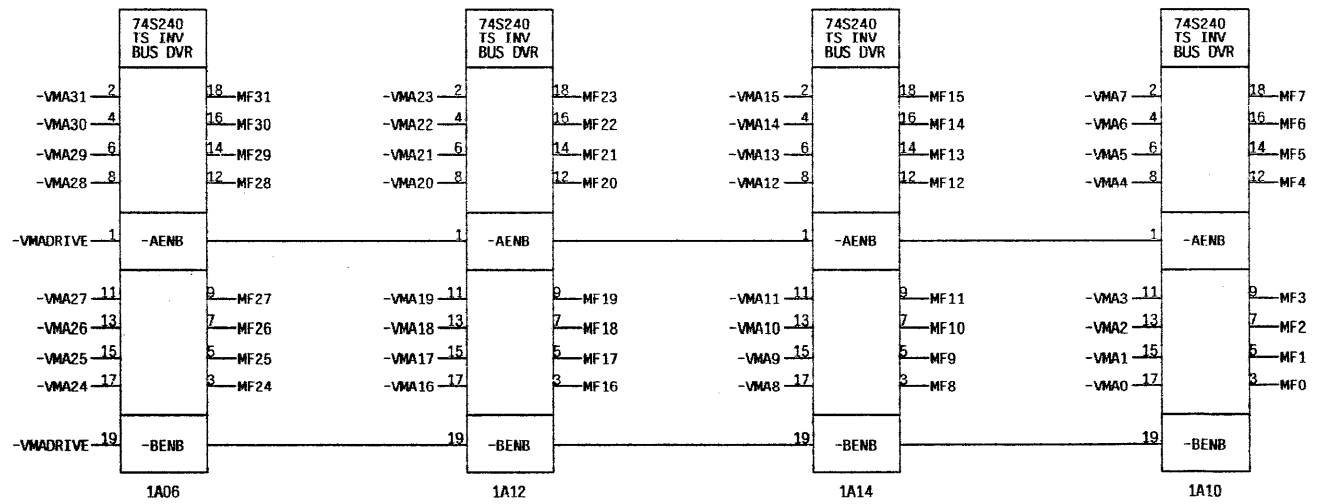
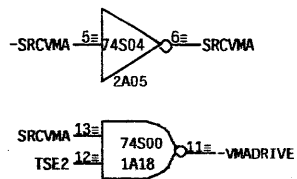
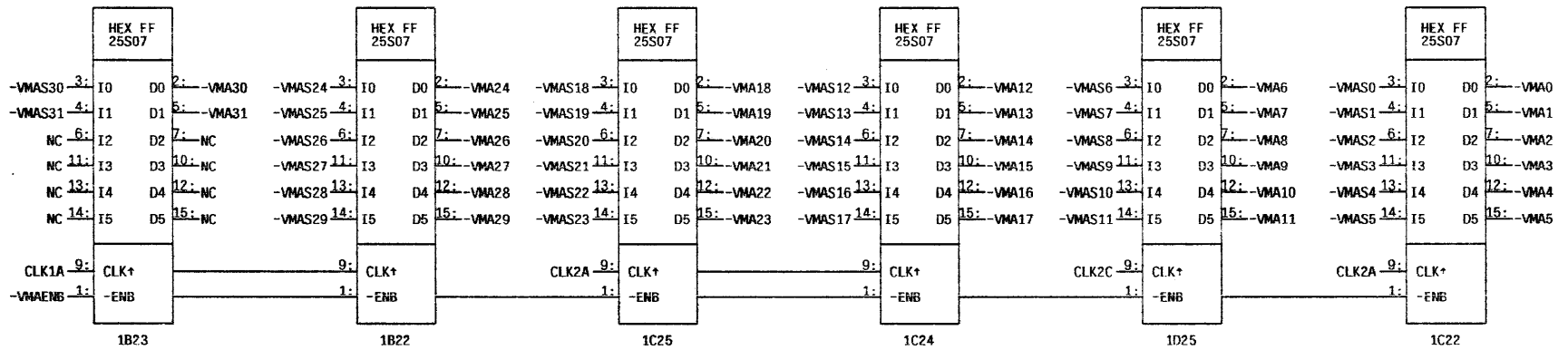


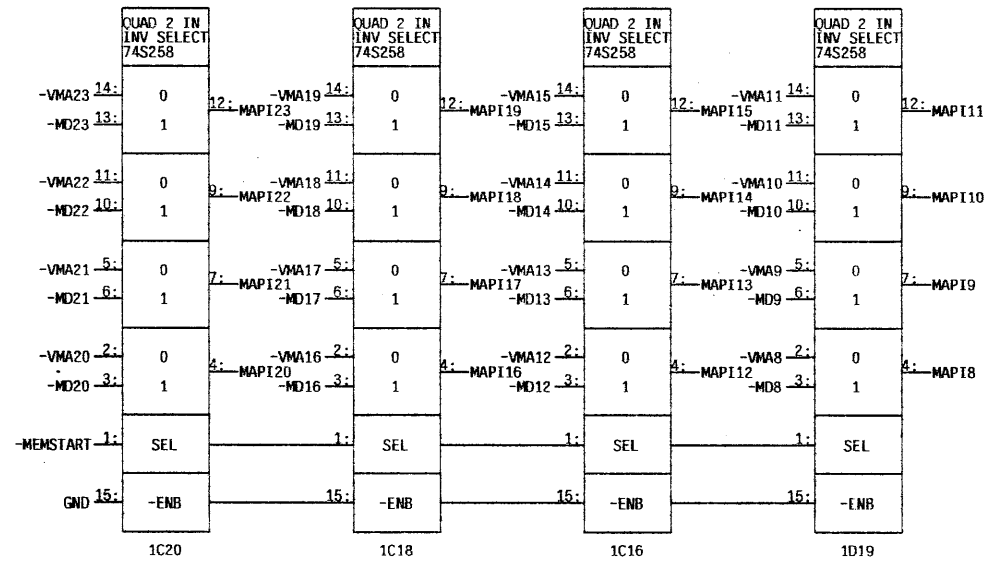
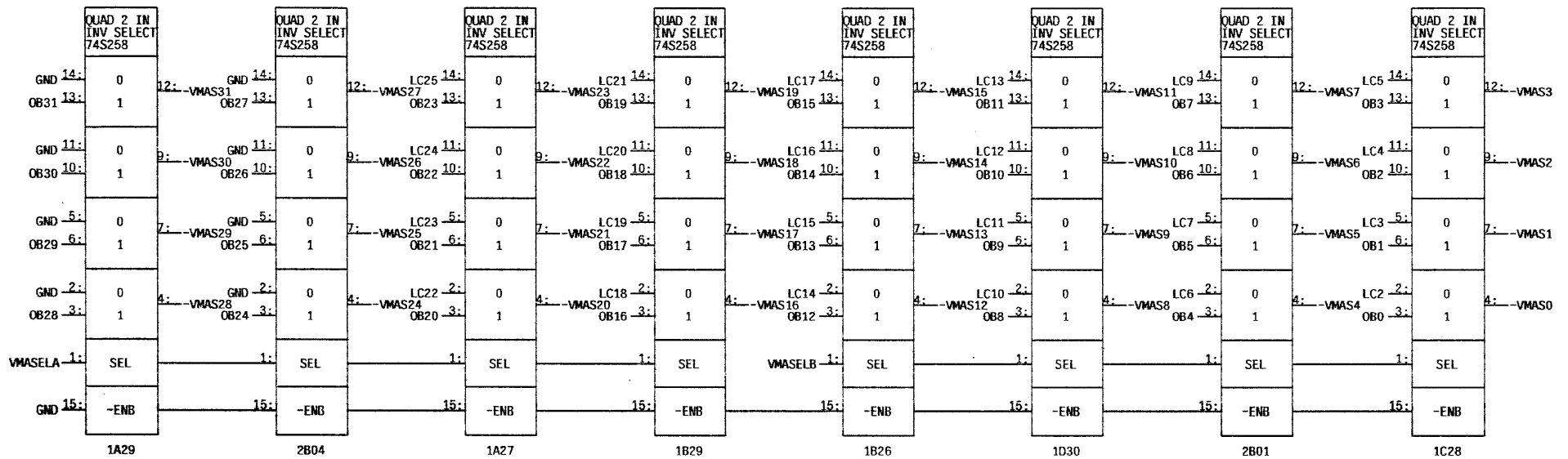


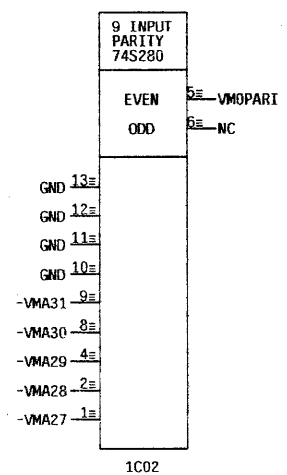
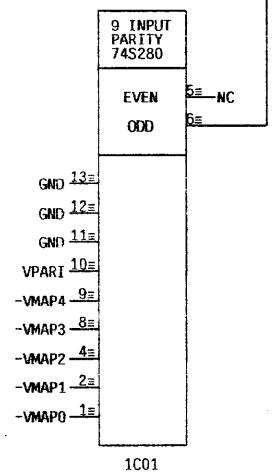
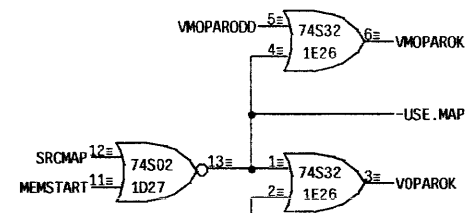
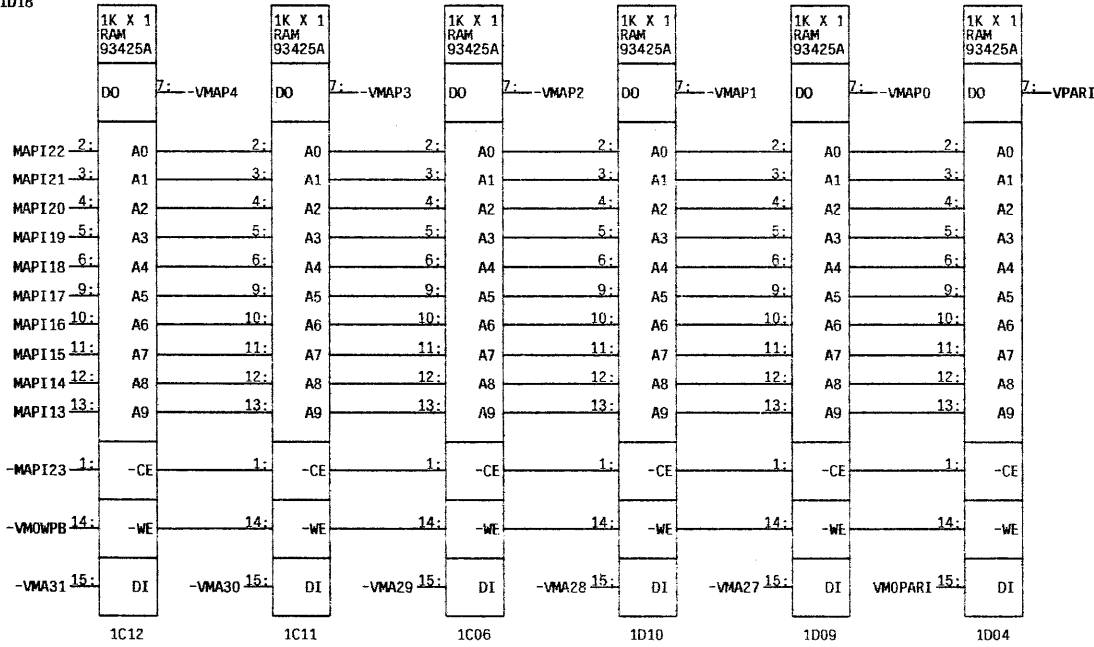
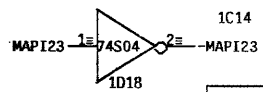
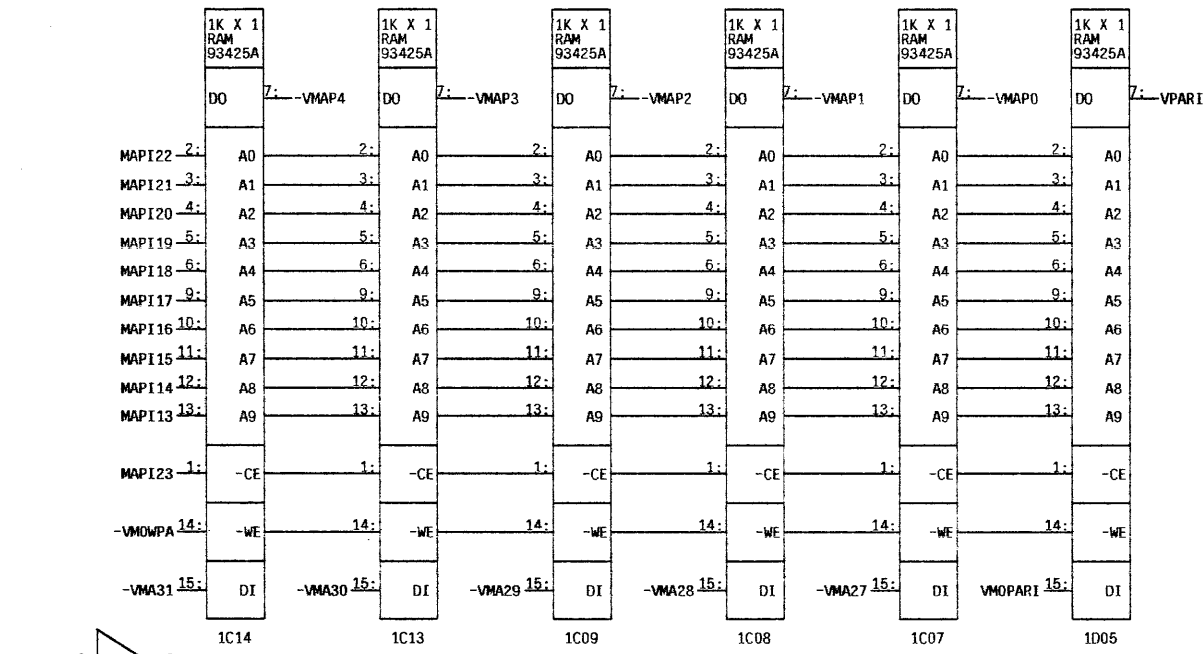


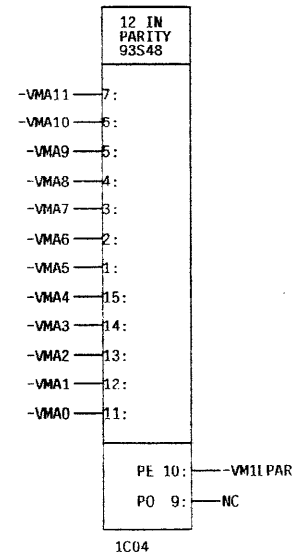
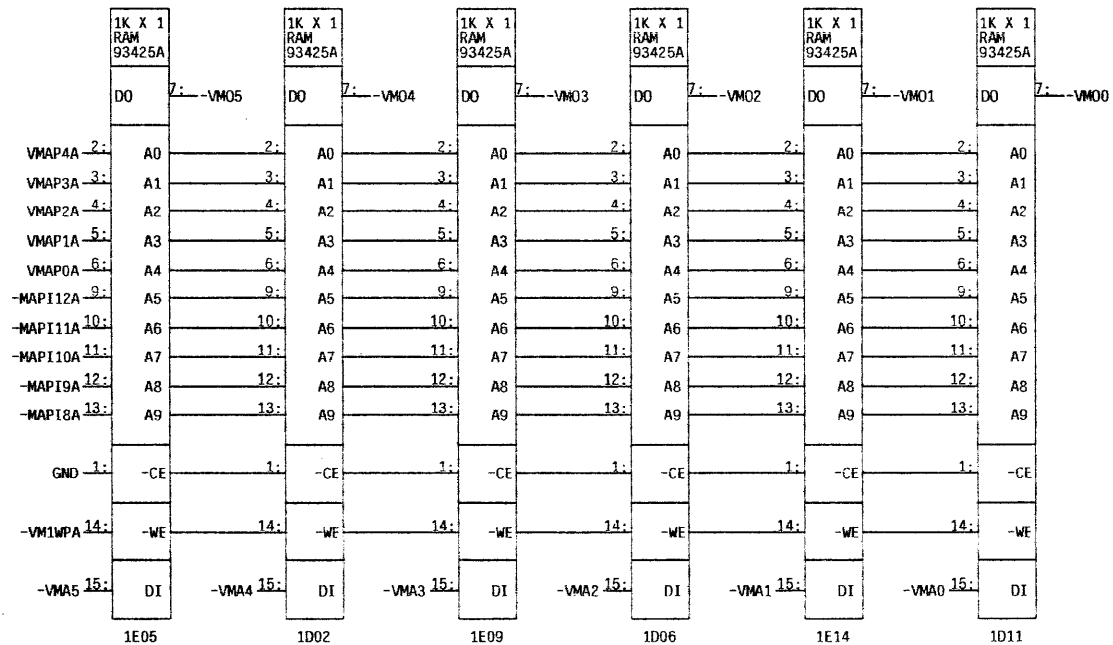
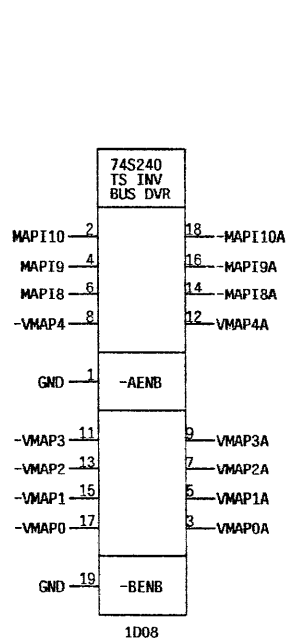
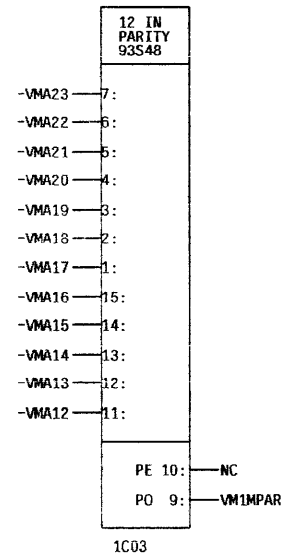
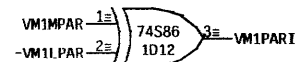
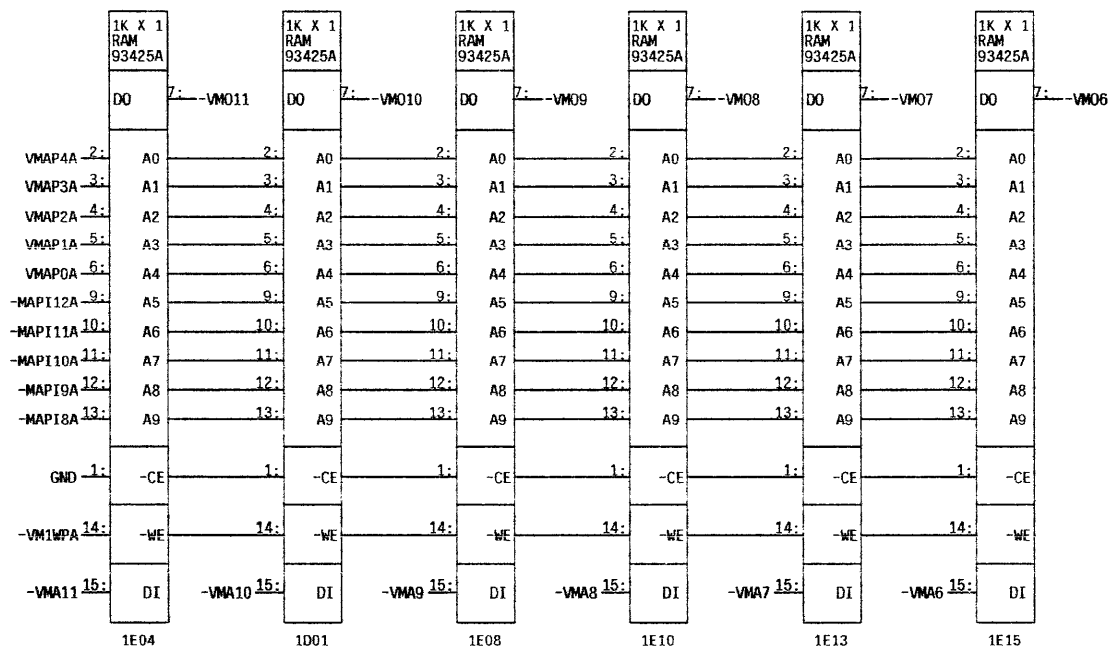
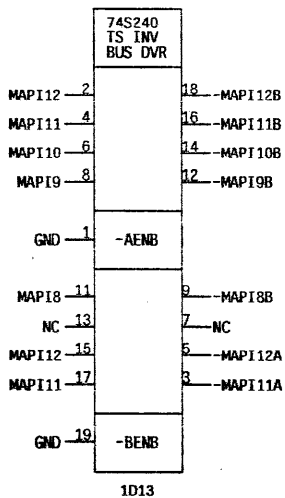


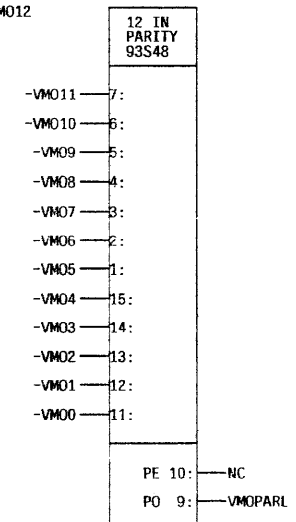
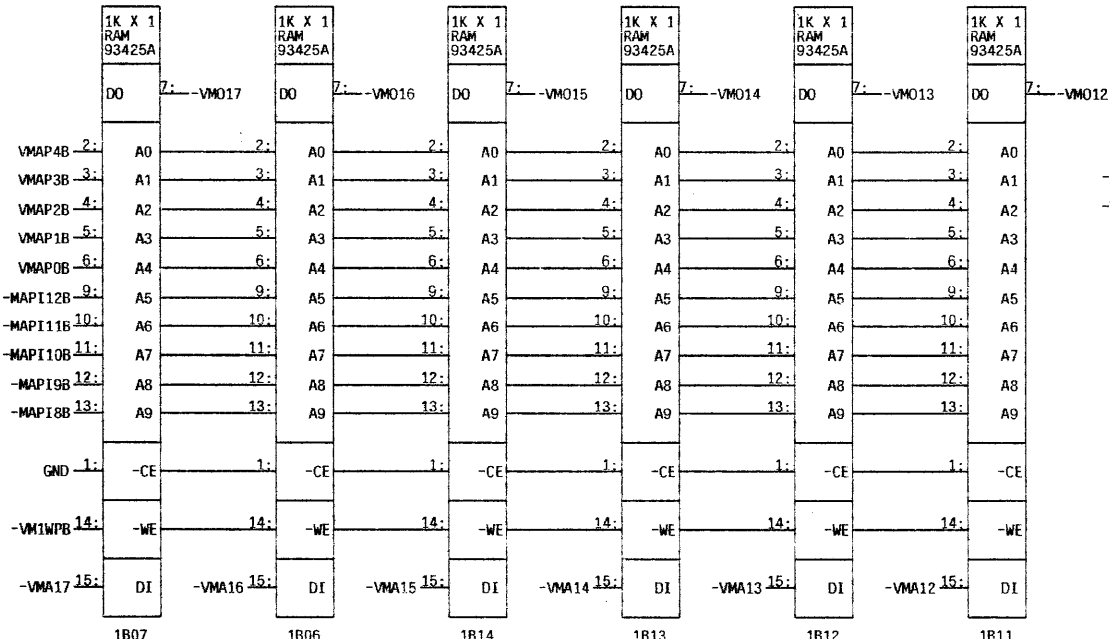
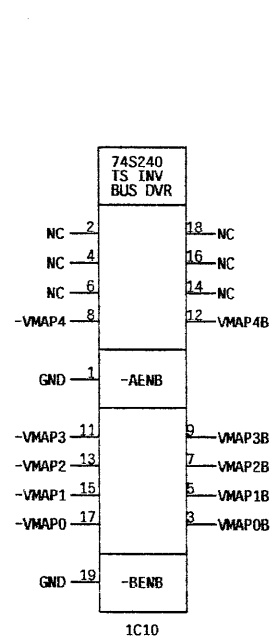
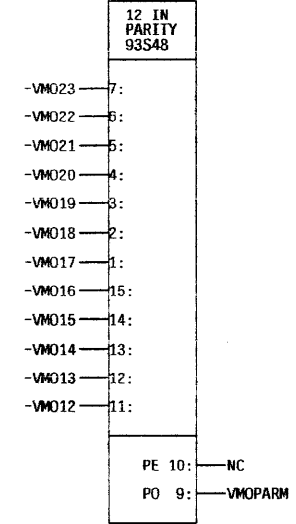
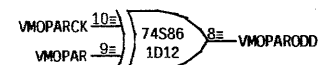
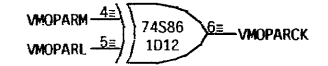
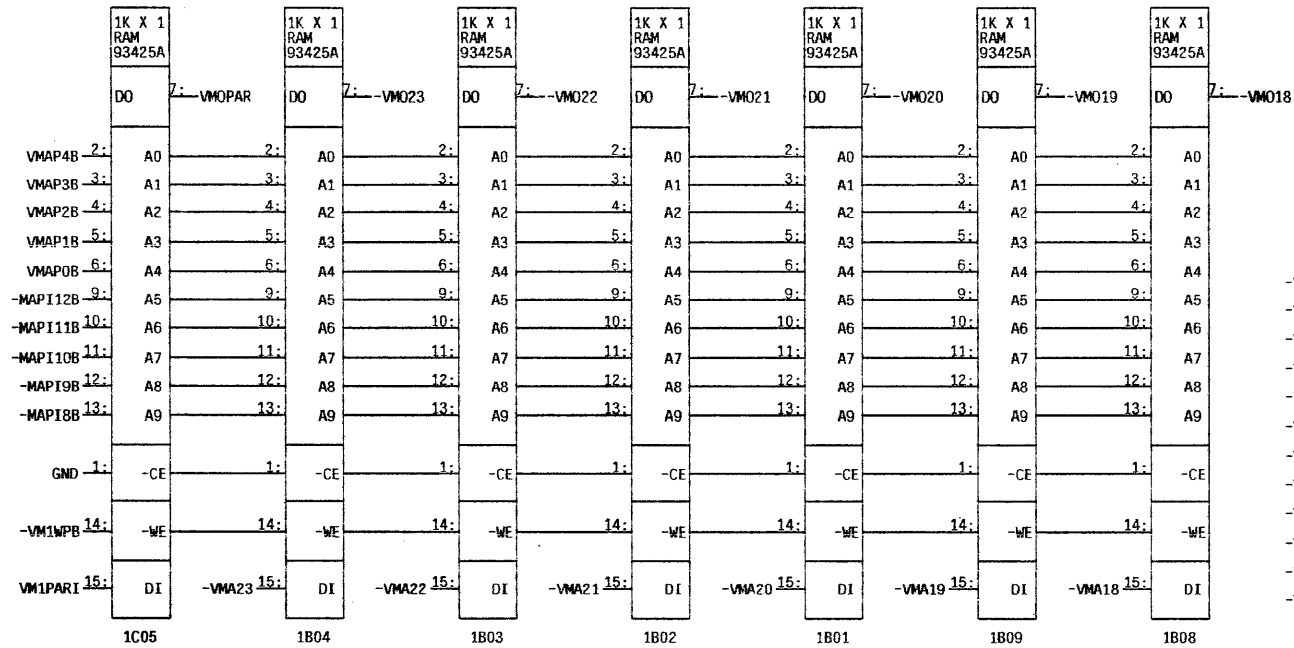


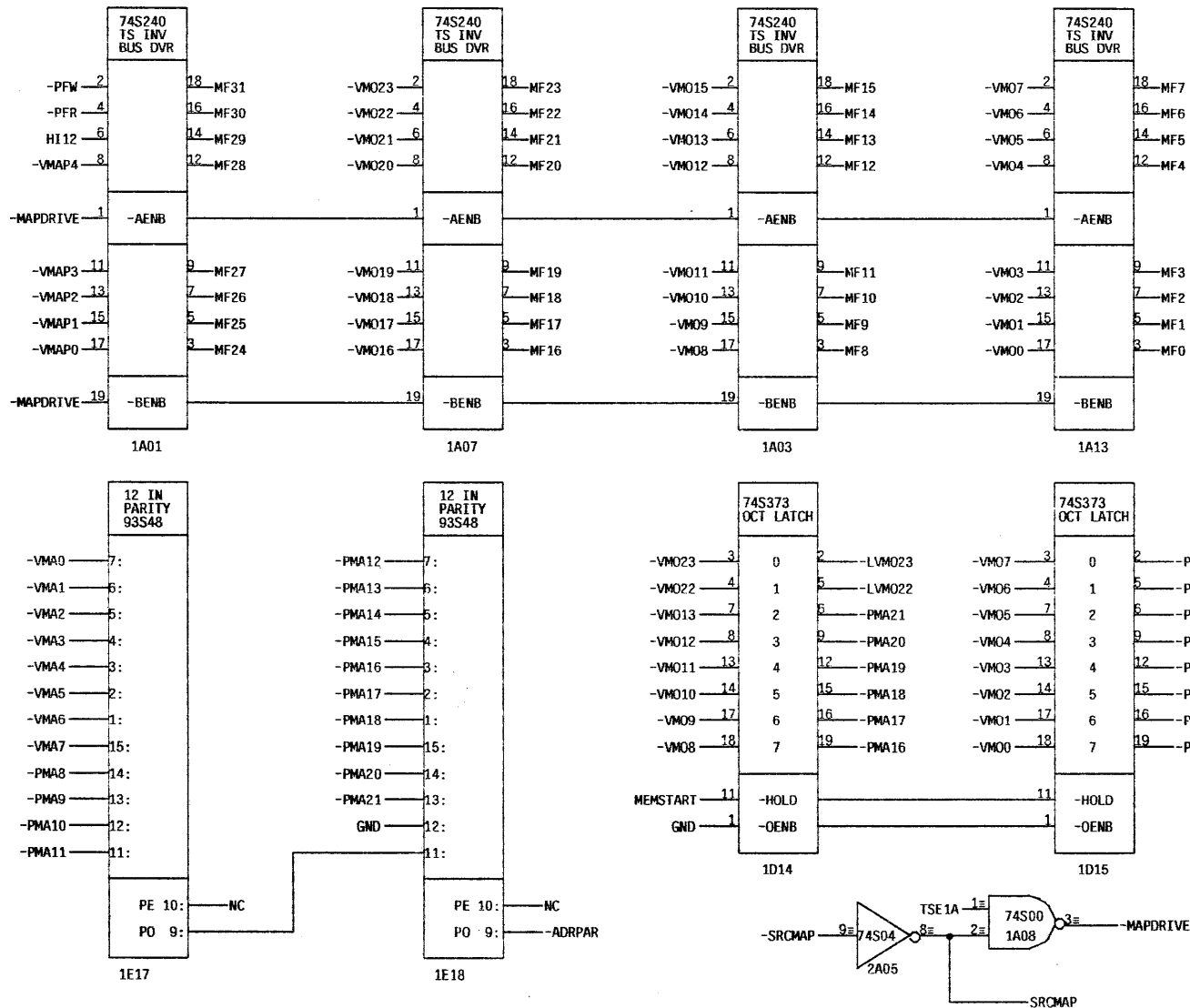




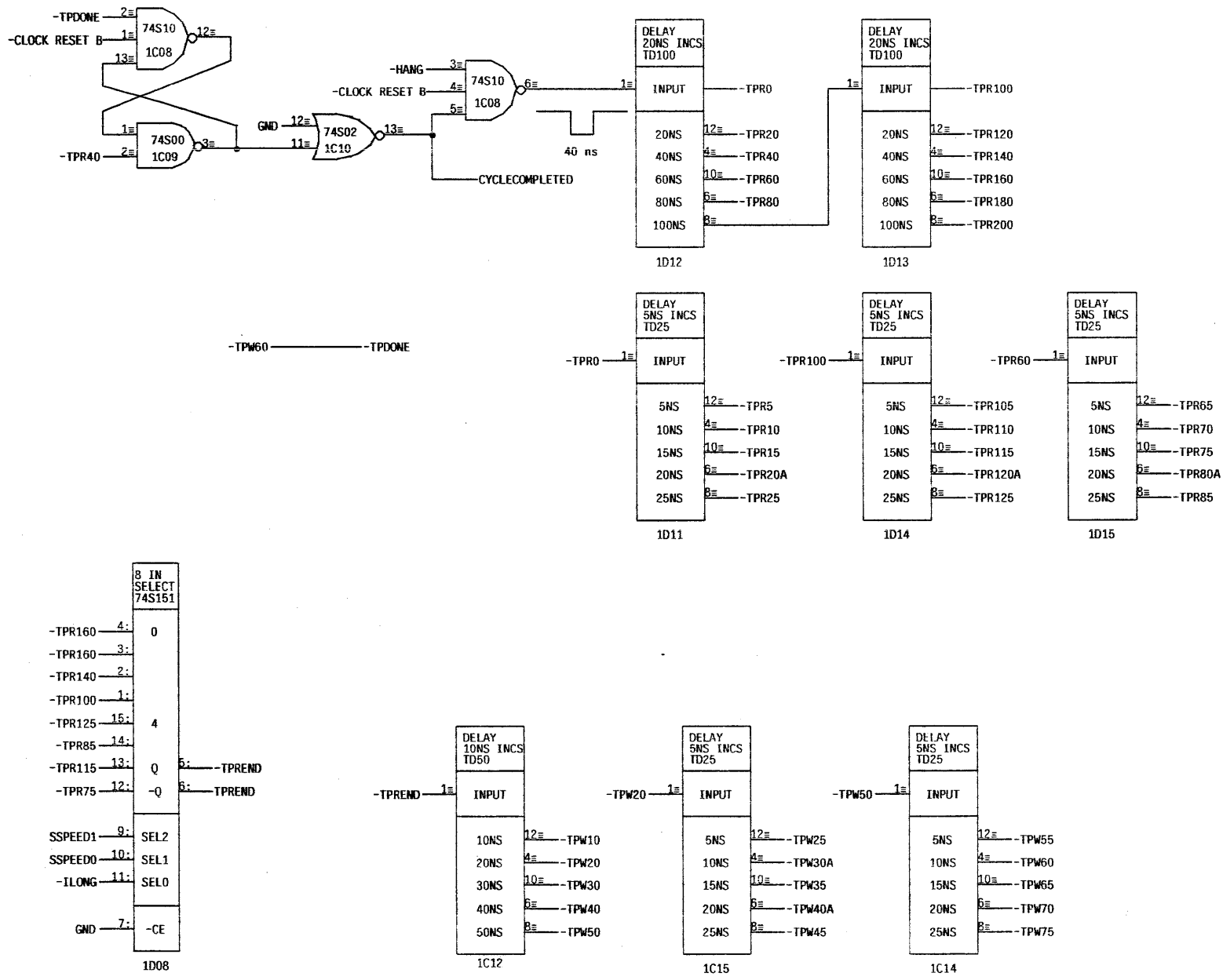


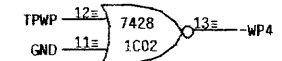
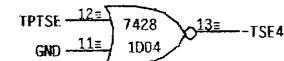
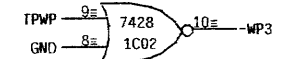
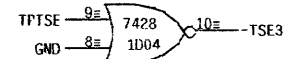
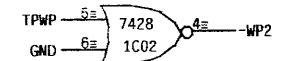
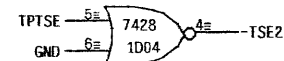
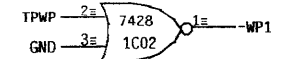
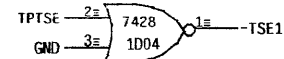
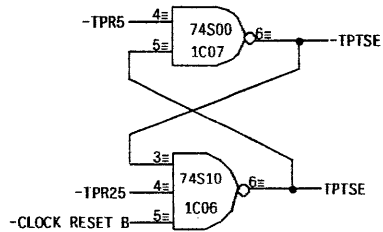
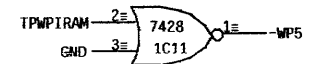
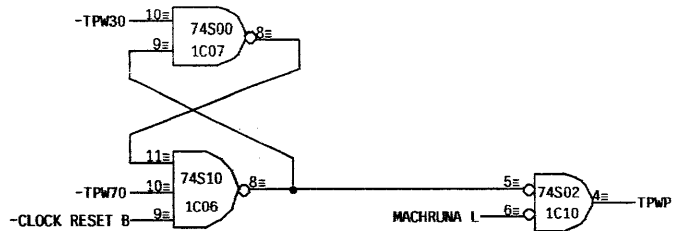
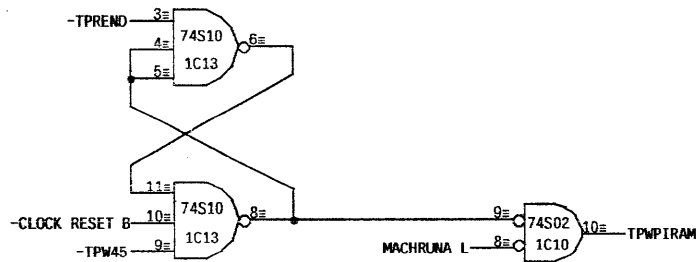
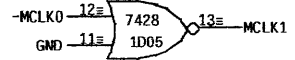
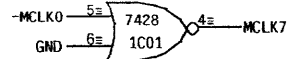
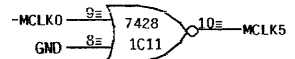
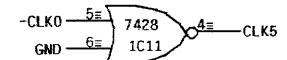
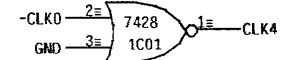
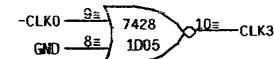
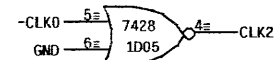
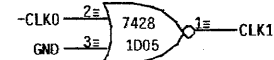
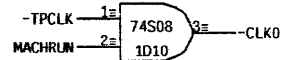
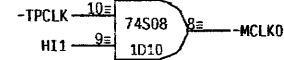
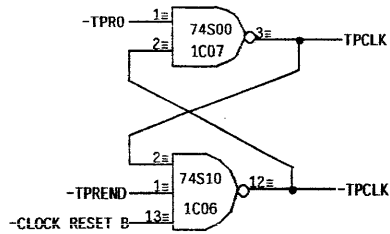


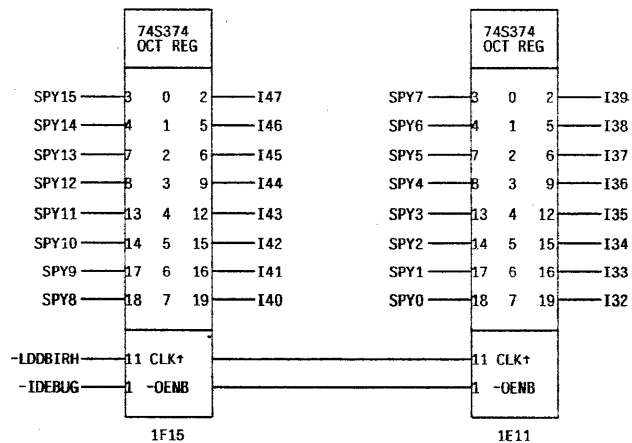
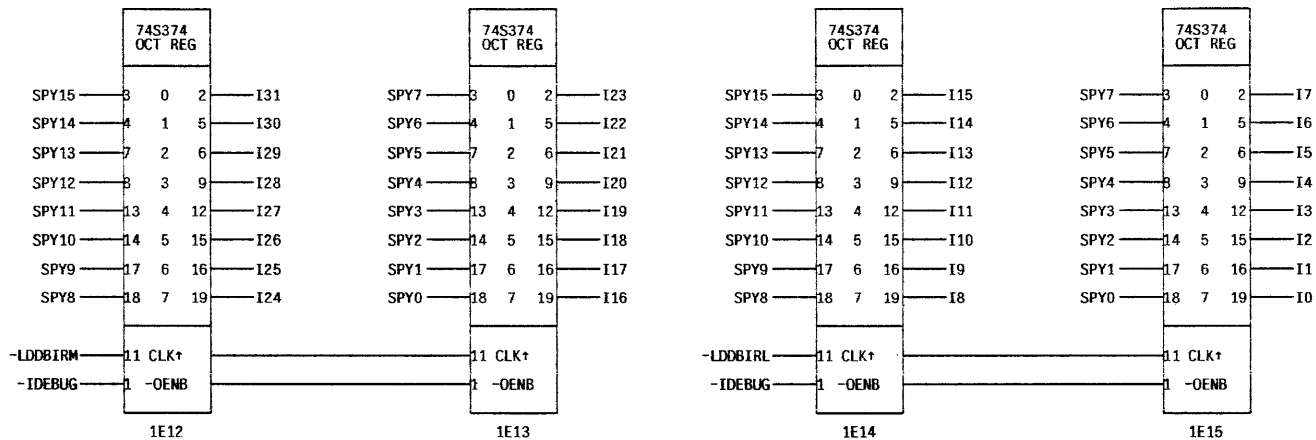


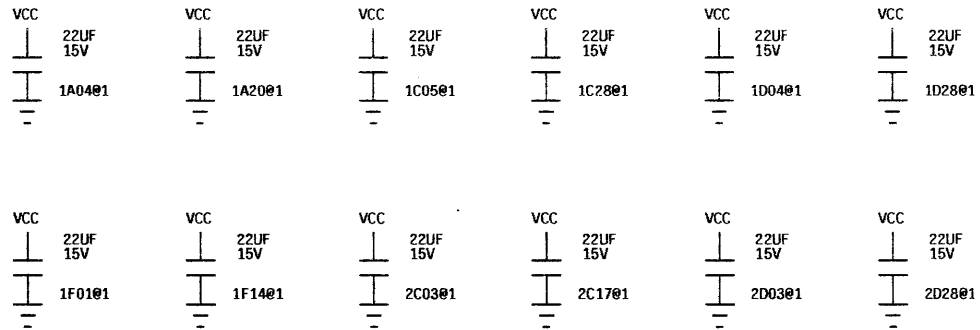


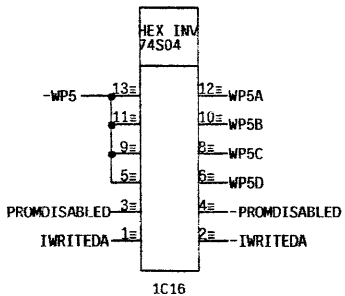
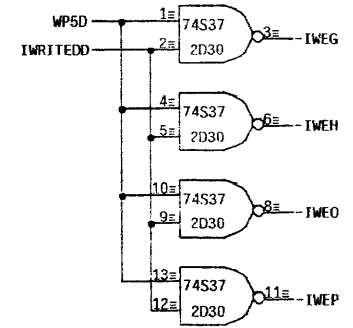
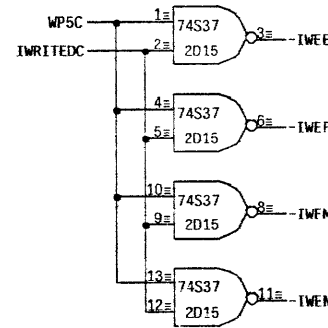
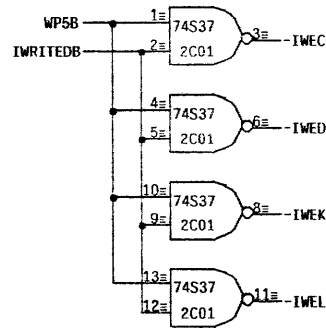
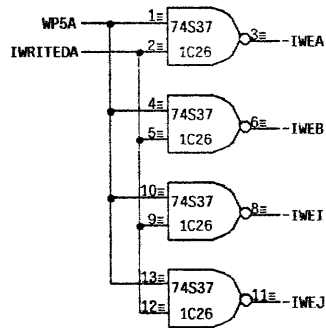
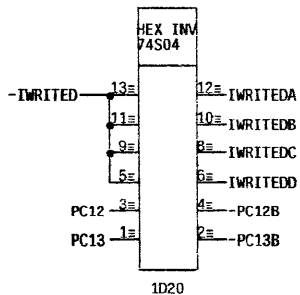
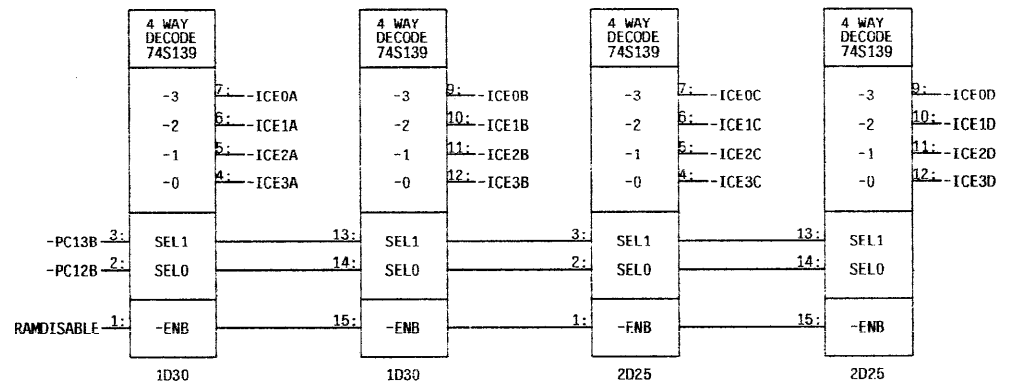
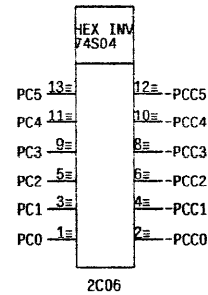
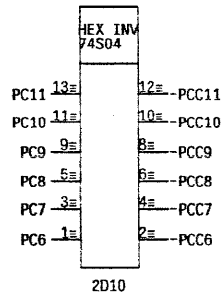
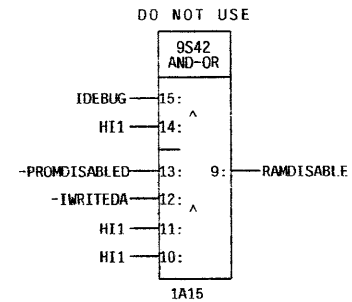
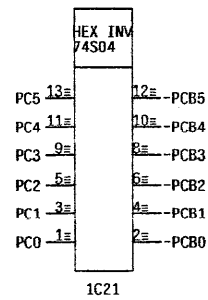
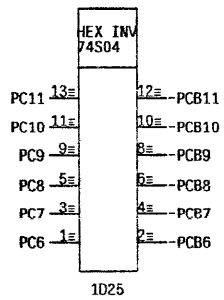


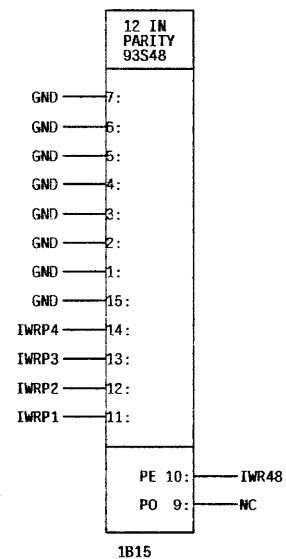
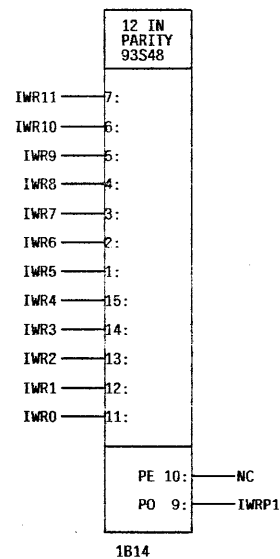
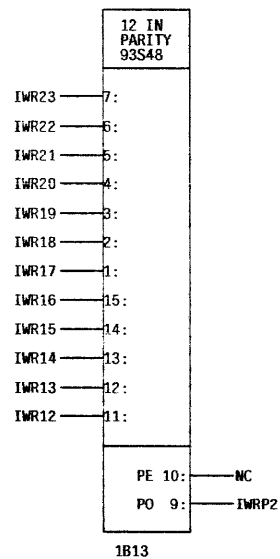
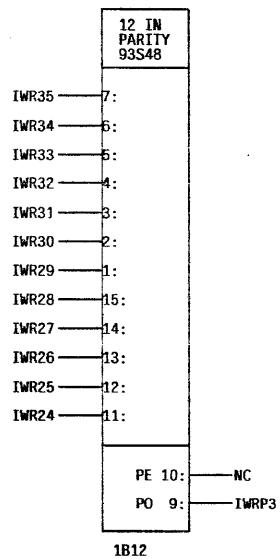
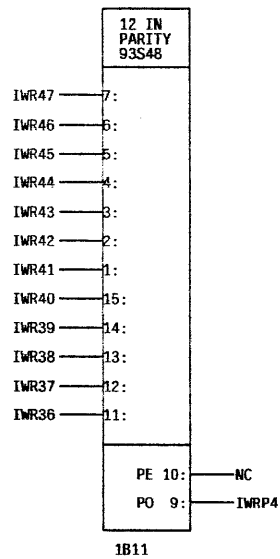












1AJ2-3 --- -BOOT2  
 1AJ2-4 --- -APE  
 1AJ2-5 --- -MPE  
 1AJ2-6 --- -PDLPE  
 1AJ2-7 --- -DPE  
 1AJ2-8 --- -IPE  
 1AJ2-9 --- -SPE  
 1AJ2-10 --- -HIGHERR  
 1AJ2-11 --- -MEMPE  
 1AJ2-12 --- -VOPE  
 1AJ2-13 --- -V1PE  
 1AJ2-14 --- -MACHRLN  
 1AJ2-15 --- NC  
 1AJ2-16 --- NC  
 1AJ2-17 --- NC  
 1AJ2-18 --- NC  
 1AJ2-19 --- NC  
 1AJ2-20 --- NC  
 1AJ2-21 --- NC  
 1AJ2-22 --- NC

TO LIGHT PANEL

1AJ1-1 --- GND  
 1AJ1-2 --- MCLK7  
 1AJ1-3 --- GND  
 1AJ1-4 --- GND  
 1AJ1-5 --- EADR0  
 1AJ1-6 --- EADR1  
 1AJ1-7 --- EADR2  
 1AJ1-8 --- EADR3  
 1AJ1-9 --- -DBREAD  
 1AJ1-10 --- -DBWRITE  
 1AJ1-11 --- -BUSINT.LM.RESET  
 1AJ1-12 --- -BOOT1  
 1AJ1-13 --- -BUS.RESET  
 1AJ1-14 --- LM DRIVE ENB  
 1AJ1-15 --- BUS.POWER.RESET L  
 1AJ1-16 --- NC  
 1AJ1-17 --- NC  
 1AJ1-18 --- NC  
 1AJ1-19 --- NC  
 1AJ1-20 --- NC

TO BUS INTERFACE  
J08

1FJ2-3 OPC0  
 1FJ2-4 OPC1  
 1FJ2-5 OPC2  
 1FJ2-6 OPC3  
 1FJ2-7 OPC4  
 1FJ2-8 OPC5  
 1FJ2-9 OPC6  
 1FJ2-10 OPC7  
 1FJ2-11 OPC8  
 1FJ2-12 OPC9  
 1FJ2-13 OPC10  
 1FJ2-14 OPC11  
 1FJ2-15 OPC12  
 1FJ2-16 OPC13  
 1FJ2-17 -SPY.AL  
 1FJ2-18 -UPPERHIGHOK  
 1FJ2-19 -VMOPAROK  
 1FJ2-20 -VOPAROK  
 1FJ2-21 -LM DRIVE ENB  
 1FJ2-22 -NC

1CJ2-3 I10  
 1CJ2-4 I11  
 1CJ2-5 I12  
 1CJ2-6 I13  
 1CJ2-7 I14  
 1CJ2-8 I15  
 1CJ2-9 I16  
 1CJ2-10 I17  
 1CJ2-11 I18  
 1CJ2-12 I19  
 1CJ2-13 I110  
 1CJ2-14 I111  
 1CJ2-15 I112  
 1CJ2-16 I113  
 1CJ2-17 I114  
 1CJ2-18 I115  
 1CJ2-19 -SPY.OBL  
 1CJ2-20 -SPY.OBH  
 1CJ2-21 -HALT  
 1CJ2-22 -NC

1DJ2-3 I116  
 1DJ2-4 I117  
 1DJ2-5 I118  
 1DJ2-6 I119  
 1DJ2-7 I120  
 1DJ2-8 I121  
 1DJ2-9 I122  
 1DJ2-10 I123  
 1DJ2-11 I124  
 1DJ2-12 I125  
 1DJ2-13 I126  
 1DJ2-14 I127  
 1DJ2-15 I128  
 1DJ2-16 I129  
 1DJ2-17 I130  
 1DJ2-18 I131  
 1DJ2-19 -SPY.IRL  
 1DJ2-20 -SPY.IRM  
 1DJ2-21 -SPY.IRH  
 1DJ2-22 -DPAROK

1EJ2-3 I132  
 1EJ2-4 I133  
 1EJ2-5 I134  
 1EJ2-6 I135  
 1EJ2-7 I136  
 1EJ2-8 I137  
 1EJ2-9 I138  
 1EJ2-10 I139  
 1EJ2-11 I140  
 1EJ2-12 I141  
 1EJ2-13 I142  
 1EJ2-14 I143  
 1EJ2-15 I144  
 1EJ2-16 I145  
 1EJ2-17 I146  
 1EJ2-18 I147  
 1EJ2-19 I148  
 1EJ2-20 -SPY.FLAG2  
 1EJ2-21 -NOP11  
 1EJ2-22 -PROG.BUS.RESET

1EJ1-1 IWR32  
 1EJ1-2 IWR33  
 1EJ1-3 IWR34  
 1EJ1-4 IWR35  
 1EJ1-5 IWR36  
 1EJ1-6 IWR37  
 1EJ1-7 IWR38  
 1EJ1-8 IWR39  
 1EJ1-9 IWR40  
 1EJ1-10 IWR41  
 1EJ1-11 IWR42  
 1EJ1-12 IWR43  
 1EJ1-13 IWR44  
 1EJ1-14 IWR45  
 1EJ1-15 IWR46  
 1EJ1-16 IWR47  
 1EJ1-17 -STATBIT  
 1EJ1-18 -ILONG  
 1EJ1-19 -NC  
 1EJ1-20 -NC

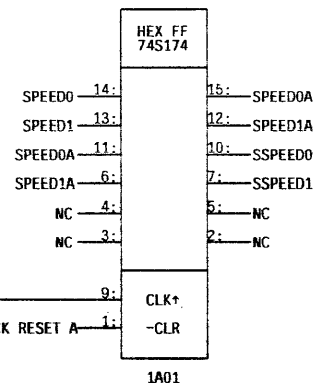
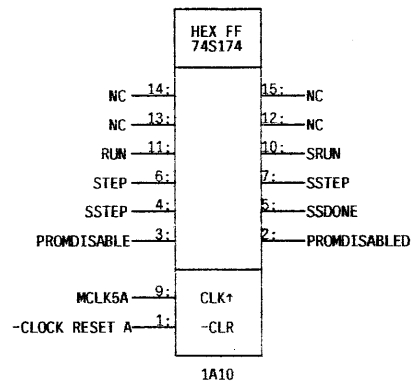
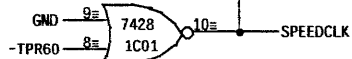
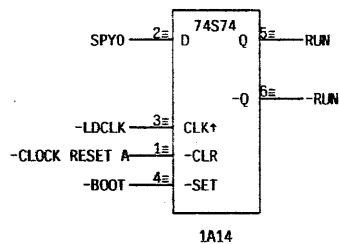
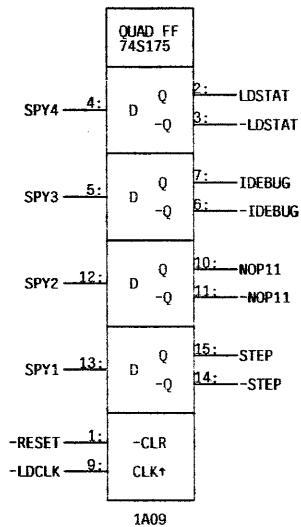
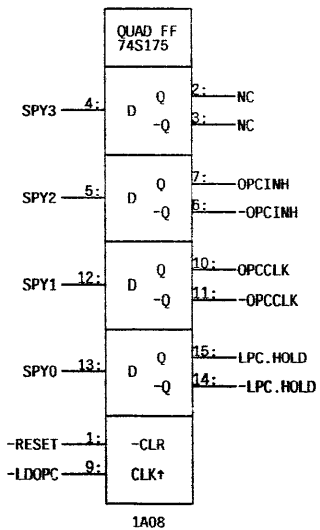
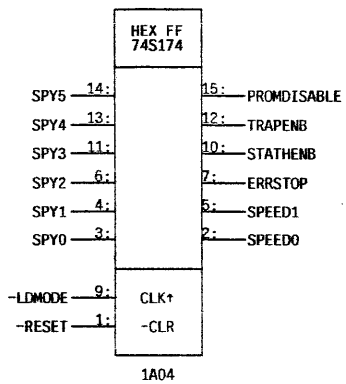
1BJ1-1 IWR20  
 1BJ1-2 IWR21  
 1BJ1-3 IWR22  
 1BJ1-4 IWR23  
 1BJ1-5 IWR24  
 1BJ1-6 IWR25  
 1BJ1-7 IWR26  
 1BJ1-8 IWR27  
 1BJ1-9 IWR28  
 1BJ1-10 IWR29  
 1BJ1-11 IWR30  
 1BJ1-12 IWR31  
 1BJ1-13 -SPY.ML  
 1BJ1-14 -SPY.MH  
 1BJ1-15 -MMEMPAROK  
 1BJ1-16 -PDL.PAROK  
 1BJ1-17 -APAROK  
 1BJ1-18 -SPY.AH  
 1BJ1-19 -NC  
 1BJ1-20 -NC

1CJ1-1 IWR0  
 1CJ1-2 IWR1  
 1CJ1-3 IWR2  
 1CJ1-4 IWR3  
 1CJ1-5 IWR4  
 1CJ1-6 IWR5  
 1CJ1-7 IWR6  
 1CJ1-8 IWR7  
 1CJ1-9 IWR8  
 1CJ1-10 IWR9  
 1CJ1-11 IWR10  
 1CJ1-12 IWR11  
 1CJ1-13 IWR12  
 1CJ1-14 IWR13  
 1CJ1-15 IWR14  
 1CJ1-16 IWR15  
 1CJ1-17 IWR16  
 1CJ1-18 IWR17  
 1CJ1-19 IWR18  
 1CJ1-20 IWR19

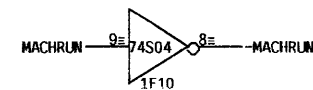
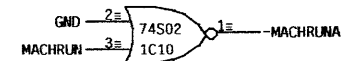
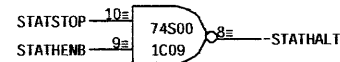
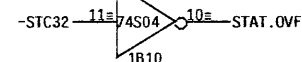
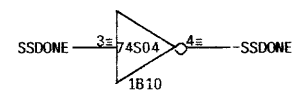
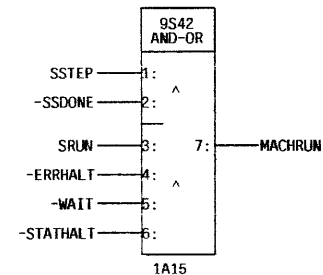
1EJ1-1 PC0  
 1EJ1-2 PC1  
 1EJ1-3 PC2  
 1EJ1-4 PC3  
 1EJ1-5 PC4  
 1EJ1-6 PC5  
 1EJ1-7 PC6  
 1EJ1-8 PC7  
 1EJ1-9 PC8  
 1EJ1-10 PC9  
 1EJ1-11 PC10  
 1EJ1-12 PC11  
 1EJ1-13 PC12  
 1EJ1-14 PC13  
 1EJ1-15 -TRAPENB  
 1EJ1-16 -IWRITED  
 1EJ1-17 -IDEBUG  
 1EJ1-18 -LPC.HOLD  
 1EJ1-19 -SPCPAROK  
 1EJ1-20 -IPAROK

1BJ1-1 -SPY0  
 1BJ1-2 -SPY1  
 1BJ1-3 -SPY2  
 1BJ1-4 -SPY3  
 1BJ1-5 -SPY4  
 1BJ1-6 -SPY5  
 1BJ1-7 -SPY6  
 1BJ1-8 -SPY7  
 1BJ1-9 -SPY8  
 1BJ1-10 -SPY9  
 1BJ1-11 -SPY10  
 1BJ1-12 -SPY11  
 1BJ1-13 -SPY12  
 1BJ1-14 -SPY13  
 1BJ1-15 -SPY14  
 1BJ1-16 -SPY15  
 1BJ1-17 -WALT  
 1BJ1-18 -HANG  
 1BJ1-19 -BOOT.TRAP  
 1BJ1-20 -MEMPAROK

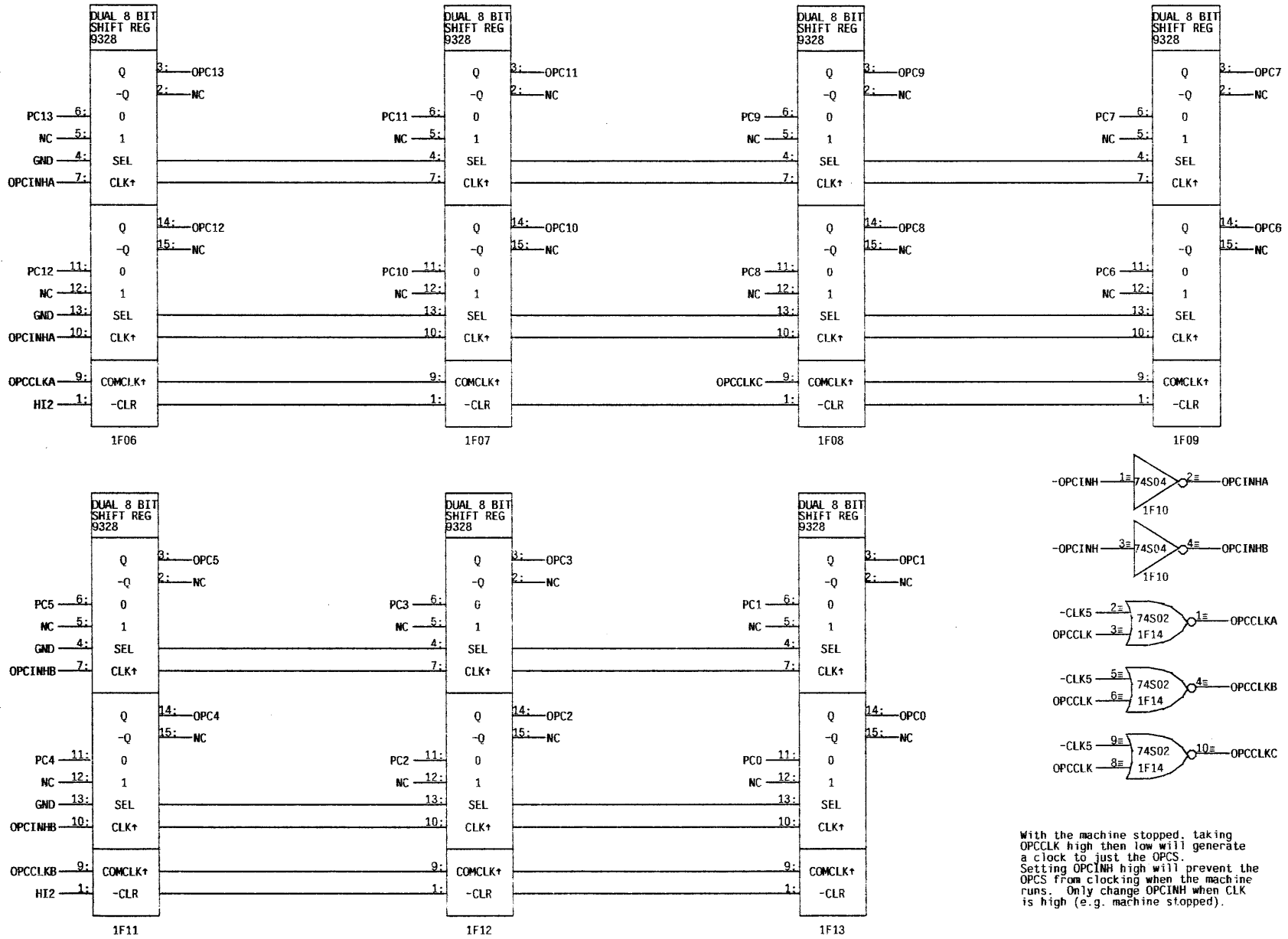




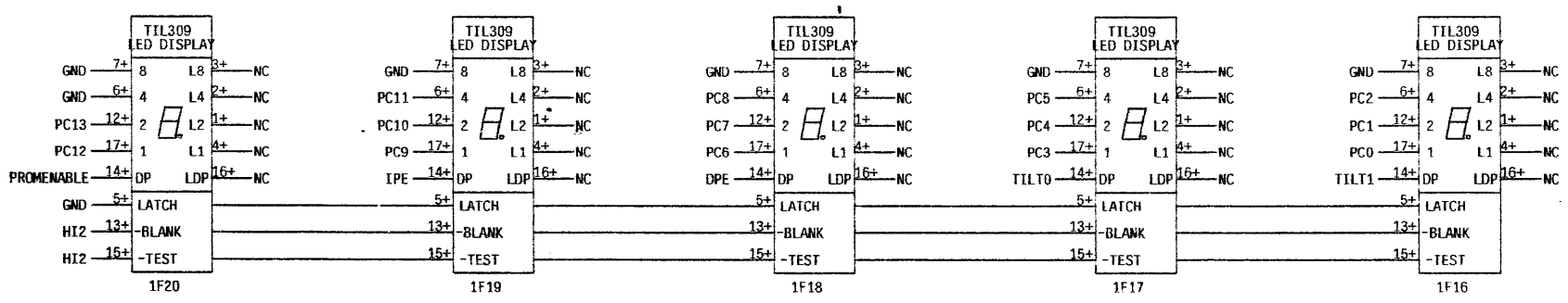
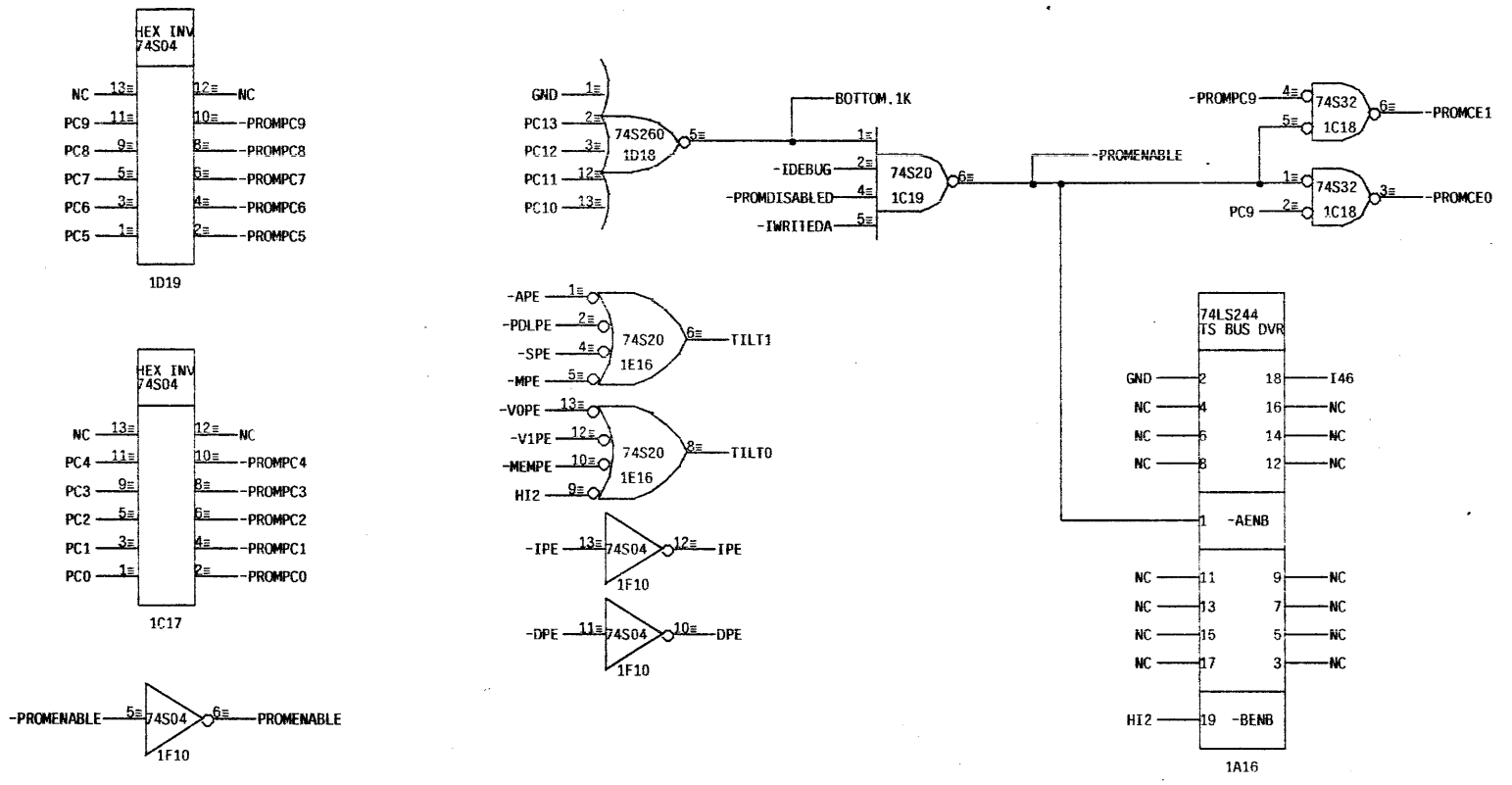
DO NOT USE

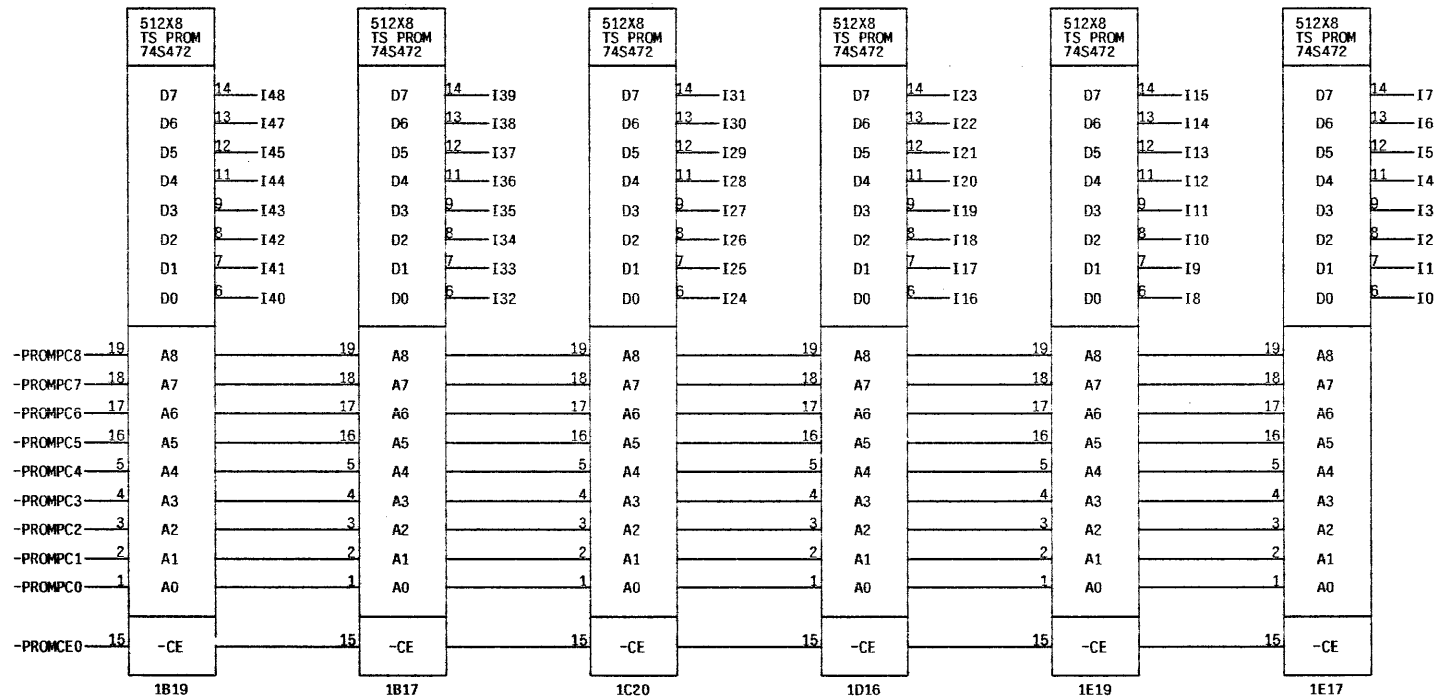


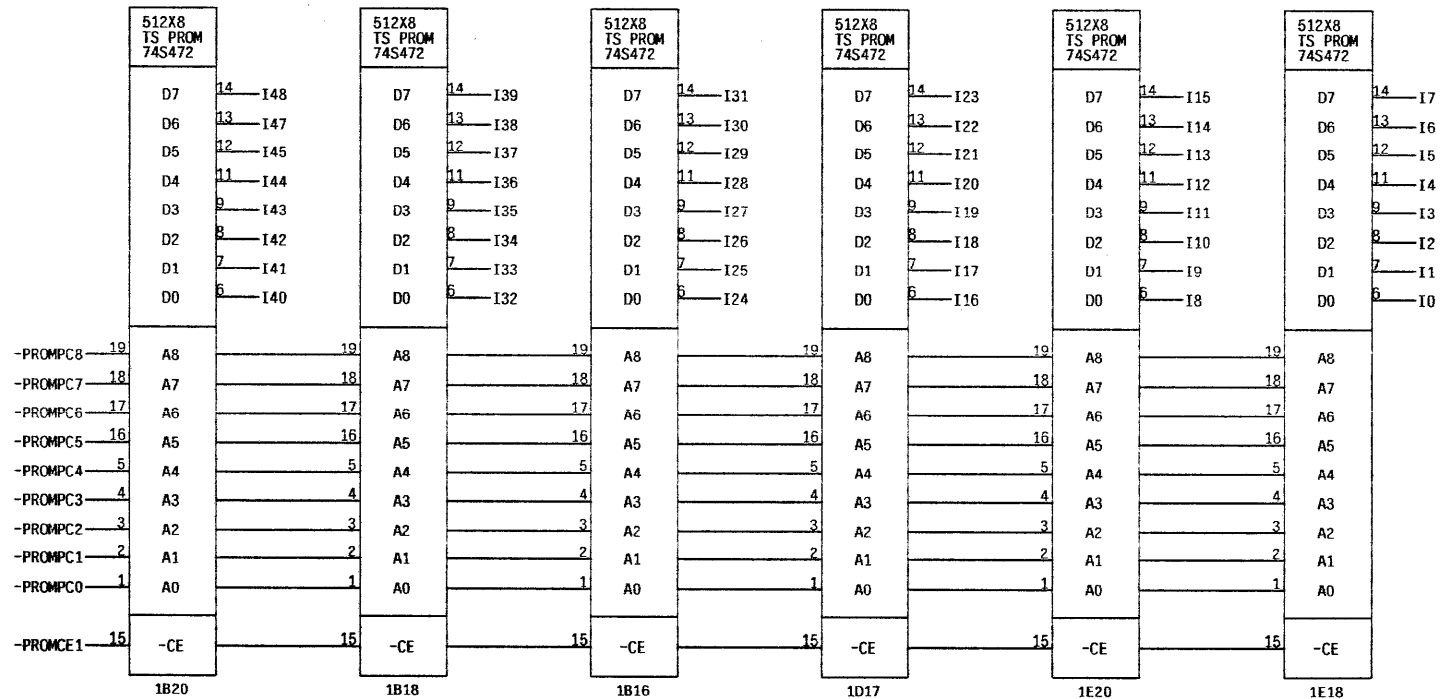


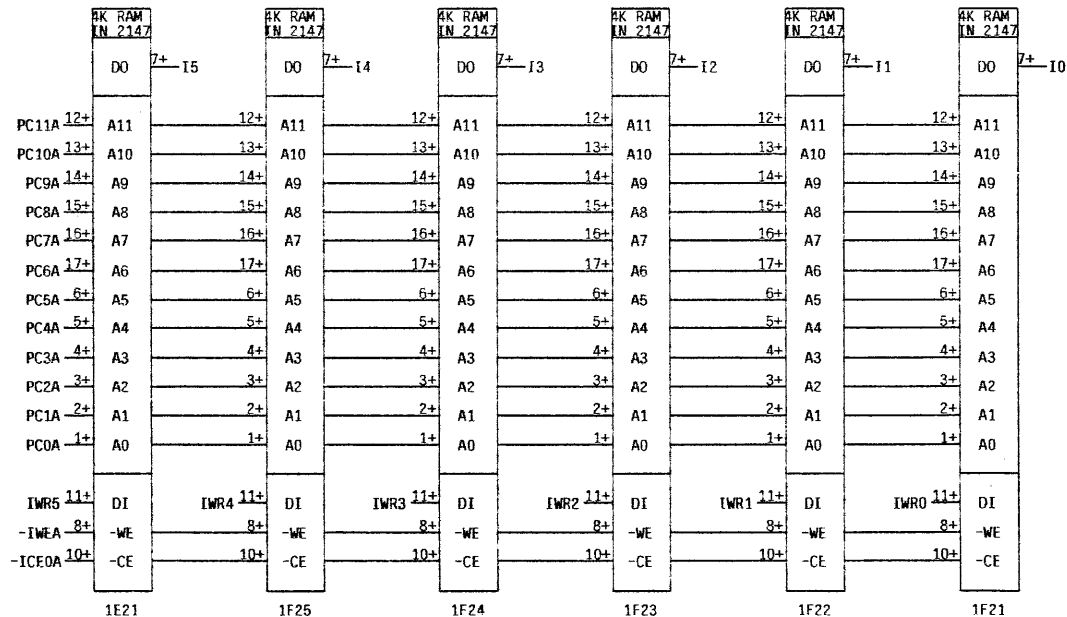
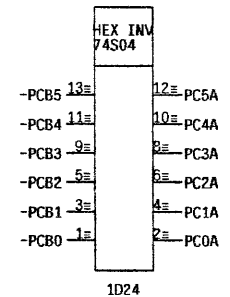
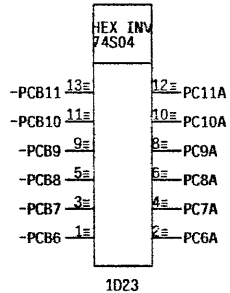
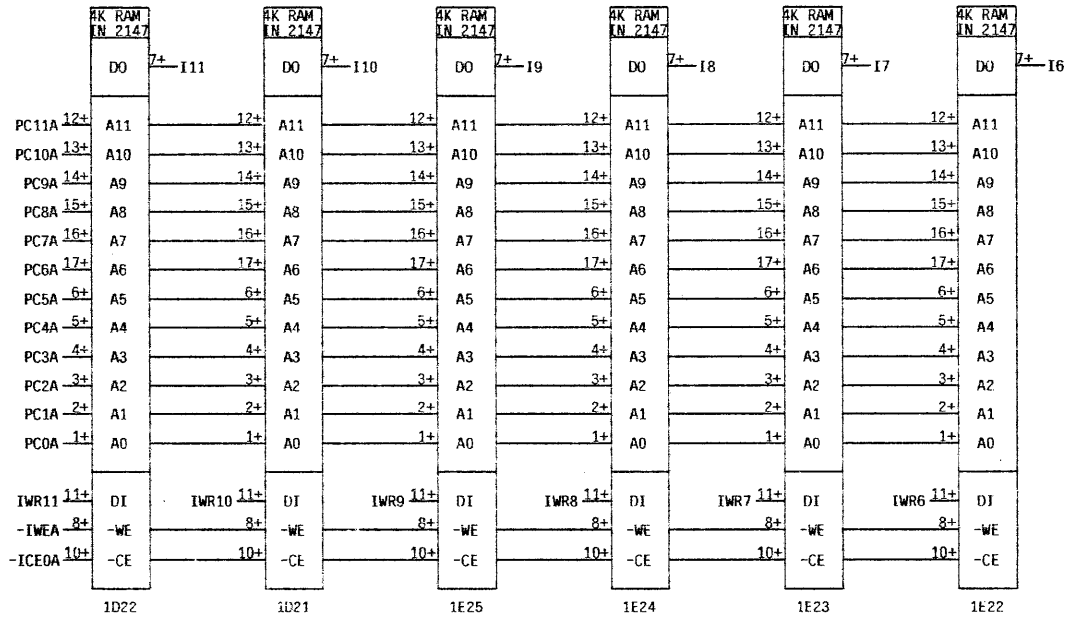


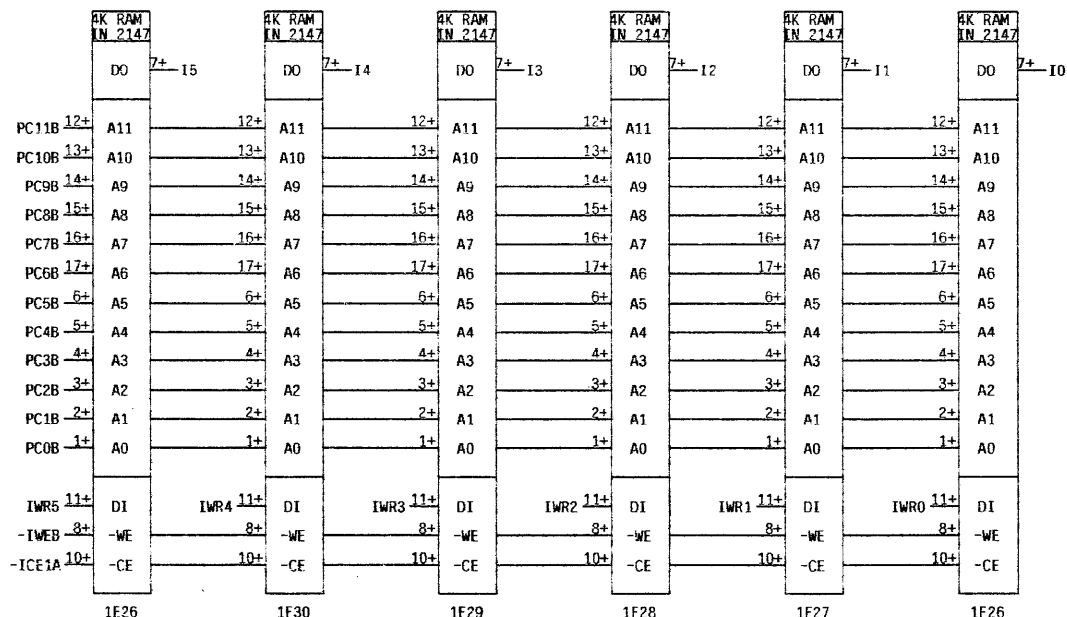
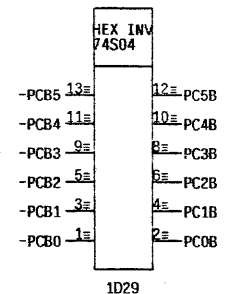
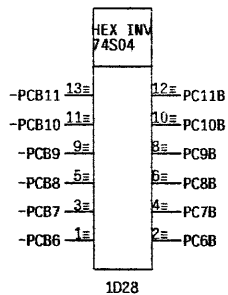
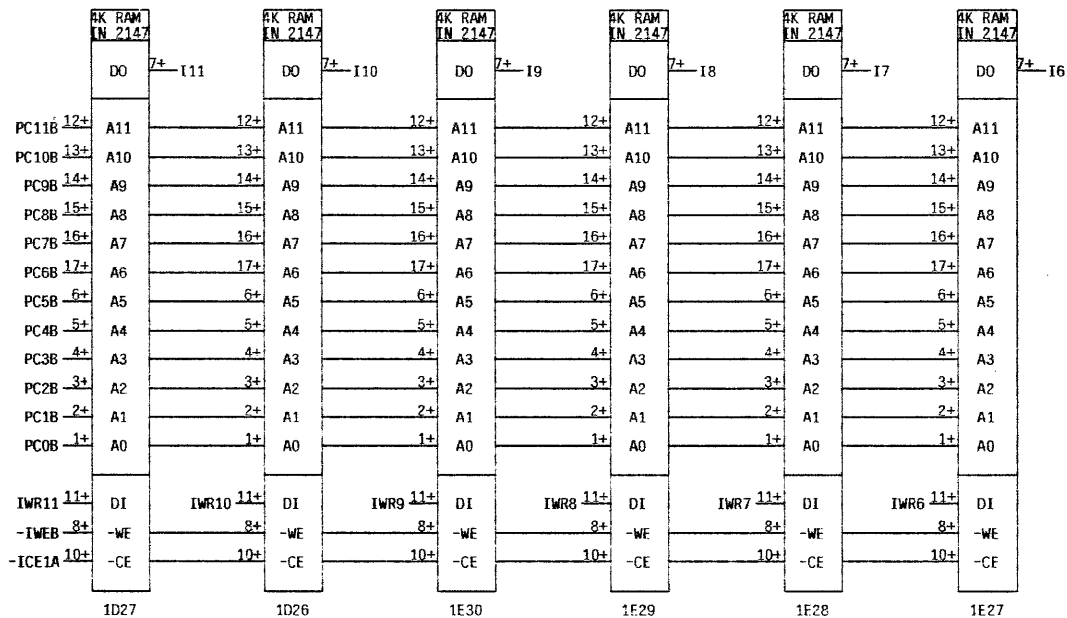
With the machine stopped, taking OPCCLK high then low will generate a clock to just the OPCS. Setting OPCINH high will prevent the OPCS from clocking when the machine runs. Only change OPCINH when CLK is high (e.g. machine stopped).



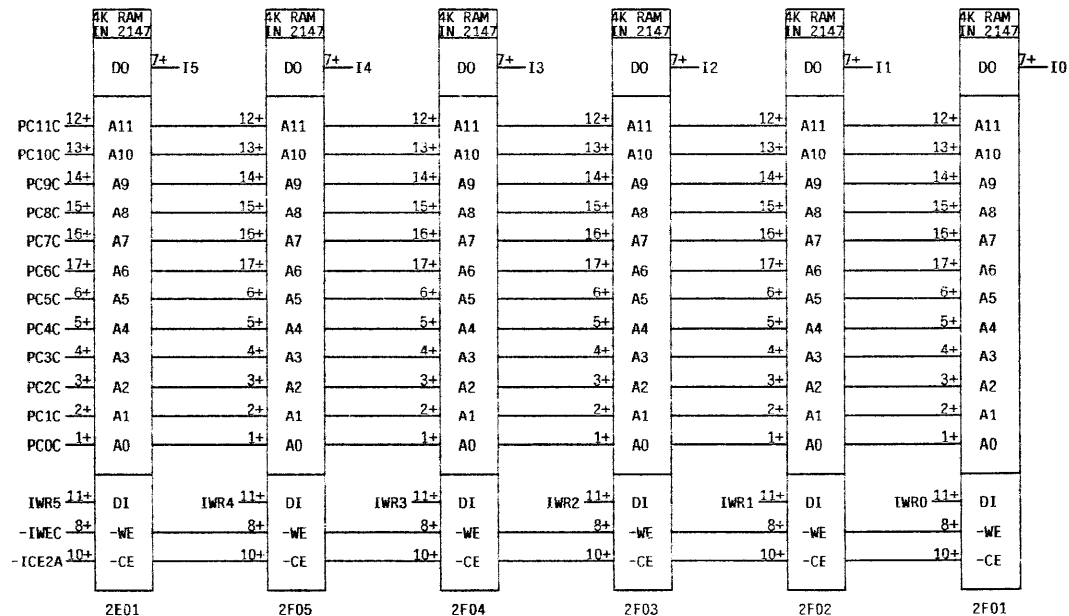
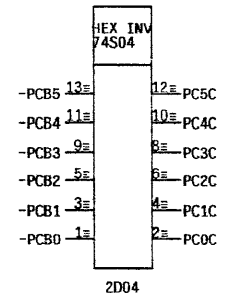
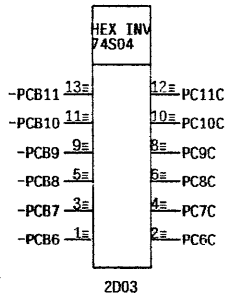
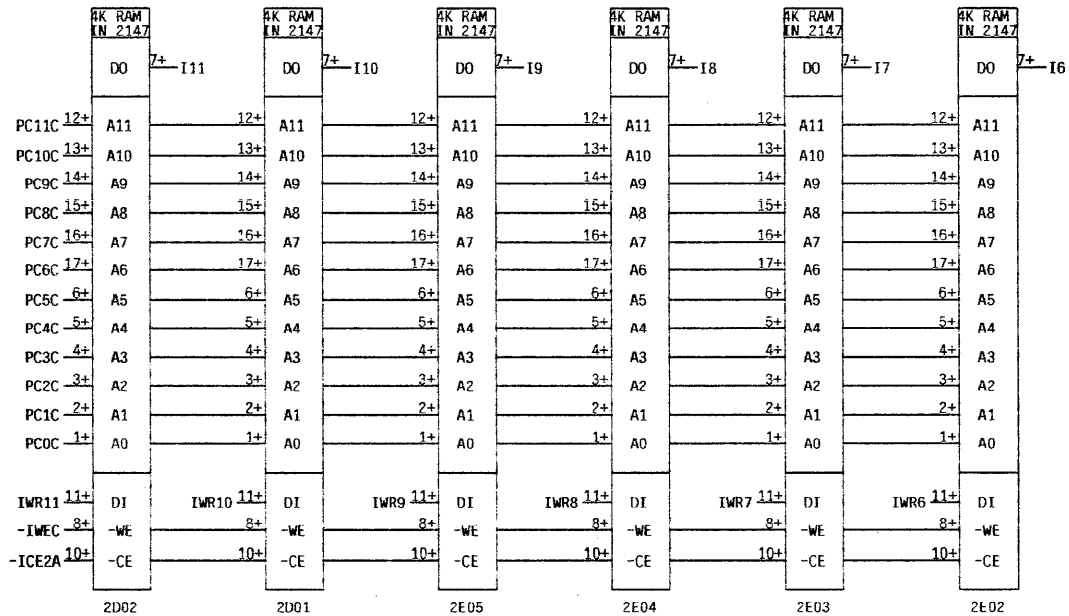


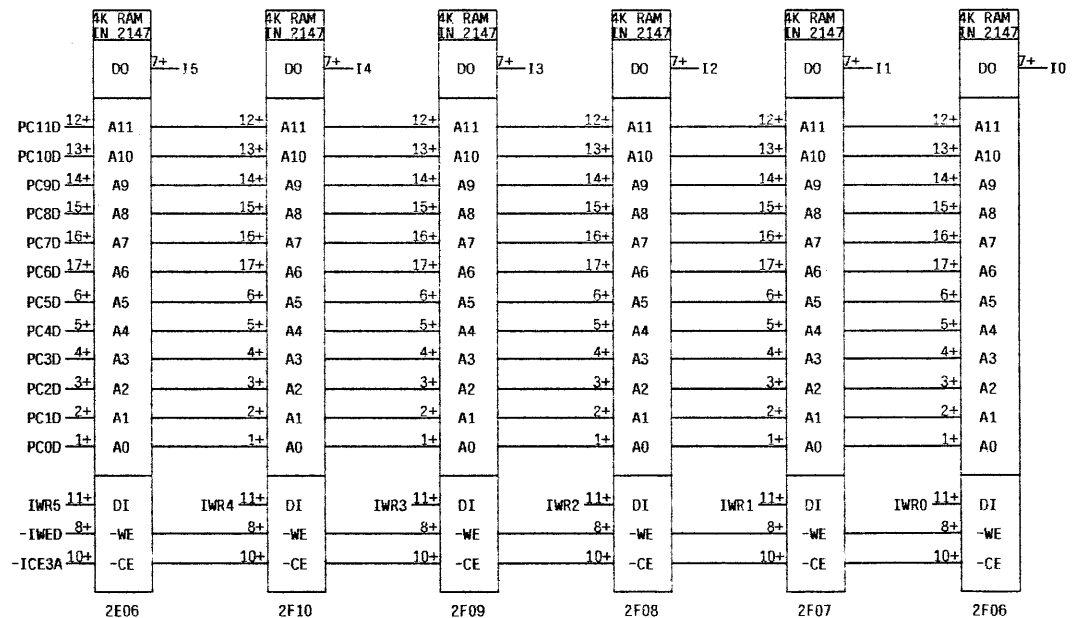
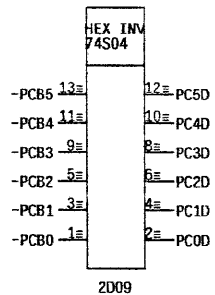
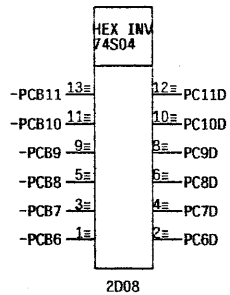
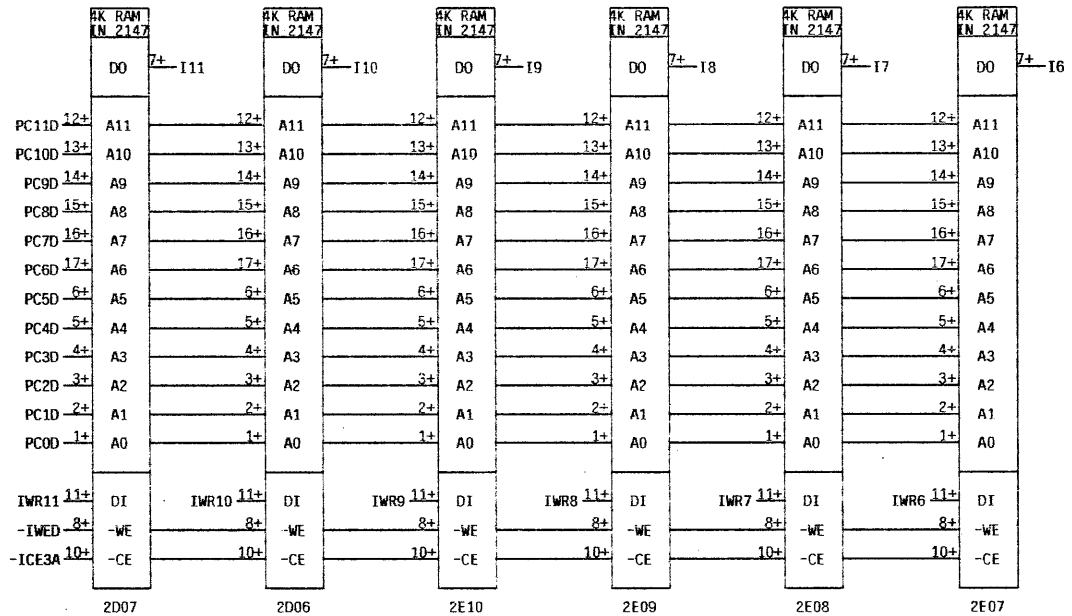


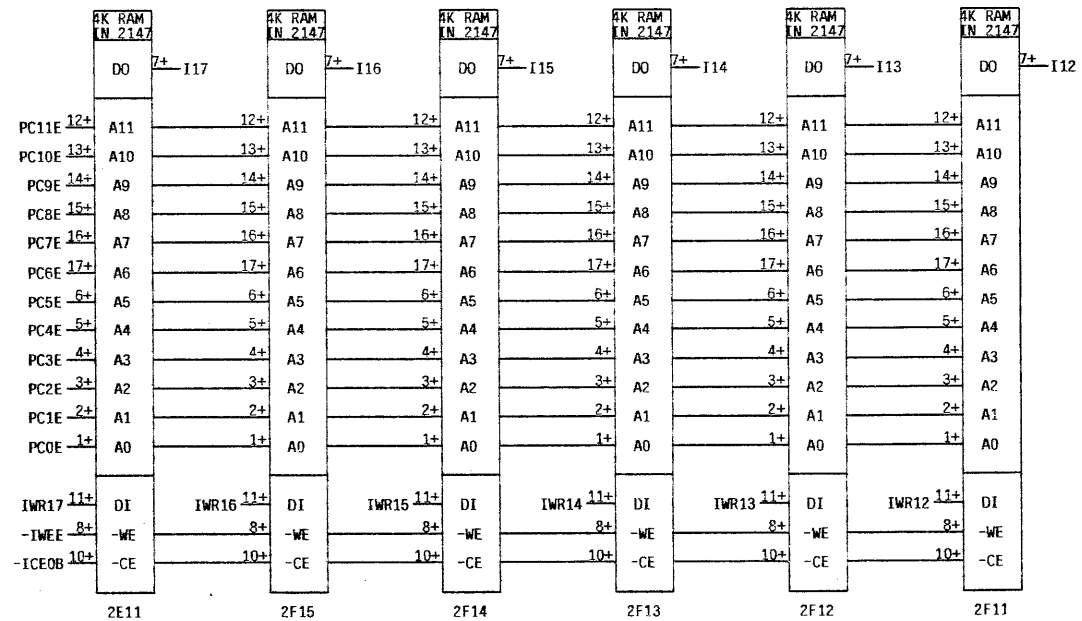
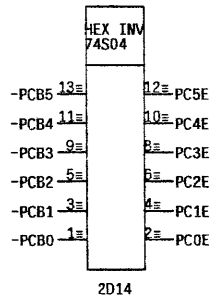
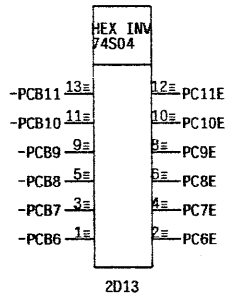
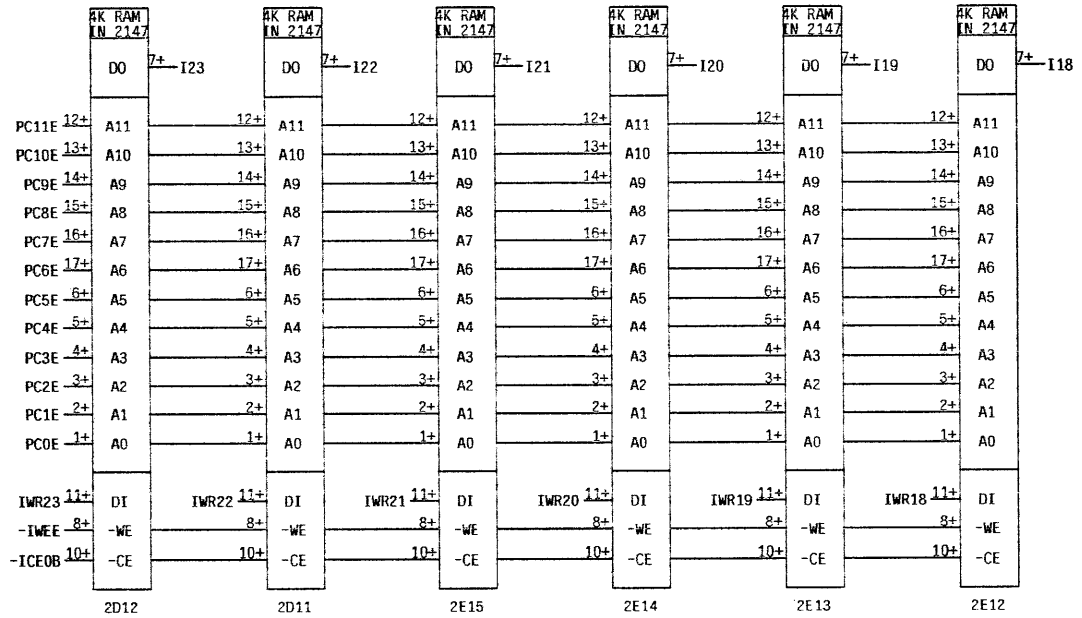


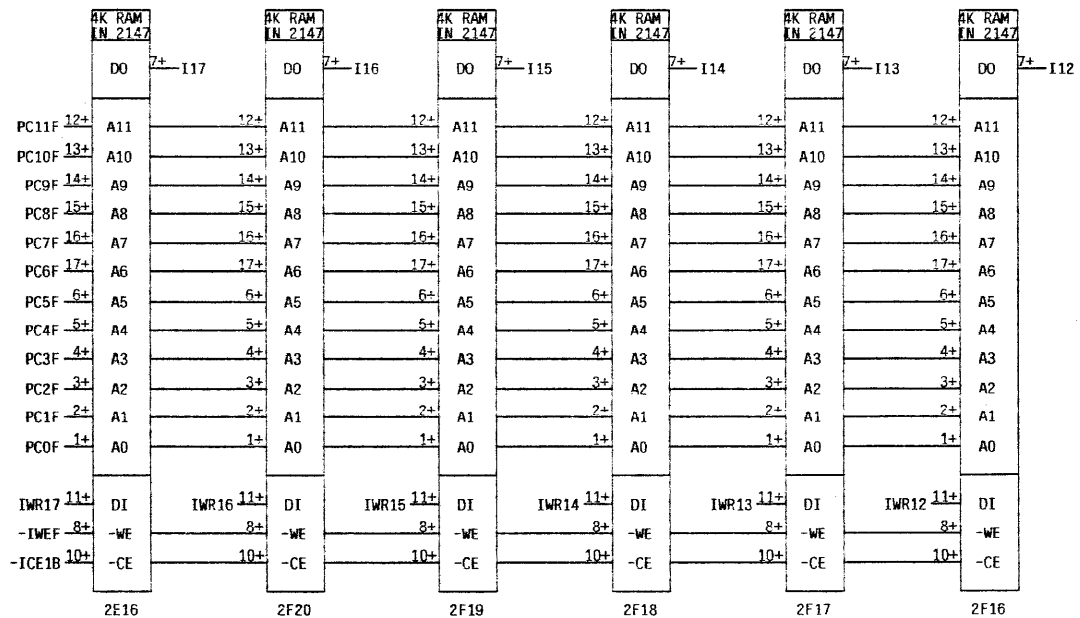
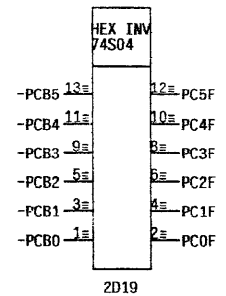
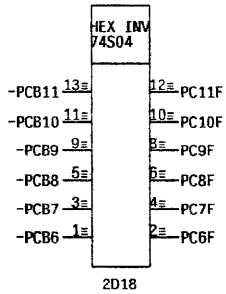
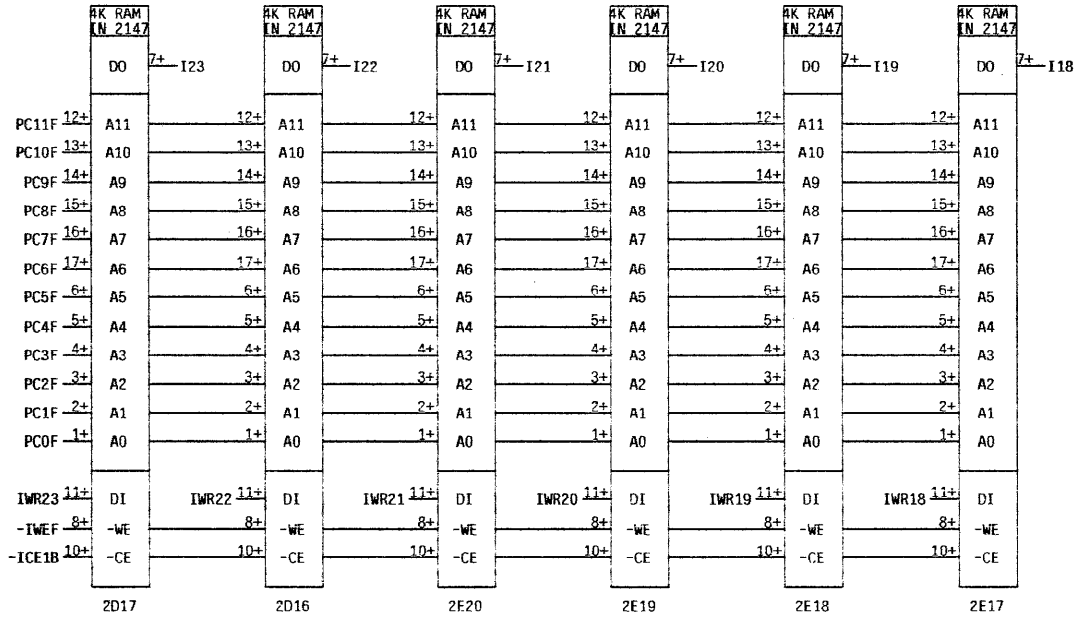


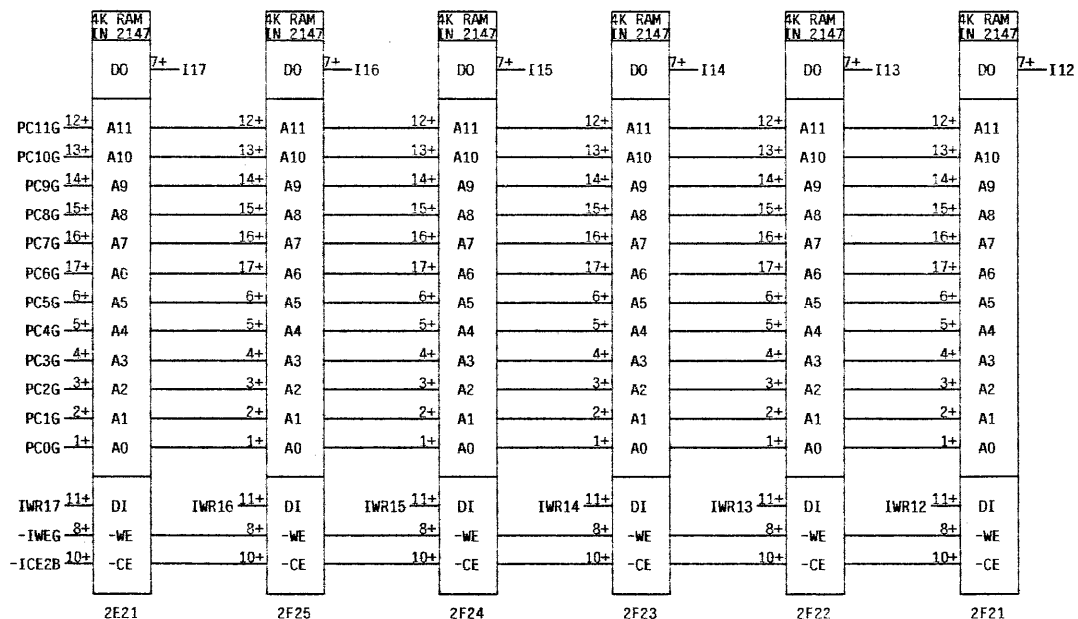
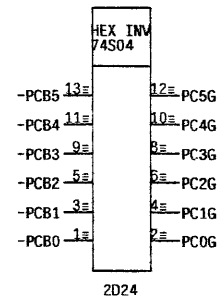
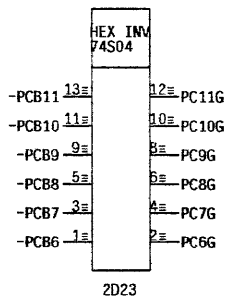
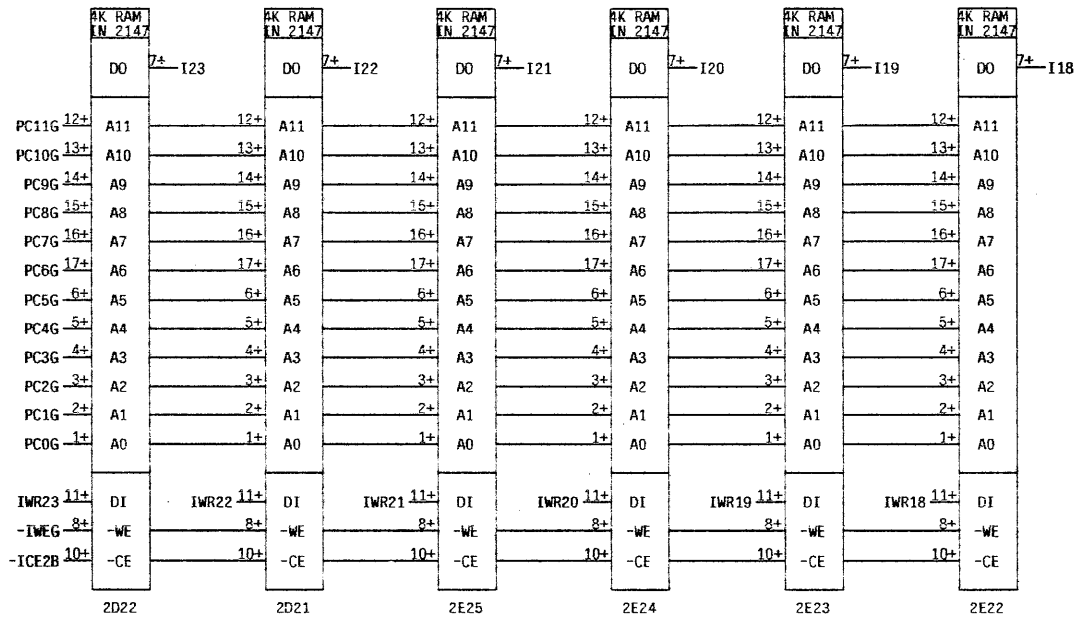


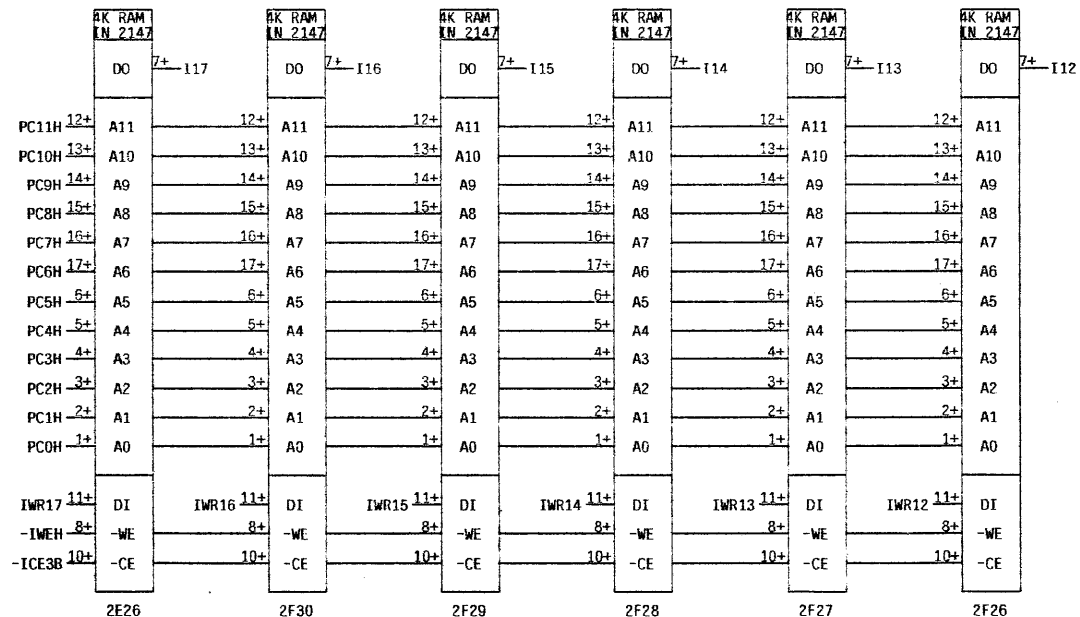
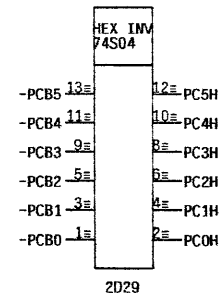
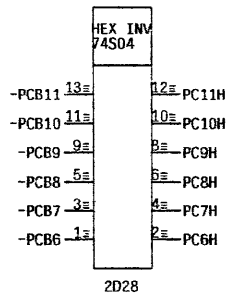
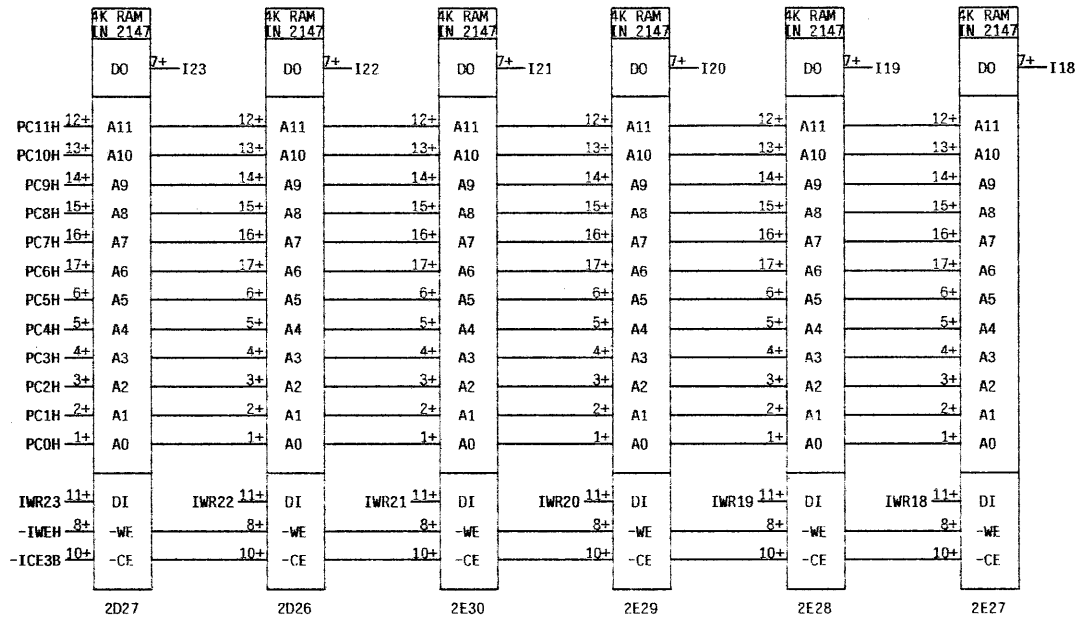


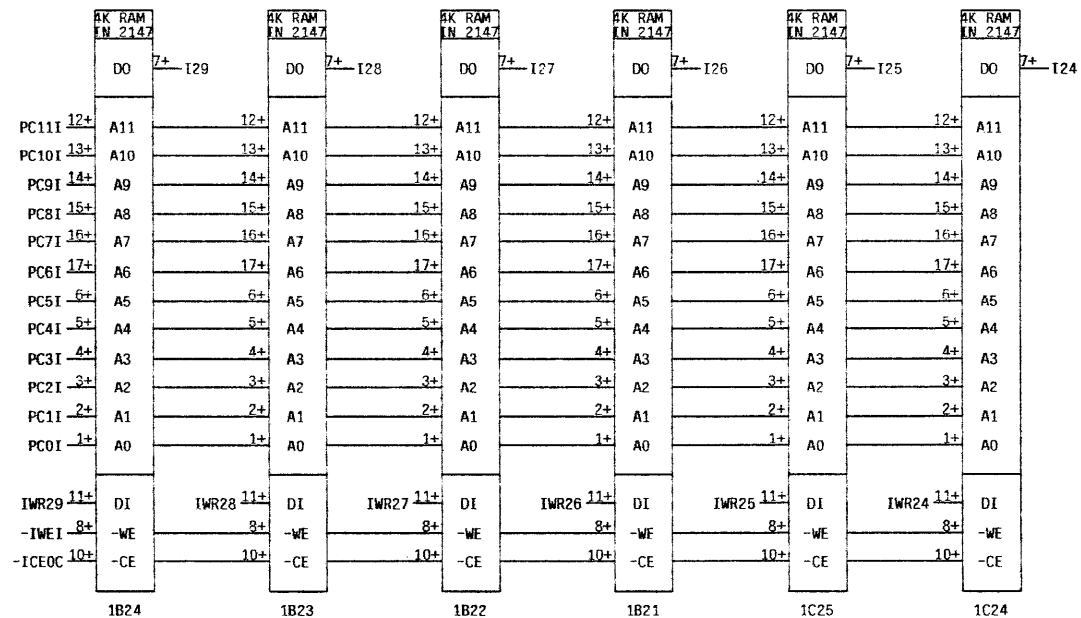
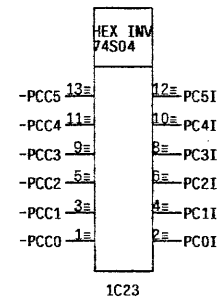
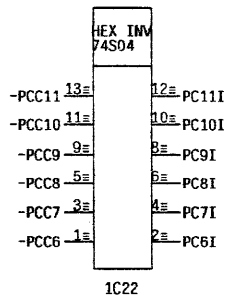
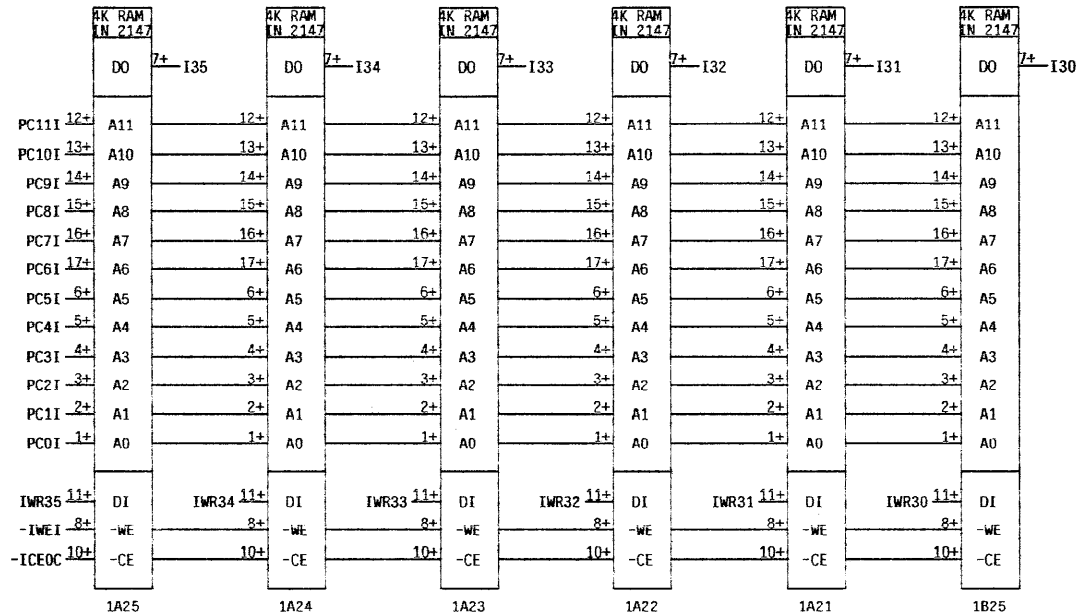


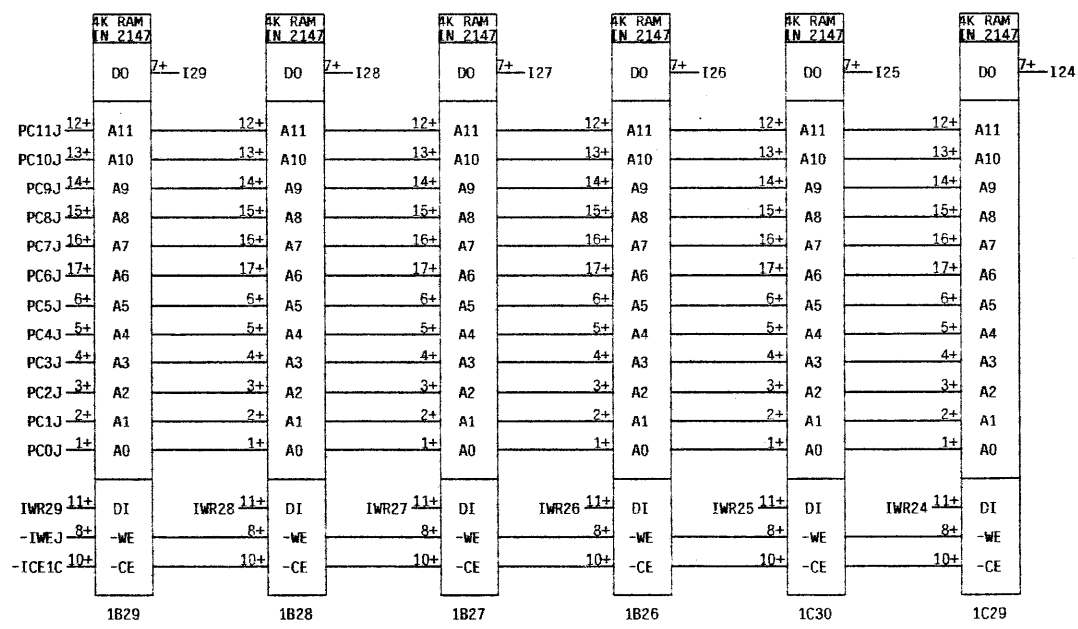
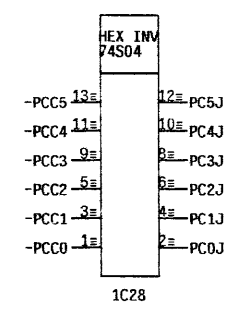
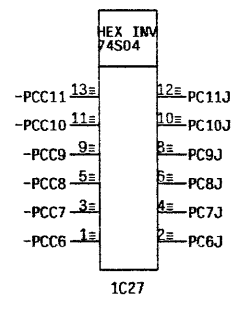
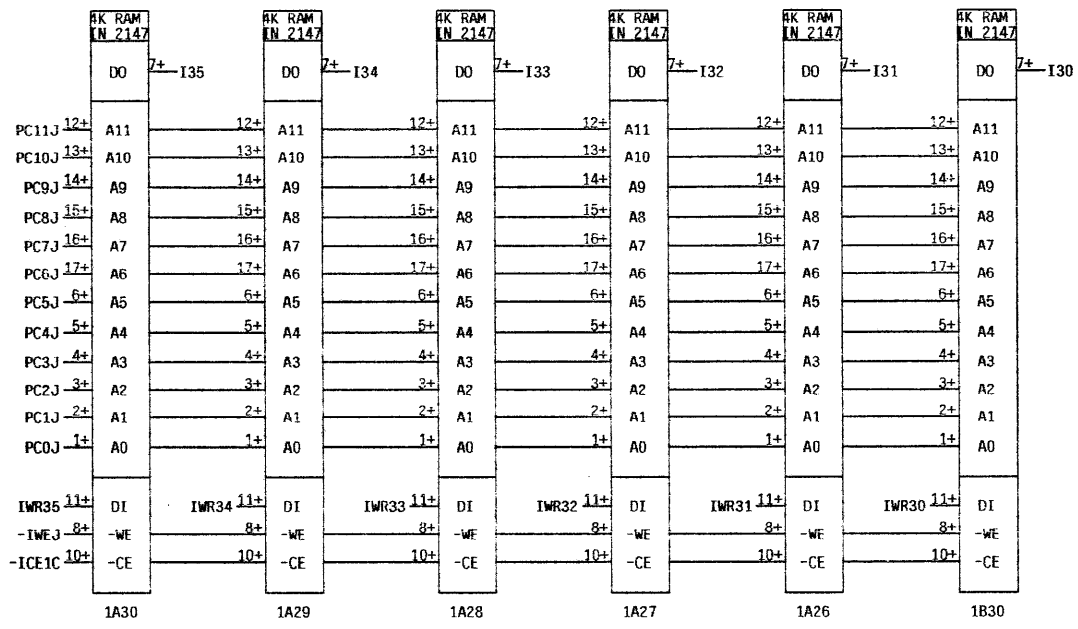




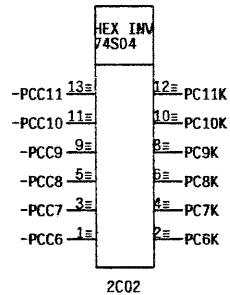
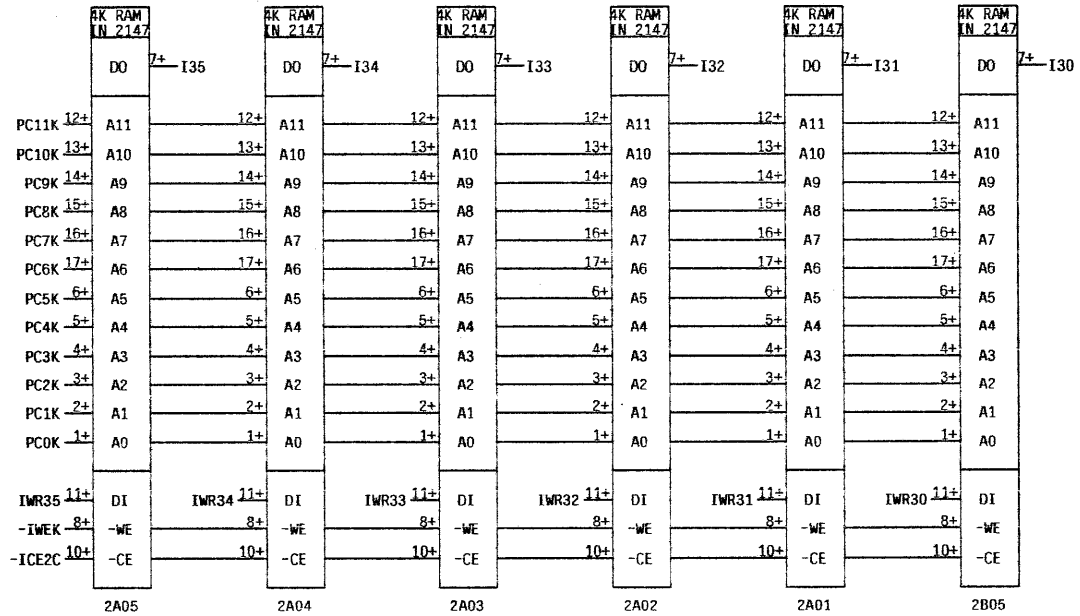




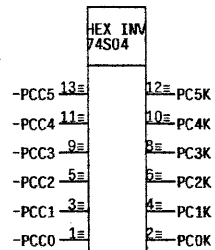




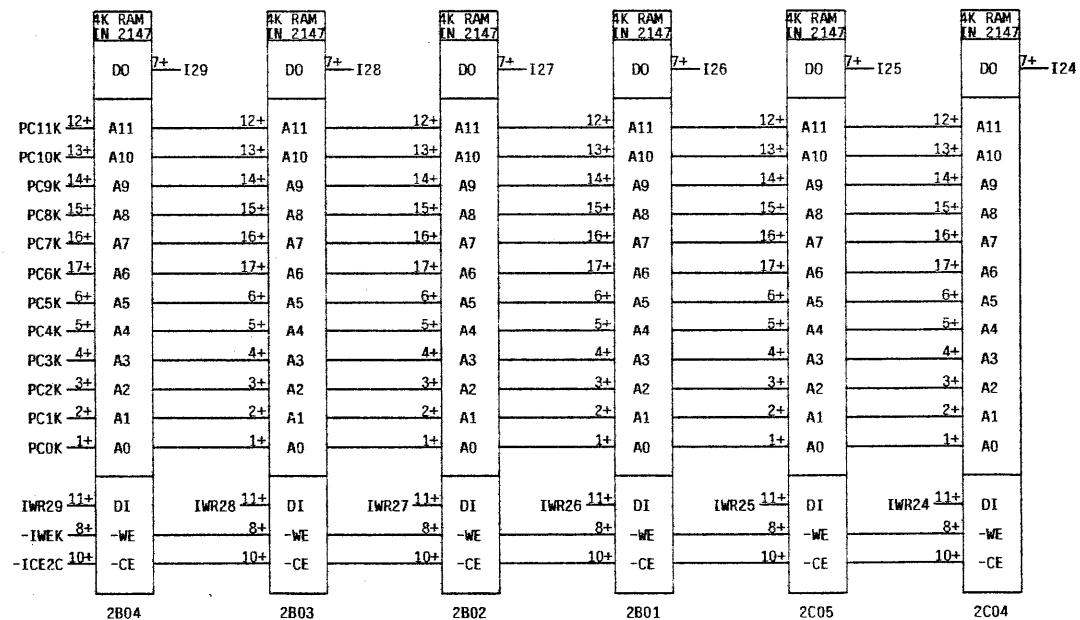


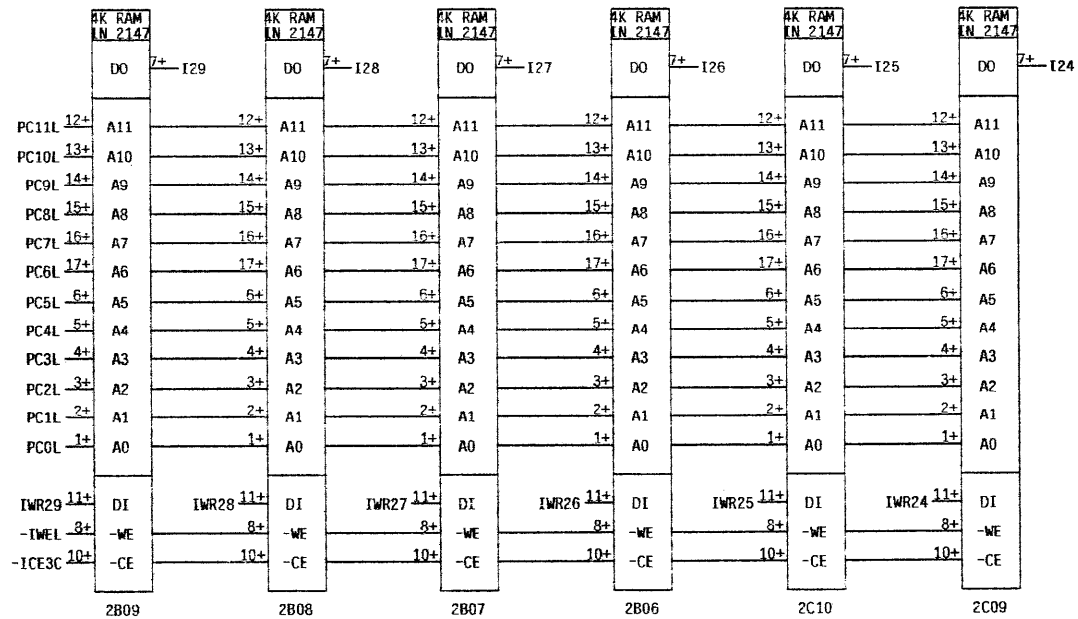
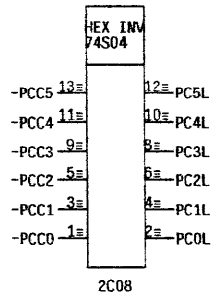
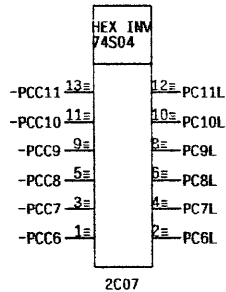
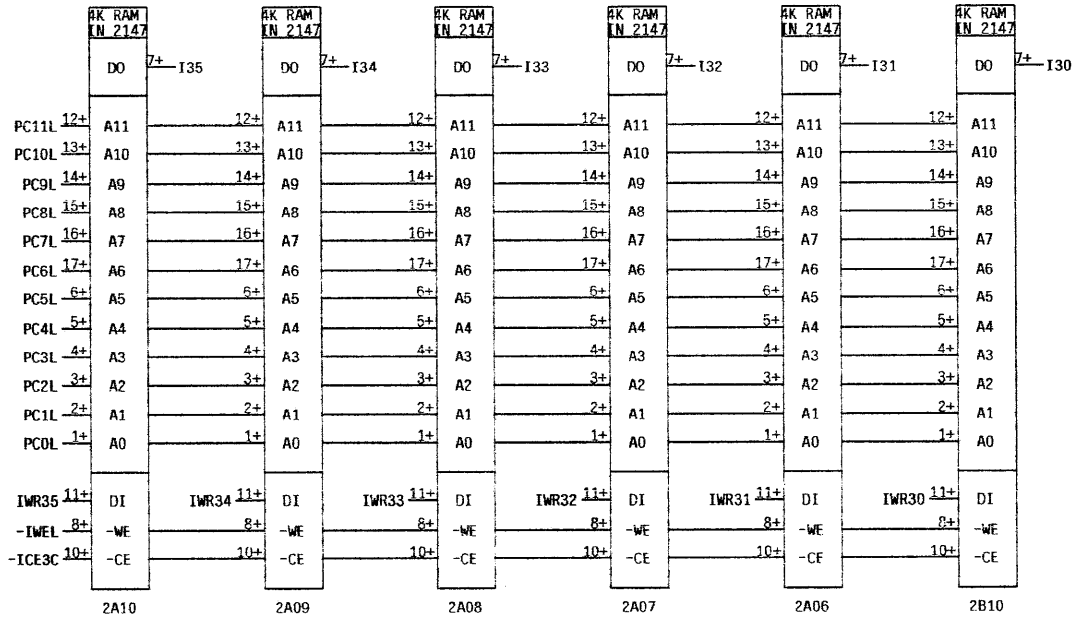


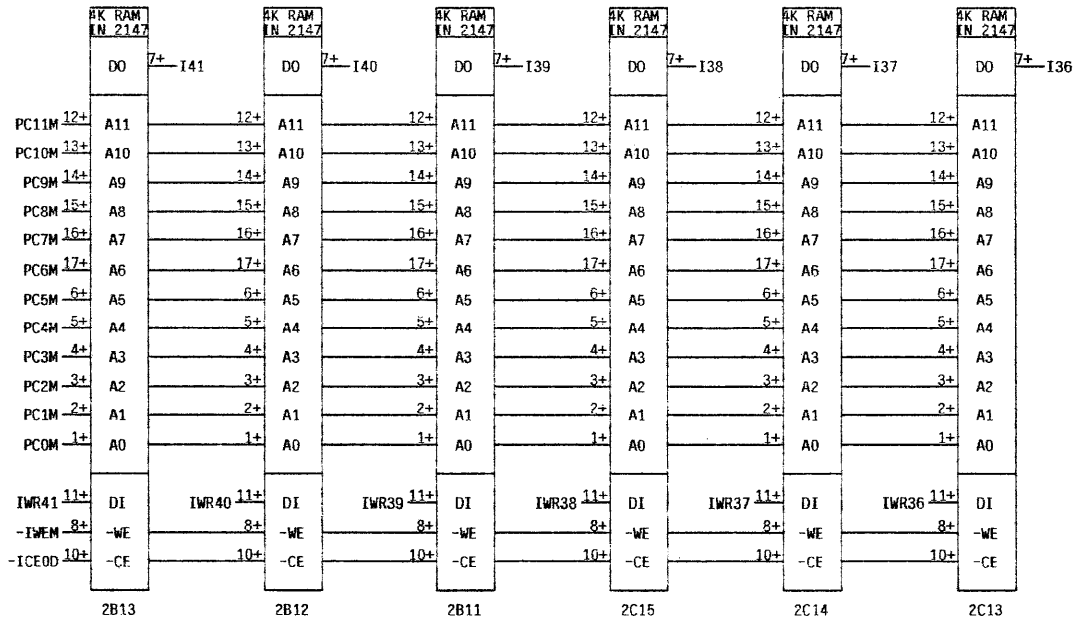
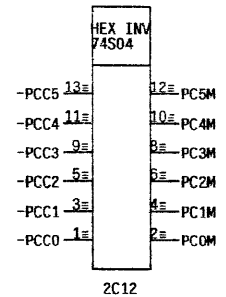
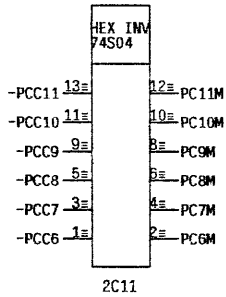
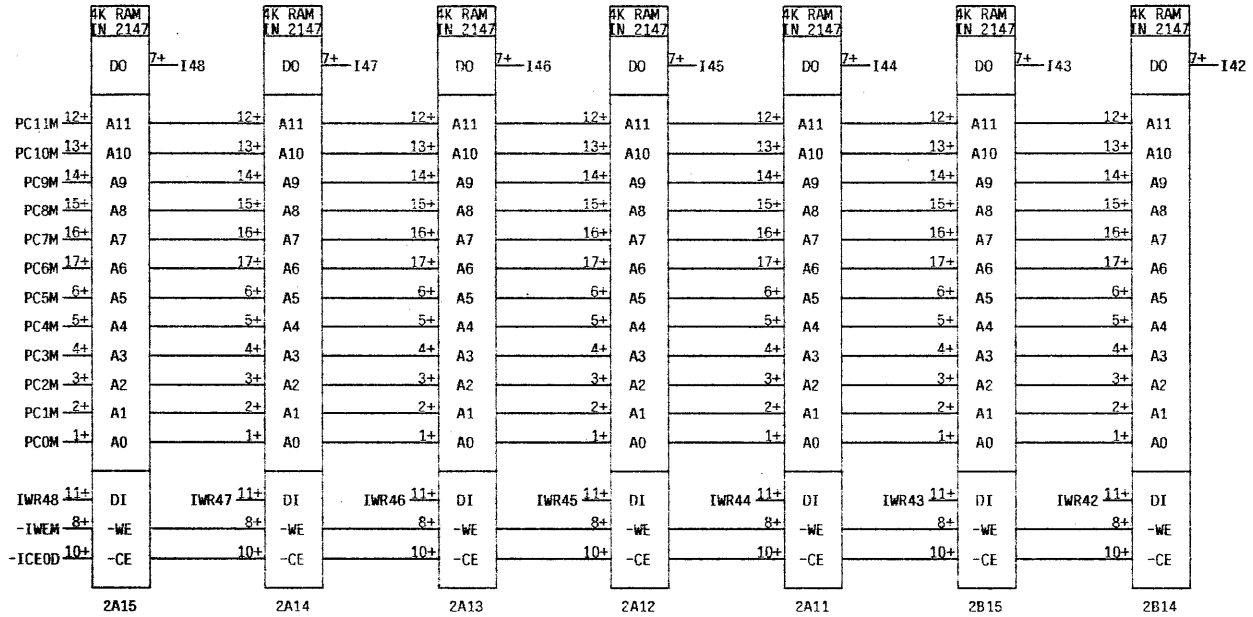
2C02

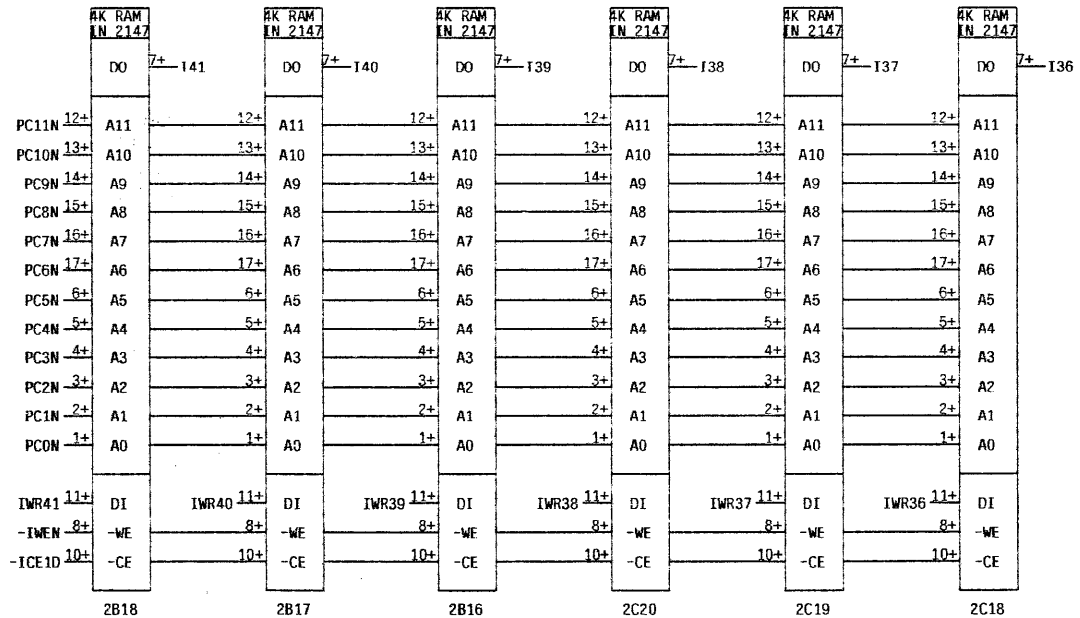
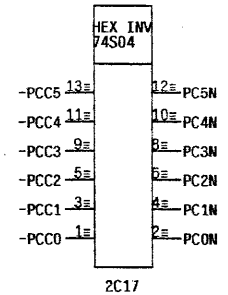
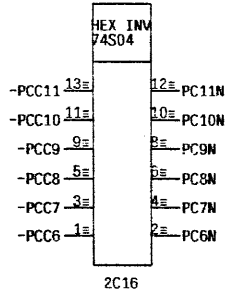
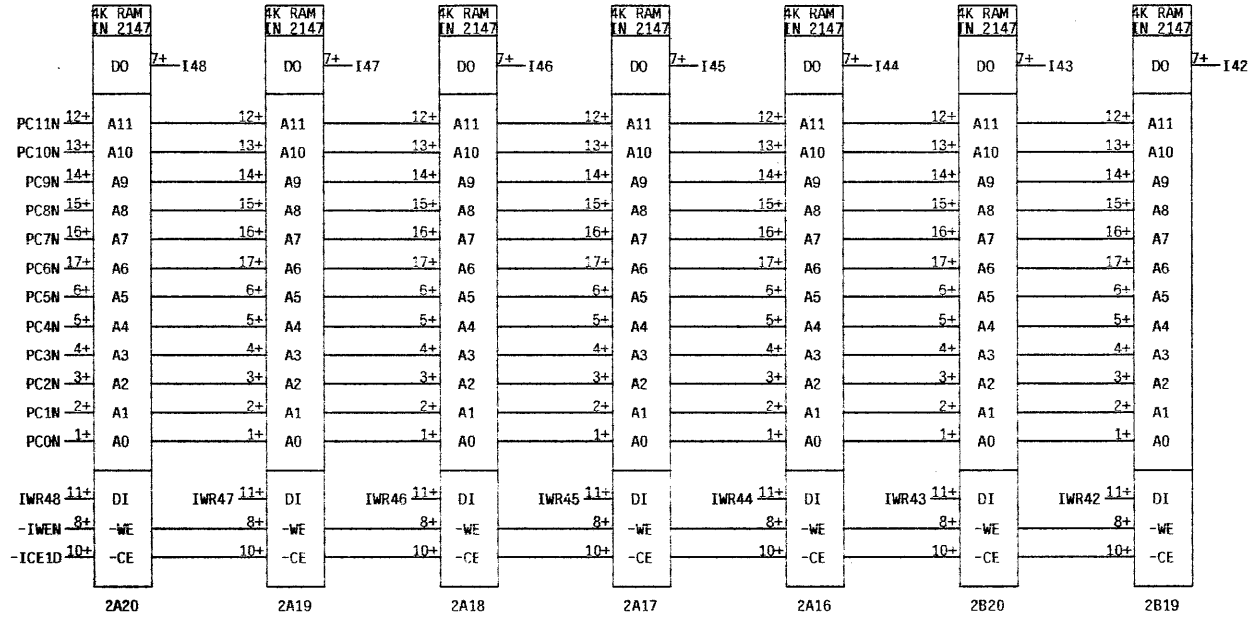


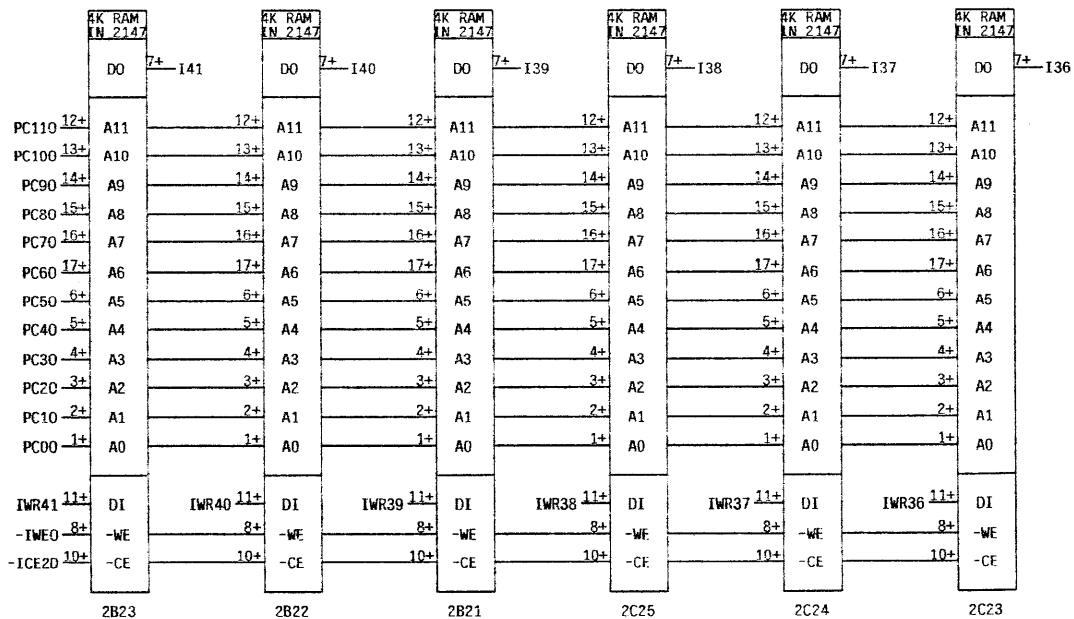
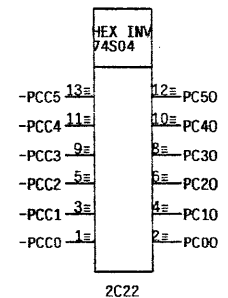
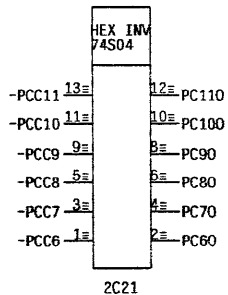
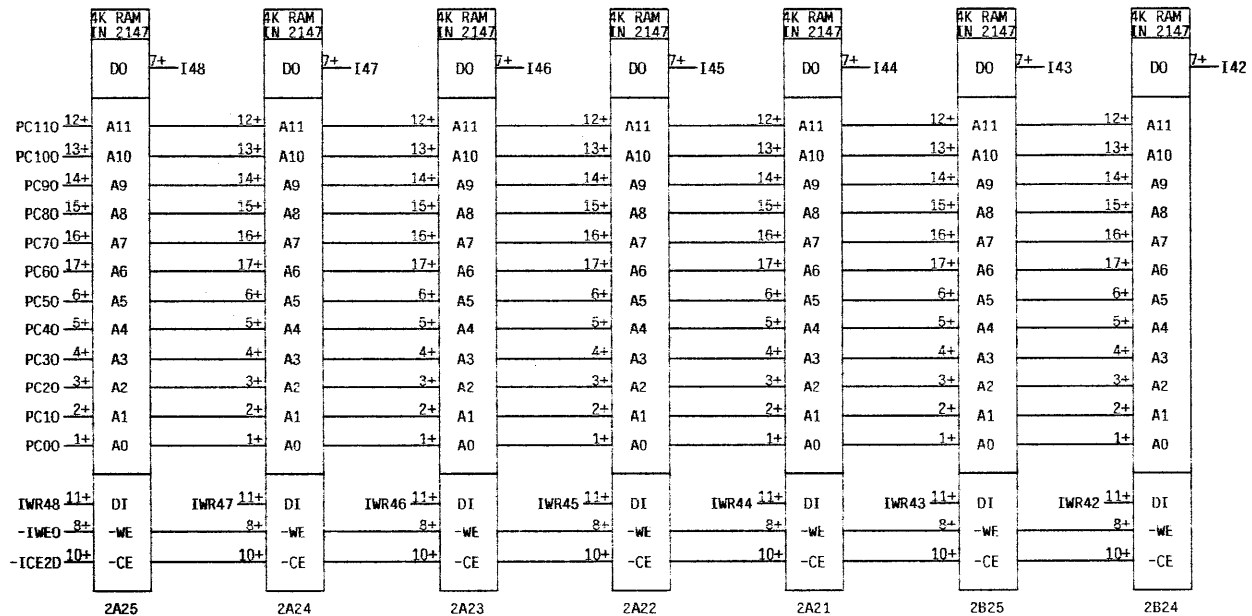
2C03

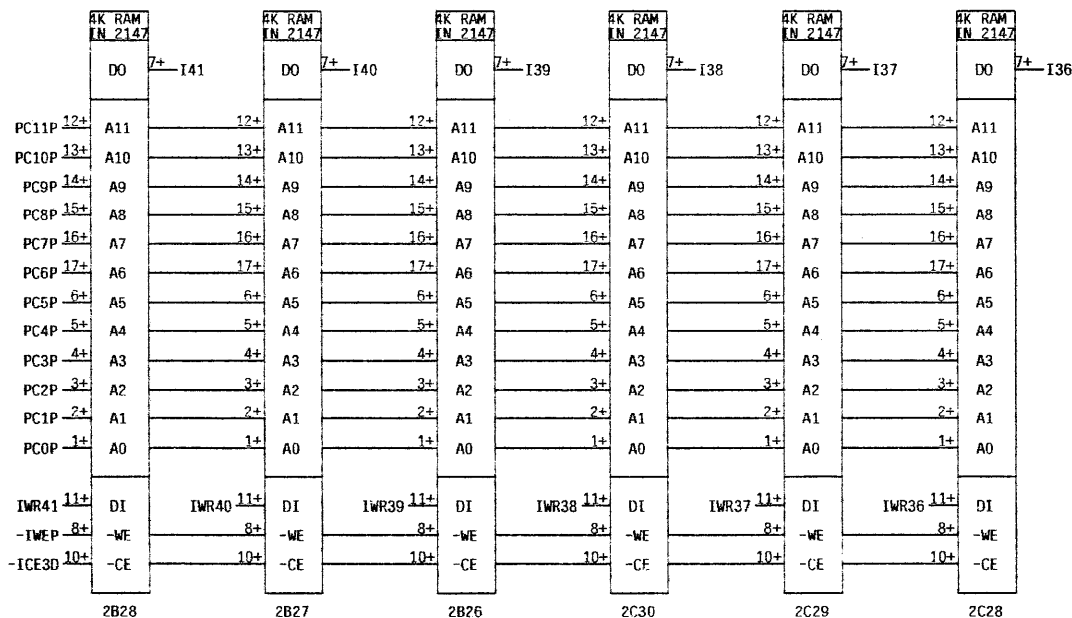
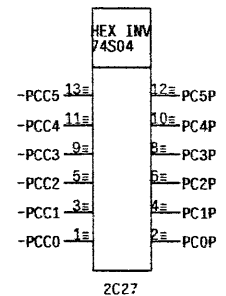
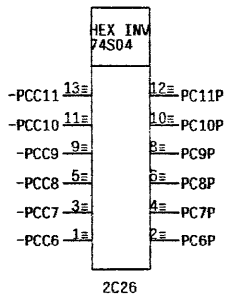
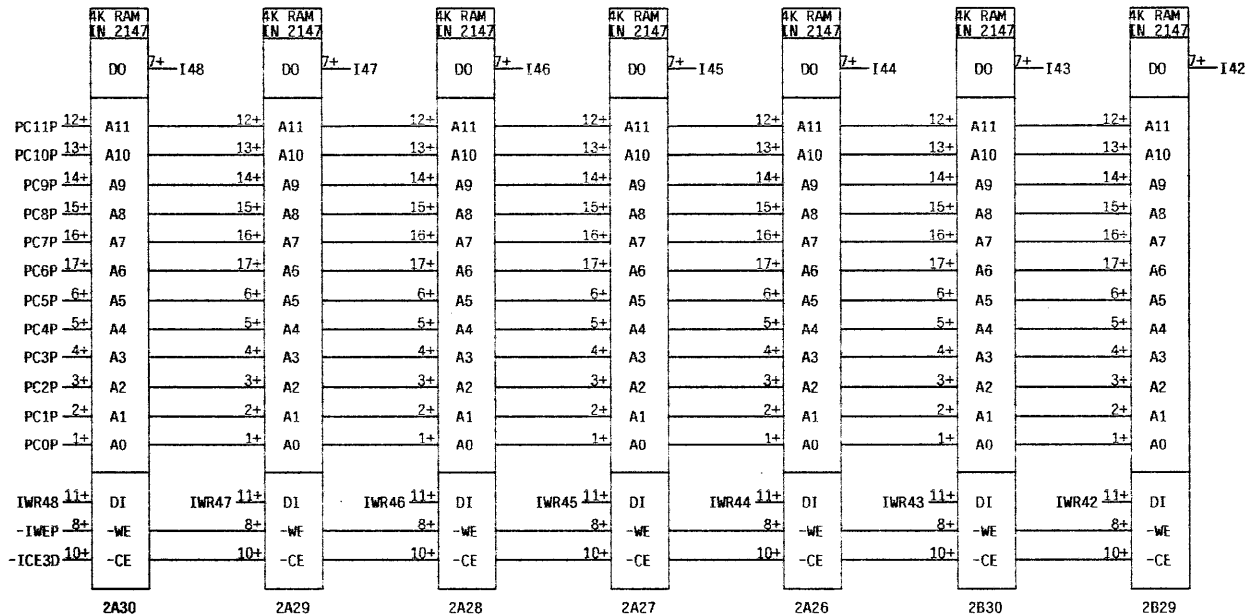


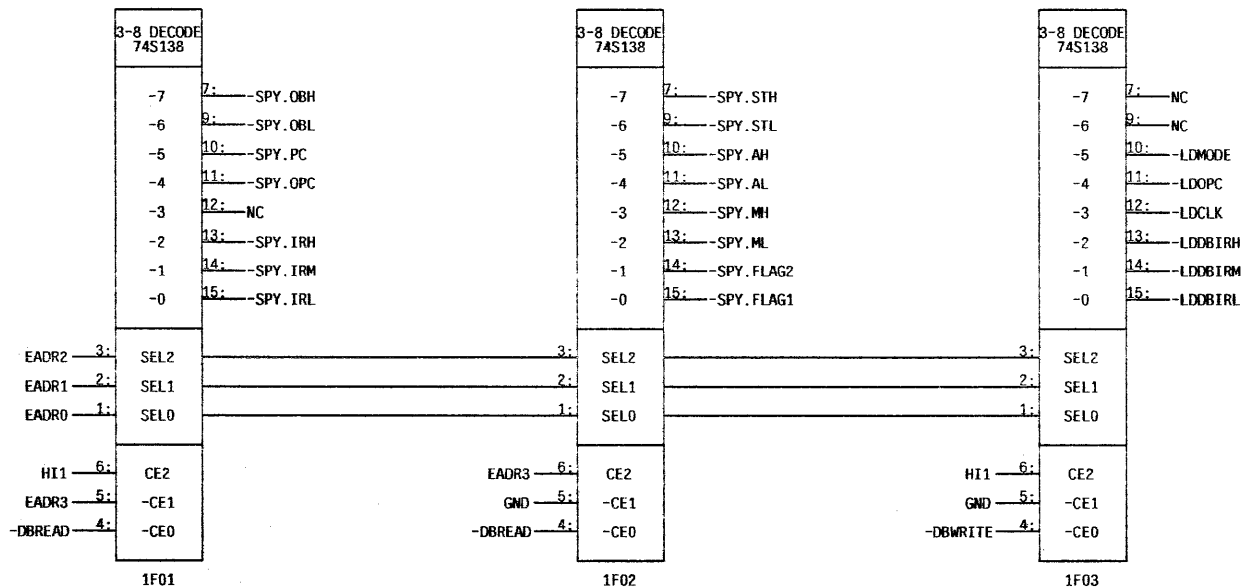


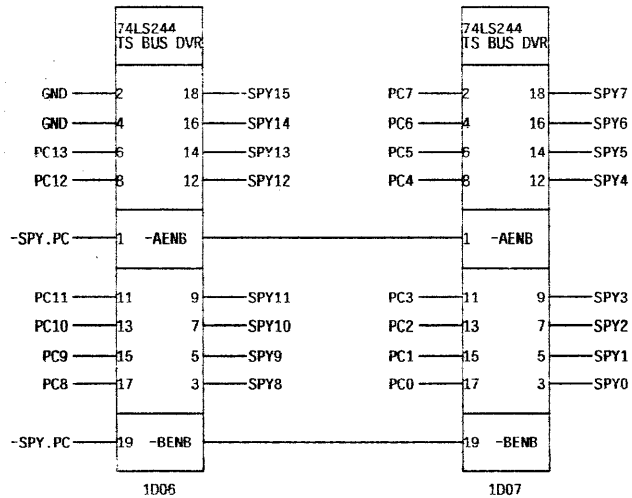
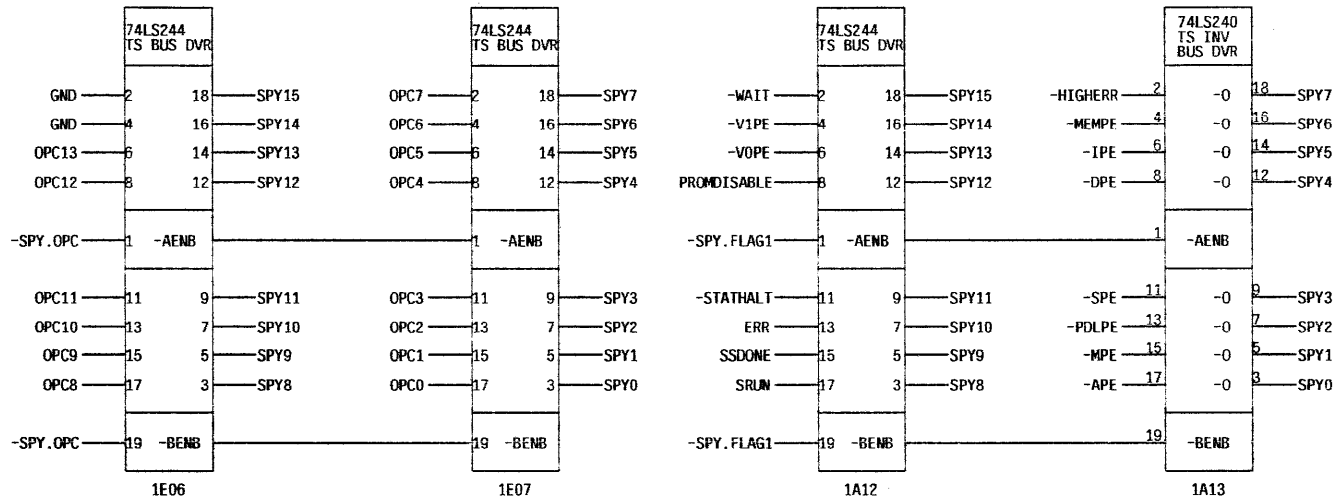




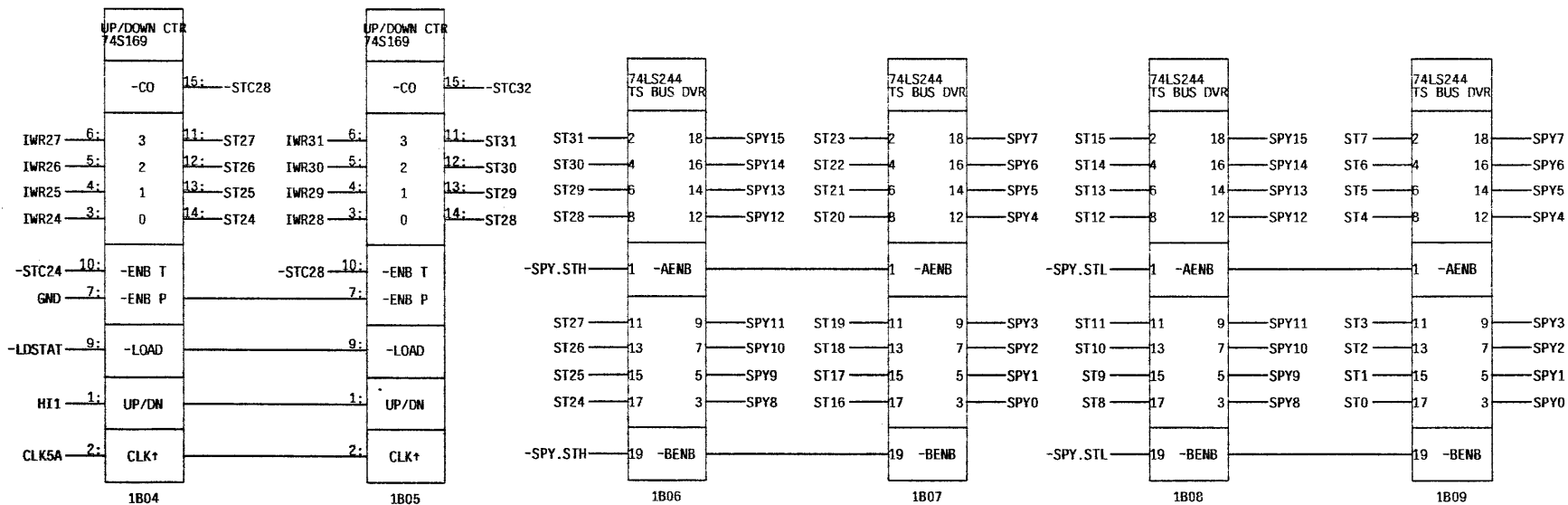
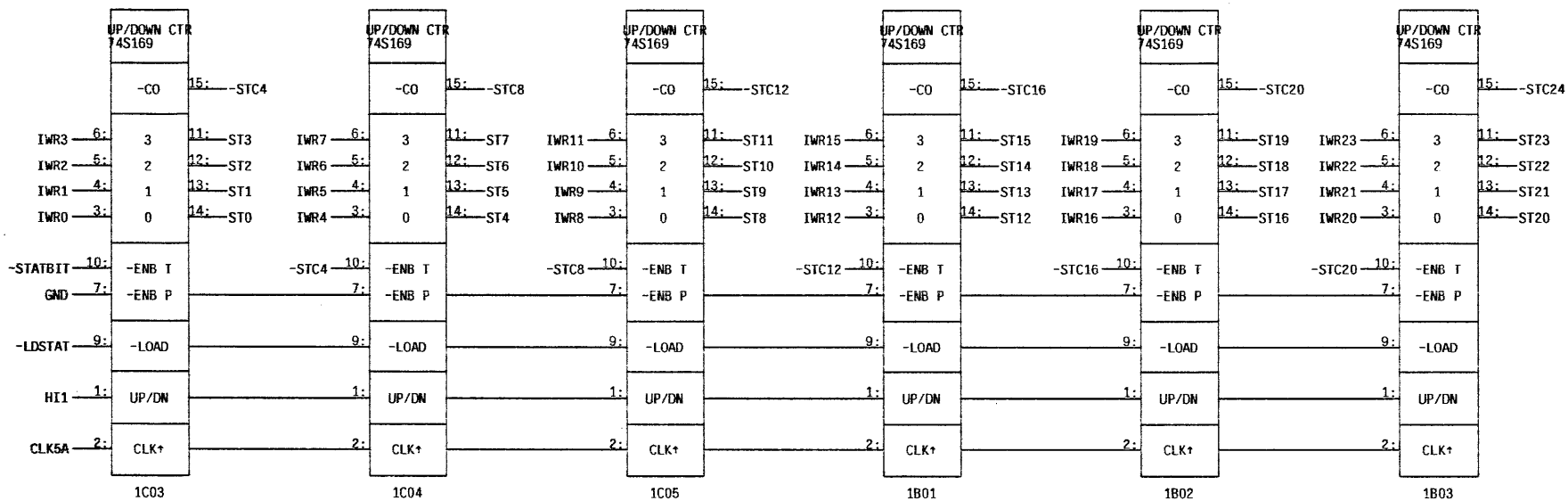












THE REASON LOADING IS SO KLUDGEY IS BECAUSE OF THE SYNCHRONOUS LOAD 169