

SCSI

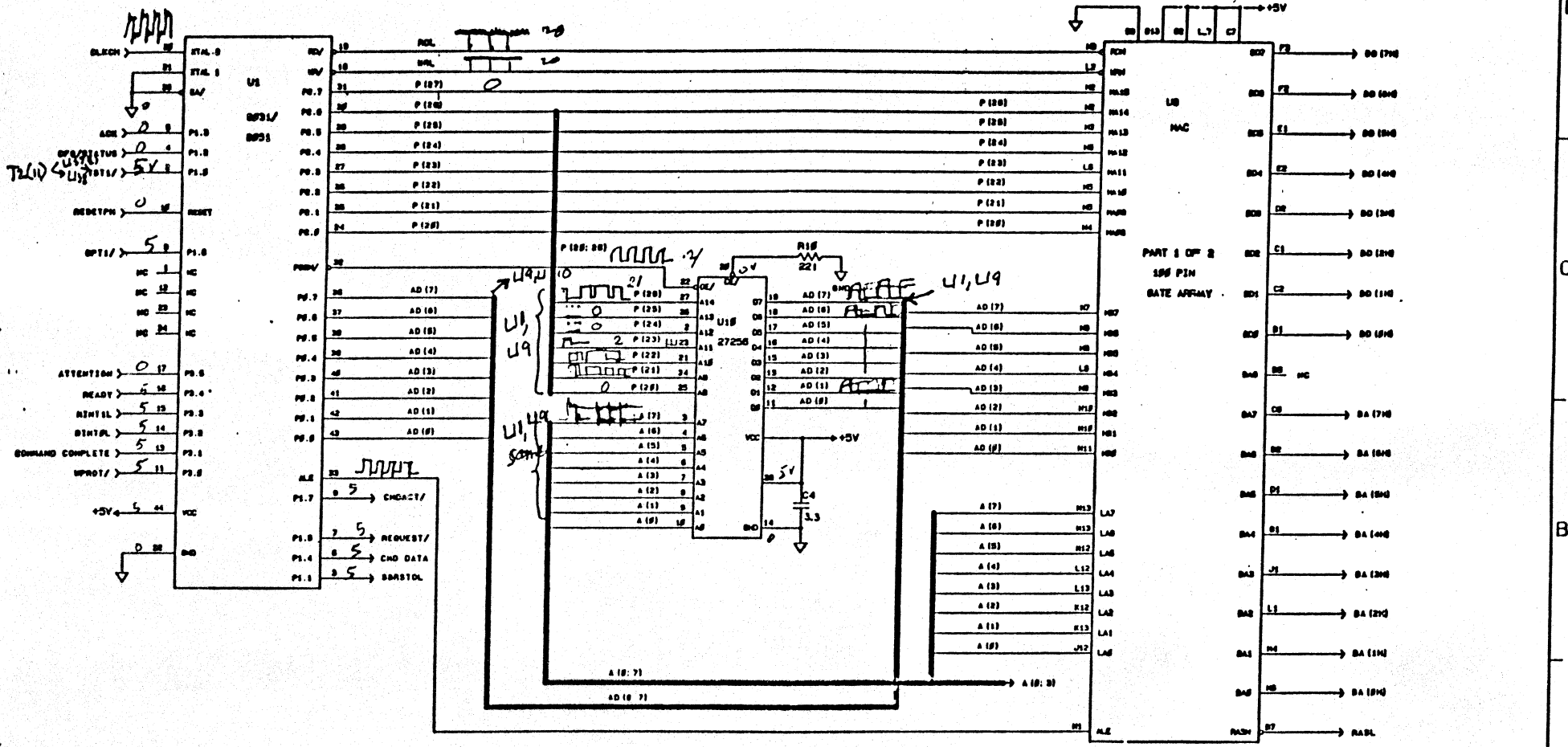
SIGNAL NAME	PAGE No.	SIGNAL NAME	PAGE No.	SIGNAL NAME	PAGE No.	SIGNAL NAME	PAGE No.	SIGNAL NAME	PAGE No.
	7, 10	C/DL	8, 10	ESPRSTH	9, 10	P23	7	SERVO VCO	12, 17
	7, 10	CARST/	9, 11	GA/	12, 13	P24	7	SOFT/	11, 17
AE	7, 10	CASL	9, 9	GB/	12, 13	P25	7	TEST/	9, 17
AD	7, 10	CFC/STATUS	7, 11	GC/	12, 13	P26	7	TEST SIGNAL	13, 10
A4	7	CLRBH	9, 10	GD/	12, 13	P27	7	TFN/	11, 15
AD	7	CLKCH	7, 9	HI BRAKE CURR/	11, 10	PA	15, 10	THRESHOLD EN/	17, 10
AB	7	CMD DATA	7, 11	HIGH VEL RANGE/	11, 15	PAEN	13, 10	TRGT	6, 9
A7	7	CMDACT/	6, 7	HS0	9, 10	PFD/	8, 9	TRKP	12, 12
ACK	7, 11	COMMAND COMPLETE	7, 11	HS1	9, 10	POS FBK	13, 10	TS11/	6, 7, 9
ACKL	8, 10	COMP RESET/	11, 13	HS2	9, 10	POS RAMP	13, 10	THCK	6, 9
AD9	7	CS3L	9, 10	I/DL	8, 10	POWER AMP EN/	11, 13	TWDAT	8, 9
AD1	7	D0	11, 13	ID0/	8, 9, 10	PQ	13, 14	TWGT	6, 9
AD2	7	D1	11, 13	ID1/	8, 9, 10	PSEN	11, 12	TZO	6, 11, 10
AD3	7	D2	11, 13	ID2/	8, 9, 10	PX	13, 14	UNSAFE	12, 10
AD4	7	D3	11, 13	IM	13, 15	D>X	12, 13	VEL FBK	13, 15
AD5	7	D4	11, 13	IMS/	11, 10	D>X/	12, 13	VEL REF	13, 15
AD6	7	D5	11, 13	INDEX	8, 9, 11	OP/	12, 13	VELOCITY ENABLE/	11, 13, 15
AD7	7	D6	11, 13	INNER ZONE/	11, 10	RASL	7, 8	VR	13, 14, 15, 16
AMK ENABLE	8, 12, 17	D7	11, 13	LD SPINDLE CURR/	11, 10	RDA	12, 17, 10	VCA/	17, 10
ATTENTION	6, 7, 11	DAC OUTPUT	13, 15	MIHT1L	7, 9	RDL	7	MEL	6, 9
ATHL	8, 10	DAC SELECT/	11, 13	MP RESET	11, 12	READ ENABLE/	12, 17	MEM	12, 10
P<0H	7, 9	DATA STROBE +	11, 12, 17	MSGL	8, 10	READ GATE	9, 12	MEN/	12, 17
H	7, 9	DATA STROBE -	11, 12, 17	NRZ READ DATA	8, 9, 17	READ/REF CLOCK	6, 9, 17	WPROT	6, 7, 9
BA2H	7, 9	D6FL	6, 10	NRZ WRITE DATA/	9, 17	READY	6, 7, 11	WR/	11, 13
BA3H	7, 9	DB1L	6, 10	ODD	11, 13	REQD	6, 10	WRITE CLOCK/	9, 17
BA4H	7, 9	DB2L	6, 10	ODD DATE/	12, 13	REQUEST/	7, 11	WRITE ENABLE/	12, 17
BA5H	7, 9	DB3L	6, 10	OEL	8, 9	RESETPH	7, 9	WRITE GATE	9, 12
BA6H	7, 9	DB4L	6, 10	OL TEST SIGNAL	13, 15, 10	REV DIRECTION	11, 15	WRL	7
BA7H	7, 9	DB5L	6, 10	OM TRACK	12, 13	R5TL	8, 10	XP	12, 13
BD6H	7, 9, 10	DB6L	6, 10	OPT PROM SELECT	11, 12	RKD	6, 11, 10	KICK	11, 12
BD1H	7, 9, 10	DB7L	6, 10	OPT1/	6, 7, 11	S3	11, 10		9
BD2H	7, 9, 10	DBP0	8, 9	OPT4/	8, 11	SBRSTOL	7, 10	IMGT	9
BD3H	7, 9, 10	DBP1	8, 9	OPT10N PROM DATA	11, 12	SCINTH	9, 10	IMS0	9
BD4H	7, 9, 10	DBPL	6, 10	P1ACKL	9, 10	SCRSTH	9, 10	IMS1	9
BD5H	7, 9, 10	DEBUR L	9	P1REOH	9, 10	SCRSTH	9, 10	IMS2	9
BD6H	7, 9, 10	DINT0L	7, 9	P20	7	SECTOR AMK FOUND	6, 9, 11	IMCK	9
BD7H	7, 9, 10	DRDL	9, 10	P21	7	SELL	6, 10	INDAT	9
BSYL	6, 10	DMRL	9, 10	P22	7	SERVO PK DETECT/	12, 14	IRGT	9

MICRO

SCHEMATIC
1370 DEVICE F1D 11
SHEET 5

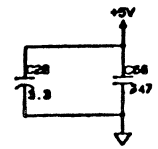
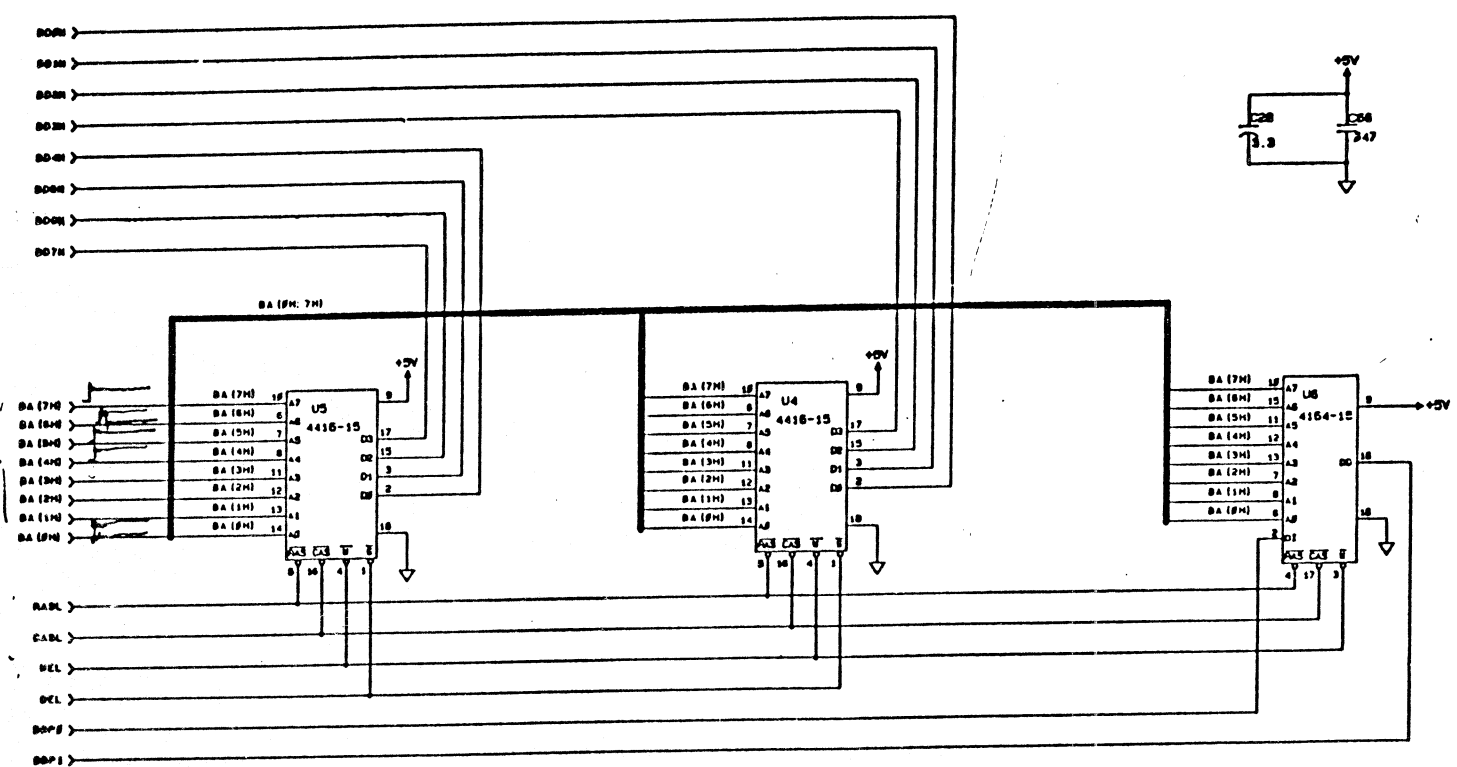
101703

5



MICROPOLIS
 SCHEMATIC
 1378 DEVICE ELECTRONICS
 181783
 SHEET 7 OF 7

181783 7



MICROPOLIS
 SCHEMATIC
 137# DEVICE ELECTRONICS
 101703
 SHEET # OF :

8

101703

E

7

6

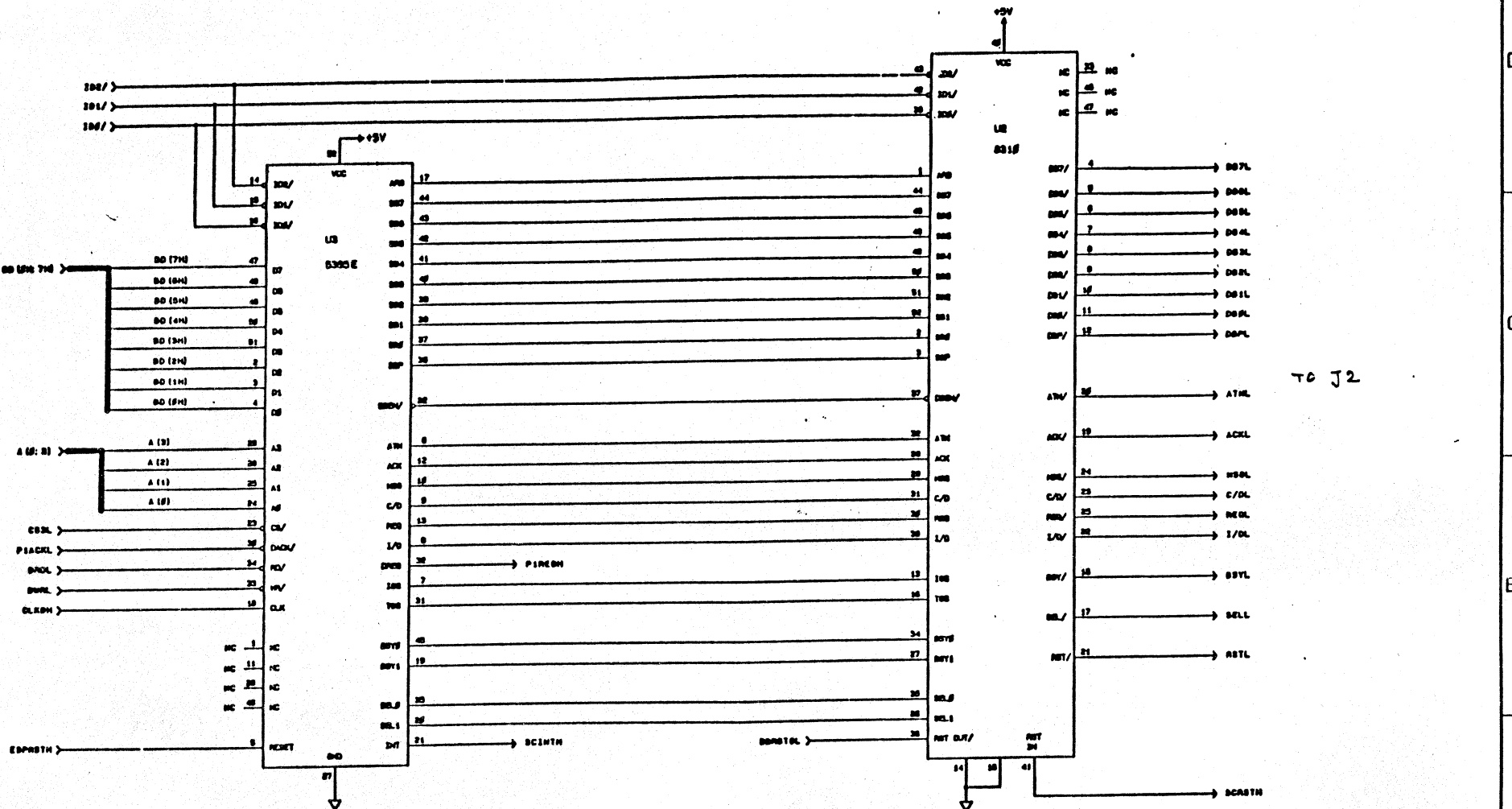
5

4

3

2

1



TO J2

MICROPOLIS
 SCHEMATIC
 1378 DEVICE ELECTRONICS
 101783
 SHEET 18 OF 1

101783



8

7

6

5

4

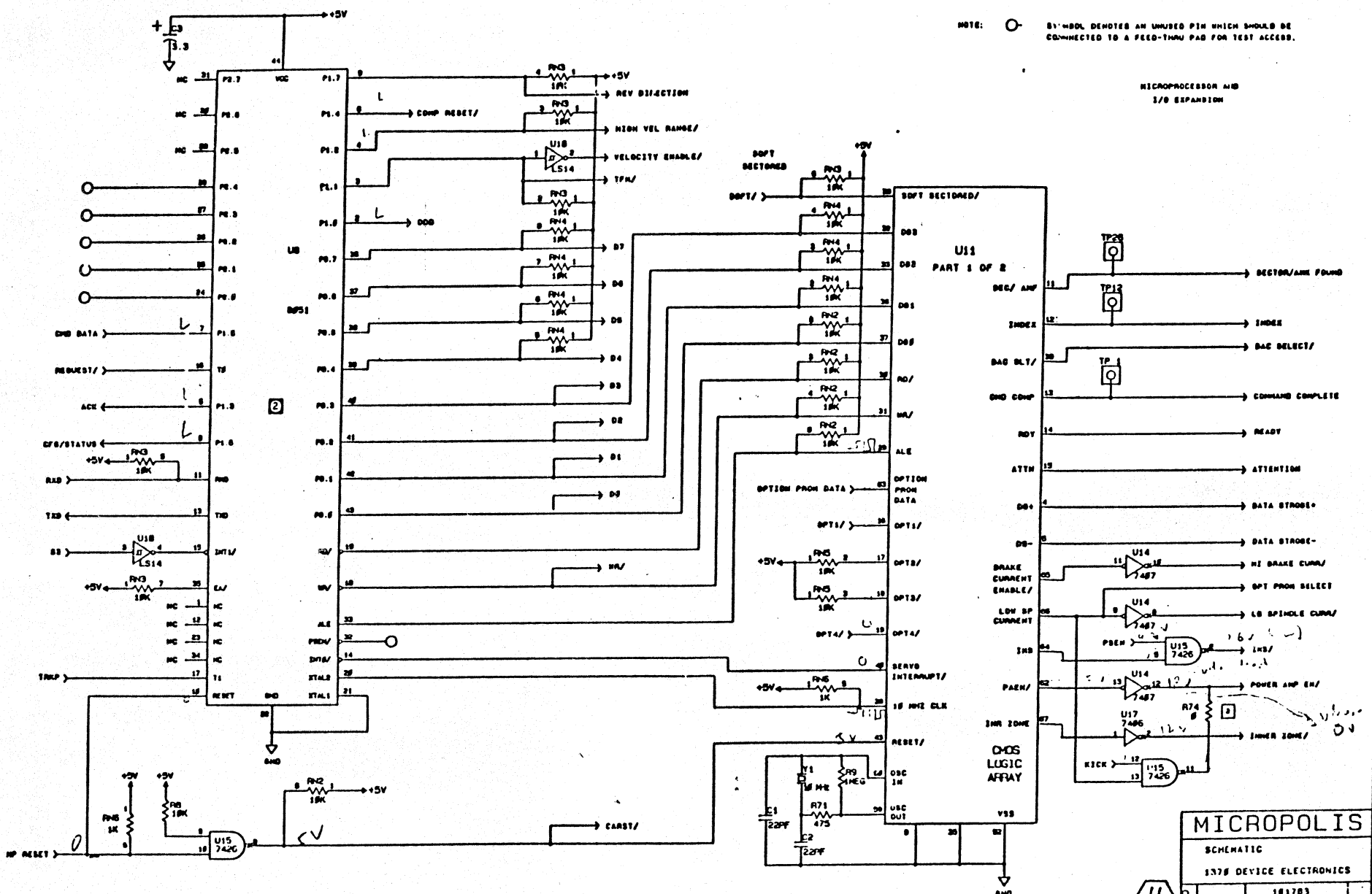
3

2

1

NOTE: ○ BV=BDL DENOTES AN UNUSED PIN WHICH SHOULD BE CONNECTED TO A FEED-THRU PAD FOR TEST ACCESS.

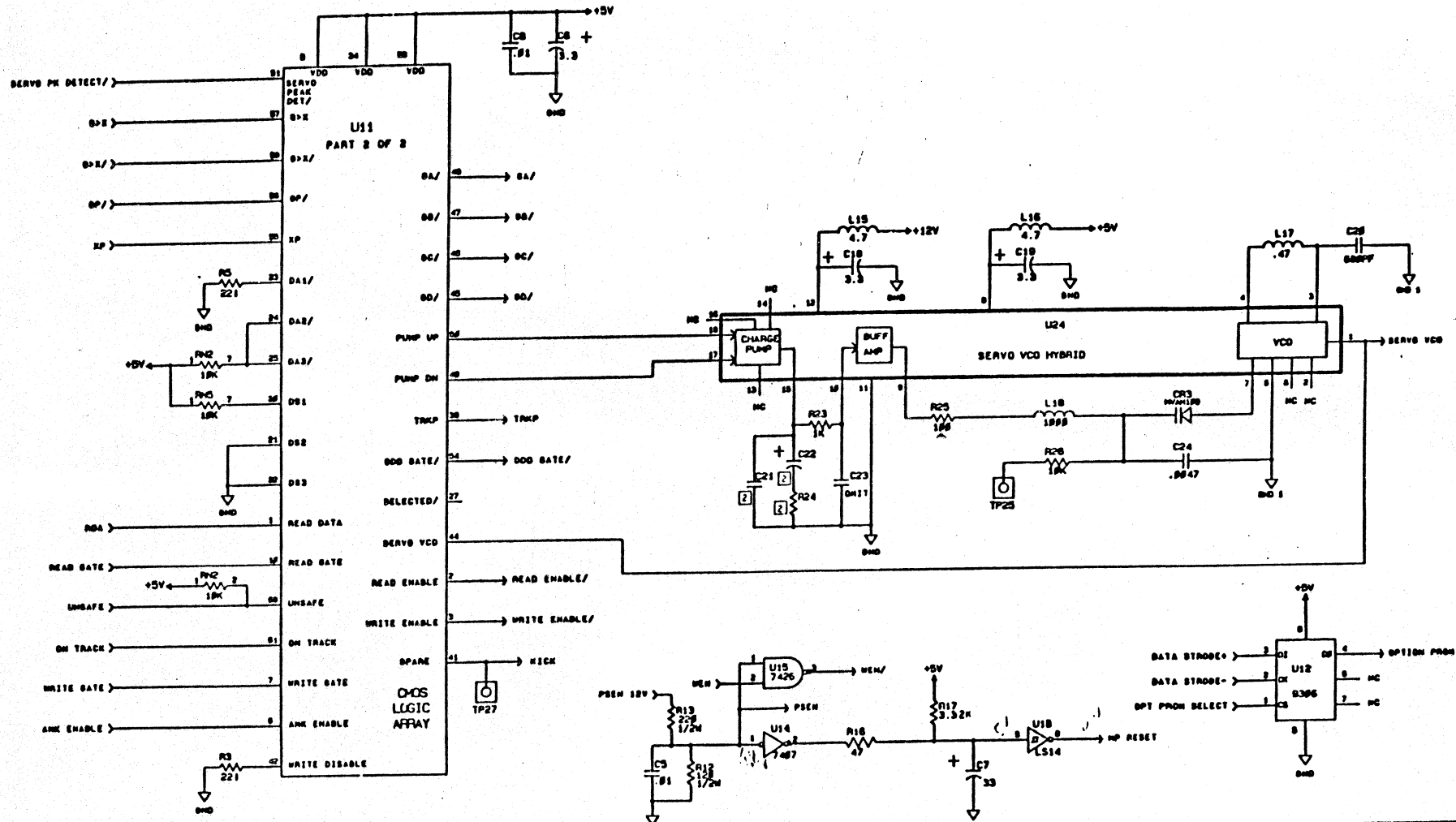
MICROPROCESSOR AND I/O EXPANSION



MICROPOLIS
 SCHEMATIC
 1378 DEVICE ELECTRONICS
 181783
 SHEET 11 OF 11

101783

8 7 6 5 4 3 2 1



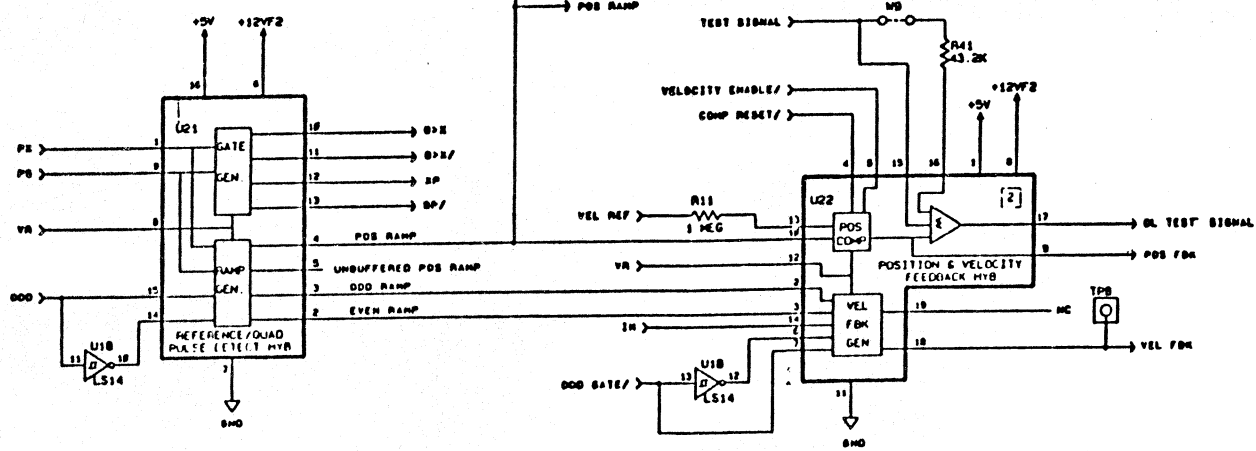
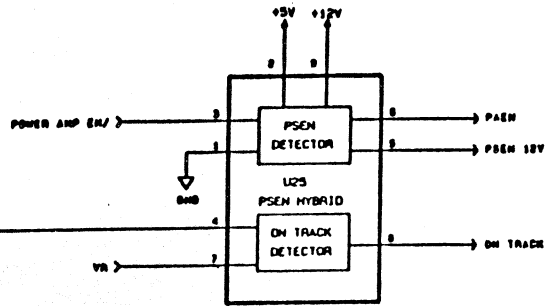
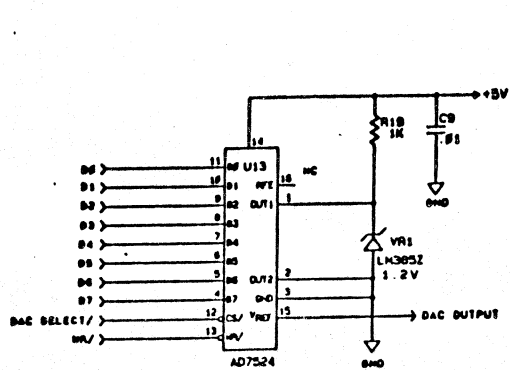
SERVO DECODING AND COUNTER LOGIC

MICROPOLIS			
SCHEMATIC			
137F DEVICE ELECTRONICS			
D	101783		
	HEET 12 OF 1		

101783

12

8 7 6 5 4 3 2 1

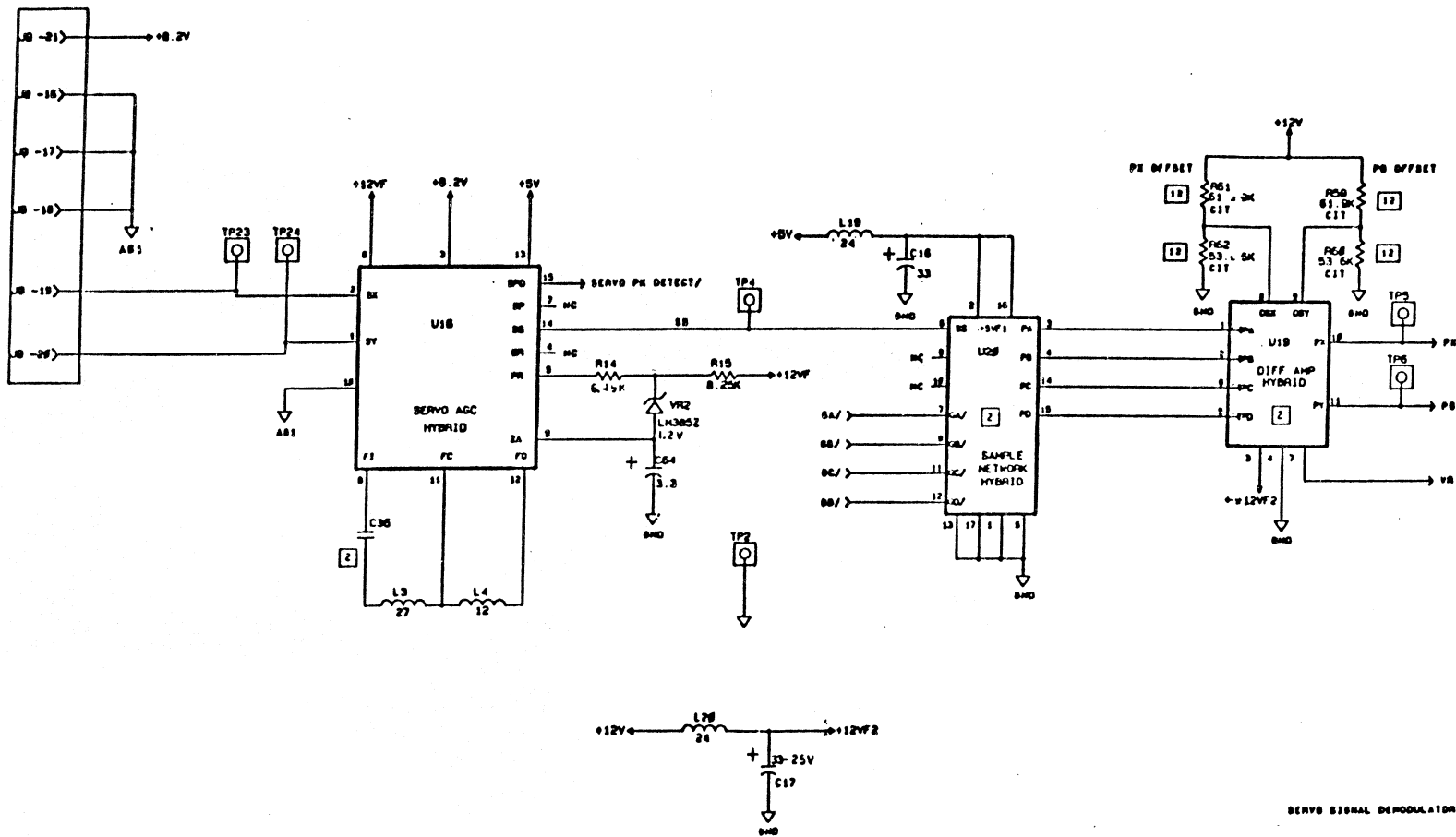


SERVO SIGNAL PROCESSING

MICROPOLIS	
SCHEMATIC	
1378 DEVICE ELECTRONICS	
D	1P1783
SHEET 13 OF 1	

1P1783



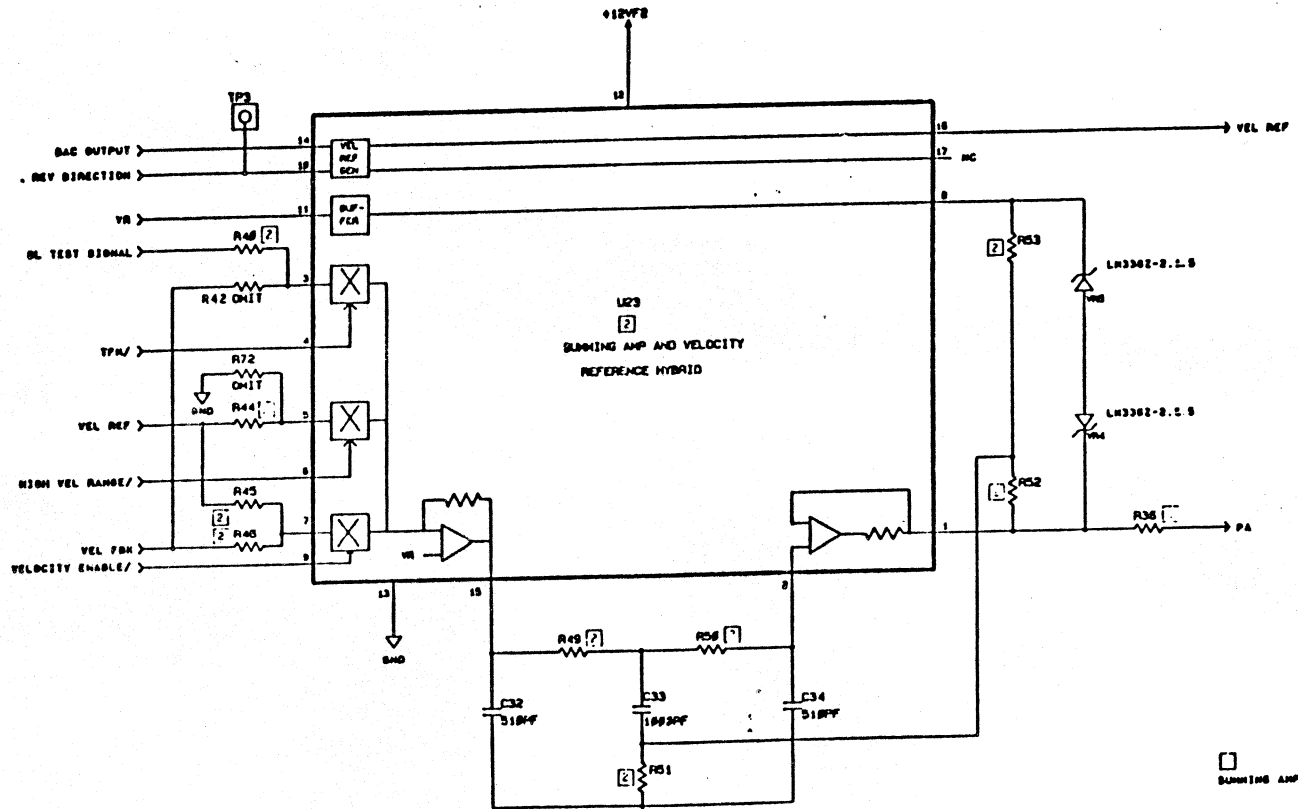


SERVO SIGNAL DEMODULATOR

MICROPOLIS	
SCHEMATIC	
1378 DEVICE ELECTRONICS	
D	181783
SHEET 14 OF 20	

141783

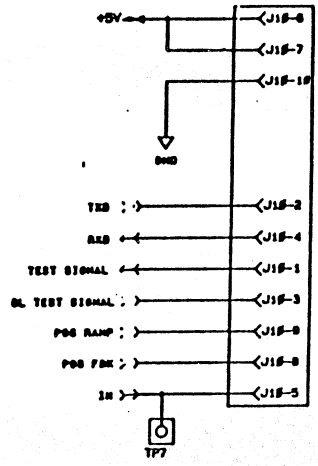
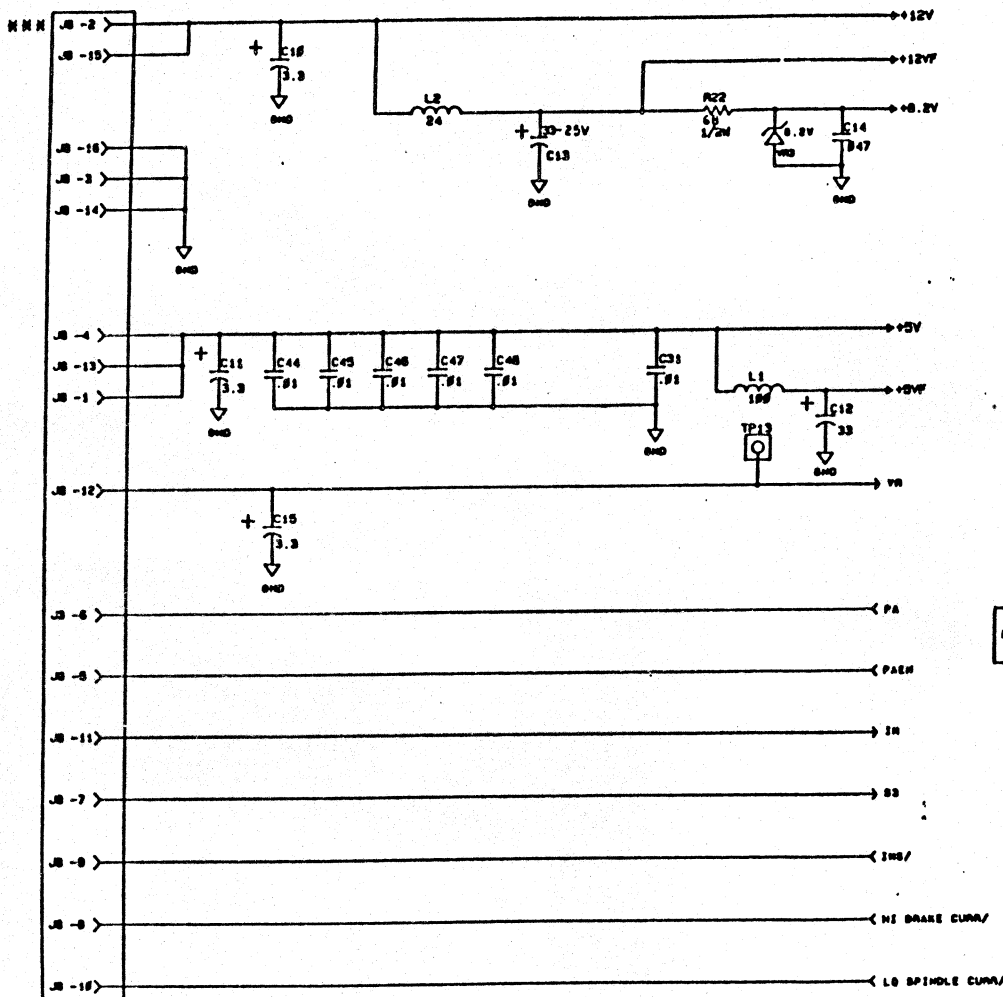
14



□ SUMMING AMPLIFIER/MATCH FILTER

101703 (15)

MICROPOLIS			
SCHEMATIC			
1378 DEVICE ELECTRONICS			
0	101703	15	
SHEET 15 OF			



POSITION SERVO TESTS:

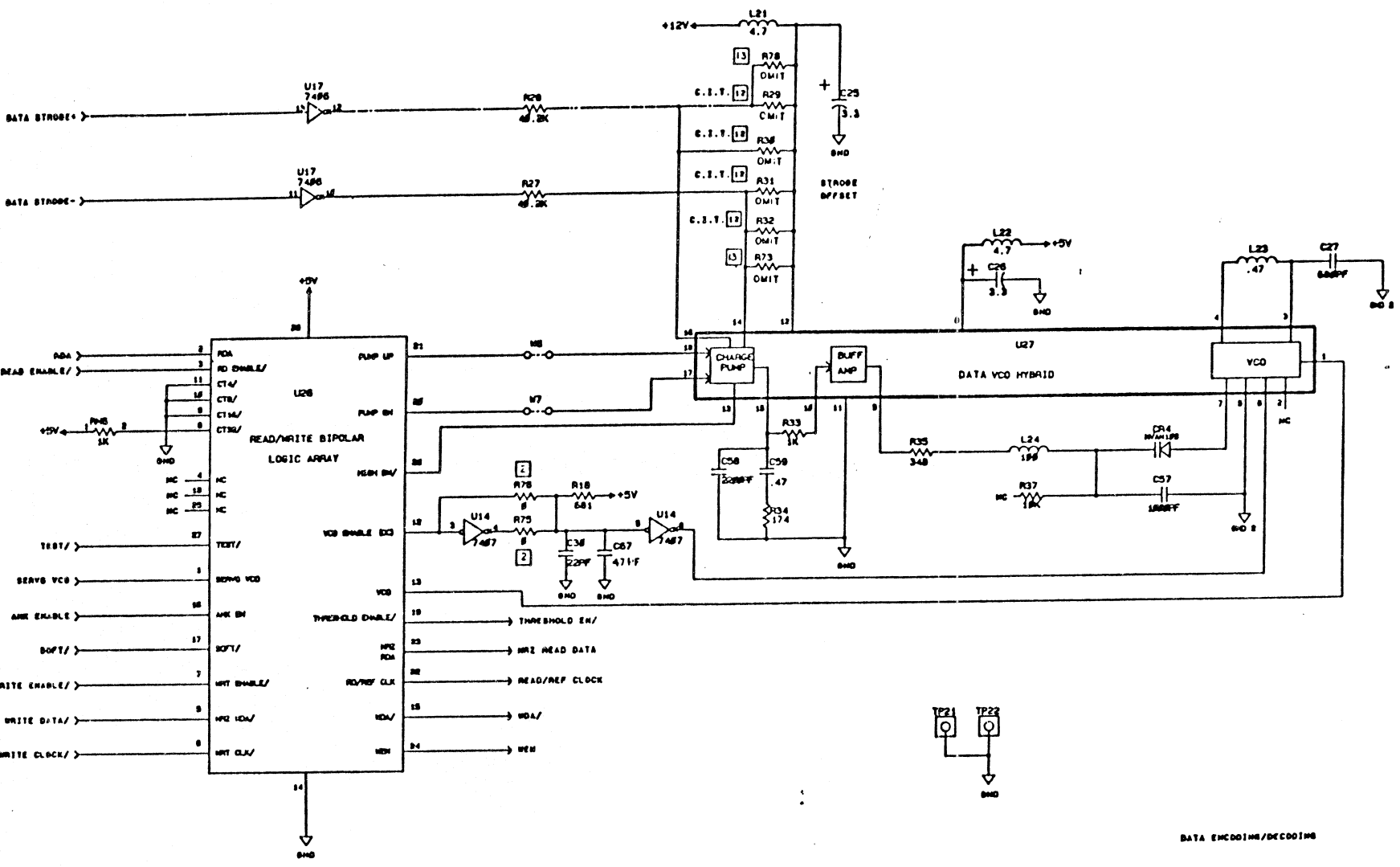
OPEN LOOP	=	POS FBK
LOOP	=	DL TEST SIGNAL
CLOSED LOOP	=	POS FBK
MECHANICAL	=	POS RAMP
		IN

MM 64 F CONNECTOR WILL BE INSTALLED IN PINS 2 THRU 15

MICROPOLIS
 SCHEMATIC
 137# DEVICE ELECTRONICS
 181783
 SHEET 16 OF 16

12/1783 16

8 7 6 5 4 3 2 1



D
C
B
A

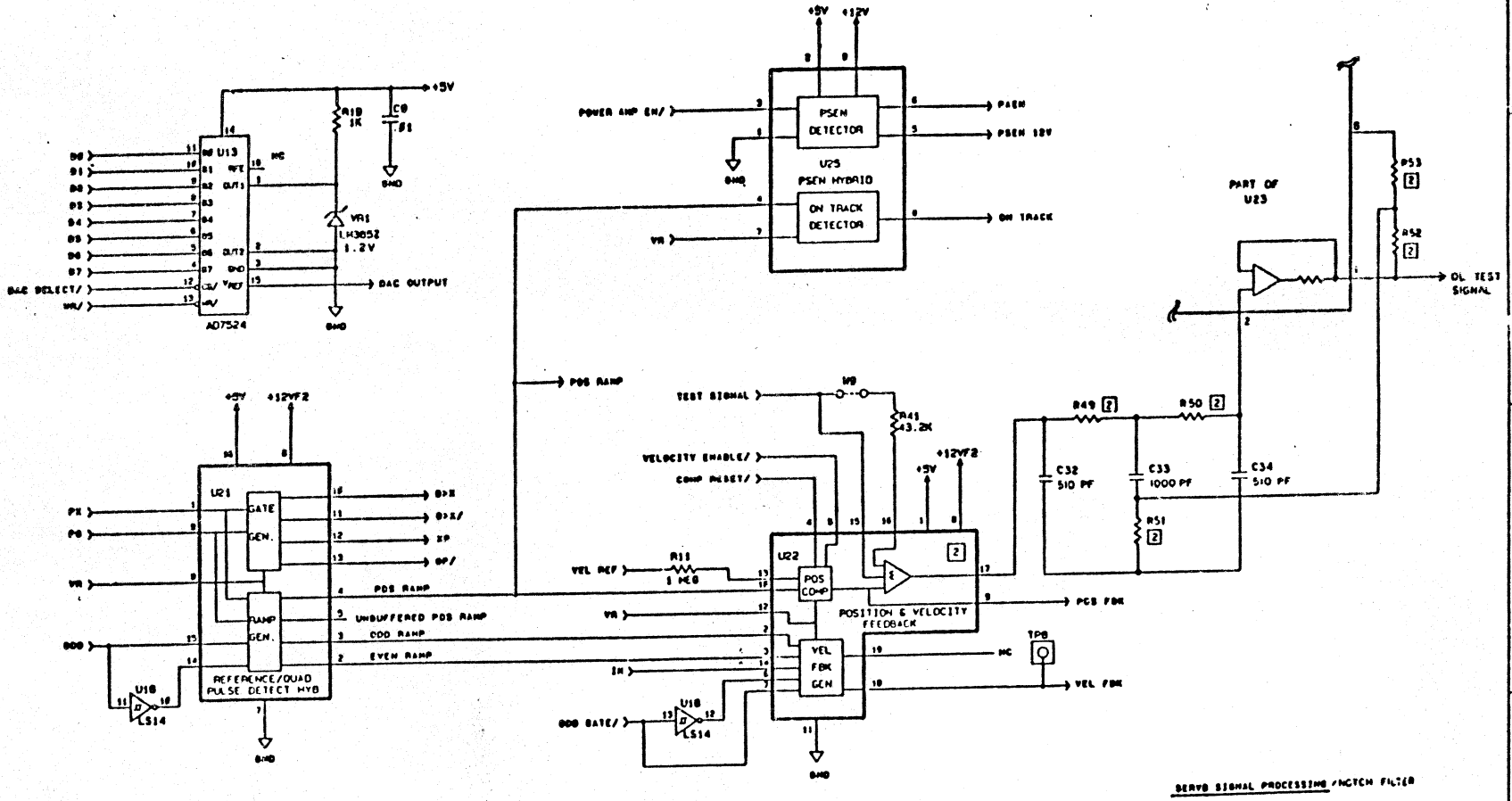
8 7 6 5 4 3 2 1

101783



MICROPOLIS	
SCHEMATIC	
DEVICE ELECTRONICS	
181703	
SHEET 17 OF 17	

1378 SCSI

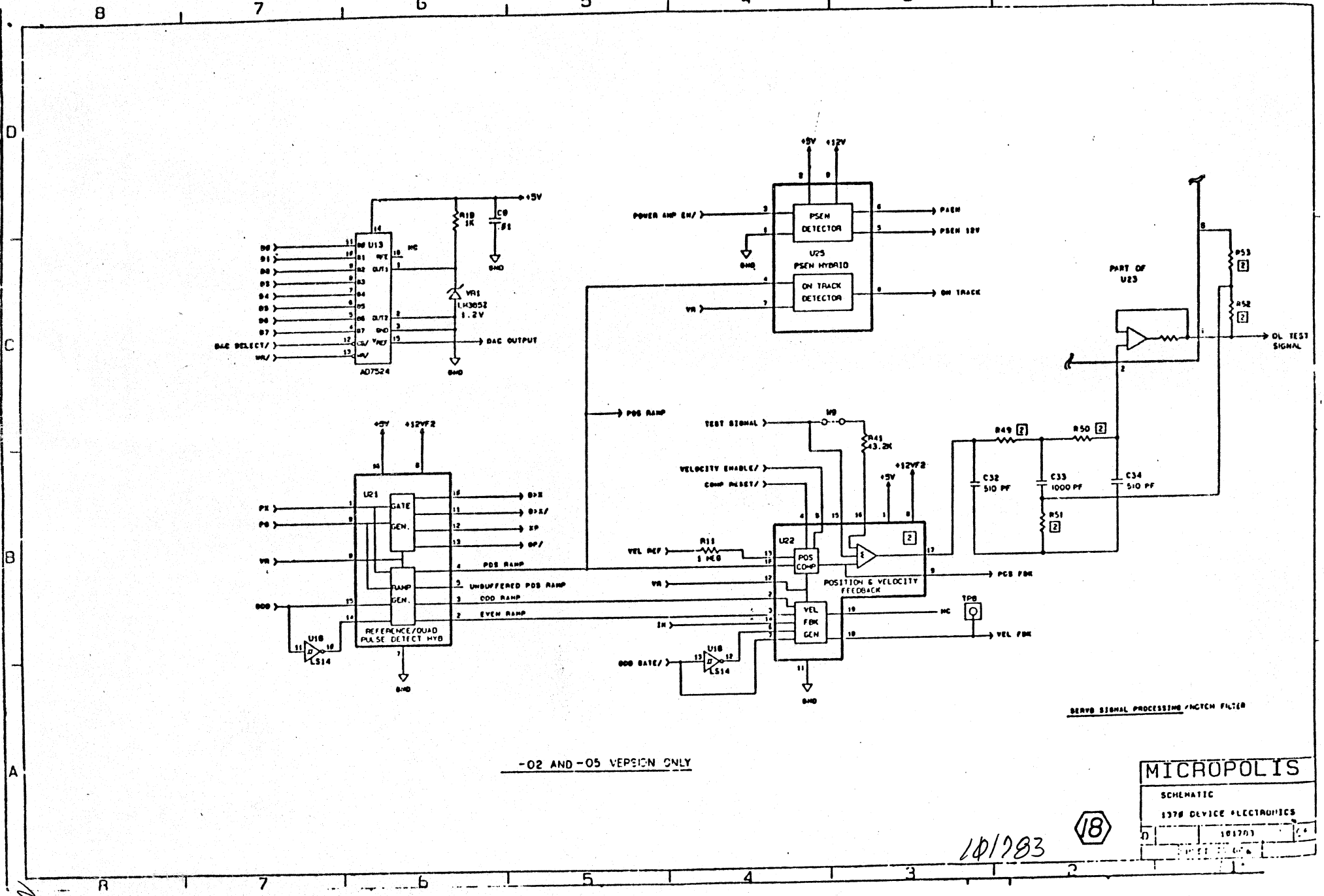


-02 AND -05 VERSION ONLY

SERVO SIGNAL PROCESSING / MCTEN FILTER

MICROPOLIS
 SCHEMATIC
 1378 DEVICE ELECTRONICS
 181703

10/1983



8

7

6

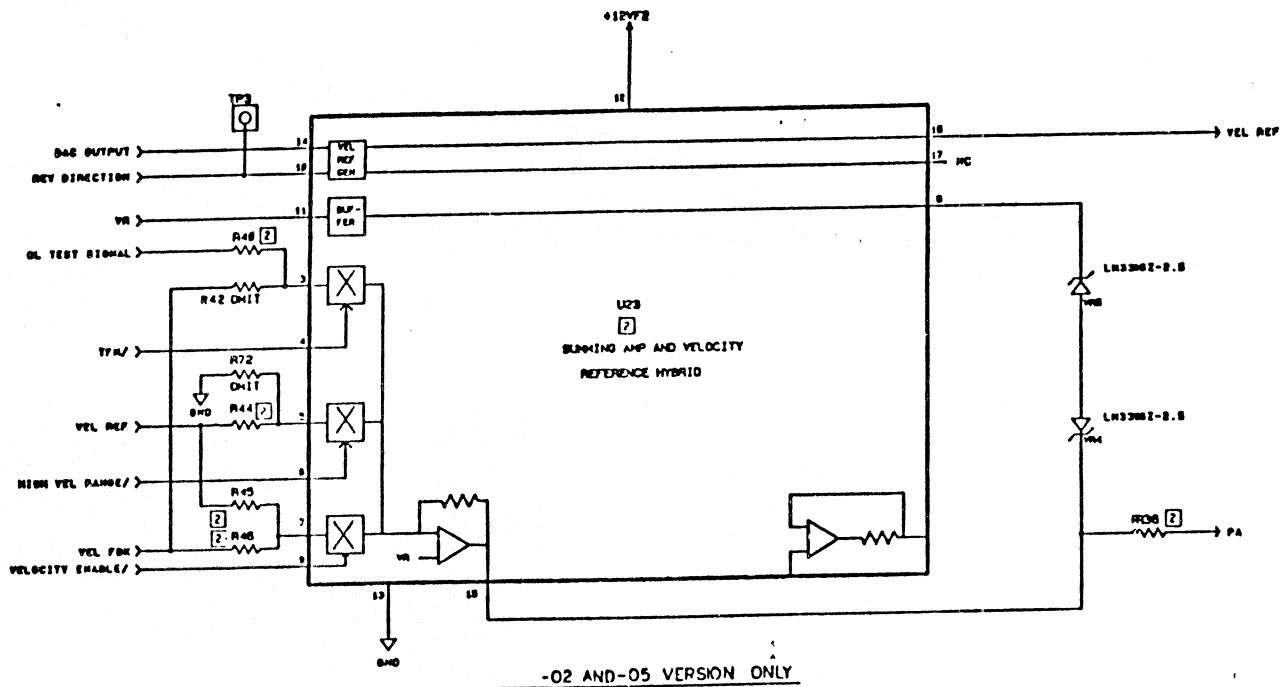
5

4

3

2

1



BLANKING AMPLIFIER

MICROPOLIS	
SCHEMATIC	
137E DEVICE ELECTRONICS	
0	181783
DATE: 12 04 73	

101703



R

7

6

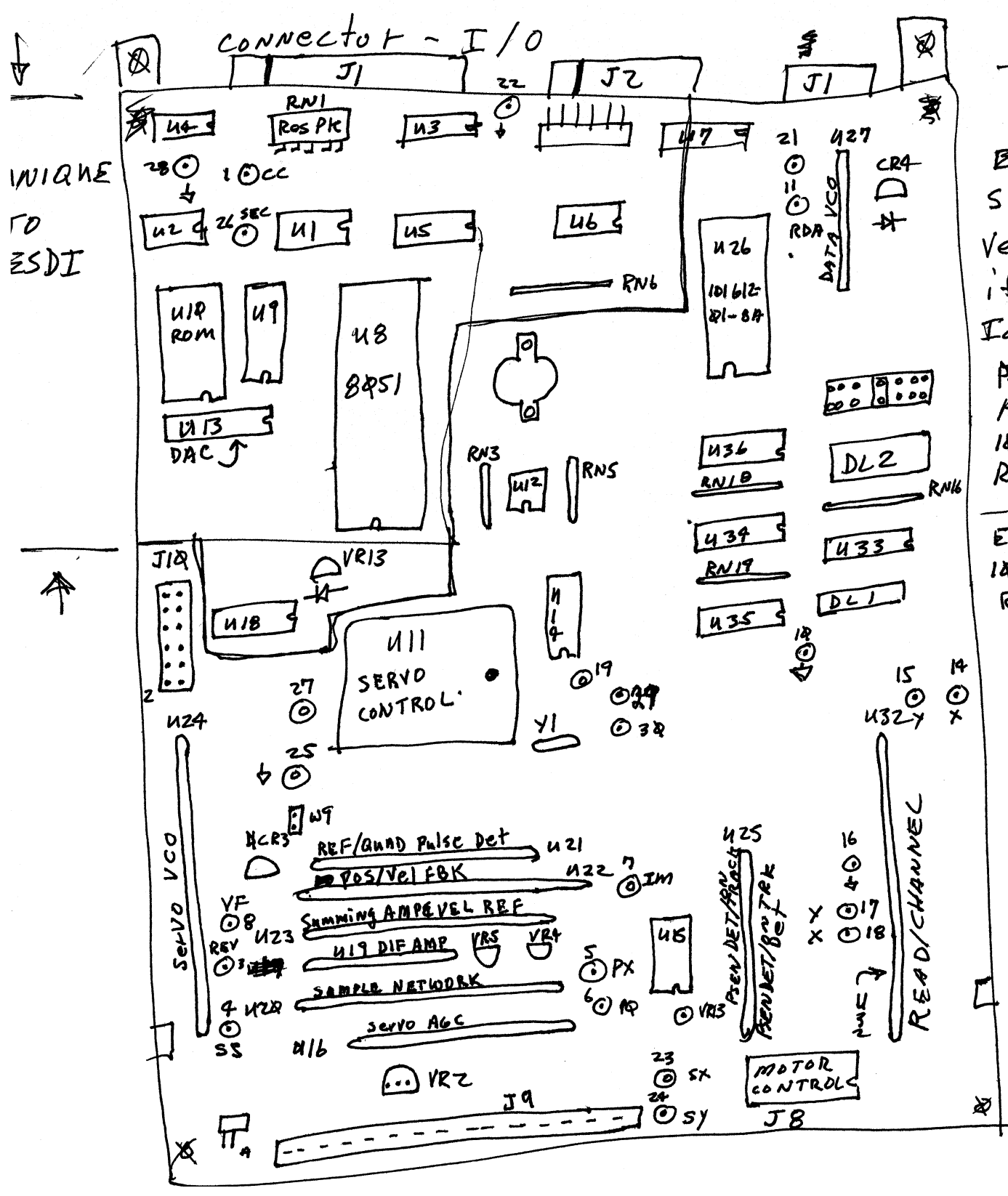
5

4

3

2

1



ESDI & SCSI are very similar if not identical

SCSI ASSY # 101781-01-1 Rev C-1

ESDI ASSY # 101651-01-6 Rev D2

10-10-90