

METHEUS

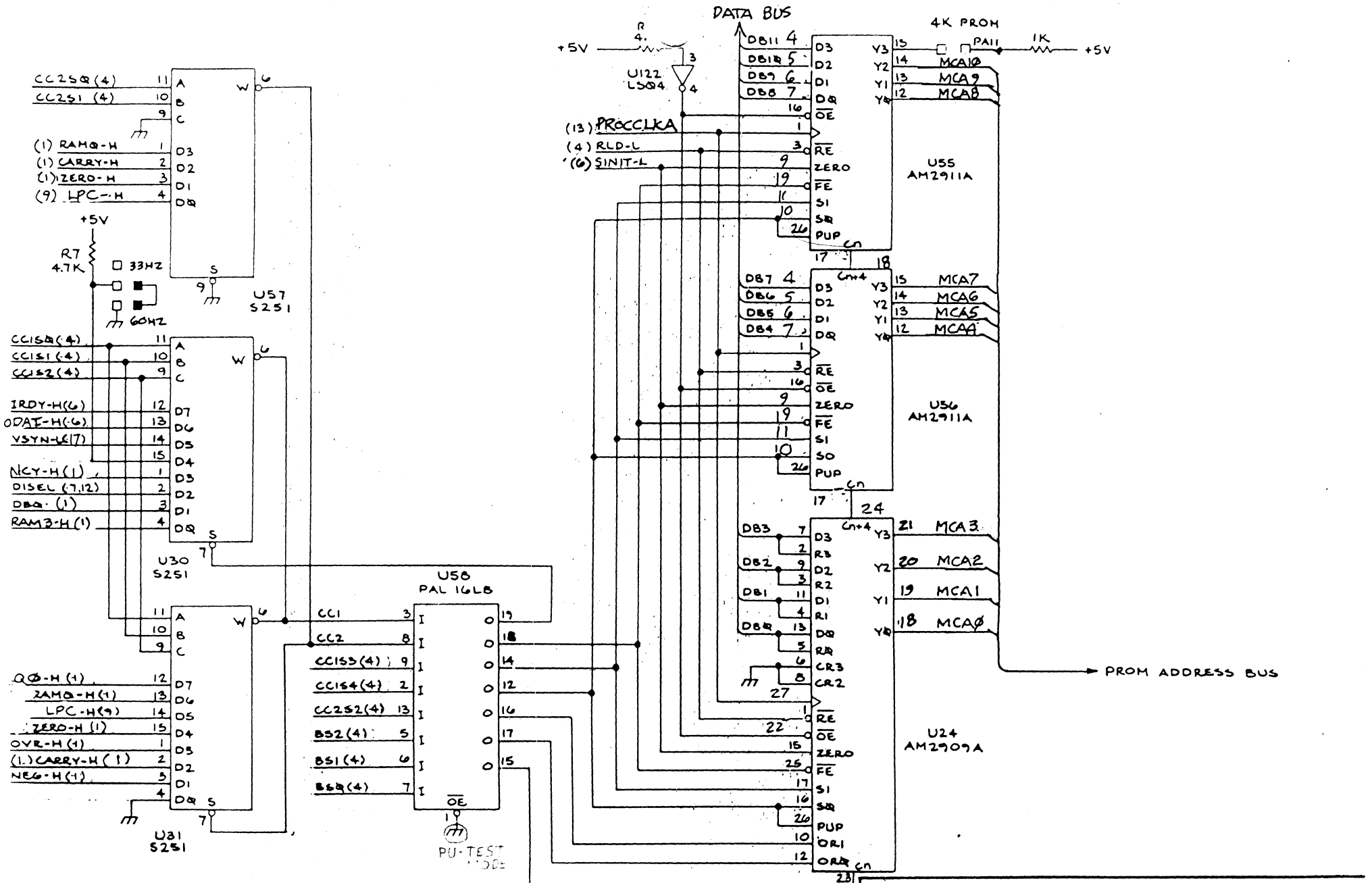
DATE

REV.

rev 05

TITLE
BIT-SLICE



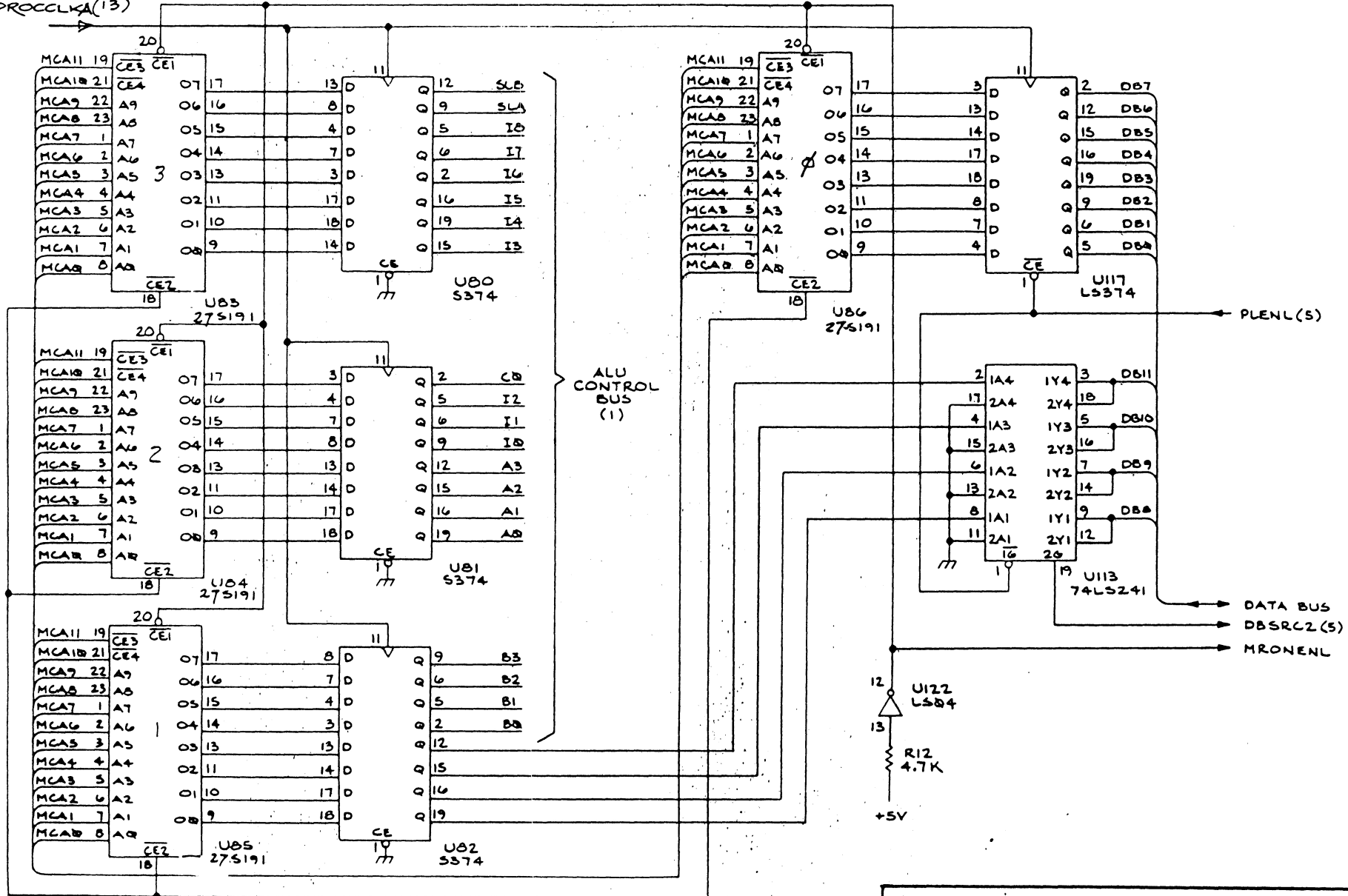


METHEUS

DATE _____ REV. _____

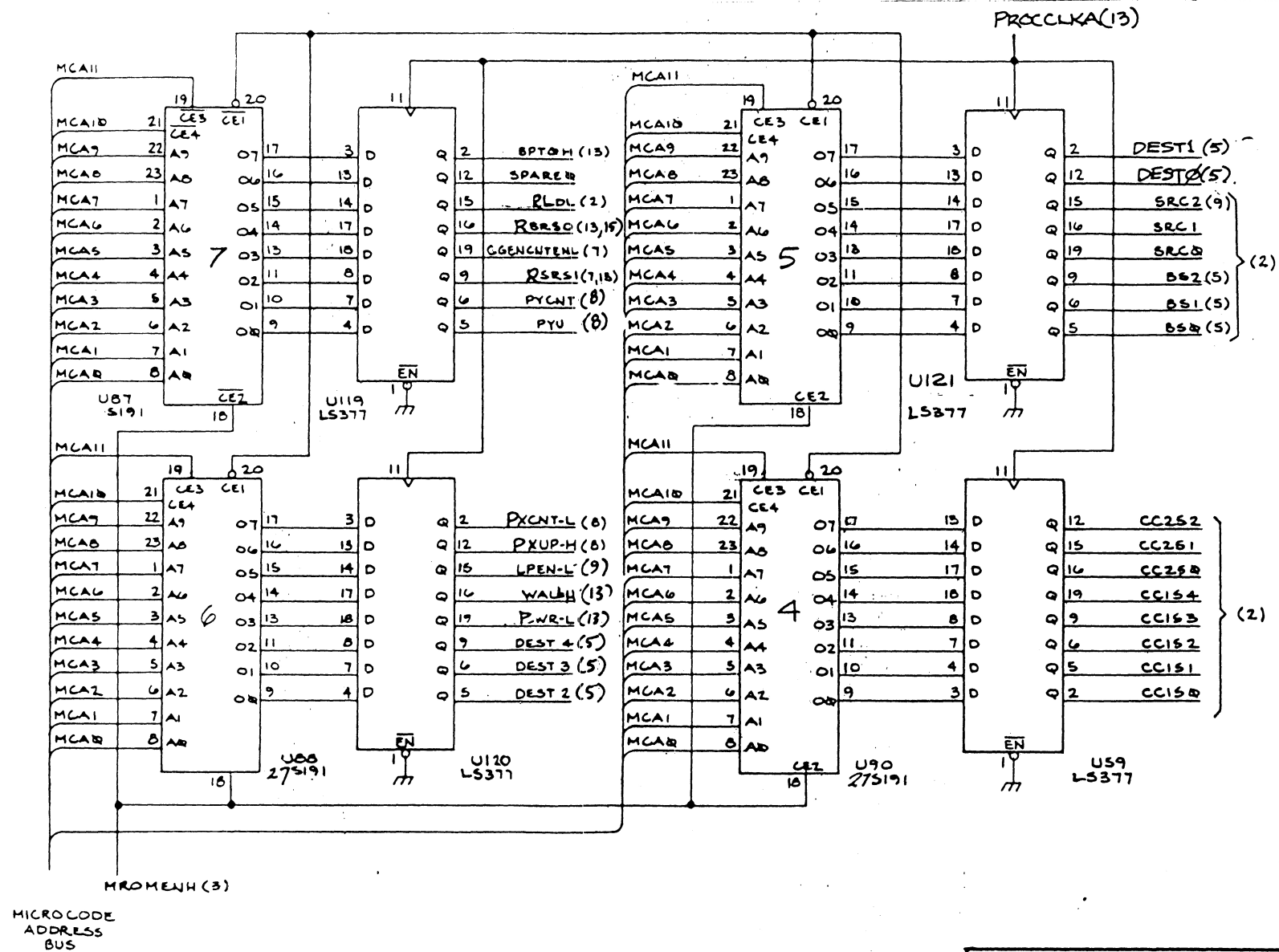
TITLE **SEQUENCER**

PROCCLKA(13)

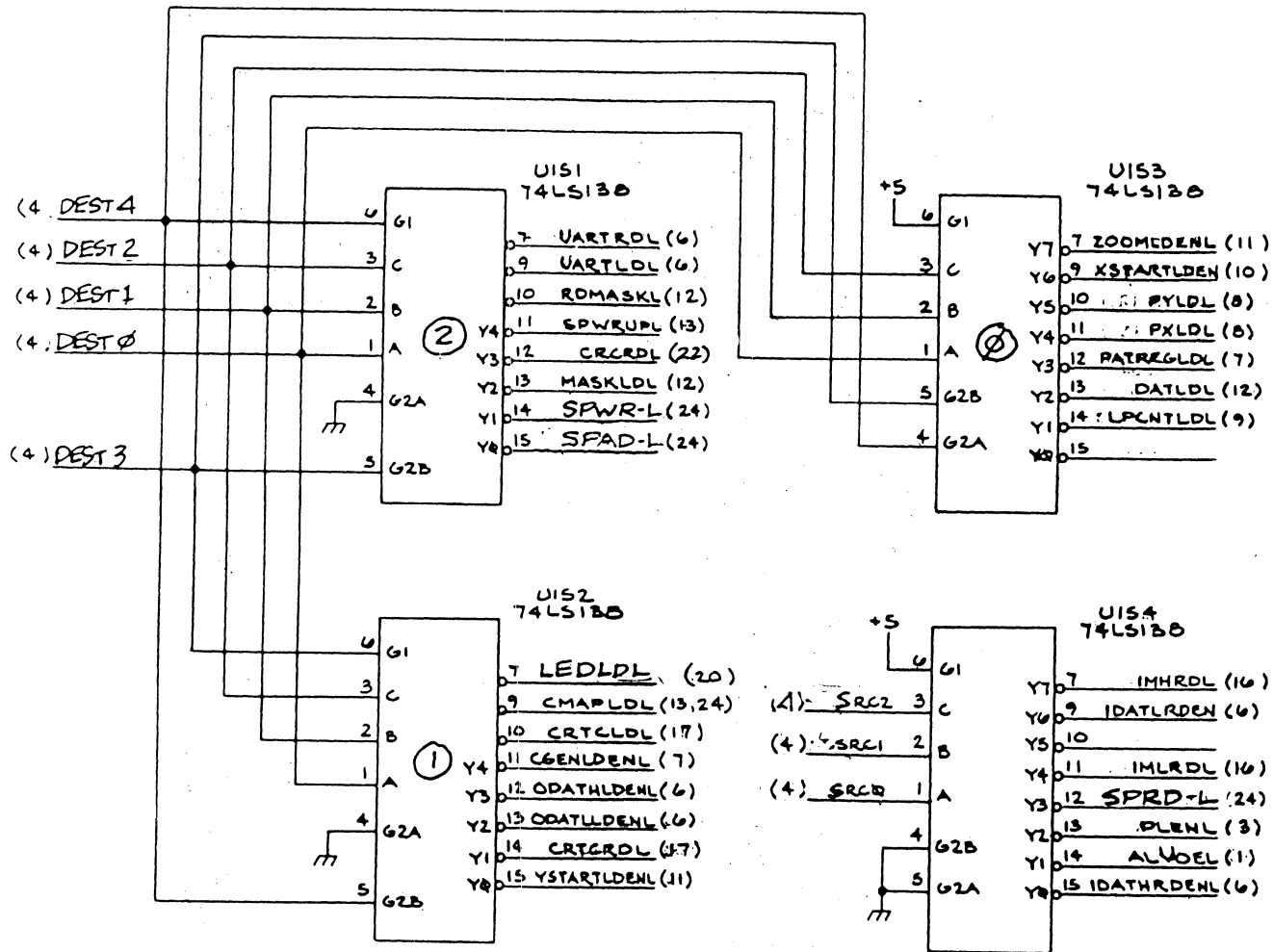


METHEUS DATE REV.

TITLE
PIPELINE REGISTER (PART) 3



<h1>METHEUS</h1>	DATE	REV.
TITLE		
PIPELINE REGISTER (PART) 4		



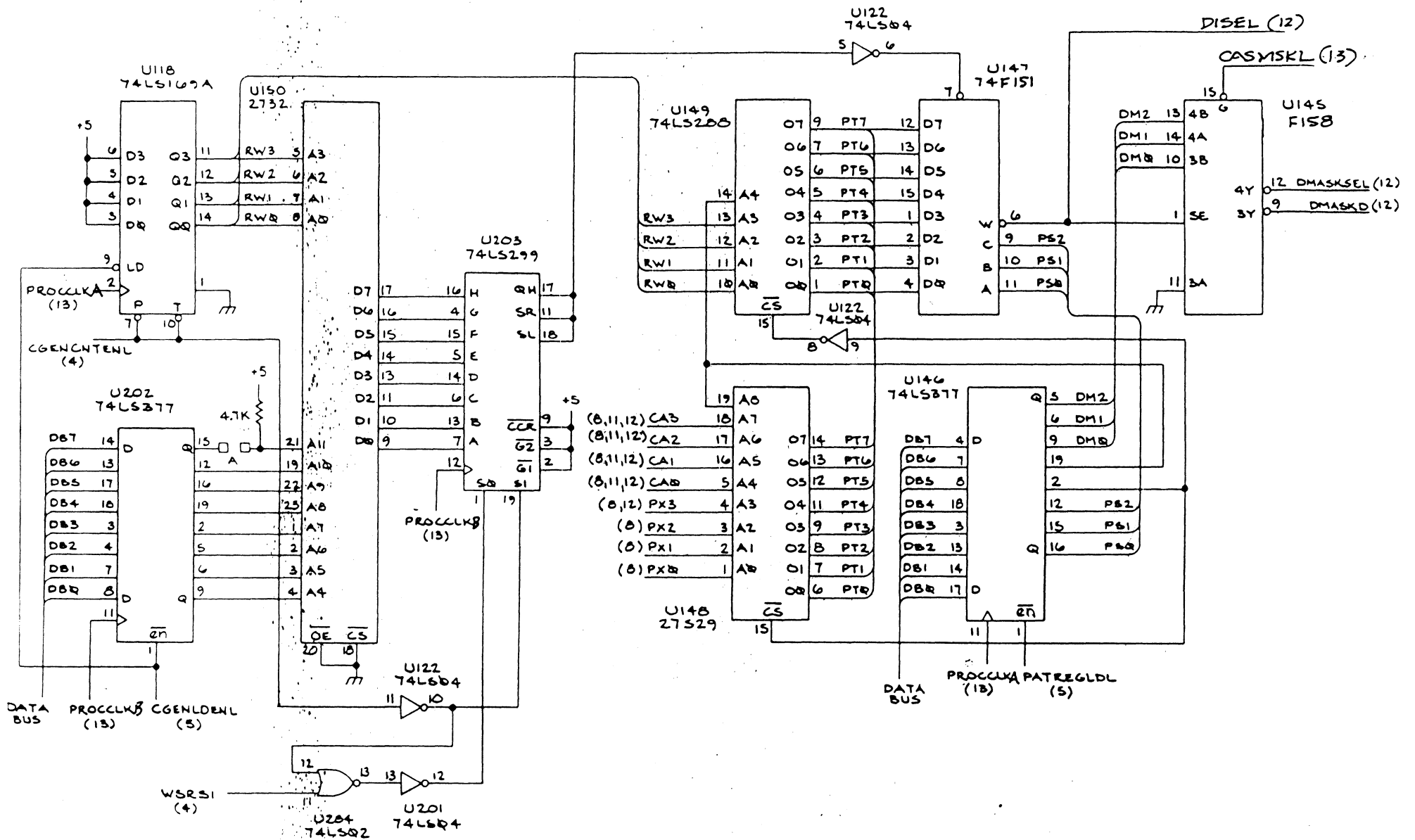
METHEUS

DATE

REV.

TITLE

PROCESSOR SOURCE / DESTINATION 5



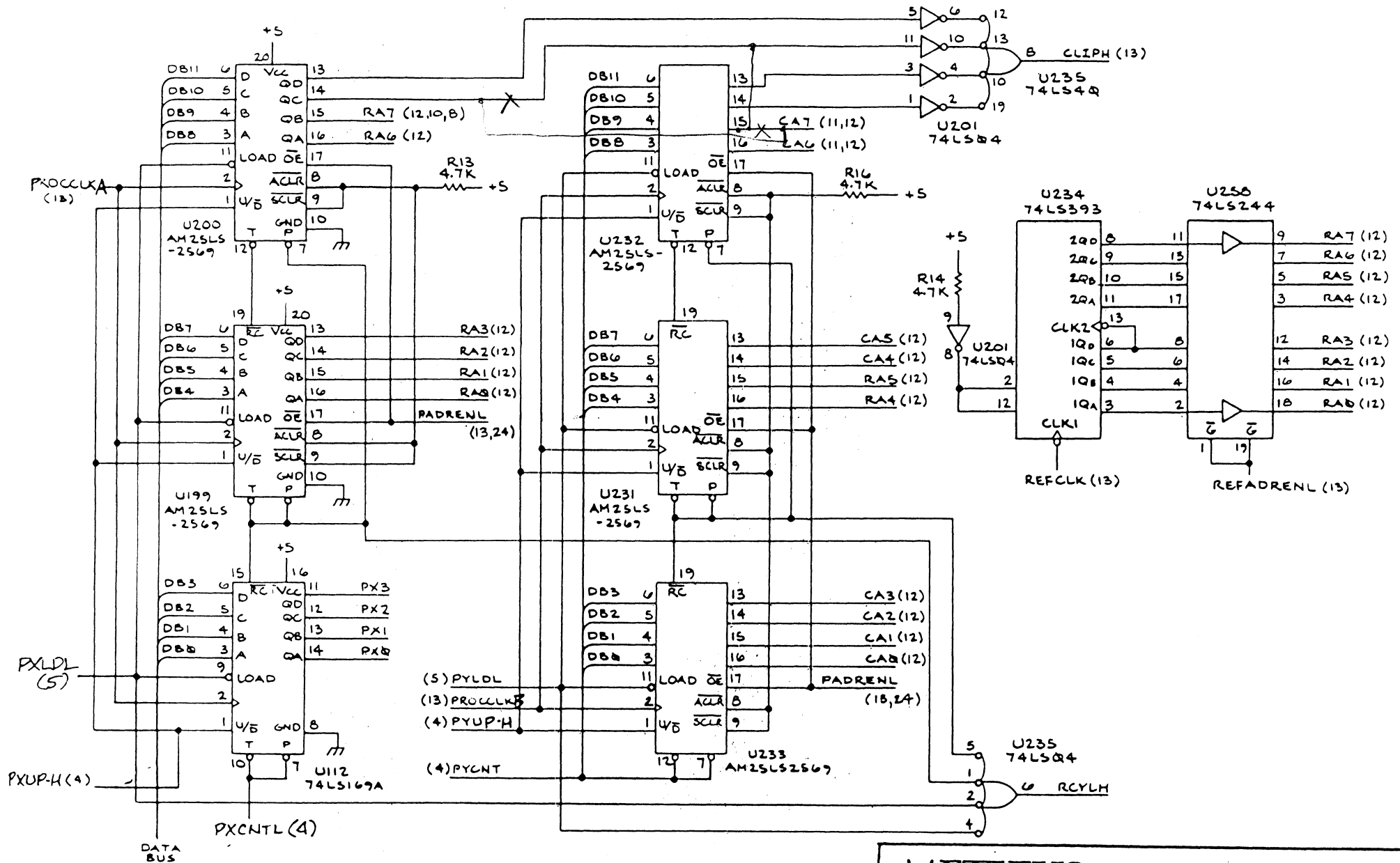
METHEUS

DATE

REV.

TITLE
CHAR/PATTERN GEN

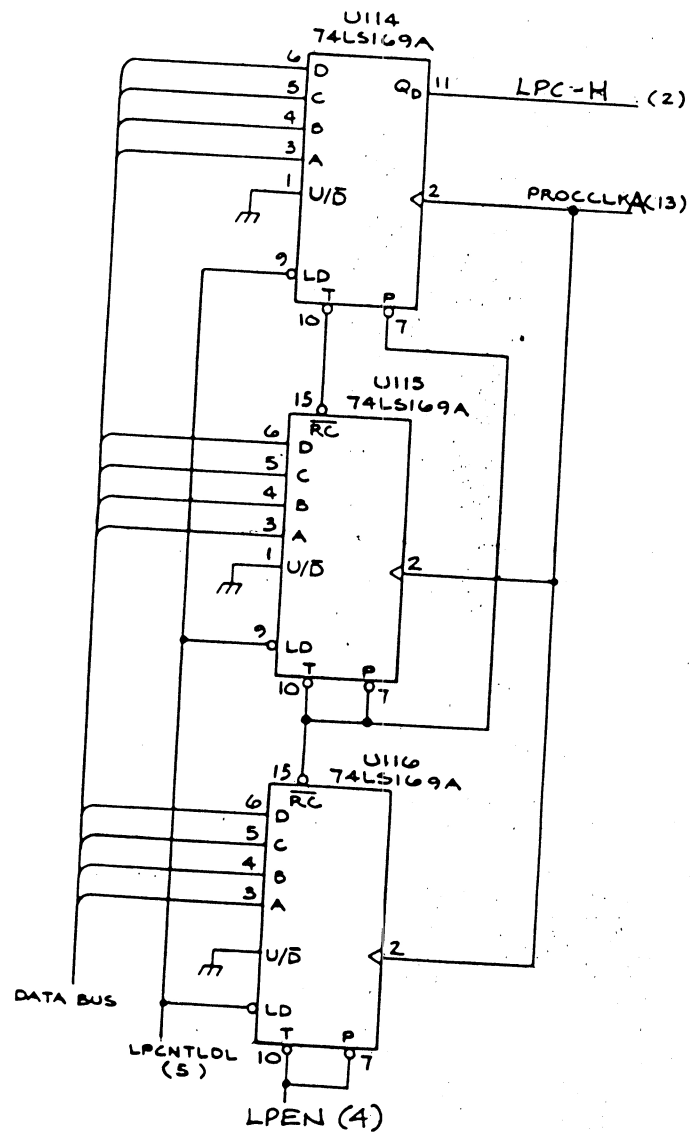
7



METHEUS

DATE REV.

TITLE
PROCESSOR ADDR. COUNTERS 8



METHEUS

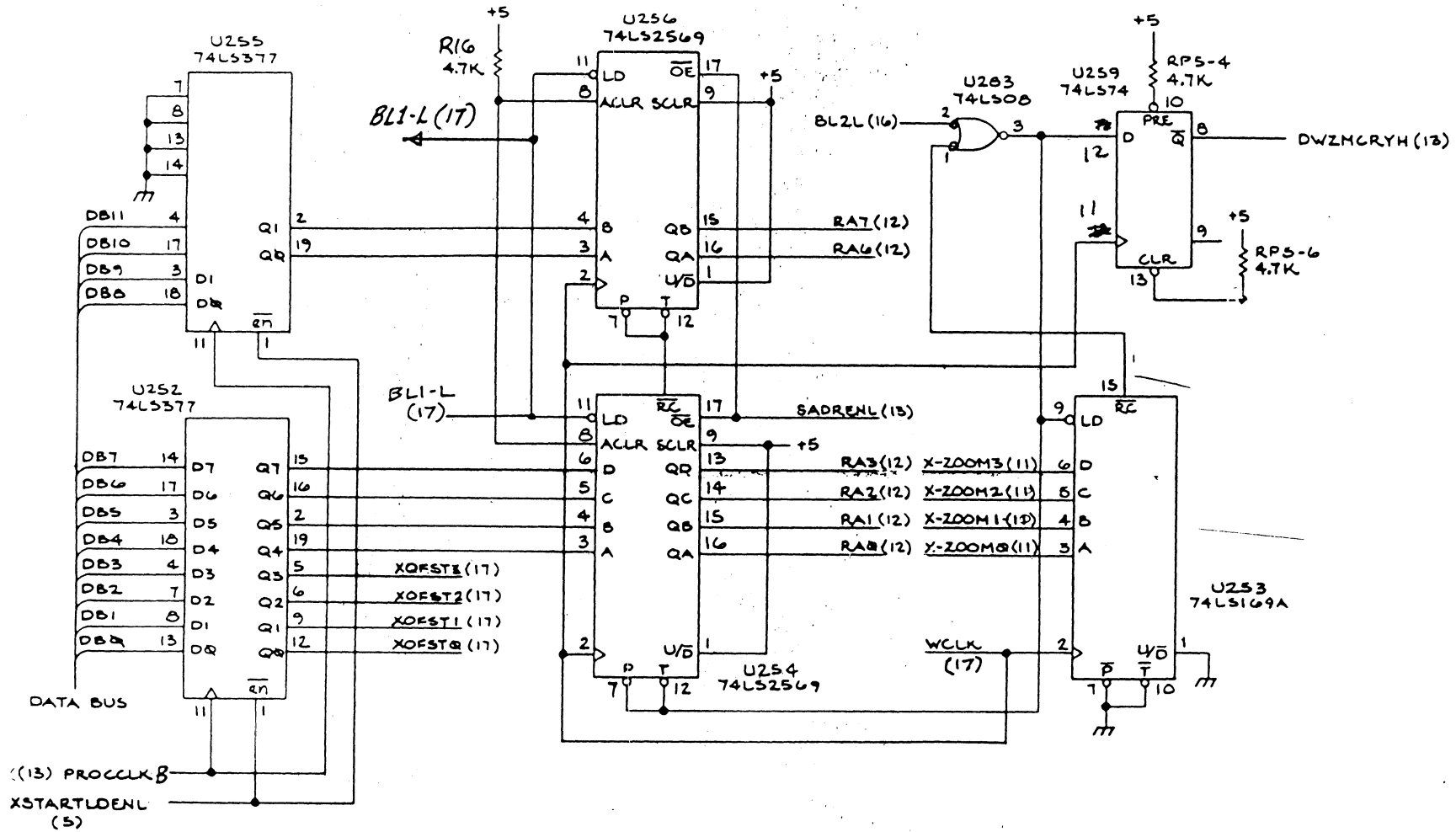
DATE

REV.

TITLE

LOOP COUNTER

9



METHEUS

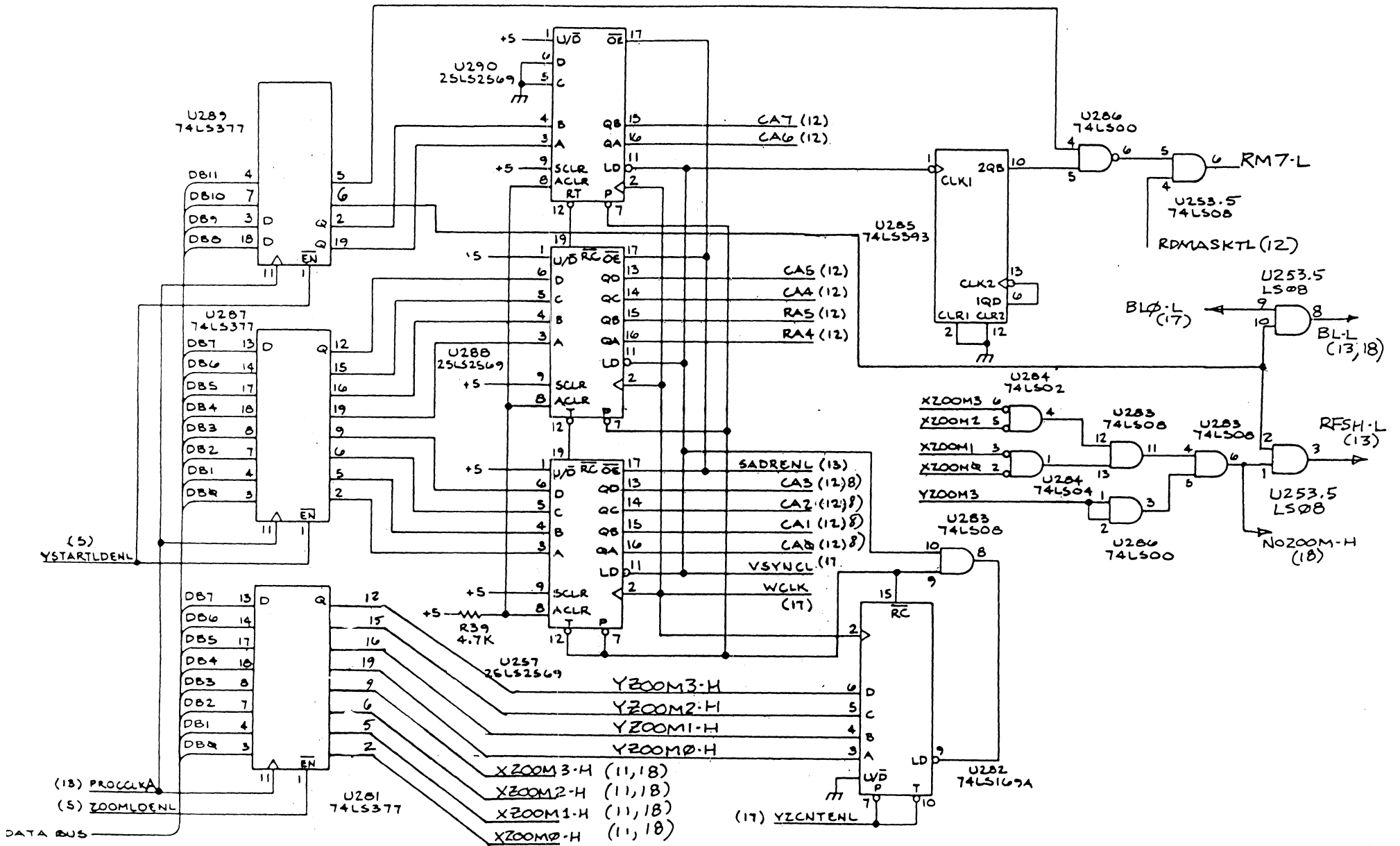
DATE

REV.

TITLE

X SCREEN COUNTERS

10



METHEUS

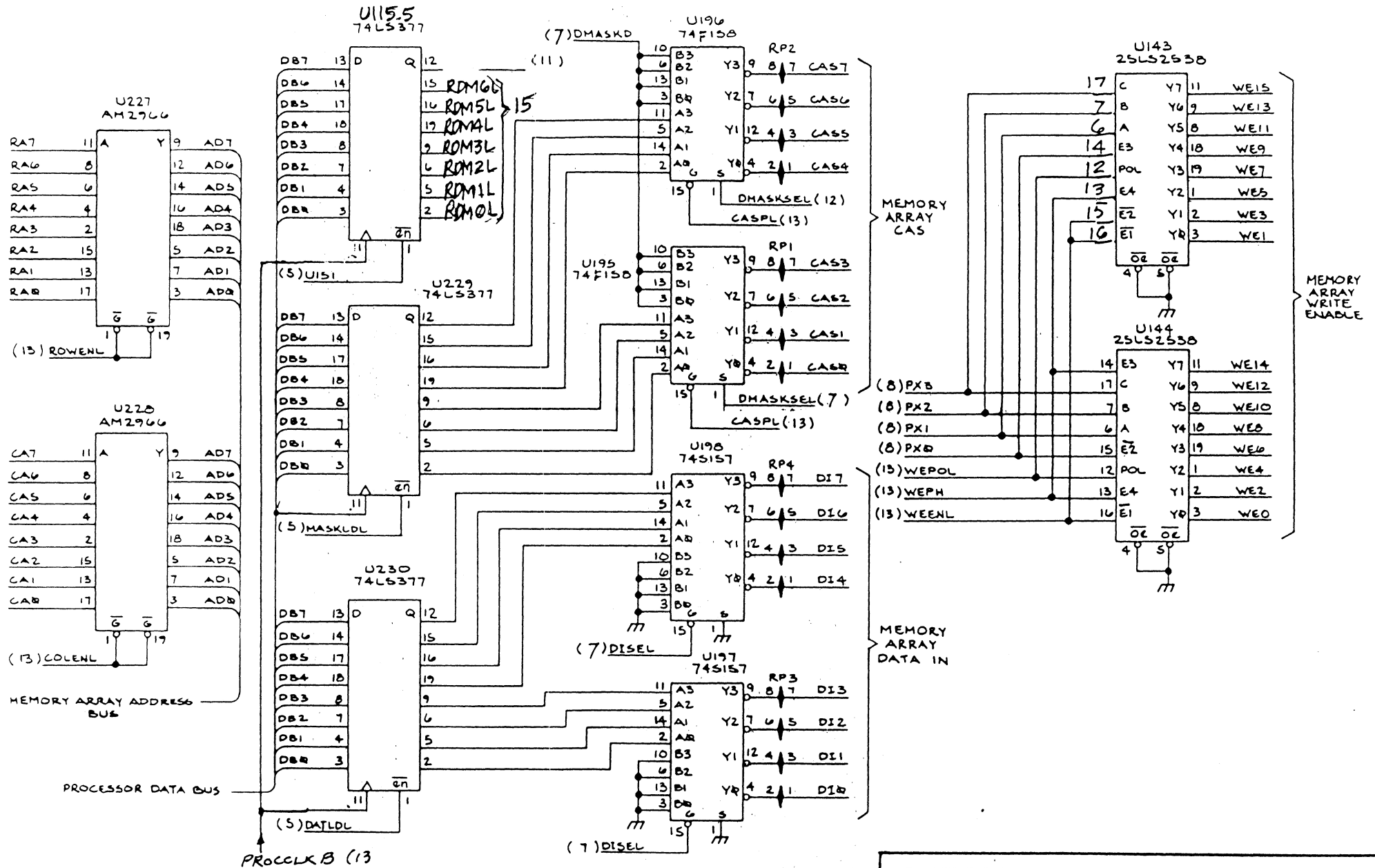
DATE

REV.

TITLE

SCREEN Y COUNTERS

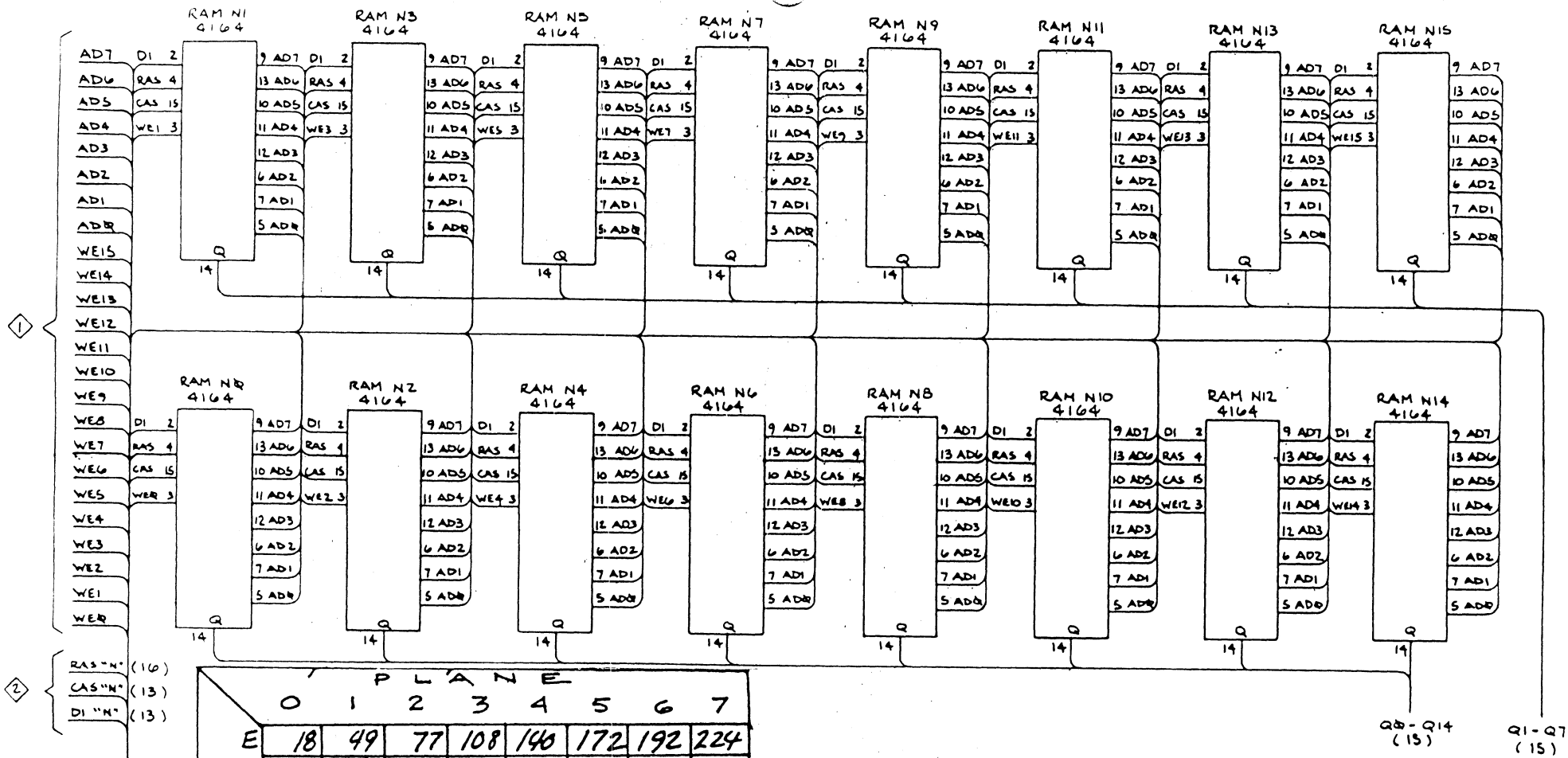
11



◆ = $\overline{V_{CC}}$
IN RP1,2,3,4

<h1>METHEUS</h1>		DATE	REV.
TITLE		MEMORY MASKS	

17



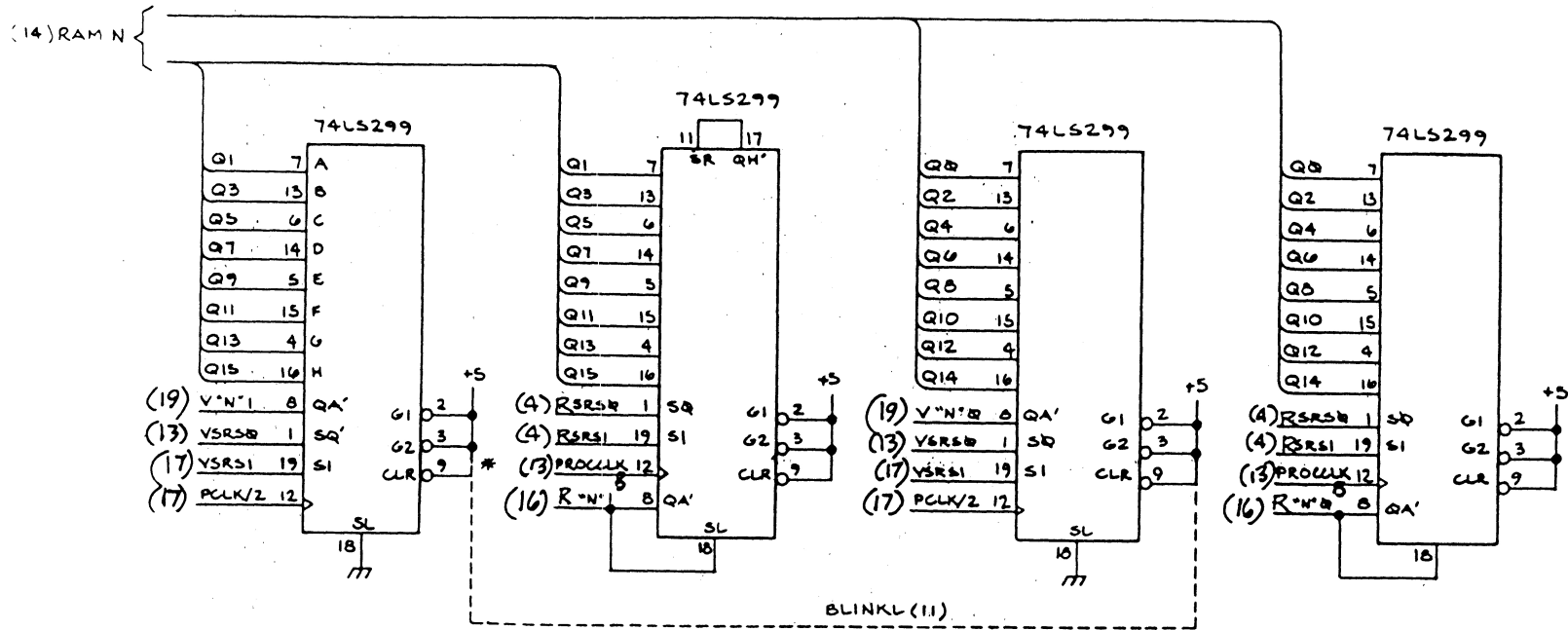
① SIGNAL SHARED BY ALL MEMORY PLANES.
 ② SEPARATE SIGNAL FOR EACH MEMORY PLANE.

P L A N E

	0	1	2	3	4	5	6	7
E	18	49	77	108	140	172	192	224
C	17	48	76	107	139	171	191	223
A	16	47	75	106	138	170	190	222
B	15	46	74	105	137	169	189	221
6	14	45	73	104	136	168	188	220
4	13	44	72	103	135	167	187	219
2	12	43	71	102	134	166	186	218
0	11	42	70	101	133	165	185	217
F	10	41	69	100	132	164	184	216
D	9	40	68	99	131	163	183	215
B	8	39	67	98	130	162	182	214
9	7	38	66	97	129	161	181	213
7	6	37	65	96	128	160	180	212
5	5	36	64	95	127	159	179	211
3	4	35	63	94	126	158	178	210
1	3	34	62	93	125	157	177	209

DISPLAY MEMORY
 "U" NUMBERS:

METHEUS	DATE	REV.
TITLE DISPLAY MEMORY		



* FOR N=7 ONLY CONNECT CLR TO RM7-L(11)
 FOR N=0-6 CONNECT CLR TO RM "N"-L (12)

SI	SQ	LS299 FUNCTION
0	0	HOLD
0	1	SHIFT RIGHT
1	0	SHIFT LEFT
1	1	LOAD

NO ZOOM

SHIFT REGISTER "U" NUMBERS:

FUNCTION	BITS	PLANE							
		0	1	2	3	4	5	6	7
RDBACK	EVEN	20	51	79	110	142	174	194	226
VIDEO	EVEN	19	50	78	109	141	173	193	225
RDBACK	ODD	2	33	61	92	124	156	176	208
VIDEO	ODD	1	32	60	91	123	155	175	207

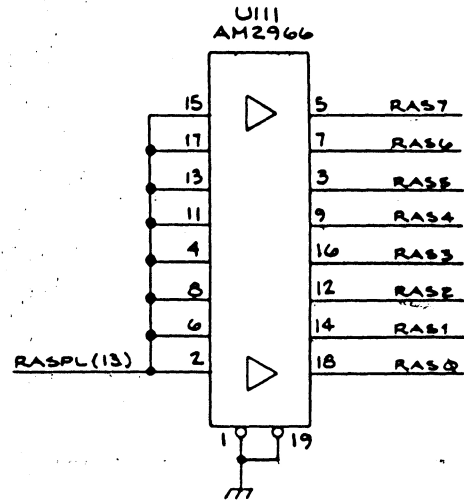
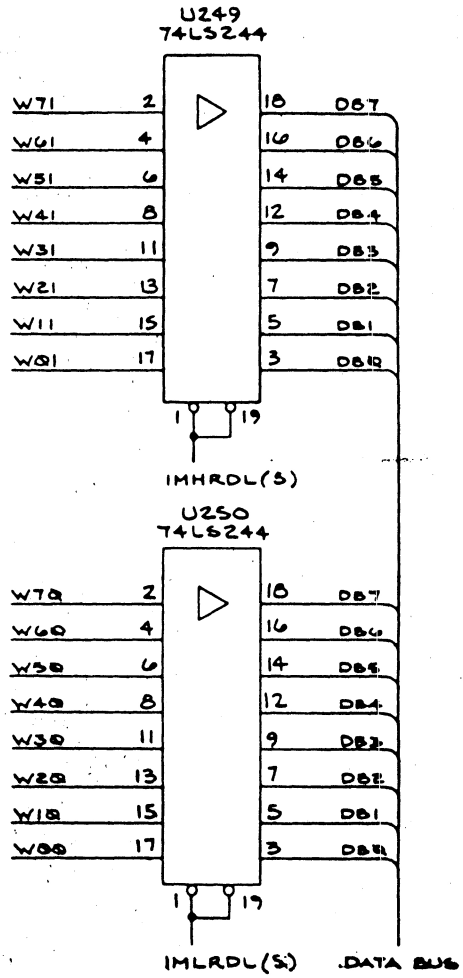
METHEUS

DATE

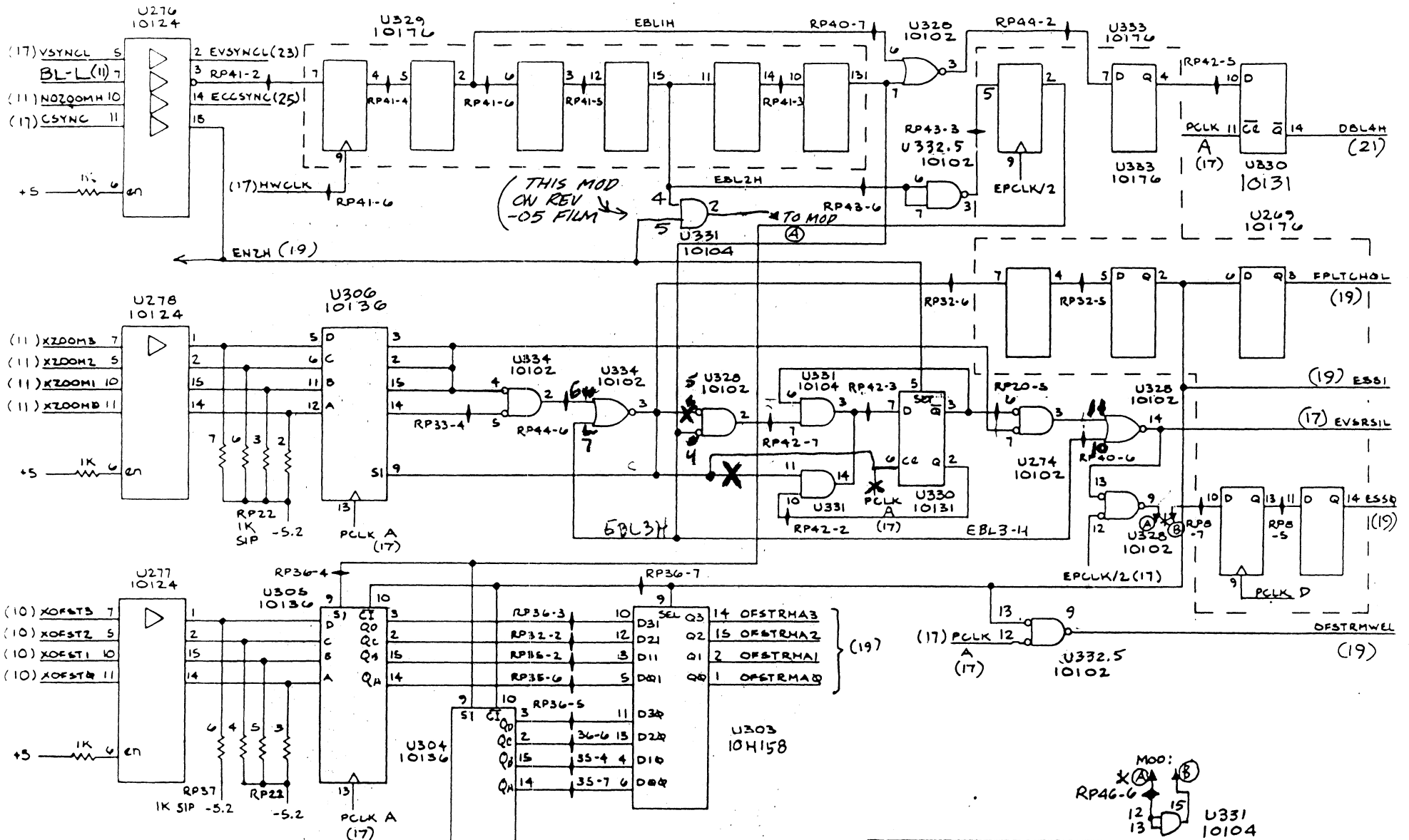
REV.

TITLE
 VIDEO SHIFT REGISTERS

15

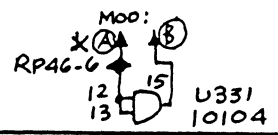


METHEUS	DATE	REV.
	TITLE READBACK & REFRESH	

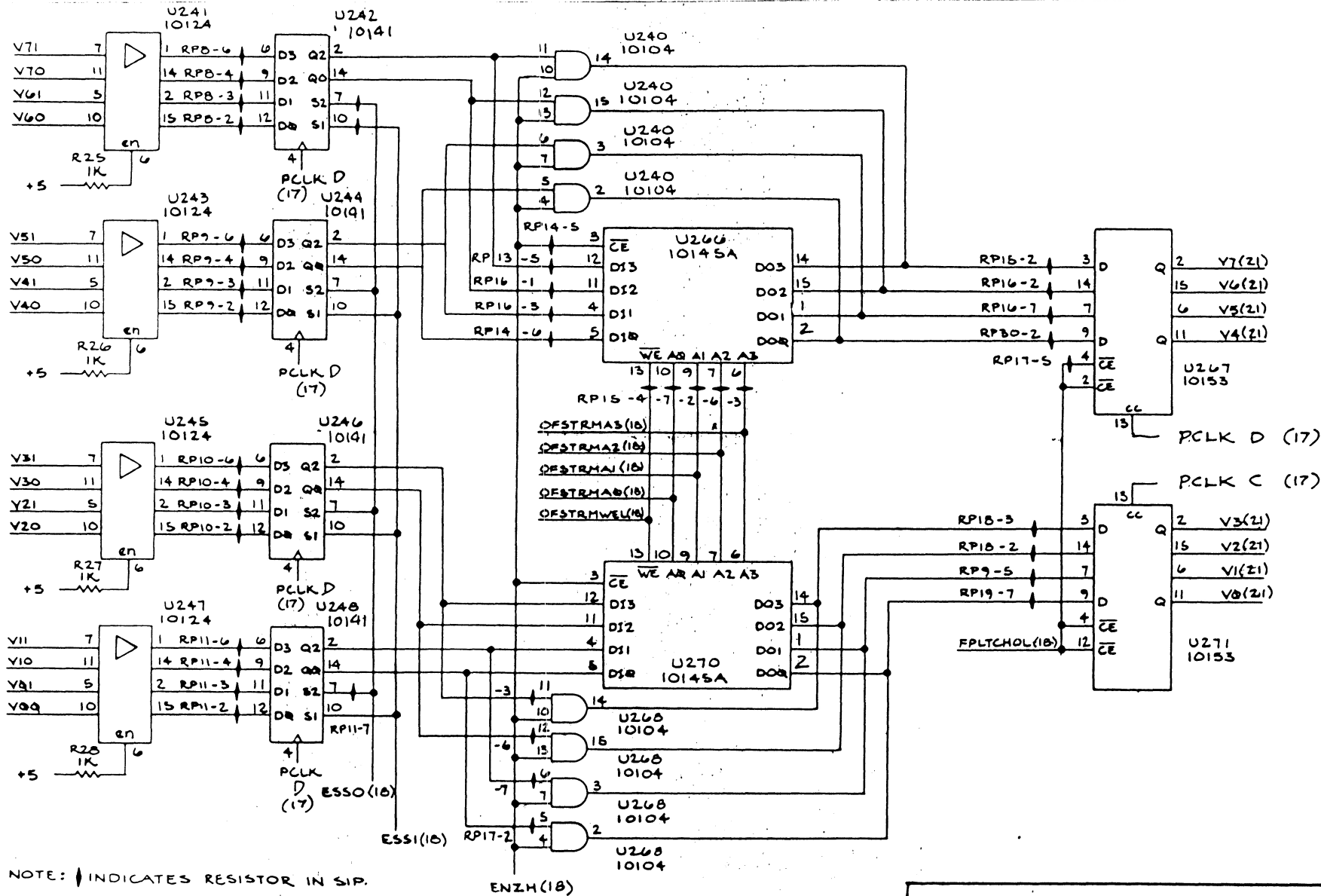


10136
 S1 S2
 0 0 LOAD
 0 1 COUNT UP
 1 0 COUNT DN
 1 1 HOLD

Zoom fix - 3 pins to left, 1 blue wire



METHEUS		DATE	REV.
<i>schematic has errors</i>			
TITLE X PAN & ZOOM			18



	S1	S2	10141 FUNCTION
No zoom	0	0	LOAD
	0	1	SHIFT RIGHT
	1	0	SHIFT LEFT
	1	1	HOLD

METHEUS

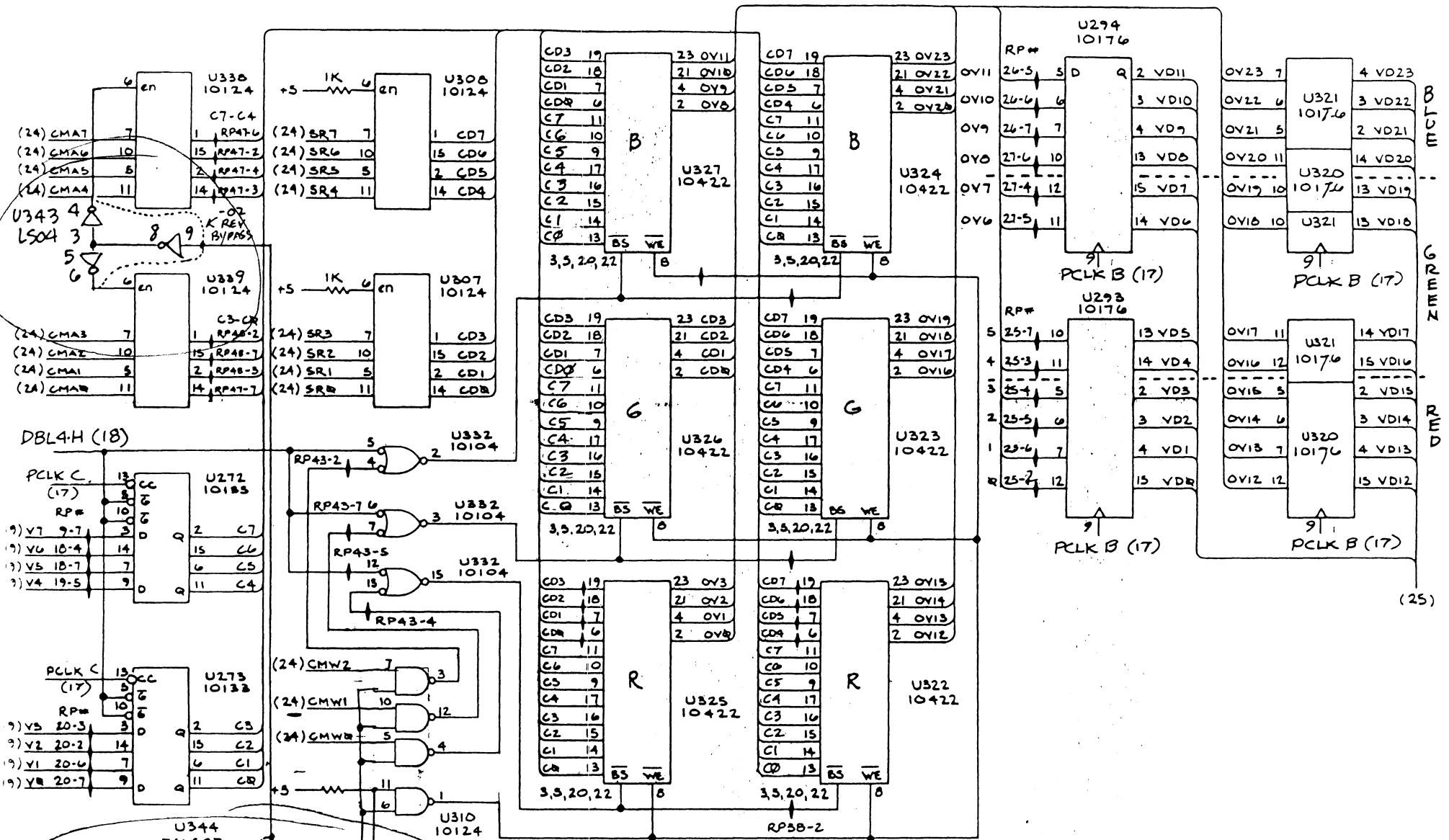
DATE

REV.

TITLE

PAN BY PIXEL

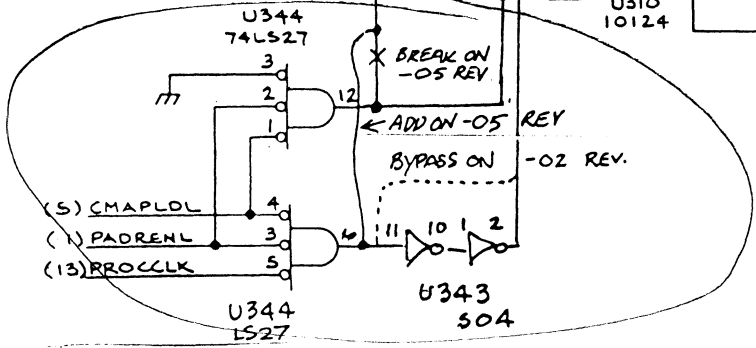
19



DBL4:H (18)

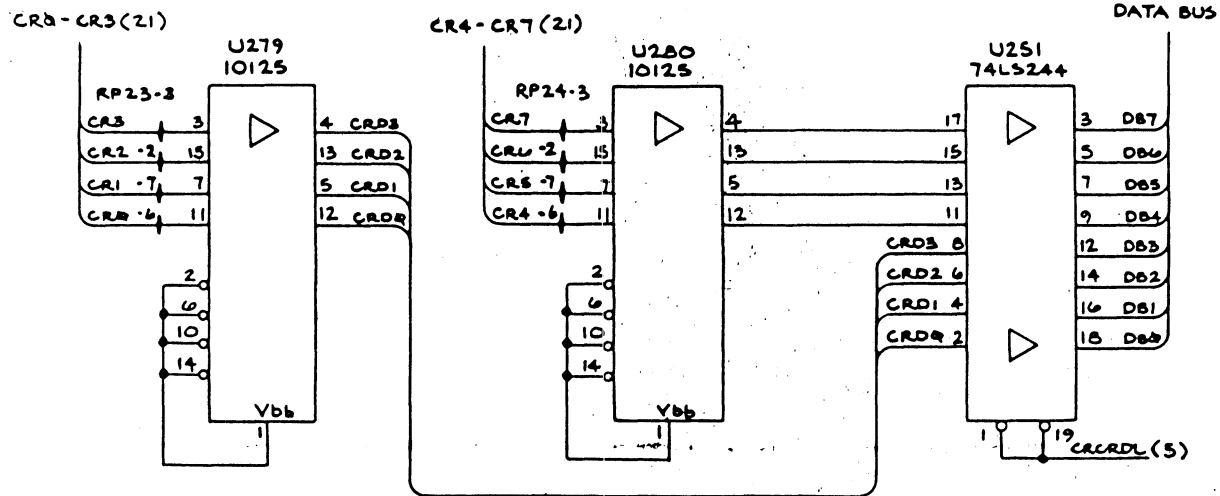
PCLK C (17)
 RP# 10 6 5
 9) V7 9-7 3
 9) V6 10-4 14
 9) V5 10-7 7
 9) V4 19-5 9

PCLK C (17)
 RP# 10 6 5
 9) V3 20-3 3
 9) V2 20-2 14
 9) V1 20-6 7
 9) V0 20-7 9



METHEUS	DATE	REV.
	2-25-83	DIG
TITLE COLOR MAP		

21



NOTE: ∇ INDICATES A 510 RESISTOR.

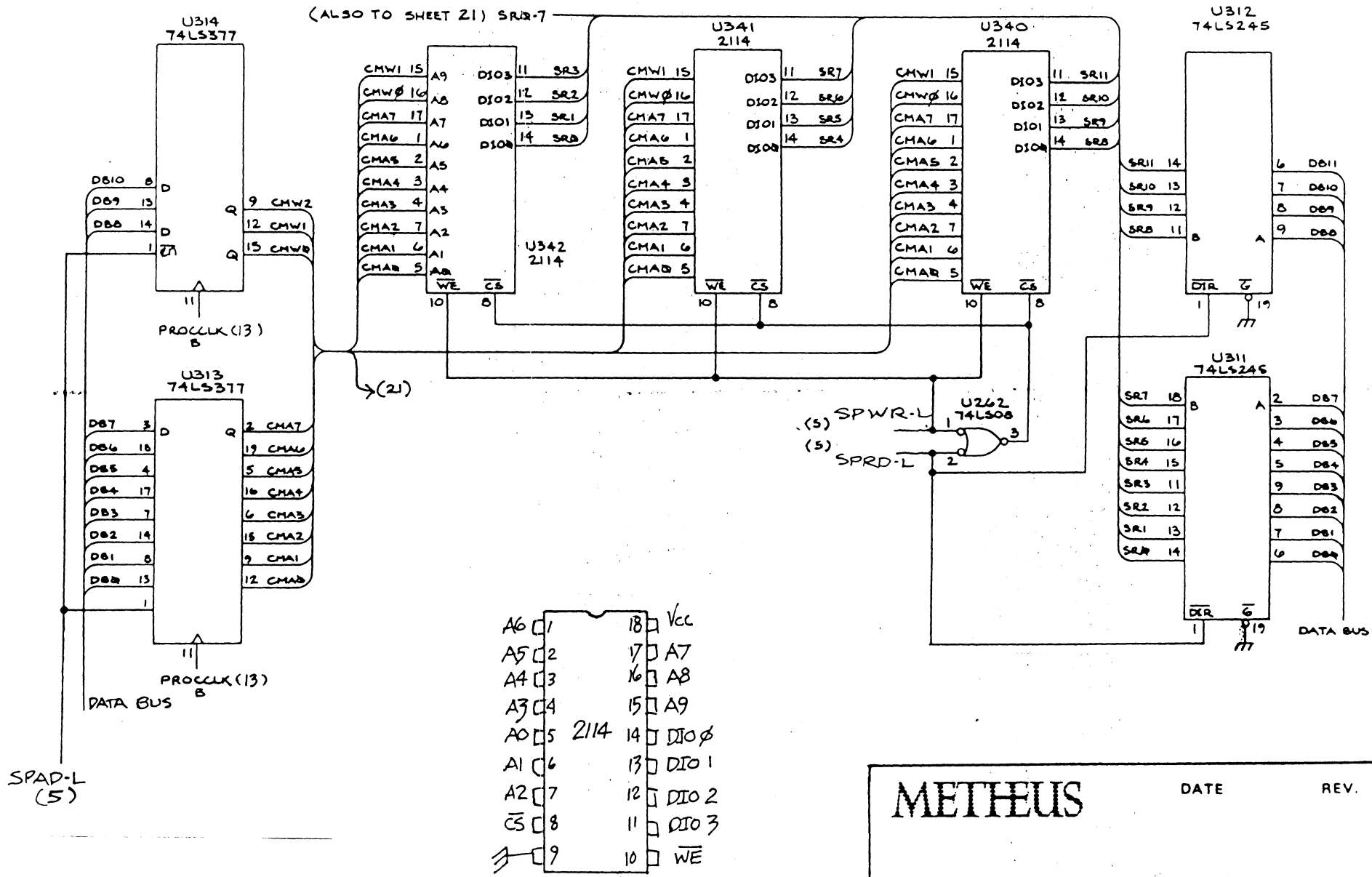
METHEUS

DATE

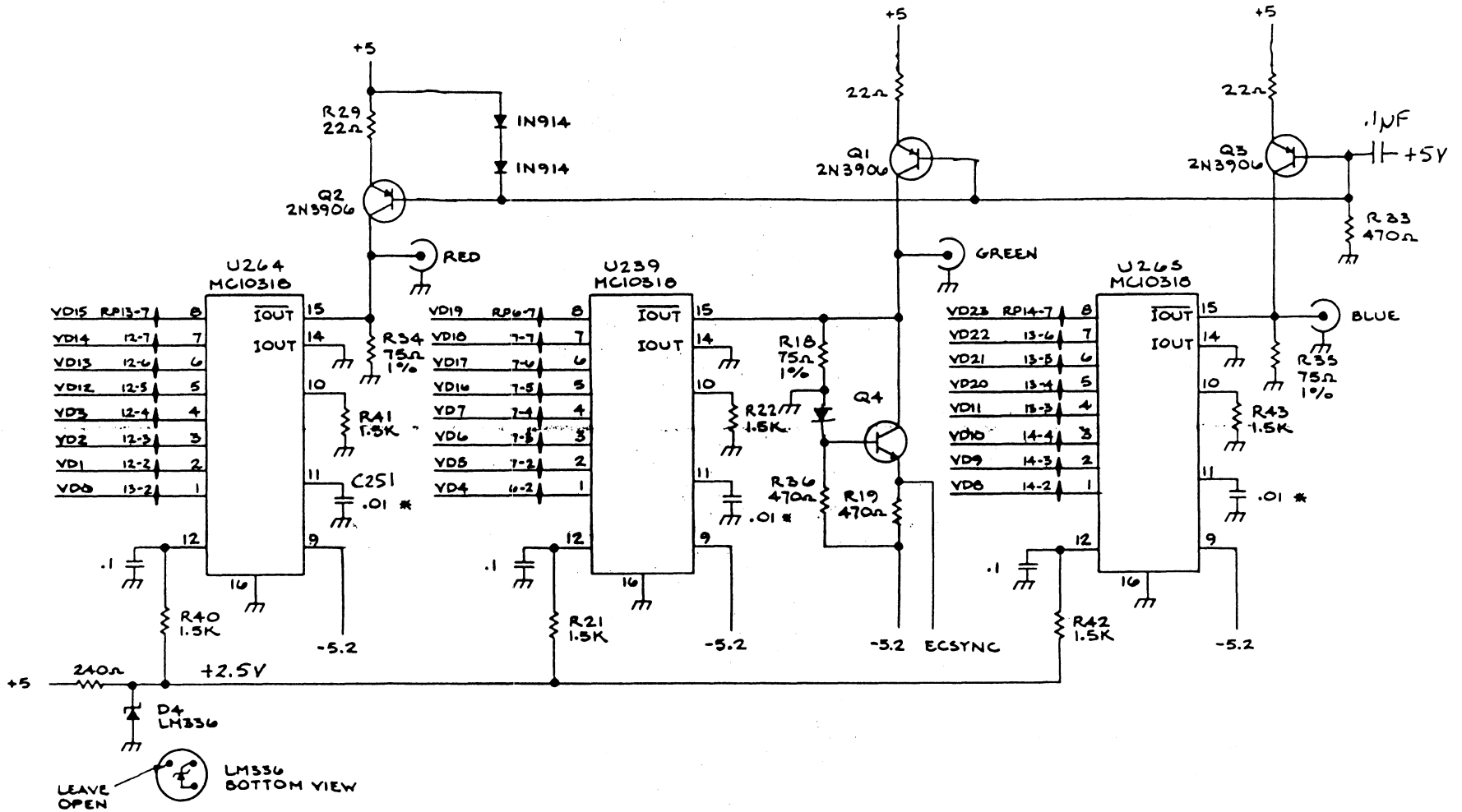
REV.

TITLE
SIGNATURE GEN (PART)

22



METHEUS	DATE	REV.
	TITLE SCRATCH PAD RAM	



* CLOSE TO PACKAGE.

NOTE: ▽ SYMBOL FOR RESISTORS IN SIP.

METHEUS

DATE

REV.

TITLE

DIGITAL-ANALOG CONVERSION

25