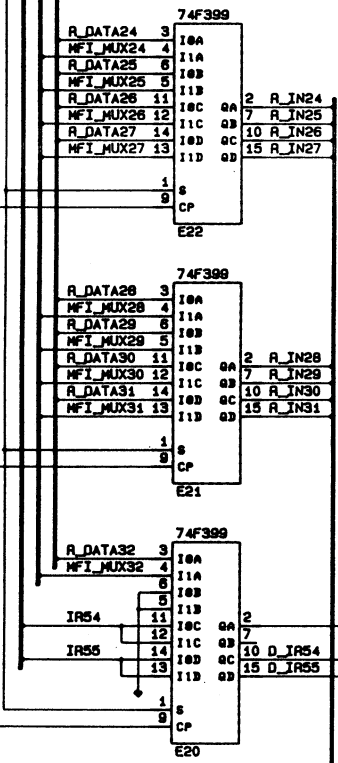
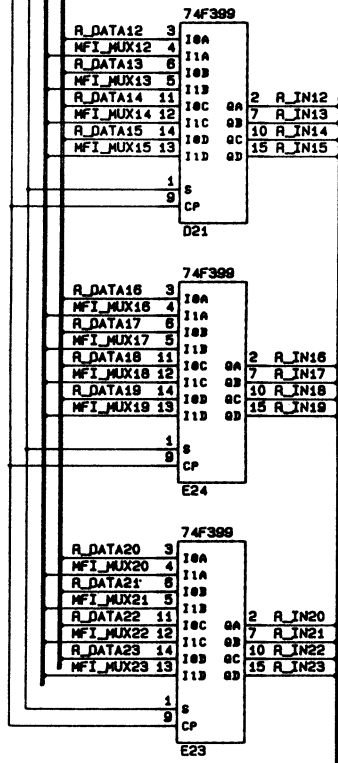
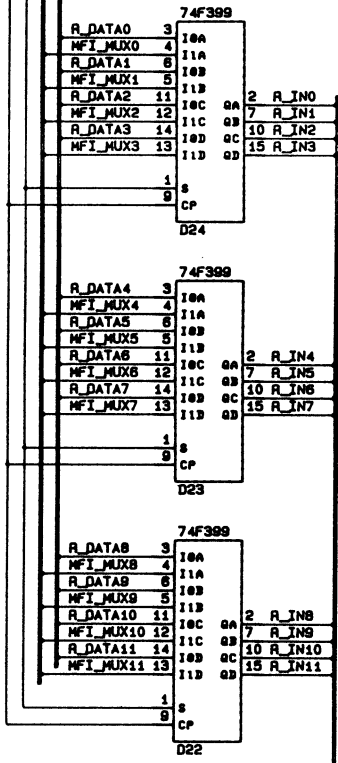


R_DATA (0: 32)
 MFI_MUX (0: 32)
 IR (54: 55)
 PREGSEL
 EC_PROG1
 FREEZE_RIGHT



C_RIGHT



R_BOXED
 D_IR (54: 55)
 R_IN (0: 31)

THE INFORMATION CONTAINED IN THIS DOCUMENT IS CONFIDENTIAL AND PROPRIETARY TO LMI, AND IS NOT TO BE REPRODUCED, DISCLOSED TO OTHERS, OR USED WITHOUT WRITTEN PERMISSION OF AN AUTHORIZED REPRESENTATIVE OF LMI.	PREPARED	DATE	LMI LISP Machine Inc. 6 Tech Drive Andover, MA 01810										
	K.J.Gartner	9/27/86											
	CHECKED												
	APPROVED												
	APPROVED		REGS: RIGHT IN MUXREG										
	APPROVED		<table border="1"> <tr> <td>SIZE</td> <td>CAT.</td> <td>REF</td> <td>NO.</td> <td>REV</td> </tr> <tr> <td>D</td> <td>N/A</td> <td></td> <td>4</td> <td>0</td> </tr> </table>	SIZE	CAT.	REF	NO.	REV	D	N/A		4	0
SIZE	CAT.	REF	NO.	REV									
D	N/A		4	0									
	APPROVED		SHEET 28 OF 40										