

Model 2001

Branch Highway Terminator

May 1982

TABLE OF CONTENTS

<u>Item</u>	<u>Page</u>
Features and Applications . . . . .	1
General Description . . . . .	1
Termination Circuitry . . . . .	1
Power Requirements . . . . .	1
Ordering Information . . . . .	1
Warranty . . . . .	2

## equipment

## Branch Highway Terminator

PRODUCT BRIEF

May 77

(Revised Jan. 80)

### FEATURES

- FULLY COMPLIES WITH IEEE STD 596-1976
- REQUIRES NO SLOT SPACE

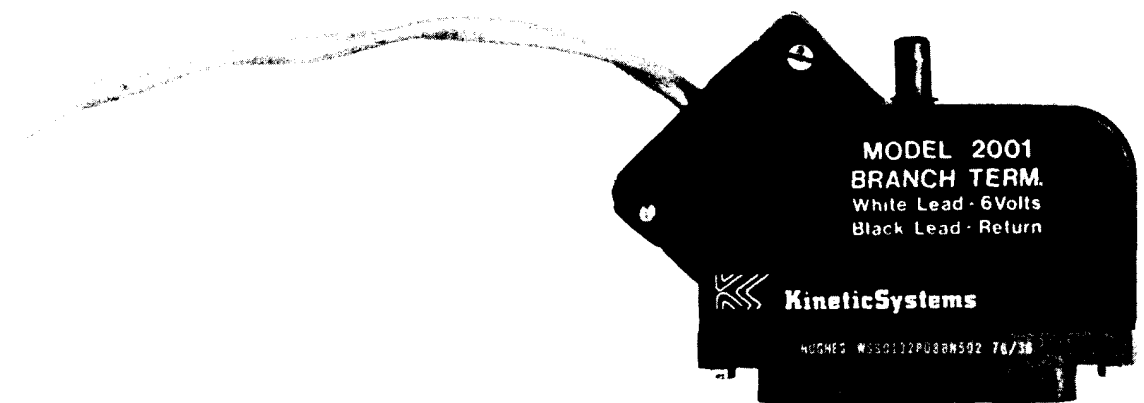
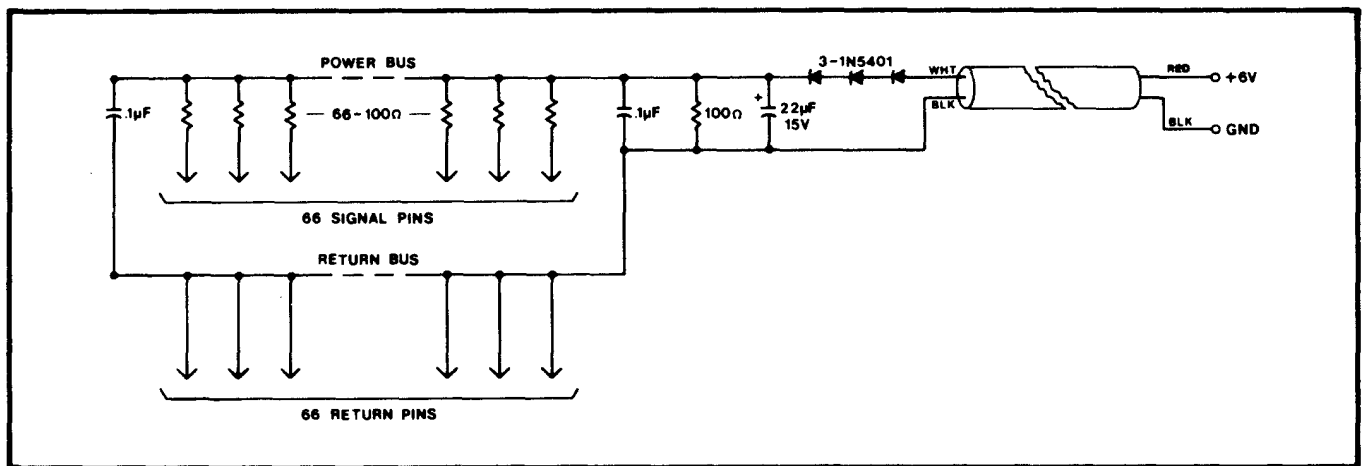
### APPLICATION

- CAMAC BRANCH HIGHWAY TERMINATION

### GENERAL DESCRIPTION

The Model 2001 terminates the standard Branch Highway described in IEEE Std 596-1976. All the circuitry is mounted inside the case of a Hughes 132-pin connector. The terminator requires +6 volts and ground. A two-wire cable is provided for connection to a power source. The terminator does not require any slot space in the crate.

### TERMINATION CIRCUITRY



POWER REQUIREMENTS: +6 volts – 86 mA (max)

### ORDERING INFORMATION

Model 2001-Z1A – Branch Highway Terminator

Weight: .22 kg. (8 oz.)

Accessories – None

# KineticSystems

11 Maryknoll Drive • Lockport, Illinois 60441-2292 • (815) 838 0005 • TWX 910 638 2831  
7950 Dublin Blvd. Suite 102 • Dublin, California 94566-2992 • (415) 829 9020  
3 Chemin de Tavernay • 1218 Geneva, Switzerland • (022) 98 44 45

## WARRANTY

All KineticSystems Corporation equipment is warranted against defects in workmanship and material under normal use and service for a period of two years from the date of shipment. KSC will repair or replace, at KSC's option, any equipment found to be defective in workmanship or material within two years of shipment. Repair charges will be applicable from two years after delivery with repair charges varying, depending on the complexity of the equipment. This warranty covers all such items delivered after March 1, 1978.

Equipment purchased by KineticSystems Corporation for resale will carry the original equipment manufacturers' warranty.

The equipment warranty outside the continental U.S.A. or Switzerland is limited to repair of the equipment and excludes shipping, custom's clearance, or any other charges.

Equipment for repair must be returned prepaid to KSC. Transportation charges for shipping the equipment to KSC shall be paid by the customer, while transportation charges for the return of the repaired equipment shall be paid by KSC except as indicated in the previous paragraph and will be made on a UPS basis, where available, or parcel post insured. Premium methods of shipment are available at customer's expense and will be used only when requested. If KSC selects the carrier, KSC will not thereby assume any liability in connection with the shipment nor shall the carrier be in any way construed to be the agent of KSC.

No equipment will be accepted for credit or exchange without the prior approval of KSC. Contact the Repair Service Center in your area for a return authorization number.

All customers (except European) please ship units to:

KineticSystems Corporation  
Repair Service  
11 Maryknoll Drive  
Lockport, Illinois 60441  
Telephone (815) 838-0005  
TWX 910 638-2831

In Europe ship all units to:

Kinetic Systems International S.A.  
Repair Service  
6 Chemin de Tavernay  
1218 Geneva, Switzerland  
Telephone (022) 98 44 45  
Telex 289 622 KSI CH

The following steps should be taken when returning a unit:

1. Contact KineticSystems and discuss the problem with an engineer.
2. Obtain a return authorization (RA) number.
3. Initiate a purchase order for the estimated repair charge if the equipment is out of warranty.
4. Ship the equipment to KineticSystems with the RA number, a description of the problem, and the name of the technical contact person.