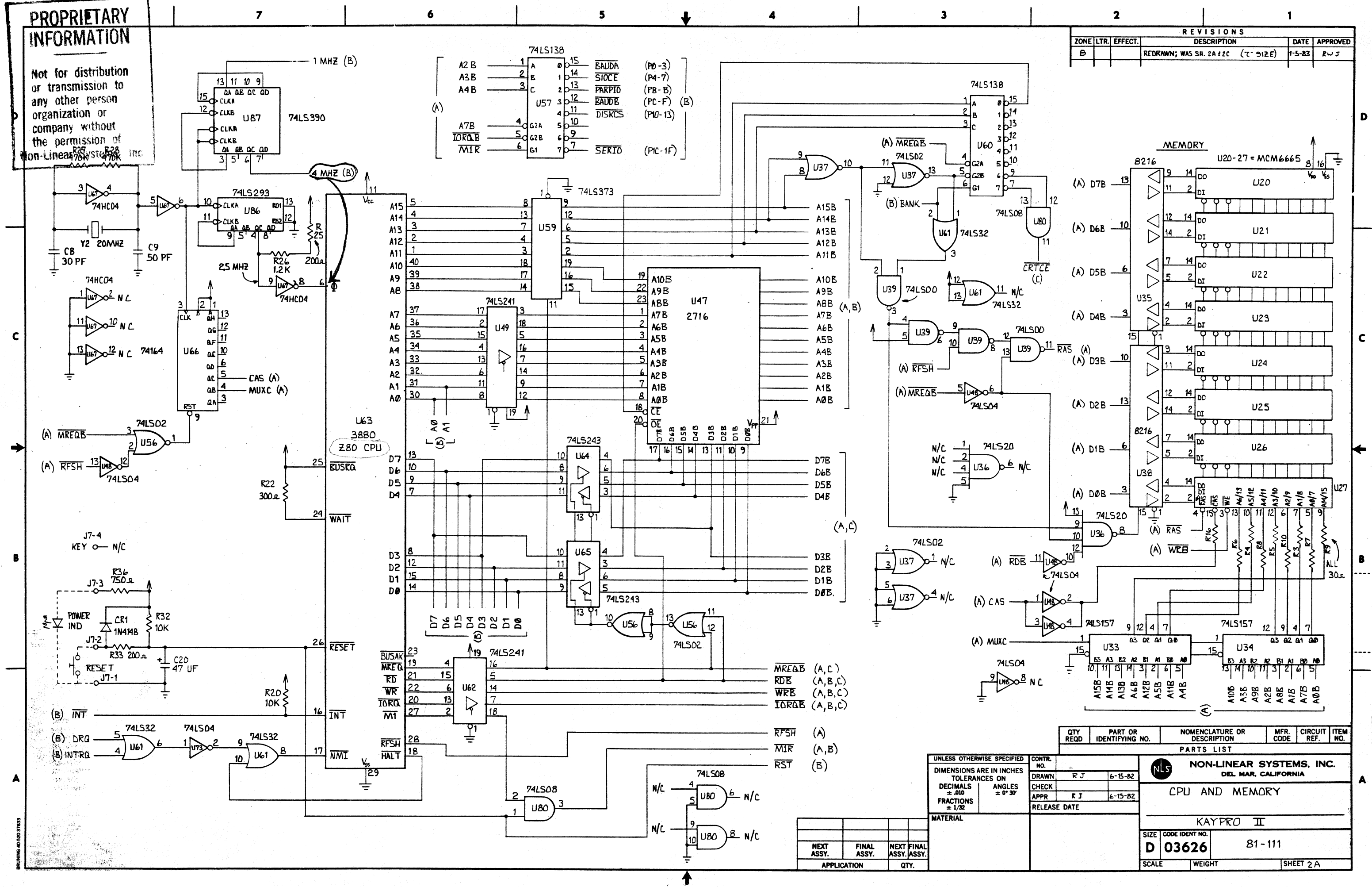


PROPRIETARY INFORMATION

Not for distribution or transmission to any other person organization or company without the permission of Non-Linear Systems, Inc.

REVISIONS					
ZONE	LTR.	EFFECT.	DESCRIPTION	DATE	APPROVED
B			REDRAWN; WAS SH. 2A & 2C (C. SIZE)	1-5-82	R J J



74LS138	
A2B	1 A 15 BAUDA (P0-3)
A3B	2 B 14 SIOCE (P4-7)
A4B	3 C 13 PARPIO (PB-B)
	U57 12 BAUDE (PC-F) (B)
	4 11 DISKCS (PIU-13)
A7B	4 G2A 10
IORQB	5 G2B 9
MIR	6 G1 8
	7 7 SERTO (PIC-1F)

QTY REQD	PART OR IDENTIFYING NO.	NOMENCLATURE OR DESCRIPTION	MFR CODE	CIRCUIT REF.	ITEM NO.
		PARTS LIST			
NON-LINEAR SYSTEMS, INC. DEL MAR, CALIFORNIA					
CPU AND MEMORY					
KAYPRO II					
SIZE	CODE IDENT NO.				
D	03626	81-111			
SCALE	WEIGHT	SHEET 2A			

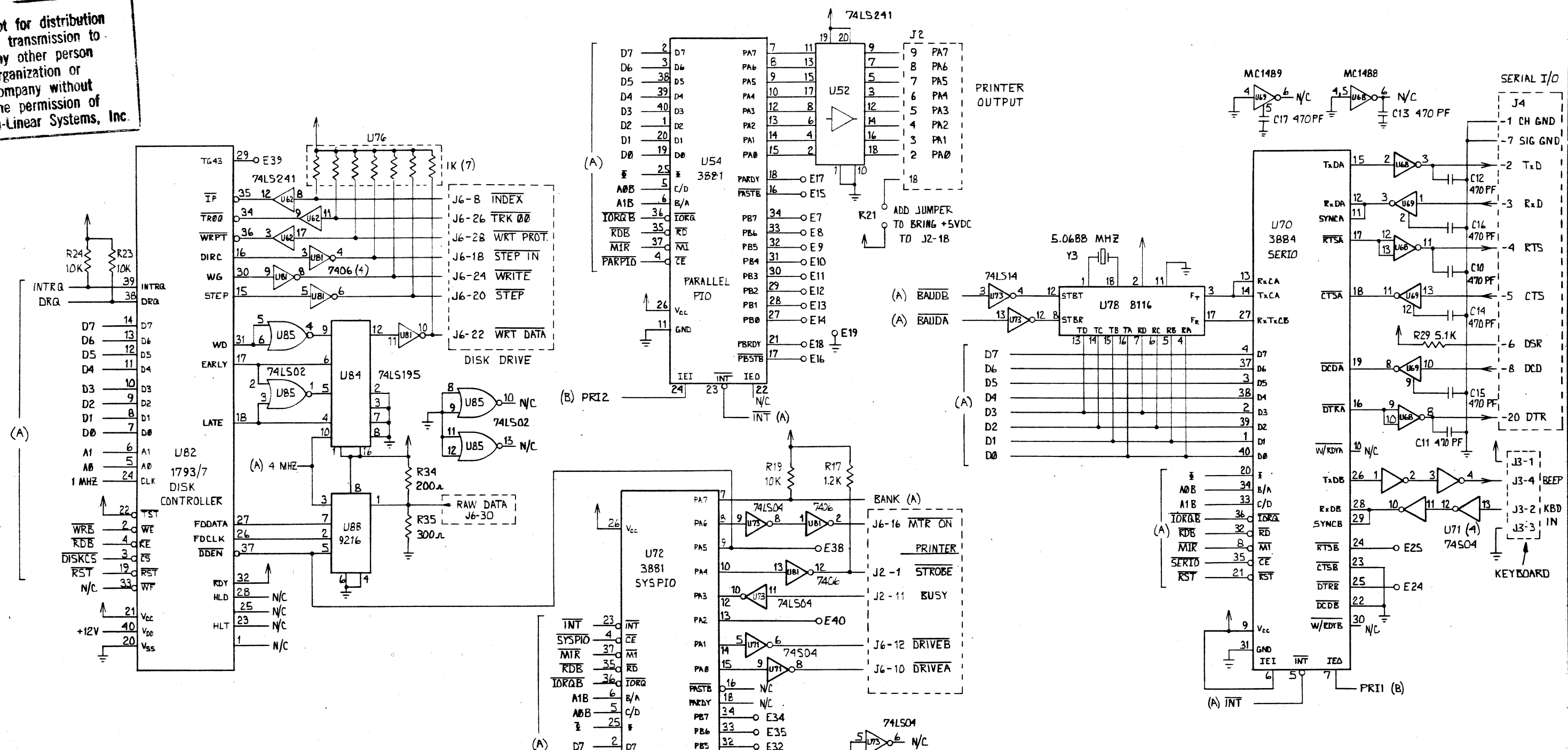
UNLESS OTHERWISE SPECIFIED			
DIMENSIONS ARE IN INCHES	CONTR. NO.		
TOLERANCES ON	DRAWN R J 6-15-82		
DECIMALS ± .010	CHECK		
FRACTIONS ± 1/32	APPR K J 6-15-82		
ANGLES ± 0° 30'	RELEASE DATE		
MATERIAL			
NEXT ASSY.	FINAL ASSY.	NEXT FINAL ASSY.	QTY.
APPLICATION			

DRAWING 40-500-3763

PROPRIETARY INFORMATION

Not for distribution or transmission to any other person organization or company without the permission of Non-Linear Systems, Inc.

REVISIONS					
ZONE	LTR.	EFFECT.	DESCRIPTION	DATE	APPROVED
B			REDRAWN; WAS SH 2D12E (C SIZE)	1-5-83	R J J



QTY REQD	PART OR IDENTIFYING NO.	NOMENCLATURE OR DESCRIPTION	MFR. CODE	CIRCUIT REF.	ITEM NO.
		PARTS LIST			
NON-LINEAR SYSTEMS, INC. DEL MAR, CALIFORNIA					
I/O AND DISK CONTROLLER					
KAYPRO II					
SIZE	CODE IDENT NO.				
D	03626	81-111			
SCALE	WEIGHT	SHEET 2 B			

UNLESS OTHERWISE SPECIFIED	CONTR. NO.	DATE
DIMENSIONS ARE IN INCHES TOLERANCES ON DECIMALS ± .010 FRACTIONS ± 1/32	R J	5-21-82
ANGLES ± 0° 30'	CHECK	
	APPR	5-21-82
	RELEASE DATE	

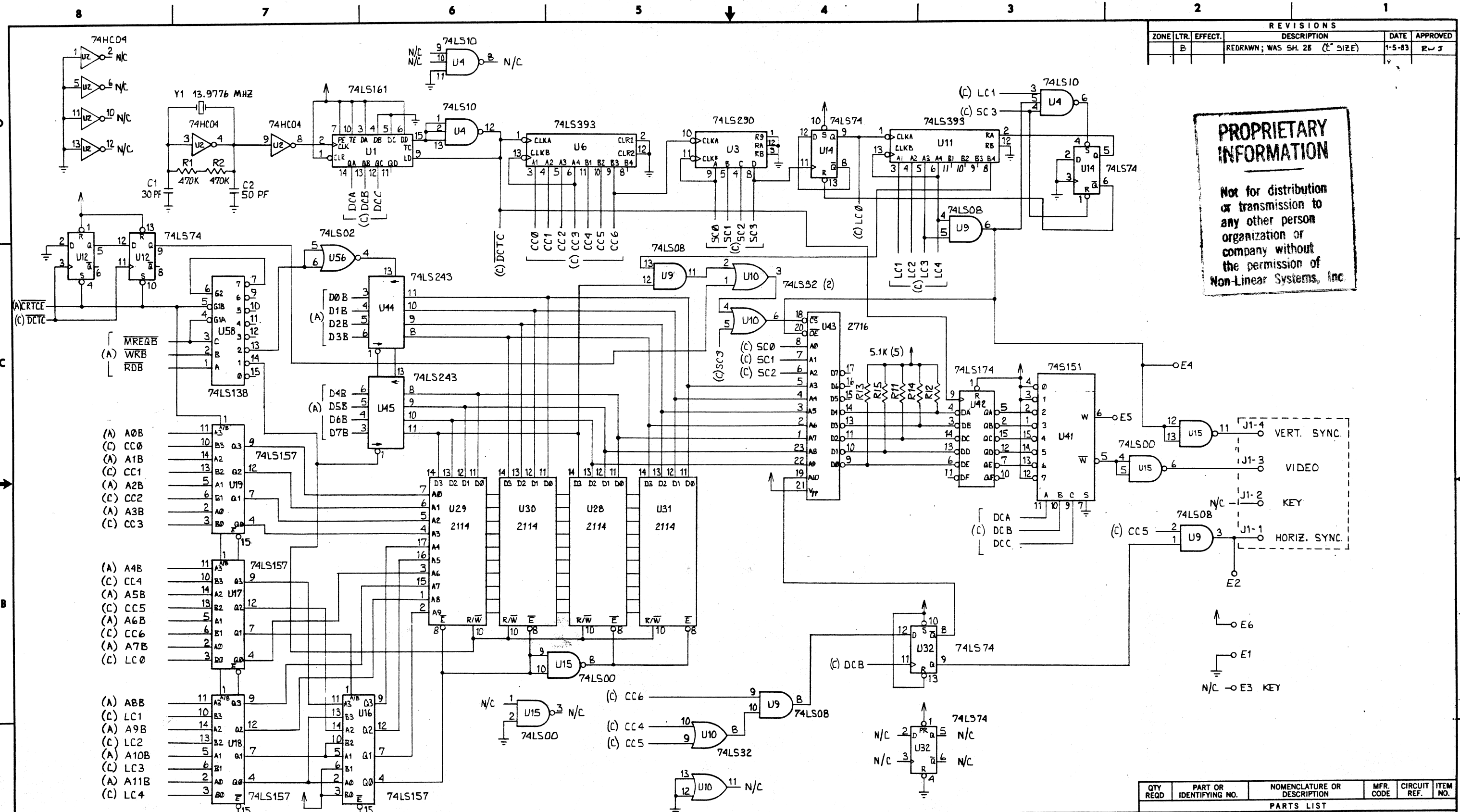
NEXT ASSY.	FINAL ASSY.	NEXT FINAL ASSY.	QTY.

DRAWING 40-530-37633

REVISIONS					
ZONE	LTR.	EFFECT.	DESCRIPTION	DATE	APPROVED
	B		REDRAWN; WAS SH. 2E (E SIZE)	1-5-83	R J

PROPRIETARY INFORMATION

Not for distribution or transmission to any other person or organization or company without the permission of Non-Linear Systems, Inc.



- (A) MREAB
- (A) WRB
- (A) RDB
- (A) A0B
- (C) CC0
- (A) A1B
- (C) CC1
- (A) A2B
- (C) CC2
- (A) A3B
- (C) CC3
- (A) A4B
- (C) CC4
- (A) A5B
- (C) CC5
- (A) A6B
- (C) CC6
- (A) A7B
- (C) LC0
- (A) ABB
- (C) LC1
- (A) A9B
- (C) LC2
- (A) A10B
- (C) LC3
- (A) A11B
- (C) LC4

QTY REQD	PART OR IDENTIFYING NO.	NOMENCLATURE OR DESCRIPTION	MFR. CODE	CIRCUIT REF.	ITEM NO.
PARTS LIST					

UNLESS OTHERWISE SPECIFIED
 DIMENSIONS ARE IN INCHES
 TOLERANCES ON
 DECIMALS ± .010
 FRACTIONS ± 1/32

CONTR. NO.
 DRAWN R J 6-15-82
 CHECK
 APPR R J 6-15-82
 RELEASE DATE

NON-LINEAR SYSTEMS, INC.
 DEL MAR, CALIFORNIA

CRT CONTROL

KAYPRO II

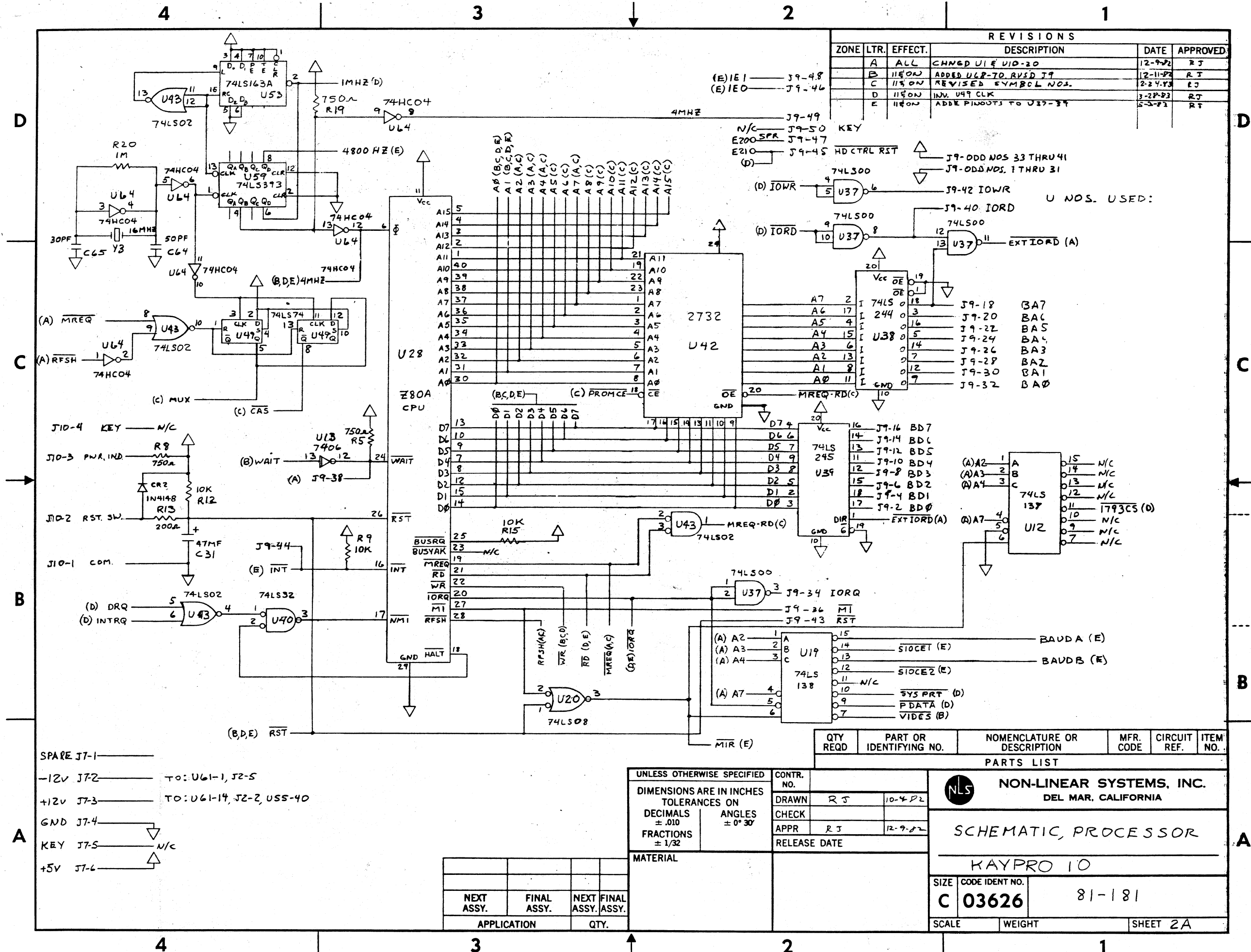
SIZE CODE IDENT NO. **D 03626** 81-111

SCALE WEIGHT SHEET 2C

MATERIAL	APPLICATION	QTY.

PROPRIETARY INFORMATION

Not for distribution or transmission to any other person or organization or company without the permission of Non-Linear Systems, Inc.



REVISIONS					
ZONE	LTR.	EFFECT.	DESCRIPTION	DATE	APPROVED
A	ALL	CHNGD	UI 9 VID-20	12-9-72	RJ
B	1150N	ADDED	U18-70, RVS D J9	12-11-72	RJ
C	1150N	REVISED	SYMBOL NOS.	2-24-73	RJ
D	1150N	INV.	U49 CLK	3-28-73	RJ
E	1150N	ADDE	PINOUTS TO U37-34	5-3-73	RJ

KEY

N/C J9-49

E200 SPR J9-47

E210 J9-45

(D) HD CTRL RST

J9-ODD NOS 33 THRU 41

J9-ODD NOS. 1 THRU 31

U NOS. USED:

U	NO.	DESCRIPTION	QTY
J9-18	3A7	3A7	
J9-20	BAC	BAC	
J9-22	BAS	BAS	
J9-24	BA4	BA4	
J9-26	BA3	BA3	
J9-28	BAZ	BAZ	
J9-30	BA1	BA1	
J9-32	BA0	BA0	

U	NO.	DESCRIPTION	QTY
J9-16	BD7	BD7	
J9-14	BD6	BD6	
J9-12	BD5	BD5	
J9-10	BD4	BD4	
J9-8	BD3	BD3	
J9-6	BD2	BD2	
J9-4	BD1	BD1	
J9-2	BD0	BD0	

U	NO.	DESCRIPTION	QTY
J9-34	IORQ	IORQ	
J9-36	M1	M1	
J9-43	RST	RST	

QTY REQD	PART OR IDENTIFYING NO.	NOMENCLATURE OR DESCRIPTION	MFR. CODE	CIRCUIT REF.	ITEM NO.
		BAUDA (E)			
		STOCET (E)			
		STOCE2 (E)			
		N/C			
		SYS PRT (D)			
		PDATA (D)			
		VIDE3 (B)			

SPARE J7-1

-12V J7-2 TO: U61-1, J2-5

+12V J7-3 TO: U61-14, J2-2, USS-40

GND J7-4

KEY J7-5 N/C

+5V J7-6

UNLESS OTHERWISE SPECIFIED

DIMENSIONS ARE IN INCHES

TOLERANCES ON

DECIMALS ±.010

FRACTIONS ± 1/32

ANGLES ± 0° 30'

CONTR. NO.

DRAWN RJ 10-4-72

CHECK

APPR RJ 12-9-72

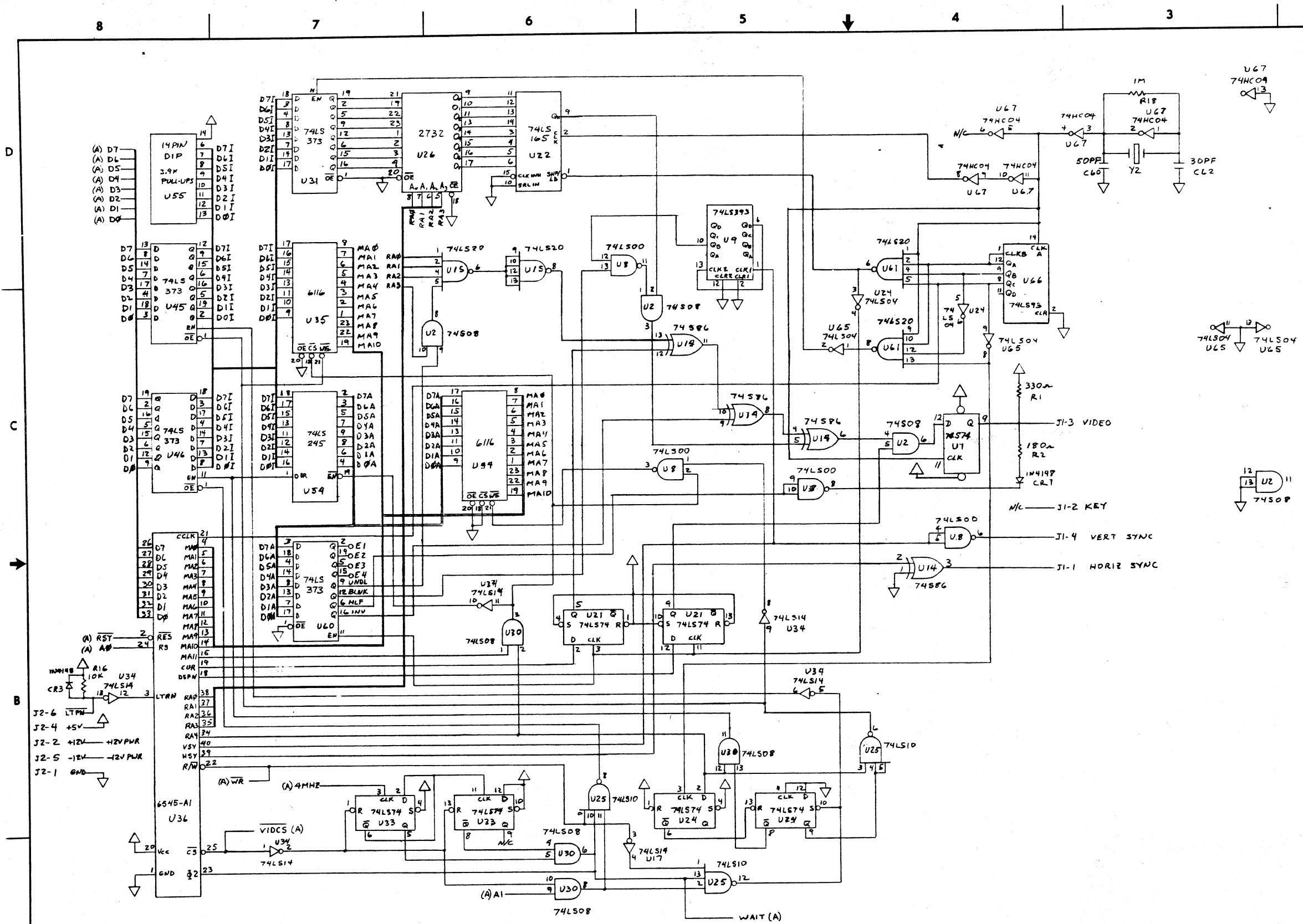
RELEASE DATE

NEXT ASSY.	FINAL ASSY.	NEXT ASSY.	FINAL ASSY.

NON-LINEAR SYSTEMS, INC.			
DEL MAR, CALIFORNIA			
SCHEMATIC, PROCESSOR			
KAYPRO 10			
SIZE	CODE IDENT NO.		
C	03626	81-181	
SCALE	WEIGHT	SHEET 2A	

APPLICATION	QTY.

REVISIONS					
ZONE	LTR.	EFFECT.	DESCRIPTION	DATE	APPROVED
A	ALL		CHG CONNECTIONS TO U38, 24, 25, 26, 27, 28	12-8-82	AJ
B	2-1-83		ADDED U71	2-1-83	RJ
C	11-8-83		REVISED SYMBOL U01	2-24-83	RJ



U NOS. USED:

PROPRIETARY INFORMATION

Not for distribution or transmission to any other person organization or company without the permission of Non-Linear Systems, Inc.

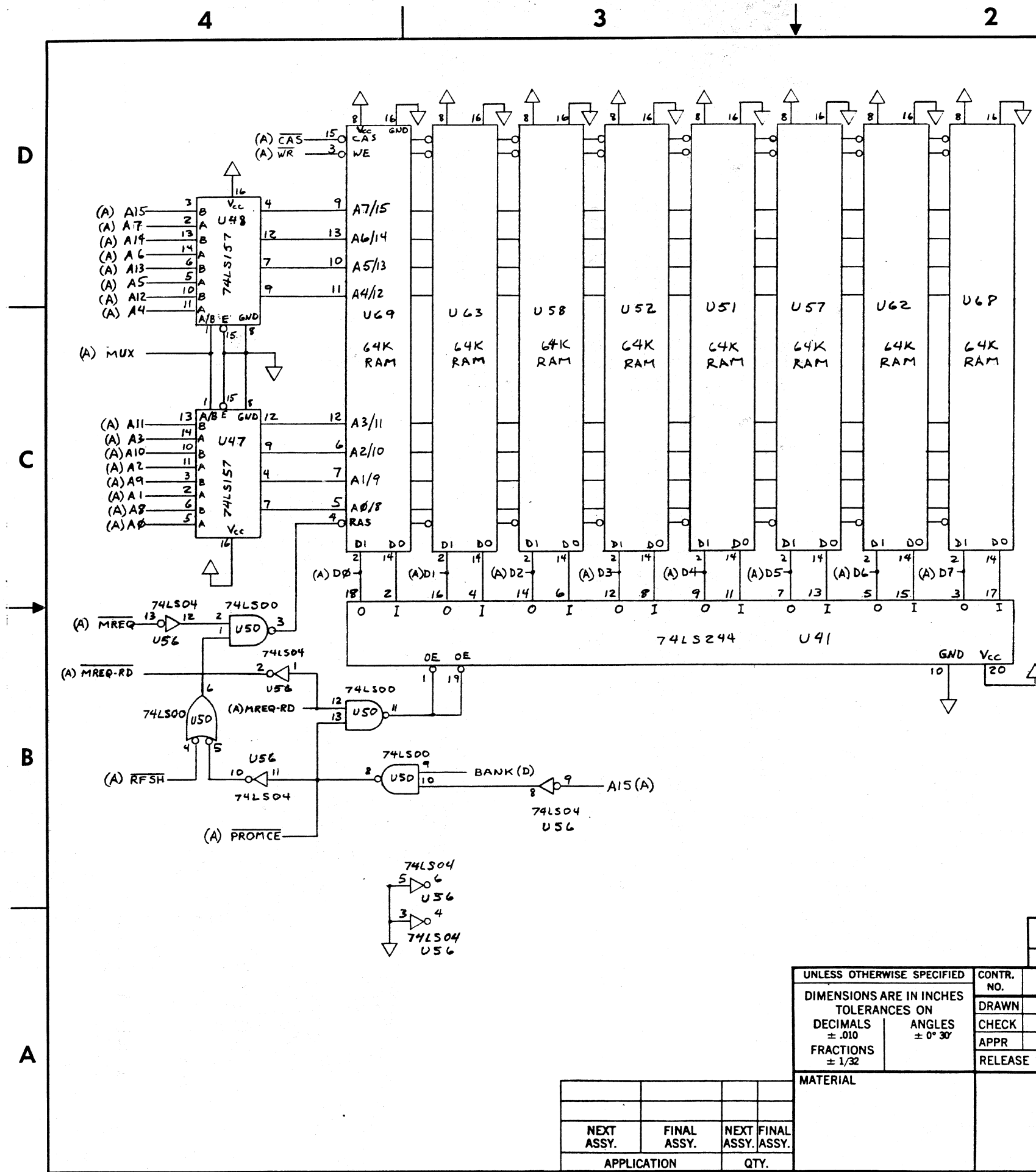
P.C. BD: 81-180

QTY REQD	PART OR IDENTIFYING NO.	NOMENCLATURE OR DESCRIPTION	MFR. CODE	CIRCUIT REF.	ITEM NO.
PARTS LIST					
UNLESS OTHERWISE SPECIFIED					
DIMENSIONS ARE IN INCHES					
TOLERANCES ON					
DECIMALS ± .010					
FRACTIONS ± 1/32					
ANGLES ± 0° 30'					
MATERIAL					
CONTR. NO.					
DRAWN R W J 10-15-82					
CHECK					
APPR R J 12-5-82					
RELEASE DATE					
NON-LINEAR SYSTEMS, INC.					
DEL MAR, CALIFORNIA					
SCHEMATIC, VIDEO					
KAYPRO 10					
SIZE	CODE IDENT NO.				
D	03626	81-181			
SCALE	WEIGHT	SHEET 2 B			

NEXT ASSY.	FINAL ASSY.	NEXT FINAL ASSY.	FINAL ASSY.
APPLICATION		QTY.	

PROPRIETARY INFORMATION
 Not for distribution or transmission to any other person or organization or company without the permission of Non-Linear Systems, Inc.

REVISIONS					
ZONE	LTR.	EFFECT.	DESCRIPTION	DATE	APPROVED.
A	ALL		ADD COMM. TO U49	12-7-82	RJ
B	1150N		REVISED SYMBOL NOS	2-24-83	RJ



UNOS USED:

QTY REQD	PART OR IDENTIFYING NO.	NOMENCLATURE OR DESCRIPTION	MFR. CODE	CIRCUIT REF.	ITEM NO.
PARTS LIST					

UNLESS OTHERWISE SPECIFIED		CONTR. NO.	
DIMENSIONS ARE IN INCHES		DRAWN	RJ
TOLERANCES ON		CHECK	
DECIMALS	ANGLES	APPR	RJ
± .010	± 0° 30'	RELEASE DATE	12-9-82
FRACTIONS			
± 1/32			

NLS NON-LINEAR SYSTEMS, INC.
 DEL MAR, CALIFORNIA

SCHEMATIC, RAM

KAYPRO 10

SIZE CODE IDENT NO.
C 03626 81-181

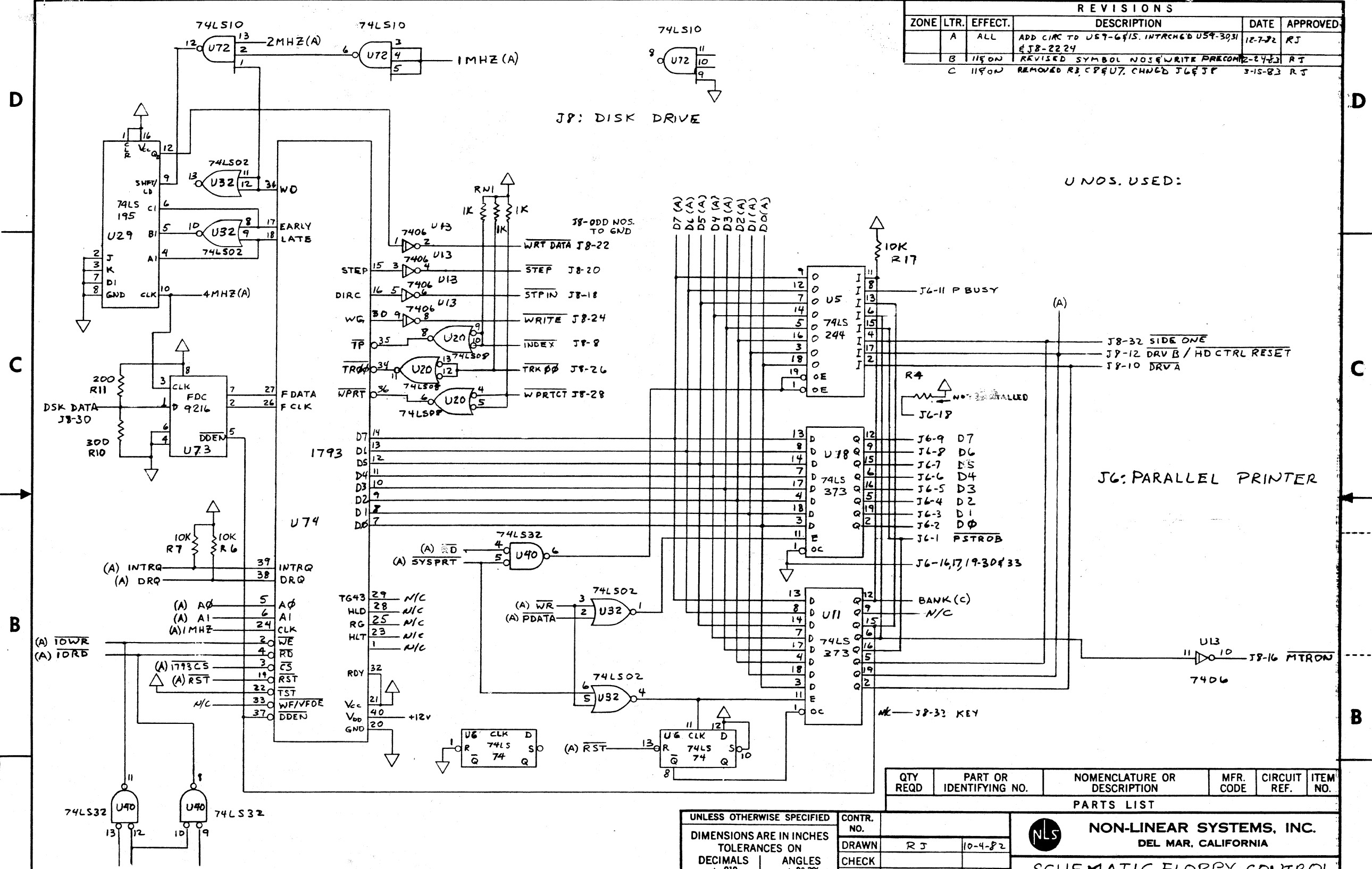
SCALE WEIGHT SHEET **2 C**

NEXT ASSY.	FINAL ASSY.	NEXT ASSY.	FINAL ASSY.
APPLICATION	QTY.		

4 3 2 1

REVISIONS					
ZONE	LTR.	EFFECT.	DESCRIPTION	DATE	APPROVED
A	ALL		ADD CIRC TO U57-67/5. INTRCH'D U59-30/1	12-7-82	RJ
B	11F0N		REVISED SYMBOL NOSEWRITE PRECOMP-24/3		RT
C	11F0N		REMOVED R3, CPEU7, CHNGD J6EJF	3-15-83	RJ

PROPRIETARY INFORMATION
 Not for distribution or transmission to any other person, organization or company without the permission of Non-Linear Systems, Inc.



U NOS. USED:

QTY REQD	PART OR IDENTIFYING NO.	NOMENCLATURE OR DESCRIPTION	MFR. CODE	CIRCUIT REF.	ITEM NO.
PARTS LIST					

UNLESS OTHERWISE SPECIFIED		CONTR. NO.
DIMENSIONS ARE IN INCHES		DRAWN RJ 10-4-82
TOLERANCES ON		CHECK
DECIMALS ± .010	ANGLES ± 0° 30'	APPR RJ 12-9-82
FRACTIONS ± 1/32		RELEASE DATE
MATERIAL		
NEXT ASSY.	FINAL ASSY.	NEXT FINAL ASSY.
APPLICATION		QTY.

NLS NON-LINEAR SYSTEMS, INC.
 DEL MAR, CALIFORNIA

SCHEMATIC, FLOPPY CONTROL & PARALLEL PRINTER
KAYPRO 10

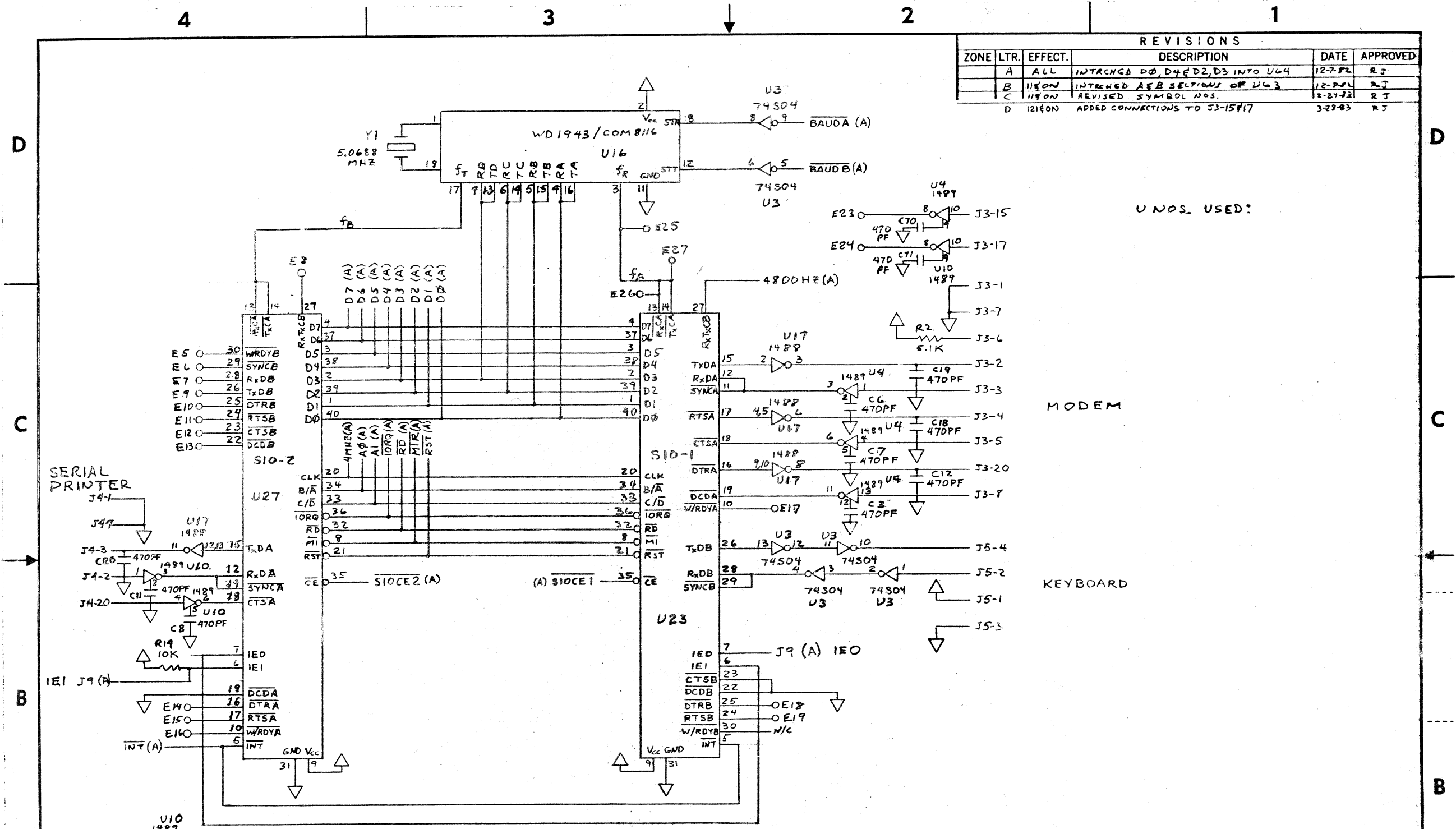
SIZE	CODE IDENT NO.
C	03626
	81-181

SCALE WEIGHT SHEET 2 D

4 3 2 1

PROPRIETARY INFORMATION
 Not for distribution or transmission to any other person or organization without the permission of Non-Linear Systems, Inc.

REVISIONS					
ZONE	LTR.	EFFECT.	DESCRIPTION	DATE	APPROVED
A	ALL		INTRCHG D0, D4 & D2, D3 INTO U64	12-7-72	RJ
B	11/80N		INTRCHG A & B SECTIONS OF U63	12-2-72	RJ
C	11/80N		REVISED SYMBOL NOS.	12-21-73	RJ
D	12/80N		ADDED CONNECTIONS TO J3-15#17	3-27-83	RJ



UNOS. USED:

MODEM

KEYBOARD

QTY REQD	PART OR IDENTIFYING NO.	NOMENCLATURE OR DESCRIPTION	MFR. CODE	CIRCUIT REF.	ITEM NO.
----------	-------------------------	-----------------------------	-----------	--------------	----------

PARTS LIST

UNLESS OTHERWISE SPECIFIED		CONTR. NO.	
DIMENSIONS ARE IN INCHES		DRAWN	RJ 10-4-72
TOLERANCES ON		CHECK	
DECIMALS ± .010	ANGLES ± 0° 30'	APPR	RJ 12-5-72
FRACTIONS ± 1/32		RELEASE DATE	

NLS NON-LINEAR SYSTEMS, INC.
 DEL MAR, CALIFORNIA

SCHEMATIC, SERIAL PORTS

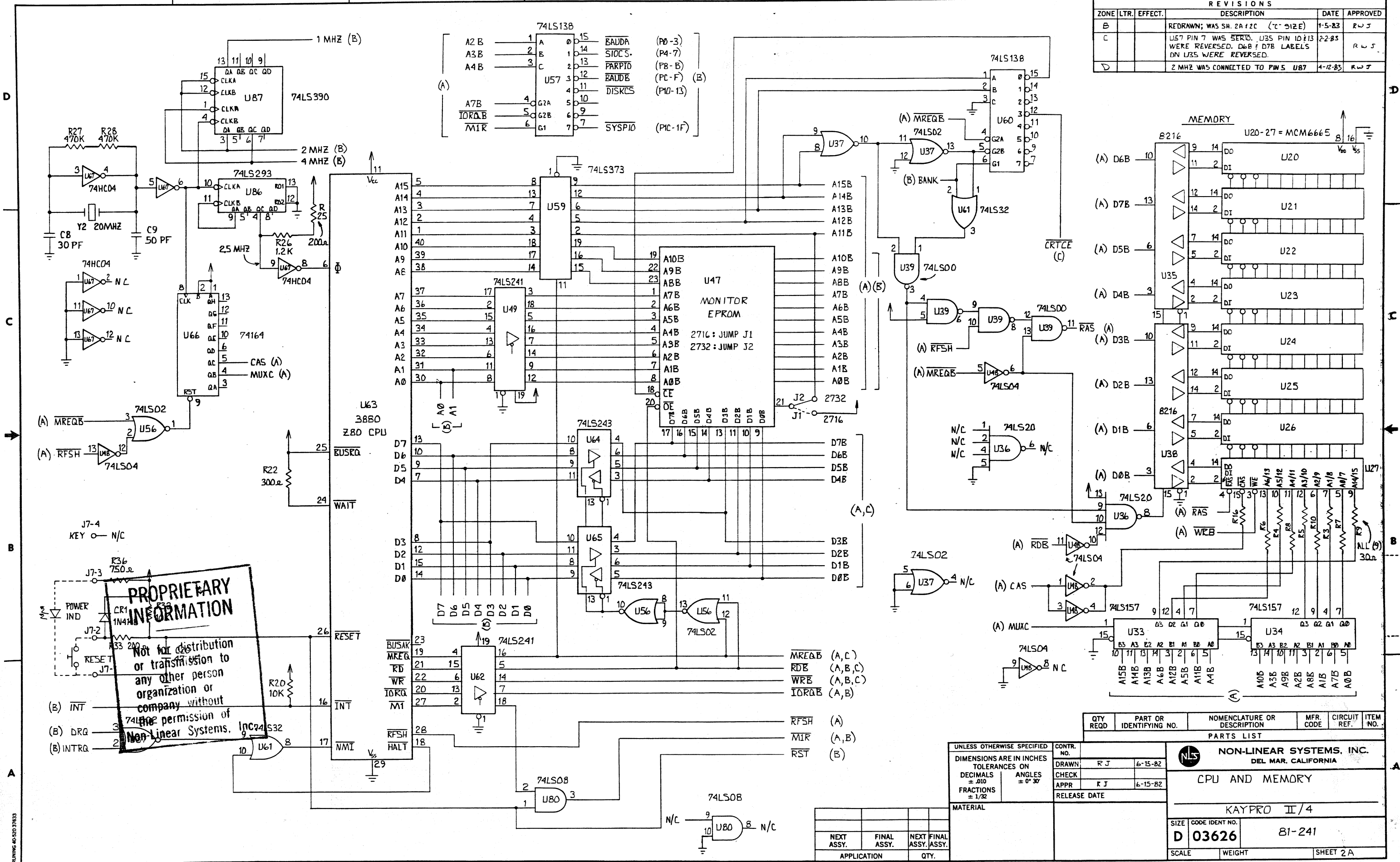
KAYPRO 10

SIZE **C** CODE IDENT NO. **03626** 81-181

SCALE WEIGHT SHEET 2 E

NEXT ASSY.	FINAL ASSY.	NEXT ASSY.	FINAL ASSY.
APPLICATION		QTY.	

REVISIONS					
ZONE	LTR.	EFFECT.	DESCRIPTION	DATE	APPROVED
B			REDRAWN; WAS SH. 2A 12C ('C' SIZE)	1-5-83	R J J
C			U57 PIN 7 WAS SERIO. U35 PIN 10 & 13 WERE REVERSED. D6B & D7B LABELS ON U35 WERE REVERSED.	2-2-83	R J J
D			2 MHZ WAS CONNECTED TO PINS U87	4-12-83	R J J



PROPRIETARY INFORMATION
 Not for distribution or transmission to any other person or organization or company without the permission of Non-Linear Systems, Inc.

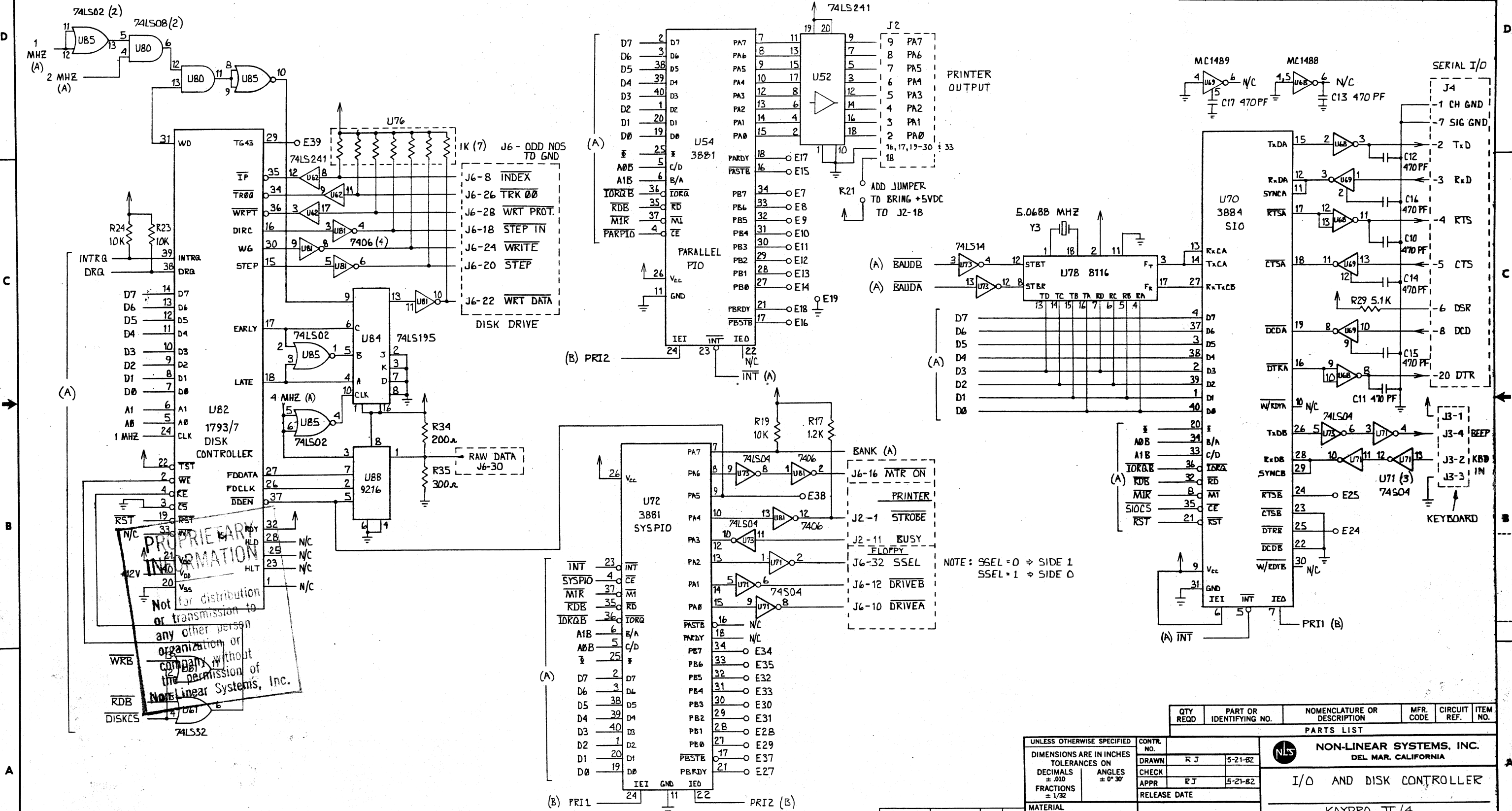
QTY REQD	PART OR IDENTIFYING NO.	NOMENCLATURE OR DESCRIPTION	MFR. CODE	CIRCUIT REF.	ITEM NO.

UNLESS OTHERWISE SPECIFIED		CONTR. NO.	
DIMENSIONS ARE IN INCHES		NO.	
TOLERANCES ON DECIMALS = .010	ANGLES = 0° 30'	DRAWN	R J 6-15-82
FRACTIONS = 1/32		CHECK	
		APPR	K J 6-15-82
		RELEASE DATE	

PARTS LIST	
NON-LINEAR SYSTEMS, INC. DEL MAR, CALIFORNIA	
CPU AND MEMORY	
KAYPRO II/4	
SIZE	CODE IDENT NO.
D	03626
SCALE	WEIGHT
	SHEET 2A

NEXT ASSY.	FINAL ASSY.	NEXT FINAL ASSY.
APPLICATION		QTY.

REVISIONS					
ZONE	LTR.	EFFECT.	DESCRIPTION	DATE	APPROVED
B			REDRAWN; WAS SH 2D1ZE ('C' SIZE)	1-5-83	RWJ
C			U85 PIN 4 HAD NO BUBBLE. U70 PIN 35 WAS SERIO. ADDED GND INFO ON J2, J6	2-2-83	RWJ
D			LABEL'S ON PIN 5, 13 REVERSED (U61)	5-9-83	RWJ

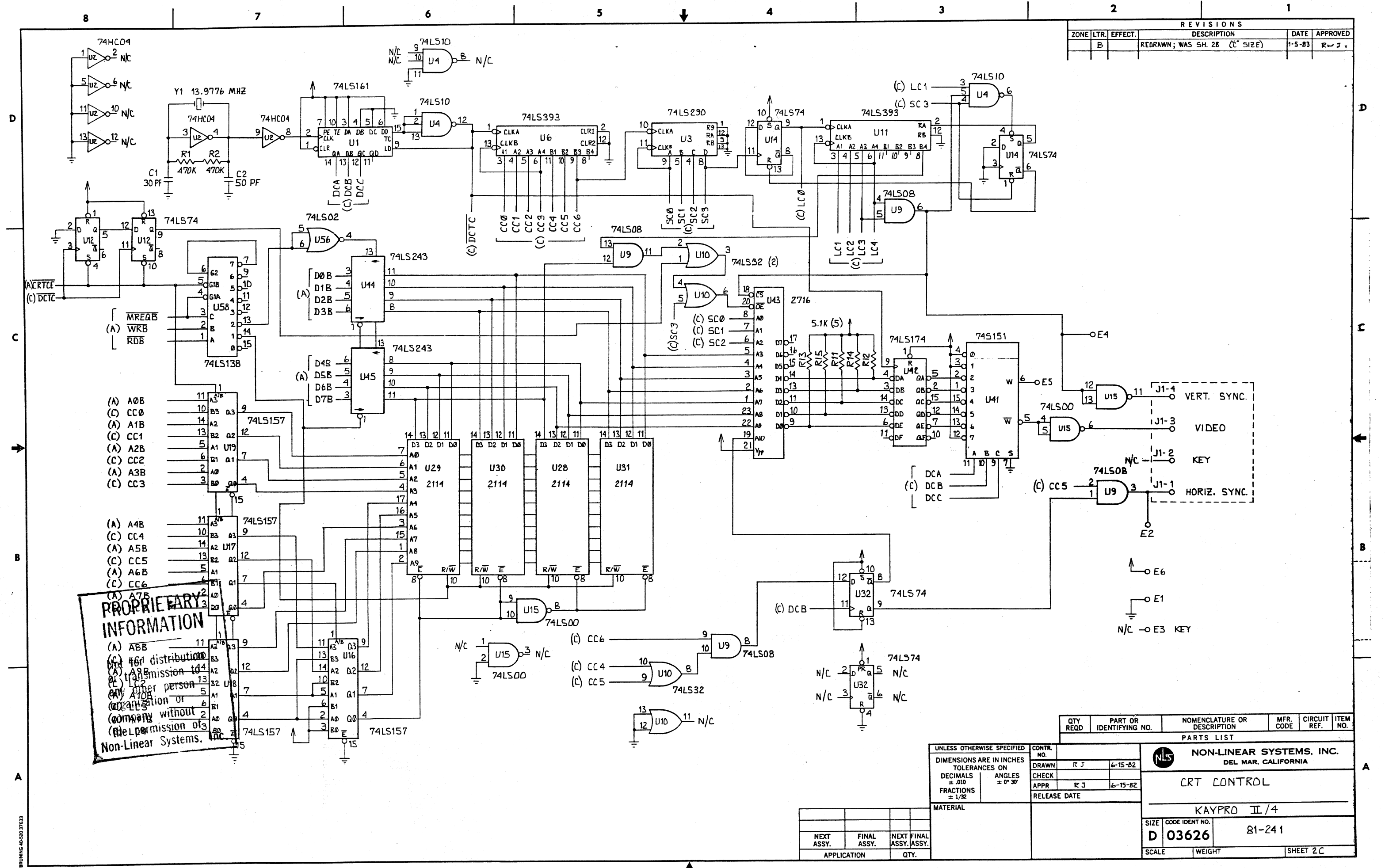


QTY REQD	PART OR IDENTIFYING NO.	NOMENCLATURE OR DESCRIPTION	MFR. CODE	CIRCUIT REF.	ITEM NO.
PARTS LIST					
NLS NON-LINEAR SYSTEMS, INC. DEL MAR, CALIFORNIA					
I/O AND DISK CONTROLLER					
KAYPRO II/4					
SIZE	CODE IDENT NO.				
D	03626	B1-241			
SCALE	WEIGHT	SHEET 2 B			

UNLESS OTHERWISE SPECIFIED		CONTR. NO.	
DIMENSIONS ARE IN INCHES		DRAWN	R J 5-21-82
TOLERANCES ON		CHECK	
DECIMALS ± .010		APPR	E J 5-21-82
ANGLES ± 0° 30'		RELEASE DATE	
MATERIAL			
NEXT ASSY.	FINAL ASSY.	NEXT FINAL ASSY.	FINAL ASSY.
APPLICATION	QTY.		

0-320 371633

REVISIONS					
ZONE	LTR.	EFFECT.	DESCRIPTION	DATE	APPROVED
	B		REDRAWN; WAS SH. 28 (C SIZE)	1-5-83	R-J.



PROPRIETARY INFORMATION
 No 401 distribution
 No transmission to
 any other person
 or organization or
 company without
 the permission of
 Non-Linear Systems, Inc.

QTY REQD	PART OR IDENTIFYING NO.	NOMENCLATURE OR DESCRIPTION	MFR. CODE	CIRCUIT REF.	ITEM NO.
PARTS LIST					

UNLESS OTHERWISE SPECIFIED		CONTR. NO.	
DIMENSIONS ARE IN INCHES		DRAWN	R J
TOLERANCES ON		CHECK	6-15-82
DECIMALS ± .010	ANGLES ± 0° 30'	APPR	R J
FRACTIONS ± 1/32		RELEASE DATE	6-15-82
MATERIAL			
NEXT ASSY.		FINAL ASSY.	
APPLICATION		QTY.	
SIZE		CODE IDENT NO.	
D 03626		81-241	
SCALE		WEIGHT	
		SHEET 2C	

NON-LINEAR SYSTEMS, INC.
 DEL MAR, CALIFORNIA

CRT CONTROL

KAYPRO II/4

SIZE: D 03626
 CODE IDENT NO.: 81-241

SCALE: WEIGHT: SHEET 2C