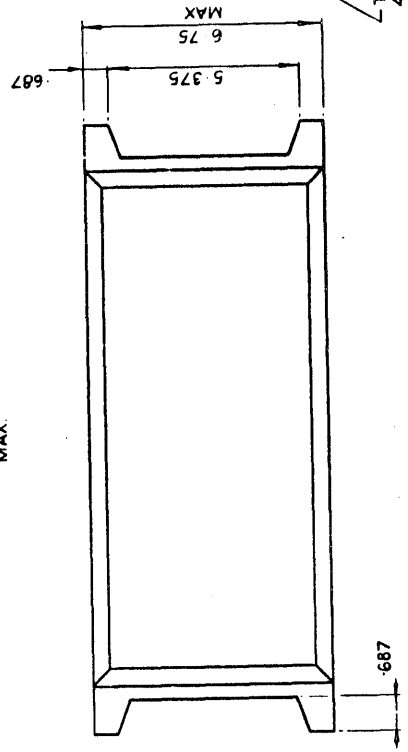
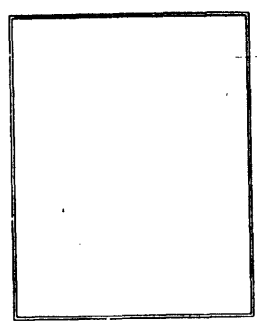
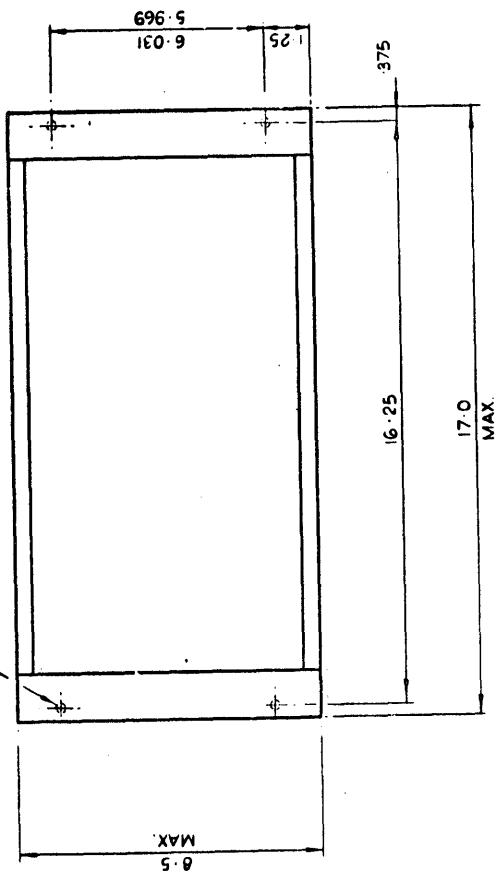


CHANGES

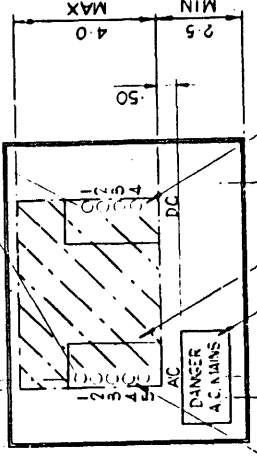
ISS.

2	7343	14.	6-65
3	7796	14.	6-65

4 HOLES
.75 DIA.



PERSEX COVER OVER TERMINALS
HOLES TO ALLOW ACCESS TO
TERMINAL SCREWS



TAG STRIP CINCH
4-141-Y

TAG STRIP CINCH
44/77/903/5

ALL FUSES, SWITCHES, ETC.
TO BE KEPT WITHIN SHADED
AREA & PROTECTED BY
FLANGED PANEL.

③ ATTACH LABEL, RED LETTERS
ON WHITE GROUND AS SHOWN



POWER SUPPLY
+6V

889988
ASSEMBLY

ISSUE / 3

SHEET 1

ISSUE 2 2 2 2

SHEET

1	2	3	4	5	6	7	8	9	10	11	12	13	14	15	16	17	18	19	20
---	---	---	---	---	---	---	---	---	----	----	----	----	----	----	----	----	----	----	----

ISSUE NUMBERS OF OTHER SHEETS AT THE TIME OF ISSUING THIS SHEET.

ITEM No.	ISSUE No. IN	ISSUE No. OUT	PART No.	QTY	DESCRIPTION	ITEM No.	ISSUE No. IN	ISSUE No. OUT	PART No.	QTY	DESCRIPTION
2	1		1110112	D	TECH SPEC						
			CHANGES								
1	1	2	5000260	D	7343						
3	1	2	5000254	D	7343						
			ADDED		7343						



POWER SUPPLY

889938 / 2
ASSEMBLY

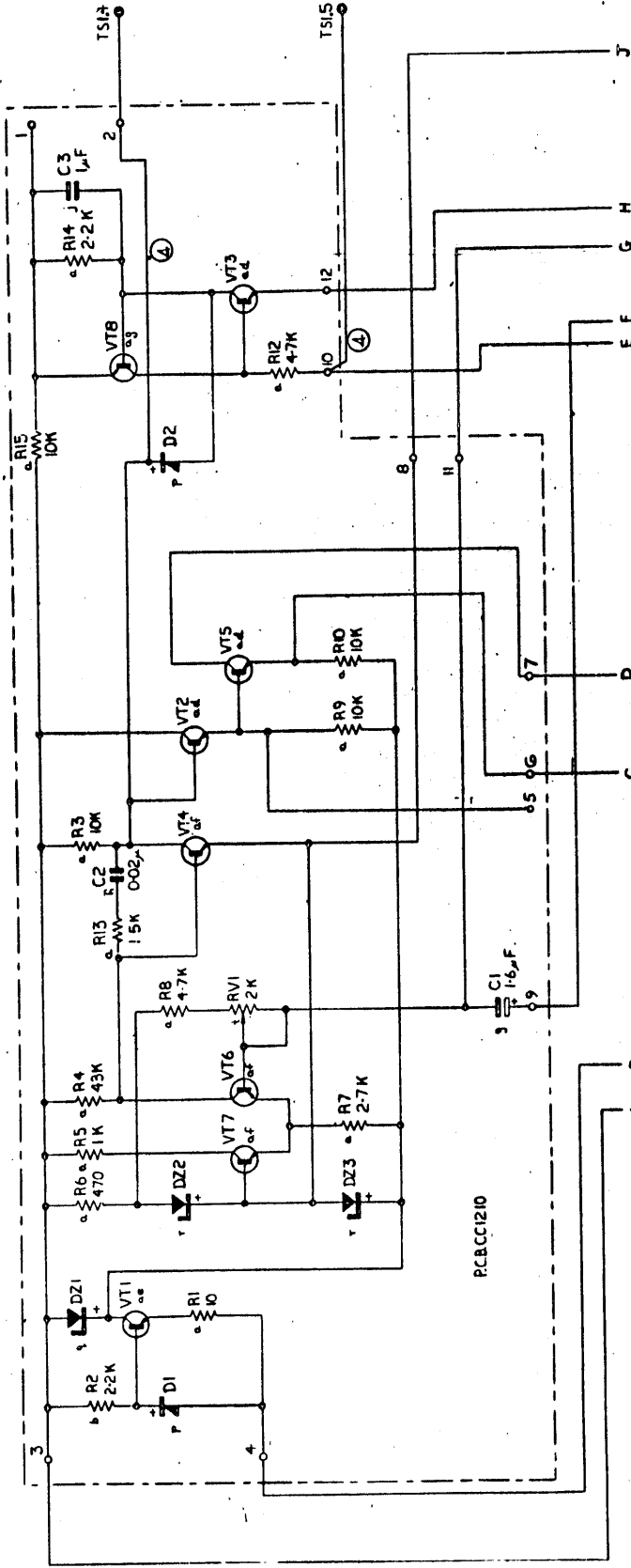
ISSUE SHEET

DRW. TO / ISSUE : 2
PROV. STD. SHEET 1 2 3 4 5 6 7 8 9 10 11 12 13 14 15 16 17 18 19 20
7901110 / ISSUE NUMBERS OF OTHER SHEETS. AT THE TIME OF ISS. THIS SH.

ISS

2 7343 16 6-65
 4 DELETED - CONN. BETWEEN PCB PIN 2 & SIDE 53
 73 E-65
 7804

CHANGES

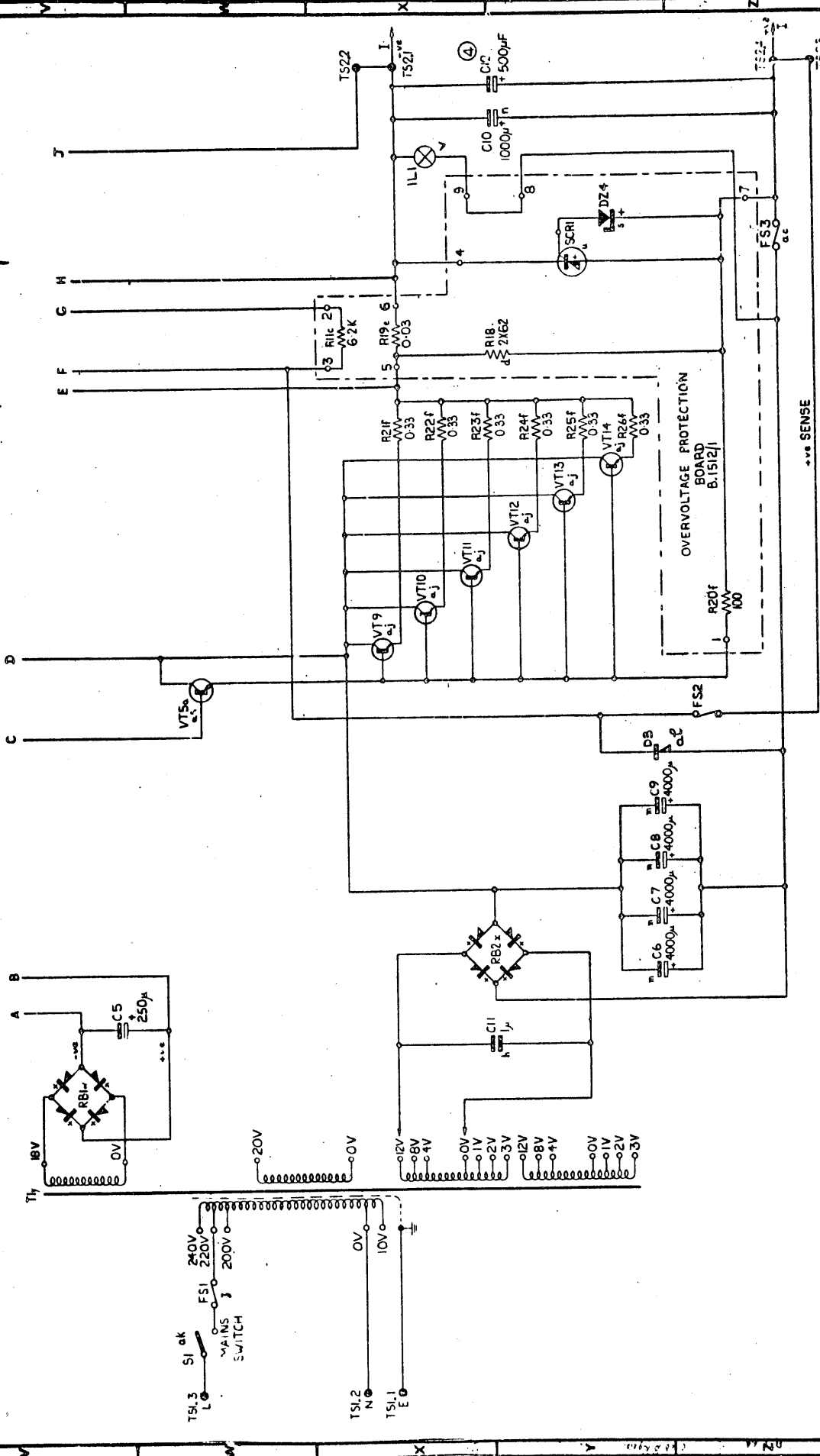


I.C.T.	POWER SUPPLY +6V BELL	889988 / 4	ISSUE SHEET	3	3	4	4	4	4
	DIAGRAM	889988 / 4	ISSUE SHEET	3	3	4	4	4	4
	889988 / 4	ISSUE SHEET	3	3	4	4	4	4	4

DRAWN TO	ISSUE	3	2	4	4
PROV. STD	SHEET	1	2	3	4
7902101	ISSUE NUMBERS OF OTHER SHEETS AT THE TIME OF ISSUING THIS SHEET	1	2	3	4
		5	6	7	8
		9	10	11	12
		13	14	15	16
		17	18	19	20
		21	22	23	24
		25	26	27	28
		29	30		

CHANGES

2 7343 6-65
4 7804 8-65



DRAWN TO										ISSUE									
PROV. STD										SHEET									
7902101										7902101									
POWER SUPPLY +6V										889988									
BELIX										DIAGRAM									
I.C.T.										/ 4 / 4									
ISSUE										SHEET									
1										2									
3										4									
5										6									
7										8									
9										10									
11										12									
13										14									
15										16									
17										18									
19										20									
21										22									
23										24									
25										26									
27										28									
29										30									
31										32									
33										34									
35										36									
37										38									
39										40									
41										42									
43										44									
45										46									
47										48									
49										50									
51										52									
53										54									
55										56									
57										58									
59										60									
61										62									
63										64									
65										66									
67										68									
69										70									
71										72									
73										74									
75										76									
77										78									
79										80									
81										82									
83										84									
85										86									
87										88									
89										90									
91										92									
93										94									
95										96									
97										98									
99										100									

ISSUE NUMBERS OF OTHER SHEETS AT THE TIME OF ISSUING THIS SHEET



POWER SUPPLY +6V
BELIX

DIAGRAM

ISSUE SHEET

PROV. STD
7902101

ISSUE SHEET

PROV. STD
7902101

ISSUE NUMBERS OF OTHER SHEETS AT THE TIME OF ISSUING THIS SHEET

ITEM No.	CCT. REF.	ITEM No.	CCT. REF.	ITEM No.	ISSUE No. IN/OUT	PART No.	A QTY.	DESCRIPTION	ITEM No.	ISSUE No. IN/OUT	PART No.	A QTY.	DESCRIPTION
11	C1	33	R7	11	4	5011535	E	CAP 1.6	31	2	5007514	E	RES 1K
12	C2	34	R8, 12	12	2	5007501	E	CAP 0.02	32	2	5007515	E	RES 470
13	C3	35	R11	13	2	5007502	E	CAP 1.0	33	2	5007516	E	RES 2.7K
14	C4	36	R13	14	2	5007503	E	CAP 5.0	34	2	811488	0	RES 4.7K
15	C5	37	R14	15	2	5007505	E	CAP 2.50	35	2	5010884	E	RES 6.2K
16	C6, 7, 8, 9	38	R18	16	2	5007590	E	CAP 4000	36	2	811489	0	RES 1.5K
17	C10	39	R19	17	2	5010860	E	CAP 1000	37	2	5007518	E	RES 2.2K
18	C11	40	R20	18	2	7700374	0	CAP 1	38	2	5010879	E	RES 62
19	D1, 2, 3	41	R21, 22, 23, 24, 25, 26	19	2	5007507	E	DIODE	39	2	5010866	E	RES 0.05
20	D2, 4	42	R21	20	2	5007508	E	ZEN DIODE	40	2	5010880	E	RES 100
21	D3	43	R22	21	2	5007509	E	ZEN DIODE	41	2	5008071	0	RES 0.33
22	D4	44	R23	22	2	868429	0	ZEN DIODE	42	2	5007524	E	RECTIFIER
23	FS1	45	R24	23	2	5007597	E	FUSE 1A	43	2	5007589	E	RECTIFIE.
24	FS2	46	S1	24	2	5010862	E	FUSE 0.1A	44	4	5011534	E	POT 2K
25	FS3	47	S2	25	2	5010863	E	FUSE 10 A	45	2	5010869	E	SWITCH
26	TL1	48	T1	26	2	774452	0	LAMP 6V	46	2	5010885	E	RECTIFIER
27	R1	49	VT 2, 3, 5	27	2	875618	0	RES 10	47	2	5007588	E	TRANSFORMER
28	R2	50	VT 4, 6, 7	28	2	888341	0	RES 2.2K	48	2	879857	0	TRANSISTOR
29	R3, 9, 10, 15, 16	51	VT8	29	2	5007512	E	RES 10K	49	2	5004663	0	TRANSISTOR
30	R4	52	VT8	30	2	5007513	E	RES 4.5K	50	2	5007527	E	TRANSISTOR
31	R5	53	VT9, 10, 11, 12, 13, 14						51	2	861772	0	TRANSISTOR
32	R6	54	C12						52	2	5007528	E	TRANSISTOR
									53	4	5011536	E	TRANSISTOR
									54	4	5011533	E	CAP 500
											CHANGES		7804
											5007500	E	7804
											5007525	E	7804
											5007591	E	7804

NOTE :-
For guidance only - components designated as spares.

POWER SUPPLY:	889988	ISSUE	4	5	DRAWING	ISSUE	3	2	4	4															
	BELIX	ASSEMBLY	SHEET	790110	PROJ. STD.	SHEET	1	2	3	4	5	6	7	8	9	10	11	12	13	14	15	16	17	18	19

