



IBM Office Products Division
Customer Engineering

PARTS CATALOG

"Model 71x/72x"

Form No. PCE-008-1

August, 1970

*Copyright By
International Business Machines Corporation
1970
Printed in the Netherlands*

CONTENTS
(Alphabetical)

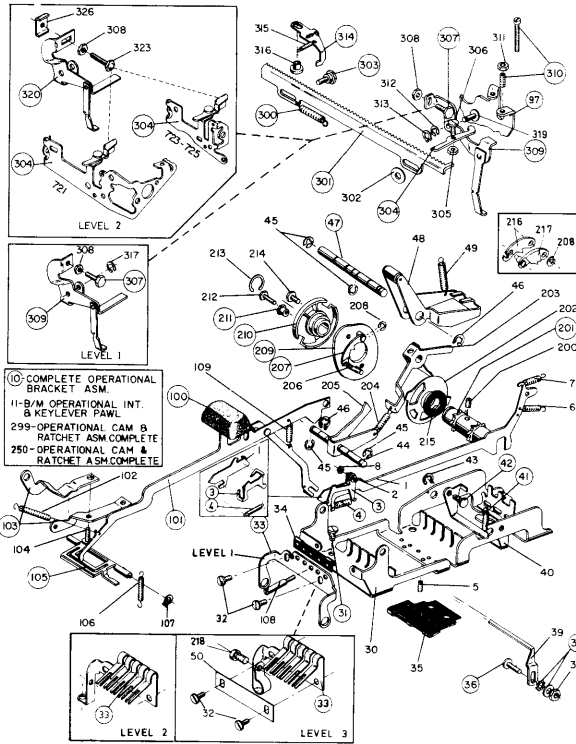
Mechanism	Code	Page
AVC-Inhibitor/Manual Velocity Control	737 14
Backspace	701 1
Bolt-Down Instructions	705 4
Card Holding Platen	739 15
Carrier	702 1,2
Carrier Return	703 2,3
Covers	704 3
Deadkey Disconnect	738 15
Deadkey Mechanism	706 5
Escapement	706 5
Fabric Ribbon	713 8
Film Ribbon (Old & New)	714 8
Frames	708 5
Indexing	720 11
Keyboard Selection	721 12
Line Lock & Bell	709 6
Margin (Old Level)	709 5
Margin (New Level)	709 6
Motor & Drive (US)	711 6
Motor & Drive (WT)	711 7
Packing Instructions	705 4
Packing Parts	705 4
Paper Feed	722 13
Pin Feed Platen	749 15
Platen	712 8
Platen Indexing Chart	712 11
Rocker (Gearless & Gear Tilt Type)	701 1
Selection	723 14
Shift	716 9
Shift Sensitive Dual Impression	716 9
Spacebar	717 9,10
Tab	718 10
Type Elements	702 2

Charts

Keybuttons	721 16,24
Keybuttons Arrangement	721 25,26
Reltex [®] Painted Covers	704 27
Polyester Painted Covers	704 27

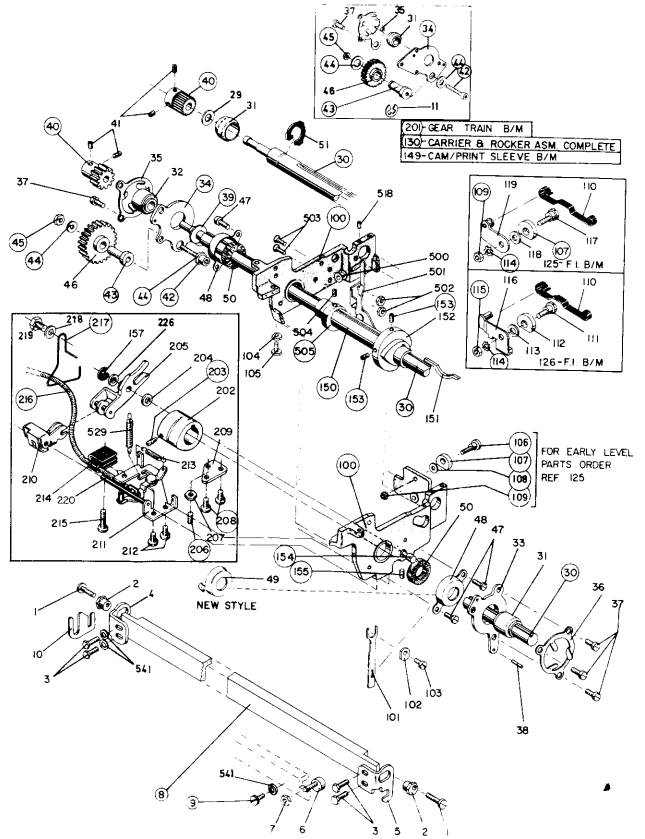
BACKSPACE

701



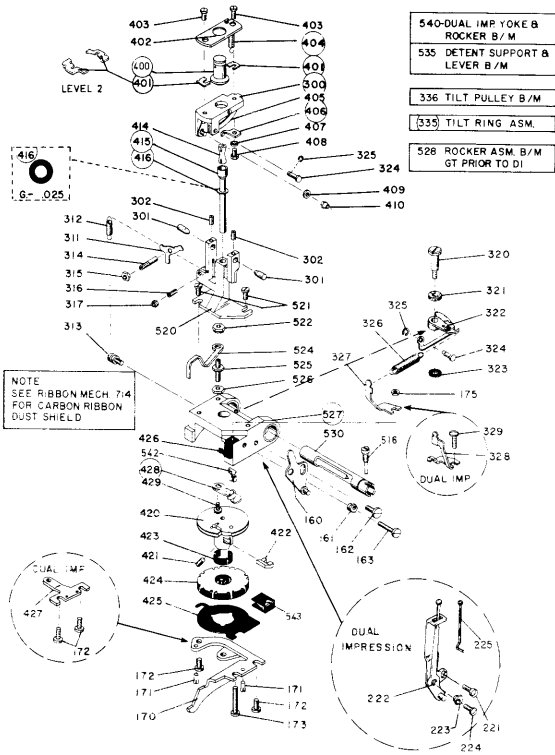
CARRIER

702



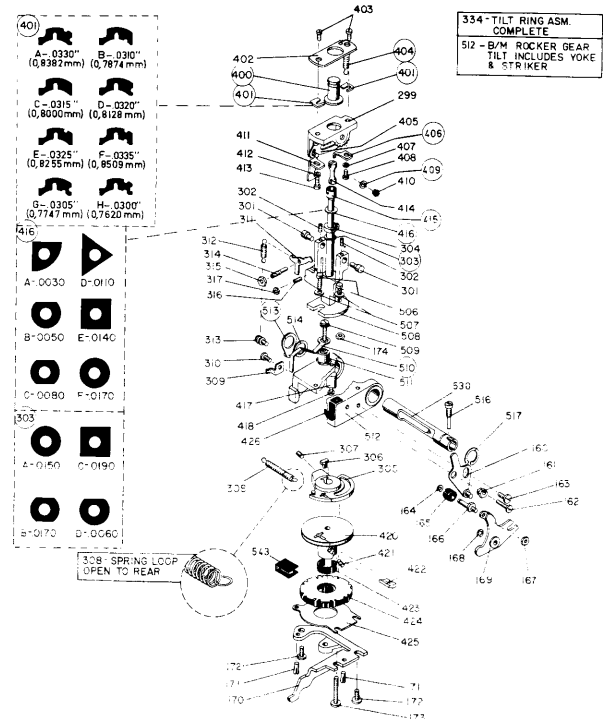
ROCKER (Gearless Tilt Type)

702



ROCKER (Gear Tilt Type)

702



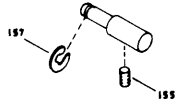
CARRIER

702

REF. 154

PRE-DUAL IMPRESSION MACHINES

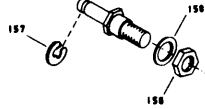
STUD, P/N 1124176, is issued to change this part on all MACHINES without DUAL IMPRESSION with original "NON-FACED" CARRIERS.



PRE-DUAL IMPRESSION MACHINES WITH NEW CARRIER.

STUD, P/N 1164865, and NUT, P/N 6503, have to be used with a CARRIER changed on all MACHINES without DUAL IMPRESSION. This has to be done, as all FIELD changed CARRIERS are "FACED" and do not have a SET SCREW HOLE to put the original STUD in.

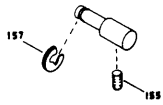
P/N Description.
1164865 Stud, Follower Mtg
6503 Nut
Washer



EARLY DUAL IMPRESSION MACHINES.

STUD, P/N 1175054, has to be used on early DUAL IMPRESSION MACHINES. FOLLOWER, P/N 1141619, has to be changed too, to be certain of compatibility. This has to be done as early DUAL IMPRESSION CARRIERS were "NON-FACED".

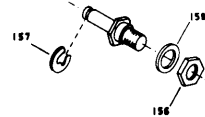
P/N Description.
1175054 Stud, Follower Mtg.



CURRENT LEVEL MACHINES.

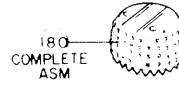
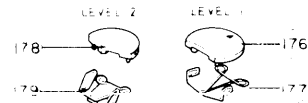
STUD, P/N 1164878, and NUT, P/N 6503, can be used on all DUAL IMPRESSION CARRIERS that are "FACED". It has to be used with the NEW PRINT CAM FOLLOWER, P/N 1141619.

P/N Description.
1164878 Stud, Follower Mtg.

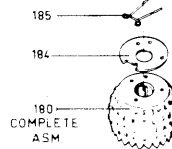
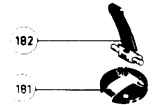


TYPE ELEMENTS

702

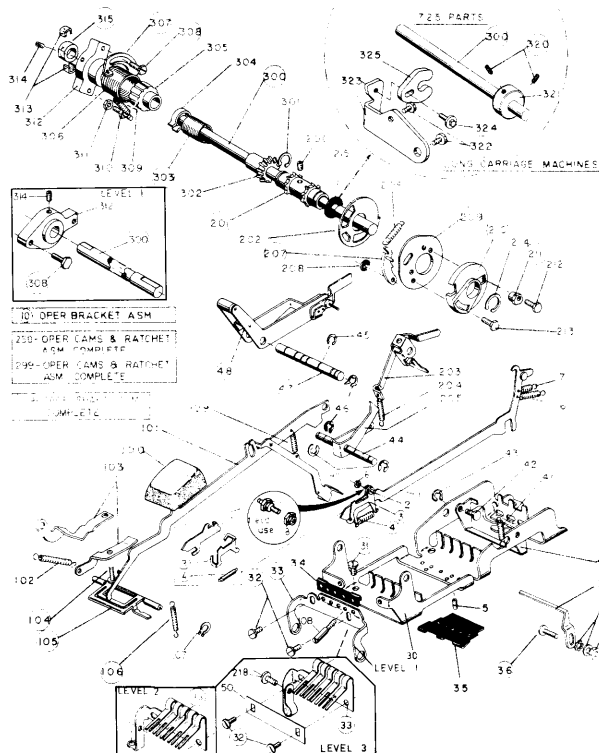


LEVEL 3



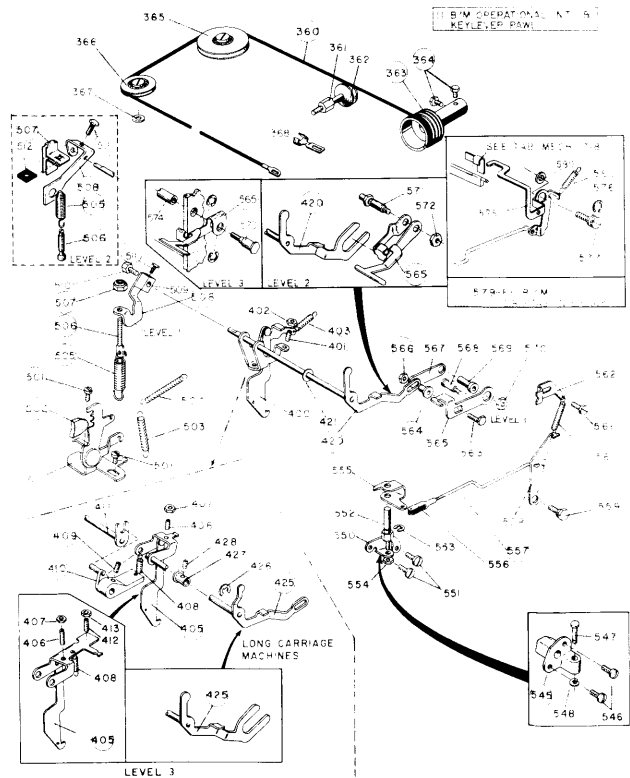
CARRIER RETURN

703



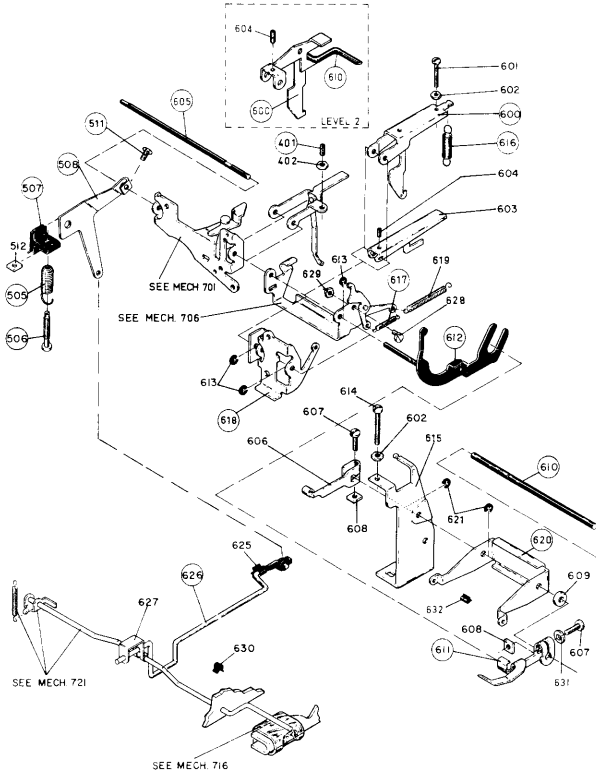
CARRIER RETURN

703



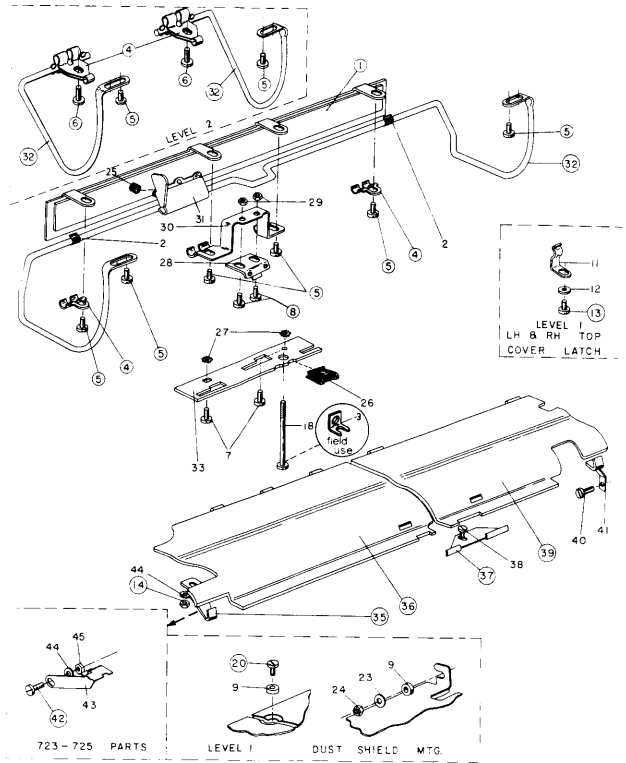
CARRIER RETURN

703



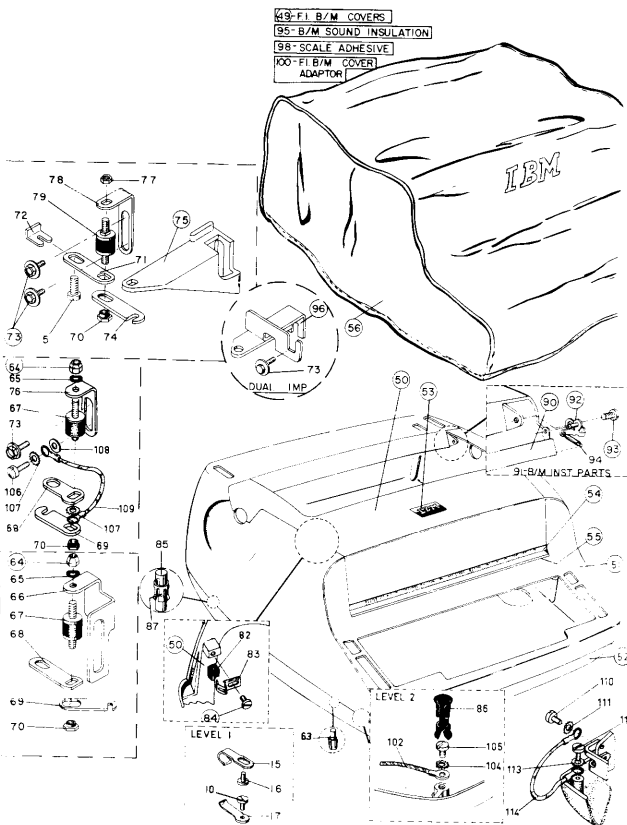
COVERS

704



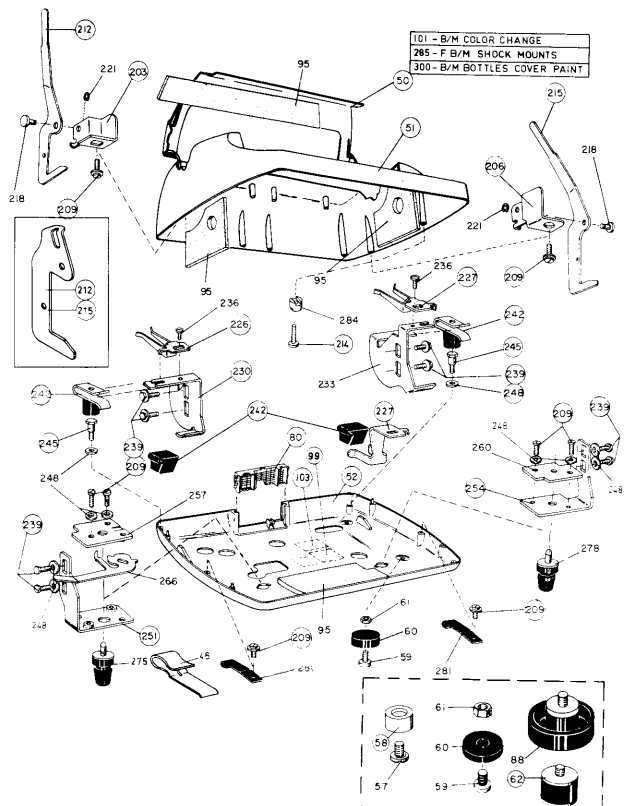
COVERS

704



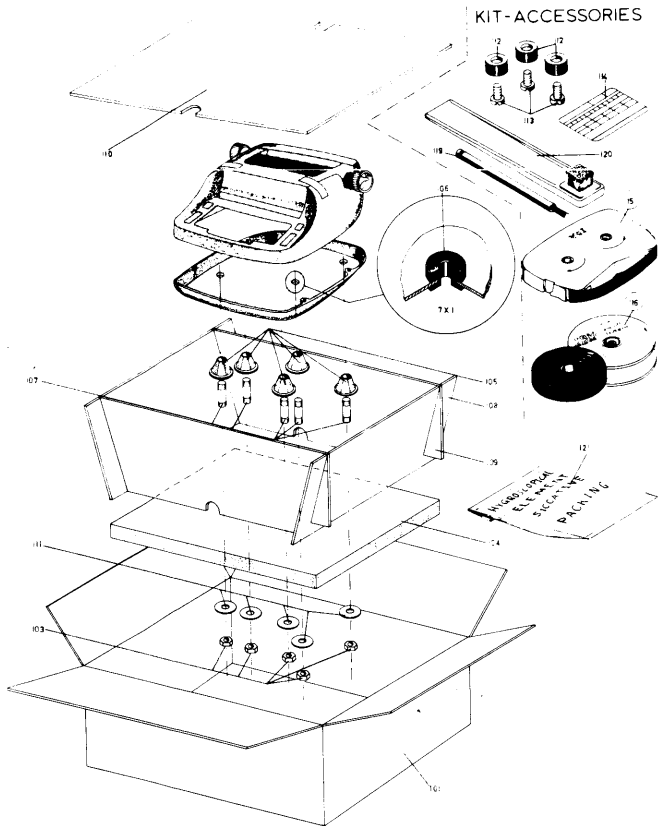
COVERS

704



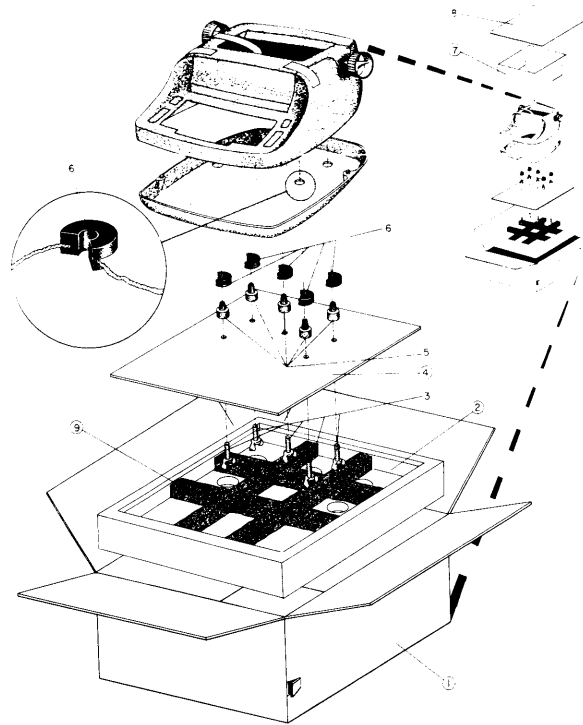
WT PACKING PARTS

705



US PACKING PARTS

705



PACKING INSTRUCTIONS

705

US PACKING INSTRUCTIONS.

- Position CARRIER against complete left hand side of MACHINE & use MINNESOTA MINING Y-9035 TAPE or other same quality TAPE to fix CARRIER (look at FIGURE).
- Use MINNESOTA MINING Y-9035 TAPE or other same quality TAPE to close TOP COVER.
- Put GROMMETS (ref. 6) in bottom TYPEWRITER CASE (look at FIGURE):
5x in 7x1 & 7x3
7x in 7x5
- Put INSERTS (ref. 5) in GROMMETS (ref. 6).
- Use WING NUT SCREWS (ref. 3) & fix PALLET (ref. 4) onto MACHINE.
- Put HAIR PAD (ref. 9) in bottom of BOX (ref. 1) & put MACHINE in.
- Put LINERS (ref. 2) in BOX & put CORD at back of LINER with MINNESOTA MINING Y-9035 or other same quality TAPE.
- Put CHIPBOARD TRAY (ref. 8) as in FIGURE & close BOX with TAPE, P/N 7340462.

NOTE: Do not tighten FRONT RH WING NUT SCREWS (ref. 3) too much.

APPROXIMATE WEIGHT of MACHINE/PACKING:

Model 7x1	32 Lbs.
Model 7x3	35 Lbs.
Model 7x5	37 Lbs.
Packing 7x1	10 Lbs.
Packing 7x3/7x5	14 Lbs.

APPROXIMATE SIZE:

7x1	14" DEEP - 15" WIDE.
7x3/7x5	14" DEEP - 20" WIDE.

US UNPACKING INSTRUCTIONS.

- Remove complete TAPE from BOX - Remove opened parts of BOX - Remove CHIPBOARD TRAY (ref. 8) - Lift LINER (ref. 2) by pulling sides off from PLATEN KNOBS & lift MACHINE out of TRAY.
- Put MACHINE so, it rests on BACK COVER.
- Remove WING NUT SCREWS (ref. 3), 5x from 7x1 & 7x3, 7x from 7x5 MACHINE. This possible to do by HAND.
- Remove PALLET (ref. 4) & INSERTS (ref. 5).
- Remove GROMMETS (ref. 6) from BOTTOM COVER (5x from 7x1 & 7x3, 7x from 7x5 MACHINE).
- Install 4 DESK MOUNTING FEET (ref. 12) into MOUNTING HOLES where WING NUT SCREWS were removed.
- Put MACHINE right on BOTTOM COVER & remove TAPE from TOP COVER & CARRIER.
- MACHINE is ready for PRE-INSTALLATION check.

WT PACKING INSTRUCTIONS.

- Position CARRIER against complete left hand side of MACHINE.
- Fix TOP COVER (look at FIGURE) with TAPE P/N 7340090 or other same quality TAPE.
- Put MACHINE on backside of COVER. Put PALLET SPACER (ref. 6) on RH front side of BOTTOM COVER 7x1 MACHINES only.
- Put MOUNTING STUDS (ref. 7) in bottom of POWER FRAME:
5x in 7x1
7x in 7x3 & 7x5
- Put PLASTIC SPACERS (ref. 5) on MOUNTING STUDS (ref. 7).
- Fit HAIR PAD (ref. 4) to SPACER on MOUNTING STUDS with 5x(7x1 MACHINES) or 7x(7x3 & 7x5 MACHINES) WASHERS (ref. 11) & PACKING NUTS (ref. 3).
- Put MACHINE with HAIRPAD into CARTON BOX (ref. 1).
- Put 2x LINER CARTON LONG (ref. 9, P/N 6518995) & 2x LINER CARTON SHORT (ref. 8, P/N 6518996) round MACHINE.
- Put ACCESSORY BAG (ref. 18) between LINER & CARTON BOX.
- Put COVER PLATE (ref. 10) on top of LINERS. Close BOX & fix with TAPE of 120 gr. M2.

NOTE:

APPROXIMATE WEIGHT of MACHINE/PACKING:

Model 7x1	14,5 Kg.
Model 7x3	16,5 Kg.
Model 7x5	17,5 Kg.
Packing	6,0 Kg.

APPROXIMATE SIZE:

	Inside Dimensions	
LONG		780 mm
WIDE		540 mm
DEEP		320 mm

WT UNPACKING INSTRUCTIONS.

- Open BOX on TOP SIDE & remove COVER PLATE (ref. 10).
- Remove 4x LINERS (ref. 8 & ref. 9).
- Lift MACHINE with HAIRPAD (ref. 4) out of BOX.
- Tilt HAIRPADDED MACHINE at ends so, it rests on BACK side of COVER.
- Remove 5x(7x1 MACHINES) or 7x(7x3 & 7x5 MACHINES) PACKING NUTS (ref. 3) & WASHERS (ref. 11).
- Remove HAIRPAD (ref. 4) & 5x(7x1 MACHINES) or 7x(7x3 & 7x5 MACHINES) PLASTIC SPACERS (ref. 5) & MOUNTING STUDS (ref. 7).
- Remove PALLET SPACER (ref. 6).
- Install NYLON DESK FEET (ref. 12) with SCREWS (ref. 13) out of ACCESSORY BAG (ref. 18) into 3 MOUNTING HOLES where MOUNTING STUDS were removed.
- Put MACHINE down & remove TAPE from TOP COVER.
- MACHINE is ready for PRE-INSTALLATION CHECK.

US/WT BOLT-DOWN INSTRUCTIONS.

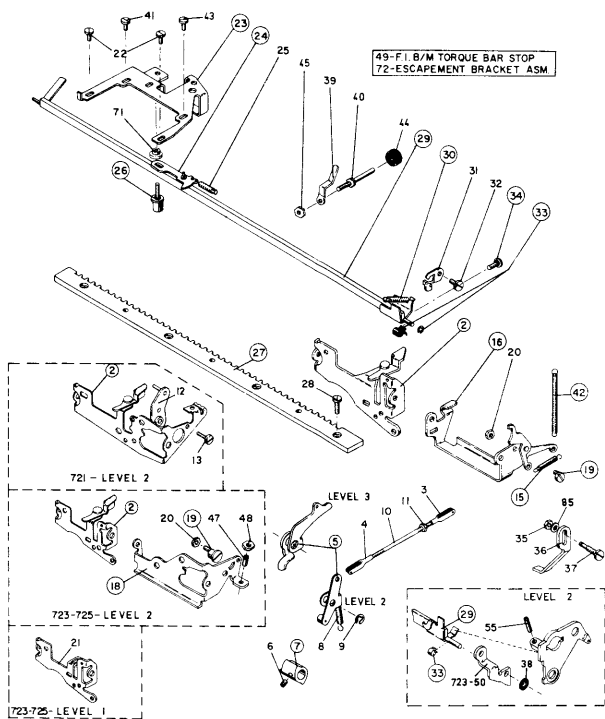
- Install 4 MOUNTING FEET (P/N 1134871 or P/N 1128485) into POWER FRAME.
- Put small amount of GREASE on FEET just round outside of THREADED HOLES.
- Put TYPEWRITER on correct place on DESK - Lift TYPEWRITER of DESK - Place to make holes in DESK are easy to find (GREASE MARK).
- Make the 4 holes on place in the DESK & BOLT MACHINE to DESK - See A-B CATALOG, CODE 204, REF. 67 for MOUNTING BOLTS.

NOTE:

The 2 FRONT BOLTS have to have some clearance between BOLT HEADS & DESK BOTTOM. They have not to be pulled down on FEET or the POWER FRAME may warp. The 2 REAR FEET have to be pulled down securly.
CAUTION: The FEET have to be used. Do not run BOLTS directly into POWER FRAME.

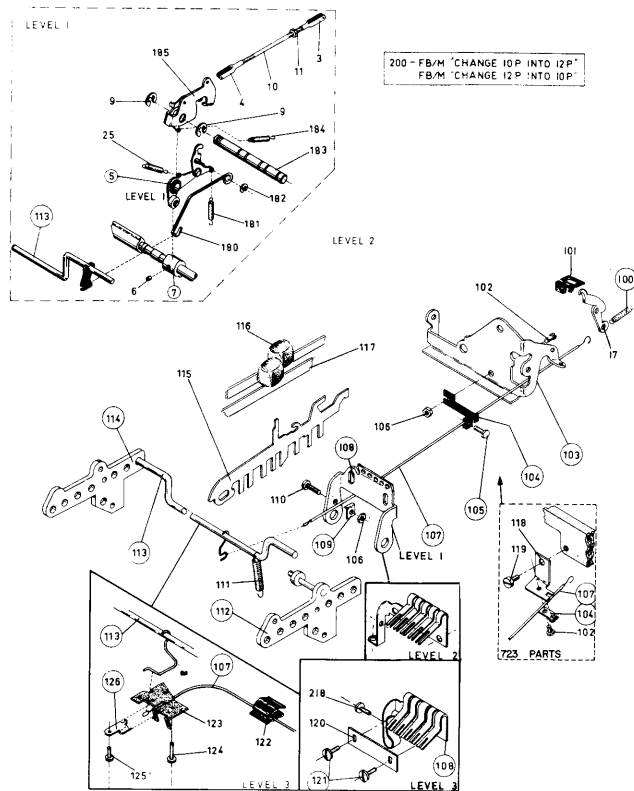
ESCAPEMENT

706



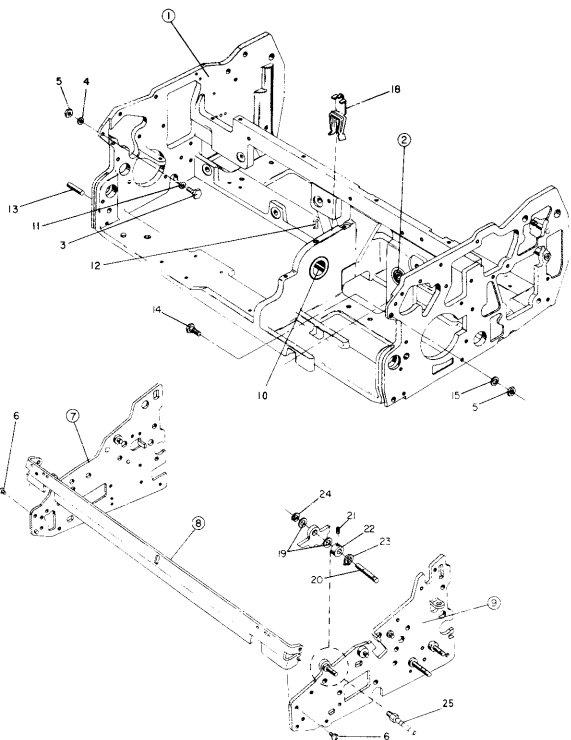
DEADKEY MECHANISM

706



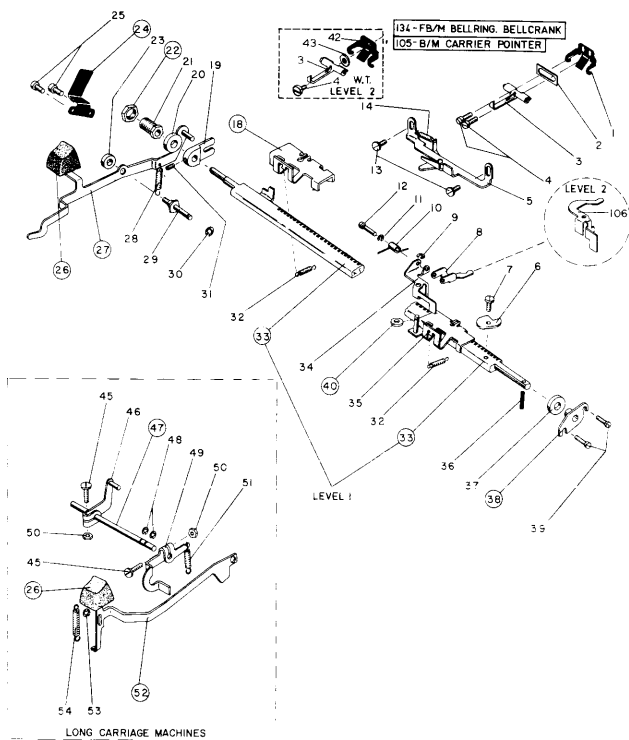
FRAMES

708



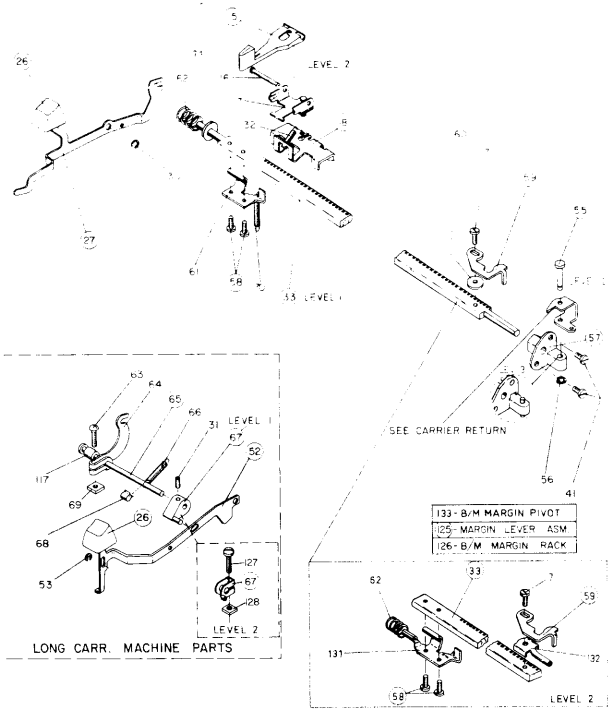
MARGIN (Old Level)

709



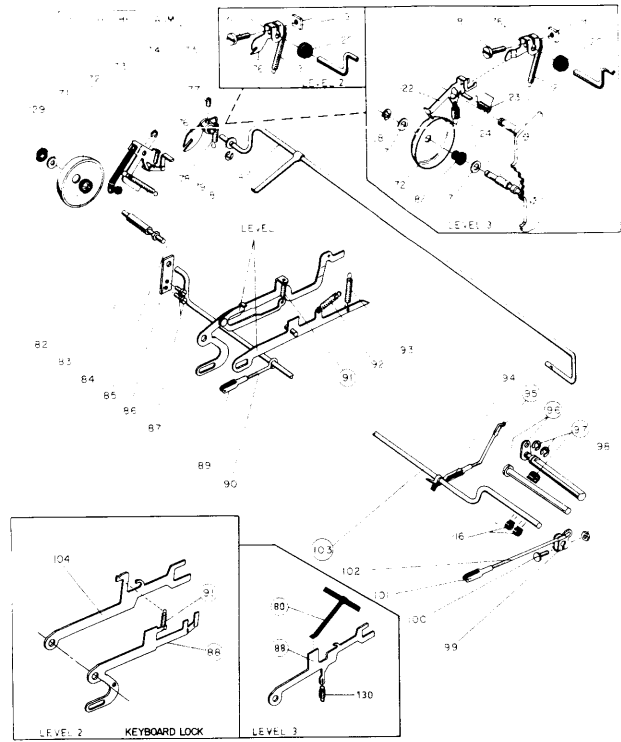
MARGIN (New Level)

709



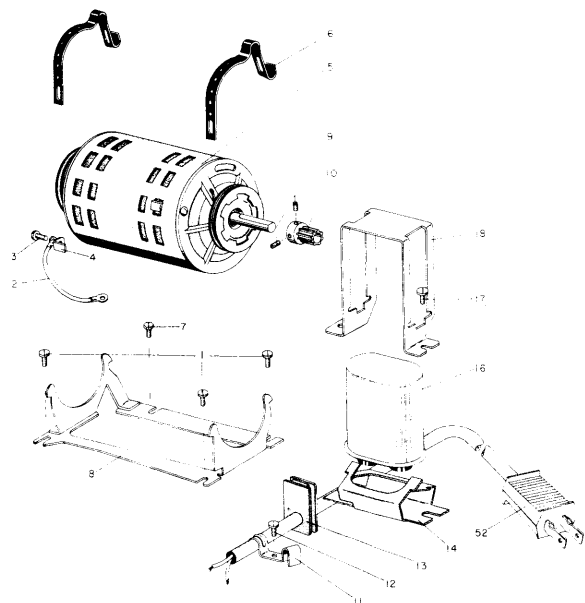
LINE LOCK & BELL

709



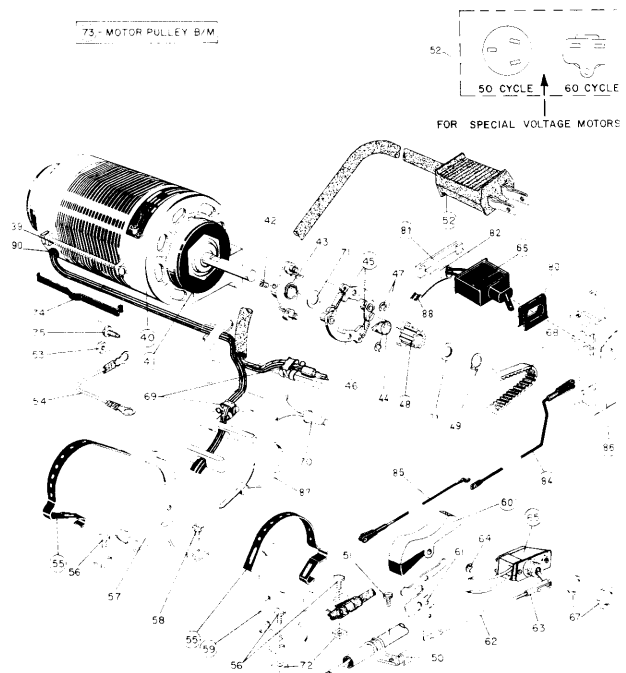
US MOTOR & DRIVE (Capacitor Type)

711



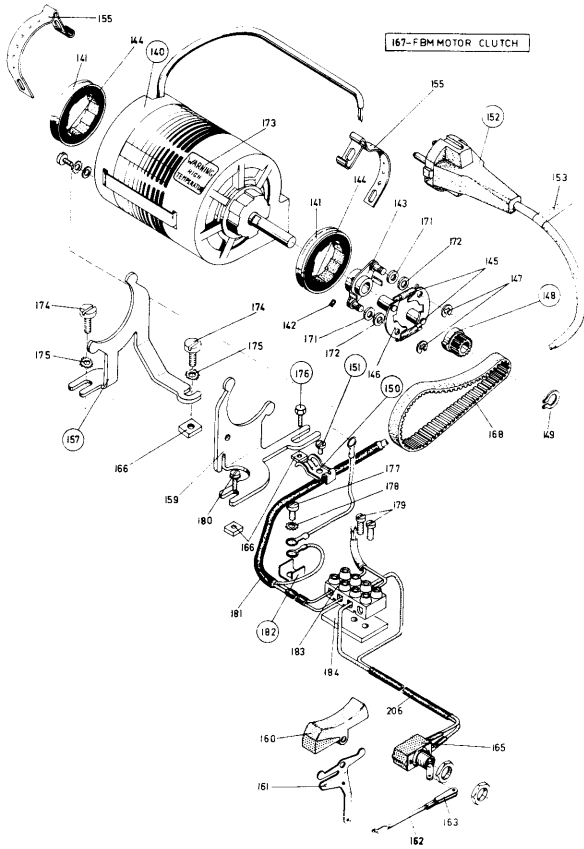
US MOTOR & DRIVE (Shaded Pole)

711



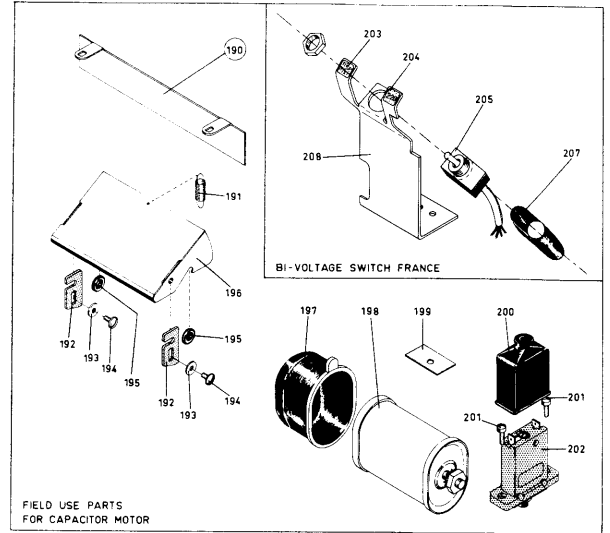
WT MOTOR & DRIVE (Shaded Pole)

711



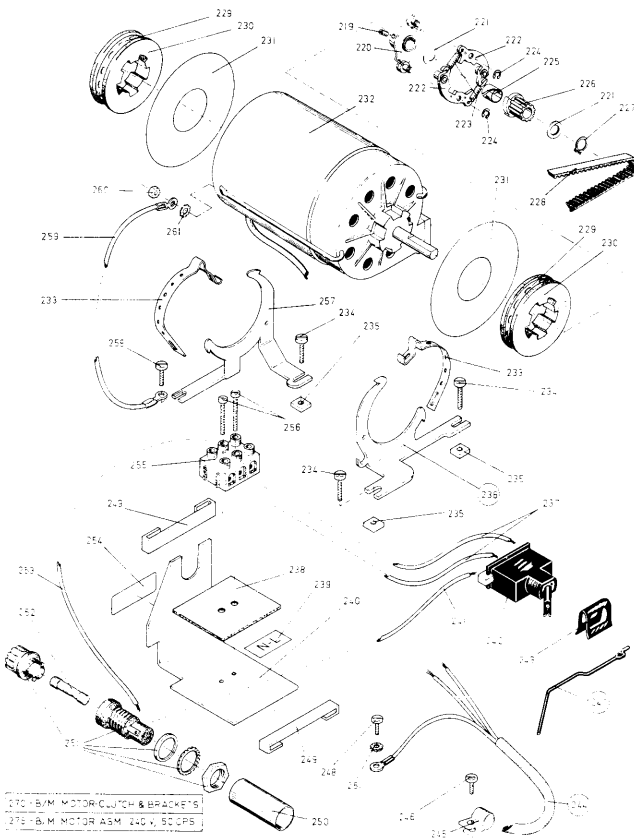
WT MOTOR Field Use Parts

711



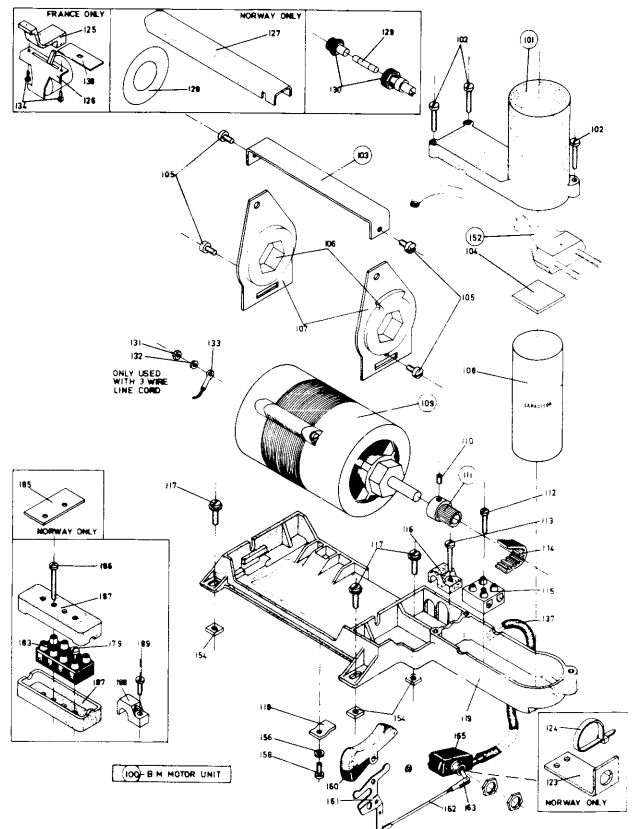
WT MOTOR & DRIVE (Canadian Production)

711



WT MOTOR & DRIVE (Double Insulation)

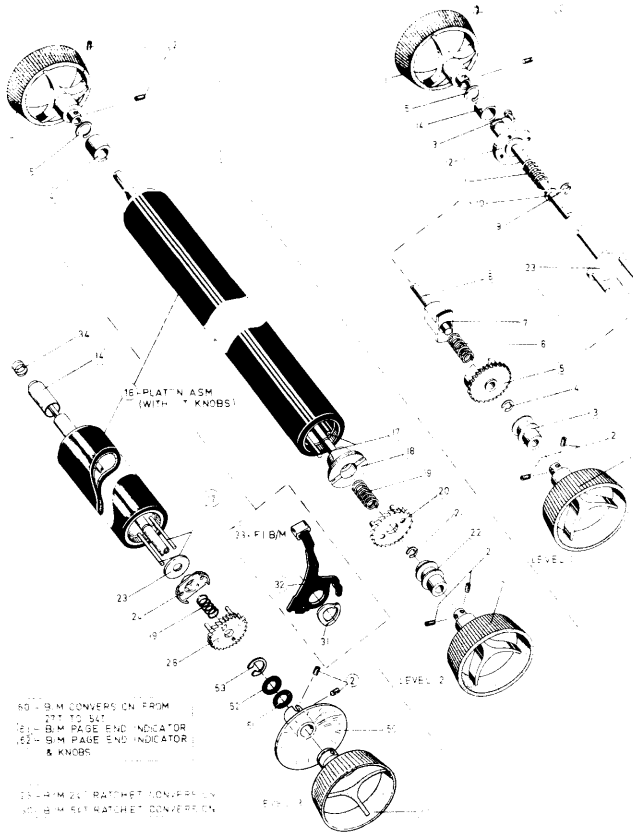
711



170-FBM MOTOR CLUTCH & BRACKETS
 170-FBM MOTOR ASM 140V, SCPS
 170-FBM MOTOR ASM 240V, SCPS

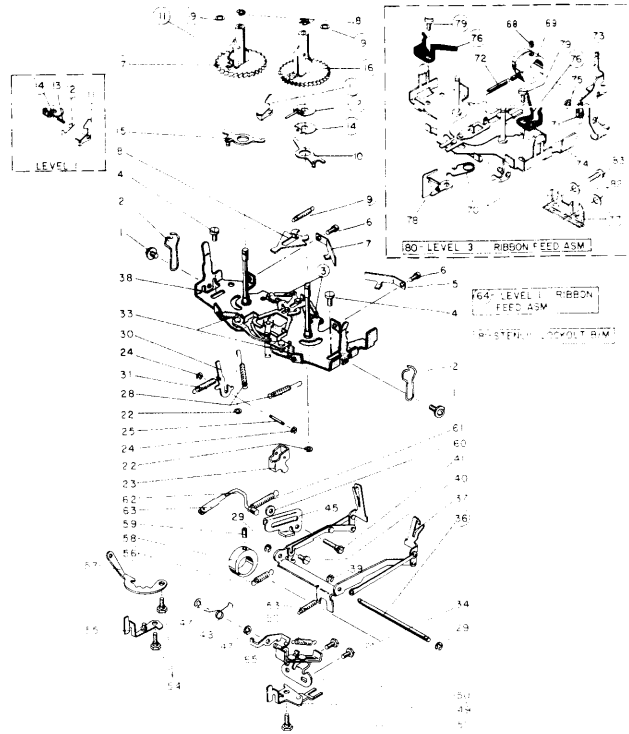
PLATEN

712



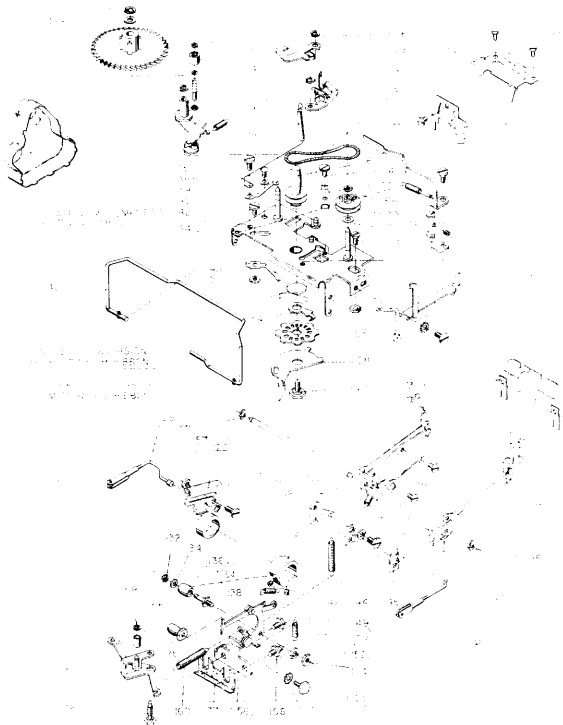
FABRIC RIBBON

713



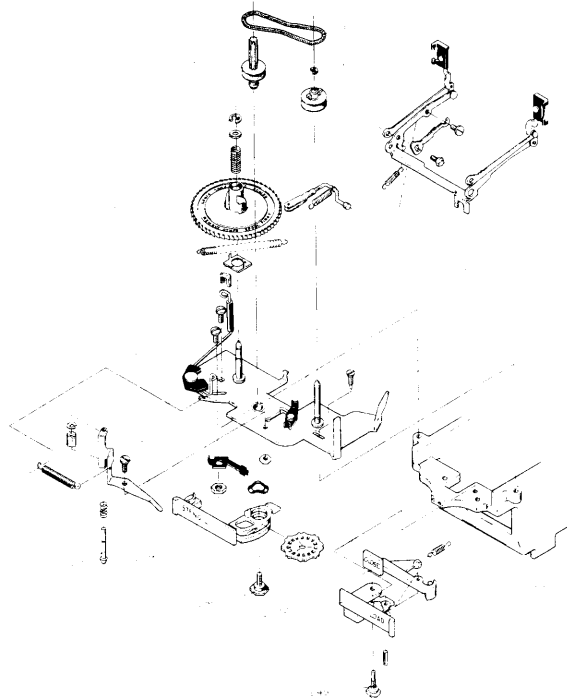
FILM RIBBON (Old)

714



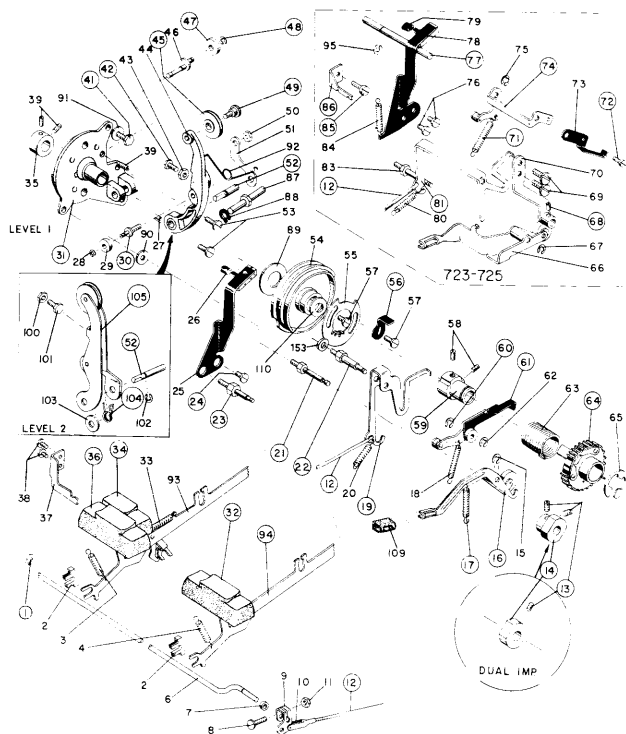
FILM RIBBON (New)

714



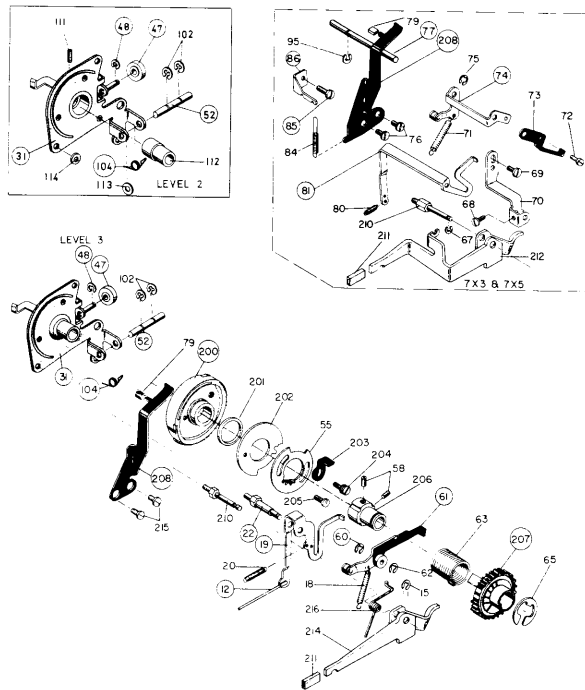
SHIFT

716



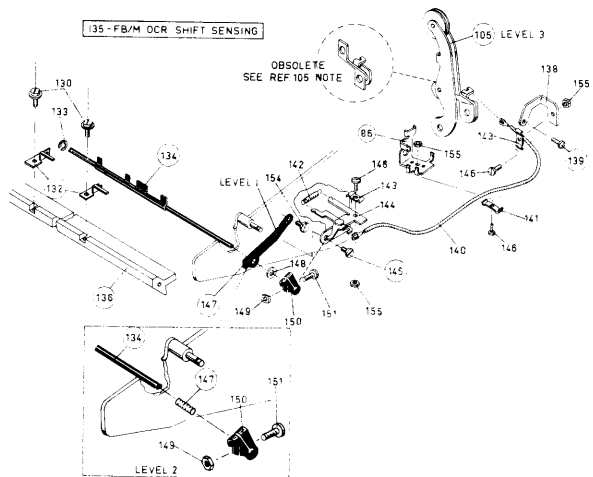
SHIFT

716



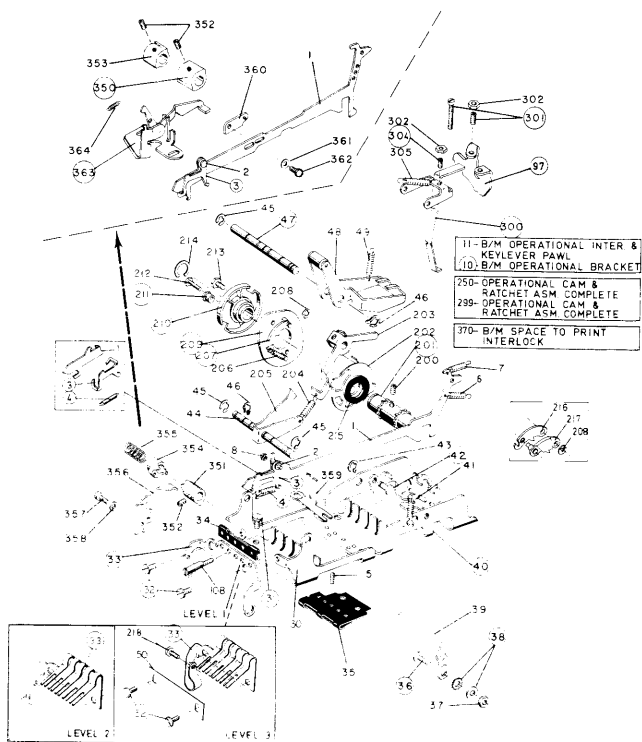
SHIFT SENSITIVE DUAL IMPRESSION

716



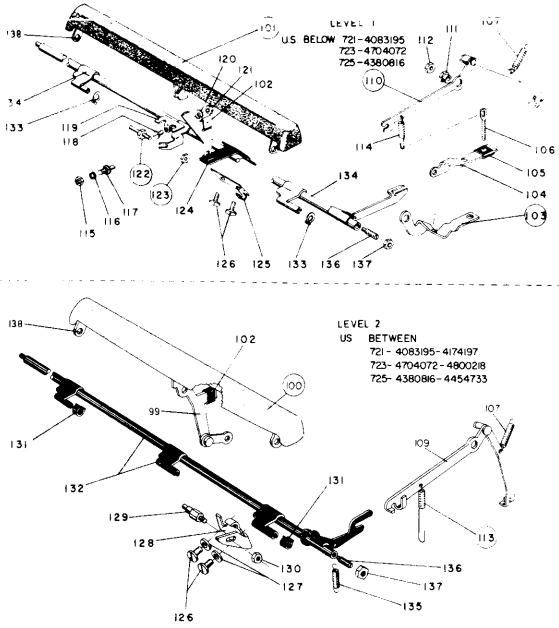
SPACEBAR

717



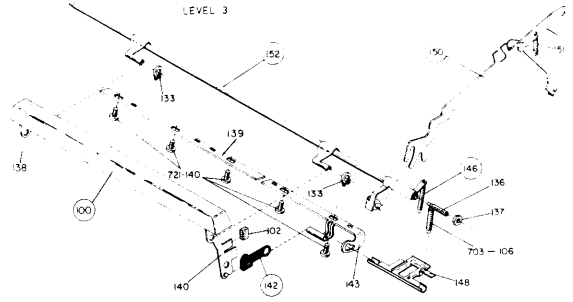
SPACEBAR

717



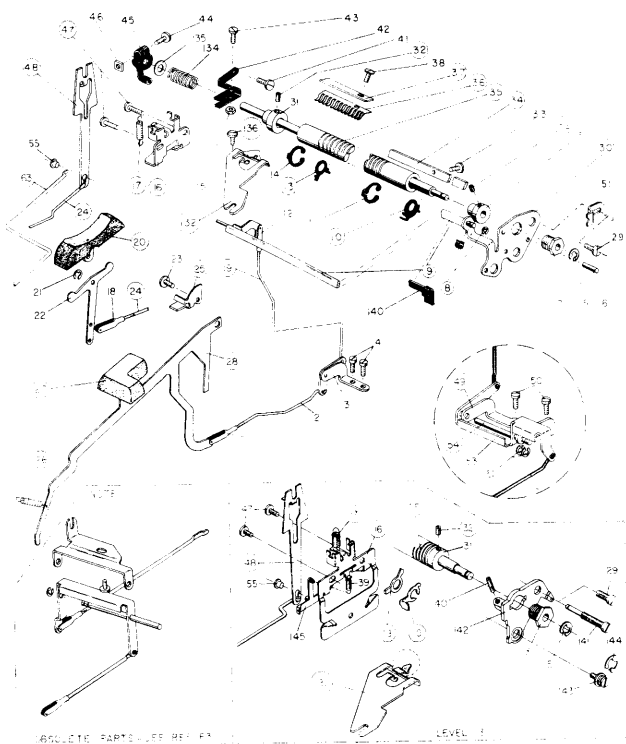
SPACEBAR

717



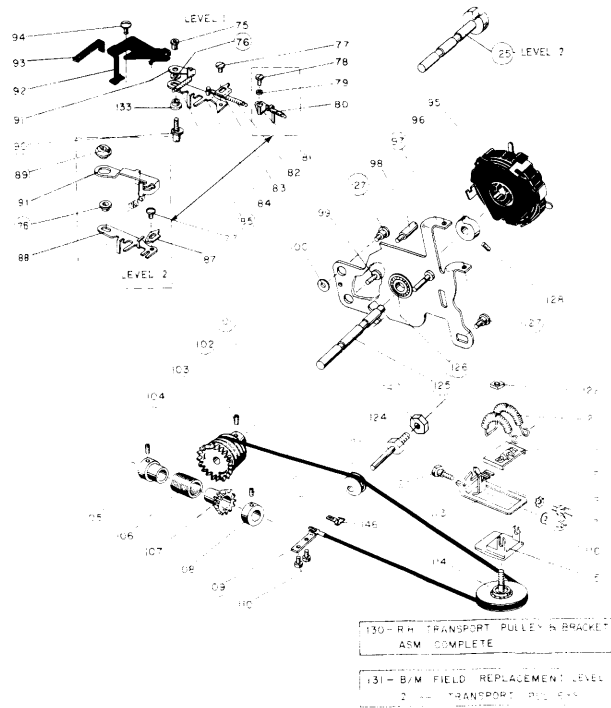
TAB

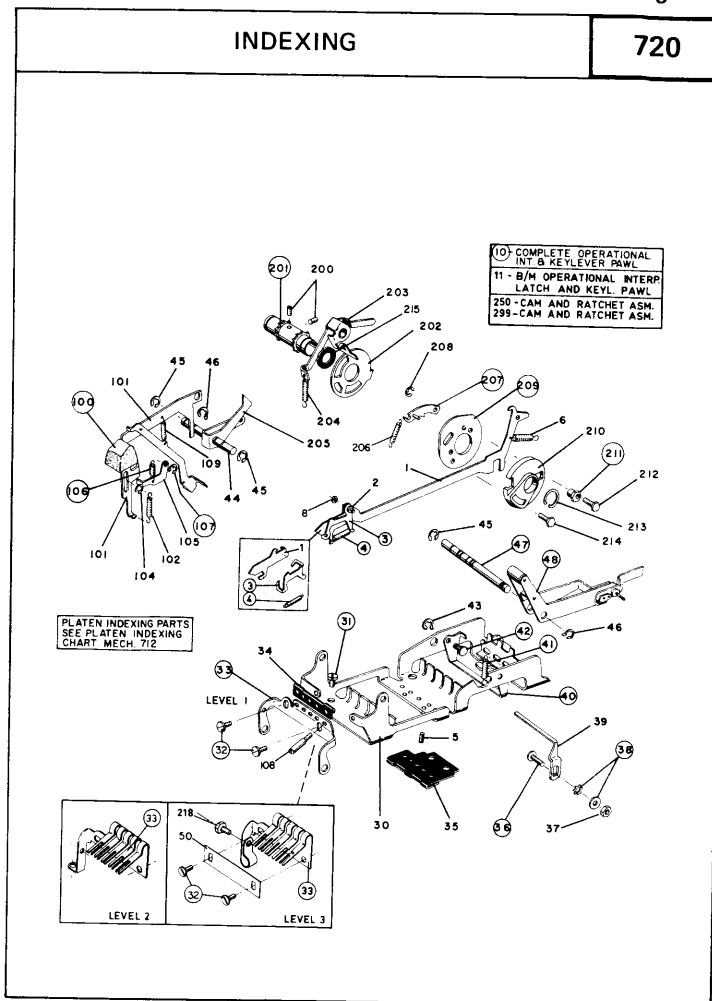
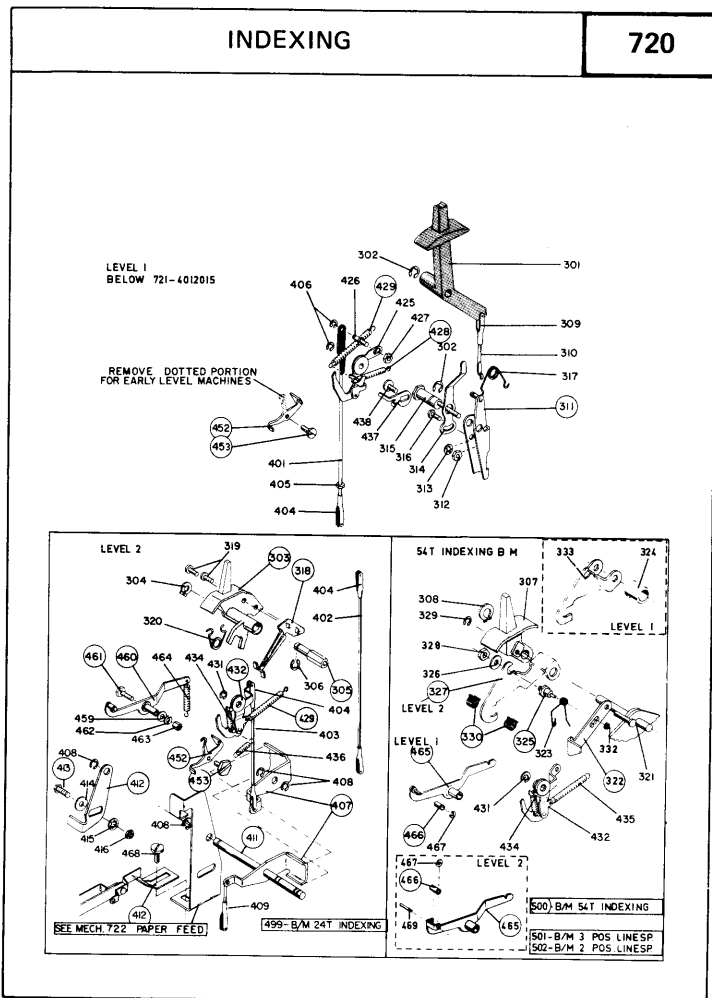
718



TAB

718





PLATEN INDEXING CHART 712

W.T. PLATEN INDEXING CHART.

	Ratchet	Pin Feed Ratchet	Detent Assembly	Index Pawl Assembly	Line Space Lever Asm.	Line Space Cam Lever	Index Selection Lever Positions.					
							Pos. 1 Lines/In.	Teeth Index	Pos. 2 Lines/In.	Teeth Index	Pos. 3 Lines/In.	Teeth Index
27T	1164463	1128527	1141767	1128018	1128483	1128477	6,003	1	3,001	2	-----	-----
46T	6512849	-----	6512615*	6512685	1128483	6512644	5,114	2	3,409	3	2,557	4
51T	6512850	6518373	6512615*	6512685	1128483	6512644	5,669	2	3,778	3	2,835	4
54T	6512851	6512968	6512615*	6512685	1141597	6512644	6,003	2	4,002	3	3,001	4

*Requires DETENT ROLLER P/N 6512356, SHAFT, DETENT ROLLER P/N 6512614 & RETAINER P/N 251989.

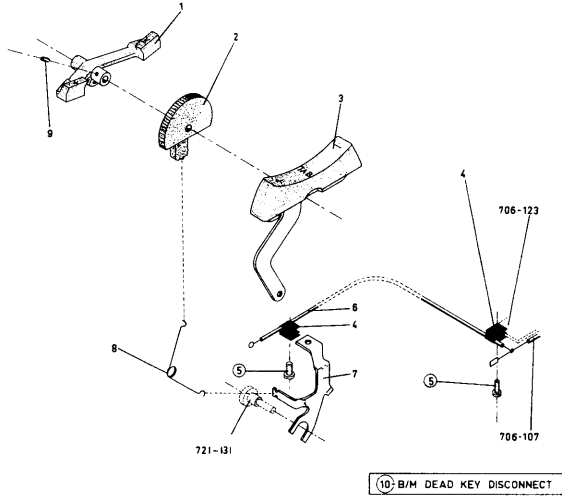
U.S. PLATEN INDEXING CHART.

	Ratchet	Pin Feed Ratchet	Detent Assembly	Index Pawl Assembly	Line Space Lever Asm.	Line Space Cam Lever	Index Selection Lever Positions.					
							Pos. 1 Lines/In.	Teeth Index	Pos. 2 Lines/In.	Teeth Index	Pos. 3 Lines/In.	Teeth Index
24T	1164462	-----	1141561	1128018	1128483	1141556	5,333	1	2,667.	2	-----	-----
27T	1164463	1128527	1141767	1128018	1128483	1128477	6,003	1	3,001	2	-----	-----
31T	1175272	-----	1175273	1128018	1128483	1128477	6,892	1	3,446	2	-----	-----
36T	1159549	1135192	1128975	1128018	1128483	1128477	8,004	1	4,002	2	-----	-----
45T	1175276	1175281	1141596*	1141595	1128483	1141556	5,002	2	2,501	4	-----	-----
48T	1175283	1175287	1141596*	1141595	1128483	1141556	5,333	2	2,667	4	-----	-----
54T	1164464	1175289	1141596*	1141595	1141597	1141599	6,003	2	4,002	3	3,001	4

*Requires DETENT ROLLER P/N 1141601 & C-CLIP P/N 251989.

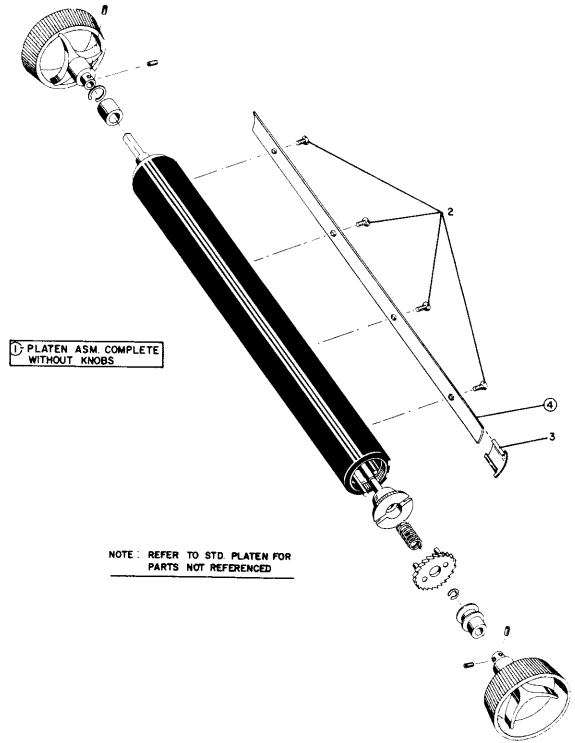
DEADKEY DISCONNECT

738



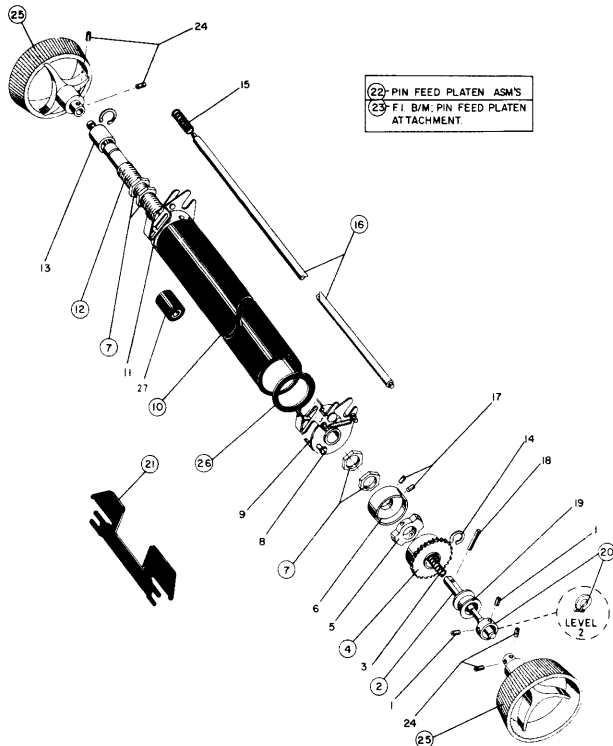
CARD HOLDING PLATEN

739



PIN FEED PLATEN

749



KEYBUTTONS (THE FIRST ROW IS THE HIGHEST ROW)

r o w	symbol	accent gray	charc gray	blue	navy
1		1133801	1141122	1141130	
2		1133802	1141123	1141131	
3		1133803	1141124	1141132	
4		1133804	1141125	1141133	
2	A	1133110			
3	A	1127611	1178977	1127651	1138709
3	A	1133285	1197431	1133884	1158044
3	A	1158653			
2	A	1178477	1197418	1178487	1178482
3	B	6519264			
4	B	1127665	1179032	1127698	1138741
4	B	1133300	1197448	1133899	1158053
2	C	6518690			
4	C	1127663	1179030	1127696	1138739
4	C	1133298	1197446	1133897	1158054
3	D	1127613	1178981	1127653	1138711
3	D	1133335	1197433	1178196	1158045
3	D	1158655	1212345		
2	E	1124958	1178941	1127602	1138690
2	E	1133329	1137412	1178009	1158031
3	F	1127614	1178982	1127654	1138712
4	F	6518696			
3	F	1133336	1197434	1178197	1158401
3	F	1158656	1212416		
3	G	1127615	1178987	1127655	1138713

r o w	symbol	accent gray	charc gray	blue	navy
4	G	6518698			
3	G	1133337	1197435	1178198	1158047
3	G	1133828	1212463		
3	G	1158657	1212470		
2	H	6518689			
3	H	1127616	1178983	1127656	1138714
3	H	1133290	1197436	1133889	1178466
3	H	1133443	1197437	1178715	1178704
3	H	1158658	1212487		
2	I	1124963	1178946	1127607	1138695
3	I	6518694			
2	I	1133438	1212503		
2	I	1133331	1158188	1133474	1133815
3	J	1127617	1178984	1127657	1138715
4	J	6518692			
3	J	1133291	1212537	1133890	1158049
3	J	1133338	1158190	1133478	1133817
3	K	1127618	1178985	1127658	1138716
4	K	6518699			
3	K	1133292	1212550	1133891	1158050
3	K	1133339	1158191	1133477	1133818
3	L	1127619	1178986	1127659	1138717
3	L	1133293	1212584	1133892	1158081
3	L	1133340	1158192	1133479	1133819
3	M	1133129			

r o w	symbol	accent gray	charc gray	blue	navy
4	M	1127667	1179034	1127700	1138743
4	M	1133448	1212604	1158996	1158055
4	M	1133345	1158193	1133480	1133820
3	N	6518695			
4	N	1127666	1179033	1127699	1138742
4	N	1133344	1197449	1178021	1158056
4	N	1158661			
2	O	1124964	1178947	1127608	1138696
3	O	1179207			
2	O	1133439	1209225	1158819	1158396
2	O	1133332	1158189	1133475	1133816
2	P	1124965	1178948	1127609	1138697
4	P	6519272			
2	P	1133333	1197416	1158976	1158038
2	P	1133827	1212687		
2	P	1179799	1197461	1197150	1179804
2	P	1178690	1197417	1178713	1178702
2	P	1158651	1212675		
2	Q	1133274	1197410	1133873	1178453
2	Q	1124956	1178939	1127600	1138688
3	Q	1133127			
2	Q	1132434	1212720		1158029
1	Q	1178475	1197403	1178484	1178479
2	Q	1133434	1212720		1158029
2	R	1124959	1178942	1127603	1138691

KEYBUTTONS (THE FIRST ROW IS THE HIGHEST ROW)

row	symbol	accent gray	charc gray	blue	navy
2	R	1133277	1197413	1133876	1178436
2	-R	1178687	1197419	1178710	1178699
2	JR	1133435	1212744		
2	S	6518693			
3	S	1127612	1178980	1127652	1138710
3	S	1133286	1197432	1133885	1158052
3	TS	1158654			
2	T	1124960	1178943	1127604	1138692
3	T	6518691			
2	T	1133278	1197414	1133877	1158033
2	(T	1178688	1197420	1178711	1178700
2	U	1124962	1178945	1127606	1138694
3	U	6518697			
2	U	1133437	1209224	1178160	1158035
2	1U	1133330	1158187	1133476	1133814
4	V	1127664	1179031	1127697	1138740
4	V	1133343	1197447	1178201	1158057
2	W	1124957	1178940	1127601	1138689
4	W	1133132			
2	W	1133328	1197411	1158820	1158528
3	X	1133929			
4	X	1127662	1179029	1127695	1138738
4	X	1133342	1197445	1158821	1158058
4	≠X	1133447			
2	Y	1124961	1178944	1127605	1138693

row	symbol	accent gray	charc gray	blue	navy
4	Y	1127825			
2	Y	1133279	1197415	1133878	1178457
2	}Y	1178689	1197421	1178712	1178701
2	%Y	1133436			
2	Z	1127805			
4	Z	1127661	1179208	1127694	1138737
4	Z	1133296	1197444	1178200	1178469
4	-Z	1133446	1212934		
1	'Z	6519200			
2	À	1133225			
3	À	1133173			
4	À	1133079			
3	Á	6518844			
3	Ä	1127820			
4	Ä	1133080			
3	Æ	1133233			
4	Æ	1133308			
3	:Æ	6518737			
3	Ä\$	1158504			
3	Ä^	6518077			
1	9à	1133191			
1	&à	1133090			
1	8à	6519214			
3	:à	1133239			
1	çà	1179631	1198107	1198103	1198100

row	symbol	accent gray	charc gray	blue	navy
3	:ä	1133243			
1	o&ä	6518854			
2	fä	6519130			
1	&oä	1158495			
3	Ć	6519125			
3	Č	6519122			
2	Đ	6518562			
3	É	6518843			
1	È	1133082			
1	Ê	1133185			
1	7e	1133087			
2	è	1179632	1198110	1198109	1198108
4	çé	1133800			
1	çé	1133201			
2	ùé	1133229			
1	%oè	6519216			
1	oOè	6518858			
3	Ñ	1133459			
2	Ó	6518842			
1	Ö	6518560			
3	Ö	1127815			
4	Ö	1133081			
3	Ö =	1158503			
3	+Ö	1133241			
2	žó	6519202			

KEYBUTTONS (THE FIRST ROW IS THE HIGHEST ROW)

721

r o w	symbol	accent gray	charc gray	blue	navy
3	∅	1133235			
4	∅	1133306			
3	∅	6518738			
4	P	6518561			
2	χ	6519124			
3	∅	6519128			
3	τ	6519199			
3	∅	6519131			
2	∅	6519219			
3	∅	6519221			
2	Ü	1127810			
1	Ü	1133066			
2	∅	1133231			
2	ÜÆ	6518076			
2	Ü>X	1158501			
3	∅	1133094			
1	∅	6512666			
3	∅	1158505			
1	4	6519210			
1	3	6519209			
1	2	6519208			
1	5	6519211			
4	½	6519123			
1	6	6519212			
1	7	6519213			

r o w	symbol	accent gray	charc gray	blue	navy
4	∅	1133251			
1	>	1133431	1213239		
1	1	1133262	1209212	1133861	1158006
1	+	6518462			
1	±	1124734			
1	¼	1133211			
1	∅	1158410			
1	∅	1127845			
1	∅	6518838			
1	i	1133450			
1	∅	6519192			
1	∅	6518557			
1	∅	6518587			
1	∅	6519129			
1	∅	6512973			
1	[4]	1179716	1197383	1179730	1179723
1	[4]	1179907	1197459	1197147	1179910
1	[1]	1179580	1197382	1179595	1179610
1	∅	6518042			
1	∅	6518554			
1	∅	1158645	1197380	1158718	1158563
1	+	6512980			
1	∅	6512978			
1	2	1133263	1213007	1133862	1158008
1	+	1133067			

r o w	symbol	accent gray	charc gray	blue	navy
1	∅	1127846	1197261	1127894	1138614
1	*	1133098			
1	∅	6518424			
1	∅	1197629	1197263		1197286
1	∅	1178476	1178837		1178480
1	∅	1133453	1179503	1133455	1133454
1	∅	1124897	1178836	1124945	1138601
1	∅	1133213			
1	∅	1179581	1197385	1179596	1179611
2	∅	1221468	1221471	1221470	1221469
1	∅	1179717	1197386	1179731	1179724
1	∅	1133945			
1	3	1133264	1213058	1133863	1158010
1	+	1127847			
1	=	1133165			
1	*	1133195			
1	#	1124898	1178838	1124946	1138602
1	!	1179630	1198105	1198102	1198098
1	1	1133099	1178839	1133138	1138648
1	∅	1133068			
1	∅	1133215	1197532	1133216	1138684
1	∅	1133124			
1	#	1221472	1221475	1221474	1221473
1	∅	1158107			
1	= #	6518080			

KEYBUTTONS (THE FIRST ROW IS THE HIGHEST ROW)

721

r o w	symbol	accent gray	charc gray	blue	navy
1	$\frac{\%}{3}$	6518832			
1	$\frac{\#}{3}$	1179582	1197387	1197597	1179612
1	$\frac{\# \downarrow}{3}$	1179718	1197388	1179732	1179725
1	$\frac{\square}{4}$	1133425	1213090		1158012
1	$\frac{=}{4}$	1133069			
1	$\frac{?}{4}$	1133310			
1	$\frac{\textcircled{a}}{4}$	1133100			
1	$\frac{\%}{4}$	1127848			
1	$\frac{[}{4}$	1179146	1178880	1197157	1179345
1	$\frac{\&}{4}$	6518588			
1	$\frac{\$}{4}$	1124899	1178840	1124947	1138603
1	$\frac{\$ (}{4}$	1158646			
1	$\frac{ft =}{4}$	6519108			
1	$\frac{\$ >}{4}$	1179583	1197390	1179598	1179613
1	$\frac{\square}{5}$	1133426	1213104		1158013
1	$\frac{+}{5}$	6518839			
1	$\frac{/}{5}$	6518589			
1	$\frac{!}{5}$	6519109			
1	$\frac{]}{5}$	1179147	1178883	1197158	1179348
1	$\frac{\%}{5}$	1124900	1178841	1124948	1138604
1	$\frac{\pounds}{5}$	1133101			
1	$\frac{\&}{5}$	1127849			
1	$\frac{\textcircled{S}}{5}$	6512972			
1	$\frac{\textcircled{S} =}{5}$	6512979			
1	$\frac{\% <}{5}$	1179584	1197392	1179599	1179614

r o w	symbol	accent gray	charc gray	blue	navy
1	$\frac{\%)}{5}$	1158647			
1	$\frac{\square}{6}$	1133427	1213102	1158817	1158390
1	$\frac{*}{6}$	1179867	1197533	1197525	1197520
1	$\frac{-}{6}$	1213160	1210078		
1	$\frac{-}{6}$	1179920	1197372	1197162	1197169
1	$\frac{/}{6}$	1133456	1178895	1133458	1133457
1	$\frac{=}{6}$	1158665			
1	$\frac{\%}{6}$	6518590			
1	$\frac{(}{6}$	1127850			
1	$\frac{?}{6}$	1133070			
1	$\frac{f}{6}$	1133217			
1	$\frac{\&}{6}$	1133318			
1	$\frac{\pounds}{6}$	1158108	1198106	1197974	1198099
1	$\frac{\$}{6}$	1133102			
1	$\frac{\textcircled{C}}{6}$	1124901	1178843	1124949	1138605
1	$\frac{\textcircled{S}}{6}$	1158139	1178844	1178486	1178481
1	$\frac{\textcircled{F}}{6}$	1158814			
1	$\frac{\textcircled{C} ?}{6}$	1179585	1197394	1179600	1179615
1	$\frac{\textcircled{C} 1}{6}$	1179719	1197395	1197933	1179726
1	$\frac{\textcircled{C} \textcircled{F}}{6}$	1158648			
1	$\frac{\textcircled{C} \textcircled{S}}{6}$	1133948			
1	$\frac{\square}{7}$	1133428	1213180	1158744	1158016
1	$\frac{=}{7}$	6518591			
1	$\frac{:}{7}$	6519195			
1	$\frac{/}{7}$	6518463			

r o w	symbol	accent gray	charc gray	blue	navy
1	$\frac{+}{7}$	1179157	1178900	1197526	1179364
1	$\frac{\circ}{7}$	6518559			
1	$\frac{(}{7}$	6518427			
1	$\frac{)}{7}$	1127851			
1	$\frac{\&}{7}$	1124902	1178846	1124950	1138606
1	$\frac{\textcircled{S}}{7}$	6519110			
1	$\frac{\pounds}{7}$	1133157			
1	$\frac{\&}{7}$	1158180	1158184	1158182	1158181
1	$\frac{\& +}{7}$	1179586	1197396	1179601	1179616
1	$\frac{\textcircled{L} \textcircled{F}}{7}$	6518833			
1	$\frac{).}{7}$	6518043			
1	$\frac{i}{8}$	1158489	1197267		1158019
1	$\frac{.}{8}$	6518464			
1	$\frac{*}{8}$	1124903	1178848	1124951	1138607
1	$\frac{/}{8}$	6518428			
1	$\frac{-}{8}$	1127852			
1	$\frac{(}{8}$	1133071			
1	$\frac{?}{8}$	1133197	1197534	1133198	1138675
i	$\frac{\textcircled{a}}{8}$	6519111			
1	$\frac{\textcircled{a}}{8}$	1133429	1197795		1158392
1	$\frac{\textcircled{a}}{8}$	6519126			
1	$\frac{\pounds}{8}$	1158815			
1	$\frac{\frac{3}{4}}{8}$	1133103			
1	$\frac{* \frac{1}{2}}{8}$	1158712	1197398	1158719	1158564
1	$\frac{* -}{8}$	1158176	1158185	1158178	1158131

KEYBUTTONS (THE FIRST ROW IS THE HIGHEST ROW)

r o w	symbol	accent gray	charc gray	blue	navy
1		6518855			
1			6518882		
1		6518733			
1		1133430	1213226	1179857	
1		6519120			
1		1158282			
1		1124904	1178852	1124952	1138608
1		1133072			
1		6519206			
1		1133199			
1		1127853			
1		1133207			
1		1221476	1221479	1221478	1221477
1		1158177	1158186	1158179	1158132
1		6518734			
1		6518883			
1		6518041			
1		1158104			
1		1124905	1178853	1124953	1138609
1		1133073			
1		6513429			
1		6519121			
1		1133205			
1		1133219			
1		1133350			

r o w	symbol	accent gray	charc gray	blue	navy
2		1158816			
1		6518592			
1		6518430			
1		1221480	1221483	1221482	1221481
1		1158649			
1		1179720	1197399	1179734	1179727
1		1179587	1197458	1179602	1179617
1		1179908	1197460	1197148	1179911
1		6512981			
1		6519112			
1		6518834			
1		1133105			
1		6519068			
1		1133106			
1		6519069			
2		1133824			
1		6518849			
4		1133109			
2		1158714	1197426	1158721	1158566
2		1179909	1197462	1197149	1179912
2		1179722	1197430	1179736	1179729
2		1158652			
1		6518836			
4		1127669	1179023	1127702	1138745
4		6519197			

r o w	symbol	accent gray	charc gray	blue	navy
3		1133077			
4		1133016			
4		1133347	1158195	1133481	1133822
4		1133257			
4		1178769	1197583	1197529	1197522
4		1127835			
4		1133255			
4		1133449		1213955	
4		1158716	1197455	1158723	1158568
4		1158663	1179628	1197468	
4			6518047		
4		6518740			
4		1179594	1179626	1179609	1179624
4		1127668	1179022	1127701	1138744
4		6518495			
4		1158143			
3		1133193			
4		1133247			
3		1133078			
4		1127830	1179058	1127834	1138749
4		1133247	1197452	1133248	1138760
4		1133346	1158194	1133482	1133821
4		1133494	1213908		
1		1179917	1197371	1197159	1197167
4		1133253			

KEYBUTTONS (THE FIRST ROW IS THE HIGHEST ROW)

row	symbol	accent gray	charc gray	blue	navy
4	n	6519198			
4	' 8	1158662	1179627	1197467	
4	' 1	1158715	1197454	1158722	1158567
4	▽	1133932			
4	▽ 8	6518835			
4	? 8		6518046		
4	? .	1158506			
4	' 8 &	1179593	1179625	1179608	1179623
3	:	1127620	1178973	1127660	1138718
4	:	1197182	1179531	1197530	1197523
4	:	1133095			
4	Ç	6519201			
4	.	1158507			
3	:	1158000	1197440	1158002	1158001
3	:	1179591	1197441	1179606	1179621
3	:	1158659			
4	/'	1128508			
4	/'	1133096			
1	o	1133091			
1	o	1133129			
1	7	6518857			
1	o =	6518885			
1	o 0	6512983			
1	o +	1158499			
1	4	1133181			

row	symbol	accent gray	charc gray	blue	navy
1	5	1133085			
1	+	1133169		1133170	
4	/	1133305	1213459	1133904	1158062
1	:	1133223			
3	..	6518563			
4	? /	1127670	1179024	1127703	1138746
2	o	1133465	1197423	1133467	1133466
4	ù	1179633	1198113	1198112	1198111
4	? +	1158717	1197456	1158724	1158569
4	? /	1158135	1197457	1158136	1158183
1	/	1158498			
3	o/ù	6518887			
1	§	1133092			
2	o !	1124966	1197424	1127610	1138698
1	8	6518853			
2	o	1179590	1197429	1179605	1179620
2	o *	1133997	1197428	1133999	1133998
1	§ /	1158500			
2	o 1/2	1158441	1197425	1158443	1158442
1	3	1133179			
1	4	1133084			
3	▽	1179801	1197463	1197151	1179806
1	+ %	1178656			
1	6	6518852			
1	+ =	1124907	1178855	1124955	1138611

row	symbol	accent gray	charc gray	blue	navy
4	+ =	1133097			
4	+ = *	6518889			
4	+ \$	1158509			
1	+ \$	1179589	1197408	1179604	1179619
1	+ = -	1158713	1197406	1158720	1158565
1	* = 1	1178653			
3	/	1133237			
3	'	1127671	1178974	1127731	1138719
3	.. \$	1158003	1197442	1158005	1158004
1	'	1133221			
2	'	1133012			
4	'	1133462	1179073	1133464	1133463
3	..	1158660			
3	.. #	1179592	1197443	1179607	1179622
1	'	6518596			
1	2	1133177			
1	3	1133083			
1	v	6519217			
2	~	1179916	1197374	1197163	1197171
1	/	1133074			
1	-	1124906	1178854	1124954	1138610
2	-	1133076			
3	-	1133108			
4	-	1133249			
4	'	1127840			

r o w	symbol	accent gray	charc gray	blue	navy
1	⌋	1133432	1213576		
1	5	1133183			
1	6	1133086			
1	7	1133187			
1	8	1133088			
4	▽ + -	6518040			
1	°/o -	1179588	1197407	1179603	1179618
1	- -	1179721	1197409	1179735	1179728
4	- + - ▽	6518741			
1	- " - +	1158650			
4	= +	1133259			
1	B +	1133189			
1	1 +	6519207			
1	/ + o	6518039			
1	/ + o	1158498			
1) ?	1179918	1197748	1197161	1197170
4	/ ?	1178478	1197275		1178483
4	 ?	6518593			
3	< &	1133444	1213282		
1	1 1 2 &	6512982			
1	1 2 & c	6518851			
1	[]	1124896	1178859	1124944	1138600
1	[±] 1	1133422	1197381	1133423	1133424
4	-)	1179915	1197378	1197166	1197172
1	! ;	1197517	1197531	1197524	1197519

r o w	symbol	accent gray	charc gray	blue	navy
3	⌋ ⌋ ⌋	6518068			
1	/	6519218			
1	/ +	6518881			
1	/	1127856			
3	>	1133245	1197375	1133246	1138734
2	/	1178650	1197536	1197527	1178657
2	^ \	6518594			
1	.. ^	1133203	1197821	1133204	1138678
2	.. ^	1133093			
3	.. ^	1179230	1179014	1197528	1179448
2	.. = ^	1158502			
1	o v	1179919	1197373	1197160	1197168
1	= \$	6518423			
3	Δ \$	1133445	1213643		
4	/ : \$	6518888			
1	o \$	1178649			
1	£ 1 \$	1158494			
2	= 1	1133227			
3	^ -	1133823			
2	/ b	1133860	1212251		
3	e e	6519203			
3	ç	1178658			
4	ç	6518432			
1	g ç	1133089			
1	= ç	1197518	1197535	1178390	1197521

r o w	symbol	accent gray	charc gray	blue	navy
1	5 \$	6518856			
1	* ç	1133826			
1	* ± ç 1	6519134			
1	@ #	1133825			
1	✓ #	1133433	1213871		
1	@* # ç	6519135			
2	^ ~	6518431			
1	1 \ 2 ^	6512971			
3	£ cr	1158482			
1	: B	1127855			
1	: B /	6518880			
1	: .. B o	6518079			
1	: B +	1158497			
1	.. ^ +	6518886			
1	N° .	6519250			
1	= *	1197213			
2	/ g	1197225			
3	J J	1197234			
3	X 7	1197214			
4	ψ ψ	1197245			
2	% T	1197226			
3	2 7	1197235			
1	P P	1197215			
4	t J	1197246			
2	イ イ	1197227			

KEYBUTTONS (THE FIRST ROW IS THE HIGHEST ROW)

721

row	symbol	accent gray	charc gray	blue	navy
3	3 ソ	1197236			
1	ウ ウ	1197216			
4	ソ ヲ	1197247			
2	¥ ス	1197228			
3	4 ハ	1197237			
1	エ エ	1197217			
4	へ ヒ	1197248			
2	ゝ ケ	1197229			
3	5 キ	1197238			
1	オ オ	1197218			
4	カ コ	1197249			
2	ー ソ	1197230			
3	6 ワ	1197239			
1	パ パ	1197219			
4	4 ミ	1197250			
2	# ナ	1197231			
3	7 マ	1197240			
1	ユ ユ	1197220			
4	メ モ	1197251			
2	ゆ ニ	1218264			
3	8 ノ	1197241			
1	ヨ ヨ	1197221			
4	ス ネ	1197252			
2	ク ウ	1218265			
3	9 ソ	1197242			

row	symbol	accent gray	charc gray	blue	navy
1	@ ワ	1218263			
4	□ ノ	1197253			
2	・ ・	1158352			
3	○ √	1197243			
1	+ ホ	1197223			
4	♪ -	1218267			
2	・ ・	1179199			
3	♪ ~	1218266			
1	()	1179170			
1	π π	2530963			
2	& =	6519012			
2	* S	2530965			
2	⊖	2530966			
2	π	2530967			
2	~ ~	2530968			
3	Σ	2530969			
3	Δ	2530970			
3	Φ	2530971			
3	Γ	2530972			
3	Ξ	2530973			
3	Λ	2530974			
4	ψ	2530977			
4	Ω	2530978			
4	・ ・	2530979			
3	・ ・	2530976			

row	symbol	accent gray	charc gray	blue	navy
1	*+ ^=	1158521			
3	□ ケ	1158524			
2	○* △○	1178173			
4	-? メ/	1158527			
1	/- ホ-	1158520			
3	△: レ;	1158523			
2	P E	1158351			
4	・ ル・	1158526			
1	○) ワ○	1158519			
3	L リ	1158361			
2	○ ラ	1158350			
4	・ ネ	1158525			
1	9(ヨ9	1158518			
3	K ワ	1158360			
2	I ニ	1158349			
4	M E	1158370			
1	8& 28	1178172			
3	J マ	1158359			
2	U ナ	1158348			
4	N ミ	1158369			
1	7& P7	1158516			
3	H ワ	1158358			
2	Y ソ	1158347			
4	B コ	1158368			
1	6¥ ア6	1178171			

KEYBUTTONS (THE FIRST ROW IS THE HIGHEST ROW)

row	symbol	accent gray	charc gray	blue	navy
3	G ギ	1158357			
2	T ツ	1158346			
4	V ヴ	1158367			
1	5 I 5	1158514			
3	F フ	1158356			
2	R ル	1158345			
4	C ッ	1158366			
1	4 ウ 4	1158513			
3	D ド	1158355			
2	E イ	1158344			
4	X ッ	1158365			
1	3 P 3	1158512			
3	S ト	1158354			
2	W テ	1158343			
4	Z ッ	1158364			
1	2 J 2	1158511			
3	A チ	1158353			
2	Q ス	1158342			
1	1 [ス]	1158510			
1	V グ	6519248			
4	b	6519274			
4	ㄥ	6519273			
4	Φ	6519270			
4	∩	6519271			
4	b	6519269			

row	symbol	accent gray	charc gray	blue	navy
4	Й	6519268			
4	Э	6519266			
4	b	6519267			
3	Ч	6519265			
3	Г	6519263			
3	Ж	6519262			
3	Я	6519261			
2	Л	6519259			
3	Ю	6519260			
2	З	6519258			
2	Д	6519257			
2	К	6519256			
2	Ц	6519255			
2	И	6519253			
2	Ш	6519254			
2	У	6519252			
2	b ,	6519251			
3	TOP A FRONT	6518477			
4	TOP B FRONT	6518492			
4	TOP C FRONT	6518490			
3	TOP D FRONT	6518479			
2	TOP E FRONT	6518468			
3	TOP F FRONT	6518480			
3	TOP G FRONT	6518481			
3	TOP H FRONT	6518482			

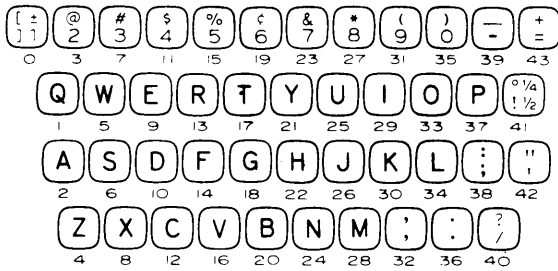
row	symbol	accent gray	charc gray	blue	navy
2	TOP I FRONT	6518473			
3	TOP J FRONT	6518483			
3	TOP K FRONT	6518484			
3	TOP L FRONT	6518485			
4	TOP M FRONT	6518494			
4	TOP N FRONT	6518493			
2	TOP O FRONT	6518474			
2	TOP P FRONT	6518475			
2	TOP R FRONT	6518469			
2	TOP S FRONT	6518466			
3	TOP M FRONT	6518478			
2	TOP T FRONT	6518470			
2	TOP U FRONT	6518472			
4	TOP V FRONT	6518491			
2	TOP W FRONT	6518467			
4	TOP X FRONT	6518489			
2	TOP Y FRONT	6518471			
4	TOP Z FRONT	6518488			
1	TOP ^ FRONT	6518465			
2	TOP 3 FRONT	6518476			
3	TOP . FRONT	6518486			
3	TOP / FRONT	6518487			
4	TOP : FRONT	6518496			
	TOP O FRONT				
	TOP O FRONT				

KEYBOARD ARRANGEMENT

721

REF. 700

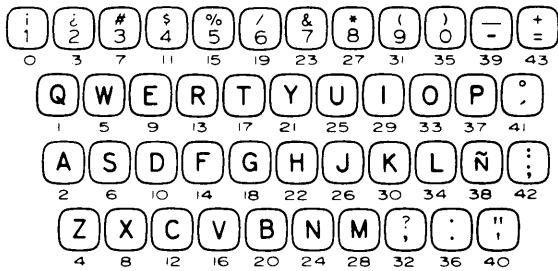
01 STANDARD KEYBOARD



The above keyboard arrangement is standard with Type Codes: 001, 005, 006, 007, 008, 010, 012, 014, 015, 019, 020, 021, 025, 026, 027, 028, 029, 030, 031, 032, 033, 034, 036, 039, 050, 053, 055, 059, 060, 070, 090.

REF. 701

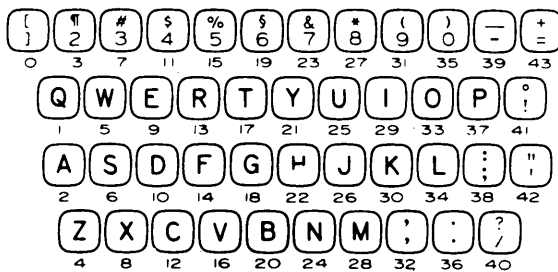
02 SPANISH CORRESPONDENCE



The above keyboard arrangement is standard with Type Codes: 002, 003, 018, 040, 041, 042, 062, 063.

REF. 702

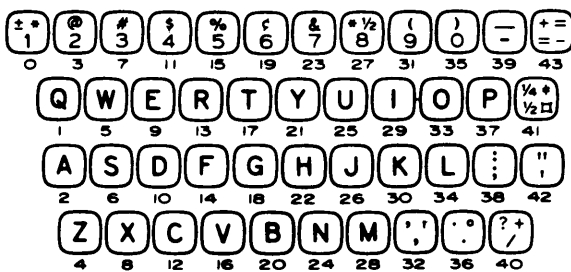
17 LEGAL



The above keyboard arrangement is standard with Type Codes: 017, 049, 051.

REF. 703

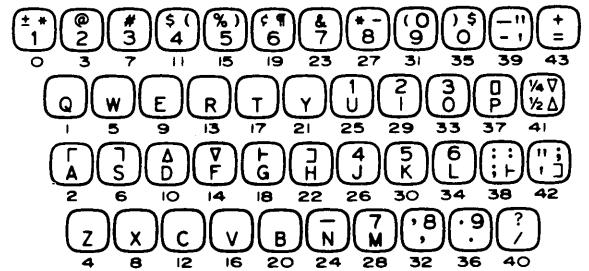
22 1403 OCR



The above keyboard arrangement is standard with Type Code: 002.

REF. 704

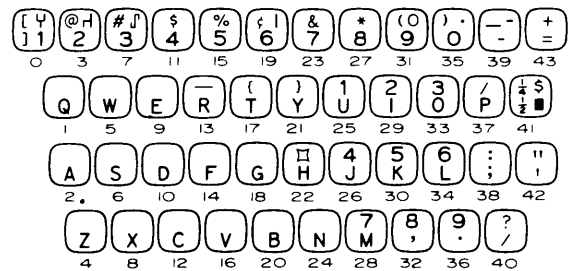
23 12L2/12F2 OCR



The above keyboard arrangement is standard with Type Code: 023.

REF. 705

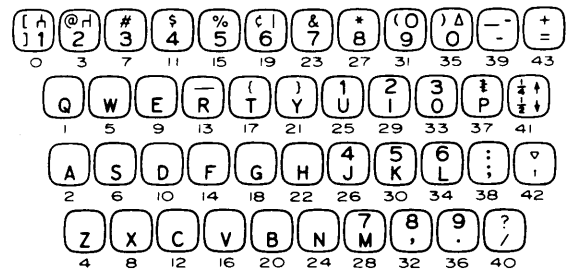
56 UNITED STATES OF AMERICA STANDARDS INSTITUTE-OCR



The above keyboard arrangement is standard with Type Code: 056.

REF. 706

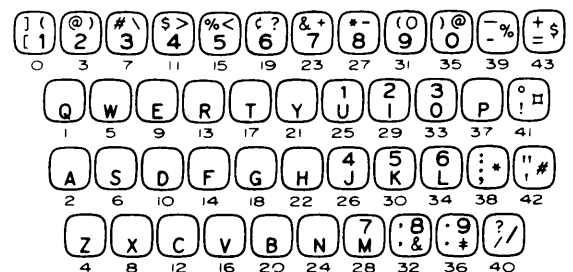
65 915 OCR



The above keyboard arrangement is standard with Type Code: 065.

REF. 707

64 1403 OCR KEYPUNCH SIMULATOR



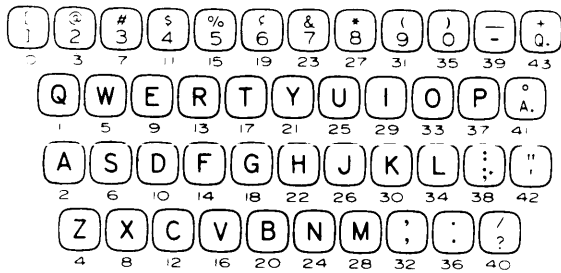
The above keyboard arrangement is standard with Type Code: 064.

KEYBOARD ARRANGEMENT

721

REF. 708

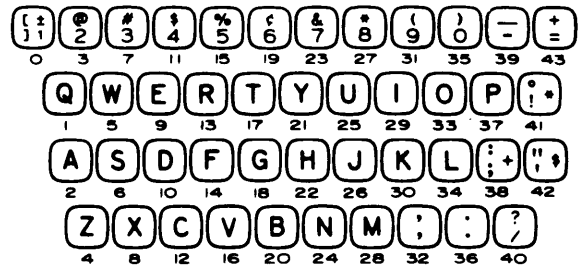
48 COURT REPORTER



The above keyboard arrangement is standard with Type Codes: 048, 052.

REF. 712

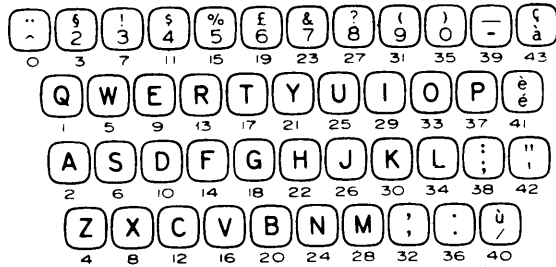
09 1428 OCR



The above keyboard arrangement is standard with Type Code: 009.

REF. 709

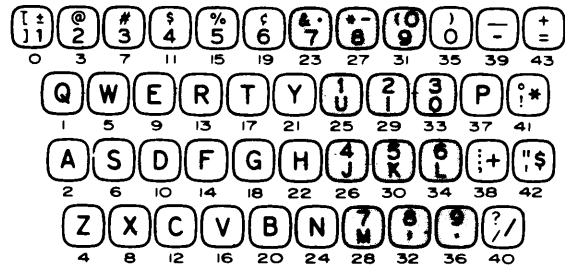
57 FRENCH/ENGLISH CORRESPONDENCE



The above keyboard arrangement is standard with Type Code: 057.

REF. 713

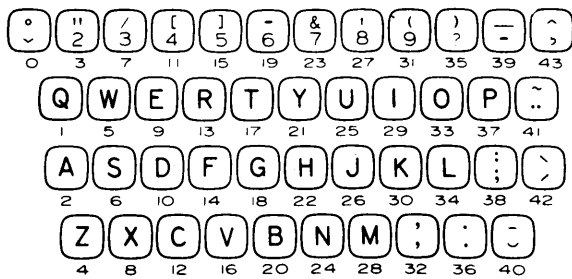
16 1428 OCR KEYPUNCH SIMULATOR



The above keyboard arrangement is standard with Type Code: 016.

REF. 710

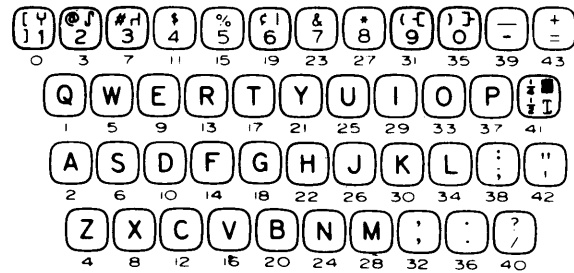
69 LIBRARY



The above keyboard arrangement is standard with Type Code: 069.

REF. 714

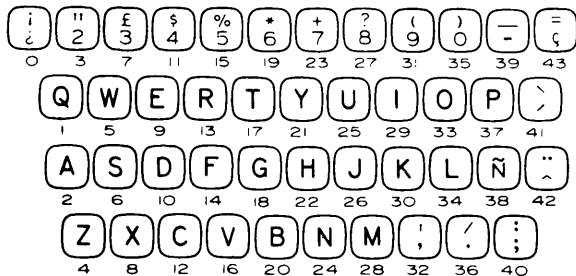
091 & 108 COMMUNICATIONS



The above keyboard arrangement is standard with Type Codes: 091, 108

REF. 711

74 TRI-LINGUAL



The above keyboard arrangement is standard with Type Code: 074.

"REL-TEX"® PAINTED COVERS										704
	Pearl White	Sapphire Blue	Emerald Green	Raven Black	Graystone	Sandstone Beige	Topaz Bronze	Opal Gray	Garnet Rose	Onyx Blue
TOP COVER	REF. 301									
	P/N	P/N	P/N	P/N	P/N	P/N	P/N	P/N	P/N	P/N
721 -	1275502	1275503	1275504	1275505	1275506	1275507	1275508	1275509	1275510	1275511
723 -	1275512	1275513	1275514	1275515	1275516	1275517	1275518	1275519	1275520	1275521
725 -	1275522	1275523	1275524	1275525	1275526	1275527	1275528	1275529	1275530	1275531

CENTER SECTION	REF. 302									
721	1275203	1275206	1275209	1275212	1275215	1275218	1275221	1275224	1275227	1275230
723	1275233	1275236	1275239	1275242	1275245	1275248	1275251	1275254	1275257	1275260
725	1275263	1275266	1275269	1275272	1275275	1275278	1275281	1275284	1275287	1275290

BOTTOM COVER	REF. 303									
721	1275204	1275207	1275210	1275213	1275216	1275219	1275222	1275225	1275228	1275231
723	1275234	1275237	1275240	1275243	1275246	1275249	1275252	1275255	1275258	1275261
725	1275264	1275267	1275270	1275273	1275276	1275279	1275282	1275285	1275288	1275291

NOTE: Order insulation, scales and margin trim separately.

POLYESTER PAINTED COVERS

TOP COVER	REF. 301									
	P/N	P/N	P/N	P/N	P/N	P/N	P/N	P/N	P/N	P/N
721 - 10P	1275292	1275295	1275298	1275301	1275304	1275307	1275310	1275313	1275316	1275319
721 - 12P	1275532	1275533	1275534	1275535	1275536	1275537	1275538	1275539	1275540	1275541
723 - 10P	1275322	1275325	1275328	1275331	1275334	1275337	1275340	1275343	1275346	1275349
723 - 12P	1275542	1275543	1275544	1275545	1275546	1275547	1275548	1275549	1275550	1275551
725 - 10P	1275352	1275355	1275358	1275361	1275364	1275367	1275370	1275373	1275376	1275379
725 - 12P	1275552	1275553	1275554	1275555	1275556	1275557	1275558	1275559	1275560	1275561

CENTER SECTION	REF. 302									
721	1275293	1275296	1275299	1276302	1275305	1275308	1275311	1275314	1275317	1275320
723	1275323	1275326	1275329	1275332	1275335	1275338	1275341	1275344	1275347	1275350
725	1275353	1275356	1275359	1275362	1275365	1275368	1275371	1275374	1275377	1275380

BOTTOM COVER	REF. 303									
721	1275294	1275297	1275300	1275303	1275306	1275309	1275312	1275315	1275318	1275321
723	1275324	1275327	1275330	1275333	1275336	1275339	1275342	1275345	1275348	1275351
725	1275354	1275357	1275360	1275363	1275366	1275369	1275372	1275375	1275378	1275381

B/M	REF. 304									
721 - 10P	1275442	1275444	1275446	1275448	1275450	1275452	1275454	1275456	1275458	1275460
721 - 12P	1275443	1275445	1275447	1275449	1275451	1275453	1275455	1275457	1275459	1275461
723 - 10P	1275462	1275464	1275466	1275468	1275470	1275472	1275474	1275476	1275478	1275480
723 - 12P	1275463	1275465	1275467	1275469	1275471	1275473	1275475	1275477	1275479	1275481
725 - 10P	1275482	1275484	1275486	1275488	1275490	1275492	1275494	1275496	1275498	1275500
725 - 12P	1275483	1275485	1275487	1275489	1275491	1275493	1275495	1275497	1275499	1275501