

29 Card Punch

S124-0085-5

PREFACE

This Illustrated Parts Catalog (IPC) contains listings and illustrations of all replaceable assemblies, subassemblies and detail parts released to Production Control on or before December 13, 1968 for the 29 Card Punch.

This 29 Card Punch Parts Catalog revision, Form 124-0085-5, obsoletes the previous level edition, Form 124-0085-4, and Supplement, Form S23-9048.

Requests for copies of IBM publications should be made to your IBM representative or to the IBM branch office serving your locality.

This manual has been prepared by the IBM Systems Development Division, Product Publications, Dept. B97-Parts Catalog Center, P. O. Box 390, Poughkeepsie, New York 12602

A form is provided at the back of this publication for reader's comments. If the form has been removed, comments may be sent to the above address.

CONTENTS

	<u>Page</u>	<u>Figure</u>	<u>Page</u>
HOW TO USE A PARTS CATALOG	ii		
VISUAL INDEXES			
I. COVERS AND FINAL ASSEMBLY (2 sheets)	iv	29	Interpreter Sensing Assembly 112
<u>Figure</u>	<u>Page</u>	30	Program Drum Shaft Assembly 114
1 Standard and Feature Cover Assemblies (2 sheets)	1	31	VLCD Program Drum Shaft Assembly 115
2 29 Card Punch Final Assembly (3 sheets)	7	32	Unit Eject Assemblies 117
3 Cabinet Assembly	13	33	Magnet and Punch Drive Assemblies (3 sheets) 119
II. NUMERIC AND COMBINATION KEYBOARDS (2 sheets)	vi	34	Punch Magnet Assembly 125
4 Numeric Keyboards and Cover Assemblies (4 sheets)	15	35	Punch Clutch Magnet Assembly 126
5 Combination Keyboards and Cover Assemblies (5 sheets)	23	36	High Speed Skip Clutch Assembly with and without Aux Dup 127
6 Mounting Bar Assembly	34	37	Auxiliary Unit Sensing Assembly 130
7 Num Contact Assembly	35	38	Sensing Program Assembly and Star Wheel Group 132
8 Duplication and Alpha Contact Assembly	36	39	Stacker Mounting Bracket and Terminal Block Assembly 134
9 Multi-Punch Contact Assembly	37	40	Escapement Magnet Assembly 137
10 N/O RT Electrical Contact Assembly	38	41	Latch Magnet Assembly 139
11 Transfer, Program 1 and Erase Contact Assembly	39	42	Latch Magnet Contact Assembly 140
12 Alpha, Program 2, Feed and Dup Keys Contact Assembly	40	43	Card Lever Assemblies 141
III. CARD TRANSPORT ASSEMBLIES (11 sheets)	viii	44	Clutch Magnet Assembly 142
13 Card Transport Assemblies for STD, STD/HSS, STD/IGP and SC Features (7 sheets)	41	45	Program Cam Contact Assembly 143
14 Card Transport Assemblies for VLCD, VLCD/HSS, and Self Check Features (7 sheets)	59	46	Pin Sensing Unit Assemblies 145
14A Auxiliary Duplication and HSS Back Frame Mounting	78	48	Print Suppression and Master Card Insertion Magnet Assembly 147
15 Standard Length Card Feed Assemblies (2 sheets)	79	IV. POWER SUPPLIES AND GATE ASSEMBLIES (2 sheets)	xix
16 Variable Length Card Feed Assemblies (2 sheets)	85	49	Models A and B, 50 and 60 Cycle Power Supply Assemblies 148
17 Standard and Feature Stacker Assemblies	90	50	Model C, 50 and 60 Cycle Power Supply Assemblies 151
18 Stacker Bed Plate Assembly	93	51	Reed Relay Card Groups and Slide Assembly (2 sheets) 154
19 VLCD Stacker Bed Plate Assembly	94	52	Self Check Models 10 and 11 Gate Assemblies 158
20 Ribbon Print Interposer Assembly	95	53	Wire Contact Relay Gates with Features 161
21 Interpreter Interposer Assembly	97	53A	Character Inhibit Contact Relay Wired Gate Assembly 165
22 Ribbon Feed Unit Assemblies	99	54	Cable and Jumper Component Parts (2 sheets) 167
23 Print Unit Assemblies	101	NUMERICAL INDEX	X-1
24 Print Wire Unit Assembly	103		
25 Punch Die and Interposer Assembly	104		
26 Die and Punch Guide Assemblies	106		
27 Interpreter Interposer and Punch Assembly	108		
28 Interpreter Punch Assembly	110		

HOW TO USE THIS ILLUSTRATED PARTS CATALOG (IPC)

PART I

To find parts quickly, a general understanding of the structure of this catalog is necessary. The catalog is divided into three major sections:

- The Visual Index, containing overall views of the machine, with call-outs pointing to detailed figures.
- The Catalog Section, containing a pictorial breakdown of assemblies and subassemblies.
- The Numerical Index, which is a numerical list of all parts used in the machine, with cross-references to the figure on which the part is found.

VISUAL INDEX

The Visual Index, located before the Catalog Section, contains a reduced illustration of every figure in the Catalog Section. The reduced illustrations are tied together with flow arrows to form a natural progression from large assemblies to small assemblies and possibly subassemblies. In effect, a visual table of contents is formed by the Visual Index illustrations.

CATALOG SECTION

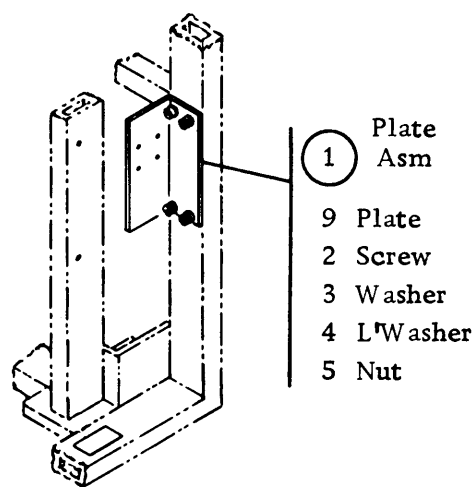
The Catalog Section contains the full-sized illustrations previously noted in the Visual Index. Index numbers on figures refer to corresponding entries in the Group Assembly Parts List accompanying each figure. Refer to part II for explanation of terms used in the Group Assembly Parts List.

NUMERICAL INDEX

The Numerical Index is located after the Catalog Section and contains a complete list, in numerical order, of all part numbers used on the machine. Listed with the part number is the index and figure number on which the part is illustrated. The numerical index makes it possible to locate a part when only the part number is known.

STACKED INDEX NUMBERS

Stacked Index numbers are used when showing a part and its attaching hardware. The sequence of a typical stack is shown at the right. The circled index number indicates the assembly is broken down within the figure.

ILLUSTRATION NOTES

Cross-reference notes are directly on the illustration. The illustration's next higher assembly reference, normally located in the upper left corner of the page will read: "For Parts Not Shown See Figure X". If an assembly is referenced to a lower level figure, the note located next to the index number will read: "See Figure X."

DOUBLE LINED DETAIL BOX

The double lined box differentiates between parts shown on the basic model and parts related to a level and/or feature difference. An explanation of the level or feature difference is given in the double lined box.

FINDING A PART

The Visual Index is the starting point for locating a part. The illustrations in the Visual Index are reduced versions of all illustrations in the Catalog Section; therefore, the illustrations can be used to find the assembly containing the desired part. Use references to the detailed figure in the Catalog Section, or to another Visual Index illustration, to determine location of part number.

Once the detailed figure in the catalog section is determined, finding the part on the figure and referring to the listing for the part number and description is all that is required in most cases. If the first catalog section figure referenced shows the assembly containing the required part, the index number for the assembly will reference a lower-level figure where the assembly is broken down to its component parts. If the figure referenced by the Visual Index contains neither the part nor an assembly containing the part, it is then necessary to go to the next higher assembly figure. This figure should then contain the part or an assembly containing the part; if not, an even higher level figure must be used. Refer back to the Visual Index for some other figure that could show the desired part.

Note: Many detailed parts are unavailable, because they are part of an inseparable assembly (two or more parts welded or bonded together), or because they are part of an assembly purchased as a unit. If parts are found on a welded or bonded assembly, the following note follows the description of the assembly: "Assembly components are not replaceable!" If the part is found on a purchased assembly, and the detail parts of this assembly do not have IBM part numbers, the note following the assembly description will read: "Assembly components are not available." In either case, you need to obtain the part number of the assembly, rather than the detailed part.

EXAMPLE FOR ORDERING PARTS

			REF
4 -	5726422	FAN ASM-P/S ENCLOSURE	
		FOR NEXT HIGHER ASSEMBLY SEE FIGURE 1-184	
		FOR ILLUSTRATION SEE FIGURE 4	
- 1	334921	. TERMINAL,RING- 18-22 AWG,#6 HOLE,INS	2
- 2	187854	. SHIELD,TERMINAL BLOCK- 2 POS	1
- 3	210984	. SCREW, RD HD MACH-6-32 X .250 LG	ATT PT 1
- 4	5357050	. FAN ASM-NO CONNECTOR	1
- 5	32042	. SCREW,MACH BIND. HD 10-32 X .375 LG	ATT PT 2
- 6	5357066	. . BLADE	1
- 7	5357067	. . MOTOR 208V/230V 60CY 220V 50CY	1
- 8	130434	. . SCREW,MACH-SLOTTED HEX HD 10-32 X .375 LG	ATT PT 2
- 9	56079	. . WASHER,LOCK-EXT T .195ID .410 OD	ATT PT 2
- 10	5726436	. HEADER-POWER SUPPLY FAN	1

If the entire fan is required, part number 5726422 should be ordered (all one dot items will be received). If only the subassembly is required, part number 5357050 should be ordered (all two dot items will be received). Each part may be ordered individually.

HOW TO USE THIS ILLUSTRATED PARTS CATALOG (IPC)

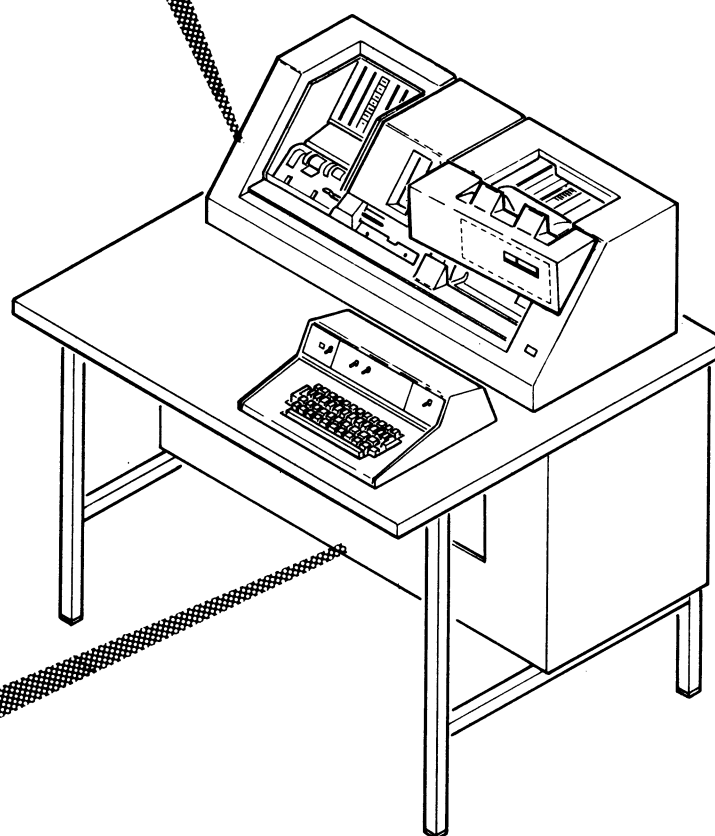
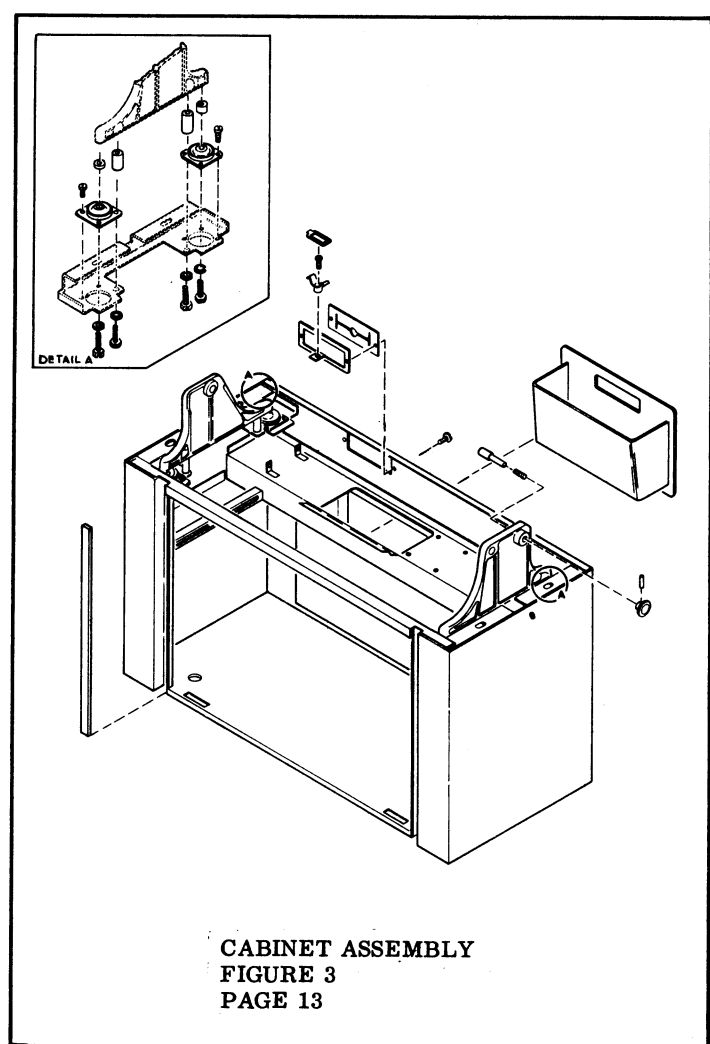
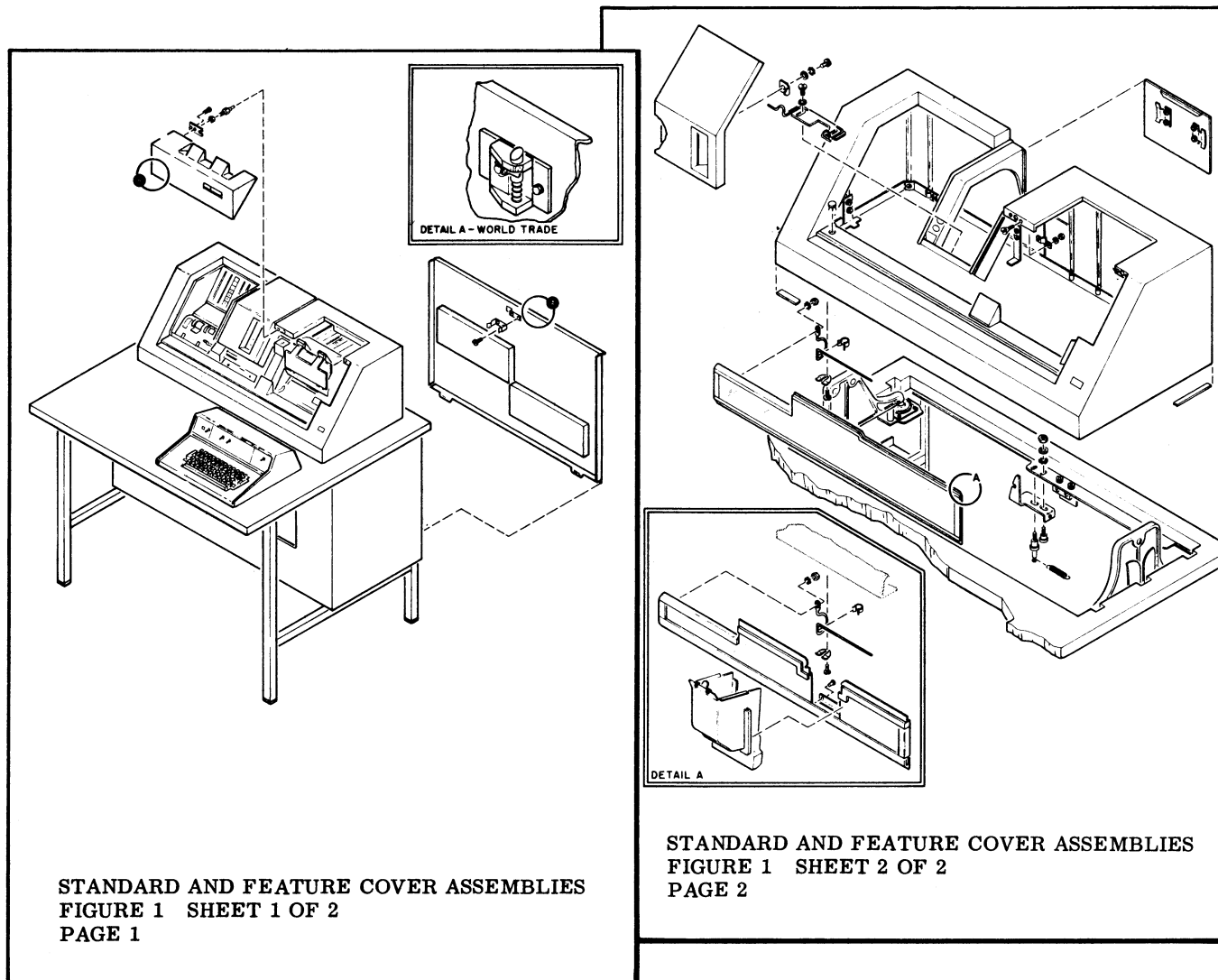
PART II

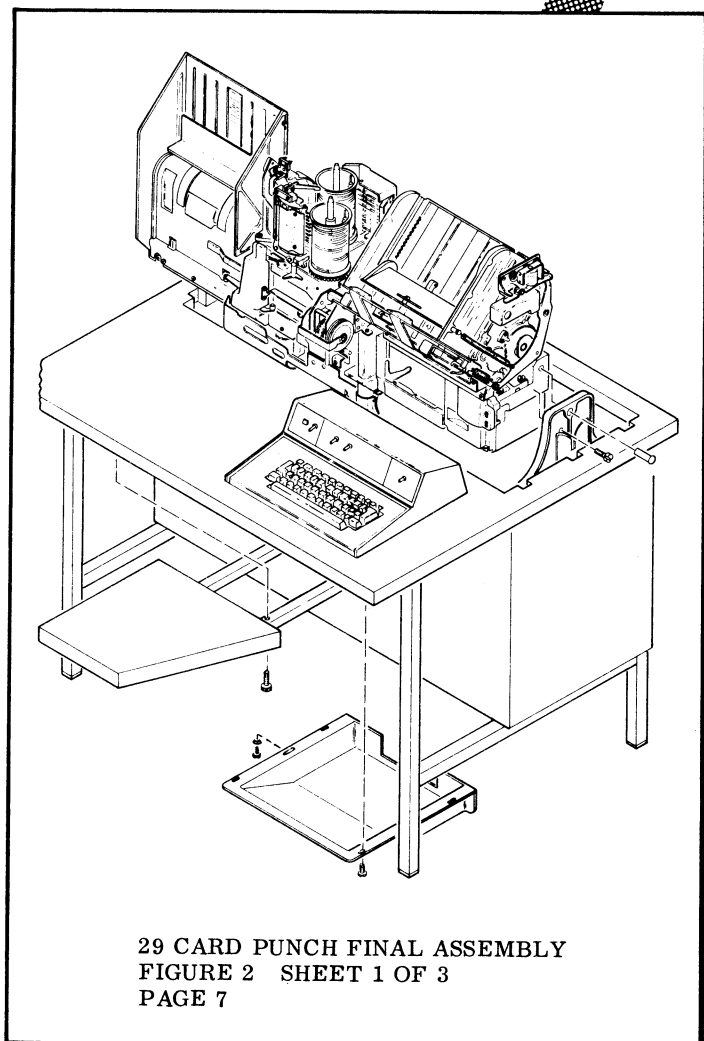
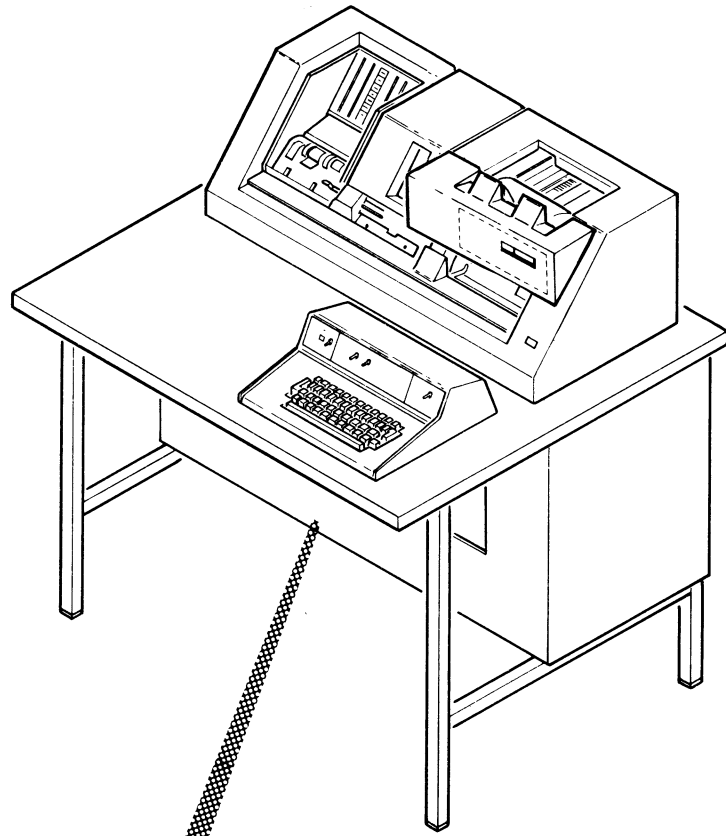
- ① AR
As Required (AR) in the units per assembly column denotes that the quantity is used as required.
- ② ATT PT
Attaching Parts: These parts are used to attach a subassembly to an assembly. The attaching parts are listed immediately following the part to be attached.
- ③ COMM
Commercial hardware: When this indication appears in the part number column, it denotes hardware procurable from normal commercial sources and not identified by an IBM part number.
- ④ INDENTURE
The relationship of a part to its next higher assembly is indicated by indentures. For example:

1	2	3	4
Unit			
. Assemblies and Detail Parts of Unit			
. Attaching Parts for Assemblies & Detail Parts			
. . Subassemblies			
. . Attaching Parts for Subassemblies			
. . . Detail Parts for Subassemblies, etc.			
- ⑤ LOZENGE
The lozenge in the part number column denotes the part is procurable but not recommended for field replacement, and that the next higher assembly should be ordered.
- ⑥ NP
The entry NP in the part number column denotes the assembly is non-procurable and the detail parts should be ordered separately.
- ⑦ NO NO.
When this indication appears in the part number column, it denotes a group of parts for which no assembly part number has been assigned, and the detail parts should be ordered separately.
- ⑧ REF
This entry in the units per assembly column denotes an assembly which is completely assembled on a preceding illustration. Quantities for such items are found in its next higher assembly.
- ⑨ SIMILAR ASSEMBLIES
If two assemblies contain a majority of identical parts, they are broken down on the same list. Common parts are shown by one index number. Parts peculiar to one or the other of the assemblies are listed separately and identified by Usable On Code.
- ⑩ USABLE ON CODE
Part application and interchangeability is indicated by the usable on code. If this column is blank, the parts pertain to all equipment(s) covered. Two types of codes are used. The alphabetic code denotes similar assemblies and/or features; the numeric code denotes level. Refer to the beginning of each list for the explanation of the code(s).
- ⑪ SUFFIX CODE
The suffix code indicates the month (alphabetic) and the year (numeric) of the engineering change which affected interchangeability of the part.

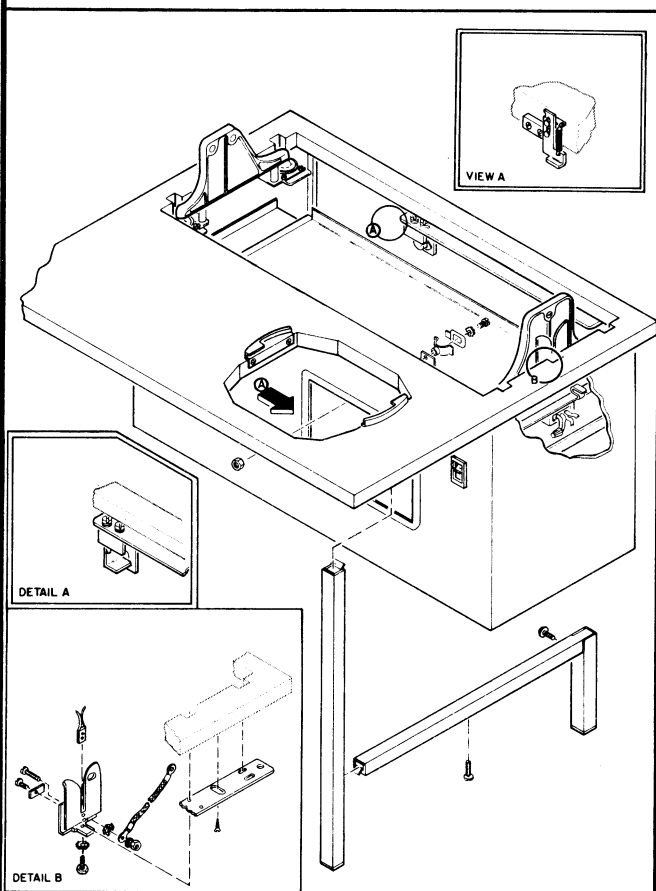
EXAMPLE OF PARTS LIST

LIST AND INDEX NO.	PART NO.	DESCRIPTION				UNITS PER ASM.	USABLE ON CODE
		1	2	3	4		
2-		DRIVE MOTOR ASSEMBLY					
		⑩ CODE A USED ON 60 CYCLE ONLY ⑪ CODE B USED ON 50 CYCLE ONLY CODE 1 USED ON ASM PRIOR TO B6 SUFFIX					
-	2199376 NP	MOTOR ASM,DRIVE-115/220 VOLTS 60 CYCLE				⑧ REF	⑩ 1A
-	2199386 NP	MOTOR ASM,DRIVE-220 VOLTS 50 CYCLE				REF	1B
FOR NEXT HIGHER ASM SEE FIGURE 1-92 FOR ILLUSTRATION SEE FIGURE 2							
- 1	2204176	. PULLEY,60 CYCLE				① 1	A
- 1	2199255	. PULLEY,50 CYCLE				1	B
- 2	79842	. SETSCREW,SPLINE DR CUP PT 8-32 X 3/8 LG				② ATT PT	
- 3	2204116	. MOTOR ASM,220V AC 60 CYCLE				1	A
- 4	NO NO.	. MOTOR ASM,220V AC 50 CYCLE				1	B
- 5	5526	. SCREW,MACH BIND HD 8-32 X 0.625 LG				ATT PT	
- 6	2204082	. . FERRULE,OUTER				1	
- 7	2204033	. . FERRULE,INNER				1	
- 8	COMM	. . MOTOR,1/12 HP-220V 60CPS				1	
- 8	2199258	. . MOTOR,DRIVE - 220V 50CPS				1	
- 9	2199401	. PLATE,MOTOR MT-115/220 VOLTS 60 CYCLE				1	A
- 9	2199402	. PLATE,MOTOR MT-220 VOLTS 50 CYCLE				1	B

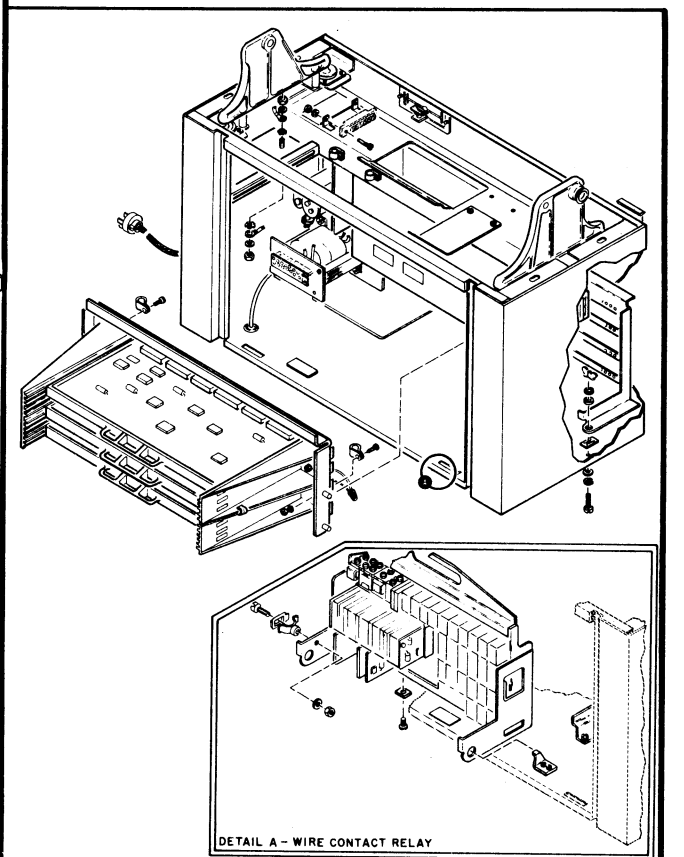




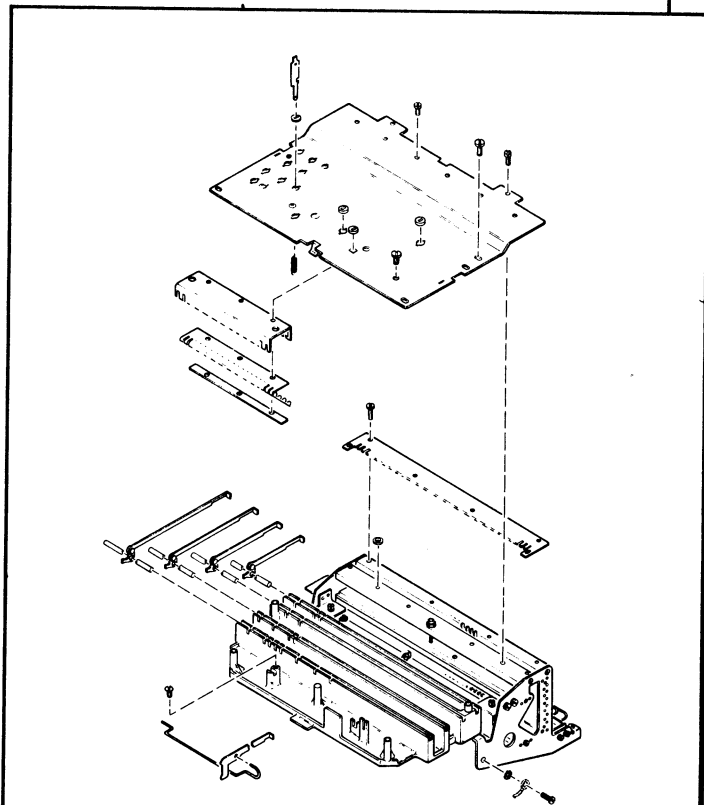
29 CARD PUNCH FINAL ASSEMBLY
 FIGURE 2 SHEET 1 OF 3
 PAGE 7



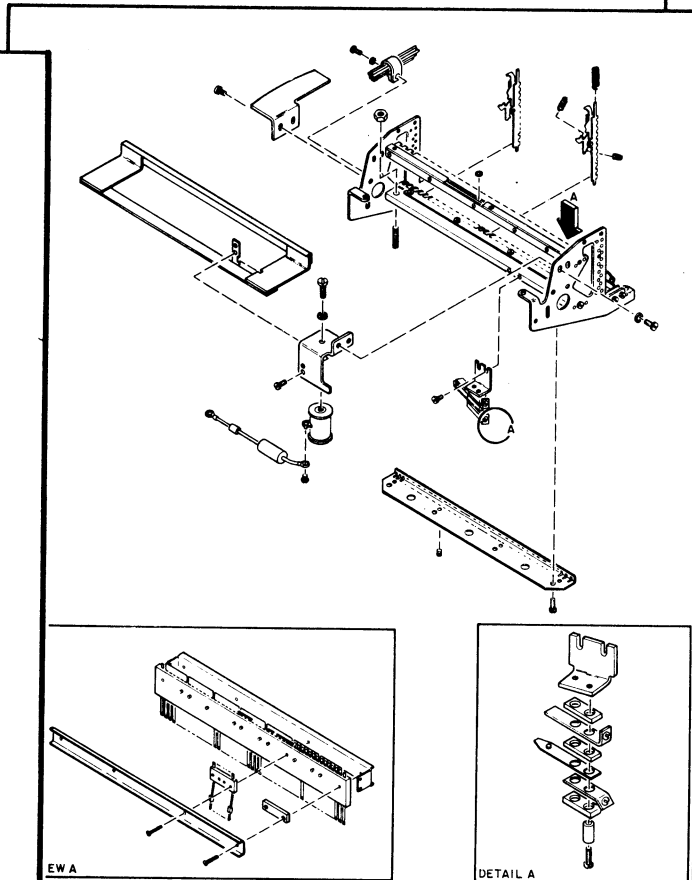
29 CARD PUNCH FINAL ASSEMBLY
 FIGURE 2 SHEET 2 OF 3
 PAGE 8



29 CARD PUNCH FINAL ASSEMBLY
 FIGURE 2 SHEET 3 OF 3
 PAGE 9



NUMERIC KEYBOARD AND COVER ASSEMBLIES
FIGURE 4 SHEET 2 OF 4
PAGE 16

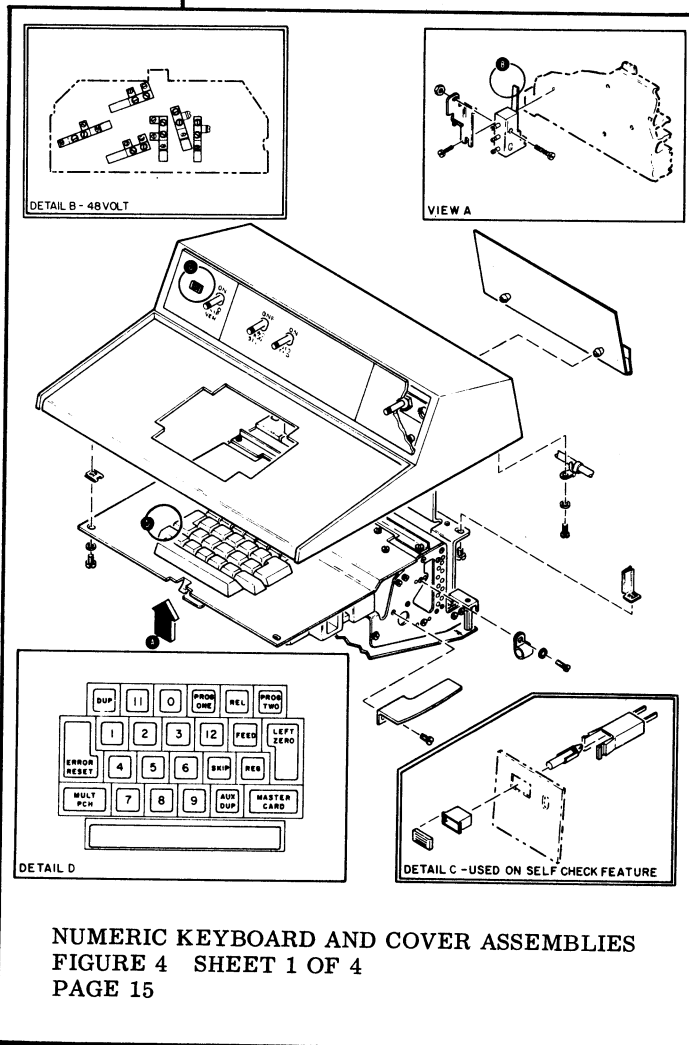


NUMERIC KEYBOARD AND COVER ASSEMBLIES
FIGURE 4 SHEET 3 OF 4
PAGE 17

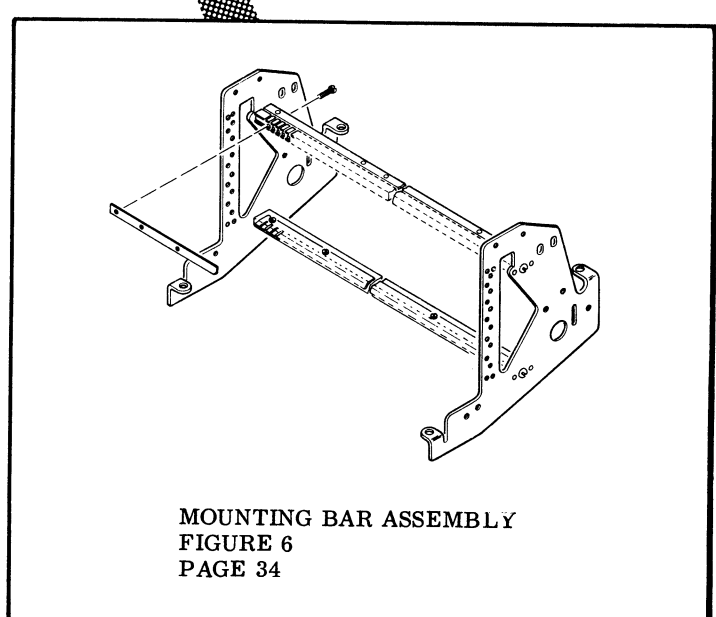
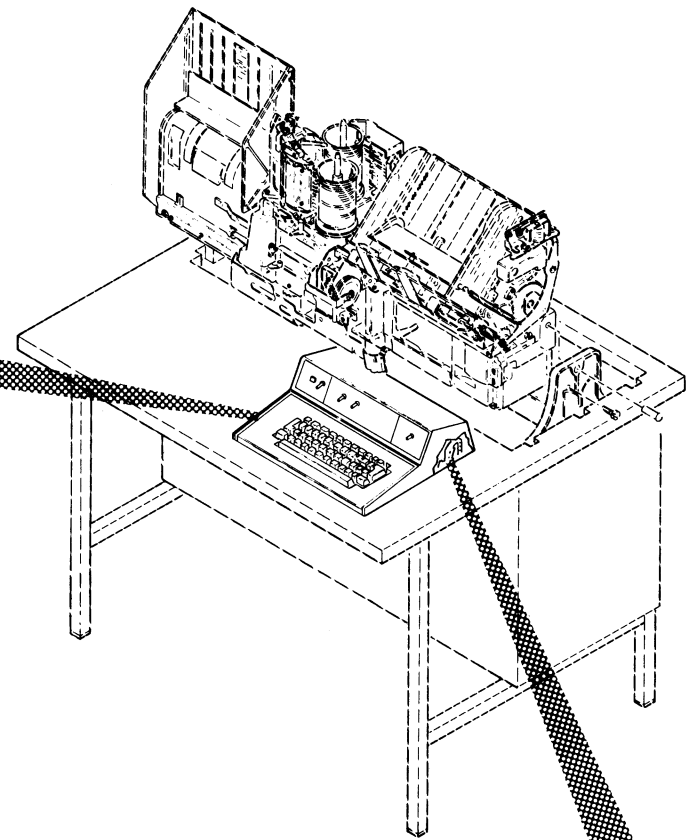
INTERPRET		CHK	ON	ON	ON	ON	OFF	ON	ON					
PUNCH	SELF CHK	AUTO DUP	TWO PROG SEL	AUTO FEED	PRINT	LZ PRINT	UL	INSERT ON	STACK CLEAR					
CHART 1	INDEX 126													
FEED RELAY	RELAY CONTACT	DESCRIPTION	SWITCH PL	SWITCH AND BULB POSITION						CABLE				
COVER ASM	COVER ASM		REF NO	1	2	3	4	5	6	7	8	9	10	REF NO
5422301	5406031	NON PRINT	20, 24, 28											3636
5422302	5406032	PRINT	20, 25, 28											3636
5422304	5406034	NON PRINT MCI	20, 24, 29											343636
5422305	5406035	PRINT MCI	20, 25, 29											343636
5422307	5406037	NON PRINT SC NG	23, 24, 28											3636 424344
5422308	5406038	PRINT SC NG	23, 25, 28											3636 424344
5422309	5406039	NP SC NG IGP	23, 26, 28											353641 4344
5422310	5406040	PRT SC NG IGP	23, 27, 28											353641 4344
5422311	5406041	NP SC NG IGP MCI	23, 26, 29											383635 3841 424344
5422312	5406042	PRT SC NG IGP MCI	23, 27, 29											383635 3841 424344
5422313	5406043	NP SC NG MCI	23, 24, 28											343636 424344
5422314	5406044	PRT SC NG MCI	23, 25, 29											343636 424344
5422315	5406045	NON PRINT SC MOD I	22, 24, 28											3636 424344
5422316	5406046	PRINT SC MOD I	22, 25, 28											3636 424344
5422317	5406047	NP SC MOD II IGP	22, 26, 28											353641 424344
5422318	5406048	PRT SC MOD II IGP	22, 27, 28											353641 424344
5422319	5406049	NP SC MOD II IGP MCI	22, 26, 29											383635 3841 424344
5422320	5406050	PRT SC MOD II IGP MCI	22, 27, 29											383635 3841 424344
5422321	5406051	NON PRINT SC MOD II MCI	22, 24, 28											343636 424344
5422322	5406052	PRINT SC MOD II MCI	22, 25, 29											343636 424344
5422323	5406053	NON PRINT IGP MCI	20, 26, 29											353641 4344
5422324	5406054	PRINT IGP MCI	20, 27, 29											353641 4344
5422326	5406056	NON PRINT IGP	20, 26, 28											353641 4344
5422327	5406057	PRINT IGP	20, 27, 28											353641 4344

CHART 2		REFERENCE AND INDEX NUMBERS					
DESCRIPTION	ACTUAL P/N	REF NO	INDEX NO	DESCRIPTION	ACTUAL P/N	REF NO	INDEX NO
PLATE LFT STD	5372267	20	1.31	SWITCH SP/DT	725347	34	1.29
PLATE LFT INTRP	5372267	21	1.31	SWITCH SP/DT	725348	35	1.29
PLATE LFT SC	5401029	22	1.31	SWITCH SP/DT	725349	36	1.29
PLATE LFT SC/NG	5400915	23	1.31	SWITCH SP/DT	5404423	37	1.29
PLATE CTR NP	5372266	24	1.30	SWITCH CTR OFF	382297	38	1.29
PLATE CTR NP/IGP	5372269	25	1.30				
PLATE CTR PRT/IGP	5400914	27	1.30	CABLE ASM	5404077	41	1.38
PLATE RT STD	5372268	28	1.32	CABLE ASM	5404097	42	1.38
PLATE RT MCI	5372227	29	1.32	CABLE ASM	5406056	43	1.38
				CABLE ASM	5406057	44	1.38
BULB ASM	5393294	32	1.34				
SOCKET ASM	5302505	33	1.33				

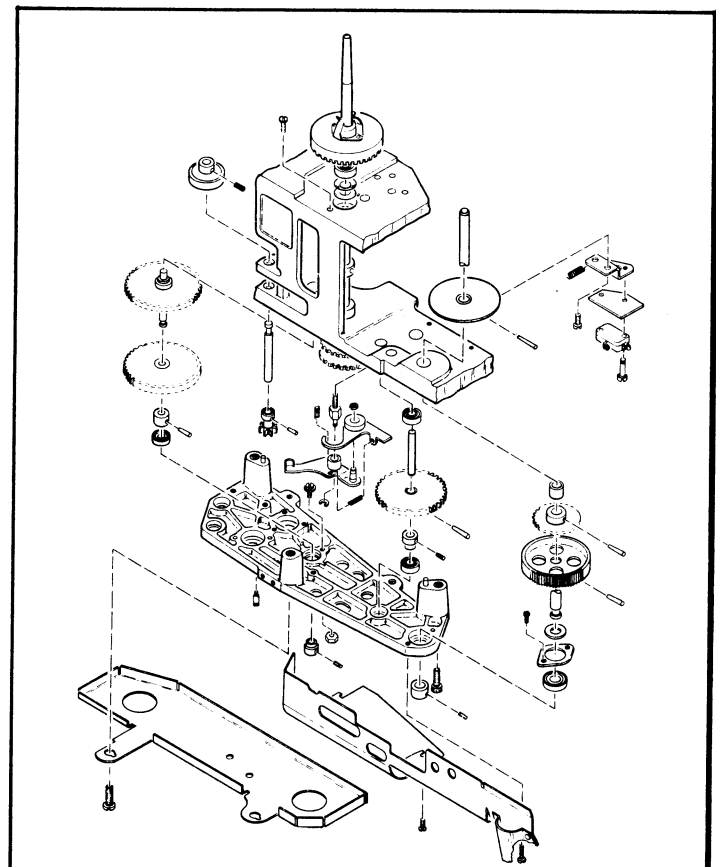
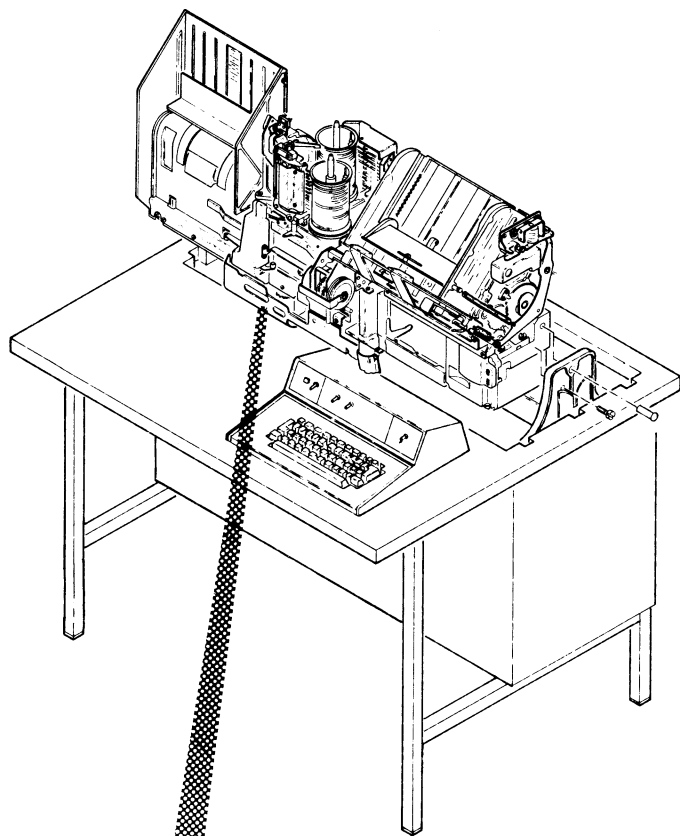
NOTE: * USED ON REED RELAY UNITS
** USED ON WIRE CONTACT RELAY UNITS
FOR REFERENCE NUMBERS SEE CHART 2



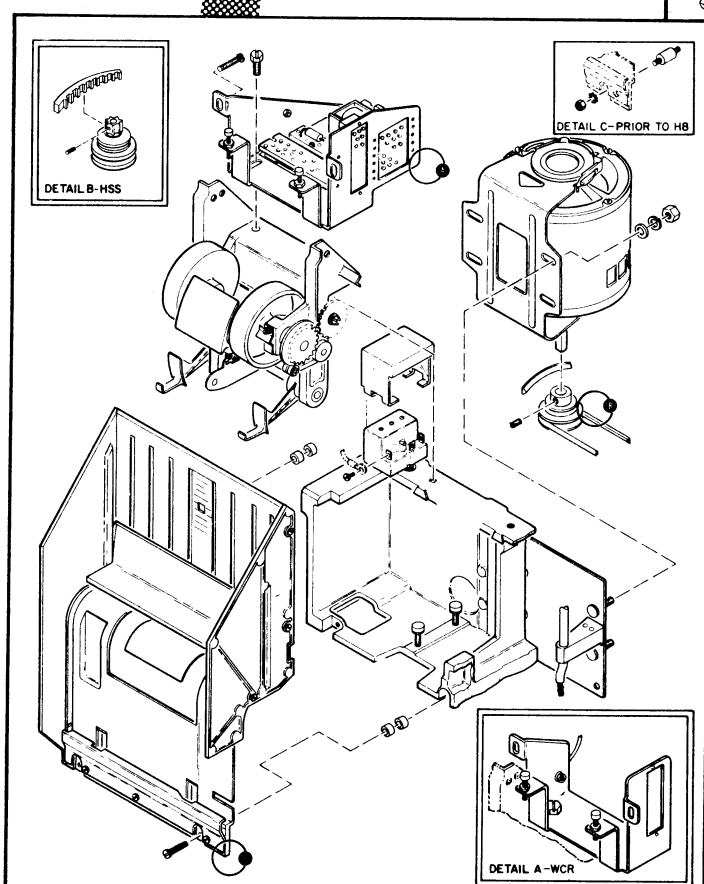
NUMERIC KEYBOARD AND COVER ASSEMBLIES
FIGURE 4 SHEET 1 OF 4
PAGE 15



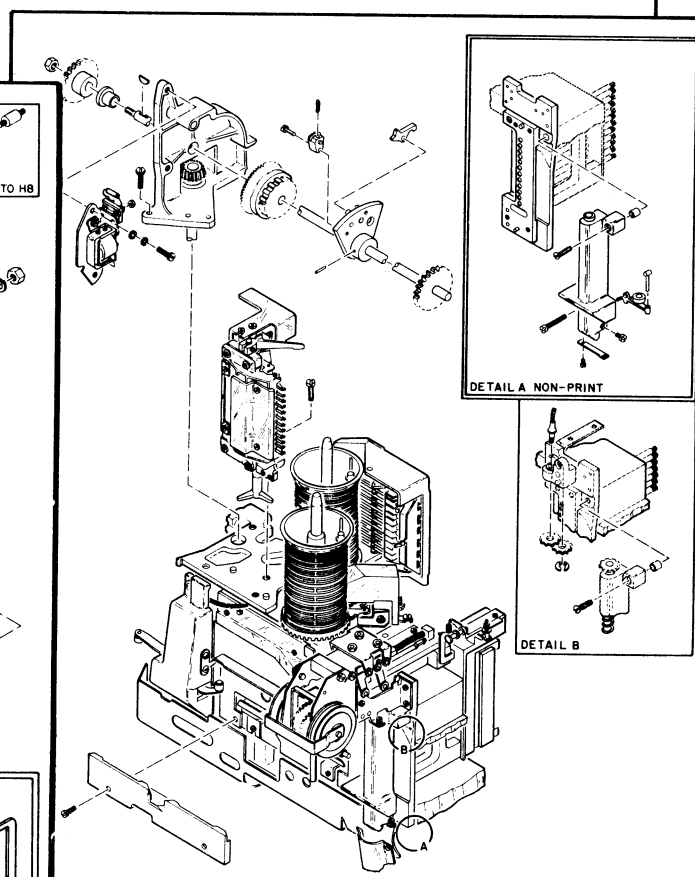
MOUNTING BAR ASSEMBLY
FIGURE 6
PAGE 34



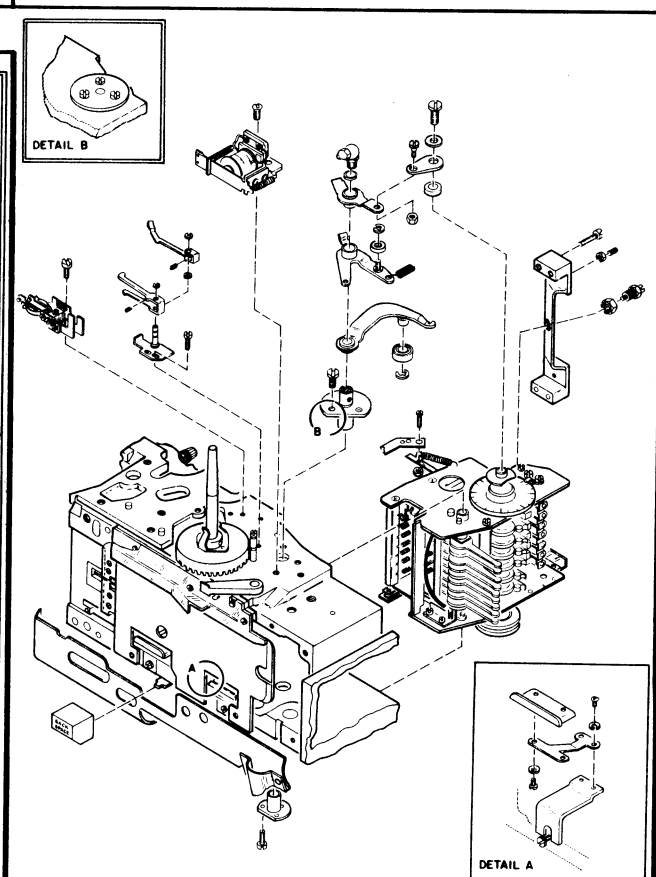
CARD TRANSPORT ASSEMBLIES FOR STD, STD/HSS,
STD/IGP AND S. C. FEATURES
FIGURE 13 SHEET 4 OF 7
PAGE 44



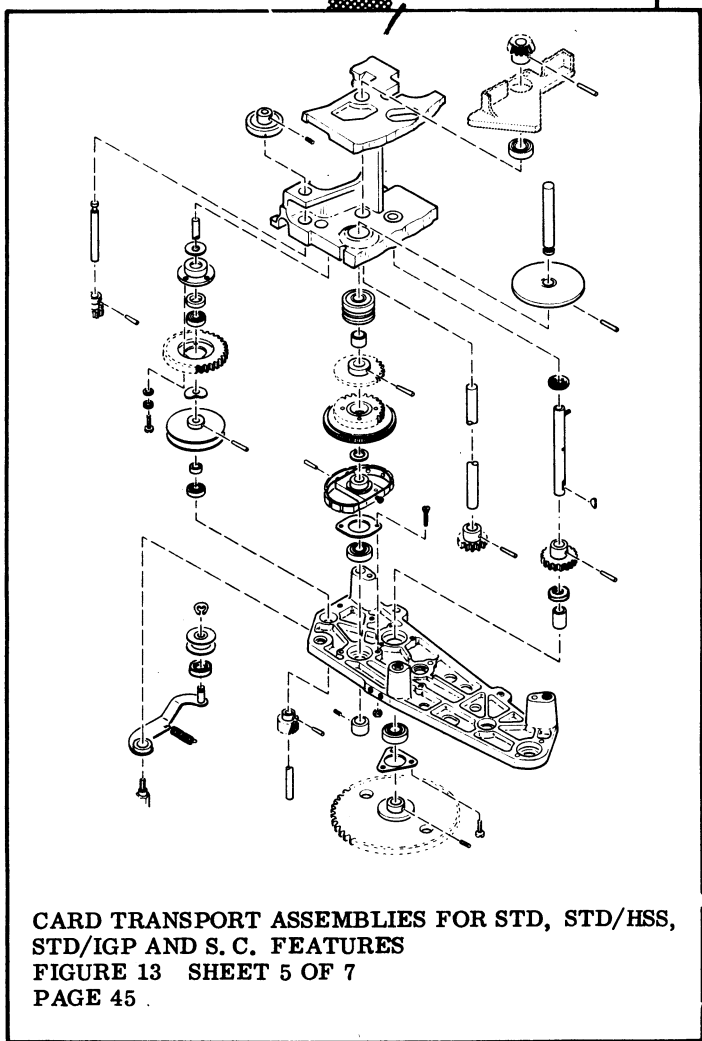
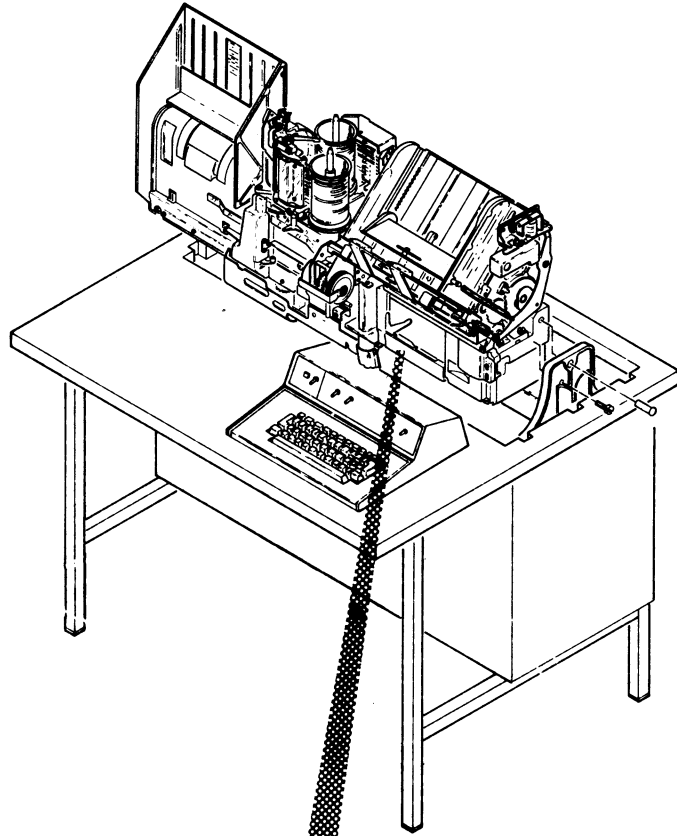
CARD TRANSPORT ASSEMBLIES FOR STD, STD/HSS,
STD/IGP AND S. C. FEATURES
FIGURE 13 SHEET 1 OF 7
PAGE 41



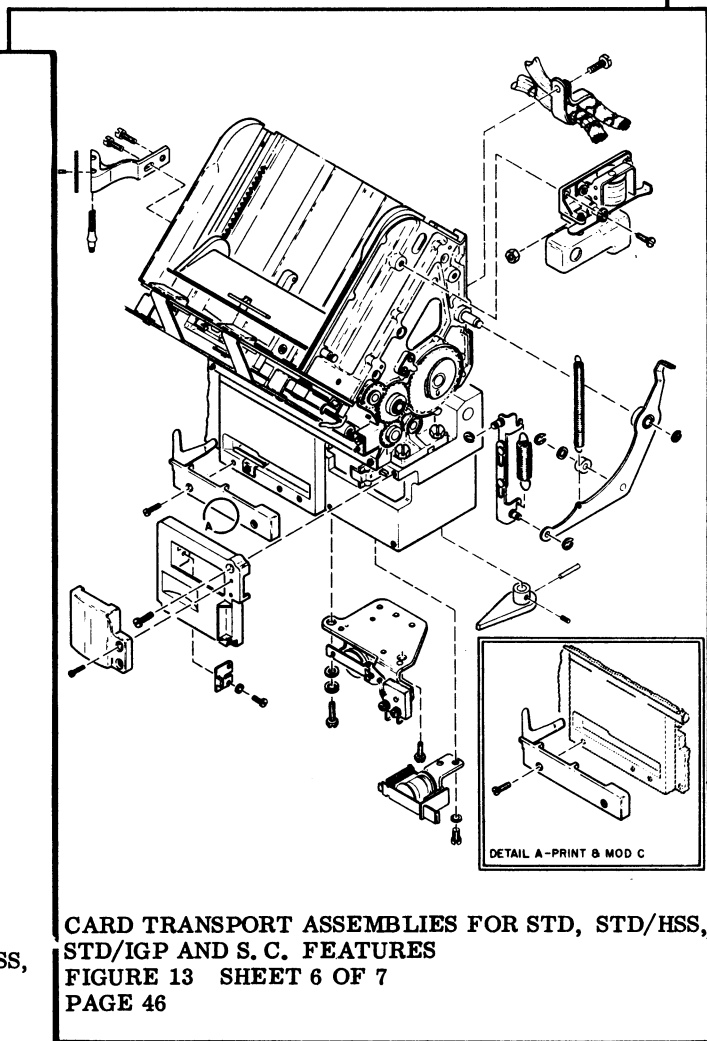
CARD TRANSPORT ASSEMBLIES FOR STD, STD/HSS,
STD/IGP AND S. C. FEATURES
FIGURE 13 SHEET 2 OF 7
PAGE 42



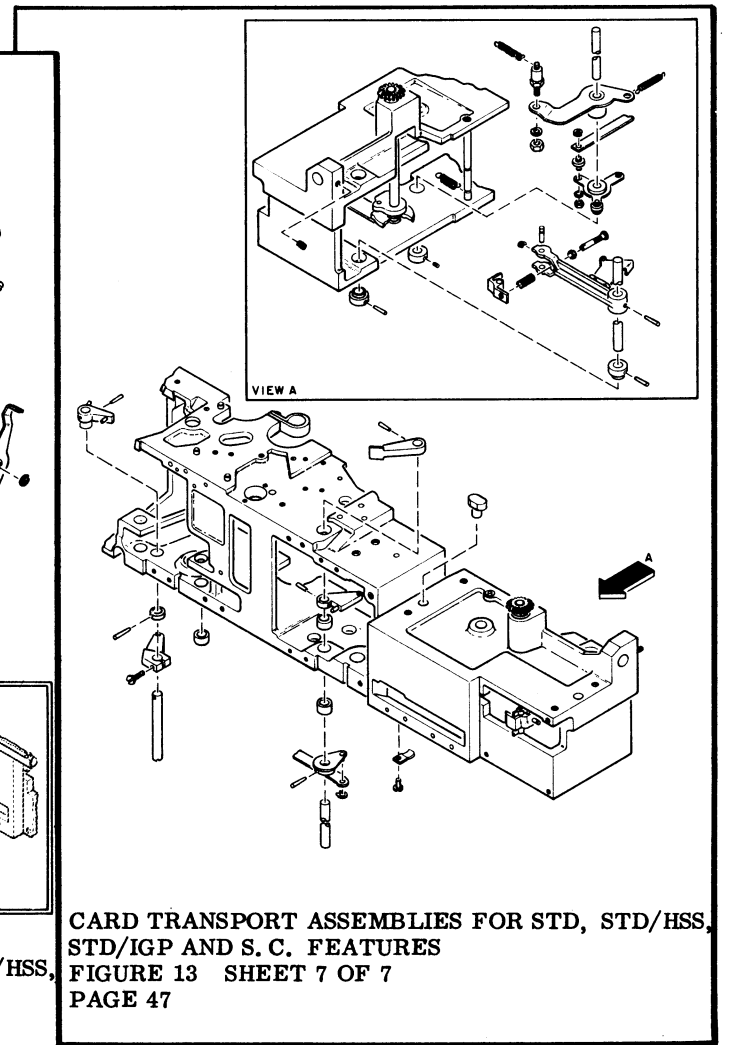
CARD TRANSPORT ASSEMBLIES FOR STD, STD/HSS,
STD/IGP AND S. C. FEATURES
FIGURE 13 SHEET 3 OF 7
PAGE 43



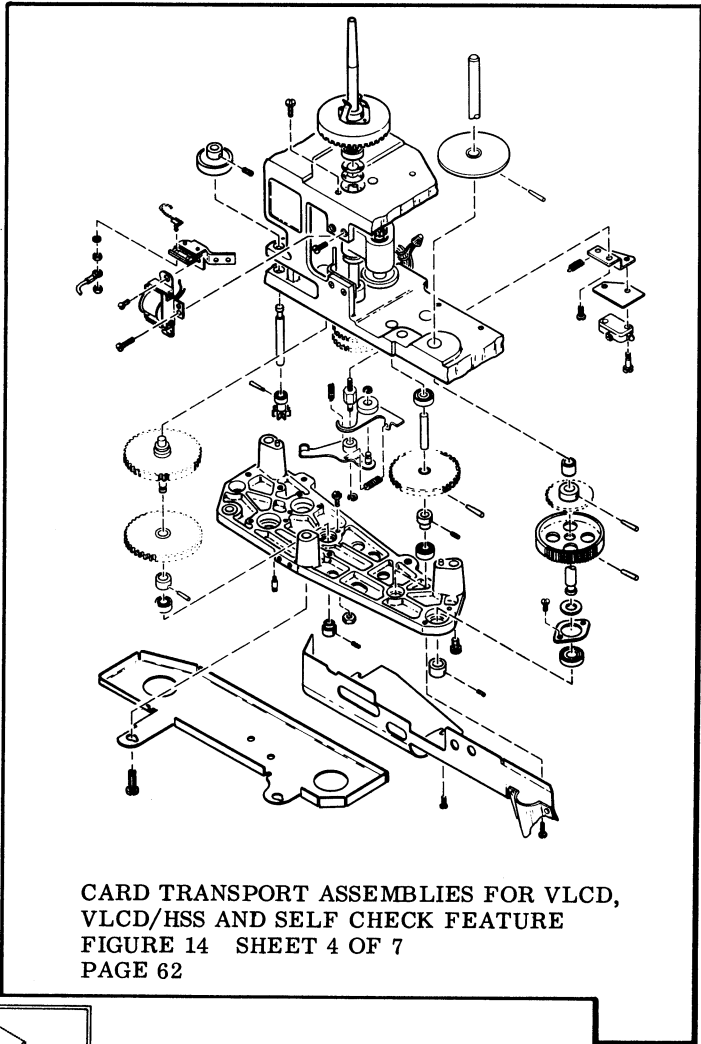
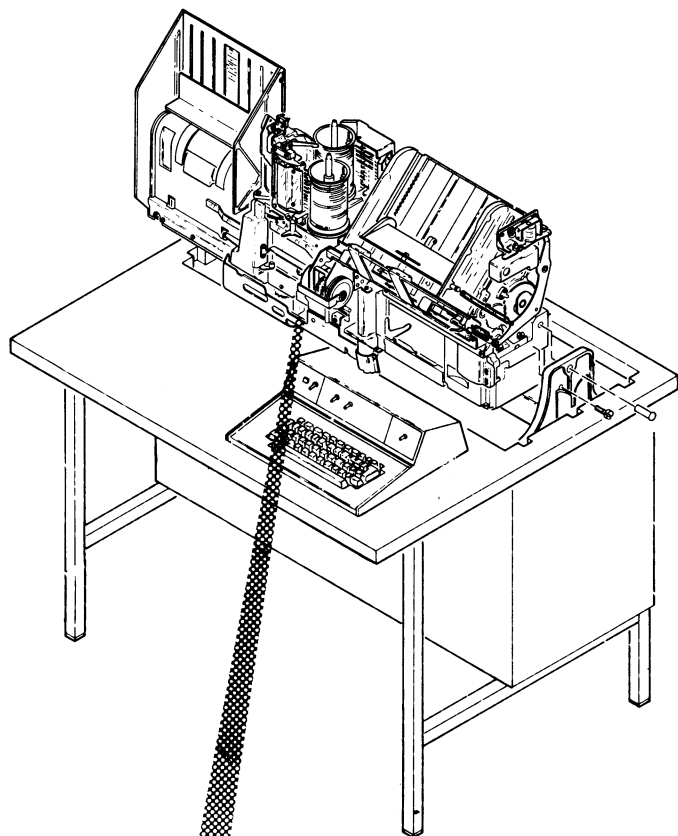
CARD TRANSPORT ASSEMBLIES FOR STD, STD/HSS,
STD/IGP AND S. C. FEATURES
FIGURE 13 SHEET 5 OF 7
PAGE 45



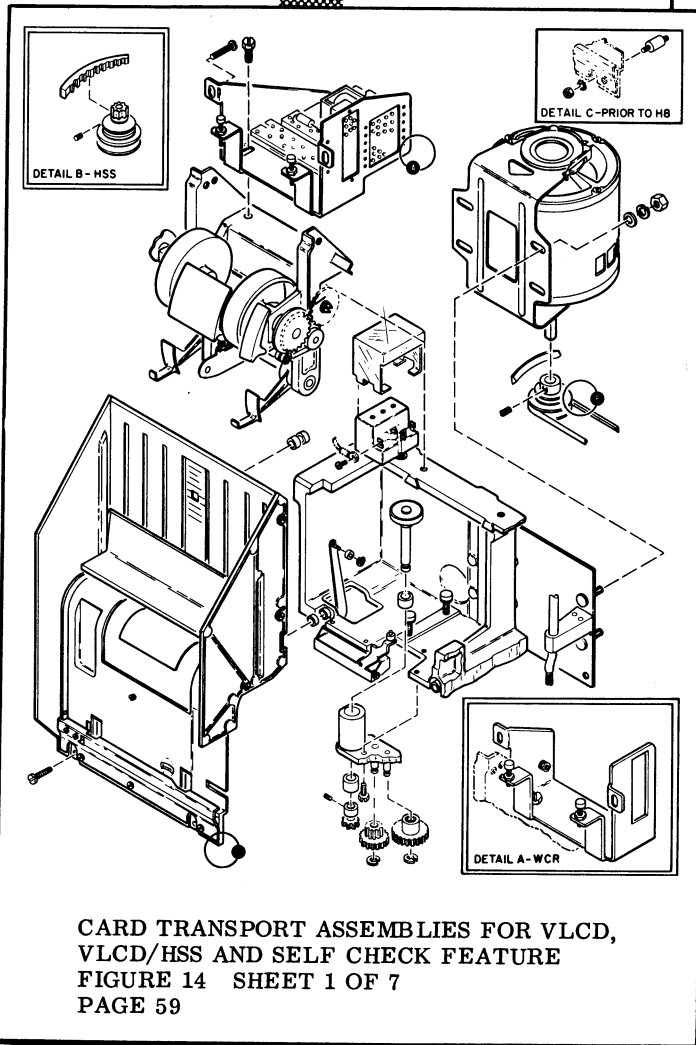
CARD TRANSPORT ASSEMBLIES FOR STD, STD/HSS,
STD/IGP AND S. C. FEATURES
FIGURE 13 SHEET 6 OF 7
PAGE 46



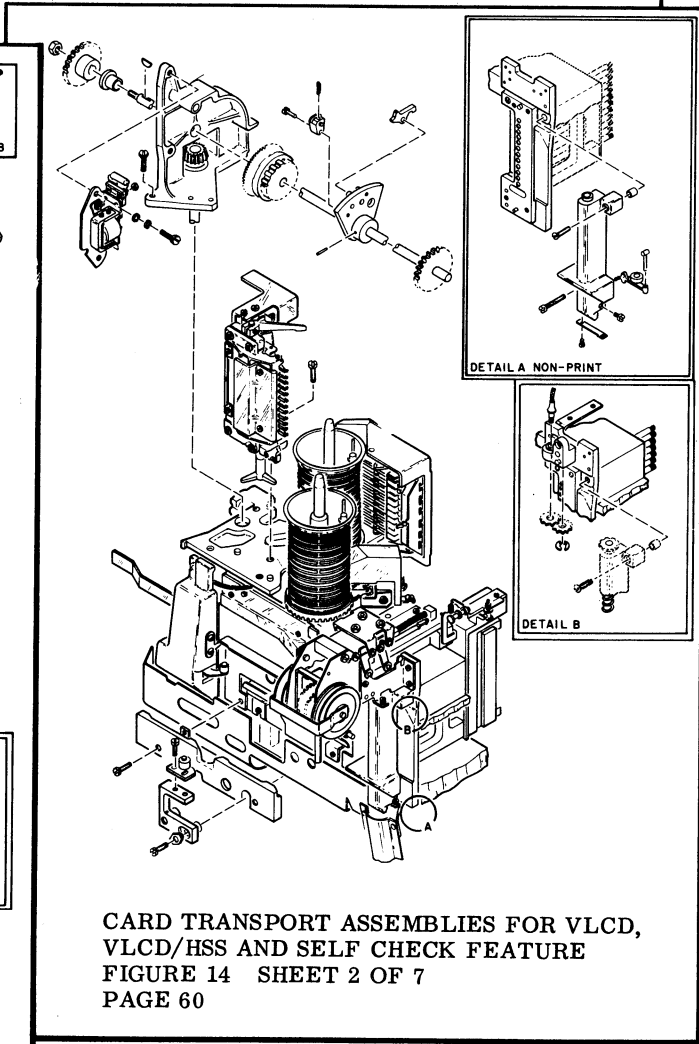
CARD TRANSPORT ASSEMBLIES FOR STD, STD/HSS,
STD/IGP AND S. C. FEATURES
FIGURE 13 SHEET 7 OF 7
PAGE 47



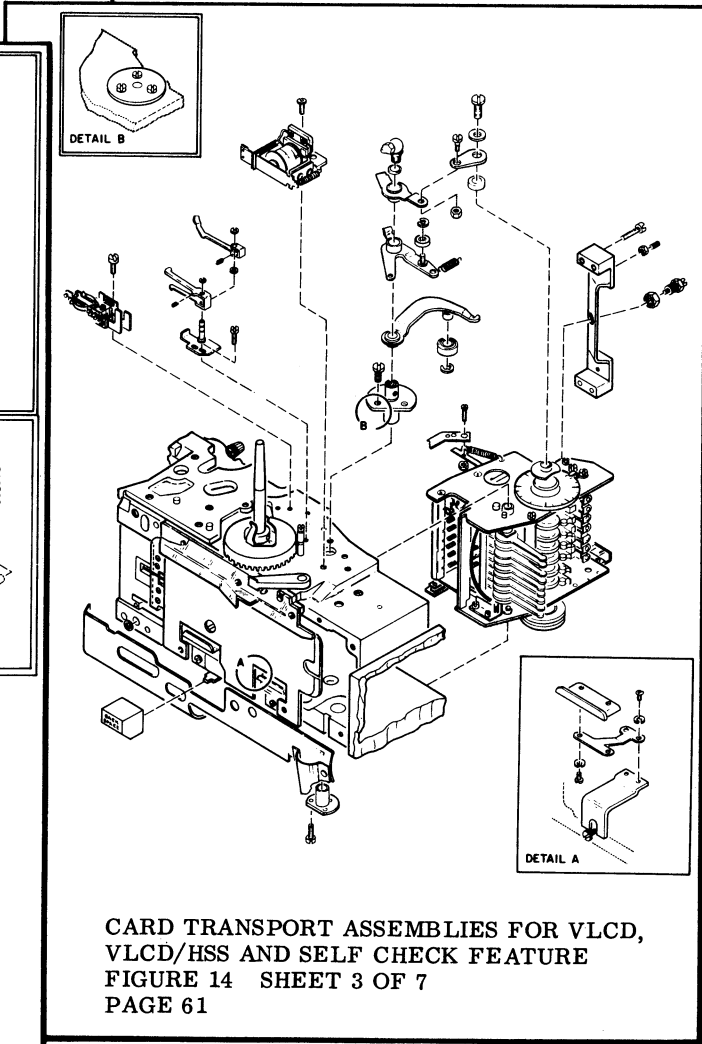
CARD TRANSPORT ASSEMBLIES FOR VLCD,
VLCD/HSS AND SELF CHECK FEATURE
FIGURE 14 SHEET 4 OF 7
PAGE 62



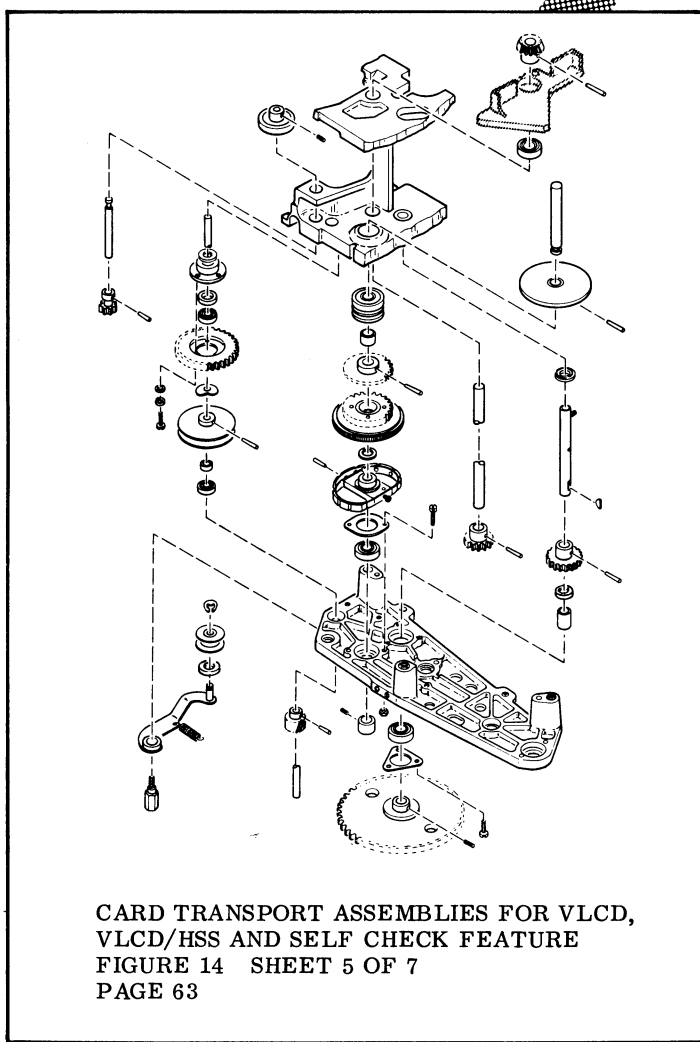
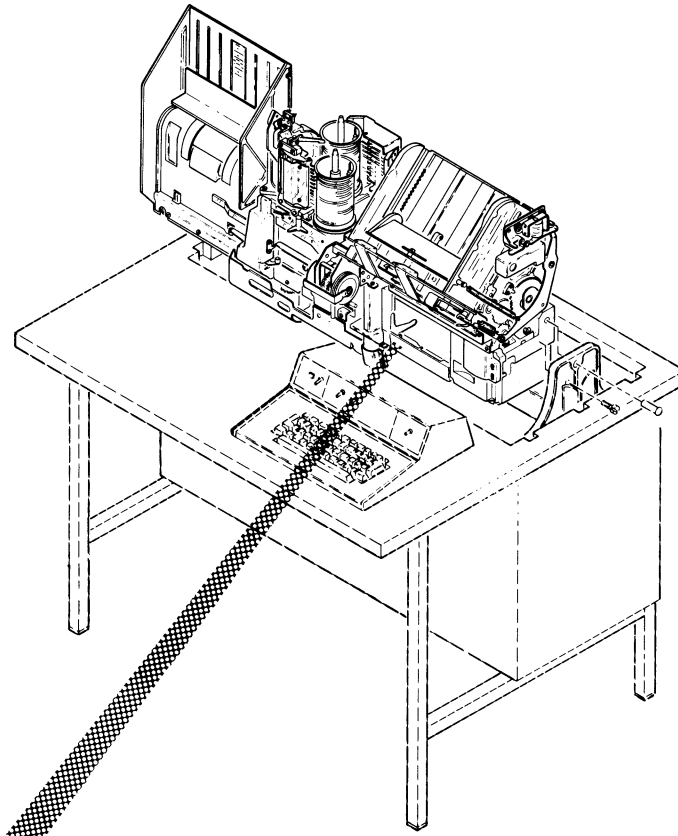
CARD TRANSPORT ASSEMBLIES FOR VLCD,
VLCD/HSS AND SELF CHECK FEATURE
FIGURE 14 SHEET 1 OF 7
PAGE 59



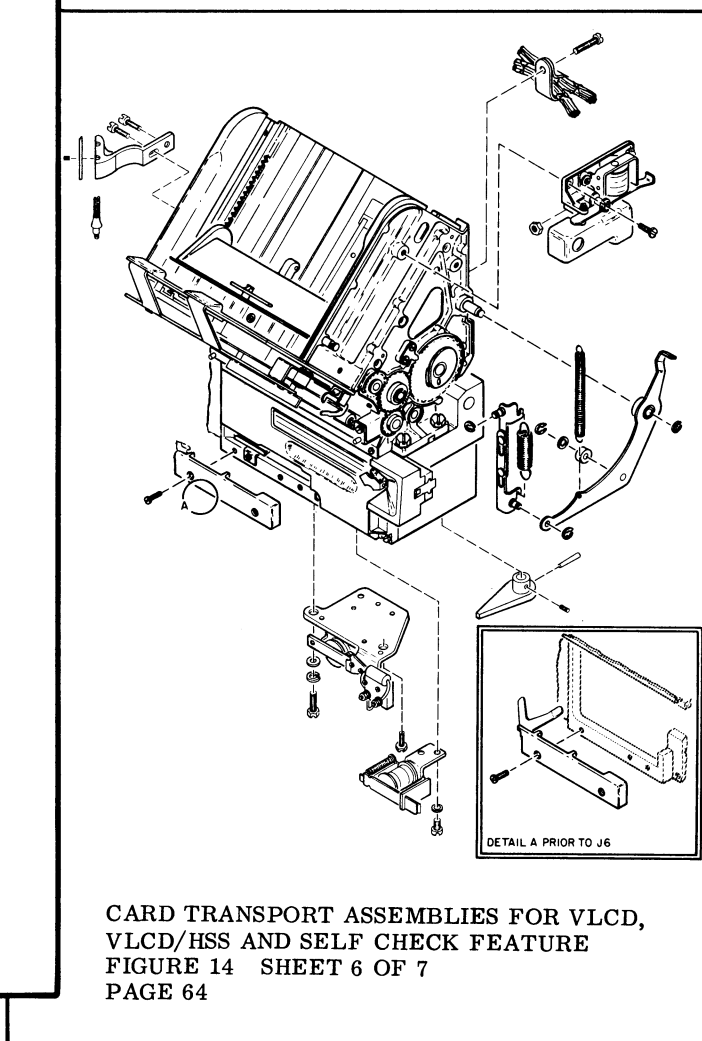
CARD TRANSPORT ASSEMBLIES FOR VLCD,
VLCD/HSS AND SELF CHECK FEATURE
FIGURE 14 SHEET 2 OF 7
PAGE 60



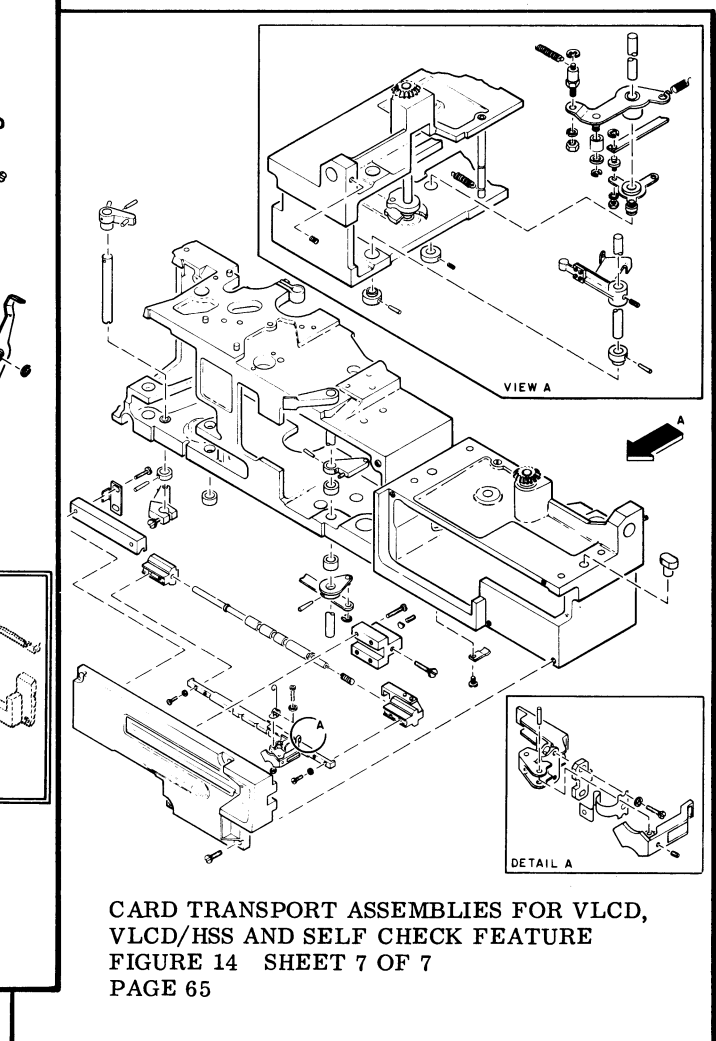
CARD TRANSPORT ASSEMBLIES FOR VLCD,
VLCD/HSS AND SELF CHECK FEATURE
FIGURE 14 SHEET 3 OF 7
PAGE 61



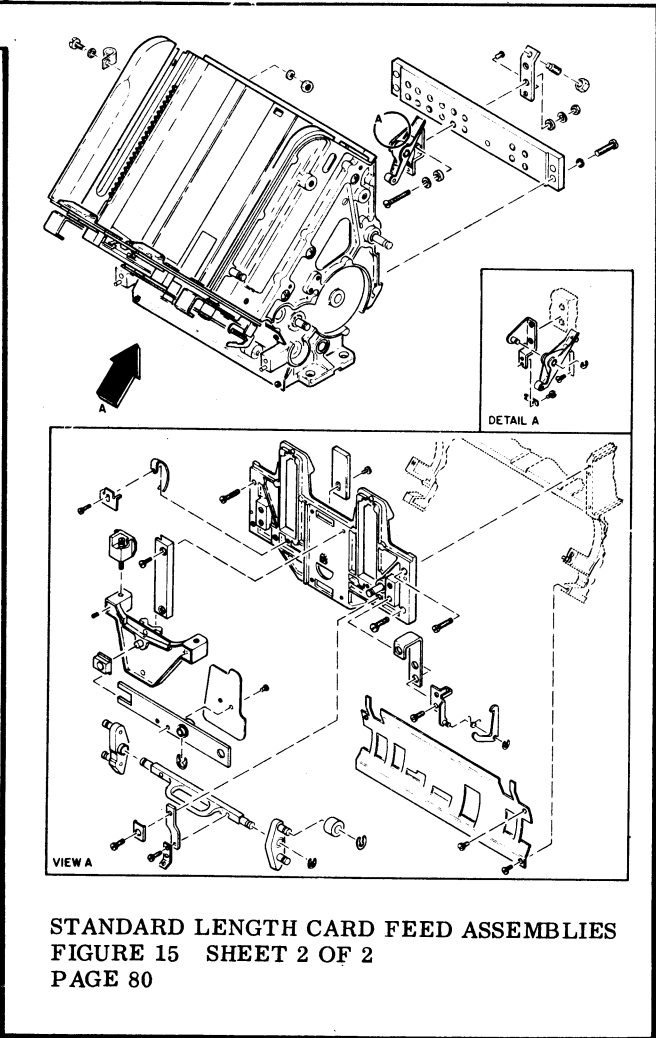
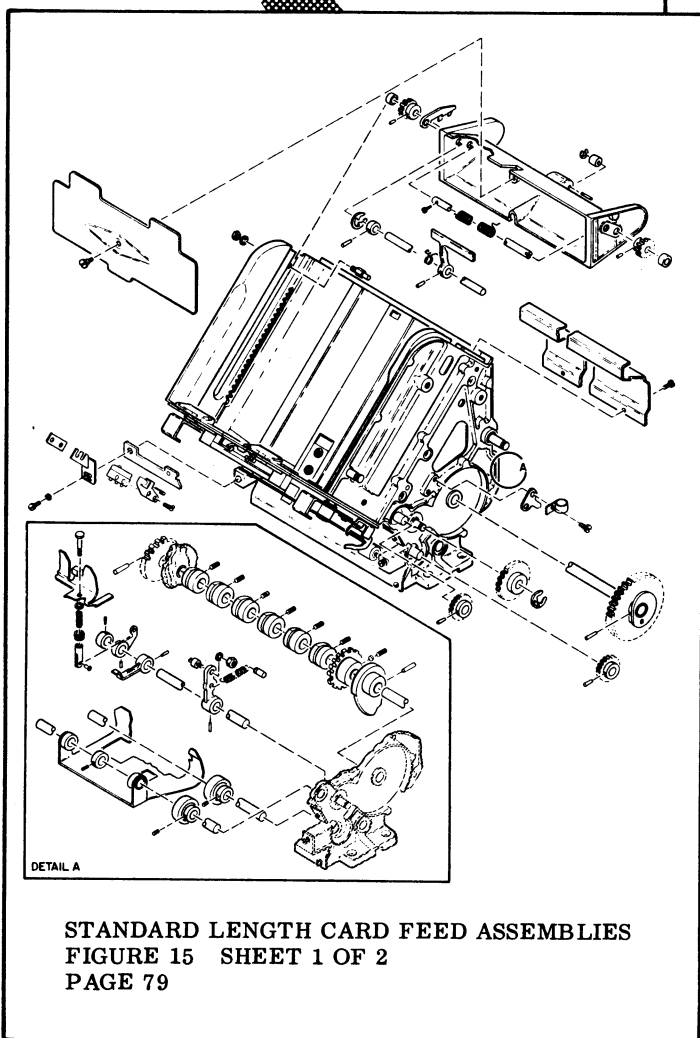
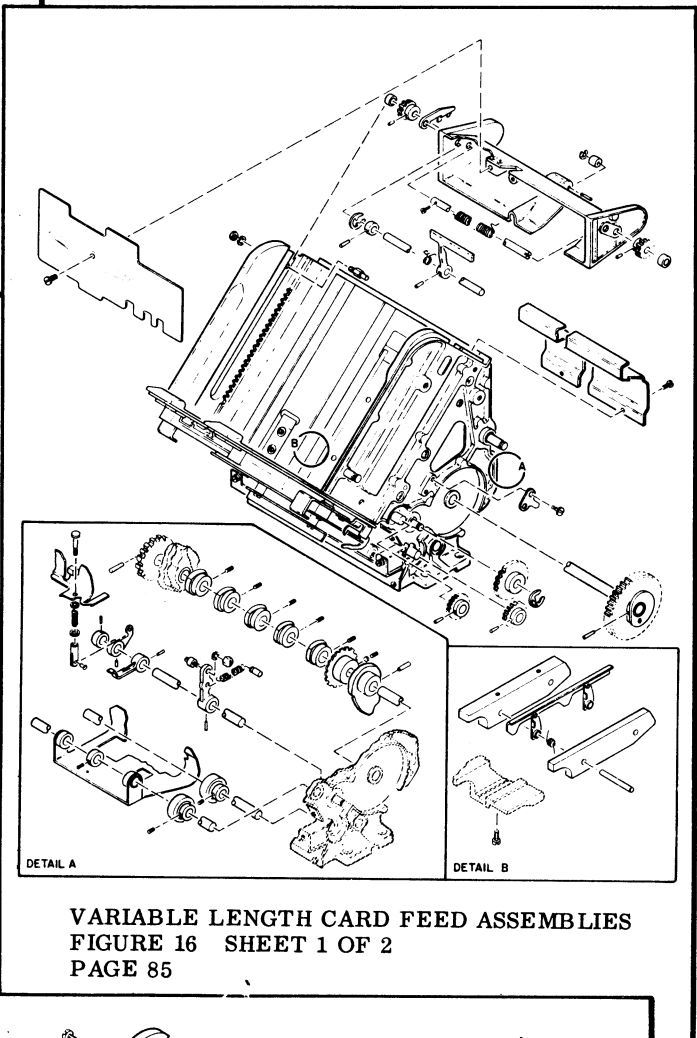
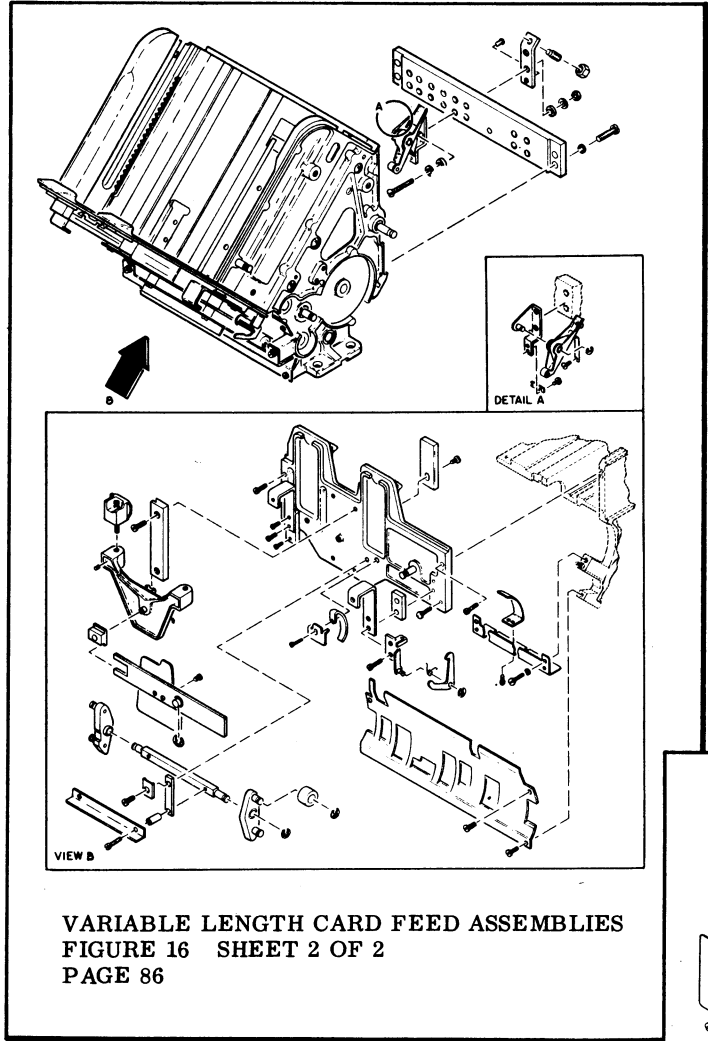
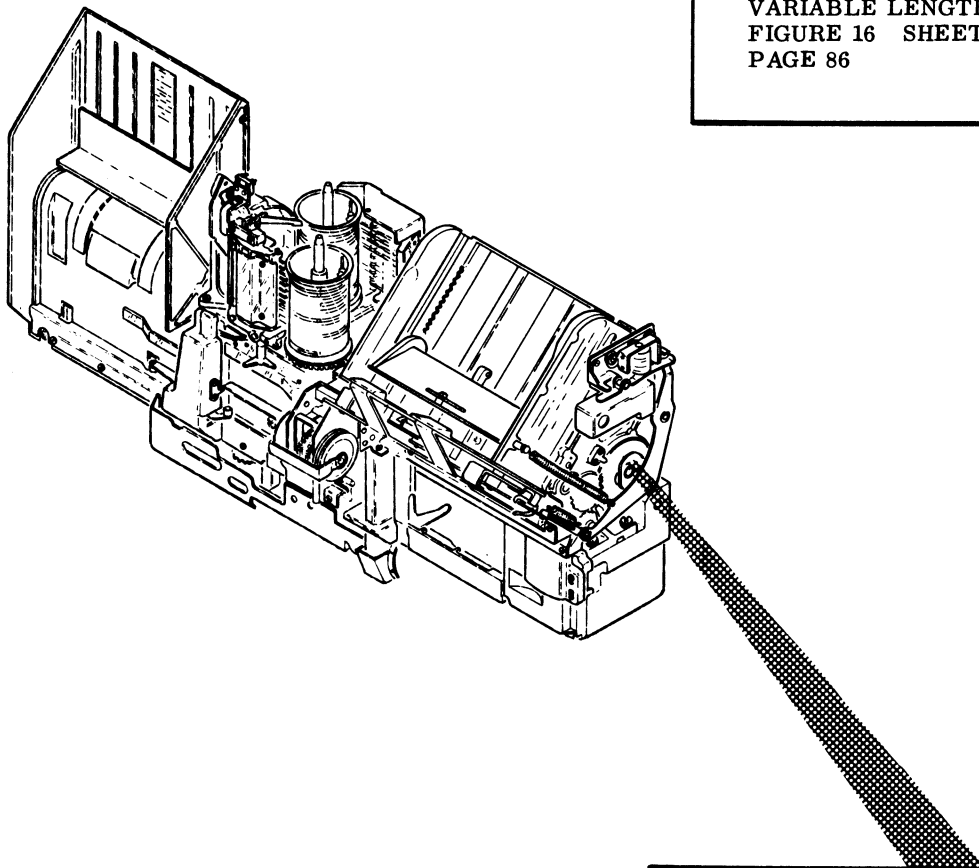
CARD TRANSPORT ASSEMBLIES FOR VLCD,
VLCD/HSS AND SELF CHECK FEATURE
FIGURE 14 SHEET 5 OF 7
PAGE 63

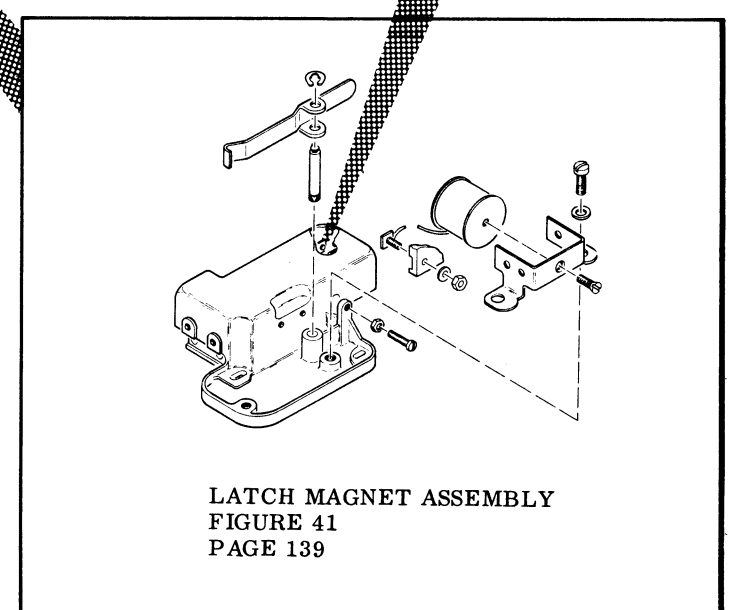
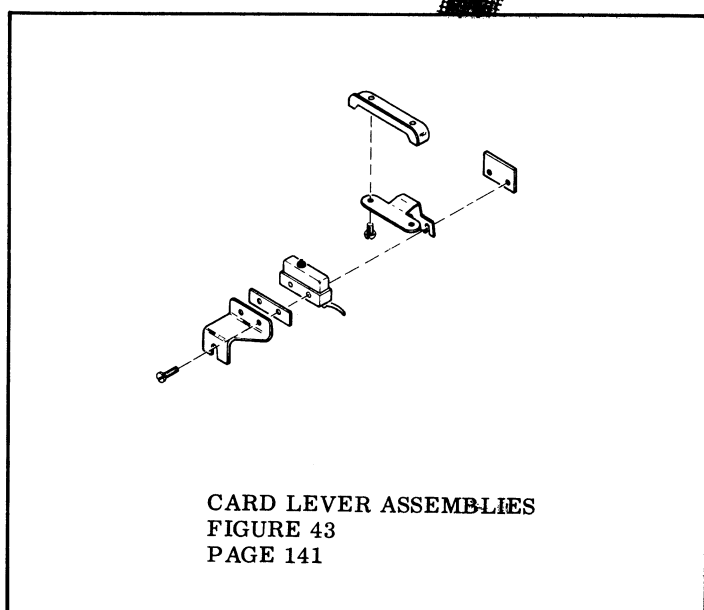
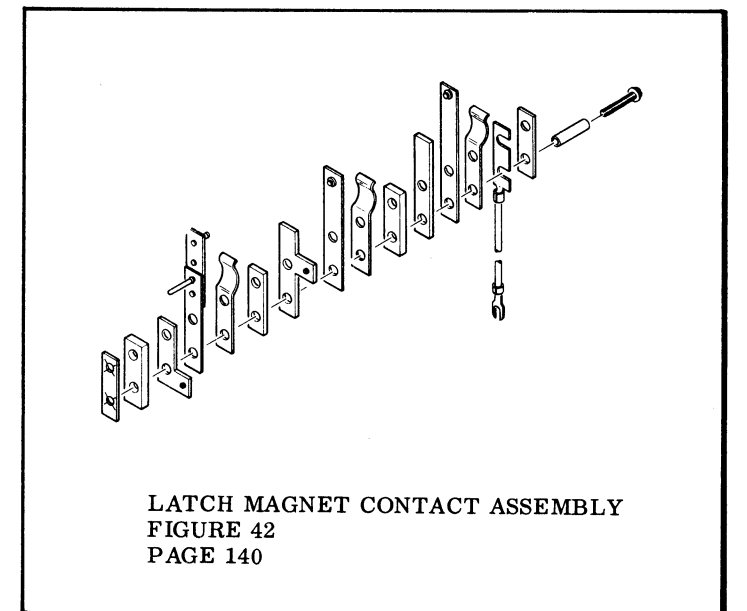
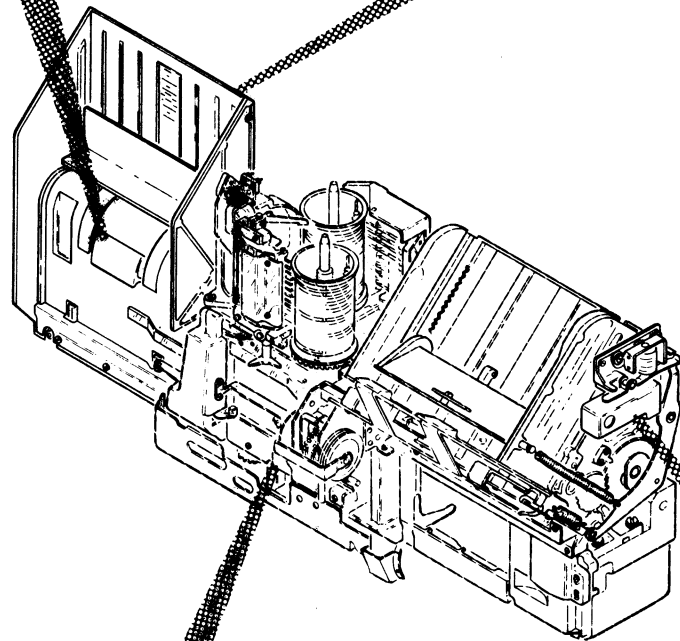
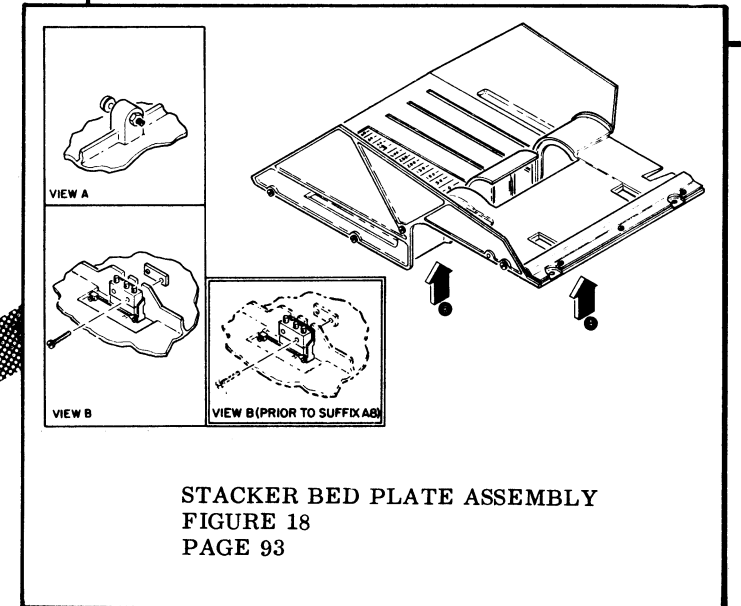
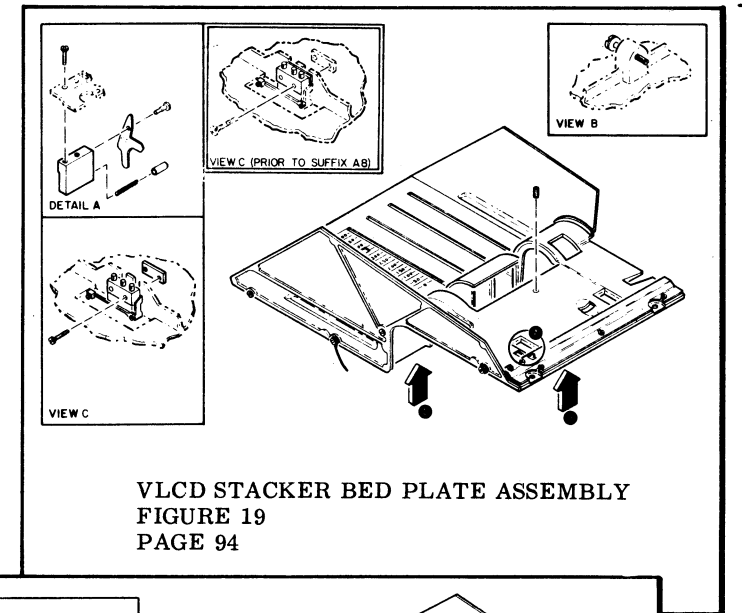
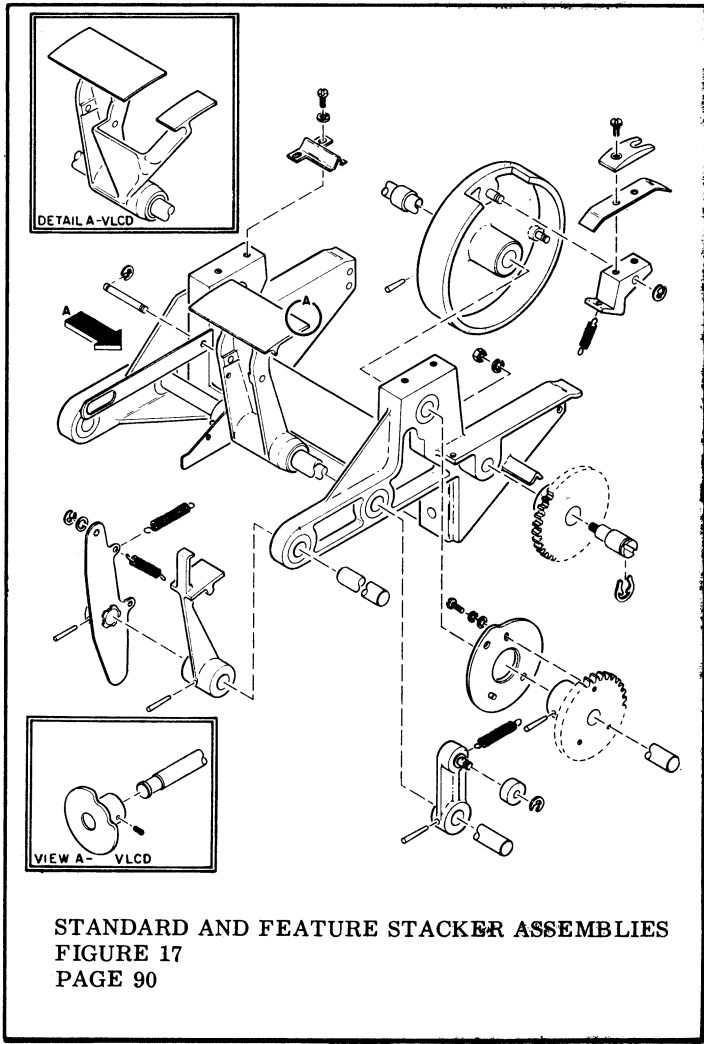


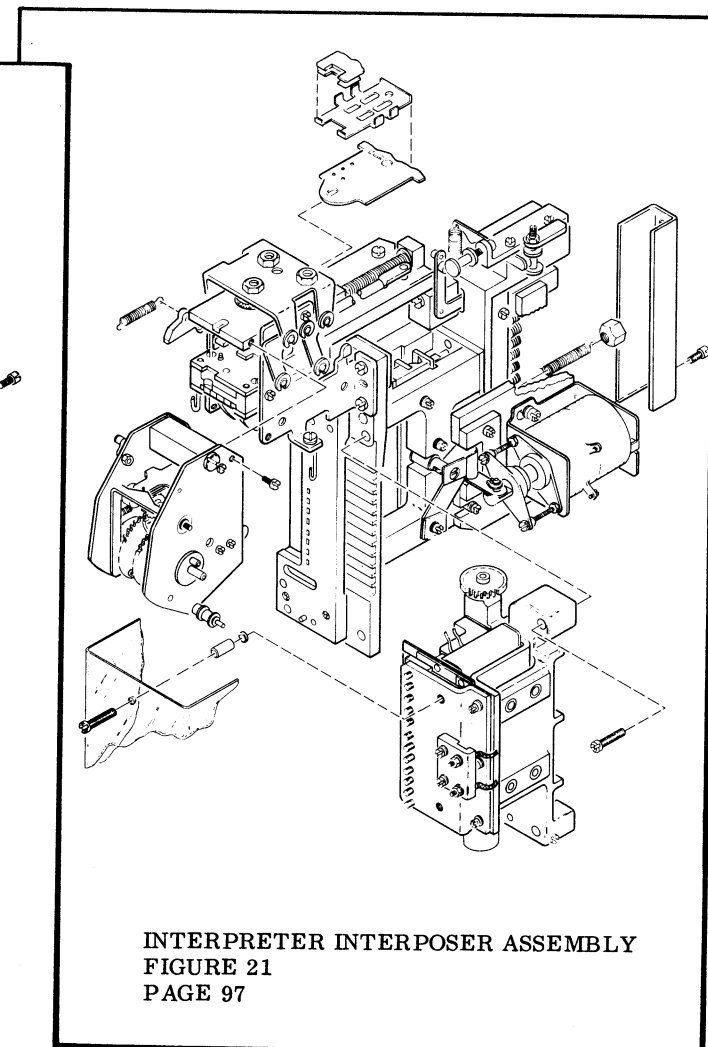
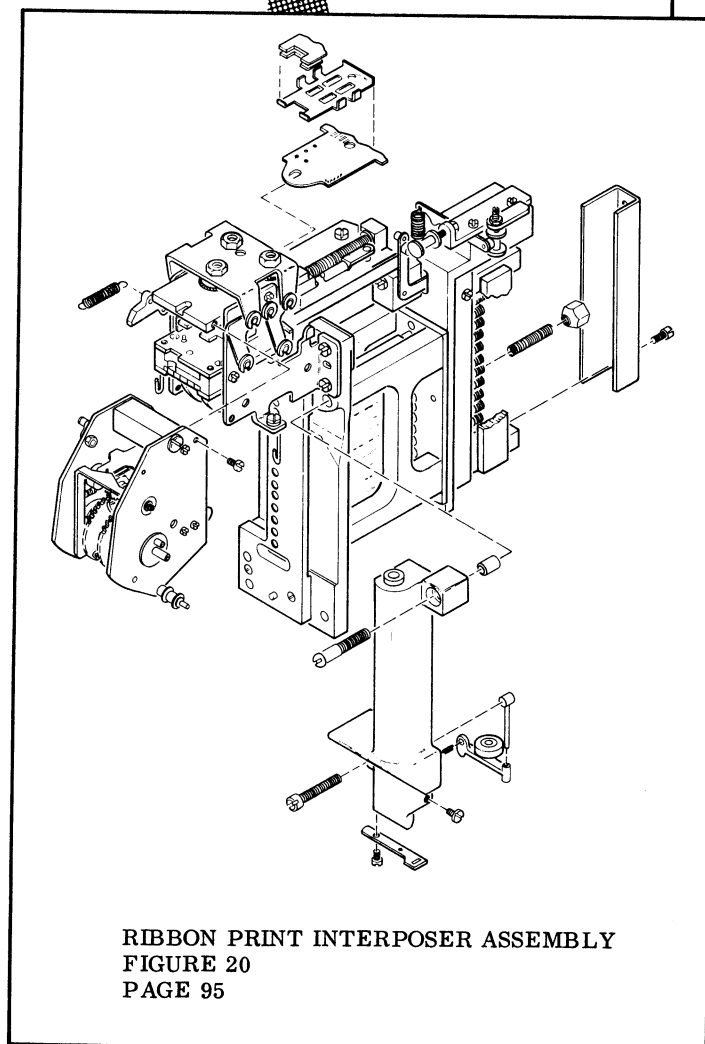
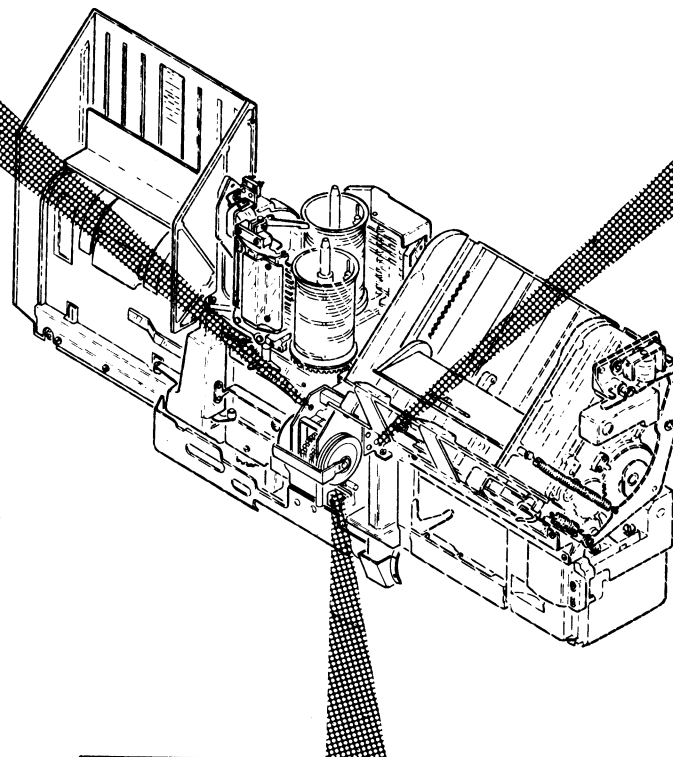
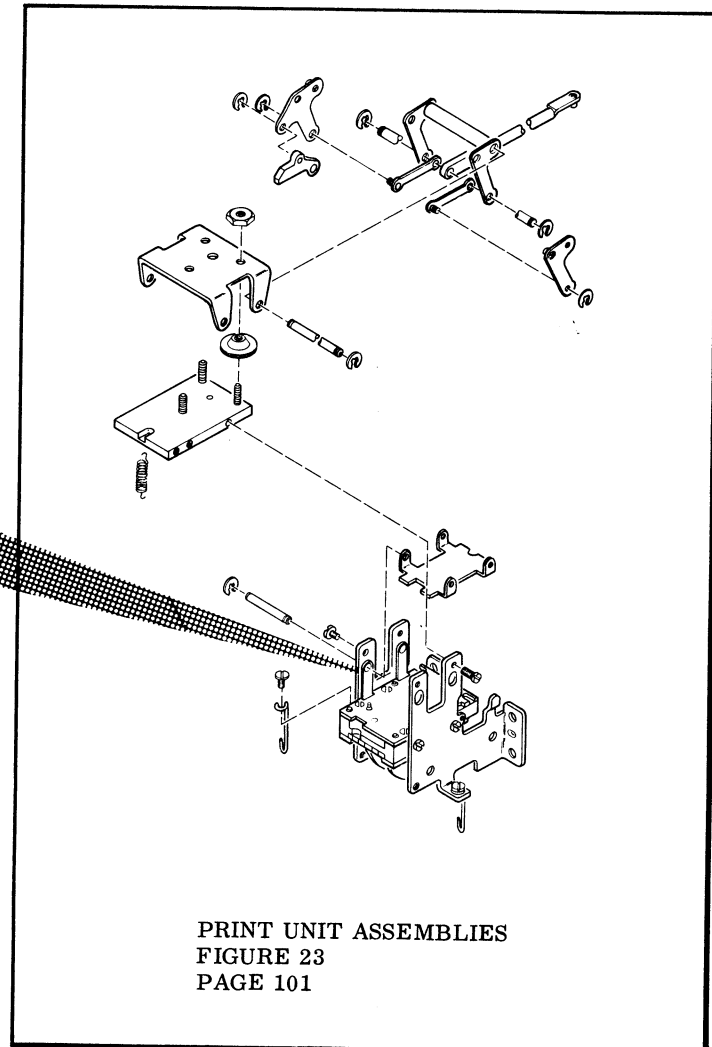
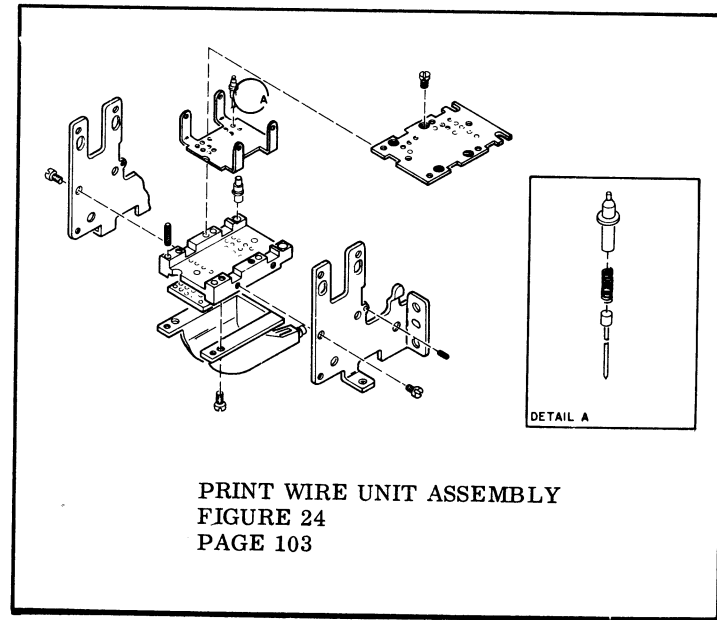
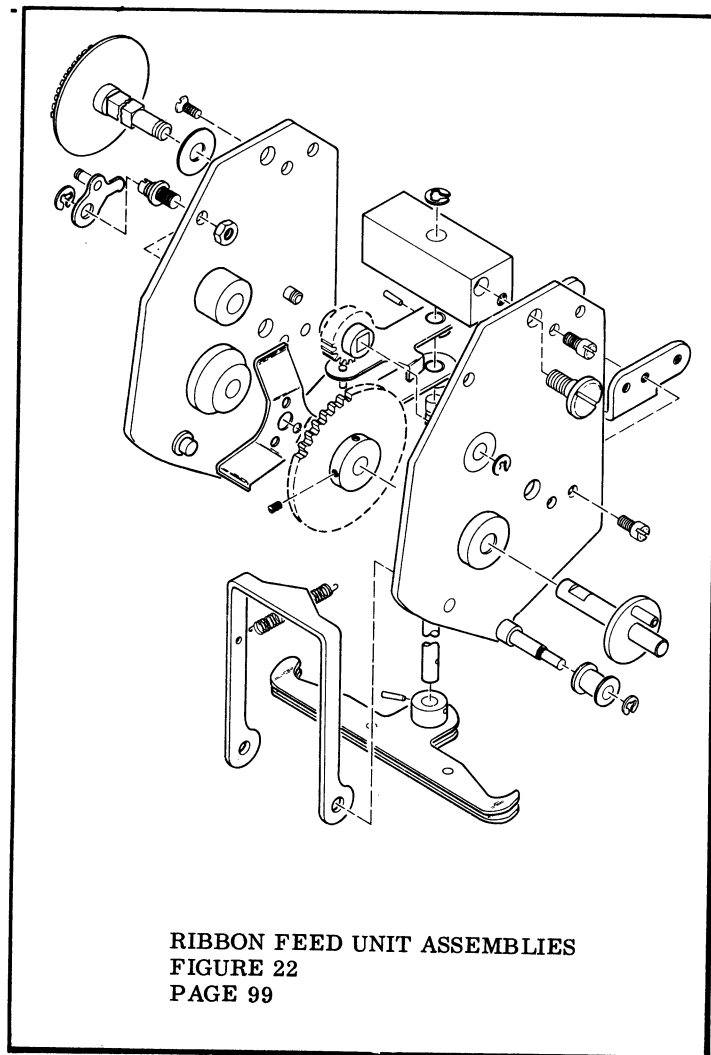
CARD TRANSPORT ASSEMBLIES FOR VLCD,
VLCD/HSS AND SELF CHECK FEATURE
FIGURE 14 SHEET 6 OF 7
PAGE 64

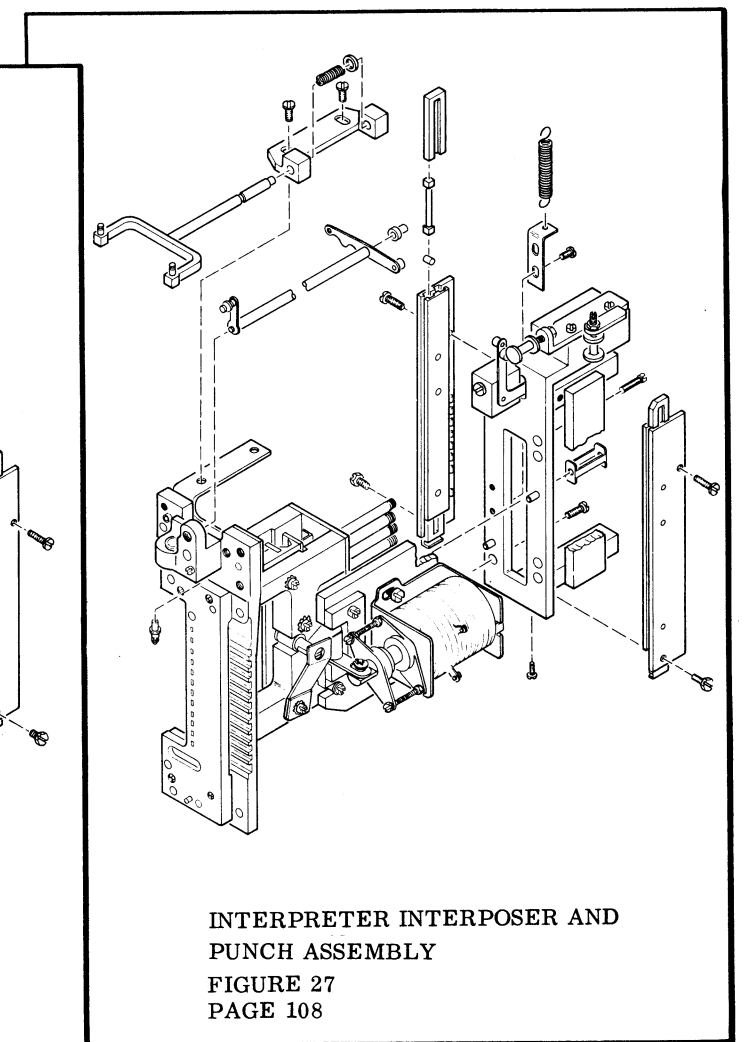
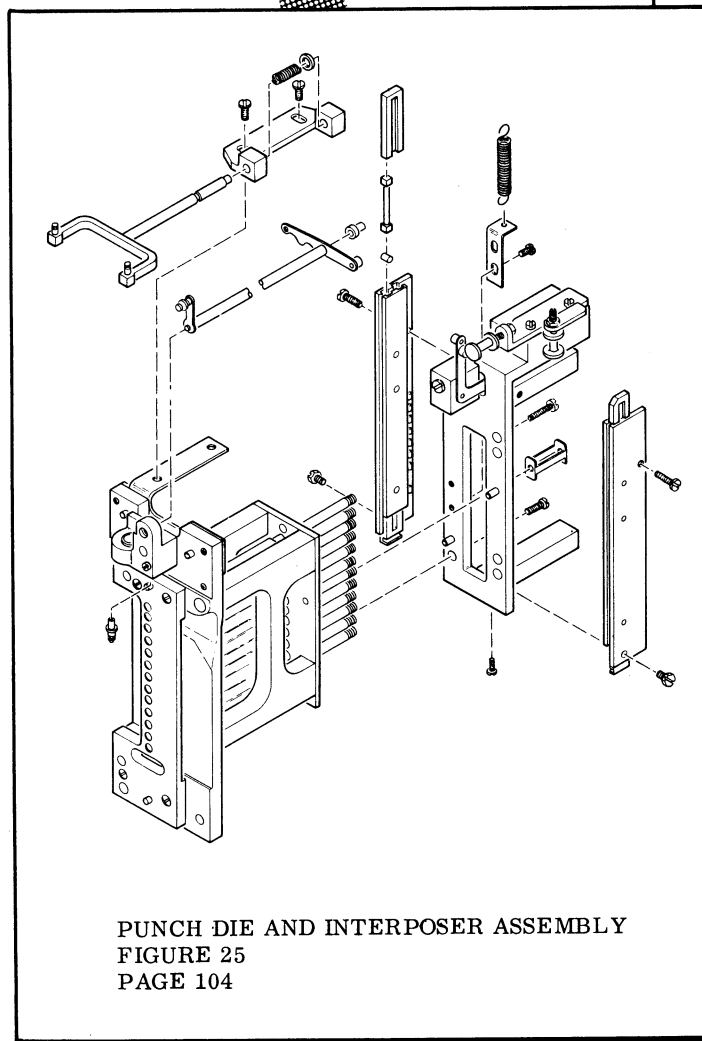
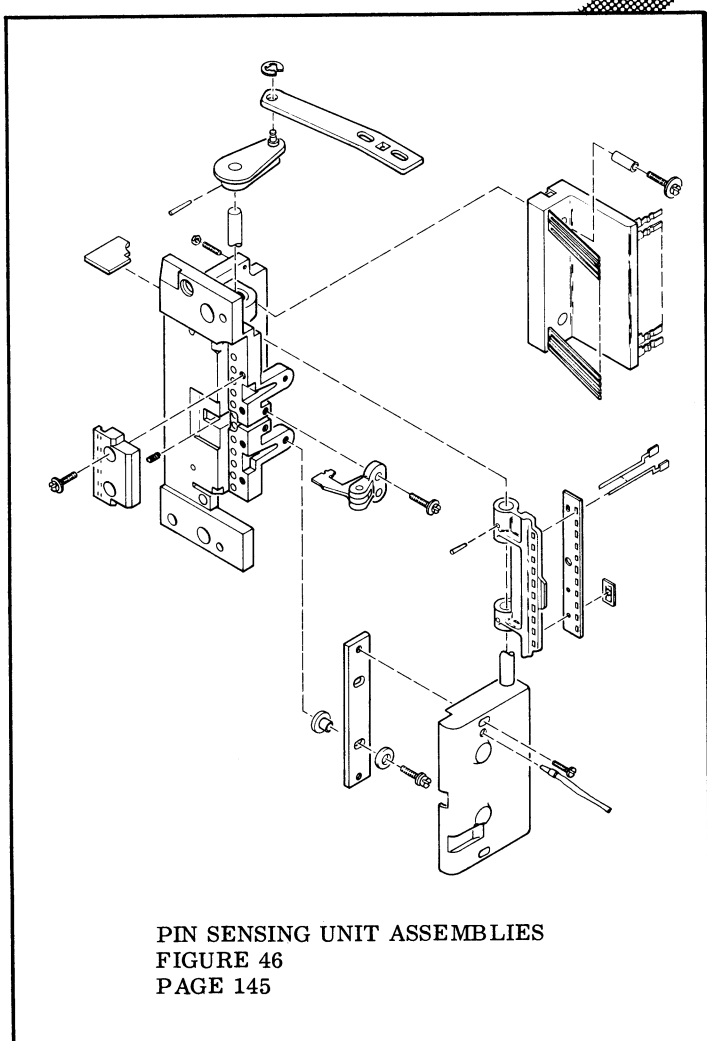
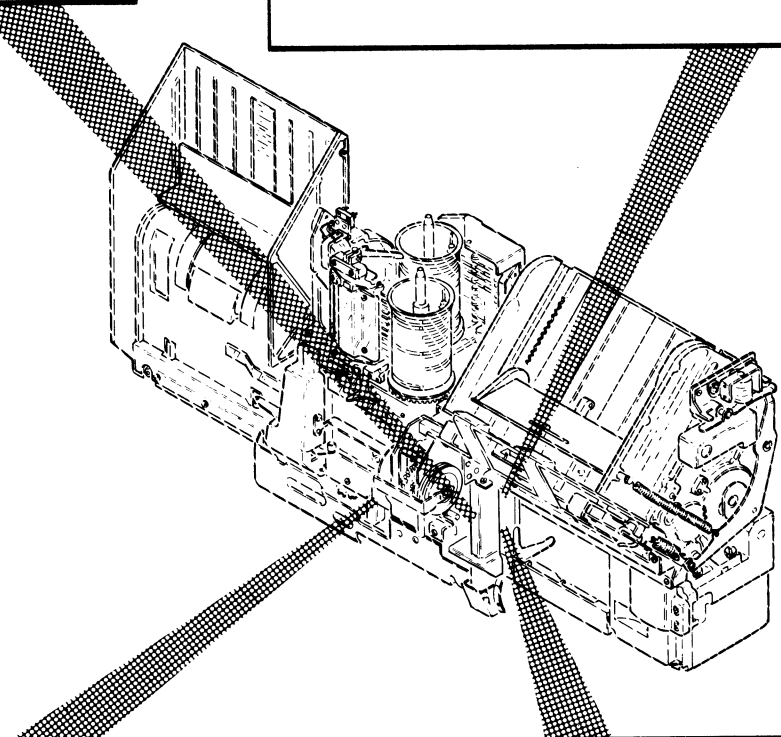
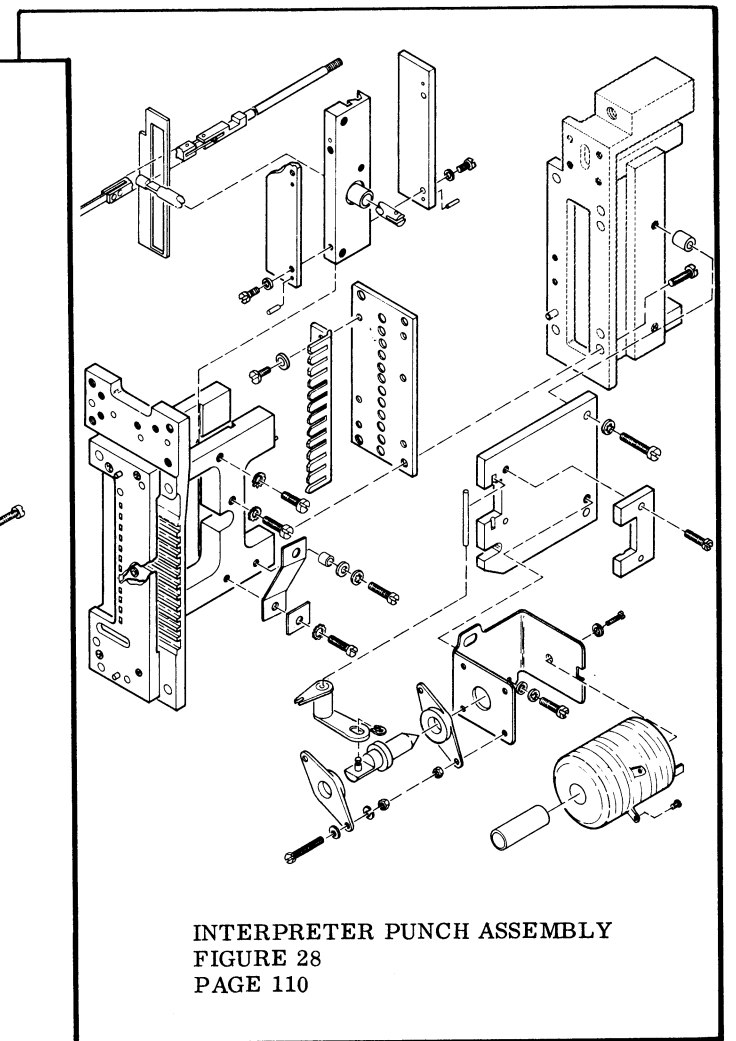
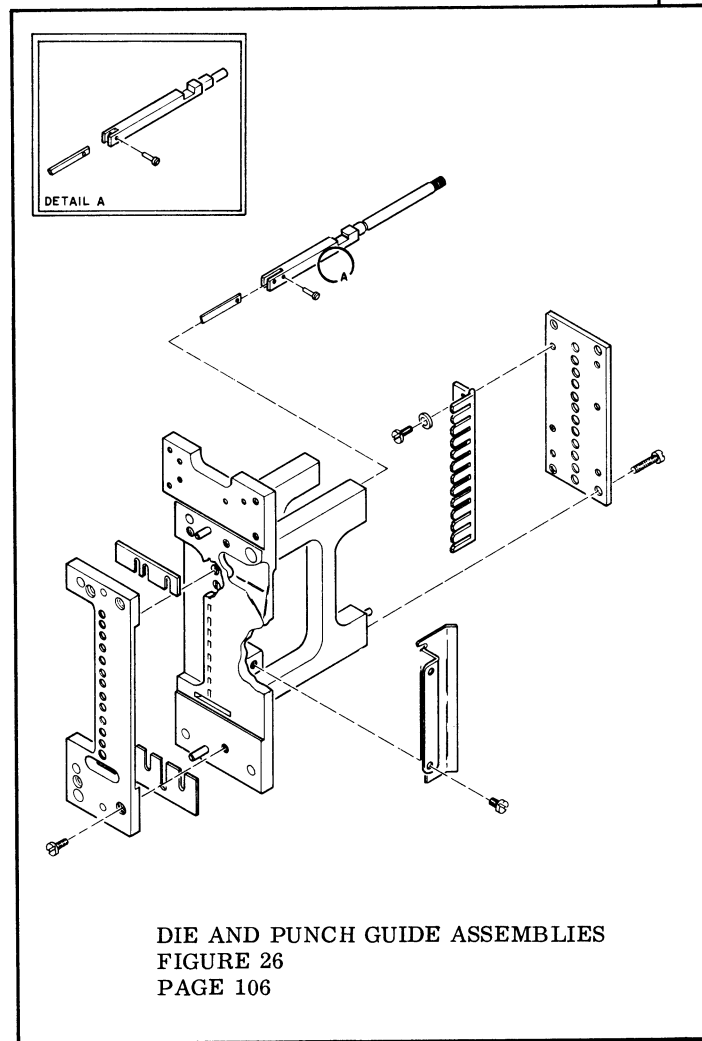
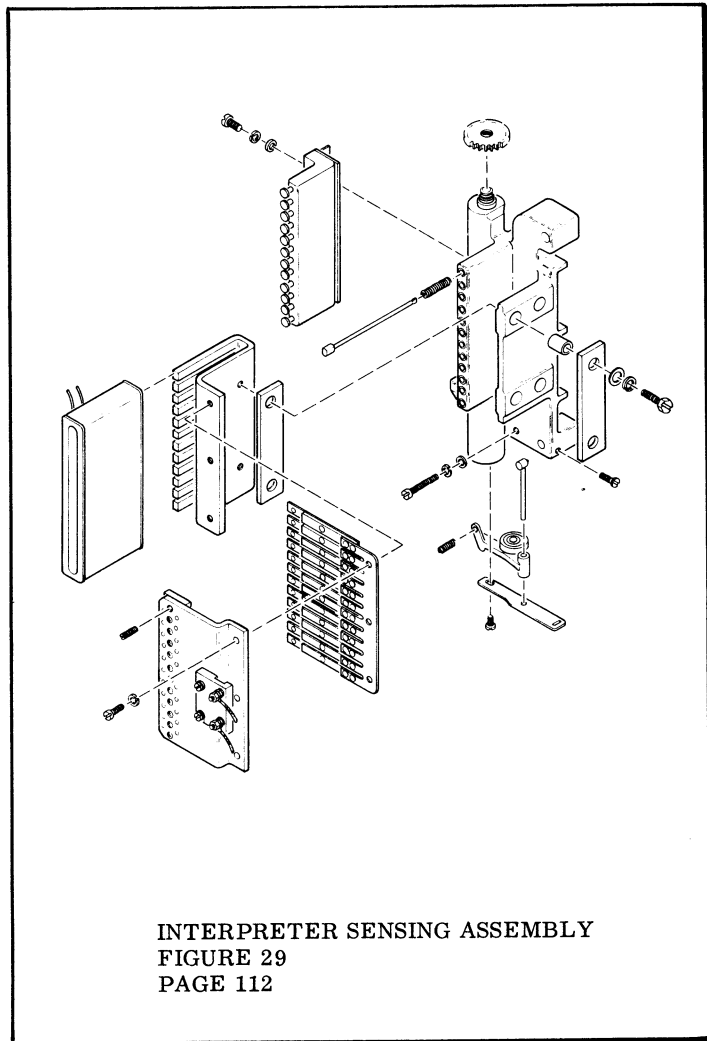


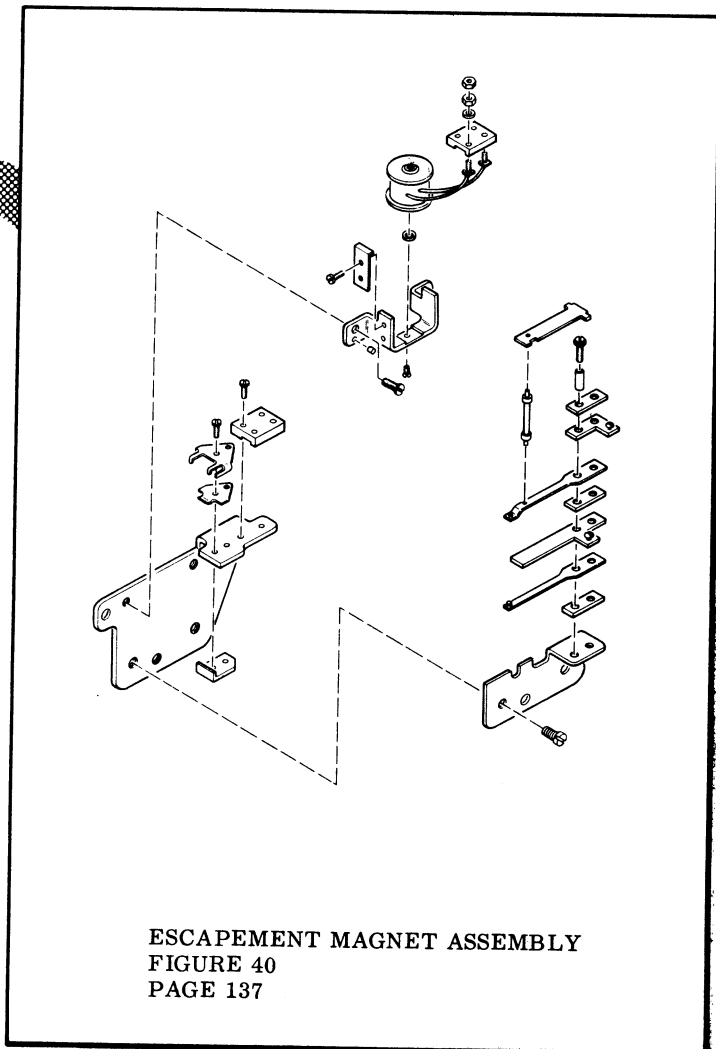
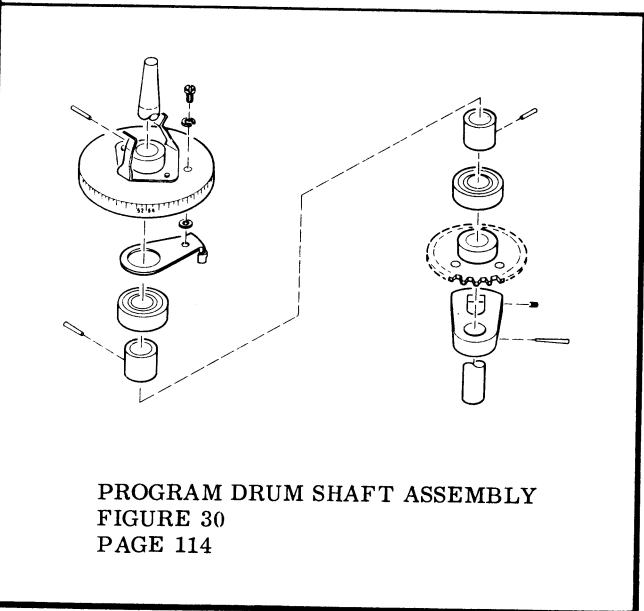
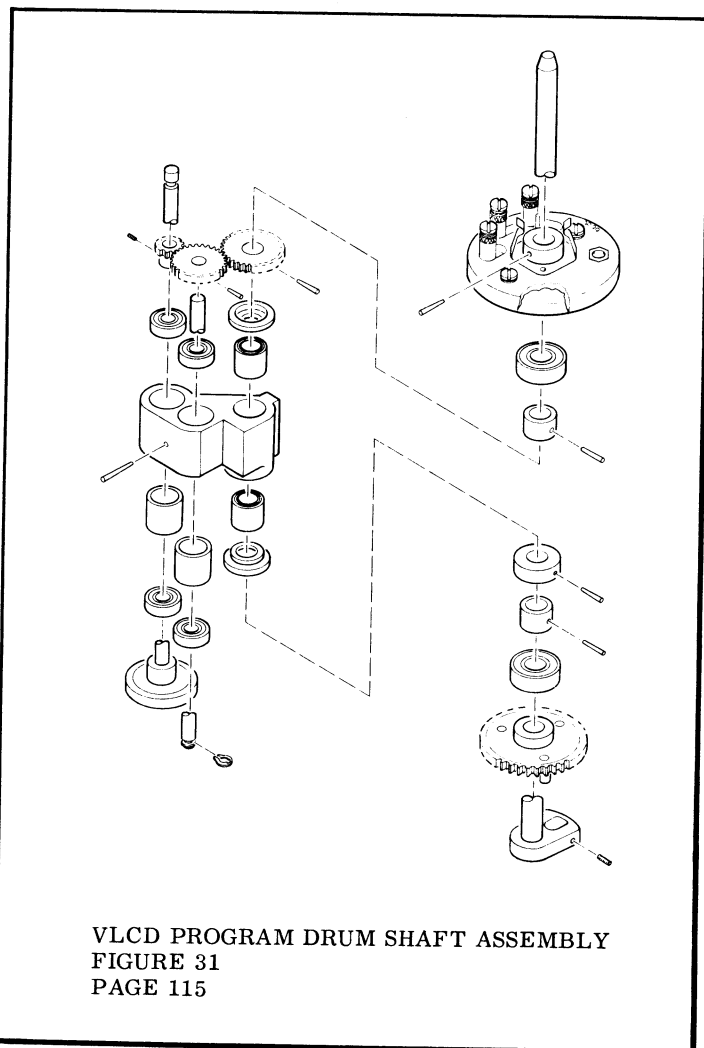
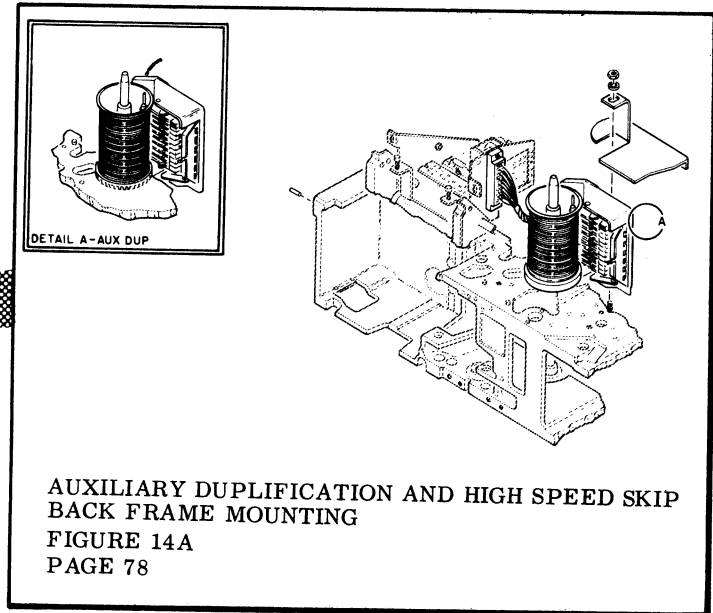
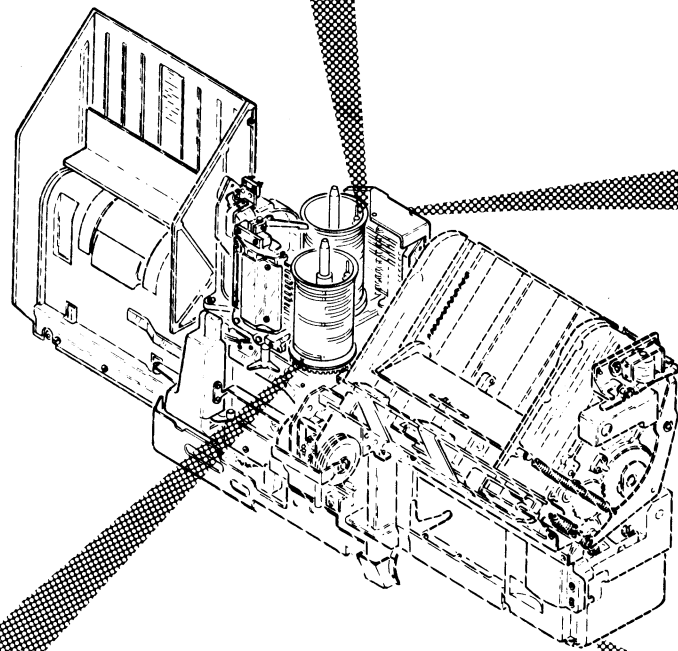
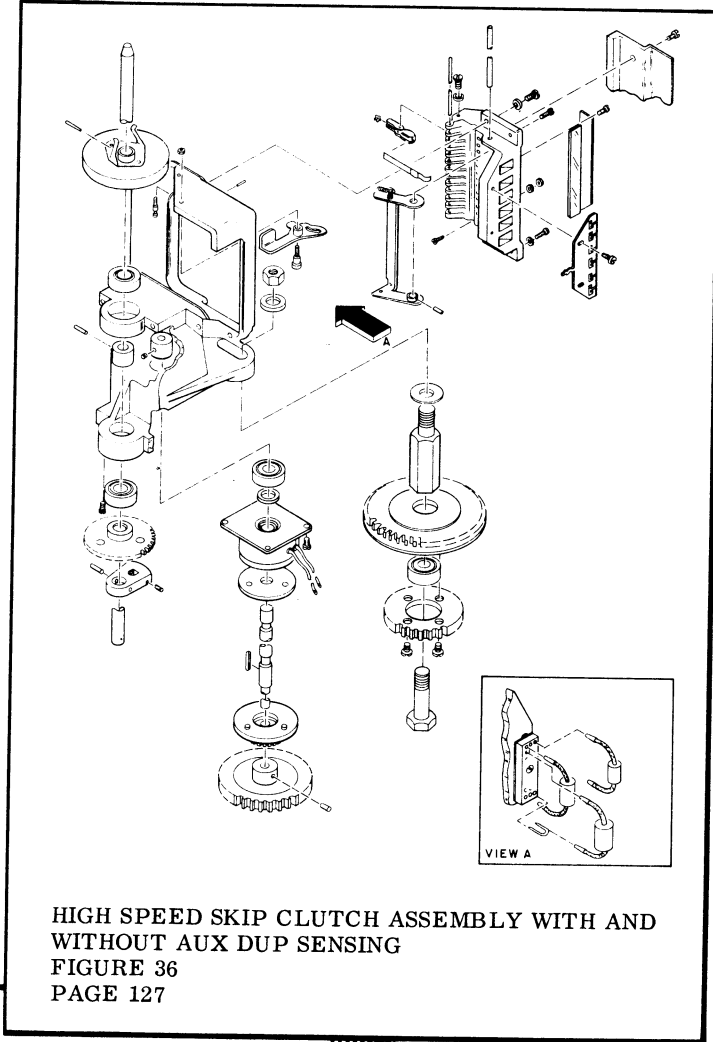
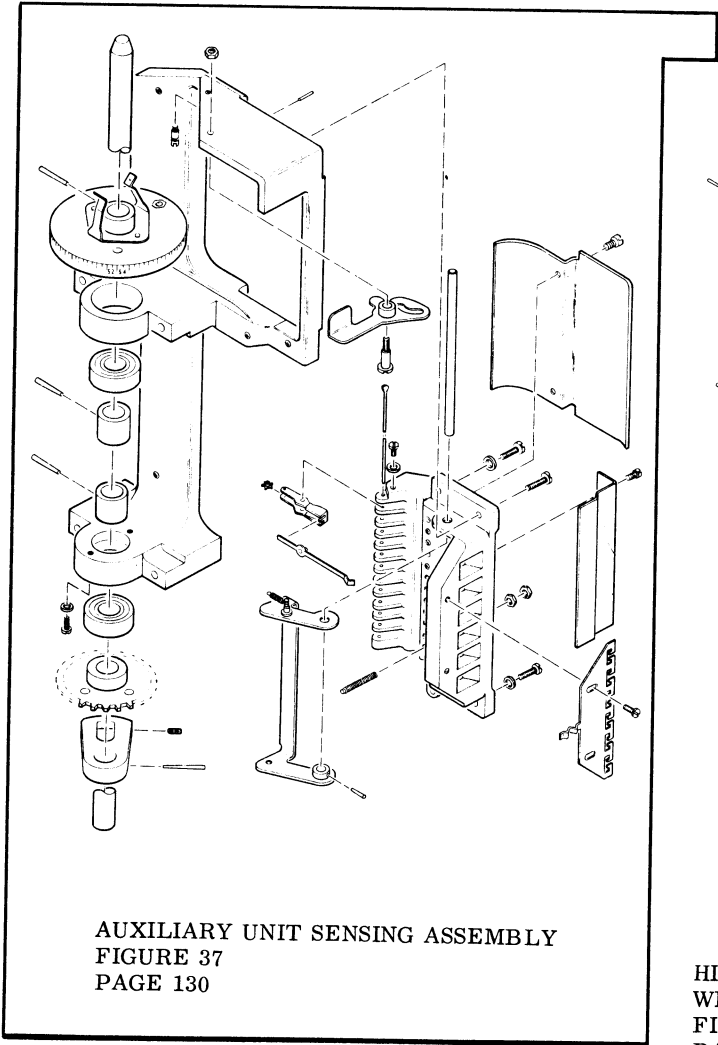
CARD TRANSPORT ASSEMBLIES FOR VLCD,
VLCD/HSS AND SELF CHECK FEATURE
FIGURE 14 SHEET 7 OF 7
PAGE 65

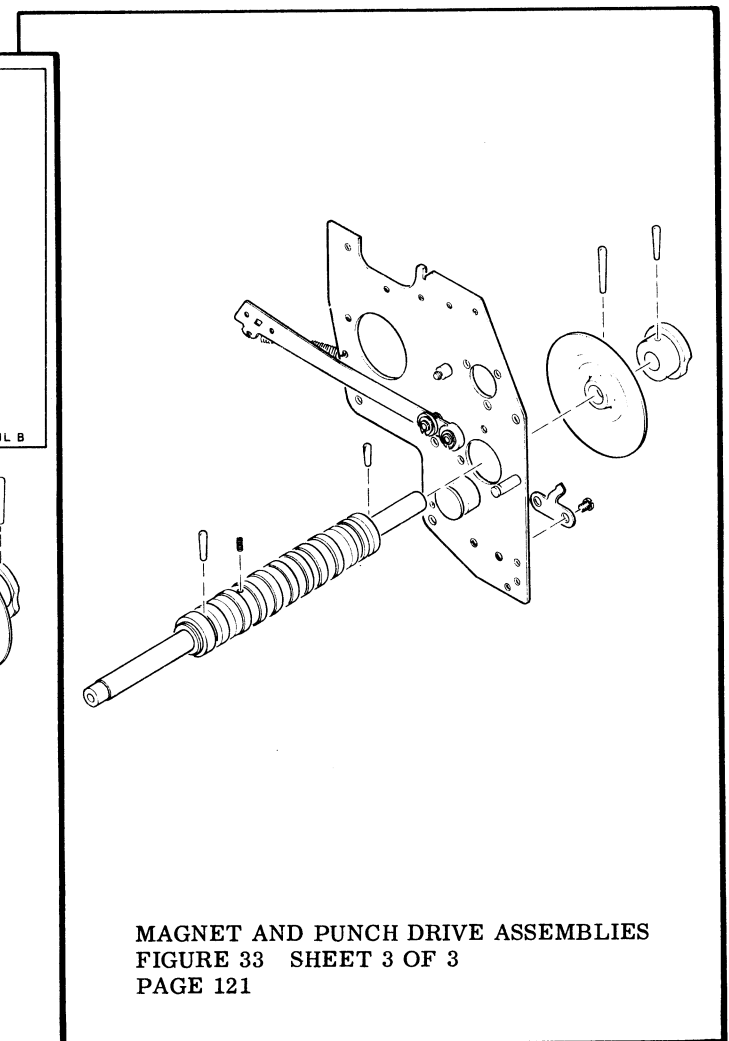
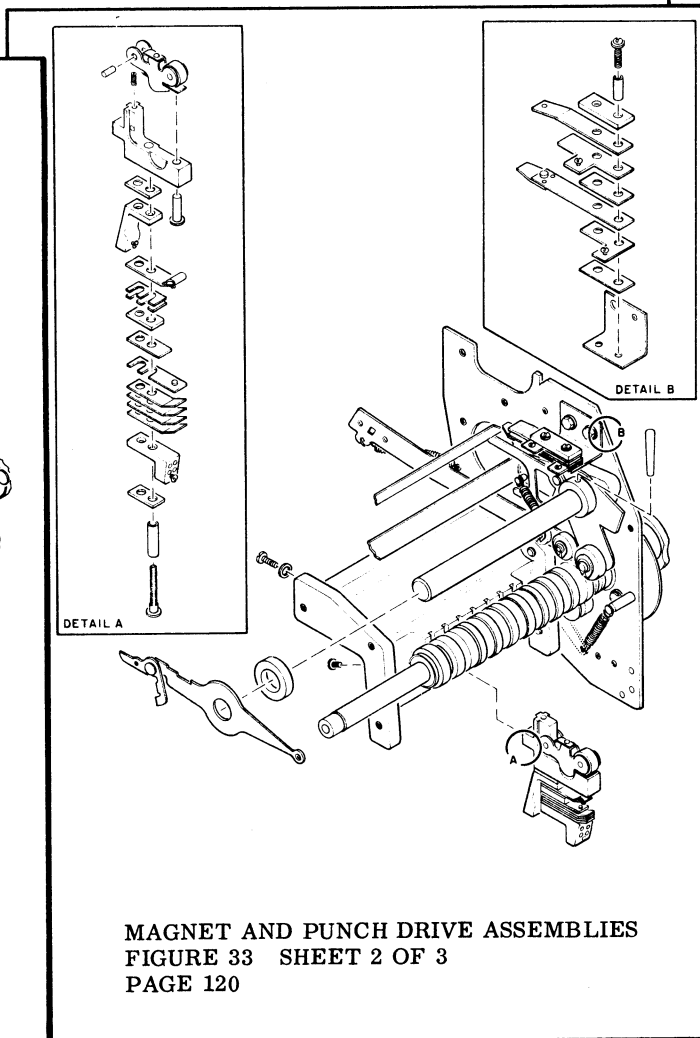
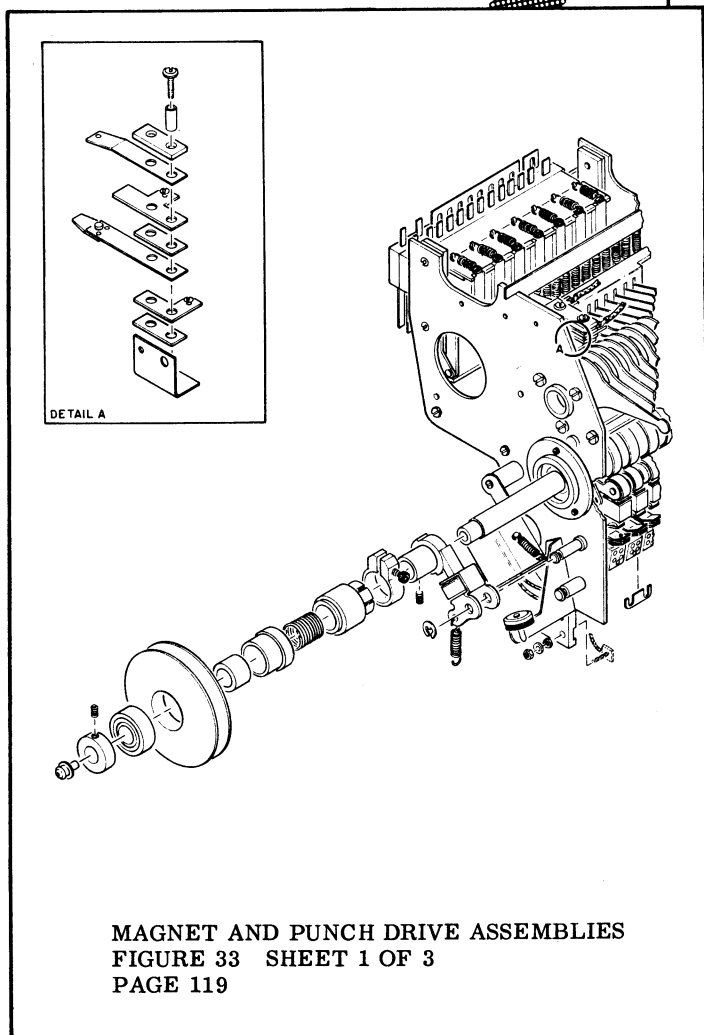
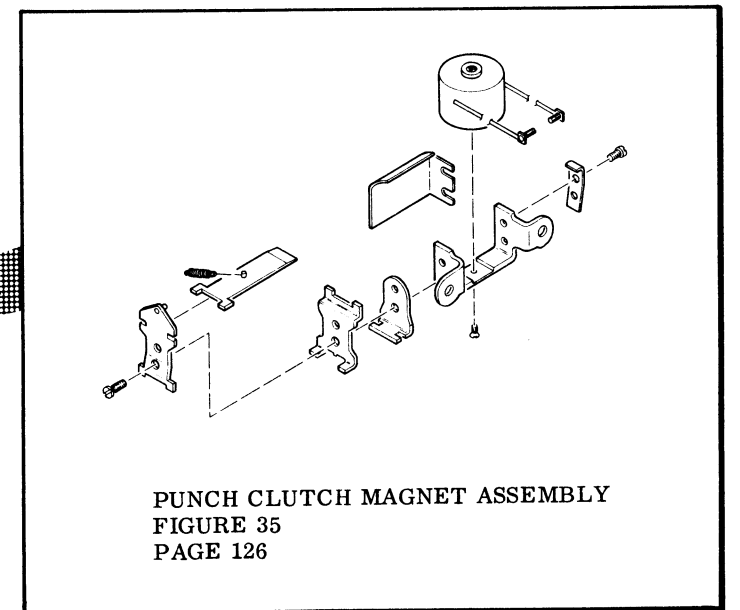
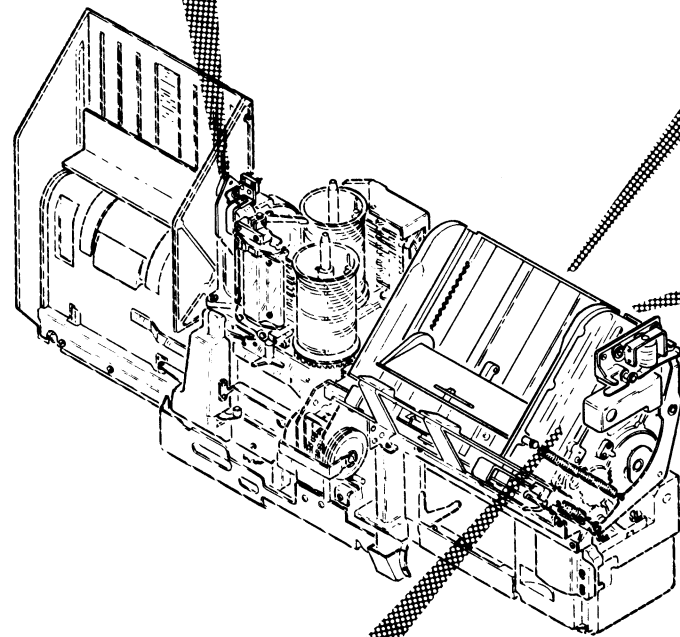
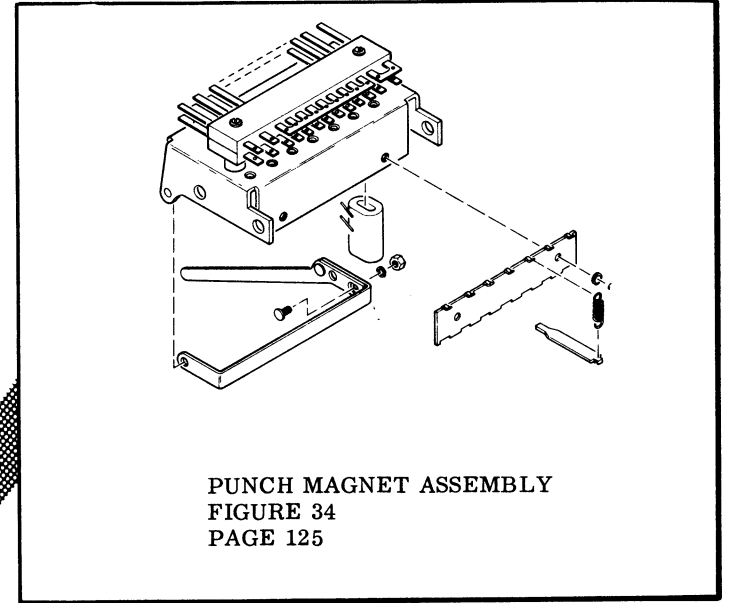
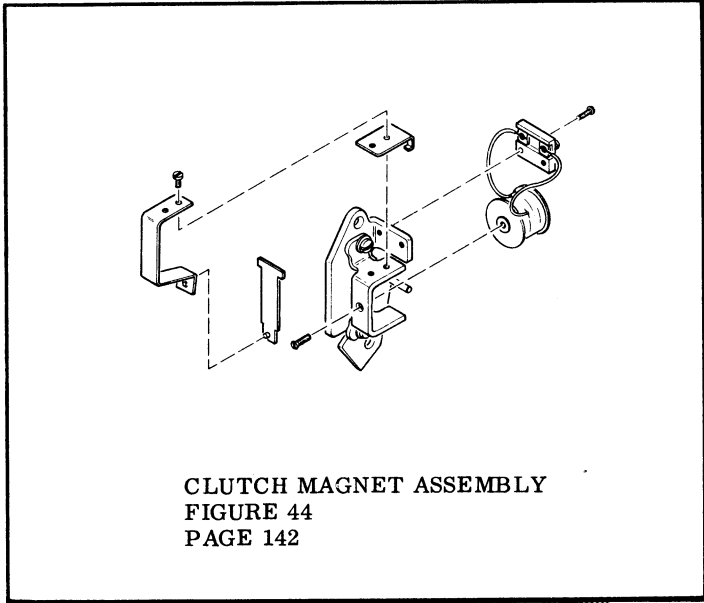


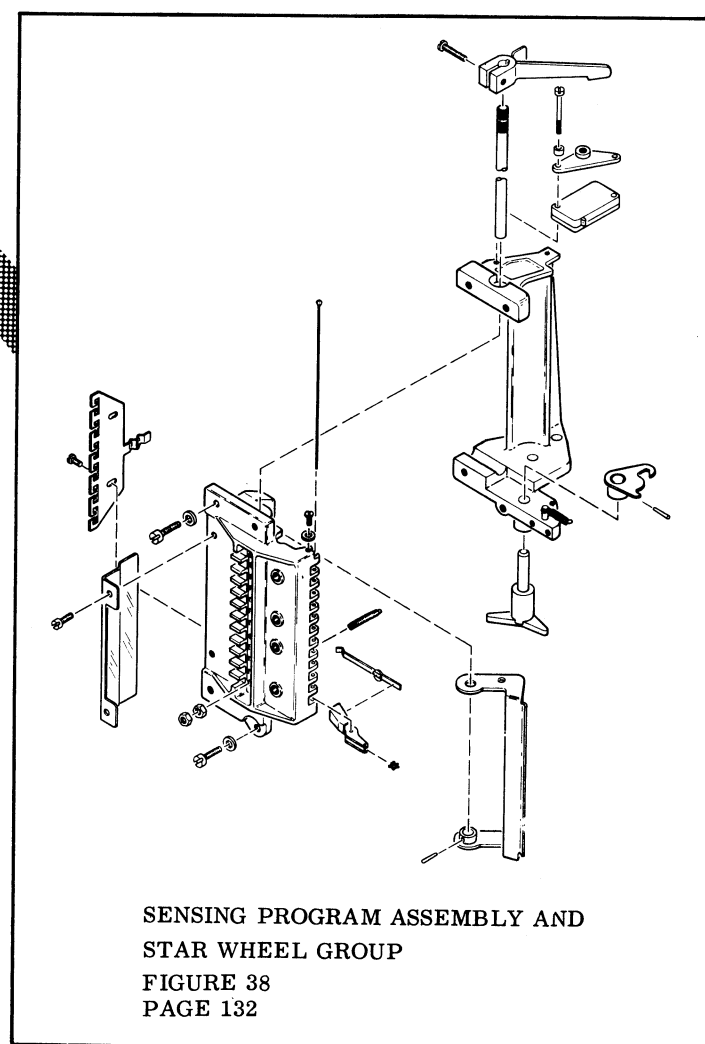
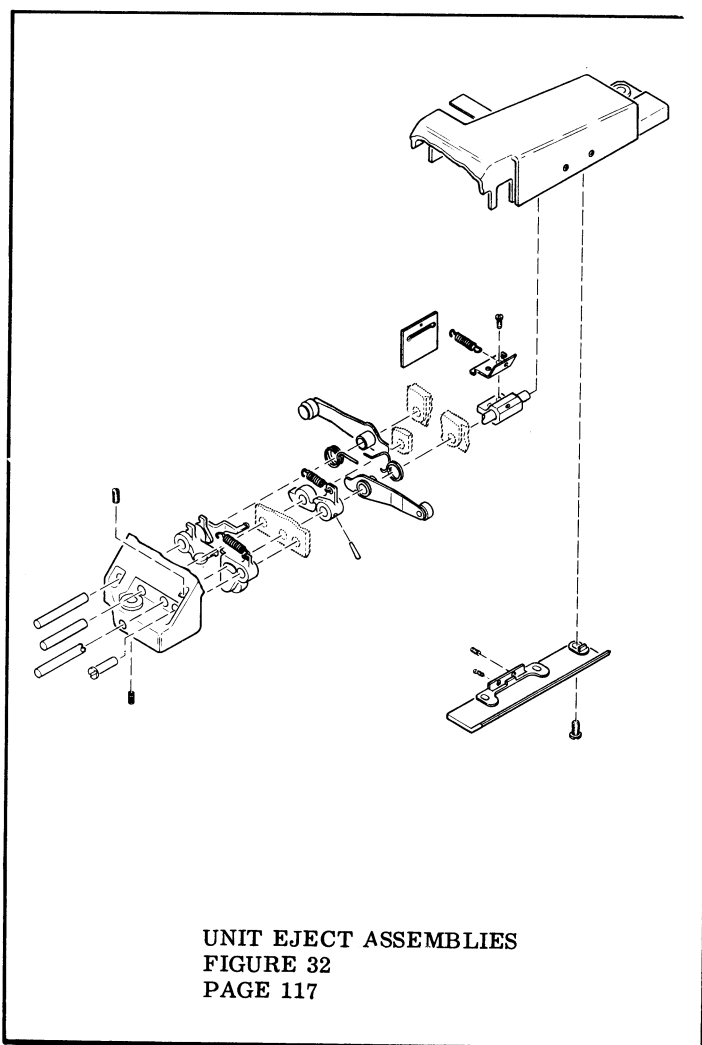
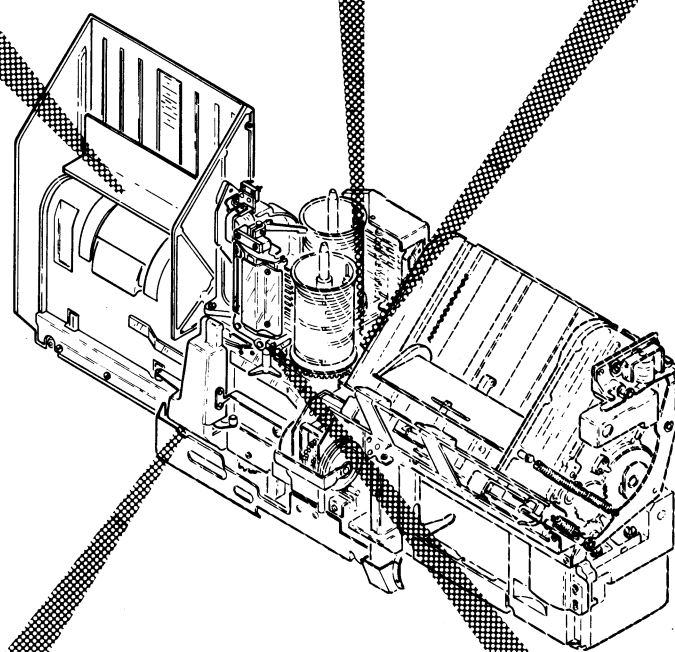
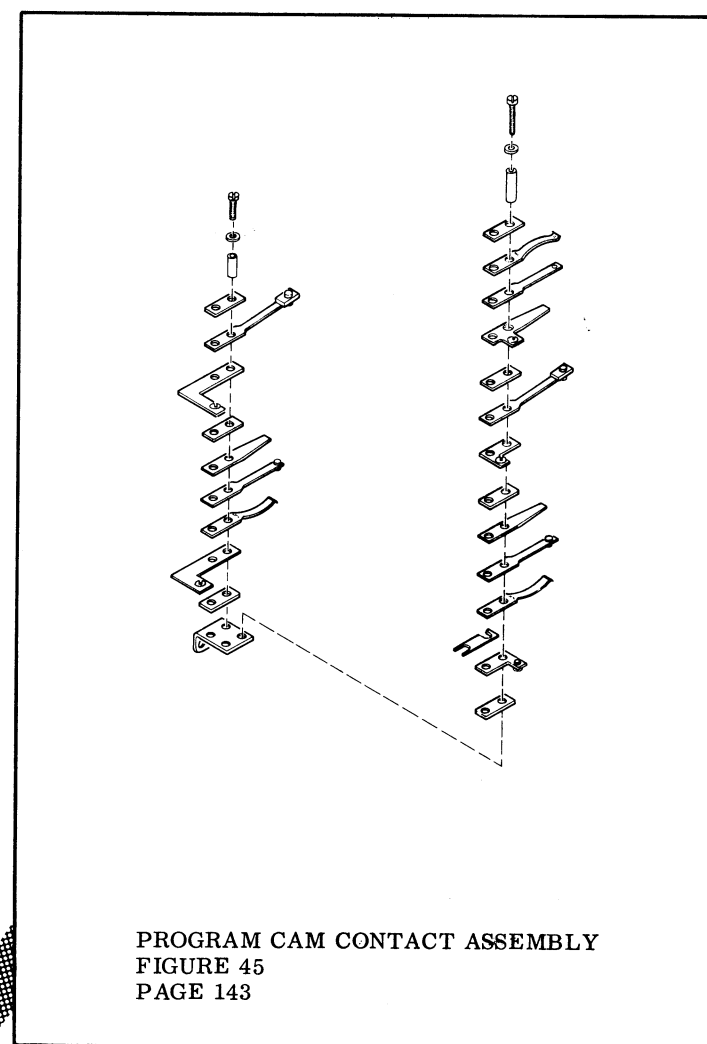
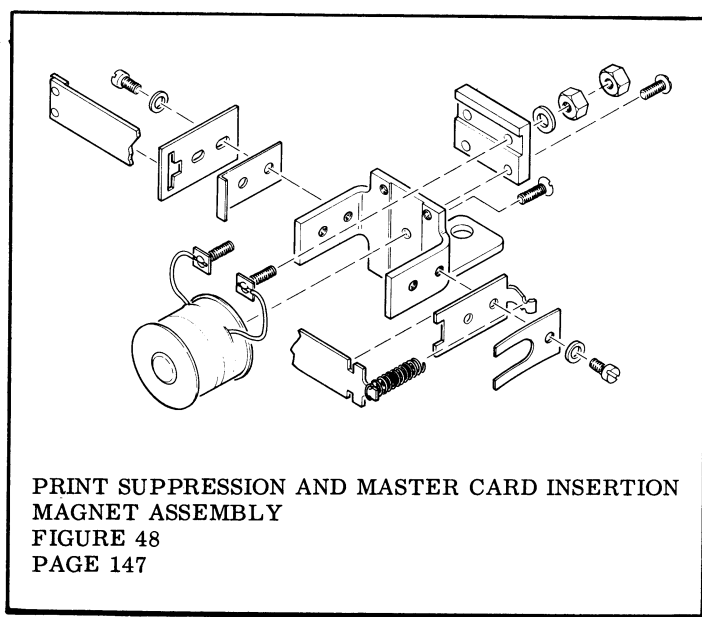
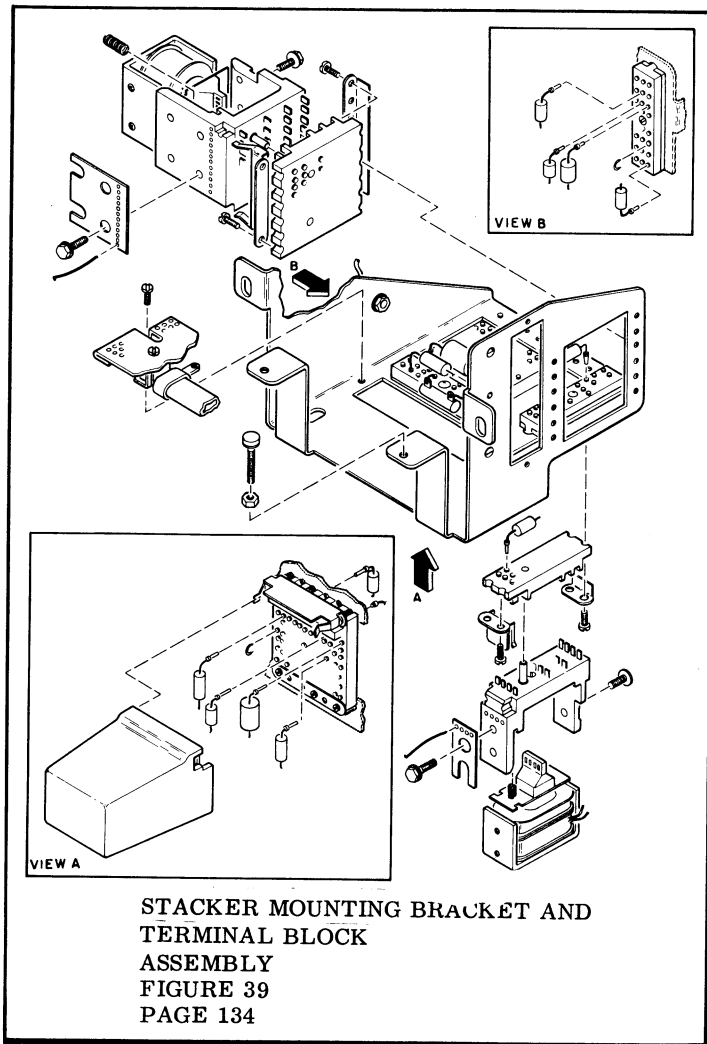


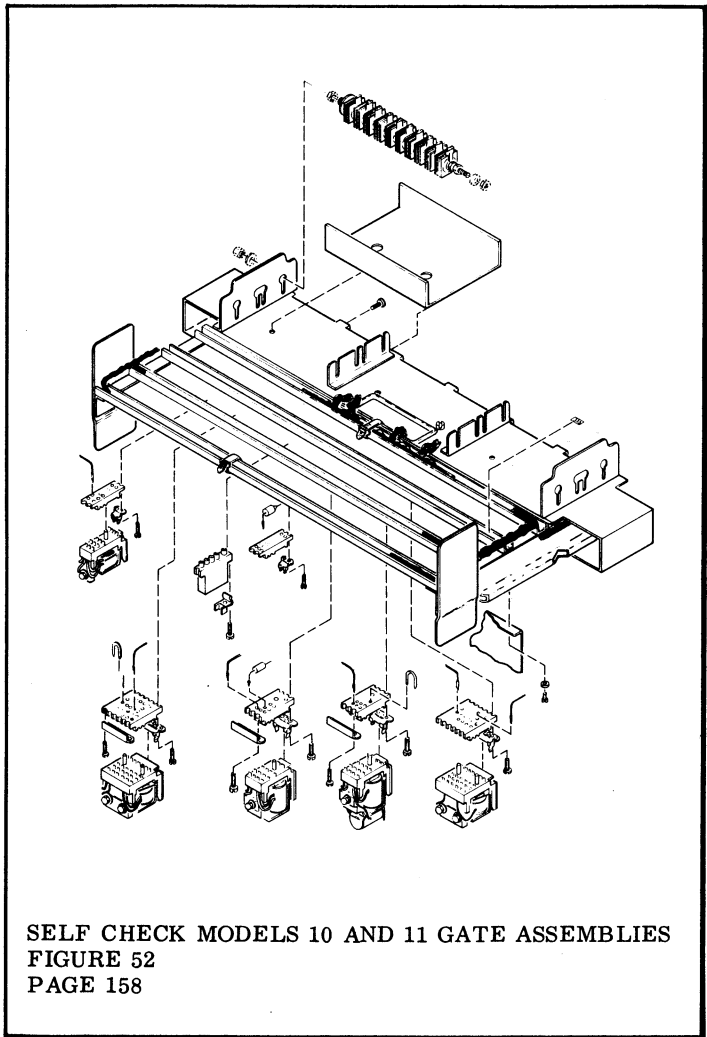




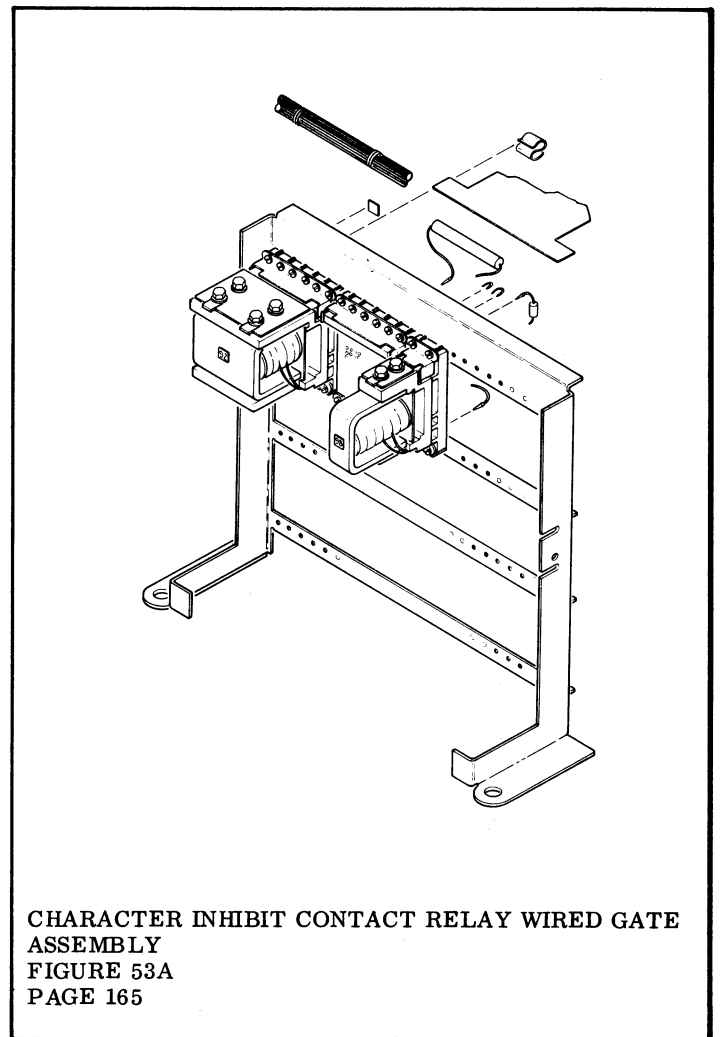




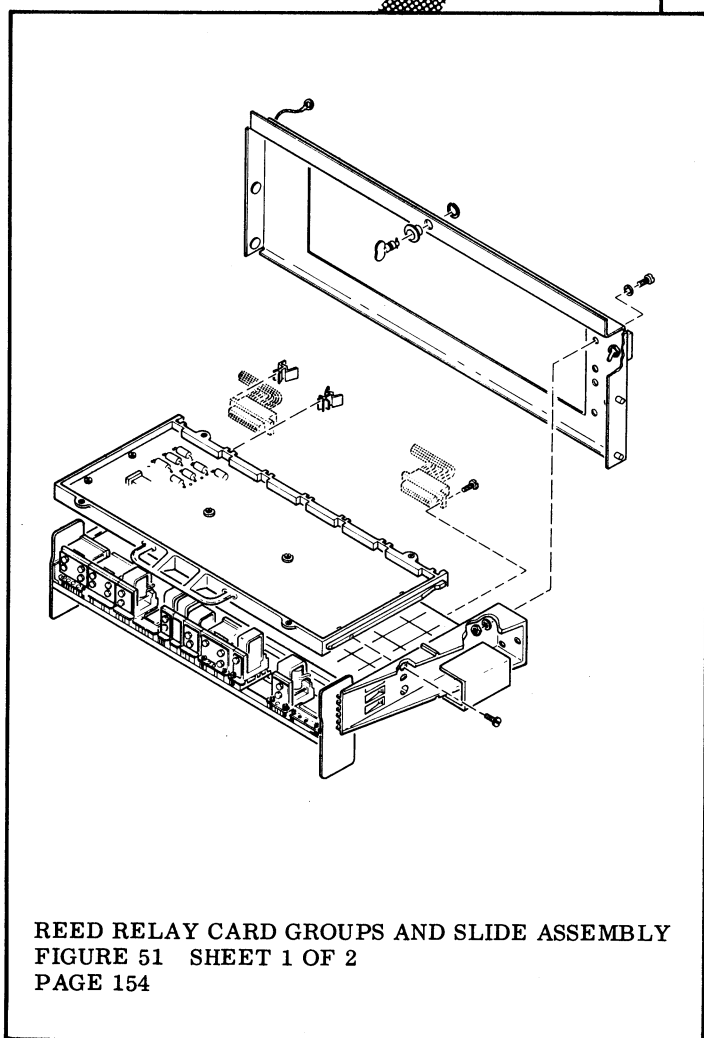
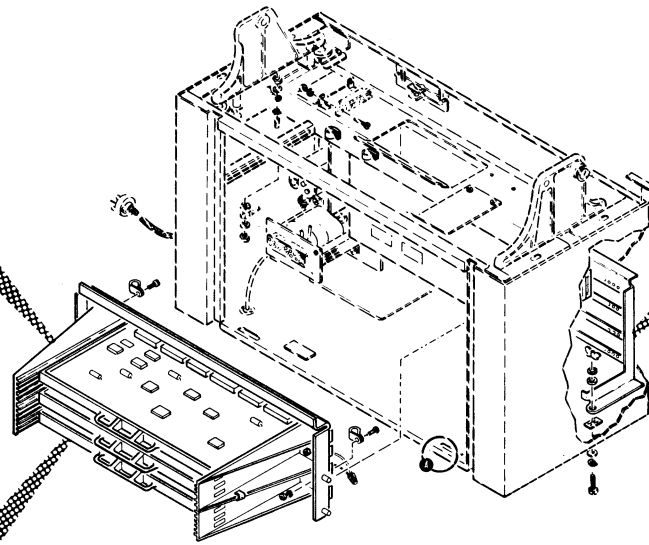




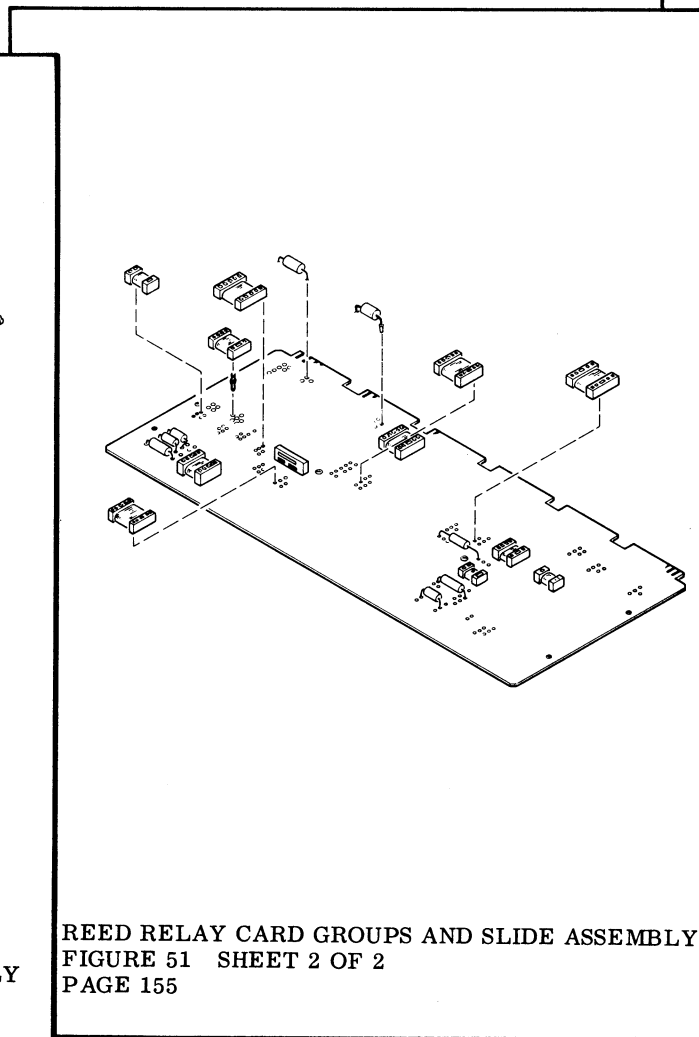
SELF CHECK MODELS 10 AND 11 GATE ASSEMBLIES
 FIGURE 52
 PAGE 158



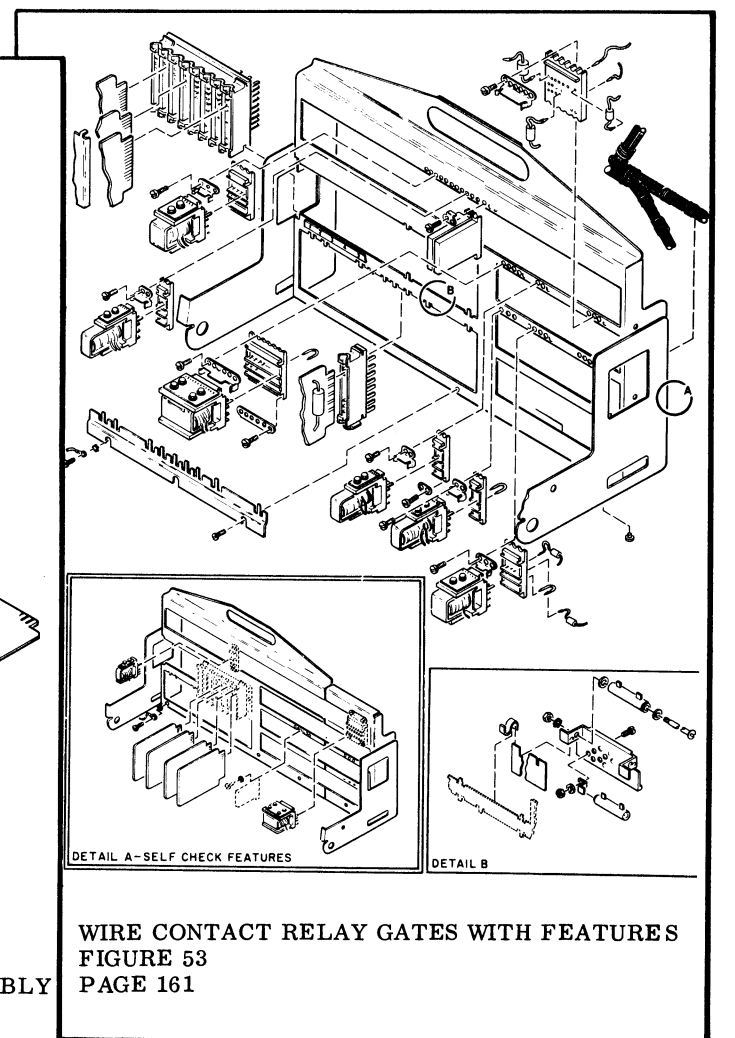
CHARACTER INHIBIT CONTACT RELAY WIRED GATE
 ASSEMBLY
 FIGURE 53A
 PAGE 165



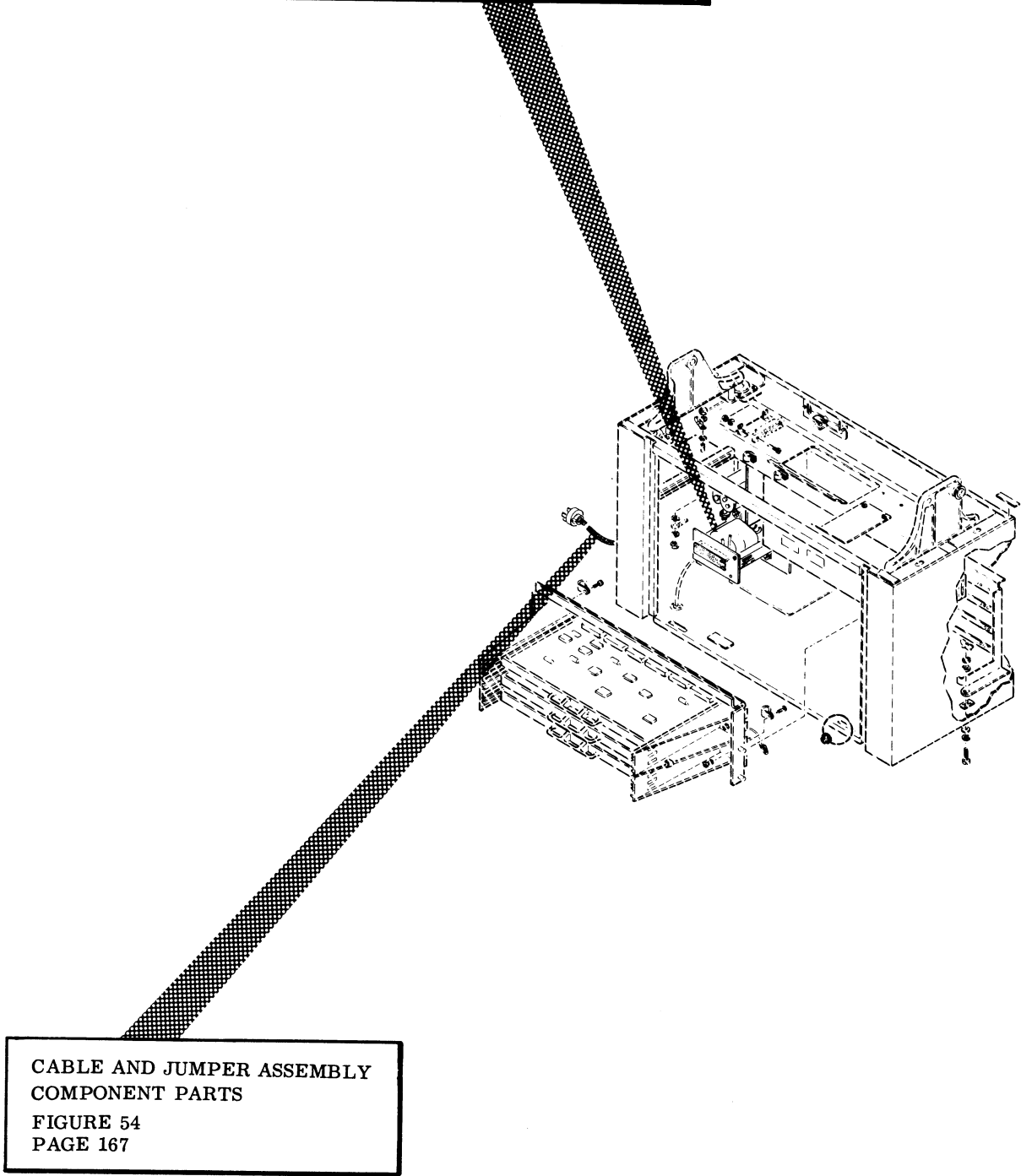
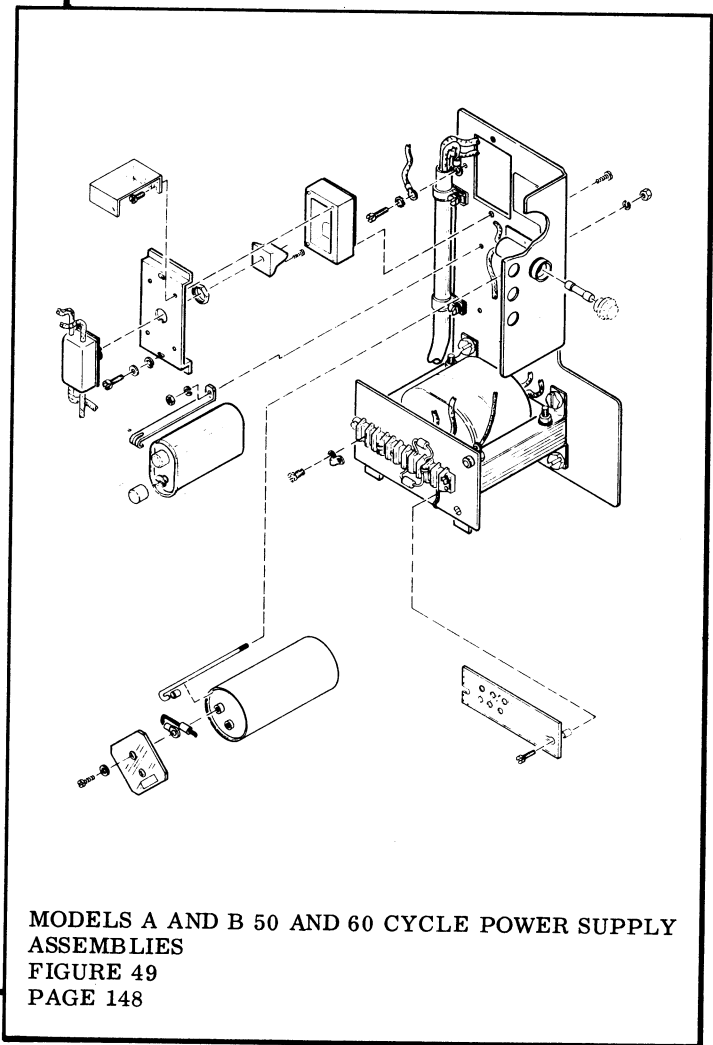
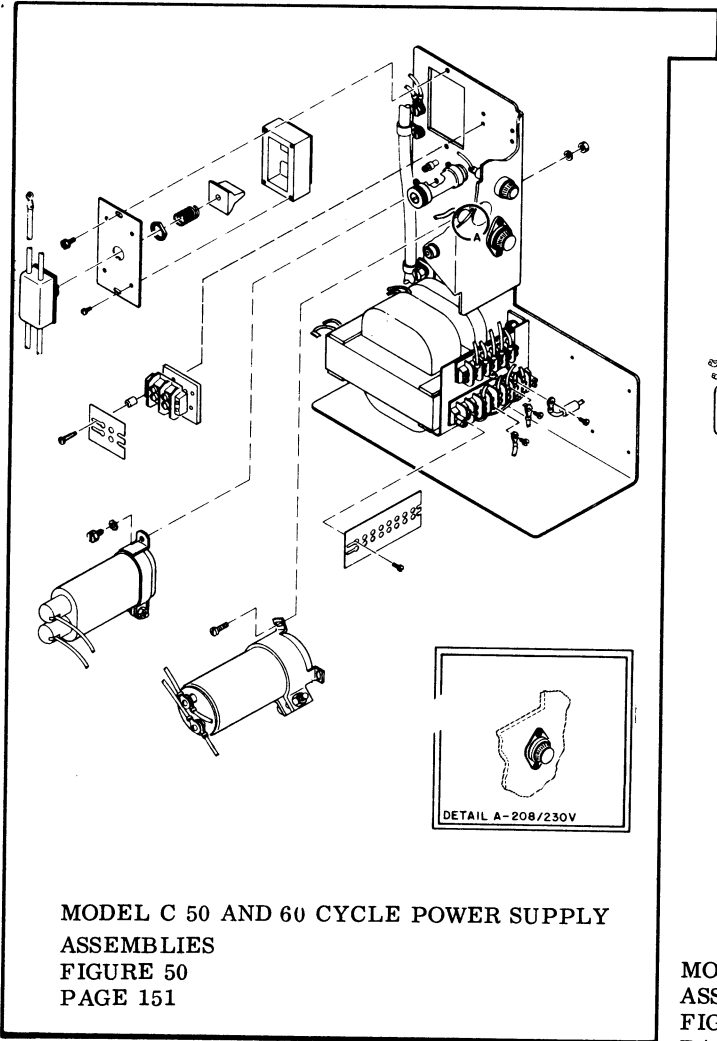
REED RELAY CARD GROUPS AND SLIDE ASSEMBLY
 FIGURE 51 SHEET 1 OF 2
 PAGE 154



REED RELAY CARD GROUPS AND SLIDE ASSEMBLY
 FIGURE 51 SHEET 2 OF 2
 PAGE 155



WIRE CONTACT RELAY GATES WITH FEATURES
 FIGURE 53
 PAGE 161



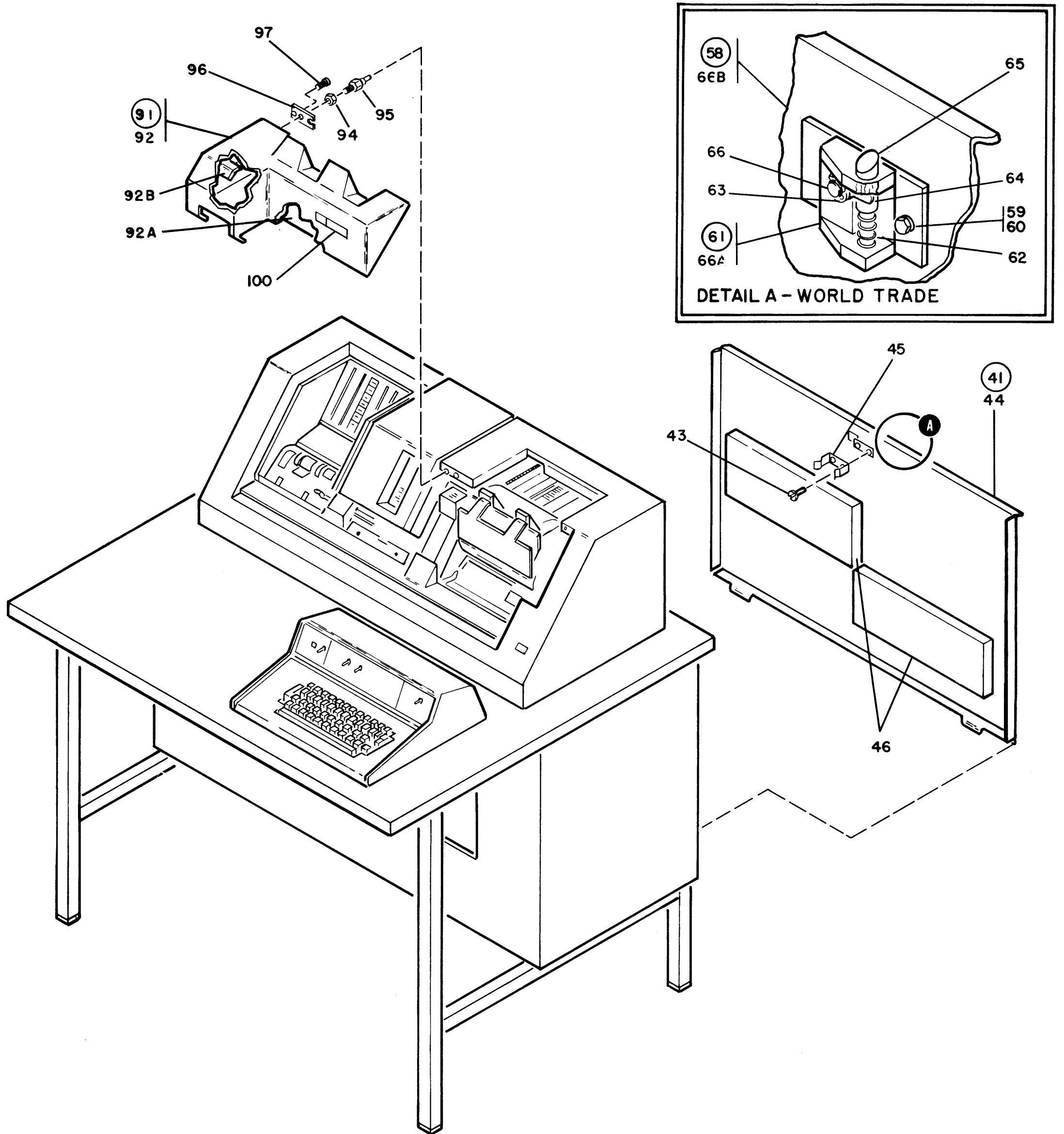


FIGURE 1. STANDARD AND FEATURE COVER ASSEMBLIES. SHEET 1 OF 2. SEE LIST 1.

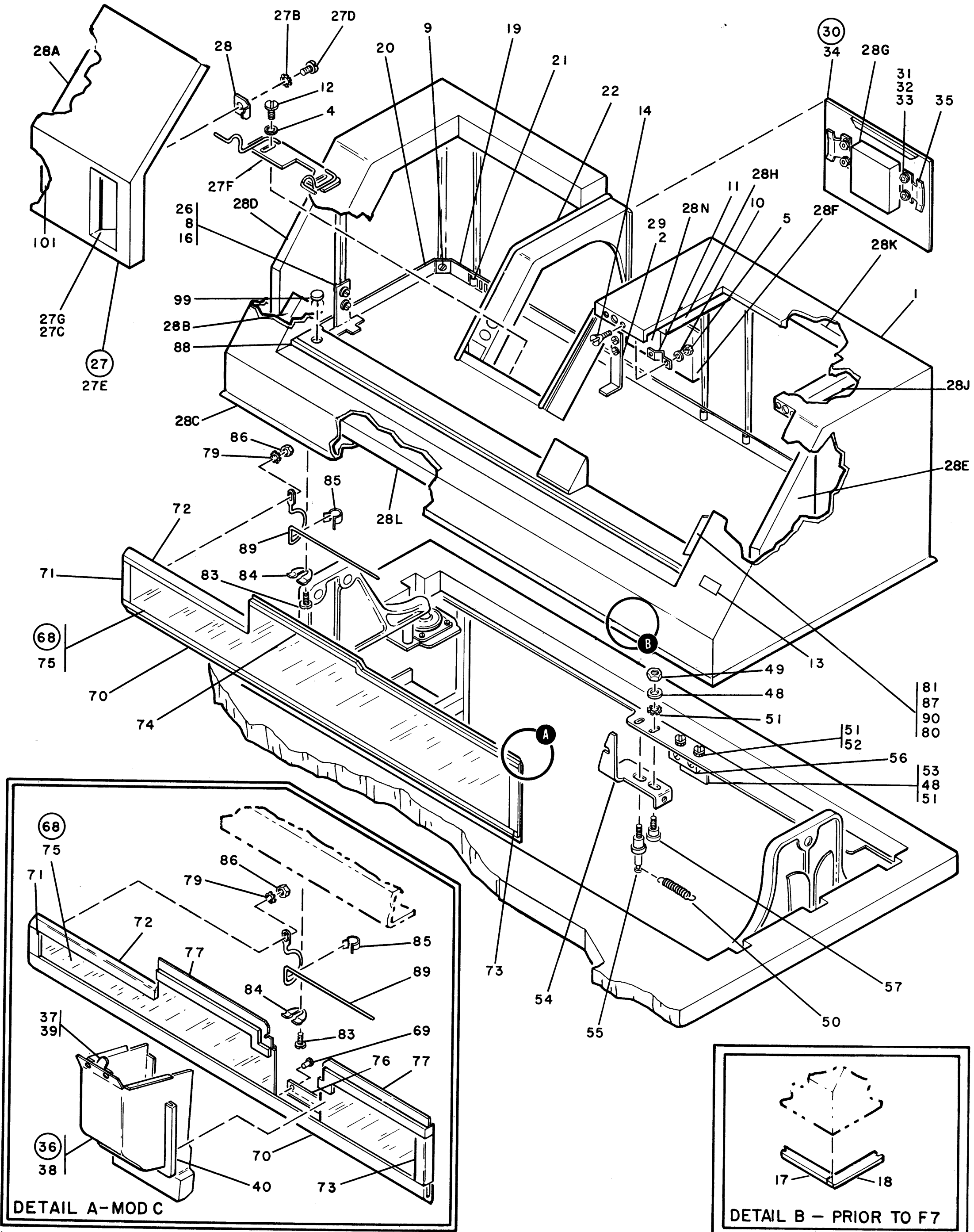


FIGURE 1. STANDARD AND FEATURE COVER ASSEMBLIES. SHEET 2 OF 2. SEE LIST 1.

LIST AND INDEX NUMBER	PART NUMBER	DESCRIPTION				UNITS PER ASM.	USABLE ON CODE
		1	2	3	4		
		STANDARD AND FEATURE COVER ASSEMBLIES					
1 -		CCODE A-USED ON DOMESTIC MODELS CCODE B-USED ON WORLD TRADE MODELS CCODE I-USED PRIOR TO F7					
-	5393301	COVER ASSEMBLY, TOP-STD				1	A
-	5403984	COVER ASSEMBLY, TOP-STD				1	B
-	5403956	COVER ASSEMBLY, TCP-MCC C				1	A
-	5403988	COVER ASSEMBLY, TCP-MCC C WTC				1	B
-	5403960	COVER ASSEMBLY, TOP-AUX DUP				1	A
-	5403986	COVER ASSEMBLY, TOP-AUX DUP WTC				1	B
-	5403957	COVER ASSEMBLY, TCP-MCC C AUX DUP				1	A
-	5403990	COVER ASSEMBLY, TCP-MOD C AUX DUP WTC				1	B
-	5403998	COVER ASSEMBLY, TOP-VLCD				1	A
-	5403999	COVER ASSEMBLY, TOP-VLCD WTC				1	B
-	5404442	COVER ASSEMBLY, TCP-MCC C VLCD				1	A
-	5404443	COVER ASSEMBLY, TOP-MOD C VLCD WTC				1	B
-	5404440	COVER ASSEMBLY, TOP-AUX DUP VLCD				1	A
-	5404441	COVER ASSEMBLY, TOP-AUX DUP VLCD WTC				1	B
-	5404444	COVER ASSEMBLY, TCP-MCC C AUX DUP VLCD				1	A
-	5404445	COVER ASSEMBLY, TOP-MOD C AUX D, VLCD WT SEE FIGURE 1 FOR ILLUSTRATION				1	B
* - 1	381722	. COVER SHEET 2				1	A
* - 1	5403983	. COVER, TCP USED ON TOP COVER ASSEMBLY-STD SHEET 2				1	B
* - 1	5403958	. COVER, TCP USED ON TOP COVER ASSEMBLY-STD WTC SHEET 2				1	A
* - 1	5403987	. COVER, TCP USED ON TCP COVER ASSEMBLY-MOD C SHEET 2				1	B
* - 1	5403961	. COVER-MAIN AUX DUP DRUM USED ON TOP COVER ASSEMBLY-MOD C WTC SHEET 2				1	A
* - 1	5403985	. COVER, TCP USED ON TOP COVER ASSEMBLY-AUX DUP WTC SHEET 2				1	B
* - 1	5403959	. COVER, TCP USED ON TCP COVER ASM-MOD C AUX DUP SHEET 2				1	A
* - 1	5403989	. COVER, TCP USED ON TOP COVER ASM-MOD C AUX DUP WTC SHEET 2				1	B
* - 1	5400953	. COVER, TCP USED ON TCP COVER ASSEMBLY-VLCD SHEET 2				1	A
* - 1	5400954	. COVER, TCP USED ON TOP COVER ASSEMBLY-VLCD WTC SHEET 2				1	B
* - 1	5400957	. COVER, TCP USED ON TCP COVER ASSEMBLY-MOD C VLCD SHEET 2				1	A
* - 1	5400958	. COVER, TCP USED ON TOP COVER ASM-MOD C VLCD WTC SHEET 2				1	B

LIST AND INDEX NUMBER	PART NUMBER	DESCRIPTION	UNITS PER ASM.	USABLE ON CODE
		1 2 3 4		
		STANDARD AND FEATURE COVER ASSEMBLIES -CONT		
* 1 - 1	5400955	. COVER, TOP USED ON TOP COVER ASM-AUX DUP VLCD	SHEET 2 1	A
* - 1	5400956	. COVER, TOP USED ON TOP COVER ASM-AUX DUP VLCD WTC	SHEET 2 1	B
* - 1	5400959	. COVER, TOP USED ON TOP COVER ASM-MOD C AUX D VLCD	SHEET 2 1	A
* - 1	5400960	. COVER, TOP USED ON TOP COVER ASSEMBLY-MOD C AUX DUP VLCD WTC	SHEET 2 1	B
* - 2	381741	. SCREW, THREAD FORM-PAN HD 8-32 X 3/8 LG	SHEET 2 2	B
* - 3	5400949 NP	. HARDWARE GROUP, TOPCOVER COMMON		
* - 4	22478	. . WASHER, FLAT- .170 ID, .375 OD	SHEET 2 2	
* - 5	37913	. . NUT-HEX 4-40 X .250 IC	SHEET 2 4	
* - 8	62031	. . WASHER, LOCK-INT TEETH NO. 6 X 0.295 OD	SHEET 2 4	
* - 9	5422266	. . SCREW, .014 X .25-SIZE 4, TYPE A	SHEET 2 4	1
* - 10	150209	. . WASHER, LOCK-INT TEETH NO. 4 X 17/64 OD	SHEET 2 4	
* - 11	313453	. . LATCH-CARD FEED COVER	SHEET 2 2	
* - 12	601093	. . SCREW, MACH-BIND HD 8-32 X 3/8 LG	SHEET 2 2	
* - 13	381977	. . STRIP-MACHINE NUMBERING	SHEET 2 1	
* - 14	472729	. . SCREW, MACH-FL CSK HD 4-40 X 3/8 LG	SHEET 2 4	
* - 16	734483	. . SCREW, PAN HD- 6-32 X 0.380 LG	SHEET 2 4	1
* - 17	5372211	. . SEAL, RUBBER STRIP	SHEET 2 2	1
* - 18	5372212	. . SEAL, RUBBER STRIP	SHEET 2 2	1
* - 19	5393453	. . SUPPORT, SEAL, COVER	SHEET 2 2	1
* - 20	5393454	. . SUPPCRT, SEAL, COVER	SHEET 2 2	1
* - 21	5393455	. . CLIP	SHEET 2 6	1
* - 22	5440739	. . SEAL, PROGRAM DRUM	SHEET 2 2	
* - 26	5408849	. . BRACKET, GUIDE	SHEET 2 2	
* - 27	5404365	. . COVER ASSEMBLY, PROGRAM DRUM ORDER BM 5416919 CEM 21 FOR MACHINES PRICR TC SUFFIX M6	SHEET 2 1	
* - 27B	56079	. . . WASHER, LOCK-EXT T .195 ID .410 OD	SHEET 2 2	
* - 27C	731626	. . . SCREW, PAN HEAD, 6-32 X .25 LONG	SHEET 2 AR	
* - 27D	731629	. . . SCREW, SELF TAPPING- 10-32 X 3/8 LG	SHEET 2 2	
* - 27E	5404363	. . . COVER, PROGRAM DRUM	SHEET 2 1	
* - 27F	5404364	. . . HINGE, DRUM COVER	SHEET 2 1	
* - 27G	5404366	. . . WINDOW, PROGRAM DRUM	SHEET 2 1	
* - 28	5404367	. . . RETAINER, DRUM COVER HINGE	SHEET 2 1	
* - 28A	5462485	. . . PAD, ACOUSTIC PROGRAM DRUM COVER	SHEET 2 1	
* - 28B	5400942	. . SEAL, ACOUSTIC SIDE	SHEET 2 2	
* - 28C	5400989	. . SEAL, TOP COVER MCLDED	SHEET 2 2	
* - 28D	5462481	. . PAD, ACOUSTIC TOP COVER-LEFT	SHEET 2 2	
* - 28E	5462482	. . PAD, ACOUSTIC TOP COVER-RIGHT	SHEET 2 2	
* - 28F	5462483	. . PAD, ACOUSTIC TOP COVER-CENTER REAR	SHEET 2 2	
* - 28G	5462484	. . PAD, ACOUSTIC-AUX DUP REAR PANEL	SHEET 2 2	
* - 28H	5462513	. . TRANSPCRT ASSEMBLY, VLCD	SHEET 2 2	
* - 28J	5462514	. . PAD, ACOUSTIC CARD HOPPER-RIGHT SIDE	SHEET 2 2	
* - 28K	5462515	. . PAD, ACOUSTIC CARD HOPPER-REAR	SHEET 2 2	
* - 28L	5462539	. . SEAL, ACOUSTIC	SHEET 2 2	
* - 28N	5462564	. . SEAL, ACOUSTIC	SHEET 2 1	
* - 29	8108002	. LATCH-TOP COVER	SHEET 2 1	B
* - 30	5400952	. COVER ASSEMBLY, REAR ACCESS	SHEET 2 1	
* - 31	62031	USED ON TOP COVER ASSEMBLIES-AUX DUP . . WASHER, LOCK-INT TEETH NO. 6 X 0.295 OD	SHEET 2 4	
* - 32	257986	. . WASHER, FLAT NO. 6	SHEET 2 4	
* - 33	5213365	. . NUT, ACORN-6-32 NC 2B	SHEET 2 4	
* - 34	5393458	. . COVER-ACCESS, AUXILIARY DUP-DRUM	SHEET 2 1	
* - 35	5393459	. . RETAINER, COVER	SHEET 2 2	
* - 36	5404161	COVER ASSEMBLY, INTERPRETER USED ON MODEL C ONLY	SHEET 2 AR	
* - 37	232249 □	. RIVET	SHEET 2 2	
* - 38	5404151	. COVER, INTERPRETER UNIT	SHEET 2 1	
* - 39	5404153 □	. SPRING, LATCH	SHEET 2 1	
* - 40	5404157	. SEAL	SHEET 2 1	
* - 41	5422210	SEAL USED ONLY WHEN ACOUSTIC COVER IS INSTALLED COVER ASSEMBLY, REAR	SHEET 1 1	A
* - 41	5405900	USED ON REED RELAY UNITS ONLY COVER ASSEMBLY, REAR USED ON WIRE CONTACT RELAY UNITS ONLY	SHEET 1 1	A

LIST AND INDEX NUMBER	PART NUMBER	DESCRIPTION	UNITS PER ASM.	USABLE ON CODE
		1 2 3 4		
		STANDARD ANC FEATURE COVER ASSEMBLIES -CONT		
* 1 - 43	731631	. SCREW,PAN HD- 4-40 X 1/4 LG	SHEET 1	2 A
* - 44	5405901	. COVER, REAR	SHEET 1	1 A
* - 45	5367303	. CLIP,SPRING TENSION	SHEET 1	1 A
* - 46	5405908	. SEAL, REAR COVER	SHEET 1	1 A
* - 46	5405908	USED ON REAR COVER ASSEMBLY-WCR . SEAL, REAR COVER	SHEET 1	2 A
* - 48	22478	USED ON REAR COVER ASM- REED RELAY UNITS . WASHER,FLAT- .170 ID, .375 OD	SHEET 2	4 B
* - 49	52552	. NUT, PLAIN,HEX,8/32X 3/8 FL W	SHEET 2	2 B
* - 50	58852	. SPRING,HELICAL,EXTENSION- 42 TURNS	SHEET 2	1 B
* - 51	60646	. WASHER,LOCK-INT T NO. 8	SHEET 2	4 B
* - 52	381741	. SCREW,THREAD FORM-PAN HD 8-32 X 3/8 LG	SHEET 2	2 B
* - 53	5404274	. BRACKET ASSEMBLY, LATCH MTG	SHEET 2	1 B
* - 54	8108001	. INTERLOCK, REAR FRAME	SHEET 2	1 B
* - 55	8108003	. STUD, SPRING	SHEET 2	1 B
* - 56	8108004	. PLATE, LATCH	SHEET 2	1 B
* - 57	8108030	. STUD	SHEET 2	1 B
* - 58	8108460	. COVER ASSEMBLY, REAR-WTC	SHEET 1	1 B
* - 59	23931	. NUT,PLAIN,HEX- 8-32 X 5/16 FL W	SHEET 1	2
* - 60	60646	. WASHER,LOCK-INT T NO. 8	SHEET 1	2
* - 61	8108034	. INTERLOCK ASM, REAR COVER	SHEET 1	1
* - 62	91034	. SPRING,HELICAL,COMPR- 8.1 TURNS	SHEET 1	1
* - 63	192049	. RING,RETAINING-EXT 0.185 ID X 0.020 THK	SHEET 1	1
* - 64	4062756	. LEVER	SHEET 1	1
* - 65	4062758	. SHAFT	SHEET 1	1
* - 66	4106830	. PIN	SHEET 1	1
* - 66A	8108033	. BRACKET, REAR COVER INTERLOCK	SHEET 1	1
* - 66B	5406541	. COVER, REAR	SHEET 1	1
* - 68	5373585	. COVER ASSEMBLY, ACOUSTIC PRINT USED ON ACCUSTIC COVER GR MODS A AND B	SHEET 2	1
* - 68	5373590	. COVER ASSEMBLY-ACOUSTIC NON-PRINT USED ON ACOUSTIC COVER GR STD AND VLCD	SHEET 2	1
* - 68	5404155	. COVER ASM, ACOUSTIC-INTERPRETER USED ON ACOUSTIC COVER GR MOD C	SHEET 2	1
* - 69	25170 □	. RIVET USED ON INTERPRETER ACOUSTIC COVER ASM	SHEET 2	4
* - 70	5373586	. TRIM,LOWER	SHEET 2	1
* - 71	5373587	. CLIP MOUNTING,LH HINGED ACOUSTIC COVER	SHEET 2	1
* - 72	5373588	. TRIM,TOP	SHEET 2	1
* - 73	5373596	. CLIP MOUNTING,RH HINGED ACOUSTIC COVER	SHEET 2	1
* - 74	5393311	. WIPER-MOULDED PRINT COVER USED ON ACCUSTIC PRINT COVER ASM	SHEET 2	1
* - 74	5393312	. WIPER-MOULDED NCN-PRINT USED ON ACOUSTIC N/PRINT COVER ASM	SHEET 2	1
* - 75	5404154	. COVER, ACOUSTIC INTERPRETER USED ON INTERPRETER ACOUSTIC COVER ASM	SHEET 2	1
* - 75	5373581	. COVER, ACCOUSTIC PRINT USED ON ACOUSTIC PRINT COVER ASM	SHEET 2	1
* - 75	5373582	. COVER,ACOUSTIC NON-PRINT USED ON ACCUSTIC N/PRINT COVER ASM	SHEET 2	1
* - 76	5404156 □	. BRACE,ACOUSTIC COVER USED ON INTERPRETER ACOUSTIC COVER ASM	SHEET 2	1

LIST AND INDEX NUMBER	PART NUMBER	DESCRIPTION	UNITS PER ASM.	USABLE ON CODE
		1 2 3 4		
		STANDARD AND FEATURE COVER ASSEMBLIES -CONT		
* 1 - 77	5404159	. . WIPER, MOULDED-RIGHT USED ON RIGHT SIDE	SHEET 2	1
* - 77	5404160	. . WIPER, MOULDED-LEFT USED ON LEFT SIDE	SHEET 2	1
* - 78	5400951 NP	USED ON INTERPRETER ACOUSTIC COVER ASM . . HARDWARE GROUP	SHEET 2	
* - 78	5422144 NP	USED ON STANDARD ACOUSTIC COVER GROUP . . HARDWARE GROUP	SHEET 2	
* - 79	56722	USED ON VLCD ACOUSTIC COVER GROUP . . LOCKWASHER-EXT. TIGHT CL. .150XID. .320	SHEET 2	4
* - 80	112055	. . SETSCREW-SPLINE DR CUP PT 8-32 X 1/4 LG	SHEET 2	2
* - 81	381727	. . STOP, ACOUSTIC COVER-STD USED ON STD ACOUSTIC COVER HARDWARE GR	SHEET 2	1
* - 83	731626	. . SCREW, PAN HEAD, 6-32 X .25 LONG	SHEET 2	2
* - 84	1124336	. . BRACKET, TOP COVER	SHEET 2	2
* - 85	1138464	. . CLIP-RETAINER	SHEET 2	2
* - 86	5213365	. . NUT, ACORN-6-32 NC 2B	SHEET 2	4
* - 87	5372270	. . SEAL-ACOUSTIC COVER, RH	SHEET 2	1
* - 88	5372271	. . SEAL-ACOUSTIC COVER BOTTOM	SHEET 2	1
* - 89	5372374	. . HINGE, COVER-ACOUSTIC	SHEET 2	1
* - 90	5404391	. . STOP, ACOUSTIC COVER-VLCD USED ON VLCD ACOUSTIC COVER HARDWARE GR	SHEET 2	1
* - 91	381725	COVER ASSEMBLY, FEED-PRINT STD	SHEET 1	AR
* - 91	5403951	COVER ASSEMBLY, FEED-MOD C STD	SHEET 1	AR
* - 91	5403953	COVER ASSEMBLY, FEED-MOD C VLCD	SHEET 1	AR
* - 91	5403954	COVER ASSEMBLY, FEED-NON PRINT VLCD	SHEET 1	AR
* - 91	5403955	COVER ASSEMBLY, FEED-PRINT VLCD	SHEET 1	AR
* - 92	381726	. COVER, FEED-PRINT USED ON STD PRINT FEED COVER ASM	SHEET 1	1
* - 92	381738	. COVER, FEED-NON PRINT USED ON STD N/PRINT FEED COVER ASM	SHEET 1	1
* - 92	5403964	. COVER, FEED USED ON MOD C STD FEED COVER ASM	SHEET 1	1
* - 92	5403965	. COVER, FEED USED ON MOD C VLCD FEED COVER ASM	SHEET 1	1
* - 92	5403962	. COVER, FEED USED ON VLCD N/PRINT FEED COVER ASM	SHEET 1	1
* - 92	5403963	. COVER, FEED USED ON VLCD PRINT FEED COVER ASM	SHEET 1	1
* - 92A	5462516	. PAD, ACCUSTIC FEED COVER USED ON PRINT FEED COVER ASSEMBLIES	SHEET 1	1
* - 92A	5462561	. PAD, ACCUSTIC USED ON NON-PRINT FEED COVER ASM	SHEET 1	1
* - 92B	5462517	. PAD, ACCUSTIC FEED COVER-PRINT USED ON PRINT FEED COVER ASSEMBLIES	SHEET 1	2
* - 92B	5462517	. PAD, ACCUSTIC FEED COVER-PRINT USED ON NON-PRINT FEED COVER ASM	SHEET 1	1
* - 93	5400948 NP	. . HARDWARE GROUP, FEED ASM	SHEET 1	
* - 94	257189	. . NUT, HEX- 8-32	SHEET 1	2
* - 95	312615	. . STUD-CARD FEED COVER BALL	SHEET 1	2
* - 96	362852	. . PLATE, MOUNTING-BALL JOINT	SHEET 1	2
* - 97	731626	. . SCREW, PAN HEAD, 6-32 X .25 LONG	SHEET 1	4
* - 99	184379	. . PLUG SNAP-IN	SHEET 2	2
* -100	5367101	PLATE, IDENTIFICATION SEE FIGURE 2-52 FOR NEXT HIGHER ASM	SHEET 1	1
* -101	5404054	DECAL-PROGRAM CODE, LEFT ZERO SEE FIGURE 2-65 FOR NEXT HIGHER ASM	SHEET 2	REF

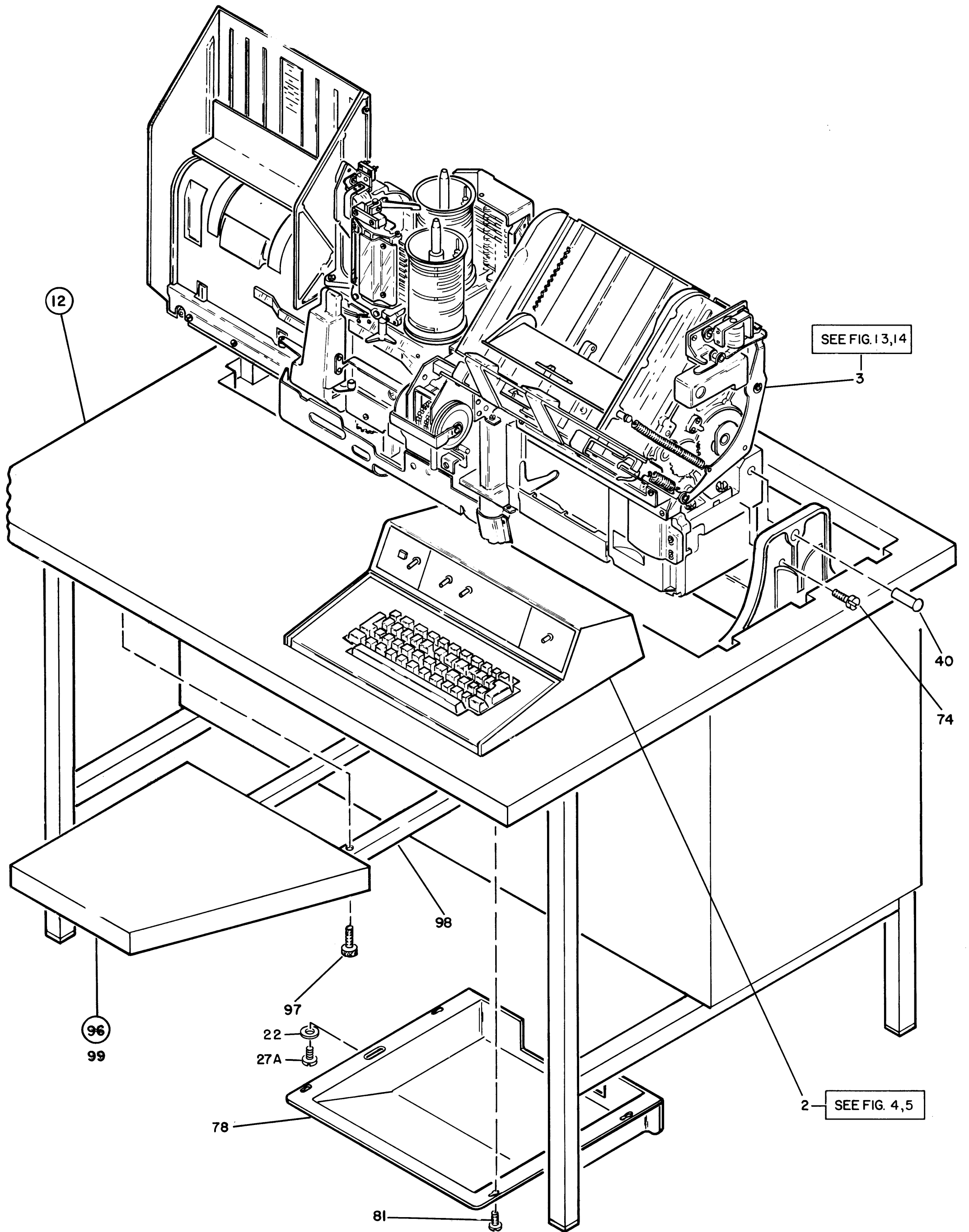


FIGURE 2. 29 CARD PUNCH FINAL ASSEMBLY. SHEET 1 OF 3. SEE LIST 2.

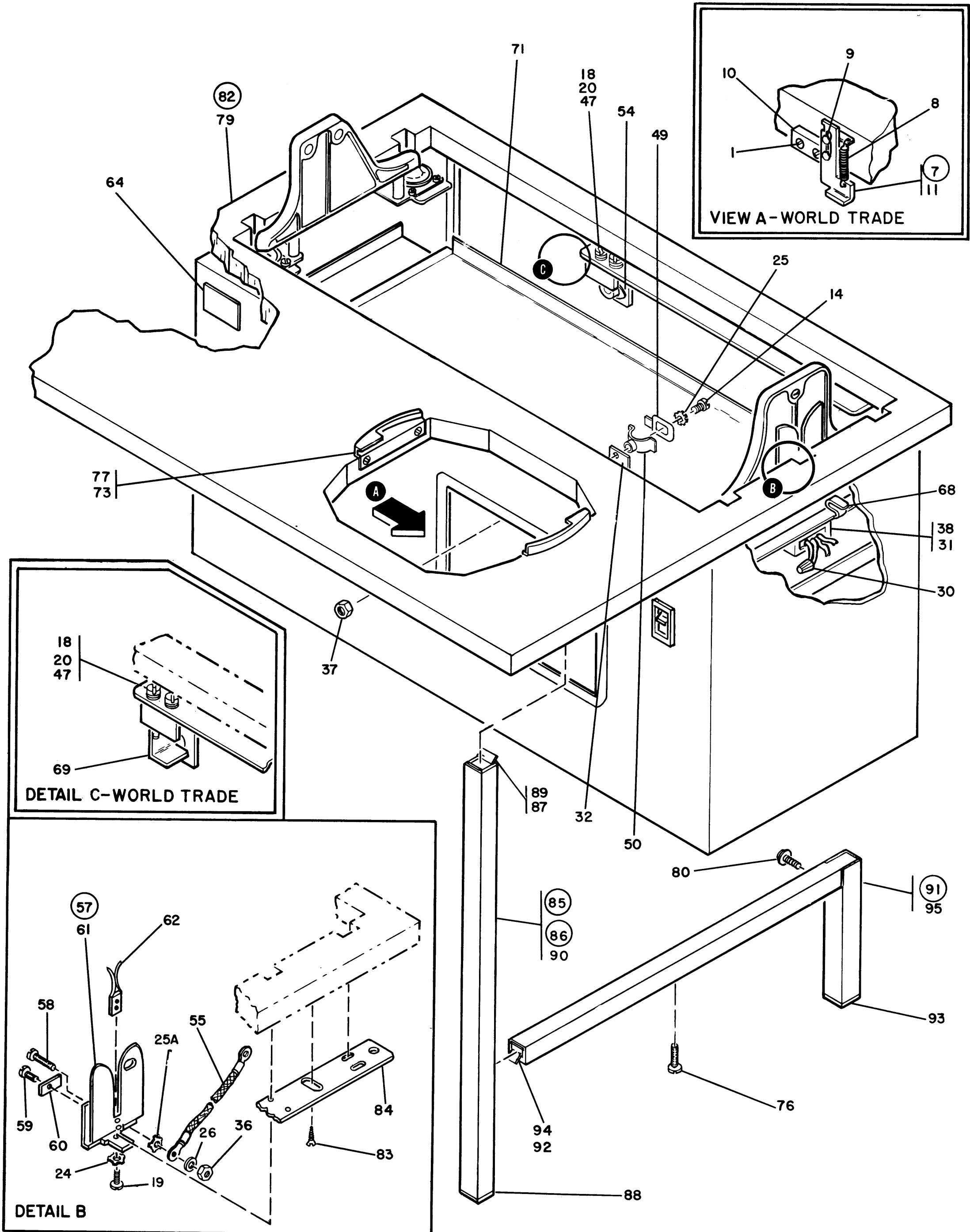


FIGURE 2. 29 CARD PUNCH FINAL ASSEMBLY. SHEET 2 OF 3. SEE LIST 2.

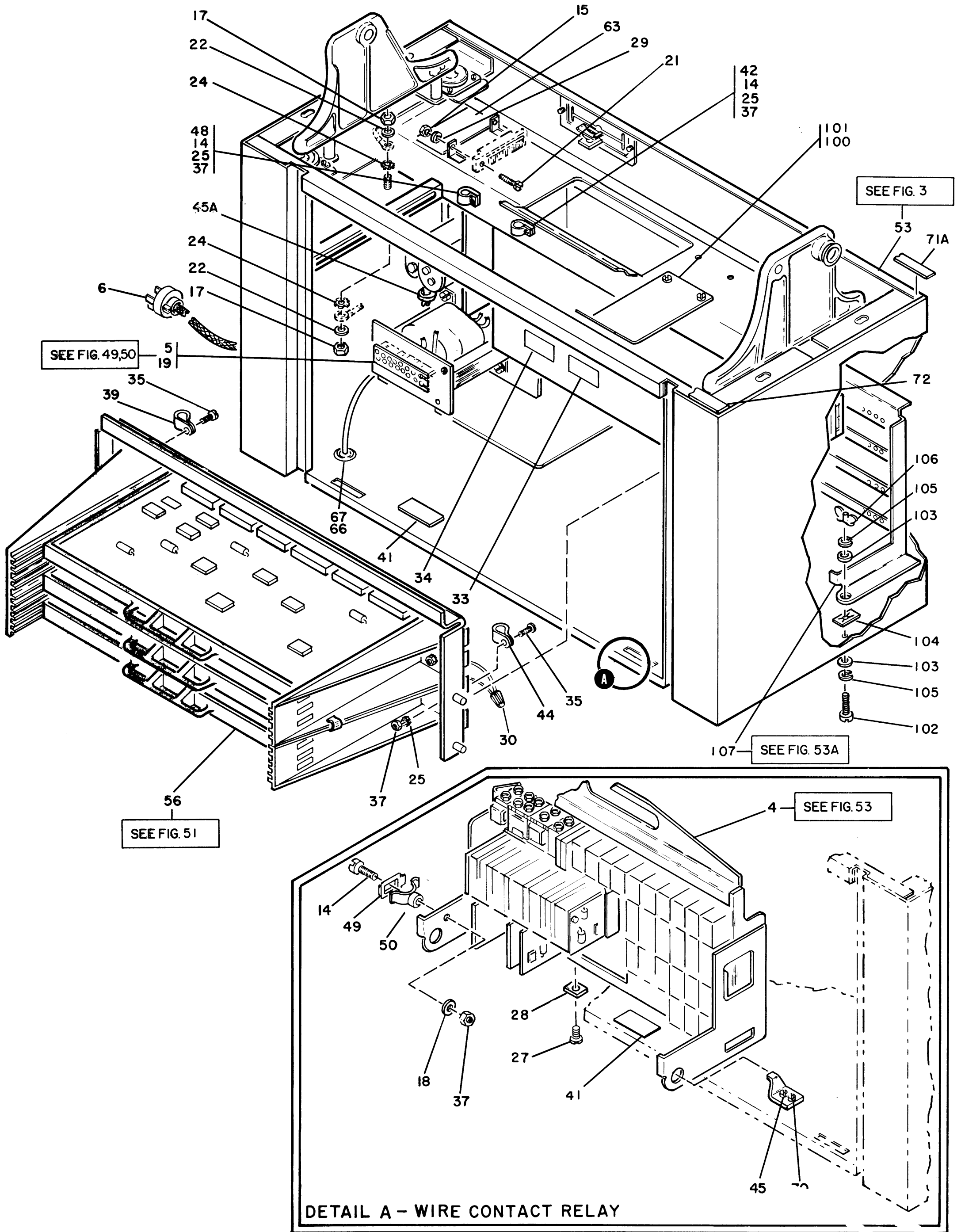


FIGURE 2. 29 CARD PUNCH FINAL ASSEMBLY. SHEET 3 OF 3. SEE LIST 2.

LIST AND INDEX NUMBER	PART NUMBER	DESCRIPTION	UNITS PER ASM.	USABLE ON CODE
		29 CARD PUNCH FINAL ASSEMBLY		
2 -				
		CCDE A-USED ON REED RELAY UNITS CCDE B-USED ON WIRE CONTACT RELAY UNITS CCDE C-USED ON REAR COVER AND LATCHES GRUP WORLD TRADE MODEL		
-	NO NO.	FINAL ASSEMBLY, 29 CARD PUNCH	NP	
* - 1	38497	SEE FIGURE 2 FOR ILLUSTRATION • SCREW, WOOD-NO. 8 X 1 INCH LG	SHEET 2	2 C
- 2	NO NC.	• KEYBCARD ASMS, NUMERIC AND COMBINATION	NP	
- 3	NO NO.	SEE FIGURES 4 AND 5 FOR DETAIL BREAKDOWN • TRANSPORT ASMS, STANDARD AND VLCD SEE FIGURES 13 AND 14	NP	
- 4	NO NO.	FOR DETAIL BREAKDOWN • WIRE CONTACT RELAY GATE SEE FIGURE 53 FOR DETAIL BREAKDOWN	NP	B
* - 5	5404C80	• POWER SUPPLY-60 CYCLE, 48V AT 1.65 AMP	SHEET 3	1
* - 5	54C4C85	• POWER SUPPLY-50 CYCLE, 48V AT 1.65 AMP USED ON MODELS A AND B	SHEET 3	1
* - 5	5367160	SEE FIGURE 49 FOR DETAIL BREAKDOWN • POWER SUPPLY ASSEMBLY, 60CPS 248V 2.5A	SHEET 3	1
* - 5	5367170	• POWER SUPPLY ASSEMBLY, 50CPS 248V 2.5A	SHEET 3	1
* - 6	256341	USED ON MODEL C SEE FIGURE 50 FOR DETAIL BREAKDOWN • PLUG, GROUNDED COMMERCIAL-15A 125V	SHEET 3	AR
* - 6	256342	SEE FIGURE 54-14 FOR COMPONENT PARTS • PLUG, GROUNDED COMMERCIAL-15A 250V SEE FIGURE 54-15 FOR COMPONENT PARTS	SHEET 3	AR
* - 6	624C34	• PLUG, TWIST LOCK-15A 125V	SHEET 3	AR
* - 6	624C35	• PLUG, TWIST LOCK SEE FIGURE 54-16 AND 16A FOR COMPONENT PARTS	SHEET 3	AR
* - 7	8108037	• LATCH ASM, KEYBCARD	SHEET 2	AR C
* - 8	150676	• SPRING, HELICAL, EXTENSION- 13 TURNS	SHEET 2	1
* - 9	8108007	• STUD, SPRING	SHEET 2	2
* - 10	8108031	• PLATE, KEYBOARD INTERLOCK	SHEET 2	1
* - 11	8108032	• BRACKET, KEYBCARD INTERLOCK	SHEET 2	1
* - 12	5367200	FINAL ASSEMBLY-29 CARD PUNCH UNIT	SHEET 1	1 A
* - 12	5406000	FINAL ASSEMBLY, 29 CARD PUNCH	SHEET 1	1 B
* - 14	5528	• SCREW, MACH BIND HD 8-32 X .625 LG	SHEET 2	AR A
* - 15	8506	• NUT, PLAIN, HEX- 3-48 X 3/16 FL W	SHEET 3	2 A

LIST AND INDEX NUMBER	PART NUMBER	DESCRIPTION	UNITS PER ASM.	USABLE ON CODE
		29 CARD PUNCH FINAL ASSEMBLY -CONT		
* 2 - 17	11598	. NUT,PLAIN-HEX 10-32 X 3/8 FL W	SHEET 2	2
* - 18	22478	. WASHER,FLAT- .170 ID, .375 OD	SHEET 2	AR
* - 19	32042	. SCREW, MACH BIND. HD 10-32 X 3/8 LG.	SHEET 3	4
* - 20	34512	. SCREW,BIND,HD 8-32 X .375 LG	SHEET 2	2
* - 21	38255	. SCREW,MACH-FIL H 3-48 X 1/2 LG	SHEET 3	2
* - 22	45690	. WASHER, FL - NO.10 X 7/16 OD X 1/32 THK	SHEET 2	6
* - 24	56079	. WASHER,LOCK-EXT T .195 ID .410 OD	SHEET 3	4
* - 25	55901	. WASHER,LOCK-EXT TEETH NO. 8 X 0.381 OD	SHEET 3	2
* - 25A	56722	. LOCKWASHER-EXT. TOOTH OD. .150XID. .320	SHEET 2	1
* - 26	62031	. WASHER,LOCK-INT TEETH NO. 6 X 0.295 OD	SHEET 2	1
* - 27	91610	. SCREW,THD CTG-BIND HD 6-32 X 1/2 LG	SHEET 3	1
* - 27A	106419	. SCREW,MACH-BIND HD 10-32 X 1-3/4 LG	SHEET 1	2
* - 28	109105	. SPACER, AUXILIARY-KEYBOARD COVER	SHEET 3	1
* - 29	150209	. WASHER,LOCK-INT TEETH NO. 4 X 17/64 OD	SHEET 3	2
* - 30	151762	. SPLICE,CONDUCTOR SEE FIGURE 13-48A	SHEET 2	REF
		FOR NEXT HIGHER ASSEMBLY		
* - 31	159373	. WASHER,LOCK-EXT TEETH 15/32 ID X 3/4 OD	SHEET 2	1
* - 32	176325	. NAME PLATE, TOGGLE SWITCH	SHEET 2	1
* - 33	180528	. PLATE,IDENTIFICATION-SERIAL NUMBER	SHEET 3	1
* - 34	183848	. PLATE,INSTRUCTION-CURRENT REQUIREMENT	SHEET 3	1
* - 35	186758	. SCREW,MACH-BIND HD 8-32 X 0.438	SHEET 3	1
* - 36	257187	. NUT,PLAIN,HEX- 6-32 X 3/8 FL W	SHEET 2	1
* - 37	257189	. NUT,HEX- 8-32	SHEET 2	AR
* - 38	301214	. SWITCH,TOGGLE-DPST 250V AC/DC 3 AMP	SHEET 2	REF
		SEE FIGURE 13-74A		
		FOR NEXT HIGHER ASSEMBLY		
* - 39	327922	. CLAMP, CABLE-.625 DIAMETER	SHEET 3	1
* - 40	340626	. STUD-BASE MTG	SHEET 1	2
* - 41	369207	. LABEL,VOLTAGE	SHEET 3	1
* - 42	357433	. CLAMP,LCCP- 0.187 ID 0.203 DIA MTG HOLE	SHEET 3	1
* - 44	534768	. CLAMP,CABLE	SHEET 3	1
* - 45	731629	. SCREW,SELF TAPPING- 10-32 X 3/8 LG	SHEET 3	4
* - 45A	760221	. TIE,CABLE	SHEET 3	1
* - 47	1090873	. WASHER,LCCK,SPLIT RING- .168 ID, .296 OD	SHEET 2	2
* - 48	2102368	. CLAMP,LCCP- 0.880 ID 0.200 DIA MTG HOLE	SHEET 3	2
* - 49	2114680	. CLIP-CABLE	SHEET 2	1
* - 50	2114681	. CRADLE-CABLE	SHEET 2	1
* - 52	5367101	. PLATE,IDENTIFICATION SEE FIGURE 1-100 FOR LOCATION		REF
* - 53	5367125	. CABINET ASSEMBLY SEE FIGURE 3 FOR DETAIL BREAKDOWN	SHEET 3	1
* - 54	5367302	. BRACKET,LATCH MOUNTING	SHEET 2	1
* - 55	5367309	. LEAD ELECTRICAL SEE FIGURE 54-25D AND 26 FOR COMPONENT PARTS	SHEET 2	1
* - 56	5372258	. SLIDE ASSEMBLY SEE FIGURE 51 FOR DETAIL BREAKDOWN	SHEET 3	1
* - 57	5372307	. GUIDE ASSEMBLY-COVER GROUND	SHEET 2	2
* - 58	38235	. . SCREW MACH 6/32 X .310 LG	SHEET 2	1
* - 59	55726	. . SCREW,MACH-BIND HD 6-32 X .188 LG	SHEET 2	1
* - 60	364728	. . AUTO GATE ARMATURE,PIVOT	SHEET 2	1
* - 61	5393282	. . GUIDE	SHEET 2	1
* - 62	5393309	. . SPRING-GROUND, TOP COVER	SHEET 2	1
* - 63	5372321	. INSULATION	SHEET 3	1
* - 64	5404031	. PLATE,IDENTIFICATION	SHEET 2	1
* - 65	5404054	. DECAL-PROGRAM CODE,LEFT ZERO SEE FIGURE 1-101 FOR LOCATION		1

LIST AND INDEX NUMBER	PART NUMBER	DESCRIPTION				UNITS PER ASM.	USABLE ON CODE
		1	2	3	4		
		29 CARD PUNCH FINAL ASSEMBLY -CONT					
* 2 - 66	5406C84	. COVER-GRAY				SHEET 3	1
* - 67	5404376	. PLUG, GROMMET-1 3/4				SHEET 3	1
* - 68	5422228	. FASTENER, CONNECTOR				SHEET 2	3 B
* - 69	5405902	. BRACKET				SHEET 2	1 B
* - 70	5405903	. BRACKET				SHEET 3	2 B
* - 71	5405909	. COVER, DUST				SHEET 2	1 B
* - 71A	5372252	. SEAL, RUBBER STRIP				SHEET 3	1
* - 72	5462555	. SEAL				SHEET 3	1
* - 73	38616	. SCREW, RD HD WOOD-NO. 6 X .750 LG				SHEET 2	4
* - 74	234345	. SCREW, ASMD WASHER-FIL HD 1/4-20 X 1-1/4				SHEET 1	2
* - 75	381977	. STRIP-MACHINE NUMBERING SEE FIGURE 1-13 FOR LOCATION					1
* - 76	507796	. SCREW, MACH-BIND HD 10-32 X 1 LG				SHEET 2	6
* - 77	5367158	. PIVOT, GUIDE				SHEET 2	2
* - 78	5372193	. PANEL, KEYBOARD				SHEET 1	1
* - 79	5372858	. SCREW, HEX HD 10-32 X .50 LG				SHEET 2	4
* - 80	5353301	. SCREW, THREAD FORMING- 1/4-20 X 5/8 LG				SHEET 2	2
* - 81	5403997	. SCREW, RD HD WOOD-NO. 8 X 1.0 INCH LG				SHEET 1	4
* - 82	5414059	. READING BOARD ASM				SHEET 2	1
* - 83	38497	. . SCREW, WCCD-NC. 8 X 1 INCH LG				SHEET 2	12
* - 84	5408833	. . BRACKET, TABLE AND ISOLATOR MTG-RIGHT				SHEET 2	2
* - 85	5422287	. LEG ASSEMBLY, LEFT				SHEET 2	1
* - 85	5422288	. LEG ASSEMBLY, RIGHT				SHEET 2	1
* - 86	5367147	. . LEG ASSEMBLY-VERTICAL				SHEET 2	1
* - 87	332620	. . . SCREW, MACH-BIND HD 10-32 X 1/2 LG				SHEET 2	1
* - 88	362818	. . . PAD-LEG BASE				SHEET 2	1
* - 89	362819	. . . CLAMP-LEG MOUNTING				SHEET 2	1
* - 90	5367203	. . . LEG, VERTICAL				SHEET 2	1
* - 91	5400882	. . LEG ASSEMBLY-HORIZONTAL, COMPLETE USED ON LEFT LEG ASSEMBLY				SHEET 2	1
* - 91	5400883	. . LEG ASSEMBLY-HORIZONTAL, COMPLETE USED ON RIGHT LEG ASSEMBLY				SHEET 2	1
* - 92	32617	. . . SCREW, MACH-BIND HD 10-32 X 0.438 LG				SHEET 2	1
* - 93	362818	. . . PAD-LEG BASE				SHEET 2	1
* - 94	362819	. . . CLAMP-LEG MOUNTING				SHEET 2	1
* - 95	5400880	. . . LEG ASSEMBLY-HORIZONTAL, LEFT				SHEET 2	1
* - 95	5400881	. . . LEG ASSEMBLY-HORIZONTAL, RIGHT				SHEET 2	1
* - 96	5401040	. EXTENSION, READING BOARD				SHEET 1	AR
* - 97	169733	. . SCREW, SOC HD CAP-1/4-20 UNC X .750				SHEET 1	7
* - 98	5408834	. . BRACKET, READING BOARD EXTENSION				SHEET 1	1
* - 99	5408835	. . BOARD, READ EXTENSION				SHEET 1	1
* -100	83606	. SCREW, THD CTG-BIND HD 10-32 X 5/16 LG				SHEET 3	2
* -101	5404301	. SHIELD, HIGH SPEED SKIP USED ON RR HSS BACKFRAME GROUP				SHEET 3	1
* -102	10292	. SCREW, RD HD 8-32 X .875 LG USED ON CHAR INHIBIT FEATURE ONLY				SHEET 3	2
* -103	22478	. WASHER, FLAT- .170 ID, .375 OD USED ON CHAR INHIBIT FEATURE ONLY				SHEET 3	4
* -104	257793	. NUT, SHEET SPRING-FOR 8-32 SCREW USED ON CHAR INHIBIT FEATURE ONLY				SHEET 3	2
* -105	1090873	. WASHER, LOCK, SPLIT RING- .168 ID, .296 OD USED ON CHAR INHIBIT FEATURE ONLY				SHEET 3	2
* -106	5256748	. NUT, WING USED ON CHAR INHIBIT FEATURE ONLY				SHEET 3	2
* -107	5462490	. WIRED GATE ASM, CONT RELAY-CHAR INHIBIT SEE FIGURE 53A FOR DETAIL BREAKDOWN USED ON CHAR INHIBIT FEATURE ONLY				SHEET 3	1

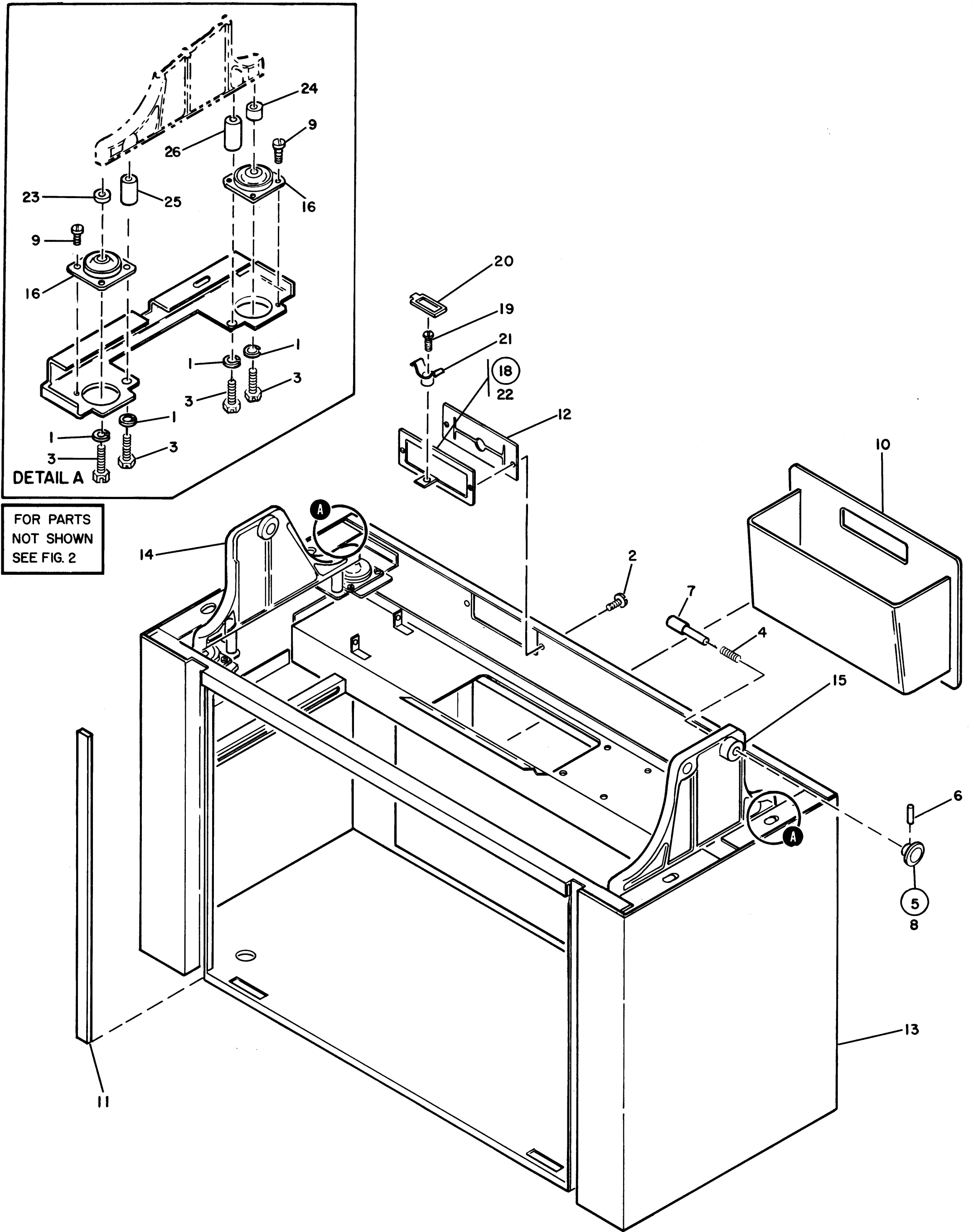
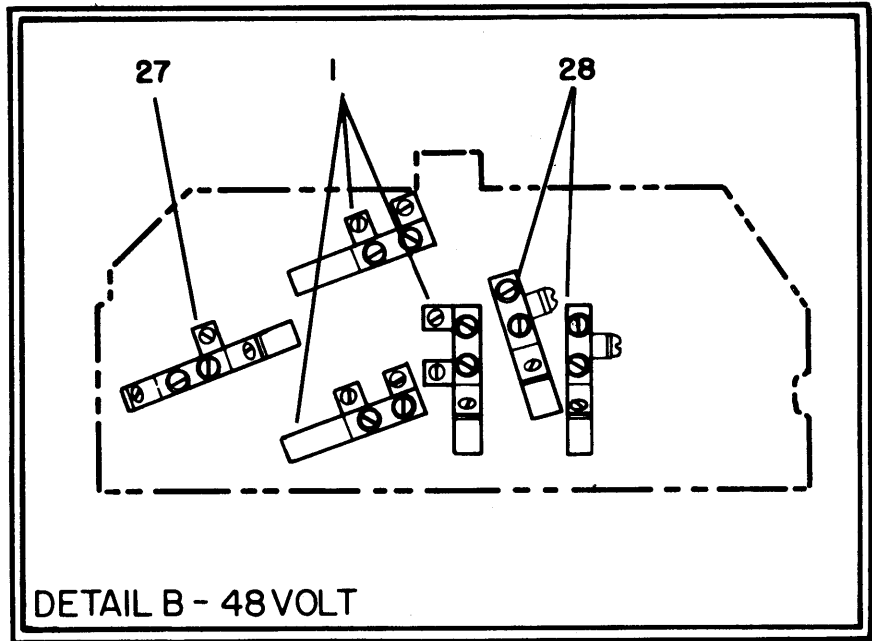


FIGURE 3. CABINET ASSEMBLY. SEE LIST 3.

LIST AND INDEX NUMBER	PART NUMBER	DESCRIPTION	UNITS PER ASM.	USABLE ON CODE
		1 2 3 4		
		CABINET ASSEMBLY		
3 -	5367125	CABINET ASSEMBLY SEE FIGURE 2-53 FOR NEXT HIGHER ASSEMBLY AND FIGURE 3 FOR ILLUSTRATION	REF	
- 1	6935	. WASHER, LCCK-SPLIT 1/4 X 0.493 OD	8	
- 2	34512	. SCREW, MACH-BIND HD 8-32 X 3/8 LG	2	
- 3	36112	. SCREW, MACH-HEX HC 1/4-20 X 1-1/2 LG	8	
- 4	151139	. SPRING, HELICAL, COMPR- 7 TURNS	1	
- 5	227993	. PIN ASSEMBLY-DETENT	1	
- 6	4327	. . PIN, TAPER NO. 5-0 X .562 LG	1	
* - 7	227991 □	. . PIN, STR, HEADED- 1/4 DIA	1	
* - 8	227992 □	. . KNOB-DETENT PIN BASE PIVOT	1	
- 9	731626	. SCREW, PAN HEAD, 6-32 X .25 LONG	16	
- 10	5353467	. CHIP BOX	1	
- 11	5367113	. SEAL, RUBBER STRIP	2	
- 12	5367117	. GROMMET-KEYBOARD CABLE	1	
- 13	5367124	. CABINET	1	
- 14	5367196	. END CASTING-RH	1	
- 15	5367197	. END CASTING-LH	1	
- 16	5372244	. MOUNT, RESILIENT	4	
- 18	5372259	. BRACKET ASSEMBLY	1	
- 19	34512	. . SCREW, MACH-BIND HD 8-32 X 3/8 LG	1	
- 20	2114680	. . CLIP-CABLE	1	
- 21	2114681	. . CRADLE-CABLE	1	
- 22	5372213	. . BRACKET	1	
- 23	5404343	. SPACER, .50 OD X .266 ID X .12 THK	2	
- 24	5404344	. SPACER, .50 OD X .266 ID X .25 THK	2	
- 25	5404345	. SPACER, .50 OD X .266 ID X .75 THK	2	
- 26	5404346	. SPACER, .50 OD X .266 ID X .84 THK	2	



FOR PARTS
NOT SHOWN
SEE FIG.2

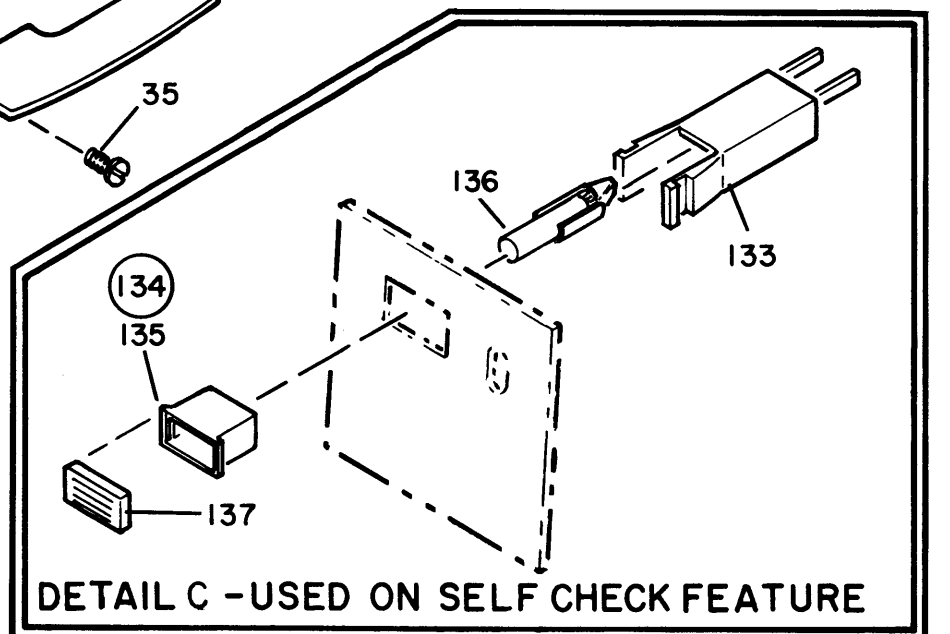
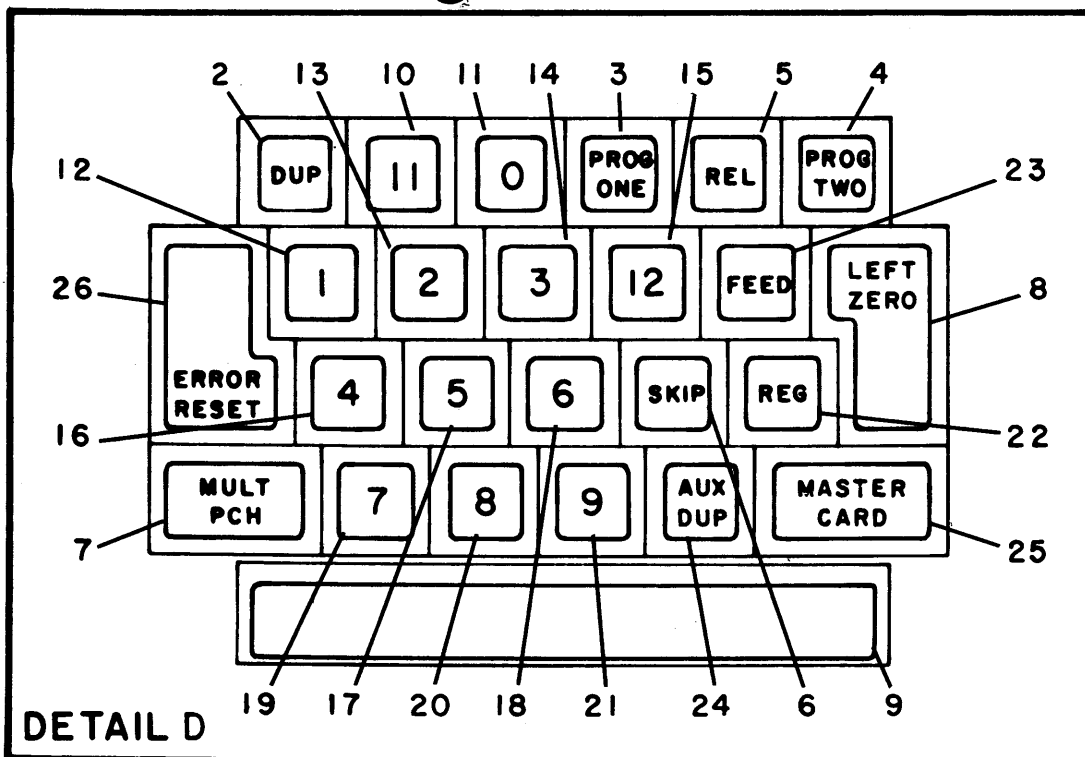
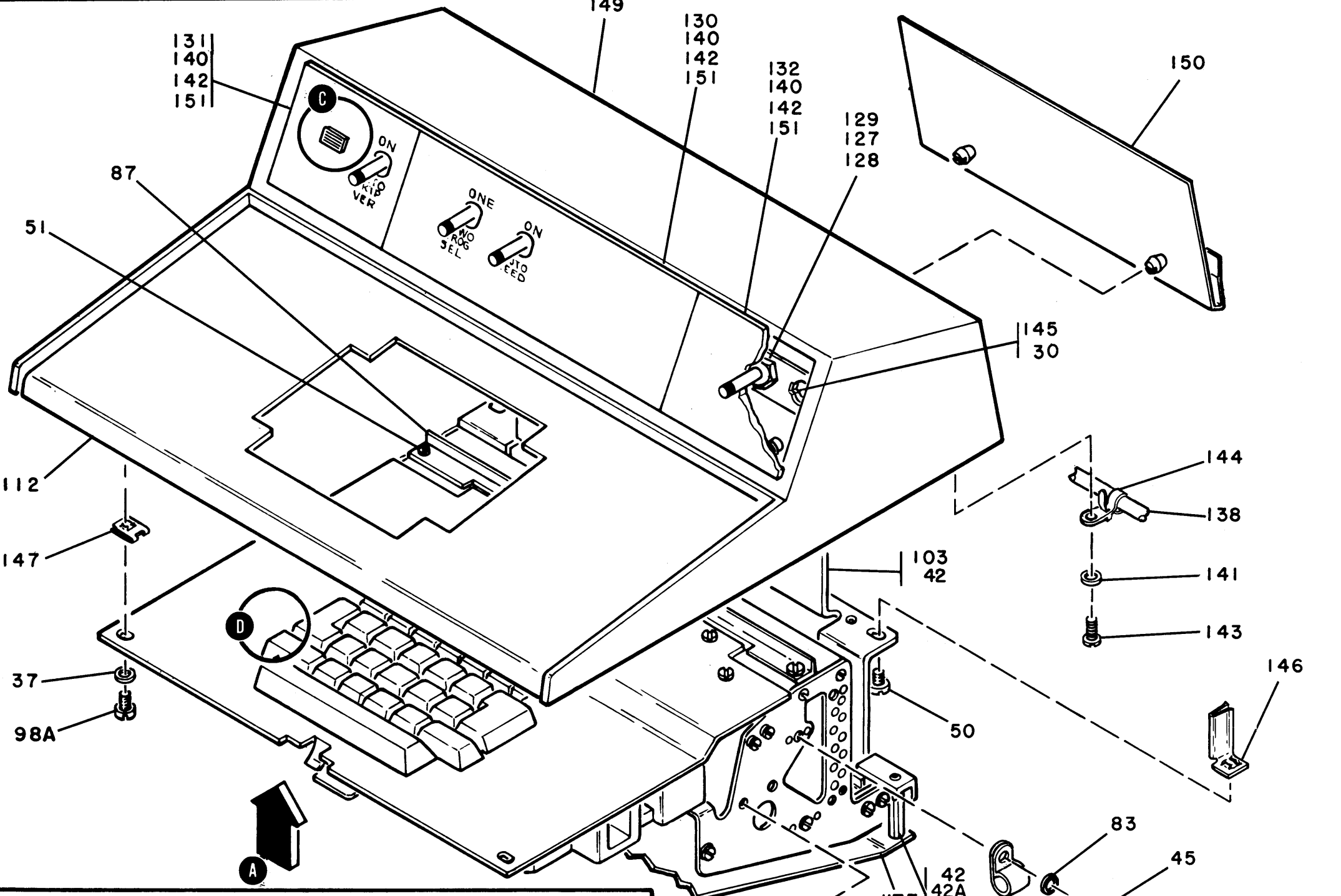
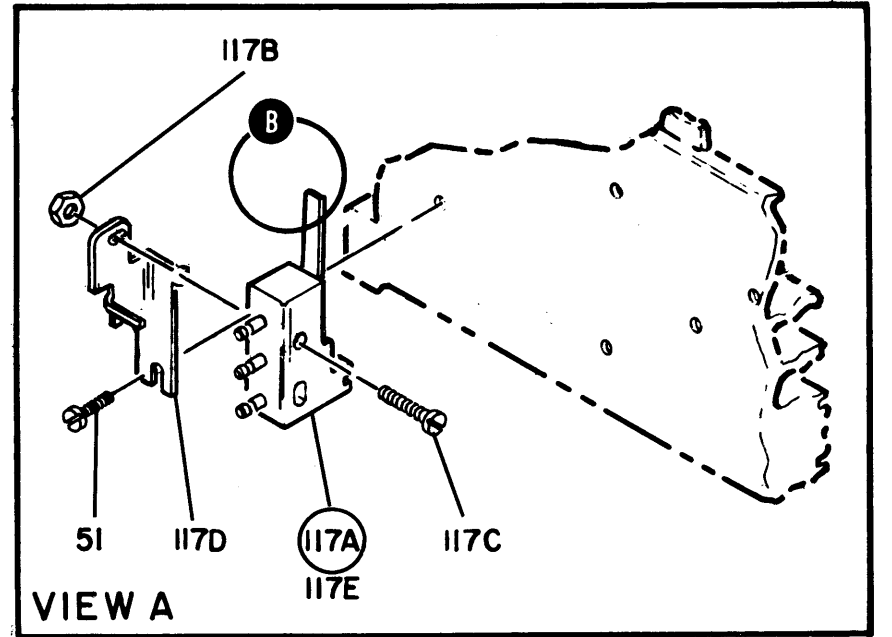


FIGURE 4. NUMERIC KEYBOARD AND COVER ASSEMBLIES. SHEET 1 OF 4. SEE LIST 4.

FOR PARTS
NOT SHOWN
SEE FIG. 2

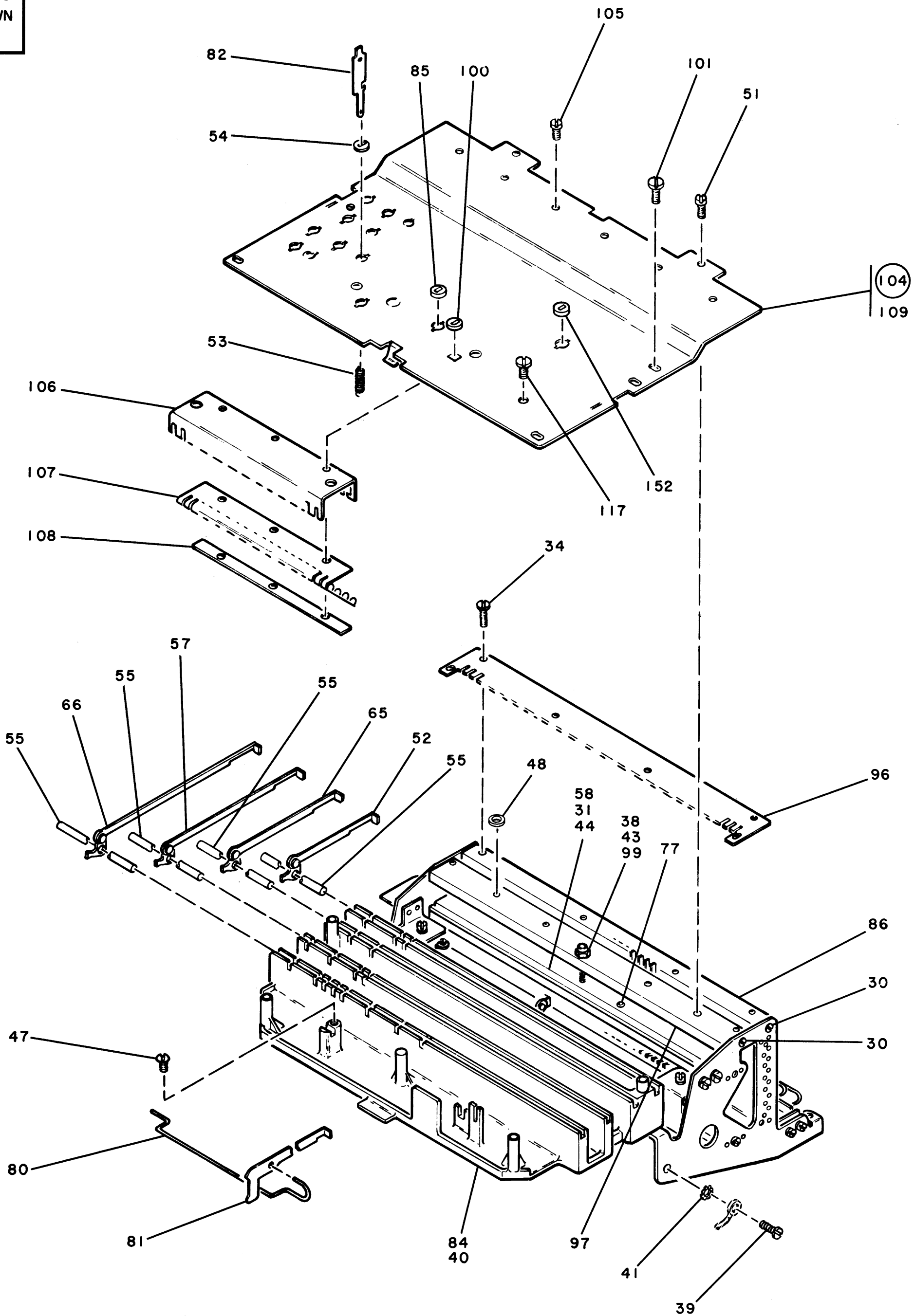


FIGURE 4. NUMERIC KEYBOARD AND COVER ASSEMBLIES. SHEET 2 OF 4. SEE LIST 4.

FOR PARTS
NOT SHOWN
SEE FIG. 2

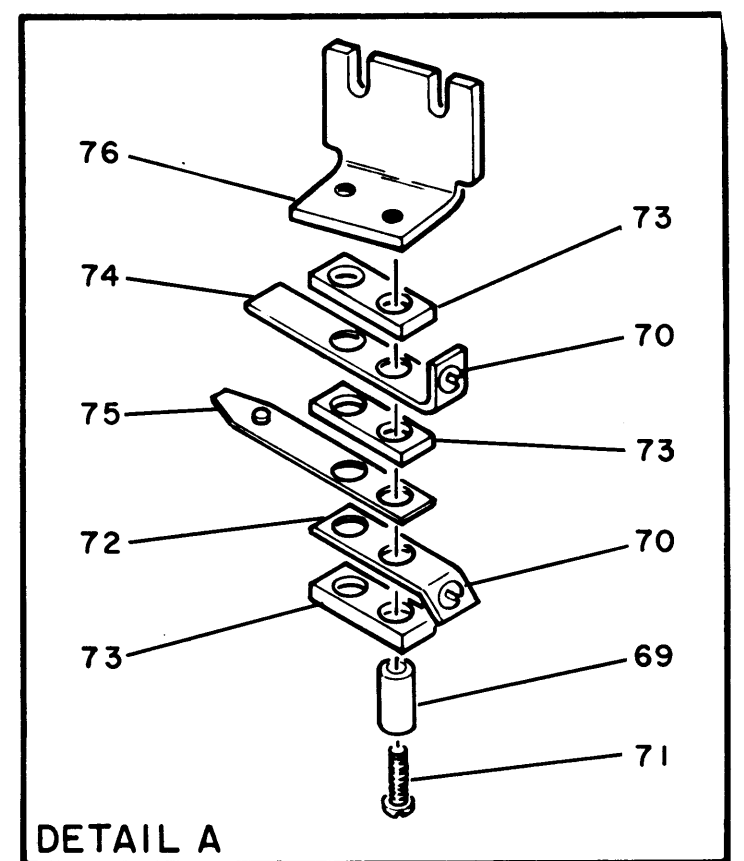
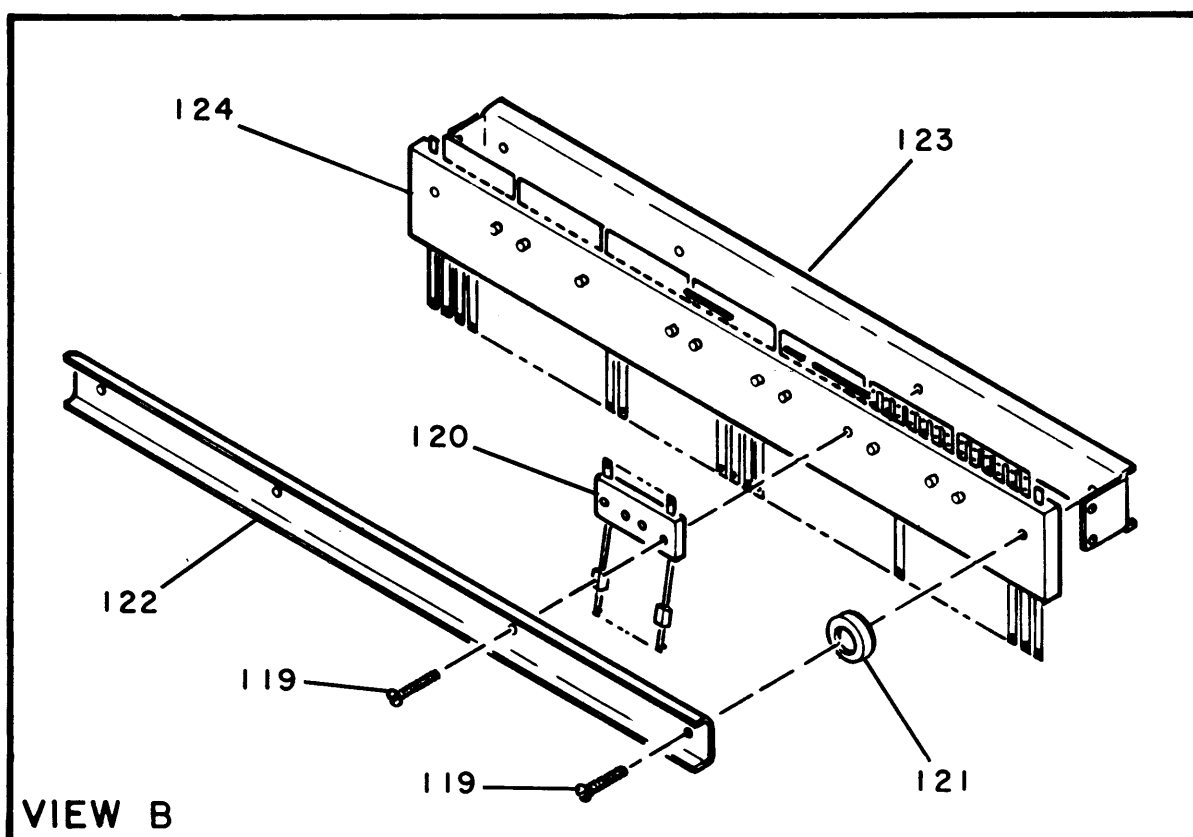
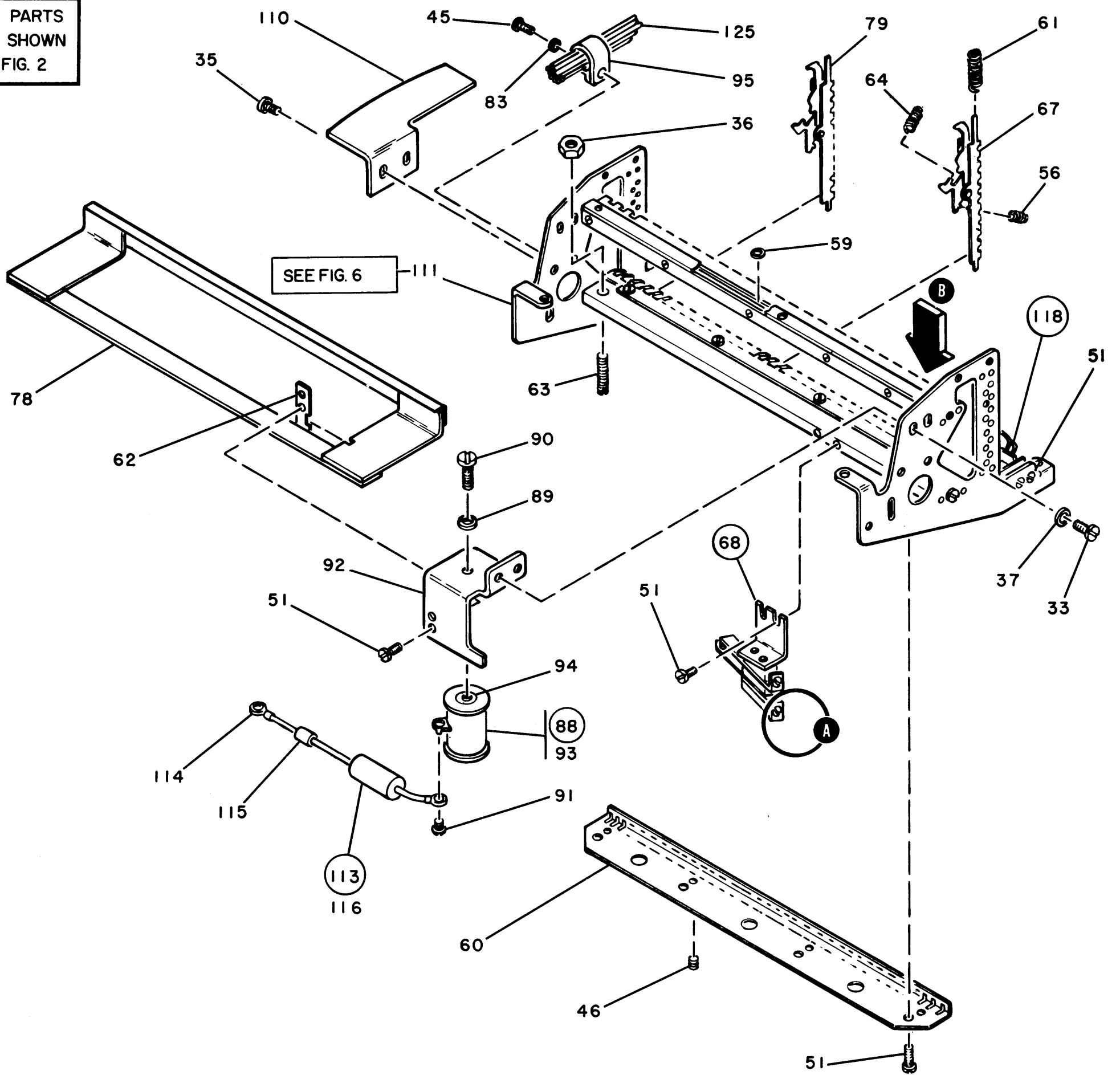


FIGURE 4. NUMERIC KEYBOARD AND COVER ASSEMBLIES. SHEET 3 OF 4. SEE LIST 4.

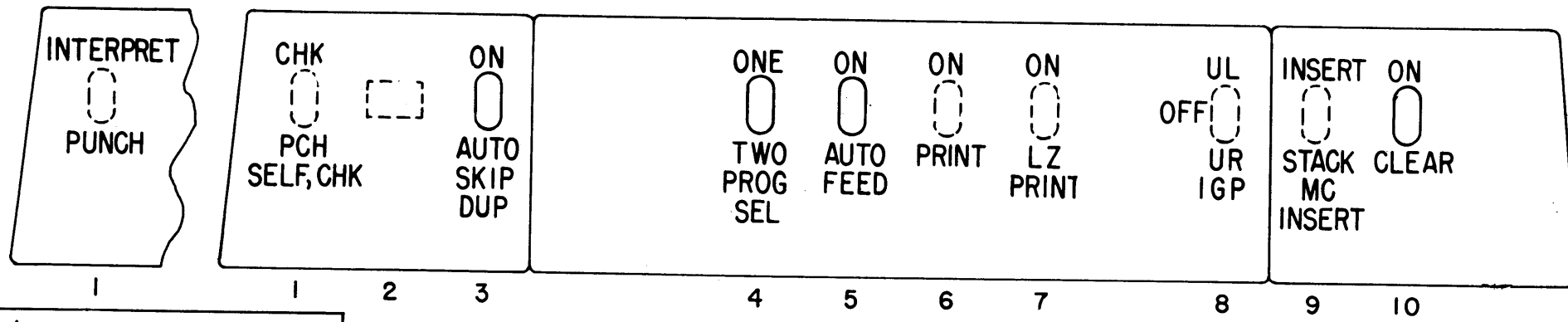


CHART 1		INDEX 126														
REED RELAY COVER ASM	WIRE CONTACT RELAY COVER ASM	DESCRIPTION	SWITCH PL REF NO. COVER ASM	SWITCH AND BULB POSITION										CABLE ASM REF NO.		
				1	2	3	4	5	6	7	8	9	10		10	
5422301	5406031	NON, PRINT	20, 24, 28			37	34	35						36	36	43,
5422302	5406032	PRINT	20, 25, 28			37	34	35	34	34				36	36	43,
5422304	5406034	NON PRINT MCI	20, 24, 29			37	34	35					35	36	36	43
5422305	5406035	PRINT MCI	20, 25, 29			37	34	35	34	34			35	36	36	43
5422307	5406037	NON PRINT SC NG	23, 24, 28	34	32,33	37	34	35					36	36	42	43,44
5422308	5406038	PRINT SC NG	23, 25, 28	34	32,33	37	34	35	34	34			36	36	42	43,44
5422309	5406039	NP SC NG IGP	23, 26, 28	34	32,33	37	34	35			38		35	36	41,	43,44
5422310	5406040	PRT SC NG IGP	23, 27, 28	34	32,33	37	34	35	34	34	38		35	36	41,42	43,44
5422311	5406041	NP SC NG IGP MCI	23, 26, 29	34	32,33	37	34	35			38	35	35	36	41,42	43,44
5422312	5406042	PRT SC NG IGP MCI	23, 27, 29	34	32,33	37	34	35	34	34	38	35	35	36	41,42	43,44
5422313	5406043	NP SC NG MCI	23, 24, 29	34	32,33	37	34	35				35	36	36	42	43,44
5422314	5406044	PRT SC NG MCI	23, 25, 29	34	32,33	37	34	35	34	34		35	36	36	42	43,44
5422315	5406045	NON PRINT SC MOD II	22, 24, 28		32,33	37	34	35					36	36	42	43,44
5422316	5406046	PRINT SC MOD II	22, 25, 28		32,33	37	34	35	34	34			36	36	42	43,44
5422317	5406047	NP SC MOD II IGP	22, 26, 28		32,33	37	34	35			38		35	36	41,42	43,44
5422318	5406048	PRT SC MOD II IGP	22, 27, 28		32,33	37	34	35	34	34	38		35	36	41,42	43,44
5422319	5406049	NP SC MOD II IGP MCI	22, 26, 29		32,33	37	34	35			38	35	35	36	41,42	43,44
5422320	5406050	PRT SC MOD II IGP MCI	22, 27, 29		32,33	37	34	35	34	34	38	35	35	36	41,42	43,44
5422321	5406051	NON PRINT SC MOD II MCI	22, 24, 29		32,33	37	34	35				35	36	36	42	43,44
5422322	5406052	PRINT SC MOD II MCI	22, 25, 29		32,33	37	34	35	34	34		35	36	36	42	43,44
5422322	5406053	NON PRINT IGP MCI	20, 26, 29			37	34	35			38	35	35	36	41	43,44
5422324	5406054	PRINT IGP MCI	20, 27, 29			37	34	35	34	34	38	35	35	36	41	43,44
5422326	5406056	NON PRINT IGP	20, 26, 28			37	34	35			38		35	36	41	43,44
5422327	5406057	PRINT IGP	20, 27, 28			37	34	35	34	34	38		35	36	41	43,44

* * *
 NOTE: * USED ON REED RELAY UNITS
 ** USED ON WIRE CONTACT RELAY UNITS

*** **
 FOR REFERENCE NUMBERS SEE CHART 2

CHART 2

REFERENCE AND INDEX NUMBERS							
DESCRIPTION	ACTUAL P/N	REF NO.	INDEX NO.	DESCRIPTION	ACTUAL P/N	REF NO.	INDEX NO.
PLATE LFT STD	5372267	20	131	SWITCH SP/DT	5447682	34	129
PLATE LFT INTRP	5372357	21	131	SWITCH SP/ST	5447685	35	129
PLATE LFT SC	5401029	22	131	SWITCH SP/M	5447686	36	129
PLATE LFT SC/NG	5400915	23	131	SWITCH DP/ST	5404423	37	129
PLATE CTR NP	5372266	24	130	SWITCH CTR OFF	737616	38	129
PLATE CTR PRT	5372269	25	130				
PLATE CTR NP/IGP	5400913	26	130				
PLATE CTR PRT/IGP	5400914	27	130				
PLATE RT STD	5372268	28	132	CABLE ASM	5404077	41	138
PLATE RT MCI	5372227	29	132	CABLE ASM	5404097	42	138
				CABLE ASM	5406066	43	138
				CABLE ASM	5406067	44	138
BULB ASM	5393294	32	134				
SOCKET ASM	5302505	33	133				

NOTE: FOR LOCATION OF INDEX NUMBERS SEE SHEET 1

KEYBOARD COVER ASSEMBLY CHARTS

FIGURE 4. NUMERIC KEYBOARD AND COVER ASSEMBLIES. SHEET 4 OF 4. SEE LIST 4.

LIST AND INDEX NUMBER	PART NUMBER	DESCRIPTION	UNITS PER ASM.	USABLE ON CODE
		1 2 3 4		
		NUMERIC KEYBOARD AND COVER ASSEMBLIES		
4 -	5367255	KEYBOARD ASSEMBLY USED ON REED RELAY UNITS	1	
-	5406217	KEYBOARD ASSEMBLY, NUMERIC	1	
		USED ON WIRE CONTACT RELAY UNITS SEE FIGURE 2-2 FOR LOCATION AND FIGURE 4 FOR ILLUSTRATION		
* - 1	5353364	. CONTACT ASSEMBLY-ELECTRICAL USED ON 48V KEYBOARD ASM SEE FIGURE 10 FOR DETAIL BREAKDOWN	SHEET 1 3	
* - 2	5353559	. KEYBUTTON, DUP	SHEET 1 1	
* - 3	5353561	. KEYBUTTON, PRG, ONE	SHEET 1 1	
* - 4	5353562	. KEYBUTTON, PRG, TWO	SHEET 1 1	
* - 5	5353563	. KEYBUTTON, REL	SHEET 1 1	
* - 6	5353585	. KEYBUTTON, SKIP	SHEET 1 1	
* - 7	5353600	. KEYBUTTON, MULT PCH	SHEET 1 1	
* - 8	5353602	. KEYBUTTON, LEFT ZERO	SHEET 1 1	
* - 9	5353620	. KEYBUTTON, SPACE BAR	SHEET 1 1	
* - 10	5353624	. KEYBUTTON, 11	SHEET 1 1	
* - 11	5353625	. KEYBUTTON, 0	SHEET 1 1	
* - 12	5353626	. KEYBUTTON, 1	SHEET 1 1	
* - 13	5353627	. KEYBUTTON, 2	SHEET 1 1	
* - 14	5353628	. KEYBUTTON, 3	SHEET 1 1	
* - 15	5353629	. KEYBUTTON, 12	SHEET 1 1	
* - 16	5353630	. KEYBUTTON, 4	SHEET 1 1	
* - 17	5353631	. KEYBUTTON, 5	SHEET 1 1	
* - 18	5353632	. KEYBUTTON, 6	SHEET 1 1	
* - 19	5353633	. KEYBUTTON, 7	SHEET 1 1	
* - 20	5353634	. KEYBUTTON, 8	SHEET 1 1	
* - 21	5353635	. KEYBUTTON, 9	SHEET 1 1	
* - 22	5353726	. KEYBUTTON, REG	SHEET 1 1	
* - 23	5353727	. KEYBUTTON, FEED	SHEET 1 1	
* - 24	5353728	. KEYBUTTON, AUX DUP	SHEET 1 1	
* - 25	5353734	. KEYBUTTON-MASTER CARD	SHEET 1 1	
* - 26	5353735	. KEYBUTTON, ERROR RESET	SHEET 1 1	
* - 27	5367167	. CONTACT ASSEMBLY, ELECTRICAL USED ON 48V KEYBOARD ASM SEE FIGURE 11 FOR DETAIL BREAKDOWN	SHEET 1 1	
* - 28	5367173	. CONTACT ASSEMBLY, ELECTRICAL USED ON 48V KEYBOARD ASM SEE FIGURE 12 FOR DETAIL BREAKDOWN	SHEET 1 2	
* - 29	5367180 NP	. MECHANICAL GROUP, NUMERIC USED ON REED RELAY KEYBOARD ASM		
* - 29	5406178 NP	. MECHANICAL GROUP, NUMERIC		
		USED ON WIRE CONTACT RELAY KEYBOARD ASM		
* - 30	294	. . SCREW, MACH-RH 5-40 X 5/16 LG	SHEET 1 4	
* - 31	673	. . SCREW, MACH-FIL H 5-40 X 1/2 LG	SHEET 2 3	
* - 33	2300	. . SCREW, MACH-FIL F 8-32 X 1/4 LG	SHEET 3 4	
* - 34	4236	. . SCREW, MACH-FIL H 5-40 X 1/4 LG	SHEET 2 6	
* - 35	10170	. . SCREW, MACH-BIND HD 6-32 X 1/4 LG	SHEET 1 4	
* - 36	11598	. . NUT, PLAIN-HEX 10-32 X 3/8 FL W	SHEET 3 2	
* - 37	22478	. . WASHER, FLAT- .170 ID, .375 OD	SHEET 1 6	
* - 38	28762	. . SCREW, MACH-FH 5-40 X 1-1/4 IN. LG	SHEET 2 1	
* - 39	38271	. . SCREW, MACH-FIL H 5-40 X 3/16 LG	SHEET 2 2	
* - 40	38368	. . SCREW, FILISTER HEAD .156 X .4375	SHEET 2 2	
* - 41	56722	. . LOCKWASHER-EXT. TIGHT OD. .150XID. .320	SHEET 2 1	
* - 42	58207	. . SCREW, MACH-UNDRCT BIND HD 8-32 X 1/4 LG	SHEET 1 2	
* - 42A	60646	. . WASHER, LOCK-INT T NO. 8	SHEET 1 2	
* - 43	103372	. . NUT, SELF LKG, HEX- 5-40 X 1/4 FL W	SHEET 2 1	
* - 44	105047	. . WASHER, LOCK-INT TEETH NO. 5 X 1/4 OD	SHEET 2 3	
* - 45	120044	. . SCREW, MACH-BIND HD 5-40 X 3/8 LG	SHEET 1 3	
* - 46	133798	. . SET SCREW, FLUTED HEADLESS-5-40 X .125	SHEET 3 4	
* - 47	140738	. . SCREW, MACH-BIND HD 5-40 X 3/16 LG	SHEET 2 2	
* - 48	150109	. . WASHER, FL-NC. 5 X 11/32 OD X 0.040 THK	SHEET 2 2	
* - 50	185052	. . SCREW	SHEET 1 2	
* - 51	196299	. . SCREW, MACH-BIND HD 5-40 X 1/2 LG	SHEET 1 24	
* - 52	219202	. . BAR ASSEMBLY-PULL LATCH	SHEET 2 3	
* - 53	219203	. . SPRING, HELICAL, CCMPR- 20.4 TURNS	SHEET 2 26	
* - 54	219204	. . BUMPER-KEY	SHEET 2 28	
* - 55	219209	. . SHAFT-BELL CRANK	SHEET 2 4	
* - 56	219224	. . SPRING, HELICAL, CCMPR- 11 TURNS	SHEET 3 19	

LIST AND INDEX NUMBER	PART NUMBER	DESCRIPTION	UNITS PER ASM.	USABLE ON CODE
		NUMERIC KEYBOARD AND COVER ASSEMBLIES -CONT		
* 4 - 57	219229	. . BAR ASSEMBLY-PULL LATCH	SHEET 2	5
* - 58	219232	. . BAR-HOOK SUPPORT	SHEET 2	1
* - 59	219235	. . KEY-INTLK	SHEET 3	22
* - 60	219237	. . PLATE-COMBINATION BAIL STOP	SHEET 3	1
* - 61	219262	. . SPRING,HELICAL,CCMPR- 21.5 TURNS	SHEET 3	19
* - 62	219268	. . PIVCT-ARMATURE	SHEET 3	2
* - 63	219325	. . STUD,ARMATURE STOP	SHEET 3	2
* - 64	219333	. . SPRING,HELICAL,CCMPR- 10.8 TURNS	SHEET 3	19
* - 65	219346	. . BAR ASSEMBLY-PULL LATCH	SHEET 2	5
* - 66	219347	. . BAR ASSEMBLY-PULL LATCH	SHEET 2	5
* - 67	219357	. . LATCH ASSEMBLY	SHEET 3	17
* - 68	219369	. . CONTACT ASSEMBLY,ELEC-COMBINATION BAIL	SHEET 3	1
* - 69	100229	. . . INSULATOR-SCREW NO. 5 X 1/2 LG	SHEET 3	2
* - 70	118418	. . . SCREW,MACH-RH 5-40 X 5/32 LG	SHEET 3	2
* - 71	173205	. . . SCREW,ASMD WASHER-RH 5-40 X 21/32 LG	SHEET 3	2
* - 72	204839	. . . TERMINAL-LOWER CONTACT	SHEET 3	1
* - 73	204843	. . . INSULATOR-BLOCK PUNCH UNIT CONTACT	SHEET 3	3
* - 74	204848	. . . TERMINAL ASSEMBLY-UPPER CONTACT	SHEET 3	1
* - 75	205608	. . . TERMINAL ASSEMBLY-CONTACT	SHEET 3	1
* - 76	219368	. . . BRACKET-COMBINATION BAIL CONTACT	SHEET 3	1
* - 77	219472	. . SCREW,EXT RELIEVED BODY- 10-32 X 29/64LG	SHEET 2	1
* - 78	219485	. . BAIL ASSEMBLY-RESTORING	SHEET 3	1
* - 79	227519	. . LATCH ASSEMBLY-RELEASE	SHEET 3	2
* - 80	227527	. . BAIL-SPACE BAR	SHEET 2	1
* - 81	227529	. . BAR-SPACE LATCH PULL	SHEET 2	1
* - 82	227582	. . STEM-KEY	SHEET 2	26
* - 83	257986	. . WASHER,FLAT NO. 6	SHEET 1	3
* - 84	312492	. . PLATE-GUIDE	SHEET 2	1
* - 85	313274	. . BUMPER-KEY	SHEET 2	3
* - 86	313353	. . BAR-SWITCH PLATE MOUNTING	SHEET 2	1
* - 87	313355	. . GUIDE-UPPER BAIL FRONT	SHEET 1	1
* - 88	315309	. . YOKE ASSEMBLY USED ON RIGHT SIDE	SHEET 3	1
* - 88	315310	. . YOKE ASSEMBLY USED ON LEFT SIDE	SHEET 3	1
* - 89	9092	. . . WASHER-LOCK,SPLIT RING, .194 ID .337OD	SHEET 3	1
* - 90	38383	. . . SCREW,MACH-FIL H 10-32 X 7/16 LG	SHEET 3	1
* - 91	48594	. . . SCREW,MACH-BIND HD 6-32 X 0.250 LG	SHEET 3	2
* - 92	219244	. . . YOKE-MAGNET RIGHT USED ON RIGHT SIDE YOKE ASSEMBLY	SHEET 3	1
* - 92	219213	. . . YOKE-MAGNET USED ON LEFT SIDE YOKE ASSEMBLY	SHEET 3	1
* - 93	316046	. . . MAGNET-KEYBOARD RESTORER	SHEET 3	1
* - 94	316047	. . . CORE,ELECTROMAGNET	SHEET 3	1
* - 95	327921	. . CLAMP,CABLE	SHEET 3	1
* - 96	362829	. . PLATE-LATCH	SHEET 2	1
* - 97	382349	. . BAR-COMBINATION SUPPORT PLATE MOUNTING	SHEET 2	1
* - 97A	442576	. . STUD, FEED ROLL MOUNTING	SHEET 1	2
* - 98	533289	. . CLAMP, CABLE	SHEET 1	2
* - 98A	734483	. . SCREW,PAN HD- 6-32 X 0.380 LG	SHEET 1	2
* - 99	1090199	. . WASHER,FL-NO. 6 X 9/32 OD X 0.031 THK	SHEET 2	1
* -100	1119715	. . BUMPER-KEY	SHEET 2	2
* -101	5367119	. . SCREW,MACHINE-BINDING,5-40UNC X 0.250	SHEET 2	2
* -102	5367142	. . BRACKET,PIVOT-KEYBOARD,RIGHT	SHEET 1	2
* -103	5367148	. . BRACKET-KEYBOARD COVER AND RELAY CARD	SHEET 1	1
* -104	5367166	. . PLATE ASSEMBLY-SUPPORT	SHEET 2	1
* -105	4236	. . . SCREW,MACH-FIL H 5-40 X 1/4 LG	SHEET 2	6
* -106	219278	. . . CHANNEL-HOOK	SHEET 2	2
* -107	227501	. . . SPRING-HOOK	SHEET 2	2
* -108	227502	. . . PLATE-SPRING MTG	SHEET 2	2
* -109	5422231	. . . PLATE	SHEET 2	1
* -110	5367186	. . BRACKET,PIVOT-KEYBOARD,LEFT	SHEET 3	1
* -111	5367210	. . BAR ASSEMBLY-MOUNTING	SHEET 3	1
* -112	5367228	SEE FIGURE 6 FOR DETAIL BREAKDOWN . . PLATE-NUMERIC KEYBOARD	SHEET 1	1
* -113	5372368	. . RESISTOR-CAPACITOR ASSEMBLY	SHEET 3	1
* -114	186962	USED ON REED RELAY ONLY . . . TERMINAL-RING,24-20 AWG #6 HOLE,NON INS	SHEET 3	2
* -115	323918	. . . RESISTOR,FXD,COMP- 180 OHMS	SHEET 3	1
* -116	326367	. . . CAPACITOR,FXD,PAPER	SHEET 3	1

LIST AND INDEX NUMBER	PART NUMBER	DESCRIPTION	UNITS PER ASM.	USABLE ON CODE
		1 2 3 4		
		NUMERIC KEYBOARD AND COVER ASSEMBLIES -CONT		
* 4-117	5393274	. . SCREW,MACHINE-BINDING HC 5-40NC X 0.250	SHEET 2	2
* -117A	5462505	. . SWITCH AND BRACKET ASSEMBLY, ONE CIRCUIT	SHEET 1	6
		USED ON 12V KEYBOARD ASM		
* -117B	47987	. . NUT,PLAIN,HEX- 2-56 X 3/16 FL W	SHEET 1	1
* -117C	438540	. . SCREW,MACH-BIND HC 2-56 X 3/8 LG	SHEET 1	1
* -117D	5462501	. . BRACKET, KEYSTEM SWITCH MOUNTING	SHEET 1	1
* -117E	5462502	. . SWITCH, BASIC SPCT	SHEET 1	1
* -117F	5462711	. . COVER, BOTTOM	SHEET 1	1
* -118	5367193	. . LATCH ASSEMBLY-NUMERIC KEYBOARD	SHEET 3	1
* -119	38255	. . SCREW,MACH-FIL F 3-48 X 1/2 LG	SHEET 3	4
* -120	219281	. . CONTACT-ELECTRICAL	SHEET 3	4
* -121	5447670	. . SPACER	SHEET 3	2
* -122	5367152	. . BRACKET-LATCH MOUNTING	SHEET 3	1
* -123	5367162	. . BRACKET-CLAMP	SHEET 3	1
* -124	5367298	. . COMMON ASSEMBLY-NUMERIC KEYBOARD	SHEET 3	1
* -125	5372385	. CABLE ASSEMBLY,POWER,ELECTRICAL	SHEET 3	1
		USED ON REED RELAY KEYBOARD ASM		
		SEE FIGURE 54-1B, 2, 4A, 13, 17, 18B, 19, 19A, 20, 22, 24, 25A, 26 AND 28B FOR COMPONENT PARTS		
* -125	5406060	. CABLE ASSEMBLY	SHEET 3	1
		USED ON WIRE CONTACT RELAY MECH GROUP		
		SEE FIGURE 54-1A, 25A, 26, 34, 35 AND 28B FOR COMPONENT PARTS		
* -126	NO NO.	COVER ASSEMBLY, KEYBOARD		NP
		SEE CHARTS-FIGURE 4 SHEET 4 TO SELECT COVER ASSEMBLIES PERTINENT TO EACH MODEL AND FEATURES		
* -127	159373	. WASHER,LCCCK-EXT TEETH 15/32 ID X 3/4 OD	SHEET 1	AR
* -128	179743	. NUT,PLAIN,HEX- 15/32-32 X 9/16 FL W	SHEET 1	AR
* -129	NO NO.	. SWITCH ASSEMBLY		NP
		SEE CHART-FIGURE 4 SHEET 4 FOR PART NUMBERS AND POSITION		
* -130	NO NO.	. PLATE ASSEMBLY, CENTER		NP
		SEE CHART-FIGURE 4 SHEET 4 FOR PART NUMBER AND POSITION		
* -131	NO NO.	. PLATE ASSEMBLY, LEFT		NP
		SEE CHART-FIGURE 4 SHEET 4 FOR PART NUMBER AND POSITION		
* -132	NO NO.	. PLATE ASSEMBLY, RIGHT		NP
		SEE CHART-FIGURE 4 SHEET 4 FOR PART NUMBER AND POSITION		
* -133	5302505	. SOCKET ASSEMBLY	SHEET 1	AR
		USED ON SELF CHECK FEATURE ONLY		
* -134	5393294	. LAMPHOLDER	SHEET 1	AR
		USED ON SELF CHECK FEATURE ONLY		
* -135	770386	. . HOLDER,BULB	SHEET 1	1
* -136	2122160	. . LAMP	SHEET 1	1
* -137	5235096	. . LENS,INDICATOR-RED	SHEET 1	1
* -138	5404077	. CABLE ASSEMBLY, INTERSPERSED GANG PUNCH	SHEET 1	AR
		USED ON REED RELAY UNITS		
		SEE FIGURE 54-3, 13, 22, 24, 28, 28B AND 29 FOR COMPONENT PARTS		
* -138	5404097	. CABLE ASM,SELF CHECKING KEYBOARD FEATURE	SHEET 1	AR
		USED ON REED RELAY UNITS		
		SEE FIGURE 54-12A, 13, 17, 22, 28, 30, 31A AND 32 FOR COMPONENT		
* -138	5406066	. CABLE ASSEMBLY, KEYBOARD SWITCH PANEL	SHEET 1	AR
		USED ON WIRE CONTACT RELAY UNITS		
		SEE FIGURE 54-1A, 22, 25A, 34 AND 35 FOR COMPONENT PARTS		
* -138	5406067	. CABLE ASSEMBLY, SWITCH	SHEET 1	AR
		USED ON WIRE CONTACT RELAY UNITS		
		SEE FIGURE 54-1A, 22 AND 32 FOR COMPONENT PARTS		
* -139	5422239 NP	. HARDWARE GROUP,SWITCH PANEL COM		
		USED ON REED RELAY UNITS		
* -139	5406029 NP	. HARDWARE GROUP,SWITCH PANEL COM		
		USED ON WIRE CONTACT RELAY UNITS		

LIST AND INDEX NUMBER	PART NUMBER	DESCRIPTION	UNITS PER ASM.	USABLE ON CODE
		1 2 3 4 NUMERIC KEYBOARD AND COVER ASSEMBLIES -CONT		
* 4 -140	10170	. . SCREW, MACH-BIND HD 6-32 X 1/4 LG	SHEET 1	6
* -141	22478	. . WASHER, FLAT- .170 ID, .375 OD	SHEET 1	1
		USED ON WCR SWITCH PANEL COMMON HDWR GR		
* -142	40949	. . WASHER, FL-NO. 8 X 1/2 OD X 1/16 THK	SHEET 1	6
* -143	185052	. . SCREW	SHEET 1	1
		USED ON WCR SWITCH PANEL COMMON HDWR GR		
* -144	532393	. . CLAMP-ADJUSTABLE CABLE	SHEET 1	1
		USED ON WCR SWITCH PANEL COMMON HDWR GR		
* -145	5372214	. . STRAP-SWITCH LOCATOR	SHEET 1	1
* -146	5372318	. . NUT, SHEET SPRING	SHEET 1	2
* -147	5404084	. . NUT, MOUNTING	SHEET 1	2
* -148	5404382	. . COVER ASSEMBLY AND PROGRAM CARD FOLDER	SHEET 1	1
* -149	5372319	. . . COVER-MAIN KEYBOARD	SHEET 1	1
* -150	5372372	. . . HCLDER, CARD, PROGRAM	SHEET 1	1
* -151	5422339	. . WASHER, RUBBER	SHEET 1	6
* -152	313274	BUMPER-KEY USED UNDER LEFT ZERO KEY ON ALL MODEL A AND MODEL C UNITS SEE FIGURE 51 FOR NEXT HIGHER ASSEMBLY	SHEET 2	REF

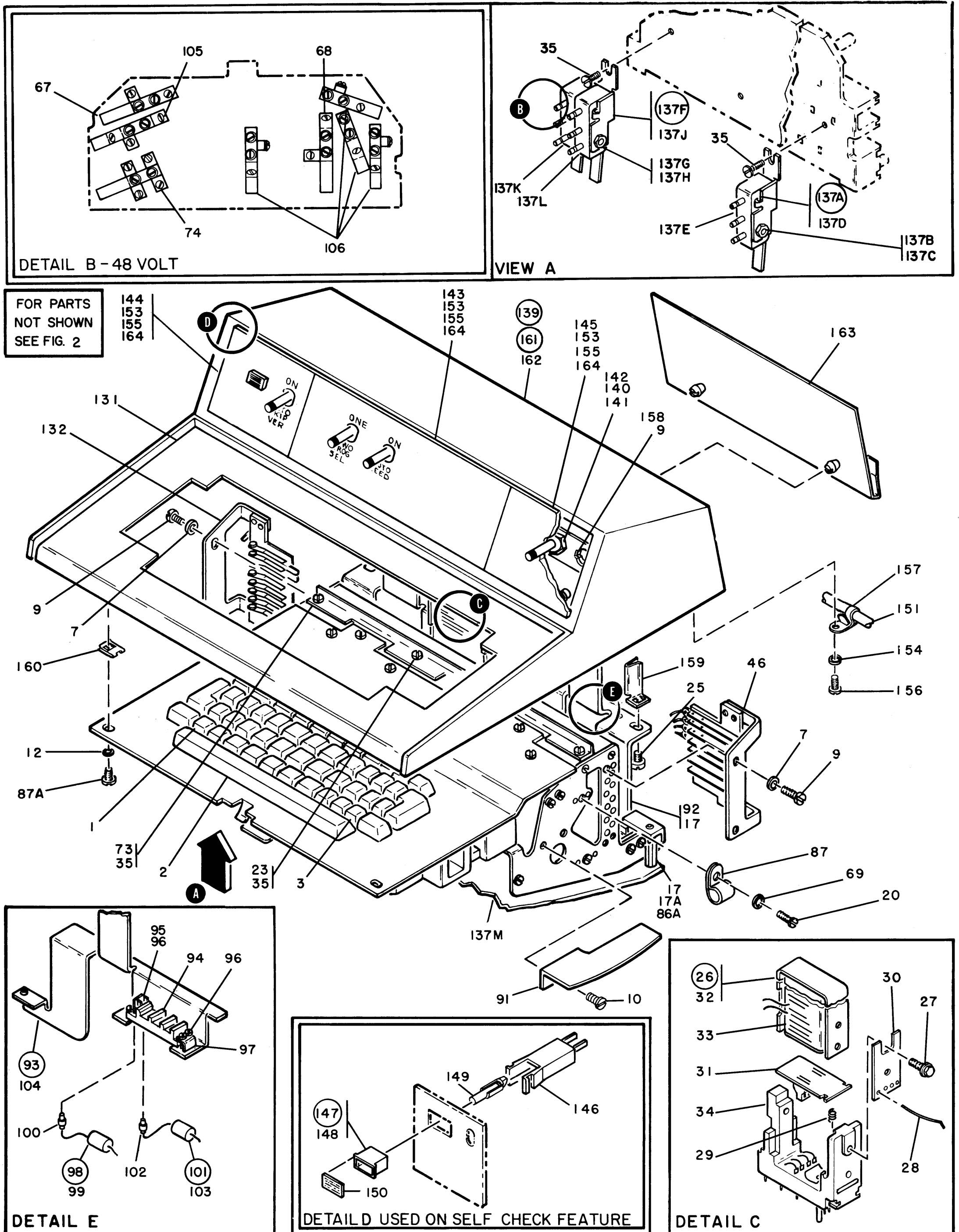
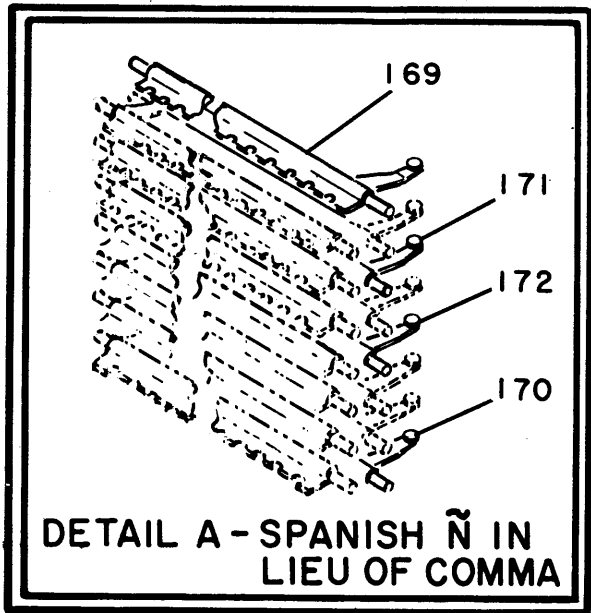


FIGURE 5. COMBINATION KEYBOARDS AND COVER ASSEMBLIES. SHEET 1 OF 5. SEE LIST 5.



FOR PARTS NOT SHOWN SEE FIG. 2

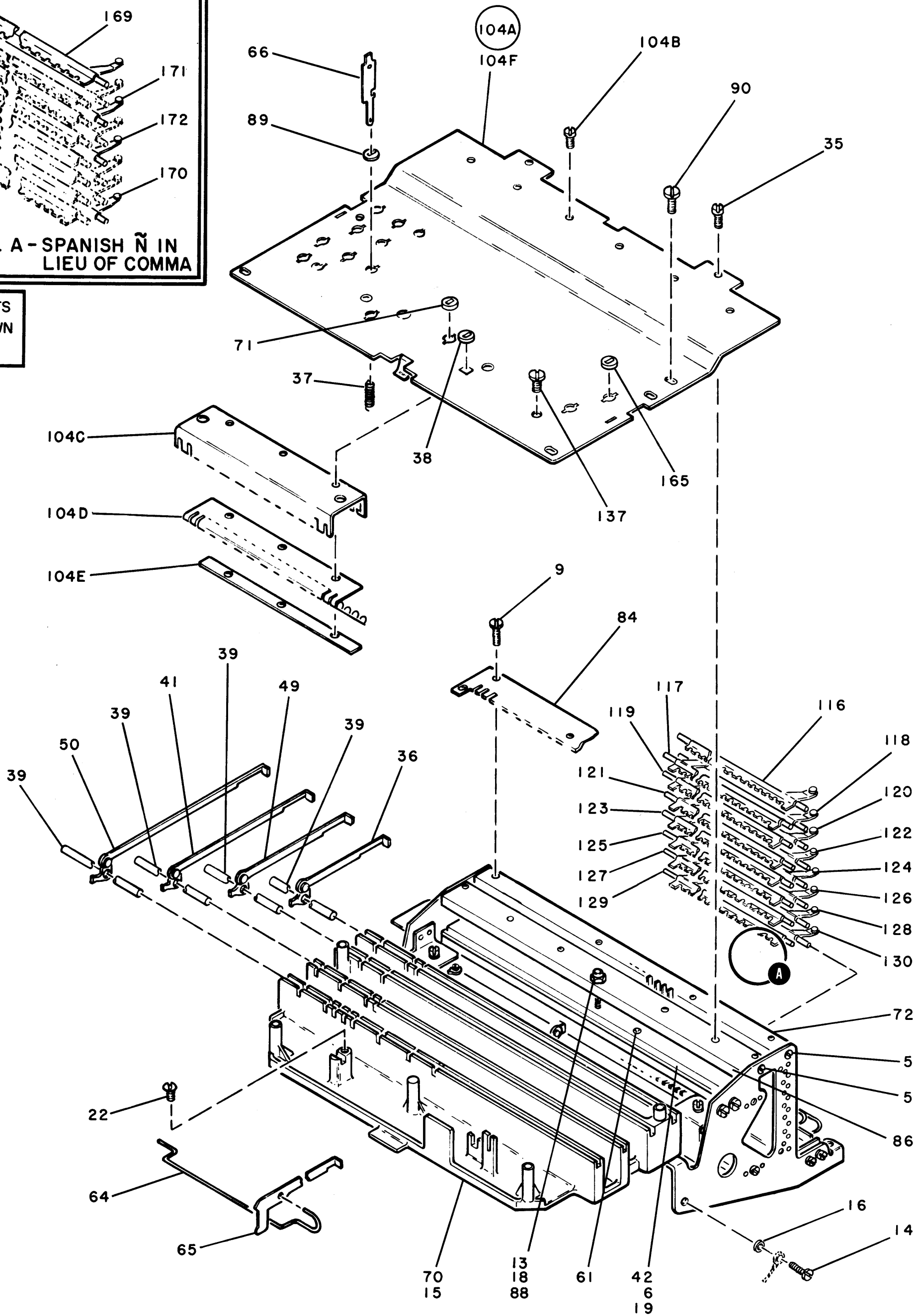


FIGURE 5. COMBINATION KEYBOARDS AND COVER ASSEMBLIES. SHEET 2 OF 5. SEE LIST 5.

FOR PARTS
NOT SHOWN
SEE FIG. 2

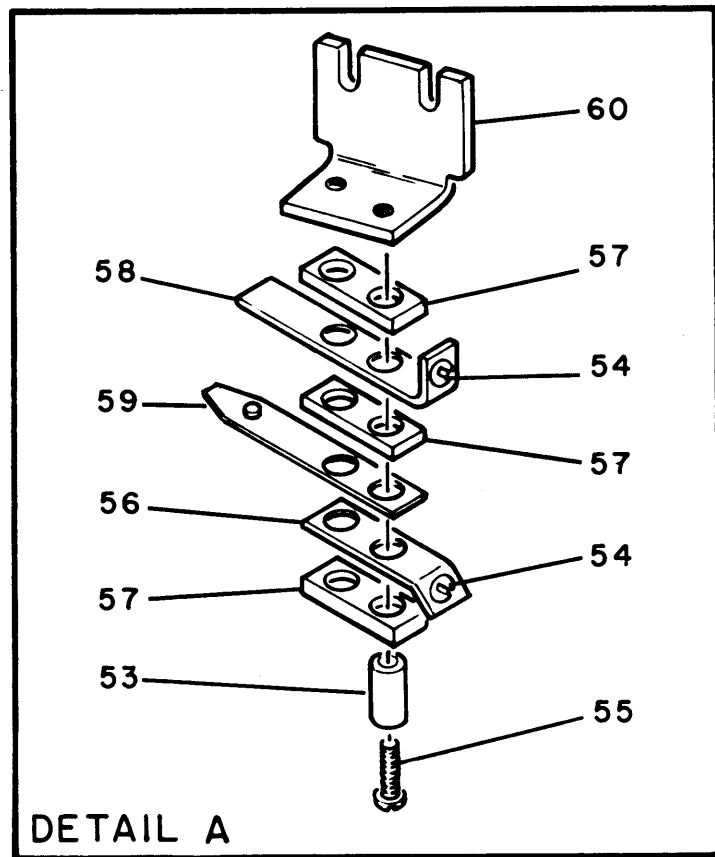
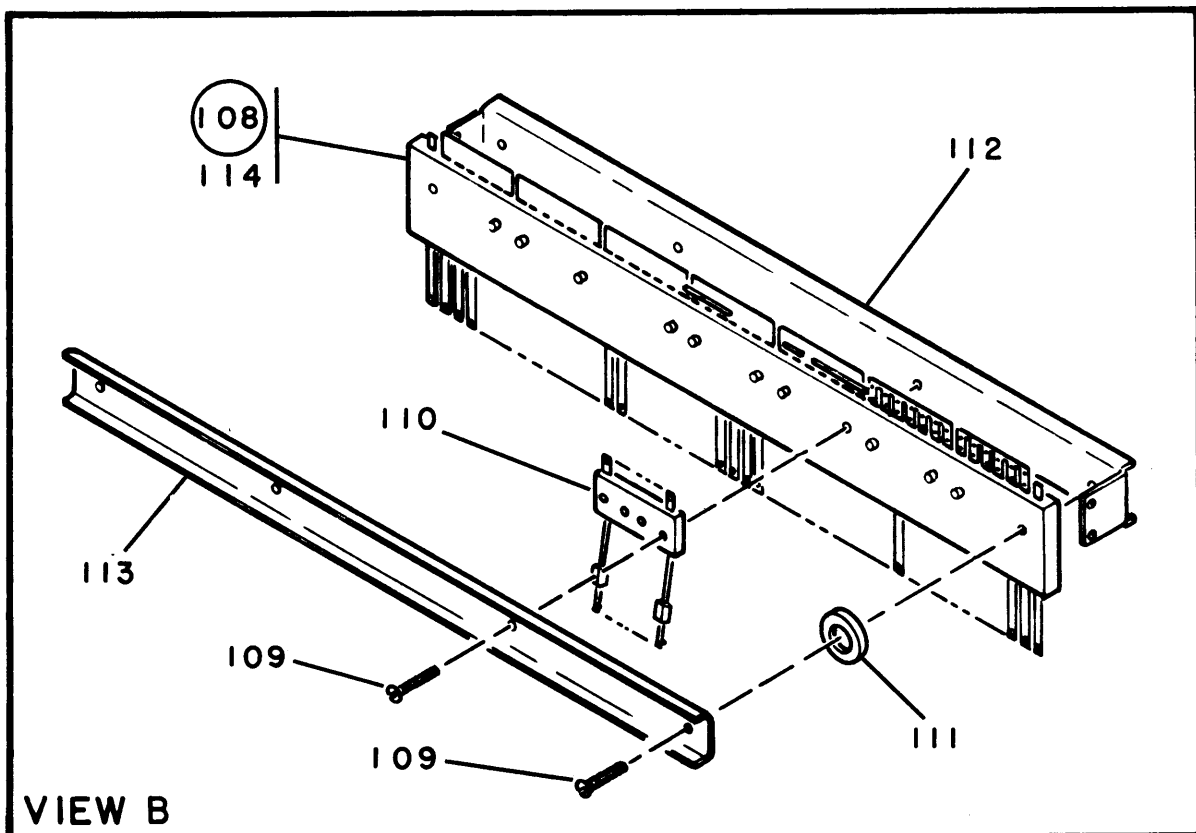
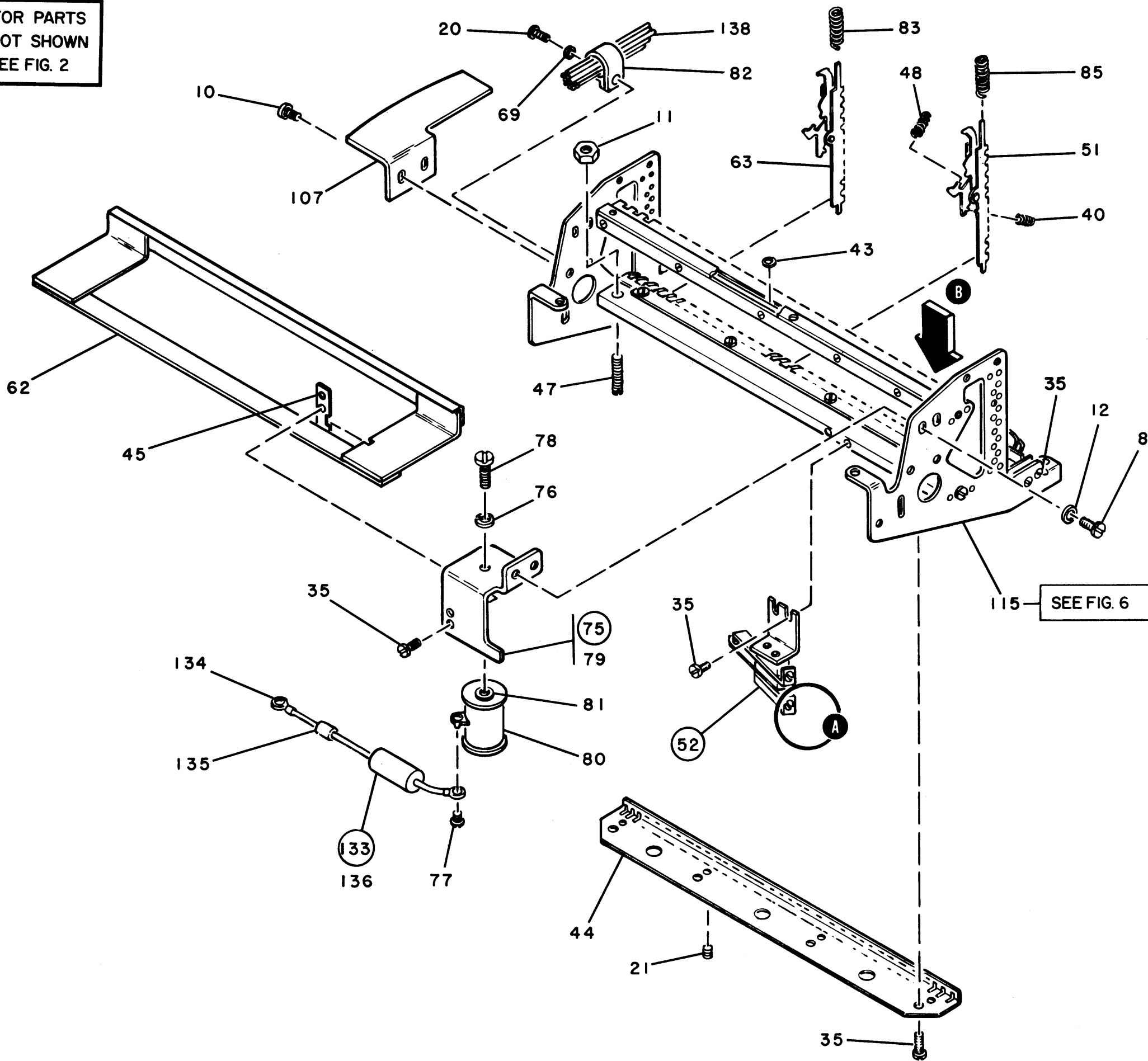


FIGURE 5. COMBINATION KEYBOARDS AND COVER ASSEMBLIES. SHEET 3 OF 5. SEE LIST 5.

KEYBUTTON	PART NO.	ALPHA GROUPS ①											
		5367143	5367287	5367143	5367290	5367291	5367293	5367294	5367295	5367296	5367297	5367178	
		A	B	C	D	E	F	G	H	J	K	L	
A	5353576	✓	✓	✓	✓	✓	✓	✓	✓	✓	✓	✓	
11-8-2 B	5353591	✓	✓	✓	✓	✓	✓	✓	✓	✓	✓	✓	
! B	5353725											✓	
8-7 C	5353589	✓	✓	✓	✓	✓	✓	✓	✓	✓	✓	✓	
11 C	5353615											✓	
8-2 D	5353578	✓	✓	✓	✓	✓	✓	✓	✓	✓	✓	✓	
: D	5353610											✓	
11-8-5 E	5353567	✓	✓	✓	✓	✓	✓	✓	✓	✓	✓	✓	
) E	5353717											✓	
11-8-6 F	5353579	✓	✓	✓	✓	✓	✓	✓	✓	✓	✓	✓	
; F	5353723											✓	
11-8-7 G	5353580	✓	✓	✓	✓	✓	✓	✓	✓	✓	✓	✓	
→ G	5353712											✓	
8-5 H	5353581	✓	✓	✓	✓	✓	✓	✓	✓	✓	✓	✓	
∇ H	5353713											✓	
12-8-5 N	5353592	✓	✓	✓	✓	✓	✓	✓	✓	✓	✓	✓	
(N	5353714											✓	
& P	5353574	✓	✓									✓	
+ P	5353718					✓	✓	✓	✓	✓	✓	✓	
- P	5353744				✓	✓						✓	
/ P	5353746		✓									✓	
12-8-6 Q	5353565	✓	✓	✓	✓	✓	✓	✓	✓	✓	✓	✓	
+ Q	5353715											✓	
12-8-2 R	5353568	✓	✓	✓	✓	✓	✓	✓	✓	✓	✓	✓	
Ç R	5353606											✓	
0-8-6 S	5353577	✓	✓	✓	✓	✓	✓	✓	✓	✓	✓	✓	
> S	5353711											✓	
0-8-2 T	5353569	✓	✓	✓	✓	✓	✓	✓	✓	✓	✓	✓	
8-6 V	5353590	✓	✓	✓	✓	✓	✓	✓	✓	✓	✓	✓	
= V	5353616											✓	
0-8-5 W	5353566	✓	✓	✓	✓	✓	✓	✓	✓	✓	✓	✓	
- W	5353716											✓	
0-8-7 X	5353588	✓	✓	✓	✓	✓	✓	✓	✓	✓	✓	✓	
? X	5353724											✓	
12-8-7 Y	5353570	✓	✓	✓	✓	✓	✓	✓	✓	✓	✓	✓	
l Y	5353608											✓	
Z	5353587	✓	✓	✓	✓	✓	✓	✓	✓	✓	✓	✓	
# @	5353555	✓	✓	✓	✓					✓		✓	
, %	5353556	✓	✓	✓	✓	✓				✓		✓	
\$ *	5353557	✓	✓	✓	✓		✓	✓	✓	✓		✓	
. □	5353558	✓	✓	✓	✓		✓		✓			✓	
•)	5353719						✓		✓			✓	
, (5353721						✓		✓			✓	
≡ √	5353722								✓			✓	
≡ @	5353736									✓		✓	
+ -	5353737							✓				✓	
≡ -	5353738						✓					✓	
# >	5353739					✓						✓	
• *	5353740					✓						✓	
• <	5353741					✓						✓	
≡ P	5353764											✓	
≡ @	5353765											✓	

167

KEYBUTTON	PART NO.	ALPHA-NUMERIC GROUPS ②											
		5367177	5367288	5367289	5367177	5367292	5367177	5367177	5367177	5367177	5367177	5367177	
		A	B	C	D	E	F	G	H	J	K	L	
1 U	5353571	✓	✓	✓	✓	✓	✓	✓	✓	✓	✓	✓	
2 I	5353572	✓	✓	✓	✓	✓	✓	✓	✓	✓	✓	✓	
3 O	5353573	✓	✓	✓	✓	✓	✓	✓	✓	✓	✓	✓	
4 J	5422212	✓	✓	✓	✓	✓	✓	✓	✓	✓	✓	✓	
5 K	5422213	✓	✓	✓	✓	✓	✓	✓	✓	✓	✓	✓	
6 L	5422214	✓	✓	✓	✓	✓	✓	✓	✓	✓	✓	✓	
7 M	5353593	✓	✓	✓	✓	✓	✓	✓	✓	✓	✓	✓	
8 ,	5353594	✓	✓	✓	✓	✓	✓	✓	✓	✓	✓	✓	
9 .	5353595	✓	✓	✓	✓	✓	✓	✓	✓	✓	✓	✓	
0 /	5353560	✓			✓		✓	✓	✓	✓	✓	✓	
- -	5353597	✓	✓	✓	✓		✓	✓	✓	✓	✓	✓	
/ /	5353742						✓						
0 &	5353743		✓				✓						
0 O	5353745			✓									
8 N	5353763												

FUNCTIONAL KEYBUTTONS			
GROUP 5367155 ②			
KEYBUTTON	PART NO.	KEYBUTTON	PART NO.
MULT PUNCH	5353554	SPACE BAR	5353619
PROG ONE	5353561	REG	5353726
PROG TWO	5353562	FEED	5353727
REL	5353563	AUX DUP	5353728
SKIP	5353585	M C	5353731
NUMERIC	5353598	ERROR RESET	5353735
ALPHA	5353599	DUP	5353559
LEFT ZERO	5353602		

167

KEYBUTTON CHARTS

FIGURE 5. COMBINATION KEYBOARDS AND COVER ASSEMBLIES. SHEET 4 OF 5. SEE LIST 5.

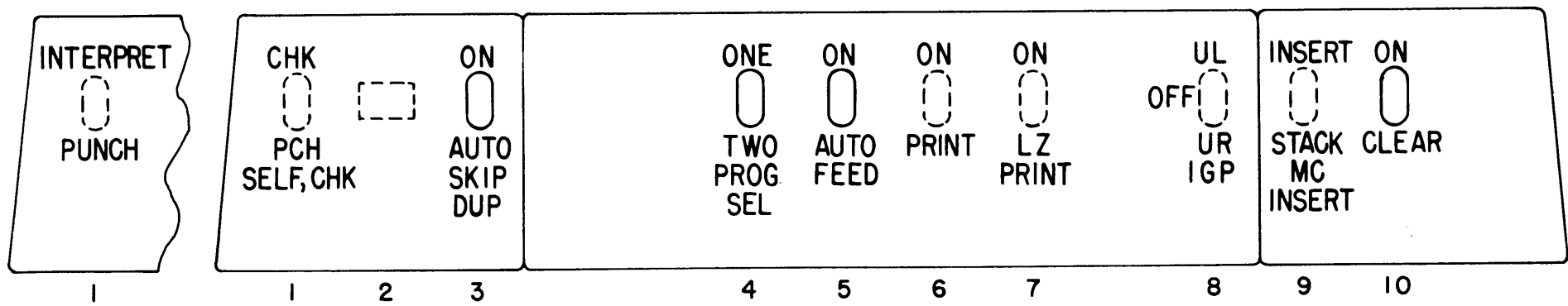


CHART 1 INDEX 139		DESCRIPTION	SWITCH PL REF NO. COVER ASM	SWITCH AND BULB POSITION										CABLE ASM REF NO.		
REED RELAY COVER ASM	WIRE CONTACT RELAY COVER ASM			1	2	3	4	5	6	7	8	9	10			
				5422301	5406031	NON, PRINT	20, 24, 28			37	34	35				
5422302	5406032	PRINT	20, 25, 28			37	34	35	34	34		36	36	43		
5422303	5406033	MOD C	21, 25, 28	37		37	34	35	34	34		36	36	43,44		
5422304	5406034	NON PRINT MCI	20, 24, 29			37	34	35				35	36	36	43	
5422305	5406035	PRINT MCI	20, 25, 29			37	34	35	34	34		35	36	36	43	
5422306	5406036	MOD C MCI	21, 25, 29	37		37	34	35	34	34		35	36	36	43,44	
5422307	5406037	NON PRINT SC NG	23, 24, 28	34	32,33	37	34	35				36	36	42	43,44	
5422308	5406038	PRINT SC NG	23, 25, 28	34	32,33	37	34	35	34	34		36	36	42	43,44	
5422309	5406039	NP SC NG IGP	23, 26, 28	34	32,33	37	34	35		32		35	36	41,	43,44	
5422310	5406040	PRT SC NG IGP	23, 27, 28	34	32,33	37	34	35	34	34	38	35	36	41,42	43,44	
5422311	5406041	NP SC NG IGP MCI	23, 26, 29	34	32,33	37	34	35		38		35	35	36	41,42	43,44
5422312	5406042	PRT SC NG IGP MCI	23, 27, 29	34	32,33	37	34	35	34	34	38	35	35	36	41,42	43,44
5422313	5406043	NP SC NG MCI	23, 24, 29	34	32,33	37	34	35				35	36	36	42	43,44
5422314	5406044	PRT SC NG MCI	23, 25, 29	34	32,33	37	34	35	34	34		35	36	36	42	43,44
5422315	5406045	NON PRINT SC MOD II	22, 24, 28		32,33	37	34	35				36	36	42	43,44	
5422316	5406046	PRINT SC MOD II	22, 25, 28		32,33	37	34	35	34	34		36	36	42	43,44	
5422317	5406047	NP SC MOD II IGP	22, 26, 28		32,33	37	34	35		38		35	36	41,42	43,44	
5422318	5406048	PRT SC MOD II IGP	22, 27, 28		32,33	37	34	35	34	34	38	35	36	41,42	43,44	
5422319	5406049	NP SC MOD II IGP MCI	22, 26, 29		32,33	37	34	35		38		35	35	36	41,42	43,44
5422320	5406050	PRT SC MOD II IGP MCI	22, 27, 29		32,33	37	34	35	34	34	38	35	35	36	41,42	43,44
5422321	5406051	NON PRINT SC MOD II MCI	22, 24, 29		32,33	37	34	35				35	36	36	42	43,44
5422322	5406052	PRINT SC MOD II MCI	22, 25, 29		32,33	37	34	35	34	34		35	36	36	42	43,44
5422322	5406053	NON PRINT IGP MCI	20, 26, 29			37	34	35		38		35	35	36	41	43,44
5422324	5406054	PRINT IGP MCI	20, 27, 29			37	34	35	34	34	38	35	35	36	41	43,44
5422325	5406055	MOD C IGP MCI	21, 27, 29	37		37	34	35	34	34	38	35	35	36	41	43,44
5422326	5406056	NON PRINT IGP	20, 26, 28			37	34	35		38		35	36	41	43,44	
5422327	5406057	PRINT IGP	20, 27, 28			37	34	35	34	34	38	35	36	41	43,44	
5422328	5406058	MOD C IGP	21, 27, 28	37		37	34	35	34	34	38	35	36	41	43,44	

* * *
 NOTE: * USED ON REED RELAY UNITS
 ** USED ON WIRE CONTACT RELAY UNITS

*** **
 FOR REFERENCE NUMBERS SEE CHART 2

CHART 2

REFERENCE AND INDEX NUMBERS							
DESCRIPTION	ACTUAL P/N	REF NO.	INDEX NO.	DESCRIPTION	ACTUAL P/N	REF NO.	INDEX NO.
PLATE LFT STD	5372267	20	144	SWITCH SP/DT	5447682	34	142
PLATE LFT INTRP	5372357	21	144	SWITCH SP/ST	5447685	35	142
PLATE LFT SC	5401029	22	144	SWITCH SP/M	5447686	36	142
PLATE LFT SC/NG	5400915	23	144	SWITCH DP/ST	5404423	37	142
PLATE CTR NP	5372266	24	143	SWITCH CTR OFF	737616	38	142
PLATE CTR PRT	5372269	25	143				
PLATE CTR NP/IGP	5400913	26	143				
PLATE CTR PRT/IGP	5400914	27	143	CABLE ASM	5404077	41	151
PLATE RT STD	5372268	28	145	CABLE ASM	5404097	42	151
PLATE RT MCI	5372227	29	145	CABLE ASM	5406066	43	151
				CABLE ASM	5406067	44	151
BULB ASM	5393294	32	147				
SOCKET ASM	5302505	33	146				

NOTE: FOR LOCATION OF INDEX NUMBERS SEE SHEET 1

KEYBOARD COVER ASSEMBLY CHARTS

FIGURE 5. COMBINATION KEYBOARDS AND COVER ASSEMBLIES. SHEET 5 OF 5. SEE LIST 5.

LIST AND INDEX NUMBER	PART NUMBER	DESCRIPTION	UNITS PER ASM.	USABLE ON CODE
		1 2 3 4		
		COMBINATION KEYBOARDS AND COVER ASSEMBLIES		
5 -				
* -	5367260	KEYBOARD ASSEMBLY-64CHAR COMB W/GROUP A	REF	
* -	5372202	KEYBOARD ASSEMBLY-48 CHAR COMB W/GROUP B	REF	
* -	5372203	KEYBOARD ASSEMBLY-48 CHAR COMB W/GROUP C	REF	
* -	5372204	KEYBOARD ASSEMBLY-48 CHAR COMB W/GROUP D	REF	
* -	5372205	KEYBOARD ASSEMBLY-48 CHAR COMB W/GROUP E	REF	
* -	5372206	KEYBOARD ASSEMBLY-48 CHAR COMB W/GROUP F	REF	
* -	5372207	KEYBOARD ASSEMBLY-48 CHAR COMB W/GROUP G	REF	
* -	5372208	KEYBOARD ASSEMBLY-48 CHAR COMB W/GROUP H	REF	
* -	5372209	KEYBOARD ASSEMBLY-48 CHAR COMB W/GROUP J	REF	
* -	5372210	KEYBOARD ASSEMBLY-48 CHAR COMB W/GROUP K	REF	
* -	5367277	KEYBOARD ASSEMBLY COMB W/BUTTON GROUP EL	REF	
		THE PRECEDING KEYBOARD ASSEMBLIES		
		ARE USED ON REED RELAY UNITS		
* -	5406218	KEYBOARD ASSEMBLY, ARRANGEMENT A 48 CHAR	REF	
* -	5406219	KEYBOARD ASSEMBLY, ARRANGEMENT B 48 CHAR	REF	
* -	5406220	KEYBOARD ASSEMBLY, ARRANGEMENT C 48 CHAR	REF	
* -	5406221	KEYBOARD ASSEMBLY, ARRANGEMENT D 48 CHAR	REF	
* -	5406222	KEYBOARD ASSEMBLY, ARRANGEMENT E 48 CHAR	REF	
* -	5406223	KEYBOARD ASSEMBLY, ARRANGEMENT F 48 CHAR	REF	
* -	5406224	KEYBOARD ASSEMBLY, ARRANGEMENT G 48 CHAR	REF	
* -	5406225	KEYBOARD ASSEMBLY, ARRANGEMENT H 48 CHAR	REF	
* -	5406226	KEYBOARD ASSEMBLY, ARRANGEMENT J 48 CHAR	REF	
* -	5406227	KEYBOARD ASSEMBLY, ARRANGEMENT K 48 CHAR	REF	
* -	5406228	KEYBOARD ASSEMBLY, ARRANGEMENT EL 64CHAR	REF	
		THE PRECEDING KEYBOARD ASSEMBLIES		
		ARE USED ON WIRE CONTACT RELAY UNITS		
		SEE FIGURE 2-2		
		FOR NEXT HIGHER ASSEMBLY		
		AND FIGURE 5 FOR ILLUSTRATION		
* - 1	5367143	. BUTTON GROUP, ALPHA-48 CHAR CODE A AND C USED ON ASSEMBLIES 5367260, 5406218, 5372203 AND 5406220	SHEET 1	1
* - 1	5367287	. BUTTON GROUP, ALPHA-48 CHAR CODE B USED ON ASSEMBLIES 5372202 AND 5406219	SHEET 1	1
* - 1	5367290	. BUTTON GROUP, ALPHA-48 CHAR CODE D USED ON ASSEMBLIES 5372204 AND 5406221	SHEET 1	1
* - 1	5367291	. BUTTON GROUP, ALPHA-48 CHAR CODE E USED ON ASSEMBLIES 5372205 AND 5406222	SHEET 1	1
* - 1	5367293	. BUTTON GROUP, ALPHA-48 CHAR CODE F USED ON ASSEMBLIES 5372206 AND 5406223	SHEET 1	1
* - 1	5367294	. BUTTON GROUP, ALPHA-48 CHAR CODE G USED ON ASSEMBLIES 5372207 AND 5406224	SHEET 1	1
* - 1	5367295	. BUTTON GROUP, ALPHA-48 CHAR CODE H USED ON ASSEMBLIES 5372208 AND 5406225	SHEET 1	1
* - 1	5367296	. BUTTON GROUP, ALPHA-48 CHAR CODE J USED ON ASSEMBLIES 5372209 AND 5406226	SHEET 1	1
* - 1	5367297	. BUTTON GROUP, ALPHA-48 CHAR CODE K USED ON ASSEMBLIES 5372210 AND 5406227	SHEET 1	1

LIST AND INDEX NUMBER	PART NUMBER	DESCRIPTION				UNITS PER ASM.	USABLE ON CODE
		1	2	3	4		
		COMBINATION KEYBOARDS AND COVER ASSEMBLIES -CONT					
* 5 - 1	5367178	. BUTTON GROUP, ALPHA-64 CHAR CODE EL SHEET 1				1	
		USED ON ASSEMBLIES 5367277 AND 5406228 SEE KEYBUTTON CHART FIGURE 5 SHEET 4 FOR DETAIL BREAKDOWN					
* - 2	5367155	. BUTTON GROUP, FUNCTIONAL SHEET 1				1	
		SEE KEYBUTTON CHART FIGURE 5 SHEET 4 FOR DETAIL BREAKDOWN					
* - 3	5367177	. BUTTON GROUP, ALPHA/NUMERIC SHEET 1				1	
		USED ON ASSEMBLIES 5367260, 5406218, 5372204, 5406221, 5372206, 5406223, 5372207, 5406224, 5372208, 5406225, 5372209, 5406226, 5372210, 5406227, 5367277 AND 5406228					
* - 3	5367288	. BUTTON GROUP, ALPHA/NUMERIC-CODE C SHEET 1				1	
		USED ON ASSEMBLIES 5372202 AND 5406219					
* - 3	5367289	. BUTTON GROUP, ALPHA/NUMERIC-CODE D SHEET 1				1	
		USED ON ASSEMBLIES 5372203 AND 5406220					
* - 3	5367292	. BUTTON GROUP, ALPHA/NUMERIC-CODE E SHEET 1				1	
		USED ON ASSEMBLIES 5372205 AND 5406222 SEE KEYBUTTON CHART FIGURE 5 SHEET 4 FOR DETAIL BREAKDOWN					
* - 4	5367181 NP	. MECHANICAL COMBINATION GROUP					
		USED ON REED RELAY UNITS					
* - 4	5406179 NP	. MECHANICAL COMBINATION GROUP					
		USED ON WIRE CONTACT RELAY UNITS					
* - 5	294	. . SCREW, MACH-RH 5-40 X 5/16 LG SHEET 2				4	
* - 6	673	. . SCREW, MACH-FIL H 5-40 X 1/2 LG SHEET 2				3	
* - 7	1866	. . WASHER, FL-NC. 4 X 1/4 OD X 0.025 THK SHEET 1				4	
		USED ON RIGHT SIDE					
* - 8	2300	. . SCREW, MACH-FIL H 8-32 X 1/4 LG SHEET 3				4	
* - 9	4236	. . SCREW, MACH-FIL H 5-40 X 1/4 LG SHEET 1				6	
* - 10	10170	. . SCREW, MACH-BIND HD 6-32 X 1/4 LG SHEET 1				4	
* - 11	11598	. . NUT, PLAIN-HEX 10-32 X 3/8 FL W SHEET 3				2	
* - 12	22478	. . WASHER, FLAT- .170 ID, .375 OD SHEET 1				6	
* - 13	28762	. . SCREW, MACH-FH 5-40 X 1-1/4 IN. LG SHEET 2				1	
* - 14	38271	. . SCREW, MACH-FIL H 5-40 X 3/16 LG SHEET 2				2	
* - 15	38368	. . SCREW, FILISTER HEAD .156 X .4375 SHEET 2				2	
* - 16	56722	. . LOCKWASHER-EXT. TOOTH OD. .150XID. .320 SHEET 2				2	
* - 17	58207	. . SCREW, MACH-UNDRCT BIND HD 8-32 X 1/4 LG SHEET 1				2	
* - 17A	60646	. . WASHER, LOCK-INT T NO. 8 SHEET 1				2	
* - 18	103372	. . NUT, SELF LKG, HEX- 5-40 X 1/4 FL W SHEET 2				1	
* - 19	105047	. . WASHER, LOCK-INT TEETH NO. 5 X 1/4 OD SHEET 2				3	
* - 20	120044	. . SCREW, MACH-BIND HD 5-40 X 3/8 LG SHEET 1				3	
* - 21	133798	. . SET SCREW, FLUTED HEADLESS-5-40 X .125 SHEET 3				4	
* - 22	140738	. . SCREW, MACH-BIND HD 5-40 X 3/16 LG SHEET 2				2	
* - 23	150109	. . WASHER, FL-NO. 5 X 11/32 OD X 0.040 THK SHEET 1				2	
* - 25	185052	. . SCREW SHEET 1				2	
* - 26	196208	. . RELAY ASSEMBLY-WIRE CONTACT 4PDT 2 COIL SHEET 1				1	
		USED ON REED RELAY COMB MECH GR					
* - 27	104976	. . . SCREW, MACH-HEX WASHER HD 5-40 X 11/32 LG SHEET 1				3	
* - 28	149878	. . . WIRE-CONTACT SHEET 1				8	
* - 29	155043	. . . SPRING, HELICAL, COMPR- 8.5 TURNS LH SHEET 1				2	
* - 30	159928	. . . HOLDER-CONTACT WIRE SHEET 1				1	
* - 31	196212	. . . ARMATURE- 4 PT MLDG SHEET 1				1	

LIST AND INDEX NUMBER	PART NUMBER	DESCRIPTION	UNITS PER ASM.	USABLE ON CODE
		1 2 3 4		
		COMBINATION KEYBOARDS AND COVER ASSEMBLIES -CONT		
* 5 - 32	196215	. . . CCRE AND YCKE ASSEMBLY- 4 PT	SHEET 1	1
* - 33	344502 □	. . . CCIL ASSEMBLY	SHEET 1	1
* - 34	344503	. . . MCLDING ASSEMBLY- 4 POS RELAY	SHEET 1	1
* - 35	196299	. . . SCREW,MACH-BIND HD 5-40 X 1/2 LG	SHEET 1	24
* - 36	219202	. . . BAR ASSEMBLY-PULL LATCH	SHEET 2	8
* - 37	219203	. . . SPRING,HELICAL,CCMPR- 20.4 TURNS	SHEET 2	50
* - 38	219204	. . . BUMPER-KEY	SHEET 2	52
* - 39	219209	. . . SHAFT-BELL CRANK	SHEET 2	4
* - 40	219224	. . . SPRING,HELICAL,CCMPR- 11 TURNS	SHEET 3	41
* - 41	219229	. . . BAR ASSEMBLY-PULL LATCH	SHEET 2	11
* - 42	219232	. . . BAR-HOCK SUPPORT	SHEET 2	1
* - 43	219235	. . . KEY-INTLK	SHEET 3	44
* - 44	219237	. . . PLATE-COMBINATION BAIL STOP	SHEET 3	1
* - 45	219268	. . . PIVCT-ARMATURE	SHEET 3	2
* - 46	219319	. . . PLATE ASSEMBLY-CONTACT RIGHT	SHEET 1	1
* - 47	219325	. . . STUD,ARMATURE STOP	SHEET 3	2
* - 48	219333	. . . SPRING,HELICAL,CCMPR- 10.8 TURNS	SHEET 3	41
* - 49	219346	. . . BAR ASSEMBLY-PULL LATCH	SHEET 2	11
* - 50	219347	. . . BAR ASSEMBLY-PULL LATCH	SHEET 2	10
* - 51	219357	. . . LATCH ASSEMBLY	SHEET 3	39
* - 52	219369	. . . CONTACT ASSEMBLY,ELEC-COMBINATION BAIL	SHEET 3	1
* - 53	100229	. . . INSULATOR-SCREW NO. 5 X 1/2 LG	SHEET 3	2
* - 54	118418	. . . SCREW,MACH-RH 5-40 X 5/32 LG	SHEET 3	2
* - 55	173205	. . . SCREW,ASMD WASHER-RH 5-40 X 21/32 LG	SHEET 3	2
* - 56	204839	. . . TERMINAL-LOWER CONTACT	SHEET 3	1
* - 57	204843	. . . INSULATOR-BLOCK PUNCH UNIT CONTACT	SHEET 3	3
* - 58	204848	. . . TERMINAL ASSEMBLY-UPPER CONTACT	SHEET 3	1
* - 59	205608	. . . TERMINAL ASSEMBLY-CONTACT	SHEET 3	1
* - 60	219368	. . . BRACKET-COMBINATION BAIL CONTACT	SHEET 3	1
* - 61	219472	. . . SCREW,EXT RELIEVED BODY- 10-32 X 29/64LG	SHEET 2	1
* - 62	219485	. . . BAIL ASSEMBLY-RESTORING	SHEET 3	1
* - 63	227519	. . . LATCH ASSEMBLY-RELEASE	SHEET 3	2
* - 64	227527	. . . BAIL-SPACE BAR	SHEET 2	1
* - 65	227529	. . . BAR-SPACE LATCH PULL	SHEET 2	1
* - 66	227582	. . . STEM-KEY	SHEET 2	47
* - 67	227589	. . . CONTACT ASSEMBLY, ELECTRICAL USED ON 48V KEYBOARD ASM	SHEET 1	1
* - 68	227591	SEE FIGURE 7 FOR DETAIL BREAKDOWN . . . CONTACT ASSEMBLY, ELECTRICAL USED ON 48V KEYBOARD ASM	SHEET 1	1
* - 69	257986	SEE FIGURE 8 FOR DETAIL BREAKDOWN . . . WASHER,FLAT NO. 6	SHEET 1	3
* - 70	312492	. . . PLATE-GUIDE	SHEET 2	1
* - 71	313274	. . . BUMPER-KEY	SHEET 2	5
* - 72	313353	. . . BAR-SWITCH PLATE MOUNTING	SHEET 2	1
* - 73	313355	. . . GUIDE-UPPER BAIL FRONT	SHEET 1	1
* - 74	313659	. . . CONTACT ASSEMBLY, ELECTRICAL USED ON 48V KEYBOARD ASM SEE FIGURE 9 FOR DETAIL BREAKDOWN	SHEET 1	1
* - 75	315309	. . . YOKE ASSEMBLY USED ON RIGHT SIDE	SHEET 3	1
* - 75	315310	. . . YOKE ASSEMBLY USED ON LEFT SIDE	SHEET 3	1
* - 76	9092	. . . WASHER-LOCK,SPLIT RING, .194 ID .3370D	SHEET 3	1
* - 77	38383	. . . SCREW,MACH-FIL H 10-32 X 7/16 LG	SHEET 3	1
* - 78	48594	. . . SCREW,MACH-BIND HD 6-32 X 0.250 LG	SHEET 3	2
* - 79	219244	. . . YCKE-MAGNET RIGHT USED ON RIGHT SIDE YOKE ASSEMBLY	SHEET 3	1
* - 79	219213	. . . YCKE-MAGNET USED ON LEFT SIDE YOKE ASSEMBLY	SHEET 3	1
* - 80	316046	. . . MAGNET-KEYBOARD RESTORER	SHEET 3	1
* - 81	316047 □	. . . CCRE,ELECTROMAGNET	SHEET 3	1

LIST AND INDEX NUMBER	PART NUMBER	DESCRIPTION	UNITS PER ASM.	USABLE ON CODE
		COMBINATION KEYBOARDS AND COVER ASSEMBLIES -CONT		
* 5 - 82	327921	. . . CLAMP,CABLE	SHEET 2	1
* - 83	335321	. . . SPRING,HELICAL,CCMPR- 15 TURNS USED ON POSITIONS 14, 16, 18 AND 24	SHEET 3	4
* - 84	362829	. . . PLATE-LATCH	SHEET 2	1
* - 85	382303	. . . SPRING, HELICAL, COMPRESSION-19 TURNS USED ON ALL REMAINING POSITIONS	SHEET 1	37
* - 86	382349	. . . BAR-COMBINATION SUPPORT PLATE MOUNTING	SHEET 1	1
* - 86A	442576	. . . STUD, FEED ROLL MOUNTING	SHEET 1	2
* - 87	533289	. . . CLAMP, CABLE	SHEET 2	2
* - 87A	734483	. . . SCREW,PAN HD- 6-32 X 0.380 LG	SHEET 2	2
* - 88	1090199	. . . WASHER,FL-NO. 6 X 9/32 OD X 0.031 THK	SHEET 2	1
* - 89	1119715	. . . BUMPER-KEY	SHEET 1	2
* - 90	5367119	. . . SCREW,MACHINE-BINDING,5-40UNC X 0.250	SHEET 1	2
* - 91	5367142	. . . BRACKET,PIVCT-KEYBOARD,RIGHT	SHEET 1	1
* - 92	5367148	. . . BRACKET-KEYBOARD COVER AND RELAY CARD USED ON WCR CCMB MECH GROUP	SHEET 1	1
* - 93	5367153	. . . BRACKET ASSEMBLY,RELAY AND COVER MTG USED ON RR CCMB MECH GROUP	SHEET 1	1
* - 94	159941	. . . MOLDING ASSEMBLY-TERMINAL 4 POS	SHEET 1	1
* - 95	159944	. . . CLIP,SPRING TENSION-TERMINAL MOULDING	SHEET 1	1
* - 96	198363	. . . SCREW,THD FORMING-BIND HD NO. 4 X 1/2 LG	SHEET 1	4
* - 97	308704	. . . CLIP-MCLDING	SHEET 1	1
* - 98	315962	. . . CAPACITOR ASSEMBLY, 0.2 UFD	SHEET 1	1
* - 99	315965	. . . CAPACITOR USED ON 0.2UFD CAPACITOR ASM	SHEET 1	1
* -100	320167	. . . TERMINAL,QUICK DISC-NONINS 16AWG TAP-PIN USED ON 0.2UFD CAPACITOR ASM	SHEET 1	2
* -101	1127186	. . . RESISTOR ASSEMBLY, 470 OHMS 1/2 W	SHEET 1	1
* -102	187243	. . . TERMINAL,SMALL TAPER USED ON 470 OHMS RESISTOR ASM	SHEET 1	2
* -103	300716	. . . RESISTOR USED ON 470 OHMS RESISTOR ASM	SHEET 1	1
* -104	5404187	. . . BRACKET,KEYBOARD COVER AND RELAY MTG.	SHEET 1	1
* -104A	5367166	. . . PLATE ASSEMBLY-SUPPORT	SHEET 2	1
* -104B	4236	. . . SCREW,MACH-FIL H 5-40 X 1/4 LG	SHEET 2	6
* -104C	219278	. . . CHANNEL-HOOK	SHEET 2	2
* -104D	227501	. . . SPRING-HOOK	SHEET 2	2
* -104E	227502	. . . PLATE-SPRING MTG	SHEET 2	2
* -104F	5422231	. . . PLATE	SHEET 2	1
* -105	5367167	. . . CONTACT ASSEMBLY, ELECTRICAL USED ON 48V KEYBOARD ASM SEE FIGURE 11 FOR DETAIL BREAKDOWN	SHEET 1	4
* -106	5367173	. . . CONTACT ASSEMBLY,ELECTRICAL USED ON 48V KEYBOARD ASM SEE FIGURE 12 FOR DETAIL BREAKDOWN	SHEET 3	1
* -107	5367186	. . . BRACKET,PIVOT-KEYBOARD,LEFT	SHEET 3	1
* -108	5367209	. . . CONTACT ASM,LATCH- 64 CHAR	SHEET 3	4
* -109	38255	. . . SCREW,MACH-FIL H 3-48 X 1/2 LG	SHEET 3	6
* -110	219281	. . . CONTACT-ELECTRICAL	SHEET 3	2
* -111	5447670	. . . SPACER	SHEET 3	1
* -112	5367152	. . . BRACKET-LATCH MOUNTING	SHEET 3	1
* -113	5367162	. . . BRACKET-CLAMP	SHEET 3	1
* -114	5367208	. . . COMMON ASSEMBLY-64 CHARACTER KEYBOARD	SHEET 3	1
* -115	5367210	. . . BAR ASSEMBLY-MOUNTING SEE FIGURE 6 FOR DETAIL BREAKDOWN	SHEET 3	1
* -116	5367211	. . . ARM ASSEMBLY-BAIL CONTACT,64 CHAR,1R	SHEET 2	1
* -117	5367212	. . . ARM ASSEMBLY-BAIL CONTACT,64 CHAR,2L	SHEET 2	1
* -118	5367213	. . . ARM ASSEMBLY-BAIL CONTACT,64 CHAR,3R	SHEET 2	1
* -119	5367214	. . . ARM ASSEMBLY-BAIL CONTACT,64 CHAR,4L	SHEET 2	1
* -120	5367215	. . . ARM ASSEMBLY-BAIL CONTACT,64 CHAR,5R	SHEET 2	1
* -121	5367216	. . . ARM ASSEMBLY-BAIL CONTACT,64 CHAR,6L	SHEET 2	1
* -122	5367217	. . . ARM ASSEMBLY-BAIL CONTACT,64 CHAR,7R	SHEET 2	1

LIST AND INDEX NUMBER	PART NUMBER	DESCRIPTION				UNITS PER ASM.	USABLE ON CODE
		1	2	3	4		
		COMBINATION KEYBOARDS AND COVER ASSEMBLIES -CONT					
* 5 -123	5367218	. . ARM ASM-BAIL CONTACT 8L 64 CHAR				SHEET 2	1
* -124	5367219	. . ARM ASSEMBLY-BAIL CONTACT,64 CHAR,9R				SHEET 2	1
* -125	5367220	. . ARM ASSEMBLY-BAIL CONTACT,64 CHAR,10L				SHEET 2	1
* -126	5367221	. . ARM ASSEMBLY-BAIL CONTACT,64 CHAR,11R				SHEET 2	1
* -127	5367222	. . ARM ASSEMBLY-BAIL CONTACT,64 CHAR,12L				SHEET 2	1
* -128	5367223	. . ARM ASSEMBLY-BAIL CONTACT,64 CHAR,13R				SHEET 2	1
* -129	5367224	. . ARM ASSEMBLY-BAIL CONTACT,64 CHAR,14L				SHEET 2	1
* -130	5367225	. . ARM ASSEMBLY-BAIL CONTACT,64 CHAR,15R				SHEET 2	1
* -131	5367229	. . PLATE-COMBINATION KEYBOARD, INTERIM				SHEET 1	1
* -132	5367274	. . PLATE ASSEMBLY-CONTACT L				SHEET 1	1
* -133	5372368	. . RESISTOR-CAPACITOR ASSEMBLY				SHEET 3	1
* -134	186962	. . . TERMINAL-RING,24-20 AWG #6 HOLE,NON INS				SHEET 3	2
* -135	323918 □	. . . RESISTOR,FXD,CCMP- 180 OHMS				SHEET 3	1
* -136	326367 □	. . . CAPACITOR,FXD,PAPER- 0.1 UF				SHEET 3	1
* -137	5393274	. . SCREW,MACHINE-BINDING HD 5-40NC X 0.250				SHEET 2	2
* -137A	5462505	. . SWITCH AND BRACKET ASSEMBLY, ONE CIRCUIT				SHEET 1	7
		USED ON 12V KEYBOARD ASM					
* -137B	47987	. . . NUT,PLAIN,HEX- 2-56 X 3/16 FL W				SHEET 1	1
* -137C	438540	. . . SCREW,MACH-BIND HD 2-56 X 3/8 LG				SHEET 1	1
* -137D	5462501	. . . BRACKET, KEYSTEM SWITCH MOUNTING				SHEET 1	1
* -137E	5462502	. . . SWITCH, BASIC SPDT				SHEET 1	1
* -137F	5462506	. . SWITCH AND BRACKET ASSEMBLY, TWO CIRCUIT				SHEET 1	1
		USED ON 12V KEYBOARD ASM					
* -137G	47987	. . . NUT,PLAIN,HEX- 2-56 X 3/16 FL W				SHEET 1	1
* -137H	438543	. . . SCREW,MACH-BIND HD 2-56 X 5/8 LG				SHEET 1	1
* -137J	5462501	. . . BRACKET, KEYSTEM SWITCH MOUNTING				SHEET 1	1
* -137K	5462502	. . . SWITCH, BASIC SPDT				SHEET 1	1
* -137L	5462504	. . . SWITCH ASSEMBLY				SHEET 1	1
* -137M	5462711	. . COVER, BOTTOM				SHEET 1	1
* -138	5372384	. CABLE ASSEMBLY,POWER,ELECTRICAL				SHEET 3	1
		USED ON REED RELAY UNITS					
		SEE FIGURE 54- 1B, 2, 4, 5, 12A, 13, 17, 18A, 19, 20, 22, 25A, 26, 28B, 30 AND 31A FOR COMPONENT PARTS					
* -138	5406065	. CABLE ASSEMBLY, COMBINATION KEYBOARD				SHEET 3	1
		USED ON WIRE CONTACT RELAY UNITS					
		SEE FIGURE 54- 1A, 34, 35					
* -139	NO NO.	COVER ASSEMBLY,KEYBOARD					NP
		SEE CHARTS-FIGURE 5 SHEET 5 TO					
		SELECT COVER ASSEMBLIES PERTINENT TO EACH MODEL AND FEATURES					
* -140	159373	. WASHER,LOCK-EXT TEETH 15/32 ID X 3/4 OD				SHEET 1	AR
* -141	179743	. NUT,PLAIN,HEX- 15/32-32 X 9/16 FL W				SHEET 1	AR
* -142	NO NO.	. SWITCH ASSEMBLY					NP
		SEE CHART-FIGURE 5 SHEET 5 FOR PART NUMBER AND POSITION					
* -143	NO NO.	. PLATE ASSEMBLY, CENTER					NP
		SEE CHART-FIGURE 5 SHEET 5 FOR PART NUMBER AND POSITION					
* -144	NO NO.	. PLATE ASSEMBLY, LEFT					NP
		SEE CHART-FIGURE 5 SHEET 5 FOR PART NUMBER AND POSITION					
* -145	NO NO.	. PLATE ASSEMBLY, RIGHT					NP
		SEE CHART-FIGURE 5 SHEET 5 FOR PART NUMBER AND POSITION					
* -146	5302505	. SOCKET ASSEMBLY				SHEET 1	AR
		USED WITH SELF CHECK FEATURE ONLY					
* -147	5393294	. LAMPHOLDER				SHEET 1	AR
		USED WITH SELF CHECK FEATURE ONLY					
* -148	770386	. . HOLDER,BULB				SHEET 1	1
* -149	2122160	. . LAMP				SHEET 1	1
* -150	5235096	. . LENS,INDICATOR-RED				SHEET 1	1

LIST AND INDEX NUMBER	PART NUMBER	DESCRIPTION	UNITS PER ASM.	USABLE ON CODE
		1 2 3 4		
		COMBINATION KEYBOARDS AND COVER ASSEMBLIES -CONT		
5 -151	5404077	. CABLE ASSEMBLY, INTERSPERSED GANG PUNCH -RR SEE FIGURE 54-3, 13, 22, 24, 28, 28B AND 29 FOR COMPONENT PARTS	SHEET 1	AR
-151	5404097	. CABLE ASM, SELF CHECKING KEYBOARD FEATURE -RR SEE FIGURE 54-12A, 13, 17, 22, 28, 30, 31A AND 32 FOR COMPONENT PARTS	SHEET 1	AR
-151	5406066	. CABLE ASSEMBLY, KEYBOARD SWITCH PANEL -WCR SEE FIGURE 54-1A, 22, 25, 34 AND 35 FOR COMPONENT PARTS	SHEET 1	AR
-151	5406067	. CABLE ASSEMBLY, SWITCH -WCR SEE FIGURE 54-1A, 22 AND 32 FOR COMPONENT PARTS	SHEET 1	AR
-152	5422239	NP . HARDWARE GROUP, SWITCH PANEL COMMON - RR		
-152	5406029	NP . HARDWARE GROUP, SWITCH PANEL COMMON -WCR		
-153	10170	. . SCREW-MACH,BIND HD NO. 6-32 X .250 LG	SHEET 1	6
-154	22478	. . WASHER,FL- 0.170 ID 0.375 OD 0.032 THK	SHEET 1	1
-155	40949	. . WASHER,FL-NO.8 X 1/2 OD X 1/16 THK	SHEET 1	6
-156	185052	. . SCREW	SHEET 1	1
-157	532393	. . CLAMP-ADJUSTABLE CABLE USED ON WCR SWITCH PANEL COMMON HDWR GR	SHEET 1	1
-158	5372214	. . STRAP-SWITCH LOCATOR	SHEET 1	1
-159	5372318	. . NUT,SHEET SPRING	SHEET 1	2
-160	5404084	. . NUT, MOUNTING	SHEET 1	2
-161	5404382	. . COVER ASSEMBLY AND PROGRAM CARD HOLDER	SHEET 1	1
-162	5372319	. . . COVER-MAIN KEYBOARD	SHEET 1	1
-163	5372372	. . . HOLDER,CARD,PROGRAM	SHEET 1	1
-164	5422339	. . WASHER, RUBBER	SHEET 1	6
-165	313274	SPACER-KEY USED UNDER LEFT ZERO KEY ON ALL MODEL A AND MODEL C UNITS SEE FIGURE 51 FOR NEXT HIGHER ASSEMBLY		REF
-166	5416901	NP SPANISH-N-IN LIEU OF A COMMA		
-166	5416902	NP SPANISH-N-IN LIEU OF AN AMPERSAND SEE FIGURE 5 FOR ILLUSTRATION		
-167	5353763	. BUTTON, SPANISH N	SHEET 4	1
-167	5353764	. BUTTON, SPANISH N USED ON SPANISH-N-IN LIEU OF A COMMA SEE CHART FIGURE 5 SHEET 4	SHEET 4	1
-168	5404164	. CODE PLATE USED ON SPANISH-N-IN LIEU OF A AMPERSAND SEE CHART FIGURE 5 SHEET 4		1
-169	5404165	. ARM ASSEMBLY, BAIL CONTACT-1R 64 CHAR SEE FIGURE 20-24 AND 21-20 FOR LOCATION	SHEET 2	1
-170	5404166	. ARM ASSEMBLY, BAIL CONTACT-15R 64 CHAR	SHEET 2	1
-171	5404167	. ARM ASSEMBLY, BAIL CONTACT-5R 64 CHAR	SHEET 2	1
-172	5404168	. ARM ASSEMBLY, BAIL CONTACT-9R 64 CHAR	SHEET 2	1

FOR PARTS
NOT SHOWN
SEE FIG. 4, 5

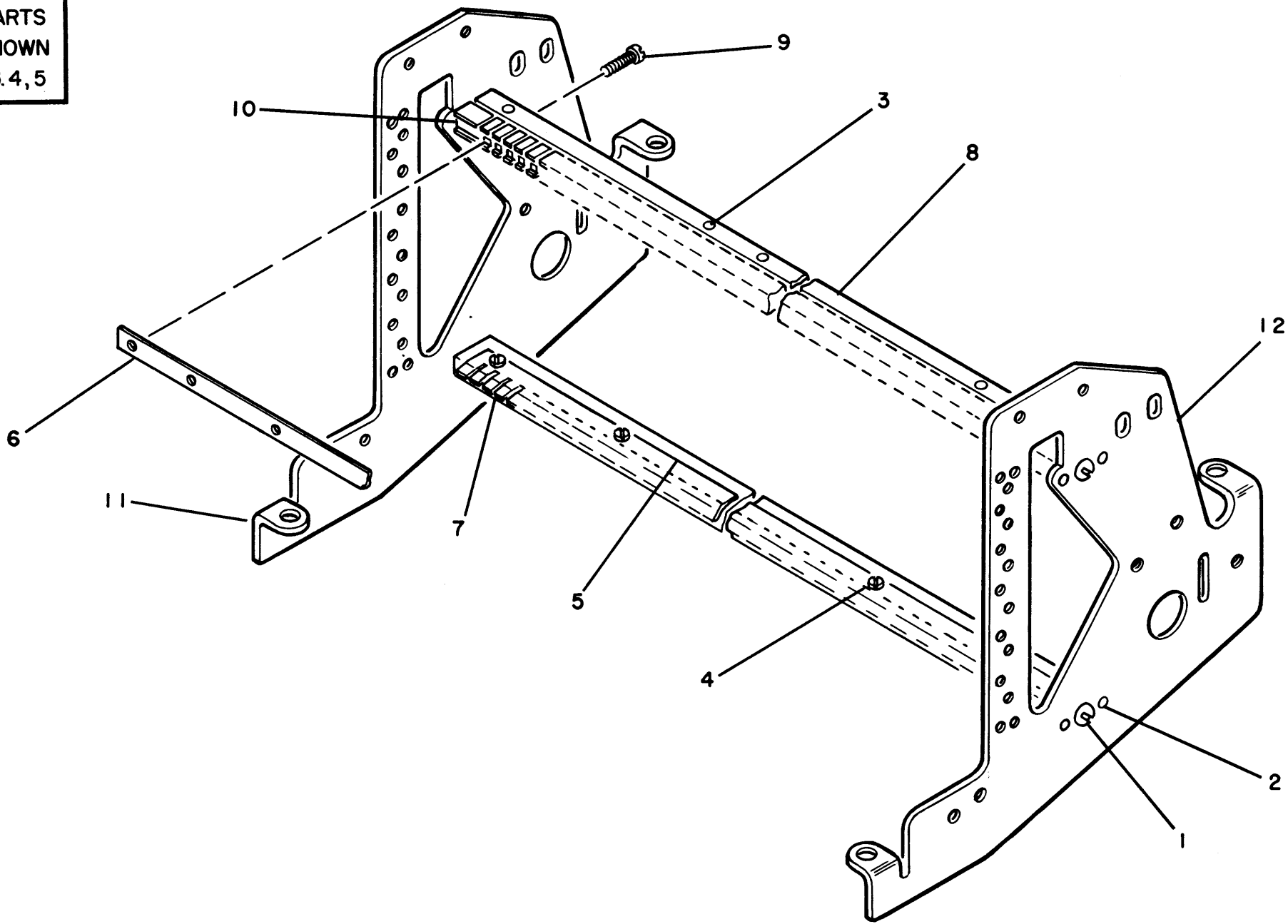


FIGURE 6. MOUNTING BAR ASSEMBLY. SEE LIST 6.

LIST AND INDEX NUMBER	PART NUMBER	DESCRIPTION				UNITS PER ASM.	USABLE ON CODE
		1	2	3	4		
		MOUNTING BAR ASSEMBLY					
6 -	536721C	BAR ASSEMBLY-MOUNTING SEE FIGURE 4-111 AND 5-115 FOR NEXT HIGHER ASSEMBLY AND FIGURE 6 FOR ILLUSTRATION				REF	
- 1	3500	• SCREW, FIL HD MACH-5-40 X .312 LG				4	
- 2	7371	• PIN,STR,HDLS- 3/32 DIA X 3/16 LG				8	
- 3	134998	• PIN,STR,HDLS- 1/4 DIA X 5/16 LG				5	
- 4	196299	• SCREW,MACH-BIND HD 5-40 X 1/2 LG				4	
- 5	219216	• BAR-BAIL GUIDE MOUNTING				1	
- 6	219226	• PLATE-LATCH				1	
- 7	219236	• GUIDE-BAIL LOWER				1	
- 8	219272	• GUIDE-INTERLOCK				1	
- 9	311483	• SCREW,MACH-FIL H 2-56 X 5/16 LG				6	
- 10	316059	• BAR-LATCH				1	
- 11	5367204	• PLATE-RIGHT SIDE				1	
- 12	5367205	• PLATE-LEFT SIDE				1	

FOR PARTS
NOT SHOWN
SEE FIG. 5

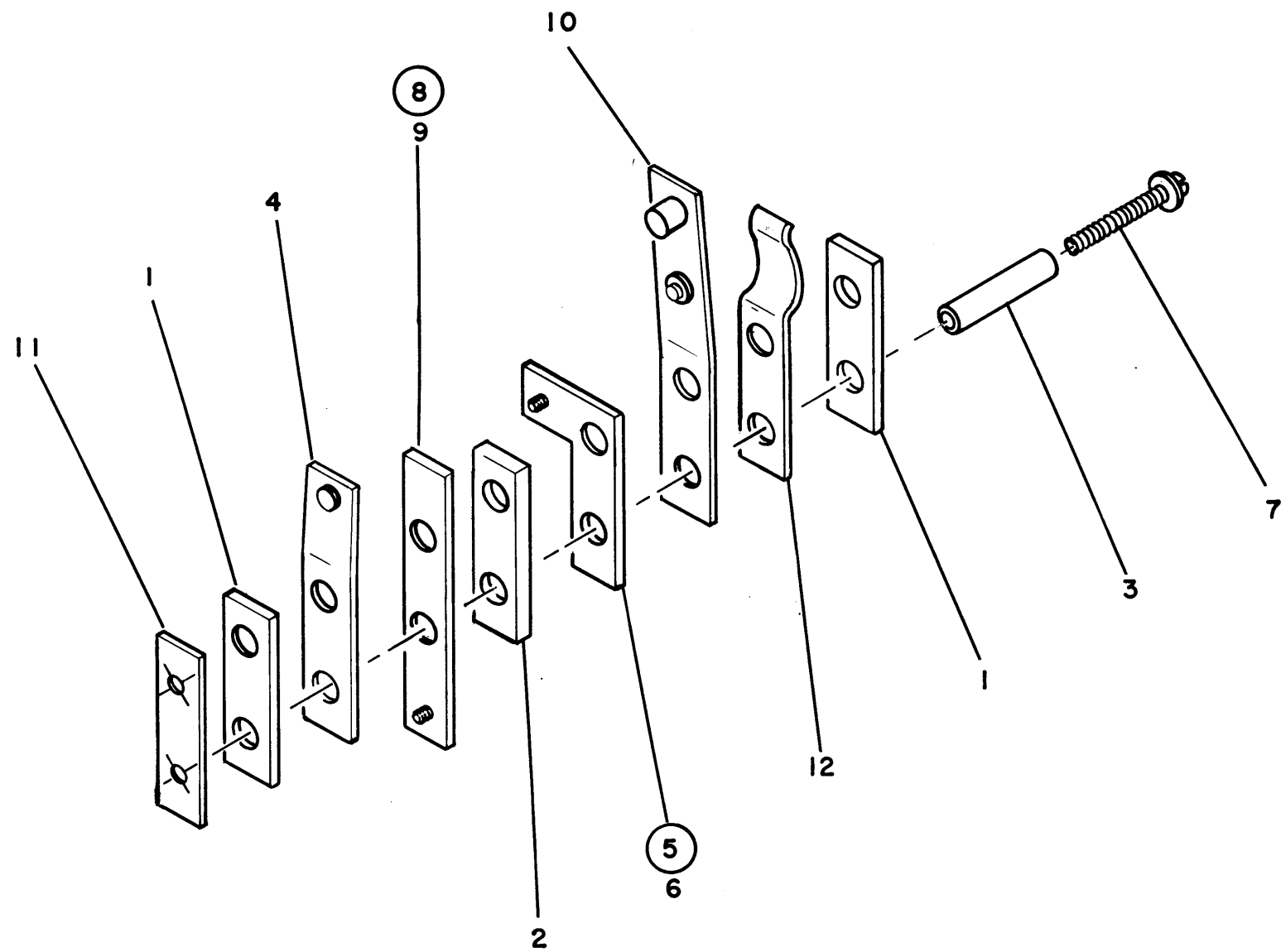


FIGURE 7. NUM CONTACT ASSEMBLY. SEE LIST 7.

LIST AND INDEX NUMBER	PART NUMBER	DESCRIPTION	UNITS	USABLE
			PER ASM.	ON CODE
		NUM CONTACT ASSEMBLY		
* 7 -	227589	CONTACT ASSEMBLY, ELECTRICAL SEE FIGURE 5-67 FOR NEXT HIGHER ASSEMBLY AND FIGURE 7 FOR ILLUSTRATION	REF	
* - 1	2819	• INSULATION-CONTACT SPRING 3/32 THK	2	
* - 2	25984	• SUPPCRT-CONTACT SPRING	1	
* - 3	100464	• INSULATOR-SCR 0.128 ID 0.186 OD 11/32 LG	2	
* - 4	116374	• SPRING ASSEMBLY-CONTACT	1	
* - 5	138709	• CONTACT ASSEMBLY-TERMINAL	1	
* - 6	118418	• . SCREW, MACH-RH 5-40 X 5/32 LG	1	
* - 7	173204	• SCREW, MACH-RD WASHER HD 5-40 X 19/32 LG	2	
* - 8	227522	• TERMINAL ASSEMBLY-CONTACT	1	
* - 9	118418	• . SCREW, MACH-RH 5-40 X 5/32 LG	1	
* - 10	300342	• SPRING ASSEMBLY-CONTACT	1	
* - 11	311823	• INSULATOR-PLATE CONTACT ASSEMBLY	1	
* - 12	5404379	• SPRING	1	

FOR PARTS
NOT SHOWN
SEE FIG. 5

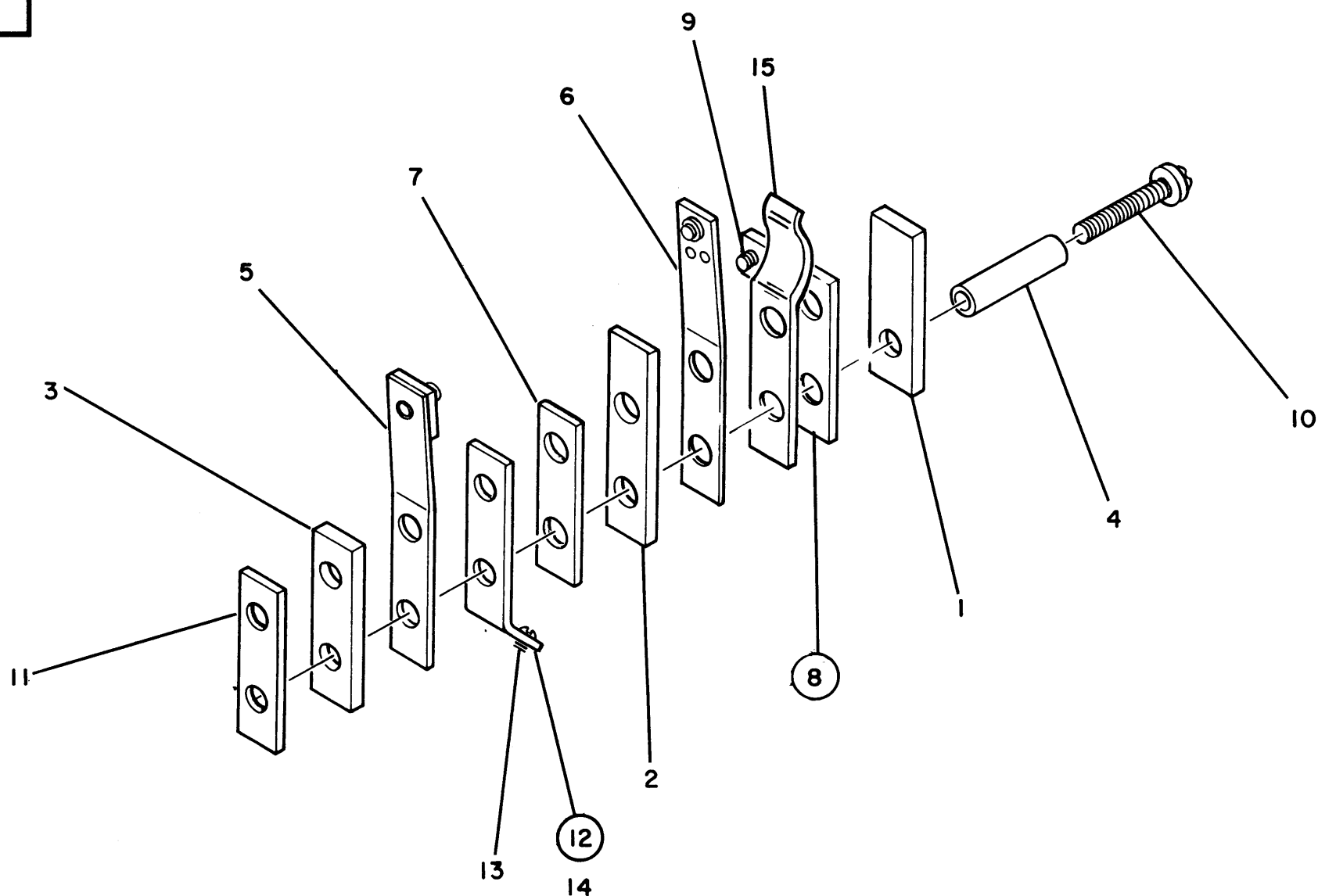


FIGURE 8. DUPLICATION AND ALPHA CONTACT ASSEMBLY. SEE LIST 8.

LIST AND INDEX NUMBER	PART NUMBER	DESCRIPTION				UNITS PER ASM.	USABLE ON CODE
		1	2	3	4		
		DUPLICATION AND ALPHA CONTACT ASSEMBLY					
* 8 -	227591	CONTACT ASSEMBLY, ELECTRICAL SEE FIGURE 5-68 FOR NEXT HIGHER ASSEMBLY AND FIGURE 8 FOR ILLUSTRATION				REF	
* - 1	4108	• INSULATOR-PLATE				1	
* - 2	4792	• SUPPORT-CONTACT SPRING				1	
* - 3	25984	• SUPPORT-CONTACT SPRING				2	
* - 4	100354	• INSULATOR				1	
* - 5	106988	• CONTACT ASSEMBLY-CARD LEVER LOWER				1	
* - 6	107070	• SPRING ASSEMBLY-LOWER CONTACT				1	
* - 7	122238	• INSULATOR-CONTACT SPRING				1	
* - 8	138709	• CONTACT ASSEMBLY-TERMINAL				1	
* - 9	118418	• SCREW, MACH-RH 5-40 X 5/32 LG				1	
* - 10	173215	• SCREW, ASMD WASHER-RF 5-40 X 0.688 LG				1	
* - 11	311823	• INSULATOR-PLATE CONTACT ASSEMBLY				2	
* - 12	342121	• TERMINAL ASSEMBLY-CONTACT				1	
* - 13	118418	• SCREW, MACH-RH 5-40 X 5/32 LG				1	
* - 14	342120	• TERMINAL-CONTACT				1	
* - 15	5404379	• SPRING				1	

FOR PARTS
NOT SHOWN
SEE FIG. 5

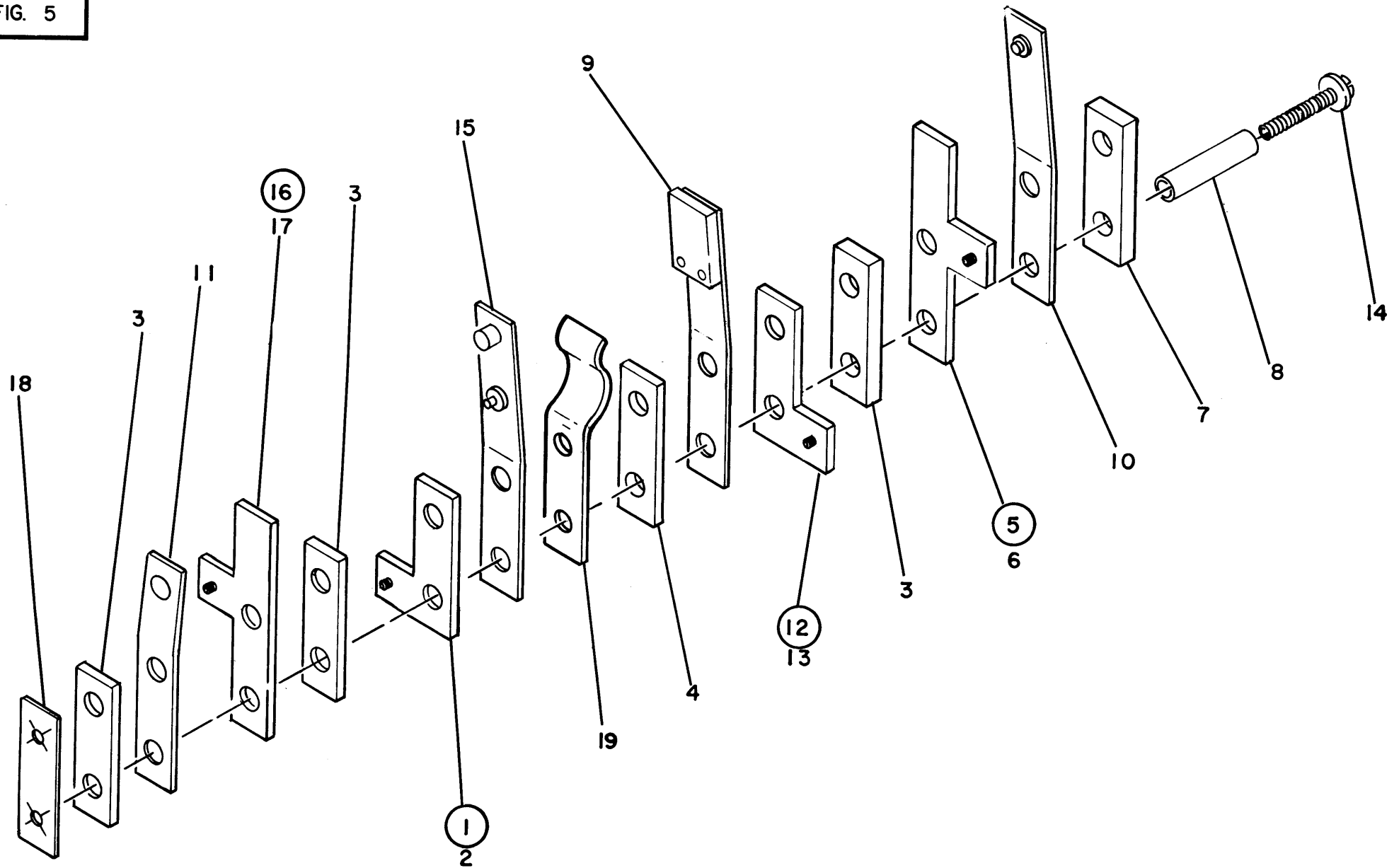


FIGURE 9. MULTI-PUNCH CONTACT ASSEMBLY. SEE LIST 9.

LIST AND INDEX NUMBER	PART NUMBER	DESCRIPTION				UNITS PER ASM.	USABLE ON CODE
		1	2	3	4		
		MULTI-PUNCH CONTACT ASSEMBLY					
* 9 -	313659	CONTACT ASSEMBLY, ELECTRICAL SEE FIGURE 5-74 FOR NEXT HIGHER ASSEMBLY AND FIGURE 9 FOR ILLUSTRATION				REF	
* - 1	1882	• TERMINAL ASSEMBLY-CONTACT				1	
* - 2	118418	• • SCREW, MACH-RH 5-40 X 5/32 LG				1	
* - 3	2819	• INSULATOR-CONTACT SPRING 3/32 THK				3	
* - 4	4108	• INSULATOR-PLATE				1	
* - 5	21866	• TERMINAL ASSEMBLY-CONTACT				1	
* - 6	118418	• • SCREW, MACH-RH 5-40 X 5/32 LG				1	
* - 7	25984	• SUPPORT-CONTACT SPRING				1	
* - 8	100212	• INSULATOR-SCR 0.128 IC 0.186 OC 0.750 LG				2	
* - 9	106988	• CONTACT ASSEMBLY-CARD LEVER LOWER				1	
* - 10	107070	• SPRING ASSEMBLY-LOWER CONTACT				1	
* - 11	116374	• SPRING ASSEMBLY-CONTACT				1	
* - 12	138709	• CONTACT ASSEMBLY-TERMINAL				1	
* - 13	118418	• • SCREW, MACH-RH 5-40 X 5/32 LG				1	
* - 14	173210	• SCREW, ASMD WASHER-RH 5-40 X 0.969 LG				2	
* - 15	300342	• SPRING ASSEMBLY-CONTACT				1	
* - 16	309743	• TERMINAL ASSEMBLY-CONTACT				1	
* - 17	118418	• • SCREW, MACH-RH 5-40 X 5/32 LG				1	
* - 18	311823	• INSULATOR-PLATE CONTACT ASSEMBLY				1	
* - 19	5404379	• SPRING				1	

FOR PARTS
NOT SHOWN
SEE FIG. 4

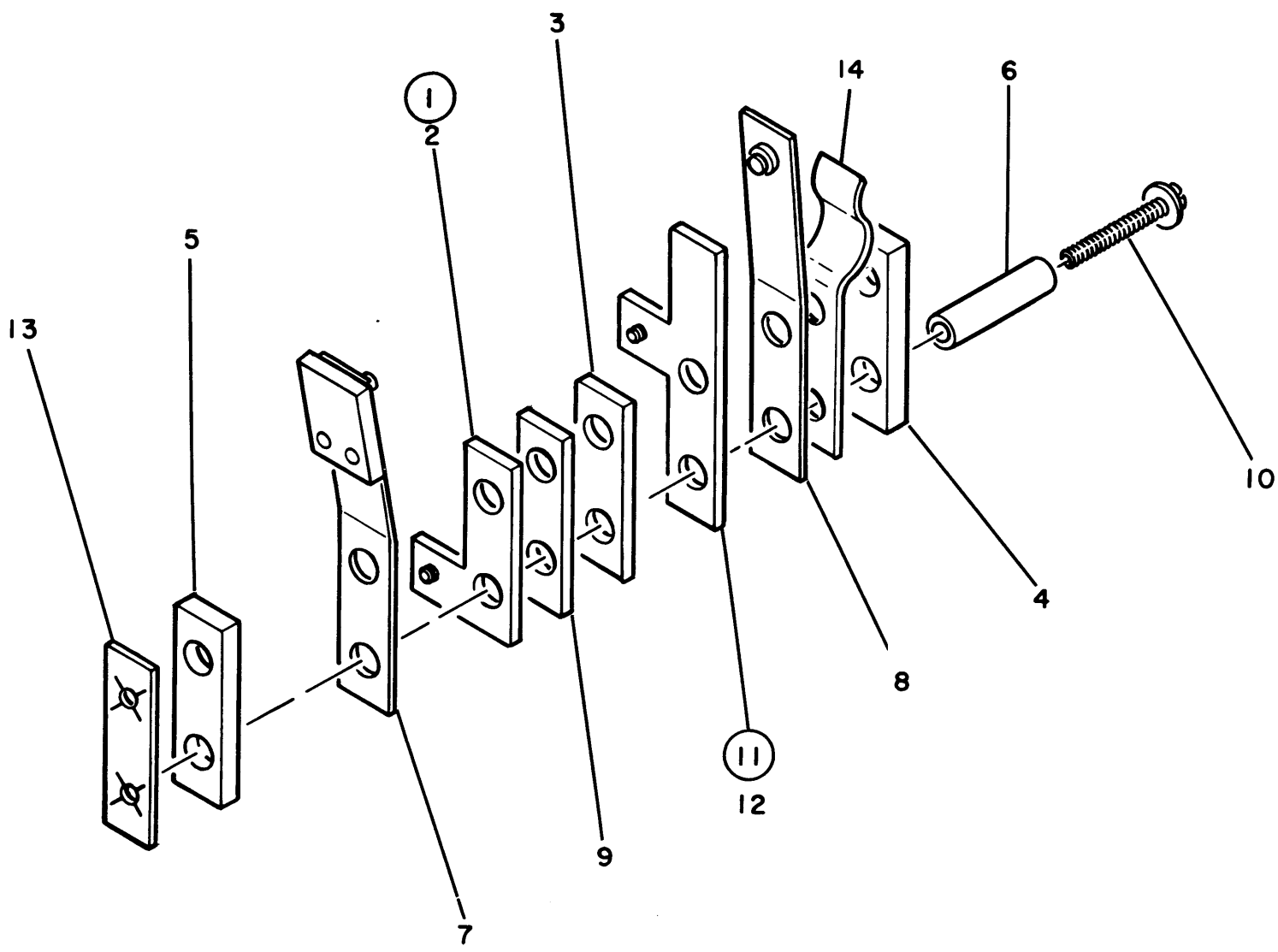


FIGURE 10. N/O RT ELECTRICAL CONTACT ASSEMBLY. SEE LIST 10.

LIST AND INDEX NUMBER	PART NUMBER	DESCRIPTION				UNITS PER ASM.	USABLE ON CODE
		1	2	3	4		
		N/O RT ELECTRICAL CONTACT ASSEMBLY					
* 10 -	5353364	CONTACT ASSEMBLY-ELECTRICAL SEE FIGURE 4-1 FOR NEXT HIGHER ASSEMBLY AND FIGURE 10 FOR ILLUSTRATION				REF	
* - 1	1882	• TERMINAL ASSEMBLY-CONTACT				1	
* - 2	118418	• SCREW, MACH-RH 5-40 X 5/32 LG				1	
* - 3	2819	• INSULATION-CONTACT SPRING 3/32 THK				1	
* - 4	4108	• INSULATOR-PLATE				1	
* - 5	25984	• SUPPORT-CONTACT SPRING				1	
* - 6	100227	• INSULATOR-SCREW				2	
* - 7	106988	• CONTACT ASSEMBLY-CARD LEVER LOWER				1	
* - 8	107070	• SPRING ASSEMBLY-LOWER CONTACT				1	
* - 9	122238	• INSULATOR-CONTACT SPRING				1	
* - 10	173215	• SCREW, ASMD WASHER-RH 5-40 X 0.688 LG				2	
* - 11	309743	• TERMINAL ASSEMBLY-CONTACT				1	
* - 12	118418	• SCREW, MACH-RH 5-40 X 5/32 LG				1	
* - 13	311823	• INSULATOR-PLATE CONTACT ASSEMBLY				1	
* - 14	5404379	• SPRING				1	

FOR PARTS
NOT SHOWN
SEE FIG. 4

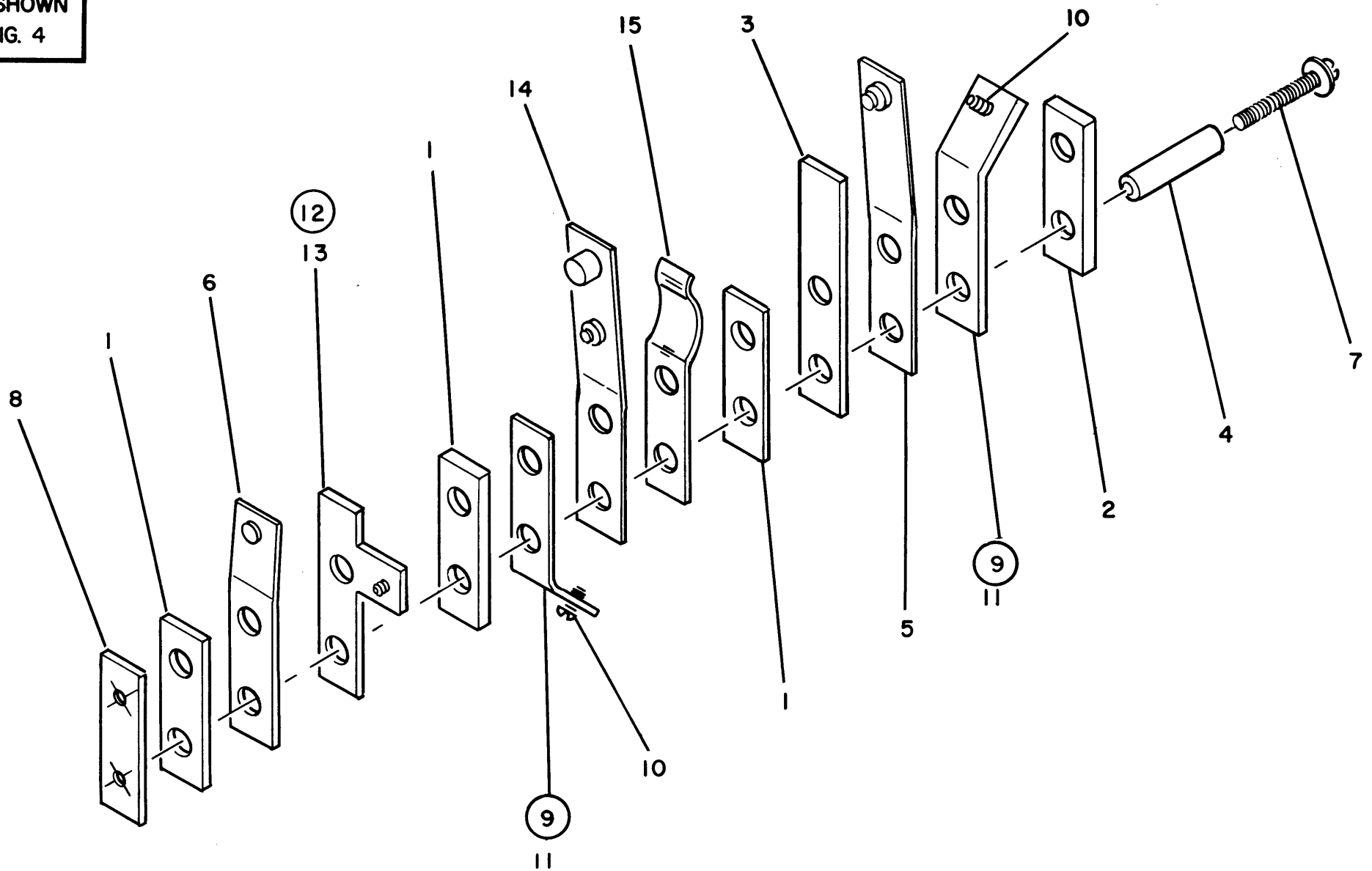


FIGURE 11. TRANSFER, PROGRAM 1 AND ERASE CONTACT ASSEMBLY. SEE LIST 11.

LIST AND INDEX NUMBER	PART NUMBER	DESCRIPTION				UNITS PER ASM.	USABLE ON CODE
		1	2	3	4		
		TRANSFER, PROGRAM 1 AND ERASE CONTACT ASSEMBLY					
* 11 -	5367167	CONTACT ASSEMBLY, ELECTRICAL SEE FIGURE 4-27 AND 5-105 FOR NEXT HIGHER ASSEMBLY AND FIGURE 11 FOR ILLUSTRATION				REF	
* - 1	2819	. INSULATION-CONTACT SPRING 3/32 THK				3	
* - 2	41C8	. INSULATOR-PLATE				1	
* - 3	4792	. SUPPORT-CONTACT SPRING				1	
* - 4	100606	. INSULATOR				2	
* - 5	107070	. SPRING ASSEMBLY-LOWER CONTACT				1	
* - 6	116374	. SPRING ASSEMBLY-CONTACT				1	
* - 7	173210	. SCREW, ASM WASHER-RH 5-40 X 0.969 LG				2	
* - 8	311823	. INSULATOR-PLATE CONTACT ASSEMBLY				1	
* - 9	342121	. TERMINAL ASSEMBLY-CONTACT				2	
* - 10	118418	. . SCREW, MACH-RH 5-40 X 5/32 LG				1	
* - 11	342120	. . TERMINAL-CONTACT				1	
* - 12	5367128	. CONTACT ASSEMBLY, ELECTRICAL				1	
* - 13	118418	. . SCREW, MACH-RH 5-40 X 5/32 LG				1	
* - 14	5367190	. CONTACT ASSEMBLY, ELECTRICAL				1	
* - 15	5404379	. SPRING				1	

FOR PARTS
NOT SHOWN
SEE FIG. 4&5

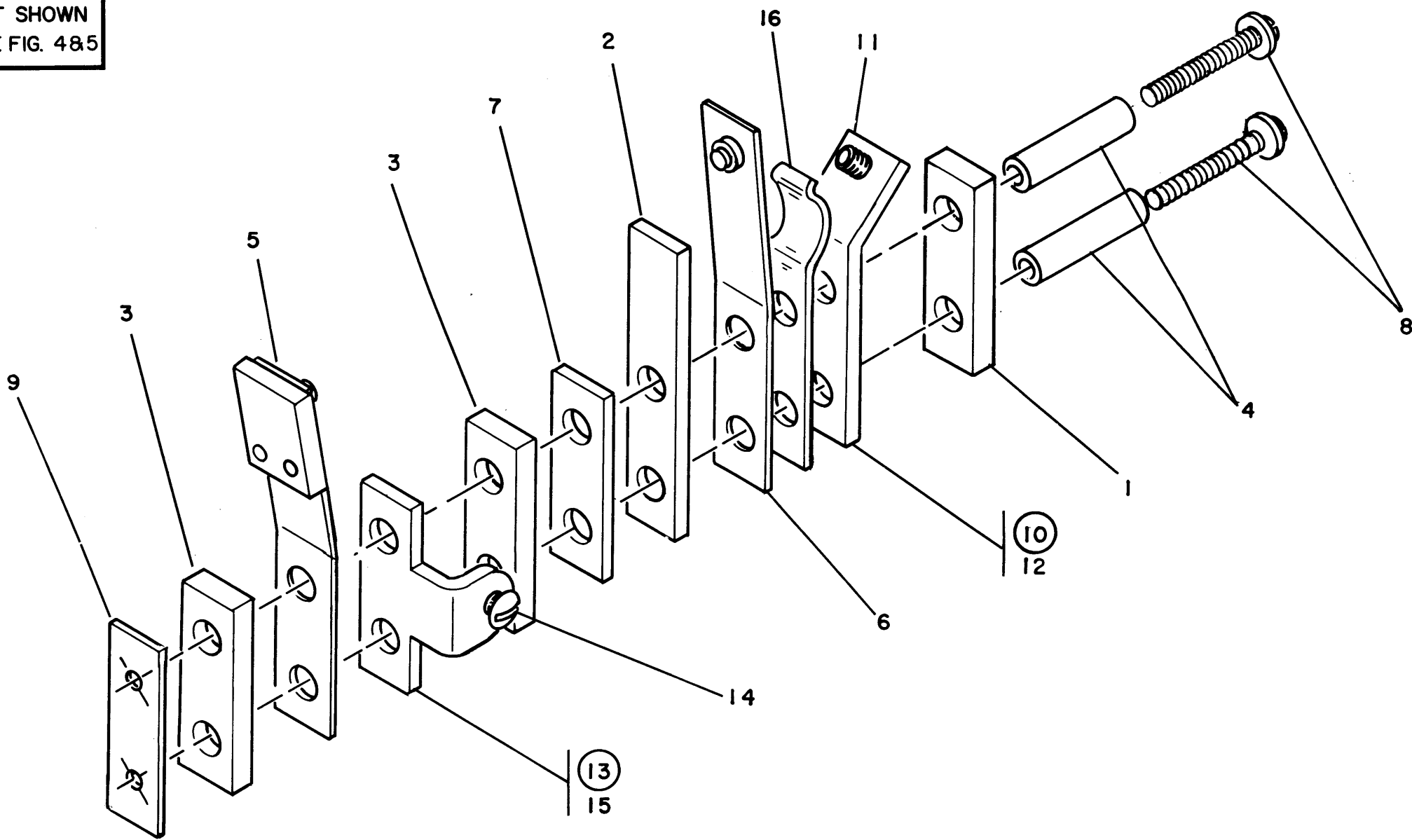


FIGURE 12. ALPHA, PROGRAM 2, FEED AND DUP KEYS CONTACT ASSEMBLY. SEE LIST 12.

LIST AND INDEX NUMBER	PART NUMBER	DESCRIPTION	1 2 3 4				UNITS PER ASM.	USABLE ON CODE
			1	2	3	4		
		ALPHA, PROGRAM 2, FEED AND DUP KEYS CONTACT ASSEMBLY						
* 12 -	5367173	CONTACT ASSEMBLY, ELECTRICAL SEE FIGURE 4-28 AND 5-106 FOR NEXT HIGHER ASSEMBLY AND FIGURE 12 FOR ILLUSTRATION					REF	
* - 1	4108	• INSULATOR-PLATE					1	
* - 2	4792	• SUPPORT-CONTACT SPRING					1	
* - 3	25984	• SUPPORT-CONTACT SPRING					2	
* - 4	100354	• INSULATOR					2	
* - 5	106988	• CONTACT ASSEMBLY-CARD LEVER LOWER					1	
* - 6	107070	• SPRING ASSEMBLY-LOWER CONTACT					1	
* - 7	122238	• INSULATOR-CONTACT SPRING					1	
* - 8	173215	• SCREW, ASMD WASHER-RH 5-40 X 0.688 LG					2	
* - 9	311823	• INSULATOR-PLATE CONTACT ASSEMBLY					1	
* - 10	342121	• TERMINAL ASSEMBLY-CONTACT					1	
* - 11	118418	• • SCREW, MACH-RH 5-40 X 5/32 LG					1	
* - 12	342120	• • TERMINAL-CONTACT					1	
* - 13	369060	• CONTACT ASSEMBLY, ELECTRICAL					1	
* - 14	118418	• • SCREW, MACH-RH 5-40 X 5/32 LG					1	
* - 15	369059	• • CONTACT, ELECTRICAL					1	
* - 16	5404379	• SPRING					1	

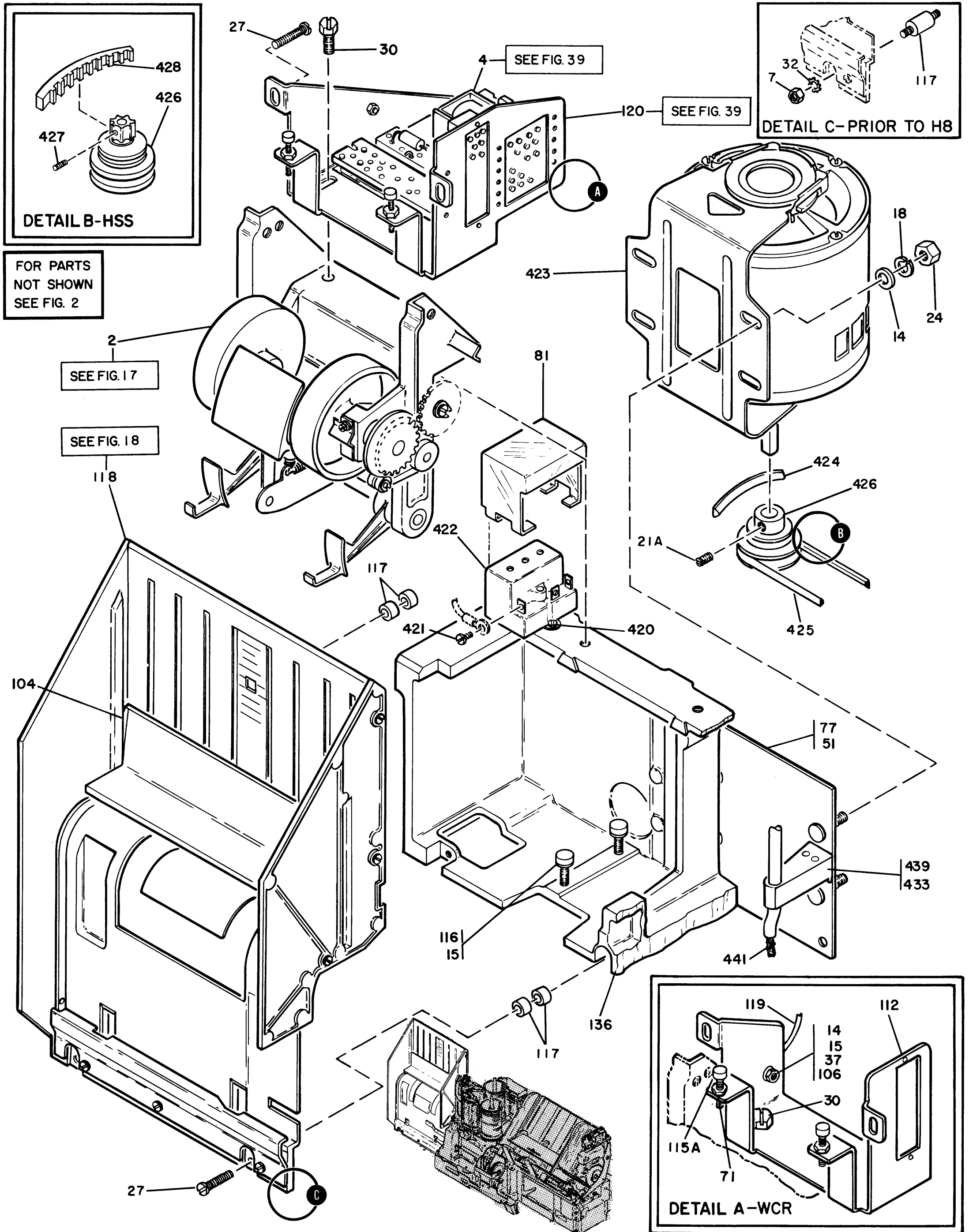


FIGURE 13. CARD TRANSPORT ASMS FOR STD, STD/HSS, STD/IGP AND S.C. FEATURES. SHEET 1 OF 7. SEE LIST 13.

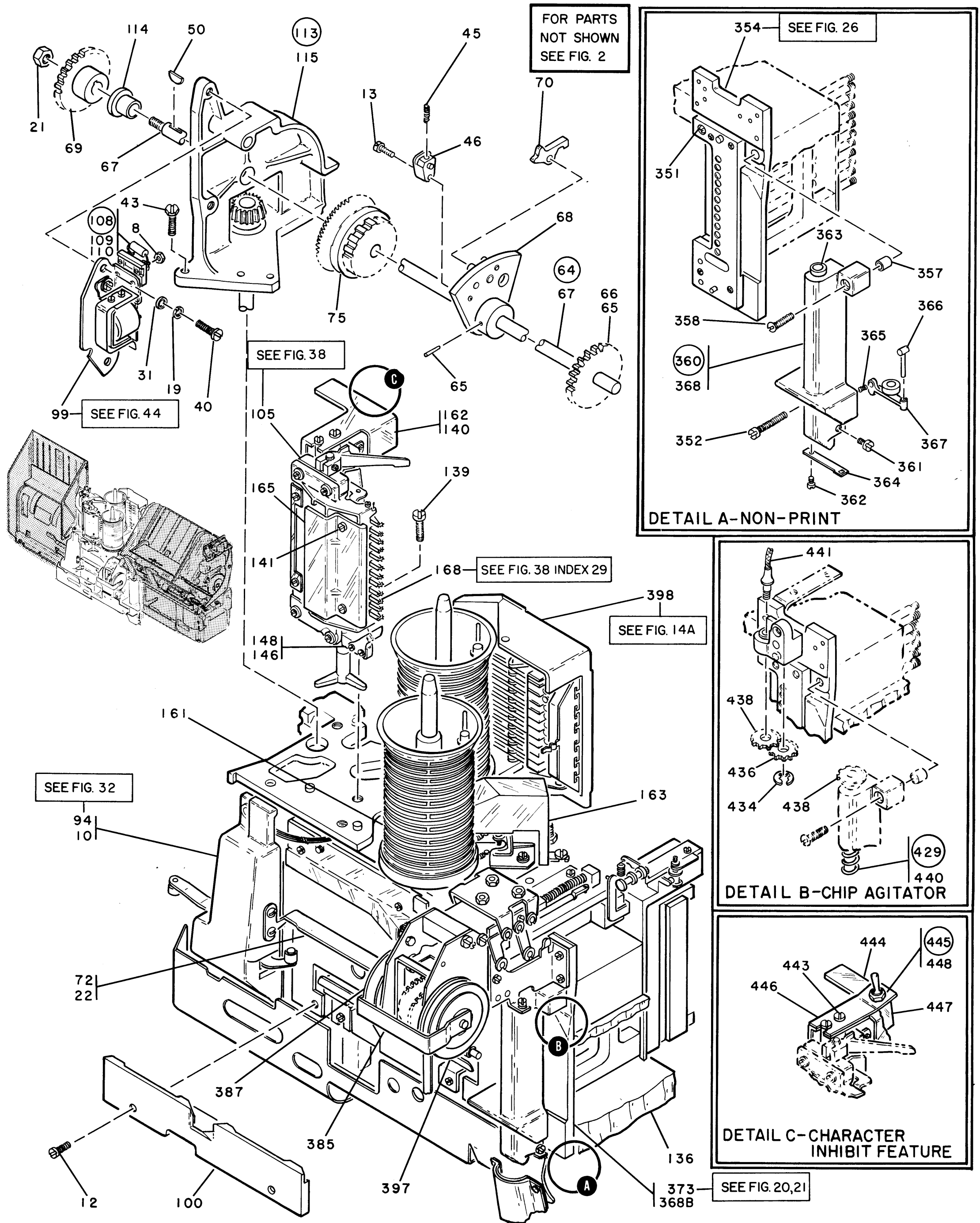


FIGURE 13. CARD TRANSPORT ASMS FCR STD, STD/HSS, STD/IGP AND S.C. FEATURES. SHEET 2 OF 7. SEE LIST 13.

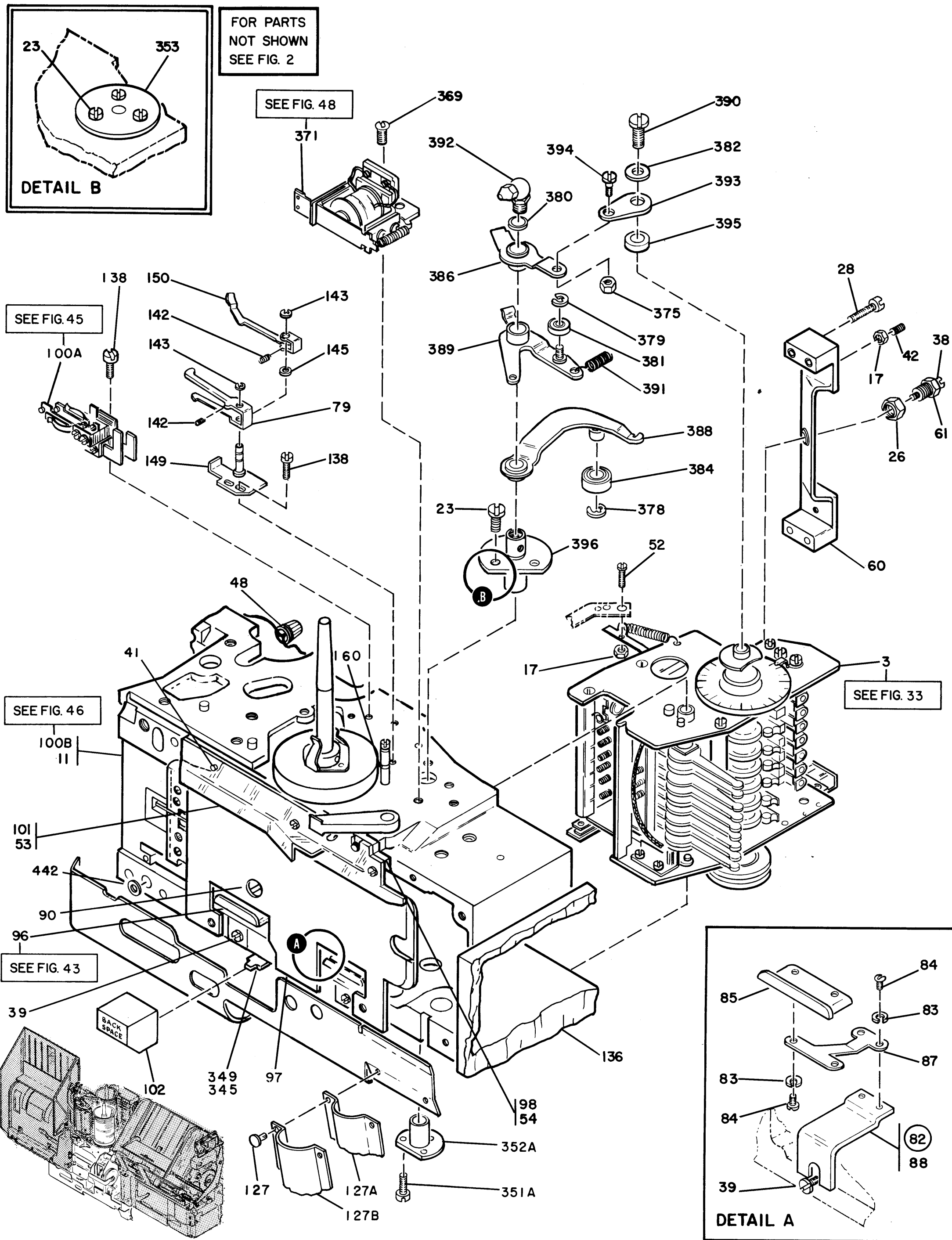


FIGURE 13. CARD TRANSPORT ASMS FOR STD, STD/HSS, STD/IGP AND S.C. FEATURES. SHEET 3 OF 7. SEE LIST 13.

FOR PARTS
NOT SHOWN
SEE FIG. 2

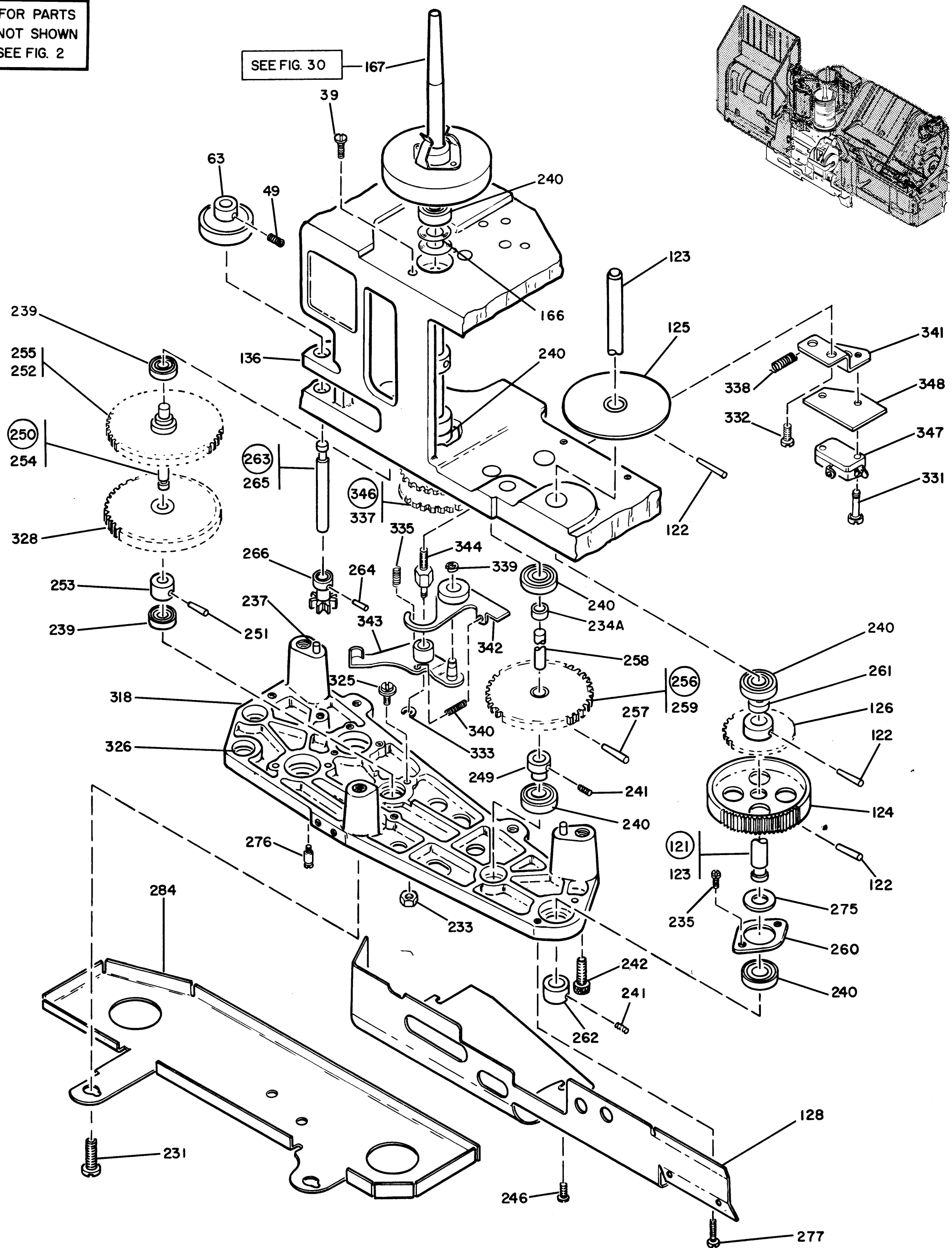


FIGURE 13. CARD TRANSPORT ASMS FOR STD, STD/HSS, STD/IGP AND S.C. FEATURES. SHEET 4 OF 7. SEE LIST 13.

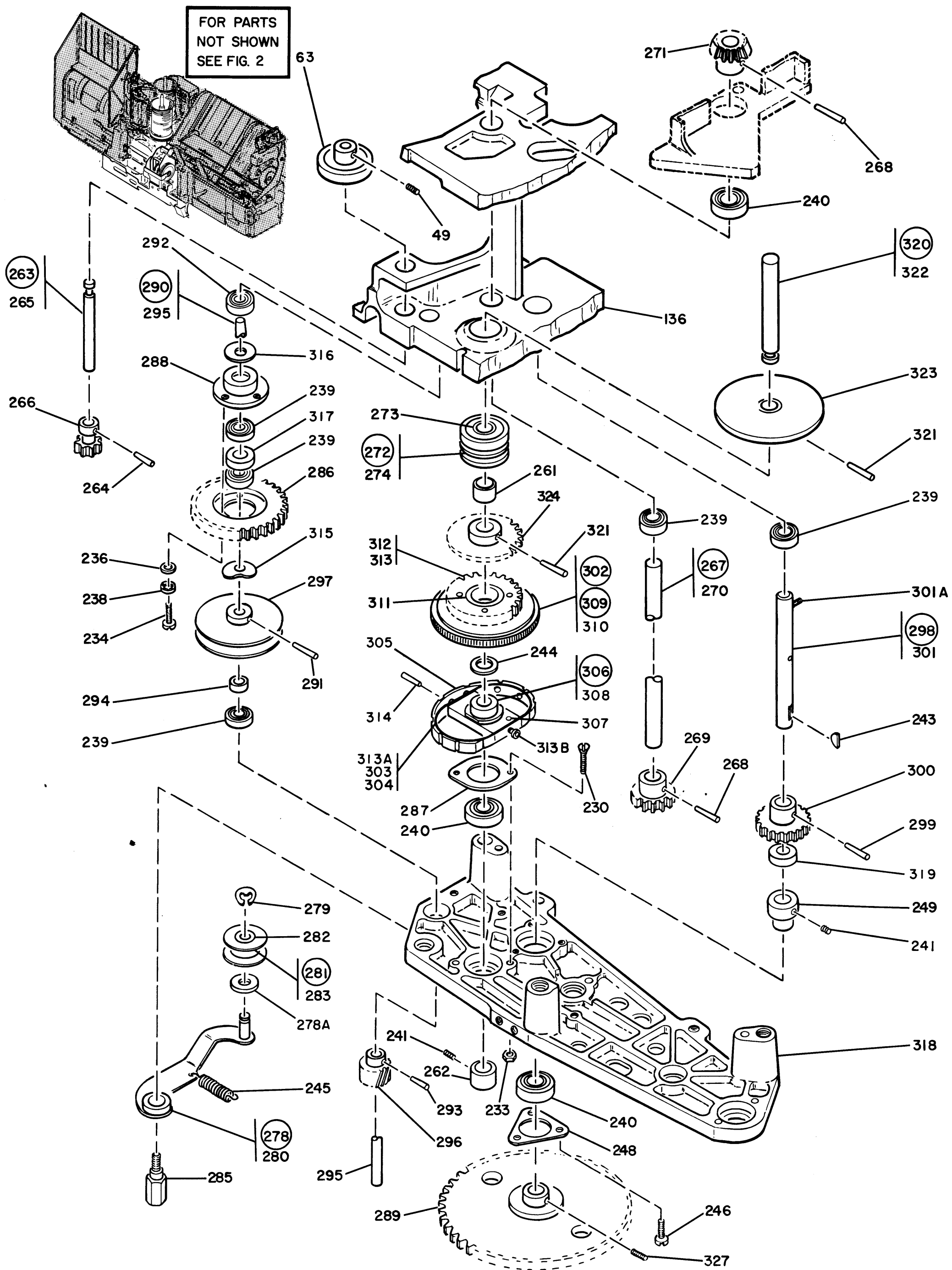


FIGURE 13. CARD TRANSPORT ASMS FOR STD, STD/HSS, STD/IGP AND S.C. FEATURES. SHEET 5 OF 7. SEE LIST 13.

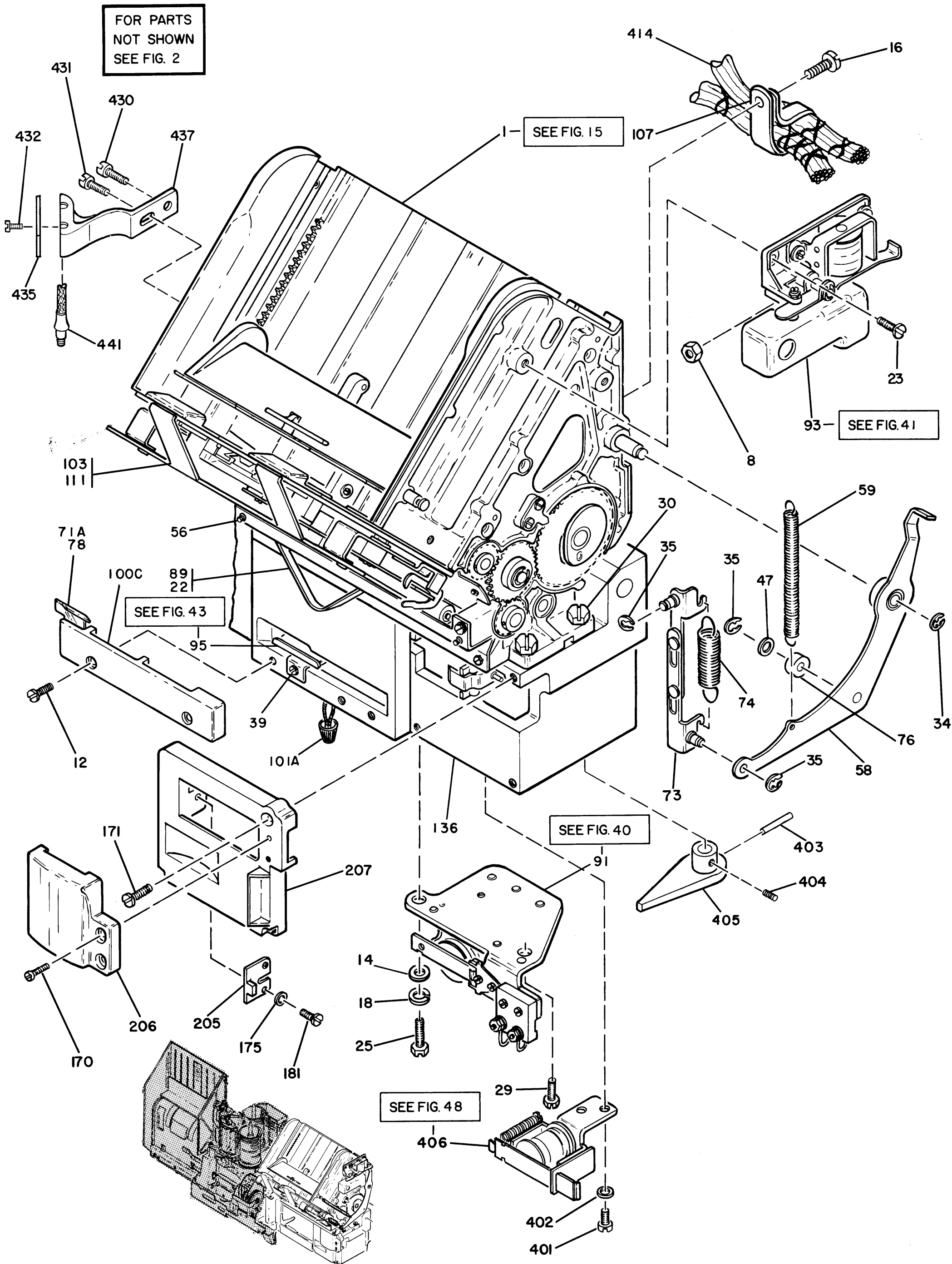


FIGURE 13. CARD TRANSPORT ASMS FOR STD, STD/HSS, STD/IGP AND S.C. FEATURES. SHEET 6 OF 7. SEE LIST 13.

FOR PARTS
NOT SHOWN
SEE FIG. 2

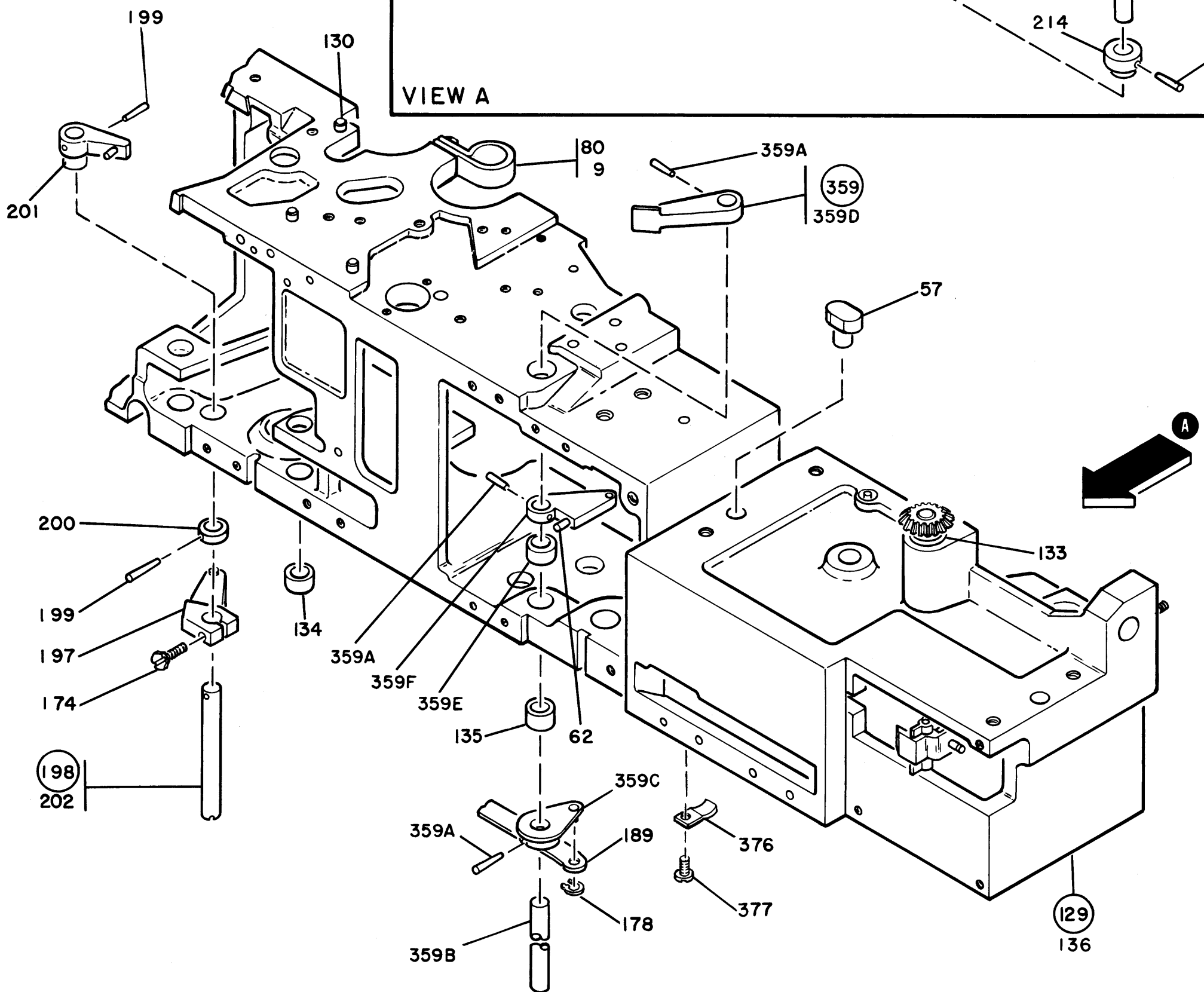
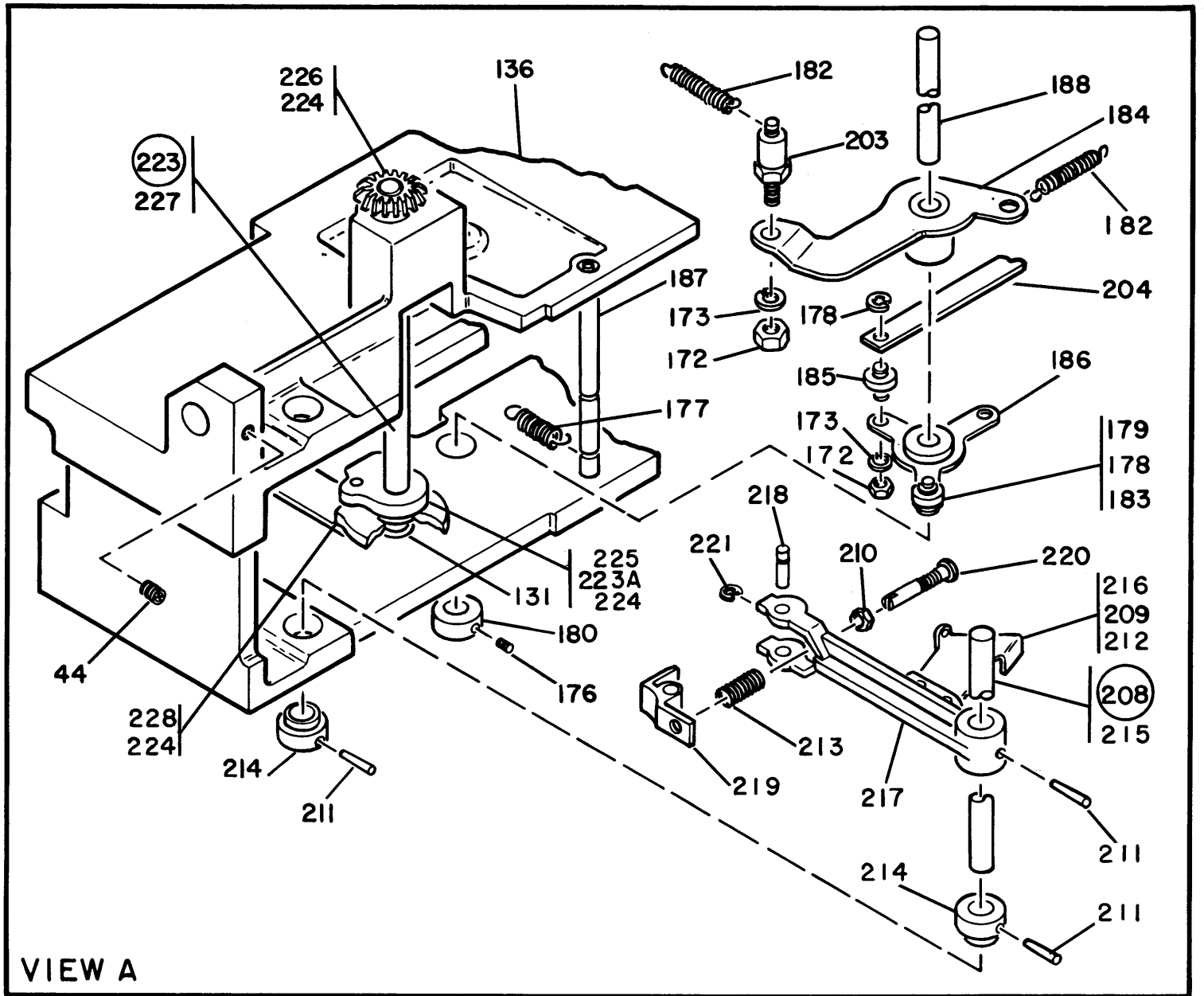
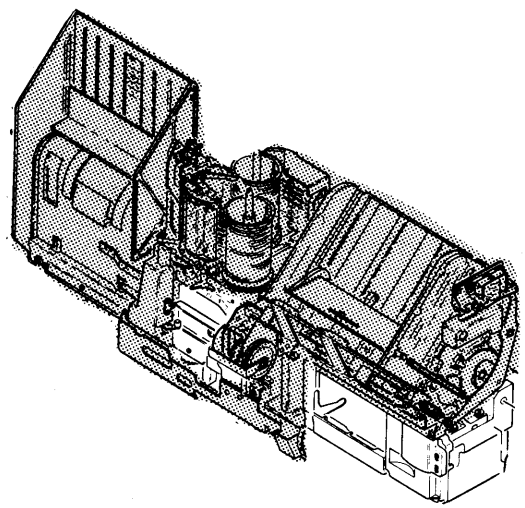


FIGURE 13. CARD TRANSPORT ASMS FCR STD, STD/HSS, STD/IGP AND S.C. FEATURES. SHEET 7 OF 7. SEE LIST 13.

LIST AND INDEX NUMBER	PART NUMBER	DESCRIPTION				UNITS PER ASM.	USABLE ON CODE
		1	2	3	4		
		CARD TRANSPCRT ASMS FOR STD, STD/HSS, STD/IGP AND S.C.					
13 -							
* -	5367135	TRANSPCRT ASSEMBLY, MCD A STD N/P				REF	
* -	5367110	TRANSPCRT ASSEMBLY, MCD A STD PRINT				REF	
* -	5367250	TRANSPCRT ASSEMBLY, MCD B STD N/P				REF	
* -	5367300	TRANSPCRT ASSEMBLY, MCD B STD PRINT				REF	
* -	5367270	TRANSPCRT ASSEMBLY, MCD C STD				REF	
* -	5400932	TRANSPCRT ASSEMBLY, MCD A N/P HSS				REF	
* -	5400933	TRANSPCRT ASSEMBLY, MCD A PRINT HSS				REF	
* -	5400934	TRANSPCRT ASSEMBLY, MCD B N/P HSS				REF	
* -	5400935	TRANSPCRT ASSEMBLY, MCD B PRINT HSS				REF	
* -	5400936	TRANSPCRT ASSEMBLY, MCD C HSS				REF	
* -	5400923	TRANSPCRT ASSEMBLY, MCD A N/P IGP				REF	
* -	5400924	TRANSPCRT ASSEMBLY, MCD A PRINT IGP				REF	
* -	5400921	TRANSPCRT ASSEMBLY, MCD B N/P IGP				REF	
* -	5400922	TRANSPCRT ASSEMBLY, MCD B PRINT IGP				REF	
* -	5400926	TRANSPCRT ASSEMBLY, MCD C IGP				REF	
* -	5404210	TRANSPCRT ASSEMBLY, S/C MCD 10/11 N/P				REF	
* -	5404211	TRANSPCRT ASSEMBLY, S/C MOD 10/11 PRINT				REF	
* -	5404214	TRANSPCRT ASM, SC MCD 10/11 N/P HSS				REF	
* -	5404215	TRANSPCRT ASM, SC MCD 10/11 PRINT HSS				REF	
* -	5404218	TRANSPCRT ASM, SC MCD 10/11 N/P IGP				REF	
* -	5404219	TRANSPCRT ASM SC MCD 10/11 PRINT IGP				REF	
		THE PRECEDING 21 TRANSPORT ASSEMBLIES					
		ARE USED ON REAR RELAY UNITS ONLY					
		SEE FIGURE 2-3 FOR LOCATION					
		SEE FIGURE 13 FOR ILLUSTRATION					
* -	5406141	TRANSPCRT ASSEMBLY, MCD A NON PRINT				REF	
* -	5406142	TRANSPCRT ASSEMBLY, MCD A PRINT				REF	
* -	5406161	TRANSPCRT ASSEMBLY, MCD B NON-PRINT				REF	
* -	5406162	TRANSPCRT ASSEMBLY, MCD B PRINT				REF	
* -	5406171	TRANSPCRT ASSEMBLY, MCD C STD				REF	
* -	5406147	TRANSPCRT ASSEMBLY, MCD A N/P HSS				REF	
* -	5406148	TRANSPCRT ASSEMBLY, MCD A PRINT HSS				REF	
* -	5406167	TRANSPCRT ASSEMBLY, MCD B N/P HSS				REF	
* -	5406168	TRANSPCRT ASSEMBLY, MCD B PRINT HSS				REF	
* -	5406174	TRANSPCRT ASSEMBLY, MCD C HSS				REF	
* -	5406143	TRANSPCRT ASSEMBLY, MCD A N/P IGP				REF	
* -	5406144	TRANSPCRT ASSEMBLY, MCD A PRINT IGP				REF	
* -	5406163	TRANSPCRT ASSEMBLY, MCD B N/P IGP				REF	
* -	5406164	TRANSPCRT ASSEMBLY, MCD B PRINT IGP				REF	
* -	5406172	TRANSPCRT ASSEMBLY, MCD C IGP				REF	
* -	5406151	TRANSPCRT ASSEMBLY, SC MCD 10/11 N/P				REF	
* -	5406152	TRANSPCRT ASSEMBLY, SC MCD 10/11 PRINT				REF	
* -	5406157	TRANSPCRT ASM, SC MCD 10/11 N/P VLCC				REF	
* -	5406158	TRANSPCRT ASM, SC MCD 10/11 PRINT HSS				REF	
* -	5406153	TRANSPCRT ASSEMBLY, SC MCD 10/11 N/P IGP				REF	
* -	5406154	TRANSPCRT ASSEMBLY, SC MCD 10/11 PR IGP				REF	
		THE PRECEDING 21 TRANSPORT ASSEMBLIES					
		ARE USED ON WIRE CONTACT RELAY UNITS					
		SEE FIGURE 2-3 FOR LOCATION					
		SEE FIGURE 13 FOR ILLUSTRATION					
* - 1	5367145	• CARD FEED ASSEMBLY, STD		SHEET 6	1		
* - 1	5367321	• CARD FEED ASSEMBLY, STD		SHEET 6	1		
		USED ON MCD C					
* - 1	5404041	• CARD FEED ASSEMBLY, HIGH SPEED SKIP		SHEET 6	1		
		USED ON MCD A AND B					
* - 1	5401044	• CARD FEED ASSEMBLY, MOD C HSS		SHEET 6	1		
* - 1	5404047	• CARD FEED ASSEMBLY, IGP		SHEET 6	1		
		USED ON MCD A AND B					
* - 1	5404044	• CARD FEED ASSEMBLY, IGP MOD C		SHEET 6	1		
		THE PRECEDING CARD FEED ASSEMBLIES					
		ARE USED ON REAR RELAY UNITS ONLY					

LIST AND INDEX NUMBER	PART NUMBER	DESCRIPTION	UNITS PER ASM.	USABLE ON CODE
		1 2 3 4 CARD TRANSPORT ASMS FOR STD, STD/HSS, STD/IGP AND S.C. -CONT		
* 13 - 1		SEE FIGURE 15 FOR DETAIL BREAKDOWN		
* - 1	5406270	. CARD FEED ASSEMBLY, STANDARD USED ON MODS A AND B	SHEET 6	1
* - 1	5406271	. CARD FEED ASSEMBLY, STD MOD C	SHEET 6	1
* - 1	5406272	. CARD FEED ASSEMBLY, HIGH SPEED SKIP USED ON MODS A AND B	SHEET 6	1
* - 1	5406273	. CARD FEED ASSEMBLY, HSS MOD C	SHEET 6	1
* - 1	5406274	. CARD FEED ASSEMBLY, IGP USED ON MODS A AND B	SHEET 6	1
* - 1	5406275	. CARD FEED ASSEMBLY, IGP MOD C	SHEET 6	1
* - 2	5372249	THE PRECEDING CARD FEED ASSEMBLIES ARE USED ONLY ON WIRE CONTACT RELAY UNITS SEE FIGURE 15 FOR DETAIL BREAKDOWN . STACKER ASSEMBLY-STD USED ON ALL STD MODS AND MODS WITH IGP	SHEET 1	1
* - 2	5401025	. STACKER ASM, HIGH SPEED SKIP	SHEET 1	1
* - 3	5422241	SEE FIGURE 17 FOR DETAIL BREAKDOWN . DRIVE ASSEMBLY, MAGNET AND PUNCH USED ON MOD A, N/P	SHEET 3	1
* - 3	5372375	. DRIVE ASSEMBLY, MAGNET AND PUNCH USED ON MOD A, PRINT	SHEET 3	1
* - 3	5422242	. DRIVE ASSEMBLY, MAGNET AND PUNCH USED ON MOD B, N/P	SHEET 3	1
* - 3	5373520	. DRIVE ASSEMBLY, MAGNET AND PUNCH USED ON MOD B, PRINT	SHEET 3	1
* - 3	5367318	. DRIVE ASSEMBLY, MAGNET AND PUNCH USED ON MOD C	SHEET 3	1
* - 3	5422243	. DRIVE ASSEMBLY, MAGNET AND PUNCH USED ON MOD A, N/P, SELF CHECK	SHEET 3	1
* - 3	5404190	. DRIVE ASSEMBLY, MAGNET AND PUNCH USED ON MOD A, PRINT, SELF CHECK	SHEET 3	1
* - 3	5406260	THE PRECEDING PUNCH DRIVE ASSEMBLIES ARE USED ON REED RELAY UNITS ONLY SEE FIGURE 33 FOR DETAIL BREAKDOWN . DRIVE ASSEMBLY, MAGNET AND PUNCH USED ON MCD A, N/P	SHEET 3	1
* - 3	5406263	. DRIVE ASSEMBLY, MAGNET AND PUNCH USED ON MOD A, PRINT	SHEET 3	1
* - 3	5406261	. DRIVE ASSEMBLY, MAGNET AND PUNCH USED ON MCD B, N/P	SHEET 3	1
* - 3	5406264	. DRIVE ASSEMBLY, MAGNET AND PUNCH USED ON MCD B, PRINT	SHEET 3	1
* - 3	5406266	. DRIVE ASSEMBLY, MAGNET AND PUNCH USED ON MCD C	SHEET 3	1
* - 3	5406262	. DRIVE ASSEMBLY, MAGNET AND PUNCH USED ON MOD A, N/P, SELF CHECK	SHEET 3	1
* - 3	5406265	. DRIVE ASSEMBLY, MAGNET AND PUNCH USED ON MCD A, PRINT, SELF CHECK	SHEET 3	1
* - 4	5401027	THE PRECEDING PUNCH DRIVE ASSEMBLIES ARE USED ONLY ON WIRE CONTACT RELAY UNITS SEE FIGURE 33 FOR DETAIL BREAKDOWN . BLOCK ASSEMBLY-NCN-PRINT USED ON MCD A	SHEET 1	1
* - 4	5401028	. BLOCK ASSEMBLY-PRINT USED ON MCD A AND C	SHEET 1	1
* - 4	5404223	. BLOCK ASSEMBLY, SUPPORT USED ON MOD B, N/P	SHEET 1	1
* - 4	5404224	. BLOCK ASSEMBLY, SUPPORT USED ON MOD B, PRINT USED ON REED RELAY UNITS ONLY	SHEET 1	1
* - 7	221	SEE FIGURE 39 FOR DETAIL BREAKDOWN . NUT, PLAIN, HEX- 10-32 X 5/16 FL W	SHEET 1	4
* - 8	478	. NUT, PLAIN, HEX- 5-40 X 5/16 FL W BRS	SHEET 2	4

LIST AND INDEX NUMBER	PART NUMBER	DESCRIPTION				UNITS PER ASM.	USABLE ON CODE
		1	2	3	4		
		CARD TRANSPRT ASMS FOR STD, STD/HSS, STD/IGP AND S.C. -CONT					
* 13 - 9	598	. SCREW,MACH-RH 10-32 X 1/2 LG				SHEET 7	1
* - 10	641	. SCREW,MACH-FIL HD 8-32 X 0.750 LG				SHEET 2	2
* - 11	845	. SCREW,MACH-FIL H 8-32 X 1/2 LG				SHEET 3	2
* - 12	1500	. SCREW,MACH-FIL H 5-40 X 5/8 LG				SHEET 2	4
* - 13	3500	. SCREW, FIL HD MACH-5-40 X .312 LG				SHEET 2	AR
* - 14	3550	. WASHER,FL- 1/4 X 9/16 OD X 0.050 THK				SHEET 1	AR
* - 15	3960	. NUT,PLAIN,HEX- 1/4-20 X 7/16 FL W				SHEET 1	AR
* - 16	5528	. SCREW,MACH BIND HD 8-32 X .625 LG				SHEET 6	1
* - 17	6503	. NUT,PLAIN,HEX- 8-32 X 1/4 FL W				SHEET 3	3
* - 18	6935	. WASHER,LCCK-SPLIT 1/4 X 0.493 OD				SHEET 1	AR
* - 19	9092	. WASHER-LCCK,SPLIT RING, .194 ID .3370D				SHEET 2	2
* - 21	10574	. NUT,PLAIN,HEX- 5/16-24 X 1/2 FL W				SHEET 2	2
* - 21A	26380	. SETSCREW-HEX DR FP 1/4-20 X 5/16 LG				SHEET 1	1
* - 22	18491	. SCREW,MACH-RH 5-40 X 3/16 LG				SHEET 2	2
* - 23	34512	. SCREW,BIND.HD 8-32 X .375 LG				SHEET 3	5
* - 24	36109	. NUT,PLAIN,HEX- 1/4-20 X 7/16 FL W				SHEET 1	4
* - 25	36844	. SCREW,CAP-HEX HD SLOTTED 1/4-20 X 5/8 LG				SHEET 6	1
* - 26	38092	. NUT,PLAIN,HEX- 3/8-24 X 5/8 FL W				SHEET 3	1
* - 27	38389	. SCREW,MACH-FIL H 10-32 X 7/8 LG				SHEET 1	4
* - 28	38392	. SCREW,MACH-FIL H 10-32 X 1-1/4 LG				SHEET 3	4
* - 29	38686	. SCREW,MACH-HEX HD 1/4-20 X 1/2 LG				SHEET 6	1
* - 30	38688	. SCREW-SUPPCRT & TRIM MOUNTING .750 LONG				SHEET 1	6
* - 31	47242	. WASHER,FL-NO. 12 X 1/2 OD X 0.062 THK				SHEET 2	2
* - 32	56079	. WASHER,LCCK-EXT T .195 ID .410 OD				SHEET 1	4
* - 34	60488	. CLIP-SPRING				SHEET 6	1
* - 35	60489	. CLIP-SPRING				SHEET 6	2
* - 37	76574	. LOCKWASHER-EXT TOOTH ID .267 X OD .510				SHEET 1	1
* - 38	81142	. SCREW,MACH-FIL H 10-32 X 1-1/2 LG				SHEET 3	1
* - 39	120044	. SCREW,MACH-BIND HD 5-40 X 3/8 LG				SHEET 3	4
* - 40	120211	. SCREW,MACH-HEX HD 10-32 X 1/2 LG				SHEET 2	2
* - 41	127735	. PIN,TAPERED,THREADED- 1 LG X NO. 2-0				SHEET 3	2
* - 42	128172	. SETSCREW-SPLINE DR OVAL PT 8-32 X 1/2 LG				SHEET 3	2
* - 43	129147	. SCREW,MACH-HEX HD 1/4-20 X 7/8 LG				SHEET 2	3
* - 44	129365	. SETSCREW-HEX DR FP 1/4-20 X 7/16 LG				SHEET 7	2
* - 45	141015	. SPRING,HELICAL,COMPR- 14 TURNS				SHEET 2	1
* - 46	141337	. SUPPCRT-CLUTCH DCG SPRING				SHEET 2	1
* - 47	150698	. SPACER- 0.192 ID X 7/16 OD X 1/32 THK				SHEET 6	1
* - 48	151762	. SPLICE,CCDUCTOR				SHEET 3	1
* - 48A	151762	. SPLICE,CONDUCTOR					4
		SEE FIGURE 2-30 FOR LOCATION					
* - 49	165556	. SET SCREW 5-40 1/8 LG				SHEET 4	4
* - 50	180383	. KEY,WCCDRUFF				SHEET 2	1
* - 51	186036	. SCREW,MACH-FH 1/4-20 X 1/2 LG				SHEET 1	3
* - 52	186759	. SCREW,MACH-BIND HD 8-32 X 5/16 LG				SHEET 3	2
* - 53	196299	. SCREW,MACH-BIND HD 5-40 X 1/2 LG				SHEET 3	5
* - 54	113305	. SCREW,MACH-HEX HD 8-32 X 9/16 LG				SHEET 3	2
* - 56	216837	. PIN,TAPERED,THREADED- 1/2 LG X NO. 2-0				SHEET 6	2
		USED ON RR COMMON BASE GROUP					
* - 57	227608	. STUD-CARD FEED LOCATING				SHEET 7	2
* - 58	227646	. ARM ASSEMBLY-CAM Follower				SHEET 6	1
* - 59	227657	. SPRING,HELICAL,EXTENSION- 54 TURNS				SHEET 6	1
* - 60	227837	. BAR-PUNCH ADJUSTING ANCHOR				SHEET 3	1
* - 61	227839	. SCREW,MACH-HEX HD 3/8-24 X 1 LG				SHEET 3	1
* - 62	227940	. PIN-FEED ROLL OPERATING				SHEET 7	2
* - 63	228041	. ROLL ASSEMBLY-EJECT				SHEET 4	2

LIST AND INDEX NUMBER	PART NUMBER	DESCRIPTION				UNITS PER ASM.	USABLE ON CODE
		1	2	3	4		
		CARD TRANSPORT ASMS FOR STD, STD/HSS, STD/IGP AND S.C. -CONT					
* 13 - 64	228134	. SHAFT ASSEMBLY-CARD FEED CLUTCH				SHEET 2	1
* - 65	22867	. . PIN,TAPERED,PLAIN- 7/8 LG X NO. 3				SHEET 2	2
* - 66	227634 □	. . GEAR,SPUR 38 TEETH 24 DP				SHEET 2	1
* - 67	228135 □	. . SHAFT-CARD FEED CLUTCH				SHEET 2	1
* - 68	309833 □	. . ARM ASSEMBLY-CARD FEED CLUTCH				SHEET 2	1
* - 69	228141	. GEAR,SPUR- 38 TEETH 24 DP 1.662 OD				SHEET 2	1
* - 70	228157	. DCG-CARD FEED CLUTCH				SHEET 2	1
* - 71	257189	. NUT,HEX- 8-32				SHEET 1	2
* - 71A	228599	. GUIDE-CARD RIGHT HAND				SHEET 6	1
* - 72	261554	. GUIDE-READ STATION CARD				SHEET 2	1
* - 73	301152	. LINK ASSEMBLY-CARD FEED				SHEET 6	1
* - 74	301153	. SPRING,HELICAL,EXTENSION- 23-1/2 TURNS				SHEET 6	1
* - 74A	301214	. SWITCH,TOGGLE-DPST 250V AC/DC 3 AMP					1
		SEE FIGURE 2-38 FOR LOCATION					
* - 75	310372	. GEAR,BEVEL-CLUTCH				SHEET 1	1
* - 76	301474	. CLAMP				SHEET 6	1
* - 77	310596	. PLATE,MOTOR MOUNTING				SHEET 1	1
* - 78	308292	. PUSH CN NUT-FOR 0.081 STUB				SHEET 6	1
* - 79	313520	. ARM-TRANSFER CONTACT OPERATING				SHEET 3	1
* - 80	313651	. CLAMP,LCCP- 3/4 ID 0.204 DIA MTG HOLE				SHEET 7	1
* - 81	5462534	. COVER, MOTOR START RELAY				SHEET 1	1
* - 82	314110	. RAIL ASSEMBLY, PRESS-RIGHT HAND				SHEET 3	1
		USED ON RIGHT SIDE					
* - 82	314111	. RAIL ASSEMBLY, PRESS-LEFT HAND				SHEET 3	1
		USED ON LEFT SIDE					
* - 83	37066	. . WASHER,LOCK-SPLIT NO. 3 X 0.212 OD				SHEET 3	4
* - 84	123543	. . SCREW,MACH-RH 3-48 X 1/8 LG				SHEET 3	4
* - 85	228604	. . RAIL-PRESS LH				SHEET 3	1
		USED PRIOR TO SUFFIX C7					
* - 85	328080	. . RAIL-READ CARD				SHEET 3	1
		USED FROM SUFFIX C7 TO CURRENT					
		USED ON LH PRESS RAIL ASM					
* - 85	228606	. . RAIL-PRESS RH				SHEET 3	1
		USED PRIOR TO SUFFIX C7					
* - 85	328015	. . RAIL-PRESSURE,RH				SHEET 3	1
		USED FROM SUFFIX C7 TO CURRENT					
		USED ON RH PRESS RAIL ASM					
* - 87	228605	. . SPRING-PRESS RAIL				SHEET 3	1
* - 88	228607	. . BRACKET-PRESS RAIL MOUNTING				SHEET 3	1
		USED ON RIGHT HAND PRESS RAIL ASM					
* - 88	314224	. . BRACKET,ANGLE-PRESS RAIL MOUNTING				SHEET 3	1
		USED ON LEFT HAND PRESS RAIL ASM					
* - 89	328125	. GUIDE-CARD ALIGNING				SHEET 6	1
* - 90	314226	. SCREW,MACH-BIND HD 8-32 X 3/8 LG				SHEET 3	2
* - 91	315822	. MAGNET ASSEMBLY-ESCAPEMENT				SHEET 6	1
		SEE FIGURE 40 FOR DETAIL BREAKDOWN					
* - 93	328196	. MAGNET ASSEMBLY,CARD FEED LATCH- 48V				SHEET 6	1
		SEE FIGURE 41 FOR DETAIL BREAKDOWN					
* - 94	328257	. EJECT ASSEMBLY, UNIT				SHEET 2	1
		SEE FIGURE 32 FOR DETAIL BREAKDOWN					
* - 95	5447700	. CARD LEVER ASSEMBLY, DETAIL STATION				SHEET 6	1
		SEE FIGURE 43 FOR DETAIL BREAKDOWN					
* - 96	5447699	. CARD LEVER ASSEMBLY, MASTER STATION				SHEET 3	1
		SEE FIGURE 43 FOR DETAIL BREAKDOWN					
* - 97	328859	. PLATE-BED LEFT				SHEET 3	1
* - 98	328860	. RAIL-REG LH				SHEET 3	1

LIST AND INDEX NUMBER	PART NUMBER	DESCRIPTION				UNITS PER ASM.	USABLE ON CODE
		1	2	3	4		
		CARD TRANSPORT ASMS FOR STD, STD/HSS, STD/IGP AND S.C. -CONT					
* 13 - 99	338586	. MAGNETIC ASSEMBLY-CLUTCH SEE FIGURE 44 FOR DETAIL BREAKDOWN				1	
* -100	340374	. SHIELD-PRESS RAIL LH				1	
* -100A	340619	. CONTACT ASSEMBLY-PROGRAM CAM				1	
* -100A	5406267	USED ON REED RELAY UNITS ONLY . CONTACT ASSEMBLY, PROGRAM CAM USED ON WIRE CONTACT RELAY UNITS ONLY				1	
* -100CB	340945	SEE FIG 45 FOR DETAIL BREAKDOWN . SENSING ASSEMBLY, PIN USED ON WCR COMMON BASE GROUP-HSS				1	
* -100B	227730	. SENSING ASSEMBLY-PIN USED ON WCR COMMON BASE GROUP-STD SEE FIGURE 46 FOR DETAIL BREAKDOWN				1	
* -100C	340373	. . SHIELD-PRESS RAIL RH				1	
* -101	345644	. GUIDE-THROAT				1	
* -101A	345887	. CAP,ELECTRICAL				4	
* -102	362684	. BUTTCN-BACK SPACE				1	
* -103	368969	. COVER-FEED KNIFE ASSEMBLY				1	
* -104	381736	. WEIGHT, CARD				1	
* -105	328423 NP	. PROGRAM ASSEMBLY-SENSING SEE FIGURE 38 FOR DETAIL BREAKDOWN					
* -106	438623	. SCREW,MACH-BIND HD 1/4-20 X 5/8 LG				1	
* -107	2102368	. CLAMP,LCCP- 0.880 ID 0.200 DIA MTG HOLE				1	
* -108	2160917	. DIODE ASM, SILICCN, TYPE AM USED ON REED RELAY UNITS ONLY				1	
* -109	1092019	. . CLIP				2	
* -110	2111232	. . SEMICCNDUCTOR DEVICE,DIODE-TYPE AM				1	
* -111	5319854	. SCREW,THD CUTTING-HEX HD 8-32 X 0.375 LG				2	
* -112	5367316	. BRACKET,STACKER USED ON WCR COMMON BASE GROUP				1	
* -113	5372236	. SUPPCRT ASSEMBLY-CLUTCH				1	
* -114	228114	. . BEARING,SLEEVE-FLG 0.377 ID 3.627 OD BRZ				1	
* -115	5372235	. . SUPPCRT-CLUTCH				1	
* -115A	5372237	. BUMPER-CBM CARD GUIDE				2	
* -116	5372239	. BUMPER,CBM SCREW FRONT				2	
* -117	5372240	. MCUNT,RESILIENT USED PRIOR TO SUFFIX H8				4	
* -117	65629	. SPACER,SLEEVE-ID .196 X OD .250 USED FROM SUFFIX H8 TO CURRENT				8	
* -118	5372289	. BED PLATE ASSEMBLY, STACKER				1	
* -119	5393273	SEE FIGURE 18 FOR DETAIL BREAKDOWN . JUMPER ASSEMBLY SEE FIGURE 54-25 AND 25A FOR COMPONENT				1	
* -120	5372320 NP	PARTS . BRACKET ASSEMBLY,STACKER USED ON RR COMMON BASE GROUP					
* -121	301156	SEE FIGURE 39 FOR DETAIL BREAKDOWN . SHAFT ASSEMBLY-ESCAPEMENT				1	
* -122	151231	. . PIN,TAPERED,PLAIN- 3/4 LG X NO. 3-0				3	
* -123	228044 □	. . SHAFT,SHOULDERED				1	
* -124	301155 □	. . RATCHET-SPACING				1	
* -125	310347 □	. . WHEEL ASSEMBLY-CARD FEED				1	
* -126	342702 □	. . GEAR ASSEMBLY-FRICTION				1	
* -127	5406137	. RIVET, PLASTIC PUSH				2	
* -127A	5406138	. GUIDE, PLASTIC CHIP				1	
* -127B	5404053	. CHUTE, CHIP				1	
* -128	340871	. COVER, ESCAPEMENT GEARING				1	
* -129	5422220	. BASE ASSEMBLY, TRANSPORT				1	
* -130	104699	. . PIN, DWEL				4	
* -131	205115	. . BEARING,SLEEVE- 0.377 ID X 0.629 OD BRZ				1	
* -133	228114	. . BEARING,SLEEVE-FLG 0.377 ID 3.627 OD BRZ				1	
* -134	228565	. . BEARING,SLEEVE- 0.251 ID X 0.501 OD BRZ				4	
* -135	369421	. . BEARING,SLEEVE				6	
* -136	5422221	. . BASE, TRANSPORT				1	
* -137	5404252 NP	. PROGRAM UNIT GROUP					
* -138	673	. . SCREW,MACH-FIL H 5-40 X 1/2 LG				4	
* -139	2994	. . SCREW-MACH,FIL H,NO. 10-32 X .625 LG				2	

LIST AND INDEX NUMBER	PART NUMBER	DESCRIPTION	UNITS PER ASM.	USABLE ON CODE
		1 2 3 4		
		CARD TRANSPORT ASMS FOR STD, STD/HSS, STD/IGP AND S.C. -CONT		
* 13 -140	350C	. . . SCREW, FIL HD MACH-5-40 X .312 LG	SHEET 2	1
* -141	4236	. . . SCREW, MACH-FIL H 5-40 X 1/4 LG	SHEET 2	2
* -142	20321	. . . SPRING, HELICAL, EXTENSION- 31.5 TURNS LH	SHEET 3	2
* -143	25282	. . . RING-RETAINING, EXT 0.125 ID X 0.015 THK	SHEET 3	2
* -145	57537	. . . WASHER, FL- 0.158 ID 0.312 OD 0.031 THK	SHEET 3	1
* -146	186712	. . . SCREW, MACH-BIND HD 3-48 X 3/16 LG	SHEET 2	2
* -147	196698	. . . SCREW, MACH-BIND HD 5-40 X 5/16 LG		2
* -148	227847	. . . INDICATOR-COLUMN	SHEET 2	1
* -149	227879	. . . PLATE ASSEMBLY-SUPPORT	SHEET 3	1
* -150	227883	. . . ARM-MAKE CONTACT OPERATING	SHEET 3	1
* -160	227885	. . . STUD- 81 ST COLUMN CONTACT ARM SPRING	SHEET 3	1
* -161	5422336	. . . DRUM ASSEMBLY, PROGRAM	SHEET 2	1
* -162	308206	. . . COVER-PROGRAM CUTOUT SWITCH	SHEET 2	1
* -163	313909	. . . COVER-PROGRAM CAM CONTACT	SHEET 2	1
* -165	382346	. . . COVER-INSULATING	SHEET 2	1
* -166	5422197	. . . WASHER, THRUST-.87 OD X .58 IC X .028	SHEET 4	2
* -167	5422222	. . . SHAFT ASSEMBLY, PROGRAM DRUM SEE FIGURE 30 FOR DETAIL BREAKDOWN	SHEET 4	1
* -168	5404254 NP	. . . STAR WHEEL GROUP SEE FIGURE 38-29 FOR DETAIL BREAKDOWN		
* -169	5404255 NP	. . . CARD PUSHER GROUP, MODS A, B AND USED ON STD AND IGP UNITS		
* -169	5404265 NP	. . . CARD PUSHER GROUP, MODS A, B AND USED ON MCDS WITH HSS AND SELF CHECK FEATURE		
* -170	673	. . . SCREW, MACH-FIL H 5-40 X 1/2 LG	SHEET 6	2
* -171	845	. . . SCREW, MACH-FIL H 8-32 X 1/2 LG	SHEET 6	3
* -172	2899	. . . NUT, PLAIN, HEX- 8-32 X 3/8 FL W	SHEET 7	2
* -173	6318	. . . WASHER, LOCK-SPLIT NO. 8 X 0.280 OD	SHEET 7	2
* -174	12954	. . . SCREW, MACH-HEX HD 8-32 X 1/2 LG	SHEET 7	1
* -175	22478	. . . WASHER, FLAT- .170 ID, .375 OD	SHEET 6	2
* -176	22797	. . . SETSCREW-SPLINE DR FP 5-40 X 3/16 LG	SHEET 7	2
* -177	24857	. . . SPRING, HELICAL, EXTENSION- 37 TURNS	SHEET 7	1
* -178	25282	. . . RING-RETAINING, EXT 0.125 ID X 0.015 THK	SHEET 7	1
* -179	58554	. . . SPACER- 0.158 IC X 5/16 OD X 0.032 THK	SHEET 7	1
* -180	79430	. . . COLLAR, SHAFT-HAMMER TRIP	SHEET 7	2
* -181	120044	. . . SCREW, MACH-BIND HD 5-40 X 3/8 LG	SHEET 6	2
* -182	130534	. . . SPRING, HELICAL, EXTENSION- 35 TURNS	SHEET 7	2
* -183	159229	. . . ROLLER-MAGNET CAM	SHEET 7	1
* -184	227686	. . . ARM ASSEMBLY-PUSHER CAM	SHEET 7	1
* -185	227691	. . . ROLL, CARD RELEASE ECCENTRIC	SHEET 7	1
* -186	227693	. . . ARM ASSEMBLY-STOP LEVER CAM	SHEET 7	1
* -187	227702	. . . ROD-SPRING ANCHOR	SHEET 7	1
* -188	227703	. . . SHAFT-CAM ARM	SHEET 7	1
* -189	227941	. . . LINK-EJECT OPERATING	SHEET 7	1
* -197	309870	. . . ARM ASSEMBLY-PRESS ROLL RELEASE	SHEET 7	1
* -198	309874	. . . ARM-PRESS ROLL RELEASE	SHEET 7	1
* -199	23096 PIN, TAPERED, PLAIN- 1/2 LG X NO. 6	SHEET 7	2
* -200	150190 □ SPACER	SHEET 7	1
* -201	309867 □ ARM-PRESS ROLL RELEASE	SHEET 7	1
* -202	309868 □ SHAFT-PRESS ROLL REL SENSING	SHEET 7	1
* -203	312594	. . . STUD-PUSHER ARM ECCENTRIC	SHEET 7	1
* -204	313445	. . . LINK, RIGID-STOP LEVER	SHEET 7	1
* -205	313974	. . . STCP-CARD PUSHER ARM	SHEET 6	1
* -206	313977	. . . HOCD-CARD PUSHER USED ON CARD PUSHER GROUP-STD	SHEET 6	1
* -206	345031	. . . HOCD, CARD PUSHER USED ON CARD PUSHER GROUP-STD HSS	SHEET 6	1
* -207	313978	. . . PLATE-BED RIGHT	SHEET 6	1
* -208	5406421	. . . SHAFT ASSEMBLY-PUSHER ARM	SHEET 7	1
* -209	350C SCREW, FIL HD MACH-5-40 X .312 LG	SHEET 7	2
* -210	6503 □ NUT, PLAIN, HEX-8-32 X 1/4 FL W	SHEET 7	1
* -211	8427 PIN, TAPERED, PLAIN- 5/8 LG X NO. 4-C	SHEET 7	3
* -212	105047 WASHER, LOCK-INT TEETH NO. 5 X 1/4 OD	SHEET 7	2
* -213	5462566 □ SPRING, COMPRESSION	SHEET 7	1
* -214	227690 □ HUB-PUSHER ARM	SHEET 7	2
* -215	227703 □ SHAFT-CAM ARM	SHEET 7	1
* -216	313971 ARM-FOLLOWER CARD PUSHER	SHEET 7	1
* -217	313973 □ ARM-PUSHER	SHEET 7	1
* -218	313975 □ SHAFT-GRIPPER FINGER	SHEET 7	1

LIST AND INDEX NUMBER	PART NUMBER	DESCRIPTION	UNITS PER ASM.	USABLE ON CODE
1	2	3	4	
		CARD TRANSPORT ASMS FOR STD, STD/HSS, STD/IGP AND S.C. -CONT		
* 13 -219	340739 □	. . . FINGER-GRIPPER	SHEET 7	1
* -220	341264 □	. . . SCREW-PUSHER ARM	SHEET 7	1
* -221	1073418 □	. . . RING-RETAINING	SHEET 7	1
* -224	139472 □	. . . PIN,TAPERED,PLAIN	SHEET 7	2
* -225	227697 □	. . . CAM,CARD PUSHER USED ON PUSHER CAM SHAFT ASM-STD	SHEET 7	1
* -225	345034 □	. . . CAM,CARD PUSHER USED ON PUSHER CAM SHAFT ASM-STD HSS	SHEET 7	1
* -226	227700 □	. . . GEAR,BEVEL- 36 TEETH	SHEET 7	1
* -227	227705 □	. . . SHAFT-CARD PUSHER CAM	SHEET 7	1
* -228	309618 □	. . . CAM,CARD STOP USED ON PUSHER CAM SHAFT ASM-STD	SHEET 7	1
* -228	345236 □	. . . CAM,CARD STCP USED ON PUSHER CAM SHAFT ASM-STD HSS	SHEET 7	1
* -229	5404257 NP	. . . GEAR TRAIN GROUP	SHEET 5	
* -230	127	. . . SCREW,MACH-FH 5-40 X 3/4 LG	SHEET 5	2
* -231	598	. . . SCREW,MACH-RH 10-32 X 1/2 LG	SHEET 4	2
* -233	23815	. . . NUT,PLAIN,HEX- 5-40 X 5/16 FL W	SHEET 4	4
* -234	24759	. . . SCREW,MACH-BIND HD 5-40 X 11/32 LG	SHEET 5	3
* -234A	31765	. . . SPACER,SLEEVE	SHEET 4	
* -235	38235	. . . SCREW MACH 6/32 X .310 LG	SHEET 4	2
* -236	79269	. . . WASHER,FLAT- 7/16 OD X 0.128 ID X 0.050	SHEET 5	3
* -237	104699	. . . PIN, DWEL	SHEET 4	2
* -238	105047	. . . WASHER,LOCK-INT TEETH NO. 5 X 1/4 OD	SHEET 5	3
* -239	110129	. . . BEARING,BALL,ANNULAR- 0.250 ID 0.625 OD	SHEET 4	7
* -240	156364	. . . BEARING,BALL,ANNULAR- 0.375 ID 0.875 OD	SHEET 4	9
* -241	165556	. . . SET SCREW 5-40 1/8 LG	SHEET 4	12
* -242	169733	. . . SCREW, SOC HED CAP-1/4-20 UNC X .750	SHEET 4	3
* -243	180383	. . . KEY,WCCDRUFF	SHEET 5	1
* -244	183895	. . . WASHER,FL- 3/8 X 5/8 OD X 0.020 THK	SHEET 5	1
* -245	196143	. . . SPRING,HELICAL,EXTENSION	SHEET 5	1
* -246	196299	. . . SCREW,MACH-BIND HD 5-40 X 1/2 LG	SHEET 4	3
* -248	227779	. . . PLATE-CAMSHAFT BEARING RETAINER	SHEET 5	1
* -249	228040	. . . COLLAR- 0.250 ID X 0.500 OD X 0.406 THK	SHEET 4	2
* -250	228050	. . . GEAR AND SHAFT ASSEMBLY, 65 TOOTH	SHEET 4	1
* -251	154	. . . PIN,TAPERED,PLAIN- 1/2 LG X NO. 4-0	SHEET 4	1
* -252	8427	. . . PIN,TAPERED,PLAIN- 5/8 LG X NO. 4-0	SHEET 4	1
* -253	228036 □	. . . COLLAR	SHEET 4	1
* -254	228038 □	. . . SHAFT,SHOULDERED	SHEET 4	1
* -255	309649 □	. . . GEAR,SPUR-65 TEETH 24 DP	SHEET 4	1
* -256	228054	. . . GEAR AND SHAFT ASSEMBLY, 56 TOOTH	SHEET 4	1
* -257	8427	. . . PIN,TAPERED,PLAIN- 5/8 LG X NO. 4-0	SHEET 4	1
* -258	228031 □	. . . SHAFT,SHOULDERED	SHEET 4	1
* -259	309647 □	. . . GEAR,SPUR-56 TEETH 24 DP	SHEET 4	1
* -260	228055	. . . RETAINER-BEARING	SHEET 4	1
* -261	228060	. . . SPACER- 0.377 ID X 1/2 OD 0.418 LG	SHEET 4	2
* -262	228061	. . . COLLAR- 0.376 ID X 0.625 OD X 0.375 THK	SHEET 4	2
* -263	228069	. . . SHAFT ASSEMBLY, EJECT ROLL	SHEET 4	2
* -264	139686	. . . PIN-TAPER,7/16 IN LG	SHEET 4	1
* -265	228067 □	. . . SHAFT-ROLL EJECT	SHEET 4	1
* -266	228068 □	. . . GEAR,SPUR-12 TEETH 24 DP	SHEET 4	1
* -267	228155	. . . SHAFT ASSEMBLY-TRANSVERSE DRIVE	SHEET 5	1
* -268	29980	. . . PIN,TAPERED,PLAIN 11/16 LG X NO. 3-0	SHEET 5	2
* -269	228059 □	. . . GEAR,SPUR-22 TEETH 24 DP	SHEET 5	1
* -270	228156 □	. . . SHAFT-TRANSVERSE DRIVE	SHEET 5	1
* -271	228451 □	. . . GEAR,BEVEL-32 TEETH 32 DP	SHEET 5	1
* -272	228309	. . . BEARING ASSEMBLY	SHEET 5	1
* -273	156364 □	. . . BEARING,BALL,ANNULAR	SHEET 5	1
* -274	228577 □	. . . ADAPTER-BEARING	SHEET 5	1
* -275	301157	. . . SPACER- 0.376 ID X 5/8 OD X 0.047 THK	SHEET 4	1
* -276	306314	. . . SCREW,SHCULDER-CARRIAGE RETURN SPRING	SHEET 4	1
* -277	308416	. . . SCREW,MACH-BIND HD 5-40 X 0.556 LG	SHEET 4	2
* -278	310189	. . . IDLER ASSEMBLY-ARM,BELT TENSION	SHEET 4	1

LIST AND INDEX NUMBER	PART NUMBER	DESCRIPTION				UNITS PER ASM.	USABLE ON CODE
		1	2	3	4		
		CARD TRANSPORT ASMS FOR STD, STD/HSS, STD/IGP AND S.C. -CONT					
* 13 -278A	45658	. . .	WASHER,FL-1/4 X 13/32 OD X 0.006 THK	SHEET 5	1		
* -279	192049	. . .	RING,RETAINING-EXT 0.185 ID X 0.020 THK	SHEET 5	1		
* -280	310178	. . .	ARM ASSEMBLY-BELT TENSION	SHEET 5	1		
* -281	341883	. . .	PULLEY ASM, GROOVED-BELT TENSION	SHEET 5	1		
* -282	310774	. . .	BEARING,SLEEVE-IDLER PULLEY USED ON BELT TENSION GROOVED PULLEY ASM	SHEET 5	1		
* -283	341882	. . .	PULLEY,GROOVED-BELT TENSION USED ON BELT TENSION GROOVED PULLEY ASM	SHEET 5	1		
* -284	310241	. .	GUARD-BELT	SHEET 4	1		
* -285	310252	. .	STUD,EXTENSICN-IDLER ARM PIVOT	SHEET 5	1		
* -286	310254	. .	GEAR,SPUR-54 TEETH	SHEET 5	1		
* -287	310333	. .	RETAINER-BEARING	SHEET 5	1		
* -288	310362	. .	HUB-SPUR GEAR	SHEET 5	1		
* -289	310366	. .	GEAR,HELICAL- 145 TEETH	SHEET 5	1		
* -290	310374	. .	SHAFT ASM, 16 TOOTH GEAR	SHEET 5	1		
* -291	23096	. . .	PIN,TAPERED,PLAIN- 1/2 LG X NO. 6	SHEET 5	1		
* -292	110129	. . .	BEARING,BALL,ANNULAR- 0.250 ID 0.625 OD	SHEET 5	1		
* -293	139686	. . .	PIN-TAPER,7/16 IN LG	SHEET 5	1		
* -294	310307	. . .	SPACER,SLEEVE-MACHINE,PULLEY	SHEET 5	1		
* -295	310368	□	SHAFT,STRAIGHT-GEAR	SHEET 5	1		
* -296	310370	□	GEAR,HELICAL-16 TEETH	SHEET 5	1		
* -297	310371	□	PULLEY,GROOVED-GEAR DRIVE	SHEET 5	1		
* -298	310375	. .	SHAFT ASSEMBLY, 28 TOOTH GEAR	SHEET 5	1		
* -299	8427	. . .	PIN,TAPERED,PLAIN- 5/8 LG X NO. 4-0	SHEET 5	1		
* -300	310361	□	GEAR,SPUR	SHEET 5	1		
* -301	310369	□	SHAFT,STRAIGHT-GEAR	SHEET 5	1		
* -301A	1100523	. . .	SETSCREW-SPLINE DR CUP PT 6-32 X 3/16 LG	SHEET 5	1		
* -302	310391	. . .	CLUTCH ASSEMBLY-FRICTION	SHEET 5	1		
* -303	3500	. . .	SCREW, FIL HD MACH-5-40 X .312 LG	SHEET 5	2		
* -304	105047	. . .	WASHER,LOCK-INT TEETH NO. 5 X 1/4 OD	SHEET 5	2		
* -305	310394	. . .	RING,NYLON FRICTION	SHEET 5	1		
* -306	310397	. . .	HUB ASSEMBLY	SHEET 5	1		
* -307	310398	. . .	PIN,STRAIGHT,HEADLESS-0.125 DIA X 0.265 USED ON HUB ASSEMBLY	SHEET 5	1		
* -308	340172	. . .	HUB USED ON HUB ASSEMBLY	SHEET 5	1		
* -309	310400	. . .	HOUSING ASSEMBLY-GEAR AND BEARING	SHEET 5	1		
* -310	310392	□	HOUSING-CLUTCH,FRICTION USED ON GEAR AND BEARING HOUSING ASM	SHEET 5	1		
* -311	310393	. . .	BEARING,SLEEVE-FRICTION CLUTCH USED ON GEAR AND BEARING HOUSING ASM	SHEET 5	1		
* -312	310396	□	GEAR,SPUR-CLUTCH,FRICTION USED ON GEAR AND BEARING HOUSING ASM	SHEET 5	1		
* -313	313333	□	RIVET,SCRID USED ON GEAR AND BEARING HOUSING ASM	SHEET 5	4		
* -313A	310401	. . .	SPRING-FRICT CLUTCH	SHEET 5	1		
* -313B	310799	. . .	SCREW,CAP,SCC FC- 5-40 X 1/2 LG	SHEET 5	1		
* -314	310469	. . .	PIN,SPRING- 0.099 X 11/16 LG	SHEET 5	1		
* -315	310773	. . .	WASHER,SPRING TENS- 0.260 ID X 1/2 OD	SHEET 5	1		
* -316	310781	. .	WASHER,FLAT .255 ID X 3/8 OD	SHEET 5	1		
* -317	328750	. .	SPACER,SLEEVE-54 TOOTH GEAR	SHEET 5	1		
* -318	340034	. .	BRACKET-ESCAPEMENT GEARING	SHEET 4	1		
* -319	341003	. .	SPACER,SLEEVE-28 TOOTH GEAR	SHEET 5	1		
* -320	342703	. .	SHAFT ASM-FEED WHEEL READING STATION	SHEET 5	1		
* -321	151231	. . .	PIN,TAPERED,PLAIN- 3/4 LG X NO. 3-C	SHEET 5	2		
* -322	228044	□	SHAFT,SHOULDERED	SHEET 5	1		
* -323	310347	□	WHEEL ASSEMBLY-CARD FEED	SHEET 5	1		
* -324	342702	□	GEAR ASSEMBLY-FRICTION	SHEET 5	1		
* -325	345974	. .	SCREW,ASMD WASHER-PAN HD 5-40 X 5/8 LG	SHEET 4	2		
* -326	369421	. .	BEARING,SLEEVE	SHEET 4	1		
* -327	1100523	. . .	SETSCREW-SPLINE DR CUP PT 6-32 X 3/16 LG	SHEET 5	2		
* -328	5407798	. .	GEAR, 65TOOTH DRIVE AND BACKSPACE	SHEET 4	1		
* -330	5404258	NP	BACKSPACE GROUP				

LIST AND INDEX NUMBER	PART NUMBER	DESCRIPTION	UNITS PER ASM.	USABLE ON CODE
		CARD TRANSPORT ASMS FOR STD, STD/HSS, STD/IGP AND S.C. -CONT		
* 13 -331	38255	. . . SCREW, MACH-FIL H 3-48 X 1/2 LG	SHEET 4	2
* -332	3500	. . . SCREW, FIL HD MACH-5-40 X .312 LG	SHEET 4	2
* -333	25282	. . . RING-RETAINING, EXT 0.125 ID X 0.015 THK	SHEET 4	1
* -335	26513	. . . SPRING, EXTENSION	SHEET 4	1
* -337	42003	. . . SCREW, MACH-TRUSS HD 8-32 X 1/4 LG	SHEET 4	3
* -338	44946	. . . SPRING, HELICAL, EXTENSION 61 TURNS	SHEET 4	1
* -339	60489	. . . CLIP-SPRING	SHEET 4	1
* -340	141176	. . . SPRING, HELICAL, EXTENSION- 21.5 TURNS	SHEET 4	1
* -341	228080	. . . BRACKET-REVERSE SWITCH	SHEET 4	1
* -342	228081	. . . PAWL ASSEMBLY-BACK SPACE	SHEET 4	1
* -343	228084	. . . ARM ASSEMBLY-REVERSING MECH CAM ENGAGING	SHEET 4	1
* -344	228088	. . . PIVOT-BACK SPACE ARM	SHEET 4	1
* -345	228090	. . . SCREW, SHLD-FIL H 5-40 X 11/32 LG	SHEET 3	2
* -346	228092	. . . GEAR, SPUR-BACK SPACE	SHEET 4	1
* -347	228093	. . . SWITCH-SPCT 125/250V AC 10 AMP	SHEET 4	1
* -348	312C19	. . . INSULATOR-BACK SPACE	SHEET 4	1
* -349	341050	. . . LEVER-SPRING ACTION	SHEET 3	1
* -350	5404260 NP	. PUNCH AND DIE GROUP USED ON MCDS A AND B, NCN-PRINT		
* -351	358	. . . SCREW, MACH-FIL H 10-32 X 3/4 LG	SHEET 2	2
* -351A	673	. . . SCREW, MACH-FIL H 5-40 X 1/2 LG	SHEET 3	3
* -352	38392	. . . SCREW, MACH-FIL H 10-32 X 1-1/4 LG	SHEET 2	1
* -352A	227769	. . . PLUG ASSEMBLY-PUNCH DRIVE MOUNTING FRONT	SHEET 3	1
* -353	227772	. . . PLUG ASSEMBLY-REAR PUNCH DRIVE MOUNTING	SHEET 3	1
* -354	228013	. . . GUIDE ASSEMBLY-DIE AND PUNCH	SHEET 2	1
* -357	310107	SEE FIGURE 26 FOR BREAKDOWN . . . BUSHING-DIE AND GUIDE MTG	SHEET 2	1
* -358	310111	. . . SCREW, SHLD-RH 10-32 X 0.818 LG	SHEET 2	1
* -359	5406420	. . . SHAFT ASM, PRESS ROLL RELEASE	SHEET 7	1
* -359A	28564 PIN, TAPERED, PLAIN- 5/8 LG X NO. 6-0	SHEET 7	3
* -359B	227725 □ SHAFT-CARD REL	SHEET 7	1
* -359C	227939 □ ARM-PRESSURE ROLL RELEASE	SHEET 7	1
* -359D	227946 □ LEVER-MANUAL CARD RELEASE	SHEET 7	1
* -359E	309872 □ SPACER	SHEET 7	1
* -359F	309873 □ LEVER ASSEMBLY-PRESS ROLL REL	SHEET 7	1
* -360	5373607	. . . TUBE ASSEMBLY-CHIP	SHEET 2	1
* -361	10476 SCREW, MACH-FH 5-40 X 0.190 LG	SHEET 2	1
* -362	325624 SCREW, PUSH ROD GUIDE PLATE	SHEET 2	1
* -363	228280 □ BEARING, SLEEVE	SHEET 2	1
* -364	312321 PLATE-PRESS WFL	SHEET 2	1
* -365	313986 SPRING, HELICAL-COMP	SHEET 2	1
* -366	369255 SHAFT ASSEMBLY-PRESS ROLL	SHEET 2	1
* -367	369257 BEARING AND LEVER ASM-RH PRESSURE ROLL	SHEET 2	1
* -368	5373605 TUBE, CHIP	SHEET 2	1
* -368A	5404261 NP	. INTERPCSER GROUP USED ON MODS A AND B, PRINT		
* -368A	5404262 NP	. INTERPRETER GROUP USED ON MOD C		
* -368B	2650	. . . SCREW, MACH-FIL H 3-48 X 1/4 LG	SHEET 2	4
* -369	12132	. . . SCREW, MACH-TRUSS HD 8-32 X 5/16 LG	SHEET 3	2
* -371	228374	. . . MAGNET ASSEMBLY-PRINT SUPPRESSION SEE FIGURE 48 FOR DETAIL BREAKDOWN	SHEET 3	1
* -373	5372350	. . . INTERPCSER ASSEMBLY, RIBBON PRINT SEE FIGURE 20 FOR DETAIL BREAKDOWN	SHEET 2	1
* -373	5401003	. . . INTERPCSER ASSEMBLY, RIBBON PRINT	SHEET 2	1
* -374	5404263 NP	SEE FIGURE 21 FOR DETAIL BREAKDOWN . HARDWARE GROUP, PRINT-COMMON		
* -375	7341	. . . NUT, PLAIN, HEX- 5-40 X 1/4 FL W	SHEET 3	1
* -376	26320	. . . CLAMP	SHEET 7	1
* -377	38271	. . . SCREW, MACH-FIL H 5-40 X 3/16 LG	SHEET 7	1
* -378	60488	. . . CLIP-SPRING	SHEET 3	1
* -379	60489	. . . CLIP-SPRING	SHEET 3	1
* -380	110029	. . . WASHER, FL-NC 8 X 5/8 OD X 1/16 THK	SHEET 3	1
* -381	110129	. . . BEARING, BALL, ANNULAR- 0.250 ID 0.625 OD	SHEET 3	1
* -382	120571	. . . WASHER, FL- 1/4 X 5/8 OD X 1/16 THK	SHEET 3	1
* -383	141404	. . . SPRING, HELICAL, EXTENSION- 16.5 TURNS SEE FIGURE 20-4 AND 21-3 FOR LOCATION		1

LIST AND INDEX NUMBER	PART NUMBER	DESCRIPTION	UNITS PER ASM.	USABLE ON CODE
		CARD TRANSPORT ASMS FOR STD, STD/HSS, STD/IGP AND S.C. -CONT		
* 13 -384	156364	. . BEARING,BALL,ANNULAR- 0.375 ID 0.875 OD	SHEET 3	1
* -385	228242	. . SPRING-RIBBON SPOOL RESTRAINING	SHEET 2	1
* -386	228287	. . ARM ASSEMBLY-SUPPRESSION	SHEET 3	1
* -387	228292	. . SPCCL-RIBBON	SHEET 2	1
* -388	228356	. . ARM ASSEMBLY-IDLER	SHEET 3	1
* -389	228361	. . ARM ASSEMBLY-PRINT	SHEET 3	1
* -390	228372	. . SCREW,MACH-FIL H 8-32 X 1/2 LG	SHEET 3	1
* -391	228616	. . SPRING,HELICAL,EXTENSION- 18 TURNS	SHEET 3	1
* -392	308208	. . FITTING,LUB- 45 DEG ANGLE 1/4-28 THD FIT	SHEET 3	1
* -393	310169	. . LINK-ECCENTRIC DRIVE	SHEET 3	1
* -394	310171	. . SCREW,SHLC-FH 5-40 X 0.137 LG	SHEET 3	1
* -395	313132	. . BEARING,SLV-ECC 0.166 ID 0.376 CBORE IRON	SHEET 3	1
* -396	314037	. . PLUG-PRINT AND PUNCH DRIVE REAR	SHEET 3	1
* -397	424810	. . RIBBON AND SPOOL ASSEMBLY	SHEET 2	1
* -398	5404259 NP	. BACKFRAME GROUP,HIGH SPEED SKIP SEE FIGURE 14A FOR DETAIL BREAKDOWN	SHEET 2	1
* -399	5404249 NP	. COMMON COMPONENTS GROUP,MOD C USED CN REED RELAY UNITS,MOD C ONLY		
* -399	5406281 NP	. COMMON COMPONENT GROUP USED CN WIRE CONTACT RELAY UNITS,MOD C		
* -401	5319854	. SCREW,THD CUTTING-HEX HD 8-32 X 0.375 LG	SHEET 6	2
* -402	6318	. WASHER,LOCK-SPLIT NO. 8 X 0.280 OD	SHEET 6	2
* -403	24695	. PIN,TAPERED,PLAIN- 7/8 LG X NO. 4-0	SHEET 6	1
* -404	75533	. SET SCREW .540 THK X 1/8 LG	SHEET 6	1
* -405	263406	. LEVER	SHEET 6	1
* -406	315403	. MAGNET ASSEMBLY-PRINT SUPPRESSION SEE FIGURE 48 FOR DETAIL BREAKDOWN	SHEET 6	1
* -414	5367140	. CABLE ASSEMBLY,POWER,ELECTRICAL	SHEET 6	1
		USED CN MOD A STD AND MOD A WITH SELF-CHECK FEATURE USED CN REED RELAY UNITS ONLY SEE FIGURE 54-9,12A,17,23,24,25, 25A,25B,28,28A,29,30 AND 31A FOR COMPONENT PARTS		
* -414	5406075	. CABLE ASSEMBLY, TRANSPORT USED CN MODS A AND B USED CN WIRE CONTACT RELAY UNITS SEE FIGURE 54-1A,23,25A,26,27, 28,29,31A,34,35 AND 36 FOR COMPONENT PARTS	SHEET 6	1
* -414	5367353	. CABLE ASSEMBLY,MOD B STD USED CN REED RELAY UNITS ONLY SEE FIGURE 54-3,6,21,23,24,25A,25B 26,28A,29 AND 31A FOR COMPONENT PARTS	SHEET 6	1
* -414	5367323	. CABLE ASSEMBLY,MOD C USED CN REED RELAY UNITS ONLY SEE FIGURE 54-3,6,23,24,25,25A, 25B,26,28,28A,29 AND 31A FOR COMPONENT PARTS	SHEET 6	1
* -414	5406080	. CABLE ASSEMBLY, MODEL C USED CN WIRE CONTACT RELAY UNITS ONLY SEE FIGURE 54-1A,12,23,25,25A, 25B,26,28,28A,29,34 AND 35 FOR COMPONENT PARTS	SHEET 6	1
* -414	5404076	. CABLE ASSEMBLY,HIGH SPEED SKIP USED CN REED RELAY UNITS ONLY SEE FIGURE 54-3,13,24,28,28A AND 31A FOR COMPONENT PARTS	SHEET 6	1
* -414	5404077	. CABLE ASSEMBLY, INTERSPERSED GANG PUNCH USED CN REED RELAY UNITS ONLY SEE FIGURE 54-3,13,22,24,28,28A 28B AND 29 FOR COMPONENT PARTS	SHEET 6	1
* -414	5406063	. CABLE ASSEMBLY, IGP FEATURE USED CN WIRE CONTACT RELAY UNITS ONLY SEE FIGURE 54-1A,28,34 AND 35 FOR COMPONENT PARTS	SHEET 6	1
* -414	5404199	. CABLE ASSEMBLY, SELF CHECK USED CN REED RELAY UNITS ONLY SEE FIGURE 54-3,13,13A,24,25A,25D 28,28A,29 AND 31A FOR COMPONENT PARTS	SHEET 6	1
* -420	92	. SCREW,MACH-RH 5-40 X 1/4 LG	SHEET 1	2
* -421	55726	. SCREW,MACH-BIND FC 6-32 X .188 LG	SHEET 1	3

LIST AND INDEX NUMBER	PART NUMBER	DESCRIPTION	UNITS PER ASM.	USABLE ON CODE
		1 2 3 4		
		CARD TRANSPORT ASMS FOR STD, STD/HSS, STD/IGP AND S.C. -CONT		
* 13 -422	305267	. RELAY, MCT DRIVEN-PICKUP 115V AC 5.1 AMP USED ON ASSEMBLIES 5372361, 5372363, 5372295, 5372293, 5404193 AND 5404191	SHEET 1	1
* -422	312477	. RELAY, 2.6A PICKUP AT 230V 50/60 CY USED ON ASSEMBLIES 5372362, 5372364, 5372296, 5372294, 5404194 AND 5404192	SHEET 1	1
* -423	305268	. MCTCR, AC- 1/12 HP 115V 50/60 CY 1 PF USED ON ASSEMBLIES 5372363, 5372293 AND 5404191	SHEET 1	1
* -423	31245C	. MCTCR, AC-1/12 HP, 230V, 50/60 CY USED ON ASSEMBLIES 5372362, 5372364, 5372296, 5372294, 5404194 AND 5404192	SHEET 1	1
* -423	5422230	. MCTOR, 60CPS 115V USED ON ASSEMBLIES 5372361, 5372295 AND 5404193	SHEET 1	1
* -424	310363	. BELT, V-MACHINE DRIVE, 60 CYCLE	SHEET 1	1
* -424	310228	. BELT, V-MACHINE DRIVE, 50 CYCLE	SHEET 1	1
* -425	5372346	. BELT, V-PUNCH DRIVE, NON-PRINT	SHEET 1	1
* -425	310364	. BELT, V-PUNCH DRIVE, PRINT	SHEET 1	1
* -426	537236C	. PULLEY, CCNE-60 CYCLE NON-PRINT MOTOR	SHEET 1	1
* -426	5372359	. PULLEY, CCNE-50 CYCLE NON-PRINT MOTOR	SHEET 1	1
* -426	310779	. PULLEY, CCNE-60 CYCLE PRINT MOTOR	SHEET 1	1
* -426	5372358	. PULLEY, CCNE-50 CYCLE PRINT MOTOR	SHEET 1	1
* -426	5404291	. PULLEY ASSEMBLY, HSS USED WITH 60 CYCLE NON-PRINT	SHEET 1	1
* -426	5404287	. PULLEY ASSEMBLY, HSS USED WITH 50 CYCLE NON-PRINT	SHEET 1	1
* -426	5404289	. PULLEY ASSEMBLY, HSS USED WITH 50 CYCLE PRINT	SHEET 1	1
* -426	5404293	. PULLEY ASSEMBLY, HSS USED WITH 60 CYCLE PRINT	SHEET 1	1
* -427	173937	. SETSCREW-SPLINE DR CUP PT 8-32 X 1/8 LG USED ON 60 CYCLE UNITS	SHEET 1	1
* -427	151720	. SETSCREW-SPLINE DR CUP PT 8-32 X 3/16 LG USED ON 50 CYCLE UNITS	SHEET 1	1
* -428	345276	. BELT, DRIVING-67 TEETH, 15.6382 P LENGTH USED ON HIGH SPEED SKIP UNITS	SHEET 1	1
* -429	275691	AGITATOR ASSEMBLY, CHIP-NON PRINT	SHEET 2	AR
* -429	275692	AGITATOR ASSEMBLY, CHIP-PRINT	SHEET 2	AR
* -43C	337	. SCREW, MACH-FIL H 8-32 X 3/8 LG USED ON PRINT CHIP AGITATOR ASM	SHEET 6	1
* -43C	337	. SCREW, MACH-FIL H 8-32 X 3/8 LG USED ON N/PRINT CHIP AGITATOR ASM	SHEET 6	2
* -431	2384	. SCREW, MACH-FIL H 8-32 X 1 IN LG. USED ON PRINT CHIP AGITATOR ASM	SHEET 6	1
* -432	34512	. SCREW, BIND. HD 8-32 X .375 LG	SHEET 6	1
* -433	38443	. SCREW, MACH-FL CSK FC 6-32 X 5/16 LG	SHEET 1	2
* -434	147297	. RING, RETAINING-EXT 0.094 ID X 0.020 THK USED ON PRINT CHIP AGITATOR ASM	SHEET 2	1
* -435	228273	. CLAMP-FLEX SHAFT	SHEET 6	1
* -436	228276	. GEAR, SPUR- 16 TEETH 32 DP 0.5575 OD USED ON PRINT CHIP AGITATOR ASM	SHEET 2	1
* -437	22849C	. BRACKET-UPPER FLEXIBLE SHAFT	SHEET 6	1
* -438	310378	. GEAR, 16 TEETH 32 PITCH 10-32 THD CENTER USED ON PRINT CHIP AGITATOR ASM	SHEET 2	2
* -439	340C24	. SUPPCRT, FLEXIBLE SHAFT	SHEET 1	1
* -44C	341007	. SHAFT ASM, CHIP AGITATOR	SHEET 2	1
* -441	345101	. SHAFT, FLEXIBLE USED ON N/PRINT CHIP AGITATOR ASM	SHEET 2	1
* -441	345102	. SHAFT, FLEXIBLE USED ON PRINT CHIP AGITATOR ASM		1
* -442	45685	WASHER, PLAIN .313 DIA USED UNDER EJECT ASSEMBLY FOR POST CARD STOCK FEATURE	SHEET 2	1
* -443	196298	SCREW, MACH-BIND HD 5-40 X 3/16 LG USED ON CHAR INHIBIT FEATURE ONLY	SHEET 2	1
* -444	5462472	COVER, PROGRAM CUTOUT SWITCH USED ON CHAR INHIBIT FEATURE ONLY	SHEET 2	1
* -445	5462491	SWITCH ASSEMBLY, PROGRAM CUTOUT USED ON CHAR INHIBIT FEATURE ONLY	SHEET 2	1
* -446	3C952C	. BRACKET, SWITCH MTC	SHEET 2	1
* -447	3C9716	. SHIELD, SAFETY	SHEET 2	1
* -448	5420116	. SWITCH, TOGGLE SPCT	SHEET 2	1

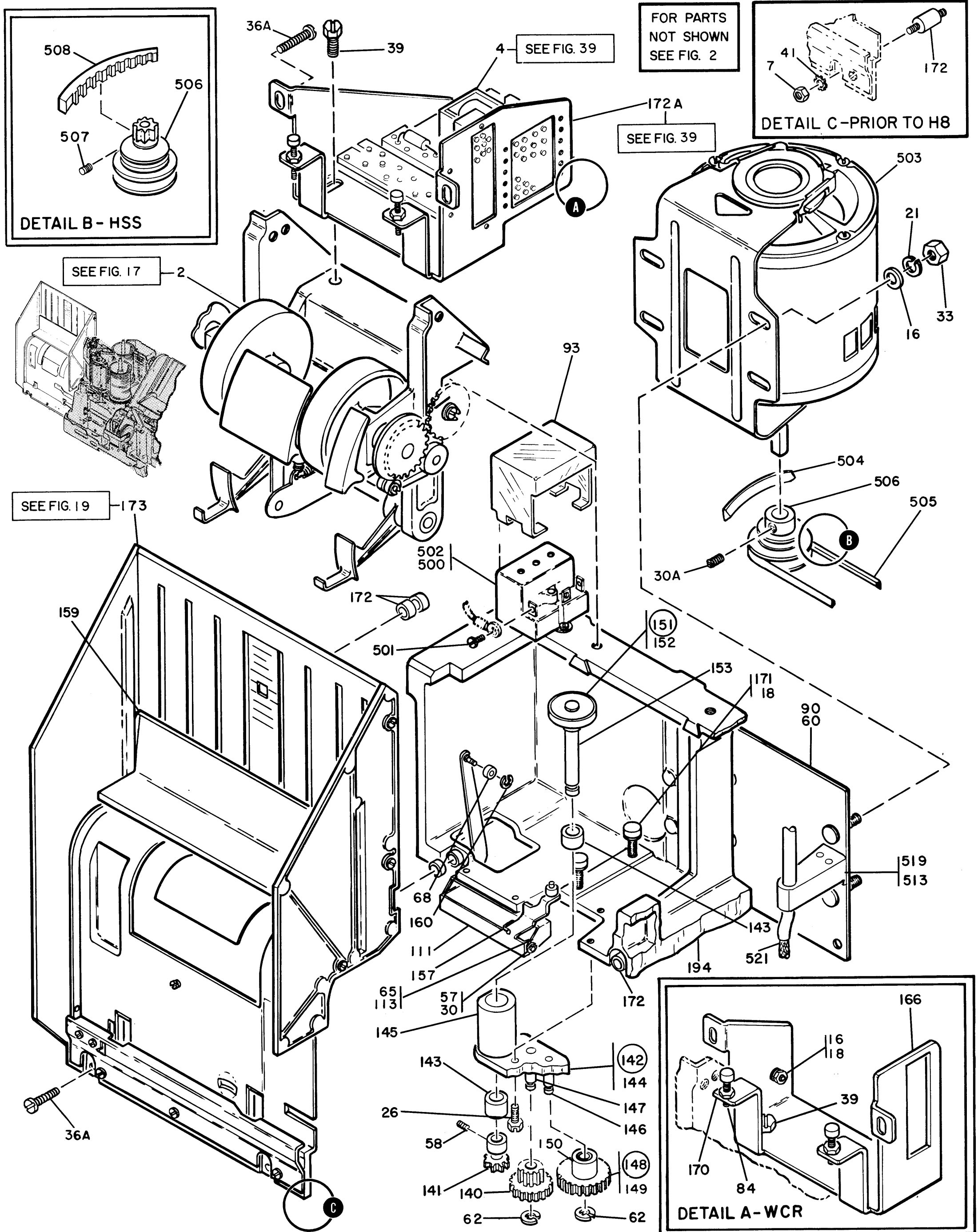


FIGURE 14. CARD TRANSPORT ASSEMBLIES FOR VLCD, VLCD/HSS AND SELF CHECK FEATURE. SHEET 1 OF 7. SEE LIST 14.

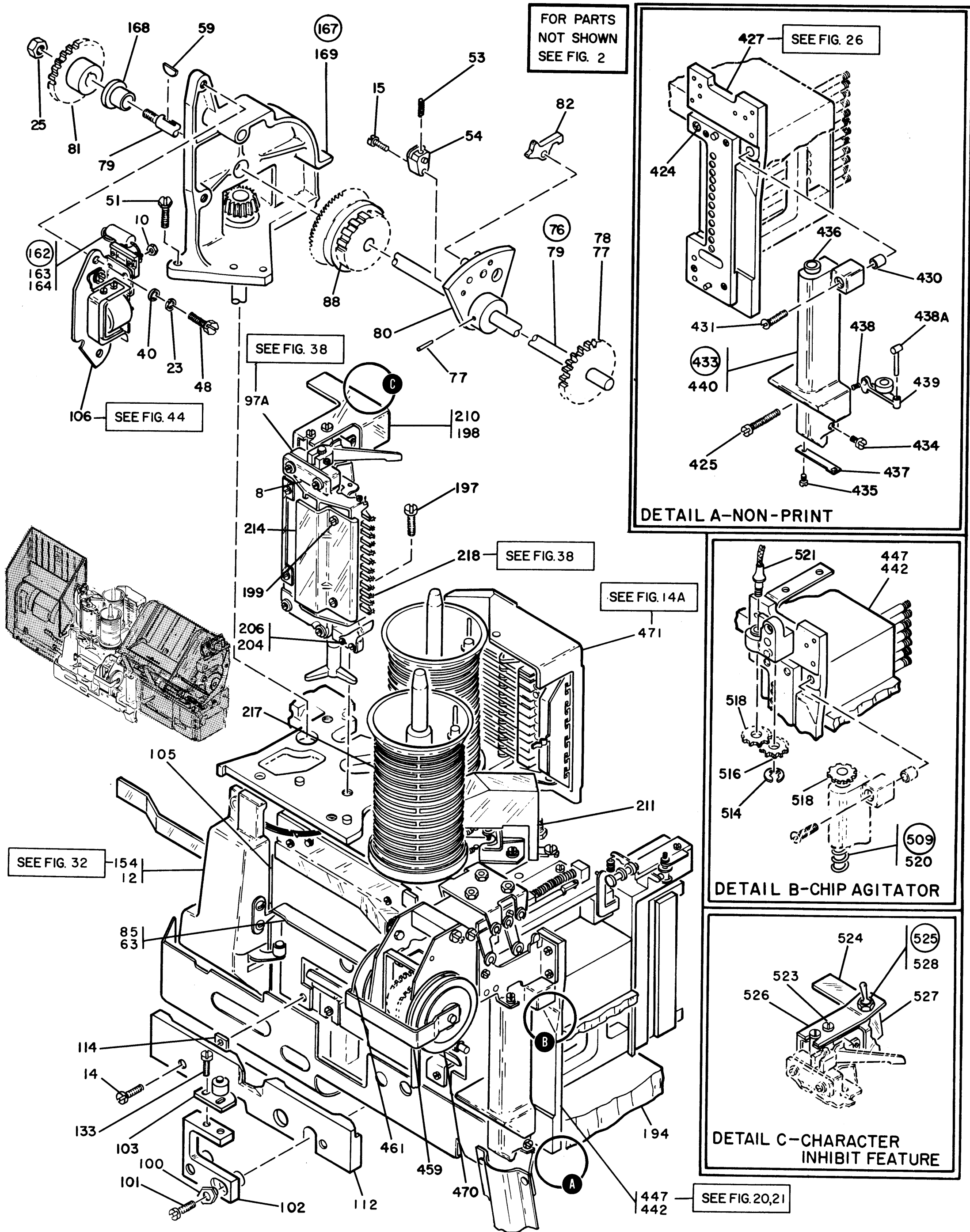


FIGURE 14. CARD TRANSPORT ASSEMBLIES FOR VLCD, VLCC/HSS AND SELF CHECK FEATURE. SHEET 2 OF 7. SEE LIST 14.

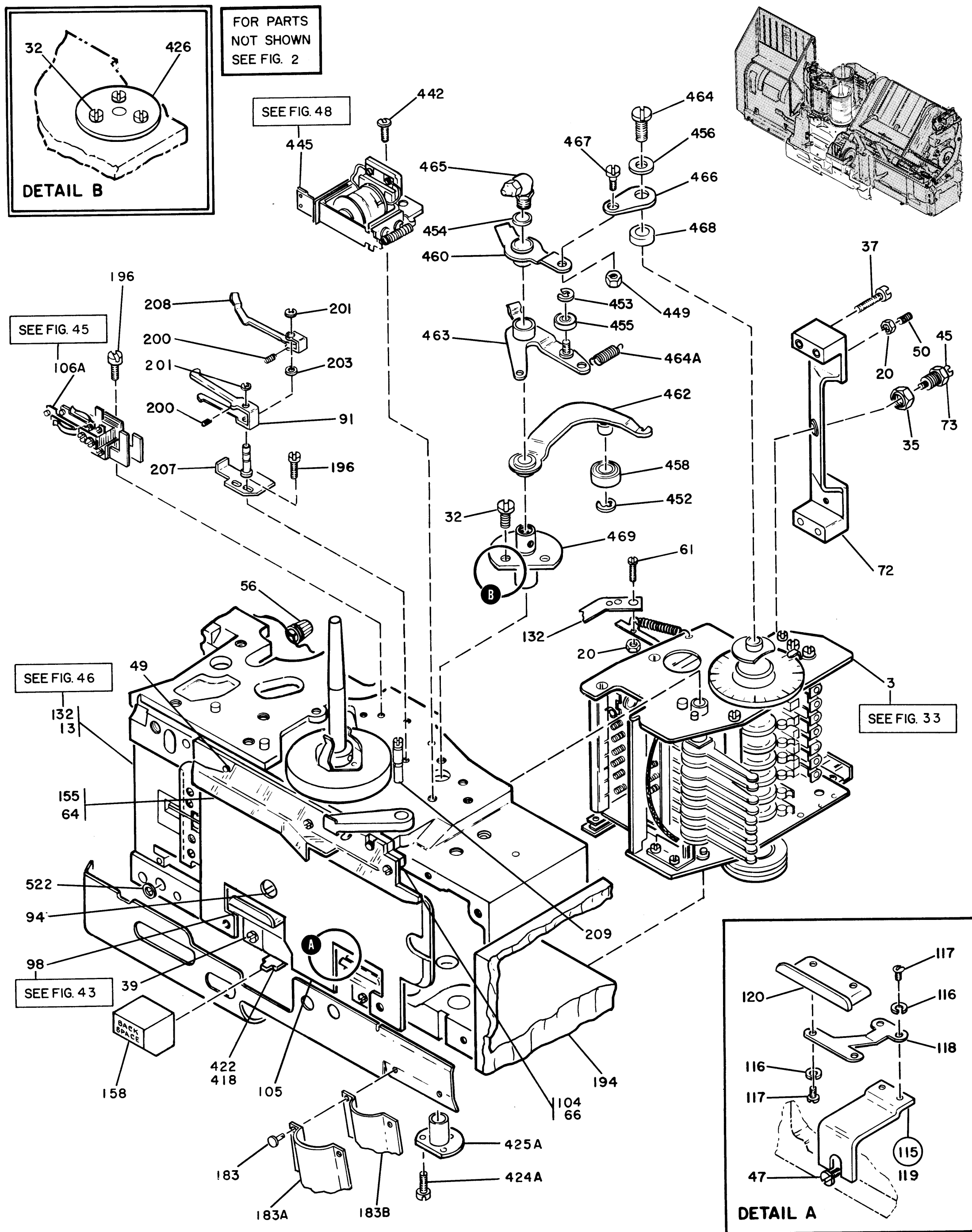


FIGURE 14. CARD TRANSPORT ASSEMBLIES FOR VLCD, VLCD/HSS AND SELF CHECK FEATURE. SHEET 3 OF 7. SEE LIST 14.

FOR PARTS
NOT SHOWN
SEE FIG. 2

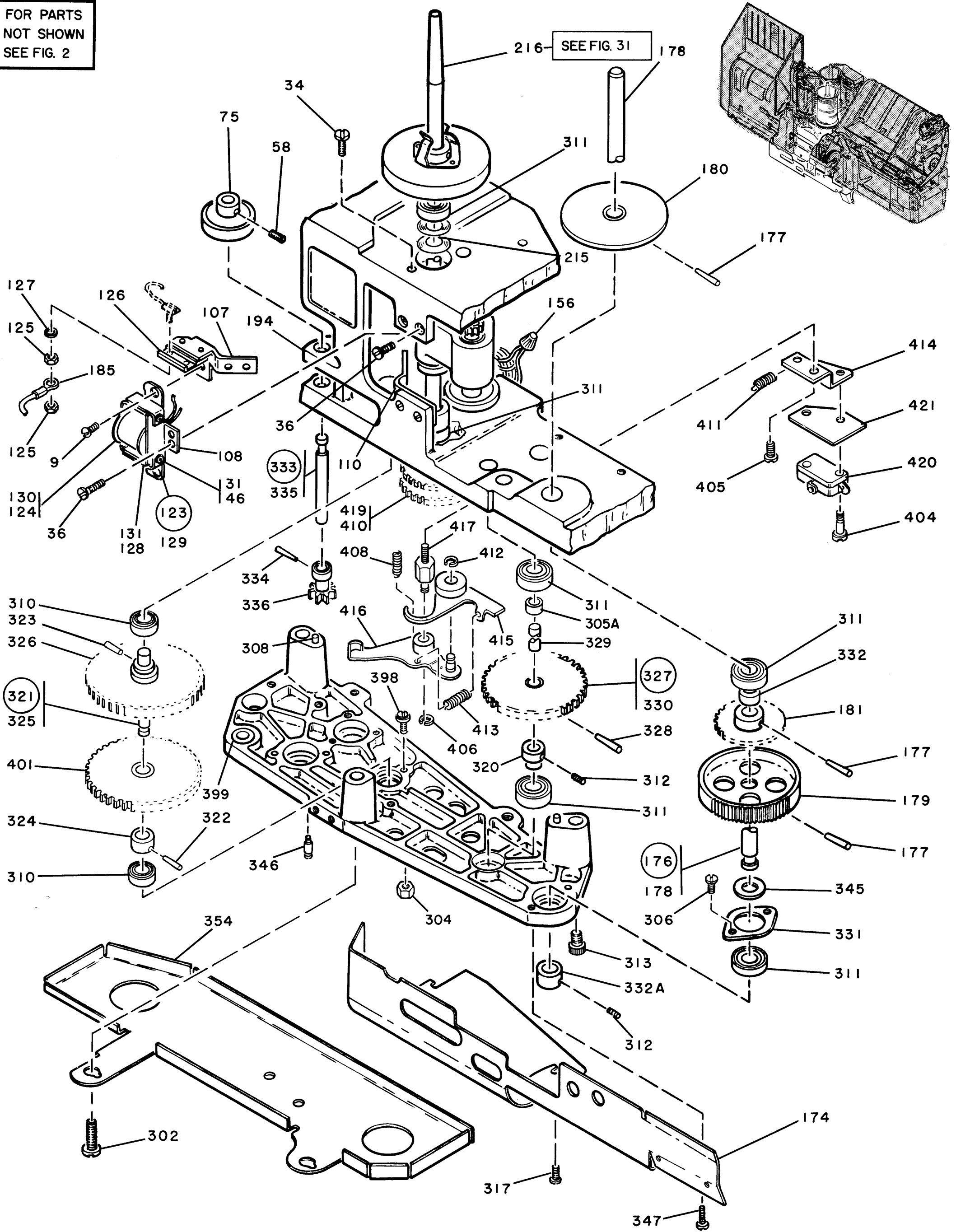


FIGURE 14. CARD TRANSPORT ASSEMBLIES FOR VLCD, VLCD/HSS AND SELF CHECK FEATURE. SHEET 4 OF 7. SEE LIST 14.

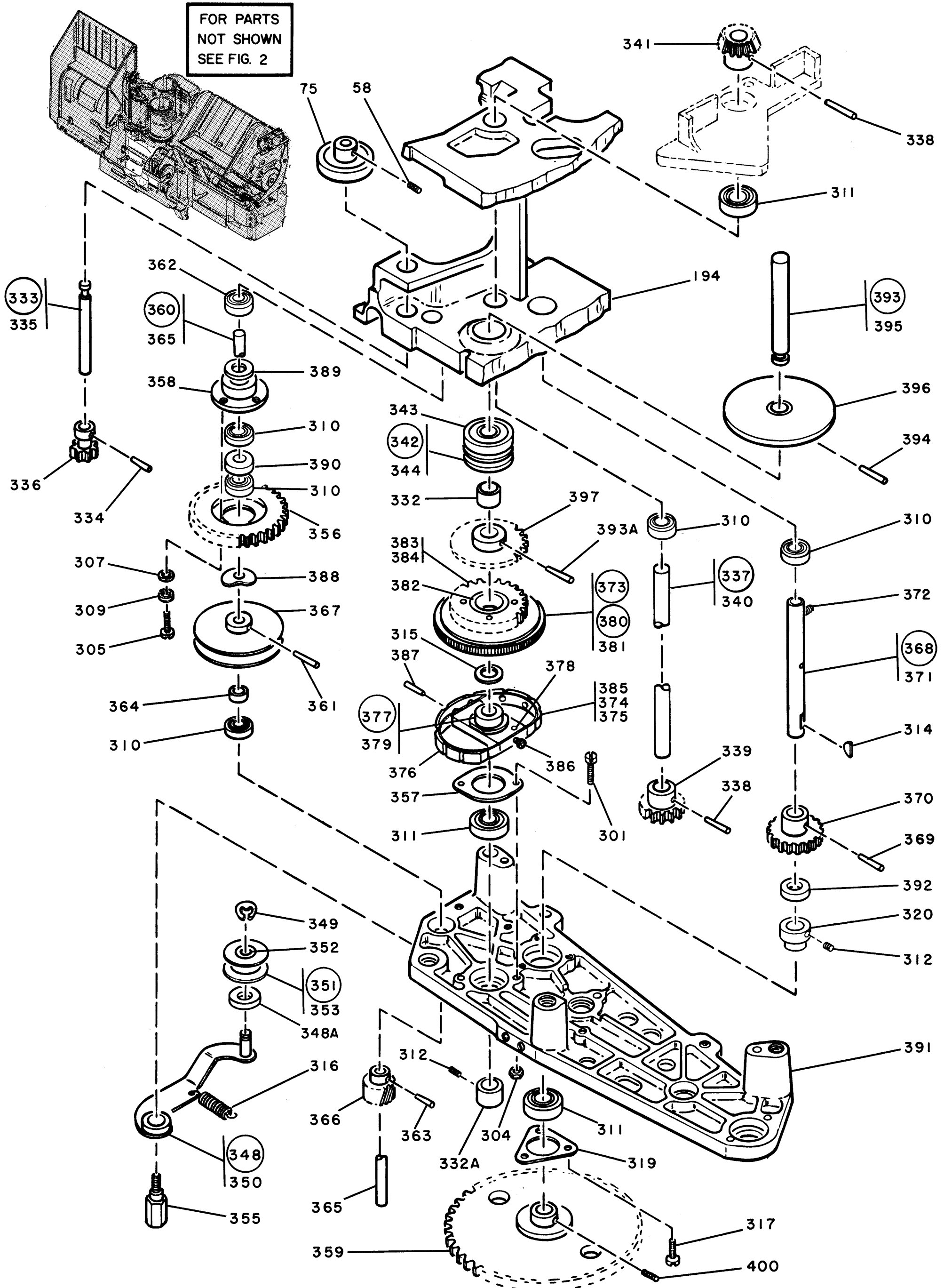


FIGURE 14. CARD TRANSPORT ASSEMBLIES FOR VLCC, VLCC/FSS AND SELF CHECK FEATURE. SHEET 5 OF 7. SEE LIST 14.

FOR PARTS
NOT SHOWN
SEE FIG. 2

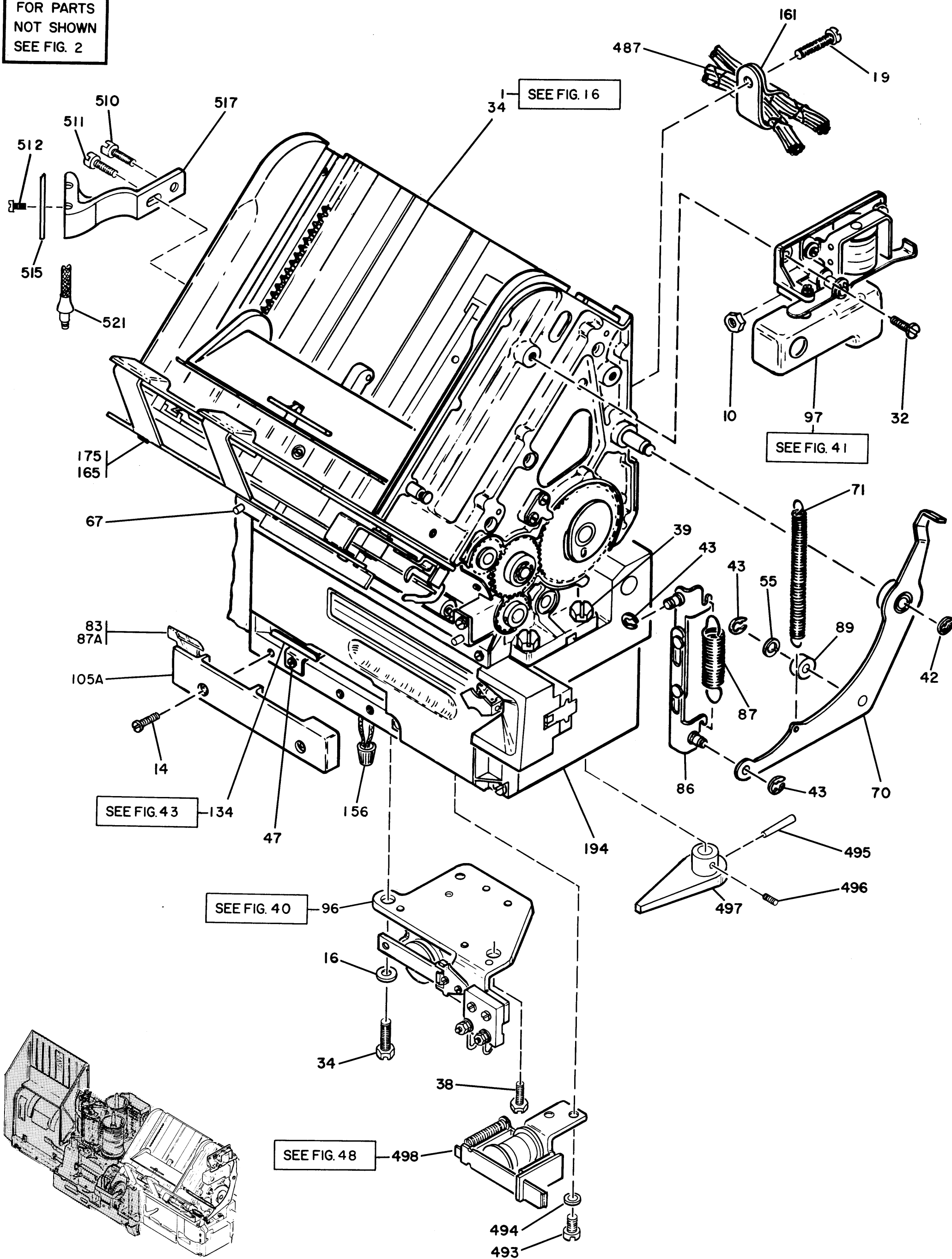


FIGURE 14. CARD TRANSPORT ASSEMBLIES FOR VLCD, VLCD/HSS AND SELF CHECK FEATURE. SHEET 6 OF 7. SEE LIST 14.

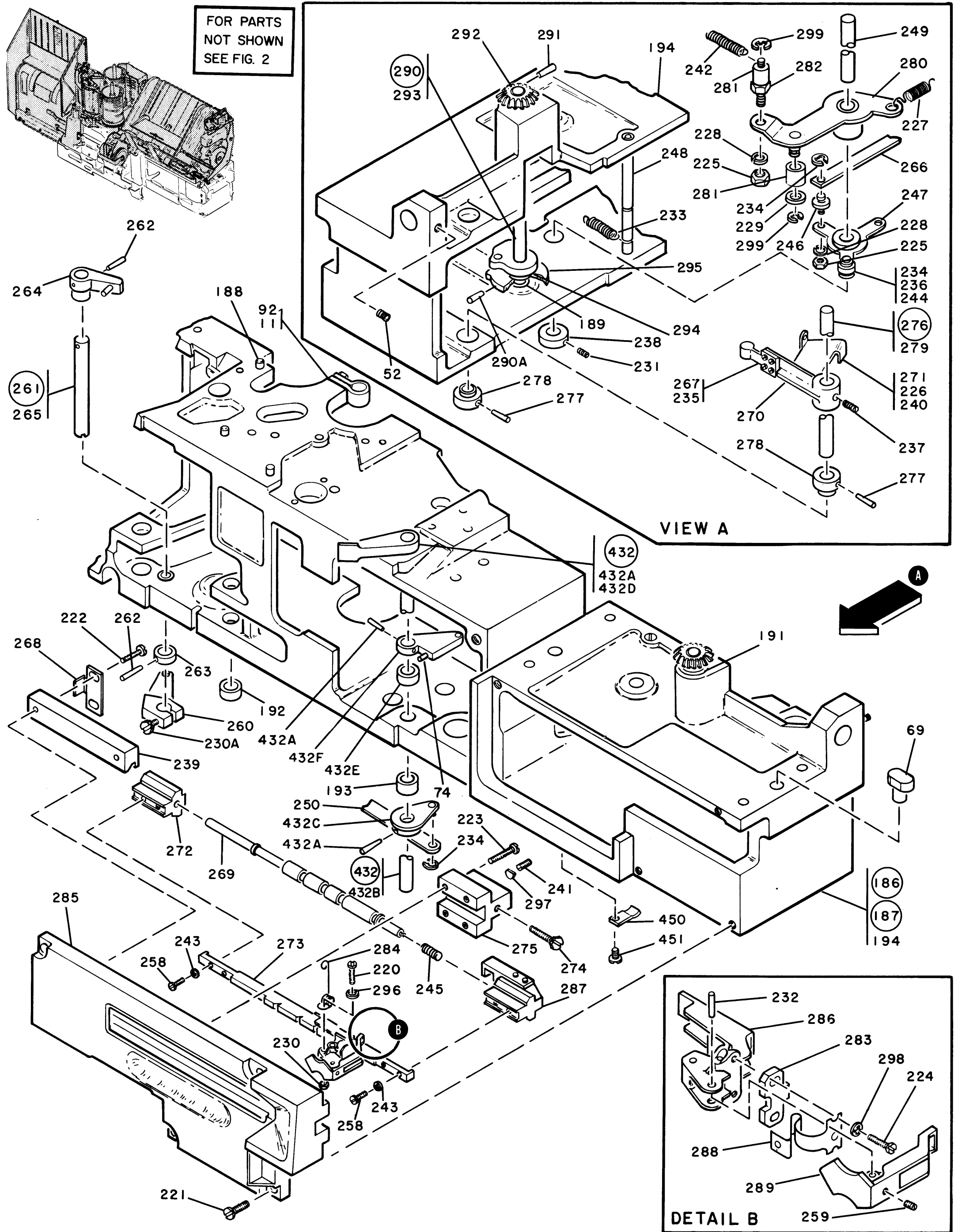


FIGURE 14. CARD TRANSPORT ASSEMBLIES FOR VLCD, VLCD/HSS AND SELF CHECK FEATURE. SHEET 7 OF 7. SEE LIST 14.

LIST AND INDEX NUMBER	PART NUMBER	DESCRIPTION	UNITS PER ASM.	USABLE ON CODE
		1 2 3 4		
		CARD TRANSPRT ASMS FOR VLCD, VLCD/HSS AND SELF CHECK		
14 -				
* -	5400927	TRANSPCRT ASSEMBLY, MCD A N/P VLCC	REF	
* -	5400928	TRANSPCRT ASSEMBLY, MOD A PRINT VLCD	REF	
* -	5400929	TRANSPCRT ASSEMBLY, MCD B N/P VLCC	REF	
* -	5400930	TRANSPCRT ASSEMBLY, MCD B PRINT VLCC	REF	
* -	5400931	TRANSPCRT ASSEMBLY, MCD C VLCC	REF	
* -	5400937	TRANSPCRT ASSEMBLY, MCD A N/P VLCC/HSS	REF	
* -	5400938	TRANSPCRT ASSEMBLY, MOD A PRINT VLCC/HSS	REF	
* -	5400939	TRANSPCRT ASSEMBLY, MCD B N/P VLCC/HSS	REF	
* -	5400940	TRANSPCRT ASSEMBLY, MOD B PRINT VLCC/HSS	REF	
* -	5400925	TRANSPCRT ASSEMBLY, MOD C VLCC/HSS	REF	
* -	5404212	TRANSPCRT ASM, SC MOD 10/11 N/P VLCD	REF	
* -	5404213	TRANSPCRT ASM, SC MCD 10/11 PR VLCC	REF	
* -	5404216	TRANSPCRT ASM, SC MOD 10/11 N/P VLCD/HSS	REF	
* -	5404217	TRANSPCRT ASM, SC MOD 10/11 PR VLCD/HSS	REF	
		THE PRECEDING 14 TRANSPORT ASSEMBLIES ARE USED ON REED RELAY UNITS ONLY SEE FIGURE 2-3 FOR LOCATION AND FIGURE 14 FOR ILLUSTRATION		
* -	5406145	TRANSPCRT ASSEMBLY, MCD A N/P VLCC	REF	
* -	5406146	TRANSPCRT ASSEMBLY, MCD A PRINT VLCC	REF	
* -	5406165	TRANSPCRT ASSEMBLY, MCD B N/P VLCC	REF	
* -	5406166	TRANSPCRT ASSEMBLY, MOD B PRINT VLCC	REF	
* -	5406173	TRANSPCRT ASSEMBLY, MOD C VLCC	REF	
* -	5406149	TRANSPCRT ASSEMBLY, MCD A N/P VLCC/HSS	REF	
* -	5406150	TRANSPCRT ASSEMBLY, MOD A PRINT VLCC/HSS	REF	
* -	5406169	TRANSPCRT ASSEMBLY, MCD B N/P VLCC/HSS	REF	
* -	5406170	TRANSPCRT ASSEMBLY, MOD B PRINT VLCC/HSS	REF	
* -	5406175	TRANSPCRT ASSEMBLY, MCD C VLCC/HSS	REF	
* -	5406155	TRANSPCRT ASM, SC MOD 10/11 N/P VLCD	REF	
* -	5406156	TRANSPCRT ASM, SC MCD 10/11 PRINT VLCD	REF	
* -	5406159	TRANSPCRT ASM, SC MCD 10/11 N/P VLCD/HSS	REF	
* -	5406160	TRANSPCRT ASM, SC MCD 10/11 PR VLCC/HSS	REF	
		THE PRECEDING 14 TRANSPORT ASSEMBLIES ARE USED ON WIRE CONTACT RELAY UNITS ONLY SEE FIGURE 2-3 FOR LOCATION AND FIGURE 14 FOR ILLUSTRATION		
* - 1	5400876	. CARD FEED ASSEMBLY, VLCC USED ON STD VLCD AND VLCD WITH SC MCDs A AND B	SHEET 6	1
* - 1	5401015	. CARD FEED ASSEMBLY, MOD C VLCC	SHEET 6	1
* - 1	5404042	. CARD FEED ASSEMBLY, VLCC/HSS USED ON VLCD/HSS WITH SC MODS A AND B	SHEET 6	1
* - 1	5404043	. CARD FEED ASSEMBLY, MOD C VLCC/HSS THE PRECEDING CARD FEED ASSEMBLIES ARE USED ON REED RELAY UNITS ONLY SEE FIGURE 16 FOR DETAIL BREAKDOWN	SHEET 6	1
* - 1	5406276	. CARD FEED ASSEMBLY, VLCC USED ON STD VLCD AND VLCD WITH SC MCDs A AND B	SHEET 6	1
* - 1	5406277	. CARD FEED ASSEMBLY, MOD C VLCC	SHEET 6	1
* - 1	5406278	. CARD FEED ASSEMBLY, VLCC- HSS USED ON VLCD/HSS WITH SC MODS A AND B	SHEET 6	1
* - 1	5406279	. CARD FEED ASSEMBLY, MOD C VLCC- HSS THE PRECEDING CARD FEED ASSEMBLIES ARE USED ON WIRE CONTACT RELAY UNITS ONLY SEE FIGURE 16 FOR DETAIL BREAKDOWN	SHEET 6	1

LIST AND INDEX NUMBER	PART NUMBER	DESCRIPTION	UNITS PER ASM.	USABLE ON CODE
		CARD TRANSPORT ASMS FOR VLCD, VLCD/HSS AND SELF CHECK -CONT		
* 14 - 2	5401022	* STACKER ASM, VARIABLE LENGTH CARD DEVICE USED ON STD VLCC AND VLCD WITH SC MCDS A AND B SEE FIGURE 17 FOR DETAIL BREAKDOWN	SHEET 1	1
* - 2	5401023	* STACKER ASM, VLCD/HSS USED ON VLCD/HSS WITH SC MODS A AND B SEE FIGURE 17 FOR DETAIL BREAKDOWN	SHEET 1	1
* - 3	5422241	* DRIVE ASSEMBLY, MAGNET AND PUNCH USED ON VLCD AND VLCD/HSS N/P MOD A	SHEET 3	1
* - 3	5372375	* DRIVE ASSEMBLY, MAGNET AND PUNCH USED ON VLCC AND VLCC/HSS PRINT MOD A	SHEET 3	1
* - 3	5422242	* DRIVE ASSEMBLY, MAGNET AND PUNCH USED ON VLCD AND VLCD/HSS N/P MOD B	SHEET 3	1
* - 3	5373520	* DRIVE ASSEMBLY, MAGNET AND PUNCH USED ON VLCC AND VLCC/HSS PRINT MOD B	SHEET 3	1
* - 3	5367318	* DRIVE ASSEMBLY, MAGNET AND PUNCH USED ON MOD C	SHEET 3	1
* - 3	5422243	* DRIVE ASSEMBLY, MAGNET AND PUNCH USED ON N/P MCC A	SHEET 3	1
* - 3	5404190	* DRIVE ASSEMBLY, MAGNET AND PUNCH USED ON VLCD AND VLCD/HSS PRINT MOD A WITH SELF CHECK FEATURE THE PRECEDING PUNCH AND DIE ASSEMBLIES ARE USED ON REED RELAY UNITS ONLY SEE FIGURE 33 FOR DETAIL BREAKDOWN	SHEET 3	1
* - 3	5406260	* DRIVE ASSEMBLY, MAGNET AND PUNCH USED ON VLCC AND VLCC/HSS N/P MOD A	SHEET 3	1
* - 3	5406263	* DRIVE ASSEMBLY, MAGNET AND PUNCH USED ON VLCD AND VLCD/HSS PRINT MOD A	SHEET 3	1
* - 3	5406261	* DRIVE ASSEMBLY, MAGNET AND PUNCH USED ON VLCC AND VLCC/HSS N/P MOD B	SHEET 3	1
* - 3	5406264	* DRIVE ASSEMBLY, MAGNET AND PUNCH USED ON VLCD AND VLCD/HSS PRINT MOD B	SHEET 3	1
* - 3	5406266	* DRIVE ASSEMBLY, MAGNET AND PUNCH USED ON MCC C	SHEET 3	1
* - 3	5406262	* DRIVE ASSEMBLY, MAGNET AND PUNCH USED ON N/P MCC A	SHEET 3	1
* - 3	5406265	* DRIVE ASSEMBLY, MAGNET AND PUNCH USED ON VLCC AND VLCC/HSS PRINT MOD A WITH SELF CHECK FEATURE THE PRECEDING PUNCH AND DIE ASSEMBLIES ARE USED ON WIRE CONTACT RELAY UNITS ONLY SEE FIGURE 33 FOR DETAIL BREAKDOWN	SHEET 3	1
* - 4	5401027	* BLOCK ASSEMBLY-NON-PRINT USED ON N/P MOD A	SHEET 1	1
* - 4	5401028	* BLOCK ASSEMBLY-PRINT USED ON PRINT MCDS A AND C	SHEET 1	1
* - 4	5404223	* BLOCK ASSEMBLY, SUPPORT USED ON N/P MCC B	SHEET 1	1
* - 4	5404224	* BLOCK ASSEMBLY, SUPPORT USED ON PRINT MOD B USED ON REED RELAY UNITS ONLY SEE FIGURE 39 FOR DETAIL BREAKDOWN	SHEET 1	1
* - 7	221	* NUT, PLAIN, HEX- 10-32 X 5/16 FL W	SHEET 1	4
* - 8	344	* DOWEL .0625 OD X .3125 LG	SHEET 2	2
* - 9	371	* SCREW, MACH-RH 10-32 X 1/4 LG	SHEET 4	2
* - 10	478	* NUT, PLAIN, HEX- 5-40 X 5/16 FL W BRS	SHEET 2	4
* - 11	598	* SCREW, MACH-RH 10-32 X 1/2 LG	SHEET 7	1
* - 12	641	* SCREW, MACH-FIL HD 8-32 X 0.750 LG	SHEET 2	2
* - 13	845	* SCREW, MACH-FIL H 8-32 X 1/2 LG	SHEET 3	2
* - 14	1500	* SCREW, MACH-FIL H 5-40 X 5/8 LG	SHEET 2	4
* - 15	3500	* SCREW, FIL HD MACH-5-40 X .312 LG	SHEET 2	1
* - 16	3550	* WASHER, FL- 1/4 X 9/16 OD X 0.050 THK	SHEET 1	AR

LIST AND INDEX NUMBER	PART NUMBER	DESCRIPTION				UNITS PER ASM.	USABLE ON CODE
		1	2	3	4		
		CARD TRANSPORT ASMS FOR VLCD, VLCD/HSS AND SELF CHECK -CONT					
* 14 - 18	3960	. NUT,PLAIN,HEX- 1/4-20 X 7/16 FL W				SHEET 1	2
* - 19	5528	. SCREW,MACH BIND HD 8-32 X .625 LG				SHEET 6	1
* - 20	6503	. NUT,PLAIN,HEX- 8-32 X 1/4 FL W				SHEET 3	2
* - 21	6935	. WASHER,LCCK-SPLIT 1/4 X 0.493 OD				SHEET 1	AR
* - 23	9092	. WASHER-LCCK,SPLIT RING, .194 ID .3370D				SHEET 2	2
* - 25	10574	. NUT,PLAIN,HEX- 5/16-24 X 1/2 FL W				SHEET 2	2
* - 26	12954	. SCREW,MACH-HEX HD 8-32 X 1/2 LG				SHEET 1	2
* - 30	25282	. RING-RETAINING,EXT 0.125 ID X 0.015 THK				SHEET 1	2
* - 30A	26380	. SETSCREW-HEX DR FP 1/4-20 X 5/16 LG USED CN WCR COMMON BASE GROUP				SHEET 1	1
* - 31	27073	. NUT,PLAIN,HEX- 5-40 X 3/16 FL W				SHEET 4	2
* - 32	34512	. SCREW,BIND.HD 8-32 X .375 LG				SHEET 3	3
* - 33	36109	. NUT,PLAIN,HEX- 1/4-20 X 7/16 FL W				SHEET 1	4
* - 34	36844	. SCREW,CAP-HEX HD SLOTTED 1/4-20 X 5/8 LG				SHEET 4	AR
* - 35	38092	. NUT,PLAIN,HEX- 3/8-24 X 5/8 FL W				SHEET 3	1
* - 36	38350	. SCREW,MACH-FIL H 6-32 X 1/4 LG				SHEET 4	6
* - 36A	38389	. SCREW,MACH-FIL H 10-32 X 7/8 LG				SHEET 1	4
* - 37	38392	. SCREW,MACH-FIL H 10-32 X 1-1/4 LG				SHEET 3	4
* - 38	38686	. SCREW,MACH-HEX HD 1/4-20 X 1/2 LG				SHEET 6	1
* - 39	38688	. SCREW-SUPPORT & TRIM MOUNTING .750 LONG				SHEET 1	AR
* - 40	47242	. WASHER,FL-NC. 12 X 1/2 OD X 0.062 THK				SHEET 2	2
* - 41	56079	. WASHER,LCCK-EXT T .195 ID .410 OD				SHEET 1	4
* - 42	60488	. CLIP-SPRING				SHEET 6	1
* - 43	60489	. CLIP-SPRING				SHEET 6	2
* - 45	81142	. SCREW,MACH-FIL H 10-32 X 1-1/2 LG				SHEET 3	1
* - 46	101017	. SETSCREW-SPLINE DR FP 5-40 X 1/4 LG				SHEET 4	2
* - 47	120044	. SCREW,MACH-BIND HD 5-40 X 3/8 LG				SHEET 3	4
* - 48	120211	. SCREW,MACH-HEX HD 10-32 X 1/2 LG				SHEET 2	2
* - 49	127735	. PIN,TAPERED,THREADED- 1 LG X NO. 2-0				SHEET 3	2
* - 50	128172	. SETSCREW-SPLINE DR OVAL PT 8-32 X 1/2 LG				SHEET 3	2
* - 51	129147	. SCREW,MACH-HEX HD 1/4-20 X 7/8 LG				SHEET 2	3
* - 52	129365	. SETSCREW-HEX DR FP 1/4-20 X 7/16 LG				SHEET 7	2
* - 53	141015	. SPRING,HELICAL,CCMPR- 14 TURNS				SHEET 2	1
* - 54	141337	. SUPPRT-CLUTCH DCG SPRING				SHEET 2	1
* - 55	150698	. SPACER- 0.192 ID X 7/16 OD X 1/32 THK				SHEET 6	1
* - 56	151762	. SPLICE,CCDUCTOR USED CN RR COMMON BASE GROUP				SHEET 3	1
* - 56	151762	. SPLICE,CCDUCTOR USED CN WCR COMMON BASE GROUP				SHEET 3	5
* - 57	154476	. SHAFT, AUX EJECT ARM				SHEET 1	1
* - 58	165556	. SET SCREW 5-40 1/8 LG				SHEET 1	6
* - 59	180383	. KEY,WCCDRUFF				SHEET 2	1
* - 60	186036	. SCREW,MACH-FH 1/4-20 X 1/2 LG				SHEET 1	3
* - 61	186759	. SCREW,MACH-BIND HD 8-32 X 5/16 LG				SHEET 3	2
* - 62	192049	. RING,RETAINING-EXT 0.185 ID X 0.020 THK USED ON RR COMMON BASE GROUP				SHEET 1	2
* - 62	60488	. CLIP-SPRING USED CN WCR COMMON BASE GROUP				SHEET 1	2
* - 63	196298	. SCREW,MACH-BIND HD 5-40 X 3/16 LG				SHEET 2	2
* - 64	196299	. SCREW,MACH-BIND HD 5-40 X 1/2 LG				SHEET 3	5
* - 65	196698	. SCREW,MACH-BIND HD 5-40 X 5/16 LG				SHEET 1	5
* - 66	113305	. SCREW,MACH-HEX HD 8-32 X 9/16 LG				SHEET 3	2
* - 67	216837	. PIN,TAPERED,THREADED- 1/2 LG X NO. 2-0 USED CN RR COMMON BASE GROUP				SHEET 6	2
* - 68	225574	. BEARING,BALL,ANNULAR- 0.125 ID 0.375 OD				SHEET 1	1
* - 69	227608	. STUD-CARD FEED LOCATING				SHEET 7	2
* - 70	227646	. ARM ASSEMBLY-CAM FCLLOWER				SHEET 6	1

LIST AND INDEX NUMBER	PART NUMBER	DESCRIPTION	UNITS PER ASM.	USABLE ON CODE
		CARD TRANSPORT ASMS FOR VLCD, VLCD/HSS AND SELF CHECK -CONT		
* 14 - 71	227657	. SPRING, HELICAL, EXTENSION- 54 TURNS	SHEET 6	1
* - 72	227837	. BAR-PUNCH ADJUSTING ANCHOR	SHEET 3	1
* - 73	227839	. SCREW, MACH-HEX HD 3/8-24 X 1 LG	SHEET 3	1
* - 74	227940	. PIN-FEED ROLL OPERATING	SHEET 7	2
* - 75	228041	. ROLL ASSEMBLY-EJECT	SHEET 4	1
* - 76	228134	. SHAFT ASSEMBLY-CARD FEED CLUTCH	SHEET 2	1
* - 77	22867	. . PIN, TAPERED, PLAIN- 7/8 LG X NO. 3	SHEET 2	2
* - 78	227634 □	. . GEAR, SPUR- 38 TEETH 24 DP	SHEET 2	1
* - 79	228135 □	. . SHAFT, CARD FEED CLUTCH	SHEET 2	1
* - 80	309833 □	. . ARM ASSEMBLY-CARD FEED CLUTCH	SHEET 2	1
* - 81	228141	. GEAR, SPUR- 38 TEETH 24 DP 1.662 OD	SHEET 2	1
* - 82	228157	. DCG-CARD FEED CLUTCH	SHEET 2	1
* - 83	228599	. GUIDE-CARD RIGHT	SHEET 6	1
* - 84	257189	. NUT, HEX- 8-32	SHEET 1	2
* - 85	261554	USED ON WCR COMMON BASE GROUP . GUIDE-READ STATIC CARD	SHEET 2	1
* - 86	301152	. LINK ASSEMBLY-CARD FEED	SHEET 6	1
* - 87	301153	. SPRING, HELICAL, EXTENSION- 23-1/2 TURNS	SHEET 6	1
* - 87A	308292	. PUSH ON NUT-FOR 0.091 STUD	SHEET 6	1
* - 88	310372	. GEAR, BEVEL-CLUTCH	SHEET 2	1
* - 89	310474	. ROLLER-CARD FEED CAM	SHEET 6	1
* - 90	310596	. PLATE, MOTOR MOUNTING	SHEET 1	1
* - 91	313520	. ARM-TRANSFER CONTACT OPERATING	SHEET 3	1
* - 92	313651	. CLAMP, LCCP- 3/4 ID 0.204 DIA MTC HOLE	SHEET 7	1
* - 93	5462534	. COVER, MOTOR START RELAY	SHEET 1	1
* - 94	314226	. SCREW, MACH-BIND HD 8-32 X 3/8 LG	SHEET 3	2
* - 95	314373	. STRIP-COMMON CONTACT		1
* - 96	315822	SEE FIGURE 38-6 FOR LOCATION . MAGNET ASSEMBLY-ESCAPEMENT	SHEET 6	1
* - 97	328196	SEE FIGURE 40 FOR DETAIL BREAKDOWN . MAGNET ASSEMBLY, CARD FEED LATCH- 48V	SHEET 6	1
* - 97A	328423 NP	SEE FIGURE 41 FOR DETAIL BREAKDOWN . PROGRAM ASSEMBLY-SENSING	SHEET 2	
* - 98	5447699	SEE FIGURE 38 FOR DETAIL BREAKDOWN . CARD LEVER ASSEMBLY, MASTER STATION	SHEET 3	1
* -100	328762	. ECCENTRIC, PRESSURE ROLL	SHEET 2	1
* -101	328763	. SCREW, MACH-FIL HD 8-32 X .800 LG	SHEET 2	2
* -102	328765	. BRACKET, PRESSURE ROLL	SHEET 2	1
* -103	328772	. PLATE ASM, ROLLER	SHEET 2	1
* -104	328860	. RAIL-REG LH	SHEET 3	1
* -105	328861	. PLATE, BED-LEFT	SHEET 2	1
* -105A	340373	. SHIELD-PRESS RAIL RH	SHEET 6	1
* -106	338586	. MAGNETIC ASSEMBLY-CLUTCH USED ON ASSEMBLY 5404251 SEE FIGURE 44 FOR DETAIL BREAKDOWN	SHEET 2	1
* -106A	340619	. CONTACT ASSEMBLY-PROGRAM CAM USED ON REED RELAY UNIT ONLY	SHEET 3	1
* -106A	5406267	. CONTACT ASSEMBLY, PROGRAM CAM USED ON WIRE CONTACT RELAY UNIT ONLY SEE FIGURE 45 FOR DETAIL BREAKDOWN	SHEET 3	1
* -107	340762	. BRACKET, MAGNET REAR	SHEET 4	1
* -108	340763	. ARMATURE, MAGNET	SHEET 4	1
* -109	340772	. . DETENT, EJECT STOP		1
* -110	340777	. BRACKET, MAGNET-FRONT	SHEET 4	1
* -111	340780	. ARM ASM, AUXILIARY EJECT	SHEET 1	1
* -112	340826	. SHIELD, PRESSURE RAIL-LEFT	SHEET 2	1
* -113	340847	. BRACKET, EJECT ARM	SHEET 1	1
* -114	340848	. SPACER	SHEET 2	1
* -115	340897	. RAIL ASSEMBLY, PRESSURE-RH USED ON RIGHT SIDE	SHEET 3	1
* -115	340997	. RAIL ASM, PRESSURE USED ON LEFT SIDE	SHEET 3	1
* -116	37066	. . WASHER, LCCP-SPLIT NO. 3 X 0.212 OD	SHEET 3	4
* -117	123543	. . SCREW, MACH-RH 3-48 X 1/8 LG	SHEET 3	4
* -118	228605	. . SPRING-PRESS RAIL	SHEET 3	1

LIST AND INDEX NUMBER	PART NUMBER	DESCRIPTION	UNITS PER ASM.	USABLE ON CODE
		CARD TRANSPORT ASMS FCR VLCD, VLCD/HSS AND SELF CHECK -CONT		
* 14 -119	228607	. . BRACKET-PRESS RAIL MOUNTING USED ON RH PRESSURE RAIL ASM	SHEET 3	1
* -119	340861	. . BRACKET, PRESSURE RAIL USED ON LH PRESSURE RAIL ASM	SHEET 3	1
* -120	340851	. . RAIL, PRESSURE USED ON LH PRESSURE RAIL ASM	SHEET 3	1
* -120	261544	. . RAIL, PRESSURE USED ON RH PRESSURE RAIL ASM	SHEET 3	1
* -123	340930	. MAGNET ASM, AUXILIARY TRANSPORT	SHEET 4	1
* -124	244	. . SCREW, MACH-FL CSK HD 5-48 X 3/8 LG	SHEET 4	1
* -125	478	. . NUT, PLAIN, HEX- 5-40 X 5/16 FL W BRS	SHEET 4	4
* -126	9667	. . BLOCK-MAGNET TERMINAL	SHEET 4	1
* -127	17514	. . WASHER, FL-NO. 4 X 5/16 OD X 1/32 THK	SHEET 4	2
* -128	118418	. . SCREW, MACH-RH 5-40 X 5/32 LG	SHEET 4	4
* -129	228152	. . YCKE-MAGNET	SHEET 4	1
* -130	315189	. . COIL	SHEET 4	1
* -131	340999	. . BRACKET, MAGNET ARMATURE	SHEET 4	2
* -132	340945	. SENSING ASSEMBLY, PIN SEE FIGURE 46 FOR DETAIL BREAKDOWN	SHEET 3	1
* -133	341216	. SCREW, MACH-BIND HD 4-40 X 0.187 LG	SHEET 2	2
* -134	5447708	. CARD LEVER ASSEMBLY, DETAIL STATION-VLCD SEE FIGURE 43 FOR DETAIL BREAKDOWN	SHEET 6	1
* -136	345158	. STCP ASM, EJECT STATION CARD SEE FIGURE 19-8 FOR LOCATION		1
* -140	345288	. GEAR, IDLER-12 AND 24 TOOTH 24 PITCH	SHEET 1	1
* -141	345289	. PINION, 12 TOOTH EJECT ROLL	SHEET 1	1
* -142	345295	. PLATE ASM, AUXILIARY EJECT	SHEET 1	1
* -143	228565	. . BEARING, SLEEVE- 0.251 ID X 0.501 OD BRZ	SHEET 1	2
* -144	345291 □	. . PLATE, EJECT ROLL MTG	SHEET 1	1
* -145	345292 □	. . SUPPCRT, EJECT ROLL SHAFT	SHEET 1	1
* -146	345293 □	. . STUD	SHEET 1	1
* -147	345294 □	. . STUD	SHEET 1	1
* -148	345298	. GEAR ASM, IDLER	SHEET 1	1
* -149	345296	. . GEAR, IDLER	SHEET 1	1
* -150	345297	. . BUSHING	SHEET 1	1
* -151	345299	. ROLL ASM, AUXILIARY EJECT	SHEET 1	1
* -152	228041	. . ROLL ASSEMBLY-EJECT	SHEET 1	1
* -153	340981	. . SHAFT, EJECT ROLL	SHEET 1	1
* -154	345300	. EJECT ASSEMBLY, UNIT-VLCC SEE FIGURE 32 FOR DETAIL BREAK DOWN	SHEET 2	1
* -155	345644	. GUIDE-THROAT	SHEET 3	1
* -156	345887	. CAP, ELECTRICAL USED ON WCR COMMON BASE GROUP	SHEET 4	7
* -156	345887	. CAP, ELECTRICAL USED ON RR COMMON BASE GROUP	SHEET 4	4
* -157	352478	. SPRING, HELICAL, EXTENSION- 59 TURNS	SHEET 1	1
* -158	362684	. BUTTN-BACK SPACE	SHEET 3	1
* -159	381736	. WEIGHT, CARD	SHEET 1	1
* -160	1073418	. RING-RETAINING	SHEET 1	1
* -161	2102368	. CLAMP, LCCP- 0.880 ID 0.200 DIA MTG HOLE	SHEET 6	1
* -162	2160917	. DICCE ASM, SILICON, TYPE AM	SHEET 2	1
* -163	1092019	. . CLIP	SHEET 2	2
* -164	2111232	. . SEMICONDUCTOR DEVICE-DIODE	SHEET 2	1
* -165	5319854	. SCREW, THD CUTTING-HEX HD 8-32 X 0.375 LG	SHEET 6	2
* -166	5367316	. BRACKET, STACKER USED ON WCR COMMON BASE GROUP	SHEET 1	1
* -167	5372236	. SUPPCRT ASSEMBLY-CLUTCH	SHEET 2	1
* -168	228114	. . BEARING, SLEEVE-FLG 0.377 ID 3.627 OD BRZ	SHEET 2	1

LIST AND INDEX NUMBER	PART NUMBER	DESCRIPTION	UNITS PER ASM.	USABLE ON CODE
		1 2 3 4		
		CARD TRANSPORT ASMS FOR VLCC, VLCD/HSS AND SELF CHECK -CONT		
* 14 -169	5372235	. . SUPPORT-CLUTCH	SHEET 2	1
* -170	5372237	. BUMPER-CBM CARD GUIDE USED ON WCR COMMON BASE GROUP	SHEET 1	2
* -171	5372239	. BUMPER,CBM SCREW FRCNT	SHEET 1	2
* -172	5372240	. MOUNT,RESILIENT USED PRIOR TO SUFFIX H8	SHEET 1	4
* -172	65629	. SPACER,SLEEVE-ID .196 X OD .250 USED FRCM SUFFIX H8 TO CURRENT	SHEET 1	8
* -172A	5372320 □ NP	. BRACKET ASSEMBLY, STACKER USED ON RR CCMCN BASE GROUP	SHEET 1	
* -173	5373544	SEE FIGURE 39 FOR DETAIL BREAKDOWN . BED PLATE ASM, VLCC STACKER SEE FIGURE 19 FOR DETAIL BREAKDOWN	SHEET 1	1
* -174	340871	. COVER, ESCAPEMENT GEARING	SHEET 4	1
* -175	5400892	. SAFETY COVER, CARD FEED	SHEET 6	1
* -176	301156	. SHAFT ASSEMBLY-ESCAPEMENT	SHEET 4	1
* -177	151231	. . PIN,TAPERED,PLAIN- 3/4 LG X NO. 3-0	SHEET 4	3
* -178	228044 □	. . SHAFT,SHOULDERED	SHEET 4	1
* -179	301155 □	. . RATCHET-SPACING	SHEET 4	1
* -180	310347 □	. . WHEEL ASSEMBLY-CARD FEED	SHEET 4	1
* -181	342702 □	. . GEAR ASSEMBLY-FRICTION	SHEET 4	1
* -183	5406137	. RIVET, PLASTIC PUSH	SHEET 3	2
* -183A	5406138	. GUIDE, PLASTIC CHIP	SHEET 3	1
* -183B	5404053	. CHUTE, CHIP	SHEET 3	1
* -185	5406059	. JUMPER ASSEMBLY	SHEET 4	1
* -186	5422226	SEE FIGURE 54-25B FOR COMPONENT PARTS . BASE ASSEMBLY, VLCC TRANSPORT	SHEET 7	1
* -187	5422220	. . BASE ASSEMBLY, TRANSPORT	SHEET 7	1
* -188	104699	. . PIN, DOWEL USED ON TRANSPORT BASE ASSEMBLY	SHEET 7	4
* -189	205115	. . BEARING,SLEEVE- 0.377 ID X 0.629 OD BRZ USED ON TRANSPORT BASE ASSEMBLY	SHEET 7	1
* -191	228114	. . BEARING,SLEEVE-FLG 0.377 ID 3.627 OD BRZ USED ON TRANSPORT BASE ASSEMBLY	SHEET 7	1
* -192	228565	. . BEARING,SLEEVE- 0.251 ID X 0.501 OD BRZ USED ON TRANSPORT BASE ASSEMBLY	SHEET 7	4
* -193	369421	. . BEARING,SLEEVE	SHEET 7	6
* -194	5422221	USED ON TRANSPORT BASE ASSEMBLY . . BASE, TRANSPORT USED ON TRANSPORT BASE ASSEMBLY	SHEET 1	1
* -195	5404253 NP	. PROGRAM UNIT GROUP		
* -196	673	. . SCREW,MACH-FIL H 5-40 X 1/2 LG	SHEET 3	4
* -197	2994	. . SCREW-MACH,FIL H,NO. 10-32 X .625 LG	SHEET 2	2
* -198	3500	. . SCREW, FIL HC MACH-5-40 X .312 LG	SHEET 2	1
* -199	4236	. . SCREW,MACH-FIL H 5-40 X 1/4 LG	SHEET 2	2
* -200	20321	. . SPRING,HELICAL,EXTENSION- 31.5 TURNS LH	SHEET 3	2
* -201	25282	. . RING-RETAINING,EXT 0.125 ID X 0.015 THK	SHEET 3	2
* -203	57537	. . WASHER,FL- 0.158 ID 0.312 OD 0.031 THK	SHEET 3	1
* -204	186712	. . SCREW,MACH-BIND HC 3-48 X 3/16 LG	SHEET 2	2
* -206	227847	. . INDICATOR-COLUMN	SHEET 2	1
* -207	227879	. . PLATE ASSEMBLY-SUPPORT	SHEET 3	1
* -208	227883	. . ARM-MAKE CONTACT OPERATING	SHEET 3	1
* -209	227885	. . STUD- 81 ST CCLUMN CONTACT ARM SPRING	SHEET 3	1
* -210	308206	. . COVER-PROGRAM CUTOFF SWITCH	SHEET 2	1
* -211	313909	. . COVER-PROGRAM CAM CONTACT	SHEET 2	1
* -214	382346	. . COVER-INSULATING	SHEET 2	1
* -215	5422197	. . WASHER, THRUST-.87 OD X .58 ID X .028	SHEET 4	2
* -216	5422224	. . SHAFT ASSEMBLY, PROGRAM DRUM	SHEET 4	1
* -217	5422336	SEE FIGURE 31 FOR DETAIL BREAKDOWN . . DRUM ASSEMBLY, PROGRAM	SHEET 2	1
* -218	5404254	. STAR WHEEL GRUP	SHEET 2	AR
* -219	5404256 NP	. CARD PUSHER GROUP,VLCD		
* -220	578	. . SCREW, RD HD MACH-3-48 X .500 LG	SHEET 7	1
* -221	845	. . SCREW,MACH-FIL H 8-32 X 1/2 LG	SHEET 7	4
* -222	2031	. . SCREW,MACH-FIL H 8-32 X 5/8 LG	SHEET 7	8
* -223	2032	. . SCREW,MACH-FIL H 8-32 X 7/8 LG	SHEET 7	4
* -224	2650	. . SCREW,MACH-FIL H 3-48 X 1/4 LG	SHEET 7	2
* -225	2899	. . NUT,PLAIN,HEX- 8-32 X 3/8 FL W	SHEET 7	2

LIST AND INDEX NUMBER	PART NUMBER	DESCRIPTION	UNITS PER ASM.	USABLE ON CODE
		CARD TRANSPORT ASMS FOR VLCD, VLCD/HSS AND SELF CHECK -CONT		
* 14 -226	3500	. . SCREW, FIL HD MACH-5-40 X .312 LG	SHEET 7	2
* -227	6271	. . SPRING, EXTENSICN-.245 OD X 1.208 LG	SHEET 7	1
* -228	6318	. . WASHER, LOCK-SPLIT NO. 8 X 0.280 OD	SHEET 7	1
* -229	8446	. . SHIM- 0.191 ID X 5/16 OD X 0.020 THK	SHEET 7	2
* -230	8506	. . NUT, PLAIN, HEX- 3-48 X 3/16 FL W	SHEET 7	1
* -230A	12954	. . SCREW, MACH-HEX HD 8-32 X 1/2 LG	SHEET 7	1
* -231	22797	. . SETSCREW-SPLINE DR FP 5-40 X 3/16 LG	SHEET 7	2
* -232	23550	. . PIN, STRAIGHT, HEADLESS	SHEET 7	1
* -233	130534	. . SPRING, HELICAL, EXTENSION- 35 TURNS	SHEET 7	1
* -234	25282	. . RING-RETAINING, EXT 0.125 ID X 0.015 THK	SHEET 7	5
* -235	53042	. . SCREW, MACH-RH 4-40 X 3/16 LG	SHEET 7	4
* -236	58554	. . SPACER- 0.158 ID X 5/16 OD X 0.032 THK	SHEET 7	1
* -237	75533	. . SET SCREW .540 THK X 1/8 LG	SHEET 7	2
* -238	79430	. . COLLAR, SHAFT-HAMMER TRIP	SHEET 7	2
* -239	101808	. . GUIDE-KNIFE CARC FEED	SHEET 7	4
* -240	105047	. . WASHER, LOCK-INT TEETH NO. 5 X 1/4 OD	SHEET 7	2
* -241	135341	. . SETSCREW-SPLINE DR FP 8-32 X 5/16 LG	SHEET 7	1
* -242	141285	. . SPRING, EXTENSICN-.219 OD X .933 LG	SHEET 7	1
* -243	150209	. . WASHER, LOCK-INT TEETH NO. 4 X 17/64 OD	SHEET 7	4
* -244	159229	. . ROLLER-MAGNET CAM	SHEET 7	1
* -245	203869	. . SPRING, HELICAL, CCMPR- 31.2 TURNS	SHEET 7	1
* -246	227691	. . ROLL, CARD RELEASE ECCENTRIC	SHEET 7	1
* -247	227693	. . ARM ASSEMBLY-STOP LEVER CAM	SHEET 7	1
* -248	227702	. . ROD-SPRING ANCHOR	SHEET 7	1
* -249	227703	. . SHAFT-CAM ARM	SHEET 7	1
* -250	227941	. . LINK-EJECT OPERATING	SHEET 7	1
* -258	236550	. . SCREW, MACH-BIND FD 4-40 X 0.375 LG	SHEET 7	4
* -259	257956	. . SETSCREW-SPLINE DR FP 4-40 X 1/8 LG	SHEET 7	1
* -260	309870	. . ARM ASSEMBLY-PRESS ROLL RELEASE	SHEET 7	1
* -261	309874	. . ARM-PRESS ROLL RELEASE	SHEET 7	1
* -262	23096	. . PIN, TAPERED, PLAIN- 1/2 LG X NO. 6	SHEET 7	2
* -263	150190 □	. . . SPACER- 0.313 ID X 9/16 OD	SHEET 7	1
* -264	309867 □	. . . ARM-PRESS ROLL RELEASE	SHEET 7	1
* -265	309868 □	. . . SHAFT-PRESS ROLL REL SENSING	SHEET 7	1
* -266	313445	. . LINK, RIGID-STOP LEVER	SHEET 7	1
* -267	340783	. . PAD, PUSHER ARM	SHEET 7	1
* -268	340786	. . STOP, PUSHER GRIPPER PLUNGER	SHEET 7	1
* -269	340787	. . PLUNGER, GRIPPER OPERATING	SHEET 7	1
* -270	340792	. . ARM, REGISTRATICN PUSHER	SHEET 7	1
* -271	340806	. . BRACKET, REGIS PUSHER ARM	SHEET 7	1
* -272	340807	. . SLIDE, REGIS PUSHER FRONT	SHEET 7	1
* -273	340808	. . BAR, REGISTRATICN PUSHER	SHEET 7	1
* -274	340829	. . SCREW, HEX HD-MACH 10-32 X 1.0 LG	SHEET 7	1
* -275	340831	. . BLOCK, PUSHER STOP	SHEET 7	1
* -276	340855	. . SHAFT ASSEMBLY	SHEET 7	1
* -277	8427	. . . PIN, TAPERED, PLAIN- 5/8 LG X NO. 4-0	SHEET 7	2
* -278	227690 □	. . . HUB-PUSHER ARM	SHEET 7	2
* -279	227703 □	. . . SHAFT-CAN ARM	SHEET 7	1
* -280	340865	. . ARM ASM, PUSHER CAM	SHEET 7	1
* -281	340886	. . ROLLER, PUSHER	SHEET 7	2
* -282	340986	. . ECCENTRIC, PUSHER CAM ARM	SHEET 7	1
* -283	341068	. . BLOCK, REGISTRATICN PUSHER	SHEET 7	1
* -284	341071	. . GUIDE, REGISTRATICN PUSHER	SHEET 7	1
* -285	341072	. . PLATE, DETAIL STATION BEC-VLCC	SHEET 7	1
* -286	341074	. . PUSHER AND SPRING ASM	SHEET 7	1
* -287	341079	. . SLIDE ASM, DETAIL STATION	SHEET 7	1
* -288	341125	. . SPRING, GRIPPER	SHEET 7	1
* -289	341249	. . LEVER, REGISTRATICN	SHEET 7	1
* -290	345235	. . SHAFT ASM, CAM PUSHER	SHEET 7	1
* -290A	29930	. . . PIN, TAPERED, PLAIN- 1 LG X NO. 3	SHEET 7	1
* -291	139472	. . . PIN, TAPERED, PLAIN- 3/4 LG X NO. 4-0	SHEET 7	3
* -292	227700 □	. . . GEAR, BEVEL- 36 TEETH 32 DP	SHEET 7	1
* -293	227705 □	. . . SHAFT-CARD PUSHER CAM	SHEET 7	1
* -294	345034	. . . CAM, CARD PUSHER	SHEET 7	1
* -295	345236	. . . CAM, CARD STOP	SHEET 7	1
* -296	1000389	. . WASHER, FLAT-.108 ID X .281 OD X .016 THK	SHEET 7	1
* -297	1079777	. . BEARING-SHOE THRUST 0.115 OD BRS	SHEET 7	1
* -298	1091111	. . WASHER, LOCK-INT TEETH NO. 3 X 0.225 OD	SHEET 7	2
* -299	1095160	. . RING, RETAINING-EXT 0.145 ID X 0.025 THK	SHEET 7	2
* -300	5404257 NP	. GEAR TRAIN GRUPE		
* -301	127	. . SCREW, MACH-FH 5-40 X 3/4 LG	SHEET 5	2
* -302	598	. . SCREW, MACH-RH 10-32 X 1/2 LG	SHEET 4	2

LIST AND INDEX NUMBER	PART NUMBER	DESCRIPTION				UNITS PER ASM.	USABLE ON CODE
		1	2	3	4		
		CARD TRANSPORT ASMS FOR VLCC, VLCD/HSS AND SELF CHECK -CONT					
* 14 -304	23815	. .	NUT,PLAIN,HEX- 5-40 X 5/16 FL W	SHEET 4	4		
* -305	24759	. .	SCREW,MACH-BIND HD 5-40 X 11/32 LG	SHEET 5	3		
* -305A	31765	. .	SPACER,SLEEVE	SHEET 4	1		
* -306	38235	. .	SCREW MACH 6/32 X .310 LG	SHEET 4	2		
* -307	79269	. .	WASHER,FLAT- 7/16 OD X 0.128 ID X 0.050	SHEET 5	3		
* -308	104699	. .	PIN, DOWEL	SHEET 4	2		
* -309	105047	. .	WASHER,LOCK-INT TEETH NO. 5 X 1/4 OD	SHEET 5	3		
* -310	110129	. .	BEARING,BALL,ANNULAR- 0.250 ID 0.625 OD	SHEET 4	7		
* -311	156364	. .	BEARING,BALL,ANNULAR- 0.375 ID 0.875 OD	SHEET 4	9		
* -312	165556	. .	SET SCREW 5-40 1/8 LG	SHEET 4	12		
* -313	169733	. .	SCREW, SCC HED CAP-1/4-20 UNC X .750	SHEET 4	3		
* -314	180383	. .	KEY,WCCDRUFF	SHEET 5	1		
* -315	183895	. .	WASHER,FL- 3/8 X 5/8 OD X 0.020 THK	SHEET 5	1		
* -316	196143	. .	SPRING,HELICAL,EXTENSION	SHEET 5	1		
* -317	196299	. .	SCREW,MACH-BIND FC 5-40 X 1/2 LG	SHEET 4	3		
* -319	227779	. .	PLATE-CAMSHAFT BEARING RETAINER	SHEET 5	1		
* -320	228040	. .	COLLAR- 0.250 ID X 0.500 OD X 0.406 THK	SHEET 4	2		
* -321	228050	. .	GEAR AND SHAFT ASSEMBLY, 65 TOOTH	SHEET 4	1		
* -322	154	. . .	PIN,TAPERED,PLAIN- 1/2 LG X NO. 4-C	SHEET 4	1		
* -323	8427	. . .	PIN,TAPERED,PLAIN- 5/8 LG X NO. 4-0	SHEET 4	1		
* -324	228036	□	COLLAR- 0.251 ID X 0.375 OD	SHEET 4	1		
* -325	228038	□	SHAFT,SHOULDERED	SHEET 4	1		
* -326	309649	□	GEAR,SPUR- 65 TEETH 24 DP	SHEET 4	1		
* -327	5462657		GEAR AND SHAFT ASSEMBLY	SHEET 4	1		
* -328	8427	. . .	PIN,TAPERED,PLAIN- 5/8 LG X NO. 4-0	SHEET 4	1		
* -329	228031	□	SHAFT,SHOULDERED	SHEET 4	1		
* -330	5462658	□	GEAR,SPUR- 56 TEETH 24 DP	SHEET 4	1		
* -331	228055	. . .	RETAINER-BEARING	SHEET 4	1		
* -332	228060	. . .	SPACER- 0.377 ID X 1/2 OD 0.418 LG	SHEET 5	2		
* -332A	228061	. . .	COLLAR- 0.376 ID X 0.625 OD X 0.375 THK	SHEET 4	2		
* -333	228069	. . .	SHAFT ASSEMBLY, EJECT ROLL	SHEET 4	2		
* -334	139686	. . .	PIN-TAPER,7/16 IN LG	SHEET 4	1		
* -335	228067	□	SHAFT-ROLL EJECT	SHEET 4	1		
* -336	228068	□	GEAR,SPUR- 12 TEETH 24 DP	SHEET 4	1		
* -337	228155	. . .	SHAFT ASSEMBLY-TRANSVERSE DRIVE	SHEET 5	1		
* -338	29980	. . .	PIN,TAPERED,PLAIN 11/16 LG X NO. 3-0	SHEET 5	2		
* -339	228059	□	GEAR,SPUR- 22 TEETH 24 DP	SHEET 5	1		
* -340	228156	□	SHAFT-TRAVERSE DRIVE	SHEET 5	1		
* -341	228451	□	GEAR,BEVEL- 32 TEETH 32 DP	SHEET 5	1		
* -342	228309	. . .	BEARING ASSEMBLY	SHEET 5	1		
* -343	156364	□	BEARING,BALL,ANNULAR- 0.375 ID	SHEET 5	1		
* -344	228577	□	ADAPTER-BEARING	SHEET 5	1		
* -345	301157	. . .	SPACER- 0.376 ID X 5/8 OD X 0.047 THK	SHEET 4	1		
* -346	306314	. . .	SCREW,SHOULDER-CARRIAGE RETURN SPRING	SHEET 4	1		
* -347	308416	. . .	SCREW,MACH-BIND HD 5-40 X 0.556 LG	SHEET 4	2		
* -348	310189	. . .	IDLER ASSEMBLY-ARM,BELT TENSION	SHEET 5	1		
* -348A	45658	. . .	WASHER,FL-1/4 X 13/32 OD X 0.006 THK	SHEET 5	1		
* -349	192049	. . .	RING,RETAINING-EXT 0.185 ID X 0.020 THK	SHEET 5	1		
* -350	310178	. . .	ARM ASSEMBLY-BELT TENSION	SHEET 5	1		
* -351	341883	. . .	PULLEY ASM, GROOVED-BELT TENSION	SHEET 5	1		
* -352	310774	. . .	BEARING,SLEEVE-IDLER PULLEY USED ON BELT TENSION GROOVED PULLEY ASM	SHEET 5	1		
* -353	341882	. . .	PULLEY,GROOVED-BELT TENSION USED ON BELT TENSION GROOVED PULLEY ASM	SHEET 5	1		
* -354	310241	. . .	GUARD-BELT	SHEET 4	1		
* -355	310252	. . .	STUD,EXTENSION-IDLER ARM PIVOT	SHEET 5	1		
* -356	310254	. . .	GEAR,SPUR-54 TEETH	SHEET 5	1		
* -357	310333	. . .	RETAINER-BEARING	SHEET 5	1		
* -358	310362	. . .	HUB-SPUR GEAR	SHEET 5	1		

LIST AND INDEX NUMBER	PART NUMBER	DESCRIPTION				UNITS PER ASM.	USABLE ON CODE
		1	2	3	4		
		CARD TRANSPORT ASMS FOR VLCC, VLCD/HSS AND SELF CHECK -CONT					
* 14 -359	310366	. .	GEAR,HELICAL- 145 TEETH	SHEET 5	1		
* -360	310374	. .	SHAFT ASM, 16 TOOTH GEAR	SHEET 5	1		
* -361	23096	. . .	PIN,TAPERED,PLAIN- 1/2 LG X NO. 6	SHEET 5	1		
* -362	110129	. . .	BEARING,BALL,ANNULAR- 0.250 ID 0.625 OD	SHEET 5	1		
* -363	139686	. . .	PIN-TAPER,7/16 IN LG	SHEET 5	1		
* -364	310307	. . .	SPACER,SLEEVE-MACHINE,PULLEY	SHEET 5	1		
* -365	310368 □	. . .	SHAFT,STRAIGHT-GEAR	SHEET 5	1		
* -366	310370 □	. . .	GEAR,HELICAL- 16 TEETH	SHEET 5	1		
* -367	310371 □	. . .	PULLEY,GROOVE-GEAR DRIVE	SHEET 5	1		
* -368	310375	. .	SHAFT ASSEMBLY, 28 TOOTH GEAR	SHEET 5	1		
* -369	8427	. . .	PIN,TAPERED,PLAIN- 5/8 LG X NO. 4-0	SHEET 5	1		
* -370	310361 □	. . .	GEAR,SPUR	SHEET 5	1		
* -371	310369 □	. . .	SHAFT,STRAIGHT-GEAR	SHEET 5	1		
* -372	1100523	. . .	SETSCREW-SPLINE DR CUP PT 6-32 X 3/16 LG	SHEET 5	1		
* -373	310391	. .	CLUTCH ASSEMBLY-FRICTION	SHEET 5	1		
* -374	3500	. . .	SCREW, FIL HD MACH-5-40 X .312 LG	SHEET 5	2		
* -375	105047	. . .	WASHER,LOCK-INT TEETH NO. 5 X 1/4 OD	SHEET 5	2		
* -376	310394	. . .	RING,NYLON FRICTION	SHEET 5	1		
* -377	310397	. . .	HUB ASSEMBLY	SHEET 5	1		
* -378	310398	. . .	PIN,STRAIGHT,HEADLESS-0.125 DIA X 0.265 USED ON HUB ASSEMBLY	SHEET 5	1		
* -379	340712 □	. . .	HUB-CLUTCH,SPRING FRICTION USED ON HUB ASSEMBLY	SHEET 5	1		
* -380	310400	. . .	HOUSING ASSEMBLY-GEAR AND BEARING	SHEET 5	1		
* -381	310392 □	. . .	HOUSING-CLUTCH,FRICTION	SHEET 5	1		
* -382	310393	. . .	USED ON GEAR AND BEARING HOUSING ASM BEARING,SLEEVE-FRICTION CLUTCH USED ON GEAR AND BEARING HOUSING ASM	SHEET 5	1		
* -383	310396 □	. . .	GEAR,SPUR-CLUTCH,FRICTION USED ON GEAR AND BEARING HOUSING ASM	SHEET 5	1		
* -384	313333	. . .	RIVET,SOLID-0.062 DIA X 0.383 IN. LG USED ON GEAR AND BEARING HOUSING ASM	SHEET 5	1		
* -385	310401	. .	SPRING-FRICT CLUTCH	SHEET 5	1		
* -386	310799	. .	SCREW,CAP,SOC HD- 5-40 X 1/2 LG	SHEET 5	1		
* -387	310469	. .	PIN,SPRING- 0.099 X 11/16 LG	SHEET 5	1		
* -388	310773	. .	WASHER,SPRING TENS- 0.260 ID X 1/2 OD	SHEET 5	1		
* -389	310781	. .	WASHER,FLAT .255 ID X 3/8 OD	SHEET 5	1		
* -390	328750	. .	SPACER,SLEEVE-54 TOOTH GEAR	SHEET 5	1		
* -391	340034	. .	BRACKET-ESCAPEMENT GEARING	SHEET 5	1		
* -392	341003	. .	SPACER,SLEEVE-28 TOOTH GEAR	SHEET 5	1		
* -393	342703	. .	SHAFT ASM-FEED WHEEL READING STATION	SHEET 5	1		
* -393A	19167	. . .	PIN,TAPERED,PLAIN- 5/8 LG X NO. 3	SHEET 5	1		
* -394	151231	. . .	PIN,TAPERED,PLAIN- 3/4 LG X NO. 3-0	SHEET 5	2		
* -395	228044 □	. . .	SHAFT,SHOULDERED	SHEET 5	1		
* -396	310347 □	. . .	WHEEL ASSEMBLY-CARD FEED	SHEET 5	1		
* -397	342702 □	. . .	GEAR ASSEMBLY-FRICTION	SHEET 5	1		
* -398	345974	. .	SCREW,ASMD WASHER-PAN HD 5-40 X 5/8 LG	SHEET 4	2		
* -399	369421	. .	BEARING,SLEEVE	SHEET 4	1		
* -400	1100523	. .	SETSCREW-SPLINE DR CUP PT 6-32 X 3/16 LG	SHEET 5	2		
* -401	5407798	. .	GEAR, 65 TOOTH DRIVE AND BACKSPACE	SHEET 4	1		
* -403	5404258 NP	. .	BACKSPACE GROUP				
* -404	38255	. .	SCREW,MACH-FIL F 3-48 X 1/2 LG	SHEET 4	2		
* -405	3500	. .	SCREW, FIL HD MACH-5-40 X .312 LG	SHEET 4	2		
* -406	25282	. .	RING-RETAINING,EXT 0.125 ID X 0.015 THK	SHEET 4	1		
* -408	26513	. .	SPRING, EXTENSION	SHEET 4	1		
* -410	42003	. .	SCREW,MACH-TRUSS FD 8-32 X 1/4 LG	SHEET 4	3		
* -411	44946	. .	SPRING,HELICAL,EXTENSION 61 TURNS	SHEET 4	1		

LIST AND INDEX NUMBER	PART NUMBER	DESCRIPTION	UNITS PER ASM.	USABLE ON CODE
		1 2 3 4		
		CARD TRANSPCRT ASMS FOR VLCC, VLCD/HSS AND SELF CHECK -CONT		
* 14 -412	60489	. . CLIP-SPRING	SHEET 4	1
* -413	141176	. . SPRING,HELICAL,EXTENSION- 21.5 TURNS	SHEET 4	1
* -414	228C8C	. . BRACKET-REVERSE SWITCH	SHEET 4	1
* -415	228C81	. . PAWL ASSEMBLY-BACK SPACE	SHEET 4	1
* -416	228C84	. . ARM ASSEMBLY-REVERSING MECH CAM ENGAGING	SHEET 4	1
* -417	228C88	. . PIVOT-BACK SPACE ARM	SHEET 4	1
* -418	228C9C	. . SCREW,SHLD-FIL F 5-40 X 11/32 LG	SHEET 3	2
* -419	228C92	. . GEAR,SPUR-BACK SPACE	SHEET 4	1
* -42C	228093	. . SWITCH-SPDT 125/250V AC 10 AMP	SHEET 4	1
* -421	312C19	. . INSULATOR-BACK SPACE	SHEET 4	1
* -422	341C5C	. . LEVER-SPRING ACTICN	SHEET 3	1
* -423	54C426C NP	. PUNCH AND DIE GRUP USED ON N/P MODS A AND B		
* -424	358	. . SCREW,MACH-FIL H 10-32 X 3/4 LG	SHEET 2	2
* -424A	673	. . SCREW,MACH-FIL F 5-40 X 1/2 LG	SHEET 3	3
* -425	38392	. . SCREW,MACH-FIL H 10-32 X 1-1/4 LG	SHEET 2	1
* -425A	227769	. . PLUG ASSEMBLY-PUNCH DRIVE MOUNTING FRONT	SHEET 3	1
* -426	227772	. . PLUG ASSEMBLY-REAR PUNCH DRIVE MOUNTING	SHEET 3	1
* -427	228C13	. . GUIDE ASSEMBLY-DIE AND PUNCH	SHEET 2	1
* -43C	310107	SEE FIGURE 26 FOR DETAIL BREAKDOWN . . BUSHING-DIE AND GUIDE MTG	SHEET 2	1
* -431	310111	. . SCREW,SHLD-RH 10-32 X 0.818 LG	SHEET 2	1
* -432	540642C	. . SHAFT ASM, PRESS ROLL RELEASE	SHEET 7	1
* -432A	28564	. . . PIN,TAPERED,PLAIN- 5/8 LG X NO. 6-0	SHEET 7	3
* -432B	227725 □	. . . SHAFT-CARD REL	SHEET 7	1
* -432C	227939 □	. . . ARM-PRESSURE ROLL RELEASE	SHEET 7	1
* -432D	227946 □	. . . LEVER-MANUAL CARD RELEASE	SHEET 7	1
* -432E	3C9872 □	. . . SPACER- 5/16 ID X 1/2 OD	SHEET 7	1
* -432F	3C9873 □	. . . LEVER ASM-PRESS ROLL REL RH	SHEET 7	1
* -433	5373607	. . TUBE ASSEMBLY-CHIP	SHEET 2	1
* -434	10476	. . . SCREW,MACH-FH 5-40 X 0.190 LG	SHEET 2	1
* -435	325624	. . . SCREW,PUSH RCD GUIDE PLATE	SHEET 2	1
* -436	228280 □	. . . BEARING,SLEEVE- 0.221 ID X 0.34	SHEET 2	1
* -437	312321	. . . PLATE-PRESS WHL	SHEET 2	1
* -438	313986	. . . SPRING, HELICAL-CCMP	SHEET 2	1
* -438A	369255	. . . SHAFT ASSEMBLY-PRESS ROLL	SHEET 2	1
* -439	369257	. . . BEARING AND LEVER ASM-RH PRESSURE ROLL	SHEET 2	1
* -44C	53736C5	. . . TUBE,CHIP	SHEET 2	1
* -441	54C4261 NP	. INTERPOSER GRUP USED ON PRINT MODS A AND B		
* -441	5404262 NP	. INTERPRETER GRUP USED ON MOD C		
* -442	12132	. . SCREW,MACH-TRUSS FD 8-32 X 5/16 LG	SHEET 2	2
* -445	228374	. . MAGNET ASSEMBLY-PRINT SUPPRESSION SEE FIGURE 48 FOR DETAIL BREAKDOWN	SHEET 3	1
* -447	537235C NP	. . INTERPOSER ASM,RIBBON PRINT SEE FIGURE 20 FOR DETAIL BREAKDOWN	SHEET 2	
* -447	54C1C03 NP	. . INTERPOSER ASM,RIBBON PRINT SEE FIGURE 21 FOR DETAIL BREAKDOWN	SHEET 2	
* -448	54C4263 NP	. PRINT HARDWARE GRUP,COMMON USED ON PRINT MODELS		
* -449	7341	. . NUT,PLAIN,HEX- 5-40 X 1/4 FL W	SHEET 3	1
* -45C	2632C	. . CLAMP	SHEET 7	1
* -451	38271	. . SCREW,MACH-FIL H 5-40 X 3/16 LG	SHEET 7	1
* -452	60488	. . CLIP-SPRING	SHEET 3	1
* -453	6C489	. . CLIP-SPRING	SHEET 3	1
* -454	110C29	. . WASHER,FL-NO 8 X 5/8 OD X 1/16 THK	SHEET 3	1
* -455	110129	. . BEARING,BALL,ANNULAR- 0.250 ID 0.625 OD	SHEET 3	1
* -456	120571	. . WASHER,FL- 1/4 X 5/8 OD X 1/16 THK	SHEET 3	1
* -457	1414C4	. . SPRING,HELICAL,EXTENSION- 16.5 TURNS SEE FIGURE 20-4 AND 21-3 FOR LOCATION		1
* -458	156364	. . BEARING,BALL,ANNULAR- 0.375 ID 0.875 OD	SHEET 3	1
* -459	228242	. . SPRING-RIBBON SPOOL RESTRAINING	SHEET 2	1
* -46C	228287	. . ARM ASSEMBLY-SUPPRESSION	SHEET 3	1
* -461	228292	. . SPOOL-RIBBON	SHEET 2	1
* -462	228356	. . ARM ASSEMBLY-IDLER	SHEET 3	1
* -463	228361	. . ARM ASSEMBLY-PRINT	SHEET 3	1
* -464	228372	. . SCREW,MACH-FIL H 8-32 X 1/2 LG	SHEET 3	1
* -464A	228616	. . SPRING,HELICAL,EXTENSION- 18 TURNS	SHEET 3	1
* -465	3C82C8	. . FITTING,LUB- 45 DEG ANGLE 1/4-28 THD FIT	SHEET 3	1
* -466	31C169	. . LINK-ECCENTRIC DRIVE	SHEET 3	1
* -467	31C171	. . SCREW,SHLD-FH 5-40 X 0.137 LG	SHEET 3	1

LIST AND INDEX NUMBER	PART NUMBER	DESCRIPTION	UNITS PER ASM.	USABLE ON CODE
		1 2 3 4		
		CARD TRANSPORT ASMS FOR VLCC, VLCD/HSS AND SELF CHECK -CONT		
* 14 -468	313132	. . BEARING,SLV-ECC 0.166ID 0.376 CBORE IRON	SHEET 3	1
* -469	314C37	. . PLUG-PRINT AND PUNCH DRIVE REAR	SHEET 3	1
* -470	42481C	. . RIBBON AND SPCCL ASSEMBLY	SHEET 2	1
* -471	54C4259 NP	. BACKFRAME GROUP,HIGH SPEED SKIP	SHEET 2	
* -472	5404249 NP	USED ON REED RELAY UNITS ONLY SEE FIGURE 14A FOR DETAIL BREAKDOWN . CCMMCA COMPONENT GROUP, MCD C		
* -472	5406281 NP	USED ON REED RELAY UNITS ONLY . CCMMCA COMPONENT GROUP, MOD C		
* -487	536714C	USED ON WIRE CONTACT RELAY UNITS ONLY . CABLE ASSEMBLY,POWER,ELECTRICAL	SHEET 6	1
* -487		USED ON MOD A USED ON REED RELAY UNITS ONLY SEE FIGURE 54-9, 12A, 17, 23, 24, 25, 25A, 25B, 28, 28A, 29, 30 AND 31A FOR COMPONENT PARTS		
* -487	5406075	. CABLE ASSEMBLY, TRANSPORT	SHEET 6	1
* -487		USED ON MODS A AND B USED ON WIRE CONTACT RELAY UNITS ONLY SEE FIGURE 54-1A, 2, 12, 18, 19, 20, 23, 25A, 26, 27, 28, 29 AND 31A FOR COMPONENT PARTS		
* -487	5367353	. CABLE ASSEMBLY,MCD B STD	SHEET 6	1
* -487		USED ON MOD B USED ON REED RELAY UNITS ONLY SEE FIGURE 54-3, 6, 21, 23, 24, 25, 25A, 26, 28A, 29 AND 31A FOR COMPONENT PARTS		
* -487	5367323	. CABLE ASSEMBLY,MCD C	SHEET 6	1
* -487		USED ON REED RELAY UNITS ONLY SEE FIGURE 54-3, 6, 23, 24, 25, 25A, 25B, 26, 28, 28A, 29 AND 31A FOR COMPONENT PARTS		
* -487	54C6C8C	. CABLE ASSEMBLY, MODEL C	SHEET 6	1
* -487		USED ON WIRE CONTACT RELAY UNITS ONLY SEE FIGURE 54-1A, 2, 12, 18, 19, 20, 23, 25, 25A, 25B, 26, 28, 28A, 29 AND 31 FOR COMPONENT PARTS		
* -487	54C428C	. CABLE ASSEMBLY, VLCC	SHEET 6	1
* -487		USED ON MODS A AND B USED ON REED RELAY UNITS ONLY SEE FIGURE 54-24, 28, 28A, 29 AND 31A FOR COMPONENT PARTS		
* -487	54C4076	. CABLE ASSEMBLY,HIGH SPEED SKIP	SHEET 6	1
* -487		USED ON MODS WITH HSS AND SC USED ON REED RELAY UNITS ONLY SEE FIGURE 54-3, 13, 24, 28, 28A AND 31A FOR COMPONENT PARTS		
* -487	54C4199	. CABLE ASSEMBLY, SELF CHECK	SHEET 6	1
* -493	845	USED ON REED RELAY UNITS ONLY SEE FIGURE 54-3, 13, 13A, 24, 25A, 25D 28, 28A, 29 AND 31A FOR COMPONENT PARTS		
* -494	6318	. SCREW,MACH-FIL H 8-32 X 1/2 LG	SHEET 6	2
* -495	24695	. WASHER,LOCK-SPLIT NO. 8 X 0.280 OD	SHEET 6	2
* -496	75533	. PIN,TAPERED,PLAIN- 7/8 LG X NO. 4-C	SHEET 6	1
* -497	263406	. SET SCREW .540 THK X 1/8 LG	SHEET 6	1
* -498	3154C3	. LEVER	SHEET 6	1
* -500	92	. MAGNET ASSEMBLY-PRINT SUPPRESSION SEE FIGURE 48 FOR DETAIL BREAKDOWN	SHEET 6	1
* -501	55726	. SCREW,MACH-RH 5-40 X 1/4 LG	SHEET 1	2
* -502	305267	. SCREW,MACH-BIND HD 6-32 X .188 LG	SHEET 1	3
* -502	312477	. RELAY,MCT DRIVEN-PICKUP 115V,60 CYCLE USED ON 112.5/123.5V,SOCY AND 115V,6CCY	SHEET 1	1
* -503	305268	. RELAY, 2.6A PICKUP AT 230V 50/60 CY USED ON 195/220/235V, 50 CYCLE AND 208/230V, 60 CYCLE	SHEET 1	1
* -503		. MCTCR,AC- 1/12 FP 115V 50/60 CY 1 PH USED ON 112.5/123.5V, 50 CYCLE	SHEET 1	1

LIST AND INDEX NUMBER	PART NUMBER	DESCRIPTION	UNITS PER ASM.	USABLE ON CODE
		CARD TRANSPORT ASMS FOR VLCD, VLCD/HSS AND SELF CHECK -CONT		
* 14 -503	312450	. MOTOR, AC-1/12 HP, 230V, 50/60 CY USED ON 195/220/235V, 50 CYCLE	SHEET 1	1
* -503	5422230	. MOTOR, 60CPS 115V USED ON 115V, 60 CYCLE	SHEET 1	1
* -504	310363	. BELT, V-MACHINE DRIVE, 60 CYCLE	SHEET 1	1
* -504	310228	. BELT, V-MACHINE DRIVE, 50 CYCLE	SHEET 1	1
* -505	5372346	. BELT, V-PUNCH DRIVE, NON-PRINT	SHEET 1	1
* -505	310364	. BELT, V-PUNCH DRIVE, NON-PRINT	SHEET 1	1
* -506	5372360	. PULLEY, CCNE-60 CYCLE NON-PRINT MOTOR	SHEET 1	1
* -506	5372359	. PULLEY, CCNE-50 CYCLE NON-PRINT MOTOR	SHEET 1	1
* -506	310779	. PULLEY, CCNE-60 CYCLE PRINT MOTOR	SHEET 1	1
* -506	5372358	. PULLEY, CCNE-50 CYCLE PRINT MOTOR	SHEET 1	1
* -506	5404291	. PULLEY ASSEMBLY, HSS USED ON 60 CYCLE, NON-PRINT	SHEET 1	1
* -506	5404287	. PULLEY ASSEMBLY, HSS USED ON 50 CYCLE, NON-PRINT	SHEET 1	1
* -506	5404289	. PULLEY ASSEMBLY, HSS USED ON 50 CYCLE, PRINT	SHEET 1	1
* -506	5404293	. PULLEY ASSEMBLY, HSS USED ON 60 CYCLE, PRINT	SHEET 1	1
* -507	173937	. SETSCREW-SPLINE DR CUP PT 8-32 X 1/8 LG USED ON 60 CYCLE	SHEET 1	1
* -507	151720	. SETSCREW-SPLINE DR CUP PT 8-32 X 3/16 LG USED ON 50 CYCLE	SHEET 1	2
* -508	345276	. BELT, DRIVING-67 TEETH, 15.6382 P LENGTH USED ON HSS	SHEET 1	1
* -509	275691	AGITATOR ASSEMBLY, CHIP-NON PRINT USED ON NON-PRINT MODELS	SHEET 2	AR
* -509	275692	AGITATOR ASSEMBLY, CHIP-PRINT USED ON PRINT MODELS AND INTERPRETER	SHEET 2	AR
* -510	337	. SCREW, MACH-FIL H 8-32 X 3/8 LG USED ON PRINT CHIP AGITATOR ASSEMBLY	SHEET 6	1
* -510	337	. SCREW, MACH-FIL H 8-32 X 3/8 LG USED ON N/PRINT CHIP AGITATOR ASSEMBLY	SHEET 6	2
* -511	2384	. SCREW, MACH-FIL H 8-32 X 1 IN LG. USED ON PRINT CHIP AGITATOR ASSEMBLY	SHEET 6	1
* -512	34512	. SCREW, BIND.HD 8-32 X .375 LG	SHEET 6	1
* -513	38443	. SCREW, MACH-FL CSK HD 6-32 X 5/16 LG	SHEET 1	2
* -514	147297	. RING, RETAINING-EXT 0.094 ID X 0.020 THK USED ON PRINT CHIP AGITATOR ASSEMBLY	SHEET 2	1
* -515	228273	. CLAMP-FLEX SHAFT	SHEET 6	1
* -516	228276	. GEAR, SPUR- 16 TEETH 32 DP 0.5575 OD USED ON PRINT CHIP AGITATOR ASSEMBLY	SHEET 2	1
* -517	228490	. BRACKET-UPPER FLEXIBLE SHAFT	SHEET 6	1
* -518	310378	. GEAR, 16 TEETH 32 PITCH 10-32 THD CENTER USED ON PRINT CHIP AGITATOR ASSEMBLY	SHEET 2	2
* -519	340024	. SUPPORT, FLEXIBLE SHAFT	SHEET 1	1
* -520	341007	. SHAFT ASM, CHIP AGITATOR	SHEET 2	1
* -521	345101	. SHAFT, FLEXIBLE USED ON N/PRINT CHIP AGITATOR ASSEMBLY	SHEET 2	1
* -521	345102	. SHAFT, FLEXIBLE USED ON PRINT CHIP AGITATOR ASSEMBLY	SHEET 1	1
* -522	45685	. WASHER, PLAIN .313 DIA USED UNDER EJECT ASSEMBLY FOR POST CARD STOCK FEATURE	SHEET 3	1
* -523	196298	. SCREW, MACH-BIND HD 5-40 X 3/16 LG USED ON CHAR INHIBIT FEATURE ONLY	SHEET 2	1
* -524	5462472	. COVER, PROGRAM CUTOUT SWITCH USED ON CHAR INHIBIT FEATURE ONLY	SHEET 2	1
* -525	5462491	. SWITCH ASSEMBLY, PROGRAM CUTOUT USED ON CHAR INHIBIT FEATURE ONLY	SHEET 2	1
* -526	309520	. BRACKET, SWITCH MTG	SHEET 2	1
* -527	309716	. SHIELD, SAFETY	SHEET 2	1
* -528	5420116	. SWITCH, TOGGLE SPDT	SHEET 2	1

FOR PARTS
NOT SHOWN
SEE FIG.13,14

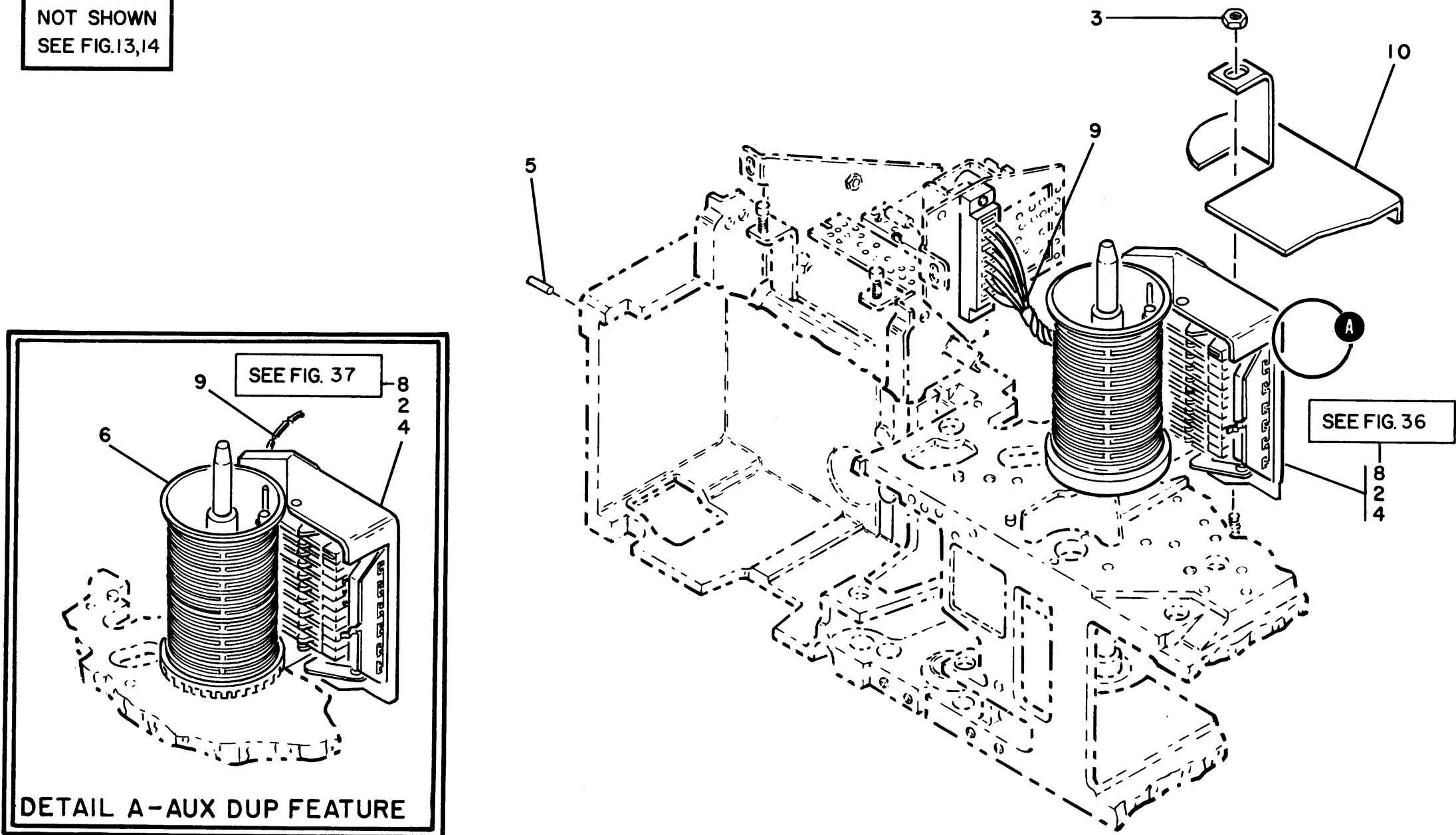


FIGURE 14A. AUXILIARY DUPLICATION AND HIGH SPEED SKIP BACK FRAME MOUNTING. SEE LIST 14A.

LIST AND INDEX NUMBER	PART NUMBER	DESCRIPTION				UNITS PER ASM.	USABLE ON CODE
		1	2	3	4		
		AUXILIARY DUPLICATION AND HSS BACK FRAME MOUNTING					
14A-		BACK FRAME MTG. AUX DUP AND HSS					
-	NO NO.	SEE FIGURE 13-398 AND 14-471 FOR NEXT HIGHER ASSEMBLY AND FIGURE 14A FOR ILLUSTRATION				NP	
*		. WASHER-LCCK,SPLIT RING, .194 ID .337OD				AR	
- 2	9092	. NUT,PLAIN,HEX- 3/8 X 9/16 FL W				AR	
- 3	24107	. SCREW,MACH-FIL H 10-32 X 1-3/4 LG				AR	
- 4	38393	. PIN, DCWEL, 1/4 OD X 1/2 LG				AR	
- 5	104706	. DRUM ASSEMBLY, PROGRAM				1	
- 6	5422336	. CLUTCH ASSEMBLY, HSS WITH AUX DUP				1	
- 8	5416975	SEE FIGURE 36 FOR DETAIL BREAKDOWN					
- 8	345285	. CLUTCH ASSEMBLY, HIGH SPEED SKIP				1	
- 8	5372291	SEE FIGURE 36-1 FOR DETAIL BREAKDOWN					
- 8	5372291	. SENSING UNIT ASSEMBLY, AUX DUP				1	
- 9	5393272	SEE FIGURE 37 FOR DETAIL BREAKDOWN					
- 9	5393272	. CABLE ASSEMBLY,POWER,ELECTRICAL				1	
- 9	5406064	USED CN AUX DUP REED RELAY UNITS					
- 9	5406064	SEE FIGURE 54-3, 24, 28B AND 29 FOR COMPONENT PARTS					
- 9	5406064	. CABLE ASSEMBLY, BACK FRAME AUX DUP				1	
- 9	5406064	USED CN WIRE CONTACT RELAY UNITS					
- 9	5406064	SEE FIGURE 1, 28A, 34, 35 AND 29 FOR COMPONENT PARTS					
- 9	5404189	. CABLE ASSEMBLY, BACK FRAME SELF CHECK				1	
- 9	5404189	SEE FIGURE 54-24 AND 28A FOR COMPO PARTS					
- 10	5404078	. COVER, HIGH SPEED SKIP SAFETY				1	

FOR PARTS
NOT SHOWN
SEE FIG. 13

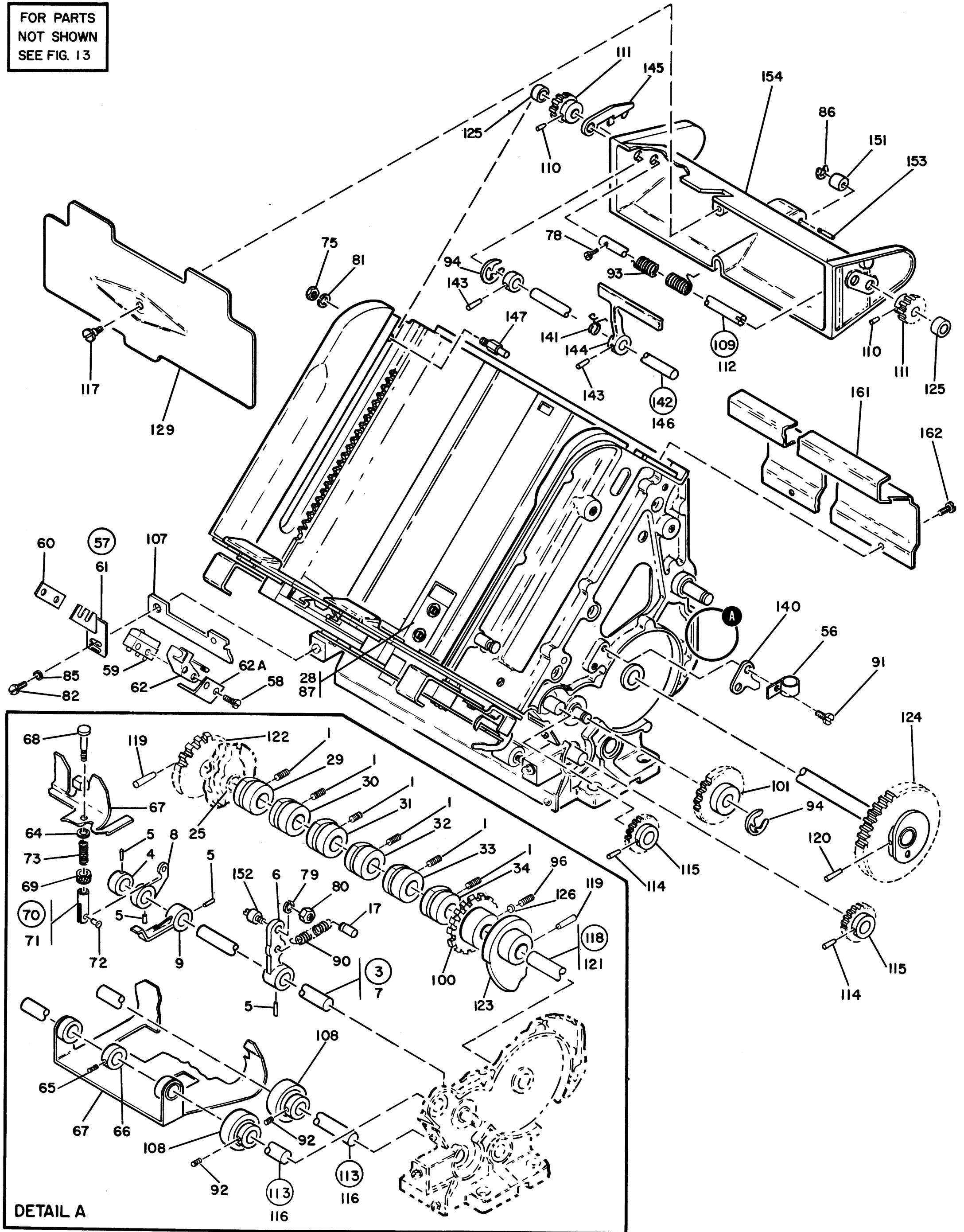


FIGURE 15. STANDARD LENGTH CARD FEED ASSEMBLIES. SHEET 1 OF 2. SEE LIST 15.

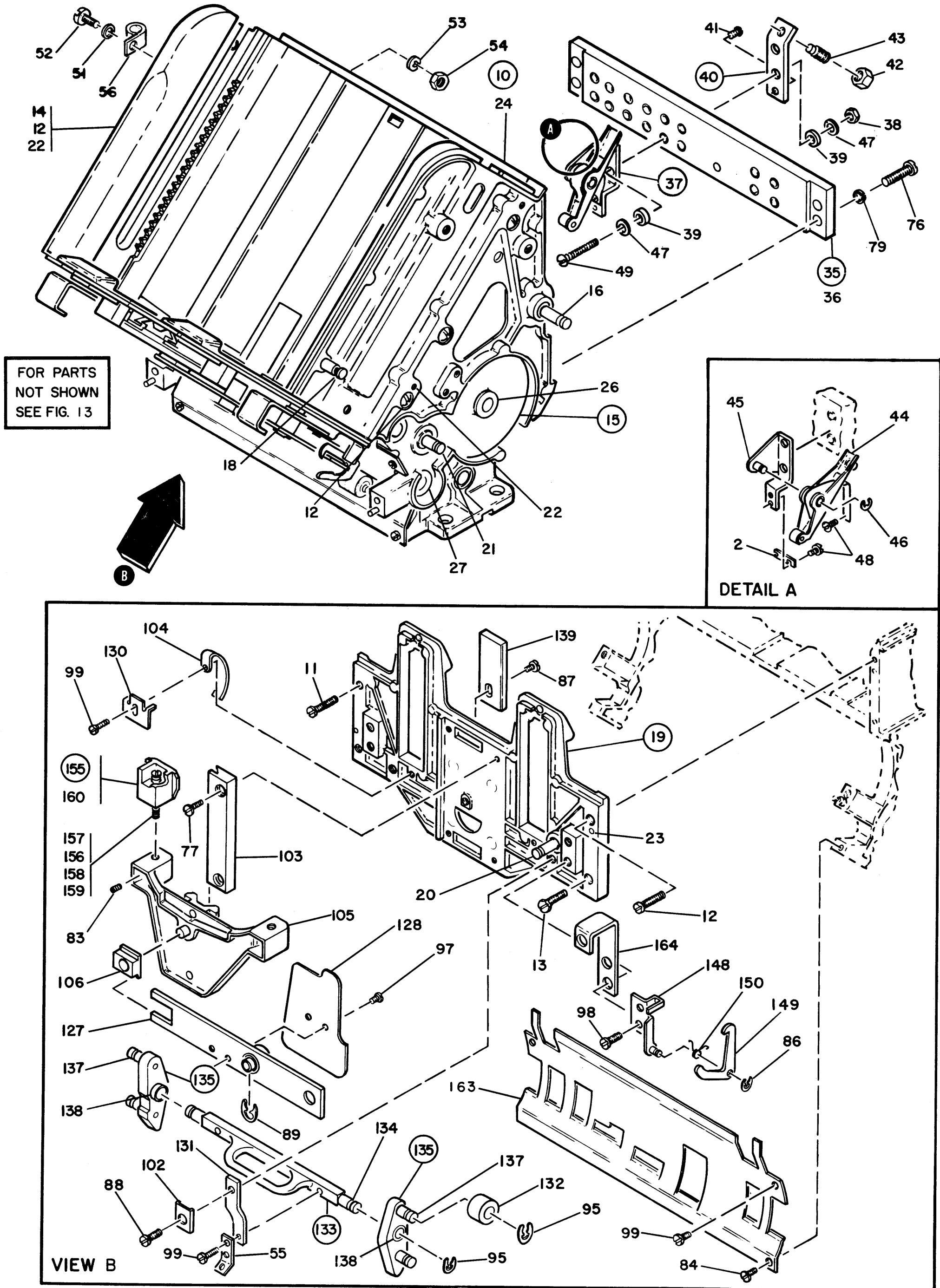


FIGURE 15. STANDARD LENGTH CARD FEED ASSEMBLIES. SHEET 2 OF 2. SEE LIST 15.

LIST AND INDEX NUMBER	PART NUMBER	DESCRIPTION	UNITS PER ASM.	USABLE ON CODE
		1 2 3 4		
		STANDARD LENGTH CARD FEED ASSEMBLIES		
15 -	5367145	CARD FEED ASSEMBLY, PUNCH USED ON STD MCDS A AND B AND WITH SELF CHECK FEATURE CN REED RELAY UNITS	REF	
-	5406270	CARD FEED ASSEMBLY, STANDARD USED ON STD MCDS A AND B AND WITH SELF CHECK FEATURE CN WIRE CONT RELAY UNITS	REF	
-	5367321	CARD FEED ASSEMBLY, INTERPRETER USED ON STD MCD C ON REED RELAY UNITS	REF	
-	5406271	CARD FEED ASSEMBLY, INTERPRETER USED ON STANDARD MODEL C WIRE CONTACT RELAY UNITS	REF	
-	5404041	CARD FEED ASSEMBLY, HIGH SPEED SKIP USED ON HSS MCDS A AND B AND WITH SELF CHECK FEATURE CN REED RELAY	REF	
-	5406272	CARD FEED ASSEMBLY, HIGH SPEED SKIP USED ON HSS MCDS A AND B AND WITH SELF CHECK FEATURE CN WIRE CONT RELAY UNITS	REF	
-	5401044	CARD FEED ASSEMBLY, MCD C HSS USED ON HSS MCD C ON REED RELAY UNITS	REF	
-	5406273	CARD FEED ASSEMBLY, HSS INTERPRETER USED ON HSS MCD C ON WIRE CONTACT RELAY UNITS	REF	
-	5404047	CARD FEED ASSEMBLY, IGP USED ON IGP MCDS A AND B AND WITH SELF CHECK FEATURE CN REED RELAY UNIT	REF	
-	5406274	CARD FEED ASSEMBLY, IGP USED ON IGP MCDS A AND B AND WITH SELF CHECK FEATURE CN WIRE CONT RELAY UNITS		
-	5404044	CARD FEED ASSEMBLY, IGP USED ON IGP MCD C ON REED RELAY UNITS	REF	
-	5406275	CARD FEED ASSEMBLY, IGP USED ON IGP MCD C ON WIRE CONTACT RELAY UNITS SEE FIGURE 13-1 FOR NEXT FIGURE ASSEMBLY AND FIGURE 15 FOR ILLUSTRATION	REF	
* - 1	75533	. SET SCREW .540 THK X 1/8 LG	SHEET 1	AR
* - 2	120944	. JUMPER-TERMINAL BRASS	SHEET 2	AR
* - 3	227620	. SHAFT ASM, CARD ALIGNER USED ON MODS A AND B, MOD C WCR UNITS	SHEET 1	1
* - 3	327128	. SHAFT ASM, CARD ALIGNER USED ON MODS A AND B, MOD C RR UNITS, MCD C HSS	SHEET 1	1
* - 4	24596 □	. . COLLAR- 0.313 ID X 0.562 OD	SHEET 1	1
* - 5	29949	. . PIN, TAPERED, PLAIN- 9/16 LG X NO. 4	SHEET 1	4
* - 6	227617 □	. . ARM-CARD ALIGNER FOLLOWER	SHEET 1	1
* - 7	227651 □	. . SHAFT-CARD ALIGNER	SHEET 1	1
* - 8	327117 □	. . LINK ASM, CARD LIFTER USED ON MODS A AND B, MOD C RR, MOD C HSS CARD ALIGNER SHAFT ASSEMBLY ONLY	SHEET 1	1
* - 9	381411 □	. . CARD ALIGNER	SHEET 1	2
* - 10	309711	. FRAME ASSEMBLY-CARD FEED	SHEET 2	1
* - 11	1500	. . SCREW, MACH-FIL H 5-40 X 5/8 LG	SHEET 2	2
* - 12	2031	. . SCREW, MACH-FIL H 8-32 X 5/8 LG	SHEET 2	7
* - 13	113305	. . SCREW, MACH-HEX FC 8-32 X 9/16 LG	SHEET 2	1
* - 14	227601	. . FRAME-CARD FEED LEFT SIDE	SHEET 2	1
* - 15	227602	. . FRAME-CARD FEED RIGHT SIDE	SHEET 2	1
* - 16	227613	. . . PIVOT, CAM FOLLOWER ARM	SHEET 2	1
* - 17	227615	. . . STUD, CARD ALIGNER SPRING	SHEET 1	1
* - 18	227637	. . . STUD, CAM FOLLOWER ARM SPRING	SHEET 2	1
* - 19	227603	. . FRAME-CARD FEED FRONT	SHEET 2	1
* - 20	310854	. . . PIN, GROOVED, HEADLESS-OPERATING ARM PIVOT	SHEET 2	1
* - 21	227614	. . STUD-ICLER GEAR PIVOT	SHEET 2	1
* - 22	311462	. . PIN, SPRING- 0.133 X 0.750 LG	SHEET 2	4
* - 23	311463	. . PIN, SPRING- 0.133 X 0.500 LG	SHEET 2	2
* - 24	312082	. . SHAFT-LATCHING PAWL	SHEET 2	1
* - 25	314382	. . BEARING, SLEEVE- 0.356 ID X 0.565 OD BRZ	SHEET 1	2
* - 26	314383	. . BEARING, SLEEVE- 0.357 ID X 0.627 OD BRZ	SHEET 2	1
* - 27	314384	. . BEARING, SLEEVE- 0.294 ID X 0.565 OD BRZ	SHEET 2	6

LIST AND INDEX NUMBER	PART NUMBER	DESCRIPTION	UNITS PER ASM.	USABLE ON CODE
		1 2 3 4		
		STANDARD LENGTH CARD FEED ASSEMBLIES -CONT		
* 15 - 28	309851	. KNIFE-THROAT USED ON MODS A AND B, MOD C WCR	SHEET 1	1
* - 28	328780	. KNIFE, THROAT USED ON MODS A AND B, MOD C RR, MODS C HSS	SHEET 1	1
* - 29	311384	. CAM-CIRCUIT BREAKER USED ON IGP WIRE CONTACT RELAY UNITS	SHEET 1	1
* - 29	310255	. CAM-CIRCUIT BREAKER USED ON IGP REED RELAY UNITS USED IN POSITION 1	SHEET 1	1
* - 30	309630	. CAM-CIRCUIT BREAKER USED ON REED RELAY UNITS	SHEET 1	1
* - 30	344181	. CAM-CIRCUIT BREAKER USED ON WIRE CONTACT RELAY UNITS USED IN POSITION 2	SHEET 1	1
* - 31	309631	. CAM-CIRCUIT BREAKER USED ON REED RELAY UNITS	SHEET 1	1
* - 31	315042	. CAM-CIRCUIT BREAKER USED ON WIRE CONTACT RELAY UNITS USED IN POSITION 3	SHEET 1	1
* - 32	309631	. CAM-CIRCUIT BREAKER USED ON REED RELAY UNITS	SHEET 1	1
* - 32	313807	. CAM-CIRCUIT BREAKER USED ON WIRE CONTACT RELAY UNITS USED IN POSITION 4	SHEET 1	1
* - 33	311384	. CAM-CIRCUIT BREAKER USED ON MODEL C UNITS USED IN POSITION 5	SHEET 1	1
* - 34	313807	. CAM-CIRCUIT BREAKER USED ON HIGH SPEED SKIP	SHEET 1	1
* - 34	315381	. CAM-CIRCUIT BREAKER USED ON INTERSPERSED GANG PUNCH WCR	SHEET 1	1
* - 34	227694	. CAM-CIRCUIT BREAKER USED ON INTERSPERSED GANG PUNCH RR USED IN POSITION 6	SHEET 1	1
* - 35	5404037	. CIRCUIT BREAKER ASSEMBLY USED ON MODELS A AND B STANDARD	SHEET 2	1
* - 35	5404230	. CIRCUIT BREAKER ASSEMBLY USED ON MODEL C STANDARD	SHEET 2	1
* - 35	5404048	. CIRCUIT BREAKER ASSEMBLY USED ON MODELS A AND B HSS	SHEET 2	1
* - 35	5404051	. CIRCUIT BREAKER ASSEMBLY USED ON MODEL C HIGH SPEED SKIP	SHEET 2	1
* - 35	5404036	. CIRCUIT BREAKER ASSEMBLY USED ON MODELS A AND B IGP	SHEET 2	1
* - 35	5404035	. CIRCUIT BREAKER ASSEMBLY USED ON MODEL C INTERSPERSED GANG PUNCH	SHEET 2	1
* - 36	313548	. . BAR-CIRCUIT BREAKER MOUNTING	SHEET 2	1
* - 37	5404030	. . CIRCUIT BREAKER GROUP USED ON MODELS A AND B STANDARD CB ASM	SHEET 2	3
* - 37	5404030	. . CIRCUIT BREAKER GROUP USED ON MOD C STD, MODS A AND B HSS CB A	SHEET 2	4
* - 37	5404030	. . CIRCUIT BREAKER GROUP USED ON MOD C HSS, MODS A AND B IGP CB A	SHEET 2	5
* - 37	5404030	. . CIRCUIT BREAKER GROUP USED ON MCC C IGP CB ASSEMBLY	SHEET 2	6
* - 38	7341	. . . NUT, PLAIN, HEX- 5-40 X 1/4 FL W	SHEET 2	2
* - 39	20038	. . . WASHER, FLAT-NO. 10 X 0.760 OD	SHEET 2	2
* - 40	24932	. . . HOLDER ASSEMBLY-POINT	SHEET 2	1
* - 41	118418	. . . SCREW, MACH-RH 5-40 X 5/32 LG USED ON POINT HOLDER ASSEMBLY	SHEET 2	1
* - 42	24933	. . . NUT, PLAIN, HEX- 1/4-40 X 3/8 FL W	SHEET 2	1
* - 43	24938	. . . SETSCREW-ADJ SLOT DR SPL 1/4-20 X 0.602	SHEET 2	1
* - 44	24961	. . . ARM ASSEMBLY-BREAKER	SHEET 2	1
* - 45	24969	. . . BRACKET ASSEMBLY-BREAKER ARM PIVOT	SHEET 2	1
* - 46	25282	. . . RING-RETAINING, EXT 0.125 ID X 0.015 THK	SHEET 2	1
* - 47	1C08C4	. . . INSULATOR WASH- 0.195 ID 3/8 OD 1/16 THK	SHEET 2	4

LIST AND INDEX NUMBER	PART NUMBER	DESCRIPTION	UNITS PER ASM.	USABLE ON CODE
		STANDARD LENGTH CARD FEED ASSEMBLIES -CONT		
* 15 - 48	118418	. . . SCREW, MACH-RH 5-40 X 5/32 LG	SHEET 2	2
* - 49	173209	. . . SCREW, MACH-RD WASHER HD 5-40 X 29/32 LG	SHEET 2	2
* - 50	5404297	NP . . . HARDWARE GROUP, GANG PUNCH		
* - 51	22478	. . . WASHER, FLAT- .170 ID, .375 OD	SHEET 2	1
* - 52	25627	. . . SCREW-BD. HD 8-32 X .500 LG	SHEET 2	1
* - 53	60646	. . . WASHER, LOCK-INT T NO. 8	SHEET 2	1
* - 54	257189	. . . NUT, HEX- 8-32	SHEET 2	1
* - 55	204839	. . . TERMINAL-LOWER CONTACT	SHEET 2	2
* - 56	556785	. . . CLAMP, LOCP-NYLCN	SHEET 1	2
* - 57	5404296	. . . SWITCH ASSEMBLY, LEFT	SHEET 1	1
* - 57	5404396	USED ON LEFT SIDE . . . SWITCH ASSEMBLY, RIGHT USED ON RIGHT SIDE	SHEET 1	1
* - 58	438541	. . . SCREW, MACH-BIND HD 2-56 X 7/16 LG	SHEET 1	2
* - 59	528324	. . . SWITCH-SENSITIVE	SHEET 1	1
* - 60	535169	. . . PLATE-SWITCH ADJUSTING	SHEET 1	1
* - 61	5404294	. . . BRACKET, MOUNTING	SHEET 1	1
* - 62	5404295	. . . ACTUATOR, SWITCH	SHEET 1	1
* - 62A	5447671	. . . SHIELD, SWITCH TERMINAL	SHEET 1	2
* - 63	5404298	NP . . . HARDWARE GROUP, CARD LIFTER USED ON ALL HSS MODELS, MOD C REED RELAY		
* - 64	22066	. . . WASHER, FL- 0.140 ID 0.281 OD 0.025 THK	SHEET 1	1
* - 65	123639	. . . SETSCREW-SPLINE DR FP 8-32 X 1/8 LG	SHEET 1	4
* - 66	300380	. . . COLLAR	SHEET 1	2
* - 67	327120	. . . FINGER ASM, CARD LIFTER	SHEET 1	1
* - 68	327123	. . . PIN, ADJUSTING-CARD LIFTER	SHEET 1	1
* - 69	327124	. . . LOCKNUT, DIAMOND KNURL-2-64 NF 2B X.266	SHEET 1	1
* - 70	327125	. . . LINK ASM, CLEVIS ADJUSTING	SHEET 1	1
* - 71	309683	. . . LINK, ADJUSTING	SHEET 1	1
* - 72	1091610	. . . STUD	SHEET 1	1
* - 73	327126	. . . SPRING, COMPRESSION-.185 OD X.716 LG	SHEET 1	1
* - 74	5404300	NP . . . HARDWARE GROUP, CARD FEED		
* - 75	221	. . . NUT, PLAIN, HEX- 10-32 X 5/16 FL W	SHEET 1	1
* - 76	2031	. . . SCREW, MACH-FIL H 8-32 X 5/8 LG	SHEET 2	4
* - 77	2629	. . . SCREW, MACH-FIL H 5-40 X 3/8 LG	SHEET 2	4
* - 78	2650	. . . SCREW, MACH-FIL H 3-48 X 1/4 LG	SHEET 1	1
* - 79	6318	. . . WASHER, LOCK-SPLIT NO. 8 X 0.280 OD	SHEET 1	5
* - 80	6503	. . . NUT, PLAIN, HEX- 8-32 X 1/4 FL W	SHEET 1	1
* - 81	9092	. . . WASHER-LOCK, SPLIT RING, .194 ID .3370D	SHEET 1	1
* - 82	12954	. . . SCREW, MACH-HEX HD 8-32 X 1/2 LG	SHEET 1	2
* - 83	19958	. . . SETSCREW-SPLINE DR FP 5-40 X 5/16 LG	SHEET 2	2
* - 84	23814	. . . SCREW, MACH-FH 5-40 X 7/32 LG	SHEET 2	1
* - 85	24511	. . . WASHER, FL-NO. 8 X 5/16 OD X 1/32 THK	SHEET 1	2
* - 86	25282	. . . RING-RETAINING, EXT 0.125 ID X 0.015 THK	SHEET 1	2
* - 87	29579	. . . SCREW, MACH-BIND HD 10-32 X 1/4 LG	SHEET 1	3
* - 88	38381	. . . SCREW, MACH-FIL H 10-32 X 5/16 LG	SHEET 2	2
* - 89	60488	. . . CLIP-SPRING	SHEET 2	1
* - 90	79593	. . . SPRING, HELICAL, EXTENSION- 48 TURNS	SHEET 1	1
* - 91	120044	. . . SCREW, MACH-BIND HD 5-40 X 3/8 LG	SHEET 1	2
* - 92	123639	. . . SETSCREW-SPLINE DR FP 8-32 X 1/8 LG	SHEET 1	8
* - 93	126853	. . . SPRING, HELICAL, EXTENSION- 119 TURNS	SHEET 1	1
* - 94	139766	. . . RING, RETAINING-EXT 0.281 ID X 0.020 THK	SHEET 1	2
* - 95	147297	. . . RING, RETAINING-EXT 0.094 ID X 0.020 THK	SHEET 2	6
* - 96	176246	. . . SETSCREW-SPLINE DR CUP PT 10-32 X 1/4 LG	SHEET 1	2
* - 97	186636	. . . SCREW, MACH-BIND HD 5-40 X 1/8 LG	SHEET 2	2
* - 98	186758	. . . SCREW, MACH-BIND HD 8-32 X 0.438	SHEET 2	4
* - 99	196698	. . . SCREW, MACH-BIND HD 5-40 X 5/16 LG	SHEET 2	6
* -100	227610	. . . GEAR, BEVEL- 36 TEETH 32 DP 1.169 OD	SHEET 1	1
* -101	227623	. . . GEAR, SPUR- 33 TEETH 24 DP 1.453 OD	SHEET 1	1
* -102	227625	. . . PLATE-PRESS	SHEET 2	2
* -103	227633	. . . GUIDE-CARD FEED KNIFE	SHEET 2	2
* -104	227636	. . . SPRING-CARD FEED MAGAZINE	SHEET 2	2
* -105	227656	. . . CARRIER ASSEMBLY-CARD KNIFE	SHEET 2	1
* -106	227659	. . . BLOCK-PIVOT	SHEET 2	1
* -107	5400899	. . . BAR, CARD ALIGNING	SHEET 1	1
* -108	227669	. . . ROLL ASSEMBLY-RUBBER	SHEET 1	4
* -109	227681	. . . SHAFT ASSEMBLY-CARD FEED PUSHER	SHEET 1	1

LIST AND INDEX NUMBER	PART NUMBER	DESCRIPTION	UNITS PER ASM.	USABLE ON CODE
		STANDARD LENGTH CARD FEED ASSEMBLIES -CONT		
* 15 -11C	154	. . . PIN,TAPERED,PLAIN- 1/2 LG X NO. 4-0	SHEET 1	2
* -111	227679	. . . GEAR,SPUR- 18 TEETH 24 CP 0.813 OD	SHEET 1	2
* -112	227680	. . . PUSHER-SHAFT CARD FEED	SHEET 1	1
* -113	22782C	. . . SHAFT ASSEMBLY-CARD FEED ROLL	SHEET 1	2
* -114	29949	. . . PIN,TAPERED,PLAIN- 9/16 LG X NO. 4	SHEET 1	1
* -115	227624 □	. . . GEAR,SPUR- 19 TEETH	SHEET 1	1
* -116	227673 □	. . . SHAFT-FEED ROLL	SHEET 1	1
* -117	227945	. . . SCREW,SHLD-FH 5-40 X 3/8 LG	SHEET 1	1
* -118	228108	. . . SHAFT ASSEMBLY-CARD FEED CAM	SHEET 1	1
* -119	22867	. . . PIN,TAPERED,PLAIN- 7/8 LG X NO. 3	SHEET 1	2
* -12C	29930	. . . PIN,TAPERED,PLAIN- 1 LG X NO. 3	SHEET 1	1
* -121	227611 □	. . . SHAFT-CARD FEED CAM	SHEET 1	1
* -122	227634 □	. . . GEAR,SPUR- 38 TEETH	SHEET 1	1
* -123	227652 □	. . . CAM-CARD ALIGNER	SHEET 1	1
* -124	228460 □	. . . CAM AND INDEX ASM	SHEET 1	1
* -125	228457	. . . ROLLER-CARD FEED PUSHER	SHEET 1	2
* -126	300575	. . . BEARING-SHOE THRUST 0.140 OD NYLON	SHEET 1	2
* -127	301286	. . . ARM ASSEMBLY-CARD FEED OPERATING	SHEET 2	1
* -128	301288	. . . PLATE-CARD FEED OPERATING ARM	SHEET 2	1
* -129	308168	. . . PLATE ASSEMBLY-CARD FEED PUSHER	SHEET 1	1
* -130	309572	. . . STCP	SHEET 2	2
* -131	309788	. . . SPRING-PRESSURE RCLL	SHEET 1	2
* -132	309789	. . . ROLLER-PRESS	SHEET 2	4
* -133	309793	. . . TIE BAR-PRESS ROLL	SHEET 2	1
* -134	309792	. . . INSERT-PRESS RCLL TIE BAR	SHEET 2	2
* -135	309794	. . . SUPPCRT-ROLLER LEFT SIDE USED ON LEFT SIDE	SHEET 2	1
* -135	309795	. . . SUPPCRT-ROLLER RIGHT SIDE USED ON RIGHT SIDE	SHEET 2	1
* -137	30979C	. . . STUD	SHEET 2	2
* -138	309791	. . . BUSHING	SHEET 2	1
* -139	309852	. . . BLCK-THRGAT	SHEET 2	1
* -140	312054	. . . PCINTER-INDEX	SHEET 1	1
* -141	312077	. . . SPRING,HELICAL,TORSION-APPROX 1-7/8TURNS	SHEET 1	1
* -142	312083	. . . ARM ASSEMBLY-LATCHING PAWL ACTUATOR	SHEET 1	1
* -143	23096	. . . PIN,TAPERED,PLAIN- 1/2 LG X NO. 6	SHEET 1	2
* -144	312080 □	. . . ARM-ACTUATING CARD PUSHER	SHEET 1	1
* -145	312081 □	. . . PAWL ASSEMBLY-LATCHING	SHEET 1	1
* -146	312082 □	. . . SHAFT-LATCHING PAWL	SHEET 1	1
* -147	312089	. . . STUD-PUSHER LATCH	SHEET 1	1
* -148	312364	. . . BRACKET ASSEMBLY-SAFETY LATCH	SHEET 2	1
* -149	312366	. . . LATCH-SAFETY	SHEET 2	1
* -150	313448	. . . SPRING,HELICAL,TORSION- 4-1/2 TURNS	SHEET 2	1
* -151	31367C	. . . ROLLER-CARD PUSHER	SHEET 1	1
* -152	314238	. . . FCLLCWER-CARD ALIGNER ECCENTRIC	SHEET 1	1
* -153	340501	. . . STUD-PUSHER RCLL	SHEET 1	1
* -154	340535	. . . CASTING-CARD FEED PUSHER	SHEET 1	1
* -155	340576	. . . KNIFE AND STUB ASSEMBLY-CARD FEED	SHEET 2	2
* -156	704C	. . . SCREW,MACH-BIND HD 5-40 X 9/32 LG	SHEET 2	1
* -157	133580	. . . STUD-SPECIAL	SHEET 2	1
* -158	133594	. . . WASHER,FL-NC. 5 X 15/64 OD X 1/16 THK	SHEET 2	1
* -159	163899	. . . WASHER,LOCK-SPLIT NO. 6 X 0.255 OD	SHEET 2	1
* -160	340559	. . . KNIFE ASSEMBLY-CARD FEED	SHEET 2	1
* -161	362685	. . . PLATE,BACK-HCPPER	SHEET 1	1
* -162	734483	. . . SCREW,PAN HD- 6-32 X 0.380 LG	SHEET 1	2
* -163	5372233	. . . GUIDE, FEED HCPPER CARD	SHEET 2	1
* -164	5372324	. . . BRACKET-CCVER,SAFETY	SHEET 2	2

FOR PARTS
NOT SHOWN
SEE FIG. 14

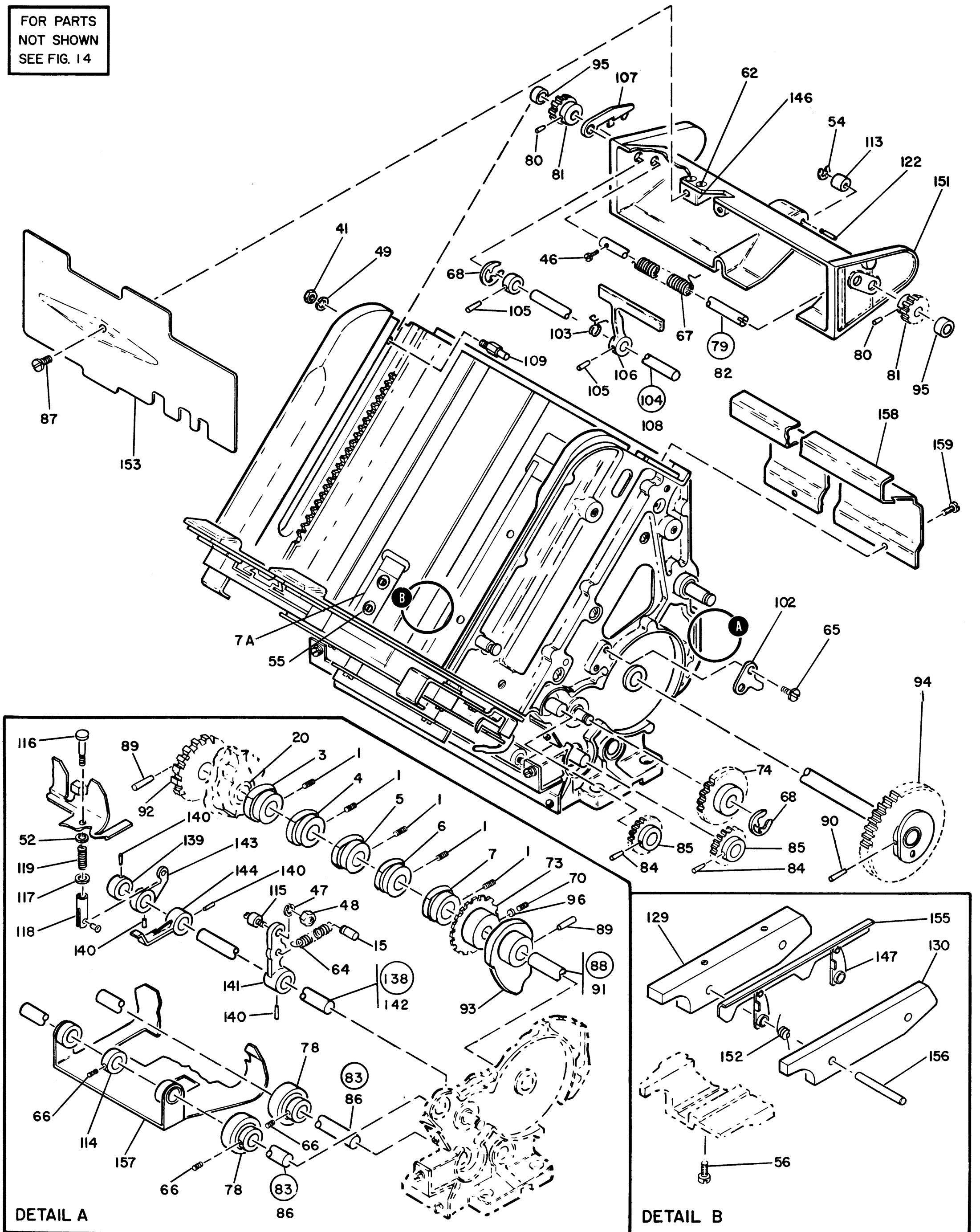


FIGURE 16. VARIABLE LENGTH CARD FEED ASSEMBLIES. SHEET 1 OF 2. SEE LIST 16.

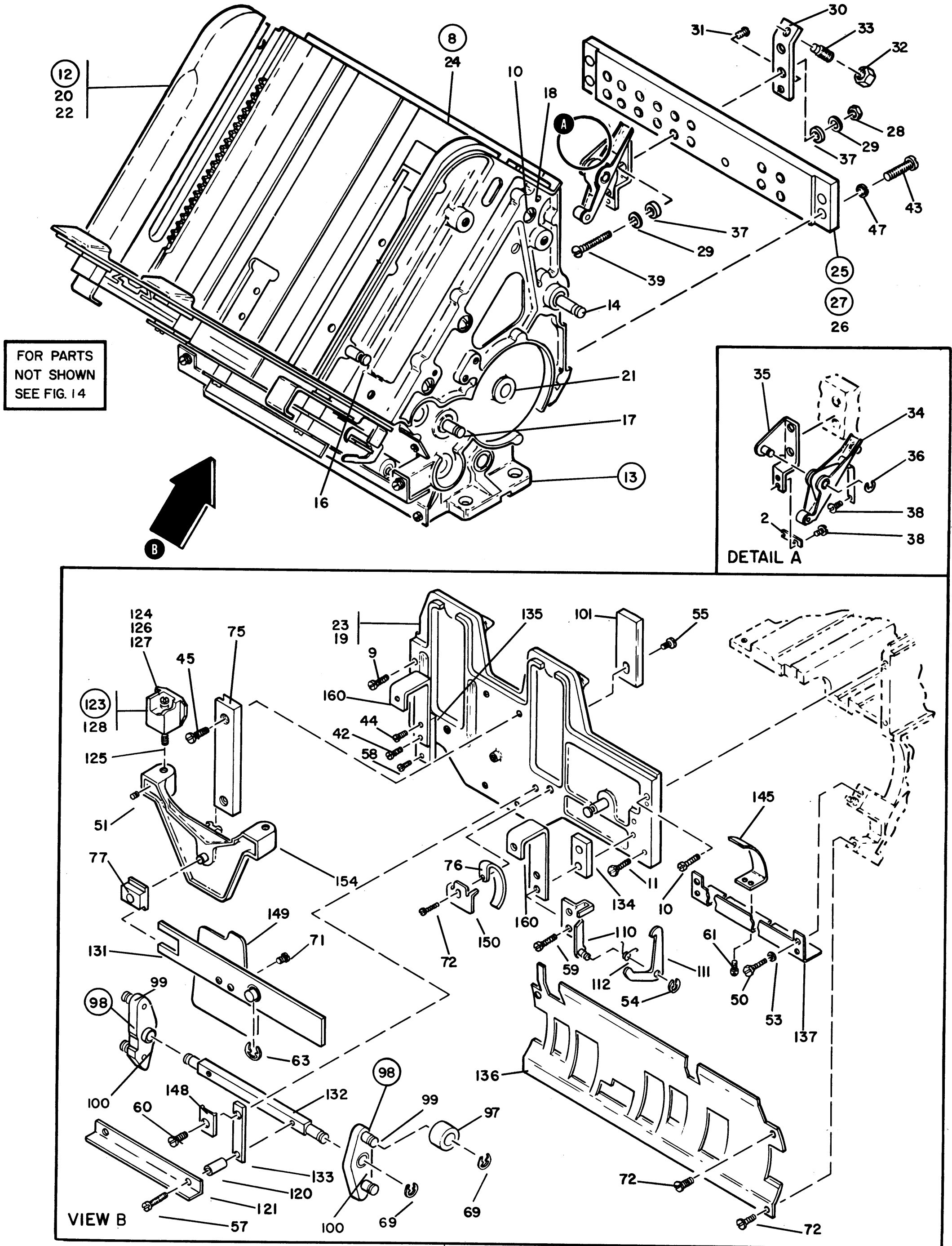


FIGURE 16. VARIABLE LENGTH CARD FEED ASSEMBLIES. SHEET 2 OF 2. SEE LIST 16.

LIST AND INDEX NUMBER	PART NUMBER	DESCRIPTION				UNITS PER ASM.	USABLE ON CODE
		1	2	3	4		
		VARIABLE LENGTH CARD FEED ASSEMBLY					
16 -	54C0876	CARD FEED ASSEMBLY, VLCD USED ON VLCD MODS A AND B AND WITH SELF CHECK FEATURE ON REED RELAY UNITS				REF	
-	54C6276	CARD FEED ASSEMBLY, VLCD USED ON VLCD MODS A AND B AND WITH SELF CHECK FEATURE ON WIRE CONT RELAY UNITS				REF	
-	54C1C15	CARD FEED ASSEMBLY, MOD C VLCD USED ON VLCD MOD C REED RELAY UNITS				REF	
-	54C6277	CARD FEED ASSEMBLY, MOD C VLCD USED ON VLCD MOD C WIRE CONT RELAY UNITS				REF	
-	54C4C42	CARD FEED ASSEMBLY, VLCD/HSS USED ON VLCD/HSS MODS A AND B AND WITH SELF CHECK FEATURE ON REED RELAY UNITS				REF	
-	54C6278	CARD FEED ASSEMBLY, VLCD- HSS USED ON VLCD/HSS MODS A AND B AND WITH SELF CHECK FEATURE ON WIRE CONT RELAY UN				REF	
-	54C4C43	CARD FEED ASSEMBLY, MOD C VLCD/HSS USED ON VLCD/HSS MOD C ON REED RELAY UN				REF	
-	54C6279	CARD FEED ASSEMBLY, MOD C VLCD- HSS USED ON VLCD/HSS MOD C ON WIRE CONTACT RELAY UNITS SEE FIGURE 14-1 FOR NEXT HIGHER ASSEMBLY AND FIGURE 16 FOR ILLUSTRATION				REF	
* - 1	75533	. SET SCREW .540 THK X 1/8 LG				SHEET 1	AR
* - 2	12C944	. JUMPER-TERMINAL BRASS				SHEET 1	AR
* - 3	3C9630	. CAM-CIRCUIT BREAKER USED ON VLCD RR ALL MODS, HSS ALL MODS				SHEET 1	1
* - 3	344181	. CAM-CIRCUIT BREAKER USED ON VLCD WCR ALL MODS, HSS ALL MODS USED IN POSITION 2				SHEET 1	1
* - 4	3C9631	. CAM-CIRCUIT BREAKER USED ON VLCD RR ALL MODS, HSS ALL MODS				SHEET 1	1
* - 4	315042	. CAM-CIRCUIT BREAKER USED ON VLCD WCR ALL MODS, HSS ALL MODS USED IN POSITION 3				SHEET 1	1
* - 5	3C9631	. CAM-CIRCUIT BREAKER USED ON VLCD RR ALL MODS, HSS ALL MODS				SHEET 1	1
* - 5	313807	. CAM-CIRCUIT BREAKER USED ON VLCD WCR ALL MODS, HSS ALL MODS USED IN POSITION 4				SHEET 1	1
* - 6	311384	. CAM-CIRCUIT BREAKER USED ON MODEL C ONLY USED IN POSITION 5				SHEET 1	1
* - 7	313807	. CAM-CIRCUIT BREAKER USED ON ALL HSS MODELS ONLY USED IN POSITION 6				SHEET 1	1
* - 7A	328780	. KNIFE, THRCAT				SHEET 1	1
* - 8	34C895	. FRAME ASSEMBLY, HCPPER				SHEET 2	1
* - 9	15C0	. . SCREW, MACH-FIL H 5-40 X 5/8 LG				SHEET 2	2
* - 10	2C31	. . SCREW, MACH-FIL H 8-32 X 5/8 LG				SHEET 2	7
* - 11	1133C5	. . SCREW, MACH-HEX HD 8-32 X 9/16 LG				SHEET 2	1
* - 12	227601	. . FRAME-CARD FEED LEFT SIDE				SHEET 2	1
* - 13	227602	. . FRAME-CARD FEED RIGHT SIDE				SHEET 2	1
* - 14	227613	. . . PIVCT, CAM FOLLOWER ARM				SHEET 2	1
* - 15	227615	. . . STUD, CARD ALIGNER SPRING				SHEET 1	1
* - 16	227637	. . . STUD, CAM FOLLOWER ARM SPRING				SHEET 2	1
* - 17	227614	. . STUD-IDLER GEAR PIVOT				SHEET 2	1
* - 18	311462	. . PIN, SPRING- 0.133 X 0.750 LG				SHEET 2	4
* - 19	311463	. . PIN, SPRING- 0.133 X 0.500 LG				SHEET 2	2
* - 20	314382	. . BEARING, SLEEVE- 0.356 ID X 0.565 OD BRZ				SHEET 1	2
* - 21	314383	. . BEARING, SLEEVE- 0.357 ID X 0.627 OD BRZ				SHEET 2	1
* - 22	314384	. . BEARING, SLEEVE- 0.294 ID X 0.565 OD BRZ				SHEET 2	6
* - 23	34C890	. . FRAME ASM, HCPPER FRONT				SHEET 2	1
* - 24	34C894	. . PLATE				SHEET 2	1
* - 25	54C4C37	. CIRCUIT BREAKER ASSEMBLY USED MODELS A AND B VLCD				SHEET 2	1
* - 25	54C423C	. CIRCUIT BREAKER ASSEMBLY USED ON MODEL C VLCD				SHEET 2	1
* - 25	54C4C48	. CIRCUIT BREAKER ASSEMBLY USED ON MODELS A AND B VLCD/HSS				SHEET 2	1
* - 25	54C4C51	. CIRCUIT BREAKER ASSEMBLY USED ON MODEL C VLCD/HSS				SHEET 2	1

LIST AND INDEX NUMBER	PART NUMBER	DESCRIPTION	UNITS PER ASM.	USABLE ON CODE
1	2	3	4	
		VARIABLE LENGTH CARD FEED ASSEMBLY -CONT		
* 16 - 26	313548	. . BAR-CIRCUIT BREAKER MOUNTING	SHEET 2	1
* - 27	5404030	. . CIRCUIT BREAKER GROUP	SHEET 2	3
* - 27	5404030	USED ON MCDS A AND B CIRCUIT BREAKER ASM . . CIRCUIT BREAKER GROUP	SHEET 2	4
* - 27	5404030	USED ON MCD C, MODS A AND B HSS, CIRCUIT BREAKER ASSEMBLY . . CIRCUIT BREAKER GROUP	SHEET 2	5
* - 28	7341	. . . NUT,PLAIN,HEX- 5-40 X 1/4 FL W	SHEET 2	2
* - 29	20038	. . . WASHER,FLAT-NC. 10 X 0.760 OD	SHEET 2	2
* - 30	24932	. . . HCLDER ASSEMBLY-POINT	SHEET 2	1
* - 31	118418	. . . SCREW,MACH-RH 5-40 X 5/32 LG	SHEET 2	1
* - 32	24933	USED ON POINT HOLDER ASSEMBLY . . . NUT,PLAIN,HEX- 1/4-40 X 3/8 FL W	SHEET 2	1
* - 33	24938	. . . SETSCREW-ADJ SLOT DR SPL 1/4-20 X 0.602	SHEET 2	1
* - 34	24961	. . . ARM ASSEMBLY-BREAKER	SHEET 2	1
* - 35	24969	. . . BRACKET ASSEMBLY-BREAKER ARM PIVOT	SHEET 2	1
* - 36	25282	. . . RING-RETAINING,EXT 0.125 ID X C.015 THK	SHEET 2	1
* - 37	100804	. . . INSULATOR WASH- 0.195 ID 3/8 OD 1/16 THK	SHEET 2	4
* - 38	118418	. . . SCREW,MACH-RH 5-40 X 5/32 LG	SHEET 2	2
* - 39	173209	. . . SCREW,MACH-RD WASHER HD 5-40 X 29/32 LG	SHEET 2	2
* - 40	5404299	NP . . HARDWARE GP, VLCC CARD FEED		
* - 41	221	. . NUT,PLAIN,HEX- 10-32 X 5/16 FL W	SHEET 1	1
* - 42	845	. . SCREW,MACH-FIL H 8-32 X 1/2 LG	SHEET 2	1
* - 43	2031	. . SCREW,MACH-FIL H 8-32 X 5/8 LG	SHEET 2	4
* - 44	2300	. . SCREW,MACH-FIL F 8-32 X 1/4 LG	SHEET 2	2
* - 45	2629	. . SCREW,MACH-FIL H 5-40 X 3/8 LG	SHEET 2	4
* - 46	2650	. . SCREW,MACH-FIL H 3-48 X 1/4 LG	SHEET 1	1
* - 47	6318	. . WASHER,LOCK-SPLIT NO. 8 X 0.280 OD	SHEET 1	5
* - 48	6503	. . NUT,PLAIN,HEX- 8-32 X 1/4 FL W	SHEET 1	1
* - 49	9092	. . WASHER-LOCK,SPLIT RING, .194 ID .3370D	SHEET 1	2
* - 50	12954	. . SCREW,MACH-HEX HD 8-32 X 1/2 LG	SHEET 2	2
* - 51	19958	. . SETSCREW-SPLINE DR FP 5-40 X 5/16 LG	SHEET 2	2
* - 52	22066	. . WASHER,FL- 0.140 ID 0.281 OD 0.025 THK	SHEET 1	1
* - 53	24511	. . WASHER,FL-NC. 8 X 5/16 OD X 1/32 THK	SHEET 2	2
* - 54	25282	. . RING-RETAINING,EXT 0.125 ID X 0.015 THK	SHEET 1	2
* - 55	29579	. . SCREW,MACH-BIND HD 10-32 X 1/4 LG	SHEET 1	3
* - 56	38354	. . SCREW,MACH-FIL F 6-32 X 1/2 LG	SHEET 1	4
* - 57	38361	. . SCREW,MACH-FIL H 6-32 X 1 LG	SHEET 2	2
* - 58	38368	. . SCREW,FILISTER HEAD .156 X .4375	SHEET 2	1
* - 59	38370	. . SCREW,MACH-FIL H 8-32 X 9/16 LG	SHEET 2	2
* - 60	38381	. . SCREW,MACH-FIL F 10-32 X 5/16 LG	SHEET 2	4
* - 61	38432	. . SCREW,MACH-FH 4-40 X 3/16 LG	SHEET 2	4
* - 62	38443	. . SCREW,MACH-FL CSK HD 6-32 X 5/16 LG	SHEET 1	2
* - 63	60488	. . CLIP-SPRING	SHEET 2	1
* - 64	79593	. . SPRING,HELICAL,EXTENSION- 48 TURNS	SHEET 1	1
* - 65	120044	. . SCREW,MACH-BIND HD 5-40 X 3/8 LG	SHEET 1	2
* - 66	123639	. . SETSCREW-SPLINE DR FP 8-32 X 1/8 LG	SHEET 1	16
* - 67	126853	. . SPRING,HELICAL,EXTENSION- 119 TURNS	SHEET 1	1
* - 68	139766	. . RING,RETAINING-EXT 0.281 ID X 0.020 THK	SHEET 1	2
* - 69	147297	. . RING,RETAINING-EXT 0.094 ID X 0.020 THK	SHEET 2	6
* - 70	176246	. . SETSCREW-SPLINE DR CUP PT 10-32 X 1/4 LG	SHEET 1	2
* - 71	186636	. . SCREW,MACH-BIND HD 5-40 X 1/8 LG	SHEET 2	2
* - 72	196698	. . SCREW,MACH-BIND FC 5-40 X 5/16 LG	SHEET 2	5
* - 73	227610	. . GEAR,BEVEL- 36 TEETH 32 DP 1.169 OD	SHEET 1	1
* - 74	227623	. . GEAR,SPUR- 33 TEETH 24 DP 1.453 OD	SHEET 1	1
* - 75	227633	. . GUIDE-CARD FEED KNIFE	SHEET 2	2
* - 76	227636	. . SPRING-CARD FEED MAGAZINE	SHEET 2	2
* - 77	227659	. . BLOCK-PIVCT	SHEET 2	1
* - 78	227669	. . ROLL ASSEMBLY-RUBBER	SHEET 1	4
* - 79	227681	. . SHAFT ASSEMBLY-CARD FEED PUSHER	SHEET 1	1
* - 80	154	. . . PIN,TAPERED,PLAIN- 1/2 LG X NO. 4-C	SHEET 1	2
* - 81	227679	. . . GEAR,SPUR- 18 TEETH 24 DP 0.813 OD	SHEET 1	2
* - 82	227680	. . . PUSHER-SHAFT CARD FEED	SHEET 1	1
* - 83	227820	. . SHAFT ASSEMBLY-CARD FEED ROLL	SHEET 1	2
* - 84	29949	. . . PIN,TAPERED,PLAIN- 9/16 LG X NO. 4	SHEET 1	1
* - 85	227624	□ . . . GEAR,SPUR- 19 TEETH 24 DP		1
* - 86	227673	□ . . . SHAFT-FEED ROLL		1
* - 87	227945	. . SCREW,SHLD-FH 5-40 X 3/8 LG	SHEET 1	1
* - 88	228108	. . SHAFT ASSEMBLY-CARD FEED CAM	SHEET 1	1
* - 89	22867	. . . PIN,TAPERED,PLAIN- 7/8 LG X NO. 3	SHEET 1	2
* - 90	29930	. . . PIN,TAPERED,PLAIN- 1 LG X NO. 3	SHEET 1	1

LIST AND INDEX NUMBER	PART NUMBER	DESCRIPTION	UNITS PER ASM.	USABLE ON CODE
		VARIABLE LENGTH CARC FEED ASSEMBLY -CONT		
* 16 - 91	227611 □	. . . SHAFT-CARD FEED CAM	SHEET 1	1
* - 92	227634 □	. . . GEAR, SPUR- 38 TEETH	SHEET 1	1
* - 93	227652 □	. . . CAM CARD ALIGNER	SHEET 1	1
* - 94	228460 □	. . . CAM AND INDEX ASM	SHEET 1	1
* - 95	228457	. . . ROLLER-CARD FEED PUSHER	SHEET 1	2
* - 96	300575	. . BEARING-SHOE THRUST 0.140 OD NYLON	SHEET 1	2
* - 97	309789	. . ROLLER-PRESS	SHEET 2	4
* - 98	309794	. . SUPPORT-ROLLER LEFT SIDE	SHEET 2	1
* - 98	309795	USED ON LEFT SIDE . . SUPPRT-ROLLER RIGHT SIDE USED ON RIGHT SIDE	SHEET 2	1
* - 99	309790	. . STUD	SHEET 2	2
* -100	309791	. . BUSHING	SHEET 2	1
* -101	309852	. . BLOCK-THROAT	SHEET 2	1
* -102	312054	. . POINTER-INDEX	SHEET 1	1
* -103	312077	. . SPRING, HELICAL, TORSION-APPROX 1-7/8 TURNS	SHEET 1	1
* -104	312083	. . ARM ASSEMBLY-LATCHING PAWL ACTUATOR	SHEET 1	1
* -105	23096	. . . PIN, TAPERED, PLAIN- 1/2 LG X NO. 6	SHEET 1	2
* -106	312080 □	. . . ARM-ACTUATING CARD PUSHER	SHEET 1	1
* -107	312081 □	. . . PAWL ASM-LATCHING	SHEET 1	1
* -108	312082 □	. . . SHAFT-LATCHING PAWL	SHEET 1	1
* -109	312089	. . STUD-PUSHER LATCH	SHEET 1	1
* -110	312364	. . BRACKET ASSEMBLY-SAFETY LATCH	SHEET 2	1
* -111	312366	. . LATCH-SAFETY	SHEET 2	1
* -112	313448	. . SPRING, HELICAL, TORSION- 4-1/2 TURNS	SHEET 2	1
* -113	313670	. . ROLLER-CARD PUSHER	SHEET 1	1
* -114	313694	. . COLLAR SHAFT ASSEMBLY	SHEET 1	4
* -115	314238	. . FOLLOWER-CARD ALIGNER ECCENTRIC	SHEET 1	1
* -116	327123	. . PIN, ADJUSTING-CARD LIFTER	SHEET 1	1
* -117	327124	. . LOCKNUT, DIAMCNC KNURL-2-64 NF 2B X.266	SHEET 1	1
* -118	327125	. . LINK ASM, CLEVIS ADJUSTING	SHEET 1	1
* -119	327126	. . SPRING, COMPRESSION-.185 OD X.716 LG	SHEET 1	1
* -120	327134	. . SPACER	SHEET 2	2
* -121	327135	. . BAR, TIE	SHEET 2	1
* -122	340501	. . STUD-PUSHER ROLL	SHEET 1	1
* -123	340576	. . KNIFE AND STUB ASSEMBLY-CARD FEED	SHEET 2	2
* -124	7040	. . . SCREW, MACH-BIND HD 5-40 X 9/32 LG	SHEET 2	1
* -125	133580	. . . STUD-SPECIAL	SHEET 2	1
* -126	133594	. . . WASHER, FL-NO. 5 X 15/64 OD X 1/16 THK	SHEET 2	1
* -127	163899	. . . WASHER, LOCK-SPLIT NO. 6 X 0.255 OD	SHEET 2	1
* -128	340559	. . . KNIFE ASSEMBLY-CARD FEED	SHEET 2	1
* -129	340735	. . . SEPARATOR, HOPPER BED-WIDE	SHEET 1	1
* -130	340736	. . . SEPARATOR, HOPPER BED-NARROW	SHEET 1	1
* -131	340785	. . . ARM ASM, FEED KNIFE SIDE OPERATING	SHEET 2	1
* -132	340797	. . . BAR, PRESSURE ROLL TIE	SHEET 2	1
* -133	340801	. . . SPRING, PRESSURE ROLL	SHEET 2	1
* -134	340802	. . . SPACER, COVER LATCH PLATE	SHEET 2	1
* -135	340803	. . . SPACER, COVER LATCH PLATE	SHEET 2	1
* -136	340811	. . . GUIDE, HOPPER PRESSURE ROLL CARD	SHEET 2	1
* -137	5422329	. . . RAIL, DETAIL STATION CARC	SHEET 2	1
* -138	340830	. . . SHAFT ASM, CARD ALIGNER	SHEET 1	1
* -139	24596 □	. . . COLLAR- 0.313 ID X 0.562 OD	SHEET 1	1
* -140	29949	. . . PIN, TAPERED, PLAIN- 9/16 LG X NO. 4	SHEET 1	6
* -141	227617 □	. . . ARM-CARD ALIGNER FOLLOWER	SHEET 1	1
* -142	227651 □	. . . SHAFT-CARD ALIGNER	SHEET 1	1
* -143	327117 □	. . . LINK ASM, CARD LIFTER	SHEET 1	1
* -144	381411 □	. . . CARD ALIGNER	SHEET 1	3
* -145	340837	. . . GUIDE, ALIGNING RAIL CARD	SHEET 2	2
* -146	340846	. . . BLOCK, PUSHER PLATE	SHEET 1	1
* -147	340872	. . . SPACER	SHEET 1	1
* -148	340877	. . . CLIP-HOPPER PRESSURE ROLL SPRING	SHEET 2	2
* -149	340878	. . . PLATE, OPERATING ARM	SHEET 2	1
* -150	340879	. . . STOP, KNIFE CARRIER	SHEET 2	2
* -151	340891	. . . PUSHER, CARD FEED	SHEET 1	1
* -152	340892	. . . SPRING	SHEET 1	3
* -153	340975	. . . PLATE ASM, HOPPER PUSHER	SHEET 1	1
* -154	340980	. . . CARRIER ASM, CARD KNIFE	SHEET 2	1
* -155	340990	. . . GUIDE ASM, HOPPER CARD	SHEET 1	3
* -156	341214	. . . SHAFT, HOPPER GUIDE	SHEET 1	2
* -157	342538	. . . FINGER, CARD LIFTER	SHEET 1	1
* -158	362685	. . . PLATE, BACK-HOPPER	SHEET 1	1
* -159	734483	. . . SCREW, PAN HD- 6-32 X 0.380 LG	SHEET 1	2
* -160	5372324	. . . BRACKET-CCVER, SAFETY	SHEET 2	2

LIST AND INDEX NUMBER	PART NUMBER	DESCRIPTION	UNITS PER ASM.	USABLE ON CODE
		1 2 3 4		
		STANDARD AND FEATURE STACKER ASSEMBLIES		
17 -		CCDE A-USED CN STANDARD AND INTERSPERSED GANG PUNCH STACKER ASSEMBLIES		
		CCDE B-USED CN HIGH SPEED SKIP STACKER ASSEMBLY		
		CCDE C-USED CN VARIABLE LENGTH CARD DEVICE STACKER ASSEMBLY		
		CCDE D-USED CN VARIABLE LENGTH CARD DEVICE WITH HIGH SPEED SKIP STACKER ASM		
-	5372249	STACKER ASM, STD AND IGP	REF	A
-	5401025	STACKER ASM, HIGH SPEED SKIP	REF	B
-	5401022	STACKER ASM, VARIABLE LENGTH CARD DEVICE	REF	C
-	5401023	STACKER ASM, VLCC/HSS	REF	D
		SEE FIGURE 13-2 AND 14-2 FOR NEXT HIGHER ASSEMBLY AND FIGURE 17 FOR ILLUSTRATION		
* - 1	75533	. SET SCREW .540 THK X 1/8 LG	AR	
- 2	227960	. CAM-CARD PUSHER	1	A
- 2	227960	. CAM-CARD PUSHER	1	B
- 2	345032	. CAM, CARD PUSHER	1	C
- 2	345032	. CAM, CARD PUSHER	1	D
- 3	227985	. SHAFT ASM, STACKER DRUM	1	A
- 3	227985	. SHAFT ASM, STACKER DRUM	1	D
- 3	263980	. SHAFT ASM, STACKER DRUM	1	B
- 3	263980	. SHAFT ASM, STACKER DRUM	1	C
- 4	29980	. . PIN, TAPERED, PLAIN 11/16 LG X NO. 3-0	1	
* - 5	150542 □	. . SHAFT-REEL LOCK USED CN STD, IGP AND VLCC/HSS STACKER DRUM SHAFT ASSEMBLY	1	
* - 5	263979 □	. . SHAFT-DRUM USED CN HSS AND VLCC STACKER DRUM SHAFT ASSEMBLY	1	
- 6	151231	. . PIN, TAPERED, PLAIN- 3/4 LG X NO. 3-0	2	
* - 7	227959 □	. . GEAR, SPUR- 38 TEETH	1	
* - 8	227961 □	. . DRUM ASM-STACKER	2	
- 9	227986	. SHAFT ASM, CAM FOLLOWER LEVER	1	
- 10	139472	. . PIN, TAPERED, PLAIN- 3/4 LG X NO. 4-0	2	
* - 11	227966 □	. . LEVER ASSEMBLY-CAM FOLLOWER	1	
* - 12	227971 □	. . LEVER ASSEMBLY-CARD PUSHER	1	
* - 13	227984 □	. . SHAFT-CARD PUSHER	1	
- 14	309799	. SHAFT ASM, CARD PUSHER LEVER	1	
- 15	139472	. . PIN, TAPERED, PLAIN- 3/4 LG X NO. 4-0	3	
* - 16	227976 □	. . SHAFT-CARD PUSHER	1	
* - 17	227979 □	. . ARM ASSEMBLY-CARD PUSHER	1	
* - 18	309798 □	. . LEVER-CARD PUSHER	2	
- 19	311649	. GUIDE AND BUSHING ASM-TRAVELING CARD	1	A
- 19	311649	. GUIDE AND BUSHING ASM-TRAVELING CARD	1	D
- 19	311648	. GUIDE AND BUSHING ASM, TRAVELING CARD	1	B
- 19	311648	. GUIDE AND BUSHING ASM, TRAVELING CARD	1	C
- 20	227951	. . BEARING, SLEEVE- 0.314 ID X 0.565 OD BRZ	2	

LIST AND INDEX NUMBER	PART NUMBER	DESCRIPTION	UNITS PER ASM.	USABLE ON CODE
		1 2 3 4		
		STANDARD AND FEATURE STACKER ASSEMBLIES -CONT		
17 - 21	227983	. . . GUIDE-TRAVELING CARD	1	
- 21	340896	USED ON STD, IGP AND VLCD/HSS TRAVELING CARD GUIDE AND BUSHING ASSEMBLY . . . GUIDE, TRAVEL CARD	1	
- 22	345284	USED ON HSS AND VLCD TRAVELING CARD GUIDE AND BUSHING ASSEMBLY . CAM, AUX EJECT	1	B
- 22	345284	. CAM, AUX EJECT	1	C
- 23	5393310 NP	. STACKER ARM MECH GRUP	1	
- 24	337	. . . SCREW, MACH-FIL H 8-32 X 3/8 LG	8	
- 25	9092	. . . WASHER-LOCK, SPLIT RING, .194 ID .337OD	1	
- 26	11598	. . . NUT PLAIN HEX 10/32	1	
- 27	22066	. . . WASHER, FL- 0.140 ID 0.281 OD 0.025 THK	3	
- 29	25282	. . . RING-RETAINING, EXT 0.125 ID X 0.015 THK	2	
- 31	60489	. . . CLIP-SPRING	4	
- 32	60646	. . . WASHER, LOCK-INT TEETH NO. 8 X 0.340 OD	8	
- 33	108375	. . . SCREW, MACH-HEX HC 5-40 X 7/16 LG	3	
- 34	110267	. . . SPRING, HELICAL, EXTENSION- 30.5 TURNS	2	
- 35	139766	. . . RING, RETAINING-EXT 0.281 ID X 0.020 THK	1	
- 36	150521	. . . SPRING, HELICAL, EXTENSION- 30.5 TURNS	1	
- 37	163899	. . . WASHER, LOCK-SPLIT NO. 6 X 0.255 OD	3	
- 38	183864	. . . SPRING, HELICAL, EXTENSION- 68 TURNS	1	
- 39	183866	. . . SPRING, HELICAL, EXTENSION- 16-1/2 TURNS	1	
- 40	196299	. . . SCREW, MACH-BINC HC 5-40 X 1/2 LG	4	
- 41	227526	. . . STACKER-CARD GRIPPER	2	
- 42	227952	. . . BLOCK-CARD GRIPPER PIVOT	2	
- 43	227953	. . . CAM-CARD GRIPPER	4	
- 44	227954	. . . STUD-STACKER IDLER GEAR	1	
- 45	227955	. . . GEAR, SPUR- 42 TEETH 24 CP 1.829 OD	1	
- 46	227963	. . . SHAFT-TRAVELING CARD GUIDE LINK	1	
- 47	227967	. . . ROLLER-CAM	1	
- 48	227974	. . . SPACER, SLV- 5/16 ID X 5/16 OD X 1.245 LG	1	
- 49	310873	. . . BLOCK-COVER	1	
- 49A	5372238	. . . GUIDE-LINK TRAVELING CARD	1	
- 50	5372243	. . . BUSHING-PIVOT	1	
- 51	5372280	. . . FRAME AND BUSHING ASSEMBLY-STACKER UNIT	1	
- 52	167400	. . . BEARING, SLEEVE- 0.3765 ID X 0.5655 OD	2	
- 53	369421	. . . BEARING, SLEEVE	4	
- 54	5372234	. . . FRAME-STACKER, UNIT CARD REVERSE	1	
- 55	5404407	. . . BUMPER, STACKER	1	

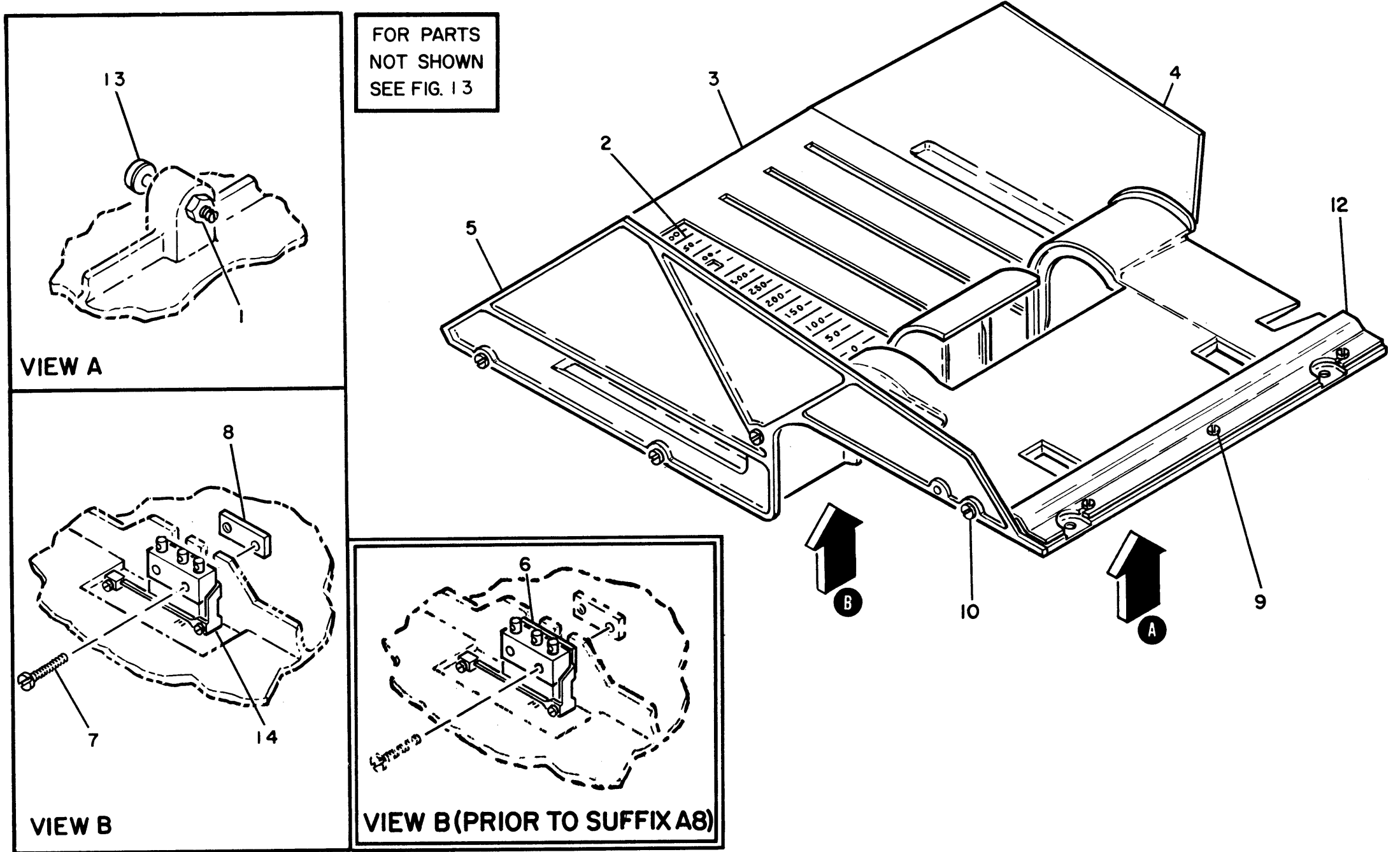


FIGURE 18. STACKER BED PLATE ASSEMBLY. SEE LIST 18.

LIST AND INDEX NUMBER	PART NUMBER	DESCRIPTION				UNITS PER ASM.	USABLE ON CODE
		1	2	3	4		
		STACKER BED PLATE ASSEMBLY					
18 -	5372289	BED PLATE ASSEMBLY, STACKER SEE FIGURE 13-118 FOR NEXT HIGHER ASSEMBLY AND FIGURE 18 FOR ILLUSTRATION				REF	
- 1	257189	• NUT, HEX 8-32				1	
- 2	362842	• SCALE, INDICATING-STACKER				1	
- 3	381732	• BED PLATE, STACKER				1	
- 4	381733	• PLATE-SIDE STACKER, RIGHT				1	
- 5	381734	• PLATE-SIDE STACKER, LEFT				1	
* - 6	381861	• SPACER-STACKER SWITCH USED PRIOR TO SUFFIX A8				1	
- 7	438544	• SCREW, BD HD MACH- 2-56 X 3/4 LG				2	
- 8	535169	• PLATE-SWITCH ADJUSTING				1	
- 9	731631	• SCREW, PAN HD- 4-40 X 1/4 LG				3	
- 10	734483	• SCREW, PAN HD- 6-32 X 0.380 LG				7	
- 12	5367304	• GUIDE-CARD STACKER				1	
- 13	5372237	• BUMPER-CBM CARD GUIDE				1	
- 14	5404377	• SWITCH, PRECISION				3	

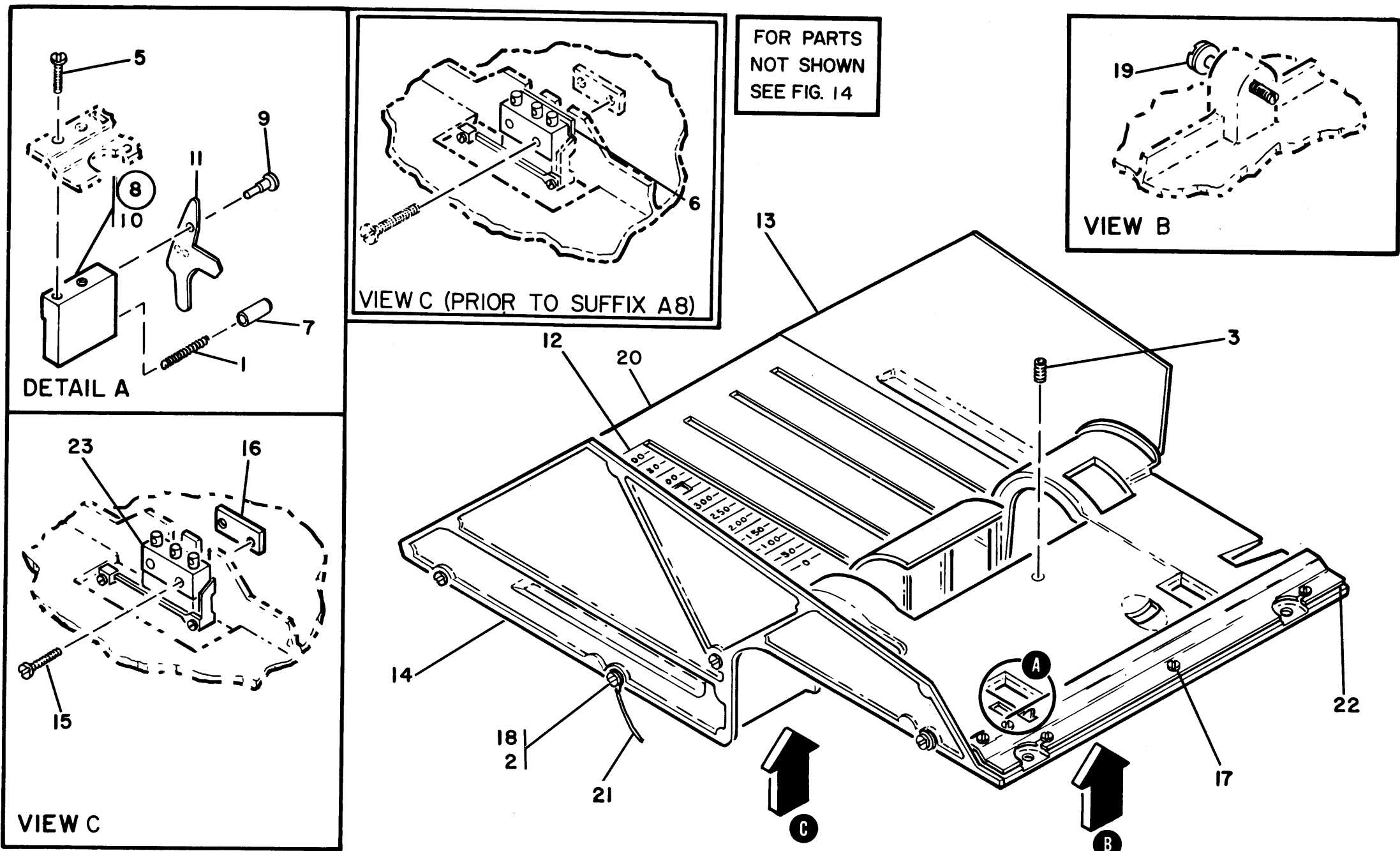


FIGURE 19. VLCD STACKER BED PLATE ASSEMBLY. SEE LIST 19.

LIST AND INDEX NUMBER	PART NUMBER	DESCRIPTION				UNITS PER ASM.	USABLE ON CODE
		1	2	3	4		
		VLCD STACKER BED PLATE ASSEMBLY					
19 -	5373544	BED PLATE ASM, VLCD STACKER SEE FIGURE 14-173 FOR NEXT HIGHER ASSEMBLY AND FIGURE 19 FOR ILLUSTRATION				REF	
- 1	16558	• SPRING				1	
- 2	56722	• WASHER-LCCK, EXT T, .150 ID				1	
- 3	75533	• SET SCREW .540 THK X 1/8 LG				1	
- 5	196299	• SCREW, MACH-BIND HD 5-40 X 1/2 LG				2	
- 6	381861	• SPACER-STACKER SWITCH USED PRIOR TO SUFFIX A8				1	
- 7	340772	• DETENT, EJECT STOP				1	
- 8	345158	• STOP ASM, EJECT STATION CARD				1	
- 9	340882	• STUD, PIVCT				1	
- 10	340884	• BLCK, EJECT STATION CARD				1	
- 11	345159	• STOP, EJECT STATION				1	
- 12	362842	• SCALE, INDICATING-STACKER				1	
- 13	381733	• PLATE-SIDE STACKER, RIGHT				1	
- 14	381734	• PLATE-SIDE STACKER, LEFT				1	
- 15	438544	• SCREW, BD HD MACH- 2-56 X 3/4 LG				2	
- 16	535169	• PLATE-SWITCH ADJUSTING				1	
- 17	731631	• SCREW, PAN HD- 4-40 X 1/4 LG				3	
- 18	734483	• SCREW, PAN HD- 6-32 X 0.380 LG				7	
- 19	5372237	• BUMPER-CBM CARD GUIDE				1	
- 20	5373574	• PLATE, BED				1	
- 21	5393273	• JUMPER ASSEMBLY SEE FIGURE 54-25 AND 25A FOR COMPONENT PARTS				1	
- 22	5400877	• GUIDE, BOTTOM CARD				1	
- 23	5404377	• SWITCH, PRECISION				1	

FOR PARTS
NOT SHOWN
SEE FIG. 13, 14

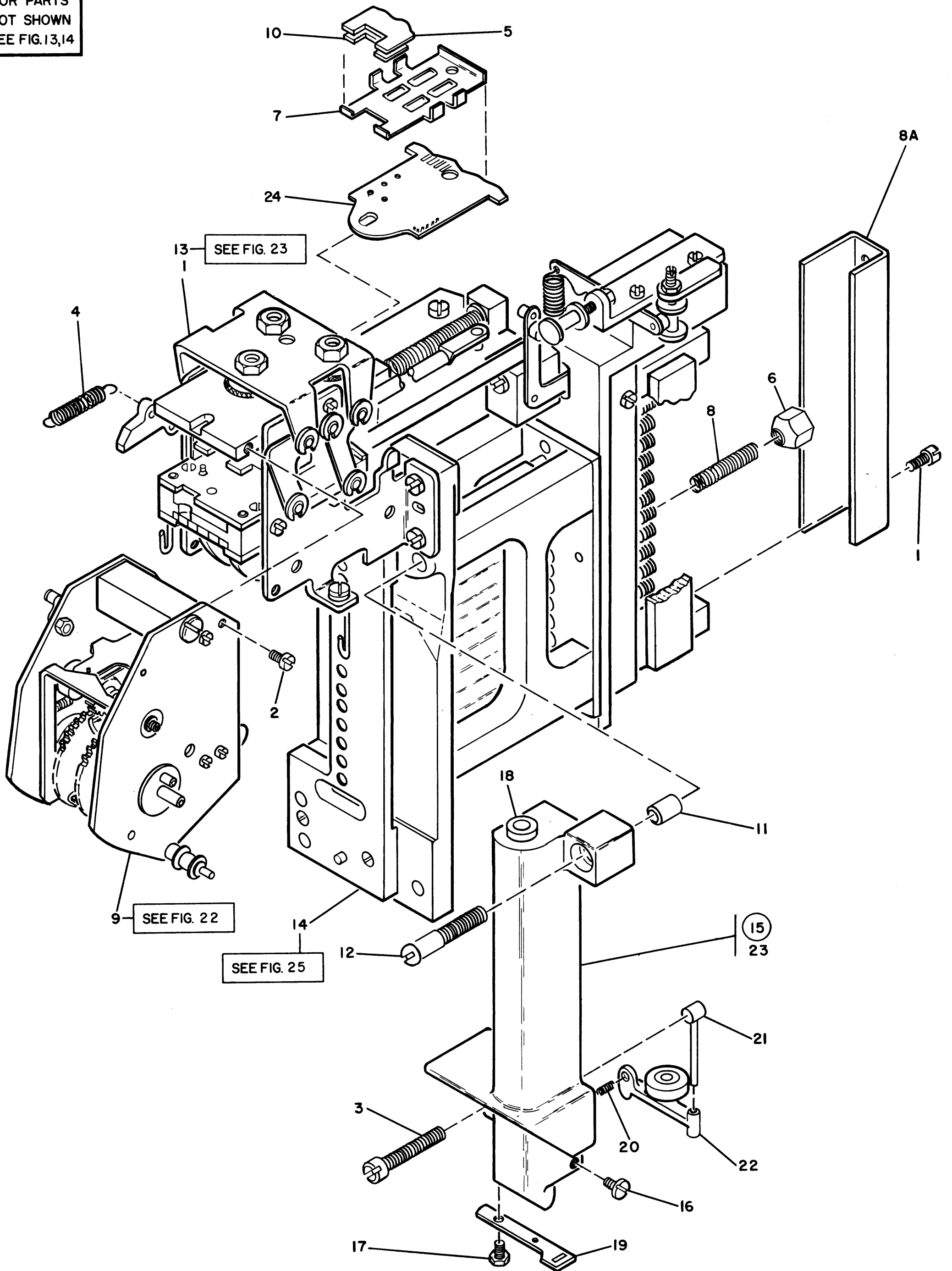


FIGURE 20. RIBBON PRINT INTERPOSER ASSEMBLY. SEE LIST 20.

LIST AND INDEX NUMBER	PART NUMBER	DESCRIPTION				UNITS PER ASM.	USABLE ON CODE
		1	2	3	4		
		RIBBON PRINT INTERPOSER ASSEMBLY					
* 2C -	5372350	INTERPOSER ASSEMBLY, RIBBON PRINT SEE FIGURE 13-373 AND 14-447 FOR NEXT HIGHER ASSEMBLY AND FIGURE 20 FOR ILLUSTRATION				REF	
- 1	2300	. SCREW, MACH-FIL H 8-32 X 1/4 LG				6	
- 2	2650	. SCREW, MACH-FIL H 3-48 X 1/4 LG				4	
- 3	38392	. SCREW, MACH-FIL H 10-32 X 1-1/4 LG				1	
* - 4	141404	. SPRING, HELICAL, EXTENSION- 16.5 TURNS USED ON COMMON PRINT HARDWARE GROUP 13-383 AND 14-457				REF	
- 5	228296	. SHIM				AR	
- 6	228388	. NUT-SPECIAL 3-48 X 3/16 FL W				12	
- 7	228402	. HOLDER-PRESS PLATE SHIM				1	
- 8	228410	. SPRING, HELICAL, COMP- 21.4 TURNS				12	
- 8A	228413	. COVER-PCS FRAME				1	
- 9	228450	. FEED UNIT ASSEMBLY-RIBBON				1	
- 10	305243	SEE FIGURE 22 FOR DETAIL BREAKDOWN				5	
- 11	310107	. SHIM				1	
- 12	310111	. BUSHING-DIE AND GUIDE MTG				1	
- 13	5372345	. SCREW, SHLD-RH 10-32 X 0.818 LG				1	
- 14	5372349	. PRINT UNIT ASSEMBLY SEE FIGURE 23 FOR DETAIL BREAKDOWN				1	
- 15	5373606	. INTERPOSER ASSEMBLY-PUNCH DIE AND SEE FIGURE 25 FOR DETAIL BREAKDOWN				1	
- 16	10476	. TUBE ASSEMBLY, CHIP				1	
- 17	325624	. . SCREW, MACH-FH 5-40 X 0.190 LG				1	
- 18	228280 □	. . SCREW, PUSH ROD GUIDE PLATE				1	
- 19	312321	. . BEARING, SLEEVE				1	
- 20	313986	. . PLATE-PRESS WHL				1	
- 21	369255	. . SPRING, HELICAL-COMP				1	
- 22	369257	. . SHAFT ASSEMBLY-PRESS ROLL				1	
- 23	5373604	. . BEARING AND LEVER ASM-RH PRESSURE ROLL				1	
- 24	5372327	. . TUBE, CHIP				1	
- 24	5372328	. PLATE-PRINTING CODE E A				AR	
- 24	5372329	. PLATE-PRINTING CODE E B				AR	
- 24	5372330	. PLATE-PRINTING CODE E C				AR	
- 24	5372331	. PLATE-PRINTING CODE E D				AR	
- 24	5372332	. PLATE-PRINTING CODE E E				AR	
- 24	5372333	. PLATE-PRINTING CODE E F				AR	
- 24	5372334	. PLATE-PRINTING CODE E G				AR	
- 24	5372335	. PLATE-PRINTING CODE E H				AR	
- 24	5372336	. PLATE-PRINTING CODE E J				AR	
- 24	5372337	. PLATE-PRINTING CODE E K				AR	
* - 24	5404164	. PLATE-PRINTING CODE E L SEE FIGURE 20 FOR ILLUSTRATION				AR	
		. CODE PLATE USED WITH SPANISH N FEATURE SEE FIGURE 5-168 FOR NEXT HIGHER ASSEMBLY				AR	

FOR PARTS
NOT SHOWN
SEE FIG. 13, 14

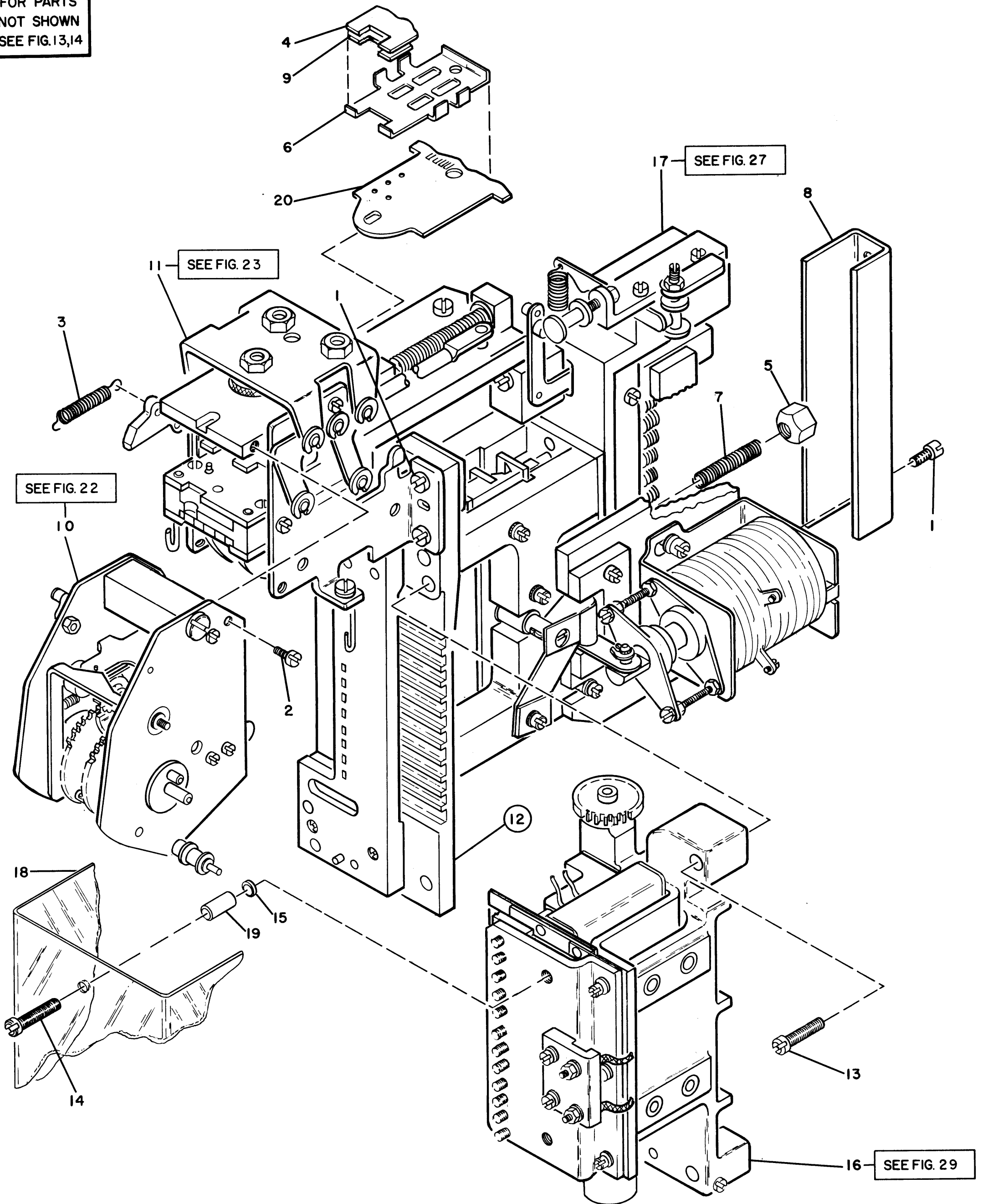


FIGURE 21. INTERPRETER INTERPOSER ASSEMBLY. SEE LIST 21.

LIST AND INDEX NUMBER	PART NUMBER	DESCRIPTION	UNITS PER ASM.	USABLE ON CODE
		INTERPRETER INTERPOSER ASSEMBLY		
* 21 -	54C1003	INTERPOSER ASSEMBLY, RIBBON PRINT SEE FIGURE 13-373 AND 14-447 FOR NEXT HIGHER ASSEMBLY AND FIGURE 21 FOR ILLUSTRATION	REF	
- 1	2300	• SCREW, MACH-FIL H 8-32 X 1/4 LG	6	
- 2	2650	• SCREW, MACH-FIL H 3-48 X 1/4 LG	4	
- 3	141404	• SPRING, HELICAL, EXTENSION- 16.5 TURNS USED ON COMMON PRINT HARDWARE GROUP SEE FIGURE 13-383 AND 14-457	REF	
- 4	228296	• SHIM	AR	
- 5	228388	• NUT-SPECIAL 3-48 X 3/16 FL W	12	
- 6	228402	• HOLDER-PRESS PLATE SHIM	1	
- 7	228410	• SPRING, HELICAL, COMPR- 21.4 TURNS	12	
- 8	228413	• COVER-PCS FRAME	1	
- 9	305243	• SHIM	AR	
- 10	338648	• FEED UNIT ASM, RIBBON	1	
- 11	5400895	SEE FIGURE 22 FOR DETAIL BREAKDOWN • PRINT UNIT ASSEMBLY SEE FIGURE 23 FOR DETAIL BREAKDOWN	1	
- 12	5401005	• INTERPOSER ASSEMBLY, INTERPRETER	1	
- 13	38392	• SCREW, MACH-FIL H 10-32 X 1-1/4 LG	2	
- 14	58207	• SCREW, BD HD MACH-8-32 NC-2A X .250 LG	2	
- 15	1090058	• WASHER	2	
- 16	5401001 □	• SENSING ASSEMBLY, CARD SEE FIGURE 29 FOR DETAIL BREAKDOWN	1	
- 17	5401004	• PUNCH ASSEMBLY, INTERPOSER AND SEE FIGURE 27 FOR DETAIL BREAKDOWN	1	
- 18	5404152	• COVER, SAFETY-SENSING UNIT	1	
- 19	8105573	• STUD, 8-32 X .250 THD X .500 LG HEX	2	
- 20	5372327	PLATE-PRINTING CODE E A	AR	
- 20	5372328	PLATE-PRINTING CODE E B	AR	
- 20	5372329	PLATE-PRINTING CODE E C	AR	
- 20	5372330	PLATE-PRINTING CODE E D	AR	
- 20	5372331	PLATE-PRINTING CODE E E	AR	
- 20	5372332	PLATE-PRINTING CODE E F	AR	
- 20	5372333	PLATE-PRINTING CODE E G	AR	
- 20	5372334	PLATE-PRINTING CODE E H	AR	
- 20	5372335	PLATE-PRINTING CODE E J	AR	
- 20	5372336	PLATE-PRINTING CODE E K	AR	
- 20	5372337	PLATE-PRINTING CODE E L	AR	
* - 20	5404164	SEE FIGURE 21 FOR ILLUSTRATION CODE PLATE USED WITH SPANISH N FEATURE SEE FIGURE 5-168 FOR NEXT HIGHER ASSEMBLY	AR	

FOR PARTS
NOT SHOWN
SEE FIG.20,21

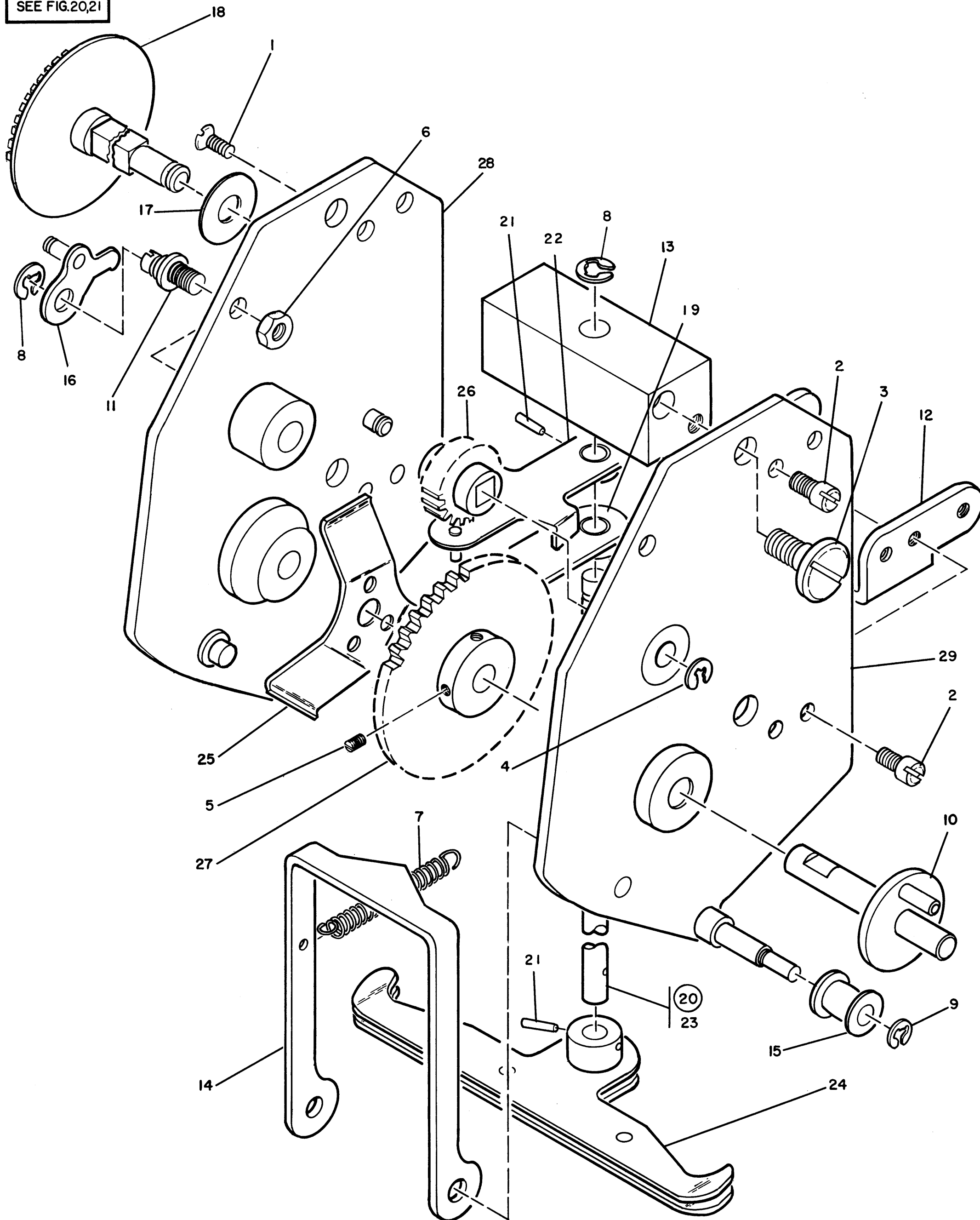


FIGURE 22. RIBCN FEED UNIT ASSEMBLIES. SEE LIST 22.

LIST AND INDEX NUMBER	PART NUMBER	DESCRIPTION				UNITS PER ASM.	USABLE ON CODE
		1	2	3	4		
		RIBBON FEED UNIT ASSEMBLIES					
* 22 -	228450	FEED UNIT ASM, RIBBON-PRINT INTERPOSER SEE FIGURE 20-9 FOR NEXT HIGHER ASSEMBLY AND FIGURE 22 FOR ILLUSTRATION				REF	
* -	338648	FEED UNIT ASM, RIBBON-INTERPRETER SEE FIGURE 21-10 FOR NEXT HIGHER ASSEMBLY AND FIGURE 22 FOR ILLUSTRATION				REF	
- 1	288	• SCREW, MACH-FL CSK HC 3-48 X 1/4 LG				1	
- 2	2650	• SCREW, MACH-FIL H 3-48 X 1/4 LG				5	
- 3	10775	• SCREW, SHLD-BIND HC 5-40 X 1/2 LG				2	
- 4	25282	• RING-RETAINING, EXT 0.125 ID X 0.015 THK				1	
- 5	75533	• SET SCREW .540 THK X 1/8 LG				4	
- 6	103372	• NUT, SELF LKG, HEX- 5-40 X 1/4 FL W				1	
- 7	110956	• SPRING, HELICAL, EXTENSION- 57.5 TURNS				1	
- 8	123206	• CLIP-RET				3	
- 9	147297	• RING, RETAINING-EXT 0.094 ID X 0.020 THK				2	
- 10	228233	• SHAFT ASSEMBLY-RIBBON SPOOL DRIVE				2	
- 11	228245	• STUD-STOP PAWL PIVCT				1	
- 12	228255	• BRACKET-RIBBON FEED BEARING				1	
- 13	228256	• PLATE-BEARING				1	
- 14	228260	• DETENT-RIBBON FEED				1	
- 15	228375	• WHEEL-RIBBON GUIDE				2	
- 16	301290	• PAWL ASSEMBLY-RATCHET STOP				1	
- 17	308165	• SPACER- 0.251 ID X 7/16 OD X 1/64 THK				1	
- 18	313922	• SHAFT ASSEMBLY-RATCHET DRIVE				1	
- 19	313927	• FORK ASSEMBLY-FEED REVERSE				1	
- 20	313935	• SHAFT ASSEMBLY-RIBBON REVERSING				1	
* - 20	338647	USED CN PRINT INTERPOSER FEED ASM • SHAFT ASSEMBLY, RIBBON REVERSING USED CN INTERPRETER FEED ASM				1	
- 21	43740	• • PIN, TAPERED, PLAIN- 5/16 LG X NO. 7-0				2	
* - 22	228261 □	• • ARM ASSEMBLY-FEED REVERSE				1	
* - 23	228268 □	• • SHAFT-RIBBON REV				1	
* - 24	313932 □	• • ARM ASSEMBLY-RIBBON REVERSE USED CN PRINT INTERPOSER RIBBON FEED ASM				1	
- 24	338613	• • ARM ASSEMBLY				1	
		USED CN INTERPRETER INTERPOSER RIBBON FEED ASSEMBLY					
- 25	313937	• SPRING-RIBBON SPOOL FRICTION				1	
- 26	313938	• PINION-RATCHET SHIFT				1	
- 27	313939	• GEAR, SPUR- 66 TEETH 48 DP 1.4126 OD				2	
- 28	313982	• FRAME ASSEMBLY-RIBBON LEFT SIDE				1	
- 29	313983	• FRAME ASSEMBLY-RIBBON RIGHT SIDE				1	

FOR PARTS
NOT SHOWN
SEE FIG.20,21

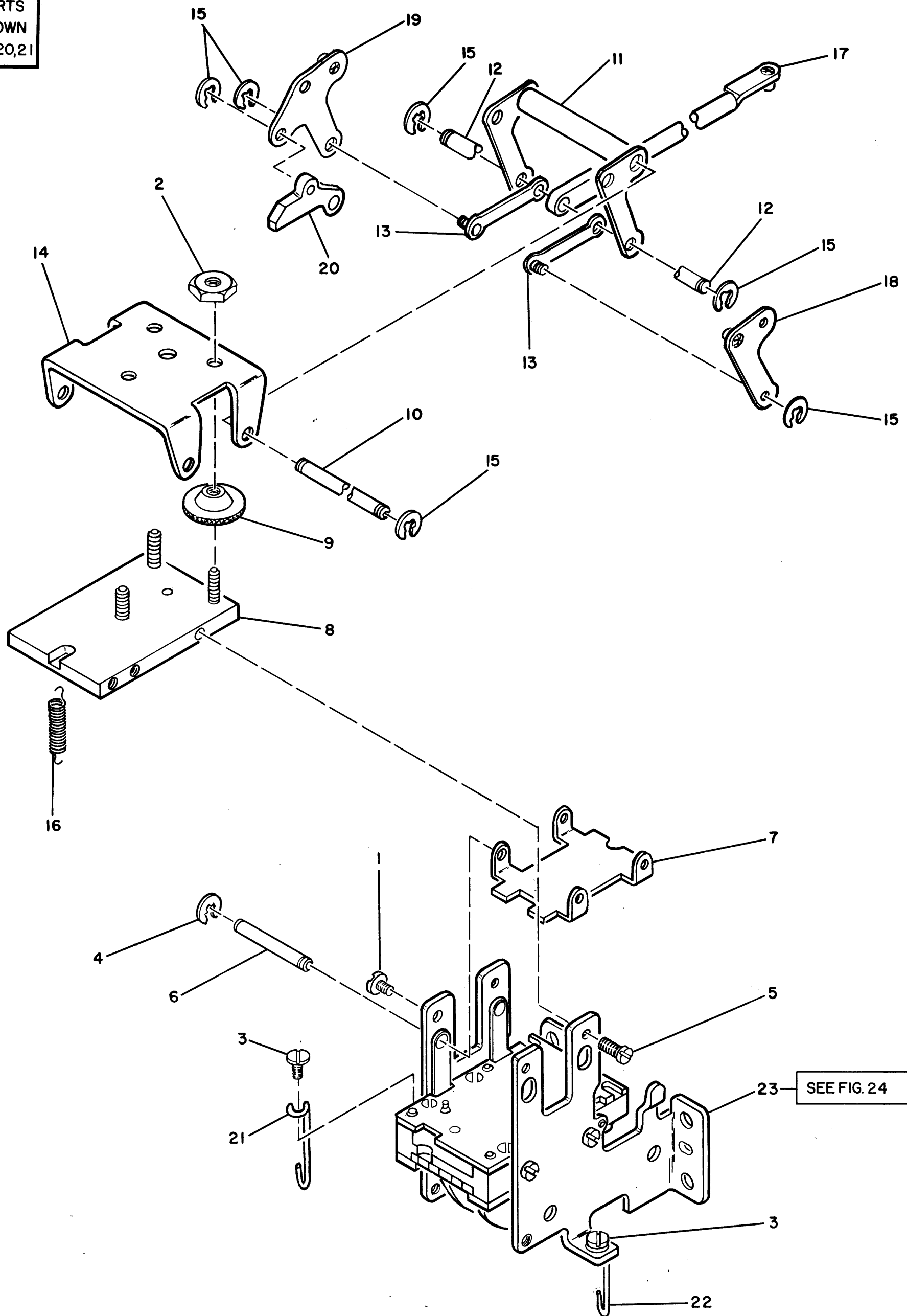


FIGURE 23. PRINT UNIT ASSEMBLIES. SEE LIST 23.

LIST AND INDEX NUMBER	PART NUMBER	DESCRIPTION	UNITS PER ASM.	USABLE ON CODE
PRINT UNIT ASSEMBLIES				
* 23 -	5372345	PRINT UNIT ASSEMBLY-MODS A AND B SEE FIGURE 20-13 FOR NEXT HIGHER ASSEMBLY AND FIGURE 23 FOR ILLUSTRATION	REF	
* -	5400895	PRINT UNIT ASSEMBLY-MOD C SEE FIGURE 21-11 FOR NEXT HIGHER ASSEMBLY AND FIGURE 23 FOR ILLUSTRATION	REF	
- 1	2650	. SCREW, MACH-FIL F 3-48 X 1/4 LG	2	
- 2	2899	. NUT, PLAIN, HEX- 8-32 X 3/8 FL W	3	
- 3	140738	. SCREW, MACH-BIND HD 5-40 X 3/16 LG	2	
- 4	1073418	. RING-RETAINING	4	
- 5	228397	. SCREW, SHLD-FIL F 3-48 X 0.380 LG	2	
- 6	546252C	. SHAFT, PRESSURE PLATE DRIVE	2	
- 7	228412	. PLATE-PRINT PRESS	1	
- 8	228419	. PLATE ASSEMBLY-ADJUSTING SCREW	1	
- 9	228422	. NUT-SPECIAL 8-32 X 0.649 OD	3	
- 10	228423	. SHAFT-PRESSURE PLATE DRIVE ARM	1	
- 11	228424	. ARM ASSEMBLY-DRIVE	1	
- 12	228430	. SHAFT-PRINT DRIVE CONNECTING ROD	1	
- 13	228431	. LINK ASSEMBLY-CCONNECTOR	2	
- 14	228434	. PLATE-PIVOT ADJUSTING	1	
* - 15	264641	. RING, RETAINING-EXT 0.114 ID X 0.025 THK USED ON MODS A AND B	9	
* - 15	60489	. CLIP-SPRING USED ON MCD C	10	
- 16	301213	. SPRING, HELICAL, EXTENSION- 28 TURNS	1	
- 17	310826	. LINK, RIGID-PRINT DRIVE	1	
- 18	310833	. ARM-DRIVE	1	
- 19	310834	. ARM-DRIVE	1	
- 20	313924	. PAWL ASSEMBLY-RATCHET FEED	1	
* - 21	313936	. GUIDE-RIBBON USED ON MODS A AND B	2	
* - 21	313936	. GUIDE-RIBBON USED ON MCD C	1	
* - 22	338609	. GUIDE USED ON MCD C	1	
* - 23	5372340	. UNIT ASSEMBLY-PRINT WIRE SEE FIGURE 24 FOR DETAIL BREAKDOWN	1	

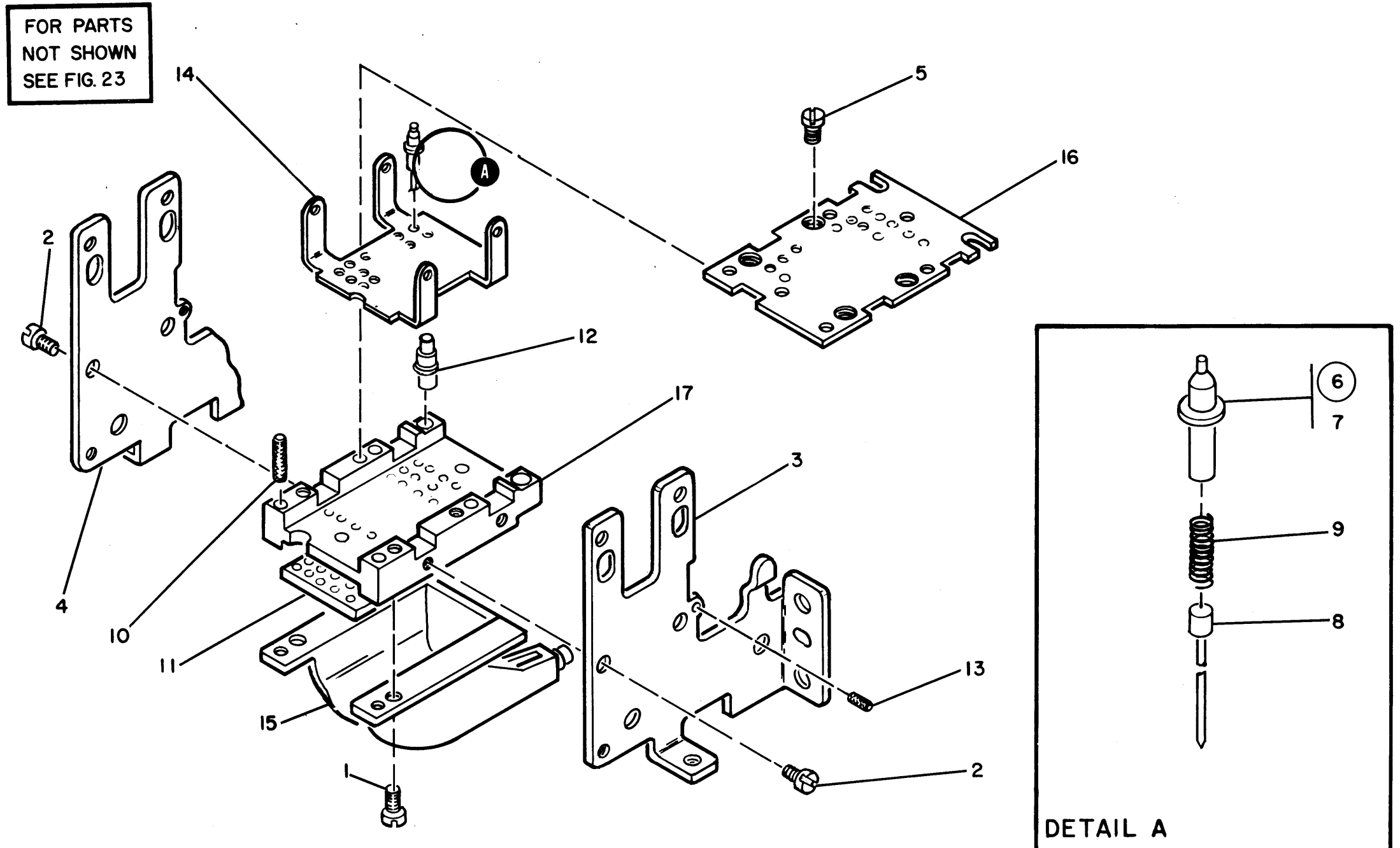


FIGURE 24. PRINT WIRE UNIT ASSEMBLY. SEE LIST 24.

LIST AND INDEX NUMBER	PART NUMBER	DESCRIPTION	UNITS PER ASM.				USABLE ON CODE
			1	2	3	4	
		PRINT WIRE UNIT ASSEMBLY					
24 -	5372340	UNIT ASSEMBLY-PRINT WIRE SEE FIGURE 23-23 FOR NEXT HIGHER ASSEMBLY AND FIGURE 24 FOR ILLUSTRATION					REF
- 1	2650	• SCREW, MACH-FIL F 3-48 X 1/4 LG					4
- 2	91373	• SCREW, MACH-BIND HD 3-48 X 1/4 LG					4
- 3	300546	• FRAME-PRINT RIGHT SIDE					1
- 4	300547	• FRAME-PRINT LEFT SIDE					1
- 5	312058	• SCREW, MACH-FH 3-48 X 0.150 LG					4
- 6	313566	• WIRE ASSEMBLY-PRINT					35
* - 7	313563 □	• HEAD-PRINT WIRE RESTORING					1
* - 8	313564 □	• PRINT WIRE AND BUSHING ASM					1
* - 9	313569 □	• SPRING, HELICAL, COMPRESSION					1
- 10	313592	• PIN-KNURLED 0.091 DIA X 0.515 LG					4
- 11	313599	• WICK-LUBRICATING					6
- 12	313754	• PLUNGER ASSEMBLY-CODE PLATE RETURN					2
- 13	313993	• PIN-KNURLED 0.064 DIA X 0.250 LG					4
- 14	5372338	• PLATE-WIRE RETURN					1
- 15	5372339	• COVER ASSEMBLY-WIRE TUBE					1
- 16	5372341	• PLATE-WIRE GUIDE, REAR					1
- 17	5372342	• PLATE-WIRE GUIDE, FRONT					1

FOR PARTS
NOT SHOWN
SEE FIG. 20

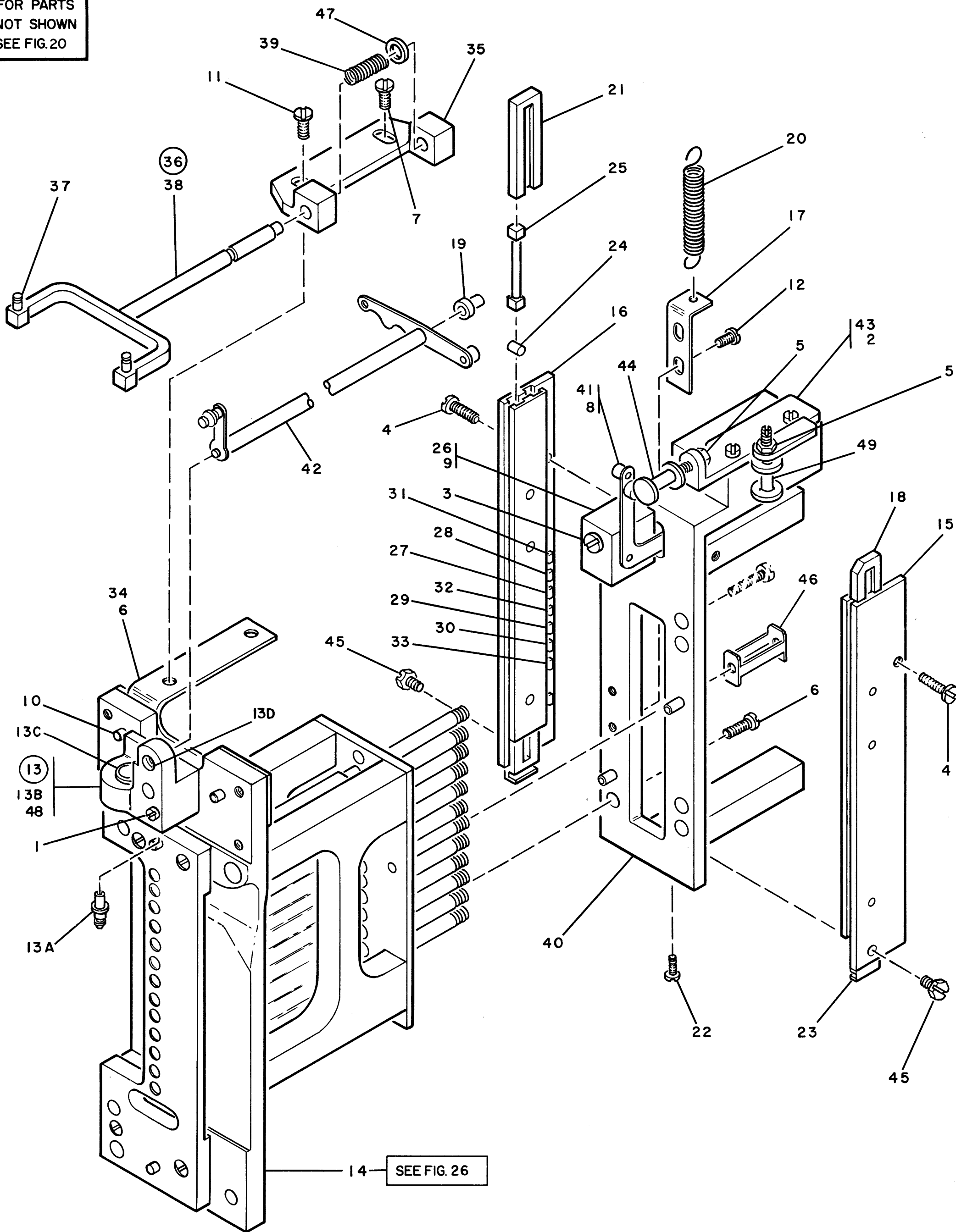
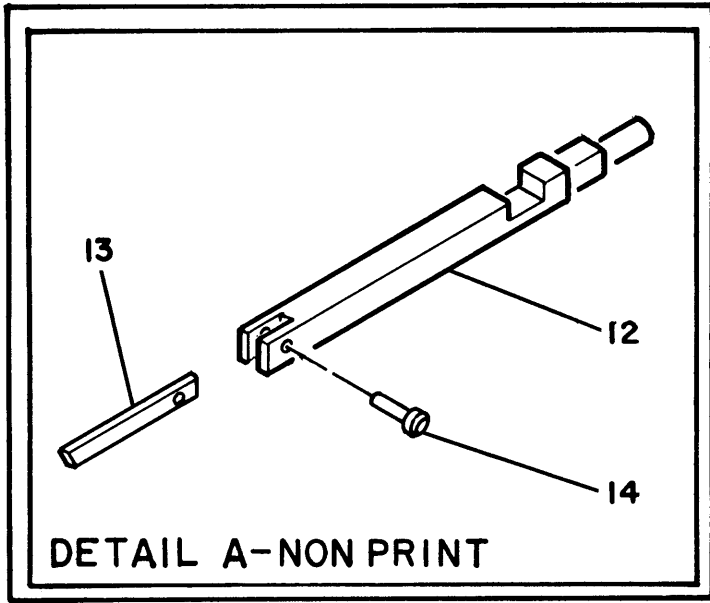


FIGURE 25. PUNCH DIE AND INTERPOSER ASSEMBLY. SEE LIST 25.

LIST AND INDEX NUMBER	PART NUMBER	DESCRIPTION	UNITS PER ASM.	USABLE ON CODE
		PUNCH DIE AND INTERPOSER ASSEMBLY		
25 -	5372349	INTERPCSER ASSEMBLY-PUNCH DIE AND SEE FIGURE 20-14 FOR NEXT HIGHER ASSEMBLY AND FIGURE 25 FOR ILLUSTRATION	REF	
- 1	641	. SCREW,MACH-FIL H 8-32 X 3/4 LG	1	
- 2	845	. SCREW,MACH-FIL H 8-32 X 1/2 LG	2	
- 3	2032	. SCREW,MACH-FIL H 8-32 X 7/8 LG	1	
- 4	4236	. SCREW,MACH-FIL H 5-40 X 1/4 LG	2	
- 5	6503	. NUT,PLAIN,HEX- 8-32 X 1/4 FL W	2	
- 6	24752	. SCREW,MACH-FIL H 8-32 X 5/16 LG	3	
- 7	42003	. SCREW,MACH-TRUSS HD 8-32 X 1/4 LG	1	
- 8	60489	. CLIP-SPRING	1	
- 9	101926	. PIN,STR,HDLS- 1/16 DIA X 9/32 LG	1	
- 10	104696	. PIN,STR,HDLS- 1/8 DIA X 1/2 LG	2	
- 11	130431	. SCREW,SPECIAL- 8-32 X 11/64 LG	1	
- 12	140738	. SCREW,MACH-BIND HD 5-40 X 3/16 LG	2	
- 13	228278	. BLOCK ASSEMBLY-CHIP DRIVE BEARING	1	
* - 13A	228277 □	. . STUD-CHIP DRIVE IDLER GEAR	1	
* - 13B	228279 □	. . BLOCCK-CHIP DRIVE BEARING	1	
* - 13C	228280 □	. . BEARING,SLEEVE	1	
* - 13D	228403 □	. . BEARING,SLV-FLG	1	
- 14	228301	. GUIDE ASSEMBLY-DIE AND PUNCH PRINTING SEE FIGURE 26 FOR DETAIL BREAKDOWN	1	
- 15	228378	. PLATE ASM-PRINT INTERPOSER GUIDE RIGHT	1	
- 16	228381	. PLATE ASM-PRINT INTERPOSER GUIDE LEFT	1	
- 17	228386	. BRACKET-INTERPCSER SPRING HORIZONTAL	1	
- 18	228389	. BAR-VERTICAL SPACER PRINT INTERPOSER	1	
- 19	228403	. BEARING,SLV-FLG 0.095 ID X 0.187 OD BRZ	1	
- 20	228411	. SPRING,HELICAL,EXTENSION- 43.5 TURNS	1	
- 21	228414	. BAR-HCRIZCNTAL SPACER PRINT INTERPOSER	1	
- 22	228415	. SCREW,MACH-FH 3-48 X 3/8 LG	1	
- 23	228416	. STOP-PRINT INTERPOSER ADJUST	2	
- 24	228417	. RCLLER-PRINT INTERPOSER	44	
- 25	228418	. SPACER-PRINT INTERPCSER	4	
- 26	228438	. BEARING-SHIFT LEV GUIDE	1	
- 27	228439	. INTERPCSER-PRINT PLUS 1	1	
- 28	228440	. INTERPCSER-PRINT PLUS 2	1	
- 29	228441	. INTERPCSER-PRINT PLUS 3	1	
- 30	228442	. INTERPCSER-PRINT PLUS 4	3	
- 31	228443	. INTERPCSER-PRINT MINUS 1	3	
- 32	228444	. INTERPCSER-PRINT MINUS 2	2	
- 33	228445	. INTERPCSER-PRINT MINUS 3	1	
- 34	300481	. BRACKET-VERTICAL DRIVE ROD MOUNTING	1	
- 35	300493	. PLATE-VERTICAL DRIVE ROD GUIDE	1	
- 36	300545	. RCD ASSEMBLY-VERTICAL DRIVE	1	
- 37	300494	. . STUD-VERT DR	2	
- 38	300544	. . RCD-VERTICAL DRIVE	1	
- 39	300548	. SPRING,HELICAL,COMPR- 24 TURNS	1	
- 40	309993	. FRAME-CODE POSITIONING	1	
- 41	309994	. BELL CRANK ASSEMBLY-VERTICAL SHIFT	1	
- 42	309996	. LEVER ASSEMBLY-HCRIZONTAL SHIFT	1	
- 43	309998	. BRACKET-STOP MOUNTING	1	
- 44	309999	. STOP-ADJUSTING	1	
- 45	325624	. SCREW,PUSH RCD GUIDE PLATE	2	
- 46	340726	. YOKE-INTERPCSER	12	
- 47	382636	. LOCK, SPRING	1	
- 48	1092056	. PIN,STR,HDLS- 1/8 DIA X 5/16 LG	4	
- 49	5404248	. STCP, ADJUSTMENT	1	



FOR PARTS
NOT SHOWN
SEE FIG.13,14,
&25

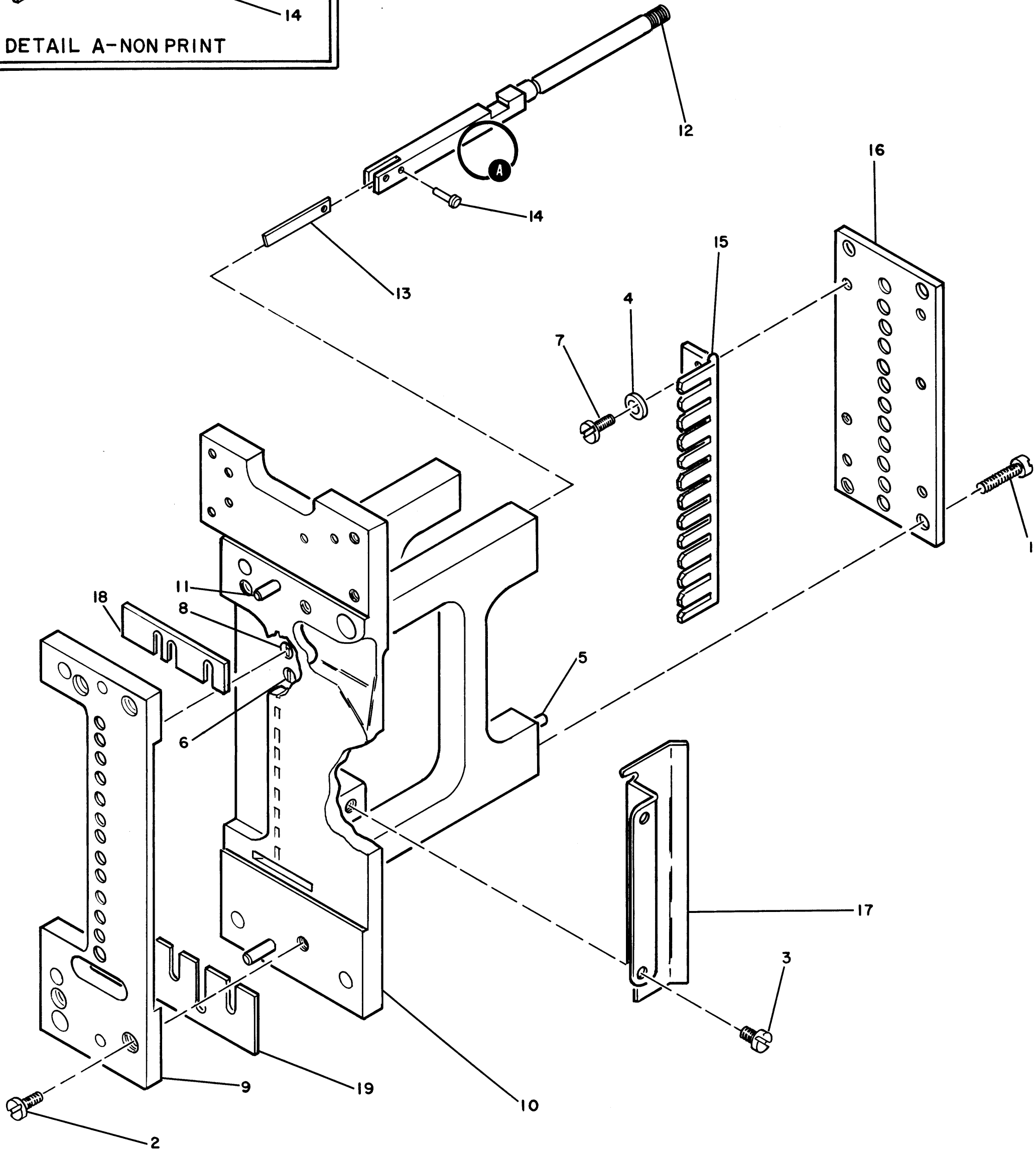


FIGURE 26. DIE AND PUNCH GUIDE ASSEMBLIES. SEE LIST 26

LIST AND INDEX NUMBER	PART NUMBER	DESCRIPTION	UNITS PER ASM.	USABLE ON CODE
		1 2 3 4 DIE AND PUNCH UNIT ASSEMBLIES		
26 -		CODE A-USED ON NON-PRINT UNITS CODE B-USED ON PRINT UNITS		
-	228013	GUIDE ASSEMBLY-DIE AND PUNCH SEE FIGURE 13-354 AND 14-427 FOR NEXT HIGHER ASSEMBLY	REF	A
-	228301	GUIDE ASSEMBLY-DIE AND PUNCH PRINTING SEE FIGURE 25-14 FOR NEXT HIGHER ASSEMBLY AND FIGURE 26 FOR ILLUSTRATION	REF	B
- 1	845	. SCREW,MACH-FIL H 8-32 X 1/2 LG	3	
- 2	2629	. SCREW,MACH-FIL H 5-40 X 3/8 LG	4	
- 3	38271	. SCREW,MACH-FIL H 5-40 X 3/16 LG	2	
- 4	45639	. WASHER,FL-NO. 4 X 5/16 OD X 0.020 THK	2	
- 5	104696	. PIN,STR,HDLS- 1/8 DIA X 1/2 LG	2	
* - 6	180932 □	. BEARING-PUNCH	36	
- 7	196298	. SCREW,MACH-BIND HD 5-40 X 3/16 LG	2	A
- 7	77064	. SCREW,MACH-BIND HD 5-40 X 5/32 LG	2	B
* - 8	198795 □	. PUNCH-BEARING MATRIX	12	
* - 9	228014 □	. DIE	1	
* - 10	228015 □	. GUIDE-PUNCH	1	A
* - 10	314446 □	. GUIDE-PUNCH	1	B
* - 11	228016 □	. PIN DIE AND PUNCH GUIDE	2	
- 12	228018	. SUPPCRT-PUNCH	12	A
- 12	348701	. SUPPORT-PRINT PUNCH	12	B
- 13	228019	. PUNCH-CARD	12	A
- 13	313329	. PUNCH	12	B
- 14	228020	. PIN,STR,HEADED- 0.0618 DIA X 0.265 LG	12	
- 15	228270	. COMB-PUNCH DRIVE ARM GUIDE	1	
* - 16	228303 □	. GUIDE-SUPPORT PUNCH	1	A
* - 16	314220 □	. GUIDE-SUPPORT PUNCH	1	B
- 17	313331	. PLATE-PUNCH SUPPORT PIN RETAINING	1	
- 18	313280	SHIM, UPPER PUNCH DIE USED FOR POST CARD STOCK ADJUSTMENT FEATURE ON PRINT MODELS ONLY	3	
- 19	313509	SHIM, LOWER PUNCH DIE USED FOR POST CARD STOCK ADJUSTMENT FEATURE ON PRINT MODELS ONLY	3	

FOR PARTS
NOT SHOWN
SEE FIG. 21

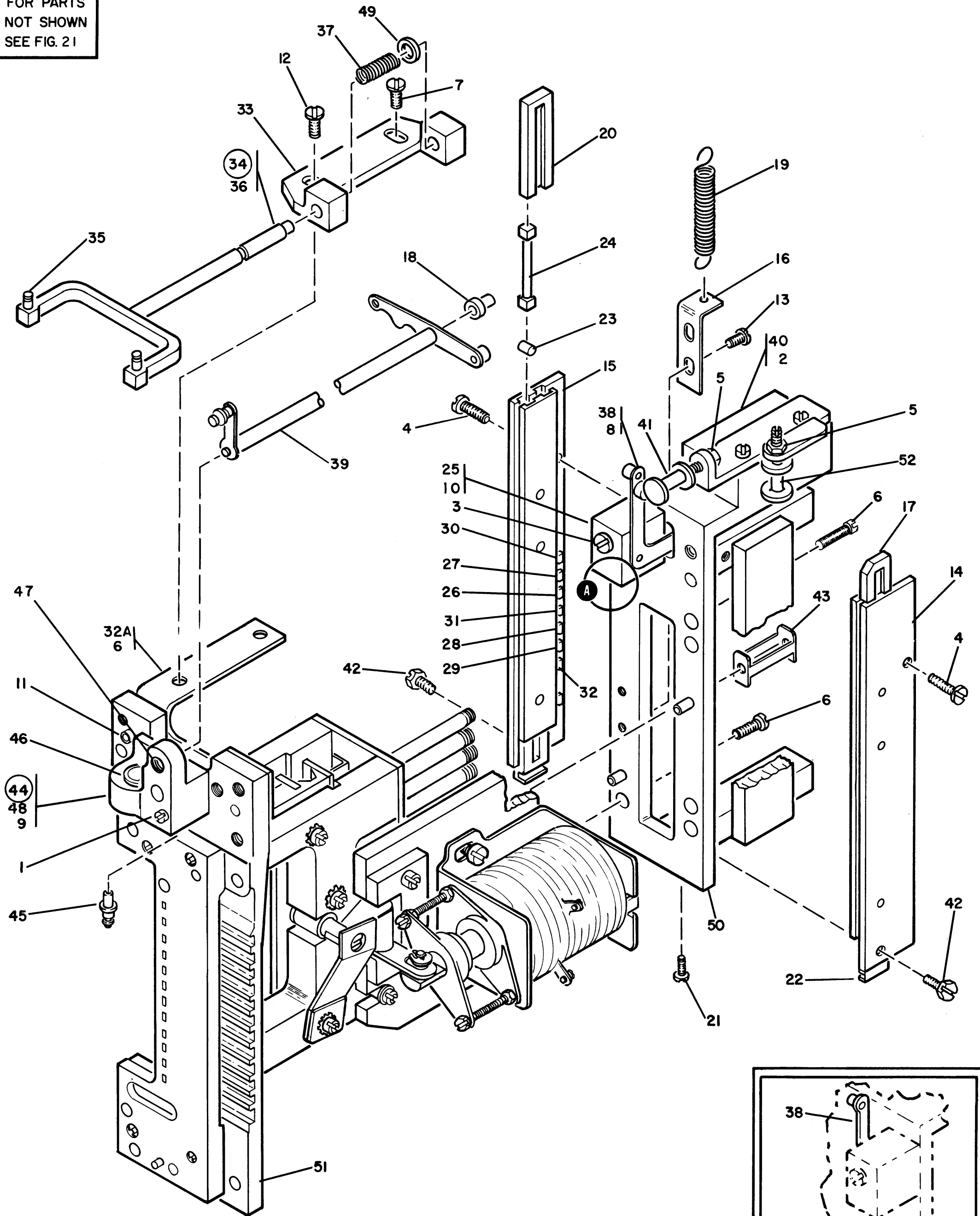


FIGURE 27. INTERPRETER INTERPOSER AND PUNCH ASSEMBLY. SEE LIST 27.

LIST AND INDEX NUMBER	PART NUMBER	DESCRIPTION				UNITS PER ASM.	USABLE ON CODE
		1	2	3	4		
		INTERPRETER INTERPOSER AND PUNCH ASSEMBLY					
27 -	5401004	PUNCH ASSEMBLY, INTERPOSER AND SEE FIGURE 21-17				REF	
		FOR NEXT HIGHER ASSEMBLY AND FIGURE 27 FOR ILLUSTRATION					
- 1	641	. SCREW, MACH-FIL H 8-32 X 3/4 LG				1	
- 2	845	. SCREW, MACH-FIL H 8-32 X 1/2 LG				2	
- 3	2032	. SCREW, MACH-FIL H 8-32 X 7/8 LG				1	
- 4	4236	. SCREW, MACH-FIL H 5-40 X 1/4 LG				2	
- 5	6503	. NUT, PLAIN, HEX- 8-32 X 1/4 FL W				2	
- 6	24752	. SCREW, MACH-FIL H 8-32 X 5/16 LG				3	
- 7	42003	. SCREW, MACH-TRUSS HD 8-32 X 1/4 LG				1	
- 8	60489	. CLIP-SPRING				1	
- 9	78613	. PIN, STR, HDLS- 1/8 DIA X 5/16 LG				4	
- 10	101926	. PIN, STR, HDLS- 1/16 DIA X 9/32 LG				1	
- 11	104696	. PIN, STR, HDLS- 1/8 DIA X 1/2 LG				2	
- 12	130431	. SCREW, SPECIAL- 8-32 X 11/64 LG				1	
- 13	140738	. SCREW, MACH-BIND HD 5-40 X 3/16 LG				1	
- 14	228378	. PLATE ASM-PRINT INTERPOSER GUIDE RIGHT				1	
- 15	228381	. PLATE ASM-PRINT INTERPOSER GUIDE LEFT				1	
- 16	228386	. BRACKET-INTERPOSER SPRING HORIZONTAL				1	
- 17	228389	. BAR-VERTICAL SPACER PRINT INTERPOSER				1	
- 18	228403	. BEARING, SLV-FLG 0.095 ID X 0.187 OD BRZ				1	
- 19	228411	. SPRING, HELICAL, EXTENSION- 43.5 TURNS				1	
- 20	228414	. BAR-HORIZONTAL SPACER PRINT INTERPOSER				1	
- 21	228415	. SCREW, MACH-FH 3-48 X 3/8 LG				2	
- 22	228416	. STOP-PRINT INTERPOSER ADJUST				2	
* - 23	228417	. ROLLER-PRINT INTERPOSER				44	
- 24	228418	. SPACER-PRINT INTERPOSER				4	
- 25	228438	. BEARING-SHIFT LEV GUIDE				1	
- 26	228439	. INTERPOSER-PRINT PLUS 1				1	
- 27	228440	. INTERPOSER-PRINT PLUS 2				1	
- 28	228441	. INTERPOSER-PRINT PLUS 3				1	
- 29	228442	. INTERPCSER-PRINT PLUS 4				3	
- 30	228443	. INTERPOSER-PRINT MINUS 1				2	
- 31	228444	. INTERPOSER-PRINT MINUS 2				2	
- 32	228445	. INTERPOSER-PRINT MINUS 3				2	
- 32A	300481	. BRACKET-VERTICAL DRIVE ROD MOUNTING				1	
- 33	300493	. PLATE-VERTICAL DRIVE ROD GUIDE				1	
- 34	300545	. ROD ASSEMBLY-VERTICAL DRIVE				1	
- 35	300494	. . STUD-VERT DR				2	
- 36	300544	. . ROD-VERTICAL DRIVE				1	
- 37	300548	. SPRING, HELICAL, COMPR- 24 TURNS				1	
- 38	309994	. BELL CRANK ASSEMBLY-VERTICAL SHIFT				1	
* - 38	8105951 □	. BELL CRANK ASSEMBLY-VERTICAL USE BELLCRANK 309994 TO REPLACE 8105951				1	
- 39	309996	. LEVER ASSEMBLY-HORIZONTAL SHIFT				1	
- 40	309998	. BRACKET-STOP MOUNTING				1	
- 41	309999	. STOP-ADJUSTING				1	
- 42	314494	. SCREW, CAP, HEX HD- 5-40 X 1/4 LG				2	
- 43	340726	. YOKE-INTERPOSER				12	
- 44	361729	. BLOCK ASSEMBLY-BEARING				1	
* - 45	228277 □	. . STUD-CHIP DRIVE IDLER GEAR				1	
* - 46	228280 □	. . BEARING, SLEEVE- 0.221 ID				1	
* - 47	228403 □	. . BEARING, SLV-FLG 0.095 ID				1	
* - 48	361728 □	. . BLOCK, BEARING				1	
- 49	382636	. LOCK, SPRING				1	
- 50	594123	. FRAME, CCDE POSITION				1	
- 51	5401002	. PUNCH ASSEMBLY, UNIT SEE FIGURE 28 FOR DETAIL BREAKDOWN				1	
- 52	5404248	. STOP, ADJUSTMENT				1	

FOR PARTS
NOT SHOWN
SEE FIG. 27

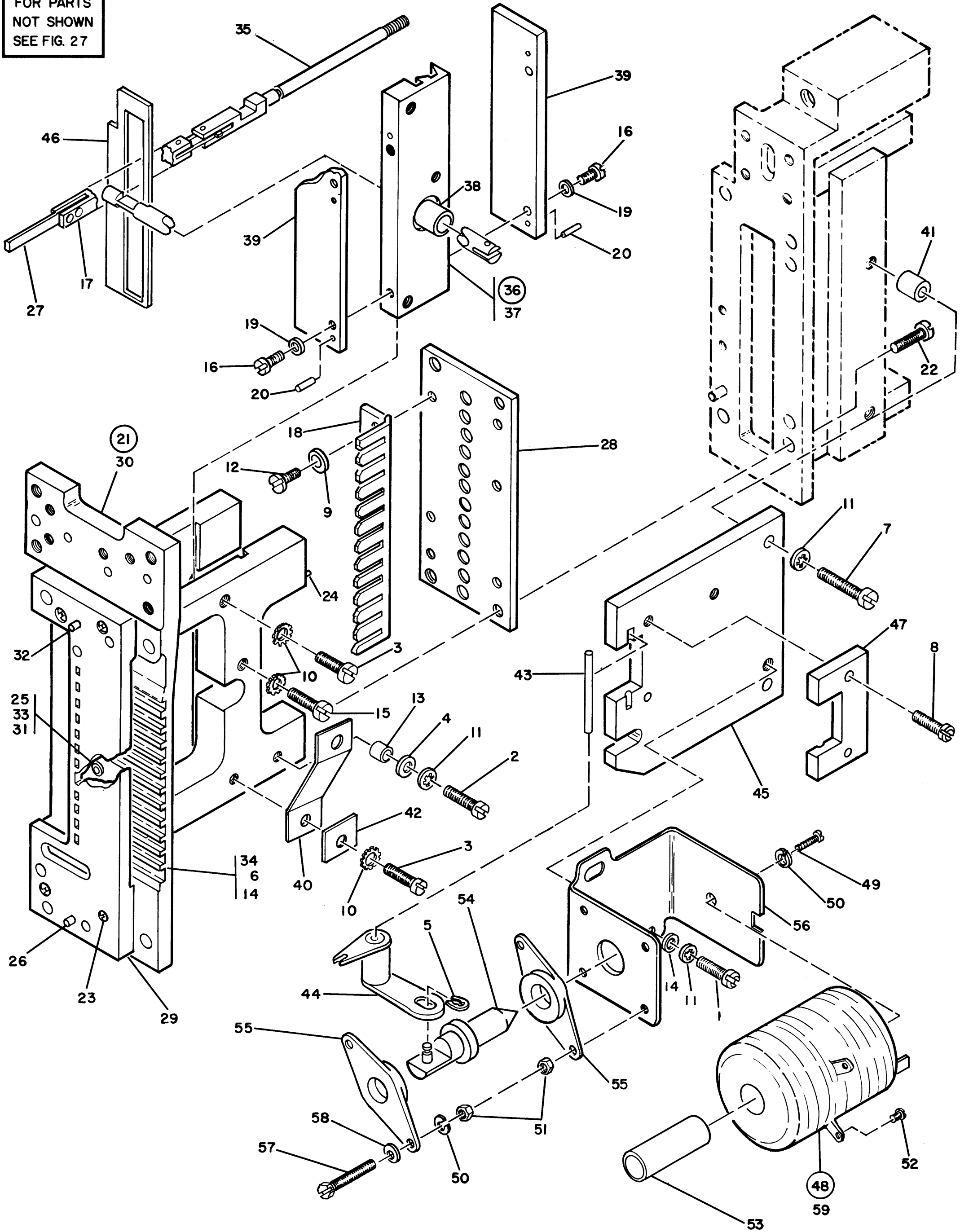


FIGURE 28. INTERPRETER PUNCH ASSEMBLY. SEE LIST 28.

LIST AND INDEX NUMBER	PART NUMBER	DESCRIPTION	UNITS PER ASM.	USABLE ON CODE
		1 2 3 4		
		INTERPRETER PUNCH ASSEMBLY		
28 -	5401002	PUNCH ASSEMBLY, UNIT SEE FIGURE 27-51 FOR NEXT HIGHER ASSEMBLY AND FIGURE 28 FOR ILLUSTRATION	REF	
- 1	337	. SCREW, MACH-FIL H 8-32 X 3/8 LG	2	
- 2	845	. SCREW, MACH-FIL H 8-32 X 1/2 LG	1	
- 3	5528	. SCREW, MACH BIND HD 8-32 X .625 LG	2	
- 4	22478	. WASHER, FL- 0.170 ID 0.375 OD 0.032 THK	3	
- 5	25282	. RING-RETAINING, EXT 0.125 ID X 0.015 THK	1	
- 6	38271	. SCREW, MACH-FIL H 5-40 X 3/16 LG	2	
- 7	38372	. SCREW, MACH-RH 8-32 X 11/16 LG	2	
- 8	38452	. SCREW, MACH-FL CSK HD 8-32 X 5/16 LG	2	
- 9	45639	. WASHER, FL-NC. 4 X 5/16 OD X 0.020 THK	2	
- 10	55901	. LOCKWASHER, EXTERNAL TOOTH	3	
- 11	60646	. WASHER, LOCK-INT TEETH NO. 8 X 0.340 OD	5	
- 12	77064	. SCREW, MACH-BIND HD 5-40 X 5/32 LG	2	
- 13	130374	. COLLAR	1	
- 14	163899	. WASHER, LOCK-SPLIT NO. 6 X 0.255 OD	2	
- 15	173204	. SCREW, MACH-RD WASHER HD 5-40 X 19/32 LG	1	
- 16	186923	. SCREW-CAP, SCC HD 4-40 X 1/4 LG	4	
- 17	228020	. PIN, STR, HEADED- 0.0618 DIA X 0.265 LG	12	
- 18	228270	. CCMB-PUNCH DRIVE ARM GUIDE	1	
- 19	257984	. WASHER, LOCK-SPRING MEDIUM	4	
- 20	361739	. PIN, DCWEL	2	
- 21	594119	. GUIDE ASSEMBLY, PUNCH PRINTING	1	
- 22	845	. . SCREW, MACH-FIL H 8-32 X 1/2 LG	3	
- 23	2629	. . SCREW, MACH-FIL H 5-40 X 3/8 LG	4	
- 24	104696	. . PIN, STR, HDLS- 1/8 DIA X 1/2 LG	2	
* - 25	180932 □	. . BEARING-PUNCH	36	
* - 26	228016 □	. . PIN-DIE AND PUNCH GUIDE	2	
- 27	313329	. . PUNCH	12	
- 28	314220	. . GUIDE-SUPPORT PRINT PUNCH	1	
* - 29	594116 □	. . DIE, PUNCH	1	
* - 30	594122 □	. . GUIDE, PUNCH	1	
- 31	718351	. . INSERT	12	
* - 32	1090395 □	. . PIN, STR, HDLS- 1/8 DIA	1	
- 33	4007163	. . WASHER	12	
- 34	594124	. PLATE, PIN RETAINING	1	
- 35	594125	. HOLDER ASSEMBLY, PUNCH	12	
- 36	594131	. MOUNTING ASSEMBLY, PLATE	1	
- 37	594132	. . PLATE, MOUNTING	1	
- 38	594133	. . GUIDE, BUSHING	1	
- 39	594134	. PLATE	2	
- 40	594135	. SPRING	1	
- 41	594138	. SPACER	2	
- 42	594139	. PLATE	1	
- 43	594148	. SHAFT	1	
- 44	594151	. CRANK ASSEMBLY, BELL	1	
- 45	594155	. PLATE, CELLINOID MOUNTING	1	
- 46	594156	. PLATE ASSEMBLY, PUNCH UNIT	1	
- 47	594161	. PLATE	1	
- 48	5401017	. CCIL ASSEMBLY, PUNCH SUPPLY	1	
- 49	424	. . SCREW, MACH-RH 8-32 X 5/16 LG	1	
- 50	6318	. . WASHER, LOCK-SPLIT NO. 8 X 0.280 OD	3	
- 51	6503	. . NUT, PLAIN, HEX- 8-32 X 1/4 FL W	4	
- 52	53042	. . SCREW, MACH-RH 4-40 X 3/16 LG	2	
- 53	149622	. . CORE ASSEMBLY, SOLENOID	1	
- 54	149625	. . PLUNGER ASSEMBLY, SOLENOID	1	
- 55	149627	. . STOP ASSEMBLY-SOLENOID	2	
- 56	149631	. . YCKE	1	
- 57	206109	. . SCREW, MACH-HEX HD 8-32 X 3/4 LG	2	
- 58	1091388	. . WASHER	2	
- 59	5404057	. . COIL ASSEMBLY	1	

FOR PARTS
NOT SHOWN
SEE FIG. 21

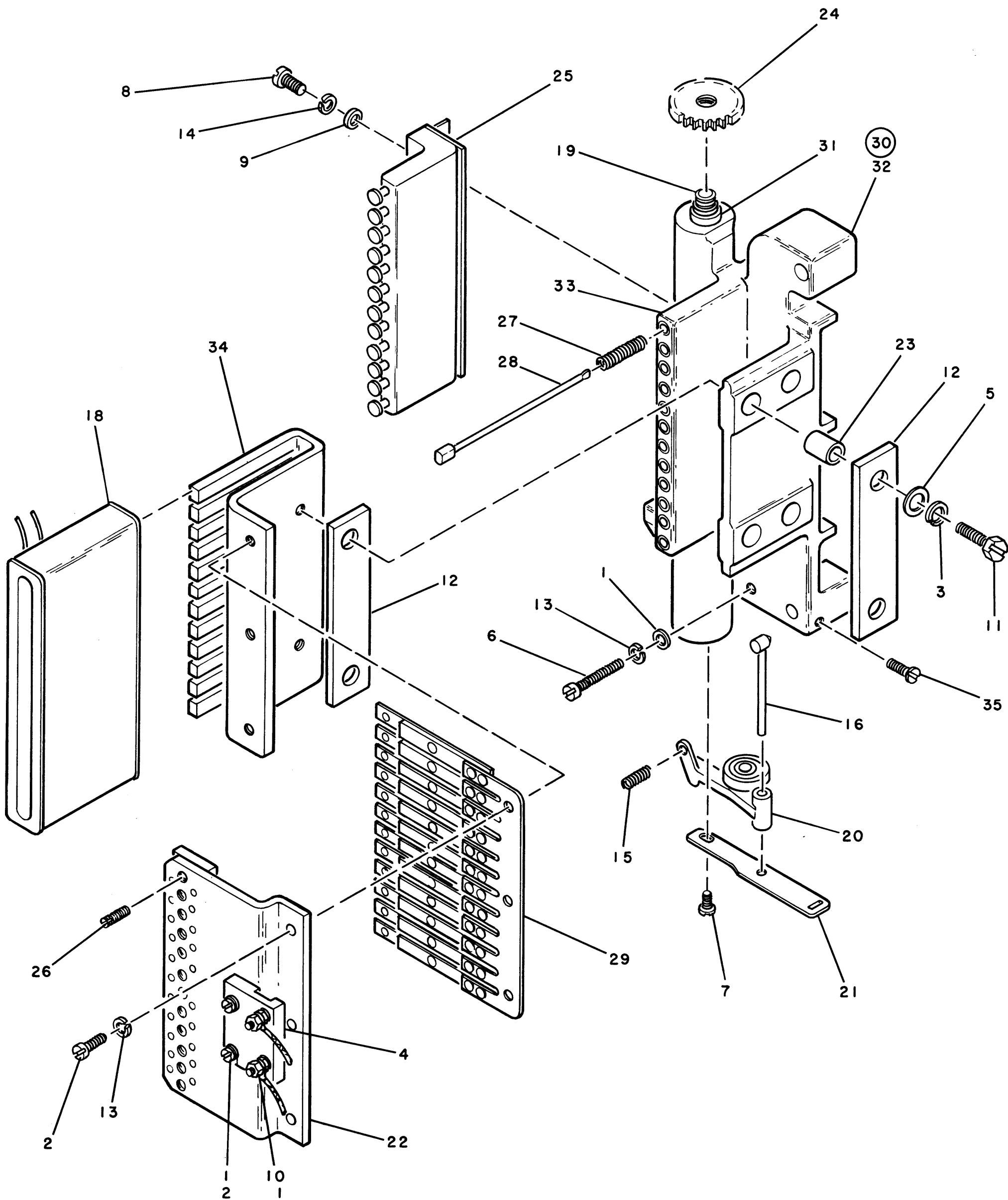


FIGURE 29. INTERPRETER SENSING ASSEMBLY. SEE LIST 29.

LIST AND INDEX NUMBER	PART NUMBER	DESCRIPTION 1 2 3 4	UNITS PER ASM.	USABLE ON CODE
		INTERPRETER SENSING ASSEMBLY		
29 -	5401001	SENSING ASSEMBLY, CARD SEE FIGURE 21-16 FOR NEXT HIGHER ASSEMBLY AND FIGURE 29 FOR ILLUSTRATION	REF	
- 1	1866	. WASHER, FL-NO. 4 X 1/4 OD X 0.025 THK	5	
- 2	3500	. SCREW, FIL HD MACH-5-40 X .312 LG	5	
- 3	6318	. WASHER, LOCK-SPLIT NO. 8 X 0.280 OD	4	
- 4	9667	. BLOCK-MAGNET TERMINAL	1	
- 5	22478	. WASHER, FL- 0.170 ID 0.375 OD 0.032 THK	4	
- 6	22550	. SCREW, MACH FILL H 5-40 X 7/8 LG	1	
- 7	38271	. SCREW, MACH-FIL H 5-40 X 3/16 LG	1	
- 8	38565	. SCREW, MACH-RH 4-40 X 1/4 LG	2	
- 9	45639	. WASHER, FL-NO. 4 X 5/16 OD X 0.020 THK	2	
- 10	102092	. NUT, PLAIN, HEX, 5-40 X 7/32 FL W	4	
- 11	113305	. SCREW, MACH-HEX HD 8-32 X 9/16 LG	4	
- 12	149667	. BLOCK	4	
- 13	163899	. WASHER, LOCK-SPLIT NO. 6 X 0.255 OD	4	
- 14	257984	. WASHER, LOCK-SPRING MEDIUM	2	
- 15	313986	. SPRING, HELICAL-COMP	1	
- 16	369255	. SHAFT ASSEMBLY-PRESS ROLL	1	
- 18	5401018	. COIL ASSEMBLY, SENSE	1	
- 19	8105454	. AGITATOR AND SHAFT ASSEMBLY	1	
- 20	8129340	. ARM, PRESSURE ROLL ASSEMBLY	1	
- 21	8105458	. PLATE, ADJUSTING	1	
- 22	8105462	. PLATE, ADJUSTING	1	
- 23	8105463	. BUSHING, INSULATION	4	
- 24	8105464	. GEAR ASSEMBLY, 16 TOOTH 10-32 THD CENTER	1	
- 25	8105535	. MOUNTING ASSEMBLY, CONTACT	1	
- 26	8105560	. SCREW, ADJUSTING	12	
- 27	8105581	. SPRING, COMPRESSION .075 OD X .405	12	
- 28	8105935	. PIN ASSEMBLY, SENSING	12	
- 29	8105953	. ARMATURE ASSEMBLY	1	
- 30	8105960	. CHIP TUBE ASSEMBLY	1	
- 31	228280	. . BEARING, SLEEVE- 0.221 ID	1	
- 32	8105958	. . TUBE, CHIP	1	
- 33	8105959	. . BUSHING, SENSING UNIT	12	
- 34	8105961	. CORE CARRIER	1	
- 35	8106233	. SCREW, ADJUSTING 5-40 X .188 LG	1	

FOR PARTS
NOT SHOWN
SEE FIG. 13

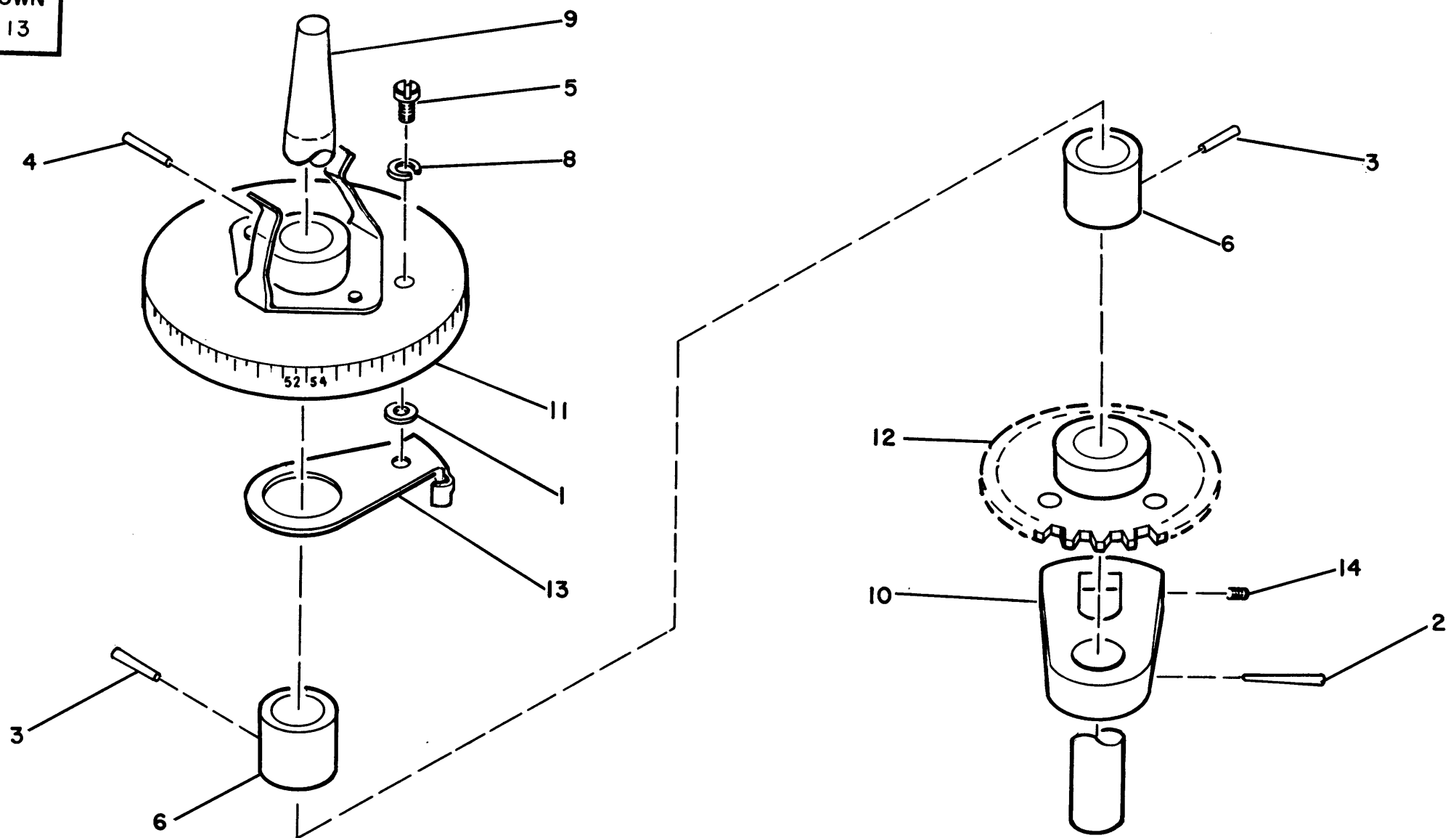


FIGURE 30. PROGRAM DRUM SHAFT ASSEMBLY. SEE LIST 30.

LIST AND INDEX NUMBER	PART NUMBER	DESCRIPTION				UNITS PER ASM.	USABLE ON CODE
		1	2	3	4		
		PROGRAM DRUM SHAFT ASSEMBLY					
30 -	5422222	SHAFT ASSEMBLY, PROGRAM DRUM SEE FIGURE 13-167 FOR NEXT HIGHER ASSEMBLY AND FIGURE 30 FOR ILLUSTRATION				REF	
- 1	22066	. WASHER, FL- 0.140 ID 0.281 OD 0.025 THK				1	
- 2	24695	. PIN, TAPERED, PLAIN- 7/8 LG X NO. 4-0				1	
- 3	29949	. PIN, TAPERED, PLAIN- 9/16 LG X NO. 4				2	
- 4	44507	. PIN, TAPERED, PLAIN- 11/16 LG X NO. 4-0				1	
- 5	120044	. SCREW, MACH-BIND HD 5-40 X 3/8 LG				1	
* - 6	139354 □	. SPACER, SLV- 3/8 ID X 9/16 OD				2	
- 8	163899	. WASHER, LOCK-SPLIT NO. 6 X 0.255 OD				1	
* - 9	227903 □	. SHAFT, PROGRAM DRUM				1	
* - 10	228066 □	. ARM-DRUM ADJUSTING				1	
* - 11	300954 □	. WHEEL ASM-COLUMN INDICATOR				1	
- 12	309652	. GEAR, SPUR- 44 TEETH 24 DP 1.9143 OD				1	
- 13	313521	. CAM-PROGRAM				1	
- 14	338013	. SETSCREW-SOC DR FLAT PT 8-32 X 1/4 LG				2	

FOR PARTS
NOT SHOWN
SEE FIG. 14

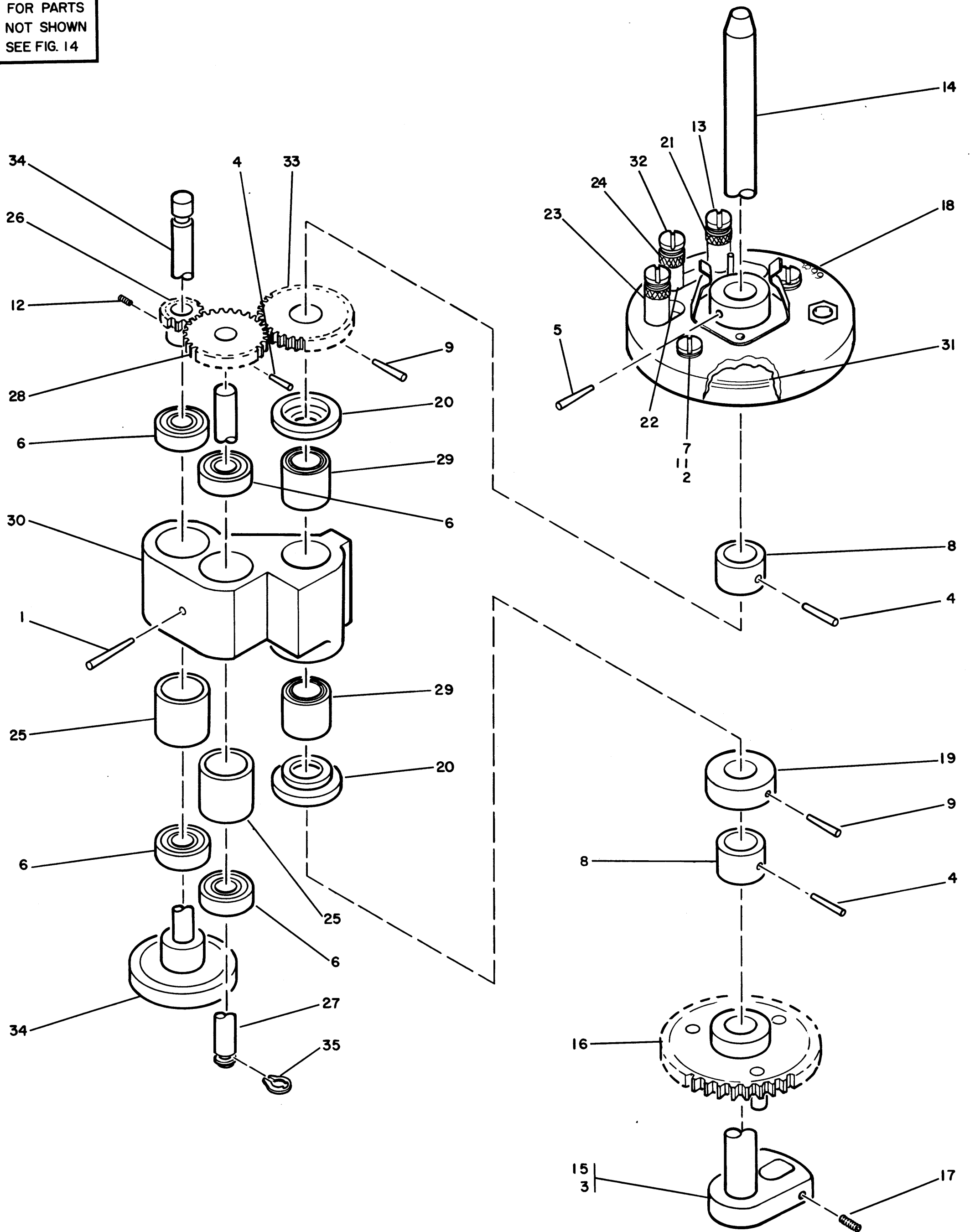


FIGURE 31. VLCD PROGRAM DRUM SHAFT ASSEMBLY. SEE LIST 31.

LIST AND INDEX NUMBER	PART NUMBER	DESCRIPTION	UNITS PER ASM.	USABLE ON CODE
		VLCD PROGRAM DRUM SHAFT ASSEMBLY		
31 -	5422224	SHAFT ASSEMBLY, PROGRAM DRUM SEE FIGURE 14-216 FOR NEXT HIGHER ASSEMBLY AND FIGURE 31 FOR ILLUSTRATION	REF	
- 1	292	. PIN,TAPERED,PLAIN 3/4 LG X NO. 1	1	
- 2	22066	. WASHER,FL- 0.140 ID 0.281 OD 0.025 THK	2	
- 3	24695	. PIN,TAPERED,PLAIN- 7/8 LG X NO. 4-0	1	
- 4	29949	. PIN,TAPERED,PLAIN- 9/16 LG X NO. 4	3	
- 5	44507	. PIN,TAPERED,PLAIN- 11/16 LG X NO. 4-0	1	
- 6	110129	. BEARING-ANNULAR BALL	4	
- 7	120044	. SCREW,MACH-BIND HD 5-40 X 3/8 LG	2	
* - 8	139354 □	. SPACER,SLV- 3/8 ID	2	
- 9	139472	. PIN,TAPERED,PLAIN- 3/4 LG X NO. 4-0	2	
- 11	163899	. WASHER,LOCK-SPLIT NO. 6 X 0.255 OD	2	
- 12	165556	. SET SCREW 5-40 1/8 LG	2	
- 13	186399	. SCREW,MACH-BIND HD 2-56 X 3/16 LG	3	
* - 14	227903 □	. SHAFT-PROGRAM DRUM	1	
* - 15	228066 □	. ARM-DRUM ADJUSTING	1	
- 16	309652	. GEAR,SPUR- 44 TEETH 24 DP 1.9143 OD	1	
- 17	338013	. SETSCREW-SOC DR FLAT PT 8-32 X 1/4 LG	2	
* - 18	340760 □	. INDICATOR ASM,PROGRAM COLUMN	1	
* - 19	340781 □	. COLLAR,AUX TRANSPORT BEARING	1	
- 20	340782	. BEARING, THRUST-13/16 OD X .547 ID X.062	2	
- 21	340795	. CAM ASSEMBLY, CONTACT-52 COLUMN	1	
- 22	340805	. CAM ASSEMBLY, CONTACT-61 COLUMN	1	
- 23	340810	. CAM ASSEMBLY, CONTACT-67 COLUMN	1	
- 24	340827	. KNOB, PROGRAM CAM	3	
- 25	340853	. SPACER, BEARING	2	
- 26	340854	. GEAR, 12 TOOTH 21 DIA PITCH .579 OD	1	
- 27	340856	. SHAFT, IDLER	1	
- 28	340857	. GEAR, 21 TOOTH 24 DIA PITCH .954 OD	1	
- 29	340858	. BEARING, NEEDLE	2	
* - 30	340859 □	. HOUSING,AUX TRANSPORT	1	
- 31	340870	. CAM ASSEMBLY, 81ST COLUMN PROGRAM	1	
- 32	340873	. SPRING	3	
- 33	340874	. GEAR, 24 TOOTH 24 DIA PITCH 1.079 OD	1	
- 34	341247	. ROLL ASM	1	
- 35	1103695	. RING, RETAINING	1	

FOR PARTS
NOT SHOWN
SEE FIG. 13, 14

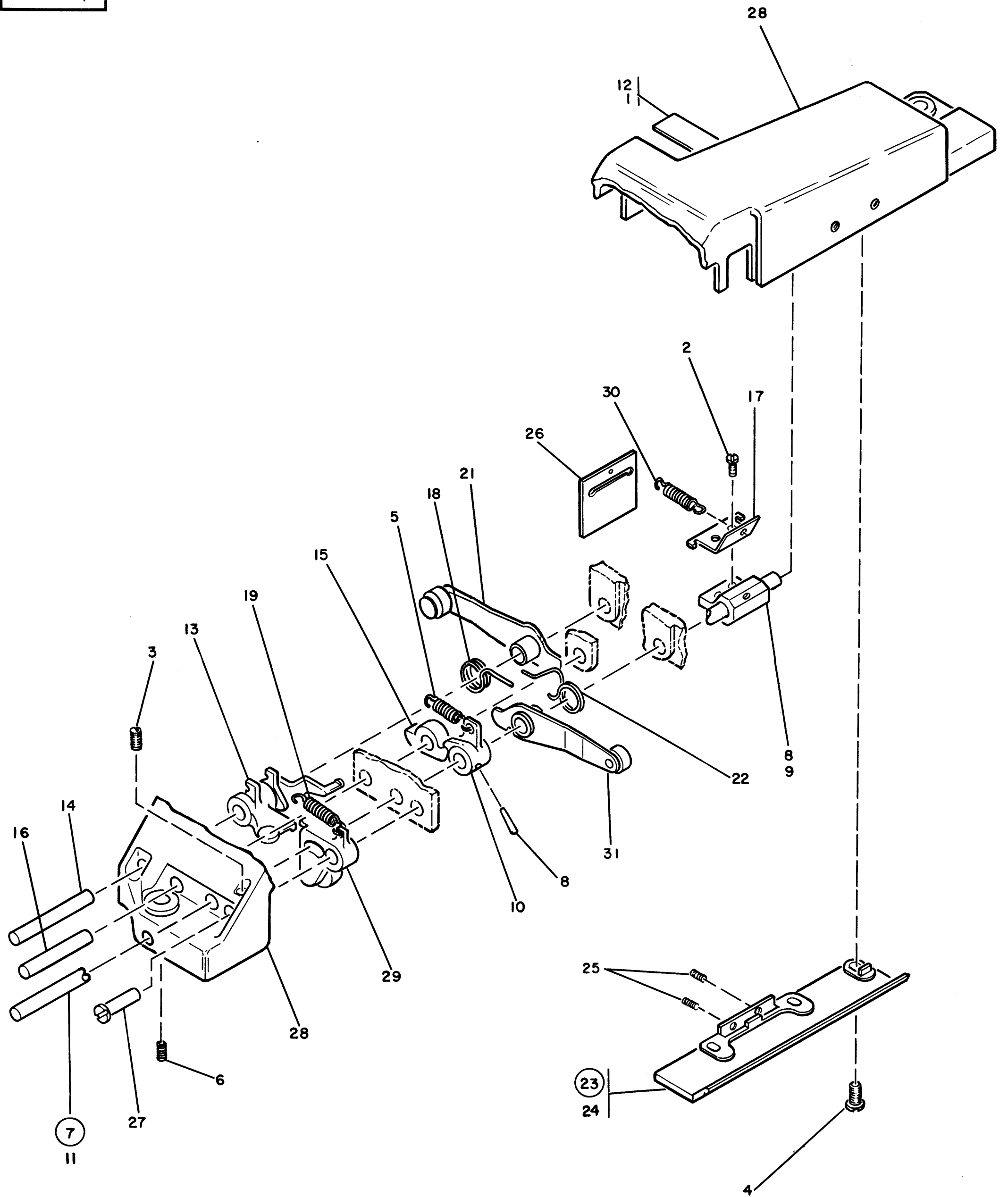


FIGURE 32. UNIT EJECT ASSEMBLIES. SEE LIST 32.

LIST AND INDEX NUMBER	PART NUMBER	DESCRIPTION	UNITS PER ASM.	USABLE ON CODE
		1 2 3 4		
		UNIT EJECT ASSEMBLIES		
* 32 - -	328257	EJECT ASSEMBLY, UNIT SEE FIGURE 13-94 FOR NEXT HIGHER ASSEMBLY AND FIGURE 32 FOR ILLUSTRATION	REF	
* -	345300	EJECT ASSEMBLY, UNIT-VLCD SEE FIGURE 14-154 FOR NEXT HIGHER ASSEMBLY AND FIGURE 32 FOR ILLUSTRATION	REF	
- 1	294	• SCREW, MACH-RH 5-40 X 5/16 LG	2	
- 2	1856	• SCREW, MACH-FIL H 2-56 X 3/16 LG	2	
- 3	22797	• SETSCREW-SPLINE DR FP 5-40 X 3/16 LG	1	
- 4	28610	• SCREW, MACH-FH 5-40 X 3/16 LG	3	
- 5	50119	• SPRING, HELICAL, EXTENSION- 39 TURNS	1	
- 6	133798	• SET SCREW, FLUTED HEADLESS-5-40 X .125	1	
- 7	227914	• SHAFT ASSEMBLY, CARD REGISTER	1	
- 8	141431	• PIN, TAPERED, PLAIN- 3/8 LG X NO. 7-0	2	
* - 9	227915 □	• BLOCK-CARD REGISTER	1	
* - 10	227916 □	• LEVER-CARD REGISTER	1	
* - 11	227917 □	• SHAFT-CARD REGISTER	1	
* - 12	227927	• GUIDE, CARD EJECT	1	
- 13	227928	• LEVER-CARD REGISTER AND EJECT	1	
- 14	227929	• SHAFT-EJECT LEV	1	
- 15	227930	• LEVER-CARD REGISTER IDLER	1	
- 16	227931	• SHAFT-CARD REG IDLER	1	
- 17	228572	• STOP-CARD REGISTER	1	
* - 18	309733	• SPRING, HELICAL, TORSION-EJECT ROLL 2 TURN USED ON STANDARD MODELS ONLY	1	
- 19	310784	• SPRING, HELICAL, EXTENSION- 23-1/2 TURNS	1	
* - 21	313239	• ARM ASSEMBLY-EJECT ROLL USED ON STANDARD MODELS ONLY	1	
- 22	313243	• SPRING, HELICAL, TORSION- 2 TURNS RH	1	
- 23	314048	• PLATE-THROAT	1	
- 24	382175	• PLATE-THROAT, SENSING	1	
- 25	382176	• SETSCREW-4-40NC X 0.188 LG	1	
- 26	314049	• PLATE-CARD REGISTER	1	
- 27	314482	• STUD-ECCENTRIC	1	
* - 28	328258	• HOUSING-EJECT ASSEMBLY	1	
* - 28	344864	• HOUSING, EJECT ASSEMBLY-VLCD	1	
- 29	369261	• BEARING AND LEVER ASM-LH PRESSURE ROLL	1	
- 30	1072949	• SPRING, HELICAL, EXTENSION- 7 TURNS	1	
- 31	5420112	• ARM ASSEMBLY, REGISTER ROLL	1	

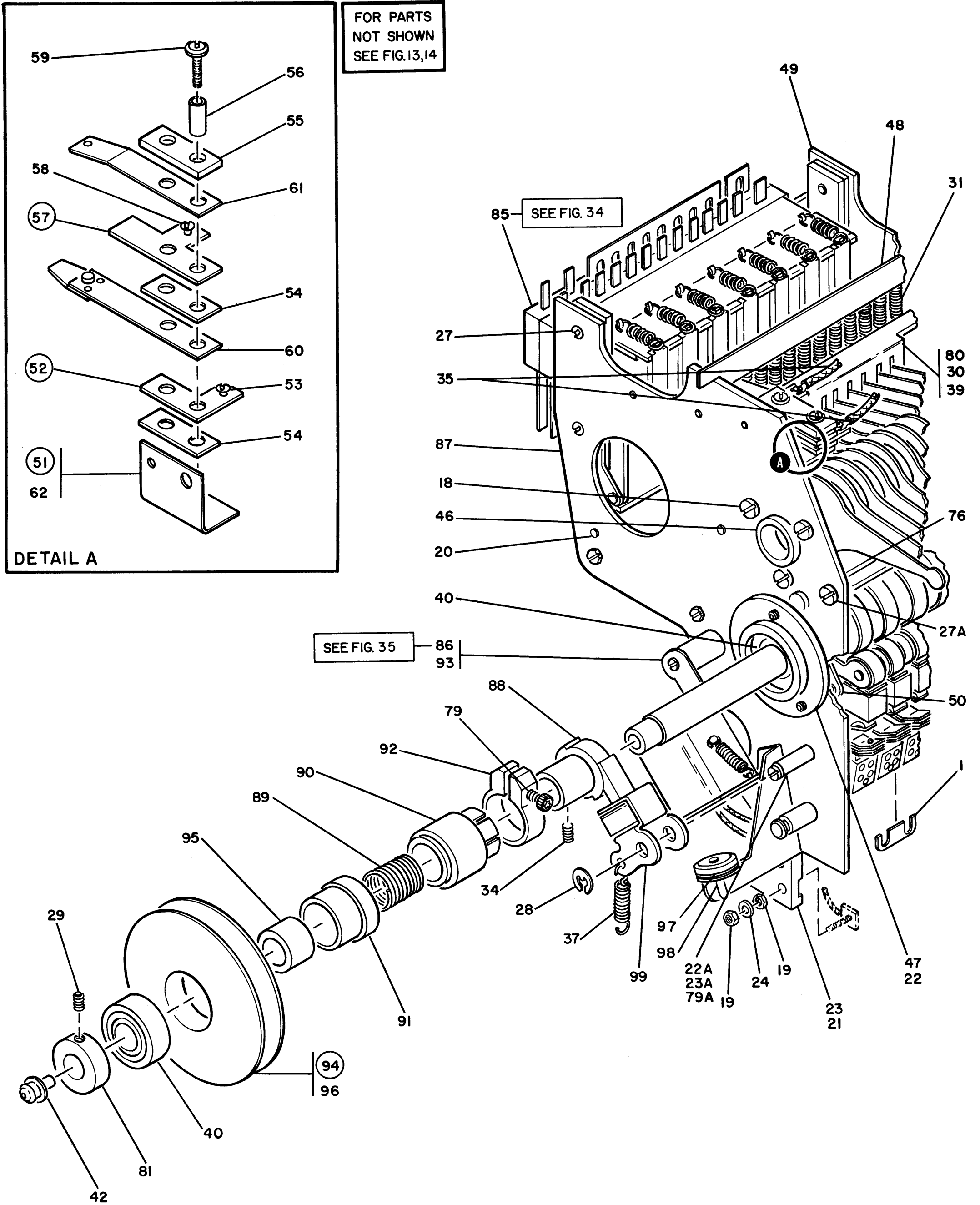


FIGURE 33. MAGNET AND PUNCH DRIVE ASSEMBLIES. SHEET 1 OF 3. SEE LIST 33.

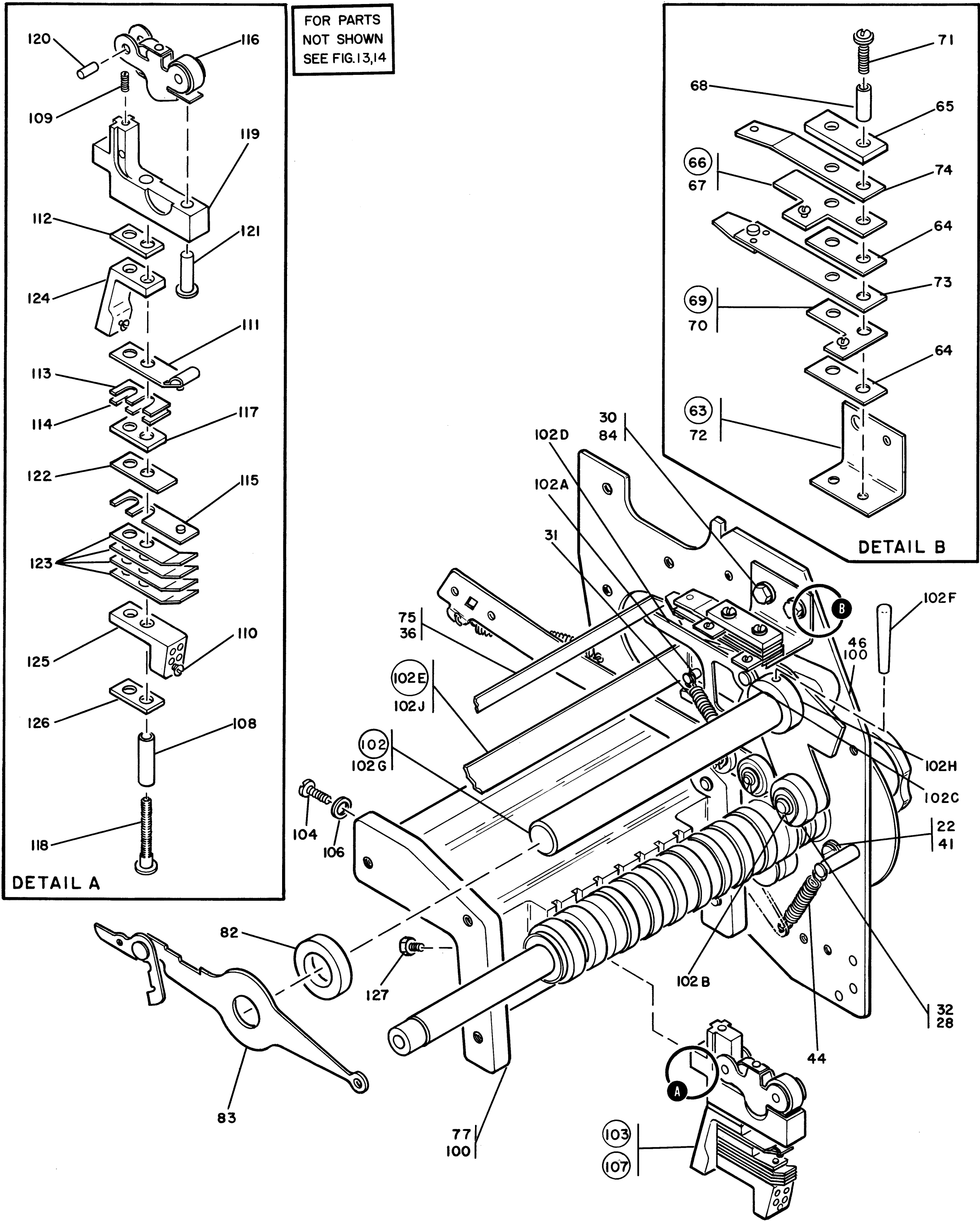


FIGURE 33. MAGNET AND PUNCH DRIVE ASSEMBLIES. SHEET 2 OF 3. SEE LIST 33.

FOR PARTS
NOT SHOWN
SEE FIG. 13, 14

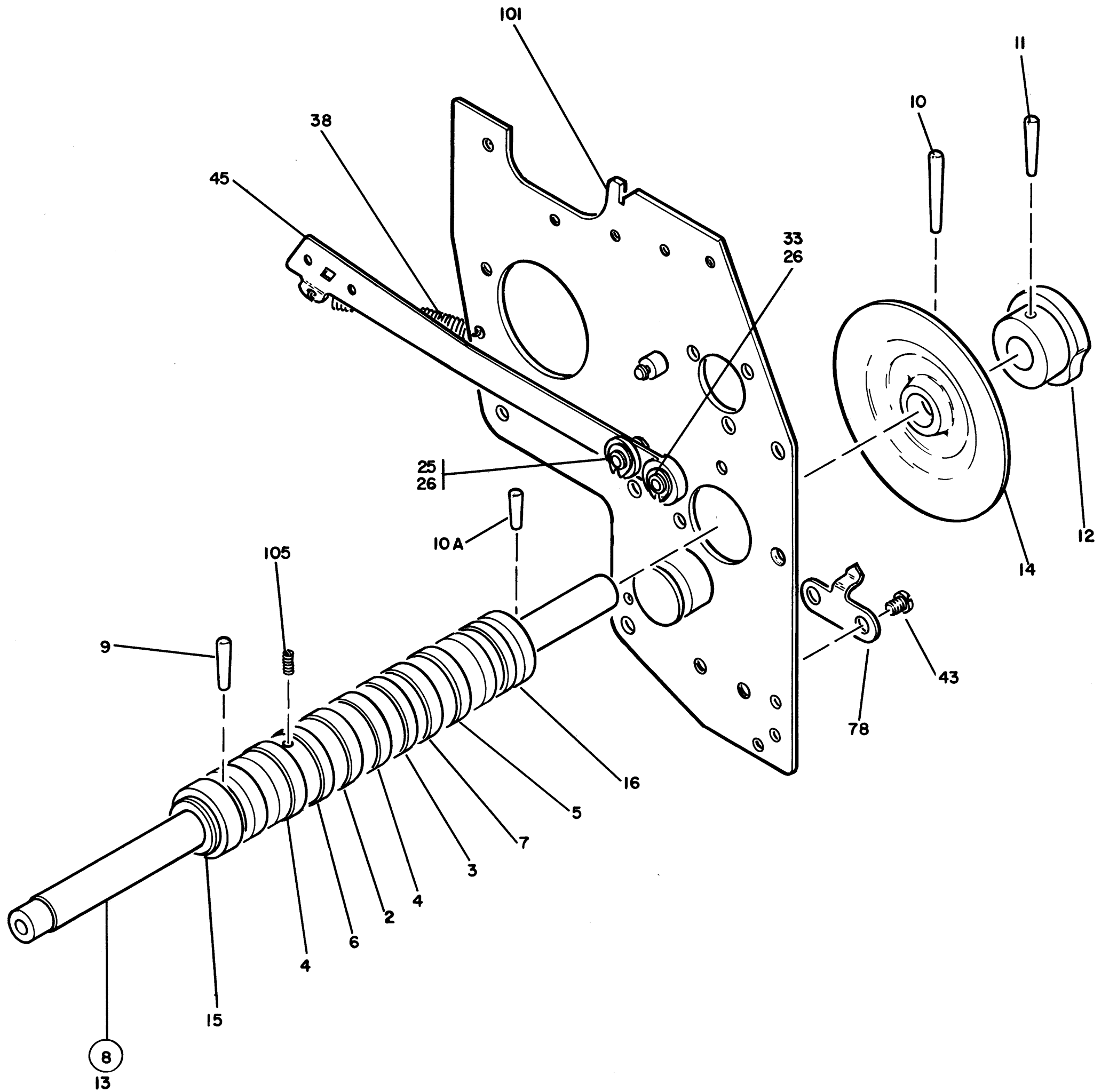


FIGURE 33. MAGNET AND PUNCH DRIVE ASSEMBLIES. SHEET 3 OF 3. SEE LIST 33.

LIST AND INDEX NUMBER	PART NUMBER	DESCRIPTION	UNITS PER ASM.	USABLE ON CODE
		MAGNET AND PUNCH DRIVE ASSEMBLIES		
33 -	5422241	PUNCH DRIVE ASSEMBLY, MAGNET AND USED ON MODS A-11 AND A-12 ON RR UNITS	REF	
-	5406260	PUNCH DRIVE ASSEMBLY, MAGNET AND USED ON MODS A-11 AND A-12 ON WCR UNITS	REF	
-	5372375	DRIVE ASSEMBLY, MAGNET AND PUNCH USED ON MODS A-21 AND A-22 ON RR UNITS	REF	
-	5406263	PUNCH DRIVE ASSEMBLY, MAGNET AND USED ON MODS A-21 AND A-22 ON WCR UNITS	REF	
-	5422242	PUNCH DRIVE ASSEMBLY, MAGNET AND USED ON MODS B-11 AND B-12 ON RR UNITS	REF	
-	5406261	PUNCH DRIVE ASSEMBLY, MAGNET AND USED ON MODS B-11 AND B-12 ON WCR UNITS	REF	
-	5373520	DRIVE ASSEMBLY, MAGNET AND PUNCH USED ON MODS B-21 AND B-22 ON RR UNITS	REF	
-	5406264	PUNCH DRIVE ASSEMBLY, MAGNET AND USED ON MODS B-21 AND B-22 ON WCR UNITS	REF	
-	5367318	DRIVE ASSEMBLY, MAGNET AND PUNCH USED ON MODEL C-22 ON REED RELAY UNITS	REF	
-	5406266	PUNCH DRIVE ASSEMBLY, MAGNET AND USED ON MODEL C-22 ON WIRE CONT RELAY UN	REF	
-	5422243	PUNCH DRIVE ASSEMBLY, MAGNET AND USED ON MODS A-11 AND A-12 WITH SELF CHECK FEATURE ON REED RELAY UNITS	REF	
-	5406262	PUNCH DRIVE ASSEMBLY, MAGNET AND USED ON MODS A-11 AND A-12 WITH SELF CHECK FEATURE ON WIRE CONT RELAY UNITS	REF	
-	5404190	DRIVE ASSEMBLY, MAGNET AND PUNCH USED ON MODS A-21 AND A-22 WITH SELF CHECK FEATURE ON REED RELAY UNITS	REF	
-	5406265	PUNCH DRIVE ASSEMBLY, MAGNET AND USED ON MODS A-21 AND A-22 WITH SELF CHECK FEATURE ON WIRE CONT RELAY UNITS SEE FIGURE 13-3 AND 14-3 FCR NEXT HIGHER ASSEMBLY AND FIGURE 33 FOR ILLUSTRATION	REF	
* - 1	228609	. JUMPER-BRASS	SHEET 1	AR
* - 2	227694	. CAM-CIRCUIT BREAKER	SHEET 3	1
* - 2	350359	USED ON REED RELAY UNITS ONLY . CAM-CIRCUIT BREAKER USED ON WIRE CONTACT RELAY UNITS	SHEET 3	1
* - 3	309629	USED IN POSITION 2 . CAM-CIRCUIT BREAKER USED IN POSITION 5	SHEET 3	1
* - 4	309630	. CAM-CIRCUIT BREAKER USED IN POSITIONS 1 AND 4	SHEET 3	2
* - 5	308734	. CAM-CIRCUIT BREAKER	SHEET 3	1
* - 5	309630	USED ON MODS B-11 12 21 22 RR UNITS . CAM-CIRCUIT BREAKER USED ON MODS B-11 12 21 22 WCR UNITS	SHEET 3	1
* - 5	309631	. CAM-CIRCUIT BREAKER USED ON ALL MODS WITH SELF CHECK FEATURE	SHEET 3	1
* - 5	313414	. CAM-CIRCUIT BREAKER	SHEET 3	1
* - 6	309634	USED ON MOD C-22 RR AND WCR UNITS USED IN POSITION 7 . CAM-CIRCUIT BREAKER	SHEET 3	1
* - 7	326429	USED IN POSITION 2 . CAM-CIRCUIT BREAKER USED ON MODS B-11 12, B-21 22 RR ONLY	SHEET 3	1
* - 7	309630	. CAM-CIRCUIT BREAKER USED ON MODS B-21 22 WCR ONLY, MOD C-22	SHEET 3	1
* - 7	310255	. CAM-CIRCUIT BREAKER	SHEET 3	1
* - 8	5372380	USED ON ALL MODS WITH SELF CHECK FEATURE USED IN POSITION 6 . SHAFT ASSEMBLY, CAM-PRINT	SHEET 3	1
* - 8	5422244	USED ON MODS A-21 22, B-21 22, MOD C-22 AND MODS A-21 22 WITH SELF CHECK FEATURE . SHAFT ASSEMBLY, CAM-NON PRINT	SHEET 3	1
* - 9	19167	USED ON MODS A-11 12, B-11 12 AND MODS A-11 12 WITH SELF CHECK FEATURE . . PIN, TAPERED, PLAIN- 5/8 LG X NO. 3	SHEET 3	1
* - 10	29930	. . PIN, TAPERED, PLAIN- 1 LG X NO. 3	SHEET 3	1
* - 10A	29949	. . PIN, TAPERED, PLAIN- 9/16 LG X NO. 4	SHEET 3	1

LIST AND INDEX NUMBER	PART NUMBER	DESCRIPTION				UNITS PER ASM.	USABLE ON CODE
		1	2	3	4		
		MAGNET AND PUNCH DRIVE ASSEMBLIES -CONT					
* 33 - 11	44507	. . . PIN, TAPERED, PLAIN- 11/16 LG X NO. 4-0 USED ON PRINT CAM SHAFT ASSEMBLY				SHEET 3	1
* - 12	228289 □	. . . CAM-PRINT USED ON PRINT CAM SHAFT ASSEMBLY				SHEET 3	1
* - 13	301183 □	. . . SHAFT USED ON NON PRINT CAM SHAFT ASSEMBLY				SHEET 3	1
* - 13	301184 □	. . . SHAFT-PRINT CAM USED ON PRINT CAM SHAFT ASSEMBLY				SHEET 3	1
* - 14	314186 □	. . . INDEX-CAM SHAFT				SHEET 3	1
* - 15	5372376 □	. . . CAM, ACTIVE AND COMPLEMENTARY				SHEET 3	1
* - 16	5372382 □	. . . CAM				SHEET 3	1
* - 17	5404148 NP	. . . MECHANICAL GROUP, PUNCH DRIVE					
* - 18	337	. . . SCREW, MACH-FIL H 8-32 X 3/8 LG				SHEET 1	3
* - 19	478	. . . NUT, PLAIN, HEX- 5-40 X 5/16 FL W BRS				SHEET 1	4
* - 20	632	. . . PIN, STR, HDLS- 1/8 DIA X 3/8 LG				SHEET 1	4
* - 21	3500	. . . SCREW, FIL HD MACH-5-40 X .312 LG				SHEET 1	2
* - 22	4236	. . . SCREW, MACH-FIL H 5-40 X 1/4 LG				SHEET 1	6
* - 22A	6935	. . . WASHER, LOCK-SPLIT 1/4 X 0.493 OD				SHEET 1	1
* - 23	9667	. . . BLOCK-MAGNET TERMINAL				SHEET 1	1
* - 23A	11891	. . . NUT-PLAIN, HEX, 10-32 X 3/8 FL W BRS				SHEET 1	1
* - 24	17514	. . . WASHER, FL-NO. 4 X 5/16 OD X 1/32 THK				SHEET 1	2
* - 25	20017	. . . WASHER, FL-NO. 10 X 7/16 OD X 0.057 THK				SHEET 3	1
* - 26	25282	. . . RING-RETAINING, EXT 0.125 ID X 0.015 THK				SHEET 3	2
* - 27	25750	. . . SCREW, MACH-OVAL CSK HD 8-32 X 3/8 LG				SHEET 1	4
* - 27A	34512	. . . SCREW, BIND. HD 8-32 X .375 LG				SHEET 1	2
* - 28	60489	. . . CLIP-SPRING				SHEET 1	4
* - 29	75533	. . . SET SCREW .540 THK X 1/8 LG				SHEET 1	8
* - 30	79233	. . . WASHER, FL-NO. 5 X 3/8 OD X 0.050 THK				SHEET 1	14
* - 31	110034	. . . SPRING, HELICAL, EXTENSION- 31.5 TURNS				SHEET 1	14
* - 32	110129	. . . BEARING, BALL, ANNULAR- 0.250 ID 0.625 OD				SHEET 2	3
* - 33	121970	. . . BEARING, BALL, ANNULAR- 0.187 ID 0.500 OD				SHEET 3	1
* - 34	123780	. . . SETSCREW-SPLINE DR CUP PT 10-32 X 3/16 LG				SHEET 1	2
* - 35	132665	. . . JUMPER ASM-BLK 3 IN. 20AWG 1 LUG EA END				SHEET 1	2
* - 36	147297	SEE FIGURE 54-28 FOR COMPONENT PARTS . . . RING, RETAINING-EXT 0.094 ID X 0.020 THK				SHEET 2	2
* - 37	150676	. . . SPRING, HELICAL, EXTENSION- 13 TURNS				SHEET 1	1
* - 38	151390	. . . SPRING, HELICAL, EXTENSION- 47 TURNS				SHEET 3	1
* - 39	155180	. . . SCREW, MACH-TRUSS HD 5-40 X 1/4 LG				SHEET 1	4
* - 40	156364	. . . BEARING, BALL, ANNULAR- 0.375 ID 0.875 OD				SHEET 1	3
* - 41	163899	. . . WASHER, LOCK-SPLIT NO. 6 X 0.255 OD				SHEET 2	3
* - 42	171059	. . . FITTING, LUBRICATION- 0.194 PRESS FIT				SHEET 1	1
* - 43	196298	. . . SCREW, MACH-BIND HD 5-40 X 3/16 LG				SHEET 3	2
* - 44	219765	. . . SPRING, HELICAL, EXTENSION- 19 TURNS				SHEET 2	1
* - 45	227749	. . . LINK-BAIL DRIVE PIN				SHEET 3	1
* - 46	227774	. . . BEARING, SLV-PUNCH BAIL SHAFT 0.438 ID BRZ				SHEET 1	2
* - 47	227775	. . . HOUSING-CAMSHAFT BEARING				SHEET 1	2
* - 48	227777	. . . ANCHOR-INTERPOSER SPRING				SHEET 1	1
* - 49	227778	. . . PLATE-MAGAZINE YOKE CLAMPING				SHEET 1	2
* - 50	227779	. . . PLATE-CAMSHAFT BEARING RETAINER				SHEET 1	1
* - 51	227786	. . . CONTACT ASSEMBLY-ELEC FRONT PUNCH				SHEET 1	1
* - 52	1882	. . . TERMINAL ASSEMBLY-CONTACT				SHEET 1	1
* - 53	118418	. . . SCREW, MACH-RH 5-40 X 5/32 LG USED ON CONTACT TERMINAL ASSEMBLY				SHEET 1	1
* - 54	11899	. . . INSULATION-CONTACT SPRING 1/16 THK				SHEET 1	2
* - 55	11900	. . . INSULATOR-CONTACT SPRING				SHEET 1	1
* - 56	114045	. . . INSULATOR-SCR 0.128 ID 0.186 OD 0.375 LG				SHEET 1	2
* - 57	152711	. . . TERMINAL ASSEMBLY-CONTACT				SHEET 1	1
* - 58	118418	. . . SCREW, MACH-RH 5-40 X 5/32 LG USED ON CONTACT TERMINAL ASSEMBLY				SHEET 1	1
* - 59	173202	. . . SCREW, ASMD WASHER-RH 5-40 X 0.469 LG				SHEET 1	2
* - 60	227789	. . . SPRING ASSEMBLY-LOWER CONTACT				SHEET 1	1
* - 61	227790	. . . SPRING ASSEMBLY-UPPER CONTACT				SHEET 1	1
* - 62	227840	. . . BRACKET-PUNCH CONTACT FRONT MOUNTING				SHEET 1	1
* - 63	227787	. . . CONTACT ASSEMBLY-ELEC REAR PUNCH				SHEET 2	1
* - 64	11899	. . . INSULATION-CONTACT SPRING 1/16 THK				SHEET 2	2
* - 65	11900	. . . INSULATOR-CONTACT SPRING				SHEET 2	1
* - 66	21866	. . . TERMINAL ASSEMBLY-CONTACT				SHEET 2	1
* - 67	118418	. . . SCREW, MACH-RH 5-40 X 5/32 LG USED ON CONTACT TERMINAL ASSEMBLY				SHEET 2	1
* - 68	114045	. . . INSULATOR-SCR 0.128 ID 0.186 OD 0.375 LG				SHEET 2	2
* - 69	138709	. . . CONTACT ASSEMBLY-TERMINAL				SHEET 2	1

LIST AND INDEX NUMBER	PART NUMBER	DESCRIPTION	UNITS PER ASM.	USABLE ON CODE
		MAGNET AND PUNCH DRIVE ASSEMBLIES -CONT		
* 33 - 70	118418	. . . SCREW, MACH-RH 5-40 X 5/32 LG USED ON CONTACT TERMINAL ASSEMBLY	SHEET 2	1
* - 71	173202	. . . SCREW, ASMD WASHER-RH 5-40 X 0.469 LG	SHEET 2	2
* - 72	227788	. . . BRACKET-PUNCH CONTACT REAR MOUNTING	SHEET 2	1
* - 73	227789	. . . SPRING ASSEMBLY-LOWER CONTACT	SHEET 2	1
* - 74	227790	. . . SPRING ASSEMBLY-UPPER CONTACT	SHEET 2	1
* - 75	227797	. . . ARM-CONTACT OPERATING	SHEET 2	1
* - 76	227827	. . . BAR-SIDE PLATE SPACE	SHEET 1	1
* - 77	227838	. . . BRACKET-CIRCUIT BREAKER MOUNTING	SHEET 2	1
* - 78	227841	. . . POINTER-CAMSHAFT INDEX	SHEET 3	1
* - 79	228348	. . . SCREW, CAP, SOC HD- 5-40 X 5/8 LG	SHEET 1	1
* - 79A	264209	. . . STUD, 10-32	SHEET 1	1
* - 80	301132	. . . COMB ASSEMBLY-GUIDE AND BUMPER	SHEET 1	1
* - 81	301174	. . . SPACER- 0.345 ID X 11/16 OD X 1/4 THK	SHEET 1	1
* - 82	304667	. . . SPACER- 31/64 ID X 3/4 OD X 1/8 THK	SHEET 2	11
* - 83	308421	. . . ARM ASSEMBLY-PUNCH OPERATING	SHEET 2	12
* - 84	314494	. . . SCREW, CAP, HEX HD- 5-40 X 1/4 LG	SHEET 2	4
* - 85	315409	. . . MAGNET ASSEMBLY, PUNCH	SHEET 1	1
* - 86	328901	SEE FIGURE 34 FOR DETAIL BREAKDOWN . . . MAGNET ASSEMBLY, PUNCH CLUTCH SEE FIGURE 35 FOR DETAIL BREAKDOWN	SHEET 1	1
* - 87	328910	. . . PLATE ASSEMBLY-PUNCH UNIT	SHEET 1	1
* - 88	328916	. . . DETENT-PUNCH	SHEET 1	1
* - 89	328917	. . . SPRING, HELICAL, COMPR- 20 TURNS	SHEET 1	1
* - 90	328918	. . . SLEEVE-CLUTCH	SHEET 1	1
* - 91	328919	. . . SLEEVE-CLUTCH	SHEET 1	1
* - 92	328920	. . . COLLAR, SHAFT-PUNCH CLUTCH SPLIT	SHEET 1	1
* - 93	328928	. . . SCREW, ASMD WASHER- 8-32 X 13/32 LG	SHEET 1	1
* - 94	340022	. . . PULLEY ASSEMBLY-BUSHING CLUTCH AND	SHEET 1	1
* - 95	227813 □	. . . BUSHING-CLUTCH PULLEY	SHEET 1	1
* - 96	310777 □	. . . PULLEY, GROOVED-PUNCH CLUTCH	SHEET 1	1
* - 97	342900	. . . WASHER, NM- 0.156 ID X 0.620 OD X 1/4 THK	SHEET 1	1
* - 98	344059	. . . WASHER, FL-SPL 0.160 ID 5/8 OD 0.062 THK	SHEET 1	1
* - 99	344155	. . . LATCH ASSEMBLY-PUNCH CLUTCH	SHEET 1	1
* -100	1090024	. . . SCREW-MACH HEX HEAD 8-32 X.38 LG	SHEET 2	9
* -101	5372377	. . . PLATE ASSEMBLY, REAR SIDE	SHEET 3	1
* -102	5372379	. . . BAIL ASSEMBLY, COMPLETE	SHEET 2	1
* -102A	24836 □	. . . STUD-SPRING	SHEET 2	1
* -102B	227760 □	. . . STUD-CAM FOLLOWER	SHEET 2	3
* -102C	309991 □	. . . STUD-SPACE KEY INTERPOSER PIVOT	SHEET 2	1
* -102D	309992 □	. . . STUD-PIVOT	SHEET 2	1
* -102E	5372378 □	. . . BAIL ASSEMBLY, SHAFT AND	SHEET 2	1
* -102F	151231	. . . PIN, TAPERED, PLAIN- 3/4 LG X NO. 3-0 USED ON ASSEMBLY 5372378	SHEET 2	2
* -102G	227762 □	. . . SHAFT-PUNCH BAIL USED ON ASSEMBLY 5372378	SHEET 2	1
* -102H	309575 □	. . . HUB-PUNCH BAIL USED ON ASSEMBLY 5372378	SHEET 2	2
* -102J	5372381 □	. . . BAIL USED ON ASSEMBLY 5372378	SHEET 2	1
* -103	5404149 NP	. . . CIRCUIT BREAKER ASM GROUP		
* -104	845	. . . SCREW, MACH-FIL H 8-32 X 1/2 LG	SHEET 2	1
* -105	75533	. . . SET SCREW .540 THK X 1/8 LG	SHEET 3	2
* -106	133905	. . . WASHER, FL-NO. 8 X 17/64 OD X 1/32 THK	SHEET 2	1
* -107	228110	. . . CIRCUIT BREAKER ASSEMBLY	SHEET 2	1
* -108	100237	. . . INSULATOR-SCR 0.128 ID 0.186 OD 21/32 LG	SHEET 2	2
* -109	101017	. . . SETSCREW-SPLINE DR FP 5-40 X 1/4 LG	SHEET 2	1
* -110	118418	. . . SCREW, MACH-RH 5-40 X 5/32 LG	SHEET 2	2
* -111	205742	. . . TERMINAL ASSEMBLY-CONTACT	SHEET 2	1
* -112	205743	. . . INSULATOR, PLATE-CAM CONTACT UNIT	SHEET 2	1
* -113	205747	. . . SHIM-CONTACT	SHEET 2	AR
* -114	205783	. . . SHIM-CONTACT	SHEET 2	AR
* -115	228107	. . . STRAP ASSEMBLY-CONTACT SPRING UPPER	SHEET 2	1
* -116	228102	. . . ARM ASSEMBLY, BEARING	SHEET 2	1
* -117	228147	. . . INSULATOR-BLOCK	SHEET 2	1
* -118	228164	. . . SCREW, MACH-RD WASHER HD 5-40 X 15/16 LG	SHEET 2	2
* -119	228472	. . . BLOCK-CONTACT MOUNTING	SHEET 2	1
* -120	228475	. . . PIVOT-BREAKER ARM	SHEET 2	1
* -121	228476	. . . PLUNGER-CONTACT	SHEET 2	1
* -122	228477	. . . STIFFENER-UPPER CONTACT	SHEET 2	1
* -123	228478	. . . FELT-CONTACT UPPER DAMPER	SHEET 2	4
* -124	228480	. . . BLOCK-LOWER CONTACT TERMINAL	SHEET 2	1
* -125	228481	. . . BLOCK-UPPER CONTACT TERMINAL	SHEET 2	1
* -126	230736	. . . INSULATOR-CONTACT BLOCK	SHEET 2	1
* -127	369265	. . . SCREW, SELF LKG-HEX HD 5-40 X 1/2 LG	SHEET 2	1

FOR PARTS
NOT SHOWN
SEE FIG. 33

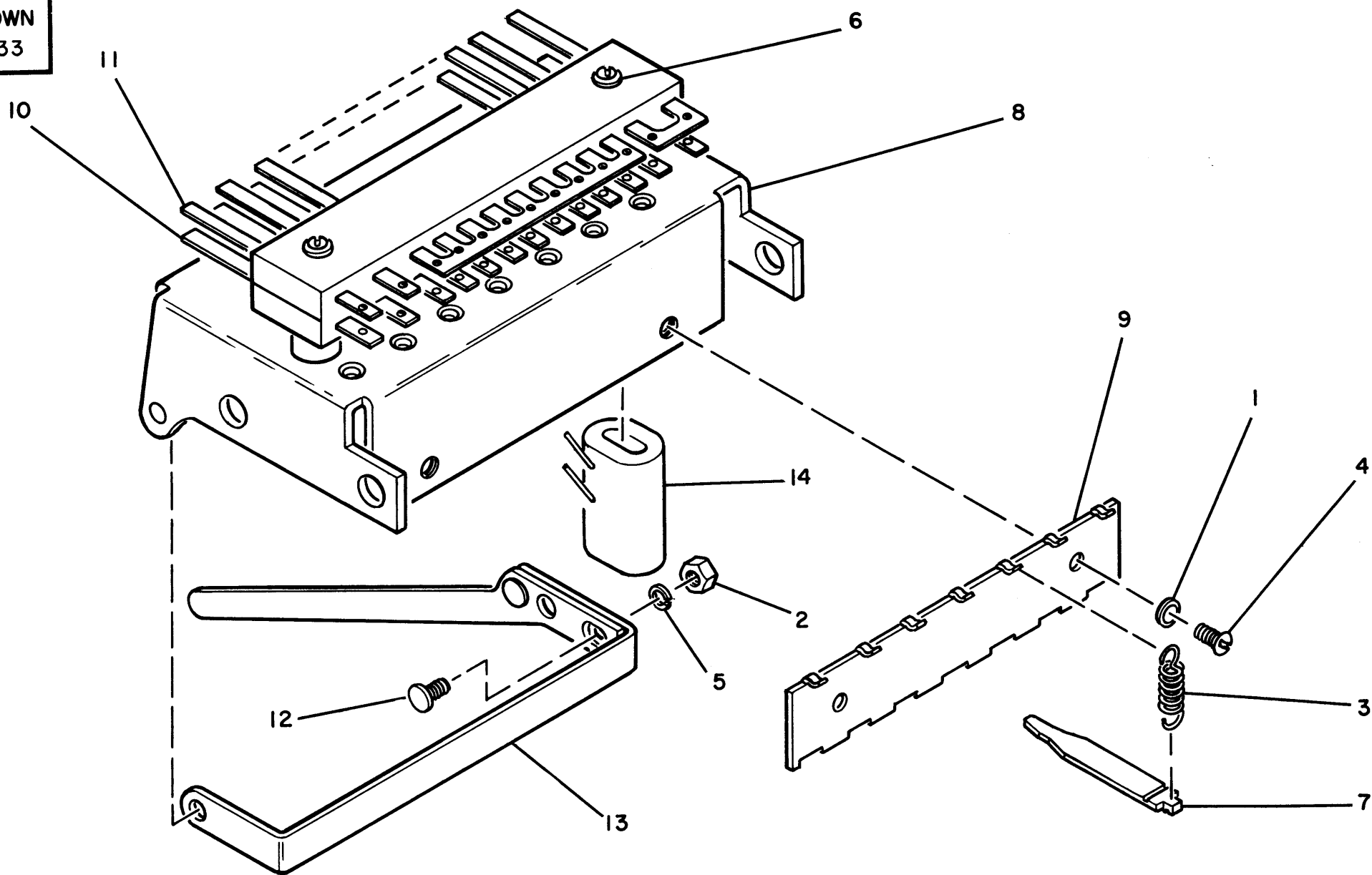


FIGURE 34. PUNCH MAGNET ASSEMBLY. SEE LIST 34.

LIST AND INDEX NUMBER	PART NUMBER	DESCRIPTION	UNITS PER ASM.	USABLE ON CODE
		1 2 3 4		
		PUNCH MAGNET ASSEMBLY		
* *	34 -	CODE 1-USED PRIOR TO SUFFIX D7 CODE 2-USED FROM SUFFIX D7 TO CURRENT		
	-	MAGNET ASSEMBLY, PUNCH SEE FIGURE 33-85 FOR NEXT HIGHER ASSEMBLY AND FIGURE 34 FOR ILLUSTRATION	REF	
	- 1	• WASHER, FL-NO. 4 X 3/8 OD X 1/32 THK	4	
	- 2	• NUT, PLAIN, HEX- 5-40 X 7/32 FL W	1	
	- 3	• SPRING, HELICAL, EXTENSION- 18 TURNS	13	
	- 4	• SCREW, MACH-RH 5-40 X 5/32 LG	4	
	- 5	• WASHER, LOCK-SPLIT NO. 6 X 0.255 OD	1	
	- 6	• SCREW, ASMD WASHER-RH 5-40 X 25/32 LG	2	
	- 7	• ARMATURE-PUNCH MAGNET	13	1
	- 7	• ARMATURE	13	2
* *	- 8	• YOKE AND CORE ASM-MAGNET	1	
	- 9	• PIVOT-PUNCH MAGNET ARMATURE-	2	
	- 10	• BLOCK-TERMINAL	1	
	- 11	• BLOCK-TERMINAL	1	
	- 12	• STUD-ARMATURE KNOCKOFF ECCENTRIC	1	
	- 13	• BAIL ASSEMBLY-KNOCKOFF	1	
* *	- 14	• COIL ASSEMBLY-INTERPOSER MAGNET	13	

FOR PARTS
NOT SHOWN
SEE FIG. 33

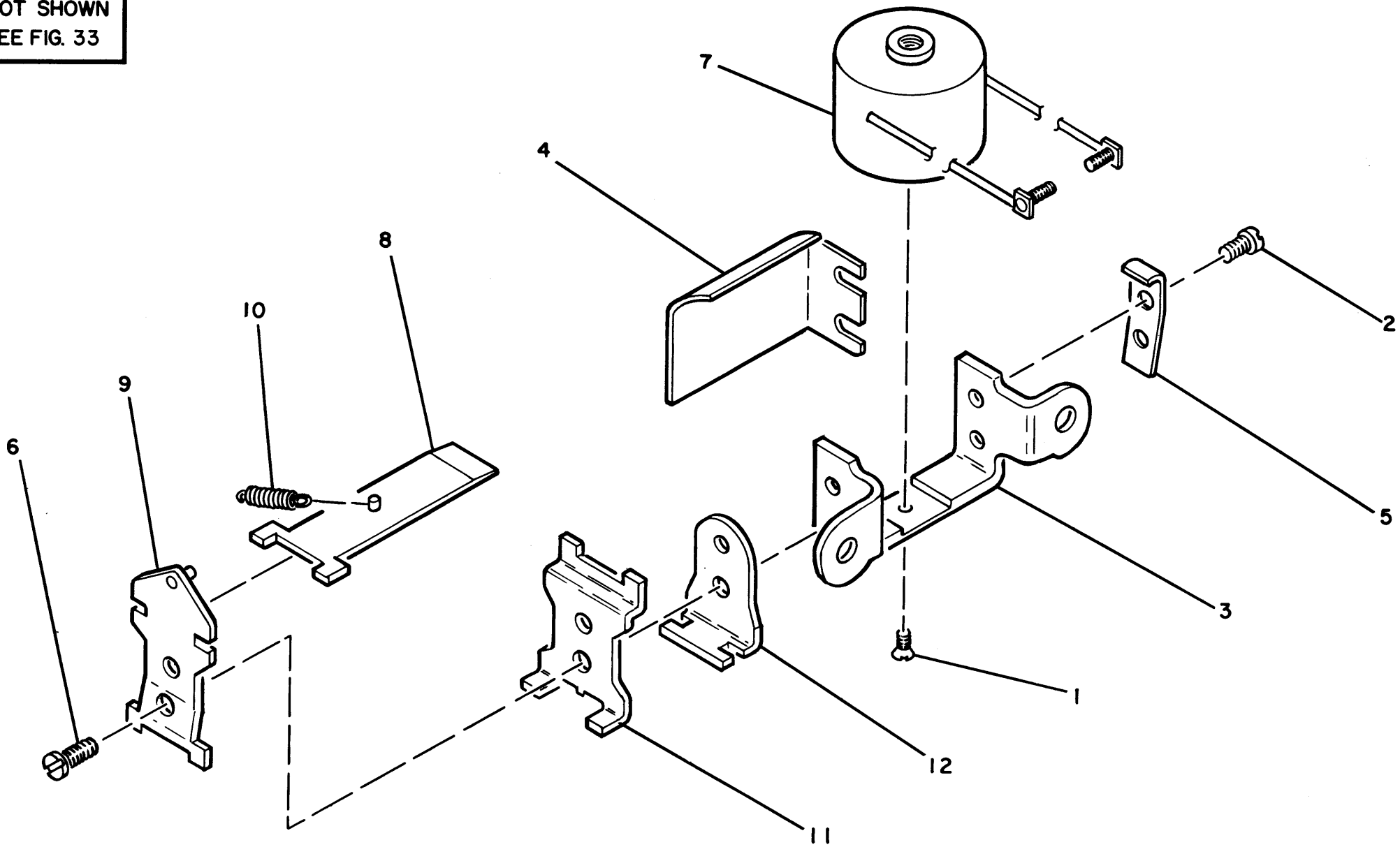


FIGURE 35. PUNCH CLUTCH MAGNET ASSEMBLY. SEE LIST 35.

LIST AND INDEX NUMBER	PART NUMBER	DESCRIPTION	UNITS PER ASM.				USABLE ON CODE
			1	2	3	4	
		PUNCH CLUTCH MAGNET ASSEMBLY					
35 -	328901	MAGNET ASSEMBLY, PUNCH CLUTCH SEE FIGURE 33-36 FOR NEXT HIGHER ASSEMBLY AND FIGURE 35 FOR ILLUSTRATION					REF
- 1	163	• SCREW, MACH-FIL CSK HD 5-40 X 5/16 LG					1
- 2	38271	• SCREW, MACH-FIL H 5-40 X 3/16 LG					2
- 3	228152	• YOKE-MAGNET					1
- 4	305248	• BRACKET-PUNCH CLUTCH COIL					1
- 5	305269	• RESIDUAL					1
- 6	305270	• SCREW, MACH-FH 5-40 X 0.130 LG					2
- 7	315189	• COIL					1
- 8	328902	• ARMATURE ASSEMBLY-PUNCH CLUTCH					1
- 9	328903	• PLATE ASSEMBLY-PIVCT					1
- 10	328904	• SPRING, HELICAL, EXTENSION- 9-1/2 TURNS					1
- 11	344117	• RETAINER-PUNCH CLUTCH ARM					1
- 12	344123	• PLATE-PIVOT LWR					1

FOR PARTS
NOT SHOWN
SEE FIG. 14 A

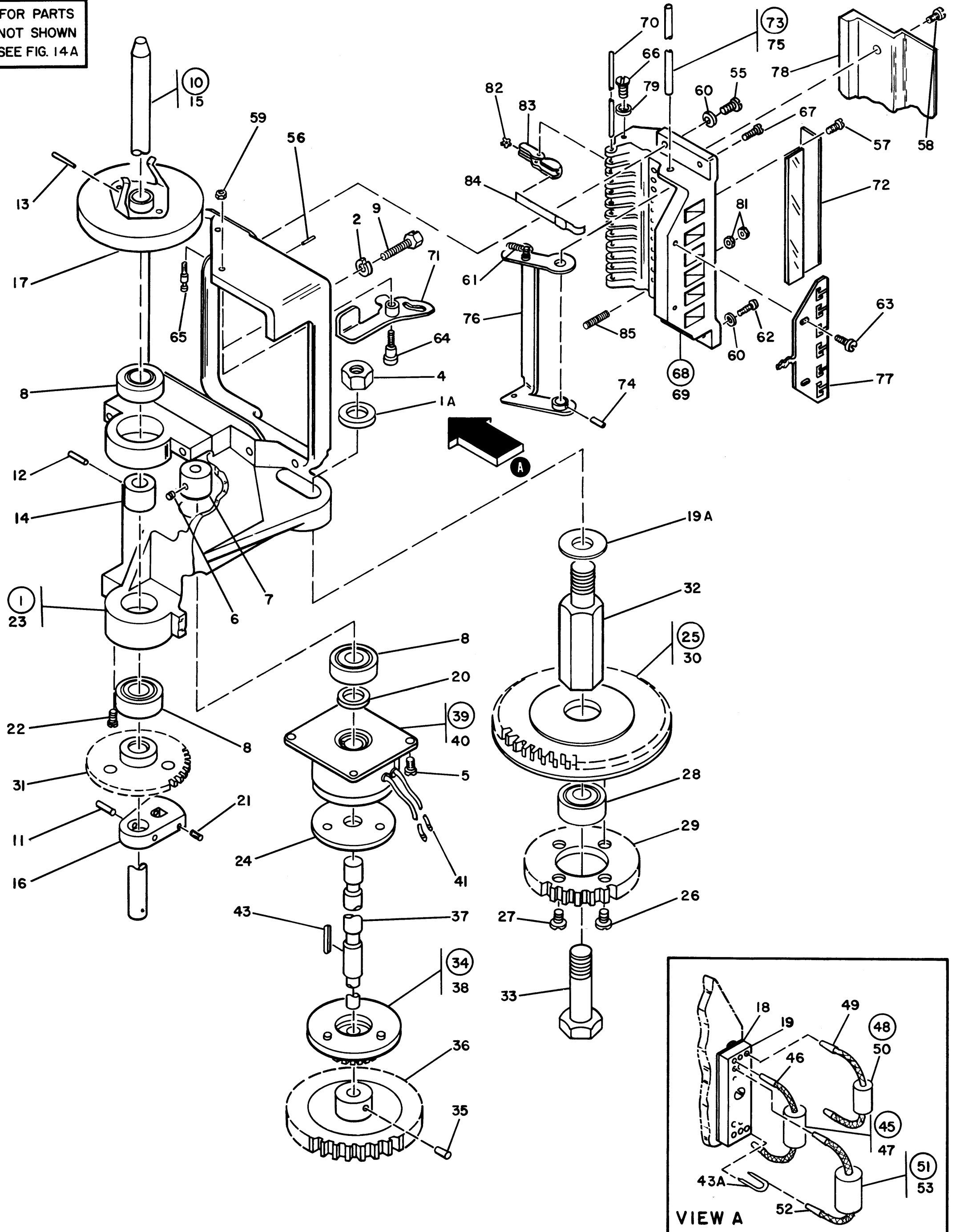


FIGURE 36. HIGH SPEED SKIP CLUTCH ASSEMBLY WITH AND WITHOUT AUX DUP SENSING. SEE LIST 36.

LIST AND INDEX NUMBER	PART NUMBER	DESCRIPTION				UNITS PER ASM.	USABLE ON CODE
		1	2	3	4		
		HIGH SPEED SKIP CLUTCH ASM WITH AND WITHOUT AUX DUP					
36 -							
		CODE A USED ON HIGH SPEED SKIP BACKFRAME GRCUPS CODE B USED WITH AUXILIARY DUPLICATION SENSING ONLY					
-	5416975	CLUTCH ASSEMBLY, HSS WITH AUX DUP				REF	B
		SEE FIGURE 14A-8 FOR NEXT HIGHER ASSEMBLY AND FIGURE 36 FOR ILLUSTRATION					
- 1	345285	. CLUTCH ASSEMBLY, HIGH SPEED SKIP SEE FIGURE 14A-8 FOR NEXT HIGHER ASM WHEN USED WITHOUT AUX DUP AND WITH SELF CHECK FEATURES				REF	
- 1A	453	. . WASHER, FL- 3/8 X 13/16 OD X 1/16 THK				1	
- 2	9092	. . WASHER-LOCK, SPLIT RING, .194 ID .3370D				1	
- 3	24019	. . SCREW, MACH-FIL H 5-40 X 9/16 LG				1	
- 4	24107	. . NUT, PLAIN, HEX- 3/8 X 9/16 FL W				1	
- 5	38351	. . SCREW, MACH-FIL HD 6-32 X .312 LG				4	
- 6	75533	. SET SCREW .540 THK X 1/8 LG				2	
- 7	128834	. HUB				2	
- 8	156364	. . BEARING, BALL, ANNULAR- 0.375 ID 0.875 OD				4	
- 9	204616	. . SCREW, MACH-HEX HD 10-32 X 1 LG				1	
- 10	228578	. . SHAFT ASSEMBLY, AUX DUP DRUM				1	
- 11	24695	. . . PIN, TAPERED, PLAIN- 7/8 LG X NO. 4-0				1	
- 12	29949	. . . PIN, TAPERED, PLAIN- 9/16 LG X NO. 4				2	
- 13	44507	. . . PIN, TAPERED, PLAIN- 11/16 LG X NO. 4-0				1	
* - 14	139354 □	. . . SPACER, SLV- 3/8 ID				2	
* - 15	227903 □	. . . SHAFT-PROGRAM DRUM				1	
* - 16	228066 □	. . . ARM-DRUM ADJUSTING				1	
* - 17	300954 □	. . . WHEEL ASM-COLUMN INDICATOR				1	
- 18	302131	. . STRIP-TERMINAL BLOCK INSULATOR				1	
- 19	302090	. . CONNECTOR, RECP, ELEC- 24 FEMALE CONTACTS				1	
- 19A	309608	. . WASHER, FL- 0.385 ID X 0.687 OD X 1/64THK				2	
- 20	336313	. . SPACER, BEARING-9/16 OD X .376 ID X .160				1	
- 21	338013	. . SETSCREW-SQC DR FLAT PT 8-32 X 1/4 LG				2	
- 22	343728	. . SCREW				2	
- 23	345250	. . BRACKET, AUX DUP AND HSS MTG				1	
* - 24	345259 □	. . ARMATURE				1	
- 25	345265	. . PULLEY ASM				1	
- 26	25627	. . . SCREW, MACH-BIND HD 8-32 X 1/2 LG				2	
- 27	38353	. . . SCREW, MACH-FIL H 6-32 X 7/16 LG				2	
- 28	156364	. . . BEARING, BALL, ANNULAR- 0.375 ID 0.875 OD				2	
- 29	345251	. . . SPUR GEAR, 48 TOOTH-24 PITCH X 2.079 OD				1	
- 30	345258	. . . PULLEY ASM, DRIVEN WHEEL				1	
- 31	345267	. . GEAR ASM, 44 AND 56 TOOTH				1	
- 32	345271	. . STUD, PULLEY-3/8-24 UNF LH, 3/8-16 UNC				1	
- 33	345278	. . SCREW, HEX HD MACH-3/8-24 UNF LH				1	
- 34	345282	. . SHAFT ASM, CLUTCH				1	
- 35	4327	. . . PIN, TAPER NO. 5-0 X .562 LG				1	
- 36	345142	. . . GEAR ASM, 60 TOOTH SPUR				1	
- 37	345262	. . . SHAFT, CLUTCH				1	
- 38	345263	. . . GEAR ASM, CLUTCH				1	
* - 39	345286 □	. . COIL ASM, 40V CLUTCH				1	
* - 40	345266 □	. . . COIL-CLUTCH				1	
- 41	360433	. . . TERMINAL-PLUG, 16-18 AWG				2	
- 43	1016329	. . KEY				1	
- 43A	205329	. JUMPER-BRASS, 3/16				2	A
- 45	5400887	. DIODE ASSEMBLY				1	A
- 46	187243	. . TERMINAL, QUICK DISCONNECT				2	
- 47	2111232	. . SEMICONDUCTOR DEVICE-DIODE				1	
- 48	5400888	. RESISTOR ASSEMBLY				1	A
- 49	187243	. . TERMINAL, QUICK DISCONNECT				2	

LIST AND INDEX NUMBER	PART NUMBER	DESCRIPTION 1 2 3 4	UNITS PER ASM.	USABLE ON CODE
		HIGH SPEED SKIP CLUTCH ASM WITH AND WITHOUT AUX DUP -CONT		
36 - 50	213693	. . RESISTOR,FXD,COMP- 1K P/M 5% 1/2W	1	
- 51	5400889	. CAPACITOR ASSEMBLY	1	A
- 52	187243	. . TERMINAL, QUICK DISCONNECT	2	
- 53	5213580	. . CAPACITOR, FXD, PAPER DIELECTRIC-1.0MFD	1	
- 55	337	. SCREW,MACH-FIL H 8-32 X 3/8 LG	3	B
- 56	344	. DOWEL .0625 OD X .3125 LG	2	A
- 57	3500	. SCREW, FIL HD MACH-5-40 X .312 LG	2	B
- 58	4236	. SCREW,MACH-FIL H 5-40 X 1/4 LG	2	A
- 59	7341	. NUT,PLAIN,HEX- 5-40 X 1/4 FL W	1	B
- 60	24511	. WASHER,FL-NO. 8 X 5/16 OD X 1/32 THK	3	B
- 61	26943	. SPRING,HELICAL,EXTENSION- 18 TURNS	1	B
- 62	38368	. SCREW,MACH-FIL H 8-32 X 7/16 LG	1	B
- 63	120044	. SCREW,MACH-BIND HD 5-40 X 3/8 LG	2	B
- 64	150810	. PIVOT-RIBBON FEED DETENT	1	B
- 65	152025	. STUD-OPR LEV SPRING	1	B
- 66	186712	. SCREW,MACH-BIND HD 3-48 X 3/16 LG	1	B
- 67	186758	. SCREW,MACH-BIND HD 8-32 X 7/16 LG	1	B
- 68	227848	. PLATE-PROGRAM SENSING SUPPORT	1	B
- 69	313499	. . INSERT,SCREW THREAD- 5-40 X 9/32 LG	20	
- 70	227866	. SHAFT-LEV PIVOT	1	B
- 71	228574	. HANDLE ASSEMBLY-RELEASE BAIL	1	B
- 72	309607	. RETAINER-PROGRAM SENSING UNIT WIRE	1	B
- 73	309855	. SHAFT ASM, AUX DUP BAIL	1	B
- 74	12473	. . PIN,TAPERED,PLAIN- 3/8 LG X NO. 6	1	
- 75	227904 □	. . SHAFT-AUX DUP RELEASE BAIL	1	
- 76	309854 □	. . BAIL ASM-AUX DUP RELEASE	1	
- 77	313266	. STRIP, COMMON CONTACT	1	A
- 78	382346	. COVER-INSULATING	1	A
- 79	1090630	. WASHER,FL-NO. 3 X 5/16 OD X 1/64 THK	1	B
- 81	27073	. NUT,PLAIN,HEX- 5-40 X 3/16 FL W	2	B
- 82	211985	. WHEEL-SENSING	1	B
- 83	227858	. LEVER-SENSING ARM	1	B
- 84	5404304	. STRAP	1	B
- 85	5404398	. SCREW	1	B

FOR PARTS
NOT SHOWN
SEE FIG. 14A

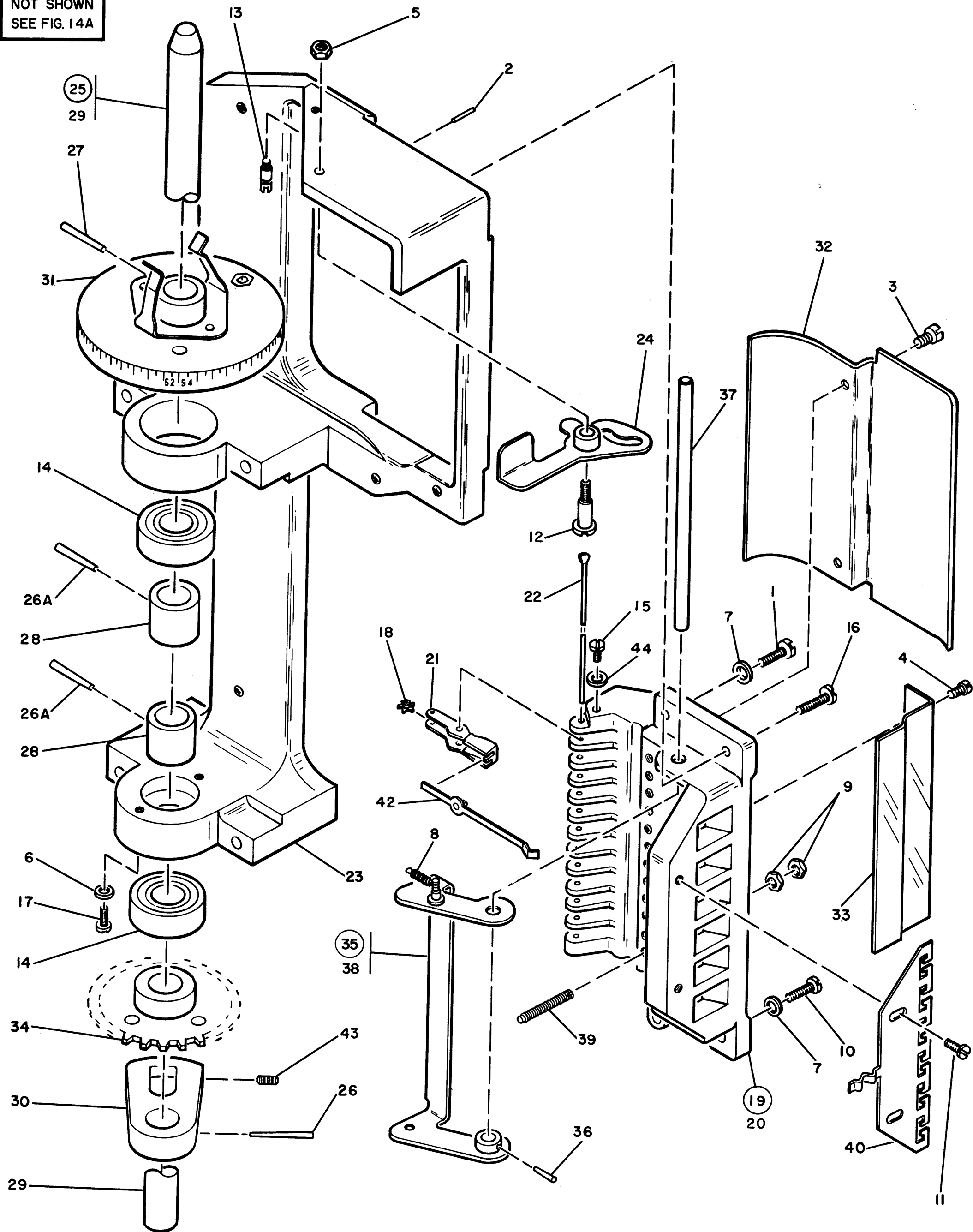


FIGURE 37. AUXILIARY UNIT SENSING ASSEMBLY. SEE LIST 37.

LIST AND INDEX NUMBER	PART NUMBER	DESCRIPTION				UNITS PER ASM.	USABLE ON CODE
		1	2	3	4		
		AUXILIARY UNIT SENSING ASSEMBLY					
37 -		CODE A-USED ON AUXILIARY DUPLICATION FEATURE AND SELF CHECK FEATURES WITHOUT HIGH SPEED SKIP					
-	5372291	SENSING UNIT ASSEMBLY, AUX DUP SEE FIGURE 14A-8				REF	
		FOR NEXT HIGHER ASSEMBLY AND FIGURE 37 FOR ILLUSTRATION					
- 1	337	. SCREW, MACH-FIL H 8-32 X 3/8 LG				2	
- 2	344	. DCWEL .0625 OD X .3125 LG				2	A
- 3	4236	. SCREW, MACH-FIL H 5-40 X 1/4 LG				2	A
- 4	3500	. SCREW, FIL HD MACH-5-40 X .312 LG				2	
- 5	7341	. NUT, PLAIN, HEX- 5-40 X 1/4 FL W				1	
- 6	20038	. WASH FT NO 10 X 760 OD				2	
- 7	24511	. WASHER, FL-NO. 8 X 5/16 OD X 1/32 THK				3	
- 8	26943	. SPRING, HELICAL, EXTENSION- 18 TURNS				1	
- 9	27073	. NUT, PLAIN, HEX- 5-40 X 3/16 FL W				24	
- 10	38368	. SCREW, MACH-FIL H 8-32 X 7/16 LG				1	
- 11	120044	. SCREW, MACH-BIND HD 5-40 X 3/8 LG				2	
- 12	150810	. PIVOT-RIBBON FEED DETENT				1	
- 13	152025	. STUD-OPR LEV SPRING				1	
- 14	156364	. BEARING, BALL, ANNULAR- 0.375 ID 0.875 OD				2	
- 15	186712	. SCREW, MACH-BIND HD 3-48 X 3/16 LG				1	
- 16	186758	. SCREW, MACH-BIND HD 8-32 X 7/16 LG				1	
- 17	196698	. SCREW, MACH-BIND HD 5-40 X 5/16 LG				2	
- 18	211985	. WHEEL-SENSING				12	
- 19	227848	. PLATE-PROGRAM SENSING SUPPORT				1	
- 20	313499	. . INSERT, SCREW THREAD- 5-40 X 9/32 LG				20	
- 21	227858	. LEVER-SENSING ARM				12	
- 22	227866	. SHAFT-LEV PIVOT				1	
- 23	227880	. BRACKET-AUXILIARY SENSING UNIT MOUNTING				1	
- 24	228574	. HANDLE ASSEMBLY-RELEASE BAIL				1	
- 25	228578	. SHAFT ASSEMBLY, AUX DUP DRUM				1	
- 26	24695	. . PIN, TAPERED, PLAIN- 7/8 LG X NO. 4-0				1	
- 26A	29949	. . PIN, TAPERED, PLAIN- 9/16 LG X NO. 4				2	
- 27	44507	. . PIN, TAPERED, PLAIN- 11/16 LG X NO. 4-0				1	
* - 28	139354 □	. . SPACER, SLV- 3/8 ID				2	
* - 29	227903 □	. . SHAFT-PROGRAM DRUM				1	
* - 30	228066 □	. . ARM-DRUM ADJUSTING				1	
* - 31	300954 □	. . WHEEL ASM-COLUMN INDICATOR				1	
- 32	382346	. COVER-INSULATING				1	
- 33	309607	. RETAINER-PROGRAM SENSING UNIT WIRE				1	
- 34	309652	. GEAR, SPUR- 44 TEETH 24 DP 1.9143 OD				1	
- 35	309855	. SHAFT ASM, AUX DUP BAIL				1	
- 36	12473	. . PIN, TAPERED, PLAIN- 3/8 LG X NO. 6				1	
* - 37	227904 □	. . SHAFT-AUX DUP RELEASE BAIL				1	
* - 38	309854 □	. . BAIL ASM-AUX DUP RELEASE				1	
- 39	5404398	. SCREW				12	A
- 40	314373	. STRIP-COMMON CONTACT				1	
- 42	5404304	. STRAP				12	A
- 43	338013	. SETSCREW-SOC DR FLAT PT 8-32 X 1/4 LG				2	
- 44	1090630	. WASHER, FL-NO. 3 X 5/16 OD X 1/64 THK				1	

FOR PARTS
NOT SHOWN
SEE FIG. 13, 14

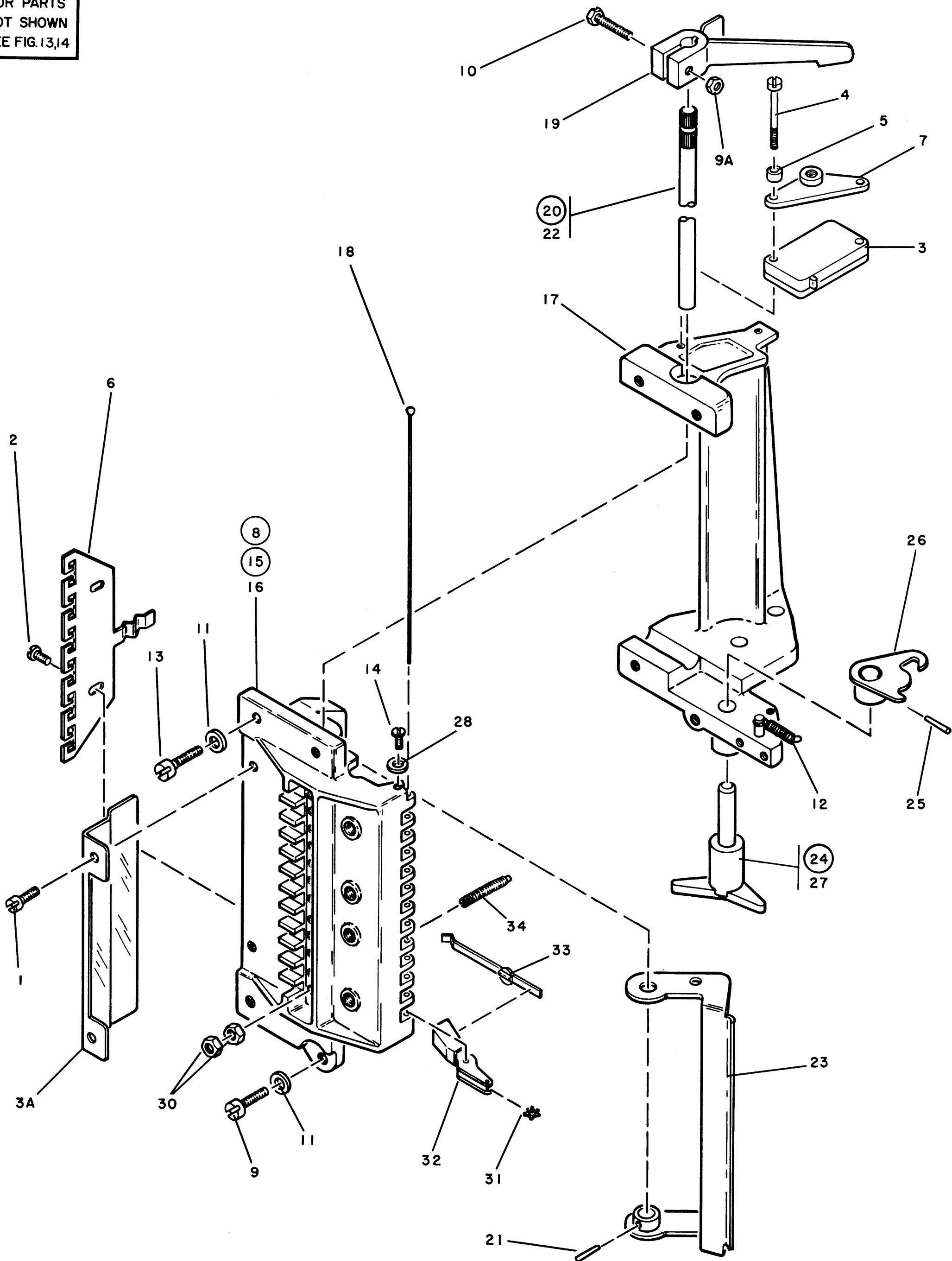


FIGURE 38. SENSING PROGRAM ASSEMBLY AND STAR WHEEL GROUP. SEE LIST 38.

LIST AND INDEX NUMBER	PART NUMBER	DESCRIPTION	UNITS PER ASM.	USABLE ON CODE
		1 2 3 4 SENSING PROGRAM ASSEMBLY AND STAR WHEEL GROUP		
38 -	328423 NP	PROGRAM ASSEMBLY-SENSING	1	
*		SEE FIGURE 13-105 AND 14-97A FOR NEXT HIGHER ASSEMBLY AND FIGURE 38 FOR ILLUSTRATION		
* - 1	3500	. SCREW, FIL HD MACH-5-40 X .312 LG	AR	
* - 2	325624	. SCREW,PUSH ROD GUIDE PLATE	AR	
* - 3	228093	. SWITCH-SPDT 125/250V AC 10 AMP	2	
		USED ON PROGRAM UNIT GROUP		
* - 3A	309607	. RETAINER-PROGRAM SENSING UNIT WIRE	1	
		USED ON PROGRAM UNIT GROUP		
* - 4	309983	. SCREW,MACH-FIL H 3-48 X 1-1/4 LG	2	
		USED ON PROGRAM UNIT GROUP		
* - 5	309986	. SPACER- 7/64 ID X 3/16 OD X 1/8 THK	1	
		USED ON PROGRAM UNIT GROUP		
* - 6	313266	. STRIP, COMMON CONTACT	1	
		USED ON STD COMMON BASE GROUP		
- 6	314373	. STRIP-COMMON CONTACT	1	
		USED ON VLCD COMMON BASE GROUP		
* - 7	314273	. PLATE-CUTOUT SWITCH	1	
		USED ON PROGRAM UNIT GROUP		
* - 8	382117	. PROGRAM ASSEMBLY, SENSING UNIT	1	
		AND VLCD PROGRAM UNIT GROUP		
- 9	337	. . SCREW,MACH-FIL H 8-32 X 3/8 LG	1	
- 9A	7341	. . NUT,PLAIN,HEX- 5-40 X 1/4 FL W	1	
- 10	11166	. . SCREW,MACH-HEX HD 5-40 X 5/8 LG	1	
- 11	24511	. . WASHER,FL-NO. 8 X 5/16 OD X 1/32 THK	4	
- 12	26943	. . SPRING,HELICAL,EXTENSION- 18 TURNS	1	
- 13	38368	. . SCREW,MACH-FIL H 8-32 X 7/16 LG	3	
- 14	186712	. . SCREW,MACH-BIND HD 3-48 X 3/16 LG	1	
- 15	227848	. . PLATE-PROGRAM SENSING SUPPORT	1	
- 16	313499	. . . INSERT,SCREW THREAD- 5-40 X 9/32 LG	20	
- 17	227850	. . BRACKET ASSEMBLY-SENSING UNIT	1	
- 18	227866	. . SHAFT-LEV PIVOT	1	
- 19	227870	. . INTERLOCK-DRUM	1	
- 20	309859	. . SHAFT ASM, RELEASE BAIL	1	
- 21	12473	. . . PIN,TAPERED,PLAIN- 3/8 LG X NO. 6	1	
* - 22	227854 □	. . . SHAFT-REL BAIL	1	
* - 23	309858 □	. . . BAIL ASM-RELEASE	1	
- 24	362692	. . SHAFT ASM, BAIL	1	
- 25	4320	. . . PIN,TAPERED,PLAIN- 3/8 LG X NO. 5	1	
* - 26	227868 □	. . . CAM ASM-RELEASE BAIL	1	
* - 27	362687 □	. . . HANDLE ASM,RELEASE BAIL	1	
- 28	1090630	. . WASHER,FL-NO. 3 X 5/16 OD X 1/64 THK	1	
- 30	27073	. NUT,PLAIN,HEX- 5-40 X 3/16 FL W	2	
- 31	211985	. WHEEL-SENSING	1	
- 32	227858	. LEVER-SENSING ARM	1	
- 33	5404304	. STRAP	1	
- 34	5404398	. SCREW	1	

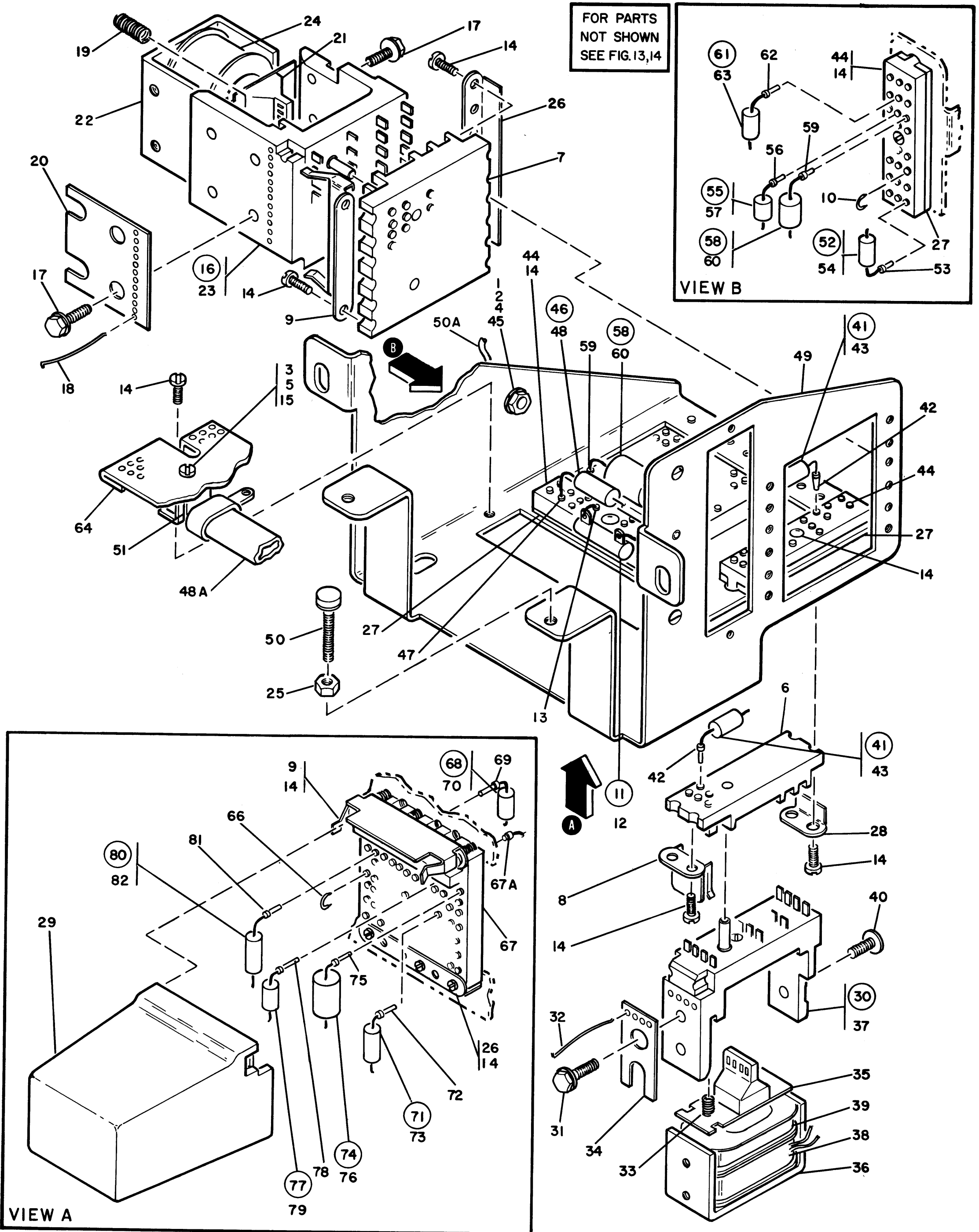


FIGURE 39. STACKER MOUNTING BRACKET AND TERMINAL BLOCK ASSEMBLY. SEE LIST 39.

LIST AND INDEX NUMBER	PART NUMBER	DESCRIPTION				UNITS PER ASM.	USABLE ON CODE
		1	2	3	4		
		STACKER MOUNTING BRACKET AND TERMINAL BLOCK ASSEMBLY					
39 -		CODE A-USED ON ALL STANDARD MODELS COMMON BASE GROUP CODE B-USED ON ALL VARIABLE LENGTH CARD DEVICE COMMON BASE GROUP CODE C-USED ON MODEL C COMMON COMPONENT GROUP ONLY CODE D-USED ON MODEL A NON-PRINT ONLY CODE E-USED ON MODEL A PRINT AND MODEL C CODE F-USED ON MODEL B NON-PRINT CODE G-USED ON MODEL B PRINT					
-	5372320 NP	STACKER MOUNTING BRACKET ASSEMBLY SEE FIGURE 13-120 AND 14-172A FOR NEXT HIGHER ASSEMBLY AND FIGURE 39 FOR ILLUSTRATION				1	
* - 1	3550	. WASHER, FL- 1/4 X 9/16 OD X 0.050 THK				AR	
* - 2	3960	. NUT, PLAIN, HEX- 1/4-20 X 7/16 FL W				AR	
- 3	37913	. NUT, HEX 4-40 NC				2	C
* - 4	76574	. LCCKWASHER-EXT TOOTH ID .267 X OD .510				AR	
- 5	150209	. WASHER, LOCK-INT TEETH NO. 4 X 0.270 OD				2	C
- 6	159941	. MOLDING ASSEMBLY-TERMINAL 4 POS				1	A
- 6	159941	. MOLDING ASSEMBLY-TERMINAL 4 POS				1	B
- 7	159943	. MOLDING ASSEMBLY-TERMINAL 12 POS				1	C
* - 8	159944	. CLIP, SPRING TENSION-TERMINAL MOULDING				AR	
* - 9	159946	. CLIP, SPRING TENSION-TERMINAL MOULDING				AR	
- 10	205329	. JUMPER-BRASS, 3/16				1	B
- 11	242915	. RESISTOR ASSEMBLY- 50 OHMS 10W				1	C
- 12	317124	. . RESISTOR, FXD, COMP- 50 OHMS P/M 10% 10W				1	
- 13	320167	. . TERMINAL, QUICK DISC-NONINS 16AWG TAP-PIN				2	
* - 14	244055	. SCREW, THD FORMING-BIND HD NO. 4 X 1/2 LG				AR	
- 15	251970	. SCREW-MACH BD. HD. 4-40 X 1/4 LG				2	C
- 16	255735	. RELAY ASSEMBLY-WIRE CONTACT 12PDT 2 COIL				1	C
* - 17	104976 □	. . SCREW, MACH-HEX WASHER HD				6	
- 18	149878	. . WIRE-CONTACT				24	
* - 19	155043 □	. . SPRING, HELICAL-COMPR 8.5 TURNS				2	
* - 20	159930 □	. . HOLDER-CONTACT WIRE				1	
* - 21	196192 □	. . ARM				1	
* - 22	196194 □	. . CORE AND YOKE ASM				1	
* - 23	344518 □	. . MOLDING ASM- 12 POS RELAY				1	
* - 24	344552 □	. . COIL ASM				1	
* - 25	257189	. NUT, HEX- 8-32				AR	
* - 26	284424	. CLIP-RELAY MOULDING BOTTOM MOUNTING				AR	
- 27	302131	. STRIP-TERMINAL BLOCK INSULATOR				1	B
- 27	302131	. STRIP-TERMINAL BLOCK INSULATOR				2	C
* - 28	308704	. CLIP-MOLDING				AR	
- 29	326323	. COVER-RC UNIT				1	A
- 29	326323	. COVER-RC UNIT				1	B
- 30	104753	. RELAY ASSEMBLY-WIRE CONTACT 4PDT 2 COIL				1	
- 30	328273	USED ON SELF CHECK FEATURE ONLY					
* - 30	328273	. RELAY, SOLENOID-2 POINT, 2 COIL				1	
* - 31	104976 □	. . SCREW, MACH-HEX WASHER HD				2	
- 32	149878	. . WIRE-CONTACT				4	
* - 33	155043 □	. . SPRING, HELICAL-COMPR 8.5 TURNS				2	
* - 34	159928 □	. . HOLDER-CONTACT WIRE				1	
* - 35	196212 □	. . ARMATURE- 4 PT MLDG				1	
* - 36	196214 □	. . MAGNETIC CORE AND YOKE ASM				1	
* - 37	344503 □	. . MOLDING ASM- 4 POS RELAY				1	
* - 38	344535 □	. . COIL ASSEMBLY				1	
* - 39	344536 □	. . COIL ASSEMBLY, 4 POINT HSPU				1	
- 40	770013	. . SCREW, WASHER, WIRE CONTACT RELAY				1	
- 41	347820	. DIODE ASSEMBLY				2	A
- 41	347820	. DIODE ASSEMBLY				2	B
- 41	347820	. DIODE ASSEMBLY				3	C
- 42	187243	. . TERMINAL, QUICK DISCONNECT				2	
- 43	2111232	. . SEMICONDUCTOR DEVICE-DIODE				1	

LIST AND INDEX NUMBER	PART NUMBER	DESCRIPTION	UNITS PER ASM.	USABLE ON CODE
		1 2 3 4 STACKER MOUNTING BRACKET AND TERMINAL BLOCK ASSEMBLY -CONT		
39 - 44	369584	. TERMINAL BD ASM- 8 TAPER SOCKET 3 POS EA	1	B
- 44	369584	. TERMINAL BD ASM- 8 TAPER SOCKET 3 POS EA	2	C
- 45	438623	. SCREW, MACH-BIND HD 1/4-20 X 5/8 LG	AR	
- 46	520404	. RESISTOR ASSEMBLY- 180 OHMS 1/2W	1	C
- 47	320167	. . TERMINAL, QUICK DISC-NONINS 16AWG TAP-PIN	2	
- 48	323918	. . RESISTOR, FXD, COMP- 180 OHMS P/M 5% 1/2W	1	
- 48A	5347750	. RESISTOR, FXD, WW-115 OHMS P/M 1% 20W	1	C
- 49	5367311	. BRACKET-STACKER MOUNTING	1	A
- 49	5367311	. BRACKET-STACKER MOUNTING	1	B
- 50	5372237	. BUMPER-CBM CARD GUIDE	2	A
- 50	5372237	. BUMPER-CBM CARD GUIDE	2	B
- 50A	5393273	. JUMPER ASSEMBLY SEE FIGURE 54-25 AND 25A FOR COMPONENT PARTS	1	
- 51	5393289	. BRACKET, ANGLE	2	C
- 52	5400887	. DIODE ASSEMBLY	2	B
- 53	187243	. . TERMINAL, QUICK DISCONNECT	2	
- 54	2111232	. . SEMICONDUCTOR DEVICE-DIODE	1	
- 55	5400888	. RESISTOR ASSEMBLY	1	B
- 56	187243	. . TERMINAL, QUICK DISCONNECT	2	
- 57	213693	. . RESISTOR, FXD, COMP- 1K P/M 5% 1/2W	1	
- 58	5400890	. CAPACITOR ASSEMBLY	1	B
- 58	5400890	. CAPACITOR ASSEMBLY	1	C
- 59	187243	. . TERMINAL, QUICK DISCONNECT	2	
- 60	5213580	. . CAPACITOR, FXD, PAPER DIELECTRIC-1.0MFD	1	
- 61	5400916	. COIL ASSEMBLY	1	B
- 62	187243	. . TERMINAL, QUICK DISCONNECT	2	
- 63	737617	. . INDUCTOR, RF FIXED 750 UH P/M 5% 300 MA	1	
- 64	5401007	. SHIELD, RESISTOR	1	C
- 65	5401027	. BLOCK ASSEMBLY-NON-PRINT	REF	D
- 65	5401028	. BLOCK ASSEMBLY-PRINT	REF	E
- 65	5404223	. BLOCK ASSEMBLY, SUPPORT	REF	F
- 65	5404224	. BLOCK ASSEMBLY, SUPPORT SEE FIGURE 13-4 AND 14-4 FOR NEXT HIGHER ASSEMBLY AND FIGURE 39 FOR ILLUSTRATION	REF	G
* - 66	205331	. JUMPER- 0.125 BRASS	AR	
- 67	324999	. TERMINAL BOARD- 109 FEEDTHRU TERMINALS	1	
- 67A	337392	. JUMPER ASM- 2-1/4 IN. 1 LUG EA END	1	F
- 67A	337392	. JUMPER ASM- 2-1/4 IN. 1 LUG EA END	1	G
		SEE FIGURE 54-31A FOR COMPONENT PARTS		
- 68	5400887	. DIODE ASSEMBLY	3	D
- 68	5400887	. DIODE ASSEMBLY	4	E
- 68	5400887	. DIODE ASSEMBLY	5	F
- 68	5400887	. DIODE ASSEMBLY	5	G
- 69	187243	. . TERMINAL, QUICK DISCONNECT	2	
- 70	2111232	. . SEMICONDUCTOR DEVICE-DIODE	1	
- 71	5400888	. RESISTOR ASSEMBLY	3	D
- 71	5400888	. RESISTOR ASSEMBLY	4	E
- 71	5400888	. RESISTOR ASSEMBLY	3	F
- 71	5400888	. RESISTOR ASSEMBLY	4	G
- 72	187243	. . TERMINAL, QUICK DISCONNECT	2	
- 73	213693	. . RESISTOR, FXD, COMP- 1K P/M 5% 1/2W	1	
- 74	5400889	. CAPACITOR ASSEMBLY	1	D
- 74	5400889	. CAPACITOR ASSEMBLY	2	E
- 74	5400889	. CAPACITOR ASSEMBLY	1	F
- 74	5400889	. CAPACITOR ASSEMBLY	2	G
- 75	187243	. . TERMINAL, QUICK DISCONNECT	2	
- 76	5213580	. . CAPACITOR, FXD, PAPER DIELECTRIC-1.0MFD	1	
- 77	5400890	. CAPACITOR ASSEMBLY	2	
- 78	187243	. . TERMINAL, QUICK DISCONNECT	2	
- 79	5213580	. . CAPACITOR, FXD, PAPER DIELECTRIC-1.0MFD	1	
- 80	5400916	. COIL ASSEMBLY	3	D
- 80	5400916	. COIL ASSEMBLY	4	E
- 80	5400916	. COIL ASSEMBLY	3	F
- 80	5400916	. COIL ASSEMBLY	4	G
- 81	187243	. . TERMINAL, QUICK DISCONNECT	2	
- 82	737617	. . INDUCTOR, RF FIXED 750 UH P/M 5% 300 MA	1	

FOR PARTS
NOT SHOWN
SEE FIG. 13, 14

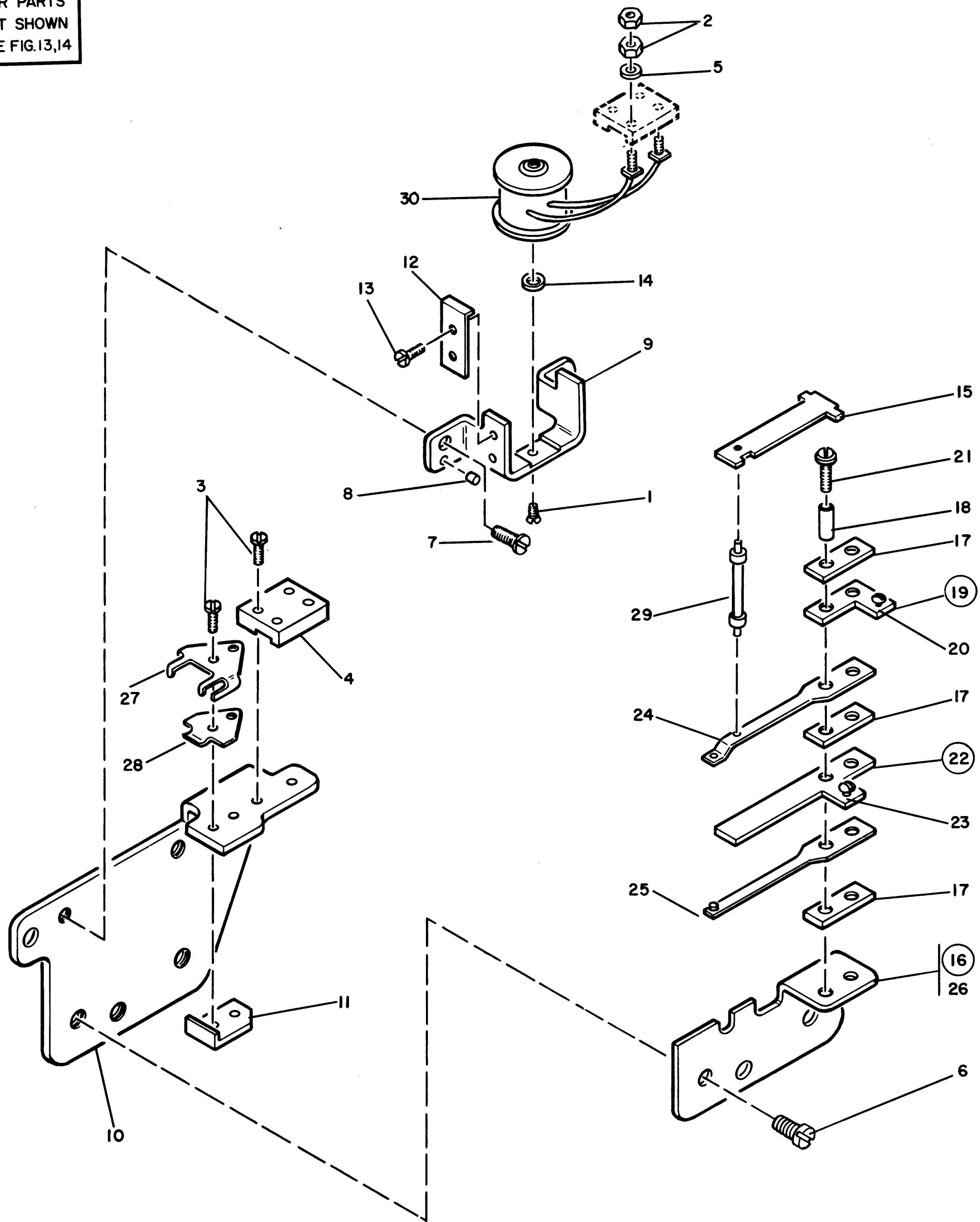


FIGURE 40. ESCAPEMENT MAGNET ASSEMBLY. SEE LIST 40.

LIST AND INDEX NUMBER	PART NUMBER	1 2 3 4	DESCRIPTION	UNITS PER ASM.	USABLE ON CODE
			ESCAPEMENT MAGNET ASSEMBLY		
40 -	315822		MAGNET ASSEMBLY-ESCAPEMENT	REF	
			SEE FIGURE 13-91 AND 14-96 FOR NEXT HIGHER ASSEMBLIES AND FIGURE 40 FOR ILLUSTRATION		
- 1	163		• SCREW, MACH-FL CSK HD 5-40 X 5/16 LG	1	
- 2	478		• NUT, PLAIN, HEX- 5-40 X 5/16 FL W BRS	4	
- 3	3500		• SCREW, FIL HD MACH-5-40 X .312 LG	4	
- 4	9667		• BLOCK-MAGNET TERMINAL	1	
- 5	17514		• WASHER, FL-NO. 4 X 5/16 OD X 1/32 THK	1	
- 6	28413		• SCREW, MACH-BIND HD 10-32 X 5/16 LG	2	
- 7	58207		• SCREW, BD HD MACH-8-32 NC-2A X .250 LG	2	
- 8	228095		• PIN, STR, HDLS- 0.094 DIA X 0.219 LG	1	
- 9	228152		• YOKE-MAGNET	1	
- 10	304943		• BRACKET-MAGNET MOUNTING	1	
- 11	304954		• BLOCK-ESCAPEMENT MAGNET MOUNTING BRACKET	1	
- 12	305269		• RESIDUAL	1	
- 13	305270		• SCREW, MACH-FH 5-40 X 0.130 LG	2	
- 14	305271		• WASHER, FL-NO. 12 X 3/8 OD X 0.003 THK	AR	
- 15	313764		• ARMATURE-ESCAPEMENT	1	
- 16	313829		• PLATE ASSEMBLY-CONTACT	1	
- 17	11899		• . INSULATION-CONTACT SPRING 1/16 THK	3	
- 18	114045		• . INSULATOR-SCR 0.128 ID 0.186 OD 0.375 LG	2	
- 19	138709		• . CONTACT ASSEMBLY-TERMINAL	1	
- 20	118418		• . . SCREW, MACH-RH 5-40 X 5/32 LG	1	
- 21	173203		• . . SCREW, MACH-RD WASHER HD 5-40 X 17/32 LG	2	
- 22	180824		• . . TERMINAL ASSEMBLY-CONTACT	1	
- 23	118418		• . . SCREW, MACH-RH 5-40 X 5/32 LG	1	
- 24	313830		• . SPRING ASSEMBLY-UPPER ESCAPE CONTACT	1	
- 25	313831		• . SPRING ASSEMBLY-LOWER ESCAPE CONTACT	1	
- 26	313834		• . BRACKET, ANGLE-MOUNTING	1	
- 27	313835		• BRACKET-ESCAPE ARMATURE GUIDE	1	
- 28	313836		• SPRING-ESCAPE PIVOT	1	
- 29	313837		• ROD-OPERATING	1	
- 30	315189		• COIL	1	

FOR PARTS
NOT SHOWN
SEE FIG.13,14

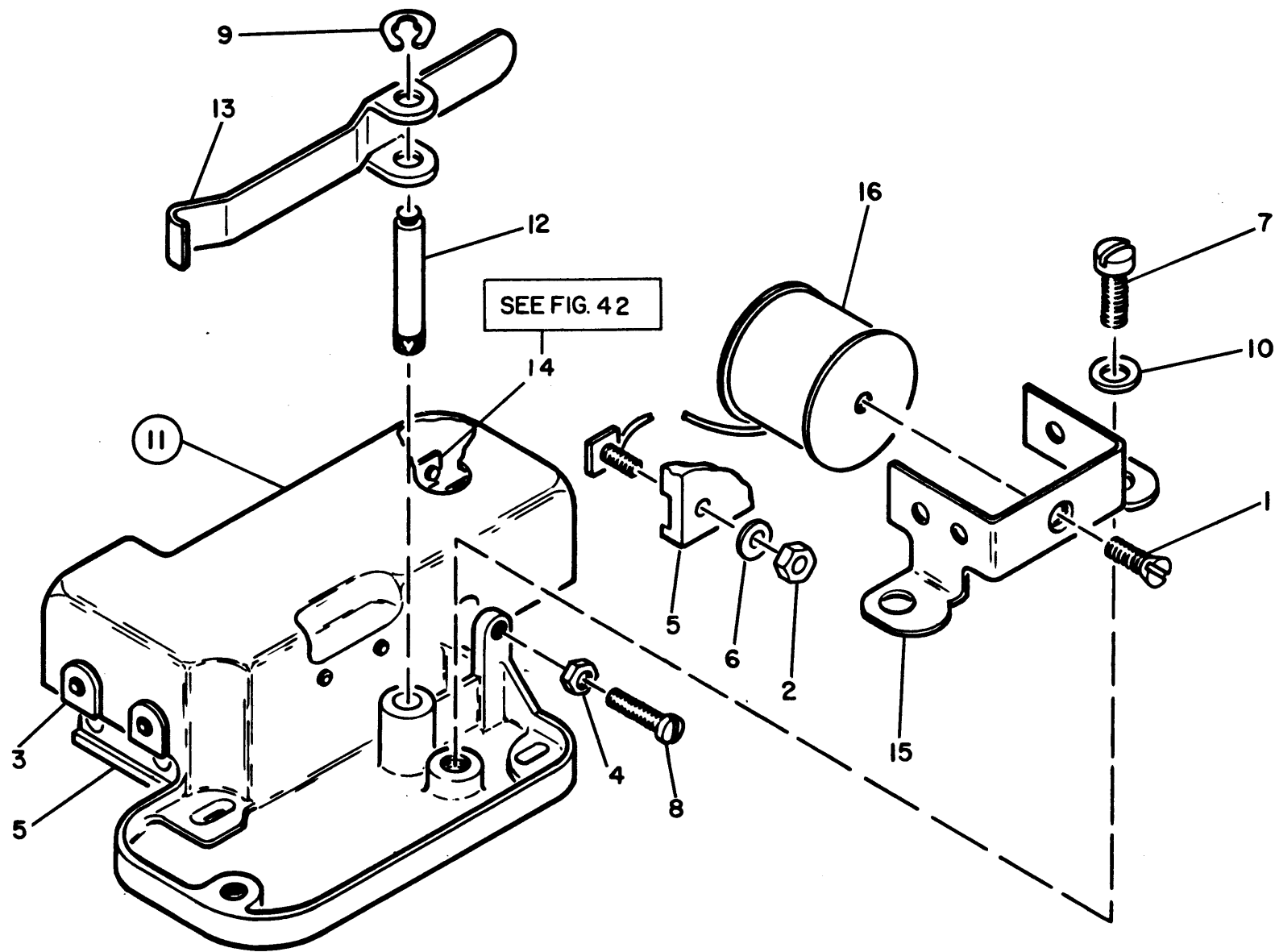


FIGURE 41. LATCH MAGNET ASSEMBLY. SEE LIST 41.

LIST AND INDEX NUMBER	PART NUMBER	DESCRIPTION				UNITS PER ASM.	USABLE ON CODE
		1	2	3	4		
		LATCH MAGNET ASSEMBLY					
41 -	328196	MAGNET ASSEMBLY-LATCH SEE FIGURE 13-93 AND 14-97 FOR NEXT HIGHER ASSEMBLY AND FIGURE 41 FOR ILLUSTRATION				REF	
- 1	163	. SCREW, MACH-FL CSK HD 5-40 X 5/16 LG				1	
- 2	478	. NUT, PLAIN, HEX- 5-40 X 5/16 FL W BRS				2	
- 3	3500	. SCREW, FIL HD MACH-5-40 X .312 LG				2	
- 4	7341	. NUT, PLAIN, HEX- 5-40 X 1/4 FL W				1	
- 5	9667	. BLOCK-MAGNET TERMINAL				1	
- 6	17514	. WASHER, FL-NO. 4 X 5/16 OD X 1/32 THK				2	
- 7	24752	. SCREW, MACH-FIL H 8-32 X 5/16 LG				2	
- 8	52607	. SCREW, MACH-FIL H 5-40 X 7/16 LG				1	
- 9	60489	. CLIP-SPRING				1	
- 10	102691	. WASHER, FL-NO. 8 X 7/16 OD X 0.049 THK				2	
- 11	227604	. SUPPORT ASSEMBLY-LATCH				1	
- 12	227628	. . PIVOT-LATCH				1	
- 13	227627	. . ARMATURE-LATCH				1	
- 14	227650	. CONTACT ASM, LATCH MAGNET				1	
		SEE FIGURE 42 FOR DETAIL BREAKDOWN					
- 15	228152	. YOKE-MAGNET				1	
- 16	315189	. COIL				1	

FOR PARTS
NOT SHOWN
SEE FIG. 41

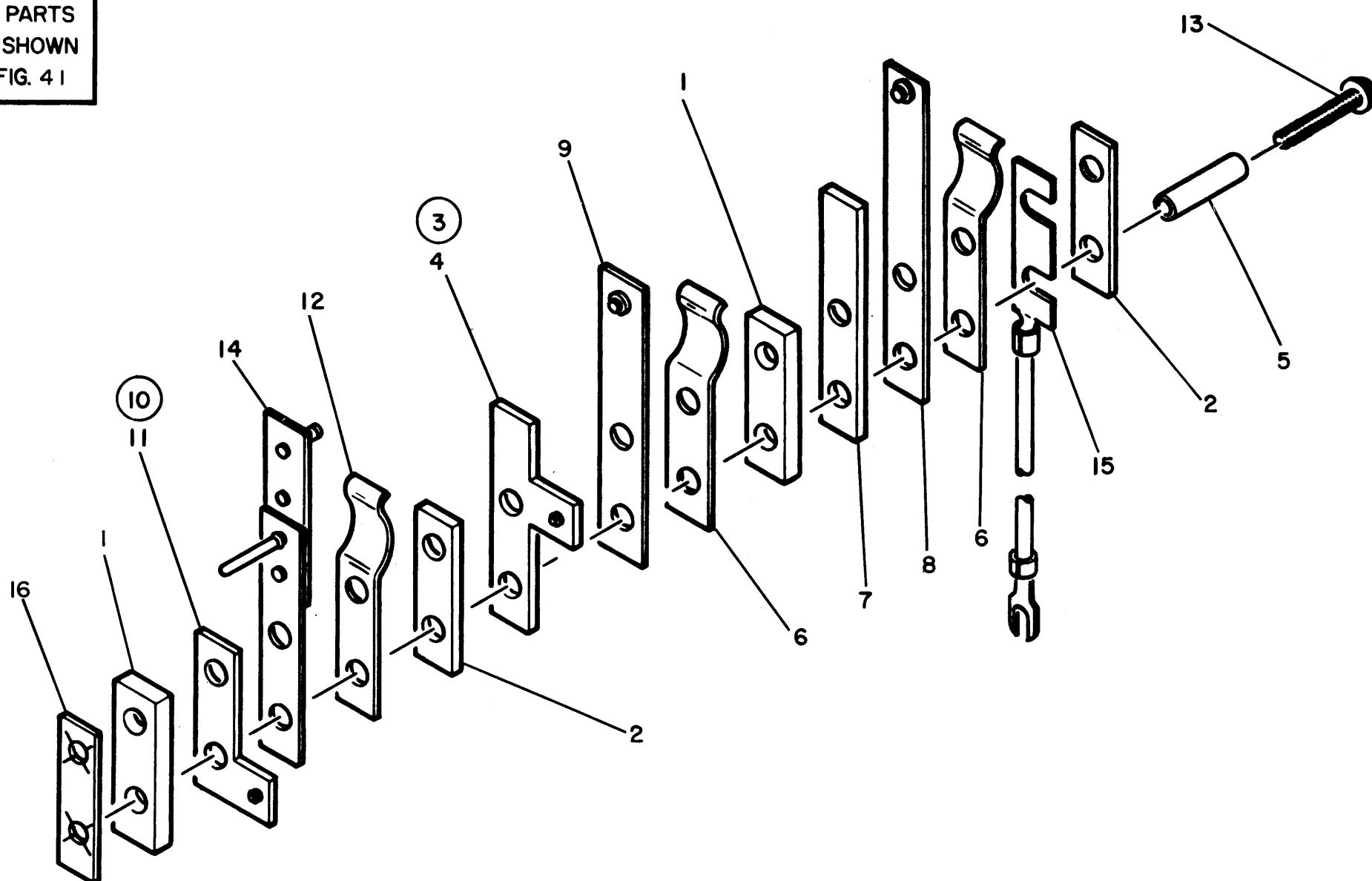


FIGURE 42. LATCH MAGNET CONTACT ASSEMBLY. SEE LIST 42.

LIST AND INDEX NUMBER	PART NUMBER	DESCRIPTION	1 2 3 4				UNITS PER ASM.	USABLE ON CODE
		LATCH MAGNET CONTACT ASSEMBLY						
42 -	227650	CONTACT ASM, LATCH MAGNET SEE FIGURE 41-14 FOR NEXT HIGHER ASSEMBLY AND FIGURE 42 FOR ILLUSTRATION					REF	
- 1	1974	• INSULATOR-STOP KEY CONT SPRING SUPPORT					2	
- 2	11899	• INSULATION-CONTACT SPRING 1/16 THK					2	
- 3	21866	• TERMINAL ASSEMBLY-CONTACT					1	
- 4	118418	• . SCREW, MACH-RH 5-40 X 5/32 LG					1	
- 5	100134	• INSULATOR-SCR 0.128 ID 0.186 OD 9/16 LG					2	
- 6	113111	• STIFFENER-CONTACT SPRING					2	
- 7	117921	• SUPPORT-SPRING CONTACT					1	
- 8	125875	• CONTACT ASSEMBLY, ELEC-					1	
- 9	125877	• SPRING ASSEMBLY-CONTACT					1	
- 10	138709	• CONTACT ASSEMBLY-TERMINAL					1	
- 11	118418	• . SCREW, MACH-RH 5-40 X 5/32 LG					1	
- 12	148915	• STIFFENER-SPRING					1	
- 13	173207	• SCREW, ASMD WASHER-RH 5-40 X 25/32 LG					2	
- 14	227638	• SPRING ASSEMBLY- 2 POINT CONTACT					1	
- 15	228561	• JUMPER ASM-BLK TCR 2-1/2 IN. 24AWG 2 LUG					1	
- 16	311823	SEE FIGURE 54-27 AND 28 FOR COMPONENT PARTS • INSULATOR-PLATE CONTACT ASSEMBLY					2	

FOR PARTS
NOT SHOWN
SEE FIG. 13,14

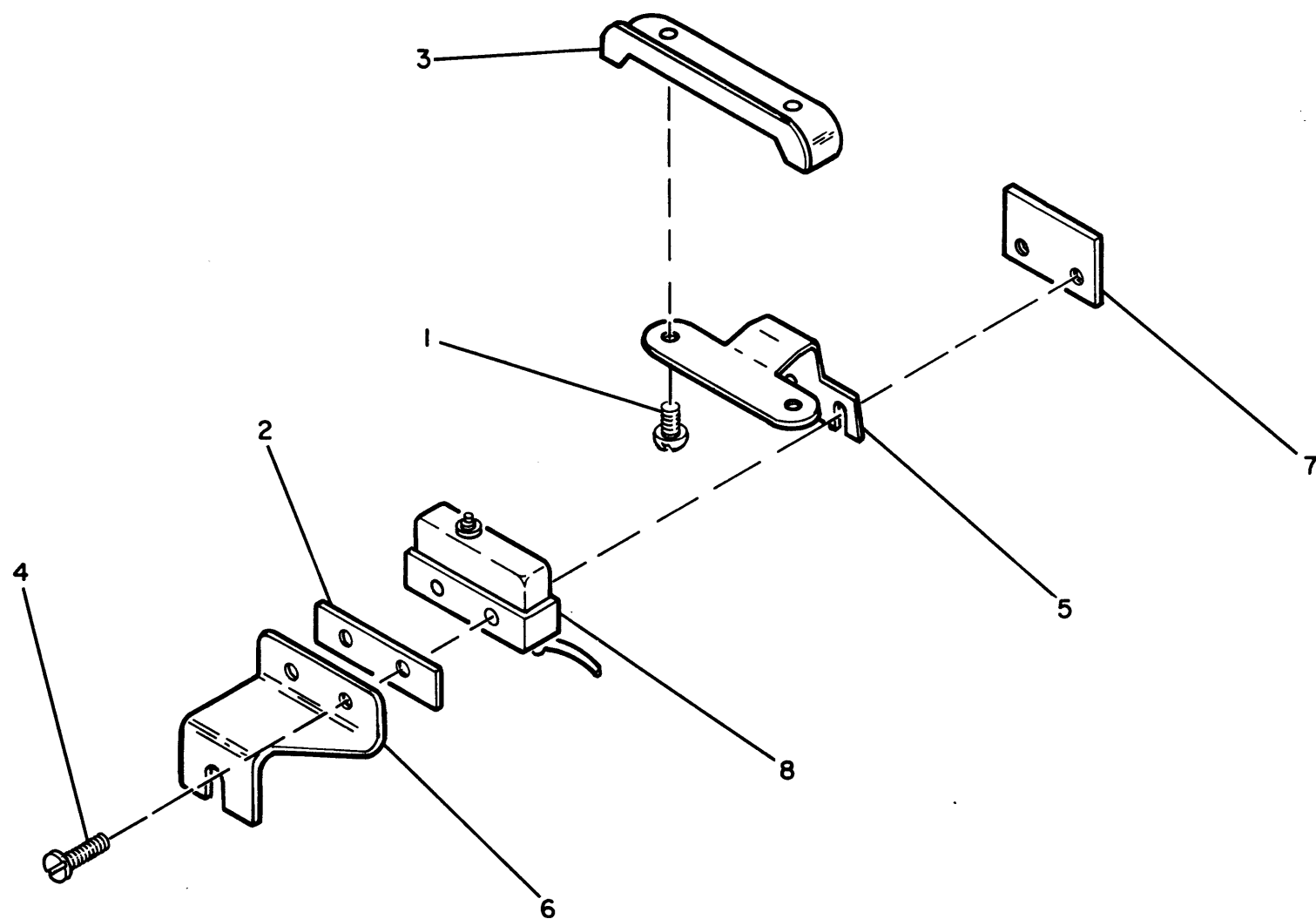


FIGURE 43. CARD LEVER ASSEMBLIES. SEE LIST 43.

LIST AND INDEX NUMBER	PART NUMBER	DESCRIPTION				UNITS PER ASM.	USABLE ON CODE
		1	2	3	4		
		CARD LEVER ASSEMBLIES					
43 -	5447699	CARD LEVER ASSEMBLY, MASTER STATION				REF	
-	5447700	CARD LEVER ASSEMBLY, DETAIL STATION				REF	
		SEE FIGURE 13-95, 96 AND 14-98 FOR NEXT HIGHER ASSEMBLY AND FIGURE 43 FOR ILLUSTRATION					
* -	5447708	CARD LEVER ASSEMBLY, DETAIL STATION-VLCD				REF	
		SEE FIGURE 14-134 FOR NEXT HIGHER ASSEMBLY AND FIGURE 43 FOR ILLUSTRATION					
- 1	300608	. SCREW, MACH-RH 3-48				2	
* - 2	5462531 □	. SPACER, INSULATING				1	
- 3	328080	. RAIL-READ CARD				1	
		USED ON MASTER STATION CARD LEVER ASM					
- 3	328015	. RAIL-PRESSURE, RH				1	
		USED ON DETAIL STATION CARD LEVER ASM					
- 3	340863	. RAIL, PRESSURE				1	
		USED ON VLCD DETAIL STA CARD LEVER ASM					
* - 4	438541 □	. SCREW, MACH-BIND HD 2-56 X 7/16				2	
* - 5	5447701 □	. SPRING, PRESSURE RAIL				1	
* - 6	5447702 □	. BRACKET, MASTER CARD LEVER				1	
		USED ON MASTER STATION CARD LEVER ASM					
* - 6	5447703 □	. BRACKET, DETAIL STATION				1	
		USED ON DETAIL STATION AND VLCD DETAIL STATION CARD LEVER ASSEMBLY					
* - 7	5447704 □	. BLOCK, NUT				1	
* - 8	5447705 □	. SWITCH ASM, MICRO				1	

FOR PARTS
NOT SHOWN
SEE FIG.13,14

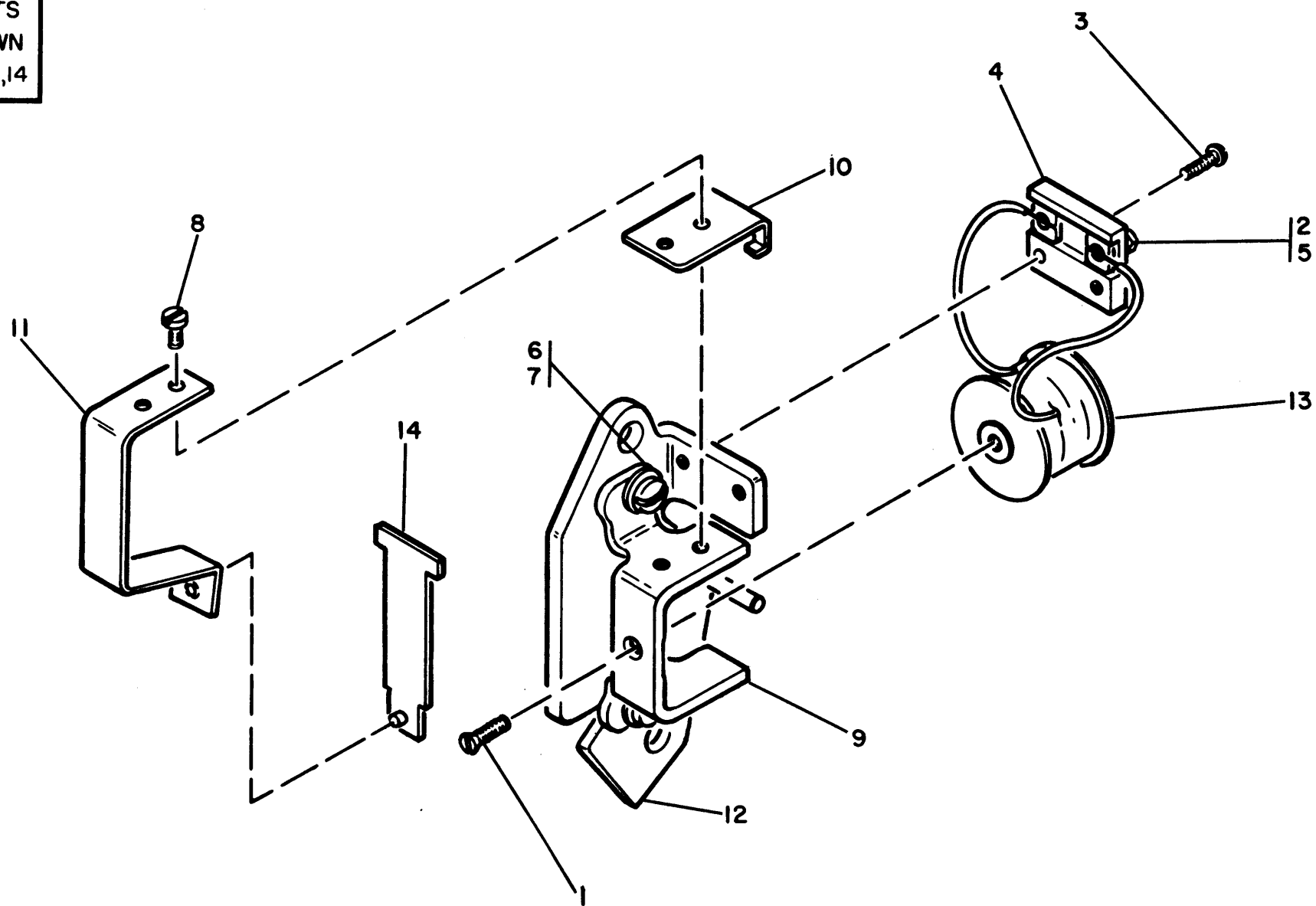


FIGURE 44. CLUTCH MAGNET ASSEMBLY. SEE LIST 44.

LIST AND INDEX NUMBER	PART NUMBER	DESCRIPTION				UNITS PER ASM.	USABLE ON CODE
		1	2	3	4		
		CLUTCH MAGNET ASSEMBLY					
44 -	338586	MAGNETIC ASSEMBLY-CLUTCH SEE FIGURE 13-99 AND 14-106 FOR NEXT HIGHER ASSEMBLY AND FIGURE 44 FOR ILLUSTRATION				REF	
- 1	163	• SCREW,MACH-FL CSK HD 5-40 X 5/16 LG				1	
- 2	478	• NUT,PLAIN,HEX- 5-40 X 5/16 FL W BRS				2	
- 3	2629	• SCREW,MACH-FIL H 5-40 X 3/8 LG				2	
- 4	9667	• BLOCK-MAGNET TERMINAL				1	
- 5	17514	• WASHER,FL-NO. 4 X 5/16 OD X 1/32 THK				2	
- 6	38381	• SCREW,MACH-FIL H 10-32 X 5/16 LG				2	
- 7	139450	• WASHER,FL-NO. 10 X 7/16 OD X 3/64 THK				2	
- 8	186636	• SCREW,MACH-BIND HD 5-40 X 1/8 LG				2	
- 9	228152	• YOKE-MAGNET				1	
- 10	228153	• CLAMP-ARMATURE KEEPER AND SPRING				1	
- 11	228162	• CLUTCH-ARM				1	
- 12	314269	• BRACKET ASSEMBLY-CLUTCH MAGNET				1	
- 13	315189	• COIL				1	
- 14	328008	• ARMATURE				1	

FOR PARTS
NOT SHOWN
SEE FIG.13,14

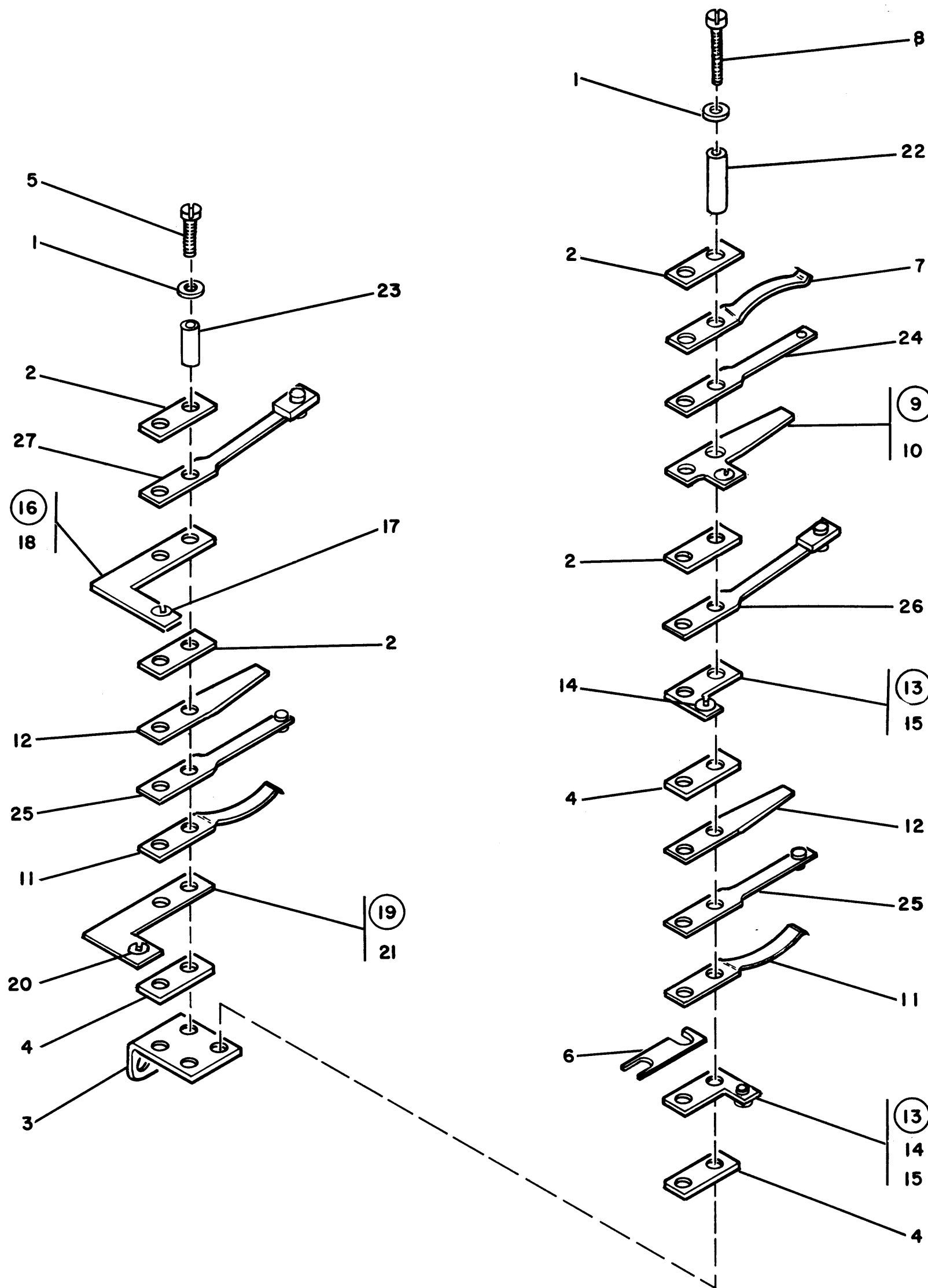


FIGURE 45. PROGRAM CAM CONTACT ASSEMBLY. SEE LIST 45.

LIST AND INDEX NUMBER	PART NUMBER	DESCRIPTION				UNITS PER ASM.	USABLE ON CODE
		1	2	3	4		
		PROGRAM CAM CONTACT ASSEMBLY					
45 -	340619	CONTACT ASSEMBLY-PROGRAM CAM USED ON REED RELAY UNITS				REF	
-	5406267	CONTACT ASSEMBLY, PROGRAM CAM USED ON WIRE CONTACT RELAY UNITS SEE FIGURE 13-100A AND 14-106A FOR NEXT HIGHER ASSEMBLY AND FIGURE 45 FOR ILLUSTRATION				REF	
- 1	52393	. WASHER, FL-NO. 3 X 7/32 OD X 0.020 THK				4	
- 2	57698	. INSULATOR, PLATE-CONTACT FINGERS				4	
- 3	60632	. BRACKET-DOUBLE DURATION CONTACTS				1	
- 4	72316	. INSULATOR, PLATE-CONTACT SPRING				3	
- 5	120367	. SCREW, MACH-BIND HD 3-48 X 3/8 LG				2	
- 6	120943	. JUMPER-TERMINAL BRASS USED ON REED RELAY UNITS				1	
- 7	159506	. SPRING-SELECTOR CONTACT REINFORCING				1	
- 8	175235	. SCREW, MACH-BIND HD 3-48 X 1/2 LG				2	
- 9	227876	. SUPPORT ASSEMBLY- 81ST COLUMN CONTACT				1	
- 10	52684	. . SCREW, MACH-RH 3-48 X 1/8 LG				1	
- 11	308408	. SPRING-CONTACT STIFFENER				2	
- 12	308427	. SUPPORT-CONTACT				2	
- 13	308696	. TERMINAL ASSEMBLY-CONTACT				2	
- 14	52684	. . SCREW, MACH-RH 3-48 X 1/8 LG				1	
- 15	313892	. . TERMINAL-CONTACT				1	
- 16	308698	. TERMINAL ASSEMBLY-CONTACT				1	
- 17	52684	. . SCREW, MACH-RH 3-48 X 1/8 LG				1	
- 18	313894	. . TERMINAL-CONTACT				1	
- 19	308699	. TERMINAL ASSEMBLY-CONTACT				1	
- 20	52684	. . SCREW, MACH-RH 3-48 X 1/8 LG				1	
- 21	313895	. . TERMINAL-CONTACT				1	
- 22	340135	. INSULATOR-SCR 0.104 ID 0.153 JD 0.391 LG				2	
- 23	340137	. INSULATOR-SCR 0.104 ID 0.153 OD 0.268 LG				2	
- 24	340615	. SPRING ASSEMBLY- 81 ST COL UPPER CONTACT				1	
- 25	340616	. SPRING ASSEMBLY- 81 ST COL LOWER CONTACT				2	
- 26	340617	. SPRING ASSEMBLY- 81 ST COL TRANS CONTACT				1	
- 27	340618	. SPRING ASSEMBLY- 81 ST COL TRANS CONTACT				1	

FOR PARTS
NOT SHOWN
SEE FIG. 13,14

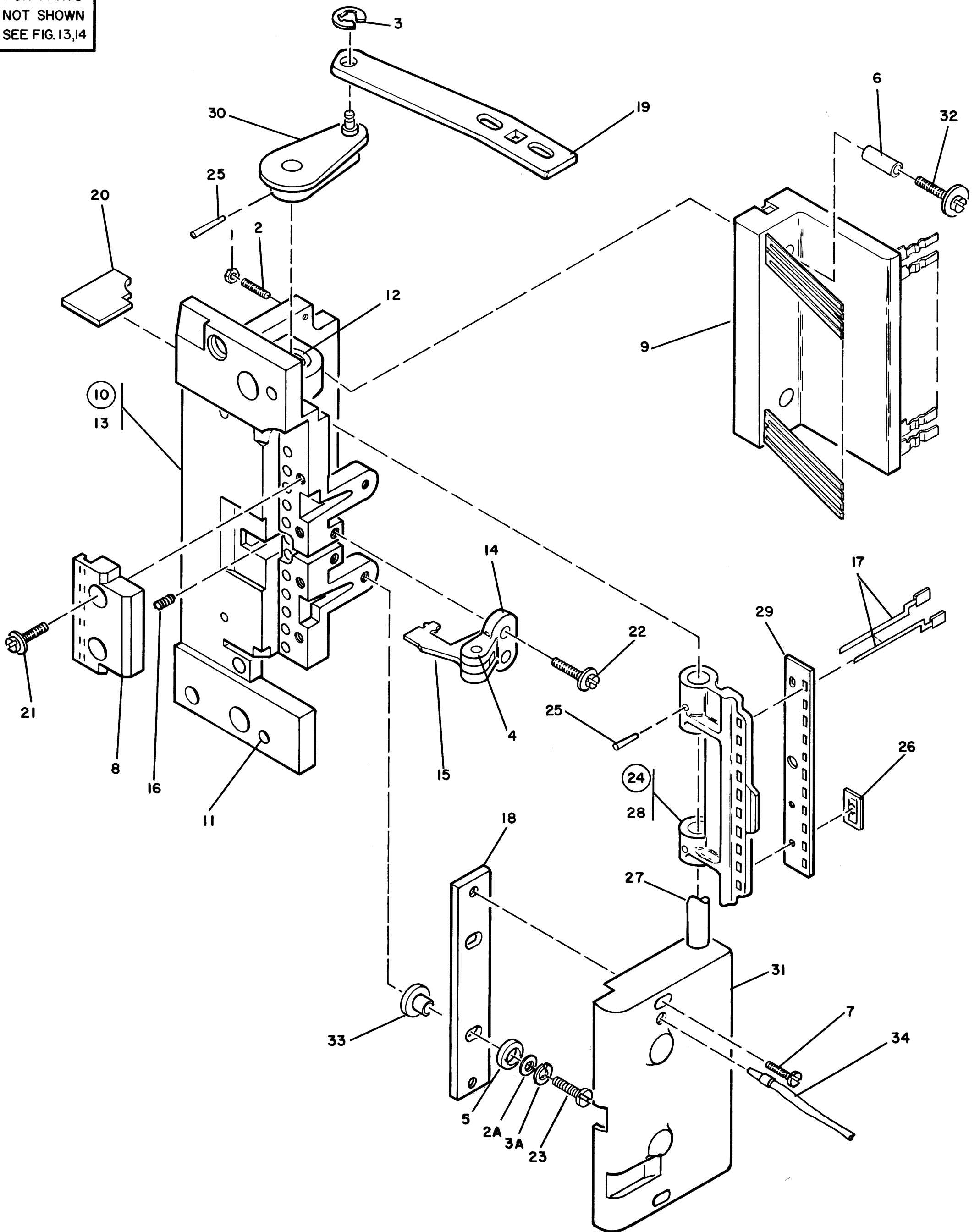


FIGURE 46. PIN SENSING UNIT ASSEMBLIES. SEE LIST 46.

LIST AND INDEX NUMBER	PART NUMBER	DESCRIPTION	UNITS PER ASM.	USABLE ON CODE
		1 2 3 4		
		PIN SENSING UNIT ASSEMBLIES		
46 -	227730	SENSING ASSEMBLY-PIN USED ON STANDARD LENGTH CARD TRANSPORTS SEE FIGURE 13-100B	REF	
-	340945	FOR NEXT HIGHER ASSEMBLY AND FIGURE 46 FOR ILLUSTRATION SENSING ASSEMBLY, PIN	REF	
		USED ON VARIABLE LENGTH CARD DEVICE CARD TRANSPORT AND HIGH SPEED SKIP SEE FIGURE 13-100B AND 14-132		
		FOR NEXT HIGHER ASSEMBLY AND FIGURE 46 FOR ILLUSTRATION		
- 1	7341	. NUT, PLAIN, HEX- 5-40 X 1/4 FL W	1	
- 2	16076	. SETSCREW-SPLINE DR OVAL PT 5-40 X 1/2 LG	1	
- 2A	20038	. WASH FT NO 10 X 760 OD	2	
- 3	25282	. RING-RETAINING, EXT 0.125 ID X 0.015 THK	1	
- 3A	56313	. WASHER, LOCK-EXT TEETH NO. 5 X 0.280 OD	2	
- 4	78613	. PIN, STR, HDLS- 1/8 DIA X 5/16 LG	1	
- 5	100804	. INSULATOR WASH- 0.195 ID 3/8 UD 1/16 THK	2	
- 6	114045	. INSULATOR-SCR 0.128 ID 0.186 UD 0.375 LG	2	
- 7	196698	. SCREW, MACH-BIND HD 5-40 X 5/16 LG	2	
- 8	227732	. BLOCK-SENSING PIN GUIDE	2	
- 9	227734	. MOLDING ASSEMBLY-PIN SENSING CONTACT	1	
* - 10	227735 □	. CASTING SUBASSEMBLY-PIN SENSING	1	
- 11	1846	. . PIN, STRAIGHT, HEADLESS- 0.156 OD X 0.4375	2	
* - 12	227713 □	. . BEARING, SLEEVE	2	
* - 13	227731 □	. . BRACKET, SENSING PIN	1	
- 14	227739	. BRACKET-CARD LEVER	1	
- 15	227741	. LEVER-CARD PIN SENSING	1	
- 16	227742	. SPRING, HELICAL, COMPR- 8.8 TURNS	1	
- 17	227743	. BLADE ASSEMBLY-SENSING	24	
- 18	227746	. TERMINAL-COM CONTACT	1	
- 19	227752	. LINK-PIN BAIL DRIVE SHORT	1	
- 20	308409	. WICK-OIL	2	
- 21	310357	. SCREW, ASMD WASHER-FIL H 5-40 X 0.469 LG	4	
- 22	310358	. SCREW, ASMD WASHER-FIL H 5-40 X 0.475 LG	2	
- 23	196398	. SCREW, MACH-BIND HD 5-40 X 7/16 LG	2	
- 24	310595	. BAIL ASSEMBLY-PIN SENSING	1	
- 25	23096	. . PIN, TAPERED, PLAIN- 1/2 LG X NO. 6	1	
- 26	80716	. . PUSH ON NUT-FOR 3/32 STUB	3	
* - 27	227736 □	. . SHAFT, PIN SENSING	1	
* - 28	227737 □	. . BAIL, PIN SENSING	1	
- 29	227738	. . GUIDE-BAIL PIN	1	
* - 30	310355 □	. . ARM ASSEMBLY-PIN BAIL DRIVE	1	
- 31	314032	. COVER-DUST PIN SENSING UNIT	1	
- 32	340711	. SCREW, ASMD WASHER- 5-40 X 0.737 LG	2	
- 33	345818	. SPACER	2	
- 34	345888	. LEAD, ELECTRICAL-COMMON CONTACT BAR SEE FIGURE 54-31A FOR COMPONENT PARTS	1	
		LIST 47 DELETED		

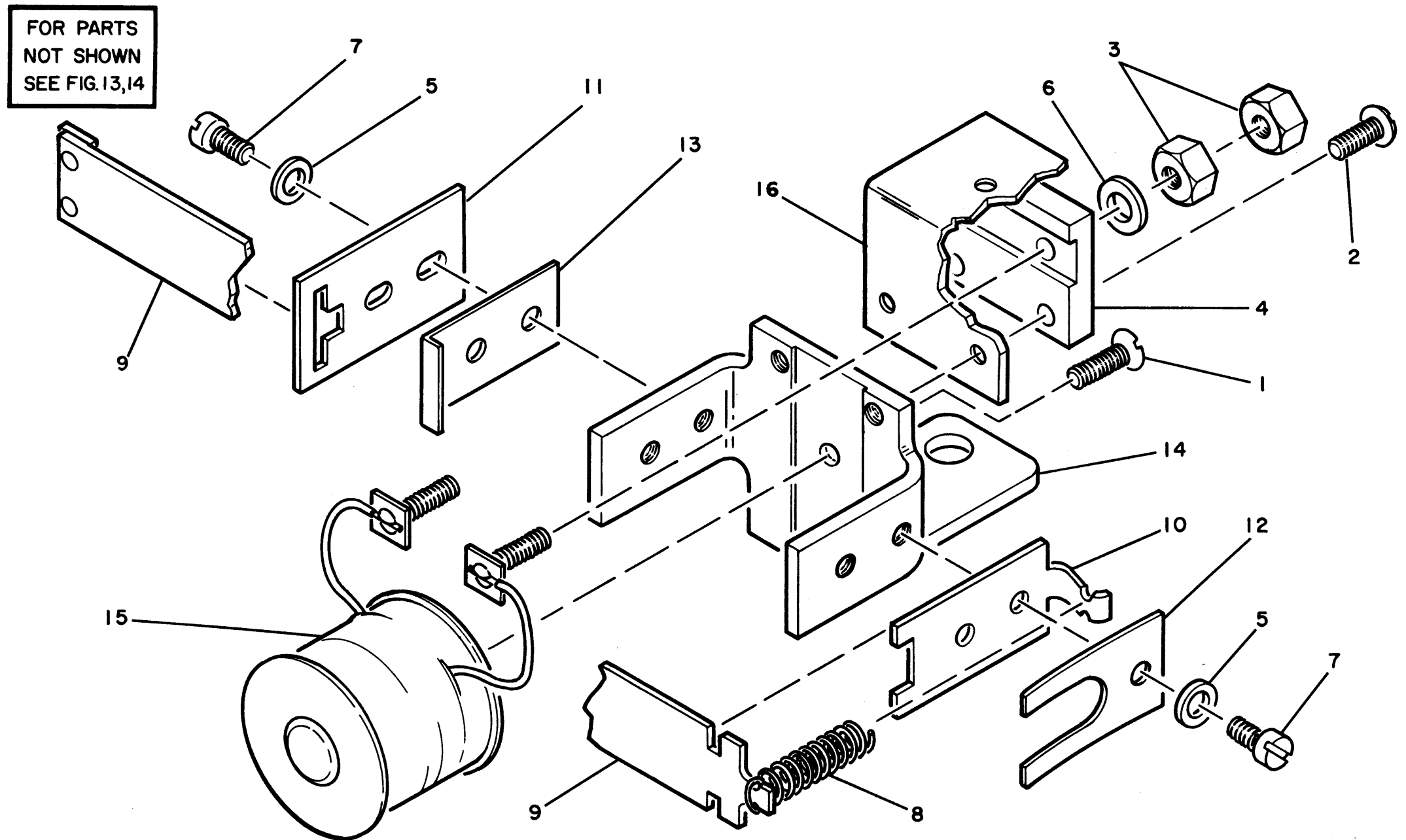


FIGURE 48. PRINT SUPPRESSION AND MASTER CARD INSERTION MAGNET ASSEMBLY. SEE LIST 48.

LIST AND INDEX NUMBER	PART NUMBER	DESCRIPTION	UNITS PER ASM.				USABLE ON CODE
			1	2	3	4	
		PRINT SUPPRESSION AND MASTER CARD INSERTION MAGNET ASM					
48 -	228374	MAGNET ASSEMBLY-PRINT SUPPRESSION USED ON INTERPOSER AND INTERPRETER GROUP SEE FIGURES 13-371 AND 14-445 FOR NEXT HIGHER ASSEMBLY AND FIGURE 48 FOR ILLUSTRATION					REF
-	315403	MAGNET ASSEMBLY-PRINT SUPPRESSION USED ON MASTER CARD INSERTION FEATURE SEE FIGURE 13-406 AND 14-498 FOR NEXT HIGHER ASSEMBLY AND FIGURE 48 FOR ILLUSTRATION					REF
- 1	163	. SCREW, MACH-FL CSK HD 5-40 X 5/16 LG					1
- 2	24759	. SCREW, MACH-BIND HD 5-40 X 11/32 LG					2
- 3	478	. NUT, PLAIN, HEX- 5-40 X 5/16 FL W BRS					4
- 4	9667	. BLOCK-MAGNET TERMINAL					1
- 5	11464	. SPACER- 0.128 ID X 7/32 OD X 1/32 THK					4
- 6	17514	. WASHER, FL-NO. 4 X 5/16 OD X 1/32 THK					2
- 7	38271	. SCREW, MACH-FIL H 5-40 X 3/16 LG					4
- 8	115070	. SPRING CORNER DET					1
- 9	228358	. INTERPOSER AND ARMATURE ASSEMBLY					1
- 10	228366	. PIVOT-ARMATURE					1
- 11	228368	. RETAINER-ARMATURE					1
- 12	228370	. SPRING-ARMATURE RETURN					1
- 13	305269	. RESIDUAL					1
- 14	314036	. YOKE-MAGNET					1
- 15	228094	. COIL AND TERMINAL ASSEMBLY-ESCAPE MAGNET					1
- 15	315189	USED ON INTERPOSER AND INTERPRETER MAGNET ASSEMBLY . COIL					1
- 16	5422195	USED ON MASTER CARD INSERTION FEATURE MAGNET ASSEMBLY . SHIELD, PRINT SUPPRESS MAGNET					1

FOR PARTS
NOT SHOWN
SEE FIG. 2

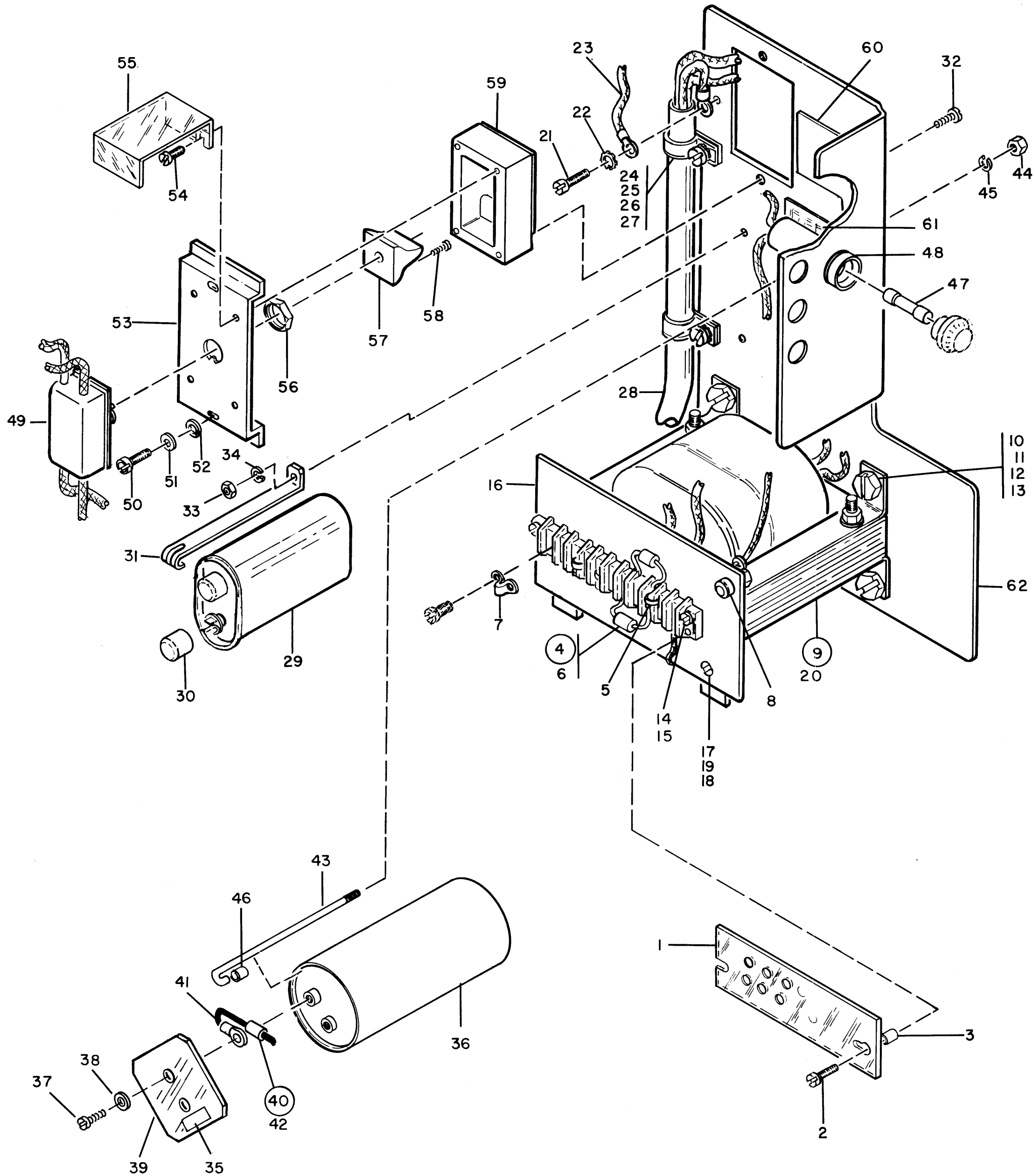


FIGURE 49. MODELS A AND B, 50 AND 60 CYCLE POWER SUPPLY ASSEMBLIES. SEE LIST 49.

LIST AND INDEX NUMBER	PART NUMBER	DESCRIPTION				UNITS PER ASM.	USABLE ON CODE
		1	2	3	4		
		MODELS A AND B, 50 AND 60 CYCLE POWER SUPPLY ASSEMBLIES					
49 -							
* -	5404080	POWER SUPPLY-60 CYCLE, 48V AT 1.65 AMP				REF	
* -	5404085	POWER SUPPLY-50 CYCLE, 48V AT 1.65 AMP SEE FIGURE 2-5 FOR LOCATION AND FIGURE 49 FOR ILLUSTRATION				REF	
* - 1	191485	. SHIELD, TERMINAL BLOCK				1	
* - 2	322065	. SCREW, MACH-BIND HD 6-32 X 5/8 LG				ATT PT	2
* - 3	5761483	. SPACER				ATT PT	2
* - 4	5404082	. DIODE ASSEMBLY					2
* - 5	334921	. . TERMINAL-RING, 18-22 AWG, #6 HOLE, INS					2
* - 6	5323537	. . SEMICONDUCTOR DEVICE, DIO- 200V 6 AMP					1
* - 7	1143227	. JUMPER, BARRIER					AR
* - 8	2102577	. JACK, TIP					1
* - 9	5761557	. REGULATOR ASSEMBLY, 50 CYCLE					1
* - 9	5761559	. REGULATOR ASSEMBLY, 60 CYCLE					1
* - 10	38686	. SCREW, MACH-HEX HD 1/4-20 X 1/2 LG				ATT PT	4
* - 11	3960	. NUT, PLAIN, HEX- 1/4-20 X 7/16 FL W				ATT PT	4
* - 12	3550	. WASHER, FL- 1/4 X 9/16 OD X 0.050 THK				ATT PT	2
* - 13	76574	. LOCKWASHER-EXT TOOTH ID .267 X OD .510				ATT PT	4
* - 14	5214447	. . TERMINAL BOARD, 13 POSITION					1
* - 14	5214446	USED ON 50 HZ ONLY . . TERMINAL BOARD, 10 POSITION USED ON 60 HZ ONLY					1
* - 15	81693	. . SCREW, MACH-BIND HD 6-32 X 3/8 LG				ATT PT	2
* - 16	5761556	. . PLATE, TB MTG USED ON 50 HZ ONLY					i
* - 16	5761558	. . PLATE, TB MTG USED ON 60 HZ ONLY					1
* - 17	32617	. . SCREW, MACH-BIND HD 10-32 X 0.438 LG				ATT PT	2
* - 18	11598	. . NUT, PLAIN-HEX 10-32 X 3/8 FL W				ATT PT	2
* - 19	9092	. . WASHER-LOCK, SPLIT RING, .194 ID .3370D				ATT PT	2
* - 20	5214444	. . REGULATOR, FERRORESONANT 50CPS 79VAC					1
* - 20	5214443	USED ON 50 HZ ONLY . . REGULATOR, FERRORESONANT 60CPS 79VAC USED ON 60 HZ ONLY					1
* - 21	58207	. SCREW, MACH-UNDRCT BIND HD 8-32 X 1/4 LG					1
* - 22	55901	. WASHER, LOCK-EXT TEETH NO. 8 X 0.381 OD					1
* - 23	5372308	. JUMPER ASSEMBLY					1
* - 24	534768	. CLAMP, CABLE					2
* - 25	34512	. SCREW, BIND. HD 8-32 X .375 LG				ATT PT	2
* - 26	22478	. WASHER, FLAT- .170 ID, .375 OD				ATT PT	2
* - 27	1090873	. WASHER, LOCK, SPLIT RING- .168 ID, .296 OD				ATT PT	2
* - 28	5761505	. CORD ASSEMBLY, 50 CYC USED ON 50 HZ ONLY					1
* - 28	5761565	. CORD ASSEMBLY, 60 CYC USED ON 60 HZ ONLY					1
* - 29	5213359	. CAPACITOR, PAPER-7 MFD 330V 6%					1
* - 29	2159748	USED ON 50 HZ ONLY . CAPACITOR, PAPER, 6 MFD P/M 6% 330V USED ON 60 HZ ONLY					1
* - 30	526378	. CAP-INSULATION					2
* - 31	517910	. BRACKET, CAPACITOR MOUNTING USED ON 50 HZ ONLY					2
* - 31	621446	. CLAMP USED ON 60 HZ ONLY					2
* - 32	322065	. SCREW, MACH-BIND HD 6-32 X 5/8 LG				ATT PT	2
* - 32	438569	. SCREW, MACH-UNDRCT BIND HD 6-32 X 1-1/4 USED ON 50 HZ ONLY				ATT PT	2
* - 32	438569	. SCREW, MACH-UNDRCT BIND HD 6-32 X 1-1/4 USED ON 60 HZ ONLY				ATT PT	2
* - 33	257187	. NUT, PLAIN, HEX- 6-32 X 3/8 FL W				ATT PT	2
* - 34	6364	. WASHER, LOCK-SPLIT NO. 6 X 1/4 OD				ATT PT	2
* - 35	1141554	. LABEL, SAFETY					1
* - 36	208222	. CAPACITOR, FXD, ELECT- 5000UF P100M10% 55V					1
* - 37	234333	. SCREW, ASMD WASHER-FIL H 10-32 X 3/4 LG				ATT PT	2
* - 38	5270597	. SPACER				ATT PT	2
* - 39	5762135	. SHIELD, CAPACITOR					1
* - 40	5761564	. RESISTOR ASSEMBLY					1
* - 41	334932	. . TERMINAL-RING, 18-22 AWG, #10 HOLE, INS					2
* - 42	338571	. . RESISTOR					1

LIST AND INDEX NUMBER	PART NUMBER	DESCRIPTION 1 2 3 4	UNITS PER ASM.	USABLE ON CODE
		MODELS A AND B, 50 AND 60 CYCLE POWER SUPPLY ASSEMBLIES -CONT		
* 49 - 43	5247112	. CLAMP,CAPACITOR	2	
* - 44	257187	. NUT,PLAIN,HEX- 6-32 X 3/8 FL W ATT PT	2	
* - 45	6364	. WASHER,LOCK-SPLIT NO. 6 X 1/4 OD ATT PT	2	
* - 46	473412	. INSULATOR,CAPACITOR CLAMP ATT PT	2	
* - 47	615683	. FUSE,CARTRIDGE- 2 AMP 230V USED ON 50 HZ ONLY	1	
* - 47	1143492	. FUSE, 4AMP USED ON 60 HZ ONLY SEE FIGURE 54-25D AND 26 FOR COMPONENT PARTS	1	
* - 48	179946	. HOLDER-FUSE	1	
* - 49	5214428	. SWITCH	1	
* - 50	58207	. SCREW,MACH-UNDRCT BIND HD 8-32 X 1/4 LG ATT PT	2	
* - 51	22478	. WASHER,FLAT- .170 ID, .375 OD ATT PT	2	
* - 52	1090873	. WASHER, LOCK-SPLIT RING- .1681D, .2960D ATT PT	2	
* - 53	5761709	. BRACKET, SWITCH MTG	1	
* - 54	338238	. SCREW, MACH-BD HD 4-40 NC X .3125 LG ATT PT	4	
* - 55	5761506	. SHIELD	1	
* - 56	179743	. NUT,PLAIN,HEX- 15/32-32 X 9/16 FL W	1	
* - 57	482194	. TOGGLE-MAINLINE SWITCH	1	
* - 58	257961	. SETSCREW-SPLINE DR CUP PT 4-40 X 1/4 LG ATT PT	1	
* - 59	482193	. HOUSING-MAINLINE SWITCH	1	
* - 60	138754	. DECAL,VOLTAGE-ENGLISH,JAPANESE	1	
* - 61	5240513	. LABEL-NOTICE USED ON 50 HZ ONLY	1	
* - 61	5761463	. LABEL USED ON 60 HZ ONLY	1	
* - 62	5761716	. CHASSIS,POWER SUPPLY	1	

FOR PARTS
NOT SHOWN
SEE FIG. 2

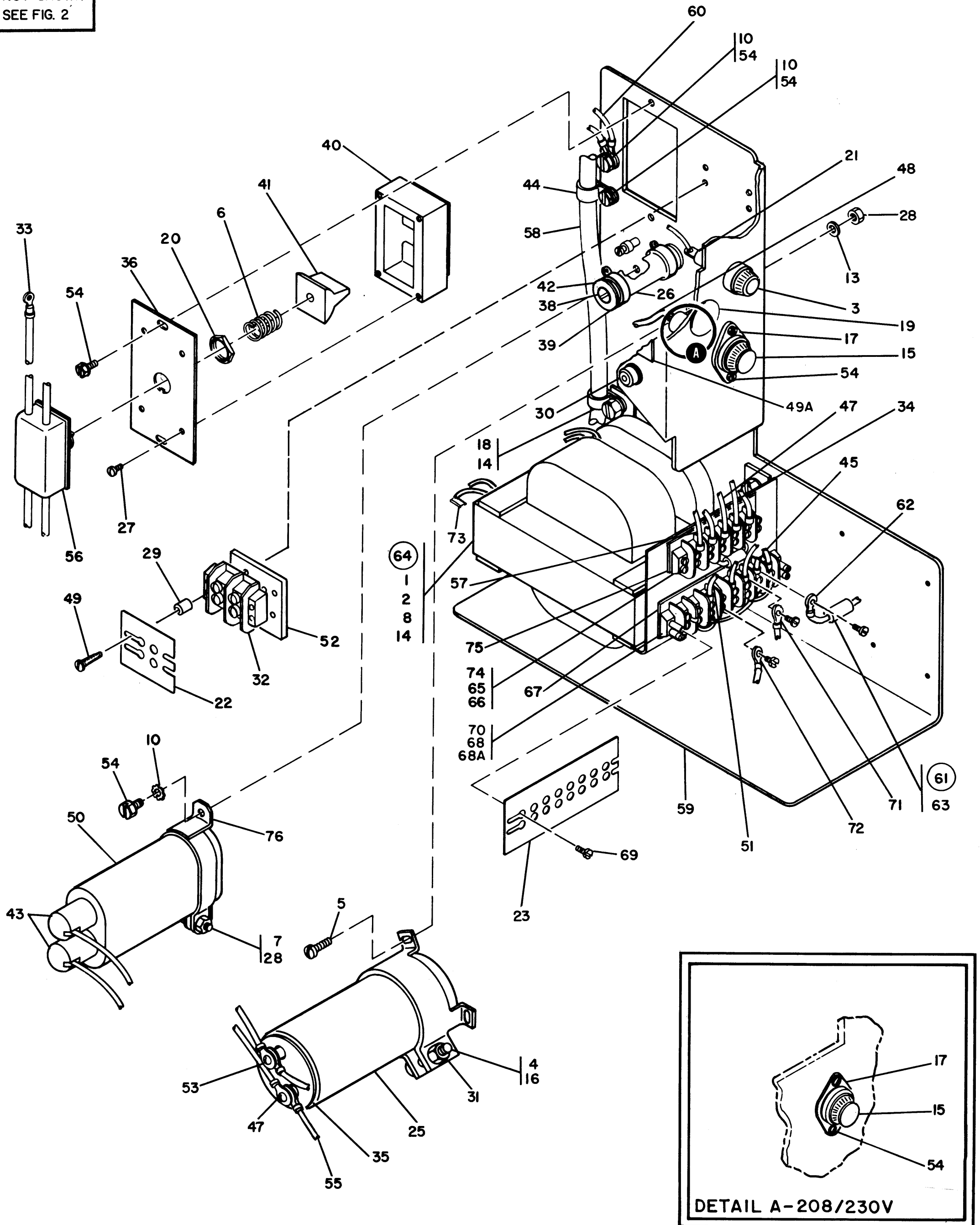


FIGURE 50. MODEL C, 50 AND 60 CYCLE POWER SUPPLY ASSEMBLIES. SEE LIST 50.

LIST AND INDEX NUMBER	PART NUMBER	DESCRIPTION	UNITS PER ASM.	USABLE ON CODE
		MODEL C, 50 AND 60 CYCLE POWER SUPPLIES		
50 -				
		CODE A USED ON 60 CYCLE POWER SUPPLY CODE B USED ON 50 CYCLE POWER SUPPLY CODE C USED ON 112.5/123.5V, 50 CYCLE, 2.5A VOLTAGE GROUP ONLY		
		CODE D USE ON 208/230V 60 CYCLE 2-5A VOLTAGE GROUP ONLY		
-	5367160	POWER SUPPLY ASSEMBLY, 60CPS 248V 2.5A	REF	A
-	5367170	POWER SUPPLY ASSEMBLY, 50CPS 248V 2.5A	REF	B
		SEE FIGURE 2-5 FOR LOCATION AND FIGURE 50 FOR ILLUSTRATION		
- 1	3550	. WASHER, FL- 1/4 X 9/16 OD X 0.050 THK	8	
- 2	3960	. NUT, PLAIN, HEX- 1/4-20 X 7/16 FL W	4	
- 3	6324	. FUSE-CTG 3 AMP	1	
- 4	23931	. NUT, PLAIN, HEX- 8-32 X 5/16 FL W	1	
- 5	35739	. SCREW, MACH-BIND HD 6-32 X 15/16 LG	3	
- 6	38091	. SPRING, HELICAL, COMPR- 4.2 TURNS	1	
- 7	38574	. SCREW, MACH-RH 6-32 X 3/8 LG	1	
- 8	38688	. SCREW-SUPPORT & TRIM MOUNTING .750 LONG	4	
- 10	55901	. LOCKWASHER, EXTERNAL TOOTH	4	
- 13	62031	. WASHER, LOCK-INT TEETH NO. 6 X 0.295 OD	3	
- 14	76574	. WASHER, LOCK-EXT. TEETH .250	5	
- 15	1143492	. FUSE, 4 AMP	1	C
- 15	332009	. FUSE, CTG- 2 AMP 1-1/4 X 1/4	1	D
- 16	101807	. SCREW, CAP, SOC HD- 8-32 X 5/8 LG	1	
- 17	104615	. FUSEHOLDER	1	C
- 17	104615	. FUSEHOLDER	1	D
- 18	167338	. CLIP-CABLE 3/8 DIA LOOP 9/32 MTG HOLE	1	
- 19	168037	. PLUG	1	
- 20	179743	. NUT, PLAIN, HEX- 15/32-32 X 9/16 FL W	1	
- 21	179946	. HOLDER-FUSE	1	
- 22	187467	. SHIELD, 2 POSITION	1	
- 23	187479	. SHIELD TERMINAL BLOCK	1	A
- 23	191480	. SHIELD, 8 POSITION	1	B
- 25	208222	. CAPACITOR, FXD, ELECT- 5000UF P100M10% 55V	1	
- 26	221110	. RESISTOR, FXD, WW- 200 OHMS P/M 5% 25W	1	
- 27	251970	. SCREW-MACH BD. HD. 4-40 X 1/4 LG	4	
- 28	257187	. NUT-HEX NO. 6-32 NC	4	
- 29	308824	. ROLLER-DETENT PLATE	2	
- 30	320450	. JACK, TIP	1	
- 31	320456	. BRACKET-CAPACITOR MOUNTING	1	
- 32	323840	. TERMINAL BOARD- 2 DBL SCREW TERMINALS	1	
- 33	334910	. TERMINAL-RING, 14-16 AWG, #6 HOLE, INS	4	
- 34	351181	. LEAD, ELECTRICAL SEE FIGURE 54-25A FOR COMPONENT PARTS	1	
- 35	362206	. COVER, CAPACITOR	1	
- 36	362713	. PLATE, SWITCH	1	
- 38	438582	. SCREW, MACH-FIL H 8-32 X 2-1/4 LG	1	
- 39	442958	. INSULATOR, WASH- 7/16 ID 3/4 OD 1/32 THK	2	
- 40	482193	. HOUSING-MAINLINE SWITCH	1	
- 41	482194	. TOGGLE-MAINLINE SWITCH	1	
- 42	507144	. WASHER-CENTERING 0.173 ID X 5/8 OD	2	
- 43	526378	. CAP-INSULATOR	2	
- 44	534768	. CLAMP	1	
- 45	545979	. JUMPER ASM-BLK 4 IN. 14AWG 1 LUG EA END SEE FIGURE 54-25A FOR COMPONENT PARTS	2	A
- 45	552999	. JUMPER ASM-BLACK 14 AWG 4 IN LG 2-LUGS SEE FIGURE 54-25A FOR COMPONENT PARTS	2	B

LIST AND INDEX NUMBER	PART NUMBER	DESCRIPTION				UNITS PER ASM.	USABLE ON CODE
		1	2	3	4		
		MODEL C, 50 AND 60 CYCLE POWER SUPPLIES -CONT					
50 - 47	596489	. JUMPER ASM-BLK 7-1/2 14AWG 1 LUG EA END SEE FIGURE 54-25A AND 27 FOR COMPONENT PARTS				2	
- 48	598364	. JUMPER ASM-BLK 9 IN. 14AWG 1 LUG EA END SEE FIGURE 54-25A FOR COMPONENT PARTS				1	
- 49	731627	. SCREW, PAN HEAD, 6-32 X .75 LONG				4	
- 49A	845762	. DECAL-VOLTAGE				1	
- 50	1143069	. CAPACITOR, 15MFD 60 CYCLES 33VAC				1	
- 51	1143227	. BARRIER, JUMPER,				1	A
- 52	2101380	. MARKER STRIP- 2 POS NOS. 1 AND 2				1	
- 53	2101404	. LEAD, ELECTRICAL SEE FIGURE 54-26 FOR COMPONENT PARTS				.1	
- 54	5319854	. SCREW, SELF TAPPING, 8-32 X .375 LONG				8	
- 55	5342918	. LEAD, ELECTRICAL SEE FIGURE 54-26 FOR COMPONENT PARTS					
- 56	5367176	. SWITCH, TOGGLE				1	
- 57	5367248	. LEAD, ELECTRICAL SEE FIGURE 54-25A FOR COMPONENT PARTS				1	
- 58	5367251	. CABLE ASSEMBLY, POWER, ELECTRICAL SEE FIGURE 54-25A AND 25D FOR COMPONENT PARTS				1	
- 59	5372191	. BRACKET-POWER SUPPLY MTG				1	
- 60	5372308	. LEAD, ELECTRICAL SEE FIGURE 54-25D AND 26 FOR COMPONENT PARTS				1	
- 61	5404082	. DIODE ASSEMBLY				2	
- 62	334921	. . TERMINAL-RING, 18-22 AWG, #6 HOLE, INS				2	
- 63	5323537	. . SEMICONDUCTOR DEVICE, DIU- 200V 6 AMP				1	
- 64	5404091	. REGULATOR ASM, FERRORESONANT-60CPS 120VA				1	A
- 64	5404096	. REGULATOR ASM, FERRORESONANT-50CPS 120VA				1	B
- 65	62031	. . WASHER, LOCK-INT TEETH NO. 6 X 0.295 OD				4	
- 66	81693	. . SCREW, MACH-BIND HD 6-32 X 3/8 LG				4	
- 67	126036	. . STRIP, MARKER-INSULATING USED ON 50 CYCLE REGULATOR ASSEMBLY				1	
- 67	589715	. . STRIP-MARKER USED ON 60 CYCLE REGULATOR ASSEMBLY				1	
- 68	210883	. . STUD-SHIELD MTG, TAPPED, NO. 6-32				1	
- 68A	210884	. . STUD-SHIELD MTG, NO. 6-32				3	
- 69	210984	. . SCREW, RD HD MACH-6-32 X .250 LG				1	
- 70	317232	. . TERMINAL BOARD- 6 DBL SCREW TERMINALS USED ON 60 CYCLE REGULATOR ASSEMBLY				1	
- 70	322766	. . TERMINAL BOARD USED ON 50 CYCLE REGULATOR ASSEMBLY				1	
- 71	334910	. . TERMINAL-RING, 14-16 AWG, #6 HOLE, INS				3	
- 72	334921	. . TERMINAL-RING, 18-22 AWG, #6 HOLE, INS USED ON 60 CYCLE REGULATOR ASM				5	
- 72	334921	. . TERMINAL-RING, 18-22 AWG, #6 HOLE, INS USED ON 50 CYCLE REGULATOR ASM				8	
- 73	517913	. . TERMINAL				2	
- 74	2101338	. . BLOCK				1	
- 75	2101358	. . MARKER STRIP				1	
- 76	5404092	. BRACKET, CAPACITOR MTG				1	

FOR PARTS
NOT SHOWN
SEE FIG. 2

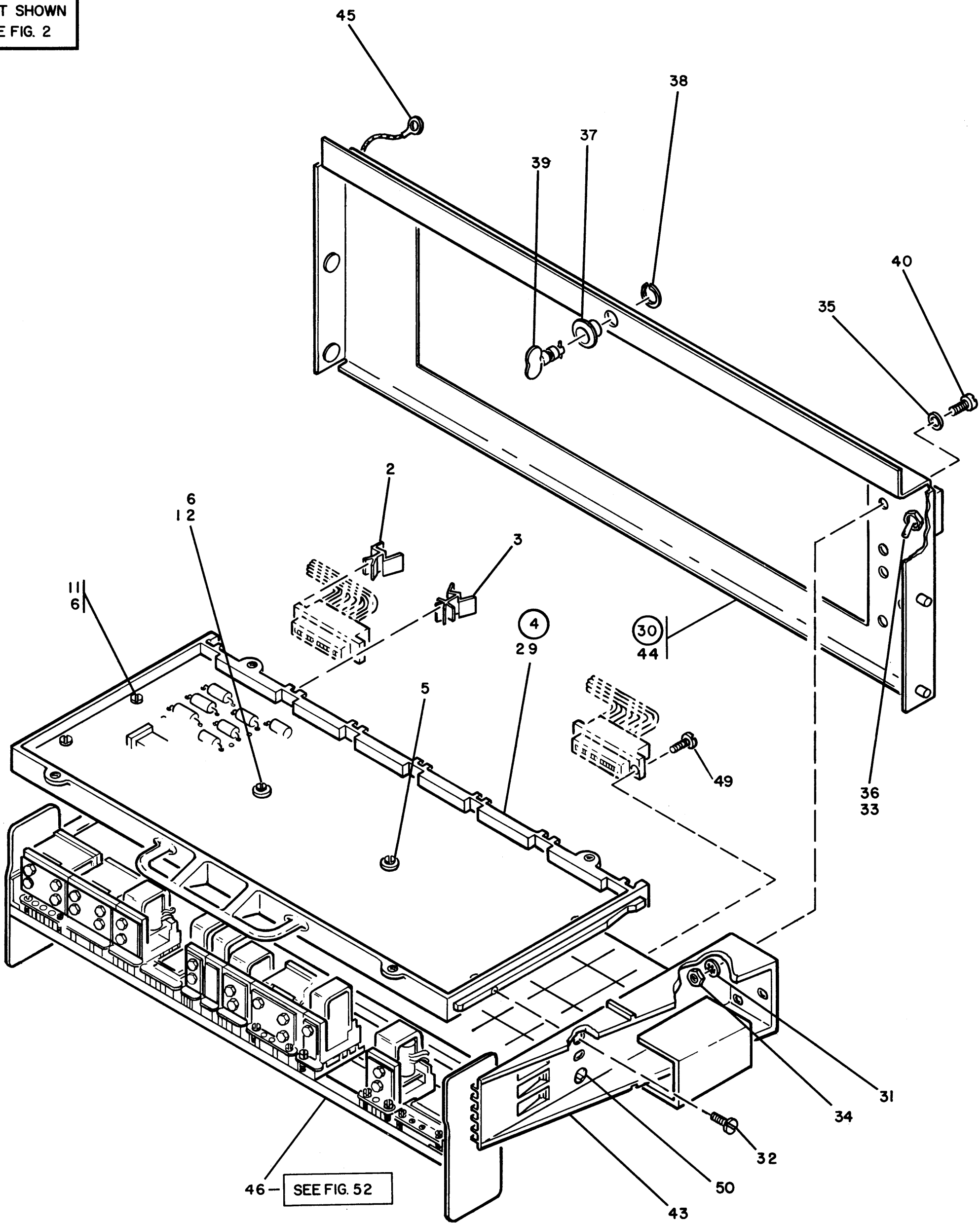


FIGURE 51. REED RELAY CARD GROUPS AND SLIDE ASSEMBLY. SHEET 1 OF 2. SEE LIST 51.

FOR PARTS
NOT SHOWN
SEE FIG. 2

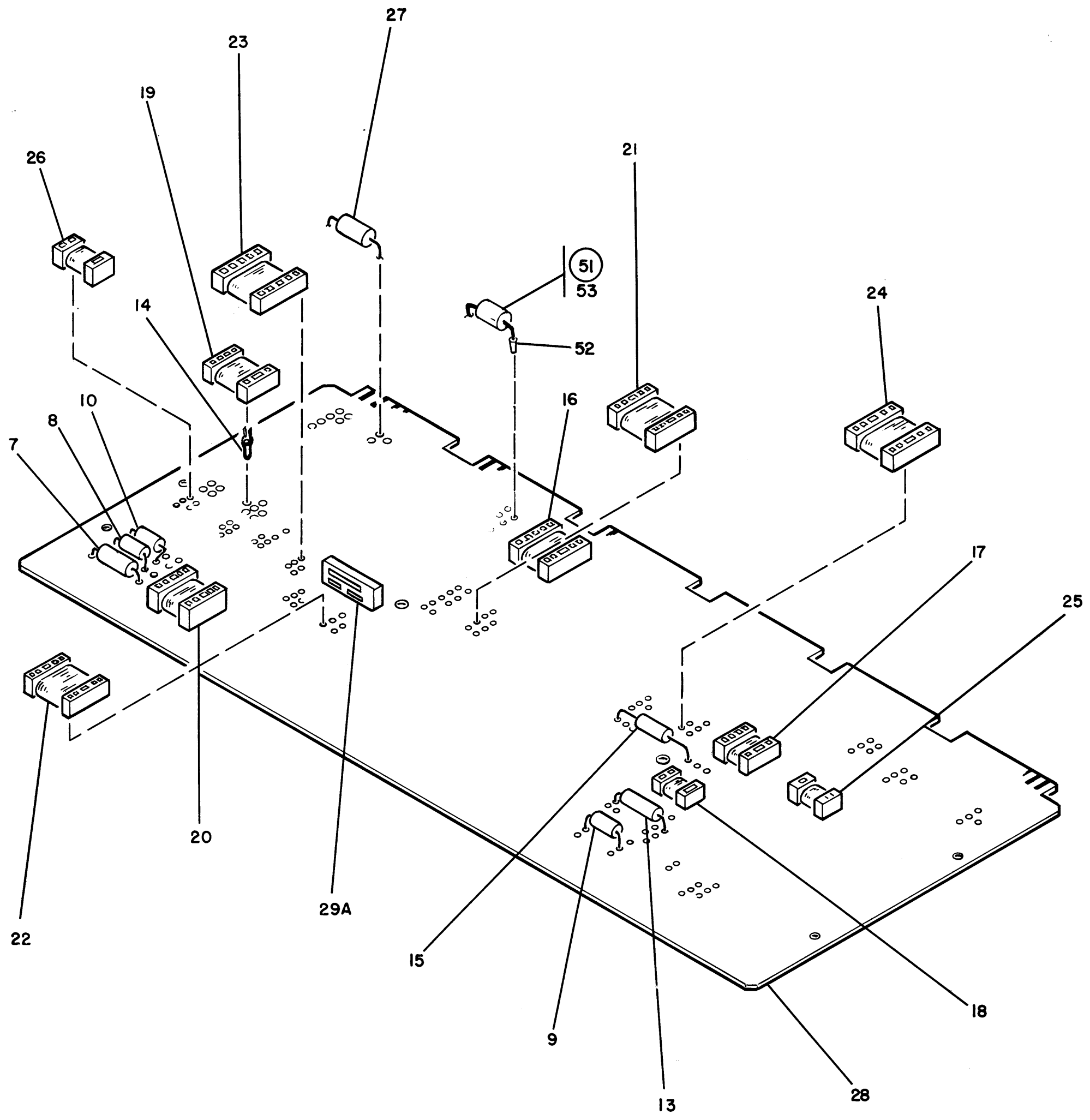


FIGURE 51. REED RELAY CARD GROUPS AND SLIDE ASSEMBLY. SHEET 2 OF 2. SEE LIST 51.

LIST AND INDEX NUMBER	PART NUMBER	DESCRIPTION	UNITS PER ASM.	USABLE ON CODE
		1 2 3 4		
		REED RELAY CARD GROUPS AND SLIDE ASSEMBLY		
51 -	5422161	RELAY CARD GROUP, MOD A NON PRINT UNIT	REF	
-	5422162	RELAY CARD GROUP, MOD A PRINT UNIT	REF	
-	5422163	RELAY CARD GROUP, MOD B NON PRINT UNIT	REF	
-	5422164	RELAY CARD GROUP, MOD B PRINT	REF	
-	5422160	RELAY CARD GROUP, MOD C	REF	
		SEE FIGURE 2-56 FOR NEXT HIGHER ASSEMBLY AND FIGURE 51 FOR ILLUSTRATION		
* - 1	313274	. BUMPER-KEY USED UNDER LEFT ZERO KEY ON MODELS A AND C. SEE FIGURE 4-152 AND 5-165 FOR LOCATION	2	
* - 2	5367105	. CLIP,CONNECTOR	SHEET 1	1
* - 3	5367106	. CLIP,CONNECTOR	SHEET 1	AR
* - 4	5367131	. CARD ASM, REED RELAY-MODS A AND B N/PR	SHEET 1	1
* - 4	5367130	. CARD ASM, REED RELAY-MODS A AND B PRINT	SHEET 1	1
* - 4	5393261	. CARD ASM, REED RELAY NO. 2 LZ-MOD B	SHEET 1	1
* - 4	5393266	. CARD ASM, REED RELAY NO. 3 LZ-MOD B	SHEET 1	1
* - 4	5367120	. CARD ASM, REED RELAY MOD C CARD 1	SHEET 1	1
* - 5	18785	. . INSULATION-WASHER	SHEET 1	2
* - 6	47987	. . NUT, PLAIN, HEX- 2-56 X 3/16 FL W	SHEET 1	6
* - 7	217077	. . CAPACITOR, FXD-POLY- .1MFD P/M 10% 100VDC	SHEET 2	AR
* - 8	301149	. . RESISTOR, FXD, COMP- 56K P/M 10% 1/2W	SHEET 2	AR
* - 9	317014	. . RESISTOR, FXD, COMP- 680 OHMS P/M 5% 1/2W	SHEET 2	AR
* - 10	317428	. . RESISTOR, FXD, COMP- 330 OHMS P/M 5% 1/2W	SHEET 2	AR
* - 11	438539	. . SCREW, MACH-UNDRCT BIND HD 2-56 X 5/16 LG	SHEET 1	4
* - 12	438540	. . SCREW, MACH-BIND HD 2-56 X 3/8 LG	SHEET 1	2
* - 13	482145	. . CAPACITOR, ELECT ALUMINUM DC-AXIAL LEAD	SHEET 2	AR
* - 14	483520	. . CONTACT	SHEET 2	AR
* - 15	597682	. . RESISTOR- 350 OHMS 10W	SHEET 2	AR
* - 16	766070	. . RELAY ASM, REED- 6 PT PLUGGABLE N/O B	SHEET 2	AR
* - 17	766071	. . RELAY ASM, REED- 4 PT PLUGGABLE N/O A	SHEET 2	AR
* - 18	766072	. . RELAY ASM, REED- 2 PT PLUGGABLE N/O	SHEET 2	AR
* - 19	766073	. . REED RELAY ASSEMBLY-RACE, STYLE B	SHEET 2	AR
* - 20	766074	. . RELAY ASM, REED- 4 PT PLUG 2 N/O 2 N/C B	SHEET 2	AR
* - 21	766075	. . RELAY ASM, REED- 6 PT PLUG 2 N/O 4 N/C A	SHEET 2	AR
* - 22	766076	. . RELAY ASM, REED- 6 PT PLUG 4 N/O 2 N/C B	SHEET 2	AR
* - 23	766078	. . RELAY ASM, REED- 6 PT PLUG 4 N/O 2 N/C B	SHEET 2	AR
* - 24	766083	. . RELAY ASM, REED- 6 PT PLUGGABLE 6 N/C B	SHEET 2	AR
* - 25	766086	. . RELAY ASM, REED- 1 PT PLUGGABLE N/O	SHEET 2	AR
* - 26	766087	. . RELAY ASM, REED	SHEET 2	AR
* - 27	2391158	. . DIODE, SEMICONDUCTOR-TYPE JB	SHEET 2	AR
* - 28	5367129	. . CARD, REED RELAY USED ON PRINT AND N/PRINT CARD ASSEMBLY	SHEET 2	1
* - 28	5393265	. . CARD, REED RELAY-LEFT ZERO CARD 2 USED ON MOD B NO. 2 LZ CARD ASSEMBLY	SHEET 2	1
* - 28	5393270	. . CARD, REED RELAY USED ON MOD B NO. 3 LZ CARD ASSEMBLY	SHEET 2	1
* - 28	5404100	. . CARD, REED RELAY-MOD C USED ON MOD C CARD 1 CARD ASSEMBLY	SHEET 2	1
* - 29	5367159	. . STIFFENER-REED RELAY CARD	SHEET 1	1
* - 29A	5404074	. . MODULE	SHEET 2	AR
* - 30	5372258	. SLIDE ASSEMBLY SEE FIGURE 2-56 FOR NEXT HIGHER ASSEMBLY AND FIGURE 51 FOR ILLUSTRATION	SHEET 1	1
* - 31	62031	. WASHER, LOCK-INT TEETH NO. 6 X 0.295 OD	SHEET 1	6
* - 32	198363	. SCREW, THD FORMING-BIND HD NO. 4 X 1/2 LG USED ON FINAL ASSEMBLY 5367199	SHEET 1	2
* - 33	159373	. WASHER, LOCK-EXT TEETH 15/32 ID X 3/4 OD	SHEET 1	1
* - 34	257187	. NUT, PLAIN, HEX- 6-32 X 3/8 FL W	SHEET 1	6
* - 35	257986	. WASHER, FLAT NO. 6	SHEET 1	6

LIST AND INDEX NUMBER	PART NUMBER	DESCRIPTION				UNITS PER ASM.	USABLE ON CODE
		1	2	3	4		
		REED RELAY CARD GROUPS AND SLIDE ASSEMBLY -CONT					
51 - 36	301214	. SWITCH, TOGGLE-DPST 250V AC/DC 3 AMP SHEET 1				1	
- 37	312573	. EYELET, TURNLOCK FASTENER- 0.354 ID SHEET 1				2	
* - 38	312575	. RING, RETAINING- 0.4375 ID X 0.040 THK SHEET 1				2	
* - 39	315912	. STUD, TURNLOCK FASTENER-GATE LATCH SHEET 1				2	
* - 40	322550	. JACK, TIP-BLACK SHEET 1				4	
- 43	5367187	. GUIDE-CARD, PLASTIC SHEET 1				2	
- 44	5367254	. SLIDE-CARD MOUNTING SHEET 1				1	
* - 45	5367309	. LEAD ELECTRICAL SHEET 1				1	
		SEE FIGURE 54-25D AND 26 FOR COMPONENT PARTS					
- 46	5404180	. GATE ASSEMBLY, SELF CHECK MOD 10 SHEET 1				1	
* - 46	5404181	. GATE ASSEMBLY, SELF CHECK MOD 11 NUM GEN SHEET 1				1	
* - 46	5404182	. GATE ASSEMBLY, SELF CHECK MOD 11 NO N G SHEET 1				1	
		SEE FIGURE 51 FOR LOCATION AND FIGURE 52 FOR DETAIL BREAKDOWN					
- 47	5404411 NP	HARDWARE GROUP, SELF CHECK					
- 48	104753	. RELAY ASSEMBLY-WIRE CONTACT 4PDT 2 COIL REF SEE FIGURE 39-30 FOR LOCATION					
* - 49	438549	. SCREW, MACH-BIND HD 4-40 X 7/16 LG SHEET 1				6	
- 50	236550	. SCREW, MACH-BIND HD 4-40 X 0.375 LG SHEET 1				2	
- 51	5404119	. DIODE ASSEMBLY SHEET 2				3	
* - 52	596255	. . TERMINAL, SLIP-ON SHEET 2				2	
* - 53	2391158	. . DIODE, SEMICONDUCTOR-TYPE JB SHEET 2				1	

FOR PARTS
NOT SHOWN
SEE FIG. 51

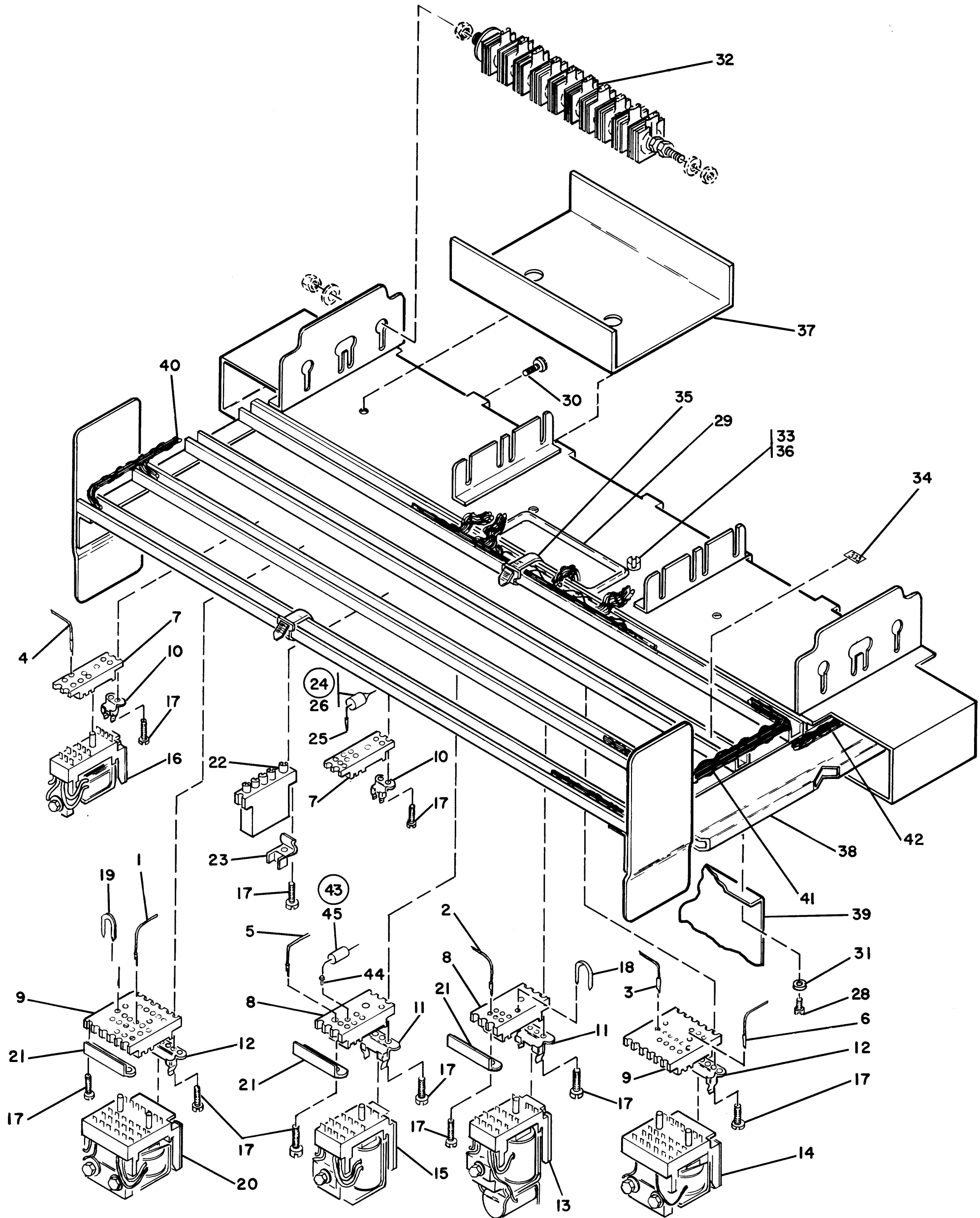
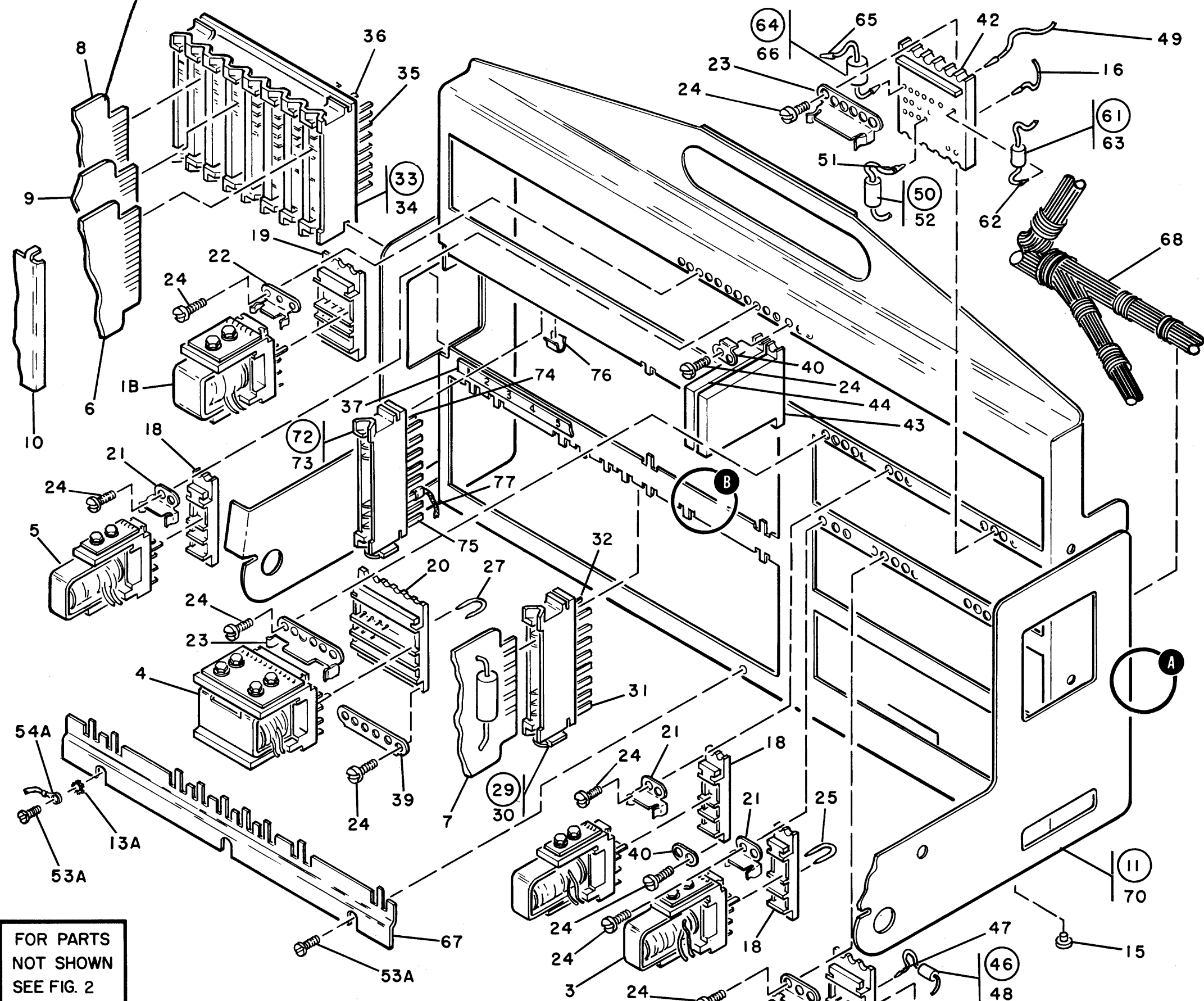


FIGURE 52. SELF CHECK MODELS 10 AND 11 GATE ASSEMBLIES. SEE LIST 52.

LIST AND INDEX NUMBER	PART NUMBER	DESCRIPTION				UNITS PER ASM.	USABLE ON CODE
		1	2	3	4		
		SELF CHECK MODELS 10 AND 11 GATE ASSEMBLIES					
52 -		CODE A-USED ON MODEL 10 GATE CODE B-USED ON MODEL 11 NUMBER GENERATE CODE C-USED ON MODEL 11 NON-NUMBER GENERATE					
-	5404180	GATE ASSEMBLY, SELF CHECK MOD 10				REF	A
-	5404181	GATE ASSEMBLY, SELF CHECK MOD 11 NUM GEN				REF	B
-	5404182	GATE ASSEMBLY, SELF CHECK MOD 11 NO N G FIGURE 51-46 FOR LOCATION AND FIGURE 52 ILLUSTRATION				REF	C
- 1	129243	. JUMPER ASM-BLU 3-1/2 20AWG 1 LUG EA END				111	A
- 1	129243	. JUMPER ASM-BLU 3-1/2 20AWG 1 LUG EA END				153	B
- 1	129243	. JUMPER ASM-BLU 3-1/2 20AWG 1 LUG EA END SEE FIGURE 54-31 FOR COMPONENT PARTS				160	C
- 2	129244	. JUMPER ASM-BLU 4-1/2 20AWG 1 LUG EA END				37	A
- 2	129244	. JUMPER ASM-BLU 4-1/2 20AWG 1 LUG EA END				92	B
- 2	129244	. JUMPER ASM-BLU 4-1/2 20AWG 1 LUG EA END SEE FIGURE 54-31 FOR COMPONENT PARTS				98	C
- 3	129245	. JUMPER ASM-BLU 5-1/2 20AWG 1 LUG EA END				10	A
- 3	129245	. JUMPER ASM-BLU 5-1/2 20AWG 1 LUG EA END				4	B
- 3	129245	. JUMPER ASM-BLU 5-1/2 20AWG 1 LUG EA END SEE FIGURE 54-31 FOR COMPONENT PARTS				4	C
- 4	129246	. JUMPER ASM-BLU 6-1/2 20AWG 1 LUG EA END				3	A
- 4	129246	. JUMPER ASM-BLU 6-1/2 20AWG 1 LUG EA END				7	B
- 4	129246	. JUMPER ASM-BLU 6-1/2 20AWG 1 LUG EA END SEE FIGURE 54-31 FOR COMPONENT PARTS				6	C
- 5	129247	. JUMPER ASM-BLU 7-1/2 20AWG 1 LUG EA END				5	A
- 5	129247	. JUMPER ASM-BLU 7-1/2 20AWG 1 LUG EA END				1	B
- 5	129247	. JUMPER ASM-BLU 7-1/2 20AWG 1 LUG EA END SEE FIGURE 54-31 FOR COMPONENT PARTS				1	C
- 6	129248	. JUMPER ASM-BLU 8-1/2 20AWG 1 LUG EA END				1	B
- 6	129248	. JUMPER ASM-BLU 8-1/2 20AWG 1 LUG EA END SEE FIGURE 54-31 FOR COMPONENT PARTS				1	C
- 7	159941	. MOLDING ASSEMBLY-TERMINAL 4 POS				7	
- 8	159942	. MOLDING ASSEMBLY-TERMINAL 6 POS				AR	
- 9	159943	. MOLDING ASSEMBLY-TERMINAL 12 POS				AR	
- 10	159944	. CLIP, SPRING TENSION-TERMINAL MOULDING				AR	
- 11	159945	. CLIP, SPRING TENSION-TERMINAL MOULDING				AR	
- 12	159946	. CLIP, SPRING TENSION-TERMINAL MOULDING				AR	
- 13	186686	. RELAY ASSEMBLY-WIRE CONTACT 6PDT 1 COIL				1	
- 14	196186	. RELAY ASSEMBLY-WIRE CONTACT 12PDT 1 COIL				AR	
- 15	196198	. RELAY ASSEMBLY-WIRE CONTACT 6PDT 2 COIL				AR	
- 16	196208	. RELAY ASSEMBLY-WIRE CONTACT 4PDT 2 COIL				AR	
- 17	198363	. SCREW, THD FORMING-BIND HD NO. 4 X 1/2 LG				AR	
- 18	205330	. JUMPER-BRASS				AR	
- 19	205331	. JUMPER- 0.125 BRASS				AR	
- 20	255735	. RELAY ASSEMBLY-WIRE CONTACT 12PDT 2 COIL				6	
- 21	284424	. CLIP-RELAY MOULDING BOTTOM MOUNTING				11	
- 22	328602	. UNIT-RC				AR	
- 23	328616	. CLIP, SPRING TENSION-RC TERMINAL MOULDING				AR	
- 24	348820	. DIODE ASSEMBLY				AR	
- 25	187243	. . TERMINAL, QUICK DISCONNECT				2	
- 26	2111232	. . SEMICONDUCTOR DEVICE-DIODE				1	
- 27	5404169 NP	. MECHANICAL GROUP				1	
- 28	198363	. . SCREW, THD FORMING-BIND HD NO. 4 X 1/2 LG				3	
- 29	219317	. . SEAL-SWITCH PLATE				1	
- 30	251970	. . SCREW-MACH BD. HD. 4-40 X 1/4 LG				1	
- 31	257986	. . WASHER, FLAT NO. 6				3	
- 32	315903	. . VALVE, SELENIUM				6	

LIST AND INDEX NUMBER	PART NUMBER	DESCRIPTION	UNITS PER ASM.	USABLE ON CODE
		1 2 3 4 SELF CHECK MODELS 10 AND 11 GATE ASSEMBLIES -CONT		
52 - 33	316187	. . SPACER- 0.186 ID X 1/4 OD X 5/16 THK	3	
- 34	325439	. . LABEL-NUMBERING L TO R 301 THRU 450	1	
- 35	533783	. . CLAMP-ADJUSTABLE CABLE	2	
- 36	5393343	. . SCREW, MACHINE-PAN HEAD, 4-40NC X 0.687 LG	3	
- 37	5404073	. . INSULATOR	2	
- 38	5404179	. . RELAY GATE, SELF CHECK	1	
- 39	5404378	. . COVER, DUST	1	
- 40	5404177	. CABLE ASSEMBLY, SELF CHECK MOD 10 SEE FIGURE 54-31A FOR COMPONENT PARTS	1	A
- 40	5404172	. CABLE ASSEMBLY, SELF CHECK MOD 11	1	B
- 40	5404172	. CABLE ASSEMBLY, SELF CHECK MOD 11 SEE FIGURE 54-31A FOR COMPONENT PARTS	1	C
- 41	5404178	. CABLE ASSEMBLY, SELF CHECK MOD 10	1	A
- 41	5404170	SEE FIGURE 54-2, 13, 13A, 18, 19, 20 AND 32 FOR COMPONENT PARTS . CABLE ASSEMBLY, SELF CHECK MOD 11	1	B
- 41	5404170	. CABLE ASSEMBLY, SELF CHECK MOD 11 SEE FIGURE 54-18, 2, 13, 13A, 18, 19, 20 AND 31A FOR COMPONENT PARTS	1	C
- 42	5404174	. CABLE ASSEMBLY, SELF CHECK GATE SEE FIGURE 54-31A FOR COMPONENT PARTS	1	C
- 43	5404302	. RESISTOR ASSEMBLY, 470 OHM 2W	1	
- 44	187243	. . TERMINAL, QUICK DISCONNECT	2	
- 45	320655	. . RESISTOR, FXD COMP 470 OHMS P/M 5% 2 W	1	

LZero Cards Pn 373063



FOR PARTS NOT SHOWN SEE FIG. 2

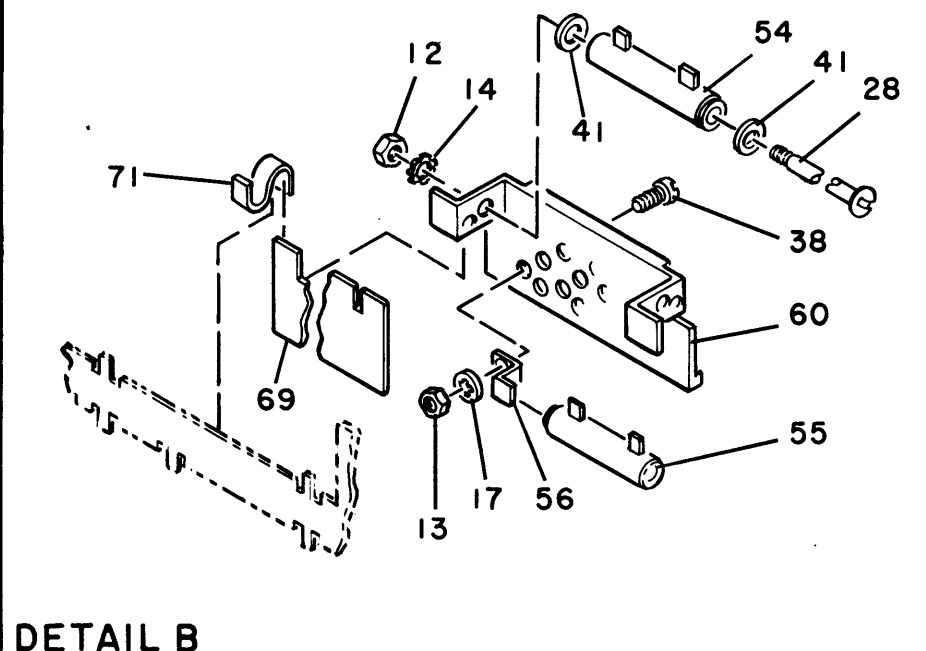
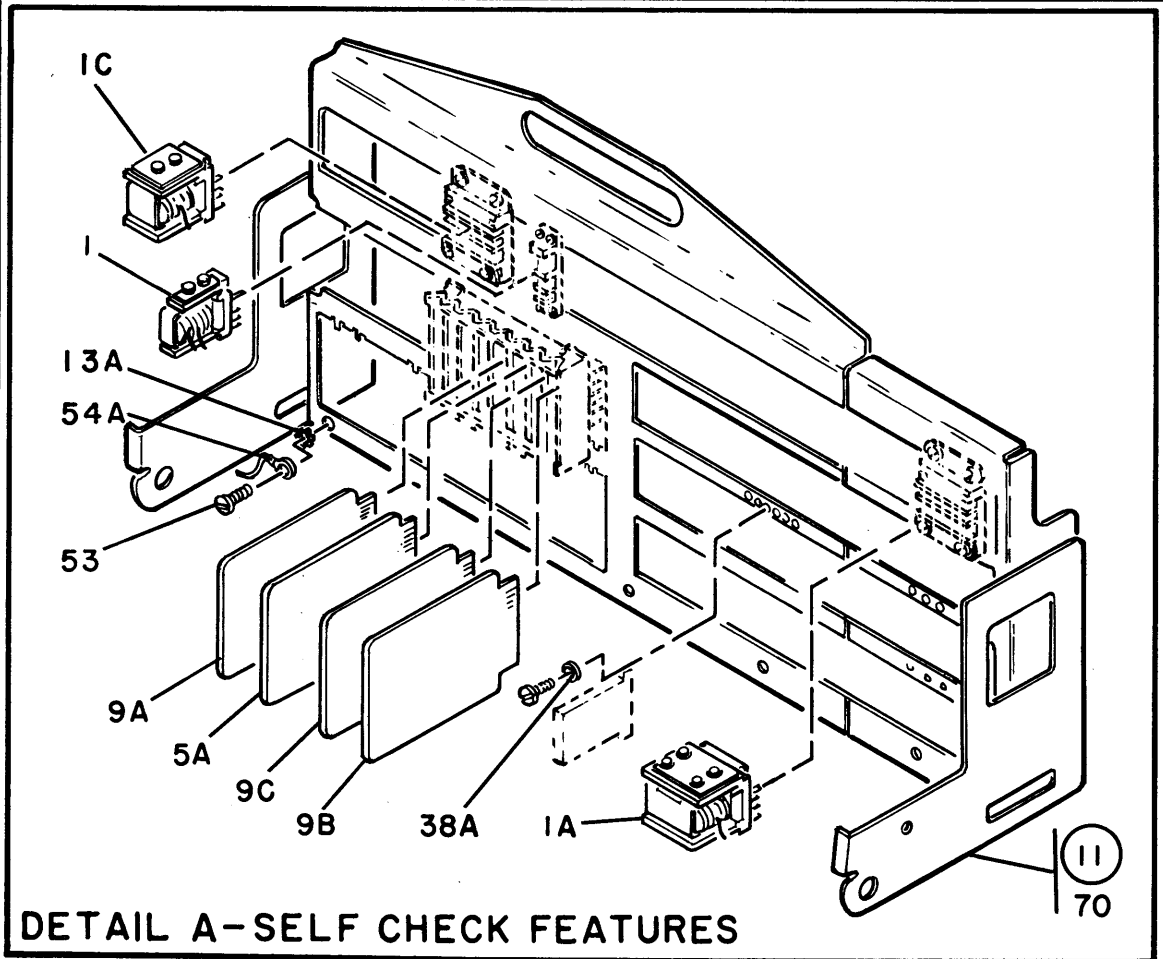


FIGURE 53. WIRE CONTACT RELAY GATES WITH FEATURES. SEE LIST 53.

LIST AND INDEX NUMBER	PART NUMBER	DESCRIPTION	UNITS PER ASM.	USABLE ON CODE
		1 2 3 4 WIRE CONTACT RELAY GATES WITH FEATURES		
53 -	5406300	GATE ASSEMBLY, COMPLETE- MOD A N/P	REF	
-	5406305	GATE ASSEMBLY, COMPLETE-MOD A PRINT	REF	
-	5406310	GATE ASSEMBLY, COMPLETE-MOD B N/P	REF	
-	5406315	GATE ASSEMBLY, COMPLETE- MOD B PRINT	REF	
-	5406350	GATE ASSEMBLY, COMPLETE- MOD C	REF	
-	5406325	GATE ASSEMBLY, COMPLETE- SC MOD 11 PRINT	REF	
-	5406320	GATE ASSEMBLY, COMPLETE- SC MOD 11 N/P	REF	
-	5406345	GATE ASSEMBLY, COMPLETE- SC MOD 10 PRINT	REF	
-	5406340	GATE ASSEMBLY, COMPLETE- SC MOD 10 N/P	REF	
		SEE FIGURE 2-4 FOR LOCATION AND 53 FOR ILLUSTRATION		
- 1	104753	. RELAY ASSEMBLY-WIRE CONTACT 4PDT 2 COIL	AR	
- 1A	196186	. RELAY ASSEMBLY-WIRE CONTACT 12PDT 1 COIL	AR	
- 1B	196196	. RELAY ASSEMBLY-WIRE CONTACT 6PDT 1 COIL	AR	
- 1C	107560	. RELAY ASSEMBLY-WIRE CONTACT 6PDT 2 COIL	AR	
- 2	196198	. RELAY ASSEMBLY-WIRE CONTACT 6PDT 2 COIL	AR	
- 3	196208	. RELAY ASSEMBLY-WIRE CONTACT 4PDT 2 COIL	AR	
- 4	255735	. RELAY ASSEMBLY-WIRE CONTACT 12PDT 2 COIL	AR	
- 5	328273	. RELAY,SOLENOID-2 POINT,2 COIL	AR	
- 5A	372399	. CARD ASSEMBLY, SMS BCV	AR	
- 6	374256	. CARD ASSEMBLY	AR	
- 7	375105	. CARD ASSEMBLY	AR	
- 8	375233	. CARD ASSEMBLY	AR	
- 9	375107	. CARD ASSEMBLY	AR	
- 9A	375172	. CARD ASSEMBLY, ENCODE	AR	
- 9B	375173	. CARD ASSEMBLY, STAR WHEEL ENCODE	AR	
- 9C	375174	. CARD ASSEMBLY, BLOCK DIODE	AR	
- 10	5301524	. COVER,TWIN CARD	AR	
- 11	5406299	. PANEL ASSEMBLY, WIRED MOD A NON PRINT USED ON MOD A N/PRINT COMPLETE GATE ASM	1	
- 11	5406304	. PANEL ASSEMBLY, WIRED MOD A USED ON MOD A PRINT COMPLETE GATE ASM	1	
- 11	5406309	. PANEL ASSEMBLY, WIRED-MOD B NON PRINT USED ON MOD B N/PRINT COMPLETE GATE ASM	1	
- 11	5406314	. PANEL ASSEMBLY, WIRED MOD B PRINT USED ON MOD B PRINT COMPLETE GATE ASM	1	
- 11	5406349	. PANEL ASSEMBLY, WIRED MOD C USED ON MOD C COMPLETE GATE ASSEMBLY	1	
- 11	5406324	. PANEL ASSEMBLY, WIRED-SC MOD 11 PRINT USED ON SC MOD 11 PRINT GATE ASSEMBLY	1	
- 11	5406319	. PANEL ASSEMBLY, WIRED-SC MOD 11 N/P USED ON SC MOD 11 N/PRINT GATE ASSEMBLY	1	
- 11	5406344	. PANEL ASSEMBLY, WIRED SC MOD 10 PRINT USED ON SC MOD 10 PRINT GATE ASSEMBLY	1	
- 11	5406339	. PANEL ASSEMBLY, WIRED-SC MOD 10 N/P USED ON SC MOD 10 N/PRINT GATE ASSEMBLY	1	
- 12	23815	. . NUT,PLAIN,HEX- 5-40 X 5/16 FL W	AR	
- 13	37913	. . NUT, HEX 4-40 NC	AR	
- 13A	55901	. . LOCKWASHER, EXTERNAL TOOTH	1	
- 14	56722	. . WASHER-LOCK,EXT T, .150 ID	AR	
- 15	79204	. . BUMPER,RUBBER-HAMMER LATCH ARM	AR	
- 16	129243	. . JUMPER ASM-BLU 3-1/2 20AWG 1 LUG EA END SEE FIGURE 54-31 FOR COMPONENT PARTS	AR	
- 16	129244	. . JUMPER ASM-BLU 4-1/2 20AWG 1 LUG EA END SEE FIGURE 54-31 FOR COMPONENT PARTS	AR	
- 16	129245	. . JUMPER ASM-BLU 5-1/2 20AWG 1 LUG EA END SEE FIGURE 54-31 FOR COMPONENT PARTS	AR	
- 16	129246	. . JUMPER ASM-BLU 6-1/2 20AWG 1 LUG EA END SEE FIGURE 54-31 FOR COMPONENT PARTS	AR	
- 16	129247	. . JUMPER ASM-BLU 7-1/2 20AWG 1 LUG EA END SEE FIGURE 54-31 FOR COMPONENT PARTS	AR	
- 16	129248	. . JUMPER ASM-BLU 8-1/2 20AWG 1 LUG EA END SEE FIGURE 54-31 FOR COMPONENT PARTS	AR	
- 16	5342474	. . JUMPER ASSEMBLY,V10 6 IN. 22AWG 2 LUG SEE FIGURE 54-31 FOR COMPONENT PARTS	AR	
- 17	150209	. . WASHER,LOCK-INT TEETH NO. 4 X 0.270 OD	AR	
- 18	159941	. . MOLDING ASSEMBLY-TERMINAL 4 POS	AR	
- 19	159942	. . MOLDING ASSEMBLY-TERMINAL 6 POS	AR	

L2 conts
373063

LIST AND INDEX NUMBER	PART NUMBER	DESCRIPTION	UNITS PER ASM.	USABLE ON CODE
		1 2 3 4		
		WIRE CONTACT RELAY GATES WITH FEATURES -CONT		
53 - 20	159943	. . . MOLDING ASSEMBLY-TERMINAL 12 POS	AR	
- 21	159944	. . . CLIP,SPRING TENSION-TERMINAL MOULDING	AR	
- 22	159945	. . . CLIP,SPRING TENSION-TERMINAL MOULDING	AR	
- 23	159946	. . . CLIP,SPRING TENSION-TERMINAL MOULDING	AR	
- 24	198363	. . . SCREW,THD FORMING-BIND HD NO. 4 X 1/2 LG	AR	
- 25	205329	. . . JUMPER-BRASS,3/16	AR	
- 26	205330	. . . JUMPER-RELAY GATES UNIT 3/16 BRASS	AR	
- 27	205331	. . . JUMPER-RELAY GATES UNIT 1/8 BRASS	AR	
- 28	214097	. . . SCREW, 5-40	AR	
- 29	216076	. . . TERMINAL BLOCK AND CONTACT ASSEMBLY	AR	
- 30	216073 CARD RECEPTACLE- 1 POSITION	1	
- 31	216087 SPRING-CONTACT	8	
- 32	216088 SPRING-CONTACT	8	
- 33	216083 CARD RECEPTACLE ASSEMBLY	AR	
- 34	216082 CARD RECEPTACLE- 8 POSITION	1	
- 35	216087 SPRING-CONTACT	64	
- 36	216088 SPRING-CONTACT	64	
- 37	216285	. . . LABEL-NUMBERING L TO R 1 THRU 28	AR	
- 38	251970	. . . SCREW-MACH BD. HD. 4-40 X 1/4 LG	AR	
- 38A	257986	. . . WASHER,FLAT NO. 6	AR	
- 39	284424	. . . CLIP-RELAY MOULDING BOTTOM MOUNTING	AR	
- 40	308704	. . . CLIP-MOLDING	AR	
- 41	315673	. . . WASHER,FL-NO. 6 X 1/2 OD X 3/32 THK	AR	
- 42	324999	. . . TERMINAL BOARD- 109 FEEDTHRU TERMINALS	AR	
- 43	328601	. . . RC CIRCUIT-PLUG IN	AR	
- 44	328602	. . . UNIT-RC	AR	
- 46	347820	. . . DIODE ASSEMBLY	AR	
- 47	187243	. . . TERMINAL, QUICK DISCONNECT	2	
- 48	2111232	. . . SEMICONDUCTOR DEVICE-DIODE	1	
- 49	515762	. . . JUMPER ASM-BLACK 10 IN. 20AWG 1 PLUG/END	AR	
- 50	520404	. . . RESISTOR ASSEMBLY- 180 OHMS 1/2W	AR	
- 51	320167 TERMINAL,QUICK DISC-NONINS 16AWG TAP-PIN	2	
- 52	323918 RESISTOR,FXD,COMP- 180 OHMS P/M 5% 1/2W	1	
- 53	731626	. . . SCREW, PAN HEAD, 6-32 X .25 LONG	AR	
- 53A	734483	. . . SCREW,PAN HD- 6-32 X 0.380 LG	AR	
- 54	805044	. . . RESISTOR,FXD,WW- 50 OHMS P/M 10% 10W	AR	
- 54A	5329750	. . . JUMPER ASSEMBLY SEE FIGURE 54-26 FOR COMPONENT PARTS	AR	
- 55	5347750	. . . RESISTOR,FXD,WW-115 OHMS P/M 1% 20W	AR	
- 56	5393289	. . . BRACKET, ANGLE	AR	
- 57	5400890	. . . CAPACITOR ASSEMBLY	AR	
- 58	187243 TERMINAL, QUICK DISCONNECT	2	
- 59	5213580 CAPACITOR, FXD, PAPER DIELECTRIC-1.0MFD	1	
- 60	5401007	. . . SHIELD, RESISTOR	AR	
- 61	5404119	. . . DIODE ASSEMBLY	AR	
- 62	596255 TERMINAL,SLIP-ON	2	
- 63	2391158 DIODE,SEMICONDUCTOR-TYPE JB	1	
- 64	5405904	. . . FRAME, GATE	AR	
- 65	187243 TERMINAL, QUICK DISCONNECT	2	
- 66	317275 RESISTOR,FIXED COMP 56K,5%, 1/2 WATT	1	
- 67	5405907	. . . BRACKET, RELAY GATE	AR	
- 68	5406071	. . . CABLE ASSEMBLY, MODEL A SEE FIGURE 54-30 AND 31A FOR COMPONENT PARTS	1	
- 68	5406076	. . . CABLE ASSEMBLY, HIGH SPEED SKIP SEE FIGURE 54-30 AND 31A FOR COMPONENT PARTS	1	
- 68	5406081	. . . CABLE ASSEMBLY, MOD C GATE SEE FIGURE 54-30 AND 31A FOR COMPONENT PARTS	1	
- 68	5406097	. . . CABLE ASSEMBLY, AUX DUP SEE FIGURE 54-30 AND 31A FOR COMPONENT PARTS	AR	
- 68	5406087	. . . CABLE ASSEMBLY, MCI FEATURE SEE FIGURE 54-30 AND 31A FOR COMPONENT PARTS	AR	

LIST AND INDEX NUMBER	PART NUMBER	DESCRIPTION 1 2 3 4	UNITS PER ASM.	USABLE ON CODE
		WIRE CONTACT RELAY GATES WITH FEATURES -CONT		
53 - 68	5406358	. . CABLE ASSEMBLY, IGP SEE FIGURE 54-30 AND 31A FOR COMPONENT PARTS	AR	
- 68	5406353	. . CABLE ASSEMBLY, HSS SEE FIGURE 54-30 AND 31A FOR COMPONENT PARTS	AR	
- 68	5406363	. . CABLE ASSEMBLY, VLCD SEE FIGURE 54-30 AND 31A FOR COMPONENT PARTS	AR	
- 68	5406374	. . CABLE ASSEMBLY, X-SKIP MOD A SEE FIGURE 54-30 AND 31A FOR COMPONENT PARTS	AR	
- 68	5406373	. . CABLE ASSEMBLY, X-SKIP MOD B SEE FIGURE 54-30 AND 31A FOR COMPONENT PARTS	AR	
- 68	5406072	. . CABLE ASSEMBLY, SELF CHECK MOD 11 SEE FIGURE 54-30 AND 31A FOR COMPONENT PARTS	AR	
- 68	5406073	. . CABLE ASSEMBLY, SELF CHECK NOM GEN SEE FIGURE 54-30 AND 31A FOR COMPONENT PARTS	AR	
- 68	5406074	. . CABLE ASSEMBLY, SELF CHECK MOD 10 SEE FIGURE 54-30 AND 31A FOR COMPONENT PARTS	AR	
- 69	5406140	. . SHIELD, PAPER SEE FIGURE 54-30 AND 31A FOR COMPONENT PARTS	AR	
- 70	5406371	. . GATE USED ON MODS A, B AND C PRINT AND N/PRINT WIRED PANEL ASSEMBLIES	1	
- 70	5405906	. FRAME, GATE USED ON MODS 10 AND 11 PRINT AND N/PRINT SELF CHECK WIRED PANEL ASSEMBLIES	1	
- 71	5422228	. . FASTENER, CONNECTOR	AR	
- 72	216076	. TERMINAL BLOCK AND CONTACT ASSEMBLY USED ON CHAR INHIBIT FEATURE ONLY	2	
- 73	216073	. . RECEPTACLE CARD-SINGLE POS	1	
- 74	216087	. . SPRING-CONTACT	8	
- 75	216088	. . SPRING-CONTACT	8	
- 76	5422228	. FASTENER,CONNECTOR USED ON CHAR INHIBIT FEATURE ONLY	2	
- 77	5314123	. JUMPER ASM,ORG 2.5 IN. 22AWG 2 LUGS	11	
- 77	5342474	. JUMPER ASSEMBLY,V10 6 IN. 22AWG 2 LUG USED ON CHAR INHIBIT FEATURE ONLY SEE FIGURE 54-31 FOR COMPONENT PARTS	6	

FOR PARTS
NOT SHOWN
SEE FIG. 2

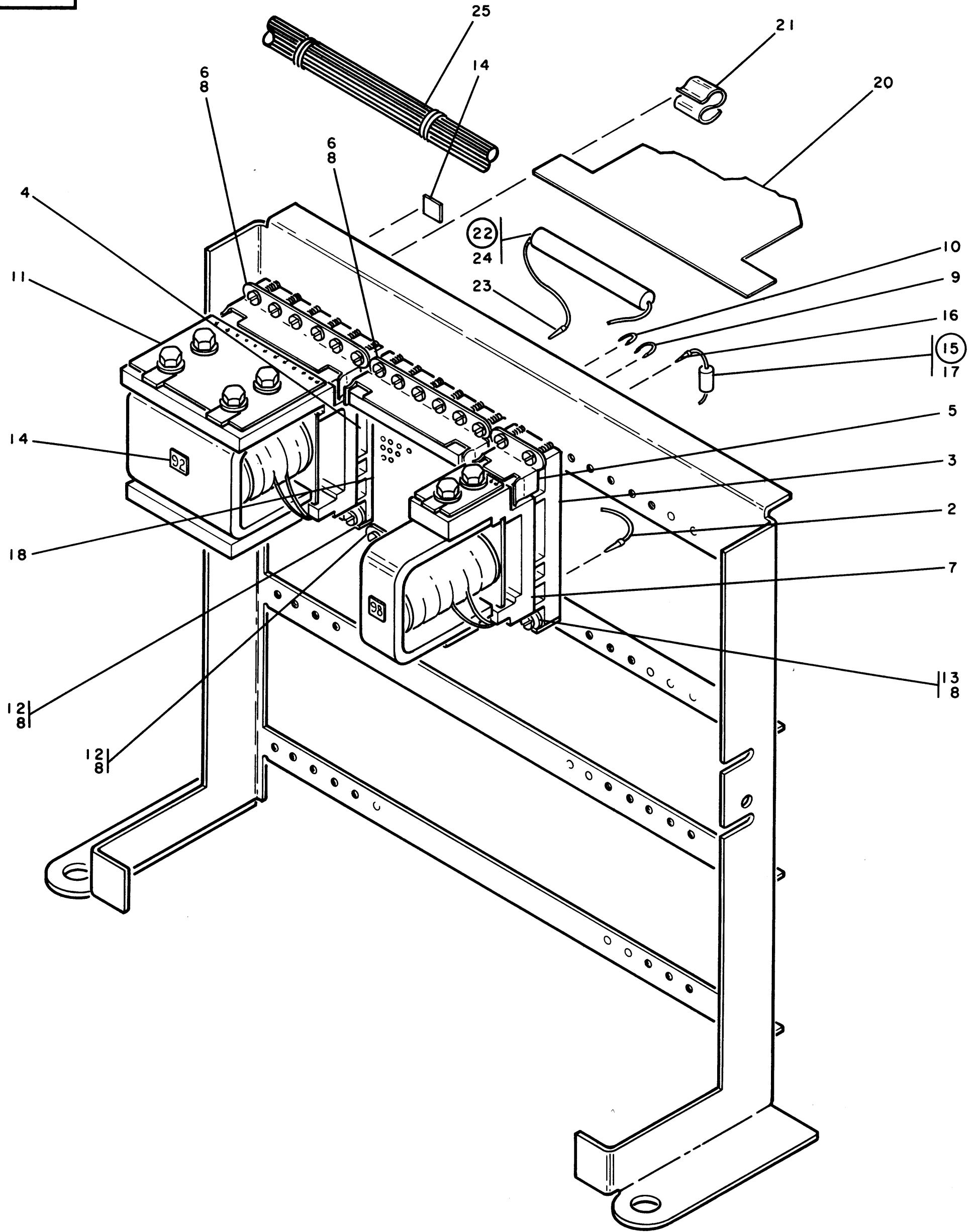


FIGURE 53A. CHARACTER INHIBIT CONTACT RELAY WIRED GATE ASSEMBLY. SEE LIST 53A.

LIST AND INDEX NUMBER	PART NUMBER	DESCRIPTION				UNITS PER ASM.	USABLE ON CODE
		1	2	3	4		
		CHARACTER INHIBIT CONTACT RELAY WIRED GATE ASSEMBLY					
53A-	5462490	WIRED GATE ASM, CONT RELAY-CHAR INHIBIT SEE FIGURE 2-107 FOR NEXT HIGHER ASSEMBLY AND FIGURE 53A FOR ILLUSTRATION				REF	
- 1	5462473	. . GATE ASSEMBLY, CHAR INHIBIT				1	
- 2	129243	. . JUMPER ASM-BLU 3-1/2 20AWG 1 LUG EA END				AR	
- 2	129244	. . JUMPER ASM-BLU 4-1/2 20AWG 1 LUG EA END				AR	
- 2	129245	. . JUMPER ASM-BLU 5-1/2 20AWG 1 LUG EA END				AR	
		SEE FIGURE 54-31 FOR COMPONENT PARTS					
- 3	159941	. . MOLDING ASSEMBLY-TERMINAL 4 POS				1	
- 4	159943	. . MOLDING ASSEMBLY-TERMINAL 12 POS				1	
- 5	159944	. . CLIP, SPRING TENSION-TERMINAL MOULDING				1	
- 6	159946	. . CLIP, SPRING TENSION-TERMINAL MOULDING				2	
- 7	196208	. . RELAY ASSEMBLY-WIRE CONTACT 4PDT 2 COIL				1	
- 8	198363	. . SCREW, THD FORMING-BIND HD NO. 4 X 1/2 LG				16	
- 9	205329	. . JUMPER-BRASS, 3/16				1	
- 10	205331	. . JUMPER-RELAY GATES UNIT 1/8 BRASS				2	
- 11	255735	. . RELAY ASSEMBLY-WIRE CONTACT 12PDT 2 COIL				1	
- 12	284424	. . CLIP-RELAY MOULDING BOTTOM MOUNTING				2	
- 13	308704	. . CLIP-MOLDING				1	
- 14	325436	. . LABEL-RELAY 51-100				5	
- 15	347820	. . DIODE ASSEMBLY				18	
- 16	187243	. . . TERMINAL, SMALL TAPER				2	
- 17	2111232	. . . DIODE, SEMICONDUCTOR-TYPE AM				1	
- 18	381391	. . TERMINAL BLOCK, 12 POSITION				1	
- 19	5396852	. . GATE, CHAR INHIBIT				1	
- 20	5406140	. . SHIELD, PAPER				1	
- 21	5422228	. . FASTENER, CONNECTOR				2	
- 22	5462471	. . RESISTOR ASM, 300 OHMS 10W 5%				2	
- 23	187243	. . . TERMINAL, SMALL TAPER				2	
- 24	2102627	. . . RESISTOR, FXD, WW- 300 OHMS P/M 5% 10W				1	
- 25	5462476	. . CABLE ASM, WCR-CHAR INHIBIT SEE FIGURE 54-1C, 21, 28, 31, 34 AND 35 FOR COMPONENT PARTS				1	

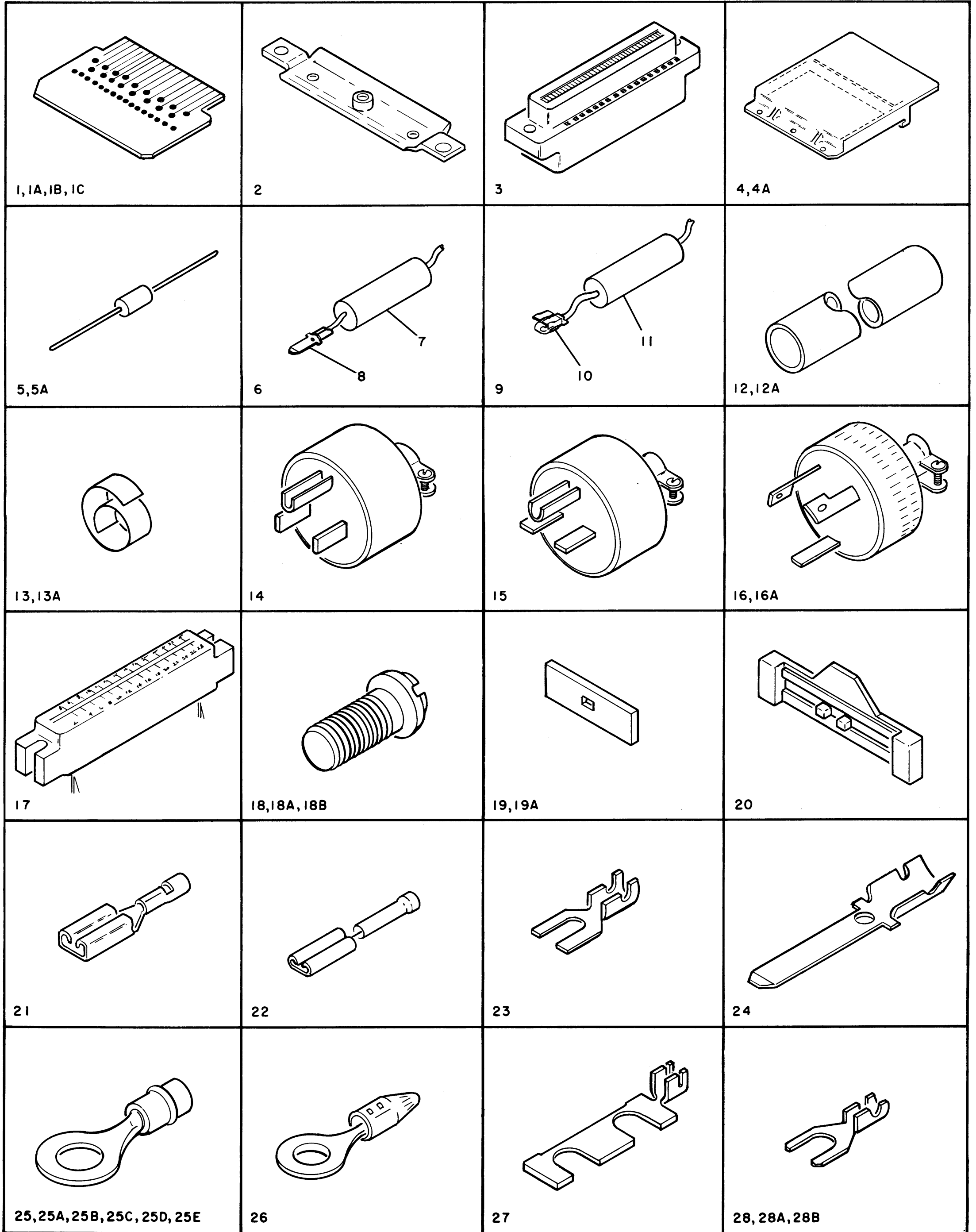


FIGURE 54. CABLE AND JUMPER ASSEMBLY COMPONENT PARTS. SHEET 1 OF 2. SEE LIST 54.

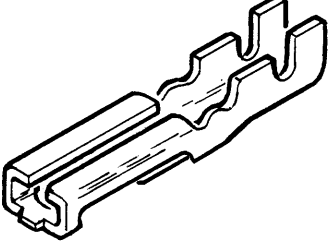
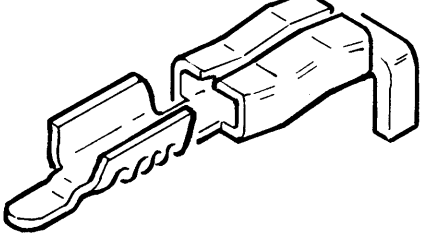
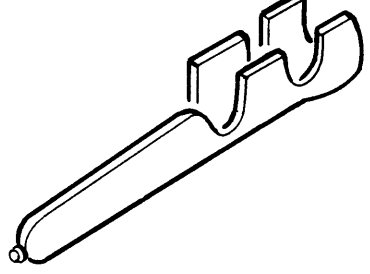
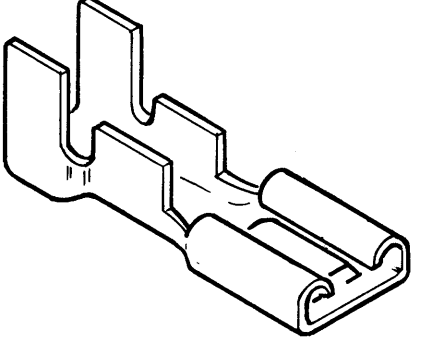
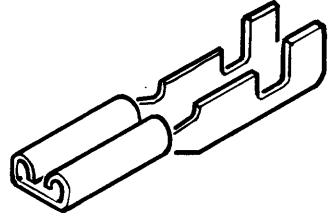
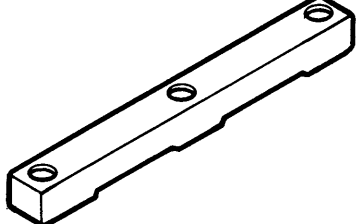
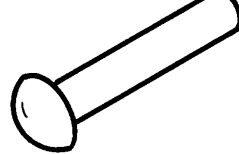
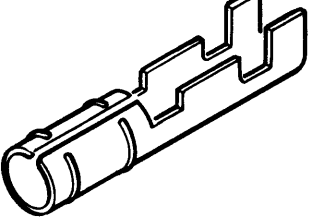
 <p>29</p>	 <p>30</p>	 <p>31, 31A</p>	 <p>32</p>
 <p>33</p>	 <p>34</p>	 <p>35</p>	 <p>36</p>

FIGURE 54. CABLE AND JUMPER ASSEMBLY COMPONENT PARTS. SHEET 2 OF 2. SEE LIST 54.

LIST AND INDEX NUMBER	PART NUMBER	DESCRIPTION				UNITS PER ASM.	USABLE ON CODE
		1	2	3	4		
		CABLE AND JUMPER ASM COMPONENT PARTS					
54 -	NO NO.	CABLE AND JUMPER ASM COMPONENT PARTS				NP	
- 1	375135	. CARD ASSEMBLY				AR	
- 1A	491349	. CARD ASM				AR	
- 1B	5372352	. CARD				AR	
- 2	216208	. CLAMP-CABLE CONNECTOR				AR	
- 3	5372300	. CONNECTOR, RECEPTACLE, ELECTRICAL				AR	
- 4	5367104	. COVER-KEYBOARD, PADDLE CARD				AR	
- 4A	5393302	. COVER-CARD, INTERIM				AR	
- 5	2111232	. SEMICONDUCTOR DEVICE-DIODE				AR	
- 5A	2391158	. DIODE, SEMICONDUCTOR-TYPE JB				AR	
- 6	5401043	. DIODE ASSEMBLY				AR	
- 7	2111232	. . SEMICONDUCTOR DEVICE-DIODE				1	
- 8	5372299	. . TERMINAL, LUG				2	
- 9	5404119	. DIODE ASSEMBLY				AR	
- 10	596255	. . TERMINAL, SLIP-CN				2	
- 11	2391158	. . DIODE, SEMICONDUCTOR-TYPE JB				1	
- 12	734544	. INSULATOR				AR	
- 12A	591777	. INSULATOR, .187 ID X .093 THICK ELECTRIC				AR	
- 13	317296	. LABEL-NUMBERING L TO R 1 THRU 33				AR	
- 13A	317297	. LABEL-NUMBERING L TO R 34 THRU 66				AR	
- 14	256341	. PLUG, GROUNDED COMMERCIAL-15A 125V				AR	
- 15	256342	. PLUG, GROUNDED COMMERCIAL-15A 250V				AR	
- 16	624034	. PLUG, TWIST LOCK-15A 125V				AR	
- 16A	624035	. PLUG, TWIST LOCK				AR	
- 17	5393450	. RECEPTACLE, CIRCUIT CARD-DOUBLE SIDED				AR	
- 18	338238	. SCREW, MACH-BD HD 4-40 NC X .3125 LG				AR	
- 18A	438549	. SCREW, MACH-BIND HD 4-40 X 7/16 LG				AR	
- 18B	5393343	. SCREW, MACHINE-PAN HEAD, 4-40NC X 0.687 LG				AR	
- 19	216210	. SPACER-CABLE CONNECTOR				AR	
- 19A	5393303	. SPACER-COVER, INTERIM				AR	
- 20	216209	. SUPPORT-CABLE CONNECTOR CARD				AR	
- 21	236915	. TERMINAL-CONTACT FEMALE 20-18 AWG				AR	
- 22	236916	. TERMINAL-CONTACT FEMALE 24-22 AWG				AR	
- 23	255994	. TERMINAL-SPADE, 16 AWG, #6 HOLE, NON INS				AR	
- 24	5372299	. TERMINAL, LUG				AR	
- 25	322025	. TERMINAL-RING, 14-16 AWG, 1/4 HOLE, INS				AR	
- 25A	334910	. TERMINAL-RING, 14-16 AWG, #6 HOLE, INS				AR	
- 25B	334921	. TERMINAL-RING, 18-22 AWG, #6 HOLE, INS				AR	
- 25C	334932	. TERMINAL-RING, 18-22 AWG, #10 HOLE, INS				AR	
- 25D	360370	. TERMINAL-RING, 14-16 AWG, #10 HOLE, INS				AR	
- 25E	124439	. TERMINAL, NO 10 RING				AR	
- 26	359695	. TERMINAL-RING, 14-16 AWG, #10 HOLE, INS				AR	
- 27	103670	. TERMINAL, LUG-NONINS 24AWG 2 MTG SLOTS				AR	
- 28	186967	. TERMINAL-SPADE, 20-24 AWG, #6 HOLE, NON INS				AR	
- 28A	313361	. TERMINAL-SPADE, 20-24 AWG, #4 HOLE, NON INS				AR	
- 28B	313362	. TERMINAL, LUG-NON INS 20/22/24 AWG				AR	
- 29	313390	. TERMINAL, QUICK DISCONNECT- 20/22AWG				AR	
- 30	596255	. TERMINAL, SLIP-ON				AR	
- 31	135052	. TERMINAL, QUICK DISCONNECT-NONINS 20AWG				AR	
- 31A	187243	. TERMINAL, QUICK DISCONNECT				AR	
- 32	5316996	. TERMINAL, SLIDE ON				AR	
- 33	5213274	. TERMINAL, QUICK DISCONNECT, 18-22 AWG				AR	
- 34	595969	. RELIEF-RIBBON WIRE STRAIN				AR	
- 35	595720	. RIVET, ROLLED FLANGE				AR	
* - 36	1142822	. TERMINAL-SOUND HEAD				AR	

NUMERICAL INDEX

PART NO.	LIST AND INDEX NO.	PART NO.	LIST AND INDEX NO.	PART NO.	LIST AND INDEX NO.
92	13 -420 14 -500	673-CONT	5 - 6 13 -138 13 -170	2819-CONT	9 - 3 10 - 3
127	13 -230 14 -301		13 -351A 14 -196 14 -424A	2899	11 - 1 13 -172 14 -225
154	13 -251 14 -322 15 -110 16 - 80	845	13 - 11 13 -171 14 - 13	2994	23 - 2 13 -139 14 -197
163	35 - 1 40 - 1 41 - 1 44 - 1 48 - 1		14 - 13 14 -221 14 -493 16 - 42 25 - 2	3500	6 - 1 13 - 13 13 -140 13 -209 13 -303 13 -332 14 - 15 14 -198 14 -226 14 -374 14 -405
221	13 - 7 14 - 7 15 - 75 16 - 41	1500	13 - 12 14 - 14 15 - 11 16 - 9		29 - 2 33 - 21 36 - 57 37 - 4 38 - 1 40 - 3 41 - 3
244	14 -124	1846	46 - 11	3550	13 - 14 14 - 16 39 - 1 49 - 12 50 - 1
288	22 - 1	1856	32 - 2		13 - 15 14 - 18 39 - 2 49 - 11 50 - 2
292	31 - 1	1866	5 - 7 29 - 1 9 - 1 10 - 1 33 - 52	3960	49 - 12 50 - 1 13 - 15 14 - 18 39 - 2 49 - 11 50 - 2
294	4 - 30 5 - 5 32 - 1	1882	10 - 1 33 - 52 42 - 1	4085	34 - 1
337	13 -430 13 -430 14 -510 14 -510 17 - 24 28 - 1 33 - 18 36 - 55 37 - 1 38 - 9	2031	14 -222 15 - 12 15 - 76 16 - 10 16 - 43 14 -223 25 - 3 27 - 3	4108	8 - 1 9 - 4 10 - 4 11 - 2 12 - 1
344	14 - 8 36 - 56 37 - 2	2032	16 - 43 14 -223 25 - 3 27 - 3	4236	4 - 34 4 -105 5 - 9 5 -104B 13 -141 14 -199 25 - 4 27 - 4 33 - 22 36 - 58 37 - 3 38 - 25
358	13 -351 14 -424	2300	4 - 33 5 - 8 16 - 44 20 - 1 21 - 1		3 - 6 36 - 35 13 -208A 8 - 2 11 - 3 12 - 2
371	14 - 9	2384	13 -431 14 -511 15 - 77 16 - 45 26 - 2 28 - 23 44 - 3	4320	
424	28 - 49	2629	15 - 77 16 - 45 26 - 2 28 - 23 44 - 3	4327	
453	36 - 1A	2650	13 -368B 14 -224 15 - 78 16 - 46 20 - 2 21 - 2 22 - 2 23 - 1 24 - 1	4425	
478	13 - 8 14 - 10 14 -125 33 - 19 40 - 2 41 - 2 44 - 2 48 - 3	2819	7 - 1	4792	
578	14 -220				
598	13 - 9 13 -231 14 - 11 14 -302				
632	33 - 20				
641	13 - 10 14 - 12 25 - 1 27 - 1				
673	4 - 31				

PART NO.	LIST AND INDEX NO.	PART NO.	LIST AND INDEX NO.	PART NO.	LIST AND INDEX NO.
5528	2 - 14	11464	48 - 5	23550	14 -232
	13 - 16	11598	2 - 17	23814	15 - 84
	14 - 19		4 - 36	23815	13 -233
	28 - 3		5 - 11		14 -304
6271	14 -227		17 - 26		53 - 12
6318	13 -173		49 - 18	23931	1 - 59
	13 -402	11891	33 - 23A		50 - 4
	14 -228	11899	33 - 54	24019	36 - 3
	14 -494		33 - 64	24107	14A- 3
	15 - 79		40 - 17		36 - 4
	16 - 47		42 - 2	24511	15 - 85
	28 - 50	11900	33 - 55		16 - 53
	29 - 3		33 - 65		36 - 60
6324	50 - 3	12132	13 -369		37 - 7
6364	49 - 34		14 -442		38 - 11
	49 - 45	12473	36 - 74	24596	15 - 4
	13 - 17		37 - 36		16 -139
6503	13 -210		38 - 21	24695	13 -403
	14 - 20	12954	13 -174		14 -495
	15 - 80		14 - 26		30 - 2
	16 - 48		14 -230A		31 - 3
	25 - 5		15 - 82		36 - 11
	27 - 5		16 - 50		37 - 26
	28 - 51	16076	46 - 2	24752	25 - 6
6899	34 - 2	16558	19 - 1		27 - 6
6935	3 - 1	17514	14 -127		41 - 7
	13 - 18		33 - 24	24759	13 -234
	14 - 21		40 - 5		14 -305
	33 - 22A		41 - 6		48 - 2
7040	15 -156		44 - 5	24836	33 -102A
	16 -124		48 - 6	24857	13 -177
7341	13 -375	18491	13 - 22	24932	15 - 40
	14 -449	18785	51 - 5		16 - 30
	15 - 38	19167	14 -393A	24933	15 - 42
	16 - 28		33 - 9		16 - 32
	36 - 59	19958	15 - 83	24938	15 - 43
	37 - 5		16 - 51		16 - 33
	38 - 9A	20017	33 - 25	24961	15 - 44
	41 - 4	20038	15 - 39		16 - 34
	46 - 1		16 - 29	24969	15 - 45
7371	6 - 2		37 - 6		16 - 35
8427	13 -211		46 - 2A	25170	1 - 69
	13 -252	20321	13 -142	25282	13 -143
	13 -257		14 -200		13 -178
	13 -299	21866	9 - 5		13 -333
	14 -277		33 - 66		14 - 30
	14 -323		42 - 3		14 -201
	14 -328	22066	15 - 64		14 -234
	14 -369		16 - 52		14 -406
8446	14 -229		17 - 27		15 - 46
8506	2 - 15		30 - 1		15 - 86
	14 -230		31 - 2		16 - 36
9092	4 - 89	22478	1 - 4		16 - 54
	5 - 76		1 - 48		17 - 29
	13 - 19		2 - 18		22 - 4
	14 - 23		2 -103		28 - 5
	14A- 2		4 - 37		33 - 26
	15 - 81		4 -141		46 - 3
	16 - 49		5 - 12	25627	15 - 52
	17 - 25		13 -175		36 - 26
	36 - 2		15 - 51	25750	33 - 27
	49 - 19		28 - 4	25984	7 - 2
9667	14 -126		29 - 5		8 - 3
	29 - 4		49 - 26		9 - 7
	33 - 23		49 - 51		10 - 5
	40 - 4	22550	29 - 6		12 - 3
	41 - 5	22797	13 -176	26320	13 -376
	44 - 4		14 -231		14 -450
	48 - 4		32 - 3	26380	13 - 21A
10170	4 - 35	22867	13 - 65		14 - 30A
	4 -140		14 - 77	26513	13 -335
	5 - 10		15 -119		14 -408
10292	2 -102		16 - 89	26943	36 - 61
10476	13 -361	23096	13 -199		37 - 8
	14 -434		13 -291		38 - 12
	20 - 16		14 -262	27073	14 - 31
10574	13 - 21		14 -361		36 - 81
	14 - 25		15 -143		37 - 9
10775	22 - 3		16 -105		38 - 30
11166	38 - 10		46 - 25	27084	34 - 3

PART NO.	LIST AND INDEX NO.
28413	40 - 6
28564	13 -359A
	14 -432A
28610	32 - 4
28762	4 - 38
	5 - 13
29579	15 - 87
	16 - 55
29930	14 -290A
	15 -120
	16 - 90
	33 - 10
29949	15 - 5
	15 -114
	16 - 84
	16 -140
	30 - 3
	31 - 4
	33 - 10A
	36 - 12
	37 - 26A
29980	13 -268
	14 -338
	17 - 4
31765	13 -234A
	14 -305A
32042	2 - 19
32617	2 - 92
	49 - 17
34512	2 - 20
	3 - 2
	3 - 19
	13 - 23
	13 -432
	14 - 32
	14 -512
	33 - 27A
	49 - 25
35739	50 - 5
36109	13 - 24
	14 - 33
36112	3 - 3
36844	13 - 25
	14 - 34
37066	13 - 83
	14 -116
37913	1 - 5
	39 - 3
	53 - 13
38091	50 - 6
38092	13 - 26
	14 - 35
38235	2 - 58
	13 -235
	14 -202
	14 -306
38255	2 - 21
	4 -119
	5 -109
	13 -331
	14 -404
38271	4 - 39
	5 - 14
	13 -377
	14 -451
	26 - 3
	28 - 6
	29 - 7
	35 - 2
	48 - 7
38350	14 - 36
38351	36 - 5
38353	36 - 27
38354	16 - 56
38361	16 - 57
38368	4 - 40
	5 - 15
	16 - 58
	36 - 62
	37 - 10

PART NO.	LIST AND INDEX NO.
38368-CONT	38 - 13
38370	16 - 59
38372	28 - 7
38381	15 - 88
	16 - 60
	44 - 6
38383	4 - 90
	5 - 77
38389	13 - 27
	14 - 36A
38392	13 - 28
	13 -352
	14 - 37
	14 -425
	20 - 3
	21 - 13
38393	14A- 4
38432	16 - 61
38443	13 -433
	14 -513
	16 - 62
38452	28 - 8
38497	2 - 1
	2 - 83
38565	29 - 8
38574	50 - 7
38616	2 - 73
38686	13 - 29
	14 - 38
	49 - 10
38688	13 - 30
	14 - 39
	50 - 8
40949	4 -142
42003	13 -337
	14 -410
	25 - 7
	27 - 7
43740	22 - 21
44507	30 - 4
	31 - 5
	33 - 11
	36 - 13
	37 - 27
44946	13 -338
	14 -411
45639	26 - 4
	28 - 9
	29 - 9
45658	13 -278A
	14 -348A
45685	13 -442
	14 -522
45690	2 - 22
47242	13 - 31
	14 - 40
47987	4 -117B
	5 -137B
	5 -137G
	51 - 6
48594	4 - 91
	5 - 78
50119	32 - 5
52393	45 - 1
52552	1 - 49
52607	41 - 8
52684	45 - 10
	45 - 14
	45 - 17
	45 - 20
53042	14 -235
	28 - 52
55726	2 - 59
	13 -421
	14 -501
55901	2 - 25
	28 - 10
	49 - 22
	50 - 10
	53 - 13A

PART NO.	LIST AND INDEX NO.
56079	1 - 27B
	2 - 24
	13 - 32
	14 - 41
56313	46 - 3A
56722	1 - 79
	2 - 25A
	4 - 41
	5 - 16
	19 - 2
	53 - 14
57537	13 -145
	14 -203
57698	45 - 2
58207	4 - 42
	5 - 17
	21 - 14
	40 - 7
	49 - 21
	49 - 50
58554	13 -179
	14 -236
58852	1 - 50
60488	13 - 34
	13 -378
	14 - 42
	14 - 62
	14 -452
	15 - 89
	16 - 63
60489	13 - 35
	13 -339
	13 -379
	14 - 43
	14 -412
	14 -453
	17 - 31
	23 - 15
	25 - 8
	27 - 8
	33 - 28
	41 - 9
60632	45 - 3
60646	1 - 51
	1 - 60
	4 - 42A
	5 - 17A
	15 - 53
	17 - 32
	28 - 11
62031	1 - 8
	1 - 31
	2 - 26
	50 - 13
	50 - 65
	51 - 31
65629	13 -117
	14 -172
72316	45 - 4
75533	13 -404
	14 -237
	14 -496
	15 - 1
	16 - 1
	17 - 1
	19 - 3
	22 - 5
	33 - 29
	33 -105
	36 - 6
76574	13 - 37
	39 - 4
	49 - 13
	50 - 14
77064	26 - 7
	28 - 12
78613	27 - 9
	46 - 4
79204	53 - 15
79233	33 - 30

PART NO.	LIST AND INDEX NO.	PART NO.	LIST AND INDEX NO.	PART NO.	LIST AND INDEX NO.
79269	13 -236	110034	33 - 31	122238-CONT	12 - 7
	14 -307	110129	13 -239	123206	22 - 8
79430	13 -180		13 -292	123543	13 - 84
	14 -238		13 -381		14 -117
79593	15 - 90		14 -310	123639	15 - 65
	16 - 64		14 -362		15 - 92
80716	46 - 26		14 -455		16 - 66
81142	13 - 38		31 - 6	123780	33 - 34
	14 - 45		33 - 32	124439	54 - 25E
81693	49 - 15	110267	17 - 34	125875	42 - 8
	50 - 66	110956	22 - 7	125877	42 - 9
83606	2 -100	112055	1 - 80	126036	50 - 67
91034	1 - 62	113111	42 - 6	126853	15 - 93
91373	24 - 2	113305	13 - 54		16 - 67
91610	2 - 27		14 - 66	127735	13 - 41
100134	42 - 5		15 - 13		14 - 49
100212	9 - 8		16 - 11	128172	13 - 42
100227	10 - 6		29 - 11		14 - 50
100229	4 - 69	114045	33 - 56	128834	36 - 7
	5 - 53		33 - 68	129147	13 - 43
100237	33 -108		40 - 18		14 - 51
100354	8 - 4		46 - 6	129243	52 - 1
	12 - 4		48 - 8		52 - 1
100464	7 - 3	115070	7 - 4		52 - 1
100606	11 - 4	116374	9 - 11		53 - 16
100804	15 - 47		11 - 6		53A- 2
	16 - 37		42 - 7	129244	52 - 2
	46 - 5	117921	4 - 70		52 - 2
101017	14 - 46	118418	5 - 54		52 - 2
	33 -109		7 - 6		53 - 16
101807	50 - 16		7 - 9		53A- 2
101808	14 -239		8 - 9	129245	52 - 3
101926	25 - 9		8 - 13		52 - 3
	27 - 10		9 - 2		52 - 3
102092	29 - 10		9 - 6		53 - 16
102691	41 - 10		9 - 13		53A- 2
103372	4 - 43		9 - 17	129246	52 - 4
	5 - 18		10 - 2		52 - 4
	22 - 6		10 - 12		52 - 4
103670	54 - 27		11 - 10		53 - 16
104615	50 - 17		11 - 13	129247	52 - 5
	50 - 17		12 - 11		52 - 5
104696	25 - 10		12 - 14		52 - 5
	26 - 5		14 -128		53 - 16
	27 - 11		15 - 41	129248	52 - 6
	28 - 24		15 - 48		52 - 6
104699	13 -130		16 - 31		53 - 16
	13 -237		16 - 38	129365	13 - 44
	14 -188		33 - 53		14 - 52
	14 -308		33 - 58	130374	28 - 13
104706	14A- 5		33 - 67	130431	25 - 11
104753	39 - 30		33 - 70		27 - 12
	51 - 48		33 -110	130534	13 -182
	53 - 1		34 - 4		14 -233
104976	5 - 27		40 - 20	132665	33 - 35
	39 - 17		40 - 23	133580	15 -157
	39 - 31		42 - 4		16 -125
105047	4 - 44		42 - 11	133594	15 -158
	5 - 19	120044	4 - 45		16 -126
	13 -212		5 - 20	133798	4 - 46
	13 -238		13 - 39		5 - 21
	13 -304		13 -181		32 - 6
	14 -240		14 - 47	133905	33 -106
	14 -309		15 - 91	134998	6 - 3
	14 -375		16 - 65	135052	54 - 31
106419	2 - 27A		30 - 5	135341	14 -241
106988	8 - 5		31 - 7	138709	7 - 5
	9 - 9		36 - 63		8 - 8
	10 - 7		37 - 11		9 - 12
	12 - 5	120211	13 - 40		33 - 69
107070	8 - 6		14 - 48		40 - 19
	9 - 10	120367	45 - 5		42 - 10
	10 - 8	120571	13 -382	138754	49 - 60
	11 - 5		14 -456	139354	30 - 6
	12 - 6	120943	45 - 6		31 - 8
107560	53 - 1C	120944	15 - 2		36 - 14
108375	17 - 33		16 - 2		37 - 28
109105	2 - 28	121970	33 - 33	139450	44 - 7
110029	13 -380	122238	8 - 7	139472	13 -224
	14 -454		10 - 9		14 -291

PART NO.	LIST AND INDEX NO.
139472-CONT	17 - 10
	17 - 15
	31 - 9
139686	13 -264
	13 -293
	14 -334
	14 -363
139766	15 - 94
	16 - 68
	17 - 35
140738	4 - 47
	5 - 22
	23 - 3
	25 - 12
	27 - 13
141015	13 - 45
	14 - 53
141176	13 -340
	14 -413
141285	14 -242
141337	13 - 46
	14 - 54
141404	13 -383
	14 -457
	20 - 4
	21 - 3
141431	32 - 8
147297	13 -434
	14 -514
	15 - 95
	16 - 69
	22 - 9
	33 - 36
148915	42 - 12
149622	28 - 53
149625	28 - 54
149627	28 - 55
149631	28 - 56
149667	29 - 12
149878	5 - 28
	39 - 18
	39 - 32
150109	4 - 48
	5 - 23
150190	13 -200
	14 -263
150209	1 - 10
	2 - 29
	14 -243
	39 - 5
	53 - 17
150521	17 - 36
150542	17 - 5
150676	2 - 8
	33 - 37
150698	13 - 47
	14 - 55
150810	36 - 64
	37 - 12
151139	3 - 4
151231	13 -122
	13 -321
	14 -177
	14 -394
	17 - 6
	33 -102F
151390	33 - 38
151720	13 -427
	14 -507
151762	2 - 30
	13 - 48
	13 - 48A
	14 - 56
	14 - 56
152025	36 - 65
	37 - 13
152711	33 - 57
154476	14 - 57
155043	5 - 29
	39 - 19

PART NO.	LIST AND INDEX NO.
155043-CONT	39 - 33
155180	33 - 39
156364	13 -240
	13 -273
	13 -384
	14 -311
	14 -343
	14 -458
	33 - 40
	36 - 8
	36 - 28
	37 - 14
159229	13 -183
	14 -244
159373	2 - 31
	4 -127
	5 -140
	51 - 33
159506	45 - 7
159928	5 - 30
	39 - 34
159930	39 - 20
159941	5 - 94
	39 - 6
	39 - 6
	52 - 7
	53 - 18
	53A- 3
159942	52 - 8
	53 - 19
159943	39 - 7
	52 - 9
	53 - 20
	53A- 4
159944	5 - 95
	39 - 8
	52 - 10
	53 - 21
	53A- 5
159945	52 - 11
	53 - 22
159946	39 - 9
	52 - 12
	53 - 23
	53A- 6
163899	15 -159
	16 -127
	17 - 37
	28 - 14
	29 - 13
	30 - 8
	31 - 11
	33 - 41
	34 - 5
165556	13 - 49
	13 -241
	14 - 58
	14 -312
	31 - 12
167338	50 - 18
167400	17 - 52
168037	50 - 19
169733	2 - 97
	13 -242
	14 -313
171059	33 - 42
173202	33 - 59
	33 - 71
173203	40 - 21
173204	7 - 7
	28 - 15
173205	4 - 71
	5 - 55
173207	34 - 6
	42 - 13
173209	15 - 49
	16 - 39
173210	9 - 14
	11 - 7
173215	8 - 10

PART NO.	LIST AND INDEX NO.
173215-CONT	10 - 10
	12 - 8
173937	13 -427
	14 -507
175235	45 - 8
176246	15 - 96
	16 - 70
176325	2 - 32
179743	4 -128
	5 -141
	49 - 56
	50 - 20
179946	49 - 48
	50 - 21
180383	13 - 50
	13 -243
	14 - 59
	14 -314
180528	2 - 33
180824	40 - 22
180932	26 - 6
	28 - 25
183848	2 - 34
183864	17 - 38
183866	17 - 39
183895	13 -244
	14 -315
184379	1 - 99
185052	4 - 50
	4 -143
	5 - 25
186036	13 - 51
	14 - 60
186399	31 - 13
186636	15 - 97
	16 - 71
	44 - 8
186686	52 - 13
186712	13 -146
	14 -204
	36 - 66
	37 - 15
	38 - 14
186758	2 - 35
	15 - 98
	36 - 67
	37 - 16
186759	13 - 52
	14 - 61
186923	28 - 16
186962	4 -114
	5 -134
186967	54 - 28
187243	5 -102
	36 - 46
	36 - 49
	36 - 52
	39 - 42
	39 - 53
	39 - 56
	39 - 59
	39 - 62
	39 - 69
	39 - 72
	39 - 75
	39 - 78
	39 - 81
	52 - 25
	52 - 44
	53 - 47
	53 - 58
	53 - 65
	53A- 16
	53A- 23
	54 - 31A
187467	50 - 22
187479	50 - 23
191480	50 - 23
191485	49 - 1
192049	1 - 63

PART NO.	LIST AND INDEX NO.	PART NO.	LIST AND INDEX NO.	PART NO.	LIST AND INDEX NO.
192049-CONT	13 -279	210884	50 - 68A	219485-CONT	5 - 62
	14 - 62	210984	50 - 69	219765	33 - 44
196143	14 -349	211985	36 - 82	221110	50 - 26
	13 -245		37 - 18	225574	14 - 68
	14 -316		38 - 31	227501	4 -107
196186	52 - 14	213693	36 - 50		5 -104D
	53 - 1A		39 - 57	227502	4 -108
196192	39 - 21		39 - 73		5 -104E
196194	39 - 22	214097	53 - 28	227519	4 - 79
196196	53 - 1B	216073	53 - 30		5 - 63
196198	52 - 15		53 - 73	227522	7 - 8
	53 - 2	216076	53 - 29	227526	17 - 41
196208	5 - 26		53 - 72	227527	4 - 80
	52 - 16	216082	53 - 34		5 - 64
	53 - 3	216083	53 - 33	227529	4 - 81
	53A- 7	216087	53 - 31		5 - 65
196212	5 - 31		53 - 35	227582	4 - 82
	39 - 35		53 - 74		5 - 66
196214	39 - 36	216088	53 - 32	227589	5 - 67
196215	5 - 32		53 - 36		7 -REF
196298	13 -443		53 - 75	227591	5 - 68
	14 - 63	216208	54 - 2		8 -REF
	14 -523	216209	54 - 20	227601	15 - 14
	26 - 7	216210	54 - 19		16 - 12
	33 - 43	216285	53 - 37	227602	15 - 15
196299	4 - 51	216837	13 - 56		16 - 13
	5 - 35		14 - 67	227603	15 - 19
	6 - 4	217077	51 - 7	227604	41 - 11
	13 - 53	219202	4 - 52	227608	13 - 57
	13 -246		5 - 36		14 - 69
	14 - 64	219203	4 - 53	227610	15 -100
	14 -317		5 - 37		16 - 73
	17 - 40	219204	4 - 54	227611	15 -121
	19 - 5		5 - 38		16 - 91
196398	46 - 23	219209	4 - 55	227613	15 - 16
196698	13 -147		5 - 39		16 - 14
	14 - 65	219213	4 - 92	227614	15 - 21
	14 -205		5 - 79		16 - 17
	15 - 99	219216	6 - 5	227615	15 - 17
	16 - 72	219224	4 - 56		16 - 15
	37 - 17		5 - 40	227617	15 - 6
	46 - 7	219226	6 - 6		16 -141
198363	5 - 96	219229	4 - 57	227620	15 - 3
	51 - 32		5 - 41	227623	15 -101
	52 - 17	219232	4 - 58		16 - 74
	52 - 28		5 - 42	227624	15 -115
	53 - 24	219235	4 - 59		16 - 85
	53A- 8		5 - 43	227625	15 -102
198795	26 - 8	219236	6 - 7	227627	41 - 13
203869	14 -245	219237	4 - 60	227628	41 - 12
204616	36 - 9		5 - 44	227633	15 -103
204839	4 - 72	219244	4 - 92		16 - 75
	5 - 56		5 - 79	227634	13 - 66
	15 - 55	219262	4 - 61		14 - 78
204843	4 - 73	219268	4 - 62		15 -122
	5 - 57		5 - 45		16 - 92
204848	4 - 74	219272	6 - 8	227636	15 -104
	5 - 58	219278	4 -106		16 - 76
205115	13 -131		5 -104C	227637	15 - 18
	14 -189	219281	4 -120		16 - 16
205329	36 - 43A		5 -110	227638	42 - 14
	39 - 10	219317	52 - 29	227646	13 - 58
	53 - 25	219319	5 - 46		14 - 70
	53A- 9	219325	4 - 63	227650	41 - 14
205330	52 - 18		5 - 47		42 -REF
	53 - 26	219333	4 - 64	227651	15 - 7
205331	39 - 66		5 - 48		16 -142
	52 - 19	219346	4 - 65	227652	15 -123
	53 - 27		5 - 49		16 - 93
	53A- 10	219347	4 - 66	227656	15 -105
205608	4 - 75		5 - 50	227657	13 - 59
	5 - 59	219357	4 - 67		14 - 71
205742	33 -111		5 - 51	227659	15 -106
205743	33 -112	219368	4 - 76		16 - 77
205747	33 -113		5 - 60	227669	15 -108
205783	33 -114	219369	4 - 68		16 - 78
206109	28 - 57		5 - 52	227673	15 -116
208222	49 - 36	219472	4 - 77		16 - 86
	50 - 25		5 - 61	227679	15 -111
210883	50 - 68	219485	4 - 78		16 - 81

PART NO.	LIST AND INDEX NO.	PART NO.	LIST AND INDEX NO.	PART NO.	LIST AND INDEX NO.
227680	15 -112	227848	36 - 68	228020-CONT	28 - 17
	16 - 82		37 - 19	228031	13 -258
227681	15 -109		38 - 15		14 -329
	16 - 79	227850	38 - 17	228036	13 -253
227686	13 -184	227854	38 - 22		14 -324
227690	13 -214	227858	36 - 83	228038	13 -254
	14 -278		37 - 21		14 -325
227691	13 -185		38 - 32	228040	13 -249
	14 -246	227866	36 - 70		14 -320
227693	13 -186		37 - 22	228041	13 - 63
	14 -247		38 - 18		14 - 75
227694	15 - 34	227868	38 - 26		14 -152
	33 - 2	227870	38 - 19	228044	13 -123
227697	13 -225	227876	45 - 9		13 -322
227700	13 -226	227879	13 -149		14 -178
	14 -292		14 -207		14 -395
227702	13 -187	227880	37 - 23	228050	13 -250
	14 -248	227883	13 -150		14 -321
227703	13 -188		14 -208	228054	13 -256
	13 -215	227885	13 -160	228055	13 -260
	14 -249		14 -209		14 -331
	14 -279	227903	30 - 9	228059	13 -269
227705	13 -227		31 - 14		14 -339
	14 -293		36 - 15	228060	13 -261
227713	46 - 12		37 - 29		14 -332
227725	13 -359B	227904	36 - 75	228061	13 -262
	14 -432B		37 - 37		14 -332 A
227730	13 -100B	227914	32 - 7	228066	30 - 10
	46 -REF	227915	32 - 9		31 - 15
227731	46 - 13	227916	32 - 10		36 - 16
227732	46 - 8	227917	32 - 11		37 - 30
227734	46 - 9	227927	32 - 12	228067	13 -265
227735	46 - 10	227928	32 - 13		14 -335
227736	46 - 27	227929	32 - 14	228068	13 -266
227737	46 - 28	227930	32 - 15		14 -336
227738	46 - 29	227931	32 - 16	228069	13 -263
227739	46 - 14	227939	13 -359C		14 -333
227741	46 - 15		14 -432C	228080	13 -341
227742	46 - 16	227940	13 - 62		14 -414
227743	46 - 17		14 - 74	228081	13 -342
227746	46 - 18	227941	13 -189		14 -415
227749	33 - 45		14 -250	228084	13 -343
227752	46 - 19	227945	15 -117		14 -416
227760	33 -102B		16 - 87	228088	13 -344
227762	33 -102G	227946	13 -359D		14 -417
227769	13 -352A		14 -432D	228090	13 -345
	14 -425A	227951	17 - 20		14 -418
227772	13 -353	227952	17 - 42	228092	13 -346
	14 -426	227953	17 - 43		14 -419
227774	33 - 46	227954	17 - 44	228093	13 -347
227775	33 - 47	227955	17 - 45		14 -420
227776	34 - 7	227959	17 - 7		38 - 3
227777	33 - 48	227960	17 - 2	228094	48 - 15
227778	33 - 49		17 - 2	228095	40 - 8
227779	13 -248	227961	17 - 8	228100	34 - 10
	14 -319	227963	17 - 46	228102	33 -116
	33 - 50	227966	17 - 11	228107	33 -115
227781	34 - 8	227967	17 - 47	228108	15 -118
227785	34 - 9	227971	17 - 12		16 - 88
227786	33 - 51	227974	17 - 48	228110	33 -107
227787	33 - 63	227976	17 - 16	228114	13 -114
227788	33 - 72	227979	17 - 17		13 -133
227789	33 - 60	227983	17 - 21		14 -168
	33 - 73	227984	17 - 13		14 -191
227790	33 - 61	227985	17 - 3	228134	13 - 64
	33 - 74		17 - 3		14 - 76
227797	33 - 75	227986	17 - 9	228135	13 - 67
227813	33 - 95	227991	3 - 7		14 - 79
227820	15 -113	227992	3 - 8	228141	13 - 69
	16 - 83	227993	3 - 5		14 - 81
227827	33 - 76	228013	13 -354	228147	33 -117
227837	13 - 60		14 -427	228152	14 -129
	14 - 72		26 -REF		35 - 3
227838	33 - 77	228014	26 - 9		40 - 9
227839	13 - 61	228015	26 - 10		41 - 15
	14 - 73	228016	26 - 11		44 - 9
227840	33 - 62		28 - 26	228153	44 - 10
227841	33 - 78	228018	26 - 12	228155	13 -267
227847	13 -148	228019	26 - 13		14 -337
	14 -206	228020	26 - 14	228156	13 -270

PART NO.	LIST AND INDEX NO.	PART NO.	LIST AND INDEX NO.	PART NO.	LIST AND INDEX NO.
228156-CONT	14 -340	228413-CONT	21 - 8	242915	39 - 11
228157	13 - 70	228414	25 - 21	244055	39 - 14
	14 - 82		27 - 20	251970	39 - 15
228162	44 - 11	228415	25 - 22		50 - 27
228164	33 -118		27 - 21		52 - 30
228233	22 - 10	228416	25 - 23		53 - 38
228242	13 -385		27 - 22	255755	39 - 16
	14 -459	228417	25 - 24		52 - 20
228245	22 - 11		27 - 23		53 - 4
228255	22 - 12	228418	25 - 25		53A- 11
228256	22 - 13		27 - 24	255994	54 - 23
228260	22 - 14	228419	23 - 8	256341	2 - 6
228261	22 - 22	228422	23 - 9		54 - 14
228268	22 - 23	228423	23 - 10		- 70
228270	26 - 15	228424	23 - 11	256342	2 - 6
	28 - 18	228430	23 - 12		54 - 15
228273	13 -435	228431	23 - 13		- 70
	14 -515	228434	23 - 14	257187	2 - 36
228276	13 -436	228438	25 - 26		49 - 33
	14 -516		27 - 25		49 - 44
228277	25 - 13A	228439	25 - 27		50 - 28
	27 - 45		27 - 26		51 - 34
228278	25 - 13	228440	25 - 28	257189	1 - 94
228279	25 - 13B		27 - 27		2 - 37
228280	13 -363	228441	25 - 29		13 - 71
	14 -436		27 - 28		14 - 84
	20 - 18	228442	25 - 30		15 - 54
	25 - 13C		27 - 29		18 - 1
	27 - 46	228443	25 - 31		39 - 25
	29 - 31		27 - 30	257793	2 -104
228287	13 -386	228444	25 - 32	257956	14 -259
	14 -460		27 - 31	257961	49 - 58
228289	33 - 12	228445	25 - 33	257984	28 - 19
228292	13 -387		27 - 32		29 - 14
	14 -461	228450	20 - 9	257986	1 - 32
228296	20 - 5		22 -REF		4 - 83
	21 - 4	228451	13 -271		5 - 69
228301	25 - 14		14 -341		51 - 35
	26 -REF	228457	15 -125		52 - 31
228303	26 - 16		16 - 95		53 - 38A
228309	13 -272	228460	15 -124	261544	14 -120
	14 -342		16 - 94	261554	13 - 72
228348	33 - 79	228472	33 -119		14 - 85
228356	13 -388	228475	33 -120	263406	13 -405
	14 -462	228476	33 -121		14 -497
228358	48 - 9	228477	33 -122	263979	17 - 5
228361	13 -389	228478	33 -123	263980	17 - 3
	14 -463	228480	33 -124		17 - 3
228366	48 - 10	228481	33 -125	264209	33 - 79A
228368	48 - 11	228490	13 -437	264641	23 - 15
228370	48 - 12		14 -517	270998	- 78
228372	13 -390	228561	42 - 15	275691	13 -429
	14 -464	228565	13 -134		14 -509
228374	13 -371		14 -143		- 69
	14 -445		14 -192	275692	13 -429
	48 -REF	228572	32 - 17		14 -509
228375	22 - 15	228574	36 - 71		- 69
228378	25 - 15		37 - 24	284424	39 - 26
	27 - 14	228577	13 -274		52 - 21
228381	25 - 16		14 -344		53 - 39
	27 - 15	228578	36 - 10		53A- 12
228386	25 - 17		37 - 25	300342	7 - 10
	27 - 16	228599	13 - 71A		9 - 15
228388	20 - 6	228604	13 - 85	300380	15 - 66
	21 - 5	228605	13 - 87	300481	25 - 34
228389	25 - 18		14 -118		27 - 32A
	27 - 17	228606	13 - 85	300493	25 - 35
228397	23 - 5	228607	13 - 88		27 - 33
228402	20 - 7		14 -119	300494	25 - 37
	21 - 6	228609	33 - 1		27 - 35
228403	25 - 13D	228616	13 -391	300544	25 - 38
	25 - 19		14 -464A		27 - 36
	27 - 18	230736	33 -126	300545	25 - 36
	27 - 47	232249	1 - 37		27 - 34
228410	20 - 8	234333	49 - 37	300546	24 - 3
	21 - 7	234345	2 - 74	300547	24 - 4
228411	25 - 20	236550	14 -258	300548	25 - 39
	27 - 19		51 - 50		27 - 37
228412	23 - 7	236915	54 - 21	300575	15 -126
228413	20 - 8A	236916	54 - 22		16 - 96

PART NO.	LIST AND INDEX NO.
300608	43 - 1
300716	5 -103
300954	30 - 11
	36 - 17
	37 - 31
301132	33 - 80
301149	51 - 8
301152	13 - 73
	14 - 86
301153	13 - 74
	14 - 87
301155	13 -124
	14 -179
301156	13 -121
	14 -176
301157	13 -275
	14 -345
301174	33 - 81
301183	33 - 13
301184	33 - 13
301213	23 - 16
301214	2 - 38
	13 - 74A
	51 - 36
301286	15 -127
301288	15 -128
301290	22 - 16
301474	13 - 76
302090	36 - 19
302131	36 - 18
	39 - 27
	39 - 27
304667	33 - 82
304943	40 - 10
304954	40 - 11
305243	20 - 10
	21 - 9
305248	35 - 4
305267	13 -422
	14 -502
305268	13 -423
	14 -503
305269	35 - 5
	40 - 12
	48 - 13
305270	35 - 6
	40 - 13
305271	40 - 14
306314	13 -276
	14 -346
308165	22 - 17
308168	15 -129
308206	13 -162
	14 -210
308208	13 -392
	14 -465
308292	13 - 78
308408	45 - 11
308409	46 - 20
308416	13 -277
	14 -347
308421	33 - 83
308427	45 - 12
308696	45 - 13
308698	45 - 16
308699	45 - 19
308704	5 - 97
	39 - 28
	53 - 40
	53A- 13
308734	33 - 5
308824	50 - 29
309520	13 -446
	14 -526
309572	15 -130
309575	33 -102H
309607	36 - 72
	37 - 33
	38 - 3A
309608	36 - 19A

PART NO.	LIST AND INDEX NO.
309618	13 -228
309629	33 - 3
309630	15 - 30
	16 - 3
	33 - 4
	33 - 5
	33 - 7
309631	15 - 31
	15 - 32
	16 - 4
	16 - 5
	33 - 5
309634	33 - 6
309647	13 -259
309649	13 -255
	14 -326
309652	30 - 12
	31 - 16
	37 - 34
309683	15 - 71
309711	15 - 10
309716	13 -447
	14 -527
309733	32 - 18
309743	9 - 16
	10 - 11
309788	15 -131
309789	15 -132
	16 - 97
309790	15 -137
	16 - 99
309791	15 -138
	16 -100
309792	15 -134
309793	15 -133
309794	15 -135
	16 - 98
309795	15 -135
	16 - 98
309798	17 - 18
309799	17 - 14
309833	13 - 68
	14 - 80
309851	15 - 28
309852	15 -139
	16 -101
309854	36 - 76
	37 - 38
309855	36 - 73
	37 - 35
309858	38 - 23
309859	38 - 20
309867	13 -201
	14 -264
309868	13 -202
	14 -265
309870	13 -197
	14 -260
309872	13 -359E
	14 -432E
309873	13 -359F
	14 -432F
309874	13 -198
	14 -261
309983	38 - 4
309986	38 - 5
309991	33 -102C
309992	33 -102D
309993	25 - 40
309994	25 - 41
	27 - 38
309996	25 - 42
	27 - 39
309998	25 - 43
	27 - 40
309999	25 - 44
	27 - 41
310107	13 -357
	14 -430
	20 - 11

PART NO.	LIST AND INDEX NO.
310111	13 -358
	14 -431
	20 - 12
310169	13 -393
	14 -466
310171	13 -394
	14 -467
310178	13 -280
	14 -350
310189	13 -278
	14 -348
310228	13 -424
	14 -504
310241	13 -284
	14 -354
310252	13 -285
	14 -355
310254	13 -286
	14 -356
310255	15 - 29
	33 - 7
310307	13 -294
	14 -364
310333	13 -287
	14 -357
310347	13 -125
	13 -323
	14 -180
	14 -396
310355	46 - 30
310357	46 - 21
310358	46 - 22
310361	13 -300
	14 -370
310362	13 -288
	14 -358
310363	13 -424
	14 -504
310364	13 -425
	14 -505
310366	13 -289
	14 -359
310368	13 -295
	14 -365
310369	13 -301
	14 -371
310370	13 -296
	14 -366
310371	13 -297
	14 -367
310372	13 - 75
	14 - 88
310374	13 -290
	14 -360
310375	13 -298
	14 -368
310378	13 -438
	14 -518
310391	13 -302
	14 -373
310392	13 -310
	14 -381
310393	13 -311
	14 -382
310394	13 -305
	14 -376
310396	13 -312
	14 -383
310397	13 -306
	14 -377
310398	13 -307
	14 -378
310400	13 -309
	14 -380
310401	13 -313A
	14 -385
310469	13 -314
	14 -387
310474	14 - 89
310595	46 - 24

PART NO.	LIST AND INDEX NO.	PART NO.	LIST AND INDEX NO.	PART NO.	LIST AND INDEX NO.
310596	13 - 77	313266-CONT	38 - 6	313978	13 -207
	14 - 90	313274	4 - 85	313980	13 -208
310773	13 -315		4 -152	313982	22 - 28
	14 -388		5 - 71	313983	22 - 29
310774	13 -282		51 - 1	313986	13 -365
	14 -352	313280	26 - 18		14 -438
310777	33 - 96	313329	26 - 13		20 - 20
310779	13 -426		28 - 27		29 - 15
	14 -506	313331	26 - 17	313993	24 - 13
310781	13 -316	313333	13 -313	314032	46 - 31
	14 -389		14 -384	314036	48 - 14
310784	32 - 19	313353	4 - 86	314037	13 -396
310799	13 -313B		5 - 72		14 -469
	14 -386	313355	4 - 87	314048	32 - 23
310826	23 - 17		5 - 73	314049	32 - 26
310833	23 - 18	313361	54 - 28A	314110	13 - 82
310834	23 - 19	313362	54 - 28B	314111	13 - 82
310854	15 - 20	313390	54 - 29	314186	33 - 14
310873	17 - 49	313414	33 - 5	314220	26 - 16
311384	15 - 29	313445	13 -204		28 - 28
	15 - 33		14 -266	314224	13 - 88
	16 - 6	313448	15 -150	314226	13 - 90
311462	15 - 22		16 -112		14 - 94
	16 - 18	313453	1 - 11	314238	15 -152
311463	15 - 23	313499	36 - 69		16 -115
	16 - 19		37 - 20	314269	44 - 12
311483	6 - 9		38 - 16	314273	38 - 7
311648	17 - 19	313509	26 - 19	314373	14 - 95
	17 - 19	313520	13 - 79		37 - 40
311649	17 - 19		14 - 91		38 - 6
	17 - 19	313521	30 - 13	314382	15 - 25
311823	7 - 11	313548	15 - 36		16 - 20
	8 - 11		16 - 26	314383	15 - 26
	9 - 18	313563	24 - 7		16 - 21
	10 - 13	313564	24 - 8	314384	15 - 27
	11 - 8	313566	24 - 6		16 - 22
	12 - 9	313569	24 - 9	314446	26 - 10
	42 - 16	313592	24 - 10	314482	32 - 27
312019	13 -348	313599	24 - 11	314494	27 - 42
	14 -421	313651	13 - 80		33 - 84
312054	15 -140		14 - 92	315042	15 - 31
	16 -102	313659	5 - 74		16 - 4
312058	24 - 5		9 -REF	315189	14 -130
312077	15 -141	313670	15 -151		35 - 7
	16 -103		16 -113		40 - 30
312080	15 -144	313694	16 -114		41 - 16
	16 -106	313754	24 - 12		44 - 13
312081	15 -145	313759	34 - 13		48 - 15
	16 -107	313764	40 - 15	315309	4 - 88
312082	15 - 24	313807	15 - 32		5 - 75
	15 -146		15 - 34	315310	4 - 88
	16 -108		16 - 5		5 - 75
312083	15 -142		16 - 7	315381	15 - 34
	16 -104	313829	40 - 16	315384	34 - 14
312089	15 -147	313830	40 - 24	315403	13 -406
	16 -109	313831	40 - 25		14 -498
312321	13 -364	313834	40 - 26		48 -REF
	14 -437	313835	40 - 27	315409	33 - 85
	20 - 19	313836	40 - 28		34 -REF
312364	15 -148	313837	40 - 29	315673	53 - 41
	16 -110	313892	45 - 15	315822	13 - 91
312366	15 -149	313894	45 - 18		14 - 96
	16 -111	313895	45 - 21		40 -REF
312373	34 - 11	313909	13 -163	315903	52 - 32
312450	13 -423		14 -211	315912	51 - 39
	14 -503	313922	22 - 18	315962	5 - 98
312477	13 -422	313924	23 - 20	315965	5 - 99
	14 -502	313927	22 - 19	316046	4 - 93
312492	4 - 84	313932	22 - 24		5 - 80
	5 - 70	313935	22 - 20	316047	4 - 94
312573	51 - 37	313936	23 - 21		5 - 81
312575	51 - 38		23 - 21	316059	6 - 10
312594	13 -203	313937	22 - 25	316187	52 - 33
312615	1 - 95	313938	22 - 26	317014	51 - 9
313132	13 -395	313939	22 - 27	317124	39 - 12
	14 -468	313971	13 -216	317232	50 - 70
313239	32 - 21	313973	13 -217	317275	53 - 66
313243	32 - 22	313974	13 -205	317296	54 - 13
313260	34 - 12	313975	13 -218	317297	54 - 13A
313266	36 - 77	313977	13 -206	317428	51 - 10

PART NO.	LIST AND INDEX NO.	PART NO.	LIST AND INDEX NO.	PART NO.	LIST AND INDEX NO.
320167	5 -100	328861	14 -105	340772-CONT	19 - 7
	39 - 13	328901	33 - 86	340777	14 -110
	39 - 47		35 -REF	340780	14 -111
	53 - 51	328902	35 - 8	340781	31 - 19
320450	50 - 30	328903	35 - 9	340782	31 - 20
320456	50 - 31	328904	35 - 10	340783	14 -267
320655	52 - 45	328910	33 - 87	340785	16 -131
322025	54 - 25	328916	33 - 88	340786	14 -268
322065	49 - 2	328917	33 - 89	340787	14 -269
	49 - 32	328918	33 - 90	340792	14 -270
322550	51 - 40	328919	33 - 91	340795	31 - 21
322766	50 - 70	328920	33 - 92	340797	16 -132
323840	50 - 32	328928	33 - 93	340801	16 -133
323918	4 -115	332009	50 - 15	340802	16 -134
	5 -135	332620	2 - 87	340803	16 -135
	39 - 48	334910	50 - 33	340805	31 - 22
	53 - 52		50 - 71	340806	14 -271
324999	39 - 67		54 - 25A	340807	14 -272
	53 - 42	334921	49 - 5	340808	14 -273
325436	53A- 14		50 - 62	340810	31 - 23
325439	52 - 34		50 - 72	340811	16 -136
325624	13 -362		50 - 72	340826	14 -112
	14 -435		54 - 25B	340827	31 - 24
	20 - 17	334932	49 - 41	340829	14 -274
	25 - 45		54 - 25C	340830	16 -138
	38 - 2	335321	5 - 83	340831	14 -275
326323	39 - 29	336313	36 - 20	340837	16 -145
	39 - 29	337392	39 - 67A	340846	16 -146
326367	4 -116		39 - 67A	340847	14 -113
	5 -136	338013	30 - 14	340848	14 -114
326429	33 - 7		31 - 17	340851	14 -120
327117	15 - 8		36 - 21	340853	31 - 25
	16 -143		37 - 43	340854	31 - 26
327120	15 - 67	338238	49 - 54	340855	14 -276
327123	15 - 68		54 - 18	340856	31 - 27
	16 -116	338571	49 - 42	340857	31 - 28
327124	15 - 69	338586	13 - 99	340858	31 - 29
	16 -117		14 -106	340859	31 - 30
327125	15 - 70		44 -REF	340861	14 -119
	16 -118	338609	23 - 22	340863	43 - 3
327126	15 - 73	338613	22 - 24	340865	14 -280
	16 -119	338647	22 - 20	340870	31 - 31
327128	15 - 3	338648	21 - 10	340871	13 -128
327134	16 -120		22 -REF		14 -174
327135	16 -121	340022	33 - 94	340872	16 -147
327921	4 - 95	340024	13 -439	340873	31 - 32
	5 - 82		14 -519	340874	31 - 33
327922	2 - 39	340034	13 -318	340877	16 -148
328008	44 - 14		14 -391	340878	16 -149
328015	13 - 85	340135	45 - 22	340879	16 -150
	43 - 3	340137	45 - 23	340882	19 - 9
328080	13 - 85	340172	13 -308	340884	19 - 10
	43 - 3	340373	13 -100C	340886	14 -281
328125	13 - 89	340374	13 -100	340890	16 - 23
328196	13 - 93	340501	15 -153	340891	16 -151
	14 - 97		16 -122	340892	16 -152
	41 -REF	340535	15 -154	340894	16 - 24
328257	13 - 94	340559	15 -160	340895	16 - 8
	32 -REF		16 -128	340896	17 - 21
328258	32 - 28	340576	15 -155	340897	14 -115
328273	39 - 30		16 -123	340930	14 -123
	53 - 5	340615	45 - 24	340945	13 -100B
328423	13 -105	340616	45 - 25		14 -132
	14 - 97A	340617	45 - 26		46 -REF
	38 -REF	340618	45 - 27	340975	16 -153
328601	53 - 43	340619	13 -100A	340980	16 -154
328602	52 - 22		14 -106A	340981	14 -153
	53 - 44		45 -REF	340986	14 -282
328616	52 - 23	340626	2 - 40	340990	16 -155
328750	13 -317	340711	46 - 32	340997	14 -115
	14 -390	340712	14 -379	340999	14 -131
328762	14 -100	340726	25 - 46	341003	13 -319
328763	14 -101		27 - 43		14 -392
328765	14 -102	340735	16 -129	341007	13 -440
328772	14 -103	340736	16 -130		14 -520
328780	15 - 28	340739	13 -219	341050	13 -349
	16 - 7A	340760	31 - 18		14 -422
328859	13 - 97	340762	14 -107	341068	14 -283
328860	13 - 98	340763	14 -108	341071	14 -284
	14 -104	340772	14 -109	341072	14 -285

PART NO.	LIST AND INDEX NO.	PART NO.	LIST AND INDEX NO.	PART NO.	LIST AND INDEX NO.
341074	14 -286	345293	14 -146	375174	53 - 9C
341079	14 -287	345294	14 -147	375233	53 - 8
341125	14 -288	345295	14 -142	381391	53A- 18
341214	16 -156	345296	14 -149	381411	15 - 9
341216	14 -133	345297	14 -150		16 -144
341247	31 - 34	345298	14 -148	381722	1 - 1
341249	14 -289	345299	14 -151	381725	1 - 91
341264	13 -220	345300	14 -154		- 40
341882	13 -283		32 -REF		- 46
	14 -353	345644	13 -101	381726	1 - 92
341883	13 -281		14 -155	381727	1 - 81
	14 -351	345818	46 - 33	381732	18 - 3
342120	8 - 14	345887	13 -101A	381733	18 - 4
	11 - 11		14 -156		19 - 13
	12 - 12	345888	14 -156	381734	18 - 5
342121	8 - 12	345974	46 - 34		19 - 14
	11 - 9		13 -325	381736	13 -104
	12 - 10		14 -398		14 -159
342538	16 -157	347820	39 - 41	381738	1 - 92
342702	13 -126		39 - 41	381739	- 40
	13 -324		39 - 41		- 46
	14 -181		53 - 46	381741	1 - 2
	14 -397		53A- 15		1 - 52
342703	13 -320	348701	26 - 12	381861	18 - 6
	14 -393	348820	52 - 24		19 - 6
342900	33 - 97	350359	33 - 2	381977	1 - 13
343728	36 - 22	351181	50 - 34		2 - 75
344059	33 - 98	352478	14 -157	382117	38 - 8
344117	35 - 11	357433	2 - 42	382175	32 - 24
344123	35 - 12	359695	54 - 26	382176	32 - 25
344155	33 - 99	360370	54 - 25D	382303	5 - 85
344181	15 - 30	360433	36 - 41	382346	13 -165
	16 - 3	361728	27 - 48		14 -214
344502	5 - 33	361729	27 - 44		36 - 78
344503	5 - 34	361739	28 - 20		37 - 32
	39 - 37	362206	50 - 35	382349	4 - 97
344518	39 - 23	362684	13 -102		5 - 86
344535	39 - 38		14 -158	382636	25 - 47
344536	39 - 39	362685	15 -161		27 - 49
344552	39 - 24		16 -158	424810	13 -397
344864	32 - 28	362687	38 - 27		14 -470
345031	13 -206	362692	38 - 24	438539	51 - 11
345032	17 - 2	362713	50 - 36	438540	4 -117C
	17 - 2	362818	2 - 88		5 -137C
345034	13 -225		2 - 93		51 - 12
	14 -294	362819	2 - 89	438541	15 - 58
345101	13 -441		2 - 94		43 - 4
	14 -521	362829	4 - 96	438543	5 -137H
345102	13 -441		5 - 84	438544	18 - 7
	14 -521	362842	18 - 2		19 - 15
345142	36 - 36		19 - 12	438549	51 - 49
345158	14 -136	362852	1 - 96		54 - 18A
	19 - 8	364728	2 - 60	438569	49 - 32
345159	19 - 11	368969	13 -103	438582	50 - 38
345235	14 -290	369059	12 - 15	438623	13 -106
345236	13 -228	369060	12 - 13		39 - 45
	14 -295	369207	2 - 41	442576	4 - 97A
345250	36 - 23	369255	13 -366		5 - 86A
345251	36 - 29		14 -438A	442958	50 - 39
345258	36 - 30		20 - 21	472729	1 - 14
345259	36 - 24		29 - 16	473412	49 - 46
345262	36 - 37	369257	13 -367	482145	51 - 13
345263	36 - 38		14 -439	482193	49 - 59
345265	36 - 25		20 - 22		50 - 40
345266	36 - 40	369261	32 - 29	482194	49 - 57
345267	36 - 31	369265	33 -127		50 - 41
345271	36 - 32	369421	13 -135	483520	51 - 14
345276	13 -428		13 -326	491349	54 - 1A
	14 -508		14 -193	507144	50 - 42
345278	36 - 33		14 -399	507796	2 - 76
345282	36 - 34		17 - 53	515762	53 - 49
345284	17 - 22	369584	39 - 44	517910	49 - 31
	17 - 22		39 - 44	517913	50 - 73
345285	14A- 8	372399	53 - 5A	520404	39 - 46
	36 - 1	374256	53 - 6		53 - 50
345286	36 - 39	375105	53 - 7	526378	49 - 30
345288	14 -140	375107	53 - 9		50 - 43
345289	14 -141	375135	54 - 1	528324	15 - 59
345291	14 -144	375172	53 - 9A	532393	4 -144
345292	14 -145	375173	53 - 9B	533289	4 - 98

PART NO.	LIST AND INDEX NO.
533289-CONT	5 - 87
533783	52 - 35
534768	2 - 44
	49 - 24
	50 - 44
535169	15 - 60
	18 - 8
	19 - 16
545979	50 - 45
552999	50 - 45
556785	15 - 56
589715	50 - 67
591777	54 - 12A
594116	28 - 29
594119	28 - 21
594122	28 - 30
594123	27 - 50
594124	28 - 34
594125	28 - 35
594131	28 - 36
594132	28 - 37
594133	28 - 38
594134	28 - 39
594135	28 - 40
594138	28 - 41
594139	28 - 42
594148	28 - 43
594151	28 - 44
594155	28 - 45
594156	28 - 46
594161	28 - 47
595720	54 - 35
595969	54 - 34
595978	54 - UC
596255	51 - 52
	53 - 62
	54 - 10
	54 - 30
596489	50 - 47
597682	51 - 15
598364	50 - 48
601093	1 - 12
615683	49 - 47
621446	49 - 31
624034	2 - 6
	54 - 16
	0 - 70
624035	2 - 6
	54 - 16A
	0 - 70
718351	28 - 31
731626	1 - 27C
	1 - 83
	1 - 97
	3 - 9
	53 - 53
731627	50 - 49
731629	1 - 27D
	2 - 45
731631	1 - 43
	18 - 9
	19 - 17
734483	1 - 16
	4 - 98A
	5 - 87A
	15 - 162
	16 - 159
	18 - 10
	19 - 18
	53 - 53A
734544	54 - 12
737617	39 - 63
	39 - 82
760221	2 - 45A
766070	51 - 16
766071	51 - 17
766072	51 - 18
766073	51 - 19
	0 - 41
	0 - 41

PART NO.	LIST AND INDEX NO.
766073-CONT	0 - 50
766074	51 - 20
766075	51 - 21
766076	51 - 22
766078	51 - 23
766083	51 - 24
766086	51 - 25
	0 - 51
766087	51 - 26
770013	39 - 40
770386	4 - 135
	5 - 148
805044	53 - 54
845762	50 - 49A
1000389	14 - 296
1016329	36 - 43
1072949	32 - 30
1073418	13 - 221
	14 - 160
	23 - 4
1079777	14 - 297
1090024	33 - 100
1090058	21 - 15
1090199	4 - 99
	5 - 88
1090395	28 - 32
1090630	36 - 79
	37 - 44
	38 - 28
1090873	2 - 47
	2 - 105
	49 - 27
1091111	14 - 298
1091388	28 - 58
1091610	15 - 72
1092019	13 - 109
	14 - 163
1092056	25 - 48
1095160	14 - 299
1100523	13 - 301A
	13 - 327
	14 - 372
	14 - 400
1103695	31 - 35
1119715	4 - 100
	5 - 89
1124336	1 - 84
1127186	5 - 101
1138464	1 - 85
1141554	49 - 35
1142822	54 - 36
1143069	50 - 50
1143227	49 - 7
	50 - 51
1143492	49 - 47
	50 - 15
2101338	50 - 74
2101358	50 - 75
2101380	50 - 52
2101404	50 - 53
2102368	2 - 48
	13 - 107
	14 - 161
2102577	49 - 8
2102627	53A- 24
2111232	13 - 110
	14 - 164
	36 - 47
	39 - 43
	39 - 54
	39 - 70
	52 - 26
	53 - 48
	53A- 17
	54 - 5
	54 - 7
2114680	2 - 49
	3 - 20
2114681	2 - 50
	3 - 21

PART NO.	LIST AND INDEX NO.
2122160	4 - 136
	5 - 149
2159748	49 - 29
2160917	13 - 108
	14 - 162
2391158	51 - 27
	51 - 53
	53 - 63
	54 - 5A
	54 - 11
	- 42
	- 42
	- 52
4007163	28 - 33
4062756	1 - 64
4062758	1 - 65
4106850	1 - 66
5213274	54 - 33
5213359	49 - 29
5213365	1 - 33
	1 - 86
5213580	36 - 53
	39 - 60
	39 - 76
	39 - 79
	53 - 59
5214428	49 - 49
5214443	49 - 20
5214444	49 - 20
5214446	49 - 14
5214447	49 - 14
5235096	4 - 137
	5 - 150
5240513	49 - 52
	49 - 61
5247112	49 - 43
5256748	2 - 106
5270597	49 - 38
5301524	53 - 10
5302505	4 - 133
	5 - 146
5314123	53 - 77
5316996	54 - 32
5319854	13 - 111
	13 - 401
	14 - 165
	50 - 54
5323537	49 - 6
	50 - 63
5329750	53 - 54A
5342474	53 - 16
	53 - 77
5342918	50 - 55
5347750	39 - 48A
	53 - 55
5353301	2 - 80
5353364	4 - 1
	10 - REF
5353467	3 - 10
5353559	4 - 2
5353561	4 - 3
5353562	4 - 4
5353563	4 - 5
5353585	4 - 6
5353600	4 - 7
5353602	4 - 8
5353620	4 - 9
5353624	4 - 10
5353625	4 - 11
5353626	4 - 12
5353627	4 - 13
5353628	4 - 14
5353629	4 - 15
5353630	4 - 16
5353631	4 - 17
5353632	4 - 18
5353633	4 - 19
5353634	4 - 20
5353635	4 - 21
5353726	4 - 22

PART NO.	LIST AND INDEX NO.	PART NO.	LIST AND INDEX NO.	PART NO.	LIST AND INDEX NO.
5353727	4 - 23	5367213	5 - 118	5372209	5 - REF
5353728	4 - 24	5367214	5 - 119		- 30
5353734	4 - 25	5367215	5 - 120	5372210	5 - REF
5353735	4 - 26	5367216	5 - 121		- 30
5367101	1 - 100	5367217	5 - 122	5372211	1 - 17
	2 - 52	5367218	5 - 123	5372212	1 - 18
5367104	54 - 4	5367219	5 - 124	5372213	3 - 22
5367105	51 - 2	5367220	5 - 125	5372214	4 - 145
5367106	51 - 3	5367221	5 - 126	5372233	15 - 163
5367110	13 - REF	5367222	5 - 127	5372234	17 - 54
	0 - 43	5367223	5 - 128	5372235	13 - 115
5367113	3 - 11	5367224	5 - 129		14 - 169
5367117	3 - 12	5367225	5 - 130	5372236	13 - 113
5367119	4 - 101	5367228	4 - 112		14 - 167
	5 - 90	5367229	5 - 131	5372237	13 - 115 A
5367120	51 - 4	5367248	50 - 57		14 - 170
5367124	3 - 13	5367250	13 - REF		18 - 13
5367125	2 - 53		0 - 43		19 - 19
	3 - REF	5367251	50 - 58		39 - 50
5367128	11 - 12	5367254	51 - 44		39 - 50
5367129	51 - 28	5367255	4 - REF	5372238	17 - 49 A
5367130	51 - 4		0 - 12	5372239	13 - 116
5367131	51 - 4		0 - 19		14 - 171
5367135	13 - REF	5367260	5 - REF	5372240	13 - 117
	0 - 43		0 - 23		14 - 172
5367140	13 - 414		0 - 30	5372243	17 - 50
	14 - 487	5367270	13 - REF	5372244	3 - 16
5367142	4 - 102		0 - 43	5372249	13 - 2
	5 - 91	5367274	5 - 132		17 - REF
5367143	5 - 1	5367277	5 - REF	5372252	2 - 71 A
5367145	13 - 1		0 - 23	5372258	2 - 56
	15 - REF		0 - 30		51 - 30
5367147	2 - 86	5367287	5 - 1	5372259	3 - 18
5367148	4 - 103	5367288	5 - 3	5372270	1 - 87
	5 - 92	5367289	5 - 3	5372271	1 - 88
5367150	0 - 9	5367290	5 - 1	5372280	17 - 51
5367152	4 - 122	5367291	5 - 1	5372289	13 - 118
	5 - 112	5367292	5 - 3		18 - REF
5367153	5 - 93	5367293	5 - 1	5372291	14 A - 8
5367155	5 - 2	5367294	5 - 1		37 - REF
5367158	2 - 77	5367295	5 - 1	5372293	- 68
5367159	51 - 29	5367296	5 - 1	5372294	- 68
5367160	2 - 5	5367297	5 - 1	5372295	- 68
	50 - REF	5367298	4 - 124	5372296	- 68
5367162	4 - 123	5367300	13 - REF	5372299	54 - 8
	5 - 113		0 - 43		54 - 24
5367166	4 - 104	5367302	2 - 54	5372300	54 - 3
	5 - 104 A	5367303	1 - 45	5372307	2 - 57
5367167	4 - 27	5367304	18 - 12	5372308	49 - 23
	5 - 105	5367309	2 - 55		50 - 60
	11 - REF		51 - 45	5372318	4 - 146
5367170	2 - 5	5367311	39 - 49	5372319	4 - 149
	50 - REF		39 - 49	5372320	13 - 120
5367173	4 - 28	5367316	13 - 112		14 - 172 A
	5 - 106		14 - 166		39 - REF
	12 - REF	5367318	13 - 3	5372321	2 - 63
5367176	50 - 56		14 - 3	5372324	15 - 164
5367177	5 - 3		33 - REF		16 - 160
5367178	5 - 1	5367321	13 - 1	5372327	20 - 24
5367180	4 - 29		15 - REF		21 - 20
5367181	5 - 4	5367323	13 - 414		- 77
5367186	4 - 110		14 - 487	5372328	20 - 24
	5 - 107	5367353	13 - 414		21 - 20
5367187	51 - 43		14 - 487		- 77
5367190	11 - 14	5372191	50 - 59	5372329	20 - 24
5367193	4 - 118	5372193	2 - 78		21 - 20
5367196	3 - 14	5372202	5 - REF		- 77
5367197	3 - 15		0 - 30	5372330	20 - 24
5367200	2 - 12	5372203	5 - REF		21 - 20
	0 - 8		0 - 30		- 77
5367203	2 - 90	5372204	5 - REF	5372331	20 - 24
5367204	6 - 11		0 - 30		21 - 20
5367205	6 - 12	5372205	5 - REF		- 77
5367208	5 - 114		0 - 30	5372332	20 - 24
5367209	5 - 108	5372206	5 - REF		21 - 20
5367210	4 - 111		0 - 30		- 77
	5 - 115	5372207	5 - REF	5372333	20 - 24
	6 - REF		0 - 30		21 - 20
5367211	5 - 116	5372208	5 - REF		- 77
5367212	5 - 117		0 - 30	5372334	20 - 24

PART NO.	LIST AND INDEX NO.	PART NO.	LIST AND INDEX NO.	PART NO.	LIST AND INDEX NO.
5372334-CONT	21 - 20	5393273	13 - 119	5400882	2 - 91
	0 - 77		19 - 21	5400883	2 - 91
5372335	20 - 24		39 - 50A	5400887	36 - 45
	21 - 20	5393274	4 - 117		39 - 52
	0 - 77		5 - 137		39 - 68
5372336	20 - 24	5393282	2 - 61		39 - 68
	21 - 20	5393289	39 - 51		39 - 68
	0 - 77		53 - 56		39 - 68
5372337	20 - 24	5393294	4 - 134	5400888	36 - 48
	21 - 20		5 - 147		39 - 55
	0 - 77	5393301	1 - REF		39 - 71
5372338	24 - 14	5393302	54 - 4A		39 - 71
5372339	24 - 15	5393303	54 - 19A		39 - 71
5372340	23 - 23	5393309	2 - 62		39 - 71
	24 - REF	5393310	17 - 23	5400889	36 - 51
5372341	24 - 16	5393311	1 - 74		39 - 74
5372342	24 - 17	5393312	1 - 74		39 - 74
5372344	0 - 71	5393326	0 - 61		39 - 74
5372345	20 - 13	5393343	52 - 36		39 - 74
	23 - REF		54 - 18B	5400890	39 - 58
5372346	13 - 425	5393352	0 - 39		39 - 58
	14 - 505	5393353	0 - 39		39 - 77
5372349	20 - 14	5393354	0 - 39		53 - 57
	25 - REF	5393355	0 - 39	5400892	14 - 175
5372350	13 - 373	5393356	0 - 39	5400895	21 - 11
	14 - 447	5393357	0 - 49		23 - REF
	20 - REF	5393358	0 - 49	5400899	15 - 107
5372352	54 - 1B	5393359	0 - 49	5400916	39 - 61
5372358	13 - 426	5393360	0 - 49		39 - 80
	14 - 506	5393361	0 - 49		39 - 80
5372359	13 - 426	5393362	0 - 39		39 - 80
	14 - 506	5393363	0 - 39		39 - 80
5372360	13 - 426	5393364	0 - 39	5400921	13 - REF
	14 - 506	5393365	0 - 39		- 43
5372361	0 - 68	5393366	0 - 39	5400922	13 - REF
5372362	0 - 68	5393367	0 - 49		- 43
5372363	0 - 68	5393368	0 - 49	5400923	13 - REF
5372364	0 - 68	5393369	0 - 49		- 43
5372368	4 - 113	5393370	0 - 49	5400924	13 - REF
	5 - 133	5393371	0 - 49		- 43
5372372	4 - 150	5393372	0 - 39	5400925	14 - REF
5372374	1 - 89	5393373	0 - 39		- 53
5372375	13 - 3	5393374	0 - 39	5400926	13 - REF
	14 - 3	5393375	0 - 39		- 43
	33 - REF	5393376	0 - 39	5400927	14 - REF
5372376	33 - 15	5393390	0 - 18		- 53
5372377	33 - 101	5393391	0 - 29	5400928	14 - REF
5372378	33 - 102E	5393392	0 - 76		- 53
5372379	33 - 102	5393393	0 - 29	5400929	14 - REF
5372380	33 - 8	5393394	0 - 76		- 53
5372381	33 - 102J	5393395	0 - 29	5400930	14 - REF
5372382	33 - 16	5393396	0 - 76		- 53
5372384	5 - 138	5393397	0 - 29	5400931	14 - REF
5372385	4 - 125	5393398	0 - 76		- 53
5372858	2 - 79	5393399	0 - 29	5400932	13 - REF
5373520	13 - 3	5393400	0 - 76		- 43
	14 - 3	5393401	0 - 29	5400933	13 - REF
	33 - REF	5393402	0 - 76		- 43
5373544	14 - 173	5393403	0 - 29	5400934	13 - REF
	19 - REF	5393404	0 - 76		- 43
5373574	19 - 20	5393405	0 - 29	5400935	13 - REF
5373581	1 - 75	5393406	0 - 76		- 43
5373582	1 - 75	5393407	0 - 29	5400936	13 - REF
5373585	1 - 68	5393408	0 - 76		- 43
5373586	1 - 70	5393409	0 - 29	5400937	14 - REF
5373587	1 - 71	5393410	0 - 76		- 53
5373588	1 - 72	5393411	0 - 29	5400938	14 - REF
5373590	1 - 68	5393412	0 - 76		- 53
5373596	1 - 73	5393450	54 - 17	5400939	14 - REF
5373604	20 - 23	5393453	1 - 19		- 53
5373605	13 - 368	5393454	1 - 20	5400940	14 - REF
	14 - 440	5393455	1 - 21		- 53
5373606	20 - 15	5393458	1 - 34	5400942	1 - 28B
5373607	13 - 360	5393459	1 - 35	5400948	1 - 93
	14 - 433	5396852	53A - 19	5400949	1 - 3
5393261	51 - 4	5400876	14 - 1	5400951	1 - 78
5393265	51 - 28		16 - REF	5400952	1 - 30
5393266	51 - 4	5400877	19 - 22	5400953	1 - 1
5393270	51 - 28	5400880	2 - 95	5400954	1 - 1
5393272	14A - 9	5400881	2 - 95	5400955	1 - 1

PART NO.	LIST AND INDEX NO.	PART NO.	LIST AND INDEX NO.	PART NO.	LIST AND INDEX NO.
5400956	1 - 1	5404005	0 - 33	5404119-CUNT	- 59
5400957	1 - 1	5404006	0 - 33	5404148	33 - 17
5400958	1 - 1	5404007	0 - 33	5404149	33 -103
5400959	1 - 1	5404008	0 - 33	5404151	1 - 38
5400960	1 - 1	5404009	0 - 33	5404152	21 - 18
5400989	1 - 28C	5404010	0 - 33	5404153	1 - 39
5401001	21 - 16	5404011	0 - 33	5404154	1 - 75
	29 -REF	5404012	0 - 33	5404155	1 - 68
5401002	27 - 51	5404013	0 - 33	5404156	1 - 76
	28 -REF	5404014	0 - 33	5404157	1 - 40
5401003	13 -373	5404015	0 - 33	5404159	1 - 77
	14 -447	5404016	0 - 33	5404160	1 - 77
	21 -REF	5404017	0 - 33	5404161	1 - 36
5401004	21 - 17	5404018	0 - 33		- 44
	27 -REF	5404019	0 - 33		- 48
5401005	21 - 12	5404020	0 - 33		- 56
5401007	39 - 64	5404021	0 - 33		- 59
	53 - 60	5404022	0 - 33	5404164	20 - 24
5401015	14 - 1	5404023	0 - 33		21 - 20
	16 -REF	5404024	0 - 33	5404169	52 - 27
5401017	28 - 48	5404025	0 - 33	5404170	52 - 41
5401018	29 - 18	5404026	0 - 33		52 - 41
5401021	0 - 62	5404027	0 - 33	5404172	52 - 40
5401022	14 - 2	5404028	0 - 33		52 - 40
	17 -REF	5404030	15 - 37	5404174	52 - 42
5401023	14 - 2		15 - 37	5404177	52 - 40
	17 -REF		15 - 37	5404178	52 - 41
5401025	13 - 2		15 - 37	5404179	52 - 38
	17 -REF		16 - 27	5404180	51 - 46
5401027	13 - 4		16 - 27		52 -REF
	14 - 4		16 - 27		- 63
	39 - 65	5404031	2 - 64	5404181	51 - 46
5401028	13 - 4	5404035	15 - 35		52 -REF
	14 - 4	5404036	15 - 35	5404182	51 - 46
	14 - 4	5404037	15 - 35		52 -REF
	39 - 65		16 - 25	5404187	5 -104
5401030	0 - 66	5404041	13 - 1	5404189	14A- 9
5401031	0 - 66		15 -REF	5404190	13 - 3
5401040	2 - 96	5404042	14 - 1		14 - 3
	0 - 10		16 -REF		33 -REF
5401043	54 - 6	5404043	14 - 1	5404191	- 68
5401044	13 - 1		16 -REF	5404192	- 68
	15 -REF	5404044	13 - 1	5404193	- 68
5403951	1 - 91		15 -REF	5404194	- 68
	0 - 40	5404047	13 - 1	5404195	- 68
	0 - 46		15 -REF	5404196	- 68
5403953	1 - 91	5404048	15 - 35	5404197	- 68
	0 - 54		16 - 25	5404198	- 68
	0 - 58	5404051	15 - 35	5404199	13 -414
5403954	1 - 91		16 - 25		14 -487
	0 - 54	5404053	13 -127B	5404200	- 39
	0 - 58		14 -183B	5404201	- 39
5403955	1 - 91	5404054	1 -101	5404202	- 49
	0 - 54		2 - 65	5404203	- 49
	0 - 58	5404057	28 - 59	5404204	- 39
5403956	1 -REF	5404073	52 - 37	5404205	- 39
5403957	1 -REF	5404074	51 - 29A	5404206	- 49
5403958	1 - 1	5404076	13 -414	5404207	- 49
5403959	1 - 1		14 -487	5404208	- 39
5403960	1 -REF	5404077	4 -138	5404209	- 39
5403961	1 - 1		13 -414	5404210	13 -REF
5403962	1 - 92	5404078	14A- 10		- 43
5403963	1 - 92	5404080	2 - 5	5404211	13 -REF
5403964	1 - 92		49 -REF		- 43
5403965	1 - 92	5404082	49 - 4	5404212	14 -REF
5403983	1 - 1		50 - 61		- 53
5403984	1 -REF	5404084	4 -147	5404213	14 -REF
5403985	1 - 1	5404085	2 - 5		- 53
5403986	1 -REF		49 -REF	5404214	13 -REF
5403987	1 - 1	5404091	50 - 64		- 43
5403988	1 -REF	5404092	50 - 76	5404215	13 -REF
5403989	1 - 1	5404096	50 - 64		- 43
5403990	1 -REF	5404097	4 -138	5404216	14 -REF
5403997	2 - 81	5404100	51 - 28		- 53
5403998	1 -REF	5404115	0 - 67	5404217	14 -REF
5403999	1 -REF	5404116	0 - 67		- 53
5404001	0 - 33	5404117	0 - 67	5404218	13 -REF
5404002	0 - 33	5404119	51 - 51		- 43
5404003	0 - 33		53 - 61	5404219	13 -REF
5404004	0 - 33		54 - 9		- 43

PART NO.	LIST AND INDEX NO.
5404223	13 - 4
	39 - 65
5404224	13 - 4
	14 - 4
	39 - 65
5404230	15 - 35
	16 - 25
5404248	25 - 49
	27 - 52
5404249	13 -399
	14 -472
5404252	13 -137
5404253	14 -195
5404254	13 -168
	14 -218
	0 - 64
5404255	13 -169
5404256	14 -219
5404257	13 -229
	14 -300
5404258	13 -330
	14 -403
5404259	13 -398
	14 -471
5404260	13 -350
	14 -423
5404261	13 -368A
	14 -441
5404262	13 -368A
	13 -368A
	14 -441
5404263	13 -374
	14 -448
5404265	13 -169
5404274	1 - 53
5404280	14 -487
5404287	13 -426
	14 -506
5404289	13 -426
	14 -506
5404291	13 -426
	14 -506
5404293	13 -426
	14 -506
5404294	15 - 61
5404295	15 - 62
5404296	15 - 57
5404297	15 - 50
5404298	15 - 63
5404299	16 - 40
5404300	15 - 74
5404301	2 -101
5404302	52 - 43
5404304	36 - 84
	37 - 42
	38 - 33
5404331	0 - 5
5404343	3 - 23
5404344	3 - 24
5404345	3 - 25
5404346	3 - 26
5404350	0 - 9A
5404363	1 - 27E
5404364	1 - 27F
5404365	1 - 27
5404366	1 - 27G
5404367	1 - 28
5404376	2 - 67
5404377	18 - 14
	19 - 23
5404378	52 - 39
5404379	7 - 12
	8 - 15
	9 - 19
	10 - 14
	11 - 15
	12 - 16
5404382	4 -148
5404391	1 - 90
5404392	0 - 6

PART NO.	LIST AND INDEX NO.
5404393	0 - 6
5404394	0 - 6
5404396	15 - 57
5404398	36 - 85
	37 - 39
	38 - 34
5404407	17 - 55
5404411	51 - 47
	0 - 65
5404440	1 -REF
5404441	1 -REF
5404442	1 -REF
5404443	1 -REF
5404444	1 -REF
5404445	1 -REF
5405900	1 - 41
	0 - 4
5405901	1 - 44
5405902	2 - 69
5405903	2 - 70
5405904	53 - 64
5405906	53 - 70
5405907	53 - 67
5405908	1 - 46
	1 - 46
5405909	2 - 71
5406000	2 - 12
	0 - 8
5406001	0 - 35
5406002	0 - 35
5406003	0 - 35
5406004	0 - 35
5406005	0 - 35
5406006	0 - 35
5406007	0 - 35
5406008	0 - 35
5406009	0 - 35
5406010	0 - 35
5406011	0 - 35
5406012	0 - 35
5406013	0 - 35
5406014	0 - 35
5406015	0 - 35
5406016	0 - 35
5406017	0 - 35
5406018	0 - 35
5406019	0 - 35
5406020	0 - 35
5406021	0 - 35
5406022	0 - 35
5406023	0 - 35
5406024	0 - 35
5406025	0 - 35
5406026	0 - 35
5406027	0 - 35
5406028	0 - 35
5406029	4 -139
5406031	0 - 17
	0 - 28
	0 - 36
5406032	0 - 17
	0 - 28
	0 - 36
5406033	0 - 36
5406034	0 - 36
5406035	0 - 36
5406036	0 - 36
5406037	0 - 36
5406038	0 - 36
5406039	0 - 36
5406040	0 - 36
5406041	0 - 36
5406042	0 - 36
5406043	0 - 36
5406044	0 - 36
5406045	0 - 36
5406046	0 - 36
5406047	0 - 36
5406048	0 - 36
5406049	0 - 36

PART NO.	LIST AND INDEX NO.
5406050	- 36
5406051	- 36
5406052	- 36
5406053	- 36
5406054	- 36
5406055	- 36
5406056	- 36
5406057	- 36
5406058	- 36
5406059	14 -185
5406060	4 -125
5406063	13 -414
5406064	14A- 9
5406065	5 -138
5406066	4 -138
5406067	4 -138
5406071	53 - 68
5406072	53 - 68
5406073	53 - 68
5406074	53 - 68
5406075	13 -414
	14 -487
5406076	53 - 68
5406080	13 -414
	14 -487
5406081	53 - 68
5406084	2 - 66
5406087	53 - 68
5406090	- 71
5406097	53 - 68
5406100	- 61
5406101	- 45
5406102	- 45
5406103	- 45
5406104	- 45
5406105	- 57
5406106	- 57
5406107	- 45
5406108	- 45
5406109	- 57
5406110	- 57
5406111	- 45
5406112	- 45
5406113	- 45
5406114	- 45
5406115	- 57
5406116	- 57
5406117	- 45
5406118	- 45
5406119	- 57
5406120	- 57
5406121	- 45
5406122	- 45
5406123	- 45
5406124	- 45
5406125	- 57
5406126	- 57
5406127	- 45
5406128	- 45
5406129	- 57
5406130	- 57
5406131	- 45
5406132	- 45
5406133	- 57
5406134	- 45
5406135	- 57
5406137	13 -127
	14 -183
5406138	13 -127A
	14 -183A
5406140	53 - 69
	53A- 20
5406141	13 -REF
	- 47
5406142	13 -REF
	- 47
5406143	13 -REF
	- 47
5406144	13 -REF
	- 47

PART NO.	LIST AND INDEX NO.	PART NO.	LIST AND INDEX NO.	PART NO.	LIST AND INDEX NO.
5406145	14 -REF	5406197	0 - 31	5406281-CONT	14 -472
	0 - 60	5406198	0 - 31	5406299	53 - 11
5406146	14 -REF	5406211	0 - 15	5406300	53 -REF
	0 - 60	5406212	0 - 15		- 75
5406147	13 -REF	5406213	0 - 26	5406301	- 74
	0 - 47	5406214	0 - 26	5406304	53 - 11
5406148	13 -REF	5406215	0 - 26	5406305	53 -REF
	0 - 47	5406216	0 - 26		- 75
5406149	14 -REF	5406217	4 -REF	5406306	- 74
	0 - 60		0 - 16	5406309	53 - 11
5406150	14 -REF		0 - 21	5406310	53 -REF
	0 - 60	5406218	5 -REF		- 75
5406151	13 -REF		0 - 27	5406311	- 74
	0 - 47		0 - 32	5406314	53 - 11
5406152	13 -REF	5406219	5 -REF	5406315	53 -REF
	0 - 47		0 - 32		- 75
5406153	13 -REF	5406220	5 -REF	5406316	- 74
	0 - 47		0 - 32	5406319	53 - 11
5406154	13 -REF	5406221	5 -REF	5406320	53 -REF
	0 - 47		0 - 32		- 75
5406155	14 -REF	5406222	5 -REF	5406321	- 74
	0 - 60		0 - 32	5406324	53 - 11
5406156	14 -REF	5406223	5 -REF	5406325	53 -REF
	0 - 60		0 - 32		- 75
5406157	13 -REF	5406224	5 -REF	5406326	- 74
	0 - 47		0 - 32	5406339	53 - 11
5406158	13 -REF	5406225	5 -REF	5406340	53 -REF
	0 - 47		0 - 32		- 75
5406159	14 -REF	5406226	5 -REF	5406341	- 74
	0 - 60		0 - 32	5406344	53 - 11
5406160	14 -REF	5406227	5 -REF	5406345	53 -REF
	0 - 60		0 - 32		- 75
5406161	13 -REF	5406228	5 -REF	5406346	- 74
	0 - 47		0 - 27	5406349	53 - 11
5406162	13 -REF		0 - 32	5406350	53 -REF
	0 - 47	5406260	13 - 3		- 75
5406163	13 -REF		14 - 3	5406351	- 74
	0 - 47		33 -REF	5406353	53 - 68
5406164	13 -REF	5406261	13 - 3	5406356	- 72
	0 - 47		14 - 3	5406358	53 - 68
5406165	14 -REF		33 -REF	5406361	- 72
	0 - 60	5406262	13 - 3	5406363	53 - 68
5406166	14 -REF		14 - 3	5406366	- 72
	0 - 60		33 -REF	5406371	53 - 70
5406167	13 -REF	5406263	13 - 3	5406373	53 - 68
	0 - 47		14 - 3	5406374	53 - 68
5406168	13 -REF		33 -REF	5406376	- 72
	0 - 47	5406264	13 - 3	5406377	- 72
5406169	14 -REF		14 - 3	5406420	13 -359
	0 - 60		33 -REF		14 -432
5406170	14 -REF	5406265	13 - 3	5406440	- 3
	0 - 60		14 - 3	5406450	- 5
5406171	13 -REF		33 -REF	5406541	1 - 66B
	0 - 47	5406266	13 - 3	5407798	13 -328
5406172	13 -REF		14 - 3		14 -401
	0 - 47		33 -REF	5408833	2 - 84
5406173	14 -REF	5406267	13 -100A	5408834	2 - 98
	0 - 60		14 -106A	5408835	2 - 99
5406174	13 -REF		45 -REF	5408849	1 - 26
	0 - 47	5406270	13 - 1	5414059	2 - 82
5406175	14 -REF		15 -REF	5416901	- 37
	0 - 60	5406271	13 - 1	5416902	- 38
5406178	4 - 29		15 -REF	5416975	14A- 8
5406179	5 - 4	5406272	13 - 1		36 -REF
5406181	0 - 14		15 -REF	5420112	32 - 31
5406182	0 - 14	5406273	13 - 1	5420116	13 -448
5406183	0 - 25		15 -REF		14 -528
5406184	0 - 25	5406274	13 - 1	5422140	- 7
5406185	0 - 25		15 -REF	5422141	- 6
5406186	0 - 25	5406275	13 - 1	5422142	- 6
5406187	0 - 20		15 -REF	5422143	- 6
5406188	0 - 31	5406276	14 - 1	5422144	1 - 78
5406189	0 - 31		16 -REF	5422160	51 -REF
5406190	0 - 31	5406277	14 - 1		- 73
5406191	0 - 31		16 -REF	5422161	51 -REF
5406192	0 - 31	5406278	14 - 1		- 73
5406193	0 - 31		16 -REF	5422162	51 -REF
5406194	0 - 31	5406279	14 - 1		- 73
5406195	0 - 31		16 -REF	5422163	51 -REF
5406196	0 - 31	5406281	13 -399		- 73

PART NO.	LIST AND INDEX NO.
5422164	51 -REF
	0 - 73
5422195	48 - 16
5422197	13 -166
	14 -215
5422210	1 - 41
	0 - 4
5422220	13 -129
	14 -187
5422221	13 -136
	14 -194
5422222	13 -167
	30 -REF
5422224	14 -216
	31 -REF
5422226	14 -186
5422228	2 - 68
	53 - 71
	53 - 76
	53A- 21
5422230	13 -423
	14 -503
5422231	4 -109
	5 -104F
5422239	4 -139
5422241	13 - 3
	14 - 3
	33 -REF
5422242	13 - 3
	14 - 3
	33 -REF
5422243	13 - 3
	14 - 3
	33 -REF
5422244	33 - 8
5422266	1 - 9
5422287	2 - 85
5422288	2 - 85
5422295	0 - 11
5422296	0 - 11
5422297	0 - 22
5422298	0 - 22
5422299	0 - 22
5422300	0 - 22
5422301	0 - 13
	0 - 24
	0 - 34
5422302	0 - 13
	0 - 24
	0 - 34
5422303	0 - 34
5422304	0 - 34
5422305	0 - 34
5422306	0 - 34
5422307	0 - 34
5422308	0 - 34
5422309	0 - 34
5422310	0 - 34
5422311	0 - 34
5422312	0 - 34
5422313	0 - 34
5422314	0 - 34

PART NO.	LIST AND INDEX NO.
5422315	0 - 34
5422316	0 - 34
5422317	0 - 34
5422318	0 - 34
5422319	0 - 34
5422320	0 - 34
5422321	0 - 34
5422322	0 - 34
5422323	0 - 34
5422324	0 - 34
5422325	0 - 34
5422326	0 - 34
5422327	0 - 34
5422328	0 - 34
5422329	16 -137
5422336	13 -161
	14 -217
	14A- 6
5422339	4 -151
5440739	1 - 22
5447670	4 -121
	5 -111
5447671	15 - 62A
5447674	34 - 7
5447699	13 - 96
	14 - 98
	43 -REF
5447700	13 - 95
	43 -REF
5447701	43 - 5
5447702	43 - 6
5447703	43 - 6
5447704	43 - 7
5447705	43 - 8
5447708	14 -134
	43 -REF
5462471	53A- 22
5462472	13 -444
	14 -524
5462473	53A- 1
5462476	53A- 25
5462481	1 - 28D
5462482	1 - 28E
5462483	1 - 28F
5462484	1 - 28G
5462485	1 - 28A
5462490	2 -107
	53A-REF
5462491	13 -445
	14 -525
5462501	4 -117D
	5 -137D
	5 -137J
5462502	4 -117E
	5 -137E
	5 -137K
5462504	5 -137L
5462505	4 -117A
	5 -137A
5462506	5 -137F
5462513	1 - 28H
5462514	1 - 28J

PART NO.	LIST AND INDEX NO.
5462515	1 - 28K
5462516	1 - 92A
5462517	1 - 92B
	1 - 92B
5462520	23 - 6
5462531	43 - 2
5462534	13 - 81
	14 - 93
5462539	1 - 28L
5462555	2 - 72
5462561	1 - 92A
5462564	1 - 28N
5462566	13 -213
5462657	14 -327
5462658	14 -330
5462711	4 -117F
	5 -137M
5761463	49 - 61
5761483	49 - 3
5761505	49 - 28
5761506	49 - 55
5761556	49 - 16
5761557	49 - 9
5761558	49 - 16
5761559	49 - 9
5761564	49 - 40
5761565	49 - 28
5761709	49 - 53
5761716	49 - 62
5762135	49 - 39
8105454	29 - 19
8105458	29 - 21
8105462	29 - 22
8105463	29 - 23
8105464	29 - 24
8105535	29 - 25
8105560	29 - 26
8105573	21 - 19
8105581	29 - 27
8105935	29 - 28
8105951	27 - 38
8105953	29 - 29
8105958	29 - 32
8105959	29 - 33
8105960	29 - 30
8105961	29 - 34
8106233	29 - 35
8108001	1 - 54
8108002	1 - 29
8108003	1 - 55
8108004	1 - 56
8108007	2 - 9
8108030	1 - 57
8108031	2 - 10
8108032	2 - 11
8108033	1 - 66A
8108034	1 - 61
8108037	2 - 7
8108460	1 - 58
8129340	29 - 20

READER'S COMMENT FORM

29 Card Punch

S124-0085-5

- How did you use this publication ?

As a reference source

As a classroom text

As

- Based on your own experience, rate this publication...

As a reference source:
	Very	Good	Fair	Poor	Very
	Good				Poor
As a text:
	Very	Good	Fair	Poor	Very
	Good				Poor

- What is your occupation ?

- We would appreciate your other comments; please give specific page and line references where appropriate. If you wish a reply, be sure to include your name and address.

● Thank you for your cooperation. No postage necessary if mailed in the U.S.A.

YOUR COMMENTS, PLEASE

Your answers to the questions on the back of this form, together with your comments, will help us produce better publications for your use. Each reply will be carefully reviewed by the persons responsible for writing and publishing this material. All comments and suggestions become the property of IBM.

Please note: Requests for copies of publications and for assistance in utilizing your IBM system should be directed to your IBM representative or to the IBM sales office serving your locality.

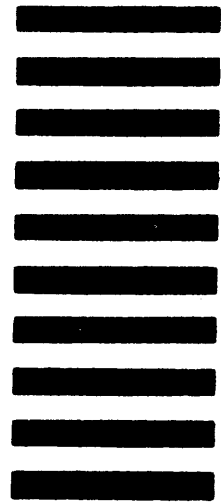
..... CUT ALONG THIS LINE

fold

fold

FIRST CLASS
PERMIT NO. 419
POUGHKEEPSIE, N.Y.

BUSINESS REPLY MAIL
NO POSTAGE STAMP NECESSARY IF MAILED IN THE UNITED STATES



POSTAGE WILL BE PAID BY

IBM CORPORATION
P.O. BOX 390
POUGHKEEPSIE, N.Y. 12602

ATTENTION: PARTS CATALOGS, DEPT. B97

fold

fold

62

29

TAB INSERT FOR FRONT COVER

S124-0085-5

Printed in U.S.A. S124-0085-5

IBM

International Business Machines Corporation
Field Engineering Division
112 East Post Road, White Plains, N. Y. 10601