



IBM Maintenance Library

4321
4331

**Processor
Parts Catalog**

Preface

This Parts Catalog (PC) contains listings and illustrations of all replaceable assemblies, subassemblies and detail parts released to Product Control on or before October 31, 1981 for the 4321, 4331-1, 4331-2 and 4331-11 Processor.

Fifth Edition (September, 1981)

This is a major revision of, and obsoletes, S135-1004-3.
This catalog now includes parts information for the IBM 4321 and 4331-11 Processor.

The drawings and specifications contained herein shall not be reproduced in whole or in part without written permission.

IBM has prepared this maintenance manual for the use of IBM customer engineers in order to maintain the specific machines indicated. IBM makes no representations that it is suitable for any other purpose.

Information contained in this manual is subject to change from time to time. Any such change will be reported in subsequent revisions or Technical Newsletters.

It is possible that this material may contain reference to, or information about, IBM products (machines and programs), programming, or services that are not announced in your country. Such references or information must not be construed to mean that IBM intends to announce such IBM products, programming, or services in your country.

Requests for copies of IBM publications should be made to your IBM representative or to the IBM branch office servicing your locality.

A form for readers' comments is provided at the back of the publication. If the form has been removed, comments may be addressed to IBM Publishing Services, Department 3164, Schoenaicher Strasse 220, 7030 Boeblingen/Wuertt., Federal Republic of Germany. IBM may use or distribute any of the information you supply in any way it believes appropriate without incurring any obligation whatever. You may, of course, continue to use the information you supply.

© Copyright International Business Machines Corporation 1979, 1980, 1981

CONTENTS

	Page
HOW TO USE THIS PARTS CATALOG (PC)	iv
GLOSSARY	v
ABBREVIATIONS	vi
VISUAL INDEX	
I Covers and Attachments	vii
II Final Assembly	viii
III Frame and Power Hardware (2 sheets)	ix
CATALOG SECTION	
Cables	
Cable Assemblies with Component Parts (6 sheets)	Fig. 21 102
Line Cord and Filter Assembly	Fig. 18 88
Cooling Units	
Cooling Assembly, 01A	Fig. 5 32
Covers	
Cover Assembly (2 sheets)	Fig. 1 2
Top Cover Assembly	Fig. 10 48
Frames	
Final Assembly (2 sheets)	Fig. 2 6
Frame and Power Hardware (2 sheets)	Fig. 3 12
Gates	
Diskette Baseplate Assembly (3 sheets)	Fig. 20 96
Diskette Drive Assembly,53 FD (2 sheets)	Fig. 19 92
Diskette File Drive and Frame Assembly	Fig. 18A 90
Gate Assembly, 01A (6 sheets)	Fig. 4 20
I/O Rack Assembly (Tailgate 01D)	Fig. 6 34
Tailgate Assembly, 01E	Fig. 3A 18
Panels	
Customer Control and Power on Meter Panel (2 sheets)	Fig. 8 38
Standard Power Interface Assembly,4331 only	Fig. 7 36
Power Supply Assemblies	
Meter Power Pack Assembly	Fig. 8A 42
Power Control Compartment Assembly	Fig. 9 44
Power Supply Assembly, PS 102 (3 sheets)	Fig. 11 50
Power Supply Assembly, PS 103, PDL 4 only	Fig. 14 72
Power Supply Assembly, PS 104, PDL 4 (2 sheets)	Fig. 12 56
Power Supply Assembly, PS 104, PDL 5 (3 sheets)	Fig. 12A 60
Power Supply Assembly, PS 105 (3 sheets)	Fig. 13 66
Reactive Power Compensator Asm,4331-2 only	Fig. 17A 86
Transformer Assembly, TR 102	Fig. 15 74
Transformer Assembly, TR 104, PDL 4	Fig. 16 78
Transformer Assembly, TR 104, PDL 5	Fig. 16A 82
Transformer Assembly, TR 105	Fig. 17 84
NUMERICAL INDEX	x-1

HOW TO FIND PART INFORMATION:

WHEN ASSEMBLY LOCATION IS KNOWN,

PERFORM STEPS
①, ③ AND ④

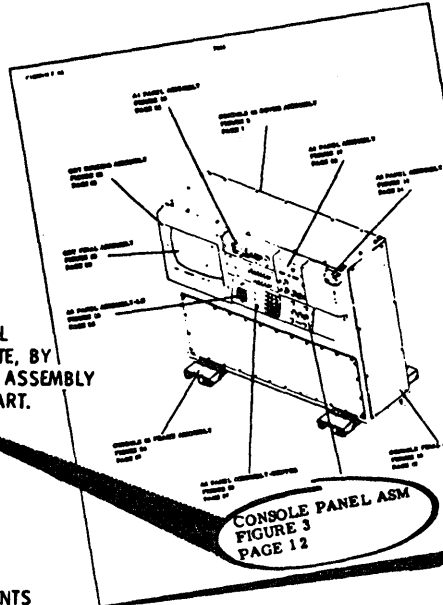
WHEN ASSEMBLY NAME IS KNOWN

PERFORM STEPS
②, ③ AND ④

WHEN PART NUMBER IS KNOWN

PERFORM STEPS
⑤, ⑥ AND ⑦

①
TURN TO THE VISUAL INDEX - THEN LOCATE, BY ILLUSTRATION, THE ASSEMBLY CONTAINING THE PART.



②
TURN TO THE CONTENTS PAGE - THEN LOCATE, BY NAME, THE ASSEMBLY CONTAINING THE PART.

HOW TO USE A PARTS CATALOG

CONTENTS

1	CONSOLE PANEL ASM..... 12
2	...
3	...
4	...
5	...
6	...
7	...
8	...
9	...
10	...
11	...
12	...
13	...
14	...
15	...
16	...
17	...
18	...
19	...
20	...
21	...
22	...
23	...
24	...
25	...
26	...
27	...
28	...
29	...
30	...
31	...
32	...
33	...
34	...
35	...
36	...
37	...
38	...
39	...
40	...
41	...
42	...
43	...
44	...
45	...
46	...
47	...
48	...
49	...
50	...

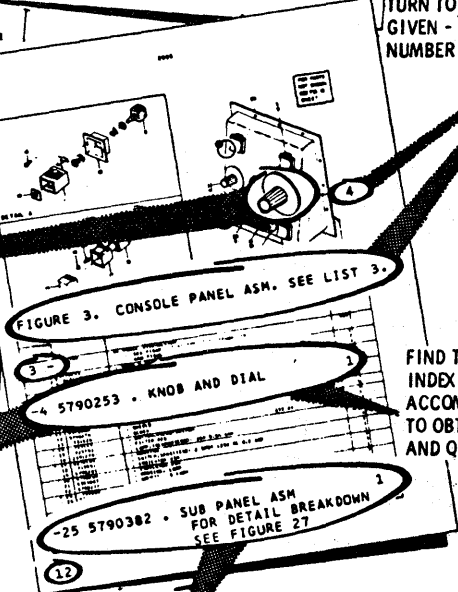
③
TURN TO THE PAGE FOR THAT ASSEMBLY - THEN LOCATE THE PART VISUALLY.

FIGURE	INDEX	DESCRIPTION	QUANTITY
3	4	5790253 - KNOB AND DIAL	1
3	5
3	6
3	7
3	8
3	9
3	10
3	11
3	12
3	13
3	14
3	15
3	16
3	17
3	18
3	19
3	20
3	21
3	22
3	23
3	24
3	25
3	26
3	27
3	28
3	29
3	30

⑤
TURN TO THE NUMERICAL INDEX - THEN NOTE THE FIGURE AND INDEX NUMBER GIVEN FOR THAT PART NUMBER.

⑥
TURN TO THE FIGURE NUMBER GIVEN - THEN FIND THE INDEX NUMBER ON THE ILLUSTRATION.

④
USING THE INDEX NUMBER SHOWN WITH THE PART, REFER TO THE ACCOMPANYING LISTING TO OBTAIN THE PART NUMBER, DESCRIPTION AND QUANTITY.



⑦
FIND THE CORRESPONDING INDEX NUMBER IN THE ACCOMPANYING LISTING TO OBTAIN THE DESCRIPTION AND QUANTITY OF THE PART.

NOTE:
IF THE DESIRED ITEM IS PART OF A SUBASSEMBLY NOT BROKEN DOWN WITHIN THAT FIGURE, REFER TO THE FIGURE ASSIGNED TO THE SUBASSEMBLY, LOCATE THE PART VISUALLY AND OBTAIN THE PART NUMBER, DESCRIPTION AND QUANTITY FROM THE ACCOMPANYING LISTING.

GLOSSARY (LISTING PAGES)

1 **INDENTURE** The indentation of items under the numerals 1 through 4 at the head of the Description column shows the relationship between assemblies, subassemblies and detail parts. For example:

(No dot)	MAIN ASSEMBLY
(One dot)	• Detail parts of main assembly
(One dot)	• Assembly within main assembly
(Two dots)	• • Detail part of one dot assembly
(Two dots)	• • Assembly within one dot assembly
(Three dots)	• • • Detail parts of two dot assembly

2 **SIMILAR ASSEMBLIES** If two or more assemblies contain a majority of identical parts, they are combined in the same listing. Parts common to assemblies are illustrated and listed by one index number. Parts peculiar to one or the other of the assemblies are listed separately and identified by a descriptive trailer line.

3 **AR** The notation AR in the Units Per Asm column indicates that the quantity of the part is used as required.

4 **REF** This entry in the units per assembly column denotes a part or assembly included for reference only. It is not part of the assembly breakdown and is also included elsewhere in the next higher assembly.

5 **INTERMIXED DIMENSIONING** Two units of measure are used (inches and metrics). Dimensions in inches are w/o indication; dimensions in metrics are followed by MM (for millimeter) or M (for meter).

6 **FRU** This abbreviation denotes a Field Replaceable Unit and means that subassemblies and detail parts are not recommended for field replacement.

FIGURE - INDEX NUMBER	PART NUMBER	UNITS PER ASM.	DESCRIPTION			
			1	2	3	4
22 -	1234567	REF	TRANSPORT AND VACUUM ASM FOR NEXT HIGHER ASSEMBLY SEE FIGURE 2			
- 1	1846187	1	• DOOR ASSEMBLY, VACUUM COLUMN USED ON MODELS 6 AND 8			
- 1	1846188	1	• DOOR ASSEMBLY, VACUUM COLUMN USED ON MODEL 4			
- 2	55918	5	• SCREW, MACH, BD HD, 10-32, 0.625 LG			
- 3	45690	5	• WASHER, FL, 0.203 ID, 0.408 OD			
- 4	2512946	AR	• SHIM, DOOR VAC COLUMN, 0.015 THK			
- 4	2512948	AR	• SHIM, DOOR VAC COLUMN, 0.03 THK			
- 5		AR	• PNEUMATIC HOSES TRANSPORT ASM FOR DETAIL BREAKDOWN SEE FIGURE 24			
- 9	2523727	1	• DISC, DECORATIVE			
- 10	1767707	1	• COVER			
- 11	322562	3	• SCREW, BD HD, 10-32, 2 LG			
- 12	1767705	1	• CAM			
- 13	1766920	1	• SPRING, COMP, 1.19 OD, 2.75 LG			
- 14	1767720	1	• FRU HUB ASSEMBLY			
- 15	356742	3	• • CLAMP, 0.375 ID, 0.173 MTG HOLE			
- 16	1621190	3	• • SCREW, MACH, PAN HD, M4, 8MM LG			
- 17	1622346	6	• • WASHER, LCK, EXT ST, 4.3MM ID, 8MM OD			

GLOSSARY (FIGURE PAGES)

DETAIL A portion of the principal view which is detailed is encircled with a thick line and indicated with the alphabetic detail designation.



VIEW To indicate a view, an arrow terminating in a letter points to the plane represented by the view.



CIRCLED INDEX NUMBERS A circled index number in the figure page indicates that the assembly is broken down within the figure.

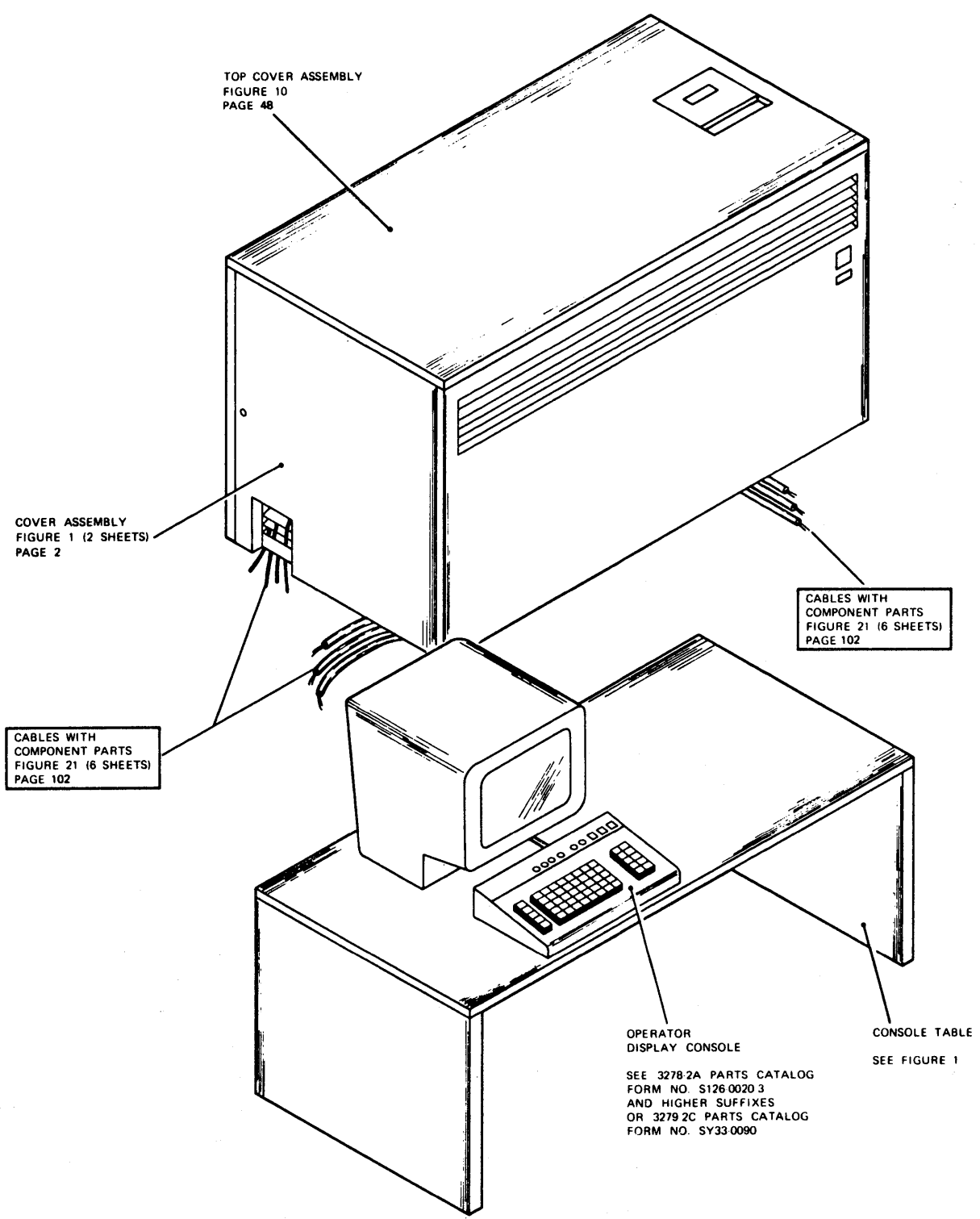
12

ABBREVIATIONS

A	Ampere	MACH	Machine
AC	Alternate Current	MB	Medium Blowing
AFE	Americas, Far East	MFD	Microfarad
ALU	Aluminum	MFI	Machine Features Index
AR	As Required	MM	Millimeter
ASM	Assembly	MTG	Mounting
ASMD	Assembled	NO.	Number
BD	Binding	OCP	Operator Control Panel
BIND	Binding	OD	Outside Diameter
BM	Bill of Material	P	Pole
CBM	See Bill of Material	PCC	Power Control Compartment
CCP	Customer Control Panel	PDL	Power Design Level (NOTE 1)
COMP	Compression	P/M	Plus/Minus
CON	Connection	POS	Position
CONN	Connection	PS	Power Supply
CSK	Countersunk	PT	Point
CSU	Customer Set Up	REF	For Reference Only
DC	Direct Current	RH	Right Hand
DIA	Diameter	SB	Slow Blowing
EMEA	Europe, Middle East, Africa	SELF TAP	Self Tapping
EXT	External	SEMS	Screw and Washer Assembly
FBM	Field Bill of Material	SLOT	Slotted
FIL	Fillister	SOC	Socket
FL	Flat	SPL	Spline
FL W	Flat Width (width between flats across hexagon)	SPLIT	Splitted
FRU	Field Replaceable Unit	ST	Star
HD	Head	SUB	Substitution
HEX	Hexagonal	THK	Thick
HZ	Hertz	THRD	Threadforming
IB	Instant Blowing	TR	Transformer
ID	Inside Diameter	UNC	Unified National Course
INS	Insulated	UNDRCT	Undercut
INT	Internal	UNF	Unified National Fine
I/O	Input/Output	V	Volt
LCK	Lock	W	Watt
LG	Long	W/O	Without
LH	Left Hand	WSHR	Washer
		WW	Wire Wound

NOTE 1: - MACHINES WITH FEATURE BM 8481016 (50 HZ)
OR FEATURE BM 8481017 (60 HZ) ARE ON
POWER DESIGN LEVEL 4 (PDL 4)

- MACHINES WITH FEATURE BM 8481316 (50 HZ)
OR FEATURE BM 8481317 (60 HZ) ARE ON
POWER DESIGN LEVEL 5 (PDL 5)



TOP COVER ASSEMBLY
FIGURE 10
PAGE 48

COVER ASSEMBLY
FIGURE 1 (2 SHEETS)
PAGE 2

CABLES WITH
COMPONENT PARTS
FIGURE 21 (6 SHEETS)
PAGE 102

CABLES WITH
COMPONENT PARTS
FIGURE 21 (6 SHEETS)
PAGE 102

OPERATOR
DISPLAY CONSOLE

SEE 3278-2A PARTS CATALOG
FORM NO. S126 0020 3
AND HIGHER SUFFIXES
OR 3279 2C PARTS CATALOG
FORM NO. SY33 0090

CONSOLE TABLE
SEE FIGURE 1

VISUAL INDEX I : COVERS AND ATTACHEMENTS

FINAL ASSEMBLY
FIGURE 2 (2 SHEETS)
PAGE 6
AND
FRAME AND POWER
HARDWARE
FIGURE 3 (2 SHEETS)
PAGE 12
SEE ALSO VISUAL
INDEX III)

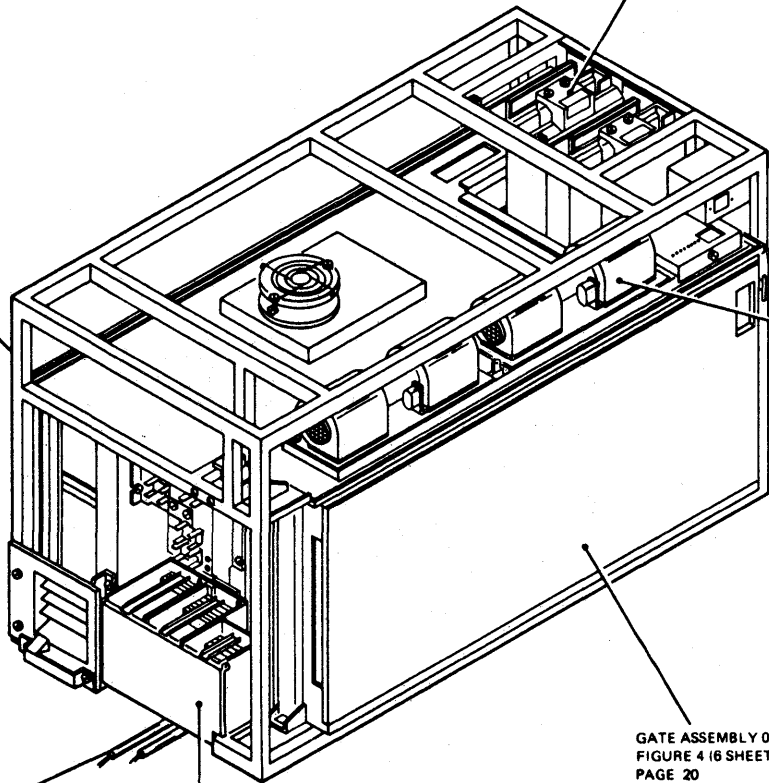
DISKETTE
FILE DRIVE AND
FRAME ASSEMBLY
FIGURE 18A
PAGE 90
AND
DISKETTE DRIVE ASSEMBLY ,53 FD
FIGURE 19 (2 SHEETS)
PAGE 92
AND
DISKETTE
BASEPLATE ASSEMBLY
FIGURE 20 (3 SHEETS)
PAGE 96

COOLING ASSEMBLY
FIGURE 5
PAGE 32

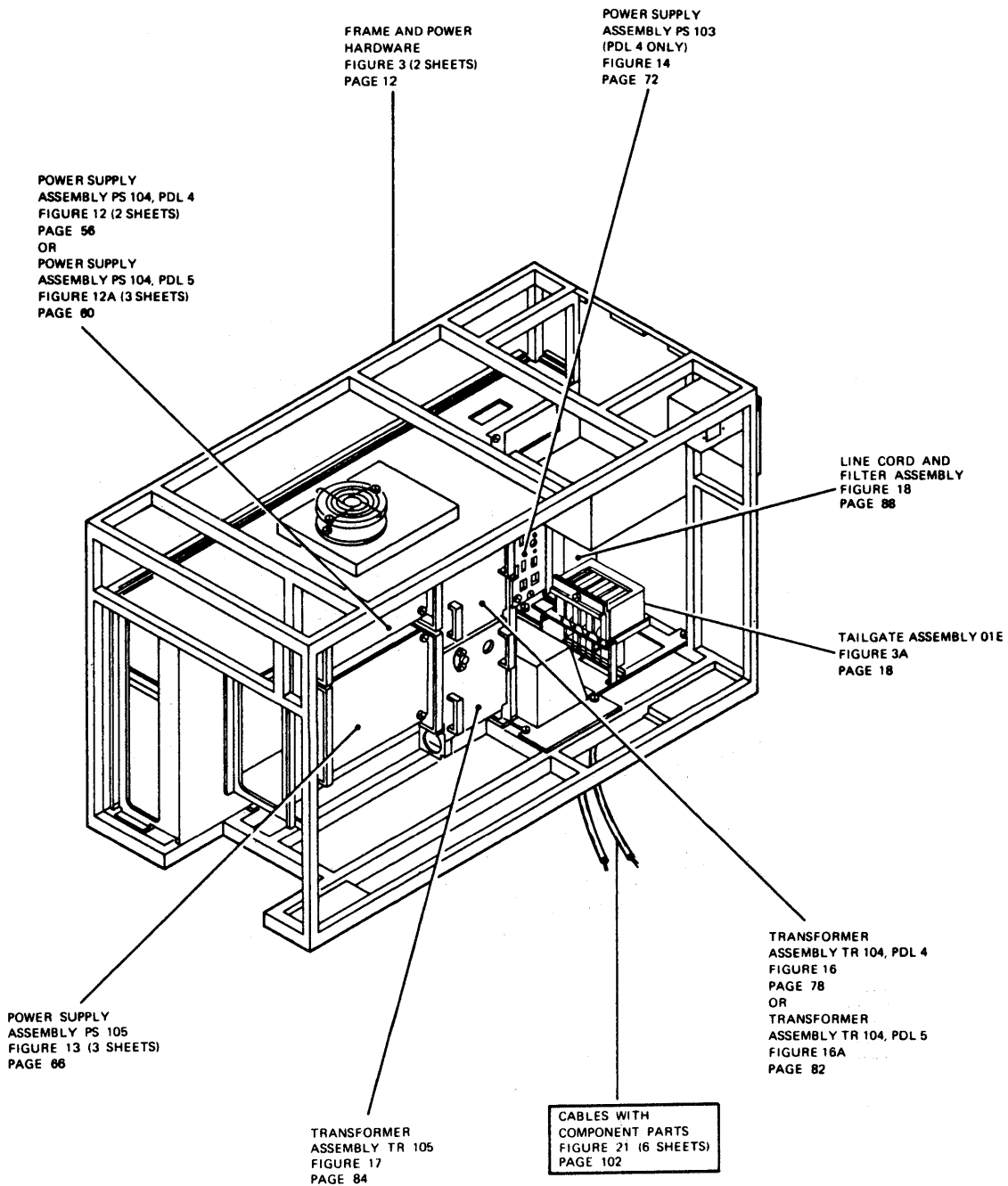
GATE ASSEMBLY 01A
FIGURE 4 (6 SHEETS)
PAGE 20

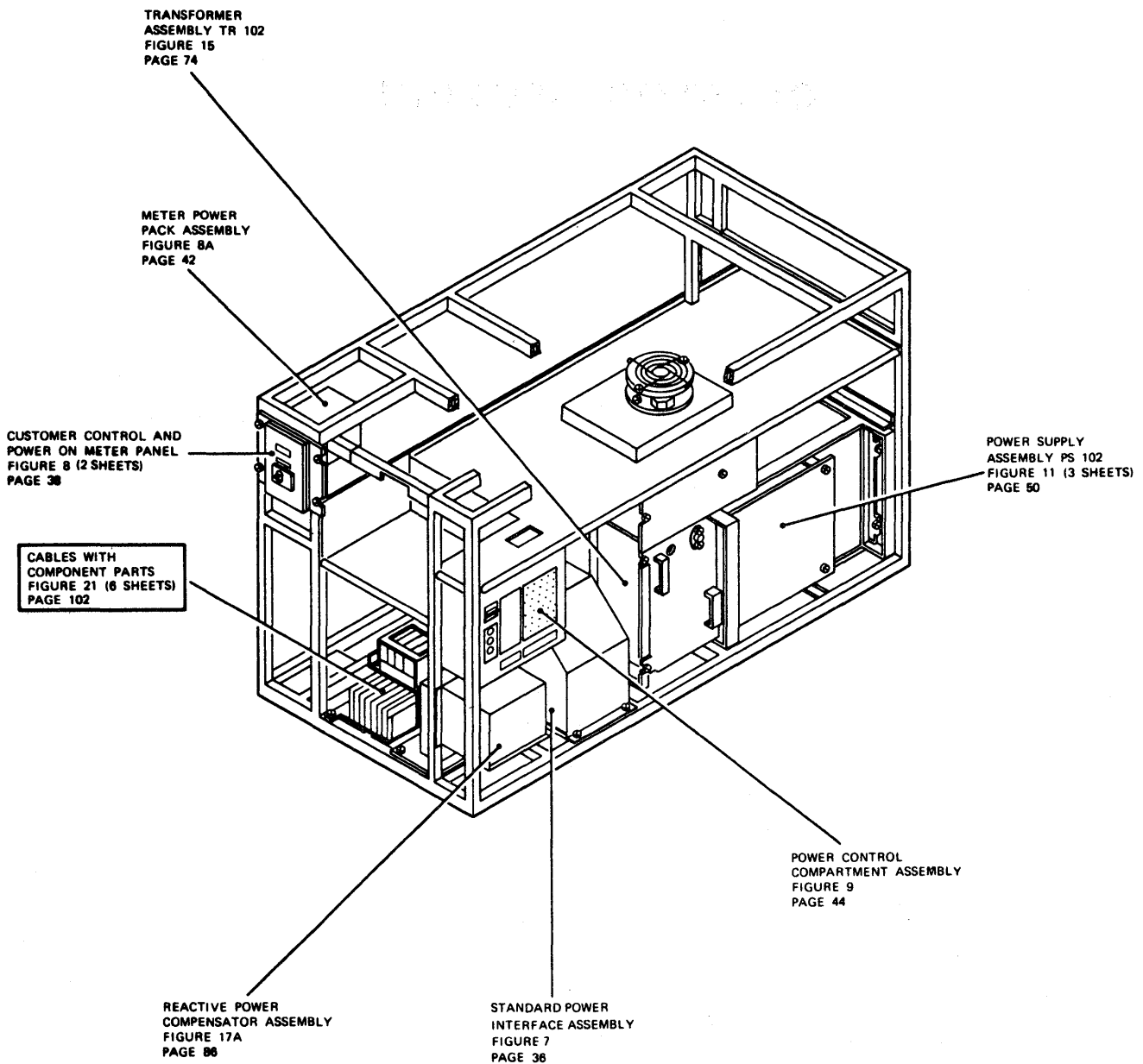
CABLES WITH
COMPONENT PARTS
FIGURE 21 (6 SHEETS)
PAGE 102

I/O RACK ASSEMBLY
(TAILGATE 01D)
FIGURE 6
PAGE 34



VISUAL INDEX II : FINAL ASSEMBLY





CATALOG SECTION

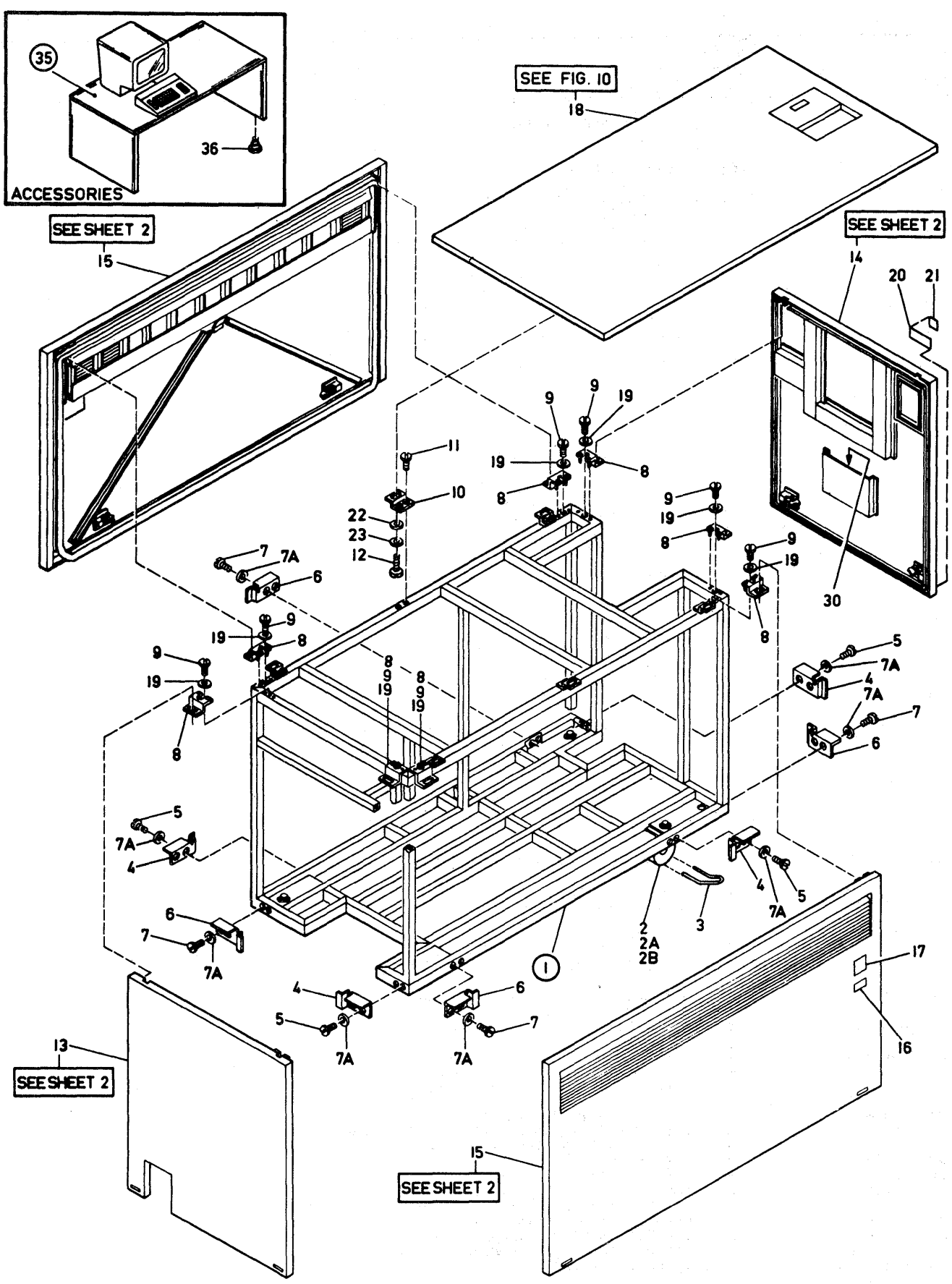


FIGURE 1. COVER ASSEMBLY (SHEET 1 OF 2, INDEX NO. 1 THRU 36)

FIGURE- INDEX NUMBER	PART NUMBER	UNITS PER ASM.	DESCRIPTION			
			1	2	3	4
			COVER ASSEMBLIES			
1 -	8483755	REF	COVER ASSEMBLIES THIS ASM CANNOT BE ORDERED			
- 1	8483000	1	• FRAME AND CASTER ASM			
- 2	471901	4	• • CASTER			
- 2A	130987	4	• • WASHER,LCK,SPLIT,0.509 ID,0.879 OD			
- 2B	186950	4	• • NUT,PLAIN,HEX,0.500-13, 0.75 FL W			
- 3	184886	4	• CASTER LOCK			
- 4	8483919	4	• BRACKET,LATCH,RH (THRU HOLES)			
- 4	8483726	4	• BRACKET,LATCH,RH (OBLONG HOLES),OPTIONAL USAGE			
- 5	1673984	8	• SCREW,MACH,PAN HD,M5, 8MM LG			
- 6	8483918	4	• BRACKET,LATCH,LH (THRU HOLES)			
- 6	8483725	4	• BRACKET,LATCH,LH (OBLONG HOLES),OPTIONAL USAGE			
- 7	1673984	8	• SCREW,MACH,PAN HD,M5, 8MM LG			
- 7A	1622347	16	• WASHER,LCK,EXT ST,5.3MM ID,10MM OD			
- 8	8483913	8	• BRACKET,LATCH TOP			
- 9	1621518	8	• SCREW,CAP,SOC HD,M5, 10MM LG			
- 10	5578577	6	• BRACKET, TOP COVER			
- 11	1621190	12	• SCREW,MACH,PAN HD,M4, 8MM LG			
- 12	1621190	6	• SCREW,MACH,PAN HD,M4, 8MM LG			
- 12	8483730	1	• END COVER ASM LH,CLASSIC BLUE			
- 13	8483315	1	• END COVER ASM LH,TOOL OPERATED,CLASSIC BLUE,OPTIONAL			
- 13	8483732	1	• END COVER ASM LH,SUNRISE YELLOW			
- 13	8483734	1	• END COVER ASM LH,PEBBLE GRAY			
- 13	8483736	1	• END COVER ASM LH,GARNET ROSE			
- 13	8483738	1	• END COVER ASM LH,CHARCOAL BROWN			
- 13	8483740	1	• END COVER ASM LH,WILLOW GREEN FOR DETAIL BREAKDOWN SEE SHEET 2			
- 14	8483731	1	• END COVER ASM RH,CLASSIC BLUE			
- 14	8483316	1	• END COVER ASM RH,TOOL OPERATED,CLASSIC BLUE,OPTIONAL			
- 14	8483733	1	• END COVER ASM RH,SUNRISE YELLOW			
- 14	8483735	1	• END COVER ASM RH,PEBBLE GRAY			
- 14	8483737	1	• END COVER ASM RH,GARNET ROSE			
- 14	8483739	1	• END COVER ASM RH,CHARCOAL BROWN			
- 14	8483741	1	• END COVER ASM RH,WILLOW GREEN FOR DETAIL BREAKDOWN SEE SHEET 2			
- 15	8483709	2	• COVER FRONT AND REAR ASM			
- 15	8483317	2	• COVER FRONT AND REAR ASM,TOOL OPERATED,OPTIONAL FOR DETAIL BREAKDOWN SEE SHEET 2			
- 16	4251623	1	• PLATE,UK IMPORT,GERMANY			
- 16	855285	1	• PLATE,UK IMPORT,USA			
- 16	1976198	1	• PLATE,UK IMPORT,JAPAN			
- 16	6003004	1	• PLATE,UK IMPORT,BRAZIL			
- 17	8483327	2	• PRODUCT IDENTIFICATION PLATE,4321			
- 17	8483796	2	• PRODUCT IDENTIFICATION PLATE,4331-1			
- 17	8483855	2	• PRODUCT IDENTIFICATION PLATE,4331-2			
- 17	8483334	2	• PRODUCT IDENTIFICATION PLATE,4331-11			
- 18	8483430	1	• TOP COVER ASM WITH SLIDING COVER FOR DETAIL BREAKDOWN SEE FIGURE 10			
- 19	1622347	8	• WASHER,LCK,EXT ST,5.3MM ID,10MM OD			
- 20	1743359	1	• PLATE,FCC INFORMATION USED ON US MACH ONLY			
- 20	8483320	1	• PLATE,POWER RATING,50 HZ,4321 USED ON FINLAND MACH ONLY			
- 20	8483798	1	• PLATE,POWER RATING,50 HZ,4331-1 USED ON FINLAND MACH ONLY			
- 20	8483907	1	• PLATE,POWER RATING,50 HZ,4331-2 USED ON FINLAND MACH ONLY			
- 20	8483336	1	• PLATE,POWER RATING,50 HZ,4331-11 USED ON FINLAND MACH ONLY			
- 20	8483329	1	• LABEL,POWER RATING EXTERNAL,60 HZ,4321,CANADIAN MACH ONLY			
- 20	8483272	1	• LABEL,POWER RATING EXTERNAL,60 HZ,4331-1,CANADIAN MACH ONLY			
- 20	8483318	1	• LABEL,POWER RATING EXTERNAL,60 HZ,4331-2,CANADIAN MACH ONLY			
- 20	8483342	1	• LABEL,POWER RATING EXTERNAL,60 HZ,4331-11,CANADIAN MACH ONLY			
- 21	960766	1	• PLATE,CSA,CANADIAN MACH ONLY			
- 22	1622304	6	• WASHER,FL,4.3MM ID,9MM OD,0.8MM THK			
- 23	1622318	6	• WASHER,LCK,SPRING,4.1MM ID,7.6MM OD			
- 30	4110178	1	WIRE,4M LG,CE TOOL			
- 35	5578613	1	CONSOLE TABLE GRP,PEBBLE GRAY			
- 35	5578614	1	CONSOLE TABLE GRP,CHARCOAL BROWN			
- 35	5578615	1	CONSOLE TABLE GRP,CLASSIC BLUE			
- 35	5578616	1	CONSOLE TABLE GRP,WILLOW GREEN			
- 35	5578617	1	CONSOLE TABLE GRP,GARNET ROSE			
- 35	5578618	1	CONSOLE TABLE GRP,SUNRISE YELLOW			
- 36	5717999	4	• GLIDE,PLASTIC			

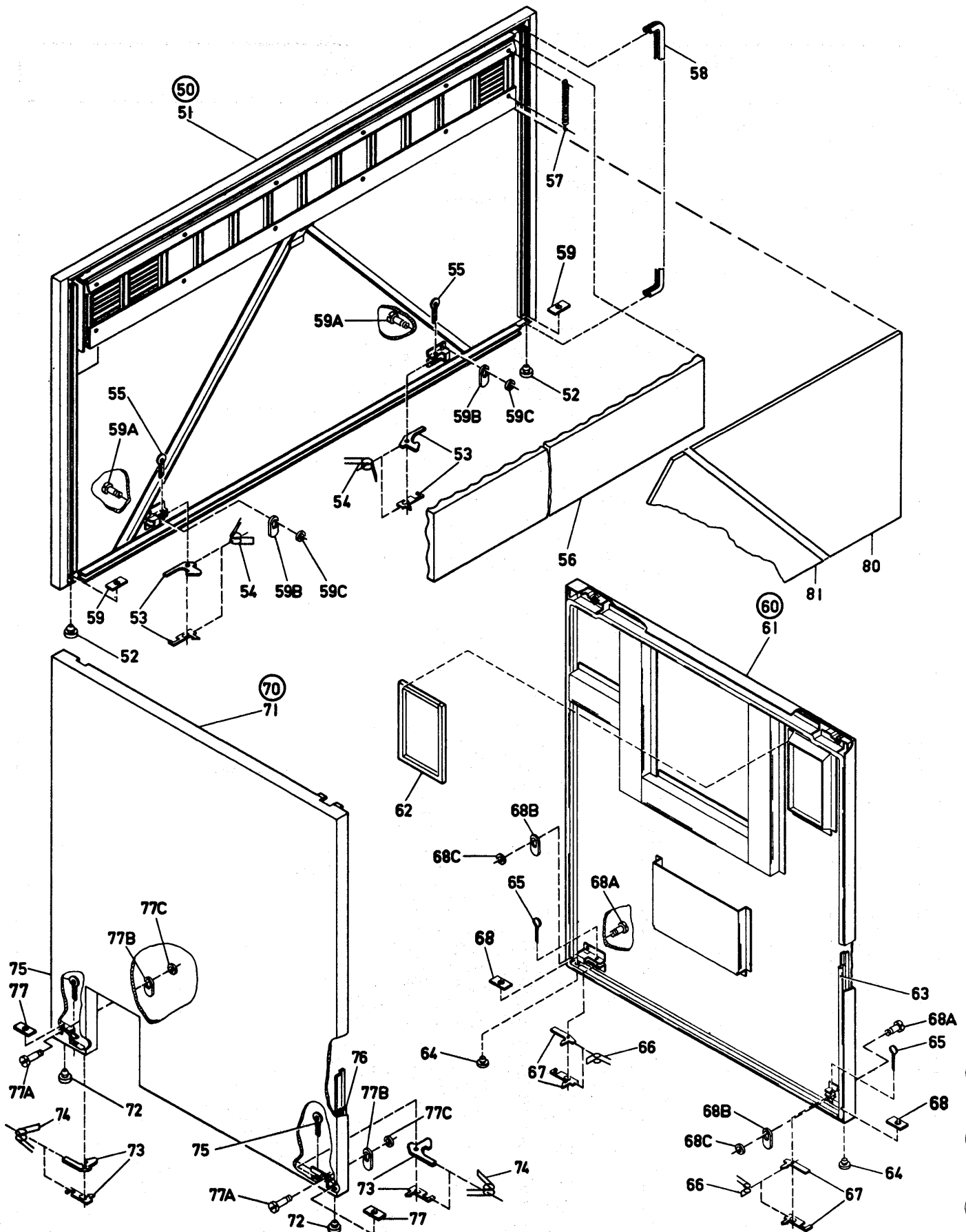


FIGURE 1. COVER ASSEMBLY (SHEET 2 OF 2, INDEX NO. 50 THRU 81)

FIGURE- INDEX NUMBER	PART NUMBER	UNITS PER ASM.	DESCRIPTION			
			1	2	3	4
1 -	8483755	REF	COVER ASSEMBLIES			
			THIS ASM CANNOT BE ORDERED			
- 50	8483709	2	• COVER FRONT AND REAR ASM			
- 50	8483317	2	• COVER FRONT AND REAR ASM,TOOL OPERATED,OPTIONAL			
- 51	8483708	1	• • COVER FRONT AND REAR			
- 51	8483757	1	• • COVER FRONT AND REAR,ALU VERSION			
- 51	8483312	1	• • COVER FRONT AND REAR,TOOL OPERATED,OPTIONAL			
- 52	1470748	2	• • FOOT			
- 53	8483916	2	• • LATCH,NOT USED ON ASM 8483317			
- 53	8483309	2	• • LATCH,USED ON ASM 8483317 ONLY			
- 54	2546384	2	• • SPRING			
- 55	35868	2	• • COTTER PIN			
- 56	8483722	1	• • AIR FILTER			
- 57	307984	6	• • SPRING			
- 58	8483347	1	• • SEAL,4760MM LG			
- 59	1073043	2	• • NUT,SPEED,6-32			
- 59A	8483310	2	• • SHAFT,USED ON ASM 8483317 ONLY			
- 59B	8483311	2	• • ACTUATOR,USED ON ASM 8483317 ONLY			
- 59C	257700	2	• • CLIP,USED ON ASM 8483317 ONLY			
- 60	8483731	1	• END COVER ASM RH,CLASSIC BLUE			
- 60	8483316	1	• END COVER ASM RH,TOOL OPERATED,CLASSIC BLUE,OPTIONAL			
- 60	8483733	1	• END COVER ASM RH,SUNRISE YELLOW			
- 60	8483735	1	• END COVER ASM RH,PEBBLE GRAY			
- 60	8483737	1	• END COVER ASM RH,GARNET ROSE			
- 60	8483739	1	• END COVER ASM RH,CHARCOAL BROWN			
- 60	8483741	1	• END COVER ASM RH,WILLOW GREEN			
- 61	8483743	1	• • END COVER CBM RH,CLASSIC BLUE			
- 61	8483314	1	• • END COVER CBM RH,TOOL OPERATED,CLASSIC BLUE			
- 61	8483745	1	• • END COVER CBM RH,SUNRISE YELLOW			
- 61	8483747	1	• • END COVER CBM RH,PEBBLE GRAY			
- 61	8483749	1	• • END COVER CBM RH,GARNET ROSE			
- 61	8483751	1	• • END COVER CBM RH,CHARCOAL BROWN			
- 61	8483753	1	• • END COVER CBM RH,WILLOW GREEN			
- 62	749059	1	• • SEAL,646MM LG			
- 63	8483347	1	• • SEAL,3250MM LG			
- 64	1470748	2	• • FOOT			
- 65	35868	2	• • COTTER PIN			
- 66	2546384	2	• • SPRING			
- 67	8483916	2	• • LATCH,NOT USED ON ASM 8483316			
- 67	8483309	2	• • LATCH,USED ON ASM 8483316 ONLY			
- 68	1073043	2	• • NUT,SPEED,6-32			
- 68A	8483310	2	• • SHAFT,USED ON ASM 8483316 ONLY			
- 68B	8483311	2	• • ACTUATOR,USED ON ASM 8483316 ONLY			
- 68C	257700	2	• • CLIP,USED ON ASM 8483316 ONLY			
- 70	8483730	1	• END COVER ASM LH,CLASSIC BLUE			
- 70	8483315	1	• END COVER ASM LH,TOOL OPERATED,CLASSIC BLUE,OPTIONAL			
- 70	8483732	1	• END COVER ASM LH,SUNRISE YELLOW			
- 70	8483734	1	• END COVER ASM LH,PEBBLE GRAY			
- 70	8483736	1	• END COVER ASM LH,GARNET ROSE			
- 70	8483738	1	• END COVER ASM LH,CHARCOAL BROWN			
- 70	8483740	1	• END COVER ASM LH,WILLOW GREEN			
- 71	8483742	1	• • END COVER CBM LH,CLASSIC BLUE			
- 71	8483313	1	• • END COVER CBM LH,TOOL OPERATED,CLASSIC BLUE			
- 71	8483744	1	• • END COVER CBM LH,SUNRISE YELLOW			
- 71	8483746	1	• • END COVER CBM LH,PEBBLE GRAY			
- 71	8483748	1	• • END COVER CBM LH,GARNET ROSE			
- 71	8483750	1	• • END COVER CBM LH,CHARCOAL BROWN			
- 71	8483752	1	• • END COVER CBM LH,WILLOW GREEN			
- 72	1470748	2	• • FOOT			
- 73	8483916	2	• • LATCH,NOT USED ON ASM 8483315			
- 73	8483309	2	• • LATCH,USED ON ASM 8483315 ONLY			
- 74	2546384	2	• • SPRING			
- 75	35868	2	• • COTTER PIN			
- 76	8483347	1	• • SEAL,3621MM LG			
- 77	1073043	2	• • NUT,SPEED,6-32			
- 77A	8483310	2	• • SHAFT,USED ON ASM 8483315 ONLY			
- 77B	8483311	2	• • ACTUATOR,USED ON ASM 8483315 ONLY			
- 77C	257700	2	• • CLIP,USED ON ASM 8483315 ONLY			
- 80	8483011	2	PAD,SOUND REDUCTION,OPTIONAL			
- 81	8483015	1	PAD,SOUND REDUCTION,OPTIONAL			

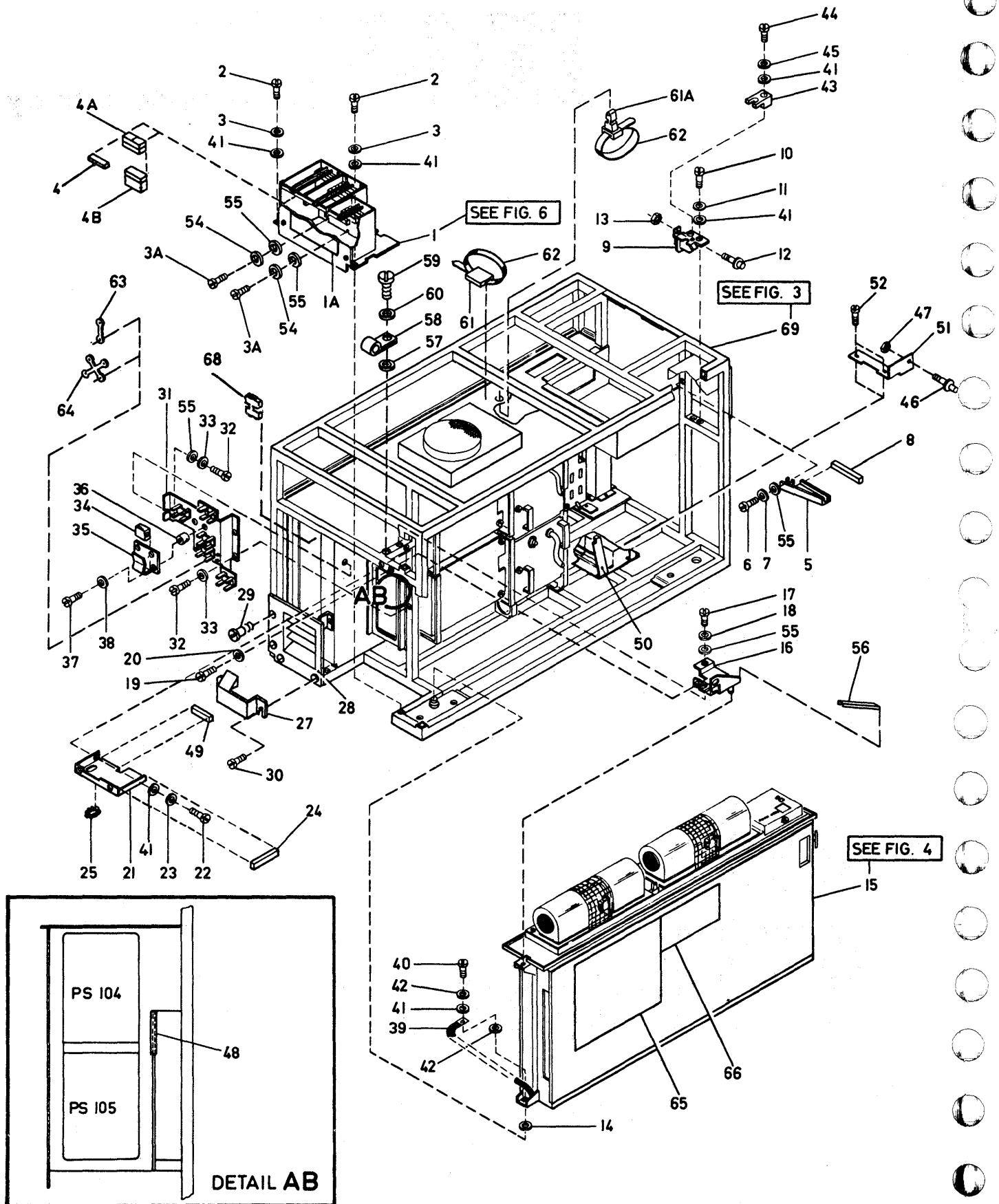


FIGURE 2. FINAL ASSEMBLY (SHEET 1 OF 2, INDEX NO. 1 THRU 69)

FIGURE- INDEX NUMBER	PART NUMBER	UNITS PER ASM.	DESCRIPTION			
			1	2	3	4
			FINAL ASSEMBLY			
2 -	8483010	REF	FINAL ASSEMBLY THIS ASSEMBLY CANNOT BE ORDERED			
- 1	8483678	1	• I/O RACK ASM FOR DETAIL BREAKDOWN SEE FIGURE 6			
- 1A	8483322	1	• LABEL,I/O CONN LOC,4321			
- 1A	8483696	1	• LABEL,I/O CONN LOC,4331-1			
- 1A	8483880	1	• LABEL,I/O CONN LOC,4331-2			
- 1A	8483340	1	• LABEL,I/O CONN LOC,4331-11			
- 2	1673728	2	• SCREW,CAP,HEX HD,M5, 8MM LG			
- 3	1622319	2	• WASHER,LCK,SPRING,5.1MM ID,9.2MM OD			
- 3A	2549782	2	• SCREW,THRD FORM,HEX WSHR HD,M5, 10MM LG			
- 4	8483695	AR	• FILLER			
- 4A	8483541	AR	• CONNECTOR ASM,EMC (RED DOT) FOR COMPONENT PARTS SEE FIGURE 21 -90			
- 4A	8483543	AR	• CONNECTOR ASM,EMC,MFCU 5424 ONLY FOR COMPONENT PARTS SEE FIGURE 21 -90			
- 4B	2282675	3	• CONNECTOR ASM,TERMINATOR,BUS,POS C2,D2,03			
- 4B	2282676	1	• CONNECTOR ASM,TERMINATOR,TAG,POS E3			
- 4B	8483772	1	• BUS WRAP CONNECTOR ASM,CE TOOL FOR COMPONENT PARTS SEE FIGURE 21 -90A			
- 4B	8483773	1	• TAG WRAP CONNECTOR ASM,CE TOOL FOR COMPONENT PARTS SEE FIGURE 21 -90A			
- 4B	8483860	1	• CABLE ASM,BUS TO TAG,CE TOOL FOR COMPONENT PARTS SEE FIGURE 21 -90A			
- 5	8483119	1	• AIR BARRIER			
- 6	1621518	2	• SCREW,CAP,SOC HD,M5, 10MM LG			
- 7	1622319	2	• WASHER,LCK,SPRING,5.1MM ID,9.2MM OD			
- 8	596756	1	• SEAL,160MM LG			
- 8	8483347	1	• SEAL,160MM LG,OPTIONAL			
- 9	8483096	1	• BRACKET			
- 10	1621518	3	• SCREW,CAP,SOC HD,M5, 10MM LG			
- 11	1622319	3	• WASHER,LCK,SPRING,5.1MM ID,9.2MM OD			
- 12	223781	1	• BUMPER			
- 13	3960	1	• NUT,PLAIN,HEX,0.250-20, 0.438 FL W			
- 14	4014244	1	• WASHER,NYLON,0.65 ID,1.25 OD,0.122 THK			
- 15	8483500	1	• GATE ASM 01A FOR DETAIL BREAKDOWN SEE FIGURE 4			
- 16	8483097	1	• HINGE,UPPER			
- 17	1621518	4	• SCREW,CAP,SOC HD,M5, 10MM LG			
- 18	1622319	4	• WASHER,LCK,SPRING,5.1MM ID,9.2MM OD			
- 19	1621531	2	• SCREW,CAP,SOC HD,M6, 30MM LG			
- 20	1622320	2	• WASHER,LCK,SPRING,6.1MM ID,11.8MM OD			
- 21	8483523	1	• AIR BARRIER			
- 22	1621210	3	• SCREW,MACH,PAN HD,M5, 10MM LG			
- 23	1622319	3	• WASHER,LCK,SPRING,5.1MM ID,9.2MM OD			
- 24	596756	1	• SEAL,FOAM,115MM LG			
- 25	480755	1	• CHANNEL,106MM LG			
- 27	8483682	1	• RETAINER,NDS CABLES			
- 28	8483766	1	• BRACKET,DCA PORT,16 POS (PART OF CABLE ASM 8482909)			
- 29	1621812	3	• SCREW,THRD FORM,HEX HD,M4, 8MM LG			
- 30	1621813	2	• SCREW,THRD FORM,HEX HD,M4, 16MM LG			
- 31	8483506	1	• BRACKET			
- 32	1621210	3	• SCREW,MACH,PAN HD,M5, 10MM LG			
- 33	1622319	3	• WASHER,LCK,SPRING,5.1MM ID,9.2MM OD			
- 34	853288	2	• CORE			
- 35	2588046	1	• SPRING			
- 36	4037343	2	• SPACER			
- 37	1621213	2	• SCREW,MACH,PAN HD,M5, 20MM LG			
- 38	1622319	2	• WASHER,LCK,SPRING,5.1MM ID,9.2MM OD			
- 39	4686055	1	• STRAP			
- 40	1621210	1	• SCREW,MACH,PAN HD,M5, 10MM LG			
- 41	1622305	10	• WASHER,FL,5.5MM ID,10MM OD,1MM THK			
- 42	1622347	2	• WASHER,LCK, EXT ST,5.3MM ID,10MM OD			
- 43	8483524	1	• CLAMP,SHIPPING			
- 44	1621523	1	• SCREW,CAP,SOC HD,M5, 30MM LG			
- 45	1622319	1	• WASHER,LCK,SPRING,5.1MM ID,9.2MM OD			
- 46	223781	1	• BUMPER			
- 47	3960	1	• NUT,PLAIN,HEX,0.250-20, 0.438 FL W			
- 48	5203114	1	• RUBBER CHANNEL,100MM LG			
- 49	596756	1	• SEAL,FOAM,95MM LG			
- 50	8483762	1	• BRACKET,TAILGATE			
- 51	8483879	1	• BRACKET,GATE STOP LOWER			
- 52	1621811	2	• SCREW,THRD FORM,HEX HD,M4, 10MM LG			
- 54	1622319	2	• WASHER,LCK,SPRING,5.1MM ID,9.2MM OD			
- 55	23141	11	• WASHER,FL,5.1MM ID,14.3MM OD,1.6MM THK			
- 56	1681020	1	• CHANNEL			

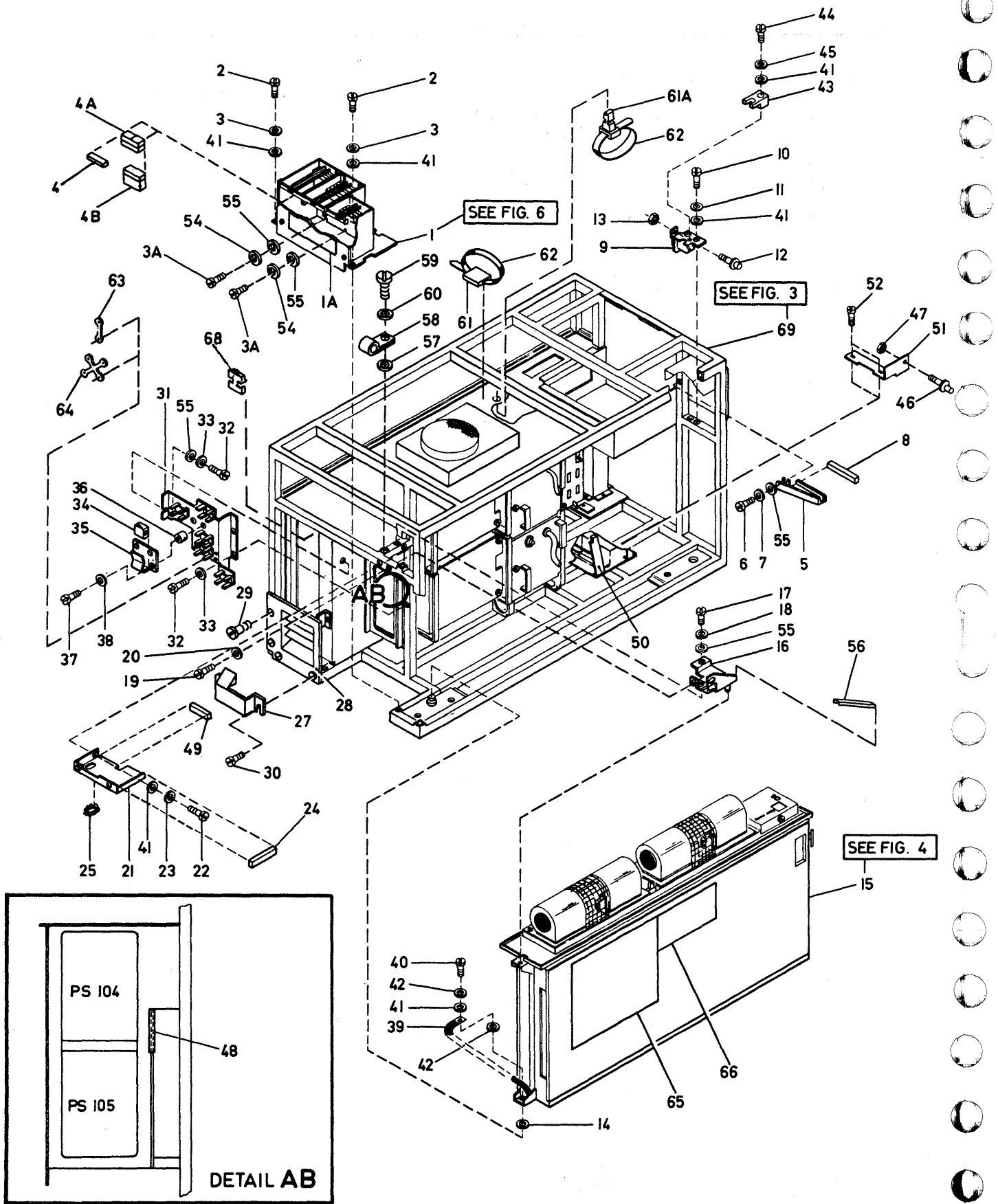


FIGURE 2. FINAL ASSEMBLY (SHEET 1 OF 2, INDEX NO. 1 THRU 69), CONTINUED

FIGURE- INDEX NUMBER	PART NUMBER	UNITS PER ASM.	DESCRIPTION				
			1	2	3	4	
2 - 57	1622347	2					• WASHER,LCK,EXT ST,5.3MM ID,10MM OD
- 58	533289	2					• CLAMP,LOOP,7.9MM ID,5.2MM DIA MTG HOLE
- 59	1621210	2					• SCREW,MACH,PAN HD,M5, 10MM LG
- 60	1622305	2					• WASHER,FL,5.5MM ID,10MM OD,1MM THK
- 61	2278668	11					• HOLDER,STICKED ON
- 61A	2278668	4					• HOLDER,STICKED ON
- 61A	2277082	4					• HOLDER,PLUGGED USED ON US MACH ONLY
- 62	1159913	21					• STRAP,CABLE,102MM LG
- 63	811427	AR					• CABLE STRAP
- 64	813519	AR					• CABLE RETAINER
- 65	8483325	1					• LABEL,PHYS LAYOUT,4321
- 65	8483897	1					• LABEL,PHYS LAYOUT,4331-1
- 65	8483875	1					• LABEL,PHYS LAYOUT,4331-2
- 65	8483338	1					• LABEL,PHYS LAYOUT,4331-11
- 66	8482797	1					• LABEL,IPS BOARD 01A-C1,4321
- 66	8482798	1					• LABEL,IPS BOARD 01A-C1,4331-1,4331-2
- 66	8483344	1					• LABEL,IPS BOARD 01A-C1,4331-11
- 68	4154559	1					• SPACER
- 69	8483110	1					• FRAME,POWER HARDWARE FOR DETAIL BREAKDOWN SEE FIGURE 3

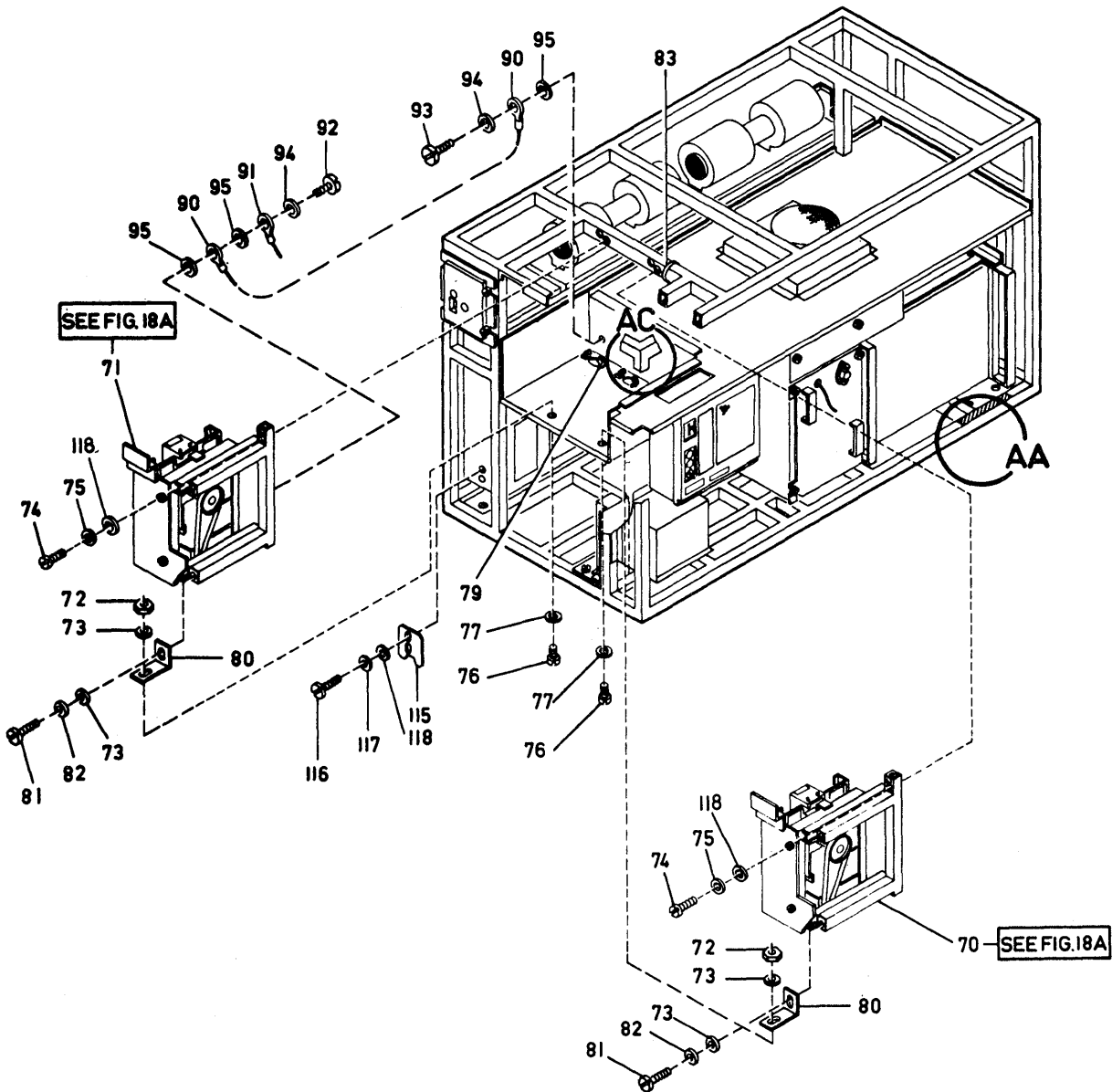
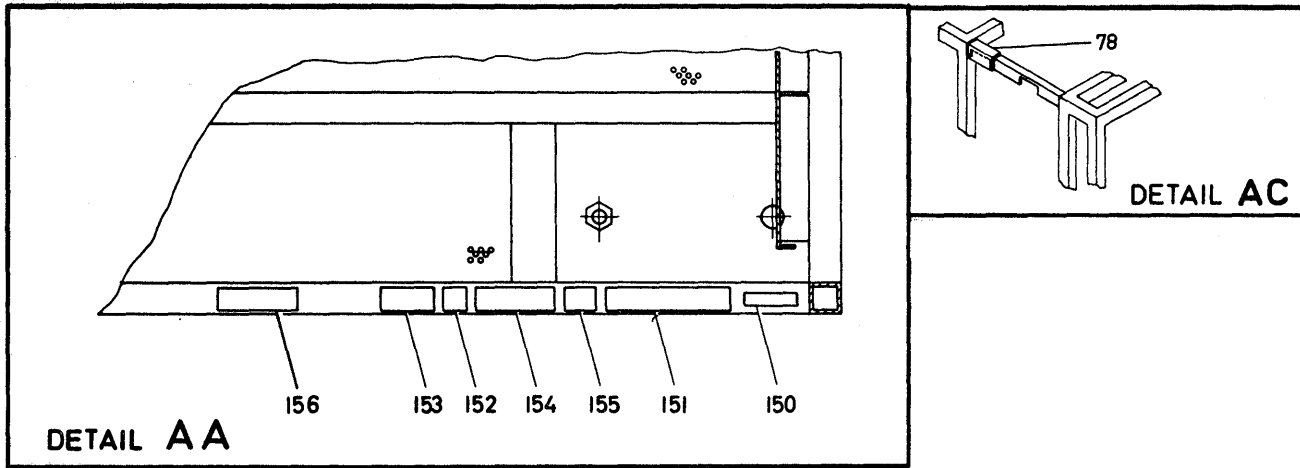


FIGURE 2. FINAL ASSEMBLY (SHEET 2 OF 2, INDEX NO. 70 THRU 156)

FIGURE- INDEX NUMBER	PART NUMBER	UNITS PER ASM.	DESCRIPTION			
			1	2	3	4
2 - 70	8483787	1	• FILE DRIVE AND FRAME ASM,50 HZ,RH			
- 70	8483788	1	• FILE DRIVE AND FRAME ASM,60 HZ,RH FOR DETAIL BREAKDOWN SEE FIGURE 18A			
- 71	8483906	1	• FILE DRIVE AND FRAME ASM,50 HZ,LH			
- 71	8483905	1	• FILE DRIVE AND FRAME ASM,60 HZ,LH FOR DETAIL BREAKDOWN SEE FIGURE 18A			
- 72	1622403	2	• NUT,HEX,M4, 7MM FL W NOT USED ON US MACH			
- 73	1622304	4	• WASHER,FL,4.3MM ID,9MM OD,0.8MM THK NOT USED ON US MACH			
- 74	1621522	4	• SCREW,CAP,SOC HD,M5, 25MM LG			
- 75	1622319	4	• WASHER,LCK,SPRING,5.1MM ID,9.2MM OD			
- 76	1621191	2	• SCREW,MACH,PAN HD,M4, 10MM LG NOT USED ON US MACH			
- 76	1621190	2	• SCREW,MACH,PAN HD,M4, 8MM LG USED ON US MACH ONLY			
- 77	1622318	2	• WASHER,LCK,SPRING,4.1MM ID,7.6 MM OD			
- 78	8483568	1	• SHIELD			
- 79	480755	2	• CHANNEL			
- 80	8483912	2	• FITTING ANGLE NOT USED ON US MACH			
- 81	1621190	2	• SCREW,MACH,PAN HD,M4, 8MM LG NOT USED ON US MACH			
- 82	1622318	2	• WASHER,LCK,SPRING,4.1MM ID,7.6MM OD NOT USED ON US MACH			
- 83	524519	3	• CABLE TIE,184MM LG			
- 90	8483830	2	• JUMPER ASM,DISKETTE DRIVE TO FRAME FOR COMPONENT PARTS SEE FIGURE 21 -1H			
- 91	8482893	2	• CABLE ASM,DISKETTE TO BOARD,SIGNAL,PDL 4 FOR COMPONENT PARTS SEE FIGURE 21 -1M, -8B,-18B,-18C,-20A,-41D,-46,-49,-50, -51,-52,-61,-82,-83			
- 91	8482936	2	• CABLE ASM,DISK TO PS 104, 01A-A2,PDL 5 FOR COMPONENT PARTS SEE FIGURE 21 -1H,-1M, -18B,-18C,-21D,-41D,-46,-49,-50,-51,-52, -61,-82,-83,-149,-150			
- 92	1621811	2	• SCREW,THRD FORM,HEX HD,M4, 10MM LG			
- 93	1621852	2	• SCREW,THRD FORM,PAN HD,M4, 10MM LG			
- 94	1622304	4	• WASHER,FL,4.3MM ID,9MM OD,0.8MM THK			
- 95	1622346	6	• WASHER,LCK,EXT ST,4.3MM ID,8MM OD			
-115	8483728	1	• PLATE,SHIPPING			
-116	1621518	2	• SCREW,CAP,SOC HD,M5, 10MM LG			
-117	1622319	2	• WASHER,LCK,SPRING,5.1MM ID,9.2MM OD			
-118	1622305	6	• WASHER,FL,5.5MM ID,10MM OD,1MM THK			
-150	4056411	1	• PLATE,MFG EXPORT,GERMANY			
-150	855284	1	• PLATE,MFG EXPORT,USA			
-150	1976197	1	• PLATE,MFG EXPORT,JAPAN			
-150	6003011	1	• PLATE,MFG EXPORT,BRAZIL			
-151	8483320	1	• PLATE,POW RATE,50 HZ,4321			
-151	8483321	1	• PLATE,POW RATE,60 HZ,4321			
-151	8483798	1	• PLATE,POW RATE,50 HZ,4331-1			
-151	8483799	1	• PLATE,POW RATE,60 HZ,4331-1			
-151	8483907	1	• PLATE,POW RATE,50 HZ,4331-2			
-151	8483908	1	• PLATE,POW RATE,60 HZ,4331-2			
-151	8483336	1	• PLATE,POW RATE,50 HZ,4331-11			
-151	8483337	1	• PLATE,POW RATE,60 HZ,4331-11			
-152	855283	1	• PLATE,IDENT			
-153	855282	1	• PLATE,SERIAL NO.			
-154	855262	1	• PLATE,PROPERTY,USA			
-154	855263	1	• PLATE,PROPERTY,WT			
-154	960746	1	• PLATE,PROPERTY,CANADA			
-154	1976194	1	• PLATE,PROPERTY,JAPAN			
-154	4056393	1	• PLATE,PROPERTY,GERMANY			
-154	6003013	1	• PLATE,PROPERTY,BRAZIL			
-155	855286	1	• PLATE,UL USA			
-155	960766	1	• PLATE,CSA CANADA			
-156	8482989	1	• LABEL,INFORMATION FOR SUPPLY CONNECT			

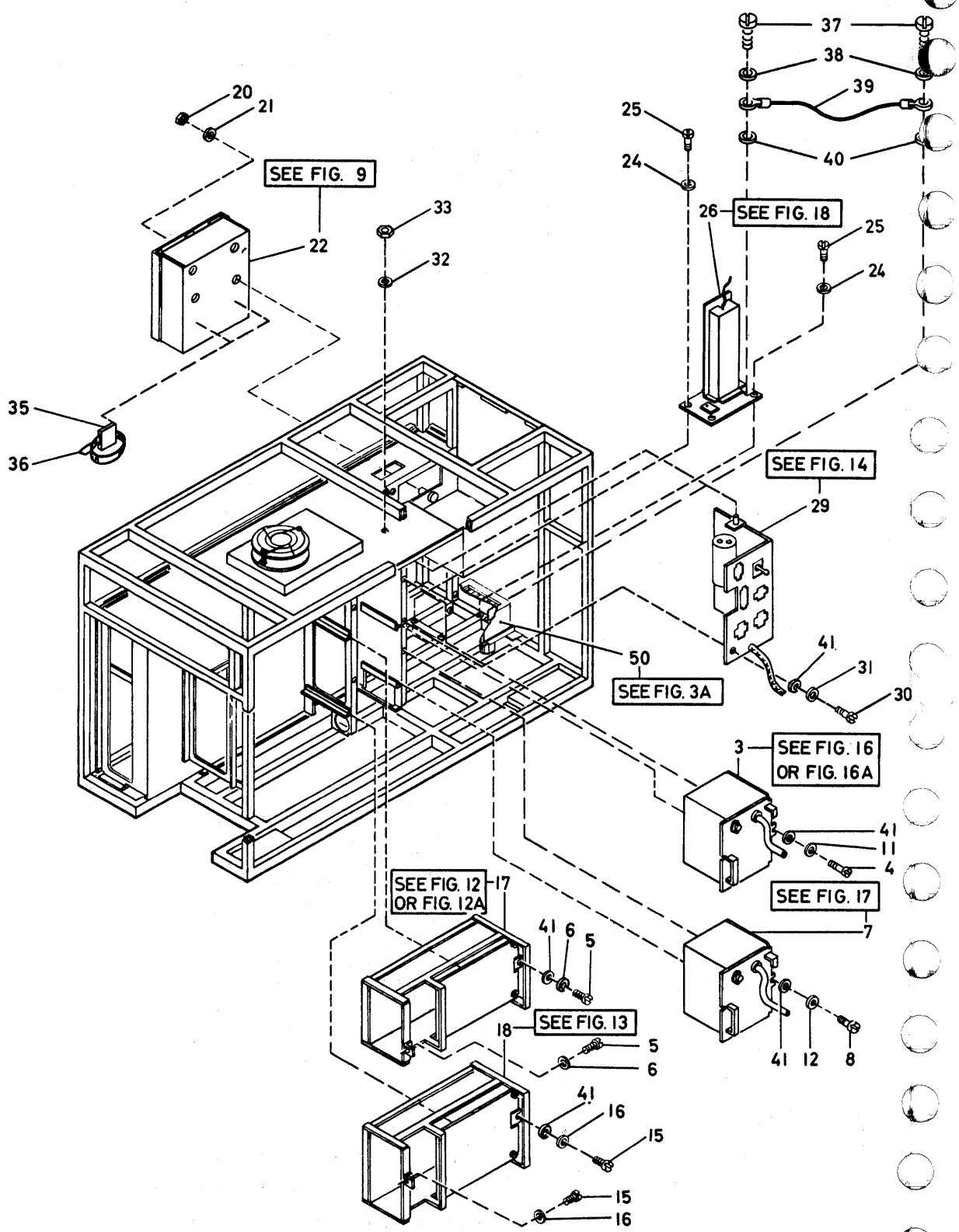


FIGURE 3. FRAME AND POWER HARDWARE (SHEET 1 OF 2, INDEX NO. 3 THRU 50)

FIGURE- INDEX NUMBER	PART NUMBER	UNITS PER ASM.	DESCRIPTION			
			1	2	3	4
			FRAME AND POWER HARDWARE			
3 -	8483110	REF	FRAME AND POWER HARDWARE THIS ASSEMBLY CANNOT BE ORDERED FOR NEXT HIGHER ASM SEE FIGURE 2			
- 3	8482683	1	• FRU TR 104 ASM,50 HZ,PDL 5			
- 3	8482693	1	• FRU TR 104 ASM,60 HZ,PDL 5			
- 3	8482684	1	FOR DETAIL BREAKDOWN SEE FIGURE 16A			
- 3	8482694	1	• FRU TR 104 ASM,50 HZ,PDL 4			
			• FRU TR 104 ASM,60 HZ,PDL 4			
			FOR DETAIL BREAKDOWN SEE FIGURE 16			
			FOR FIELD REPLACEMENT,ORDER FRCH/CANAD			
			LABEL 4857087 IN ADDITION IF REQUIRED			
- 4	1621210	2	• SCREW,MACH,PAN HD,M5, 10MM LG			
- 5	1621210	2	• SCREW,MACH,PAN HD,M5, 10MM LG			
- 6	1622319	2	• WASHER,LCK,SPRING,5.1MM ID,9.2MM OD			
- 7	8482685	1	• FRU TR 105 ASM,50 HZ			
- 7	8482695	1	• FRU TR 105 ASM,60 HZ			
			FOR DETAIL BREAKDOWN SEE FIGURE 17			
			FOR FIELD REPLACEMENT,ORDER FRCH/CANAD			
			LABEL 4857087 IN ADDITION IF REQUIRED			
- 8	1621210	2	• SCREW,MACH,PAN HD,M5, 10MM LG			
- 11	1622319	2	• WASHER,LCK,SPRING,5.1MM ID,9.2MM OD			
- 12	1622319	2	• WASHER,LCK,SPRING,5.1MM ID,9.2MM OD			
- 15	1621210	2	• SCREW,MACH,PAN HD,M5, 10MM LG			
- 16	1622319	2	• WASHER,LCK,SPRING,5.1MM ID,9.2MM OD			
- 17	8482656	1	• FRU PS 104 ASM,PDL 5			
			FOR DETAIL BREAKDOWN SEE FIGURE 12A			
- 17	8482688	1	• FRU PS 104 ASM,PDL 4			
			FOR DETAIL BREAKDOWN SEE FIGURE 12			
- 18	8482659	1	• FRU PS 105 ASM			
			FOR DETAIL BREAKDOWN SEE FIGURE 13			
- 20	1622403	4	• NUT,HEX,M4, 7MM FL W			
- 21	1622318	4	• WASHER,LCK,SPRING,4.1MM ID,7.6MM OD			
- 22	8483790	1	• PCC ASM,50 HZ			
- 22	8483770	1	• PCC ASM,60 HZ			
- 22	8483780	1	• PCC ASM,50/60 HZ JAPAN			
			FOR DETAIL BREAKDOWN SEE FIGURE 9			
			FOR FIELD REPLACEMENT,ORDER IN ADDITION			
			ONE OF THE FOLLOWING WARNING LABELS GROUP:			
			8481026(FRCH/CANAD),8481027(ENGL),8481290(GERM),			
			8481291(FRENCH),8481292(FRCH/DUTCH),			
			8481293(FINNISH),8481294(ITAL),8481295(NORWEG),			
			8481296(SWEDISH)			
- 24	1622335	3	• WASHER,LCK,INT ST,5.3MM ID,10MM OD			
- 25	2549782	3	• SCREW,THRD FORM,HEX WSHR HD,M5, 10MM LG			
- 26	8482964	1	• FRU LINE FILTER ASM,USA 60 HZ			
- 26	8482965	1	• FRU LINE FILTER ASM,WTC 50/60 HZ			
- 26	8482966	1	• FRU LINE FILTER ASM,JAPAN 50/60 HZ			
- 26	8482967	1	• FRU LINE FILTER ASM,CHICAGO 60 HZ			
			FOR DETAIL BREAKDOWN SEE FIGURE 18			
- 29	8482776	1	• FRU PS 103 ASM			
			USED ON PDL 4 MACH ONLY			
			FOR DETAIL BREAKDOWN SEE FIGURE 14			
- 30	1621210	1	• SCREW,MACH,PAN HD,M5, 10MM LG			
			USED ON PDL 4 MACH ONLY			
- 31	1622319	1	• WASHER,LCK,SPRING,5.1MM ID,9.2MM OD			
			USED ON PDL 4 MACH ONLY			
- 32	2125656	1	• WASHER,LCK,0.261 ID,0.875 OD,0.04 THK			
			USED ON PDL 4 MACH ONLY			
- 33	1622405	1	• NUT,HEX,M6, 10MM FL W			
			USED ON PDL 4 MACH ONLY			
- 35	2278668	2	• HOLDER			
- 36	1159913	2	• STRAP,CABLE,102MM LG			
- 37	1621197	2	• SCREW,MACH,PAN HD,M4, 6MM LG			
- 38	1622304	2	• WASHER,FL,4.3MM ID,9MM OD,0.8MM THK			
- 39	8483909	1	• JUMPER ASM,GND,80MM LG			
			FOR COMPONENT PARTS SEE FIGURE 21 -1H			
- 40	1622346	2	• WASHER,LCK,EXT ST,4.3MM ID,8MM OD			
- 41	23141	9	• WASHER,FL,5.1MM ID,14.3MM OD,1.6MM THK			
- 50	NO NO.	1	• TAILGATE ASM,01E			
			FOR DETAIL BREAKDOWN SEE FIGURE 3A			

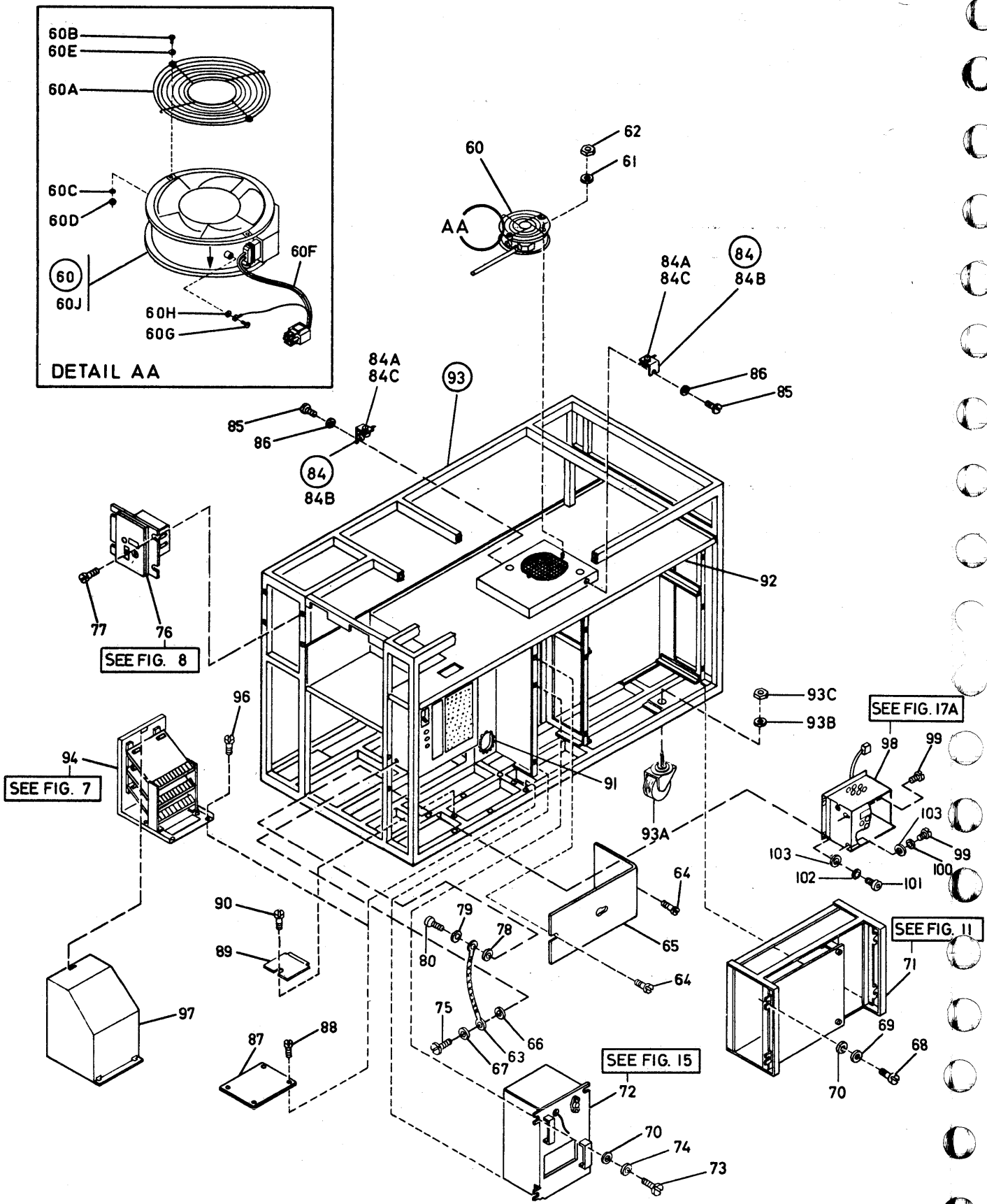


FIGURE 3. FRAME AND POWER HARDWARE (SHEET 2 OF 2, INDEX NO. 60 THRU 103)

FIGURE- INDEX NUMBER	PART NUMBER	UNITS PER ASM.	DESCRIPTION			
			1	2	3	4
3 - 60	8482336	1	• FRU FAN ASM			
- 60A	4123902	1	• • GUARD			
- 60B	1621194	2	• • SCREW,MACH,PAN HD,M4, 20MM LG			
- 60C	1622346	2	• • WASHER,LCK,EXT ST,4.3MM ID,8MM OD			
- 60D	1622403	2	• • NUT,HEX,M4, 7MM FL W			
- 60E	1622304	2	• • WASHER,FL,4.3MM ID,9MM OD,0.8MM THK			
- 60F	8482914	1	• • CABLE ASM FOR COMPONENT PARTS SEE FIGURE 21 -1L, -20,-38,-61,-162			
- 60G	2549780	1	• • SCREW,MACH,PAN HD,M5, 6MM LG			
- 60H	1622347	1	• • WASHER,LCK,EXT ST,5.3MM ID,10MM OD			
- 60J	2549540	1	• • FAN			
- 60J	4120598	1	• • FAN,SUB PART ON MAINZ MACH ONLY			
- 61	1622346	2	• WASHER,LCK,EXT ST,4.3MM ID,8MM OD			
- 62	1622403	2	• NUT,HEX,M4, 7MM FL W			
- 63	8483920	1	• JUMPER ASM FOR COMPONENT PARTS SEE FIGURE 21 -1H,-1Q			
- 64	1621210	3	• SCREW,MACH,PAN HD,M5, 10MM LG			
- 65	8483576	1	• AIR BAFFLE			
- 66	1622346	1	• WASHER,LCK,EXT ST,4.3MM ID,8MM OD			
- 67	1622304	1	• WASHER,FL,4.3MM ID,9MM OD,0.8MM THK			
- 68	1621210	4	• SCREW,MACH,PAN HD,M5, 10MM LG			
- 69	1622319	4	• WASHER,LCK,SPRING,5.1MM ID,9.2MM OD			
- 70	23141	8	• WASHER,FL,5.1MM ID,14.3MM OD,1.6MM THK			
- 71	8482657	1	• FRU PS 102 ASM USED ON 4321 AND 4331-1 ONLY			
- 71	8482658	1	• FRU PS 102 ASM USED ON 4331-2 AND 4331-11 ONLY FOR DETAIL BREAKDOWN SEE FIGURE 11			
- 72	8482682	1	• FRU TR 102 ASM,50 HZ USED ON 4321 AND 4331-1 ONLY			
- 72	8482680	1	• FRU TR 102 ASM,50 HZ USED ON 4331-2 AND 4331-11 ONLY			
- 72	8482692	1	• FRU TR 102 ASM,60 HZ USED ON 4321 AND 4331-1 ONLY			
- 72	8482690	1	• FRU TR 102 ASM,60 HZ USED ON 4331-2 AND 4331-11 ONLY FOR DETAIL BREAKDOWN SEE FIGURE 15 FOR FIELD REPLACEMENT,ORDER FRCH/CANAD LABEL 4857087 IN ADDITION IF REQUIRED			
- 73	1621210	4	• SCREW,MACH,PAN HD,M5, 10MM LG			
- 74	1622319	4	• WASHER,LCK,SPRING,5.1MM ID,9.2MM OD			
- 75	1621190	1	• SCREW,MACH,PAN HD,M4, 8MM LG			
- 76	8483689	1	• FRU POWER ON METER PANEL ASM,50 HZ			
- 76	8483690	1	• FRU POWER ON METER PANEL ASM,60 HZ USED ON APPROX 300 US,200 GERM,AND 100 JAPAN IBM OWNED MACH ONLY			
- 76	8483795	1	• FRU CUSTOMER CONTROL PANEL ASM FOR DETAIL BREAKDOWN SEE FIGURE 8 FOR FIELD REPLACEMENT,ORDER IN ADDITION ONE OF THE FOLLOWING WARNING LABELS GROUP: 8481026(FRCH/CANAD),8481027(ENGL),8481290(GERM), 8481291(FRENCH),8481292(FRCH/DUTCH), 8481293(FINNISH),8481294(ITAL),8481295(NORWEG), 8481296(SWEDISH)			
- 77	1621210	4	• SCREW,MACH,PAN HD,M5, 10MM LG			
- 78	1622347	1	• WASHER,LCK,EXT ST,5.3MM ID,10MM OD			
- 79	1622305	1	• WASHER,FL,5.5MM ID,10MM OD,1MM THK			
- 80	2549782	1	• SCREW,THRD FORM, HEXWSHR HD,M5, 10MM LG			
- 84	8483718	2	• FRU THERMO SWITCH ASM			
- 84A	5501993	1	• • THERMO SWITCH,N/C,122 DEG F			
- 84B	8483719	1	• • BRACKET			
- 84C	5501997	1	• • CLIP			
- 85	1621171	2	• SCREW,MACH,PAN HD,M3, 8MM LG			
- 86	2125697	2	• WASHER,LCK,INT EXT TEETH,3MM ID,14.3MM OD			
- 87	8483098	1	• PLATE,DUMMY USED ON MACH W/O SPI ONLY			
- 88	1621210	4	• SCREW,MACH,PAN HD,M5, 10MM LG USED ON MACH W/O SPI ONLY			
- 89	8482756	1	• COVER			
- 90	1621821	1	• SCREW,THRD FORM,HEX WSHR HD,M6, 10MM LG			

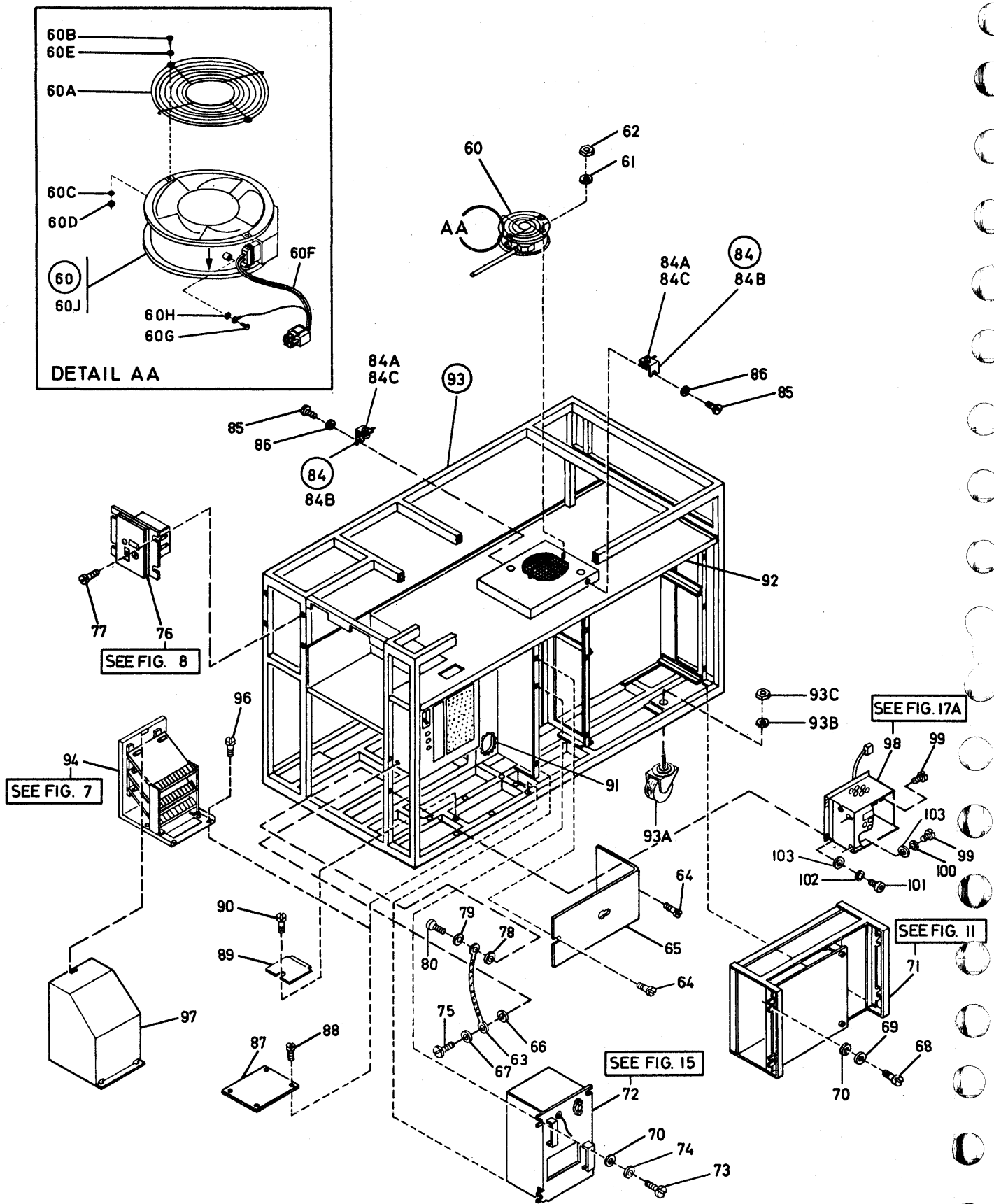


FIGURE 3. FRAME AND POWER HARDWARE (SHEET 2 OF 2, INDEX NO. 60 THRU 103), CONTINUED

FIGURE- INDEX NUMBER	PART NUMBER	UNITS PER ASM.	DESCRIPTION				
			1	2	3	4	
3 - 91	730432	1					• CHANNEL,180MM LG
- 92	596756	1					• SEAL,2650MM LG
- 93	8483000	1					• FRAME AND CASTER ASM
- 93A	471901	4					• • CASTER
- 93B	130987	4					• • WASHER,LOCK,SPLIT,0.509 ID,0.879 OD
- 93C	186950	4					• • NUT,PLAIN,HEX,0.500-13, 0.75 FL W
- 94	8482752	1					• SPI FEATURE ASM USED ON 4331 ONLY FOR DETAIL BREAKDOWN SEE FIGURE 7
- 96	1621210	4					• SCREW,MACH,PAN HD,M5, 10MM LG
- 97	8482755	1					• COVER
- 98	8482987	1					• FRU REACTIVE POWER COMPENSATOR ASSEMBLY USED ON 4331-2 ONLY FOR DETAIL BREAKDOWN SEE FIGURE 17A
- 99	1621210	2					• SCREW,MACH,PAN HD,M5, 10MM LG USED ON 4331-2 AND 4331-11 ONLY
-100	1622319	1					• WASHER,LCK,SPRING,5.1MM ID,9.2MM OD USED ON 4331-2 AND 4331-11 ONLY
-101	1621518	2					• SCREW,CAP,SOC HD,M5, 10MM LG USED ON 4331-2 AND 4331-11 ONLY
-102	1622319	2					• WASHER,LCK,SPRING,5.1MM ID,9.2MM OD USED ON 4331-2 AND 4331-11 ONLY
-103	1622305	3					• WASHER,FL,5.5MM ID,10MM OD,1MM THK USED ON 4331-2 AND 4331-11 ONLY

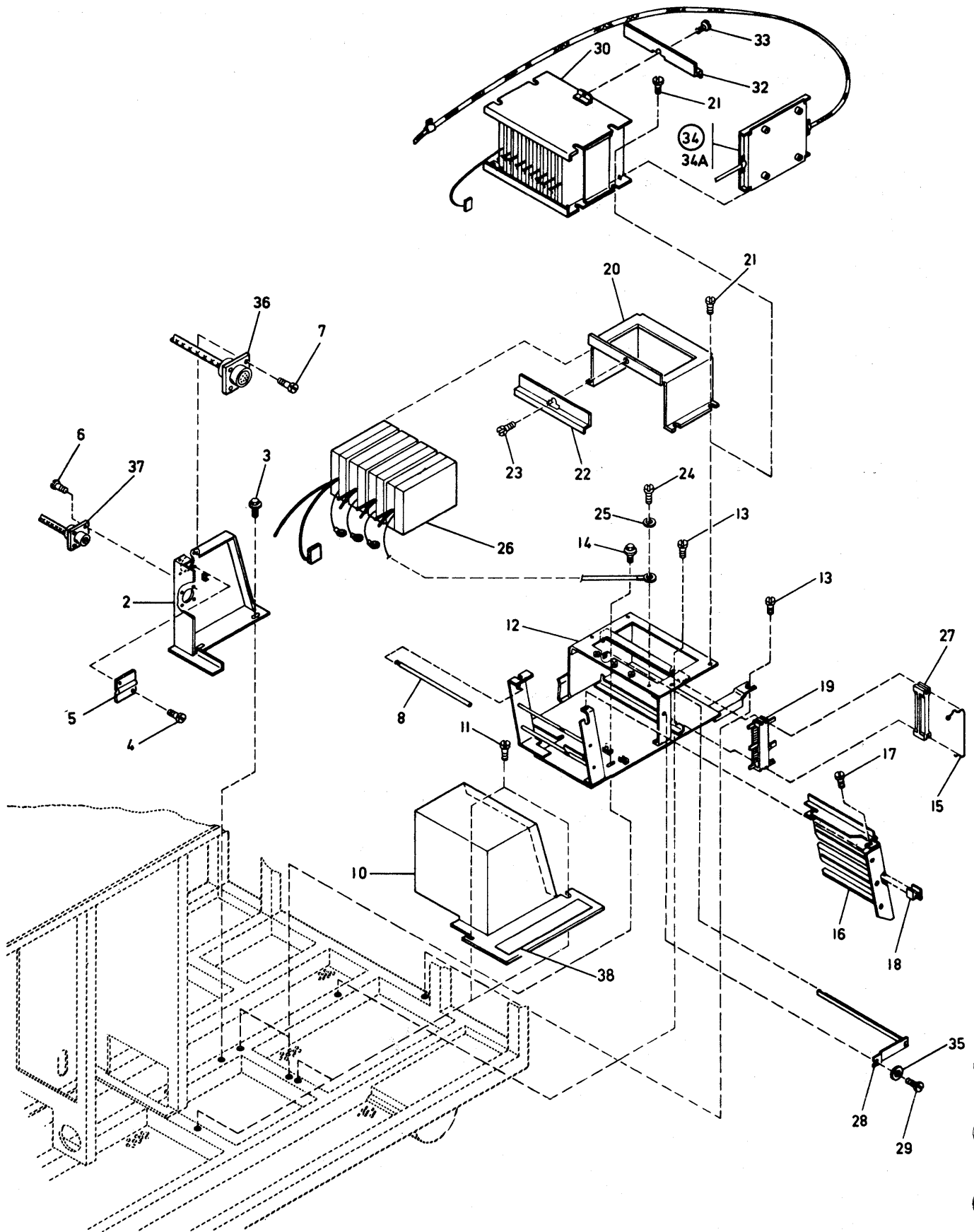


FIGURE 3A. TAILGATE ASSEMBLY, 01E

FIGURE- INDEX NUMBER	PART NUMBER	UNITS PER ASM.	DESCRIPTION			
			1	2	3	4
			TAILGATE ASSEMBLY,01E			
3A-	NO NO.	REF	TAILGATE ASM,01E FOR NEXT HIGHER ASM SEE FIGURE 3			
- 2	8483561	1	• BRACKET CONN MTG			
- 3	1621811	2	• SCREW,THRD FORM,HEX HD,M4, 10MM LG			
- 4	1621170	2	• SCREW,MACH,PAN HD,M3, 6MM LG			
- 5	8483563	1	• PLATE,DUMMY			
- 6	1621170	4	• SCREW,MACH,PAN HD,M3, 6MM LG			
- 7	1621170	4	• SCREW,MACH,PAN HD,M3, 6MM LG			
- 8	8483764	1	• ROD			
- 10	8483562	1	• COVÉR			
- 11	1621210	2	• SCREW,MACH,PAN HD,M5, 10MM LG			
- 12	8483762	1	• BRACKET			
- 13	1621210	2	• SCREW,MACH,PAN HD,M5, 10MM LG			
- 14	1621811	2	• SCREW,THRD FORM,HEX HD,M4, 10MM LG			
- 15	1981182	1	• CLIP,RETAINER			
- 16	8483763	1	• BRACKET			
- 17	1621190	1	• SCREW,MACH,PAN HD,M4, 8MM LG			
- 18	8483259	15	• PLATE DUMMY			
- 19	813392	1	• CONNECTOR ASM			
- 20	8483099	1	• BRACKET CBM,PSN			
- 21	1621190	4	• SCREW,MACH,PAN HD,M4, 8MM LG			
- 22	8483164	1	• BRACKET,PSN FIXING			
- 23	1621190	1	• SCREW,MACH,PAN HD,M4, 8MM LG			
- 24	1621190	4	• SCREW,MACH,PAN HD,M4, 8MM LG			
- 25	1622346	4	• WASHER,LCK,EXT ST,4.3MM ID,8MM OD			
- 26	8482878	AR	• CABLE ASM,38 LS WT LINE PLATE FOR COMPONENT PARTS SEE FIGURE 21 -98, -15B,-18B,-40,-50,-51,-52,-57,-67,-68, -69,-70,-71A,-77,-78,-93,-130			
- 27	8483699	8	• PLATE,DUMMY			
- 28	8483765	1	• RETAINER			
- 29	1621190	1	• SCREW,MACH,PAN HD,M4, 8MM LG			
- 30	8483570	1	• SUPPORT			
- 31	1621190	4	• SCREW,MACH,PAN HD,M4, 8MM LG			
- 32	8483164	1	• BRACKET			
- 33	1621190	1	• SCREW,MACH,PAN HD,M4, 8MM LG			
- 34	8482855	1	• CABLE ASM,ACU INTERFACE,UK			
- 34	8482856	1	• CABLE ASM,DCE INTERFACE,UK FOR COMPONENT PARTS SEE FIGURE 21 -8B, -20C,-20D,-21B,-41C,-42,-54A,-67,-68, -69,-70,-71A,-71G,-74,-74A,-76B,-76C,-79, -79B,-79C,-149,-150			
- 34A	NO NO.	1	• . UK LINE PLATE ASM FOR DETAIL BREAKDOWN SEE FIGURE 21 -122			
- 35	2125963	1	• WASHER,LCK,INT TEETH,0.168 ID,0.562 OD			
- 36	8482319	1	• CABLE ASM,01A TB TO 5424 CON 01,DC COMMON FOR COMPONENT PARTS SEE FIGURE 21 -1N,-13,-30			
- 37	8482899	1	• CABLE ASM,01A-A2 TO OCP FOR COMPONENT PARTS SEE FIGURE 21 -21B, -30A,-41D,-82,-83			
- 38	8483350	1	• LABEL,CE INSTRUCTION			

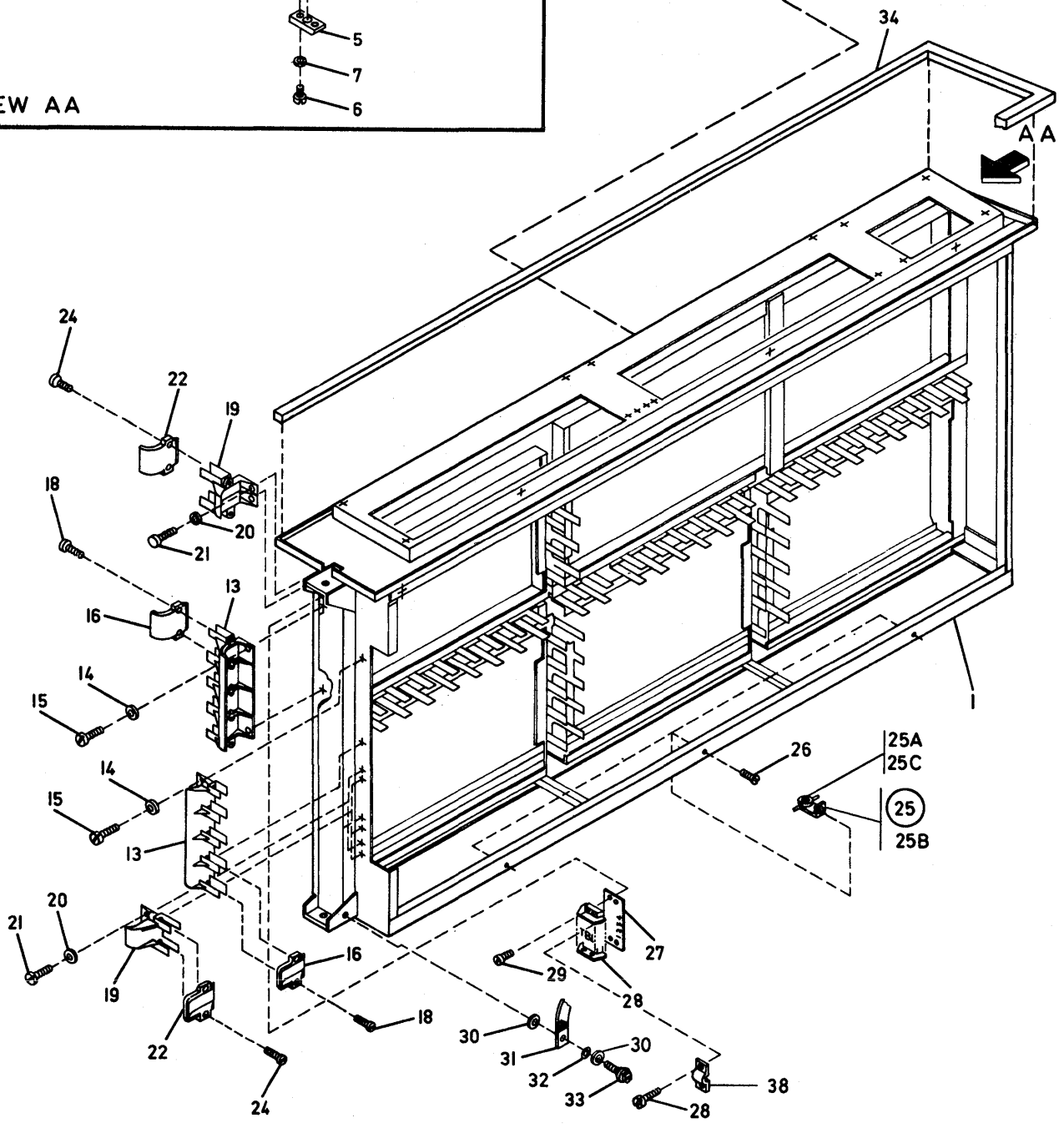
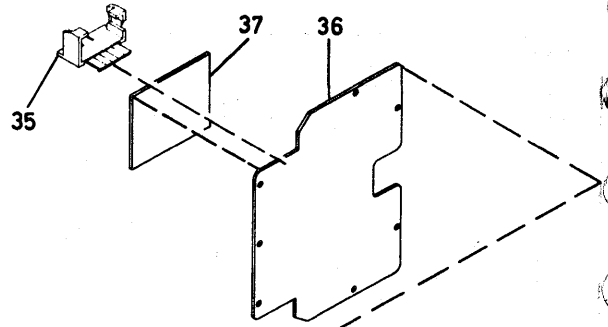
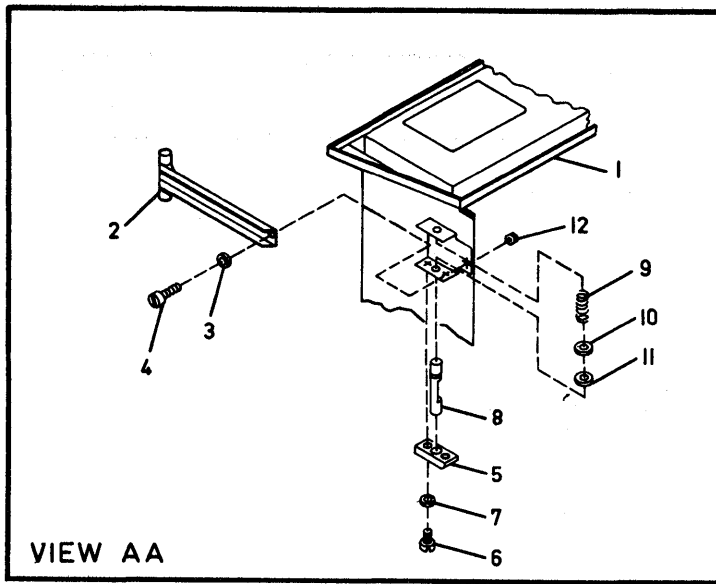


FIGURE 4. GATE ASSEMBLY, OIA (SHEET 1 OF 6, INDEX NO. 1 THRU 38)

FIGURE- INDEX NUMBER	PART NUMBER	UNITS PER ASM.	DESCRIPTION			
			1	2	3	4
			GATE ASSEMBLY,01A			
4 -	8483500	REF	GATE ASM,01A FOR NEXT HIGHER ASM SEE FIGURE 2			
- 1	8483502	1	. GATE 01A			
- 2	8483503	1	. HANDLE			
- 3	8483504	1	. HUB			
- 4	1621212	1	. SCREW,MACH,PAN HD,M5, 16MM LG			
- 5	8483091	1	. SLIDE			
- 6	1621060	2	. SCREW,MACH,CHEESE HD,M4, 8MM LG			
- 7	1622318	2	. WASHER,LCK,SPRING,4.1MM ID,7.6MM OD			
- 8	8483089	1	. SHAFT			
- 9	2181052	1	. SPRING			
- 10	161351	1	. WASHER,FL,0.33 ID,0.625 OD,0.05 THK			
- 11	251015	1	. CLIP			
- 12	1622404	1	. NUT,HEX,M5, 8MM FL W			
- 13	1783931	2	. BACK PLATE,4 POS			
- 14	2125963	4	. WASHER,LCK,INT TEETH,0.168 ID,0.562 OD			
- 15	1621190	4	. SCREW,MACH,PAN HD,M4, 8MM LG			
- 16	1783933	5	. FRONT PLATE			
- 18	332560	10	. SCREW,CAP,HEX SOC HD,8-32, 1.25 LG			
- 19	1783932	4	. BACK PLATE,1 POS			
- 20	2125963	8	. WASHER,LCK,INT TEETH,0.168 ID,0.562 OD			
- 21	1621190	8	. SCREW,MACH,PAN HD,M4, 8MM LG			
- 22	1783933	4	. FRONT PLATE			
- 24	332560	8	. SCREW,CAP,HEX SOC HD,8-32, 1.25 LG			
- 25	8483716	3	. FRU THERMO SWITCH ASM			
- 25A	5501993	1	. . THERMO SWITCH,N/C,122 DEG F			
- 25B	8483717	1	. . BRACKET			
- 25C	5501997	1	. . CLIP			
- 26	1621286	3	. SCREW,MACH,FL HD,M3, 8MM LG			
- 27	322271	1	. MARKER STRIP USED ON MACH WITH 5424 ATTACH ONLY			
- 28	91469	1	. TERMINAL BLOCK,4 POS USED ON MACH WITH 5424 ATTACH ONLY			
- 29	1621193	2	. SCREW,MACH,PAN HD,M4, 16MM LG USED ON MACH WITH 5424 ATTACH ONLY			
- 30	1622347	2	. WASHER,LCK,EXT ST,5.3MM ID,10MM OD			
- 31	4086055	1	. STRAP,GROUND			
- 32	1622305	1	. WASHER,FL,5.5MM ID,10MM OD,1MM THK			
- 33	2549782	1	. SCREW,THRD FORM,HEX WSHR HD,M5, 10MM LG			
- 34	596756	1	. SEAL,FOAM,3000MM LG			
- 35	4138640	AR	. RETENTION,HARNESS			
- 36	4138581	1	. COVER ASM,PU BOARD (HALF) USED ON 4321 AND 4331-1 ONLY			
- 36	4138580	1	. COVER ASM,PU BOARD (FULL) USED ON 4331-2 AND 4331-11 ONLY			
- 37	2676656	1	. LABEL,NOTIFY BOARD REMOVAL USED ON US MACH ONLY			
- 38	730468	1	. JUMPER USED ON MACH WITH 5424 ATTACH ONLY			

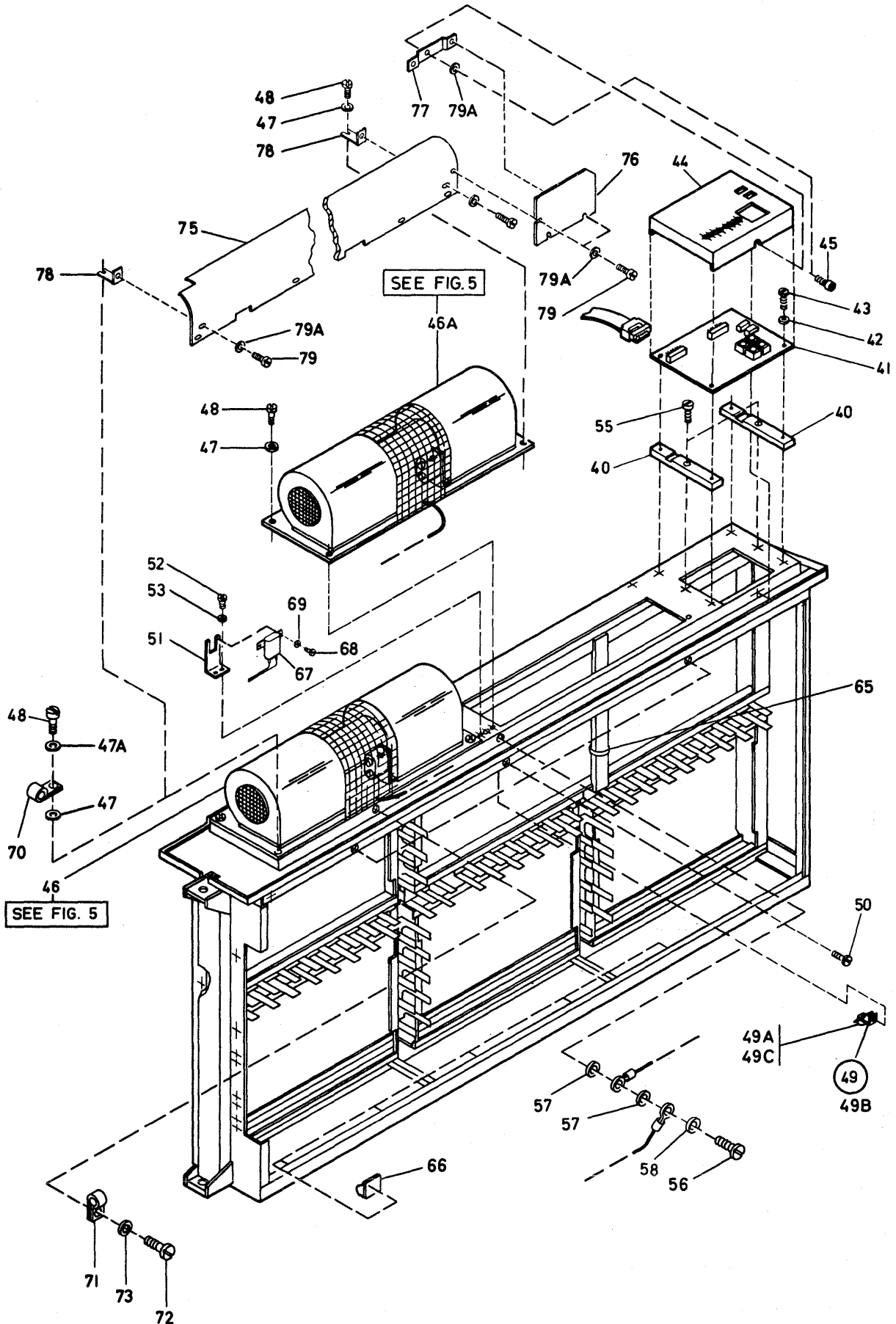


FIGURE 4. GATE ASSEMBLY, 01A (SHEET 2 OF 6, INDEX NO. 40 THRU 79A)

FIGURE- INDEX NUMBER	PART NUMBER	UNITS PER ASM.	DESCRIPTION				
			1	2	3	4	
4 - 40	8483505	2					• SPACER
- 41	8483701	1					• FRU CE-PANEL ASM
- 42	1622302	4					• WASHER,FL,3.2MM ID,7MM OD,0.5MM THK
- 43	1621174	4					• SCREW,MACH,PAN HD,M3, 16MM LG
- 44	8483700	1					• HOUSING
- 45	1621191	1					• SCREW,MACH,PAN HD,M4, 10MM LG USED OPTIONAL FOR SOUND REDUCTION
- 45	1621190	2					• SCREW,MACH,PAN HD,M4, 8MM LG
- 46	4123908	1					• FRU COOLING ASM,50 HZ,DUPLEX 1
- 46	4123909	1					• FRU COOLING ASM,60 HZ,DUPLEX 1 FOR DETAIL BREAKDOWN SEE FIGURE 5
- 46A	5578671	1					• FRU COOLING ASM,50 HZ,DUPLEX 2 USED ON MACHINES WITH EC 366411 ONLY
- 46A	5578672	1					• FRU COOLING ASM,60 HZ,DUPLEX 2 USED ON MACHINES WITH EC 366411 ONLY FOR DETAIL BREAKDOWN SEE FIGURE 5
- 47	2125963	8					• WASHER,LCK,INT TEETH,0.172 ID,0.562 OD
- 47A	1622304	1					• WASHER,FL,4.3MM ID,9MM OD,0.8MM THK
- 48	1621194	8					• SCREW,MACH,PAN HD,M4, 20MM LG
- 49	8483714	3					• FRU THERMO SWITCH ASM
- 49A	5501993	1					• THERMO SWITCH,N/C,122 DEG F
- 49B	8483715	1					• BRACKET
- 49C	5501997	1					• CLIP
- 50	1621286	3					• SCREW,MACH,FL HD,M3, 8MM LG
- 51	8483729	1					• BRACKET,THERM SWITCH
- 52	1621171	2					• SCREW,MACH,PAN HD,M3, 8MM LG
- 53	2125697	2					• WASHER,LCK,INT TEETH,3MM ID,14.3MM OD
- 55	1621170	2					• SCREW,MACH,PAN HD,M3, 6MM LG
- 56	1621172	1					• SCREW,MACH,PAN HD,M3, 10MM LG USED ON OLD VERSION MACH ONLY
- 56	1621191	1					• SCREW,MACH,PAN HD,M4, 10MM LG USED ON NEW VERSION MACH ONLY
- 57	1622344	2					• WASHER,LCK,EXT ST,3.2MM ID,6MM OD USED ON OLD VERSION MACH ONLY
- 57	1622346	2					• WASHER,LCK,EXT ST,4.3MM ID,8MM OD USED ON NEW VERSION MACH ONLY
- 58	1622302	1					• WASHER,FL,3.2MM ID,7MM OD,0.5MM THK USED ON OLD VERSION MACH ONLY
- 58	1622304	1					WASHER,FL,4.3MM ID,9MM OD,0.8MM THK USED ON NEW VERSION MACH ONLY
- 65	524519	2					• CABLE TIE,184MM LG
- 66	2596275	5					• CLAMP,CABLE,4.6MM ID
- 67	8482896	1					• CABLE ASM,01A-A2YA TO SENSE FOR COMPONENT PARTS SEE FIGURE 21 -8, -20A,-21C,-42A,-54B,-55C,-60,-60B,-61, -61C,-63,-99,-149,-150
- 68	1621170	2					• SCREW,MACH,PAN HD,M3, 6MM LG
- 69	1622316	2					• WASHER,LCK,SPRING,3.1MM ID,6.2MM OD
- 70	2102365	1					• CLAMP,LOOP,0.33 ID,0.17 DIA MTG HOLE
- 71	303516	2					• CLAMP,LOOP,0.625 ID,0.2 DIA MTG HOLE
- 72	1621172	2					• SCREW,MACH,PAN HD,M3, 10MM LG
- 73	1622302	2					• WASHER,FL,3.2MM ID,7MM OD,0.5MM THK
- 75	8483079	1					BARRIER,COOLING,OPTIONAL FOR SOUND REDUCTION
- 76	4432863	1					BARRIER,CE PANEL,OPTIONAL FOR SOUND REDUCTION
- 77	8483118	1					BRACKET,CE PANEL,OPTIONAL FOR SOUND REDUCTION
- 78	8483081	3					BRACKET,COOLING,OPTIONAL FOR SOUND REDUCTION
- 79	1621190	6					SCREW,MACH,PAN HD,M4, 8MM LG,OPTIONAL
- 79A	1622304	7					WASHER,FL,4.3MM ID,9MM OD,0.8MM THK,OPTIONAL

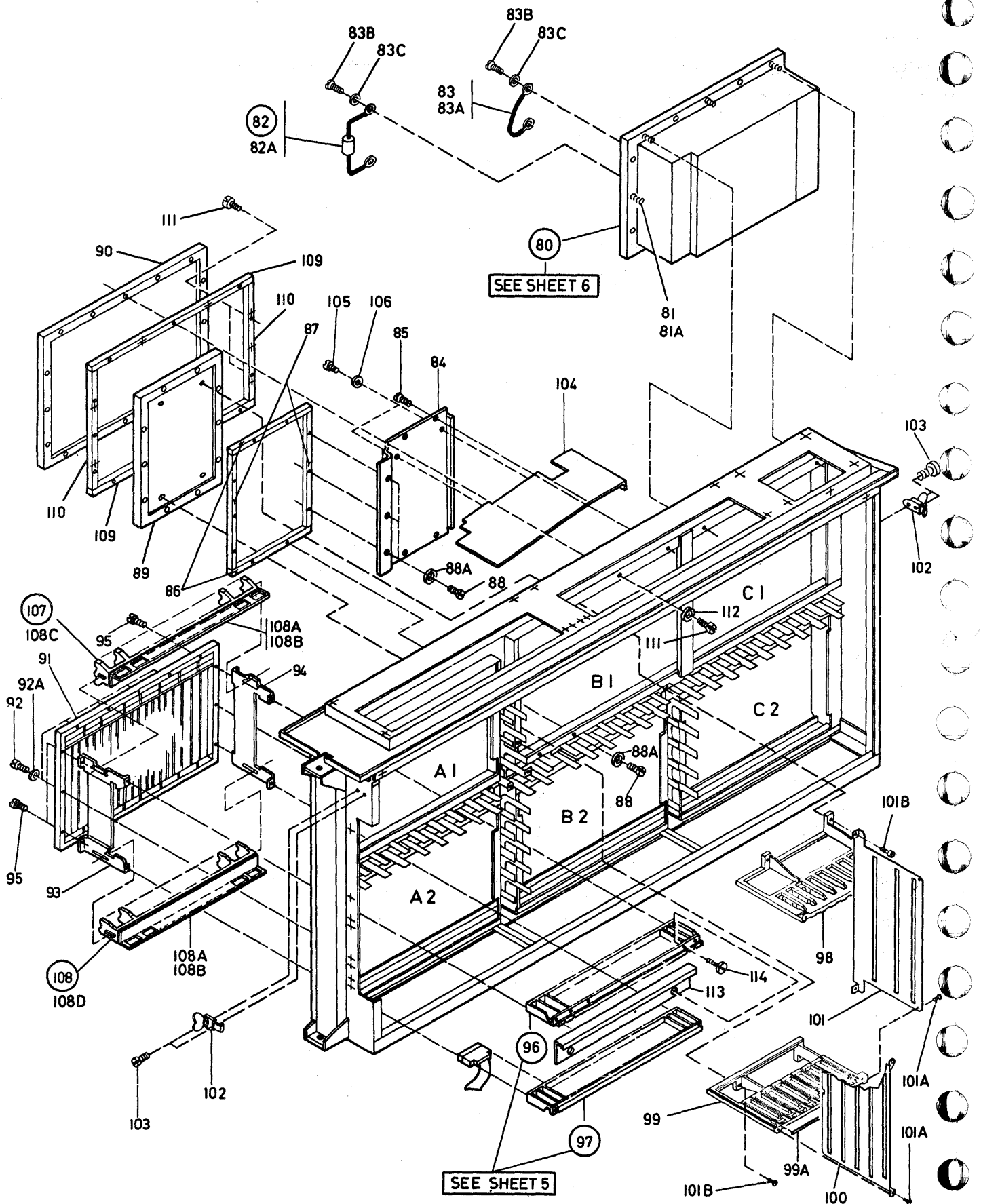


FIGURE 4. GATE ASSEMBLY, 01A (SHEET 3 OF 6, INDEX NO. 80 THRU 114)

FIGURE- INDEX NUMBER	PART NUMBER	UNITS PER ASM.	DESCRIPTION			
			1	2	3	4
4 - 80	8481005	1	• FRU IPS GROUP,BASIC,01A-C1 FOR DETAIL BREAKDOWN SEE FIGURE 4 SHEET 6			
- 81	4138473	8	• . SCREW,SHOULDER,M3.5			
- 81A	1177332	8	• . RETAINING RING			
- 82	8482885	1	• FRU RESISTOR ASM FOR COMPONENT PARTS SEE FIGURE 21 -1S,-40			
- 82A	194579	1	• . RESISTOR,FXD MW,40 OHMS,P/M5%,10W			
- 83	5239162	1	• JUMPER ASM,8.5 LG FOR COMPONENT PARTS SEE FIGURE 21 -1N,-40			
- 83A	5759191	2	• JUMPER ASM,6.5 LG FOR COMPONENT PARTS SEE FIGURE 21 -1H,-40			
- 83B	1621191	AR	• SCREW,MACH,PAN HD,M4, 10MM LG			
- 83C	1622304	AR	• WASHER,FL,4.3MM ID,9MM OD,0.8MM THK			
- 84	8483067	1	• ADAPTER,4321 AND 4331-1 ONLY			
- 85	1621181	4	• SCREW,MACH,PAN HD,M3.5, 6MM LG			
- 86	8483538	2	• SPACER,HORIZONTAL,4321 AND 4331-1 ONLY			
- 87	8483539	2	• SPACER,VERTICAL,4321 AND 4331-1 ONLY			
- 88	1621181	10	• SCREW,MACH,PAN HD,M3.5, 6MM LG			
- 88A	1622317	10	• WASHER,LCK,SPRING,3.6MM ID,6.7MM OD,0.8MM THK			
- 89	NO NO.	1	• HALF BOARD,01A-B1,PU,4321 AND 4331-1 ONLY			
- 90	NO NO.	1	• FULL BOARD,01A-B1,PU,4331-2 AND 4331-11 ONLY			
- 91	NO NO.	AR	• 22 POS BOARD,01A-A1,A2,B2,C2			
- 92	2457745	AR	• SCREW,THRD FORM,HEX SOC HD,6-32, 25.4MM LG			
- 92A	22066	AR	• WASHER,FL,0.14 ID,0.28 OD,0.025 THK			
- 93	8483587	AR	• AIR BAFFLE			
- 94	8483588	AR	• AIR BAFFLE			
- 95	1621175	AR	• SCREW,MACH,PAN HD,M3, 20MM LG			
- 96	8483580	AR	• GUIDE ASM,UPPER FOR DETAIL BREAKDOWN SEE FIGURE 4 SHEET 5			
- 97	8483581	AR	• GUIDE ASM,LOWER FOR DETAIL BREAKDOWN SEE FIGURE 4 SHEET 5			
- 98	4138531	1	• CARD GUIDE,UPPER,PU BOARD (HALF),4321 AND 4331-1 ONLY			
- 98	4138523	1	• CARD GUIDE,UPPER,PU BOARD (FULL),4331-2 AND 4331-11 ONLY			
- 99	4138546	1	• CARD GUIDE,LOWER,PU BOARD (HALF),4321 AND 4331-1 ONLY			
- 99	4138523	1	• CARD GUIDE,LOWER,PU BOARD (FULL),4331-2 AND 4331-11 ONLY			
- 99A	4138559	2	• MARKER STRIP,4331-2 AND 4331-11 ONLY			
-100	4138547	1	• TIE PLATE,PU BOARD (HALF),4321 AND 4331-1 ONLY			
-100	4138524	1	• PLATE,PU BOARD (FULL),LH,4331-2 AND 4331-11 ONLY			
-101	4138579	1	• BAFFLE PLATE,PU BOARD (HALF),4321 AND 4331-1 ONLY			
-101	4138524	1	• PLATE,PU BOARD (FULL),RH,4331-2 AND 4331-11 ONLY			
-101A	1621170	4	• SCREW,MACH,PAN HD,M3, 6MM LG			
-101B	2360072	AR	• SCREW,CAP,FLUT SOC HD,M3.5			
-102	5349888	2	• LATCH			
-103	1621170	4	• SCREW,MACH,PAN HD,M3, 6MM LG			
-104	8483542	1	• AIR BAFFLE,4321 AND 4331-1 ONLY			
-105	1621171	2	• SCREW,MACH,PAN HD,M3, 8MM LG			
-106	2125697	2	• WASHER,LCK,INT EXT TEETH,3MM ID,14.3MM OD			
-107	8483584	1	• RETAINER ASM,UPPER			
-108	8483586	1	• RETAINER ASM,LOWER			
-108A	8483548	1	• . BRACKET			
-108B	1621170	4	• . SCREW,MACH,PAN HD,M3, 6MM LG			
-108C	8483583	1	• . RETAINER,UPPER			
-108D	8483585	1	• . RETAINER,LOWER			
-109	8483702	2	• SPACER,HORIZONTAL,4331-2 AND 4331-11 ONLY			
-110	8483539	2	• SPACER,VERTICAL,4331-2 AND 4331-11 ONLY			
-111	1621181	11	• SCREW,MACH,PAN HD,M3.5, 6MM LG USED ON 4331-2 AND 4331-11 ONLY			
-112	1622317	9	• WASHER,LCK,SPRING,3.6MM ID,6.7MM OD,0.8MM THK USED ON 4331-2 AND 4331-11 ONLY			
-113	8483513	1	• RACEWAY,4331-2 AND 4331-11 ONLY			
-114	1621170	2	• SCREW,MACH,PAN HD,M3, 6MM LG USED ON 4331-2 AND 4331-11 ONLY			

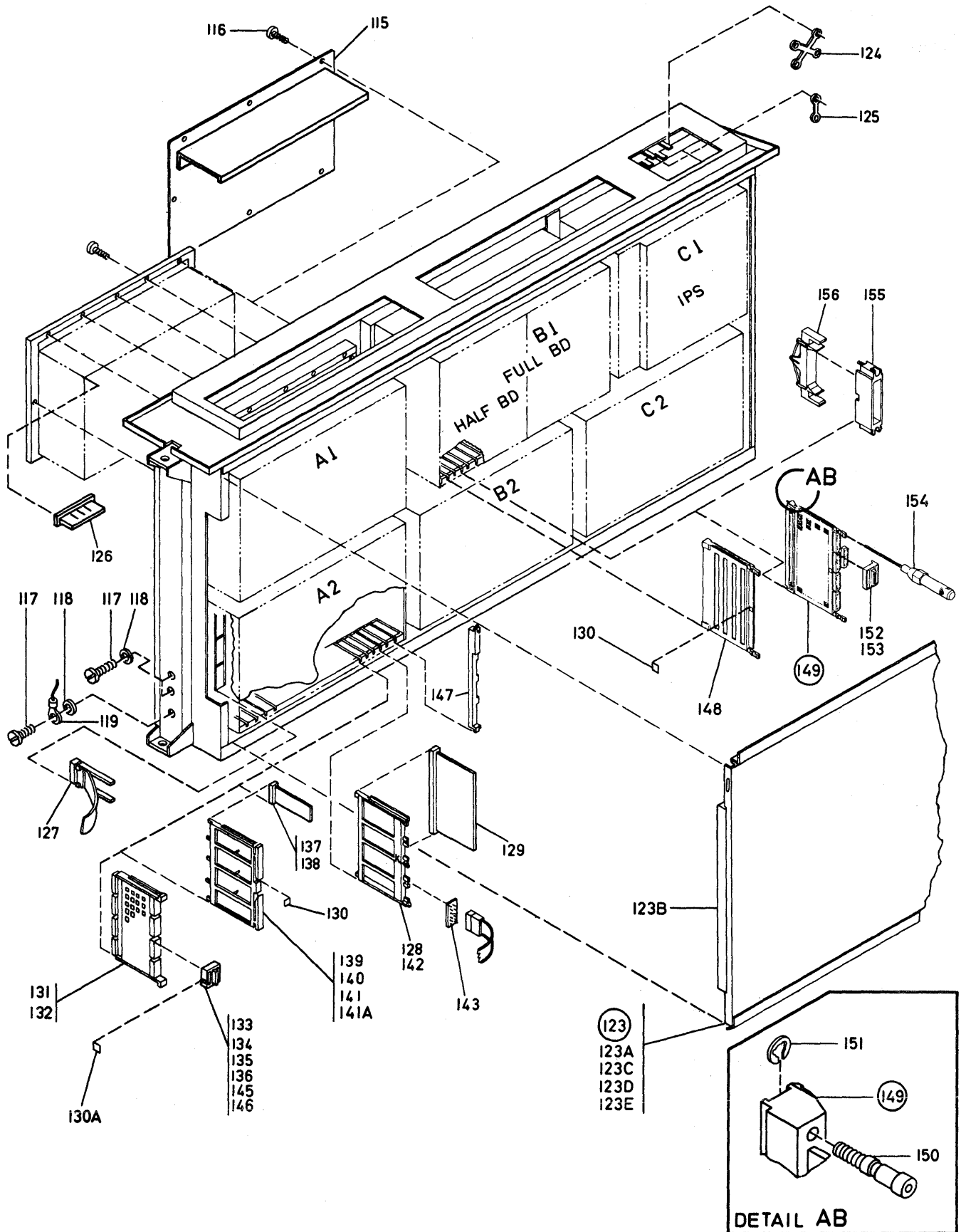


FIGURE 4. GATE ASSEMBLY, 01A (SHEET 4 OF 6, INDEX NO. 115 THRU 156)

FIGURE- INDEX NUMBER	PART NUMBER	UNITS PER ASM.	DESCRIPTION				
			1	2	3	4	
4	-115	8483924	AR				• DUMMY PLATE (WITH AIR BAFFLE)
	-116	811417	AR				• SCREW,SELF TAP,HEX SOC HD,6-32, 0.5 LG
	-117	1621811	3				• SCREW,THRD FORM,HEX HD,M4, 10MM LG
	-118	1622346	3				• WASHER,LCK,EXT ST,4.3MM ID,8MM OD
	-119	8482893	AR				• CABLE ASM,DISKETTE TO BOARD,SIGNAL,PDL 4 FOR COMPONENT PARTS SEE FIGURE 21 -1M, -88,-188,-18C,-20A,-41D,-46,-49,-50, -51,-52,-61,-82,-83
	-119	8482936	AR				• CABLE ASM,DISK TO PS 104, O1A-A2,PDL 5 FOR COMPONENT PARTS SEE FIGURE 21 -1H,-1M, -188,-18C,-21D,-41D,-46,-49,-50,-51,-52, -61,-82,-83,-149,-150
	-123	8483923	1				• COVER ASM
	-123A	8483532	5				• . SEAL,FOAM,358MM X 190MM X 6.4MM
	-123B	8483535	1				• . SEAL,FOAM,385MM X 30MM X 30MM
	-123C	8483786	1				• . INSULATION,280MM X 280MM X 0.3MM
	-123D	8483921	1				• . SEAL,FOAM,358MM X 160MM X 13MM
	-123E	8483525	1				• . COVER
	-124	813519	AR				CABLE RETAINER
	-125	811427	AR				CABLE STRAP
	-126	8483816	AR				DUMMY CARD,1HI,2W,BOARD A1 ONLY
	-127	819411	AR				CARD EXTENDER
	-128	819582	AR				CARD HOLDER,PWR CTR CD,3HI,4W
	-129	819632	AR				DUMMY CARD,3HI,4W
	-130	818579	AR				LABEL,MARKER
	-130A	815688	AR				LABEL,MARKER
	-131	2766708	AR				CARD HOLDER(TOP CON),3HI,2X2W
	-132	2766709	AR				CARD HOLDER(TOP CON),3HI,4W
	-133	2633938	AR				CARD CROSSOVER,2 POS
	-134	4134831	AR				CARD CROSSOVER,3 POS
	-135	2732453	AR				CARD CROSSOVER,4 POS
	-136	8483399	AR				CARD CROSSOVER,1 POS
	-137	819412	AR				DUMMY CARD,3HI,1W
	-138	816983	AR				DUMMY CARD,3HI,2W
	-139	819407	AR				CARD HOLDER,3HI,4X1W
	-140	818002	AR				CARD HOLDER,3HI,2X2W
	-141	819408	AR				CARD HOLDER,3HI,4W
	-141A	819579	AR				CARD HOLDER,2HI,2W
	-142	2766737	AR				CARD HOLDER,2HI,4W
	-143	5997533	AR				INTERPOSER,1 POS
	-145	8482113	AR				CARD CROSSOVER,3 POS,W2,PC
	-146	8482118	AR				CARD CROSSOVER,3 POS,X3,PC
	-147	8483547	AR				BRACKET ASM
	-148	4138564	AR				DUMMY CARD,PU BOARD
	-149	4138519	AR				CARD HOLDER,PU BOARD
	-150	4138473	2				• SCREW,CAPTIVE,HEX SOC HD,M3.5, 17.8MM LG
	-151	1177332	2				• RETAINING RING,2.5MM ID,5.2MM OD,0.4MM THK
	-152	4138533	AR				TOP CARD CROSS CONN,2 POS,6 GRD,PU BOARD
	-153	4138616	AR				TOP CARD CROSS CONN,3 POS,PU BOARD USED ON 4331-2 AND 4331-11 ONLY
	-154	4134750	AR				ACTUATOR TOOL,PU BOARD
	-155	1726285	AR				GROUPER HOUSING ASM,PU BOARD
	-156	2360340	AR				UNLATCH TOOL ASM,PU BOARD (BO-TOOL)

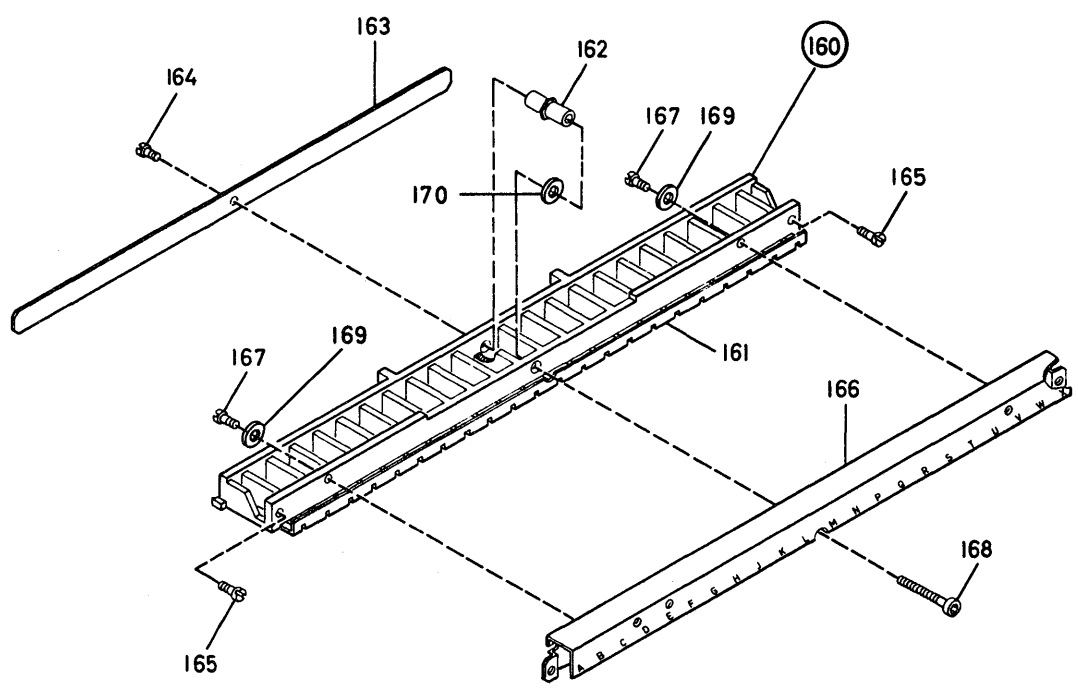


FIGURE 4. GATE ASSEMBLY,01A (SHEET 5 OF 6,INDEX NO. 160 THRU 170)

FIGURE- INDEX NUMBER	PART NUMBER	UNITS PER ASM.	DESCRIPTION			
			1	2	3	4
4 -160	8483580	AR	• GUIDE ASM,UPPER			
-160	8483581	AR	• GUIDE ASM,LOWER			
-161	8483578	1	• • GUIDE			
-162	8483549	1	• • BUSHING			
-163	8483579	1	• • SPRING PLATE			
-164	1621307	1	• • SCREW,MACH,FL HD,M4, 6MM LG			
-165	1621492	2	• • SCREW,CAP,SOC HD,M3, 6MM LG			
-166	8483590	1	• • BRACKET,UPPER			
-166	8483589	1	• • BRACKET,LOWER			
-167	1621171	2	• • SCREW,MACH,PAN HD,M3, 8MM LG			
-168	1621515	1	• • SCREW,CAP,SOC HD,M4, 30MM LG			
-169	1622316	2	• • WASHER,LCK,SPRING,3.1MM ID,6.2MM OD			
-170	816649	1	• • RETAINER,POLYETHYLENE			

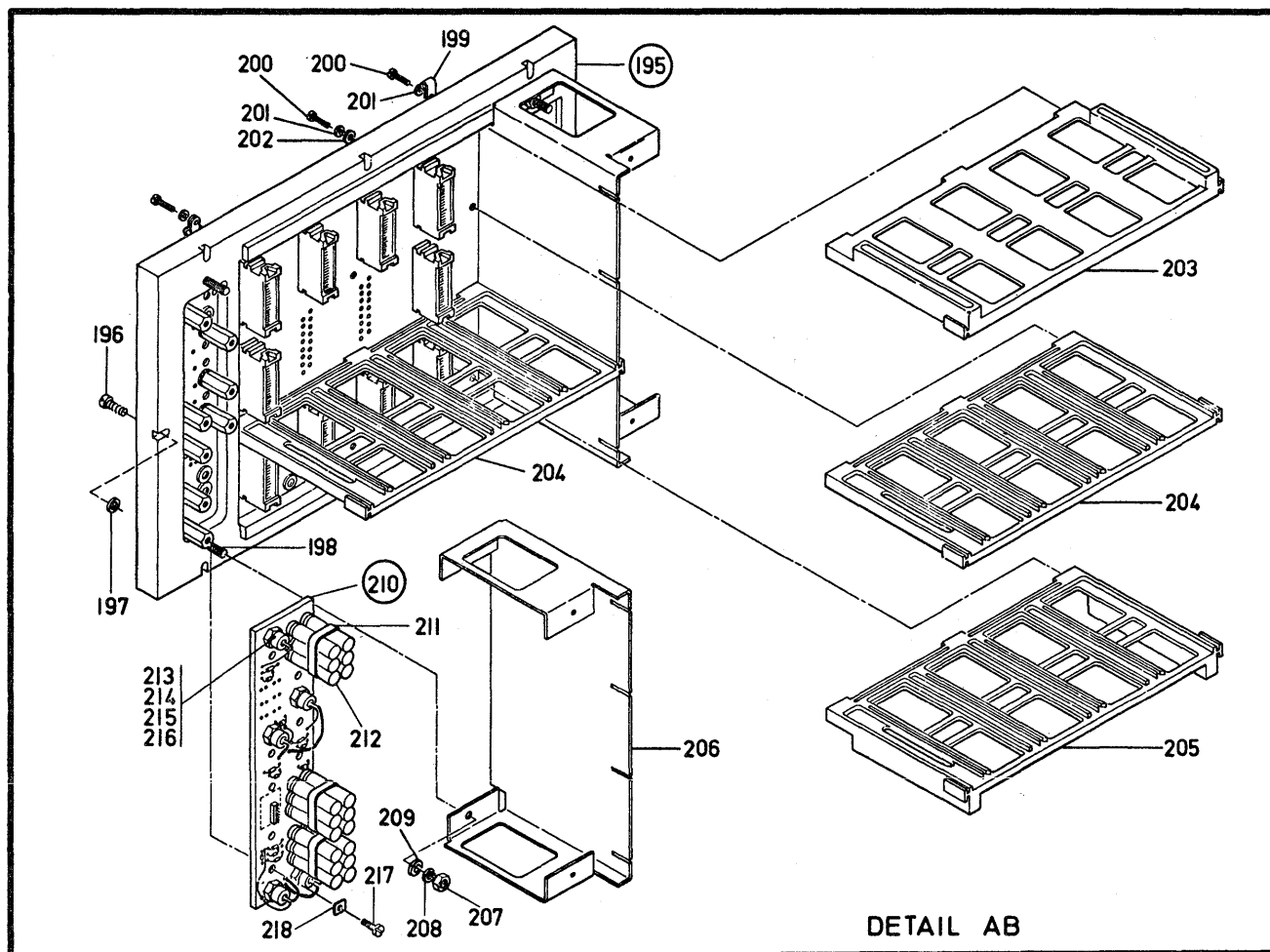
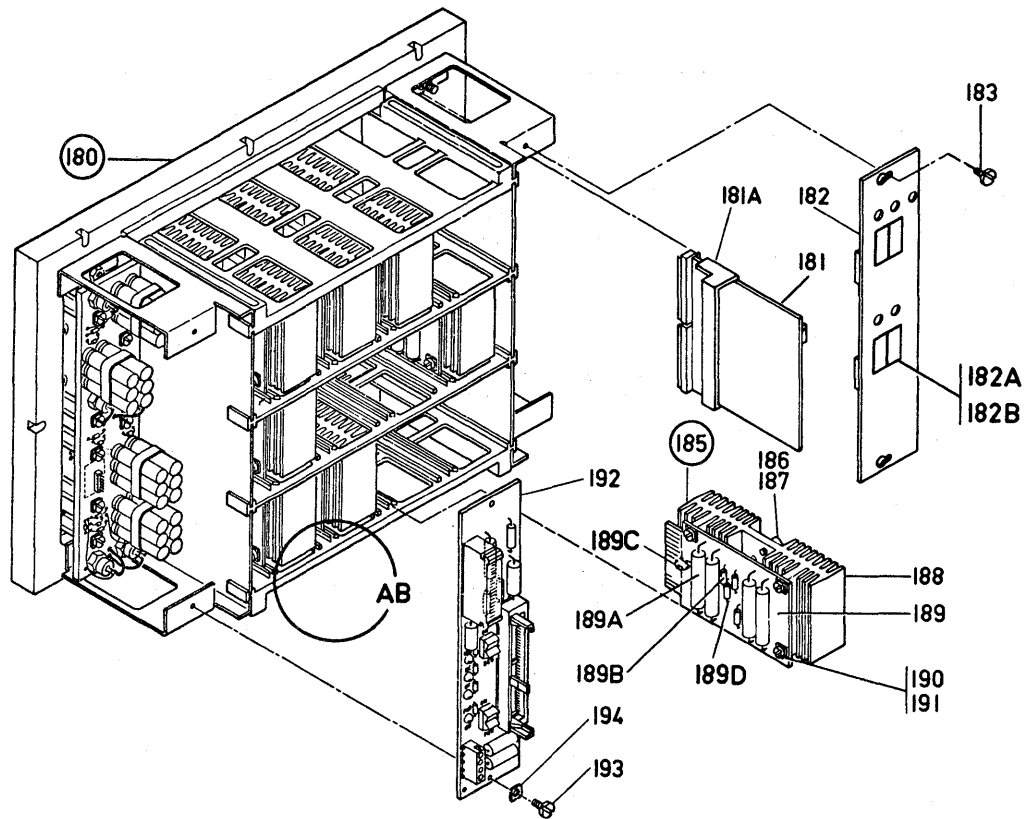


FIGURE 4. GATE ASSEMBLY,01A (SHEET 6 OF 6,INDEX NO. 180 THRU 218)

FIGURE- INDEX NUMBER	PART NUMBER	UNITS PER ASM.	DESCRIPTION			
			1	2	3	4
4 -180	8481005	1	• FRU IPS GROUP,BASIC			
-181	XXXXXXX	4	• • FRU CONTROL CARD ASM REFER TO PLUG LIST PC 110 FOR FIELD REPLACEMENT			
-181A	811804	4	• • GUIDE,CARD,OBL,12 PAC			
-182	5576245	1	• • CARD RETAINER ASM			
-182A	317296	1	• • LABEL,1 THRU 33			
-182B	598381	1	• • LABEL,A THRU Z			
-183	1621192	2	• • SCREW,MACH,PAN HD,M4, 12MM LG			
-185	XXXXXXX	AR	• • FRU CARD ASM,POWER MODULE REFER TO PLUG LIST PC 110 FOR FIELD REPLACEMENT			
-186	5576255	2	• • • TRANSISTOR ASM			
-187	1621183	4	• • • SCREW,MACH,PAN HD,M3.5, 10MM LG			
-188	5576224	1	• • • HEATSINK			
-189	1310341	1	• • • RAW CARD			
-189A	2396478	4	• • • RESISTOR,FXD,WM,0.36 OHMS,P/M1%,10W			
-189B	595359	2	• • • RESISTOR,FXD,COMP,100 OHMS,P/M5%,0.25W			
-189C	5301517	2	• • • RESISTOR,FXD,10 OHMS,P/M5%,0.25W			
-189D	124555	2	• • • CAPACITOR,TANT,0.1 MFD,P/M5%,35 VDCW			
-190	1621183	3	• • • SCREW,MACH,PAN HD,M3.5, 10MM LG			
-191	2125765	3	• • • WASHER,LCK,INT TEETH,3.6MM ID,14.3MM OD			
-192	XXXXXXX	1	• • FRU CARD ASM,TEST STATION REFER TO PLUG LIST PC 110 FOR FIELD REPLACEMENT			
-193	1621190	2	• • SCREW,MACH,PAN HD,M4, 8MM LG			
-194	2125963	2	• • WASHER,LCK,INT TEETH,4.3MM ID,14.3MM OD			
-195	4432603	1	• • FRU POWER CONTROL BOARD AND STIFFENER ASM			
-196	4138473	8	• • • SCREW,SHOULDER,M3.5			
-197	1177332	8	• • • RETAINING RING			
-198	1621596	4	• • • SCREW,CAP,HEX HD,M6, 16MM LG			
-199	534768	6	• • CLAMP,LOOP,9.65MM ID,5.2MM DIA MTG HOLE			
-200	1621211	12	• • SCREW,MACH,PAN HD,M5, 12MM LG			
-201	1622305	12	• • WASHER,FL,5.5MM ID,10MM OD,1MM THK			
-202	5576199	6	• • WASHER,FL,SPACER			
-203	5576264	1	• • CARD SUPPORT,HORIZ,TOP			
-204	5576265	2	• • CARD SUPPORT,HORIZ,CENTER			
-205	5576266	1	• • CARD SUPPORT,HORIZ,BOTTOM			
-206	5576267	2	• • CARD SUPPORT,VERTICAL			
-207	1622405	4	• • NUT,HEX,M6, 10MM FL W			
-208	1622320	4	• • WASHER,LCK,SPRING,6.1MM ID,11.8MM OD			
-209	1622306	4	• • WASHER,FL,6.6MM ID,12.5MM OD,1.6MM THK			
-210	XXXXXXX	1	• • FRU CROWBAR/SENSE CARD ASM REFER TO PLUG LIST PC 110 FOR FIELD REPLACEMENT			
-211	524519	4	• • • CABLE TIE,184MM LG			
-212	816933	24	• • • CAPACITOR,1000 MFD,8V			
-213	5214335	5	• • • RECTIFIER,SEMICONDUCTOR,SILICON			
-214	160017	5	• • • NUT,HEX,1.25-28, 0.437 FL W			
-215	65756	5	• • • WASHER,LCK,INT TEETH,0.256 ID,0.478 OD			
-216	3550	5	• • • WASHER,FL,0.265 ID,0.562 OD,0.05 THK			
-217	1621192	8	• • SCREW,MACH,PAN HD,M4, 12MM LG			
-218	2125963	8	• • WASHER,LCK,INT TEETH,4.3MM ID,14.3MM OD			

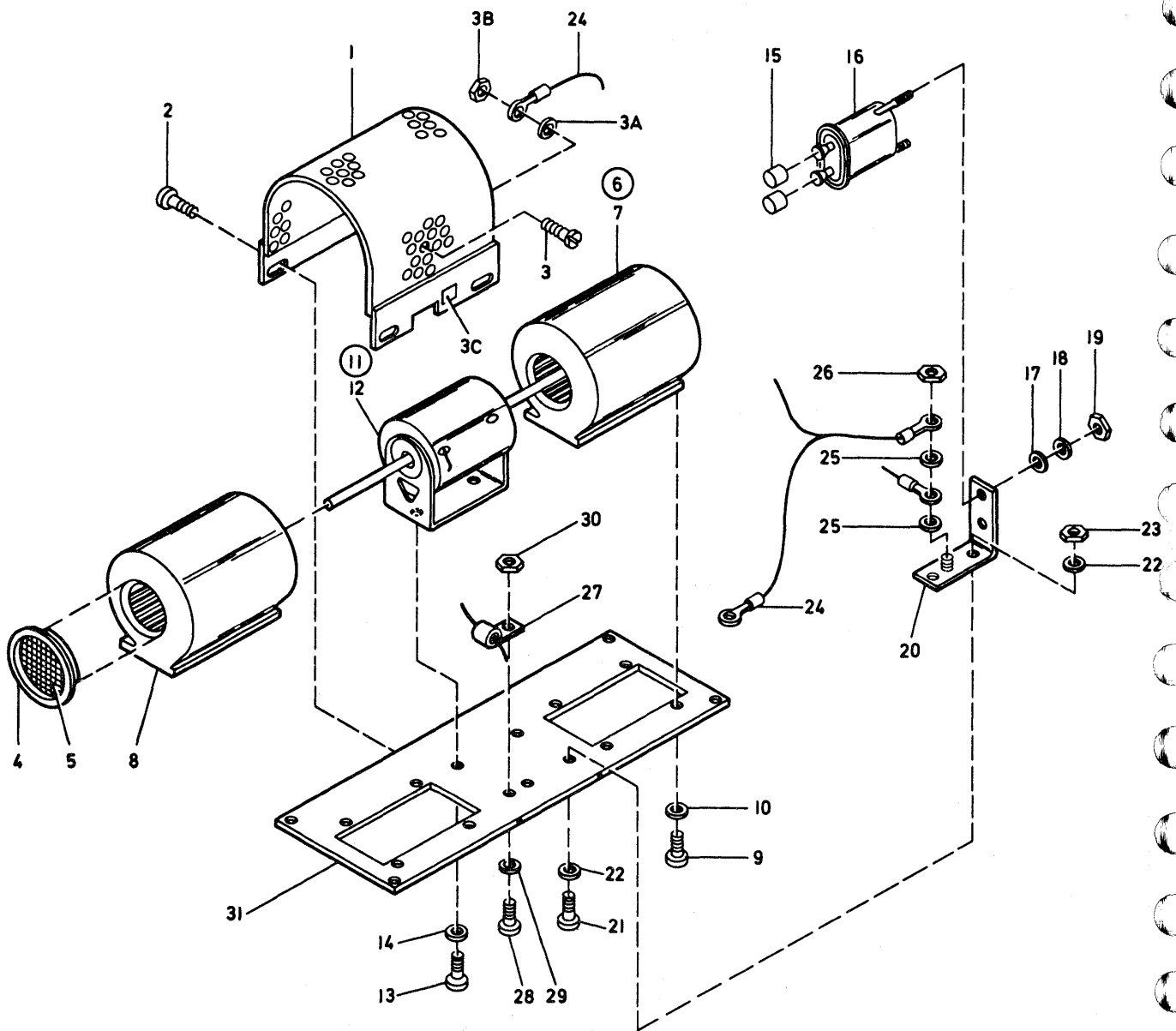


FIGURE 5. COOLING ASSEMBLY, SUPER DUPLEX, GATE O1A

FIGURE- INDEX NUMBER	PART NUMBER	UNITS PER ASM.	DESCRIPTION					
			1	2	3	4		
			COOLING ASSEMBLIES, SUPER DUPLEX, GATE 01A					
5 -	5578671	REF	FRU	COOLING ASM, 50 HZ, DUPLEX 2				USED ON MACHINES WITH EC 366411 ONLY
-	5578672	REF	FRU	COOLING ASM, 60 HZ, DUPLEX 2				USED ON MACHINES WITH EC 366411 ONLY
-	4123908	REF	FRU	COOLING ASM, 50 HZ, DUPLEX 1				
-	4123909	REF	FRU	COOLING ASM, 60 HZ, DUPLEX 1				FOR NEXT HIGHER ASM SEE FIGURE 4
- 1	5578663	1	.	SCREEN, SAFETY				
- 2	1621685	4	.	SCREW, THRD FORM, HEX WSHR HD, M3, 8MM LG				
- 3	1621182	1	.	SCREW, MACH, PAN HD, M3.5, 8MM LG				
- 3A	1622345	1	.	WASHER, LCK, EXT ST, 3.7MM ID, 7MM OD				
- 3B	1622402	1	.	NUT, HEX, M3.5, 6MM FL W				
- 3C	4441141	1	.	LABEL, GROUND SYMBOL				
- 4	5578511	2	.	HUB				
- 5	5578512	2	.	SCREEN				
- 6	4123905	1	.	BLOWER ASM, 50 HZ, DUPLEX 2				USED ON MACHINES WITH EC 366411 ONLY
- 6	4123904	1	.	BLOWER ASM, 60 HZ, DUPLEX 2				USED ON MACHINES WITH EC 366411 ONLY
- 6	4123907	1	.	BLOWER ASM, 50 HZ, DUPLEX 1				
- 6	4123906	1	.	BLOWER ASM, 60 HZ, DUPLEX 1				
- 7	1574353	1	.	SCROLL AND WHEEL ASM, RH, 50 HZ, DUPLEX 2				USED ON MACHINES WITH EC 366411 ONLY
- 7	2561584	1	.	SCROLL AND WHEEL ASM, RH, 60 HZ, DUPLEX 2				USED ON MACHINES WITH EC 366411 ONLY
- 7	2561584	1	.	SCROLL AND WHEEL ASM, RH, 50 HZ, DUPLEX 1				
- 7	5468388	1	.	SCROLL AND WHEEL ASM, RH, 60 HZ, DUPLEX 1				
- 8	1574352	1	.	SCROLL AND WHEEL ASM, LH, 50 HZ, DUPLEX 2				USED ON MACHINES WITH EC 366411 ONLY
- 8	2561585	1	.	SCROLL AND WHEEL ASM, LH, 60 HZ, DUPLEX 2				USED ON MACHINES WITH EC 366411 ONLY
- 8	2561585	1	.	SCROLL AND WHEEL ASM, LH, 50 HZ, DUPLEX 1				
- 8	5468387	1	.	SCROLL AND WHEEL ASM, LH, 60 HZ, DUPLEX 1				
- 9	322065	8	.	SCREW, MACH, BIND HD, 6-32, 0.625 LG				
- 10	56722	8	.	WASHER, LOCK, EXT TEETH, 0.141 ID, 0.32 OD				
- 11	4109449	1	.	MOTOR ASM, 50/60 HZ, DUPLEX 2				USED ON MACHINES WITH EC 366411 ONLY
- 11	4109448	1	.	MOTOR ASM, 50 HZ, DUPLEX 1				
- 11	4109447	1	.	MOTOR ASM, 60 HZ, DUPLEX 1				FOR COMPONENT PARTS SEE FIGURE 21 -1E, -20H, -62A, -64
- 12	8653317	1	.	MOTOR, 50 HZ, DUPLEX 1				
- 13	5677	2	.	SCREW, MACH, BIND HD, 10-32, 0.75 LG				
- 14	56079	2	.	WASHER, LOCK, EXT TEETH, 0.195 ID, 0.41 OD				
- 15	526378	2	.	INSULATOR CAP				
- 16	5252824	1	.	CAPACITOR, PAPER, 4 MFD P/M6%, 370 VACM				USED ON DUPLEX 1, 60 HZ, AND ON DUPLEX 2 BLOWER ASM
- 16	5252828	1	.	CAPACITOR, PAPER, 4 MFD P/M6%, 440 VACM				USED ON DUPLEX 1, 50 HZ BLOWER ASM
- 17	47242	2	.	WASHER, FL, 0.219 ID, 0.5 OD, 0.062 THK				
- 18	56079	2	.	WASHER, LOCK, EXT TEETH, 0.195 ID, 0.41 OD				
- 19	11598	2	.	NUT, PLAIN, HEX, 10-32, 0.375 FL W				
- 20	5468318	1	.	BRACKET				
- 21	322551	2	.	SCREW, MACH, BIND HD, 6-32, 0.75 LG				
- 22	56722	4	.	WASHER, LOCK, EXT TEETH, 0.141 ID, 0.32 OD				
- 23	257187	2	.	NUT, PLAIN, HEX, 6-32, 0.312 FL W				
- 24	2676706	1	.	JUMPER ASM, 600MM LG				FOR COMPONENT PARTS SEE FIGURE 21 -1E, -1F, -1M
- 25	56722	2	.	WASHER, LOCK, EXT TEETH, 0.141 ID, 0.32 OD				
- 26	257187	1	.	NUT, PLAIN, HEX, 6-32, 0.312 FL W				
- 27	804109	1	.	CLAMP, CABLE, LOOP, 0.38 ID, 0.17 DIA MTG HOLE				
- 28	322551	1	.	SCREW, MACH, BIND HD, 6-32, 0.75 LG				
- 29	56722	1	.	WASHER, LOCK, EXT TEETH, 0.141 ID, 0.32 OD				
- 30	257187	1	.	NUT, PLAIN, HEX, 6-32, 0.312 FL W				
- 31	4123903	1	.	BASEPLATE				
- 31	4056221	1	.	BASEPLATE, 50 HZ, SUB PART ON MAINZ MACH ONLY				

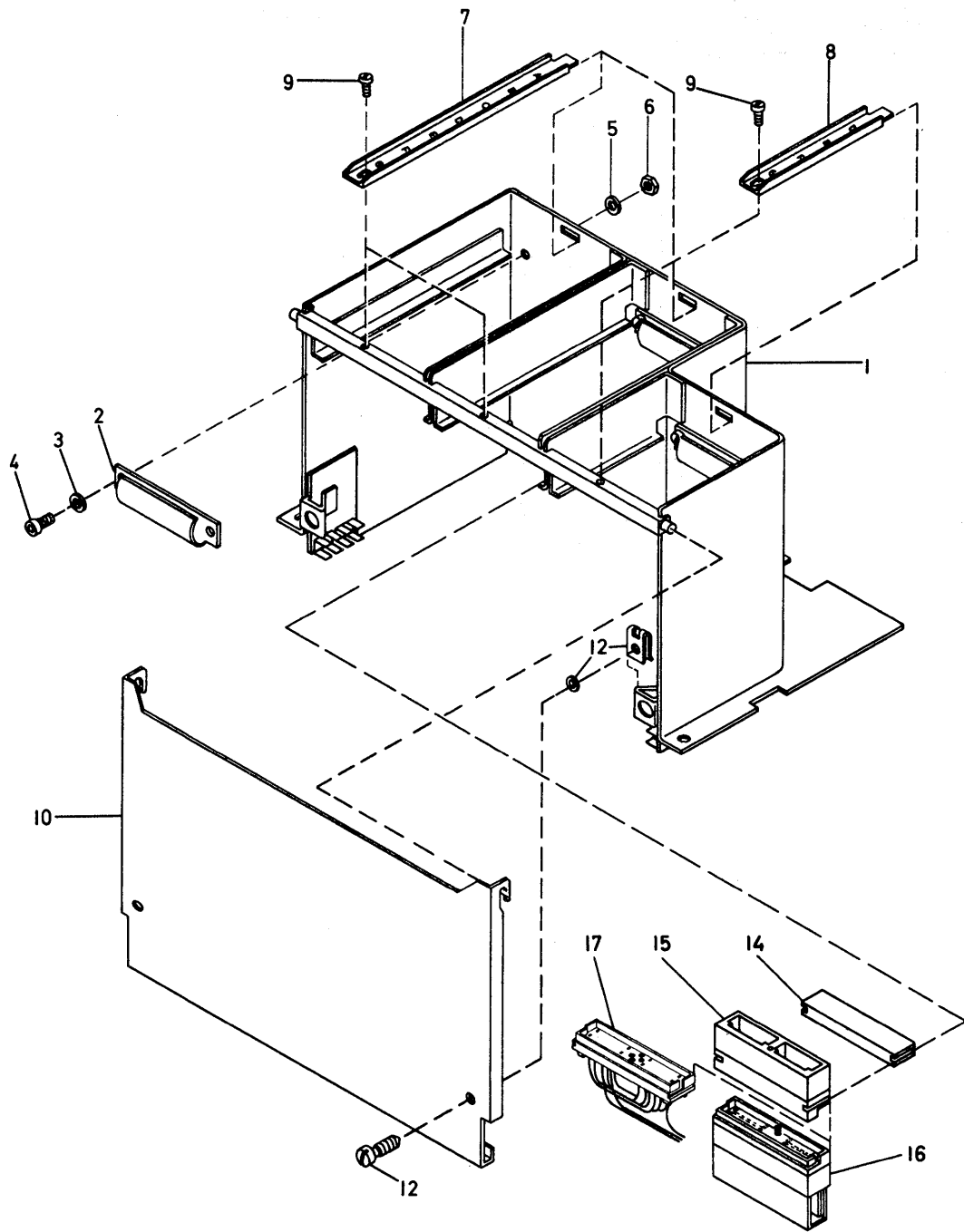


FIGURE 6. I/O RACK ASSEMBLY

FIGURE- INDEX NUMBER	PART NUMBER	UNITS PER ASM.	DESCRIPTION			
			1	2	3	4
			I/O RACK ASSEMBLY (TAILGATE 01D)			
6 -	8483678	REF	I/O RACK ASM FOR NEXT HIGHER ASM SEE FIGURE 2			
- 1	8483679	1	. CHASSIS			
- 2	8483037	3	. SPRING			
- 3	1622346	6	. WASHER,LCK,EXT ST,4.3MM ID,8MM OD			
- 4	1621508	6	. SCREW,CAP,SOC HD,M4, 6MM LG			
- 5	1622304	6	. WASHER,FL,4.3MM ID,9MM OD,0.8MM THK			
- 6	1622403	6	. NUT,HEX,M4, 7MM FL W			
- 7	8483039	AR	. MTG BAR			
- 8	8483038	1	. MTG BAR			
- 9	1621190	AR	. SCREW,MACH,PAN HD,M4, 8MM LG			
- 10	8483680	1	. COVER			
- 12	4204962	2	. FASTENER ASM			
			THE FOLLOWING ITEMS ARE NOT PART OF ASSEMBLY 8483676. THEY ARE SHOWN FOR REFERENCE ONLY.			
- 14	8483695	AR	FILLER			
- 15	8483541	AR	CONNECTOR ASM,EMC (RED DOT)			
- 15	8483543	AR	CONNECTOR ASM,EMC MFCU			
			FOR COMPONENT PARTS SEE FIGURE 21 -90			
- 16	2282675	3	CONNECTOR ASM,TERMINATOR,BUS,POS C2,D2,D3			
- 16	2282676	1	CONNECTOR ASM,TERMINATOR,TAG,POS E3			
- 17	8483772	1	BUS WRAP CONNECTOR ASM,CE TOOL			
- 17	8483773	1	TAG WRAP CONNECTOR ASM,CE TOOL			
- 17	8483860	1	CABLE ASM,BUS TO TAG,CE TOOL			
			FOR COMPONENT PARTS SEE FIGURE 21 -90A			

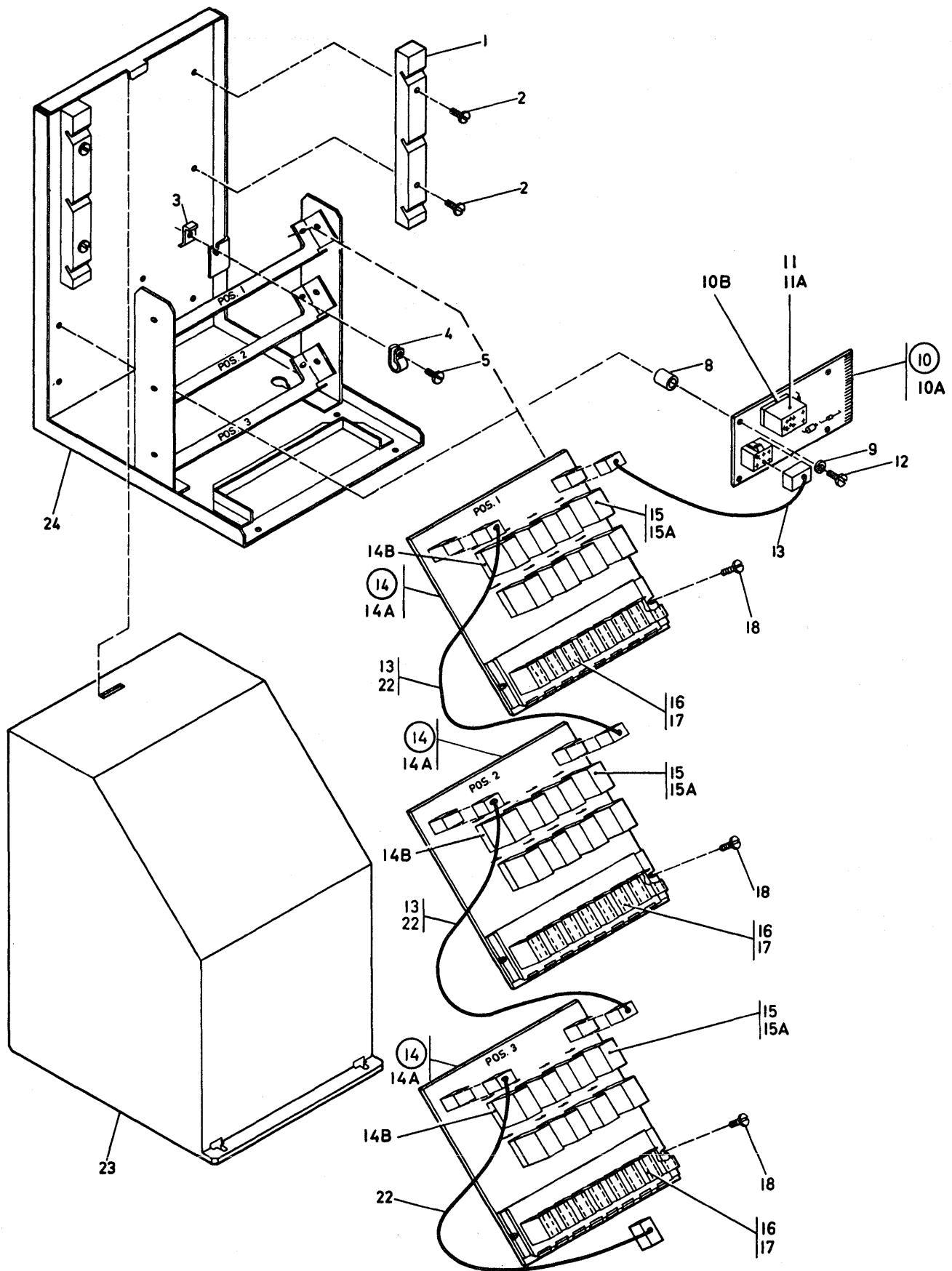


FIGURE 7. STANDARD POWER INTERFACE ASSEMBLY

FIGURE- INDEX NUMBER	PART NUMBER	UNITS PER ASM.	DESCRIPTION			
			1	2	3	4
			STANDARD POWER INTERFACE ASSEMBLY			
7 -	8482752	REF	SPI ASSEMBLY USED ON 4331 ONLY FOR NEXT HIGHER ASM SEE FIGURE 3			
- 1	8482772	2	. GUIDE			
- 2	1621855	4	. SCREW, THRD FORM, PAN HD, M4, 20MM LG			
- 3	8483123	1	. BRACKET			
- 4	169698	1	. CLAMP, CABLE, LOOP, 0.156 ID, 0.2 DIA MTG HOLE			
- 5	1621191	1	. SCREW, MACH, PAN HD, M4, 10MM LG			
- 8	193435	4	. SPACER			
- 9	1622304	4	. WASHER, FL, 4.3MM ID, 9MM OD, 0.8MM THK			
- 10	8482761	1	. FRU PANEL CARD ASM USED ON WT MACH ONLY			
- 10	8482474	1	. PANEL CARD ASM USED ON US MACH ONLY			
- 10A	8482427	1	. . . FRU CARD ASM USED ON US MACH ONLY			
- 10B	2676636	1 SOCKET USED ON US MACH ONLY			
- 11	2426298	1	. . . RELAY, 24 VDC, 2200 OHMS, P/M10%, GOLD CONTACTS (SOLDERED) USED ON WT MACH ONLY			
- 11	767031	1	. . . RELAY, 24 VDC, 1275 OHMS, P/M10% (PLUGGED) USED ON US MACH ONLY			
- 11A	5318966	1	. . . RETAINER USED ON US MACH ONLY			
- 12	1621857	4	. SCREW, THRD FORM, PAN HD, M4, 25MM LG			
- 13	8482759	AR	. CABLE ASM, SPI FOR COMPONENT PARTS SEE FIGURE 21 -20A, -21C, -61			
- 14	8482757	AR	. FRU RELAY CARD ASM USED ON WT MACH ONLY			
- 14	8482483	AR	. RELAY CARD ASM USED ON US MACH ONLY			
- 14A	8482424	1	. . . FRU CARD ASM USED ON US MACH ONLY			
- 14B	2676636	8 SOCKET USED ON US MACH ONLY			
- 15	2426298	8	. . . RELAY, 24 VDC, 2200 OHMS, P/M10%, GOLD CONTACTS (SOLDERED) USED ON WT MACH ONLY			
- 15	4216104	8	. . . RELAY, 24 VDC, 700 OHMS, P/M10%, SILVER CONTACTS (SOLDERED), OPTIONAL USAGE			
- 15	767031	8	. . . RELAY, 24 VDC, 1275 OHMS, P/M10% (PLUGGED) USED ON US MACH ONLY			
- 15A	5318966	8	. . . RETAINER USED ON US MACH ONLY			
- 16	523269	8	. . . RECEPTACLE, 6 POS			
- 17	1621845	16	. . . SCREW, THRD FORM, PAN HD, M3, 8MM LG			
- 18	1621852	AR	. SCREW, THRD FORM, PAN HD, M4, 10MM LG			
- 22	8482760	1	. CABLE ASM, I/O COMPLETE FOR SPI FOR COMPONENT PARTS SEE FIGURE 21 -10A, -20A, -26, -61			
- 23	8482755	1	. COVER			
- 24	8482754	1	. FRAME			

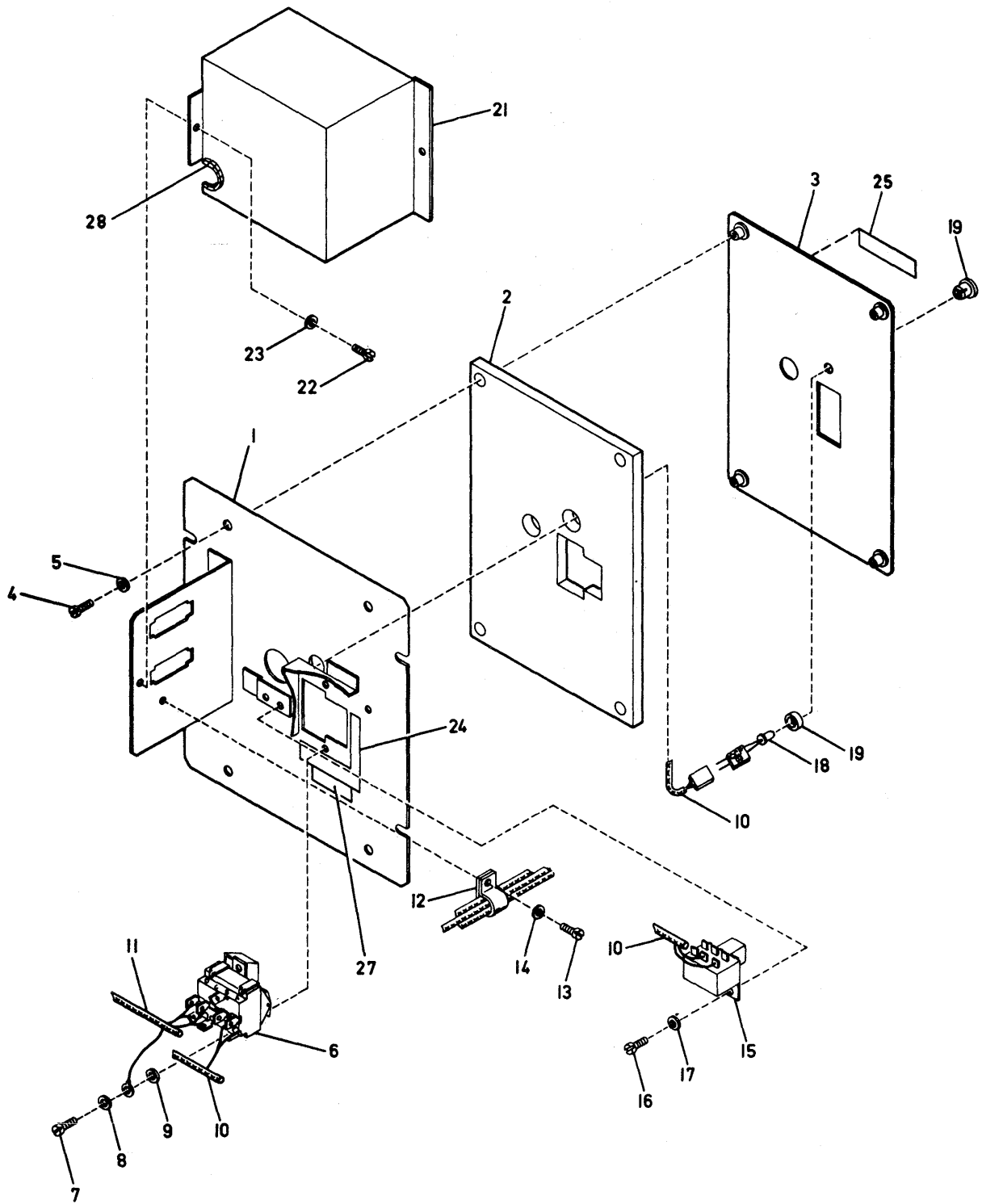


FIGURE 8. CUSTOMER PANEL ASSEMBLY (SHEET 1 OF 2, INDEX NO. 1 THRU 28)

FIGURE- INDEX NUMBER	PART NUMBER	UNITS PER ASM.	DESCRIPTION			
			1	2	3	4
			CUSTOMER CONTROL AND POWER ON METER PANEL ASSEMBLIES			
8 -	8483795	REF	FRU CUSTOMER CONTROL PANEL ASM FOR NEXT HIGHER ASM SEE FIGURE 3 FOR FIELD REPLACEMENT, ORDER IN ADDITION ONE OF THE FOLLOWING WARNING LABELS GROUP: 8481026(FRCH/CANAD), 8481027(ENGL), 8481290(GERM), 8481291(FRENCH), 8481292(FRCH/DUTCH), 8481293(FINNISH), 8481294(ITAL), 8481295(NORWEG), 8481296(SWEDISH)			
- 1	8483789	1	• SUPPORT			
- 2	8483791	1	• SEAL, FIELD USE ONLY			
- 3	8483792	1	• FACE PLATE			
- 4	1621197	4	• SCREW, MACH, PAN HD, M4, 6MM LG			
- 5	1622318	4	• WASHER, LCK, SPRING, 4.1MM ID, 7.6MM OD			
- 6	5252759	1	• SWITCH, ROCKER, 4P, SPECIAL MOMENTARY			
- 7	1621170	2	• SCREW, MACH, PAN HD, M3, 6MM LG			
- 8	1622302	1	• WASHER, FL, 3.2MM ID, 7MM OD, 0.5MM THK			
- 9	1622344	2	• WASHER, LCK, EXT ST, 3.2MM ID, 6MM OD			
- 10	8482917	1	• CABLE ASM, CCP SIGNALS INTERN FOR COMPONENT PARTS SEE FIGURE 21 -8B, -15B, -20A, -20F, -21C, -62B, -77A			
- 11	8482918	1	• CABLE ASM, PCC CON 06 TO CCP ROCKER SWITCH FOR COMPONENT PARTS SEE FIGURE 21 -1E, -8B, -20A, -61B			
- 12	350664	1	• CLAMP, LOOP, 14.3MM ID, 5MM DIA MTG HOLE			
- 12	534768	1	• CLAMP, LOOP, 9.65MM ID, 5.2MM DIA MTG HOLE SUB PART ON MAINZ MACH ONLY			
- 13	1621190	1	• SCREW, MACH, PAN HD, M4, 8MM LG			
- 14	1622304	1	• WASHER, FL, 4.3MM ID, 9MM OD, 0.8MM THK			
- 15	740513	1	• CE SWITCH			
- 16	1621170	2	• SCREW, MACH, PAN HD, M3, 6MM LG			
- 17	1622344	2	• WASHER, LCK, EXT ST, 3.2MM ID, 6MM OD			
- 18	8483694	1	• DIODE ASM, LED			
- 19	8486187	1	• CLIP AND RETAINING RING			
- 21	8483793	1	• COVER, SWITCH			
- 22	1621197	2	• SCREW, MACH, PAN HD, M4, 6MM LG			
- 23	1622318	2	• WASHER, LCK, SPRING, 4.1MM ID, 7.6MM OD			
- 24	8483954	1	• LABEL, TERMINAL ARRANGEMENT			
- 25	8330683	1	• PLATE, POWER ACTIVE USED ON US MACH ONLY			
- 27	138754	1	• LABEL, LINE VOLTAGE (ENGLISH)			
- 27	6825819	1	• LABEL, NETZSPANNUNG (GERM)			
- 27	4857082	1	• LABEL, CIRCUITS (FRENCH/CANADIAN)			
- 27	6825828	1	• LABEL, TENSION (FRENCH)			
- 27	8329452	1	• LABEL, NETZSPANNUNG (FRENCH/DUTCH)			
- 27	6825818	1	• LABEL, LAITTEESSA (FINNISH)			
- 27	6825820	1	• LABEL, TENSIONE DI (ITALIAN)			
- 27	4418722	1	• LABEL, NETTSPENNING (NORWEGIAN)			
- 27	8551903	1	• LABEL, NATSPANNING (SWEDISH)			
- 28	2591216	1	• GROMMET			

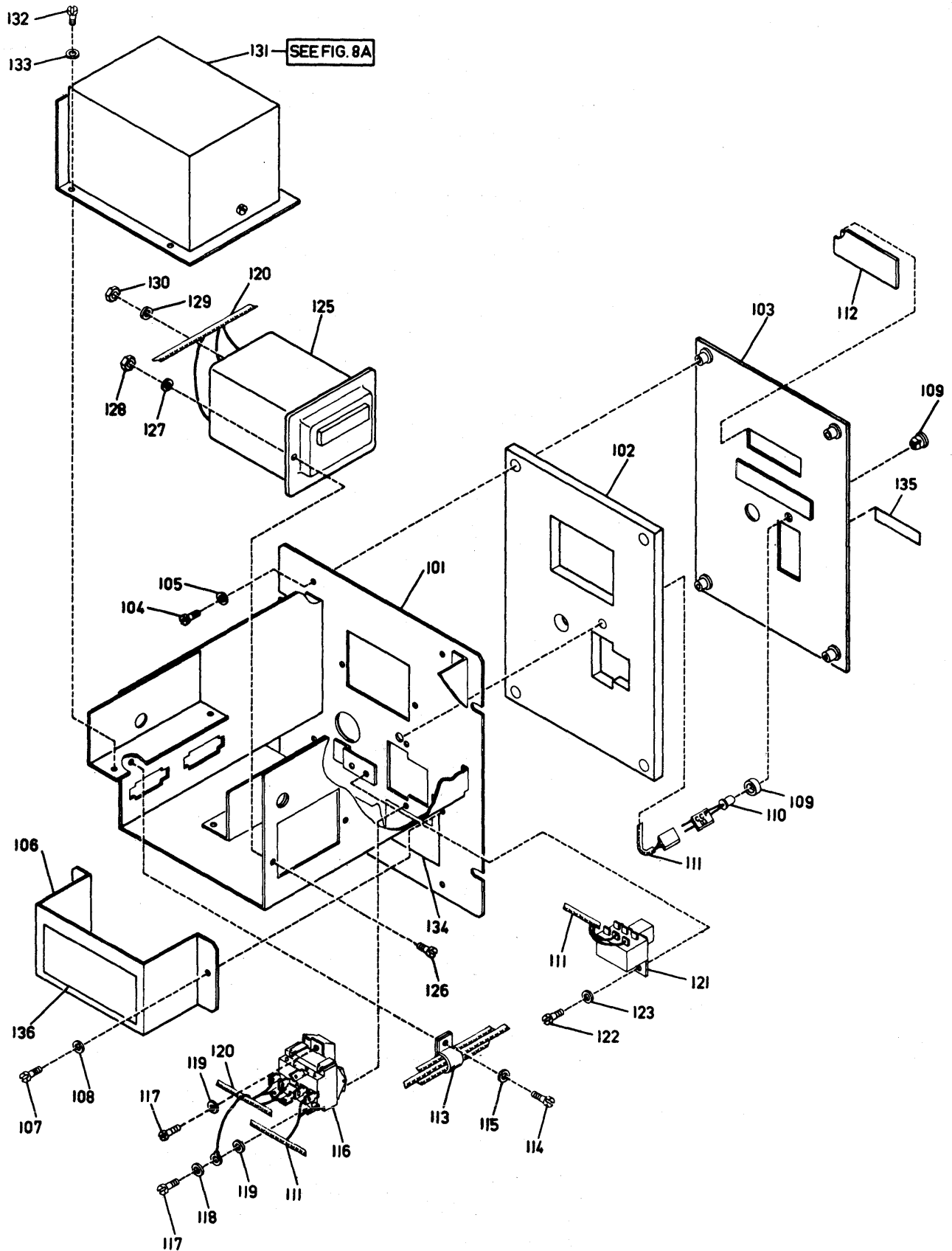


FIGURE 8. POWER ON METER PANEL ASSEMBLY (SHEET 2 OF 2, INDEX NO. 101 THRU 136)

FIGURE- INDEX NUMBER	PART NUMBER	UNITS PER ASM.	DESCRIPTION				
			1	2	3	4	
8 -	8483689	REF	FRU	POWER ON METER PANEL ASM,50 HZ			
-	8483690	REF	FRU	POWER ON METER PANEL ASM,60 HZ USED ON APPROX 300 US,200 GERM,AND 100 JAPAN IBM OWNED MACH ONLY FOR NEXT HIGHER ASM SEE FIGURE 3			
-101	8483686	1		• IPO AND METER HOUSING			
-102	8483685	1		• SEAL			
-103	8483684	1		• FACE PLATE			
-104	1621197	4		• SCREW,MACH,PAN HD,M4, 6MM LG			
-105	1622318	4		• WASHER,LCK,SPRING,4.1MM ID,7.6MM OD			
-106	8483572	1		• COVER,SWITCH			
-107	1621197	2		• SCREW,MACH,PAN HD,M4, 6MM LG			
-108	1622318	2		• WASHER,LCK,SPRING,4.1MM ID,7.6MM OD			
-109	8486187	1		• CLIP AND RETAINING RING			
-110	8483694	1		• DIODE ASM,LED			
-111	8482903	1		• CABLE ASM,POWER ON METER FOR COMPONENT PARTS SEE FIGURE 21 -15D, -17,-20A,-20F,-21C,-40,-62B,-77A,-81			
-112	8483269	1		• INSERT			
-113	350663	1		• CLAMP,LOOP,11.2MM ID,5MM DIA MTG HOLE			
-114	1621191	1		• SCREW,MACH,PAN HD,M4, 10MM LG			
-115	1622304	1		• WASHER,FL,4.3MM ID,9MM OD,0.8MM THK			
-116	5252759	1		• SWITCH,ROCKER,4P,SPECIAL,MOMENTARY			
-117	1621170	2		• SCREW,MACH,PAN HD,M3, 6MM LG			
-118	1622302	1		• WASHER,FL,3.2MM ID,7MM OD,0.5MM THK			
-119	1622344	2		• WASHER,LCK,EXT ST,3.2MM ID,6MM OD			
-120	8482891	1		• CABLE ASM,PCC CON 06 TO POWER ON METER FOR COMPONENT PARTS SEE FIGURE 21 -1,-1E, -1G,-1H,-8B,-20A,-25A,-40,-61B			
-121	740513	1		• CE SWITCH			
-122	1621170	2		• SCREW,MACH,PAN HD,M3, 6MM LG			
-123	1622344	2		• WASHER,LCK,EXT ST,3.2MM ID,6MM OD			
-125	740608	1		• METER,50 HZ,CE			
-125	740503	1		• METER,60 HZ,CE			
-126	1621063	2		• SCREW,MACH,CHEESE HD,M4, 16MM LG			
-127	1622346	2		• WASHER,LCK,EXT ST,4.3MM ID,8MM OD			
-128	1622403	2		• NUT,HEX,M4, 7MM FL W			
-129	22478	1		• WASHER,FL,0.17 ID,0.375 OD,0.032 THK			
-130	257189	1		• NUT,PLAIN,HEX,8-32, 0.344 FL W			
-131	740609	1		• FRU POWER PACK ASM,50 HZ			
-131	740540	1		• FRU POWER PACK ASM,60 HZ FOR DETAIL BREAKDOWN SEE FIGURE 8A			
-132	1621060	4		• SCREW,MACH,CHEESE HD,M4, 8MM LG			
-133	1622346	4		• WASHER,LCK,EXT ST,4.3MM ID,8MM OD			
-134	8483598	1		• LABEL,TERMINAL ARRANGEMENT,ENGL			
-134	8483778	1		• LABEL,TERMINAL ARRANGEMENT,FRCH/CANAD			
-135	8330683	1		• PLATE,POWER ACTIVE USED ON US MACH ONLY			
-136	5235202	1		• LABEL,LINE VOLTAGE,ENGL			
-136	4141152	1		• LABEL,LINE VOLTAGE,FRCH/CANAD			

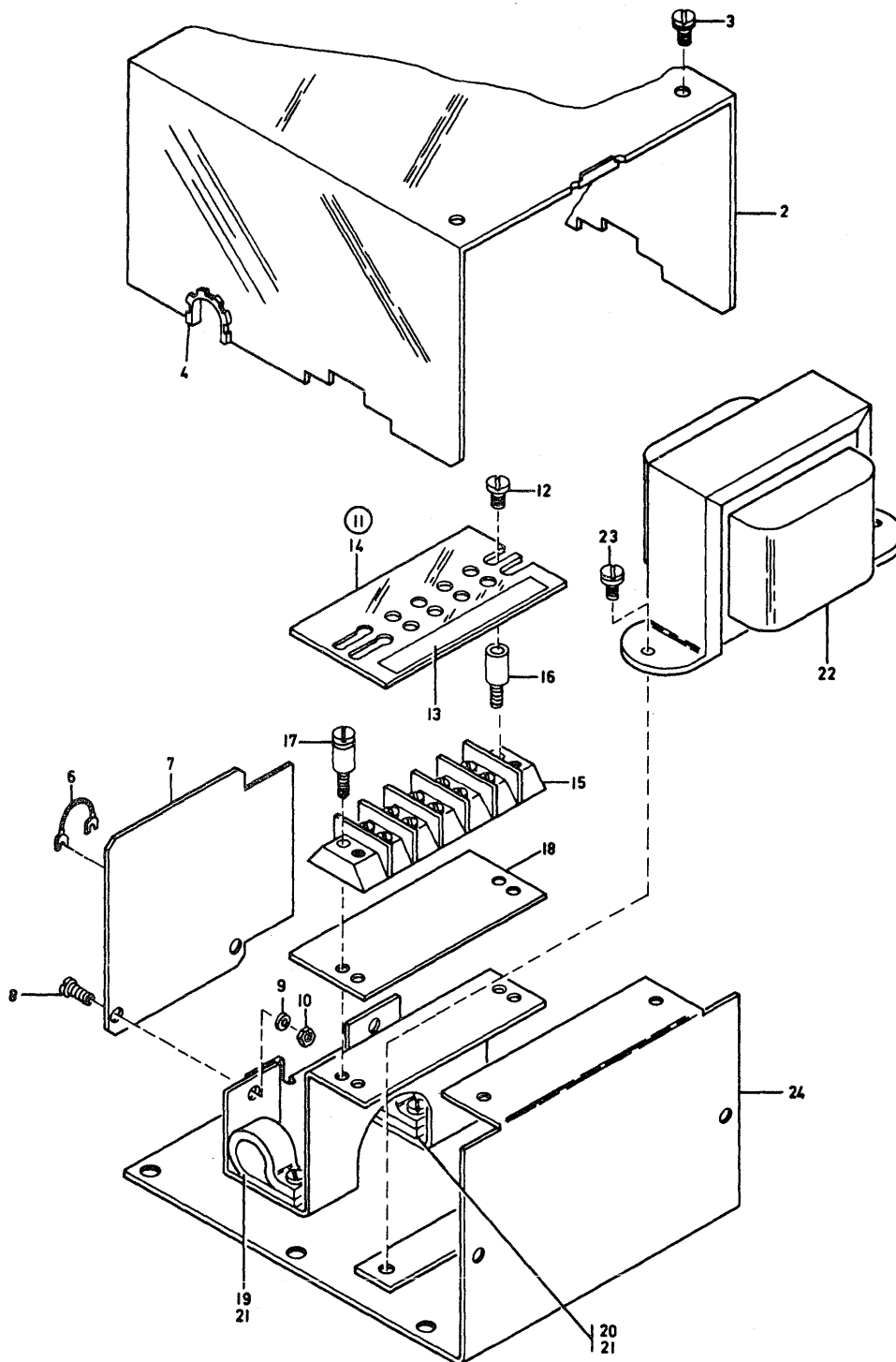


FIGURE 8A. METER POWER PACK ASSEMBLY

FIGURE- INDEX NUMBER	PART NUMBER	UNITS PER ASM.	DESCRIPTION			
			1	2	3	4
METER POWER PACK ASSEMBLIES						
8A-	740540	REF				FRU METER POWER PACK ASSEMBLY,60 HZ
-	740609	REF				FRU METER POWER PACK ASSEMBLY,50 HZ
						FOR NEXT HIGHER ASM SEE FIGURE 8
- 2	740564	1				• COVER,METER POWER PACK
- 3	170202	3				• SCREW,W/SPRING LCKW,6-32, 0.188 LG
- 4	740571	2				• GROMMET
- 6	740550	1				• JUMPER ASSEMBLY,2.5 LG
						FOR COMPONENT PARTS SEE FIGURE 21 -81A
- 7	372688	1				• CARD ASM,TSTR,METER
- 8	81693	2				• SCREW,MACH,BIND HD,6-32, 0.375 LG
- 9	56722	2				• WASHER,LCK,EXT TEETH,0.141 ID,0.32 OD
- 10	257187	2				• NUT,PLAIN,HEX,6-32, 0.312 FL W
- 11	741129	1				• SHIELD ASSEMBLY
- 12	740606	1				• SCREW,MACH,BIND HD,6-32, 0.25 LG
- 13	124943	1				• LABEL,HAZARDOUS AREA
- 14	474644	1				• SHIELD
- 15	317310	1				• TERMINAL BOARD,5 DBL SCREW TERMINALS
- 16	210883	1				• STUD,SHIELD MTG,TAPPED,6-32
- 17	210884	3				• STUD,SHIELD MTG,6-32
- 18	740554	1				• STRIP,MARKER,5 POS
- 19	104294	1				• CLAMP,LOOP,0.312 ID,0.219 DIA MTG HOLE
- 20	216362	1				• CLAMP,LOOP,0.13 ID,0.191 DIA MTG HOLE
- 21	10170	2				• SCREW,MACH,BIND HD,6-32, 0.25 LG
- 22	740560	1				• TRANSFORMER ASM,POWER PACK,60 HZ
- 22	740562	1				• TRANSFORMER ASM,POWER PACK,50 HZ
- 23	170202	2				• SCREW,W/SPRING LCKW,6-32, 0.188 LG
- 24	740563	1				• BASE,METER POWER PACK

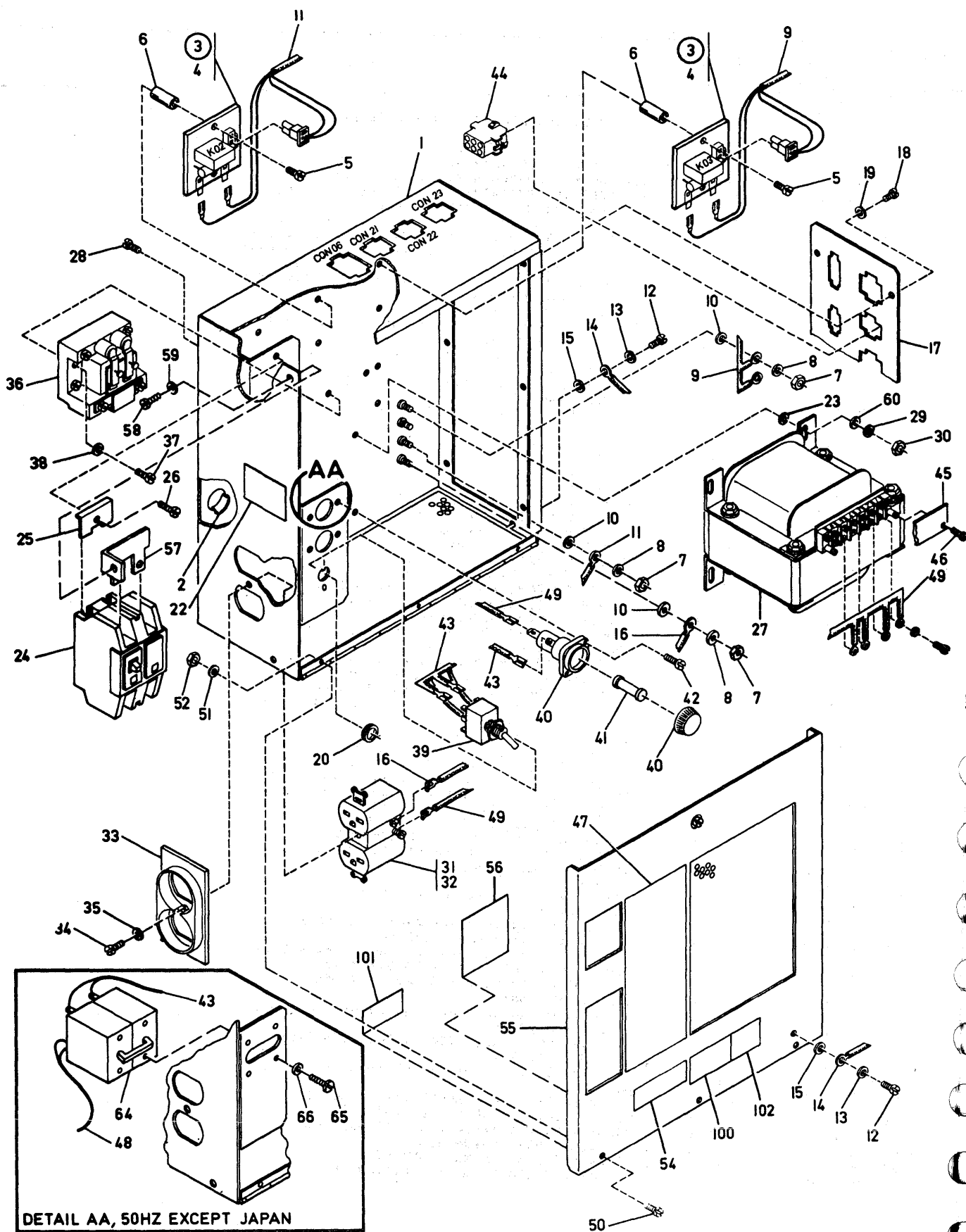


FIGURE 9. POWER CONTROL COMPARTMENT ASSEMBLY

FIGURE- INDEX NUMBER	PART NUMBER	UNITS PER ASM.	DESCRIPTION			
			1	2	3	4
			POWER CONTROL COMPARTMENT ASSEMBLIES			
9 -	8483790	REF	POWER CONTROL COMPARTMENT ASM, 50 HZ EXCEPT JAPAN			
-	8483770	REF	POWER CONTROL COMPARTMENT ASM, 60 HZ EXCEPT JAPAN			
-	8483780	REF	POWER CONTROL COMPARTMENT ASM, 50/60 HZ JAPAN FOR NEXT HIGHER ASM SEE FIGURE 3 FOR FIELD REPLACEMENT, ORDER IN ADDITION ONE OF THE FOLLOWING WARNING LABELS GROUP: 8481026(FRCH/CANAD), 8481027(ENGL), 8481290(GERM), 8481291(FRENCH), 8481292(FRCH/DUTCH), 8481293(FINNISH), 8481294(ITAL), 8481295(NORWEG), 8481296(SWEDISH)			
- 1	8483817	1	. BOX CBM, VENTILATED USED ON 50 HZ JAPAN AND 60 HZ MACH ONLY			
- 1	8483926	1	. BOX CBM, W/O VENTILATION USED ON 50 HZ, EXCEPT JAPAN MACH ONLY			
- 1	8483829	1	. BOX CBM, W/O VENTILATION, OLD VERSION (W/O CP01) USED ON 50 HZ, EXCEPT JAPAN MACH ONLY			
- 2	480755	1	. CHANNEL, 65MM LG			
- 3	8482771	AR	. FRU CARD ASM, RELAY, K02 AND K03			
- 4	4216102	1	. RELAY			
- 5	1621175	AR	. SCREW, MACH, PAN HD, M3, 20MM LG			
- 6	2128633	AR	. SPACER			
- 7	1622403	AR	. NUT, HEX, M4, 7MM FL W			
- 8	1622304	AR	. WASHER, FL, 4.3MM ID, 9MM OD, 0.8MM THK			
- 9	8482924	1	. CABLE ASM, PCC 50/60 HZ, BASIC FOR COMPONENT PARTS SEE FIGURE 21 -1D, -1H, -1J, -1N, -8B, -9A, -9C, -21C, -40, -43B, -60, -62A, -62B, -63, -63A, -63B, -63C, -80			
- 10	1622346	AR	. WASHER, LCK, EXT ST, 4.3MM ID, 8MM OD			
- 11	8482925	1	. CABLE ASM, PCC 50/60 HZ, FEATURE, TR 105 FOR COMPONENT PARTS SEE FIGURE 21 -1H, -8B, -21C, -40, -43B, -60, -61, -63			
- 12	1621190	2	. SCREW, MACH, PAN HD, M4, 8MM LG			
- 13	1622304	2	. WASHER, FL, 4.3MM ID, 9MM OD, 0.8MM THK			
- 14	8483909	1	. JUMPER ASM, GND DOOR, 80MM LG FOR COMPONENT PARTS SEE FIGURE 21 -1H			
- 15	1622346	2	. WASHER, LCK, EXT ST, 4.3MM ID, 8MM OD			
- 16	8482913	1	. JUMPER ASM, PCC OUTLET TO GND, 400MM LG FOR COMPONENT PARTS SEE FIGURE 21 -1H, -9C			
- 17	8483819	1	. PLATE, CONNECTORS			
- 18	1621197	6	. SCREW, MACH, PAN HD, M4, 6MM LG			
- 19	1622346	6	. WASHER, LCK, EXT ST, 4.3MM ID, 8MM OD			
- 20	216323	1	. NUT, DRESS, KNURL, 0.469-32, 0.64 OD USED ON 50 HZ JAPAN AND 60 HZ MACH ONLY			
- 22	8482412	1	. LABEL, CAUTION, LINE VOLTAGE, FIELD USE ONLY USED ON 50 HZ, EXCEPT JAPAN MACH ON OLD VERSION (W/O CP01) ONLY			
- 23	1622347	1	. WASHER, LCK, EXT ST, 5.3MM ID, 10MM OD USED ON 50 HZ JAPAN AND 60 HZ MACH ONLY			
- 24	5719456	1	. CIRCUIT BREAKER, 15A, 240V, 2P			
- 25	8483771	2	. CLAMP, MTG			
- 26	1621852	2	. SCREW, THRD FORM, PAN HD, M4, 10MM LG			
- 27	1770396	1	. TRANSFORMER USED ON 50 HZ JAPAN AND 60 HZ MACH ONLY			
- 28	1621211	4	. SCREW, MACH, PAN HD, M5, 12MM LG USED ON 50 HZ JAPAN AND 60 HZ MACH ONLY			
- 29	1622319	4	. WASHER, LCK, SPRING, 5.1MM ID, 9.2MM OD USED ON 50 HZ JAPAN AND 60 HZ MACH ONLY			
- 30	1622404	4	. NUT, HEX, M5, 8MM FL W USED ON 50 HZ JAPAN AND 60 HZ MACH ONLY			
- 31	418835	1	. CONV OUTLET, 220V USED ON 50 HZ, EXCEPT JAPAN MACH ONLY			
- 32	357995	1	. CONV OUTLET, 115V USED ON 50 HZ JAPAN AND 60 HZ MACH ONLY			
- 33	2502115	1	. SHROUD USED ON 50 HZ, EXCEPT JAPAN MACH ONLY			
- 34	81693	1	. SCREW, MACH, BIND HD, 6-32, 0.375 LG			
- 35	56722	1	. WASHER, LCK, EXT TEETH, 0.141 ID, 0.32 OD			
- 36	2775241	1	. RELAY, HD, DPST, 30A, 24 VDC			
- 37	1621174	2	. SCREW, MACH, PAN HD, M3, 16MM LG			
- 38	1622316	2	. WASHER, LCK, SPRING, 3.1MM ID, 6.2MM OD			

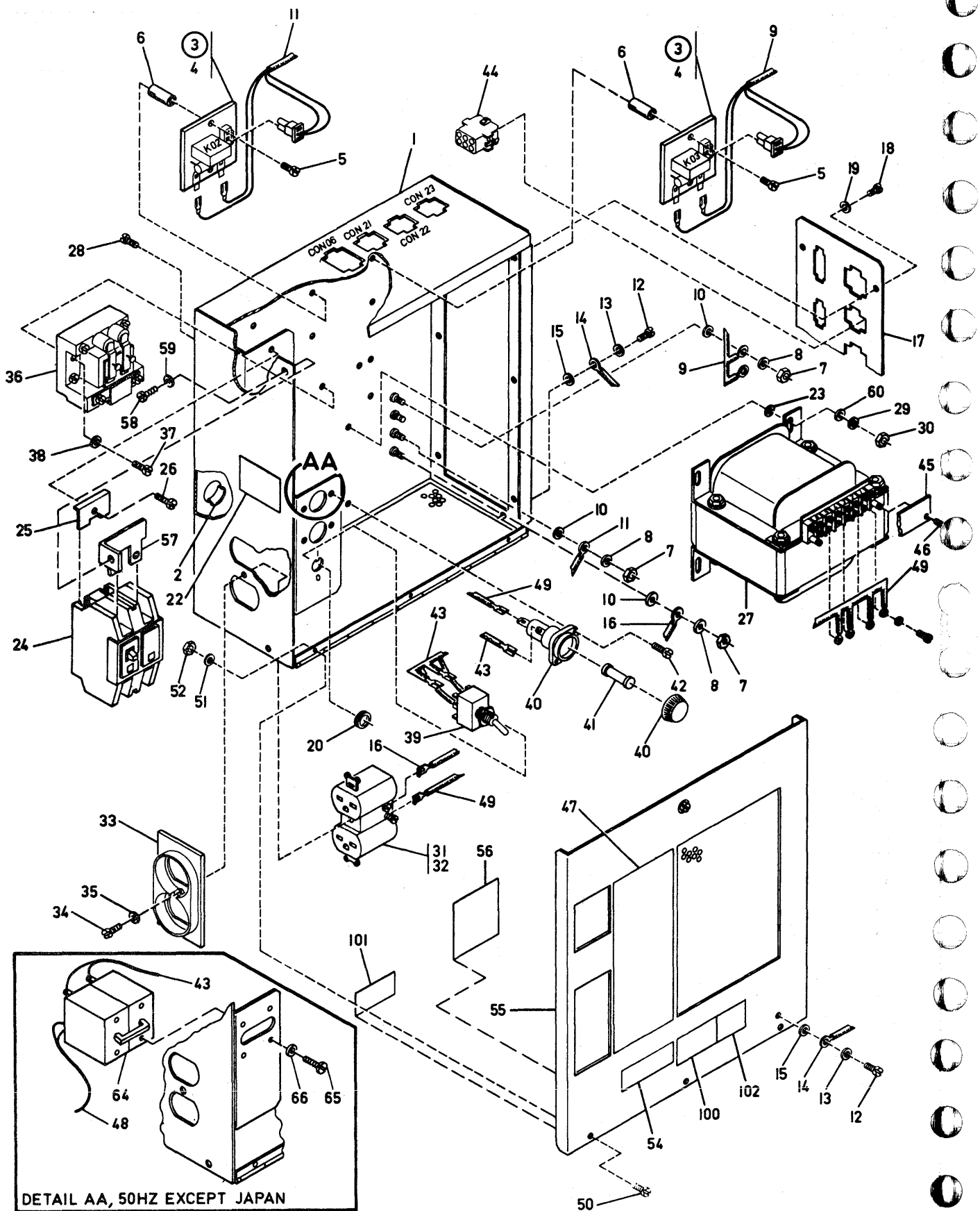


FIGURE 9. POWER CONTROL COMPARTMENT ASSEMBLY, CONTINUED

FIGURE- INDEX NUMBER	PART NUMBER	UNITS PER ASM.	DESCRIPTION			
			1	2	3	4
9 - 39	734879	1	• SWITCH, TOGGLE, DPDT, MAINTAINED USED ON 50 HZ JAPAN AND 60 HZ MACH AND ALL MACHINES W/O EC 366403 ONLY			
- 40	92752	2	• FUSE HOLDER USED ON 50 HZ JAPAN AND 60 HZ MACH AND ALL MACHINES W/O EC 366403 ONLY			
- 41	2495467	2	• FUSE, CARTRIDGE, 1.8A, 250V, SB USED ON 50 HZ JAPAN AND 60 HZ MACH AND ALL MACHINES W/O EC 366403 ONLY			
- 42	1621852	4	• SCREW, THRD FORM, PAN HD, M4, 10MM LG USED ON 50 HZ JAPAN AND 60 HZ MACH ONLY			
- 43	8482915	1	• CABLE ASM, PCC 50 HZ EXCEPT JAPAN BASIC, CB01 TO CP01 FOR COMPONENT PARTS SEE FIGURE 21 -1M, -8B, -40, -43B			
- 43	8482926	1	• CABLE ASM, PCC 50 HZ JAP AND 60 HZ BASIC, CB01 TO SW01 AND FUSES FOR COMPONENT PARTS SEE FIGURE 21 -1L, -7, -8B, -40, -43B			
- 44	1847531	AR	• HOUSING, 6 CIRCUIT UNIVERSAL, DUMMY CON 03			
- 45	337193	1	• SHIELD, TB USED ON 50 HZ JAPAN AND 60 HZ MACH ONLY			
- 46	10170	2	• SCREW, MACH, BIND HD, 6-32, 0.25 LG USED ON 50 HZ JAPAN AND 60 HZ MACH ONLY			
- 47	8483922	1	• LABEL, PCC DISCONNECT, 50 HZ EXCEPT JAPAN			
- 47	8483599	1	• LABEL, PCC DISCONNECT, 50 HZ JAPAN AND 60 HZ			
- 48	8482927	1	• JUMPER ASM, OUTLET TO FUSE, 50 HZ EXCEPT JAPAN FOR COMPONENT PARTS SEE FIGURE 21 -8B, -9, -40, -43B			
- 49	8482928	1	• CABLE ASM, PCC 50 HZ JAPAN AND 60 HZ FEATURE, OUTLET FOR COMPONENT PARTS SEE FIGURE 21 -1D, -8B, -9, -9A, -40			
- 50	1621190	3	• SCREW, MACH, PAN HD, M4, 8MM LG			
- 51	1622346	3	• WASHER, LCK, EXT ST, 4.3MM ID, 8MM OD			
- 52	1622403	3	• NUT, HEX, M4, 7MM FL W			
- 54	845762	1	• LABEL, THIS MACHINE, ENGL			
- 55	8483818	1	• DOOR, VENTILATED			
- 55	8483828	1	• DOOR, W/O VENTILATION NOT USED ON 50 HZ JAPAN AND ON 60 HZ MACH			
- 56	8483783	1	• LABEL, KO4 TERMINAL ARRANGEMENT			
- 57	8483914	1	• SHIELD, SAFETY			
- 58	1621190	1	• SCREW, MACH, PAN HD, M4, 8MM LG			
- 59	1622346	1	• WASHER, LCK, EXT ST, 4.3MM ID, 8MM OD			
- 60	23141	4	• WASHER, FL, 5.1MM ID, 14.3MM OD, 1.6MM THK USED ON 50 HZ JAPAN AND 60 HZ MACH ONLY			
- 64	2644646	1	• CIRCUIT PROTECTOR, 3A, 240V, 3P			
- 65	10170	4	• SCREW, MACH, BIND HD, 6-32, 0.25 LG			
- 66	56722	4	• WASHER, LCK, EXT TEETH, 0.141 ID, 0.32 OD			
-100	369207	1	• LABEL, HAZARDOUS AREA (ENGLISH, NORWEG)			
-100	4056733	1	• LABEL, GEFAEHLR BEREICH (GERMAN)			
-100	984122	1	• LABEL, ZONE DANGEREUSE (FRENCH/CANAD, FRENCH)			
-100	8329450	1	• LABEL, DANGER PERSONNEL (FRENCH/DUTCH)			
-100	8326801	1	• LABEL, VAARALLINEN (FINNISH)			
-100	6815181	1	• LABEL, SOLO PERSONALE (ITALIAN)			
-100	8551904	1	• LABEL, FARLIGT OMRÅDE (SWEDISH)			
-101	138754	1	• LABEL, LINE VOLTAGE (ENGLISH)			
-101	6825819	1	• LABEL, NETZSPANNUNG (GERM)			
-101	4857082	1	• LABEL, CIRCUITS (FRENCH/CANADIAN)			
-101	6825828	1	• LABEL, TENSION (FRENCH)			
-101	8329452	1	• LABEL, NETSPANNING (FRENCH/DUTCH)			
-101	6825818	1	• LABEL, LAITTEESSA (FINNISH)			
-101	6825820	1	• LABEL, TENSIONE DI (ITALIAN)			
-101	4418722	1	• LABEL, NETTSPENNING (NORWEGIAN)			
-101	8551903	1	• LABEL, NATSPANNING (SWEDISH)			
-102	8483959	1	• LABEL, SYMBOL 550V USED ON US AND EMEA MACH ONLY			
-102	2582954	1	• LABEL, DANGER 550V (ENGLISH) USED ON AFE MACH ONLY			

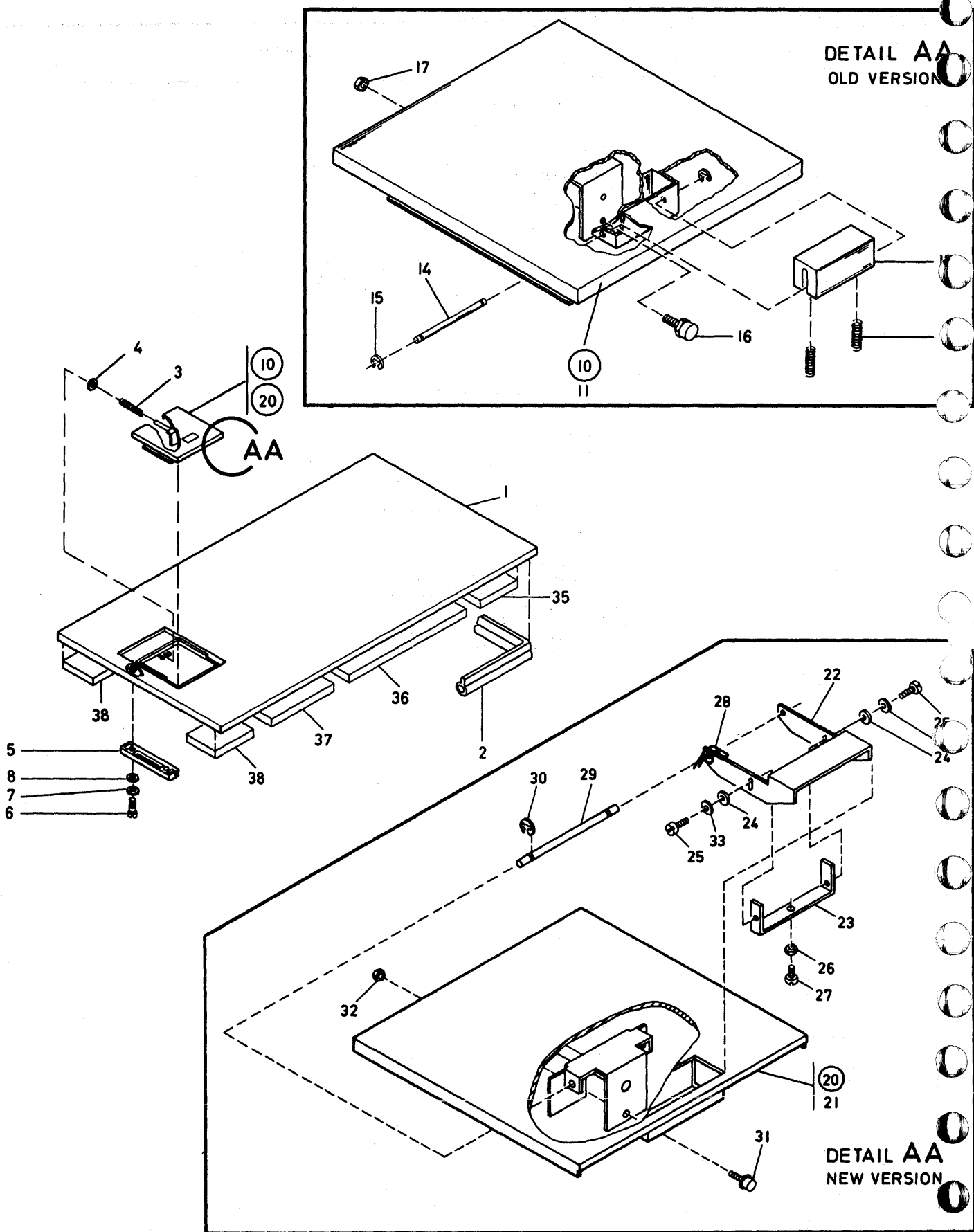


FIGURE 10. TOP COVER ASSEMBLY

FIGURE- INDEX NUMBER	PART NUMBER	UNITS PER ASM.	DESCRIPTION			
			1	2	3	4
			TOP COVER ASSEMBLY			
10 -	8483430	REF	TOP COVER ASM WITH SLIDING COVER FOR NEXT HIGHER ASM SEE FIGURE 1			
- 1	8483324	1	• TOP COVER CBM			
- 2	8483347	1	• • SEAL,5250MM LG			
- 3	8483904	1	• SPRING			
- 4	1622304	1	• WASHER,FL,4.3MM ID,9MM OD,0.8MM THK			
- 5	8483231	2	• GUIDE,I/O FILE COVER			
- 6	1621192	4	• SCREW,MACH,PAN HD,M4, 12MM LG			
- 7	1622319	4	• WASHER,LCK,SPRING,5.1MM ID,9.2MM OD			
- 8	1622305	4	• WASHER,FL,5.5MM ID,10MM OD,1MM THK			
- 10	8483241	1	• SLIDING COVER ASM,OLD VERSION			
- 11	8483230	1	• • COVER			
- 12	8483237	1	• • BUTTON			
- 13	259186	2	• • SPRING			
- 14	8483233	1	• • SHAFT			
- 15	1141141	2	• • CLIP			
- 16	8483228	1	• • BUMPER			
- 17	1622403	1	• • NUT,HEX,M4, 7MM FL W			
- 20	8483934	1	• SLIDING COVER ASM,NEW VERSION			
- 21	8483935	1	• • COVER			
- 22	8483936	1	• • ACTUATOR			
- 23	8483937	1	• • BRACKET			
- 24	1622302	2	• • WASHER,FL,3.2MM ID,7MM OD,0.5MM THK			
- 25	1621170	2	• • SCREW,MACH,PAN HD,M3, 6MM LG			
- 26	1622403	1	• • NUT,HEX,M4, 7MM FL W			
- 27	1621194	1	• • SCREW,MACH,PAN HD,M4, 20MM LG			
- 28	2546384	1	• • SPRING			
- 29	8483938	1	• • SHAFT			
- 30	1141141	2	• • CLIP			
- 31	8483228	1	• • BUMPER			
- 32	1622403	1	• • NUT,HEX,M4, 7MM FL W			
- 33	1622344	2	• • WASHER,LCK,EXT ST,3.2MM ID,6MM OD			
- 35	8483017	1	PAD,SOUND REDUCTION,OPTIONAL			
- 36	8483018	1	PAD,SOUND REDUCTION,OPTIONAL			
- 37	8483021	1	PAD,SOUND REDUCTION,OPTIONAL			
- 38	8483046	2	PAD,SOUND REDUCTION,OPTIONAL			

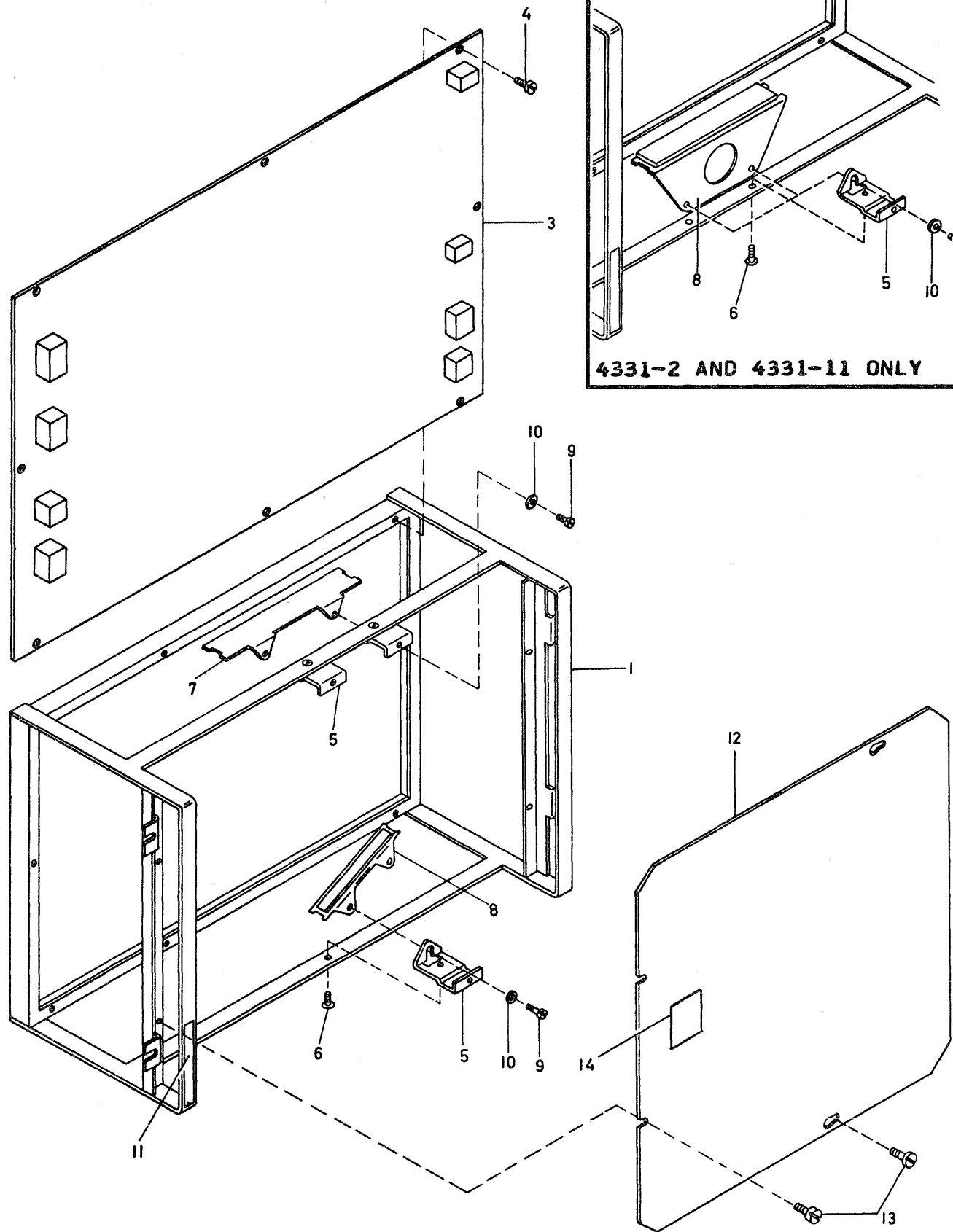


FIGURE 11. POWER SUPPLY ASSEMBLY, PS 102 (SHEET 1 OF 3, INDEX NO. 1 THRU 14)

FIGURE- INDEX NUMBER	PART NUMBER	UNITS PER ASM.	DESCRIPTION				
			1	2	3	4	
			POWER SUPPLY ASSEMBLIES,PS 102				
11 -	8482657	REF	FRU	POWER SUPPLY ASM,PS 102			
-	8482658	REF	FRU	POWER SUPPLY ASM,PS 102			
- 1	8483286	1	.	FRAME			
- 1	8483556	1	.	FRAME			
- 3	8482667	1	.	CARD ASM			
- 3	8482668	1	.	CARD ASM			
- 4	1621190	8	.	SCREW,MACH,PAN HD,M4, 8MM LG			
- 5	8483294	AR	.	BRACKET			
- 6	1621307	AR	.	SCREW,MACH,FL HD,M4, 6MM LG			
- 7	8483292	1	.	SUPPORT, TOP			
- 8	8483176	1	.	SUPPORT, BOTTOM			
- 8	8483557	1	.	SUPPORT, BOTTOM			
- 9	1621190	AR	.	SCREW,MACH,PAN HD,M4, 8MM LG			
- 10	2125963	AR	.	WASHER,LCK,INT TEETH,0.168 ID,0.562 OD			
- 11	5785130	1	.	LABEL			
- 12	8483552	1	.	COVER			
- 12	8483553	1	.	COVER			
- 13	1621190	4	.	SCREW,MACH,PAN HD,M4, 8MM LG			
- 14	8483961	1	.	LABEL,SYMBOL HOT			
- 14	853073	1	.	LABEL,WARNING HOT			

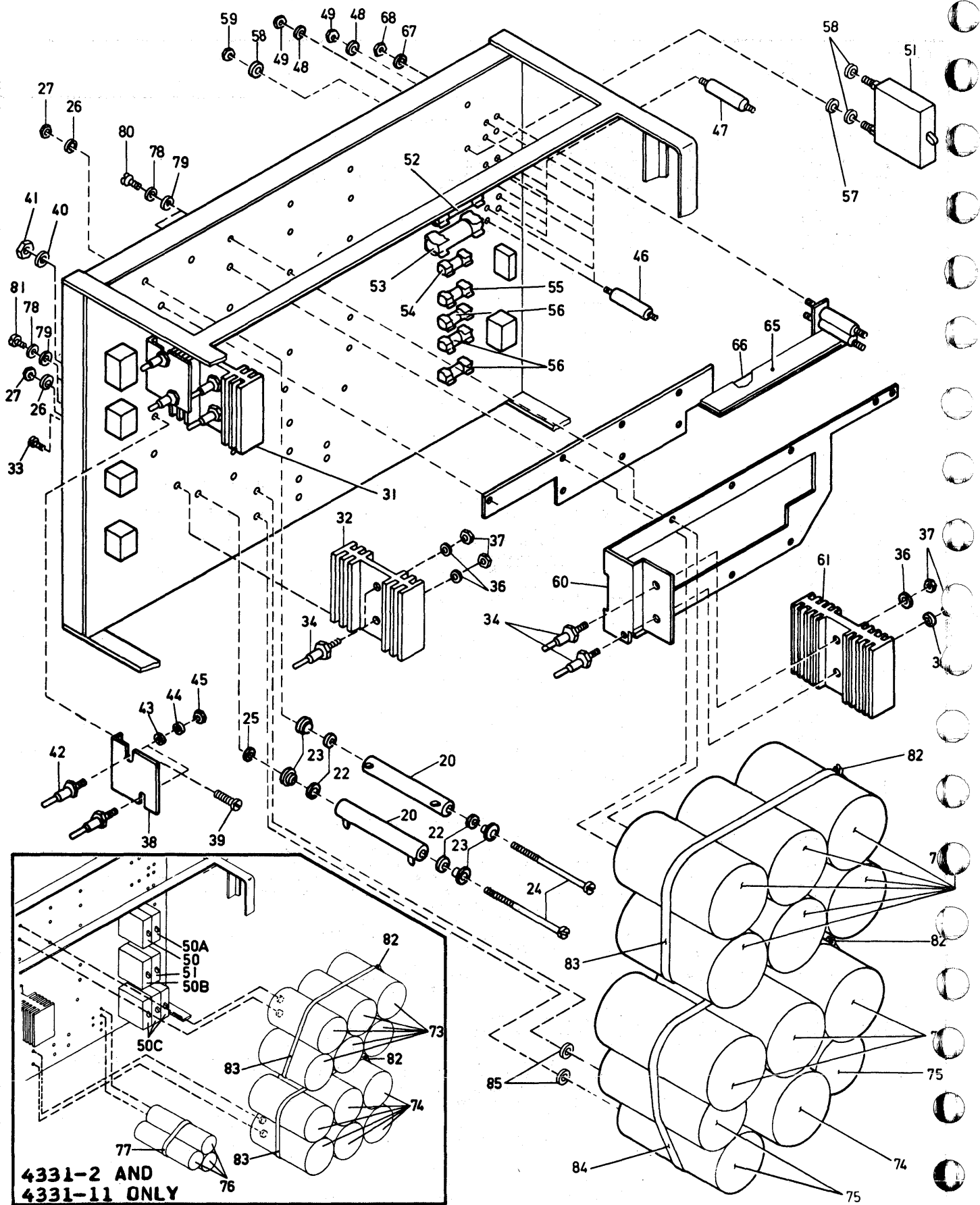


FIGURE 11. POWER SUPPLY ASSEMBLY, PS 102 (SHEET 2 OF 3, INDEX NO. 20 THRU 85)

FIGURE- INDEX NUMBER	PART NUMBER	UNITS PER ASM.	DESCRIPTION				
			1	2	3	4	
11 - 20	5261464	2					• RESISTOR,FXD WW,1.75 OHMS,PM 10%,90M
- 22	5888633	4					• WASHER,MICA,0.31 ID,0.75 OD,0.03 THK
- 23	510468	4					• WASHER,CENTER,0.177 ID,0.5 OD
- 24	331982	2					• SCREW,MACH,RD HD,8-32, 1.25 LG
- 25	442959	1					• WASHER,MICA,0.172 ID,0.469 OD,0.031 THK
- 26	22478	2					• WASHER,FL,0.17 ID,0.375 OD,0.032 THK
- 27	257189	2					• NUT,PLAIN,HEX,8-32, 0.344 FL W
- 31	8482098	1					• HEATSINK,4321 AND 4331-1 ONLY
- 31	8482644	1					• HEATSINK,4331-2 AND 4331-11 ONLY
- 32	8482098	1					• HEATSINK
- 33	1621190	4					• SCREW,MACH,PAN HD,M4, 8MM LG
- 34	4216023	6					• RECTIFIER,SILICON,VA,150V,30A
- 36	76574	6					• WASHER,LCK,EXT TEETH,0.267 ID,0.51 OD
- 37	160017	6					• NUT,PLAIN,HEX,1.25-28, 0.437 FL W
- 38	589721	2					• HEATSINK
- 39	1621191	4					• SCREW,MACH,PAN HD,M4, 10MM LG
- 40	1622346	4					• WASHER,LCK,EXT ST,4.3MM ID,8MM OD
- 41	1622403	4					• NUT,HEX,M4, 7MM FL W
- 42	4216024	4					• RECTIFIER,SILICON,VA,150V,10A
- 43	45690	4					• WASHER,FL,0.203 ID,0.438 OD,0.032 THK
- 44	56079	4					• WASHER,LCK,EXT TEETH,0.195 ID,0.41 OD
- 45	11598	4					• NUT,PLAIN,HEX,10-32, 0.375 FL W
- 46	8482592	AR					• STAND OFF,40MM LG
- 47	8482570	AR					• STAND OFF,25MM LG
- 48	1622304	AR					• WASHER,FL,4.3MM ID,9MM OD,0.8MM THK
- 49	1622403	AR					• NUT,HEX,M4, 7MM FL W
- 50	4120609	1					• CIRCUIT PROTECTOR,1 POLE,24 VDC,20A,4331-2 AND 4331-11 ONLY
- 50A	4432645	1					• CIRCUIT PROTECTOR,SUB PART ON US MACH ONLY
- 50A	4120616	1					• CIRCUIT PROTECTOR,1 POLE,24 VDC,50A,4331-2 AND 4331-11 ONLY
- 50A	4432648	1					• CIRCUIT PROTECTOR,SUB PART ON US MACH ONLY
- 50B	4120615	1					• CIRCUIT PROTECTOR,1 POLE,24 VDC,16A,4331-2 AND 4331-11 ONLY
- 50B	4432644	1					• CIRCUIT PROTECTOR,SUB PART ON US MACH ONLY
- 50C	4120613	3					• CIRCUIT PROTECTOR,1 POLE,24 VDC,2A,4331-2 AND 4331-11 ONLY
- 50C	4432640	3					• CIRCUIT PROTECTOR,SUB PART ON US MACH ONLY
- 51	4120611	AR					• CIRCUIT PROTECTOR,1 POLE,24 VDC,40A
- 51	4432647	AR					• CIRCUIT PROTECTOR,SUB PART ON US MACH ONLY
- 52	111265	1					• FUSE,30A,250V,S8,4321 AND 4331-1 ONLY
- 53	237395	1					• FUSE,25A,250V,S8,4321 AND 4331-1 ONLY
- 54	511063	1					• FUSE,10A,250V,M8,4321 AND 4331-1 ONLY
- 55	595676	1					• FUSE,15A,250V,M8,4321 AND 4331-1 ONLY
- 56	855253	3					• FUSE,1A,250V,1B,4321 AND 4331-1 ONLY
- 57	8482587	1					• WASHER,FL,BRASS,5.1MM ID,9MM OD,2MM THK
- 58	45690	AR					• WASHER,FL,0.203 ID,0.438 OD,0.032 THK
- 59	11598	AR					• NUT,PLAIN,HEX,10-32, 0.375 FL W
- 60	8482038	1					• BUS,4321 AND 4331-1 ONLY
- 60	8482747	1					• BUS,4331-2 AND 4331-11 ONLY
- 61	8482101	1					• HEATSINK
- 65	450692	1					• TAPE,155MM LG
- 66	8482039	1					• BUS,4321 AND 4331-1 ONLY
- 66	8482748	1					• BUS,4331-2 AND 4331-11 ONLY
- 67	1622304	2					• WASHER,FL,4.3MM ID,9MM OD,0.8MM THK
- 68	1622403	2					• NUT,HEX,M4, 7MM FL W
- 73	1646686	6					• CAPACITOR,ELEC,300000 MFD,P75 M10%,7.5 VDCW
- 74	2307044	AR					• CAPACITOR,ELEC,210000 MFD,P75 M10%,15 VDCW
- 75	5214963	3					• CAPACITOR,ELEC,63000 MFD,P75 M10%,15 VDCW,4321 AND 4331-1 ONLY
- 76	1646685	3					• CAPACITOR,ELEC,16000 MFD,P75 M10%,15 VDCW,4331-2 AND 4331-11 ONLY
- 77	556450	1					• STRAP,4331-2 AND 4331-11 ONLY
- 78	9092	AR					• WASHER,LCK,SPLIT RING,0.194 ID,0.337 OD
- 79	45690	AR					• WASHER,FL,0.203 ID,0.438 OD,0.032 THK
- 80	55918	12					• SCREW,MACH,BIND HD,10-32, 0.625 LG USED ON CAPACITOR C1 TO C6
- 81	332620	AR					• SCREW,MACH,BIND HD,10-32, 0.5 LG USED ON CAPACITOR C7 TO C15
- 82	8482053	2					• CLAMP
- 83	8482052	AR					• STRAP,760MM LG,METAL
- 83	8482418	AR					• TIE LOCK,STRAP CABLE,PLASTIC,OPTIONAL USAGE
- 84	8482052	1					• STRAP,800MM LG,METAL,4321 AND 4331-1 ONLY
- 84	8482418	1					• TIE LOCK,STRAP CABLE,PLASTIC,OPTIONAL USAGE,4321 AND 4331-1 ONLY
- 85	1116065	AR					• WASHER,FL,4.9MM ID,11.1MM OD,1.8MM THK,4331-2 ONLY USED ON HANNOVER MACH ONLY USED ON CAPACITOR C7 TO C15

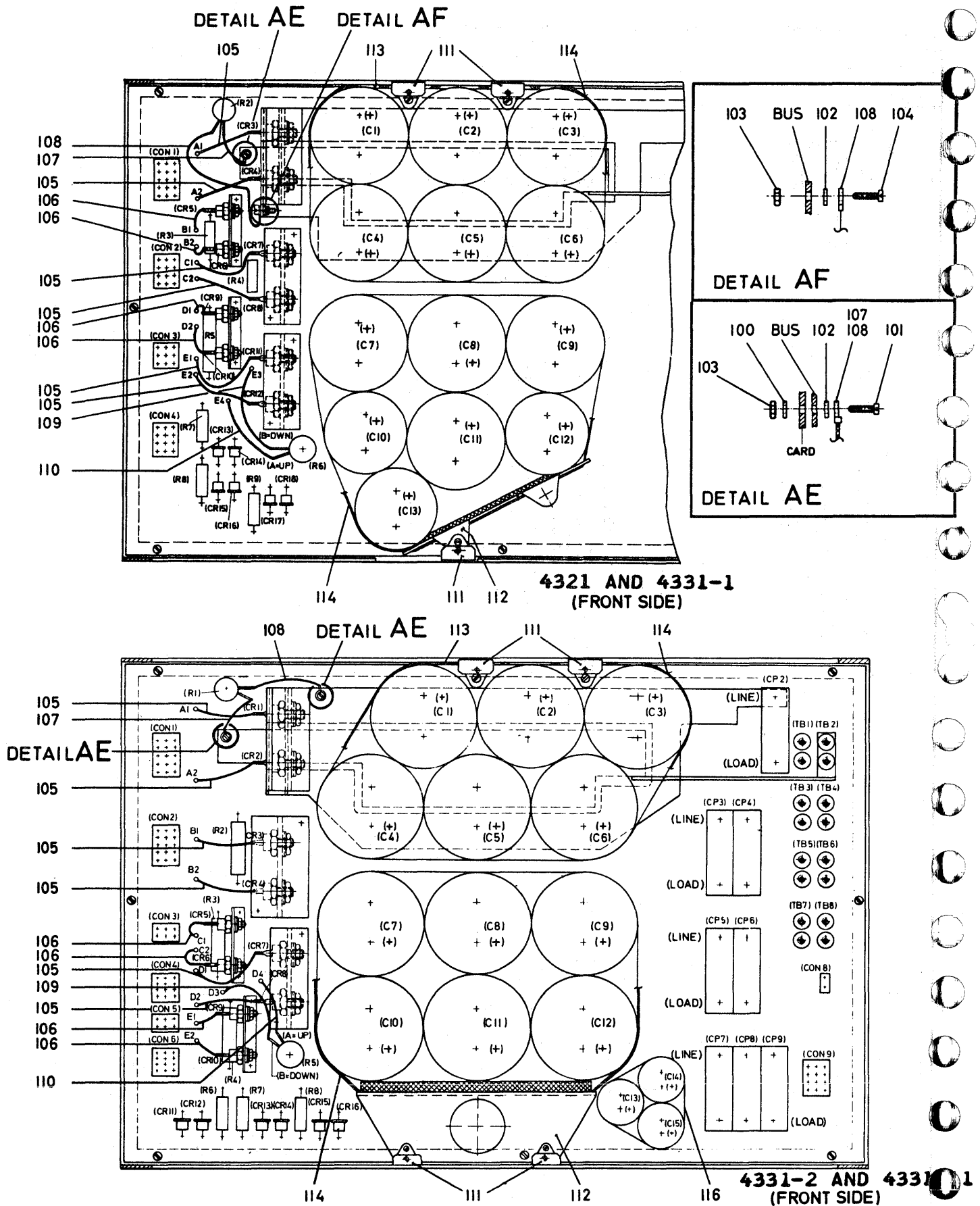


FIGURE 11. POWER SUPPLY ASSEMBLY, PS 102 (SHEET 3 OF 3, INDEX NO. 100 THRU 116)

FIGURE- INDEX NUMBER	PART NUMBER	UNITS PER ASM.	DESCRIPTION				
			1	2	3	4	
11 -100	1622304	AR					• WASHER,FL,4.3MM ID,9MM OD,0.8MM THK
-101	1621192	AR					• SCREW,MACH,PAN HD,M4, 12MM LG
-102	1622334	2					• WASHER,LCK,INT ST,4.3MM ID,8MM OD
-103	1622403	2					• NUT,HEX,M4, 7MM FL W
-104	1621190	1					• SCREW,MACH,PAN HD,M4, 8MM LG USED ON 4321 AND 4331-1 ONLY
-105	8482147	6					• JUMPER,110MM LG
-106	8482136	4					• JUMPER,100MM LG
-107	8482146	1					• JUMPER ASM,100MM LG FOR COMPONENT PARTS SEE FIGURE 21 -1G,-40
-108	8482172	1					• JUMPER ASM,190MM LG FOR COMPONENT PARTS SEE FIGURE 21 -1G,-40
-109	8482141	1					• JUMPER,100MM LG
-110	8482180	1					• JUMPER,200MM LG
-111	8483294	AR					• BRACKET
-112	8483176	1					• SUPPORT BOTTOM USED ON 4321 AND 4331-1 ONLY
-112	8483557	1					• SUPPORT,BOTTOM USED ON 4331-2 AND 4331-11 ONLY
-113	8483292	1					• SUPPORT TOP
-114	8482052	2					• STRAP,METAL
-114	8482418	2					• TIE LOCK,STRAP CABLE,PLASTIC,OPTIONAL USAGE
-116	556540	1					• STRAP USED ON 4331-2 AND 4331-11 ONLY

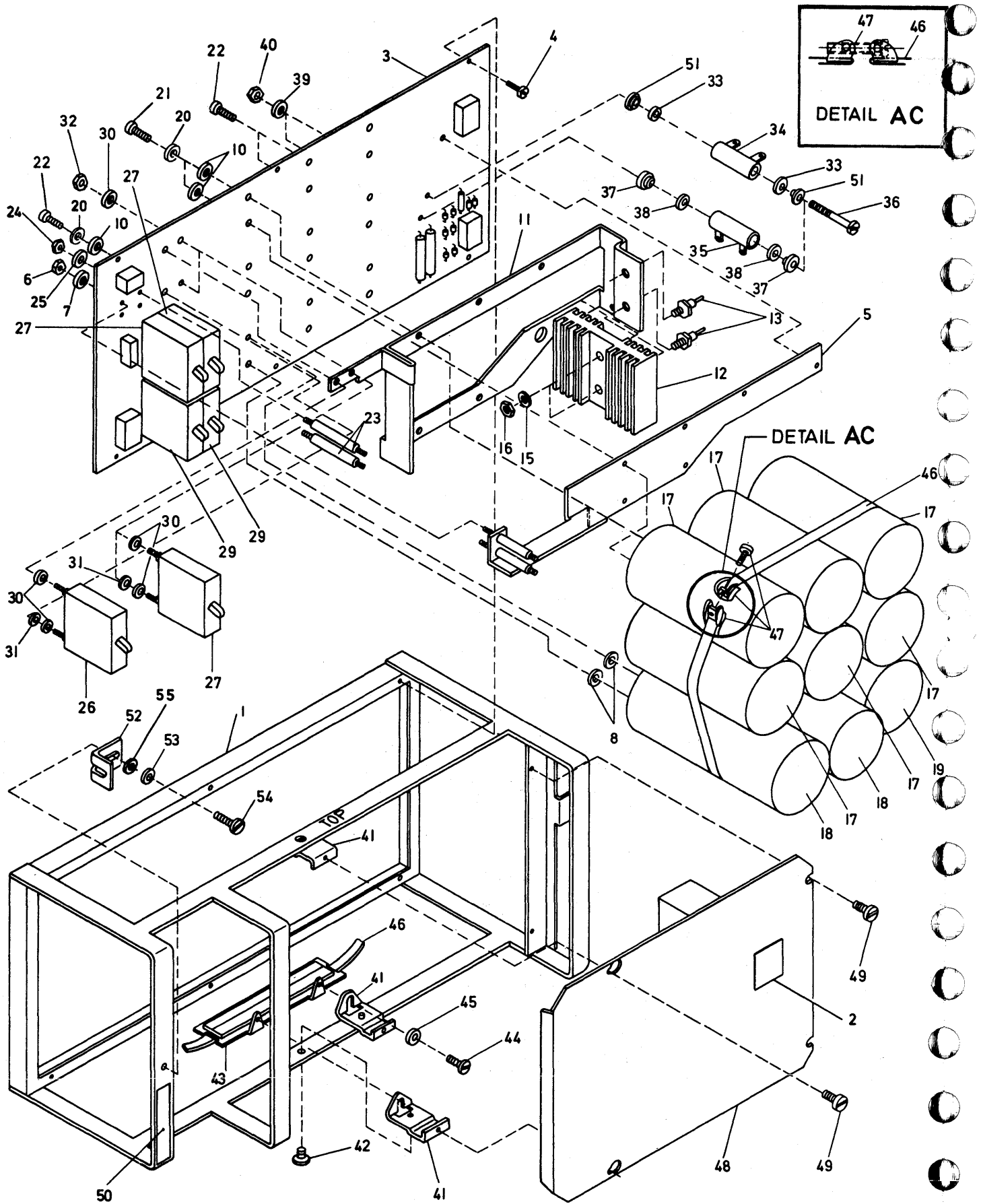


FIGURE 12. POWER SUPPLY ASSEMBLY, PS 104, PDL 4 (SHEET 1 OF 2, INDEX NO. 1 THRU 55)

FIGURE- INDEX NUMBER	PART NUMBER	UNITS PER ASM.	DESCRIPTION			
			1	2	3	4
			POWER SUPPLY ASSEMBLY, PS 104, PDL 4			
12 -	8482688	REF	FRU	POWER SUPPLY ASM, PS 104, PDL 4 FOR NEXT HIGHER ASM SEE FIGURE 3		
- 1	8483062	1		• FRAME		
- 2	8483961	1		• LABEL, SYMBOL HOT USED ON US AND EMEA MACH ONLY		
- 2	853073	1		• LABEL, WARNING HOT USED ON AFE MACH ONLY		
- 3	8482791	1		• CARD ASM		
- 4	1621190	6		• SCREW, MACH, PAN HD, M4, 8MM LG		
- 5	8482581	1		• BUS		
- 6	1622403	2		• NUT, HEX, M4, 7MM FL W		
- 7	1622304	2		• WASHER, FL, 4.3MM ID, 9MM OD, 0.8MM THK		
- 8	1116065	8		• WASHER, FL, 4.9MM ID, 11.1MM OD, 1.8MM THK USED ON HANNOVER MACH ONLY USED ON CAPACITOR C6 TO C9		
- 10	45690	18		• WASHER, FL, 0.203 ID, 0.438 OD, 0.032 THK		
- 11	8482580	1		• BUS		
- 12	8482101	1		• HEATSINK		
- 13	4216023	2		• RECTIFIER, SILICON, VA, 150V, 30A		
- 15	76574	2		• WASHER, LCK, EXT TEETH, 0.267 ID, 0.51 OD		
- 16	160017	2		• NUT, PLAIN, HEX, 1.25-28, 0.437 FL W		
- 17	1646686	6		• CAPACITOR, ELEC, 300000 MFD, P75 M10%, 7.5 VDCW		
- 18	5796429	2		• CAPACITOR, ELEC, 93000 MFD, P75 M10%, 15 VDCW		
- 19	5615515	1		• CAPACITOR, ELEC, 230000 MFD, P75 M10%, 10 VDCW		
- 20	9092	18		• WASHER, LCK, SPLIT RING, 0.194 ID, 0.337 OD		
- 21	55918	10		• SCREW, MACH, BIND HD, 10-32, 0.625 LG USED ON CAPACITOR C1 TO C5		
- 22	332620	8		• SCREW, MACH, BIND HD, 10-32, 0.5 LG USED ON CAPACITOR C6 TO C9		
- 23	8482591	2		• STANDOFF		
- 24	1622403	2		• NUT, HEX, M4, 7MM FL W		
- 25	1622304	2		• WASHER, FL, 4.3MM ID, 9MM OD, 0.8MM THK		
- 26	4120610	1		• CIRCUIT PROTECTOR, 1 POLE, 24 VDC, 30A		
- 26	4432646	1		• CIRCUIT PROTECTOR, SUB PART ON US MACH ONLY		
- 27	4120607	3		• CIRCUIT PROTECTOR, 1 POLE, 60 VDC, 4A		
- 27	4432642	3		• CIRCUIT PROTECTOR, SUB PART ON US MACH ONLY		
- 29	4120606	2		• CIRCUIT PROTECTOR, 1 POLE, 60 VDC, 3A		
- 29	4432641	2		• CIRCUIT PROTECTOR, SUB PART ON US MACH ONLY		
- 30	45690	24		• WASHER, FL, 0.203 ID, 0.438 OD, 0.032 THK		
- 31	8482587	2		• WASHER, FL, BRASS, 5.1MM ID, 9MM OD, 2MM THK		
- 32	11598	12		• NUT, PLAIN, HEX, 10-32, 0.375 FL W		
- 33	5888633	2		• WASHER, MICA, 0.31 ID, 0.75 OD, 0.03 THK		
- 34	5391641	1		• RESISTOR, FXD WW, 2.5 OHMS, P/M 10%, 25W		
- 35	501550	1		• RESISTOR, FXD WW, 5 OHMS, P/M 10%, 25W		
- 36	438583	2		• SCREW, MACH, FIL HD, 8-32, 2.5 LG		
- 37	507144	2		• WASHER, CENTER, 0.173 ID, 0.625 OD		
- 38	442958	2		• WASHER, MICA, 0.438 ID, 0.75 OD, 0.031 THK		
- 39	22478	2		• WASHER, FL, 0.17 ID, 0.375 OD, 0.032 THK		
- 40	257189	2		• NUT, PLAIN, HEX, 8-32, 0.344 FL W		
- 41	8483294	3		• BRACKET		
- 42	1621307	3		• SCREW, MACH, FL HD, M4, 6MM LG		
- 43	8483292	1		• SUPPORT		
- 44	1621190	2		• SCREW, MACH, PAN HD, M4, 8MM LG		
- 45	2125963	2		• WASHER, LCK, INT TEETH, 0.168 ID, 0.562 OD		
- 46	8482052	1		• STRAP, 920MM LG, METAL		
- 46	8482418	1		• TIE LOCK, STRAP CABLE, PLASTIC, OPTIONAL USAGE		
- 47	8482053	1		• CLAMP		
- 48	8483554	1		• COVER		
- 49	1621190	4		• SCREW, MACH, PAN HD, M4, 8MM LG		
- 50	5785130	1		• LABEL		
- 51	510468	2		• WASHER, CENTER, 0.177 ID, 0.5 OD		
- 52	8483166	1		• BRACKET		
- 53	1622319	1		• WASHER, LCK, SPRING, 5.1MM ID, 9.2MM OD		
- 54	1621210	1		• SCREW, MACH, PAN HD, M5, 10MM LG		
- 55	23141	1		• WASHER, FL, 5.1MM ID, 14.3MM OD, 1.6MM THK		

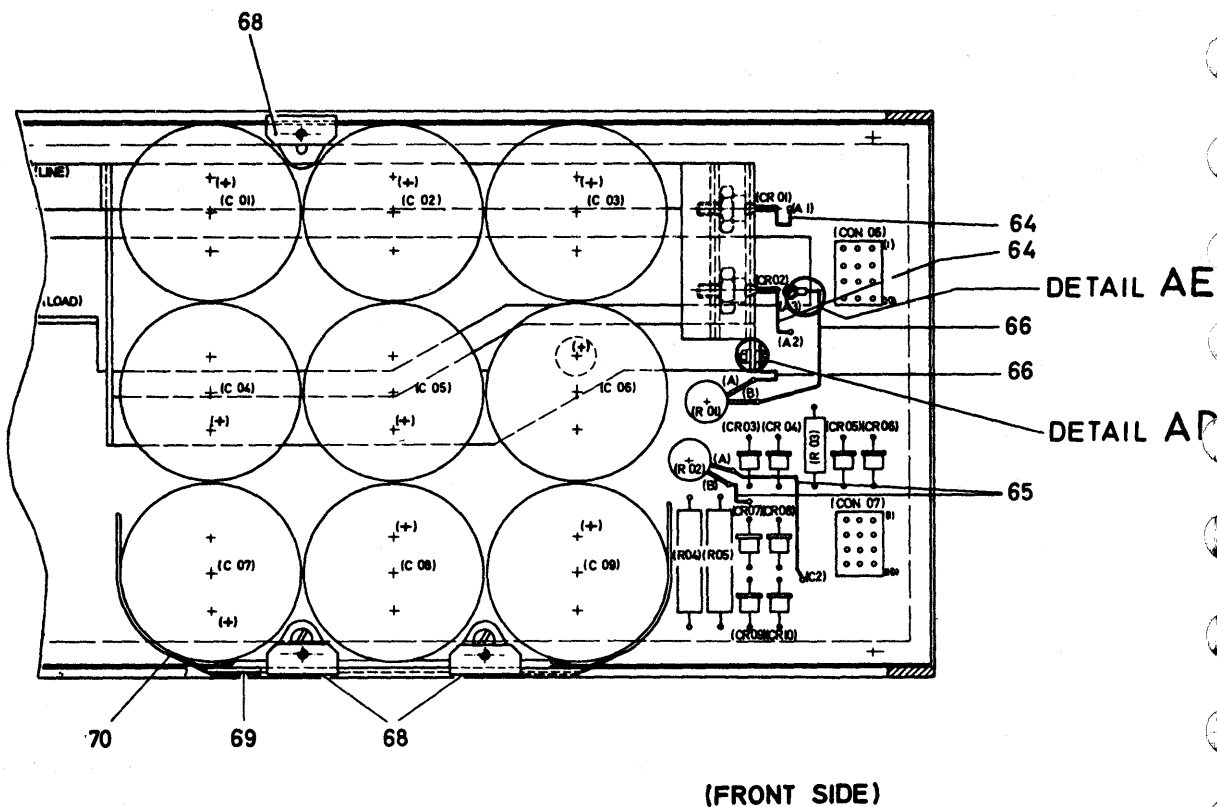
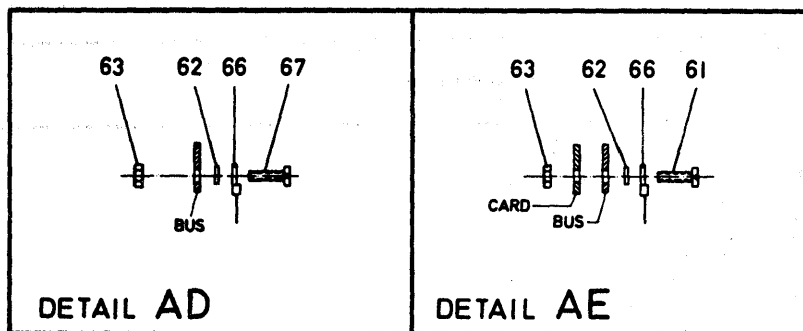


FIGURE 12. POWER SUPPLY ASSEMBLY, PS 104, PDL 4 (SHEET 2 OF 2, INDEX NO. 61 THRU 70)

FIGURE- INDEX NUMBER	PART NUMBER	UNITS PER ASM.	DESCRIPTION				
			1	2	3	4	
12 - 61	1621192	1					• SCREW,MACH,PAN HD,M4, 12MM LG
- 62	1622334	2					• WASHER,LCK,INT ST,4.3MM ID,8MM OD
- 63	1622403	2					• NUT,HEX,M4, 7MM FL W
- 64	8482147	2					• JUMPER,110MM LG
- 65	8482141	2					• JUMPER,100MM LG
- 66	8482146	2					• JUMPER ASM,100MM LG
							FOR COMPONENT PARTS SEE FIGURE 21 -1G,-40
- 67	1621190	1					• SCREW,MACH,PAN HD,M4, 8MM LG
- 68	8483294	3					• BRACKET
- 69	8483292	1					• SUPPORT
- 70	8482052	1					• STRAP,920MM LG,METAL
- 70	8482418	1					• TIE LOCK,STRAP CABLE,PLASTIC,OPTIONAL USAGE

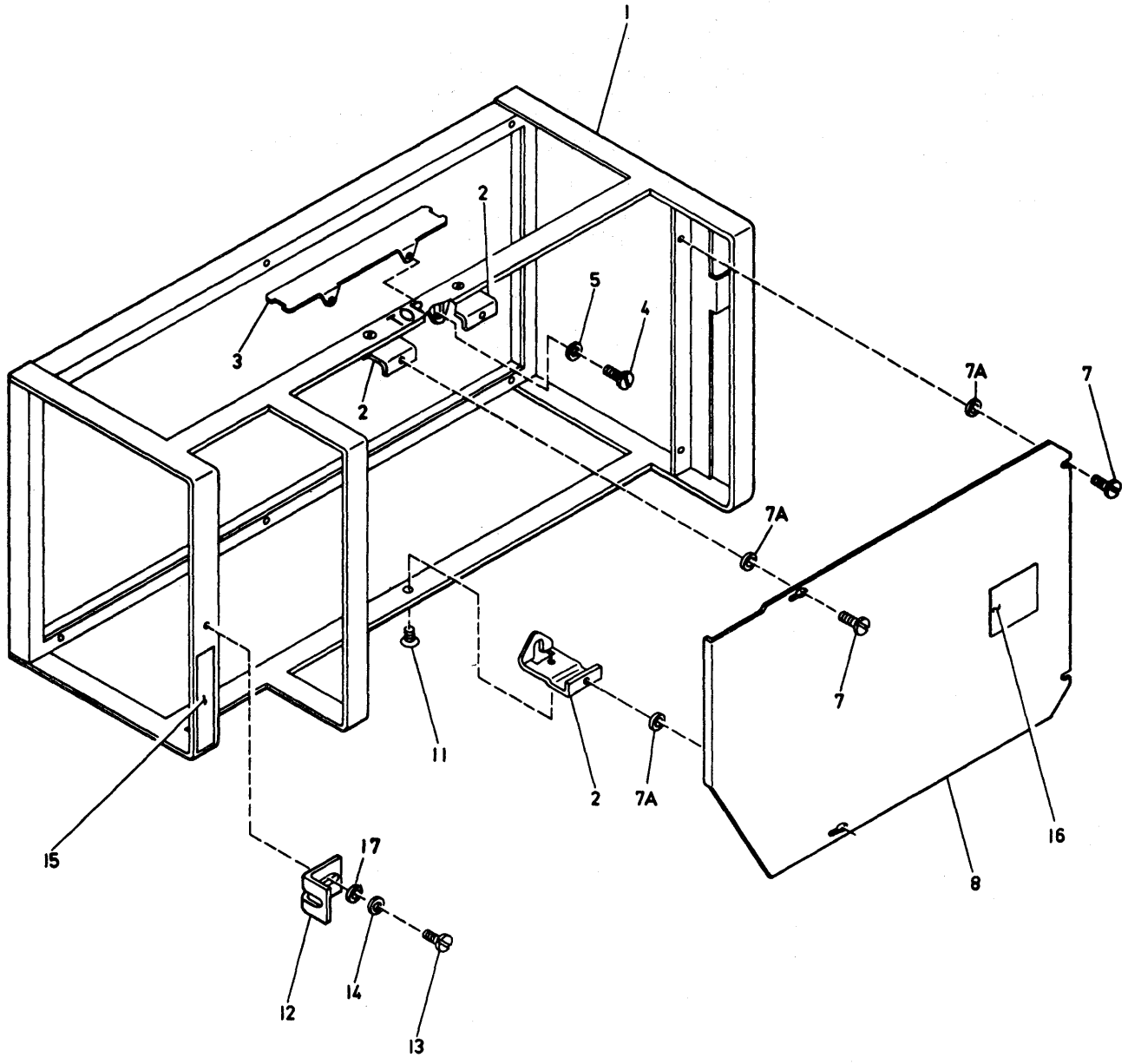


FIGURE 12A. POWER SUPPLY ASSEMBLY, PS 104, PDL 5 (SHEET 1 OF 3, INDEX NO. 1 THRU 17)

FIGURE- INDEX NUMBER	PART NUMBER	UNITS PER ASM.	DESCRIPTION			
			1	2	3	4
			POWER SUPPLY ASSEMBLY, PS 104, PDL 5			
12A-	8482656	REF	FRU POWER SUPPLY ASM, PS 104, PDL 5 FOR NEXT HIGHER ASM SEE FIGURE 3			
- 1	8483857	1	. FRAME			
- 2	8483294	3	. BRACKET			
- 3	8483292	1	. SUPPORT			
- 4	1621190	2	. SCREW, MACH, PAN HD, M4, 8MM LG			
- 5	2125963	2	. WASHER, LCK, INT TEETH, 0.168 ID, 0.562 OD			
- 7	1621190	4	. SCREW, MACH, PAN HD, M4, 8MM LG			
- 7	1621192	4	. SCREW, MACH, PAN HD, M4, 12MM LG USED ON OLD VERSION MACH ONLY (W/O EC 366412)			
- 7A	325279	4	. SPACER USED ON OLD VERSION MACH ONLY (W/O EC 366412)			
- 8	8483858	1	. COVER			
- 11	1621307	3	. SCREW, MACH, FL HD, M4, 6MM LG			
- 12	8483166	1	. BRACKET			
- 13	1621210	1	. SCREW, MACH, PAN HD, M5, 10MM LG			
- 14	1622319	1	. WASHER, LCK, SPRING, 5.1MM ID, 9.2MM OD			
- 15	5785130	1	. LABEL			
- 16	8483961	1	. LABEL, SYMBOL HOT USED ON US AND EMEA MACH ONLY			
- 16	853073	1	. LABEL, WARNING HOT USED ON AFE MACH ONLY			
- 17	23141	1	. WASHER, FL, 5.1MM ID, 14.3MM OD, 1.6MM THK			

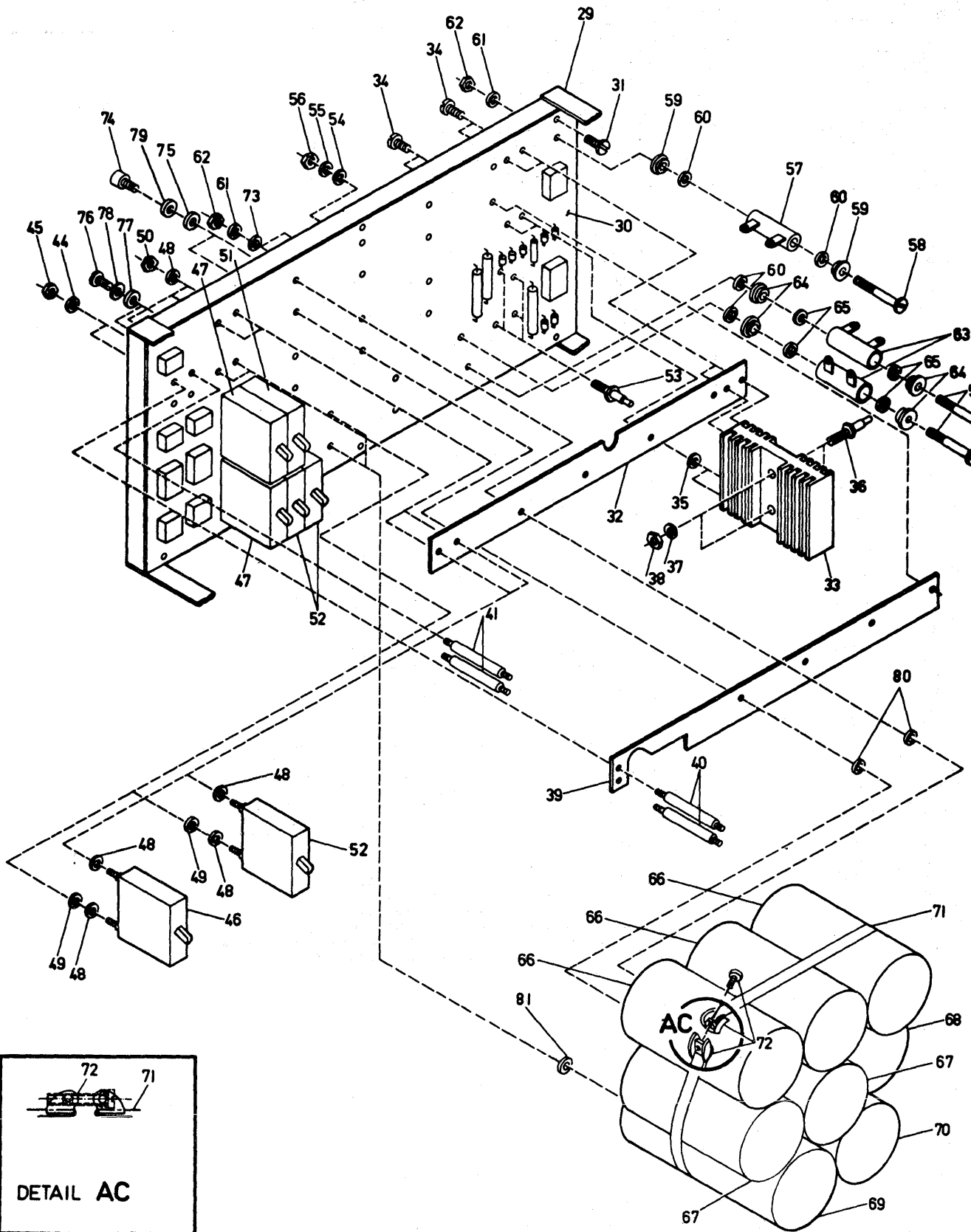


FIGURE 12A. POWER SUPPLY ASSEMBLY, PS 104, PDL 5 (SHEET 2 OF 3, INDEX NO. 29 THRU 81)

FIGURE- INDEX NUMBER	PART NUMBER	UNITS PER ASM.	DESCRIPTION				
			1	2	3	4	
12A- 29	8483857	1					• FRAME
- 30	8482666	1					• CARD ASM
- 31	1621190	6					• SCREW,MACH,PAN HD,M4, 8MM LG
- 32	8482567	1					• BUS
- 33	8482029	1					• HEATSINK
- 34	1621191	4					• SCREW,MACH,PAN HD,M4, 10MM LG
- 35	8482587	2					• WASHER,FL,BRASS,5.1MM ID,9MM OD,2MM THK
- 36	4216023	2					• RECTIFIER,SILICON,VA,150V,30A
- 37	76574	2					• WASHER,LCK,EXT TEETH,0.267 ID,0.51 UD
- 38	160017	2					• NUT,PLAIN,HEX,1.25-28, 0.437 FL W
- 39	8482568	1					• BUS
- 40	8482570	2					• STANDOFF
- 41	8482592	2					• STANDOFF
- 44	1622304	4					• WASHER,FL,4.3MM ID,9MM OD,0.8MM THK
- 45	1622403	4					• NUT,HEX,M4, 7MM FL W
- 46	4120610	1					• CIRCUIT PROTECTOR,1 POLE,24 VDC,50A
- 46	4432646	1					• CIRCUIT PROTECTOR,SUB PART ON US MACH ONLY
- 47	4120607	2					• CIRCUIT PROTECTOR,1 POLE,60 VDC,4A
- 47	4432642	2					• CIRCUIT PROTECTOR,SUB PART ON US MACH ONLY
- 48	45690	28					• WASHER,FL,0.203 ID,0.438 OD,0.032 THK
- 49	8482587	2					• WASHER,FL,BRASS,5.1MM ID,9MM OD,2MM THK
- 50	11598	14					• NUT,PLAIN,HEX,10-32, 0.375 FL W
- 51	4120606	1					• CIRCUIT PROTECTOR,1 POLE,60 VDC,3A
- 51	4432641	1					• CIRCUIT PROTECTOR,SUB PART ON US MACH ONLY
- 52	4120614	3					• CIRCUIT PROTECTOR,1 POLE,60 VDC,8A
- 52	4432643	3					• CIRCUIT PROTECTOR,SUB PART ON US MACH ONLY
- 53	4216024	4					• RECTIFIER,SILICON,VA,150V,10A
- 54	45690	4					• WASHER,FL,0.203 ID,0.438 OD,0.032 THK
- 55	56079	4					• WASHER,LCK,EXT TEETH,0.195 ID,0.41 OD
- 56	11598	4					• NUT,PLAIN,HEX,10-32, 0.375 FL W
- 57	5391641	1					• RESISTOR,FXD WH,2.5 OHMS,P/M 10%,25W
- 58	438583	3					• SCREW,MACH,FIL HD,8-32, 2.5 LG
- 59	510468	2					• WASHER,CENTER,0.177 ID,0.5 OD
- 60	5888633	4					• WASHER,MICA,0.31 ID,0.75 OD,0.03 THK
- 61	22478	3					• WASHER,FL,0.17 ID,0.375 OD,0.032 THK
- 62	257189	3					• NUT,PLAIN,HEX,8-32, 0.344 FL W
- 63	501550	2					• RESISTOR,FXD WH,5 OHMS,P/M 10%,25W
- 64	507144	4					• WASHER,CENTER,0.173 ID,0.625 OD
- 65	442958	4					• WASHER,MICA,0.438 ID,0.75 OD,0.031 THK
- 66	4430000	3					• CAPACITOR,ELEC,650000 MFD,P50 M10%,6.3 VDCW
- 67	2307044	2					• CAPACITOR,ELEC,210000 MFD,P75 M10%,15 VDCW
- 68	1646686	1					• CAPACITOR,ELEC,300000 MFD,P75 M10%,7.5 VDCW
- 69	5796427	1					• CAPACITOR,ELEC,54000 MFD,P75 M10%,30 VDCW
- 70	5615515	1					• CAPACITOR,ELEC,230000 MFD,P75 M10%,10 VDCW
- 71	8482052	1					• STRAP,840MM LG,METAL
- 71	8482418	1					• TIE LOCK,STRAP CABLE,PLASTIC,OPTIONAL USAGE
- 72	8482053	1					• CLAMP
- 73	442959	2					• WASHER,MICA,0.172 ID,0.469 OD,0.031 THK
- 74	8482403	6					• SCREW,CAP,HEX SOC HD,0.250-28, 15.75MM LG USED ON NEW VERSION MACH ONLY (=EC 366412)
- 74	8482421	6					• SCREW,CAP,HEX SOC HD,0.250-28, 19.05MM LG USED ON OLD VERSION MACH ONLY (W/O EC 366412)
- 75	3550	6					• WASHER,FL,0.265 ID,0.562 OD,0.05 THK
- 76	332620	10					• SCREW,MACH,BIND HD,10-32, 0.5 LG
- 77	45690	10					• WASHER,FL,0.203 ID,0.438 OD,0.032 THK
- 78	9092	10					• WASHER,LCK,SPLIT RING,0.194 ID,0.337 OD
- 79	6935	6					• WASHER,LCK,SPLIT RING,0.25 ID,0.493 OD
- 80	8482420	6					• WASHER,FL,6.5MM ID,18MM OD,4MM THK USED ON OLD VERSION MACH ONLY (W/O EC 366412)
- 81	1116065	10					• WASHER,FL,4.9MM ID,11.1MM OD,1.8MM THK USED ON HANNOVER MACH ONLY USED ON CAPACITOR C4 TO C8

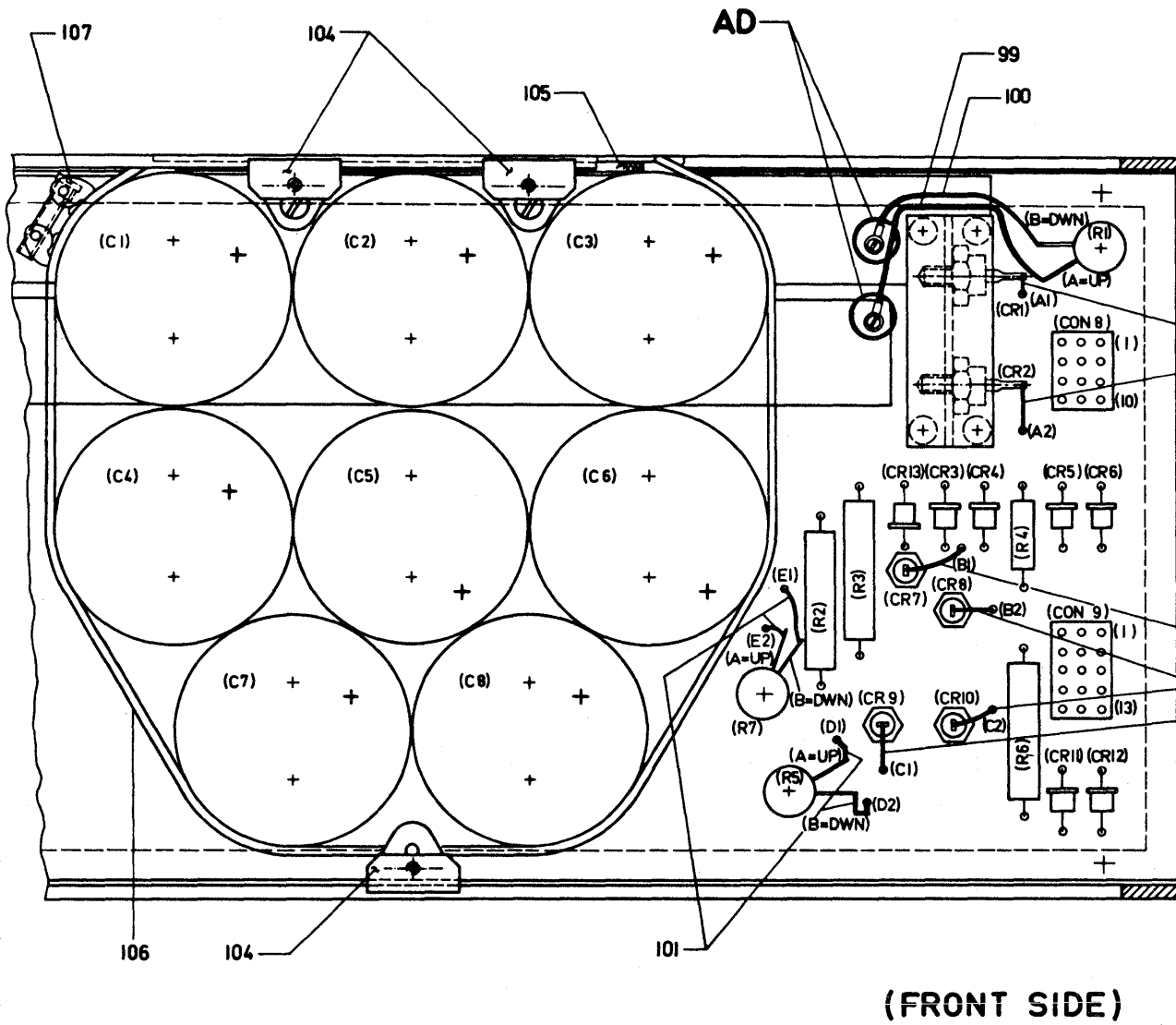
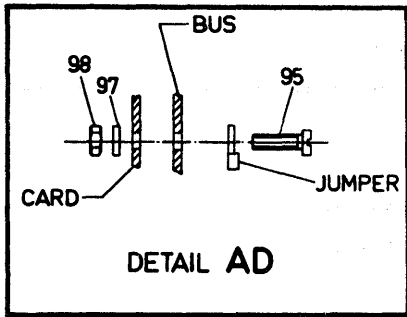


FIGURE 12A. POWER SUPPLY ASSEMBLY, PS 104, PDL 5 (SHEET 3 OF 3, INDEX NO. 95 THRU 107)

FIGURE- INDEX NUMBER	PART NUMBER	UNITS PER ASM.	DESCRIPTION				
			1	2	3	4	
12A- 95	1621192	2					• SCREW,MACH,PAN HD,M4, 12MM LG
- 97	1622304	2					• WASHER,FL,4.3MM ID,9MM OD,0.8MM THK
- 98	1622403	2					• NUT,HEX,M4, 7MM FL W
- 99	8482172	1					• JUMPER ASM,190MM LG
-100	8482146	1					• JUMPER ASM,100MM LG
-101	8482141	2					• JUMPER,100MM LG
-102	8482147	2					• JUMPER,110MM LG
-103	8482019	4					• JUMPER,55MM LG
-104	8483294	3					• BRACKET
-105	8483292	1					• SUPPORT
-106	8482052	1					• STRAP,840MM LG,METAL
-106	8482418	1					• TIE LOCK,STRAP CABLE,PLASTIC,OPTIONAL USAGE
-107	8482053	1					• CLAMP

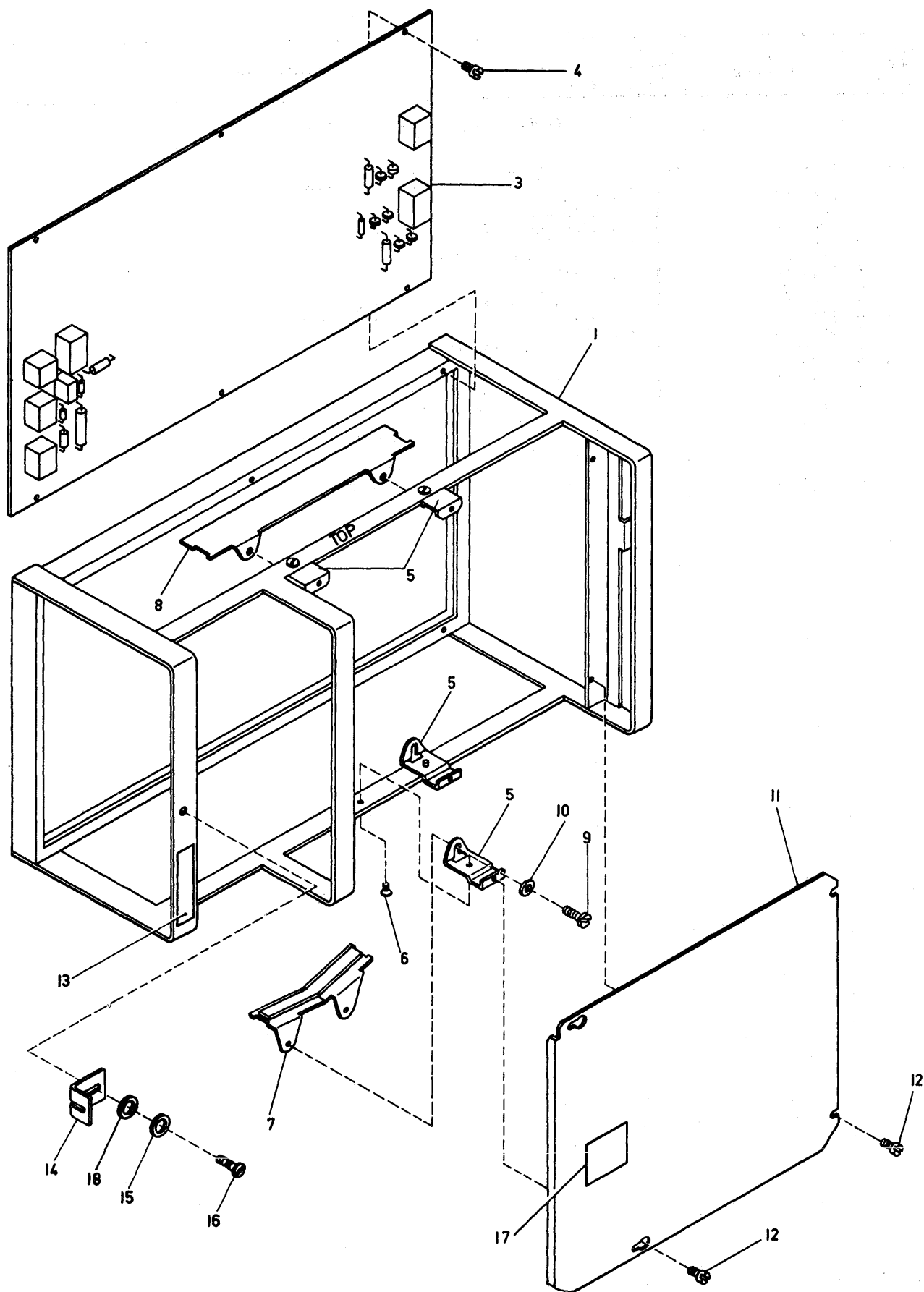


FIGURE 13. POWER SUPPLY ASSEMBLY, PS 105 (SHEET 1 OF 3, INDEX NO. 1 THRU 18)

FIGURE- INDEX NUMBER	PART NUMBER	UNITS PER ASM.	DESCRIPTION			
			1	2	3	4
			POWER SUPPLY ASSEMBLY, PS 105			
13 -	8482659	REF	FRU POWER SUPPLY ASM, PS 105 FOR NEXT HIGHER ASM SEE FIGURE 3			
- 1	8483082	1	• FRAME			
- 3	8482669	1	• CARD ASM			
- 4	1621190	6	• SCREW, MACH, PAN HD, M4, 8MM LG			
- 5	8483294	4	• BRACKET			
- 6	1621307	4	• SCREW, MACH, FL HD, M4, 6MM LG			
- 7	8483698	1	• SUPPORT			
- 8	8483291	1	• SUPPORT			
- 9	1621190	4	• SCREW, MACH, PAN HD, M4, 8MM LG			
- 10	2125963	4	• WASHER, LCK, INT TEETH, 0.168 ID, 0.562 OD			
- 11	8483555	1	• COVER			
- 12	1621190	4	• SCREW, MACH, PAN HD, M4, 8MM LG			
- 13	5785130	1	• LABEL			
- 14	8483166	1	• BRACKET			
- 15	1622319	1	• WASHER, LCK, SPRING, 5.1MM ID, 9.2MM OD			
- 16	1621210	1	• SCREW, MACH, PAN HD, M5, 10MM LG			
- 17	8483961	1	• LABEL, SYMBOL HOT USED ON US AND EMEA MACH ONLY			
- 17	853073	1	• LABEL, WARNING HOT USED ON AFE MACH ONLY			
- 18	23141	1	• WASHER, FL, 5.1MM ID, 14.3MM OD, 1.6MM THK			

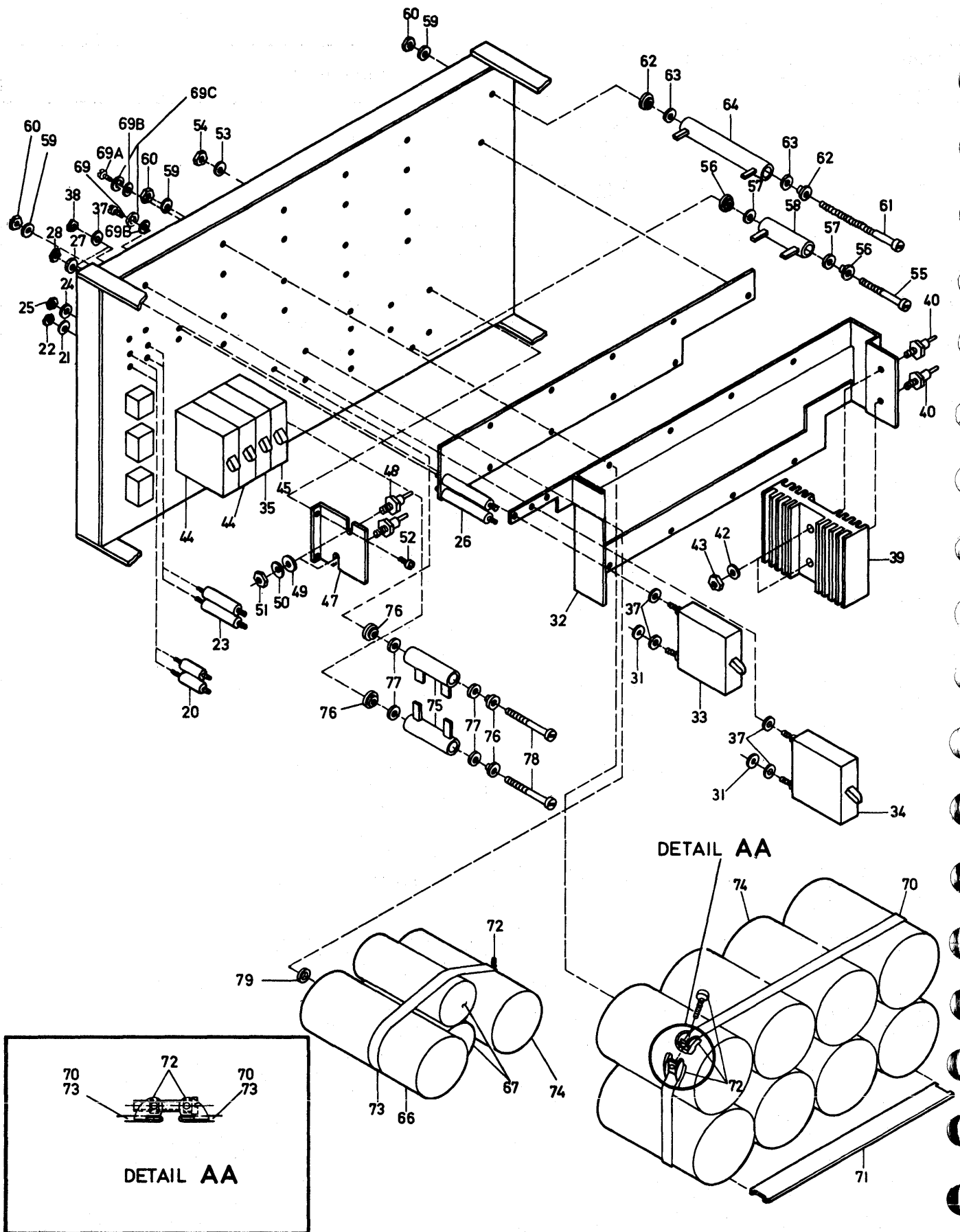


FIGURE 13. POWER SUPPLY ASSEMBLY, PS 105 (SHEET 2 OF 3, INDEX NO. 20 THRU 79)

FIGURE- INDEX NUMBER	PART NUMBER	UNITS PER ASM.	DESCRIPTION				
			1	2	3	4	
13 - 20	8482570	2					• STANDOFF
- 21	1622304	2					• WASHER,FL,4.3MM ID,9MM OD,0.8MM THK
- 22	1622403	2					• NUT,HEX,7MM FL W
- 23	8482592	2					• STANDOFF
- 24	1622304	2					• WASHER,FL,4.3MM ID,9MM OD,0.8MM THK
- 25	1622403	2					• NUT,HEX,M4, 7MM FL W
- 26	8482584	1					• BUS
- 27	1622304	2					• WASHER,FL,4.3MM ID,9MM OD,0.8MM THK
- 28	1622403	2					• NUT,HEX,M4, 7MM FL W
- 31	8482587	2					• WASHER,FL,5.1MM ID,9MM OD,2MM THK
- 32	8482583	1					• BUS
- 33	4120609	1					• CIRCUIT PROTECTOR,1 POLE,24 VDC,20A
- 33	4432645	1					• CIRCUIT PROTECTOR,SUB PART ON US MACH ONLY
- 34	4120610	1					• CIRCUIT PROTECTOR,1 POLE,24 VDC,30A
- 34	4432646	1					• CIRCUIT PROTECTOR,SUB PART ON US MACH ONLY
- 35	4120606	1					• CIRCUIT PROTECTOR,1 POLE,60 VDC,3A
- 35	4432641	1					• CIRCUIT PROTECTOR,SUB PART ON US MACH ONLY
- 37	45690	24					• WASHER,FL,0.203 ID,0.438 OD,0.032 THK
- 38	11598	12					• NUT,PLAIN,HEX,10-32, 0.375 FL W
- 39	8482101	1					• HEATSINK
- 40	4216023	2					• RECTIFIER,SILICON,VA,150V,30A
- 42	76574	2					• WASHER,LCK,EXT TEETH,0.267 ID,0.51 OD
- 43	160017	2					• NUT,PLAIN,HEX,1.25-28, 0.437 FL W
- 44	4120607	2					• CIRCUIT PROTECTOR,1 POLE,60 VDC,4A
- 44	4432642	2					• CIRCUIT PROTECTOR,SUB PART ON US MACH ONLY
- 45	4120608	1					• CIRCUIT PROTECTOR,1 POLE,60 VDC,10A
- 47	589721	1					• HEATSINK
- 48	4216024	2					• RECTIFIER,SILICON,VA,150V,10A
- 49	45690	2					• WASHER,FL,0.203 ID,0.438 OD,0.032 THK
- 50	56079	2					• WASHER,LCK,EXT ST,0.195 ID,0.41 OD
- 51	11598	2					• NUT,PLAIN,HEX,10-32, 0.375 FL W
- 52	1621191	2					• SCREW,MACH,PAN HD,M4, 10MM LG
- 53	1622346	2					• WASHER,LCK,EXT ST,4.3MM ID,8MM OD
- 54	1622403	2					• NUT,HEX,M4, 7MM FL W
- 55	515718	1					• SCREW,FIL HD,8-32, 5.0 LG
- 56	507144	2					• WASHER,CENTER,0.173 ID,0.625 OD
- 57	442958	2					• WASHER,MICA,0.438 ID,0.75 OD,0.031 THK
- 58	591465	1					• RESISTOR,FXD WW,4 OHMS,P/M 10%,50W
- 59	22478	4					• WASHER,FL,0.17 ID,0.375 OD,0.032 THK
- 60	257189	4					• NUT,PLAIN,HEX,8-32, 0.344 FL W
- 61	331982	1					• SCREW,MACH,RD HD,8-32, 1.25 LG
- 62	510468	2					• WASHER,CENTER,0.177 ID,0.5 OD
- 63	5888633	2					• WASHER,MICA,0.31 ID,0.75 OD,0.03 THK
- 64	5261351	1					• RESISTOR,FXD WW,1 OHM,P/M 5%,50W
- 66	5615515	1					• CAPACITOR,ELEC,230000 MFD,P75 M10%,10 VDCW
- 67	1649555	2					• CAPACITOR,ELEC,54000 MFD,P75 M10%,10 VDCW
- 69	332620	8					• SCREW,MACH,BIND HD,10-32, 0.5 LG USED ON CAPACITOR C9 TO C12
- 69A	55918	16					• SCREW,MACH,BIND HD,10-32, 0.625 LG USED ON CAPACITOR C1 TO C8
- 69B	45690	24					• WASHER,FL,0.203 ID,0.438 OD,0.032 THK
- 69C	9092	24					• WASHER,LCK,SPLIT RING,0.194 ID,0.337 OD
- 70	8482052	1					• STRAP,910MM LG,METAL
- 70	8482418	1					• TIE LOCK,STRAP CABLE,PLASTIC,OPTIONAL USAGE
- 71	8483295	1					• STRIP
- 72	8482053	2					• CLAMP
- 73	8482052	1					• STRAP,525MM LG,METAL
- 73	8482418	1					• TIE LOCK,STRAP CABLE,PLASTIC,OPTIONAL USAGE
- 74	1646686	9					• CAPACITOR,ELEC,300000 MFD,P75 M10%,7.5 VDCW
- 75	5261378	2					• RESISTOR,FXD WW,2 OHMS,P/M 10%, 50 W
- 76	507144	4					• WASHER,CENTERING,0.173 ID,0.625 OD
- 77	442958	4					• WASHER,MICA,0.438 ID,0.75 OD,0.031 THK
- 78	331982	2					• SCREW,MACH,RD HD,8-32, 1.25 LG
- 79	1116065	8					• WASHER,FL,4.9MM ID,11.1MM OD,1.8MM THK USED ON HANNOVER MACH ONLY USED ON CAPACITOR C9 TO C12

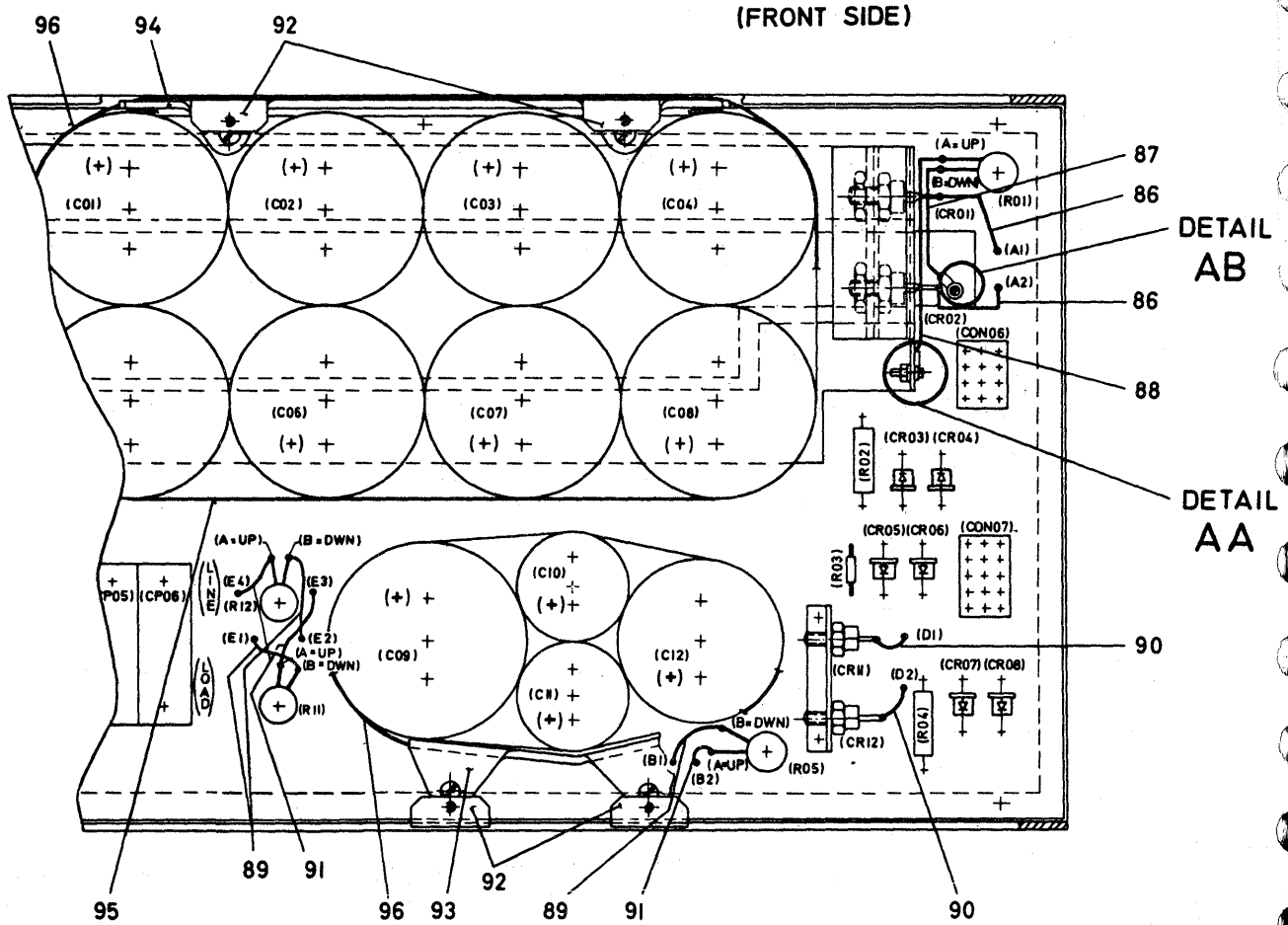
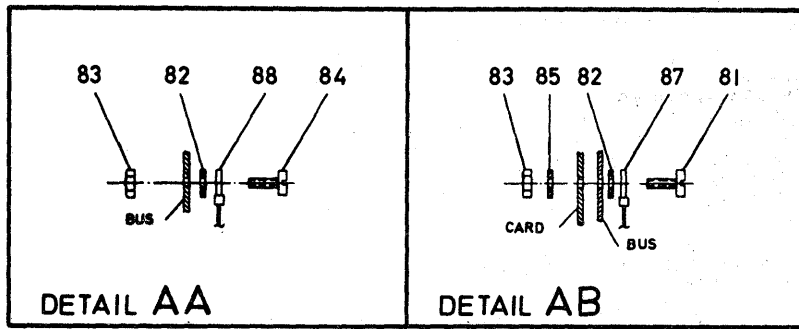


FIGURE 13. POWER SUPPLY ASSEMBLY, PS 105 (SHEET 3 OF 3, INDEX NO. 81 THRU 96)

FIGURE- INDEX NUMBER	PART NUMBER	UNITS PER ASM.	DESCRIPTION			
			1	2	3	4
13 - 81	1621192	1	• SCREW,MACH,PAN HD,M4, 12MM LG			
- 82	1622334	2	• WASHER,LCK,INT ST,4.3MM ID,8MM OD			
- 83	1622403	2	• NUT,HEX,M4, 7MM FL W			
- 84	1621190	1	• SCREW,MACH,PAN HD,M4, 8MM LG			
- 85	1622304	1	• WASHER,FL,4.3MM ID,9MM OD,0.8MM THK			
- 86	8482147	2	• JUMPER,110MM LG			
- 87	8482146	1	• JUMPER ASM,100MM LG FOR COMPONENT PARTS SEE FIGURE 21 -1G,-40			
- 88	8482172	1	• JUMPER ASM,100MM LG FOR COMPONENT PARTS SEE FIGURE 21 -1G,-40			
- 89	8482141	3	• JUMPER,100MM LG			
- 90	8482136	2	• JUMPER,100MM LG			
- 91	8482180	3	• JUMPER,200MM LG			
- 92	8483294	4	• BRACKET			
- 93	8483698	1	• SUPPORT			
- 94	8483291	1	• SUPPORT			
- 95	8483295	1	• STRIP			
- 96	8482052	2	• STRAP,METAL			
- 96	8482418	2	• TIE LOCK,STRAP CABLE,PLASTIC,OPTIONAL USAGE			

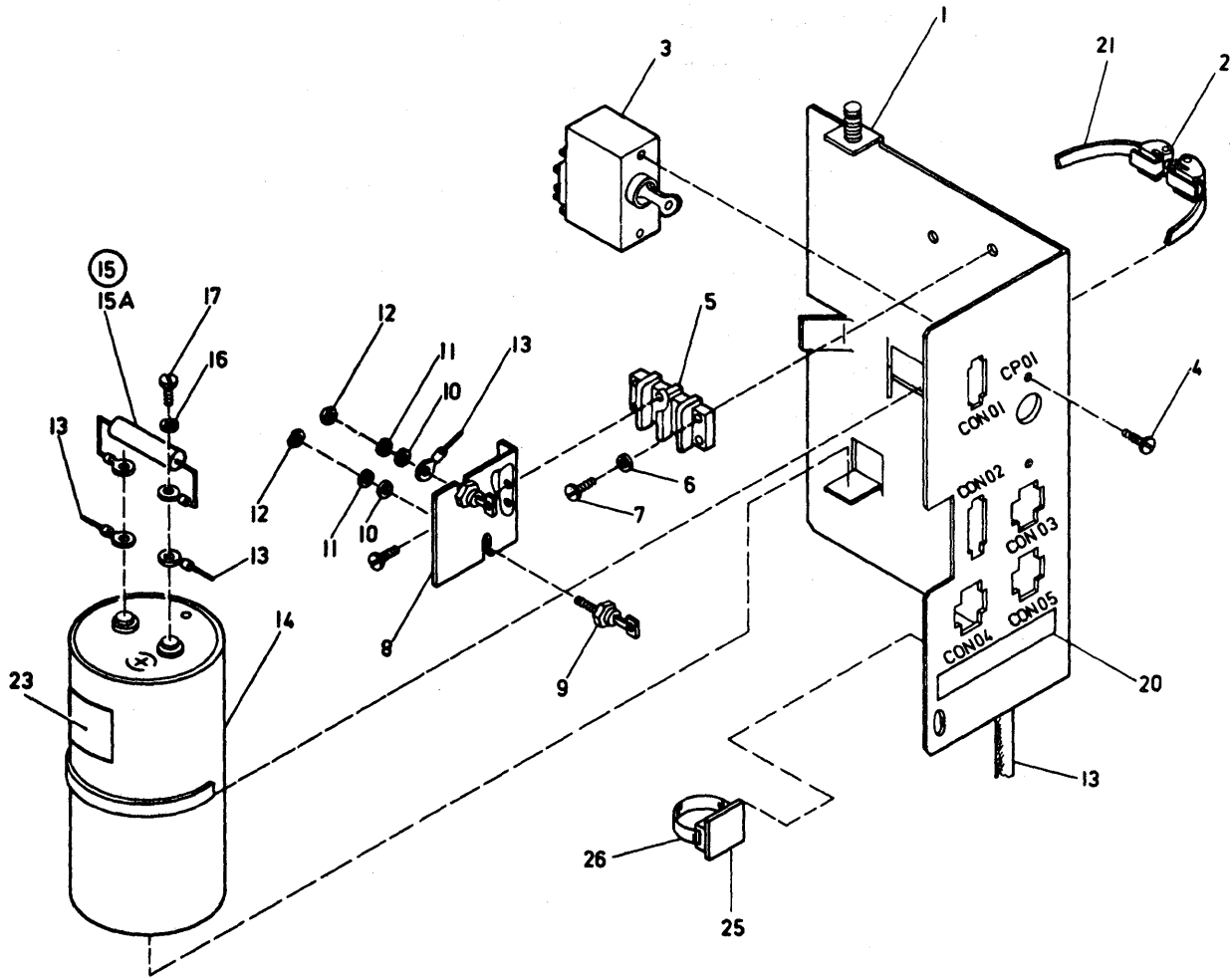


FIGURE 14. POWER SUPPLY ASSEMBLY, PS 103

FIGURE- INDEX NUMBER	PART NUMBER	UNITS PER ASM.	DESCRIPTION			
			1	2	3	4
			POWER SUPPLY ASSEMBLY, PS 103			
14 -	8482776	REF	FRU POWER SUPPLY ASM, PS 103 USED ON PDL 4 MACH ONLY FOR NEXT HIGHER ASM SEE FIGURE 3			
- 1	8483703	1	• CHASSIS			
- 2	8482053	1	• CLAMP			
- 3	4120612	1	• CIRCUIT PROTECTOR, 1 POLE, 50 VDC, 4A			
- 4	1621170	2	• SCREW, MACH, PAN HD, M3, 6MM LG			
- 5	317193	1	• TERMINAL BLOCK			
- 6	1622346	2	• WASHER, LCK, EXT ST, 4.3MM ID, 8MM OD			
- 7	1621206	2	• SCREW, MACH, PAN HD, M4, 14MM LG			
- 8	589721	1	• HEAT SINK			
- 9	4216024	2	• SILICON RECTIFIER, 10A, 150V			
- 10	45690	2	• WASHER, FL, 0.203 ID, 0.438 OD, 0.032 THK			
- 11	56079	2	• WASHER, LCK, EXT TEETH, 0.195 ID, 0.41 OD			
- 12	11598	2	• NUT, PLAIN HEX, 10-32, 0.375 FL W			
- 13	8482904	1	• CABLE ASM, PS 103 INTERN FOR COMPONENT PARTS SEE FIGURE 21 -1L, -1M, -17, -20A, -21C, -40, -60B, -62A, -62B, -63			
- 14	5796427	1	• CAPACITOR, ELEC, 54000 MFD, P75 M10%, 30 VDC			
- 15	8482775	1	• RESISTOR ASM FOR COMPONENT PARTS SEE FIGURE 21 -1K, -40			
- 15A	2102625	1	• RESISTOR, FXD, POW, WW, 150 OHMS, P/M5%, 10W			
- 16	56121	2	• WASHER, LCK, INT TEETH, 0.195 ID, 0.381 OD			
- 17	236849	2	• SCREW, MACH, BIND HD, 10-32, 0.25 LG			
- 20	5785130	1	• LABEL			
- 21	8482052	1	• STRAP, 285MM LG			
- 23	8483961	1	• LABEL, SYMBOL HOT USED ON US AND EMEA MACH ONLY			
- 23	853073	1	• LABEL, WARNING HOT USED ON AFE MACH ONLY			
- 25	2278668	1	• HOLDER			
- 26	1159913	1	• STRAP, CABLE, 102MM LG			

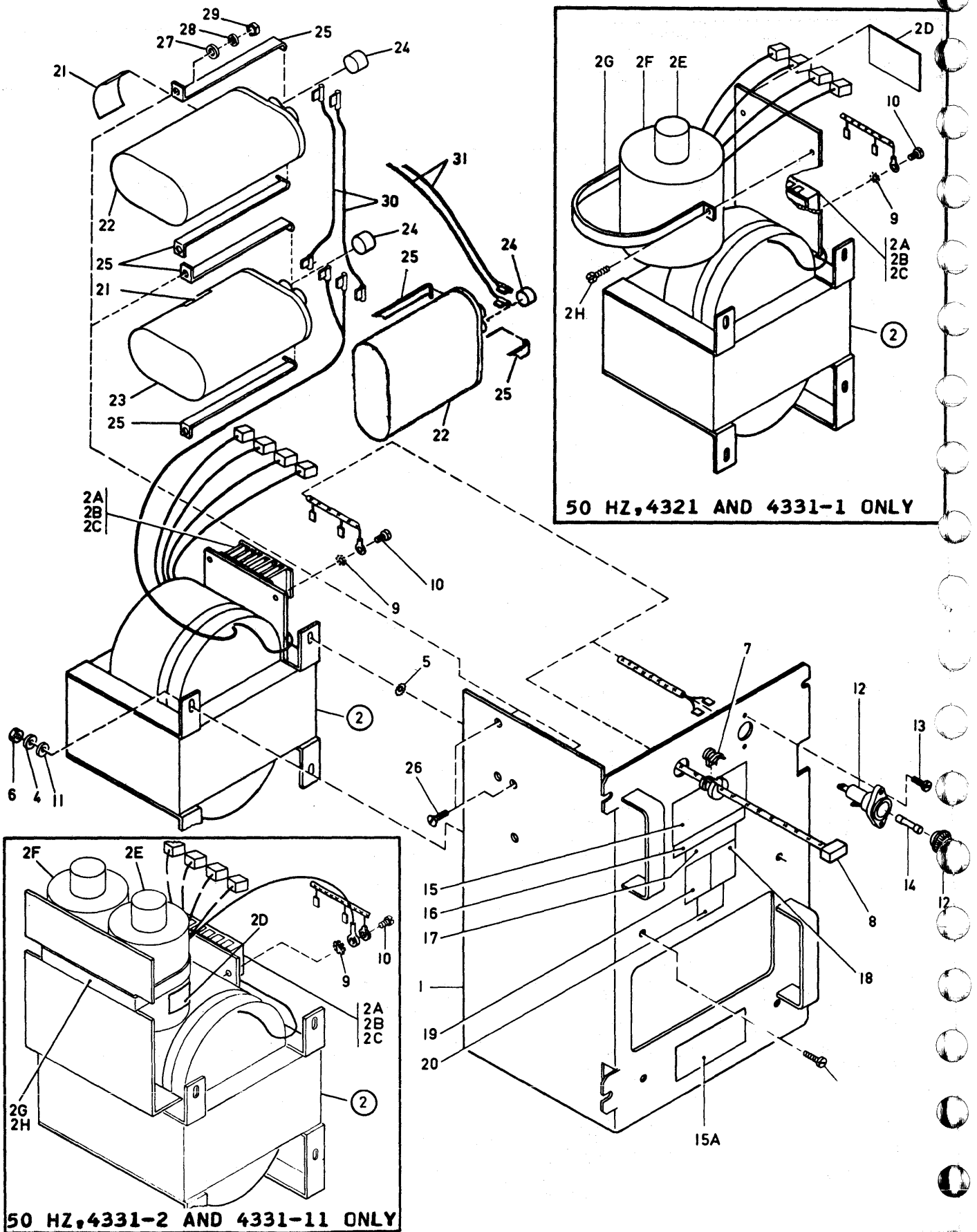


FIGURE 15. TRANSFORMER ASSEMBLY, TR 102

FIGURE- INDEX NUMBER	PART NUMBER	UNITS PER ASM.	DESCRIPTION			
			1	2	3	4
TRANSFORMER ASSEMBLIES, TR 102						
15 -	8482682	REF	FRU	TRANSFORMER ASM, TR 102, 50 HZ, 4321 AND 4331-1 ONLY		
-	8482692	REF	FRU	TRANSFORMER ASM, TR 102, 60 HZ, 4321 AND 4331-1 ONLY		
-	8482680	REF	FRU	TRANSFORMER ASM, TR 102, 50 HZ, 4331-2 AND 4331-11 ONLY		
-	8482690	REF	FRU	TRANSFORMER ASM, TR 102, 60 HZ, 4331-2 AND 4331-11 ONLY FOR NEXT HIGHER ASM SEE FIGURE 3 FOR FIELD REPLACEMENT, ORDER FRCH/CANAD LABEL 4857087 (INDEX NO. 15A) IN ADDITION IF REQUIRED		
- 1	8483172	1	.	CHASSIS, 50 HZ, 4321 AND 4331-1 ONLY		
- 1	8483132	1	.	CHASSIS, 60 HZ, 4321 AND 4331-1 ONLY		
- 1	8483854	1	.	CHASSIS, 50 HZ, 4331-2 AND 4331-11 ONLY		
- 1	8483871	1	.	CHASSIS, 60 HZ, 4331-2 AND 4331-11 ONLY		
- 2	4119677	1	.	TRANSFORMER ASM, 50 HZ, 4321 AND 4331-1 ONLY FOR COMPONENT PARTS SEE FIGURE 21 -1H, -8B, -20E, -21C, -61A, -61B, -61C, -64		
- 2	4151676	1	.	TRANSFORMER ASM, 60 HZ, 4321 AND 4331-1 ONLY FOR COMPONENT PARTS SEE FIGURE 21 -8D, -20E, -20G, -21C, -61A, -61B, -61C, -64		
- 2	4119651	1	.	TRANSFORMER ASM, 50 HZ, 4331-2 AND 4331-11 ONLY FOR COMPONENT PARTS SEE FIGURE 21 -8B, -20A, -20E, -21C, -61, -61B, -61C, -64		
- 2	4151688	1	.	TRANSFORMER ASM, 60 HZ, 4331-2 AND 4331-11 ONLY FOR COMPONENT PARTS SEE FIGURE 21 -8B, -20A, -20G, -21C, -61, -61B, -61C, -64		
- 2A	1726309	1	.	TERMINAL BLOCK, 5 POS		
- 2B	1726311	1	.	INSULATOR		
- 2C	1621066	2	.	SCREW, MACH, CHEESE HD, M4, 30MM LG		
- 2D	4120650	AR	.	LABEL, DANGER USED ON 50 HZ MACH ONLY		
- 2E	2722507	AR	.	INSULATOR CAP USED ON 50 HZ MACH ONLY		
- 2F	4120831	1	.	CAPACITOR, PAPER, 20 MFD, P/M6%, 660 VACW USED ON 50 HZ, 4321 AND 4331-1 MACH ONLY		
- 2F	4120829	3	.	CAPACITOR, PAPER, 15 MFD, P/M6%, 660 VACW USED ON 50 HZ, 4331-2 AND 4331-11 MACH ONLY		
- 2G	4120496	1	.	CLAMP USED ON 50 HZ, 4321 AND 4331-1 MACH ONLY		
- 2G	8482052	1	.	STRAP, 400MM LG USED ON 50 HZ, 4331-2 AND 4331-11 MACH ONLY		
- 2H	1621181	2	.	SCREW, MACH, PAN HD, M3.5, 6MM LG USED ON 50 HZ, 4321 AND 4331-1 MACH ONLY		
- 2H	8482053	1	.	CLAMP USED ON 50 HZ, 4331-2 AND 4331-11 MACH ONLY		
- 3	1621232	4	.	SCREW, MACH, PAN HD, M6, 20MM LG		
- 4	2125656	4	.	WASHER, LCK, 0.261 ID, 0.875 OD, 0.04 THK		
- 4	1622320	4	.	WASHER, LCK, SUB PART ON US MACH ONLY		
- 5	179966	1	.	WASHER, LCK, EXT TEETH, 0.312 ID, 0.61 OD		
- 6	1622405	4	.	NUT, HEX, M6, 10MM FL W		
- 7	2571362	1	.	GROMMET		
- 8	8482379	1	.	CABLE ASM, PCC CONNECT TO TR 102 FOR COMPONENT PARTS SEE FIGURE 21 -1H, -8B, -20A, -61		
- 9	1622346	1	.	WASHER, LCK, EXT ST, 4.3MM ID, 8MM OD		
- 10	1621190	1	.	SCREW, MACH, PAN HD, M4, 8MM LG USED ON 50 HZ MACH ONLY		
- 10	1621197	1	.	SCREW, MACH, PAN HD, M4, 6MM LG USED ON 60 HZ MACH ONLY		
- 11	333769	4	.	WASHER, FL, 0.265 ID, 0.875 OD, 0.062 THK		
- 12	92752	1	.	FUSEHOLDER		
- 13	1621853	2	.	SCREW, THRD FORM, PAN HD, M4, 12MM LG		
- 14	107668	1	.	FUSE, CARTRIDGE, 8A, 250V, SB, 4321 AND 4331-1 ONLY		
- 14	115971	1	.	FUSE, CARTRIDGE, 15A, 250V, MB, 4331-2 AND 4331-11 ONLY		
- 15	2542403	1	.	LABEL, WARNING FUSE RATING, ENGL USED ON US MACH ONLY		
- 15A	4857087	1	.	LABEL, WARNING FUSF RATING, FRCH/CANAD		
- 16	5785130	1	.	LABEL, BLANK		
- 17	4124143	1	.	LABEL, THIS UNIT, ENGL		
- 18	8483959	1	.	LABEL, SYMBOL 550V USED ON US AND EMEA MACH ONLY		
- 18	2582954	1	.	LABEL, DANGER 550V USED ON AFE MACH ONLY		
- 19	8483961	1	.	LABEL, SYMBOL HOT USED ON US AND EMEA MACH ONLY		
- 19	853073	1	.	LABEL, WARNING HOT USED ON AFE MACH ONLY		

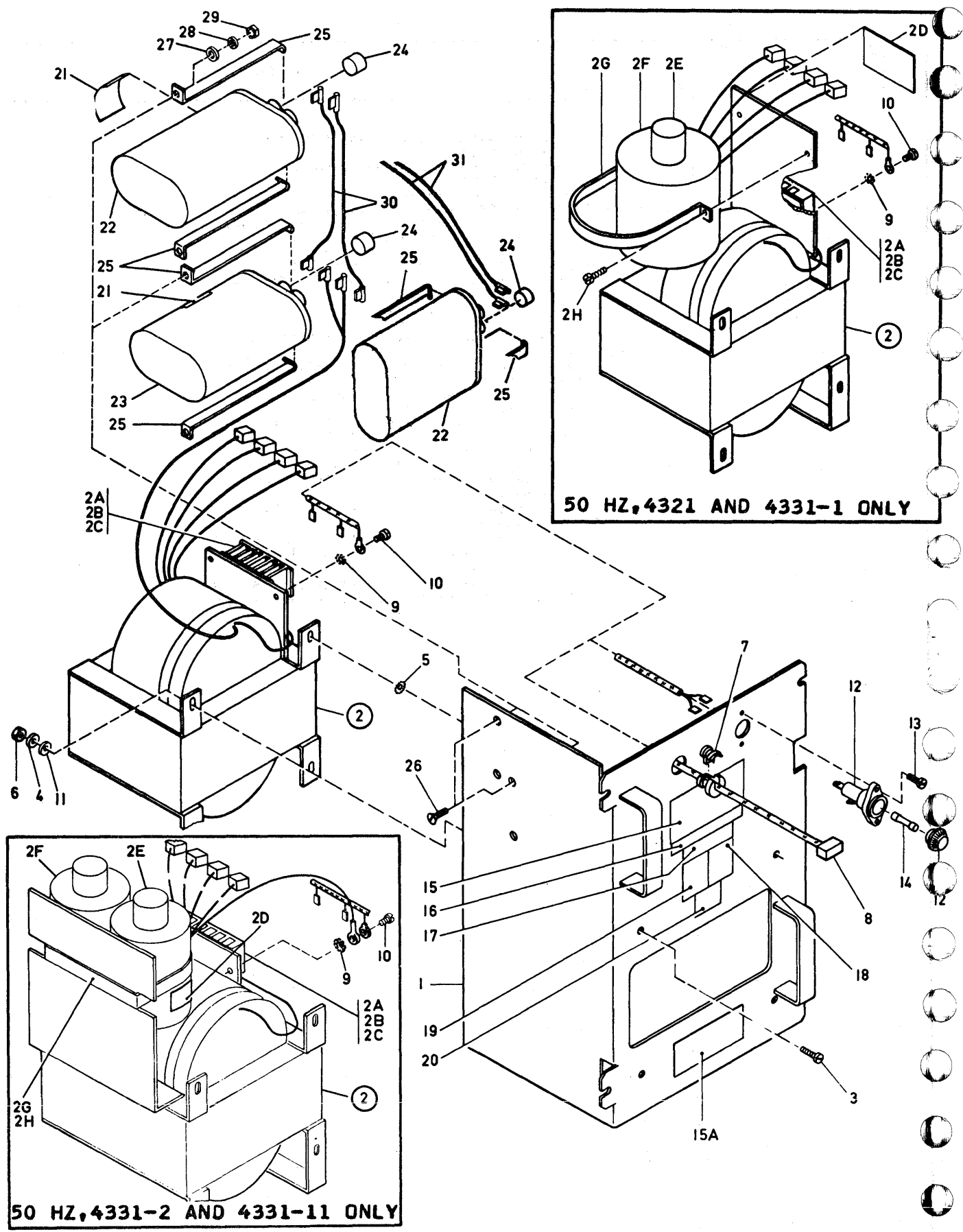


FIGURE 15. TRANSFORMER ASSEMBLY, TR 102, CONTINUED

FIGURE- INDEX NUMBER	PART NUMBER	UNITS PER ASM.	DESCRIPTION			
			1	2	3	4
15 - 20	8483963	1	• LABEL,WEIGHT USED ON 4331-2 AND 4331-11 MACH ONLY			
- 21	8483959	AR	• LABEL,SYMBOL 550V USED ON 60 HZ US AND EMEA MACH ONLY			
- 21	2582954	AR	• LABEL,DANGER 550V USED ON 60 HZ AFE MACH ONLY			
- 22	5252841	2	• CAPACITOR,PAPER,8 MFD,P/M6%,660 VACW USED ON 60 HZ,4331-2 AND 4331-11 MACH ONLY			
- 23	8279052	1	• CAPACITOR,PAPER,15 MFD,P/M6%,660 VACW USED ON 60 HZ,4321 AND 4331-1 MACH ONLY			
- 23	6814313	1	• CAPACITOR,PAPER,10 MFD,P/M6%,660 VACW USED ON 60 HZ,4331-2 AND 4331-11 MACH ONLY			
- 24	526378	AR	• INSULATOR CAP USED ON 60 HZ MACH ONLY			
- 25	8483073	2	• CLAMP USED ON 60 HZ,4321 AND 4331-1 MACH ONLY			
- 25	1143060	6	• CLAMP USED ON 60 HZ,4331-2 AND 4331-11 MACH ONLY			
- 26	1621312	2	• SCREW,MACH,FL HD,M4, 20MM LG USED ON 60 HZ,4321 AND 4331-1 MACH ONLY			
- 26	1621314	6	• SCREW,MACH,FL HD,M4, 30MM LG USED ON 60 HZ,4331-2 AND 4331-11 MACH ONLY			
- 27	1622304	6	• WASHER,FL,4.3MM ID,9MM OD,0.8MM THK USED ON 60 HZ,4331-2 AND 4331-11 MACH ONLY			
- 28	1622318	6	• WASHER,LCK,SPRING,4.1MM ID,7.6MM OD USED ON 60 HZ,4331-2 AND 4331-11 MACH ONLY			
- 29	1622403	6	• NUT,HEX,M4, 7MM FL W USED ON 60 HZ,4331-2 AND 4331-11 MACH ONLY			
- 30	4124190	2	• JUMPER ASM,150MM LG USED ON 60 HZ,4331-2 AND 4331-11 MACH ONLY FOR COMPONENT PARTS SEE FIGURE 21 -64			
- 31	4686036	2	• JUMPER ASM,200MM LG USED ON 60 HZ,4331-2 AND 4331-11 MACH ONLY FOR COMPONENT PARTS SEE FIGURE 21 -88,-64			

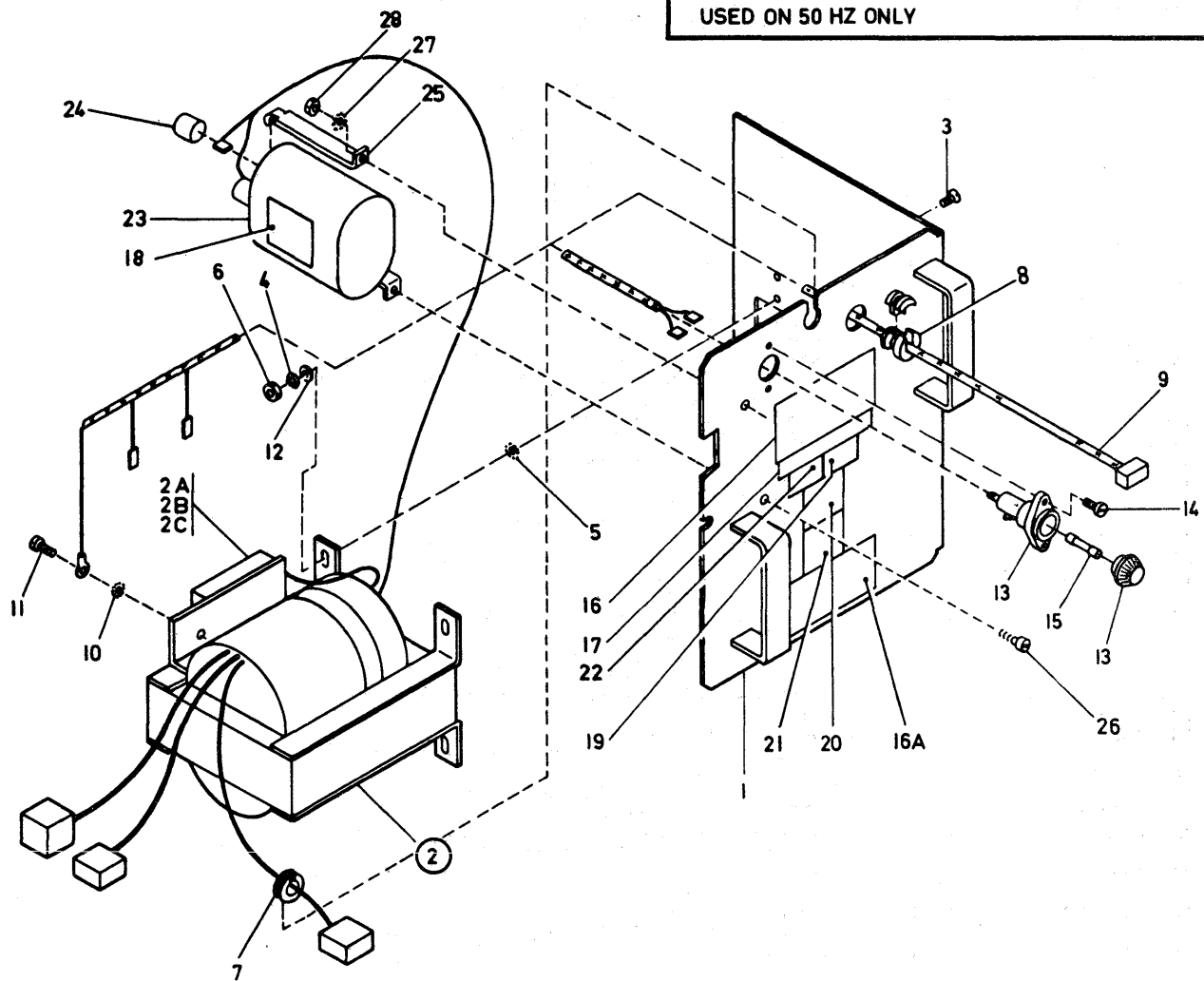
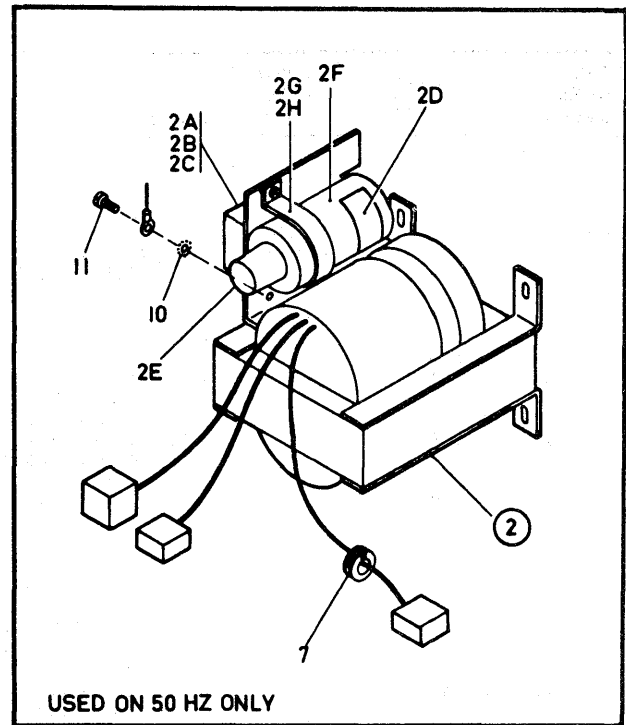


FIGURE 16. TRANSFORMER ASSEMBLY, TR 104, PDL 4

FIGURE- INDEX NUMBER	PART NUMBER	UNITS PER ASM.	DESCRIPTION			
			1	2	3	4
TRANSFORMER ASSEMBLIES, TR 104, PDL 4						
16 -	8482684	REF	FRU	TRANSFORMER ASM, TR 104, 50 HZ, PDL 4		
-	8482694	REF	FRU	TRANSFORMER ASM, TR 104, 60 HZ, PDL 4		
				FOR NEXT HIGHER ASM SEE FIGURE 3		
				FOR FIELD REPLACEMENT ORDER FRCH/CANAD		
				LABEL 4857087 (INDEX NO.16A) IN ADDITION IF REQUIRED		
- 1	8483077	1	.	CHASSIS, 50 HZ		
- 1	8483133	1	.	CHASSIS, 60 HZ		
- 2	4119654	1	.	TRANSFORMER ASM, 50 HZ		
				FOR COMPONENT PARTS SEE FIGURE 21 -8B,		
				-20A, -21D, -60A, -61B, -64		
- 2	1310269	1	.	TRANSFORMER ASM, 60 HZ		
				FOR COMPONENT PARTS SEE FIGURE 21 -8B,		
				-20A, -21D, -21F, -60A, -61B, -64		
- 2A	1726309	1	.	TERMINAL BLOCK, 5 POS		
				USED ON 50 HZ MACH ONLY		
- 2A	1726314	1	.	TERMINAL BLOCK, 4 POS		
				USED ON 60 HZ MACH ONLY		
- 2B	1726311	1	.	INSULATOR, 5 POS		
				USED ON 50 HZ MACH ONLY		
- 2B	1726315	1	.	INSULATOR, 4 POS		
				USED ON 60 HZ MACH ONLY		
- 2C	1621066	2	.	SCREW, MACH, CHEESE HD, M4, 30MM LG		
- 2D	2582954	1	.	LABEL, DANGER		
				USED ON 50 HZ MACH ONLY		
- 2E	2722507	1	.	INSULATOR CAP		
				USED ON 50 HZ MACH ONLY		
- 2F	4120825	1	.	CAPACITOR, PAPER, 5 MFD, P/M6%, 660 VACW		
				USED ON 50 HZ MACH ONLY		
- 2G	4120493	1	.	CLAMP		
				USED ON 50 HZ MACH ONLY		
- 2H	1621197	2	.	SCREW, MACH, PAN HD, M4, 6MM LG		
				USED ON 50 HZ MACH ONLY		
- 3	1621322	4	.	SCREW, MACH, FL HD, M5, 16MM LG		
- 4	1622319	4	.	WASHER, LCK, SPRING, 5.1MM ID, 9.2MM OD		
- 5	1622347	1	.	WASHER, LCK, EXT ST, 5.3MM ID, 10MM OD		
- 6	1622404	4	.	NUT, HEX, M5, 8MM FL W		
- 7	5050389	1	.	GROMMET		
- 7	53193	1	.	GROMMET, SUB PART ON US MACH ONLY		
- 8	2571362	1	.	GROMMET		
- 9	8482380	1	.	CABLE ASM, PCC CONNECT TO TR 104		
				FOR COMPONENT PARTS SEE FIGURE 21 -1H,		
				-8B, -20A, -60B		
- 10	1622346	1	.	WASHER, LCK, EXT ST, 4.3MM ID, 8MM OD		
- 11	1621190	1	.	SCREW, MACH, PAN HD, M4, 8MM LG		
				USED ON 50 HZ MACH ONLY		
- 11	1621197	1	.	SCREW, MACH, PAN HD, M4, 6MM LG		
				USED ON 60 HZ MACH ONLY		
- 12	237032	4	.	WASHER, FL, 0.219 ID, 0.75 OD, 0.062 THK		
- 13	92752	1	.	FUSEHOLDER		
- 14	1621853	2	.	SCREW, THRD FORM, PAN HD, M4, 12MM LG		
- 15	107665	1	.	FUSE, CARTRIDGE, 4A, 250V, SB		
				USED ON 50 HZ MACH ONLY		
- 15	2495470	1	.	FUSE, CARTRIDGE, 3.5A, 250V, SB		
				USED ON 60 HZ MACH ONLY		
- 16	2542403	1	.	LABEL, WARNING FUSE RATING, ENGL		
				USED ON US MACH ONLY		
- 16A	4857087	1	.	LABEL, WARNING FUSE RATING, FRCH/CANAD		
- 17	5785130	1	.	LABEL, BLANK		
- 18	8483959	1	.	LABEL, SYMBOL 550V		
				USED ON 60 HZ US AND EMEA MACH ONLY		
- 18	2582954	1	.	LABEL, DANGER 550V		
				USED ON 60 HZ AFE MACH ONLY		
- 19	4124143	1	.	LABEL, THIS UNIT, ENGL		
- 20	8483959	1	.	LABEL, SYMBOL 550V		
				USED ON US AND EMEA MACH ONLY		
- 20	2582954	1	.	LABEL, DANGER 550V		
				USED ON AFE MACH ONLY		
- 21	8483961	1	.	LABEL, SYMBOL HOT		
				USED ON 50 HZ US AND EMEA MACH ONLY		
- 21	853073	1	.	LABEL, WARNING HOT		
				USED ON 50 HZ AFE MACH ONLY		
- 22	8483916	1	.	LABEL, SYMBOL HOT		
- 22	853073	1	.	LABEL, CAUTION HOT, SUB PART ON JAPAN MACH ONLY		

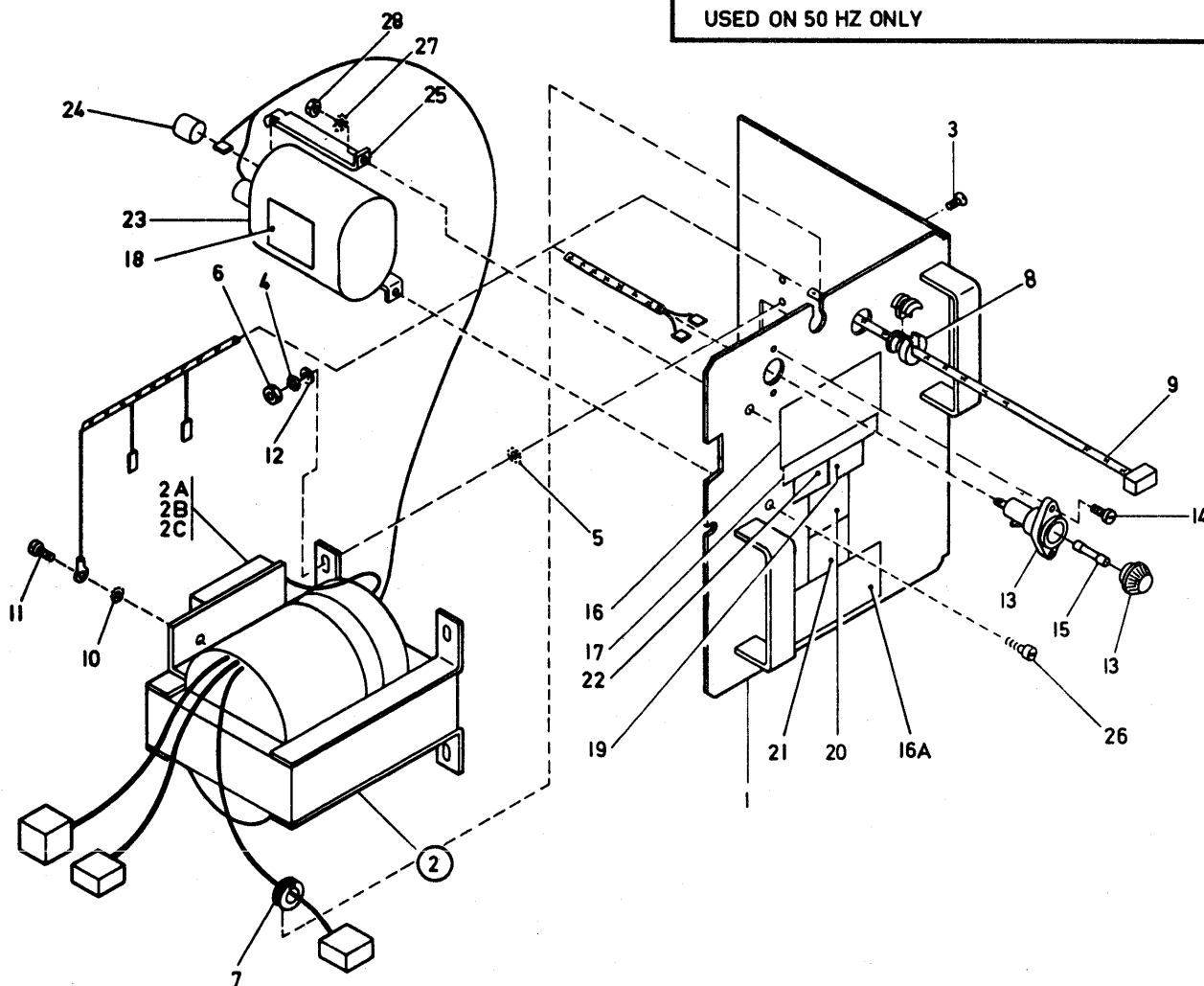
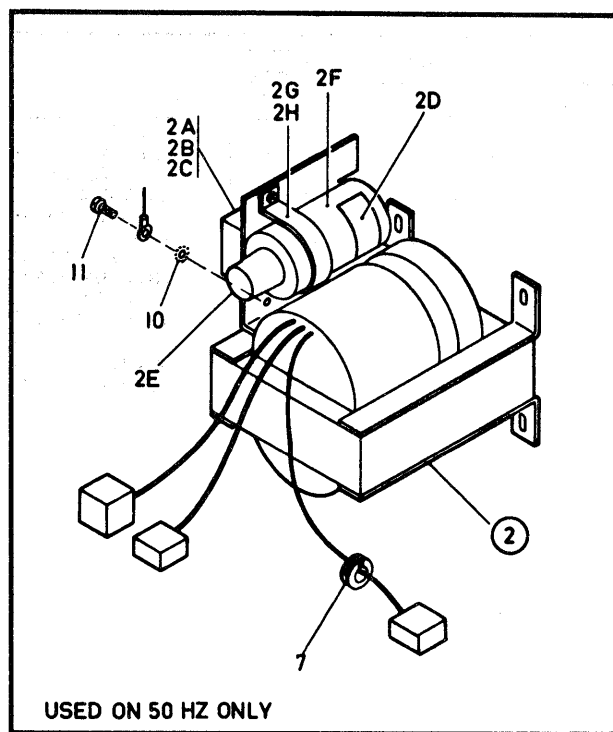


FIGURE 16. TRANSFORMER ASSEMBLY, TR 104, PDL 4, CONTINUED

FIGURE- INDEX NUMBER	PART NUMBER	UNITS PER ASM.	DESCRIPTION			
			1	2	3	4
16 - 23	6814311	1	. CAPACITOR, PAPER, 4 MFD, P/M63, 660 VACW USED ON 60 HZ MACH ONLY			
- 24	526378	2	. INSULATOR USED ON 60 HZ MACH ONLY			
- 25	2641241	2	. CLAMP USED ON 60 HZ MACH ONLY			
- 26	1621194	2	. SCREW, MACH, PAN HD, M4, 20MM LG USED ON 60 HZ MACH ONLY			
- 27	1622346	2	. WASHER, LCK, EXT ST, 4.3MM ID, 8MM OD USED ON 60 HZ MACH ONLY			
- 28	1622403	2	. NUT, HEX, M4, 7MM FL W USED ON 60 HZ MACH ONLY			

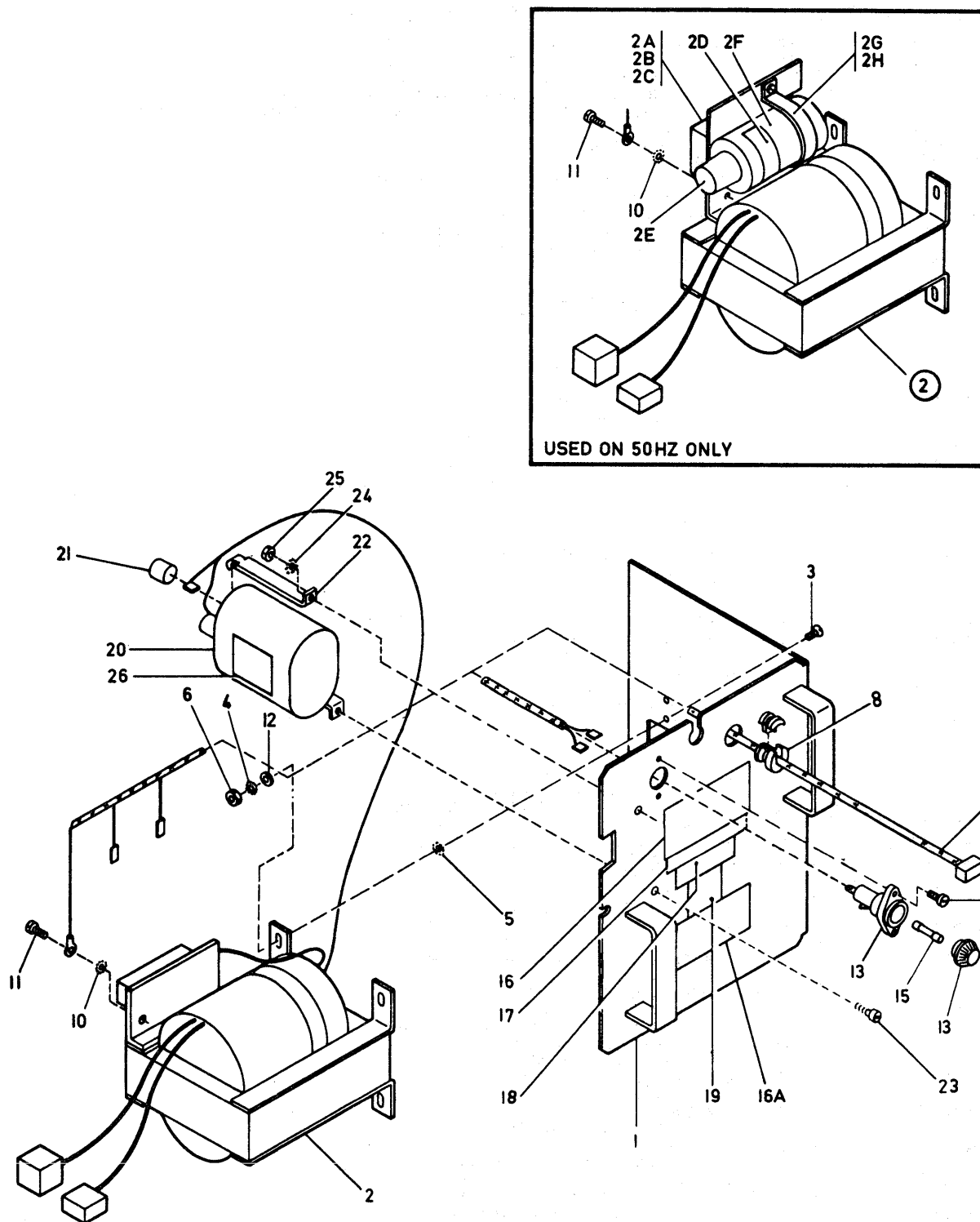


FIGURE 16A. TRANSFORMER ASSEMBLY, TR 104, PDL 5

FIGURE- INDEX NUMBER	PART NUMBER	UNITS PER ASM.	DESCRIPTION			
			1	2	3	4
			TRANSFORMER ASSEMBLIES, TR 104, PDL 5			
16A-	8482683	REF	FRU	TRANSFORMER ASM, TR 104, 50 HZ, PDL 5		
-	8482693	REF	FRU	TRANSFORMER ASM, TR 104, 60 HZ, PDL 5 FOR NEXT HIGHER ASM SEE FIGURE 3 FOR FIELD REPLACEMENT ORDER FRCH/CANAD LABEL 4857087 (INDEX NO.16A) IN ADDITION IF REQUIRED		
- 1	8483077	1	.	CHASSIS, 50 HZ		
- 1	8483133	1	.	CHASSIS, 60 HZ		
- 2	4119818	1	.	TRANSFORMER ASM, 50 HZ FOR COMPONENT PARTS SEE FIGURE 21 -1H, -8B, -20A, -21D, -61B, -61C, -64		
- 2	4432620	1	.	TRANSFORMER ASM, 60 HZ FOR COMPONENT PARTS SEE FIGURE 21 -8D, -20A, -21D, -21F, -61B, -61C, -64		
- 2A	1726309	1	.	TERMINAL BLOCK, 5 POS USED ON 50 HZ MACH ONLY		
- 2A	1726314	1	.	TERMINAL BLOCK, 4 POS USED ON 60 HZ MACH ONLY		
- 2B	1726311	1	.	INSULATOR, 5 POS USED ON 50 HZ MACH ONLY		
- 2B	1726315	1	.	INSULATOR, 4 PGS USED ON 60 HZ MACH ONLY		
- 2C	1621066	2	.	SCREW, MACH, CHEESE HD, M4, 30MM LG		
- 2D	4120650	1	.	LABEL, DANGER USED ON 50 HZ MACH ONLY		
- 2E	2722507	1	.	INSULATOR CAP USED ON 50 HZ MACH ONLY		
- 2F	4120827	1	.	CAPACITOR, PAPER, 10 MFD, P/M6Z, 660 VACM USED ON 50 HZ MACH ONLY		
- 2G	4120494	1	.	CLAMP USED ON 50 HZ MACH ONLY		
- 2H	1621197	2	.	SCREW, MACH, PAN HD, M4, 6MM LG USED ON 50 HZ MACH ONLY		
- 3	1621322	4	.	SCREW, MACH, FL HD, M5, 16MM LG		
- 4	1622319	4	.	WASHER, LCK, SPRING, 5.1MM ID, 9.2MM OD		
- 5	1622347	1	.	WASHER, LCK, EXT ST, 5.3MM ID, 10MM OD		
- 6	1622404	4	.	NUT, HEX, M5, 8MM FL W		
- 8	2571362	1	.	GROMMET		
- 9	8482380	1	.	CABLE ASM, PCC CONNECT TO TR 104 FOR COMPONENT PARTS SEE FIGURE 21 -1H, -8B, -20A, -60B		
- 10	1622346	1	.	WASHER, LCK, EXT ST, 4.3MM ID, 8MM OD		
- 11	1621190	1	.	SCREW, MACH, PAN HD, M4, 8MM LG USED ON 50 HZ MACH ONLY		
- 11	1621197	1	.	SCREW, MACH, PAN HD, M4, 6MM LG USED ON 60 HZ MACH ONLY		
- 12	237032	4	.	WASHER, FL, 0.219 ID, 0.75 OD, 0.062 THK		
- 13	92752	1	.	FUSEHOLDER		
- 14	1621853	2	.	SCREW, THRD FORM, PAN HD, M4, 12MM LG		
- 15	107665	1	.	FUSE, CARTRIDGE, 4A, 250V, SB USED ON 50 HZ MACH ONLY		
- 15	2495470	1	.	FUSE, CARTRIDGE, 3.5A, 250V, SB USED ON 60 HZ MACH ONLY		
- 16	2542403	1	.	LABEL, WARNING FUSE RATING, ENGL USED ON US MACH ONLY		
- 16A	4857087	1	.	LABEL, WARNING FUSE RATING, FRCH/CANAD		
- 17	5785130	1	.	LABEL, BLANK		
- 18	4124143	1	.	LABEL, THIS UNIT, ENGL		
- 19	8483959	1	.	LABEL, SYMBOL 550V USED ON US AND EMEA MACH ONLY		
- 19	2582954	1	.	LABEL, DANGER 550V USED ON AFE MACH ONLY		
- 20	6814312	1	.	CAPACITOR, PAPER, 6 MFD, P/M6Z, 660 VACM USED ON 60 HZ MACH ONLY		
- 21	526378	2	.	INSULATOR USED ON 60 HZ MACH ONLY		
- 22	4121202	2	.	CLAMP USED ON 60 HZ MACH ONLY		
- 23	1621194	2	.	SCREW, MACH, PAN HD, M4, 20MM LG USED ON 60 HZ MACH ONLY		
- 24	1622346	2	.	WASHER, LCK, EXT ST, 4.3MM ID, 8MM OD USED ON 60 HZ MACH ONLY		
- 25	1622403	2	.	NUT, HEX, M4, 7MM FL W USED ON 60 HZ MACH ONLY		
- 26	8483959	1	.	LABEL, SYMBOL 550V USED ON 60 HZ US AND EMEA MACH ONLY		
- 26	2582954	1	.	LABEL, DANGER 550V USED ON 60 HZ AFE MACH ONLY		

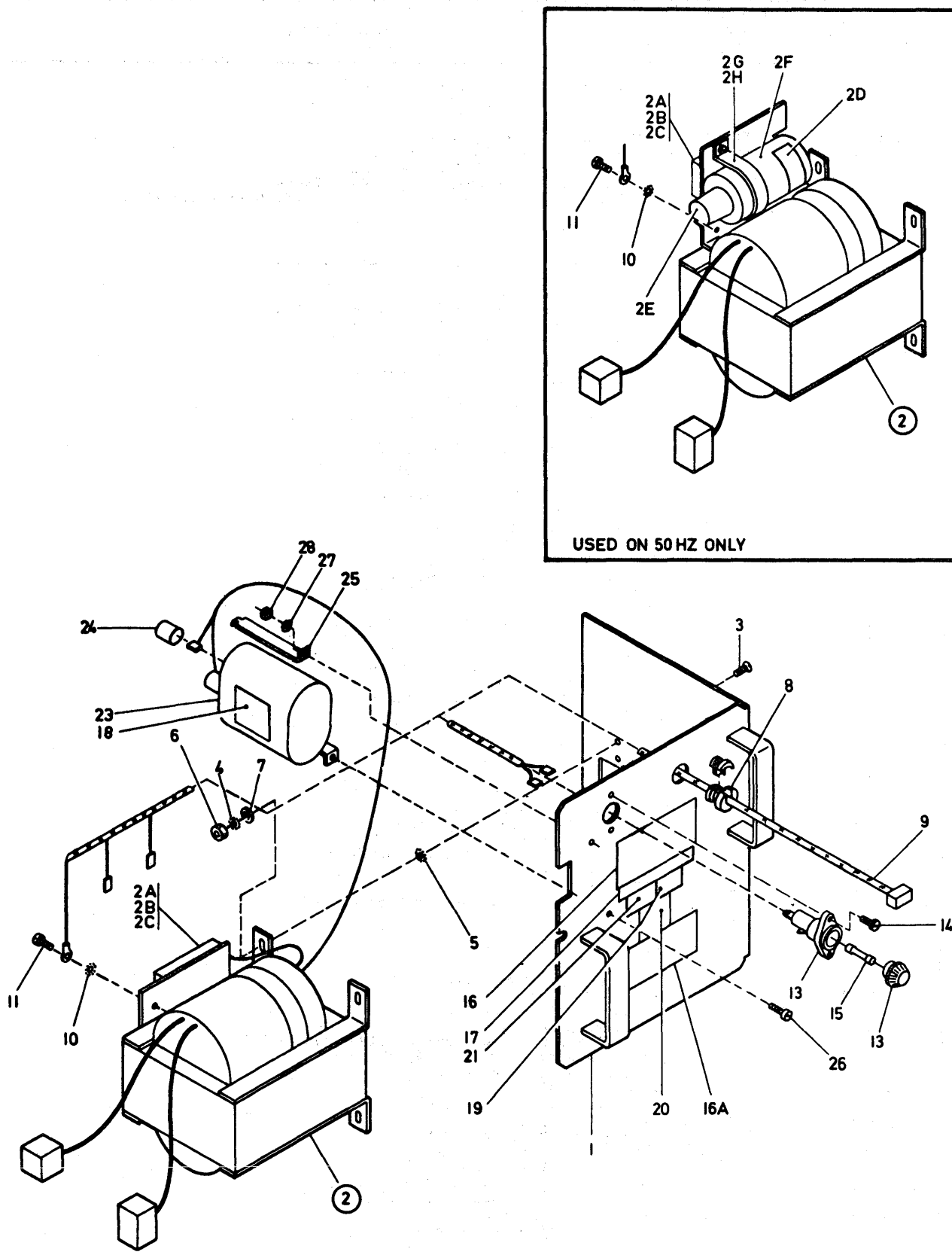


FIGURE 17. TRANSFORMER ASSEMBLY, TR 105

FIGURE- INDEX NUMBER	PART NUMBER	UNITS PER ASM.	DESCRIPTION			
			1	2	3	4
			TRANSFORMER ASSEMBLIES, TR 105			
17 -	8482685	REF	FRU	TRANSFORMER ASM, TR 105, 50 HZ		
-	8482695	REF	FRU	TRANSFORMER ASM, TR 105, 60 HZ		
				FOR NEXT HIGHER ASM SEE FIGURE 3		
				FOR FIELD REPLACEMENT ORDER FRCH/CANAD		
				LABEL 4857087 (INDEX NO.16A) IN ADDITION IF REQUIRED		
- 1	8483077	1	.	CHASSIS, 50 HZ		
- 1	8483133	1	.	CHASSIS, 60 HZ		
- 2	4119652	1	.	TRANSFORMER ASM, 50 HZ		
				FOR COMPONENT PARTS SEE FIGURE 21 -1H,		
				-8B, -21C, -21D, -61B, -61C, -64		
- 2	4151674	1	.	TRANSFORMER ASM, 60 HZ		
				FOR COMPONENT PARTS SEE FIGURE 21 -8B,		
				-21C, -21D, -40, -61B, -61C, -64, -88		
- 2A	1726309	1	.	TERMINAL BLOCK, 5 POS		
- 2B	1726311	1	.	INSULATOR		
- 2C	1621066	2	.	SCREW, MACH, CHEESE HD, M4, 30MM LG		
- 2D	2582954	1	.	LABEL, DANGER		
				USED ON 50 HZ MACH ONLY		
- 2E	2722507	1	.	INSULATOR CAP		
				USED ON 50 HZ MACH ONLY		
- 2F	4120827	1	.	CAPACITOR, PAPER, 10 MFD, P/M6Z, 660 VACW		
				USED ON 50 HZ MACH ONLY		
- 2G	4120494	1	.	CLAMP		
				USED ON 50 HZ MACH ONLY		
- 2H	1621197	2	.	SCREW, MACH, PAN HD, M4, 6MM LG		
				USED ON 50 HZ MACH ONLY		
- 3	1621322	4	.	SCREW, MACH, FL HD, M5, 16MM LG		
- 4	1622319	4	.	WASHER, LCK, SPRING, 5.1MM ID, 9.2MM OD		
- 5	1622347	1	.	WASHER, LCK, EXT ST, 5.3MM ID, 10MM OD		
- 6	1622404	4	.	NUT, HEX, M5, 8MM FL W		
- 7	237032	4	.	WASHER, FL, 0.219 ID, 0.75 OD, 0.062 THK		
- 8	2571362	1	.	GROMMET		
- 9	8482381	1	.	CABLE ASM, PCC CONNECT TO TR 105		
				FOR COMPONENT PARTS SEE FIGURE 21 -1H,		
				-8B, -20A, -61		
- 10	1622346	1	.	WASHER, LCK, EXT ST, 4.3MM ID, 8MM OD		
- 11	1621190	1	.	SCREW, MACH, PAN HD, M4, 8MM LG		
				USED ON 50 HZ MACH ONLY		
- 11	1621197	1	.	SCREW, MACH, PAN HD, M4, 6MM LG		
				USED ON 60 HZ MACH ONLY		
- 13	92752	1	.	FUSEHOLDER		
- 14	1621853	2	.	SCREW, THRD FORM, PAN HD, M4, 12MM LG		
- 15	107665	1	.	FUSE, CARTRIDGE, 4A, 250V, SB		
- 16	2542403	1	.	LABEL, WARNING FUSE RATING, ENGL		
				USED ON US MACH ONLY		
- 16A	4857087	1	.	LABEL, WARNING FUSE RATING, FRCH/CANAD		
- 17	5785130	1	.	LABEL, BLANK		
- 18	8483959	1	.	LABEL, SYMBOL 550V		
				USED ON 60 HZ US AND EMEA MACH ONLY		
- 18	2582954	1	.	LABEL, DANGER 550V		
				USED ON 60 HZ AFE MACH ONLY		
- 19	4124143	1	.	LABEL, THIS UNIT, ENGL		
- 20	8483959	1	.	LABEL, SYMBOL 550V		
				USED ON US AND EMEA MACH ONLY		
- 20	2582954	1	.	LABEL, DANGER 550V		
				USED ON AFE MACH ONLY		
- 21	8483961	1	.	LABEL, SYMBOL HOT		
- 21	853073	1	.	LABEL, CAUTION HOT, SUB PART ON JAPAN MACH ONLY		
- 23	6814312	1	.	CAPACITOR, PAPER, 6 MFD, P/M6Z, 660 VACW		
				USED ON 60 HZ MACH ONLY		
- 24	526378	2	.	INSULATOR CAP		
				USED ON 60 HZ MACH ONLY		
- 25	4121202	2	.	CLAMP		
				USED ON 60 HZ MACH ONLY		
- 26	1621195	2	.	SCREW, MACH, PAN HD, M4, 25MM LG		
				USED ON 60 HZ MACH ONLY		
- 27	1622346	2	.	WASHER, LCK, EXT ST, 4.3MM ID, 8MM OD		
				USED ON 60 HZ MACH ONLY		
- 28	1622403	2	.	NUT, HEX, M4, 7MM FL W		
				USED ON 60 HZ MACH ONLY		

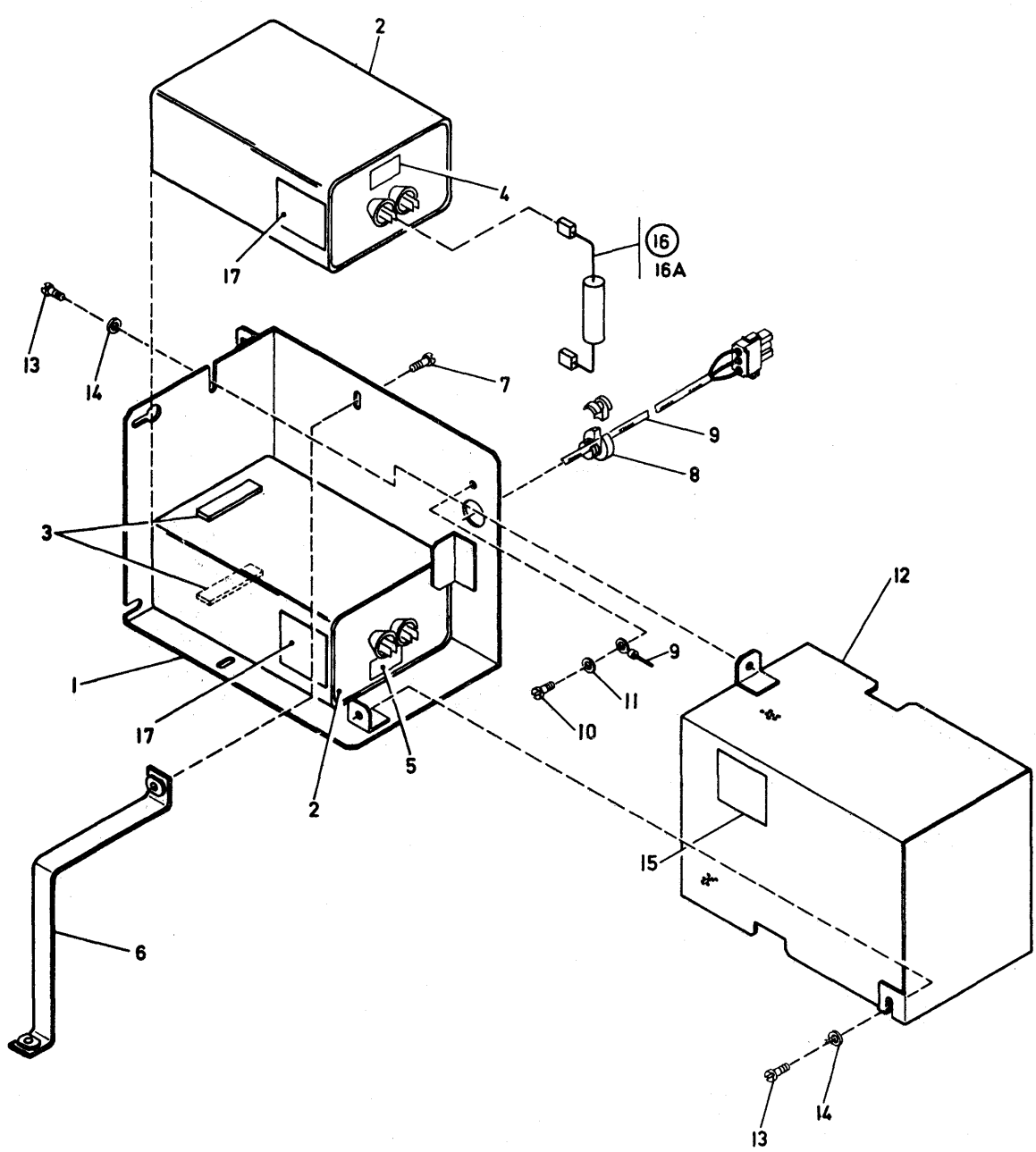


FIGURE 17A. REACTIVE POWER COMPENSATOR ASSEMBLY

FIGURE- INDEX NUMBER	PART NUMBER	UNITS PER ASM.	DESCRIPTION			
			1	2	3	4
			REACTIVE POWER COMPENSATOR ASSEMBLY			
17A-	8482987	REF	FRU REACTIVE POWER COMPENSATOR ASM USED ON 4331-2 ONLY FOR NEXT HIGHER ASM SEE FIGURE 3			
- 1	8483821	1	• BRACKET			
- 2	5252822	2	• CAPACITOR,PAPER,60 MFD,P/M6%, 330 VACM			
- 3	819299	2	• SEAL,47MM LG			
- 4	8483825	1	• LABEL,C01			
- 5	8483826	1	• LABEL,C02			
- 6	8483823	1	• CLAMP,CAPACITOR MTG			
- 7	1621193	2	• SCREW,MACH,PAN HD,M4, 16MM LG			
- 8	2571362	1	• GROMMET			
- 9	8482912	1	• CABLE ASM,PCC CON 09 TO RCP FOR COMPONENT PARTS SEE FIGURE 21 -1H, -8B,-25A,-60A			
- 10	1621190	1	• SCREW,MACH,PAN HD,M4, 8MM LG			
- 11	1622346	1	• WASHER,LCK,EXT ST,4.3MM ID,8MM OD			
- 12	8483822	1	• COVER			
- 13	1621190	2	• SCREW,MACH,PAN HD,M4, 8MM LG			
- 14	2125963	2	• WASHER,LCK,INT TEETH,0.168 ID,0.562 OD			
- 15	8483959	1	• LABEL,SYMBOL 550V USED ON US AND EMEA MACH ONLY			
- 15	2582954	1	• LABEL,DANGER 550V USED ON AFE MACH ONLY			
- 16	8482911	1	• RESISTOR ASM FOR COMPONENT PARTS SEE FIGURE 21 -17			
- 16A	253329	1	• RESISTOR,FXD,WH,35000 OHMS,P/M 10%,10W			
- 17	8483959	2	• LABEL,SYMBOL 550V USED ON US AND EMEA MACH ONLY			
- 17	2582954	2	• LABEL,DANGER 550V USED ON AFE MACH ONLY			

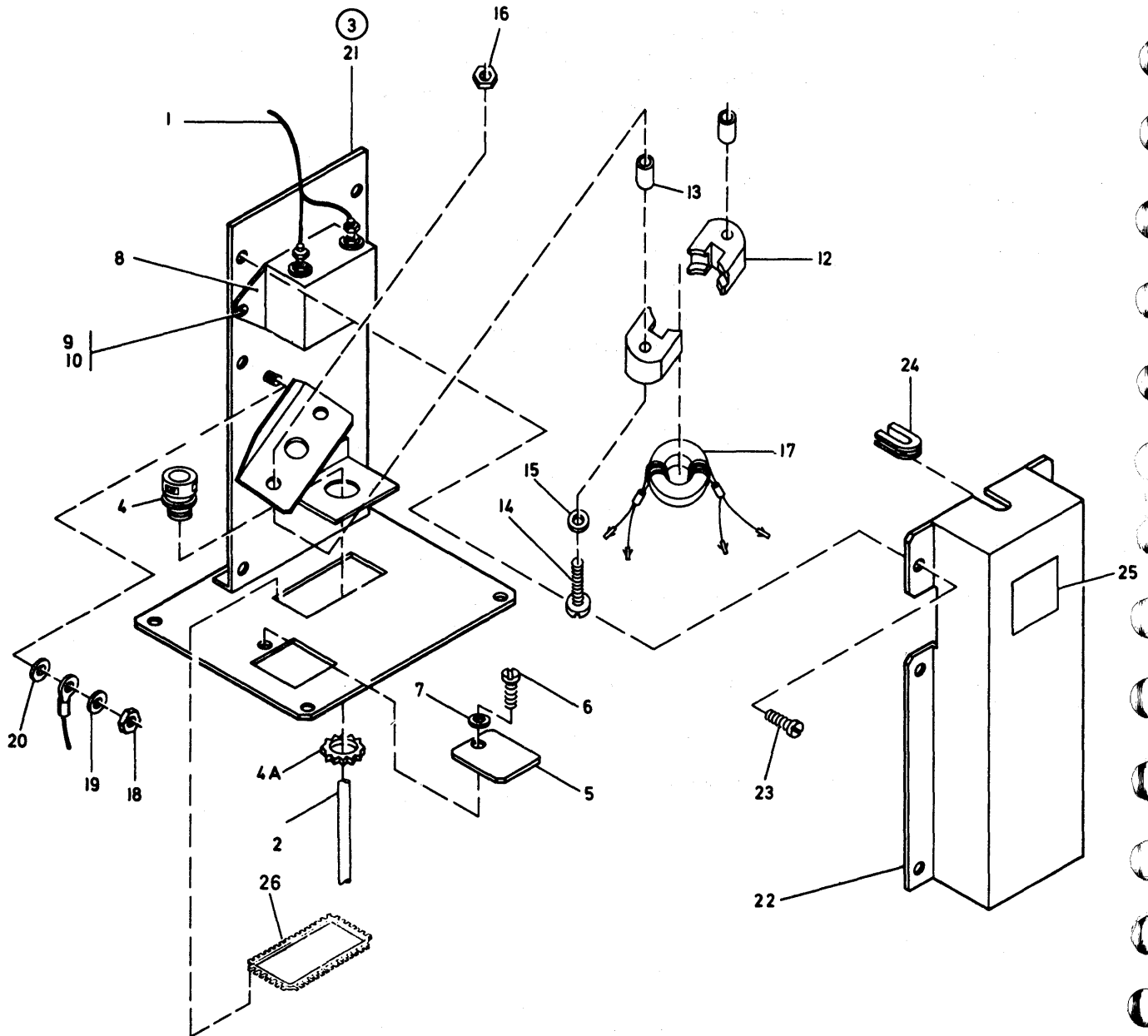


FIGURE 18. LINE CORD AND FILTER ASSEMBLY

FIGURE- INDEX NUMBER	PART NUMBER	UNITS PER ASM.	DESCRIPTION			
			1	2	3	4
LINE CORD AND FILTER ASSEMBLIES						
18 -	8482964	REF	FRU	FILTER	ASM,USA	60 HZ
-	8482965	REF	FRU	FILTER	ASM,WTC	50/60 HZ
-	8482966	REF	FRU	FILTER	ASM,JAPAN	50/60 HZ
-	8482967	REF	FRU	FILTER	ASN,CHICAGO	60 HZ
-					FOR NEXT HIGHER ASM SEE FIGURE 3	
- 1	8482923	1	. .	CABLE	ASM,LINE	FILTER TO CP 01
-					FOR COMPONENT PARTS SEE FIGURE 21 -1H,-1M,-40,-43B	
- 2	8482388	1	. .	LINE	CORD	ASM,WTC,50/60 HZ
-					FOR COMPONENT PARTS SEE FIGURE 21 -1H,-40,-43A	
- 2	8482389	1	. .	LINE	CORD	ASM,USA,60 HZ
-					FOR COMPONENT PARTS SEE FIGURE 21 -1H,-40,-89	
- 2	8482390	1	. .	LINE	CORD	ASM,JAPAN,50/60 HZ
-					FOR COMPONENT PARTS SEE FIGURE 21 -1H,-40	
- 2	8482391	1	. .	LINE	CORD	ASM,CHICAGO,60 HZ
-					FOR COMPONENT PARTS SEE FIGURE 21 -1H,-40,-89	
- 3	8482963	1	. .	FRU	FILTER	ASM,50/60 HZ
- 4	2100264	1	. .	CLAMP,	CABLE,	FITTING,METALLIC
-					USED ON US MACH ONLY	
- 4	8483910	1	. .	CLAMP,	CABLE,	6MM THRU 16MM ID,PLASTIC
- 4A	8483911	1	. .	NUT,	PG16,	PLASTIC
- 5	8483693	1	. .	PLATE		
- 6	1621170	1	. .	SCREW,	MACH,PAN	HD,M3, 6MM LG
- 7	1622316	1	. .	WASHER,	LCK,SPRING,	3.1MM ID,6.2MM OD
- 8	1862652	1	. .	LINE	FILTER,	CORCOM
- 9	1621170	2	. .	SCREW,	MACH,PAN	HD,M3, 6MM LG
- 10	1622332	2	. .	WASHER,	LCK,INT	ST,3.2MM ID,6MM OD
- 12	8483408	2	. .	FASTENER		
-					USED ON OLD VERSION MACH ONLY	
- 13	8483417	2	. .	SPACER		
-					USED ON OLD VERSION MACH ONLY	
- 14	1621196	2	. .	SCREW,	MACH,PAN	HD,M4, 30MM LG
-					USED ON OLD VERSION MACH ONLY	
- 15	1622304	2	. .	WASHER,	FL,4.3MM	ID,9MM OD,0.8MM THK
-					USED ON OLD VERSION MACH ONLY	
- 16	1622403	2	. .	NUT,	HEX,M4,	7MM FL W
-					USED ON OLD VERSION MACH ONLY	
- 17	8483559	1	. .	CORE	AND	WIRE ASM
-					USED ON OLD VERSION MACH ONLY	
- 18	1622403	1	. .	NUT,	HEX,M4,	7MM FL W
- 19	1622304	1	. .	WASHER,	FL,4.3MM	ID,9MM OD,0.8MM THK
- 20	1622346	1	. .	WASHER,	LCK,EXT	ST,4.3MM ID,8MM OD
- 21	8483760	1	. .	SUPPORT	FILTER	
- 22	8483761	1	. .	COVER		
- 23	1621170	6	. .	SCREW,	MACH,PAN	HD,M3, 6MM LG
- 24	480755	1	. .	CHANNEL		
- 25	8483959	1	. .	LABEL,	SYMBOL	550V
-					USED ON US AND EMEA MACH ONLY	
- 25	138754	1	. .	LABEL,	LINE	VOLTAGE
-					USED ON AFE MACH ONLY	
- 26	473442	1	. .	GROMMET,	162MM	LG
-					USED ON US MACH ONLY	

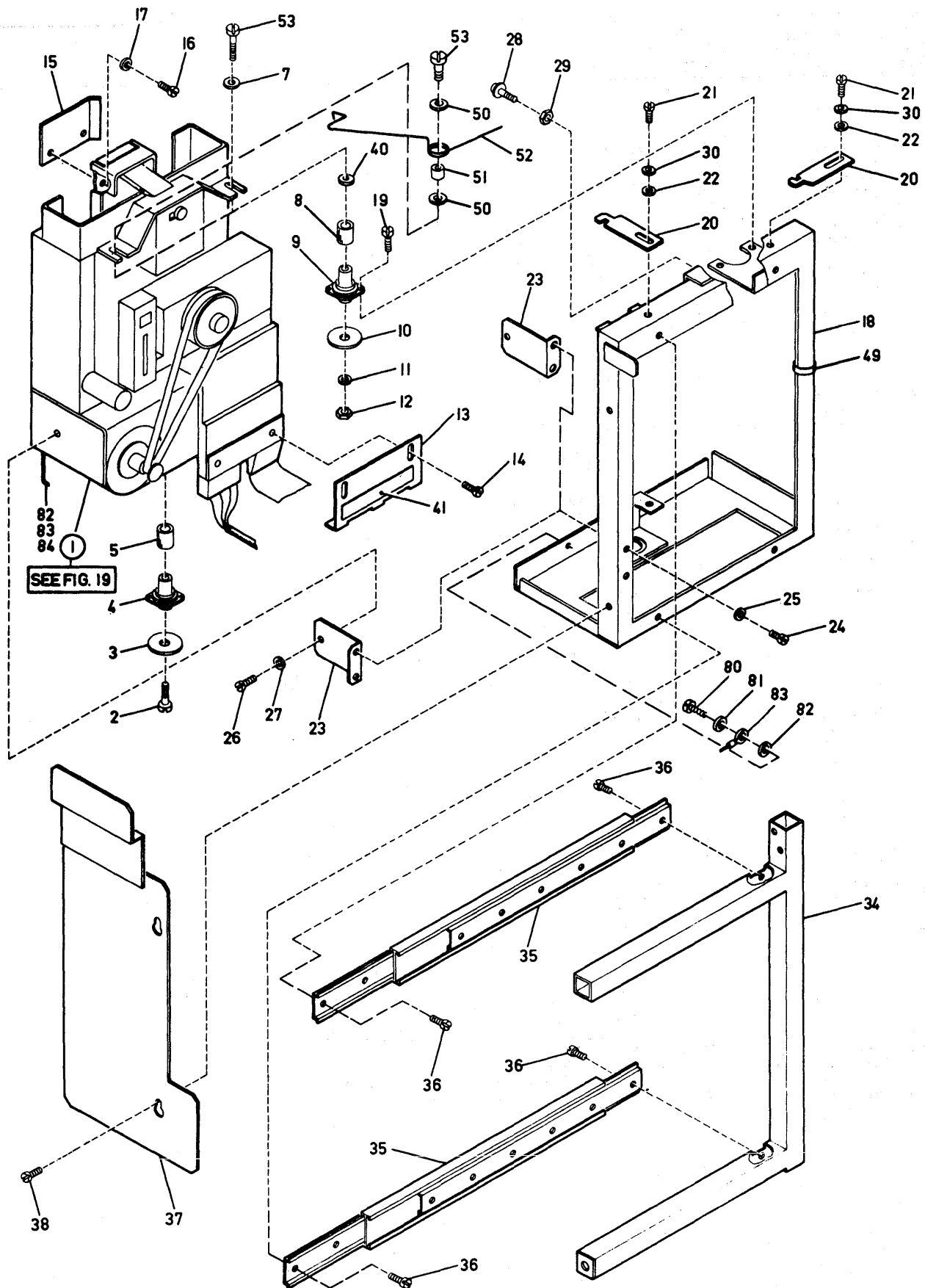


FIGURE 18A. FILE DRIVE AND FRAME ASSEMBLY

FIGURE- INDEX NUMBER	PART NUMBER	UNITS PER ASM.	DESCRIPTION			
			1	2	3	4
FILE DRIVE AND FRAME ASSEMBLIES						
18A-	8483787	REF	FILE DRIVE AND FRAME ASM,50 HZ,RH			
	8483788	REF	FILE DRIVE AND FRAME ASM,60 HZ,RH			
	8483906	REF	FILE DRIVE AND FRAME ASM,50 HZ,LH			
	8483905	REF	FILE DRIVE AND FRAME ASM,60 HZ,LH			
			FOR NEXT HIGHER ASM SEE FIGURE 2			
- 1	4178002	1	• FRU FILE ASM,50 HZ,53 FD			
- 1	4178000	1	• FRU FILE ASM,60 HZ,53 FD			
			FOR NEXT HIGHER ASM SEE FIGURE 19			
- 2	438568	1	• • SCREW,MACH,BIND HD,6-32, 1.125 LG			
- 3	2278074	1	• • WASHER,FL,0.88 OD			
- 4	2280710	1	• • SHGCKMOUNT,BOTTOM			
- 5	2278073	1	• • COLLAR			
- 6	438570	AR	• • SCREW,MACH,BIND HD,6-32, 1.5 LG			
- 7	631865	AR	• • WASHER,FL,0.147 ID,0.406 OD,0.031 THK			
- 8	2278073	2	• • COLLAR			
- 9	2305625	2	• • SHOCKMOUNT, TOP			
- 10	2278074	2	• • WASHER,FL,0.88 OD			
- 11	6364	2	• • WASHER,LCK,SPLIT,0.141 ID,0.253 OD			
- 12	257187	2	• • NUT,HEX,6-32, 0.312 FL W			
- 13	1896774	1	• HOLDER			
- 14	438567	2	• SCREW,MACH,BIND HD,6-32, 25.4MM LG			
- 15	8483903	1	• ACTUATING PLATE			
			USED ON ASM 8483787/88 ONLY			
- 16	1621190	2	• SCREW,MACH,PAN HD,M4, 8MM LG			
			USED ON ASM 8483787/88 ONLY			
- 17	1622318	2	• WASHER,LCK,SPRING,4.1MM ID,7.6MM OD			
			USED ON ASM 8483787/88 ONLY			
- 18	8483135	1	• FRAME			
- 19	1621170	6	• SCREW,MACH,PAN HD,M3, 6MM LG			
- 20	8483782	2	• PLATE,SHIPPING			
- 21	1621197	2	• SCREW,MACH,PAN HD,M4, 6MM LG			
- 22	1622304	2	• WASHER,FL,4.3MM ID,9MM OD,0.8MM THK			
- 23	8483781	1	• BRACKET,SHIPPING			
- 24	1621197	2	• SCREW,MACH,PAN HD,M4, 6MM LG			
- 25	2125963	2	• WASHER,LCK,INT TEETH,0.168 ID,0.562 OD			
- 26	2181004	1	• SCREW,THRD FORM,HEX WSHR HD,10-32, 0.375 LG			
- 27	9092	1	• WASHER,LCK,SPLIT,0.194 ID,0.337 OD			
- 28	8483228	1	• SCREW,BUMPER			
- 29	1622403	1	• NUT,HEX,M4, 7MM FL W			
- 30	1622318	2	• WASHER,LCK,SPRING,4.1MM ID,7.6MM OD			
- 34	8483915	1	• SUPPORT,FRAME,WT			
- 34	8483137	1	• SUPPORT,FRAME,US			
- 35	8483125	2	• TELESCOPE SLIDE			
- 36	1621307	8	• SCREW,MACH,FL HD,M4, 6MM LG			
- 37	8483144	1	• COVER			
- 38	1621197	2	• SCREW,MACH,PAN HD,M4, 6MM LG			
- 40	631865	2	• WASHER,FL,0.147 ID,0.406 OD,0.031 THK			
- 41	8483869	1	• LABEL,CONN A01,A02			
- 49	2637668	4	• CABLE TIE,340MM LG			
- 50	125145	2	• WASHER,FL,0.14 ID,0.5 OD,0.031 THK			
			USED ON ASM 8483787/88 ONLY			
- 51	8483901	1	• SPACER			
			USED ON ASM 8483787/88 ONLY			
- 52	8483902	1	• SPRING,TORSION			
			USED ON ASM 8483787/88 ONLY			
- 53	438571	1	• SCREW,MACH,BIND HD,6-32, 1.75 LG			
			USED ON ASM 8483787/88 ONLY			
- 80	1621190	1	• SCREW,MACH,PAN HD,M4, 8MM LG			
- 81	1622318	1	• WASHER,LCK,SPRING,4.1MM ID,7.6MM OD			
- 82	1622346	2	• WASHER,LCK,EXT ST,4.3MM ID,8MM OD			
- 83	8483909	1	• JUMPER ASM,GND,80MM LG			
			FOR COMPONENT PARTS SEE FIGURE 21 -1H			
- 84	1621190	1	• SCREW,MACH,PAN HD,M4, 8MM LG			
			USED ON JAPAN MACH ONLY			

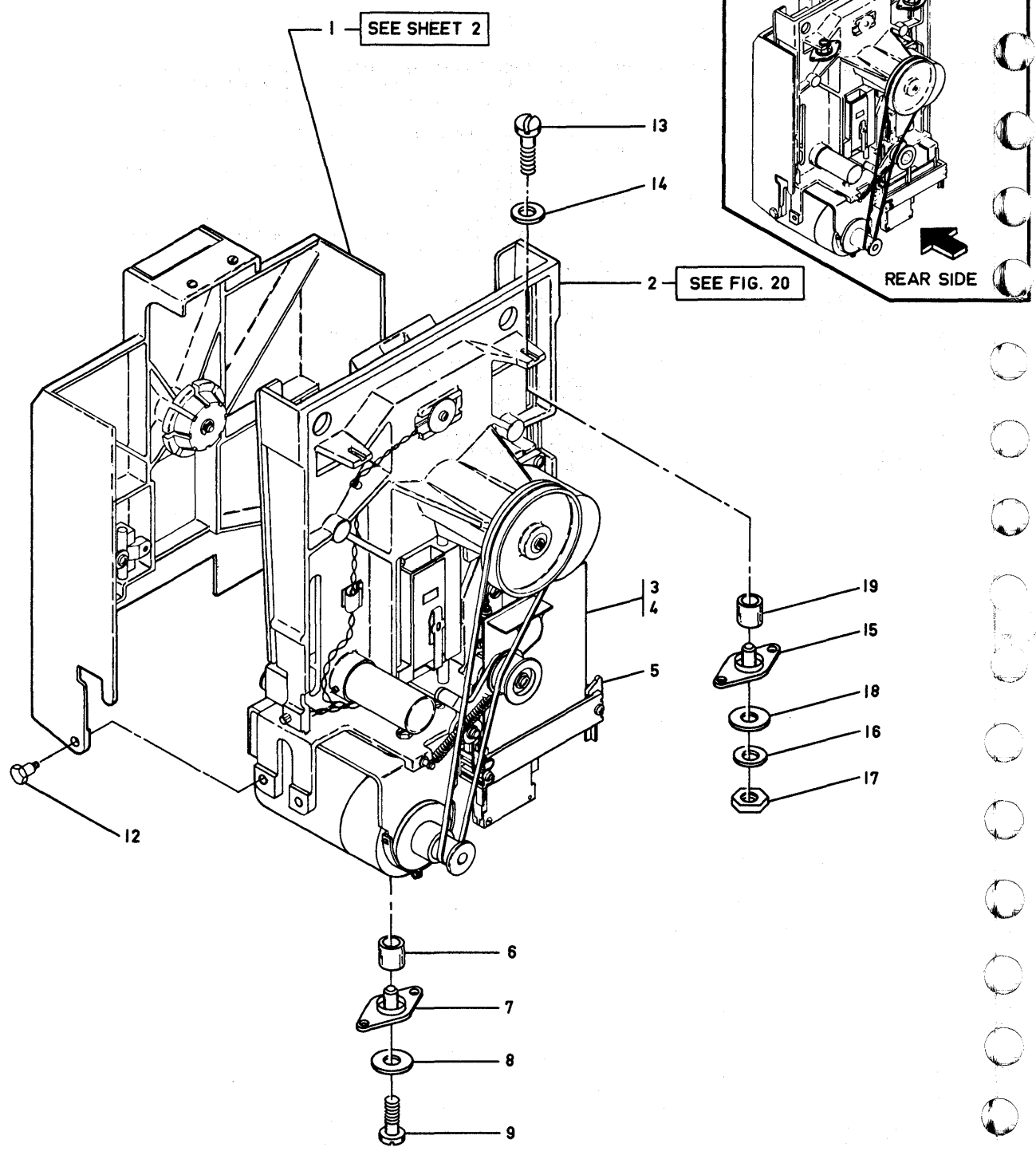


FIGURE 19. DISKETTE STORAGE DRIVE ASSEMBLY, 53 FD (SHEET 1 OF 2, INDEX NO. 1 THRU 19)

FIGURE- INDEX NUMBER	PART NUMBER	UNITS PER ASM.	DESCRIPTION			
			1	2	3	4
			DISKETTE STORAGE DRIVE ASSEMBLIES,53 FD			
19 -	4178000	REF	FRU DRIVE ASM,STANDARD,60 HZ,200/230V,VERTICAL,53 FD			
-	4178002	REF	FRU DRIVE ASM,STANDARD,50 HZ,200/230V,VERTICAL,53 FD FOR NEXT HIGHER ASM SEE FIGURE 18A			
- 1	5562031	1	. COVER ASM FOR DETAIL BREAKDOWN SEE FIGURE 19 SHEET 2			
- 2	4178025	1	. BASE PLATE ASM THIS ASM IS NOT RECOMMENDED FOR FIELD REPLACEMENT FOR DETAIL BREAKDOWN SEE FIGURE 20			
- 3	XXXXXXX	1	. FRU CARD ASM REFER TO CARD REF LIST PA 010 PAGE 1 AND 2 AND TIE DOWN LIST PA 201 WHEN INSTALLING NEW CARD			
- 4	811804	1	. GUIDE,CARD,DBL,12 PAC			
- 5	5562116	2	. RETAINER			
- 6	2278073	1	. COLLAR			
- 7	2280710	1	. SHOCKMOUNT,BOTTOM			
- 8	2278074	1	. WASHER,FL,0.88 OD			
- 9	438568	1	. SCREW,MACH,BIND HD,6-32, 1.125 LG			
- 12	2305553	2	. PIVOT SCREW			
- 13	438570	2	. SCREW,MACH,BIND HD,6-32, 1.5 LG			
- 14	631865	2	. WASHER,FL,0.147 ID,0.406 OD,0.031 THK			
- 15	2305625	2	. SHOCKMOUNT, TOP			
- 16	6364	2	. WASHER,LCK,SPLIT,0.141 ID,0.253 OD			
- 17	257187	2	. NUT,HEX,6-32, 0.312 FL W			
- 18	2278074	2	. WASHER,FL,0.88 OD			
- 19	2278073	2	. COLLAR			

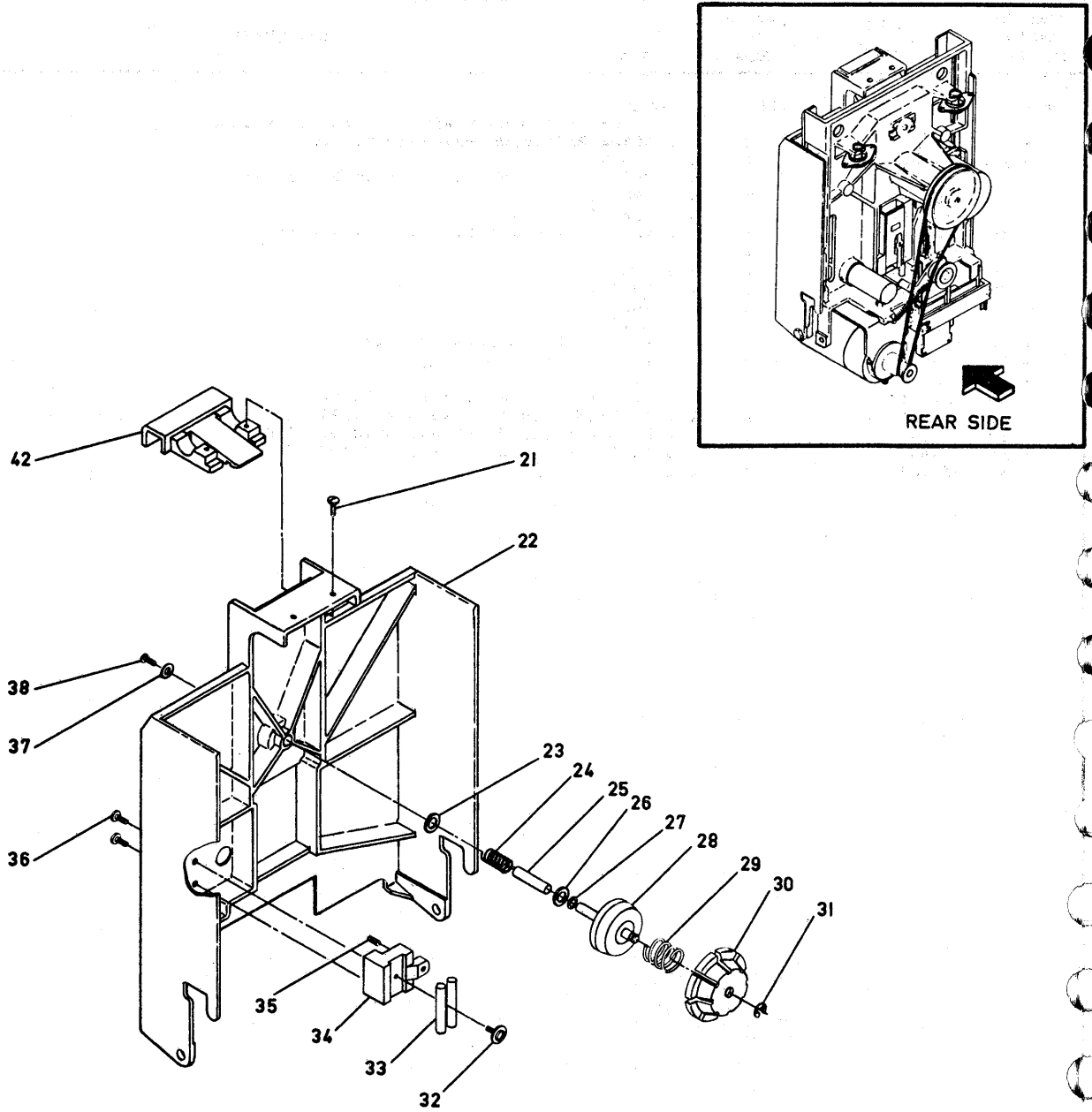


FIGURE 19. DISKETTE STORAGE DRIVE ASSEMBLY, 53 FD (SHEET 2 OF 2, INDEX NO. 21 THRU 42)

FIGURE- INDEX NUMBER	PART NUMBER	UNITS PER ASM.	DESCRIPTION			
			1	2	3	4
19 -	5562031	REF	. COVER ASM FOR NEXT HIGHER ASM SEE FIGURE 19 SHEET 1			
- 21	322550	2	. . SCREW,MACH,BIND HD,6-32, 0.5 LG			
- 22	5562062	1	. . COVER			
- 23	120571	1	. . WASHER,FL,0.281 ID,0.625 OD,0.062 THK			
- 24	2305646	1	. . SPRING			
- 25	2305462	1	. . SLEEVE COLLET			
- 26	25018	1	. . WASHER,FL,0.255 ID,0.5 OD,0.046 THK			
- 27	555427	1	. . SHIM			
- 28	2305526	1	. . SHAFT ASM			
- 29	2305647	1	. . SPRING			
- 30	2305644	1	. . COLLET			
- 31	332747	1	. . CLIP			
- 32	1164265	1	. . SCREW AND WASHER,6-32, 0.375 LG			
- 33	5562019	2	. . TIMING PIN			
- 34	5562084	1	. . BACKSTOP			
- 35	311167	1	. . SETSCREW,NYLOK,10-32, 0.375 LG			
- 36	81693	2	. . SCREW,MACH,BIND HD,6-32, 0.375 LG			
- 37	2903	1	. . WASHER,FL,0.172 ID,0.5 OD,0.031 THK			
- 38	34512	1	. . SCREW,MACH,BIND HD,8-32, 0.375 LG			
- 42	2305650	1	. . LATCH			

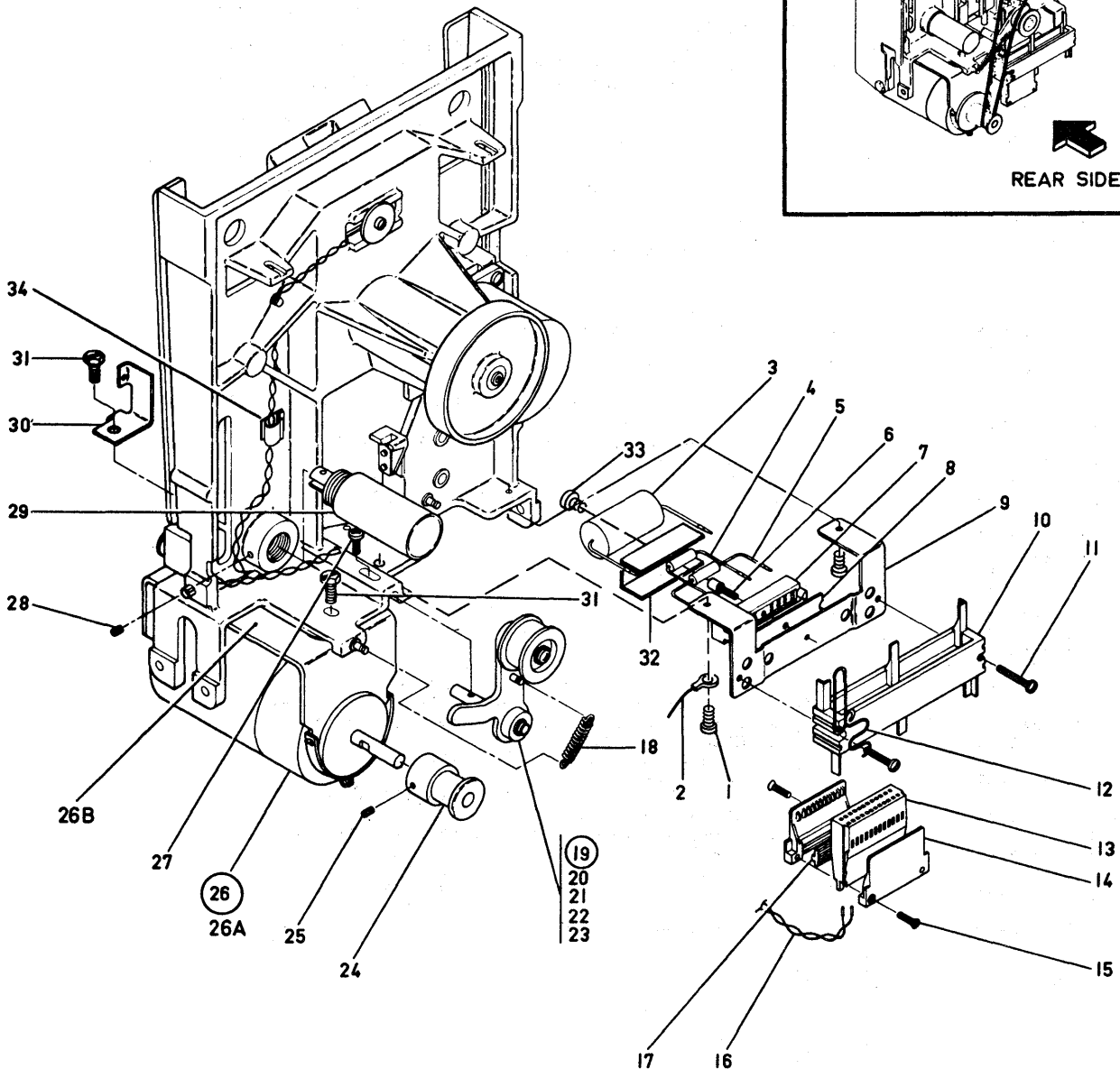


FIGURE 20. BASEPLATE ASSEMBLY (SHEET 1 OF 3, INDEX NO. 1 THRU 34)

FIGURE- INDEX NUMBER	PART NUMBER	UNITS PER ASM.	DESCRIPTION			
			1	2	3	4
			BASEPLATE ASSEMBLY			
20 -	4178025	REF	BASE PLATE ASM STANDARD THIS ASM IS NOT RECOMMENDED FOR FIELD REPLACEMENT FOR NEXT HIGHER ASM SEE FIGURE 19			
- 1	2181005	2	• SCREW, THRD FORM, HEX WSHR HD, 6-32, 0.375 LG			
- 2	2305598	1	• GROUND JUMPER, 6LG			
- 3	2103010	1	• CAPACITOR ASM, 250 MFD, P150 M10%, 50 VDCM USED ON OLD LEVEL DRIVE ONLY (W/O EC 829696)			
- 4	5562096	1	• RESISTOR ASM, 28 OHMS USED ON OLD LEVEL DRIVE ONLY (W/O EC 829696)			
- 5	2127635	1	• RESISTOR ASM, 160 OHMS, P/M5%, 0.5W USED ON OLD LEVEL DRIVE ONLY (W/O EC 829696)			
- 6	2592384	1	• STUD, 4-40 USED ON OLD LEVEL DRIVE ONLY (W/O EC 829696)			
- 7	302090	1	• TERMINAL BLOCK USED ON OLD LEVEL DRIVE ONLY (W/O EC 829696)			
- 8	302131	1	• INSULATOR USED ON OLD LEVEL DRIVE ONLY (W/O EC 829696)			
- 9	5562066	1	• BRACKET			
- 10	2274833	1	• CONNECTOR			
- 11	2181006	2	• SCREW, THRD FORM, HEX WSHR HD, 6-32, 1 LG			
- 12	5562102	1	• CABLE GUIDE			
- 13	5447741	1	• HOUSING			
- 14	5466397	2	• STRAIN RELIEF			
- 15	109918	2	• SCREW, FL HD, SELF TAPP, 4-40, 0.5 LG			
- 16	5562077	1	• SOLENOID CABLE			
- 17	5466393	2	• RUBBER CLAMP			
- 18	2305726	1	• SPRING USED ON OLD LEVEL DRIVE ONLY (W/O EC 828233)			
- 19	5562020	1	• BELT IDLER ASM USED ON OLD LEVEL DRIVE ONLY (W/O EC 828233)			
- 20	2305720	1	• ROLL ASM			
- 21	22478	1	• WASHER, FL, 0.17 ID, 0.375 OD, 0.032 THK			
- 22	58207	1	• SCREW, MACH, BIND HD, 8-32, 0.25 LG			
- 23	5562022	1	• ARM ASM			
- 24	2305631	1	• PULLEY, 60 HZ			
- 24	2305708	1	• PULLEY, 50 HZ			
- 25	257970	1	• SETSCREW, 6 FLUTE, 6-32, 0.25 LG			
- 26	4178053	1	• MOTOR ASM, 60 HZ, 200/230V			
- 26	4178057	1	• MOTOR ASM, 50 HZ, 200/235V			
- 26A	4178052	1	• MOTOR, 60 HZ, 200/230V			
- 26A	4178056	1	• MOTOR, 50 HZ, 200/235V			
- 26B	2305632	1	• BRACKET			
- 27	81693	1	• SCREW, MACH, BIND HD, 6-32, 0.375 LG USED ON OLD LEVEL DRIVE ONLY (W/O EC 828233)			
- 28	5562115	1	• SETSCREW, 6 FLUTE, 10-32, 0.19 LG, (SPECIAL)			
- 29	5562064	1	• SOLENOID, OLD LEVEL USED ON DRIVE W/O EC 829696			
- 29	4178047	1	• SOLENOID, NEW LEVEL USED ON DRIVE WITH EC 829696 (JAN79)			
- 30	5562046	1	• BAIL SPRING BRACKET			
- 31	234341	2	• SCREW, ASMD WSHR, HEX HD, 0.250-20, 0.625 LG			
- 32	4178058	1	• SHIELD USED ON OLD LEVEL MACH ONLY			
- 33	38235	1	• SCREW, MACH, BIND HD, 6-32, 0.312 LG USED ON OLD LEVEL MACH ONLY			
- 34	2596275	1	• CLAMP, CABLE, 4.6MM ID			

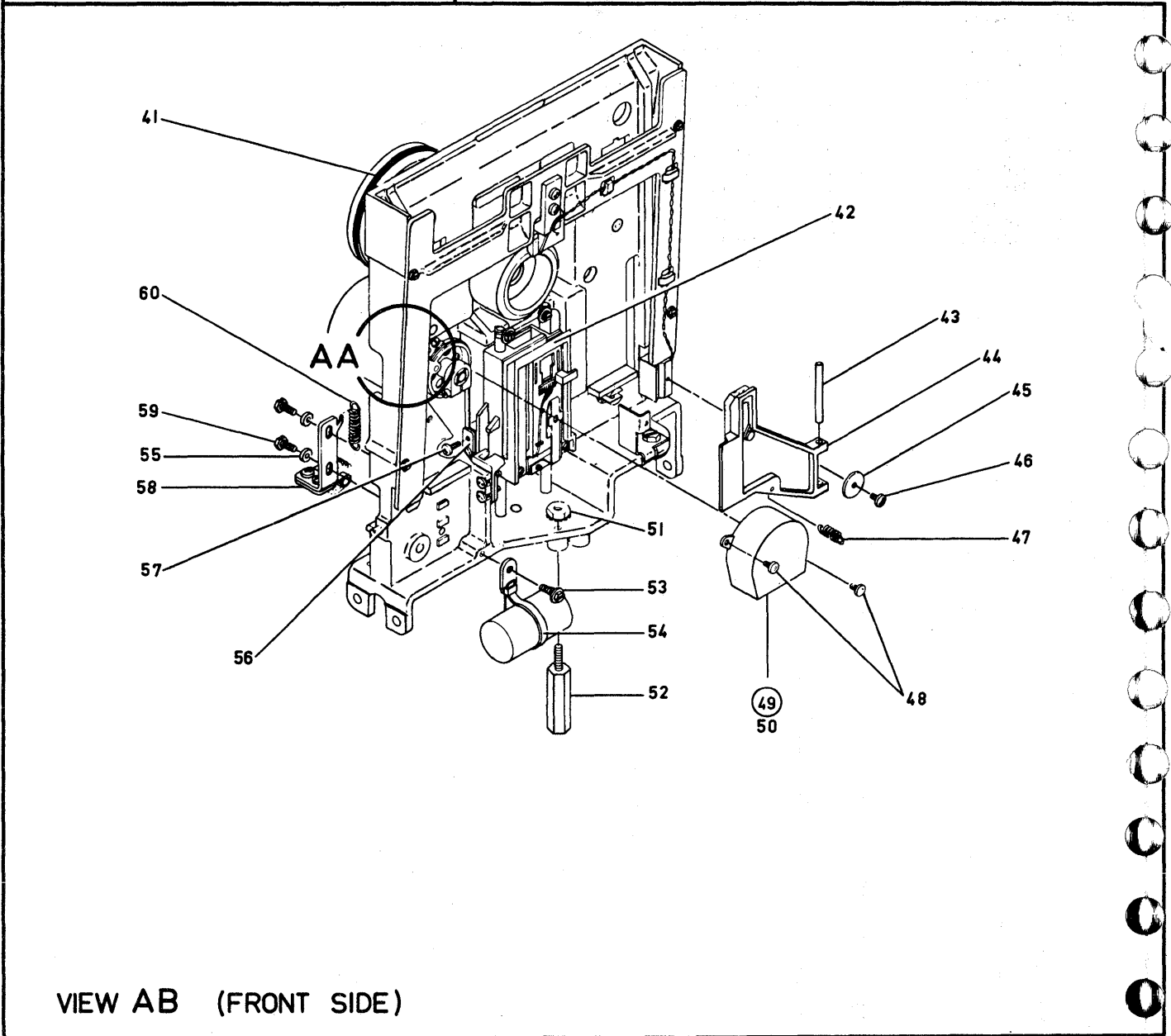
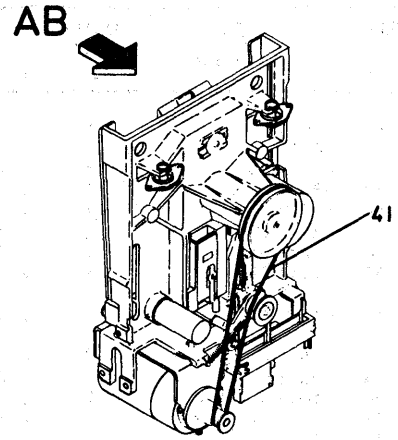
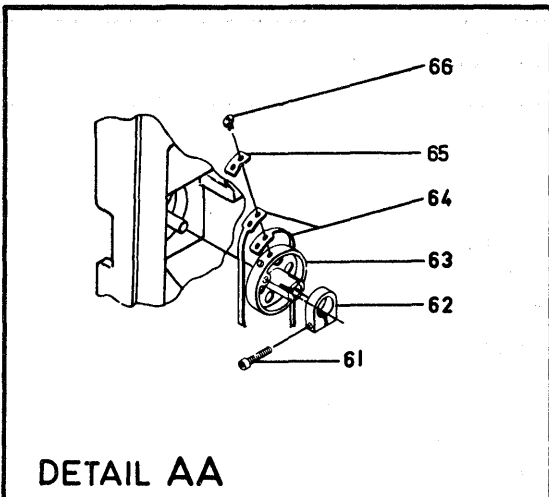
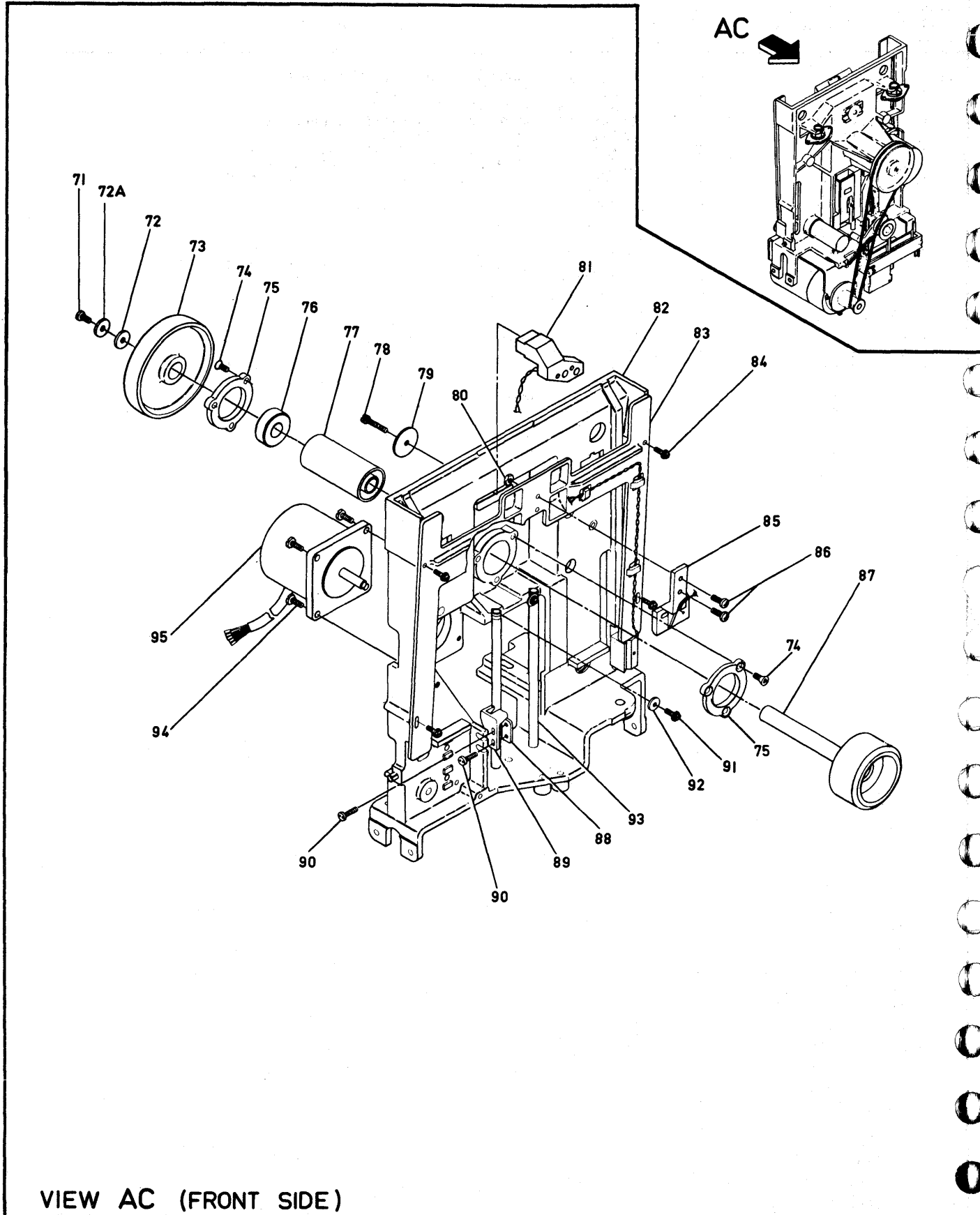


FIGURE 20. BASEPLATE ASSEMBLY (SHEET 2 OF 3, INDEX NO. 41 THRU 66)

FIGURE- INDEX NUMBER	PART NUMBER	UNITS PER ASM.	DESCRIPTION				
			1	2	3	4	
20 - 41	5562034	1					• BELT,50 HZ
- 41	2462593	1					• BELT,60 HZ
- 42	4178035	1					• HEAD CARRIAGE ASM
- 43	5562098	1					• PIN
- 44	4178060	1					• BAIL ASM
- 45	110029	1					• WASHER,FL,0.166 ID,0.62 OD,0.062 THK
- 46	81693	1					• SCREW,MACH,BIND HD,6-32, 0.375 LG
- 47	150676	1					• SPRING,OLD LEVEL USED ON DRIVE W/O EC 829696
- 47	4178067	1					• SPRING,NEW LEVEL USED ON DRIVE WITH EC 829696(JAN79)
- 48	55726	2					• SCREW,MACH,BIND HD,6-32, 0.188 LG
- 49	5562088	1					• COVER ASM,WIPER
- 50	5562035	1					• WIPER
- 51	602721	1					• NUT,LCK,HEX,10-32, 0.375 FL W
- 52	2305697	1					• STANDOFF
- 53	5319854	1					• SCREW,SELF TAP,HEX HD,8-32, 0.375 LG USED ON OLD LEVEL DRIVE ONLY (W/O EC 829696)
- 54	532393	1					• CLAMP,LOOP,ADJUSTABLE USED ON OLD LEVEL DRIVE ONLY (W/O EC 829696)
- 55	45690	2					• WASHER,FL,0.203 ID,0.438 OD,0.032 THK
- 56	5562041	1					• CLAMP
- 57	236550	2					• SCREW,MACH,BIND HD,4-40, 0.375 LG
- 58	5562085	1					• PULLEY ASM
- 59	32042	2					• SCREW,MACH,BIND HD,10-32, 0.375 LG
- 60	5562051	1					• SPRING
- 61	186925	1					• SCREW,CAP,FLUT SOC HD,4-40, 0.625 LG
- 62	2305493	1					• CLAMP
- 63	5562086	1					• DRIVE PULLEY
- 64	5562044	1					• BAND
- 65	5562037	1					• CLAMP
- 66	438548	1					• SCREW,MACH,BIND HD,4-40, 0.188 LG



VIEW AC (FRONT SIDE)

FIGURE 20. BASEPLATE ASSEMBLY (SHEET 3 OF 3, INDEX NO. 71 THRU 95)

FIGURE- INDEX NUMBER	PART NUMBER	UNITS PER ASM.	DESCRIPTION				
			1	2	3	4	
20 - 71	5562071	1					• SCREW,NOT RECOMMENDED FOR FIELD REPLACEMENT
- 72	600395	1					• WASHER,FL,0.203 ID,0.75 OD,0.094 THK
- 72A	9092	1					• WASHER,LCK,SPLIT,0.194 ID,0.337 OD
- 73	2305621	1					• PULLEY,NOT RECOMMENDED FOR FIELD REPLACEMENT
- 74	2305547	6					• SCREW,THRD FORM,FL HD,8-32, 0.44 LG
- 75	2305546	2					• RETAINER,NOT RECOMMENDED FOR FIELD REPLACEMENT
- 76	5344991	1					• BEARING SET,NOT RECOMMENDED FOR FIELD REPLACEMENT
- 77	2305620	1					• SPACER SET,NOT RECOMMENDED FOR FIELD REPLACEMENT
- 78	170241	1					• SCREW,LCK,6-32, 0.75 LG
- 79	2130285	1					• WASHER,FL,0.156 ID,0.312 OD,0.031 THK
- 80	257187	2					• NUT,MACH,HEX,6-32, 0.312 FL W
- 81	5562083	1					• PHOTO TRANSISTOR ASM
- 82	5562063	1					• CASTING ASM THIS ASM IS NOT RECOMMENDED FOR FIELD REPLACEMENT
- 83	5562061	1					• GUIDE,GOAL POST
- 84	5700484	4					• SCREW,HEX HD,4-40, 0.375 LG
- 85	5562081	1					• LED ASM
- 86	81693	2					• SCREW,MACH,BIND HD,6-32, 0.375 LG
- 87	2305619	1					• HUB,NOT RECOMMENDED FOR FIELD REPLACEMENT
- 88	5562072	1					• NUT PLATE,NOT RECOMMENDED FOR FIELD REPLACEMENT
- 89	5562036	1					• TIMING BLOCK,NOT RECOMMENDED FOR FIELD REPLACEMENT
- 90	5562069	2					• SCREW,NOT RECOMMENDED FOR FIELD REPLACEMENT
- 91	2181011	2					• SCREW,SELF TAP,HEX WSHR HD,6-32, 0.5 LG
- 92	591469	2					• WASHER,FL,0.141 ID,0.37 OD,0.06 THK
- 93	5562038	2					• ROD,GUIDE
- 94	81693	3					• SCREW,MACH,BIND HD,6-32, 0.375 LG
- 95	2462606	1					• STEPPER MOTOR

FIGURE 21. CABLE ASSEMBLIES WITH COMPONENT PARTS (SHEET 0, CABLES W/O ILLUSTRATION)

FIGURE- INDEX NUMBER	PART NUMBER	UNITS PER ASM.	DESCRIPTION			
			1	2	3	4
			CABLE ASSEMBLIES WITH COMPONENT PARTS			
21 -	674570	1	CABLE ASM,EXTERNAL,UK ACU ADAPTER FOR COMPONENT PARTS SEE FIGURE 21 -70B,-76D, -76E,-95,-96			
-	1568409	1	CABLE ASM,EXTERNAL,ACU INTERFACE,10000 FIXED LENGTH FOR COMPONENT PARTS SEE FIGURE 21 -8B,-20C, -20D,-21B,-41C,-42,-54A,-67,-68,-69,-70,-71A, -71G,-74,-74A,-76B,-76C,-79,-79B,-79C,-149,-150			
-	1568430	1	CABLE ASM,EXTERNAL,38 LS 4W LEASED WT,10000 FIXED LENGTH FOR COMPONENT PARTS SEE FIGURE 21 -8B,-9B, -18B,-49,-50,-51,-52,-67,-68,-69,-70,-71A			
-	1568432	1	CABLE ASM,EXTERNAL,V35 INTERFACE,10000 FIXED LENGTH FOR COMPONENT PARTS SEE FIGURE 21 -8B,-18B, -49,-50,-51,-52,-65,-67,-68A,-69,-70,-71A, -72,-85,-86			
-	1568438	1	CABLE ASM,EXTERNAL,LOCAL DTE,10000 FIXED LENGTH FOR COMPONENT PARTS SEE FIGURE 21 -8B,-18C, -20C,-21B,-49,-50,-51,-52,-67,-68A,-69,-70, -71A,-76B,-76C,-79,-79B,-79C			
-	1568439	1	CABLE ASM,EXTERNAL,ACU INTERFACE,UK,10000 FIXED LENGTH FOR COMPONENT PARTS SEE FIGURE 21 -8B,-20C, -20D,-21B,-41C,-42,-54A,-67,-68,-69,-70, -71,-71A,-74,-76B,-76C,-79,-79B,-79C,-122, -149,-150			
-	1568443	1	CABLE ASM,EXTERNAL,LOOP ADAPT,LOCAL PORT,10000 FIXED LENGTH FOR COMPONENT PARTS SEE FIGURE 21 -8B,-18C, -43B,-49,-50,-51,-52,-67,-68A,-69,-70,-71A,-87 FOR TERMINATING AND TESTING LOBE 1 AND 2 USE LOOP CABLE WRAP PLUG 8483405,SEE FIGURE 21 -163			
-	1727744	1	CABLE ASM,EXTERNAL,UK V24/V28 ADAPT FOR COMPONENT PARTS SEE FIGURE 21 -70B,-76D, -76E,-95,-96			
-	1749352	1	CABLE ASM,EXTERNAL,V35 ADAPT,48K MODEM FOR COMPONENT PARTS SEE FIGURE 21 -72A,-85A, -151,-152,-153,-154,-155,-156,-157			
-	1864271	1	CABLE PLUG ASM,EXTERNAL,DCE TO LOOP PLUG,JAPAN ONLY FOR COMPONENT PARTS SEE FIGURE 21 -73,-158			
-	1864272	1	CABLE PLUG ASM,EXTERNAL,DCE TO SHORTING PLUG,JAPAN ONLY FOR COMPONENT PARTS SEE FIGURE 21 -73,-158			
-	1878529	1	CABLE ASM,EXTERNAL,HS LOCAL REMOTE DTE FOR COMPONENT PARTS SEE FIGURE 21 -1C,-38, -76E,-95,-118			
-	2281630	1	CABLE ASM,EXTERNAL,MULTIPLEX,SHIELD COAX,24 CONDUCT,A AND B FOR COMPONENT PARTS SEE FIGURE 21 -8B,-18, -18D,-67,-100B,-100C			
-	2577672	1	CABLE ASM,EXTERNAL COAX,NDS,3262,3278,3287,3289 FOR COMPONENT PARTS SEE FIGURE 21 -59A,-67			
-	2593331	1	CABLE ASM,EXTERNAL,5424 INTERFACE 1,GATE B TO GATE 01D FOR COMPONENT PARTS SEE FIGURE 21 -18, -18A,-41C,-42,-54,-67,-70D,-71F,-100A, -139A,-140A,-149,-150			
-	2593332	1	CABLE ASM,EXTERNAL,5424 INTERFACE 2,GATE B TO GATE 01D FOR COMPONENT PARTS SEE FIGURE 21 -18, -18A,-41C,-42,-54,-67,-70D,-71F,-100A, -139A,-140A,-149,-150			
-	2593346	1	CABLE ASM,EXTERNAL,5424,TB4 TO DC CONNECT FOR COMPONENT PARTS SEE FIGURE 21 -1J,-8B, -40,-67,-68A,-70C,-70D,-71D,-71E,-118A,-137, -138,-139,-140,-140A,			
-	5162880	1	CABLE PLUG ASM,EXTERNAL,DCE TO SOCKET,TELEPH JACK,FEMALE,JAPAN ONLY COMPONENT PARTS NOT AVAILABLE			
-	5351178	1	CABLE ASM,EXTERNAL,STAND POWER INTERFACE FOR COMPONENT PARTS SEE FIGURE 21 -8B,-10A, -26,-67			
-	5353920	1	CABLE ASM,EXTERNAL,INTERFRAME,LARGE COAX,24 CONDUCT,A AND B FOR COMPONENT PARTS SEE FIGURE 21 -67,-100,-100A			
-	5372977	1	CABLE ASM,EXTERNAL,SIGNAL,BUS IN,NON IBM DEVICE FOR COMPONENT PARTS SEE FIGURE 21 -67,-97, -98,-100			
-	5404458	1	CABLE ASM,EXTERNAL,SIGNAL,BUS IN,IBM DEVICE FOR COMPONENT PARTS SEE FIGURE 21 -67,-100,-109			
-	5466456	1	CABLE ASM,EXTERNAL,MULTIPLEX,LARGE COAX,24 CONDUCT,A AND B FOR COMPONENT PARTS SEE FIGURE 21 -67,-100B,-100C			

FIGURE- INDEX NUMBER	PART NUMBER	UNITS PER ASM.	DESCRIPTION			
			1	2	3	4
21 -	5578477	1	CABLE ASM,EXTERNAL COAX,OPERATOR CONS PANEL 3278-2A FOR COMPONENT PARTS SEE FIGURE 21 -59A			
-	5578498	1	CABLE ASM,EXTERNAL,OPERATOR CONS PANEL 3278-2A FOR COMPONENT PARTS SEE FIGURE 21 -1P,-8B, -20C,-21B,-76B,-115,-116,-117			
-	8482319	1	CABLE ASM,O1A T801 TO 5424 CON O1,DC COMMON FOR COMPONENT PARTS SEE FIGURE 21 -1N,-13,-30			
-	8482341	1	CABLE ASM,PCC TO GATE BLOWERS FOR COMPONENT PARTS SEE FIGURE 21 -20A,-21C, -60A,-61			
-	8482347	1	CABLE ASM,PS 105 TO O1A A1,PDL 4 FOR COMPONENT PARTS SEE FIGURE 21 -14,-20E, -24,-33,-34,-43B,-47,-61B,			
-	8482350	1	CABLE ASM,EXTERNAL,ACU INTERFACE,OPTIONAL LENGTH FOR COMPONENT PARTS SEE FIGURE 21 -8B,-20C, -20D,-21B,-41C,-42,-54A,-67,-68,-69,-70,-71A, -71G,-74,-74A,-76B,-76C,-79,-79B,-79C,-149,-150			
-	8482351	1	CABLE ASM,EXTERNAL,DCE INTERFACE,LOOP ADAPT,REMOTE PORT FOR COMPONENT PARTS SEE FIGURE 21 -8B,-20C, -20D,-21B,-41C,-42,-54A,-67,-68,-69,-70,-71A, -71G,-74,-74A,-76B,-76C,-79,-79B,-79C,-149,-150			
-	8482352	1	CABLE ASM,EXTERNAL,LOCAL DTE,OPTIONAL LENGTH FOR COMPONENT PARTS SEE FIGURE 21 -8B,-18C, -20C,-21B,-49,-50,-51,-52,-67,-68A,-69,-70, -71A,-76B,-76C,-79,-79B,-79C			
-	8482353	1	CABLE ASM,EXTERNAL,DDS INTERFACE FOR COMPONENT PARTS SEE FIGURE 21 -8B,-18B, -20C,-21B,-49,-50,-51,-52,-67,-68,-69,-70, -71A,-76,-76A,-79A			
-	8482354	1	CABLE ASM,EXTERNAL,V35 INTERFACE,OPTIONAL LENGTH FOR COMPONENT PARTS SEE FIGURE 21 -8B,-18B, -49,-50,-51,-52,-65,-67,-68A,-69,-70,-71A, -72,-85,-86			
-	8482356	1	CABLE ASM,EXTERNAL,38 LS US AA FOR COMPONENT PARTS SEE FIGURE 21 -8B,-9A,-18C, -40,-49,-50,-51,-52,-67,-68A,-69,-70,-71A			
-	8482357	1	CABLE ASM,EXTERNAL,38 LS US MAIL FOR COMPONENT PARTS SEE FIGURE 21 -1C,-8B, -18B,-40,-49,-50,-51,-52,-67,-68A,-69,-70, -71A,-73			
-	8482358	1	CABLE ASM,EXTERNAL,38 LS US MAIL FOR COMPONENT PARTS SEE FIGURE 21 -1C,-8B, -9B,-18B,-18C,-40,-49,-50,-51,-52,-67,-68A, -69,-70,-71A,-73			
-	8482360	1	CABLE ASM,EXTERNAL,38 LS WT LEASED FOR COMPONENT PARTS SEE FIGURE 21 -1C,-8B, -18B,-18C,-40,-49,-50,-51,-52,-67,-68,-69, -70,-71A,-73,-84			
-	8482361	1	CABLE ASM,EXTERNAL,LOCAL ATTACHMENT FOR COMPONENT PARTS SEE FIGURE 21 -9A,-21B, -67,-76B,-79,-79D			
-	8482364	1	CABLE ASM,EXTERNAL,38 LS 4W LEASED WT,OPTIONAL LENGTH FOR COMPONENT PARTS SEE FIGURE 21 -8B,-9B, -18B,-49,-50,-51,-52,-67,-68,-69,-70,-71A			
-	8482378	1	CABLE ASM,PCC CON 27 TO TR 101 FOR COMPONENT PARTS SEE FIGURE 21 -1H,-8B, 20A,-61			
-	8482379	1	CABLE ASM,PCC CON 26 TO TR 102 FOR COMPONENT PARTS SEE FIGURE 21 -1H,-8B, -20A,-61			
-	8482380	1	CABLE ASM,PCC CON 04 TO TR 104 FOR COMPONENT PARTS SEE FIGURE 21 -1H,-8B, -20A,-60B			
-	8482381	1	CABLE ASM,PCC CON 03 TO TR 105 FOR COMPONENT PARTS SEE FIGURE 21 -1H,-8B, -20A,-61			
-	8482384	1	CABLE ASM,PS 102 TO O1A C1 FOR COMPONENT PARTS SEE FIGURE 21 -1M,-1N, -19,-20E,-28A,-38,-43B,-45,-61B			
-	8482398	1	CABLE ASM,PCC CON 07 OR 11 TO DISKETTE,POWER FOR COMPONENT PARTS SEE FIGURE 21 -20A,-21C, -61A,-63			
-	8482759	1	CABLE ASM,SPI FOR COMPONENT PARTS SEE FIGURE 21 -20A, -21C,-61			
-	8482760	1	CABLE ASM,I/O COMPLETE FOR SPI FOR COMPONENT PARTS SEE FIGURE 21 -10A, -20A,-26,-61			

FIGURE- INDEX NUMBER	PART NUMBER	UNITS PER ASM.	DESCRIPTION			
			1	2	3	4
21 -	8482836	1	CABLE ASM,01A B2 TO 01A C2 FOR COMPONENT PARTS SEE FIGURE 21 -24,-33, -34,-43B			
-	8482849	1	CABLE ASM,EXTERNAL,LOOP ADAPT,LOCAL PORT,OPTIONAL LENGTH FOR COMPONENT PARTS SEE FIGURE 21 -8B,-18C, -43B,-49,-50,-51,-52,-67,-68A,-69,-70,-71A,-87 FOR TERMINATING AND TESTING LOBE 1 AND 2 USE LOOP CABLE WRAP PLUG 8483405,SEE FIGURE 21 -163			
-	8482855	1	CABLE ASM,EXTERNAL,ACU INTERFACE,UK,OPTIONAL LENGTH FOR COMPONENT PARTS SEE FIGURE 21 -8B,-20C, -20D,-21B,-41C,-42,-54A,-67,-68,-69,-70, -71,-71A,-74,-76B,-76C,-79,-79B,-79C,-122, -149,-150			
-	8482856	1	CABLE ASM,EXTERNAL,DCE INTERFACE,UK FOR COMPONENT PARTS SEE FIGURE 21 -8B,-20C, -20D,-21B,-41C,-42,-54A,-67,-68,-69,-70,-71A, -71G,-74,-74A,-76B,-76C,-79,-79B,-79C,-122, -149,-150			
-	8482876	1	CABLE ASM,EXTERNAL,ACU INTERFACE,LEASED FOR COMPONENT PARTS SEE FIGURE 21 -8B,-20C, -20D,-41C,-42,-54A,-67,-68,-69,-70,-70E,-71, -71A,-71H,-74,-76A,-79A,-140B,-149,-150			
-	8482877	1	CABLE ASM,EXTERNAL,HIGH SPEED DIGITAL INTERFACE ADAPT FOR COMPONENT PARTS SEE FIGURE 21 -18B,-40A, -49,-50,-52,-53,-67,-68B,-70C,-71J,-159A, -160A,-161			
-	8482878	1	CABLE ASM,EXTERNAL,PSN 38 LS WT LINE PLATE FOR COMPONENT PARTS SEE FIGURE 21 -9B,-15B, -18B,-40,-50,-51,-52,-57,-67,-68,-69,-70, -71A,-77,-78,-93,-130			
-	8482880	1	CABLE ASM,SENSE TO 01A-A2,PDL 4 FOR COMPONENT PARTS SEE FIGURE 21 -15E, -24,-33,-34,-37A,-42,-43B,-46,-54B,-55D, -55F,-56,-57,-149,-150			
-	8482881	1	CABLE ASM,PS 102,CONN 09 TO 01A-C1 FOR COMPONENT PARTS SEE FIGURE 21 -3,-19, -20E,-28A,-45,-61B			
-	8482882	1	CABLE ASM,01A-B2 TO 01A-C1,81 FOR COMPONENT PARTS SEE FIGURE 21 -1H, -24,-33,-34,-40,-43B			
-	8482883	1	CABLE ASM,01A-C2 TO 01A-A2,PDL 4 FOR COMPONENT PARTS SEE FIGURE 21 -15E, -24,-33,-34,-37A,-42,-43B,-55A,-56,-57, -149,-150			
-	8482891	1	CABLE ASM,PCC CON 06 TO POWER ON METER FOR COMPONENT PARTS SEE FIGURE 21 -1,-1E, -1G,-1H,-8B,-20A,-25A,-40,-61B			
-	8482893	AR	CABLE ASM,DISKETTE TO BOARD,SIGNAL,PDL 4 FOR COMPONENT PARTS SEE FIGURE 21 -1M,-8B, -18B,-18C,-20A,-41D,-46,-49,-50,-51,-52, -61,-82,-83			
-	8482894	1	CABLE ASM,PS 103 AND PS 104 TO 01A-A2,PDL 4 FOR COMPONENT PARTS SEE FIGURE 21 -20E,-21C, -24,-33,-42,-43B,-60B,-61C			
-	8482895	1	CABLE ASM,PS 103 TO 01A-C1A2,PDL 4 FOR COMPONENT PARTS SEE FIGURE 21 -19,-21C, -28B,-60B,-61			
-	8482896	1	CABLE ASM,01A-A2YA TO SENSE FOR COMPONENT PARTS SEE FIGURE 21 -8,-20A, -21C,-42A,-54B,-55C,-60,-60B,-61,-61C,-63, -99,-149,-150			
-	8482897	1	CABLE ASM,01A-A2 TO SPI FOR COMPONENT PARTS SEE FIGURE 21 -19, -28,-41D,-45,-82,-83			
-	8482898	1	CABLE ASM,01A-A2VJ TO PS 105-CONN 01 FOR COMPONENT PARTS SEE FIGURE 21 -20A,-42A, -54B,-55C,-60B,-149,-150			
-	8482899	1	CABLE ASM,01A-A2 TO OCP FOR COMPONENT PARTS SEE FIGURE 21 -21B,-30A, -41D,-82,-83			
-	8482900	1	CABLE ASM,01A-B1,82,C1 SENSE TO 01A-A2A2,PDL 4 FOR COMPONENT PARTS SEE FIGURE 21 -15E, -24,-33,-34,-37A,-42,-43B,-46,-54B,-55D,-55F, -56,-57,-149,-150			

FIGURE- INDEX NUMBER	PART NUMBER	UNITS PER ASM.	DESCRIPTION			
			1	2	3	4
21 -	8482901	1	CABLE ASM,01A-A2,C2 TO 01A-A2A3,PDL 4 FOR COMPONENT PARTS SEE FIGURE 21 -24,-33, -34,-37A,-42,-43B,-55A,-149,-150			
-	8482902	1	CABLE ASM,01A-A2A4 TO 01A-A1ZC,PDL 4 FOR COMPONENT PARTS SEE FIGURE 21 -37A,-41D, -42,-55E,-82,-83,-149,-150			
-	8482903	1	CABLE ASM,POWER ON METER FOR COMPONENT PARTS SEE FIGURE 21 -15D,-17, -20A,-20F,-21C,-40,-62B,-77A,-81			
-	8482904	1	CABLE ASM,PS 103 TO PS 104 FOR COMPONENT PARTS SEE FIGURE 21 -1L,-1M, -17,-20A,-21C,-40,-60B,-62A,-62B,-63			
-	8482905	1	CABLE ASM,PS 105 CON 04 TO 01AC2 FOR COMPONENT PARTS SEE FIGURE 21 -20E,-24, -33,-34,-43B,-61C			
-	8482906	1	CABLE ASM,01A-A2 TO 01A-C2,PDL 4 FOR COMPONENT PARTS SEE FIGURE 21 -24,-33, -34,-43B			
-	8482907	1	CABLE ASM,01A-A2 TO 01A-C2,PDL 4 FOR COMPONENT PARTS SEE FIGURE 21 -15E,-24, -33,-34,-43B			
-	8482908	1	CABLE ASM,01A-B2 TO 01A-C1,B1,PDL 4 FOR COMPONENT PARTS SEE FIGURE 21 -1H, -15E,-24,-33,-34,-40,-43B,-56,-57			
-	8482909	1	CABLE ASM,01A-A2 TO DCA COAX CONNECTOR PLATE FOR COMPONENT PARTS SEE FIGURE 21 -38,-42A, -54,-55C,-58,-75,-149,-150			
-	8482912	1	CABLE ASM,RCP TO PCC CON 09,MOD 2 ONLY FOR COMPONENT PARTS SEE FIGURE 21 -1H,-8B, -20A,-25A,-60A			
-	8482917	1	CABLE ASM,CCP SIGNALS INTERN FOR COMPONENT PARTS SEE FIGURE 21 -8B,-15B, -20A,-20F,-21C,-62B,-77A			
-	8482918	1	CABLE ASM,PCC CON 06 TO CCP ROCKER SWITCH FOR COMPONENT PARTS SEE FIGURE 21 -1E,-8B, -20A,-61B			
-	8482919	1	CABLE ASM,LINE FILTER CON 01 TO 01A-A2A5 USED ON OLD VERSION MACH ONLY FOR COMPONENT PARTS SEE FIGURE 21 -15B,-20A, -43B,-61,-78A			
-	8482923	1	CABLE ASM,LINE FILTER TO CP 01 FOR COMPONENT PARTS SEE FIGURE 21 -1H, -1M,-40,-43B			
-	8482930	1	CABLE ASM,EXTERNAL,DCE INTERFACE,10M FXD LG FOR REMOTE SUPPORT FEAT FOR COMPONENT PARTS SEE FIGURE 21 -8B,-20C, -20D,-21B,-41C,-42,-54A,-67,-68,-69,-70,-71A, -71G,-74,-74A,-76B,-76C,-79,-79B,-79C,-149,-150			
-	8482931	1	CABLE ASM,EXTERNAL,38 LS US AND CANAD,10M FXD LG FOR REMOTE SUPPORT FEAT FOR COMPONENT PARTS SEE FIGURE 21 -1C,-8B, -18B,-40,-49,-50,-51,-52,-67,-68,-69,-70, -71A,-73			
-	8482932	1	CABLE ASM,EXTERNAL,38 LS WT JAPAN,10M FXD LG FOR REMOTE SUPPORT FEAT FOR COMPONENT PARTS SEE FIGURE 21 -1C,-8B,-18B, -18C,-40,-49,-50,-51,-52,-67,-68,-69,-70, -71A,-73,-84			
-	8482933	1	CABLE ASM,EXTERNAL,DCE INTERFACE,UK,10M FXD LG FOR REMOTE SUPPORT FEAT FOR COMPONENT PARTS SEE FIGURE 21 -8B,-20C, -20D,-21B,-41C,-42,-54A,-67,-68,-69,-70, -71,-71A,-74,-76B,-76C,-79,-79B,-79C,-122, -149,-150			
-	8482934	1	CABLE ASM,EXTERNAL,38 LS WT EX JAP AND CANAD,10M FXD LG FOR REM SUP FEAT FOR COMPONENT PARTS SEE FIGURE 21 -9B,-15B, -18B,-40,-50,-51,-52,-57,-67,-68,-69,-70, -71A,-77,-78,-93,-130			
-	8482935	1	CABLE ASM,EXTERNAL,DCE INTERFACE,FC 2946,JAPAN ONLY USED ON OLD VERSION MACH ONLY FOR COMPONENT PARTS SEE FIGURE 21 -8B,-41C, -42,-54A,-67,-68,-69,-70,-71A,-71G,-74,-74A, -141,-149,-150			
-	8482936	1	CABLE ASM,DISK TO PS 104,01A-A2,PDL 5 FOR COMPONENT PARTS SEE FIGURE 21 -1H,-1M, -18B,-18C,-21D,-41D,-46,-49,-50,-51,-52,-61, -82,-83,-149,-150			
-	8482937	1	CABLE ASM,PS 104 TO 01A-C1A2,PDL5 FOR COMPONENT PARTS SEE FIGURE 21 -19,-21C, -28B,-60B,-61B			
-	8482938	1	CABLE ASM,PS 104 TO 01A-A2,PDL 5 FOR COMPONENT PARTS SEE FIGURE 21 -20E,-24, -33,-34,-43B,-61B			

FIGURE- INDEX NUMBER	PART NUMBER	UNITS PER ASM.	DESCRIPTION			
			1	2	3	4
21 -	8482939	1	CABLE ASM,PS 104 TO 01A-B1,A2,C2,PDL 5 FOR COMPONENT PARTS SEE FIGURE 21 -15E,-21C, -24,-33,-34,-43B,-56,-57,-61A			
-	8482940	1	CABLE ASM,PS 104 TO 01A-A1,PDL 5 FOR COMPONENT PARTS SEE FIGURE 21 -20E,-24, -33,-34,-43B,-61A			
-	8482941	1	CABLE ASM,PS 105 TO 01A-A1,PDL 5 FOR COMPONENT PARTS SEE FIGURE 21 -14,-20E, -24,-33,-34,-43B,-47,-61B			
-	8482942	1	CABLE ASM,SENSE TO 01A-A2A2,PDL 5 FOR COMPONENT PARTS SEE FIGURE 21 -15E,-24, -33,-34,-37A,-42,-43B,-54B,-55D,-55G,-56, -149,-150			
-	8482943	1	CABLE ASM,01A-C2 TO 01A-A2,PDL 5 FOR COMPONENT PARTS SEE FIGURE 21 -24,-33, -34,-37A,-42,-43B,-55A,-149,-150			
-	8482944	1	CABLE ASM,01A-A2A4 TO 01A-A1ZC,PDL 5 FOR COMPONENT PARTS SEE FIGURE 21 -37A,-41D, -42,-55B,-82,-83,-149,-150			
-	8482945	1	CABLE ASM,01A-B2 TO 01A-C1,B1,PDL 5 FOR COMPONENT PARTS SEE FIGURE 21 -1H,-15E, -24,-33,-34,-40,-43B,-56,-57			
-	8482946	1	CABLE ASM,01A-A2 TO 01A-C2,PDL 5 FOR COMPONENT PARTS SEE FIGURE 21 -24,-33, -34,-43B			
-	8482947	1	CABLE ASM,PS 104 TO 01A-B1,A2,C2,PDL 5 FOR COMPONENT PARTS SEE FIGURE 21 -15E,-21C, -24,-33,-34,-43B,-56,-57,-61A			
-	8482948	1	CABLE ASM,01A-A2 TO 01A-C1,B1,B2,PDL 5 FOR COMPONENT PARTS SEE FIGURE 21 -15E,-24, -33,-34,-37A,-42,-43B,-46,-54B,-55D,-55G, -56,-57,-149,-150			
-	8482949	1	CABLE ASM,01A-A2 TO 01A-C2,B1,PDL 5 FOR COMPONENT PARTS SEE FIGURE 21 -15E,-24, -33,-34,-37A,-42,-43B,-55A,-56,-57,-149,-150			
-	8483830	AR	JUMPER ASM,DISKETTE DRIVE TO FRAME FOR COMPONENT PARTS SEE FIGURE 21 -1H			
-	8483860	AR	CABLE ASM,BUS TO TAG,CE TOOL FOR COMPONENT PARTS SEE FIGURE 21 -90A			

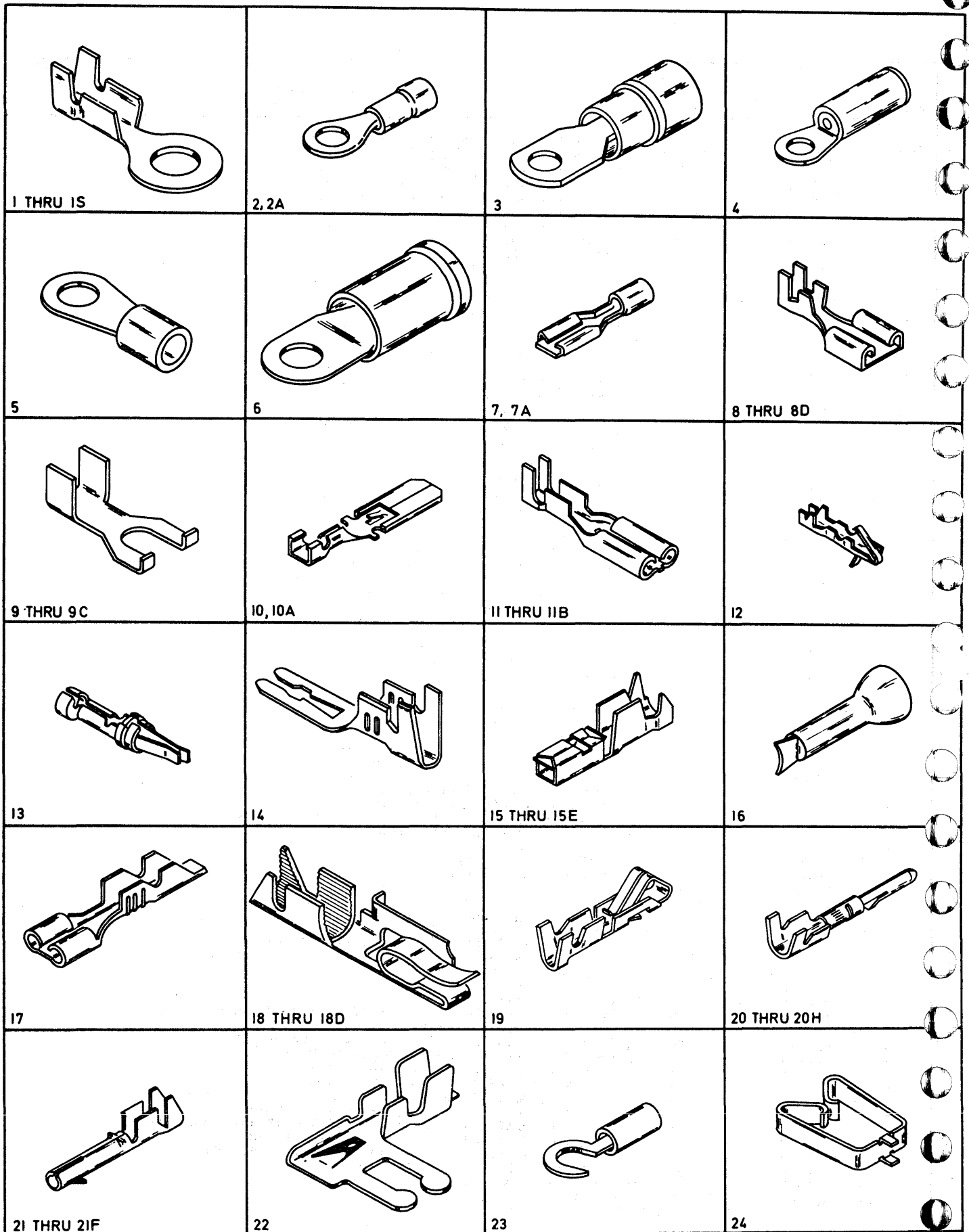


FIGURE 21. CABLE ASSEMBLIES WITH COMPONENT PARTS (SHEET 1 OF 6, INDEX NO. 1 THRU 24)

FIGURE- INDEX NUMBER	PART NUMBER	UNITS PER ASM.	DESCRIPTION			
			1	2	3	4
21 - 1	483673	AR	•	TERMINAL,RING,18-20	AWG NO. 2	MTG HOLE
- 1A	483674	AR	•	TERMINAL,RING,22-26	AWG NO. 4	MTG HOLE
- 1B	483675	AR	•	TERMINAL,RING,18-20	AWG NO. 4	MTG HOLE
- 1C	483676	AR	•	TERMINAL,RING,22-26	AWG NO. 6	MTG HOLE
- 1D	483677	AR	•	TERMINAL,RING,18-20	AWG NO. 6	MTG HOLE
- 1E	483678	AR	•	TERMINAL,RING,14-16	AWG NO. 6	MTG HOLE
- 1F	483679	AR	•	TERMINAL,RING,10-12	AWG NO. 6	MTG HOLE
- 1G	483681	AR	•	TERMINAL,RING,18-20	AWG NO. 8	MTG HOLE
- 1H	483682	AR	•	TERMINAL,RING,14-16	AWG NO. 8	MTG HOLE
- 1J	483683	AR	•	TERMINAL,RING,10-12	AWG NO. 8	MTG HOLE
- 1K	483684	AR	•	TERMINAL,RING,22-26	AWG NO. 10	MTG HOLE
- 1L	483685	AR	•	TERMINAL,RING,18-20	AWG NO. 10	MTG HOLE
- 1M	483686	AR	•	TERMINAL,RING,14-16	AWG NO. 10	MTG HOLE
- 1N	483687	AR	•	TERMINAL,RING,10-12	AWG NO. 10	MTG HOLE
- 1P	483688	AR	•	TERMINAL,RING,18-20	AWG 0.25	MTG HOLE
- 1Q	483689	AR	•	TERMINAL,RING,14-16	AWG 0.25	MTG HOLE
- 1R	483690	AR	•	TERMINAL,RING,10-12	AWG 0.25	MTG HOLE
- 1S	483680	AR	•	TERMINAL,RING,22-26	AWG NO. 8	MTG HOLE
- 2	334910	AR	•	TERMINAL,RING,14-16	AWG NO. 6	MTG HOLE,INS
- 2A	504879	AR	•	TERMINAL,RING,6-10	AWG NO. 10	MTG HOLE,INS
- 3	335327	AR	•	TERMINAL,LUG,8-10	AWG NO. 10	MTG HOLE
- 4	502523	AR	•	TERMINAL,LUG,4	AWG 0.25	MTG HOLE
- 5	82725	AR	•	TERMINAL,LUG,6	AWG,0.25	MTG HOLE,INS
- 6	335970	AR	•	TERMINAL,RING,8	AWG 0.25	MTG HOLE
- 7	236915	AR	•	TERMINAL,SLIP ON,18-20	AWG,0.125	WIDTH
- 7A	236916	AR	•	TERMINAL,SLIP ON,22-24	AWG,0.125	WIDTH
- 8	430798	AR	•	TERMINAL,SLIP ON,18-20	AWG,0.22	WIDTH
- 8A	430801	AR	•	TERMINAL,SLIP ON,14-16	AWG,0.25	WIDTH
- 8B	1127037	AR	•	TERMINAL,SLIP ON,14-18	AWG,0.3	WIDTH
- 8C	5252721	AR	•	TERMINAL,SLIP ON,18-22	AWG,0.25	WIDTH
- 8D	5214450	AR	•	TERMINAL,SLIP ON,14-16	AWG,0.3	WIDTH
- 9	483651	AR	•	TERMINAL,FLANGED SPADE,18-20	AWG NO. 8	SLOT
- 9A	483649	AR	•	TERMINAL,FLANGED SPADE,18-20	AWG NO. 6	SLOT
- 9B	483648	AR	•	TERMINAL,FLANGED SPADE,22-26	AWG NO. 6	SLOT
- 9C	483652	AR	•	TERMINAL,FLANGED SPADE,14-16	AWG NO. 8	SLOT
- 10	523255	AR	•	TERMINAL,QUICK DISCONNECT,14-18	AWG	
- 10A	827991	AR	•	TERMINAL,QUICK DISCONNECT,18-22	AWG	
- 11	1249307	AR	•	TERMINAL,SLIP ON,10-14	AWG	
- 11A	5353852	AR	•	TERMINAL,SLIP ON,16-20	AWG	
- 11B	2123393	AR	•	TERMINAL,SLIP ON,16-20	AWG	
- 12	609687	AR	•	TERMINAL,QUICK DISCONNECT,18-22	AWG	
- 13	2192503	AR	•	TERMINAL,FEMALE,12-14	AWG,GOLD	
- 14	813194	AR	•	TERMINAL,DISCRETE WIRE,18-20	AWG	
- 15	815933	AR	•	CONNECTOR,DISCRETE WIRE,18-20	AWG	
- 15A	2637681	AR	•	CONNECTOR,DISCRETE WIRE,18-20	AWG	
- 15B	2637682	AR	•	CONNECTOR,DISCRETE WIRE,22-26	AWG	
- 15C	2637690	AR	•	CONNECTOR,DISCRETE WIRE,18-20	AWG	
- 15D	2637679	AR	•	CONNECTOR,DISCRETE WIRE,20-24	AWG	
- 15E	5252940	AR	•	CONNECTOR,DISCRETE WIRE,18-20	AWG,GOLD PLATED	
- 16	2102430	AR	•	TERMINAL,CONNECTOR,10-12	AWG	
- 17	5351177	AR	•	TERMINAL,RECEPTACLE,18-22	AWG	
- 18	5362301	AR	•	TERMINAL,LARGE SERPENT,22-26	AWG	
- 18A	5404480	AR	•	TERMINAL,LARGE SERPENT,18-20	AWG	
- 18B	5486851	AR	•	TERMINAL,LARGE SERPENT,22-26	AWG,SNGL HI	
- 18C	5486853	AR	•	TERMINAL,LARGE SERPENT,18-20	AWG,SNGL HI	
- 18D	5362302	AR	•	TERMINAL,SMALL SERPENT,28-32	AWG	
- 19	5252582	AR	•	TERMINAL,SLIP ON,18-24	AWG	
- 20	1471027	AR	•	TERMINAL,PIN,DUAL LANCE,2MM DIA,14-20	AWG	
- 20A	4123688	AR	•	TERMINAL,PIN,DUAL LANCE,2MM DIA,14-20	AWG,TINNED	
- 20B	1166114	AR	•	TERMINAL,PIN,18-22	AWG	
- 20C	1655339	AR	•	TERMINAL,PIN,20-24	AWG	
- 20D	1655359	AR	•	TERMINAL,PIN,24-28	AWG	
- 20E	8267333	AR	•	TERMINAL,PIN,UNIVERS MATE-N-LOCK,14-18	AWG,GOLD PLATED	
- 20F	1661131	AR	•	TERMINAL,PIN,DUAL LANCE,18-22	AWG,TINNED	
- 20G	1661129	AR	•	TERMINAL,PIN,DUAL LANCE,14-20	AWG,GOLD PLATED	
- 20H	1471018	AR	•	TERMINAL,PIN,DUAL LANCE,2MM DIA,14-20	AWG	
- 21	1471028	AR	•	TERMINAL,SOCKET,DUAL LANCE,14-20	AWG	
- 21A	1635821	AR	•	TERMINAL,SOCKET,DUAL LANCE,20-22	AWG	
- 21B	1655337	AR	•	TERMINAL,SOCKET,20-24	AWG	
- 21C	4123689	AR	•	TERMINAL,SOCKET,DUAL LANCE,14-20	AWG,TINNED	
- 21D	8267334	AR	•	TERMINAL,SOCKET,UNIVERS MATE-N-LOCK,14-18	AWG,GOLD PLATED	
- 21E	1661132	AR	•	TERMINAL,SOCKET,DUAL LANCE,18-24	AWG,TINNED	
- 21F	1661130	AR	•	TERMINAL,SOCKET,DUAL LANCE,14-20	AWG,GOLD PLATED	
- 22	1150748	AR	•	TERMINAL,FLAG,18-22	AWG	
- 23	526048	AR	•	TERMINAL,CLIP,14-16	AWG NO. 8	SLOT,INS
- 24	813681	AR	•	CONTACT		

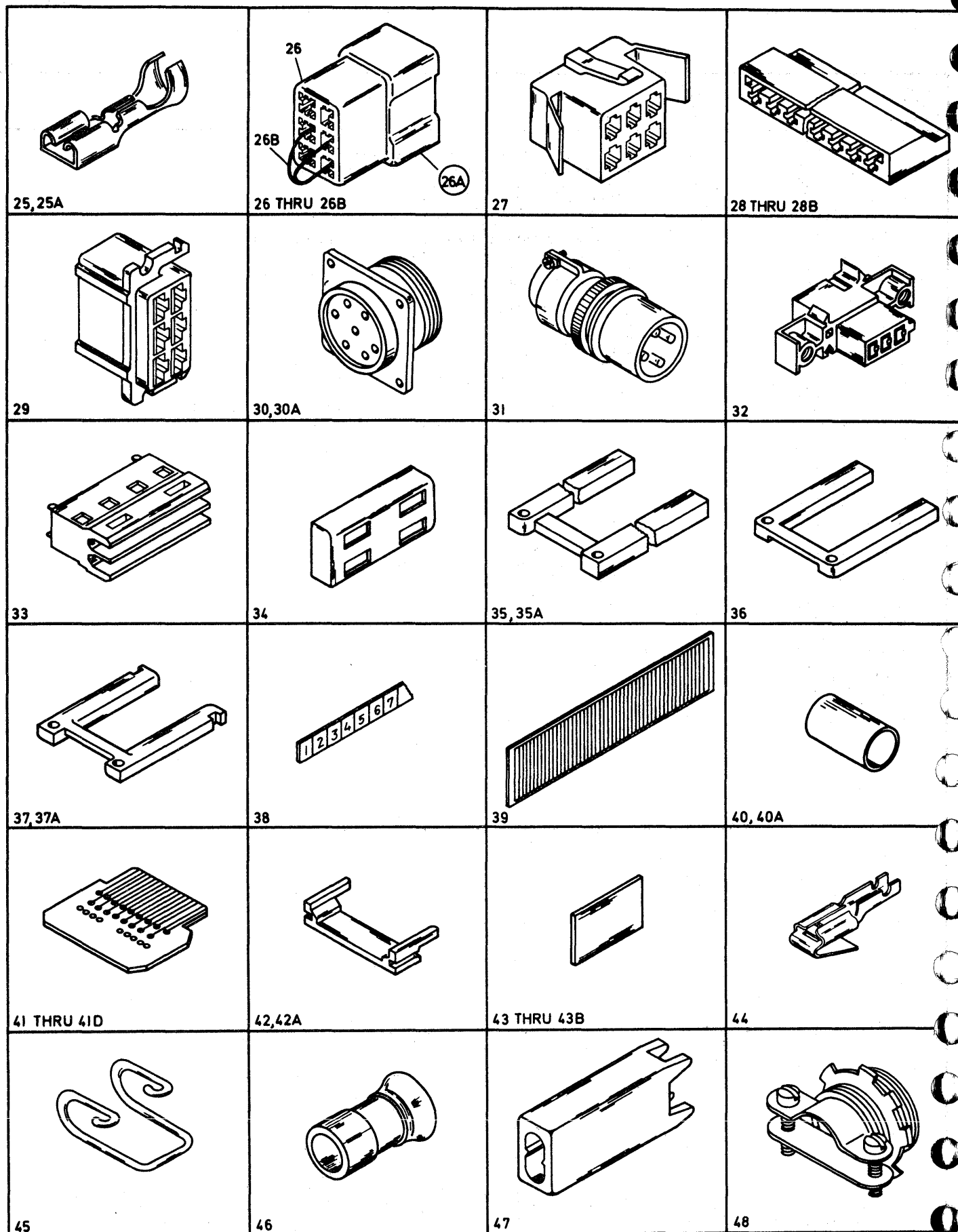


FIGURE 21. CABLE ASSEMBLIES WITH COMPONENT PARTS (SHEET 2 OF 6, INDEX NO. 25 THRU 48)

FIGURE- INDEX NUMBER	PART NUMBER	UNITS PER ASM.	DESCRIPTION			
			1	2	3	4
21 - 25	523267	AR	• TERMINAL, QUICK DISCONNECT RECEPTACLE, 14-18 AWG			
- 25A	2502307	AR	• TERMINAL, QUICK DISCONNECT RECEPTACLE, 10-14 AWG			
- 26	523268	AR	• CONNECTOR, RECEPTACLE, ELEC, 6 POS INSERT			
- 26A	8482303	AR	• DUMMY PLUG ASM FOR 3340 I/O			
			FOR COMPONENT PARTS SEE FIGURE 21 -26			
- 26B	8482315	1	• JUMPER ASM, DUMMY PLUG			
			FOR COMPONENT PARTS SEE FIGURE 21 -10, -10A			
- 27	609686	AR	• CONNECTOR PLUG, 6 POSITIONS			
- 28	2745044	AR	• HOUSING, PC CONNECTOR, 18 POSITIONS			
- 28A	5252587	AR	• HOUSING, PC CONNECTOR, 9 POSITIONS			
- 28B	2744805	AR	• HOUSING, PC CONNECTOR, 3 POSITIONS			
- 29	523269	AR	• CONNECTOR, RECEPTACLE, 6 POSITIONS			
- 30	2745023	AR	• RECEPTACLE, FEMALE, 7 POSITIONS			
- 30A	5578491	AR	• RECEPTACLE, FEMALE, 28 POSITIONS			
- 31	832957	AR	• PLUG, POWER, MALE, 4 PRONGS			
- 32	5353851	AR	• HOUSING, CONNECTOR, RECEPTACLE, 3 POSITIONS			
- 33	813801	AR	• HOUSING, MINIATURE BUS, DOUBLE CONTACT			
- 34	813802	AR	• COVER			
- 35	1570461	AR	• STRAIN RELIEF, COAX WIRE, 2.41MM CLEARANCE, 3 HI, 4.33 LG			
- 35A	4014739	AR	• STRAIN RELIEF, 20 STRANDS, 1.37MM CLEARANCE, 3 HI, 3.37 LG			
- 36	5352960	AR	• STRAIN RELIEF, COAX WIRE, 2.41MM CLEARANCE, 2 HI, 1.82 LG			
- 37	5352967	AR	• STRAIN RELIEF, 20 STRANDS, 1.02MM CLEARANCE, 2 HI			
- 37A	8482887	AR	• STRAIN RELIEF, 20 STRANDS, 1.37MM CLEARANCE, 2 HI, 45.2MM LG			
- 38	317296	AR	• STRIP, NUMBERING, L TO R, 1 THRU 33			
- 39	NO NO.	AR	• LABEL, PIN LOCATIONS			
- 40	483619	AR	• SLEEVE, HEAT SHRINKABLE, 0.315 ID, 0.5 LG			
- 40A	5337089	AR	• FERRULE, OUTER, COAX TERMINATING, 0.18 ID, 0.25 LG			
- 41	5800530	AR	• CARD ASM, TERMINATOR, COAX, 10 SIGNAL			
- 41A	5800610	AR	• CARD ASM, TERMINATOR, 20 SIGNAL			
- 41C	5800634	AR	• CARD ASM, TERMINATOR, 24 SIGNAL			
- 41D	8483072	AR	• CARD ASM, CABLE			
- 42	811802	AR	• GUIDE, CARD, SGL, 6 PAC			
- 42A	8483774	AR	• GUIDE, CARD, NDS CABLE AND THERM CARD			
- 43	811825	AR	• LABEL, BLANK, CABLE CONNECTOR			
- 43A	6520037	AR	• LABEL, UK LINECORD			
- 43B	813769	AR	• LABEL, BLANK, PART NUMBER			
- 44	5312429	AR	• TERMINAL, SLIP ON FLAG, 14-18 AWG			
- 45	2565041	AR	• CLIP			
- 46	2103412	AR	• CONNECTOR, CLOSED END, 10-18 AWG			
- 47	813197	AR	• HOUSING, DISCRETE WIRE CONNECTOR			
- 48	237327	AR	• CLAMP, CABLE, 22.2MM ID MAX			

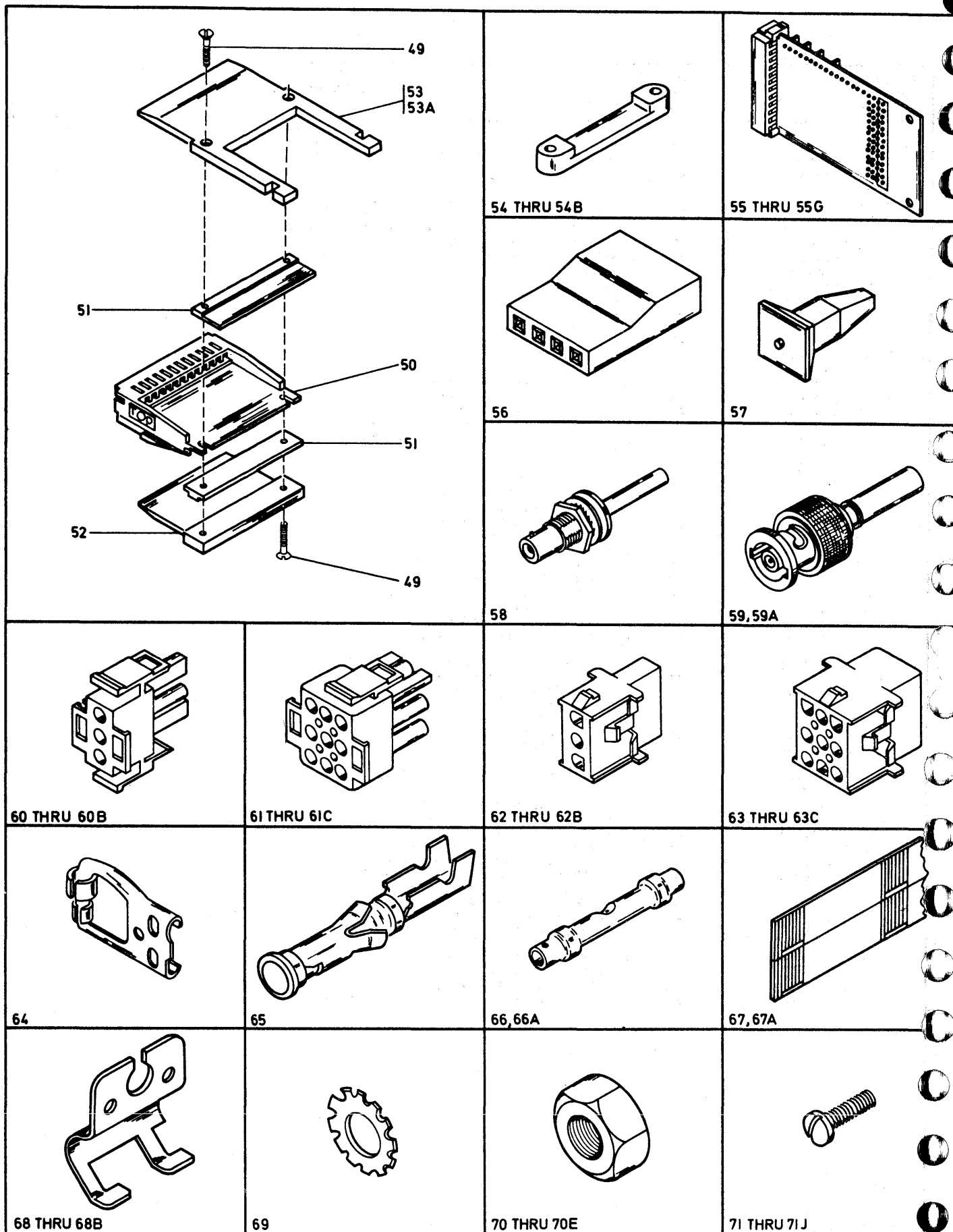


FIGURE 21. CABLE ASSEMBLIES WITH COMPONENT PARTS (SHEET 3 OF 6, INDEX NO. 49 THRU 71J)

FIGURE- INDEX NUMBER	PART NUMBER	UNITS PER ASM.	DESCRIPTION				
			1	2	3	4	
21 - 49	109918	AR					• SCREW,THRD CUTTING,FLAT HD,4-40, 0.5 LG
- 50	5447741	AR					• HOUSING,SINGLE HI
- 51	5466393	AR					• RUBBER,CLAMP
- 52	5466397	AR					• BAR
- 53	2744811	AR					• STRAIN RELIEF,3 HI,ROW 2 TO 5
- 53A	5529183	AR					• STRAIN RELIEF,3 HI,ROW 1 AND 6
- 54	5353922	AR					• STRAIN RELIEF,COAX WIRE,2-.41MM CLEARANCE
- 54A	5275481	AR					• STRAIN RELIEF,24 AWG
- 54B	8482393	AR					• STRAIN RELIEF,20 AWG,1.45MM CLEARANCE
- 55	8562701	AR					• CARD ASSEMBLY
- 55A	8562702	AR					• CARD ASSEMBLY
- 55B	8562716	AR					• CARD ASSEMBLY
- 55C	8482369	AR					• CARD ASSEMBLY
- 55D	8562704	AR					• CARD ASSEMBLY
- 55E	8562705	AR					• CARD ASSEMBLY
- 55F	8562698	AR					• CARD ASSEMBLY
- 55G	8562724	AR					• CARD ASSEMBLY
- 56	2637694	AR					• HOUSING,MINI ROD,4 POSITIONS
- 57	2637689	AR					• PLUG,INSERT POLARIZATION
- 58	5252661	AR					• CONNECTOR,BNC,CRIMP TYPE,MALE
- 59	2246295	AR					• CONNECTOR,BNC,CRIMP TYPE,FEMALE
- 59A	1836444	AR					• CONNECTOR,BNC,SGLDR TYPE,FEMALE
- 60	1847524	AR					• PLUG,2 CIRCUIT UNIVERSAL
- 60A	1847526	AR					• PLUG,3 CIRCUIT UNIVERSAL
- 60B	1847528	AR					• PLUG,4 CIRCUIT UNIVERSAL
- 61	1847530	AR					• PLUG,6 CIRCUIT UNIVERSAL
- 61A	1847532	AR					• PLUG,9 CIRCUIT UNIVERSAL
- 61B	1847534	AR					• PLUG,12 CIRCUIT UNIVERSAL
- 61C	1847536	AR					• PLUG,15 CIRCUIT UNIVERSAL
- 62	1847525	AR					• HOUSING,2 CIRCUIT UNIVERSAL
- 62A	1847527	AR					• HOUSING,3 CIRCUIT UNIVERSAL
- 62B	1847529	AR					• HOUSING,4 CIRCUIT UNIVERSAL
- 63	1847531	AR					• HOUSING,6 CIRCUIT UNIVERSAL
- 63A	1847533	AR					• HOUSING,9 CIRCUIT UNIVERSAL
- 63B	1847535	AR					• HOUSING,12 CIRCUIT UNIVERSAL
- 63C	1847537	AR					• HOUSING,15 CIRCUIT UNIVERSAL
- 64	517913	AR					• TERMINAL,SLIP ON,16-18 AWG
- 65	2122259	AR					• TERMINAL,SOCKET,CONTACT,20-22 AWG
- 66	321051	AR					• BUTT SPLICE,TRANSP INS,18-22 AWG,COPPER
- 66A	523176	AR					• SPLICE,TRANSP INS,20-24 AWG
- 67	483770	AR					• LABEL,EXT CABLES
- 67A	1876141	AR					• LABEL,EXT CABLES,ICA
- 68	2191879	AR					• CLAMP,CABLE,0.234 R
- 68A	2191880	AR					• CLAMP,CABLE,0.281 R
- 68B	2191881	AR					• CLAMP,CABLE,0.421 R
- 69	1622347	AR					• WASHER,LCK,EXT ST,5.3MM ID,10MM OD
- 70	1622404	AR					• NUT,HEX,M5, 8MM FL W
- 70A	1622417	AR					• NUT,HEX,LOCK,M4, 7MM FL W
- 70B	5343332	AR					• NUT,HEX,4-40,0.25 FL W,0.25 HIGH
- 70C	11598	AR					• NUT,HEX,10-32, 0.375 FL W
- 70D	257189	AR					• NUT,HEX,8-32, 0.344 FL W
- 70E	1622415	AR					• NUT,HEX,LOCK,M3, 5.5MM FL W
- 71	236550	AR					• SCREW,MACH,BIND HD,4-40, 0.375 LG
- 71A	2549781	AR					• SCREW,MACH,PAN HD,M5, 8MM LG
- 71B	1621212	AR					• SCREW,MACH,PAN HD,M5, 16MM LG
- 71C	1621193	AR					• SCREW,MACH,PAN HD,M4, 16MM LG
- 71D	38368	AR					• SCREW,MACH,FIL HD,8-32, 0.438 LG
- 71E	38383	AR					• SCREW,MACH,FIL HD,10-32, 0.438 LG
- 71F	845	AR					• SCREW,MACH,FIL HD,8-32, 0.5 LG
- 71G	438550	AR					• SCREW,MACH,BIND HD,4-40, 0.5 LG
- 71H	1621170	AR					• SCREW,MACH,PAN HD,M3, 6MM LG
- 71J	32042	AR					• SCREW,MACH,BIND HD,10-32, 0.375 LG

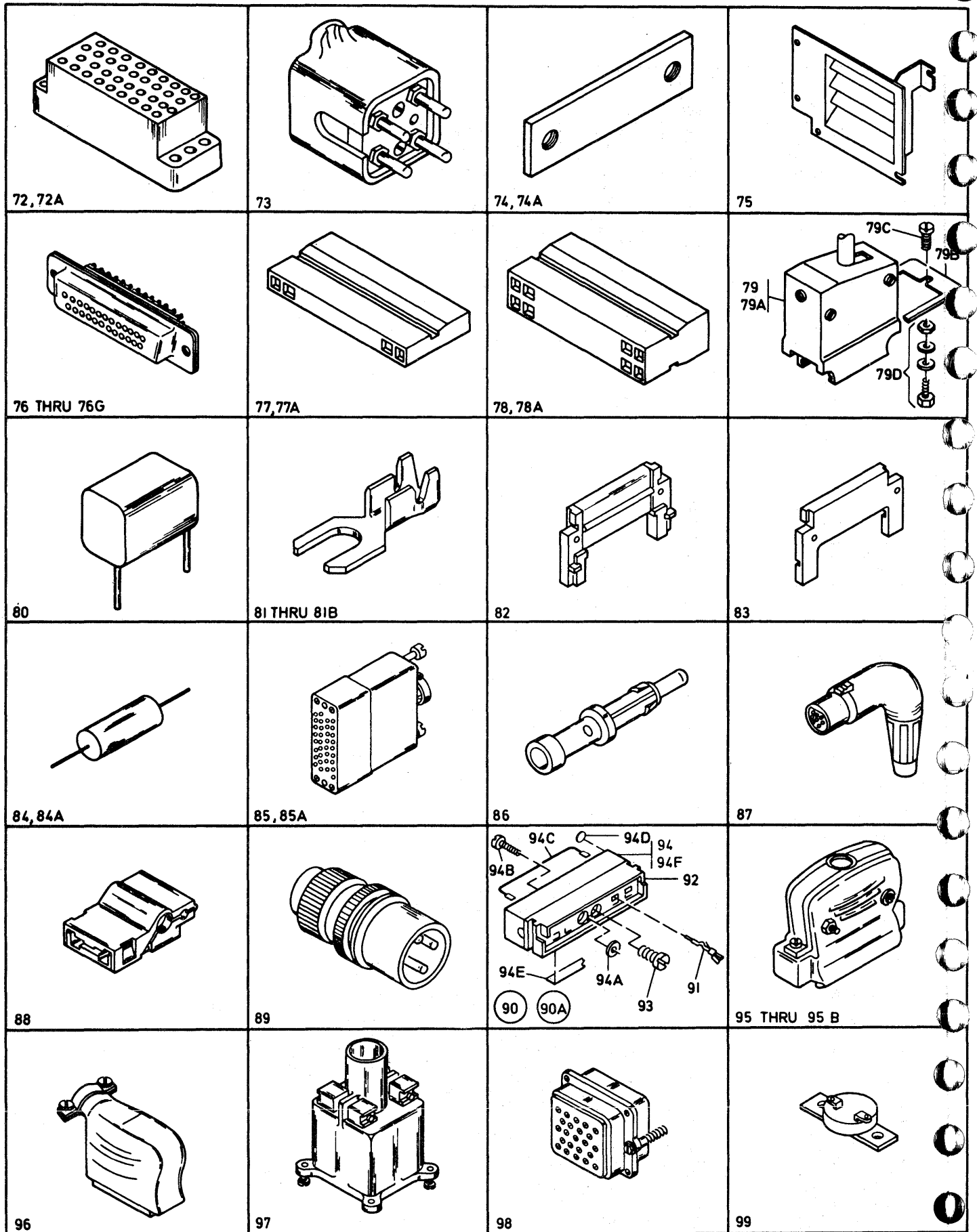


FIGURE 21. CABLE ASSEMBLIES WITH COMPONENT PARTS (SHEET 4 OF 6, INDEX NO. 72 THRU 99)

FIGURE- INDEX NUMBER	PART NUMBER	UNITS PER ASM.	DESCRIPTION			
			1	2	3	4
21 - 72	2122256	AR	• CONNECTOR,FEMALE,34 POSITIONS			
- 72A	1749353	AR	• CONNECTOR,MALE,34 POSITIONS			
- 73	341200	AR	• PLUG,TELEPHONE			
- 74	740459	AR	• STIFFENER,STRAIN RELIEF,THRD HOLE 4-40			
- 74A	8482879	AR	• STIFFENER,STRAIN RELIEF,THRU HOLE 3MM DIA			
- 75	8483766	AR	• BRACKET,DCA PORT,16 POS			
- 76	1608648	AR	• CONNECTOR RECEPT,15 POS			
- 76A	1608649	AR	• CONNECTOR PLUG,15 POS			
- 76B	1655336	AR	• CONNECTOR RECEPT,25 POS			
- 76C	1655338	AR	• CONNECTOR PLUG,25 POS			
- 76D	5302662	AR	• CONNECTOR PLUG,25 POS,GOLD/COPPER			
- 76E	5302663	AR	• CONNECTOR RECEPTACLE,25 POS,GOLD/COPPER			
- 76F	5252592	AR	• CONNECTOR PLUG,25 POS,GOLD/SILVER			
- 76G	5252593	AR	• CONNECTOR RECEPTACLE,25 POS,GOLD/SILVER			
- 77	2731406	AR	• HOUSING,1 X 10 POS,2.5MM SPACING			
- 77A	2637680	AR	• HOUSING,1 X 4 POS,2.5MM SPACING			
- 78	2731392	AR	• HOUSING,2 X 8 POS,2.5MM X 2.5MM SPACING			
- 78A	2731400	AR	• HOUSING,2 X 12 POS,3.18MM X 6.35MM SPACING			
- 79	1855555	AR	• HOOD ASM,10.9 MAX DIA			
- 79A	4943864	AR	• HOOD ASM,8.1 MAX DIA			
- 79B	1855807	AR	• RETAINER PLATE			
- 79C	1855559	AR	• SCREW,KIT,CAPTIVE,BIND HD,4-40, 0.25 LG,WITH U SHAPE			
- 79D	1785931	AR	• SCREW LOCK KIT,2-56			
- 80	1152264	AR	• SUPPRESSOR RC,0.22 MFD P/M10%, 100 OHMS P/M15%, 400 VDC			
- 81	483694	AR	• TERMINAL,STRAIGHT SPADE,18-20 AWG NO. 4 SLOT			
- 81A	313361	AR	• TERMINAL,STRAIGHT SPADE,20-24 AWG NO. 4 SLOT			
- 81B	483697	AR	• TERMINAL,STRAIGHT SPADE,14-16 AWG NO. 6 SLOT			
- 82	815947	AR	• STRAIN RELIEF,TWIN CABLE,LEFT (MALE)			
- 83	815948	AR	• STRAIN RELIEF,TWIN CABLE,RIGHT (FEMALE)			
- 84	317013	AR	• RESISTOR,FXD,CARB COMP,620 OHMS,P/M 5%, 0.5 W			
- 84A	2414891	AR	• DIODE,TYPE GY			
- 85	5182931	AR	• CONNECTOR ASM,34 POSITIONS,HIGH			
- 85A	1749310	AR	• CONNECTOR ASM,34 POSITIONS,LOW (CONN 17MM HIGH)			
- 86	5182932	AR	• TERMINAL,PIN CONTACT,20 AWG MAX			
- 87	1657272	AR	• RIGHT ANGLE AUDIO PLUG			
- 88	1150750	AR	• HOUSING,FLAG RECEPTACLE			
- 89	721609	AR	• WALL PLUG,RECEPTACLE MALE,15A,3 PRONGS			
- 90	8483541	AR	• CONNECTOR ASM,EMC,STYLE A,48 POS			
- 90	8483543	AR	• CONNECTOR ASM,EMC (MFCU),STYLE A,48 POS			
- 90A	8483772	AR	• BUS WRAP CONNECTOR,STYLE B,48 POS,CE TOOL			
- 90A	8483773	AR	• TAG WRAP CONNECTOR,STYLE B,48 POS,CE TOOL			
- 90A	8483860	AR	• CABLE ASM,BUS TO TAG,CE TOOL			
- 91	5362303	48	• CONTACT AND PIN ASM USED ON ASM 8483541 AND 8483543 ONLY			
- 92	5529190	1	• CONNECTOR,A STYLE,PLATED,WITH GROUND,(RED DOT) USED ON ASM 8483541 ONLY			
- 92	5353867	1	• CONNECTOR,A STYLE,WITH INSERT (LIGHT GRAY) USED ON ASM 8483543 ONLY			
- 92	5353869	AR	• CONNECTOR,B STYLE,W/O INSERT (DARK GRAY) USED ON ASM 8483772,8483773 AND 8483860 ONLY			
- 93	109918	2	• SCREW,THRD FORM,FL HD,4-40, 0.5 LG USED ON ASM 8483541 AND 8483543 ONLY			
- 94	5353902	1	• PIN GUIDE USED ON ASM 8483541 AND 8483543 ONLY			
- 94A	816649	AR	• RETAINER,POLYETHYLENE USED ON ASM 8483772,8483773 AND 8483860 ONLY			
- 94B	25627	AR	• SCREW,MACH,BIND HD,8-32, 0.5 LG USED ON ASM 8483772,8483773 AND 8483860 ONLY			
- 94C	8483861	AR	• JUMPER ASM,130MM LG USED ON ASM 8483772,8483773 AND 8483860 ONLY FOR COMPONENT PARTS SEE FIGURE 21 -18			
- 94C	8483862	1	• CABLE ASM,130MM LG,USED ON ASM 8483860 ONLY FOR COMPONENT PARTS SEE FIGURE 21 -18,-66A,-84A			
- 94C	8483863	2	• CABLE ASM,250MM LG,USED ON ASM 8483860 ONLY FOR COMPONENT PARTS SEE FIGURE 21 -18,-66A,-84A			
- 94C	8483864	1	• JUMPER ASM,250MM LG,USED ON ASM 8483860 ONLY FOR COMPONENT PARTS SEE FIGURE 21 -18			
- 94D	1570202	2	• LABEL,RED DOT USED ON ASM 8483541 ONLY			
- 94E	8483865	1	• LABEL,BUS 8483772			
- 94E	8483866	1	• LABEL,TAG 8483773			
- 94E	8483867	1	• LABEL,TAG 8483860			
- 94F	8483221	1	• HANDLE			
- 95	765295	AR	• STRAIN RELIEF AND HOOD			
- 95A	2721890	AR	• HOOD ASM WITH KNURLED MOUNTING SCREWS 2721892			
- 95B	765496	AR	• HOOD ASM WITH METRIC MOUNTING SCREWS 1992674			
- 96	5824321	AR	• HOOD			
- 97	5372978	AR	• HOOD			
- 98	5372979	AR	• CONNECTOR,23 PGS,COAX			
- 99	590259	AR	• THERMOSWITCH,N/C,100 DEG F,115V			

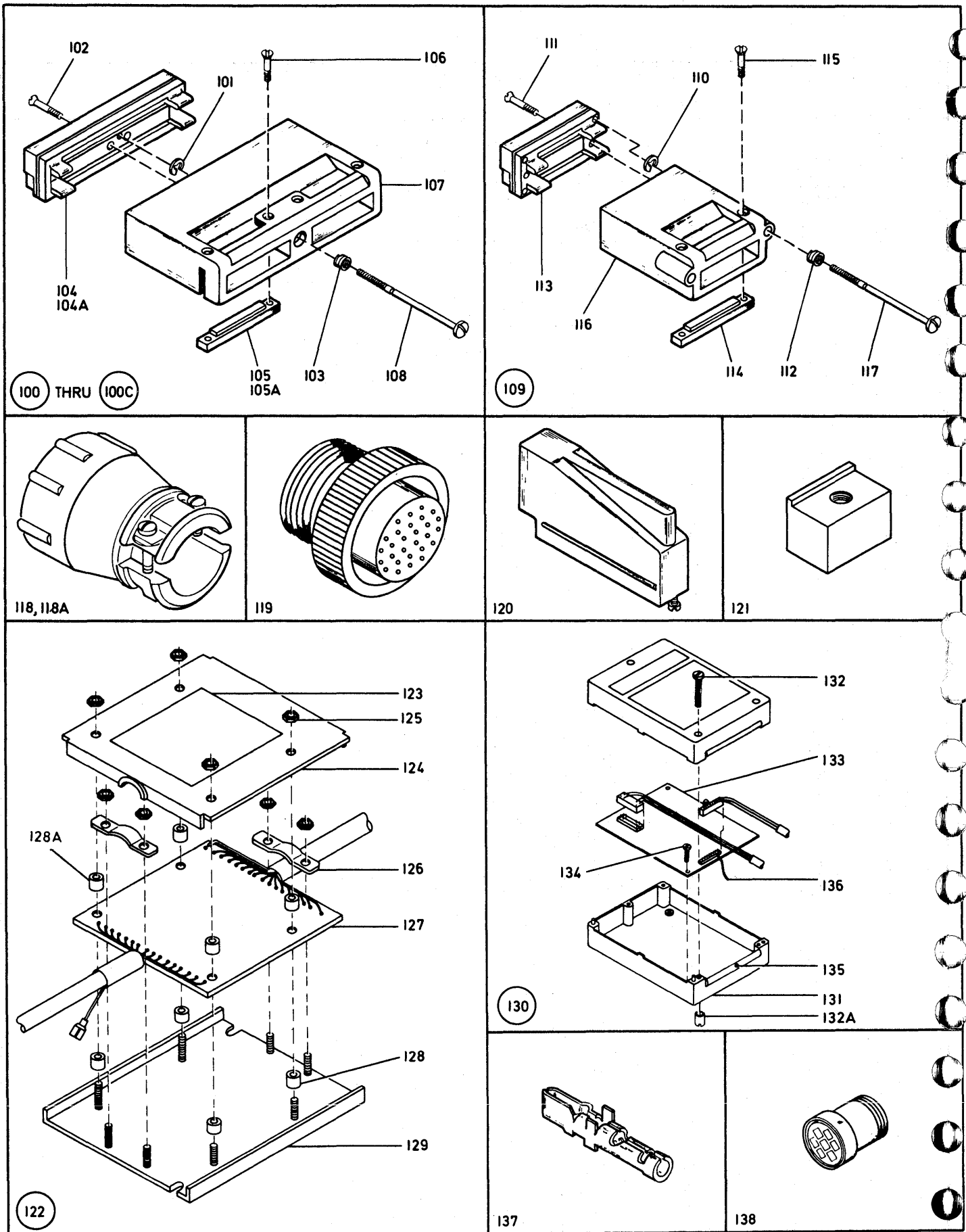


FIGURE 21. CABLE ASSEMBLIES WITH COMPONENT PARTS (SHEET 5 OF 6, INDEX NO. 100 THRU 138)

FIGURE- INDEX NUMBER	PART NUMBER	UNITS PER ASM.	DESCRIPTION			
			1	2	3	4
21 -100	5362312	AR	• CONNECTOR ASM,STYLE A,COAX,48 POS			
-100A	5362313	AR	• CONNECTOR ASM,STYLE B,COAX,48 POS			
-100B	5466458	AR	• CONNECTOR ASM,STYLE A,48 POS			
-100C	5466459	AR	• CONNECTOR ASM,STYLE B,48 POS			
-101	264641	1	• . RETAINING RING,EXT,0.114 ID,0.025 THK			
-102	5529184	2	• . SCREW,SELF TAP,FLAT HD,4-40, 1 LG			
-103	1105806	1	• . SPRING,COMPRESSION			
-104	5353867	1	• . CONNECTOR,A STYLE,WITH INSERT (LIGHT GRAY) USED ON ASMS 5362312 AND 5466458 ONLY			
-104A	5353869	1	• . CONNECTOR,B STYLE,W/O INSERT (DARK GRAY) USED ON ASMS 5362313 AND 5466459 ONLY			
-105	5353896	2	• . STRAIN RELIEF ASM USED ON ASMS 5362312 AND 5362313 ONLY			
-105A	5466457	2	• . STRAIN RELIEF ASM USED ON ASMS 5466458 AND 5466459 ONLY			
-106	438560	4	• . SCREW,MACH,FLAT HD,4-40, 1 LG			
-107	5362306	1	• . COVER (DARK GRAY)			
-108	5362308	1	• . SCREW,GROOVED,BIND HD,8-32, 2.93 LG			
-109	5393058	AR	• CONNECTOR ASM,STYLE A,COAX,24 POS			
-110	219633	2	• . RETAINING RING,EXT,0.073 ID,0.015 THK			
-111	438536	2	• . SCREW,MACH,FLAT HD,2-56, 0.5 LG			
-112	100027	2	• . SPRING,COMPRESSION			
-113	5393041	1	• . CONNECTOR,A STYLE,WITH INSERT (LIGHT GRAY)			
-114	5353896	1	• . STRAIN RELIEF ASM			
-115	438560	2	• . SCREW,MACH,FLAT HD,4-40, 1 LG			
-116	5393043	1	• . COVER (DARK GRAY)			
-117	5393054	2	• . SCREW,GROOVED,BIND HD,4-40, 2.93 LG			
-118	2462055	AR	• CABLE CLAMP,0.01 THRU 0.16 SQ IN CLAMP AREA			
-118A	2745029	AR	• CABLE CLAMP,0.08 THRU 0.39 SQ IN CLAMP AREA			
-119	2462062	AR	• CABLE PLUG,HOUSING,28 POS			
-120	5717874	AR	• HOOD,CONNECTOR			
-121	4688821	AR	• SPACER			
-122	NO NO.	AR	• LINE PLATE ASM,UK			
-123	4020540	1	• . LABEL			
-124	1641892	1	• . COVER			
-125	344015	8	• . NUT,SELF LOCKG,HEX,6-32, 0.312 FL W			
-126	2181200	2	• . CLAMP,CABLE			
-127	4021999	1	• . CARD ASM			
-128	2684343	4	• . SPACER			
-128A	303449	4	• . SPACER			
-129	1641893	1	• . ENCLOSURE			
-130	1734234	1	• LINE PLATE ASM,WT,OLD VERSION			
-130	8276938	1	• LINE PLATE ASM,WT,CSU,OLD VERSION			
-130	2682397	1	• LINE PLATE ASM,WT,CSU,NEW VERSION			
-131	1730504	2	• . COVER			
-132	52523	3	• . SCREW,MACH,FIL HD,4-40, 0.625 LG			
-132A	8482979	3	• . NUT,RD,4-40, 4.75MM DIA			
-133	1734456	1	• . CARD ASM,OLD VERSION			
-133	8276900	1	• . CARD ASM,CSU			
-134	67873	2	• . SCREW,THRD FORM,PAN HD,4-40, 0.188 LG			
-135	2600562	1	• . SEAL,66MM LG			
-136	1730992	1	• . JUMPER ASM			
-137	2192504	AR	• TERMINAL,MALE,8-10 AWG,TIN,1.235 LG			
-138	2745024	AR	• CONNECTOR,HOUSING,MALE,7 POS			

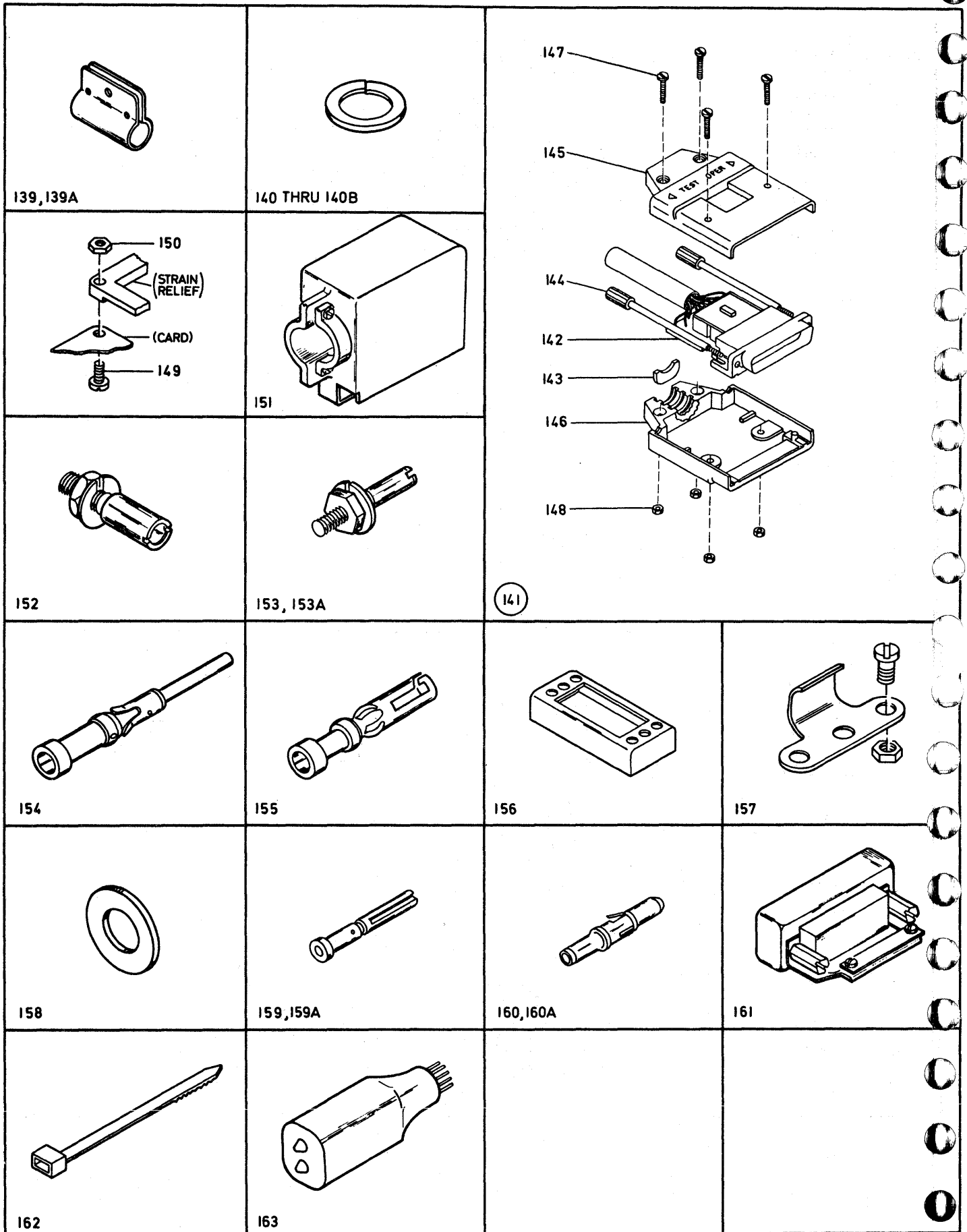


FIGURE 21. CABLE ASSEMBLIES WITH COMPONENT PARTS (SHEET 6 OF 6, INDEX NO. 139 THRU 163)

FIGURE- INDEX NUMBER	PART NUMBER	UNITS PER ASM.	DESCRIPTION			
			1	2	3	4
21 -139	2154939	AR	• CLAMP,CABLE INTERCONN,0.593 ID			
-139A	2154997	AR	• CLAMP,CABLE INTERCONN,0.9 ID			
-140	9092	AR	• WASHER,LCK,SPLIT RING,0.194 ID,0.337 OD			
-140A	1090873	AR	• WASHER,LCK,SPLIT RING,0.168 ID,0.296 OD			
-140B	1622316	AR	• WASHER,LCK,SPLIT RING,3.1MM ID,6.2MM OD			
-141	NO NO.	AR	• SWITCH CARD ASM			
-142	1743589	1	• • CARD ASM			
-143	1743515	1	• • STRAIN RELIEF			
-144	1743514	2	• • STUD,4-40			
-144	1743521	2	• • STUD,M2.6			
-145	1743512	1	• • HOOD, TOP			
-146	1743513	1	• • HOOD, BOTTOM			
-147	5393343	4	• • SCREW,MACH,PAN HD,4-40, 0.687 LG			
-148	37913	4	• • NUT,HEX,4-40, 0.25 FLW			
-149	438540	2	• SCREW,MACH,BIND HD,2-56, 0.375 LG			
-150	47987	2	• NUT,HEX,2-56, 0.188 FL W			
-151	2122263	AR	• HOOD,90 DEG,34 POS CONN			
-152	2122202	AR	• SOCKET,GUIDE CENTER,34 POS CONN,4-40			
-153	2122203	AR	• PIN,GUIDE CENTER,34 POS CONN,4-40			
-153A	2122734	AR	• PIN,GUIDE CORNER,34 AND 50 POS CONN,4-40			
-154	1749355	AR	• TERMINAL,PIN,SIGNAL CONT,20 AWG MAX			
-155	532904	AR	• TERMINAL, SOCKET, SIGNAL CONT,18-20 AWG			
-156	1749356	AR	• HOOD,CONNECTOR PIN			
-157	1749354	AR	• SPRING SET,LOCKING,WITH NUT AND SCREW			
-158	257985	AR	• WASHER,FL,3.2MM ID,6.4MM OD,0.7MM THK			
-159	5337090	AR	• CONTACT,INNER,FEMALE,COAX			
-159A	5180041	AR	• CONTACT,INNER,FEMALE,COAX			
-160	5337091	AR	• CONTACT,OUTER,MALE,COAX			
-160A	5180042	AR	• CONTACT,OUTER,MALE,COAX			
-161	5337092	AR	• HOUSING,PLUG			
-162	1159913	AR	• STRAP,CABLE,102MM LG			
-163	8483405	AR	• LOOP CABLE WRAP PLUG			



NUMERICAL INDEX

PART NO.	LIST AND INDEX NO.	PART NO.	LIST AND INDEX NO.	PART NO.	LIST AND INDEX NO.	PART NO.	LIST AND INDEX NO.
845	21 - 71F	56121	14 - 16	237032	16 - 12	438570-CONT	19 - 13
2903	19 - 37	56722	5 - 10		16A- 12	438571	18A- 53
3550	4 - 216		5 - 22		17 - 7	438583	12 - 36
	12A- 75		5 - 25	237327	21 - 48		12A- 58
3960	2 - 13		5 - 29	237395	11 - 53		
	2 - 47		8A- 9	251015	4 - 11	442958	12 - 38
5677	5 - 13		9 - 35	253329	17A- 16A		12A- 65
6364	18A- 11		9 - 66	257187	5 - 23		13 - 57
	19 - 16	58207	20 - 22		5 - 26		13 - 77
6935	12A- 79	65756	4 - 215		5 - 30	442959	11 - 25
9092	11 - 78	67873	21 - 134		8A- 10		12A- 73
	12 - 20	76574	11 - 36		18A- 12	450692	11 - 65
	12A- 78		12 - 15		19 - 17	471901	1 - 2
	13 - 69C		12A- 37		20 - 80		3 - 93A
	18A- 27		13 - 42	257189	8 - 130	473442	18 - 26
	20 - 72A		8A- 8		11 - 27	474644	8A- 14
	21 - 140	81693	9 - 34		12 - 40	480755	2 - 25
10170	8A- 21		19 - 36		12A- 62		2 - 79
	9 - 46		20 - 27		13 - 60		9 - 2
	9 - 65		20 - 46		21 - 70D		18 - 24
11598	5 - 19		20 - 86	257700 1 - 59C	1 - 68C		21 - 40
	11 - 45		20 - 94		1 - 77C	483619	21 - 9B
	11 - 59	82725	21 - 5	257970	20 - 25	483648	21 - 9A
	12 - 32	91469	4 - 28	257985	21 - 158	483649	21 - 9
	12A- 50	92752	9 - 40	259186	10 - 13	483651	21 - 9C
	12A- 56		15 - 12	264641	21 - 101	483652	21 - 9C
	13 - 38		16 - 13	302090	20 - 7	483673	21 - 1
	13 - 51		16A- 13	302131	20 - 8	483674	21 - 1A
	14 - 12		17 - 13	302131	20 - 8	483675	21 - 1B
	21 - 70C	100027	21 - 112	303449	21 - 128A	483676	21 - 1C
22066	4 - 92A	104294	8A- 19	303516	4 - 71	483677	21 - 1D
22478	8 - 129	107665	16 - 15	307984	1 - 57	483678	21 - 1E
	11 - 26		16A- 15	311167	19 - 35	483679	21 - 1F
	12 - 39		17 - 15	313361	21 - 81A	483680	21 - 1S
	12A- 61	107668	15 - 14	317013	21 - 84	483681	21 - 1G
	13 - 59	109918	20 - 15	317193	14 - 5	483682	21 - 1H
	20 - 21		21 - 49	317296	4 - 182A	483683	21 - 1J
23141	2 - 55		21 - 93		21 - 38	483684	21 - 1K
	12 - 55	110029	20 - 45	317310	8A- 15	483685	21 - 1L
	12A- 17	111265	11 - 52	321051	21 - 66	483686	21 - 1M
	13 - 18	115971	15 - 14	322065	5 - 9	483687	21 - 1N
		120571	19 - 23	322271	4 - 27	483688	21 - 1P
25018	19 - 26	124555	4 - 189D	322550	19 - 21	483689	21 - 1Q
25627	21 - 94B	124943	8A- 13	322551	5 - 21	483690	21 - 1R
32042	20 - 59	125145	18A- 50		5 - 28	483694	21 - 81
	21 - 71J	130987	1 - 2A	325279	12A- 7A	483697	21 - 81B
34512	19 - 38		3 - 93B	331982	11 - 24	483770	21 - 67
35868	1 - 55		8 - 27		13 - 61	501550	12 - 35
	1 - 65	138754	9 - 101		13 - 78		12A- 63
	1 - 75		18 - 25	332560	4 - 18	502523	21 - 4
37913	21 - 148		20 - 47		4 - 24	504879	21 - 2A
38235	20 - 33	150676	4 - 214	332620	11 - 81	507144	12 - 37
38368	21 - 71D	160017	11 - 37		12 - 22		12A- 64
38383	21 - 71E		12 - 16		12A- 76		13 - 56
45690	11 - 43		12A- 38		13 - 69		13 - 76
	11 - 58		13 - 43	332747	19 - 31		11 - 23
	11 - 79		4 - 10	333769	15 - 11		12 - 51
	12 - 10	161351	7 - 4	334910	21 - 2		12A- 59
	12 - 30	169698	8A- 3	335327	21 - 3		13 - 62
	12A- 48	170202	8A- 23	335970	21 - 6		11 - 54
	12A- 54		20 - 78	337193	9 - 45	511063	13 - 55
	12A- 77	170241	15 - 5	341200	21 - 73	517913	21 - 64
	13 - 37	179966	1 - 3	344015	21 - 125	523176	21 - 66A
	13 - 49	184886	20 - 61	350663	8 - 113	523255	21 - 10
	13 - 69B	186925	3 - 93C	350664	8 - 12	523267	21 - 25
	14 - 10	186950	7 - 8	357995	9 - 32	523268	21 - 26
	20 - 55	193435	4 - 82A	369207	9 - 100	523269	7 - 16
	5 - 17	194579	8A- 16	372688	8A- 7		21 - 29
47242	21 - 150	210883	8A- 17	418835	9 - 31	524519	2 - 83
47987	21 - 132	210884	9 - 20	430798	21 - 8		4 - 65
52523	16 - 7	216323	8A- 20	430801	21 - 8A		4 - 211
53193	20 - 48	216362	21 - 110	438536	21 - 111	526048	21 - 23
55726	11 - 80	219633	2 - 12	438540	21 - 149	526378	5 - 15
55918	12 - 21	223781	2 - 46	438548	20 - 66		15 - 24
	13 - 69A		20 - 31	438550	21 - 71G		16 - 24
56079	5 - 14	234341	20 - 57	438560	21 - 106		16A- 21
	5 - 18	236550	21 - 71		21 - 115		17 - 24
	11 - 44		14 - 17	438567	18A- 14	532393	20 - 54
	12A- 55	236849	21 - 7	438568	18A- 2	532904	21 - 155
	13 - 50	236915	21 - 7A		19 - 9	533289	2 - 58
	14 - 11	236916		438570	18A- 6	534768	4 - 199

PART NO.	LIST AND INDEX NO.	PART NO.	LIST AND INDEX NO.	PART NO.	LIST AND INDEX NO.	PART NO.	LIST AND INDEX NO.
534768-CONT	8 - 12	819299	17A- 3	1568439	21 - REF	1621190-CONT	12 - 44
555427	19 - 27	819407	4 -139	1568443	21 - REF		12 - 49
556450	11 - 77	819408	4 -141	1570202	21 - 94D		12 - 67
556540	11 -116	819411	4 -127	1570461	21 - 35		12A- 4
589721	11 - 38	819412	4 -137	1574352	5 - 8		12A- 7
	13 - 47	819579	4 -141A	1574353	5 - 7		12A- 31
	14 - 8	819582	4 -128	1608648	21 - 76		13 - 4
590259	21 - 99	819632	4 -129	1608649	21 - 76A		13 - 9
591465	13 - 58	827991	21 - 10A	1621060	4 - 6		13 - 12
591469	20 - 92	832957	21 - 31		8 -132		13 - 84
595359	4 -189B	845762	9 - 54	1621063	8 -126		15 - 10
596676	11 - 55			1621066	15 - 2C		16 - 11
596756	2 - 8				16 - 2C		16A- 11
	2 - 24				16A- 2C		17 - 11
	2 - 49				17 - 2C		17A- 10
	3 - 92	853073	11 - 14		3A- 4		17A- 13
	4 - 34		12 - 2	1621170	3A- 6		18A- 16
	4 -182B		12A- 16		3A- 7		18A- 80
598381	20 - 72		13 - 17		4 - 55		18A- 84
600395	20 - 51		14 - 23		4 - 68	1621191	2 - 76
602721	21 - 27		15 - 19		4 -101A		4 - 45
609686	21 - 12		16 - 21		4 -103		4 - 83B
609687	18A- 7		16 - 22		4 -108B	4 - 56	7 - 5
631865	18A- 40		17 - 21		4 -114		8 -114
	19 - 14	853288	2 - 34		8 - 7		11 - 39
	21 - REF	855253	11 - 56		8 - 16		12A- 34
674570	21 - 89	855262	2 -154		8 -117		13 - 52
721609	3 - 91	855263	2 -154		8 -122	1621192	4 -183
730432	4 - 38	855282	2 -153		10 - 25		4 -217
730468	9 - 39	855283	2 -152		14 - 4		10 - 6
734879	21 - 74	855284	2 -150		18 - 6		11 -101
740459	8 -125	855285	1 - 16		18 - 9		12 - 61
740503	8 - 15	855286	2 -155		18 - 23		12A- 7
740513	8 -121	960746	2 -154		18A- 19		12A- 95
	8 -131	960766	1 - 21		21 - 71H		13 - 81
740540	8A- REF		2 -155	1621171	3 - 85	1621193	4 - 29
740550	8A- 6	984122	9 -100		4 - 52		17A- 7
740554	8A- 18	XXXXXXX	4 -181		4 -105		21 - 71C
740560	8A- 22		4 -185		4 -167	1621194	3 - 60B
740562	8A- 22		4 -192	1621172	4 - 56		4 - 48
740563	8A- 24		4 -210		4 - 72		10 - 27
740564	8A- 2		19 - 3	1621174	4 - 43		16 - 26
740571	8A- 4	1073043	1 - 59		9 - 37		16A- 23
740606	8A- 12		1 - 68	1621175	4 - 95	1621195	17 - 26
740608	8 -125		1 - 77		9 - 5	1621196	18 - 14
740609	8 -131	1090873	21 -140A	1621181	4 - 85	1621197	3 - 37
	8A- REF	1105806	21 -103		4 - 88		8 - 4
741129	8A- 11	1116065	11 - 85		4 -111		8 - 22
749059	1 - 62		12 - 8		15 - 2H		8 -104
765295	21 - 95		12A- 81	1621182	5 - 3		8 -107
765496	21 - 95B		13 - 79	1621183	4 -187		9 - 18
767031	7 - 11	1127037	21 - 88		4 -190		15 - 10
	7 - 15	1141141	10 - 15		1 - 11		16 - 2H
804109	5 - 27		10 - 30	1621190	1 - 12		16 - 11
811417	4 -116	1143060	15 - 25		2 - 76		16A- 2H
811427	2 - 63	1150748	21 - 22		2 - 81		16A- 11
	4 -125	1150750	21 - 88		3 - 75		17 - 2H
811802	21 - 42	1152264	21 - 80		3A- 17		17 - 11
811804	4 -181A	1159913	2 - 62		3A- 21		18A- 21
	19 - 4		3 - 36		3A- 23		18A- 24
811825	21 - 43		14 - 26		3A- 24		18A- 38
813194	21 - 14		21 -162		3A- 29	1621206	14 - 7
813197	21 - 47	1164265	19 - 32		3A- 31	1621210	2 - 22
813392	3A- 19	1166114	21 - 20B		3A- 33		2 - 32
813519	2 - 64	1177332	4 - 81A		4 - 15		2 - 40
	4 -124		4 -151		4 - 21		2 - 59
813681	21 - 24		4 -197		4 - 45		3 - 4
813769	21 - 43B	1249307	21 - 11		4 - 79		3 - 5
813801	21 - 33	1310269	16 - 2		4 -193		3 - 8
813802	21 - 34	1310341	4 -189		6 - 9		3 - 15
815688	4 -130A	1470748	1 - 52		8 - 13		3 - 30
815933	21 - 15		1 - 64		9 - 12		3 - 64
815947	21 - 82		1 - 72		9 - 50		3 - 68
815948	21 - 83	1471018	21 - 20H		9 - 58		3 - 73
816649	4 -170	1471027	21 - 20		11 - 4		3 - 77
	21 - 94A	1471028	21 - 21		11 - 9		3 - 88
816933	4 -212	1568409	21 - REF		11 - 13		3 - 96
816983	4 -138	1568430	21 - REF		11 - 33		3 - 99
818002	4 -140	1568432	21 - REF		11 -104		3A- 11
818579	4 -130	1568438	21 - REF		12 - 4		3A- 13

PART NO.	LIST AND INDEX NO.	PART NO.	LIST AND INDEX NO.	PART NO.	LIST AND INDEX NO.	PART NO.	LIST AND INDEX NO.
1621210-CONT	12 - 54	1622304-CONT	12 - 7	1622346	2 - 95	1622405-CONT	4 - 207
	12A- 13		12 - 25		3 - 40		15 - 6
	13 - 16		12A- 44		3 - 60C	1622415	21 - 70E
1621211	4 - 200		12A- 97		3 - 61	1622417	21 - 70A
	9 - 28		13 - 21		3 - 66	1635821	21 - 21A
1621212	4 - 4		13 - 24		3A- 25	1641892	21 - 124
	21 - 71B		13 - 27	4 - 57	4 - 118	1641893	21 - 129
1621213	2 - 37		13 - 85		6 - 3		
1621232	15 - 3		15 - 27		8 - 127	1646685	11 - 76
1621286	4 - 26		18 - 15		8 - 133	1646686	11 - 73
	4 - 50		18 - 19		9 - 10		12 - 17
1621307	4 - 164		18A- 22		9 - 15		12A- 68
	11 - 6	1622365	2 - 41		9 - 19		13 - 74
	12 - 42		2 - 60		9 - 51	1649555	13 - 67
	12A- 11		2 - 118		9 - 59	1655336	21 - 76B
	13 - 6	3 - 79	3 - 103		11 - 40	1655337	21 - 21B
	18A- 36		4 - 32		13 - 53	1655338	21 - 76C
1621312	15 - 26		4 - 201		14 - 6	1655339	21 - 20C
1621314	15 - 26		10 - 8		15 - 9	1655359	21 - 20D
1621322	16 - 3	1622306	4 - 209		16 - 10	1657272	21 - 87
	16A- 3	1622316	4 - 69		16 - 27	1661129	21 - 20G
	17 - 3		4 - 169		16A- 10	1661130	21 - 21F
1621492	4 - 165		9 - 38		16A- 24	1661131	21 - 20F
1621508	6 - 4		18 - 7		17 - 10	1661132	21 - 21E
1621515	4 - 168		21 - 140B		17 - 27	1673728	2 - 2
1621518	1 - 9	1622317	4 - 88A		17A- 11	1673984	1 - 5
	2 - 6		4 - 112		18 - 20		1 - 7
	2 - 10	1622318	1 - 23		18A- 82	1681020	2 - 56
	2 - 17		2 - 77	1622347	1 - 7A	1726285	4 - 155
	2 - 116		2 - 82		1 - 19	1726309	15 - 2A
	3 - 101		3 - 21		2 - 42		16 - 2A
1621521	2 - 74		4 - 7		2 - 57		16A- 2A
1621523	2 - 44		8 - 5		3 - 60H		17 - 2A
1621531	2 - 19		8 - 23		3 - 78	1726311	15 - 2B
1621596	4 - 198		8 - 105		4 - 30		16 - 2B
1621685	5 - 2		8 - 108		9 - 23		16A- 2B
1621811	2 - 52		15 - 28		16 - 5		17 - 2B
	2 - 92		18A- 17		16A- 5	1726314	16 - 2A
	3A- 3		18A- 30		17 - 5		16A- 2A
	3A- 14		18A- 81		21 - 69	1726315	16 - 2B
	4 - 117	1622319	2 - 3		5 - 3B		16A- 2B
1621812	2 - 29		2 - 7	1622402	2 - 72	1727744	21 - REF
1621813	2 - 30		2 - 11	1622403	3 - 20	1730504	21 - 131
1621821	3 - 90		2 - 18		3 - 60D	1730992	21 - 136
1621845	7 - 17		2 - 23		3 - 62	1734234	21 - 130
1621852	2 - 93		2 - 33		6 - 6	1734456	21 - 133
	7 - 18		2 - 38		8 - 128	1743359	1 - 20
	9 - 26		2 - 45		9 - 7	1743512	21 - 145
	9 - 42		2 - 54		9 - 52	1743513	21 - 146
1621853	15 - 13		2 - 75		10 - 17	1743514	21 - 144
	16 - 14		2 - 117		10 - 26	1743515	21 - 143
	16A- 14		3 - 6		10 - 32	1743521	21 - 144
	17 - 14		3 - 11		11 - 41	1743589	21 - 142
1621855	7 - 2		3 - 12		11 - 49	1749310	21 - 85A
1621857	7 - 12		3 - 16		11 - 68	1749352	21 - REF
1622302	4 - 42		3 - 31		11 - 103	1749353	21 - 72A
	4 - 58		3 - 69		12 - 6	1749354	21 - 157
	4 - 73		3 - 74		12 - 24	1749355	21 - 154
	8 - 8		3 - 100		12 - 63	1749356	21 - 156
	8 - 118		3 - 102		12A- 45	1770396	9 - 27
	10 - 24		9 - 29		12A- 98	1783931	4 - 13
1622304	1 - 22		10 - 7		13 - 22	1783932	4 - 19
	2 - 73		10 - 7		13 - 25	1783933	4 - 16
	2 - 94		12 - 53		13 - 28		4 - 22
	3 - 38		12A- 14		13 - 54	1785931	21 - 79D
	3 - 60E		13 - 15		13 - 83	1836444	21 - 59A
	3 - 67	1622320	2 - 20		15 - 29	1847524	21 - 60
	4 - 47A		4 - 208		16 - 28	1847525	21 - 62
4 - 58	4 - 79A		15 - 4		16A- 25	1847526	21 - 60A
	4 - 83C	1622332	18 - 10		17 - 28	1847527	21 - 62A
	6 - 5	1622334	11 - 102		18 - 16	1847528	21 - 60B
	7 - 9		12 - 62		18 - 18	1847529	21 - 62B
	8 - 14	1622335	3 - 24		18A- 29	1847530	21 - 61
	8 - 115	1622344	4 - 57	1622404	4 - 12	1847531	9 - 44
	9 - 8		8 - 9		9 - 30		21 - 63
	9 - 13		8 - 17		16 - 6	1847532	21 - 61A
	10 - 4		8 - 119		16A- 6	1847533	21 - 63A
	11 - 48		8 - 123		17 - 6	1847534	21 - 61B
	11 - 67		10 - 33		21 - 70	1847535	21 - 63B
	11 - 100	1622345	5 - 3A	1622405	3 - 33	1847536	21 - 61C

PART NO.	LIST AND INDEX NO.	PART NO.	LIST AND INDEX NO.	PART NO.	LIST AND INDEX NO.	PART NO.	LIST AND INDEX NO.
1847537	21 - 63C	2280710	18A- 4	2582954-CONT	16A- 26	4120610	12 - 26
1855555	21 - 79		19 - 7		17 - 20		12A- 46
1855559	21 - 79C	2281630	21 - REF		17 - 18		13 - 34
1855807	21 - 79B	2282675	2 - 4B		17 - 20	4120611	11 - 51
1862652	18 - 8		6 - 16		17A- 15	4120612	14 - 3
1864271	21 - REF	2282676	2 - 4B		17A- 17	4120613	11 - 50C
1864272	21 - REF		6 - 16	2588046	2 - 35	4120614	12A- 52
1876141	21 - 67A	2305462	19 - 25	2591216	8 - 28	4120615	11 - 50B
1878529	21 - REF	2305493	20 - 62	2592384	20 - 6	4120616	11 - 50A
		2305526	19 - 28	2593331	21 - REF	4120650	15 - 20
1896774	18A- 13	2305546	20 - 75	2593332	21 - REF		16A- 2D
1976194	2 - 154	2305547	20 - 74	2593346	21 - REF	4120825	16 - 2F
1976197	2 - 150	2305553	19 - 12	2596275	4 - 66	4120827	16A- 2F
1976198	1 - 16	2305598	20 - 2		20 - 34		17 - 2F
1981182	3A- 15	2305619	20 - 87	2600562	21 - 135	4120829	15 - 2F
2100264	18 - 4	2305620	20 - 77	2633938	4 - 133	4120831	15 - 2F
		2305621	20 - 73	2637668	18A- 49	4121202	16A- 22
2102365	4 - 70	2305625	18A- 9	2637679	21 - 150		17 - 25
2102430	21 - 16		19 - 15	2637680	21 - 77A	4123688	21 - 20A
2102625	14 - 15A	2305631	20 - 24	2637681	21 - 15A	4123689	21 - 21C
2103010	20 - 3	2305632	20 - 26B	2637682	21 - 15B	4123902	3 - 60A
2103412	21 - 46	2305644	19 - 30	2637689	21 - 57	4123903	5 - 31
2122202	21 - 152	2305646	19 - 24	2637690	21 - 15C	4123904	5 - 6
2122203	21 - 153	2305647	19 - 29	2637694	21 - 56	4123905	5 - 6
2122256	21 - 72	2305650	19 - 42	2641241	16 - 25	4123906	5 - 6
2122259	21 - 65	2305697	20 - 52	2644646	9 - 64	4123907	5 - 6
2122263	21 - 151	2305708	20 - 24	2676636	7 - 10B	4123908	4 - 46
2122734	21 - 153A	2305720	20 - 20		7 - 14B		5 - REF
2123393	21 - 11B	2305726	20 - 18	2676656	4 - 37	4123909	4 - 46
2125656	3 - 32	2307044	11 - 74	2676706	5 - 24		5 - REF
	15 - 4		12A- 67	2682397	21 - 130	4124143	15 - 17
2125697	3 - 86	2360072	4 - 101B	2684343	21 - 128		16 - 19
	4 - 53	2360340	4 - 156	2721890	21 - 95A		16A- 18
	4 - 106	2396478	4 - 189A	2722507	15 - 2E		17 - 19
2125765	4 - 191	2414891	21 - 84A		16A- 2E	4124190	15 - 30
2125963	3A- 35	2426298	7 - 11		17 - 2E	4134750	4 - 154
	4 - 14		7 - 15	2731392	21 - 78	4134831	4 - 134
	4 - 20	2457745	4 - 92	2731400	21 - 78A	4138473	4 - 81
	4 - 47	2462055	21 - 118	2731406	21 - 77		4 - 150
	4 - 194	2462062	21 - 119	2732453	4 - 135		4 - 196
	4 - 218	2462593	20 - 41	2744805	21 - 28B	4138519	4 - 149
	11 - 10	2462606	20 - 95	2744811	21 - 53	4138523	4 - 98
	12 - 45	2495467	9 - 41	2745023	21 - 30		4 - 99
	12A- 5	2495470	16 - 15	2745024	21 - 138	4138524	4 - 100
	13 - 10		16A- 15	2745029	21 - 118A		4 - 101
	17A- 14	2502115	9 - 33	2745044	21 - 28	4138531	4 - 98
	18A- 25	2502307	21 - 25A	2766708	4 - 131	4138533	4 - 152
		2542403	15 - 15	2766709	4 - 132	4138546	4 - 99
2127635	20 - 5		16 - 16	2766737	4 - 142	4138547	4 - 100
2128633	9 - 6		16A- 16	2775241	9 - 36	4138559	4 - 99A
2130285	20 - 79		17 - 16	4014244	2 - 14	4138564	4 - 148
2154939	21 - 139		1 - 54	4014739	21 - 35A	4138579	4 - 101
2154997	21 - 139A	2546384	1 - 66	4020540	21 - 123	4138580	4 - 36
2181004	18A- 26		1 - 74	4021999	21 - 127	4138581	4 - 36
2181005	20 - 1		10 - 28	4037343	2 - 36	4138616	4 - 153
2181006	20 - 11	2549540	3 - 60J	4056221	5 - 31	4138640	4 - 35
2181011	20 - 91	2549780	3 - 60G	4056393	2 - 154	4141152	8 - 136
2181052	4 - 9	2549781	21 - 71A	4056411	2 - 150	4151674	17 - 2
2181200	21 - 126	2549782	2 - 3A	4056733	9 - 100	4151676	15 - 2
2191879	21 - 68		3 - 25	4109447	5 - 11	4151688	15 - 2
2191880	21 - 68A		3 - 80	4109448	5 - 11	4154559	2 - 68
2191881	21 - 68B		4 - 33	4109449	5 - 11	4178000	18A- 1
2192503	21 - 13	2561584	5 - 7	4110178	1 - 30		19 - REF
2192504	21 - 137		5 - 7	4119651	15 - 2	4178002	18A- 1
2246295	21 - 59	2561585	5 - 8	4119652	17 - 2		19 - REF
2274833	20 - 10		5 - 8	4119654	16 - 2	4178025	19 - 2
2277082	2 - 61A	2565041	21 - 45	4119677	15 - 2		20 - REF
2278073	18A- 5	2571362	15 - 7	4119818	16A- 2	4178035	20 - 42
	18A- 8		16 - 8	4120493	16 - 2G	4178047	20 - 29
	19 - 6		16A- 8	4120494	16A- 2G	4178052	20 - 26A
	19 - 19		17 - 8		17 - 2G	4178053	20 - 26
2278074	18A- 3		17A- 8	4120496	15 - 2G	4178056	20 - 26A
	18A- 10	2577672	21 - REF	4120598	3 - 60J	4178057	20 - 26
	19 - 8	2582954	9 - 102	4120606	12 - 29	4178058	20 - 32
	19 - 18		15 - 18		12A- 51	4178060	20 - 44
2278668	2 - 61		15 - 21	4120607	12 - 27	4178067	20 - 47
	2 - 61A		16 - 20		12A- 47	4204962	6 - 12
	3 - 35		16 - 18	4120608	13 - 45	4216023	11 - 34
	14 - 25		16 - 20	4120609	11 - 50		12 - 13
			16A- 19		13 - 33		13 - 40

PART NO.	LIST AND INDEX NO.	PART NO.	LIST AND INDEX NO.	PART NO.	LIST AND INDEX NO.	PART NO.	LIST AND INDEX NO.
4216024	11 - 42	5344991	20 - 76	5562071	20 - 71	6825819-CONT	9 - 101
	12A- 53	5349888	4 - 102	5562072	20 - 88	6825820	8 - 27
	13 - 48	5351177	21 - 17	5562077	20 - 16		9 - 101
	14 - 9	5351178	21 - REF	5562081	20 - 85	6825828	8 - 27
4216102	9 - 4	5352960	21 - 36	5562083	20 - 81		9 - 101
4216104	7 - 15	5352967	21 - 37	5562084	19 - 34	8267333	21 - 20E
4251623	1 - 16	5353851	21 - 32	5562085	20 - 58	8267334	21 - 210
4418722	8 - 27	5353852	21 - 11A	5562086	20 - 63	8276900	21 - 133
	9 - 101	5353867	21 - 92	5562088	20 - 49	8276938	21 - 130
4430000	12A- 66		21 - 104	5562096	20 - 4	8279052	15 - 23
4432603	4 - 195	5353869	21 - 92	5562098	20 - 43	8326801	9 - 100
4432620	16A- 2		21 - 104A	5562102	20 - 12	8329450	9 - 100
4432640	11 - 50C	5353896	21 - 105	5562115	20 - 28	8329452	8 - 27
4432641	12 - 29		21 - 114	5562116	19 - 5		9 - 101
	12A- 51	5353902	21 - 94	5576199	4 - 202	8330683	8 - 25
	13 - 35	5353920	21 - REF	5576224	4 - 188		8 - 135
4432642	12 - 27	5353922	21 - 54	5576245	4 - 182	8481005	4 - 80
	12A- 47	5362301	21 - 18	5576255	4 - 186		4 - 180
	13 - 44	5362302	21 - 18D	5576264	4 - 203	8482019	12A-103
4432643	12A- 52	5362303	21 - 91	5576265	4 - 204	8482029	12A- 33
4432644	11 - 50B	5362306	21 - 107	5576266	4 - 205	8482038	11 - 60
4432645	11 - 50	5362308	21 - 108	5576267	4 - 206	8482039	11 - 66
	13 - 33	5362312	21 - 100	5578477	21 - REF	8482052	11 - 83
4432646	12 - 26	5362313	21 - 100A	5578491	21 - 30A		11 - 84
	12A- 46	5372977	21 - REF	5578498	21 - REF		11 - 114
	13 - 34	5372978	21 - 97	5578511	5 - 4		12 - 46
4432647	11 - 51	5372979	21 - 98	5578512	5 - 5		12 - 70
4432648	11 - 50A	5391641	12 - 34	5578577	1 - 10		12A- 71
4432863	4 - 76		12A- 57	5578613	1 - 35		12A-106
4441141	5 - 3C	5393041	21 - 113	5578614	1 - 35		13 - 70
4686036	15 - 31	5393043	21 - 116	5578615	1 - 35		13 - 73
4686055	2 - 39	5393054	21 - 117	5578616	1 - 35		13 - 96
4688821	21 - 121	5393058	21 - 109	5578617	1 - 35		14 - 21
4857082	8 - 27	5393343	21 - 147	5578618	1 - 35		15 - 26
	9 - 101	5404458	21 - REF	5578663	5 - 1	8482053	11 - 82
4857087	15 - 15A	5404480	21 - 18A	5578671	4 - 46A		12 - 47
	16 - 16A	5447741	20 - 13		5 - REF		12A- 72
	16A- 16A		21 - 50	5578672	4 - 46A		12A-107
4943864	21 - 79A	5466393	20 - 17		5 - REF		13 - 72
5050389	16 - 7		21 - 51	5615515	12 - 19		14 - 2
5162880	21 - REF	5466397	20 - 14		12A- 70		15 - 2H
5180041	21 - 159A		21 - 52		13 - 66	8482098	11 - 31
5180042	21 - 160A	5466456	21 - REF	5700484	20 - 84		11 - 32
5182931	21 - 85	5466457	21 - 105A	5717874	21 - 120	8482101	11 - 61
5182932	21 - 86	5466458	21 - 100B	5717999	1 - 36		12 - 12
5203114	2 - 48	5466459	21 - 100C	5719456	9 - 24		13 - 39
5214335	4 - 213	5468318	5 - 20	5759191	4 - 83A	8482113	4 - 145
5214450	21 - 8D	5468387	5 - 8	5785130	11 - 11	8482118	4 - 146
5214963	11 - 75	5468388	5 - 7		12 - 50	8482136	11 - 106
5235202	8 - 136	5486851	21 - 18B		12A- 15		13 - 90
5239162	4 - 83	5486853	21 - 18C		13 - 13	8482141	11 - 109
5252582	21 - 19	5501993	3 - 84A		14 - 20		12 - 65
5252587	21 - 28A		4 - 25A		15 - 16		12A-101
5252592	21 - 76F		4 - 49A		16 - 17		13 - 89
5252593	21 - 76G	5501997	3 - 84C		16A- 17	8482146	11 - 107
5252661	21 - 58		4 - 25C		17 - 17		12 - 66
5252721	21 - 8C		4 - 49C	5796427	12A- 69		12A-100
5252759	8 - 6	5529183	21 - 53A		14 - 14		13 - 87
	8 - 116	5529184	21 - 102	5796429	12 - 18	8482147	11 - 105
5252822	17A- 2	5529190	21 - 92	5800530	21 - 41		12 - 64
5252824	5 - 16	5562019	19 - 33	5800610	21 - 41A		12A-102
5252828	5 - 16	5562020	20 - 19	5800634	21 - 41C		13 - 86
5252841	15 - 22	5562022	20 - 23	5824321	21 - 96	8482172	11 - 108
5252940	21 - 15E	5562031	19 - REF	5888633	11 - 22		12A- 99
5261351	13 - 64		19 - 1		12 - 33		13 - 88
5261378	13 - 75	5562034	20 - 41		12A- 60	8482180	11 - 110
5261464	11 - 20	5562035	20 - 50		13 - 63		13 - 91
5275481	21 - 54A	5562036	20 - 89	5997533	4 - 143	8482303	21 - 26A
5301517	4 - 189C	5562037	20 - 65	6003004	1 - 16	8482315	21 - 26B
5302662	21 - 76D	5562038	20 - 93	6003011	2 - 150	8482319	3A- 36
5302663	21 - 76E	5562041	20 - 56	6003013	2 - 154		21 - REF
5312429	21 - 44	5562044	20 - 64	6520037	21 - 43A	8482336	3 - 60
5318966	7 - 11A	5562046	20 - 30	6814311	16 - 23	8482341	21 - REF
	7 - 15A	5562051	20 - 60	6814312	16A- 20	8482347	21 - REF
5319854	20 - 53	5562061	20 - 83		17 - 23	8482350	21 - REF
5337089	21 - 40A	5562062	19 - 22	6814313	15 - 23	8482351	21 - REF
5337090	21 - 159	5562063	20 - 82	6815181	9 - 100	8482352	21 - REF
5337091	21 - 160	5562064	20 - 29	6825818	8 - 27	8482353	21 - REF
5337092	21 - 161	5562066	20 - 9		9 - 101	8482354	21 - REF
5433332	21 - 70B	5562069	20 - 90	6825819	8 - 27	8482356	21 - REF

PART NO.	LIST AND INDEX NO.	PART NO.	LIST AND INDEX NO.	PART NO.	LIST AND INDEX NO.	PART NO.	LIST AND INDEX NO.
8482357	21 - REF	8482688	3 - 17	8482915	9 - 43	8483125	18A- 35
8482358	21 - REF		12 - REF	8482917	8 - 10	8483132	15 - 1
8482360	21 - REF	8482690	3 - 72		21 - REF	8483133	16 - 1
8482361	21 - REF		15 - REF	8482918	8 - 11		16A- 1
8482364	21 - REF	8482692	3 - 72		21 - REF		17 - 1
8482369	21 - 55C		15 - REF	8482919	21 - REF	8483135	18A- 18
8482378	21 - REF	8482693	3 - 3	8482923	18 - 1	8483137	18A- 34
8482379	15 - 8		16A- REF		21 - REF	8483144	18A- 37
	21 - REF	8482694	3 - 3	8482924	9 - 9	8483164	3A- 22
8482380	16 - 9		16 - REF	8482925	9 - 11		3A- 32
	16A- 9	8482695	3 - 7	8482926	9 - 43	8483166	12 - 52
	21 - REF		17 - REF	8482927	9 - 48		12A- 12
8482381	17 - 9	8482747	11 - 60	8482928	9 - 49		13 - 14
	21 - REF	8482748	11 - 66	8482930	21 - REF	8483172	15 - 1
8482384	21 - REF	8482752	3 - 94	8482931	21 - REF	8483176	11 - 8
8482388	18 - 2		7 - REF	8482932	21 - REF		11 -112
8482389	18 - 2	8482754	7 - 24	8482933	21 - REF	8483228	10 - 16
8482390	18 - 2	8482755	3 - 97	8482934	21 - REF		10 - 31
8482391	18 - 2		7 - 23	8482935	21 - REF		18A- 28
8482393	21 - 54B	8482756	3 - 89	8482936	2 - 91	8483230	10 - 11
8482398	21 - REF	8482757	7 - 14		4 -119 21 - REF	8483231	10 - 5
8482403	12A- 74	8482759	7 - 13	8482937	21 - REF	8483233	10 - 14
8482412	9 - 22		21 - REF	8482938	21 - REF	8483237	10 - 12
8482418	11 - 83	8482760	7 - 22	8482939	21 - REF	8483241	10 - 10
	11 - 84		21 - REF	8482940	21 - REF	8483259	3A- 18
	11 -114	8482761	7 - 10	8482941	21 - REF	8483269	8 -112
	12 - 46	8482771	9 - 3	8482942	21 - REF	8483272	1 - 20
	12 - 70	8482772	7 - 1	8482943	21 - REF	8483286	11 - 1
	12A- 71	8482775	14 - 15	8482944	21 - REF	8483291	13 - 8
	12A-106	8482776	3 - 29 14 - REF	8482945	21 - REF		13 - 94
	13 - 70	8482791	12 - 3	8482946	21 - REF	8483292	11 - 7
	13 - 73	8482797	2 - 66	8482947	21 - REF		11 -113
	13 - 96	8482798	2 - 66	8482948	21 - REF		12 - 43
8482420	12A- 80	8482836	21 - REF	8482949	21 - REF		12 - 69
8482421	12A- 74	8482849	21 - REF	8482963	18 - 3		12A- 3
8482424	7 - 14A	8482855	3A- 34	8482964	3 - 26	8483294	12A-105
8482427	7 - 10A		21 - REF	8482965	18 - REF		11 - 5
8482474	7 - 10	8482856	3A- 34		3 - 26		11 -111
8482483	7 - 14		21 - REF	8482966	18 - REF		12 - 41
8482567	12A- 32	8482876	21 - REF		3 - 26		12 - 68
8482568	12A- 39	8482877	21 - REF	8482967	18 - REF		12A- 2
8482570	11 - 47	8482878	3A- 26		3 - 26		12A-104
	12A- 40		21 - REF	8482979	18 - REF		13 - 5
8482580	13 - 20	8482879	21 - 74A	8482987	21 -132A	8483295	13 - 92
8482581	12 - 11	8482880	21 - REF		3 - 98		13 - 71
8482583	12 - 5	8482881	21 - REF		17A- REF		13 - 95
8482584	13 - 32	8482882	21 - REF	8482989	2 -156	8483309	1 - 53
8482584	13 - 26	8482883	21 - REF	8483000	1 - 1		1 - 67
8482587	11 - 57	8482885	4 - 82		3 - 93		1 - 73
	12 - 31	8482887	21 - 37A	8483010	2 - REF	8483310	1 - 59A
	12A- 35	8482891	8 -120	8483011	1 - 80		1 - 68A
	12A- 49		21 - REF	8483015	1 - 81		1 - 77A
8482591	13 - 31	8482893	2 - 91	8483017	10 - 35	8483311	1 - 59B
8482592	12 - 23		4 -119	8483018	10 - 36		1 - 68B
	11 - 46		21 - REF	8483021	10 - 37		1 - 77B
	12A- 41	8482894	21 - REF	8483037	6 - 2	8483312	1 - 51
	13 - 23	8482895	21 - REF	8483038	6 - 8	8483313	1 - 71
8482644	11 - 31	8482896	4 - 67	8483039	6 - 7	8483314	1 - 61
8482656	3 - 17		21 - REF	8483046	10 - 38	8483315	1 - 13
	12A- REF	8482897	21 - REF	8483062	12 - 1		1 - 70
8482657	3 - 71	8482898	21 - REF	8483067	4 - 84	8483316	1 - 14
	11 - REF	8482899	3A- 37	8483072	21 - 410		1 - 60
8482658	3 - 71		21 - REF	8483073	15 - 25	8483317	1 - 15
	11 - REF	8482900	21 - REF	8483077	16 - 1		1 - 50
8482659	3 - 18	8482901	21 - REF		16A- 1	8483318	1 - 20
	13 - REF	8482902	21 - REF		17 - 1	8483320	1 - 20
8482666	12A- 30	8482903	8 -111	8483079	4 - 75		2 -151
8482667	11 - 3		21 - REF	8483081	4 - 78	8483321	2 -151
8482668	11 - 3	8482904	14 - 13	8483082	13 - 1	8483322	2 - 1A
8482669	13 - 3		21 - REF	8483089	4 - 8	8483324	10 - 1
8482680	3 - 72	8482905	21 - REF	8483091	4 - 5	8483325	2 - 65
	15 - REF	8482906	21 - REF	8483096	2 - 9	8483327	1 - 17
8482682	3 - 72	8482907	21 - REF	8483097	2 - 16	8483329	1 - 20
	15 - REF	8482908	21 - REF	8483098	3 - 87	8483334	1 - 17
8482683	3 - 3	8482909	21 - REF	8483099	3A- 20	8483336	1 - 20
	16A- REF	8482911	17A- 16	8483110	2 - 69		2 -151
8482684	3 - 3	8482912	17A- 9		3 - REF	8483337	2 -151
	16 - REF		21 - REF	8483118	4 - 77	8483338	2 - 65
8482685	3 - 7	8482913	9 - 16	8483119	2 - 5	8483340	2 - 1A
	17 - REF	8482914	3 - 60F	8483123	7 - 3	8483342	1 - 20

PART NO.	LIST AND INDEX NO.	PART NO.	LIST AND INDEX NO.	PART NO.	LIST AND INDEX NO.	PART NO.	LIST AND INDEX NO.
8483344	2 - 66	8483690-CONT	8 - REF	8483772-CONT	6 - 17	8483915	18A- 34
8483347	1 - 58	8483693	18 - 5		21 - 90A	8483916	1 - 53
	1 - 76	8483694	8 - 18	8483773	2 - 48		1 - 67
	2 - 8		8 - 110		6 - 17		1 - 73
	10 - 2	8483695	2 - 4		21 - 90A		16 - 22
8483350	3A- 38		6 - 14	8483774	21 - 42A	8483918	1 - 6
8483399	4 - 136	8483696	2 - 1A	8483778	8 - 134	8483919	1 - 4
8483405	21 - 163	8483698	13 - 7	8483780	3 - 22	8483920	3 - 63
8483408	18 - 12		13 - 93		9 - REF	8483921	4 - 1230
8483417	18 - 13	8483699	3A- 27	8483781	18A- 23	8483922	9 - 47
8483430	1 - 18	8483700	4 - 44	8483782	18A- 20	8483923	4 - 123
	10 - REF	8483701	4 - 41	8483783	9 - 56	8483924	4 - 115
8483500	2 - 15	8483702	4 - 109	8483786	4 - 123C	8483926	9 - 1
	4 - REF	8483703	14 - 1	8483787	2 - 70	8483934	10 - 20
8483502	4 - 1	8483708	1 - 51		18A- REF	8483935	10 - 21
8483503	4 - 2	8483709	1 - 15	8483788	2 - 70	8483936	10 - 22
8483504	4 - 3		1 - 50	8483789	8 - 1	8483937	10 - 23
8483505	4 - 40	8483714	4 - 49	8483790	3 - 22	8483938	10 - 29
8483506	2 - 31	8483715	4 - 49B		9 - REF	8483954	8 - 24
8483513	4 - 113	8483716	4 - 25	8483791	8 - 2	8483959	9 - 102
8483523	2 - 21	8483717	4 - 25B	8483792	8 - 3		15 - 18
8483524	2 - 43	8483718	3 - 84	8483793	8 - 21		15 - 21
8483525	4 - 123E	8483719	3 - 84B	8483795	3 - 76		16 - 18
8483532	4 - 123A	8483722	1 - 56		8 - REF		16 - 20
8483535	4 - 123B	8483725	1 - 6	8483796	1 - 17		16A- 19
8483538	4 - 86	8483726	1 - 4	8483798	1 - 20		16A- 26
8483539	4 - 87	8483728	2 - 115		2 - 151		17 - 18
	4 - 110	8483729	4 - 51	8483799	2 - 151		17 - 20
8483541	2 - 4A	8483730	1 - 13	8483816	4 - 126		17A- 15
	6 - 15		1 - 70	8483817	9 - 1		17A- 17
	21 - 90	8483731	1 - 14	8483818	9 - 55		18 - 25
8483542	4 - 104		1 - 60	8483819	9 - 17	8483961	11 - 14
8483543	2 - 4A	8483732	1 - 13	8483821	17A- 1		12 - 2
	6 - 15		1 - 70	8483822	17A- 12		12A- 16
	21 - 90	8483733	1 - 14	8483823	17A- 6		13 - 17
8483547	4 - 147		1 - 60	8483825	17A- 4		14 - 23
8483548	4 - 108A	8483734	1 - 13	8483826	17A- 5		15 - 19
8483549	4 - 162		1 - 70	8483828	9 - 55		16 - 21
8483552	11 - 12	8483735	1 - 14	8483829	9 - 1		17 - 21
8483553	11 - 12		1 - 60	8483830	2 - 90	8483963	15 - 20
8483554	12 - 48	8483736	1 - 13		21 - REF	8486187	8 - 19
8483555	13 - 11		1 - 70	8483854	15 - 1		8 - 109
8483556	11 - 1	8483737	1 - 14	8483855	1 - 17	8551903	8 - 27
8483557	11 - 8		1 - 60	8483857	12A- 1		9 - 101
	11 - 112	8483738	1 - 13		12A- 29	8551904	9 - 100
	18 - 17		1 - 70	8483858	12A- 8	8562698	21 - 55F
8483559	3A- 2	8483739	1 - 14	8483860	2 - 4B	8562701	21 - 55
8483561	3A- 10		1 - 60		6 - 17	8562702	21 - 55A
8483562	3A- 10		1 - 13		21 - REF	8562704	21 - 55D
8483563	3A- 5	8483740	1 - 13		21 - 90A	8562705	21 - 55E
8483568	2 - 78		1 - 70	8483861	21 - 94C	8562716	21 - 55B
8483570	3A- 30	8483741	1 - 14	8483862	21 - 94C	8562724	21 - 55G
8483572	8 - 106		1 - 60	8483863	21 - 94C	8653317	5 - 12
8483576	3 - 65	8483742	1 - 71	8483864	21 - 94C		
8483578	4 - 161	8483743	1 - 61	8483865	21 - 94E		
8483579	4 - 163	8483744	1 - 71	8483866	21 - 94E		
8483580	4 - 96	8483745	1 - 61	8483867	21 - 94E		
	4 - 160	8483746	1 - 71	8483869	18A- 41		
8483581	4 - 97	8483747	1 - 61	8483871	15 - 1		
	4 - 160	8483748	1 - 71	8483875	2 - 65		
8483583	4 - 108C	8483749	1 - 61	8483879	2 - 51		
8483584	4 - 107	8483750	1 - 71	8483880	2 - 1A		
8483585	4 - 108D	8483751	1 - 61		2 - 65		
8483586	4 - 108	8483752	1 - 71	8483897	2 - 65		
8483587	4 - 93	8483753	1 - 61	8483901	18A- 51		
8483588	4 - 94	8483755	1 - REF	8483902	18A- 52		
8483589	4 - 166		1 - REF	8483903	18A- 15		
8483590	4 - 166	8483757	1 - 51	8483904	10 - 3		
8483598	8 - 134	8483760	18 - 21	8483905	2 - 71		
8483599	9 - 47	8483761	18 - 22	8483906	2 - 71		
8483678	2 - 1	8483762	2 - 50	8483907	1 - 20		
	6 - REF		3A- 12		2 - 151		
8483679	6 - 1	8483763	3A- 16	8483908	2 - 151		
8483680	6 - 10	8483764	3A- 8	8483909	3 - 39		
8483682	2 - 27	8483765	3A- 28		9 - 14		
8483684	8 - 103	8483766	2 - 28		18A- 83		
8483685	8 - 102		21 - 75	8483910	18 - 4		
8483686	8 - 101	8483770	3 - 22	8483911	18 - 4A		
8483689	3 - 76		9 - REF	8483912	2 - 80		
	8 - REF	8483771	9 - 25	8483913	1 - 8		
8483690	3 - 76	8483772	2 - 48	8483914	9 - 57		



This manual is part of a library that serves as a reference source for systems analysts, programmers, and operators of IBM systems. This form may be used to communicate your views about this publication. They will be sent to the author's department for whatever review and action, if any, is deemed appropriate. Comments may be written in your own language; use of English is not required.

IBM may use or distribute any of the information you supply in any way it believes appropriate without incurring any obligation whatever. You may, of course, continue to use the information you supply.

Note: *Copies of IBM publications are not stocked at the location to which this form is addressed. Please direct any requests for copies of publications, or for assistance in using your IBM system, to your IBM representative or to the IBM branch office serving your locality.*

Possible topics for comment are:

Clarity Accuracy Completeness Organization Coding Retrieval Legibility

If you wish a reply, give your name and mailing address:

Note: Staples can cause problems with automated mail sorting equipment. Please use pressure sensitive other to seal this form

Cut or Fold Along Line

What is your occupation? _____

Number of latest Newsletter associated with this publication: _____

Thank you for your cooperation. No postage stamp necessary if mailed in the U.S.A. (Elsewhere, an IBM office or representative will be happy to forward your comments or you may mail directly to the address in the Edition Notice on the back of the front cover or title page.)

S135-1004-4

IBM FORM 400

1975 EDITION

Reader's Comment Form

Fold and tape

Please Do Not Staple

Fold and tape



NO POSTAGE
NECESSARY
IF MAILED
IN THE
UNITED STATES



BUSINESS REPLY MAIL
FIRST CLASS PERMIT NO. 40 ARMONK, N.Y.

POSTAGE WILL BE PAID BY ADDRESSEE:

International Business Machines Corporation
Department 812B
1133 Westchester Avenue
White Plains, New York 10604

Fold and tape

Please Do Not Staple

Fold and tape



International Business Machines Corporation
Data Processing Division
1133 Westchester Avenue, White Plains, N.Y. 10604

IBM World Trade Americas/Far East Corporation
Town of Mount Pleasant, Route 9, North Tarrytown, N.Y., U.S.A. 10501

IBM World Trade Europe/Middle East/Africa Corporation
360 Hamilton Avenue, White Plains, N.Y., U.S.A. 10601

Cut or Fold Along Line

435-74331

Accessories (PCI)

Printers in U.S.

35-1004



4321/4331
Processor (PC)
Printed in U.S.A.

S135-1004-4

4321/4331 Processor (PC) Printed in U.S.A. S135-1004-4



International Business Machines Corporation
Data Processing Division
1133 Westchester Avenue, White Plains, N.Y. 10604

IBM World Trade Americas/Far East Corporation
Town of Mount Pleasant, Route 9, North Tarrytown, N.Y., U.S.A. 10591

IBM World Trade Europe/Middle East/Africa Corporation
360 Hamilton Avenue, White Plains, N.Y., U.S.A. 10601