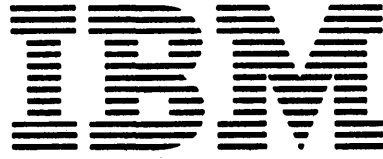




**Maintenance Library**

**3145**

**Processing Unit  
Parts Catalog**



**Maintenance Library**



**Processing Unit  
Parts Catalog**

## PREFACE

This Parts Catalog (PC) contains listings and illustrations of all replaceable assemblies, sub-assemblies and detail parts released on or before August 30, 1974.

### *Third Edition (October 1975)*

This is a reprint of S124-0129-1 incorporating the changes released in Technical Newsletter SN24-0701, dated August 30, 1974.

Changes that affect this catalog are made periodically; any such changes will be reported in subsequent revisions or Technical Newsletters.

Requests for copies of IBM publications should be made to your IBM representative or to the IBM branch office serving your locality.

This manual has been prepared by the IBM System Products Division, Product Publications, Dept. K10, P.O. Box 6, Endicott, N.Y. 13760.

A form is provided at the back of this publication for reader's comments. If the form has been removed, comments may be sent to the above address. Comments become the property of IBM.

CONTENTS

HOW TO USE A PARTS CATALOG . . . . iv

VISUAL INDEXES . . . . . vi

Figure . . . . . Page

COVERS AND TABLE ASSEMBLY

1 Covers and Frame Assembly  
(2 sheets) . . . . . 1

2 Front End Table Assembly . . . . 8

CONSOLE ASSEMBLIES

3 Console File Assembly . . . . . 11

4 Reader Assembly-Old Style  
(2 sheets) . . . . . 13

5 Reader Assembly-New Style . . . 17

6 Access Assembly-Old Style . . . 19

7 Access Assembly-New Style . . . 21

8 Gate Assembly-Old Style . . . . 23

9 Backplate Assembly-New  
Style . . . . . 24

CENTRAL PROCESSING UNIT  
ASSEMBLIES

10 CPU Final Assembly-Stage 1  
(3 sheets) . . . . . 26

11 CPU Final Assembly-Stage 2  
(3 sheets) . . . . . 36

12 Console Assembly (2 sheets) . . 44

13 Main Switch Control Panel  
Assembly . . . . . 49

14 Circuit Protector Panel  
Assembly-Stage 1 . . . . . 52

15 Circuit Protector Panel  
Assembly-Stage 2 . . . . . 53

16 Mixer Board Assembly-  
Stage 1 . . . . . 55

Figure . . . . . Page

17 Mixer Board Assembly-  
Stage 2 . . . . . 57

18 A Gate Assembly-Stage 1  
(2 sheets) . . . . . 58

19 A Gate Assembly-Stage 2 . . . . 63

20 B Gate Assembly-Stage 1 . . . . 67

21 B Gate Assembly-Stage 2  
(2 sheets) . . . . . 70

22 Cooling Unit Assembly-Stage 1. 75

23 Cooling Unit Assembly . . . . . 76

24 Cooling Unit Assembly-Stage 2. 77

24A Cooling Unit Assembly-Stage 1. 78A

25 Regulator Assembly-Stage 1 . . . 79

26 Multi-Voltage Assembly . . . . . 81

27 Module Assembly . . . . . 83

28 Phase Control Regulator  
Assembly . . . . . 85

29 Control Assembly . . . . . 88

30 Dual OCR Assembly-Stage 2. . . 90

31 Control Section Assembly-  
Stage 2 . . . . . 93

POWER FRAME ASSEMBLIES

32 Power Frame Final Assembly-  
(2 sheets) Models FED, GE,  
GFD, H, HG, I . . . . . 95

33 Power Frame Final Assembly-  
(2 sheets) Models H2, HG2, I2,  
IH2, J2, JI2, K2 . . . . . 102

34 Basic Power Frame Assembly-  
(2 sheets) Models H2, HG2, I2,  
IH2, J2, JI2, K2 . . . . . 108

CONTENTS

| <u>Figure</u>                          |   | <u>Page</u> | <u>Figure</u>                                |  | <u>Page</u> |
|--|---|-------------|--|--|-------------|
| <u>POWER FRAME ASSEMBLIES (Cont'd)</u> |   |             | 52   | Primary Power Box Door Assembly . . . . .                | 152         |
| 35                                     | File Assembly . . . . .                                 | 114         | 53   | Relay Plate Assembly . . . . .                           | 154         |
| 36                                     | Motor Generator Assembly (2 sheets) . . . . .           | 115         | 54   | Phase Control Regulator Assembly <u>NOTE 4</u> . . . . . | 157         |
| 37                                     | Motor Generator Regulator Assembly . . . . .            | 119         | 55   | Control Section Assembly <u>NOTE 4</u> . . . . .         | 160         |
| 38                                     | Motor Generator Frame Assembly . . . . .                | 121         | 56   | Module Assembly <u>NOTE 4</u> . . . . .                  | 162         |
| 39                                     | CP Panel Assembly <u>NOTE 4</u> . . . . .               | 123         | 57   | Power Supply Assembly- 3V at 20A <u>NOTE 3</u> . . . . . | 164         |
| 40                                     | Sequencing Panel Assembly <u>NOTE 3</u> . . . . .       | 124         | 58   | Power Pac Assembly- 6V at 16A <u>NOTE 3</u> . . . . .    | 166         |
| 41                                     | Sequencing Panel Assembly <u>NOTE 4</u> . . . . .       | 126         | 59   | Power Pac Assembly- 36V at 2A <u>NOTE 3</u> . . . . .    | 168         |
| 42                                     | AC/DC Panel Assembly <u>NOTE 4</u> . . . . .            | 128         | 60   | Module Assembly <u>NOTE 3</u> . . . . .                  | 170         |
| 43                                     | Gate Assembly- 3 X 4 (2 sheets) <u>NOTE 4</u> . . . . . | 130         | 61   | AC/DC Module Assembly <u>NOTE 3</u> . . . . .            | 171         |
| 44                                     | ISC Gate Assembly <u>NOTE 4</u> . . . . .               | 134         | 62   | Emergency Power-Off Control Assembly . . . . .           | 173         |
| 45                                     | CE Panel Assembly <u>NOTE 4</u> . . . . .               | 137         | <u>CPU AND POWER FRAME COMMON ASSEMBLIES</u> |  |             |
| 46                                     | Power Module Assembly <u>NOTE 3</u> . . . . .           | 139         | 63   | Cooling Unit Assembly <u>NOTES 1, 2, 4</u> . . . . .     | 175         |
| 47                                     | Regulator Box Assembly <u>NOTE 4</u> . . . . .          | 141         | 64   | Cooling Unit Assembly <u>NOTES 1, 2, 3</u> . . . . .     | 176         |
| 48                                     | Blower Assembly <u>NOTE 4</u> . . . . .                 | 143         | 65   | Cooling Unit Assembly <u>NOTES 1, 2, 4</u> . . . . .     | 177         |
| 50                                     | Regulator Fan Assembly <u>NOTE 3</u> . . . . .          | 144         | 66   | Cooling Unit Assembly <u>NOTES 1, 2, 3</u> . . . . .     | 178         |
| 51                                     | Primary Power Box Assembly (2 sheets) . . . . .         | 146         |  |  |             |

NOTE 1 - USED ON CPU STAGE 1  
 2 - USED ON CPU STAGE 2  
 3 - USED ON POWER FRAME MODELS FED, GE, GFD, H, HG, I  
 4 - USED ON POWER FRAME MODELS H2, HG2, I2, IH2, J2, JI2, K2

| <u>Figure</u>   |  | <u>Page</u> |
|---|--|-------------|
| <u>CPU AND POWER FRAME COMMON ASSEMBLIES (Cont'd)</u> |  |             |
| 66A   | Cooling Unit Assembly . . . . .                                    | 178B        |
| 66B   | Blower Assembly . . . . .  | 179A        |
| 67  | AC/DC Module Assembly<br><u>NOTES 1, 2, 4</u> . . . . .            | 180         |
| 68  | Power Supply Assembly-<br>6V at 12A <u>NOTES 1, 2, 4</u> . . . . . | 182         |
| 69  | Add/On Heatsink Assembly<br><u>NOTES 1, 4</u> . . . . .            | 185         |
| 70  | Bias Transformer Assembly<br><u>NOTES 1, 2, 4</u> . . . . .        | 186         |
| 71  | Power Supply Assembly<br><u>NOTES 1, 2, 4</u> . . . . .            | 187         |
| 72  | Cables and Component Parts<br><u>ALL MODELS</u> . . . . .          | 189         |
|   | NUMERICAL INDEX . . . . .  | X-1         |

NOTE 1 - USED ON CPU STAGE 1  
2 - USED ON CPU STAGE 2  
3 - USED ON POWER FRAME  
MODELS FED, GE, GFD, H, HG, I  
4 - USED ON POWER FRAME  
MODELS H2, HG2, I2, IH2, J2, JI2, K2

## HOW TO USE THIS ILLUSTRATED PARTS CATALOG (IPC)

### PART I

To find parts quickly, a general understanding of the structure of this catalog is necessary. The catalog is divided into three major sections:

- The Visual Index, containing overall views of the machine, with call-outs pointing to detailed figures.
- The Catalog Section, containing a pictorial breakdown of assemblies and subassemblies.
- The Numerical Index, which is a numerical list of all parts used in the machine, with cross-references to the figure on which the part is found.

#### VISUAL INDEX

The Visual Index, located before the Catalog Section, contains a reduced illustration of every figure in the Catalog Section. The reduced illustrations are tied together with flow arrows to form a natural progression from large assemblies to small assemblies and possibly subassemblies. In effect, a visual table of contents is formed by the Visual Index illustrations.

#### CATALOG SECTION

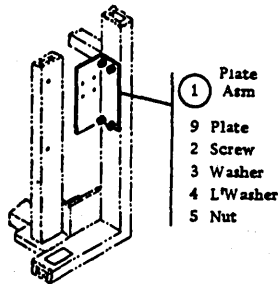
The Catalog Section contains the full-sized illustrations previously noted in the Visual Index. Index numbers on figures refer to corresponding entries in the Group Assembly Parts List accompanying each figure. Refer to part II for explanation of terms used in the Group Assembly Parts List.

#### NUMERICAL INDEX

The Numerical Index is located after the Catalog Section and contains a complete list, in numerical order, of all part numbers used on the machine. Listed with the part number is the index and figure number on which the part is illustrated. The numerical index makes it possible to locate a part when only the part number is known.

#### STACKED INDEX NUMBERS

Stacked Index numbers are used when showing a part and its attaching hardware. The sequence of a typical stack is shown at the right. The circled index number indicates the assembly is broken down within the figure.



#### ILLUSTRATION NOTES

Cross-reference notes are directly on the illustration. The illustration's next higher assembly reference, normally located in the upper left corner of the page will read: "For Parts Not Shown See Figure X". If an assembly is referenced to a lower level figure, the note located next to the index number will read: "See Figure X."

#### DOUBLE LINED DETAIL BOX

The double lined box differentiates between parts shown on the basic model and parts related to a level and/or feature difference. An explanation of the level or feature difference is given in the double lined box.

#### FINDING A PART

The Visual Index is the starting point for locating a part. The illustrations in the Visual Index are reduced versions of all illustrations in the Catalog Section; therefore, the illustrations can be used to find the assembly containing the desired part. Use references to the detailed figure in the Catalog Section, or to another Visual Index illustration, to determine location of part number.

Once the detailed figure in the catalog section is determined, finding the part on the figure and referring to the listing for the part number and description is all that is required in most cases. If the first catalog section figure referenced shows the assembly containing the required part, the index number for the assembly will reference a lower-level figure where the assembly is broken down to its component parts. If the figure referenced by the Visual Index contains neither the part nor an assembly containing the part, it is then necessary to go to the next higher assembly figure. This figure should then contain the part or an assembly containing the part; if not, an even higher level figure must be used. Refer back to the Visual Index for some other figure that could show the desired part.

**Note:** Many detailed parts are unavailable, because they are part of an inseparable assembly (two or more parts welded or bonded together), or because they are part of an assembly purchased as a unit. If parts are found on a welded or bonded assembly, the following note follows the description of the assembly: "Assembly components are not replaceable!" If the part is found on a purchased assembly, and the detail parts of this assembly do not have IBM part numbers, the note following the assembly description will read: "Assembly components are not available." In either case, you need to obtain the part number of the assembly, rather than the detailed part.

#### EXAMPLE FOR ORDERING PARTS

|      |         |  | REF      |
|------|---------|--|----------|
| 4 -  | 5726422 | FAN ASM-P/S ENCLOSURE                      |          |
|      |         | FOR NEXT HIGHER ASSEMBLY SEE FIGURE 1-184  |          |
|      |         | FOR ILLUSTRATION SEE FIGURE 4              |          |
| - 1  | 334921  | TERMINAL RING- 18-22 AWG, #6 HOLE, INS     | 2        |
| - 2  | 187854  | SHIELD, TERMINAL BLOCK- 2 POS              | 1        |
| - 3  | 210984  | SCREW, RD HD MACH-6-32 X .250 LG           | ATT PT 1 |
| - 4  | 5357050 | FAN ASM-NO CONNECTOR                       | 1        |
| - 5  | 32042   | SCREW, MACH BIND, HD 10-32 X .375 LG       | ATT PT 2 |
| - 6  | 5357056 | BLADE                                      | 1        |
| - 7  | 5357067 | MOTOR 208V/230V 60CY 220V 50CY             | 1        |
| - 8  | 130434  | SCREW, MACH-SLOTTED HEX HD 10-32 X .375 LG | ATT PT 2 |
| - 9  | 56079   | WASHER, LOCK-EXT T .195ID .410 OD          | ATT PT 2 |
| - 10 | 5726436 | HEADER-POWER SUPPLY FAN                    | 1        |

If the entire fan is required, part number 5726422 should be ordered (all one dot items will be received). If only the subassembly is required, part number 5357050 should be ordered (all two dot items will be received). Each part may be ordered individually.

HOW TO USE THIS ILLUSTRATED PARTS CATALOG (IPC)

PART II

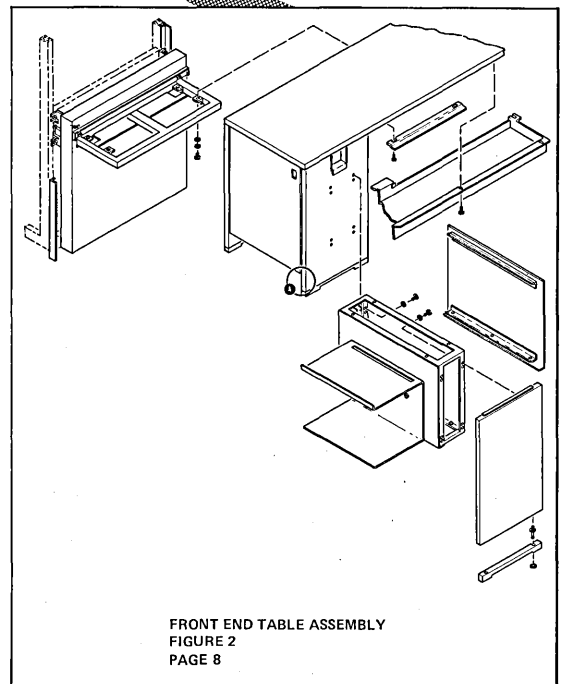
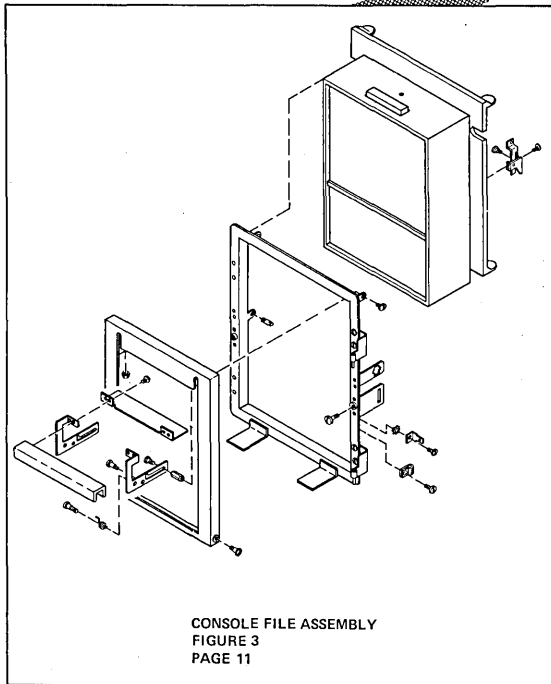
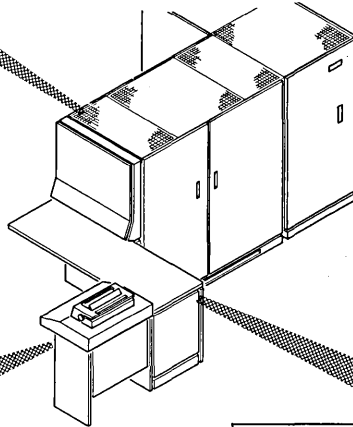
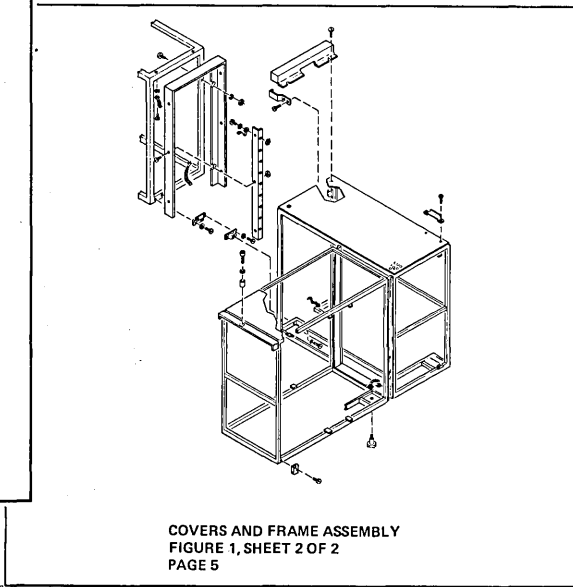
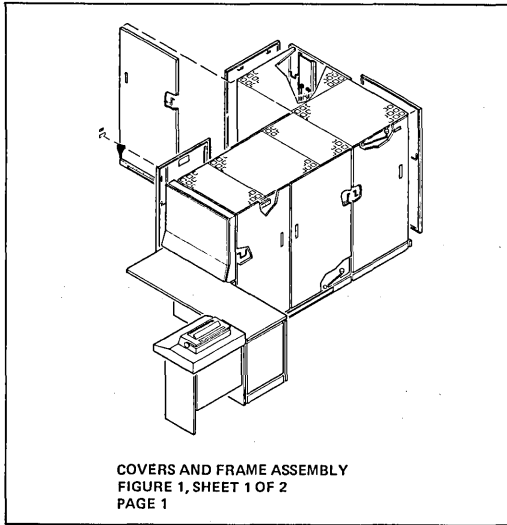
- ① AR  
As Required (AR) in the units per assembly column denotes that the quantity is used as required.
- ② ATT PT  
Attaching Parts: These parts are used to attach a subassembly to an assembly. The attaching parts are listed immediately following the part to be attached.
- ③ "COMM"  
Commercial hardware: When this indication appears in the part number column, it denotes hardware procurable from normal commercial sources and not identified by an IBM part number.
- ④ INDENTURE  
The relationship of a part to its next higher assembly is indicated by indentures. For example:  

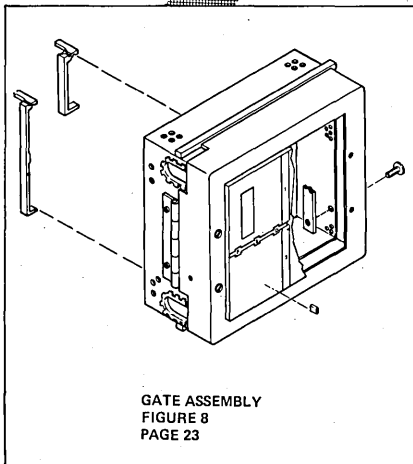
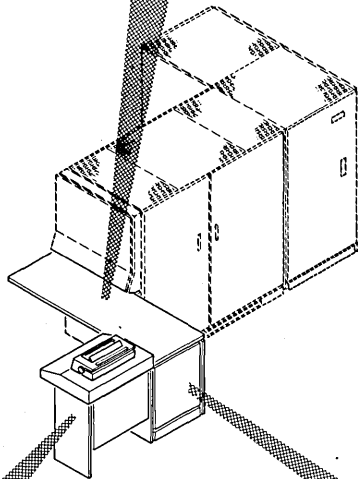
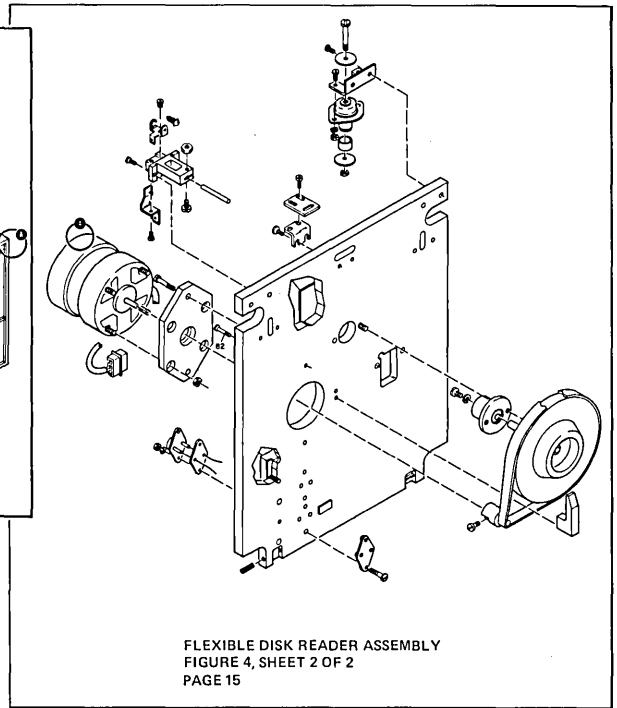
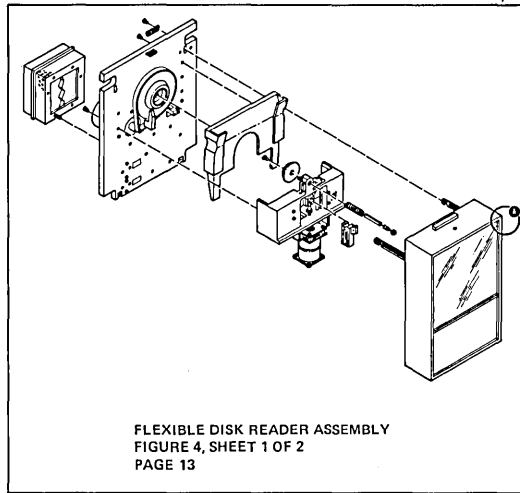
|   |   |   |   |
|---|---|---|---|
| 1   | 2 | 3 | 4 |
| Unit  |   |   |   |
| . Assemblies and Detail Parts of Unit           |   |   |   |
| . Attaching Parts for Assemblies & Detail Parts |   |   |   |
| . . Subassemblies                               |   |   |   |
| . . Attaching Parts for Subassemblies           |   |   |   |
| . . . Detail Parts for Subassemblies, etc.      |   |   |   |
- ⑤ NR  
The entry NR in the part number column denotes the part is procurable but not recommended for field replacement, and that the next higher assembly should be ordered.
- ⑥ NP  
The entry NP in the part number column denotes the assembly is non-procurable and the detail parts should be ordered separately.
- ⑦ NO NO.  
When this indication appears in the part number column, it denotes a group of parts for which no assembly part number has been assigned, and the detail parts should be ordered separately.
- ⑧ REF  
This entry in the units per assembly column denotes an assembly which is completely assembled on a preceding illustration. Quantities for such items are found in its next higher assembly.
- ⑨ SIMILAR ASSEMBLIES  
If two assemblies contain a majority of identical parts, they are broken down on the same list. Common parts are shown by one index number. Parts peculiar to one or the other of the assemblies are listed separately and identified by Usable On Code.
- ⑩ USABLE ON CODE  
Part application and interchangeability is indicated by the usable on code. If this column is blank, the parts pertain to all equipment(s) covered. Two types of codes are used. The alphabetic code denotes similar assemblies and/or features; the numeric code denotes level. Refer to the beginning of each list for the explanation of the code(s).
- ⑪ SUFFIX CODE  
The suffix code indicates the month (alphabetic) and the year (numeric) of the engineering change which affected interchangeability of the part.

EXAMPLE OF PARTS LIST

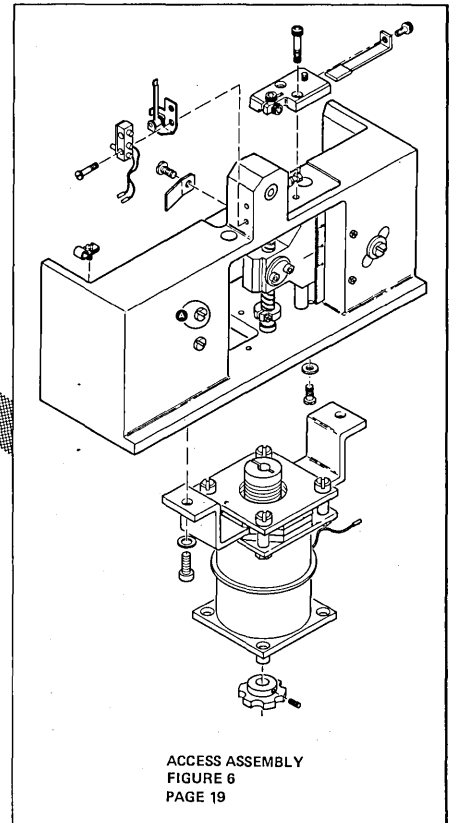
| LIST AND INDEX NO. | PART NO.   | DESCRIPTION  |   |   |   | UNITS PER ASM. | USABLE ON CODE |
|--------------------|------------|--|---|---|---|----------------|----------------|
|                    |            | 1  | 2 | 3 | 4 |                |                |
|                    |            | DRIVE MOTOR ASSEMBLY   |   |   |   |                |                |
| 2-                 |            | ⑩ CODE A USED ON 60 HZ ONLY      ⑪<br>CODE B USED ON 50 HZ ONLY<br>CODE 1 USED ON ASM PRIOR TO B6 SUFFIX |   |   |   |                | ⑩              |
| -                  | 2199376 NP | MOTOR ASM,DRIVE-115/220 VOLTS 60 HZ  |   |   |   | ⑧<br>REF       | 1A             |
| -                  | 2199386 NP | MOTOR ASM,DRIVE-220 VOLTS 50 HZ  |   |   |   | REF            | 1B             |
|                    |            | FOR NEXT HIGHER ASM SEE FIGURE 1-92<br>FOR ILLUSTRATION SEE FIGURE 2                                     |   |   |   |                |                |
| - 1                | 2204176    | . PULLEY, 60 HZ  |   |   |   | ①<br>1         | A              |
| - 1                | 2199255    | . PULLEY, 50 HZ  |   |   |   | 1              | B              |
| - 2                | 79842      | . SETSCREW, SPLINE DR CUP PT 8-32 X 3/8 LG   |   |   |   | ②<br>ATT PT    |                |
| - 3                | 2204116    | . MOTOR ASM, 220V AC 60 HZ   |   |   |   | 1              | A              |
| - 4                | NO NO.     | . MOTOR ASM, 220V AC 50 HZ   |   |   |   | 1              | B              |
| - 5                | 5526       | . SCREW, MACH BIND HD 8-32 X 0.625 LG  |   |   |   | ATT PT         |                |
| - 6                | 2204082    | . . FERRULE, OUTER   |   |   |   | 1              |                |
| - 7                | 2204033    | . . FERRULE, INNER   |   |   |   | 1              |                |
| - 8                | "COMM"     | . . MOTOR, 1/12 HP-220V 60 HZ  |   |   |   | 1              |                |
| - 8                | 2199258    | . . MOTOR, DRIVE - 220V 50 HZ  |   |   |   | 1              |                |
| - 9                | 2199401 NR | . PLATE, MOTOR MT-115/220 VOLTS 60 HZ  |   |   |   | 1              | A              |
| - 9                | 2199402 NR | . PLATE, MOTOR MT-220 VOLTS 50 HZ  |   |   |   | 1              | B              |

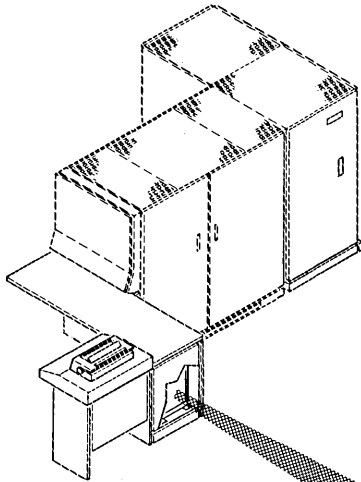




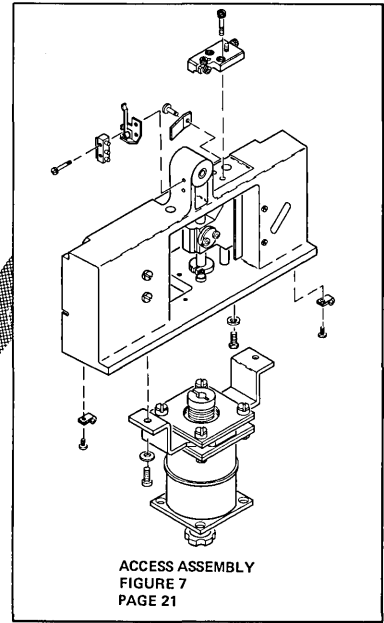


OLD STYLE READER ASSEMBLY

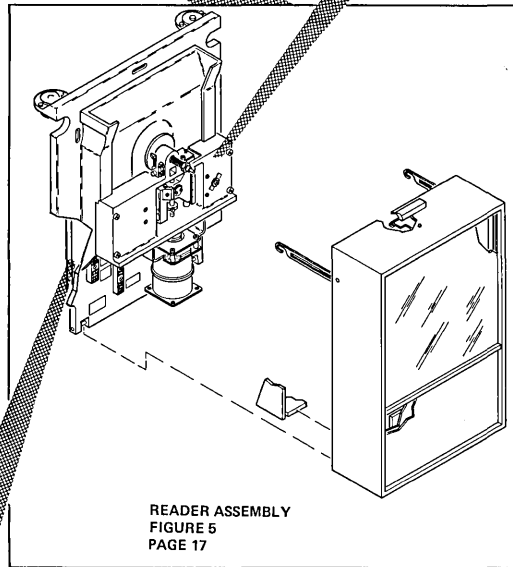




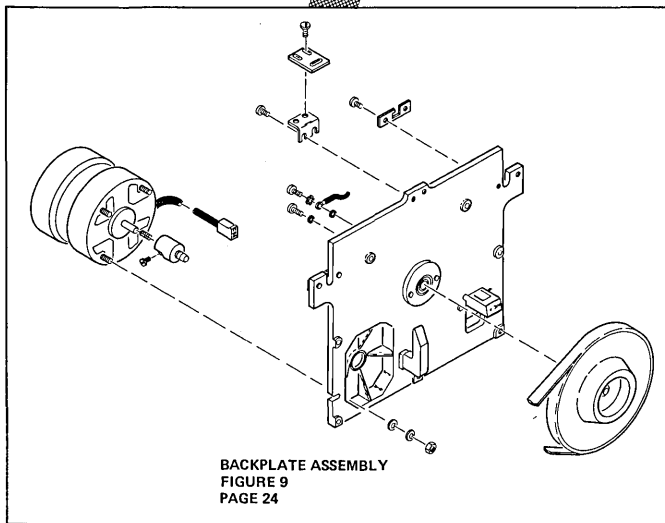
**NEW STYLE READER ASSEMBLY**



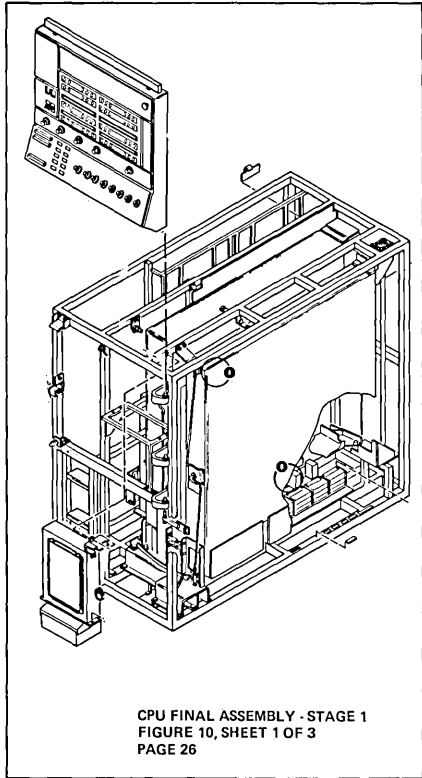
**ACCESS ASSEMBLY  
FIGURE 7  
PAGE 21**



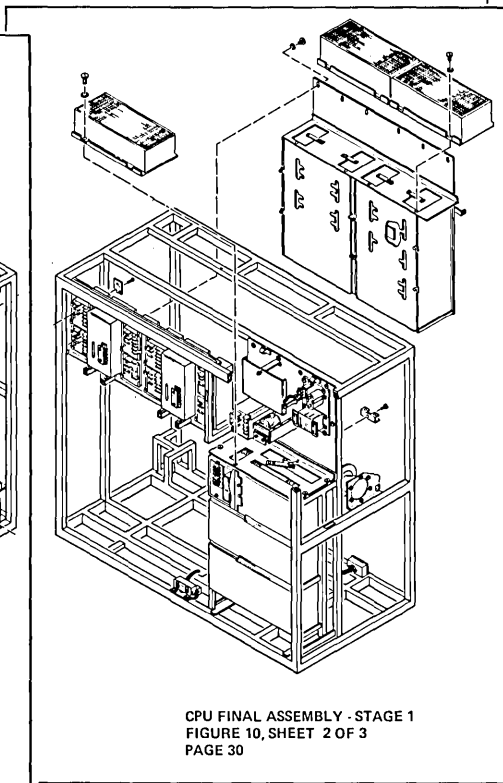
**READER ASSEMBLY  
FIGURE 5  
PAGE 17**



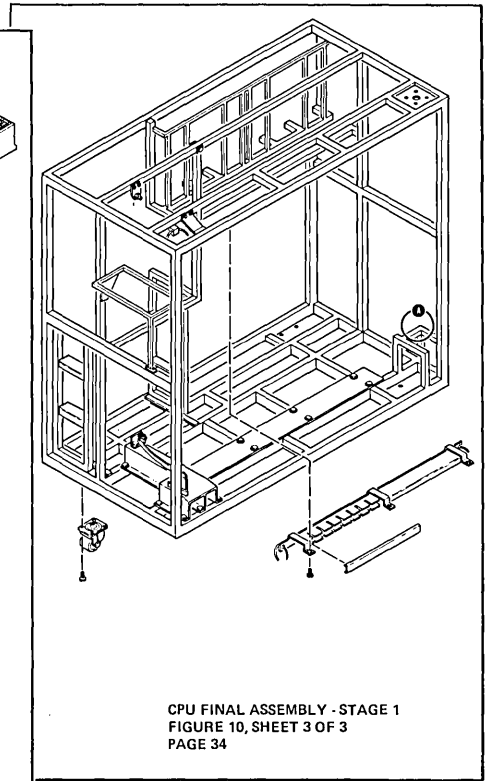
**BACKPLATE ASSEMBLY  
FIGURE 9  
PAGE 24**



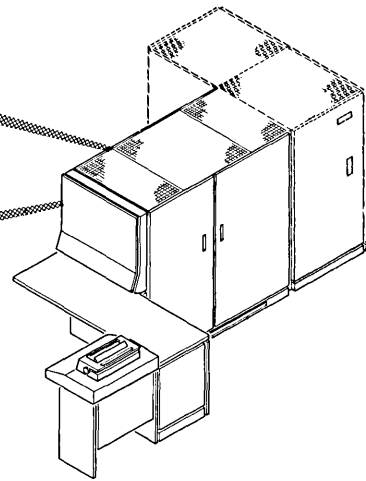
CPU FINAL ASSEMBLY - STAGE 1  
FIGURE 10, SHEET 1 OF 3  
PAGE 26



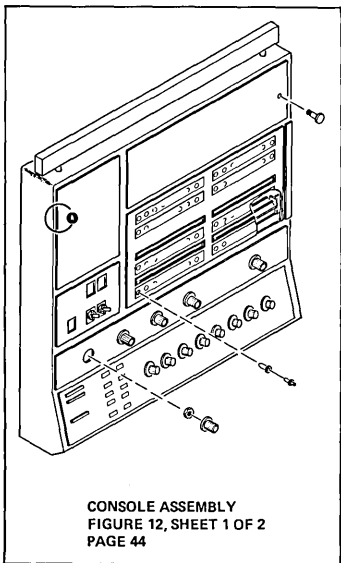
CPU FINAL ASSEMBLY - STAGE 1  
FIGURE 10, SHEET 2 OF 3  
PAGE 30



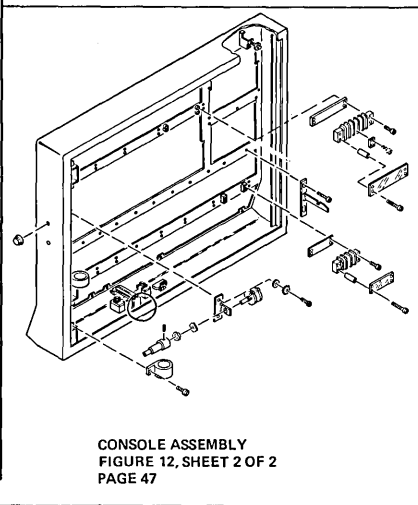
CPU FINAL ASSEMBLY - STAGE 1  
FIGURE 10, SHEET 3 OF 3  
PAGE 34



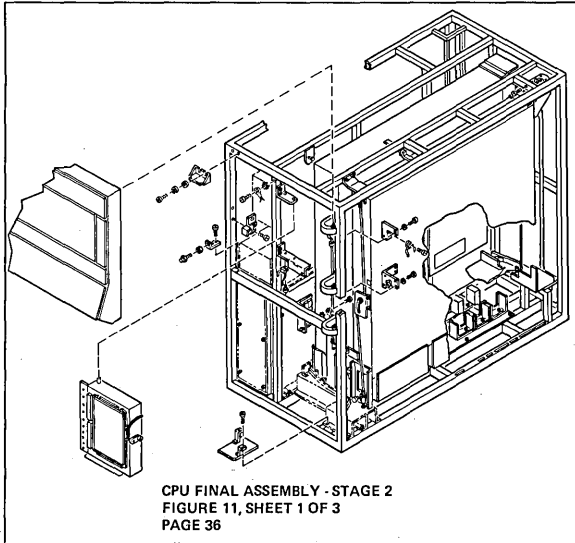
CENTRAL PROCESSING UNIT - STAGE 1



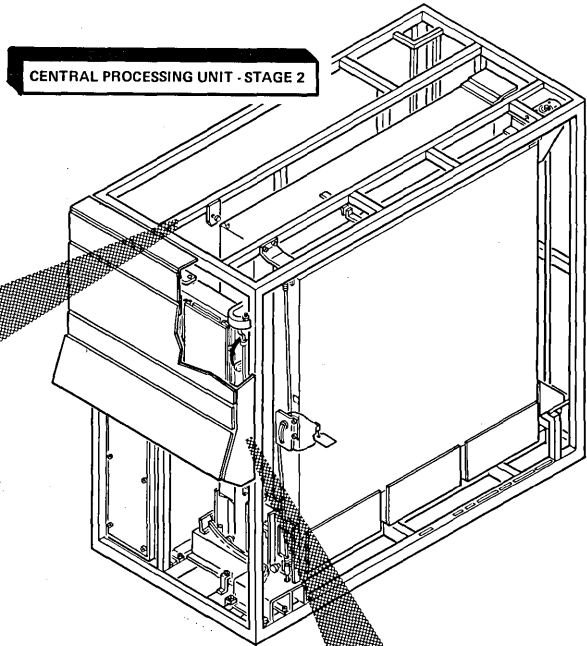
CONSOLE ASSEMBLY  
FIGURE 12, SHEET 1 OF 2  
PAGE 44



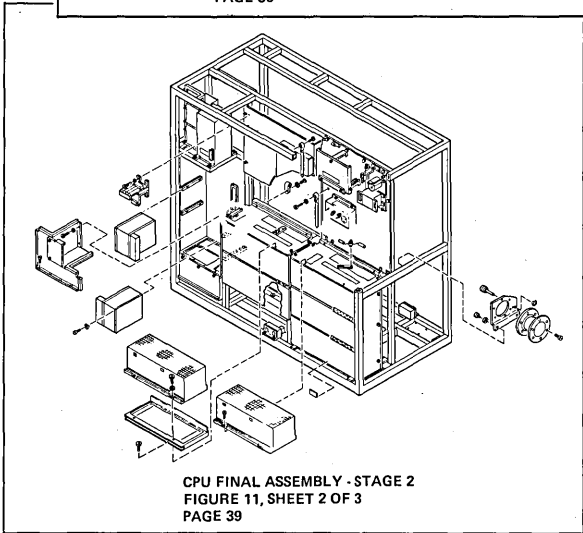
CONSOLE ASSEMBLY  
FIGURE 12, SHEET 2 OF 2  
PAGE 47



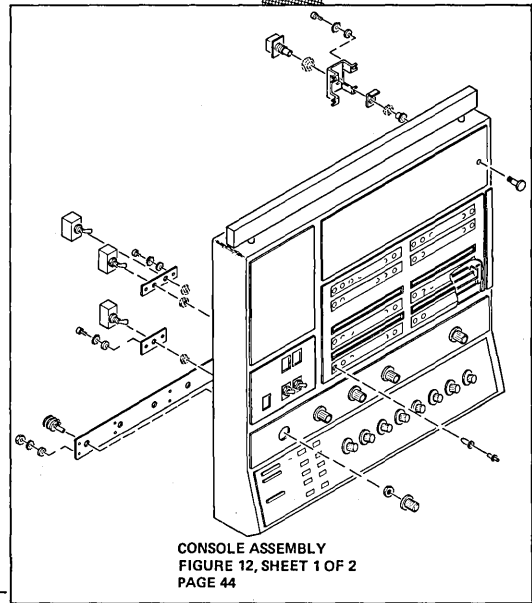
CPU FINAL ASSEMBLY - STAGE 2  
FIGURE 11, SHEET 1 OF 3  
PAGE 36



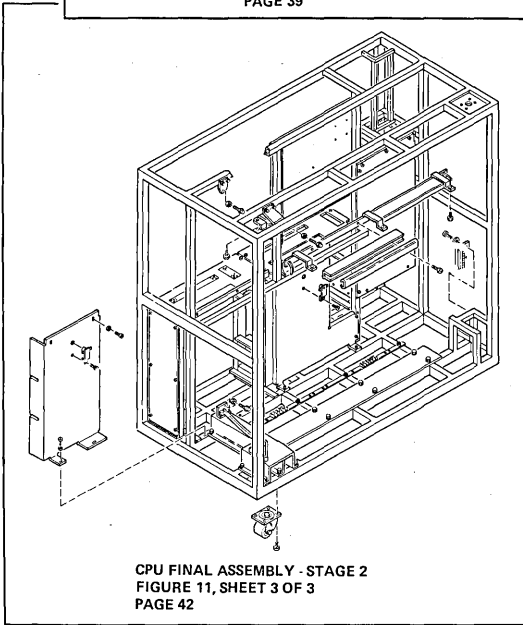
CENTRAL PROCESSING UNIT - STAGE 2



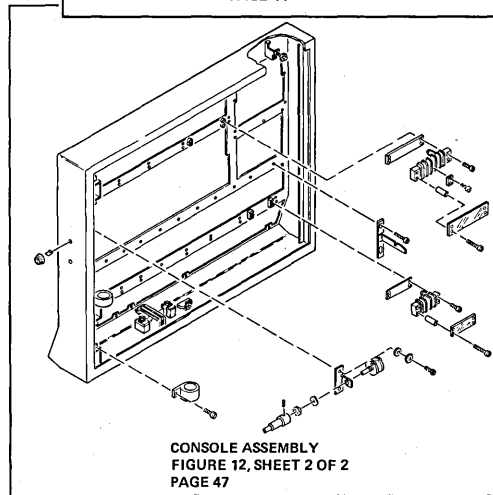
CPU FINAL ASSEMBLY - STAGE 2  
FIGURE 11, SHEET 2 OF 3  
PAGE 39



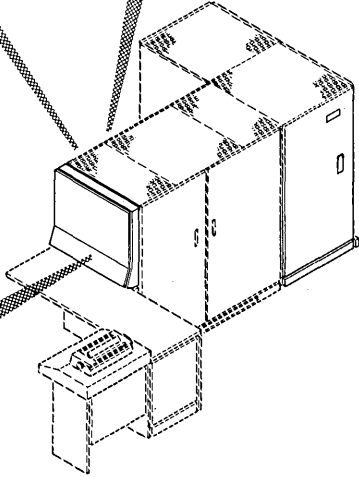
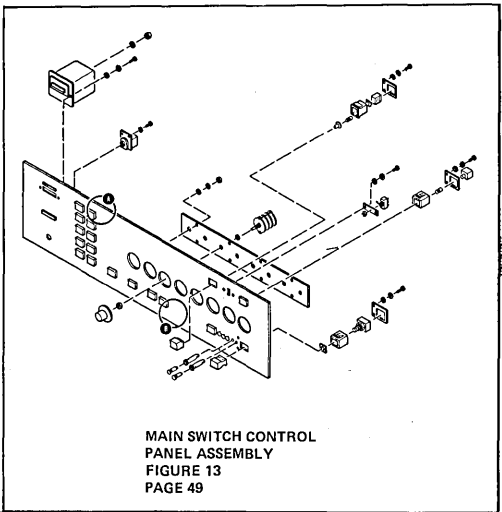
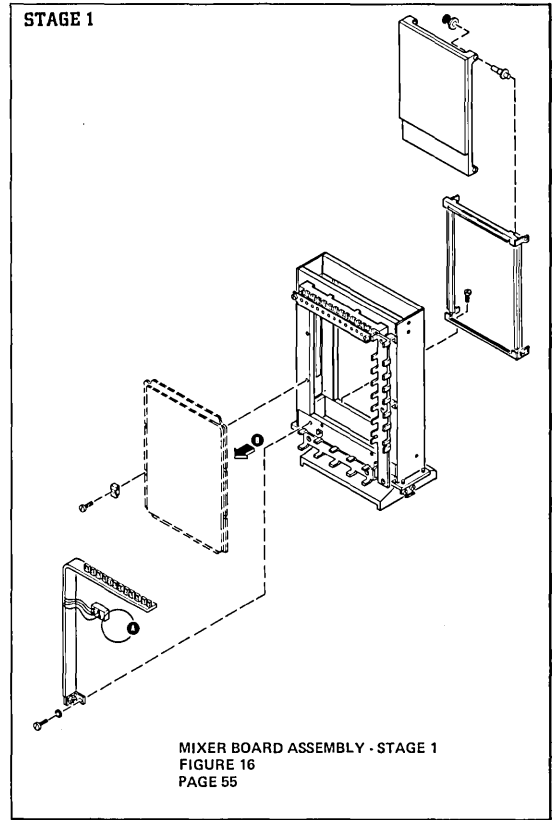
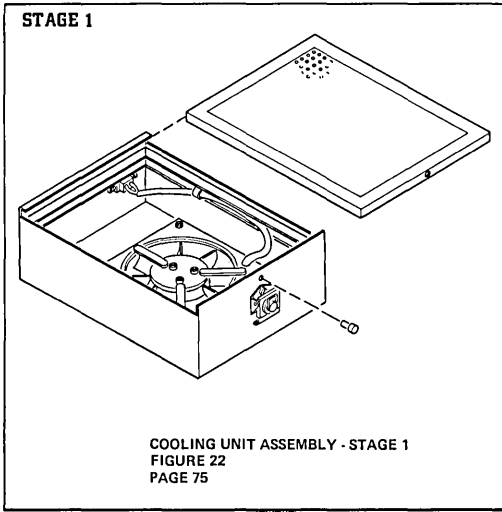
CONSOLE ASSEMBLY  
FIGURE 12, SHEET 1 OF 2  
PAGE 44

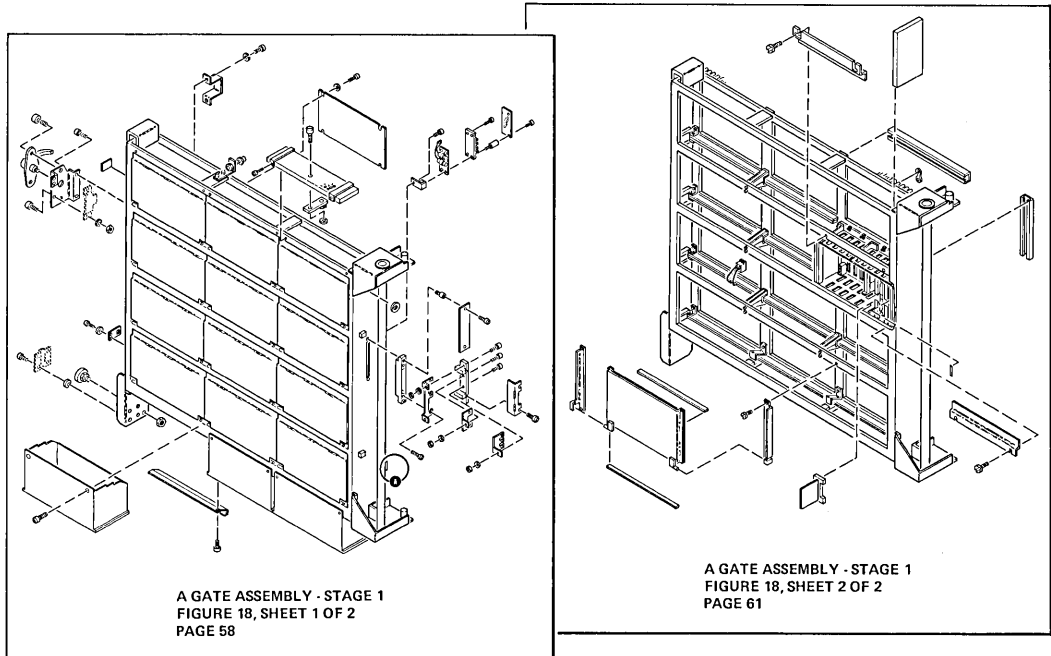


CPU FINAL ASSEMBLY - STAGE 2  
FIGURE 11, SHEET 3 OF 3  
PAGE 42



CONSOLE ASSEMBLY  
FIGURE 12, SHEET 2 OF 2  
PAGE 47

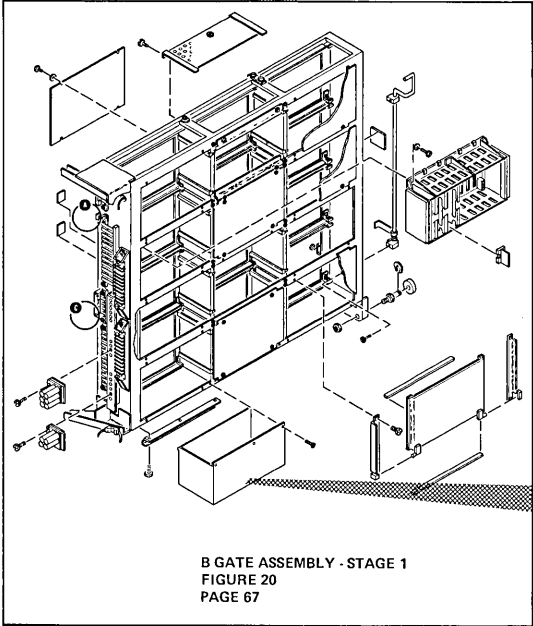




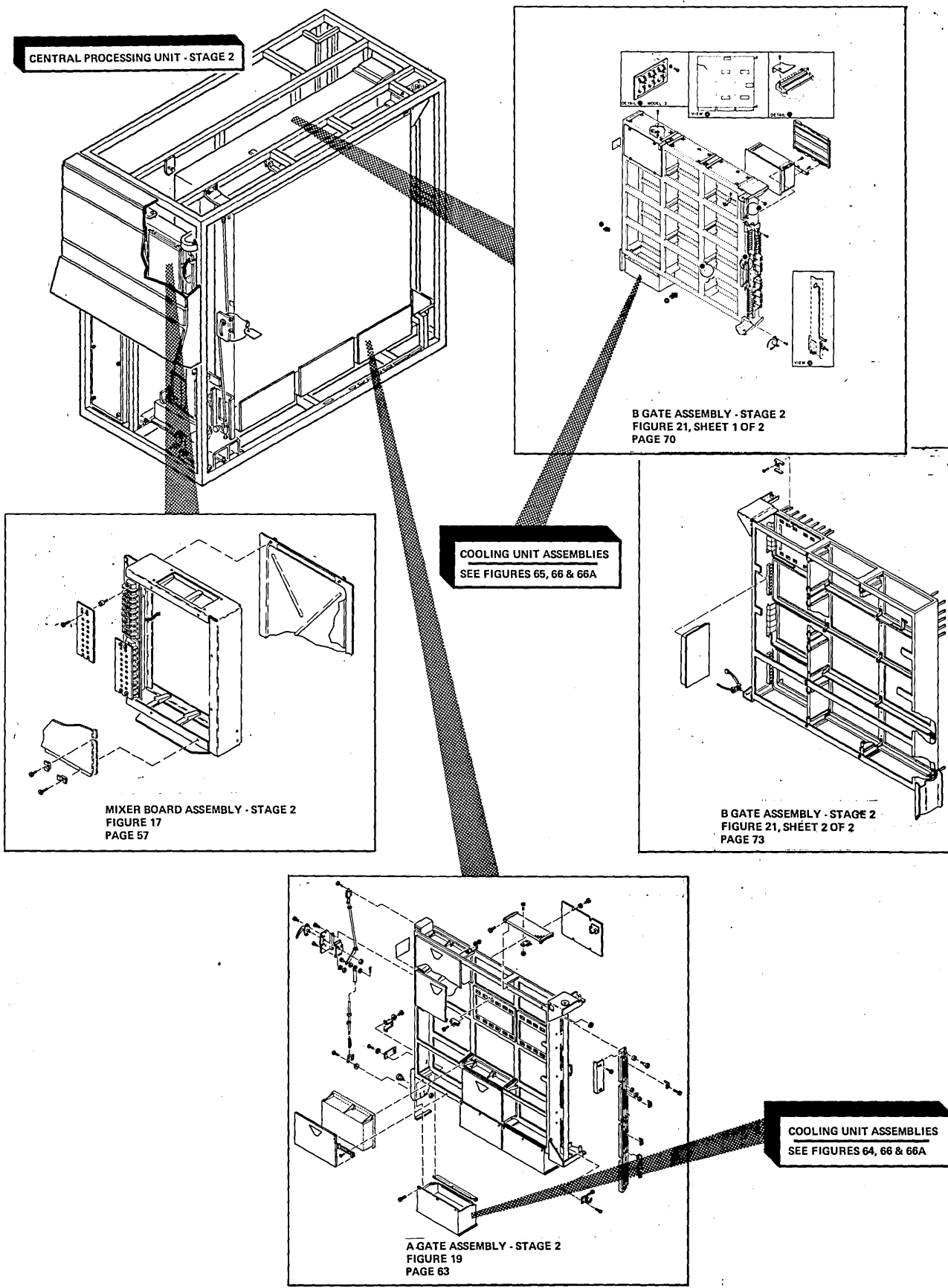
CENTRAL PROCESSING UNIT - STAGE 1

COOLING UNIT ASSEMBLIES  
SEE FIGURES 24, 24A & 63

COOLING UNIT ASSEMBLIES  
SEE FIGURES 64, 66 & 66A



COOLING UNIT ASSEMBLIES  
SEE FIGURES 65, 66 & 66A



**CENTRAL PROCESSING UNIT - STAGE 2**

**B GATE ASSEMBLY - STAGE 2**  
FIGURE 21, SHEET 1 OF 2  
PAGE 70

**MIXER BOARD ASSEMBLY - STAGE 2**  
FIGURE 17  
PAGE 57

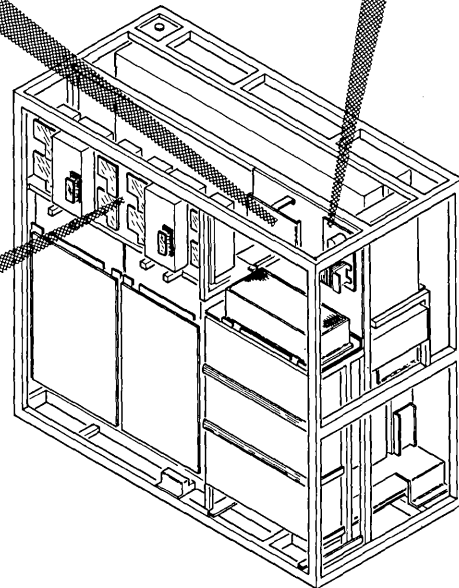
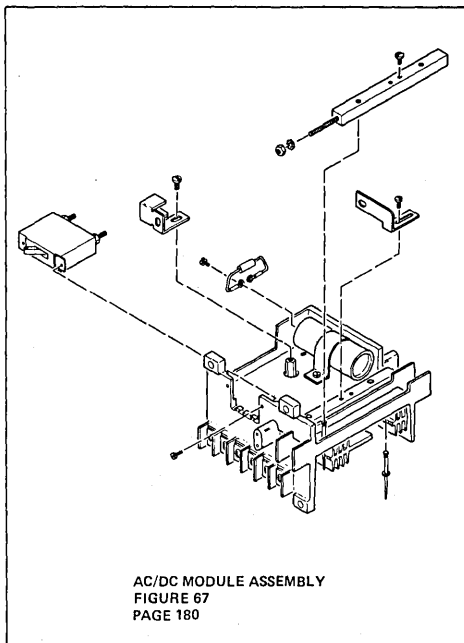
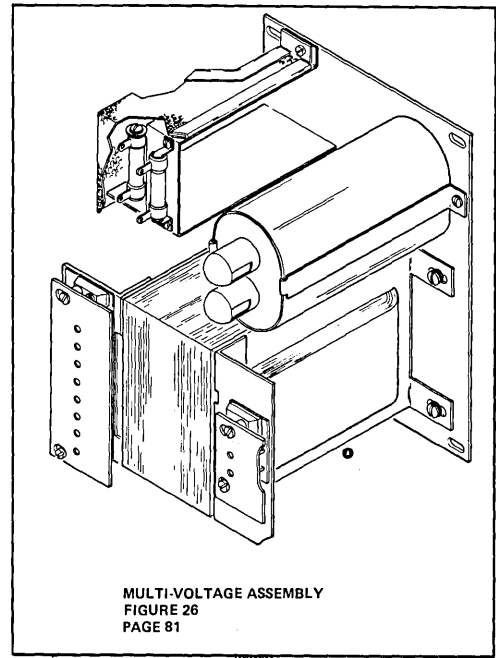
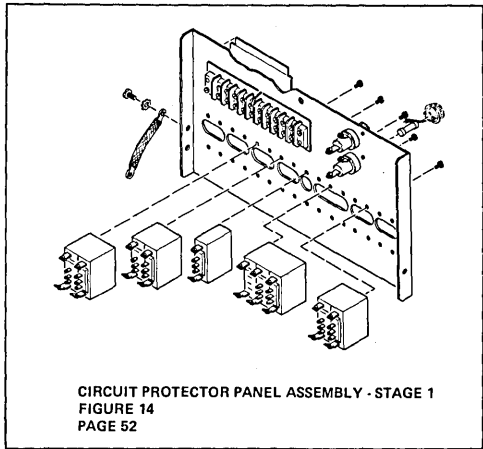
**COOLING UNIT ASSEMBLIES**  
SEE FIGURES 65, 66 & 66A

**B GATE ASSEMBLY - STAGE 2**  
FIGURE 21, SHEET 2 OF 2  
PAGE 73

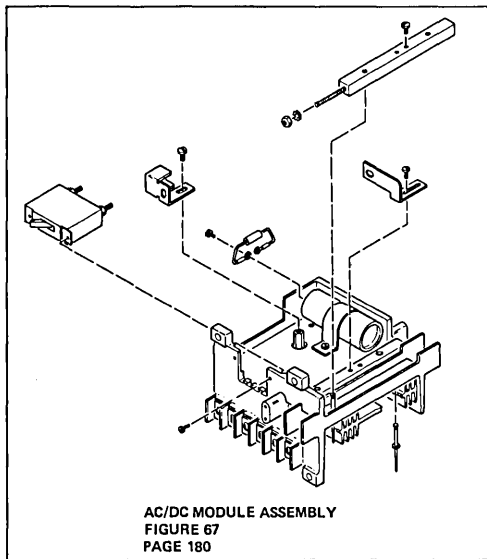
**A GATE ASSEMBLY - STAGE 2**  
FIGURE 19  
PAGE 63

**COOLING UNIT ASSEMBLIES**  
SEE FIGURES 64, 66 & 66A

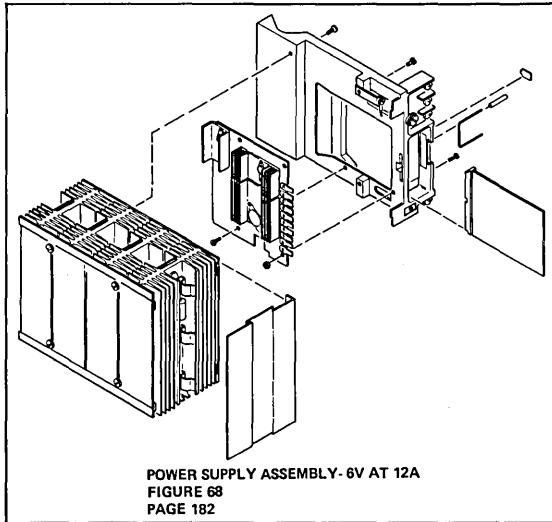




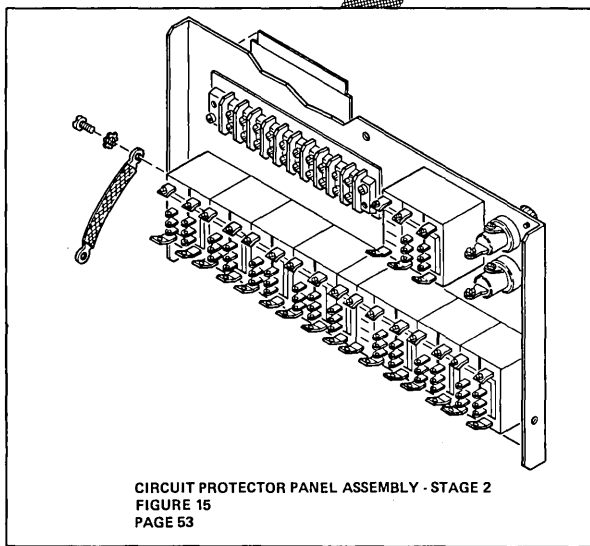
CENTRAL PROCESSING UNIT - STAGE 2



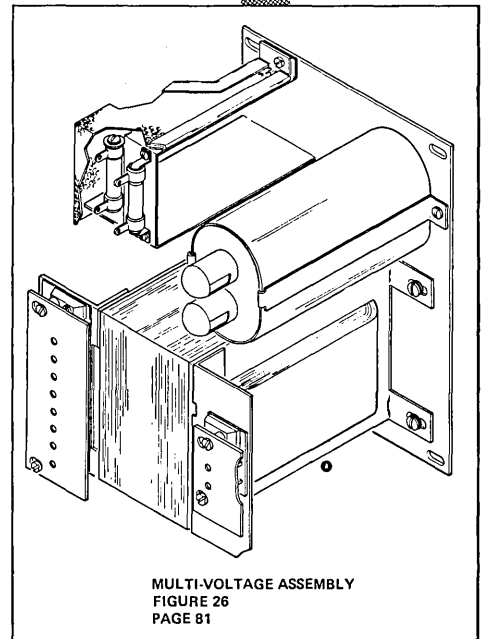
AC/DC MODULE ASSEMBLY  
FIGURE 67  
PAGE 180



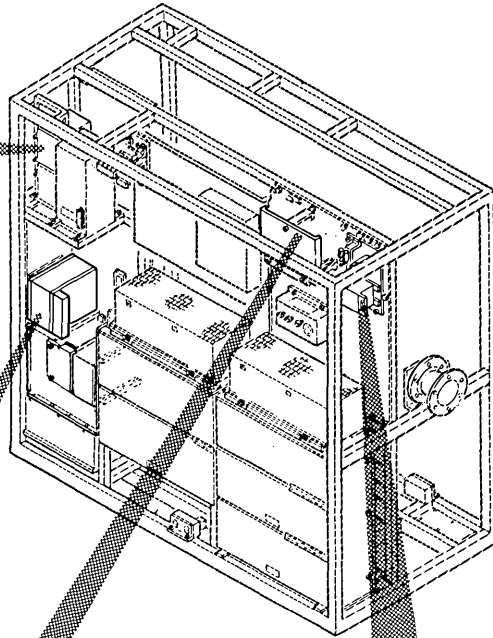
POWER SUPPLY ASSEMBLY - 6V AT 12A  
FIGURE 68  
PAGE 182



CIRCUIT PROTECTOR PANEL ASSEMBLY - STAGE 2  
FIGURE 15  
PAGE 53



MULTI-VOLTAGE ASSEMBLY  
FIGURE 26  
PAGE 81

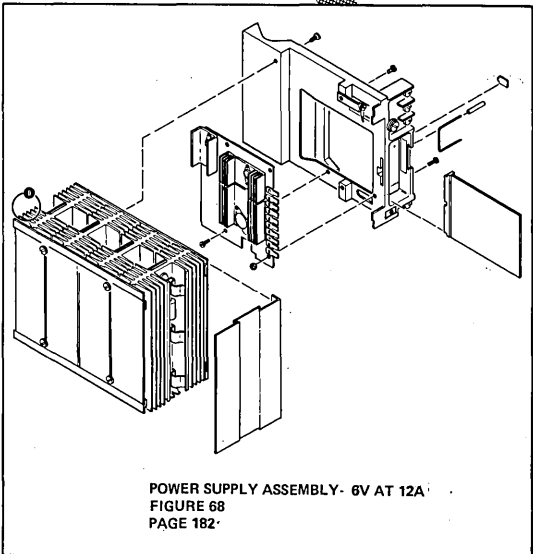
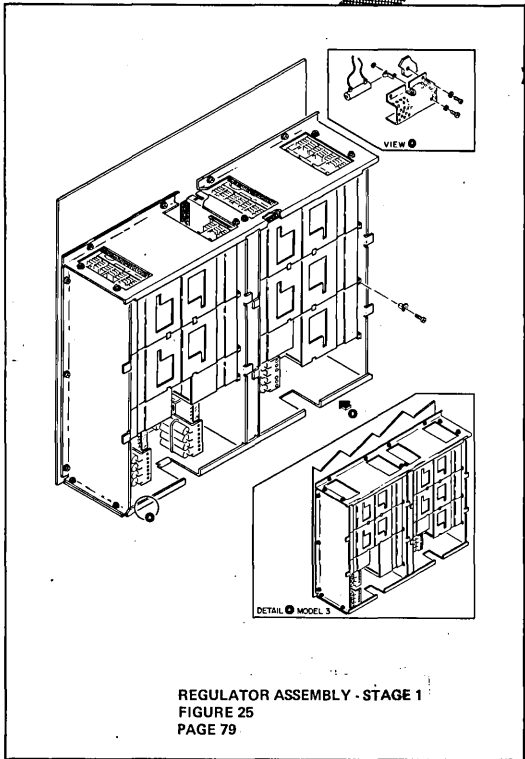
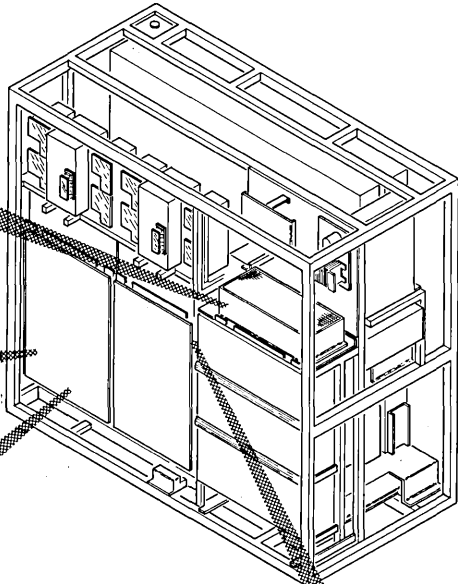
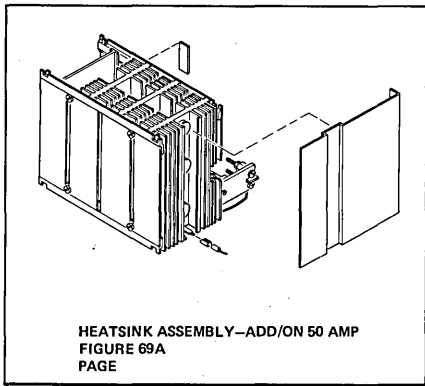


**VISUAL INDEX**

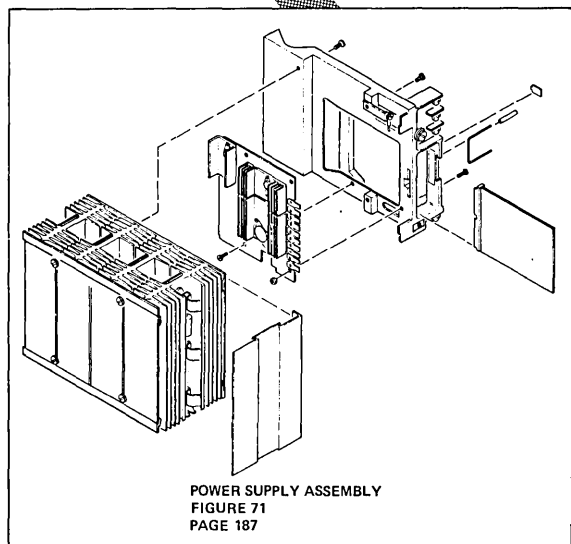
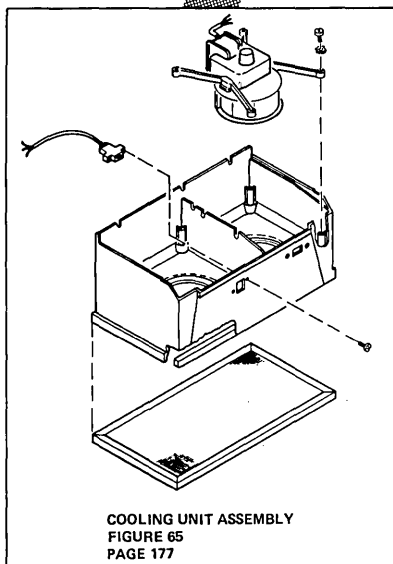
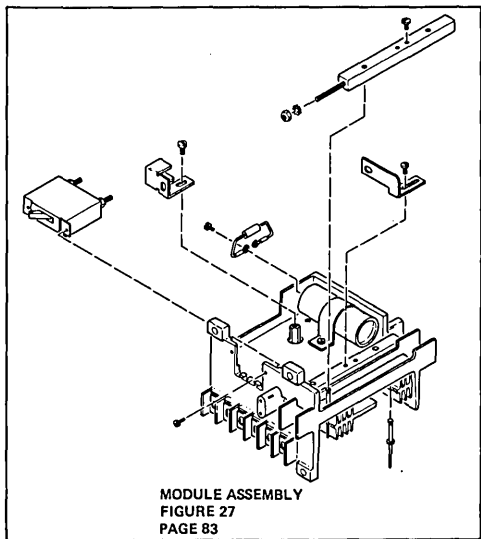
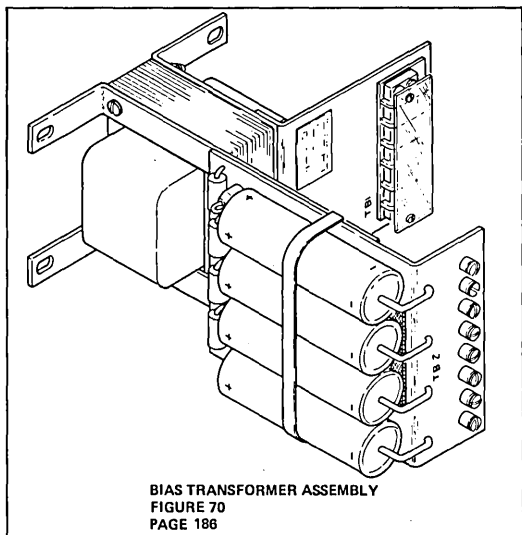
Page of S124-0129-2  
Revised June 3, 1977  
By TNL: SN24-0797

**CENTRAL PROCESSING UNIT - STAGE 1**

**COOLING UNIT ASSEMBLIES**  
SEE FIGURES 24, 24A & 63

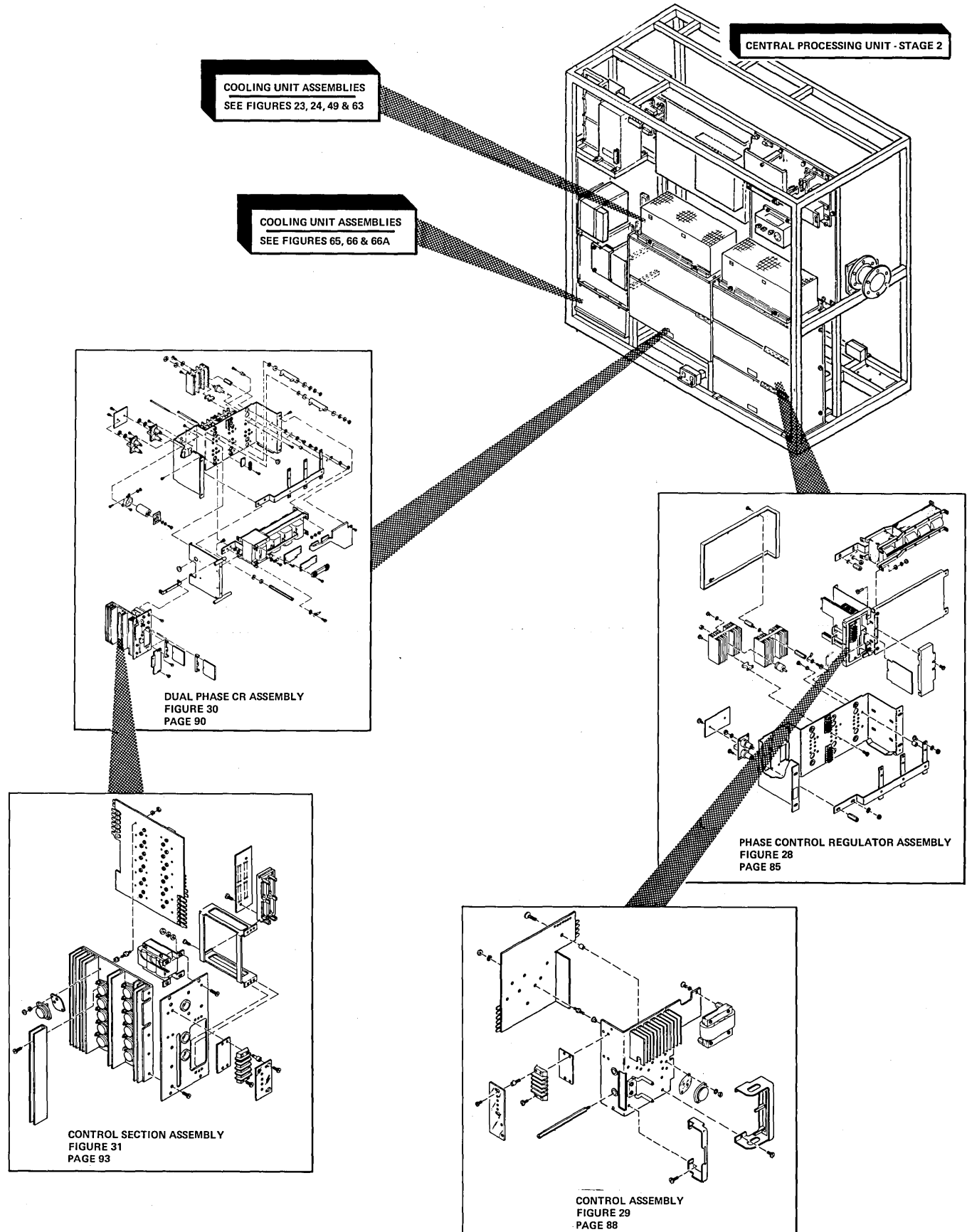


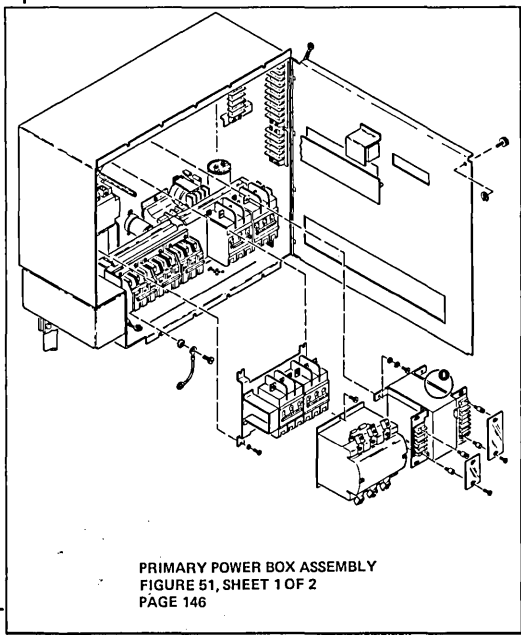
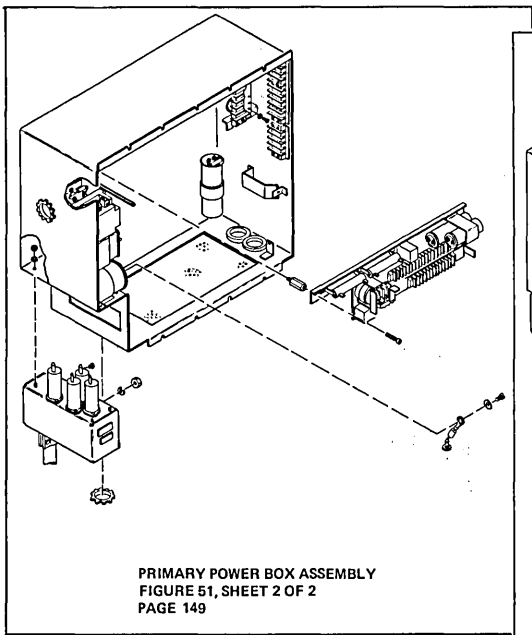
CENTRAL PROCESSING UNIT - STAGE 2



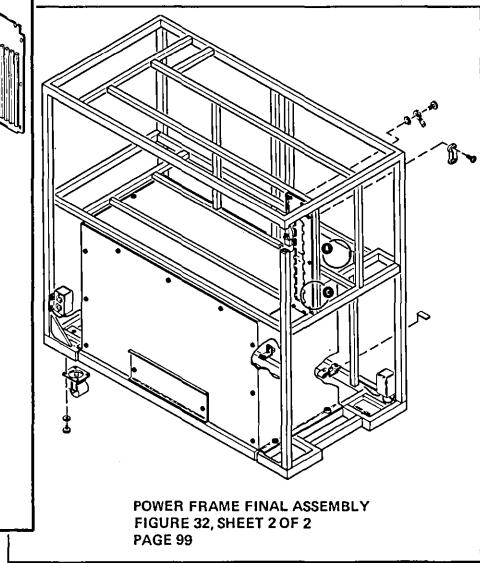
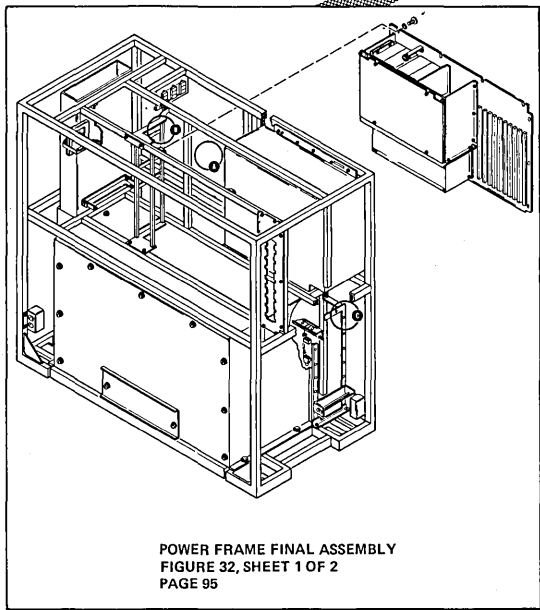
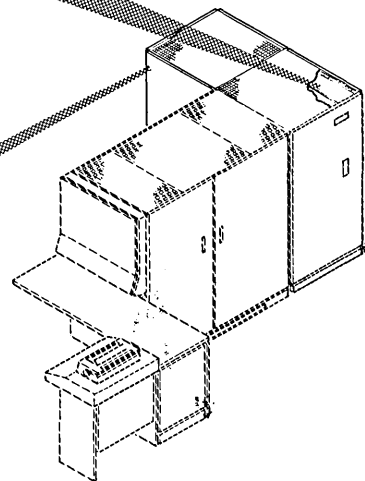
**VISUAL INDEX**

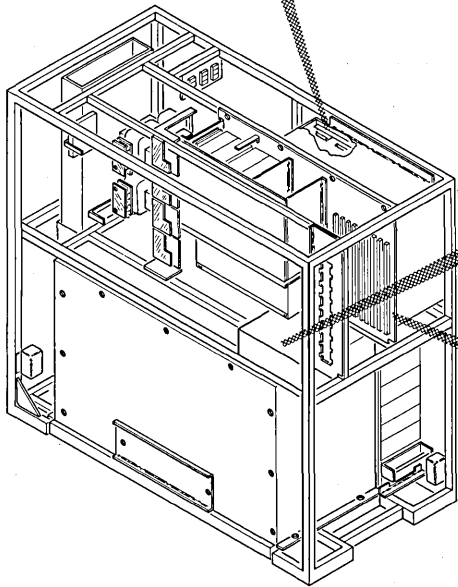
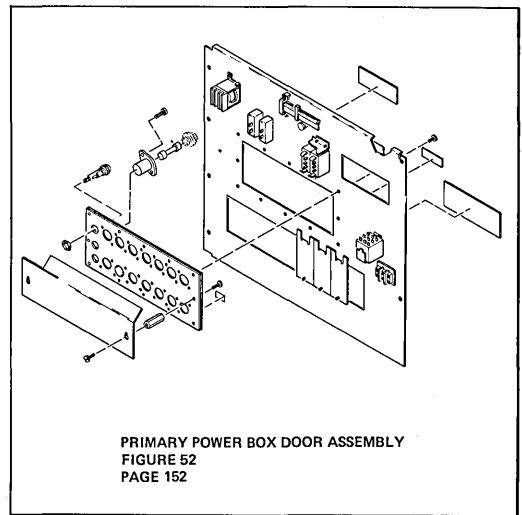
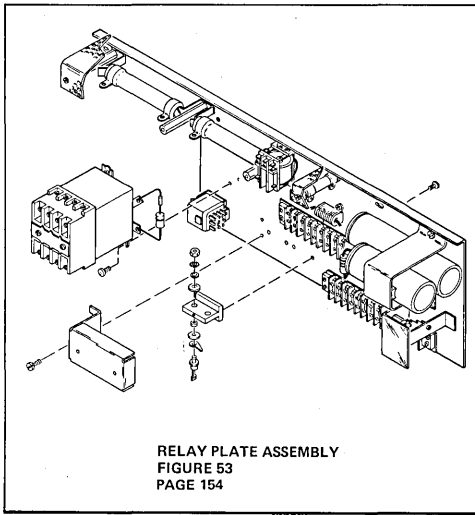
Page of S124-0129-2  
Revised June 3, 1977  
By TNL: SN24-0797



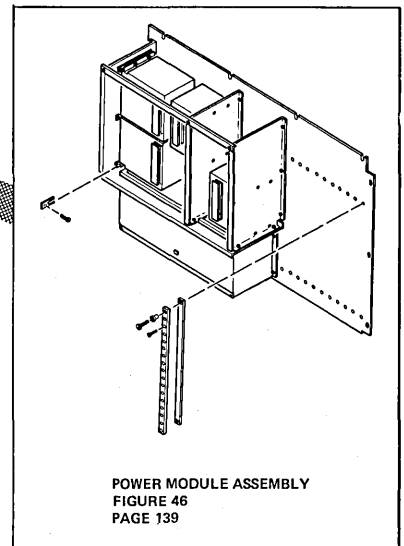
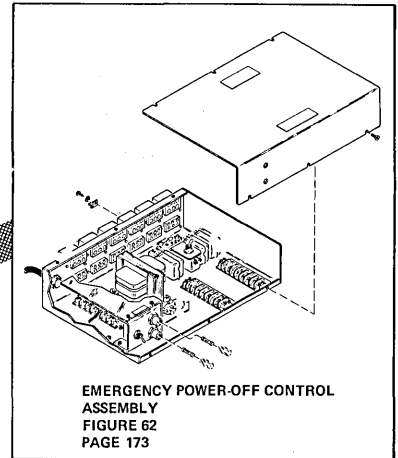


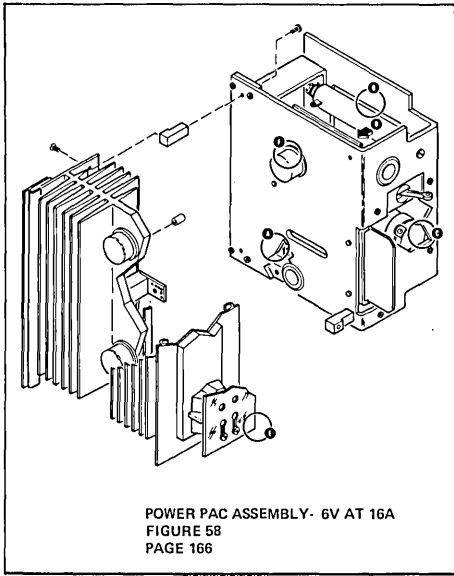
POWER FRAME  
MODELS FED, GE, GFD, H, HG, I



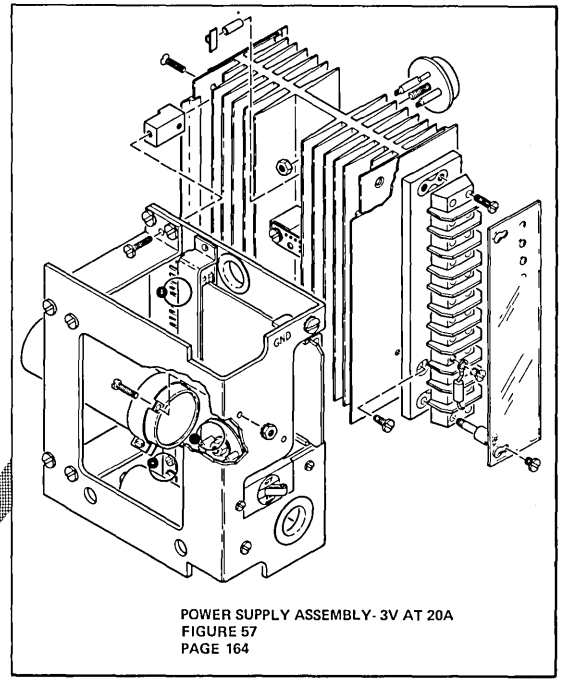


POWER FRAME  
MODELS FED, GE, GFD, H, HG, I

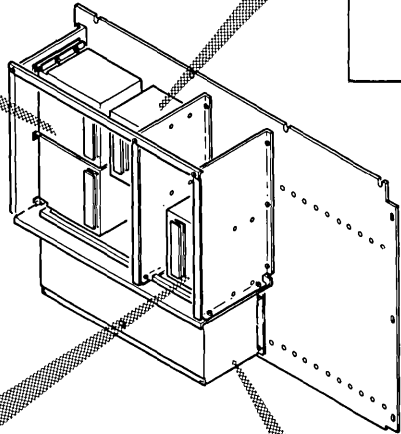




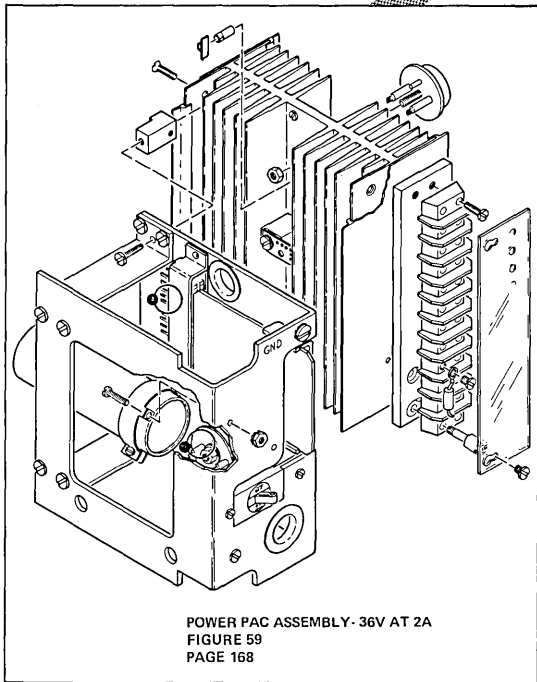
POWER PAC ASSEMBLY - 6V AT 16A  
FIGURE 58  
PAGE 166



POWER SUPPLY ASSEMBLY - 3V AT 20A  
FIGURE 57  
PAGE 164



POWER FRAME  
MODELS FED, GE, GFD, H, HG, I

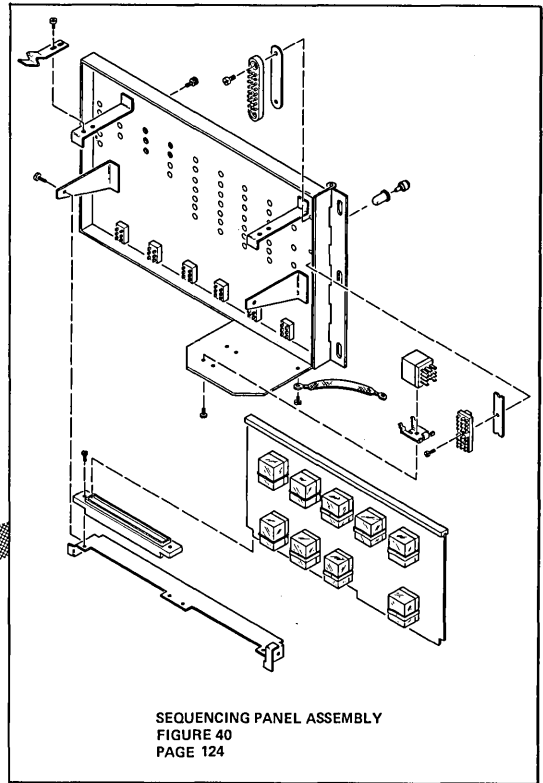
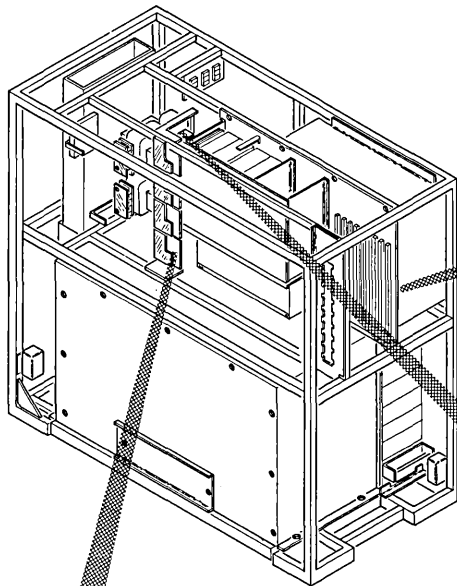


POWER PAC ASSEMBLY - 36V AT 2A  
FIGURE 59  
PAGE 168

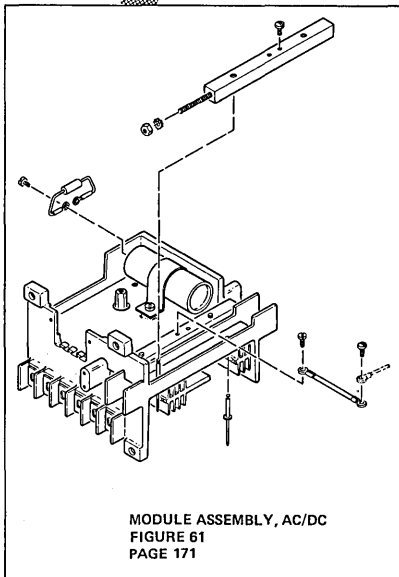
COOLING UNIT ASSEMBLIES  
SEE FIGURES 50, 64, 66 & 66A



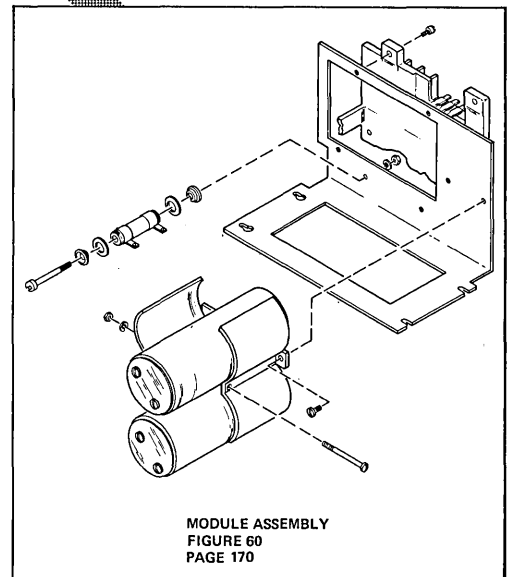
POWER FRAME  
MODELS FED, GE, GFD, H, HG, I



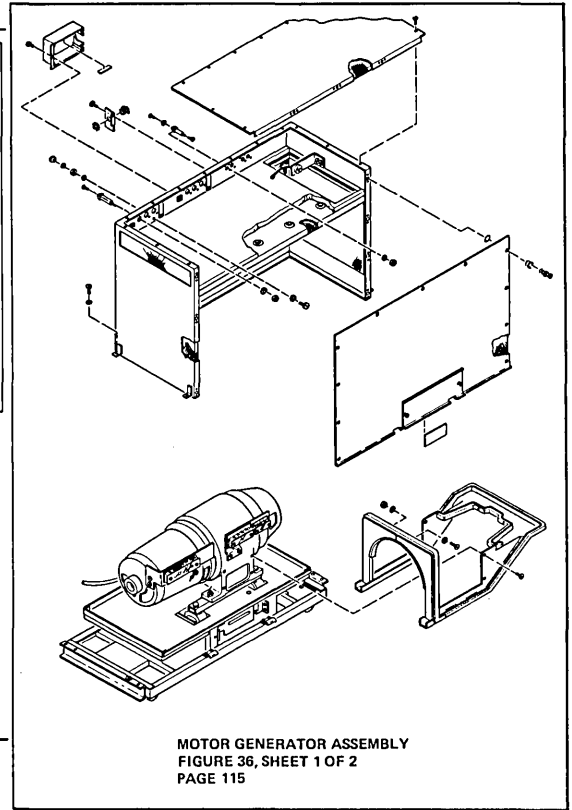
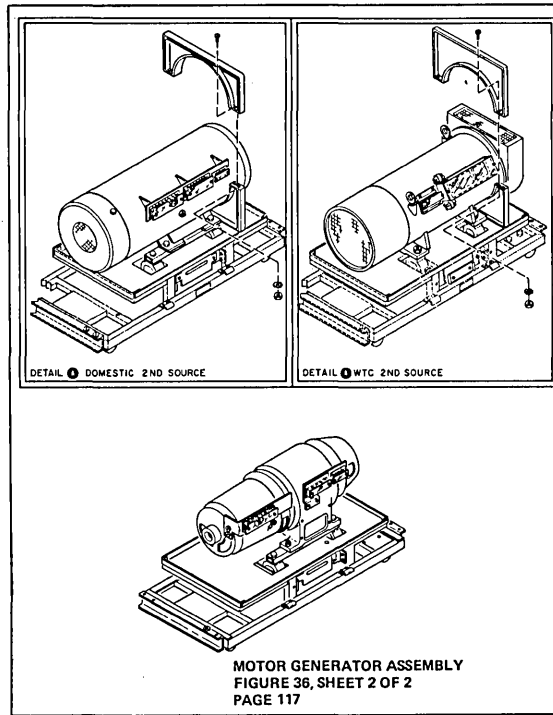
SEQUENCING PANEL ASSEMBLY  
FIGURE 40  
PAGE 124



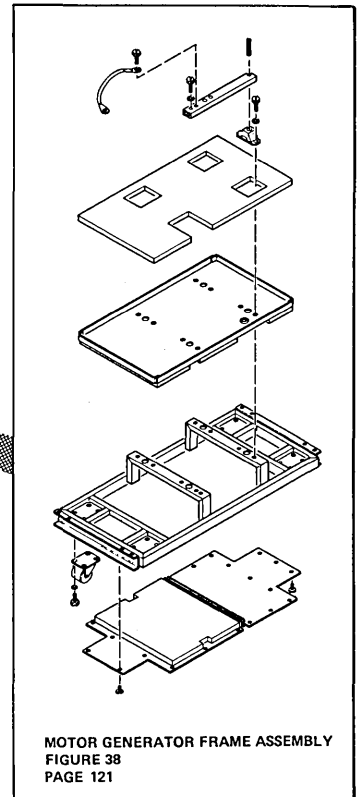
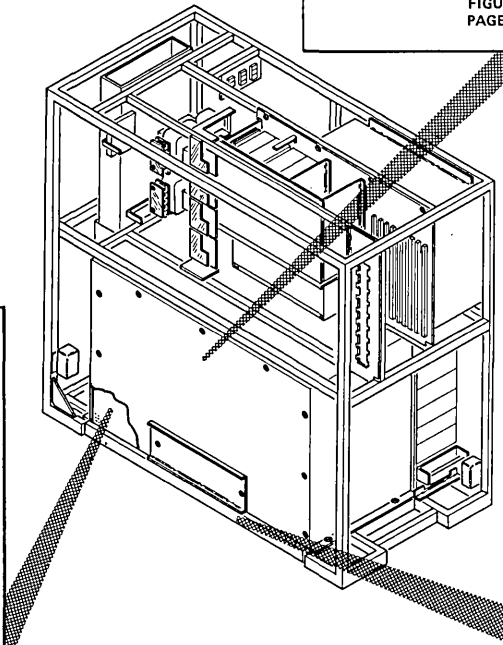
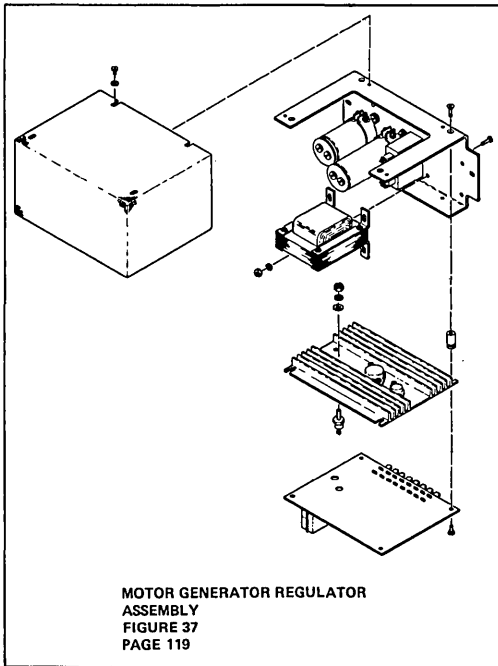
MODULE ASSEMBLY, AC/DC  
FIGURE 61  
PAGE 171

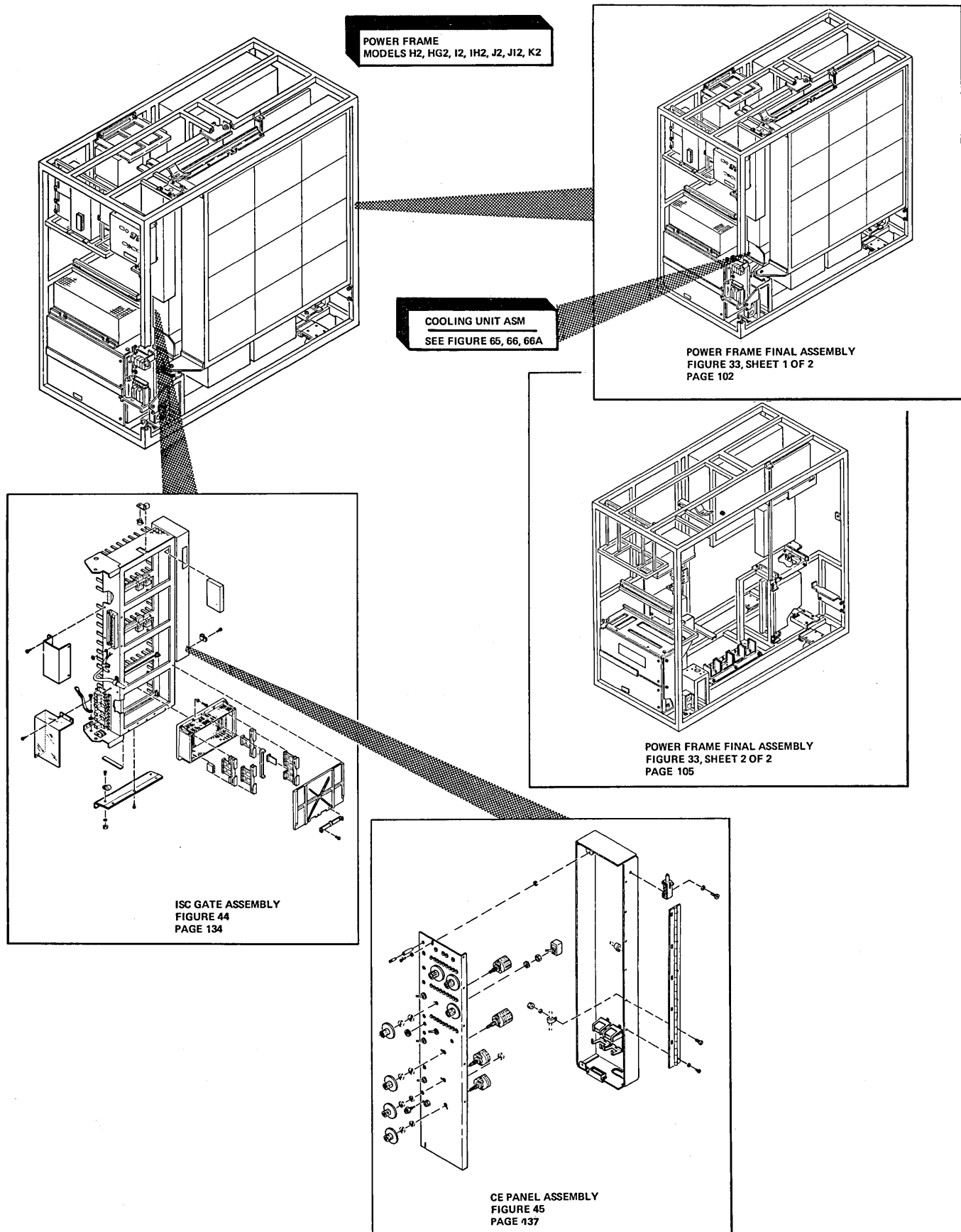


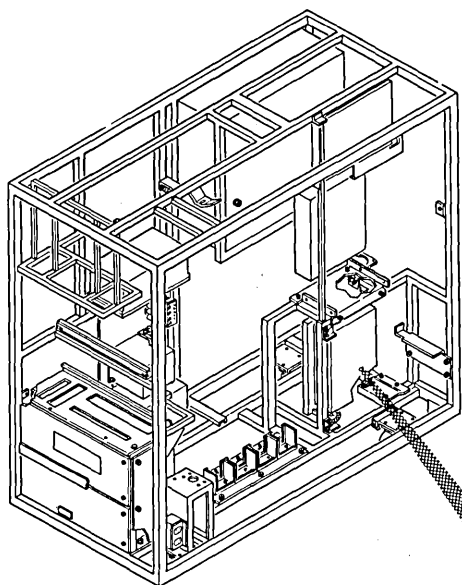
MODULE ASSEMBLY  
FIGURE 60  
PAGE 170



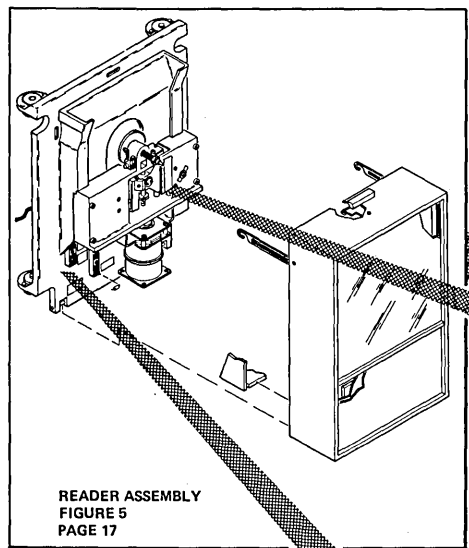
POWER FRAME  
MODELS FED, GE, GFD, H, HG, I



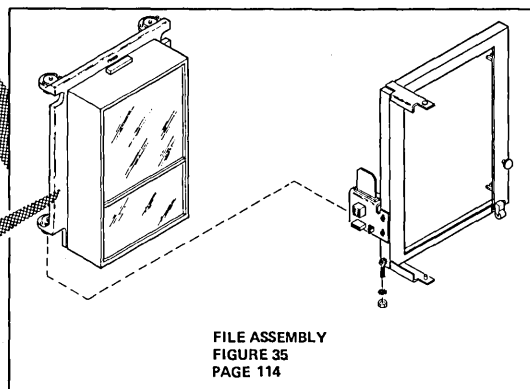




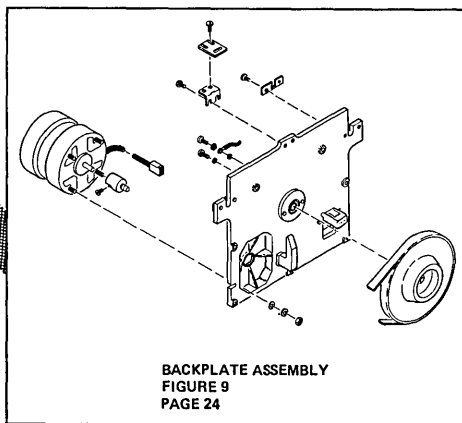
**POWER FRAME**  
MODELS H2, HG2, I2, IH2, J2, JI2, K2



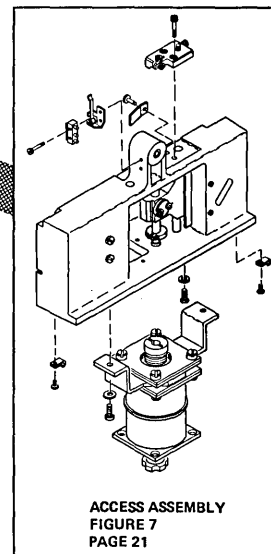
**READER ASSEMBLY**  
FIGURE 5  
PAGE 17



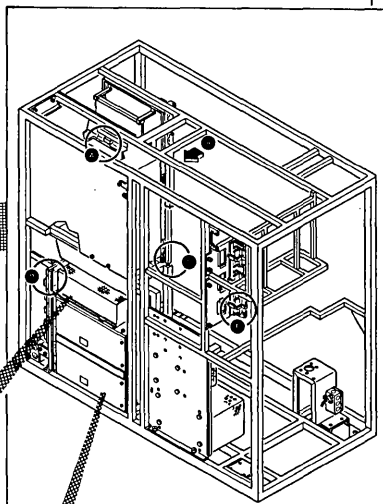
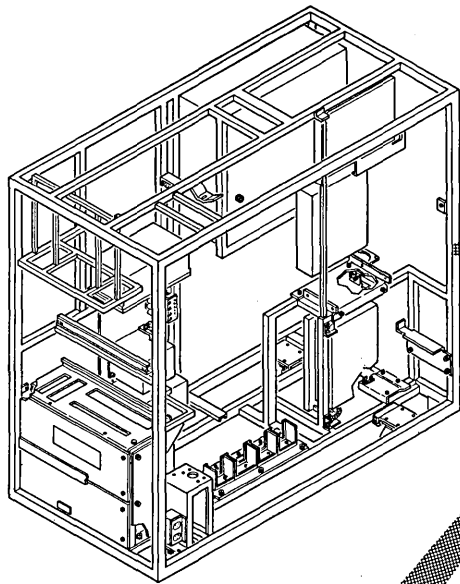
**FILE ASSEMBLY**  
FIGURE 35  
PAGE 114



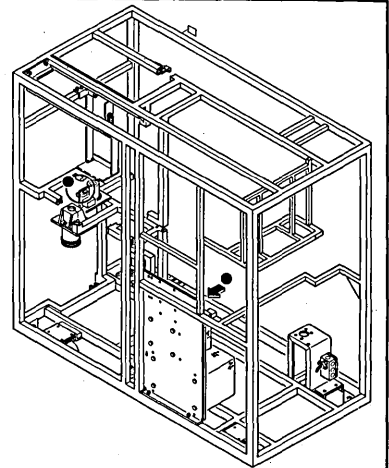
**BACKPLATE ASSEMBLY**  
FIGURE 9  
PAGE 24



**ACCESS ASSEMBLY**  
FIGURE 7  
PAGE 21



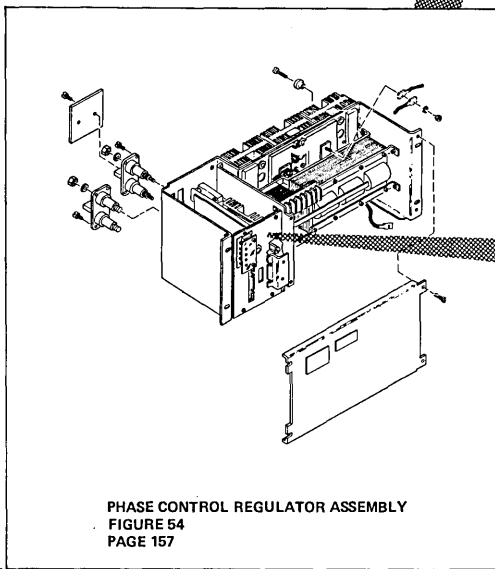
BASIC POWER FRAME ASSEMBLY  
FIGURE 34, SHEET 1 OF 2  
PAGE 108



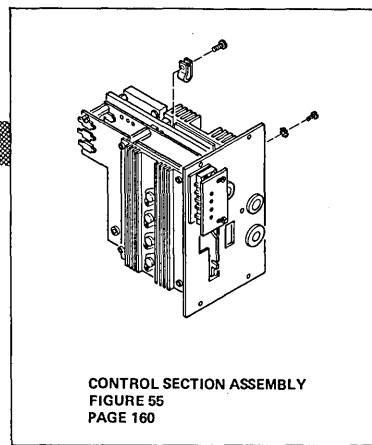
BASIC POWER FRAME ASSEMBLY  
FIGURE 34, SHEET 2 OF 2  
PAGE 111

POWER FRAME  
MODELS H2, HG2, I2, IH2, J2, JI2, K2

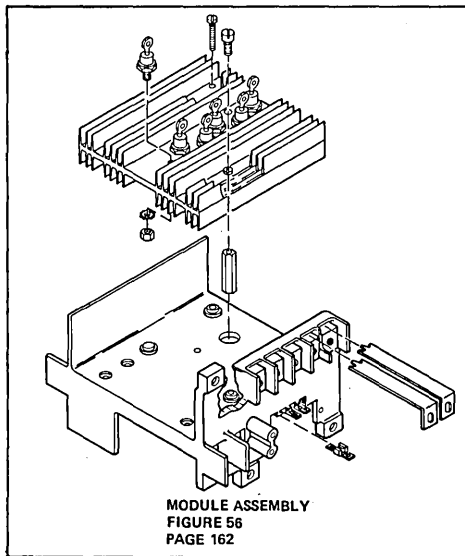
COOLING UNIT ASSEMBLIES  
SEE FIGURES 24 & 63



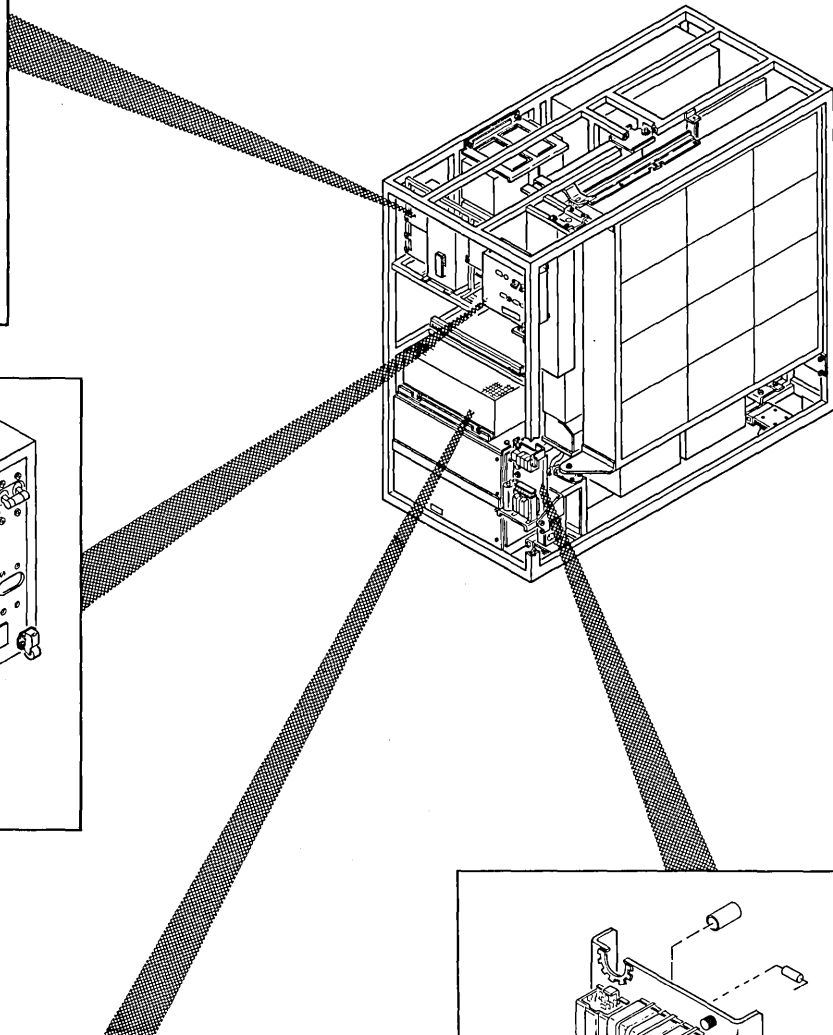
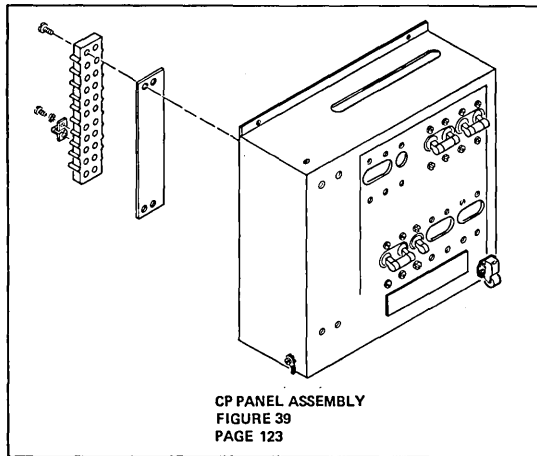
PHASE CONTROL REGULATOR ASSEMBLY  
FIGURE 54  
PAGE 157



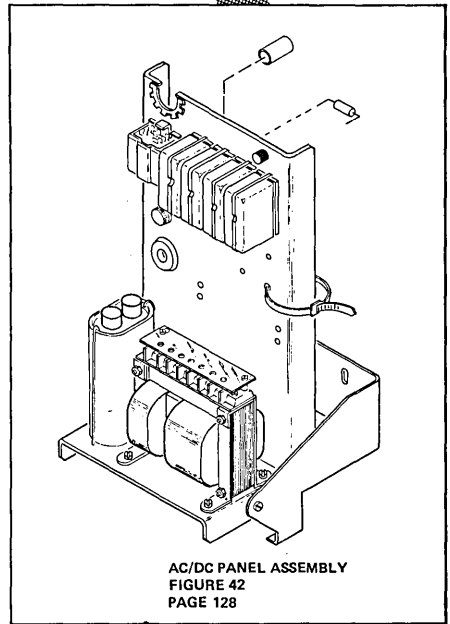
CONTROL SECTION ASSEMBLY  
FIGURE 55  
PAGE 160

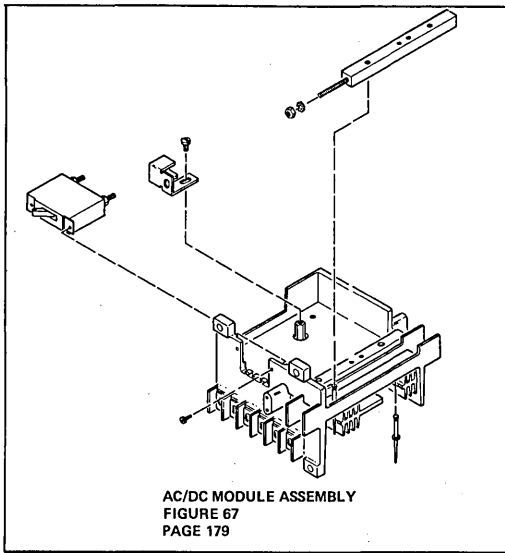


POWER FRAME  
MODELS H2, HG2, I2, IH2, J2, JI2, K2

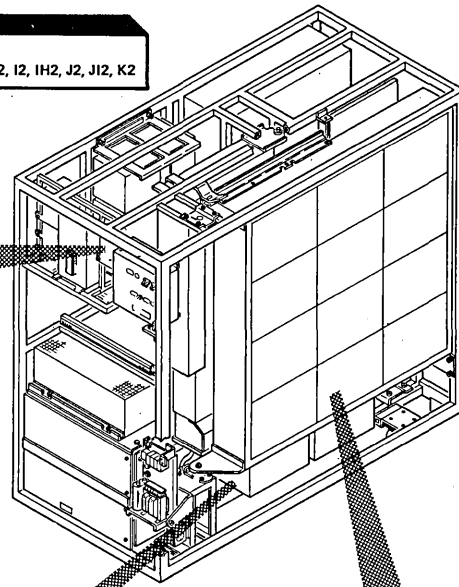


COOLING UNIT ASSEMBLIES  
SEE FIGURES 24 & 63

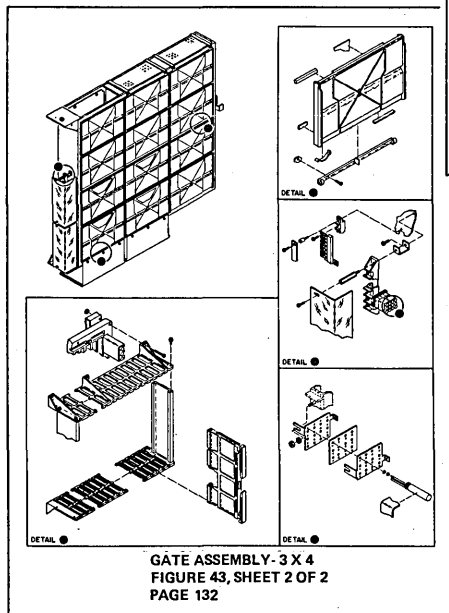
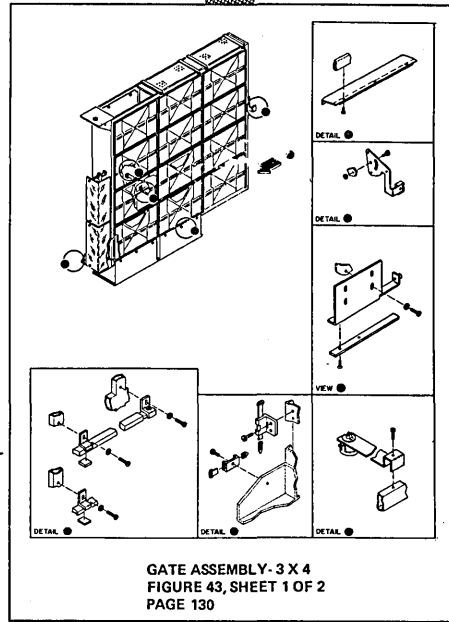


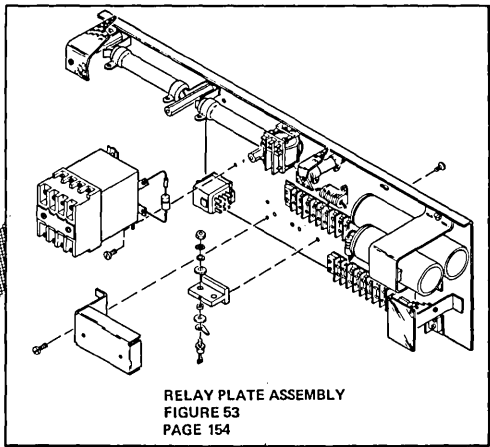


POWER FRAME  
MODELS H2, HG2, I2, IH2, J2, JI2, K2

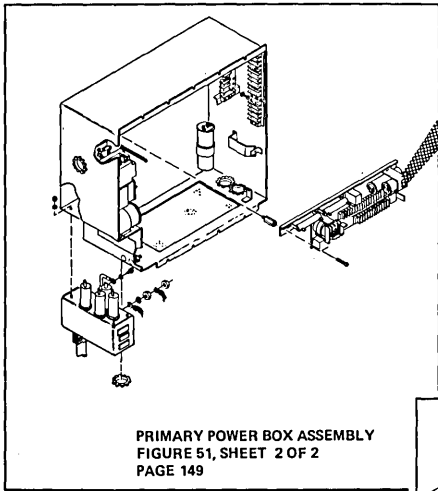


COOLING UNIT ASSEMBLIES  
SEE FIGURES 65, 66, & 66A

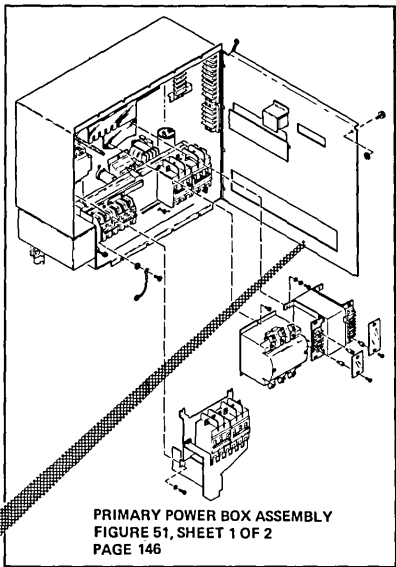




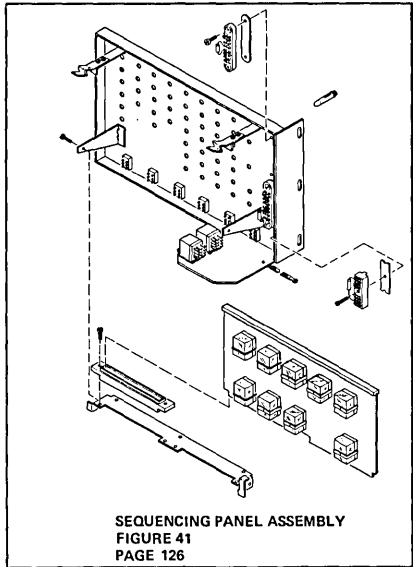
RELAY PLATE ASSEMBLY  
FIGURE 53  
PAGE 154



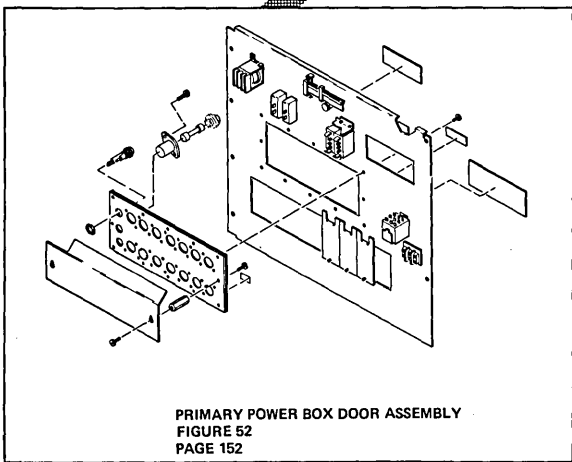
PRIMARY POWER BOX ASSEMBLY  
FIGURE 51, SHEET 2 OF 2  
PAGE 149



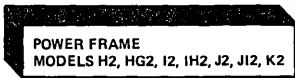
PRIMARY POWER BOX ASSEMBLY  
FIGURE 51, SHEET 1 OF 2  
PAGE 146



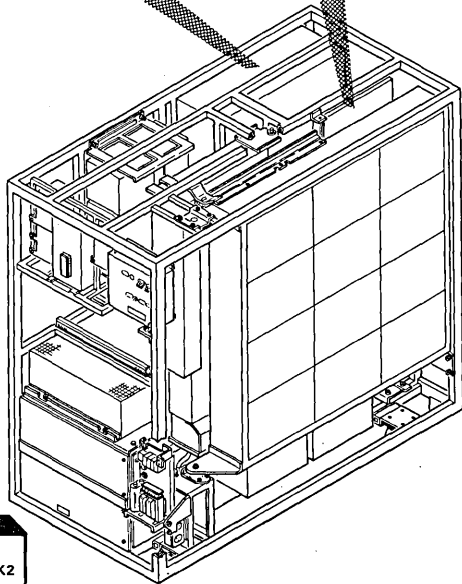
SEQUENCING PANEL ASSEMBLY  
FIGURE 41  
PAGE 126



PRIMARY POWER BOX DOOR ASSEMBLY  
FIGURE 52  
PAGE 152

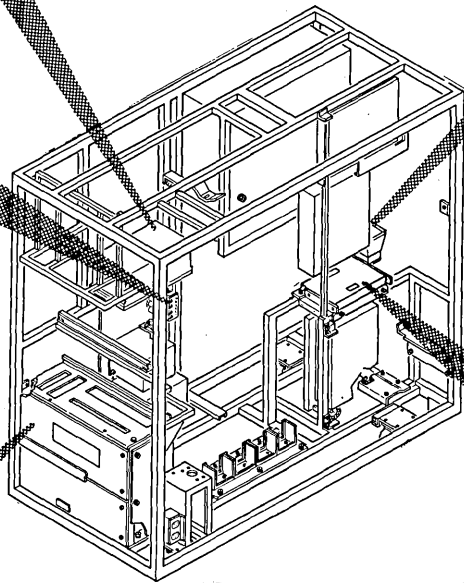
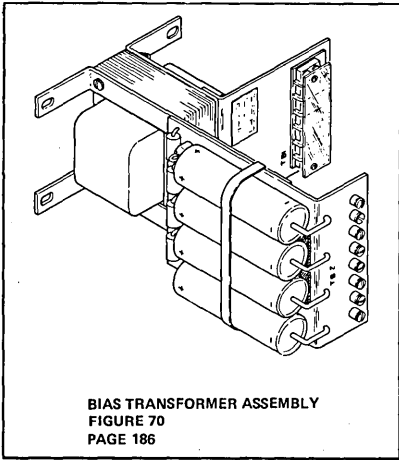
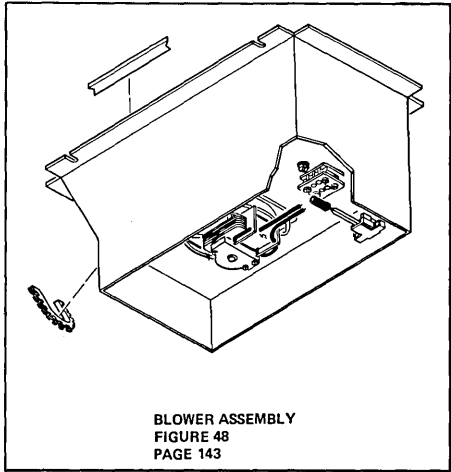
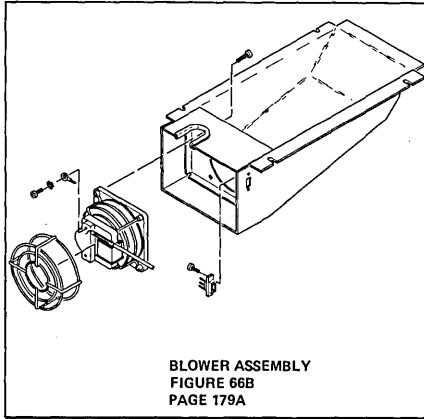


POWER FRAME  
MODELS H2, HG2, I2, IH2, J2, JI2, K2

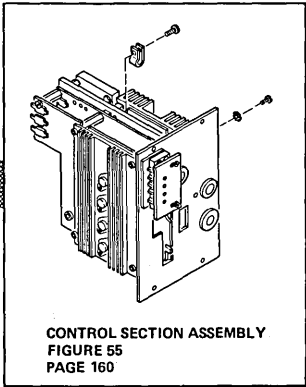
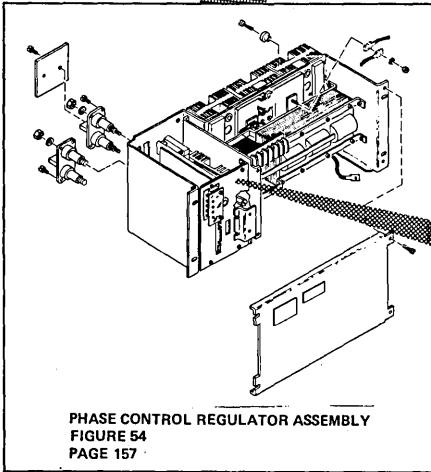
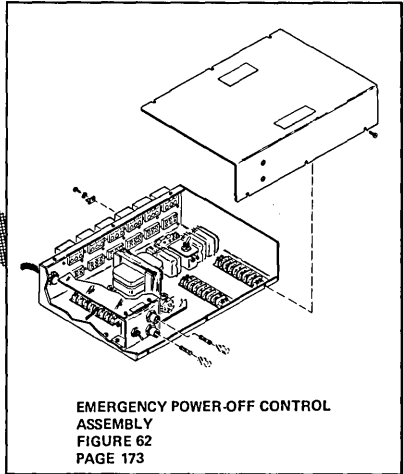


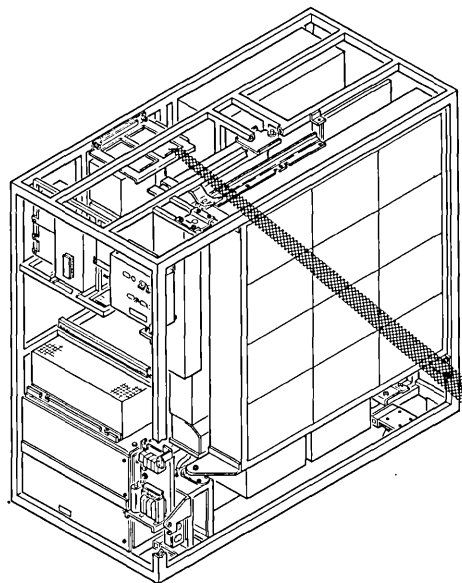


**COOLING UNIT ASSEMBLIES**  
SEE FIGURES 65 & 66A

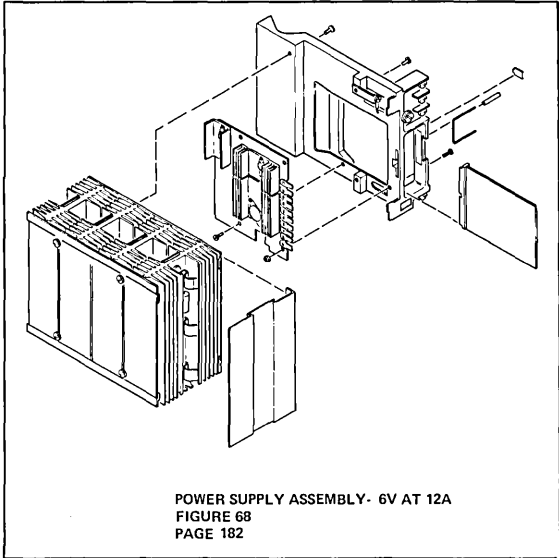


**POWER FRAME**  
MODELS H2, HG2, I2, IH2, J2, JI2, K2

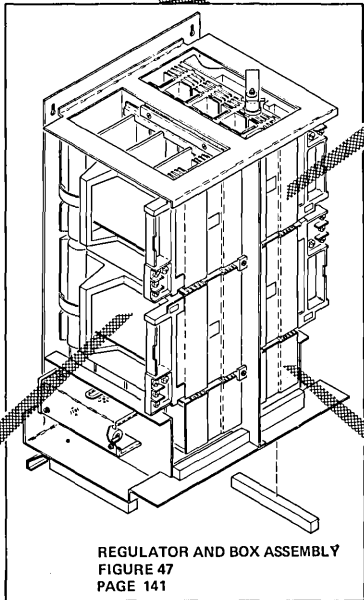




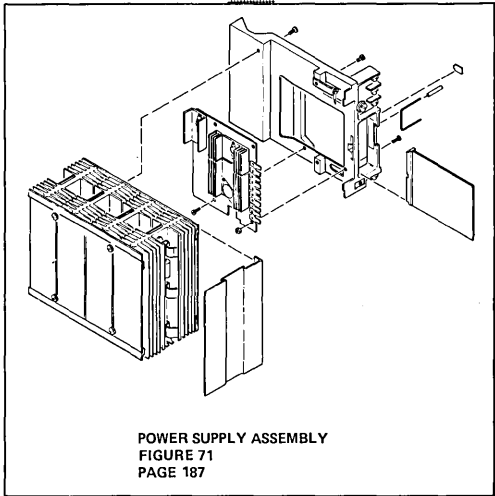
**POWER FRAME**  
MODELS H2, HG2, I2, IH2, J2, JI2, K2



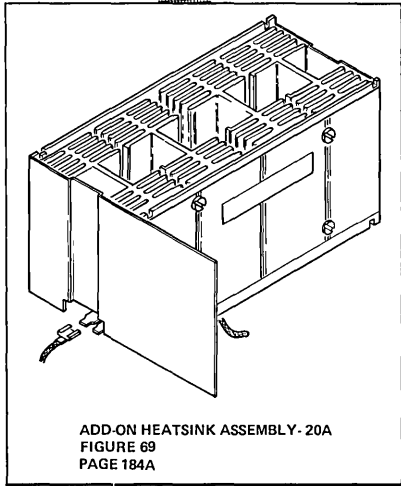
**POWER SUPPLY ASSEMBLY - 6V AT 12A**  
FIGURE 68  
PAGE 182



**REGULATOR AND BOX ASSEMBLY**  
FIGURE 47  
PAGE 141



**POWER SUPPLY ASSEMBLY**  
FIGURE 71  
PAGE 187



**ADD-ON HEATSINK ASSEMBLY - 20A**  
FIGURE 69  
PAGE 184A



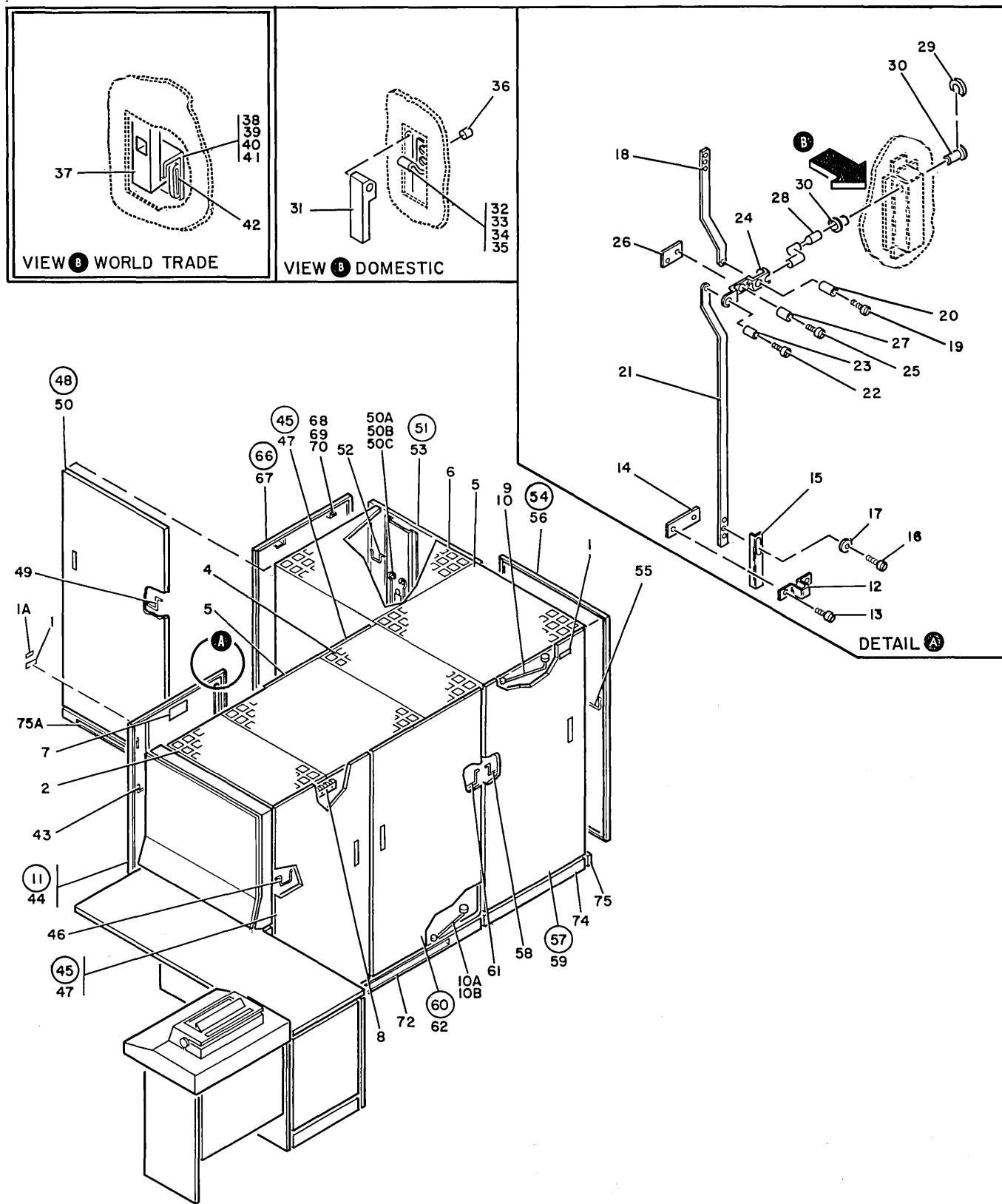


FIGURE 1. COVERS AND FRAME ASSEMBLY. SHEET 1 OF 2. INDEX NOS. 1-75A. SEE LIST 1.

| LIST AND INDEX NUMBER | PART NUMBER | DESCRIPTION   |   |   |   | UNITS PER ASM. | USABLE ON CODE |
|-----------------------|-------------|---|---|---|---|----------------|----------------|
|                       |             | 1   | 2 | 3 | 4 |                |                |
| 1 -                   | 1993106 NP  | COVERS AND FRAME ASM<br>FOR ILLUSTRATION SEE FIGURE 1 |   |   |   |                |                |
| - 1                   | 1994474     | . NAMEPLATE, ENGLISH                                  |   |   |   | 3              |                |
| - 1                   | 2637224     | . NAMEPLATE, GERMAN                                   |   |   |   | 1              |                |
| - 1                   | 2637225     | . NAMEPLATE, FRENCH                                   |   |   |   | 1              |                |
| - 1A                  | 855285      | . LABEL- MADE IN USA                                  |   |   |   | 1              |                |
| - 2                   | 5480541     | . GRID, FRAME TOP                                     |   |   |   | 1              |                |
| - 4                   | 5480542     | . GRID, FRAME TOP                                     |   |   |   | 1              |                |
| - 5                   | 5373180     | . COVER, TOP  |   |   |   | 2              |                |
| - 6                   | 2573225     | . COVER, TOP FRAME<br>USED WITHOUT SCF                |   |   |   | 1              |                |
| - 6                   | 5726141     | . GRID<br>USED WITH SCF                               |   |   |   | 1              |                |
| - 7                   | 2539327     | . LABEL   |   |   |   | AR             |                |
| - 8                   | 2566180     | . FINGER STOCK  |   |   |   | 13             |                |
| - 9                   | 1993047     | . STOP, LIMITING-DOOR                                 |   |   |   | 12             |                |
| - 10                  | 597014      | . SCREW, SHOULDER- 10-32 THD                          |   |   |   | ATT PT         | 12             |
| - 10A                 | 2637206     | . ARM, STAY   |   |   |   | 1              |                |
| - 10B                 | 597014      | . SCREW, SHOULDER- 10-32 THD                          |   |   |   | ATT PT         | 1              |
| - 11                  | 5496556     | . COVER ASM-BLUE                                      |   |   |   | 1              |                |
| - 11                  | 5496557     | . COVER ASM-GRAY                                      |   |   |   | 1              |                |
| - 11                  | 5496558     | . COVER ASM-RED                                       |   |   |   | 1              |                |
| - 11                  | 5496559     | . COVER ASM-YELLOW                                    |   |   |   | 1              |                |
| - 11                  | 5499785     | . COVER ASM-WHITE<br>USED ON DOMESTIC MODELS          |   |   |   | 1              |                |
| - 11                  | 5489104     | . COVER ASM-BLUE                                      |   |   |   | 1              |                |
| - 11                  | 5489105     | . COVER ASM-GRAY                                      |   |   |   | 1              |                |
| - 11                  | 5489106     | . COVER ASM-RED                                       |   |   |   | 1              |                |
| - 11                  | 5489107     | . COVER ASM-YELLOW                                    |   |   |   | 1              |                |
| - 11                  | 5499793     | . COVER ASM-WHITE<br>USED ON WORLD TRADE MODELS       |   |   |   | 1              |                |
| - 12                  | 5499762     | . . GUIDE, LATCH                                      |   |   |   | 2              |                |
| - 13                  | 34512       | . . SCREW, MACH BD HD- 8-32 X 0.375 LG                |   |   |   | ATT PT         | 6              |
| - 14                  | 2564580     | . . PLATE, GUIDE MTG                                  |   |   |   |                | 3              |
| - 15                  | 5496554     | . . LATCH COVER BOLT                                  |   |   |   |                | 2              |
| - 16                  | 34512       | . . SCREW, MACH BD HD- 8-32 X 0.375 LG                |   |   |   | ATT PT         | 4              |
| - 17                  | 22478       | . . WASHER, FL- 0.170 ID X 0.375 OD                   |   |   |   | ATT PT         | 4              |
| - 18                  | 5480637     | . . ARM, LATCH-UPPER                                  |   |   |   |                | 1              |
| - 19                  | 32042       | . . SCREW, MACH BD HD- 10-32 X 0.375 LG               |   |   |   | ATT PT         | 1              |
| - 20                  | 5500183     | . . BUSHING- .195 ID                                  |   |   |   |                | 1              |
| - 21                  | 5480636     | . . ARM, LATCH-LOWER                                  |   |   |   |                | 1              |
| - 22                  | 32042       | . . SCREW, MACH BD HD- 10-32 X 0.375 LG               |   |   |   | ATT PT         | 1              |
| - 23                  | 5500183     | . . BUSHING- .195 ID                                  |   |   |   |                | 1              |
| - 24                  | 5500189     | . . PIVOT   |   |   |   |                | 1              |
| - 25                  | 32042       | . . SCREW, MACH BD HD- 10-32 X 0.375 LG               |   |   |   | ATT PT         | 2              |
| - 26                  | 5500184     | . . SPACER  |   |   |   |                | 1              |
| - 27                  | 5500183     | . . BUSHING- .195 ID                                  |   |   |   |                | 2              |
| - 28                  | 5496560     | . . LATCH, CRANK                                      |   |   |   |                | 1              |
| - 29                  | 1144248     | . . RETAINER, SELF-LOCKING                            |   |   |   | ATT PT         | 1              |
| - 30                  | 2564571     | . . BUSHING, COVER HANDLE                             |   |   |   |                | 2              |
| - 31                  | 2564602     | . . HANDLE ASM-BLUE                                   |   |   |   |                | 1              |
| - 31                  | 2564603     | . . HANDLE ASM-GRAY                                   |   |   |   |                | 1              |
| - 31                  | 2564604     | . . HANDLE ASM-RED                                    |   |   |   |                | 1              |
| - 31                  | 2564605     | . . HANDLE ASM-YELLOW                                 |   |   |   |                | 1              |
| - 31                  | 5499786     | . . HANDLE ASM-WHITE<br>USED ON DOMESTIC MODELS       |   |   |   |                | 1              |
| - 32                  | 2561283     | . . SPRING (DOMESTIC)                                 |   |   |   |                | 1              |
| - 33                  | 58207       | . . SCREW, MACH BD HD- 8-32 X 0.250 LG                |   |   |   | ATT PT         | 2              |
| - 34                  | 60646       | . . LOCKWASHER, INT TEETH- 0.196 ID X 0.340 OD        |   |   |   | ATT PT         | 2              |
| - 35                  | 257188      | . . NUT, PLAIN HEX 8-32 X 11/32 FL 1                  |   |   |   | ATT PT         | 2              |
| - 36                  | 2579980     | . . BUMPER (DOMESTIC)                                 |   |   |   |                | 1              |
| - 37                  | 5480701     | . . HANDLE ASM-BLUE                                   |   |   |   |                | 1              |
| - 37                  | 5480702     | . . HANDLE ASM-GRAY                                   |   |   |   |                | 1              |
| - 37                  | 5480703     | . . HANDLE ASM-RED                                    |   |   |   |                | 1              |
| - 37                  | 5480704     | . . HANDLE ASM-YELLOW                                 |   |   |   |                | 1              |
| - 37                  | 5499794     | . . HANDLE ASM-WHITE<br>USED ON WORLD TRADE MODELS    |   |   |   |                | 1              |
| - 38                  | 2542952     | . . BRACKET (WT)                                      |   |   |   |                | 1              |
| - 39                  | 55726       | . . SCREW, MACH BD HD- 6-32 X 0.188 LG                |   |   |   | ATT PT         | 1              |
| - 40                  | 56722       | . . LOCKWASHER, EXT TEETH- 0.150 ID X 0.320 OD        |   |   |   | ATT PT         | 1              |
| - 41                  | 257986      | . . WASHER, FL- 0.156 ID X 0.312 OD                   |   |   |   | ATT PT         | 1              |
| - 42                  | 2542950     | . . SPRING (WT)                                       |   |   |   |                | 1              |
| - 43                  | 5480687     | . . HANDLE, LEFT                                      |   |   |   |                | 1              |
| - 44                  | 5489123     | . . COVER-BLUE  |   |   |   |                | 1              |
| - 44                  | 5489124     | . . COVER-GRAY  |   |   |   |                | 1              |
| - 44                  | 5489125     | . . COVER-RED   |   |   |   |                | 1              |
| - 44                  | 5489126     | . . COVER-YELLOW                                      |   |   |   |                | 1              |
| - 44                  | 5499801     | . . COVER-WHITE                                       |   |   |   |                | 1              |
| - 45                  | 5480610     | . . COVER ASM-BLUE                                    |   |   |   |                | 2              |

| LIST AND INDEX NUMBER | PART NUMBER | DESCRIPTION   | UNITS PER ASM. | USABLE ON CODE |
|-----------------------|-------------|---|----------------|----------------|
|                       |             |   |                |                |
| 1 - 45                | 5480611     | . COVER ASM-GRAY  | 2              |                |
| - 45                  | 5480612     | . COVER ASM-RED   | 2              |                |
| - 45                  | 5480613     | . COVER ASM-YELLOW  | 2              |                |
| - 45                  | 5499779     | . COVER ASM-WHITE<br>USED ON DOMESTIC MODELS                | 2              |                |
| - 45                  | 5496520     | . COVER ASM-BLUE  | 2              |                |
| - 45                  | 5496521     | . COVER ASM-GRAY  | 2              |                |
| - 45                  | 5496522     | . COVER ASM-RED   | 2              |                |
| - 45                  | 5496523     | . COVER ASM-YELLOW  | 2              |                |
| - 45                  | 5499787     | . COVER ASM-WHITE<br>USED ON WORLD TRADE MODELS             | 1              |                |
| - 46                  | 5489133     | . . HANDLE,COVER-RH   | 1              |                |
| - 47                  | 5480606     | . . COVER-BLUE  | 1              |                |
| - 47                  | 5480607     | . . COVER-GRAY  | 1              |                |
| - 47                  | 5480608     | . . COVER-RED   | 1              |                |
| - 47                  | 5480609     | . . COVER-YELLOW  | 1              |                |
| - 47                  | 5499795     | . . COVER-WHITE   | 1              |                |
| - 48                  | 5480594     | . COVER ASM-BLUE  | 1              |                |
| - 48                  | 5480595     | . COVER ASM-GRAY  | 1              |                |
| - 48                  | 5480596     | . COVER ASM-RED   | 1              |                |
| - 48                  | 5480597     | . COVER ASM-YELLOW  | 1              |                |
| - 48                  | 5499784     | . COVER ASM-WHITE<br>USED ON DOMESTIC MODELS                | 1              |                |
| - 48                  | 5496524     | . COVER ASM-BLUE  | 1              |                |
| - 48                  | 5496525     | . COVER ASM-GRAY  | 1              |                |
| - 48                  | 5496526     | . COVER ASM-RED   | 1              |                |
| - 48                  | 5496527     | . COVER ASM-YELLOW  | 1              |                |
| - 48                  | 5499792     | . COVER ASM-WHITE<br>USED ON WORLD TRADE MODELS             | 1              |                |
| - 49                  | 5504752     | . . HANDLE,INSIDE COVER                                     | 1              |                |
| - 50                  | 5480590     | . . COVER-BLUE  | 1              |                |
| - 50                  | 5480591     | . . COVER-GRAY  | 1              |                |
| - 50                  | 5480592     | . . COVER-RED   | 1              |                |
| - 50                  | 5480593     | . . COVER-YELLOW  | 1              |                |
| - 50                  | 5499800     | . . COVER-WHITE   | 1              |                |
| - 50A                 | 2281243     | . RACK,DISK   | 1              |                |
| - 50B                 | 5319854     | . SCREW,SELF TAPPING, 8-32 X .375 LONG                      | 3              | ATT PT         |
| - 50C                 | 22478       | . WASHER,FL- 0.170 ID X 0.375 OD                            | 3              | ATT PT         |
| - 51                  | 5480586     | . COVER ASM-BLUE  | 1              |                |
| - 51                  | 5480587     | . COVER ASM-GRAY  | 1              |                |
| - 51                  | 5480588     | . COVER ASM-RED   | 1              |                |
| - 51                  | 5480589     | . COVER ASM-YELLOW  | 1              |                |
| - 51                  | 5499781     | . COVER ASM-WHITE<br>USED ON DOMESTIC MODELS                | 1              |                |
| - 51                  | 5496516     | . COVER ASM-BLUE  | 1              |                |
| - 51                  | 5496517     | . COVER ASM-GRAY  | 1              |                |
| - 51                  | 5496518     | . COVER ASM-RED   | 1              |                |
| - 51                  | 5496519     | . COVER ASM-YELLOW  | 1              |                |
| - 51                  | 5499789     | . COVER ASM-WHITE<br>USED ON WORLD TRADE MODELS             | 1              |                |
| - 52                  | 5480687     | . . HANDLE,LEFT   | 1              |                |
| - 53                  | 5480582     | . . COVER-BLUE  | 1              |                |
| - 53                  | 5480583     | . . COVER-GRAY  | 1              |                |
| - 53                  | 5480584     | . . COVER-RED   | 1              |                |
| - 53                  | 5480585     | . . COVER-YELLOW  | 1              |                |
| - 53                  | 5499797     | . . COVER-WHITE   | 1              |                |
| - 54                  | 5480574     | . COVER ASM-BLUE  | 1              |                |
| - 54                  | 5480575     | . COVER ASM-GRAY  | 1              |                |
| - 54                  | 5480576     | . COVER ASM-RED   | 1              |                |
| - 54                  | 5480577     | . COVER ASM-YELLOW  | 1              |                |
| - 54                  | 5499782     | . COVER ASM-WHITE<br>USED ON DOMESTIC MODELS WITHOUT SCF    | 1              |                |
| - 54                  | 5496539     | . COVER ASM-BLUE  | 1              |                |
| - 54                  | 5496540     | . COVER ASM-GRAY  | 1              |                |
| - 54                  | 5496541     | . COVER ASM-RED   | 1              |                |
| - 54                  | 5496542     | . COVER ASM-YELLOW  | 1              |                |
| - 54                  | 5499790     | . COVER ASM-WHITE<br>USED ON WORLD TRADE MODELS WITHOUT SCF | 1              |                |
| - 54                  | 5480610     | . COVER ASM-BLUE  | 1              |                |
| - 54                  | 5480611     | . COVER ASM-GRAY  | 1              |                |
| - 54                  | 5480612     | . COVER ASM-RED   | 1              |                |
| - 54                  | 5480613     | . COVER ASM-YELLOW  | 1              |                |
| - 54                  | 5499779     | . COVER ASM-WHITE<br>USED ON DOMESTIC MODELS WITH SCF       | 1              |                |
| - 54                  | 5496520     | . COVER ASM-BLUE  | 1              |                |
| - 54                  | 5496521     | . COVER ASM-GRAY  | 1              |                |
| - 54                  | 5496522     | . COVER ASM-RED   | 1              |                |
| - 54                  | 5496523     | . COVER ASM-YELLOW  | 1              |                |
| - 54                  | 5499787     | . COVER ASM-WHITE   | 1              |                |

| LIST AND INDEX NUMBER | PART NUMBER | DESCRIPTION                                   | UNITS PER ASM. | USABLE ON CODE |
|-----------------------|-------------|---|----------------|----------------|
|                       |             | USED ON WORLD TRADE MODELS WITH SCF           |                |                |
| 1- 55                 | 5489133     | . . . HANDLE,COVER-RH                         | 1              |                |
| - 56                  | 5480570     | . . . COVER-BLUE                              | 1              |                |
| - 56                  | 5480571     | . . . COVER-GRAY                              | 1              |                |
| - 56                  | 5480572     | . . . COVER-RED                               | 1              |                |
| - 56                  | 5480573     | . . . COVER-YELLOW                            | 1              |                |
| - 56                  | 5499798     | . . . COVER-WHITE                             | 1              |                |
|                       |             | USED ON COVER ASMS WITHOUT SCF                |                |                |
| - 56                  | 5480606     | . . . COVER-BLUE                              | 1              |                |
| - 56                  | 5480607     | . . . COVER-GRAY                              | 1              |                |
| - 56                  | 5480608     | . . . COVER-RED                               | 1              |                |
| - 56                  | 5480609     | . . . COVER-YELLOW                            | 1              |                |
| - 56                  | 5499795     | . . . COVER-WHITE                             | 1              |                |
|                       |             | USED ON COVER ASMS WITH SCF                   |                |                |
| - 57                  | 1993461     | . COVER ASM,HINGED-BLUE                       | 1              |                |
| - 57                  | 1993462     | . COVER ASM,HINGED-GRAY                       | 1              |                |
| - 57                  | 1993463     | . COVER ASM,HINGED-RED                        | 1              |                |
| - 57                  | 1993464     | . COVER ASM,HINGED-YELLOW                     | 1              |                |
| - 57                  | 1993608     | . COVER ASM,HINGED-WHITE                      | 1              |                |
|                       |             | USED ON DOMESTIC MODELS                       |                |                |
| - 57                  | 1993456     | . COVER ASM,HINGED-BLUE                       | 1              |                |
| - 57                  | 1993457     | . COVER ASM,HINGED-GRAY                       | 1              |                |
| - 57                  | 1993458     | . COVER ASM,HINGED-RED                        | 1              |                |
| - 57                  | 1993459     | . COVER ASM,HINGED-YELLOW                     | 1              |                |
| - 57                  | 1993609     | . COVER ASM,HINGED-WHITE                      | 1              |                |
|                       |             | USED ON WORLD TRADE MODELS                    |                |                |
| - 58                  | 5504753     | . . . HANDLE,INSIDE COVER                     | 1              |                |
| - 59                  | 1993452     | . . . DOOR,BASIC-BLUE                         | 1              |                |
| - 59                  | 1993453     | . . . DOOR,BASIC-GRAY                         | 1              |                |
| - 59                  | 1993454     | . . . DOOR,BASIC-RED                          | 1              |                |
| - 59                  | 1993455     | . . . DOOR,BASIC-YELLOW                       | 1              |                |
| - 59                  | 1993611     | . . . COVER,HINGED-WHITE                      | 1              |                |
| - 60                  | 5480617     | . COVER ASM-BLUE                              | 1              |                |
| - 60                  | 5480618     | . COVER ASM-GRAY                              | 1              |                |
| - 60                  | 5480619     | . COVER ASM-RED                               | 1              |                |
| - 60                  | 5480620     | . COVER ASM-YELLOW                            | 1              |                |
| - 60                  | 5499783     | . COVER ASM-WHITE                             | 1              |                |
|                       |             | USED ON DOMESTIC MODELS                       |                |                |
| - 60                  | 5496530     | . COVER ASM-BLUE                              | 1              |                |
| - 60                  | 5496531     | . COVER ASM-GRAY                              | 1              |                |
| - 60                  | 5496532     | . COVER ASM-RED                               | 1              |                |
| - 60                  | 5496533     | . COVER ASM-YELLOW                            | 1              |                |
| - 60                  | 5499791     | . COVER ASM-WHITE                             | 1              |                |
|                       |             | USED ON WORLD TRADE MODELS                    |                |                |
| - 61                  | 5480687     | . . . HANDLE,LEFT                             | 1              |                |
| - 62                  | 5480598     | . . . COVER-BLUE                              | 1              |                |
| - 62                  | 5480599     | . . . COVER-GRAY                              | 1              |                |
| - 62                  | 5480600     | . . . COVER-RED                               | 1              |                |
| - 62                  | 5480601     | . . . COVER-YELLOW                            | 1              |                |
| - 62                  | 5499796     | . . . COVER-WHITE                             | 1              |                |
| - 66                  | 5480563     | . COVER ASM,END-GRAY                          | 1              |                |
|                       |             | USED WITH NO 2319 FILE                        |                |                |
| - 66                  | 5496528     | . COVER ASM,END-DOMESTIC                      | 1              |                |
| - 66                  | 5496529     | . COVER ASM,END-WORLD TRADE                   | 1              |                |
|                       |             | USED ON PF MODELS H2,HG2,I2,IH2,AND J2        |                |                |
| - 67                  | 5488901     | . SCREW,BD HD- 6-32 X 0.375 LG ATT PT         | 2              |                |
| - 68                  | 5480628     | . . BRACKET,COVER MTG                         | 2              |                |
| - 69                  | 332620      | . . SCREW,HACH BD HD- 10-32 X 0.500 LG ATT PT | 4              |                |
| - 70                  | 45690       | . . WASHER,FL- 0.203 ID X 0.438 OD ATT PT     | 4              |                |
| - 72                  | 5489150     | . KICKPLATE                                   | 2              |                |
| - 74                  | 2641597     | . KICKPLATE-RIGHT END                         | 1              |                |
|                       |             | USED ON POWER FRAME-NON-RAISED FLOOR          |                |                |
| - 74                  | 5499764     | . KICKPLATE-RIGHT END                         | 1              |                |
|                       |             | USED ON POWER FRAME-RAISED FLOOR              |                |                |
| - 74                  | 2641596     | . KICKPLATE-LEFT END                          | 1              |                |
|                       |             | USED ON POWER FRAME-NON-RAISED FLOOR          |                |                |
| - 74                  | 5489144     | . KICKPLATE-LEFT END                          | 1              |                |
|                       |             | USED ON POWER FRAME-RAISED FLOOR              |                |                |
| - 75                  | 5489150     | . KICKPLATE                                   | 1              |                |
|                       |             | USED ON SCF-RAISED FLOOR                      |                |                |
| - 75                  | 5489148     | . KICKPLATE                                   | 1              |                |
|                       |             | USED ON SCF-NON-RAISED FLOOR                  |                |                |
| - 75A                 | 5499764     | . KICKPLATE                                   | 1              |                |

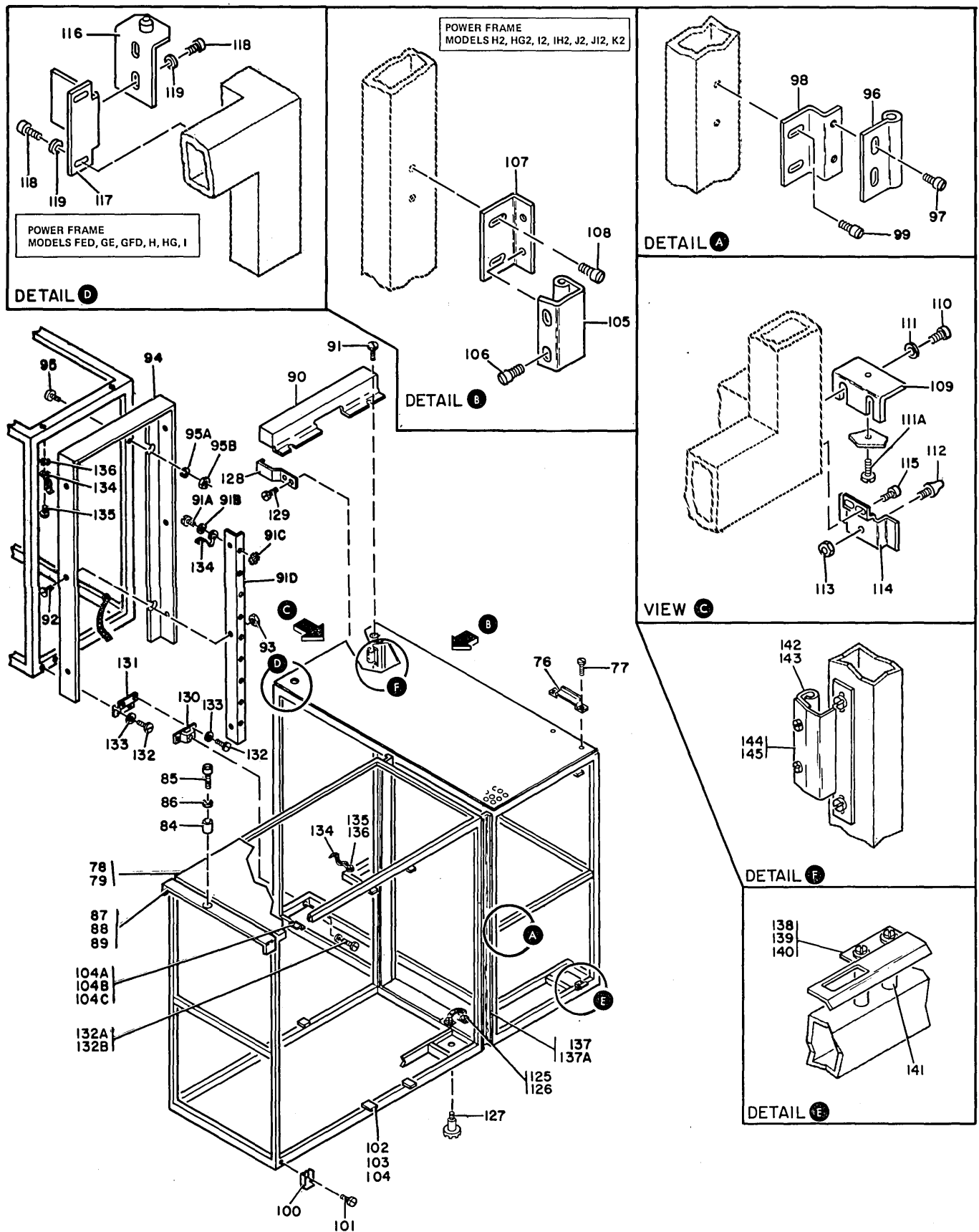


FIGURE 1. COVERS AND FRAME ASSEMBLY. SHEET 2 OF 2. INDEX NOS. 76-145. SEE LIST 1.



| LIST AND INDEX NUMBER | PART NUMBER | DESCRIPTION   | UNITS PER ASM. | USABLE ON CODE |
|-----------------------|-------------|---|----------------|----------------|
| 1 - 76                | 5480539     | . RETAINER,COVER- TOP   | AR             |                |
| - 77                  | 5373218     | . SCREW,BD HD- 10-32 X 0.32 LG ATT PT   | AR             |                |
| - 78                  | 1993675     | . SCREEN, TOP   | AR             |                |
| - 78                  | 1994907     | USED ON CPU AND PF MODELS H2,HG2,I2,IH2,AND J2<br>. SCREEN                      | AR             |                |
| - 79                  | 159494      | USED ON PF MODELS FED,GE,GFD,H,AND I<br>. SCREW,BD HD- 10-32 X 0.250 LG ATT PT  | AR             |                |
| - 84                  | 5397868     | . PLUG,LOCATING   | 1              |                |
| - 85                  | 5372975     | . SCREW,BD HD MACH- 6-32 X .500 LG ATT PT                                       | 1              |                |
| - 86                  | 1135998     | . WASHER,FLAT 0.145 ID ATT PT   | 1              |                |
| - 87                  | 1993660     | . STRIP ASM, TOP FILLER   | 1              |                |
| - 88                  | 186759      | . SCREW,MACH BD HD- 8-32 X 0.312 LG ATT PT                                      | 5              |                |
| - 89                  | 22478       | . WASHER,FL- 0.170 ID X 0.375 OD ATT PT   | 5              |                |
| - 90                  | 1993489     | . FILLER, TOP GRID  | 1              |                |
| - 91                  | 32042       | USED WITH SYSTEM PRIME FILE<br>. SCREW,MACH BD HD- 10-32 X 0.375 LG ATT PT      | 1              |                |
| - 91A                 | 25627       | . SCREW,MACH BD HD- 8-32 X 0.500 LG   | 18             |                |
| - 91B                 | 22478       | . WASHER,FL- 0.170 ID X 0.375 OD  | 18             |                |
| - 91C                 | 55901       | . LOCKWASHER,EXT TEETH- 0.176 OD X 0.381 O                                      | 18             |                |
| - 91D                 | 2637203     | . BAR   | 2              |                |
| - 92                  | 34512       | USED WITH SYSTEM PRIME FILE<br>. SCREW,MACH BD HD- 8-32 X 0.375 LG ATT PT       | 6              |                |
| - 93                  | 257189      | . NUT,HEX 8-32 ATT PT   | 4              |                |
| - 94                  | 2641698     | . FILLER  | 1              |                |
| - 95                  | 36112       | USED WITH SYSTEM PRIME FILE<br>. SCREW,SLOTTED HEX HD- 1/4-20 X 1.500 LG ATT PT | 4              |                |
| - 95A                 | 6935        | . LOCKWASHER,SPLIT- 0.250 ID X 0.493 OD   | 4              |                |
| - 95B                 | 3960        | . NUT,PLAIN HEX- 1/4-20 X 0.437 PL W  | 4              |                |
| - 96                  | 5480614     | . HINGE   | AR             |                |
| - 97                  | 5488999     | . SCREW,BD HD- 10-32 X 0.250 LG ATT PT  | AR             |                |
| - 98                  | 5480615     | . BRACKET,HINGE MTG   | AR             |                |
| - 99                  | 5257231     | . SCREW,BIND HEAD 10-32 X 0.38 ATT PT   | AR             |                |
| -100                  | 2630281     | . BRACKET   | AR             |                |
| -101                  | 5257231     | . SCREW,BIND HEAD 10-32 X 0.38 ATT PT   | AR             |                |
| -102                  | 1994497     | . PLATE,LATCH   | 22             |                |
| -103                  | 5257231     | . SCREW,BIND HEAD 10-32 X 0.38 ATT PT   | AR             |                |
| -104                  | 2256647     | . WASHER,FL- 0.203 ID X 0.438 OD ATT PT   | AR             |                |
| -104A                 | 1993379     | . BRACKET   | 1              |                |
| -104B                 | 32042       | . SCREW,MACH BD HD- 10-32 X 0.375 LG ATT PT                                     | 2              |                |
| -104C                 | 45690       | . WASHER,FL- 0.203 ID X 0.438 OD ATT PT   | 2              |                |
| -105                  | 5480621     | . HINGE   | AR             |                |
| -106                  | 5488999     | . SCREW,BD HD- 10-32 X 0.250 LG ATT PT  | AR             |                |
| -107                  | 5480622     | . BRACKET,HINGE   | AR             |                |
| -108                  | 5257231     | . SCREW,BIND HEAD 10-32 X 0.38 ATT PT   | AR             |                |
| -109                  | 5480629     | . BRACKET,END COVER MTG   | 4              |                |
| -110                  | 5257231     | . SCREW,BIND HEAD 10-32 X 0.38 ATT PT   | 8              |                |
| -111                  | 2566647     | . WASHER,FLAT- NO 10 ATT PT   | 8              |                |
| -111A                 | 58207       | . SCREW,MACH BD HD- 8-32 X 0.250 LG ATT PT                                      | 4              |                |
| -112                  | 336726      | . STUD,CATCH  | 2              |                |
| -113                  | 257187      | . NUT,HEX- 6-32 THD ATT PT  | 2              |                |
| -114                  | 2630342     | . BRACKET ASM   | AR             |                |
| -115                  | 5257231     | . SCREW,BD HD- 10-32 X 0.380 LG ATT PT  | AR             |                |
| -116                  | 1985723     | . BRACKET   | AR             |                |
| -117                  | 5480626     | . BRACKET,HINGE   | AR             |                |
| -118                  | 5257231     | . SCREW,BIND HEAD 10-32 X 0.38 ATT PT   | AR             |                |
| -119                  | 2566647     | . WASHER,FLAT- NO 10 ATT PT   | AR             |                |
| -125                  | 32042       | . SCREW,MACH BD HD- 10-32 X 0.375 LG  | 2              |                |
| -126                  | 56079       | . LOCKWASHER,EXT TEETH- 0.204 ID X 0.410 O                                      | 2              |                |
| -127                  | 587875      | . FOOT ASM,LEVELING   | 12             |                |
| -128                  | 2641697     | . SUPPORT   | 2              |                |
| -129                  | 438622      | . SCREW,MACH UNDRCT BIND HD 1/4-20 X 3/8 ATT PT                                 | 4              |                |
| -130                  | 2637644     | . ISOLATOR  | 2              |                |
| -131                  | 2641696     | . BRACKET   | 2              |                |
| -132                  | 38686       | . SCREW,MACH HEX HD- 1/4-20 X 0.500 LG ATT PT                                   | 8              |                |
| -132A                 | 59683       | . SCREW   | 2              |                |
| -132B                 | 130985      | . WASHER  | 2              |                |
| -133                  | 3550        | . WASHER,FL- 0.250 ID X 0.562 OD ATT PT   | 8              |                |
| -134                  | 518611      | . JUMPER ASM,GROUND   | 2              |                |
| -135                  | 32042       | . SCREW,MACH BD HD- 10-32 X 0.375 LG ATT PT                                     | 4              |                |
| -136                  | 56079       | . LOCKWASHER,EXT TEETH- 0.204 ID X 0.410 O ATT PT                               | 4              |                |
| -137                  | 1801101     | . SPACER  | 2              |                |
| -137A                 | 5488922     | . SCREW,HEX HD- 0.250-20 X 0.500 LG ATT PT                                      | 8              |                |
| -138                  | 1993379     | . BRACKET   | 1              |                |
| -139                  | 438601      | . SCREW,MCH,BD HD-10-32 X 0.875 LG ATT PT                                       | 2              |                |
| -140                  | 2566647     | . WASHER,FLAT- NO 10 ATT PT   | 2              |                |
| -141                  | 303333      | . SPACER,0.250 ID X 0.500 OD  | 2              |                |
| -142                  | 5489132     | . HINGE   | 3              |                |
| -143                  | 2566607     | . SCREW,BIND HD- 10-32 X 0.250 LG ATT PT  | 6              |                |
| -144                  | 5489131     | . HINGE   | 3              |                |

| LIST AND INDEX NUMBER | PART NUMBER | DESCRIPTION |                              |     |    | UNITS PER ASM. | USABLE ON CODE |
|-----------------------|-------------|-------------|------------------------------|-----|----|----------------|----------------|
|                       |             | 1           | 2                            | 3   | 4  |                |                |
| 1 -145                | 5257231     | .           | SCREW,BIND HEAD 10-32 X 0.38 | ATT | PT | 6              |                |
|                       |             |             |                              |     |    |                |                |
|                       |             |             |                              |     |    |                |                |
|                       |             |             |                              |     |    |                |                |
|                       |             |             |                              |     |    |                |                |
|                       |             |             |                              |     |    |                |                |
|                       |             |             |                              |     |    |                |                |
|                       |             |             |                              |     |    |                |                |
|                       |             |             |                              |     |    |                |                |
|                       |             |             |                              |     |    |                |                |
|                       |             |             |                              |     |    |                |                |
|                       |             |             |                              |     |    |                |                |
|                       |             |             |                              |     |    |                |                |
|                       |             |             |                              |     |    |                |                |
|                       |             |             |                              |     |    |                |                |
|                       |             |             |                              |     |    |                |                |
|                       |             |             |                              |     |    |                |                |
|                       |             |             |                              |     |    |                |                |
|                       |             |             |                              |     |    |                |                |
|                       |             |             |                              |     |    |                |                |
|                       |             |             |                              |     |    |                |                |
|                       |             |             |                              |     |    |                |                |

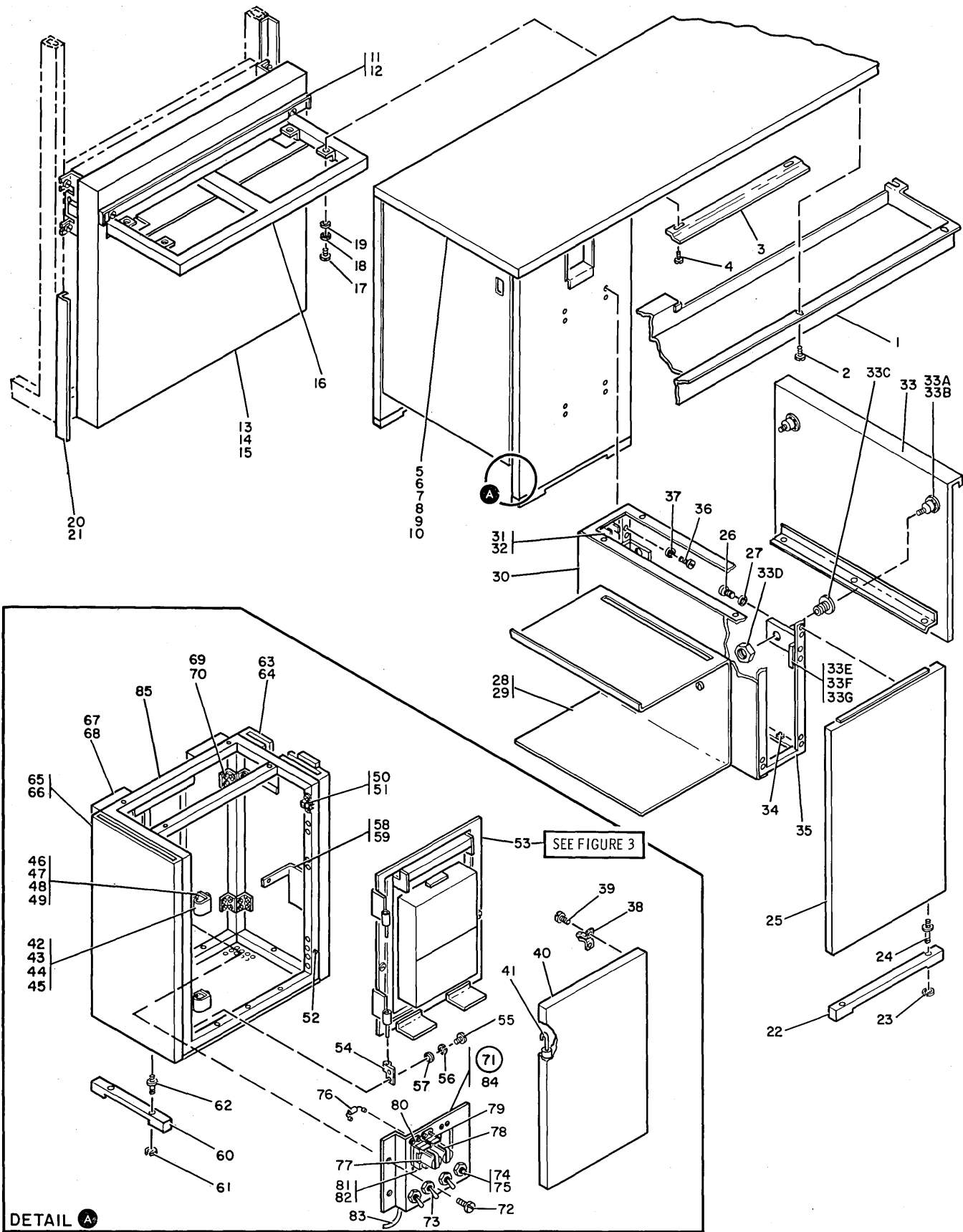


FIGURE 2. FRONT END TABLE ASSEMBLY. SEE LIST 2.

| LIST AND INDEX NUMBER | PART NUMBER | DESCRIPTION                                |   |        |    | UNITS PER ASM. | USABLE ON CODE |
|-----------------------|-------------|--|---|--------|----|----------------|----------------|
|                       |             | 1  | 2 | 3      | 4  |                |                |
|                       |             | FRONT END TABLE ASSEMBLY                   |   |        |    |                |                |
| 2 -                   | 1993002     | FRONT END TABLE ASM,LEFT                   |   |        |    |                |                |
| -                     | 1993004     | FRONT END TABLE ASM,RIGHT                  |   |        |    |                |                |
|                       |             | FOR ILLUSTRATION SEE FIGURE 2              |   |        |    |                |                |
| - 1                   | 1993691     | . TROUGH,CABLE-LEFT HAND                   |   |        |    | 1              |                |
| - 1                   | 1993152     | . TROUGH,CABLE-RH                          |   |        |    | 1              |                |
| - 2                   | 5373218     | . SCREW,BD HD- 10-32 X 0.32 LG             |   | ATT PT | 4  |                |                |
| - 3                   | 1993696     | . PLATE,CABLE TROUGH RETAINER              |   |        |    | 1              |                |
| - 4                   | 5373218     | . SCREW,BD HD- 10-32 X 0.32 LG             |   | ATT PT | 2  |                |                |
| - 5                   | 1993310     | . TABLE TOP ASM,LEFT                       |   |        |    | 1              |                |
| - 5                   | 1993309     | . TABLE TOP ASM,RIGHT                      |   |        |    | 1              |                |
| - 6                   | 36844       | . SCREW,CAP SLOT HD 1/4-20 X 0.500 LG      |   | ATT PT | 4  |                |                |
| - 7                   | 6935        | . LOCKWASHER, SPLIT 1/4 X 0.493 OD         |   | ATT PT | 4  |                |                |
| - 8                   | 3550        | . WASHER,FL 1/4 X 9/16 OD X 0.050 THK      |   | ATT PT | 4  |                |                |
| - 9                   | 322034      | . SCREW,BD HD MACH- 1/4-20 X 1.500 LG      |   | ATT PT | 4  |                |                |
| - 10                  | 3550        | . WASHER,FL 1/4 X 9/16 OD X 0.050 THK      |   | ATT PT | 4  |                |                |
| - 11                  | 1993697     | . SPACER,READING BOARD                     |   |        |    | 1              |                |
| - 12                  | 332620      | . SCREW,MACH BD HD- 10-32 X 0.500 LG       |   | ATT PT | 2  |                |                |
| - 13                  | 1993151     | . COVER,LOWER- FRONT                       |   |        |    | 1              |                |
| - 14                  | 236849      | . SCREW,MACH BD HD- 10-32 X 1/4 LG         |   | ATT PT | 4  |                |                |
| - 15                  | 45690       | . WASHER,FL NO.10 X 7/16 OD X 1/32 THK     |   | ATT PT | 4  |                |                |
| - 16                  | 1993306     | . BRACKET,TABLE SUPPORT                    |   |        |    | 1              |                |
| - 17                  | 36844       | . SCREW,CAP SLOT HD 1/4-20 X 0.500 LG      |   | ATT PT | 4  |                |                |
| - 18                  | 6935        | . LOCKWASHER, SPLIT 1/4 X 0.493 OD         |   | ATT PT | 4  |                |                |
| - 19                  | 3550        | . WASHER,FL 1/4 X 9/16 OD X 0.050 THK      |   | ATT PT | 4  |                |                |
| - 20                  | 1993487     | . PLATE,FILLER- LEFT                       |   |        |    | 1              |                |
| - 20                  | 1993486     | . PLATE,FILLER- RIGHT                      |   |        |    | 1              |                |
| - 21                  | 236849      | . SCREW,MACH BD HD- 10-32 X 1/4 LG         |   | ATT PT | 10 |                |                |
| - 22                  | 1985649     | . GLIDE,LEG                                |   |        |    | 1              |                |
| - 23                  | 332747      | . CLIP,0.207 ID X 0.025 THK                |   | ATT PT | 2  |                |                |
| - 24                  | 1985650     | . SCREW,LEVELING                           |   |        |    | 2              |                |
| - 25                  | 1993264     | . LEG ASM,FRONT SUPPORT- LEFT              |   |        |    | 1              |                |
| - 25                  | 1985663     | . LEG,FRONT SUPPORT                        |   |        |    | 1              |                |
| - 26                  | 19944       | . SCREW,MACH BD HD- 8-32 X 3/4 LG          |   | ATT PT | 8  |                |                |
| - 27                  | 22478       | . WASHER,FL 0.170 ID 0.375 OD 0.032 THK    |   | ATT PT | 8  |                |                |
| - 28                  | 1993311     | . RACK,PAPER                               |   |        |    | 1              |                |
| - 29                  | 228307      | . SCREW,FL HD- 8-32 X 0.4375 LG            |   | ATT PT | 4  |                |                |
| - 30                  | 5488806     | . SKIRT,BACK MODESTY                       |   |        |    | 1              |                |
| - 31                  | 5271288     | . TERMINAL                                 |   |        |    | 2              |                |
| - 32                  | 438548      | . SCREW,MACH BD HD- 4-40 X .188 LG         |   | ATT PT | 1  |                |                |
| - 33                  | 2641870     | . SKIRT,FRONT MODESTY                      |   |        |    | 1              |                |
| - 33A                 | 2130294     | . STUD                                     |   |        |    | 2              |                |
| - 33B                 | 1161453     | . WASHER,CAMLOC- 0.470 OD                  |   | ATT PT | 2  |                |                |
| - 33C                 | 1161456     | . RECEPTACLE                               |   |        |    | 2              |                |
| - 33D                 | 1161455     | . NUT,CAMLOC- 15/32-32                     |   | ATT PT | 2  |                |                |
| - 33E                 | 2641869     | . BRACKET,LATCH                            |   |        |    | 2              |                |
| - 33F                 | 186759      | . SCREW,MACH BD HD- 8-32 X 0.312 LG        |   | ATT PT | 4  |                |                |
| - 33G                 | 102691      | . WASHER,FL- 0.188 ID X 0.438 OD           |   | ATT PT | 4  |                |                |
| - 34                  | 5357135     | . CATCH                                    |   |        |    | 6              |                |
| - 35                  | 5488844     | . SUPPORT,PRINTER                          |   |        |    | 1              |                |
| - 36                  | 19944       | . SCREW,MACH BD HD- 8-32 X 3/4 LG          |   | ATT PT | 8  |                |                |
| - 37                  | 22478       | . WASHER,FL 0.170 ID 0.375 OD 0.032 THK    |   | ATT PT | 8  |                |                |
| - 38                  | 597097      | . STRIKER,ROLLER LATCH                     |   |        |    | 1              |                |
| - 39                  | 10170       | . SCREW,MACH BD HD- NO. 6-32 X .250 LG     |   | ATT PT | 2  |                |                |
| - 40                  | 1993269     | . COVER ASM,FRONT FILE- LEFT               |   |        |    | 1              |                |
| - 40                  | 1993270     | . COVER ASM,FRONT FILE- RIGHT              |   |        |    | 1              |                |
| - 41                  | 1993244     | . PIN,HINGE COVER                          |   | ATT PT | 2  |                |                |
| - 42                  | 1993236     | . HINGE,COVER                              |   |        |    | 2              |                |
| - 43                  | 34512       | . SCREW,MACH BD HD- 8-32 X 0.375 LG        |   | ATT PT | 4  |                |                |
| - 44                  | 55901       | . LOCKWASHER,EXTERNAL TOOTH 0.176 ID X 0.3 |   | ATT PT | 4  |                |                |
| - 45                  | 22478       | . WASHER,FL 0.170 ID 0.375 OD 0.032 THK    |   | ATT PT | 4  |                |                |
| - 46                  | 1985654     | . BRACKET,HINGE                            |   |        |    | 2              |                |
| - 47                  | 34512       | . SCREW,MACH BD HD- 8-32 X 0.375 LG        |   | ATT PT | 4  |                |                |
| - 48                  | 55901       | . LOCKWASHER,EXTERNAL TOOTH 0.176 ID X 0.3 |   | ATT PT | 4  |                |                |
| - 49                  | 22478       | . WASHER,FL 0.170 ID 0.375 OD 0.032 THK    |   | ATT PT | 4  |                |                |
| - 50                  | 205855      | . CATCH,SPRING                             |   |        |    | 1              |                |
| - 51                  | 10170       | . SCREW,MACH BD HD- NO. 6-32 X .250 LG     |   | ATT PT | 2  |                |                |
| - 52                  | 91514       | . BUMPER                                   |   |        |    | 1              |                |
| - 53                  | 1994450     | . CONSOLE FILE ASM,RIGHT- 60HZ OLD STYLE   |   |        |    | 1              |                |
| - 53                  | 1994451     | . CONSOLE FILE ASM,RIGHT- 50 HZ OLD STYLE  |   |        |    | 1              |                |
| - 53                  | 1994452     | . CONSOLE FILE ASM,LEFT- 60 HZ OLD STYLE   |   |        |    | 1              |                |
| - 53                  | 1994453     | . CONSOLE FILE ASM,LEFT- 50 HZ OLD STYLE   |   |        |    | 1              |                |
| - 53                  | 2646805     | . CONSOLE FILE ASM,RIGHT- 60 HZ NEW STYLE  |   |        |    | 1              |                |
| - 53                  | 2646806     | . CONSOLE FILE ASM,RIGHT- 50 HZ NEW STYLE  |   |        |    | 1              |                |
| - 53                  | 2646807     | . CONSOLE FILE ASM,LEFT- 60 HZ NEW STYLE   |   |        |    | 1              |                |
| - 53                  | 2646808     | . CONSOLE FILE ASM,LEFT- 50 HZ NEW STYLE   |   |        |    | 1              |                |
|                       |             | NOT PART OF FRONT END ASM                  |   |        |    |                |                |

| LIST AND INDEX NUMBER | PART NUMBER | DESCRIPTION                                       |   |   |   | UNITS PER ASM. | USABLE ON CODE |
|-----------------------|-------------|---|---|---|---|----------------|----------------|
|                       |             | 1   | 2 | 3 | 4 |                |                |
|                       |             | FOR DETAIL BREAKDOWN SEE FIGURE 3                 |   |   |   |                |                |
| 2 - 54                | 1993272     | . HINGE,GATE-RIGHT HAND                           |   |   |   | 2              |                |
| - 54                  | 1993251     | . HINGE,GATE                                      |   |   |   | 2              |                |
| - 55                  | 34512       | . SCREW,MACH BD HD- 8-32 X 0.375 LG ATT PT        |   |   |   | 4              |                |
| - 56                  | 55901       | . LOCKWASHER,EXTERNAL TOOTH 0.176 ID X 0.3 ATT PT |   |   |   | 4              |                |
| - 57                  | 22478       | . WASHER,FL 0.170 ID 0.375 OD 0.032 THK ATT PT    |   |   |   | 4              |                |
| - 58                  | 1993271     | . BRACKET,LEFT GATE                               |   |   |   | 1              |                |
| - 58                  | 1993250     | . BRACKET,RIGHT GATE                              |   |   |   | 1              |                |
| - 59                  | 58207       | . SCREW,MACH BD HD- 6-32 X 0.250 LG ATT PT        |   |   |   | 2              |                |
| - 60                  | 1985649     | . GLIDE,LEG                                       |   |   |   | 2              |                |
| - 61                  | 332747      | . CLIP,0.207 ID X 0.025 THK ATT PT                |   |   |   | 4              |                |
| - 62                  | 1985650     | . SCREW,LEVELING                                  |   |   |   | 4              |                |
| - 63                  | 1993265     | . LEG ASM,MIDDLE SUPPORT- LEFT                    |   |   |   | 1              |                |
| - 63                  | 1993268     | . LEG ASM,MIDDLE SUPPORT- RIGHT                   |   |   |   | 1              |                |
| - 64                  | 58207       | . SCREW,MACH BD HD- 6-32 X 0.250 LG ATT PT        |   |   |   | 8              |                |
| - 65                  | 1993266     | . LEG ASM,BACK SUPPORT- LEFT                      |   |   |   | 1              |                |
| - 65                  | 1993261     | . HANDLE,PANEL                                    |   |   |   | 1              |                |
| - 66                  | 58207       | . SCREW,MACH BD HD- 6-32 X 0.250 LG ATT PT        |   |   |   | 8              |                |
| - 67                  | 1993692     | . COVER ASM,BACKFILE                              |   |   |   | 1              |                |
| - 68                  | 58207       | . SCREW,MACH BD HD- 6-32 X 0.250 LG ATT PT        |   |   |   | 8              |                |
| - 69                  | 1985653     | . BRACKET,LEG                                     |   |   |   | 12             |                |
| - 70                  | 58207       | . SCREW,MACH BD HD- 6-32 X 0.250 LG ATT PT        |   |   |   | 24             |                |
| - 71                  | 5489193     | . PLATE ASSEMBLY                                  |   |   |   | 1              |                |
| - 72                  | 34512       | . SCREW,MACH BD HD- 8-32 X 0.375 LG ATT PT        |   |   |   | 2              |                |
| - 73                  | 121756      | . . SWITCH,TOGGLE                                 |   |   |   | 3              |                |
| - 74                  | 5328126     | . . SWITCH,TOGGLE                                 |   |   |   | 1              |                |
| - 75                  | 179743      | . . NUT,HEX TOGGLE SW- 15/32-32 ATT PT            |   |   |   | 1              |                |
| - 76                  | 2542050     | . . DIODE ASM                                     |   |   |   | 2              |                |
| - 77                  | 769011      | . . RELAY   |   |   |   | 1              |                |
| - 78                  | 769083      | . . RELAY   |   |   |   | 1              |                |
| - 79                  | 159941      | . . RECEPTACLE                                    |   |   |   | 2              |                |
| - 80                  | 159944      | . . CLIP  |   |   |   | 2              |                |
| - 81                  | 308704      | . . CLIP  |   |   |   | 2              |                |
| - 82                  | 81693       | . . SCREW,MACH BD HD- 6-32 X 0.375 LG ATT PT      |   |   |   | 8              |                |
| - 83                  | 5487065     | . . CABLE ASM,PLATE TO VOLTAGE CONN               |   |   |   | 1              |                |
|                       |             | FOR COMPONENT PARTS SEE FIGURE 72                 |   |   |   |                |                |
| - 84                  | 5489192     | . . PLATE   |   |   |   | 1              |                |
| - 85                  | 1993247     | . FRAME,CONSOLE FILE                              |   |   |   | 1              |                |
|                       |             |   |   |   |   |                |                |
|                       |             |   |   |   |   |                |                |
|                       |             |   |   |   |   |                |                |
|                       |             |   |   |   |   |                |                |
|                       |             |   |   |   |   |                |                |
|                       |             |   |   |   |   |                |                |
|                       |             |   |   |   |   |                |                |
|                       |             |   |   |   |   |                |                |
|                       |             |   |   |   |   |                |                |
|                       |             |   |   |   |   |                |                |
|                       |             |   |   |   |   |                |                |
|                       |             |   |   |   |   |                |                |
|                       |             |   |   |   |   |                |                |
|                       |             |   |   |   |   |                |                |
|                       |             |   |   |   |   |                |                |
|                       |             |   |   |   |   |                |                |
|                       |             |   |   |   |   |                |                |
|                       |             |   |   |   |   |                |                |
|                       |             |   |   |   |   |                |                |
|                       |             |   |   |   |   |                |                |

FOR PARTS  
NOT SHOWN  
SEE FIG. 2

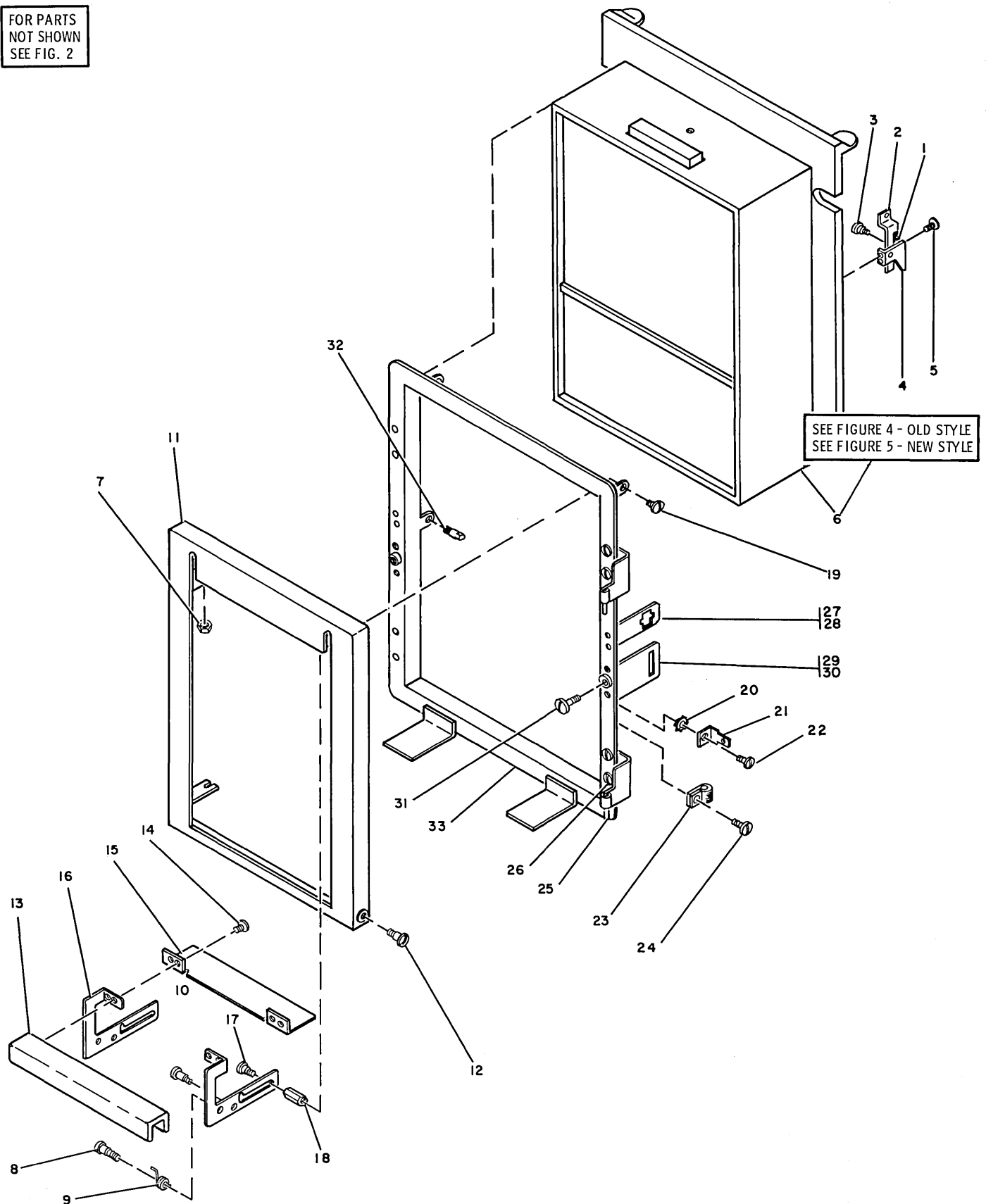


FIGURE 3. CONSOLE FILE ASSEMBLY. SEE LIST 3.

| LIST AND INDEX NUMBER | PART NUMBER | DESCRIPTION   |   |   |   | UNITS PER ASM. | USABLE ON CODE |
|-----------------------|-------------|---|---|---|---|----------------|----------------|
|                       |             | 1   | 2 | 3 | 4 |                |                |
|                       |             | CONSOLE FILE ASSEMBLY   |   |   |   |                |                |
| 3 -                   | 1994450     | CONSOLE FILE ASM,RIGHT- 60 HZ OLD STYLE                       |   |   |   | REF            |                |
| -                     | 1994451     | CONSOLE FILE ASM,RIGHT- 50 HZ OLD STYLE                       |   |   |   | REF            |                |
| -                     | 1994452     | CONSOLE FILE ASM,LEFT- 60 HZ OLD STYLE                        |   |   |   | REF            |                |
| -                     | 1994453     | CONSOLE FILE ASM,LEFT- 50 HZ OLD STYLE                        |   |   |   | REF            |                |
| -                     | 2646805     | CONSOLE FILE ASM,RIGHT- 60 HZ NEW STYLE                       |   |   |   | REF            |                |
| -                     | 2646806     | CONSOLE FILE ASM,RIGHT- 50 HZ NEW STYLE                       |   |   |   | REF            |                |
| -                     | 2646807     | CONSOLE FILE ASM,LEFT- 60 HZ NEW STYLE                        |   |   |   | REF            |                |
| -                     | 2646808     | CONSOLE FILE ASM,LEFT- 50 HZ NEW STYLE                        |   |   |   | REF            |                |
|                       |             | FOR LOCATION SEE FIGURE 2-53<br>FOR ILLUSTRATION SEE FIGURE 3 |   |   |   |                |                |
| - 1                   | 2637378     | . SPRING,EXTENSION  |   |   |   | 2              |                |
| - 2                   | 1993298     | . LEVER ASM,LEFT HAND   |   |   |   | 1              |                |
| - 2                   | 1993299     | . LEVER ASM,RIGHT HAND  |   |   |   | 1              |                |
| - 3                   | 1993241     | . PIVOT,LEVER   |   |   |   | 2              |                |
| - 4                   | 1993255     | . BRACKET,LEVER- LEFT   |   |   |   | 1              |                |
| - 4                   | 1993256     | . BRACKET,LEVER- RIGHT  |   |   |   | 1              |                |
| - 5                   | 32042       | . SCREW,MACH BD HD- 10-32 X 0.375 LG.                         |   |   |   | 4              |                |
| - 6                   | 2280650     | . FLEXIBLE DISK READER ASM- 50 HZ OLD STYLE                   |   |   |   | 1              |                |
| - 6                   | 2280660     | . FLEXIBLE DISK READER ASM- 60 HZ OLD STYLE                   |   |   |   | 1              |                |
|                       |             | FOR DETAIL BREAKDOWN SEE FIGURE 4                             |   |   |   |                |                |
| - 6                   | 2280760     | . READER,ASSEMBLY- 60 HZ NEW STYLE                            |   |   |   | 1              |                |
| - 6                   | 2280773     | . READER,ASSEMBLY- 50 HZ NEW STYLE                            |   |   |   | 1              |                |
|                       |             | FOR DETAIL BREAKDOWN SEE FIGURE 5                             |   |   |   |                |                |
| - 7                   | 257189      | . NUT,HEX 8-32  |   |   |   | 4              |                |
| - 8                   | 1993249     | . PIVOT,STAY BRACE  |   |   |   | 2              |                |
| - 9                   | 1993240     | . SPRING,TORSION  |   |   |   | 2              |                |
| - 10                  | 1993243     | . PIN,TORSION SPRING  |   |   |   | 2              |                |
| - 11                  | 1993246     | . MOUNTING,PANEL  |   |   |   | 1              |                |
| - 12                  | 1993242     | . SCREW,COVER PIVOT   |   |   |   | 2              |                |
| - 13                  | 1993261     | . HANDLE,PANEL  |   |   |   | 1              |                |
| - 14                  | 58207       | . SCREW,MACH BD HD- 6-32 X 0.250 LG                           |   |   |   | 4              |                |
| - 15                  | 1993254     | . SHIELD,FINGER   |   |   |   | 1              |                |
| - 16                  | 1993259     | . BRACE,STAY- LEFT  |   |   |   | 1              |                |
| - 16                  | 1993260     | . BRACE,STAY- RIGHT   |   |   |   | 1              |                |
| - 17                  | 1993238     | . PIN,STAY BRACE  |   |   |   | 2              |                |
| - 18                  | 1993253     | . STUD,STAY BRACE   |   |   |   | 2              |                |
| - 19                  | 34512       | . SCREW,MACH BD HD- 8-32 X 0.375 LG                           |   |   |   | 2              |                |
| - 20                  | 338169      | . LOCKWASHER, EXT TEETH NO. 4 X 9/32 OD                       |   |   |   | 2              |                |
| - 21                  | 5271288     | . TERMINAL  |   |   |   | 2              |                |
| - 22                  | 438548      | . SCREW,MACH BD HD- 4-40 X 0.175 LG                           |   |   |   | 2              |                |
| - 23                  | 167338      | . CLIP,CABLE  |   |   |   | 1              |                |
| - 24                  | 58207       | . SCREW,MACH BD HD- 6-32 X 0.250 LG                           |   |   |   | 1              |                |
| - 25                  | 1993302     | . BRACKET,HINGE LEFT  |   |   |   | 2              |                |
| - 25                  | 1993303     | . BRACKET,RIGHT   |   |   |   | 2              |                |
| - 26                  | 32042       | . SCREW,MACH BD HD- 10-32 X 0.375 LG.                         |   |   |   | 4              |                |
| - 27                  | 1993308     | . BRACKET   |   |   |   | 1              |                |
| - 28                  | 58207       | . SCREW,MACH BD HD- 6-32 X 0.250 LG                           |   |   |   | 2              |                |
| - 29                  | 1993307     | . BRACKET   |   |   |   | 1              |                |
| - 30                  | 58207       | . SCREW,MACH BD HD- 6-32 X 0.250 LG                           |   |   |   | 2              |                |
| - 31                  | 5261314     | . SCREW,CAPTIVE FIL HD 10-32 X 0.500                          |   |   |   | 1              |                |
| - 32                  | 1993237     | . STUD,LEVER  |   |   |   | 2              |                |
| - 33                  | 1993245     | . MOUNTING,GATE   |   |   |   | 1              |                |

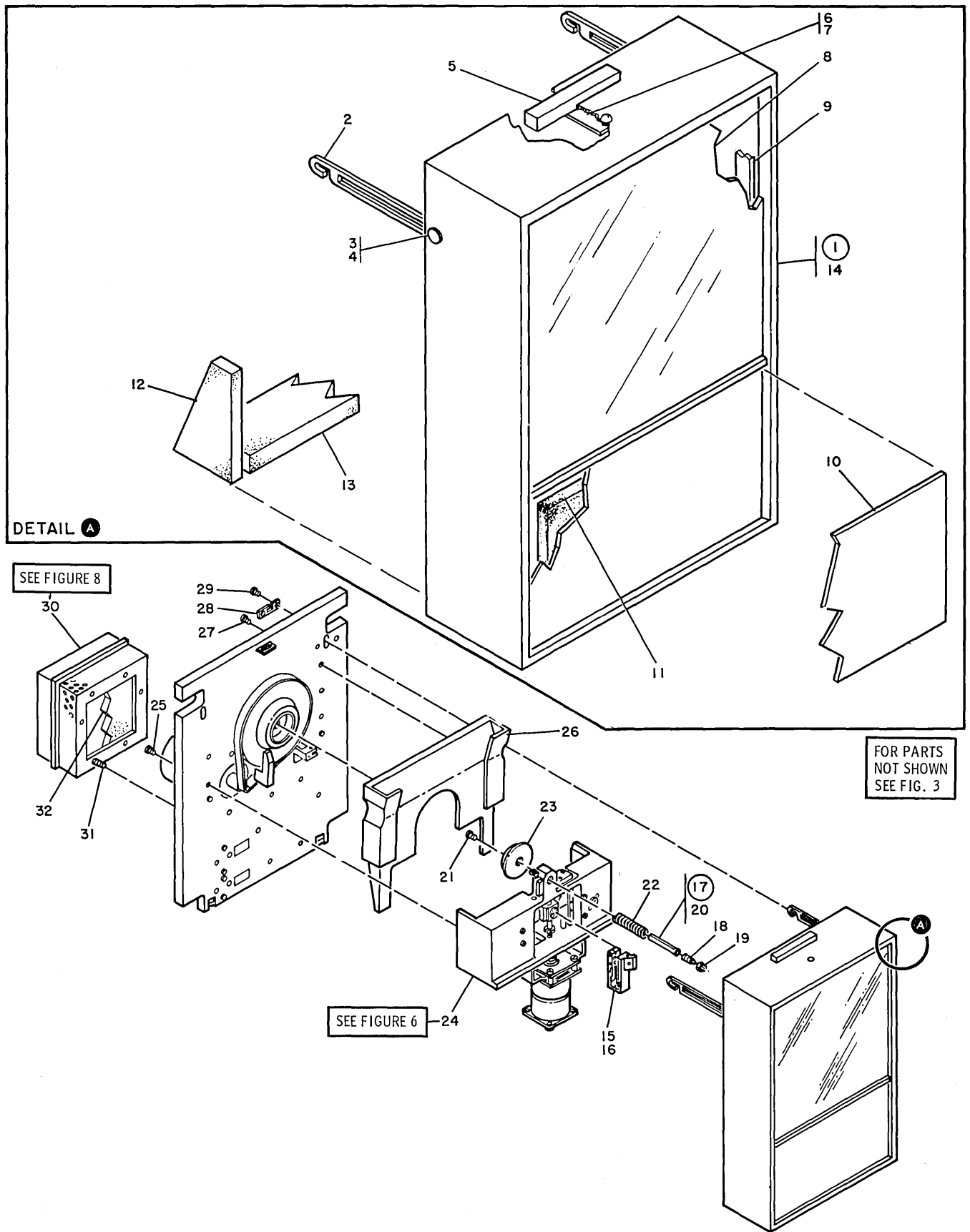


FIGURE 4. FLEXIBLE DISK READER ASSEMBLY- OLD STYLE. SHEET 1 OF 2. NOS. 1-32. SEE LIST 4.



| LIST AND INDEX NUMBER | PART NUMBER | DESCRIPTION  | UNITS PER ASM. | USABLE ON CODE |
|-----------------------|-------------|--|----------------|----------------|
|                       |             |  |                |                |
|                       |             | FLEXIBLE DISK READER ASSEMBLY- OLD STYLE   |                |                |
| 4 -                   | 2280660     | FLEXIBLE DISK READER ASM- 60 HZ OLD STYLE  | REF            |                |
| -                     | 2280650     | FLEXIBLE DISK READER ASM- 50 HZ OLD STYLE<br>FOR NEXT HIGHER ASM SEE FIGURE 3-6<br>FOR ILLUSTRATION SEE FIGURE 4 | REF            |                |
| - 1                   | 2280600     | . COVER ASM  | 1              |                |
| - 2                   | 2280606     | . . . GUIDE  | 6              |                |
| - 3                   | 2280625     | . . . PIVOT  | 1              |                |
| - 4                   | 2280626     | . . . FLANGE   | 1              |                |
| - 5                   | 2280608     | . . . BUTTON,CATCH   | 1              |                |
| - 6                   | 2280619     | . . . LATCH,COVER  | 1              |                |
| - 7                   | 2280613     | . . . RIVET,OVAL HEAD  | 1              |                |
| - 8                   | 2280604     | . . . WINDOW   | 1              |                |
| - 9                   | 2280603     | . . . SUPPORT,WINDOW   | 1              |                |
| - 10                  | 2280618     | . . . TRIM,COVER   | 1              |                |
| - 11                  | 2280615     | . . . INSULATION,FRONT   | 1              |                |
| - 12                  | 2280617     | . . . INSULATION,SIDE  | 2              |                |
| - 13                  | 2280616     | . . . INSULATION,BOTTOM  | 1              |                |
| - 14                  | 2280601     | . . . COVER  | 1              |                |
| - 15                  | 2280775     | . HEAD/ARM ASM   | 1              |                |
| - 16                  | 357820      | . SCREW,CAP SOC HD 4-40 X 0.500 LG   | 1              |                |
| - 17                  | 2280435     | . . . STUD ASM,CENTER  | 1              |                |
| - 18                  | 2280437     | . . . PLUNGER  | 1              |                |
| - 19                  | 257189      | . . . NUT,HEX 8-32   | 1              |                |
| - 20                  | 2280436     | . . . STUD,CENTER CONE   | 1              |                |
| - 21                  | 2123141     | . SCREW,BD HD- 4-40 X .1875 LG   | 1              |                |
| - 22                  | 2278102     | . SPRING   | 1              |                |
| - 23                  | 2280410     | . CONE ASM   | 1              |                |
| - 24                  | 2280415     | . ACCESS ASM<br>FOR DETAIL BREAKDOWN SEE FIGURE 6  | 1              |                |
| - 25                  | 322551      | . SCREW,BIND HD 6-32 X 0.750 LG  | 2              |                |
| - 26                  | 2280620     | . GUIDE,CARTRIDGE  | 1              |                |
| - 27                  | 322551      | . SCREW,BIND HD 6-32 X 0.750 LG  | 4              |                |
| - 28                  | 2280605     | . STOP,COVER   | 2              |                |
| - 29                  | 38235       | . SCREW,MACH 6-32 X .310 LG  | 4              |                |
| - 30                  | 2280242     | . GATE ASM   | 1              |                |
| - 31                  | 38235       | FOR DETAIL BREAKDOWN SEE FIGURE 8<br>. SCREW,MACH 6-32 X 0.310 LG  | 6              |                |
| - 32                  | 2280505     | . CUSHION,CARD   | 1              |                |

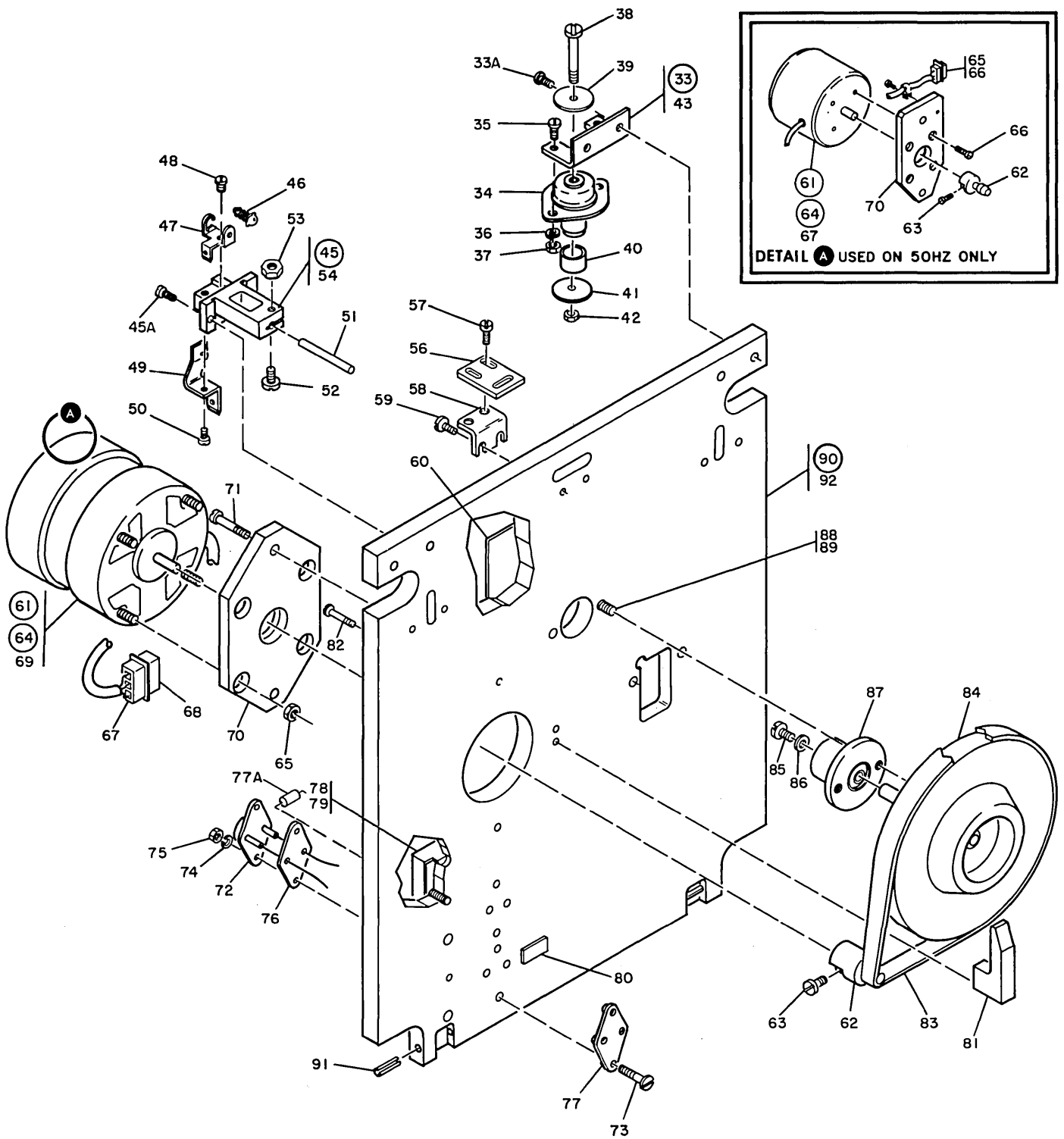


FIGURE 4. FLEXIBLE DISK READER ASSEMBLY- OLD STYLE. SHEET 2 OF 2. NOS. 33-92. SEE LIST 4.

| LIST AND INDEX NUMBER | PART NUMBER | DESCRIPTION                                    | UNITS PER ASM. | USABLE ON CODE |
|-----------------------|-------------|--|----------------|----------------|
|                       |             |  |                |                |
| 4 - 33                | 2278070     | . SHOCK MOUNT ASM                              | 4              |                |
| - 33A                 | 38235       | . SCREW,MACH 6-32 X .310 LG                    | 1              | ATT PT         |
| - 34                  | 2280710     | . . . MOUNT,SHOCK                              | 1              |                |
| - 35                  | 38235       | . . . SCREW,MACH 6-32 X .310 LG                | 2              | ATT PT         |
| - 36                  | 56722       | . . . LOCKWASHER, EXT T .150 ID                | 2              | ATT PT         |
| - 37                  | 257187      | . . . NUT,HEX DBL CHAMFERED 6-32 X 0.3125 FL W | 2              | ATT PT         |
| - 38                  | 438549      | . . . SCREW,MACH BD HD- 4-40 X 7/16 LG         | 1              |                |
| - 39                  | 2278074     | . . . WASHER                                   | 1              |                |
| - 40                  | 2278073     | . . . COLLAR                                   | 1              |                |
| - 41                  | 2278074     | . . . WASHER                                   | 1              |                |
| - 42                  | 257189      | . . . NUT,HEX 8-32                             | 1              |                |
| - 43                  | 2278071     | . . . BRACKET                                  | 8              |                |
| - 45                  | 2280390     | . LAMP ASM                                     | 1              |                |
| - 45A                 | 438550      | . SCREW,MACH BD HD- 4-40 X 0.500 LG            | 2              | ATT PT         |
| - 46                  | 2154086     | . . . LAMP                                     | 1              |                |
| - 47                  | 2157315     | . . . BRACKET                                  | 1              |                |
| - 48                  | 251970      | . . . SCREW,MACH BD HD- 4-40 X 0.188 LG        | 1              | ATT PT         |
| - 49                  | 2157318     | . . . CLIP                                     | 1              |                |
| - 50                  | 251970      | . . . SCREW,MACH BD HD- 4-40 X 0.188 LG        | 1              | ATT PT         |
| - 51                  | 2280394     | . . . PIPE,LAMP ASM                            | 1              |                |
| - 52                  | 438540      | . . . SCREW,MACH BD HD- 2-56 X 0.375 LG        | 1              | ATT PT         |
| - 53                  | 47987       | . . . NUT,PLAIN HEX- 2-56 X 3/16 FL W          | 1              | ATT PT         |
| - 54                  | 2280393     | . . . SUPPORT ASM,PHOTO CELL                   | 1              |                |
| - 56                  | 2280611     | . PLATE,STRIKER                                | 1              |                |
| - 57                  | 55726       | . SCREW,MACH BD HD- 6-32 X 0.188 LG            | 2              | ATT PT         |
| - 58                  | 2280612     | . BRACKET,STRIKER PLATE MTG                    | 1              |                |
| - 59                  | 35739       | . SCREW,MACH BD HD- 6-32 X .438 LG             | 2              | ATT PT         |
| - 60                  | 2280661     | . LABEL  | 1              |                |
| - 61                  | 2280270     | . MOTOR ASM- 60HZ                              | 1              |                |
| - 61                  | 2280258     | . MOTOR ASM- 50HZ                              | 1              |                |
| - 62                  | 2280274     | . . . PULLEY,DRIVE- 60 HZ                      | 1              |                |
| - 62                  | 2280298     | . . . PULLEY,DRIVE- 50HZ                       | 1              |                |
| - 63                  | 186924      | . . . SCREW,SOC HD- 4-40 X .375 LG             | 1              | ATT PT         |
| - 64                  | 2280290     | . . . MOTOR ASM                                | 1              |                |
| - 64                  | 2280290     | . . . MOTOR ASM- 50HZ                          | 1              |                |
| - 65                  | 257189      | . . . NUT,HEX 8-32                             | 4              | ATT PT         |
| - 66                  | 32042       | . . . SCREW,MACH BD HD- 10-32 X 0.375 LG.      | 4              | ATT PT         |
| - 67                  | 2145170     | . . . . TERMINAL,QUICK DISCONNECT              | 3              |                |
| - 68                  | 2232039     | . . . CONNECTOR                                | 1              |                |
| - 69                  | 2280291     | . . . MOTOR- 60 HZ                             | 1              |                |
| - 70                  | 2280271     | . . . PLATE- 60HZ                              | 1              |                |
| - 70                  | 2280256     | . . . PLATE- 50HZ                              | 1              |                |
| - 71                  | 5677        | . . . SCREW,MACH BD HD 10-32 NF X .750 LG      | 2              | ATT PT         |
| - 72                  | 2278090     | . TRANSISTOR ASM-TYPE 257                      | 2              |                |
| - 73                  | 438553      | . SCREW,MACH BD HD- 4-40 X 0.875 LG            | 4              | ATT PT         |
| - 74                  | 338169      | . LOCKWASHER, EXT TEETH NO. 4 X 9/32 OD        | 4              | ATT PT         |
| - 75                  | 37913       | . NUT,JAM HEX- 4-40 X 0.250 FL W               | 4              | ATT PT         |
| - 76                  | 5270517     | . INSULATOR,MICA                               | 2              |                |
| - 77                  | 2154985     | . INSULATOR,TRANSISTOR MOUNTING                | 2              |                |
| - 77A                 | 2280244     | . DIODE ASM                                    | 1              |                |
| - 78                  | 302090      | . BLOCK,TERMINAL                               | 3              |                |
| - 79                  | 438550      | . SCREW,MACH BD HD- 4-40 X 0.500 LG            | 3              | ATT PT         |
| - 80                  | 2280662     | . LABEL  | 1              |                |
| - 81                  | 2280503     | . PLATE  | 1              |                |
| - 82                  | 322551      | . SCREW,BIND HD 6-32 X 0.750 LG                | 2              | ATT PT         |
| - 83                  | 2278002     | . BELT,FLAT,CONTINUOUS- 4.840 ID               | 1              |                |
| - 84                  | 2280259     | . HUB ASM,DRIVE                                | 1              |                |
| - 85                  | 2123141     | . SCREW,BD HD- 4-40 X .1875 LG                 | 1              |                |
| - 86                  | 257986      | . WASHER,FLAT 0.156ID X .312OD X .035THK       | 1              |                |
| - 87                  | 2280578     | . SUPPORT ASM,DRIVE HUB                        | 1              |                |
| - 88                  | 5677        | . SCREW,MACH BD HD 10-32 NF X .750 LG          | 2              | ATT PT         |
| - 89                  | 45690       | . WASHER,FL NO.10 X 7/16 OD X 1/32 THK         | 2              | ATT PT         |
| - 90                  | 2280325     | . PLATE ASM,BASE                               | 1              |                |
| - 91                  | 528337      | . . . PIN,ROLL- 0.131 OD X 1.00 LG             | 2              |                |
| - 92                  | 2280326     | . . . BASEPLATE                                | 1              |                |

FOR PARTS  
NOT SHOWN  
SEE FIG. 3,  
AND FIG. 35

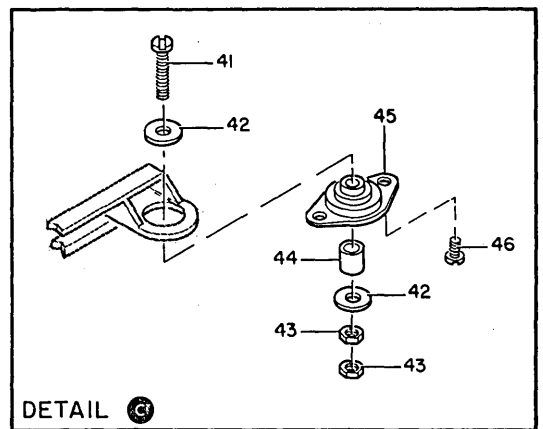
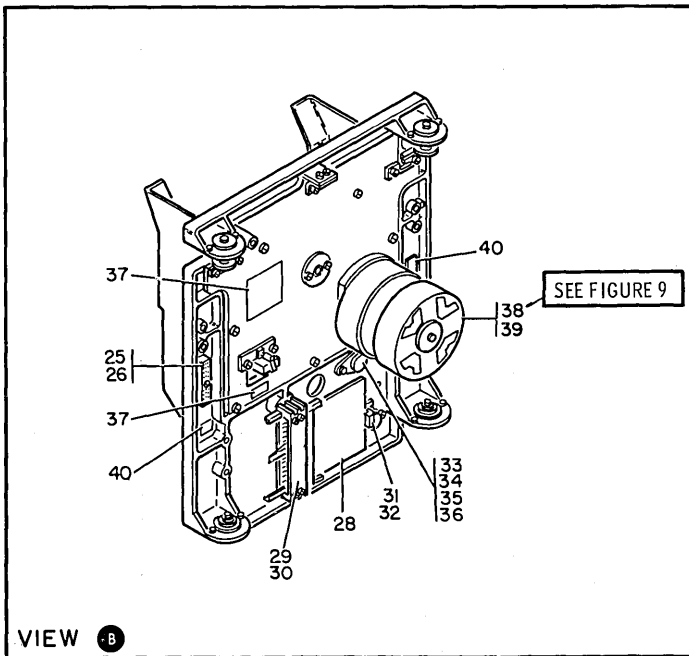
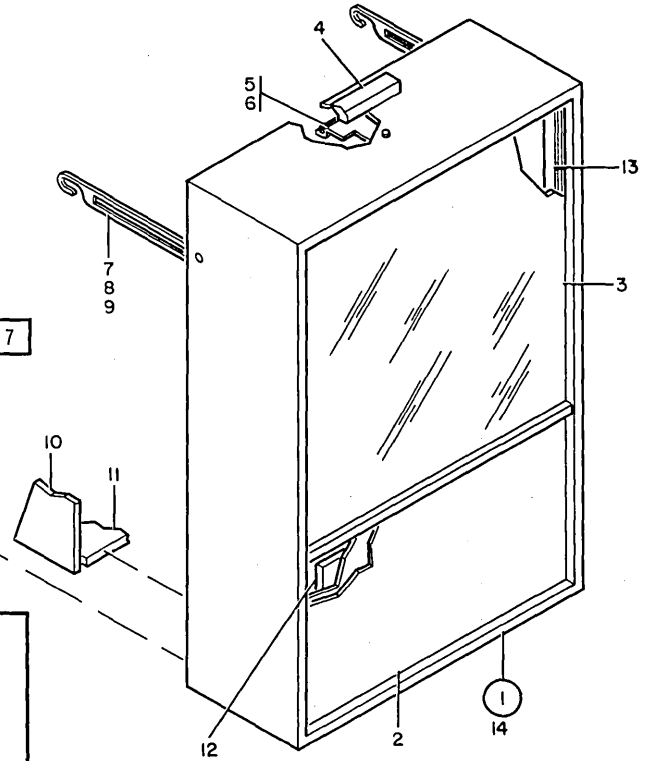
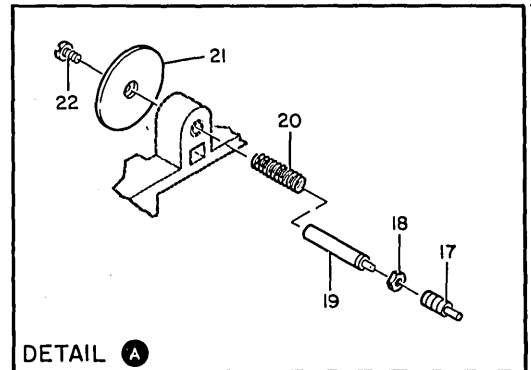
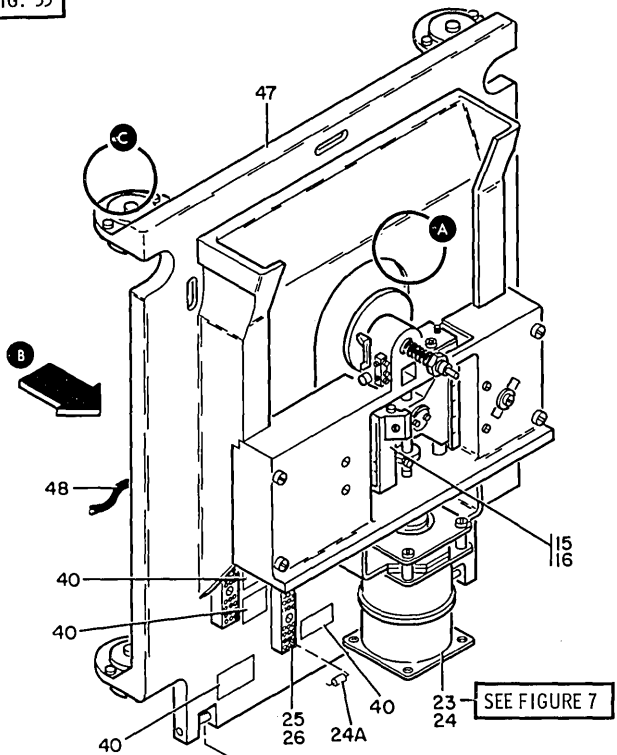


FIGURE 5. READER ASSEMBLY- NEW STYLE. SEE LIST 5.

| LIST AND INDEX NUMBER | PART NUMBER | DESCRIPTION  |   |   |   | UNITS PER ASM. | USABLE ON CODE |
|-----------------------|-------------|--|---|---|---|----------------|----------------|
|                       |             | 1  | 2 | 3 | 4 |                |                |
|                       |             | READER ASSEMBLY- NEW STYLE   |   |   |   |                |                |
| 5 -                   | 2280760     | READER, ASSEMBLY- 60 HZ  |   |   |   | REF            |                |
| -                     | 2280773     | READER, ASSEMBLY- 50HZ   |   |   |   | REF            |                |
|                       |             | FOR NEXT HIGHER ASM, SEE FIGURE 3-6 AND 35-1<br>AND FOR ILLUSTRATION, SEE FIGURE 5 |   |   |   |                |                |
| - 1                   | 2280600     | . COVER ASM  |   |   |   | 1              |                |
| - 2                   | 2280618     | . . TRIM, COVER  |   |   |   | 1              |                |
| - 3                   | 2280604     | . . WINDOW   |   |   |   | 1              |                |
| - 4                   | 2280608     | . . BUTTON, CATCH  |   |   |   | 1              |                |
| - 5                   | 2280619 NR  | . . LATCH, COVER   |   |   |   | 1              |                |
| - 6                   | 2280613     | . . RIVET, OVAL HEAD   |   |   |   | 1              | ATT PT         |
| - 7                   | 2280606     | . . GUIDE  |   |   |   | 2              |                |
| - 8                   | 2280625     | . . PIVOT  |   |   |   | 1              | ATT PT         |
| - 9                   | 2280626     | . . FLANGE   |   |   |   | 1              | ATT PT         |
| - 10                  | 2280617     | . . INSULATION, SIDE   |   |   |   | 2              |                |
| - 11                  | 2280616     | . . INSULATION, BOTTOM   |   |   |   | 1              |                |
| - 12                  | 2280615     | . . INSULATION, FRONT  |   |   |   | 1              |                |
| - 13                  | 2280603     | . . SUPPORT, WINDOW  |   |   |   | 1              |                |
| - 14                  | 2280601     | . . COVER  |   |   |   | 1              |                |
| - 15                  | 2280775     | . HEAD/ARM ASM   |   |   |   | 1              |                |
| - 16                  | 357320      | . SCREW, CAP SOC HD 4-40 X 0.500 LG  |   |   |   | 1              | ATT PT         |
| - 17                  | 2280707     | . PLUNGER  |   |   |   | 1              |                |
| - 18                  | 2280711     | . NUT  |   |   |   | 1              |                |
| - 19                  | 2280706     | . STUD, CENTERING  |   |   |   | 1              |                |
| - 20                  | 2278102     | . SPRING   |   |   |   | 1              |                |
| - 21                  | 2280410     | . CONE ASM   |   |   |   | 1              |                |
| - 22                  | 2123141     | . SCREW, BD HD- 4-40 X .1875 LG  |   |   |   | 1              | ATT PT         |
| - 23                  | 2280328     | . ACCESS ASSEMBLY<br>FOR DETAIL BREAKDOWN, SEE FIGURE 7                            |   |   |   | 1              |                |
| - 24                  | 2280624     | . SCREW  |   |   |   | 4              | ATT PT         |
| - 24A                 | 2280244     | . DIODE ASSEMBLY   |   |   |   | 1              |                |
| - 25                  | 302090      | . BLOCK, TERMINAL  |   |   |   | 3              |                |
| - 26                  | 438550      | . SCREW, MACH BD HD- 4-40 X 0.500 LG   |   |   |   | 3              | ATT PT         |
| - 28                  | 5862500     | . CARD ASM   |   |   |   | 1              |                |
| - 29                  | 2274833     | . CONNECTOR  |   |   |   | 1              |                |
| - 30                  | 322552      | . SCREW, BD HD- 6-32 X 0.875 LG  |   |   |   | 2              | ATT PT         |
| - 31                  | 2280297     | . RETAINER   |   |   |   | 1              |                |
| - 32                  | 10170       | . SCREW, MACH BD HD- NO. 6-32 X .250 LG  |   |   |   | 1              | ATT PT         |
| - 33                  | 2278090     | . TRANSISTOR ASM-TYPE 257  |   |   |   | 2              |                |
| - 34                  | 438551      | . SCREW, MACH BD HD- 4-40 X 0.625 LG   |   |   |   | 4              | ATT PT         |
| - 35                  | 338169      | . LOCKWASHER, EXT TEETH NO. 4 X 9/32 OD  |   |   |   | 4              | ATT PT         |
| - 36                  | 37913       | . NUT, JAM HEX- 4-40 X 0.250 FL W  |   |   |   | 4              | ATT PT         |
| - 37                  | 2280622     | . LABEL  |   |   |   | 2              |                |
| - 38                  | 2280299     | . BACKPLATE ASSEMBLY<br>FOR DETAIL BREAKDOWN, SEE FIGURE 9                         |   |   |   | 1              |                |
| - 39                  | 357339      | . SCREW, MACH BD HD- 6-32 X .438 LG  |   |   |   | 7              | ATT PT         |
| - 40                  | 2280622     | . LABEL  |   |   |   | 7              |                |
| - 41                  | 438589      | . SCREW, MACH BD HD- 8-32 X 1-1/2 IN LG  |   |   |   | 4              |                |
| - 42                  | 2278074     | . WASHER   |   |   |   | 8              |                |
| - 43                  | 257189      | . NUT, HEX 8-32  |   |   |   | 8              |                |
| - 44                  | 2278073     | . COLLAR   |   |   |   | 4              |                |
| - 45                  | 2280710     | . MOUNT, SHOCK   |   |   |   | 1              |                |
| - 46                  | 10170       | . SCREW, MACH BD HD- NO. 6-32 X .250 LG  |   |   |   | 8              | ATT PT         |
| - 47                  | 2280248     | . BASEPLATE  |   |   |   | 1              |                |
| - 48                  | 2280452     | . CABLE ASM  |   |   |   | 1              |                |

FOR PARTS  
NOT SHOWN  
SEE FIG. 4,  
SHEET 1

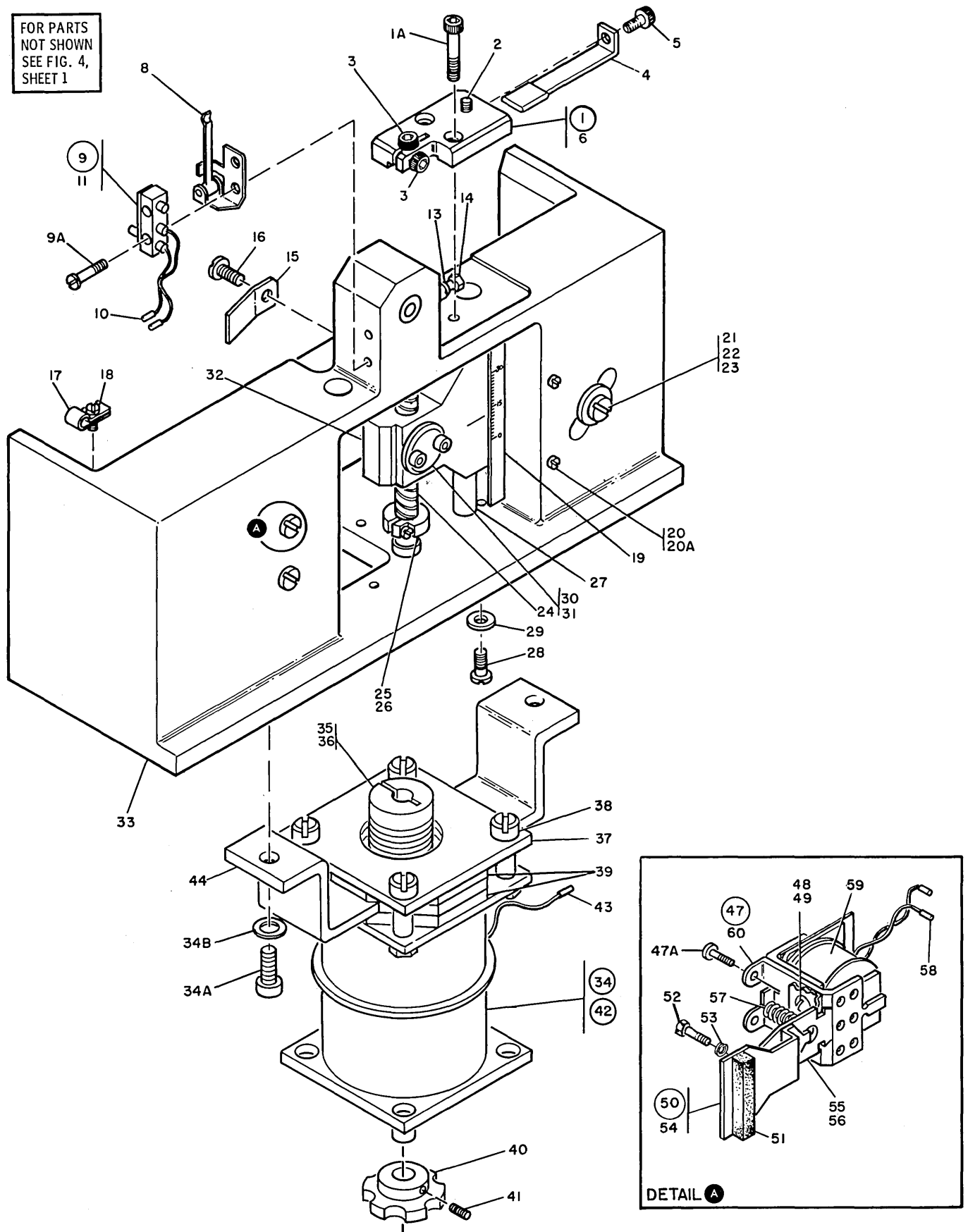


FIGURE 6. ACCESS ASSEMBLY- OLD STYLE. SEE LIST 6.

| LIST AND INDEX NUMBER | PART NUMBER | DESCRIPTION  |   |   |   | UNITS PER ASM. | USABLE ON CODE |
|-----------------------|-------------|--|---|---|---|----------------|----------------|
|                       |             | 1  | 2 | 3 | 4 |                |                |
|                       |             | ACCESS ASSEMBLY- OLD STYLE   |   |   |   |                |                |
| 6 -                   | 2280415     | ACCESS ASM<br>FOR NEXT HIGHER ASM SEE FIGURE 4-24<br>FOR ILLUSTRATION SEE FIGURE 6 |   |   |   | REF            |                |
| - 1                   | 2280405     | . ADJUSTMENT ASM   |   |   |   | 1              |                |
| - 1A                  | 186924      | . SCREW,SOC HD- 4-40 X .375 LG ATT PT  |   |   |   | 2              |                |
| - 2                   | 257964      | . . SETSCREW,SPLINE DR FLAT PT 4-40 X 0.375 LG                                     |   |   |   | 1              |                |
| - 3                   | 186923      | . . SCREW,CAP SOC HD 4-40 X 1/4 LG   |   |   |   | 2              |                |
| - 4                   | 2280404     | . . STOP   |   |   |   | 1              |                |
| - 5                   | 186923      | . . SCREW,CAP SOC HD 4-40 X 1/4 LG ATT PT  |   |   |   | 1              |                |
| - 6                   | 2280403     | . . BLOCK  |   |   |   | 1              |                |
| - 8                   | 2154330     | . ACTUATOR,SWITCH  |   |   |   | 1              |                |
| - 9                   | 2280317     | . SWITCH ASM,INTERLOCK   |   |   |   | 1              |                |
| - 9A                  | 438542      | . SCREW,BD HD- 2-56 X .500 LG ATT PT   |   |   |   | 2              |                |
| - 10                  | 187243      | . . TERMINAL,SMALL TAPER   |   |   |   | 2              |                |
| - 11                  | 2129508     | . . SWITCH,SENSITIVE- SPDT 20V DC 1 AMP  |   |   |   | 1              |                |
| - 13                  | 5367825     | . SCREW,FIL HD- 4-40 X 0.75 LG   |   |   |   | 1              |                |
| - 14                  | 37913       | . NUT,JAM HEX- 4-40 X 0.250 FL W   |   |   |   | 1              |                |
| - 15                  | 2280314     | . SPRING   |   |   |   | 1              |                |
| - 16                  | 438548      | . SCREW,MACH BD HD- 4-40 X .188 LG ATT PT  |   |   |   | 1              |                |
| - 17                  | 5213276     | . CLAMP- 0.125 ID X 0.167 MTG HOLE   |   |   |   | 2              |                |
| - 17                  | 2122639     | . CLAMP,CABLE  |   |   |   | 3              |                |
| - 18                  | 38235       | . SCREW,MACH 6-32 X .310 LG ATT PT   |   |   |   | 5              |                |
| - 19                  | 2280308     | . SCALE,TRACK LOCATION   |   |   |   | 1              |                |
| - 20                  | 438551      | . SCREW,MACH BD HD- 4-40 X 0.625 LG  |   |   |   | 2              |                |
| - 20A                 | 2280309     | . NUT PLATE,SCALE  |   |   |   | 1              |                |
| - 21                  | 2280380     | . SELECTOR ASM,TRANSDUCER  |   |   |   | 1              |                |
| - 22                  | 322552      | . SCREW  |   |   |   | 1              |                |
| - 23                  | 2280386     | . WASHER,SPECIAL ATT PT  |   |   |   | 1              |                |
| - 24                  | 2280315     | . LEAD SCREW ASM   |   |   |   | 1              |                |
| - 25                  | 2278107     | . CLAMP,CABLE  |   |   |   | 2              |                |
| - 26                  | 2280322     | . SCREW- 2-56 X .38 LG ATT PT  |   |   |   | 2              |                |
| - 27                  | 2280311     | . SHAFT,CARRIAGE MTG   |   |   |   | 1              |                |
| - 28                  | 38235       | . SCREW,MACH 6-32 X .310 LG ATT PT   |   |   |   | 1              |                |
| - 29                  | 2280386     | . WASHER,SPECIAL ATT PT  |   |   |   | 1              |                |
| - 30                  | 2280312     | . STYLUS   |   |   |   | 1              |                |
| - 31                  | 186923      | . SCREW,CAP SOC HD 4-40 X 1/4 LG ATT PT  |   |   |   | 2              |                |
| - 32                  | 2280365     | . CARRIAGE ASM   |   |   |   | 1              |                |
| - 33                  | 2280425     | . HOUSING ASM,ACCESS   |   |   |   | 1              |                |
| - 34                  | 2280440     | . MOTOR ASM,ACCESS DRIVE   |   |   |   | 1              |                |
| - 34A                 | 34512       | . SCREW,MACH BD HD- 8-32 X 0.375 LG ATT PT   |   |   |   | 2              |                |
| - 34B                 | 22478       | . WASHER,FL 0.170 ID 0.375 OD 0.032 THK ATT PT                                     |   |   |   | 2              |                |
| - 35                  | 2278185     | . . COUPLING,FLEXIBLE  |   |   |   | 1              |                |
| - 36                  | 186924      | . . SCREW,SOC HD- 4-40 X .375 LG   |   |   |   | 1              |                |
| - 37                  | 2280441     | . . NUT PLATE  |   |   |   | 1              |                |
| - 38                  | 2280443     | . . SCREW,SHOULDER ATT PT  |   |   |   | 4              |                |
| - 39                  | 2280442     | . . SPACER   |   |   |   | 2              |                |
| - 40                  | 2280445     | . . KNOB   |   |   |   | 1              |                |
| - 41                  | 112055      | . . SETSCREW- 8-32 X .250 LG ATT PT  |   |   |   | 1              |                |
| - 42                  | 2278181     | . . MOTOR ASM  |   |   |   | 1              |                |
| - 43                  | 187243      | . . . TERMINAL,SMALL TAPER   |   |   |   | 4              |                |
| - 44                  | 2280444     | . . SUPPORT  |   |   |   | 1              |                |
| - 47                  | 2280585     | . ACTUATOR ASM,PRESSURE PAD  |   |   |   | 1              |                |
| - 47A                 | 38235       | . SCREW,MACH 6-32 X 0.310 LG ATT PT  |   |   |   | 2              |                |
| - 48                  | 2280261     | . . SHIELD   |   |   |   | 1              |                |
| - 49                  | 2280263     | . . SCREW,BD HD ATT PT   |   |   |   | 2              |                |
| - 50                  | 2280586     | . . ARMATURE ASM   |   |   |   | 1              |                |
| - 51                  | 2280463     | . . . FOAM- 1.12 LG X 0.187 X 0.25   |   |   |   | 1              |                |
| - 52                  | 186924      | . . . SCREW,SOC HD- 4-40 X .375 LG   |   |   |   | 1              |                |
| - 53                  | 2280591     | . . . NUT CLINCH   |   |   |   | 1              |                |
| - 54                  | 2280588     | . . . BAIL   |   |   |   | 1              |                |
| - 55                  | 2280589 NR  | . . . SPACER   |   |   |   | 1              |                |
| - 56                  | 2280587     | . . . ARMATURE   |   |   |   | 1              |                |
| - 57                  | 2280590     | . . SPRING   |   |   |   | 1              |                |
| - 58                  | 187243      | . . TERMINAL,SMALL TAPER   |   |   |   | 2              |                |
| - 59                  | 2280421     | . . COIL   |   |   |   | 1              |                |
| - 60                  | 2278172     | . . BRACKET,RELAY  |   |   |   | 1              |                |

FOR PARTS  
NOT SHOWN  
SEE FIG. 5

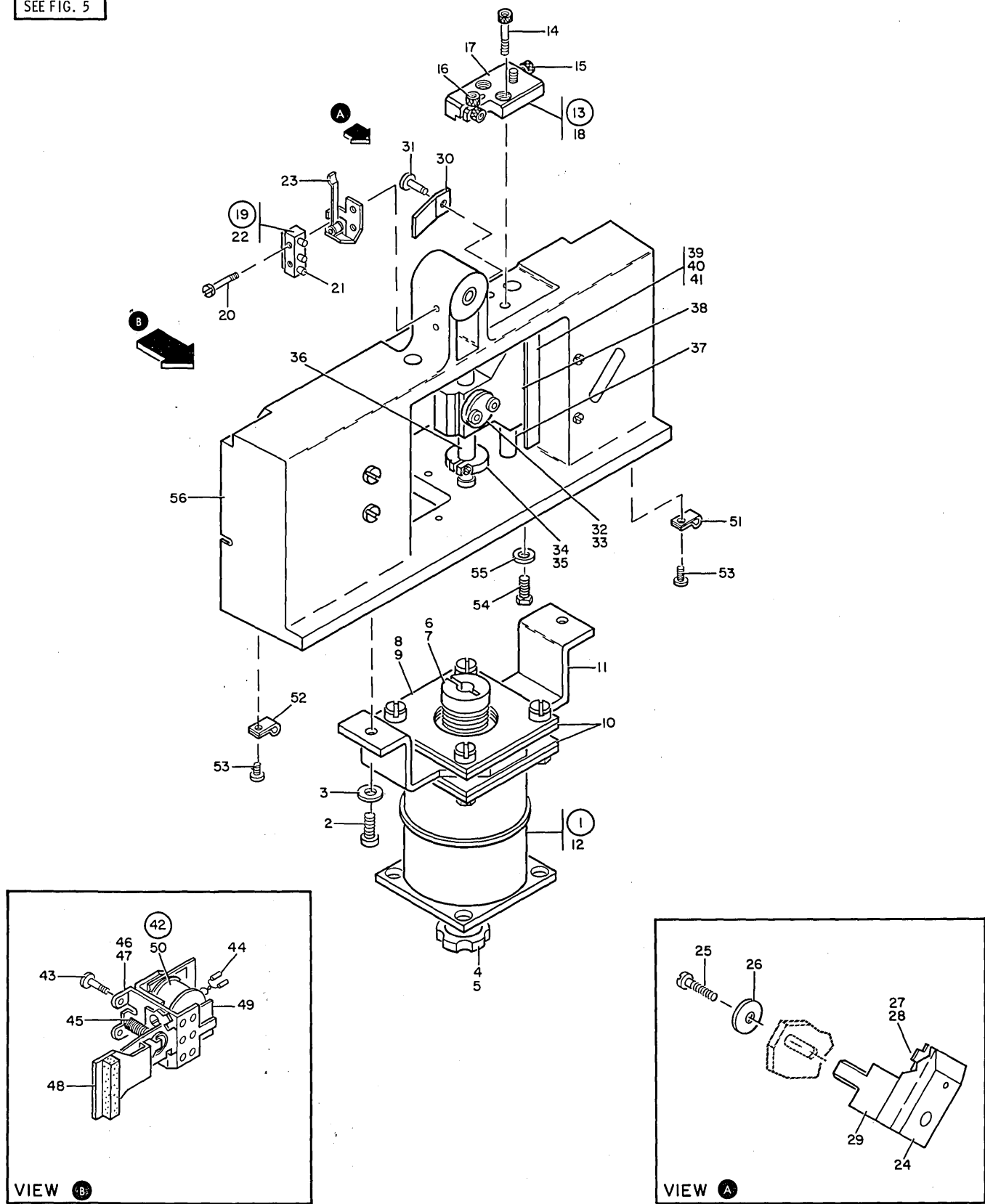


FIGURE 7. ACCESS ASSEMBLY- NEW STYLE. SEE LIST 7.



| LIST AND INDEX NUMBER | PART NUMBER | DESCRIPTION   |   |   |   | UNITS PER ASM. | USABLE ON CODE |
|-----------------------|-------------|---|---|---|---|----------------|----------------|
|                       |             | 1   | 2 | 3 | 4 |                |                |
|                       |             | ACCESS ASSEMBLY- NEW STYLE  |   |   |   |                |                |
| 7 -                   | 2280328     | ACCESS ASSEMBLY<br>FOR NEXT HIGHER ASM,SEE FIGURE 5-23<br>AND FOR ILLUSTRATION,SEE FIGURE 7 |   |   |   | REF            |                |
| - 1                   | 2280440     | . MOTOR ASM,ACCESS DRIVE  |   |   |   | 1              |                |
| - 2                   | 34512       | . SCREW,MACH BD HD- 8-32 X 0.375 LG   |   |   |   | 2              |                |
| - 3                   | 22478       | . WASHER,FL 0.170 ID 0.375 OD 0.032 THK   |   |   |   | 2              |                |
| - 4                   | 2280445     | . . KNOB  |   |   |   | 1              |                |
| - 5                   | 112055      | . . SETSCREW- 8-32 X .250 LG  |   |   |   | 1              |                |
| - 6                   | 2278185     | . . COUPLING,FLEXIBLE   |   |   |   | 1              |                |
| - 7                   | 186924      | . . SCREW,SOC HD- 4-40 X .375 LG  |   |   |   | 1              |                |
| - 8                   | 2280441     | . . NUT PLATE   |   |   |   | 1              |                |
| - 9                   | 2280443     | . . SCREW,SHOULDER  |   |   |   | 4              |                |
| - 10                  | 2280442     | . . SPACER  |   |   |   | 2              |                |
| - 11                  | 2280444     | . . SUPPORT   |   |   |   | 1              |                |
| - 12                  | 2278181     | . . MOTOR ASM   |   |   |   | 1              |                |
| - 13                  | 2280709     | . ADJUSTMENT ASM,LEAD SCREW   |   |   |   | 1              |                |
| - 14                  | 186924      | . SCREW,SOC HD- 4-40 X .375 LG  |   |   |   | 2              |                |
| - 15                  | 257964      | . . SETSCREW,SPLINE DR PLAT PT 4-40 X 0.375 LG  |   |   |   | 1              |                |
| - 16                  | 186923      | . . SCREW,CAP SOC HD 4-40 X 1/4 LG  |   |   |   | 3              |                |
| - 17                  | 2280403     | . . BLOCK   |   |   |   | 1              |                |
| - 18                  | 2280708     | . . PLATE   |   |   |   | 1              |                |
| - 19                  | 2280317     | . SWITCH ASM,INTERLOCK  |   |   |   | 1              |                |
| - 20                  | 438542      | . SCREW,BD HD- 2-56 X .500 LG   |   |   |   | 2              |                |
| - 21                  | 187243      | . . TERMINAL,SMALL TAPER  |   |   |   | 2              |                |
| - 22                  | 355343      | . . SWITCH,INTERLOCK  |   |   |   | 1              |                |
| - 23                  | 2154330     | . ACTUATOR,SWITCH   |   |   |   | 1              |                |
| - 24                  | 2280380     | . SELECTOR ASM,TRANSDUCER   |   |   |   | 1              |                |
| - 25                  | 322552      | . SCREW   |   |   |   | 1              |                |
| - 26                  | 2280386     | . WASHER,SPECIAL  |   |   |   | 1              |                |
| - 27                  | 2271842     | . . TRANSDUCER  |   |   |   | 1              |                |
| - 28                  | 186399      | . . SCREW,MACH BD HD- 2-56 X 3/16 LG  |   |   |   | 1              |                |
| - 29                  | 2280382     | . . BLOCK ASM   |   |   |   | 1              |                |
| - 30                  | 2280314     | . SPRING  |   |   |   | 1              |                |
| - 31                  | 438548      | . SCREW,MACH BD HD- 4-40 X .188 LG  |   |   |   | 1              |                |
| - 32                  | 2280312     | . STYLUS  |   |   |   | 1              |                |
| - 33                  | 186923      | . SCREW,CAP SOC HD 4-40 X 1/4 LG  |   |   |   | 2              |                |
| - 34                  | 2278107     | . CLAMP,CABLE   |   |   |   | 2              |                |
| - 35                  | 2280322     | . SCREW- 2-56 X .38 LG  |   |   |   | 2              |                |
| - 36                  | 2280315     | . LEAD SCREW ASM  |   |   |   | 1              |                |
| - 37                  | 2280311     | . SHAFT,CARRIAGE MTG  |   |   |   | 1              |                |
| - 38                  | 2280365     | . CARRIAGE ASM  |   |   |   | 1              |                |
| - 39                  | 2280308     | . SCALE,TRACK LOCATION  |   |   |   | 1              |                |
| - 40                  | 438551      | . SCREW,MACH BD HD- 4-40 X 0.625 LG   |   |   |   | 2              |                |
| - 41                  | 2280309     | . NUT PLATE,SCALE   |   |   |   | 1              |                |
| - 42                  | 2280585     | . ACTUATOR ASM,PRESSURE PAD   |   |   |   | 1              |                |
| - 43                  | 38235       | . SCREW,MACH 6-32 X .310 LG   |   |   |   | 2              |                |
| - 44                  | 187243      | . . TERMINAL,SMALL TAPER  |   |   |   | 2              |                |
| - 45                  | 2280590     | . . SPRING  |   |   |   | 1              |                |
| - 46                  | 2278172     | . . BRACKET,RELAY   |   |   |   | 1              |                |
| - 47                  | 2280263     | . . SCREW,BD HD   |   |   |   | 2              |                |
| - 48                  | 2280586     | . . ARMATURE ASM  |   |   |   | 1              |                |
| - 49                  | 2280261     | . . SHIELD  |   |   |   | 1              |                |
| - 50                  | 2280421     | . . COIL  |   |   |   | 1              |                |
| - 51                  | 5213276     | . CLAMP- 0.125 ID X 0.167 MTG HOLE  |   |   |   | 1              |                |
| - 52                  | 2122639     | . CLAMP,CABLE   |   |   |   | 1              |                |
| - 53                  | 38235       | . SCREW,MACH 6-32 X .310 LG   |   |   |   | 2              |                |
| - 54                  | 38235       | . SCREW,MACH 6-32 X .310 LG   |   |   |   | 1              |                |
| - 55                  | 2280386     | . WASHER,SPECIAL  |   |   |   | 1              |                |
| - 56                  | 2280281     | . HOUSING ASM   |   |   |   | 1              |                |

FOR PARTS  
NOT SHOWN  
SEE FIG. 4,  
SHEET 1

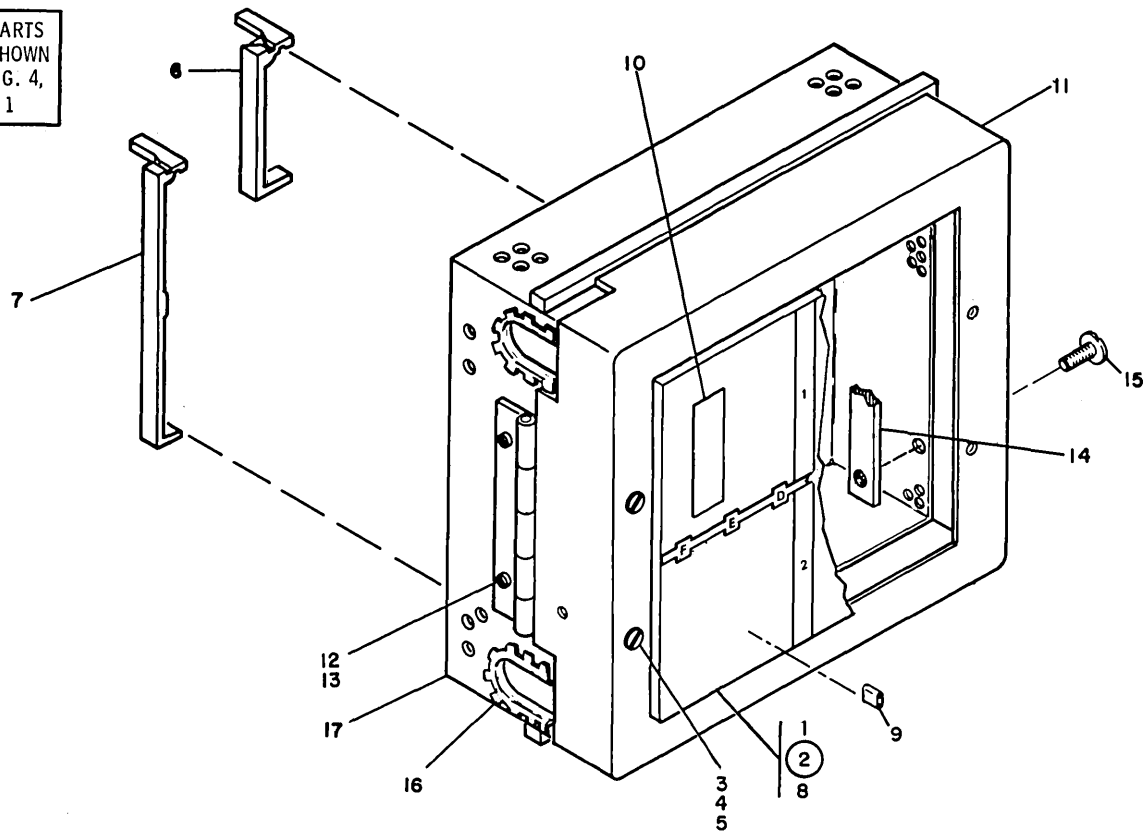


FIGURE 8. GATE ASSEMBLY- OLD STYLE. SEE LIST 8.

| LIST AND INDEX NUMBER | PART NUMBER | DESCRIPTION  |   |   |   | UNITS PER ASM. | USABLE ON CODE |
|-----------------------|-------------|--|---|---|---|----------------|----------------|
|                       |             | 1  | 2 | 3 | 4 |                |                |
|                       |             | GATE ASSEMBLY- OLD STYLE   |   |   |   |                |                |
| 8 -                   | 2280242     | GATE ASM   |   |   |   | REF            |                |
|                       |             | FOR NEXT HIGHER ASM SEE FIGURE 4-30<br>FOR ILLUSTRATION SEE FIGURE 8 |   |   |   |                |                |
| - 1                   | 471672      | . CHANNEL, RUBBER  |   |   |   | 1              |                |
| - 2                   | 2280241     | . BOARD ASM  |   |   |   | 1              |                |
| - 3                   | 322551      | . SCREW, BIND HD 6-32 X 0.750 LG                                     |   |   |   | 4              | ATT PT         |
| - 4                   | 257986      | . WASHER, FLAT 0.156ID X .312OD X .035THK                            |   |   |   | 4              | ATT PT         |
| - 5                   | 257187      | . NUT, HEX DBL CHAMFERED 6-32 X 0.3125 FL W                          |   |   |   | 4              | ATT PT         |
| - 6                   | 811802      | . . GUIDE, CARD 6 PAC  |   |   |   | 2              |                |
| - 7                   | 811804      | . . GUIDE, CARD 12 PAC   |   |   |   | 2              |                |
| - 8                   | 2280240     | . . SLT BOARD ASM, W/O CARDS   |   |   |   | 1              |                |
| - 9                   | 811090      | . BLOCK, CONNECTOR   |   |   |   | 1              |                |
| - 10                  | 813769      | . DECAL, DIRECT CONTROL  |   |   |   | 1              |                |
| - 11                  | 2280235     | . GATE   |   |   |   | 1              |                |
| - 12                  | 38235       | . SCREW, MACH 6-32 X .310 LG   |   |   |   | 2              | ATT PT         |
| - 13                  | 257187      | . NUT, HEX DBL CHAMFERED 6-32 X 0.3125 FL W                          |   |   |   | 2              | ATT PT         |
| - 14                  | 2280239     | . PLATE, NUT- 6-32 2 HOLE  |   |   |   | 1              |                |
| - 15                  | 38235       | . SCREW, MACH 6-32 X .310 LG   |   |   |   | 2              | ATT PT         |
| - 16                  | 730432      | . GROMMET, CATERPILLAR   |   |   |   | AR             |                |
| - 17                  | 2280238     | . HOUSING, CARD  |   |   |   | 1              |                |

FOR PARTS  
NOT SHOWN  
SEE FIG. 5

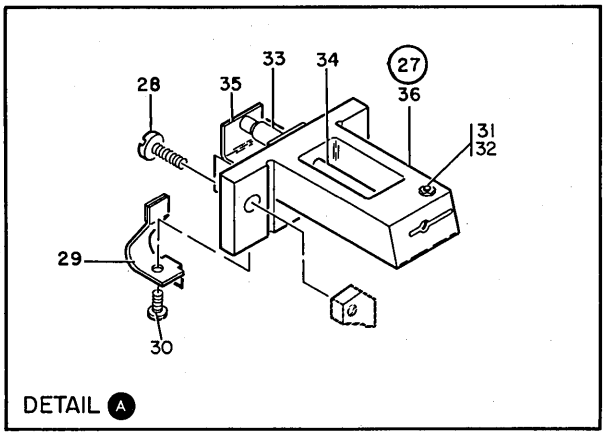
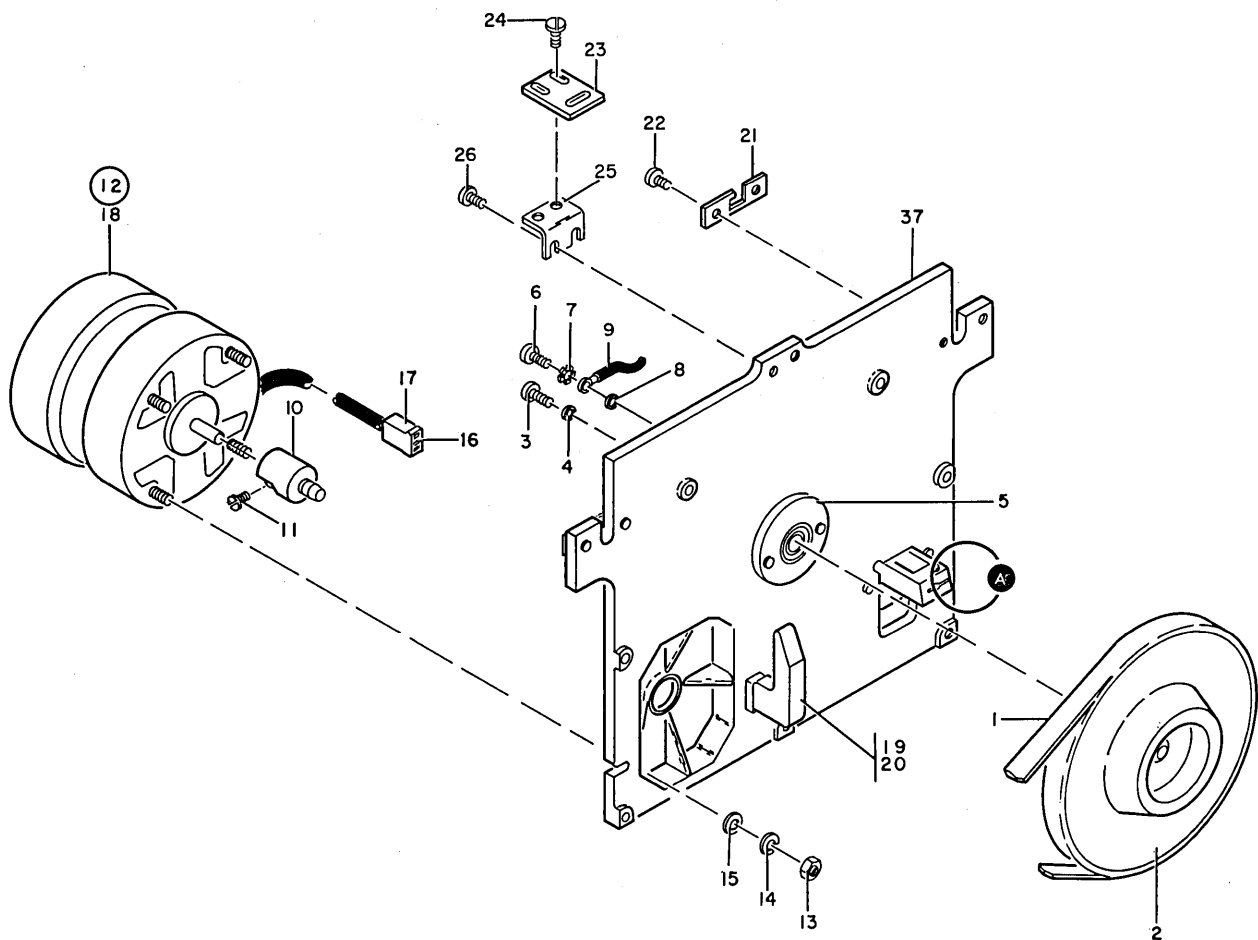


FIGURE 9. BACKPLATE ASSEMBLY- NEW STYLE. SEE LIST 9.

| LIST AND<br>INDEX<br>NUMBER | PART<br>NUMBER | DESCRIPTION  |   |   |   | UNITS<br>PER<br>ASM. | USABLE<br>ON<br>CODE |
|-----------------------------|----------------|--|---|---|---|----------------------|----------------------|
|                             |                | 1  | 2 | 3 | 4 |                      |                      |
|                             |                | BACKPLATE ASSEMBLY- NEW STYLE  |   |   |   |                      |                      |
| 9 -                         | 2280299        | BACKPLATE ASSEMBLY<br>FOR NEXT HIGHER ASM,SEE FIGURE 5-38<br>AND FOR ILLUSTRATION,SEE FIGURE 9 |   |   |   | REF                  |                      |
| - 1                         | 2278002        | . BELT,FLAT,CONTINUOUS- 4.840 ID   |   |   |   | 1                    |                      |
| - 2                         | 2280266        | . HUB ASM,DRIVE  |   |   |   | 1                    |                      |
| - 3                         | 2123141        | . SCREW,BD HD- 4-40 X .1875 LG   |   |   |   | 1                    | ATT PT               |
| - 4                         | 257986         | . WASHER,FLAT 0.156ID X .312OD X .035THK   |   |   |   | 1                    | ATT PT               |
| - 5                         | 2280578        | . SUPPORT ASM,DRIVE HUB  |   |   |   | 1                    |                      |
| - 6                         | 5677           | . SCREW,MACH BD HD 10-32 NF X .750 LG  |   |   |   | 2                    | ATT PT               |
| - 7                         | 56079          | . WASHER LOCK,EXT T .204 ID .410 OD  |   |   |   | 1                    | ATT PT               |
| - 8                         | 45690          | . WASHER,FL NO.10 X 7/16 OD X 1/32 THK   |   |   |   | 2                    | ATT PT               |
| - 9                         | 2280664        | . JUMPER ASM   |   |   |   | 1                    |                      |
| - 10                        | 2280274        | . PULLEY,DRIVE- 60 HZ  |   |   |   | 1                    |                      |
| - 10                        | 2280298        | . PULLEY,DRIVE- 50 HZ  |   |   |   | 1                    |                      |
| - 11                        | 186924         | . SCREW,SOC HD- 4-40 X .375 LG   |   |   |   | 1                    | ATT PT               |
| - 12                        | 2280290        | . MOTOR ASM- 60 HZ   |   |   |   | 1                    |                      |
| - 12                        | 2280257        | . MOTOR ASSEMBLY- 50 HZ  |   |   |   | 1                    |                      |
| - 13                        | 257189         | . NUT,HEX 8-32   |   |   |   | 4                    | ATT PT               |
| - 14                        | 1090873        | . LOCKWASHER, SPLIT 0.168 ID X 0.296 OD  |   |   |   | 4                    | ATT PT               |
| - 15                        | 22478          | . WASHER,FL 0.170 ID 0.375 OD 0.032 THK  |   |   |   | 4                    | ATT PT               |
| - 16                        | 2145170        | . . TERMINAL,QUICK DISCONNECT  |   |   |   | 3                    |                      |
| - 17                        | 2232039        | . . CONNECTOR  |   |   |   | 1                    |                      |
| - 18                        | 2280291        | . . MOTOR- 60 HZ   |   |   |   | 1                    |                      |
| - 19                        | 2280503        | . PLATE  |   |   |   | 1                    |                      |
| - 20                        | 322551         | . SCREW,BIND HD 6-32 X 0.750 LG  |   |   |   | 2                    | ATT PT               |
| - 21                        | 2280605        | . STOP,COVER   |   |   |   | 2                    |                      |
| - 22                        | 38235          | . SCREW,MACH 6-32 X .310 LG  |   |   |   | 4                    | ATT PT               |
| - 23                        | 2280611        | . PLATE,STRIKER  |   |   |   | 1                    |                      |
| - 24                        | 55726          | . SCREW,MACH BD HD- 6-32 X 0.188 LG  |   |   |   | 2                    | ATT PT               |
| - 25                        | 2280612        | . BRACKET,STRIKER PLATE MTG  |   |   |   | 1                    |                      |
| - 26                        | 35739          | . SCREW,MACH BD HD- 6-32 X .438 LG   |   |   |   | 2                    | ATT PT               |
| - 27                        | 2280390        | . LAMP ASM   |   |   |   | 1                    |                      |
| - 28                        | 438550         | . SCREW,MACH BD HD- 4-40 X 0.500 LG  |   |   |   | 2                    | ATT PT               |
| - 29                        | 2157318        | . . CLIP   |   |   |   | 1                    |                      |
| - 30                        | 251970         | . . SCREW,MACH BD HD- 4-40 X 0.250 LG  |   |   |   | 1                    | ATT PT               |
| - 31                        | 438540         | . . SCREW,MACH BD HD- 2-56 X 0.375 LG  |   |   |   | 1                    |                      |
| - 32                        | 47987          | . . NUT,PLAIN HEX- 2-56 X 3/16 FL W  |   |   |   | 1                    |                      |
| - 33                        | 2154086        | . . LAMP   |   |   |   | 1                    |                      |
| - 34                        | 2280394        | . . PIPE,LAMP ASM  |   |   |   | 1                    |                      |
| - 35                        | 2157315        | . . BRACKET  |   |   |   | 1                    |                      |
| - 36                        | 2280393        | . . SUPPORT ASM,PHOTO CELL   |   |   |   | 1                    |                      |
| - 37                        | 2280249        | . BACKPLATE  |   |   |   | 1                    |                      |

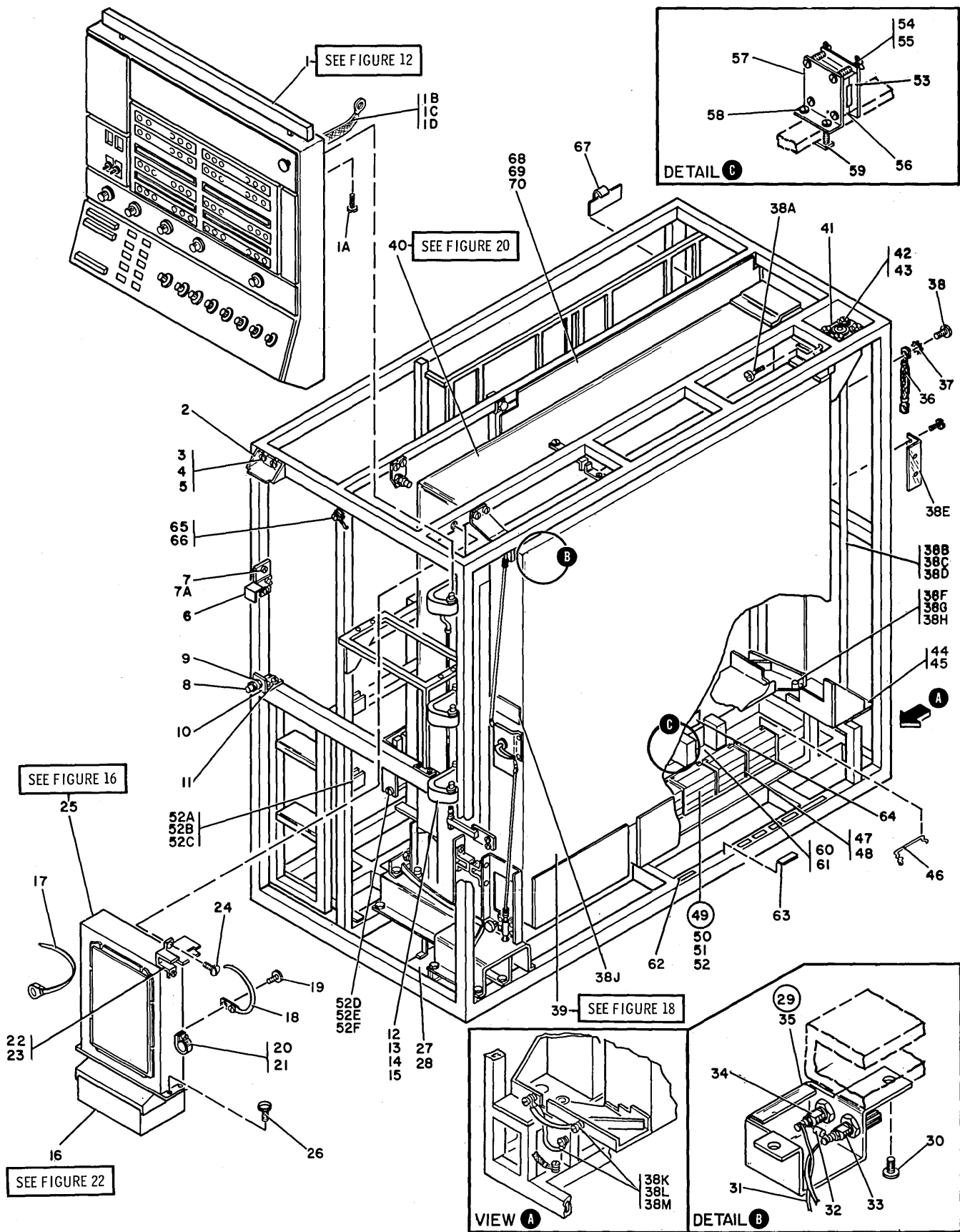


FIGURE 10. CPU FINAL ASSEMBLY- STAGE 1. SHEET 1 OF 3. NOS. 1-70. SEE LIST 10.

CPU FINAL ASSEMBLY-STAGE 1.

| FIGURE-<br>INDEX<br>NUMBER | PART<br>NUMBER | DESCRIPTION  | UNITS       |   |        |   | USABLE<br>ON<br>CODE |
|----------------------------|----------------|--|-------------|---|--------|---|----------------------|
|                            |                |  | PER<br>ASM. | 1 | 2      | 3 |                      |
| 10 -                       | NO NO. NP      | CPU FINAL ASSEMBLY- STAGE 1<br>FOR ILLUSTRATION SEE FIGURE 10            |             |   |        |   |                      |
| - 1                        | 1993010        | . CONSOLE ASM,ENGLISH  |             |   |        |   | 1                    |
| - 1                        | 1993020        | . CONSOLE ASM,GERMAN   |             |   |        |   | 1                    |
| - 1                        | 1993030        | . CONSOLE ASM,FRENCH   |             |   |        |   | 1                    |
|                            |                | FOR DETAIL BREAKDOWN SEE FIGURE 12                                       |             |   |        |   |                      |
| - 1A                       | 5528           | . SCREW,MACH BD HD- 8-32 X 0.625 LG                                      |             |   | ATT PT |   | 1                    |
| - 1B                       | 518611         | . STRAP,GROUND   |             |   |        |   | 1                    |
| - 1C                       | 58207          | . SCREW,MACH BD HD- 8-32 X 0.250 LG                                      |             |   | ATT PT |   | 2                    |
| - 1D                       | 55901          | . LOCKWASHER,EXT T- 0.176 ID X 0.300 OD                                  |             |   | ATT PT |   | 2                    |
| - 2                        | 1993653        | . BRACKET,SUPPORT  |             |   |        |   | 1                    |
| - 3                        | 130434         | . SCREW,MACH,SLOTTED HEX HD NO.10-32 X.375                               |             |   | ATT PT |   | 2                    |
| - 4                        | 9092           | . LOCKWASHER, SPLIT RING, .194 ID .337OD                                 |             |   | ATT PT |   | 2                    |
| - 5                        | 45690          | . WASHER,FL NO.10 X 7/16 OD X 1/32 THK                                   |             |   | ATT PT |   | 2                    |
| - 6                        | 1993654        | . BRACKET,LATCH  |             |   |        |   | 1                    |
| - 7                        | 32042          | . SCREW,MACH BD HD- 10-32 X 0.375 LG                                     |             |   | ATT PT |   | 2                    |
| - 7A                       | 45690          | . WASHER,FL- 0.203 ID X 0.438 OD   |             |   | ATT PT |   | 2                    |
| - 8                        | 255939         | . SCREW,BUMPER ADJ 1/4-20 X 1-3/16 LG                                    |             |   |        |   | 1                    |
| - 9                        | 3960           | . NUT,PLAIN HEX 1/4-20 X 7/16 FL W                                       |             |   | ATT PT |   | 1                    |
| - 10                       | 1993651        | . BRACKET,BUMPER   |             |   |        |   | 1                    |
| - 11                       | 28413          | . SCREW,MACH BD HD- 10-32 X 5/16 LG                                      |             |   | ATT PT |   | 2                    |
| - 12                       | 1993616        | . HINGE,CONSOLE  |             |   |        |   | 3                    |
| - 13                       | 129147         | . SCREW,SLOTTED HEX HD- 1/4-20 X 0.87 LG                                 |             |   | ATT PT |   | 6                    |
| - 14                       | 6935           | . LOCKWASHER, SPLIT 1/4 X 0.493 OD                                       |             |   | ATT PT |   | 6                    |
| - 15                       | 3550           | . WASHER,FL 1/4 X 9/16 OD X 0.050 THK                                    |             |   | ATT PT |   | 6                    |
| - 16                       | 5740086        | . COOLING UNIT ASM- 60HZ   |             |   |        |   | 1                    |
| - 16                       | 1993469        | . COOLING UNIT ASSEMBLY- 50 HZ   |             |   |        |   | 1                    |
|                            |                | FOR DETAIL BREAKDOWN SEE FIGURE 22                                       |             |   |        |   |                      |
| - 17                       | 524519         | . STRAP,SELF LOCKING   |             |   |        |   | 5                    |
| - 18                       | 825559         | . CABLE TIE  |             |   |        |   | 8                    |
| - 19                       | 32042          | . SCREW,MACH BD HD- 10-32 X 0.375 LG.                                    |             |   | ATT PT |   | 8                    |
| - 20                       | 1127180        | . CLAMP,CABLE  |             |   |        |   | 1                    |
| - 21                       | 83606          | . SCREW,BD HD SELF TAPPING   |             |   | ATT PT |   | 1                    |
| - 22                       | 1993399        | . SUPPORT,M BOARD  |             |   |        |   | 1                    |
| - 23                       | 28413          | . SCREW,MACH BD HD- 10-32 X 0.312 LG                                     |             |   | ATT PT |   | 1                    |
| - 24                       | 234318         | . SCREW,BD HD 8-32 X .375 LG   |             |   | ATT PT |   | 2                    |
| - 25                       | 1993075        | . MIXER BOARD ASM,STAGE,STAGE- 1<br>FOR DETAIL BREAKDOWN SEE FIGURE 16   |             |   |        |   | 1                    |
| - 26                       | 186759         | . SCREW,MACH BD HD- 8-32 X 5/16 LG                                       |             |   | ATT PT |   | 4                    |
| - 27                       | 1993131        | . FILLER,BOTTOM SCREEN   |             |   |        |   | 1                    |
| - 28                       | 130434         | . SCREW,MACH,SLOTTED HEX HD NO.10-32 X.375                               |             |   | ATT PT |   | 1                    |
| - 29                       | 1994934        | . SYNC JACK ASM  |             |   |        |   | 1                    |
| - 30                       | 251970         | . SCREW,MACH BD HD- 4-40 X 0.250 LG                                      |             |   | ATT PT |   | 1                    |
| - 31                       | 1994933        | . . CABLE ASM,SYNC JACK  |             |   |        |   | 1                    |
|                            |                | FOR COMPONENT PARTS SEE FIGURE 72  |             |   |        |   |                      |
| - 32                       | 216426         | . . RESISTOR,91 OHM P/M 5% 1/4W  |             |   |        |   | 1                    |
| - 33                       | 450954         | . . POST,BINDING   |             |   |        |   | 1                    |
| - 34                       | 825721         | . . TERMINAL,FXD RED   |             |   |        |   | 1                    |
| - 35                       | 1994932        | . . BRACKET,SYNC JACK  |             |   |        |   | 1                    |
| - 36                       | 518611         | . JUMPER ASM   |             |   |        |   | 3                    |
| - 37                       | 56079          | . WASHER LOCK,EXT T .204 ID .410 OD                                      |             |   | ATT PT |   | 4                    |
| - 38                       | 32042          | . SCREW,MACH BD HD- 10-32 X 0.375 LG.                                    |             |   | ATT PT |   | 4                    |
| - 39A                      | 36112          | . SCREW,SLOTTED HEX HD- 1/4-20 X 1.500 LG                                |             |   |        |   | 1                    |
| - 39B                      | 2637538        | . PIN,GATE PIVOT   |             |   |        |   | 1                    |
| - 39C                      | 38686          | . SCREW,MACH HEX HD- 1/4-20 X 0.500 LG                                   |             |   | ATT PT |   | 4                    |
| - 39D                      | 6935           | . LOCKWASHER,SPLIT- 0.255 ID X 0.493 OD                                  |             |   | ATT PT |   | 4                    |
| - 39E                      | 1994803        | . SHIELD,TERMINAL BLOCK  |             |   |        |   | 5                    |
| - 39F                      | 824348         | . HINGE,PIVOT  |             |   |        |   | 1                    |
| - 39G                      | 36844          | . SCREW,CAP SLOT HD- 1/4-20 X 0.500 LG                                   |             |   | ATT PT |   | 4                    |
| - 39H                      | 6935           | . LOCKWASHER,SPLIT- 0.255 ID X 0.493 OD                                  |             |   | ATT PT |   | 4                    |
| - 39J                      | 2637671        | . LABEL  |             |   |        |   | 1                    |
| - 39K                      | 518611         | . JUMPER,GROUND  |             |   |        |   | 2                    |
|                            |                | FOR COMPONENT PARTS SEE FIGURE 72  |             |   |        |   |                      |
| - 39L                      | 32043          | . SCREW,MACH BD HD- 10-32 X 0.375 LG                                     |             |   | ATT PT |   | 3                    |
| - 39M                      | 56079          | . LOCKWASHER,EXT T- 0.204 ID X 0.410 OD                                  |             |   | ATT PT |   | 3                    |
| - 39                       | 1993070        | . A GATE ASM,STAGE- 1  |             |   |        |   | 1                    |
| - 39                       | 4145986        | . A GATE ASM,STAGE- 1 MODEL 3<br>FOR DETAIL BREAKDOWN SEE FIGURE 18      |             |   |        |   | 1                    |
| - 40                       | 1993130        | . B GATE ASSEMBLY,STAGE- 1   |             |   |        |   | 1                    |
| - 40                       | 4145987        | . B GATE ASSEMBLY,STAGE- 1 MODEL 3<br>FOR DETAIL BREAKDOWN SEE FIGURE 20 |             |   |        |   | 1                    |
| - 41                       | 824348         | . HINGE,PIVOT  |             |   |        |   | 2                    |
| - 42                       | 6935           | . LOCKWASHER, SPLIT 1/4 X 0.493 OD                                       |             |   | ATT PT |   | 8                    |
| - 43                       | 36844          | . SCREW,CAP SLOT HD 1/4-20 X 0.500 LG                                    |             |   | ATT PT |   | 8                    |
| - 44                       | 1981158        | . PLATE,GATE PIVOT- LOWER  |             |   |        |   | 1                    |
| - 45                       | 234341         | . SCREW,ASMD WASHER FIL HD 1/4-20 X 5/8 LG                               |             |   | ATT PT |   | 4                    |
| - 46                       | 1981182        | . CLIP,RETAINER  |             |   |        |   | 9                    |
| - 47                       | 1981181        | . BRACKET,I/O CABLE  |             |   |        |   | 9                    |

| LIST AND INDEX NUMBER | PART NUMBER | DESCRIPTION  | UNITS PER ASM. | USABLE ON CODE |
|-----------------------|-------------|--|----------------|----------------|
|                       |             |  |                |                |
| 10- 48                | 725411      | . SCREW, HEX HD- 8-32 X 0.250 LG                         | ATT PT         | 18             |
| - 49                  | 1994938     | . BLOCK ASM, DUMMY CONNECTOR                             |                | 4              |
|                       |             | USED ON DIRECT CONTROL W/O CH CHANNEL TO CHANNEL FEATURE |                |                |
| - 50                  | 5353867     | . . CONNECTOR BLOCK, A-STYLE                             |                | 1              |
| - 51                  | 5529184     | . . SCREW, MACH FLAT HD 4-40 X 1 LG                      | ATT PT         | 2              |
| - 52                  | 5362306     | . . COVER, CONNECTOR BLOCK                               |                | 1              |
| - 52A                 | 5271288     | . TERMINAL   |                | 2              |
| - 52B                 | 38262       | . SCREW, MACH FIL HD- 4-40 X 0.250 LG                    | ATT PT         | 4              |
| - 52C                 | 338169      | . LOCKWASHER, EXT T- 0.115 ID X 0.260 OD                 | ATT PT         | 4              |
| - 52D                 | 2630046     | . MOUNTING ASM, CABLE                                    |                | 1              |
| - 52E                 | 28413       | . SCREW, MACH BD HD- 10-32 X 0.312 LG                    | ATT PT         | 2              |
| - 52F                 | 56079       | . LOCKWASHER, EXT T- 0.204 ID X 0.410 OD                 | ATT PT         | 2              |
| - 53                  | 1994728     | . PLATE, CORE  |                | 9              |
| - 54                  | 45690       | . WASHER, FL NO. 10 X 7/16 OD X 1/32 THK                 | ATT PT         | 36             |
| - 55                  | 184522      | . WINGNUT  | ATT PT         | 36             |
| - 56                  | 853288      | . CORE   |                | 18             |
| - 57                  | 1994727     | . BRACKET ASM, CORE                                      |                | 9              |
| - 58                  | 19944       | . SCREW, MACH BD HD- 8-32 X 3/4 LG                       | ATT PT         | 18             |
| - 59                  | 815221      | . BAR, CABLE CLAMP                                       | ATT PT         | 9              |
| - 60                  | 1994729     | . BAR, CORE  |                | 1              |
| - 61                  | 32617       | . SCREW, MACH BD HD 10-32 NF X .4375 LG                  | ATT PT         | 4              |
| - 62                  | 369207      | . LABEL, VOLTAGE   |                | 1              |
| - 63                  | 855262      | . PLATE, PROP IBM ARM                                    |                | AR             |
| - 63                  | 855263      | . PLATE, PROP IBM W.T.                                   |                | AR             |
| - 63                  | 855264      | . PLATE MFG BY IBM                                       |                | AR             |
| - 63                  | 855265      | . PLATE, MFG BY IBM                                      |                | AR             |
| - 63                  | 855266      | . PLATE, MFG BY WTC                                      |                | AR             |
| - 63                  | 855267      | . PLATE, MANUFACTURED FOR USA                            |                | AR             |
| - 63                  | 855268      | . PLATE, MANUFACTURED FOR                                |                | AR             |
| - 63                  | 855269      | . PLATE, MANUFACTURED FOR WT                             |                | AR             |
| - 63                  | 855270      | . PLATE, RECONDITIONED BY USA                            |                | AR             |
| - 63                  | 855271      | . PLATE, RECONDITIONED BY                                |                | AR             |
| - 63                  | 855272      | . PLATE, RECONDITIONED BY WT                             |                | AR             |
| - 63                  | 855273      | . PLATE, RENOVATED BY USA                                |                | AR             |
| - 63                  | 855274      | . PLATE, RENOVATED BY                                    |                | AR             |
| - 63                  | 855275      | . PLATE, RENOVATED BY WT                                 |                | AR             |
| - 63                  | 855276      | . PLATE, RECONDITIONED FOR USA                           |                | AR             |
| - 63                  | 855277      | . PLATE, RECONDITIONED FOR                               |                | AR             |
| - 63                  | 855278      | . PLATE, RECONDITIONED FOR WT                            |                | AR             |
| - 63                  | 855279      | . PLATE, RENOVATED FOR USA                               |                | AR             |
| - 63                  | 855280      | . PLATE, RENOVATED FOR                                   |                | AR             |
| - 63                  | 855281      | . PLATE, RENOVATED FOR WT                                |                | AR             |
| - 63                  | 855282      | . PLATE, SERIAL NO. LEFT                                 |                | 1              |
| - 63                  | 855283      | . PLATE, SERIAL NO. RIGHT                                |                | 1              |
| - 63                  | 855284      | . PLATE, MFG EXPORT                                      |                | AR             |
| - 63                  | 855285      | . PLATE, U.K. IMPORT                                     |                | AR             |
| - 63                  | 855286      | . PLATE, U.L. APPROVAL                                   |                | AR             |
| - 63                  | 960746      | . PLATE, PROPERTY OF CANADA                              |                | AR             |
| - 63                  | 960766      | . PLATE, CSA INSIGNIA                                    |                | AR             |
| - 63                  | 1795505     | . PLATE, POWER RATING- HG 60 HZ 208/230V                 |                | AR             |
| - 63                  | 1795506     | . PLATE, POWER RATING- HG 60 HZ 220V                     |                | AR             |
| - 63                  | 1795507     | . PLATE, POWER RATING- HG 50 HZ 200V                     |                | AR             |
| - 63                  | 1795508     | . PLATE, POWER RATING- HG 50 HZ 220/235V                 |                | AR             |
| - 63                  | 1795509     | . PLATE, POWER RATING- HG 50 HZ 380/408V                 |                | AR             |
| - 63                  | 1795510     | . PLATE, POWER RATING- I 60 HZ 208/230V                  |                | AR             |
| - 63                  | 1795511     | . PLATE, POWER RATING- I 60 HZ 200V                      |                | AR             |
| - 63                  | 1795511     | . PLATE, POWER RATING- I 60 HZ 200V                      |                | AR             |
| - 63                  | 1795512     | . PLATE, POWER RATING- I 50 HZ 200V                      |                | AR             |
| - 63                  | 1795513     | . PLATE, POWER RATING- I 50 HZ 220/235V                  |                | AR             |
| - 63                  | 1795514     | . PLATE, POWER RATING- I 50 HZ 380/408V                  |                | AR             |
| - 63                  | 1795514     | . PLATE, POWER RATING- I 50 HZ 380/408V                  |                | AR             |
| - 63                  | 2637263     | . PLATE, POWER RATING-FED 60HZ 208/230V                  |                | AR             |
| - 63                  | 2637264     | . PLATE, POWER RATING-GE 60HZ 208/230V                   |                | AR             |
| - 63                  | 2637265     | . PLATE, POWER RATING-GPD 60HZ 208/230V                  |                | AR             |
| - 63                  | 2637266     | . PLATE, POWER RATING-H 60HZ 208/230V                    |                | AR             |
| - 63                  | 2637267     | . PLATE, POWER RATING-FED 60HZ 200V                      |                | AR             |
| - 63                  | 2637268     | . PLATE, POWER RATING-GE 60HZ 200V                       |                | AR             |
| - 63                  | 2637269     | . PLATE, POWER RATING-GPD 60HZ 200V                      |                | AR             |
| - 63                  | 2637270     | . PLATE, POWER RATING-H 60HZ 200V                        |                | AR             |
| - 63                  | 2637271     | . PLATE, POWER RATING-FED 50HZ 200V                      |                | AR             |
| - 63                  | 2637272     | . PLATE, POWER RATING-GE 50HZ 200V                       |                | AR             |
| - 63                  | 2637273     | . PLATE, POWER RATING-GPD 50HZ 200V                      |                | AR             |
| - 63                  | 2637274     | . PLATE, POWER RATING-H 50HZ 200V                        |                | AR             |
| - 63                  | 2637275     | . PLATE, POWER RATING-FED 50HZ 220/235V                  |                | AR             |
| - 63                  | 2637276     | . PLATE, POWER RATING-GE 50HZ 220/235V                   |                | AR             |
| - 63                  | 2637277     | . PLATE, POWER RATING-GPD 50HZ 220/235V                  |                | AR             |
| - 63                  | 2637278     | . PLATE, POWER RATING-H 50HZ 220/235V                    |                | AR             |
| - 63                  | 2637279     | . PLATE, POWER RATING-FED 50HZ 380/408V                  |                | AR             |

| LIST AND INDEX NUMBER | PART NUMBER | DESCRIPTION   |   |   |   | UNITS PER ASM. | USABLE ON CODE |
|-----------------------|-------------|---|---|---|---|----------------|----------------|
|                       |             | 1   | 2 | 3 | 4 |                |                |
| 10 - 63               | 2637280     | . PLATE, POWER RATING-GE 50HZ 380/408V                |   |   |   | AR             |                |
| - 63                  | 2637281     | . PLATE, POWER RATING-GFD 50HZ 380/408V               |   |   |   | AR             |                |
| - 63                  | 2637282     | . PLATE, POWER RATING-H 50HZ 380/408V                 |   |   |   | AR             |                |
| - 64                  | 2630447     | . LABEL   |   |   |   | 1              |                |
| - 65                  | 140425      | . SCREW, MACH HEX HD 10-32 X 5/16 LG                  |   |   |   | 1              |                |
| - 66                  | 56079       | . WASHER LOCK, EXT T .204 ID .410 OD                  |   |   |   | 1              |                |
| - 67                  | 825557      | . CLAMP, SELF LOCKING                                 |   |   |   | 4              |                |
| - 68                  | 1994598     | . BAFFLE ASM  |   |   |   | 1              |                |
| - 69                  | 130434      | . SCREW, MACH, SLOTTED HEX HD NO. 10-32 X .375 ATT PT |   |   |   | 11             |                |
| - 70                  | 47242       | . WASHER, FL NO. 12 X 1/2 OD X 0.062 THK ATT PT       |   |   |   | 11             |                |
|                       |             |   |   |   |   |                |                |
|                       |             |   |   |   |   |                |                |
|                       |             |   |   |   |   |                |                |
|                       |             |   |   |   |   |                |                |
|                       |             |   |   |   |   |                |                |
|                       |             |   |   |   |   |                |                |
|                       |             |   |   |   |   |                |                |
|                       |             |   |   |   |   |                |                |
|                       |             |   |   |   |   |                |                |
|                       |             |   |   |   |   |                |                |
|                       |             |   |   |   |   |                |                |
|                       |             |   |   |   |   |                |                |
|                       |             |   |   |   |   |                |                |
|                       |             |   |   |   |   |                |                |
|                       |             |   |   |   |   |                |                |
|                       |             |   |   |   |   |                |                |
|                       |             |   |   |   |   |                |                |
|                       |             |   |   |   |   |                |                |
|                       |             |   |   |   |   |                |                |
|                       |             |   |   |   |   |                |                |
|                       |             |   |   |   |   |                |                |
|                       |             |   |   |   |   |                |                |
|                       |             |   |   |   |   |                |                |
|                       |             |   |   |   |   |                |                |
|                       |             |   |   |   |   |                |                |
|                       |             |   |   |   |   |                |                |
|                       |             |   |   |   |   |                |                |
|                       |             |   |   |   |   |                |                |
|                       |             |   |   |   |   |                |                |
|                       |             |   |   |   |   |                |                |
|                       |             |   |   |   |   |                |                |
|                       |             |   |   |   |   |                |                |
|                       |             |   |   |   |   |                |                |
|                       |             |   |   |   |   |                |                |
|                       |             |   |   |   |   |                |                |



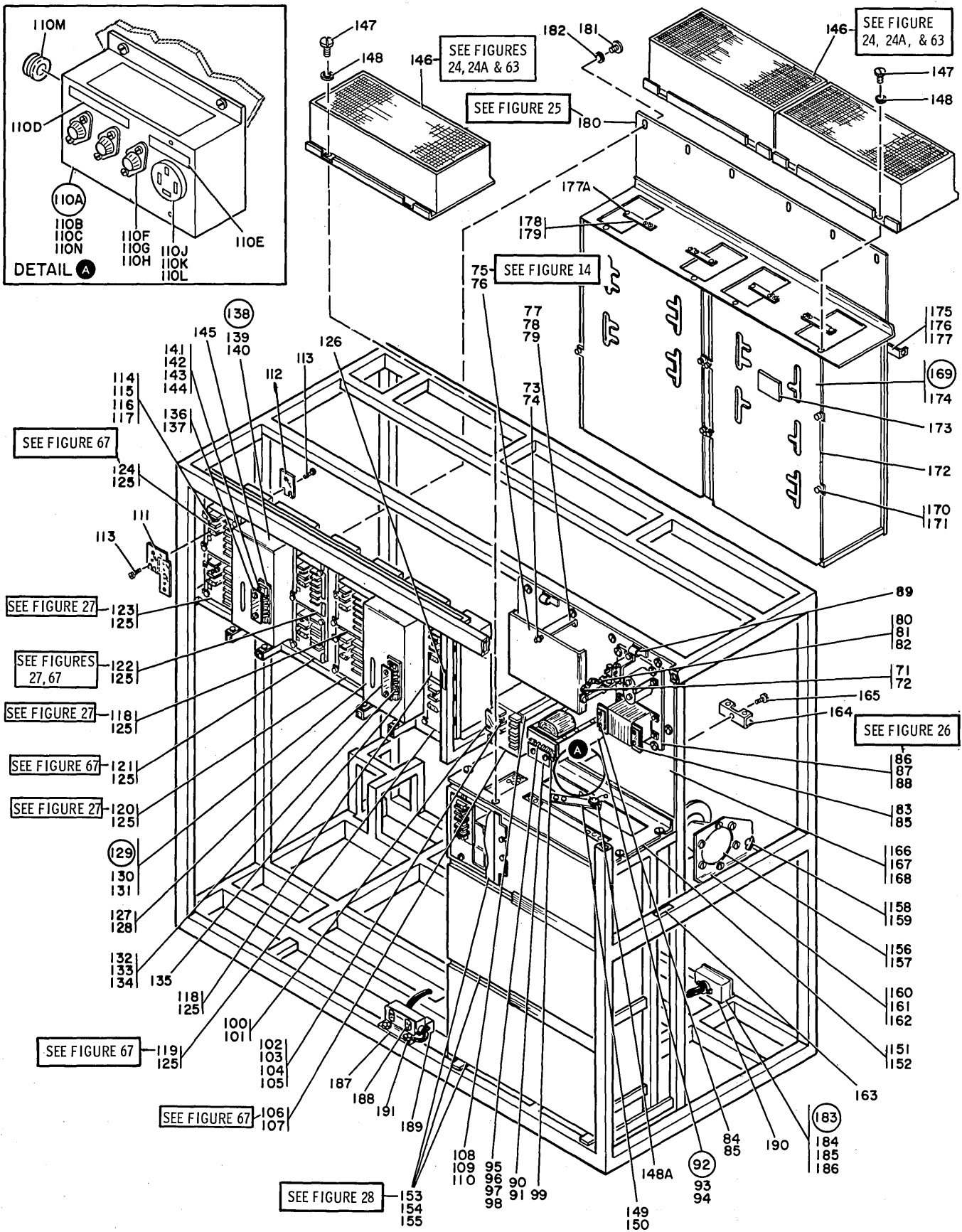


FIGURE 10. CPU FINAL ASSEMBLY- STAGE 1. SHEET 2 OF 3. NOS. 71-191. SEE LIST 10.

CPU FINAL ASSEMBLY-STAGE 1.

| FIGURE-<br>INDEX<br>NUMBER | PART<br>NUMBER | DESCRIPTION   | UNITS       |   |   |     | USABLE<br>ON<br>CODE |    |
|----------------------------|----------------|---|-------------|---|---|-----|----------------------|----|
|                            |                |   | PER<br>ASM. | 1 | 2 | 3   |                      | 4  |
| 10 - 71                    | 236849         | . SCREW,MACH BD HD- 10-32 X 0.250 LG  |             |   |   |     | 1                    |    |
| - 72                       | 56079          | . WASHER LOCK,EXT T .204 ID .410 OD   |             |   |   |     | 1                    |    |
| - 73                       | 824673         | . SCREW,KNURLED HD,FASTENING 10-32  |             |   |   |     | 1                    |    |
| - 74                       | 25282          | . CLIP,RETAINING  |             |   |   | ATT | PT                   | 1  |
| - 75                       | 1993116        | . CIRCUIT PROTECTOR PANEL ASSEMBLY<br>FOR DETAIL BREAKDOWN SEE FIGURE 14              |             |   |   |     |                      | 1  |
| - 76                       | 25836          | . STUD,PLATEN SPACE   |             |   |   | ATT | PT                   | 2  |
| - 77                       | 1993118        | . BRACKET,LATCH   |             |   |   |     |                      | 1  |
| - 78                       | 130434         | . SCREW,MACH,SLOTTED HEX HD NO.10-32 X.375  |             |   |   | ATT | PT                   | 2  |
| - 79                       | 47242          | . WASHER,FL NO. 12 X 1/2 OD X 0.062 THK   |             |   |   | ATT | PT                   | 2  |
| - 80                       | 1993119        | . BRACKET,PIVOT   |             |   |   |     |                      | 2  |
| - 81                       | 130434         | . SCREW,MACH,SLOTTED HEX HD NO.10-32 X.375  |             |   |   | ATT | PT                   | 4  |
| - 82                       | 47242          | . WASHER,FL NO. 12 X 1/2 OD X 0.062 THK   |             |   |   | ATT | PT                   | 4  |
| - 83                       | 337509         | . SHIELD,SAFETY   |             |   |   |     |                      | 1  |
| - 84                       | 350977         | . COVER   |             |   |   |     |                      | 1  |
| - 85                       | 10170          | . SCREW,MACH BD HD- NO. 6-32 X .250 LG  |             |   |   | ATT | PT                   | 2  |
| - 86                       | 1993638        | . MULTI-VOLTAGE SOURCE ASM- 50HZ WITH PBC   |             |   |   |     |                      | 1  |
| - 86                       | 1993678        | . MULTI-VOLTAGE SOURCE ASM- 60HZ WITH PBC   |             |   |   |     |                      | 1  |
| - 86                       | 1803065        | . MULTI-VOLTAGE SOURCE ASM- 60 HZ NON PBC   |             |   |   |     |                      | 1  |
| - 86                       | 1803064        | . MULTI-VOLTAGE SOURCE ASM- 50 HZ NON PBC<br>FOR DETAIL BREAKDOWN SEE FIGURE 26       |             |   |   |     |                      | 1  |
| - 87                       | 130434         | . SCREW,MACH,SLOTTED HEX HD NO.10-32 X.375  |             |   |   | ATT | PT                   | 4  |
| - 88                       | 47242          | . WASHER,FL NO. 12 X 1/2 OD X 0.062 THK   |             |   |   | ATT | PT                   | 4  |
| - 89                       | 825557         | . CLAMP,SELF LOCKING  |             |   |   |     |                      | 2  |
| - 90                       | 350966         | . COVER,TERMINAL BLOCK  |             |   |   |     |                      | 1  |
| - 91                       | 10170          | . SCREW,MACH BD HD- NO. 6-32 X .250 LG  |             |   |   | ATT | PT                   | 1  |
| - 92                       | 1994569        | . TRANSFORMER ASM,DUAL- 400HZ 70 AMP  |             |   |   |     |                      | 1  |
| - 93                       | 130434         | . SCREW,MACH,SLOTTED HEX HD NO.10-32 X.375  |             |   |   | ATT | PT                   | 4  |
| - 94                       | 47242          | . WASHER,FL NO. 12 X 1/2 OD X 0.062 THK   |             |   |   | ATT | PT                   | 4  |
| - 95                       | 317485         | . . BLOCK,4 DBL SCREW TERMINAL  |             |   |   |     |                      | 1  |
| - 96                       | 38354          | . . SCREW,MACH FIL HD 6-32 X 0.500 LG   |             |   |   | ATT | PT                   | 2  |
| - 97                       | 210883         | . . STUD,SHIELD MTG TAPPED NO. 6-32   |             |   |   | ATT | PT                   | 1  |
| - 98                       | 210884         | . . STUD,NO. 6-32   |             |   |   | ATT | PT                   | 1  |
| - 99                       | 527916         | . . STRIP,MARKER  |             |   |   |     |                      | 1  |
| -100                       | 1993823        | . SHIELD,SAFETY   |             |   |   |     |                      | 1  |
| -101                       | 55726          | . SCREW,MACH BD HD- 6-32 X 0.188 LG   |             |   |   | ATT | PT                   | 2  |
| -102                       | 28413          | . SCREW,MACH BD HD- 10-32 X 5/16 LG   |             |   |   |     |                      | 6  |
| -103                       | 1993839        | . STUD- 1/4-20 X 1.125 LG   |             |   |   |     |                      | 1  |
| -104                       | 76574          | . LOCKWASHER, EXT TEETH .250  |             |   |   |     |                      | 5  |
| -105                       | 55586          | . NUT,HEX- 1/4-20   |             |   |   |     |                      | 5  |
| -106                       | 1993380        | . MODULE ASM,AC/DC- 30 AMPS   |             |   |   |     |                      | 1  |
| -106                       | 1993390        | . MODULE ASM,AC/DC- 40 AMPS<br>FOR DETAIL BREAKDOWN SEE FIGURE 67                     |             |   |   |     |                      | 1  |
| -106                       | 1993480        | . MODULE ASM,AC/DC- 70 AMPS<br>USED ON MODEL 3<br>FOR DETAIL BREAKDOWN SEE FIGURE 27  |             |   |   |     |                      | 1  |
| -107                       | 232            | . SCREW,MACH FIL H 10-32 X 0.500 LG   |             |   |   | ATT | PT                   | 3  |
| -108                       | 1994766        | . BRACKET,AC/DC MODULE  |             |   |   |     |                      | 3  |
| -109                       | 140425         | . SCREW,MACH HEX HD 10-32 X 5/16 LG   |             |   |   | ATT | PT                   | 6  |
| -110                       | 47242          | . WASHER,FL NO. 12 X 1/2 OD X 0.062 THK   |             |   |   | ATT | PT                   | 6  |
| -110A                      | 2637582        | . BOX ASM,VOLTAGE TESTER ADAPTER  |             |   |   |     |                      | 1  |
| -110B                      | 130434         | . SCREW,MACH HEX HD- 10-32 X 0.375 LG   |             |   |   | ATT | PT                   | 2  |
| -110C                      | 56079          | . LOCKWASHER,EXT T- 0.204 ID X 0.410 OD   |             |   |   | ATT | PT                   | 2  |
| -110D                      | 2542402        | . . LABEL,FUSE RATING   |             |   |   |     |                      | 1  |
| -110E                      | 336823         | . . LABEL,HIGH VOLTAGE  |             |   |   |     |                      | 1  |
| -110F                      | 117401         | . . FUSE- .8 AMP  |             |   |   |     |                      | 3  |
| -110G                      | 104615         | . . FUSEHOLDER  |             |   |   |     |                      | 3  |
| -110H                      | 38235          | . . SCREW,MACH BD HD- 6-32 X 0.312 LG   |             |   |   | ATT | PT                   | 6  |
| -110J                      | 322590         | . . RECPACLE- 4 WIRE  |             |   |   |     |                      | 1  |
| -110K                      | 221790         | . . SCREW,MACH BD HD- 8-32 X 0.187 LG   |             |   |   | ATT | PT                   | 2  |
| -110L                      | 22478          | . . WASHER,FL- 0.170 ID X 0.375 OD  |             |   |   | ATT | PT                   | 2  |
| -110M                      | 602107         | . . GROMMET,RUBBER- 0.375 ID X 0.625 OD   |             |   |   |     |                      | 1  |
| -110N                      | 2637581        | . . BOX,VOLTAGE TEST ADAPTER  |             |   |   |     |                      | 1  |
| -111                       | 1993835        | . SHIELD,SAFETY   |             |   |   |     |                      | 8  |
| -112                       | 1993823        | . SHIELD,SAFETY   |             |   |   |     |                      | 8  |
| -113                       | 55726          | . SCREW,MACH BD HD- 6-32 X 0.188 LG   |             |   |   | ATT | PT                   | 32 |
| -114                       | 28413          | . SCREW,MACH BD HD- 10-32 X 5/16 LG   |             |   |   |     |                      | 48 |
| -115                       | 90261          | . SCREW,BD HD- 1/4-20 X 0.4375 LG   |             |   |   |     |                      | 24 |
| -116                       | 76574          | . LOCKWASHER, EXT TEETH .250  |             |   |   |     |                      | 16 |
| -117                       | 55586          | . NUT,HEX- 1/4-20   |             |   |   |     |                      | 24 |
| -118                       | 1993480        | . MODULE ASM,AC/DC- 70 AMPS<br>FOR DETAIL BREAKDOWN SEE FIGURE 27                     |             |   |   |     |                      | 2  |
| -119                       | 1993590        | . MODULE ASM,AC/DC- 20 AMPS<br>FOR DETAIL BREAKDOWN SEE FIGURE 67                     |             |   |   |     |                      | 1  |
| -120                       | 1993610        | . MODULE ASM,AC/DC- 80 AMPS<br>FOR DETAIL BREAKDOWN SEE FIGURE 27                     |             |   |   |     |                      | 1  |
| -120                       | 2637650        | . MODULE ASM,AC/DC- 120 AMPS<br>USED ON MODEL 3<br>FOR DETAIL BREAKDOWN SEE FIGURE 56 |             |   |   |     |                      | 1  |

CPU FINAL ASSEMBLY-STAGE 1.

| FIGURE-<br>INDEX<br>NUMBER | PART<br>NUMBER | DESCRIPTION  | 1 2 3 4 |   |        |   | UNITS<br>PER<br>ASM. | USABLE<br>ON<br>CODE |
|----------------------------|----------------|--|---------|---|--------|---|----------------------|----------------------|
|                            |                |  | 1       | 2 | 3      | 4 |                      |                      |
| 10-121                     | 1993470        | . MODULE ASM,AC/DC- 60 AMPS<br>FOR DETAIL BREAKDOWN SEE FIGURE 67  |         |   |        |   | 1                    |                      |
| -122                       | 1993390        | . MODULE ASM,AC/DC- 40 AMPS  |         |   |        |   | 1                    |                      |
| -122                       | 1993460        | . MODULE ASM,AC/DC- 50 AMPS  |         |   |        |   | 1                    |                      |
| -122                       | 1993470        | . MODULE ASM,AC/DC- 60 AMPS<br>FOR DETAIL BREAKDOWN SEE FIGURE 67  |         |   |        |   | 1                    |                      |
| -122                       | 1993480        | . MODULE ASM,AC/DC- 70 AMPS<br>FOR DETAIL BREAKDOWN SEE FIGURE 27  |         |   |        |   | 1                    |                      |
| -123                       | 1993480        | . MODULE ASM,AC/DC- 70 AMPS  |         |   |        |   | 1                    |                      |
| -123                       | 1993610        | . MODULE ASM,AC/DC- 80 AMPS  |         |   |        |   | 1                    |                      |
| -124                       | 1993390        | . MODULE ASM,AC/DC- 40 AMPS<br>FOR DETAIL BREAKDOWN SEE FIGURE 27  |         |   |        |   | 1                    |                      |
| -124                       | 1993470        | . MODULE ASM,AC/DC- 60 AMPS  |         |   |        |   | 1                    |                      |
| -125                       | 232            | . SCREW, MACH FIL H 10-32 X 0.500 LG   |         |   | ATT PT |   | 24                   |                      |
| -126                       | 369207         | . LABEL, VOLTAGE   |         |   |        |   | 1                    |                      |
| -127                       | 350965         | . COVER, TERMINAL BLOCK  |         |   |        |   | 1                    |                      |
| -128                       | 10170          | . SCREW, MACH BD HD- NO. 6-32 X .250 LG  |         |   | ATT PT |   | 1                    |                      |
| -129                       | 1993803        | . TRANSFORMER ASM- 400HZ   |         |   |        |   | 1                    |                      |
| -130                       | 38686          | . SCREW, MACH HEX HD 1/4-20 X 0.500 LG   |         |   | ATT PT |   | 4                    |                      |
| -131                       | 3550           | . WASHER, FL 1/4 X 9/16 OD X 0.050 THK   |         |   | ATT PT |   | 4                    |                      |
| -132                       | 2101337        | . . . TERMINAL, STRIP  |         |   |        |   | 1                    |                      |
| -133                       | 322065         | . . . SCREW, MACH BD HD- 6-32 X 5/8 LG   |         |   | ATT PT |   | 2                    |                      |
| -134                       | 2125898        | . . . STUD, TAPPED   |         |   | ATT PT |   | 2                    |                      |
| -135                       | 2101341        | . . . STRIP, MARKER  |         |   |        |   | 1                    |                      |
| -136                       | 350965         | . COVER, TERMINAL BLOCK  |         |   |        |   | 1                    |                      |
| -137                       | 10170          | . SCREW, MACH BD HD- NO. 6-32 X .250 LG  |         |   | ATT PT |   | 1                    |                      |
| -138                       | 1993802        | . PLATE ASSEMBLY, LOW POWER- 50 HZ   |         |   |        |   | 1                    |                      |
| -139                       | 38686          | . SCREW, MACH HEX HD 1/4-20 X 0.500 LG   |         |   | ATT PT |   | 4                    |                      |
| -140                       | 3550           | . WASHER, FL 1/4 X 9/16 OD X 0.050 THK   |         |   | ATT PT |   | 4                    |                      |
| -141                       | 2101337        | . . . TERMINAL, STRIP  |         |   |        |   | 1                    |                      |
| -142                       | 2125898        | . . . STUD, TAPPED   |         |   | ATT PT |   | 1                    |                      |
| -143                       | 2125899        | . . . STUD, SHIELD   |         |   | ATT PT |   | 1                    |                      |
| -144                       | 38354          | . . . SCREW, MACH FIL HD 6-32 X 0.500 LG   |         |   | ATT PT |   | 2                    |                      |
| -145                       | 2101357        | . . . MARKER, STRIP 5 POS NOS. 1 THRU 5  |         |   |        |   | 1                    |                      |
| -146                       | 1994833        | . COOLING UNIT ASM- 50HZ   |         |   |        |   | 3                    |                      |
| -146                       | 1994834        | . COOLING UNIT ASM- 60HZ   |         |   |        |   | 3                    |                      |
| -146                       | 1797541        | . FOR DETAIL BREAKDOWN SEE FIGURE 63<br>. COOLING UNIT ASSEMBLY- 60 HZ<br>FOR DETAIL BREAKDOWN, SEE FIGURE 24    |         |   |        |   | 3                    |                      |
| -146                       | 1993028        | . COOLING UNIT ASSEMBLY- 60 HZ<br>USED ON APPROXIMATELY FIRST 50 MACHINES<br>FOR DETAIL BREAKDOWN SEE FIGURE 24A |         |   |        |   | 3                    |                      |
| -146                       | 1803084        | . COOLING UNIT ASSEMBLY- 60 HZ NON PCB<br>FOR DETAIL BREAKDOWN, SEE FIGURE 24                                    |         |   |        |   | 3                    |                      |
| -147                       | 130434         | . SCREW, MACH, SLOTTED HEX HD NO. 10-32 X .375   |         |   | ATT PT |   | 6                    |                      |
| -148                       | 47242          | . WASHER, FL NO. 12 X 1/2 OD X 0.062 THK   |         |   | ATT PT |   | 6                    |                      |
| -148A                      | 5357075        | . THERMAL SWITCH   |         |   |        |   | 1                    |                      |
| -149                       | 1993587        | . BRACKET, THERMAL SWITCH MTG  |         |   |        |   | 1                    |                      |
| -150                       | 140425         | . SCREW, MACH HEX HD 10-32 X 5/16 LG   |         |   | ATT PT |   | 2                    |                      |
| -151                       | 1994460        | . PLATE, OCR   |         |   |        |   | 1                    |                      |
| -152                       | 140425         | . SCREW, MACH HEX HD 10-32 X 5/16 LG   |         |   | ATT PT |   | 4                    |                      |
| -153                       | 2572750        | . PHASE CONTROL REGULATOR ASM<br>FOR DETAIL BREAKDOWN SEE FIGURE 28  |         |   |        |   | 3                    |                      |
| -154                       | 7327           | . SCREW, MACH-HEX HD 10-32 X 0.437 LG  |         |   | ATT PT |   | 12                   |                      |
| -155                       | 47242          | . WASHER, FL NO. 12 X 1/2 OD X 0.062 THK   |         |   | ATT PT |   | 12                   |                      |
| -156                       | 5214172        | . SPEAKER, REFLEX- 7.5W 4 OHMS   |         |   |        |   | 1                    |                      |
| -157                       | 32042          | . SCREW, MACH BD HD- 10-32 X 0.375 LG.   |         |   | ATT PT |   | 6                    |                      |
| -158                       | 2623425        | . SWITCH, AUDIBLE ALARM VOLUME   |         |   |        |   | 1                    |                      |
| -159                       | 317173         | . KNOB, SWITCH   |         |   |        |   | 1                    |                      |
| -160                       | 1994597        | . PLATE, SPEAKER   |         |   |        |   | 1                    |                      |
| -161                       | 130434         | . SCREW, MACH, SLOTTED HEX HD NO. 10-32 X .375   |         |   | ATT PT |   | 2                    |                      |
| -162                       | 47242          | . WASHER, FL NO. 12 X 1/2 OD X 0.062 THK   |         |   | ATT PT |   | 2                    |                      |
| -163                       | 369207         | . LABEL, VOLTAGE   |         |   |        |   | 1                    |                      |
| -164                       | 838164         | . TERMINAL, FXD TAB  |         |   |        |   | 5                    |                      |
| -165                       | 251970         | . SCREW, MACH BD HD- 4-40 X 0.250 LG   |         |   | ATT PT |   | 1                    |                      |
| -166                       | 1994928        | . PLATE, POWER AND CP  |         |   |        |   | 1                    |                      |
| -167                       | 130434         | . SCREW, MACH, SLOTTED HEX HD NO. 10-32 X .375   |         |   | ATT PT |   | 11                   |                      |
| -168                       | 47242          | . WASHER, FL NO. 12 X 1/2 OD X 0.062 THK   |         |   | ATT PT |   | 11                   |                      |
| -169                       | 1994478        | . SHIELD ASM, LEFT   |         |   |        |   | 1                    |                      |
| -169                       | 1994480        | . SHIELD ASM, RIGHT  |         |   |        |   | 1                    |                      |
| -170                       | 822816         | . . . SCREW, THUMB SMS GATE  |         |   |        |   | 6                    |                      |
| -171                       | 2100871        | . . . RING, RETAINING 0.172 ID X 0.375 OD  |         |   | ATT PT |   | 6                    |                      |
| -172                       | 349736         | . . . SEAL   |         |   |        |   | 4                    |                      |
| -173                       | 1994823        | . . . LABEL, COOLING COVER REPLACEMENT   |         |   |        |   | 1                    |                      |

CPU FINAL ASSEMBLY-STAGE 1.

| FIGURE-<br>INDEX<br>NUMBER | PART<br>NUMBER | DESCRIPTION | UNITS                              |   |   |    | USABLE<br>ON<br>CODE |  |
|----------------------------|----------------|-------------|------------------------------------|---|---|----|----------------------|--|
|                            |                |             | 1                                  | 2 | 3   | 4  |                      |  |
| 10                         | -174           | 1994477     | .                                  | . | SHIELD, LEFT REGULATOR                      | 1  |                      |  |
|                            | -174           | 1994479     | .                                  | . | SHIELD, RIGHT REGULATOR                     | 1  |                      |  |
|                            | -175           | 1993059     | .                                  | . | BRACKET                                     | 2  |                      |  |
|                            | -177           | 47242       | .                                  | . | WASHER, FL NO. 12 X 1/2 OD X 0.062 THK      | 6  | ATT PT               |  |
|                            | -177A          | 5357075     | .                                  | . | THERMAL SWITCH                              | 4  |                      |  |
|                            | -178           | 1993587     | .                                  | . | BRACKET, THERMAL SWITCH MTG                 | 4  |                      |  |
|                            | -179           | 140425      | .                                  | . | SCREW, MACH HEX HD 10-32 X 5/16 LG          | 8  | ATT PT               |  |
|                            | -180           | 1993081     | .                                  | . | REGULATOR ASSEMBLY                          | 1  |                      |  |
|                            |                |             | FOR DETAIL BREAKDOWN SEE FIGURE 25 |   |   |    |                      |  |
|                            | -181           | 130434      | .                                  | . | SCREW, MACH, SLOTTED HEX HD NO. 10-32 X.375 | 11 | ATT PT               |  |
|                            | -182           | 47242       | .                                  | . | WASHER, FL NO. 12 X 1/2 OD X 0.062 THK      | 11 | ATT PT               |  |
|                            | -183           | 1993936     | .                                  | . | OUTLET ASM, CONVENIENCE- 60HZ               | 1  |                      |  |
|                            | -183           | 1993947     | .                                  | . | OUTLET ASM, CONVENIENCE- 50HZ               | 1  |                      |  |
|                            | -184           | 130434      | .                                  | . | SCREW, MACH, SLOTTED HEX HD NO. 10-32 X.375 | 4  | ATT PT               |  |
|                            | -185           | 47242       | .                                  | . | WASHER, FL NO. 12 X 1/2 OD X 0.062 THK      | 4  | ATT PT               |  |
|                            | -186           | 56079       | .                                  | . | WASHER LOCK, EXT T .204 ID .410 OD          | 2  | ATT PT               |  |
|                            | -187           | 194356      | .                                  | . | BRACKET, ANGLE CONVENIENCE OUTLET MTG       | 2  |                      |  |
|                            | -188           | 357995      | .                                  | . | OUTLET, CONVENIENCE- 115V 60 HZ             | 2  |                      |  |
|                            | -188           | 418835      | .                                  | . | OUTLET, CONVENIENCE 220V 50 HZ              | 2  |                      |  |
|                            | -189           | 151598      | .                                  | . | CONNECTOR, OUTLET BOX                       | 3  |                      |  |
|                            | -190           | 194355      | .                                  | . | BOX, OUTLET                                 | 2  |                      |  |
|                            | -191           | 1993937     | .                                  | . | JUMPER ASM                                  | 1  |                      |  |
|                            | -191           | 1993935     | .                                  | . | CABLE ASM, AC DIST TO CONVENIENCE OUTLETS   | 1  |                      |  |
|                            |                |             | FOR COMPONENT PARTS SEE FIGURE 72  |   |   |    |                      |  |
|                            |                |             |                                    |   |   |    |                      |  |
|                            |                |             |                                    |   |   |    |                      |  |
|                            |                |             |                                    |   |   |    |                      |  |
|                            |                |             |                                    |   |   |    |                      |  |
|                            |                |             |                                    |   |   |    |                      |  |
|                            |                |             |                                    |   |   |    |                      |  |
|                            |                |             |                                    |   |   |    |                      |  |
|                            |                |             |                                    |   |   |    |                      |  |
|                            |                |             |                                    |   |   |    |                      |  |
|                            |                |             |                                    |   |   |    |                      |  |
|                            |                |             |                                    |   |   |    |                      |  |
|                            |                |             |                                    |   |   |    |                      |  |
|                            |                |             |                                    |   |   |    |                      |  |
|                            |                |             |                                    |   |   |    |                      |  |
|                            |                |             |                                    |   |   |    |                      |  |
|                            |                |             |                                    |   |   |    |                      |  |
|                            |                |             |                                    |   |   |    |                      |  |
|                            |                |             |                                    |   |   |    |                      |  |
|                            |                |             |                                    |   |   |    |                      |  |
|                            |                |             |                                    |   |   |    |                      |  |
|                            |                |             |                                    |   |   |    |                      |  |
|                            |                |             |                                    |   |   |    |                      |  |
|                            |                |             |                                    |   |   |    |                      |  |
|                            |                |             |                                    |   |   |    |                      |  |
|                            |                |             |                                    |   |   |    |                      |  |
|                            |                |             |                                    |   |   |    |                      |  |
|                            |                |             |                                    |   |   |    |                      |  |
|                            |                |             |                                    |   |   |    |                      |  |
|                            |                |             |                                    |   |   |    |                      |  |
|                            |                |             |                                    |   |   |    |                      |  |
|                            |                |             |                                    |   |   |    |                      |  |
|                            |                |             |                                    |   |   |    |                      |  |

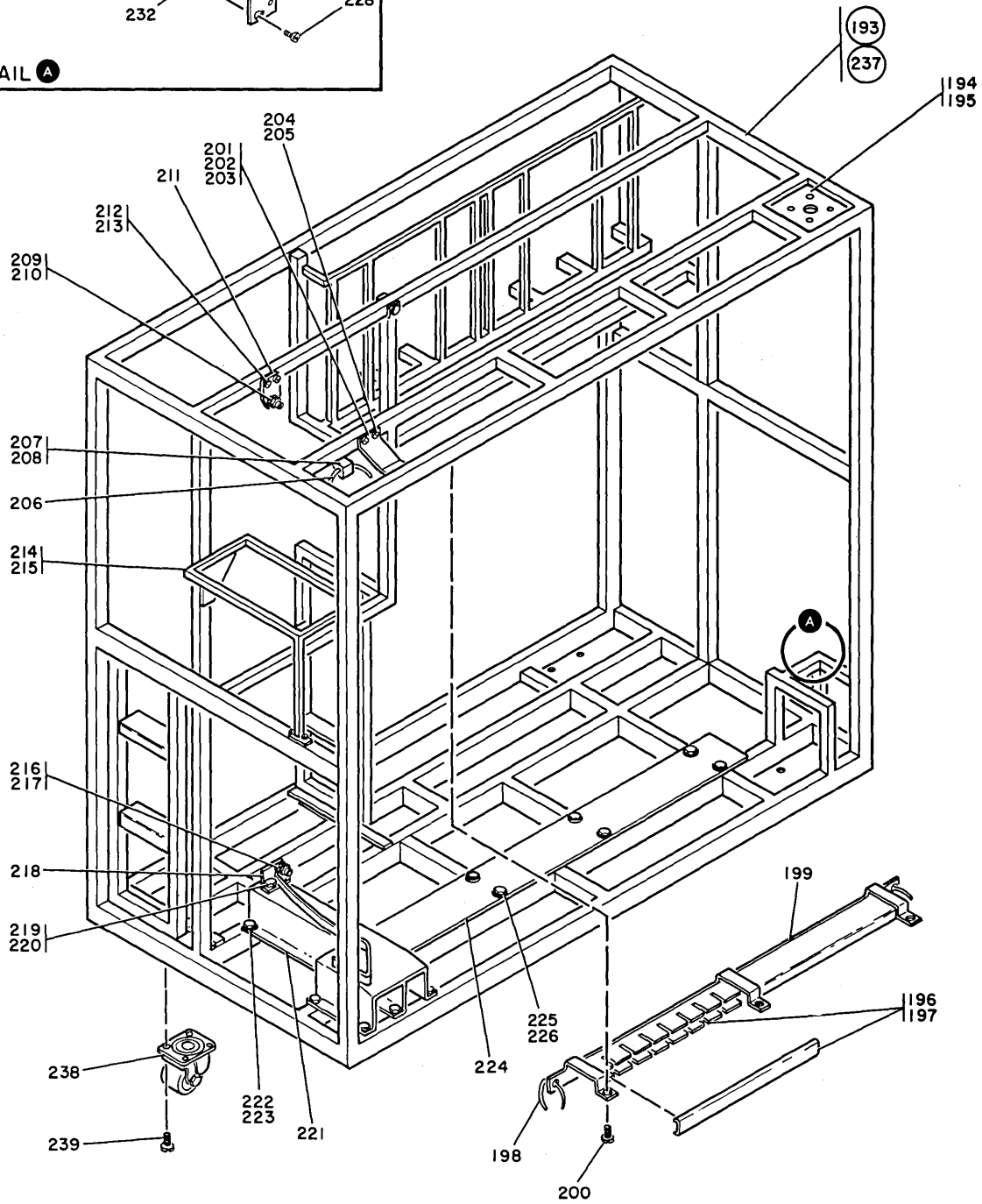
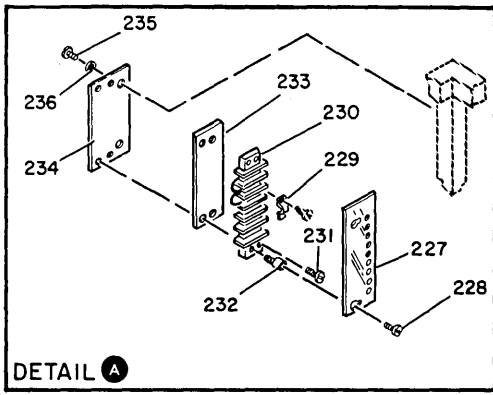


FIGURE 10. CPU FINAL ASSEMBLY- STAGE 1. SHEET 3 OF 3. NOS. 193-239. SEE LIST 10.

| LIST AND INDEX NUMBER | PART NUMBER | DESCRIPTION   |   |   |   | UNITS PER ASM. | USABLE ON CODE |
|-----------------------|-------------|---|---|---|---|----------------|----------------|
|                       |             | 1   | 2 | 3 | 4 |                |                |
| 10 -193               | 1993080     | . FRAME ASM   |   |   |   | 1              |                |
| -194                  | 1981157     | . . PLATE,GATE PIVOT-UPPER                          |   |   |   | 1              |                |
| -195                  | 234341      | . . SCREW,ASMD WASHER FIL HD 1/4-20 X 5/8 LG ATT PT |   |   |   | 4              |                |
| -196                  | 1994943     | . . BRACKET,RIGHT                                   |   |   |   | 2              |                |
| -197                  | 58207       | . . SCREW,MACH BD HD- 6-32 X 0.250 LG ATT PT        |   |   |   | 4              |                |
| -198                  | 533783      | . . STRAP,CABLE TIE                                 |   |   |   | 2              |                |
| -199                  | 2630259     | . . BRACKET,CABLE                                   |   |   |   | 1              |                |
| -200                  | 28413       | . . SCREW,MACH BD HD- 10-32 X 5/16 LG ATT PT        |   |   |   | 3              |                |
| -201                  | 255939      | . . SCREW,BUMPER ADJ 1/4-20 X 1-3/16 LG             |   |   |   | 1              |                |
| -202                  | 3960        | . . NUT,PLAIN HEX 1/4-20 X 7/16 FL W                |   |   |   | 1              |                |
| -203                  | 1993068     | . . BRACKET,GATE LATCH-UPPER                        |   |   |   | 1              |                |
| -204                  | 130434      | . . SCREW,MACH,SLOTTED HEX HD NO.10-32 X.375 ATT PT |   |   |   | 4              |                |
| -205                  | 47242       | . . WASHER,FL NO. 12 X 1/2 OD X 0.062 THK ATT PT    |   |   |   | 4              |                |
| -206                  | 533783      | . . STRAP,CABLE TIE                                 |   |   |   | 1              |                |
| -207                  | 533782      | . . ANCHOR,TIE                                      |   |   |   | 1              |                |
| -208                  | 58207       | . . SCREW,MACH BD HD- 6-32 X 0.250 LG ATT PT        |   |   |   | 1              |                |
| -209                  | 255939      | . . SCREW,BUMPER ADJ 1/4-20 X 1-3/16 LG             |   |   |   | 1              |                |
| -210                  | 3960        | . . NUT,PLAIN HEX 1/4-20 X 7/16 FL W ATT PT         |   |   |   | 1              |                |
| -211                  | 1993126     | . . BRACKET,B GATE                                  |   |   |   | 1              |                |
| -212                  | 130434      | . . SCREW,MACH,SLOTTED HEX HD NO.10-32 X.375 ATT PT |   |   |   | 2              |                |
| -213                  | 47242       | . . WASHER,FL NO. 12 X 1/2 OD X 0.062 THK ATT PT    |   |   |   | 2              |                |
| -214                  | 1993076     | . . RACK,MIXER BD                                   |   |   |   | 1              |                |
| -215                  | 130434      | . . SCREW,MACH,SLOTTED HEX HD NO.10-32 X.375 ATT PT |   |   |   | 4              |                |
| -216                  | 255939      | . . SCREW,BUMPER ADJ 1/4-20 X 1-3/16 LG             |   |   |   | 1              |                |
| -217                  | 3960        | . . NUT,PLAIN HEX 1/4-20 X 7/16 FL W                |   |   |   | 1              |                |
| -218                  | 1993123     | . . GUIDE,GATE                                      |   |   |   | 1              |                |
| -219                  | 130434      | . . SCREW,MACH,SLOTTED HEX HD NO.10-32 X.375 ATT PT |   |   |   | 4              |                |
| -220                  | 3960        | . . NUT,PLAIN HEX 1/4-20 X 7/16 FL W ATT PT         |   |   |   | 4              |                |
| -221                  | 1993074     | . . SUPPORT,GATE RAMP                               |   |   |   | 1              |                |
| -222                  | 130434      | . . SCREW,MACH,SLOTTED HEX HD NO.10-32 X.375 ATT PT |   |   |   | 6              |                |
| -223                  | 47242       | . . WASHER,FL NO. 12 X 1/2 OD X 0.062 THK ATT PT    |   |   |   | 6              |                |
| -224                  | 1981180     | . . PLATE,I/O                                       |   |   |   | 1              |                |
| -225                  | 130434      | . . SCREW,MACH,SLOTTED HEX HD NO.10-32 X.375 ATT PT |   |   |   | 8              |                |
| -226                  | 47242       | . . WASHER,FL NO. 12 X 1/2 OD X 0.062 THK ATT PT    |   |   |   | 8              |                |
| -227                  | 352850      | . . SHIELD,SAFETY                                   |   |   |   | 1              |                |
| -228                  | 10170       | . . SCREW,MACH BD HD- 6-32 X 0.250 LG ATT PT        |   |   |   | 2              |                |
| -229                  | 367115      | . . JUMPER BRASS                                    |   |   |   | 3              |                |
| -230                  | 526310      | . . BLOCK,TERMINAL                                  |   |   |   | 1              |                |
| -231                  | 322065      | . . SCREW,MACH BD HD- 6-32 X 5/8 LG ATT PT          |   |   |   | 2              |                |
| -232                  | 210883      | . . STUD,SHIELD MTG TAPPED NO. 6-32 ATT PT          |   |   |   | 2              |                |
| -233                  | 563887      | . . STRIP,MARKER                                    |   |   |   | 1              |                |
| -234                  | 1994943     | . . BRACKET,RIGHT                                   |   |   |   | 1              |                |
| -235                  | 130434      | . . SCREW,MACH,SLOTTED HEX HD NO.10-32 X.375 ATT PT |   |   |   | 2              |                |
| -236                  | 47242       | . . WASHER,FL NO. 12 X 1/2 OD X 0.062 THK ATT PT    |   |   |   | 2              |                |
| -237                  | 1993079     | . . FRAME AND CASTER ASM                            |   |   |   | 1              |                |
| -238                  | 513271      | . . . CASTER,SWIVEL 3 IN. WHL W/MTG PLATE           |   |   |   | 4              |                |
| -239                  | 234340      | . . . SCREW AND LOCKWASHER- 1/4-20 X 0.50 LG ATT PT |   |   |   | 16             |                |
|                       |             |   |   |   |   |                |                |
|                       |             |   |   |   |   |                |                |
|                       |             |   |   |   |   |                |                |
|                       |             |   |   |   |   |                |                |
|                       |             |   |   |   |   |                |                |
|                       |             |   |   |   |   |                |                |
|                       |             |   |   |   |   |                |                |
|                       |             |   |   |   |   |                |                |
|                       |             |   |   |   |   |                |                |
|                       |             |   |   |   |   |                |                |
|                       |             |   |   |   |   |                |                |
|                       |             |   |   |   |   |                |                |
|                       |             |   |   |   |   |                |                |
|                       |             |   |   |   |   |                |                |

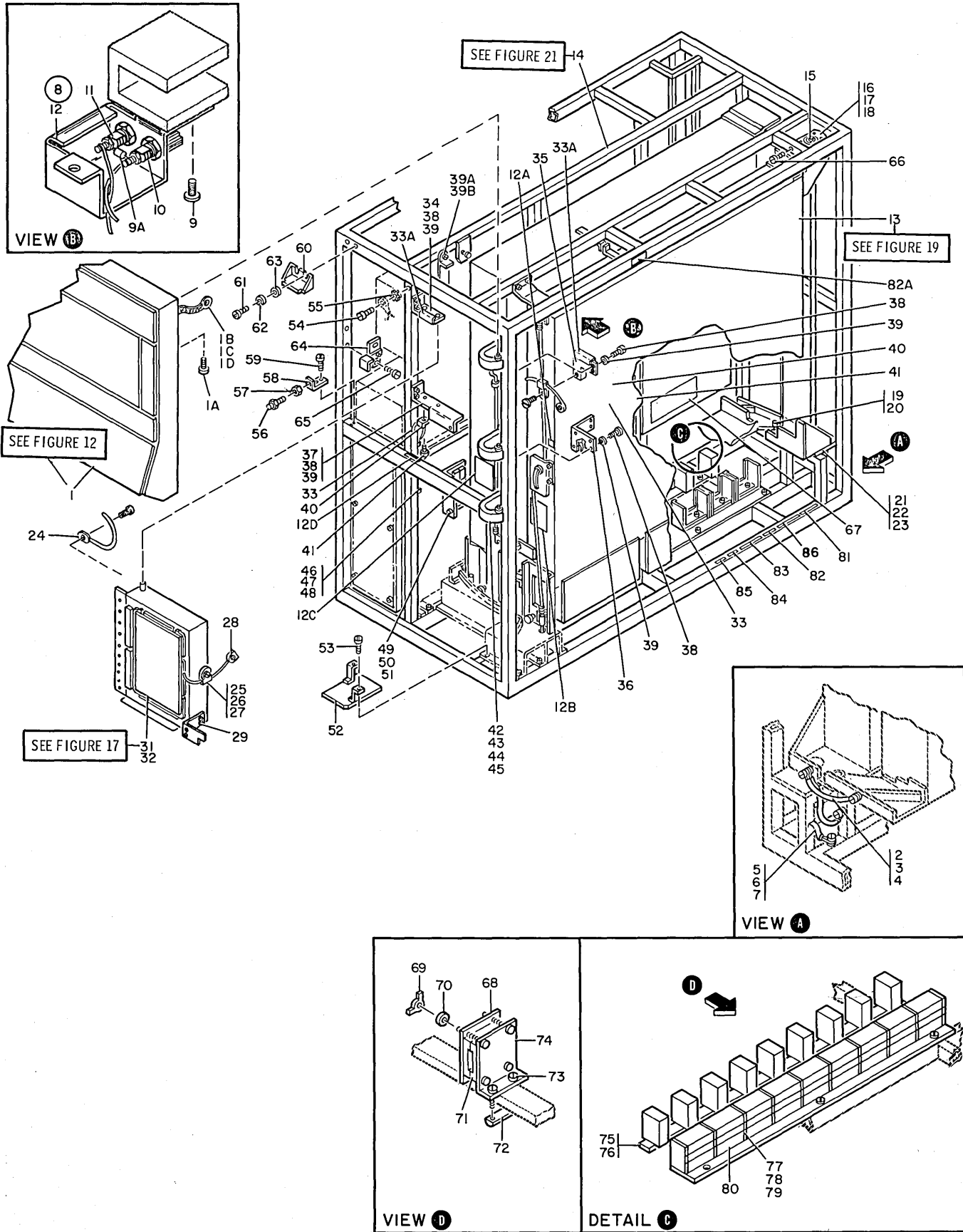


FIGURE 11. CPU FINAL ASSEMBLY- STAGE 2. SHEET 1 OF 3. NOS. 1-86. SEE LIST 11.

CPU FINAL ASSEMBLY-STAGE 2.

| FIGURE-<br>INDEX<br>NUMBER | PART<br>NUMBER | DESCRIPTION   |   |   |   | UNITS<br>PER<br>ASM. | USABLE<br>ON<br>CODE |
|----------------------------|----------------|---|---|---|---|----------------------|----------------------|
|                            |                | 1   | 2 | 3 | 4 |                      |                      |
| 11 -                       | NO NO. NP      | CPU FINAL ASSEMBLY, STAGE- 2<br>FOR ILLUSTRATION SEE FIGURE 11            |   |   |   | REF                  |                      |
| - 1                        | 1993010        | . CONSOLE ASM- ENGLISH  |   |   |   | 1                    |                      |
| - 1                        | 1993020        | . CONSOLE ASM- GERMAN   |   |   |   | 1                    |                      |
| - 1                        | 1993030        | . CONSOLE ASM- FRENCH<br>FOR DETAIL BREAKDOWN SEE FIGURE 12               |   |   |   | 1                    |                      |
| - 1A                       | 5528           | . SCREW, MACH BD HD- 8-32 X 0.625 LG                                      |   |   |   | 1                    |                      |
| - 1B                       | 518611         | . STRAP, GROUND   |   |   |   | 1                    |                      |
| - 1C                       | 58201          | . SCREW, UNDERCUT BD HD- 8-32 X 0.250 LG                                  |   |   |   | 2                    | ATT PT               |
| - 1D                       | 55901          | . LOCKWASHER, EXT T- 0.176 ID X 0.300 OD                                  |   |   |   | 2                    | ATT PT               |
| - 2                        | 518611         | . JUMPER ASM, GROUND  |   |   |   | 2                    |                      |
| - 3                        | 32042          | . SCREW, MACH BD HD- 10-32 X 0.375 LG.                                    |   |   |   | 3                    | ATT PT               |
| - 4                        | 56079          | . WASHER LOCK, EXT T .204 ID .410 OD                                      |   |   |   | 3                    | ATT PT               |
| - 5                        | 518611         | . JUMPER ASM, GROUND  |   |   |   | 1                    |                      |
| - 6                        | 32042          | . SCREW, MACH BD HD- 10-32 X 0.375 LG.                                    |   |   |   | 1                    | ATT PT               |
| - 7                        | 56079          | . WASHER LOCK, EXT T .204 ID .410 OD                                      |   |   |   | 1                    | ATT PT               |
| - 8                        | 1994934        | . SYNC JACK ASM   |   |   |   | 1                    |                      |
| - 9                        | 251970         | . SCREW, MACH BD HD- 4-40 X 0.250 LG                                      |   |   |   | 1                    | ATT PT               |
| - 9A                       | 216426         | . . RESISTOR, 91 OHM P/M 5% 1/4W  |   |   |   | 1                    |                      |
| - 10                       | 450954         | . . POST, BINDING   |   |   |   | 2                    |                      |
| - 11                       | 825721         | . . TERMINAL, FXD RED   |   |   |   | 2                    |                      |
| - 12                       | 1994932        | . . BRACKET, SYNC JACK  |   |   |   | 1                    |                      |
| - 12A                      | 2637671        | . LABEL, WARNING- LATCH   |   |   |   | 1                    |                      |
| - 12B                      | 1795495        | . LABEL   |   |   |   | 1                    |                      |
| - 12C                      | 1795494        | . LABEL   |   |   |   | 1                    |                      |
| - 12D                      | 369207         | . LABEL   |   |   |   | 1                    |                      |
| - 13                       | 2641130        | . A GATE ASSEMBLY, STAGE- 2   |   |   |   | 1                    |                      |
| - 13                       | 4145988        | . A GATE ASSEMBLY, STAGE- 2 MODEL 3<br>FOR DETAIL BREAKDOWN SEE FIGURE 19 |   |   |   | 1                    |                      |
| - 14                       | 2641218        | . CPU GATE B ASSEMBLY (USED WITH LAMINAR BUS)                             |   |   |   | 1                    |                      |
| - 14                       | 2641141        | . CPU GATE B ASSEMBLY (USED WITH FDS)                                     |   |   |   | 1                    |                      |
| - 14                       | 4145989        | . B GATE ASSEMBLY, STAGE- 2 MODEL 3<br>FOR DETAIL BREAKDOWN SEE FIGURE 21 |   |   |   | 1                    |                      |
| - 15                       | 2637538        | . PIN, GATE PIVOT   |   |   |   | 1                    |                      |
| - 16                       | 2637539        | . PLATE   |   |   |   | 1                    |                      |
| - 17                       | 38686          | . SCREW, MACH HEX HD 1/4-20 X 0.500 LG                                    |   |   |   | 4                    | ATT PT               |
| - 18                       | 6935           | . LOCKWASHER, SPLIT 1/4 X 0.493 OD  |   |   |   | 4                    | ATT PT               |
| - 19                       | 824348         | . HINGE, PIVOT  |   |   |   | 1                    |                      |
| - 20                       | 234341         | . SCREW, ASMD WASHER FIL HD 1/4-20 X 5/8 LG                               |   |   |   | 4                    | ATT PT               |
| - 21                       | 1981158        | . PLATE, GATE PIVOT- LOWER  |   |   |   | 1                    |                      |
| - 22                       | 36844          | . SCREW, CAP SLOT HD 1/4-20 X 0.500 LG                                    |   |   |   | 4                    | ATT PT               |
| - 23                       | 6935           | . LOCKWASHER, SPLIT 1/4 X 0.493 OD  |   |   |   | 4                    | ATT PT               |
| - 24                       | 524519         | . CABLE TIE   |   |   |   | 5                    |                      |
| - 25                       | 533782         | . ANCHOR, TIE   |   |   |   | 1                    |                      |
| - 26                       | 186759         | . SCREW, MACH BD HD- 8-32 X 0.312 LG                                      |   |   |   | 1                    | ATT PT               |
| - 27                       | 257189         | . NUT, HEX- 8-32  |   |   |   | 1                    | ATT PT               |
| - 28                       | 524519         | . CABLE TIE   |   |   |   | 1                    |                      |
| - 29                       | 2181011        | . STRAP   |   |   |   | 2                    |                      |
| - 31                       | 2641154        | . MIXER BOARD ASSEMBLY<br>FOR DETAIL BREAKDOWN SEE FIGURE 17              |   |   |   | 1                    |                      |
| - 32                       | 2181011        | . SCREW, THD FORMING- 6-32 X 0.500 LG                                     |   |   |   | 2                    | ATT PT               |
| - 33                       | 524519         | . CABLE TIE   |   |   |   | 3                    |                      |
| - 33A                      | 825880         | . TAPE, FORM  |   |   |   | AR                   |                      |
| - 34                       | 2641107        | . BRACKET, GATE LEFT UPPER  |   |   |   | 1                    |                      |
| - 35                       | 2641110        | . BRACKET   |   |   |   | 1                    |                      |
| - 36                       | 2641108        | . BRACKET, GATE- RIGHT  |   |   |   | 1                    |                      |
| - 37                       | 2641109        | . BRACKET, GATE- LEFT   |   |   |   | 1                    |                      |
| - 38                       | 130434         | . SCREW, MACH, SLOTTED HEX HD NO. 10-32 X .375                            |   |   |   | 8                    | ATT PT               |
| - 39                       | 47242          | . WASHER, FL NO. 12 X 1/2 OD X 0.062 THK                                  |   |   |   | 8                    | ATT PT               |
| - 39A                      | 825559         | . STRAP, SELF LOCKING   |   |   |   | 1                    |                      |
| - 39B                      | 32042          | . SCREW, MACH BD HD- 10-32 X 0.375 LG                                     |   |   |   | 1                    | ATT PT               |
| - 40                       | 533782         | . ANCHOR, TIE   |   |   |   | 2                    |                      |
| - 41                       | 58207          | . SCREW, MACH BD HD- 6-32 X 0.250 LG                                      |   |   |   | 2                    | ATT PT               |
| - 42                       | 2637489        | . HINGE, CONSOLE  |   |   |   | 3                    |                      |
| - 43                       | 36844          | . SCREW, SLOTTED HEX HD- 1/4-20 X 0.87 LG                                 |   |   |   | 6                    | ATT PT               |
| - 44                       | 6935           | . LOCKWASHER, SPLIT 1/4 X 0.493 OD  |   |   |   | 6                    | ATT PT               |
| - 45                       | 3550           | . WASHER, FL 1/4 X 9/16 OD X 0.050 THK                                    |   |   |   | 6                    | ATT PT               |
| - 46                       | 5271288        | . TERMINAL  |   |   |   | 2                    |                      |
| - 47                       | 38262          | . SCREW, MACH-FIL H 4-40 X 1/4 LG   |   |   |   | 2                    | ATT PT               |
| - 48                       | 338169         | . LOCKWASHER, EXT TEETH NO. 4 X 9/32 OD                                   |   |   |   | 2                    | ATT PT               |
| - 49                       | 2630046        | . CABLE MTG ASM   |   |   |   | 1                    |                      |
| - 50                       | 28413          | . SCREW, MACH BD HD- 10-32 X 5/16 LG                                      |   |   |   | 2                    | ATT PT               |
| - 51                       | 56079          | . WASHER LOCK, EXT T .204 ID .410 OD                                      |   |   |   | 2                    | ATT PT               |
| - 52                       | 1993131        | . FILLER, BOTTOM SCREEN   |   |   |   | 1                    |                      |
| - 53                       | 130434         | . SCREW, MACH, SLOTTED HEX HD NO. 10-32 X .375                            |   |   |   | 1                    | ATT PT               |
| - 56                       | 255939         | . SCREW ASM, DOOR   |   |   |   | 1                    |                      |
| - 57                       | 3960           | . NUT, PLAIN HEX 1/4-20 X 7/16 PL W                                       |   |   |   | 1                    | ATT PT               |
| - 58                       | 1993651        | . BRACKET, BUMPER   |   |   |   | 1                    |                      |



| LIST AND INDEX NUMBER | PART NUMBER | DESCRIPTION                                    | UNITS PER ASM. | USABLE ON CODE |
|-----------------------|-------------|--|----------------|----------------|
| 11 - 59               | 28413       | . SCREW, MACH BD HD- 10-32 X 5/16 LG           | ATT PT         | 2              |
| - 60                  | 1993653     | . BRACKET, SUPPORT                             |                | 1              |
| - 61                  | 130434      | . SCREW, MACH, SLOTTED HEX HD NO. 10-32 X .375 | ATT PT         | 2              |
| - 62                  | 9092        | . LOCKWASHER, SPLIT RING, .194 ID .3370D       | ATT PT         | 2              |
| - 63                  | 45690       | . WASHER, FL NO. 10 X 7/16 OD X 1/32 THK       | ATT PT         | 2              |
| - 64                  | 1993654     | . LATCH ASM                                    |                | 1              |
| - 65                  | 28413       | . SCREW, MACH BD HD- 10-32 X 5/16 LG           | ATT PT         | 2              |
| - 66                  | 38112       | . SCREW, SLOTTED HEX HD- 1/4-20 X 1.50 LG      |                | 1              |
| - 67                  | 2630447     | . LABEL  |                | 1              |
| - 68                  | 1994728     | . PLATE, CORE                                  |                | 1              |
| - 69                  | 184522      | . WINGNUT                                      | ATT PT         | 4              |
| - 70                  | 45690       | . WASHER, FL NO. 10 X 7/16 OD X 1/32 THK       | ATT PT         | 4              |
| - 71                  | 853288      | . CORE   |                | 2              |
| - 72                  | 815221      | . BAR, CABLE CLAMP                             |                | 1              |
| - 73                  | 19944       | . SCREW, MACH BD HD- 8-32 X 3/4 LG             | ATT PT         | 2              |
| - 74                  | 1994727     | . BRACKET ASM, CORE                            |                | 1              |
| - 75                  | 1994729     | . BAR, CORE                                    |                | 1              |
| - 76                  | 32617       | . SCREW, MACH BD HD 10-32 NF X .4375 LG        | ATT PT         | 4              |
| - 77                  | 1981182     | . CLIP, RETAINER                               |                | AR             |
| - 78                  | 1981181     | . BRACKET, I/O CABLE                           |                | AR             |
| - 79                  | 725411      | . SCREW, HEX HD- 8-32 X 0.250 LG               | ATT PT         | AR             |
| - 80                  | 1994938     | . BLOCK ASM, DUMMY CONNECTOR                   |                | AR             |
| - 81                  | 855284      | . PLATE, MFG EXPORT                            |                | 1              |
| - 81                  | 4056411     | . PLATE, MFG EXPORT- MADE IN GERMANY           |                | AR             |
| - 82                  | 855286      | . PLATE, U.L. APPROVAL                         |                | AR             |
| - 82                  | 960766      | . PLATE, CSA INSIGNIA                          |                | AR             |
| - 82A                 | 369207      | . LABEL  |                | 2              |
| - 83                  | 855265      | . PLATE, MFG BY IBM                            |                | AR             |
| - 83                  | 4056413     | . PLATE, MFG BY CANADA                         |                | AR             |
| - 84                  | 855283      | . PLATE, SERIAL NO. RIGHT                      |                | 1              |
| - 85                  | 855282      | . PLATE, SERIAL NO. LEFT                       |                | 1              |
| - 86                  | 1795505     | . PLATE, POWER RATING- HG 60 HZ 208/230V       |                | AR             |
| - 86                  | 1795506     | . PLATE, POWER RATING- HG 60 HZ 200V           |                | AR             |
| - 86                  | 1795507     | . PLATE, POWER RATING- HG 50 HZ 200V           |                | AR             |
| - 86                  | 1795508     | . PLATE, POWER RATING- HG 50 HZ 220/235V       |                | AR             |
| - 86                  | 1795509     | . PLATE, POWER RATING- HG 50 HZ 380/408V       |                | AR             |
| - 86                  | 1795510     | . PLATE, POWER RATING- I 60 HZ 208/230V        |                | AR             |
| - 86                  | 1795511     | . PLATE, POWER RATING- I 60 HZ 200V            |                | AR             |
| - 86                  | 1795512     | . PLATE, POWER RATING- I 50 HZ 200V            |                | AR             |
| - 86                  | 1795513     | . PLATE, POWER RATING- I 50 HZ 220/235V        |                | AR             |
| - 86                  | 1795514     | . PLATE, POWER RATING- I 50 HZ 380/408V        |                | AR             |
| - 86                  | 2637263     | . PLATE, POWER RATING- FED 60 HZ 208/230V      |                | AR             |
| - 86                  | 2637264     | . PLATE, POWER RATING- GE 60 HZ 208/230V       |                | AR             |
| - 86                  | 2637265     | . PLATE, POWER RATING- GFD 60 HZ 208/230V      |                | AR             |
| - 86                  | 2637266     | . PLATE, POWER RATING- H 60 HZ 208/230V        |                | AR             |
| - 86                  | 2637267     | . PLATE, POWER RATING- FED 60 HZ 200V          |                | AR             |
| - 86                  | 2637268     | . PLATE, POWER RATING- GE 60 HZ 200V           |                | AR             |
| - 86                  | 2637269     | . PLATE, POWER RATING- GFD 60 HZ 200V          |                | AR             |
| - 86                  | 2637270     | . PLATE, POWER RATING- H 60 HZ 200V            |                | AR             |
| - 86                  | 2637271     | . PLATE, POWER RATING- FED 50 HZ 200V          |                | AR             |
| - 86                  | 2637272     | . PLATE, POWER RATING- GE 50 HZ 200V           |                | AR             |
| - 86                  | 2637273     | . PLATE, POWER RATING- GFD 50 HZ 200V          |                | AR             |
| - 86                  | 2637274     | . PLATE, POWER RATING- H 50 HZ 200V            |                | AR             |
| - 86                  | 2637275     | . PLATE, POWER RATING- FED 50 HZ 220/235V      |                | AR             |
| - 86                  | 2637276     | . PLATE, POWER RATING- GE 50 HZ 220/235V       |                | AR             |
| - 86                  | 2637277     | . PLATE, POWER RATING- GFD 50 HZ 220/235V      |                | AR             |
| - 86                  | 2637278     | . PLATE, POWER RATING- H 50 HZ 220/235V        |                | AR             |
| - 86                  | 2637279     | . PLATE, POWER RATING- FED 50 HZ 380/408V      |                | AR             |
| - 86                  | 2637280     | . PLATE, POWER RATING- GE 50 HZ 380/408V       |                | AR             |
| - 86                  | 2637281     | . PLATE, POWER RATING- GFD 50 HZ 380/408V      |                | AR             |
| - 86                  | 2637282     | . PLATE, POWER RATING- H 50 HZ 380/408V        |                | AR             |

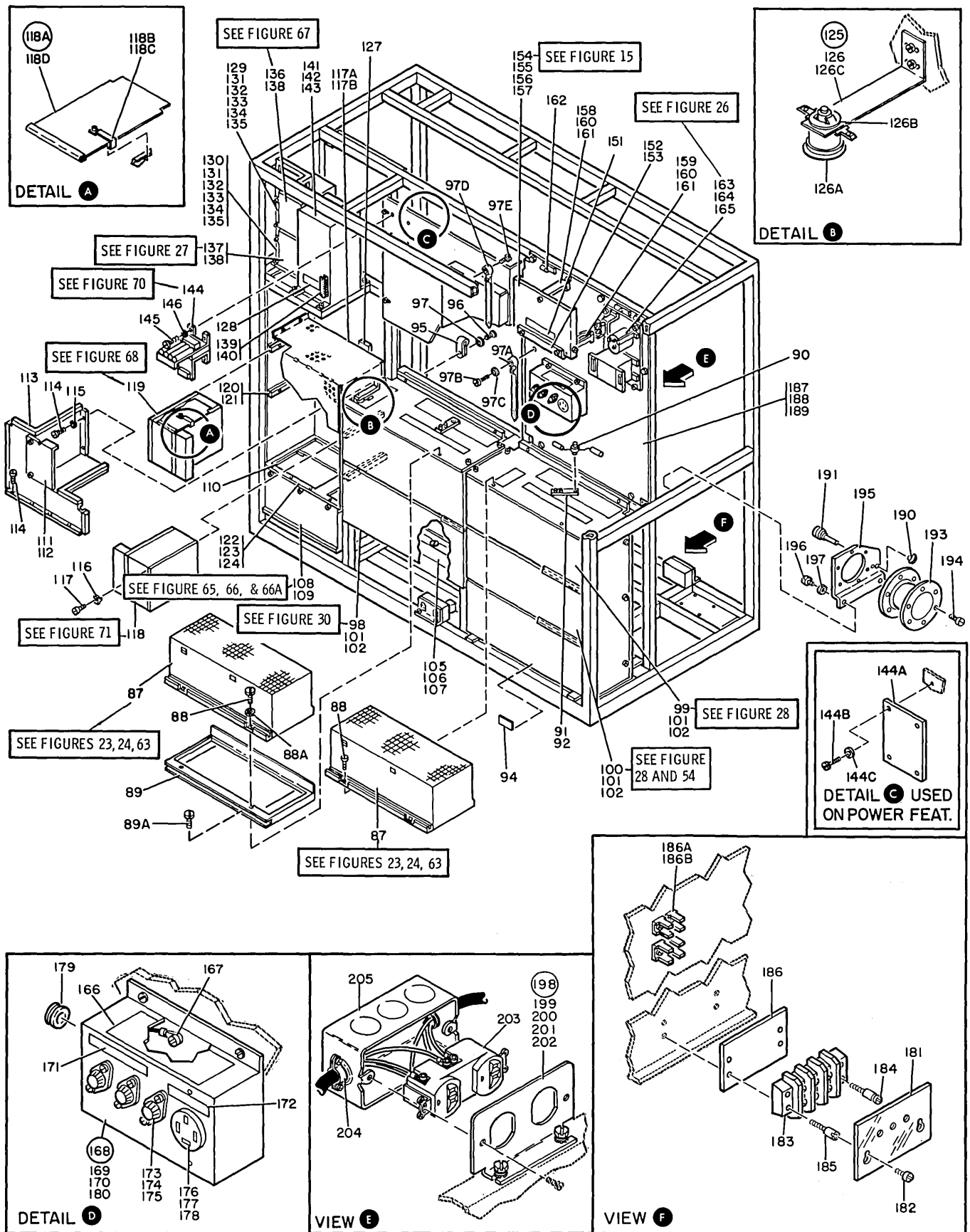


FIGURE 11. CPU FINAL ASSEMBLY- STAGE 2. SHEET 2 OF 3. NOS. 87-205. SEE LIST 11.

CPU FINAL ASSEMBLY-STAGE 2.

| FIGURE-<br>INDEX<br>NUMBER | PART<br>NUMBER | DESCRIPTION  |   |   |   | UNITS<br>PER<br>ASM. | USABLE<br>ON<br>CODE |
|----------------------------|----------------|--|---|---|---|----------------------|----------------------|
|                            |                | 1  | 2 | 3 | 4 |                      |                      |
| 11 - 87                    | 2637418        | . COOLING UNIT ASSEMBLY,USED ON 50 HZ  |   |   |   | 2                    |                      |
| - 87                       | 2637419        | . COOLING UNIT ASSEMBLY,USED ON 60 HZ<br>FOR DETAIL BREAKDOWN SEE FIGURE 23                                    |   |   |   | 2                    |                      |
| - 87                       | 1994833        | . COOLING UNIT ASSEMBLY- 50 HZ   |   |   |   | 2                    |                      |
| - 87                       | 1994834        | . COOLING UNIT ASSEMBLY- 60 HZ<br>FOR DETAIL BREAKDOWN SEE FIGURE 63   |   |   |   | 2                    |                      |
| - 87                       | 1797541        | . COOLING UNIT ASSEMBLY- 60 HZ   |   |   |   | 2                    |                      |
| - 87                       | 1803084        | . COOLING UNIT ASSEMBLY- 60 HZ NON PCB<br>FOR DETAIL BREAKDOWN, SEE FIGURE 24                                  |   |   |   | 2                    |                      |
| - 87                       | 4145225        | . COOLING UNIT ASSEMBLY- 60 HZ   |   |   |   | 1                    |                      |
| - 87                       | 4145229        | . COOLING UNIT ASSEMBLY- 50 HZ<br>USED ON MODEL 3<br>FOR DETAIL BREAKDOWN,SEE FIGURE 24                        |   |   |   | 1                    |                      |
| - 88                       | 28413          | . SCREW,MACH BD HD- 10-32 X 0.312 LG   |   |   |   | 2                    |                      |
| - 88A                      | 47242          | . WASHER,FL- 0.330 ID X 0.500 OD   |   |   |   | 2                    |                      |
| - 89                       | 2641197        | . ADAPTER  |   |   |   | 1                    |                      |
| - 89A                      | 140425         | . SCREW,MACH HEX HD- 10-32 X 0.312 LG  |   |   |   | 2                    |                      |
| - 90                       | 2641325        | . CABLE ASM,CPU TO INDICATOR LIGHTS  |   |   |   | 1                    |                      |
| - 91                       | 1993587        | . BRACKET,THERMAL SWITCH MTG   |   |   |   | 2                    |                      |
| - 92                       | 11605          | . SCREW,MACH RD HD- 10-32 X 0.125 LG   |   |   |   | 4                    |                      |
| - 94                       | 2361505        | . LABEL  |   |   |   | 3                    |                      |
| - 95                       | 313649         | . CLAMP,CABLE  |   |   |   | 1                    |                      |
| - 96                       | 35739          | . SCREW,MACH BD HD- 6-32 X .438 LG   |   |   |   | 1                    |                      |
| - 97                       | 257986         | . WASHER,FLAT 0.156ID X .312OD X .035THK   |   |   |   | 1                    |                      |
| - 97A                      | 825559         | . STRAP,SELF LOCKING   |   |   |   | 1                    |                      |
| - 97B                      | 55711          | . SCREW,MACH HEX HD- 10-32 X 0.562 LG  |   |   |   | 1                    |                      |
| - 97C                      | 47242          | . WASHER,FL- 0.330 ID X 0.500 OD   |   |   |   | 1                    |                      |
| - 97D                      | 825559         | . STRAP,SELF LOCKING   |   |   |   | 1                    |                      |
| - 97E                      | 32042          | . SCREW,MACH BD HD- 10-32 X 0.375 LG   |   |   |   | 1                    |                      |
| - 98                       | 2610400        | . DUAL OCR ASSEMBLY  |   |   |   | 2                    |                      |
| - 99                       | 2572750        | FOR DETAIL BREAKDOWN SEE FIGURE 30<br>. PHASE CONTROL REGULATOR ASSEMBLY<br>FOR DETAIL BREAKDOWN SEE FIGURE 28 |   |   |   | 1                    |                      |
| -100                       | 2610410        | . REGULATOR ASSEMBLY,PHASE CONTROL- 290A<br>FOR DETAIL BREAKDOWN SEE FIGURE 28                                 |   |   |   | 2                    |                      |
| -100                       | 2361700        | . REGULATOR ASSEMBLY,PHASE CONTROL- 2.3V @ 290A<br>FOR DETAIL BREAKDOWN SEE FIGURE 54                          |   |   |   |                      |                      |
| -101                       | 7327           | . SCREW,MACH-HEX HD 10-32 X 0.437 LG   |   |   |   | 20                   |                      |
| -102                       | 47242          | . WASHER,FL NO. 12 X 1/2 OD X 0.062 THK  |   |   |   | 20                   |                      |
| -105                       | 2641102        | . BRACKET  |   |   |   | 1                    |                      |
| -106                       | 130434         | . SCREW,MACH,SLOTTED HEX HD NO.10-32 X.375   |   |   |   | 3                    |                      |
| -107                       | 47242          | . WASHER,FL NO. 12 X 1/2 OD X 0.062 THK  |   |   |   | 3                    |                      |
| -108                       | 1993536        | . COOLING UNIT ASM,GATE- 60HZ  |   |   |   | 1                    |                      |
| -108                       | 1993535        | . COOLING UNIT ASM,GATE- 50HZ<br>FOR DETAIL BREAKDOWN SEE FIGURE 65  |   |   |   | 1                    |                      |
| -108                       | 1573502        | . COOLING UNIT ASSEMBLY- 60 HZ<br>FOR DETAIL BREAKDOWN SEE FIGURE 66   |   |   |   | 1                    |                      |
| -108                       | 5548304        | . COOLING UNIT ASSEMBLY- 60 HZ (OPTIONAL)  |   |   |   | 1                    |                      |
| -108                       | 1574814        | . COOLING UNIT ASSEMBLY- 60 HZ PCB (OPTIONAL)<br>FOR DETAIL BREAKDOWN SEE FIGURE 66A                           |   |   |   | 1                    |                      |
| -108                       | 1574802        | . COOLING UNIT ASSEMBLY- 60 HZ<br>FOR DETAIL BREAKDOWN SEE FIGURE 66   |   |   |   | 1                    |                      |
| -109                       | 28413          | . SCREW,MACH BD HD- 10-32 X 5/16 LG  |   |   |   | 3                    |                      |
| -110                       | 475465         | . SEAL,COVER   |   |   |   | AR                   |                      |
| -111                       | 2641187        | . SHIELD,SAFETY  |   |   |   | 1                    |                      |
| -112                       | 83606          | . SCREW,BD HD SELF TAPPING   |   |   |   | 2                    |                      |
| -113                       | 2641121        | . CHIMNEY, LONG  |   |   |   | 1                    |                      |
| -114                       | 130434         | . SCREW,MACH,SLOTTED HEX HD NO.10-32 X.375   |   |   |   | 6                    |                      |
| -115                       | 47242          | . WASHER,FL NO. 12 X 1/2 OD X 0.062 THK  |   |   |   | 6                    |                      |
| -116                       | 1981069        | . KEEPER   |   |   |   | 4                    |                      |
| -117                       | 438586         | . SCREW,BD HD- 8-32 X .875 LG  |   |   |   | 4                    |                      |
| -117A                      | 1801156        | . SCREEN,REGULATOR<br>USED FOR 50 HZ ONLY  |   |   |   | 1                    |                      |
| -117B                      | 32042          | . SCREW,MACH BD HD- 10-32 X 0.375 LG   |   |   |   | 2                    |                      |
| -118                       | 2572740        | . POWER SUPPLY ASSEMBLY<br>FOR DETAIL BREAKDOWN SEE FIGURE 71  |   |   |   | 1                    |                      |
| -118A                      | 1803106        | . BAFFLE ASM   |   |   |   | 1                    |                      |
| -118B                      | 1803113        | . . BRACKET  |   |   |   | 1                    |                      |
| -118C                      | 10170          | . . SCREW,BD HD- 6-32 X 0.250 LG   |   |   |   | 1                    |                      |
| -118D                      | 1803112        | . . PLATE  |   |   |   | 1                    |                      |
| -119                       | 2557470        | . 6V DC AT 12 AMPS POWER SUPPLY ASSEMBLY<br>FOR DETAIL BREAKDOWN SEE FIGURE 68                                 |   |   |   | 1                    |                      |
| -120                       | 1993603        | . RAIL   |   |   |   | 4                    |                      |
| -121                       | 55918          | . SCREW,MACH BD HD- 10-32 X 5/8 LG   |   |   |   | 8                    |                      |
| -122                       | 2641104        | . PLATE,BOTTOM   |   |   |   | 1                    |                      |
| -122                       | 1803105        | . PLATE,BOTTOM- NON PCB  |   |   |   | 1                    |                      |
| -123                       | 130434         | . SCREW,MACH,SLOTTED HEX HD NO.10-32 X.375   |   |   |   | 6                    |                      |
| -124                       | 47242          | . WASHER,FL NO. 12 X 1/2 OD X 0.062 THK  |   |   |   | 6                    |                      |
| -125                       | 2646974        | . SWITCH ASM   |   |   |   | 1                    |                      |
| -126                       | 433566         | . SCREW,MACH BD HD- 6-32 X 0.125 LG  |   |   |   | 2                    |                      |
| -126A                      | 5501999        | . . SWITCH,THERMAL   |   |   |   | 1                    |                      |
| -126B                      | 5501997        | . . CLIP,RETAINING   |   |   |   | 1                    |                      |
| -126C                      | 2646803        | . . BRACKET  |   |   |   | 1                    |                      |

| FIGURE-<br>INDEX<br>NUMBER | PART<br>NUMBER | DESCRIPTION   | 1 2 3 4 |  |        |  | UNITS<br>PER<br>ASM. | USABLE<br>ON<br>CODE |
|----------------------------|----------------|---|---------|--|--------|--|----------------------|----------------------|
|                            |                |   |         |  |        |  |                      |                      |
| 11-127                     | 2131516        | . EXTRUSION,RUBBER  |         |  |        |  | 1                    |                      |
| -128                       | 2641065        | . LABEL,WARNING   |         |  |        |  | 1                    |                      |
| -129                       | 1993823        | . SHIELD,SAFETY   |         |  |        |  | 1                    |                      |
| -130                       | 1993835        | . SHIELD,SAFETY   |         |  |        |  | 1                    |                      |
| -131                       | 55726          | . SCREW,MACH BD HD- 6-32 X 0.188 LG   |         |  | ATT PT |  | 4                    |                      |
| -132                       | 28413          | . SCREW,MACH BD HD- 10-32 X 5/16 LG   |         |  |        |  | 6                    |                      |
| -133                       | 90261          | . SCREW,BD HD- 1/4-20 X 0.4375 LG   |         |  |        |  | 3                    |                      |
| -134                       | 76574          | . LOCKWASHER, EXT TEETH .250  |         |  |        |  | 2                    |                      |
| -135                       | 55586          | . NUT,HEX- 1/4-20   |         |  |        |  | 2                    |                      |
| -136                       | 1993590        | . MODULE ASSEMBLY,AC/DC- 20 AMPS<br>FOR DETAIL BREAKDOWN SEE FIGURE 67  |         |  |        |  | 1                    |                      |
| -137                       | 1993610        | . MODULE ASSEMBLY,AC/DC- 70 AMPS<br>FOR DETAIL BREAKDOWN SEE FIGURE 27  |         |  |        |  | 1                    |                      |
| -138                       | 232            | . SCREW,MACH FIL H 10-32 X 0.500 LG   |         |  | ATT PT |  | 3                    |                      |
| -139                       | 350965         | . COVER,TERMINAL BLOCK  |         |  |        |  | 1                    |                      |
| -140                       | 10170          | . SCREW,MACH BD HC- NO. 6-32 X .250 LG  |         |  | ATT PT |  | 2                    |                      |
| -141                       | 2641622        | . TRANSFORMER- 400 HZ   |         |  |        |  | 1                    |                      |
| -142                       | 38686          | . SCREW,MACH HEX HD 1/4-20 X 0.500 LG   |         |  | ATT PT |  | 4                    |                      |
| -143                       | 3550           | . WASHER,FL 1/4 X 9/16 OD X 0.050 THK   |         |  | ATT PT |  | 4                    |                      |
| -144                       | 5785120        | . BIAS TRANSFORMER ASSEMBLY<br>FOR DETAIL BREAKDOWN SEE FIGURE 70   |         |  |        |  | 1                    |                      |
| -144A                      | 2641145        | . PLATE   |         |  |        |  | 1                    |                      |
| -144B                      | 130434         | . SCREW,MACH HEX HD- 10-32 X 0.375 LG   |         |  | ATT PT |  | 2                    |                      |
| -144C                      | 47242          | . WASHER,FL- 0.219 ID X 0.500 OD  |         |  | ATT PT |  | 2                    |                      |
| -145                       | 140425         | . SCREW,MACH HEX HD- 10-32 X 0.312 LG   |         |  | ATT PT |  | 4                    |                      |
| -146                       | 47242          | . WASHER,FL NO. 12 X 1/2 OD X 0.062 THK   |         |  | ATT PT |  | 4                    |                      |
| -148                       | 2641190        | . PLATE   |         |  |        |  | 1                    |                      |
| -149                       | 130434         | . SCREW,MACH,SLOTTED HEX HD NO.10-32 X.375  |         |  | ATT PT |  | 6                    |                      |
| -150                       | 47242          | . WASHER,FL NO. 12 X 1/2 OD X 0.062 THK   |         |  | ATT PT |  | 6                    |                      |
| -151                       | 2641085        | . LABEL,WARNING   |         |  |        |  | 1                    |                      |
| -152                       | 2641188        | . SHIELD,SAFETY   |         |  |        |  | 1                    |                      |
| -153                       | 58207          | . SCREW,MACH BD HD- 6-32 X 0.250 LG   |         |  | ATT PT |  | 2                    |                      |
| -154                       | 2641118        | . CIRCUIT PROTECTOR PANEL ASSEMBLY<br>USED ON POWER FRAME<br>MODELS FED, GE, GFD, H, HG AND I                                     |         |  |        |  | 1                    |                      |
| -154                       | 1801082        | . CIRCUIT PROTECTOR PANEL ASSEMBLY<br>USED ON POWER FRAME<br>MODELS H2, HG2, I2, IH2 AND J2<br>FOR DETAIL BREAKDOWN SEE FIGURE 15 |         |  |        |  | 1                    |                      |
| -155                       | 25836          | . STUD,FLATEN SPACE   |         |  | ATT PT |  | 2                    |                      |
| -156                       | 824673         | . SCREW,KNURLED HD,FASTENING 10-32  |         |  | ATT PT |  | 1                    |                      |
| -157                       | 257701         | . CLIP,RETAINING  |         |  | ATT PT |  | 1                    |                      |
| -158                       | 1993118        | . BRACKET,LATCH   |         |  |        |  | 1                    |                      |
| -159                       | 1993119        | . BRACKET,PIVOT   |         |  |        |  | 2                    |                      |
| -160                       | 130434         | . SCREW,MACH,SLOTTED HEX HD NO.10-32 X.375  |         |  | ATT PT |  | 6                    |                      |
| -161                       | 47242          | . WASHER,FL NO. 12 X 1/2 OD X 0.062 THK   |         |  | ATT PT |  | 6                    |                      |
| -162                       | 825557         | . CLAMP,SELF LOCKING  |         |  |        |  | 2                    |                      |
| -163                       | 1993678        | . MULTI-VOLTAGE ASM,USED ON 60 HZ WITH PBC  |         |  |        |  | 1                    |                      |
| -163                       | 1993538        | . MULTI-VOLTAGE ASM,USED ON 50 HZ WITH PBC  |         |  |        |  | 1                    |                      |
| -163                       | 1803065        | . MULTI-VOLTAGE SOURCE ASM- 60 HZ NON PBC   |         |  |        |  | 1                    |                      |
| -163                       | 1803064        | . MULTI-VOLTAGE SOURCE ASM- 50 HZ NON PBC<br>FOR DETAIL BREAKDOWN SEE FIGURE 26   |         |  |        |  | 1                    |                      |
| -164                       | 130434         | . SCREW,MACH,SLOTTED HEX HD NO.10-32 X.375  |         |  | ATT PT |  | 4                    |                      |
| -165                       | 47242          | . WASHER,FL NO. 12 X 1/2 OD X 0.062 THK   |         |  | ATT PT |  | 4                    |                      |
| -166                       | 2542403        | . LABEL,FUSE WARNING  |         |  |        |  | 1                    |                      |
| -167                       | 236849         | . SCREW,MACH BD HD- 10-32 X 1/4 LG  |         |  |        |  | 1                    |                      |
| -168                       | 2637582        | . BOX ASM,VOLTAGE TESTER ADAPTER  |         |  |        |  | 1                    |                      |
| -169                       | 130434         | . SCREW,MACH,SLOTTED HEX HD NO.10-32 X.375  |         |  | ATT PT |  | 2                    |                      |
| -170                       | 56079          | . WASHER LOCK,EXT T .204 ID .410 OD   |         |  | ATT PT |  | 2                    |                      |
| -171                       | 2542402        | . . LABEL,FUSE RATING   |         |  |        |  | 1                    |                      |
| -172                       | 336823         | . . LABEL,HIGH VOLTAGE  |         |  |        |  | 1                    |                      |
| -173                       | 117401         | . . FUSE- .8AMP   |         |  |        |  | 3                    |                      |
| -174                       | 104615         | . . FUSEHOLDER  |         |  |        |  | 3                    |                      |
| -175                       | 38235          | . . SCREW,MACH BD HD- 6-32 X 0.312 LG   |         |  | ATT PT |  | 6                    |                      |
| -176                       | 322590         | . . RECEPTACLE- 4 WIRE  |         |  |        |  | 1                    |                      |
| -177                       | 221790         | . . SCREW,MACH BD HD- 8-32 X 3/16 LG  |         |  | ATT PT |  | 2                    |                      |
| -178                       | 22478          | . . WASHER,FL 0.170 ID 0.375 OD 0.032 THK   |         |  | ATT PT |  | 2                    |                      |
| -179                       | 602107         | . . GROMMET,RUBBER- 0.375 ID X 0.625 OD   |         |  |        |  | 1                    |                      |
| -180                       | 2637581        | . . BOX,VOLTAGE TEST ADAPTER  |         |  |        |  | 1                    |                      |
| -181                       | 352827         | . COVER,TERMINAL 3 ON 141   |         |  |        |  | 1                    |                      |
| -182                       | 10170          | . SCREW,MACH BD HD- NO. 6-32 X .250 LG  |         |  | ATT PT |  | 1                    |                      |
| -183                       | 323841         | . BLOCK,3 DBL SCREW TERMINAL  |         |  |        |  | 1                    |                      |
| -184                       | 210883         | . STUD,SHIELD MTG TAPPED NO. 6-32   |         |  | ATT PT |  | 1                    |                      |
| -185                       | 38354          | . SCREW,MACH FIL HD- 6-32 X 0.500 LG  |         |  | ATT PT |  | 3                    |                      |
| -186                       | 323681         | . STRIP,3 POS NOS. 1 THRU 3 MARKER  |         |  |        |  | 1                    |                      |
| -186A                      | 838164         | . TERMINAL,FIXED- TAB   |         |  |        |  | 6                    |                      |
| -186B                      | 436548         | . SCREW,MACH BD HD- 4-40 X 0.188 LG   |         |  | ATT PT |  | 12                   |                      |
| -187                       | 2641159        | . PLATE,COMPONENT   |         |  |        |  | 1                    |                      |
| -188                       | 130434         | . SCREW,MACH,SLOTTED HEX HD NO.10-32 X.375  |         |  | ATT PT |  | 9                    |                      |

| FIGURE-<br>INDEX<br>NUMBER | PART<br>NUMBER | DESCRIPTION                                    | UNITS<br>PER<br>ASM. | USABLE<br>ON<br>CODE |
|----------------------------|----------------|--|----------------------|----------------------|
|                            |                | 1 2 3 4  |                      |                      |
| 11-189                     | 47242          | . WASHER, FL NO. 12 X 1/2 OD X 0.062 THK       | 9                    |                      |
| -190                       | 317173         | . KNOB, SWITCH                                 | 1                    |                      |
| -191                       | 2623425        | . SWITCH, AUDIBLE ALARM VOLUME                 | 1                    |                      |
| -193                       | 5214172        | . SPEAKER, REFLEX- 7.5W 4 OHMS                 | 1                    |                      |
| -194                       | 32042          | . SCREW, MACH HD- 10-32 X 0.375 LG.            | 6                    |                      |
| -195                       | 1994597        | . PLATE, SPEAKER                               | 1                    |                      |
| -196                       | 130434         | . SCREW, MACH, SLOTTED HEX HD NO. 10-32 X .375 | 2                    |                      |
| -197                       | 47242          | . WASHER, FL NO. 12 X 1/2 OD X 0.062 THK       | 2                    |                      |
| -198                       | 1993936        | . OUTLET ASM, CONVENIENCE- 60HZ                | 1                    |                      |
| -198                       | 1993947        | . OUTLET ASM, CONVENIENCE- 50HZ                | 1                    |                      |
| -199                       | 130434         | . SCREW, MACH, SLOTTED HEX HD NO. 10-32 X .375 | 4                    |                      |
| -200                       | 47242          | . WASHER, FL NO. 12 X 1/2 OD X 0.062 THK       | 4                    |                      |
| -201                       | 56079          | . WASHER LOCK, EXT T .204 ID .410 OD           | 2                    |                      |
| -202                       | 194356         | . BRACKET, ANGLE CONVENIENCE OUTLET MTG        | 1                    |                      |
| -203                       | 357995         | . . . OUTLET, CONV 115V 60 HZ                  | 1                    |                      |
| -203                       | 418835         | . . . OUTLET, CONVENIENCE 220V 50 CY           | 1                    |                      |
| -204                       | 151598         | . . . CCNNECTOR, OUTLET BOX                    | 1                    |                      |
| -205                       | 194355         | . . . BOX, OUTLET                              | 1                    |                      |
|                            |                |  |                      |                      |
|                            |                |  |                      |                      |
|                            |                |  |                      |                      |
|                            |                |  |                      |                      |
|                            |                |  |                      |                      |
|                            |                |  |                      |                      |
|                            |                |  |                      |                      |
|                            |                |  |                      |                      |
|                            |                |  |                      |                      |
|                            |                |  |                      |                      |
|                            |                |  |                      |                      |
|                            |                |  |                      |                      |
|                            |                |  |                      |                      |
|                            |                |  |                      |                      |
|                            |                |  |                      |                      |
|                            |                |  |                      |                      |
|                            |                |  |                      |                      |
|                            |                |  |                      |                      |
|                            |                |  |                      |                      |
|                            |                |  |                      |                      |
|                            |                |  |                      |                      |
|                            |                |  |                      |                      |

THIS PAGE INTENTIONALLY LEFT BLANK

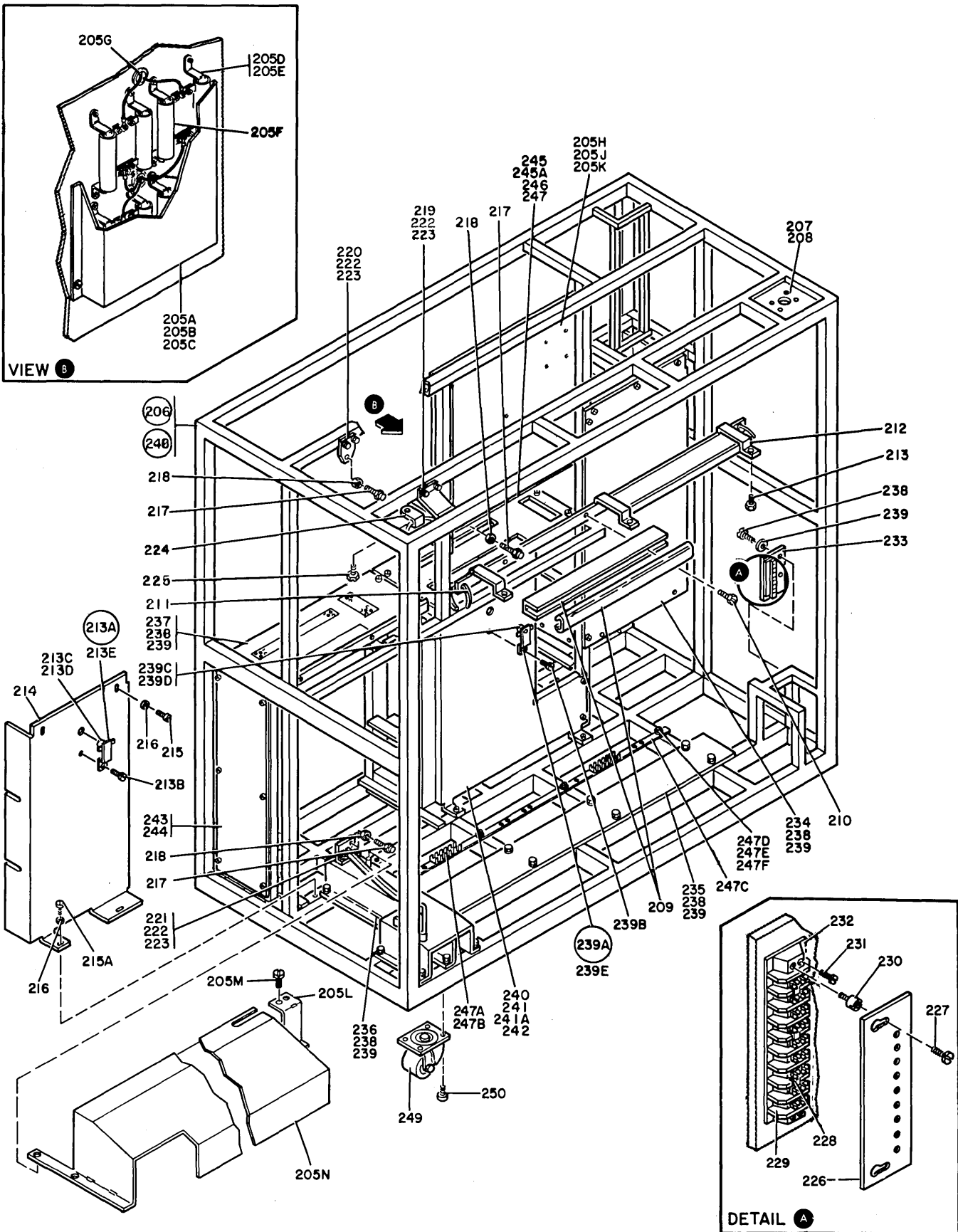


FIGURE 11. CPU FINAL ASSEMBLY- STAGE 2. SHEET 3 OF 3. NOS. 205A-250. SEE LIST 11.

CPU FINAL ASSEMBLY-STAGE 2.

| FIGURE-<br>INDEX<br>NUMBER | PART<br>NUMBER | DESCRIPTION   | UNITS<br>PER<br>ASM. | USABLE<br>ON<br>CODE |
|----------------------------|----------------|---|----------------------|----------------------|
|                            |                | 1 2 3 4   |                      |                      |
| 11 -205A                   | 3641146        | . SHIELD, SAFETY  | 1                    |                      |
| -205B                      | 140425         | . SCREW, MACH HEX HD- 10-32 X 0.312 LG ATT PT             | 4                    |                      |
| -205C                      | 47242          | . WASHER, FL- 0.330 ID X 0.500 OD ATT PT                  | 4                    |                      |
| -205D                      | 501316         | . BRACKET, MOUNTING                                       | 6                    |                      |
| -205E                      | 10170          | . SCREW, MACH BD HD- 6-32 X 0.250 LG ATT PT               | 16                   |                      |
| -205F                      | 2641192        | . RESISTOR ASSEMBLY                                       | 4                    |                      |
| -205G                      | 223803         | . GROMMET   | 2                    |                      |
| -205H                      | 2641242        | . PLATE   | 1                    |                      |
| -205J                      | 130434         | . SCREW, MACH HEX HD- 10-32 X 0.375 LG ATT PT             | 4                    |                      |
| -205K                      | 47242          | . WASHER, FL- 0.219 ID X 0.500 LG ATT PT                  | 4                    |                      |
| -205L                      | 1815755        | . BRACKET   | 1                    |                      |
| -205M                      | 236849         | . SCREW, MACH BD HD- 10-32 X 1/4 LG ATT PT                | 2                    |                      |
| -205N                      | 1815754        | . COVER, SAFETY   | 1                    |                      |
| -206                       | 2641125        | . FRAME ASM, CPU  | 1                    |                      |
| -207                       | 2637539        | . . . PLATE, GATE PIVOT-UPPER                             | 1                    |                      |
| -208                       | 234341         | . . . SCREW, ASMD WASHER FIL HD 1/4-20 X 5/8 LG ATT PT    | 4                    |                      |
| -209                       | 1994943        | . . . BRACKET, RIGHT                                      | 2                    |                      |
| -210                       | 58207          | . . . SCREW, MACH BD HD- 6-32 X 0.250 LG ATT PT           | 4                    |                      |
| -211                       | 533783         | . . . STRAP, CABLE TIE                                    | 3                    |                      |
| -212                       | 2630259        | . . . BRACKET, CABLE                                      | 1                    |                      |
| -213                       | 28413          | . . . SCREW, MACH BD HD- 10-32 X 5/16 LG ATT PT           | 3                    |                      |
| -213A                      | 2646751        | . . . SWITCH ASM, THERMAL- 185 DEGREES F                  | 1                    |                      |
| -213B                      | 2181005        | . . . SCREW, HEX HD- 6-32 X 0.375 LG ATT PT               | 1                    |                      |
| -213C                      | 2646935        | . . . SWITCH, THERMAL                                     | 1                    |                      |
| -213D                      | 5501997        | . . . CLIP, RETAINING ATT PT                              | 1                    |                      |
| -213E                      | 2646837        | . . . BRACKET, MOUNTING                                   | 1                    |                      |
| -214                       | 2641185        | . . . COVER ASM, REGULATOR                                | 1                    |                      |
| -215                       | 250525         | . . . SCREW, MACH BD HD- 10-32 X 3/16 LG ATT PT           | 4                    |                      |
| -215A                      | 5488999        | . . . SCREW, BD HD- 10-32 X 0.250 LG ATT PT               | 2                    |                      |
| -216                       | 45690          | . . . WASHER, FL NO. 10 X 7/16 OD X 1/32 THK ATT PT       | 4                    |                      |
| -217                       | 255939         | . . . BUMPER, ADJUSTING                                   | 3                    |                      |
| -218                       | 3960           | . . . NUT, PLAIN HEX 1/4-20 X 7/16 PL W ATT PT            | 3                    |                      |
| -219                       | 1993068        | . . . BRACKET, GATE LATCH-UPPER                           | 1                    |                      |
| -220                       | 1993126        | . . . BRACKET, B GATE                                     | 1                    |                      |
| -221                       | 1993123        | . . . GUIDE, GATE   | 1                    |                      |
| -222                       | 130434         | . . . SCREW, MACH, SLOTTED HEX HD NO. 10-32 X .375 ATT PT | 10                   |                      |
| -223                       | 47242          | . . . WASHER, FL NO. 12 X 1/2 OD X 0.062 THK ATT PT       | 10                   |                      |
| -224                       | 533792         | . . . ANCHOR, TIE   | 1                    |                      |
| -225                       | 58207          | . . . SCREW, MACH BD HD- 6-32 X 0.250 LG ATT PT           | 1                    |                      |
| -226                       | 352850         | . . . SHIELD, SAFETY                                      | 1                    |                      |
| -227                       | 10170          | . . . SCREW, MACH BD HD- NO. 6-32 X .250 LG ATT PT        | 2                    |                      |
| -228                       | 367115         | . . . JUMPER, TERMINAL STRIP                              | 3                    |                      |
| -229                       | 526310         | . . . BLOCK, TERMINAL                                     | 1                    |                      |
| -230                       | 210883         | . . . STUD, SHIELD MTG TAPPED NO. 6-32 ATT PT             | 2                    |                      |
| -231                       | 322065         | . . . SCREW, MACH BD HD- 6-32 X 5/8 LG ATT PT             | 2                    |                      |
| -232                       | 563887         | . . . STRIP, MARKER                                       | 1                    |                      |
| -233                       | 1993393        | . . . PLATE, PAN T.B.                                     | 1                    |                      |
| -234                       | 2641103        | . . . PLATE, REAR   | 1                    |                      |
| -235                       | 1981180        | . . . PLATE, I/O  | 1                    |                      |
| -236                       | 1993074        | . . . SUPPORT, GATE RAMP                                  | 1                    |                      |
| -237                       | 1994460        | . . . PLATE, OCR  | 1                    |                      |
| -238                       | 130434         | . . . SCREW, MACH, SLOTTED HEX HD NO. 10-32 X .375 ATT PT | 30                   |                      |
| -239                       | 47242          | . . . WASHER, FL NO. 12 X 1/2 OD X 0.062 THK ATT PT       | 30                   |                      |
| -239A                      | 2646972        | . . . SWITCH ASM, THERMAL- 155 DEGREES F                  | 1                    |                      |
| -239B                      | 2181005        | . . . SCREW, HEX HD- 6-32 X 0.375 LG ATT PT               | 1                    |                      |
| -239C                      | 5501999        | . . . SWITCH, THERMAL                                     | 1                    |                      |
| -239D                      | 2646913        | . . . CLIP, RETAINING ATT PT                              | 1                    |                      |
| -239E                      | 2646837        | . . . BRACKET, MOUNTING                                   | 1                    |                      |
| -240                       | 2641184        | . . . COVER ASM, REGULATOR                                | 1                    |                      |
| -241                       | 250525         | . . . SCREW, MACH BD HD- 10-32 X 3/16 LG ATT PT           | 4                    |                      |
| -241A                      | 5488999        | . . . SCREW, BD HD- 10-32 X 0.250 LG ATT PT               | 2                    |                      |
| -242                       | 45690          | . . . WASHER, FL NO. 10 X 7/16 OD X 1/32 THK ATT PT       | 6                    |                      |
| -243                       | 2641186        | . . . COVER ASM, REGULATOR- SIDE                          | 1                    |                      |
| -244                       | 236849         | . . . SCREW, MACH BD HD- 10-32 X 1/4 LG ATT PT            | 6                    |                      |
| -245                       | 2641144        | . . . PLATE   | 1                    |                      |
| -245A                      | 4145218        | . . . PLATE- USED ON MODEL 3                              | 1                    |                      |
| -246                       | 130434         | . . . SCREW, MACH, SLOTTED HEX HD NO. 10-32 X .375 ATT PT | 4                    |                      |
| -247                       | 47242          | . . . WASHER, FL- 0.203 ID X 0.500 OD ATT PT              | 4                    |                      |
| -247A                      | 824496         | . . . TERMINAL  | 2                    |                      |
| -247B                      | 438548         | . . . SCREW, MACH BD HD- 4-40 X 0.188 LG ATT PT           | 6                    |                      |
| -247C                      | 2641232        | . . . BUS, GROUND- I/O                                    | 1                    |                      |
| -247D                      | 332620         | . . . SCREW, MACH BD HD- 10-32 X 0.500 LG ATT PT          | 4                    |                      |
| -247E                      | 47242          | . . . WASHER, FL- 0.203 ID ATT PT                         | 4                    |                      |
| -247F                      | 56079          | . . . LOCKWASHER, EXT TETH- 0.204 ID X 0.410 OD ATT PT    | 4                    |                      |
| -248                       | 2641124        | . . . FRAME AND CASTER ASM- CPU                           | 1                    |                      |
| -249                       | 513271         | . . . CASTER, SWIVEL 3 IN. WHL W/MTG PLATE                | 4                    |                      |
| -250                       | 234340         | . . . SCREW AND LOCKWASHER- 1/4-20 X 0.50 LG ATT PT       | 6                    |                      |



FOR PARTS  
NOT SHOWN  
SEE FIGS. 10  
AND 11, SH. 1

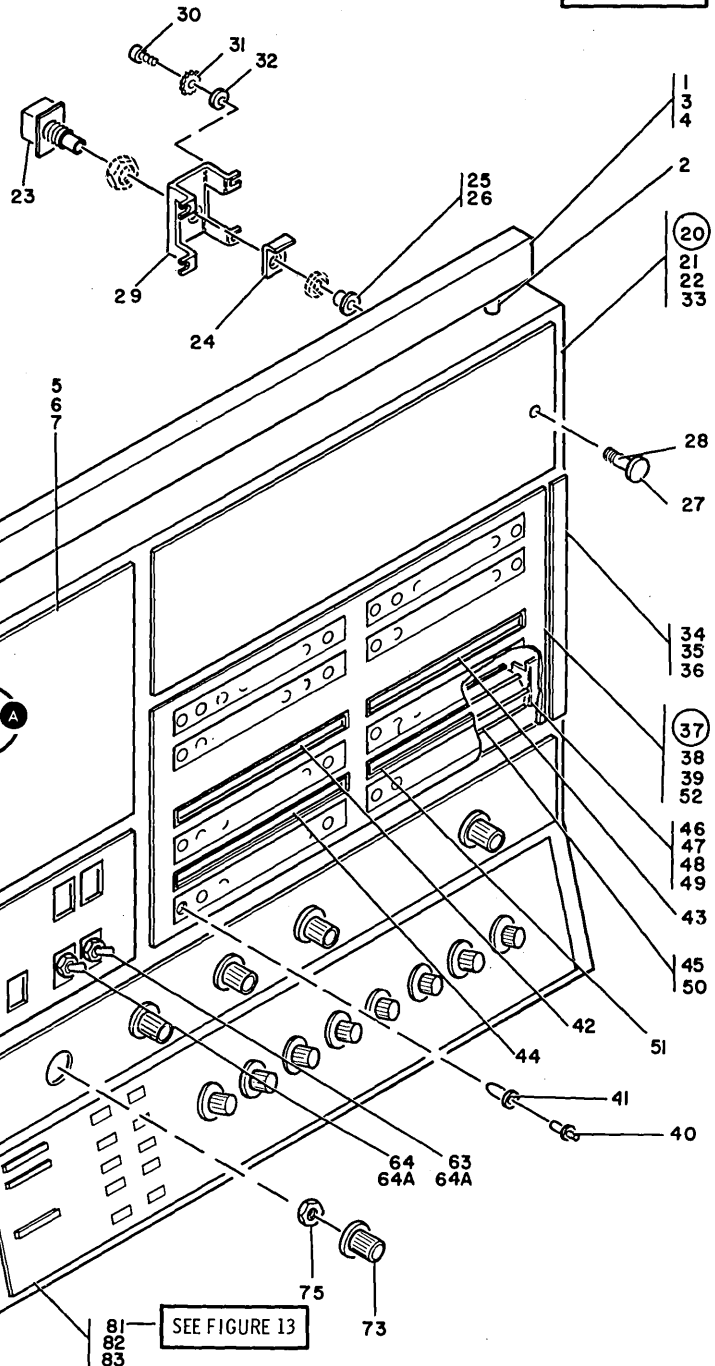
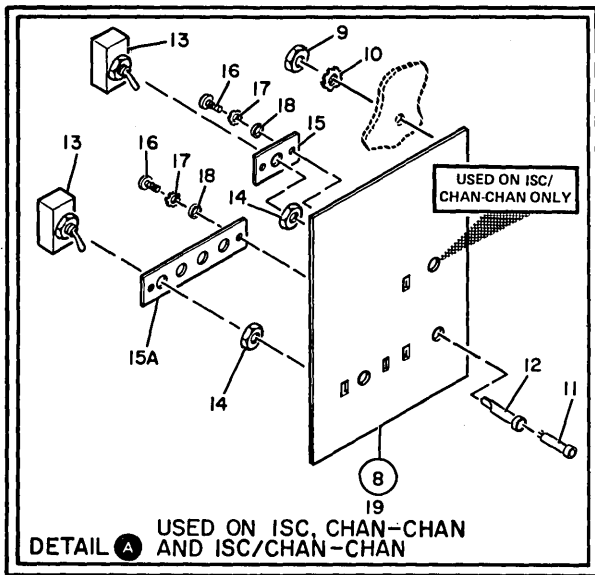


FIGURE 12. CONSOLE ASSEMBLY. SHEET 1 OF 2. NOS. 1-83. SEE LIST 12.

CONSOLE ASSEMBLY.

| FIGURE-<br>INDEX<br>NUMBER | PART<br>NUMBER | DESCRIPTION   | UNITS PER ASM. |   |   |        | USABLE ON CODE |
|----------------------------|----------------|---|----------------|---|---|--------|----------------|
|                            |                |   | 1              | 2 | 3 | 4      |                |
| 12 -                       | 1993020        | CONSOLE ASM- GERMAN   |                |   |   |        | REF            |
| -                          | 1993010        | CONSOLE ASM- ENGLISH  |                |   |   |        | REF            |
| -                          | 1993030        | CONSOLE ASM- FRENCH   |                |   |   |        | REF            |
|                            |                | FOR NEXT HIGHER ASSEMBLY<br>SEE FIGURES 10-1 AND 11-1<br>FOR ILLUSTRATION SEE FIGURE 12 |                |   |   |        |                |
| - 1                        | 1797585        | . NAMEPLATE, SYSTEM 370   |                |   |   |        | 1              |
| - 2                        | 5504638        | . STANDOFF, NAME PLATE  |                |   |   |        | 2              |
| - 3                        | 257189         | . NUT, HEX 9-32   |                |   |   | ATT PT | 2              |
| - 4                        | 55901          | . LOCKWASHER, EXTERNAL TOOTH 0.176 ID X 0.3   |                |   |   | ATT PT | 2              |
| - 5                        | 1993624        | . PANEL ASM, BLANK  |                |   |   |        | 1              |
| - 6                        | 257187         | . NUT, HEX DBL CHAMFERED 6-32 X 0.3125 FL W   |                |   |   | ATT PT | 6              |
| - 7                        | 56722          | . LOCKWASHER, EXT T .150 ID   |                |   |   | ATT PT | 6              |
| - 8                        | 1994925        | . PANEL ASM, CHAN-CHAN- ENGLISH   |                |   |   |        | 1              |
| - 8                        | 1994926        | . PANEL ASM, CHAN-CHAN- GERMAN  |                |   |   |        | 1              |
| - 8                        | 1994927        | . PANEL ASM, CHAN-CHAN- FRENCH  |                |   |   |        | 1              |
| - 8                        | 1795587        | . PANEL ASM, ISC- ENGLISH   |                |   |   |        | 1              |
| - 8                        | 1797476        | . PANEL ASM, ISC- GERMAN  |                |   |   |        | 1              |
| - 8                        | 1797475        | . PANEL ASM, ISC- FRENCH  |                |   |   |        | 1              |
| - 8                        | 1795609        | . PANEL ASM, ISC/CHAN-CHAN- ENGLISH   |                |   |   |        | 1              |
| - 8                        | 1797478        | . PANEL ASM, ISC/CHAN-CHAN- GERMAN  |                |   |   |        | 1              |
| - 8                        | 1797477        | . PANEL ASM, ISC/CHAN-CHAN- FRENCH  |                |   |   |        | 1              |
| - 9                        | 257187         | . NUT, HEX DBL CHAMFERED 6-32 X 0.3125 FL W   |                |   |   | ATT PT | 6              |
| - 10                       | 56722          | . LOCKWASHER, EXT T .150 ID   |                |   |   | ATT PT | 6              |
| - 11                       | 5499814        | . . INDICATOR ASM, GREEN-4.5V   |                |   |   |        | 1              |
| - 11                       | 5499810        | . . INDICATOR ASM, RED  |                |   |   |        | 1              |
| - 12                       | 5353888        | . . HOUSING   |                |   |   |        | 1              |
| - 13                       | 738826         | . . SWITCH, TOGGLE-SPDT MAINTAINED  |                |   |   |        | 3              |
| - 14                       | 179743         | . . NUT, HEX, TOGGLE SWITCH- 15/32-32   |                |   |   | ATT PT | 1              |
| - 15                       | 1993662        | . . PLATE, MOUNTING   |                |   |   |        | 1              |
| - 15A                      | 1797425        | . . PLATE, MOUNTING   |                |   |   |        | 1              |
| - 16                       | 35739          | . . SCREW, MACH BD HD- 6-32 X .438 LG   |                |   |   | ATT PT | 2              |
| - 17                       | 56722          | . . LOCKWASHER, EXT T .150 ID   |                |   |   | ATT PT | 2              |
| - 18                       | 257986         | . . WASHER, FLAT 0.156ID X .3120D X .035THK   |                |   |   | ATT PT | 2              |
| - 19                       | 1994924        | . . PANEL, CHAN-CHAN- ENGLISH   |                |   |   |        | 1              |
| - 19                       | 1993640        | . . PANEL, CHAN-CHAN- GERMAN  |                |   |   |        | 1              |
| - 19                       | 1993646        | . . PANEL, CHAN-CHAN- FRENCH  |                |   |   |        | 1              |
| - 19                       | 1995566        | . . PANEL, ISC- ENGLISH   |                |   |   |        | 1              |
| - 19                       | 1797490        | . . PANEL, ISC- GERMAN  |                |   |   |        | 1              |
| - 19                       | 1797492        | . . PANEL, ISC- FRENCH  |                |   |   |        | 1              |
| - 19                       | 1795568        | . . PANEL, ISC/CHAN-CHAN- ENGLISH   |                |   |   |        | 1              |
| - 19                       | 1797491        | . . PANEL, ISC/CHAN-CHAN- GERMAN  |                |   |   |        | 1              |
| - 19                       | 1797493        | . . PANEL, ISC/CHAN-CHAN- FRENCH  |                |   |   |        | 1              |
| - 20                       | 1993042        | . PANEL ASM, EMERGENCY PULL   |                |   |   |        | 1              |
| - 21                       | 257187         | . NUT, HEX DBL CHAMFERED 6-32 X 0.3125 FL W   |                |   |   | ATT PT | 10             |
| - 22                       | 56722          | . LOCKWASHER, EXT T .150 ID   |                |   |   | ATT PT | 10             |
| - 23                       | 482219         | . . SWITCH, PUSH PULL DPDT  |                |   |   |        | 1              |
| - 24                       | 479999         | . . SPRING, SAFETY  |                |   |   |        | 1              |
| - 25                       | 482188         | . . COLLAR, PULL SWITCH DETENT  |                |   |   |        | 1              |
| - 26                       | 257959         | . . SFTSCREW, SPLINE DR CUP PT 4-40 X 3/16 LG   |                |   |   | ATT PT | 1              |
| - 27                       | 482201         | . . INSERT, EMERGENCY PULL ENGLISH  |                |   |   |        | 1              |
| - 27                       | 4066640        | . . INSERT, EMERGENCY PULL- GERMAN  |                |   |   |        | 1              |
| - 27                       | 4066641        | . . INSERT, EMERGENCY PULL- FRENCH  |                |   |   |        | 1              |
| - 28                       | 1993785        | . . KNOB ASM, PULL  |                |   |   |        | 1              |
| - 29                       | 725419         | . . BRACKET   |                |   |   |        | 1              |
| - 30                       | 10170          | . . SCREW, MACH BD HD- NO. 6-32 X .250 LG   |                |   |   | ATT PT | 4              |
| - 31                       | 56722          | . . LOCKWASHER, EXT T .150 ID   |                |   |   | ATT PT | 4              |
| - 32                       | 257986         | . . WASHER, FLAT 0.156ID X .3120D X .035THK   |                |   |   | ATT PT | 4              |
| - 33                       | 1993625        | . . PANEL ASM, EPO  |                |   |   |        | 1              |
| - 34                       | 1993626        | . . PANEL ASM, DIRECTORY  |                |   |   |        | 1              |
| - 34                       | 1993639        | . . PANEL ASM, DIRECTORY- FRENCH  |                |   |   |        | 1              |
| - 35                       | 257187         | . NUT, HEX DBL CHAMFERED 6-32 X 0.3125 FL W   |                |   |   | ATT PT | 3              |
| - 36                       | 56722          | . LOCKWASHER, EXT T .150 ID   |                |   |   | ATT PT | 3              |
| - 37                       | 1993013        | . . PANEL ASM, INDICATOR- ENGLISH   |                |   |   |        | 1              |
| - 37                       | 1993033        | . . PANEL ASM, INDICATOR- FRENCH  |                |   |   |        | 1              |
| - 37                       | 1993023        | . . PANEL ASM, INDICATOR- GERMAN  |                |   |   |        | 1              |
| - 38                       | 257187         | . NUT, HEX DBL CHAMFERED 6-32 X 0.3125 FL W   |                |   |   | ATT PT | 12             |
| - 39                       | 56722          | . LOCKWASHER, EXT T .150 ID   |                |   |   | ATT PT | 12             |
| - 40                       | 5499810        | . . INDICATOR ASM, RED- 4.5V  |                |   |   |        | 44             |
| - 40                       | 5499811        | . . INDICATOR ASM, AMBER- 4.5V  |                |   |   |        | 9              |
| - 40                       | 5499812        | . . INDICATOR ASM, CLEAR- 4.5V  |                |   |   |        | 91             |
| - 41                       | 5353888        | . . HOUSING   |                |   |   |        | 144            |
| - 42                       | 1993230        | . . STRIP, M REGISTER-LEFT POS 1  |                |   |   |        | 1              |
| - 42                       | 1993228        | . . STRIP, SDBO-LEFT POS 2  |                |   |   |        | 1              |
| - 42                       | 1993226        | . . STRIP, C REGISTER-LEFT POS 3  |                |   |   |        | 1              |
| - 42                       | 1993234        | . . STRIP, MB2, MB3, N2, N3-LEFT POS 4  |                |   |   |        | 1              |
| - 42                       | 1993224        | . . STRIP, B REGISTER-LEFT POS 5  |                |   |   |        | 1              |

CONSOLE ASSEMBLY.

| FIGURE-<br>INDEX<br>NUMBER | PART<br>NUMBER | DESCRIPTION                        |     |     |     | UNITS<br>PER<br>ASM. | USABLE<br>ON<br>CODE |
|----------------------------|----------------|------------------------------------|-----|-----|-----|----------------------|----------------------|
|                            |                | 1                                  | 2   | 3   | 4   |                      |                      |
| 12 - 42                    | 1993220        | . .                                | . . | . . | . . | 1                    |                      |
| - 42                       | 1993222        | . .                                | . . | . . | . . | 1                    |                      |
| - 42                       | 1993218        | . .                                | . . | . . | . . | 1                    |                      |
| - 43                       | 1993229        | . .                                | . . | . . | . . | 1                    |                      |
| - 43                       | 1809515        | . .                                | . . | . . | . . | 1                    |                      |
| - 43                       | 1993227        | . .                                | . . | . . | . . | 1                    |                      |
| - 43                       | 1993225        | . .                                | . . | . . | . . | 1                    |                      |
| - 43                       | 1993233        | . .                                | . . | . . | . . | 1                    |                      |
| - 43                       | 1993223        | . .                                | . . | . . | . . | 1                    |                      |
| - 43                       | 1993219        | . .                                | . . | . . | . . | 1                    |                      |
| - 43                       | 1993221        | . .                                | . . | . . | . . | 1                    |                      |
| - 43                       | 1993217        | . .                                | . . | . . | . . | 1                    |                      |
| - 43                       | 4145949        | . .                                | . . | . . | . . | 1                    |                      |
| - 44                       | 1993232        | . .                                | . . | . . | . . | 1                    |                      |
| - 44                       | 1993212        | . .                                | . . | . . | . . | 1                    |                      |
| - 44                       | 1993216        | . .                                | . . | . . | . . | 1                    |                      |
| - 44                       | 1993214        | . .                                | . . | . . | . . | 1                    |                      |
| - 44                       | 1993204        | . .                                | . . | . . | . . | 1                    |                      |
| - 44                       | 1993206        | . .                                | . . | . . | . . | 1                    |                      |
| - 44                       | 1993208        | . .                                | . . | . . | . . | 1                    |                      |
| - 44                       | 1993210        | . .                                | . . | . . | . . | 1                    |                      |
| - 45                       | 1993231        | . .                                | . . | . . | . . | 1                    |                      |
| - 45                       | 1993211        | . .                                | . . | . . | . . | 1                    |                      |
| - 45                       | 1993215        | . .                                | . . | . . | . . | 1                    |                      |
| - 45                       | 1993213        | . .                                | . . | . . | . . | 1                    |                      |
| - 45                       | 1993203        | . .                                | . . | . . | . . | 1                    |                      |
| - 45                       | 1993205        | . .                                | . . | . . | . . | 1                    |                      |
| - 45                       | 1993207        | . .                                | . . | . . | . . | 1                    |                      |
| - 45                       | 1993209        | . .                                | . . | . . | . . | 1                    |                      |
| - 46                       | 5352238        | . .                                | . . | . . | . . | 4                    |                      |
| - 47                       | 10170          | . .                                | . . | . . | . . | 8                    |                      |
| - 48                       | 56722          | . .                                | . . | . . | . . | 8                    |                      |
| - 49                       | 257986         | . .                                | . . | . . | . . | 8                    |                      |
| - 50                       | 5373110        | . .                                | . . | . . | . . | 2                    |                      |
| - 51                       | 1993783        | . .                                | . . | . . | . . | 4                    |                      |
| - 52                       | 1993622        | . .                                | . . | . . | . . | 1                    |                      |
| - 52                       | 1993637        | . .                                | . . | . . | . . | 1                    |                      |
| - 52                       | 4139529        | . .                                | . . | . . | . . | 1                    |                      |
| - 52                       | 4139530        | . .                                | . . | . . | . . | 1                    |                      |
|                            |                | USED ON MODEL 3                    |     |     |     |                      |                      |
| - 53                       | 1993015        | . .                                | . . | . . | . . | 1                    |                      |
| - 53                       | 1993025        | . .                                | . . | . . | . . | 1                    |                      |
| - 53                       | 1993035        | . .                                | . . | . . | . . | 1                    |                      |
| - 54                       | 257187         | . .                                | . . | . . | . . | 4                    |                      |
| - 55                       | 56722          | . .                                | . . | . . | . . | 4                    |                      |
| - 56                       | 725348         | . .                                | . . | . . | . . | 1                    |                      |
| - 56A                      | 179743         | . .                                | . . | . . | . . | 1                    |                      |
| - 57                       | 1993662        | . .                                | . . | . . | . . | 2                    |                      |
| - 57A                      | 179743         | . .                                | . . | . . | . . | 4                    |                      |
| - 58                       | 10170          | . .                                | . . | . . | . . | 4                    |                      |
| - 59                       | 56722          | . .                                | . . | . . | . . | 4                    |                      |
| - 60                       | 257986         | . .                                | . . | . . | . . | 4                    |                      |
| - 61                       | 725348         | . .                                | . . | . . | . . | 1                    |                      |
| - 62                       | 2128908        | . .                                | . . | . . | . . | 1                    |                      |
| - 63                       | 734879         | . .                                | . . | . . | . . | 1                    |                      |
| - 64                       | 734878         | . .                                | . . | . . | . . | 1                    |                      |
| - 64A                      | 179743         | . .                                | . . | . . | . . | 4                    |                      |
| - 65                       | 1993619        | . .                                | . . | . . | . . | 2                    |                      |
| - 66                       | 10170          | . .                                | . . | . . | . . | 4                    |                      |
| - 67                       | 56722          | . .                                | . . | . . | . . | 4                    |                      |
| - 68                       | 257986         | . .                                | . . | . . | . . | 4                    |                      |
| - 69                       | 1993623        | . .                                | . . | . . | . . | 1                    |                      |
| - 69                       | 1993638        | . .                                | . . | . . | . . | 1                    |                      |
| - 70                       | 1993012        | . .                                | . . | . . | . . | 1                    |                      |
| - 70                       | 1993022        | . .                                | . . | . . | . . | 1                    |                      |
| - 70                       | 1993032        | . .                                | . . | . . | . . | 1                    |                      |
| - 71                       | 257187         | . .                                | . . | . . | . . | 14                   |                      |
| - 72                       | 56722          | . .                                | . . | . . | . . | 14                   |                      |
| - 73                       | 1797481        | . .                                | . . | . . | . . | 5                    |                      |
| - 74                       | 1981126        | . .                                | . . | . . | . . | 5                    |                      |
| - 75                       | 824486         | . .                                | . . | . . | . . | 5                    |                      |
| - 76                       | 1993621        | . .                                | . . | . . | . . | 1                    |                      |
| - 77                       | 257187         | . .                                | . . | . . | . . | 8                    |                      |
| - 78                       | 56722          | . .                                | . . | . . | . . | 8                    |                      |
| - 79                       | 22478          | . .                                | . . | . . | . . | 8                    |                      |
| - 80                       | 1993620        | . .                                | . . | . . | . . | 1                    |                      |
| - 80                       | 1993642        | . .                                | . . | . . | . . | 1                    |                      |
| - 80                       | 1993636        | . .                                | . . | . . | . . | 1                    |                      |
| - 81                       | 1993011        | . .                                | . . | . . | . . | 1                    |                      |
| - 81                       | 1993021        | . .                                | . . | . . | . . | 1                    |                      |
| - 81                       | 1993031        | . .                                | . . | . . | . . | 1                    |                      |
|                            |                | FOR DETAIL BREAKDOWN SEE FIGURE 13 |     |     |     |                      |                      |

| FIGURE-<br>INDEX<br>NUMBER | PART<br>NUMBER  | 1 2 3 4   | DESCRIPTION      | UNITS<br>PER<br>ASM. | USABLE<br>ON<br>CODE |
|----------------------------|-----------------|---|------------------|----------------------|----------------------|
| 12 - 82<br>- 83            | 257187<br>56722 | . NUT,HEX DBL CHAMFERED 6-32 X 0.3125 FL W<br>. LOCKWASHER, EXT T .150 ID | ATT PT<br>ATT PT | 13<br>13             |                      |
|                            |                 |   |                  |                      |                      |
|                            |                 |   |                  |                      |                      |
|                            |                 |   |                  |                      |                      |
|                            |                 |   |                  |                      |                      |
|                            |                 |   |                  |                      |                      |
|                            |                 |   |                  |                      |                      |
|                            |                 |   |                  |                      |                      |
|                            |                 |   |                  |                      |                      |
|                            |                 |   |                  |                      |                      |
|                            |                 |   |                  |                      |                      |
|                            |                 |   |                  |                      |                      |
|                            |                 |   |                  |                      |                      |
|                            |                 |   |                  |                      |                      |
|                            |                 |   |                  |                      |                      |
|                            |                 |   |                  |                      |                      |
|                            |                 |   |                  |                      |                      |
|                            |                 |   |                  |                      |                      |
|                            |                 |   |                  |                      |                      |
|                            |                 |   |                  |                      |                      |
|                            |                 |   |                  |                      |                      |
|                            |                 |   |                  |                      |                      |
|                            |                 |   |                  |                      |                      |
|                            |                 |   |                  |                      |                      |
|                            |                 |   |                  |                      |                      |
|                            |                 |   |                  |                      |                      |
|                            |                 |   |                  |                      |                      |
|                            |                 |   |                  |                      |                      |
|                            |                 |   |                  |                      |                      |
|                            |                 |   |                  |                      |                      |
|                            |                 |   |                  |                      |                      |
|                            |                 |   |                  |                      |                      |
|                            |                 |   |                  |                      |                      |
|                            |                 |   |                  |                      |                      |
|                            |                 |   |                  |                      |                      |
|                            |                 |   |                  |                      |                      |
|                            |                 |   |                  |                      |                      |
|                            |                 |   |                  |                      |                      |
|                            |                 |   |                  |                      |                      |
|                            |                 |   |                  |                      |                      |
|                            |                 |   |                  |                      |                      |

THIS PAGE INTENTIONALLY LEFT BLANK

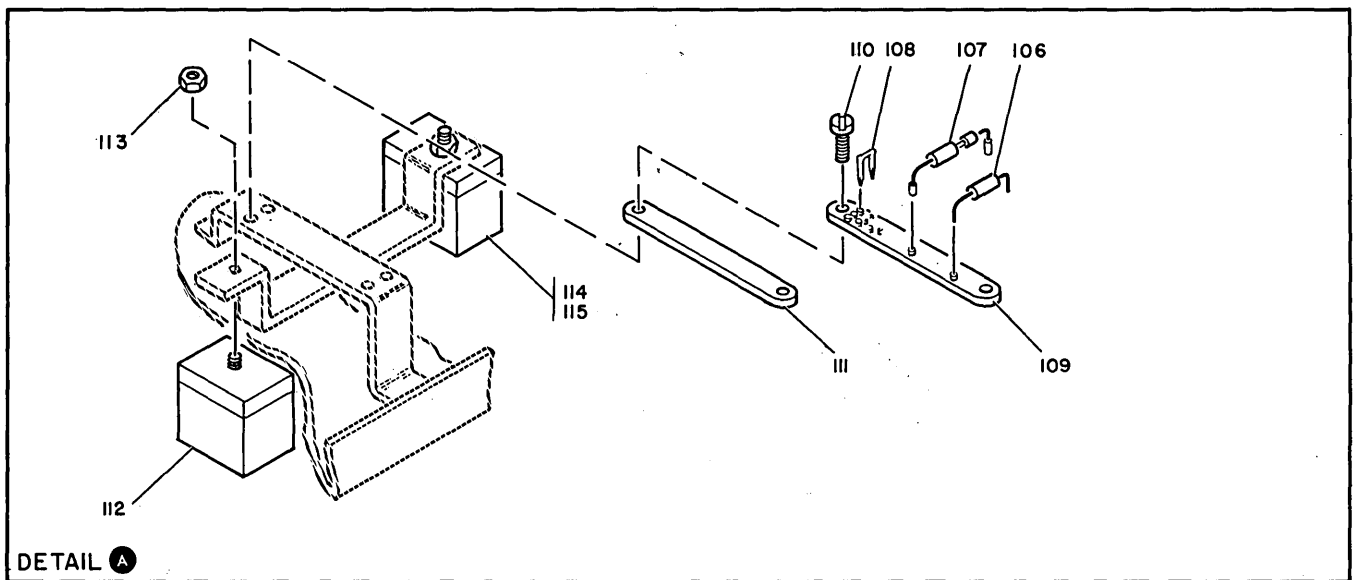
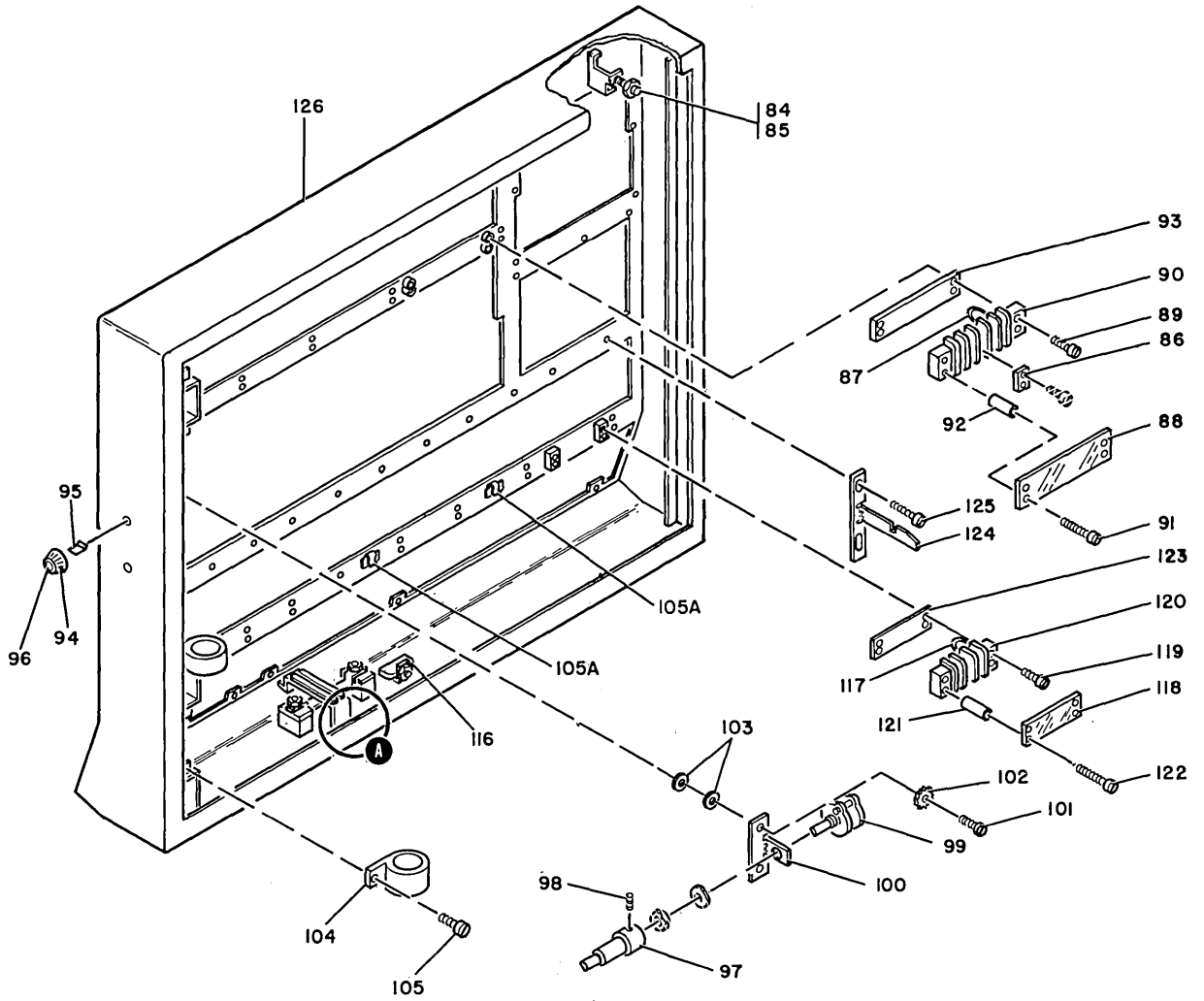
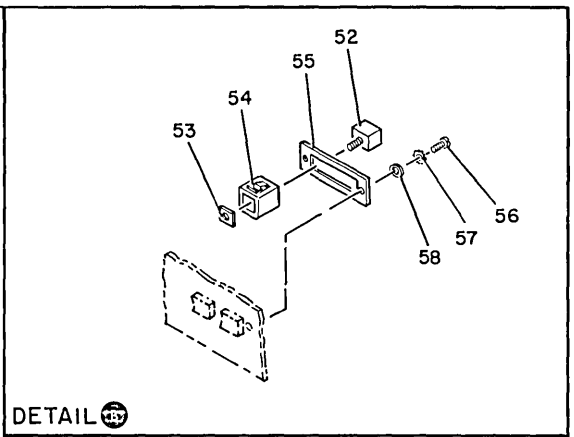
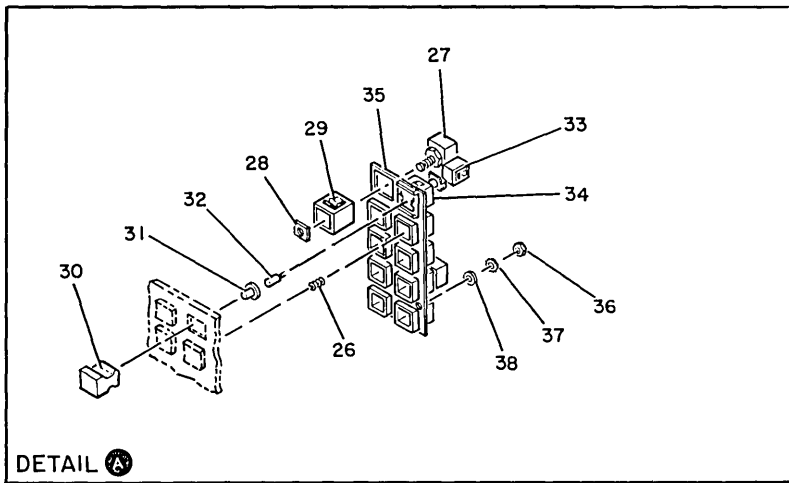


FIGURE 12. CONSOLE ASSEMBLY. SHEET 2 OF 2. NOS. 84-126. SEE LIST 12.

| LIST AND INDEX NUMBER | PART NUMBER | DESCRIPTION                               | UNITS PER ASM. | USABLE ON CODE |
|-----------------------|-------------|---|----------------|----------------|
|                       |             |   |                |                |
| 12 - 84               | 223781      | . SCREW ASM,COVER ADJUSTING               | 1              |                |
| - 85                  | 3960        | . NUT,PLAIN HEX 1/4-20 X 7/16 FL W        | 1              |                |
| - 86                  | 5276271     | . TERMINAL                                | 4              |                |
| - 87                  | 367115      | . JUMPER,BRASS                            | 3              |                |
| - 88                  | 337193      | . SHIELD,TERMINAL BOARD 6 POSITION        | 1              |                |
| - 89                  | 10170       | . SCREW,MACH BD HD- NO. 6-32 X .250 LG    | 2              | ATT PT         |
| - 90                  | 317131      | . BLOCK,6 DBL SCREW TERMINAL              | 1              |                |
| - 91                  | 38354       | . SCREW,MACH FIL HD 6-32 X 0.500 LG       | 2              | ATT PT         |
| - 92                  | 210883      | . STUD,SHIELD MTG TAPPED NO. 6-32         | 2              | ATT PT         |
| - 93                  | 322266      | . STRIP,6 POS NOS. 1 THRU 6 MARKER        | 1              |                |
| - 94                  | 839772      | . KNOB                                    | 2              |                |
| - 95                  | 586874      | . SPRING                                  | 2              |                |
| - 96                  | 482204      | . INSERT,ROTARY KNOB                      | 2              |                |
| - 97                  | 1993655     | . ADAPTER,ROTARY SWITCH                   | 2              |                |
| - 98                  | 806811      | . SETSCREW,SOC HD FLUTED- 4-40 X 0.156 LG | 4              | ATT PT         |
| - 99                  | 5467552     | . SWITCH,ROTARY                           | 2              |                |
| -100                  | 5364071     | . BRACKET,ROLLER SW MTG                   | 2              |                |
| -101                  | 81693       | . SCREW,MACH BD HD- 6-32 X 0.375 LG       | 4              | ATT PT         |
| -102                  | 56722       | . LOCKWASHER, EXT T .150 ID               | 4              | ATT PT         |
| -103                  | 257986      | . WASHER,FLAT 0.156ID X .312OD X .035THK  | 8              | ATT PT         |
| -104                  | 252531      | . CLAMP,CABLE 0.230 DIA MTG HOLE          | 2              |                |
| -105                  | 221790      | . SCREW,MACH BD HD- 8-32 X 3/16 LG        | 2              | ATT PT         |
| -105A                 | 825557      | . CLAMP,CABLE                             | 8              |                |
| -106                  | 2111232     | . DIODE,SEMICONDUCTOR TYPE AM             | 2              |                |
| -107                  | 2542050     | . RESISTOR,DIODE ASM WITH PLUG TERMINAL   | 1              |                |
| -108                  | 205331      | . JUMPER,RELAY GATES UNIT 1/8 BRASS       | 1              |                |
| -109                  | 837532      | . BLOCK ASM,TERMINAL                      | 2              |                |
| -110                  | 38352       | . SCREW,MACH FIL HD 6-32 X 0.375 LG       | 4              | ATT PT         |
| -111                  | 837528      | . INSULATOR,TERMINAL BLOCK                | 2              |                |
| -112                  | 5799065     | . RELAY,ENCLOSED- 24VDC                   | 1              |                |
| -113                  | 8506        | . NUT,HEX- 3-48                           | 1              | ATT PT         |
| -114                  | 767003      | . RELAY- 24VDC                            | 1              |                |
| -115                  | 8506        | . NUT,HEX- 3-48                           | 1              | ATT PT         |
| -116                  | 2229542     | . CIRCUIT PROTECTOR,7 AMP 250V            | 1              |                |
| -117                  | 367115      | . JUMPER,BRASS                            | 1              |                |
| -118                  | 350966      | . COVER,TERMINAL BLOCK                    | 1              |                |
| -119                  | 10170       | . SCREW,MACH BD HD- NO. 6-32 X .250 LG    | 2              | ATT PT         |
| -120                  | 317485      | . BLOCK,4 DBL SCREW TERMINAL              | 1              |                |
| -121                  | 210883      | . STUD,SHIELD MTG TAPPED NO. 6-32         | 2              | ATT PT         |
| -122                  | 38354       | . SCREW,MACH FIL HD 6-32 X 0.500 LG       | 2              | ATT PT         |
| -123                  | 527916      | . STRIP,4 POS NOS. 1 THRU 4 MARKER        | 1              |                |
| -124                  | 1993656     | . BRACKET,LATCH                           | 1              |                |
| -125                  | 38235       | . SCREW,MACH 6-32 X .310 LG               | 2              | ATT PT         |
| -126                  | 1993615     | . FRAME,CONSOLE                           | 1              |                |
|                       |             |   |                |                |
|                       |             |   |                |                |
|                       |             |   |                |                |
|                       |             |   |                |                |
|                       |             |   |                |                |
|                       |             |   |                |                |
|                       |             |   |                |                |
|                       |             |   |                |                |
|                       |             |   |                |                |
|                       |             |   |                |                |
|                       |             |   |                |                |
|                       |             |   |                |                |



FOR PARTS  
NOT SHOWN  
SEE FIG. 12  
SHEET 1

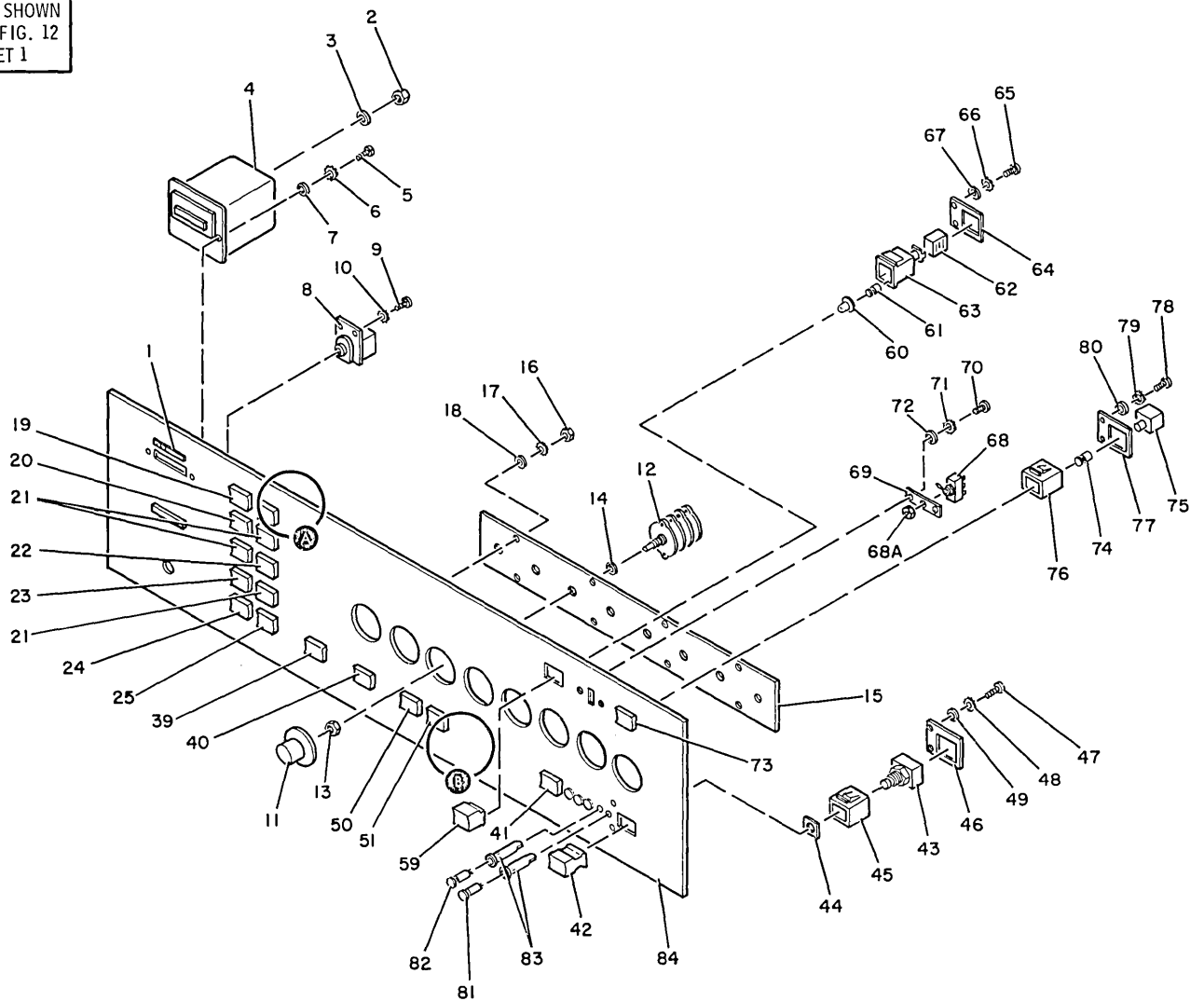


FIGURE 13. MAIN SWITCH CONTROL PANEL ASSEMBLY. SEE LIST 13.



| LIST AND INDEX NUMBER | PART NUMBER | DESCRIPTION   |   |   |   | UNITS PER ASM. | USABLE ON CODE |
|-----------------------|-------------|---|---|---|---|----------------|----------------|
|                       |             | 1   | 2 | 3 | 4 |                |                |
|                       |             | MAIN SWITCH CONTROL PANEL ASSEMBLY  |   |   |   |                |                |
| 13 -                  | 1993011     | PANEL ASM,MAIN SWITCH CONTROL- ENGLISH  |   |   |   | REF            |                |
| -                     | 1993021     | PANEL ASM,MAIN SWITCH CONTROL- GERMAN   |   |   |   | REF            |                |
| -                     | 1993031     | PANEL ASM,MAIN SWITCH CONTROL- FRENCH<br>FOR NEXT HIGHER ASM SEE FIGURE 12-81<br>FOR ILLUSTRATION SEE FIGURE 13 |   |   |   | REF            |                |
| - 1                   | 5371671     | . LABEL,METER   |   |   |   | 1              |                |
| - 2                   | 257189      | . NUT,HEX 8-32  |   |   |   | 2              |                |
| - 3                   | 60646       | . LOCKWASHER,INT- 0.168 ID X 0.340 OD   |   |   |   | 2              |                |
| - 4                   | 740608      | . CLOCK,50 HZ   |   |   |   | 2              |                |
| - 4                   | 740503      | . CLOCK,60 HZ   |   |   |   | 2              |                |
| - 5                   | 38235       | . SCREW,MACH 6-32 X .310 LG   |   |   |   | ATT PT         | 4              |
| - 6                   | 56722       | . LOCKWASHER, EXT T .150 ID   |   |   |   | ATT PT         | 4              |
| - 7                   | 257986      | . WASHER,FLAT 0.156ID X .3120D X .035THK  |   |   |   | ATT PT         | 4              |
| - 8                   | 740513      | . SWITCH,PUSH DPDT 250V AC 1 AMP  |   |   |   |                | 1              |
| - 9                   | 38235       | . SCREW,MACH 6-32 X .310 LG   |   |   |   | ATT PT         | 2              |
| - 10                  | 56722       | . LOCKWASHER, EXT T .150 ID   |   |   |   | ATT PT         | 2              |
| - 11                  | 847110      | . KNOB ASM,DIAL O-F   |   |   |   |                | 8              |
| - 12                  | 1981122     | . SWITCH,ROTARY   |   |   |   |                | 8              |
| - 13                  | 824486      | . NUT,HEX .375-32   |   |   |   | ATT PT         | 8              |
| - 14                  | 824489      | . SPACER,SWITCH   |   |   |   | ATT PT         | 8              |
| - 15                  | 1993618     | . PANEL,SWITCH  |   |   |   |                | 1              |
| - 16                  | 257187      | . NUT,HEX DBL CHAMFERED 6-32 X 0.3125 FL W  |   |   |   | ATT PT         | 8              |
| - 17                  | 56722       | . LOCKWASHER, EXT T .150 ID   |   |   |   | ATT PT         | 8              |
| - 18                  | 257986      | . WASHER,FLAT 0.156ID X .3120D X .035THK  |   |   |   | ATT PT         | 8              |
| - 19                  | 824471      | . BUTTON,CHECK RESET  |   |   |   |                | 1              |
| - 19                  | 824561      | . BUTTON,CHECK RESET- GERMAN  |   |   |   |                | 1              |
| - 19                  | 2637412     | . BUTTON,CHECK RESET- FRENCH  |   |   |   |                | 1              |
| - 20                  | 853987      | . BUTTON,CONTROL ADDRESS SET  |   |   |   |                | 1              |
| - 20                  | 2637407     | . BUTTON,CONTROL ADDRESS SET- GERMAN  |   |   |   |                | 1              |
| - 20                  | 2637411     | . BUTTON,CONTROL ADDRESS SET- FRENCH  |   |   |   |                | 1              |
| - 21                  | 483867      | . BUTTON,BLANK  |   |   |   |                | 3              |
| - 22                  | 2495475     | . BUTTON,ENABLE SYSTEM CLEAR  |   |   |   |                | 1              |
| - 22                  | 2637401     | . BUTTON,ENABLE SYSTEM CLEAR- GERMAN  |   |   |   |                | 1              |
| - 22                  | 2637413     | . BUTTON,ENABLE SYSTEM CLEAR- FRENCH  |   |   |   |                | 1              |
| - 23                  | 824468      | . BUTTON,SET IC   |   |   |   |                | 1              |
| - 23                  | 2637406     | . BUTTON,SET IC- GERMAN   |   |   |   |                | 1              |
| - 23                  | 2637408     | . BUTTON,SET IC- FRENCH   |   |   |   |                | 1              |
| - 24                  | 824466      | . BUTTON,DISPLAY  |   |   |   |                | 1              |
| - 24                  | 824566      | . BUTTON,DISPLAY- GERMAN  |   |   |   |                | 1              |
| - 24                  | 5351633     | . BUTTON,DISPLAY- FRENCH  |   |   |   |                | 1              |
| - 25                  | 824467      | . BUTTON,STORE  |   |   |   |                | 1              |
| - 25                  | 2637405     | . BUTTON,STORE- GERMAN  |   |   |   |                | 1              |
| - 25                  | 5364364     | . BUTTON,STORE- FRENCH  |   |   |   |                | 1              |
| - 26                  | 5311440     | . SPRING,BUTTON   |   |   |   |                | 1              |
| - 27                  | 553380      | . SWITCH,PUSH DPDT  |   |   |   |                | 6              |
| - 28                  | 5311437     | . NUT,STEEL 0.469-32 X 0.688 FL W   |   |   |   | ATT PT         | 6              |
| - 29                  | 5311415     | . HOUSING   |   |   |   |                | 9              |
| - 30                  | 483757      | . BUTTON,START  |   |   |   |                | 1              |
| - 30                  | 2637401     | . BUTTON,START- GERMAN  |   |   |   |                | 1              |
| - 30                  | 2637414     | . BUTTON,START- FRENCH  |   |   |   |                | 1              |
| - 31                  | 725791      | . FILTER,RED  |   |   |   |                | 2              |
| - 32                  | 719439      | . LAMP,SWITCH   |   |   |   |                | 4              |
| - 33                  | 719551      | . SWITCH,SENSITIVE 2 SPDT 125V AC 0.2 AMP   |   |   |   |                | 1              |
| - 34                  | 725703      | . HOUSING   |   |   |   |                | 1              |
| - 35                  | 1993663     | . PLATE,SWITCH  |   |   |   |                | 1              |
| - 36                  | 257187      | . NUT,HEX DBL CHAMFERED 6-32 X 0.3125 FL W  |   |   |   | ATT PT         | 4              |
| - 37                  | 56722       | . LOCKWASHER, EXT T .150 ID   |   |   |   | ATT PT         | 4              |
| - 38                  | 257986      | . WASHER,FLAT 0.156ID X .3120D X .035THK  |   |   |   | ATT PT         | 4              |
| - 39                  | 824469      | . BUTTON,SYSTEM RESET   |   |   |   |                | 1              |
| - 39                  | 2637402     | . BUTTON,SYSTEM RESET- GERMAN   |   |   |   |                | 1              |
| - 39                  | 2637409     | . BUTTON,SYSTEM RESET- FRENCH   |   |   |   |                | 1              |
| - 40                  | 2173181     | . BUTTON,RESTART  |   |   |   |                | 1              |
| - 40                  | 2637403     | . BUTTON,RESTART- GERMAN  |   |   |   |                | 1              |
| - 40                  | 2176073     | . BUTTON,RESTART- FRENCH  |   |   |   |                | 1              |
| - 41                  | 824478      | . BUTTON,INTERRUPT- ENGLISH AND FRENCH  |   |   |   |                | 1              |
| - 41                  | 824562      | . BUTTON,INTERRUPT- GERMAN  |   |   |   |                | 1              |
| - 42                  | 824477      | . BUTTON,LOAD   |   |   |   |                | 1              |
| - 42                  | 824560      | . BUTTON,LOAD- GERMAN   |   |   |   |                | 1              |
| - 42                  | 824588      | . BUTTON,LOAD- FRENCH   |   |   |   |                | 1              |
| - 43                  | 553380      | . SWITCH,PUSH DPDT  |   |   |   |                | 4              |
| - 44                  | 5311437     | . NUT,STEEL 0.469-32 X 0.688 FL W   |   |   |   | ATT PT         | 4              |
| - 45                  | 5311415     | . HOUSING   |   |   |   |                | 4              |
| - 46                  | 824492      | . PLATE,SWITCH MTG  |   |   |   |                | 4              |
| - 47                  | 38235       | . SCREW,MACH 6-32 X .310 LG   |   |   |   | ATT PT         | 8              |
| - 48                  | 56722       | . LOCKWASHER, EXT T .150 ID   |   |   |   | ATT PT         | 8              |
| - 49                  | 257986      | . WASHER,FLAT 0.156ID X .3120D X .035THK  |   |   |   | ATT PT         | 8              |

| FIGURE-<br>INDEX<br>NUMBER | PART<br>NUMBER | 1 2 3 4 | DESCRIPTION                                     | UNITS<br>PER<br>ASM. | USABLE<br>ON<br>CODE |
|----------------------------|----------------|---------|---|----------------------|----------------------|
|                            |                |         |   |                      |                      |
| 13 - 50                    | 5350020        |         | . BUTTON,START- ENGLISH AND GERMAN              | 1                    |                      |
| - 50                       | 2637410        |         | . BUTTON,START- FRENCH                          | 1                    |                      |
| - 51                       | 749033         |         | . BUTTON,STOP- ENGLISH GERMAN AND FRENCH        | 1                    |                      |
| - 52                       | 553380         |         | . SWITCH,PUSH DEDT                              | 2                    |                      |
| - 53                       | 5311437        |         | . NUT,STEEL 0.469-32 X 0.688 FL W ATT PT        | 2                    |                      |
| - 54                       | 5311415        |         | . HOUSING                                       | 2                    |                      |
| - 55                       | 1993664        |         | . PLATE,SWITCH                                  | 1                    |                      |
| - 56                       | 38235          |         | . SCREW,MACH 6-32 X .310 LG ATT PT              | 2                    |                      |
| - 57                       | 56722          |         | . LOCKWASHER, EXT T .150 ID ATT PT              | 2                    |                      |
| - 58                       | 257986         |         | . WASHER,FLAT 0.156ID X .3120D X .035THK ATT PT | 2                    |                      |
| - 59                       | 719117         |         | . BUTTON,POWER ON                               | 1                    |                      |
| - 59                       | 5236882        |         | . BUTTON,POWER ON- GERMAN                       | 1                    |                      |
| - 59                       | 824591         |         | . BUTTON,POWER ON- FRENCH                       | 1                    |                      |
| - 60                       | 725791         |         | . FILTER,RED                                    | 2                    |                      |
| - 61                       | 719439         |         | . LAMP,SWITCH                                   | 4                    |                      |
| - 62                       | 719551         |         | . SWITCH,SENSITIVE 2 SPDT 125V AC 0.2 AMP       | 1                    |                      |
| - 63                       | 725703         |         | . HOUSING                                       | 1                    |                      |
| - 64                       | 824492         |         | . PLATE,SWITCH MTG                              | 1                    |                      |
| - 65                       | 38235          |         | . SCREW,MACH 6-32 X .310 LG ATT PT              | 2                    |                      |
| - 66                       | 56722          |         | . LOCKWASHER, EXT T .150 ID ATT PT              | 2                    |                      |
| - 67                       | 257986         |         | . WASHER,FLAT 0.156ID X .3120D X .035THK ATT PT | 2                    |                      |
| - 68                       | 725348         |         | . SWITCH,TOGGLE-DEDT                            | 1                    |                      |
| - 68A                      | 179743         |         | . NUT,HEX,TOGGLE SWITCH- 15/32-32               | 1                    |                      |
| - 69                       | 1993662        |         | . PLATE,MOUNTING                                | 1                    |                      |
| - 70                       | 38235          |         | . SCREW,MACH 6-32 X .310 LG ATT PT              | 2                    |                      |
| - 71                       | 56722          |         | . LOCKWASHER, EXT T .150 ID ATT PT              | 2                    |                      |
| - 72                       | 257986         |         | . WASHER,FLAT 0.156ID X .3120D X .035THK ATT PT | 2                    |                      |
| - 73                       | 824476         |         | . BUTTON,POWER OFF                              | 1                    |                      |
| - 73                       | 824569         |         | . BUTTON,POWER OFF- GERMAN                      | 1                    |                      |
| - 73                       | 824587         |         | . BUTTON,POWER OFF- FRENCH                      | 1                    |                      |
| - 74                       | 2588009        |         | . PLUNGER,BUTTON                                | 1                    |                      |
| - 75                       | 483576         |         | . SWITCH,PUSHBUTCN                              | 1                    |                      |
| - 76                       | 5311415        |         | . HOUSING                                       | 1                    |                      |
| - 77                       | 824492         |         | . PLATE,SWITCH MTG                              | 1                    |                      |
| - 78                       | 38235          |         | . SCREW,MACH 6-32 X .310 LG ATT PT              | 2                    |                      |
| - 79                       | 56722          |         | . LOCKWASHER, EXT T .150 ID ATT PT              | 2                    |                      |
| - 80                       | 257986         |         | . WASHER,FLAT 0.156ID X .3120D X .035THK ATT PT | 2                    |                      |
| - 81                       | 5499812        |         | . INDICATOR ASM,CLEAR- 4.5V                     | 4                    |                      |
| - 82                       | 5499811        |         | . INDICATOR ASM,AMBER- 4.5V                     | 1                    |                      |
| - 83                       | 5353888        |         | . HOUSING                                       | 5                    |                      |
| - 84                       | 1993617        |         | . PANEL ASM,MAIN SWITCH CONTROL                 | 1                    |                      |
| - 84                       | 1993641        |         | . PANEL ASM,MAIN SWITCH CONTROL- GERMAN         | 1                    |                      |
| - 84                       | 1993635        |         | . PANEL ASM,MAIN SWITCH CONTROL- FRENCH         | 1                    |                      |
|                            |                |         |   |                      |                      |
|                            |                |         |   |                      |                      |
|                            |                |         |   |                      |                      |
|                            |                |         |   |                      |                      |
|                            |                |         |   |                      |                      |
|                            |                |         |   |                      |                      |
|                            |                |         |   |                      |                      |
|                            |                |         |   |                      |                      |
|                            |                |         |   |                      |                      |
|                            |                |         |   |                      |                      |
|                            |                |         |   |                      |                      |

FOR PARTS  
NOT SHOWN  
SEE FIG. 10  
SHEET 2

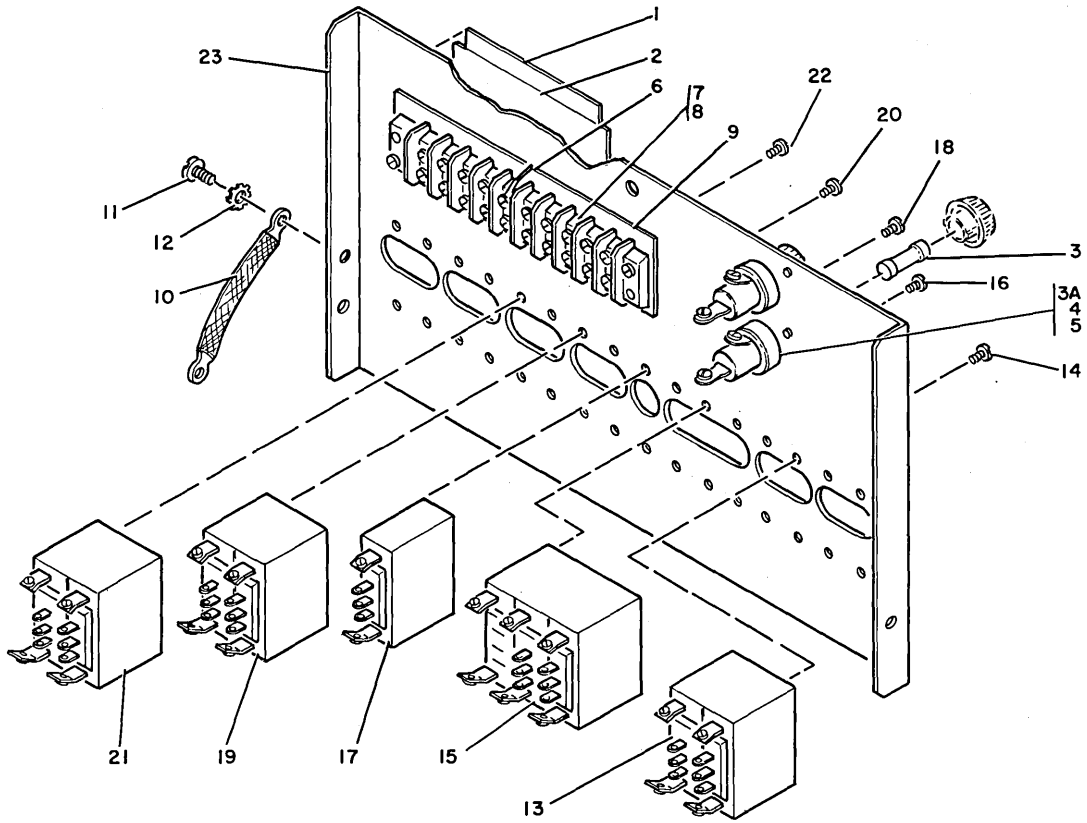


FIGURE 14. CIRCUIT PROTECTOR PANEL ASSEMBLY- STAGE 1. SEE LIST 14.

| LIST AND<br>INDEX<br>NUMBER | PART<br>NUMBER | DESCRIPTION   |   |   |   | UNITS<br>PER<br>ASM. | USABLE<br>ON<br>CODE |
|-----------------------------|----------------|---|---|---|---|----------------------|----------------------|
|                             |                | 1   | 2 | 3 | 4 |                      |                      |
|                             |                | CIRCUIT PROTECTOR PANEL ASSEMBLY- STAGE 1   |   |   |   |                      |                      |
| 14 -                        | 1993116        | CIRCUIT PROTECTOR PANEL ASM<br>FOR NEXT HIGHER ASM SEE FIGURE 10-75<br>FOR ILLUSTRATION SEE FIGURE 14 |   |   |   | REF                  |                      |
| - 1                         | 2542402        | . LABEL, FUSE RATING  |   |   |   | 1                    |                      |
| - 2                         | 2542403        | . LABEL, FUSE WARNING   |   |   |   | 1                    |                      |
| - 3                         | 252590         | . FUSE- 0.600 AMPS  |   |   |   | 1                    |                      |
| - 3A                        | 92734          | . FUSE, CARTRIDGE- 2AMP   |   |   |   | 1                    |                      |
| - 4                         | 104615         | . FUSEHOLDER  |   |   |   | 2                    |                      |
| - 5                         | 24752          | . SCREW   |   |   |   | 4                    | ATT PT               |
| - 6                         | 596458         | . JUMPER, BRASS   |   |   |   | 6                    |                      |
| - 7                         | 323844         | . BLOCK, TERMINAL 9 POSITION  |   |   |   | 1                    |                      |
| - 8                         | 25627          | . SCREW, MACH BD HD- 8-32 X 0.500 LG  |   |   |   | 4                    | ATT PT               |
| - 9                         | 730439         | . PLATE, DESIGNATION 9 POS  |   |   |   | 1                    |                      |
| - 10                        | 518611         | . JUMPER ASM  |   |   |   | 1                    |                      |
| - 11                        | 236849         | . SCREW, MACH BD HD- 10-32 X 1/4 LG   |   |   |   | 1                    | ATT PT               |
| - 12                        | 56079          | . WASHER LOCK, EXT T .204 ID .410 OD  |   |   |   | 1                    | ATT PT               |
| - 13                        | 1993161        | . PROTECTOR, CIRCUIT- 15 AMPS 250VAC  |   |   |   | 2                    |                      |
| - 14                        | 55726          | . SCREW, MACH BD HD- 6-32 X 0.188 LG  |   |   |   | 8                    | ATT PT               |
| - 15                        | 1993167        | . PROTECTOR, CIRCUIT-SPECIAL 3 POLE   |   |   |   | 1                    |                      |
| - 16                        | 55726          | . SCREW, MACH BD HD- 6-32 X 0.188 LG  |   |   |   | 6                    | ATT PT               |
| - 17                        | 1993165        | . PROTECTOR, CIRCUIT- 2 AMPS  |   |   |   | 1                    |                      |
| - 18                        | 55726          | . SCREW, MACH BD HD- 6-32 X 0.188 LG  |   |   |   | 2                    | ATT PT               |
| - 19                        | 1993612        | . PROTECTOR, CIRCUIT- 3 AMPS<br>USED WITH SX4 FEATURE   |   |   |   | 1                    |                      |
| - 20                        | 55726          | . SCREW, MACH BD HD- 6-32 X 0.188 LG  |   |   |   | 4                    | ATT PT               |
| - 21                        | 2630454        | . PANEL, CIRCUIT PROTECTOR<br>USED WITH 112K, 160K, 208K OR 256K FEATURE                              |   |   |   | AR                   |                      |
| - 22                        | 55726          | . SCREW, MACH BD HD- 6-32 X 0.188 LG  |   |   |   | AR                   | ATT PT               |
| - 23                        | 1993117        | . PANEL, CIRCUIT PROTECTOR  |   |   |   | 1                    |                      |

FOR PARTS  
NOT SHOWN  
SEE FIG. 11  
SHEET 2

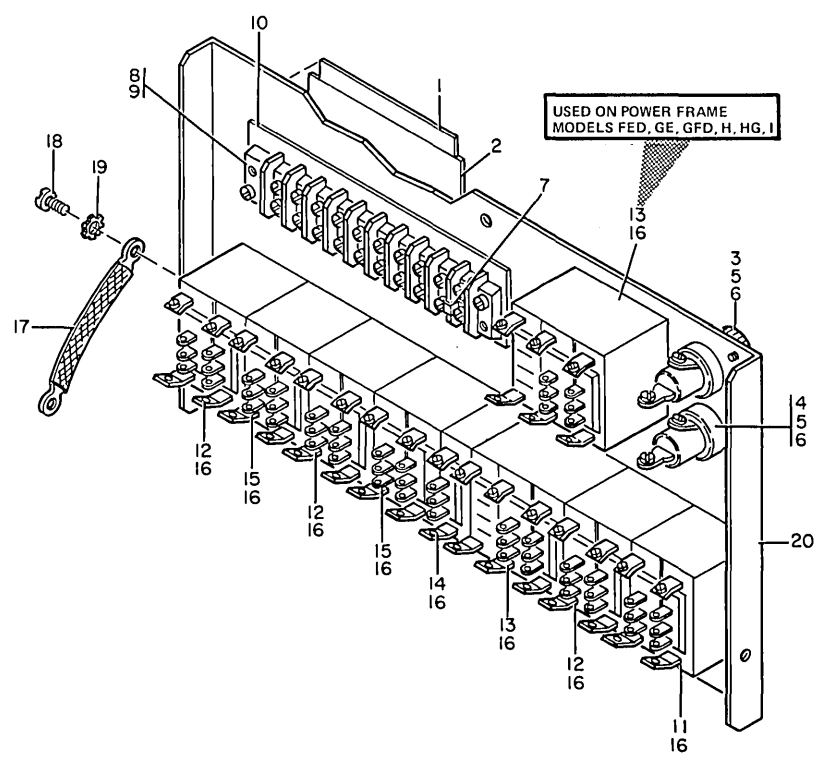
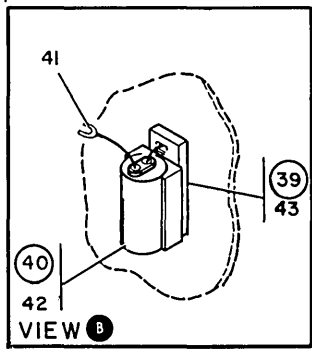


FIGURE 15. CIRCUIT PROTECTOR PANEL ASSEMBLY- STAGE 2. SEE LIST 15.

| LIST AND INDEX NUMBER | PART NUMBER | DESCRIPTION   |   |        |    | UNITS PER ASM. | USABLE ON CODE |
|-----------------------|-------------|---|---|--------|----|----------------|----------------|
|                       |             | 1   | 2 | 3      | 4  |                |                |
|                       |             | CIRCUIT PROTECTOR PANEL ASSEMBLY- STAGE 2   |   |        |    |                |                |
| 15 -                  | 2641118     | CIRCUIT PROTECTOR PANEL ASSEMBLY<br>USED ON POWER FRAME<br>MODELS FED, GE, GFD, H, HG, I  |   |        |    | REF            |                |
| -                     | 1801082     | CIRCUIT PROTECTOR PANEL ASSEMBLY<br>USED ON POWER FRAME<br>MODELS H2, HG2, I2, IH2, J2<br>FOR NEXT HIGHER ASM SEE FIGURE 11-154<br>FOR ILLUSTRATION SEE FIGURE 15 |   |        |    | REF            |                |
| - 1                   | 2522402     | . LABEL, FUSE RATING  |   |        |    | 1              |                |
| - 2                   | 2522403     | . LABEL, FUSE WARNING   |   |        |    | 1              |                |
| - 3                   | 252590      | . FUSE- 0.600 AMPS  |   |        |    | 1              |                |
| - 4                   | 92734       | . FUSE- 2 AMPS  |   |        |    | 1              |                |
| - 5                   | 104615      | . FUSEHOLDER  |   |        |    | 2              |                |
| - 6                   | 24752       | . SCREW, MACH FIL H- 8-32 X 0.3125 LG   |   | ATT PT | 4  |                |                |
| - 7                   | 730468      | . JUMPER, BRASS   |   |        |    | 6              |                |
| - 8                   | 323844      | . BLOCK, TERMINAL- 9 POS  |   |        |    | 1              |                |
| - 9                   | 25627       | . SCREW, MACH BD HD- 8-32 X 0.500 LG  |   | ATT PT | 4  |                |                |
| - 10                  | 730439      | . PLATE, DESIGNATION- 9 POS   |   |        |    | 1              |                |
| - 11                  | 2630454     | . PROTECTOR, CIRCUIT- 250V 5A   |   |        |    | 1              |                |
| - 12                  | 2630455     | . PROTECTOR, CIRCUIT- 250V 6A   |   |        |    | 3              |                |
| - 13                  | 2630456     | . PROTECTOR, CIRCUIT- 250V 30A  |   |        |    | 2              |                |
| - 14                  | 1993041     | . PROTECTOR, CIRCUIT- 250V 0.75A  |   |        |    | 1              |                |
| - 15                  | 2630452     | . PROTECTOR, CIRCUIT- 250V 8A   |   |        |    | 2              |                |
| - 16                  | 55726       | . SCREW, MACH BD HD- 6-32 X 0.188 LG  |   | ATT PT | 36 |                |                |
| - 17                  | 51811       | . JUMPER ASM  |   |        |    | 1              |                |
| - 18                  | 236849      | . SCREW, MACH BD HD- 10-32 X 0.250 LG   |   | ATT PT | 1  |                |                |
| - 19                  | 56079       | . LOCKWASHER, EXT T- 0.204 ID X 0.410 OD  |   | ATT PT | 1  |                |                |
| - 20                  | 2641116     | . PANEL, CIRCUIT PROTECTOR<br>USED ON POWER FRAME<br>MODELS FED, GE, GFD, H, HG, AND I  |   |        |    | 1              |                |

| LIST AND INDEX NUMBER | PART NUMBER | DESCRIPTION<br>1 2 3 4  | UNITS PER ASM. | USABLE ON CODE |
|-----------------------|-------------|---|----------------|----------------|
| 15 - 20               | 1801074     | . PANEL,CIRCUIT PROTECTOR<br>USED ON POWER FRAME<br>MODELS H2,HG2,I2,TH2,AND J2 | 1              |                |
|                       |             |   |                |                |
|                       |             |   |                |                |
|                       |             |   |                |                |
|                       |             |   |                |                |
|                       |             |   |                |                |
|                       |             |   |                |                |
|                       |             |   |                |                |
|                       |             |   |                |                |
|                       |             |   |                |                |
|                       |             |   |                |                |
|                       |             |   |                |                |
|                       |             |   |                |                |
|                       |             |   |                |                |
|                       |             |   |                |                |
|                       |             |   |                |                |
|                       |             |   |                |                |
|                       |             |   |                |                |
|                       |             |   |                |                |
|                       |             |   |                |                |
|                       |             |   |                |                |
|                       |             |   |                |                |
|                       |             |   |                |                |
|                       |             |   |                |                |
|                       |             |   |                |                |
|                       |             |   |                |                |
|                       |             |   |                |                |
|                       |             |   |                |                |
|                       |             |   |                |                |
|                       |             |   |                |                |
|                       |             |   |                |                |
|                       |             |   |                |                |



FOR PARTS  
NOT SHOWN  
SEE FIG. 10  
SHEET 1

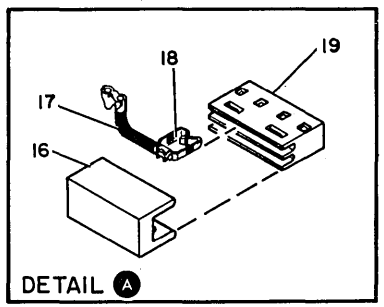
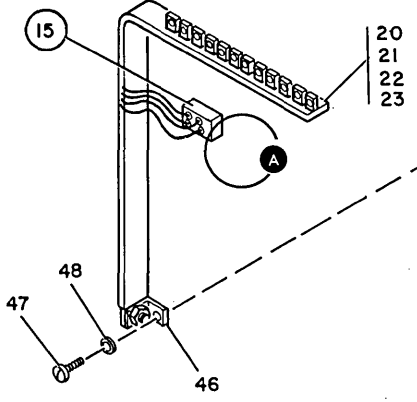
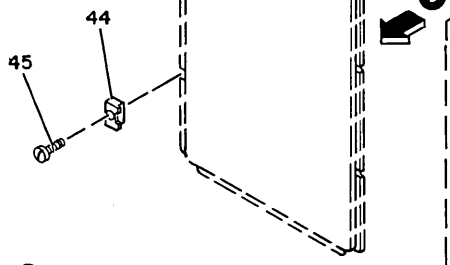
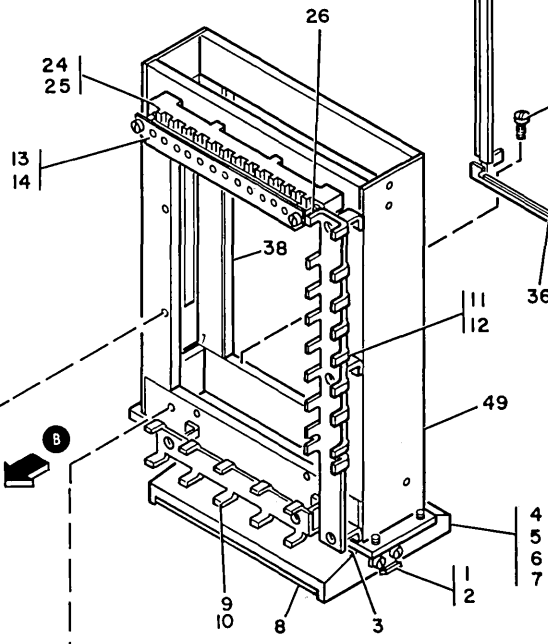
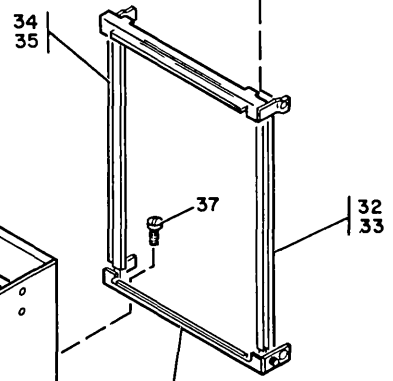
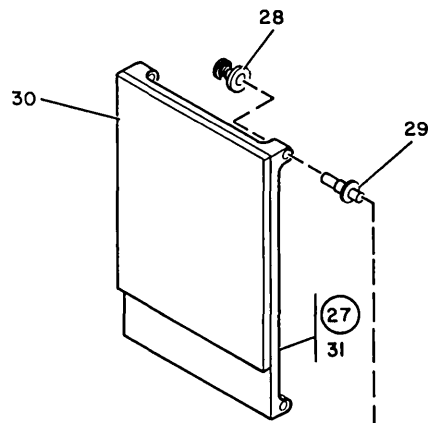


FIGURE 16. MIXER BOARD ASSEMBLY- STAGE 1. SEE LIST 16.

| LIST AND INDEX NUMBER | PART NUMBER | DESCRIPTION   | UNITS PER ASM. | USABLE ON CODE |
|-----------------------|-------------|---|----------------|----------------|
|                       |             | 1 2 3 4   |                |                |
|                       |             | MIXER BOARD ASSEMBLY- STAGE 1   |                |                |
| 16 -                  | 1993075     | MIXER BOARD ASM<br>FOR NEXT HIGHER ASM SEE FIGURE 10-25<br>FOR ILLUSTRATION SEE FIGURE 16 | REF            |                |
| - 1                   | 5349887     | . STRIKE  | 1              |                |
| - 2                   | 5357136     | . SCREW,PAN HD- 4-40 X .187 LG ATT PT   | 2              |                |
| - 3                   | 599557      | . SEAL  | AR             |                |
| - 4                   | 5740050     | . HEADER,BOARD  | 1              |                |
| - 5                   | 34512       | . SCREW,MACH BD HD- 8-32 X 0.375 LG ATT PT  | 4              |                |
| - 6                   | 55901       | . LOCKWASHER,EXTERNAL TOOTH 0.176 ID X 0.3 ATT PT   | 4              |                |
| - 7                   | 22478       | . WASHER,FL 0.170 ID 0.375 OD 0.032 THK ATT PT  | 4              |                |
| - 8                   | 349736      | . SEAL  | AR             |                |
| - 9                   | 1981361     | . RACEWAY,SHORT   | 1              |                |
| - 10                  | 58207       | . SCREW,MACH BD HD- 6-32 X 0.250 LG ATT PT  | 2              |                |
| - 11                  | 1981362     | . RACEWAY, LONG   | 1              |                |
| - 12                  | 58207       | . SCREW,MACH BD HD- 6-32 X 0.250 LG ATT PT  | 3              |                |
| - 13                  | 1993375     | . COVER ASM   | 1              |                |
| - 14                  | 5312043     | . SCREW,MACH BH 6-32 X 1/4 LG ATT PT  | 2              |                |
| - 15                  | 811483      | . CROSSOVER ASSEMBLY,VOLTAGE BUS TO BD  | 5              |                |
| - 16                  | 813802      | . . COVER,VOLTAGE CROSSOVER   | 1              |                |
| - 17                  | 811485      | . . CONTACT ASM   | 2              |                |
| - 17                  | 811495      | . . CONTACT ASSEMBLY  | 2              |                |
| - 18                  | 813681      | . . . CONTACT,MINIATURE,BUS   | 1              |                |
| - 19                  | 813801      | . . HOUSING   | 1              |                |
| - 20                  | 811525      | . BUS ASM,VERT  | 1              |                |
| - 21                  | 438550      | . SCREW,MACH BD HD- 4-40 X 0.500 LG ATT PT  | 1              |                |
| - 22                  | 257985      | . WASHER,PLAIN 0.125 ID X 0.250 OD ATT PT   | 1              |                |
| - 23                  | 37913       | . NUT,JAM HEX- 4-40 X 0.250 FL W ATT PT   | 1              |                |
| - 24                  | 815151      | . SCREW,BD HD- 8-32 X .375 LG   | 12             |                |
| - 25                  | 811476      | . TERMINAL BLOCK ASSEMBLY   | 1              |                |
| - 26                  | 811536      | . STANDOFF ATT PT   | 2              |                |
| - 27                  | 2630044     | . CARD COVER ASM  | 1              |                |
| - 28                  | 815963      | . . CATCH,PULL  | 4              |                |
| - 29                  | 815964      | . . CATCH   | 4              |                |
| - 30                  | 2630045     | . . BACKING,FOAM CARD COVER   | 1              |                |
| - 31                  | 811864      | . . COVER   | 1              |                |
| - 32                  | 811881      | . RETAINER ASSEMBLY   | 2              |                |
| - 33                  | 10170       | . SCREW,MACH BD HD- NO. 6-32 X .250 LG ATT PT   | 4              |                |
| - 34                  | 811851      | . BRACKET,HINGE UPPER   | 1              |                |
| - 35                  | 811426      | . SCREW,MACH PAN HD 6-32 X 0.375 IN. LG ATT PT  | 2              |                |
| - 36                  | 811850      | . BRACKET,HINGE LOWER   | 1              |                |
| - 37                  | 811426      | . SCREW,MACH PAN HD 6-32 X 0.375 IN. LG ATT PT  | 2              |                |
| - 38                  | 811442      | . SEAL  | 2              |                |
| - 39                  | 816954      | . CAPACITOR ASM   | 2              |                |
| - 40                  | 816953      | . . CAPACITOR CONNECTOR ASM   | 1              |                |
| - 41                  | 816941      | . . . CONNECTOR,DECOUPLING  | 2              |                |
| - 42                  | 816933      | . . . CAPACITOR,FXD ELECT- 1000UF P100M10% 8V   | 1              |                |
| - 43                  | 816952      | . . HOUSING,CAPACITOR   | 1              |                |
| - 44                  | 813179      | . CLAMP,BOARD   | 8              |                |
| - 45                  | 811417      | . SCREW,HEX SOCKET HD 6-32 X 0.500 LG ATT PT  | 8              |                |
| - 46                  | 811742      | . SUPPORT   | 1              |                |
| - 47                  | 811426      | . SCREW,MACH PAN HD 6-32 X 0.375 IN. LG ATT PT  | 1              |                |
| - 48                  | 257986      | . WASHER,FLAT 0.156ID X .312OD X .035THK ATT PT   | 1              |                |
| - 49                  | 2630040     | . GATE,MIXER BOARD  | 1              |                |

FOR PARTS  
NOT SHOWN  
SEE FIG. 11  
SHEET 1

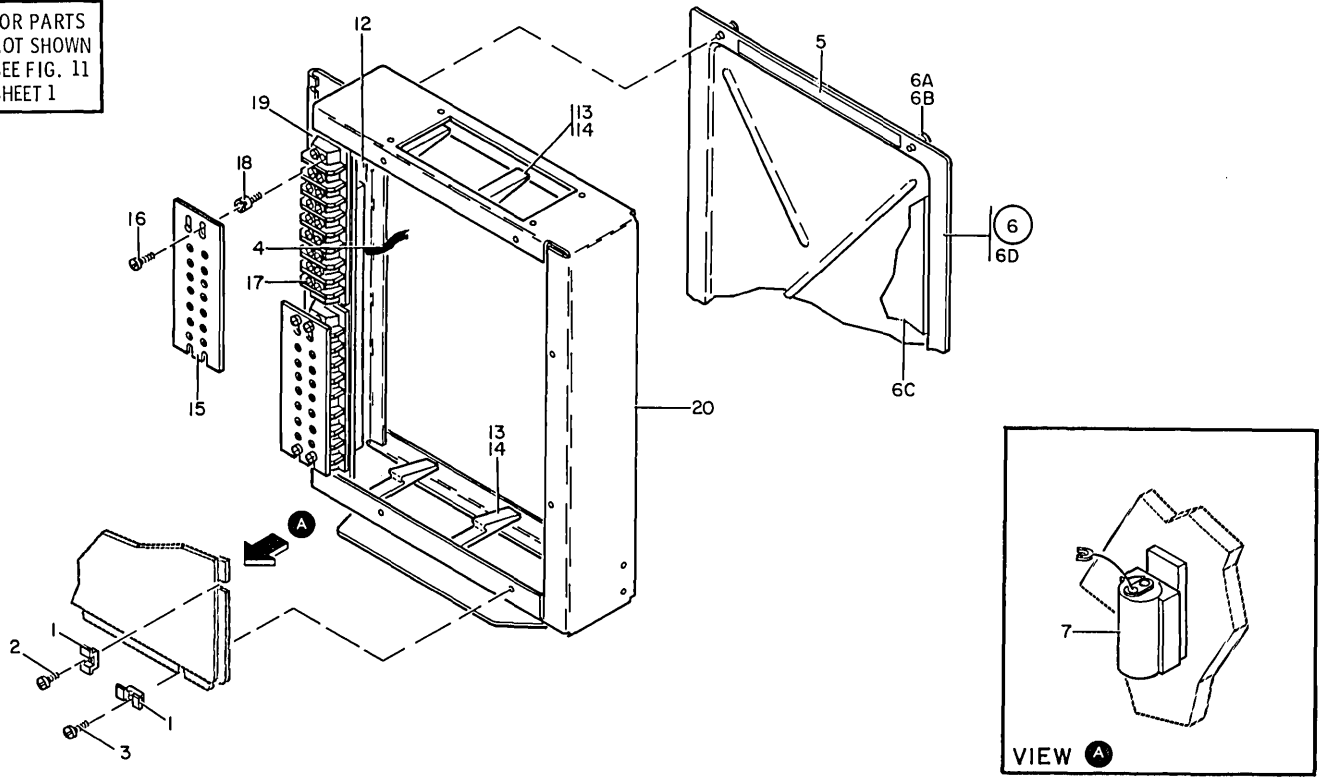


FIGURE 17. MIXER BOARD ASSEMBLY- STAGE 2. SEE LIST 17.

| LIST AND INDEX NUMBER | PART NUMBER | DESCRIPTION  | UNITS PER ASM. |   |        |   | USABLE ON CODE |
|-----------------------|-------------|--|----------------|---|--------|---|----------------|
|                       |             |  | 1              | 2 | 3      | 4 |                |
|                       |             | MIXER BOARD ASSEMBLY, STAGE-2  |                |   |        |   |                |
| 17 -                  | 2641154 NP  | MIXER BOARD ASSEMBLY, STAGE- 2<br>FOR NEXT HIGHER ASM SEE FIGURE 11-31<br>FOR ILLUSTRATION SEE FIGURE 17 |                |   |        |   | REF            |
| - 1                   | 813179      | . CLAMP, BOARD   |                |   |        |   | 8              |
| - 2                   | 811417      | . SCREW, HEX SOCKET HD 6-32 X 0.500 LG   |                |   | ATT PT |   | 4              |
| - 3                   | 2181088     | . SCREW, THD FORMING- 6-32 X 0.875 LG  |                |   | ATT PT |   | 4              |
| - 4                   | 2641324     | . CABLE ASM TB 404 AND 405 TO MIXER BD   |                |   |        |   | 1              |
| - 5                   | E25880      | . TAPE, FOAM   |                |   |        |   | 1              |
| - 6                   | 2180744     | . COVER ASM, GATE  |                |   |        |   | 1              |
| - 6A                  | 2178597     | . . STUD   |                |   |        |   | 2              |
| - 6B                  | 2180733     | . . CATCH  |                |   |        |   | 2              |
| - 6C                  | 2180727     | . . BACKING, FOAM  |                |   |        |   | 1              |
| - 6D                  | 2180974     | . . COVER  |                |   |        |   | 1              |
| - 7                   | 816954      | . CAPACITOR ASM  |                |   |        |   | 2              |
| - 12                  | 2239035     | . STRIP, CLAMP   |                |   |        |   | 1              |
| - 13                  | 2180972     | . CLAMP, PADDLE CONNECTOR  |                |   |        |   | 2              |
| - 14                  | 344015      | . NUT, HEX- 6-32   |                |   | ATT PT |   | 4              |
| - 15                  | 188696      | . SHIELD, TB- 8 POS  |                |   |        |   | 2              |
| - 16                  | 1127733     | . SCREW, MACH SLTD HD 6-32 X 1/4 LG  |                |   | ATT PT |   | 4              |
| - 17                  | 315956      | . BLOCK, 8 DBL SCREW TERMINAL  |                |   |        |   | 2              |
| - 18                  | 210883      | . STUD, SHIELD MTG TAPPED NO. 6-32   |                |   | ATT PT |   | 4              |
| - 19                  | 315957      | . STRIP, MARKER TERM BD 8 POS 1 THRU 8   |                |   |        |   | 2              |
| - 20                  | 2239001     | . FRAME, GATE  |                |   |        |   | 1              |



FOR PARTS  
NOT SHOWN  
SEE FIG. 10  
SHEET 1

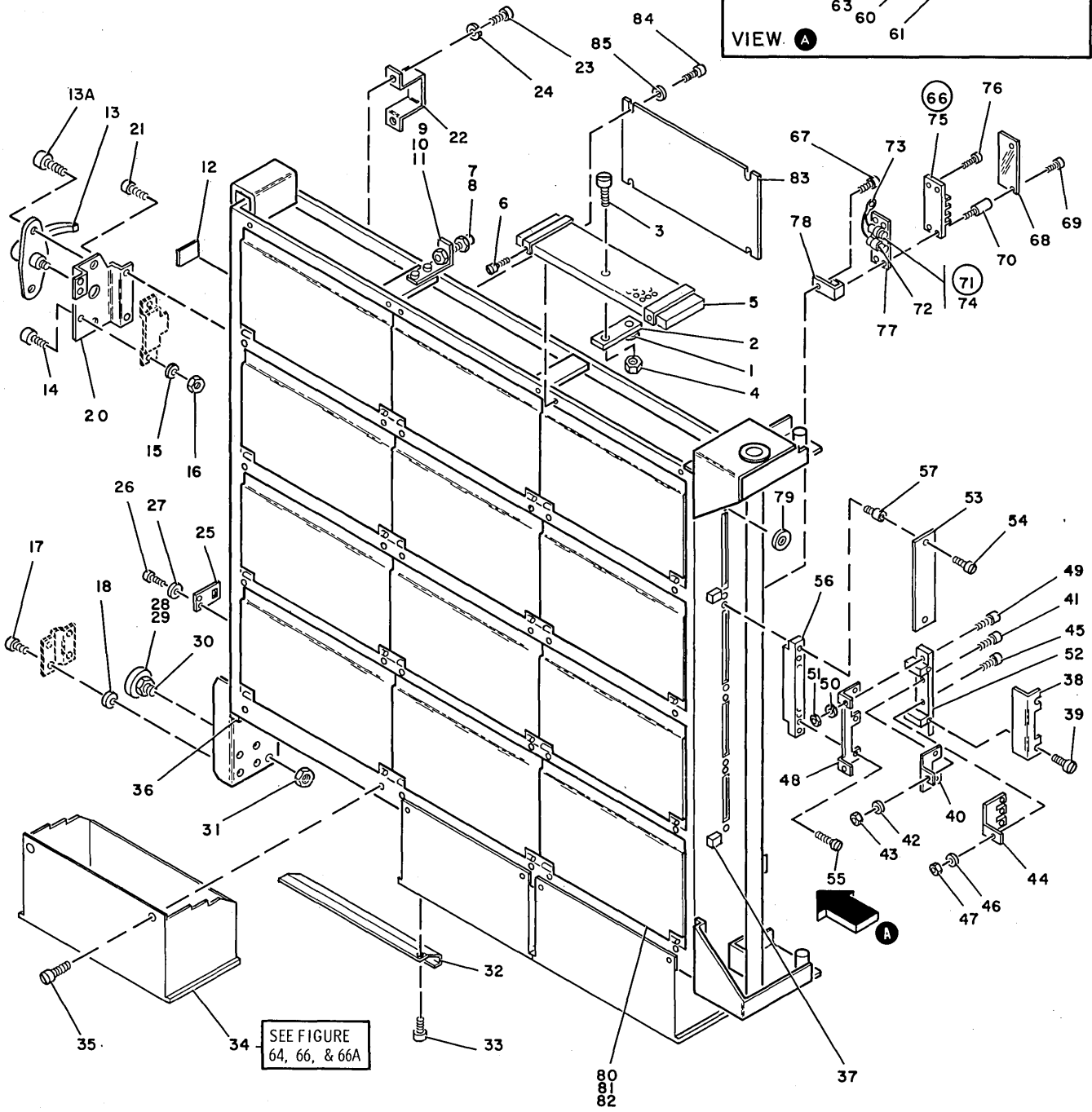
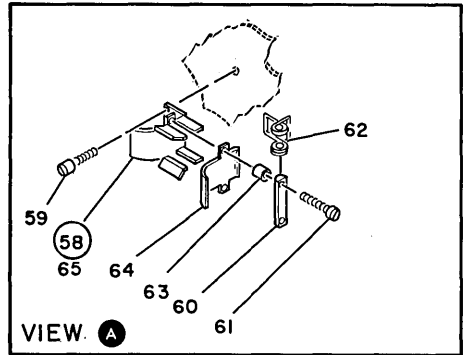


FIGURE 18. A GATE ASSEMBLY- STAGE 1. SHEET 1 OF 2. NOS. 1-85. SEE LIST 18.

| LIST AND INDEX NUMBER | PART NUMBER | DESCRIPTION  | UNITS    | USABLE  |
|-----------------------|-------------|--|----------|---------|
|                       |             |  | PER ASM. | ON CODE |
|                       |             | A GATE ASSEMBLY, STAGE- 1  |          |         |
| 18 -                  | 1993070     | A GATE ASM, STAGE- 1<br>FOR NEXT HIGHER ASM SEE FIGURE 10-39<br>FOR ILLUSTRATION SEE FIGURE 18             | REF      |         |
| - 1                   | 1993946     | . SWITCH ASM, A GATE   | 3        |         |
| - 2                   | 1993366     | . CLIP, THERMAL SWITCH   | 3        |         |
| - 3                   | 10170       | . SCREW, MACH BD HD- NO. 6-32 X .250 LG  | ATT PT   | 3       |
| - 4                   | 257187      | . NUT, HEX DBL CHAMFERED 6-32 X 0.3125 FL W  | ATT PT   | 3       |
| - 5                   | 1985685     | . SCREEN, GATE TOP   |          | 3       |
| - 6                   | 731626      | . SCREW, PAN HD 6-32 X 1/4 LG  | ATT PT   | 6       |
| - 7                   | 255939      | . SCREW, BUMPER ADJ 1/4-20 X 1-3/16 LG   |          | 1       |
| - 8                   | 3960        | . NUT, PLAIN HEX 1/4-20 X 7/16 FL W  |          | 1       |
| - 9                   | 1993073     | . BRACKET, GATE BUMPER   |          | 1       |
| - 10                  | 186758      | . SCREW, MACH BD HD 8-32 X 0.437 LG  | ATT PT   | 2       |
| - 11                  | 1090873     | . LOCKWASHER, SPLIT 0.168 ID X 0.296 OD  | ATT PT   | 2       |
| - 12                  | 2630001     | . LABEL, CPU A GATE  |          | 1       |
| - 13                  | 1993072     | . LATCH, GATE  |          | 1       |
| - 13A                 | 38451       | . SCREW, FL HD- 8-32 X 0.250 LG  | ATT PT   | 2       |
| - 14                  | 251970      | . SCREW, MACH BD HD- 4-40 X 0.250 LG   | ATT PT   | 4       |
| - 15                  | 257984      | . WASHER, SPLIT RING .115 ID .212 OD   | ATT PT   | 4       |
| - 16                  | 37913       | . NUT, JAM HEX- 4-40 X 0.250 FL W  | ATT PT   | 4       |
| - 17                  | 438548      | . SCREW, MACH BD HD- 4-40 X .188 LG  | ATT PT   | 8       |
| - 18                  | 257986      | . WASHER, FLAT 0.156 ID X .312 OD X .035 THK   | ATT PT   | 4       |
| - 20                  | 1981192     | . BRACKET, LATCH   |          | 1       |
| - 21                  | 731626      | . SCREW, PAN HD 6-32 X 1/4 LG  | ATT PT   | 4       |
| - 22                  | 1993674     | . BRACKET, STOP-A GATE LOWER   |          | 1       |
| - 23                  | 28413       | . SCREW, MACH BD HD- 10-32 X 5/16 LG   | ATT PT   | 2       |
| - 24                  | 9092        | . LOCKWASHER, SPLIT RING, .194 ID .337 OD  | ATT PT   | 2       |
| - 25                  | 1993394     | . PLATE, GATE LATCH  |          | 1       |
| - 26                  | 58207       | . SCREW, MACH BD HD- 6-32 X 0.250 LG   | ATT PT   | 2       |
| - 27                  | 1090873     | . LOCKWASHER, SPLIT 0.168 ID X 0.296 OD  | ATT PT   | 2       |
| - 28                  | 204210      | . ROLLER, GATE SUPPORT   |          | 1       |
| - 29                  | 139766      | . CLIP, RETAINING- 0.281 ID X 0.020 THK  | ATT PT   | 1       |
| - 30                  | 1981184     | . STUD, GATE GUIDE   |          | 1       |
| - 31                  | 325149      | . NUT, ELASTIC STOP- 0.375-16  | ATT PT   | 1       |
| - 32                  | 1993322     | . ADAPTER ASM, COOLING UNIT  |          | 3       |
| - 33                  | 28413       | . SCREW, MACH BD HD- 10-32 X 5/16 LG   | ATT PT   | 9       |
| - 34                  | 1993581     | . COOLING UNIT ASM, GATE- 50HZ   |          | 3       |
| - 34                  | 1993582     | . COOLING UNIT ASM, GATE- 60HZ   |          | 3       |
| - 34                  | 1573500     | FOR DETAIL BREAKDOWN SEE FIGURE 64<br>. COOLING UNIT ASSEMBLY, 60 HZ<br>FOR DETAIL BREAKDOWN SEE FIGURE 66 |          | 3       |
| - 34                  | 5548306     | . COOLING UNIT ASSEMBLY- 60 HZ (OPTIONAL)  |          | 3       |
| - 34                  | 1574816     | . COOLING UNIT ASSEMBLY- 60 HZ NON PCB (OPTIONAL)<br>FOR DETAIL BREAKDOWN SEE FIGURE 66A                   |          | 3       |
| - 34                  | 1574900     | . COOLING UNIT ASSEMBLY- 60 HZ NON PCB<br>FOR DETAIL BREAKDOWN SEE FIGURE 66                               |          | 3       |
| - 35                  | 28413       | . SCREW, MACH BD HD- 10-32 X 5/16 LG   | ATT PT   | 9       |
| - 36                  | 838480      | . SEAL, PLENUM   |          | AR      |
| - 37                  | 1985817     | . SEAL, GATE CABLE   |          | 2       |
| - 38                  | 1994803     | . SHIELD, SAFETY   |          | 4       |
| - 39                  | 322562      | . SCREW, MACH BD HD- 10-32 X 2.000 LG  | ATT PT   | 8       |
| - 40                  | 1993137     | . STRIP, VOLTAGE- 3V A GATE  |          | 4       |
| - 41                  | 59647       | . SCREW, SLOTTED HEX HD- 1/4-20 X 1.00 LG  | ATT PT   | 4       |
| - 42                  | 76574       | . LOCKWASHER, EXT TEETH .250   | ATT PT   | 4       |
| - 43                  | 3960        | . NUT, PLAIN HEX 1/4-20 X 7/16 FL W  | ATT PT   | 4       |
| - 44                  | 1993136     | . STRIP, VOLTAGE- 1.25V A GATE   |          | 4       |
| - 45                  | 59647       | . SCREW, SLOTTED HEX HD- 1/4-20 X 1.00 LG  | ATT PT   | 4       |
| - 46                  | 76574       | . LOCKWASHER, EXT TEETH .250   | ATT PT   | 4       |
| - 47                  | 3960        | . NUT, PLAIN HEX 1/4-20 X 7/16 FL W  | ATT PT   | 4       |
| - 48                  | 1993135     | . STRIP, GROUND  |          | 4       |
| - 49                  | 101706      | . SCREW, SLOTTED HEX HD- 10-32 X 0.750 LG  | ATT PT   | 8       |
| - 50                  | 56279       | . WASHER LOCK, EXT T .204 ID .410 OD   | ATT PT   | 8       |
| - 51                  | 11598       | . NUT, PLAIN HEX 10-32   | ATT PT   | 8       |
| - 52                  | 1993134     | . SUPPORT, TERMINAL  |          | 4       |
| - 53                  | 816746      | . SHIELD, SAFETY   |          | 4       |
| - 54                  | 5312043     | . SCREW, MACH RH 6-32 X 1/4 LG   | ATT PT   | 8       |
| - 55                  | 815151      | . SCREW, BD HD- 8-32 X .375 LG   |          | 80      |
| - 56                  | 816744      | . BLOCK, TERMINAL  |          | 4       |
| - 57                  | 816743      | . STANDOFF   | ATT PT   | 8       |
| - 58                  | 816968      | . CLAMP ASM, CABLE   |          | 5       |
| - 59                  | 58207       | . SCREW, MACH BD HD- 6-32 X 0.250 LG   | ATT PT   | 10      |
| - 60                  | 816986      | . . BAR, SPRING  |          | 1       |
| - 61                  | 815174      | . . SCREW  | ATT PT   | 2       |
| - 62                  | 813321      | . . SPRING   |          | 1       |
| - 63                  | 815219      | . . SPACER, 0.180 ID X 0.280 OD X .230 LG  |          | 2       |
| - 64                  | 816921      | . . PLATE, CABLE CLAMP FRONT   |          | 1       |



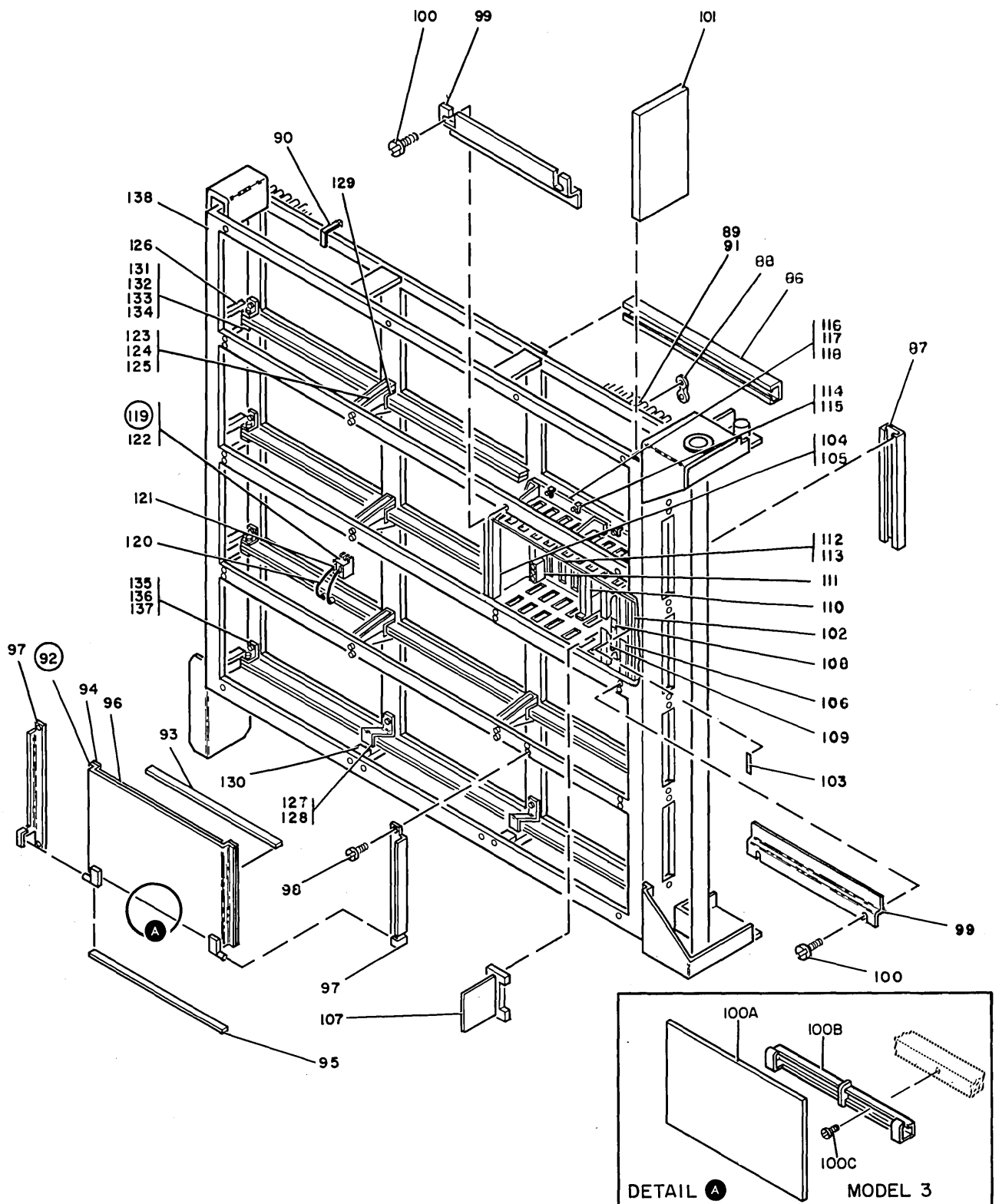


FIGURE 18. A GATE ASSEMBLY- STAGE 1. SHEET 2 OF 2. NOS. 86-138. SEE LIST 18.

A GATE ASSEMBLY-STAGE 1

| FIGURE-<br>INDEX<br>NUMBER | PART<br>NUMBER | DESCRIPTION |   |        |   | UNITS<br>PER<br>ASM. | USABLE<br>ON<br>CODE |
|----------------------------|----------------|-------------|---|--------|---|----------------------|----------------------|
|                            |                | 1           | 2   | 3      | 4 |                      |                      |
| 18 - 86                    | 2630286        | .           | COVER,CABLE RACK-VERTICAL SECTION           |        |   | 15                   |                      |
| - 87                       | 2630285        | .           | COVER,CABLE RACK-HORIZONTAL SECTION         |        |   | 16                   |                      |
| - 88                       | 811427         | .           | RETAINER                                    |        |   | AR                   |                      |
| - 89                       | 1994494        | .           | RACK,CABLE                                  |        |   | 1                    |                      |
| - 90                       | 2646874        | .           | CLIP,SPRING                                 |        |   | 6                    |                      |
| - 91                       | 2646848        | .           | SCREW,THD FORMING- 8-32 X 0.312 LG          | ATT PT |   | 16                   |                      |
| - 92                       | 818632         | .           | CARD COVER ASM                              |        |   | 10                   |                      |
| - 93                       | 817963         | .           | . SFAL                                      |        |   | 3                    |                      |
| - 93                       | 817965         | .           | . LATCH,CARD COVER                          |        |   | 2                    |                      |
| - 94                       | 817961         | .           | . SEAL                                      |        |   | 2                    |                      |
| - 94                       | 753317         | .           | . SPRING, COMPRESSION                       |        |   | 2                    |                      |
| - 95                       | 817964         | .           | . SEAL,CARD COVER                           |        |   | 1                    |                      |
| - 95                       | 133905         | .           | . WASHER, FL 0.166 ID X 0.265 OD X 0.03 THK |        |   | 2                    |                      |
| - 96                       | 819578         | .           | . BAFFLE                                    |        |   | 1                    |                      |
| - 97                       | 818633         | .           | BRACKET- LEFT                               |        |   | 10                   |                      |
| - 97                       | 818634         | .           | BRACKET- RIGHT                              |        |   | 10                   |                      |
| - 98                       | 731626         | .           | SCREW, PAN HD 6-32 X 1/4 LG                 | ATT PT |   | 40                   |                      |
| - 99                       | 818959         | .           | BAFFLE                                      |        |   | 10                   |                      |
| - 99                       | 818960         | .           | BAFFLE                                      |        |   | 10                   |                      |
| -100                       | 731626         | .           | SCREW, PAN HD 6-32 X 1/4 LG                 | ATT PT |   | 20                   |                      |
| -100A                      | 2637564        | .           | COVER ASM,CARD                              |        |   | AR                   |                      |
| -100B                      | 2637567        | .           | BRACKET                                     |        |   | AR                   |                      |
| -100C                      | 731626         | .           | SCREW, PAN HD- 6-32 X 0.250 LG              | ATT PT |   | AR                   |                      |
| -101                       | 819608         | .           | BAFFLE, END GATE                            |        |   | 4                    |                      |
| -102                       | 817933         | .           | BAFFLE                                      |        |   | 12                   |                      |
| -103                       | 813769         | .           | DECAL, DIRECT CONTROL                       |        |   | 1                    |                      |
| -104                       | 817395         | .           | BRACKET, SPACER                             |        |   | 2                    |                      |
| -105                       | 2181005        | .           | SCREW, THD FORMING- 6-32 X 0.375 LG         | ATT PT |   | 8                    |                      |
| -106                       | 817399         | .           | HOLDER, CARD                                |        |   | 2                    |                      |
| -107                       | 818575         | .           | HOUSING AND DUMMY CARD                      |        |   | AR                   |                      |
| -108                       | 818579         | .           | STRIP, MARKER                               |        |   | 1                    |                      |
| -109                       | 817397         | .           | HOLDER, CARD                                |        |   | 4                    |                      |
| -110                       | 817399         | .           | HOLDER, CARD                                |        |   | 4                    |                      |
| -111                       | 817388         | .           | CAPACITOR ASM, HOUSING KEY                  |        |   | AR                   |                      |
| -112                       | 817394         | .           | GUIDE, LOWER CARD                           |        |   | 1                    |                      |
| -112                       | 817393         | .           | GUIDE, UPPER CARD                           |        |   | 1                    |                      |
| -113                       | 818583         | .           | SCRFW, FIL HD- 6-32 X 1.000 LG              | ATT PT |   | 6                    |                      |
| -114                       | 816928         | .           | WASHER, STIFFENER                           |        |   | 8                    |                      |
| -115                       | 2181088        | .           | SCREW, THD FORMING- 6-32 X 0.875 LG         | ATT PT |   | 8                    |                      |
| -116                       | 817389         | .           | STIFFENER, HORIZONTAL                       |        |   | 1                    |                      |
| -117                       | 2181088        | .           | SCREW, THD FORMING- 6-32 X 0.875 LG         | ATT PT |   | 6                    |                      |
| -118                       | 257986         | .           | WASHER, FLAT 0.156ID X .312OD X .035THK     | ATT PT |   | 6                    |                      |
| -119                       | 817761         | .           | CROSSOVER ASM                               |        |   | 1                    |                      |
| -120                       | 817762         | .           | . JUMPER ASM                                |        |   | 2                    |                      |
| -121                       | 816883         | .           | . CONNECTOR- 18-20AWG                       |        |   | 1                    |                      |
| -122                       | 818101         | .           | . HOUSING, CROSSOVER CONNECTOR              |        |   | 1                    |                      |
| -123                       | 818831         | .           | STANDOFF, GATE                              |        |   | 12                   |                      |
| -124                       | 811426         | .           | SCREW, MACH PAN HD 6-32 X 0.375 IN. LG      | ATT PT |   | 12                   |                      |
| -125                       | 322551         | .           | SCREW, BIND HD 6-32 X 0.750 LG              | ATT PT |   | 12                   |                      |
| -126                       | 818961         | .           | STRIP, FOAM                                 |        |   | AR                   |                      |
| -127                       | 816745         | .           | BRACKET, BUS                                |        |   | 4                    |                      |
| -127                       | 817814         | .           | BRACKET, BUS                                |        |   | 4                    |                      |
| -128                       | 811426         | .           | SCREW, MACH PAN HD 6-32 X 0.375 IN. LG      | ATT PT |   | 8                    |                      |
| -129                       | 818916         | .           | SPACER PAD, BUS MTG- 6 LAYER                |        |   | 3                    |                      |
| -129                       | 818917         | .           | SPACER PAD, BUS MTG- 10 LAYER               |        |   | 3                    |                      |
| -130                       | 819609         | .           | BAFFLE, BOTTOM GATE                         |        |   | 2                    |                      |
| -131                       | 1993980        | .           | BUS ASM- A1                                 |        |   | 1                    |                      |
| -131                       | 1993982        | .           | BUS ASM- A2                                 |        |   | 1                    |                      |
| -131                       | 1993984        | .           | BUS ASM- A3                                 |        |   | 1                    |                      |
| -131                       | 1993986        | .           | BUS ASM- A4                                 |        |   | 1                    |                      |
| -132                       | 5356580        | .           | SCREW, BD HD- 4-40 X .500 LG                | ATT PT |   | 8                    |                      |
| -133                       | 815039         | .           | WASHER, 0.125 ID X 0.250 OD                 | ATT PT |   | 8                    |                      |
| -134                       | 5373223        | .           | NUT, PLAIN HEX 4-40 X 0.250 FL W            | ATT PT |   | 8                    |                      |
| -135                       | 811742         | .           | SUPPORT                                     |        |   | 8                    |                      |
| -136                       | 811426         | .           | SCREW, MACH PAN HD 6-32 X 0.375 IN. LG      | ATT PT |   | 8                    |                      |
| -137                       | 2129550        | .           | WASHER, FLAT 5/16 OD 5/32 ID 1/32 THK       | ATT PT |   | 8                    |                      |
| -138                       | 1993071        | .           | A GATE                                      |        |   | 1                    |                      |

FOR PARTS  
 NOT SHOWN  
 SEE FIG. 11  
 SHEET 1

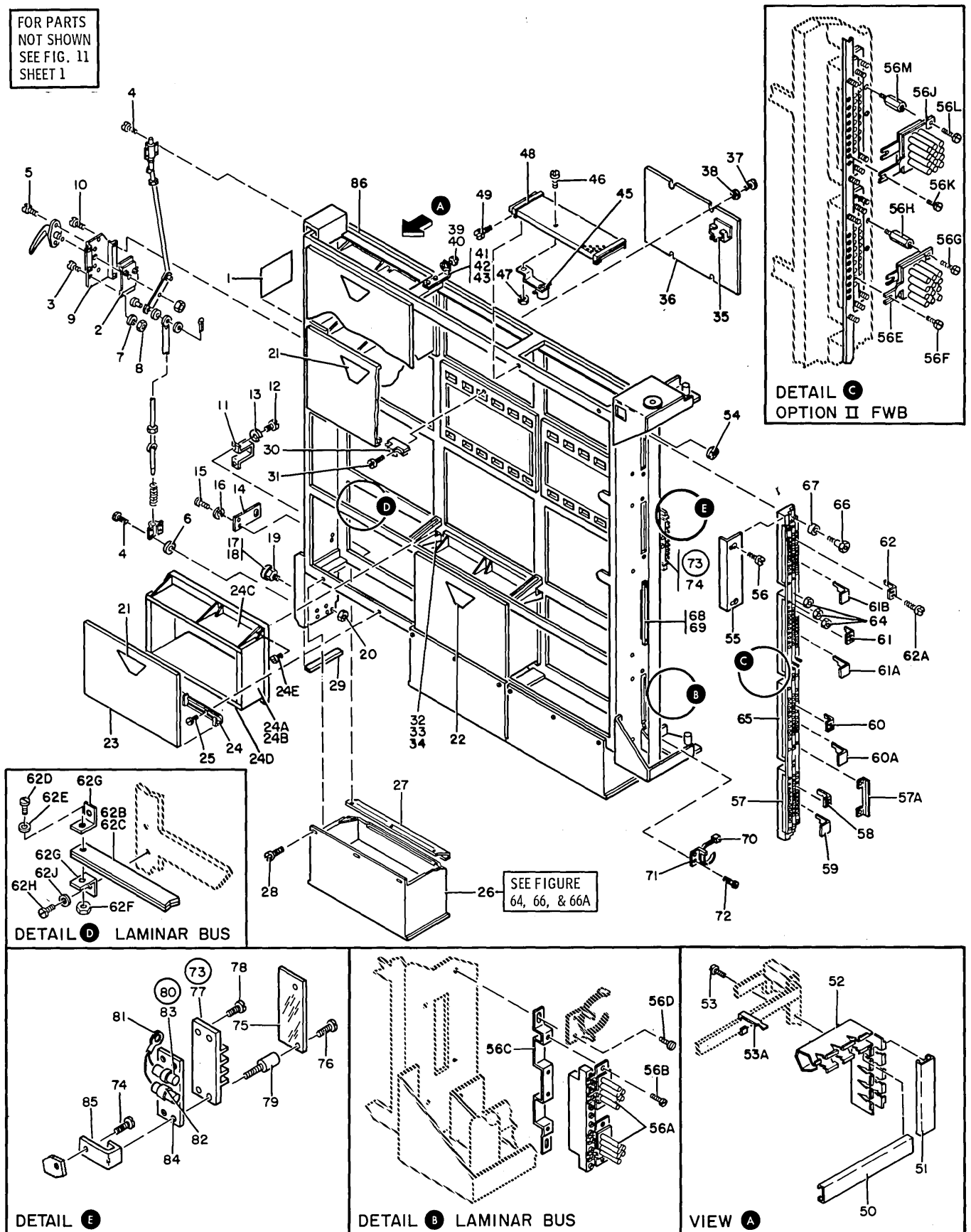


FIGURE 19. A GATE ASSEMBLY- STAGE 2. SEE LIST 19.

A GATE ASSEMBLY-STAGE 2

| FIGURE-<br>INDEX<br>NUMBER | PART<br>NUMBER        | DESCRIPTION  |   |        |    | UNITS<br>PER<br>ASM. | USABLE<br>ON<br>CODE |
|----------------------------|-----------------------|--|---|--------|----|----------------------|----------------------|
|                            |                       | 1  | 2 | 3      | 4  |                      |                      |
| 19 -                       | 2641130 NP<br>4145988 | A GATE ASM,STAGE- 2<br>A GATE ASSEMBLY,STAGE 2 MODEL 3<br>FOR NEXT HIGHER ASM SEE FIGURE 11-13<br>FOR ILLUSTRATION SEE FIGURE 19 |   |        |    | REF<br>REF           |                      |
| - 1                        | 2630001               | . LABEL,CPU A GATE   |   |        |    | 1                    |                      |
| - 2                        | 1993072               | . LATCH,GATE   |   |        |    | 1                    |                      |
| - 3                        | 251970                | . SCREW,MACH BD HD- 4-40 X 0.250 LG  |   | ATT PT | 1  |                      |                      |
| - 4                        | 438548                | . SCREW,MACH BD HD- 4-40 X .188 LG   |   | ATT PT | 8  |                      |                      |
| - 5                        | 38451                 | . SCREW,FL HD- 8-32 X 0.250 LG   |   | ATT PT | 2  |                      |                      |
| - 6                        | 257986                | . WASHER,FLAT 0.156 ID X .31200 X .035THK  |   | ATT PT | 4  |                      |                      |
| - 7                        | 257984                | . WASHER,SPLIT RING .115 ID .212 OD  |   | ATT PT | 4  |                      |                      |
| - 8                        | 37913                 | . NUT,JAM HEX- 4-40 X 0.250 FL W   |   | ATT PT | 4  |                      |                      |
| - 9                        | 1981192               | . BRACKET,LATCH  |   |        |    | 1                    |                      |
| - 10                       | 731626                | . SCREW,PAN HD 6-32 X 1/4 LG   |   | ATT PT | 4  |                      |                      |
| - 11                       | 1993674               | . BRACKET,STOP-A GATE LOWER  |   |        |    | 1                    |                      |
| - 12                       | 28413                 | . SCREW,MACH BD HD- 10-32 X 5/16 LG  |   | ATT PT | 2  |                      |                      |
| - 13                       | 9092                  | . LOCKWASHER, SPLIT RING, .194 ID .3370D   |   | ATT PT | 2  |                      |                      |
| - 14                       | 1993394               | . PLATE,GATE LATCH   |   |        |    | 1                    |                      |
| - 15                       | 58207                 | . SCREW,MACH BD HD- 6-32 X 0.250 LG  |   | ATT PT | 2  |                      |                      |
| - 16                       | 1090873               | . LOCKWASHER, SPLIT 0.168 ID X 0.296 OD  |   | ATT PT | 2  |                      |                      |
| - 17                       | 204210                | . ROLLER,GATE SUPPORT  |   |        |    | 1                    |                      |
| - 18                       | 139766                | . CLIP,RETAINING- 0.281 ID X 0.020 THK   |   | ATT PT | 1  |                      |                      |
| - 19                       | 1981184               | . STUD,GATE GUIDE  |   |        |    | 1                    |                      |
| - 20                       | 325149                | . NUT,ELASTIC STOP- 0.375-16   |   | ATT PT | 1  |                      |                      |
| - 21                       | 2641074               | . LABEL,WARNING  |   |        |    | 2                    |                      |
| - 23                       | 2637564               | . COVER ASM,CARD   |   |        |    | 12                   |                      |
| - 24                       | 2637567               | . BRACKET  |   |        |    | 12                   |                      |
| - 24A                      | 817395                | . BRACKET,SPACER   |   |        |    | AR                   |                      |
| - 24B                      | 2181005               | . SCREW, HEX HD- 6-32 X 0.375 LG   |   | ATT PT | AR |                      |                      |
| - 24C                      | 817393                | . GUIDE,UPPER CARD   |   |        |    | AR                   |                      |
| - 24D                      | 817394                | . GUIDE,LOWER CARD   |   |        |    | AR                   |                      |
| - 24E                      | 2457745               | . SCREW,HEX SOC HD- 6-32 X 1.00 LG   |   | ATT PT | AR |                      |                      |
| - 25                       | 731626                | . SCREW,PAN HD 6-32 X 1/4 LG   |   | ATT PT | 24 |                      |                      |
| - 26                       | 1993582               | . COOLING UNIT ASM,GATE- 60HZ  |   |        |    | 3                    |                      |
| - 26                       | 1993581               | . COOLING UNIT ASM,GATE- 50HZ  |   |        |    | 3                    |                      |
| - 26                       | 1573500               | FOR DETAIL BREAKDOWN SEE FIGURE 64<br>. COOLING UNIT ASSEMBLY- 60 HZ   |   |        |    | 3                    |                      |
| - 26                       | 5548306               | FOR DETAIL BREAKDOWN SEE FIGURE 66<br>. COOLING UNIT ASSEMBLY - 60 HZ (OPTIONAL)   |   |        |    | 3                    |                      |
| - 26                       | 1574816               | . COOLING UNIT ASSEMBLY- 60 HZ NON PCB (OPTIONAL)<br>FOR DETAIL BREAKDOWN SEE FIGURE 66A   |   |        |    | 3                    |                      |
| - 26                       | 1574800               | . COOLING UNIT ASSEMBLY- 60 HZ NON PCB<br>FOR DETAIL BREAKDOWN SEE FIGURE 66   |   |        |    | 3                    |                      |
| - 27                       | 1993322               | . ADAPTER ASM,COOLING UNIT   |   |        |    | 3                    |                      |
| - 28                       | 28413                 | . SCREW,MACH BD HD- 10-32 X 5/16 LG  |   | ATT PT | 18 |                      |                      |
| - 29                       | 838480                | . SEAL,PLENUM  |   |        |    | 1                    |                      |
| - 30                       | 819789                | . BRACKET  |   |        |    | 14                   |                      |
| - 31                       | 80651                 | . SCREW,THD CTG BD HD- 6-32 X 0.375 LG   |   | ATT PT | 14 |                      |                      |
| - 32                       | 2457708               | . STANDOFF ASM<br>USED ON ASM WITH FDS   |   |        |    | 12                   |                      |
| - 32                       | 818831                | . STANDOFF ASM   |   |        |    | 12                   |                      |
| - 33                       | 811426                | . SCREW,MACH PAN HD 6-32 X 0.375 IN. LG  |   | ATT PT | 12 |                      |                      |
| - 34                       | 322551                | . SCREW,BIND HD 6-32 X 0.750 LG  |   | ATT PT | 12 |                      |                      |
| - 35                       | 2641136               | . CLIP,HOUSING   |   |        |    | 8                    |                      |
| - 36                       | 819431                | . COVER,DUMMY BACK   |   |        |    | 1                    |                      |
| - 37                       | 731626                | . SCREW,PAN HD 6-32 X 1/4 LG   |   | ATT PT | 4  |                      |                      |
| - 38                       | 22478                 | . WASHER,FL 0.170 ID 0.375 OD 0.032 THK  |   | ATT PT | 4  |                      |                      |
| - 39                       | 255939                | . SCREW ASM,DOOR   |   |        |    | 1                    |                      |
| - 40                       | 3960                  | . NUT,PLAIN HEX 1/4-20 X 7/16 FL W   |   | ATT PT | 1  |                      |                      |
| - 41                       | 1993073               | . BRACKET,GATE BUMPER  |   |        |    | 1                    |                      |
| - 42                       | 186758                | . SCREW,MACH BD HD 8-32 X 0.437 LG   |   | ATT PT | 2  |                      |                      |
| - 43                       | 1090873               | . LOCKWASHER, SPLIT 0.168 ID X 0.296 OD  |   | ATT PT | 2  |                      |                      |
| - 45                       | 2646983               | . THERMAL SWITCH ASM- 134 DEGREES F  |   |        |    | 3                    |                      |
| - 46                       | 10170                 | . SCREW,MACH BD HD- NO. 6-32 X .250 LG   |   | ATT PT | 3  |                      |                      |
| - 47                       | 257187                | . NUT,HEX DBL CHAMFERED 6-32 X 0.3125 FL W   |   | ATT PT | 3  |                      |                      |
| - 48                       | 1985685               | . SCREEN,GATE TOP  |   |        |    | 3                    |                      |
| - 49                       | 731626                | . SCREW,PAN HD 6-32 X 1/4 LG   |   | ATT PT | 6  |                      |                      |
| - 49A                      | 2641202               | . SHIELD   |   |        |    | 5                    |                      |
| - 50                       | 2630286               | . COVER,RACEWAY- VERTICAL  |   |        |    | 15                   |                      |
| - 51                       | 2630285               | . COVER,RACEWAY- HORIZONTAL  |   |        |    | 16                   |                      |
| - 52                       | 1994494               | . RACEWAY,CABLE  |   |        |    | 1                    |                      |
| - 53A                      | 2646874               | . CLIP,RETAINING   |   |        |    | 6                    |                      |
| - 54                       | 317227                | . GROMMET  |   |        |    | 1                    |                      |
| - 55                       | 819780                | . SHIELD,SAFETY  |   |        |    | 4                    |                      |
| - 55                       | 2641207               | USED ON ASM WITH FDS<br>. SHIELD,SAFETY  |   |        |    | 4                    |                      |
| - 56                       | 32042                 | . SCREW,MACH BD HD- 10-32 X 0.375 LG   |   | ATT PT | 8  |                      |                      |
| - 56A                      | 2641206               | . CAPACITOR ASSEMBLY   |   |        |    | 2                    |                      |
| - 56B                      | 10170                 | . SCRFW,MACH BD HD- 6-32 X 0.250 LG  |   | ATT PT | 4  |                      |                      |

| LIST AND INDEX NUMBER | PART NUMBER | DESCRIPTION  | UNITS PER ASM. | USABLE ON CODE |
|-----------------------|-------------|--|----------------|----------------|
|                       |             |  |                |                |
| 19- 56C               | 2641211     | . BRACKET, MOUNTING  | 1              |                |
| - 56D                 | 186758      | . SCREW, MACH BD HD- 8-32 X 0.437 LG ATT PT                          | 4              |                |
| - 56E                 | 2637335     | . CAPACITOR ASSEMBLY, 12 PAC- (-3V)<br>USED ON FDS OPTION 2 ONLY     | 1              |                |
| - 56F                 | 819765      | . SCREW, MACH BD HD- 8-32 X 0.375 LG ATT PT                          | 2              |                |
| - 56G                 | 10170       | . SCREW, MACH BD HD- 6-32 X 0.250 LG ATT PT                          | 2              |                |
| - 56H                 | 2637336     | . STANDOFF   | 2              |                |
| - 56J                 | 2637340     | . CAPACITOR ASSEMBLY, 12 PAC- (+1.25V)<br>USED ON FDS OPTION 2 ONLY  | 1              |                |
| - 56K                 | 819765      | . SCREW, MACH BD HD- 8-32 X 0.375 LG ATT PT                          | 2              |                |
| - 56L                 | 10170       | . SCREW, MACH BD HD- 6-32 X 0.250 LG ATT PT                          | 2              |                |
| - 56M                 | 2637341     | . STANDOFF   | 2              |                |
| - 57                  | 2641131     | . LABEL, TERMINAL LOCATION   | 4              |                |
| - 57A                 | 819781      | . JUMPER, COPPER   | 3              |                |
| - 58                  | 2641380     | . BUS ASSEMBLY, FLAT WIRE- TOP BOARD<br>USED ON FDS OPTION 1 ONLY    | 1              |                |
| - 58                  | 1795372     | . BUS ASSEMBLY, FLAT WIRE- TOP BOARD                                 | 1              |                |
| - 59                  | 2641382     | . BUS ASSEMBLY, FLAT WIRE- BOTTOM BOARD<br>USED ON FDS OPTION 2 ONLY | 1              |                |
| - 59                  | 1795350     | . BUS ASSEMBLY, FLAT WIRE- BOTTOM BOARD<br>USED ON FDS OPTION 1 ONLY | 1              |                |
| - 60                  | 2641379     | . BUS ASSEMBLY, FLAT WIRE- TOP BOARD<br>USED ON FDS OPTION 2 ONLY    | 1              |                |
| - 60                  | 1795372     | . BUS ASSEMBLY, FLAT WIRE- TOP BOARD<br>USED ON FDS OPTION 1 ONLY    | 1              |                |
| - 60A                 | 2641387     | . BUS ASSEMBLY, FLAT WIRE- BOTTOM BOARD<br>USED ON FDS OPTION 2 ONLY | 1              |                |
| - 60A                 | 1795374     | . BUS ASSEMBLY, FLAT WIRE- BOTTOM BOARD<br>USED ON FDS OPTION 1 ONLY | 1              |                |
| - 61                  | 2641378     | . BUS ASSEMBLY, FLAT WIRE- TOP BOARD<br>USED ON FDS OPTION 2 ONLY    | 1              |                |
| - 61                  | 1795371     | . BUS ASSEMBLY, FLAT WIRE- TOP BOARD<br>USED ON FDS OPTION 1 ONLY    | 1              |                |
| - 61A                 | 2641387     | . BUS ASSEMBLY, FLAT WIRE- BOTTOM BOARD<br>USED ON FDS OPTION 2 ONLY | 1              |                |
| - 61A                 | 1795374     | . BUS ASSEMBLY, FLAT WIRE- BOTTOM BOARD<br>USED ON FDS OPTION 1 ONLY | 1              |                |
| - 61B                 | 2641381     | . BUS ASSEMBLY, FLAT WIRE- BOTTOM BOARD<br>USED ON FDS OPTION 2 ONLY | 1              |                |
| - 61B                 | 1795373     | . BUS ASSEMBLY, FLAT WIRE- BOTTOM BOARD<br>USED ON FDS OPTION 1 ONLY | 1              |                |
| - 62                  | 2641377     | . BUS ASSEMBLY, FLAT WIRE- TOP BOARD<br>USED ON FDS OPTION 2 ONLY    | 1              |                |
| - 62                  | 1795370     | . BUS ASSEMBLY, FLAT WIRE- TOP BOARD<br>USED ON FDS OPTION 1 ONLY    | 1              |                |
| - 62A                 | 819765      | . SCREW, MACH BD HD- 8-32 X 0.375 LG ATT PT                          | 120            |                |
| - 62B                 | 1993980     | . BUS ASSEMBLY, LAMINAR- A1  | 1              |                |
| - 62B                 | 1993982     | . BUS ASSEMBLY, LAMINAR- A2  | 1              |                |
| - 62B                 | 1993984     | . BUS ASSEMBLY, LAMINAR- A3  | 1              |                |
| - 62B                 | 1993986     | . BUS ASSEMBLY, LAMINAR- A4  | 1              |                |
| - 62C                 | 815151      | . SCREW, BD HD- 8-32 X 0.375 LG ATT PT                               | 40             |                |
| - 62D                 | 5356580     | . SCREW, BD HD- 4-40 X 0.500 LG ATT PT                               | 8              |                |
| - 62E                 | 815039      | . WASHER, 0.125 ID X 0.250 OD ATT PT                                 | 8              |                |
| - 62F                 | 5373223     | . NUT, PLAIN HEX- 4-40 X 0.250 FL W ATT PT                           | 8              |                |
| - 62G                 | 811742      | . SUPPORT  | 8              |                |
| - 62H                 | 811426      | . SCREW, MACH PAN HD- 6-32 X 0.375 LG ATT PT                         | 8              |                |
| - 62J                 | 2129550     | . WASHER, FL- 0.156 ID X 0.375 OD ATT PT                             | 8              |                |
| - 64                  | 819763      | . NUT, HEX- 1/4-20   | 8              |                |
| - 65                  | 2641203     | . TERMINAL BLOCK ASM<br>USED ON ASM WITH FDS                         | 1              |                |
| - 65                  | 2641227     | . TERMINAL BLOCK ASM   | 1              |                |
| - 66                  | 819778      | . STUD- 10-32 X 0.470 LG ATT PT                                      | 8              |                |
| - 67                  | 819779      | . SLEEVE, TERMINAL BLOCK STUD ATT PT                                 | 8              |                |
| - 68                  | 819770      | . BLOCK ASM  | 4              |                |
| - 69                  | 92050       | . SCREW, BD HD SELF TAPPING ATT PT                                   | 8              |                |
| - 70                  | 2637668     | . TIE, CABLE   | 5              |                |
| - 71                  | 2637524     | . BRACKET  | 5              |                |
| - 72                  | 186759      | . SCREW, MACH BD HD- 8-32 X 5/16 LG ATT PT                           | 10             |                |
| - 73                  | 2637488     | . PAD ASM  | 1              |                |
| - 74                  | 28413       | . SCREW, MACH BD HD- 10-32 X 5/16 LG ATT PT                          | 2              |                |
| - 75                  | 533342      | . COVER, TERMINAL BOARD  | 1              |                |
| - 76                  | 10170       | . SCREW, MACH BD HD- NO. 6-32 X .250 LG ATT PT                       | 2              |                |
| - 77                  | 320451      | . BLOCK, 10 DBL SCREW TERMINAL                                       | 1              |                |
| - 78                  | 322065      | . SCREW, MACH BD HD- 6-32 X 5/8 LG ATT PT                            | 2              |                |
| - 79                  | 2125898     | . STUD, TAPPED ATT PT  | 2              |                |
| - 80                  | 1985821     | . CAPACITOR ASM- 1K UF ELECTROLYTE                                   | 2              |                |
| - 81                  | 483681      | . TERMINAL, RING- 18-20AWG   | 2              |                |





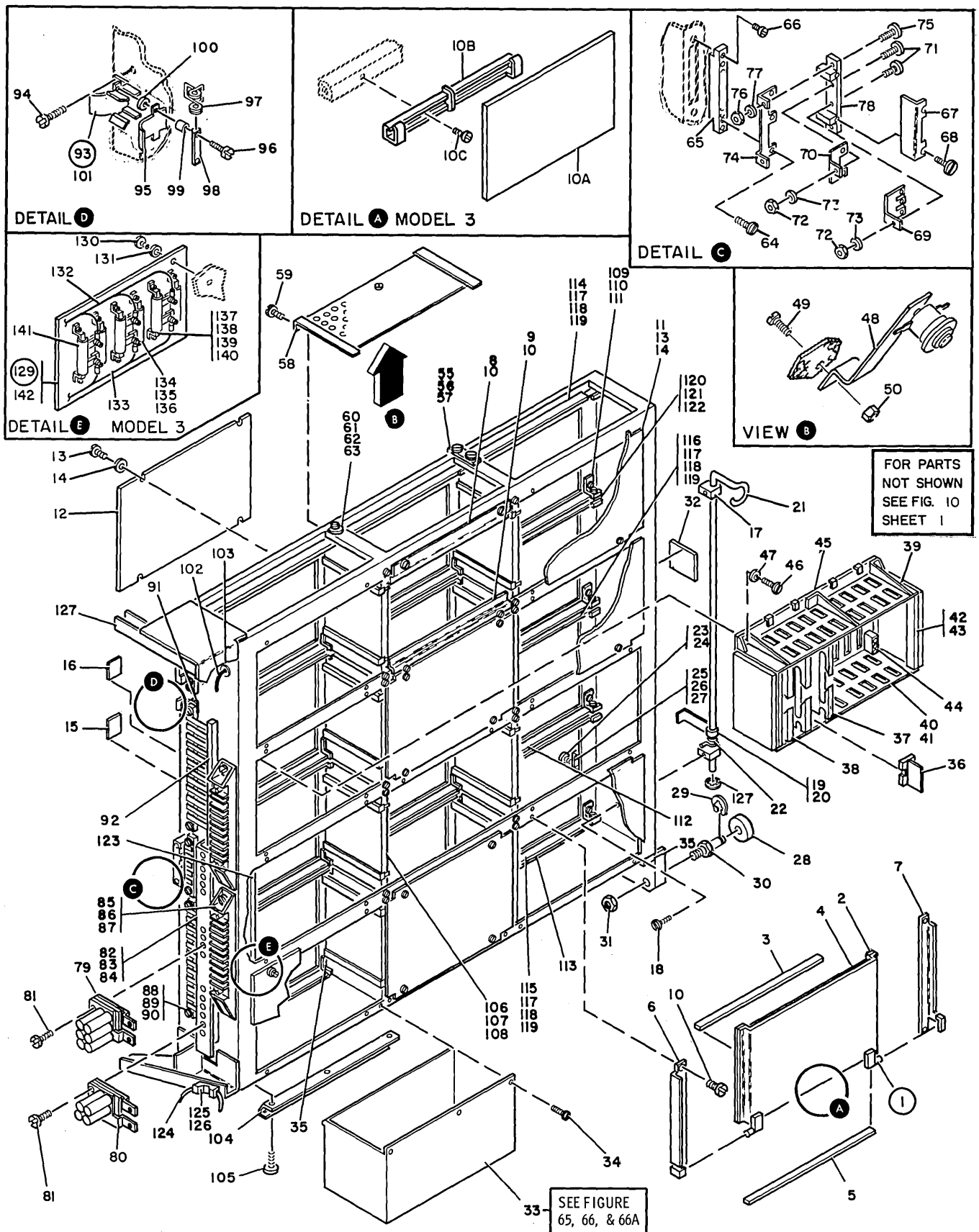


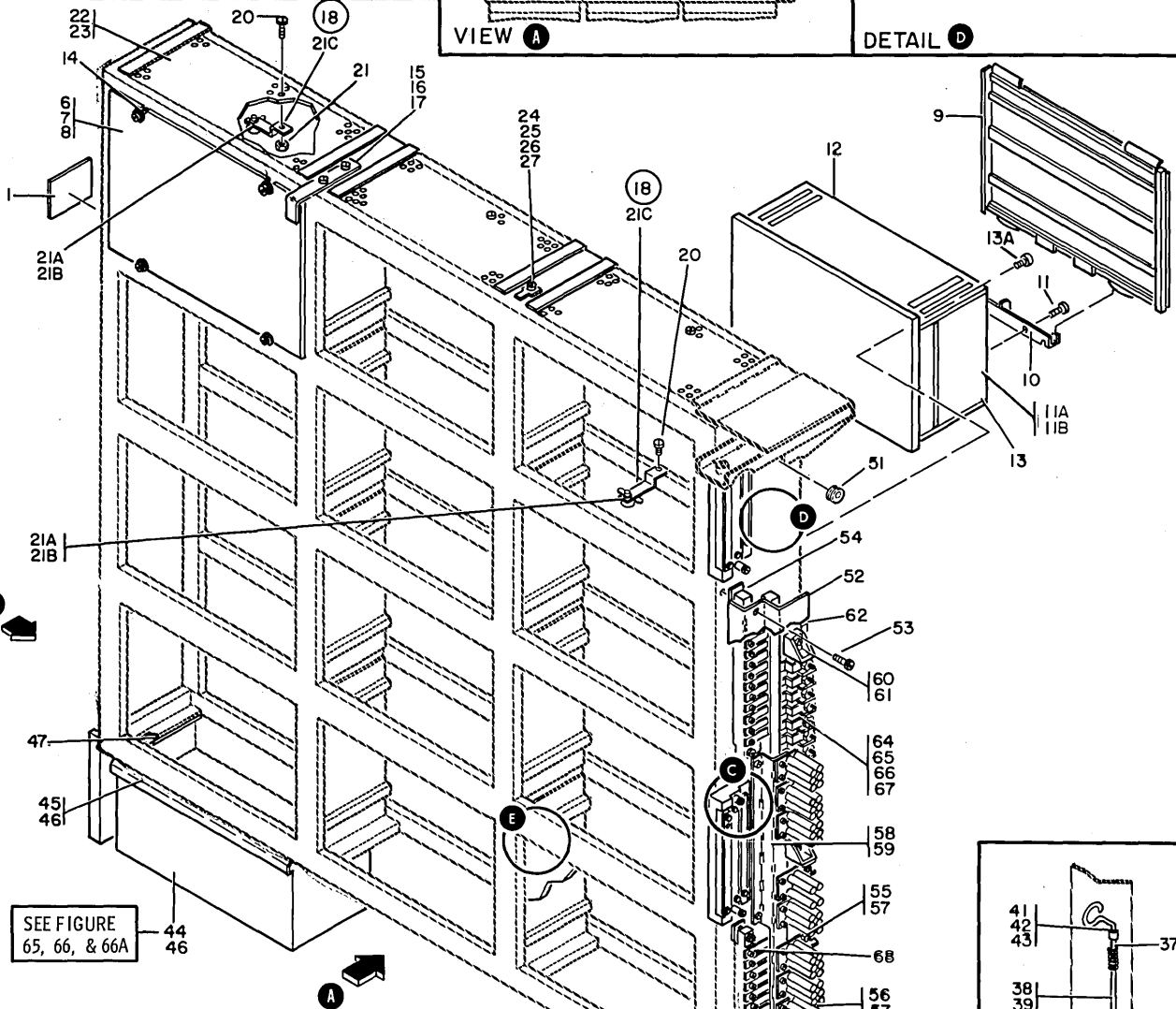
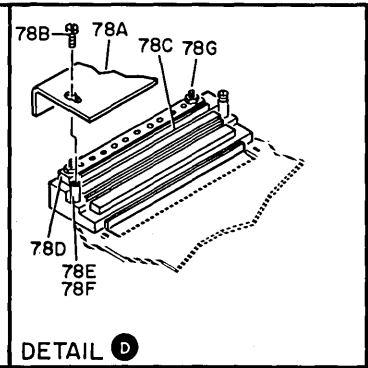
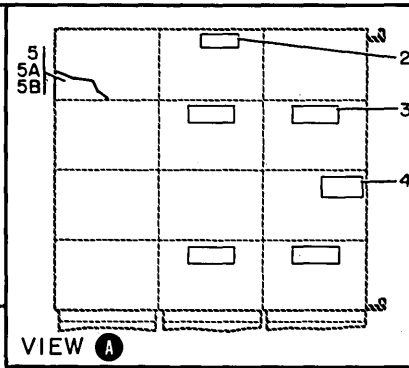
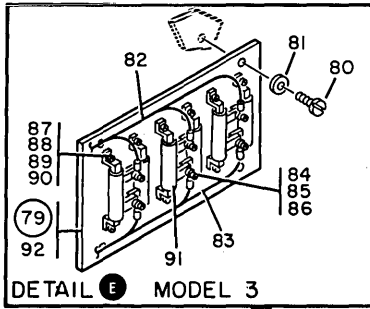
FIGURE 20. B GATE ASSEMBLY- STAGE 1. SEE LIST 20.

B GATE ASSEMBLY-STAGE 1

| FIGURE-<br>INDEX<br>NUMBER | PART<br>NUMBER        | DESCRIPTION  | UNITS |   |        |   | USABLE<br>ON<br>CODE |
|----------------------------|-----------------------|--|-------|---|--------|---|----------------------|
|                            |                       |  | 1     | 2 | 3      | 4 |                      |
| 20 -                       | 1993130 NP<br>4145987 | B GATE ASSEMBLY- STAGE 1<br>B GATE ASSEMBLY- STAGE 1 MODEL 3<br>FOR NEXT HIGHER ASM SEE FIGURE 10-40<br>FOR ILLUSTRATION SEE FIGURE 20 |       |   |        |   | REF<br>REF           |
| - 1                        | 818632                | . CARD COVER ASM   |       |   |        |   | 1                    |
| - 2                        | 817961                | . . SEAL   |       |   |        |   | 2                    |
| - 3                        | 817963                | . . SEAL   |       |   |        |   | 3                    |
| - 4                        | 819578                | . . BAFFLE   |       |   |        |   | 1                    |
| - 5                        | 817964                | . . SEAL,CARD COVER  |       |   |        |   | 1                    |
| - 6                        | 5298144               | . BRACKET,HINGE- RIGHT   |       |   |        |   | 1                    |
| - 7                        | 5298145               | . BRACKET,HINGE- LEFT  |       |   |        |   | 1                    |
| - 8                        | 818959                | . BAFFLE   |       |   |        |   | 1                    |
| - 9                        | 818960                | . BAFFLE   |       |   |        |   | 1                    |
| - 10                       | 731626                | . SCREW,PAN HD 6-32 X 1/4 LG   |       |   | ATT PT |   | 8                    |
| - 10A                      | 2637563               | . COVER ASM  |       |   |        |   | AR                   |
| - 10B                      | 2637567               | . BRACKET  |       |   |        |   | AR                   |
| - 10C                      | 731626                | . SCREW,PAN HD- 6-32 X 0.250 LG  |       |   | ATT PT |   | AR                   |
| - 11                       | 819431                | . COVER,DUMMY BACK   |       |   |        |   | 5                    |
| - 12                       | 819012                | . COVER,DUMMY  |       |   |        |   | 5                    |
| - 13                       | 731626                | . SCREW,PAN HD 6-32 X 1/4 LG   |       |   | ATT PT |   | 40                   |
| - 14                       | 22478                 | . WASHER, FL 0.170 ID 0.375 OD 0.032 THK   |       |   | ATT PT |   | 40                   |
| - 15                       | 2637217               | . LABEL,WARNING  |       |   |        |   | AR                   |
| - 16                       | 1994823               | . LABEL,COOLING COVER REPLACEMENT  |       |   |        |   | 1                    |
| - 17                       | 760305                | . HINGE,KNUCKLE  |       |   |        |   | 2                    |
| - 18                       | 518704                | . SCREW,BIND HD .250- 20 UNC 2A X 0.250 LG   |       |   | ATT PT |   | 2                    |
| - 19                       | 1993395               | . LATCH, B GATE  |       |   |        |   | 1                    |
| - 20                       | 173937                | . SETSCREW-SPLINE DR CUP PT 8-32 X 1/8 LG  |       |   | ATT PT |   | 1                    |
| - 21                       | 1993396               | . HANDLE,GATE LATCH  |       |   |        |   | 1                    |
| - 22                       | 103107                | . SPRING, DOOR LIPTER  |       |   |        |   | 1                    |
| - 23                       | 255939                | . SCREW,BUMPER ADJ 1/4-20 X 1-3/16 LG  |       |   |        |   | 1                    |
| - 24                       | 3960                  | . NUT,PLAIN HEX 1/4-20 X 7/16 FL W   |       |   | ATT PT |   | 1                    |
| - 25                       | 1993125               | . BRACKET,B GATE STOP-LOWER  |       |   |        |   | 1                    |
| - 26                       | 28413                 | . SCREW,MACH BD HD- 10-32 X 5/16 LG  |       |   | ATT PT |   | 2                    |
| - 27                       | 9092                  | . LOCKWASHER, SPLIT RING, .194 ID .3370D   |       |   | ATT PT |   | 2                    |
| - 28                       | 204210                | . ROLLER,GATE SUPPORT  |       |   |        |   | 2                    |
| - 29                       | 139766                | . CLIP,RETAINING- 0.281 ID X 0.020 THK   |       |   | ATT PT |   | 2                    |
| - 30                       | 1981184               | . STUD,GATE GUIDE  |       |   |        |   | 1                    |
| - 31                       | 325149                | . NUT,ELASTIC STOP- 0.375-16   |       |   | ATT PT |   | 1                    |
| - 32                       | 2630001               | . LABEL,CPU A GATE   |       |   |        |   | 1                    |
| - 33                       | 1993535               | . COOLING UNIT ASM,GATE- 50HZ  |       |   |        |   | 3                    |
| - 33                       | 1993536               | . COOLING UNIT ASM,GATE- 60HZ<br>FOR DETAIL BREAKDOWN SEE FIGURE 65  |       |   |        |   | 3                    |
| - 33                       | 1573502               | . COOLING UNIT ASSEMBLY- 60 HZ<br>FOR DETAIL BREAKDOWN SEE FIGURE 66   |       |   |        |   | 3                    |
| - 33                       | 5548304               | . COOLING UNIT ASSEMBLY- 60 HZ (OPTIONAL)  |       |   |        |   | 3                    |
| - 33                       | 1574814               | . COOLING UNIT ASSEMBLY- 60 HZ NON PCB (OPTIONAL)<br>FOR DETAIL BREAKDOWN SEE FIGURE 66A   |       |   |        |   | 3                    |
| - 33                       | 1574802               | . COOLING UNIT ASSEMBLY- 60 HZ NON PCB<br>FOR DETAIL BREAKDOWN SEE FIGURE 66   |       |   |        |   | 3                    |
| - 34                       | 28413                 | . SCREW,MACH BD HD- 10-32 X 5/16 LG  |       |   | ATT PT |   | 9                    |
| - 35                       | 838480                | . SEAL,PLENUM  |       |   |        |   | 6                    |
| - 36                       | 818575                | . HOUSING AND DUMMY CARD   |       |   |        |   | 8                    |
| - 37                       | 819078                | . EXTENDER,CARD HOLDER   |       |   |        |   | 18                   |
| - 38                       | 5298109               | . HOLDER,CARD  |       |   |        |   | 2                    |
| - 39                       | 819074                | . GUIDE,UPPER CARD   |       |   |        |   | 1                    |
| - 40                       | 819076                | . GUIDE,LOWER CARD   |       |   |        |   | 1                    |
| - 41                       | 818583                | . SCREW,FL HD- 6-32 X 1.000 LG   |       |   | ATT PT |   | 10                   |
| - 42                       | 819075                | . SPACER,BRACKET   |       |   |        |   | 2                    |
| - 43                       | 2181005               | . SCREW,THD FORMING- 6-32 X 0.375 LG   |       |   | ATT PT |   | 8                    |
| - 44                       | 817388                | . CAPACITOR ASM,HOUSING KEY  |       |   |        |   | 4                    |
| - 45                       | 817389                | . STIFFENER,HORIZONTAL   |       |   |        |   | 1                    |
| - 46                       | 2181088               | . SCREW,THD FORMING- 6-32 X 0.875 LG   |       |   | ATT PT |   | 10                   |
| - 47                       | 816928                | . WASHER,STIFFENER   |       |   | ATT PT |   | 10                   |
| - 48                       | 2646983               | . THERMAL SWITCH ASM   |       |   |        |   | 3                    |
| - 49                       | 10170                 | . SCREW,MACH BD HD- NO. 6-32 X .250 LG   |       |   | ATT PT |   | 3                    |
| - 50                       | 257187                | . NUT,HEX DBL CHAMFERED 6-32 X 0.3125 FL W   |       |   | ATT PT |   | 3                    |
| - 55                       | 1993124               | . BRACKET,B GATE   |       |   |        |   | 1                    |
| - 56                       | 186758                | . SCREW,MACH BD HD 8-32 X 0.437 LG   |       |   | ATT PT |   | 2                    |
| - 57                       | 1090873               | . LOCKWASHER, SPLIT 0.168 ID X 0.296 OD  |       |   | ATT PT |   | 2                    |
| - 58                       | 1993127               | . SCREEN,GATE TOP  |       |   |        |   | 3                    |
| - 59                       | 731626                | . SCREW,PAN HD 6-32 X 1/4 LG   |       |   | ATT PT |   | 6                    |
| - 60                       | 5276271               | . TERMINAL   |       |   |        |   | 1                    |
| - 61                       | 438548                | . SCREW,MACH BD HD- 4-40 X .188 LG   |       |   | ATT PT |   | 1                    |
| - 62                       | 478508                | . SPACER- 0.116 ID X 0.250 OD X 0.058 THK  |       |   | ATT PT |   | 1                    |
| - 63                       | 338169                | . LOCKWASHER, EXT TEETH NO. 4 X 9/32 OD  |       |   | ATT PT |   | 1                    |
| - 64                       | 815151                | . SCREW,BD HD- 8-32 X .375 LG  |       |   |        |   | 20                   |
| - 65                       | 816744                | . BLOCK,TERMINAL   |       |   |        |   | 2                    |
| - 66                       | 92050                 | . SCREW,BD HD SELF TAPPING   |       |   | ATT PT |   | 4                    |
| - 67                       | 1994803               | . SHIELD,SAFETY  |       |   |        |   | 1                    |
| - 68                       | 322562                | . SCREW,MACH BD HD- 10-32 X 2.000 LG   |       |   | ATT PT |   | 2                    |

| LIST AND INDEX NUMBER | PART NUMBER | DESCRIPTION                               | UNITS PER ASM. | USABLE ON CODE |
|-----------------------|-------------|---|----------------|----------------|
|                       |             |   |                |                |
| 20- 69                | 1993139     | . STRIP,VOLTAGE- 1.25V B GATE             | 1              |                |
| - 70                  | 1993140     | . STRIP,VOLTAGE- 3V B GATE                | 1              |                |
| - 71                  | 59647       | . SCREW,SLOTTED HEX HD- 1/4-20 X 1.00 LG  | ATT PT         | 2              |
| - 72                  | 3960        | . NUT,PLAIN HEX 1/4-20 X 7/16 FL W        | ATT PT         | 2              |
| - 73                  | 76574       | . LOCKWASHER, EXT TEETH .250              | ATT PT         | 2              |
| - 74                  | 1993138     | . STRIP,GROUND                            |                | 1              |
| - 75                  | 101706      | . SCREW,SLOTTED HEX HD- 10-32 X 0.750 LG  | ATT PT         | 2              |
| - 76                  | 11598       | . NUT,PLAIN HEX 10-32                     | ATT PT         | 2              |
| - 77                  | 56079       | . WASHER LOCK,EXT T .204 ID .410 OD       | ATT PT         | 2              |
| - 78                  | 1993134     | . SUPPORT,TERMINAL                        |                | 2              |
| - 79                  | 5799187     | . CAPACITOR ASM- 6000UF                   |                | 4              |
| - 80                  | 1993466     | . CAPACITOR ASM- 4000UF                   |                | 2              |
| - 81                  | 80651       | . SCREW,THD CTG BD HD- 6-32 X 0.375 LG    | ATT PT         | 12             |
| - 82                  | 1993389     | . BRACKET,CAPACITOR SUPPORT               |                | 1              |
| - 83                  | 58207       | . SCREW,MACH BD HD- 6-32 X 0.250 LG       | ATT PT         | 3              |
| - 84                  | 22478       | . WASHER,FL 0.170 ID 0.375 OD 0.032 THK   | ATT PT         | 3              |
| - 85                  | 3960        | . NUT,PLAIN HEX 1/4-20 X 7/16 FL W        |                | 24             |
| - 86                  | 1993405     | . SUPPORT,B GATE TERMINAL                 |                | 2              |
| - 87                  | 332620      | . SCREW,MACH BD HD- 10-32 X 0.500 LG      | ATT PT         | 4              |
| - 88                  | 5298103     | . SCREW,BD HD- 10-32 X 0.38 LG            |                | 48             |
| - 89                  | 5298053     | . BLOCK,TERMINAL                          |                | 2              |
| - 90                  | 92050       | . SCREW,BD HD SELF TAPPING                | ATT PT         | 4              |
| - 91                  | 1985817     | . SEAL,GATE CABLE                         |                | 2              |
| - 92                  | 818175      | . COMMONING BUS ASM                       |                | 1              |
| - 93                  | 816368      | . CLAMP ASM,CABLE                         |                | 5              |
| - 94                  | 58207       | . SCREW,MACH BD HD- 6-32 X 0.250 LG       | ATT PT         | 10             |
| - 95                  | 815566      | . . PLATE ASM,FRONT                       |                | 1              |
| - 96                  | 815172      | . . CLAMP,CABLE BACKPLATE                 | ATT PT         | 2              |
| - 97                  | 813321      | . . SPRING                                |                | 1              |
| - 98                  | 816986      | . . BAR,SPRING                            |                | 1              |
| - 99                  | 815219      | . . SPACER,0.180 ID X 0.280 OD X .230 LG  |                | 2              |
| -100                  | 816649      | . . SPACER,0.145 ID X 0.250 OD X .020 THK |                | 2              |
| -101                  | 815567      | . . BACKPLATE ASM                         |                | 1              |
| -102                  | 1993938     | . CABLE ASM                               |                | 1              |
|                       |             | FOR COMPONENT PARTS SEE FIGURE 72         |                |                |
| -103                  | 1077722     | . GROMMET                                 |                | 1              |
| -104                  | 1993102     | . ADAPTER ASM,COOLING UNIT                |                | 3              |
| -105                  | 28413       | . SCREW,MACH BD HD- 10-32 X 5/16 LG       | ATT PT         | 9              |
| -106                  | 5298118     | . BAFFLE ASM                              |                | 8              |
| -107                  | 19944       | . SCREW,MACH BD HD- 8-32 X 3/4 LG         | ATT PT         | 16             |
| -108                  | 2181088     | . SCREW,THD FORMING- 6-32 X 0.875 LG      | ATT PT         | 16             |
| -109                  | 5298120     | . BRACKET ASM,LAM BUS                     |                | 16             |
| -110                  | 811426      | . SCREW,MACH PAN HD 6-32 X 0.375 IN. LG   |                | 16             |
| -111                  | 2129550     | . WASHER,FLAT 5/16 OD 5/32 ID 1/32 THK    |                | 16             |
| -112                  | 5298166     | . SPACER,RUBBER                           |                | 6              |
| -113                  | 5298119     | . PAD,RUBBER                              |                | 4              |
| -114                  | 2630476     | . LAM BUS ASM                             |                | 1              |
| -115                  | 1993747     | . CROSSOVER AND BUS ASM                   |                | 2              |
| -116                  | 2630477     | . LAM BUS ASM                             |                | 1              |
| -117                  | 5298114     | . SCREW,INSULATED- 6-32 X 0.62 LG         | ATT PT         | 8              |
| -118                  | 2129550     | . WASHER,FLAT 5/16 OD 5/32 ID 1/32 THK    | ATT PT         | 8              |
| -119                  | 801393      | . NUT,HEX- 6-32                           | ATT PT         | 8              |
| -120                  | 5298108     | . BRACKET BUS                             |                | 8              |
| -121                  | 811426      | . SCREW,MACH PAN HD 6-32 X 0.375 IN. LG   | ATT PT         | 8              |
| -122                  | 2129550     | . WASHER,FLAT 5/16 OD 5/32 ID 1/32 THK    | ATT PT         | 8              |
| -123                  | 5298139     | . SEAL,AIR                                |                | 8              |
| -124                  | 2637668     | . TIE,CABLE                               |                | 1              |
| -125                  | 2637669     | . STRAP                                   |                | 1              |
| -126                  | 186759      | . SCREW,MACH BD HD- 8-32 X 5/16 LG        | ATT PT         | 1              |
| -127                  | 1144248     | . RETAINER,SELF LOCKING                   |                | 1              |
| -128                  | 131599      | . SPACER,0.252 ID X 0.500 OD              |                | 1              |
| -129                  | 1805181     | . RESISTOR MOUNTING ASSEMBLY              |                | 1              |
| -130                  | 731626      | . SCREW,PAN HD- 6-32 X 0.25 LG            | ATT PT         | 4              |
| -131                  | 22478       | . WASHER,FLAT- 0.170 ID X 0.375 OD        | ATT PT         | 4              |
| -132                  | 1813295     | . . CABLE ASSEMBLY                        |                | 1              |
| -133                  | 1813296     | . . CABLE ASSEMBLY                        | ATT PT         | 1              |
| -134                  | 34512       | . . SCREW,BD HD- 8-32 X 0.375 LG          |                | 6              |
| -135                  | 55901       | . . LOCKWASHER,EXT TOOTH                  |                | 6              |
| -136                  | 76846       | . . NUT,HEX- 8-32                         |                | 6              |
| -137                  | 510316      | . . CLIP                                  |                | 12             |
| -138                  | 81693       | . . SCREW,BD HD- 6-32 X 0.375 LG          | ATT PT         | 12             |
| -139                  | 56722       | . . WASHER,LOCK-EXT TOOTH                 | ATT PT         | 12             |
| -140                  | 257187      | . . NUT,HEX- 6-32                         | ATT PT         | 12             |
| -141                  | 730426      | . . RESISTOR,FXD-WW 0.18 OHMS 90W         |                | 6              |
| -142                  | 1805162     | . . BOARD                                 |                | 1              |

FOR PARTS  
 NOT SHOWN  
 SEE FIG. 11  
 SHEET 1



SEE FIGURE  
 65, 66, & 66A

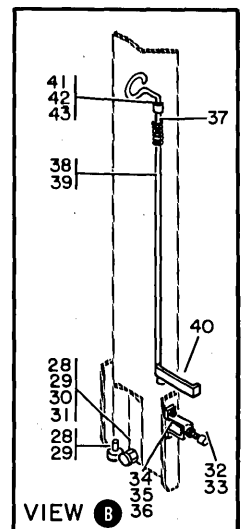
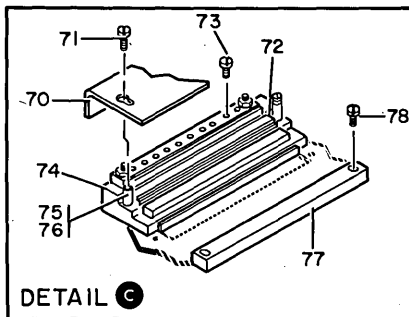


FIGURE 21. B GATE ASSEMBLY. STAGE 2. SHEET 1 OF 2. NOS. 1-78G. SEE LIST 21.

B GATE ASSEMBLY- STAGE 2

| FIGURE-<br>INDEX<br>NUMBER | PART<br>NUMBER | DESCRIPTION  |   |   |   | UNITS<br>PER<br>ASM. | USABLE<br>ON<br>CODE |
|----------------------------|----------------|--|---|---|---|----------------------|----------------------|
|                            |                | 1  | 2 | 3 | 4 |                      |                      |
| 21 -                       | 2641141        | B GATE ASSEMBLY- STAGE 2<br>USED WITH FDS  |   |   |   | REF                  |                      |
| -                          | 264 1218       | B GATE ASSEMBLY- STAGE 2   |   |   |   | REF                  |                      |
| -                          | 4145989        | USED WITH LAMINAR BUS ONLY<br>B GATE ASSEMBLY- STAGE 2 MODEL 3<br>FOR NEXT HIGHER ASM SEE FIGURE 11-14<br>FOR ILLUSTRATION SEE FIGURE 21 |   |   |   | REF                  |                      |
| - 1                        | 2630001        | . LABEL,CPU A GATE   |   |   |   | 1                    |                      |
| - 2                        | 2641944        | . LABEL,WARNING  |   |   |   | AR                   |                      |
| - 3                        | 2637217        | . LABEL,WARNING  |   |   |   | AR                   |                      |
| - 4                        | 1994823        | . LABEL,COOLING COVER REPLACEMENT  |   |   |   | AR                   |                      |
| - 5                        | 819431         | . COVER,DUMMY BACK   |   |   |   | AR                   |                      |
| - 5A                       | 731626         | . SCREW,PAN HD- 6-32 X 0.250 LG  |   |   |   | AR                   |                      |
| - 5B                       | 22478          | . WASHER,FL- 0.170 ID X 0.375 OD 0.032 THK   |   |   |   | AR                   |                      |
| - 6                        | 819012         | . COVER,DUMMY  |   |   |   | AR                   |                      |
| - 7                        | 731626         | . SCREW,PAN HD 6-32 X 1/4 LG   |   |   |   | ATT PT               |                      |
| - 8                        | 22478          | . WASHER,FL 0.170 ID 0.375 OD 0.032 THK  |   |   |   | ATT PT               |                      |
| - 9                        | 2637563        | . COVER ASSEMBLY   |   |   |   | AR                   |                      |
| - 10                       | 2637567        | . BRACKET  |   |   |   | R                    |                      |
| - 11                       | 731626         | . SCREW,PAN HD 6-32 X 1/4 LG   |   |   |   | ATT PT               |                      |
| - 11A                      | 819075         | . SPACER,BRACKET   |   |   |   | AR                   |                      |
| - 11B                      | 2181005        | . SCREW,HEX HD- 6-32 X 0.375 LG  |   |   |   | ATT PT               |                      |
| - 12                       | 819074         | . GUIDE ASM,CARD- UPPER  |   |   |   | AR                   |                      |
| - 13                       | 819076         | . GUIDE ASM,CARD- LOWER  |   |   |   | AR                   |                      |
| - 13A                      | 2457745        | . SCREW,HEX SOC HD- 6-32 X 1.00 LG   |   |   |   | ATT PT               |                      |
| - 14                       | 2641136        | . CLIP,HOUSING   |   |   |   | AR                   |                      |
| - 15                       | 1993124        | . BRACKET,B GATE   |   |   |   | 1                    |                      |
| - 16                       | 186758         | . SCREW,MACH BD HD 8-32 X 0.437 LG   |   |   |   | ATT PT               |                      |
| - 17                       | 1090873        | . LOCKWASHER, SPLIT 0.168 ID X 0.296 OD  |   |   |   | ATT PT               |                      |
| - 18                       | 2646984        | . THERMAL SWITCH ASM   |   |   |   | 3                    |                      |
| - 20                       | 10170          | . SCREW,MACH BD HD- NO. 6-32 X .250 LG   |   |   |   | ATT PT               |                      |
| - 21                       | 257187         | . NUT,HEX DBL CHAMFERED 6-32 X 0.3125 FL W   |   |   |   | ATT PT               |                      |
| - 21A                      | 5501999        | . SWITCH ASM,THERMAL   |   |   |   | 1                    |                      |
| - 21B                      | 5501997        | . CLIP,RETAINING   |   |   |   | ATT PT               |                      |
| - 21C                      | 2646337        | . BRACKET,MOUNTING   |   |   |   | 1                    |                      |
| - 22                       | 1993127        | . SCREEN,GATE TOP  |   |   |   | 3                    |                      |
| - 23                       | 731626         | . SCREW,PAN HD 6-32 X 1/4 LG   |   |   |   | ATT PT               |                      |
| - 24                       | 5276271        | . TERMINAL   |   |   |   | 6                    |                      |
| - 25                       | 251970         | . SCREW,MACH BD HD- 4-40 X 0.250 LG  |   |   |   | ATT PT               |                      |
| - 26                       | 338169         | . LOCKWASHER, EXT TFETH NO. 4 X 9/32 OD  |   |   |   | ATT PT               |                      |
| - 27                       | 478508         | . SPACER,FL- 0.116 ID X 0.250 OD 0.058 THK   |   |   |   | ATT PT               |                      |
| - 28                       | 204210         | . ROLLER,GATE SUPPORT  |   |   |   | 2                    |                      |
| - 29                       | 139766         | . CLIP,RETAINING- 0.281 ID X 0.020 THK   |   |   |   | ATT PT               |                      |
| - 30                       | 1981184        | . STUD,GATE GUIDE  |   |   |   | 1                    |                      |
| - 31                       | 325149         | . NUT,ELASTIC STOP- 0.375-16   |   |   |   | ATT PT               |                      |
| - 32                       | 255939         | . SCREW ASM,DOOR   |   |   |   | 1                    |                      |
| - 33                       | 3960           | . NUT,PLAIN HEX 1/4-20 X 7/16 FL W   |   |   |   | ATT PT               |                      |
| - 34                       | 1993125        | . BRACKET,B GATE STOP-LOWER  |   |   |   | 1                    |                      |
| - 35                       | 28413          | . SCREW,MACH BD HD- 10-32 X 5/16 LG  |   |   |   | ATT PT               |                      |
| - 36                       | 9092           | . LOCKWASHER, SPLIT RING, .194 ID .3370D   |   |   |   | ATT PT               |                      |
| - 37                       | 103107         | . SPRING,DOOR LIFTER   |   |   |   | 2                    |                      |
| - 38                       | 1993395        | . LATCH,B GATE   |   |   |   | 1                    |                      |
| - 39                       | 173937         | . SETSCREW-SPLINE DR CUP PT 8-32 X 1/8 LG  |   |   |   | ATT PT               |                      |
| - 40                       | 1993396        | . HANDLE,GATE LATCH  |   |   |   | 1                    |                      |
| - 41                       | 760305         | . HINGE,KNUCKLE  |   |   |   | 2                    |                      |
| - 42                       | 325626         | . SCREW,SLOTTED HEX HD- 1/4-20 X 0.328 LG  |   |   |   | ATT PT               |                      |
| - 43                       | 6935           | . LOCKWASHER, SPLIT 1/4 X 0.493 OD   |   |   |   | ATT PT               |                      |
| - 44                       | 1993536        | . COOLING UNIT ASM,GATE- 60HZ  |   |   |   | 3                    |                      |
| - 44                       | 1993535        | . COOLING UNIT ASM,GATE- 50HZ<br>FOR DETAIL BREAKDOWN SEE FIGURE 65  |   |   |   | 3                    |                      |
| - 44                       | 1573502        | . COOLING UNIT ASSEMBLY- 60 HZ<br>FOR DETAIL BREAKDOWN SEE FIGURE 66   |   |   |   | 3                    |                      |
| - 44                       | 5548304        | . COOLING UNIT ASSEMBLY- 60 HZ (OPTIONAL)  |   |   |   | 3                    |                      |
| - 44                       | 1574814        | . COOLING UNIT ASSEMBLY- 60 HZ NON PCB (OPTIONAL)<br>FOR DETAIL BREAKDOWN SEE FIGURE 66A   |   |   |   | 3                    |                      |
| - 44                       | 1574802        | . COOLING UNIT ASSEMBLY- 60 HZ NON PCB (OPTIONAL)<br>FOR DETAIL BREAKDOWN SEE FIGURE 66  |   |   |   | 3                    |                      |
| - 45                       | 1993102        | . ADAPTER ASM,COOLING UNIT   |   |   |   | 3                    |                      |
| - 46                       | 28413          | . SCREW,MACH BD HD- 10-32 X 5/16 LG  |   |   |   | ATT PT               |                      |
| - 47                       | 838480         | . SEAL,PLENUM  |   |   |   | 6                    |                      |
| - 48                       | 2637668        | . TIE,CABLE  |   |   |   | 5                    |                      |
| - 49                       | 2637524        | . BRACKET  |   |   |   | 5                    |                      |
| - 50                       | 186759         | . SCREW,MACH BD HD- 8-32 X 5/16 LG   |   |   |   | ATT PT               |                      |
| - 51                       | 317227         | . GROMMET  |   |   |   | 1                    |                      |
| - 52                       | 2641877        | . SHIELD   |   |   |   | 1                    |                      |
| - 53                       | 23413          | . SCREW,MACH BD HD- 10-32 X 5/16 LG  |   |   |   | ATT PT               |                      |
| - 54                       | 1994579        | . STANDOFF   |   |   |   | 4                    |                      |
| - 55                       | 5799187        | . CAPACITOR ASM- 6000UF  |   |   |   | 6                    |                      |
| - 56                       | 1993466        | . CAPACITOR ASM- 4000UF  |   |   |   | 2                    |                      |
| - 57                       | 70078          | . SCREW,THD FORMING BD HD-   |   |   |   | ATT PT               |                      |

| FIGURE-<br>INDEX<br>NUMBER | PART<br>NUMBER | DESCRIPTION  |   |   |   | UNITS<br>PER<br>ASM. | USABLE<br>ON<br>CODE |
|----------------------------|----------------|--|---|---|---|----------------------|----------------------|
|                            |                | 1  | 2 | 3 | 4 |                      |                      |
| 21- 58                     | 1993389        | . BRACKET,CAPACITCR SUPPORT                        |   |   |   | 1                    |                      |
| - 59                       | 58207          | . SCREW,MACH BD HD- 6-32 X 0.250 LG                |   |   |   | 3                    |                      |
| - 60                       | 1993405        | . SUPPORT,B GATE TERMINAL                          |   |   |   | 2                    |                      |
| - 61                       | 332620         | . SCREW,MACH BD HD- 10-32 X 0.500 LG               |   |   |   | 4                    |                      |
| - 62                       | 2637518        | . SHIELD,TB- 12 PCS                                |   |   |   | 2                    |                      |
| - 64                       | 818175         | . COMMONING BUS ASM                                |   |   |   | 1                    |                      |
| - 65                       | 3960           | . NUT,PLAIN HEX 1/4-20 X 7/16 FL W                 |   |   |   | 24                   |                      |
| - 66                       | 6935           | . LOCKWASHER, SPLIT 1/4 X 0.493 OD                 |   |   |   | 24                   |                      |
| - 67                       | 3550           | . WASHER,FL 1/4 X 9/16 OD X 0.050 THK              |   |   |   | 24                   |                      |
| - 68                       | 5298103        | . SCREW,BD HD- 10-32 X 0.38 LG                     |   |   |   | 48                   |                      |
| - 69                       | 5298053        | . BLOCK,TERMINAL                                   |   |   |   | 2                    |                      |
| - 70                       | 2641198        | . SHIELD   |   |   |   | 1                    |                      |
| - 71                       | 32042          | . SCREW,MACH BD HD- 10-32 X 0.375 LG.              |   |   |   | 2                    |                      |
| - 72                       | 2641131        | . LABEL,TERMINAL LOCATION                          |   |   |   | 1                    |                      |
| - 73                       | 819765         | . SCREW,MACH BD HD- 8-32 X 0.375 LG                |   |   |   | 30                   |                      |
| - 74                       | 2641204        | . BLOCK ASM,TERMINAL<br>USED WITH FDS              |   |   |   | 1                    |                      |
| - 74                       | 2641228        | . BLOCK ASM,TERMINAL<br>USED WITH LAM BUS          |   |   |   | 1                    |                      |
| - 75                       | 819778         | . STUD- 10-32 X 0.470 LG                           |   |   |   | 2                    |                      |
| - 76                       | 819779         | . SLEEVE,TERMINAL BLOCK STUD<br>USED WITH FDS ONLY |   |   |   | 2                    |                      |
| - 77                       | 819770         | . BLOCK ASM  |   |   |   | 1                    |                      |
| - 78                       | 92050          | . SCREW,BD HD SELF TAPPING                         |   |   |   | 2                    |                      |
| - 78A                      | 2641198        | . SHIELD,SAFETY<br>USED WITH FDS                   |   |   |   | 1                    |                      |
| - 78A                      | 2641209        | . SHIELD,SAFETY<br>USED WITH LAM BUS               |   |   |   | 1                    |                      |
| - 78B                      | 32042          | . SCREW,MACH BD HD- 10-32 X 0.375 LG               |   |   |   | 2                    |                      |
| - 78C                      | 2641131        | . LABEL,TERMINAL LOCATION<br>USED WITH FDS         |   |   |   | 1                    |                      |
| - 78C                      | 2641230        | . LABEL,TERMINAL LOCATION<br>USED WITH LAM BUS     |   |   |   | 1                    |                      |
| - 78D                      | 2641204        | . BLOCK ASM,TERMINAL<br>USED WITH FDS              |   |   |   | 1                    |                      |
| - 78D                      | 2641229        | . BLOCK ASM,TERMINAL<br>USED WITH LAM BUS          |   |   |   | 1                    |                      |
| - 78E                      | 819778         | . STUD- 10-32 X 0.470 LG                           |   |   |   | 2                    |                      |
| - 78F                      | 819779         | . SLEEVE,STUD                                      |   |   |   | 2                    |                      |
| - 78G                      | 819763         | . NUT,1/4-20                                       |   |   |   | 3                    |                      |
| - 79                       | 1805181        | . RESISTOR MOUNTING ASSEMBLY                       |   |   |   | 1                    |                      |
| - 80                       | 731626         | . SCREW,PAN HD- 6-32 X 0.25 LG                     |   |   |   | 4                    |                      |
| - 81                       | 22478          | . WASHER,FLAT- 0.170 ID x 0.375 OD                 |   |   |   | 4                    |                      |
| - 82                       | 1813295        | . . CABLE ASSEMBLY                                 |   |   |   | 1                    |                      |
| - 83                       | 1813296        | . . CABLE ASSEMBLY                                 |   |   |   | 1                    |                      |
| - 84                       | 34512          | . . SCREW,BD HD- 8-32 X 0.375 LG                   |   |   |   | 6                    |                      |
| - 85                       | 55901          | . . LOCKWASHER,EXT TOOTH                           |   |   |   | 6                    |                      |
| - 86                       | 76846          | . . NUT,HEX- 8-32                                  |   |   |   | 6                    |                      |
| - 87                       | 510316         | . . CLIP   |   |   |   | 12                   |                      |
| - 88                       | 81693          | . . SCREW,BD HD- 6-32 X 0.375 LG                   |   |   |   | 12                   |                      |
| - 89                       | 56722          | . . WASHER,LOCK-EXT TOOTH                          |   |   |   | 12                   |                      |
| - 90                       | 257187         | . . NUT,HEX- 6-32                                  |   |   |   | 12                   |                      |
| - 91                       | 730426         | . . RESISTOR,FXD-WW 0.18 OHMS 90W                  |   |   |   | 6                    |                      |
| - 92                       | 1805162        | . . BOARD  |   |   |   | 1                    |                      |

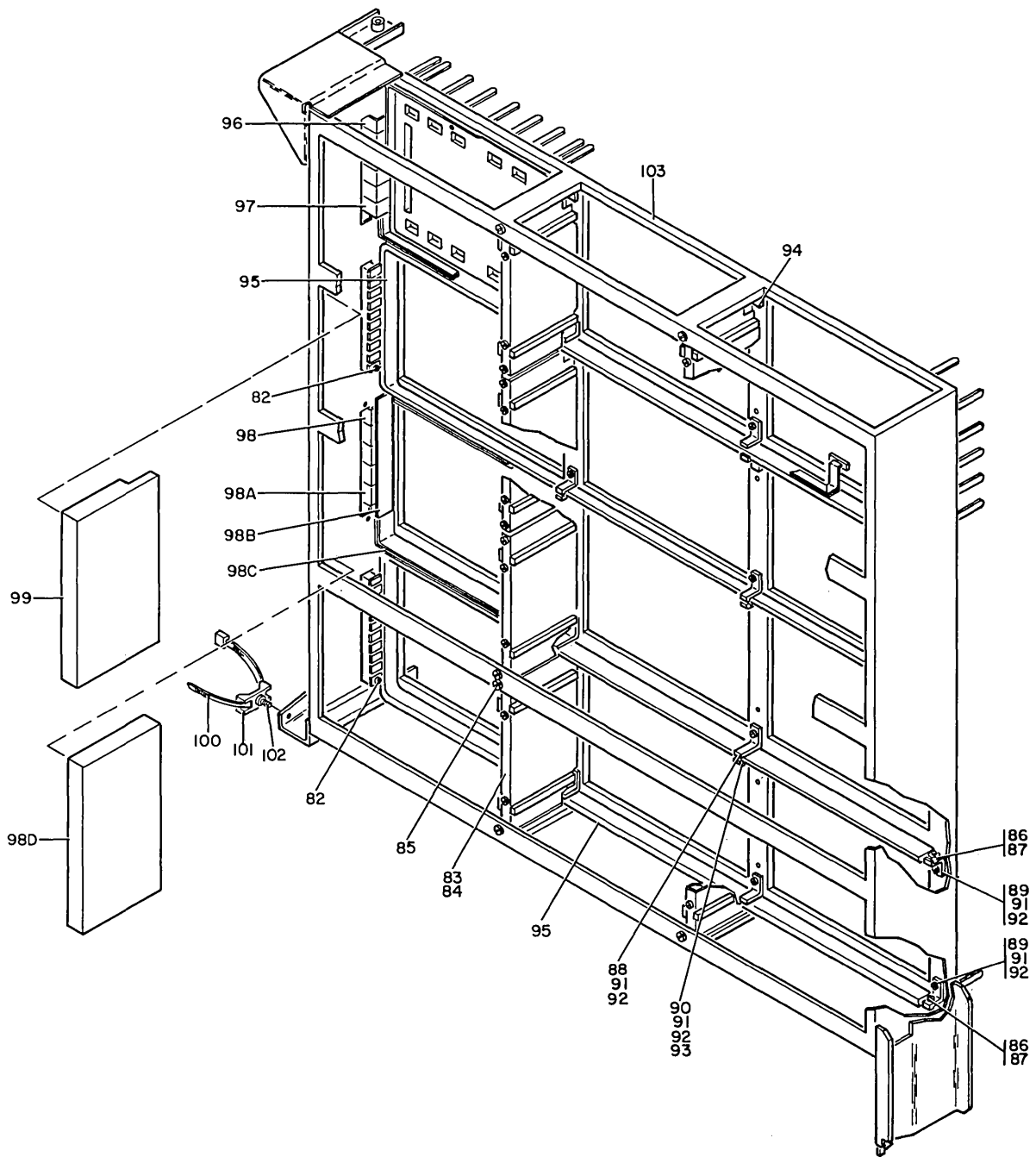


FIGURE 21. B GATE ASSEMBLY- STAGE 2. SHEET 2 OF 2. NOS. 82-103. SEE LIST 21.



| LIST AND INDEX NUMBER | PART NUMBER | DESCRIPTION                              |   |   |   | UNITS PER ASM. | USABLE ON CODE |
|-----------------------|-------------|--|---|---|---|----------------|----------------|
|                       |             | 1  | 2 | 3 | 4 |                |                |
| 21 - 82               | 5298103     | . SCREW, BD HD- 10-32 X 0.38 LG          |   |   |   | 1              |                |
| - 83                  | 5298118     | . BAFFLE ASM                             |   |   |   | 8              |                |
| - 84                  | 2181088     | . SCREW, THD FORMING- 6-32 X 0.875 LG    |   |   |   | 16             |                |
| - 85                  | 19944       | . SCREW, MACH BD HD- 8-32 X 3/4 LG       |   |   |   | 16             | ATT PT         |
| - 86                  | 5298114     | . SCREW, INSULATED- 6-32 X 0.62 LG       |   |   |   | 4              | ATT PT         |
| - 87                  | 801393      | . NUT, HEX- 6-32                         |   |   |   | 4              |                |
| - 88                  | 5298120     | . BRACKET ASM, LAM BUS                   |   |   |   | 16             |                |
| - 89                  | 5298108     | . BRACKET BUS                            |   |   |   | 4              |                |
| - 90                  | 2457703     | . BRACKET ASM                            |   |   |   | 8              |                |
| - 91                  | 811426      | USED WITH FDS ONLY                       |   |   |   |                |                |
| - 92                  | 2129550     | . SCREW, MACH PAN HD 6-32 X 0.375 IN. LG |   |   |   | 20             | ATT PT         |
| - 93                  | 5298166     | . WASHER, FLAT 5/16 OD 5/32 ID 1/32 THK  |   |   |   | 24             | ATT PT         |
| - 94                  | 5298119     | . SPACER, RUBBER                         |   |   |   | 6              |                |
| - 95                  | 1993747     | . PAD, RUBBER                            |   |   |   | 5              |                |
| - 96                  | 2630476     | . CROSSOVER AND BUS ASM                  |   |   |   | 2              |                |
| - 96                  | 2641383     | . BUS ASM, LAMINAR                       |   |   |   | 1              |                |
| - 96                  | 1795375     | USED ON ASM WITH LAM BUS                 |   |   |   |                |                |
| - 96                  | 1795375     | . BUS ASM, FLAT WIRE- TOP BOARDS         |   |   |   | 1              |                |
| - 97                  | 2641384     | USED ON FDS OPTION 1 ONLY                |   |   |   |                |                |
| - 97                  | 1795377     | . BUS ASM, FLAT WIRE- TOP BOARDS         |   |   |   | 1              |                |
| - 97                  | 1795377     | USED ON FDS OPTION 2 ONLY                |   |   |   |                |                |
| - 98                  | 2630477     | . BUS ASM, FLAT WIRE- BOTTOM BOARDS      |   |   |   | 1              |                |
| - 98                  | 2641385     | USED ON FDS OPTION 1 ONLY                |   |   |   |                |                |
| - 98                  | 1795376     | . BUS ASM, FLAT WIRE- TOP BOARDS         |   |   |   | 1              |                |
| - 98A                 | 2641386     | USED ON FDS OPTION 2 ONLY                |   |   |   |                |                |
| - 98A                 | 1795378     | . BUS ASM, FLAT WIRE- BOTTOM BOARDS      |   |   |   | 1              |                |
| - 98B                 | 2641201     | USED ON FDS OPTION 1 ONLY                |   |   |   |                |                |
| - 98C                 | 2641199     | . BUS ASM, FLAT WIRE- BOTTOM BOARDS      |   |   |   | 1              |                |
| - 98D                 | 817933      | USED ON FDS OPTION 2 ONLY                |   |   |   |                |                |
| - 99                  | 5298139     | . INSULATOR                              |   |   |   | 2              |                |
| - 100                 | 2637668     | USED ON FDS                              |   |   |   | 2              |                |
| - 101                 | 2637669     | . INSULATOR                              |   |   |   | 2              |                |
| - 102                 | 28413       | USED ON FDS                              |   |   |   | 2              |                |
| - 103                 | 2641139     | . SEAL, AIR                              |   |   |   | 8              |                |
|                       |             | . TIE, CABLE                             |   |   |   | 1              |                |
|                       |             | . STRAP                                  |   |   |   | 1              |                |
|                       |             | . SCREW, MACH BD HD- 10-32 X 5/16 LG     |   |   |   | 1              | ATT PT         |
|                       |             | . GATE 4 X 3                             |   |   |   | 1              |                |

FOR PARTS  
NOT SHOWN  
SEE FIG. 10  
SHEET 1

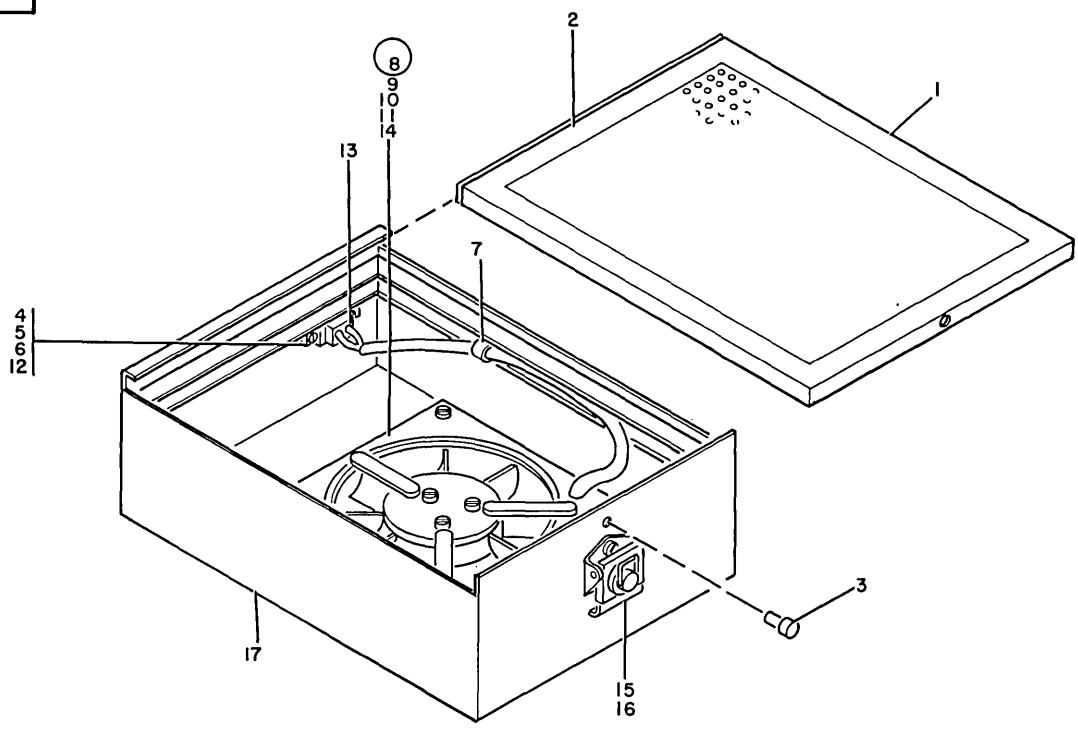


FIGURE 22. COOLING UNIT ASSEMBLY- STAGE 1. SEE LIST 22.

| LIST AND INDEX NUMBER | PART NUMBER | DESCRIPTION   | UNITS PER ASM. |   |   |   | USABLE ON CODE |
|-----------------------|-------------|---|----------------|---|---|---|----------------|
|                       |             |   | 1              | 2 | 3 | 4 |                |
|                       |             | COOLING UNIT ASSEMBLY- STAGE 1  |                |   |   |   |                |
| 22 -                  | 1993469     | COOLING UNIT ASM- 50 HZ   |                |   |   |   | REF            |
| -                     | 5740086     | COOLING UNIT ASM- 60 HZ<br>FOR NEXT HIGHER ASM SEE FIGURE 10-16<br>FOR ILLUSTRATION SEE FIGURE 22 |                |   |   |   | REF            |
| - 1                   | 5357064     | . FILTER, AIR   |                |   |   |   | 1              |
| - 2                   | 599557      | . SEAL  |                |   |   |   | AR             |
| - 3                   | 5357135     | . CATCH   |                |   |   |   | 1              |
| - 4                   | 322065      | . SCREW, MACH BD HD- 6-32 X 5/8 LG  |                |   |   |   | 2              |
| - 5                   | 56722       | . LOCKWASHER, EXT T .150 ID   |                |   |   |   | 2              |
| - 6                   | 257187      | . NUT, HEX DBL CHAMFERED 6-32 X 0.3125 FL W   |                |   |   |   | 2              |
| - 7                   | 5349886     | . CLIP, SPEED   |                |   |   |   | 1              |
| - 8                   | 4120230     | . FAN ASM   |                |   |   |   | 1              |
| - 8                   | 5357109     | . FAN ASM WITH CONNECTOR  |                |   |   |   | 1              |
| - 9                   | 322550      | . SCREW, MACH-BIND HD 6-32 X 0.500 LG   |                |   |   |   | 4              |
| - 10                  | 56722       | . LOCKWASHER, EXT T .150 ID   |                |   |   |   | 4              |
| - 11                  | 257187      | . NUT, HEX DBL CHAMFERED 6-32 X 0.3125 FL W   |                |   |   |   | 4              |
| - 12                  | 5357138     | . . CONNECTOR RECEPTACLE, ELECTRICAL  |                |   |   |   | 1              |
| - 13                  | 5353854     | . . CONTACT, MALE 16-20 WIRE  |                |   |   |   | 2              |
| - 14                  | 4120171     | . . MOTOR, FAN 50 HZ  |                |   |   |   | 1              |
| - 14                  | 5353877     | . . FAN ASM   |                |   |   |   | 1              |
| - 15                  | 5349888     | . LATCH   |                |   |   |   | 1              |
| - 16                  | 5357136     | . SCREW, PAN HD- 4-40 X .187 LG   |                |   |   |   | 2              |
| - 17                  | 5740089     | . HOUSING, FAN  |                |   |   |   | 1              |

FOR PARTS  
NOT SHOWN  
SEE FIG. 11  
SHEET 2

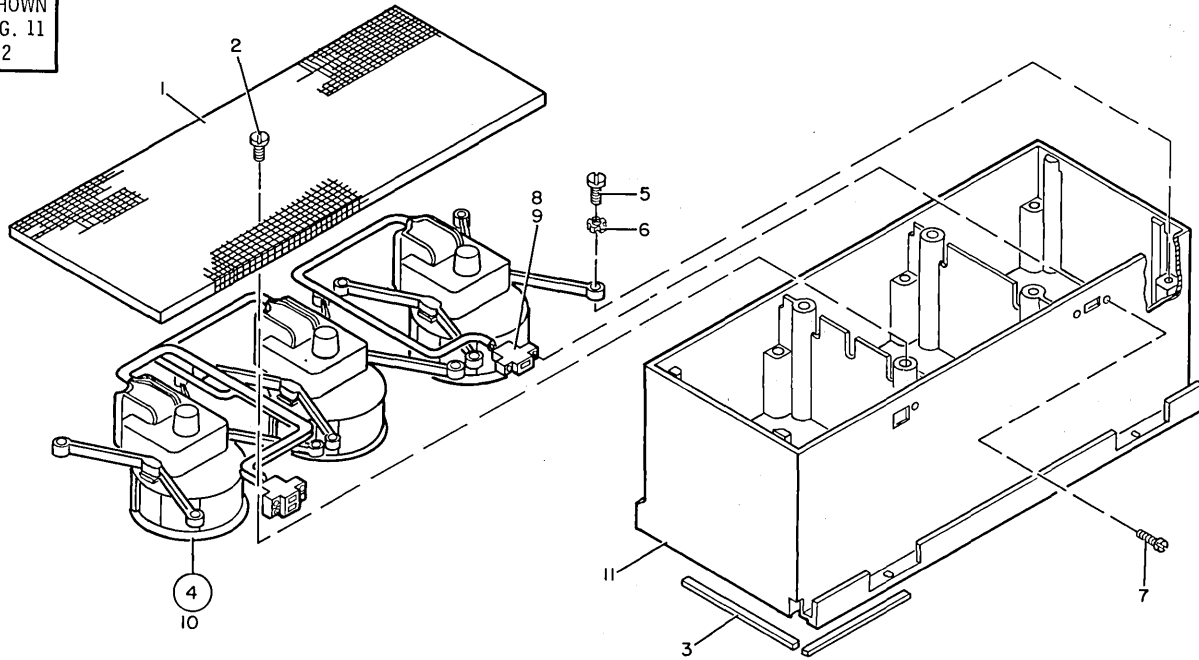


FIGURE 23. COOLING UNIT ASSEMBLY. SEE LIST 23.

| LIST AND INDEX NUMBER | PART NUMBER | DESCRIPTION  |   |   |   | UNITS PER ASM. | USABLE ON CODE |
|-----------------------|-------------|--|---|---|---|----------------|----------------|
|                       |             | 1  | 2 | 3 | 4 |                |                |
|                       |             | COOLING UNIT ASSEMBLY  |   |   |   |                |                |
| 23 -                  | 2637418     | COOLING UNIT ASM- 50HZ   |   |   |   | REF            |                |
| -                     | 2637419     | COOLING UNIT ASM- 60HZ<br>FOR NEXT HIGHER ASM SEE FIGURE 11-87<br>FOR ILLUSTRATION SEE FIGURE 23 |   |   |   | REF            |                |
| - 1                   | 2637415     | . SCREEN,SAFETY- TRIPLE BLOWER   |   |   |   |                |                |
| - 2                   | 2637289     | . SCREW,SELF TAPPING- 8-18 X 0.625 LG  |   |   |   | ATT PT         | 4              |
| - 3                   | 1994489     | . SEAL,AIR   |   |   |   |                | 2              |
| - 4                   | 1797462     | . BLOWER AND CONNECTOR ASM- 50 HZ  |   |   |   |                | 1              |
| - 4                   | 1797463     | . BLOWER AND CONNECTOR ASM- 60HZ   |   |   |   |                | 1              |
| - 5                   | 2637290     | . SCREW,SELF TAPPING- 8-18 X 1.000 LG  |   |   |   | ATT PT         | 12             |
| - 6                   | 55901       | . LOCKWASHER,EXTERNAL TOOTH 0.176 ID X 0.3   |   |   |   | ATT PT         | 12             |
| - 7                   | 2637289     | . SCREW,SELF TAPPING- 8-18 X 0.625 LG  |   |   |   | ATT PT         | 4              |
| - 8                   | 5353853     | . . HOUSING,CONNECTOR  |   |   |   |                | 1              |
| - 9                   | 5353854     | . . CONTACT,MALE 16-20 WIRE  |   |   |   |                | 3              |
| - 10                  | 1994956     | . . BLOWER- 60 HZ  |   |   |   |                | 1              |
| - 10                  | 1994490     | . . BLOWER- 50 HZ  |   |   |   |                | 1              |
| - 11                  | 2637417     | . HOUSING- 60 HZ   |   |   |   |                | 1              |
| - 11                  | 2637416     | . HOUSING- 50 HZ   |   |   |   |                | 1              |
|                       |             |  |   |   |   |                |                |
|                       |             |  |   |   |   |                |                |
|                       |             |  |   |   |   |                |                |
|                       |             |  |   |   |   |                |                |

FOR PARTS NOT  
SHOWN SEE LIST 24  
FOR NEXT HIGHER  
ASSEMBLY

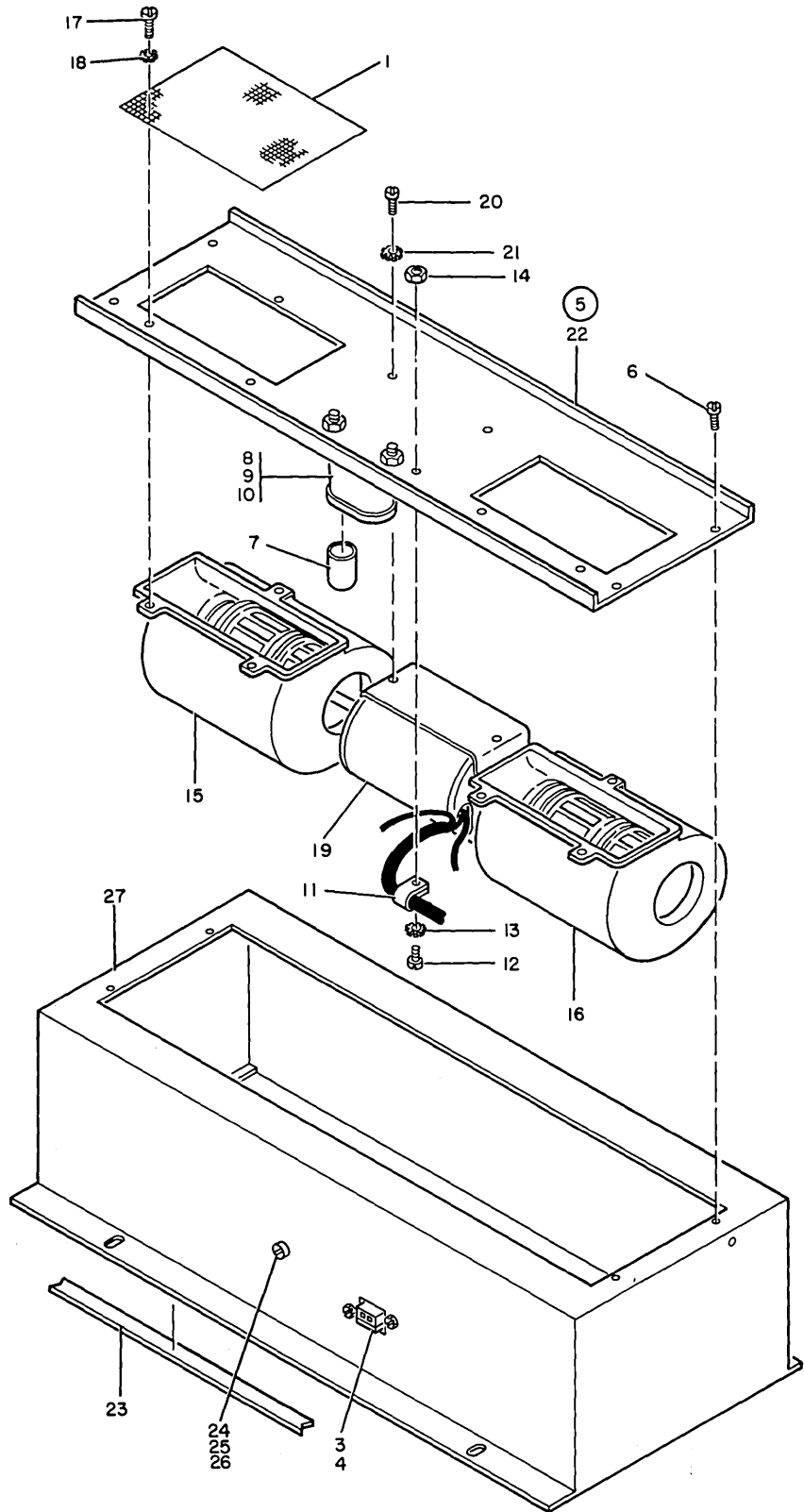


FIGURE 24. COOLING UNIT ASSEMBLY- 60 HZ. SEE LIST 24.

COOLING UNIT ASSEMBLY-60HZ

| FIGURE-<br>INDEX<br>NUMBER | PART<br>NUMBER | DESCRIPTION  | UNITS<br>PER<br>ASM. | USABLE<br>ON<br>CODE |
|----------------------------|----------------|--|----------------------|----------------------|
| 24 -                       | 1803084        | COOLING UNIT ASSEMBLY- 60 HZ NON PCB   | REF                  |                      |
| -                          | 1797541        | COOLING UNIT ASSEMBLY- 60 HZ PCB<br>FOR NEXT HIGHER ASSEMBLY   | REF                  |                      |
| -                          | 4145225        | SEE FIGURES 10-146, 11-87, 33-40 AND 34-83A<br>COOLING UNIT ASSEMBLY,60 HZ- MODEL 3                            | REF                  |                      |
| -                          | 4145229        | COOLING UNIT ASSEMBLY,50 HZ- MODEL 3<br>FOR NEXT HIGHER ASM,SEE FIGURE 11-87<br>FOR ILLUSTRATION SEE FIGURE 24 | REF                  |                      |
| - 1                        | 1809449        | . SCREEN   | 1                    |                      |
| - 3                        | 5353853        | . HOUSING,CONNECTOR  | 1                    |                      |
| - 4                        | 2637289        | . SCREW,SELF TAPPING- 8-18 X 0.625 LG  | 2                    | ATT PT               |
| - 5                        | 5357005        | . BLOWER ASM   | 1                    |                      |
| - 5                        | 1574905        | . BLOWER ASM- NON PCB  | 1                    |                      |
| - 5                        | 1574912        | . BLOWER ASM,DUPLEX- 60 HZ<br>USED ON 4145225 ASM  | 1                    |                      |
| - 5                        | 1574929        | . BLOWER ASM,DUPLEX- 50 HZ<br>USED ON 4145229 ASM  | 1                    |                      |
| - 6                        | 740501         | . SCREW,MACH HEX HD 6-32 X 1/4 LG  | 4                    | ATT PT               |
| - 6                        | 2181007        | . SCREW,THD FORMING- 6-32 X 0.625 LG<br>USED ON 4145225 AND 4145229 ASM  | 4                    | ATT PT               |
| - 7                        | 526378         | . . INSULATOR,CAPACITOR TERMINAL   | 2                    |                      |
| - 8                        | 5357137        | . . CAPACITOR,PAPER- 3.0UF P/M 10% 370VAC  | 1                    |                      |
| - 8                        | 5252823        | . . CAPACITOR- NON PCB   | 1                    |                      |
| - 9                        | 11598          | . . NUT,HEX- 10-32 THD   | 2                    | ATT PT               |
| - 10                       | 56079          | . . LOCKWASHER,EXT TEETH- 0.204 ID X 0.410 O   | 2                    | ATT PT               |
| - 11                       | 804109         | . . CLAMP,0.375 ID X 0.173 MTG HOLE  | 1                    |                      |
| - 12                       | 81693          | . . SCREW,MACH BD HD- 6-32 X 0.375 LG  | 1                    | ATT PT               |
| - 13                       | 56722          | . . LOCKWASHER,EXT TEETH- 0.150 ID X 0.320 O   | 1                    | ATT PT               |
| - 14                       | 257187         | . . NUT,HEX- 6-32 THD  | 1                    | ATT PT               |
| - 15                       | 5357145        | . . SCROLL AND WHEEL ASM- RIGHT  | 1                    |                      |
| - 16                       | 5357144        | . . SCROLL AND WHEEL ASM- LEFT   | 1                    |                      |
| - 17                       | 81693          | . . SCREW,MACH BD HD- 6-32 X 0.375 LG  | 6                    | ATT PT               |
| - 18                       | 56722          | . . LOCKWASHER,EXT TEETH- 0.150 ID X 0.320 O   | 6                    | ATT PT               |
| - 19                       | 5357020        | . . MOTOR AND CONNECTOR ASM  | 1                    |                      |
| - 20                       | 130434         | . . SCREW,MACH, SLOTTED HEX HD NO.10-32 X.375  | 2                    | ATT PT               |
| - 21                       | 56079          | . . LOCKWASHER,EXT TEETH- 0.204 ID X 0.410 O   | 2                    | ATT PT               |
| - 22                       | 5357012        | . . PLATE  | 1                    |                      |
| - 23                       | 838480         | . SEAL,PLENUM  | AR                   |                      |
| - 24                       | 55726          | . SCREW,BD HD- 6-32 X 0.188 LG<br>USED ON 4145225 AND 4145229 ASM  | AR                   |                      |
| - 25                       | 56722          | . LOCKWASHER,EXT TEETH NO. 6<br>USED ON 4145225 AND 4145229 ASM  | 1                    |                      |
| - 26                       | 257187         | . NUT,HEX- 6-32<br>USED ON 4145225 AND 4145229 ASM   | 1                    |                      |
| - 27                       | 1797542        | . HOUSING  | 1                    |                      |
| - 27                       | 4145219        | . HOUSING<br>USED ON 4145225 AND 4145229 ASM   | 1                    |                      |

FOR PARTS  
NOT SHOWN  
SEE FIG. 10  
SHEET 2

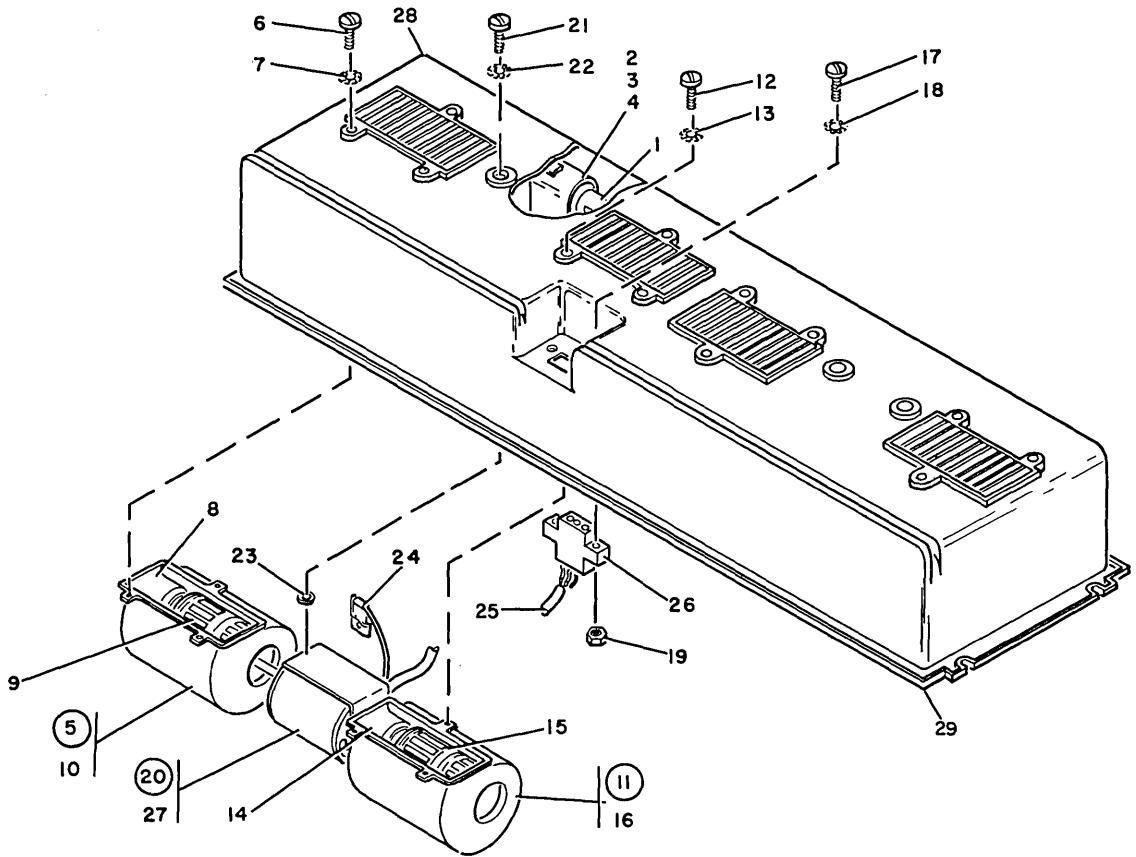


FIGURE 24A. COOLING UNIT ASSEMBLY. SEE LIST 24A.

| LIST AND INDEX NUMBER | PART NUMBER | DESCRIPTION   | UNITS PER ASM. | USABLE ON CODE |
|-----------------------|-------------|---|----------------|----------------|
|                       |             | 1 2 3 4<br>COOLING UNIT ASSEMBLY  |                |                |
| 24A-                  | 1993028     | COOLING UNIT ASM- 60 HZ<br>FOR NEXT HIGHER ASM SEE FIGURE 10-146<br>FOR ILLUSTRATION SEE FIGURE 24A | REF            |                |
| - 1                   | 526378      | . CAP, INSULATOR  | 4              |                |
| - 2                   | 5357137     | . CAPACITOR, PAPER- 3.0UF P/M 10% 370V AC   | 2              |                |
| - 3                   | 11598       | . NUT, PLAIN HEX- 10/32   | 4              |                |
| - 4                   | 56079       | . LOCKWASHER, EXT TEETH- 0.204 ID X 0.410 OD  | 4              | ATT PT         |
| - 5                   | 5357145     | . SCROLL AND WHEEL ASM- RIGHT   | 2              | ATT PT         |
| - 6                   | 81693       | . SCREW, MACH BD HD- 6-32 X 0.375 LG  | 3              | ATT PT         |
| - 7                   | 56722       | . LOCKWASHER, EXT TEETH- 0.150 ID   | 3              | ATT PT         |
| - 8                   | 5357141     | . . BELL MOUTH, SCROLL  | 1              |                |
| - 9                   | 5357024     | . . WHEEL ASM, BLOWER FAN RIGHT   | 1              |                |
| - 10                  | 5357140     | . . SCROLL  | 1              |                |
| - 11                  | 5357144     | . SCROLL AND WHEEL ASM- LEFT  | 1              |                |
| - 11                  | 5468306     | . SCROLL ASM- LEFT  | 1              |                |
| - 12                  | 81693       | . SCREW, MACH BD HD- 6-32 X 0.375 LG  | 3              | ATT PT         |
| - 13                  | 56722       | . LOCKWASHER, EXT TEETH- 0.150 ID   | 3              | ATT PT         |
| - 14                  | 5357141     | . . BELL MOUTH, SCROLL  | 1              |                |
| - 15                  | 5357025     | . . WHEEL ASM, BLOWER FAN LEFT  | 1              |                |
| - 16                  | 5357140     | . . SCROLL  | 1              |                |
| - 17                  | 322065      | . SCREW, MACH BD HD- 6-32 X 0.625 LG  | 2              |                |
| - 18                  | 56722       | . LOCKWASHER, EXT TEETH- 0.150 ID   | 2              |                |
| - 19                  | 257187      | . NUT, HEX- 6-32  |                |                |
| - 20                  | 1993108     | . MOTOR AND CONNECTOR ASM   | 2              |                |
| - 21                  | 28413       | . SCREW, MACH BD HD- 10-32 X 0.312 LG   | 4              | ATT PT         |
| - 22                  | 56079       | . LOCKWASHER, EXT TOOTH- 0.204 ID X 0.410 OD  | 4              | ATT PT         |
| - 23                  | 5468309     | . SPACER  | 2              | ATT PT         |
| - 24                  | 517913      | . . CLIP, TERMINAL  | 3              |                |
| - 25                  | 5353854     | . . CONTACT, MALE- 16-20 WIRE   | 3              |                |
| - 26                  | 5353853     | . . HOUSING, CONNECTOR  | 1              |                |
| - 27                  | 5357021     | . . MOTOR ASM   | 1              |                |
| - 28                  | 1993057 NP  | . HOUSING   | 1              |                |
| - 29                  | 838480      | . SEAL  | 1              |                |

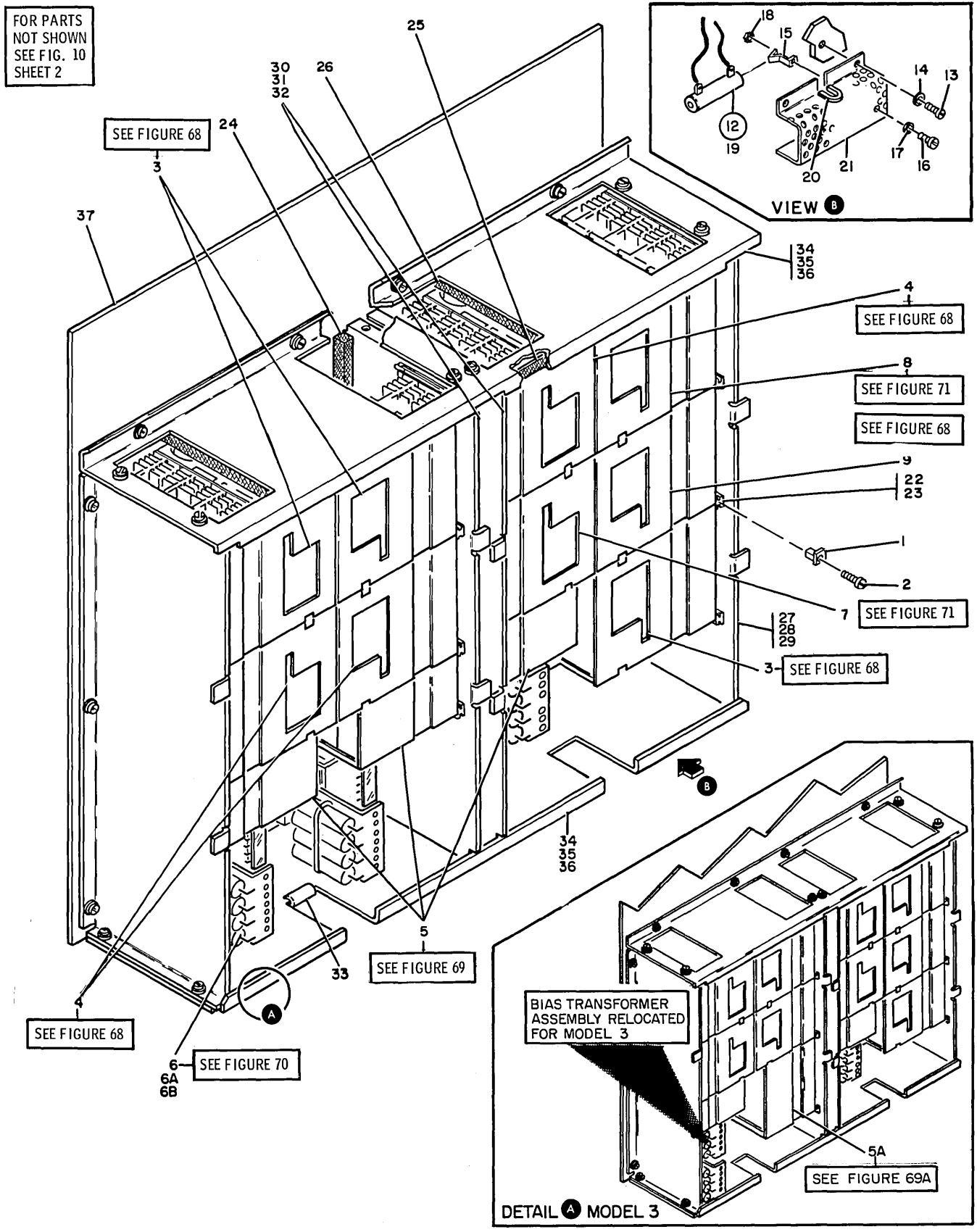


FIGURE 25. REGULATOR ASSEMBLY- STAGE 1. SEE LIST 25.



REGULATOR ASSEMBLY-STAGE 1

| FIGURE-<br>INDEX<br>NUMBER | PART<br>NUMBER | DESCRIPTION   |   |   |   | UNITS<br>PER<br>ASM. | USABLE<br>ON<br>CODE |
|----------------------------|----------------|---|---|---|---|----------------------|----------------------|
|                            |                | 1   | 2 | 3 | 4 |                      |                      |
| 25 -                       | 1993081        | REGULATOR ASM<br>FOR NEXT HIGHER ASM SEE FIGURE 10-180<br>FOR ILLUSTRATION SEE FIGURE 25                        |   |   |   | REF                  |                      |
| - 1                        | 1981069        | . KEEPER  |   |   |   | 14                   |                      |
| - 2                        | 438586         | . SCREW, BD HD- 8-32 X .875 LG ATT PT   |   |   |   | 14                   |                      |
| - 3                        | 5797470        | . POWER SUPPLY ASM- 1.25/3VDC AT 69 AMPS  |   |   |   | 2                    |                      |
| - 4                        | 2557550        | FOR DETAIL BREAKDOWN SEE FIGURE 68<br>. POWER SUPPLY ASM<br>FOR DETAIL BREAKDOWN SEE FIGURE 68                  |   |   |   | 3                    |                      |
| - 5                        | 2557490        | . HEATSINK ASM, ADDON- 20 AMP<br>FOR DETAIL BREAKDOWN SEE FIGURE 69   |   |   |   | 3                    |                      |
| - 5A                       | 2557510        | . HEATSINK ASSEMBLY, ADD-ON 50 AMP<br>FOR DETAIL BREAKDOWN SEE FIGURE 69A                                       |   |   |   | 1                    |                      |
| - 6                        | 5785120        | . BIAS TRANSFORMER ASM<br>FOR DETAIL BREAKDOWN SEE FIGURE 70  |   |   |   | 2                    |                      |
| - 6A                       | 130434         | . SCREW, MACH BD HD- 10-32 X 0.375 LG ATT PT  |   |   |   | 3                    |                      |
| - 6B                       | 47242          | . WASHER, FL- 0.500 OD X 0.062 THK ATT PT   |   |   |   | 3                    |                      |
| - 7                        | 2572730        | . POWER SUPPLY ASM- 1.25/3V AT 69 AMPS  |   |   |   | 1                    |                      |
| - 8                        | 2572740        | FOR DETAIL BREAKDOWN SEE FIGURE 71<br>. POWER SUPPLY ASM- 7VDC AT 62 AMPS<br>FOR DETAIL BREAKDOWN SEE FIGURE 71 |   |   |   | 1                    |                      |
| - 9                        | 2557470        | . POWER SUPPLY ASM- 6 VOLTS DC AT 12 AMPS<br>FOR DETAIL BREAKDOWN SEE FIGURE 68                                 |   |   |   | 1                    |                      |
| - 12                       | 1994827        | . SHIELD ASM, RESISTOR  |   |   |   | 1                    |                      |
| - 13                       | 140425         | . SCREW, MACH HEX HD 10-32 X 5/16 LG ATT PT   |   |   |   | 2                    |                      |
| - 14                       | 47242          | . WASHER, FL NO. 12 X 1/2 OD X 0.062 THK ATT PT   |   |   |   | 2                    |                      |
| - 15                       | 510316         | . BRACKET   |   |   |   | 2                    |                      |
| - 16                       | 10170          | . SCREW, MACH BD HD- NO. 6-32 X .250 LG ATT PT  |   |   |   | 2                    |                      |
| - 17                       | 257986         | . WASHER, FLAT 0.156ID X .312OD X .035THK ATT PT  |   |   |   | 2                    |                      |
| - 18                       | 257187         | . NUT, HEX DBL CHAMFERED 6-32 X 0.3125 FL W ATT PT  |   |   |   | 2                    |                      |
| - 19                       | 1994825        | . RESISTOR ASM- 0.24 OHMS P/M 5% 90W  |   |   |   | 1                    |                      |
| - 20                       | 825880         | . TAPE, FOAM  |   |   |   | AR                   |                      |
| - 21                       | 1994826        | . SHIELD  |   |   |   | 1                    |                      |
| - 22                       | 1993603        | . RAIL  |   |   |   | 14                   |                      |
| - 23                       | 55918          | . SCREW, MACH BD HD- 10-32 X 5/8 LG ATT PT  |   |   |   | 28                   |                      |
| - 24                       | 475465         | . SEAL, COVER   |   |   |   | AR                   |                      |
| - 25                       | 5312188        | . SEAL, BRACE   |   |   |   | AR                   |                      |
| - 26                       | 5414249        | . SEAL, FRONT COVER   |   |   |   | AR                   |                      |
| - 27                       | 1993063        | . PLATE, REGULATOR- RIGHT   |   |   |   | 1                    |                      |
| - 27                       | 1993061        | . PLATE, REGULATOR- LEFT  |   |   |   | 1                    |                      |
| - 28                       | 140425         | . SCREW, MACH HEX HD 10-32 X 5/16 LG ATT PT   |   |   |   | 14                   |                      |
| - 29                       | 47242          | . WASHER, FL NO. 12 X 1/2 OD X 0.062 THK ATT PT   |   |   |   | 14                   |                      |
| - 30                       | 1993398        | . PLATE, REGULATOR MIDDLE- RIGHT  |   |   |   | 1                    |                      |
| - 30                       | 1993397        | . PLATE, REGULATOR MIDDLE-LEFT  |   |   |   | 1                    |                      |
| - 31                       | 140425         | . SCREW, MACH HEX HD 10-32 X 5/16 LG ATT PT   |   |   |   | 13                   |                      |
| - 32                       | 47242          | . WASHER, FL NO. 12 X 1/2 OD X 0.062 THK ATT PT   |   |   |   | 13                   |                      |
| - 33                       | 825880         | . TAPE, FOAM  |   |   |   | AR                   |                      |
| - 34                       | 1993064        | . PLATE, REGULATOR- BOTTOM  |   |   |   | 1                    |                      |
| - 34                       | 1994461        | . PLATE, REGULATOR- TOP   |   |   |   | 1                    |                      |
| - 35                       | 140425         | . SCREW, MACH HEX HD 10-32 X 5/16 LG ATT PT   |   |   |   | 8                    |                      |
| - 36                       | 47242          | . WASHER, FL NO. 12 X 1/2 OD X 0.062 THK ATT PT   |   |   |   | 8                    |                      |
| - 37                       | 1993066        | . PLATE, REGULATOR- BACK  |   |   |   | 1                    |                      |

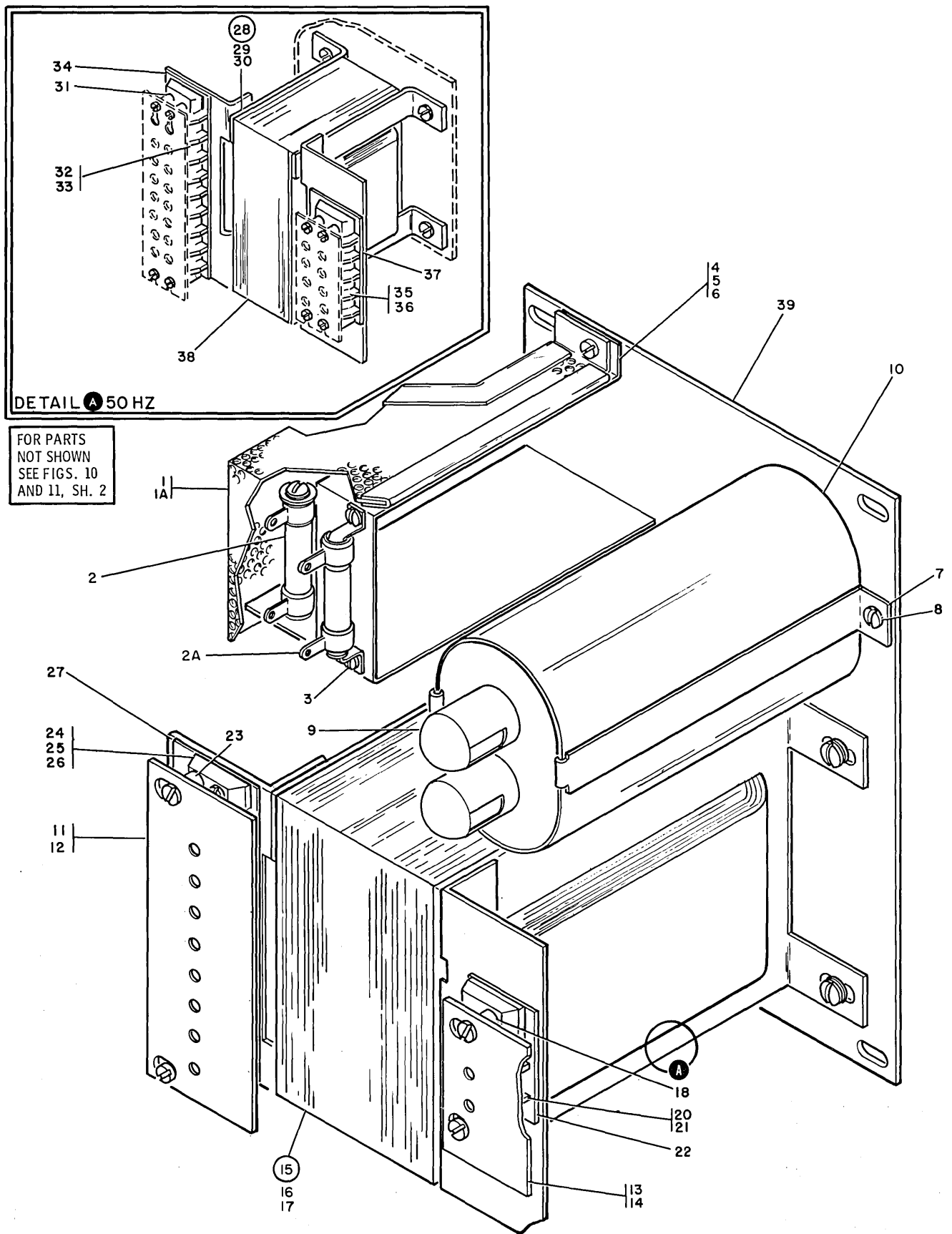


FIGURE 26. MULTI-VOLTAGE ASSEMBLY. SEE LIST 26.

| LIST AND INDEX NUMBER | PART NUMBER | DESCRIPTION  |   |   |   | UNITS PER ASM. | USABLE ON CODE |
|-----------------------|-------------|--|---|---|---|----------------|----------------|
|                       |             | 1  | 2 | 3 | 4 |                |                |
|                       |             | MULTI-VOLTAGE ASSEMBLY   |   |   |   |                |                |
| 26 -                  | 1993538     | MULTI VOLTAGE ASM- 50 HZ WITH PBC                              |   |   |   | REF            |                |
| -                     | 1993678     | MULTI VOLTAGE ASM- 60 HZ WITH PBC                              |   |   |   | REF            |                |
| -                     | 1803065     | MULTI-VOLTAGE ASM- 60 HZ NON PBC                               |   |   |   | REF            |                |
| -                     | 1803064     | MULTI-VOLTAGE ASM- 50 HZ NON PBC<br>FOR NEXT HIGHER ASSEMBLY   |   |   |   | REF            |                |
|                       |             | SEE FIGURES 10-86 AND 11-163<br>FOR ILLUSTRATION SEE FIGURE 26 |   |   |   |                |                |
| - 1                   | 1803083     | . SHIELD ASM   |   |   |   | 1              |                |
| - 1A                  | 236849      | . SCREW, MACH BD HD- 10-32 X 0.250 LG ATT PT                   |   |   |   | 1              |                |
| - 2                   | 333197      | . RESISTOR, FXD COMP- 500 OHMS P/M 5% 10W                      |   |   |   | 1              |                |
| - 2A                  | 1127175     | . RESISTOR- 10 OHMS P/M 5% 10W                                 |   |   |   | 1              |                |
| - 3                   | 438548      | . SCREW, MACH BD HD- 4-40 X .188 LG ATT PT                     |   |   |   | 2              |                |
| - 4                   | 1993677     | . BRACKET, RESISTOR  |   |   |   | 1              |                |
| - 5                   | 236849      | . SCREW, MACH BD HD- 10-32 X 1/4 LG ATT PT                     |   |   |   | 3              |                |
| - 6                   | 47242       | . WASHER, FL NO. 12 X 1/2 OD X 0.062 THK ATT PT                |   |   |   | 3              |                |
| - 7                   | 460564      | . BRACKET, CAPACITOR   |   |   |   | 2              |                |
| - 8                   | 186758      | . SCREW ATT PT   |   |   |   | 2              |                |
| - 9                   | 526378      | . CAP  |   |   |   | 2              |                |
| - 10                  | 524854      | . CAPACITOR- 20MFD 330VAC WITH PBC                             |   |   |   | 1              |                |
| - 10                  | 5252815     | . CAPACITOR, 20.0 MFD 330 VAC NON PBC                          |   |   |   | 1              |                |
| - 11                  | 350977      | . COVER  |   |   |   | 1              |                |
| - 12                  | 10170       | . SCREW, MACH BD HD- NO. 6-32 X .250 LG ATT PT                 |   |   |   | 2              |                |
| - 13                  | 337509      | . SHIELD, SAFETY   |   |   |   | 1              |                |
| - 14                  | 10170       | . SCREW, MACH BD HD- NO. 6-32 X .250 LG ATT PT                 |   |   |   | 2              |                |
| - 15                  | 1993807     | . TRANSFORMER ASM, MULTI-OUTPUT- 60HZ                          |   |   |   | 1              |                |
| - 16                  | 140425      | . SCREW, MACH HEX HD 10-32 X 5/16 LG ATT PT                    |   |   |   | 4              |                |
| - 17                  | 47242       | . WASHER, FL NO. 12 X 1/2 OD X 0.062 THK ATT PT                |   |   |   | 4              |                |
| - 18                  | 210883      | . . STUD, SHIELD MTG TAPPED NO. 6-32                           |   |   |   | 2              |                |
| - 20                  | 317145      | . . BLOCK, 5 DBL SCREW TERMINAL                                |   |   |   | 1              |                |
| - 21                  | 38354       | . . SCREW, MACH FIL HD 6-32 X 0.500 LG ATT PT                  |   |   |   | 2              |                |
| - 22                  | 360339      | . . STRIP, INSULATOR MARKER                                    |   |   |   | 1              |                |
| - 23                  | 2125898     | . . STUD, TAPPED   |   |   |   | 1              |                |
| - 24                  | 2125899     | . . STUD, SHIELD   |   |   |   | 1              |                |
| - 25                  | 317193      | . . BLOCK, TERMINAL- 2 POSITION                                |   |   |   | 1              |                |
| - 26                  | 38354       | . . SCREW, MACH FIL HD 6-32 X 0.500 LG ATT PT                  |   |   |   | 2              |                |
| - 27                  | 515730      | . . STRIP, MARKER  |   |   |   | 1              |                |
| - 28                  | 4119236     | . TRANSFORMER ASM, CONSTANT VOLTAGE- 50 HZ                     |   |   |   | 1              |                |
| - 29                  | 140425      | . SCREW, MACH HEX HD 10-32 X 5/16 LG ATT PT                    |   |   |   | 4              |                |
| - 30                  | 47242       | . WASHER, FL NO. 12 X 1/2 OD X 0.062 THK ATT PT                |   |   |   | 4              |                |
| - 31                  | 5762407     | . . STUD, TB MTG   |   |   |   | 2              |                |
| - 32                  | 317145      | . . BLOCK, 5 DBL SCREW TERMINAL                                |   |   |   | 1              |                |
| - 33                  | 35739       | . . SCREW, MACH BD HD- 6-32 X .438 LG ATT PT                   |   |   |   | 2              |                |
| - 34                  | 4120241     | . . STRIP, MARKER  |   |   |   | 1              |                |
| - 35                  | 317193      | . . BLOCK, TERMINAL- 2 POSITION                                |   |   |   | 1              |                |
| - 36                  | 322550      | . . SCREW, MACH-BIND HD 6-32 X 0.500 LG ATT PT                 |   |   |   | 4              |                |
| - 37                  | 515730      | . . STRIP, MARKER  |   |   |   | 1              |                |
| - 38                  | 4119360     | . . TRANSFORMER- 50 HZ   |   |   |   | 1              |                |
| - 39                  | 1993676     | . PLATE, MOUNTING  |   |   |   | 1              |                |

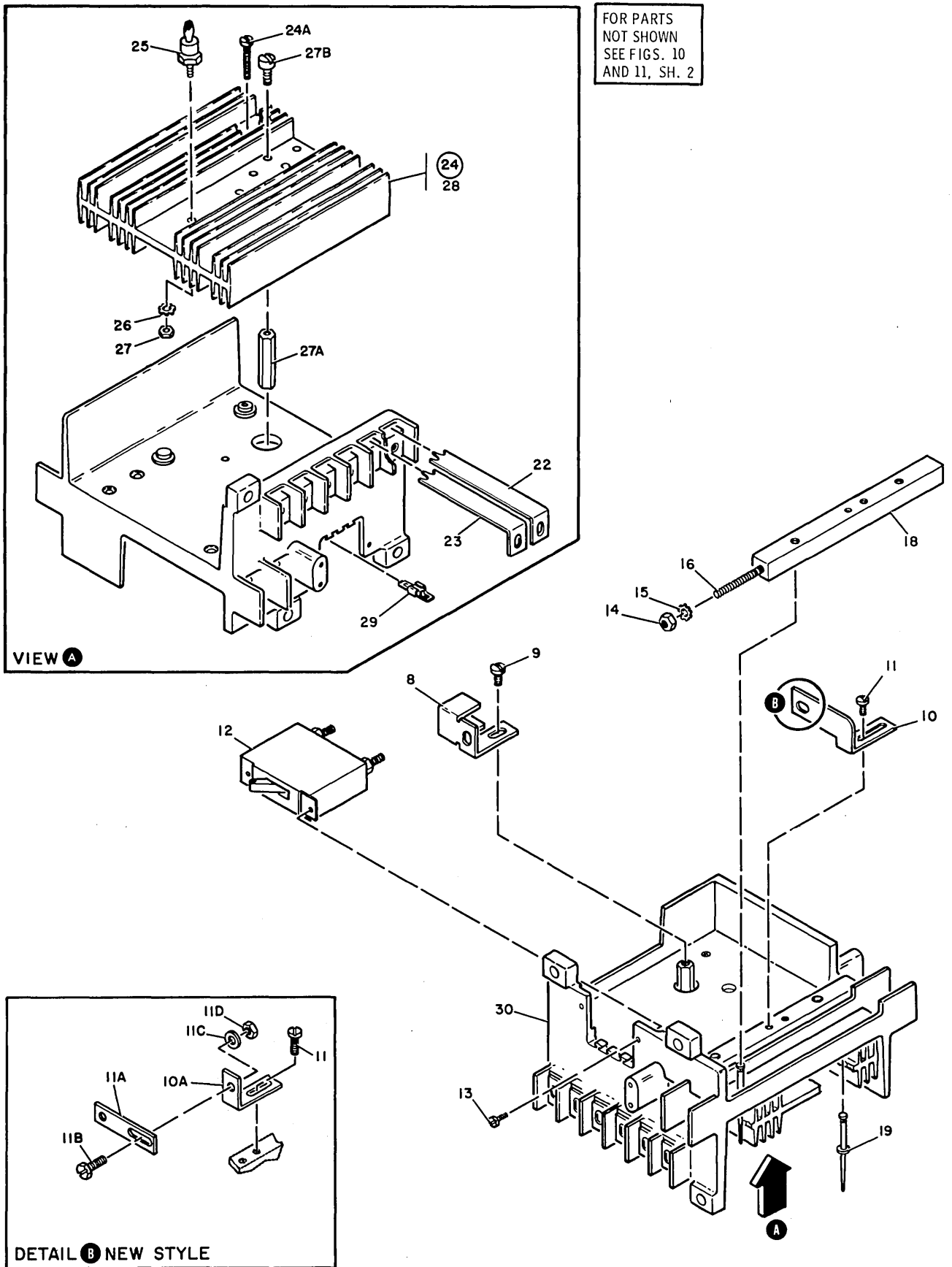


FIGURE 27. MODULE ASSEMBLY. SEE LIST 27.

MODULE ASSEMBLY

| FIGURE-<br>INDEX<br>NUMBER | PART<br>NUMBER | DESCRIPTION  | UNITS<br>PER<br>ASM. | USABLE<br>ON<br>CODE |
|----------------------------|----------------|--|----------------------|----------------------|
|                            |                |  |                      |                      |
| 27 -                       | 1993480        | MODULE ASM,AC/DC- 70 AMPS<br>FOR NEXT HIGHER ASM SEE FIGURE 10-106,<br>10-118,10-122,AND 10-123                            | REF<br>REF           |                      |
|                            | 1993610        | MODULE ASM,AC/DC- 80 AMPS<br>FOR NEXT HIGHER ASM SEE FIGURE 10-120,<br>10-123,AND 11-137<br>FOR ILLUSTRATION SEE FIGURE 27 |                      |                      |
| - 8                        | 1993817 NR     | . BRACKET,CIRCUIT BREAKER  | 1                    |                      |
| - 9                        | 322029 NR      | . SCREW,BIND HD- .250-20 X 0.500 LG ATT PT   | 1                    |                      |
| - 10                       | 1993816 NR     | . BRACKET,CIRCUIT BREAKER (OLD STYLE)  | 1                    |                      |
| - 10A                      | 1816794 NR     | . BRACKET,CIRCUIT BREAKER  | 1                    |                      |
| - 11                       | 28413 NR       | . SCREW,BD HD- 10-32 X 0.312 LG (OLD STYLE) ATT PT   | 2                    |                      |
| - 11A                      | 1816795        | . BRACKET,ADJUSTABLE   | 1                    |                      |
| - 11B                      | 38686          | . SCREW,MACH HEX HD- 1/4-20 X 0.500 LG ATT PT  | 1                    |                      |
| - 11C                      | 3550           | . WASHER,FL- 0.250 ID X 0.5625 OD 0.050 THK ATT PT   | 1                    |                      |
| - 11D                      | 36109          | . NUT,PLAIN HEX- 1/4-20 X 0.500 LG ATT PT  | 1                    |                      |
| - 12                       | 5214706 NR     | . PROTECTOR,CIRCUIT- 70 AMPS 24VDC<br>USED ON 70 AMP MODULE ASM  | 1                    |                      |
| - 12                       | 5214705 NR     | . PROTECTOR,CIRCUIT- 80 AMPS 24VDC<br>USED ON 80 AMP MODULE ASM  | 1                    |                      |
| - 13                       | 10170 NR       | . SCREW,MACH BD HD- NO. 6-32 X .250 LG ATT PT  | 2                    |                      |
| - 14                       | 55586 NR       | . NUT,HEX- 1/4-20  | 1                    |                      |
| - 15                       | 76574 NR       | . LOCKWASHER, EXT TEETH .250   | 1                    |                      |
| - 16                       | 1993839 NR     | . STUD- 1/4-20 X 1.125 LG  | 1                    |                      |
| - 18                       | 1993814 NR     | . BUS BAR  | 2                    |                      |
| - 19                       | 1993822 NR     | . RIVET,POP  | 4                    |                      |
| - 22                       | 1993825 NR     | . JUMPER,MODULE- LONG  | 3                    |                      |
| - 23                       | 1993824 NR     | . . JUMPER,MODULE- SHORT   | 3                    |                      |
| - 24                       | 1809448 NR     | . HEATSINK ASM   | 1                    |                      |
| - 24A                      | 321483 NR      | . SCREW,MACH BD HD- 8-32 X 1.000 LG ATT PT   | 2                    |                      |
| - 25                       | 5213402 NR     | . . RECTIFIER,SILICON- 150V 30 AMPS  | 6                    |                      |
| - 26                       | 160017 NR      | . . NUT,PLAIN HEX 1/4-28 X 7/16 FL W ATT PT  | 6                    |                      |
| - 27                       | 76574 NR       | . . LOCKWASHER,EXT TEETH- 0.250 ATT PT   | 6                    |                      |
| - 27A                      | 1993818 NR     | . . STUD   | 1                    |                      |
| - 27B                      | 438613 NR      | . . SCREW,MACH FIL HD- 1/4-20 X 0.500 LG ATT PT  | 1                    |                      |
| - 28                       | 1993819 NR     | . . HEATSINK   | 1                    |                      |
| - 29                       | 2557525 NR     | . TERMINAL   | 3                    |                      |
| - 30                       | 1993813 NR     | . CHASSIS  | 1                    |                      |

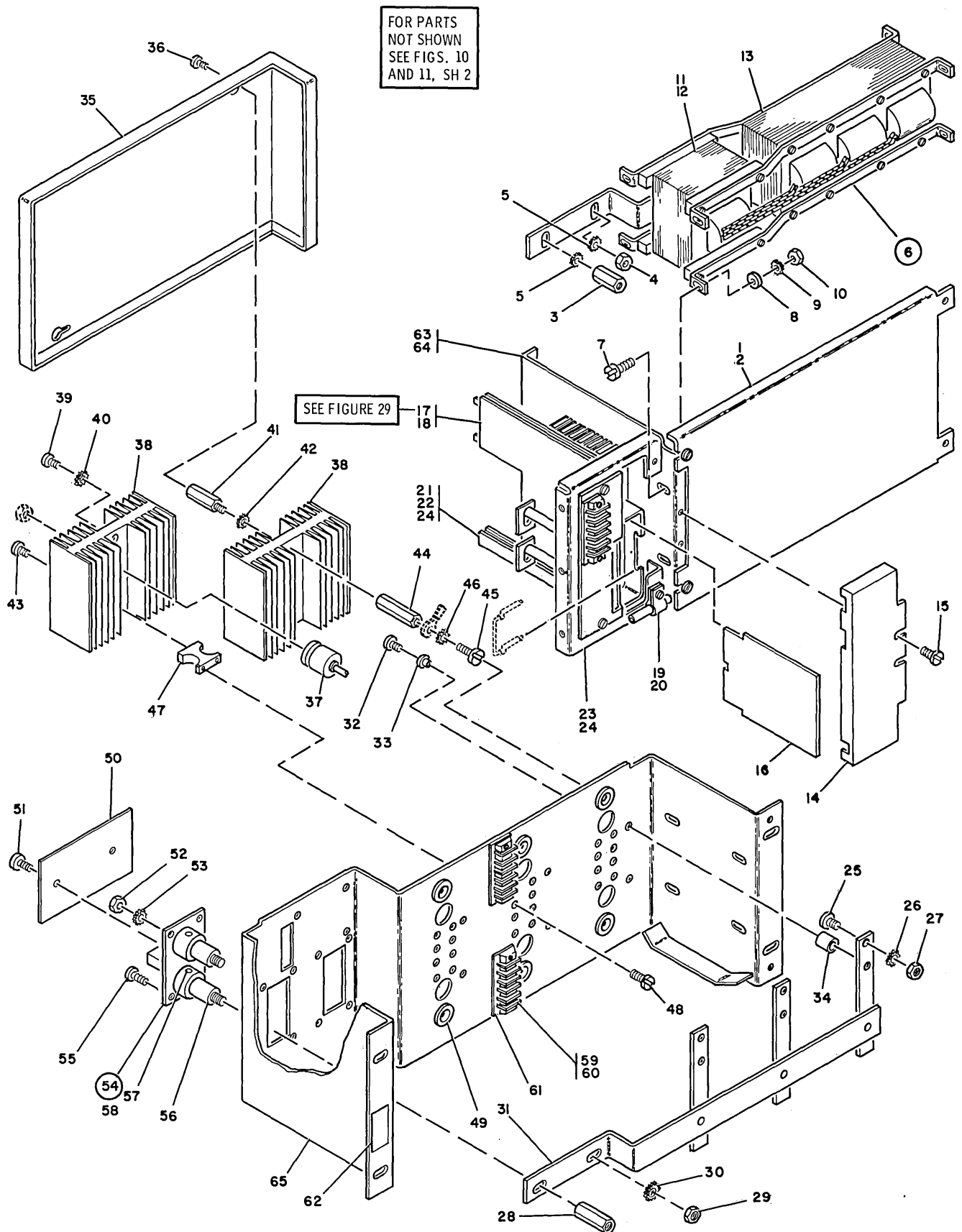


FIGURE 28. PHASE CONTROL REGULATOR ASSEMBLY. SEE LIST 28.

| LIST AND INDEX NUMBER | PART NUMBER | DESCRIPTION  | UNITS PER ASM. | USABLE ON CODE |
|-----------------------|-------------|--|----------------|----------------|
|                       |             |  |                |                |
|                       |             | PHASE CONTROL REGULATOR ASSEMBLY   |                |                |
| 28 -                  | 2572750     | PHASE CONTROL REGULATOR ASM- 2VDC 250A FOR NEXT HIGHER ASSEMBLY  | REF            |                |
|                       | 2610410     | SEE FIGURES 10-153, 11-99<br>PHASE CONTROL REGULATOR ASM- 2VDC 290A FOR NEXT HIGHER ASM SEE FIGURE 11-100 FOR ILLUSTRATION SEE FIGURE 28 | REF            |                |
| - 1                   | 2610375 NR  | . COVER, TRANSFORMER<br>USED ON 250A REGULATOR   | 1              |                |
| - 1                   | 2631615     | . COVER, TRANSFORMER<br>USED ON 290A REGULATOR   | 1              |                |
| - 2                   | 58207       | . SCREW, MACH BD HD- 6-32 X 0.250 LG ATT PT  | 4              |                |
| - 3                   | 2610367     | . SPACER, CONTROL MOUNTING   | 1              |                |
| - 4                   | 2163845     | . NUT  | 1              |                |
| - 5                   | 179966      | . LOCKWASHER, EXT- .312 ID X .610 OD   | 1              |                |
| - 6                   | 2610356 NR  | . TRANSFORMER AND CHOKE ASM<br>USED ON 250A REGULATOR  | 1              |                |
| - 6                   | 2610415 NR  | . TRANSFORMER AND CHOKE ASSEMBLY<br>USED ON 290A REGULATOR   | 1              |                |
| - 7                   | 55918       | . SCREW, MACH BD HD- 10-32 X 5/8 LG ATT PT   | 8              |                |
| - 8                   | 9092        | . LOCKWASHER, SPLIT RING, .194 ID .337OD ATT PT  | 8              |                |
| - 9                   | 45690       | . WASHER, FL NO.10 X 7/16 OD X 1/32 THK ATT PT   | 8              |                |
| - 10                  | 11598       | . NUT, PLAIN HEX 10-32 ATT PT  | 8              |                |
| - 11                  | 2610388     | . . CHOKE ASM  | 1              |                |
| - 12                  | 332620      | . . SCREW, MACH BD HD- 10-32 X 0.500 LG ATT PT   | 8              |                |
| - 13                  | 2610387     | . . OCR TRANSFORMER ASM  | 1              |                |
| - 14                  | 2610376     | . COVER, CONTROL   | 1              |                |
| - 15                  | 58207       | . SCREW, MACH BD HD- 6-32 X 0.250 LG ATT PT  | 2              |                |
| - 16                  | 5861747     | . CARD ASM   | 1              |                |
| - 17                  | 2610379     | . CONTROL ASM  | 1              |                |
|                       |             | FOR DETAIL BREAKDOWN SEE FIGURE 29   |                |                |
| - 18                  | 186759      | . SCREW, MACH BD HD- 8-32 X 5/16 LG ATT PT   | 2              |                |
| - 19                  | 169698      | . CLAMP, TUBING  | 1              |                |
| - 20                  | 186759      | . SCREW, MACH BD HD- 8-32 X 5/16 LG ATT PT   | 1              |                |
| - 21                  | 2610362     | . RAIL, GUIDE  | 1              |                |
| - 22                  | 58207       | . SCREW, MACH BD HD- 6-32 X 0.250 LG ATT PT  | 2              |                |
| - 23                  | 2610354     | . PLATE  | 1              |                |
| - 24                  | 58207       | . SCREW, MACH BD HD- 6-32 X 0.250 LG ATT PT  | 5              |                |
| - 25                  | 322029      | . SCREW, BIND HD- .250-20 X 0.500 LG   | 6              |                |
| - 26                  | 76574       | . LOCKWASHER, EXT TEETH .250   | 6              |                |
| - 27                  | 3960        | . NUT, PLAIN HEX 1/4-20 X 7/16 FL W  | 6              |                |
| - 28                  | 2610367     | . SPACER, CONTROL MOUNTING   | 1              |                |
| - 29                  | 2163845     | . NUT  | 1              |                |
| - 30                  | 179966      | . LOCKWASHER, EXT- .312 ID X .610 OD   | 1              |                |
| - 31                  | 2610353     | . BUS BAR  | 1              |                |
|                       |             | USED ON 250A REGULATOR   |                |                |
| - 31                  | 2610417     | . BUS BAR<br>USED ON 290A REGULATOR  | 1              |                |
| - 32                  | 322065      | . SCREW, MACH BD HD- 6-32 X 5/8 LG ATT PT  | 6              |                |
| - 33                  | 351540 NR   | . BUSHING-INSULATOR  | 6              |                |
| - 34                  | 2610352 NR  | . INSULATOR, SCREW   | 6              |                |
| - 35                  | 2610377 NR  | . COVER, HEATSINK  | 1              |                |
| - 36                  | 2200128 NR  | . SCREW, FL HD- 10-32 X 0.312 LG ATT PT  | 2              |                |
| - 37                  | 2395852 NR  | . DIODE, SILICON RECTIFIER   | 6              |                |
| - 38                  | 2610350 NR  | . HEATSINK   | 6              |                |
| - 39                  | 322029      | . SCREW, BIND HD- .250-20 X 0.500 LG ATT PT  | 4              |                |
| - 40                  | 76574 NR    | . LOCKWASHER, EXT TEETH .250 ATT PT  | 4              |                |
| - 41                  | 2610393 NR  | . STANDOFF ATT PT  | 2              |                |
| - 42                  | 76574 NR    | . LOCKWASHER, EXT TEETH .250 ATT PT  | 2              |                |
| - 43                  | 80652 NR    | . SCREW, THD CTG BD HD- 6-32 X 5/8 LG ATT PT   | 12             |                |
| - 44                  | 2610371 NR  | . STANDOFF   | 6              |                |
| - 45                  | 38686 NR    | . SCREW, MACH HEX HD 1/4-20 X 0.500 LG ATT PT  | 6              |                |
| - 46                  | 76574 NR    | . LOCKWASHER, EXT TEETH .250 ATT PT  | 6              |                |
| - 47                  | 2610357 NR  | . INSULATOR, HEATSINK  | 12             |                |
| - 48                  | 80651 NR    | . SCREW, THD CTG BD HD- 6-32 X 0.375 LG ATT PT   | 24             |                |
| - 49                  | 5762057 NR  | . GROMMET, SNAP BUSHING  | 6              |                |
| - 50                  | 2610378 NR  | . SHIELD, SAFETY   | 1              |                |
|                       |             | USED ON 250A REGULATOR   |                |                |
| - 50                  | 2610444 NR  | . SHIELD, SAFETY   | 1              |                |
|                       |             | USED ON 290A REGULATOR   |                |                |
| - 51                  | 80651 NR    | . SCREW, THD CTG BD HD- 6-32 X 0.375 LG ATT PT   | 2              |                |
| - 52                  | 8163 NR     | . NUT, HEX- 8-32 X .562 LG   | 4              |                |
| - 53                  | 122592 NR   | . LOCKWASHER   | 4              |                |
| - 54                  | 2610360 NR  | . OUTPUT STUD ASM  | 2              |                |
| - 55                  | 10170 NR    | . SCREW, MACH BD HD- NO. 6-32 X .250 LG ATT PT   | 8              |                |
| - 56                  | 2610359 NR  | . . STUD, OUTPUT   | 2              |                |
| - 57                  | 528337 NR   | . . PIN, ROLL- 0.131 OD X 1.00 LG  | 2              |                |





FOR PARTS  
NOT SHOWN  
SEE FIG. 28

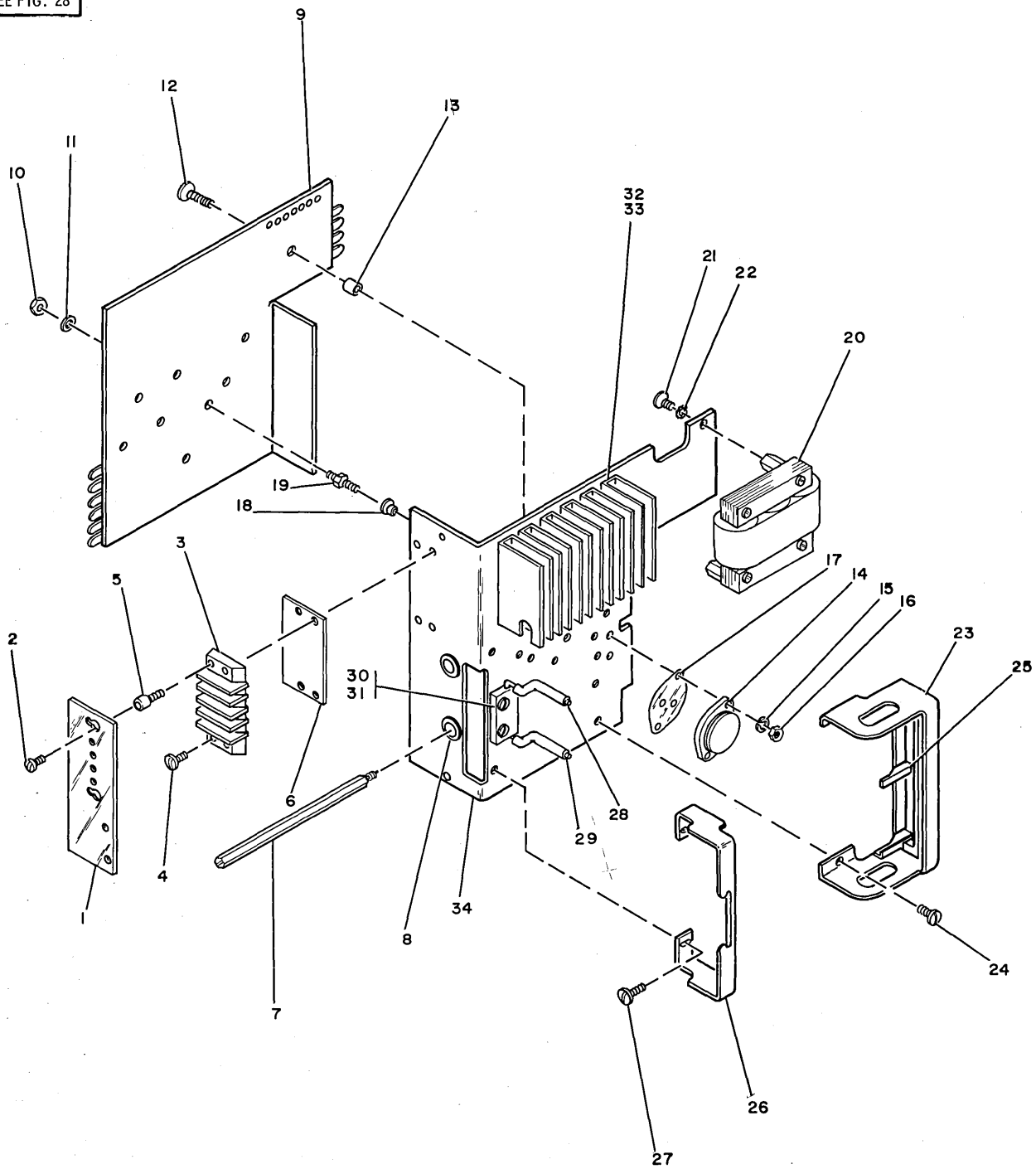


FIGURE 29. CONTROL ASSEMBLY. SEE LIST 29.

| LIST AND INDEX NUMBER | PART NUMBER | DESCRIPTION   | UNITS PER ASM. | USABLE ON CODE |
|-----------------------|-------------|---|----------------|----------------|
|                       |             | CONTROL ASSEMBLY  |                |                |
| 29 -                  | 2610379     | CONTROL ASM<br>FOR NEXT HIGHER ASM SEE FIGURE 28-17<br>FOR ILLUSTRATION SEE FIGURE 29 | REF            |                |
| - 1                   | 2610361     | . SHIELD,SAFETY   | 1              |                |
| - 2                   | 10170 NR    | . SCREW,MACH BD HD- NO. 6-32 X .250 LG ATT PT   | 2              |                |
| - 3                   | 317485 NR   | . BLOCK,4 DBL SCREW TERMINAL  | 1              |                |
| - 4                   | 38354 NR    | . SCREW,MACH FIL HD 6-32 X 0.500 LG ATT PT  | 2              |                |
| - 5                   | 210883 NR   | . STUD,SHIELD MTG TAPPED NO. 6-32 ATT PT  | 2              |                |
| - 6                   | 527916 NR   | . STRIP,4 POS NOS. 1 THRU 4 MARKER  | 1              |                |
| - 7                   | 2610368 NR  | . ROD   | 2              |                |
| - 8                   | 5762057 NR  | . GROMMET,SNAP BUSHING  | 2              |                |
| - 9                   | 2610383 NR  | . CARD ASM,LARGE  | 1              |                |
| - 10                  | 37913 NR    | . NUT,JAM HEX- 4-40 X 0.250 FL W ATT PT   | 10             |                |
| - 11                  | 257984 NR   | . WASHER,SPLIT RING .115 ID .212 OD ATT PT  | 10             |                |
| - 12                  | 438549 NR   | . SCREW,MACH BD HD- 4-40 X 7/16 LG ATT PT   | 1              |                |
| - 13                  | 100366 NR   | . INSULATION,SCREW  | 1              |                |
| - 14                  | 2391345 NR  | . TRANSISTOR  | 5              |                |
| - 15                  | 37913 NR    | . NUT,JAM HEX- 4-40 X 0.250 FL W ATT PT   | 10             |                |
| - 16                  | 257984 NR   | . WASHER,SPLIT RING .115 ID .212 OD ATT PT  | 10             |                |
| - 17                  | 2361883 NR  | . INSULATOR,MICA  | 5              |                |
| - 18                  | 2610372 NR  | . BUSHING   | 10             |                |
| - 19                  | 2610384 NR  | . STUD  | 10             |                |
| - 20                  | 2610386 NR  | . TRANSFORMER   | 1              |                |
| - 21                  | 38235 NR    | . SCREW,MACH 6-32 X .310 LG ATT PT  | 2              |                |
| - 22                  | 56722 NR    | . LOCKWASHER, EXT T .150 ID ATT PT  | 2              |                |
| - 23                  | 2610365 NR  | . BRACKET,CONNECTOR   | 1              |                |
| - 24                  | 438548 NR   | . SCREW,MACH BD HD- 4-40 X .188 LG ATT PT   | 2              |                |
| - 25                  | 813329 NR   | . CONNECTOR   | 1              |                |
| - 26                  | 2610370 NR  | . CLAMP,RETAINER  | 1              |                |
| - 27                  | 438558 NR   | . SCREW,MACH BD HD- 4-40 X 0.500 LG ATT PT  | 2              |                |
| - 28                  | 5785286 NR  | . SLEEVING  | 2              |                |
| - 29                  | 2610392 NR  | . RETAINER,CARD   | 1              |                |
| - 30                  | 2610364 NR  | . BRACKET,RETAINER  | 1              |                |
| - 31                  | 438548 NR   | . SCREW,MACH BD HD- 4-40 X .188 LG ATT PT   | 2              |                |
| - 32                  | 2610351 NR  | . HEATSINK  | 6              |                |
| - 33                  | 438548 NR   | . SCREW,MACH BD HD- 4-40 X .188 LG ATT PT   | 18             |                |
| - 34                  | 2610366 NR  | . CHASSIS   | 1              |                |

FOR PARTS  
NOT SHOWN  
SEE FIG. 11  
SHEET 2

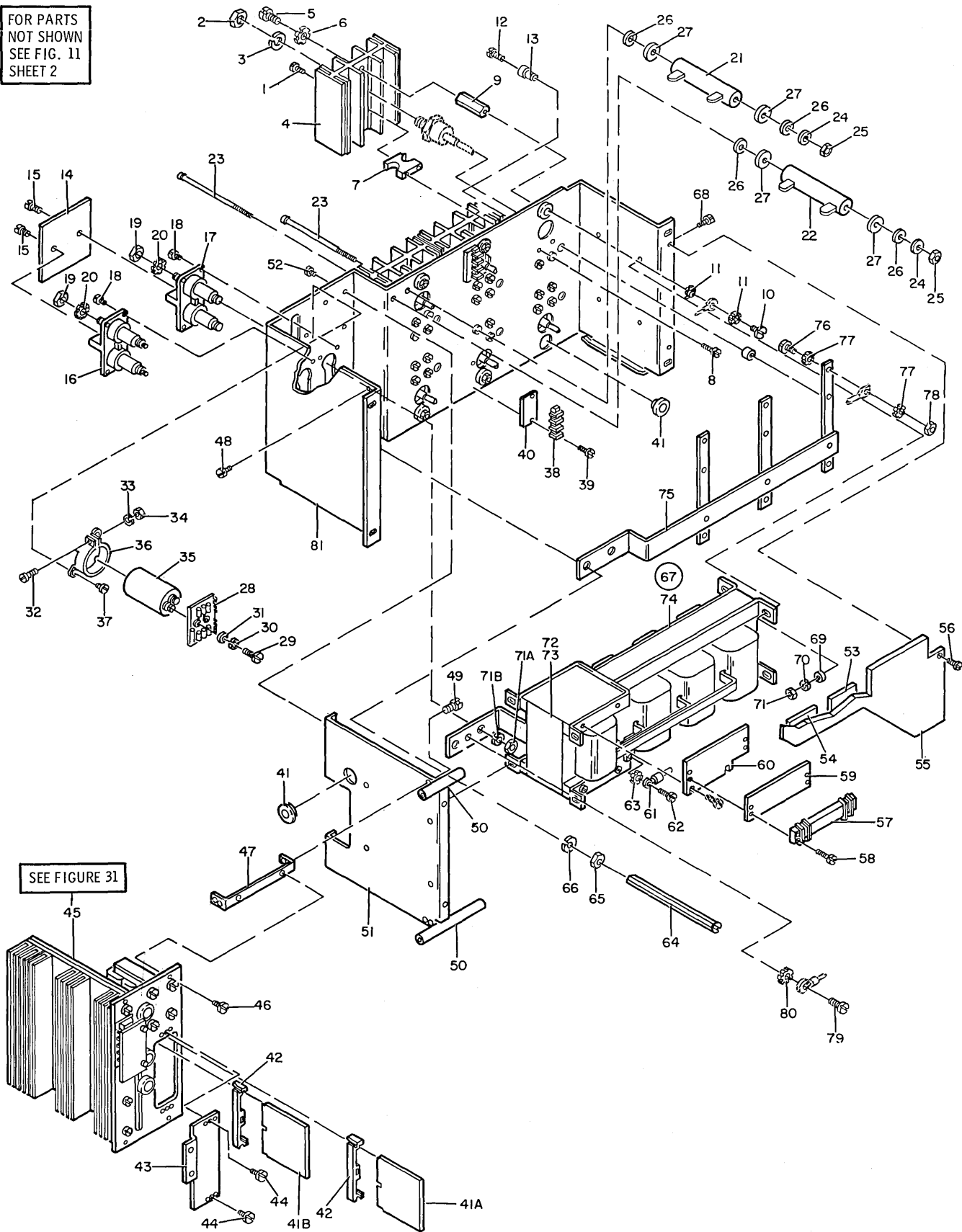


FIGURE 30. DUAL OCR ASSEMBLY. SEE LIST 30.

| LIST AND INDEX NUMBER | PART NUMBER | DESCRIPTION   |   |   |   | UNITS PER ASM. | USABLE ON CODE |
|-----------------------|-------------|---|---|---|---|----------------|----------------|
|                       |             | 1   | 2 | 3 | 4 |                |                |
|                       |             | DUAL OCR ASSEMBLY   |   |   |   |                |                |
| 30-                   | 2610400     | DUAL OCR ASSEMBLY- 1.25/3V AT 260 AMP<br>FOR NEXT HIGHER ASM SEE FIGURE 11-98<br>FOR ILLUSTRATION SEE FIGURE 30 |   |   |   | REF            |                |
| - 1                   | 80652 NR    | . SCREW, THD CTG BD HD- 6-32 X 5/8 LG   |   |   |   | 12             |                |
| - 2                   | 18272       | . NUT, HEX- 1/2-20 NF   |   |   |   | 6              |                |
| - 3                   | 130987      | . LOCKWASHER, SPLIT 1/2 X .879 OD   |   |   |   | 6              |                |
| - 4                   | 2610440 NR  | . HEATSINK  |   |   |   | 6              |                |
| - 5                   | 322029      | . SCREW, MCH, BD HD- 1/4-20 X 0.500 LG  |   |   |   | 6              |                |
| - 6                   | 76574       | . LOCKWASHER, EXT TEETH .250  |   |   |   | 6              |                |
| - 7                   | 2610439 NR  | . INSULATOR   |   |   |   | 12             |                |
| - 8                   | 80651       | . SCREW, THD CTG BD HD- 6-32 X 0.375 LG   |   |   |   | 24             |                |
| - 9                   | 2610371     | . STANDOFF  |   |   |   | 6              |                |
| - 10                  | 38686       | . SCREW, MACH HEX HD 1/4-20 X 0.500 LG  |   |   |   | 6              |                |
| - 11                  | 76574       | . LOCKWASHER, EXT TEETH .250  |   |   |   | 12             |                |
| - 12                  | 322065      | . SCREW, MACH BD HD- 6-32 X 5/8 LG  |   |   |   | 6              |                |
| - 13                  | 351540      | . BUSHING-INSULATOR   |   |   |   | 6              |                |
| - 14                  | 2610438     | . SHIELD, SAFETY  |   |   |   | 1              |                |
| - 15                  | 80651       | . SCREW, THD CTG BD HD- 6-32 X 0.375 LG   |   |   |   | 2              |                |
| - 16                  | 2610436 NR  | . STUD ASSEMBLY   |   |   |   | 1              |                |
| - 17                  | 2610360     | . OUTPUT STUD ASM   |   |   |   | 1              |                |
| - 18                  | 10170       | . SCREW, MACH BD HD- NO. 6-32 X .250 LG   |   |   |   | 8              |                |
| - 19                  | 8163        | . NUT, HEX- 8-32 X .562 LG  |   |   |   | 4              |                |
| - 20                  | 122592      | . LOCKWASHER  |   |   |   | 4              |                |
| - 21                  | 730452      | . RESISTOR, FIXED- 0.12 OHMS, PM 10%  |   |   |   | 1              |                |
| - 22                  | 730426      | . RESISTOR, FXD WW 0.18 OHMS P/M 10% 90 W   |   |   |   | 1              |                |
| - 23                  | 331982      | . SCREW, MACH RD HD 8-32 X 1-1/4 LG   |   |   |   | 2              |                |
| - 24                  | 2903        | . WASHER, FL NO. 6 X 1/2 OD X 1/32 THK  |   |   |   | 2              |                |
| - 25                  | 600960      | . NUT-WASHER- 8-32  |   |   |   | 2              |                |
| - 26                  | 510468      | . WASHER, CUP   |   |   |   | 4              |                |
| - 27                  | 5761935     | . WASHER, INSULATING  |   |   |   | 4              |                |
| - 28                  | 2610435     | . CARD ASSEMBLY   |   |   |   | 1              |                |
| - 29                  | 332620      | . SCREW, MACH BD HD- 10-32 X 0.500 LG   |   |   |   | 2              |                |
| - 30                  | 9092        | . LOCKWASHER, SPLIT RING, .194 ID .337OD  |   |   |   | 2              |                |
| - 31                  | 45690       | . WASHER, FL NO. 10 X 7/16 OD X 1/32 THK  |   |   |   | 2              |                |
| - 32                  | 322065      | . SCREW, MACH BD HD- 6-32 X 5/8 LG  |   |   |   | 1              |                |
| - 33                  | 6364        | . LOCKWASHER, SPLIT NO. 6 X 1/4 OD  |   |   |   | 1              |                |
| - 34                  | 257187      | . NUT, HEX DBL CHAMFERED 6-32 X 0.3125 FL W   |   |   |   | 1              |                |
| - 35                  | 5214406     | . CAPACITOR, ELECT- 950UF P75M10% 75V   |   |   |   | 1              |                |
| - 36                  | 301768 NR   | . BRACKET-THERMISTOR MOUNTING   |   |   |   | 1              |                |
| - 37                  | 55726       | . SCREW, MACH BD HD- 6-32 X 0.188 LG  |   |   |   | 2              |                |
| - 38                  | 2610373     | . BLOCK, TERMINAL   |   |   |   | 2              |                |
| - 39                  | 35739       | . SCREW, MACH BD HD- 6-32 X 0.438 LG  |   |   |   | 4              |                |
| - 40                  | 2610374     | . STRIP, MARKER   |   |   |   | 2              |                |
| - 41                  | 5762057     | . GROMMET, SNAP BUSHING   |   |   |   | 7              |                |
| - 41A                 | 5861492     | . CARD- 1.25VDC   |   |   |   | 1              |                |
| - 41B                 | 5861494     | . CARD- 3VDC  |   |   |   | 1              |                |
| - 42                  | 811804 NR   | . GUIDE, CARD 12 PAC  |   |   |   | 2              |                |
| - 43                  | 2361509 NR  | . COVER ASSEMBLY  |   |   |   | 1              |                |
| - 44                  | 10170 NR    | . SCREW, MACH BD HD- NO. 6-32 X .250 LG   |   |   |   | 2              |                |
| - 45                  | 2610420     | . CONTROL SECTION ASSEMBLY  |   |   |   | 1              |                |
| - 46                  | 58207       | FOR DETAIL BREAKDOWN SEE FIGURE 31<br>. SCREW, MACH BD HD- 6-32 X 0.250 LG                                      |   |   |   | 4              |                |
| - 47                  | 2610445     | . BRACKET   |   |   |   | 2              |                |
| - 48                  | 58207       | . SCREW, MACH BD HD- 6-32 X 0.250 LG  |   |   |   | 4              |                |
| - 49                  | 38452       | . SCREW, MACH FL HD- 8-32 X 0.212 LG  |   |   |   | 4              |                |
| - 50                  | 2152790     | . TUBING- 0.500 ID  |   |   |   | 2              |                |
| - 51                  | 2610404     | . BARRIER   |   |   |   | 1              |                |
| - 52                  | 58207       | . SCREW, MACH BD HD- 6-32 X 0.250 LG  |   |   |   | 3              |                |
| - 53                  | 2361505     | . LABEL   |   |   |   | 1              |                |
| - 54                  | 5232809     | . LABEL-CAUTION   |   |   |   | 1              |                |
| - 55                  | 2361506     | . COVER ASSEMBLY  |   |   |   | 1              |                |
| - 56                  | 58207       | . SCREW, MACH BD HD- 6-32 X 0.250 LG  |   |   |   | 4              |                |
| - 57                  | 317145      | . BLOCK, 5 DBL SCREW TERMINAL   |   |   |   | 1              |                |
| - 58                  | 25627       | . SCREW, MACH BD HD- 8-32 X 0.500 LG  |   |   |   | 4              |                |
| - 59                  | 2610442     | . STRIP, MARKER   |   |   |   | 1              |                |
| - 60                  | 2610437     | . BRACKET   |   |   |   | 1              |                |
| - 61                  | 5759903     | . JUMPER ASSEMBLY   |   |   |   | 1              |                |
| - 62                  | 10170       | . SCREW, MACH BD HD- NO. 6-32 X .250 LG   |   |   |   | 1              |                |
| - 63                  | 56722       | . LOCKWASHER, EXT T .150 ID   |   |   |   | 1              |                |
| - 64                  | 2610432     | . ROD, CONNECTING   |   |   |   | 2              |                |
| - 65                  | 38092       | . NUT, HEX- 3/8-24 TAP  |   |   |   | 2              |                |
| - 66                  | 10309       | . LOCKWASHER, SPLIT 0.382 ID X 0.688 OD   |   |   |   | 2              |                |
| - 67                  | 2610408     | . TRANSFORMER AND CHOKE ASM   |   |   |   | 1              |                |
| - 68                  | 332620      | . SCREW, MACH BD HD- 10-32 X 0.500 LG   |   |   |   | 8              |                |
| - 69                  | 45690       | . WASHER, FL NO. 10 X 7/16 OD X 1/32 THK  |   |   |   | 8              |                |
| - 70                  | 9092        | . LOCKWASHER, SPLIT RING, .194 ID .337OD  |   |   |   | 8              |                |



FOR PARTS  
NOT SHOWN  
SEE FIG. 30

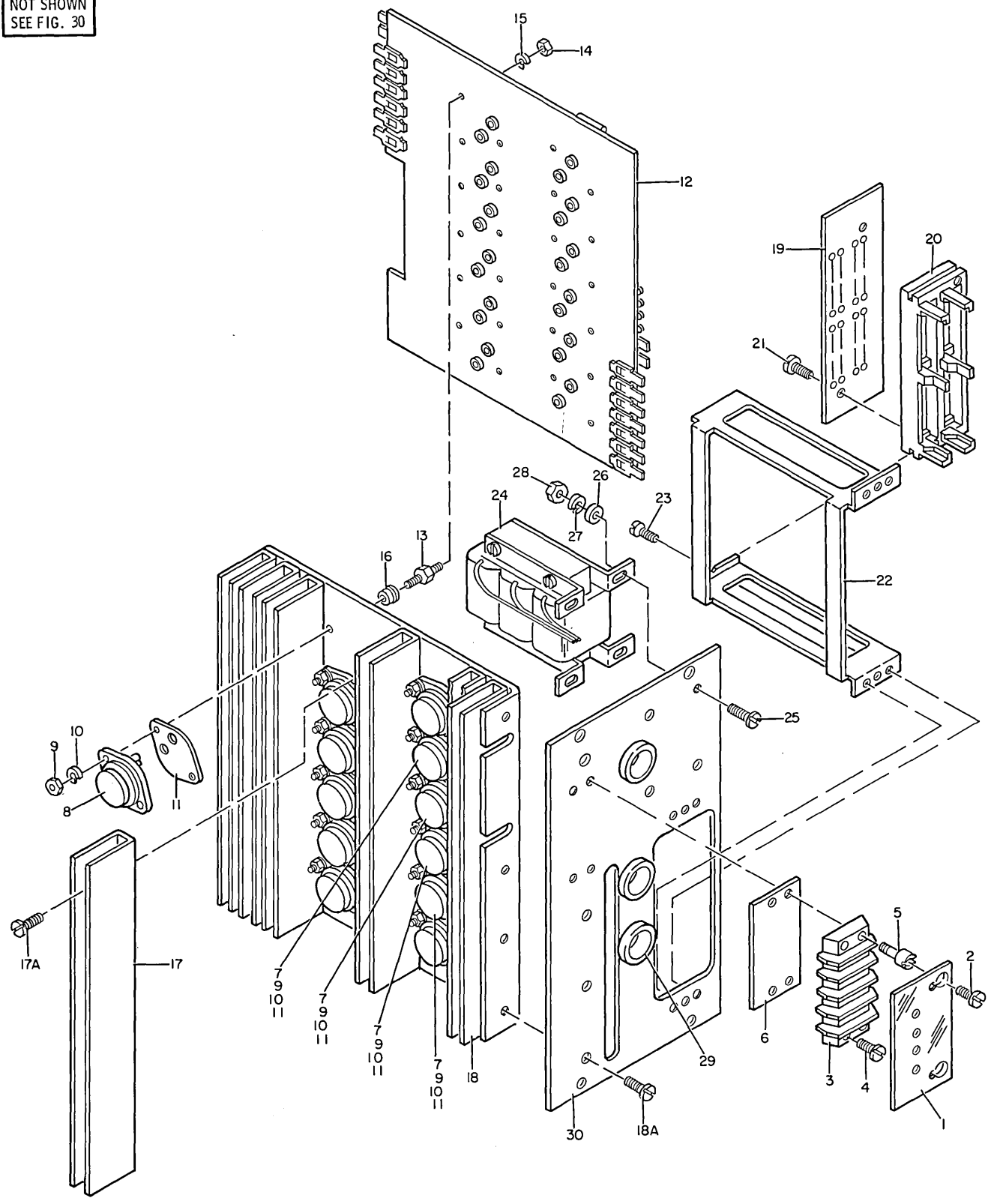


FIGURE 31. CONTROL SECTION ASSEMBLY. SEE LIST 31.

| LIST AND INDEX NUMBER | PART NUMBER | DESCRIPTION  | UNITS PER ASM. | USABLE ON CODE |
|-----------------------|-------------|--|----------------|----------------|
|                       |             | CONTROL SECTION ASSEMBLY   |                |                |
| 31 -                  | 2610420     | CONTROL SECTION ASSEMBLY<br>FOR NEXT HIGHER ASM SEE FIGURE 30-45<br>AND FOR ILLUSTRATION SEE FIGURE 31 | REF            |                |
| - 1                   | 350966 NR   | . COVER, TERMINAL BLOCK  | 1              |                |
| - 2                   | 10170 NR    | . SCREW, MACH BD HD- 6-32 X 0.250 LG ATT PT  | 2              |                |
| - 3                   | 317485 NR   | . BLOCK, 4 DBL SCREW TERMINAL  | 1              |                |
| - 4                   | 322550 NR   | . SCREW, MACH BD HD- 6-32 X 0.500 LG ATT PT  | 2              |                |
| - 5                   | 210883 NR   | . STUD, SHIELD MTG TAPPED NO. 6-32 ATT PT  | 2              |                |
| - 6                   | 527916 NR   | . STRIP, MARKER  | 1              |                |
| - 7                   | 2391346 NR  | . TRANSISTOR   | 4              |                |
| - 8                   | 2391345 NR  | . TRANSISTOR   | 8              |                |
| - 9                   | 37913 NR    | . NUT, JAM HEX- 4-40 X 0.250 FL W ATT PT   | 24             |                |
| - 10                  | 257984 NR   | . LOCKWASHER, SPLIT- 0.115 ID X 0.212 OD ATT PT  | 24             |                |
| - 11                  | 5270517 NR  | . INSULATOR, MICA  | 12             |                |
| - 12                  | 2610430 NR  | . CARD ASM   | 1              |                |
| - 13                  | 2610384 NR  | . STUD ATT PT  | 24             |                |
| - 14                  | 37913 NR    | . NUT, JAM HEX- 4-40 X 0.250 FL W ATT PT   | 24             |                |
| - 15                  | 257984 NR   | . LOCKWASHER, SPLIT- 0.115 ID X 0.212 OD ATT PT  | 24             |                |
| - 16                  | 2610372 NR  | . BUSHING  | 24             |                |
| - 17                  | 2610423 NR  | . FIN, HEATSINK  | 7              |                |
| - 17A                 | 438548 NR   | . SCREW, MACH BD HD- 4-40 X 0.188 LG ATT PT  | 49             |                |
| - 18                  | 2610422 NR  | . HEAT SINK  | 1              |                |
| - 18A                 | 236849 NR   | . SCREW, MACH BD HD- 10-32 X 0.250 LG ATT PT   | 4              |                |
| - 19                  | 2610446 NR  | . CARD   | 1              |                |
| - 20                  | 816696 NR   | . CONNECTOR  | 1              |                |
| - 21                  | 80651 NR    | . SCREW, THD CTG PAN HD- 6-32 X 0.375 LG ATT PT  | 2              |                |
| - 22                  | 2610424 NR  | . SOCKET, CARD   | 1              |                |
| - 23                  | 55726 NR    | . SCREW, MACH BD HD- 6-32 X 0.188 LG ATT PT  | 4              |                |
| - 24                  | 2610409 NR  | . TRANSFORMER  | 1              |                |
| - 25                  | 25627 NR    | . SCREW, MACH BD HD- 8-32 X 0.500 LG ATT PT  | 4              |                |
| - 26                  | 22478 NR    | . WASHER, FL- 0.170 ID X 0.375 OD ATT PT   | 4              |                |
| - 27                  | 1090873 NR  | . LOCKWASHER, SPLIT 0.168 ID X 0.296 OD ATT PT   | 4              |                |
| - 28                  | 257189 NR   | . NUT, HEX 8-32 ATT PT   | 4              |                |
| - 29                  | 5762057 NR  | . GROMMET, SNAP BUSHING  | 3              |                |
| - 30                  | 2610421 NR  | . PLATE, FRONT   | 1              |                |

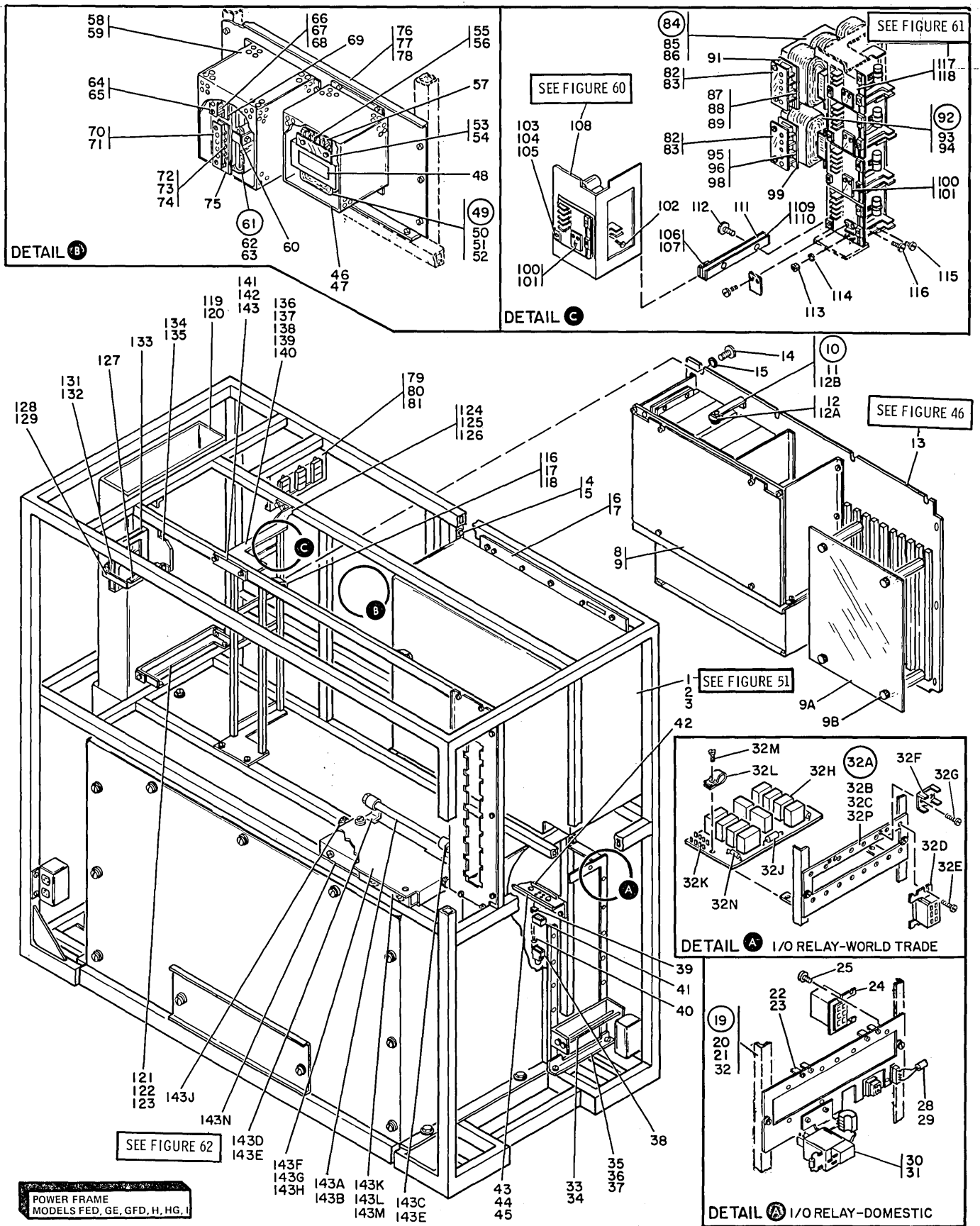


FIGURE 32. POWER FRAME FINAL ASSEMBLY. SHEET 1 OF 2. NOS. 1-143N. SEE LIST 32.



| LIST AND INDEX NUMBER | PART NUMBER | DESCRIPTION   | UNITS PER ASM. | USABLE ON CODE |
|-----------------------|-------------|---|----------------|----------------|
|                       |             | POWER FRAME FINAL ASSEMBLY  |                |                |
| 32 -                  | 1993200 NP  | POWER FRAME FINAL ASM<br>FOR ILLUSTRATION SEE FIGURE 32                 |                |                |
| - 1                   | 1994800     | . PRIMARY POWER BOX ASM- 60HZ   | 1              |                |
| - 1                   | 1994850     | . PRIMARY POWER BOX ASM- 50HZ<br>FOR DETAIL BREAKDOWN SEE FIGURE 51     | 1              |                |
| - 2                   | 130434      | . SCREW,MACH,SLOTTED HEX HD NO.10-32 X.375                              | ATT PT         | 10             |
| - 3                   | 47242       | . WASHER,FL NO. 12 X 1/2 OD X 0.062 THK                                 | ATT PT         | 10             |
| - 4                   | 28413       | . SCREW,MACH BD HD- 10-32 X 5/16 LG                                     |                | 1              |
| - 5                   | 56079       | . WASHER LOCK,EXT T .204 ID .410 OD                                     |                | 1              |
| - 6                   | 1993347     | . PLATE,PRIMARY POWER   |                | 1              |
| - 7                   | 140425      | . SCREW,MACH HEX HD 10-32 X 5/16 LG                                     | ATT PT         | 3              |
| - 8                   | 1993337     | . COVER,PWR SUP MODULE  |                | 1              |
| - 9                   | 28413       | . SCREW,MACH BD HD- 10-32 X 5/16 LG                                     | ATT PT         | 4              |
| - 9A                  | 2637664     | . SHIELD,SAFETY   |                | 1              |
| - 9B                  | 236849      | . SCREW,MACH BD HD- 10-32 X 0.250 LG                                    | ATT PT         | 4              |
| - 10                  | 2646974     | . SWITCH ASM,THERMAL  |                | 1              |
| - 11                  | 438566      | . SCREW,MACH BD HD- 6-32 X 0.125 LG                                     | ATT PT         | 2              |
| - 12                  | 5501999     | . . SWITCH,THERMAL- 145 DEGREES   |                | 1              |
| - 12A                 | 5501997     | . . CLIP,RETAINING  | ATT PT         | 1              |
| - 12B                 | 2646803     | . . BRACKET,MOUNTING  |                | 1              |
| - 13                  | 1993378     | . POWER MODULE ASM- OLD STYLE   |                | 1              |
| - 13                  | 2641791     | . POWER MODUEL ASM- NEW STYLE<br>FOR DETAIL BREAKDOWN SEE FIGURE 46     |                | 1              |
| - 14                  | 130434      | . SCREW,MACH,SLOTTED HEX HD NO.10-32 X.375                              | ATT PT         | 12             |
| - 15                  | 47242       | . WASHER,FL NO. 12 X 1/2 OD X 0.062 THK                                 | ATT PT         | 12             |
| - 16                  | 1993329     | . BRACE,PLATE SUPPORT   |                | 2              |
| - 17                  | 130434      | . SCREW,MACH,SLOTTED HEX HD NO.10-32 X.375                              | ATT PT         | 4              |
| - 18                  | 47242       | . WASHER,FL NO. 12 X 1/2 OD X 0.062 THK                                 | ATT PT         | 4              |
| - 19                  | 1993392     | . PANEL ASM,I/O RELAY   |                | 5              |
| - 20                  | 140425      | . SCREW,MACH HEX HD 10-32 X 5/16 LG                                     | ATT PT         | 10             |
| - 21                  | 47242       | . WASHER,FL NO. 12 X 1/2 OD X 0.062 THK                                 | ATT PT         | 10             |
| - 22                  | 838164      | . . TERMINAL,FXD TAB  |                | 2              |
| - 23                  | 832025      | . . SCREW,PAN HD- 4-40 X 0.310 LG                                       | ATT PT         | 4              |
| - 24                  | 523269      | . . HOUSING,RECEPTACLE  |                | 8              |
| - 25                  | 832025      | . . SCREW,PAN HD- 4-40 X 0.310 LG                                       | ATT PT         | 16             |
| - 26                  | 2574157     | . . RELAY   |                | 2              |
| - 27                  | 5351163     | . . RETAINER,RELAY  | ATT PT         | 2              |
| - 28                  | 1993877     | . . CABLE ASM,I/O GROUPS 3,4 AND 5<br>FOR COMPONENT PARTS SEE FIGURE 72 |                | 1              |
| - 29                  | 832025      | . . SCREW,PAN HD- 4-40 X 0.310 LG                                       | ATT PT         | 2              |
| - 30                  | 1993109     | . . SWITCH,STEPPING   |                | 1              |
| - 31                  | 186759      | . . SCREW,MACH BD HD- 8-32 X 5/16 LG                                    | ATT PT         | 2              |
| - 32                  | 1993174     | . . PLATE,I/O AND RELAY   |                | 1              |
| - 32A                 | 4057029     | . . PANEL ASM,I/O RELAY- WT   |                | 5              |
| - 32B                 | 140425      | . SCREW,MACH HEX HD- 10-32 X 0.312 LG                                   | ATT PT         | 10             |
| - 32C                 | 47242       | . WASHER,FL- 0.330 ID X 0.500 OD  | ATT PT         | 10             |
| - 32D                 | 523269      | . . HOUSING,RECEPTACLE  |                | 8              |
| - 32E                 | 112628      | . . SCREW,THD FORMING BD HD- 0.375 LG                                   | ATT PT         | 16             |
| - 32F                 | 838164      | . . TERMINAL,FXD TAB  |                | 2              |
| - 32G                 | 112628      | . . SCREW,THD FORMING BD HD- 0.375 LG                                   | ATT PT         | 4              |
| - 32H                 | 2426298     | . . RELAY   |                | 10             |
| - 32J                 | 2111232     | . . DIODE,SEMICONDUCTOR- TYPE AH  |                | 10             |
| - 32K                 | 5252537     | . . TERMINAL  |                | 9              |
| - 32L                 | 169698      | . . CLAMP,CABLE   |                | 1              |
| - 32M                 | 221790      | . . SCREW,MACH BD HD- 8-32 X 0.188 LG                                   | ATT PT         | 1              |
| - 32N                 | 4057028     | . . CARD  |                | 1              |
| - 32P                 | 4056971     | . . PANEL,I/O   |                | 1              |
| - 33                  | 117281      | . NUT,STOP 1/4-20   |                | 2              |
| - 34                  | 825537      | . BOLT,CLAMP  |                | 2              |
| - 35                  | 1993177     | . RACK,I/O  |                | 1              |
| - 36                  | 130434      | . SCREW,MACH,SLOTTED HEX HD NO.10-32 X.375                              | ATT PT         | 3              |
| - 37                  | 47242       | . WASHER,FL NO. 12 X 1/2 OD X 0.062 THK                                 | ATT PT         | 3              |
| - 38                  | 5352704     | . PLUG ASM  |                | 1              |
| - 39                  | 5271288     | . TERMINAL  |                | 1              |
| - 40                  | 338238      | . SCREW,MACH BD HD- 4-40 X 0.3125 LG                                    | ATT PT         | 2              |
| - 41                  | 523269      | . HOUSING,RECEPTACLE  |                | 1              |
| - 42                  | 825880      | . TAPE,FOAM   |                | AR             |
| - 43                  | 1994779     | . BRACKET,GATE TOP PIVOT  |                | 1              |
| - 44                  | 130434      | . SCREW,MACH,SLOTTED HEX HD NO.10-32 X.375                              | ATT PT         | 2              |
| - 45                  | 47242       | . WASHER,FL NO. 12 X 1/2 OD X 0.062 THK                                 | ATT PT         | 2              |
| - 46                  | 1993358     | . COVER,OUTLET TRANSFORMER  |                | 1              |
| - 47                  | 236849      | . SCREW,MACH BD HD- 10-32 X 1/4 LG                                      | ATT PT         | 4              |
| - 48                  | 138755      | . LABEL,VOLTAGE   |                | 1              |
| - 49                  | 760257      | . TRANSFORMER,PWR 2 PRIM 230V SEC 115V                                  |                | 1              |
| - 50                  | 4564        | . NUT,HEX- 0.3125-18  | ATT PT         | 4              |
| - 51                  | 257983      | . LOCKWASHER, SPLIT 0.319 ID X 0.591 OD                                 | ATT PT         | 4              |

| LIST AND INDEX NUMBER | PART NUMBER | DESCRIPTION                                    | UNITS PER ASM. | USABLE ON CODE |
|-----------------------|-------------|--|----------------|----------------|
|                       |             | 1 2 3 4  |                |                |
| 32- 52                | 161351      | . WASHER, FL- 0.330 ID X 0.625 OD              | ATT PT         | 4              |
| - 53                  | 350965      | . COVER, TERMINAL BLOCK                        |                | 1              |
| - 54                  | 1127733     | . . SCREW, MACH SLTD HD 6-32 X 1/4 LG          | ATT PT         | 2              |
| - 55                  | 2101337     | . . TERMINAL, STRIP                            |                | 1              |
| - 56                  | 210957      | . . STUD, TAPPED                               | ATT PT         | 2              |
| - 57                  | 2101357     | . . MARKER, STRIP 5 POS NOS. 1 THRU 5          |                | 1              |
| - 58                  | 1993359     | . COVER, AUTO TRANSFORMER SAFETY               |                | 1              |
| - 59                  | 236849      | . SCREW, MACH BD HD- 10-32 X 1/4 LG            | ATT PT         | 4              |
| - 60                  | 138755      | . LABEL, VOLTAGE                               |                | 1              |
| - 61                  | 4119230     | . TRANSFORMER ASM, AUTO- 50HZ 3PH              |                | 1              |
| - 62                  | 234341      | . SCREW, ASMD WASHER FIL HD 1/4-20 X 5/8 LG    | ATT PT         | 4              |
| - 63                  | 3550        | . WASHER, FL 1/4 X 9/16 OD X 0.050 THK         | ATT PT         | 4              |
| - 64                  | 352848      | . . SHIELD, SAFETY                             |                | 1              |
| - 65                  | 10170       | . . SCREW, MACH BD HD- NO. 6-32 X .250 LG      | ATT PT         | 2              |
| - 66                  | 323843      | . . BLOCK, TERMINAL- 6 POSITION                |                | 1              |
| - 67                  | 210883      | . . STUD, SHIELD MTG TAPPED NO. 6-32           | ATT PT         | 1              |
| - 68                  | 210884      | . . STUD, NO. 6-32                             | ATT PT         | 1              |
| - 69                  | 4120395     | . . STRIP, MARKER                              |                | 1              |
| - 70                  | 438894      | . . SHIELD, SAFETY                             |                | 1              |
| - 71                  | 10170       | . . SCREW, MACH BD HD- NO. 6-32 X .250 LG      | ATT PT         | 2              |
| - 72                  | 283003      | . . BLOCK, TERMINAL- 10 POSITION               |                | 1              |
| - 73                  | 4120221     | . . STUD, SHIELD                               | ATT PT         | 2              |
| - 74                  | 322065      | . . SCREW, MACH BD HD- 6-32 X 5/8 LG           | ATT PT         | 2              |
| - 75                  | 4120396     | . . STRIP, MARKER                              |                | 1              |
| - 76                  | 1993357     | . PLATE ASSEMBLY                               |                | 1              |
| - 77                  | 130434      | . SCREW, MACH, SLOTTED HEX HD NO. 10-32 X .375 | ATT PT         | 10             |
| - 78                  | 47242       | . WASHER, FL NO. 12 X 1/2 OD X 0.062 THK       | ATT PT         | 10             |
| - 79                  | 1993335     | . BRACKET, INTERFRAME CONNECTOR                |                | 1              |
| - 80                  | 130434      | . SCREW, MACH, SLOTTED HEX HD NO. 10-32 X .375 | ATT PT         | 2              |
| - 81                  | 47242       | . WASHER, FL NO. 12 X 1/2 OD X 0.062 THK       | ATT PT         | 2              |
| - 82                  | 350966      | . COVER, TERMINAL BLOCK                        |                | 2              |
| - 83                  | 10170       | . SCREW, MACH BD HD- 6-32 X 0.250 LG           | ATT PT         | 3              |
| - 84                  | 1993805     | . TRANSFORMER, 4 MIDPACK BULKS                 |                | 1              |
| - 85                  | 130434      | . SCREW, MACH, SLOTTED HEX HD NO. 10-32 X .375 | ATT PT         | 4              |
| - 86                  | 47242       | . WASHER, FL NO. 12 X 1/2 OD X 0.062 THK       | ATT PT         | 4              |
| - 87                  | 317485      | . . BLOCK, 4 DBL SCREW TERMINAL                |                | 1              |
| - 88                  | 38354       | . . SCREW, MACH FIL HD 6-32 X 0.500 LG         |                | 2              |
| - 89                  | 210883      | . . STUD, SHIELD MTG TAPPED NO. 6-32           | ATT PT         | 1              |
| - 91                  | 527916      | . . STRIP, 4 POS NOS. 1 THRU 4 MARKER          |                | 1              |
| - 92                  | 1993809     | . TRANSFORMER- 400HZ 30 AND 36V AT 12A         |                | 1              |
| - 93                  | 130434      | . SCREW, MACH, SLOTTED HEX HD NO. 10-32 X .375 | ATT PT         | 4              |
| - 94                  | 47242       | . WASHER, FL NO. 12 X 1/2 OD X 0.062 THK       | ATT PT         | 4              |
| - 95                  | 317485      | . . BLOCK, 4 DBL SCREW TERMINAL                |                | 1              |
| - 96                  | 210883      | . . STUD, SHIELD MTG TAPPED NO. 6-32           | ATT PT         | 2              |
| - 98                  | 38354       | . . SCREW, MACH FIL HD 6-32 X 0.500 LG         | ATT PT         | 2              |
| - 99                  | 527916      | . . STRIP, 4 POS NOS. 1 THRU 4 MARKER          |                | 1              |
| -100                  | 1993823     | . SHIELD, SAFETY                               |                | 5              |
| -100                  | 1993835     | . SHIELD, SAFETY                               |                | 5              |
| -101                  | 55726       | . SCREW, MACH BD HD- 6-32 X 0.188 LG           | ATT PT         | 10             |
| -102                  | 28413       | . SCREW, MACH BD HD- 10-32 X 5/16 LG           |                | 6              |
| -103                  | 55586       | . NUT, HEX- 1/4-20                             |                | 1              |
| -104                  | 76574       | . LOCKWASHER, EXT TEETH .250                   |                | 2              |
| -105                  | 90261       | . SCREW, BD HD- 1/4-20 X 0.4375 LG             |                | 1              |
| -106                  | 207293      | . KEEPER-POWER SUPPLY                          |                | 2              |
| -107                  | 825939      | . SCREW, SEMS HEX HD 8-32 X .312 LG            | ATT PT         | 2              |
| -108                  | 1993540     | . MODULE ASM, AC/DC- 36V AT 12A                |                | 1              |
|                       |             | FOR DETAIL BREAKDOWN SEE FIGURE 60             |                |                |
| -109                  | 760444      | . PLATE, STOP                                  |                | 2              |
| -110                  | 55726       | . SCREW, MACH BD HD- 6-32 X 0.188 LG           | ATT PT         | 2              |
| -111                  | 207382      | . RAIL   |                | 2              |
| -112                  | 55711       | . SCREW, MACH HEX HD 10-32 X 9/16 LG           | ATT PT         | 4              |
| -113                  | 55586       | . NUT, HEX- 1/4-20                             |                | 4              |
| -114                  | 76574       | . LOCKWASHER, EXT TEETH .250                   |                | 8              |
| -115                  | 28413       | . SCREW, MACH BD HD- 10-32 X 5/16 LG           |                | 24             |
| -116                  | 90261       | . SCREW, BD HD- 1/4-20 X 0.4375 LG             |                | 4              |
| -117                  | 1993490     | . MODULE ASM, AC/DC- MID PAC                   |                | 4              |
|                       |             | FOR DETAIL BREAKDOWN SEE FIGURE 61             |                |                |
| -118                  | 232         | . SCREW, MACH FIL H 10-32 X 0.500 LG           | ATT PT         | 12             |
| -119                  | 1993324     | . DUCT, AIR                                    |                | 1              |
| -120                  | 233887      | . ROD, TIE                                     | ATT PT         | 2              |
| -121                  | 1993331     | . SUPPORT, BRACKET                             |                | 2              |
| -122                  | 130434      | . SCREW, MACH, SLOTTED HEX HD NO. 10-32 X .375 | ATT PT         | 4              |
| -123                  | 47242       | . WASHER, FL NO. 12 X 1/2 OD X 0.062 THK       | ATT PT         | 4              |
| -124                  | 1993364     | . BRACKET, MODULE RACK MTG-TOP                 |                | 1              |
| -124                  | 1993365     | . BRACKET, MODULE RACK MTG-BOTTOM              |                | 1              |
| -125                  | 130434      | . SCREW, MACH, SLOTTED HEX HD NO. 10-32 X .375 | ATT PT         | 6              |
| -126                  | 47242       | . WASHER, FL NO. 12 X 1/2 OD X 0.062 THK       | ATT PT         | 6              |
| -127                  | 825880      | . TAPE, FOAM                                   |                | AR             |
| -128                  | 2647020     | . BRACKET, CONNECTOR MTG                       |                | 1              |



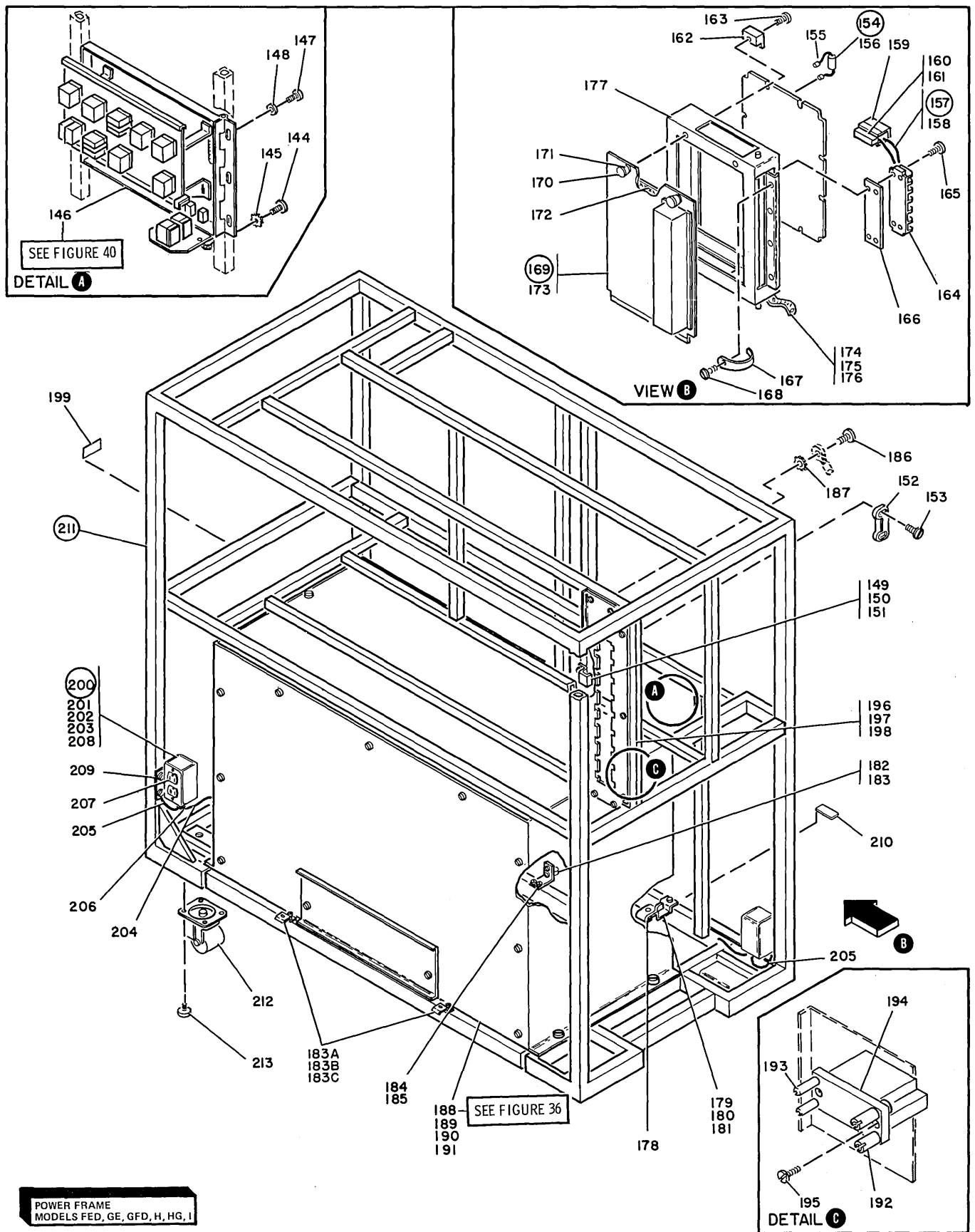


FIGURE 32. POWER FRAME FINAL ASSEMBLY. SHEET 2 OF 2. NOS. 144-214. SEE LIST 32.

| FIGURE-<br>INDEX<br>NUMBER | PART<br>NUMBER | DESCRIPTION  | UNITS |   |        |   | USABLE<br>ON<br>CODE |  |
|----------------------------|----------------|--|-------|---|--------|---|----------------------|--|
|                            |                |  | 1     | 2 | 3      | 4 |                      |  |
| 32 -144                    | 186759         | . SCREW,MACH BD HD- 8-32 X 5/16 LG   |       |   |        |   | 1                    |  |
| -145                       | 55901          | . LOCKWASHER,EXTERNAL TOOTH 0.176 ID X 0.3                                       |       |   |        |   | 1                    |  |
| -146                       | 1994786        | . SEQUENCING PANEL ASM- STAGE I  |       |   |        |   | 1                    |  |
| -146                       | 2641123        | . SEQUENCING PANEL ASM- STAGE II<br>FOR DETAIL BREAKDOWN SEE FIGURE 40           |       |   |        |   |                      |  |
| -147                       | 130434         | . SCREW,MACH,SLOTTED HEX HD NO.10-32 X.375                                       |       |   | ATT PT |   | 3                    |  |
| -148                       | 47242          | . WASHER,FL NO. 12 X 1/2 OD X 0.062 THK  |       |   | ATT PT |   | 3                    |  |
| -149                       | 1993183        | . BRACKET,STOP   |       |   |        |   | 1                    |  |
| -150                       | 130434         | . SCREW,MACH,SLOTTED HEX HD NO.10-32 X.375                                       |       |   | ATT PT |   | 2                    |  |
| -151                       | 47242          | . WASHER,FL NO. 12 X 1/2 OD X 0.062 THK  |       |   | ATT PT |   | 2                    |  |
| -152                       | 513669         | . STRIKE,FRICTION LATCH  |       |   |        |   | 1                    |  |
| -153                       | 740501         | . SCREW,MACH HEX HD 6-32 X 1/4 LG  |       |   | ATT PT |   | 2                    |  |
| -154                       | 2637430        | . CAPACITOR ASSEMBLY- 0.1 MFD  |       |   |        |   | 1                    |  |
| -155                       | 615934         | . . CONNECTOR,DISCRETE WIRE 22-26 AWG  |       |   |        |   | 2                    |  |
| -156                       | 492411         | . . CAPACITOR- 0.010UF P/M 5%  |       |   |        |   | 1                    |  |
| -157                       | 1994929        | . JUMPER ASM   |       |   |        |   | 4                    |  |
| -158                       | 92784          | . . TERMINAL,LUG INS 18-20AWG NO.8 MTG HOLE                                      |       |   |        |   | 2                    |  |
| -159                       | 813802         | . . COVER,VOLTAGE CROSSOVER  |       |   |        |   | 1                    |  |
| -160                       | 613681         | . . CONTACT,MINIATURE BUS  |       |   |        |   | 2                    |  |
| -161                       | 813801         | . . HOUSING  |       |   |        |   | 1                    |  |
| -162                       | 613179         | . CLAMP,BOARD  |       |   |        |   | 8                    |  |
| -163                       | 811417         | . SCREW,HEX SOCKET HD 6-32 X 0.500 LG  |       |   | ATT PT |   | 8                    |  |
| -164                       | 315956         | . BLOCK,8 DBL SCREW TERMINAL   |       |   |        |   | 2                    |  |
| -165                       | 38348          | . SCREW,THD FORMING- 6-32 X 0.187 LG   |       |   | ATT PT |   | 4                    |  |
| -166                       | 315957         | . STRIP,MARKER TERM BD 8 POS 1 THRU 8  |       |   |        |   | 2                    |  |
| -167                       | 625559         | . STRAP,SELF LOCKING   |       |   |        |   | 4                    |  |
| -168                       | 2181011        | . SCREW,THD FORMING- 6-32 X 0.500 LG   |       |   | ATT PT |   | 4                    |  |
| -169                       | 1994931        | . COVER ASM,GATE   |       |   |        |   | 1                    |  |
| -170                       | 2178597        | . . PLUNGER  |       |   |        |   | 2                    |  |
| -171                       | 2180733        | . . GROMMET  |       |   |        |   | 2                    |  |
| -172                       | 2180727        | . . COVER,FOAM   |       |   |        |   | 1                    |  |
| -173                       | 1994930        | . . COVER,GATE   |       |   |        |   | 1                    |  |
| -174                       | 2101089        | . JUMPER,GROUND  |       |   |        |   | 1                    |  |
| -175                       | 2181005        | . SCREW,THD FORMING- 6-32 X 0.375 LG   |       |   | ATT PT |   | 1                    |  |
| -176                       | 2125765        | . LOCKWASHER   |       |   | ATT PT |   | 1                    |  |
| -177                       | 2239001        | . FRAME,GATE   |       |   |        |   | 1                    |  |
| -178                       | 2180735        | . STOP,GATE  |       |   |        |   | 1                    |  |
| -179                       | 1993374        | . BRACKET,BOTTOM GATE PIVOT  |       |   |        |   | 1                    |  |
| -180                       | 130434         | . SCREW,MACH,SLOTTED HEX HD NO.10-32 X.375                                       |       |   | ATT PT |   | 2                    |  |
| -181                       | 47242          | . WASHER,FL NO. 12 X 1/2 OD X 0.062 THK  |       |   | ATT PT |   | 2                    |  |
| -182                       | 5319035        | . CATCH,FRICTION LATCH   |       |   |        |   | 1                    |  |
| -183                       | 740501         | . SCREW,MACH HEX HD 6-32 X 1/4 LG  |       |   | ATT PT |   | 2                    |  |
| -183A                      | 2564577        | . STRIKE,LATCH   |       |   |        |   | 2                    |  |
| -183B                      | 332620         | . SCREW,MACH BD HD- 10-32 X 0.500 LG   |       |   | ATT PT |   | 4                    |  |
| -183C                      | 45690          | . WASHER,FL- 0.203 ID X 0.412 OD   |       |   | ATT PT |   | 4                    |  |
| -184                       | 1994767        | . BRACKET,GATE STOP  |       |   |        |   | 1                    |  |
| -185                       | 140425         | . SCREW,MACH HEX HD 10-32 X 5/16 LG  |       |   | ATT PT |   | 2                    |  |
| -186                       | 28413          | . SCREW,MACH BD HD- 10-32 X 5/16 LG  |       |   |        |   | 1                    |  |
| -187                       | 56079          | . WASHER LOCK,EXT T .204 ID .410 OD  |       |   |        |   | 1                    |  |
| -188                       | 1795502        | . MOTOR GENERATOR ASM- 60 HZ DOM 2ND SOURCE                                      |       |   |        |   | 1                    |  |
| -188                       | 1994550        | . MOTOR GENERATOR ASSEMBLY- 16KW 60 HZ   |       |   |        |   | 1                    |  |
| -188                       | 1994560        | . MOTOR GENERATOR ASSEMBLY- 16KW 50 HZ   |       |   |        |   | 1                    |  |
| -188                       | 1994730        | . MOTOR GENERATOR ASM- 50 HZ WT 1ST SOURCE                                       |       |   |        |   | 1                    |  |
| -188                       | 1994740        | . MOTOR GENERATOR ASM- 16KW 60 HZ WT   |       |   |        |   | 1                    |  |
| -188                       | 2646847        | . MOTOR GENERATOR ASM- 50 HZ WT 2ND SOURCE<br>FOR DETAIL BREAKDOWN SEE FIGURE 36 |       |   |        |   | 1                    |  |
| -189                       | 4541           | . SCREW,HEX HD- 0.375-16 X 2.000 LG  |       |   | ATT PT |   | 4                    |  |
| -190                       | 10309          | . LOCKWASHER, SLIT 0.382 ID X 0.688 OD   |       |   | ATT PT |   | 4                    |  |
| -191                       | 453            | . WASHER,FLAT- 0.375 ID X 13/16 OD   |       |   | ATT PT |   | 4                    |  |
| -192                       | 2122636        | . SOCKET,GUIDE CORNER  |       |   |        |   | 2                    |  |
| -193                       | 2122637        | . PIN,GUIDE  |       |   |        |   | 2                    |  |
| -194                       | 2630396        | . CABLE ASM,DC DIST TO 1FA   |       |   |        |   | 1                    |  |
| -194                       | 1993875        | . CABLE ASM,DC TO FILE CONNECTORS<br>FOR COMPONENT PARTS SEE FIGURE 72           |       |   |        |   | 7                    |  |
| -195                       | 170150         | . SCREW AND LOCKWASHER- 4-40 X 0.250 LG  |       |   | ATT PT |   | 14                   |  |
| -196                       | 1993338        | . PLATE,CONNECTOR  |       |   |        |   | 1                    |  |
| -197                       | 130434         | . SCREW,MACH,SLOTTED HEX HD NO.10-32 X.375                                       |       |   | ATT PT |   | 7                    |  |
| -198                       | 47242          | . WASHER,FL NO. 12 X 1/2 OD X 0.062 THK  |       |   | ATT PT |   | 7                    |  |
| -199                       | 369207         | . LABEL,VOLTAGE  |       |   |        |   | 3                    |  |
| -200                       | 1993896        | . OUTLET ASM,CONVENIENCE- 50HZ   |       |   |        |   | 1                    |  |
| -200                       | 1993377        | . CONVENIENCE OUTLET ASM- 60HZ   |       |   |        |   | 1                    |  |
| -201                       | 130434         | . SCREW,MACH,SLOTTED HEX HD NO.10-32 X.375                                       |       |   | ATT PT |   | 4                    |  |
| -202                       | 56079          | . WASHER LOCK,EXT T .204 ID .410 OD  |       |   | ATT PT |   | 4                    |  |
| -203                       | 47242          | . WASHER,FL NO. 12 X 1/2 OD X 0.062 THK  |       |   | ATT PT |   | 2                    |  |
| -204                       | 1993864        | . . CABLE ASM,AC<br>FOR COMPONENT PARTS SEE FIGURE 72                            |       |   |        |   | 1                    |  |
| -205                       | 1993937        | . . JUMPER ASM<br>FOR COMPONENT PARTS SEE FIGURE 72                              |       |   |        |   | 2                    |  |
| -206                       | 151598         | . . CONNECTOR,OUTLET BOX   |       |   |        |   | 2                    |  |



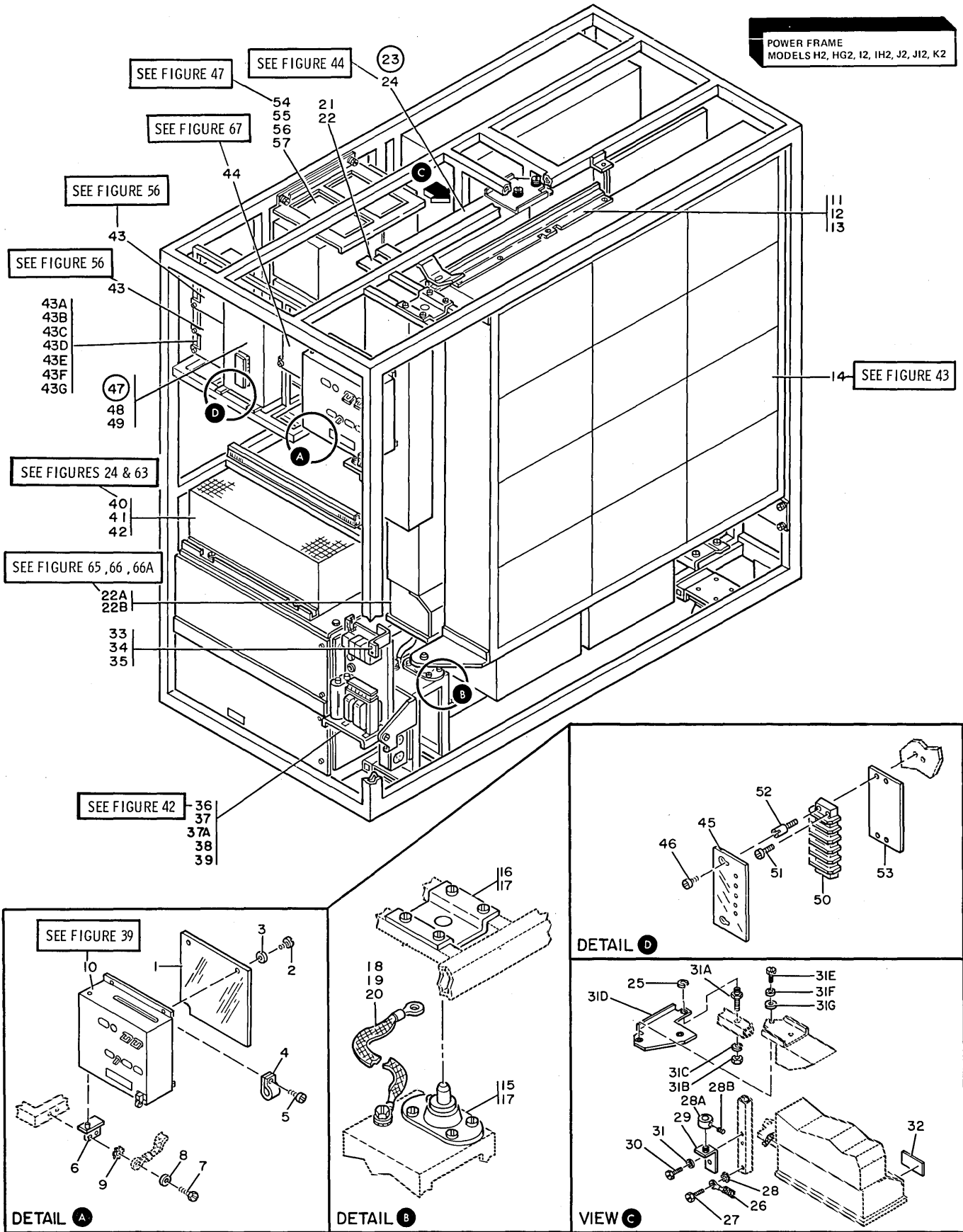


FIGURE 33. POWER FRAME FINAL ASSEMBLY. SHEET 1 OF 2. INDEX NOS. 1-57. SEE LIST 33.

| FIGURE-<br>INDEX<br>NUMBER | PART<br>NUMBER | DESCRIPTION  |   |   |   | UNITS<br>PER<br>ASM. | USABLE<br>ON<br>CODE |
|----------------------------|----------------|--|---|---|---|----------------------|----------------------|
|                            |                | 1  | 2 | 3 | 4 |                      |                      |
|                            |                | POWER FRAME FINAL ASSEMBLY   |   |   |   |                      |                      |
| 33 -                       | 1797101 NP     | POWER FRAME FINAL ASSEMBLY<br>FOR ILLUSTRATION SEE FIGURE 33                             |   |   |   |                      |                      |
| - 1                        | 1797185        | . SHIELD,CB PANEL  |   |   |   | 1                    |                      |
| - 2                        | 130434         | . SCREW,MACH,SLOTTED HEX HD NO.10-32 X.375   |   |   |   | ATT PT               | 2                    |
| - 3                        | 47242          | . WASHER,FL- 0.219 ID X 0.500 LG   |   |   |   | ATT PT               | 2                    |
| - 4                        | 2102367        | . CLAMP,CABLE  |   |   |   |                      | 1                    |
| - 5                        | 32617          | . SCREW,MACH BD HD- 10-32 X 0.437  |   |   |   | ATT PT               | 1                    |
| - 6                        | 1797186        | . BRACKET  |   |   |   | ATT PT               | 2                    |
| - 7                        | 130434         | . SCREW,MACH,SLOTTED HEX HD NO.10-32 X.375   |   |   |   | ATT PT               | 4                    |
| - 8                        | 47242          | . WASHER,FL- 0.219 ID X 0.500 LG   |   |   |   | ATT PT               | 3                    |
| - 9                        | 56079          | . LOCKWASHER,EXT TEETH- 0.204 ID X 0.410 O   |   |   |   | ATT PT               | 1                    |
| - 10                       | 1797389        | . CP PANEL ASSEMBLY<br>FOR DETAIL BREAKDOWN SEE FIGURE 39                                |   |   |   |                      | 1                    |
| - 11                       | 1797392        | . RAIL   |   |   |   |                      | 1                    |
| - 12                       | 58207          | . SCREW,MACH BD HD- 8-32 X 0.250 LG  |   |   |   | ATT PT               | 4                    |
| - 13                       | 22478          | . WASHER,FL- 0.170 ID X 0.375 OD   |   |   |   | ATT PT               | 4                    |
| - 14                       | 2649338        | . GATE ASSEMBLY<br>FOR DETAIL BREAKDOWN SEE FIGURE 43                                    |   |   |   |                      | 1                    |
| - 15                       | 824348         | . HINGE,PIVOT  |   |   |   |                      | 1                    |
| - 16                       | 1797119        | . PIN  |   |   |   |                      | 1                    |
| - 17                       | 234341         | . SCREW,ASMD WASHER FIL HD 1/4-20 X 5/8 LG   |   |   |   | ATT PT               | 8                    |
| - 18                       | 518611         | . JUMPER ASM,GROUND  |   |   |   |                      | 1                    |
| - 19                       | 130434         | . SCREW,MACH,SLOTTED HEX HD NO.10-32 X.375   |   |   |   | ATT PT               | 2                    |
| - 20                       | 56079          | . LOCKWASHER,EXT TEETH- 0.204 ID X 0.410 O   |   |   |   | ATT PT               | 2                    |
| - 21                       | 1797391        | . BLOCK  |   |   |   |                      | 1                    |
| - 22                       | 845            | . SCREW,MACH FIL HD- 8-32 X 0.500 LG   |   |   |   | ATT PT               | 2                    |
| - 22A                      | 1993536        | . COOLING UNIT ASSEMBLY- 60 HZ   |   |   |   |                      | 1                    |
| - 22A                      | 1993535        | . COOLING UNIT ASSEMBLY- 50 HZ<br>FOR DETAIL BREAKDOWN SEE FIGURE 65                     |   |   |   |                      | 1                    |
| - 22A                      | 1573502        | . COOLING UNIT ASSEMBLY- 60 HZ PCB   |   |   |   |                      | 1                    |
| - 22A                      | 1574802        | . COOLING UNIT ASSEMBLY- 60 HZ NON PCB<br>FOR DETAIL BREAKDOWN SEE FIGURE 66             |   |   |   |                      | 1                    |
| - 22A                      | 5548304        | . COOLING UNIT ASSEMBLY- 60 HZ PCB (OPTIONAL)  |   |   |   |                      | 1                    |
| - 22A                      | 1574814        | . COOLING UNIT ASSEMBLY- 60 HZ NON PCB (OPTIONAL)<br>FOR DETAIL BREAKDOWN SEE FIGURE 66A |   |   |   |                      | 1                    |
| - 22B                      | 2181004        | . SCREW,HEX HD- 10-32 X 0.375 LG   |   |   |   | ATT PT               | 3                    |
| - 23                       | 2641259        | . GATE ASM-SINGLE CHANNEL- 60 HZ   |   |   |   |                      | 1                    |
| - 23                       | 2641260        | . GATE ASM-SINGLE CHANNEL- 50 HZ   |   |   |   |                      | 1                    |
| - 23                       | 2641261        | . GATE ASM-TWO CHANNEL- 60 HZ  |   |   |   |                      | 1                    |
| - 23                       | 2641262        | . GATE ASM-TWO CHANNEL- 50 HZ  |   |   |   |                      | 1                    |
| - 24                       | 2199753        | . . ISC GATE ASSEMBLY<br>FOR DETAIL BREAKDOWN SEE FIGURE 44                              |   |   |   |                      | 1                    |
| - 25                       | 251227         | . CLIP   |   |   |   | ATT PT               | 2                    |
| - 26                       | 836893         | . JUMPER ASM,GROUND  |   |   |   |                      | 1                    |
| - 27                       | 130434         | . SCREW,MACH,SLOTTED HEX HD NO.10-32 X.375   |   |   |   | ATT PT               | 2                    |
| - 28                       | 56079          | . LOCKWASHER,EXT TEETH- 0.204 ID X 0.410 O   |   |   |   | ATT PT               | 2                    |
| - 28A                      | 162096         | . COLLAR   |   |   |   |                      | 1                    |
| - 28B                      | 1073462        | . SETSCREW- 6-32 X 3/16  |   |   |   |                      | 2                    |
| - 29                       | 1800989        | . PIN,HINGE- LOWER   |   |   |   |                      | 1                    |
| - 30                       | 234341         | . SCREW,ASMD WASHER FIL HD 1/4-20 X 5/8 LG   |   |   |   | ATT PT               | 2                    |
| - 31                       | 3550           | . WASHER,FL- 0.250 ID X 0.562 OD   |   |   |   | ATT PT               | 2                    |
| - 31A                      | 1800988        | . HINGE- UPPER   |   |   |   |                      | 1                    |
| - 31B                      | 130987         | . LOCKWASHER,SPLIT- 0.500 ID X 0.879 OD  |   |   |   | ATT PT               | 1                    |
| - 31C                      | 76846          | . NUT,PLAIN HEX- 1/2-14 X 0.448 FL W   |   |   |   | ATT PT               | 1                    |
| - 31D                      | 1800990        | . PLATE  |   |   |   |                      | 2                    |
| - 31E                      | 234347         | . SCREW,HEX HD- 5/16-18 X 0.625 LG   |   |   |   | ATT PT               | 4                    |
| - 31F                      | 161351         | . WASHER,FL- 0.330 ID X 0.625 OD   |   |   |   | ATT PT               | 4                    |
| - 31G                      | 154214         | . WASHER,FL- 0.328 ID X 1.000 OD   |   |   |   | ATT PT               | 4                    |
| - 32                       | 1797164        | . LABEL-I/O DESIGNATION  |   |   |   |                      | 1                    |
| - 33                       | 1797209        | . BRACKET  |   |   |   |                      | 1                    |
| - 34                       | 130434         | . SCREW,MACH,SLOTTED HEX HD NO.10-32 X.375   |   |   |   | ATT PT               | 2                    |
| - 35                       | 47242          | . WASHER,FL- 0.219 ID X 0.500 LG   |   |   |   | ATT PT               | 2                    |
| - 36                       | 1797170        | . PANEL ASSEMBLY<br>FOR DETAIL BREAKDOWN SEE FIGURE 42                                   |   |   |   |                      | 1                    |
| - 37                       | 824673         | . SCREW,KNURLED HD- 10-32  |   |   |   | ATT PT               | 1                    |
| - 37A                      | 257701         | . CLIP   |   |   |   |                      | 1                    |
| - 38                       | 130434         | . SCREW,MACH,SLOTTED HEX HD NO.10-32 X.375   |   |   |   | ATT PT               | 2                    |
| - 39                       | 47242          | . WASHER,FL- 0.219 ID X 0.500 LG   |   |   |   | ATT PT               | 2                    |
| - 40                       | 1994833        | . COOLING UNIT ASSEMBLY- 50 HZ   |   |   |   |                      | 1                    |
| - 40                       | 1994834        | . COOLING UNIT ASSEMBLY- 60 HZ<br>FOR DETAIL BREAKDOWN SEE FIGURE 63                     |   |   |   |                      | 1                    |
| - 40                       | 1797541        | . COOLING UNIT ASSEMBLY- 60 HZ PCB   |   |   |   |                      | 1                    |
| - 40                       | 1803084        | . COOLING UNIT ASSEMBLY- 60 HZ NON PCB (OPTIONAL)<br>FOR DETAIL BREAKDOWN SEE FIGURE 24  |   |   |   |                      | 1                    |
| - 41                       | 130434         | . SCREW,MACH,SLOTTED HEX HD NO.10-32 X.375   |   |   |   |                      | 2                    |
| - 42                       | 47242          | . WASHER,FL- 0.219 ID X 0.500 LG   |   |   |   |                      | 2                    |





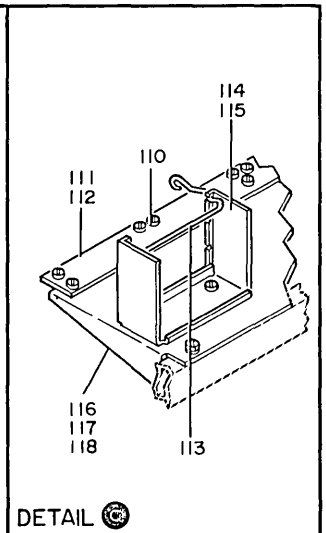
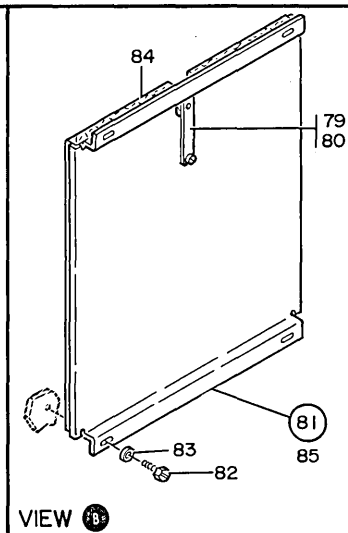
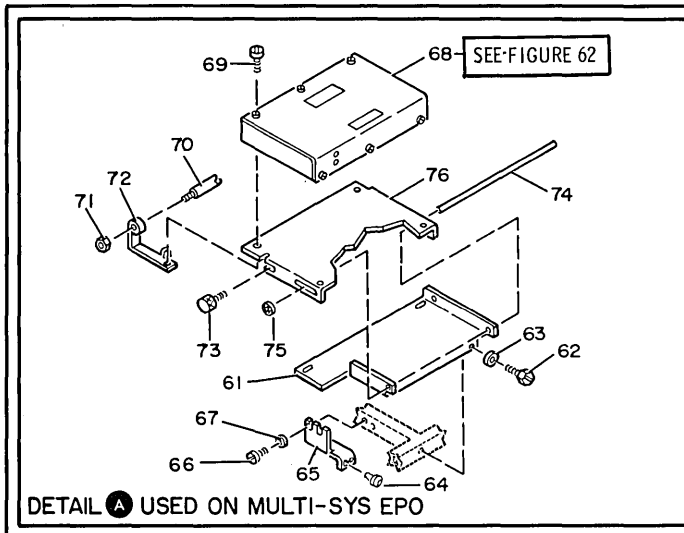
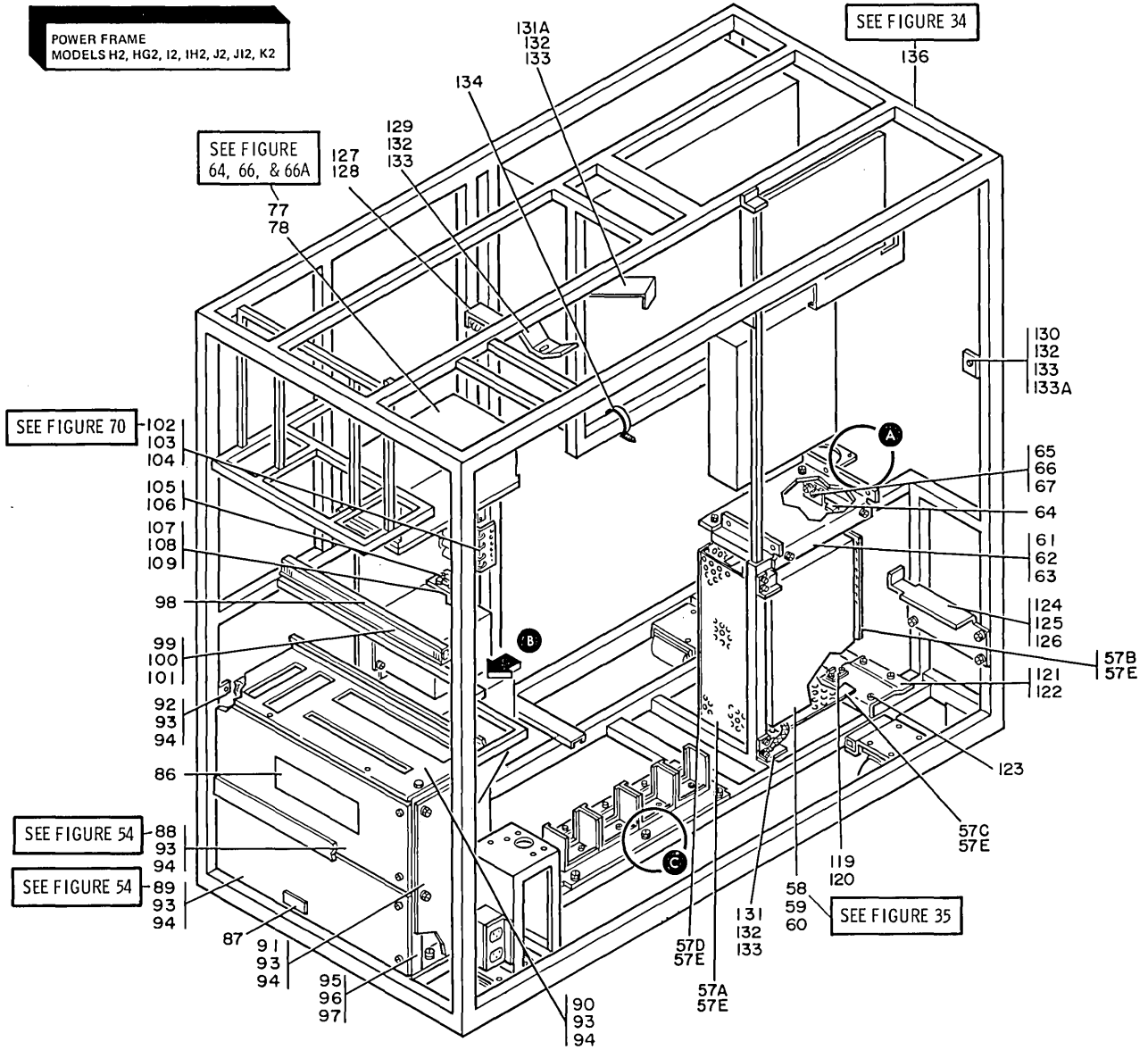


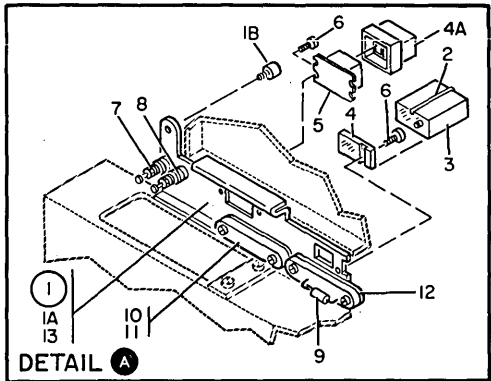
FIGURE 33. POWER FRAME FINAL ASSEMBLY. SHEET 2 OF 2. INDEX NOS. 58-136. SEE LIST 33.

| FIGURE-<br>INDEX<br>NUMBER | PART<br>NUMBER | DESCRIPTION  | UNITS<br>PER<br>ASM. | USABLE<br>ON<br>CODE |
|----------------------------|----------------|--|----------------------|----------------------|
|                            |                | 1 2 3 4  |                      |                      |
| 33- 57A                    | 1815771        | . SCREEN- LEFT SIDE  | 1                    |                      |
| - 57B                      | 1815774        | . SCREEN- RIGHT SIDE   | 1                    |                      |
| - 57C                      | 1815772        | . SCREEN- BOTFOM   | 1                    |                      |
| - 57D                      | 1815773        | . SCREEN- BACK   | 1                    |                      |
| - 57E                      | 236849         | . SCREW,MACH BD HD- 10-32 X 0.250 LG ATT PT  | 15                   |                      |
| - 58                       | 1797383        | . FILE ASSEMBLY- 60 HZ   | 1                    |                      |
| - 58                       | 1797384        | . FILE ASSEMBLY- 50 HZ   | 1                    |                      |
| - 59                       | 130434         | . SCREW,MACH,SLOTTED HEX HD NO.10-32 X.375 ATT PT                                    | 1                    |                      |
| - 60                       | 47242          | . WASHER,FL- 0.219 ID X 0.500 LG ATT PT  | 1                    |                      |
| - 61                       | 1797191        | . PLATE-BOTTOM   | 1                    |                      |
| - 62                       | 130434         | . SCREW,MACH,SLOTTED HEX HD NO.10-32 X.375 ATT PT                                    | 4                    |                      |
| - 63                       | 47242          | . WASHER,FL- 0.219 ID X 0.500 LG ATT PT  | 4                    |                      |
| - 64                       | 311486         | . BUMPER   | 1                    |                      |
| - 65                       | 1797388        | . BRACKET  | 1                    |                      |
| - 66                       | 47242          | . WASHER,FL- 0.219 ID X 0.500 LG ATT PT  | 2                    |                      |
| - 67                       | 32042          | . SCREW,MACH BD HD- 10-32 X 0.375 LG ATT PT  | 2                    |                      |
| - 68                       | 5271793        | . EMERGENCY POWER-OFF ASSEMBLY<br>FOR DETAIL BREAKDOWN SEE FIGURE 62                 | 1                    |                      |
| - 69                       | 234317         | . SCREW ATT PT   | 4                    |                      |
| - 70                       | 825889         | . BAR,CLAMP  | 1                    |                      |
| - 71                       | 3960           | . NUT,PLAIN HEX- 1/4-20 X 0.437 FL W ATT PT  | 2                    |                      |
| - 72                       | 825891         | . BRACKET-LH   | 1                    |                      |
| - 72                       | 825890         | . BRACKET-RH   | 1                    |                      |
| - 73                       | 824673         | . SCREW,KNURLED HD,FASTENING 10-32   | 1                    |                      |
| - 74                       | 1797204        | . ROD,HINGE  | 1                    |                      |
| - 75                       | 1144248        | . RETAINER,SELF-LOCKING ATT PT   | 2                    |                      |
| - 76                       | 1797203        | . PLATE-TOP  | 1                    |                      |
| - 77                       | 1993535        | . COOLING UNIT ASSEMBLY- 50 HZ   | 1                    |                      |
| - 77                       | 1993536        | . COOLING UNIT ASSEMBLY- 60 HZ<br>FOR DETAIL BREAKDOWN SEE FIGURE 65                 | 1                    |                      |
| - 77                       | 1573501        | . COOLING UNIT ASSEMBLY- 60 HZ PCB   | 1                    |                      |
| - 77                       | 1574802        | . COOLING UNIT ASSEMBLY- 60 HZ NON PCB<br>FOR DETAIL BREAKDOWN SEE FIGURE 66         | 1                    |                      |
| - 77                       | 1574814        | . COOLING UNIT ASSEMBLY- 60 HZ NON PCB (OPTIONAL)                                    | 1                    |                      |
| - 77                       | 5548304        | . COOLING UNIT ASSEMBLY- 60 HZ PCB (OPTIONAL)<br>FOR DETAIL BREAKDOWN SEE FIGURE 66A | 1                    |                      |
| - 78                       | 28413          | . SCREW,MACH BD HD- 10-32 X 0.312 LG ATT PT  | 3                    |                      |
| - 79                       | 2646973        | . SWITCH,THERMAL   | 1                    |                      |
| - 80                       | 731626         | . SCREW,PAN HD 6-32 X 1/4 LG ATT PT  | 1                    |                      |
| - 81                       | 1797368        | . COVER ASM  | 1                    |                      |
| - 82                       | 130434         | . SCREW,MACH,SLOTTED HEX HD NO.10-32 X.375 ATT PT                                    | 4                    |                      |
| - 83                       | 47242          | . WASHER,FL- 0.219 ID X 0.500 LG ATT PT  | 4                    |                      |
| - 84                       | 1797367        | . . PAD  | 1                    |                      |
| - 85                       | 1797366        | . . BAFFLE   | 1                    |                      |
| - 86                       | 1797193        | . LABEL-POWER  | 1                    |                      |
| - 87                       | 2361505        | . LABEL  | 1                    |                      |
| - 88                       | 2361720        | . PHASE CONTROL REGULATOR-,-3/+1.25V 160A<br>FOR DETAIL BREAKDOWN SEE FIGURE 54      | 1                    |                      |
| - 89                       | 2361700        | . PHASE CONTROL REGULATOR- 2.3V @ 250A<br>FOR DETAIL BREAKDOWN SEE FIGURE 54         | 1                    |                      |
| - 90                       | 1797387        | . PLATE  | 1                    |                      |
| - 91                       | 1797371        | . BAFFLE ASM-SIDE  | 1                    |                      |
| - 92                       | 1797160        | . BRACKET  | 1                    |                      |
| - 93                       | 130434         | . SCREW,MACH,SLOTTED HEX HD NO.10-32 X.375 ATT PT                                    | 20                   |                      |
| - 94                       | 47242          | . WASHER,FL- 0.219 ID X 0.500 LG ATT PT  | 20                   |                      |
| - 95                       | 1797365        | . RACK   | 1                    |                      |
| - 96                       | 38686          | . SCREW,MACH HEX HD- 1/4-20 X 0.500 LG ATT PT  | 4                    |                      |
| - 97                       | 3550           | . WASHER,FL- 0.250 ID X 0.562 OD ATT PT  | 4                    |                      |
| - 98                       | 1797379        | . COVER,RACEWAY  | 1                    |                      |
| - 99                       | 1797380        | . RACEWAY ASM  | 1                    |                      |
| -100                       | 130434         | . SCREW,MACH,SLOTTED HEX HD NO.10-32 X.375 ATT PT                                    | 2                    |                      |
| -101                       | 47242          | . WASHER,FL- 0.219 ID X 0.500 LG ATT PT  | 2                    |                      |
| -102                       | 5785120        | . BIAS TRANSFORMER ASSEMBLY<br>FOR DETAIL BREAKDOWN SEE FIGURE 70                    | 1                    |                      |
| -103                       | 130434         | . SCREW,MACH,SLOTTED HEX HD NO.10-32 X.375 ATT PT                                    | 4                    |                      |
| -104                       | 47242          | . WASHER,FL- 0.219 ID X 0.500 LG ATT PT  | 4                    |                      |
| -105                       | 513669         | . STRIKE,FRICTION LATCH  | 1                    |                      |
| -106                       | 10170          | . SCREW,MACH BD HD- 6-32 X 0.250 LG ATT PT   | 2                    |                      |
| -107                       | 1797153        | . BRACKET  | 1                    |                      |
| -108                       | 130434         | . SCREW,MACH,SLOTTED HEX HD NO.10-32 X.375 ATT PT                                    | 2                    |                      |
| -109                       | 47242          | . WASHER,FL- 0.219 ID X 0.500 LG ATT PT  | 2                    |                      |
| -110                       | 58207          | . SCREW,MACH BD HD- 8-32 X 0.250 LG  | 8                    |                      |
| -111                       | 1797358        | . BUS,GROUND   | 1                    |                      |
| -112                       | 58207          | . SCREW,MACH BD HD- 8-32 X 0.250 LG ATT PT   | 3                    |                      |
| -113                       | 1981182        | . CLIP,RETAINER  | 4                    |                      |
| -114                       | 1981181        | . BRACKET,I/O CABLE  | 4                    |                      |
| -115                       | 186759         | . SCREW,MACH BD HD- 8-32 X 0.312 LG ATT PT   | 8                    |                      |
| -116                       | 1797165        | . PLATE  | 1                    |                      |



FOR PARTS  
NOT SHOWN  
SEE FIG. 33  
SHEET 2

POWER FRAME  
MODELS H2, HG2, I2, IH2, J2, JI2, K2



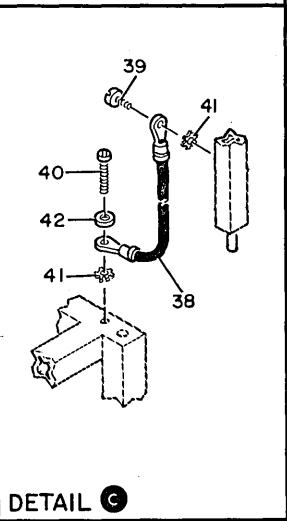
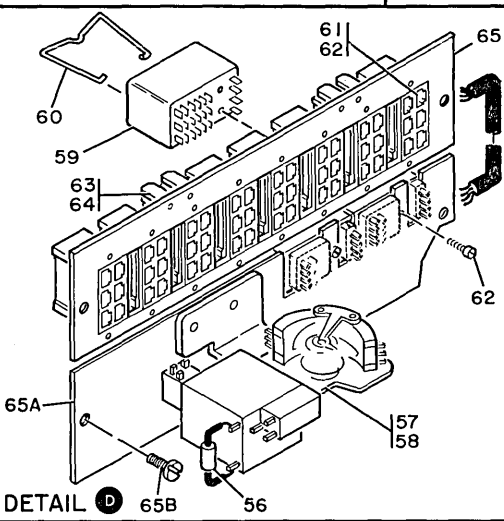
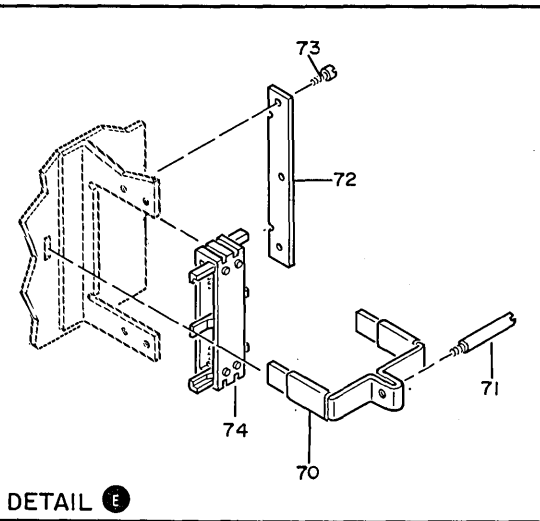
SEE FIGURE 51

SEE FIGURE 48 & 66B

SEE FIGURE 24 & 63

SEE FIGURE 54

SEE FIGURE 54



VIEW B

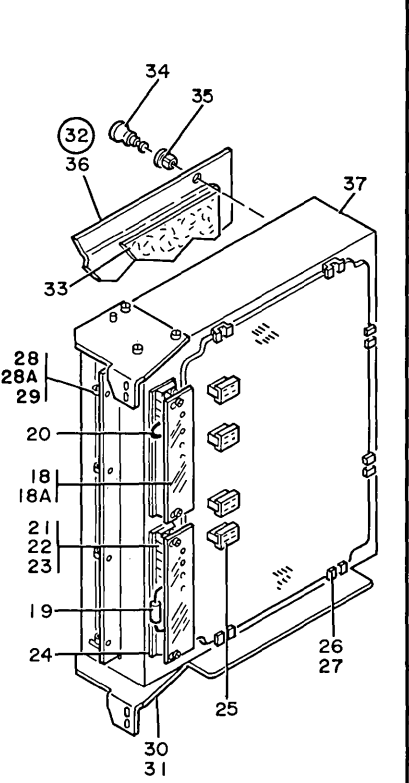


FIGURE 34. POWER FRAME ASSEMBLY-BASIC. SHEET 1 OF 2. INDEX NOS. 1-83H. SEE LIST 34.

| FIGURE-<br>INDEX<br>NUMBER | PART<br>NUMBER | DESCRIPTION   | 1 2 3 4 |  |        |     | UNITS<br>PER<br>ASM. | USABLE<br>ON<br>CODE |
|----------------------------|----------------|---|---------|--|--------|-----|----------------------|----------------------|
|                            |                |   |         |  |        |     |                      |                      |
|                            |                | POWER FRAME ASSEMBLY-BASIC  |         |  |        |     |                      |                      |
| 34 -                       | 1797100        | POWER FRAME ASSEMBLY-BASIC<br>FOR NEXT HIGHER ASM SEE FIGURE 33-136<br>AND FOR ILLUSTRATION SEE FIGURE 34 |         |  |        | REF |                      |                      |
| - 1                        | 1801099        | . LATCH ASM,BRACKET   |         |  |        | 1   |                      |                      |
| - 1A                       | 2181005        | . SCREW,HEX HD- 6-32 X 0.375 LG   |         |  | ATT PT | 2   |                      |                      |
| - 1B                       | 824673         | . SCREW,KHURLED HD,FASTENING 10-32  |         |  | ATT PT | 1   |                      |                      |
| - 2                        | 1993614        | . . RETAINER,RELAY  |         |  |        | 1   |                      |                      |
| - 3                        | 764920         | . . RELAY,TIME DELAY  |         |  |        | 1   |                      |                      |
| - 4                        | 2637435        | . . SOCKET,8 POSITION   |         |  |        | 1   |                      |                      |
| - 4A                       | 5352704        | . . PLUG  |         |  |        | 1   |                      |                      |
| - 5                        | 523269         | . . HOUSING,RECEPTACLE  |         |  |        | 1   |                      |                      |
| - 6                        | 251970         | . . SCREW,MACH BD HD- 4-40  |         |  | ATT PT | 1   |                      |                      |
| - 7                        | 331065         | . . POST,TERMINAL   |         |  |        | 1   |                      |                      |
| - 8                        | 320570         | . . POST,TERMINAL   |         |  |        | 1   |                      |                      |
| - 9                        | 210921         | . . DIODE ASM   |         |  |        | 8   |                      |                      |
| - 9                        | 1797348        | . . RESISTOR ASM- 715 OHMS PH1X 1/4W  |         |  |        | 1   |                      |                      |
| - 9                        | 205331         | . . JUMPER,RELAY GATES UNIT 1/8 BRASS   |         |  |        | 1   |                      |                      |
| - 9                        | 1801071        | . . RESISTOR ASM- 43 OHMS 0.5W  |         |  |        | 2   |                      |                      |
| - 9                        | 1801070        | . . RESISTOR ASM- 510 OHMS 0.5W   |         |  |        | 2   |                      |                      |
| - 10                       | 837532         | . . BLOCK ASM,TERMINAL  |         |  |        | 2   |                      |                      |
| - 11                       | 236550         | . . SCREW,MACH BIND HD 4 40 X .375 LG   |         |  | ATT PT | 4   |                      |                      |
| - 12                       | 837528         | . . INSULATOR,TERMINAL BLOCK  |         |  |        | 2   |                      |                      |
| - 13                       | 1797147        | . . BRACKET   |         |  |        | 1   |                      |                      |
| - 14                       | 1797140        | . SEQUENCING PANEL ASSEMBLY-STAGE I   |         |  |        | 1   |                      |                      |
| - 14                       | 2649336        | . SEQUENCING PANEL ASSEMBLY-STAGE II<br>FOR DETAIL BREAKDOWN SEE FIGURE 41                                |         |  |        | 1   |                      |                      |
| - 15                       | 130434         | . SCREW,MACH,SLOTTED HEX HD NO.10-32 X.375  |         |  | ATT PT | 3   |                      |                      |
| - 16                       | 47242          | . WASHER,FL- 0.219 ID X 0.500 LG  |         |  | ATT PT | 3   |                      |                      |
| - 17                       | 365337         | . SCREW   |         |  | ATT PT | 2   |                      |                      |
| - 18                       | 533361         | . COVER,TERMINAL BOARD  |         |  |        | 2   |                      |                      |
| - 18A                      | 2181007        | . SCREW,THD FORMING- 6-32 X 0.625 LG  |         |  | ATT PT | 4   |                      |                      |
| - 19                       | 2542049        | . RESISTOR,DIODE ASM WITH SPADE TERMINALS   |         |  |        | 1   |                      |                      |
| - 20                       | 596458         | . JUMPER,BRASS  |         |  |        | 1   |                      |                      |
| - 21                       | 315957         | . STRIP,MARKER TERM BD 8 POS 1 THRU 8   |         |  |        | 2   |                      |                      |
| - 22                       | 210883         | . STUD,SHIELD MTG TAPPED NO. 6-32   |         |  | ATT PT | 4   |                      |                      |
| - 23                       | 210984         | . SCREW,BD HD MACH-6-32 X .250 LG   |         |  | ATT PT | 4   |                      |                      |
| - 24                       | 315957         | . STRIP,MARKER TERM BD 8 POS 1 THRU 8   |         |  |        | 2   |                      |                      |
| - 25                       | 1994929        | . JUMPER ASM  |         |  |        | 4   |                      |                      |
| - 26                       | 813179         | . CLAMP,BOARD   |         |  |        | 8   |                      |                      |
| - 27                       | 811417         | . SCREW,HEX SOCKET HD 6-32 X 1/2 LG   |         |  | ATT PT | 8   |                      |                      |
| - 28                       | 524519         | . STRAP,SELF LOCKING  |         |  |        | 4   |                      |                      |
| - 28A                      | 825559         | . CLAMP,OLD STYLE   |         |  |        | 4   |                      |                      |
| - 29                       | 2181011        | . SCREW,THD FORMING- 6-32 X 0.500 LG  |         |  | ATT PT | 4   |                      |                      |
| - 30                       | 1797146        | . BRACKET   |         |  |        | 2   |                      |                      |
| - 31                       | 2181005        | . SCREW,HEX HD- 6-32 X 0.375 LG   |         |  | ATT PT | 3   |                      |                      |
| - 32                       | 1994931        | . COVER ASM,GATE  |         |  |        | 1   |                      |                      |
| - 33                       | 2180727        | . . COVER,POAM  |         |  |        | AR  |                      |                      |
| - 34                       | 2178597        | . . PLUNGER   |         |  |        | 2   |                      |                      |
| - 35                       | 2180733        | . . GROMMET   |         |  |        | 2   |                      |                      |
| - 36                       | 1994930        | . . COVER,GATE  |         |  |        | 1   |                      |                      |
| - 37                       | 2239001        | . . FRAME,GATE  |         |  |        | 1   |                      |                      |
| - 38                       | 526098         | . STRAP,GROUNDING   |         |  |        | 1   |                      |                      |
| - 39                       | 236849         | . SCREW,MACH BD HD- 10-32 X 0.250 LG  |         |  | ATT PT | 1   |                      |                      |
| - 40                       | 322561         | . SCREW   |         |  | ATT PT | 1   |                      |                      |
| - 41                       | 56079          | . LOCKWASHER,EXT TEETH- 0.204 ID X 0.410 O  |         |  | ATT PT | 2   |                      |                      |
| - 42                       | 47242          | . WASHER,FL- 0.219 ID X 0.500 LG  |         |  | ATT PT | 1   |                      |                      |
| - 43                       | 1797111        | . POST,PIVOT  |         |  |        | 1   |                      |                      |
| - 44                       | 140425         | . SCREW,MACH HEX HD 10-32 X 5/16 LG   |         |  | ATT PT | 4   |                      |                      |
| - 45                       | 1797356        | . BLOWER ASSEMBLY- 60 HZ  |         |  |        | 1   |                      |                      |
| - 45                       | 1797355        | . BLOWER ASSEMBLY- 50 HZ<br>FOR DETAIL BREAKDOWN SEE FIGURE 48  |         |  |        | 1   |                      |                      |
| - 45                       | 1809593        | . BLOWER ASSEMBLY- 50 HZ  |         |  |        | 1   |                      |                      |
| - 45                       | 1809594        | . BLOWER ASSEMBLY- 60 HZ<br>USED ON MODELS J12 AND K2<br>FOR DETAIL BREAKDOWN SEE FIGURE 66B              |         |  |        | 1   |                      |                      |
| - 46                       | 130434         | . SCREW,MACH,SLOTTED HEX HD NO.10-32 X.375  |         |  | ATT PT | 4   |                      |                      |
| - 47                       | 47242          | . WASHER,FL- 0.219 ID X 0.500 LG  |         |  | ATT PT | 4   |                      |                      |
| - 48                       | 2649335        | . PRIMARY POWER ASM,60 HZ   |         |  |        | 1   |                      |                      |
| - 48                       | 2649330        | . PRIMARY POWER ASM,50 HZ<br>FOR DETAIL BREAKDOWN SEE FIGURE 51   |         |  |        | 1   |                      |                      |
| - 49                       | 130434         | . SCREW,MACH,SLOTTED HEX HD NO.10-32 X.375  |         |  | ATT PT | 9   |                      |                      |
| - 50                       | 47242          | . WASHER,FL- 0.219 ID X 0.500 LG  |         |  | ATT PT | 9   |                      |                      |
| - 51                       | 140425         | . SCREW,MACH HEX HD 10-32 X 5/16 LG   |         |  | ATT PT | 1   |                      |                      |
| - 52                       | 56079          | . LOCKWASHER,EXT TEETH- 0.204 ID X 0.410 O  |         |  | ATT PT | 1   |                      |                      |
| - 52A                      | 825537         | . BOLT,CLAMP  |         |  |        | 2   |                      |                      |
| - 52B                      | 117281         | . NUT,STOP 1/4-20   |         |  |        | 2   |                      |                      |

| FIGURE-<br>INDEX<br>NUMBER           | PART<br>NUMBER                                  | DESCRIPTION   |   |   |   | UNITS<br>PER<br>ASM.  | USABLE<br>ON<br>CODE |
|--------------------------------------|---|---|---|---|---|-----------------------|----------------------|
|                                      |   | 1   | 2 | 3 | 4 |                       |                      |
| 34- 53<br>- 53                       | 1797231<br>4056256                              | . PANEL ASM-I/O RELAY<br>. I/O PANEL (SUBSTITUTE FOR 1797231)<br>USED ON MODELS JI2 AND K2  |   |   |   |                       |                      |
| - 53<br>- 53                         | 1797172<br>4057519                              | . PANEL ASM-I/O RELAY<br>. I/O GROUP I (SUBSTITUTE FOR 1797172)   |   |   |   | 5<br>AR               |                      |
| - 54<br>- 55<br>- 56                 | 140425<br>47242<br>2111232                      | . SCREW,MACH HEX HD 10-32 X 5/16 LG ATT PT<br>. WASHER,FL- 0.219 ID X 0.500 LG ATT PT<br>. DIODE,SEMICONDUCTOR TYPE AM  |   |   |   | AR<br>AR<br>1         |                      |
| - 57<br>- 58<br>- 59                 | 1993109<br>186759<br>2574157                    | . SWITCH,STEPPING<br>. SCREW,MACH BD HD- 8-32 X 0.312 LG ATT PT<br>. RELAY  |   |   |   | 1<br>2<br>2           |                      |
| - 60<br>- 61<br>- 62                 | 5351163<br>523269<br>832025                     | . RETAINER,RELAY<br>. HOUSING,RECEPTACLE<br>. SCREW ATT PT  |   |   |   | 2<br>8<br>18          |                      |
| - 63<br>- 64<br>- 65                 | 838164<br>832025<br>1993174                     | . TERMINAL,PXD TAB<br>. SCREW ATT PT<br>. PLATE,I/O AND RELAY   |   |   |   | 2<br>4<br>1           |                      |
| - 65<br>- 65A                        | 1797229<br>1797230                              | . PLATE,RELAY<br>USED ON MODELS JI2 AND K2<br>. PLATE,SWITCH  |   |   |   | 1<br>1                |                      |
| - 65B<br>- 66                        | 186759<br>1797228                               | USED ON MODELS JI2 AND K2<br>. SCREW,MACH BD HD- 8-32 X 0.312 LG ATT PT<br>. RACK,I/O   |   |   |   | AR<br>1               |                      |
| - 66<br>- 67                         | 1801128<br>1797224                              | USED ON MODELS JI2 AND K2<br>. RACK,I/O<br>. BRACKET  |   |   |   | 1<br>1                |                      |
| - 67<br>- 68<br>- 69<br>- 70<br>- 71 | 1797174<br>140425<br>47242<br>1797188<br>607024 | USED ON MODELS JI2 AND K2<br>. BRACKET<br>. SCREW,MACH HEX HD 10-32 X 5/16 LG ATT PT<br>. WASHER,FL- 0.219 ID X 0.500 LG ATT PT<br>. RETAINER ASM<br>. SCREW ATT PT |   |   |   | 1<br>4<br>2<br>2<br>2 |                      |
| - 72<br>- 73<br>- 74                 | 1797105<br>221790<br>813392                     | . CLAMP,CONNECTOR<br>. SCREW,MACH BD HD- 8-32 X 0.187 LG ATT PT<br>. INTERFACE ASSEMBLY,I/O   |   |   |   | 2<br>4<br>3           |                      |
| - 75<br>- 76<br>- 76A                | 1797104<br>140425<br>47242                      | . BRACKET<br>. SCREW,MACH HEX HD 10-32 X 5/16 LG ATT PT<br>. WASHER,FL- 0.219 ID X 0.500 LG ATT PT  |   |   |   | 1<br>6<br>6           |                      |
| - 77<br>- 78<br>- 78                 | 825557<br>1796920<br>1796921                    | . CLAMP,SELF LOCKING<br>. CABLE ASM-CONVENIENCE OUTLET- 60 HZ<br>. CABLE ASM-CONVENIENCE OUTLET- 50 HZ  |   |   |   | 3<br>1<br>1           |                      |
| - 79<br>- 80                         | 130434<br>47242                                 | FOR COMPONENT PARTS SEE FIGURE 72<br>. SCREW,MACH,SLOTTED HEX HD NO.10-32 X.375 ATT PT<br>. WASHER,FL- 0.219 ID X 0.500 LG ATT PT                                   |   |   |   | 4<br>4                |                      |
| - 81<br>- 82<br>- 83                 | 56079<br>1797114<br>140425                      | . LOCKWASHER,EXT TEETH- 0.204 ID X 0.410 O ATT PT<br>. BRACKET<br>. SCREW,MACH HEX HD 10-32 X 5/16 LG ATT PT  |   |   |   | 2<br>1<br>2           |                      |
| - 83A<br>- 83A                       | 1994833<br>1994834                              | . COOLING UNIT ASSEMBLY- 50 HZ<br>. COOLING UNIT ASSEMBLY- 60 HZ<br>FOR DETAIL BREAKDOWN SEE FIGURE 63  |   |   |   | 1<br>1                |                      |
| - 83A<br>- 83A                       | 1797541<br>1803084                              | . COOLING UNIT ASSEMBLY- 60 HZ PCB<br>. COOLING UNIT ASSEMBLY- 60 HZ NON PCB<br>FOR DETAIL BREAKDOWN SEE FIGURE 24  |   |   |   | 1<br>1                |                      |
| - 83B<br>- 83C<br>- 83D              | 130434<br>47242<br>2361720                      | . SCREW,MACH HEX HD- 10-32 X 0.375 ATT PT<br>. WASHER,FL- 0.219 ID X 0.500 LG ATT PT<br>. REGULATOR ASM,1.25 AND 3V AT 160 AMPS                                     |   |   |   | 2<br>2                |                      |
| - 83E                                | 2361730   | FOR DETAIL BREAKDOWN SEE FIGURE 54<br>. REGULATOR ASM,2.3 V AT 300 AMPS<br>FOR DETAIL BREAKDOWN SEE FIGURE 54   |   |   |   |                       |                      |
| - 83F<br>- 83G<br>- 83H              | 130434<br>47242<br>1815809                      | . SCREW,MACH HEX HD- 10-32 X 0.375 ATT PT<br>. WASHER,FL- 0.219 ID X 0.500 LG ATT PT<br>. LABEL   |   |   |   | 4<br>4<br>AR          |                      |

**POWER FRAME**  
**MODELS H2, HG2, I2, IH2, J2, JI2, K2**

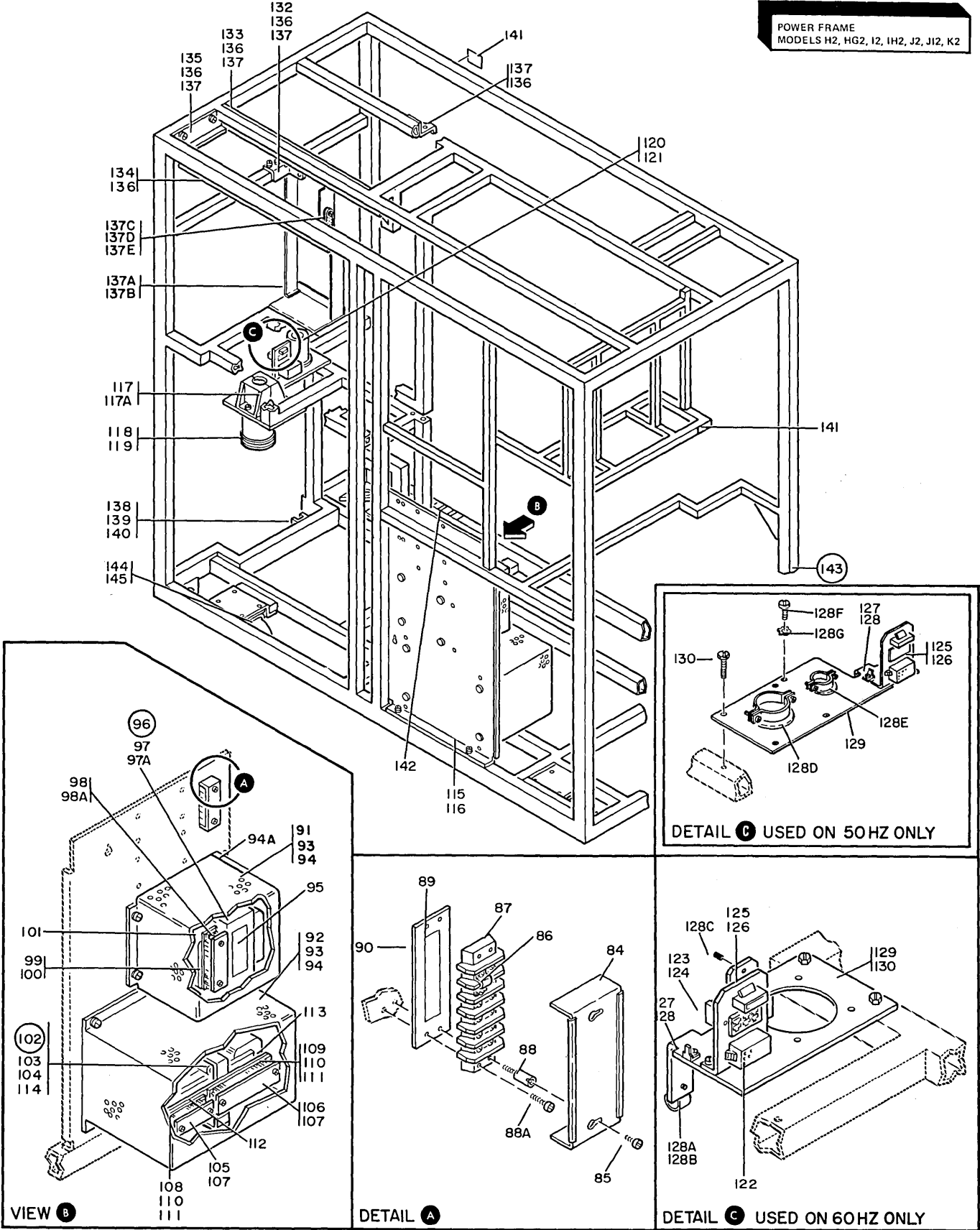


FIGURE 34. POWER FRAME ASSEMBLY-BASIC. SHEET 2 OF 2. NOS. 84-145. SEE LIST 34.



POWER PRAMF ASSEMBLY-BASIC

| FIGURE-<br>INDEX<br>NUMBER | PART<br>NUMBER | DESCRIPTION   | 1 2 3 4 |  |        |  | UNITS<br>PER<br>ASM. | USABLE<br>ON<br>CODE |
|----------------------------|----------------|---|---------|--|--------|--|----------------------|----------------------|
|                            |                |   |         |  |        |  |                      |                      |
| 34 - 84                    | 1797223        | . COVER ASM- 6 POS  |         |  |        |  | 1                    |                      |
| - 85                       | 10170          | . SCREW,MACH BD HD- 6-32 X 0.250 LG                       |         |  | ATT PT |  | 2                    |                      |
| - 86                       | 322550         | . SCREW,MACH BD HD- 6-32 X 0.500 LG                       |         |  |        |  | 2                    |                      |
| - 87                       | 323843         | . BLOCK,TERMINAL- 6 POSITION                              |         |  |        |  | 1                    |                      |
| - 88                       | 2125898        | . STUD  |         |  | ATT PT |  | 2                    |                      |
| - 88A                      | 322550         | . SCREW,MACH BD HD- 6-32 X 0.500 LG                       |         |  | ATT PT |  | 2                    |                      |
| - 89                       | 138755         | . LABEL,VOLTAGE   |         |  |        |  | 1                    |                      |
| - 90                       | 5236289        | . STRIP,MARKER  |         |  |        |  | 1                    |                      |
| - 91                       | 1993358        | . COVER,OUTLET TRANSFORMER                                |         |  |        |  | 1                    |                      |
| - 92                       | 1993359        | . COVER,AUTO TRANSFORMER SAFETY                           |         |  |        |  | 1                    |                      |
| - 93                       | 140425         | . SCREW,MACH HEX HD 10-32 X 5/16 LG                       |         |  | ATT PT |  | 8                    |                      |
| - 94                       | 47242          | . WASHER,FL- 0.219 ID X 0.500 LG                          |         |  | ATT PT |  | 8                    |                      |
| - 94A                      | 825880         | . TAPE,FOAM   |         |  |        |  | R                    |                      |
| - 95                       | 138755         | . LABEL,VOLTAGE   |         |  |        |  | 2                    |                      |
| - 96                       | 760257         | . TRANSFORMER,PWR 2 PRIM 230V SEC 115V                    |         |  |        |  | 1                    |                      |
| - 97                       | 4564           | . NUT,HEX- 5/16-18 THD                                    |         |  | ATT PT |  | 4                    |                      |
| - 97A                      | 16 1351        | . WASHER,FL 0.330 ID X 0.625 OD X 0.05 THK                |         |  | ATT PT |  | 4                    |                      |
| - 98                       | 350965         | . COVER,TERMINAL BLOCK                                    |         |  |        |  | 1                    |                      |
| - 98A                      | 1127733        | . SCREW,MACH SLTD HD 6-32 X 1/4 LG                        |         |  | ATT PT |  | 2                    |                      |
| - 99                       | 2101337        | . TERMINAL,STRIP  |         |  |        |  | 1                    |                      |
| -100                       | 210957         | . STUD,TAPPED   |         |  | ATT PT |  | 2                    |                      |
| -101                       | 2101357        | . MARKER,STRIP 5 POS NOS. 1 THRU 5                        |         |  |        |  | 1                    |                      |
| -102                       | 4119230        | . TRANSFORMER ASM,AUTO- 50HZ 3PH                          |         |  |        |  | 1                    |                      |
| -103                       | 3960           | . NUT,PLAIN HEX- 1/4-20 X 0.437 FL W                      |         |  | ATT PT |  | 4                    |                      |
| -104                       | 3550           | . WASHER,FL- 0.250 ID X 0.562 OD                          |         |  | ATT PT |  | 4                    |                      |
| -105                       | 438894         | . SHIELD,SAFETY   |         |  |        |  | 1                    |                      |
| -106                       | 352848         | . SHIELD,SAFETY   |         |  |        |  | 1                    |                      |
| -107                       | 10170          | . SCREW,MACH BD HD- 6-32 X 0.250 LG                       |         |  | ATT PT |  | 4                    |                      |
| -108                       | 283003         | . BLOCK,TERMINAL- 10 POSITION                             |         |  |        |  | 1                    |                      |
| -109                       | 323843         | . BLOCK,TERMINAL- 6 POSITION                              |         |  |        |  | 1                    |                      |
| -110                       | 4120221        | . STUD,SHIELD   |         |  | ATT PT |  | 2                    |                      |
| -110                       | 210883         | . STUD,SHIELD MTG TAPPED NO. 6-32                         |         |  | ATT PT |  | 2                    |                      |
| -111                       | 322965         | . SCREW,MACH BIND HD 6-32 X 5/8 LG                        |         |  | ATT PT |  | 2                    |                      |
| -111                       | 322550         | . SCREW,MACH BD HD- 6-32 X 0.500 LG                       |         |  | ATT PT |  | 2                    |                      |
| -112                       | 4120396        | . STRIP,MARKER  |         |  |        |  | 1                    |                      |
| -113                       | 4120395        | . STRIP,MARKER  |         |  |        |  | 1                    |                      |
| -114                       | 4119360        | . TRANSFORMER- 50 HZ                                      |         |  |        |  | 1                    |                      |
| -115                       | 1797107        | . PLATE   |         |  |        |  | 1                    |                      |
| -115                       | 4057687        | . PLATE (USED ON 380V 50 HZ ONLY)                         |         |  |        |  | 1                    |                      |
| -116                       | 140425         | . SCREW,MACH HEX HD 10-32 X 5/16 LG                       |         |  | ATT PT |  | 5                    |                      |
| -116A                      | 47242          | . WASHER,FL- 0.219 ID X 0.500 LG                          |         |  | ATT PT |  | 5                    |                      |
| -117                       | 1797210        | . SHIELD  |         |  |        |  | 2                    |                      |
| -117A                      | 236849         | . SCREW,MACH BD HD- 10-32 X 0.250 LG                      |         |  | ATT PT |  | 2                    |                      |
| -118                       | 1797232        | . CONNECTOR,RECEPTACLE- 4 POLE FEMALE                     |         |  |        |  | 1                    |                      |
| -119                       | 438623         | . SCREW,BD HD- 1/4-20 X 0.625 LG                          |         |  | ATT PT |  | 4                    |                      |
| -120                       | 2602267        | . RECEPTACLE,MALE<br>USED ON 60 HZ ONLY                   |         |  |        |  | 1                    |                      |
| -121                       | 58207          | . SCREW,MACH BD HD- 8-32 X 0.250 LG                       |         |  | ATT PT |  | 4                    |                      |
| -122                       | 5412639        | . HOUSING   |         |  |        |  | 1                    |                      |
| -123                       | 523269         | . HOUSING,RECEPTACLE                                      |         |  |        |  | 1                    |                      |
| -124                       | 10170          | . SCREW,MACH BD HD- 6-32 X 0.250 LG                       |         |  | ATT PT |  | 2                    |                      |
| -125                       | 1797208        | . BRACKET   |         |  |        |  | 1                    |                      |
| -126                       | 58207          | . SCREW,MACH BD HD- 8-32 X 0.250 LG                       |         |  | ATT PT |  | 2                    |                      |
| -127                       | 5271288        | . TERMINAL  |         |  |        |  | 2                    |                      |
| -128                       | 438548         | . SCREW,MACH BD HD- 4-40 X 0.188 LG                       |         |  | ATT PT |  | 2                    |                      |
| -128A                      | 313649         | . CLAMP,CABLE   |         |  |        |  | 1                    |                      |
| -128B                      | 34512          | . SCREW,MACH BD HD- 8-32 X 0.375 LG                       |         |  | ATT PT |  | 1                    |                      |
| -128C                      | 186635         | . SETSCREW- 10-32 X 0.312 LG                              |         |  |        |  | 1                    |                      |
| -128D                      | 5498211        | . CLAMP,CABLE<br>USED ON 50 HZ ONLY                       |         |  |        |  | 1                    |                      |
| -128E                      | 2100837        | . CLAMP,CABLE<br>USED ON 50 HZ ONLY                       |         |  |        |  | 1                    |                      |
| -128F                      | 186759         | . SCREW,MACH BD HD- 8-32 X 0.312 LG                       |         |  |        |  | 1                    |                      |
| -128G                      | 55901          | . LOCKWASHER,EXT T- 0.176 ID X 0.365 OD                   |         |  |        |  | 1                    |                      |
| -129                       | 1797109        | . PLATE,CONNECTOR<br>USED ON 60 HZ ONLY                   |         |  |        |  | 1                    |                      |
| -129                       | 1801144        | . PLATE,CONNECTOR<br>USED ON 50 HZ ONLY                   |         |  |        |  | 1                    |                      |
| -130                       | 180894         | . SCREW,CAP HEX HD- 1/4-20 X 0.375 LG                     |         |  | ATT PT |  | 4                    |                      |
| -130                       | 140425         | . SCREW,MACH HEX HD 10-32 X 5/16 LG<br>USED ON 60 HZ ONLY |         |  | ATT PT |  | 2                    |                      |
| -131                       | 1797112        | . BRACKET   |         |  |        |  | 1                    |                      |
| -132                       | 1797145        | . BRACKET   |         |  |        |  | 1                    |                      |
| -133                       | 1797349        | . SHIELD,SAFETY   |         |  |        |  | 1                    |                      |
| -134                       | 1993347        | . PLATE,PRIMARY POWER                                     |         |  |        |  | 1                    |                      |
| -135                       | 1797350        | . SHIELD,SAFETY   |         |  |        |  | 1                    |                      |
| -136                       | 140425         | . SCREW,MACH HEX HD 10-32 X 5/16 LG                       |         |  | ATT PT |  | 12                   |                      |
| -137                       | 47242          | . WASHER,FL- 0.219 ID X 0.500 LG                          |         |  | ATT PT |  | 7                    |                      |



FOR PARTS  
NOT SHOWN  
SEE FIG. 33  
SHEET 2

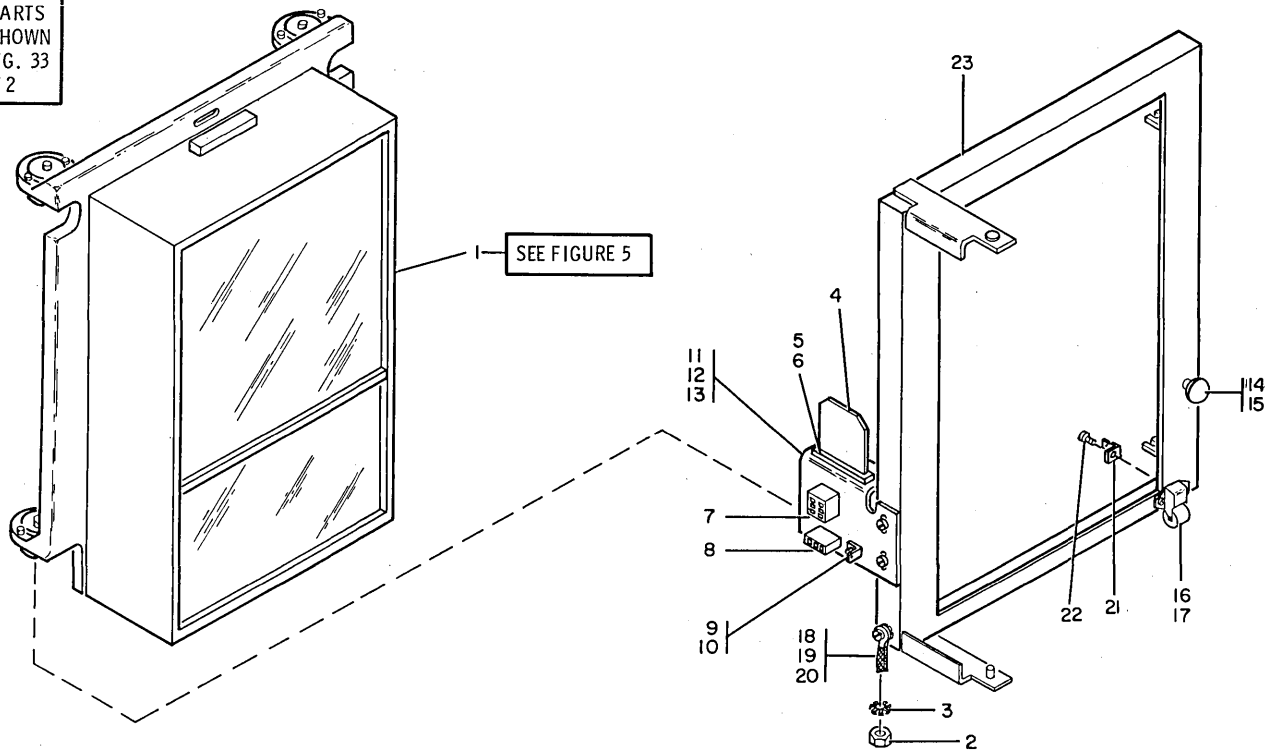


FIGURE 35. FILE ASSEMBLY. SEE LIST 35.

| LIST AND INDEX NUMBER | PART NUMBER | DESCRIPTION |   |   |   | UNITS PER ASM. | USABLE ON CODE |
|-----------------------|-------------|-------------|---|---|---|----------------|----------------|
|                       |             | 1           | 2 | 3 | 4 |                |                |
| 35 -                  | 1797384     |             |   |   |   |                | REF            |
| -                     | 1797383     |             |   |   |   |                | REF            |
| - 1                   | 2280760     |             |   |   |   |                | 1              |
| - 1                   | 2280773     |             |   |   |   |                | 1              |
| - 2                   | 257189      |             |   |   |   |                | 4              |
| - 3                   | 55901       |             |   |   |   |                | 4              |
| - 4                   | 2199820     |             |   |   |   |                | 1              |
| - 5                   | 2199823     |             |   |   |   |                | 1              |
| - 6                   | 236550      |             |   |   |   |                | 2              |
| - 7                   | 2232042     |             |   |   |   |                | 1              |
| - 8                   | 2232040     |             |   |   |   |                | 1              |
| - 9                   | 5271288     |             |   |   |   |                | 1              |
| - 10                  | 48594       |             |   |   |   |                | 1              |
| - 11                  | 1797221     |             |   |   |   |                | 1              |
| - 12                  | 55726       |             |   |   |   |                | 2              |
| - 13                  | 257986      |             |   |   |   |                | 2              |
| - 14                  | 444404      |             |   |   |   |                | 1              |
| - 15                  | 25627       |             |   |   |   |                | 1              |
| - 16                  | 5319035     |             |   |   |   |                | 1              |
| - 17                  | 10170       |             |   |   |   |                | 2              |
| - 18                  | 526098      |             |   |   |   |                | 1              |
| - 19                  | 38235       |             |   |   |   |                | 1              |
| - 20                  | 56722       |             |   |   |   |                | 1              |
| - 21                  | 5271288     |             |   |   |   |                | 1              |
| - 22                  | 48594       |             |   |   |   |                | 1              |
| - 23                  | 1797155     |             |   |   |   |                | 1              |

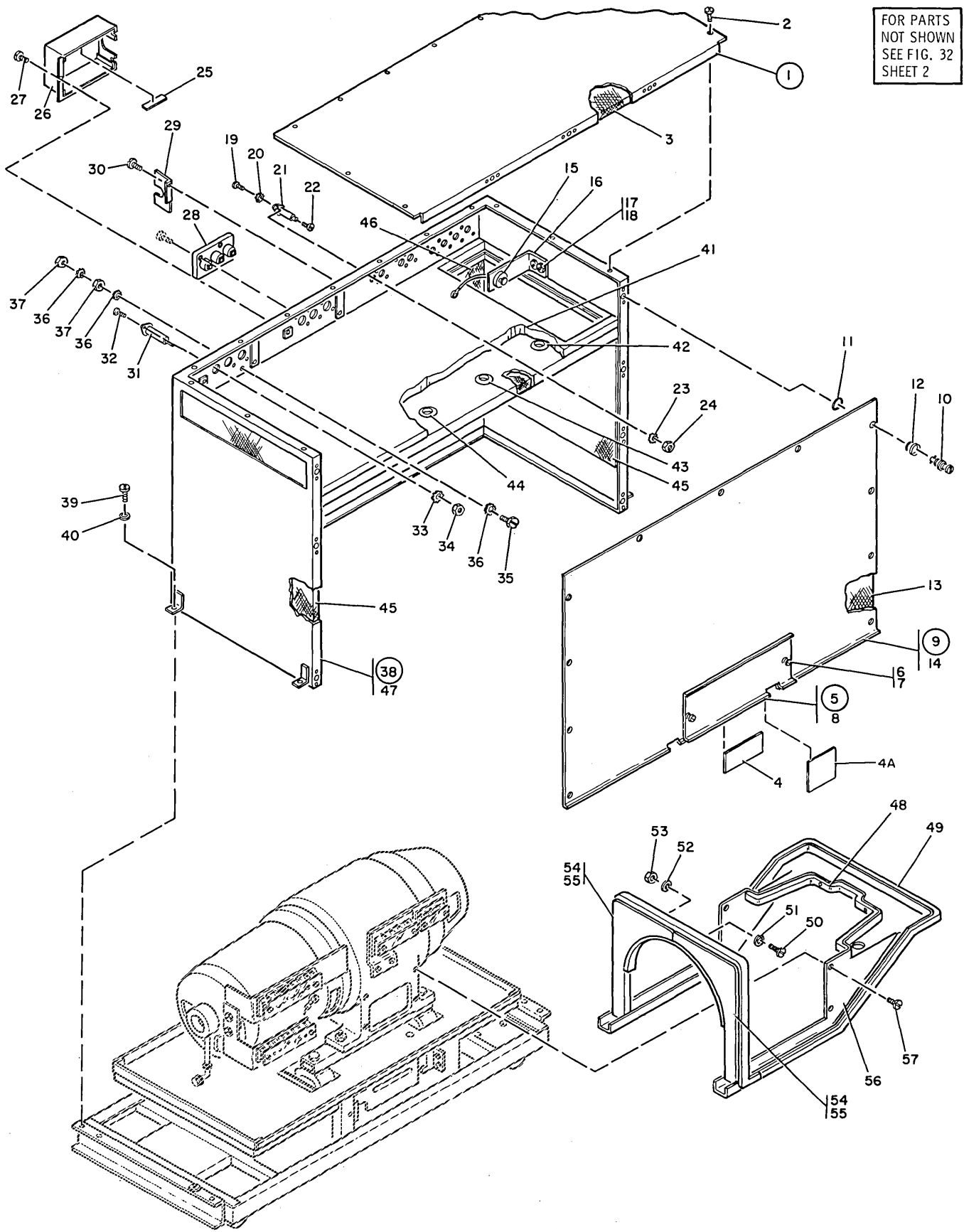


FIGURE 36. MOTOR GENERATOR ASSEMBLY. SHEET 1 OF 2. NOS. 1-57. SEE LIST 36.

| FIGURE-<br>INDEX<br>NUMBER | PART<br>NUMBER | DESCRIPTION  | UNITS |   |   |   | USABLE<br>ON<br>CODE |
|----------------------------|----------------|--|-------|---|---|---|----------------------|
|                            |                |  | 1     | 2 | 3 | 4 |                      |
|                            |                | MOTOR GENERATOR ASSEMBLY   |       |   |   |   |                      |
| 36 -                       | 1795502        | MOTOR GENERATOR ASSEMBLY- 60 HZ DOM 2ND SOURCE   |       |   |   |   | REF                  |
| -                          | 1994550        | MOTOR GENERATOR ASSEMBLY-16KW 60 HZ  |       |   |   |   | REF                  |
| -                          | 1994560        | MOTOR GENERATOR ASSEMBLY-16KW 50 HZ  |       |   |   |   | REF                  |
| -                          | 1994751        | MOTOR GENERATOR ASSEMBLY- 50 HZ WT 1ST SOURCE  |       |   |   |   | REF                  |
| -                          | 1994746        | MOTOR GENERATOR ASSEMBLY- 16KW 60 HZ WT  |       |   |   |   | REF                  |
| -                          | 1994752        | MOTOR GENERATOR ASSEMBLY- 50 HZ WT 2ND SOURCE  |       |   |   |   | REF                  |
| -                          | 2646871        | MOTOR GENERATOR ASSEMBLY- WT 2ND SOURCE 60 HZ<br>FOR NEXT HIGHER ASM SEE FIGURE 32-188<br>FOR ILLUSTRATION SEE FIGURE 36 |       |   |   |   | REF                  |
| - 1                        | 1994559        | . COVER ASM, TOP   |       |   |   |   | 1                    |
| - 2                        | 736378         | . SCREW, THD FORMING PAN HD 8-32 X .250 LG ATT PT  |       |   |   |   | 13                   |
| - 3                        | 1994545        | . . BAFFLE, ACOUSTICAL   |       |   |   |   | 1                    |
| - 4                        | 369207         | . LABEL, VOLTAGE   |       |   |   |   | 1                    |
| - 4A                       | 2646982        | . LABEL  |       |   |   |   | 1                    |
| - 5                        | 1994562        | . COVER ASM, REGULATOR ACCESS  |       |   |   |   | 1                    |
| - 6                        | 824673         | . . SCREW, KNURLED HD, FASTENING 10-32   |       |   |   |   | 2                    |
| - 7                        | 257701         | . . CLIP, SPRING- 0.098 ID X 0.020 THK ATT PT  |       |   |   |   | 2                    |
| - 8                        | 1994535        | . . BAFFLE, ACOUSTICAL   |       |   |   |   | 1                    |
| - 9                        | 1994563        | . COVER ASM, FRONT   |       |   |   |   | 1                    |
| - 10                       | 124308         | . . STUD   |       |   |   |   | 11                   |
| - 11                       | 312575         | . . RING, SNAP ATT PT  |       |   |   |   | 11                   |
| - 12                       | 312573         | . . GROMMET, FASTENER  |       |   |   |   | 11                   |
| - 13                       | 1994544        | . . BAFFLE, ACOUSTICAL   |       |   |   |   | 1                    |
| - 14                       | 1994533        | . . COVER, MG ENCLCSURE- FRONT   |       |   |   |   | 1                    |
| - 15                       | 2630320        | . THERMOSTAT ASM   |       |   |   |   | 1                    |
| - 16                       | 824369         | . BRACKET  |       |   |   |   | 1                    |
| - 17                       | 81693          | . SCREW, MACH BD HD- 6-32 X 0.375 LG ATT PT  |       |   |   |   | 2                    |
| - 18                       | 257187         | . NUT, HEX DBL CHAMFERED 6-32 X 0.3125 FL W ATT PT   |       |   |   |   | 2                    |
| - 19                       | 236849         | . SCREW, MACH BD HD- 10-32 X 1/4 LG  |       |   |   |   | 8                    |
| - 20                       | 6364           | . LOCKWASHER, SPLIT NO. 6 X 1/4 OD   |       |   |   |   | 8                    |
| - 21                       | 824687         | . CAPACITOR, FIXED- 0.5MF, 20A, 100VDC   |       |   |   |   | 4                    |
| - 22                       | 322550         | . SCREW, MACH-BIND HD 6-32 X 0.500 LG ATT PT   |       |   |   |   | 8                    |
| - 23                       | 56722          | . LOCKWASHER, EXT T .150 ID ATT PT   |       |   |   |   | 8                    |
| - 24                       | 257187         | . NUT, HEX DBL CHAMFERED 6-32 X 0.3125 FL W ATT PT   |       |   |   |   | 8                    |
| - 25                       | 369207         | . LABEL, VOLTAGE   |       |   |   |   | 2                    |
| - 25                       | 405679         | USED ON DOMESTIC MODELS<br>. LABEL, VOLTAGE<br>USED ON WORLD TRADE MODELS  |       |   |   |   | 2                    |
| - 26                       | 1993847        | . SHIELD, FILTER   |       |   |   |   | 2                    |
| - 27                       | 34512          | . SCREW, MACH BD HD- 8-32 X 0.375 LG ATT PT  |       |   |   |   | 6                    |
| - 28                       | 2646755        | . FEED THRU ASM  |       |   |   |   | 3                    |
| - 29                       | 1994539        | . BRACKET, STRAIN RELIEF   |       |   |   |   | 2                    |
| - 30                       | 34512          | . SCREW, MACH BD HD- 8-32 X 0.375 LG ATT PT  |       |   |   |   | 4                    |
| - 31                       | 5213430        | . CAPACITOR- 100AMP, 600 VDC   |       |   |   |   | 6                    |
| - 32                       | 332620         | . SCREW, MACH BD HD- 10-32 X 0.500 LG ATT PT   |       |   |   |   | 12                   |
| - 33                       | 56679          | . WASHER LOCK, EXT T .204 ID .410 OD ATT PT  |       |   |   |   | 12                   |
| - 34                       | 11598          | . NUT, PLAIN HEX 10-32 ATT PT  |       |   |   |   | 12                   |
| - 35                       | 322570         | . SCREW, MACH RH 1/4-20 X 1.000  |       |   |   |   | 1                    |
| - 36                       | 76574          | . LOCKWASHER, EXT TEETH .250   |       |   |   |   | 3                    |
| - 37                       | 3960           | . NUT, PLAIN HEX 1/4-20 X 7/16 FL W  |       |   |   |   | 3                    |
| - 38                       | 1993838        | . ENCLOSURE ASM, MOTOR GENERATOR   |       |   |   |   | 1                    |
| - 39                       | 90261          | . SCREW, BD HD- 1/4-20 X 0.4375 LG ATT PT  |       |   |   |   | 4                    |
| - 40                       | 6935           | . LOCKWASHER, SPLIT 1/4 X 0.493 OD ATT PT  |       |   |   |   | 4                    |
| - 41                       | 1994537        | . BAFFLE, TOP  |       |   |   |   | 1                    |
| - 41                       | 1994538        | . BAFFLE, BOTTOM   |       |   |   |   | 1                    |
| - 42                       | 317367         | . GROMMET  |       |   |   |   | 1                    |
| - 43                       | 198981         | . GROMMET, 1.000 ID X 1.750 OD X 0.062 SLOT  |       |   |   |   | 1                    |
| - 44                       | 2100310        | . GROMMET  |       |   |   |   | 1                    |
| - 45                       | 1994536        | . BAFFLE, ACOUSTICAL   |       |   |   |   | 1                    |
| - 45                       | 1994555        | . BAFFLE, ACOUSTICAL   |       |   |   |   | 1                    |
| - 46                       | 1994544        | . BAFFLE, ACOUSTICAL   |       |   |   |   | 1                    |
| - 47                       | 1993844 NR     | . HOUSING, MOTOR GENERATOR   |       |   |   |   | 1                    |
| - 48                       | 1994918        | . SEAL, AIR  |       |   |   |   | AR                   |
| - 49                       | 1994570        | NOT USED ON 2ND SOURCE MODELS<br>. SEAL, AIR   |       |   |   |   | AR                   |
| - 50                       | 5677           | NOT USED ON 2ND SOURCE MODELS  |       |   |   |   | 1                    |
| - 51                       | 76574          | . SCREW, MACH BD HD 10-32 NF X .750 LG   |       |   |   |   | 1                    |
| - 52                       | 45690          | . LOCKWASHER, EXT TEETH .250   |       |   |   |   | 1                    |
| - 53                       | 11598          | . WASHER, FL NO. 10 X 7/16 OD X 1/32 THK   |       |   |   |   | 1                    |
| - 54                       | 1994586        | . NUT, PLAIN HEX 10-32   |       |   |   |   | 1                    |
| - 54                       | 1994585        | . BAFFLE, MG- RIGHT  |       |   |   |   | 1                    |
| - 54                       | 1994585        | . BAFFLE, MG- LEFT   |       |   |   |   | 1                    |
| - 55                       | 5677           | NOT USED ON 2ND SOURCE MODELS  |       |   |   |   | 4                    |
| - 56                       | 1994584 NR     | . SCREW, MACH BD HD- 10-32 X 0.750 LG ATT PT   |       |   |   |   | 4                    |
| - 56                       | 1994584 NR     | . BAFFLE, MG- EXCITOR  |       |   |   |   | 1                    |
| - 57                       | 5677           | NOT USED ON 2ND SOURCE MODELS<br>. SCREW, MACH BD HD- 10-32 X 0.750 LG ATT PT  |       |   |   |   | 4                    |

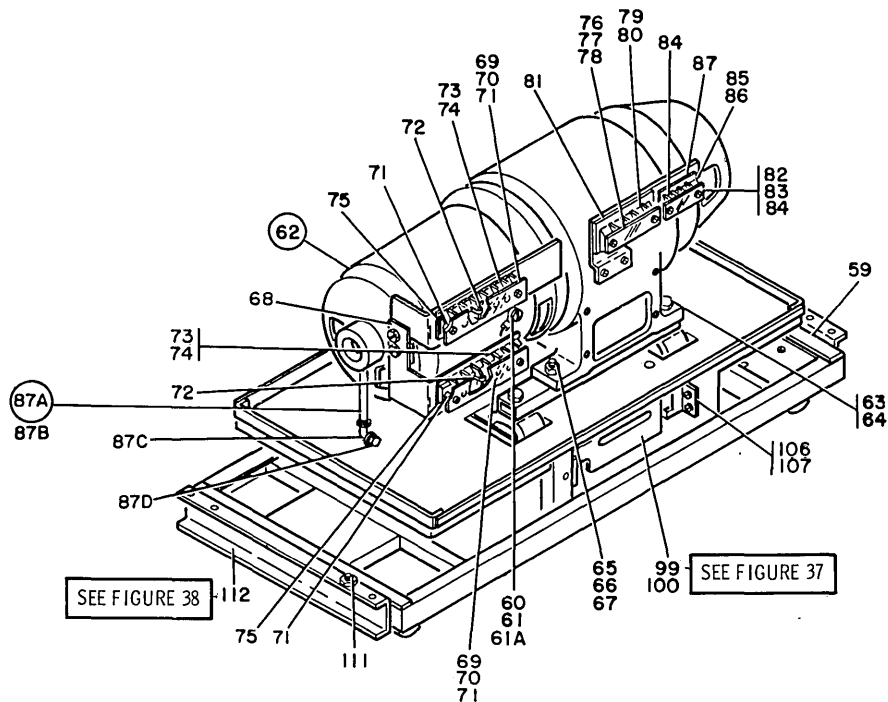
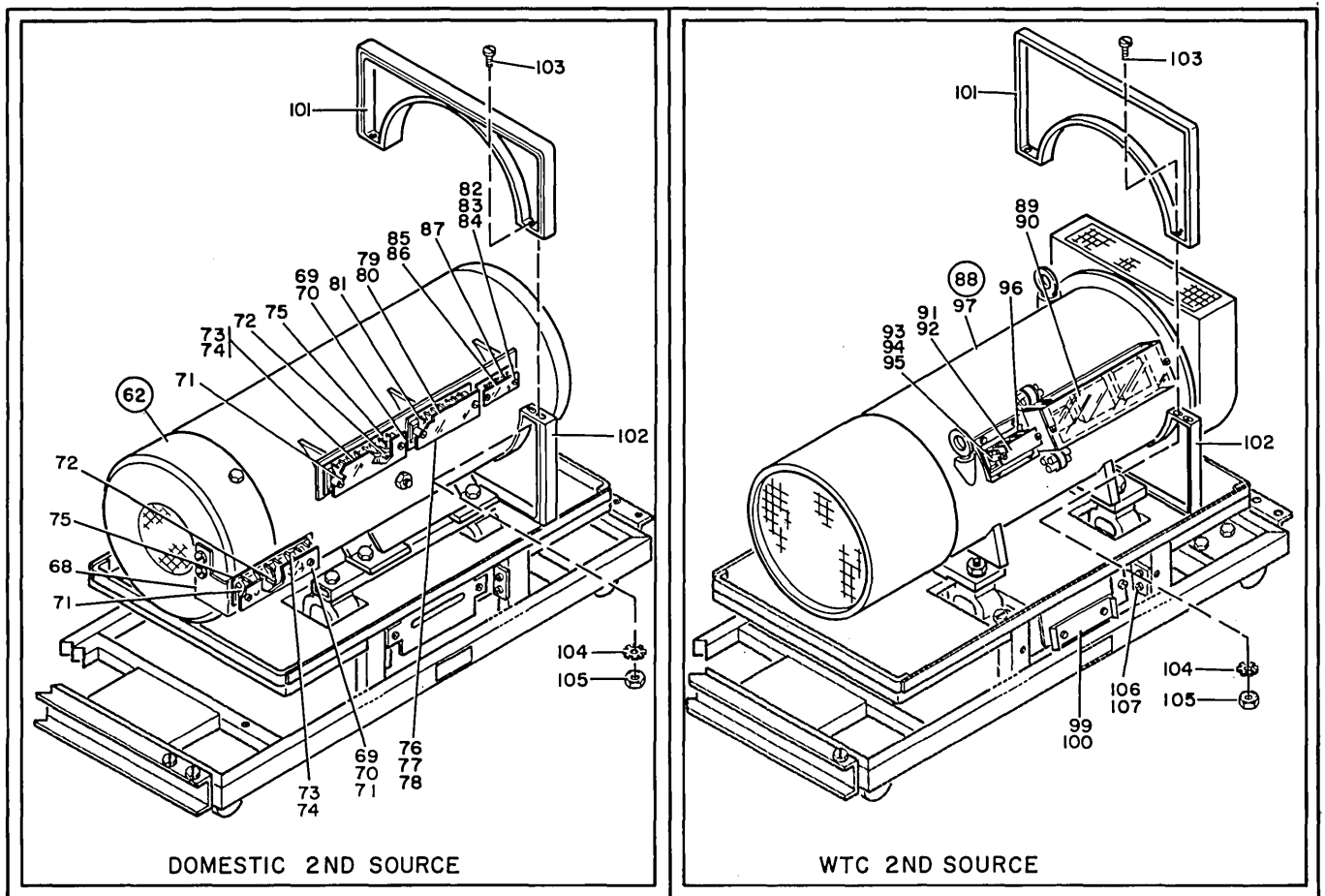


FIGURE 36. MOTOR GENERATOR ASSEMBLY. SHEET 2 OF 2. NOS. 58-112. SEE LIST 36.

| FIGURE-<br>INDEX<br>NUMBER | PART<br>NUMBER | DESCRIPTION   | UNITS |   |   |   | USABLE<br>ON<br>CODE |
|----------------------------|----------------|---|-------|---|---|---|----------------------|
|                            |                |   | 1     | 2 | 3 | 4 |                      |
| 36 - 58                    | 1994541        | . GASKET  |       |   |   |   | 1                    |
| - 59                       | 1994543        | . GASKET  |       |   |   |   | 2                    |
| - 60                       | 1994568        | . JUMPER ASM  |       |   |   |   | 1                    |
| - 61                       | 38686          | . SCREW   |       |   |   |   | 1                    |
| - 61A                      | 3960           | . NUT, PLAIN HEX- 1/4-20 X 0.438 FL W   |       |   |   |   | 1                    |
| - 62                       | 1993831 NR     | . GENERATOR ASM- 16KW 60HZ  |       |   |   |   | 1                    |
| - 62                       | 1993841 NR     | . GENERATOR ASM- 16KW 50HZ<br>USED ON DOMESTIC AND WTC 1ST SOURCE                                     |       |   |   |   | 1                    |
| - 62                       | 2646908 NR     | . GENERATOR ASM- 16KW 60 HZ<br>USED ON DOMESTIC 2ND SOURCE ONLY                                       |       |   |   |   | 1                    |
| - 63                       | 186950         | . NUT, HEX 8-32   |       |   |   |   | 2                    |
| - 64                       | 130987         | . LOCKWASHER, SPLIT 1/2 X .879 OD   |       |   |   |   | 2                    |
| - 65                       | 186921         | . SCREW, SLOTTED HEX HD- 0.50-13 X 2.250 LG   |       |   |   |   | 2                    |
| - 66                       | 130987         | . LOCKWASHER, SPLIT 1/2 X .879 OD   |       |   |   |   | 2                    |
| - 67                       | 186950         | . NUT, HEX 8-32   |       |   |   |   | 2                    |
| - 68                       | 2646780        | . BRACKET   |       |   |   |   | 1                    |
| - 69                       | 1994582        | . SHIELD, SAFETY  |       |   |   |   | 1                    |
| - 70                       | 32042          | . SCREW, MACH BD HD- 10-32 X 0.375 LG.  |       |   |   |   | 2                    |
| - 71                       | 1994579        | . STANDOFF  |       |   |   |   | 2                    |
| - 72                       | 1994578        | . JUMPER, BLOCK   |       |   |   |   | 2                    |
| - 73                       | 1994574        | . BLOCK, TERMINAL-6 POSITION  |       |   |   |   | 1                    |
| - 74                       | 438601         | . SCREW, BD HD- 10-32 X .875 LG   |       |   |   |   | 2                    |
| - 75                       | 1994577        | . STRIP, MARKER   |       |   |   |   | 1                    |
| - 76                       | 1994581        | . SHIELD, SAFETY  |       |   |   |   | 1                    |
| - 77                       | 32042          | . SCREW, MACH BD HD- 10-32 X 0.375 LG.  |       |   |   |   | 2                    |
| - 78                       | 1994579        | . STANDOFF  |       |   |   |   | 2                    |
| - 79                       | 1994573        | . BLOCK, TERMINAL-4 POSITION  |       |   |   |   | 1                    |
| - 80                       | 438601         | . SCREW, BD HD- 10-32 X .875 LG   |       |   |   |   | 2                    |
| - 81                       | 1994576        | . STRIP, MARKER   |       |   |   |   | 1                    |
| - 82                       | 337193         | . SHIELD, TERMINAL BOARD 6 POSITION   |       |   |   |   | 1                    |
| - 83                       | 10170          | . SCREW, MACH BD HD- 6-32 X 0.250 LG  |       |   |   |   | 2                    |
| - 84                       | 210883         | . STUD, SHIELD MTG TAPPED NO6-32  |       |   |   |   | 2                    |
| - 85                       | 317131         | . BLOCK, 6 DBL SCREW TERMINAL   |       |   |   |   | 1                    |
| - 86                       | 38354          | . SCREW, MACH FIL HD 6-32 X 0.500 LG  |       |   |   |   | 2                    |
| - 87                       | 322266         | . STRIP, 6 POS NOS1 THRU 6 MARKER   |       |   |   |   | 1                    |
| - 87A                      | 1809480        | . DRAIN ASM, EXTENSION<br>USED ON DOMESTIC AND WTC 1ST SOURCE   |       |   |   |   | 1                    |
| - 87B                      | 1809481        | . NIPPLE, LONG  |       |   |   |   | 1                    |
| - 87C                      | 1809483        | . ELBOW, FEMALE- 90 DEGREES   |       |   |   |   | 1                    |
| - 87D                      | 1809482        | . PLUG, MALE  |       |   |   |   | 1                    |
| - 88                       | 4120409 NR     | . GENERATOR ASM- 16KW 50 HZ<br>USED ON WTC 2ND SOURCE ONLY  |       |   |   |   | 1                    |
| - 88                       | 4120446 NR     | . GENERATOR ASSEMBLY, 16 KW- 60 HZ<br>USED ON WT 2ND SOURCE ONLY                                      |       |   |   |   | 1                    |
| - 88                       | 4120502        | . GENERATOR ASSEMBLY, 16 KW- 50 HZ<br>USED ON WTC 2ND SOURCE ONLY                                     |       |   |   |   | 1                    |
| - 88                       | 4120503        | . GENERATOR ASSEMBLY, 16 KW- 60 HZ<br>USED ON WTC 2ND SOURCE ONLY                                     |       |   |   |   | 1                    |
| - 89                       | 4120473        | . SHIELD, SAFETY  |       |   |   |   | 1                    |
| - 90                       | 32042          | . SCREW, MACH BD HD- 10-32 X 0.375 LG   |       |   |   |   | 4                    |
| - 91                       | 361537         | . SHIELD, SAFETY  |       |   |   |   | 1                    |
| - 92                       | 10170          | . SCREW, MACH BD HD- 6-32 X 0.250 LG  |       |   |   |   | 2                    |
| - 93                       | 522850         | . BLOCK, TERMINAL   |       |   |   |   | 1                    |
| - 94                       | 210883         | . STUD, SHIELD MTG- TAPPED 6-32   |       |   |   |   | 2                    |
| - 95                       | 322550         | . SCREW, MACH BD HD- 6-32 X 0.500 LG  |       |   |   |   | 2                    |
| - 96                       | 522849         | . STRIP, MARKER   |       |   |   |   | 1                    |
| - 97                       | 4119357 NR     | . GENERATOR ASSEMBLY  |       |   |   |   | 1                    |
| - 99                       | 2630430        | . MOTOR GENERATOR REGULATOR ASM<br>USED ON DOMESTIC AND WTC 1ST SOURCE                                |       |   |   |   | 1                    |
| - 99                       | 4120432        | . REGULATOR ASSEMBLY<br>FOR DETAIL BREAKDOWN SEE FIGURE 37<br>USED ON WTC MG 4120409 AND 4120446 ONLY |       |   |   |   | 1                    |
| - 99                       | 4120447        | . REG ASSEMBLY<br>USED ON WTC MG 4120502 AND 4120503 ONLY   |       |   |   |   | 1                    |
| -100                       | 10170          | . SCREW, MACH BD HD- NO. 6-32 X .250 LG   |       |   |   |   | 2                    |
| -101                       | 4056448        | . BAFFLE, AIR- UPPER<br>USED ON WTC 2ND SOURCE ONLY   |       |   |   |   | 1                    |
| -101                       | 2646926        | . BAFFLE, AIR- UPPER<br>USED ON DOMESTIC 2ND SOURCE ONLY  |       |   |   |   | 1                    |
| -102                       | 4056447        | . BAFFLE, AIR- LOWER<br>USED ON WTC 2ND SOURCE ONLY   |       |   |   |   | 1                    |
| -102                       | 2646925        | . BAFFLE, AIR- LOWER<br>USED ON DOMESTIC 2ND SOURCE ONLY  |       |   |   |   | 1                    |
| -103                       | 10170          | . SCREW, MACH BD HD- 6-32 X 0.250 LG  |       |   |   |   | 4                    |
| -103                       | 38688          | . SCREW, MACH HEX HD- 1/4-20 X 0.625 LG<br>USED ON DOMESTIC 2ND SOURCE ONLY                           |       |   |   |   | 4                    |
| -104                       | 55901          | . LOCKWASHER, EXT T- 0.176 ID X 0.625 LG<br>USED ON WTC 2ND SOURCE ONLY                               |       |   |   |   | 4                    |





THIS PAGE INTENTIONALLY LEFT BLANK

FOR PARTS  
NOT SHOWN  
SEE FIG. 36  
SHEET 2

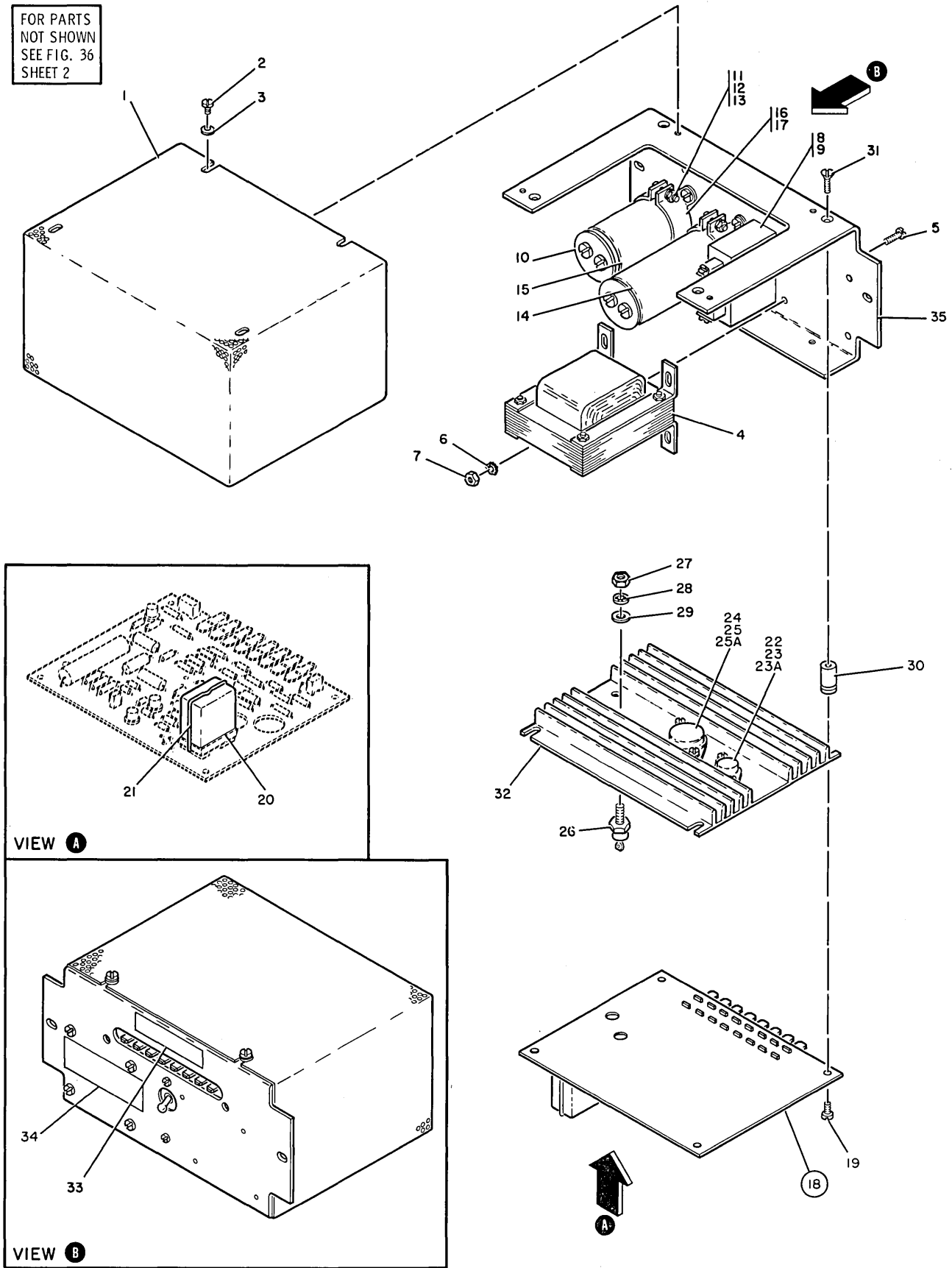


FIGURE 37. MOTOR GENERATOR REGULATOR ASSEMBLY. SEE LIST 37.

| FIGURE-<br>INDEX<br>NUMBER | PART<br>NUMBER | DESCRIPTION   | UNITS<br>PER<br>ASM. | USABLE<br>ON<br>CODE |
|----------------------------|----------------|---|----------------------|----------------------|
|                            |                | MOTOR GENERATOR REGULATOR ASSEMBLY  |                      |                      |
| 37 -                       | 2630430        | MOTOR GENERATOR REGULATOR ASM<br>FOR NEXT HIGHER ASM SEE FIGURE 36-99<br>FOR ILLUSTRATION SEE FIGURE 37 | REF                  |                      |
| - 1                        | 2630422 NR     | . COVER   | 1                    |                      |
| - 2                        | 55726 NR       | . SCREW,MACH BD HD- 6-32 X 0.188 LG   | 6                    |                      |
| - 3                        | 257986 NR      | . WASHER,FLAT 0.156ID X .312OD X .035THK  | 6                    |                      |
| - 4                        | 2630425 NR     | . TRANSFORMER   | 1                    |                      |
| - 5                        | 25627 NR       | . SCREW,MACH BD HD- 8-32 X 0.500 LG   | 4                    |                      |
| - 6                        | 55901 NR       | . LOCKWASHER,EXTERNAL TOOTH 0.176 ID X 0.3  | 4                    |                      |
| - 7                        | 257189 NR      | . NUT,HEX 8-32  | 4                    |                      |
| - 8                        | 2630080 NR     | . PROTECTOR,CIRCUIT- 400HZ 1 POLE 15 AMPS   | 1                    |                      |
| - 9                        | 10170 NR       | . SCREW,MACH BD HE- NO. 6-32 X .250 LG  | 2                    |                      |
| - 10                       | 5261296 NR     | . COVER   | 2                    |                      |
| - 11                       | 322065 NR      | . SCREW,MACH-BIND HD 6-32 X 0.625 LG  | 2                    |                      |
| - 12                       | 6364 NR        | . LOCKWASHER, SPLIT NO. 6 X 1/4 OD  | 2                    |                      |
| - 13                       | 257187 NR      | . NUT,HEX DBL CHAMFERED 6-32 X 0.3125 FL W  | 2                    |                      |
| - 14                       | 483107 NR      | . CAPACITOR,FXD ELECT- 3100UF P100M10% 25V  | 1                    |                      |
| - 15                       | 5214406 NR     | . CAPACITOR,ELECT- 950UF P75M10% 75V  | 1                    |                      |
| - 16                       | 301768 NR      | . BRACKET-THERMISTOR MOUNTING   | 2                    |                      |
| - 17                       | 438566 NR      | . SCREW,MACH BD HD- 6-32 X .125 LG  | 4                    |                      |
| - 18                       | 2630427 NR     | . CONTROL CARD ASM  | 1                    |                      |
| - 19                       | 81693 NR       | . SCREW,MACH BD HE- 6-32 X 0.375 LG   | 4                    |                      |
| - 20                       | 5318968 NR     | . . RELAY   | 1                    |                      |
| - 21                       | 5318966 NR     | . . RETAINER,RELAY  | ATT PT               |                      |
| - 22                       | 2391347 NR     | . TRANSISTOR  | 1                    |                      |
| - 23                       | 38350 NR       | . SCREW,MACH FIL H 6-32 X 1/4 LG  | ATT PT               |                      |
| - 23A                      | 24327 NP       | . WASHER,FL- 0.156 ID X 0.625 OD  | ATT PT               | AR                   |
| - 24                       | 2391346 NR     | . TRANSISTOR  | 1                    |                      |
| - 25                       | 38350 NR       | . SCREW,MACH FIL H 6-32 X 1/4 LG  | ATT PT               | 2                    |
| - 25A                      | 24327 NP       | . WASHER,FL- 0.156 ID X 0.625 OD  | ATT PT               | AR                   |
| - 26                       | 598479 NR      | . SEMICONDUCTOR DEVICE,D10 150V 10 AMP  | 2                    |                      |
| - 27                       | 11598 NR       | . NUT,PLAIN HEX 10-32   | ATT PT               | 2                    |
| - 28                       | 56121 NR       | . LOCKWASHER, INT TEETH NO. 10 X 0.381 OD   | ATT PT               | 2                    |
| - 29                       | 45690 NR       | . WASHER,FL NO.10 X 7/16 OD X 1/32 THK  | ATT PT               | 2                    |
| - 30                       | 2630424 NR     | . STANDOFF  | 4                    |                      |
| - 31                       | 316807 NR      | . SCREW,PH- 6-32 X 0.375 LG   | ATT PT               | 4                    |
| - 32                       | 2630423 NR     | . HEATSINK  | 1                    |                      |
| - 33                       | 336823 NR      | . LABEL,HIGH VOLTAGE  | 1                    |                      |
| - 34                       | 1013160 NR     | . LABEL   | 1                    |                      |
| - 35                       | 2630421 NR     | . CHASSIS   | 1                    |                      |

FOR PARTS  
NOT SHOWN  
SEE FIG. 36  
SHEET 2

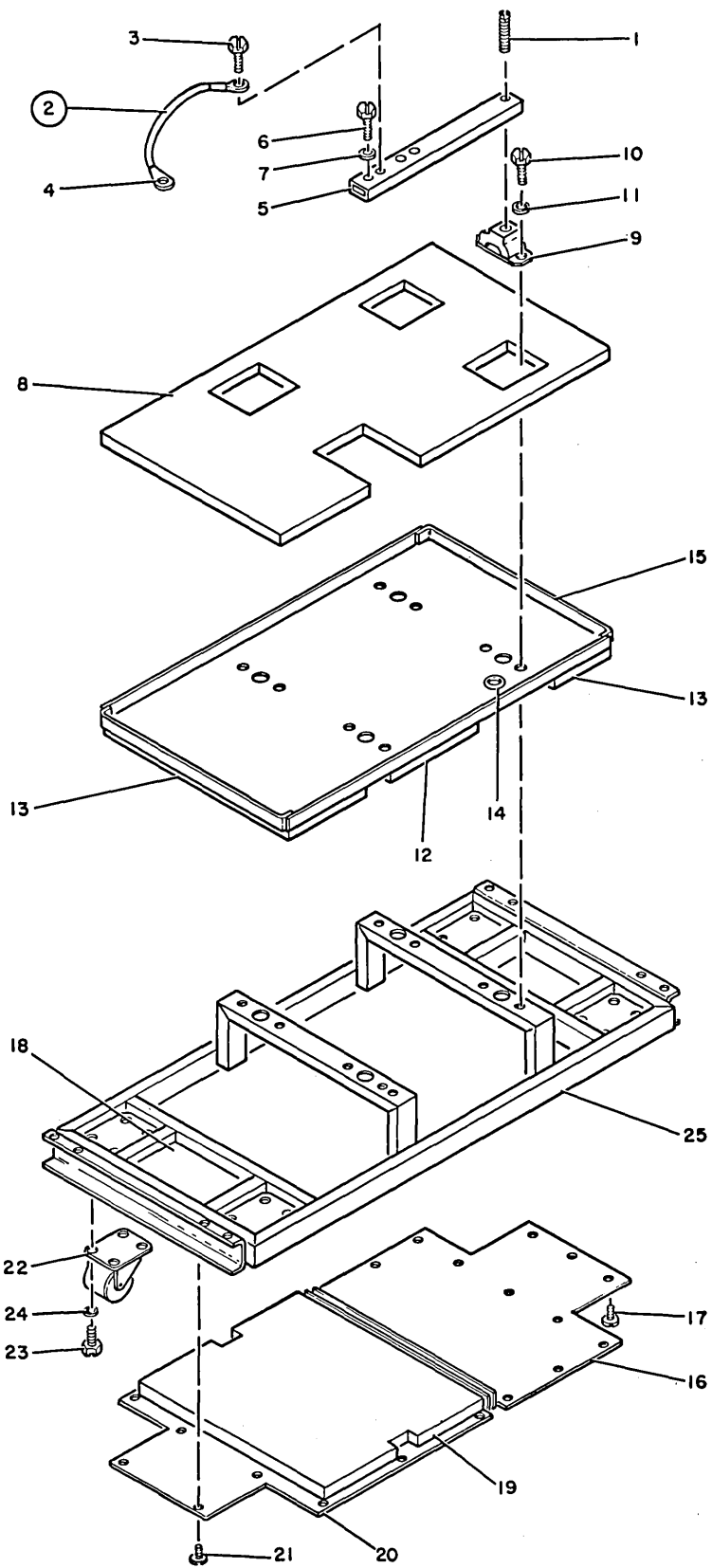


FIGURE 38. MOTOR GENERATOR FRAME ASSEMBLY. SEE LIST 38.



FOR PARTS  
NOT SHOWN  
SEE FIG. 33  
SHEET 1

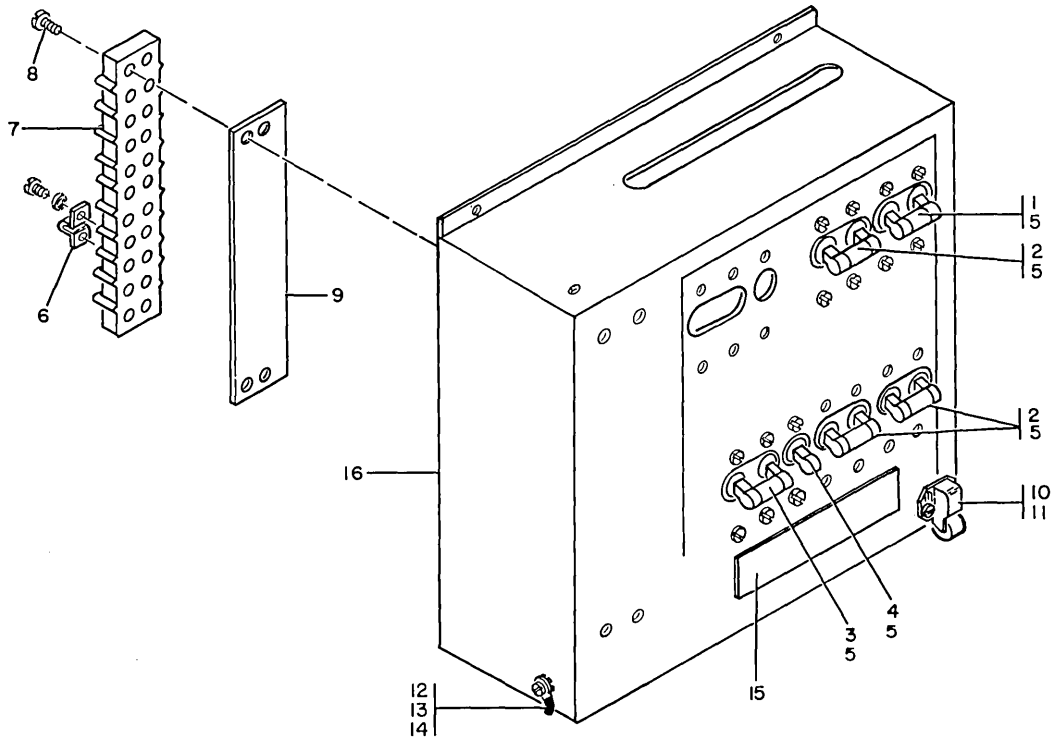


FIGURE 39. CP PANEL ASSEMBLY. SEE LIST 39.

| LIST AND INDEX NUMBER | PART NUMBER | DESCRIPTION   |   |        |    | UNITS PER ASM. | USABLE ON CODE |
|-----------------------|-------------|---|---|--------|----|----------------|----------------|
|                       |             | 1   | 2 | 3      | 4  |                |                |
|                       |             | CP PANEL ASSEMBLY   |   |        |    |                |                |
| 39 -                  | 1797389     | CP PANEL ASSEMBLY<br>FOR NEXT HIGHER ASM SEE FIGURE 33-10<br>AND FOR ILLUSTRATION SEE FIGURE 39 |   |        |    | REF            |                |
| - 1                   | 2630454     | . CIRCUIT PROTECTOR   |   |        |    | 1              |                |
| - 2                   | 2630455     | . PROTECTOR,CIRCUIT- 6A 2 POLE 250 VAC  |   |        |    | 1              |                |
| - 3                   | 2630452     | . PROTECTOR,CIRCUIT- 8A 2 POLE 250 VAC  |   |        |    | 1              |                |
| - 4                   | 1993041     | . PROTECTOR,CIRCUIT- .75AMPS 250VAC   |   |        |    | 1              |                |
| - 5                   | 55726       | . SCREW,MACH BD HD- 6-32 X 0.188 LG   |   | ATT PT | 22 |                |                |
| - 6                   | 730468      | . JUMPER  |   |        |    | 6              |                |
| - 7                   | 323844      | . BLOCK,TERMINAL 9 POSITION   |   |        |    | 1              |                |
| - 8                   | 322550      | . SCREW,MACH BD HD- 6-32 X 0.500 LG   |   | ATT PT | 4  |                |                |
| - 9                   | 730439      | . PLATE,DESIGNATION 9 POS   |   |        |    | 1              |                |
| - 10                  | 513668      | . CATCH, FRICTION LATCH   |   |        |    | 1              |                |
| - 11                  | 10170       | . SCREW,MACH BD HD- 6-32 X 0.250 LG   |   | ATT PT | 2  |                |                |
| - 12                  | 526098      | . STRAP, GROUNDING  |   |        |    | 1              |                |
| - 13                  | 236849      | . SCREW,MACH BD HD- 10-32 X 0.250 LG  |   | ATT PT | 1  |                |                |
| - 14                  | 56079       | . LOCKWASHER,EXT TEETH- 0.204 ID X 0.410 O  |   | ATT PT | 1  |                |                |
| - 15                  | 2641085     | . LABEL,WARNING   |   |        |    | 1              |                |
| - 16                  | 1797152     | . PANEL   |   |        |    | 1              |                |
|                       |             |   |   |        |    |                |                |
|                       |             |   |   |        |    |                |                |
|                       |             |   |   |        |    |                |                |
|                       |             |   |   |        |    |                |                |

FOR PARTS  
NOT SHOWN  
SEE FIG. 32  
SHEET 2

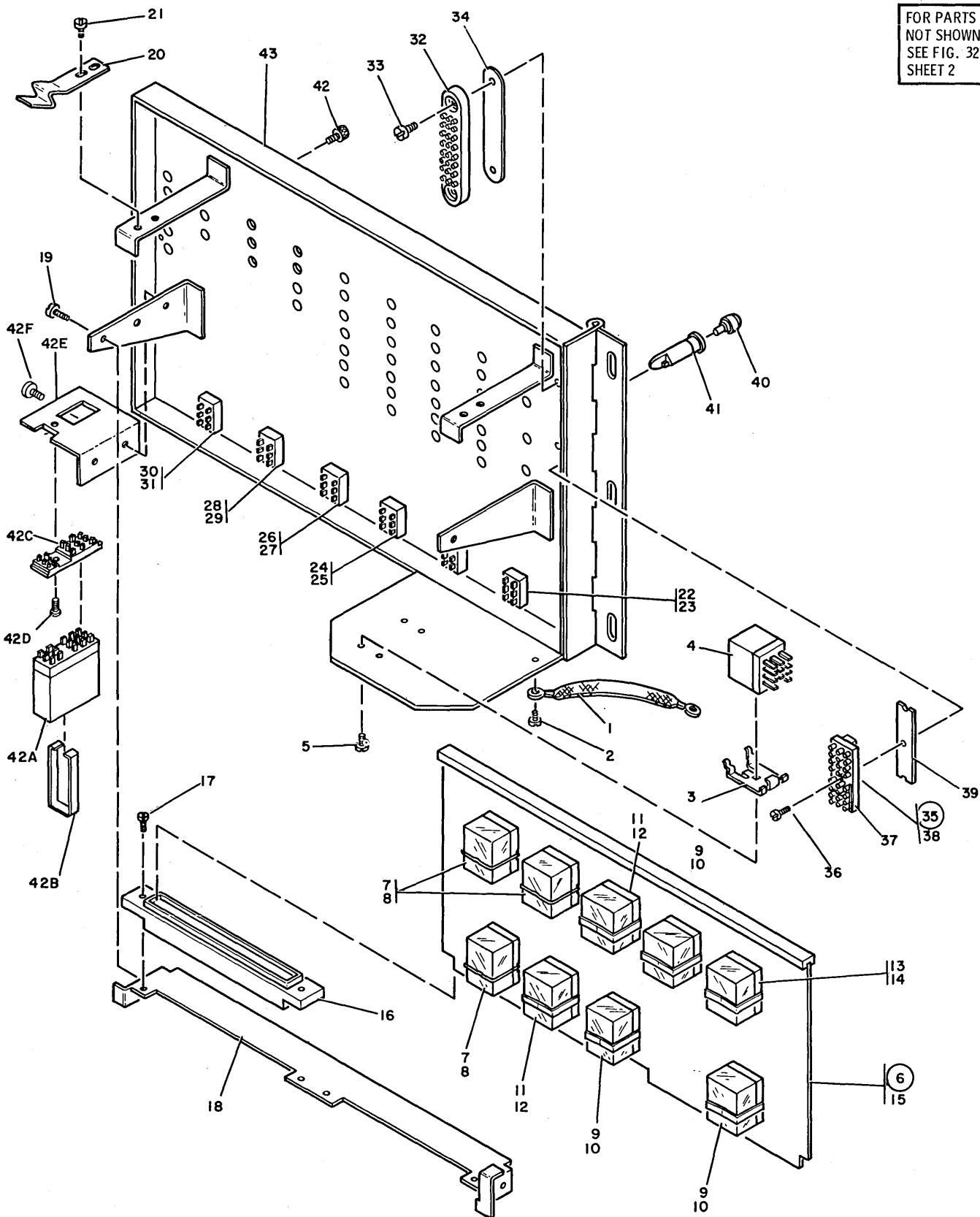


FIGURE 40. SEQUENCING PANEL ASSEMBLY. SEE LIST 40.

SEQUENCING PANEL ASSEMBLY

| FIGURE-<br>INDEX<br>NUMBER | PART<br>NUMBER | DESCRIPTION   | 1 2 3 4 |  |  |  | UNITS<br>PER<br>ASM. | USABLE<br>ON<br>CODE |
|----------------------------|----------------|---|---------|--|--|--|----------------------|----------------------|
|                            |                |   |         |  |  |  |                      |                      |
| 40 -                       | 1994786        | SEQUENCING PANEL ASM- STAGE I   |         |  |  |  | REF                  |                      |
| -                          | 2641123        | SEQUENCING PANEL ASM- STAGE II<br>FOR NEXT HIGHER ASM SEE FIGURE 32-146<br>FOR ILLUSTRATION SEE FIGURE 40 |         |  |  |  | REF                  |                      |
| - 1                        | 5210704        | . JUMPER ASSEMBLY   |         |  |  |  | 1                    |                      |
| - 2                        | 58207          | . SCREW,MACH BD HD- 6-32 X 0.250 LG ATT PT  |         |  |  |  | 1                    |                      |
| - 3                        | 1993182        | . BRACKET,RELAY   |         |  |  |  | 2                    |                      |
| - 4                        | 5414543        | . RELAY,COIL 2PDT 24VDC   |         |  |  |  | 2                    |                      |
| - 5                        | 10170          | . SCREW,MACH BD HD- NO. 6-32 X .250 LG ATT PT   |         |  |  |  | 2                    |                      |
| - 6                        | 1803077        | . CARD ASM, SEQUENCING  |         |  |  |  | 1                    |                      |
| - 6                        | 4056155        | . CARD ASM, SEQUENCING<br>FOR WT ONLY   |         |  |  |  | 1                    |                      |
| - 7                        | 767031         | . . RELAY- 24VDC<br>USED ON DOMESTIC MODELS   |         |  |  |  | 3                    |                      |
| - 7                        | 2426011        | . . RELAY<br>USED ON WORLD TRADE MODELS   |         |  |  |  | 3                    |                      |
| - 8                        | 5318966        | . . RETAINER,RELAY ATT PT   |         |  |  |  | 3                    |                      |
| - 9                        | 5799065        | . . RELAY,ENCLOSED- 24VDC   |         |  |  |  | 3                    |                      |
| - 10                       | 5351163        | . . RETAINER,RELAY ATT PT   |         |  |  |  | 3                    |                      |
| - 11                       | 764920         | . . RELAY,TIME DELAY  |         |  |  |  | 2                    |                      |
| - 12                       | 1993614        | . . RETAINER,RELAY ATT PT   |         |  |  |  | 2                    |                      |
| - 13                       | 2574157        | . . RELAY   |         |  |  |  | 1                    |                      |
| - 14                       | 5351163        | . . RETAINER,RELAY ATT PT   |         |  |  |  | 1                    |                      |
| - 15                       | 1994757        | . . CARD ASM  |         |  |  |  | 1                    |                      |
| - 16                       | 2574207        | . RECEPTACLE,CIRCUIT CARD   |         |  |  |  | 2                    |                      |
| - 17                       | 2191846        | . SCREW,PAN HD 4-40 X 0.500 LG ATT PT   |         |  |  |  | 4                    |                      |
| - 18                       | 1993180        | . BRACKET,SOCKET  |         |  |  |  | 1                    |                      |
| - 19                       | 638315         | . STUD,GUIDE ATT PT   |         |  |  |  | 2                    |                      |
| - 20                       | 1993181        | . SPRING,BOARD LATCH  |         |  |  |  | 2                    |                      |
| - 21                       | 58207          | . SCREW,MACH BD HD- 6-32 X 0.250 LG ATT PT  |         |  |  |  | 4                    |                      |
| - 22                       | 725348         | . SWITCH,TOGGLE   |         |  |  |  | 1                    |                      |
| - 23                       | 179743         | . NUT,HEX- 0.468-32 ATT PT  |         |  |  |  | 1                    |                      |
| - 24                       | 483988         | . SWITCH,TOGGLE   |         |  |  |  | 2                    |                      |
| - 25                       | 179743         | . NUT,HEX- 0.468-32 ATT PT  |         |  |  |  | 2                    |                      |
| - 26                       | 835273         | . SWITCH,TOGGLE   |         |  |  |  | 1                    |                      |
| - 27                       | 179743         | . NUT,HEX- 0.468-32 ATT PT  |         |  |  |  | 1                    |                      |
| - 28                       | 855258         | . SWITCH,TOGGLE   |         |  |  |  | 1                    |                      |
| - 29                       | 179743         | . NUT,HEX- 0.468-32 ATT PT  |         |  |  |  | 1                    |                      |
| - 30                       | 483988         | . SWITCH,TOGGLE   |         |  |  |  | 1                    |                      |
| - 31                       | 179743         | . NUT,HEX- 0.468-32 ATT PT  |         |  |  |  | 1                    |                      |
| - 32                       | 837532         | . BLOCK ASM,TERMINAL  |         |  |  |  | 3                    |                      |
| - 33                       | 236550         | . SCREW,MACH BD HD- 4 40 X .375 LG ATT PT   |         |  |  |  | 6                    |                      |
| - 34                       | 837528         | . INSULATOR,TERMINAL BLOCK  |         |  |  |  | 3                    |                      |
| - 35                       | 444164         | . BLOCK ASM,TERMINAL  |         |  |  |  | 3                    |                      |
| - 36                       | 236550         | . SCREW,MACH BD HD- 4 40 X .375 LG ATT PT   |         |  |  |  | 3                    |                      |
| - 37                       | 444165         | . . STRIP,JUMPER  |         |  |  |  | 1                    |                      |
| - 38                       | 302090         | . . BLOCK,TERMINAL  |         |  |  |  | 1                    |                      |
| - 39                       | 302131         | . STRIP,INSULATOR 2.094 LG X 1/16 THK   |         |  |  |  | 3                    |                      |
| - 40                       | 5499810        | . INDICATOR ASM,RED- 4.5V   |         |  |  |  | 7                    |                      |
| - 40                       | 5499811        | . INDICATOR ASM,AMBER- 4.5V   |         |  |  |  | 2                    |                      |
| - 40                       | 5499812        | . INDICATOR ASM,CLEAR- 4.5V   |         |  |  |  | 33                   |                      |
| - 41                       | 5353887        | . HOUSING,PANEL   |         |  |  |  | 44                   |                      |
| - 42                       | 824673         | . SCREW,KNURLED HD,FASTENING 10-32  |         |  |  |  | 1                    |                      |
| - 42A                      | 764920         | . RELAY   |         |  |  |  | 1                    |                      |
| - 42B                      | 1993614        | USED ON STAGE II<br>. CLIP,RETAINING ATT PT   |         |  |  |  | 1                    |                      |
| - 42C                      | 2637435        | . SOCKET,RELAY  |         |  |  |  | 1                    |                      |
| - 42D                      | 438548         | USED ON STAGE II<br>. SCREW,MACH BD HD- 4-40 X 0.188 LG ATT PT  |         |  |  |  | 1                    |                      |
| - 42E                      | 2641178        | . BRACKET,MOUNTING  |         |  |  |  | 1                    |                      |
| - 42F                      | 438548         | USED ON STAGE II<br>. SCREW,MACH BD HD- 4-40 X 0.188 LG ATT PT  |         |  |  |  | 2                    |                      |
| - 43                       | 1993725        | . PANEL,SEQUENCING  |         |  |  |  |                      |                      |
| - 43                       | 2641119        | USED ON STAGE I<br>. PANEL,SEQUENCING<br>USED ON STAGE II   |         |  |  |  | 1                    |                      |



FOR PARTS  
NOT SHOWN  
SEE FIG. 34  
SHEET 1

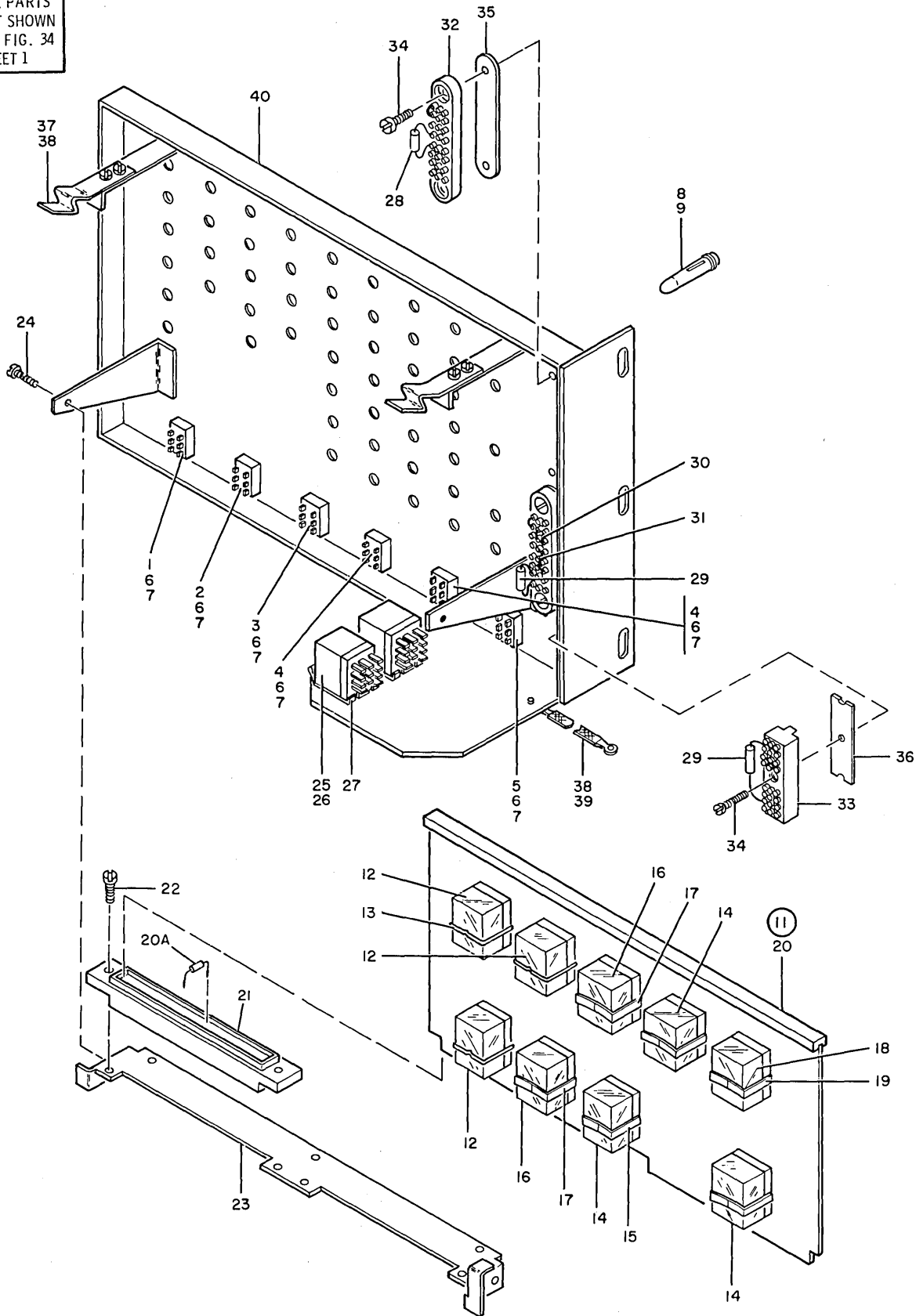


FIGURE 41. SEQUENCING PANEL ASSEMBLY. SEE LIST 41.

SEQUENCING PANEL ASSEMBLY

| FIGURE-<br>INDEX<br>NUMBER | PART<br>NUMBER | DESCRIPTION                            |   |        |   | UNITS<br>PER<br>ASM. | USABLE<br>ON<br>CODE |
|----------------------------|----------------|--|---|--------|---|----------------------|----------------------|
|                            |                | 1                                      | 2 | 3      | 4 |                      |                      |
| 41 -                       | 1797140        | SEQUENCING PANEL ASSEMBLY (STAGE 1)    |   |        |   | REF                  |                      |
| -                          | 2649336        | SEQUENCING PANEL ASSEMBLY (STAGE 2)    |   |        |   | REF                  |                      |
|                            |                | FOR NEXT HIGHER ASM SEE FIGURE 34-14   |   |        |   |                      |                      |
|                            |                | AND FOR ILLUSTRATION SEE FIGURE 41     |   |        |   |                      |                      |
| - 1                        | 483988         | . SWITCH, TOGGLE                       |   |        |   | 1                    |                      |
| - 2                        | 855258         | . SWITCH, TOGGLE                       |   |        |   | 1                    |                      |
| - 3                        | 835273         | . SWITCH, TOGGLE                       |   |        |   | 1                    |                      |
| - 4                        | 483988         | . SWITCH, TOGGLE                       |   |        |   | 2                    |                      |
| - 5                        | 725348         | . SWITCH, TOGGLE                       |   |        |   | 1                    |                      |
| - 6                        | 179743         | . NUT, HEX, TOGGLE SW HLDG-0.469-32    |   | ATT PT | 6 |                      |                      |
| - 7                        | 139750         | . LOCKWASHER, EXT TEETH                |   | ATT PT | 6 |                      |                      |
| - 8                        | 5499811        | . INDICATOR ASM, AMBER- 4.5V           |   |        |   | AR                   |                      |
| - 8                        | 5499812        | . INDICATOR ASM, CLEAR- 4.5V           |   |        |   | AR                   |                      |
| - 8                        | 5499810        | . INDICATOR ASM, RED- 4.5V             |   |        |   | AR                   |                      |
| - 9                        | 5353887        | . HOUSING, PANEL                       |   |        |   | AR                   |                      |
| - 11                       | 1803077        | . CARD ASM, SEQUENCING                 |   |        |   | 1                    |                      |
| - 11                       | 4056155        | . CARD ASM, SEQUENCING                 |   |        |   | 1                    |                      |
|                            |                | FOR WT USE ONLY                        |   |        |   |                      |                      |
| - 12                       | 767031         | . . RELAY- 24VDC                       |   |        |   | 3                    |                      |
|                            |                | USED ON DOMESTIC MODELS                |   |        |   |                      |                      |
| - 12                       | 2426011        | . . RELAY                              |   |        |   | 3                    |                      |
|                            |                | USED ON WORLD TRADE MODELS             |   |        |   |                      |                      |
| - 13                       | 5318966        | . . RETAINER, RELAY                    |   | ATT PT | 3 |                      |                      |
| - 14                       | 5799065        | . . RELAY, ENCLOSED- 24VDC             |   |        | 3 |                      |                      |
| - 15                       | 5351163        | . . RETAINER, RELAY                    |   | ATT PT | 3 |                      |                      |
| - 16                       | 764920         | . . RELAY, TIME DELAY                  |   |        | 3 |                      |                      |
| - 17                       | 1993614        | . . RETAINER, RELAY                    |   | ATT PT | 2 |                      |                      |
| - 18                       | 2574157        | . . RELAY                              |   |        |   | 1                    |                      |
| - 19                       | 5351163        | . . RETAINER, RELAY                    |   | ATT PT | 1 |                      |                      |
| - 20                       | 1994757        | . . CARD ASM                           |   |        |   | 1                    |                      |
| - 20A                      | 1809452        | . DIODE ASM                            |   |        |   | 1                    |                      |
| - 21                       | 2574207        | . RECEPTACLE, CIRCUIT CARD             |   |        |   | 2                    |                      |
| - 22                       | 2191846        | . SCREW, PAN HD 4-40 X 0.500 LG        |   | ATT PT | 4 |                      |                      |
| - 23                       | 1993180        | . BRACKET, SOCKET                      |   |        |   | 1                    |                      |
| - 24                       | 638315         | . STUD, GUIDE                          |   | ATT PT | 2 |                      |                      |
| - 25                       | 5414543        | . RELAY, COIL 2PDT 24VDC               |   |        |   | 2                    |                      |
| - 26                       | 10170          | . SCREW, MACH BD HD- 6-32 X 0.250 LG   |   | ATT PT | 2 |                      |                      |
| - 27                       | 1993182        | . BRACKET, RELAY                       |   |        |   | 2                    |                      |
| - 28                       | 210921         | . DIODE ASM                            |   |        |   | 3                    |                      |
| - 29                       | 578811         | . RESISTOR ASM, 10 OHMS- 2W            |   |        |   | 1                    |                      |
| - 30                       | 205331         | . JUMPER, RELAY GATES UNIT 1/8 BRASS   |   |        |   | 13                   |                      |
| - 31                       | 335950         | . JUMPER ASM                           |   |        |   | 1                    |                      |
| - 32                       | 837532         | . BLOCK ASM, TERMINAL                  |   |        |   | 3                    |                      |
| - 33                       | 444164         | . BLOCK ASM, TERMINAL                  |   |        |   | 3                    |                      |
| - 34                       | 236550         | . SCREW, MACH BIND HD 4 40 X .375 LG   |   | ATT PT | 9 |                      |                      |
| - 35                       | 837528         | . INSULATOR, TERMINAL BLOCK            |   |        |   | 3                    |                      |
| - 36                       | 302131         | . STRIP, INSULATOR 2.094 LG X 1/16 THK |   |        |   | 3                    |                      |
| - 37                       | 1993181        | . SPRING, BOARD LATCH                  |   |        |   | 2                    |                      |
| - 38                       | 5210704        | . JUMPER ASSEMBLY                      |   |        |   | 1                    |                      |
| - 39                       | 58207          | . SCREW, MACH BD HD- 8-32 X 0.250 LG   |   | ATT PT | 5 |                      |                      |
| - 40                       | 1797127        | . PANEL (STAGE 1)                      |   |        |   | 1                    |                      |
| - 40                       | 1797128        | . PANEL (STAGE 2)                      |   |        |   | 1                    |                      |

FOR PARTS  
NOT SHOWN  
SEE FIG. 33  
SHEET 1

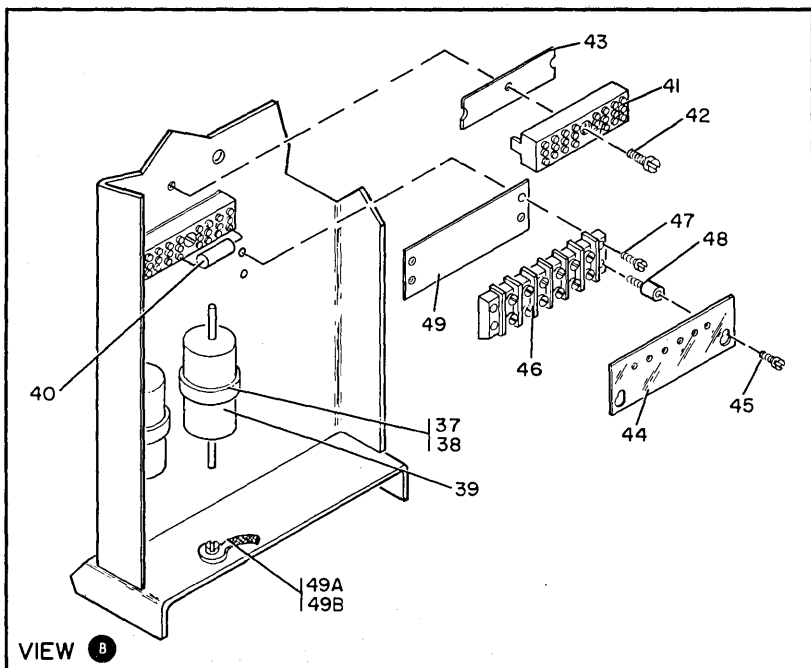
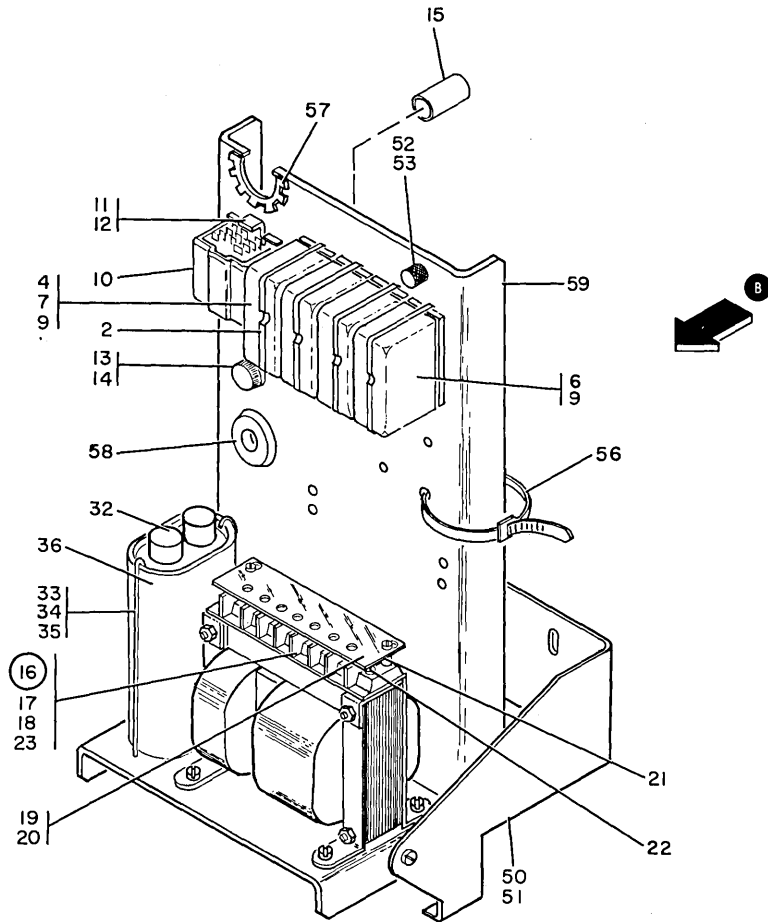


FIGURE 42. AC/DC PANEL ASSEMBLY. SEE LIST 42.

AC/DC PANEL ASSEMBLY

| FIGURE-<br>INDEX<br>NUMBER | PART<br>NUMBER | DESCRIPTION  |   |   |   | UNITS<br>PER<br>ASM. | USABLE<br>ON<br>CODE |
|----------------------------|----------------|--|---|---|---|----------------------|----------------------|
|                            |                | 1  | 2 | 3 | 4 |                      |                      |
| 42 -                       | 1797170        | PANEL ASSEMBLY<br>FOR NEXT HIGHER ASM SEE FIGURE 33-36<br>AND FOR ILLUSTRATION SEE FIGURE 42 |   |   |   | REF                  |                      |
| - 2                        | 5318966        | . RETAINER,RELAY   |   |   |   | 4                    |                      |
| - 4                        | 767003         | . RELAY- 24VDC   |   |   |   | 2                    |                      |
| - 6                        | 767031         | . RELAY- 24VDC   |   |   |   | 1                    |                      |
| - 7                        | 5318967        | . SOCKET   |   |   |   | 4                    |                      |
| - 9                        | 438548         | . SCREW,MACH BD HD- 4-40 X 0.188 LG  |   |   |   | 4                    | ATT PT               |
| - 10                       | 5414543        | . RELAY,COIL 2PDT 24VDC  |   |   |   | 1                    |                      |
| - 11                       | 1993182        | . BRACKET,RELAY  |   |   |   | 1                    |                      |
| - 12                       | 10170          | . SCREW,MACH BD HD- 6-32 X 0.250 LG  |   |   |   | 1                    | ATT PT               |
| - 13                       | 855230         | . FUSE   |   |   |   | 1                    |                      |
| - 14                       | 179946         | . HOLDER,FUSE  |   |   |   | 1                    |                      |
| - 15                       | 245540         | . TUBING,BULK 0.5777 OD X 0.030 THK  |   |   |   | 1                    |                      |
| - 16                       | 634475         | . TRANSFORMER ASM- 60 HZ   |   |   |   | 1                    |                      |
| - 16                       | 4116467        | . TRANSFORMER ASM- 50 HZ   |   |   |   | 1                    |                      |
| - 17                       | 32042          | . SCREW,MACH BD HD- 10-32 X 0.375 LG   |   |   |   | 4                    | ATT PT               |
| - 18                       | 47242          | . WASHER,FL- 0.219 ID X 0.500 LG   |   |   |   | 4                    | ATT PT               |
| - 19                       | 634543         | . SHIELD,7 POSITION  |   |   |   | 1                    |                      |
| - 20                       | 10170          | . SCREW,MACH BD HD- 6-32 X 0.250 LG  |   |   |   | 2                    | ATT PT               |
| - 21                       | 210883         | . STUD,SHIELD MTG TAPPED NO. 6-32  |   |   |   | 2                    |                      |
| - 22                       | 322550         | . SCREW,MACH BD HD- 6-32 X 0.500 LG  |   |   |   | 2                    |                      |
| - 23                       | 2101389        | . STRIP,MARKER   |   |   |   | 1                    |                      |
| - 32                       | 526378         | . INSULATOR,CAPACITOR TERMINAL   |   |   |   | 2                    |                      |
| - 33                       | 1797161        | . CLAMP,CAPACITOR<br>USED WITH PCB AND NON PCB   |   |   |   | 4                    |                      |
| - 33                       | 1797168        | . CLAMP,CAPACITOR<br>USED WITH PCB- 50 HZ  |   |   |   | 2                    |                      |
| - 34                       | 257187         | . NUT,HEX- 6-32 THD  |   |   |   | 2                    | ATT PT               |
| - 35                       | 257986         | . WASHER,FL- 0.156 ID X 0.312 OD   |   |   |   | 2                    | ATT PT               |
| - 36                       | 5252806        | . CAPACITOR,PAPER- 5MF 330VAC 60HZ NON PCB   |   |   |   | 1                    |                      |
| - 36                       | 317045         | . CAPACITOR,PAPER- 5MF 330VAC 60HZ PCB   |   |   |   | 1                    |                      |
| - 36                       | 5252807        | . CAPACITOR,PAPER- 50 HZ NON PCB   |   |   |   | 1                    |                      |
| - 36                       | 210873         | . CAPACITOR,PAPER- 50 HZ PCB   |   |   |   | 1                    |                      |
| - 37                       | 2102368        | . CLAMP  |   |   |   | 2                    |                      |
| - 38                       | 32042          | . SCREW,MACH BD HD- 10-32 X 0.375 LG   |   |   |   | 2                    | ATT PT               |
| - 39                       | 726632         | . CAPACITOR ASM,0.68 MFD   |   |   |   | 2                    |                      |
| - 40                       | 412971         | . RESISTOR,91 OHMS- 2W PM 5%   |   |   |   | 1                    |                      |
| - 41                       | 302090         | . BLOCK,TERMINAL   |   |   |   | 2                    |                      |
| - 42                       | 438549         | . SCREW,MACH BIND HD 4-40 X 7/16 LG  |   |   |   | 2                    | ATT PT               |
| - 43                       | 302131         | . STRIP,INSULATOR 2.094 LG X 1/16 THK  |   |   |   | 2                    |                      |
| - 44                       | 337193         | . SHIELD,TERMINAL BOARD 6 POSITION   |   |   |   | 1                    |                      |
| - 45                       | 10170          | . SCREW,MACH BD HD- 6-32 X 0.250 LG  |   |   |   | 2                    | ATT PT               |
| - 46                       | 317131         | . BLOCK,6 DBL SCREW TERMINAL   |   |   |   | 1                    |                      |
| - 47                       | 38354          | . SCREW,MACH FIL HD- 6-32 X 0.500 LG   |   |   |   | 2                    | ATT PT               |
| - 48                       | 210883         | . STUD,SHIELD MTG TAPPED NO. 6-32  |   |   |   | 2                    | ATT PT               |
| - 49                       | 322265         | . STRIP,6 POS NOS. 1 THRU 6 MARKER   |   |   |   | 1                    |                      |
| - 49A                      | 5424355        | . JUMPER ASM,GROUND  |   |   |   | 1                    |                      |
| - 49B                      | 236849         | . SCREW,MACH BD HD- 10-32 X 0.250 LG   |   |   |   | 1                    | ATT PT               |
| - 50                       | 1797167        | . PLATE,PANEL HINGE  |   |   |   | 1                    |                      |
| - 51                       | 25836          | . STUD,PLATEN SPACE  |   |   |   | 2                    | ATT PT               |
| - 52                       | 824673         | . SCREW,KNURLED HD,PASTENING 10-32   |   |   |   | 1                    |                      |
| - 53                       | 25282          | . CLIP,RETAINING   |   |   |   | 1                    | ATT PT               |
| - 56                       | 524519         | . CABLE TIE  |   |   |   | 1                    |                      |
| - 57                       | 2647045        | . GROMMET,CATERPILLAR  |   |   |   | 1                    |                      |
| - 58                       | 123074         | . GROMMET,RUBBER   |   |   |   | 1                    |                      |
| - 59                       | 1797166        | . PANEL  |   |   |   | 1                    |                      |

FOR PARTS  
NOT SHOWN  
SEE FIG. 33  
SHEET 1

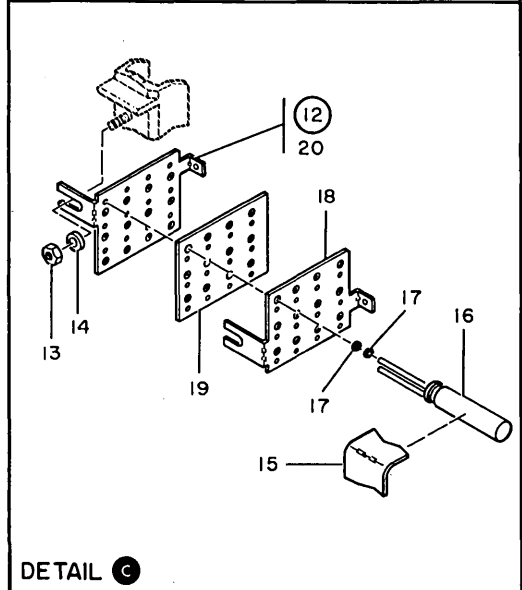
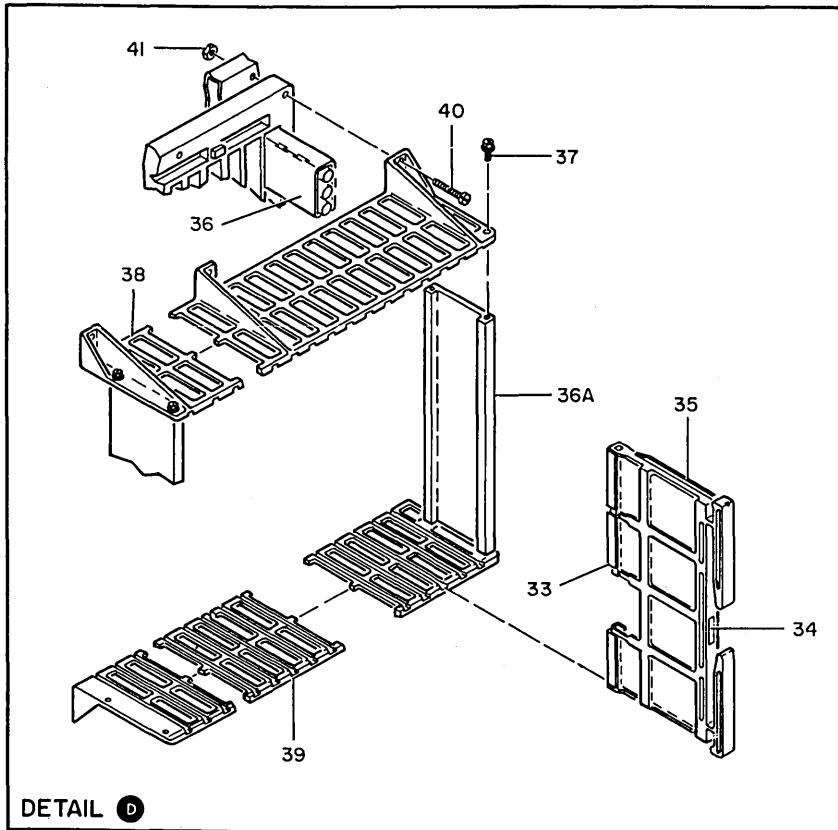
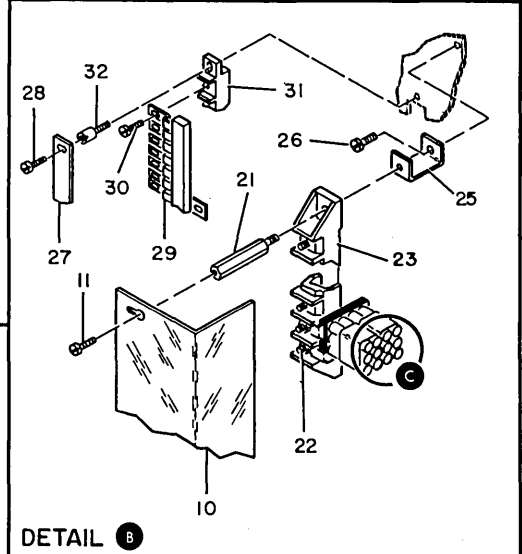
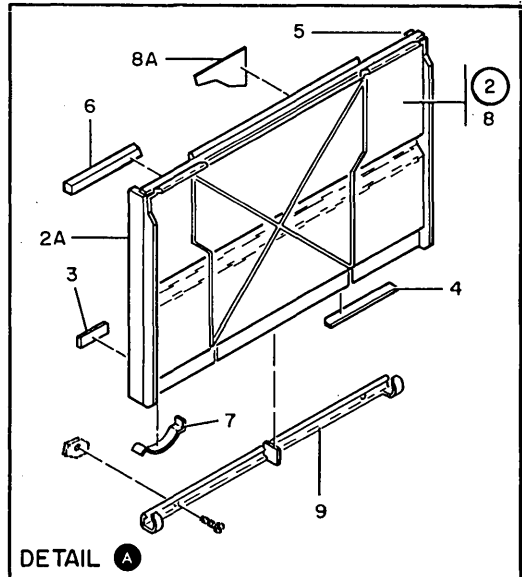
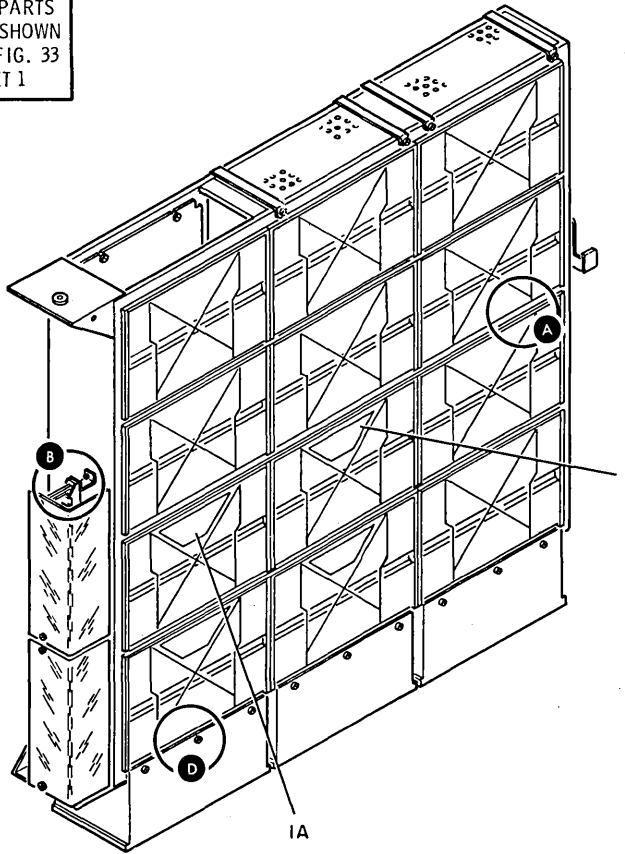


FIGURE 43. GATE ASSEMBLY- 3x4. SHEET 1 OF 2. INDEX NOS. 1-41. SEE LIST 43.



FOR PARTS  
NOT SHOWN  
SEE FIG. 33  
SHEET 1

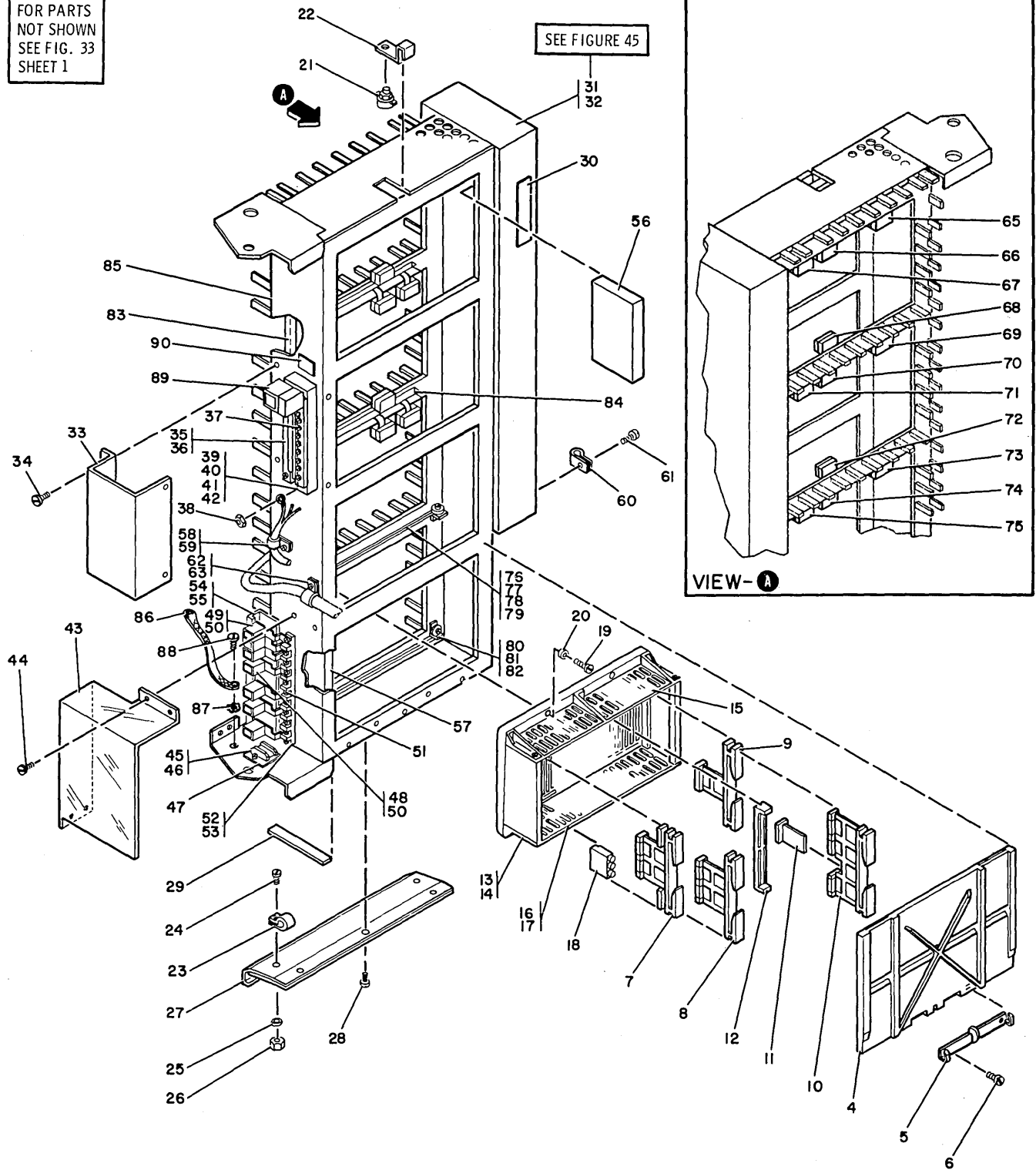


FIGURE 44. ISC GATE ASSEMBLY. SEE LIST 44.

| FIGURE-<br>INDEX<br>NUMBER | PART<br>NUMBER | DESCRIPTION  |   |   |   | UNITS<br>PER<br>ASM. | USABLE<br>ON<br>CODE |
|----------------------------|----------------|--|---|---|---|----------------------|----------------------|
|                            |                | 1  | 2 | 3 | 4 |                      |                      |
|                            |                | ISC GATE ASSEMBLY  |   |   |   |                      |                      |
| 44 -                       | 2199753        | GATE ASSEMBLY, ISC<br>FOR NEXT HIGHER ASM SEE FIGURE 33-24<br>FOR ILLUSTRATION SEE FIGURE 44 |   |   |   | REF                  |                      |
| - 4                        | 2637564        | . COVER ASM,CARD   |   |   |   | 4                    |                      |
| - 5                        | 2637567        | . BRACKET  |   |   |   | 4                    |                      |
| - 6                        | 2181005        | . SCREW,HEX HD- 6-32 X 0.375 LG  |   |   |   | ATT PT               | 8                    |
| - 7                        | 817398         | . HOLDER,CARD  |   |   |   |                      | 4                    |
| - 8                        | 818940         | . HOLDER,CARD- 4 POSITION  |   |   |   |                      | AR                   |
| - 9                        | 817397         | . HOLDER,CARD  |   |   |   |                      | AR                   |
| - 10                       | 818590         | . HOLDER,CARD- 10 POSITION   |   |   |   |                      | AR                   |
| - 11                       | 818575         | . HOUSING AND DUMMY CARD   |   |   |   |                      | AR                   |
| - 12                       | 817399         | . HOLDER,CARD  |   |   |   |                      | 1                    |
| - 13                       | 817395         | . BRACKET,SPACER   |   |   |   |                      | 2                    |
| - 14                       | 2181005        | . SCREW,HEX HD- 6-32 X 0.375 LG  |   |   |   | ATT PT               | 8                    |
| - 15                       | 817393         | . GUIDE,UPPER CARD   |   |   |   |                      | 1                    |
| - 16                       | 817394         | . GUIDE,LOWER CARD   |   |   |   |                      | 1                    |
| - 17                       | 2457745        | . SCREW,HEX SOC HD- 6-32 X 1.00 LG   |   |   |   | ATT PT               | 6                    |
| - 18                       | 817388         | . CAPACITOR ASM,HOUSING KEY  |   |   |   |                      | 12                   |
| - 19                       | 2457745        | . SCREW,HEX SOC HD- 6-32 X 1.00 LG   |   |   |   |                      | 14                   |
| - 20                       | 22066          | . WASHER,FL- 0.240 ID X 0.281 OD   |   |   |   |                      | 14                   |
| - 21                       | 5501994        | . SWITCH,THERMAL   |   |   |   |                      | 1                    |
| - 22                       | 5502007        | . CLIP, MOUNTING   |   |   |   |                      | 1                    |
| - 23                       | 357433         | . CLAMP,LOOP 0.187 ID 0.203 DIA MTG HOLD   |   |   |   |                      | 2                    |
| - 24                       | 32042          | . SCREW,MACH BD HD- 10-32 X 0.375 LG   |   |   |   | ATT PT               | 2                    |
| - 25                       | 45690          | . WASHER,FL- 0.203 ID X 0.438 OD   |   |   |   | ATT PT               | 2                    |
| - 26                       | 11598          | . NUT,HEX- 10-32 THD   |   |   |   | ATT PT               | 2                    |
| - 27                       | 2199762        | . HEADER ASM   |   |   |   |                      | 1                    |
| - 28                       | 2181004        | . SCREW,HEX HD- 10-32 X 0.375 LG   |   |   |   | ATT PT               | 3                    |
| - 29                       | 838480         | . SEAL,PLENUM  |   |   |   |                      | 2                    |
| - 30                       | 2311527        | . LABEL  |   |   |   |                      | 1                    |
| - 31                       | 2199780        | . PANEL ASM,CE<br>FOR DETAIL BREAKDOWN SEE FIGURE 45   |   |   |   |                      | 1                    |
| - 32                       | 5319854        | . SCREW,SELF TAPPING, 8-32 X .375 LONG   |   |   |   | ATT PT               | 4                    |
| - 33                       | 2199799        | . SHIELD,SAFETY  |   |   |   |                      | 1                    |
| - 34                       | 5319854        | . SCREW,SELF TAPPING, 8-32 X .375 LONG   |   |   |   | ATT PT               | 4                    |
| - 35                       | 819770         | . BLOCK ASM,AIR SEAL   |   |   |   |                      | 1                    |
| - 36                       | 2181001        | . SCREW,THD FORMING- 10-32 X 0.750 LG  |   |   |   | ATT PT               | 2                    |
| - 37                       | 819765         | . SCREW,MACH BD HD- 8-32 X 0.375 LG  |   |   |   |                      | 3                    |
| - 38                       | 819763         | . NUT,HEX- 1/4-20  |   |   |   |                      | 1                    |
| - 39                       | 819030         | . BLOCK ASM,TERMINAL   |   |   |   |                      | 1                    |
| - 40                       | 55918          | . SCREW,MACH BD HD- 10-32 X 0.625 LG   |   |   |   | ATT PT               | 2                    |
| - 41                       | 45690          | . WASHER,FL- 0.203 ID X 0.438 OD   |   |   |   | ATT PT               | 2                    |
| - 42                       | 9092           | . LOCKWASHER,SPLIT- 0.194 ID X 0.337 OD  |   |   |   | ATT PT               | 2                    |
| - 43                       | 2199764        | . SHIELD,SAFETY  |   |   |   |                      | 1                    |
| - 44                       | 2181004        | . SCREW,HEX HD- 10-32 X 0.375 LG   |   |   |   | ATT PT               | 4                    |
| - 45                       | 323841         | . BLOCK,3 DBL SCREW TERMINAL   |   |   |   |                      | 1                    |
| - 46                       | 322065         | . SCREW,MACH BIND HD 6-32 X 5/8 LG   |   |   |   | ATT PT               | 2                    |
| - 47                       | 323681         | . STRIP,3 POS NOS. 1 THRU 3 MARKER   |   |   |   |                      | 1                    |
| - 48                       | 2311612        | . . CAPACITOR ASM  |   |   |   |                      | 4                    |
| - 49                       | 2311616        | . CAPACITOR  |   |   |   |                      | 1                    |
| - 50                       | 251970         | . SCREW,MACH BD. HD. 4-40 X 1/4 LG   |   |   |   | ATT PT               | 6                    |
| - 51                       | 5298103        | . SCREW,BD HD- 10-32 X 0.38 LG   |   |   |   |                      | 9                    |
| - 52                       | 5298053        | . BLOCK,TERMINAL   |   |   |   |                      | 1                    |
| - 53                       | 2181001        | . SCREW,THD FORMING- 10-32 X 0.750 LG  |   |   |   | ATT PT               | 2                    |
| - 54                       | 2311622        | . BRACKET  |   |   |   |                      | 1                    |
| - 55                       | 2181004        | . SCREW,HEX HD- 10-32 X 0.375 LG   |   |   |   | ATT PT               | 2                    |
| - 56                       | 817933         | . BAFFLE   |   |   |   |                      | 6                    |
| - 57                       | 819608         | . BAFFLE,END GATE  |   |   |   |                      | 2                    |
| - 58                       | 2102367        | . CLAMP,LOOP 0.700 ID 0.200 DIA MTG HOLE   |   |   |   |                      | 1                    |
| - 59                       | 5319888        | . SCREW,HEX WASHER HD-SELF TAPPING 10-32   |   |   |   | ATT PT               | 1                    |
| - 60                       | 356742         | . CLAMP,LOOP 0.250 ID X 0.177 DIA MTG HOLE   |   |   |   |                      | 1                    |
| - 61                       | 5319854        | . SCREW,SELF TAPPING, 8-32 X .375 LONG   |   |   |   | ATT PT               | 1                    |
| - 62                       | 2102369        | . CLAMP,1.390 ID X .200 DIA MTG HOLE   |   |   |   |                      | 1                    |
| - 63                       | 5319888        | . SCREW,HEX WASHER HD-SELF TAPPING 10-32   |   |   |   | ATT PT               | 1                    |
| - 65                       | 2199773        | . BUS ASM,D1 TO TB2-W1   |   |   |   |                      | 1                    |
| - 66                       | 2311505        | . BUS ASM,P1 TO TB2-W1   |   |   |   |                      | 1                    |
| - 67                       | 2199771        | . BUS ASM,T1 TO TB2-W1   |   |   |   |                      | 1                    |
| - 68                       | 2311503        | . BUS ASM,P6 TO TB2-W1   |   |   |   |                      | 1                    |
| - 69                       | 2199776        | . BUS ASM,D1 TO TB2-W2   |   |   |   |                      | 1                    |
| - 70                       | 2311506        | . BUS ASM,P1 TO TB2-W2   |   |   |   |                      | 1                    |
| - 71                       | 2199774        | . BUS ASM,T1 TO TB2-W2   |   |   |   |                      | 1                    |
| - 72                       | 2311504        | . BUS ASM,P6 TO TB2-W2   |   |   |   |                      | 1                    |
| - 73                       | 2199799        | . BUS ASM,D1 TO TB2-W4   |   |   |   |                      | 1                    |
| - 74                       | 2199778        | . BUS ASM,P1 TO TB2-W4   |   |   |   |                      | 1                    |
| - 75                       | 2199777        | . BUS ASM,T1 TO TB2-W4   |   |   |   |                      | 1                    |
| - 76                       | 2311507        | . BUS ASM,LAMINAR  |   |   |   |                      | 1                    |





FOR PARTS  
NOT SHOWN  
SEE FIG. 44

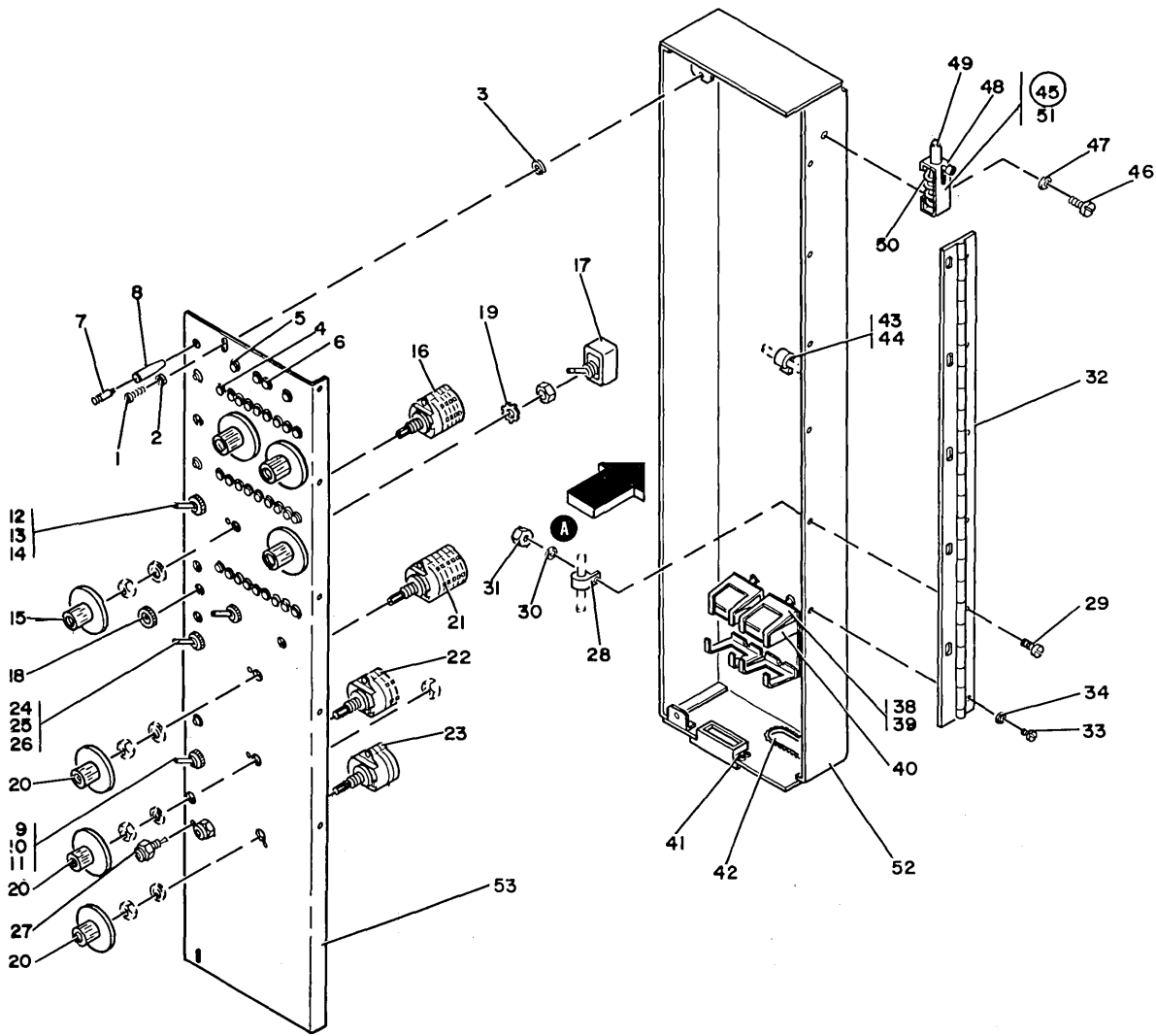
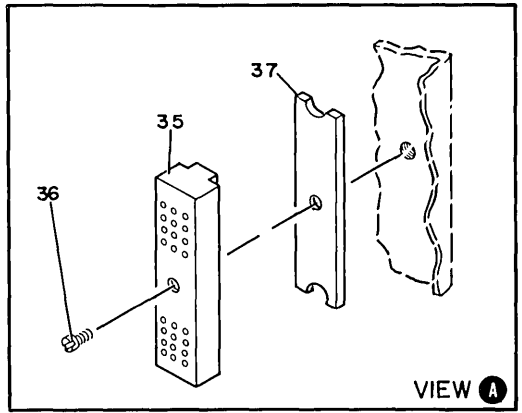


FIGURE 45. CE PANEL ASSEMBLY. SEE LIST 45.

| LIST AND INDEX NUMBER | PART NUMBER | DESCRIPTION  |   |   |   | UNITS PER ASM. | USABLE ON CODE |
|-----------------------|-------------|--|---|---|---|----------------|----------------|
|                       |             | 1  | 2 | 3 | 4 |                |                |
|                       |             | CE PANEL ASSEMBLY  |   |   |   |                |                |
| 45 -                  | 2199780     | PANEL ASSEMBLY, CE<br>FOR NEXT HIGHER ASM SEE FIGURE 44-31<br>FOR ILLUSTRATION SEE FIGURE 45 |   |   |   | REF            |                |
| - 1                   | 186759      | . SCREW, MACH BD HD- 8-32 X 0.312 LG   |   |   |   | ATT PT         | 2              |
| - 2                   | 22478       | . WASHER, FL- 0.170 ID X 0.375 OD  |   |   |   | ATT PT         | 4              |
| - 3                   | 1092125     | . CLIP   |   |   |   | ATT PT         | 2              |
| - 4                   | 5372182     | . INDICATOR ASM, AMBER 4.5V  |   |   |   |                | 3              |
| - 5                   | 5372183     | . INDICATOR ASSEMBLY, 4.5V   |   |   |   |                | 28             |
| - 6                   | 5372848     | . INDICATOR ASSEMBLY, RED 4.5 VOLTS  |   |   |   |                | 3              |
| - 7                   | 5443629     | . INDICATOR ASSEMBLY, GREEN  |   |   |   |                | 3              |
| - 8                   | 5353887     | . HOUSING, PANEL   |   |   |   |                | 35             |
| - 9                   | 483523      | . SWITCH, TOGGLE   |   |   |   |                | 1              |
| - 10                  | 179744      | . NUT, TOGGLE SWITCH   |   |   |   | ATT PT         | 1              |
| - 11                  | 159373      | . WASHER, LOCK-EXT T   |   |   |   | ATT PT         | 1              |
| - 12                  | 738825      | . SWITCH, TOGGLE   |   |   |   |                | 2              |
| - 13                  | 179744      | . NUT, TOGGLE SWITCH   |   |   |   | ATT PT         | 2              |
| - 14                  | 159373      | . WASHER, LOCK-EXT T   |   |   |   | ATT PT         | 2              |
| - 15                  | 2281083     | . KNOB ASM   |   |   |   |                | 4              |
| - 16                  | 2269105     | . SWITCH, ROTARY   |   |   |   |                | 4              |
| - 17                  | 738828      | . SWITCH, TOGGLE   |   |   |   |                | 5              |
| - 18                  | 179744      | . NUT, TOGGLE SWITCH   |   |   |   | ATT PT         | 5              |
| - 19                  | 159373      | . WASHER, LOCK-EXT T   |   |   |   | ATT PT         | 5              |
| - 20                  | 2580016     | . KNOB ASM, POINTER  |   |   |   |                | 3              |
| - 21                  | 2269106     | . SWITCH, ROTARY   |   |   |   |                | 1              |
| - 22                  | 2281086     | . SWITCH, ROTARY   |   |   |   |                | 1              |
| - 23                  | 2199786     | . SWITCH, ROTARY   |   |   |   |                | 1              |
| - 25                  | 179744      | . NUT, TOGGLE SWITCH   |   |   |   | ATT PT         | 1              |
| - 26                  | 159373      | . WASHER, LOCK-EXT T   |   |   |   | ATT PT         | 1              |
| - 27                  | 2109037     | . JACK   |   |   |   |                | 2              |
| - 28                  | 532393      | . CLAMP, CABLE   |   |   |   |                | 7              |
| - 29                  | 34512       | . SCREW, MACH BD HD- 8-32 X 0.375 LG   |   |   |   | ATT PT         | 7              |
| - 30                  | 22478       | . WASHER, FL- 0.170 ID X 0.375 OD  |   |   |   | ATT PT         | 7              |
| - 31                  | 257189      | . NUT, HEX 8-32  |   |   |   | ATT PT         | 7              |
| - 32                  | 2128005     | . HINGE  |   |   |   |                | 1              |
| - 33                  | 58207       | . SCREW, MACH BD HD- 8-32 X 0.250 LG   |   |   |   | ATT PT         | 4              |
| - 34                  | 22478       | . WASHER, FL- 0.170 ID X 0.375 OD  |   |   |   | ATT PT         | 4              |
| - 35                  | 302090      | . BLOCK, TERMINAL  |   |   |   |                | 4              |
| - 36                  | 438549      | . SCREW, MACH BIND HD 4-40 X 7/16 LG   |   |   |   | ATT PT         | 4              |
| - 37                  | 302131      | . STRIP, INSULATOR 2.094 LG X 1/16 THK   |   |   |   |                | 4              |
| - 38                  | 2281648     | . RETAINER, CABLE  |   |   |   |                | 4              |
| - 39                  | 438549      | . SCREW, MACH BIND HD 4-40 X 7/16 LG   |   |   |   | ATT PT         | 4              |
| - 40                  | 5861315     | . CARD ASM   |   |   |   |                | 2              |
| - 41                  | 38261       | . SCREW, MACH FIL HD- 4-40 X 0.187 LG  |   |   |   |                | 2              |
| - 42                  | 473442      | . GROMMET, CATERPILLAR   |   |   |   |                | 1              |
| - 43                  | 2277082     | . MOUNT, PUSH SWITCH   |   |   |   |                | 1              |
| - 44                  | 1159519     | . STRAP, CABLE   |   |   |   |                | 1              |
| - 45                  | 2172092     | . LATCH ASM  |   |   |   |                | 1              |
| - 46                  | 38235       | . SCREW, MACH BD HD- 6-32 X 0.312 LG   |   |   |   | ATT PT         | 2              |
| - 47                  | 257986      | . WASHER, FL- 0.156 ID X 0.312 OD  |   |   |   | ATT PT         | 2              |
| - 48                  | 528013      | . . STUD   |   |   |   |                | 1              |
| - 49                  | 528014      | . . PIN  |   |   |   |                | 1              |
| - 50                  | 528012      | . . SPRING   |   |   |   |                | 1              |
| - 51                  | 528011      | . . BRACKET  |   |   |   |                | 1              |
| - 52                  | 2199782     | . HOUSING, PANEL   |   |   |   |                | 1              |
| - 53                  | 2199781     | . PANEL  |   |   |   |                | 1              |

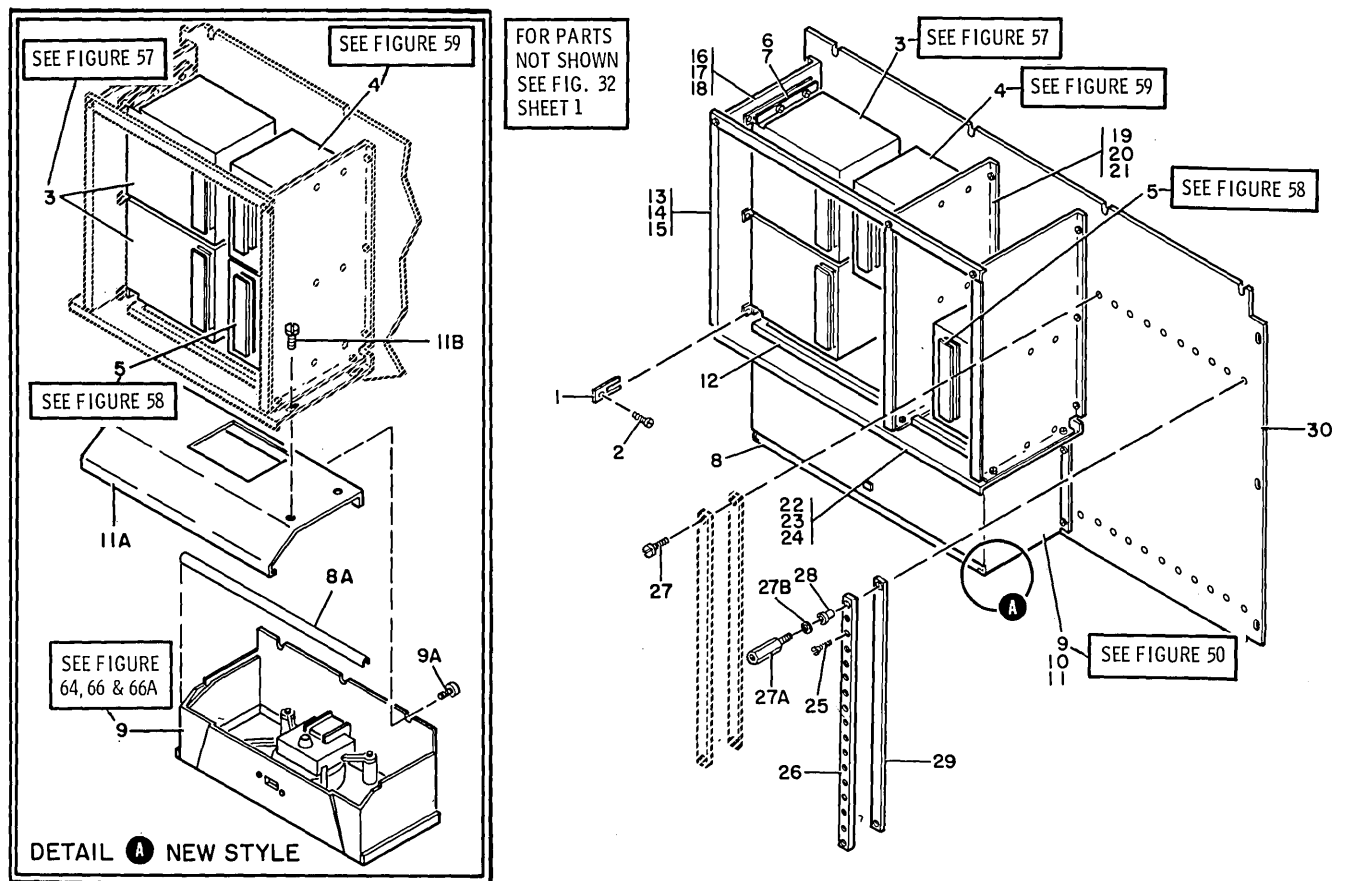


FIGURE 46. POWER MODULE ASSEMBLY. SEE LIST 46.

| LIST AND INDEX NUMBER | PART NUMBER | DESCRIPTION                                  |   |   |   | UNITS PER ASM. | USABLE ON CODE |
|-----------------------|-------------|--|---|---|---|----------------|----------------|
|                       |             | 1  | 2 | 3 | 4 |                |                |
|                       |             | POWER MODULE ASSEMBLY                        |   |   |   |                |                |
| 46 -                  | 1993378     | POWER MODULE ASM- OLD STYLE                  |   |   |   | REF            |                |
| -                     | 2641791     | POWER MODULE ASSEMBLY- NEW STYLE             |   |   |   | REF            |                |
|                       |             | FOR NEXT HIGHER ASM SEE FIGURE 32-13         |   |   |   |                |                |
|                       |             | FOR ILLUSTRATION SEE FIGURE 46               |   |   |   |                |                |
| - 1                   | 2532027     | . KEEPER, POWER SUPPLY                       |   |   |   | 7              |                |
| - 2                   | 825939      | . SCREW, SEMS HEX HD 8-32 X .312 LG          |   |   |   | ATT PT         | 7              |
| - 3                   | 5762000     | . POWER SUPPLY ASM- 3V AT 20 AMPS            |   |   |   |                | 2              |
|                       |             | FOR DETAIL BREAKDOWN SEE FIGURE 57           |   |   |   |                |                |
| - 4                   | 5762320     | . 36VDC @ 2A POWER PAC ASSEMBLY, PS4         |   |   |   |                | 1              |
|                       |             | FOR DETAIL BREAKDOWN SEE FIGURE 59           |   |   |   |                |                |
| - 5                   | 5761710     | . POWER PAC ASM, 6V AT 16 AMP MID PACK       |   |   |   |                | 1              |
|                       |             | FOR DETAIL BREAKDOWN SEE FIGURE 58           |   |   |   |                |                |
| - 6                   | 207382      | . RAIL                                       |   |   |   |                | 7              |
| - 7                   | 55711       | . SCREW, MACH HEX HD 10-32 X 9/16 LG         |   |   |   | ATT PT         | 14             |
| - 8                   | 5357013     | . FILTER, AIR                                |   |   |   |                | 1              |
| - 8A                  | 216197      | . SEAL                                       |   |   |   |                | AR             |
| - 9                   | 1981202     | . REGULATOR FAN ASM                          |   |   |   |                | 1              |
|                       |             | USED ON OLD STYLE ASM ONLY                   |   |   |   |                |                |
|                       |             | FOR DETAIL BREAKDOWN SEE FIGURE 50           |   |   |   |                |                |
| - 9                   | 1993581     | . COOLING UNIT ASM- 50 HZ                    |   |   |   |                | 1              |
| - 9                   | 1993582     | . COOLING UNIT ASM- 60 HZ                    |   |   |   |                | 1              |
|                       |             | USED ON NEW STYLE ASM ONLY                   |   |   |   |                |                |
|                       |             | FOR DETAIL BREAKDOWN SEE FIGURE 64           |   |   |   |                |                |
| - 9                   | 1573500     | . COOLING UNIT ASSEMBLY- 60 HZ               |   |   |   |                | 1              |
|                       |             | FOR DETAIL BREAKDOWN SEE FIGURE 66           |   |   |   |                |                |
| - 9                   | 1574800     | . COOLING UNIT ASSEMBLY- 60 HZ NON PCB       |   |   |   |                | 1              |
|                       |             | FOR DETAIL BREAKDOWN SEE FIGURE 66           |   |   |   |                |                |
| - 9                   | 5548306     | . COOLING UNIT ASSEMBLY- 60 HZ (OPTIONAL)    |   |   |   |                | 1              |
| - 9                   | 1574816     | . COOLING UNIT ASM- 60 HZ NON PCB (OPTIONAL) |   |   |   |                | 1              |
|                       |             | FOR DETAIL BREAKDOWN SEE FIGURE 66A          |   |   |   |                |                |
| - 9A                  | 32042       | . SCREW, MACH BD HD- 10-32 X 0.375 LG        |   |   |   | ATT PT         | 3              |
| - 10                  | 140425      | . SCREW, MACH HEX HD 10-32 X 5/16 LG         |   |   |   | ATT PT         | 4              |
| - 11                  | 47242       | . WASHER, FL NO. 12 X 1/2 OD X 0.062 THK     |   |   |   | ATT PT         | 4              |
| - 11A                 | 2641796     | . COVER, BLOWER                              |   |   |   |                | 1              |
| - 11B                 | 32042       | . SCREW, MACH BD HD- 10-32 X 0.375 LG        |   |   |   | ATT PT         | 4              |
| - 12                  | 5405190     | . SEAL                                       |   |   |   |                | AR             |
| - 13                  | 1993328     | . BRACKET, POWER PLATE                       |   |   |   |                | 1              |
|                       |             | USED ON OLD STYLE ASM ONLY                   |   |   |   |                |                |
| - 13                  | 2641794     | . BRACKET, POWER PLATE                       |   |   |   |                | 1              |
|                       |             | USED ON NEW STYLE ONLY                       |   |   |   |                |                |
| - 14                  | 140425      | . SCREW, MACH HEX HD 10-32 X 5/16 LG         |   |   |   | ATT PT         | 3              |
| - 15                  | 47242       | . WASHER, FL NO. 12 X 1/2 OD X 0.062 THK     |   |   |   | ATT PT         | 3              |
| - 16                  | 1993326     | . PLATE, MODULE- LEFT                        |   |   |   |                | 1              |
| - 17                  | 140425      | . SCREW, MACH HEX HD 10-32 X 5/16 LG         |   |   |   | ATT PT         | 5              |
| - 18                  | 47242       | . WASHER, FL NO. 12 X 1/2 OD X 0.062 THK     |   |   |   | ATT PT         | 5              |
| - 19                  | 1993327     | . PLATE, MODULE- RIGHT                       |   |   |   |                | 2              |
| - 20                  | 140425      | . SCREW, MACH HEX HD 10-32 X 5/16 LG         |   |   |   | ATT PT         | 10             |
| - 21                  | 47242       | . WASHER, FL NO. 12 X 1/2 OD X 0.062 THK     |   |   |   | ATT PT         | 10             |
| - 22                  | 1993325     | . PLATE, MODULE- BOTTOM                      |   |   |   |                | 1              |
|                       |             | USED ON OLD STYLE ONLY                       |   |   |   |                |                |
| - 22                  | 2641795     | . PLATE, MODULE- BOTTOM                      |   |   |   |                |                |
|                       |             | USED ON NEW STYLE ONLY                       |   |   |   |                |                |
| - 23                  | 140425      | . SCREW, MACH HEX HD 10-32 X 5/16 LG         |   |   |   | ATT PT         | 3              |
| - 24                  | 47242       | . WASHER, FL NO. 12 X 1/2 OD X 0.062 THK     |   |   |   | ATT PT         | 3              |
| - 25                  | 5319854     | . SCREW, SELF TAPPING, 8-32 X .375 LONG      |   |   |   |                | 176            |
| - 26                  | 2218833     | . BAR, BUS                                   |   |   |   |                | 11             |
| - 27                  | 2181001     | . SCREW, THD FORMING- 10-32 X 0.750 LG       |   |   |   | ATT PT         | 22             |
| - 27A                 | 806024      | . STUD, MOUNTING                             |   |   |   | ATT PT         | 4              |
| - 27B                 | 45690       | . WASHER, FL- 0.203 ID X 0.438 OD            |   |   |   | ATT PT         | 4              |
| - 28                  | 333586      | . BUSHING, HEAT BUS INSULATOR                |   |   |   | ATT PT         | 22             |
| - 29                  | 2218832     | . STRIP, INSULATOR                           |   |   |   |                | 11             |
| - 30                  | 1993323     | . PLATE, POWER SUPPLY                        |   |   |   |                | 1              |

FOR PARTS  
NOT SHOWN  
SEE FIG. 33  
SHEET 1

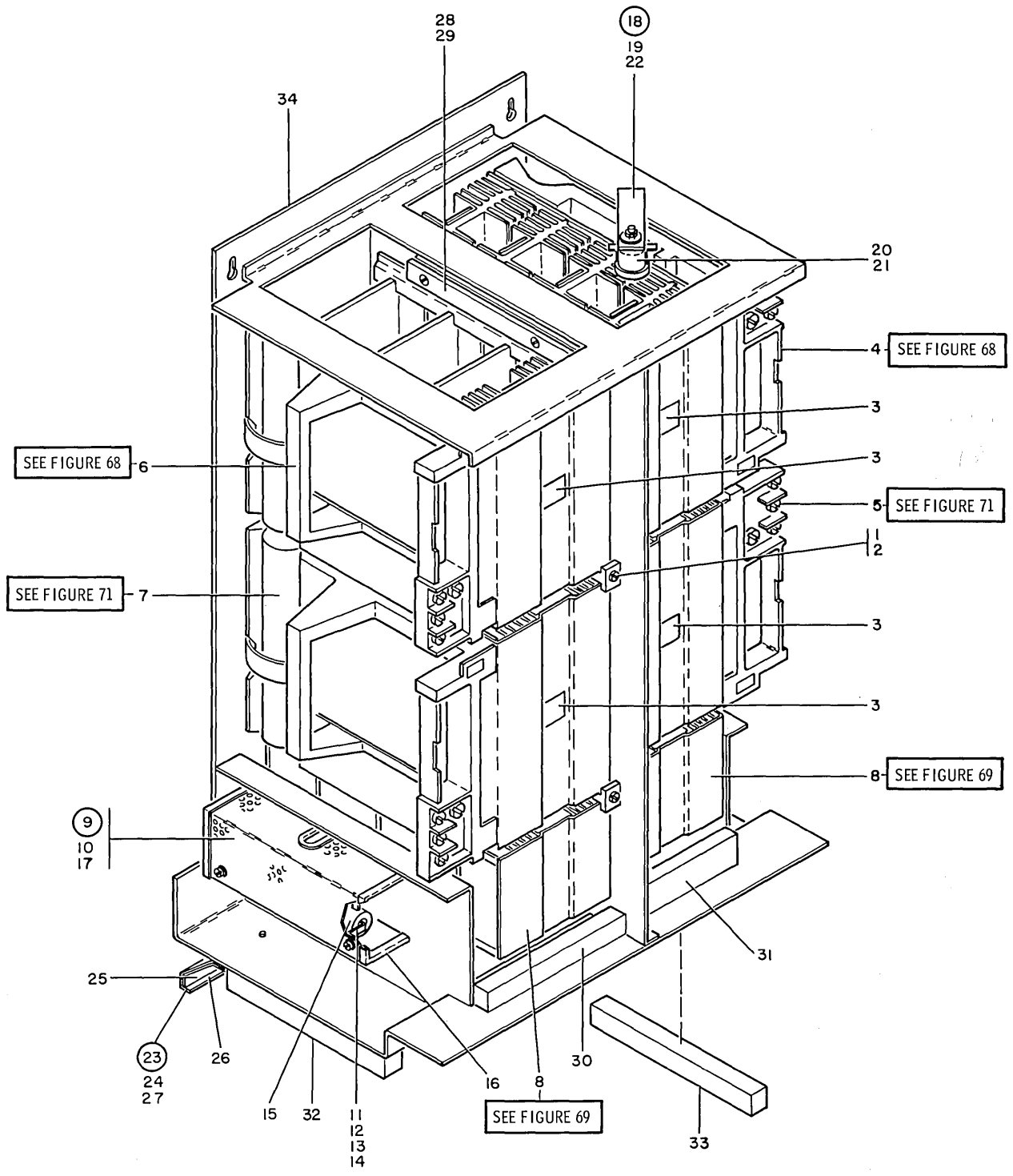


FIGURE 47. REGULATOR AND BOX ASSEMBLY. SEE LIST 47.

| LIST AND INDEX NUMBER | PART NUMBER | DESCRIPTION   |   |   |   | UNITS PER ASM. | USABLE ON CODE |
|-----------------------|-------------|---|---|---|---|----------------|----------------|
|                       |             | 1   | 2 | 3 | 4 |                |                |
|                       |             | REGULATOR AND BOX ASSEMBLY  |   |   |   |                |                |
|                       |             | CODE A PART OF FINAL ASM  |   |   |   |                |                |
| 47 -                  | 1797154     | REGULATOR AND BOX ASSEMBLY  |   |   |   | REF            |                |
|                       |             | FOR NEXT HIGHER ASM SEE FIGURE 33-54<br>AND FOR ILLUSTRATION SEE FIGURE 47    |   |   |   |                |                |
| - 1                   | 1981069     | . KEEPER  |   |   |   | 6              | A              |
| - 2                   | 438586      | . SCREW, BD HD- 8-32 X .875 LG  |   |   |   | 6              |                |
| - 3                   | 1797192     | . LABEL-ISC   |   |   |   | 1              | A              |
| - 4                   | 2557470     | . POWER SUPPLY ASSEMBLY- 6V AT 12A  |   |   |   | 1              | A              |
| - 5                   | 2611780     | FOR DETAIL BREAKDOWN SEE FIGURE 68<br>. POWER SUPPLY ASSEMBLY- 2.15V AT 70A   |   |   |   | 1              | A              |
| - 6                   | 2611770     | FOR DETAIL BREAKDOWN SEE FIGURE 71<br>. POWER SUPPLY ASSEMBLY- 7V AT 12A      |   |   |   | 1              | A              |
| - 7                   | 2572730     | FOR DETAIL BREAKDOWN SEE FIGURE 68<br>. POWER SUPPLY ASSEMBLY- 1.25/3V AT 69A |   |   |   | 1              | A              |
| - 8                   | 2557490     | FOR DETAIL BREAKDOWN SEE FIGURE 71<br>. HEATSINK ASSEMBLY, ADD-ON- 20A        |   |   |   | 1              | A              |
|                       |             | FOR DETAIL BREAKDOWN SEE FIGURE 69  |   |   |   |                |                |
| - 9                   | 1994827     | . SHIELD ASM, RESISTOR  |   |   |   | 1              |                |
| - 10                  | 10170       | . SCREW, MACH BD HD- 6-32 X 0.250 LG  |   |   |   | 2              |                |
| - 11                  | 510316      | . BRACKET   |   |   |   | 2              |                |
| - 12                  | 10170       | . SCREW, MACH BD HD- 6-32 X 0.250 LG  |   |   |   | 2              |                |
| - 13                  | 257986      | . WASHER, FL- 0.156 ID X 0.312 OD   |   |   |   | 2              |                |
| - 14                  | 257187      | . NUT, HEX- 6-32 THD  |   |   |   | 2              |                |
| - 15                  | 1994825     | . RESISTOR ASM- 0.24 OHMS P/MX 90W  |   |   |   | 1              |                |
| - 16                  | 825880      | . TAPE, FOAM  |   |   |   | 1              |                |
| - 17                  | 1994826     | . SHIELD  |   |   |   | 1              |                |
| - 18                  | 1797211     | . THERMAL SWITCH ASM- 165 DEG   |   |   |   | 1              |                |
| - 19                  | 55726       | . SCREW, MACH BD HD- 6-32 X 0.188 LG  |   |   |   | 1              |                |
| - 20                  | 5501996     | . SWITCH, THERMAL- 165 DEGREE   |   |   |   | 1              |                |
| - 21                  | 2646913     | . CLIP  |   |   |   | 1              |                |
| - 22                  | 2646837     | . BRACKET   |   |   |   | 1              |                |
| - 23                  | 1993102     | . ADAPTER ASM, COOLING UNIT   |   |   |   | 1              |                |
| - 24                  | 236849      | . SCREW, MACH BD HD- 10-32 X 0.250 LG   |   |   |   | 3              |                |
| - 25                  | 838480      | . SEAL, PLENUM  |   |   |   | 1              |                |
| - 26                  | 216297      | . SEAL, AIR   |   |   |   | 1              |                |
| - 27                  | 1993157     | . ADAPTER   |   |   |   | 1              |                |
| - 28                  | 1993603     | . RAIL  |   |   |   | 8              |                |
| - 29                  | 332620      | . SCREW, MACH BD HD- 10-32 X 0.500 LG   |   |   |   | 16             |                |
| - 30                  | 352018      | . SEAL  |   |   |   | 1              |                |
| - 31                  | 744991      | . SEAL  |   |   |   | 1              |                |
| - 32                  | 838480      | . SEAL, PLENUM  |   |   |   | 2              |                |
| - 33                  | 342470      | . SEAL  |   |   |   | 1              |                |
| - 34                  | 1797108     | . BOX, REGULATOR  |   |   |   | 1              |                |

FOR PARTS NOT SHOWN SEE FIG. 34 SHEET 1

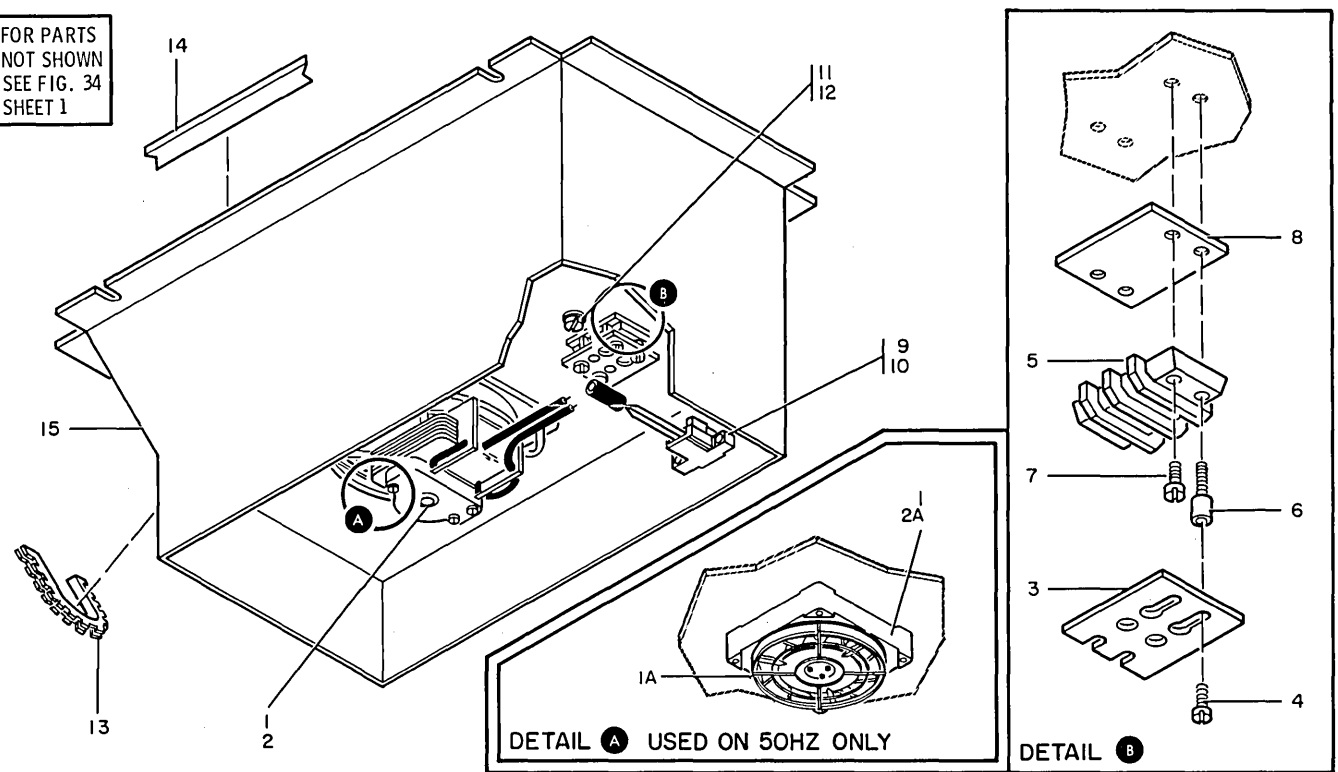


FIGURE 48. BLOWER ASSEMBLY. SEE LIST 48.

| LIST AND INDEX NUMBER           | PART NUMBER | DESCRIPTION  |   |   |   | UNITS PER ASM. | USABLE ON CODE |
|---------------------------------|-------------|--|---|---|---|----------------|----------------|
|                                 |             | 1  | 2 | 3 | 4 |                |                |
| 48 -                            | 1797355     | BLOWER ASSEMBLY- 50 HZ   |   |   |   | REF            |                |
| -                               | 1797356     | BLOWER ASSEMBLY- 60 HZ<br>FOR NEXT HIGHER ASM SEE FIGURE 34-45<br>AND FOR ILLUSTRATION SEE FIGURE 48 |   |   |   | REF            |                |
| - 1                             | 827462      | . FAN ASSEMBLY- 60 HZ  |   |   |   | 1              |                |
| - 1                             | 4120230     | . FAN ASSEMBLY- 50 HZ  |   |   |   | 1              |                |
| - 1A                            | 4123890     | . GUARD- 50 HZ   |   |   |   | 1              |                |
| - 2                             | 322065      | . SCREW, MACH BIND HD 6-32 X 5/8 LG  |   |   |   | 4              | ATT PT         |
| - 2A                            | 35739       | . SCREW, MACH BD HD- 6-32 X 0.438 LG   |   |   |   | 4              | ATT PT         |
| - 3                             | 187467      | . SHIELD, 2 POSITION   |   |   |   | 1              |                |
| - 4                             | 10170       | . SCREW, MACH BD HD- 6-32 X 0.250 LG   |   |   |   | 2              | ATT PT         |
| - 5                             | 80817       | . BLOCK, TERMINAL DBL SCREW 2 POSITION   |   |   |   | 1              |                |
| - 6                             | 210883      | . STUD, SHIELD MTG TAPPED NO. 6-32   |   |   |   | 2              | ATT PT         |
| - 7                             | 35739       | . SCREW, MACH BD HD- 6-32 X 0.438 OD   |   |   |   | 2              | ATT PT         |
| - 8                             | 2101380     | . MARKER STRIP, 2 POS NOS. 1 AND 2   |   |   |   | 1              |                |
| - 9                             | 1985564     | . CABLE ASM, INTERNAL BLOWER- AC   |   |   |   | 1              |                |
| - 10                            | 2637289     | . SCREW, SELF TAPPING- 8-18 X 0.625 LG   |   |   |   | 2              | ATT PT         |
| - 11                            | 38235       | . SCREW, MACH BD HD- 6-32 X 0.312 LG   |   |   |   | 1              |                |
| - 12                            | 56722       | . LOCKWASHER, EXT TEETH- 0.150 ID X 0.320 O  |   |   |   | 1              |                |
| - 13                            | 473442      | . GROMMET, CATERPILLAR   |   |   |   | 1              |                |
| - 14                            | 838480      | . SEAL, PLENUM   |   |   |   | 1              |                |
| - 15                            | 1797352     | . HOUSING  |   |   |   | 1              |                |
| NOTE: LIST 49 HAS BEEN DELETED. |             |  |   |   |   |                |                |



FOR PARTS  
NOT SHOWN  
SEE FIG. 46

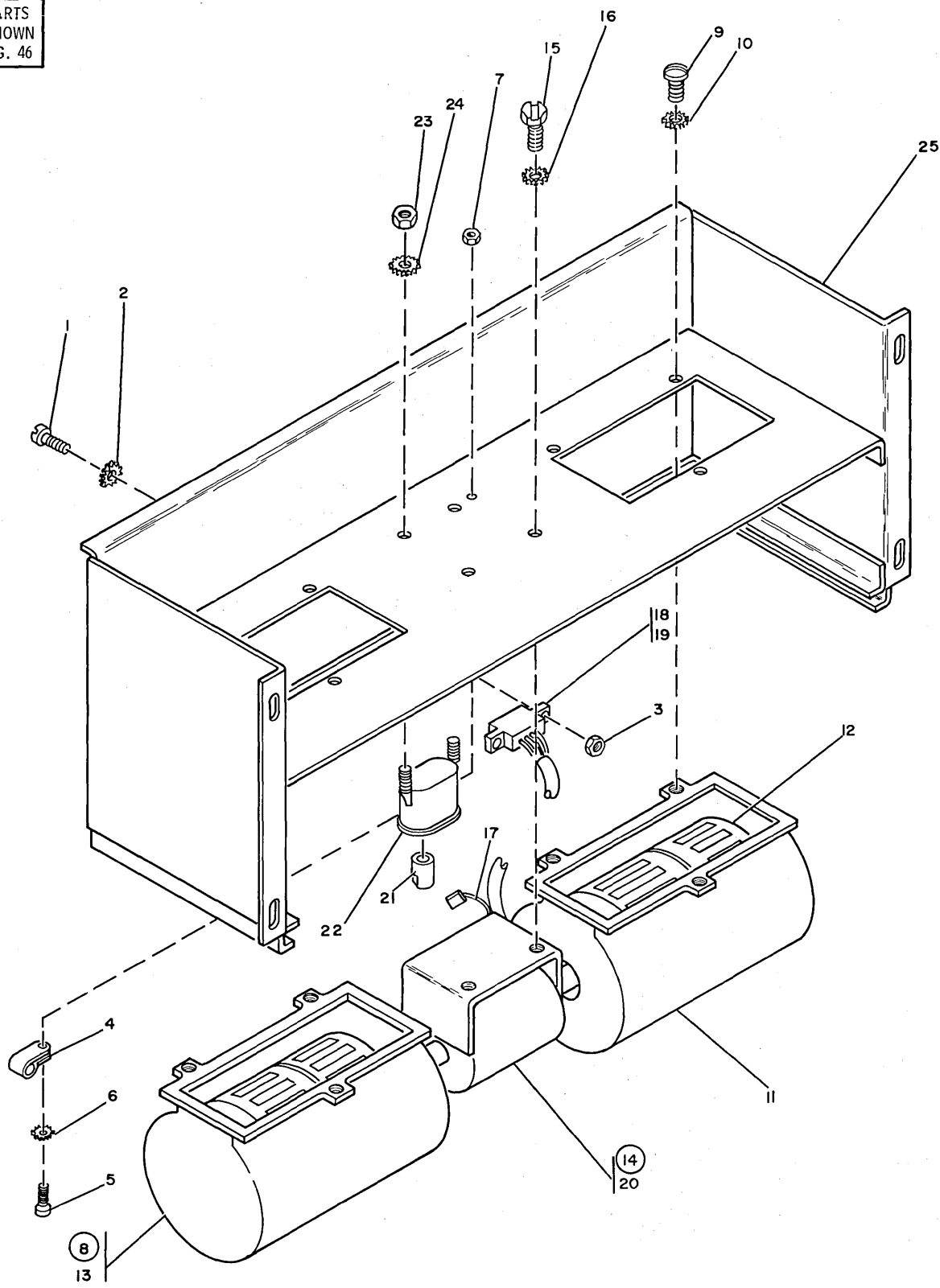


FIGURE 50. REGULATOR FAN ASSEMBLY. SEE LIST 50.



FOR PARTS  
 NOT SHOWN  
 SEE FIGS. 32  
 AND 34, SH. 1

| JUMPER CABLES |                    |  |
|---------------|--------------------|--|
| P/N           | LOCATION           |  |
| 1993889       | CB1 TO K16         | 100A-200,220,235V 50HZ<br>100A-200,208,230V 60HZ |
| 1993965       | CB1 TO K16         | 75A-380,408V 50HZ                                |
| 1796915       | CB2 TO K26         |  |
| 1796914       | CB2 TO CB500       |  |
| 2630395       | CB4 TO FILTER CAPS |  |

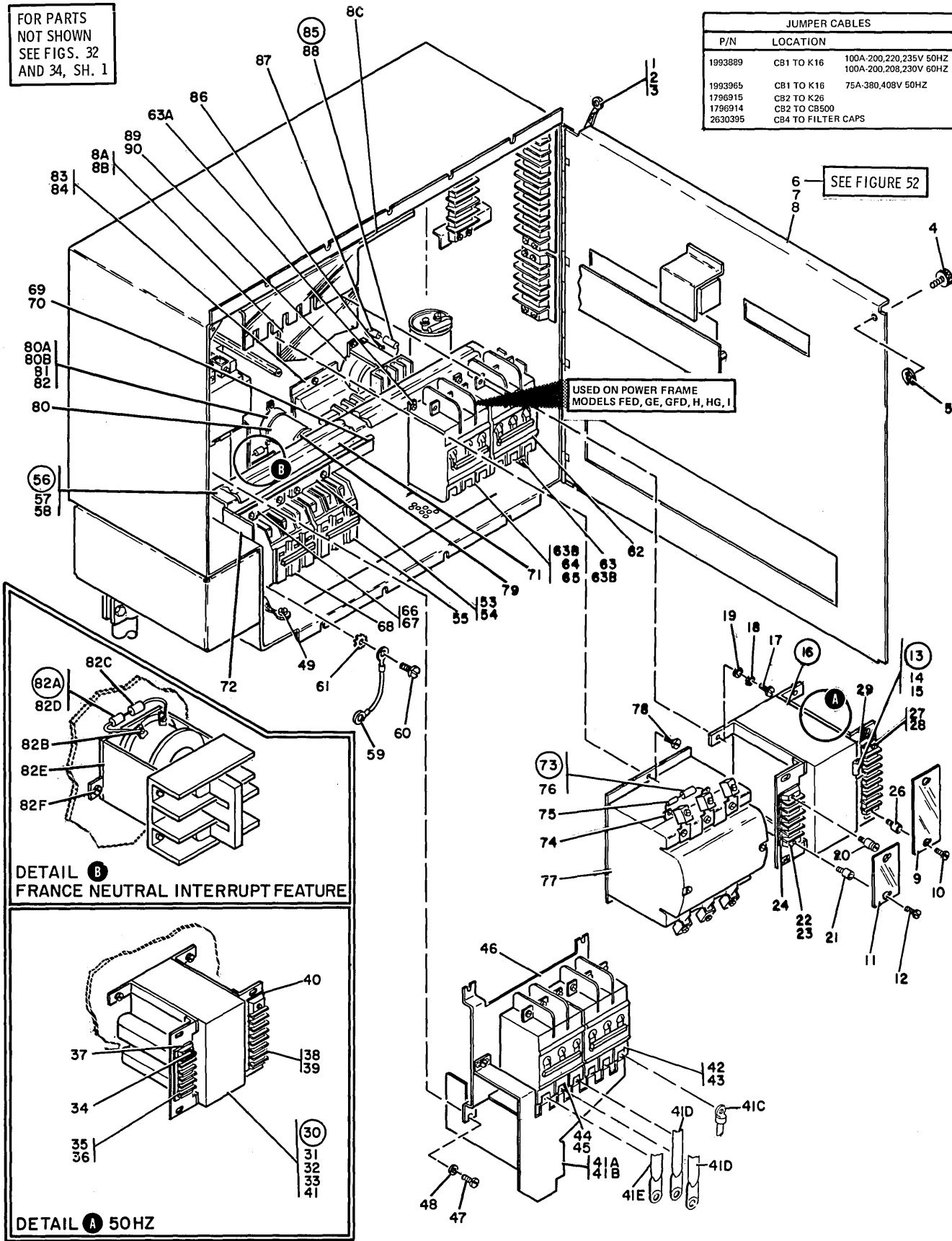


FIGURE 51. PRIMARY POWER BOX ASSEMBLY. SHEET 1 OF 2. NOS. 1-90. SEE LIST 51.

PRIMARY POWER BOX ASSEMBLY

| FIGURE-<br>INDEX<br>NUMBER | PART<br>NUMBER | DESCRIPTION   |   |   |   | UNITS<br>PER<br>ASM. | USABLE<br>ON<br>CODE |
|----------------------------|----------------|---|---|---|---|----------------------|----------------------|
|                            |                | 1   | 2 | 3 | 4 |                      |                      |
| 51 -                       | 1994800        | PRIMARY POWER BOX ASM- 60HZ   |   |   |   | REF                  |                      |
| -                          | 1994850        | PRIMARY POWER BOX ASM- 50 HZ<br>USED ON POWER FRAME   |   |   |   | REF                  |                      |
| -                          | 2649335        | MODELS FED, GE, GFD, H, HG AND I<br>FOR NEXT HIGHER ASM SEE FIGURE 32-1<br>PRIMARY POWER BOX ASM- 60 HZ   |   |   |   | REF                  |                      |
| -                          | 2649330        | PRIMARY POWER BOX ASM- 50 HZ<br>USED ON POWER FRAME<br>MODELS H2, HG2, I2, IH2 AND J2<br>FOR NEXT HIGHER ASM SEE FIGURE 34-48<br>FOR ILLUSTRATION SEE FIGURE 51 |   |   |   | REF                  |                      |
| - 1                        | 5424355        | . JUMPER ASM,GROUND   |   |   |   | 1                    |                      |
| - 2                        | 32042          | . SCREW,MACH BD HD- 10-32 X 0.375 LG.   |   |   |   | ATT PT               | 1                    |
| - 3                        | 47242          | . WASHER,FL NO. 12 X 1/2 OD X 0.062 THK   |   |   |   | ATT PT               | 1                    |
| - 4                        | 824673         | . SCREW,KNURLED HD,FASTENING 10-32  |   |   |   |                      | 2                    |
| - 5                        | 257701         | . CLIP,SPRING- 0.098 ID X 0.020 THK   |   |   |   | ATT PT               | 2                    |
| - 6                        | 1994770        | . PRIMARY POWER BOX DOOR ASM<br>USED ON POWER FRAME   |   |   |   |                      | 1                    |
| - 6                        | 1797134        | MODELS FED, GE, GFD, H, HG AND I<br>. PRIMARY POWER BOX DOOR ASSEMBLY<br>USED ON POWER FRAME  |   |   |   |                      | 1                    |
| - 7                        | 32042          | MODELS H2, HG2, I2, IH2 AND J2<br>FOR DETAIL BREAKDOWN SEE FIGURE 52<br>. SCREW,MACH BD HD- 10-32 X 0.375 LG.   |   |   |   | ATT PT               | 3                    |
| - 8                        | 47242          | . WASHER,FL NO. 12 X 1/2 OD X 0.062 THK   |   |   |   | ATT PT               | 3                    |
| - 8A                       | 1800979        | . SHIELD  |   |   |   |                      | 1                    |
| - 8B                       | 55918          | . SCREW,MACH BD HD- 10-32 X 0.625 LG  |   |   |   | ATT PT               | 2                    |
| - 8C                       | 1800980        | . SHIELD  |   |   |   |                      | 1                    |
| - 9                        | 350977         | . COVER   |   |   |   |                      | 1                    |
| - 10                       | 10170          | . SCREW,MACH BD HD- NO. 6-32 X .250 LG  |   |   |   | ATT PT               | 1                    |
| - 11                       | 533362         | . SHIELD,SAFETY   |   |   |   |                      | 1                    |
| - 12                       | 10170          | . SCREW,MACH BD HD- NO. 6-32 X .250 LG  |   |   |   | ATT PT               | 1                    |
| - 13                       | 2646809        | . RESISTOR ASM  |   |   |   |                      | 1                    |
| - 14                       | 483678         | . . TERMINAL  |   |   |   |                      |                      |
| - 15                       | 5700286        | . . RESISTOR  |   |   |   |                      |                      |
| - 15                       | 1993555        | . TRANSFORMER ASM- 60HZ (TR3)   |   |   |   |                      | 1                    |
| - 17                       | 36844          | . SCREW,CAP SLOT HD 1/4-20 X 0.500 LG   |   |   |   | ATT PT               | 4                    |
| - 18                       | 3550           | . WASHER,FL 1/4 X 9/16 OD X 0.050 THK   |   |   |   | ATT PT               | 4                    |
| - 19                       | 6935           | . LOCKWASHER, SPLIT 1/4 X 0.493 OD  |   |   |   | ATT PT               | 4                    |
| - 20                       | 210883         | . . STUD,SHIELD MTG TAPPED NO. 6-32   |   |   |   |                      | 1                    |
| - 21                       | 210884         | . . STUD,NO. 6-32   |   |   |   |                      | 1                    |
| - 22                       | 2101338        | . . BLOCK,TERMINAL-5 POSITION   |   |   |   |                      | 1                    |
| - 23                       | 38354          | . . SCREW,MACH FIL HD 6-32 X 0.500 LG   |   |   |   | ATT PT               | 2                    |
| - 24                       | 2101358        | . . STRIP,MARKER  |   |   |   |                      | 1                    |
| - 26                       | 210884         | . . STUD,NO. 6-32   |   |   |   |                      | 1                    |
| - 27                       | 317145         | . . BLOCK,5 DBL SCREW TERMINAL  |   |   |   |                      | 1                    |
| - 28                       | 38354          | . . SCREW,MACH FIL HD 6-32 X 0.500 LG   |   |   |   | ATT PT               | 2                    |
| - 29                       | 360339         | . . STRIP,INSULATOR MARKER  |   |   |   |                      | 1                    |
| - 30                       | 4119244        | . TRANSFORMER ASM,CONSTANT VOLTAGE- 50HZ (TR3)  |   |   |   |                      | 1                    |
| - 31                       | 36844          | . SCREW,CAP SLOT HD 1/4-20 X 0.500 LG   |   |   |   | ATT PT               | 4                    |
| - 32                       | 3550           | . WASHER,FL 1/4 X 9/16 OD X 0.050 THK   |   |   |   | ATT PT               | 4                    |
| - 33                       | 6935           | . LOCKWASHER, SPLIT 1/4 X 0.493 OD  |   |   |   | ATT PT               | 4                    |
| - 34                       | 5762407        | . . STUD,TB MTG   |   |   |   |                      | 2                    |
| - 35                       | 2101338        | . . BLOCK,TERMINAL-5 POSITION   |   |   |   |                      | 1                    |
| - 36                       | 33739          | . . SCREW,MACH BD HD- 6-32 X .438 LG  |   |   |   | ATT PT               | 2                    |
| - 37                       | 2101358        | . . STRIP,MARKER  |   |   |   |                      | 1                    |
| - 38                       | 317145         | . . BLOCK,5 DBL SCREW TERMINAL  |   |   |   |                      | 1                    |
| - 39                       | 35739          | . . SCREW,MACH BD HD- 6-32 X .438 LG  |   |   |   | ATT PT               | 4                    |
| - 40                       | 4120241        | . . STRIP,MARKER  |   |   |   |                      | 1                    |
| - 41                       | 4119351        | . . TRANSFORMER,CV  |   |   |   |                      | 1                    |
| - 41A                      | 2641234        | . SHIELD,LINE CORD  |   |   |   |                      | 1                    |
| - 41B                      | 10170          | . SCREW,MACH BD HD- 6-32 X 0.250 LG   |   |   |   | ATT PT               | 1                    |
| - 41C                      | 2630395        | . JUMPER ASM  |   |   |   |                      | 3                    |
| - 41D                      | 1993886        | . JUMPER ASM<br>USED ON 50HZ 200/220/235V AND<br>60HZ 200/208/230V  |   |   |   |                      | 2                    |
| - 41E                      | 2630395        | . JUMPER ASM<br>USED ON 50HZ 380/408V ONLY  |   |   |   |                      | 1                    |
| - 41F                      | 1993887        | . JUMPER ASM  |   |   |   |                      | 1                    |
| - 42                       | 5214259        | USED ON 50HZ 200/220/235V AND<br>60HZ 200/208/230V<br>. BREAKER,CIRCUIT- 25 AMPS (CB4)  |   |   |   |                      | 1                    |
| - 42                       | 5214262        | USED ON 50HZ 380 AND 408 VOLT MEMORY<br>. BREAKER,CIRCUIT- 40 AMPS (CB4)<br>USED ON 50 AND 60HZ 200,208,230 AND 235<br>VOLT MEMORY                              |   |   |   |                      | 1                    |
| - 43                       | 186758         | . SCREW,MACH BD HD 8-32 X 0.437 LG  |   |   |   | ATT PT               | 4                    |

PRIMARY POWER BOX ASSEMBLY

| FIGURE-<br>INDEX<br>NUMBER | PART<br>NUMBER | DESCRIPTION  | UNITS<br>PER<br>ASM. | USABLE<br>ON<br>CODE |
|----------------------------|----------------|--|----------------------|----------------------|
|                            |                |  |                      |                      |
| 51 - 44                    | 1993667        | . BREAKER,CIRCUIT- 70 AMPS 240/480 VOLTS (CB1)<br>USED ON 50HZ 220 AND 235 VOLT MEMORY AND<br>60HZ 230 VOLT MEMORY | 1                    |                      |
| - 44                       | 1795491        | . BREAKER,CIRCUIT- 80 AMPS 240/480 VOLTS (CB1)<br>USED ON 50HZ 200 VOLT MEMORY AND 60HZ<br>200 AND 208 VOLT MEMORY | 1                    |                      |
| - 44                       | 5214262        | . BREAKER,CIRCUIT- 40 AMPS (CB1)<br>USED ON 50HZ 380 AND 408 VOLT MEMORY   | 1                    |                      |
| - 45                       | 186758         | . SCREW,MACH BD HD 8-32 X 0.437 LG   | 4                    | ATT PT               |
| - 46                       | 1994810        | . BRACKET,CB1  | 1                    |                      |
| - 47                       | 32042          | . SCREW,MACH BD HD- 10-32 X 0.375 LG.  | 4                    | ATT PT               |
| - 48                       | 47242          | . WASHER,FL NO. 12 X 1/2 OD X 0.062 THK  | 4                    | ATT PT               |
| - 49                       | 58207          | . SCREW,MACH BD HD- 6-32 X 0.250 LG  | 1                    |                      |
| - 53                       | 1994784        | . CLAMP  | 2                    |                      |
| - 54                       | 186758         | . SCREW,MACH BD HD 8-32 X 0.437 LG   | 4                    | ATT PT               |
| - 55                       | 5719453        | . BREAKER,CIRCUIT- 30 AMP 240V 3 POLE (CB500)<br>USED ON 50/60 HZ 235 TO 200 VOLT MEMORY                           | 1                    |                      |
| - 56                       | 1994769        | . PLATE ASM<br>USED ON POWER FRAME<br>MODELS FED, GE, GED, H, HG AND I   | 1                    |                      |
| - 56                       | 1797133        | . PLATE ASM<br>USED ON POWER FRAME<br>MODELS H2, HG2, I2, IH2 AND J2   | 1                    |                      |
| - 57                       | 32042          | . SCREW,MACH BD HD- 10-32 X 0.375 LG.  | 2                    | ATT PT               |
| - 58                       | 25835          | . STUD,PLATE SPACE   | 2                    | ATT PT               |
| - 59                       | 5210704        | . . JUMPER ASSEMBLY<br>FOR COMPONENT PARTS SEE FIGURE 72   | 1                    |                      |
| - 60                       | 58207          | . . SCREW,MACH BD HD- 6-32 X 0.250 LG  | 1                    | ATT PT               |
| - 61                       | 55901          | . . LOCKWASHER,EXTERNAL TOOTH 0.176 ID X 0.3   | 1                    |                      |
| - 62                       | 5214256        | . . BREAKER,CIRCUIT- 10 AMPS   | 1                    |                      |
| - 63                       | 186758         | . . SCREW,LOWER MACH BD. HD 8-32 X 0.437 LG  | 4                    | ATT PT               |
| - 63A                      | 58207          | . . SCREW,MACH BD HD- 8-32 X 0.250 LG  | 2                    | ATT PT               |
| - 63B                      | 45690          | . . WASHER,FL- 0.203 ID X 0.438 OD   | 2                    | ATT PT               |
| - 64                       | 5214260        | . . BREAKER,CIRCUIT- 30 AMPS<br>USED ON POWER FRAME<br>MODELS FED, GE, GFD, H, HG AND I                            | 1                    |                      |
| - 65                       | 186758         | . . SCREW,MACH BD HD 8-32 X 0.437 LG   | 4                    | ATT PT               |
| - 66                       | 1994784        | . . CLAMP  | 2                    |                      |
| - 67                       | 186758         | . . SCREW,MACH BD HD 8-32 X 0.437 LG   | 4                    | ATT PT               |
| - 68                       | 5719453        | . . BREAKER,CIRCUIT- 30 AMP 240V 3 POLE (CB2)  | 1                    |                      |
| - 69                       | 1994789        | . . PLATE,CB- 400 HZ   | 1                    |                      |
| - 70                       | 58207          | . . SCREW,MACH BD HD- 6-32 X 0.250 LG  | 6                    | ATT PT               |
| - 71                       | 825880         | . . TAPE,FOAM  | 5                    |                      |
| - 72                       | 1994790        | . . PLATE,MULTI CB   | 1                    |                      |
| - 73                       | 2542049        | . RESISTOR,DIODE ASM WITH SPADE TERMINALS  | 1                    |                      |
| - 74                       | 186967         | . . TERMINAL, SPADE NONINS 20AWG 6 MTG SLOT  | 2                    |                      |
| - 75                       | 216421         | . . RESISTOR,FXD COMP 47 OHMS P/M 5% 1/4 W   | 1                    |                      |
| - 76                       | 2111232        | . . DIODE,SEMICONDUCTOR TYPE AM  | 1                    |                      |
| - 77                       | 5367451        | . CONTACTOR,MAGNETIC- 24VDC (K16)<br>USED ON 50HZ 200,220 AND 230 VOLT MEMORY<br>AND ON 60HZ 200 VOLT MEMORY       | 1                    |                      |
| - 77                       | 5270586        | . CONTACTOR- 75A (K16)<br>USED ON 50HZ 380 AND 408 VOLT MEMORY   | 1                    |                      |
| - 78                       | 32042          | . SCREW,MACH BD HD- 10-32 X 0.375 LG.  | 3                    | ATT PT               |
| - 79                       | 361503         | . COVER,CAPACITOR  | 1                    |                      |
| - 80                       | 483108         | . CAPACITOR,900 MF 75V   | 1                    |                      |
| - 80A                      | 35739          | . SCREW,MACH BD HD- 6-32 X 0.438 LG  | 1                    |                      |
| - 80B                      | 257187         | . NUT,HEX- 6-32 X 0.312 FL W   | 1                    |                      |
| - 81                       | 301768         | . BRACKET,CAPACITOR MTG  | 1                    |                      |
| - 82                       | 10170          | . SCREW,MACH BD HD- NO. 6-32 X .250 LG   | 2                    | ATT PT               |
| - 82A                      | 2542049        | . RESISTOR,DIODE ASM<br>USED ON FRANCE NEUTRAL INTERRUPT FEATURE   | 1                    |                      |
| - 82B                      | 186967         | . . TERMINAL,SPADE- 20 AWG   | 2                    |                      |
| - 82C                      | 216421         | . . RESISTOR,FXD- 47 OHMS 0.250 W  | 2                    |                      |
| - 82D                      | 2111232        | . . DIODE,SEMICONDUCTOR- TYPE AM   | 1                    |                      |
| - 82E                      | 5276701        | . CONTACTOR ASM<br>USED ON FRANCE NEUTRAL INTERRUPT FEATURE  | 1                    |                      |
| - 82F                      | 81693          | . SCREW  | 2                    | ATT PT               |
| - 83                       | 526352         | . CONTACTOR (K27)  | 1                    |                      |
| - 84                       | 32042          | . SCREW,MACH BD HD- 10-32 X 0.375 LG.  | 2                    | ATT PT               |
| - 85                       | 4057580        | . RESISTOR,DIODE ASM- 50 HZ<br>NO BREAKDOWN  | 1                    |                      |
| - 85                       | 2542049        | . RESISTOR,DIODE ASM- 60 HZ  | 1                    |                      |
| - 86                       | 186967         | . . TERMINAL, SPADE NONINS 20AWG 6 MTG SLOT  | 2                    |                      |
| - 87                       | 216421         | . . RESISTOR,FXD COMP 47 OHMS P/M 5% 1/4 W   | 1                    |                      |
| - 88                       | 2111232        | . . DIODE,SEMICONDUCTOR TYPE AM  | 1                    |                      |
| - 89                       | 5213421        | . RELAY-USED ON 60 HZ ASM (K30)  | 1                    |                      |
| - 89                       | 2426314        | . RELAY-USED ON 50 HZ ASM (K30)  | 1                    |                      |
| - 90                       | 81693          | . SCREW,BD HD- 6-32 X 0.375 LG   | 2                    | ATT PT               |
| - 90                       | 439567         | . SCREW,MACH UNDRCT BD HD- 6-32 X 1 LG<br>USED ON 50HZ ASM   | 2                    | ATT PT               |

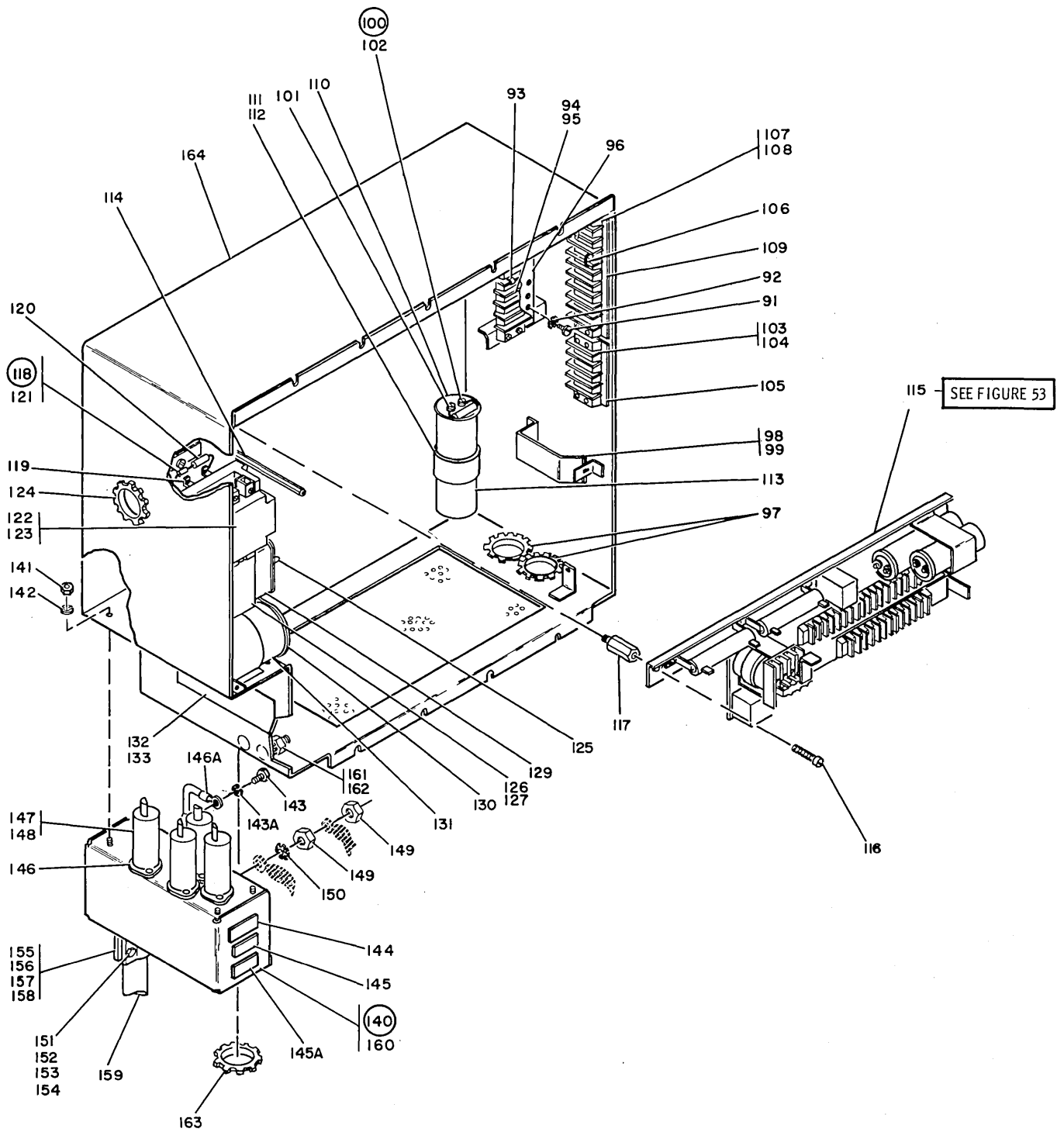


FIGURE 51. PRIMARY POWER BOX ASSEMBLY. SHEET 2 OF 2. NOS. 91-164. SEE LIST 51.

| LIST AND INDEX NUMBER | PART NUMBER | DESCRIPTION   | UNITS PER ASM. | USABLE ON CODE |
|-----------------------|-------------|---|----------------|----------------|
|                       |             |   |                |                |
| 51 - 91               | 32042       | . SCREW, MACH BD HD- 10-32 X 0.375 LG   | AR             |                |
| - 91                  | 34512       | . SCREW, MACH BD HD- 8-32 X 0.375 LG  | AR             |                |
| - 92                  | 55901       | . LOCKWASHER, EXT TEETH- 0.176 ID X 0.311 OD  | AR             |                |
| - 92                  | 56079       | . WASHER LOCK, EXT T .204 ID .410 OD  | AR             |                |
| - 93                  | 639328      | . JUMPER, TERMINAL BLOCK  | AR             |                |
| - 94                  | 283003      | . BLOCK, TERMINAL- 10 POSITION  | 1              |                |
| - 95                  | 322065      | . SCREW, MACH BD HD- 6-32 X 5/8 LG  | ATT PT         | 4              |
| - 96                  | 550612      | . STRIP, MARKER   | 1              |                |
| - 97                  | 730432      | . GROMMET, CATERPILLAR  | AR             |                |
| - 98                  | 1994775     | . CLAMP, CABLE  | 1              |                |
| - 99                  | 32042       | . SCREW, MACH BD HD- 10-32 X 0.375 LG.  | ATT PT         | 1              |
| -100                  | 501565      | . RESISTOR ASM  | 1              |                |
| -101                  | 334932      | . . TERMINAL, LUG NO.18 THRU NO.22 WIRE INSUL                                       | 2              |                |
| -102                  | 501551      | . . RESISTOR, FXD COMP- 50 OHMS P/M 5% 10W  | 1              |                |
| -103                  | 323845      | . BLOCK, TERMINAL- 4 POSITION   | 1              |                |
| -104                  | 322065      | . SCREW, MACH BD HD- 6-32 X 5/8 LG  | ATT PT         | 4              |
| -105                  | 2101400     | . STRIP, MARKER   | 1              |                |
| -106                  | 639328      | . JUMPER, TERMINAL BLOCK  | 1              |                |
| -107                  | 283003      | . BLOCK, TERMINAL- 10 POSITION  | 1              |                |
| -108                  | 322065      | . SCREW, MACH BD HD- 6-32 X 5/8 LG  | ATT PT         | 4              |
| -109                  | 550612      | . STRIP, MARKER   | 1              |                |
| -110                  | 362206      | . COVER, CAPACITOR  | 1              |                |
| -111                  | 1994780     | . CLAMP, CAPACITOR  | 1              |                |
| -112                  | 32042       | . SCREW, MACH BD HD- 10-32 X 0.375 LG.  | ATT PT         | 2              |
| -113                  | 597943      | . CAPACITOR, FXD ELECT- 25000UF P150M10%  | 1              |                |
| -114                  | 1994791     | . STAND OFF   | 1              |                |
| -115                  | 1994771     | . RELAY PLATE ASM- 208/230V 60 HZ   | 1              |                |
| -115                  | 1994801     | . PLATE ASM, HIGH POWER- 380/408V 50 HZ   | 1              |                |
| -115                  | 1994802     | . PLATE ASM, LOW POWER- 200/220/235V 50 HZ  | 1              |                |
|                       |             | AND ON 60HZ 200 VOLT MEMORY<br>USED ON POWER FRAME<br>MODELS FED, GE, GFD, H, HG, I |                |                |
| -115                  | 1797137     | . RELAY PLATE ASM- 208/230V 60 HZ   | 1              |                |
| -115                  | 1797138     | . RELAY PLATE ASM- 220/380V 50 HZ   | 1              |                |
| -115                  | 1797139     | . RELAY PLATE ASM- 200/235/408V 50 HZ   | 1              |                |
|                       |             | AND ON 60 HZ 200 VOLT MEMORY<br>USED ON POWER FRAME<br>MODELS H2, HG2, I2, IH2, J2  |                |                |
|                       |             | FOR DETAIL BREAKDOWN SEE FIGURE 53  |                |                |
| -116                  | 32042       | . SCREW, MACH BD HD- 10-32 X 0.375 LG.  | ATT PT         | 4              |
| -117                  | 807822      | . STD   | 2              |                |
| -118                  | 2542049     | . RESISTOR, DIODE ASM WITH SPADE TERMINALS  | 1              |                |
| -119                  | 186967      | . . TERMINAL, SPADE NONINS 20AWG 6 MTG SLOT   | 2              |                |
| -120                  | 216421      | . . RESISTOR, FXD COMP 47 OHMS P/M 5% 1/4 W   | 1              |                |
| -121                  | 2111232     | . . DIODE, SEMICONDUCTOR TYPE AM  | 1              |                |
| -122                  | 5213566     | . CONTACTOR, MAGNETIC- 24VDC COIL (K26)   | 1              |                |
| -123                  | 32042       | . SCREW, MACH BD HD- 10-32 X 0.375 LG.  | ATT PT         | 3              |
| -124                  | 730432      | . GROMMET, CATERPILLAR  | 2              |                |
| -125                  | 526378      | . CAP, INSULATOR  | 2              |                |
| -126                  | 2650085     | . CLAMP, CAPACITOR- 50 HZ WITH PBC  | 1              |                |
| -126                  | 1994787     | . CLAMP, CAPACITOR- 60 HZ WITH PBC  | 1              |                |
| -126                  | 1803066     | . CLAMP, CAPACITOR- NON PBC   | 1              |                |
| -127                  | 10295       | . SCREW, MACH BD HD- 10-32 X 1.500 LG   | ATT PT         | 1              |
| -129                  | 361536      | . CAPACITOR, PAPER 30 UF 330VAC 50 HZ W/PBC   | 1              |                |
| -129                  | 442688      | . CAPACITOR- 8 MF 330 VAC P/M 3%- 50 HZ W/PBC                                       | 1              |                |
| -129                  | 5252816     | . CAPACITOR, PAPER- 30.0 MFD 330 VAC 60 HZ  | 1              |                |
| -129                  | 5252817     | . CAPACITOR, PAPER- 25.0 MFD 330 VAC 50 HZ  | 1              |                |
| -130                  | 631769      | . SHIELD, CAPACITOR   | 1              |                |
| -131                  | 5796427     | . CAPACITOR- 54K UF P/M 10% 30 VDCW   | 1              |                |
| -132                  | 1994781     | . PLATE, INSPECTION   | 1              |                |
| -133                  | 55726       | . SCREW, MACH BD HD- 6-32 X 0.188 LG  | ATT PT         | 2              |
| -140                  | 1994812     | . LINE CORD ASM, DOMESTIC- 14FT   | 1              |                |
|                       |             | USED ON 60HZ DOMESTIC WITH 14FT CORD  |                |                |
| -140                  | 1994813     | . LINE CORD ASM, DOMESTIC- 6FT  | 1              |                |
|                       |             | USED ON 60HZ DOMESTIC WITH 6FT CORD   |                |                |
| -140                  | 1994816     | . LINE CORD ASM, WORLD TRADE- 50HZ  | 1              |                |
|                       |             | USED ON 50HZ WORLD TRADE  |                |                |
| -140                  | 2630448     | . . FILTER BOX ASM, JAPAN- 60HZ   | 1              |                |
|                       |             | USED ON 60HZ JAPAN  |                |                |
| -140                  | 1994817     | . LINE CORD ASM- UNITED KINGDOM   | 1              |                |
|                       |             | USED ON POWER FRAME<br>MODELS H2, HG2, I2, IH2, J2                                  |                |                |
| -141                  | 11598       | . NUT, PLAIN HEX 10-32  | ATT PT         | 4              |
| -142                  | 9092        | . LOCKWASHER, SPLIT RING, .194 ID .337OD  | ATT PT         | 4              |
| -143                  | 36844       | . . SCREW, CAP SLOT HD 1/4-20 X 0.500 LG  | 8              |                |
| -143A                 | 3550        | . . LOCKWASHER  | 4              |                |
| -144                  | 5397579     | . . NAMEPLATE, LINE FILTER  | 1              |                |
| -145                  | 138755      | . . LABEL, VOLTAGE  | 1              |                |
| -145A                 | 5731697     | . . LABEL   | 1              |                |





FOR PARTS  
NOT SHOWN  
SEE FIG. 51  
SHEET 1

| FUSE LOCATION CHART |          |      |        |   |
|---------------------|----------|------|--------|---|
| LOC                 | PART NO. | AMP  | PLUG   | USED ON   |
| F1                  | 107668   | 8.0  | ----   | BASIC   |
| F2                  | 107668   | 8.0  | ----   | BASIC   |
| F2                  | 117252   | 2.0  | ----   | FRANCE NEUTRAL INTERRUPT<br>(MODELS FED, GE, GFD, H, HG, I) |
| F3                  | 107664   | 3.2  | ----   | BASIC   |
| F4                  | 107664   | 3.2  | ----   | BASIC   |
| F5                  | 115971   | 15.0 | ----   | BASIC-60 HZ   |
| F5                  | ----     | ---- | 850059 | BASIC-50 HZ   |
| F6                  | 115971   | 15.0 | ----   | BASIC-60 HZ   |
| F6                  | ----     | ---- | 850059 | BASIC-50 HZ   |
| F7                  | 117401   | 0.8  | ----   | 3210-I (DOM)  |
| F7                  | 117403   | 0.4  | ----   | 3210-I (WTC)  |
| F8                  | 252590   | 0.6  | ----   | BASIC (MODELS FED, GE, GFD, H, HG, I)                       |
| F8                  | ----     | ---- | 850059 | BASIC (MODELS H2, HG2, I2, IH2, J)                          |
| F9                  | 92734    | 2.0  | ----   | BASIC   |
| F10                 | 107664   | 3.2  | ----   | BASIC   |
| F11                 | 107666   | 5.0  | ----   | BASIC   |
| F12                 | ----     | ---- | 850059 | BASIC   |
| F13                 | 117401   | 0.8  | ----   | 3215 (DOM)  |
| F13                 | 117403   | 0.4  | ----   | 3215 (WTC)  |
| F14                 | 117401   | 0.8  | ----   | 3215 (DOM)  |
| F14                 | 117403   | 0.4  | ----   | 3215 (WTC)  |
| F18                 | 303549   | 1.0  | ----   | ----  |
| F19                 | 303549   | 1.0  | ----   | ----  |
| F20                 | 303549   | 1.0  | ----   | BASIC (MODELS H2, HG2, I2, IH2, J)                          |

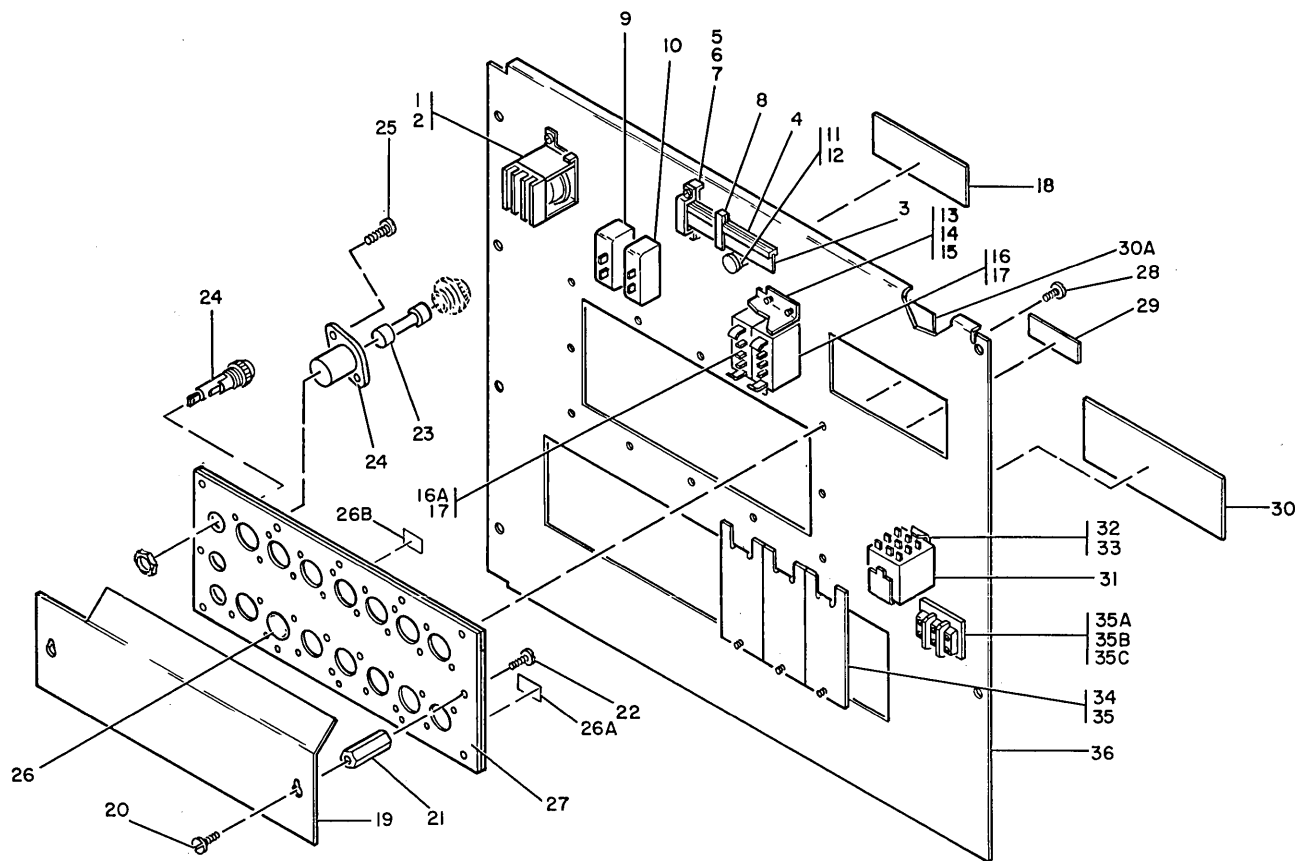
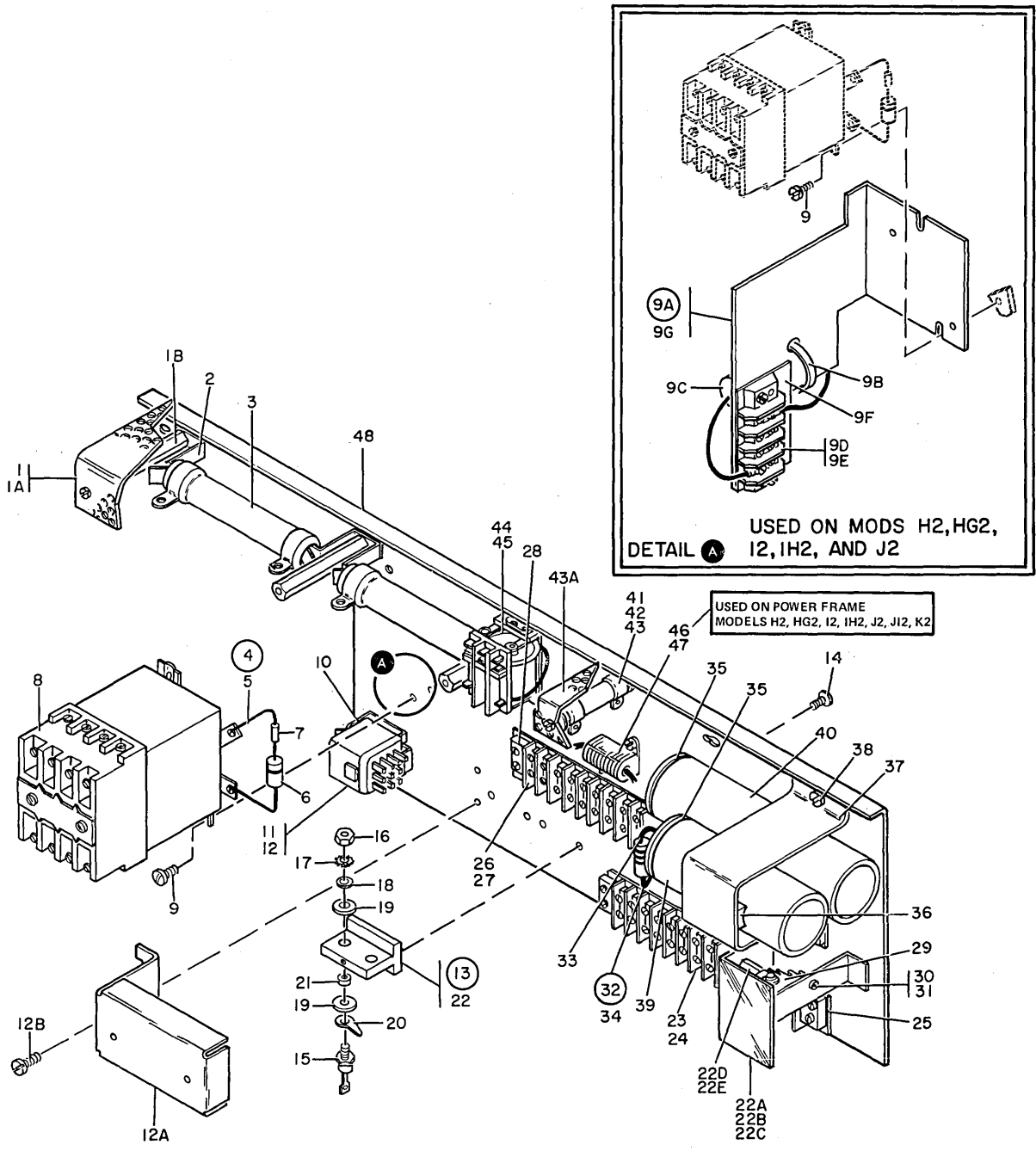


FIGURE 52. PRIMARY POWER BOX DOOR ASSEMBLY. SEE LIST 52.

| FIGURE-<br>INDEX<br>NUMBER | PART<br>NUMBER | DESCRIPTION   |   |   |   | UNITS<br>PER<br>ASM. | USABLE<br>ON<br>CODE |
|----------------------------|----------------|---|---|---|---|----------------------|----------------------|
|                            |                | 1   | 2 | 3 | 4 |                      |                      |
|                            |                | PRIMARY POWER BOX DOOR ASSEMBLY   |   |   |   |                      |                      |
| 52 -                       | 1994770        | PRIMARY POWER BOX DOOR ASM<br>USED ON POWER FRAME   |   |   |   | REF                  |                      |
| -                          | 1797134        | MODELS FED, GE, GFD, H, HG AND I<br>PRIMARY POWER BOX DOOR ASM<br>USED ON POWER FRAME                   |   |   |   | REF                  |                      |
|                            |                | MODELS H2, HG2, I2, IH2 AND J2<br>FOR NEXT HIGHER ASM SEE FIGURE 51-6<br>FOR ILLUSTRATION SEE FIGURE 52 |   |   |   |                      |                      |
| - 1                        | 5276701        | . CONTACTOR, MAGNETIC 24 VDC  |   |   |   | 1                    |                      |
| - 2                        | 55726          | . SCREW, MACH BD HD- 6-32 X 0.188 LG  |   |   |   | 2                    |                      |
| - 3                        | 375386         | . CARD ASM- 12V AMPLIFIER   |   |   |   | 1                    |                      |
| - 4                        | 216206         | . GUIDE, SINGLE CARD LONG   |   |   |   | 1                    |                      |
| - 4                        | 216207         | . GUIDE, SINGLE CARD SHORT  |   |   |   | 1                    |                      |
| - 5                        | 477203         | . BRACKET, PLUG SUPPORT   |   |   |   | 1                    |                      |
| - 6                        | 38235          | . SCREW, MACH 6-32 X .310 LG  |   |   |   | 2                    |                      |
| - 7                        | 257986         | . WASHER, FLAT 0.156ID X .312OD X .035THK   |   |   |   | 2                    |                      |
| - 8                        | 216320         | . CCONNECTOR ASSEMBLY, CARD TO CARD   |   |   |   | 1                    |                      |
| - 9                        | 2229542        | . CIRCUIT PROTECTOR, 7 AMP 250V   |   |   |   | 1                    |                      |
| - 10                       | 2218599        | . PROTECTOR   |   |   |   | 1                    |                      |
| - 11                       | 1994773        | . SUPPORT, SMS  |   |   |   | 1                    |                      |
| - 12                       | 10170          | . SCREW, MACH BD HD- NO. 6-32 X .250 LG   |   |   |   | 1                    |                      |
| - 13                       | 2637220        | . SHIELD- CP1 AND CP2   |   |   |   | 1                    |                      |
| - 14                       | 38235          | . SCREW, MACH 6-32 X .310 LG  |   |   |   | 2                    |                      |
| - 15                       | 483122         | . SPEEDNUT, U TYPE  |   |   |   | 2                    |                      |
| - 16                       | 2630457        | . PROTECTOR, CIRCUIT- 3A  |   |   |   | 1                    |                      |
| - 16A                      | 2641939        | . PROTECTOR, CIRCUIT- 3A  |   |   |   | 1                    |                      |
| - 17                       | 55726          | . SCREW, MACH BD HD- 6-32 X 0.188 LG  |   |   |   | 8                    |                      |
| - 18                       | 2542402        | . LABEL, FUSE RATING  |   |   |   | 1                    |                      |
| - 19                       | 1797353        | . SHIELD, FUSE  |   |   |   | 1                    |                      |
| - 20                       | 58207          | . SCREW, MACH BD HD- 6-32 X 0.250 LG  |   |   |   | 2                    |                      |
| - 21                       | 1994830        | . STANDOFF, FUSE SHIELD   |   |   |   | 2                    |                      |
| - 22                       | 34512          | . SCREW, MACH BD HD- 8-32 X 0.375 LG  |   |   |   | 2                    |                      |
| - 23                       | 107668         | . FUSE, CARTRIDGE TIME DELAY 8 AMP 250V   |   |   |   | AR                   |                      |
| - 23                       | 107664         | . FUSE, LONG LAG 3.2A   |   |   |   | AR                   |                      |
| - 23                       | 115971         | . FUSE, CRTRGE- 15 AMP  |   |   |   | AR                   |                      |
| - 23                       | 117401         | . FUSE- .8AMP   |   |   |   | AR                   |                      |
| - 23                       | 117403         | . FUSE- .4AMP   |   |   |   | AR                   |                      |
| - 23                       | 252590         | . FUSE- 0.600 AMPS  |   |   |   | AR                   |                      |
| - 23                       | 92734          | . FUSE, CARTRIDGE- 2AMP   |   |   |   | AR                   |                      |
| - 23                       | 107666         | . FUSE, CRTRGE 15 AMP   |   |   |   | AR                   |                      |
| - 23                       | 117252         | . FUSE- 2.0A  |   |   |   | AR                   |                      |
| - 23                       | 303549         | . FUSE- 1.0A  |   |   |   | AR                   |                      |
|                            |                | NOTE: SEE FUSE LOCATION CHART   |   |   |   |                      |                      |
| - 24                       | 104615         | . FUSEHOLDER  |   |   |   | AR                   |                      |
| - 24                       | 179946         | . FUSEHOLDER  |   |   |   | AR                   |                      |
| - 25                       | 38235          | . SCREW, MACH 6-32 X .310 LG  |   |   |   | AR                   |                      |
| - 26                       | 850059         | . PLUG, HOLE  |   |   |   | AR                   |                      |
| - 26A                      | 1800986        | . LABEL   |   |   |   | AR                   |                      |
| - 26B                      | 813769         | . DECAL, DIRECT CONTROL   |   |   |   | AR                   |                      |
| - 27                       | 1994783        | . PLATE, FUSE   |   |   |   | 1                    |                      |
|                            |                | USED ON POWER FRAME<br>MODELS FED, GE, GFD, H, HG AND I   |   |   |   |                      |                      |
| - 27                       | 1797126        | . PLATE, FUSE   |   |   |   | 1                    |                      |
|                            |                | USED ON POWER FRAME<br>MODELS H2, HG2, I2, IH2 AND J2   |   |   |   |                      |                      |
| - 28                       | 58207          | . SCREW, MACH BD HD- 6-32 X 0.250 LG  |   |   |   | 10                   |                      |
| - 29                       | 845762         | . DECAL, VOLTAGE  |   |   |   | 1                    |                      |
| - 30                       | 2542403        | . LABEL, FUSE WARNING   |   |   |   | 1                    |                      |
| - 30A                      | 2641189        | . LABEL   |   |   |   | AR                   |                      |
| - 31                       | 5414543        | . RELAY, COIL 2PDT 24VDC- 60 HZ MACH ONLY   |   |   |   | 1                    |                      |
| - 32                       | 1993182        | . BRACKET, RELAY  |   |   |   | 1                    |                      |
| - 33                       | 10170          | . SCREW, MACH BD HD- NO. 6-32 X .250 LG   |   |   |   | 1                    |                      |
| - 34                       | 1994774        | . COVER, CB OPENING   |   |   |   | AR                   |                      |
| - 35                       | 731626         | . SCREW, PAN HD 6-32 X 1/4 LG   |   |   |   | AR                   |                      |
| - 35A                      | 317193         | . BLOCK, TERMINAL- 2 POS  |   |   |   | 1                    |                      |
| - 35B                      | 525627         | . SCREW, MACH BD HD- 8-32 X 0.500 LG  |   |   |   | 2                    |                      |
| - 35C                      | 515730         | . STRIP, MARKER   |   |   |   | 1                    |                      |
| - 36                       | 1994794        | . DOOR ASM, PRIMARY POWER BOX   |   |   |   | 1                    |                      |
|                            |                | USED ON POWER FRAME<br>MODELS FED, GE, GFD, H, HG AND I   |   |   |   |                      |                      |
| - 36                       | 1797135        | . DOOR ASM, PRIMARY POWER BOX   |   |   |   | 1                    |                      |
|                            |                | USED ON POWER FRAME<br>MODELS H2, HG2, I2, IH2 AND J2   |   |   |   |                      |                      |

FOR PARTS  
NOT SHOWN  
SEE FIG. 51  
SHEET 1



NOTE: SHIELDS ARE USED ON  
MODELS H2, HG2, I2, IH2, J2, JI2, K2 ONLY.

FIGURE 53. RELAY PLATE ASSEMBLY. SEE LIST 53.

| FIGURE-<br>INDEX<br>NUMBER | PART<br>NUMBER | DESCRIPTION   | 1 2 3 4 |  |        |     | UNITS<br>PER<br>ASM. | USABLE<br>ON<br>CODE |
|----------------------------|----------------|---|---------|--|--------|-----|----------------------|----------------------|
|                            |                |   |         |  |        |     |                      |                      |
|                            |                | RELAY PLATE ASSEMBLY  |         |  |        |     |                      |                      |
| 53 -                       | 1994771        | RELAY PLATE ASSEMBLY- 208/230V 60 HZ  |         |  |        | REF |                      |                      |
| -                          | 1994802        | RELAY PLATE ASM,LOWER POWER 200/220/235V 50 HZ<br>AND ON 200 VOLT MEMORY                                  |         |  |        | REF |                      |                      |
| -                          | 1994801        | RELAY PLATE ASM,LOWER POWER 380/408V 50 HZ<br>USED ON POWER FRAME   |         |  |        | REF |                      |                      |
| -                          | 1797137        | MODELS FED, GE, GFD, H, GH AND I<br>RELAY PLATE ASM- 208/230V 60 HZ                                       |         |  |        | REF |                      |                      |
| -                          | 1797138        | RELAY PLATE ASM- 220/380V 50 HZ<br>USED ON POWER FRAME  |         |  |        | REF |                      |                      |
|                            |                | MODELS H2, HG2, I2, IH2 AND J2<br>FOR NEXT HIGHER ASM SEE FIGURE 51-115<br>FOR ILLUSTRATION SEE FIGURE 53 |         |  |        |     |                      |                      |
| - 1                        | 2641942        | . SHIELD  |         |  |        | 1   |                      |                      |
| - 1A                       | 10170          | . SCREW,MACH BD HD- 6-32 X 0.250 LG   |         |  | ATT PT | 3   |                      |                      |
| - 1B                       | 609564         | . STANDOFF  |         |  |        | 3   |                      |                      |
| - 2                        | 2102204        | . BRACKET   |         |  |        | 4   |                      |                      |
| - 3                        | 208825         | . RESISTOR,FXD,WW- 25 OHMS P/M 10% 50W  |         |  |        | 2   |                      |                      |
| - 4                        | 4057580        | . DIODE ASM- 50 HZ<br>NO BREAKDOWN  |         |  |        | 1   |                      |                      |
| - 4                        | 2542049        | . RESISTOR,DIODE ASM W/SPADE TERMINALS- 60 HZ   |         |  |        | 1   |                      |                      |
| - 5                        | 186967         | . . TERMINAL, SPADE NOMINS 20AWG 6 MTG SLOT   |         |  |        | 2   |                      |                      |
| - 6                        | 216421         | . . RESISTOR,FXD COMP 47 OHMS P/M 5% 1/4 W  |         |  |        | 1   |                      |                      |
| - 7                        | 2111232        | . . DIODE,SEMICONDUCTOR TYPE AM   |         |  |        | 1   |                      |                      |
| - 8                        | 5213421        | . RELAY<br>USED ON DOMESTIC MODELS ONLY   |         |  |        | 1   |                      |                      |
| - 8                        | 2426314        | . CONTACTOR,MAGNETIC 3 POLE 10AMP 24 VDC<br>USED ON WORLD TRADE MODELS ONLY                               |         |  |        | 1   |                      |                      |
| - 9                        | 38235          | . SCREW,MACH BD HD- 6-32 X 0.312 LG   |         |  | ATT PT | 2   |                      |                      |
|                            |                | USED ON DOMESTIC MODELS ONLY  |         |  |        |     |                      |                      |
| - 9                        | 438567         | . SCREW,MACH UNDRCT BD HD- 6-32 X 1 LG  |         |  | ATT PT | 2   |                      |                      |
|                            |                | USED ON WORLD TRADE MODELS ONLY   |         |  |        |     |                      |                      |
| - 9A                       | 2641862        | . BRACKET ASM,TB AND CAPACITOR  |         |  |        | 1   |                      |                      |
| - 9B                       | 524519         | . . TIE,CABLE   |         |  |        | 1   |                      |                      |
| - 9C                       | 726632         | . . CAPACITOR ASM,0.68 MPD  |         |  |        | 1   |                      |                      |
| - 9D                       | 317485         | . . BLOCK,4 DBL SCREW TERMINAL  |         |  |        | 1   |                      |                      |
| - 9E                       | 35739          | . . SCREW,MACH BD HD- 6-32 X 0.438 LG   |         |  | ATT PT | 2   |                      |                      |
| - 9F                       | 527916         | . . STRIP,MARKER  |         |  |        | 1   |                      |                      |
| - 9G                       | 2641861        | . . BRACKET   |         |  |        | 1   |                      |                      |
| - 10                       | 1993182        | . BRACKET,RELAY   |         |  |        | 1   |                      |                      |
| - 11                       | 5414543        | . RELAY,COIL 2PDT 24VDC   |         |  |        | 1   |                      |                      |
| - 12                       | 10170          | . SCREW,MACH BD HD- NO. 6-32 X .250 LG  |         |  | ATT PT | 1   |                      |                      |
| - 12A                      | 2641803        | . SHIELD  |         |  |        | 1   |                      |                      |
| - 12B                      | 10170          | . SCREW,MACH BD HD- 6-32 X 0.250 LG   |         |  | ATT PT | 2   |                      |                      |
| - 13                       | 1993340        | . HEAT SINK ASM   |         |  |        | 2   |                      |                      |
| - 14                       | 10170          | . SCREW,MACH BD HD- NO. 6-32 X .250 LG  |         |  | ATT PT | 4   |                      |                      |
| - 15                       | 598479         | . . SEMICONDUCTOR DEVICE,D10 150V 10 AMP  |         |  |        | 2   |                      |                      |
| - 16                       | 11598          | . . NUT,PLAIN HEX 10-32   |         |  | ATT PT | 2   |                      |                      |
| - 17                       | 56079          | . . WASHER LOCK,EXT T .204 ID .410 OD   |         |  | ATT PT | 2   |                      |                      |
| - 18                       | 45690          | . . WASHER,FL NO.10 X 7/16 OD X 1/32 THK  |         |  | ATT PT | 2   |                      |                      |
| - 19                       | 533372         | . . WASHER,FL- 0.199 ID X 0.625 OD X 0.005  |         |  | ATT PT | 4   |                      |                      |
| - 20                       | 316996         | . . TERMINAL,RING   |         |  |        | 2   |                      |                      |
| - 21                       | 473582         | . . INSULATOR,0.200 ID X 0.270 OD X .085 THK  |         |  |        | 2   |                      |                      |
| - 22                       | 5762383        | . . HEATSINK  |         |  |        | 1   |                      |                      |
| - 22A                      | 1800982        | . SHIELD  |         |  |        | 1   |                      |                      |
| - 22B                      | 81693          | . SCREW,MACH BD HD- 6-32 X 0.375 LG   |         |  | ATT PT | 1   |                      |                      |
| - 22C                      | 55901          | . LOCKWASHER,EXT TEETH- 0.176 ID X 0.381 OD   |         |  | ATT PT | 1   |                      |                      |
| - 22D                      | 1800981        | . STANDOFF  |         |  |        | 1   |                      |                      |
| - 22E                      | 62031          | . LOCKWASHER,INT TEETH- 0.150 ID X 0.295 OD   |         |  | ATT PT | 1   |                      |                      |
| - 23                       | 323842         | . STRIP,TERMINAL- 12 POS  |         |  |        | 1   |                      |                      |
| - 24                       | 322550         | . SCREW,MACH-BIND HD 6-32 X 0.500 LG  |         |  | ATT PT | 4   |                      |                      |
| - 25                       | 589814         | . STRIP,MARKER  |         |  |        | 1   |                      |                      |
| - 26                       | 513654         | . BLOCK,TERMINAL- 18 POSITION   |         |  |        | 1   |                      |                      |
| - 27                       | 322550         | . SCREW,MACH-BIND HD 6-32 X 0.500 LG  |         |  | ATT PT | 4   |                      |                      |
| - 28                       | 454505         | . STRIP,MARKER  |         |  |        | 1   |                      |                      |
| - 29                       | 5761977        | . RECTIFIER ASSEMBLY  |         |  |        | 1   |                      |                      |
| - 30                       | 2183600        | . SCREW,BD HD- 6-32 X 0.38 LG   |         |  | ATT PT | 2   |                      |                      |
| - 31                       | 203801         | . WASHER,INSULATOR- 0.172 ID X 0.0625 OD  |         |  |        | 1   |                      |                      |
| - 32                       | 501566         | . RESISTOR ASM- 200 OHMS P/M 5% 2W  |         |  |        | 1   |                      |                      |
| - 33                       | 334932         | . . TERMINAL,LUG NO.18 THRU NO.22 WIRE INSUL  |         |  |        | 2   |                      |                      |
| - 34                       | 335138         | . . RESISTOR,FXD COMP- 200 OHM P/M 5% 2W  |         |  |        | 1   |                      |                      |
| - 35                       | 5261296        | . COVER   |         |  |        | 2   |                      |                      |
| - 36                       | 825880         | . TAPE,FOAM   |         |  |        | 1   |                      |                      |
| - 37                       | 1994782        | . CLAMP   |         |  |        | 1   |                      |                      |
| - 38                       | 10170          | . SCREW,MACH BD HD- NO. 6-32 X .250 LG  |         |  | ATT PT | 2   |                      |                      |
| - 39                       | 483107         | . CAPACITOR,FXD ELECT- J100UF P100M10% 25V  |         |  |        | 1   |                      |                      |
| - 40                       | 5214969        | . CAPACITOR,9600 UF 25 VDCW   |         |  |        | 1   |                      |                      |



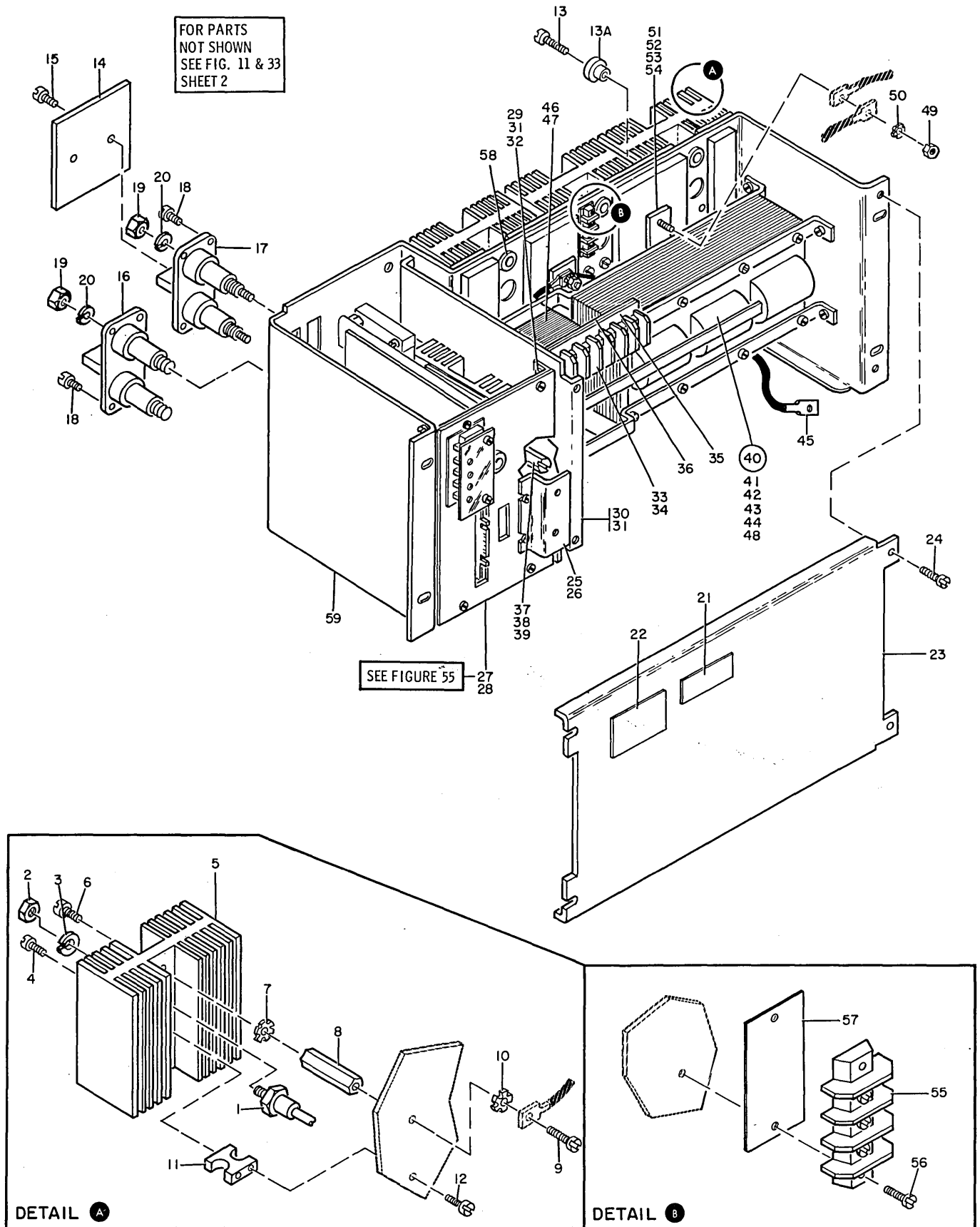


FIGURE 54. PHASE CONTROL REGULATOR ASSEMBLY. SEE LIST 54.

| FIGURE-<br>INDEX<br>NUMBER | PART<br>NUMBER | DESCRIPTION   |   |   |   | UNITS<br>PER<br>ASM. | USABLE<br>ON<br>CODE |
|----------------------------|----------------|---|---|---|---|----------------------|----------------------|
|                            |                | 1   | 2 | 3 | 4 |                      |                      |
|                            |                | PHASE CONTROL REGULATOR ASSEMBLY  |   |   |   |                      |                      |
| 54 -                       | 2361700        | PHASE CONTROL REGULATOR ASM 2.3V @ 250A<br>FOR NEXT HIGHER ASM  |   |   |   | REF                  |                      |
| -                          | 2361720        | SEE FIGURES 11-100 AND 33-89<br>PHASE C.R. ASM- 3V AND +1.25 AT 160 AMPS<br>FOR NEXT HIGHER ASM SEE FIGURE 33-88 AND 34-83D |   |   |   | REF                  |                      |
| -                          | 2361730        | PHASE CONTROL REGULATOR ASM 2.3V @ 300A<br>FOR NEXT HIGHER ASM SEE FIGURE 34-83E<br>FOR ILLUSTRATION SEE FIGURE 54          |   |   |   | REF                  |                      |
| - 1                        | 2395852        | . DIODE,SILICON RECTIFIER   |   |   |   | 6                    |                      |
| - 1                        | 2396560        | . DIODE (OPTION FOR 2.3V ONLY)  |   |   |   | 6                    |                      |
| - 2                        | 18272          | . NUT,HEX- 1/2-20 THD   |   |   |   | 6                    |                      |
| - 3                        | 130987         | . LOCKWASHER,SPLIT 1/2 X .879 OD  |   |   |   | 6                    |                      |
| - 4                        | 80652          | . SCREW,THD CTG BD HD- 6-32 X 0.625 LG  |   |   |   | 12                   |                      |
| - 5                        | 2610350        | . HEATSINK  |   |   |   | 6                    |                      |
| - 6                        | 322029         | . SCREW,MCH,BD HD-0.250-20 X 0.500 LG   |   |   |   | 6                    |                      |
| - 7                        | 76574          | . LOCKWASHER,EXT TEETH- 0.256 ID X 0.510 O  |   |   |   | 6                    |                      |
| - 8                        | 2610371        | . STANDOFF  |   |   |   | 6                    |                      |
| - 9                        | 38686          | . SCREW,MACH HEX HD- 1/4-20 X 0.500 LG  |   |   |   | 6                    |                      |
| - 10                       | 76574          | . LOCKWASHER,EXT TEETH- 0.256 ID X 0.510 O  |   |   |   | 6                    |                      |
| - 11                       | 2610439        | . INSULATOR   |   |   |   | 12                   |                      |
| - 12                       | 80651          | . SCREW,THD CTG PAN HD- 6-32 X 0.375 LG   |   |   |   | 24                   |                      |
| - 13                       | 322065         | . SCREW,MACH BIND HD 6-32 X 5/8 LG  |   |   |   | 4                    |                      |
| - 13A                      | 351540         | . BUSHING-INSULATOR   |   |   |   | 4                    |                      |
| - 14                       | 2610444        | . SHIELD  |   |   |   | 1                    |                      |
| - 15                       | 80651          | . SCREW,THD CTG PAN HD- 6-32 X 0.375 LG   |   |   |   | 2                    |                      |
| - 16                       | 2610360        | . OUTPUT STUD ASM   |   |   |   | 1                    |                      |
| - 17                       | 2610436        | . STUD ASM  |   |   |   | 1                    |                      |
| - 18                       | 10170          | . SCREW,MACH BD HD- 6-32 X 0.250 LG   |   |   |   | 8                    |                      |
| - 19                       | 8163           | . NUT,HEX- 8-32 THD   |   |   |   | 4                    |                      |
| - 20                       | 2361539        | . LOCKWASHER  |   |   |   | 4                    |                      |
| - 21                       | 2361505        | . DECAL<br>USED ON 2.3V ONLY  |   |   |   | 1                    |                      |
| - 22                       | 5232809        | . LABEL-CAUTION   |   |   |   | 1                    |                      |
| - 23                       | 2361516        | . COVER<br>USED ON 2.3V   |   |   |   | 1                    |                      |
| - 23                       | 2361518        | . COVER<br>USED ON -3/+1.25V  |   |   |   | 1                    |                      |
| - 24                       | 221790         | . SCREW,MACH BD HD- 8-32 X 0.187 LG   |   |   |   | 4                    |                      |
| - 25                       | 2361746        | . SHIELD  |   |   |   | 1                    |                      |
| - 26                       | 55726          | . SCREW,MACH BD HD- 6-32 X 0.188 LG   |   |   |   | 2                    |                      |
| - 27                       | 2361740        | . CONTROL SECTION ASM- 2.3V AT 250 & 300A   |   |   |   | 1                    |                      |
| - 27                       | 2361760        | . CONTROL SECTION ASM- -3/+1.25V AT 160A<br>FOR DETAIL BREAKDOWN SEE FIGURE 55  |   |   |   | 1                    |                      |
| - 28                       | 58207          | . SCREW,MACH BD HD- 8-32 X 0.250 LG   |   |   |   | 4                    |                      |
| - 29                       | 2361706        | . BRACKET   |   |   |   | 2                    |                      |
| - 30                       | 2361704        | . BARRIER   |   |   |   | 1                    |                      |
| - 31                       | 58207          | . SCREW,MACH BD HD- 8-32 X 0.250 LG   |   |   |   | 7                    |                      |
| - 32                       | 38452          | . SCREW,MACH FL HD- 8-32 X 0.212 LG   |   |   |   | 4                    |                      |
| - 33                       | 317145         | . BLOCK,5 DBL SCREW TERMINAL<br>USED ON 2.3V ONLY   |   |   |   | 1                    |                      |
| - 34                       | 322550         | . SCREW,MACH BD HD- 6-32 X 0.500 LG   |   |   |   | 4                    |                      |
| - 35                       | 2610442        | . STRIP,MARKER- 8 POSITION<br>USED ON 2.3V ONLY   |   |   |   | 1                    |                      |
| - 36                       | 2361718        | . BRACKET<br>USED ON 2.3V ONLY  |   |   |   | 1                    |                      |
| - 37                       | 2610432        | . ROD   |   |   |   | 2                    |                      |
| - 38                       | 8163           | . NUT,HEX- 8-32 THD   |   |   |   | 2                    |                      |
| - 39                       | 2361539        | . LOCKWASHER  |   |   |   | 2                    |                      |
| - 40                       | 2361717        | . TRANSFORMER AND CHOKE ASM- 2.3V AT 250A   |   |   |   | 1                    |                      |
| - 40                       | 2361725        | . TRANSFORMER AND CHOKE ASM- DUAL AT 160A   |   |   |   | 1                    |                      |
| - 40                       | 2361735        | . TRANSFORMER AND CHOKE ASM- 2.3V AT 300A   |   |   |   | 1                    |                      |
| - 41                       | 332620         | . SCREW,MACH BD HD- 10-32 X 0.500 LG  |   |   |   | 8                    |                      |
| - 42                       | 45690          | . WASHER,FL- 0.203 ID X 0.438 OD  |   |   |   | 8                    |                      |
| - 43                       | 9092           | . LOCKWASHER,SPLIT- 0.194 ID X 0.337 OD   |   |   |   | 8                    |                      |
| - 44                       | 11598          | . NUT,HEX- 10-32 THD  |   |   |   | 8                    |                      |
| - 45                       | 82725          | . . TERMINAL,INSULATED- 17/64 ID  |   |   |   | 6                    |                      |
| - 46                       | 2361724        | . . CHOKE<br>USED ON DUAL AT 160A ONLY  |   |   |   | 1                    |                      |
| - 46                       | 2361716        | . . CHOKE<br>USED ON 2.3V AT 250A ONLY  |   |   |   | 1                    |                      |
| - 46                       | 2361734        | . CHOKE   |   |   |   | 1                    |                      |
| - 47                       | 332620         | . . SCREW,MACH BD HD- 10-32 X 0.500 LG  |   |   |   | 4                    |                      |
| - 48                       | 2361723        | . . TRANSFORMER ASM<br>USED ON DUAL AT 160A ONLY  |   |   |   | 1                    |                      |
| - 48                       | 2361715        | . . TRANSFORMER ASM   |   |   |   | 1                    |                      |





FOR PARTS  
NOT SHOWN  
SEE FIG. 54

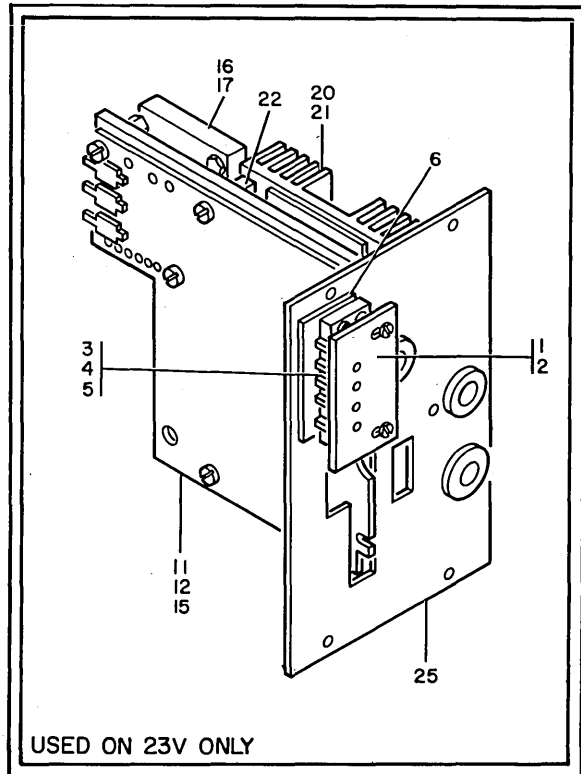
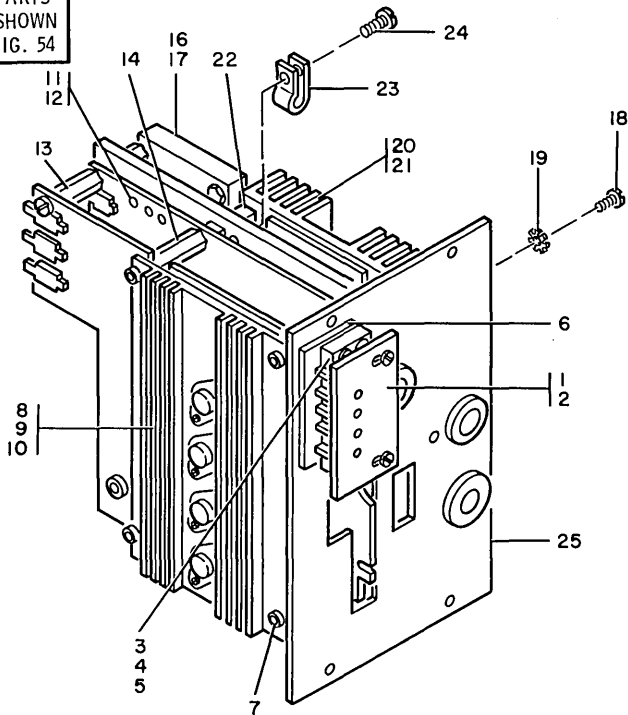


FIGURE 55. CONTROL SECTION ASSEMBLY. SEE LIST 55.

| LIST AND INDEX NUMBER | PART NUMBER | DESCRIPTION   |   |   |   | UNITS PER ASM. | USABLE ON CODE |
|-----------------------|-------------|---|---|---|---|----------------|----------------|
|                       |             | 1   | 2 | 3 | 4 |                |                |
|                       |             | CONTROL SECTION ASSEMBLY  |   |   |   |                |                |
| 55 -                  | 2361760     | CONTROL SECTION ASM- -3/+1.25V AT 160A  |   |   |   | REF            |                |
| -                     | 2361740     | CONTROL SECTION ASM- 2.3V AT 250 & 300A<br>FOR NEXT HIGHER ASM SEE FIGURE 54-27<br>AND FOR ILLUSTRATION SEE FIGURE 55 |   |   |   | REF            |                |
| - 1                   | 350966      | . COVER, TERMINAL BLOCK   |   |   |   | 1              |                |
| - 2                   | 10170       | . SCREW, MACH BD HD- 6-32 X 0.250 LG  |   |   |   | 2              | ATT PT         |
| - 3                   | 317485      | . BLOCK, 4 DBL SCREW TERMINAL   |   |   |   | 1              |                |
| - 4                   | 322550      | . SCREW, MACH BD HD- 6-32 X 0.500 LG  |   |   |   | 2              | ATT PT         |
| - 5                   | 210883      | . STUD, SHIELD MTG TAPPED NO. 6-32  |   |   |   | 2              | ATT PT         |
| - 6                   | 527916      | . STRIP, MARKER   |   |   |   | 1              |                |
| - 7                   | 337549      | . INSULATOR-HEATSINK  |   |   |   | 4              |                |
| - 8                   | 2361745     | . CARD ASM, SHUNT<br>USED ON -3/+1.25V CONTROL SECTION  |   |   |   | 1              |                |
| - 9                   | 322550      | . SCREW, MACH BD HD- 6-32 X 0.500 LG  |   |   |   | 4              | ATT PT         |
| - 10                  | 38235       | . SCREW, MACH BD HD- 6-32 X 0.312 LG  |   |   |   | 1              | ATT PT         |
| - 11                  | 2361741     | . CARD ASM, CONTROL<br>USED ON -3/+1.25V CONTROL SECTION  |   |   |   | 1              |                |
| - 11                  | 2361739     | . CARD ASM, CONTROL<br>USED ON 2.3V CONTROL SECTION   |   |   |   | 1              |                |
| - 12                  | 322550      | . SCREW, MACH BD HD- 6-32 X 0.500 LG  |   |   |   | 1              | ATT PT         |
| - 13                  | 2361748     | . STANDOFF  |   |   |   | 1              | ATT PT         |
| - 14                  | 2361747     | . STANDOFF  |   |   |   | 4              | ATT PT         |
| - 15                  | 438570      | . SCREW, MACH BIND HD 6-32 X 1-1/2 LG   |   |   |   | 4              |                |
| - 16                  | 2361727     | . TRANSFORMER, BIAS   |   |   |   | 1              |                |
| - 17                  | 56722       | . LOCKWASHER, EXT TEETH- 0.150 ID X 0.320 O   |   |   |   | 1              | ATT PT         |
| - 18                  | 28413       | . SCREW, MACH BD HD- 10-32 X 0.312 LG   |   |   |   | 1              |                |
| - 19                  | 56079       | . LOCKWASHER, EXT TEETH- 0.204 ID X 0.410 O   |   |   |   | 1              |                |
| - 20                  | 2361742     | . CARD ASM, HEATSINK<br>USED ON -3/+1.25V CONTROL SECTION   |   |   |   | 1              |                |
| - 20                  | 2361737     | . CARD ASM, HEATSINK  |   |   |   | 1              |                |



FOR PARTS  
NOT SHOWN  
SEE FIG. 33  
SHEET 1

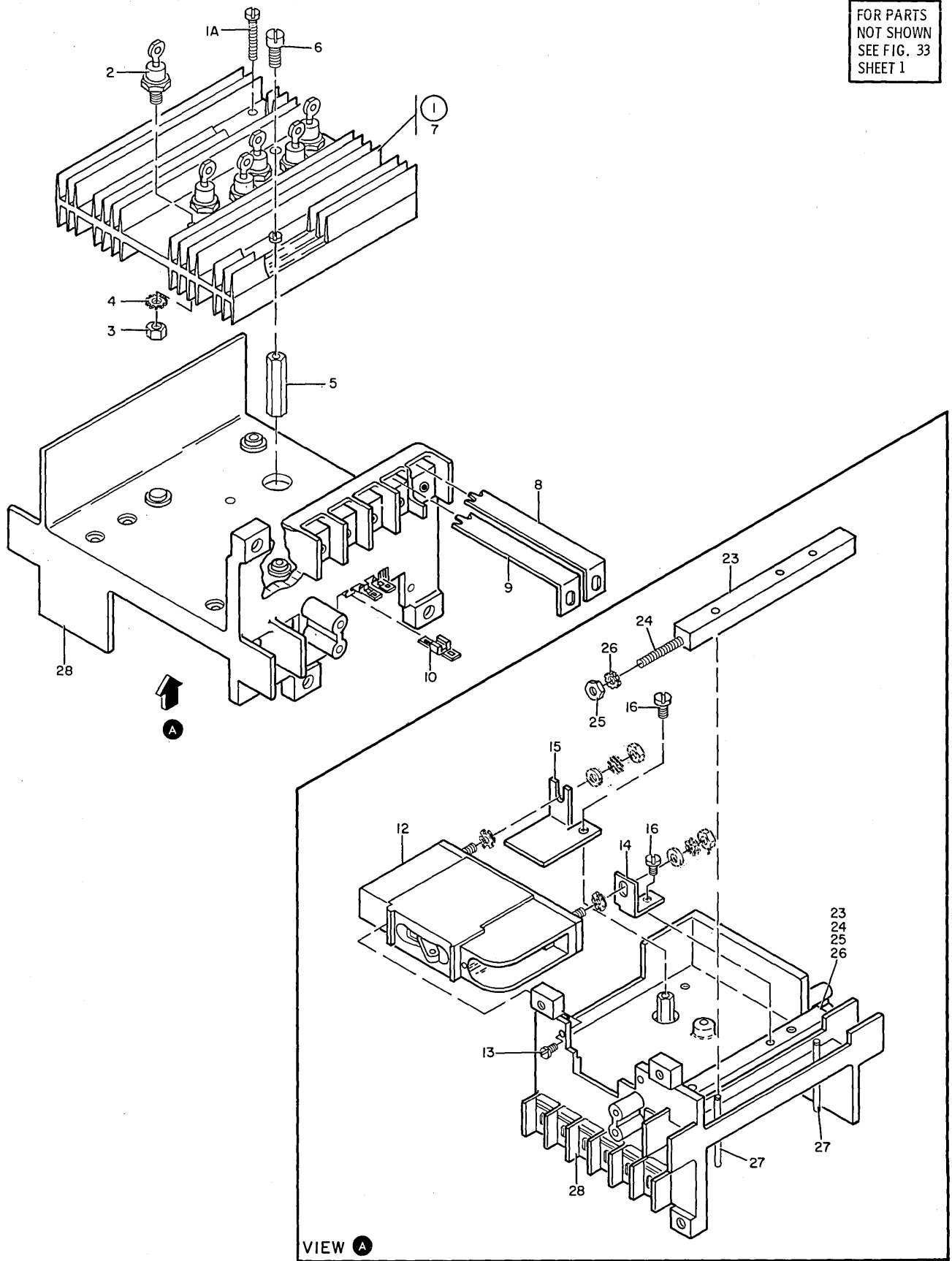


FIGURE 56. MODULE ASSEMBLY. SEE LIST 56.



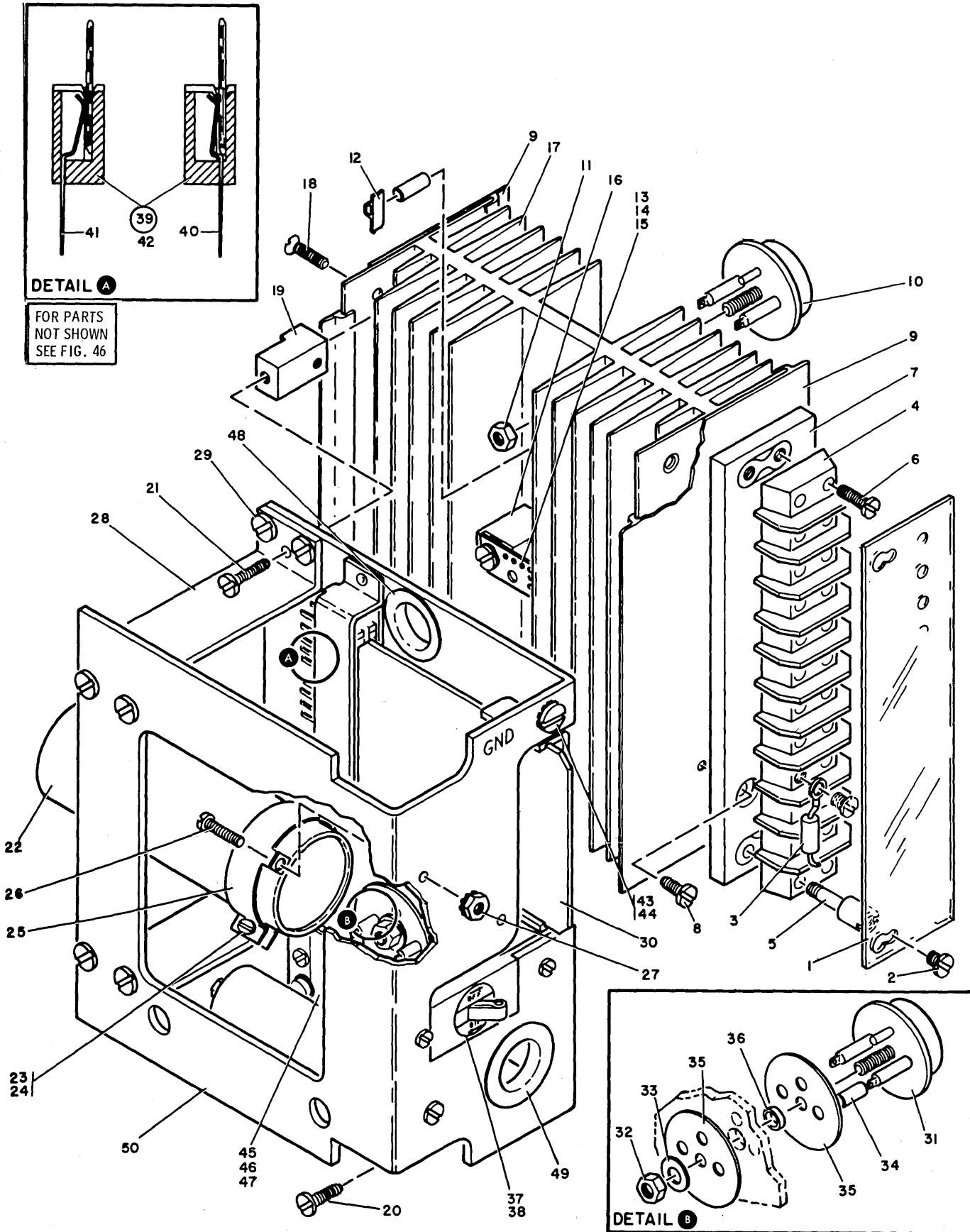


FIGURE 57. POWER SUPPLY ASSEMBLY -3V AT 20A. SEE LIST 57.

| LIST AND INDEX NUMBER | PART NUMBER | DESCRIPTION  |   |   |   | UNITS PER ASM. | USABLE ON CODE |
|-----------------------|-------------|--|---|---|---|----------------|----------------|
|                       |             | 1  | 2 | 3 | 4 |                |                |
|                       |             | POWER SUPPLY ASSEMBLY- 3V AT 20A   |   |   |   |                |                |
| 57 -                  | 5762000     | POWER SUPPLY ASM- 3V AT 20 AMPS<br>FOR NEXT HIGHER ASM SEE FIGURE 46-3<br>FOR ILLUSTRATION SEE FIGURE 57 |   |   |   |                |                |
| - 1                   | 352088      | . SHIELD, 9 POS  |   |   |   | 1              |                |
| - 2                   | 10170       | . SCREW, MACH BD HD- NO. 6-32 X .250 LG  |   |   |   | 2              |                |
| - 3                   | 5762197     | . CAPACITOR  |   |   |   | 1              |                |
| - 4                   | 323844      | . BLOCK, TERMINAL 9 POSITION   |   |   |   | 1              |                |
| - 5                   | 4118821     | . STUD, 8-32 X .962 LG   |   |   |   | 2              |                |
| - 6                   | 11931       | . SCREW, MACH BD HD 8-32 X 5/8 LG  |   |   |   | 2              |                |
| - 7                   | 5762013     | . MARKER STRIP, 9 POS  |   |   |   | 1              |                |
| - 8                   | 80651       | . SCREW, THD CTG BD HD- 6-32 X 0.375 LG  |   |   |   | 2              |                |
| - 9                   | 5762025     | . SEAL, HEATSINK   |   |   |   | 2              |                |
| - 10                  | 369214      | . TRANSISTOR, TYPE 108   |   |   |   | 4              |                |
| - 11                  | 11598       | . NUT, PLAIN HEX 10-32   |   |   |   | 4              |                |
| - 12                  | 5762045     | . STRIP, BUS   |   |   |   | 1              |                |
| - 13                  | 5762037     | . TERMINAL   |   |   |   | 1              |                |
| - 14                  | 5762058     | . SCREW, WSR HEX HD THD FORM 6-32 X .125 LG  |   |   |   | 2              |                |
| - 15                  | 1134232     | . WASHER, SHOULDER   |   |   |   | 2              |                |
| - 16                  | 5762036     | . STANDOFF, TERMINAL   |   |   |   | 1              |                |
| - 17                  | 5762015     | . HEATSINK   |   |   |   | 1              |                |
| - 18                  | 255629      | . SCREW, THD CTG FL CSK HD NO. 6 X 0.500 LG  |   |   |   | 4              |                |
| - 19                  | 5762034     | . INSULATOR, HEATSINK  |   |   |   | 4              |                |
| - 20                  | 91610       | . SCREW, THD CTG BD HD- 6 32 X 0.500 LG  |   |   |   | 2              |                |
| - 21                  | 80652       | . SCREW, THD CTG BD HD- 6-32 X 5/8 LG  |   |   |   | 2              |                |
| - 22                  | 730429      | . CAPACITOR, FXD ELECT 11,000 MFD 10V DCW  |   |   |   | 1              |                |
| - 23                  | 510379      | . SCREW, MACH FIL HD- 6-32 X 0.750 LG  |   |   |   | 1              |                |
| - 24                  | 5761943     | . NUT, LOCKWASHER ASM 6-32   |   |   |   | 1              |                |
| - 25                  | 301768      | . BRACKET-THERMISTOR MOUNTING  |   |   |   | 1              |                |
| - 26                  | 38235       | . SCREW, MACH 6-32 X .310 LG   |   |   |   | 2              |                |
| - 27                  | 5761943     | . NUT, LOCKWASHER ASM 6-32   |   |   |   | 2              |                |
| - 28                  | 5762033     | . BRACKET, SPACER  |   |   |   | 2              |                |
| - 29                  | 186759      | . SCREW, MACH BD HD- 8-32 X 5/16 LG  |   |   |   | 8              |                |
| - 30                  | 375200      | . CARD ASM   |   |   |   | 1              |                |
| - 31                  | 369214      | . TRANSISTOR, TYPE 108   |   |   |   | 1              |                |
| - 32                  | 11598       | . NUT, PLAIN HEX 10-32   |   |   |   | 1              |                |
| - 33                  | 45690       | . WASHER, FL NO. 10 X 7/16 OD X 1/32 THK   |   |   |   | 1              |                |
| - 34                  | 5761976     | . TUBING, TRANSISTOR INSULATING  |   |   |   | 2              |                |
| - 35                  | 5762406     | . INSULATOR  |   |   |   | 2              |                |
| - 36                  | 473582      | . INSULATOR, 0.200 ID X 0.270 OD X .085 THK  |   |   |   | 1              |                |
| - 37                  | 5214553     | . BREAKER, CIRCUIT   |   |   |   | 1              |                |
| - 38                  | 38235       | . SCREW, MACH 6-32 X .310 LG   |   |   |   | 2              |                |
| - 39                  | 216076      | . TERMINAL BLOCK AND CONTACT ASSEMBLY  |   |   |   | 1              |                |
| - 40                  | 216087      | . . SPRING, CONTACT  |   |   |   | 8              |                |
| - 41                  | 216088      | . . SPRING, CONTACT  |   |   |   | 8              |                |
| - 42                  | 216073      | . . RECEPTACLE, CARD SINGLE POS  |   |   |   | 1              |                |
| - 43                  | 236849      | . SCREW, MACH BD HD- 10-32 X 1/4 LG  |   |   |   | 1              |                |
| - 44                  | 56079       | . WASHER LOCK, EXT T .204 ID .410 OD   |   |   |   | 1              |                |
| - 45                  | 5762474     | . OVERVOLTAGE ASSEMBLY, 6V   |   |   |   | 1              |                |
| - 46                  | 438550      | . SCREW, MACH BD HD- 4-40 X 0.500 LG   |   |   |   | 2              |                |
| - 47                  | 332779      | . INSULATOR  |   |   |   | 2              |                |
| - 48                  | 5762057     | . GROMMET, SNAP BUSHING  |   |   |   | 1              |                |
| - 49                  | 5761936     | . GROMMET  |   |   |   | 1              |                |
| - 50                  | 5762005     | . CHASSIS  |   |   |   | 1              |                |

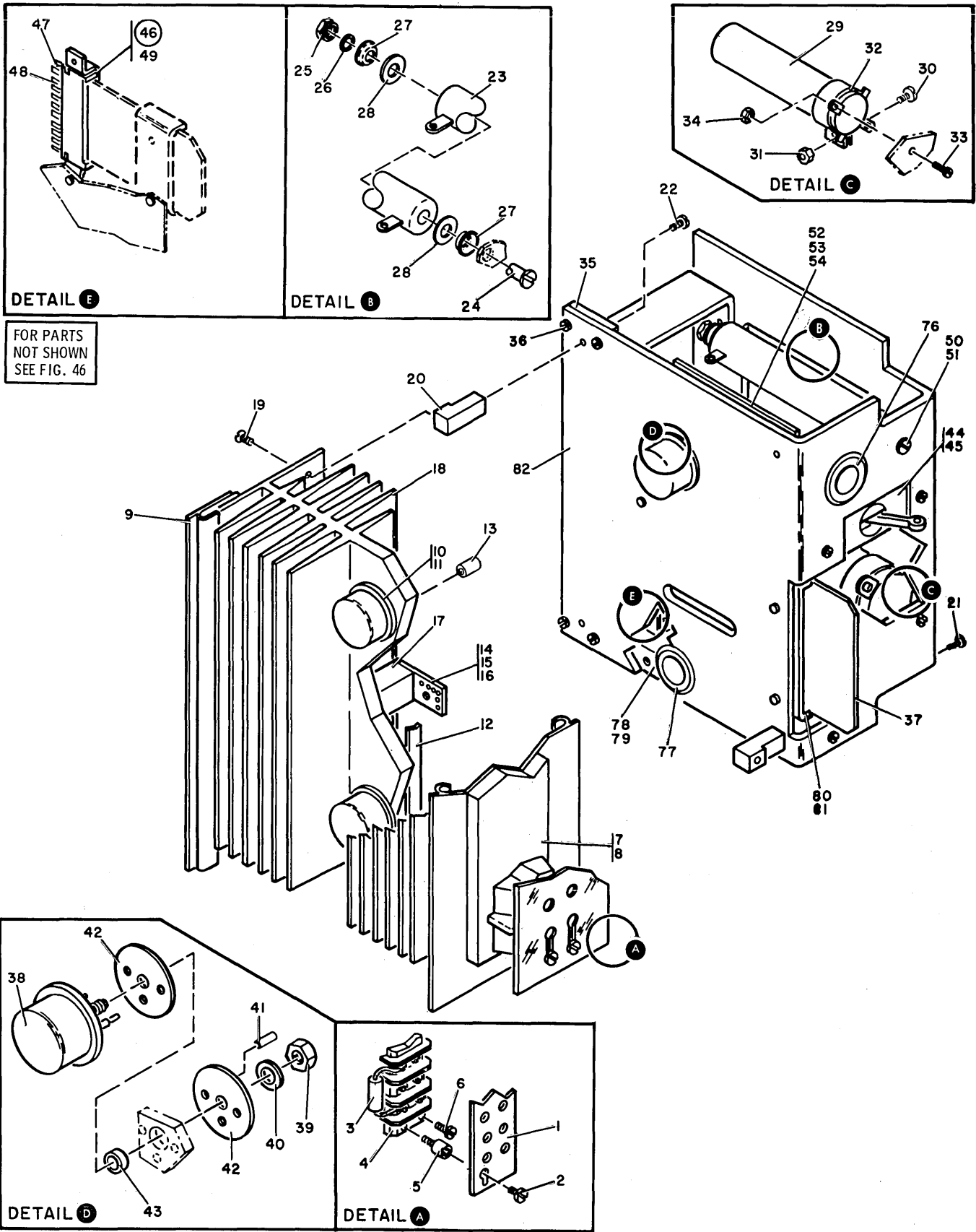


FIGURE 58. POWER PAC ASSEMBLY -6V AT 16A. SEE LIST 58.

| LIST AND INDEX NUMBER | PART NUMBER | DESCRIPTION  | UNITS PER ASM. | USABLE ON CODE |
|-----------------------|-------------|--|----------------|----------------|
|                       |             | 1 2 3 4  |                |                |
|                       |             | POWER PAC ASSEMBLY- 6V AT 16A  |                |                |
| 58 -                  | 5761710     | POWER PAC ASM,6V AT 16 AMP MID PACK<br>FOR NEXT HIGHER ASM SEE FIGURE 46-5<br>FOR ILLUSTRATION SEE FIGURE 58 | REF            |                |
| - 1                   | 352088      | . SHIELD,9 POS   | 1              |                |
| - 2                   | 10170       | . SCREW,MACH BD HD- NO. 6-32 X .250 LG   | ATT PT         | 2              |
| - 3                   | 5762197     | . CAPACITOR  |                | 2              |
| - 4                   | 323844      | . BLOCK,TERMINAL 9 POSITION  |                | 1              |
| - 5                   | 4118821     | . STUD,8-32 X .962 LG  | ATT PT         | 2              |
| - 6                   | 11931       | . SCREW,MACH BD HD 8-32 X 5/8 LG   | ATT PT         | 2              |
| - 7                   | 5762013     | . MARKER STRIP,9 POS   |                | 1              |
| - 8                   | 80651       | . SCREW,THD CTG BD HD- 6-32 X 0.375 LG   | ATT PT         | 2              |
| - 9                   | 5762025     | . SEAL,HEATSINK  |                | 2              |
| - 10                  | 369214      | . TRANSISTOR,TYPE 108  |                | 4              |
| - 11                  | 11598       | . NUT,PLAIN HEX 10-32  | ATT PT         | 4              |
| - 12                  | 5762045     | . STRIP,BUS  |                | 1              |
| - 13                  | 5761976     | . TUBING,TRANSISTOR INSULATING   |                | 8              |
| - 14                  | 5762037     | . TERMINAL   |                | 1              |
| - 15                  | 5762058     | . SCREW,WSR HEX HD THD FORM 6-32 X .125 LG   | ATT PT         | 1              |
| - 16                  | 1134232     | . WASHER,SHOULDER  | ATT PT         | 1              |
| - 17                  | 5762036     | . STANDOFF,TERMINAL  |                | 1              |
| - 18                  | 5762015     | . HEATSINK   |                | 1              |
| - 19                  | 255629      | . SCREW,THD CTG FL CSK HD NO. 6 X 0.500 LG   | ATT PT         | 4              |
| - 20                  | 5762034     | . INSULATOR,HEATSINK   |                | 4              |
| - 21                  | 91610       | . SCREW,THD CTG BD HD- 6 32 X 0.500 LG   | ATT PT         | 2              |
| - 22                  | 80652       | . SCREW,THD CTG BD HD- 6-32 X 5/8 LG   | ATT PT         | 2              |
| - 23                  | 730427      | . RESISTOR,FXD WW 0.11 OHMS P/M 10% 90 W   |                | 1              |
| - 24                  | 331982      | . SCREW,MACH BD HD 8-32 X 1-1/4 LG   | ATT PT         | 1              |
| - 25                  | 5761938     | . NUT,LOCKWASHER ASM,8-32  | ATT PT         | 1              |
| - 26                  | 22478       | . WASHER,FL 0.170 ID 0.375 OD 0.032 THK  | ATT PT         | 1              |
| - 27                  | 510468      | . WASHER,CUP   |                | 2              |
| - 28                  | 5761935     | . WASHER,INSULATING  |                | 2              |
| - 29                  | 730429      | . CAPACITOR,FXD ELECT 11,000 MFD 10V DCW   |                | 1              |
| - 30                  | 38235       | . SCREW,MACH 6-32 X .310 LG  |                | 2              |
| - 31                  | 5761943     | . NUT,LOCKWASHER ASM 6-32  |                | 2              |
| - 32                  | 301768      | . BRACKET-THERMISTOR MOUNTING  |                | 1              |
| - 33                  | 38354       | . SCREW,MACH FIL HD 6-32 X 0.500 LG  | ATT PT         | 1              |
| - 34                  | 5761943     | . NUT,LOCKWASHER ASM 6-32  | ATT PT         | 1              |
| - 35                  | 5762033     | . BRACKET,SPACER   |                | 2              |
| - 36                  | 186759      | . SCREW,MACH BD HD- 8-32 X 5/16 LG   | ATT PT         | 8              |
| - 37                  | 375202      | . CARD ASM   |                | 1              |
| - 38                  | 369214      | . TRANSISTOR,TYPE 108  |                | 1              |
| - 39                  | 11598       | . NUT,PLAIN HEX 10-32  | ATT PT         | 1              |
| - 40                  | 45690       | . WASHER,FL NO.10 X 7/16 OD X 1/32 THK   | ATT PT         | 1              |
| - 41                  | 5761976     | . TUBING,TRANSISTOR INSULATING   |                | 2              |
| - 42                  | 5762406     | . INSULATOR  |                | 2              |
| - 43                  | 473582      | . INSULATOR,0.200 ID X 0.270 OD X .085 THK   |                | 1              |
| - 44                  | 5214552     | . PROTECTOR,CIRCUIT  |                | 1              |
| - 45                  | 38235       | . SCREW,MACH 6-32 X .310 LG  | ATT PT         | 2              |
| - 46                  | 216076      | . TERMINAL BLOCK AND CONTACT ASSEMBLY  |                | 1              |
| - 47                  | 216087      | . . SPRING,CONTACT   |                | 8              |
| - 48                  | 216088      | . . SPRING,CONTACT   |                | 8              |
| - 49                  | 216073      | . . RECEPTACLE,CARD SINGLE POS   |                | 1              |
| - 50                  | 236849      | . SCREW,MACH BD HD- 10-32 X 1/4 LG   |                | 1              |
| - 51                  | 56079       | . WASHER LOCK,EXT T .204 ID .410 OD  |                | 1              |
| - 52                  | 5762474     | . OVERVOLTAGE ASSEMBLY,6V  |                | 1              |
| - 53                  | 438550      | . SCREW,MACH BD HD- 4-40 X 0.500 LG  | ATT PT         | 2              |
| - 54                  | 332779      | . INSULATOR  | ATT PT         | 2              |
| - 76                  | 5762057     | . GROMMET,SNAP BUSHING   |                | 1              |
| - 77                  | 5761936     | . GROMMET  |                | 1              |
| - 78                  | 5761904     | . BRACKET,CARD RECEPTACLE  |                | 1              |
| - 79                  | 5761907     | . RIVET  | ATT PT         | 2              |
| - 80                  | 5712309     | . GUIDE,SMS CARD   |                | 1              |
| - 81                  | 5761907     | . RIVET  | ATT PT         | 2              |
| - 82                  | 5762005     | . CHASSIS  |                | 1              |



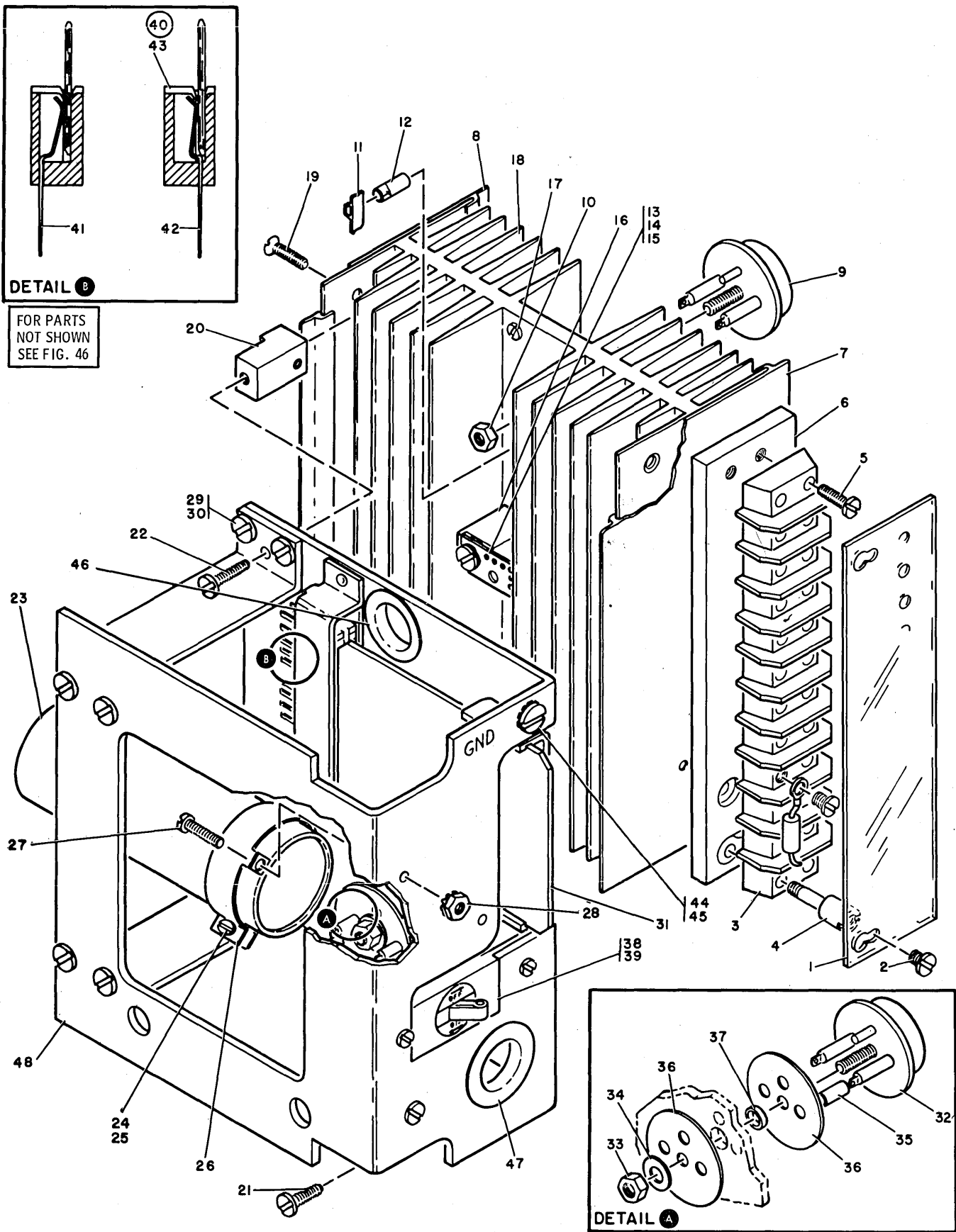


FIGURE 59. POWER PAC ASSEMBLY -36V AT 2A. SEE LIST 59.

| LIST AND INDEX NUMBER | PART NUMBER | DESCRIPTION  | UNITS    | USABLE  |
|-----------------------|-------------|--|----------|---------|
|                       |             |  | PER ASM. | ON CODE |
|                       |             | POWER PAC ASSEMBLY- 36V AT 2A  |          |         |
| 59 -                  | 5762320     | 36VDC @ 2A POWER PAC ASSEMBLY,PS4<br>FOR NEXT HIGHER ASM SEE FIGURE 46-4<br>FOR ILLUSTRATION SEE FIGURE 59 | REF      |         |
| - 1                   | 352088      | . SHIELD,9 POS   | 1        |         |
| - 2                   | 1124740     | . SCREW,BIND HD 6-32 X 0.250 LG ATT PT   | 2        |         |
| - 3                   | 323844      | . BLOCK,TERMINAL 9 POSITION  | 1        |         |
| - 4                   | 4118821     | . STUD,8-32 X .962 LG ATT PT   | 2        |         |
| - 5                   | 11931       | . SCREW,MACH BD HD 8-32 X 5/8 LG ATT PT  | 2        |         |
| - 6                   | 730439      | . PLATE,DESIGNATION 9 POS  | 1        |         |
| - 7                   | 5762025     | . SEAL,HEATSINK  | 1        |         |
| - 8                   | 5762023     | . SEAL,HEATSINK  | 1        |         |
| - 9                   | 369214      | . TRANSISTOR,TYPE 108  | 2        |         |
| - 10                  | 11598       | . NUT,PLAIN HEX 10-32 ATT PT   | 2        |         |
| - 11                  | 5762045     | . STRIP,BUS  | 1        |         |
| - 12                  | 5761976     | . TUBING,TRANSISTOR INSULATING   | 4        |         |
| - 13                  | 5762037     | . TERMINAL   | 1        |         |
| - 14                  | 5762058     | . SCREW,WSR HEX HD THD FORM 6-32 X .125 LG ATT PT  | 1        |         |
| - 15                  | 1134232     | . WASHER,SHOULDER ATT PT   | 1        |         |
| - 16                  | 5762036     | . STANDOFF,TERMINAL  | 1        |         |
| - 17                  | 83606       | . SCREW,BD HD SELF TAPPING   | 2        |         |
| - 18                  | 5762015     | . HEATSINK   | 1        |         |
| - 19                  | 255629      | . SCREW,THD CTG FL CSK HD NO. 6 X 0.500 LG ATT PT  | 4        |         |
| - 20                  | 5762034     | . INSULATOR,HEATSINK   | 4        |         |
| - 21                  | 91610       | . SCREW,THD CTG BD HD- 6 32 X 0.500 LG ATT PT  | 2        |         |
| - 22                  | 80652       | . SCREW,THD CTG BD HD- 6-32 X 5/8 LG ATT PT  | 2        |         |
| - 23                  | 208245      | . CAPACITOR,ELECT 2500 MFD P 100 M 10 PCT  | 1        |         |
| - 24                  | 510379      | . SCREW,MACH FIL HD- 6-32 X 0.750 LG   | 1        |         |
| - 28                  | 5761943     | . NUT,LOCKWASHER ASM 6-32  | 1        |         |
| - 26                  | 301768      | . BRACKET-THERMISTOR MOUNTING  | 1        |         |
| - 24                  | 38235       | . SCREW,MACH 6-32 X .310 LG  | 2        |         |
| - 25                  | 5761943     | . NUT,LOCKWASHER ASM 6-32  | 2        |         |
| - 29                  | 5762033     | . BRACKET,SPACER   | 2        |         |
| - 30                  | 186759      | . SCREW,MACH BD HD- 8-32 X 5/16 LG ATT PT  | 8        |         |
| - 31                  | 375206      | . CARD ASM   | 1        |         |
| - 32                  | 369214      | . TRANSISTOR,TYPE 108  | 1        |         |
| - 33                  | 11598       | . NUT,PLAIN HEX 10-32 ATT PT   | 1        |         |
| - 34                  | 45690       | . WASHER,FL NO.10 X 7/16 OD X 1/32 THK ATT PT  | 1        |         |
| - 35                  | 5761976     | . TUBING,TRANSISTOR INSULATING   | 2        |         |
| - 36                  | 5762406     | . INSULATOR  | 2        |         |
| - 37                  | 473582      | . INSULATOR,0.200 ID X 0.270 OD X .085 THK   | 1        |         |
| - 38                  | 5214543     | . CIRCUIT PROTECTOR,50 VDC 4A 1POLE  | 1        |         |
| - 39                  | 38235       | . SCREW,MACH 6-32 X .310 LG ATT PT   | 2        |         |
| - 40                  | 216076      | . TERMINAL BLOCK AND CONTACT ASSEMBLY  | 1        |         |
| - 41                  | 216087      | . . SPRING,CONTACT   | 8        |         |
| - 42                  | 216088      | . . SPRING,CONTACT   | 8        |         |
| - 43                  | 216073      | . . RECEPTACLE,CARD SINGLE POS   | 1        |         |
| - 44                  | 236849      | . SCREW,MACH BD HD- 10-32 X 1/4 LG   | 1        |         |
| - 45                  | 56079       | . WASHER LOCK,EXT T .204 ID .410 OD  | 1        |         |
| - 46                  | 5762057     | . GROMMET,SNAP BUSHING   | 1        |         |
| - 47                  | 5761936     | . GROMMET  | 1        |         |
| - 48                  | 5762005     | . CHASSIS  | 1        |         |

FOR PARTS  
NOT SHOWN  
SEE FIG. 32  
SHEET 1

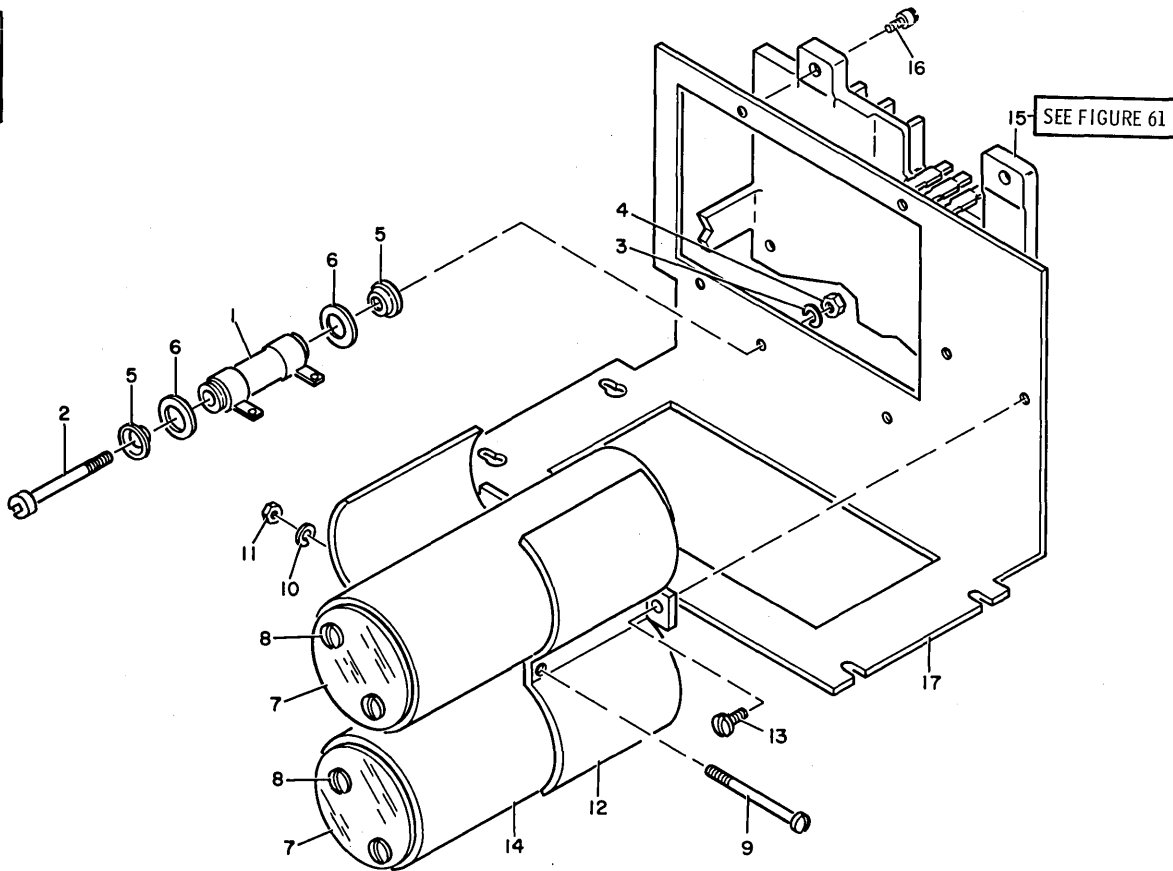


FIGURE 60. MODULE ASSEMBLY. SEE LIST 60.

| LIST AND INDEX NUMBER | PART NUMBER | DESCRIPTION   |   |   |   | UNITS PER ASM. | USABLE ON CODE |
|-----------------------|-------------|---|---|---|---|----------------|----------------|
|                       |             | 1   | 2 | 3 | 4 |                |                |
|                       |             | MODULE ASSEMBLY   |   |   |   |                |                |
| 60 -                  | 1993540     | MODULE ASM, AC/DC- 36V AT 12A   |   |   |   | REF            |                |
|                       |             | FOR NEXT HIGHER ASM SEE FIGURE 32-108<br>FOR ILLUSTRATION SEE FIGURE 60 |   |   |   |                |                |
| - 1                   | 312610      | . RESISTOR, VITREOUS- 150 OHMS P/H 5% 25W                               |   |   |   | 2              |                |
| - 2                   | 438582      | . SCREW, MACH FIL HD 8-32 X 2-1/4 LG                                    |   |   |   | 2              | ATT PT         |
| - 3                   | 1090873     | . LOCKWASHER, SPLIT 0.168 ID X 0.296 OD                                 |   |   |   | 2              | ATT PT         |
| - 4                   | 257189      | . NUT, HEX 8-32   |   |   |   | 2              | ATT PT         |
| - 5                   | 507144      | . WASHER, CENTERING   |   |   |   | 4              |                |
| - 6                   | 442958      | . WASHER, MICA  |   |   |   | 4              |                |
| - 7                   | 5261274     | . COVER, CAPACITOR SAFETY   |   |   |   | 2              |                |
| - 8                   | 32042       | . SCREW, MACH BD HD- 10-32 X 0.375 LG.                                  |   |   |   | 4              | ATT PT         |
| - 9                   | 438571      | . SCREW, BD HD- 6-32 X 1.750 LG   |   |   |   | 1              |                |
| - 10                  | 6364        | . LOCKWASHER, SPLIT NO. 6 X 1/4 OD                                      |   |   |   | 1              |                |
| - 11                  | 257187      | . NUT, HEX DBL CHAMFERED 6-32 X 0.3125 FL W                             |   |   |   | 1              |                |
| - 12                  | 5762297     | . CLAMP, CAPACITOR  |   |   |   | 2              |                |
| - 13                  | 221790      | . SCREW, MACH BD HD- 8-32 X 3/16 LG                                     |   |   |   | 2              | ATT PT         |
| - 14                  | 5214073     | . CAPACITOR, ELECT- 32,000UF P75M10% 40V                                |   |   |   | 2              |                |
| - 15                  | 1993490     | . MODULE ASM, AC/DC- MID PAC  |   |   |   | 1              |                |
|                       |             | FOR DETAIL BREAKDOWN SEE FIGURE 61                                      |   |   |   |                |                |
| - 16                  | 232         | . SCREW, MACH FIL H 10-32 X 0.500 LG                                    |   |   |   | 3              | ATT PT         |
| - 17                  | 1993836     | . HOUSING   |   |   |   | 1              |                |

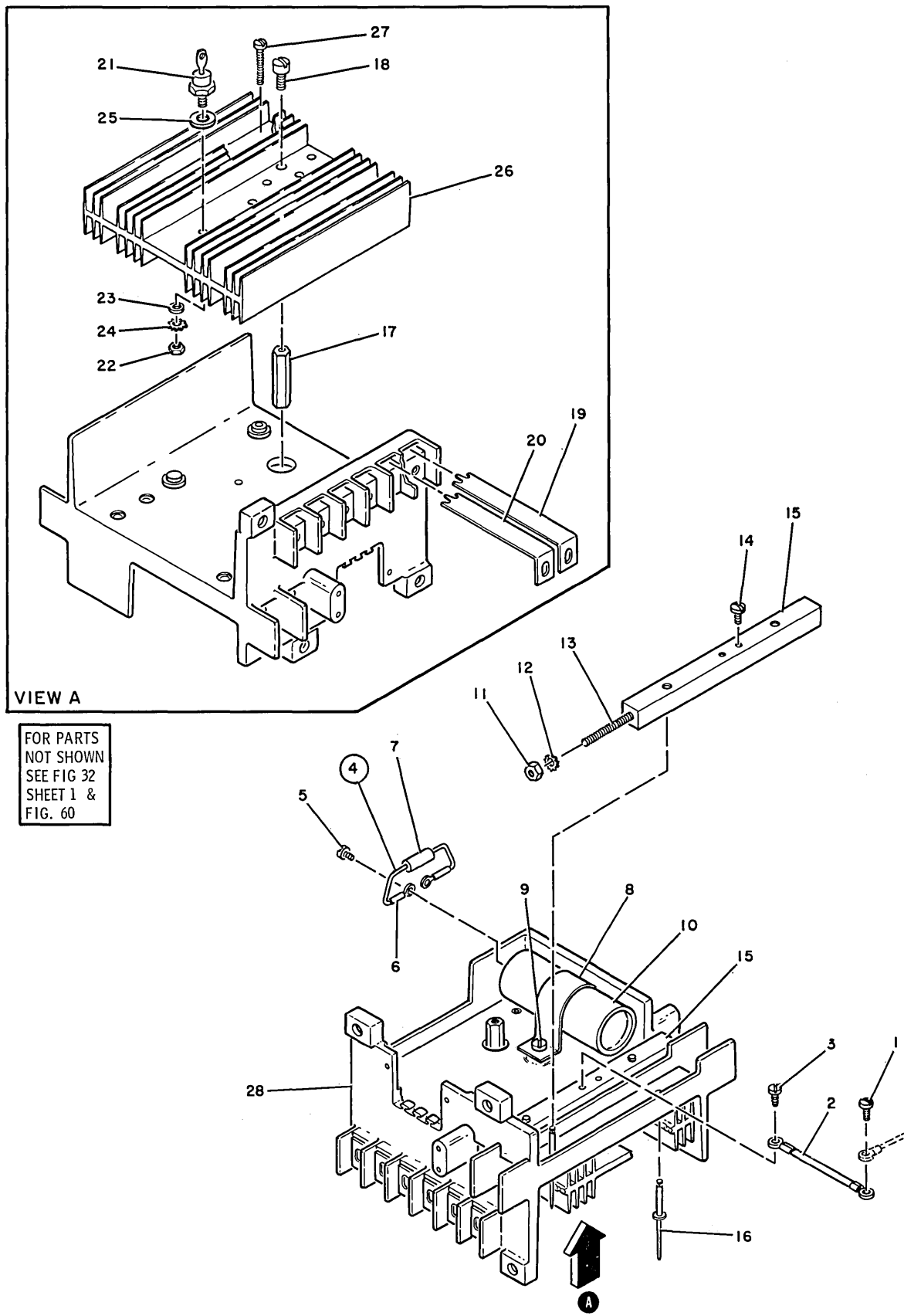


FIGURE 61. MODULE ASSEMBLY, AC/DC. SEE LIST 61.



FOR PARTS  
NOT SHOWN  
SEE FIG. 32  
SHEET 1,  
AND FIG. 33  
SHEET 2

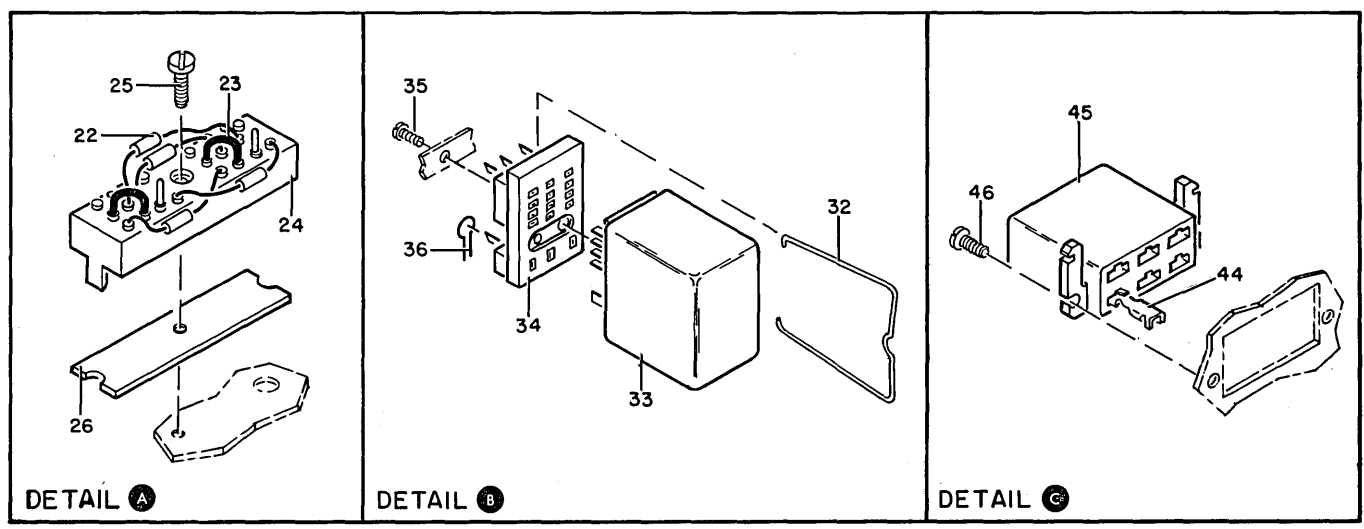
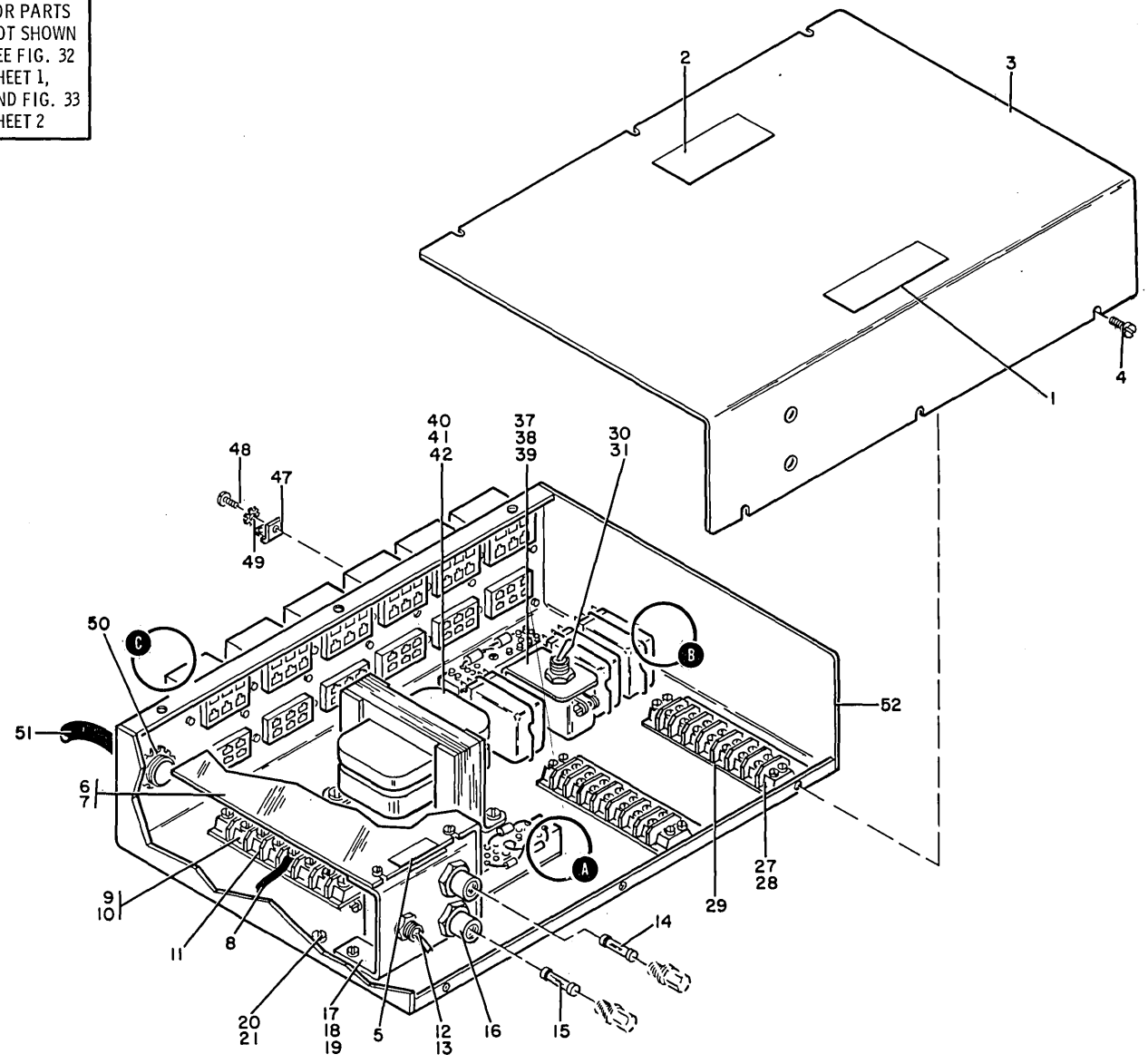


FIGURE 62. EMERGENCY POWER-OFF CONTROL ASSEMBLY. SEE LIST 62.

| LIST AND INDEX NUMBER | PART NUMBER | DESCRIPTION  |   |   |   | UNITS PER ASM. | USABLE ON CODE |
|-----------------------|-------------|--|---|---|---|----------------|----------------|
|                       |             | 1  | 2 | 3 | 4 |                |                |
|                       |             | EMERGENCY POWER-OFF CONTROL ASSEMBLY   |   |   |   |                |                |
| 62 -                  | 5271793     | EMERGENCY POWER-OFF CONTROL ASSEMBLY<br>FOR NEXT HIGHER ASM SEE FIGURE 32-143N AND 33-68<br>AND FOR ILLUSTRATION SEE FIGURE 62 |   |   |   | REF            |                |
| - 1                   | 845762      | . DECAL,VOLTAGE  |   |   |   | 1              |                |
| - 2                   | 369207      | . LABEL,VOLTAGE  |   |   |   | 1              |                |
| - 3                   | 5271787     | . COVER  |   |   |   | 1              |                |
| - 4                   | 10170       | . SCREW,MACH BD HD- 6-32 X 0.250 LG ATT PT   |   |   |   | 6              |                |
| - 5                   | 138754      | . DECAL,INST LINE V PRESENT W/MACH PWR OFF   |   |   |   | 1              |                |
| - 6                   | 5271792     | . COVER  |   |   |   | 1              |                |
| - 7                   | 10170       | . SCREW,MACH BD HD- 6-32 X 0.250 LG ATT PT   |   |   |   | 2              |                |
| - 8                   | 334921      | . TERMINAL,LUG NO.22 THRU NO.18 WIRE INSUL   |   |   |   | AR             |                |
| - 8                   | 360433      | . TERMINAL,PLUG- 16-18 AWG   |   |   |   | AR             |                |
| - 9                   | 317131      | . BLOCK,6 DBL SCREW TERMINAL   |   |   |   | 1              |                |
| - 10                  | 35739       | . SCREW,MACH BD HD- 6-32 X 0.438 OD ATT PT   |   |   |   | 4              |                |
| - 11                  | 513740      | . STRIP,6 POS NOS. 1 THRU 6 MARKER   |   |   |   | 1              |                |
| - 12                  | 313246      | . SWITCH,TOGGLE  |   |   |   | 1              |                |
| - 13                  | 334635      | . WASHER,LOCK INT TEETH 0.476 ID 0.600 OD ATT PT   |   |   |   | 1              |                |
| - 14                  | 303805      | . FUSE   |   |   |   | 1              |                |
| - 15                  | 6325        | . FUSE,1 AMP 250 VOLTS   |   |   |   | 1              |                |
| - 16                  | 360882      | . FUSEHOLDER,15 AMP 250V AC  |   |   |   | 2              |                |
| - 17                  | 5271795     | . BRACKET  |   |   |   | 1              |                |
| - 18                  | 10170       | . SCREW,MACH BD HD- 6-32 X 0.250 LG ATT PT   |   |   |   | 2              |                |
| - 19                  | 56722       | . LOCKWASHER,EXT TEETH- 0.150 ID X 0.320 O ATT PT  |   |   |   | 2              |                |
| - 20                  | 221790      | . SCREW,MACH BD HD- 8-32 X 0.187 LG  |   |   |   | 1              |                |
| - 21                  | 55901       | . LOCKWASHER,EXT TEETH- 0.176 OD X 0.381 O   |   |   |   | 1              |                |
| - 22                  | 615354      | . DIODE ASSEMBLY,TYPE AM   |   |   |   | 7              |                |
| - 23                  | 205329      | . JUMPER,BRASS 3/16  |   |   |   | 8              |                |
| - 24                  | 302090      | . BLOCK,TERMINAL   |   |   |   | 2              |                |
| - 25                  | 236550      | . SCREW,MACH BIND HD 4 40 X .375 LG ATT PT   |   |   |   | 2              |                |
| - 26                  | 302131      | . STRIP,INSULATOR 2.094 LG X 1/16 THK  |   |   |   | 1              |                |
| - 27                  | 512071      | . BLOCK,7 DBL SCREW TERMINAL   |   |   |   | 2              |                |
| - 28                  | 81693       | . SCREW,MACH BD HD- 6-32 X 0.375 LG ATT PT   |   |   |   | 8              |                |
| - 29                  | 362243      | . MARKER,TERMINAL STRIP  |   |   |   | 2              |                |
| - 30                  | 313246      | . SWITCH,TOGGLE  |   |   |   | 1              |                |
| - 31                  | 334635      | . WASHER,LOCK INT TEETH 0.476 ID 0.600 OD ATT PT   |   |   |   | 1              |                |
| - 32                  | 5318966     | . RETAINER,RELAY   |   |   |   | 3              |                |
| - 33                  | 5271785     | . RELAY  |   |   |   | 3              |                |
| - 34                  | 5318967     | . SOCKET   |   |   |   | 3              |                |
| - 35                  | 251970      | . SCREW,MACH BD. HD. 4-40 X 1/4 LG ATT PT  |   |   |   | 3              |                |
| - 36                  | 5364197     | . RETAINER   |   |   |   | 3              |                |
| - 37                  | 5271786     | . BRACKET  |   |   |   | 1              |                |
| - 38                  | 10170       | . SCREW,MACH BD HD- 6-32 X 0.250 LG ATT PT   |   |   |   | 2              |                |
| - 39                  | 56722       | . LOCKWASHER,EXT TEETH- 0.150 ID X 0.320 O ATT PT  |   |   |   | 2              |                |
| - 40                  | 5313144     | . TRANSFORMER,ISOLATION  |   |   |   | 1              |                |
| - 41                  | 58207       | . SCREW,MACH BD HD- 8-32 X 0.250 LG ATT PT   |   |   |   | 4              |                |
| - 42                  | 55901       | . LOCKWASHER,EXT TEETH- 0.176 OD X 0.381 O ATT PT  |   |   |   | 5              |                |
| - 44                  | 5351177     | . TERMINAL,RECEPTACLE  |   |   |   | 24             |                |
| - 45                  | 523269      | . HOUSING,RECEPTACLE   |   |   |   | 12             |                |
| - 46                  | 251970      | . SCREW,MACH BD. HD. 4-40 X 1/4 LG ATT PT  |   |   |   | 24             |                |
| - 47                  | 5271288     | . TERMINAL   |   |   |   | 12             |                |
| - 48                  | 438548      | . SCREW,MACH BD HD- 4-40 X 0.188 LG ATT PT   |   |   |   | 12             |                |
| - 49                  | 338169      | . LOCKWASHER,EXT TEETH 0.115 ID X 0.260 OD ATT PT  |   |   |   | 12             |                |
| - 50                  | 2100264     | . RELIEF,CABLE STRAIN  |   |   |   | 1              |                |
| - 51                  | 5271789     | . CABLE ASSEMBLY   |   |   |   | 1              |                |
| - 51                  | 5271790     | . CABLE ASSEMBLY,AC EMER PWR-OFF CONTROL   |   |   |   | 1              |                |
| - 51                  | 5271791     | . CABLE ASSEMBLY,DC EMER PWR-OFF CONTROL   |   |   |   | 1              |                |
| - 52                  | 5271788     | . BOX  |   |   |   | 1              |                |

FOR PARTS NOT SHOWN SEE LIST 63 FOR NEXT HIGHER ASSEMBLY

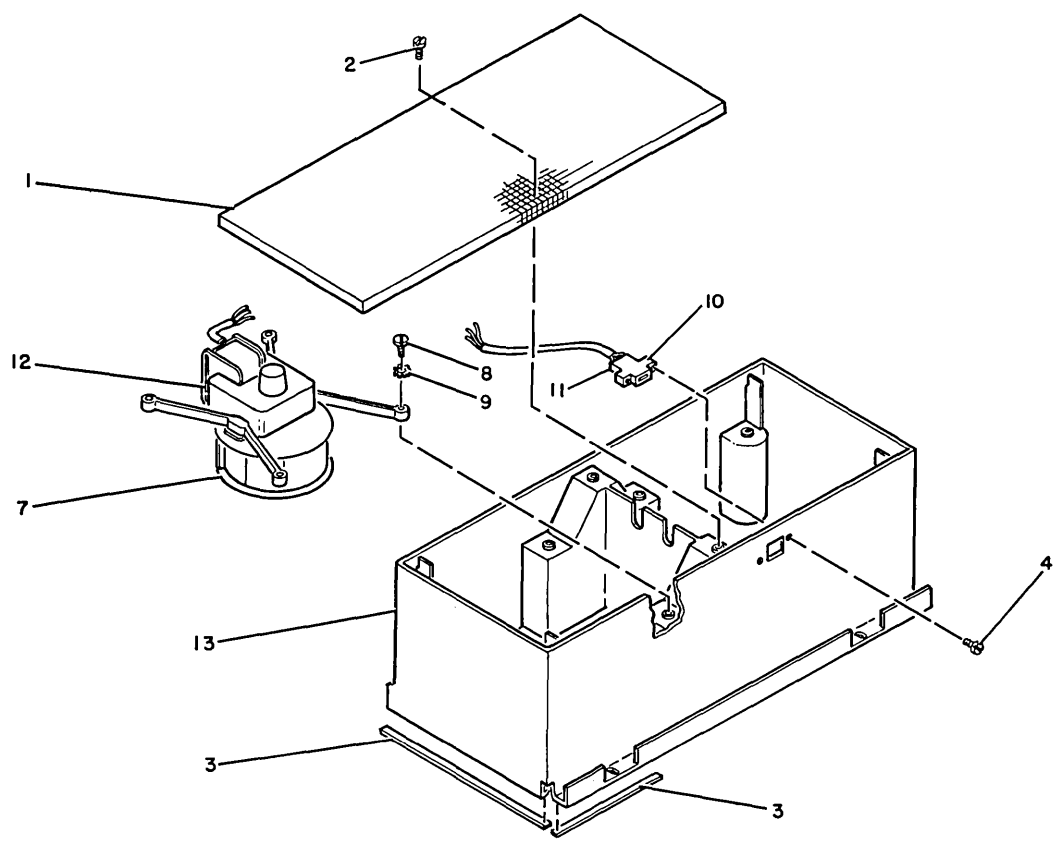


FIGURE 63. COOLING UNIT ASSEMBLY. SEE LIST 63.

| LIST AND INDEX NUMBER | PART NUMBER | DESCRIPTION  | UNITS PER ASM. |        | USABLE ON CODE |
|-----------------------|-------------|--|----------------|--------|----------------|
|                       |             |  | 1              | 2 3 4  |                |
|                       |             | COOLING UNIT ASSEMBLY  |                |        |                |
| 63 -                  | 1994833     | COOLING UNIT ASM- 50HZ   |                |        | REF            |
| -                     | 1994834     | COOLING UNIT ASM- 60HZ<br>FOR NEXT HIGHER ASSEMBLY<br>SEE FIGURES 10-146, 11-87, 33-40, AND 34-83A<br>FOR ILLUSTRATION SEE FIGURE 63 |                |        | REF            |
| - 1                   | 1993689     | . SCREEN, SAFETY   |                |        | 1              |
| - 2                   | 186759      | . SCREW, MACH BD HD- 8-32 X 5/16 LG  |                | ATT PT | 2              |
| - 3                   | 1994489     | . SEAL, AIR  |                |        | AR             |
| - 4                   | 2637289     | . SCREW, SELF T- 8-18 X 0.265 LG   |                |        | 2              |
| - 7                   | 1797462     | . BLOWER AND CONNECTOR ASM   |                |        | 2              |
| - 7                   | 1797463     | . BLOWER AND CONNECTOR ASM- 60HZ   |                |        | 2              |
| - 8                   | 2637290     | . SCREW, SELF TAPPING- 8-18 X 1.00 LG  |                | ATT PT | 8              |
| - 9                   | 60646       | . LOCKWASHER, INT TEETH- 0.196 ID X 0.340 OD   |                | ATT PT | 8              |
| - 10                  | 5353853     | . HOUSING, CONNECTOR   |                |        | 1              |
| - 11                  | 5353854     | . CONTACT, MALE 16-20 WIRE   |                |        | 3              |
| - 12                  | 1994490     | . BLOWER- 50HZ   |                |        | 1              |
| - 12                  | 1994956     | . BLOWER- 60HZ   |                |        | 1              |
| - 13                  | 1994831     | . HOUSING, BLOWER- 50HZ  |                |        |                |
| - 13                  | 1994832     | . HOUSING, BLOWER- 60HZ  |                |        |                |



FOR PARTS NOT SHOWN SEE LIST 64 FOR NEXT HIGHER ASSEMBLY

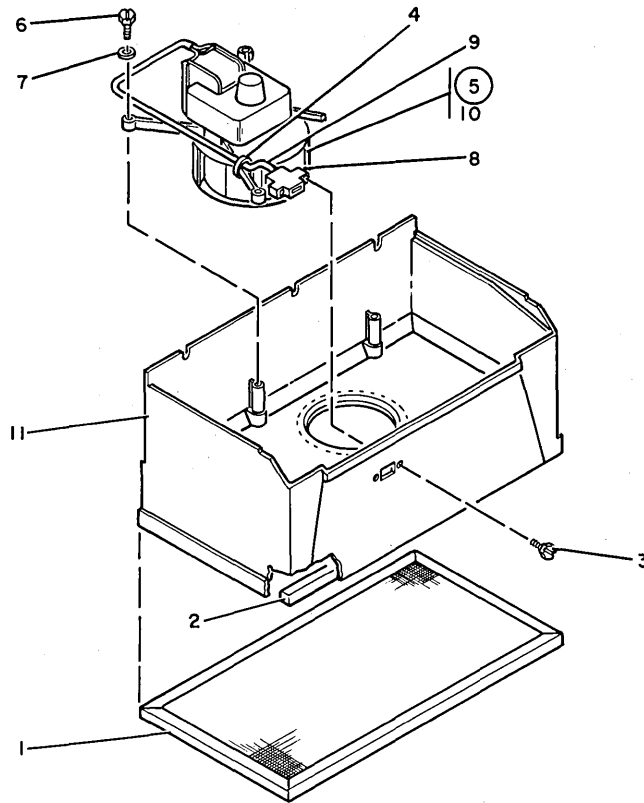


FIGURE 64. COOLING UNIT ASSEMBLY. SEE LIST 64.

| LIST AND INDEX NUMBER | PART NUMBER | DESCRIPTION  | UNITS PER ASM. |   |   |   | USABLE ON CODE |
|-----------------------|-------------|--|----------------|---|---|---|----------------|
|                       |             |  | 1              | 2 | 3 | 4 |                |
|                       |             | COOLING UNIT ASSEMBLY  |                |   |   |   |                |
| 64 -                  | 1993581     | COOLING UNIT ASM,GATE- 50HZ  |                |   |   |   | REF            |
| -                     | 1993582     | COOLING UNIT ASM,GATE- 60HZ<br>FOR NEXT HIGHER ASSEMBLY<br>SEE FIGURES 18-34, 19-26 AND 46-9<br>FOR ILLUSTRATION SEE FIGURE 64 |                |   |   |   | REF            |
| - 1                   | 1994488     | . FILTER   |                |   |   |   | 1              |
| - 2                   | 475465      | . SEAL, COVER  |                |   |   |   | AR             |
| - 3                   | 2637289     | . SCREW,SELF TAPPING- 8-18 X 0.625 LG  |                |   |   |   | 2              |
| - 4                   | 524519      | . CABLE TIE  |                |   |   |   | 1              |
| - 5                   | 1797462     | . BLOWER AND CONNECTOR ASM- 50 HZ  |                |   |   |   | 1              |
| - 5                   | 1797463     | . BLOWER AND CONNECTOR ASM- 60HZ   |                |   |   |   | 1              |
| - 6                   | 2637290     | . SCREW,SELF TAPPING- 8-18 X 1.000 LG  |                |   |   |   | 4              |
| - 7                   | 60646       | . LOCKWASHER, INT TEETH NO. 8 X 0.340 OD   |                |   |   |   | 4              |
| - 8                   | 5353853     | . HOUSING,CONNECTOR  |                |   |   |   | 1              |
| - 9                   | 5353854     | . CONTACT,MALE 16-20 WIRE  |                |   |   |   | 2              |
| - 10                  | 1994490     | . BLOWER- 50HZ   |                |   |   |   | 1              |
| - 10                  | 1994956     | . BLOWER- 60HZ   |                |   |   |   | 1              |
| - 11                  | 1994961     | . HOUSING,GATE BLOWER- 50HZ  |                |   |   |   | 1              |
| - 11                  | 1993579     | . HOUSING,GATE BLOWER- 60 HZ   |                |   |   |   | 1              |
|                       |             |  |                |   |   |   |                |
|                       |             |  |                |   |   |   |                |
|                       |             |  |                |   |   |   |                |
|                       |             |  |                |   |   |   |                |

FOR PARTS NOT SHOWN SEE LIST 65 FOR NEXT HIGHER ASSEMBLY

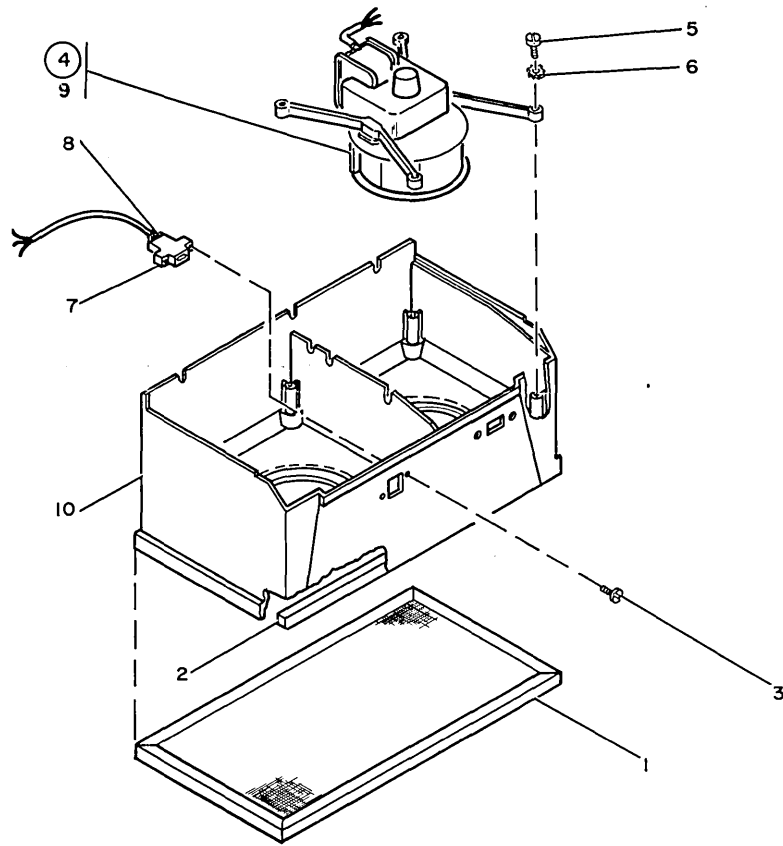


FIGURE 65. COOLING UNIT ASSEMBLY. SEE LIST 65.

| LIST AND INDEX NUMBER | PART NUMBER | DESCRIPTION  |   |   |   | UNITS PER ASM. | USABLE ON CODE |
|-----------------------|-------------|--|---|---|---|----------------|----------------|
|                       |             | 1  | 2 | 3 | 4 |                |                |
|                       |             | COOLING UNIT ASSEMBLY  |   |   |   |                |                |
| 65 -                  | 1993535     | COOLING UNIT ASM,GATE- 50HZ  |   |   |   | REF            |                |
| -                     | 1993536     | COOLING UNIT ASM,GATE- 60HZ<br>FOR NEXT HIGHER ASSEMBLIES<br>SEE FIGURES 11-108, 20-33, 21-44<br>33-22A, 33-77 AND 43-42<br>FOR ILLUSTRATION SEE FIGURE 65 |   |   |   | REF            |                |
| - 1                   | 1994488     | . FILTER   |   |   |   | 1              |                |
| - 2                   | 475465      | . SEAL,COVER   |   |   |   | AR             |                |
| - 3                   | 2637289     | . SCREW,SELF TAPPING- 8-18 X 0.625 LG  |   |   |   | 2              |                |
| - 4                   | 1797462     | . BLOWER AND CONNECTOR ASM- 50 HZ  |   |   |   | 2              |                |
| - 4                   | 1797463     | . BLOWER AND CONNECTOR ASM- 60HZ   |   |   |   | 2              |                |
| - 5                   | 2637289     | . SCREW,SELF TAPPING- 8-18 X 0.625 LG  |   |   |   | 4              | ATT PT         |
| - 6                   | 60646       | . LOCKWASHER, INT TEETH NO. 8 X 0.340 OD   |   |   |   | 4              | ATT PT         |
| - 7                   | 5353853     | . . HOUSING,CONNECTOR  |   |   |   | 1              |                |
| - 8                   | 5353854     | . . CONTACT,MALE 16-20 WIRE  |   |   |   | 2              |                |
| - 9                   | 1994490     | . . BLOWER- 50HZ   |   |   |   | 1              |                |
| - 9                   | 1994956     | . . BLOWER- 60HZ   |   |   |   | 1              |                |
| - 10                  | 1994960     | . HOUSING,GATE BLOWER- 50 HZ   |   |   |   | 1              |                |
| - 10                  | 1993530     | . HOUSING,GATE BLOWER  |   |   |   | 1              |                |
|                       |             |  |   |   |   |                |                |
|                       |             |  |   |   |   |                |                |
|                       |             |  |   |   |   |                |                |
|                       |             |  |   |   |   |                |                |

FOR PARTS NOT  
SHOWN SEE LIST 66  
FOR NEXT HIGHER  
ASSEMBLY

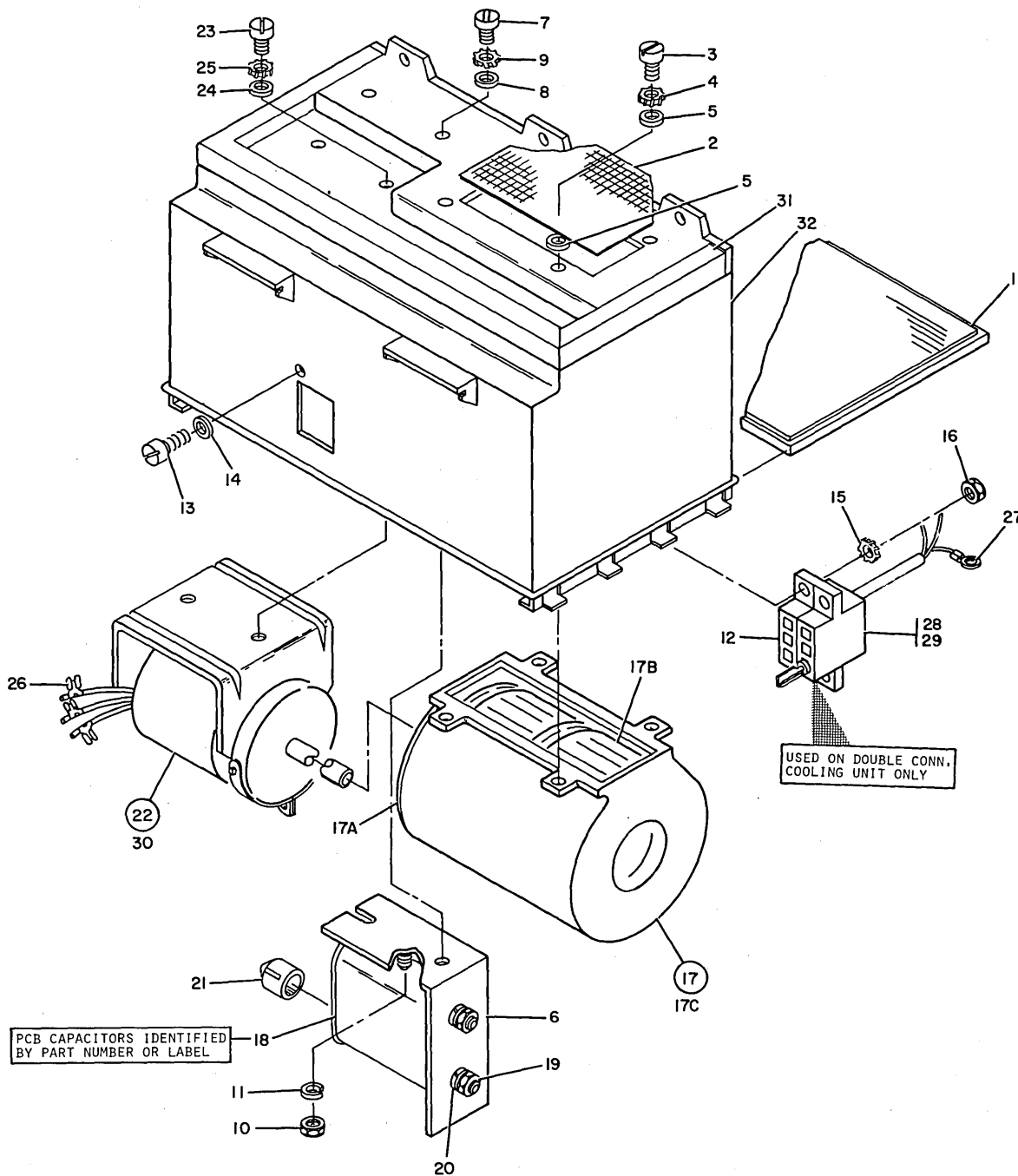


FIGURE 66. COOLING UNIT ASSEMBLY. SEE LIST 66.

| FIGURE-<br>INDEX<br>NUMBER | PART<br>NUMBER | DESCRIPTION  |   |   |   | UNITS<br>PER<br>ASM. | USABLE<br>ON<br>CODE |
|----------------------------|----------------|--|---|---|---|----------------------|----------------------|
|                            |                | 1  | 2 | 3 | 4 |                      |                      |
|                            |                | COOLING UNIT ASSEMBLY  |   |   |   |                      |                      |
| 66 -                       | 1573501        | COOLING UNIT ASSEMBLY (3.2) WHEEL- 60 HZ<br>FOR NEXT HIGHER ASSEMBLY   |   |   |   | REF                  |                      |
| -                          | 1573502        | SEE FIGURES 33-77<br>COOLING UNIT ASSEMBLY (3.2) WHEEL- 60 HZ<br>FOR NEXT HIGHER ASSEMBLY                                  |   |   |   | REF                  |                      |
| -                          | 1573500        | SEE FIGURES 11-108, 20-33, 21-44, 33-22A AND 43-42<br>COOLING UNIT ASSEMBLY (3.0) WHEEL- 60 HZ<br>FOR NEXT HIGHER ASSEMBLY |   |   |   | REF                  |                      |
| -                          | 1574800        | SEE FIGURES 18-34, 19-26 AND 46-9<br>COOLING UNIT ASM (3.0 WHEEL)- 60 HZ NON PCB<br>FOR NEXT HIGHER ASSEMBLY               |   |   |   | REF                  |                      |
| -                          | 1574802        | SEE FIGURES 18-34, 19-26 AND 46-9<br>COOLING UNIT ASM- (3.2 WHEEL)- 60 HZ NON PCB<br>FOR NEXT HIGHER ASSEMBLY              |   |   |   | REF                  |                      |
| - 1                        | 1573513        | SEE FIGURES 11-108, 20-33, 21-44, 33-22A, 33-77 AND 43-42<br>FOR ILLUSTRATION SEE FIGURE 66<br>. FILTER                    |   |   |   |                      | 1                    |
| - 2                        | 1573514        | . SCREEN, SAFETY   |   |   |   |                      | 1                    |
| - 3                        | 81693          | . SCREW, MACH BD HD- 6-32 X 0.375 LG   |   |   |   | ATT PT               | AR                   |
| - 4                        | 56722          | . LOCKWASHER, EXT TEETH- 0.150 ID X 0.320 OD   |   |   |   | ATT PT               | 4                    |
| - 5                        | 125145         | . WASHER, FL- 0.140 ID X 0.500 X 0.031 THK   |   |   |   | ATT PT               | 8                    |
| - 6                        | 1573510        | . BRACKET  |   |   |   |                      | 1                    |
| - 7                        | 81693          | . SCREW, MACH BD HD- 6-32 X 0.375 LG   |   |   |   | ATT PT               | 2                    |
| - 8                        | 125145         | . WASHER, FL- 0.140 ID X 0.500 X 0.031 THK   |   |   |   | ATT PT               | 2                    |
| - 9                        | 56722          | . LOCKWASHER, EXT TEETH- 0.150 ID X 0.320 OD   |   |   |   | ATT PT               | 2                    |
| - 10                       | 257187         | . NUT, HEX- 6-32   |   |   |   |                      | 2                    |
| - 11                       | 56722          | . LOCKWASHER, EXT TEETH- 0.150 ID X 0.320 OD   |   |   |   |                      | 1                    |
| - 12                       | 5353853        | . HOUSING, CONNECTOR<br>USED ON DOUBLE CONNECTOR ONLY  |   |   |   |                      | 1                    |
| - 13                       | 322552         | . SCREW  |   |   |   | ATT PT               | 2                    |
| - 14                       | 257986         | . WASHER, FL- 0.156 ID X 0.312 OD  |   |   |   | ATT PT               | 2                    |
| - 15                       | 56722          | . LOCKWASHER, EXT TEETH- 0.150 ID X 0.320 OD   |   |   |   | ATT PT               | 2                    |
| - 16                       | 257187         | . NUT, HEX- 6-32 THD   |   |   |   |                      | 2                    |
| - 17                       | 5468388        | . SCROLL ASSEMBLY- 3.2 WHEEL   |   |   |   |                      | 1                    |
| - 17                       | 1573515        | . SCROLL ASSEMBLY- 3.0 WHEEL   |   |   |   |                      | 1                    |
| - 17A                      | 5446160 NR     | . . BELL MOUTH, SCROLL   |   |   |   |                      | 1                    |
| - 17B                      | 5468307 NR     | . . WHEEL, BLOWER- 3.2   |   |   |   |                      | 1                    |
| - 17B                      | 5357024        | . . WHEEL, BLOWER- 3.0   |   |   |   |                      | 1                    |
| - 17C                      | 5446159 NR     | . . SCROLL   |   |   |   |                      | 1                    |
| - 18                       | 1573509        | . CAPACITOR  |   |   |   |                      | 1                    |
| - 18                       | 5252857        | . CAPACITOR, NON PCB   |   |   |   |                      | 1                    |
| - 19                       | 11598          | . NUT, HEX- 10-32 THD  |   |   |   | ATT PT               | 2                    |
| - 20                       | 56079          | . LOCKWASHER, EXT TEETH- 0.204 ID X 0.410 OD   |   |   |   | ATT PT               | 2                    |
| - 21                       | 526378         | . INSULATOR, CAPACITOR TERMINAL  |   |   |   |                      | 1                    |
| - 22                       | 1573507        | . MOTOR ASM  |   |   |   |                      | 1                    |
| - 23                       | 32042          | . SCREW, MACH BD HD- 10-32 X 0.375 LG  |   |   |   | ATT PT               | 2                    |
| - 24                       | 313385         | . SPACER   |   |   |   | ATT PT               | 2                    |
| - 25                       | 56079          | . LOCKWASHER, EXT TEETH- 0.204 ID X 0.410 OD   |   |   |   | ATT PT               | 3                    |
| - 26                       | 517913         | . . CLIP, TERMINAL   |   |   |   |                      | 1                    |
| - 27                       | 253740         | . . TERMINAL, LUG-INS 10-12AWG NO.6 MTG HOLE   |   |   |   |                      | 1                    |
| - 28                       | 5353853        | . . HOUSING, CONNECTOR   |   |   |   |                      | 1                    |
| - 29                       | 5353854        | . . CONTACT, MALE 16-20 WIRE   |   |   |   |                      | 3                    |
| - 30                       | 1573506        | . . MOTOR ASM  |   |   |   |                      | 1                    |
| - 31                       | 342470         | . SEAL<br>USED ON ASSEMBLY WITH SAFETY SCREEN  |   |   |   |                      | AR                   |
| - 31                       | 1577465        | . SEAL<br>USED ON ASSEMBLY WITHOUT SAFETY SCREEN   |   |   |   |                      |                      |
| - 32                       | 1573505        | . HOUSING- 3.2 WHEEL   |   |   |   |                      | 1                    |
| - 32                       | 1573504        | . HOUSING- 3.0 WHEEL   |   |   |   |                      | 1                    |

FOR PARTS NOT SHOWN SEE LIST 66A FOR NEXT HIGHER ASSEMBLY

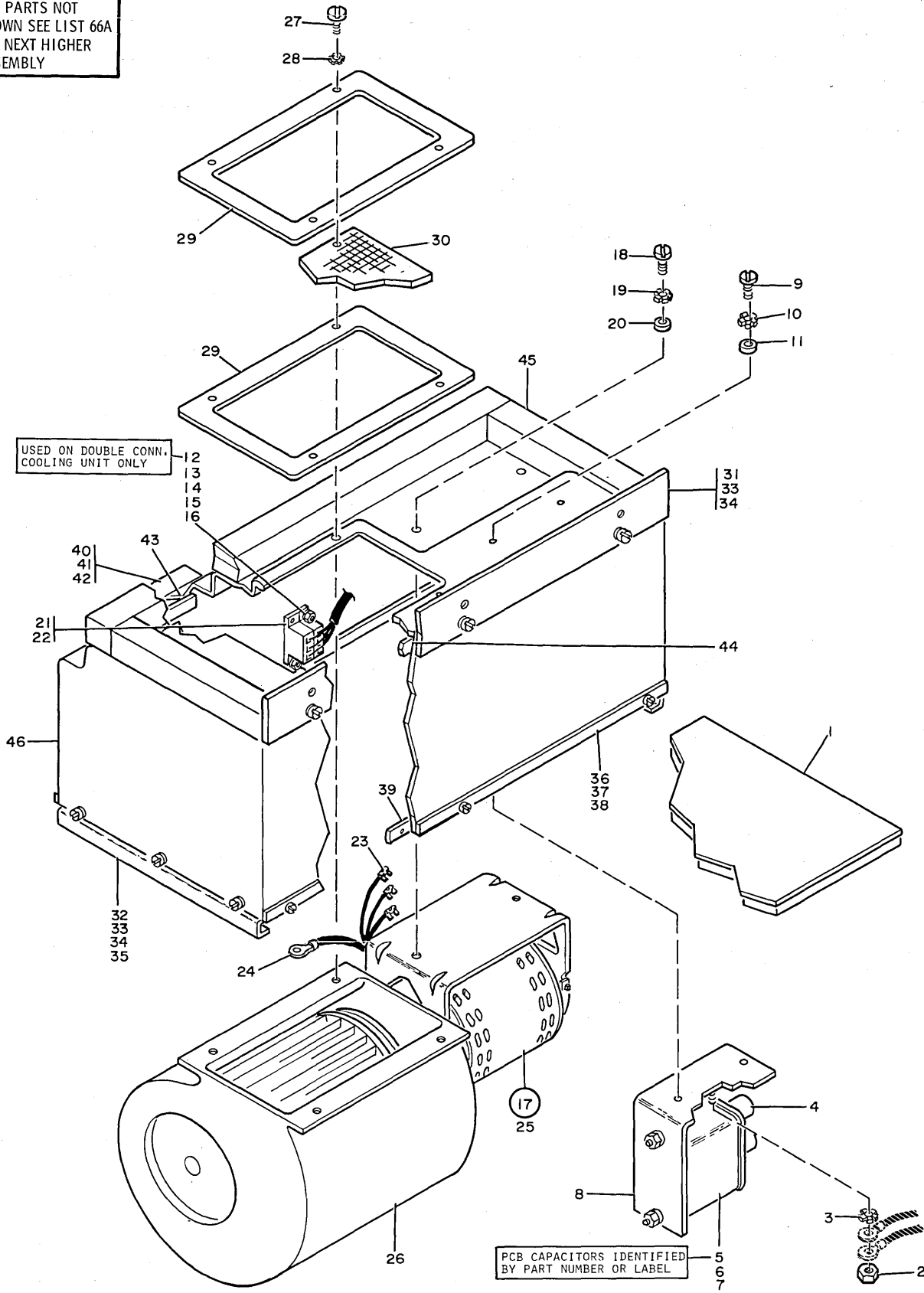


FIGURE 66A. COOLING UNIT ASSEMBLY. SEE LIST 66A

| FIGURE-<br>INDEX<br>NUMBER | PART<br>NUMBER | DESCRIPTION   |   |        |   | UNITS<br>PER<br>ASM. | USABLE<br>ON<br>CODE |
|----------------------------|----------------|---|---|--------|---|----------------------|----------------------|
|                            |                | 1   | 2 | 3      | 4 |                      |                      |
|                            |                | COOLING UNIT ASSEMBLY   |   |        |   |                      |                      |
| 66A-                       | 1574814        | COOLING UNIT ASSEMBLY- 60 HZ NON PCB  |   |        |   | REF                  |                      |
| -                          | 5548304        | COOLING UNIT ASSEMBLY- 60 HZ<br>FOR NEXT HIGHER ASSEMBLY<br>SEE FIGURE 11-108, 20-33, 21-44, 33-22A, 33-77 AND 43-42            |   |        |   | REF                  |                      |
| -                          | 1574816        | COOLING UNIT ASSEMBLY- 60 HZ NON PCB  |   |        |   | REF                  |                      |
| -                          | 5548306        | COOLING UNIT ASSEMBLY- 60 HZ<br>FOR NEXT HIGHER ASSEMBLY<br>SEE FIGURE 18-34, 19-26 AND 46-9<br>FOR ILLUSTRATION SEE FIGURE 66A |   |        |   | REF                  |                      |
| - 1                        | 1573513        | . FILTER  |   |        |   | 1                    |                      |
| - 2                        | 11598          | . NUT, PLAIN HEX- 10-32 X 0.375 PL W  |   |        |   | 2                    |                      |
| - 3                        | 56079          | . LOCKWASHER, EXT T- 0.195 ID X 0.410 OD  |   |        |   | 1                    |                      |
| - 4                        | 526378         | . CAP, INSULATION   |   |        |   | 2                    |                      |
| - 5                        | 5252857        | . CAPACITOR- NON PCB  |   |        |   | 1                    |                      |
| - 5                        | 1573509        | . CAPACITOR   |   |        |   | 1                    |                      |
| - 6                        | 11598          | . NUT, PLAIN HEX- 10-32 X 0.375 PL W  |   | ATT PT | 2 |                      |                      |
| - 7                        | 56079          | . LOCKWASHER, EXT T- 0.195 ID X 0.410 OD  |   | ATT PT | 2 |                      |                      |
| - 8                        | 1573510        | . BRACKET   |   |        |   | 1                    |                      |
| - 9                        | 81693          | . SCREW, MACH BD HD- 6-32 X 0.250 LG  |   | ATT PT | 2 |                      |                      |
| - 10                       | 56722          | . LOCKWASHER, EXT TEETH- NO. 6  |   | ATT PT | 2 |                      |                      |
| - 11                       | 466300         | . WASHER, PL- 0.156 ID X 0.813 OD 0.625 THK   |   | ATT PT | 2 |                      |                      |
| - 12                       | 5353853        | . HOUSING- CONNECTOR RECEPTACLE 3 POS   |   |        |   | 1                    |                      |
| - 13                       | 322552         | . SCREW, MACH BD HD- 6-32 X 0.875 LG  |   | ATT PT | 2 |                      |                      |
| - 14                       | 56722          | . LOCKWASHER, EXT TEETH- NO. 6  |   | ATT PT | 2 |                      |                      |
| - 15                       | 257986         | . WASHER, FLAT- NO. 6   |   |        |   | 2                    |                      |
| - 16                       | 257187         | . NUT, PLAIN HEX- 6-32  |   |        |   | 2                    |                      |
| - 17                       | 1573507        | . MOTOR AND CONNECTOR ASM   |   |        |   | 1                    |                      |
| - 18                       | 32042          | . SCREW, MACH BD HD- 10-32 X 0.375 LG   |   | ATT PT | 2 |                      |                      |
| - 19                       | 56079          | . LOCKWASHER, EXT T- 0.195 ID X 0.410 OD  |   | ATT PT | 2 |                      |                      |
| - 20                       | 600395         | . WASHER- 0.203 ID  |   | ATT PT | 2 |                      |                      |
| - 21                       | 5353854        | . CONTACT, MALE   |   |        |   | 3                    |                      |
| - 22                       | 5353853        | . HOUSING- CONNECTOR RECEPTACLE 3 POS   |   |        |   | 1                    |                      |
| - 23                       | 517913         | . TERMINAL, SLIP ON 18-16 AWG   |   |        |   | 3                    |                      |
| - 24                       | 483678         | . TERMINAL- RING NO. 6 14-16 AWG  |   |        |   | 1                    |                      |
| - 25                       | 1573506        | . MOTOR   |   |        |   | 1                    |                      |
| - 26                       | 5468388        | . SCROLL ASM- NON PCB   |   |        |   | 1                    |                      |
| - 26                       | 1573515        | . SCROLL ASM  |   |        |   | 1                    |                      |
| - 27                       | 81693          | . SCREW, MACH BD HD- 6-32 X 0.250 LG  |   | ATT PT | 4 |                      |                      |
| - 28                       | 56722          | . LOCKWASHER, EXT TEETH- NO. 6  |   | ATT PT | 4 |                      |                      |
| - 29                       | 5534589        | . PLATE   |   |        |   | 2                    |                      |
| - 30                       | 1573514        | . GUARD   |   |        |   | 1                    |                      |
| - 31                       | 5548313        | . BRACKET   |   |        |   | 1                    |                      |
| - 32                       | 5548310        | . BRACKET   |   |        |   | 2                    |                      |
| - 33                       | 332550         | . SCREW, MACH BD HD- 6-32 X 0.500 LG  |   | ATT PT | 9 |                      |                      |
| - 34                       | 56722          | . LOCKWASHER, EXT TEETH- NO. 6  |   | ATT PT | 9 |                      |                      |
| - 35                       | 257187         | . NUT, PLAIN HEX- 6-32  |   |        |   | 6                    |                      |
| - 36                       | 5534593        | . PLATE   |   |        |   | 2                    |                      |
| - 37                       | 81693          | . SCREW, MACH BD HD- 6-32 X 0.250 LG  |   | ATT PT | 6 |                      |                      |
| - 38                       | 56722          | . LOCKWASHER, EXT TEETH- NO. 6  |   | ATT PT | 6 |                      |                      |
| - 39                       | 5548312        | . BAR   |   |        |   | 2                    |                      |
| - 40                       | 5548314        | . BRACKET   |   |        |   | 2                    |                      |
| - 41                       | 322550         | . SCREW, MACH BD HD- 6-32 X 0.500 LG  |   | ATT PT | 4 |                      |                      |
| - 42                       | 56722          | . LOCKWASHER, EXT TEETH- NO. 6  |   | ATT PT | 4 |                      |                      |
| - 43                       | 5534592        | . PLATE   |   |        |   | 2                    |                      |
| - 44                       | 5534591        | . PLATE   |   |        |   | 1                    |                      |
| - 45                       | 342470         | . SEAL  |   |        |   | AR                   |                      |
| - 46                       | 5548308        | . HOUSING- DOUBLE CONN  |   |        |   | 1                    |                      |
| - 46                       | 5548307        | . HOUSING- SINGLE CONN  |   |        |   | 1                    |                      |

FOR PARTS NOT  
SHOWN SEE FIG 34  
SHEET 1

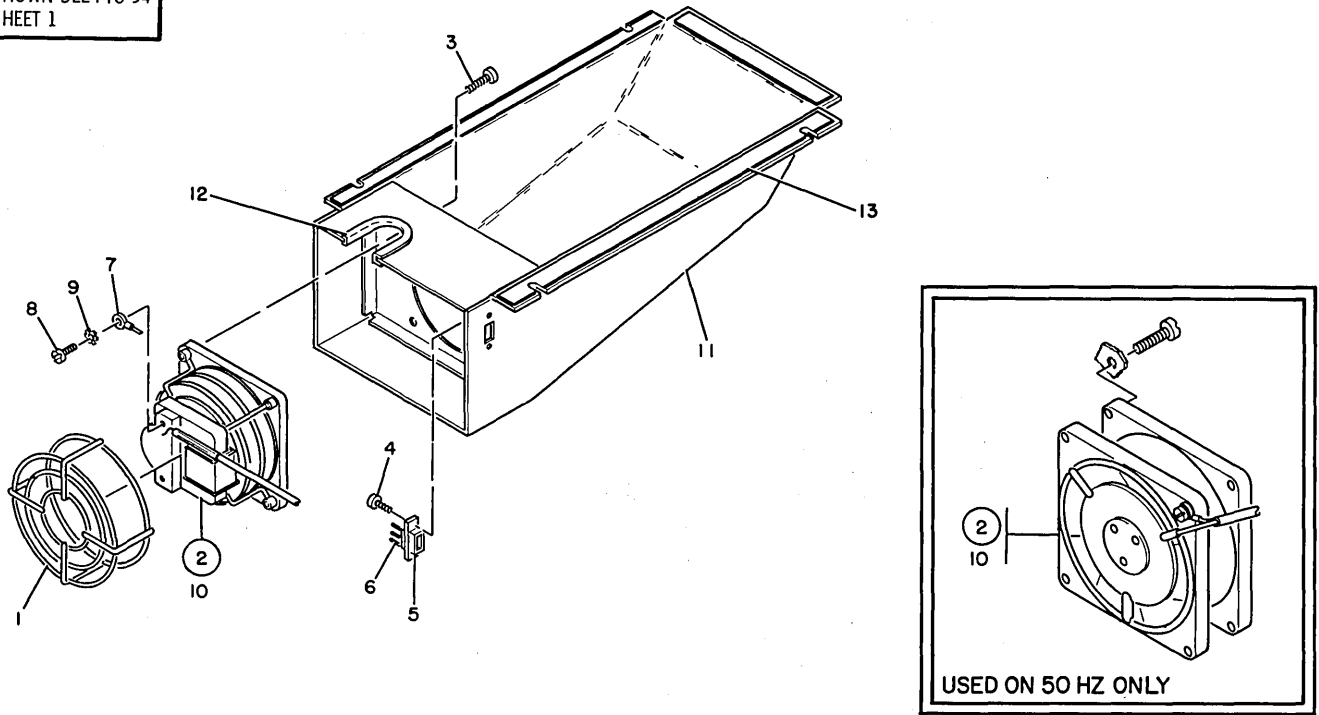
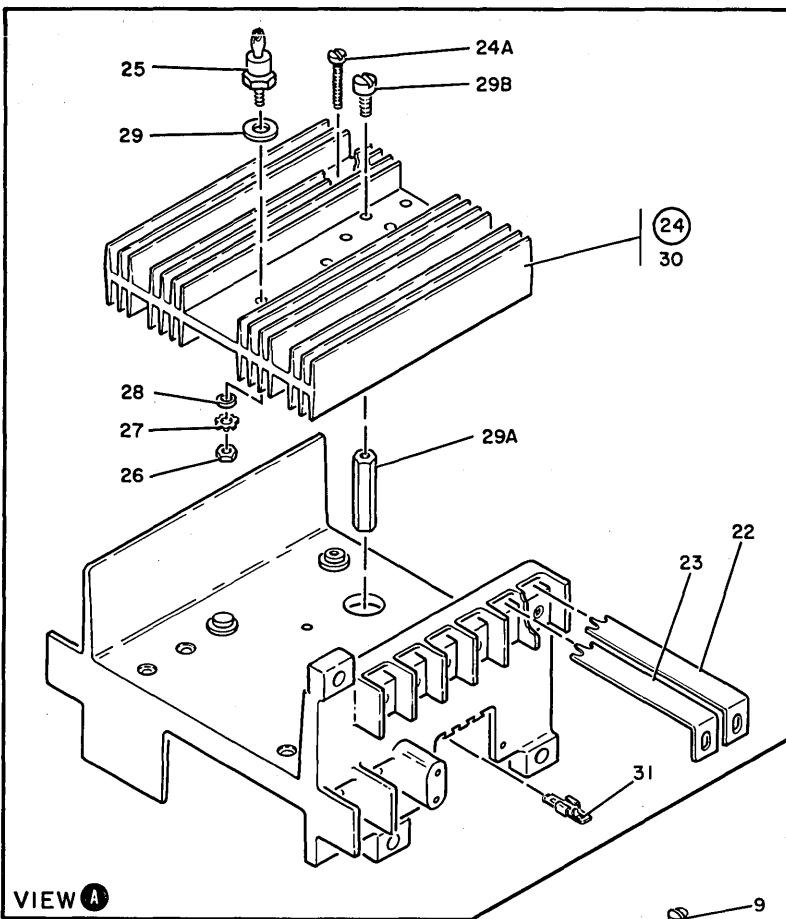


FIGURE 66B. BLOWER ASSEMBLY

| FIGURE-<br>INDEX<br>NUMBER | PART<br>NUMBER | DESCRIPTION   |   |   |   | UNITS<br>PER<br>ASM. | USABLE<br>ON<br>CODE |
|----------------------------|----------------|---|---|---|---|----------------------|----------------------|
|                            |                | 1   | 2 | 3 | 4 |                      |                      |
|                            |                | <b>BLOWER ASSEMBLY</b>  |   |   |   |                      |                      |
| 66B-                       | 1809593        | BLOWER ASSEMBLY- 50 HZ  |   |   |   | REF                  |                      |
|                            | 1809594        | BLOWER ASSEMBLY- 60 HZ<br>FOR NEXT HIGHER ASSEMBLY<br>SEE FIGURE 34-45<br>FOR ILLUSTRATION SEE FIGURE 66B |   |   |   | REF                  |                      |
| - 1                        | 4103890        | . GUARD, FAN  |   |   |   | 1                    |                      |
| - 2                        | 1809555        | . PAN ASSEMBLY- 60 HZ   |   |   |   | 1                    |                      |
| - 2                        | 1809590        | . PAN ASSEMBLY- 50 HZ   |   |   |   | 1                    |                      |
| - 3                        | 322065         | . SCREW, MACH BD HD- 6-32 X 0.625 LG<br>USED ON 60 HZ ONLY  |   |   |   | ATT PT               | 4                    |
| - 3                        | 38235          | . SCREW, MACH- 6-32 X 0.310 LG<br>USED ON 50 HZ ONLY  |   |   |   | ATT PT               | 4                    |
| - 4                        | 2637289        | . SCREW, SELF TAPPING- 8-18 X 0.625 LG  |   |   |   | ATT PT               | 2                    |
| - 5                        | 5353853        | . . HOUSING, CONNECTOR  |   |   |   | 1                    |                      |
| - 6                        | 5353854        | . . CONTACT, MALE 16-20 WIRE  |   |   |   | 3                    |                      |
| - 7                        | 483681         | . . TERMINAL, RING<br>USED ON 50 HZ ONLY  |   |   |   | 1                    |                      |
| - 7                        | 483685         | . . TERMINAL, RING<br>USED ON 60 HZ ONLY  |   |   |   | 1                    |                      |
| - 8                        | 10170          | . . SCREW, MACH BD HD- 6-32 X 0.250 LG<br>USED ON 50 HZ ONLY  |   |   |   | ATT PT               | 1                    |
| - 8                        | 236849         | . . SCREW<br>USED ON 60 HZ ONLY   |   |   |   | ATT PT               | 1                    |
| - 9                        | 56722          | . . LOCKWASHER, EXT TEETH- 0.150 ID X 0.320 OD<br>USED ON 50 HZ ONLY                                      |   |   |   | ATT PT               | 1                    |
| - 9                        | 56079          | . . LOCKWASHER, EXT TEETH- 0.204 ID X 0.410 OD<br>USED ON 60 HZ ONLY                                      |   |   |   | ATT PT               | 1                    |
| -10                        | 5357090        | . . PAN- 60 HZ  |   |   |   | 1                    |                      |
| -10                        | 4120171        | . . PAN- 50 HZ  |   |   |   | 1                    |                      |
| -11                        | 1809544        | . HOUSING, FAN  |   |   |   | 1                    |                      |

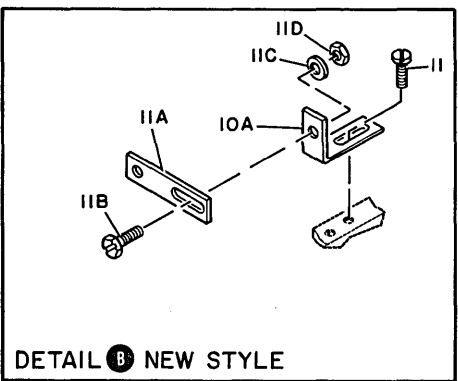
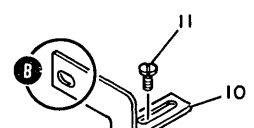
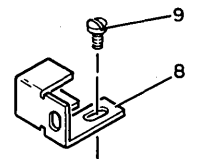
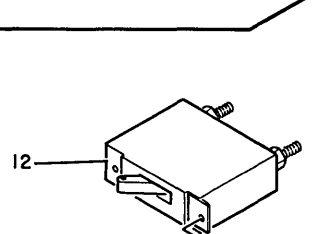
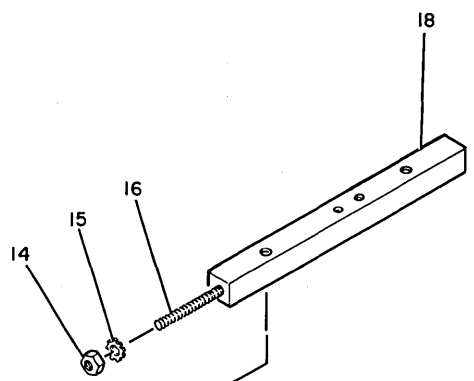






FOR PARTS  
NOT SHOWN  
SEE FIGS. 10  
AND 11, SH. 2  
AND FIG. 33  
SHEET 1

VIEW A



DETAIL B NEW STYLE

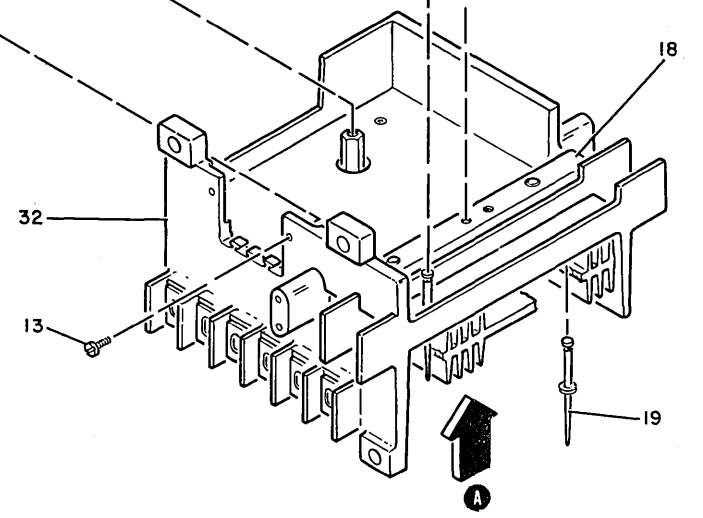
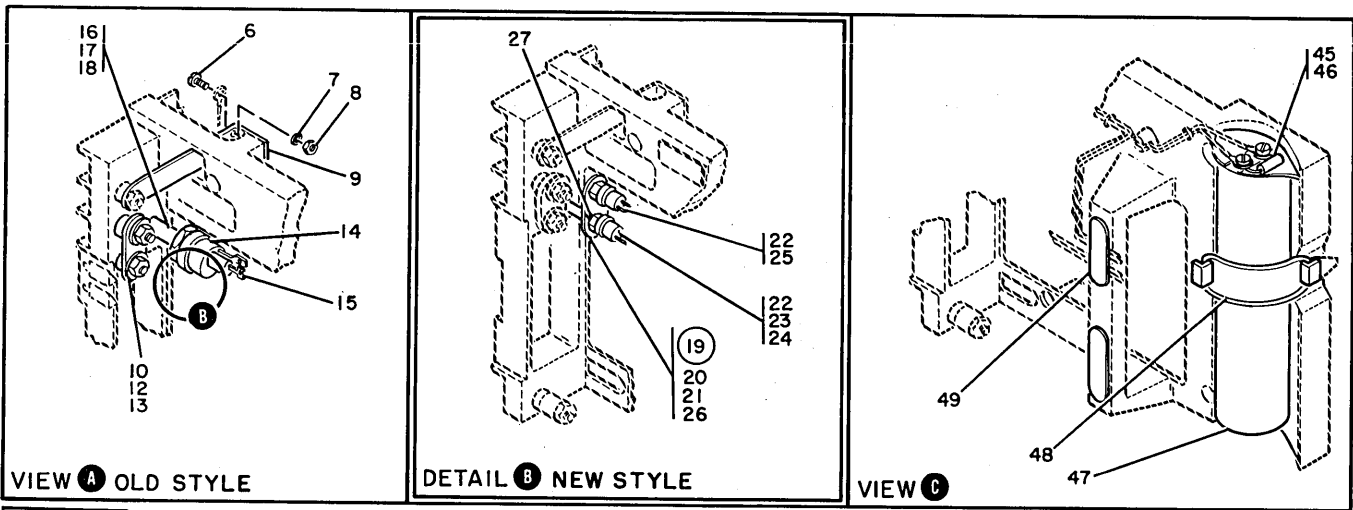


FIGURE 67. MODULE ASSEMBLY, AC/DC. SEE LIST 67.

| FIGURE-<br>INDEX<br>NUMBER | PART<br>NUMBER | DESCRIPTION   | UNITS       | USABLE     |
|----------------------------|----------------|---|-------------|------------|
|                            |                |   | PER<br>ASM. | ON<br>CODE |
|                            |                | 1 2 3 4<br>MODULE ASSEMBLY, AC/DC   |             |            |
|                            |                | CODE A USED ON 20, 30 AND 40 AMP MODULES<br>CODE B USED ON 50 AND 60 AMP MODULES  |             |            |
| 67 -                       | 1993590        | MODULE ASM, AC/DC- 20 AMPS<br>FOR NEXT HIGHER ASSEMBLY  | REF         |            |
| -                          | 1993380        | SEE FIGURES 10-119, 11-136 AND 33-44<br>MODULE ASM, AC/DC- 30 AMPS<br>FOR NEXT HIGHER ASM SEE FIGURE 10-106                 | REF         |            |
| -                          | 1993390        | MODULE ASM, AC/DC- 40 AMPS<br>FOR NEXT HIGHER ASM SEE FIGURE 10-106,<br>10-122 AND 10-124                                   | REF         |            |
| -                          | 1993460        | MODULE ASM, AC/DC- 50 AMPS<br>FOR NEXT HIGHER ASM SEE FIGURE 10-122   | REF         |            |
| -                          | 1993470        | MODULE ASM, AC/DC- 60 AMPS<br>FOR NEXT HIGHER ASM SEE FIGURE 10-121,<br>10-122 AND 10-124<br>FOR ILLUSTRATION SEE FIGURE 67 | REF         |            |
| - 8                        | 1993817        | . BRACKET, CIRCUIT BREAKER  | 1           |            |
| - 9                        | 322029         | . SCREW, BIND HD- .250-20 X 0.500 LG  | 1           | ATT PT     |
| - 10                       | 1993816        | . BRACKET, CIRCUIT BREAKER  | 1           |            |
|                            |                | USED ON 60 AMP ASM ONLY   |             |            |
| - 10A                      | 1816794        | . BRACKET, CIRCUIT BREAKER  | 1           |            |
| - 11                       | 28413          | . SCREW, MACH BD HD- 10-32 X 5/16 LG  | 2           | ATT PT     |
| - 11A                      | 1816795        | . BRACKET, ADJUSTABLE   | 1           |            |
| - 11B                      | 38686          | . SCREW, MACH HEX HD- 1/4-20 X 0.500 LG   | 1           | ATT PT     |
| - 11C                      | 3550           | . WASHER, FL- 0.250 ID X 0.562 OD   | 1           | ATT PT     |
| - 11D                      | 36109          | . NUT, PLAIN HEX- 1/4-20  | 1           | ATT PT     |
| - 12                       | 5796423        | . PROTECTOR, CIRCUIT- 20 AMP 24VDC 1 POLE<br>USED ON 20 AMP MODULE ASM  | 1           |            |
| - 12                       | 5796424        | . PROTECTOR, CIRCUIT- 30 AMP 24VDC 1 POLE<br>USED ON 30 AMP MODULE ASM  | 1           |            |
| - 12                       | 5796425        | . PROTECTOR, CIRCUIT- 40 AMP 24VDC 1 POLE<br>USED ON 40 AMP MODULE ASM  | 1           |            |
| - 12                       | 5214882        | . PROTECTOR, CIRCUIT- 50 AMPS 24VDC<br>USED ON 50 AMP MODULE ASM  | 1           |            |
| - 12                       | 5214707        | . PROTECTOR, CIRCUIT- 60 AMPS 24VDC<br>USED ON 60 AMP MODULE ASM  | 1           |            |
| - 13                       | 10170          | . SCREW, MACH BD HD- NO. 6-32 X .250 LG   | 2           | ATT PT     |
| - 14                       | 55586          | . NUT, HEX- 1/4-20  | 1           |            |
| - 15                       | 76574          | . LOCKWASHER, EXT TEETH .250  | 1           |            |
| - 16                       | 1993839        | . STUD- 1/4-20 X 1.125 LG   | 1           |            |
| - 18                       | 1993814        | . BUS BAR   | 2           |            |
| - 19                       | 1993822        | . RIVET   | 2           |            |
| - 22                       | 1993804        | . JUMPER, MODULE- LONG  | 3           | A          |
| - 22                       | 1993825        | . JUMPER, MODULE- LONG  | 3           | B          |
| - 23                       | 1993808        | . JUMPER, MODULE- SHORT   | 3           | A          |
| - 23                       | 1993824        | . JUMPER, MODULE- SHORT   | 3           | B          |
| - 24                       | 1809447        | . HEATSINK ASM  | 1           | A          |
| - 24                       | 1809448        | . HEATSINK ASM  | 1           | B          |
| - 24A                      | 321483         | . SCREW, MACH BD HD- 8-32 X 1.00 LG   | 2           | ATT PT     |
| - 25                       | 216197         | . RECTIFIER, SILICON- 200V 10A  | 6           | A          |
| - 25                       | 5213402        | . SCREW, MACH BD HD- 8-32 X 1.000 LG  | 2           | ATT PT     |
| - 26                       | 11891          | . NUT, PLAIN HEX 10-32 X 0.375 FL W BRS   | 6           | ATT PT     |
| - 26                       | 160017         | . NUT, PLAIN HEX 1/4-28 X 7/16 FL W   | 6           | ATT PT     |
| - 27                       | 56079          | . WASHER LOCK, EXT T .204 ID .410 OD  | 6           | ATT PT     |
| - 27                       | 76574          | . LOCKWASHER, EXT TEETH .250  | 6           | ATT PT     |
| - 28                       | 45690          | . WASHER, FL NO. 10 X 7/16 OD X 1/32 THK  | 6           | ATT PT     |
| - 29                       | 1993828        | . WASHER, SPACER  | 6           | A          |
| - 29A                      | 1993818        | . STUD  | 1           |            |
| - 29B                      | 438613         | . SCREW, MACH FIL HD- 1/4-20 X 0.500 LG   | 1           | ATT PT     |
| - 30                       | 1993819        | . HEATSINK  | 1           |            |
| - 31                       | 2557525        | . TERMINAL  | 3           |            |
| - 32                       | 1993813        | . CHASSIS ASM, MOLDED   | 1           |            |



FOR PARTS  
NOT SHOWN  
SEE FIG. 11  
SHEET 2 &  
FIGS 25  
AND 47

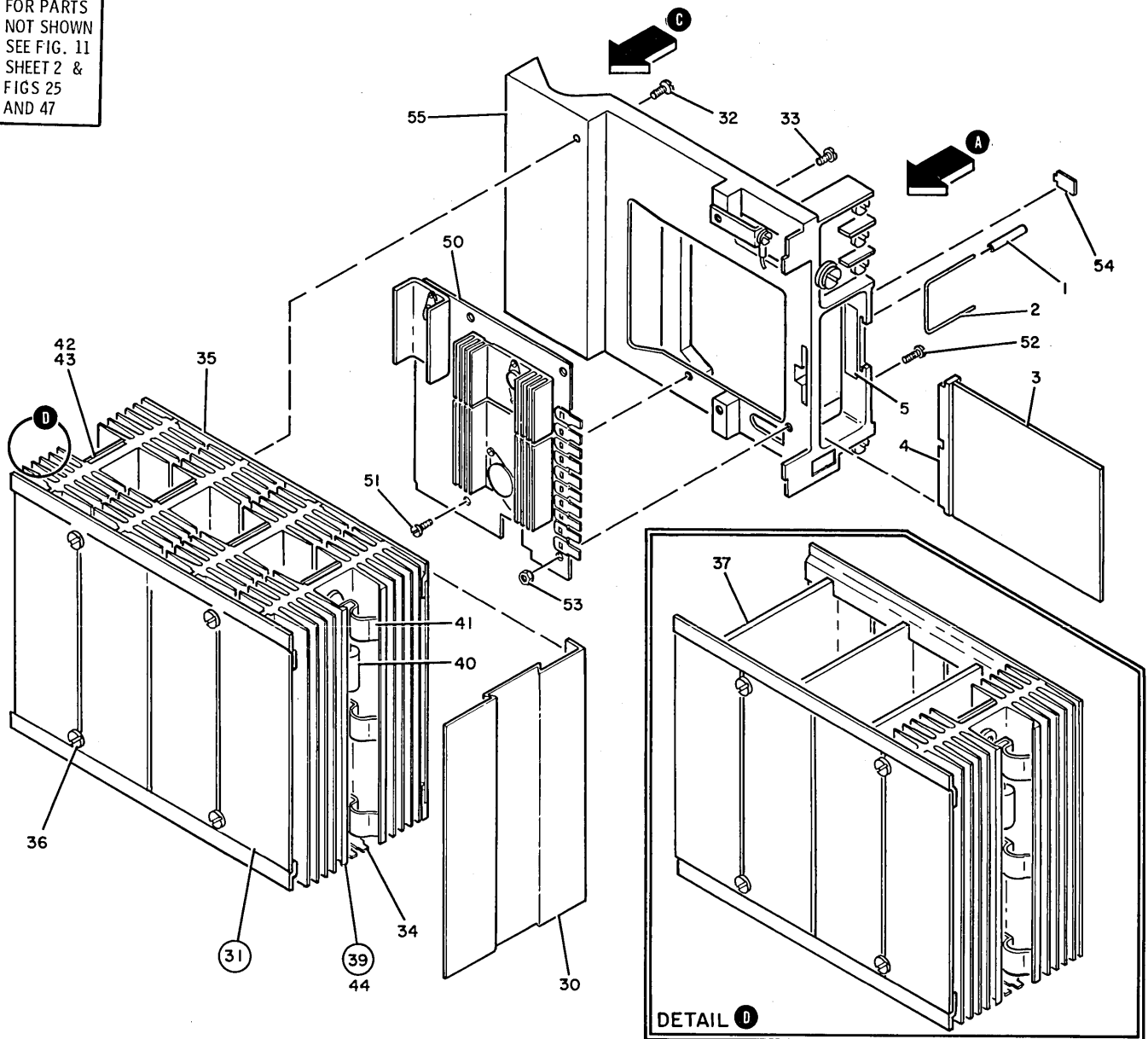


FIGURE 68. POWER SUPPLY ASSEMBLY. SEE LIST 68.

| FIGURE-<br>INDEX<br>NUMBER | PART<br>NUMBER | DESCRIPTION  |   |   |   | UNITS<br>PER<br>ASM. | USABLE<br>ON<br>CODE |
|----------------------------|----------------|--|---|---|---|----------------------|----------------------|
|                            |                | 1  | 2 | 3 | 4 |                      |                      |
|                            |                | POWER SUPPLY ASSEMBLY- 6 V DC AT 12 AMPS   |   |   |   | REF                  |                      |
| 68 -                       | 2557470        | POWER SUPPLY ASM<br>FOR NEXT HIGHER ASSEMBLY   |   |   |   | REF                  |                      |
| -                          | 2557550        | SEE FIGURES 11-119, 25-9 AND 47-4<br>POWER SUPPLY ASM-1.25/3VDC AT 69 AMP<br>FOR NEXT HIGHER ASM SEE FIGURE 25-4         |   |   |   | REF                  |                      |
| -                          | 2611770        | POWER SUPPLY ASM- 7V AT 12A<br>FOR NEXT HIGHER ASM SEE 47-6  |   |   |   | REF                  |                      |
| -                          | 5797470        | POWER SUPPLY ASM- 1.25/3VDC AT 69 AMPS<br>FOR NEXT HIGHER ASSEMBLY<br>SEE FIGURES 25-3<br>FOR ILLUSTRATION SEE FIGURE 68 |   |   |   | REF                  |                      |
| - 1                        | 5785286        | . SLEEVING   |   |   |   | 2                    |                      |
| - 2                        | 5797497        | . RETAINER   |   |   |   | 1                    |                      |
| - 3                        | 5862918        | . CARD ASM   |   |   |   | 1                    |                      |
| - 3                        | 5862922        | USED ON ASM 2557470<br>. CARD,SLT- A1  |   |   |   | 1                    |                      |
| - 3                        | 5862923        | USED ON ASM 2557550<br>. CARD,SLT  |   |   |   | 1                    |                      |
| - 3                        | 5862925        | USED ON ASM 5797470<br>. CARD ASM  |   |   |   | 1                    |                      |
| - 4                        | 811804         | USED ON ASM 2611770<br>. GUIDE,CARD 12 PAC   |   |   |   | 1                    |                      |
| - 5                        | 5785130        | . LABEL  |   |   |   | 1                    |                      |
| - 6                        | 38352          | . SCREW,MACH FIL HD- 6-32 X 0.375 LG   |   |   |   | 1                    |                      |
| - 7                        | 56722          | . LOCKWASHER,EXT- 0.150 ID X 0.320 OD  |   |   |   | 1                    |                      |
| - 8                        | 257187         | . NUT,HEX- 6-32  |   |   |   | 1                    |                      |
| - 9                        | 5797504        | . STRAP, .9 ROUNDING   |   |   |   | 1                    |                      |
| - 10                       | 5797532        | . LINK   |   |   |   | 1                    |                      |
| - 12                       | 65756          | . LOCKWASHER,INT T- 1/4 ID X .478 OD   |   |   |   | ATT PT               |                      |
| - 13                       | 3960           | . NUT,PLAIN HEX 1/4-20 X 7/16 PL W   |   |   |   | ATT PT               |                      |
| - 14                       | 5214335 NR     | . RECTIFIER,SILICON<br>USED ON ASM 2557470 AND 2611770   |   |   |   | 4                    |                      |
| - 15                       | 322765         | . TERMINAL,LUG   |   |   |   | 1                    |                      |
| - 16                       | 5785319        | USED ON ASM 2557470 AND 2611770<br>. EXTENSION,SCR   |   |   |   | 1                    |                      |
| - 17                       | 5785298        | USED ON ASM 2557470 AND 2611770<br>. SCREW,BD HD- 1/4-20 X .380 LG   |   |   |   | ATT PT               |                      |
| - 18                       | 333769         | . WASHER,FLAT- .265 ID X .875 OD   |   |   |   | ATT PT               |                      |
| - 19                       | 2480635        | . SCR ASM  |   |   |   | 1                    |                      |
| - 20                       | 5785298        | . SCREW,BD HD- 1/4-20 X .380 LG  |   |   |   | ATT PT               |                      |
| - 21                       | 333769         | . WASHER,FLAT- .265 ID X .875 OD   |   |   |   | ATT PT               |                      |
| - 22                       | 5214335        | . . RECTIFIER,SILICON  |   |   |   | 2                    |                      |
| - 23                       | 2480634        | . . EXTENSION,SCR  |   |   |   | ATT PT               |                      |
| - 24                       | 76574          | . . LOCKWASHER, EXT TEETH .250   |   |   |   | ATT PT               |                      |
| - 25                       | 160017         | . . NUT,PLAIN HEX 1/4-28 X 7/16 PL W   |   |   |   | ATT PT               |                      |
| - 26                       | 5797532        | . . LINK   |   |   |   | 1                    |                      |
| - 27                       | 322765         | . . TERMINAL,LUG   |   |   |   | 1                    |                      |
| - 30                       | 5785277        | . SEAL,ATR   |   |   |   | 1                    |                      |
| - 31                       | 2557545 NR     | . HEATSINK ASM<br>USED ON ASM 2557470 AND 2611770  |   |   |   | 1                    |                      |
| - 31                       | 2557519 NR     | . HEATSINK ASM- 12 TRANSISTOR<br>USED ON 2557550 AND 5797470 ASSEMBLIES  |   |   |   | 1                    |                      |
| - 32                       | 358            | . SCREW,FIL H- 10-32 X 3/4 LG  |   |   |   | ATT PT               |                      |
| - 33                       | 32042          | . SCREW,MACH BD HD- 10-32 X 0.375 LG.  |   |   |   | ATT PT               |                      |
| - 34                       | 2572142 NR     | . . BUS BAR  |   |   |   | AR                   |                      |
| - 35                       | 5797495 NR     | . . RAIL, 4 POS  |   |   |   | 4                    |                      |
| - 36                       | 38094          | . . SCREW,BD HD- 8-32 X .312 LG  |   |   |   | ATT PT               |                      |
| - 37                       | 2572145        | . . FILLER<br>USED ON ASM 2557545 AND 2611770  |   |   |   | 3                    |                      |
| - 39                       | 2572236 NR     | . . TRANSISTOR HEATSINK ASM  |   |   |   | 1                    |                      |
| - 40                       | 2391346 NR     | . . TRANSISTOR   |   |   |   | 3                    |                      |
| - 41                       | 2572161 NR     | . . CLIP,TRANSISTOR  |   |   |   | ATT PT               |                      |
| - 42                       | 2572169        | . . COMPONENT ASM<br>USED ON ASM 2572236   |   |   |   | 1                    |                      |
| - 43                       | 5785308        | . . SCREW,FL HD- 6-32 X 0.188 LG   |   |   |   | ATT PT               |                      |
| - 44                       | 5797486 NR     | . . HEATSINK   |   |   |   | 1                    |                      |
| - 45                       | 5785135        | . RESISTOR- 1K OHM, 1W   |   |   |   | 1                    |                      |
| - 46                       | 236849         | . SCREW,MACH BD HD- 10-32 X 1/4 LG   |   |   |   | ATT PT               |                      |
| - 47                       | 5213591        | . CAPACITOR,ELECTROLYTIC   |   |   |   | 1                    |                      |
| - 48                       | 2572146        | . CLAMP,CAPACITOR  |   |   |   | ATT PT               |                      |
| - 49                       | 5797506        | . CLAMP  |   |   |   | AR                   |                      |
| - 50                       | 2557477        | . CARD ASM,PRE-DRIVER<br>USED ON ASM 2557470   |   |   |   | 1                    |                      |
| - 50                       | 2611793        | . CARD ASSEMBLY<br>USED ON ASM 2557550   |   |   |   | 1                    |                      |
| - 50                       | 5785257        | . CARD ASM<br>USED ON ASM 5797470  |   |   |   | 1                    |                      |



FOR PARTS  
 NOT SHOWN  
 SEE FIG. 25

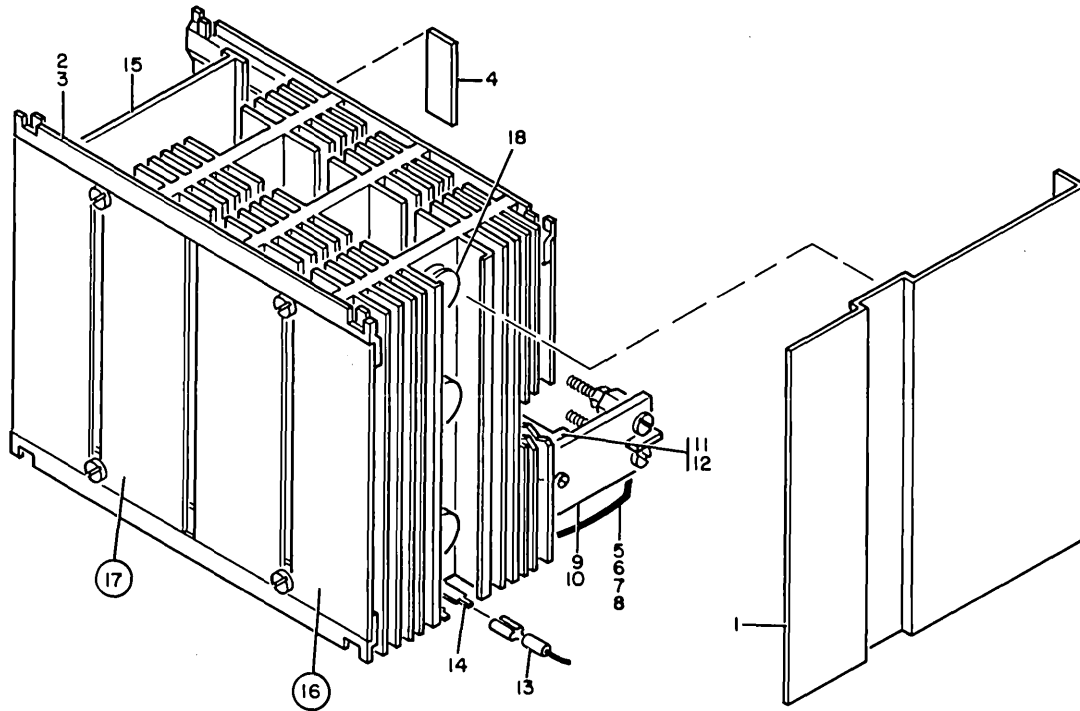


FIGURE 69. HEATSINK ASSEMBLY,ADD/ON- 20 AMP. SEE LIST 69.

| LIST AND INDEX NUMBER | PART NUMBER | DESCRIPTION  | UNITS    | USABLE  |
|-----------------------|-------------|--|----------|---------|
|                       |             |  | PER ASM. | ON CODE |
|                       |             | HEATSINK ASSEMBLY,ADD-ON- 20 AMP   |          |         |
| 69 -                  | 2557490     | HEATSINK ASM,ADDON- 20 AMP<br>FOR NEXT HIGHER ASSEMBLY<br>SEE FIGURE 25-5 AND 47-8<br>FOR ILLUSTRATION SEE FIGURE 69 | REF      |         |
| - 1                   | 5785278 NR  | . SEAL,AIR   | 1        |         |
| - 2                   | 2557497 NR  | . JUMPER ASM   | 2        |         |
| - 3                   | 2572142 NR  | . BUS BAR  | 2        |         |
| - 4                   | 5797495 NR  | . RAIL, 4 POS  | 2        |         |
| - 5                   | 38094 NR    | . SCREW,BD HD- 8-32 X .312 LG  | 7        | ATT PT  |
| - 6                   | 5758919 NR  | . JUMPER ASM   | 1        |         |
| - 6A                  | 32617       | . SCREW,MACH BD HD- 10-32 X 0.437  | 1        | ATT PT  |
| - 6B                  | 45709       | . WASHER,FL- 0.194 ID X 0.562 OD   | 1        | ATT PT  |
| - 7                   | 5785130 NR  | . LABEL  | 1        |         |
| - 8                   | 2572239 NR  | . HEATSINK   | 4        |         |
| - 9                   | 2391346 NR  | . . TRANSISTOR   | 1        |         |
| - 10                  | 2572161 NR  | . . CLIP,TRANSISTOR  | 1        |         |
| - 11                  | 2572140 NR  | . . COMPONENT BOARD ASM  | 1        |         |
| - 12                  | 5785308 NR  | . . SCREW,FL HD- 6-32 X 0.188 LG   | 2        | ATT PT  |
| - 13                  | 2557555 NR  | . . HEATSINK   | 1        |         |
|                       |             |  |          |         |
|                       |             |  |          |         |
|                       |             |  |          |         |
|                       |             |  |          |         |

FOR PARTS  
 NOT SHOWN  
 SEE FIG. 49

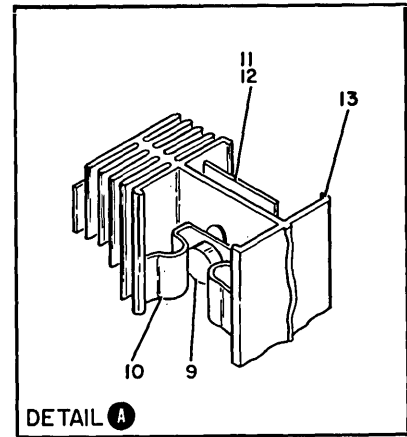
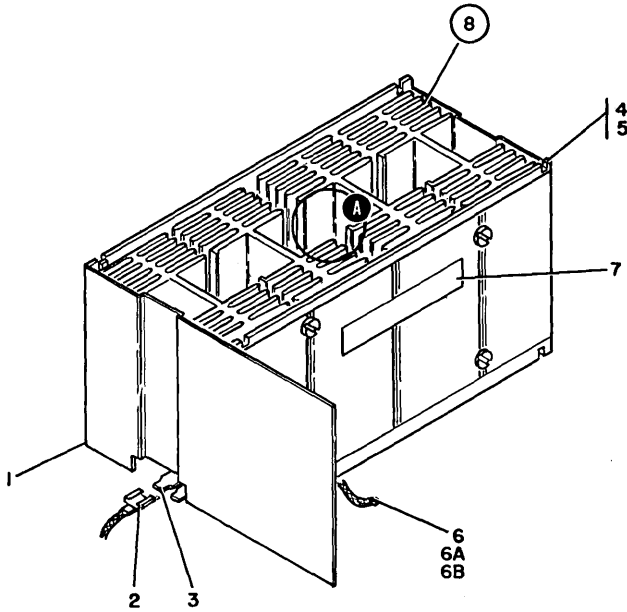
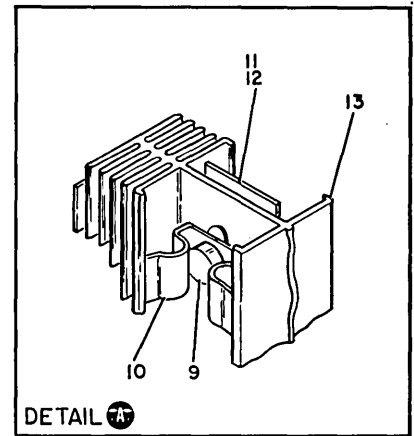
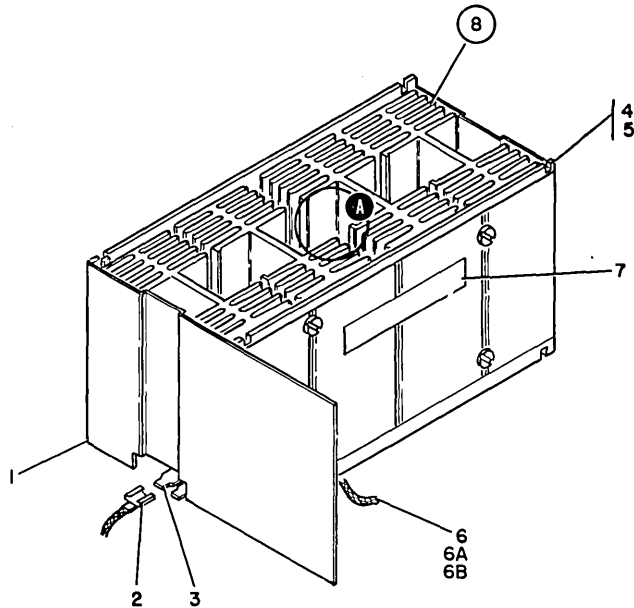


FIGURE 69A. HEATSINK ASSEMBLY, ADD-ON 50 AMP. SEE LIST 69A.

HEATSINK ASSEMBLY, ADD-ON 50 AMP

| FIGURE-<br>INDEX<br>NUMBER | PART<br>NUMBER | 1 2 3 4 | DESCRIPTION   | UNITS<br>PER<br>ASM. | USABLE<br>ON<br>CODE |
|----------------------------|----------------|---------|---|----------------------|----------------------|
| 69A-                       | 2557510        |         | HEATSINK ASSEMBLY, ADD-ON 50 AMP<br>FOR NEXT HIGHER ASM SEE FIGURE 25-5A<br>FOR ILLUSTRATION SEE FIGURE 69A | REF                  |                      |
| - 1                        | 5785279        |         | . SEAL, AIR   | 1                    |                      |
| - 2                        | 5797495        |         | . RAIL, 4 POS   | 4                    |                      |
| - 3                        | 38094          |         | . SCREW, MACH BD HD- 8-32 X 0.312 LG  | ATT PT               | 7                    |
| - 4                        | 5785130        |         | . LABEL   | 1                    |                      |
| - 5                        | 2572157        |         | . JUMPER ASM  | 1                    |                      |
| - 6                        | 322029         |         | . SCREW, MCH, BD HD-0.250-20 X 0.500 LG   | ATT PT               | 2                    |
| - 7                        | 65756          |         | . LOCKWASHER, INT TERTH 0.250 ID X 0.478 OD   | ATT PT               | 2                    |
| - 8                        | 3960           |         | . NUT, HEX- 1/4-20  | ATT PT               | 2                    |
| - 9                        | 5797488        |         | . TERMINAL BLOCK ASM  | 1                    |                      |
| - 10                       | 32042          |         | . SCREW, BD HD- 10-32 X 0.375 LG  | ATT PT               | 1                    |
| - 11                       | 5797499        |         | . STRAP, JUMPER   | 1                    |                      |
| - 12                       | 32042          |         | . SCREW, BD HD- 10-32 X 0.375 LG  | ATT PT               | 1                    |
| - 13                       | 2557497        |         | . JUMPER ASM  | 2                    |                      |
| - 14                       | 2572142        |         | . BUS BAR   | 2                    |                      |
| - 15                       | 2572145        |         | . FILLER  | 1                    |                      |
| - 16                       | 2572236        |         | . TRANSISTOR HEATSINK ASM   | 1                    |                      |
| - 17                       | 2572235        |         | . TRANSISTOR HEATSINK ASM   | 2                    |                      |
| - 18                       | 239134b        |         | . . TRANSISTOR  | 3                    |                      |
|                            |                |         |   |                      |                      |
|                            |                |         |   |                      |                      |
|                            |                |         |   |                      |                      |
|                            |                |         |   |                      |                      |

FOR PARTS  
NOT SHOWN  
SEE FIGS. 25  
AND 47



*Handwritten signature or initials.*

FIGURE 69. HEATSINK ASSEMBLY, ADD/ON- 20 AMP. SEE LIST 69.

| LIST AND INDEX NUMBER | PART NUMBER | DESCRIPTION   |   |        |   | UNITS PER ASM. | USABLE ON CODE |
|-----------------------|-------------|---|---|--------|---|----------------|----------------|
|                       |             | 1   | 2 | 3      | 4 |                |                |
|                       |             | HEATSINK ASSEMBLY, ADD-ON- 20 AMP   |   |        |   |                |                |
| 69 -                  | 2557490     | HEATSINK ASM, ADDON- 20 AMP<br>FOR NEXT HIGHER ASSEMBLY<br>SEE FIGURE 25-5 AND 47-8<br>FOR ILLUSTRATION SEE FIGURE 69 |   |        |   | REF            |                |
| - 1                   | 5785278 NR  | . SEAL, AIR   |   |        |   | 1              |                |
| - 2                   | 2557497 NR  | . JUMPER ASM  |   |        |   | 2              |                |
| - 3                   | 2572142 NR  | . BUS BAR   |   |        |   | 2              |                |
| - 4                   | 5797495 NR  | . RAIL, 4 POS   |   |        |   | 2              |                |
| - 5                   | 38094 NR    | . SCREW, BD HD- 8-32 X .312 LG  |   | ATT PT | 7 |                |                |
| - 6                   | 5758919 NR  | . JUMPER ASM  |   |        |   | 1              |                |
| - 6A                  | 32617       | . SCREW, MACH BD HD- 10-32 X 0.437  |   | ATT PT | 1 |                |                |
| - 6B                  | 45709       | . WASHER, FL- 0.194 ID X 0.562 OD   |   | ATT PT | 1 |                |                |
| - 7                   | 5785130 NR  | . LABEL   |   |        |   | 1              |                |
| - 8                   | 2572239 NR  | . HEATSINK  |   |        |   | 4              |                |
| - 9                   | 2391346 NR  | . . TRANSISTOR  |   |        |   | 1              |                |
| - 10                  | 2572161 NR  | . . CLIP, TRANSISTOR  |   |        |   | 1              |                |
| - 11                  | 2572140 NR  | . . COMPONENT BOARD ASM   |   |        |   | 1              |                |
| - 12                  | 5785308 NR  | . . SCREW, FL HD- 6-32 X 0.188 LG   |   | ATT PT | 2 |                |                |
| - 13                  | 2557555 NR  | . . HEATSINK  |   |        |   | 1              |                |
|                       |             |   |   |        |   |                |                |
|                       |             |   |   |        |   |                |                |
|                       |             |   |   |        |   |                |                |
|                       |             |   |   |        |   |                |                |



FOR PARTS  
NOT SHOWN  
SEE FIGS. 11  
AND 33, SH. 2  
AND FIG. 25

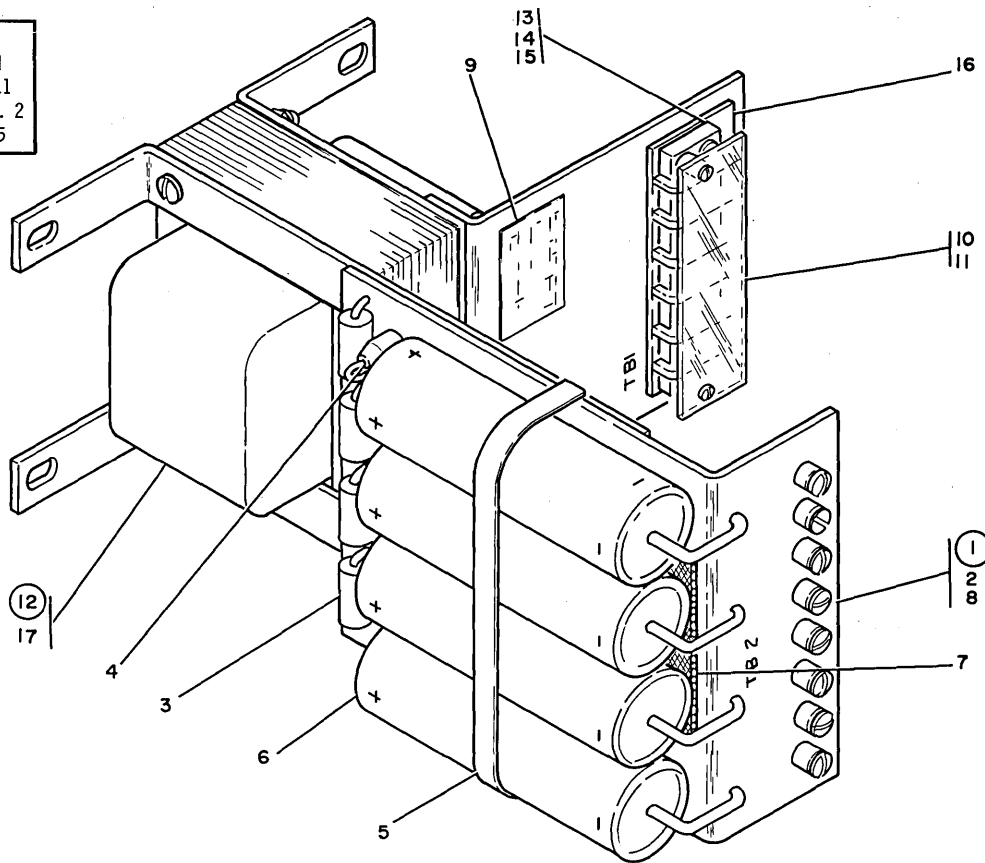


FIGURE 70. BIAS TRANSFORMER ASSEMBLY. SEE LIST 70.

| LIST AND INDEX NUMBER | PART NUMBER | DESCRIPTION  | UNITS    | USABLE  |
|-----------------------|-------------|--|----------|---------|
|                       |             |  | PER ASM. | ON CODE |
|                       |             | BIAS TRANSFORMER ASSEMBLY  |          |         |
| 70 -                  | 5785120     | BIAS TRANSFORMER ASM<br>FOR NEXT HIGHER ASSEMBLY<br>SEE FIGURES 11-144, 25-6, AND 33-102<br>FOR ILLUSTRATION SEE FIGURE 70 | REP      |         |
| - 1                   | 2481749 NR  | . BOARD ASM  |          | 1       |
| - 2                   | 10170 NR    | . SCREW, MACH BD HD- NO. 6-32 X .250 LG ATT PT   |          | 12      |
| - 3                   | 317049 NR   | . . RESISTOR- 1 K OHM, 5%  |          | 4       |
| - 4                   | 1149212 NR  | . . DIODE  |          | 8       |
| - 5                   | 556450 NR   | . . STRAP, CABLE TIE   |          | 1       |
| - 6                   | 2391947 NR  | . . TRANSISTOR   |          | 4       |
| - 7                   | 216297 NR   | . . SEAL, AIR  |          | 2       |
| - 8                   | 2481746 NR  | . . CARD, PRINTED CIRCUIT  |          | 1       |
| - 9                   | 5785184 NR  | . LABEL  |          | 1       |
| - 10                  | 5236656 NR  | . COVER, TERMINAL BLOCK  |          | 1       |
| - 11                  | 10170 NR    | . SCREW, MACH BD HD- NO. 6-32 X .250 LG ATT PT   |          | 2       |
| - 12                  | 5252556 NR  | . TRANSFORMER ASM- 20VDC AT .8A OUTPUT   |          | 1       |
| - 13                  | 317310 NR   | . . BLOCK, 5 DBL SCREW TERMINAL  |          | 1       |
| - 14                  | 81693 NR    | . . SCREW, MACH BD HD- 6-32 X 0.375 LG ATT PT  |          | 2       |
| - 15                  | 210883 NR   | . . STUD, SHIELD MTG TAPPED NO. 6-32 ATT PT  |          | 2       |
| - 16                  | 740554 NR   | . . STRIP, MARKER 5 POSITION   |          | 1       |
| - 17                  | 5252555 NR  | . . TRANSFORMER  |          | 1       |

THIS PAGE INTENTIONALLY LEFT BLANK

FOR PARTS NOT SHOWN SEE FIGS. 11 AND 33, SH. 2 AND FIG. 25

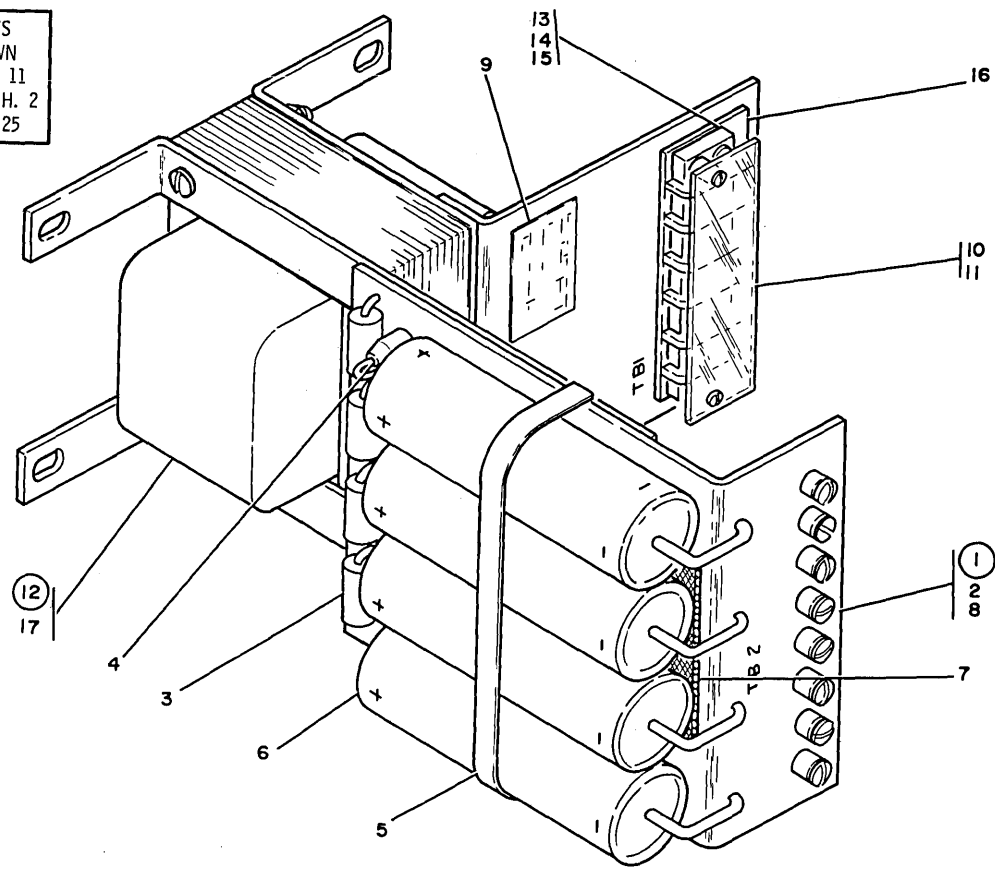


FIGURE 70. BIAS TRANSFORMER ASSEMBLY. SEE LIST 70.

| LIST AND INDEX NUMBER | PART NUMBER | DESCRIPTION  | UNITS    | USABLE  |
|-----------------------|-------------|--|----------|---------|
|                       |             |  | PER ASM. | ON CODE |
|                       |             | BIAS TRANSFORMER ASSEMBLY  |          |         |
| 70 -                  | 5785120     | BIAS TRANSFORMER ASM<br>FOR NEXT HIGHER ASSEMBLY<br>SEE FIGURES 11-144, 25-6, AND 33-102<br>FOR ILLUSTRATION SEE FIGURE 70 | REF      |         |
| - 1                   | 2481749 NR  | . BOARD ASM  | 1        |         |
| - 2                   | 10170 NR    | . SCREW, MACH BD HD- NO. 6-32 X .250 LG ATT PT   | 12       |         |
| - 3                   | 317049 NR   | . . RESISTOR- 1 K OHM, 5%  | 4        |         |
| - 4                   | 1149212 NR  | . . DIODE  | 8        |         |
| - 5                   | 556450 NR   | . . STRAP, CABLE TIE   | 1        |         |
| - 6                   | 2391947 NR  | . . TRANSISTOR   | 4        |         |
| - 7                   | 216297 NR   | . . SEAL, AIR  | 2        |         |
| - 8                   | 2481746 NR  | . . CARD, PRINTED CIRCUIT  | 1        |         |
| - 9                   | 5785184 NR  | . LABEL  | 1        |         |
| - 10                  | 5236656 NR  | . COVER, TERMINAL BLOCK  | 1        |         |
| - 11                  | 10170 NR    | . SCREW, MACH BD HD- NO. 6-32 X .250 LG ATT PT   | 2        |         |
| - 12                  | 5252556 NR  | . TRANSFORMER ASM- 20VDC AT .8A OUTPUT   | 1        |         |
| - 13                  | 317310 NR   | . . BLOCK, 5 DBL SCREW TERMINAL  | 1        |         |
| - 14                  | 81693 NR    | . . SCREW, MACH BD HD- 6-32 X 0.375 LG ATT PT  | 2        |         |
| - 15                  | 210883 NR   | . . STUD, SHIELD MTG TAPPED NO. 6-32 ATT PT  | 2        |         |
| - 16                  | 740554 NR   | . . STRIP, MARKER 5 POSITION   | 1        |         |
| - 17                  | 5252555 NR  | . . TRANSFORMER  | 1        |         |



| LIST AND INDEX NUMBER | PART NUMBER | DESCRIPTION  |   |   |   | UNITS PER ASM. | USABLE ON CODE |
|-----------------------|-------------|--|---|---|---|----------------|----------------|
|                       |             | 1  | 2 | 3 | 4 |                |                |
|                       |             | POWER SUPPLY ASSEMBLY  |   |   |   |                |                |
| 71 -                  | 2572730     | POWER SUPPLY ASM- 1.25/3V AT 69 AMPS<br>SEE FIGURES 25-7 AND 47-7  |   |   |   | REF            |                |
| -                     | 2572740     | POWER SUPPLY ASM- 7VDC AT 62 AMPS<br>FOR NEXT HIGHER ASSEMBLY<br>SEE FIGURES 11-118, 25-8                        |   |   |   | REF            |                |
| -                     | 2611780     | . POWER SUPPLY ASM- 2.15V DC AT 76 AMPS<br>FOR NEXT HIGHER ASM SEE FIGURE 47-5<br>FOR ILLUSTRATION SEE FIGURE 71 |   |   |   | REF            |                |
| - 1                   | 5785286 NR  | . SLEEVING   |   |   |   | 2              |                |
| - 2                   | 5797497 NR  | . RETAINER   |   |   |   | 1              |                |
| - 3                   | 5862924     | . CARD,SLT- A1   |   |   |   | 1              |                |
| - 3                   | 5862926     | USED IN POSITION A1 ON ASM 2572730<br>. CARD,SLT- A2   |   |   |   | 1              |                |
| - 3                   | 5862925     | USED IN POSITION A2 ON ASM 2572730<br>. CARD,SLT- A1   |   |   |   | 1              |                |
| - 4                   | 811804 NR   | USED ON ASM 2572740<br>. GUIDE,CARD 12 PAC   |   |   |   | 2              |                |
| - 5                   | 5785130 NR  | . LABEL  |   |   |   | 1              |                |
| - 6                   | 38352 NR    | . SCREW,MACH FIL HD 6-32 X 0.375 LG  |   |   |   | 1              |                |
| - 7                   | 56722 NR    | . LOCKWASHER, EXT T .150 ID  |   |   |   | 1              |                |
| - 8                   | 257187 NR   | . NUT,HEX DBL CHAMFERED 6-32 X 0.3125 FL W   |   |   |   | 1              |                |
| - 9                   | 5797504 NR  | . STRAP, .9 ROUNDING   |   |   |   | 1              |                |
| - 10                  | 5757532 NR  | . LINK   |   |   |   | 1              |                |
| - 11                  | 322029 NR   | . SCREW,BIND HD- .250-20 X 0.500 LG  |   |   |   | 4              | ATT PT         |
| - 12                  | 65756 NR    | . LOCKWASHER,INT- 0.256 ID X 0.478 OD  |   |   |   | 4              | ATT PT         |
| - 13                  | 3960 NR     | . NUT,PLAIN HEX 1/4-20 X 7/16 FL W   |   |   |   | 4              | ATT PT         |
| - 14                  | 2480635 NR  | . SCR ASM  |   |   |   | 1              |                |
| - 15                  | 5785298 NR  | . SCREW,BD HD- 1/4-20 X .380 LG  |   |   |   | 1              | ATT PT         |
| - 16                  | 333769 NR   | . WASHER,FLAT- .265 ID X .875 OD   |   |   |   | 1              | ATT PT         |
| - 17                  | 5214335 NR  | . . RECTIFIER,SILICON  |   |   |   | 2              |                |
| - 18                  | 2480634 NR  | . . EXTENSION,SCR  |   |   |   | 1              | ATT PT         |
| - 19                  | 76574 NR    | . . LOCKWASHER, EXT TEETH .250   |   |   |   | 1              | ATT PT         |
| - 20                  | 160017 NR   | . . NUT,PLAIN HEX 1/4-28 X 7/16 FL W   |   |   |   | 1              | ATT PT         |
| - 21                  | 5797532 NR  | . . LINK   |   |   |   | 1              |                |
| - 22                  | 322765 NR   | . . TERMINAL,LUG   |   |   |   | 1              |                |
| - 23                  | 2557496 NR  | . STRAP<br>USED ON ASM 2572730 ONLY  |   |   |   | 1              |                |
| - 24                  | 28413 NR    | . SCREW,MACH BD HD- 10-32 X 5/16 LG  |   |   |   | 1              | ATT PT         |
| - 25                  | 5785277 NR  | . SEAL,AIR   |   |   |   | 1              |                |
| - 26                  | 2557519 NR  | . HEATSINK ASM- 12 TRANSISTOR  |   |   |   | 1              |                |
| - 27                  | 358 NR      | . SCREW,FIL H- 10-32 X 3/4 LG  |   |   |   | 3              | ATT PT         |
| - 28                  | 32042 NR    | . SCREW,MACH BD HD- 10-32 X 0.375 LG   |   |   |   | 1              | ATT PT         |
| - 29                  | 2572142 NR  | . . BUS BAR  |   |   |   | 2              |                |
| - 30                  | 5797495 NR  | . . RAIL, 4 POS  |   |   |   | 4              |                |
| - 31                  | 38094 NR    | . . SCREW,BD HD- 8-32 X .312 LG  |   |   |   | 4              | ATT PT         |
| - 32                  | 2572235 NR  | . . TRANSISTOR HEATSINK ASM  |   |   |   | 3              |                |
| - 33                  | 2572236 NR  | . . TRANSISTOR HEATSINK ASM  |   |   |   | 1              |                |
| - 34                  | 2391346 NR  | . . . TRANSISTOR   |   |   |   | 3              |                |
| - 35                  | 2572161 NR  | . . . CLIP,TRANSISTOR  |   |   |   | 3              | ATT PT         |
| - 36                  | 2572169 NR  | . . . COMPONENT ASM  |   |   |   | 1              |                |
| - 36                  | 2572141 NR  | USED ON ASM 2572235<br>. . . COMPONENT ASM<br>USED ON ASM 2572236  |   |   |   | 1              |                |
| - 37                  | 5785308 NR  | . . . SCREW,FL HD- 6-32 X 0.188 LG   |   |   |   | 2              | ATT PT         |
| - 38                  | 5797486 NR  | . . . HEATSINK   |   |   |   | 1              |                |
| - 39                  | 5785135 NR  | . . RESISTOR- 1K OHM, 1W   |   |   |   | 1              |                |
| - 40                  | 236849 NR   | . . SCREW,MACH BD HD- 10-32 X 1/4 LG   |   |   |   | 2              | ATT PT         |
| - 41                  | 5213591 NR  | . CAPACITOR,ELECTROLYTIC   |   |   |   | 1              |                |
| - 42                  | 2572146 NR  | . CLAMP,CAPACITOR  |   |   |   | 1              |                |
| - 43                  | 5797506 NR  | . CLAMP  |   |   |   | 1              |                |
| - 44                  | 2557355 NR  | . CARD ASM<br>USED ON ASM 2572730  |   |   |   | 1              |                |
| - 44                  | 2557354 NR  | . CARD ASM<br>USED ON ASM 2572740  |   |   |   | 1              |                |
| - 44                  | 2557477 NR  | . CARD ASM   |   |   |   | 1              |                |
| - 45                  | 1091655 NR  | USED ON 2611780<br>. SCREW,BD HD- 6-32 X .312 LG   |   |   |   | 4              | ATT PT         |
| - 46                  | 38235 NR    | . SCREW,MACH 6-32 X .310 LG  |   |   |   | 1              | ATT PT         |
| - 47                  | 257187 NR   | . NUT,HEX DBL CHAMFERED 6-32 X 0.3125 FL W   |   |   |   | 1              | ATT PT         |
| - 48                  | 2557525 NR  | . TERMINAL<br>USED ON ASM 2572730 ONLY   |   |   |   | 2              |                |
| - 49                  | 5797484 NR  | . CHASSIS  |   |   |   | 1              |                |

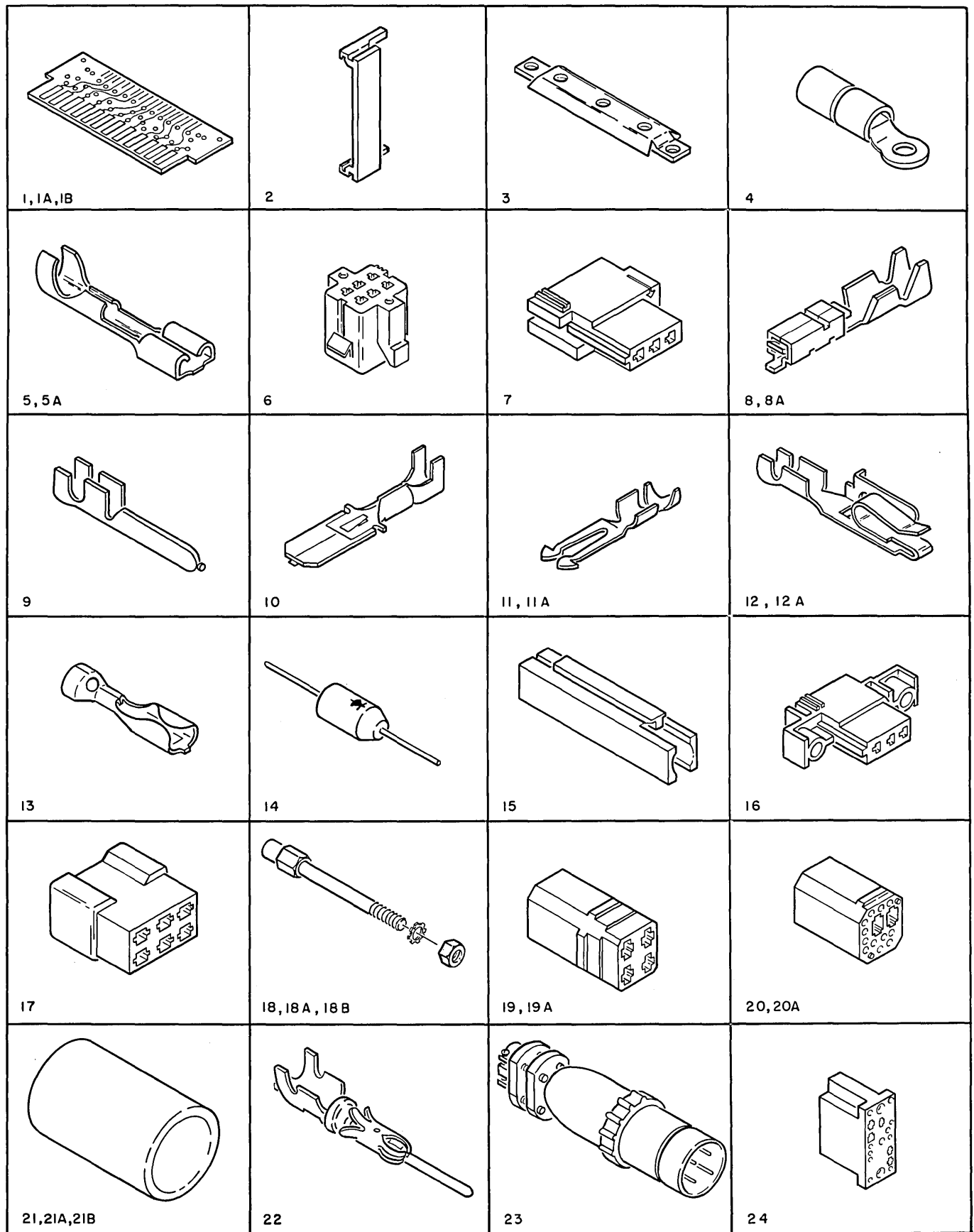


FIGURE 72. CABLE AND JUMPER COMPONENT PARTS. SHEET 1 OF 5. NOS. 1-24. SEE LIST 72.

| FIGURE-<br>INDEX<br>NUMBER | PART<br>NUMBER | DESCRIPTION  |   |   |   | UNITS<br>PER<br>ASM. | USABLE<br>ON<br>CODE |
|----------------------------|----------------|--|---|---|---|----------------------|----------------------|
|                            |                | 1  | 2 | 3 | 4 |                      |                      |
|                            |                | CABLE AND JUMPER ASM COMPONENT PARTS   |   |   |   |                      |                      |
| 72 -                       | NO NO. NP      | CABLE AND JUMPER ASM COMPONENT PARTS<br>FOR ILLUSTRATION SEE FIGURE 72   |   |   |   |                      |                      |
| -                          | 1795570        | . CABLE ASM,SWITCHES<br>FOR COMPONENT PARTS SEE INDEXES<br>11A, 39A, AND 52A   |   |   |   | AR                   |                      |
| -                          | 1796901        | . CABLE ASM,AC INPUT TO PRIMARY POWER<br>FOR COMPONENT PARTS SEE INDEXES<br>51A, 51B, 51G AND 51H                          |   |   |   | AR                   |                      |
| -                          | 1796903        | . CABLE ASM,AC PRIMARY PWR DIST- 60 HZ<br>FOR COMPONENT PARTS SEE INDEXES<br>51, 51B, 51C, 51E, 51F, 52 AND 109            |   |   |   | AR                   |                      |
| -                          | 1796904        | . CABLE ASM,AC DISTRIBUTION TO J60<br>FOR COMPONENT PARTS SEE INDEXES<br>51B, 51G AND 51H                                  |   |   |   | AR                   |                      |
| -                          | 1796905        | . CABLE ASM,AC TO SECOND CITATION- J61<br>FOR COMPONENT PARTS SEE INDEXES<br>51A, 51G AND 51H                              |   |   |   | AR                   |                      |
| -                          | 1796906        | . CABLE ASM,AC TO CONSOLE FILE- J62<br>FOR COMPONENT PARTS SEE INDEXES<br>51, 51G, 51F AND 71                              |   |   |   | AR                   |                      |
| -                          | 1796907        | . JUMPER ASM,TR4 TO K29 (JAPAN)<br>FOR COMPONENT PARTS SEE INDEXES 51F AND 52  |   |   |   | AR                   |                      |
| -                          | 1796908        | . CABLE ASM,AUTO TRANSFORMER<br>FOR COMPONENT PARTS SEE INDEX 51H  |   |   |   | AR                   |                      |
| -                          | 1796909        | . CABLE ASM,MULTI VOLTAGE CTRL AND SEQ<br>FOR COMPONENT PARTS SEE INDEXES<br>1B, 3, 29, 34, 51A, 51B, 51G, 51H AND 88      |   |   |   | AR                   |                      |
| -                          | 1796910        | . CABLE ASM,PRIMARY POWER TO J58<br>FOR COMPONENT PARTS SEE INDEXES<br>25A, 26A, 27, 36C, 51, 51D, 51F, 51G,<br>51H AND 99 |   |   |   | AR                   |                      |
| -                          | 1796911        | . CABLE ASM,DC DISTRIBUTION<br>FOR COMPONENT PARTS SEE INDEXES<br>51A, 51B, 51G AND 51H                                    |   |   |   | AR                   |                      |
| -                          | 1796912        | . CABLE ASM,AC DIST TO F13 AND F14<br>FOR COMPONENT PARTS SEE INDEXES 51A AND 51G  |   |   |   | AR                   |                      |
| -                          | 1796913        | . CABLE ASM,PRIMARY POWER DIST<br>FOR COMPONENT PARTS SEE INDEXES<br>51, 51A, 51C, 51F, 51G,52,AND 109                     |   |   |   | AR                   |                      |
| -                          | 1796914        | . JUMPER ASM,CB500 TO CB2<br>FOR COMPONENT PARTS SEE INDEX 42H   |   |   |   | AR                   |                      |
| -                          | 1796915        | . JUMPER ASM,K26 TO CB2<br>FOR COMPONENT PARTS SEE INDEX 42H   |   |   |   | AR                   |                      |
| -                          | 1796916        | . CABLE ASM,AC TO BLOWERS- 60 HZ<br>FOR COMPONENT PARTS SEE INDEXES<br>13, 16, 21 AND 51F                                  |   |   |   | AR                   |                      |
| -                          | 1796917        | . CABLE ASM,AC TO BLOWERS- 50 HZ<br>FOR COMPONENT PARTS SEE INDEXES<br>7, 13, 16, 21 AND 51F                               |   |   |   | AR                   |                      |
| -                          | 1796918        | . CABLE ASM,AC TO BLOWERS- 60 HZ<br>FOR COMPONENT PARTS SEE INDEXES<br>16, 13, 21 AND 51F                                  |   |   |   | AR                   |                      |
| -                          | 1796919        | . CABLE ASM,AC TO BLOWERS- 50 HZ<br>FOR COMPONENT PARTS SEE INDEXES<br>7, 13, 16, 21, AND 51F                              |   |   |   | AR                   |                      |
| -                          | 1796920        | . CABLE ASM,CONVENIENCE OUTLET- 60 HZ<br>FOR COMPONENT PARTS SEE INDEXES<br>39, 51E, 71, 102, 103 AND 104                  |   |   |   | AR                   |                      |
| -                          | 1796921        | . CABLE ASM,CONVENIENCE OUTLET- 50 HZ<br>FOR COMPONENT PARTS SEE INDEXES<br>39, 51E, 71, 102A, 103 AND 104                 |   |   |   | AR                   |                      |
| -                          | 1796922        | . CABLE ASM,NEUTRAL<br>FOR COMPONENT PARTS SEE INDEXES<br>27, 40, 51, 51C, 51E, 51F, 51GG,<br>51H, 107 AND 109             |   |   |   | AR                   |                      |
| -                          | 1796925        | . CABLE ASM,DC REG 504 TO 506<br>FOR COMPONENT PARTS SEE INDEXES 42A AND 44  |   |   |   | AR                   |                      |
| -                          | 1796926        | . CABLE ASM,DC REG 503 TO TB500<br>FOR COMPONENT PARTS SEE INDEXES<br>42A, 44, 51K, 57 AND 88                              |   |   |   | AR                   |                      |
| -                          | 1796928        | . CABLE ASM,DC REMOTE SENSE REGS 503 & 504<br>FOR COMPONENT PARTS SEE INDEXES 49 AND 88                                    |   |   |   | AR                   |                      |
| -                          | 1796929        | . CABLE ASM,DC BIAS TO REGS 508, 509, 510 AND 511<br>FOR COMPONENT PARTS SEE INDEXES 39A AND 88                            |   |   |   | AR                   |                      |
| -                          | 1796930        | . CABLE ASM,DC TR503 TO REGS 508, 509<br>FOR COMPONENT PARTS SEE INDEXES 44, 45 AND 109                                    |   |   |   | AR                   |                      |

CABLE ASSEMBLIES AND COMPONENT PARTS

| FIGURE-<br>INDEX<br>NUMBER | PART<br>NUMBER | DESCRIPTION |   |   |   | UNITS<br>PER<br>ASM. | USABLE<br>ON<br>CODE |
|----------------------------|----------------|-------------|---|---|---|----------------------|----------------------|
|                            |                | 1           | 2 | 3 | 4   |                      |                      |
| 72                         |                |             |   |   |   |                      |                      |
| - B                        | 1796931        |             |   |   | FOR COMPONENT PARTS SEE INDEXES<br>44, 45 AND 109<br>CABLE ASM,DC REGS 510, 511 TO DIR TB3  | AR                   |                      |
| - B                        | 1796932        |             |   |   | FOR COMPONENT PARTS SEE INDEXES<br>51G, 51H, 51K AND 51L<br>CABLE ASM,DC REMOTE SENSE   | AR                   |                      |
| - B                        | 1796933        |             |   |   | FOR COMPONENT PARTS SEE INDEXES<br>51F, 88 AND 109<br>CABLE ASM,DC REG 509 TO TB3-4, 5  | AR                   |                      |
| - B                        | 1796934        |             |   |   | FOR COMPONENT PARTS SEE INDEXES<br>44A, 45A AND 46<br>CABLE ASM,DC REG 509 TO TB3-6, 7  | AR                   |                      |
| - B                        | 1796935        |             |   |   | FOR COMPONENT PARTS SEE INDEXES<br>44A AND 46<br>CABLE ASM,DC REG 508 TO TB2 AND TB3  | 19                   |                      |
| - B                        | 1796936        |             |   |   | FOR COMPONENT PARTS SEE INDEXES<br>43A, 44A, 45A, 46, 49, 51F AND 107A<br>CABLE ASM,SEQUENCE PANEL  | AR                   |                      |
| - B                        | 1796937        |             |   |   | FOR COMPONENT PARTS SEE INDEXES<br>10, 14, 17, 52, 52A, 52B, 54, 54A<br>54B AND 55<br>CABLE ASM,I/O GROUPS 1-5  | AR                   |                      |
| - B                        | 1796938        |             |   |   | FOR COMPONENT PARTS SEE INDEXES<br>5, 5A, 14, 54 AND 54A<br>CABLE ASM,DC 24V DISTRIBUTION   | AR                   |                      |
| - C                        | 1796939        |             |   |   | FOR COMPONENT PARTS SEE INDEXES<br>14, 27, 36C, 49, 51, 51A, 51B, 51C, 51E,<br>51F, 52, 52B, 54A, 54B, 55,<br>57, 88, 106 AND 109<br>CABLE ASM,400 HZ TB512 TO CP'S | AR                   |                      |
| - C                        | 1796940        |             |   |   | FOR COMPONENT PARTS SEE INDEXES<br>51E AND 51G<br>CABLE ASM,400 HZ TB512 TO CP'S 507 E 508  | AR                   |                      |
| - C                        | 1796941        |             |   |   | FOR COMPONENT PARTS SEE INDEXES<br>51D, 51E, 51G AND 51H<br>CABLE ASM,400 HZ CB500 TO TB512   | AR                   |                      |
| - C                        | 1796942        |             |   |   | FOR COMPONENT PARTS SEE INDEXES<br>51E, 51H AND 109<br>CABLE ASM,400 HZ DIST- MEMORY  | AR                   |                      |
| - C                        | 1796943        |             |   |   | FOR COMPONENT PARTS SEE INDEXES<br>51A, 51E, 51G AND 109<br>CABLE ASSEMBLY,400 HZ DIST  | AR                   |                      |
| - C                        | 1796944        |             |   |   | FOR COMPONENT PARTS SEE INDEXES<br>51A, 51D, 51E, 51G AND 51H<br>CABLE ASM,DISPLAY LIGHTS- STAGE I  | AR                   |                      |
| - C                        | 1796945        |             |   |   | FOR COMPONENT PARTS SEE INDEXES<br>1, 12, 12A, 31, 33, 51, 51D, 52A AND 54<br>CABLE ASM,DISPLAY LIGHT- STAGE II   | AR                   |                      |
| - C                        | 1796946        |             |   |   | FOR COMPONENT PARTS SEE INDEXES<br>1, 12, 12A, 33, 51, 51D, 52A AND 54<br>CABLE ASM,DC DIST TO "U" CONN (STAGE I)   | AR                   |                      |
| - C                        | 1796947        |             |   |   | FOR COMPONENT PARTS SEE INDEX 54A<br>CABLE ASM,DC DIST TO "U" CONN (STAGE II)   | AR                   |                      |
| - C                        | 1796948        |             |   |   | FOR COMPONENT PARTS SEE INDEX 54A<br>CABLE ASM,DC DISTRIBUTION FOR 3215<br>FOR COMPONENT PARTS SEE INDEXES<br>51, 51A AND 54A                                       | AR                   |                      |
| - C                        | 1796949        |             |   |   | CABLE ASM,VOLTAGE DECT. (MEMORY)<br>FOR COMPONENT PARTS SEE INDEXES<br>1, 33, 49, 51F, 54A AND 54B  | AR                   |                      |
| - C                        | 1796950        |             |   |   | CABLE ASM,DC VOLTAGE DECT<br>FOR COMPONENT PARTS SEE INDEXES<br>1, 31, 33, 49 AND 57  | AR                   |                      |
| - C                        | 1796951        |             |   |   | CABLE ASM,RELAY PANEL- DC<br>FOR COMPONENT PARTS SEE INDEXES<br>14, 52, 52B, 54, 54A, 54B AND 109   | AR                   |                      |
| - C                        | 1796952        |             |   |   | CABLE ASM,RELAY PANEL- AC<br>FOR COMPONENT PARTS SEE INDEXES<br>51, 51A AND 52  | AR                   |                      |
| - C                        | 1796953        |             |   |   | CABLE ASM,AC INDICATOR PWR SUPPLY<br>FOR COMPONENT PARTS SEE INDEX 51   | AR                   |                      |
| - C                        | 1796954        |             |   |   | CABLE ASM,AC TO FILE  | AR                   |                      |
| - C                        | 1796955        |             |   |   | FOR COMPONENT PARTS SEE INDEXES<br>38A, 49, 51, 51G AND 71<br>CABLE ASM,DC TO FILE  | AR                   |                      |
|                            |                |             |   |   | FOR COMPONENT PARTS SEE INDEXES<br>6, 38, 51, 51G, 52B, 54A, 54B AND 105  |                      |                      |



CABLE ASSEMBLIES AND COMPONENT PARTS

| FIGURE-<br>INDEX<br>NUMBER | PART<br>NUMBER | DESCRIPTION   | UNITS<br>PER<br>ASM. | USABLE<br>ON<br>CODE |
|----------------------------|----------------|---|----------------------|----------------------|
| 72 - C                     | 1796956        | CABLE ASM,DC VOLTAGE SENSE<br>FOR COMPONENT PARTS SEE INDEXES<br>52B, 63 AND 88   | AR                   |                      |
| - D                        | 1796958        | CABLE ASM,AC TB8 TO TB506<br>FOR COMPONENT PARTS SEE INDEXES<br>51 AND 51F  | AR                   |                      |
| - D                        | 1796960        | CABLE ASM,400 HZ MG TO PRI POWER BOX<br>FOR COMPONENT PARTS SEE INDEX 58 AND 83   | AR                   |                      |
| - D                        | 1796961        | CABLE ASM,THERMAL SWITCH<br>FOR COMPONENT PARTS SEE INDEXES<br>52C, 54A AND 109   | AR                   |                      |
| - D                        | 1796962        | CABLE ASM,THERMAL SWITCH MEMORY<br>FOR COMPONENT PARTS SEE INDEXES<br>52C AND 54A   | AR                   |                      |
| - D                        | 1796963        | CABLE ASM,DC AUX CP'S<br>FOR COMPONENT PARTS SEE INDEXES<br>49, 52, 54A AND 57  | AR                   |                      |
| - D                        | 1796964        | CABLE ASM,DC AUXILIARY CB- MEMORY<br>FOR COMPONENT PARTS SEE INDEXES<br>52, 54A AND 109   | AR                   |                      |
| - D                        | 1796965        | CABLE ASM,FR. NEUTRAL INTERRUPT<br>FOR COMPONENT PARTS SEE INDEXES<br>51A, 51D, 51K AND 54B   | AR                   |                      |
| - D                        | 1796966        | CABLE ASM,CB4 TO CB7<br>FOR COMPONENT PARTS SEE INDEX 51H   | AR                   |                      |
| - D                        | 1796967        | CABLE ASM,KI PLD FIX<br>FOR COMPONENT PARTS SEE INDEX 51M   | AR                   |                      |
| - D                        | 1796968        | CABLE ASM,DC REG 504 TO TB 500- 19, 20<br>FOR COMPONENT PARTS SEE INDEXES<br>42A AND 44   | AR                   |                      |
| - D                        | 1796969        | CABLE ASM,TB8 TO J80<br>FOR COMPONENT PARTS SEE INDEXES<br>51F, 71 AND 92   | AR                   |                      |
| - D                        | 1796985        | CABLE ASM,CIRCUIT BREAKERS- 400 HZ<br>FOR COMPONENT PARTS SEE INDEXES<br>51E, 51G AND 51H   | AR                   |                      |
| - D                        | 1796986        | CABLE ASM,CPU TO INDICATOR LIGHTS<br>FOR COMPONENT PARTS SEE INDEXES<br>1, 2, 8, 31, 33, 49, 51, 51C, 51D,<br>51F, 51J, 52, 52C AND 57  | AR                   |                      |
| - D                        | 1796987        | CABLE ASM,DC DIST TO CONSOLE<br>FOR COMPONENT PARTS SEE INDEXES<br>1, 2, 12, 12A, 14, 21, 33, 51,<br>52, 52B, 54, 54A, 54B, 57A AND 60A | AR                   |                      |
| - D                        | 1796988        | CABLE ASM,J42 TO CONSOLE<br>FOR COMPONENT PARTS SEE INDEX 52  | AR                   |                      |
| - D                        | 1796989        | CABLE ASM,J55 TO REGS 111, 112<br>FOR COMPONENT PARTS SEE INDEX 49  | AR                   |                      |
| - D                        | 1796990        | CABLE ASM,J55 TO REGS 403, 406, 407<br>FOR COMPONENT PARTS SEE INDEX 49   | AR                   |                      |
| - E                        | 1796991        | CABLE ASM,LINE CORD- 100A 50 HZ<br>FOR COMPONENT PARTS SEE INDEXES<br>45, 48, 51D, 97, AND 109  | AR                   |                      |
| - E                        | 1796992        | CABLE ASM,LINE CORD- 75 A 50 HZ<br>FOR COMPONENT PARTS SEE INDEXES<br>47A, 48, 51D, 57, 58, 97 AND 109                                  | AR                   |                      |
| - E                        | 1796993        | CABLE ASM,LINE CORD- 50 HZ<br>FOR COMPONENT PARTS SEE INDEXES<br>58, 97, AND 109  | AR                   |                      |
| - E                        | 1796994        | CABLE ASM,DISTRIBUTOR- 60A 50 HZ<br>FOR COMPONENT PARTS SEE INDEX 58 AND 109  | AR                   |                      |
| - E                        | 1797000        | JUMPER ASM,03A 1-BSM ADDRESSING<br>FOR COMPONENT PARTS SEE INDEXES<br>84, 84A AND 100   | AR                   |                      |
| - E                        | 1797002        | JUMPER ASM,03A 2-BSM ADDRESSING<br>FOR COMPONENT PARTS SEE INDEXES<br>84, 84A AND 100   | AR                   |                      |
| - E                        | 1797004        | JUMPER ASM,03A DATA A3-B3<br>FOR COMPONENT PARTS SEE INDEXES<br>84, 84A AND 100   | AR                   |                      |
| - E                        | 1797006        | JUMPER ASM,1-2 BSM DATA 03A<br>FOR COMPONENT PARTS SEE INDEXES<br>84, 84A AND 100   | AR                   |                      |
| - E                        | 1797235        | CABLE ASM,CONTROL<br>FOR COMPONENT PARTS SEE INDEXES<br>57, 69 AND 93A  | AR                   |                      |
|                            |                |   |                      |                      |

CABLE ASSEMBLIES AND COMPONENT PARTS

| FIGURE-<br>INDEX<br>NUMBER | PART<br>NUMBER | DESCRIPTION   |   |   |   | UNITS<br>PER<br>ASM. | USABLE<br>ON<br>CODE |
|----------------------------|----------------|---|---|---|---|----------------------|----------------------|
|                            |                | 1   | 2 | 3 | 4 |                      |                      |
| 72 - F                     | 1797242        | CABLE ASM,BLOWER (50 HZ)<br>FOR COMPONENT PARTS SEE INDEXES<br>13, 16, 71, 90A, AND 92  |   |   |   | AR                   |                      |
| - F                        | 1797245        | CABLE ASM,100 60 HZ AMP<br>FOR COMPONENT PARTS SEE INDEX 5<br>90A, 90B, 92, AND 97  |   |   |   | AR                   |                      |
| - E                        | 1797246        | CABLE ASM,60A- DIST<br>FOR COMPONENT PARTS SEE INDEXES<br>23A AND 23B   |   |   |   | AR                   |                      |
| - F                        | 1797247        | CABLE ASM,100 A DIST<br>FOR COMPONENT PARTS SEE INDEXES<br>45, 56, 108A AND 109   |   |   |   | AR                   |                      |
| - E                        | 1797248        | CABLE ASM,CONTROL<br>FOR COMPONENT PARTS SEE INDEXES<br>49, 51A, 51F, 51G, 52, 62 AND 109   |   |   |   | AR                   |                      |
| - F                        | 1797249        | CABLE ASM,BLOWER<br>FOR COMPONENT PARTS SEE INDEXES<br>13, 16, 51, 51B, 51C, 51L, AND 109   |   |   |   | AR                   |                      |
| - F                        | 1797434        | CABLE ASM,CPU TO INDICATOR LIGHTS<br>FOR COMPONENT PARTS SEE INDEXES<br>2,8,31,33,49,51,51C,51D,51F,51G,<br>51J,52,52C,57,60A, AND 63 |   |   |   | AR                   |                      |
| - F                        | 1797435        | CABLE ASM,SCF TO INDICATOR LIGHTS<br>FOR COMPONENT PARTS SEE INDEXES<br>2, 31, 33, 49, 51, 51C, 51F, 52,<br>57, 60A, 60B, AND 63      |   |   |   | AR                   |                      |
| - F                        | 1797436        | CABLE ASM,SCF TO INDICATOR LIGHTS<br>FOR COMPONENT PARTS SEE INDEXES<br>2,31,33,49,51,51C,51F,52,57,60A,<br>60B AND 63                |   |   |   | AR                   |                      |
| - F                        | 1797437        | CABLE ASM,SCF TO INDICATOR LIGHTS<br>FOR COMPONENT PARTS SEE INDEXES<br>2, 31, 33, 49, 52, 52C, 57 AND 60C                            |   |   |   | AR                   |                      |
| - F                        | 1797438        | CABLE ASM,SCF TO INDICATOR LIGHTS<br>FOR COMPONENT PARTS SEE INDEXES<br>2, 31, 33, 49, 51, 51C, 51F, 52,<br>52C, 57, 60A AND 60B      |   |   |   | AR                   |                      |
| - F                        | 1797464        | CABLE ASM,K1 PLD FIX<br>FOR COMPONENT PARTS SEE INDEXES<br>51M  |   |   |   | AR                   |                      |
| - F                        | 1797479        | CABLE ASM,BLOWER- 50 HZ<br>FOR COMPONENT PARTS SEE INDEXES<br>7,13,21A,51, AND 51P  |   |   |   | AR                   |                      |
| - F                        | 1797483        | CABLE ASM,REMOTE VOLTAGE SENSE<br>FOR COMPONENT PARTS SEE INDEXES<br>49, 51C, 51J AND 88  |   |   |   | AR                   |                      |
| - F                        | 1803008        | . CABLE ASM,BIAS TRANSFORMER<br>FOR COMPONENT PARTS SEE INDEXES<br>42C AND 109  |   |   |   | AR                   |                      |
| - F                        | 1803009        | . CABLE ASM,DC REG 109 TO TBLBB1<br>FOR COMPONENT PARTS SEE INDEXES<br>42F,44A,46,50,109 AND 110                                      |   |   |   | AR                   |                      |
| - F                        | 1803010        | . CABLE ASM,DC REMOTE SENSE-REG 109<br>FOR COMPONENT PARTS SEE INDEXES<br>11,49,109 AND 110   |   |   |   | AR                   |                      |
| - F                        | 1803011        | CABLE CBM,DC EXP MEMORY SENSING CABLE<br>FOR COMPONENT PARTS SEE INDEXES<br>51J AND 88  |   |   |   | AR                   |                      |
| - F                        | 1803014        | CABLE ASM,AC TO TR 103<br>FOR COMPONENT PARTS SEE INDEXES<br>4,42,42C,42F AND 50  |   |   |   | AR                   |                      |
| - F                        | 1803023        | CABLE CBM,DC EXPANDED MEMORY SENSING<br>FOR COMPONENT PARTS SEE INDEXES<br>51J AND 88   |   |   |   | AR                   |                      |
| - G                        | 1805544        | CABLE ASM,TB11 TO REG 505/506 BLOWER<br>FOR COMPONENT PARTS SEE INDEXES<br>13,16 AND 51F  |   |   |   | AR                   |                      |
| - G                        | 1813150        | CABLE ASM,400 HZ DIST<br>FOR COMPONENT PARTS SEE INDEXES<br>51A,51E,51G AND 109   |   |   |   | AR                   |                      |
| - G                        | 1813151        | CABLE ASM,VOLTAGE DETECT<br>FOR COMPONENT PARTS SEE INDEXES   |   |   |   | AR                   |                      |

CABLE ASSEMBLIES AND COMPONENT PARTS

| FIGURE-<br>INDEX<br>NUMBER | PART<br>NUMBER | DESCRIPTION |   |   |   | UNITS<br>PER<br>ASM. | USABLE<br>ON<br>CODE |
|----------------------------|----------------|-------------|---|---|---|----------------------|----------------------|
|                            |                | 1           | 2 | 3 | 4   |                      |                      |
| 72                         |                |             |   |   | 1, 2, 31, 33, 51F, 54A, 54B, 57<br>60A, 109 AND 110   |                      |                      |
| - G                        | 1813152        |             |   |   | CABLE ASM, REMOTE SENSE   | AR                   |                      |
| - G                        | 1813153        |             |   |   | 49, 51L, 57, 109 AND 110<br>CABLE ASM, REG 505 TO TB500<br>FOR COMPONENT PARTS SEE INDEXES              | AR                   |                      |
| - G                        | 1813154        |             |   |   | 42A, 44, 45 AND 109<br>CABLE ASM, REG 506 TO TB500<br>FOR COMPONENT PART SEE INDEXES                    | AR                   |                      |
| - G                        | 1813155        |             |   |   | 40A, 46 AND 109<br>CABLE ASM, REG 506 TO TB500<br>FOR COMPONENT PARTS SEE INDEXES                       | AR                   |                      |
| - G                        | 1813156        |             |   |   | 40A, 44A, 45A AND 109<br>CABLE ASM, I/O GROUPS 1-5<br>FOR COMPONENTS PARTS SEE INDEXES                  | AR                   |                      |
| - G                        | 1813158        |             |   |   | 5, 5A, 14, 28, 49, 54, 54A, 109,<br>109A AND 109B<br>CABLE ASM, DC                                      | AR                   |                      |
| - G                        | 1813159        |             |   |   | FOR COMPONENT PARTS SEE INDEXES<br>52, 52A, 54A AND 109<br>CABLE ASM, DISPLAY LIGHTS                    | AR                   |                      |
| - G                        | 1995534        |             |   |   | FOR COMPONENT PARTS SEE INDEXES<br>1, 12, 12A, 31, 33, AND 109<br>CABLE ASM, PRINTER FILE TO CPU        | AR                   |                      |
| - G                        | 1993683        |             |   |   | FOR COMPONENT PARTS SEE INDEXES<br>2, 31, 33, 60, AND 67<br>CABLE ASM, CONSOLE                          | AR                   |                      |
| - G                        | 1993684        |             |   |   | FOR COMPONENT PARTS SEE INDEXES<br>1, 9, 12, 12A, 32, 35, 42C AND 42D<br>CABLE ASM, PUSHBUTTON SWITCHES | AR                   |                      |
| - G                        | 1993761        |             |   |   | FOR COMPONENT PARTS SEE INDEXES<br>1, 2, 31, 33, 42D, 52, 52A, 53 AND 59<br>CABLE ASM, AMPL SIGNAL      | AR                   |                      |
| - G                        | 1993861        |             |   |   | FOR COMPONENT PARTS SEE INDEXES<br>11A, 49, 68, 93 AND 95<br>CABLE ASM, PRIMARY PWR DIST                | AR                   |                      |
| - G                        | 1993864        |             |   |   | FOR COMPONENT PARTS SEE INDEXES<br>51, 51A, 51B, 51C, 51F, 51G AND 52<br>CABLE ASM, AC                  | AR                   |                      |
| - H                        | 1993875        |             |   |   | FOR COMPONENT PARTS SEE INDEXES<br>39 AND 51H<br>CABLE ASM, DC TO FILE CONNECTORS                       | AR                   |                      |
| - H                        | 1993877        |             |   |   | FOR COMPONENT PARTS SEE INDEXES<br>18, 24, 27, 36, 42, 42A AND 42F<br>CABLE ASM, I/O GROUPS 3, 4 AND 5  | AR                   |                      |
| - H                        | 1993902        |             |   |   | FOR COMPONENT PARTS SEE INDEXES<br>5, 5A, 9, 14, 28, 49, 52B AND 53<br>CABLE ASM, AC TO GATE BLOWERS    | AR                   |                      |
| - H                        | 1993905        |             |   |   | FOR COMPONENT PARTS SEE INDEXES<br>7, 13, 21, 51 AND 51F<br>CABLE ASM, AC DISTRIBUTION                  | AR                   |                      |
| - H                        | 1993906        |             |   |   | FOR COMPONENT PARTS SEE INDEXES<br>22 AND 51A<br>CABLE ASM, 208V 400HZ DISTRIBUTION                     | AR                   |                      |
| - H                        | 1993908        |             |   |   | FOR COMPONENT PARTS SEE INDEXES<br>51A, 51B, 51D, 51E, 51G AND 51H<br>CABLE ASM, DC FROM REG 110 OR 204 | AR                   |                      |
| - H                        | 1993909        |             |   |   | FOR COMPONENT PARTS SEE INDEXES<br>42A, 44 AND 45<br>CABLE ASM, DC FROM REG 110 OR 204                  | AR                   |                      |
| - H                        | 1993914        |             |   |   | FOR COMPONENT PARTS SEE INDEXES<br>42A, 44 AND 45<br>CABLE ASM, REG 108 TO TB 101                       | AR                   |                      |
| - H                        | 1993915        |             |   |   | FOR COMPONENT PARTS SEE INDEXES<br>42 AND 58<br>CABLE ASM, DC REG 109 TO TR 103- 1 AND 2                | AR-                  |                      |
| - H                        | 1993916        |             |   |   | FOR COMPONENT PARTS SEE INDEXES<br>46 AND 47<br>CABLE ASM, REG 108 TO TR 102                            | AR                   |                      |
| - H                        | 1993917        |             |   |   | FOR COMPONENT PARTS SEE INDEXES<br>40<br>CABLE ASM, REG 105 TO TR 102                                   | AR                   |                      |
| - H                        | 1993918        |             |   |   | FOR COMPONENT PARTS SEE INDEXES<br>46 AND 47<br>CABLE ASM, REG 107 TO TR101                             | AR                   |                      |
|                            |                |             |   |   | FOR COMPONENT PARTS SEE INDEXES<br>46 AND 47  |                      |                      |

CABLE ASSEMBLIES AND COMPONENT PARTS

| FIGURE-<br>INDEX<br>NUMBER | PART<br>NUMBER | DESCRIPTION   |   |   |   | UNITS<br>PER<br>ASM. | USABLE<br>ON<br>CODE |
|----------------------------|----------------|---|---|---|---|----------------------|----------------------|
|                            |                | 1   | 2 | 3 | 4 |                      |                      |
| 72 - H                     | 1993919        | CABLE ASM,REG 104 TO TR101<br>FOR COMPONENT PARTS SEE INDEXES<br>46 AND 47  |   |   |   | AR                   |                      |
| - H                        | 1993921        | CABLE ASM,REG 101 TO TR101<br>FOR COMPONENT PARTS SEE INDEXES<br>46 AND 47  |   |   |   | AR                   |                      |
| - H                        | 1993922        | CABLE ASM,DC REG 101 TO TBLBA3<br>FOR COMPONENT PARTS SEE INDEXES<br>42E,44A,46 AND 50  |   |   |   | AR                   |                      |
| - I                        | 1993923        | CABLE ASM,DC REG 102 TO TBLBA1<br>FOR COMPONENT PARTS SEE INDEXES<br>42E,44A,46 AND 50  |   |   |   | AR                   |                      |
| - T                        | 1993924        | CABLE ASM,REG 104 TO TBLBA2<br>FOR COMPONENT PARTS SEE INDEXES<br>44A,46,51F AND 51G  |   |   |   | AR                   |                      |
| - I                        | 1993925        | CABLE ASM,DC REG 105 TO TBLBB3<br>FOR COMPONENT PARTS SEE INDEXES<br>42E,44A,46 AND 50  |   |   |   | AR                   |                      |
| - T                        | 1993926        | CABLE ASM,REG 109 TO TBLBB1<br>FOR COMPONENT PARTS SEE INDEXES<br>42E,47 AND 50   |   |   |   | AR                   |                      |
| - T                        | 1993927        | CABLE ASM,DC REG 107 TO TBLBA4<br>FOR COMPONENT PARTS SEE INDEXES<br>46,47,51F AND 51G  |   |   |   | AR                   |                      |
| - I                        | 1993928        | CABLE ASM,DC REG 109 TO BIAS TR106<br>FOR COMPONENT PARTS SEE INDEXES<br>59   |   |   |   | AR                   |                      |
| - I                        | 1993929        | CABLE ASM,BIAS TO REGS<br>FOR COMPONENT PARTS SEE INDEXES<br>59   |   |   |   | AR                   |                      |
| - T                        | 1993931        | CABLE ASM,DC EXPANDED MEMORY SENSING<br>FOR COMPONENT PARTS SEE INDEXES<br>51J AND 88   |   |   |   | AR                   |                      |
| - T                        | 1993932        | CABLE ASM,DC VOLTAGE SENSING<br>FOR COMPONENT PARTS SEE INDEXES<br>11,51F,51J AND 57  |   |   |   | AR                   |                      |
| - I                        | 1993933        | CABLE ASM,DC REGS 103,106 TO TB102<br>FOR COMPONENT PARTS SEE INDEXES<br>42B,42G,44,46,47,50,51K AND 58                       |   |   |   | AR                   |                      |
| - I                        | 1993934        | CABLE ASM,TR102 TO REGS 103,106<br>FOR COMPONENT PARTS SEE INDEXES<br>46,47 AND 58  |   |   |   | AR                   |                      |
| - J                        | 1993935        | CABLE ASM,AC DIST TO CONV OUTLETS<br>FOR COMPONENT PARTS SEE INDEXES<br>19 AND 39   |   |   |   | AR                   |                      |
| - I                        | 1993937        | JUMPER ASM,CONV OUTLET TO GND<br>FOR COMPONENT PARTS SEE INDEXES<br>39 AND 51G  |   |   |   | AR                   |                      |
| - I                        | 1993939        | CABLE ASM,6 VOLT DISTRIBUTION<br>FOR COMPONENT PARTS SEE INDEXES<br>42  |   |   |   | AR                   |                      |
| - T                        | 1993940        | CABLE ASM,DC TO MIXER BOARD<br>FOR COMPONENT PARTS SEE INDEXES<br>22,36B,37,37A,42,42F,43 AND 50                              |   |   |   | AR                   |                      |
| - I                        | 1993941        | CABLE ASM,P58 TO TB103 AND TB104<br>FOR COMPONENT PARTS SEE INDEXES<br>19A,20,22,25,26,30,36B,37,42,42D, AND 96               |   |   |   | AR                   |                      |
| - J                        | 1993942        | CABLE ASM,DC TO LDF AND CONSOLE<br>FOR COMPONENT PARTS SEE INDEXES<br>6,8,38,51C,51G,51K,52B,54A,54B AND 57                   |   |   |   | AR                   |                      |
| - J                        | 1993944        | CABLE ASM,CPU TO INDICATOR LIGHTS<br>FOR COMPONENT PARTS SEE INDEXES<br>1,2,8,15,31,33,49,51C,51F,51G,51K<br>52,57,60A AND 61 |   |   |   | AR                   |                      |
| - J                        | 1993945        | CABLE ASM,DC DIST TO CONSOLE<br>FOR COMPONENT PARTS SEE INDEXES<br>1,12A,14,31,33,51,52,52B,54,54A<br>54B AND 60A             |   |   |   | AR                   |                      |
| - J                        | 1993948        | CABLE ASM,AC TO METERS<br>FOR COMPONENT PARTS SEE INDEXES<br>22,51,51A,51B,51C,51D,51E AND 51F                                |   |   |   | AR                   |                      |
| - J                        | 1993963        | CABLE ASM,AC TO J63 (IPA) - 50 HZ<br>FOR COMPONENT PARTS SEE INDEXES<br>21B,51N,89,94, AND 96                                 |   |   |   | AR                   |                      |
| - J                        | 1993968        | CABLE ASM,AC TO J63 (IPA) - 60 HZ   |   |   |   | AR                   |                      |

CABLE ASSEMBLIES AND COMPONENT PARTS

| FIGURE-<br>INDEX<br>NUMBER | PART<br>NUMBER | DESCRIPTION |   |   |  | UNITS<br>PER<br>ASM. | USABLE<br>ON<br>CODE |
|----------------------------|----------------|-------------|---|---|--|----------------------|----------------------|
|                            |                | 1           | 2 | 3 | 4  |                      |                      |
| 72                         |                |             |   |   |  |                      |                      |
| - J                        | 1993976        |             |   |   | FOR COMPONENT PARTS SEE INDEXES<br>21B, 51H, 89, 94, AND 96<br>CABLE ASM, MULTT VOLT CTRL AND SEQ                  | AR                   |                      |
| - J                        | 1993978        |             |   |   | 3, 29, 34, 51A, 51B, 51G AND 51H<br>CABLE ASM, SEQUENCE PANEL<br>FOR COMPONENT PARTS SEE INDEXES                   | AR                   |                      |
| - J                        | 1993990        |             |   |   | 10, 14, 17, 52, 52A, 54, 54A, 54B AND 55<br>CABLE ASM, AC TO TR103<br>FOR COMPONENT PARTS SEE INDEXES              | AR                   |                      |
| - J                        | 1993991        |             |   |   | 4, 42, 42C, 42F AND 50<br>CABLE ASM, 41VAC TO P58<br>FOR COMPONENT PARTS SEE INDEXES                               | AR                   |                      |
| - J                        | 1993992        |             |   |   | 22 AND 51A<br>CABLE ASM, PRIMARY PWR BOX TO MOTOR GEN<br>FOR COMPONENT PARTS SEE INDEXES                           | AR                   |                      |
| - J                        | 1993994        |             |   |   | 46<br>CABLE ASM, SERVICE TO FILTER BOX 14 FT<br>FOR COMPONENT PARTS SEE INDEXES                                    | AR                   |                      |
| - J                        | 1993995        |             |   |   | 23, 41, 48 AND 56<br>CABLE ASM, SERVICE TO FILTER BOX 6 FT<br>FOR COMPONENT PARTS SEE INDEXES                      | AR                   |                      |
| - J                        | 1993998        |             |   |   | 23, 41, 48 AND 56<br>LINE CORD ASM, 50HZ WORLD TRADE<br>FOR COMPONENT PARTS SEE INDEXES                            | AR                   |                      |
| - J                        | 1994933        |             |   |   | 41 AND 48<br>CABLE ASM, SYNC JACK<br>FOR COMPONENT PARTS SEE INDEXES   | AR                   |                      |
| - J                        | 2199789        |             |   |   | 11A AND 68<br>CABLE ASM, 6V TO GATE<br>FOR COMPONENT PARTS SEE INDEXES   | AR                   |                      |
| - K                        | 2199789        |             |   |   | 11, 11A, 42E AND 70<br>CABLE ASM, SCRID CARDS TO W2<br>FOR COMPONENT PARTS SEE INDEXES                             | AR                   |                      |
| - K                        | 2199790        |             |   |   | 11A, 66, 70, 80, 84A AND 85<br>CABLE ASM, CE PANEL TO W1<br>FOR COMPONENT PARTS SEE INDEXES                        | AR                   |                      |
| - K                        | 2199793        |             |   |   | 11A, 65, 70, 72, 84 AND 84A<br>CABLE ASM, SCRID INPUT- AC<br>FOR COMPONENT PARTS SEE INDEXES                       | AR                   |                      |
| - K                        | 2199794        |             |   |   | 9 AND 42D<br>CABLE ASM, SCRID INPUT- DC<br>FOR COMPONENT PARTS SEE INDEXES   | AR                   |                      |
| - K                        | 2199808        |             |   |   | 9, 37B AND 42E<br>CABLE ASM, 23FD TO GATE<br>FOR COMPONENT PARTS SEE INDEXES                                       | AR                   |                      |
| - K                        | 2199845        |             |   |   | 2, 11A, 33, 53, 67, 68 AND 87<br>CABLE ASM, LOGIC GATE TO CONN RACR<br>FOR COMPONENT PARTS SEE INDEXES             | AR                   |                      |
| - K                        | 2199845        |             |   |   | 11A, 31, 33, 60, 68, 73A, 84, 84A AND 86<br>CABLE ASM, LOGIC GATE TO CONN. RACK<br>FOR COMPONENT PARTS SEE INDEXES | AR                   |                      |
| - K                        | 2199847        |             |   |   | 11A, 31, 33, 60, 68, 73A, 84, 84A AND 87<br>CABLE ASM, LOGIC GATE TO CONN. RACK<br>FOR COMPONENT PARTS SEE INDEXES | AR                   |                      |
| - K                        | 2199848        |             |   |   | 11A, 31, 33, 60, 68, 73, 84, 84A AND 87<br>CABLE ASM, LOGIC GATE TO CONN. RACK<br>FOR COMPONENT PARTS SEE INDEXES  | AR                   |                      |
| - K                        | 2199849        |             |   |   | 11A, 31, 33, 60, 68, 73A, 84, 84A AND 87<br>CABLE ASM, LOGIC GATE TO CONN. RACK<br>FOR COMPONENT PARTS SEE INDEXES | AR                   |                      |
| - K                        | 2630244        |             |   |   | 11A, 31, 33, 60, 68, 73, 84, 84A AND 87<br>JUMPER ASM<br>FOR COMPONENT PARTS SEE INDEXES                           | AR                   |                      |
| - K                        | 2630245        |             |   |   | 49<br>JUMPER ASM<br>FOR COMPONENT PARTS SEE INDEXES  | AR                   |                      |
| - K                        | 2630382        |             |   |   | 50 AND 57<br>LINE CORD ASM, 60HZ JAPAN<br>FOR COMPONENT PARTS SEE INDEXES  | AR                   |                      |
| - K                        | 2630383        |             |   |   | 40, 48 AND 56<br>CABLE ASM, TB LB A2 TO TB LB B1<br>FOR COMPONENT PARTS SEE INDEXES                                | AR                   |                      |
| - K                        | 2630385        |             |   |   | 51G, AND 58<br>CABLE ASM, TB LB A2 TO TB LB B1<br>FOR COMPONENT PARTS SEE INDEXES                                  | AR                   |                      |
| - K                        | 2630388        |             |   |   | 51G, AND 58<br>CABLE ASM, AC TO REG AND OCR BLOWERS  | AR                   |                      |

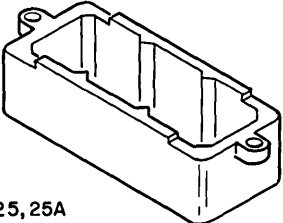
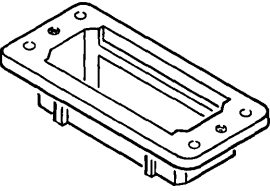
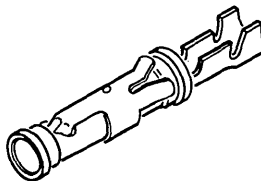
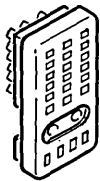
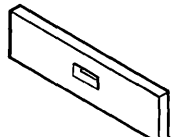
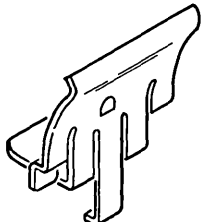
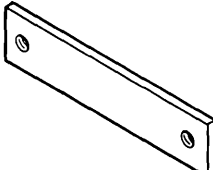
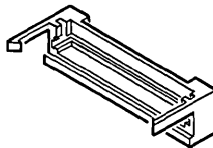
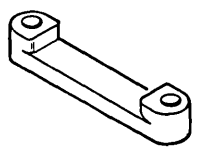
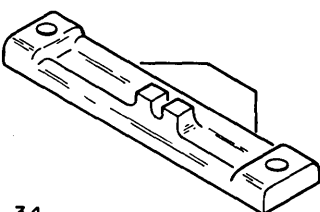
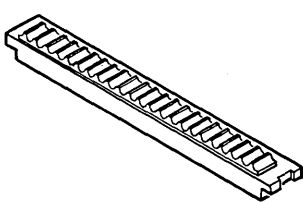
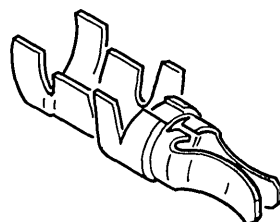
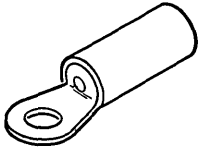
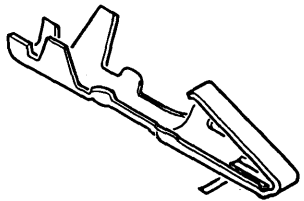
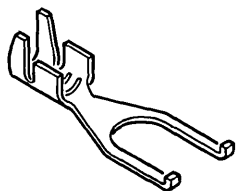
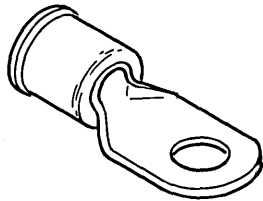
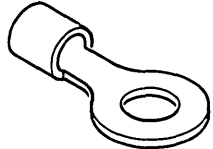
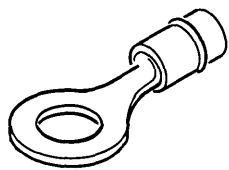
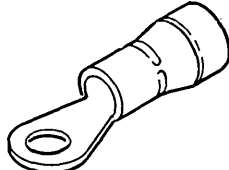
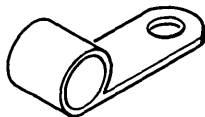
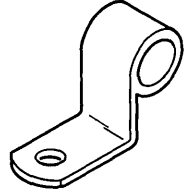
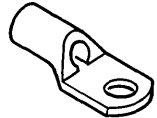

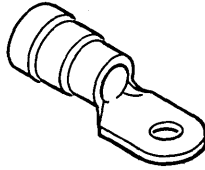
CABLE ASSEMBLIES AND COMPONENT PARTS

| FIGURE-<br>INDEX<br>NUMBER | PART<br>NUMBER | DESCRIPTION |   |   |  | UNITS<br>PER<br>ASM. | USABLE<br>ON<br>CODE |
|----------------------------|----------------|-------------|---|---|--|----------------------|----------------------|
|                            |                | 1           | 2 | 3 | 4  |                      |                      |
| 72                         |                |             |   |   | FOR COMPONENT PARTS SEE INDEXES<br>7,13,16,21,51 AND 51F                   |                      |                      |
| - L                        | 2631389        |             |   |   | JUMPER ASM, MEMORY ADDRESSING A2 TO A3<br>84,84A, AND 100                  | AR                   |                      |
| - L                        | 2630396        |             |   |   | CABLE ASM, DC DIST TO 1FA<br>FOR COMPONENT PARTS SEE INDEXES               | AR                   |                      |
| - I                        | 2630433        |             |   |   | CABLE ASM, MOTOR GEN<br>FOR COMPONENT PARTS SEE INDEXES                    | AR                   |                      |
| - L                        | 2637482        |             |   |   | CABLE ASM, CP JUMPER<br>FOR COMPONENT PARTS SEE INDEXES                    | AR                   |                      |
| - L                        | 2641306        |             |   |   | CABLE ASM, DC EXPANDED MEMORY SENSING<br>FOR COMPONENT PARTS SEE INDEXES   | AR                   |                      |
| - L                        | 2641309        |             |   |   | CABLE ASM, DC DIST TO CONSOLE<br>FOR COMPONENT PARTS SEE INDEXES           | AR                   |                      |
| - L                        | 2641314        |             |   |   | CABLE ASM, P58 TO TB403 AND 404<br>FOR COMPONENT PARTS SEE INDEXES         | AR                   |                      |
| - L                        | 2641316        |             |   |   | CABLE ASM, DC DIST TO J CONN<br>FOR COMPONENT PARTS SEE INDEXES            | AR                   |                      |
| - L                        | 2641325        |             |   |   | CABLE ASM, CPU TO INDICATOR LIGHTS<br>FOR COMPONENT PARTS SEE INDEXES      | AR                   |                      |
| - L                        | 2641326        |             |   |   | CABLE ASM, AC TO BLOWERS<br>FOR COMPONENT PARTS SEE INDEXES                | AR                   |                      |
| - L                        | 2641330        |             |   |   | CABLE ASM, DC REG 403 TO TBA4<br>FOR COMPONENT PARTS SEE INDEXES           | AR                   |                      |
| - L                        | 2641332        |             |   |   | CABLE ASM, REG 404 E2 AND E4 TO TB402<br>FOR COMPONENT PARTS SEE INDEXES   | AR                   |                      |
| - I                        | 2641340        |             |   |   | CABLE ASM, AC TO BLOWERS- 50 HZ<br>FOR COMPONENT PARTS SEE INDEXES         | AR                   |                      |
| - I                        | 2641344        |             |   |   | CABLE ASM, +1.25 VOLTS TO ROW 3<br>FOR COMPONENT PARTS SEE INDEXES         | AR                   |                      |
| - I                        | 2641345        |             |   |   | CABLE ASM, OCR BLOWER NO. 2<br>FOR COMPONENT PARTS SEE INDEXES             | AR                   |                      |
| - M                        | 2641346        |             |   |   | CABLE ASM, J69 TO K226<br>FOR COMPONENT PARTS SEE INDEXES                  | AR                   |                      |
| - M                        | 2641347        |             |   |   | CABLE ASM, REG 402- E3 AND E4 TO TB 402<br>FOR COMPONENT PARTS SEE INDEXES | AR                   |                      |
| - M                        | 2641363        |             |   |   | CABLE ASM, 3046 CONTROL<br>FOR COMPONENT PARTS SEE INDEXES                 | AR                   |                      |
| - M                        | 2641389        |             |   |   | CABLE ASM, 5X4 W/O BUFF, W/O DIR CTRL<br>FOR COMPONENT PARTS SEE INDEXES   | AR                   |                      |
| - M                        | 2641424        |             |   |   | CABLE ASM, CONTROL FOR 3046<br>FOR COMPONENT PARTS SEE INDEXES             | AR                   |                      |
| - M                        | 2641437        |             |   |   | CABLE ASM, REG 402-E3 AND E4 TO TB 402<br>FOR COMPONENT PARTS SEE INDEXES  | AR                   |                      |
| - M                        | 2646802        |             |   |   | CABLE ASM, TBLBA2 TO TBLBB1<br>FOR COMPONENT PARTS SEE INDEXES             | AR                   |                      |
| - M                        | 2646809        |             |   |   | CABLE ASM, RESISTOR<br>FOR COMPONENT PARTS SEE INDEXES                     | AR                   |                      |
| - M                        | 2646893        |             |   |   | CABLE ASM, PRIMARY POWER TO J59<br>FOR COMPONENT PARTS SEE INDEXES         | AR                   |                      |
|                            |                |             |   |   | 19, 20A, 25A, 26A, 27, 36C, 51F, 51G,                                      |                      |                      |



THIS PAGE INTENTIONALLY LEFT BLANK



|  |  |  |  |
|--|--|--|--|
|  <p>25, 25A</p>         |  <p>26, 26A</p>       |  <p>27</p>         |  <p>28</p>            |
|  <p>29</p>              |  <p>30</p>            |  <p>31</p>         |  <p>32</p>            |
|  <p>33</p>              |  <p>34</p>            |  <p>35</p>         |  <p>36, 36 A, 36B</p> |
|  <p>37, 37 A, 37B</p> |  <p>38, 38A</p>     |  <p>39, 39 A</p> |  <p>40, 40A</p>     |
|  <p>41</p>            |  <p>42 THRU 42H</p> |  <p>43, 43A</p>  |  <p>44</p>          |
|  <p>45, 45A</p>       |  <p>46</p>          |  <p>47, 47A</p>  |  <p>48</p>          |



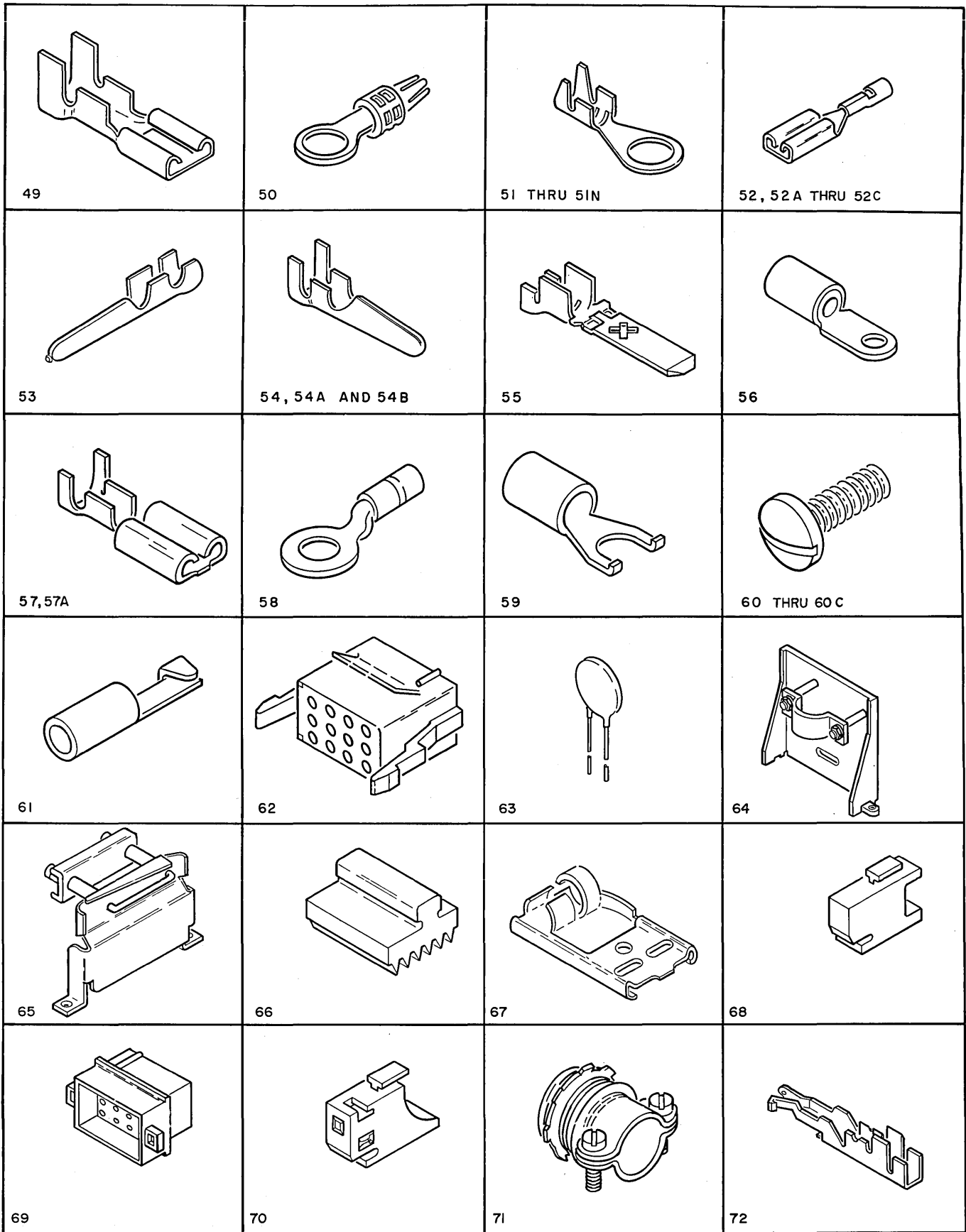


FIGURE 72. CABLE AND JUMPER COMPONENT PARTS. SHEET 3 OF 5. NOS. 49-72. SEE LIST 72.



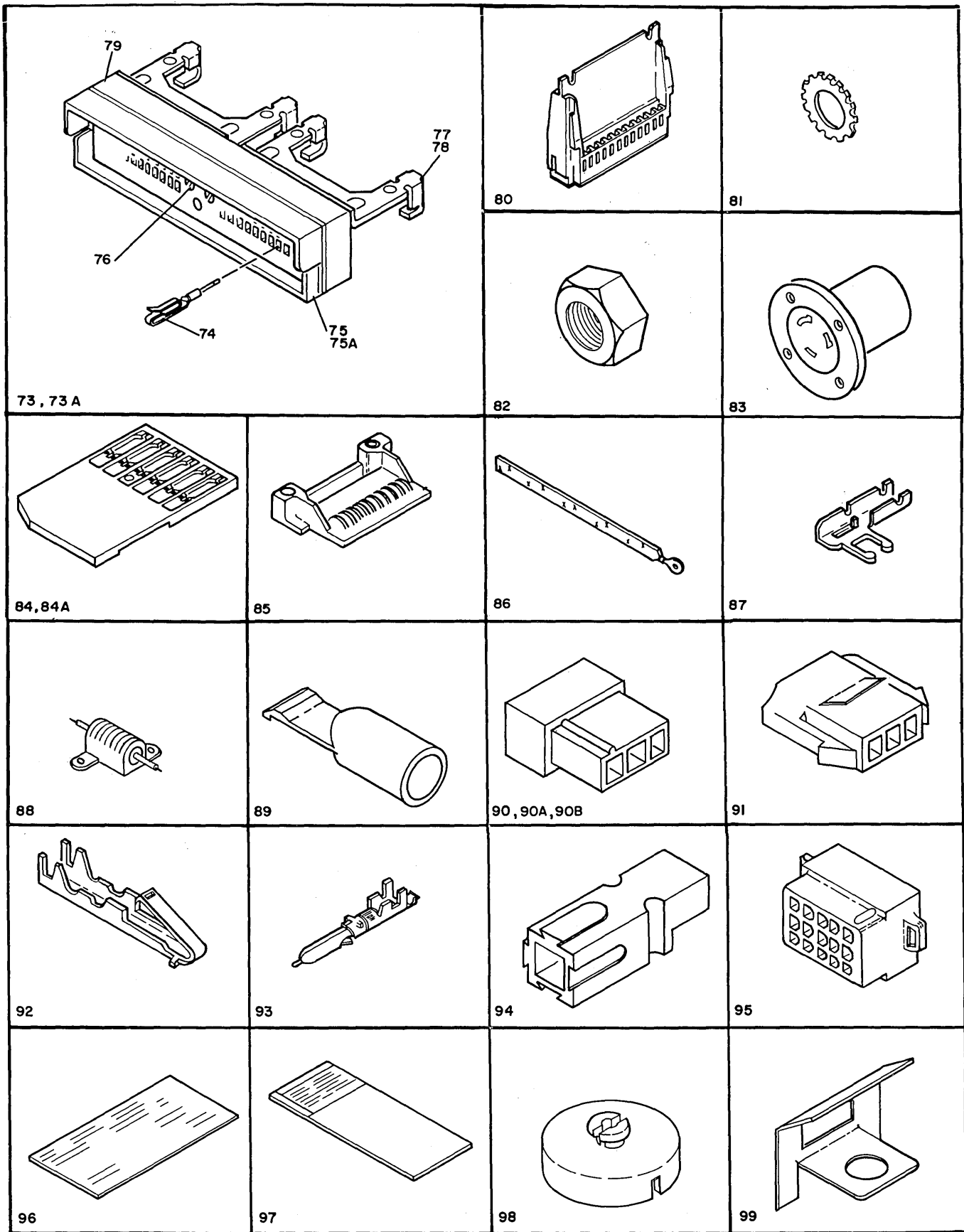


FIGURE 72. CABLE AND JUMPER COMPONENT PARTS. SHEET 4 OF 5. NOS. 73-99. SEE LIST 72.



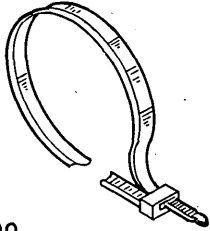
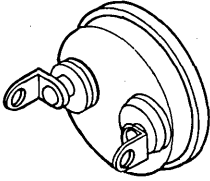
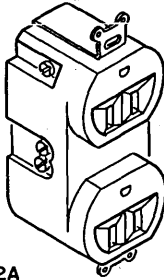
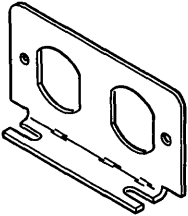
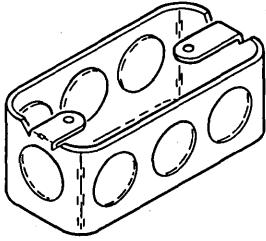
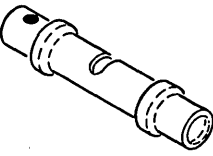
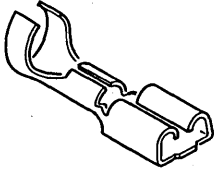
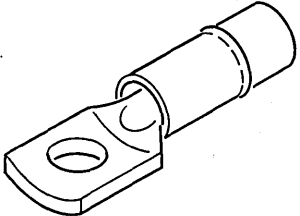
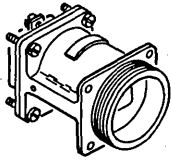
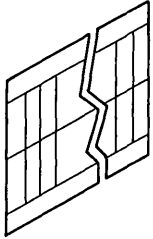
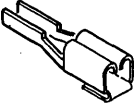
|   |  |  |   |
|---|--|--|---|
|  <p>100</p>      |  <p>101,101A</p>      |  <p>102,102A</p> |  <p>103</p>      |
|  <p>104</p>      |  <p>105</p>           |  <p>106</p>      |  <p>107,107A</p> |
|  <p>108,108A</p> |  <p>109,109A,109B</p> |  <p>110</p>       |   |
|   |  |  |   |
|   |  |  |   |
|   |  |  |   |

FIGURE 72. CABLE AND COMPONENT PARTS. SHEET 5 OF 5. INDEX NOS. 100-110. SEE LIST 72.







# NUMERICAL INDEX

Page of S124-0129-2  
Revised June 3, 1977  
By TNL: SN24-0797

| PART NO. | LIST AND INDEX NO. | PART NO.  | LIST AND INDEX NO. | PART NO.   | LIST AND INDEX NO. | PART NO.   | LIST AND INDEX NO. |
|----------|--------------------|-----------|--------------------|------------|--------------------|------------|--------------------|
| 119      | 43 - 51            | 5677-CONT | 36 - 50            | 10170-CONT | 19 - 56G           | 11598-CONT | 28 - 10            |
| 232      | 10 -107            |           | 36 - 55            |            | 19 - 56L           |            | 29 - 71            |
|          | 10 -125            |           | 36 - 57            |            | 19 - 76            |            | 30 - 71            |
|          | 11 -138            | 6325      | 62 - 15            |            | 20 - 49            |            | 36 - 34            |
|          | 32 -118            | 6364      | 29 - 33            |            | 21 - 20            |            | 36 - 53            |
|          | 60 - 16            |           | 30 - 33            |            | 25 - 16            |            | 37 - 27            |
| 358      | 68 - 32            |           | 36 - 20            |            | 26 - 12            |            | 43 - 49            |
|          | 71 - 27            |           | 37 - 12            |            | 26 - 14            |            | 44 - 26            |
| 453      | 32 -191            |           | 60 - 10            |            | 27 - 13            |            | 50 - 23            |
| 845      | 33 - 22            | 6935      | 1 - 95A            |            | 28 - 55            |            | 51 -141            |
| 2179     | 43 - 57            |           | 2 - 7              |            | 29 - 2             |            | 51 -154            |
| 2903     | 29 - 24            |           | 2 - 18             |            | 29 - 18            |            | 53 - 16            |
|          | 30 - 24            |           | 10 - 14            |            | 29 - 44            |            | 54 - 44            |
| 3550     | 1 -133             |           | 10 - 38D           |            | 29 - 62            |            | 57 - 11            |
|          | 2 - 8              |           | 10 - 38H           |            | 30 - 18            |            | 57 - 32            |
|          | 2 - 10             |           | 10 - 42            |            | 30 - 44            |            | 58 - 11            |
|          | 2 - 19             |           | 11 - 18            |            | 30 - 62            |            | 58 - 39            |
|          | 10 - 15            |           | 11 - 23            |            | 31 - 2             |            | 59 - 10            |
|          | 10 -131            |           | 11 - 44            |            | 32 - 65            |            | 59 - 33            |
|          | 10 -140            |           | 21 - 43            |            | 32 - 71            |            | 66 - 19            |
|          | 11 - 45            |           | 21 - 66            |            | 32 - 83            |            | 66A- 2             |
|          | 11 -143            |           | 36 - 40            |            | 32 -129            |            | 66A- 6             |
|          | 21 - 67            |           | 36 -104            |            | 33 - 46            | 11605      | 11 - 92            |
|          | 27 - 11C           |           | 51 - 19            |            | 33 -106            | 11891      | 61 - 22            |
|          | 32 - 63            |           | 51 - 33            |            | 33 -120            |            | 67 - 26            |
|          | 33 - 31            | 7327      | 10 -154            |            | 34 - 85            | 11931      | 57 - 6             |
|          | 33 - 97            |           | 11 -101            |            | 34 -107            |            | 58 - 6             |
|          | 34 -104            | 8163      | 28 - 52            |            | 34 -124            |            | 59 - 5             |
|          | 43 - 14            |           | 29 - 19            |            | 35 - 17            | 15616      | 29 - 71A           |
|          | 51 - 18            |           | 30 - 19            |            | 36 - 83            |            | 30 - 71A           |
|          | 51 - 32            |           | 54 - 19            |            | 36 - 92            | 18272      | 29 - 2             |
|          | 51 -143A           |           | 54 - 38            |            | 36 -100            |            | 30 - 2             |
|          | 67 - 11C           | 8506      | 12 -113            |            | 36 -103            |            | 54 - 2             |
| 3960     | 1 - 95B            |           | 12 -115            |            | 37 - 9             | 19944      | 2 - 26             |
|          | 10 - 9             | 9092      | 10 - 4             |            | 39 - 11            |            | 2 - 36             |
|          | 10 -202            |           | 11 - 62            |            | 40 - 5             |            | 10 - 58            |
|          | 10 -210            |           | 18 - 24            |            | 41 - 26            |            | 11 - 73            |
|          | 10 -217            |           | 19 - 13            |            | 42 - 12            |            | 20 -107            |
|          | 10 -220            |           | 20 - 27            |            | 42 - 20            |            | 21 - 85            |
|          | 11 - 57            |           | 21 - 36            |            | 42 - 45            |            | 43 - 70            |
|          | 11 -218            |           | 28 - 8             |            | 47 - 10            | 22066      | 44 - 20            |
|          | 12 - 85            |           | 29 - 30            |            | 47 - 12            | 22478      | 1 - 17             |
|          | 18 - 8             |           | 29 - 70            |            | 48 - 4             |            | 1 - 50C            |
|          | 18 - 43            |           | 30 - 30            |            | 51 - 10            |            | 1 - 89             |
|          | 18 - 47            |           | 30 - 70            |            | 51 - 12            |            | 1 - 91B            |
|          | 19 - 40            |           | 33 - 56            |            | 51 - 41B           |            | 2 - 27             |
|          | 20 - 24            |           | 33 -133A           |            | 51 - 82            |            | 2 - 37             |
|          | 20 - 72            |           | 43 - 60            |            | 52 - 12            |            | 2 - 45             |
|          | 20 - 85            |           | 44 - 42            |            | 52 - 33            |            | 2 - 49             |
|          | 21 - 33            |           | 51 -142            |            | 53 - 1A            |            | 2 - 57             |
|          | 21 - 65            |           | 54 - 43            |            | 53 - 12            |            | 6 - 34B            |
|          | 28 - 27            | 10170     | 2 - 39             |            | 53 - 12B           |            | 7 - 3              |
|          | 29 - 78            |           | 2 - 51             |            | 53 - 14            |            | 9 - 15             |
|          | 30 - 78            |           | 5 - 32             |            | 53 - 38            |            | 10 -110L           |
|          | 32 -143B           |           | 5 - 46             |            | 54 - 18            |            | 11 -178            |
|          | 33 - 71            |           | 10 - 85            |            | 55 - 2             |            | 12 - 79            |
|          | 33 -128            |           | 10 - 91            |            | 57 - 2             |            | 16 - 7             |
|          | 34 -103            |           | 10 -128            |            | 58 - 2             |            | 18 - 82            |
|          | 36 - 37            |           | 10 -137            |            | 62 - 4             |            | 18 - 85            |
|          | 36 - 61A           |           | 10 -228            |            | 62 - 7             |            | 19 - 38            |
|          | 43 - 13            |           | 11 -118C           |            | 62 - 18            |            | 20 - 14            |
|          | 43 - 55            |           | 11 -140            |            | 62 - 38            |            | 20 - 84            |
|          | 51 -149            |           | 11 -182            |            | 66B- 8             |            | 21 - 5B            |
|          | 51 -161            |           | 11 -205E           |            | 67 - 13            |            | 21 - 8             |
|          | 54 - 49            |           | 11 -227            |            | 70 - 2             |            | 31 - 26            |
|          | 68 - 13            |           | 12 - 30            |            | 70 - 11            |            | 33 - 13            |
|          | 69A- 8             |           | 12 - 47            | 10295      | 51 -127            |            | 45 - 2             |
|          | 71 - 13            |           | 12 - 58            | 10305      | 38 - 10            |            | 45 - 30            |
| 4541     | 32 -189            |           | 12 - 66            | 10309      | 29 - 66            |            | 45 - 34            |
| 4564     | 32 - 50            |           | 12 - 89            |            | 30 - 66            |            | 58 - 26            |
|          | 34 - 97            |           | 12 -119            |            | 32 -190            | 24327      | 37 - 23A           |
| 5528     | 10 - 1A            |           | 16 - 33            |            | 38 - 11            |            | 37 - 25A           |
|          | 11 - 1A            |           | 18 - 3             | 10574      | 54 - 52            | 24752      | 14 - 5             |
| 5677     | 4 - 71             |           | 18 - 69            | 11598      | 18 - 51            |            | 15 - 6             |
|          | 4 - 88             |           | 19 - 46            |            | 20 - 76            | 25282      | 10 - 74            |
|          | 9 - 6              |           | 19 - 56B           |            | 24 - 9             |            | 42 - 53            |

| PART NO. | LIST AND INDEX NO. | PART NO.   | LIST AND INDEX NO. | PART NO.   | LIST AND INDEX NO. | PART NO. | LIST AND INDEX NO. |
|----------|--------------------|------------|--------------------|------------|--------------------|----------|--------------------|
| 25627    | 1 - 91A            | 32042-CONT | 11 - 194           | 36109-CONT | 67 - 11D           | 38348    | 32 - 143G          |
|          | 14 - 8             |            | 19 - 56            | 36112      | 1 - 95             |          | 32 - 165           |
|          | 15 - 9             |            | 21 - 71            |            | 10 - 38A           | 38350    | 37 - 23            |
|          | 29 - 58            |            | 21 - 78B           | 36844      | 2 - 6              |          | 37 - 25            |
|          | 30 - 58            |            | 33 - 67            |            | 2 - 17             | 38352    | 12 - 110           |
|          | 31 - 25            |            | 36 - 70            |            | 10 - 38G           |          | 68 - 6             |
|          | 35 - 15            |            | 36 - 77            |            | 10 - 43            |          | 71 - 6             |
|          | 37 - 5             |            | 36 - 90            |            | 11 - 22            | 38354    | 10 - 96            |
|          | 61 - 9             |            | 42 - 17            |            | 11 - 43            |          | 10 - 144           |
| 25836    | 10 - 76            |            | 42 - 38            |            | 51 - 17            |          | 11 - 185           |
|          | 11 - 155           |            | 43 - 67            |            | 51 - 31            |          | 12 - 91            |
|          | 42 - 51            |            | 44 - 24            |            | 51 - 143           |          | 12 - 122           |
|          | 51 - 58            |            | 44 - 87            | 37913      | 4 - 75             |          | 26 - 21            |
| 28413    | 10 - 11            |            | 46 - 9A            |            | 5 - 36             |          | 26 - 26            |
|          | 10 - 23            |            | 46 - 11B           |            | 6 - 14             |          | 29 - 4             |
|          | 10 - 52E           |            | 51 - 2             |            | 16 - 23            |          | 32 - 88            |
|          | 10 - 102           |            | 51 - 7             |            | 18 - 16            |          | 32 - 98            |
|          | 10 - 114           |            | 51 - 47            |            | 19 - 8             |          | 36 - 86            |
|          | 10 - 200           |            | 51 - 57            |            | 29 - 10            |          | 42 - 47            |
|          | 11 - 50            |            | 51 - 78            |            | 29 - 15            |          | 51 - 23            |
|          | 11 - 59            |            | 51 - 84            |            | 31 - 9             |          | 51 - 28            |
|          | 11 - 65            |            | 51 - 91            |            | 31 - 14            |          | 58 - 33            |
|          | 11 - 88            |            | 51 - 99            |            | 72 - 82            | 38451    | 18 - 13A           |
|          | 11 - 109           |            | 51 - 112           | 38051      | 36 - 105           |          | 19 - 5             |
|          | 11 - 132           |            | 51 - 116           | 38092      | 29 - 65            | 38452    | 29 - 49            |
|          | 11 - 213           |            | 51 - 123           |            | 30 - 65            |          | 30 - 49            |
|          | 18 - 23            |            | 60 - 8             | 38094      | 68 - 36            |          | 54 - 32            |
|          | 18 - 33            |            | 66 - 23            |            | 69 - 5             | 38686    | 1 - 132            |
|          | 18 - 35            |            | 66A - 18           |            | 69A - 3            |          | 10 - 38C           |
|          | 18 - 67            |            | 68 - 33            |            | 71 - 31            |          | 10 - 130           |
|          | 19 - 12            |            | 69A - 10           | 38112      | 11 - 66            |          | 10 - 139           |
|          | 19 - 28            |            | 69A - 12           | 38235      | 4 - 29             |          | 11 - 17            |
|          | 19 - 74            |            | 71 - 28            |            | 4 - 31             |          | 11 - 142           |
|          | 20 - 26            | 32043      | 10 - 38L           |            | 4 - 33A            |          | 27 - 11B           |
|          | 20 - 34            | 32617      | 10 - 61            |            | 4 - 35             |          | 28 - 45            |
|          | 20 - 105           |            | 11 - 76            |            | 6 - 18             |          | 29 - 10            |
|          | 21 - 35            |            | 33 - 5             |            | 6 - 28             |          | 30 - 10            |
|          | 21 - 46            |            | 69 - 6A            |            | 6 - 47A            |          | 33 - 96            |
|          | 21 - 53            | 34512      | 1 - 13             |            | 7 - 43             |          | 36 - 61            |
|          | 21 - 102           |            | 1 - 16             |            | 7 - 53             |          | 38 - 3             |
|          | 24A - 21           |            | 1 - 92             |            | 7 - 54             |          | 54 - 9             |
|          | 27 - 11            |            | 2 - 43             |            | 8 - 12             |          | 67 - 11B           |
|          | 32 - 4             |            | 2 - 47             |            | 8 - 15             | 38688    | 36 - 103           |
|          | 32 - 9             |            | 2 - 55             |            | 9 - 22             |          | 38 - 23            |
|          | 32 - 102           |            | 2 - 72             |            | 10 - 110H          | 45690    | 1 - 70             |
|          | 32 - 115           |            | 3 - 19             |            | 11 - 175           |          | 1 - 104C           |
|          | 32 - 186           |            | 6 - 34A            |            | 12 - 125           |          | 2 - 15             |
|          | 33 - 43D           |            | 7 - 2              |            | 13 - 5             |          | 4 - 89             |
|          | 33 - 78            |            | 16 - 5             |            | 13 - 9             |          | 9 - 8              |
|          | 36 - 107           |            | 34 - 128B          |            | 13 - 47            |          | 10 - 5             |
|          | 43 - 44            |            | 36 - 27            |            | 13 - 56            |          | 10 - 7A            |
|          | 55 - 18            |            | 36 - 30            |            | 13 - 65            |          | 10 - 54            |
|          | 61 - 3             |            | 43 - 65            |            | 13 - 70            |          | 11 - 63            |
|          | 61 - 5             |            | 45 - 29            |            | 13 - 78            |          | 11 - 70            |
|          | 61 - 14            |            | 51 - 91            |            | 29 - 21            |          | 11 - 216           |
|          | 67 - 11            |            | 52 - 22            |            | 35 - 19            |          | 11 - 242           |
| 32042    | 71 - 24            | 35739      | 4 - 59             |            | 45 - 46            |          | 28 - 9             |
|          | 1 - 19             |            | 5 - 39             |            | 48 - 11            |          | 29 - 31            |
|          | 1 - 22             |            | 9 - 26             |            | 52 - 6             |          | 29 - 69            |
|          | 1 - 25             |            | 11 - 96            |            | 52 - 14            |          | 30 - 31            |
|          | 1 - 91             |            | 12 - 16            |            | 52 - 25            |          | 30 - 69            |
|          | 1 - 104B           |            | 26 - 33            |            | 53 - 9             |          | 32 - 183C          |
|          | 1 - 125            |            | 28 - 60            |            | 55 - 10            |          | 36 - 52            |
|          | 1 - 135            |            | 29 - 39            |            | 55 - 21            |          | 37 - 29            |
|          | 3 - 5              |            | 30 - 39            |            | 57 - 26            |          | 44 - 25            |
|          | 3 - 26             |            | 48 - 2A            |            | 57 - 38            |          | 44 - 41            |
|          | 4 - 66             |            | 48 - 7             |            | 58 - 30            |          | 46 - 27B           |
|          | 10 - 7             |            | 51 - 36            |            | 58 - 45            |          | 51 - 63B           |
|          | 10 - 19            |            | 51 - 39            |            | 59 - 24            |          | 53 - 18            |
|          | 10 - 38            |            | 51 - 80A           |            | 59 - 39            |          | 54 - 42            |
|          | 10 - 157           |            | 53 - 9E            |            | 66B - 3            |          | 57 - 33            |
|          | 11 - 3             |            | 54 - 56            |            | 68 - 52            |          | 58 - 40            |
|          | 11 - 6             |            | 56 - 13            |            | 71 - 46            |          | 59 - 34            |
|          | 11 - 39B           |            | 62 - 10            | 38261      | 45 - 41            |          | 61 - 23            |
|          | 11 - 97E           | 36109      | 27 - 11D           | 38262      | 10 - 52B           |          | 67 - 28            |
|          | 11 - 117B          |            | 36 - 105           |            | 11 - 47            | 45709    | 69 - 6B            |

| PART NO. | LIST AND INDEX NO. | PART NO.   | LIST AND INDEX NO. | PART NO.   | LIST AND INDEX NO. | PART NO.   | LIST AND INDEX NO. |
|----------|--------------------|------------|--------------------|------------|--------------------|------------|--------------------|
| 47242    | 10 - 70            | 47242-CONT | 33 - 63            | 55726-CONT | 51 - 133           | 56079-CONT | 59 - 45            |
|          | 10 - 79            |            | 33 - 66            |            | 52 - 2             |            | 61 - 24            |
|          | 10 - 82            |            | 33 - 83            |            | 52 - 17            |            | 66 - 20            |
|          | 10 - 88            |            | 33 - 94            |            | 54 - 26            |            | 66 - 25            |
|          | 10 - 94            |            | 33 - 101           | 55901      | 1 - 91C            |            | 66A- 3             |
|          | 10 - 110           |            | 33 - 104           |            | 2 - 44             |            | 66A- 7             |
|          | 10 - 148           |            | 33 - 109           |            | 2 - 48             |            | 66A- 19            |
|          | 10 - 155           |            | 33 - 118           |            | 2 - 56             |            | 66B- 9             |
|          | 10 - 162           |            | 33 - 126           |            | 10 - 1D            |            | 67 - 27            |
|          | 10 - 168           |            | 33 - 133           |            | 11 - 1D            |            | 72 - 81            |
|          | 10 - 177           |            | 34 - 16            |            | 12 - 4             | 56121      | 37 - 28            |
|          | 10 - 182           |            | 34 - 42            |            | 16 - 6             | 56722      | 1 - 40             |
|          | 10 - 185           |            | 34 - 47            |            | 23 - 6             |            | 4 - 36             |
|          | 10 - 205           |            | 34 - 50            |            | 29 - 80            |            | 12 - 7             |
|          | 10 - 213           |            | 34 - 55            |            | 30 - 80            |            | 12 - 10            |
|          | 10 - 223           |            | 34 - 69            |            | 32 - 145           |            | 12 - 17            |
|          | 10 - 226           |            | 34 - 76A           |            | 34 - 128G          |            | 12 - 22            |
|          | 10 - 236           |            | 34 - 80            |            | 35 - 3             |            | 12 - 31            |
|          | 11 - 39            |            | 34 - 83C           |            | 36 - 104           |            | 12 - 36            |
|          | 11 - 88A           |            | 34 - 83G           |            | 37 - 6             |            | 12 - 39            |
|          | 11 - 97C           |            | 34 - 94            |            | 51 - 61            |            | 12 - 48            |
|          | 11 - 102           |            | 34 - 116A          |            | 51 - 92            |            | 12 - 55            |
|          | 11 - 107           |            | 34 - 137           |            | 53 - 22C           |            | 12 - 59            |
|          | 11 - 115           |            | 42 - 18            |            | 62 - 21            |            | 12 - 67            |
|          | 11 - 124           |            | 46 - 11            |            | 62 - 42            |            | 12 - 72            |
|          | 11 - 144C          |            | 46 - 15            | 55918      | 11 - 121           |            | 12 - 78            |
|          | 11 - 146           |            | 46 - 18            |            | 25 - 23            |            | 12 - 83            |
|          | 11 - 150           |            | 46 - 21            |            | 28 - 7             |            | 12 - 102           |
|          | 11 - 161           |            | 46 - 24            |            | 44 - 40            |            | 13 - 6             |
|          | 11 - 165           |            | 51 - 3             |            | 51 - 8B            |            | 13 - 10            |
|          | 11 - 189           |            | 51 - 8             | 55986      | 33 - 43G           |            | 13 - 17            |
|          | 11 - 197           |            | 51 - 48            | 56079      | 1 - 126            |            | 13 - 37            |
|          | 11 - 200           |            | 51 - 153           |            | 1 - 136            |            | 13 - 48            |
|          | 11 - 205C          |            | 51 - 158           |            | 9 - 7              |            | 13 - 57            |
|          | 11 - 205K          | 47987      | 4 - 53             |            | 10 - 37            |            | 13 - 66            |
|          | 11 - 223           |            | 9 - 32             |            | 10 - 38M           |            | 13 - 71            |
|          | 11 - 239           | 48594      | 35 - 10            |            | 10 - 52P           |            | 13 - 79            |
|          | 11 - 247           |            | 35 - 22            |            | 10 - 66            |            | 22 - 5             |
|          | 11 - 247E          | 51811      | 15 - 17            |            | 10 - 72            |            | 22 - 10            |
|          | 25 - 6B            | 52523      | 72 - 60B           |            | 10 - 110C          |            | 24 - 13            |
|          | 25 - 14            | 53370      | 33 - 57            |            | 10 - 186           |            | 24 - 18            |
|          | 25 - 29            | 55586      | 10 - 105           |            | 11 - 4             |            | 24 - 25            |
|          | 25 - 32            |            | 10 - 117           |            | 11 - 7             |            | 24A- 7             |
|          | 25 - 36            |            | 11 - 135           |            | 11 - 51            |            | 24A- 13            |
|          | 26 - 6             |            | 27 - 14            |            | 11 - 170           |            | 24A- 18            |
|          | 26 - 17            |            | 32 - 103           |            | 11 - 201           |            | 29 - 22            |
|          | 26 - 30            |            | 32 - 113           |            | 11 - 247P          |            | 29 - 63            |
|          | 32 - 3             |            | 56 - 25            |            | 14 - 12            |            | 30 - 63            |
|          | 32 - 15            |            | 61 - 11            |            | 15 - 19            |            | 35 - 20            |
|          | 32 - 18            |            | 67 - 14            |            | 18 - 50            |            | 36 - 23            |
|          | 32 - 21            | 55711      | 11 - 97B           |            | 20 - 77            |            | 48 - 12            |
|          | 32 - 32C           |            | 32 - 112           |            | 24 - 10            |            | 50 - 2             |
|          | 32 - 37            |            | 46 - 7             |            | 24 - 21            |            | 50 - 6             |
|          | 32 - 45            | 55726      | 1 - 39             |            | 24A- 4             |            | 50 - 10            |
|          | 32 - 78            |            | 4 - 57             |            | 24A- 22            |            | 55 - 17            |
|          | 32 - 81            |            | 9 - 24             |            | 32 - 5             |            | 62 - 19            |
|          | 32 - 86            |            | 10 - 101           |            | 32 - 187           |            | 62 - 39            |
|          | 32 - 94            |            | 10 - 113           |            | 32 - 202           |            | 66 - 4             |
|          | 32 - 123           |            | 11 - 131           |            | 33 - 9             |            | 66 - 9             |
|          | 32 - 126           |            | 14 - 14            |            | 33 - 20            |            | 66 - 11            |
|          | 32 - 138           |            | 14 - 16            |            | 33 - 28            |            | 66 - 15            |
|          | 32 - 140           |            | 14 - 18            |            | 34 - 41            |            | 66A- 10            |
|          | 32 - 143           |            | 14 - 20            |            | 34 - 52            |            | 66A- 14            |
|          | 32 - 143M          |            | 14 - 22            |            | 34 - 81            |            | 66A- 28            |
|          | 32 - 148           |            | 15 - 16            |            | 36 - 33            |            | 66A- 34            |
|          | 32 - 151           |            | 24 - 24            |            | 39 - 14            |            | 66A- 38            |
|          | 32 - 181           |            | 29 - 37            |            | 44 - 88            |            | 66A- 42            |
|          | 32 - 198           |            | 30 - 37            |            | 50 - 16            |            | 66B- 9             |
|          | 32 - 203           |            | 31 - 23            |            | 50 - 24            |            | 68 - 7             |
|          | 33 - 3             |            | 32 - 101           |            | 51 - 92            |            | 71 - 7             |
|          | 33 - 8             |            | 32 - 110           |            | 51 - 152           |            | 11 - 1C            |
|          | 33 - 35            |            | 33 - 43C           |            | 51 - 157           | 58201      | 1 - 33             |
|          | 33 - 39            |            | 35 - 12            |            | 53 - 17            | 58207      | 1 - 111A           |
|          | 33 - 42            |            | 37 - 2             |            | 55 - 19            |            | 2 - 59             |
|          | 33 - 49            |            | 39 - 5             |            | 57 - 44            |            | 2 - 64             |
|          | 33 - 60            |            | 47 - 19            |            | 58 - 51            |            | 2 - 66             |

| PART NO.   | LIST AND INDEX NO. | PART NO.   | LIST AND INDEX NO. | PART NO. | LIST AND INDEX NO. | PART NO.    | LIST AND INDEX NO. |
|------------|--------------------|------------|--------------------|----------|--------------------|-------------|--------------------|
| 58207-CONT | 2 - 68             | 76574-CONT | 18 - 42            | 82725    | 54 - 45            | 130434-CONT | 10 -176            |
|            | 2 - 70             |            | 18 - 46            |          | 72 - 58            |             | 10 -181            |
|            | 3 - 14             |            | 20 - 73            | 83606    | 10 - 21            |             | 10 -184            |
|            | 3 - 24             |            | 27 - 15            |          | 11 -112            |             | 10 -204            |
|            | 3 - 28             |            | 27 - 27            |          | 59 - 17            |             | 10 -212            |
|            | 3 - 30             |            | 28 - 26            | 90261    | 10 -115            |             | 10 -215            |
|            | 10 - 1C            |            | 28 - 40            |          | 11 -133            |             | 10 -219            |
|            | 10 -197            |            | 28 - 42            |          | 32 -105            |             | 10 -222            |
|            | 10 -208            |            | 28 - 46            |          | 32 -116            |             | 10 -225            |
|            | 11 - 41            |            | 29 - 6             |          | 33 - 43E           |             | 10 -235            |
|            | 11 -153            |            | 29 - 11            |          | 36 - 39            |             | 11 - 38            |
|            | 11 -210            |            | 29 - 77            | 91373    | 53 - 47            |             | 11 - 53            |
|            | 11 -225            |            | 30 - 6             | 91514    | 2 - 52             |             | 11 - 61            |
|            | 16 - 10            |            | 30 - 11            | 91610    | 57 - 20            |             | 11 -106            |
|            | 16 - 12            |            | 30 - 77            |          | 58 - 21            |             | 11 -114            |
|            | 18 - 26            |            | 32 -104            |          | 59 - 21            |             | 11 -123            |
|            | 18 - 59            |            | 32 -114            | 92050    | 19 - 69            |             | 11 -144B           |
|            | 19 - 15            |            | 33 - 43F           |          | 20 - 66            |             | 11 -149            |
|            | 20 - 83            |            | 36 - 36            |          | 20 - 90            |             | 11 -160            |
|            | 20 - 94            |            | 36 - 51            |          | 21 - 78            |             | 11 -164            |
|            | 21 - 59            |            | 38 - 24            | 92734    | 14 - 3A            |             | 11 -169            |
|            | 28 - 2             |            | 51 -150            |          | 15 - 4             |             | 11 -188            |
|            | 28 - 15            |            | 51 -162            |          | 52 - 23            |             | 11 -196            |
|            | 28 - 22            |            | 54 - 7             | 92784    | 32 -158            |             | 11 -199            |
|            | 28 - 24            |            | 54 - 10            |          | 72 - 37B           |             | 11 -205J           |
|            | 28 - 64            |            | 54 - 50            | 92786    | 72 - 59            |             | 11 -222            |
|            | 29 - 46            |            | 56 - 4             | 100366   | 29 - 13            |             | 11 -238            |
|            | 29 - 48            |            | 56 - 26            | 101706   | 18 - 49            |             | 11 -246            |
|            | 29 - 52            |            | 61 - 12            |          | 20 - 75            |             | 24 - 20            |
|            | 29 - 56            |            | 67 - 15            | 102691   | 2 - 33G            |             | 25 - 6A            |
|            | 29 - 79            |            | 67 - 27            | 103107   | 20 - 22            |             | 32 - 2             |
|            | 30 - 46            |            | 68 - 24            |          | 21 - 37            |             | 32 - 14            |
|            | 30 - 48            |            | 71 - 19            | 104615   | 10 -110G           |             | 32 - 17            |
|            | 30 - 52            | 76846      | 33 - 31C           |          | 11 -174            |             | 32 - 36            |
|            | 30 - 56            | 80651      | 19 - 31            |          | 14 - 4             |             | 32 - 44            |
|            | 30 - 79            |            | 20 - 81            |          | 15 - 5             |             | 32 - 77            |
|            | 33 - 12            |            | 28 - 48            |          | 52 - 24            |             | 32 - 80            |
|            | 33 -110            |            | 28 - 51            | 107664   | 52 - 23            |             | 32 - 85            |
|            | 33 -112            |            | 29 - 8             | 107666   | 52 - 23            |             | 32 - 93            |
|            | 34 -121            |            | 29 - 15            | 107668   | 52 - 23            |             | 32 -122            |
|            | 34 -126            |            | 30 - 8             | 109918   | 72 - 76            |             | 32 -125            |
|            | 38 - 17            |            | 30 - 15            | 112055   | 6 - 41             |             | 32 -137            |
|            | 38 - 21            |            | 31 - 21            |          | 7 - 5              |             | 32 -142            |
|            | 40 - 2             |            | 54 - 12            | 112628   | 32 - 32E           |             | 32 -147            |
|            | 40 - 21            |            | 54 - 15            |          | 32 - 32G           |             | 32 -150            |
|            | 41 - 39            |            | 57 - 8             |          | 72 - 78            |             | 32 -180            |
|            | 43 - 11            |            | 58 - 8             | 115971   | 52 - 23            |             | 32 -197            |
|            | 45 - 33            | 80652      | 28 - 43            | 11598    | 24A- 3             |             | 32 -201            |
|            | 51 - 49            |            | 29 - 1             | 117252   | 52 - 23            |             | 33 - 2             |
|            | 51 - 60            |            | 30 - 1             | 117281   | 32 - 33            |             | 33 - 7             |
|            | 51 - 63A           |            | 54 - 4             |          | 34 - 52B           |             | 33 - 19            |
|            | 51 - 70            |            | 57 - 21            | 117401   | 10 -110F           |             | 33 - 27            |
|            | 52 - 20            |            | 58 - 22            |          | 11 -173            |             | 33 - 34            |
|            | 52 - 28            |            | 59 - 22            |          | 52 - 23            |             | 33 - 38            |
|            | 54 - 28            | 80817      | 48 - 5             | 117403   | 52 - 23            |             | 33 - 41            |
|            | 54 - 31            | 81693      | 2 - 82             | 121756   | 2 - 73             |             | 33 - 48            |
|            | 62 - 41            |            | 12 -101            | 122592   | 28 - 53            |             | 33 - 55            |
| 59647      | 18 - 41            |            | 24 - 12            |          | 29 - 20            |             | 33 - 59            |
|            | 18 - 45            |            | 24 - 17            |          | 30 - 20            |             | 33 - 62            |
|            | 20 - 71            |            | 24A- 6             | 123074   | 42 - 58            |             | 33 - 82            |
| 59682      | 38 - 6             |            | 24A- 12            | 124308   | 36 - 10            |             | 33 - 93            |
| 59683      | 1 -132A            |            | 36 - 17            | 125145   | 66 - 5             |             | 33 -100            |
| 60646      | 1 - 34             |            | 37 - 19            |          | 66 - 8             |             | 33 -103            |
|            | 13 - 3             |            | 50 - 5             | 127499   | 54 - 53            |             | 33 -108            |
|            | 63 - 9             |            | 50 - 9             | 129147   | 10 - 13            |             | 33 -117            |
|            | 64 - 7             |            | 51 - 82F           |          | 10 - 3             |             | 33 -122            |
|            | 65 - 6             |            | 51 - 90            | 130434   | 10 - 28            |             | 33 -125            |
| 62031      | 53 - 22E           |            | 53 - 22B           |          | 10 - 69            |             | 33 -132            |
| 65722      | 72 - 18B           |            | 55 - 24            |          | 10 - 78            |             | 34 - 15            |
| 65756      | 68 - 12            |            | 62 - 28            |          | 10 - 81            |             | 34 - 46            |
|            | 69A- 7             |            | 66 - 3             |          | 10 - 87            |             | 34 - 49            |
|            | 71 - 12            |            | 66 - 7             |          | 10 - 93            |             | 34 - 79            |
| 70078      | 21 - 57            |            | 66A- 9             |          | 10 -110B           |             | 34 - 83B           |
| 76574      | 10 -104            |            | 66A- 27            |          | 10 -147            |             | 34 - 83F           |
|            | 10 -116            |            | 66A- 37            |          | 10 -161            |             | 50 - 15            |
|            | 11 -134            |            | 70 - 14            |          | 10 -167            | 130985      | 1 -132B            |

| PART NO. | LIST AND INDEX NO. | PART NO. | LIST AND INDEX NO. | PART NO.    | LIST AND INDEX NO. | PART NO.    | LIST AND INDEX NO. |
|----------|--------------------|----------|--------------------|-------------|--------------------|-------------|--------------------|
| 130987   | 29 - 3             | 162096   | 33 - 28A           | 186924-CONT | 7 - 7              | 210921-CONT | 41 - 28            |
|          | 30 - 3             | 167338   | 3 - 23             |             | 7 - 14             | 210957      | 32 - 56            |
|          | 33 - 31B           | 169698   | 28 - 19            |             | 9 - 11             |             | 34 - 100           |
|          | 36 - 64            |          | 32 - 32L           | 186950      | 36 - 63            | 210984      | 34 - 23            |
|          | 36 - 66            | 170150   | 32 - 195           |             | 36 - 67            | 216073      | 57 - 42            |
|          | 38 - 7             | 173937   | 20 - 20            | 186967      | 51 - 74            |             | 58 - 49            |
|          | 54 - 3             |          | 21 - 39            |             | 51 - 82B           |             | 59 - 43            |
| 131599   | 20 - 128           | 179743   | 2 - 75             |             | 51 - 86            | 216076      | 57 - 39            |
| 133905   | 18 - 95            |          | 12 - 14            |             | 51 - 119           |             | 58 - 46            |
| 138754   | 62 - 5             |          | 12 - 56A           |             | 53 - 5             |             | 59 - 40            |
| 138755   | 32 - 48            |          | 12 - 57A           | 186968      | 72 - 42            | 216087      | 57 - 40            |
|          | 32 - 60            |          | 12 - 64A           | 186969      | 72 - 42A           |             | 58 - 47            |
|          | 34 - 89            |          | 13 - 68A           | 187243      | 6 - 10             |             | 59 - 41            |
|          | 34 - 95            |          | 40 - 23            |             | 6 - 43             | 216088      | 57 - 41            |
|          | 51 - 145           |          | 40 - 25            |             | 6 - 58             |             | 58 - 48            |
| 139750   | 41 - 7             |          | 40 - 27            |             | 7 - 21             |             | 59 - 42            |
| 139766   | 18 - 29            |          | 40 - 29            |             | 7 - 44             | 216197      | 46 - 8A            |
|          | 19 - 18            |          | 40 - 31            |             | 72 - 53            |             | 61 - 21            |
|          | 20 - 29            |          | 41 - 6             | 187467      | 48 - 3             |             | 67 - 25            |
|          | 21 - 29            | 179744   | 45 - 10            | 188696      | 17 - 15            | 216206      | 52 - 4             |
| 140425   | 10 - 65            |          | 45 - 13            | 194355      | 10 - 190           | 216207      | 52 - 4             |
|          | 10 - 109           |          | 45 - 18            |             | 11 - 205           | 216208      | 72 - 3             |
|          | 10 - 150           |          | 45 - 25            |             | 32 - 208           | 216209      | 72 - 34            |
|          | 10 - 152           | 179946   | 42 - 14            |             | 72 - 104           | 216210      | 72 - 29            |
|          | 10 - 179           |          | 52 - 24            | 194356      | 10 - 187           | 216297      | 47 - 26            |
|          | 11 - 89A           | 179966   | 28 - 5             |             | 11 - 202           |             | 70 - 7             |
|          | 11 - 145           |          | 28 - 30            |             | 32 - 209           | 216320      | 52 - 8             |
|          | 11 - 205B          | 180894   | 34 - 130           |             | 72 - 103           | 216421      | 51 - 75            |
|          | 25 - 13            | 184522   | 10 - 55            | 198981      | 36 - 43            |             | 51 - 82C           |
|          | 25 - 28            |          | 11 - 69            | 203801      | 53 - 31            |             | 51 - 87            |
|          | 25 - 31            | 186399   | 7 - 28             | 204210      | 18 - 28            |             | 51 - 120           |
|          | 25 - 35            | 186635   | 34 - 128C          |             | 19 - 17            |             | 53 - 6             |
|          | 26 - 16            | 186758   | 18 - 10            |             | 20 - 28            | 216426      | 10 - 32            |
|          | 26 - 29            |          | 19 - 42            |             | 21 - 28            |             | 11 - 9A            |
|          | 32 - 7             |          | 19 - 56D           | 204616      | 51 - 151           | 221790      | 10 - 110K          |
|          | 32 - 20            |          | 20 - 56            | 204617      | 33 - 123           |             | 11 - 177           |
|          | 32 - 32B           |          | 21 - 16            | 205329      | 62 - 23            |             | 12 - 105           |
|          | 32 - 139           |          | 26 - 8             | 205331      | 12 - 108           |             | 32 - 32M           |
|          | 32 - 143L          |          | 29 - 73            |             | 34 - 9             |             | 32 - 132           |
|          | 32 - 185           |          | 30 - 73            |             | 41 - 30            |             | 34 - 73            |
|          | 34 - 44            |          | 51 - 43            | 205855      | 2 - 50             |             | 54 - 24            |
|          | 34 - 51            |          | 51 - 45            | 205914      | 72 - 61            |             | 60 - 13            |
|          | 34 - 54            |          | 51 - 54            | 207293      | 32 - 106           |             | 62 - 20            |
|          | 34 - 68            |          | 51 - 63            | 207382      | 32 - 111           | 223781      | 12 - 84            |
|          | 34 - 76            |          | 51 - 65            |             | 46 - 6             |             | 43 - 54            |
|          | 34 - 83            |          | 51 - 67            | 208245      | 59 - 23            | 223803      | 11 - 205G          |
|          | 34 - 93            | 186759   | 1 - 88             | 208825      | 53 - 3             | 228307      | 2 - 29             |
|          | 34 - 116           |          | 2 - 33F            | 210873      | 42 - 36            | 233887      | 32 - 120           |
|          | 34 - 130           |          | 10 - 26            | 210883      | 10 - 97            | 234317      | 32 - 143E          |
|          | 34 - 136           |          | 11 - 26            |             | 10 - 232           |             | 33 - 69            |
|          | 34 - 137B          |          | 19 - 72            |             | 11 - 184           | 234318      | 10 - 24            |
|          | 46 - 10            |          | 20 - 126           |             | 11 - 230           | 234340      | 10 - 239           |
|          | 46 - 14            |          | 21 - 50            |             | 12 - 92            |             | 11 - 250           |
|          | 46 - 17            |          | 28 - 18            |             | 12 - 121           |             | 32 - 213           |
|          | 46 - 20            |          | 28 - 20            |             | 17 - 18            |             | 34 - 145           |
|          | 46 - 23            |          | 32 - 31            |             | 26 - 18            | 234341      | 10 - 45            |
| 151598   | 10 - 189           |          | 32 - 144           |             | 29 - 5             |             | 10 - 195           |
|          | 11 - 204           |          | 33 - 115           |             | 31 - 5             |             | 11 - 20            |
|          | 32 - 206           |          | 34 - 58            |             | 32 - 67            |             | 11 - 208           |
|          | 72 - 71            |          | 34 - 65B           |             | 32 - 89            |             | 32 - 62            |
| 154214   | 33 - 31G           |          | 34 - 128F          |             | 32 - 96            |             | 33 - 17            |
| 159373   | 45 - 11            |          | 45 - 1             |             | 34 - 22            |             | 33 - 30            |
|          | 45 - 14            |          | 57 - 29            |             | 34 - 110           | 234347      | 33 - 31E           |
|          | 45 - 19            |          | 58 - 36            |             | 36 - 84            | 236550      | 34 - 11            |
|          | 45 - 26            |          | 59 - 30            |             | 36 - 94            |             | 34 - 137E          |
| 159494   | 1 - 79             |          | 63 - 2             |             | 42 - 21            |             | 35 - 6             |
| 159941   | 2 - 79             | 186921   | 36 - 65            |             | 42 - 48            |             | 40 - 33            |
| 159944   | 2 - 80             | 186923   | 6 - 3              |             | 48 - 6             |             | 40 - 36            |
| 160017   | 27 - 26            |          | 6 - 5              |             | 51 - 20            |             | 41 - 34            |
|          | 56 - 3             |          | 6 - 31             |             | 55 - 5             |             | 62 - 25            |
|          | 67 - 26            |          | 7 - 16             |             | 70 - 15            |             | 72 - 60A           |
|          | 68 - 25            |          | 7 - 33             | 210884      | 10 - 98            | 236849      | 2 - 14             |
|          | 71 - 20            | 186924   | 4 - 63             |             | 32 - 68            |             | 2 - 21             |
| 161351   | 32 - 52            |          | 6 - 1A             |             | 51 - 21            |             | 10 - 71            |
|          | 33 - 31P           |          | 6 - 36             |             | 51 - 26            |             | 11 - 167           |
|          | 34 - 97A           |          | 6 - 52             | 210921      | 34 - 9             |             | 11 - 205M          |

| PART NO.    | LIST AND INDEX NO. | PART NO.    | LIST AND INDEX NO. | PART NO.    | LIST AND INDEX NO. | PART NO. | LIST AND INDEX NO. |
|-------------|--------------------|-------------|--------------------|-------------|--------------------|----------|--------------------|
| 236849-CONT | 11 -244            | 257187-CONT | 12 - 38            | 257986-CONT | 11 - 97            | 317131   | 12 - 90            |
|             | 14 - 11            |             | 12 - 54            |             | 12 - 18            |          | 36 - 85            |
|             | 15 - 18            |             | 12 - 71            |             | 12 - 32            |          | 42 - 46            |
|             | 26 - 1A            |             | 12 - 77            |             | 12 - 49            |          | 62 - 9             |
|             | 26 - 5             |             | 12 - 82            |             | 12 - 60            | 317145   | 26 - 20            |
|             | 31 - 18A           |             | 13 - 16            |             | 12 - 68            |          | 26 - 32            |
|             | 32 - 9B            |             | 13 - 36            |             | 12 -103            |          | 29 - 57            |
|             | 32 - 47            |             | 18 - 4             |             | 13 - 7             |          | 30 - 57            |
|             | 32 - 59            |             | 19 - 47            |             | 13 - 18            |          | 51 - 27            |
|             | 32 -135            |             | 20 - 50            |             | 13 - 38            |          | 51 - 38            |
|             | 33 - 57E           |             | 21 - 21            |             | 13 - 49            |          | 54 - 33            |
|             | 34 - 39            |             | 22 - 6             |             | 13 - 58            | 317173   | 10 -159            |
|             | 34 -117A           |             | 22 - 11            |             | 13 - 67            |          | 11 -190            |
|             | 34 -140            |             | 24 - 14            |             | 13 - 72            | 317193   | 26 - 25            |
|             | 36 - 19            |             | 24 - 26            |             | 13 - 80            |          | 26 - 35            |
|             | 39 - 13            |             | 24A- 19            |             | 16 - 48            |          | 52 - 35A           |
|             | 42 - 49B           |             | 25 - 18            |             | 18 - 18            | 317227   | 19 - 54            |
|             | 43 - 28            |             | 29 - 34            |             | 18 -118            |          | 21 - 51            |
|             | 47 - 24            |             | 30 - 34            |             | 19 - 6             | 317296   | 72 -109            |
|             | 51 -148            |             | 36 - 18            |             | 25 - 17            | 317297   | 72 -109A           |
|             | 57 - 43            |             | 36 - 24            |             | 32 -143H           | 317298   | 72 -109B           |
|             | 58 - 50            |             | 37 - 13            |             | 35 - 13            | 317310   | 70 - 13            |
|             | 59 - 44            |             | 42 - 34            |             | 37 - 3             | 317367   | 36 - 42            |
|             | 66B- 8             |             | 43 - 41            |             | 42 - 35            |          | 38 - 14            |
|             | 68 - 46            |             | 47 - 14            |             | 45 - 47            | 317485   | 10 - 95            |
|             | 71 - 40            |             | 50 - 3             |             | 47 - 13            |          | 12 -120            |
| 236915      | 72 - 52            |             | 50 - 7             |             | 52 - 7             |          | 29 - 3             |
| 236916      | 72 - 52A           |             | 51 - 80B           |             | 66 - 14            |          | 31 - 3             |
| 245540      | 42 - 15            |             | 53 - 45            |             | 66A- 15            |          | 32 - 87            |
| 246463      | 51 -146            |             | 60 - 11            | 259009      | 72 - 5             |          | 32 - 95            |
| 250525      | 11 -215            |             | 66 - 10            | 283003      | 32 - 72            |          | 53 - 9D            |
|             | 11 -241            |             | 66 - 16            |             | 34 -108            |          | 55 - 3             |
| 251227      | 33 - 25            |             | 66A- 16            |             | 51 - 94            | 320451   | 18 - 75            |
| 251970      | 4 - 48             |             | 66A- 35            |             | 51 -107            |          | 19 - 77            |
|             | 4 - 50             |             | 68 - 8             | 301768      | 29 - 36            | 320570   | 34 - 8             |
|             | 9 - 30             |             | 68 - 53            |             | 30 - 36            | 321051   | 72 -105            |
|             | 10 - 30            |             | 71 - 8             |             | 37 - 16            | 321483   | 27 - 24A           |
|             | 10 -165            |             | 71 - 47            |             | 51 - 81            |          | 56 - 1A            |
|             | 11 - 9             | 257188      | 1 - 35             |             | 57 - 25            |          | 61 - 27            |
|             | 18 - 14            | 257189      | 1 - 93             |             | 58 - 32            |          | 67 - 24A           |
|             | 19 - 3             |             | 3 - 7              |             | 59 - 26            | 322025   | 72 - 42G           |
|             | 21 - 25            |             | 4 - 19             | 302090      | 4 - 78             | 322029   | 27 - 9             |
|             | 34 - 6             |             | 4 - 42             |             | 5 - 25             |          | 28 - 25            |
|             | 44 - 50            |             | 4 - 65             |             | 40 - 38            |          | 28 - 39            |
|             | 62 - 35            |             | 5 - 43             |             | 42 - 41            |          | 29 - 5             |
|             | 62 - 46            |             | 9 - 13             |             | 45 - 35            |          | 29 - 76            |
| 252531      | 12 -104            |             | 11 - 27            |             | 62 - 24            |          | 30 - 5             |
| 252590      | 14 - 3             |             | 12 - 3             | 302131      | 40 - 39            |          | 30 - 76            |
|             | 15 - 3             |             | 13 - 2             |             | 41 - 36            |          | 54 - 6             |
|             | 52 - 23            |             | 31 - 28            |             | 42 - 43            |          | 56 - 16            |
| 253740      | 66 - 27            |             | 35 - 2             |             | 45 - 37            |          | 61 - 1             |
|             | 72 - 4             |             | 37 - 7             |             | 62 - 26            |          | 67 - 9             |
| 253765      | 72 - 63            |             | 45 - 31            |             | 1 - 141            |          | 69A- 6             |
| 253970      | 72 -107A           |             | 60 - 4             | 303333      | 52 - 23            |          | 71 - 11            |
| 255629      | 57 - 18            | 257622      | 51 -156            | 303549      | 62 - 14            | 322034   | 2 - 9              |
|             | 58 - 19            | 257701      | 11 -157            | 303805      | 2 - 81             | 322065   | 10 -133            |
|             | 59 - 19            |             | 33 - 37A           | 308704      | 33 - 64            |          | 10 -231            |
| 255939      | 10 - 8             |             | 36 - 7             | 311486      | 36 - 12            |          | 11 -231            |
|             | 10 -201            |             | 51 - 5             | 312573      | 36 - 11            |          | 18 - 76            |
|             | 10 -209            | 257959      | 12 - 26            | 312575      | 60 - 1             |          | 19 - 78            |
|             | 10 -216            | 257964      | 6 - 2              | 312610      | 62 - 12            |          | 22 - 4             |
|             | 11 - 56            |             | 7 - 15             | 313246      | 62 - 30            |          | 24A- 17            |
|             | 11 -217            | 257983      | 29 - 71B           |             | 66 - 24            |          | 28 - 32            |
|             | 18 - 7             |             | 30 - 71B           | 313385      | 11 - 95            |          | 29 - 12            |
|             | 19 - 39            |             | 32 - 51            | 313649      | 34 -128A           |          | 29 - 32            |
|             | 20 - 23            | 257984      | 18 - 15            |             | 17 - 17            |          | 30 - 12            |
|             | 21 - 32            |             | 19 - 7             | 315956      | 32 -164            |          | 30 - 32            |
|             | 33 -127            |             | 29 - 11            | 315957      | 17 - 19            |          | 32 - 74            |
| 257187      | 1 -113             |             | 29 - 16            |             | 32 -166            |          | 34 -111            |
|             | 4 - 37             |             | 31 - 10            |             | 34 - 21            |          | 37 - 11            |
|             | 8 - 5              |             | 31 - 15            |             | 34 - 24            |          | 44 - 46            |
|             | 8 - 13             | 257985      | 16 - 22            | 316807      | 37 - 31            |          | 48 - 2             |
|             | 12 - 6             | 257986      | 1 - 41             | 316996      | 53 - 20            |          | 50 - 1             |
|             | 12 - 9             |             | 4 - 86             | 317045      | 42 - 36            |          | 51 - 95            |
|             | 12 - 21            |             | 8 - 4              | 317049      | 70 - 3             |          | 51 -104            |
|             | 12 - 35            |             | 9 - 4              | 317088      | 61 - 7             |          | 51 -108            |

| PART NO.    | LIST AND INDEX NO. | PART NO.    | LIST AND INDEX NO. | PART NO. | LIST AND INDEX NO. | PART NO.    | LIST AND INDEX NO. |
|-------------|--------------------|-------------|--------------------|----------|--------------------|-------------|--------------------|
| 322065-CONT | 54 - 13            | 332620-CONT | 29 - 68            | 352018   | 47 - 30            | 438548-CONT | 19 - 4             |
|             | 66B- 3             |             | 30 - 29            | 352088   | 57 - 1             |             | 20 - 61            |
| 322266      | 12 - 93            |             | 30 - 68            |          | 58 - 1             |             | 26 - 3             |
|             | 36 - 87            |             | 32 - 183B          |          | 59 - 1             |             | 29 - 24            |
|             | 42 - 49            |             | 36 - 32            | 352193   | 72 - 43A           |             | 29 - 31            |
| 322550      | 22 - 9             |             | 43 - 59            | 352827   | 11 - 181           |             | 29 - 33            |
|             | 26 - 36            |             | 47 - 29            | 352848   | 32 - 64            |             | 31 - 17A           |
|             | 31 - 4             |             | 54 - 41            |          | 34 - 106           |             | 34 - 128           |
|             | 33 - 51            |             | 54 - 47            | 352850   | 10 - 227           |             | 40 - 42D           |
|             | 34 - 86            | 332747      | 2 - 23             |          | 11 - 226           |             | 40 - 42F           |
|             | 34 - 88A           |             | 2 - 61             | 355343   | 7 - 22             |             | 42 - 9             |
|             | 34 - 111           | 332779      | 57 - 47            | 356705   | 72 - 43            |             | 62 - 48            |
|             | 36 - 22            |             | 58 - 54            | 356742   | 44 - 60            | 438549      | 4 - 38             |
|             | 36 - 95            | 333197      | 26 - 2             | 357433   | 44 - 23            |             | 29 - 12            |
|             | 39 - 8             | 333586      | 46 - 28            | 357820   | 4 - 16             |             | 42 - 42            |
|             | 42 - 22            | 333769      | 68 - 18            |          | 5 - 16             |             | 45 - 36            |
|             | 53 - 24            |             | 68 - 21            | 357995   | 10 - 188           |             | 45 - 39            |
|             | 53 - 27            |             | 71 - 16            |          | 11 - 203           |             | 72 - 60            |
|             | 54 - 34            | 334635      | 62 - 13            |          | 32 - 207           | 438550      | 4 - 45A            |
|             | 55 - 4             |             | 62 - 31            |          | 72 - 102           |             | 4 - 79             |
|             | 55 - 9             | 334768      | 72 - 42B           | 359695   | 72 - 50            |             | 5 - 26             |
|             | 55 - 12            | 334910      | 72 - 42C           | 360339   | 26 - 22            |             | 9 - 28             |
|             | 66A- 41            | 334921      | 62 - 8             |          | 51 - 29            |             | 16 - 21            |
| 322551      | 4 - 25             |             | 72 - 42D           | 360370   | 72 - 42F           |             | 57 - 46            |
|             | 4 - 27             | 334932      | 51 - 101           | 360433   | 62 - 8             |             | 58 - 53            |
|             | 4 - 82             |             | 53 - 33            |          | 72 - 9             |             | 72 - 60C           |
|             | 8 - 3              |             | 61 - 6             | 360882   | 62 - 16            | 438551      | 5 - 34             |
|             | 9 - 20             |             | 72 - 42E           | 361503   | 51 - 79            |             | 6 - 20             |
|             | 18 - 125           | 335138      | 53 - 34            | 361536   | 51 - 129           |             | 7 - 40             |
|             | 19 - 34            | 335327      | 72 - 107           | 361537   | 36 - 91            | 438553      | 4 - 73             |
| 322552      | 5 - 30             | 335950      | 41 - 31            | 362206   | 51 - 110           | 438558      | 29 - 27            |
|             | 6 - 22             | 335970      | 72 - 40            | 362243   | 62 - 29            | 438565      | 53 - 42            |
|             | 7 - 25             | 336726      | 1 - 112            | 365337   | 34 - 17            | 438566      | 11 - 126           |
|             | 66 - 13            | 336823      | 10 - 110E          | 367115   | 10 - 229           |             | 32 - 11            |
|             | 66A- 13            |             | 11 - 172           |          | 11 - 228           |             | 37 - 17            |
| 322561      | 34 - 40            |             | 37 - 33            |          | 12 - 87            | 438567      | 43 - 40            |
| 322562      | 18 - 39            | 337193      | 12 - 88            |          | 12 - 117           |             | 51 - 90            |
|             | 20 - 68            |             | 36 - 82            | 369207   | 10 - 62            |             | 53 - 9             |
| 322570      | 36 - 35            |             | 42 - 44            |          | 10 - 126           | 438570      | 55 - 15            |
| 322590      | 10 - 110J          | 337509      | 10 - 83            |          | 10 - 163           | 438571      | 60 - 9             |
|             | 11 - 176           |             | 26 - 13            |          | 11 - 12D           | 438582      | 60 - 2             |
| 322765      | 68 - 15            | 337549      | 55 - 7             |          | 32 - 199           | 438586      | 11 - 117           |
|             | 68 - 27            | 338169      | 3 - 20             |          | 34 - 141           |             | 25 - 2             |
|             | 71 - 22            |             | 4 - 74             |          | 36 - 4             |             | 47 - 2             |
| 323681      | 11 - 186           |             | 5 - 35             |          | 36 - 25            | 438589      | 5 - 41             |
|             | 44 - 47            |             | 10 - 52C           |          | 62 - 2             | 438601      | 1 - 139            |
| 323841      | 11 - 183           |             | 11 - 48            |          | 57 - 10            |             | 36 - 74            |
|             | 44 - 45            |             | 20 - 63            | 369214   | 57 - 31            |             | 36 - 80            |
| 323842      | 53 - 23            |             | 21 - 26            |          | 58 - 10            | 438613      | 27 - 27B           |
| 323843      | 32 - 66            |             | 62 - 49            |          | 58 - 38            |             | 56 - 6             |
|             | 34 - 87            | 338238      | 32 - 40            |          | 59 - 9             |             | 61 - 18            |
|             | 34 - 109           | 339156      | 72 - 5A            |          | 59 - 32            |             | 67 - 29B           |
| 323844      | 14 - 7             | 342470      | 47 - 33            |          | 57 - 30            | 438622      | 1 - 129            |
|             | 15 - 8             |             | 66 - 31            | 375200   | 58 - 37            | 438623      | 34 - 119           |
|             | 39 - 7             |             | 66A- 45            | 375202   | 59 - 31            | 438894      | 32 - 70            |
|             | 57 - 4             | 344015      | 17 - 14            | 375206   | 52 - 3             |             | 34 - 105           |
|             | 58 - 4             | 349736      | 10 - 172           | 375386   | 36 - 25            | 442688      | 51 - 129           |
|             | 59 - 3             |             | 16 - 8             | 405679   | 42 - 40            | 442958      | 60 - 6             |
| 323845      | 51 - 103           | 350965      | 10 - 127           | 412971   | 72 - 18A           | 444164      | 40 - 35            |
| 325149      | 18 - 31            |             | 10 - 136           | 418790   | 10 - 188           |             | 41 - 33            |
|             | 19 - 20            |             | 11 - 139           | 418835   | 11 - 203           | 444165      | 40 - 37            |
|             | 20 - 31            |             | 32 - 53            |          | 32 - 207           | 444404      | 35 - 14            |
|             | 21 - 31            |             | 33 - 45            |          | 72 - 102A          | 450954      | 10 - 33            |
|             | 21 - 42            |             | 34 - 98            |          | 72 - 52C           |             | 11 - 10            |
| 325626      | 34 - 7             | 350966      | 10 - 90            | 430798   | 4 - 52             | 454505      | 53 - 28            |
| 331065      | 29 - 23            |             | 12 - 118           | 438540   | 9 - 31             | 460564      | 26 - 7             |
| 331982      | 30 - 23            |             | 31 - 1             |          | 6 - 9A             | 466300      | 66A- 11            |
|             | 58 - 24            |             | 32 - 82            | 438542   | 7 - 20             | 471672      | 8 - 1              |
|             | 66A- 33            |             | 55 - 1             |          | 2 - 32             | 472539      | 53 - 41            |
| 332550      | 1 - 69             | 350977      | 10 - 84            | 438548   | 3 - 22             | 473442      | 45 - 42            |
| 332620      | 2 - 12             |             | 26 - 11            |          | 6 - 16             |             | 48 - 13            |
|             | 11 - 247D          |             | 51 - 9             |          | 7 - 31             | 473582      | 53 - 21            |
|             | 20 - 87            | 351540      | 28 - 33            |          | 11 - 186B          |             | 57 - 36            |
|             | 21 - 61            |             | 29 - 13            |          | 11 - 247B          |             | 58 - 43            |
|             | 28 - 12            |             | 30 - 13            |          | 18 - 17            |             | 59 - 37            |
|             | 29 - 29            |             | 54 - 13A           |          |                    | 475465      | 11 - 110           |



| PART NO.    | LIST AND INDEX NO. | PART NO. | LIST AND INDEX NO. | PART NO. | LIST AND INDEX NO. | PART NO. | LIST AND INDEX NO. |
|-------------|--------------------|----------|--------------------|----------|--------------------|----------|--------------------|
| 475465-CONT | 25 - 24            | 513271   | 10 -238            | 528013   | 45 - 48            | 725791   | 13 - 31            |
|             | 64 - 2             |          | 11 -249            | 528014   | 45 - 49            |          | 13 - 60            |
|             | 65 - 2             |          | 32 -212            | 528337   | 4 - 91             | 726632   | 42 - 39            |
| 477203      | 52 - 5             |          | 34 -144            |          | 28 - 57            |          | 53 - 9C            |
| 478508      | 20 - 62            |          | 38 - 22            | 530067   | 72 - 21A           | 730426   | 29 - 22            |
|             | 21 - 27            | 513654   | 53 - 26            | 532393   | 45 - 28            |          | 30 - 22            |
| 479999      | 12 - 24            | 513668   | 39 - 10            | 533342   | 18 - 68            | 730427   | 58 - 23            |
| 482188      | 12 - 25            | 513669   | 32 -152            |          | 19 - 75            | 730429   | 57 - 22            |
| 482201      | 12 - 27            |          | 33 -105            | 533361   | 34 - 18            |          | 58 - 29            |
| 482204      | 12 - 96            |          | 33 -119            | 533362   | 51 - 11            | 730432   | 8 - 16             |
| 482219      | 12 - 23            | 513740   | 62 - 11            | 533372   | 53 - 19            |          | 51 - 97            |
| 483107      | 37 - 14            | 515730   | 26 - 27            | 533782   | 10 -207            |          | 51 -124            |
|             | 53 - 39            |          | 26 - 37            |          | 11 - 25            |          | 51 -163            |
| 483108      | 51 - 80            |          | 52 - 35C           |          | 11 - 40            | 730439   | 14 - 9             |
| 483122      | 52 - 15            | 515831   | 72 - 48            |          | 11 -224            |          | 15 - 10            |
| 483523      | 45 - 9             | 517913   | 24A- 24            | 533783   | 10 -198            |          | 39 - 9             |
| 483576      | 13 - 75            |          | 50 - 17            |          | 10 -206            |          | 59 - 6             |
| 483649      | 72 - 39A           |          | 66 - 26            | 550578   | 11 -211            | 730452   | 29 - 21            |
| 483652      | 72 - 39            |          | 66A- 23            |          | 18 - 77            |          | 30 - 21            |
| 483657      | 72 - 54            |          | 72 - 67            | 550612   | 19 - 84            | 730468   | 15 - 7             |
| 483658      | 72 - 54A           | 518611   | 1 -134             |          | 51 - 96            |          | 39 - 6             |
| 483659      | 72 - 54B           |          | 10 - 1B            | 553380   | 51 -109            | 731626   | 18 - 6             |
| 483676      | 72 - 51M           |          | 10 - 36            |          | 13 - 27            |          | 18 - 21            |
| 483677      | 72 - 51            |          | 10 - 38K           |          | 13 - 43            |          | 18 - 81            |
| 483678      | 51 - 14            |          | 11 - 1B            |          | 13 - 52            |          | 18 - 84            |
|             | 66A- 24            |          | 11 - 2             | 556450   | 70 - 5             |          | 18 - 98            |
|             | 72 - 51A           |          | 11 - 5             | 563887   | 10 -233            |          | 18 -100            |
| 483679      | 72 - 51B           |          | 14 - 10            |          | 11 -232            |          | 18 -100C           |
| 483680      | 72 - 51N           |          | 33 - 18            | 578811   | 41 - 29            |          | 19 - 10            |
| 483681      | 18 - 73            |          | 44 - 86            | 586874   | 12 - 95            |          | 19 - 25            |
|             | 19 - 81            | 518704   | 20 - 18            | 587875   | 1 -127             |          | 19 - 37            |
|             | 66B- 7             | 522849   | 36 - 96            | 589814   | 53 - 25            |          | 19 - 49            |
|             | 72 - 51C           | 522850   | 36 - 93            | 596458   | 14 - 6             |          | 20 - 10            |
| 483682      | 72 - 51D           | 523267   | 72 -106            |          | 34 - 20            |          | 20 - 10C           |
| 483683      | 72 - 51E           | 523268   | 72 - 17            | 597014   | 1 - 10             |          | 20 - 13            |
| 483685      | 66B- 7             | 523269   | 32 - 24            |          | 1 - 10B            |          | 20 - 59            |
|             | 72 - 51F           |          | 32 - 32D           | 597097   | 2 - 38             |          | 21 - 5A            |
| 483686      | 72 - 51G           |          | 32 - 41            | 597178   | 72 - 90            |          | 21 - 7             |
| 483687      | 72 - 51H           |          | 34 - 5             | 597301   | 72 - 91            |          | 21 - 11            |
| 483688      | 72 - 51J           |          | 34 - 61            | 597943   | 51 -113            |          | 21 - 23            |
| 483689      | 72 - 51K           |          | 34 -123            | 598479   | 37 - 26            |          | 33 - 80            |
| 483690      | 72 - 51L           |          | 62 - 45            |          | 53 - 15            |          | 43 - 46            |
| 483757      | 13 - 30            | 524519   | 10 - 17            | 599557   | 16 - 3             |          | 43 - 62            |
| 483758      | 72 - 44            |          | 11 - 24            |          | 22 - 2             |          | 52 - 35            |
| 483759      | 72 - 45            |          | 11 - 28            | 600395   | 66A- 20            | 734878   | 12 - 64            |
| 483760      | 72 - 44A           |          | 11 - 33            | 600960   | 29 - 25            | 734879   | 12 - 63            |
| 483761      | 72 - 45A           |          | 34 - 28            |          | 30 - 25            | 736547   | 72 - 72            |
| 483762      | 72 - 46            |          | 42 - 56            | 602107   | 10 -110M           | 738254   | 72 - 36B           |
| 483763      | 72 - 47            |          | 53 - 9B            |          | 11 -179            | 738255   | 72 - 36C           |
| 483770      | 72 - 97            |          | 64 - 4             | 607024   | 34 - 71            | 738257   | 72 - 19            |
| 483789      | 72 - 47A           | 524854   | 26 - 10            | 609564   | 53 - 1B            | 738259   | 72 - 19A           |
| 483867      | 13 - 21            | 525627   | 52 - 35B           | 609687   | 72 - 92            | 738378   | 36 - 2             |
| 483988      | 40 - 24            | 526098   | 34 - 38            | 615354   | 62 - 22            | 738825   | 45 - 12            |
|             | 40 - 30            |          | 35 - 18            | 631769   | 51 -130            | 738826   | 12 - 13            |
|             | 41 - 1             |          | 39 - 12            | 634475   | 42 - 16            | 738828   | 45 - 17            |
|             | 41 - 4             | 526310   | 10 -230            | 634543   | 42 - 19            | 740459   | 72 - 31            |
| 483990      | 72 - 93            |          | 11 -229            | 638315   | 40 - 19            | 740501   | 24 - 6             |
| 491349      | 72 - 1B            | 526352   | 51 - 83            |          | 41 - 24            |          | 32 -153            |
| 492411      | 32 -156            | 526378   | 24 - 7             | 639328   | 51 - 93            |          | 32 -183            |
| 501316      | 11 -205D           |          | 24A- 1             |          | 51 -106            | 740503   | 13 - 4             |
| 501551      | 51 -102            |          | 26 - 9             | 719117   | 13 - 59            | 740513   | 13 - 8             |
| 501565      | 51 -100            |          | 42 - 32            | 719439   | 13 - 32            | 740554   | 70 - 16            |
| 501566      | 53 - 32            |          | 50 - 21            |          | 13 - 61            | 740608   | 13 - 4             |
| 502522      | 72 - 40A           |          | 51 -125            | 719551   | 13 - 33            | 744991   | 47 - 31            |
| 502523      | 38 - 4             |          | 66 - 21            |          | 13 - 62            | 749033   | 13 - 51            |
| 504879      | 72 - 42H           |          | 66A- 4             | 725075   | 43 - 32            | 753317   | 18 - 94            |
| 507144      | 60 - 5             | 527916   | 10 - 99            | 725348   | 12 - 56            | 760257   | 32 - 49            |
| 510316      | 25 - 15            |          | 12 -123            |          | 12 - 61            |          | 34 - 96            |
|             | 47 - 11            |          | 29 - 6             |          | 13 - 68            | 760305   | 20 - 17            |
| 510379      | 57 - 23            |          | 31 - 6             |          | 40 - 22            |          | 21 - 41            |
|             | 59 - 24            |          | 32 - 91            |          | 41 - 5             | 760444   | 32 -109            |
| 510468      | 29 - 26            |          | 32 - 99            | 725411   | 10 - 48            | 764920   | 34 - 3             |
|             | 30 - 26            |          | 53 - 9F            |          | 11 - 79            |          | 40 - 11            |
|             | 58 - 27            |          | 55 - 6             | 725419   | 12 - 29            |          | 40 - 82A           |
| 511739      | 72 - 41            | 528011   | 45 - 51            | 725703   | 13 - 34            |          | 41 - 16            |
| 512071      | 62 - 27            | 528012   | 45 - 50            |          | 13 - 63            | 767003   | 12 -114            |

| PART NO.    | LIST AND INDEX NO. | PART NO. | LIST AND INDEX NO. | PART NO. | LIST AND INDEX NO. | PART NO. | LIST AND INDEX NO. |
|-------------|--------------------|----------|--------------------|----------|--------------------|----------|--------------------|
| 767003-CONT | 42 - 4             | 815151   | 16 - 24            | 817963   | 18 - 93            | 819780   | 19 - 55            |
| 767031      | 40 - 7             |          | 18 - 55            |          | 20 - 3             | 819781   | 19 - 57A           |
|             | 41 - 12            |          | 19 - 62C           | 817964   | 18 - 95            | 819789   | 19 - 30            |
|             | 42 - 6             |          | 20 - 64            |          | 20 - 5             | 822816   | 10 - 170           |
| 769011      | 2 - 77             | 815172   | 20 - 96            | 817965   | 18 - 93            | 824348   | 10 - 38F           |
| 769083      | 2 - 78             | 815174   | 18 - 61            | 817972   | 72 - 35            |          | 10 - 41            |
| 801393      | 20 - 119           | 815219   | 18 - 63            | 818101   | 18 - 122           |          | 11 - 19            |
|             | 21 - 87            |          | 20 - 99            | 818175   | 20 - 92            |          | 33 - 15            |
|             | 43 - 75A           | 815221   | 10 - 59            |          | 21 - 64            | 824369   | 36 - 16            |
| 804109      | 24 - 11            |          | 11 - 72            | 818268   | 72 - 84            | 824466   | 13 - 24            |
|             | 50 - 4             | 815566   | 20 - 95            | 818556   | 72 - 32            | 824467   | 13 - 25            |
| 806024      | 46 - 27A           | 815567   | 20 - 101           | 818575   | 18 - 107           | 824468   | 13 - 23            |
| 806811      | 12 - 98            | 815568   | 72 - 70            |          | 20 - 36            | 824469   | 13 - 39            |
| 807822      | 51 - 117           | 815933   | 72 - 8             |          | 44 - 11            | 824471   | 13 - 19            |
| 811090      | 8 - 9              | 815934   | 32 - 155           | 818579   | 18 - 108           | 824476   | 13 - 73            |
| 811417      | 16 - 45            |          | 72 - 8A            |          | 43 - 34            | 824477   | 13 - 42            |
|             | 17 - 2             | 815963   | 16 - 28            | 818583   | 18 - 113           | 824478   | 13 - 41            |
|             | 32 - 163           | 815964   | 16 - 29            |          | 20 - 41            | 824486   | 12 - 75            |
|             | 34 - 27            | 816649   | 20 - 100           | 818590   | 44 - 10            |          | 13 - 13            |
| 811426      | 16 - 35            | 816696   | 31 - 20            | 818632   | 18 - 92            | 824489   | 13 - 14            |
|             | 16 - 37            | 816743   | 18 - 57            |          | 20 - 1             | 824492   | 13 - 46            |
|             | 16 - 47            | 816744   | 18 - 56            | 818633   | 18 - 97            |          | 13 - 64            |
|             | 18 - 124           |          | 20 - 65            | 818634   | 18 - 97            |          | 13 - 77            |
|             | 18 - 128           | 816745   | 18 - 127           | 818686   | 72 - 84A           | 824496   | 11 - 247A          |
|             | 18 - 136           | 816746   | 18 - 53            | 818831   | 18 - 123           | 824560   | 13 - 42            |
|             | 19 - 33            | 816868   | 18 - 58            |          | 19 - 32            | 824561   | 13 - 19            |
|             | 19 - 62H           |          | 20 - 93            | 818916   | 18 - 129           | 824562   | 13 - 41            |
|             | 20 - 110           | 816883   | 18 - 121           | 818917   | 18 - 129           | 824566   | 13 - 24            |
|             | 20 - 121           |          | 72 - 11            | 818940   | 44 - 8             | 824569   | 13 - 73            |
|             | 21 - 91            | 816921   | 18 - 64            | 818959   | 18 - 99            | 824587   | 13 - 73            |
|             | 43 - 73            | 816928   | 18 - 114           |          | 20 - 8             | 824588   | 13 - 42            |
|             | 44 - 81            |          | 20 - 47            | 818960   | 18 - 99            | 824591   | 13 - 59            |
| 811427      | 18 - 88            | 816933   | 16 - 42            |          | 20 - 9             | 824673   | 10 - 73            |
| 811442      | 16 - 38            |          | 18 - 74            | 818961   | 18 - 126           |          | 11 - 156           |
| 811476      | 16 - 25            |          | 19 - 83            | 819012   | 18 - 80            |          | 32 - 143J          |
| 811483      | 16 - 15            |          | 43 - 16            |          | 20 - 12            |          | 33 - 37            |
| 811485      | 16 - 17            | 816941   | 16 - 41            |          | 21 - 6             |          | 33 - 73            |
| 811495      | 16 - 17            | 816952   | 16 - 43            | 819030   | 44 - 39            |          | 34 - 1B            |
| 811525      | 16 - 20            | 816953   | 16 - 40            | 819073   | 43 - 35            |          | 36 - 6             |
| 811536      | 16 - 26            | 816954   | 16 - 39            | 819074   | 20 - 39            |          | 40 - 42            |
| 811742      | 16 - 46            |          | 17 - 7             |          | 21 - 12            |          | 42 - 52            |
|             | 18 - 135           | 816984   | 18 - 65            |          | 43 - 38            |          | 51 - 4             |
|             | 19 - 62G           | 816986   | 18 - 60            | 819075   | 20 - 42            | 824687   | 36 - 21            |
|             | 44 - 80            |          | 20 - 98            |          | 21 - 11A           | 825537   | 32 - 34            |
| 811802      | 8 - 6              | 817329   | 43 - 33            |          | 43 - 36A           |          | 34 - 52A           |
|             | 72 - 2             | 817388   | 18 - 111           | 819076   | 20 - 40            | 825557   | 10 - 67            |
| 811804      | 8 - 7              |          | 20 - 44            |          | 21 - 13            |          | 10 - 89            |
|             | 29 - 42            |          | 43 - 36            |          | 43 - 39            |          | 11 - 162           |
|             | 30 - 42            |          | 44 - 18            | 819078   | 20 - 37            |          | 12 - 105A          |
|             | 68 - 4             | 817389   | 18 - 116           |          | 43 - 35            |          | 18 - 72            |
|             | 71 - 4             |          | 20 - 45            | 819431   | 18 - 83            |          | 19 - 82            |
| 811850      | 16 - 36            | 817393   | 18 - 112           |          | 19 - 36            |          | 34 - 77            |
| 811851      | 16 - 34            |          | 19 - 24C           |          | 20 - 11            | 825559   | 10 - 18            |
| 811864      | 16 - 31            |          | 44 - 15            |          | 21 - 5             |          | 11 - 39A           |
| 811881      | 16 - 32            | 817394   | 18 - 112           | 819578   | 18 - 96            |          | 11 - 97A           |
| 813179      | 16 - 44            |          | 19 - 24D           |          | 20 - 4             |          | 11 - 97D           |
|             | 17 - 1             |          | 44 - 16            | 819608   | 18 - 101           |          | 32 - 167           |
|             | 32 - 162           | 817395   | 18 - 104           |          | 44 - 57            |          | 34 - 28A           |
|             | 34 - 26            |          | 19 - 24A           | 819609   | 18 - 130           | 825721   | 10 - 34            |
| 813321      | 18 - 62            |          | 44 - 13            | 819763   | 19 - 64            |          | 11 - 11            |
|             | 20 - 97            | 817397   | 18 - 109           |          | 21 - 78G           | 825880   | 11 - 33A           |
| 813329      | 29 - 25            |          | 44 - 9             |          | 44 - 38            |          | 17 - 5             |
| 813392      | 32 - 133           | 817398   | 18 - 106           | 819765   | 19 - 56F           |          | 25 - 20            |
|             | 34 - 74            |          | 44 - 7             |          | 19 - 56K           |          | 25 - 33            |
| 813681      | 16 - 18            | 817399   | 18 - 110           |          | 19 - 62A           |          | 32 - 42            |
|             | 32 - 160           |          | 44 - 12            |          | 21 - 73            |          | 32 - 127           |
| 813769      | 8 - 10             | 817761   | 18 - 119           |          | 44 - 37            |          | 34 - 94A           |
|             | 18 - 103           | 817762   | 18 - 120           | 819770   | 19 - 68            |          | 47 - 16            |
|             | 52 - 26B           | 817770   | 72 - 11A           |          | 21 - 77            |          | 51 - 71            |
| 813801      | 16 - 19            | 817771   | 72 - 15            |          | 44 - 35            |          | 53 - 36            |
|             | 32 - 161           | 817814   | 18 - 127           | 819778   | 19 - 66            |          | 66B-12             |
| 813802      | 16 - 16            | 817933   | 18 - 102           |          | 21 - 75            | 825889   | 32 - 143A          |
|             | 32 - 159           |          | 21 - 98D           |          | 21 - 78E           |          | 33 - 70            |
| 815039      | 18 - 133           |          | 44 - 56            | 819779   | 19 - 67            | 825890   | 32 - 143D          |
|             | 19 - 62E           | 817961   | 18 - 94            |          | 21 - 76            |          | 33 - 72            |
|             | 44 - 78            |          | 20 - 2             |          | 21 - 78F           | 825891   | 32 - 143C          |

| PART NO.    | LIST AND INDEX NO. | PART NO.    | LIST AND INDEX NO. | PART NO.     | LIST AND INDEX NO. | PART NO.     | LIST AND INDEX NO. |
|-------------|--------------------|-------------|--------------------|--------------|--------------------|--------------|--------------------|
| 825891-CONT | 33 - 72            | 855267-CONT | 32 -210            | 1090873-CONT | 18 - 11            | 1574814-CONT | 33 - 77            |
| 825939      | 32 -107            |             | 34 -142            |              | 18 - 27            |              | 43 - 42            |
|             | 46 - 2             | 855268      | 10 - 63            |              | 19 - 16            |              | 66A- REF           |
| 827462      | 48 - 1             |             | 32 -210            |              | 19 - 43            | 1574816      | 18 - 34            |
| 827991      | 72 - 10            |             | 34 -142            |              | 20 - 57            |              | 19 - 26            |
| 832025      | 32 - 23            | 855269      | 10 - 63            |              | 21 - 17            |              | 46 - 9             |
|             | 32 - 25            |             | 32 -210            |              | 31 - 27            |              | 66A- REF           |
|             | 32 - 29            |             | 34 -142            |              | 60 - 3             | 1574905      | 24 - 5             |
|             | 34 - 62            | 855270      | 10 - 63            | 1091655      | 68 - 51            | 1574912      | 24 - 5             |
|             | 34 - 64            |             | 32 -210            |              | 71 - 45            | 1574929      | 24 - 5             |
| 835273      | 40 - 26            |             | 34 -142            | 1092125      | 45 - 3             | 1577465      | 66 - 31            |
|             | 41 - 3             | 855271      | 10 - 63            | 1124740      | 59 - 2             | 1795350      | 19 - 59            |
| 836893      | 33 - 26            |             | 32 -210            | 1127037      | 72 - 57            | 1795370      | 19 - 62            |
| 837528      | 12 -111            |             | 34 -142            | 1127175      | 26 - 2A            | 1795371      | 19 - 61            |
|             | 34 - 12            | 855272      | 10 - 63            | 1127180      | 10 - 20            | 1795372      | 19 - 58            |
|             | 34 -137D           |             | 32 -210            | 1127733      | 17 - 16            |              | 19 - 60            |
|             | 40 - 34            |             | 34 -142            |              | 32 - 54            | 1795373      | 19 - 61B           |
|             | 41 - 35            | 855273      | 10 - 63            |              | 34 - 98A           | 1795374      | 19 - 60A           |
| 837532      | 12 -109            |             | 32 -210            | 1134232      | 57 - 15            |              | 19 - 61A           |
|             | 34 - 10            |             | 34 -142            |              | 58 - 16            | 1795375      | 21 - 96            |
|             | 34 -137C           | 855274      | 10 - 63            |              | 59 - 15            | 1795376      | 21 - 98            |
|             | 40 - 32            |             | 32 -210            | 1135998      | 1 - 86             | 1795377      | 21 - 97            |
|             | 41 - 32            |             | 34 -142            | 1144248      | 1 - 29             | 1795378      | 21 - 98A           |
| 838041      | 72 - 26            | 855275      | 10 - 63            |              | 20 -127            | 1795491      | 51 - 44            |
| 838042      | 72 - 26A           |             | 32 -210            |              | 33 - 75            | 1795494      | 11 - 12C           |
| 838043      | 72 - 25            |             | 34 -142            | 1149212      | 70 - 4             | 1795495      | 11 - 12B           |
| 838044      | 72 - 25A           | 855276      | 10 - 63            | 1159519      | 45 - 44            | 1795502      | 32 -188            |
| 838047      | 72 - 99            |             | 32 -210            | 1159913      | 72 -100            |              | 36 - REF           |
| 838048      | 72 - 30            |             | 34 -142            | 1160394      | 61 - 4             | 1795505      | 10 - 63            |
| 838049      | 72 - 64            | 855277      | 10 - 63            | 1161453      | 2 - 33B            |              | 11 - 86            |
| 838164      | 10 -164            |             | 32 -210            | 1161455      | 2 - 33D            | 1795506      | 10 - 63            |
|             | 11 -186A           |             | 34 -142            | 1161456      | 2 - 33C            |              | 11 - 86            |
|             | 32 - 22            | 855278      | 10 - 63            | 1166114      | 72 - 93A           | 1795507      | 10 - 63            |
|             | 32 - 32F           |             | 32 -210            | 1573500      | 18 - 34            |              | 11 - 86            |
|             | 34 - 63            |             | 34 -142            |              | 19 - 26            | 1795508      | 10 - 63            |
| 838480      | 18 - 36            | 855279      | 10 - 63            |              | 46 - 9             |              | 11 - 86            |
|             | 19 - 29            |             | 32 -210            |              | 66 - REF           | 1795509      | 10 - 63            |
|             | 20 - 35            |             | 34 -142            | 1573501      | 33 - 77            |              | 11 - 86            |
|             | 21 - 47            | 855280      | 10 - 63            |              | 66 - REF           | 1795510      | 10 - 63            |
|             | 24 - 23            |             | 32 -210            | 1573502      | 11 -108            |              | 11 - 86            |
|             | 24A- 29            |             | 34 -142            |              | 20 - 33            | 1795511      | 10 - 63            |
|             | 44 - 29            | 855281      | 10 - 63            |              | 21 - 44            |              | 10 - 63            |
|             | 47 - 25            |             | 32 -210            |              | 33 - 22A           |              | 11 - 86            |
|             | 47 - 32            |             | 34 -142            |              | 43 - 42            | 1795512      | 10 - 63            |
|             | 48 - 14            | 855282      | 10 - 63            |              | 66 - REF           |              | 11 - 86            |
|             | 66B- 13            |             | 11 - 85            | 1573504      | 66 - 32            | 1795513      | 10 - 63            |
| 839526      | 72 - 56            |             | 32 -210            | 1573505      | 66 - 32            |              | 11 - 86            |
| 839772      | 12 - 94            |             | 34 -142            | 1573506      | 66 - 30            | 1795514      | 10 - 63            |
| 845762      | 52 - 29            | 855283      | 10 - 63            |              | 66A- 25            |              | 10 - 63            |
|             | 62 - 1             |             | 11 - 84            | 1573507      | 66 - 22            |              | 11 - 86            |
| 847110      | 13 - 11            |             | 32 -210            |              | 66A- 17            | 1795568      | 12 - 19            |
| 850059      | 52 - 26            |             | 34 -142            | 1573509      | 66 - 18            | 1795570      | 72 - A             |
| 853288      | 10 - 56            | 855284      | 10 - 63            |              | 66A- 5             | 1795587      | 12 - 8             |
|             | 11 - 71            |             | 11 - 81            | 1573510      | 66 - 6             | 1795609      | 12 - 8             |
| 853987      | 13 - 20            |             | 32 -210            |              | 66A- 8             | 1796901      | 72 - A             |
| 855230      | 42 - 13            |             | 34 -142            | 1573513      | 66 - 1             | 1796903      | 72 - A             |
| 855258      | 40 - 28            | 855285      | 1 - 1A             |              | 66A- 1             | 1796904      | 72 - A             |
|             | 41 - 2             |             | 10 - 63            | 1573514      | 66 - 2             | 1796905      | 72 - A             |
| 855260      | 34 -142            |             | 32 -210            |              | 66A- 30            | 1796906      | 72 - A             |
| 855262      | 10 - 63            |             | 34 -142            | 1573515      | 66 - 17            | 1796907      | 72 - A             |
|             | 32 -210            | 855286      | 10 - 63            |              | 66A- 26            | 1796908      | 72 - A             |
|             | 34 -142            |             | 11 - 82            | 1574800      | 18 - 34            | 1796909      | 72 - A             |
| 855263      | 10 - 63            |             | 32 -210            |              | 19 - 26            | 1796910      | 72 - A             |
|             | 32 -210            |             | 34 -142            |              | 46 - 9             | 1796911      | 72 - A             |
|             | 34 -142            | 960746      | 10 - 63            |              | 66 - REF           | 1796912      | 72 - A             |
| 855264      | 10 - 63            |             | 32 -210            | 1574802      | 11 -108            | 1796913      | 72 - A             |
|             | 32 -210            |             | 34 -142            |              | 20 - 33            | 1796914      | 72 - A             |
|             | 34 -142            | 960766      | 10 - 63            |              | 21 - 44            | 1796915      | 72 - A             |
| 855265      | 10 - 63            |             | 11 - 82            |              | 33 - 22A           | 1796916      | 72 - A             |
|             | 11 - 83            |             | 32 -210            |              | 33 - 77            | 1796917      | 72 - A             |
|             | 32 -210            |             | 34 -142            |              | 43 - 42            | 1796918      | 72 - A             |
|             | 34 -142            | 1013160     | 37 - 34            |              | 66 - REF           | 1796919      | 72 - B             |
| 855266      | 10 - 63            | 1073462     | 33 - 28B           | 1574814      | 11 -108            | 1796920      | 34 - 78            |
|             | 32 -210            | 1077722     | 18 - 79            |              | 20 - 33            |              | 72 - B             |
|             | 34 -142            |             | 20 -103            |              | 21 - 44            | 1796921      | 34 - 78            |
| 855267      | 10 - 63            | 1090873     | 9 - 14             |              | 33 - 22A           |              | 72 - B             |

| PART NO. | LIST AND INDEX NO. | PART NO. | LIST AND INDEX NO. | PART NO. | LIST AND INDEX NO. | PART NO. | LIST AND INDEX NO. |
|----------|--------------------|----------|--------------------|----------|--------------------|----------|--------------------|
| 1796922  | 72 - B             | 1797120  | 33 -124            | 1797247  | 72 - E             | 1801070  | 34 - 9             |
| 1796925  | 72 - B             | 1797122  | 43 - 25            | 1797248  | 72 - E             | 1801071  | 34 - 9             |
| 1796926  | 72 - B             | 1797125  | 51 -164            | 1797249  | 72 - E             | 1801074  | 15 - 20            |
| 1796928  | 72 - B             | 1797126  | 52 - 27            | 1797348  | 34 - 9             | 1801082  | 11 -154            |
| 1796929  | 72 - B             | 1797127  | 41 - 40            | 1797349  | 34 -133            |          | 15 - REF           |
| 1796930  | 72 - B             | 1797128  | 41 - 40            | 1797350  | 34 -135            | 1801099  | 34 - 1             |
| 1796931  | 72 - B             | 1797133  | 51 - 56            | 1797352  | 48 - 15            | 1801101  | 1 -137             |
| 1796932  | 72 - B             | 1797134  | 51 - 6             | 1797353  | 52 - 19            | 1801128  | 34 - 66            |
| 1796933  | 72 - B             |          | 52 - REF           | 1797355  | 34 - 45            | 1801144  | 34 -129            |
| 1796934  | 72 - B             | 1797135  | 52 - 36            |          | 48 - REF           | 1801156  | 11 -117A           |
| 1796935  | 72 - B             | 1797137  | 51 -115            | 1797356  | 34 - 45            | 1803008  | 72 - F             |
| 1796936  | 72 - B             |          | 53 - REF           |          | 48 - REF           | 1803009  | 72 - F             |
| 1796937  | 72 - B             | 1797138  | 51 -115            | 1797358  | 33 -111            | 1803010  | 72 - F             |
| 1796938  | 72 - B             |          | 53 - REF           | 1797365  | 33 - 95            | 1803011  | 72 - F             |
| 1796939  | 72 - C             | 1797139  | 51 -115            | 1797366  | 33 - 85            | 1803014  | 72 - F             |
| 1796940  | 72 - C             | 1797140  | 34 - 14            | 1797367  | 33 - 84            | 1803023  | 72 - F             |
| 1796941  | 72 - C             |          | 41 - REF           | 1797368  | 33 - 81            | 1803064  | 10 - 86            |
| 1796942  | 72 - C             | 1797145  | 34 -132            | 1797371  | 33 - 91            |          | 11 -163            |
| 1796943  | 72 - C             | 1797146  | 34 - 30            | 1797373  | 43 - 27            |          | 26 - REF           |
| 1796944  | 72 - C             | 1797147  | 34 - 13            | 1797374  | 43 - 10            | 1803065  | 10 - 86            |
| 1796945  | 72 - C             | 1797152  | 39 - 16            | 1797379  | 33 - 98            |          | 11 -163            |
| 1796946  | 72 - C             | 1797153  | 33 -107            | 1797380  | 33 - 99            |          | 26 - REF           |
| 1796947  | 72 - C             | 1797154  | 33 - 54            | 1797383  | 33 - 58            | 1803066  | 51 -126            |
| 1796948  | 72 - C             |          | 47 - REF           |          | 35 - REF           | 1803077  | 40 - 6             |
| 1796949  | 72 - C             | 1797155  | 35 - 23            | 1797384  | 33 - 58            |          | 41 - 11            |
| 1796950  | 72 - C             | 1797157  | 33 -131            |          | 35 - REF           | 1803083  | 26 - 1             |
| 1796951  | 72 - C             | 1797160  | 33 - 92            | 1797387  | 33 - 90            | 1803084  | 10 -146            |
| 1796952  | 72 - C             | 1797161  | 42 - 33            | 1797388  | 33 - 65            |          | 11 - 87            |
| 1796953  | 72 - C             | 1797164  | 33 - 32            | 1797389  | 33 - 10            |          | 24 - REF           |
| 1796954  | 72 - C             | 1797165  | 33 -116            |          | 39 - REF           |          | 33 - 40            |
| 1796955  | 72 - C             | 1797166  | 42 - 59            | 1797391  | 33 - 21            |          | 34 - 83A           |
| 1796956  | 72 - C             | 1797167  | 42 - 50            | 1797392  | 33 - 11            | 1803105  | 11 -122            |
| 1796957  | 72 - D             | 1797168  | 42 - 33            | 1797425  | 12 - 15A           | 1803106  | 11 -118A           |
| 1796958  | 72 - D             | 1797170  | 33 - 36            | 1797434  | 72 - F             | 1803112  | 11 -118D           |
| 1796960  | 72 - D             |          | 42 - REF           | 1797435  | 72 - F             | 1803113  | 11 -118B           |
| 1796961  | 72 - D             | 1797172  | 34 - 53            | 1797436  | 72 - F             | 1805544  | 72 - G             |
| 1796962  | 72 - D             | 1797174  | 34 - 67            | 1797437  | 72 - F             | 1809447  | 67 - 24            |
| 1796963  | 72 - D             | 1797177  | 43 - 47            | 1797438  | 72 - F             | 1809448  | 27 - 24            |
| 1796964  | 72 - D             | 1797179  | 43 - 21            | 1797462  | 23 - 4             |          | 56 - 1             |
| 1796965  | 72 - D             | 1797181  | 33 -130            |          | 63 - 7             |          | 67 - 24            |
| 1796966  | 72 - D             | 1797185  | 33 - 1             |          | 64 - 5             | 1809449  | 24 - 1             |
| 1796967  | 72 - D             | 1797186  | 33 - 6             |          | 65 - 4             | 1809452  | 41 - 20A           |
| 1796968  | 72 - D             | 1797188  | 34 - 70            | 1797463  | 23 - 4             | 1809480  | 36 - 87A           |
| 1796969  | 72 - D             | 1797189  | 33 -121            |          | 63 - 7             | 1809481  | 36 - 87B           |
| 1796970  | 43 - 78            | 1797191  | 33 - 61            |          | 64 - 5             | 1809482  | 36 - 87D           |
| 1796985  | 72 - D             | 1797192  | 47 - 3             |          | 65 - 4             | 1809483  | 36 - 87C           |
| 1796986  | 72 - D             | 1797193  | 33 - 86            | 1797464  | 72 - F             | 1809515  | 12 - 43            |
| 1796987  | 72 - D             | 1797194  | 33 -129            | 1797475  | 12 - 8             | 1809544  | 66B-11             |
| 1796988  | 72 - D             | 1797203  | 33 - 76            | 1797476  | 12 - 8             | 1809555  | 66B- 2             |
| 1796989  | 72 - D             | 1797204  | 33 - 74            | 1797477  | 12 - 8             | 1809590  | 66B- 2             |
| 1796990  | 72 - D             | 1797208  | 34 -125            | 1797478  | 12 - 8             | 1809593  | 34 - 45            |
| 1796991  | 72 - E             | 1797209  | 33 - 33            | 1797479  | 72 - F             |          | 66B- REF           |
| 1796992  | 72 - E             | 1797210  | 34 -117            |          | 72 - 96            | 1809594  | 34 - 45            |
| 1796993  | 72 - E             | 1797211  | 47 - 18            | 1797481  | 12 - 73            |          | 66B- REF           |
| 1796994  | 72 - E             | 1797214  | 43 - 12            | 1797483  | 72 - F             | 1813150  | 72 - G             |
| 1797000  | 72 - E             | 1797215  | 43 - 18            | 1797490  | 12 - 19            | 1813151  | 72 - G             |
| 1797002  | 72 - E             | 1797216  | 43 - 20            | 1797491  | 12 - 19            | 1813152  | 72 - G             |
| 1797004  | 72 - E             | 1797217  | 43 - 19            | 1797492  | 12 - 19            | 1813153  | 72 - G             |
| 1797006  | 72 - E             | 1797219  | 43 - 61            | 1797493  | 12 - 19            | 1813154  | 72 - G             |
| 1797100  | 33 -136            | 1797221  | 35 - 11            | 1797541  | 10 -146            | 1813155  | 72 - G             |
|          | 34 - REF           | 1797223  | 34 - 84            |          | 11 - 87            | 1813156  | 72 - G             |
| 1797101  | 33 - REF           | 1797224  | 34 - 67            |          | 24 - REF           | 1813158  | 72 - G             |
| 1797103  | 34 -143            | 1797228  | 34 - 66            |          | 33 - 40            | 1813159  | 72 - G             |
| 1797104  | 34 - 75            | 1797229  | 34 - 65            |          | 34 - 83A           | 1815754  | 11 -205N           |
| 1797105  | 34 - 72            | 1797230  | 34 - 65A           | 1797542  | 24 - 27            | 1815755  | 11 -205L           |
| 1797107  | 34 -115            | 1797231  | 34 - 53            | 1797585  | 12 - 1             | 1815771  | 33 - 57A           |
| 1797108  | 47 - 34            | 1797232  | 34 -118            | 1800978  | 43 - 8A            | 1815772  | 33 - 57C           |
| 1797109  | 34 -129            |          | 72 -108            | 1800979  | 51 - 8A            | 1815773  | 33 - 57D           |
| 1797111  | 34 - 43            | 1797233  | 72 - 23A           | 1800980  | 51 - 8C            | 1815774  | 33 - 57B           |
| 1797112  | 34 -131            | 1797234  | 72 -108A           | 1800981  | 53 - 22D           | 1815809  | 34 - 83H           |
| 1797114  | 34 - 82            | 1797235  | 72 - E             | 1800982  | 53 - 22A           | 1816794  | 27 - 10A           |
| 1797115  | 34 -137A           | 1797242  | 72 - E             | 1800986  | 52 - 26A           |          | 67 - 10A           |
| 1797116  | 43 - 80            | 1797243  | 72 - E             | 1800987  | 33 -131A           | 1816795  | 27 - 11A           |
| 1797117  | 43 - 53            | 1797244  | 72 - 23B           | 1800988  | 33 - 31A           |          | 67 - 11A           |
| 1797118  | 43 - 58            | 1797245  | 72 - E             | 1800989  | 33 - 29            | 1981069  | 11 -116            |
| 1797119  | 33 - 16            | 1797246  | 72 - E             | 1800990  | 33 - 31D           |          | 25 - 1             |

| PART NO.     | LIST AND INDEX NO. | PART NO. | LIST AND INDEX NO. | PART NO.     | LIST AND INDEX NO. | PART NO. | LIST AND INDEX NO. |
|--------------|--------------------|----------|--------------------|--------------|--------------------|----------|--------------------|
| 1981069-CONT | 47 - 1             | 1993063  | 25 - 27            | 1993182-CONT | 52 - 32            | 1993311  | 2 - 28             |
| 1981122      | 13 - 12            | 1993064  | 25 - 34            |              | 53 - 10            | 1993322  | 18 - 32            |
| 1981126      | 12 - 74            | 1993066  | 25 - 37            | 1993183      | 32 - 149           |          | 19 - 27            |
| 1981157      | 10 - 194           | 1993068  | 10 - 203           | 1993200      | 32 - REF           | 1993323  | 46 - 30            |
| 1981158      | 10 - 44            |          | 11 - 219           | 1993202      | 51 - 155           | 1993324  | 32 - 119           |
|              | 11 - 21            | 1993070  | 10 - 39            | 1993203      | 12 - 45            | 1993325  | 46 - 22            |
| 1981180      | 10 - 224           |          | 18 - REF           | 1993204      | 12 - 44            | 1993326  | 46 - 16            |
|              | 11 - 235           | 1993071  | 18 - 138           | 1993205      | 12 - 45            | 1993327  | 46 - 19            |
| 1981181      | 10 - 47            | 1993072  | 18 - 13            | 1993206      | 12 - 44            | 1993328  | 46 - 13            |
|              | 11 - 78            |          | 19 - 2             | 1993207      | 12 - 45            | 1993329  | 32 - 16            |
|              | 33 - 114           | 1993073  | 18 - 9             | 1993208      | 12 - 44            | 1993331  | 32 - 121           |
| 1981182      | 10 - 46            |          | 19 - 41            | 1993209      | 12 - 45            | 1993335  | 32 - 79            |
|              | 11 - 77            | 1993074  | 10 - 221           | 1993210      | 12 - 44            | 1993337  | 32 - 8             |
|              | 33 - 113           |          | 11 - 236           | 1993211      | 12 - 45            | 1993338  | 32 - 196           |
| 1981184      | 18 - 30            | 1993075  | 10 - 25            | 1993212      | 12 - 44            | 1993340  | 53 - 13            |
|              | 19 - 19            |          | 16 - REF           | 1993213      | 12 - 45            | 1993347  | 32 - 6             |
|              | 20 - 30            | 1993076  | 10 - 214           | 1993214      | 12 - 44            |          | 34 - 134           |
|              | 21 - 30            | 1993079  | 10 - 237           | 1993215      | 12 - 45            | 1993357  | 32 - 76            |
| 1981192      | 18 - 20            | 1993080  | 10 - 193           | 1993216      | 12 - 44            | 1993358  | 32 - 46            |
|              | 19 - 9             | 1993081  | 10 - 180           | 1993217      | 12 - 43            |          | 34 - 91            |
| 1981201      | 50 - 25            |          | 25 - REF           | 1993218      | 12 - 42            | 1993359  | 32 - 58            |
| 1981202      | 46 - 9             | 1993102  | 20 - 104           | 1993219      | 12 - 43            |          | 34 - 92            |
|              | 50 - REF           |          | 21 - 45            | 1993220      | 12 - 42            | 1993362  | 32 - 136           |
| 1981361      | 16 - 9             |          | 43 - 43            | 1993221      | 12 - 43            | 1993363  | 32 - 141           |
| 1981362      | 16 - 11            |          | 47 - 23            | 1993222      | 12 - 42            | 1993364  | 32 - 124           |
| 1985534      | 72 - G             | 1993106  | 1 - REF            | 1993223      | 12 - 43            | 1993365  | 32 - 124           |
| 1985564      | 48 - 9             | 1993108  | 24A - 20           | 1993224      | 12 - 42            | 1993366  | 18 - 2             |
| 1985649      | 2 - 22             | 1993109  | 32 - 30            | 1993225      | 12 - 43            | 1993372  | 32 - 134           |
|              | 2 - 60             |          | 34 - 57            | 1993226      | 12 - 42            | 1993374  | 32 - 179           |
| 1985650      | 2 - 24             | 1993110  | 32 - 211           | 1993227      | 12 - 43            | 1993375  | 16 - 13            |
|              | 2 - 62             | 1993116  | 10 - 75            | 1993228      | 12 - 42            | 1993377  | 32 - 200           |
| 1985653      | 2 - 69             |          | 14 - REF           | 1993229      | 12 - 43            | 1993378  | 32 - 13            |
| 1985654      | 2 - 46             | 1993117  | 14 - 23            | 1993230      | 12 - 42            |          | 46 - REF           |
| 1985663      | 2 - 25             | 1993118  | 10 - 77            | 1993231      | 12 - 45            | 1993379  | 1 - 104A           |
| 1985685      | 18 - 5             |          | 11 - 158           | 1993232      | 12 - 44            |          | 1 - 138            |
|              | 19 - 48            | 1993119  | 10 - 80            | 1993233      | 12 - 43            | 1993380  | 10 - 106           |
| 1985723      | 1 - 116            |          | 11 - 159           | 1993234      | 12 - 42            |          | 67 - REF           |
| 1985817      | 18 - 37            | 1993123  | 10 - 218           | 1993236      | 2 - 42             | 1993389  | 20 - 82            |
|              | 20 - 91            |          | 11 - 221           | 1993237      | 3 - 32             |          | 21 - 58            |
| 1985821      | 18 - 71            | 1993124  | 20 - 55            | 1993238      | 3 - 17             | 1993390  | 10 - 106           |
|              | 19 - 80            |          | 21 - 15            | 1993240      | 3 - 9              |          | 10 - 122           |
| 1993002      | 2 - REF            | 1993125  | 20 - 25            | 1993241      | 3 - 3              |          | 10 - 124           |
| 1993004      | 2 - REF            |          | 21 - 34            | 1993242      | 3 - 12             |          | 67 - REF           |
| 1993010      | 10 - 1             | 1993126  | 10 - 211           | 1993243      | 3 - 10             | 1993392  | 32 - 19            |
|              | 11 - 1             |          | 11 - 220           | 1993244      | 2 - 41             | 1993393  | 11 - 233           |
| 1993011      | 12 - REF           | 1993127  | 20 - 58            | 1993245      | 3 - 33             | 1993394  | 18 - 25            |
|              | 12 - 81            |          | 21 - 22            | 1993246      | 3 - 11             |          | 19 - 14            |
|              | 13 - REF           |          | 43 - 45            | 1993247      | 2 - 85             | 1993395  | 20 - 19            |
| 1993012      | 12 - 70            | 1993130  | 10 - 40            | 1993249      | 3 - 8              |          | 21 - 38            |
| 1993013      | 12 - 37            |          | 20 - REF           | 1993250      | 2 - 58             | 1993396  | 20 - 21            |
| 1993015      | 12 - 53            | 1993131  | 10 - 27            | 1993251      | 2 - 54             |          | 21 - 40            |
| 1993020      | 10 - 1             |          | 11 - 52            | 1993253      | 3 - 18             | 1993397  | 25 - 30            |
|              | 11 - 1             | 1993134  | 18 - 52            | 1993254      | 3 - 15             | 1993398  | 25 - 30            |
|              | 12 - REF           |          | 20 - 78            | 1993255      | 3 - 4              | 1993399  | 10 - 22            |
| 1993021      | 12 - 81            | 1993135  | 18 - 48            | 1993256      | 3 - 4              | 1993405  | 20 - 86            |
|              | 13 - REF           | 1993136  | 18 - 44            | 1993259      | 3 - 16             |          | 21 - 60            |
| 1993022      | 12 - 70            | 1993137  | 18 - 40            | 1993260      | 3 - 16             |          | 43 - 23            |
| 1993023      | 12 - 37            | 1993138  | 20 - 74            | 1993261      | 2 - 65             | 1993452  | 1 - 59             |
| 1993025      | 12 - 53            | 1993139  | 20 - 69            |              | 3 - 13             | 1993453  | 1 - 59             |
| 1993028      | 10 - 146           | 1993140  | 20 - 70            | 1993264      | 2 - 25             | 1993454  | 1 - 59             |
|              | 24A - REF          | 1993151  | 2 - 13             | 1993265      | 2 - 63             | 1993455  | 1 - 59             |
| 1993030      | 10 - 1             | 1993152  | 2 - 1              | 1993266      | 2 - 65             | 1993456  | 1 - 57             |
|              | 11 - 1             | 1993157  | 47 - 27            | 1993268      | 2 - 63             | 1993457  | 1 - 57             |
|              | 12 - REF           | 1993161  | 14 - 13            | 1993269      | 2 - 40             | 1993458  | 1 - 57             |
| 1993031      | 12 - 81            | 1993165  | 14 - 17            | 1993270      | 2 - 40             | 1993459  | 1 - 57             |
|              | 13 - REF           | 1993167  | 14 - 15            | 1993271      | 2 - 58             | 1993460  | 10 - 122           |
| 1993032      | 12 - 70            | 1993174  | 32 - 32            | 1993272      | 2 - 54             |          | 67 - REF           |
| 1993033      | 12 - 37            |          | 34 - 65            | 1993298      | 3 - 2              | 1993461  | 1 - 57             |
| 1993035      | 12 - 53            | 1993177  | 32 - 35            | 1993299      | 3 - 2              | 1993462  | 1 - 57             |
| 1993041      | 15 - 14            | 1993180  | 40 - 18            | 1993302      | 3 - 25             | 1993463  | 1 - 57             |
|              | 39 - 4             |          | 41 - 23            | 1993303      | 3 - 25             | 1993464  | 1 - 57             |
| 1993042      | 12 - 20            | 1993181  | 40 - 20            | 1993306      | 2 - 16             | 1993466  | 20 - 80            |
| 1993047      | 1 - 9              |          | 41 - 37            | 1993307      | 3 - 29             |          | 21 - 56            |
| 1993057      | 24A - 28           | 1993182  | 40 - 3             | 1993308      | 3 - 27             | 1993469  | 10 - 16            |
| 1993059      | 10 - 175           |          | 41 - 27            | 1993309      | 2 - 5              |          | 22 - REF           |
| 1993061      | 25 - 27            |          | 42 - 11            | 1993310      | 2 - 5              | 1993470  | 10 - 121           |

| PART NO.     | LIST AND INDEX NO. | PART NO. | LIST AND INDEX NO. | PART NO. | LIST AND INDEX NO. | PART NO.     | LIST AND INDEX NO. |
|--------------|--------------------|----------|--------------------|----------|--------------------|--------------|--------------------|
| 1993470-CONT | 10 -122            | 1993625  | 12 - 33            | 1993822  | 27 - 19            | 1993937-CONT | 32 -205            |
|              | 10 -124            | 1993626  | 12 - 34            |          | 56 - 27            |              | 72 - I             |
|              | 67 - REF           | 1993635  | 13 - 84            |          | 61 - 16            | 1993938      | 20 -102            |
| 1993480      | 10 -106            | 1993636  | 12 - 80            |          | 67 - 19            | 1993939      | 72 - I             |
|              | 10 -118            | 1993637  | 12 - 52            | 1993823  | 10 -100            | 1993940      | 72 - I             |
|              | 10 -122            | 1993638  | 12 - 69            |          | 10 -112            | 1993941      | 72 - I             |
|              | 10 -123            | 1993639  | 12 - 34            |          | 11 -129            | 1993942      | 72 - J             |
|              | 27 - REF           | 1993640  | 12 - 19            |          | 32 -100            | 1993944      | 72 - J             |
| 1993486      | 2 - 20             | 1993641  | 13 - 84            |          | 33 - 43A           | 1993945      | 72 - J             |
| 1993487      | 2 - 20             | 1993642  | 12 - 80            | 1993824  | 27 - 23            | 1993946      | 18 - 1             |
| 1993489      | 1 - 90             | 1993646  | 12 - 19            |          | 56 - 9             | 1993947      | 10 -183            |
| 1993490      | 32 -117            | 1993651  | 10 - 10            |          | 67 - 23            |              | 11 -198            |
|              | 60 - 15            |          | 11 - 58            | 1993825  | 27 - 22            | 1993948      | 72 - J             |
|              | 61 - REF           | 1993653  | 10 - 2             |          | 56 - 8             | 1993963      | 72 - J             |
| 1993530      | 65 - 10            |          | 11 - 60            |          | 67 - 22            | 1993968      | 72 - J             |
| 1993535      | 11 -108            | 1993654  | 10 - 6             | 1993828  | 61 - 25            | 1993976      | 72 - J             |
|              | 20 - 33            |          | 11 - 64            |          | 67 - 29            | 1993978      | 72 - J             |
|              | 21 - 44            | 1993655  | 12 - 97            | 1993831  | 36 - 62            | 1993980      | 18 -131            |
|              | 33 - 22A           | 1993656  | 12 -124            | 1993835  | 10 -111            |              | 19 - 62B           |
|              | 33 - 77            | 1993660  | 1 - 87             |          | 11 -130            | 1993982      | 18 -131            |
|              | 43 - 42            | 1993662  | 12 - 15            |          | 32 -100            |              | 19 - 62B           |
|              | 65 - REF           |          | 12 - 57            |          | 33 - 43B           | 1993984      | 18 -131            |
| 1993536      | 11 -108            |          | 13 - 69            | 1993836  | 60 - 17            |              | 19 - 62B           |
|              | 20 - 33            | 1993663  | 13 - 35            | 1993838  | 36 - 38            | 1993986      | 18 -131            |
|              | 21 - 44            | 1993664  | 13 - 55            | 1993839  | 10 -103            |              | 19 - 62B           |
|              | 33 - 22A           | 1993667  | 51 - 44            |          | 27 - 16            | 1993990      | 72 - J             |
|              | 33 - 77            | 1993674  | 18 - 22            |          | 56 - 24            | 1993991      | 72 - J             |
|              | 43 - 42            |          | 19 - 11            |          | 61 - 13            | 1993992      | 72 - J             |
|              | 65 - REF           | 1993675  | 1 - 78             |          | 67 - 16            | 1993994      | 51 -159            |
| 1993538      | 10 - 86            | 1993676  | 26 - 39            | 1993841  | 36 - 62            |              | 72 - J             |
|              | 11 -163            | 1993677  | 26 - 4             | 1993843  | 38 - 25            | 1993995      | 51 -159            |
|              | 26 - REF           | 1993678  | 10 - 86            | 1993844  | 36 - 47            |              | 72 - J             |
| 1993540      | 32 -108            |          | 11 -163            | 1993845  | 38 - 20            | 1993998      | 51 -159            |
|              | 60 - REF           |          | 26 - REF           | 1993846  | 38 - 15            |              | 72 - J             |
| 1993555      | 51 - 16            | 1993683  | 72 - G             | 1993847  | 36 - 26            | 1993999      | 51 -159            |
| 1993579      | 64 - 11            | 1993684  | 72 - G             | 1993849  | 38 - 16            | 1994450      | 2 - 53             |
| 1993581      | 18 - 34            | 1993689  | 63 - 1             | 1993861  | 72 - G             |              | 3 - REF            |
|              | 19 - 26            | 1993691  | 2 - 1              | 1993864  | 32 -204            | 1994451      | 2 - 53             |
|              | 46 - 9             | 1993692  | 2 - 67             |          | 72 - G             |              | 3 - REF            |
|              | 64 - REF           | 1993696  | 2 - 3              | 1993875  | 32 -194            | 1994452      | 2 - 53             |
| 1993582      | 18 - 34            | 1993697  | 2 - 11             |          | 72 - H             |              | 3 - REF            |
|              | 19 - 26            | 1993725  | 40 - 43            | 1993877  | 32 - 28            | 1994453      | 2 - 53             |
|              | 46 - 9             | 1993729  | 51 -155            |          | 72 - H             |              | 3 - REF            |
|              | 64 - REF           | 1993747  | 20 -115            | 1993886  | 51 - 41D           | 1994460      | 10 -151            |
| 1993587      | 10 -149            |          | 21 - 95            | 1993887  | 51 - 41E           |              | 11 -237            |
|              | 10 -178            | 1993761  | 72 - G             | 1993896  | 32 -200            | 1994461      | 25 - 34            |
|              | 11 - 91            | 1993783  | 12 - 51            | 1993902  | 72 - H             | 1994474      | 1 - 1              |
| 1993590      | 10 -119            | 1993785  | 12 - 28            | 1993905  | 72 - H             | 1994477      | 10 -174            |
|              | 11 -136            | 1993802  | 10 -138            | 1993906  | 72 - H             | 1994478      | 10 -169            |
|              | 33 - 44            | 1993803  | 10 -129            | 1993908  | 72 - H             | 1994479      | 10 -174            |
|              | 67 - REF           | 1993804  | 61 - 19            | 1993909  | 72 - H             | 1994480      | 10 -169            |
| 1993603      | 11 -120            |          | 67 - 22            | 1993914  | 72 - H             | 1994488      | 64 - 1             |
|              | 25 - 22            | 1993805  | 32 - 84            | 1993915  | 72 - F             |              | 65 - 1             |
|              | 47 - 28            | 1993807  | 26 - 15            | 1993916  | 72 - H             | 1994489      | 23 - 3             |
| 1993608      | 1 - 57             | 1993808  | 61 - 20            | 1993917  | 72 - H             |              | 63 - 3             |
| 1993609      | 1 - 57             |          | 67 - 23            | 1993918  | 72 - H             | 1994490      | 23 - 10            |
| 1993610      | 10 -120            | 1993809  | 32 - 92            | 1993919  | 72 - H             |              | 63 - 12            |
|              | 10 -123            | 1993813  | 27 - 30            | 1993920  | 72 - H             |              | 64 - 10            |
|              | 11 -137            |          | 61 - 28            | 1993921  | 72 - H             |              | 65 - 9             |
|              | 27 - REF           |          | 67 - 32            | 1993922  | 72 - H             | 1994494      | 18 - 89            |
| 1993611      | 1 - 59             | 1993814  | 27 - 18            | 1993923  | 72 - I             |              | 19 - 52            |
| 1993612      | 14 - 19            |          | 61 - 15            | 1993924  | 72 - I             | 1994497      | 1 -102             |
| 1993614      | 34 - 2             |          | 67 - 18            | 1993925  | 72 - I             | 1994533      | 36 - 14            |
|              | 40 - 12            | 1993815  | 61 - 8             | 1993926  | 72 - I             | 1994534      | 38 - 8             |
|              | 40 - 42B           | 1993816  | 27 - 10            | 1993927  | 72 - I             | 1994535      | 36 - 8             |
|              | 41 - 17            |          | 67 - 10            | 1993928  | 72 - I             | 1994536      | 36 - 45            |
| 1993615      | 12 -126            | 1993817  | 27 - 8             | 1993929  | 72 - I             | 1994537      | 36 - 41            |
| 1993616      | 10 - 12            |          | 67 - 8             | 1993931  | 72 - I             | 1994538      | 36 - 41            |
| 1993617      | 13 - 84            | 1993818  | 27 - 27A           | 1993932  | 72 - I             | 1994539      | 36 - 29            |
| 1993618      | 13 - 15            |          | 56 - 5             | 1993933  | 72 - I             | 1994541      | 36 - 58            |
| 1993619      | 12 - 65            |          | 61 - 17            | 1993934  | 72 - I             | 1994542      | 36 -111            |
| 1993620      | 12 - 80            |          | 67 - 29A           | 1993935  | 10 -191            | 1994543      | 36 - 59            |
| 1993621      | 12 - 76            | 1993819  | 27 - 28            |          | 72 - I             | 1994544      | 36 - 13            |
| 1993622      | 12 - 52            |          | 56 - 7             | 1993936  | 10 -183            |              | 36 - 46            |
| 1993623      | 12 - 69            |          | 61 - 26            |          | 11 -198            | 1994545      | 36 - 3             |
| 1993624      | 12 - 5             |          | 67 - 30            | 1993937  | 10 -191            | 1994548      | 38 - 5             |

| PART NO. | LIST AND INDEX NO. | PART NO.     | LIST AND INDEX NO. | PART NO. | LIST AND INDEX NO. | PART NO.     | LIST AND INDEX NO. |
|----------|--------------------|--------------|--------------------|----------|--------------------|--------------|--------------------|
| 1994550  | 32 -188            | 1994801-CONT | 53 - REF           | 2101337  | 10 -132            | 2154330-CONT | 7 - 23             |
|          | 36 - REF           | 1994802      | 51 -115            |          | 10 -141            | 2154985      | 4 - 77             |
| 1994551  | 38 - 18            |              | 53 - REF           |          | 32 - 55            | 2157315      | 4 - 47             |
| 1994552  | 38 - 12            | 1994803      | 10 - 38E           |          | 33 - 50            |              | 9 - 35             |
| 1994553  | 38 - 19            |              | 18 - 38            |          | 33 - 53            | 2157318      | 4 - 49             |
| 1994554  | 38 - 13            |              | 20 - 67            |          | 34 - 99            |              | 9 - 29             |
| 1994555  | 36 - 45            | 1994810      | 51 - 46            | 2101338  | 51 - 22            | 2163845      | 28 - 4             |
| 1994557  | 38 - 1             | 1994812      | 51 -140            |          | 51 - 35            |              | 28 - 29            |
| 1994558  | 38 - 2             | 1994813      | 51 -140            | 2101341  | 10 -135            | 2172092      | 45 - 45            |
| 1994559  | 36 - 1             | 1994816      | 51 -140            | 2101357  | 10 -145            | 2173181      | 13 - 40            |
| 1994560  | 32 -188            | 1994817      | 51 -140            |          | 32 - 57            | 2176073      | 13 - 40            |
|          | 36 - REF           | 1994823      | 10 -173            |          | 34 -101            | 2178597      | 17 - 6A            |
| 1994562  | 36 - 5             |              | 20 - 16            | 2101358  | 51 - 24            |              | 32 -170            |
| 1994563  | 36 - 9             |              | 21 - 4             |          | 51 - 37            |              | 34 - 34            |
| 1994568  | 36 - 60            |              | 43 - 1A            | 2101380  | 48 - 8             | 2180671      | 72 - 36            |
| 1994569  | 10 - 92            | 1994825      | 25 - 19            | 2101389  | 42 - 23            | 2180672      | 72 - 24            |
| 1994570  | 36 - 49            |              | 47 - 15            | 2101400  | 51 -105            | 2180727      | 17 - 6C            |
| 1994573  | 36 - 79            | 1994826      | 25 - 21            | 2102204  | 53 - 2             |              | 32 -172            |
| 1994574  | 36 - 73            |              | 47 - 17            | 2102364  | 55 - 23            |              | 34 - 33            |
| 1994576  | 36 - 81            | 1994827      | 25 - 12            | 2102367  | 33 - 4             | 2180733      | 17 - 6B            |
| 1994577  | 36 - 75            |              | 47 - 9             |          | 44 - 58            |              | 32 -171            |
| 1994578  | 36 - 72            | 1994829      | 72 -101            | 2102368  | 42 - 37            |              | 34 - 35            |
| 1994579  | 21 - 54            | 1994830      | 52 - 21            | 2102369  | 44 - 62            | 2180735      | 32 -178            |
|          | 36 - 71            | 1994831      | 63 - 13            | 2109037  | 45 - 27            | 2180744      | 17 - 6             |
|          | 36 - 78            | 1994832      | 63 - 13            | 2111232  | 12 -106            | 2180796      | 72 - 18            |
| 1994581  | 36 - 76            | 1994833      | 10 -146            |          | 32 - 32J           | 2180972      | 17 - 13            |
| 1994582  | 36 - 69            |              | 11 - 87            |          | 34 - 56            | 2180974      | 17 - 6D            |
| 1994584  | 36 - 56            |              | 33 - 40            |          | 51 - 76            | 2180985      | 53 - 43            |
| 1994585  | 36 - 54            |              | 34 - 83A           |          | 51 - 82D           | 2181001      | 44 - 36            |
| 1994586  | 36 - 54            |              | 63 - REF           |          | 51 - 88            |              | 44 - 53            |
| 1994597  | 10 -160            | 1994834      | 10 -146            |          | 51 -121            |              | 46 - 27            |
|          | 11 -195            |              | 11 - 87            |          | 53 - 7             | 2181004      | 33 - 22B           |
| 1994598  | 10 - 68            |              | 33 - 40            |          | 72 - 14            |              | 43 - 26            |
| 1994727  | 10 - 57            |              | 34 - 83A           | 2122260  | 72 - 22            |              | 44 - 28            |
|          | 11 - 74            |              | 63 - REF           | 2122261  | 72 - 27            |              | 44 - 44            |
| 1994728  | 10 - 53            | 1994850      | 32 - 1             | 2122636  | 32 -192            |              | 44 - 55            |
|          | 11 - 68            |              | 51 - REF           | 2122637  | 32 -193            | 2181005      | 11 -213B           |
| 1994729  | 10 - 60            | 1994907      | 1 - 78             | 2122639  | 6 - 17             |              | 11 -239B           |
|          | 11 - 75            | 1994918      | 36 - 48            |          | 7 - 52             |              | 18 -105            |
| 1994730  | 32 -188            | 1994924      | 12 - 19            | 2123034  | 72 - 65            |              | 19 - 24B           |
| 1994740  | 32 -188            | 1994925      | 12 - 8             | 2123141  | 4 - 21             |              | 20 - 43            |
| 1994746  | 36 - REF           | 1994926      | 12 - 8             |          | 4 - 85             |              | 21 - 11B           |
| 1994751  | 36 - REF           | 1994927      | 12 - 8             |          | 5 - 22             |              | 32 -175            |
| 1994752  | 36 - REF           | 1994928      | 10 -166            |          | 9 - 3              |              | 34 - 1A            |
| 1994757  | 40 - 15            | 1994929      | 32 -157            | 2125765  | 32 -176            |              | 34 - 31            |
|          | 41 - 20            |              | 34 - 25            | 2125891  | 10 -134            |              | 43 - 37            |
| 1994766  | 10 -108            | 1994930      | 32 -173            |          | 10 -142            |              | 44 - 6             |
| 1994767  | 32 -184            |              | 34 - 36            |          | 18 - 70            |              | 44 - 14            |
| 1994769  | 51 - 56            | 1994931      | 32 -169            |          | 19 - 79            | 2181007      | 24 - 6             |
| 1994770  | 51 - 6             |              | 34 - 32            |          | 26 - 23            |              | 34 - 18A           |
|          | 52 - REF           | 1994932      | 10 - 35            |          | 33 - 52            | 2181011      | 11 - 29            |
| 1994771  | 51 -115            |              | 11 - 12            |          | 34 - 88            |              | 11 - 32            |
|          | 53 - REF           | 1994933      | 10 - 31            | 2125899  | 10 -143            |              | 32 -168            |
| 1994773  | 52 - 11            |              | 72 - J             |          | 26 - 24            |              | 34 - 29            |
| 1994774  | 52 - 34            | 1994934      | 10 - 29            | 2128005  | 45 - 32            | 2181088      | 17 - 3             |
| 1994775  | 51 - 98            |              | 11 - 8             | 2128908  | 12 - 62            |              | 18 -115            |
| 1994778  | 51 -160            | 1994938      | 10 - 49            | 2129508  | 6 - 11             |              | 18 -117            |
| 1994779  | 32 - 43            |              | 11 - 80            | 2129550  | 18 -137            |              | 20 - 46            |
| 1994780  | 51 -111            | 1994943      | 10 -196            |          | 19 - 62J           |              | 20 -108            |
| 1994781  | 51 -132            |              | 10 -234            |          | 20 -111            |              | 21 - 84            |
| 1994782  | 53 - 37            |              | 11 -209            |          | 20 -118            |              | 43 - 69            |
| 1994783  | 52 - 27            | 1994956      | 23 - 10            |          | 20 -122            | 2183600      | 53 - 30            |
| 1994784  | 51 - 53            |              | 63 - 12            |          | 21 - 92            | 2190715      | 72 - 20            |
|          | 51 - 66            |              | 64 - 10            |          | 43 - 74            | 2190716      | 72 - 20A           |
| 1994786  | 32 -146            |              | 65 - 9             |          | 44 - 82            | 2191846      | 40 - 17            |
|          | 40 - REF           | 1994960      | 65 - 10            | 2130294  | 2 - 33A            |              | 41 - 22            |
| 1994787  | 51 -126            | 1994961      | 64 - 11            | 2131516  | 11 -127            | 2192503      | 72 - 36A           |
| 1994789  | 51 - 69            | 1995566      | 12 - 19            | 2145170  | 4 - 67             | 2199753      | 33 - 24            |
| 1994790  | 51 - 72            | 2100264      | 62 - 50            |          | 9 - 16             |              | 44 - REF           |
| 1994791  | 51 -114            | 2100310      | 36 - 44            |          | 72 - 38            | 2199760      | 44 - 85            |
| 1994792  | 53 - 48            | 2100837      | 34 -128E           | 2145710  | 72 - 38A           | 2199762      | 44 - 27            |
| 1994794  | 52 - 36            | 2100871      | 10 -171            | 2152790  | 29 - 50            | 2199764      | 44 - 43            |
| 1994795  | 51 -164            | 2101089      | 32 -174            |          | 30 - 50            | 2199771      | 44 - 67            |
| 1994800  | 32 - 1             |              | 38 - 2             | 2154086  | 4 - 46             | 2199773      | 44 - 65            |
|          | 51 - REF           | 2101326      | 72 - 37            |          | 9 - 33             | 2199774      | 44 - 71            |
| 1994801  | 51 -115            | 2101327      | 72 - 37A           | 2154330  | 6 - 8              | 2199776      | 44 - 69            |

| PART NO. | LIST AND INDEX NO. | PART NO. | LIST AND INDEX NO. | PART NO.     | LIST AND INDEX NO. | PART NO. | LIST AND INDEX NO. |
|----------|--------------------|----------|--------------------|--------------|--------------------|----------|--------------------|
| 2199777  | 44 - 75            | 2280248  | 5 - 47             | 2280440-CONT | 7 - 1              | 2280710  | 4 - 34             |
| 2199778  | 44 - 74            | 2280249  | 9 - 37             | 2280441      | 6 - 37             |          | 5 - 45             |
| 2199780  | 44 - 31            | 2280256  | 4 - 70             |              | 7 - 8              | 2280711  | 5 - 18             |
|          | 45 - REF           | 2280257  | 9 - 12             | 2280442      | 6 - 39             | 2280760  | 3 - 6              |
| 2199781  | 45 - 53            | 2280258  | 4 - 61             |              | 7 - 10             |          | 5 - REF            |
| 2199782  | 45 - 52            | 2280259  | 4 - 84             | 2280443      | 6 - 38             |          | 35 - 1             |
| 2199786  | 45 - 23            | 2280261  | 6 - 41             |              | 7 - 9              | 2280773  | 3 - 6              |
| 2199788  | 72 - J             |          | 7 - 45             | 2280444      | 6 - 44             |          | 5 - REF            |
| 2199789  | 72 - K             | 2280263  | 6 - 49             |              | 7 - 11             |          | 35 - 1             |
| 2199790  | 72 - K             |          | 7 - 47             | 2280445      | 6 - 40             | 2280775  | 4 - 15             |
| 2199793  | 72 - K             | 2280266  | 9 - 2              |              | 7 - 4              |          | 5 - 15             |
| 2199794  | 72 - K             | 2280270  | 4 - 61             | 2280452      | 5 - 48             | 2281083  | 45 - 15            |
| 2199799  | 44 - 33            | 2280271  | 4 - 70             | 2280463      | 6 - 51             | 2281086  | 45 - 22            |
|          | 44 - 73            | 2280274  | 4 - 62             | 2280503      | 4 - 81             | 2281128  | 72 - 89            |
| 2199808  | 72 - K             |          | 9 - 10             |              | 9 - 19             | 2281129  | 72 - 94            |
| 2199820  | 35 - 4             | 2280281  | 7 - 56             | 2280505      | 4 - 32             | 2281243  | 1 - 50A            |
| 2199823  | 35 - 5             | 2280290  | 4 - 64             | 2280578      | 4 - 87             | 2281267  | 72 - 87            |
| 2199845  | 72 - K             |          | 4 - 64             |              | 9 - 5              | 2281648  | 45 - 38            |
| 2199846  | 72 - K             |          | 9 - 12             | 2280585      | 6 - 47             | 2281832  | 72 - 73            |
| 2199847  | 72 - K             | 2280291  | 4 - 69             |              | 7 - 42             | 2281874  | 72 - 73A           |
| 2199848  | 72 - K             |          | 9 - 18             | 2280586      | 6 - 50             | 2311503  | 44 - 68            |
| 2199849  | 72 - K             | 2280297  | 5 - 31             |              | 7 - 48             | 2311504  | 44 - 72            |
| 2200128  | 28 - 36            | 2280298  | 4 - 62             | 2280587      | 6 - 56             | 2311505  | 44 - 66            |
| 2218599  | 52 - 10            |          | 9 - 10             | 2280588      | 6 - 54             | 2311506  | 44 - 70            |
| 2218832  | 46 - 29            | 2280299  | 5 - 38             | 2280589      | 6 - 55             | 2311507  | 44 - 76            |
| 2218833  | 46 - 26            |          | 9 - REF            | 2280590      | 6 - 57             | 2311527  | 44 - 30            |
| 2229542  | 12 - 116           | 2280308  | 6 - 19             |              | 7 - 45             | 2311554  | 44 - 83            |
|          | 52 - 9             |          | 7 - 39             | 2280591      | 6 - 53             | 2311555  | 44 - 84            |
| 2232039  | 4 - 68             | 2280309  | 6 - 20A            | 2280600      | 4 - 1              | 2311612  | 44 - 48            |
|          | 9 - 17             |          | 7 - 41             |              | 5 - 1              | 2311616  | 44 - 49            |
|          | 72 - 90A           | 2280311  | 6 - 27             | 2280601      | 4 - 14             | 2311622  | 44 - 54            |
| 2232040  | 35 - 8             |          | 7 - 37             |              | 5 - 14             | 2311639  | 44 - 89            |
|          | 72 - 90B           | 2280312  | 6 - 30             | 2280603      | 4 - 9              | 2311676  | 44 - 90            |
| 2232042  | 35 - 7             |          | 7 - 32             |              | 5 - 13             | 2361505  | 11 - 94            |
|          | 72 - 6             | 2280314  | 6 - 15             | 2280604      | 4 - 8              |          | 29 - 53            |
| 2239001  | 17 - 20            |          | 7 - 30             |              | 5 - 3              |          | 30 - 53            |
|          | 32 - 177           | 2280315  | 6 - 24             | 2280605      | 4 - 28             |          | 33 - 87            |
|          | 34 - 37            |          | 7 - 36             |              | 9 - 21             |          | 54 - 21            |
| 2239035  | 17 - 12            | 2280317  | 6 - 9              | 2280606      | 4 - 2              | 2361506  | 29 - 55            |
| 2256647  | 1 - 104            |          | 7 - 19             |              | 5 - 7              |          | 30 - 55            |
| 2269105  | 45 - 16            | 2280322  | 6 - 26             | 2280608      | 4 - 5              | 2361509  | 29 - 43            |
| 2269106  | 45 - 21            |          | 7 - 35             |              | 5 - 4              |          | 30 - 43            |
| 2271842  | 7 - 27             | 2280325  | 4 - 90             | 2280611      | 4 - 56             | 2361516  | 54 - 23            |
| 2274833  | 5 - 29             | 2280326  | 4 - 92             |              | 9 - 23             | 2361518  | 54 - 23            |
| 2277082  | 45 - 43            | 2280328  | 5 - 23             | 2280612      | 4 - 58             | 2361539  | 54 - 20            |
| 2278002  | 4 - 83             |          | 7 - REF            |              | 9 - 25             |          | 54 - 39            |
|          | 9 - 1              | 2280365  | 6 - 32             | 2280613      | 4 - 7              | 2361700  | 11 - 100           |
| 2278070  | 4 - 33             |          | 7 - 38             |              | 5 - 6              |          | 33 - 89            |
| 2278071  | 4 - 43             | 2280380  | 6 - 21             | 2280615      | 4 - 11             |          | 54 - REF           |
| 2278073  | 4 - 40             |          | 7 - 24             |              | 5 - 12             | 2361704  | 54 - 30            |
|          | 5 - 44             | 2280382  | 7 - 29             | 2280616      | 4 - 13             | 2361705  | 54 - 51            |
| 2278074  | 4 - 39             | 2280386  | 6 - 23             |              | 5 - 11             | 2361706  | 54 - 29            |
|          | 4 - 41             |          | 6 - 29             | 2280617      | 4 - 12             | 2361715  | 54 - 48            |
|          | 5 - 42             |          | 7 - 26             |              | 5 - 10             | 2361716  | 54 - 46            |
| 2278090  | 4 - 72             | 2280390  | 7 - 55             | 2280618      | 4 - 10             | 2361717  | 54 - 40            |
|          | 5 - 33             |          | 4 - 45             |              | 5 - 2              | 2361718  | 54 - 36            |
| 2278102  | 4 - 22             |          | 9 - 27             | 2280619      | 4 - 6              | 2361720  | 33 - 88            |
|          | 5 - 20             | 2280393  | 4 - 54             |              | 5 - 5              |          | 34 - 83D           |
| 2278107  | 6 - 25             |          | 9 - 36             | 2280620      | 4 - 26             |          | 54 - REF           |
|          | 7 - 34             | 2280394  | 4 - 51             | 2280622      | 5 - 37             | 2361723  | 54 - 48            |
| 2278172  | 6 - 60             |          | 9 - 34             |              | 5 - 40             | 2361724  | 54 - 46            |
|          | 7 - 46             | 2280403  | 6 - 6              | 2280624      | 5 - 24             | 2361725  | 54 - 40            |
| 2278181  | 6 - 42             |          | 7 - 17             | 2280625      | 4 - 3              | 2361727  | 55 - 16            |
|          | 7 - 12             | 2280404  | 6 - 4              |              | 5 - 8              | 2361728  | 55 - 25            |
| 2278185  | 6 - 35             | 2280405  | 6 - 1              | 2280626      | 4 - 4              | 2361729  | 55 - 25            |
|          | 7 - 6              | 2280410  | 4 - 23             |              | 5 - 9              | 2361730  | 34 - 83E           |
| 2278783  | 72 - 21B           |          | 5 - 21             | 2280650      | 3 - 6              |          | 54 - REF           |
| 2280235  | 8 - 11             | 2280415  | 4 - 24             |              | 4 - REF            | 2361733  | 54 - 48            |
| 2280238  | 8 - 17             |          | 6 - REF            | 2280660      | 3 - 6              | 2361734  | 54 - 46            |
| 2280239  | 8 - 14             | 2280421  | 6 - 59             | 2280661      | 4 - 60             | 2361735  | 54 - 40            |
| 2280240  | 8 - 8              |          | 7 - 50             | 2280662      | 4 - 80             | 2361737  | 55 - 20            |
| 2280241  | 8 - 2              | 2280425  | 6 - 33             | 2280664      | 9 - 9              | 2361739  | 55 - 11            |
| 2280242  | 4 - 30             | 2280435  | 4 - 17             | 2280706      | 5 - 19             | 2361740  | 54 - 27            |
|          | 8 - REF            | 2280436  | 4 - 20             | 2280707      | 5 - 17             |          | 55 - REF           |
| 2280244  | 4 - 77A            | 2280437  | 4 - 18             | 2280708      | 7 - 18             | 2361741  | 55 - 11            |
|          | 5 - 24A            | 2280440  | 6 - 34             | 2280709      | 7 - 13             | 2361742  | 55 - 20            |



| PART NO. | LIST AND INDEX NO. | PART NO.     | LIST AND INDEX NO. | PART NO. | LIST AND INDEX NO. | PART NO. | LIST AND INDEX NO. |
|----------|--------------------|--------------|--------------------|----------|--------------------|----------|--------------------|
| 2361745  | 55 - 8             | 2557510-CONT | 69A- REF           | 2610353  | 28 - 31            | 2610430  | 31 - 12            |
| 2361746  | 54 - 25            | 2557519      | 68 - 31            | 2610354  | 28 - 23            | 2610432  | 29 - 64            |
| 2361747  | 55 - 14            |              | 71 - 26            | 2610355  | 28 - 65            |          | 30 - 64            |
| 2361748  | 55 - 13            | 2557525      | 27 - 29            | 2610356  | 28 - 6             |          | 54 - 37            |
| 2361760  | 54 - 27            |              | 56 - 10            | 2610357  | 28 - 47            | 2610435  | 29 - 28            |
|          | 55 - REF           |              | 67 - 31            | 2610358  | 28 - 58            |          | 30 - 28            |
| 2361883  | 29 - 17            |              | 68 - 54            | 2610359  | 28 - 56            | 2610436  | 29 - 16            |
| 2391345  | 29 - 14            |              | 71 - 48            | 2610360  | 28 - 54            |          | 30 - 16            |
|          | 31 - 8             | 2557545      | 68 - 31            |          | 29 - 17            |          | 54 - 17            |
| 2391346  | 31 - 7             | 2557550      | 25 - 4             |          | 30 - 17            | 2610437  | 29 - 60            |
|          | 37 - 24            |              | 68 - REF           |          | 54 - 16            |          | 30 - 60            |
|          | 68 - 40            | 2557555      | 69 - 13            | 2610361  | 29 - 1             | 2610438  | 29 - 14            |
|          | 69 - 9             | 2561283      | 1 - 32             | 2610362  | 28 - 21            |          | 30 - 14            |
|          | 69A- 18            | 2564571      | 1 - 30             | 2610363  | 28 - 63            | 2610439  | 29 - 7             |
|          | 71 - 34            | 2564577      | 32 - 183A          | 2610364  | 29 - 30            |          | 30 - 7             |
| 2391347  | 37 - 22            | 2564580      | 1 - 14             | 2610365  | 29 - 23            |          | 54 - 11            |
| 2391947  | 70 - 6             | 2564602      | 1 - 31             | 2610366  | 29 - 34            | 2610440  | 29 - 4             |
| 2395852  | 28 - 37            | 2564603      | 1 - 31             | 2610367  | 28 - 3             |          | 30 - 4             |
|          | 54 - 1             | 2564604      | 1 - 31             |          | 28 - 28            | 2610442  | 29 - 59            |
| 2396560  | 54 - 1             | 2564605      | 1 - 31             | 2610368  | 29 - 7             |          | 30 - 59            |
| 2426011  | 40 - 7             | 2566180      | 1 - 8              | 2610370  | 29 - 26            |          | 54 - 35            |
|          | 41 - 12            | 2566607      | 1 - 143            | 2610371  | 28 - 44            | 2610444  | 28 - 50            |
| 2426298  | 32 - 32H           | 2566647      | 1 - 111            |          | 29 - 9             |          | 54 - 14            |
| 2426314  | 51 - 89            |              | 1 - 119            |          | 30 - 9             | 2610445  | 29 - 47            |
|          | 53 - 8             |              | 1 - 140            |          | 54 - 8             |          | 30 - 47            |
| 2457703  | 21 - 90            | 2572140      | 69 - 11            | 2610372  | 29 - 18            | 2610446  | 31 - 19            |
| 2457708  | 19 - 32            | 2572141      | 71 - 36            |          | 31 - 16            | 2611770  | 47 - 6             |
| 2457745  | 19 - 24E           | 2572142      | 68 - 34            | 2610373  | 28 - 59            |          | 68 - REF           |
|          | 21 - 13A           |              | 69 - 3             |          | 29 - 38            | 2611780  | 47 - 5             |
|          | 44 - 17            |              | 69A- 14            |          | 30 - 38            |          | 71 - REF           |
|          | 44 - 19            |              | 71 - 29            |          | 54 - 55            | 2611793  | 68 - 50            |
| 2480634  | 68 - 23            | 2572145      | 68 - 37            | 2610374  | 28 - 61            | 2623425  | 10 - 158           |
|          | 71 - 18            |              | 69A- 15            |          | 29 - 40            |          | 11 - 191           |
| 2480635  | 68 - 19            | 2572146      | 68 - 48            |          | 30 - 40            |          | 18 - 12            |
|          | 71 - 14            |              | 71 - 42            |          | 54 - 57            | 2630001  | 19 - 1             |
| 2481746  | 70 - 8             | 2572157      | 69A- 5             | 2610375  | 28 - 1             |          | 20 - 32            |
| 2481749  | 70 - 1             | 2572161      | 68 - 41            | 2610376  | 28 - 14            |          | 21 - 1             |
| 2495447  | 72 - 95            |              | 69 - 10            | 2610377  | 28 - 35            | 2630040  | 16 - 49            |
| 2495475  | 13 - 22            |              | 71 - 35            | 2610378  | 28 - 50            | 2630044  | 16 - 27            |
| 2502979  | 72 - 23            | 2572169      | 68 - 42            | 2610379  | 28 - 17            | 2630045  | 16 - 30            |
| 2522402  | 15 - 1             |              | 71 - 36            |          | 29 - REF           | 2630046  | 10 - 52D           |
| 2522403  | 15 - 2             | 2572235      | 69A- 17            | 2610383  | 29 - 9             |          | 11 - 49            |
| 2532027  | 46 - 1             |              | 71 - 32            | 2610384  | 29 - 19            | 2630080  | 37 - 8             |
| 2539327  | 1 - 7              | 2572236      | 68 - 39            |          | 31 - 13            | 2630244  | 72 - K             |
| 2542049  | 34 - 19            |              | 69A- 16            | 2610386  | 29 - 20            | 2630245  | 72 - K             |
|          | 51 - 73            |              | 71 - 33            | 2610387  | 28 - 13            | 2630259  | 10 - 199           |
|          | 51 - 82A           | 2572239      | 69 - 8             | 2610388  | 28 - 11            |          | 11 - 212           |
|          | 51 - 85            | 2572730      | 25 - 7             | 2610392  | 29 - 29            | 2630281  | 1 - 100            |
|          | 51 - 118           |              | 47 - 7             | 2610393  | 28 - 41            | 2630285  | 18 - 87            |
|          | 53 - 4             |              | 71 - REF           | 2610400  | 11 - 98            |          | 19 - 51            |
| 2542050  | 2 - 76             | 2572740      | 11 - 118           |          | 30 - REF           | 2630286  | 18 - 86            |
|          | 12 - 107           |              | 25 - 8             | 2610403  | 29 - 81            |          | 19 - 50            |
| 2542402  | 10 - 110D          |              | 71 - REF           |          | 30 - 81            | 2630319  | 38 - 9             |
|          | 11 - 171           | 2572750      | 10 - 153           | 2610404  | 29 - 51            | 2630320  | 36 - 15            |
|          | 14 - 1             |              | 11 - 99            |          | 30 - 51            | 2630342  | 1 - 114            |
|          | 52 - 18            |              | 28 - REF           | 2610405  | 29 - 75            | 2630382  | 51 - 159           |
| 2542403  | 11 - 166           | 2573225      | 1 - 6              |          | 30 - 75            |          | 72 - K             |
|          | 14 - 2             | 2574157      | 32 - 26            | 2610406  | 29 - 72            | 2630383  | 72 - K             |
|          | 52 - 30            |              | 34 - 59            |          | 30 - 72            | 2630385  | 72 - K             |
| 2542950  | 1 - 42             |              | 40 - 13            | 2610407  | 29 - 74            | 2630388  | 72 - K             |
| 2542952  | 1 - 38             |              | 41 - 18            |          | 30 - 74            | 2630389  | 72 - L             |
| 2557354  | 71 - 44            | 2574207      | 40 - 16            | 2610408  | 29 - 67            | 2630395  | 51 - 41C           |
| 2557355  | 71 - 44            |              | 41 - 21            |          | 30 - 67            |          | 51 - 41E           |
| 2557470  | 11 - 119           | 2579980      | 1 - 36             | 2610409  | 31 - 24            | 2630396  | 32 - 194           |
|          | 25 - 9             | 2580016      | 45 - 20            | 2610410  | 11 - 100           |          | 72 - L             |
|          | 47 - 4             | 2588009      | 13 - 74            |          | 28 - REF           | 2630421  | 37 - 35            |
|          | 68 - REF           | 2598568      | 43 - 52            | 2610415  | 28 - 6             | 2630422  | 37 - 1             |
| 2557477  | 68 - 50            | 2598591      | 43 - 56            | 2610416  | 28 - 65            | 2630423  | 37 - 32            |
|          | 71 - 44            | 2599003      | 43 - 48            | 2610417  | 28 - 31            | 2630424  | 37 - 30            |
| 2557490  | 25 - 5             | 2602267      | 34 - 120           | 2610420  | 29 - 45            | 2630425  | 37 - 4             |
|          | 47 - 8             |              | 72 - 83            |          | 30 - 45            | 2630427  | 37 - 18            |
|          | 69 - REF           | 2610350      | 28 - 38            |          | 31 - REF           | 2630430  | 36 - 99            |
| 2557496  | 71 - 23            |              | 54 - 5             | 2610421  | 31 - 30            |          | 37 - REF           |
| 2557497  | 69 - 2             | 2610351      | 29 - 32            | 2610422  | 31 - 18            | 2630433  | 72 - L             |
|          | 69A- 13            | 2610352      | 28 - 34            | 2610423  | 31 - 17            | 2630434  | 36 - 106           |
| 2557510  | 25 - 5A            |              | 54 - 54            | 2610424  | 31 - 22            | 2630447  | 10 - 64            |

| PART NO.     | LIST AND INDEX NO. | PART NO.     | LIST AND INDEX NO. | PART NO.     | LIST AND INDEX NO. | PART NO. | LIST AND INDEX NO. |
|--------------|--------------------|--------------|--------------------|--------------|--------------------|----------|--------------------|
| 2630447-CONT | 11 - 67            | 2637290-CONT | 64 - 6             | 2637668-CONT | 20 -124            | 2641229  | 21 - 78D           |
| 2630448      | 51 -140            | 2637335      | 19 - 56E           | 21 - 48      | 2641230            | 21 - 78C |                    |
| 2630452      | 15 - 15            | 2637336      | 19 - 56H           | 21 -100      | 2641232            | 11 -247C |                    |
|              | 39 - 3             | 2637340      | 19 - 56J           | 33 -134      | 2641234            | 51 - 41A |                    |
| 2630454      | 14 - 21            | 2637341      | 19 - 56M           | 34 -138      | 2641242            | 11 -205H |                    |
|              | 15 - 11            | 2637378      | 3 - 1              | 43 - 63      | 2641259            | 33 - 23  |                    |
|              | 39 - 1             | 2637401      | 13 - 22            | 20 -125      | 2641260            | 33 - 23  |                    |
| 2630455      | 15 - 12            |              | 13 - 30            | 21 -101      | 2641261            | 33 - 23  |                    |
|              | 39 - 2             | 2637402      | 13 - 39            | 34 -139      | 2641262            | 33 - 23  |                    |
| 2630456      | 15 - 13            | 2637403      | 13 - 40            | 43 - 66      | 2641306            | 72 - L   |                    |
| 2630457      | 52 - 16            | 2637405      | 13 - 25            | 2637671      | 2641309            | 72 - L   |                    |
| 2630476      | 20 -114            | 2637406      | 13 - 23            |              | 2641314            | 72 - L   |                    |
|              | 21 - 96            | 2637407      | 13 - 20            | 2640964      | 2641316            | 72 - L   |                    |
| 2630477      | 20 -116            | 2637408      | 13 - 23            |              | 2641324            | 17 - 4   |                    |
|              | 21 - 98            | 2637409      | 13 - 39            | 2641074      | 2641325            | 11 - 90  |                    |
| 2631615      | 28 - 1             | 2637410      | 13 - 50            | 2641085      |                    | 72 - L   |                    |
| 2637203      | 1 - 91D            | 2637411      | 13 - 20            |              | 2641326            | 72 - L   |                    |
| 2637206      | 1 - 10A            | 2637412      | 13 - 19            |              | 2641330            | 72 - L   |                    |
| 2637217      | 20 - 15            | 2637413      | 13 - 22            | 2641102      | 2641332            | 72 - L   |                    |
|              | 21 - 3             | 2637414      | 13 - 30            | 2641103      | 2641340            | 72 - L   |                    |
|              | 43 - 1             | 2637415      | 23 - 1             | 2641104      | 2641344            | 72 - L   |                    |
| 2637220      | 52 - 13            | 2637416      | 23 - 11            | 2641107      | 2641345            | 72 - L   |                    |
| 2637224      | 1 - 1              | 2637417      | 23 - 11            | 2641108      | 2641346            | 72 - M   |                    |
|              | 34 -142            | 2637418      | 11 - 87            | 2641109      | 2641347            | 72 - M   |                    |
| 2637225      | 1 - 1              |              | 23 - REF           | 2641110      | 2641363            | 72 - M   |                    |
| 2637263      | 10 - 63            | 2637419      | 11 - 87            | 2641116      | 2641377            | 19 - 62  |                    |
|              | 11 - 86            |              | 23 - REF           | 2641118      | 2641378            | 19 - 61  |                    |
| 2637264      | 10 - 63            | 2637430      | 32 -154            |              | 2641379            | 19 - 60  |                    |
|              | 11 - 86            | 2637435      | 34 - 4             | 2641119      | 2641380            | 19 - 58  |                    |
| 2637265      | 10 - 63            |              | 40 - 42C           | 2641121      | 2641381            | 19 - 61B |                    |
|              | 11 - 86            | 2637461      | 56 - 23            | 2641123      | 2641382            | 19 - 59  |                    |
| 2637266      | 10 - 63            | 2637463      | 56 - 14            |              | 2641383            | 21 - 96  |                    |
|              | 11 - 86            | 2637464      | 56 - 15            | 2641124      | 2641384            | 21 - 97  |                    |
| 2637267      | 10 - 63            | 2637465      | 56 - 28            | 2641125      | 2641385            | 21 - 98  |                    |
|              | 11 - 86            | 2637482      | 72 - L             | 2641129      | 2641386            | 21 - 98A |                    |
| 2637268      | 10 - 63            | 2637488      | 18 - 66            | 2641130      | 2641387            | 19 - 60A |                    |
|              | 11 - 86            |              | 19 - 73            |              |                    | 19 - 61A |                    |
| 2637269      | 10 - 63            | 2637489      | 11 - 42            | 2641131      | 2641389            | 72 - M   |                    |
|              | 11 - 86            | 2637518      | 21 - 62            |              | 2641424            | 72 - M   |                    |
| 2637270      | 10 - 63            | 2637519      | 19 - 71            |              | 2641437            | 72 - M   |                    |
|              | 11 - 86            |              | 21 - 49            | 2641136      | 2641596            | 1 - 74   |                    |
| 2637271      | 10 - 63            |              | 43 - 64            |              | 2641597            | 1 - 74   |                    |
|              | 11 - 86            | 2637538      | 10 - 38B           | 2641139      | 2641622            | 11 -141  |                    |
| 2637272      | 10 - 63            |              | 11 - 15            | 2641141      | 2641696            | 1 -131   |                    |
|              | 11 - 86            | 2637539      | 11 - 16            |              | 2641697            | 1 -128   |                    |
| 2637273      | 10 - 63            |              | 11 -207            | 2641144      | 2641698            | 1 - 94   |                    |
|              | 11 - 86            | 2637563      | 20 - 10A           | 2641145      | 2641789            | 32 -143K |                    |
| 2637274      | 10 - 63            |              | 21 - 9             | 2641154      | 2641790            | 32 -143P |                    |
|              | 11 - 86            |              | 43 - 2             |              | 2641791            | 32 - 13  |                    |
| 2637275      | 10 - 63            | 2637564      | 18 -100A           | 2641159      |                    | 46 - REF |                    |
|              | 11 - 86            |              | 19 - 23            | 2641178      | 2641793            | 38 - 15  |                    |
| 2637276      | 10 - 63            |              | 44 - 4             | 2641184      | 2641794            | 46 - 13  |                    |
|              | 11 - 86            | 2637566      | 43 - 8             | 2641185      | 2641795            | 46 - 22  |                    |
| 2637277      | 10 - 63            | 2637567      | 18 -100B           | 2641186      | 2641796            | 46 - 11A |                    |
|              | 11 - 86            |              | 19 - 24            | 2641187      | 2641803            | 53 - 12A |                    |
| 2637278      | 10 - 63            |              | 20 - 10B           | 2641188      | 2641809            | 38 - 8   |                    |
|              | 11 - 86            |              | 21 - 10            | 2641189      | 2641861            | 53 - 9G  |                    |
| 2637279      | 10 - 63            |              | 43 - 9             | 2641190      | 2641862            | 53 - 9A  |                    |
|              | 11 - 86            |              | 44 - 5             | 2641192      | 2641869            | 2 - 33E  |                    |
| 2637280      | 10 - 63            | 2637568      | 43 - 7             | 2641197      | 2641870            | 2 - 33   |                    |
|              | 11 - 86            | 2637576      | 43 - 6             | 2641198      | 2641877            | 21 - 52  |                    |
| 2637281      | 10 - 63            | 2637577      | 43 - 3             |              | 2641939            | 52 - 16A |                    |
|              | 11 - 86            | 2637578      | 43 - 2A            | 2641199      | 2641941            | 53 - 43A |                    |
| 2637282      | 10 - 63            | 2637579      | 43 - 4             | 2641201      | 2641942            | 53 - 1   |                    |
|              | 11 - 86            | 2637580      | 43 - 5             | 2641202      | 2641944            | 21 - 2   |                    |
| 2637289      | 23 - 2             | 2637581      | 0 -110N            | 2641203      | 2646751            | 11 -213A |                    |
|              | 23 - 7             |              | 11 -180            | 2641204      | 2646752            | 72 - 68  |                    |
|              | 24 - 4             | 2637582      | 10 -110A           |              | 2646754            | 72 - 86  |                    |
|              | 48 - 10            |              | 11 -168            | 2641206      | 2646755            | 36 - 28  |                    |
|              | 63 - 4             | 2637644      | 1 -130             | 2641207      | 2646780            | 36 - 68  |                    |
|              | 64 - 3             | 2637647      | 51 -146A           | 2641209      | 2646802            | 72 - M   |                    |
|              | 65 - 3             | 2637650      | 10 -120            | 2641211      | 2646803            | 11 -126C |                    |
|              | 65 - 5             |              | 33 - 43            | 2641218      |                    | 32 - 12B |                    |
|              | 66B - 4            |              | 56 - REF           |              | 2646805            | 2 - 53   |                    |
| 2637290      | 23 - 5             | 2637664      | 32 - 9A            | 2641227      |                    | 3 - REF  |                    |
|              | 63 - 8             | 2637668      | 19 - 70            | 2641228      |                    | 2 - 53   |                    |

| PART NO.     | LIST AND INDEX NO. | PART NO. | LIST AND INDEX NO. | PART NO. | LIST AND INDEX NO. | PART NO.     | LIST AND INDEX NO. |
|--------------|--------------------|----------|--------------------|----------|--------------------|--------------|--------------------|
| 2646806-CONT | 3 - REF            | 4057580  | 51 - 85            | 5214259  | 51 - 42            | 5276271-CONT | 20 - 60            |
| 2646807      | 2 - 53             |          | 53 - 4             | 5214260  | 51 - 64            |              | 21 - 24            |
|              | 3 - REF            | 4057687  | 34 - 115           | 5214262  | 51 - 42            | 5276375      | 72 - 57A           |
| 2646808      | 2 - 53             | 4066640  | 12 - 27            |          | 51 - 44            | 5276701      | 51 - 82E           |
|              | 3 - REF            | 4066641  | 12 - 27            | 5214335  | 68 - 14            |              | 52 - 1             |
| 2646809      | 51 - 13            | 4103890  | 66B- 1             |          | 68 - 22            | 5298053      | 20 - 89            |
|              | 72 - M             | 4116467  | 42 - 16            |          | 71 - 17            |              | 21 - 69            |
| 2646837      | 11 - 213E          | 4118821  | 57 - 5             | 5214406  | 29 - 35            |              | 43 - 31            |
|              | 11 - 239E          |          | 58 - 5             |          | 30 - 35            |              | 44 - 52            |
|              | 21 - 21C           |          | 59 - 4             |          | 37 - 15            | 5298103      | 20 - 88            |
|              | 43 - 62C           | 4119230  | 32 - 61            |          | 61 - 10            |              | 21 - 68            |
|              | 47 - 22            |          | 34 - 102           | 5214543  | 59 - 38            |              | 21 - 82            |
| 2646847      | 32 - 188           | 4119236  | 26 - 28            | 5214552  | 58 - 44            |              | 43 - 22            |
| 2646848      | 18 - 91            | 4119244  | 51 - 30            | 5214553  | 57 - 37            |              | 43 - 30            |
| 2646865      | 33 - 47            | 4119351  | 51 - 41            | 5214594  | 72 - 52B           |              | 44 - 51            |
| 2646871      | 36 - REF           | 4119357  | 36 - 97            | 5214705  | 27 - 12            | 5298108      | 20 - 120           |
| 2646874      | 18 - 90            | 4119360  | 26 - 38            | 5214706  | 27 - 12            |              | 21 - 89            |
|              | 19 - 53A           |          | 34 - 114           | 5214707  | 67 - 12            |              | 43 - 71            |
| 2646893      | 72 - M             | 4120171  | 22 - 14            | 5214882  | 67 - 12            | 5298109      | 20 - 38            |
| 2646908      | 36 - 62            |          | 66B-10             | 5214969  | 53 - 40            |              | 43 - 35            |
| 2646911      | 72 - M             | 4120221  | 32 - 73            | 5232809  | 29 - 54            | 5298114      | 20 - 117           |
| 2646912      | 72 - M             |          | 34 - 110           |          | 30 - 54            |              | 21 - 86            |
| 2646913      | 11 - 239D          | 4120230  | 22 - 8             |          | 54 - 22            |              | 43 - 75            |
|              | 47 - 21            |          | 48 - 1             | 5236289  | 34 - 90            | 5298118      | 20 - 106           |
| 2646925      | 36 - 102           | 4120241  | 26 - 34            | 5236656  | 70 - 10            |              | 21 - 83            |
| 2646926      | 36 - 101           |          | 51 - 40            | 5236882  | 13 - 59            |              | 43 - 68            |
| 2646935      | 11 - 213C          | 4120395  | 32 - 69            | 5252537  | 32 - 32K           | 5298119      | 20 - 113           |
| 2646972      | 11 - 239A          |          | 34 - 113           | 5252555  | 70 - 17            |              | 21 - 94            |
| 2646973      | 33 - 79            | 4120396  | 32 - 75            | 5252556  | 70 - 12            |              | 43 - 77            |
| 2646974      | 11 - 125           |          | 34 - 112           | 5252806  | 42 - 36            | 5298120      | 20 - 109           |
|              | 32 - 10            | 4120409  | 36 - 88            | 5252807  | 42 - 36            |              | 21 - 88            |
| 2646982      | 36 - 4A            | 4120432  | 36 - 99            | 5252815  | 26 - 10            |              | 43 - 72            |
| 2646983      | 19 - 45            | 4120446  | 36 - 88            | 5252816  | 51 - 129           | 5298139      | 20 - 123           |
|              | 20 - 48            | 4120447  | 36 - 99            | 5252817  | 51 - 129           |              | 21 - 99            |
| 2646984      | 21 - 18            | 4120473  | 36 - 89            | 5252823  | 24 - 8             |              | 43 - 79            |
| 2647019      | 32 - 131           | 4120502  | 36 - 88            | 5252857  | 66 - 18            | 5298144      | 20 - 6             |
| 2647020      | 32 - 128           | 4120503  | 36 - 88            |          | 66A- 5             | 5298145      | 20 - 7             |
| 2647045      | 42 - 57            | 4123890  | 48 - 1A            | 5257231  | 1 - 99             | 5298166      | 20 - 112           |
| 2649284      | 34 - 142           | 4139485  | 72 - H             |          | 1 - 101            |              | 21 - 93            |
| 2649330      | 34 - 48            | 4139529  | 12 - 52            |          | 1 - 103            |              | 43 - 76            |
|              | 51 - REF           | 4139530  | 12 - 52            |          | 1 - 108            | 5311415      | 13 - 29            |
| 2649335      | 34 - 48            | 4145218  | 11 - 245A          |          | 1 - 110            |              | 13 - 45            |
|              | 51 - REF           | 4145219  | 24 - 27            |          | 1 - 115            |              | 13 - 54            |
| 2649336      | 34 - 14            | 4145225  | 11 - 87            |          | 1 - 118            |              | 13 - 76            |
|              | 41 - REF           |          | 24 - REF           |          | 1 - 145            | 5311437      | 13 - 28            |
| 2649338      | 33 - 14            | 4145229  | 11 - 87            | 5258018  | 53 - 44            |              | 13 - 44            |
|              | 43 - REF           |          | 24 - REF           | 5261274  | 60 - 7             |              | 13 - 53            |
| 2650085      | 51 - 126           | 4145986  | 10 - 39            | 5261296  | 37 - 10            | 5311440      | 13 - 26            |
| 2731440      | 43 - 29            |          | 18 - REF           |          | 53 - 35            | 5312043      | 16 - 14            |
| 3641146      | 11 - 205A          | 4145987  | 10 - 40            | 5261314  | 3 - 31             |              | 18 - 54            |
| 4056155      | 40 - 6             |          | 20 - REF           | 5270517  | 4 - 76             | 5312188      | 25 - 25            |
|              | 41 - 11            | 4145988  | 11 - 13            |          | 31 - 11            | 5312429      | 72 - 110           |
| 4056256      | 34 - 53            |          | 19 - REF           | 5270586  | 51 - 77            | 5313144      | 62 - 40            |
| 4056393      | 34 - 142           | 4145989  | 11 - 14            | 5271288  | 2 - 31             | 5318966      | 37 - 21            |
| 4056395      | 34 - 142           |          | 21 - REF           |          | 3 - 21             |              | 40 - 8             |
| 4056397      | 34 - 142           | 4251623  | 34 - 142           |          | 10 - 52A           |              | 41 - 13            |
| 4056399      | 34 - 142           | 5210704  | 40 - 1             |          | 11 - 46            |              | 42 - 2             |
| 4056401      | 34 - 142           |          | 41 - 38            |          | 32 - 39            |              | 62 - 32            |
| 4056403      | 34 - 142           |          | 51 - 59            |          | 34 - 127           | 5318967      | 42 - 7             |
| 4056405      | 34 - 142           | 5213276  | 6 - 17             |          | 35 - 9             |              | 62 - 34            |
| 4056407      | 34 - 142           |          | 7 - 51             |          | 35 - 21            | 5318968      | 37 - 20            |
| 4056409      | 34 - 142           | 5213402  | 27 - 25            |          | 62 - 47            | 5319035      | 32 - 182           |
| 4056411      | 11 - 81            |          | 56 - 2             | 5271721  | 72 - 7             |              | 35 - 16            |
|              | 34 - 142           |          | 67 - 25            | 5271785  | 62 - 33            | 5319854      | 1 - 50B            |
| 4056413      | 11 - 83            | 5213421  | 51 - 89            | 5271786  | 62 - 37            |              | 44 - 32            |
|              | 34 - 142           |          | 53 - 8             | 5271787  | 62 - 3             |              | 44 - 34            |
| 4056415      | 34 - 142           | 5213430  | 36 - 31            | 5271788  | 62 - 52            |              | 44 - 61            |
| 4056417      | 34 - 142           |          | 51 - 147           | 5271789  | 62 - 51            |              | 46 - 25            |
| 4056419      | 34 - 142           | 5213566  | 51 - 122           | 5271790  | 62 - 51            | 5319888      | 44 - 59            |
| 4056447      | 36 - 102           | 5213591  | 68 - 47            | 5271791  | 62 - 51            |              | 44 - 63            |
| 4056448      | 36 - 101           |          | 71 - 41            | 5271792  | 62 - 6             | 5328126      | 2 - 74             |
| 4056791      | 34 - 141           | 5213607  | 56 - 12            | 5271793  | 32 - 143N          | 5349854      | 72 - 98            |
| 4056971      | 32 - 32P           | 5214073  | 60 - 14            |          | 33 - 68            | 5349886      | 22 - 7             |
| 4057028      | 32 - 32N           | 5214172  | 10 - 156           |          | 62 - REF           | 5349887      | 16 - 1             |
| 4057028      | 32 - 32A           |          | 11 - 193           | 5271795  | 62 - 17            | 5349888      | 22 - 15            |
| 4057518      | 34 - 53            | 5214256  | 51 - 62            | 5276271  | 12 - 86            | 5350020      | 13 - 50            |

| PART NO. | LIST AND INDEX NO. | PART NO. | LIST AND INDEX NO. | PART NO. | LIST AND INDEX NO. | PART NO. | LIST AND INDEX NO. |
|----------|--------------------|----------|--------------------|----------|--------------------|----------|--------------------|
| 5351139  | 72 - 28            | 5357137  | 24 - 8             | 5480575  | 1 - 54             | 5489131  | 1 - 144            |
| 5351163  | 32 - 27            |          | 24A- 2             | 5480576  | 1 - 54             | 5489132  | 1 - 142            |
|          | 34 - 60            |          | 50 - 22            | 5480577  | 1 - 54             | 5489133  | 1 - 46             |
|          | 40 - 10            | 5357138  | 22 - 12            | 5480582  | 1 - 53             |          | 1 - 55             |
|          | 40 - 14            | 5357140  | 24A- 10            | 5480583  | 1 - 53             | 5489144  | 1 - 74             |
|          | 41 - 15            |          | 24A- 16            | 5480584  | 1 - 53             | 5489148  | 1 - 75             |
|          | 41 - 19            |          | 50 - 13            | 5480585  | 1 - 53             | 5489150  | 1 - 72             |
| 5351177  | 62 - 44            | 5357141  | 24A- 8             | 5480586  | 1 - 51             |          | 1 - 75             |
|          | 72 - 49            |          | 24A- 14            | 5480587  | 1 - 51             | 5489192  | 2 - 84             |
| 5351633  | 13 - 24            |          | 50 - 11            | 5480588  | 1 - 51             | 5489193  | 2 - 71             |
| 5352238  | 12 - 46            | 5357144  | 24 - 16            | 5480589  | 1 - 51             | 5496516  | 1 - 51             |
| 5352704  | 32 - 38            |          | 24A- 11            | 5480590  | 1 - 50             | 5496517  | 1 - 51             |
|          | 34 - 4A            |          | 50 - 8             | 5480591  | 1 - 50             | 5496518  | 1 - 51             |
| 5353336  | 43 - 50            | 5357145  | 24 - 15            | 5480592  | 1 - 50             | 5496519  | 1 - 51             |
| 5353851  | 72 - 16            |          | 24A- 5             | 5480593  | 1 - 50             | 5496520  | 1 - 45             |
| 5353852  | 72 - 13            |          | 50 - 8             | 5480594  | 1 - 48             |          | 1 - 54             |
| 5353853  | 23 - 8             | 5362301  | 72 - 12            | 5480595  | 1 - 48             | 5496521  | 1 - 45             |
|          | 24 - 3             | 5362303  | 72 - 74            | 5480596  | 1 - 48             |          | 1 - 54             |
|          | 24A- 26            | 5362306  | 10 - 52            | 5480597  | 1 - 48             | 5496522  | 1 - 45             |
|          | 50 - 18            | 5364071  | 12 - 100           | 5480598  | 1 - 62             |          | 1 - 54             |
|          | 63 - 10            | 5364197  | 62 - 36            | 5480599  | 1 - 62             | 5496523  | 1 - 45             |
|          | 64 - 8             | 5364364  | 13 - 25            | 5480600  | 1 - 62             |          | 1 - 54             |
|          | 65 - 7             | 5367451  | 51 - 77            | 5480601  | 1 - 62             | 5496524  | 1 - 48             |
|          | 66 - 12            | 5367825  | 6 - 13             | 5480602  | 1 - 47             | 5496525  | 1 - 48             |
|          | 66 - 28            | 5371671  | 13 - 1             |          | 1 - 56             | 5496526  | 1 - 48             |
|          | 66A- 12            | 5372182  | 45 - 4             | 5480607  | 1 - 47             | 5496527  | 1 - 48             |
|          | 66A- 22            | 5372183  | 45 - 5             |          | 1 - 56             | 5496528  | 1 - 66             |
|          | 66B- 5             | 5372848  | 45 - 6             | 5480608  | 1 - 47             | 5496529  | 1 - 66             |
| 5353854  | 22 - 13            | 5372975  | 1 - 85             |          | 1 - 56             | 5496530  | 1 - 60             |
|          | 23 - 9             | 5373110  | 12 - 50            | 5480609  | 1 - 47             | 5496531  | 1 - 60             |
|          | 24A- 25            | 5373180  | 1 - 5              |          | 1 - 56             | 5496532  | 1 - 60             |
|          | 50 - 19            | 5373218  | 1 - 77             | 5480610  | 1 - 45             | 5496533  | 1 - 60             |
|          | 63 - 11            |          | 2 - 2              |          | 1 - 54             | 5496539  | 1 - 54             |
|          | 64 - 9             |          | 2 - 4              | 5480611  | 1 - 45             | 5496540  | 1 - 54             |
|          | 65 - 8             | 5373223  | 18 - 134           |          | 1 - 54             | 5496541  | 1 - 54             |
|          | 66 - 29            |          | 19 - 62F           | 5480612  | 1 - 45             | 5496542  | 1 - 54             |
|          | 66A- 21            |          | 44 - 79            |          | 1 - 54             | 5496554  | 1 - 15             |
|          | 66B- 6             | 5392383  | 72 - 55            | 5480613  | 1 - 45             | 5496556  | 1 - 11             |
| 5353867  | 10 - 50            | 5392818  | 43 - 15            |          | 1 - 54             | 5496557  | 1 - 11             |
|          | 72 - 75A           | 5397579  | 51 - 144           | 5480614  | 1 - 96             | 5496558  | 1 - 11             |
| 5353868  | 72 - 75            | 5397868  | 1 - 84             | 5480615  | 1 - 98             | 5496559  | 1 - 11             |
| 5353877  | 22 - 14            | 5404480  | 72 - 12A           | 5480617  | 1 - 60             | 5496560  | 1 - 28             |
| 5353887  | 40 - 41            | 5405190  | 46 - 12            | 5480618  | 1 - 60             | 5498211  | 34 - 128D          |
|          | 41 - 9             | 5412609  | 72 - 69            | 5480619  | 1 - 60             | 5499762  | 1 - 12             |
|          | 45 - 8             | 5412639  | 34 - 122           | 5480620  | 1 - 60             | 5499764  | 1 - 74             |
| 5353888  | 12 - 12            |          | 72 - 62            | 5480621  | 1 - 105            |          | 1 - 75A            |
|          | 12 - 41            | 5414249  | 25 - 26            | 5480622  | 1 - 107            | 5499779  | 1 - 45             |
|          | 13 - 83            | 5414543  | 40 - 4             | 5480626  | 1 - 117            |          | 1 - 54             |
| 5353895  | 72 - 77            |          | 41 - 25            | 5480628  | 1 - 68             | 5499781  | 1 - 51             |
| 5353902  | 72 - 79            |          | 42 - 10            | 5480629  | 1 - 109            | 5499782  | 1 - 54             |
| 5353922  | 72 - 33            |          | 52 - 31            | 5480636  | 1 - 21             | 5499783  | 1 - 60             |
| 5356580  | 18 - 132           |          | 53 - 11            | 5480637  | 1 - 18             | 5499784  | 1 - 48             |
|          | 19 - 62D           | 5424355  | 42 - 49A           | 5480687  | 1 - 43             | 5499785  | 1 - 11             |
|          | 44 - 77            |          | 51 - 1             |          | 1 - 52             | 5499786  | 1 - 31             |
| 5357005  | 24 - 5             | 5440629  | 45 - 7             |          | 1 - 61             | 5499787  | 1 - 45             |
| 5357012  | 24 - 22            | 5446159  | 66 - 17C           | 5480701  | 1 - 37             |          | 1 - 54             |
| 5357013  | 46 - 8             | 5446160  | 66 - 17A           | 5480702  | 1 - 37             | 5499789  | 1 - 51             |
| 5357020  | 24 - 19            | 5447741  | 72 - 80            | 5480703  | 1 - 37             | 5499790  | 1 - 54             |
|          | 50 - 14            | 5466393  | 72 - 66            | 5480704  | 1 - 37             | 5499791  | 1 - 60             |
| 5357021  | 24A- 27            | 5466397  | 72 - 85            | 5487065  | 2 - 83             | 5499792  | 1 - 48             |
|          | 50 - 20            | 5467552  | 12 - 99            | 5488806  | 2 - 30             | 5499793  | 1 - 11             |
| 5357024  | 24A- 9             | 5468306  | 24A- 11            | 5488844  | 2 - 35             | 5499794  | 1 - 37             |
|          | 50 - 12            | 5468307  | 66 - 17B           | 5488901  | 1 - 67             | 5499795  | 1 - 47             |
|          | 66 - 17B           | 5468309  | 24A- 23            | 5488922  | 1 - 137A           |          | 1 - 56             |
| 5357025  | 24A- 15            | 5468348  | 72 - 21            | 5488999  | 1 - 97             | 5499796  | 1 - 62             |
|          | 50 - 12            | 5468388  | 66 - 17            |          | 1 - 106            | 5499797  | 1 - 53             |
| 5357064  | 22 - 1             |          | 66A- 26            |          | 11 - 215A          | 5499798  | 1 - 56             |
| 5357075  | 10 - 148A          | 5480539  | 1 - 76             |          | 11 - 241A          | 5499800  | 1 - 50             |
|          | 10 - 177A          | 5480541  | 1 - 2              | 5489104  | 1 - 11             | 5499801  | 1 - 44             |
|          | 72 - 101A          | 5480542  | 1 - 4              | 5489105  | 1 - 11             | 5499810  | 12 - 11            |
| 5357090  | 66B- 10            | 5480563  | 1 - 66             | 5489106  | 1 - 11             |          | 12 - 40            |
| 5357109  | 22 - 8             | 5480570  | 1 - 56             | 5489107  | 1 - 11             |          | 40 - 40            |
| 5357135  | 2 - 34             | 5480571  | 1 - 56             | 5489123  | 1 - 44             |          | 41 - 8             |
|          | 22 - 3             | 5480572  | 1 - 56             | 5489124  | 1 - 44             | 5499811  | 12 - 40            |
| 5357136  | 16 - 2             | 5480573  | 1 - 56             | 5489125  | 1 - 44             |          | 13 - 82            |
|          | 22 - 16            | 5480574  | 1 - 54             | 5489126  | 1 - 44             |          | 40 - 40            |

| PART NO.     | LIST AND INDEX NO. | PART NO. | LIST AND INDEX NO. | PART NO. | LIST AND INDEX NO. | PART NO. | LIST AND INDEX NO. |
|--------------|--------------------|----------|--------------------|----------|--------------------|----------|--------------------|
| 5499811-CONT | 41 - 8             | 5761938  | 58 - 25            | 5785135  | 68 - 45            |          |                    |
| 5499812      | 12 - 40            | 5761943  | 57 - 24            |          | 71 - 39            |          |                    |
|              | 13 - 81            |          | 57 - 27            | 5785184  | 7C - 9             |          |                    |
|              | 40 - 40            |          | 58 - 31            | 5785257  | 68 - 50            |          |                    |
|              | 41 - 8             |          | 58 - 34            | 5785277  | 68 - 30            |          |                    |
| 5499814      | 12 - 11            |          | 59 - 25            |          | 71 - 25            |          |                    |
| 5500183      | 1 - 20             |          | 59 - 28            | 5785278  | 69 - 1             |          |                    |
|              | 1 - 23             | 5761976  | 57 - 34            | 5785279  | 69A- 1             |          |                    |
|              | 1 - 27             |          | 58 - 13            | 5785286  | 29 - 28            |          |                    |
| 5500184      | 1 - 26             |          | 58 - 41            |          | 68 - 1             |          |                    |
| 5500189      | 1 - 24             |          | 59 - 12            |          | 71 - 1             |          |                    |
| 5501994      | 44 - 21            |          | 59 - 35            | 5785298  | 68 - 17            |          |                    |
| 5501995      | 43 - 62A           | 5761977  | 53 - 29            |          | 68 - 20            |          |                    |
| 5501996      | 47 - 20            | 5762000  | 46 - 3             |          | 71 - 15            |          |                    |
| 5501997      | 11 -126B           |          | 57 - REF           | 5785308  | 68 - 43            |          |                    |
|              | 11 -213D           | 5762005  | 57 - 50            |          | 69 - 12            |          |                    |
|              | 21 - 21B           |          | 58 - 82            |          | 71 - 37            |          |                    |
|              | 32 - 12A           |          | 59 - 48            | 5785319  | 68 - 16            |          |                    |
|              | 43 - 62B           | 5762013  | 57 - 7             | 5796423  | 67 - 12            |          |                    |
| 5501999      | 11 -126A           |          | 58 - 7             | 5796424  | 67 - 12            |          |                    |
|              | 11 -239C           | 5762015  | 57 - 17            | 5796425  | 67 - 12            |          |                    |
|              | 21 - 21A           |          | 58 - 18            | 5796427  | 51 -131            |          |                    |
|              | 32 - 12            |          | 59 - 18            | 5797470  | 25 - 3             |          |                    |
| 5502007      | 44 - 22            | 5762023  | 59 - 8             |          | 68 - REF           |          |                    |
| 5504638      | 12 - 2             | 5762025  | 57 - 9             | 5797484  | 68 - 55            |          |                    |
| 5504752      | 1 - 49             |          | 58 - 9             |          | 71 - 49            |          |                    |
| 5504753      | 1 - 58             |          | 59 - 7             | 5797486  | 68 - 44            |          |                    |
| 5529184      | 10 - 51            | 5762033  | 57 - 28            |          | 71 - 38            |          |                    |
| 5534589      | 66A- 29            |          | 58 - 35            | 5797488  | 69A- 9             |          |                    |
| 5534591      | 66A- 44            |          | 59 - 29            | 5797495  | 68 - 35            |          |                    |
| 5534592      | 66A- 43            | 5762034  | 57 - 19            |          | 69 - 4             |          |                    |
| 5534593      | 66A- 36            |          | 58 - 20            |          | 69A- 2             |          |                    |
| 5548304      | 11 -108            |          | 59 - 20            |          | 71 - 30            |          |                    |
|              | 20 - 33            | 5762036  | 57 - 16            | 5797497  | 68 - 2             |          |                    |
|              | 21 - 44            |          | 58 - 17            |          | 71 - 2             |          |                    |
|              | 33 - 22A           |          | 59 - 16            | 5797499  | 69A- 11            |          |                    |
|              | 33 - 77            | 5762037  | 57 - 13            | 5797504  | 68 - 9             |          |                    |
|              | 43 - 42            |          | 58 - 14            |          | 71 - 9             |          |                    |
|              | 66A- REF           |          | 59 - 13            | 5797506  | 68 - 49            |          |                    |
| 5548306      | 18 - 34            | 5762045  | 57 - 12            |          | 71 - 43            |          |                    |
|              | 19 - 26            |          | 58 - 12            | 5797532  | 68 - 10            |          |                    |
|              | 46 - 9             |          | 59 - 11            |          | 68 - 26            |          |                    |
|              | 66A- REF           | 5762057  | 28 - 49            |          | 71 - 10            |          |                    |
| 5548307      | 66A- 46            |          | 29 - 8             |          | 71 - 21            |          |                    |
| 5548308      | 66A- 46            |          | 29 - 41            | 5799065  | 12 -112            |          |                    |
| 5548310      | 66A- 32            |          | 30 - 41            |          | 40 - 9             |          |                    |
| 5548312      | 66A- 39            |          | 31 - 29            |          | 41 - 14            |          |                    |
| 5548313      | 66A- 31            |          | 54 - 58            | 5799187  | 20 - 79            |          |                    |
| 5548314      | 66A- 40            |          | 57 - 48            |          | 21 - 55            |          |                    |
| 5700286      | 51 - 15            |          | 58 - 76            | 5799191  | 43 - 17            |          |                    |
|              | 53 - 46            |          | 59 - 46            | 5800634  | 72 - 1             |          |                    |
|              | 72 - 88            | 5762058  | 57 - 14            | 5800700  | 72 - 1A            |          |                    |
| 5712309      | 58 - 80            |          | 58 - 15            | 5861315  | 45 - 40            |          |                    |
| 5719453      | 51 - 55            |          | 59 - 14            | 5861492  | 29 - 41A           |          |                    |
|              | 51 - 68            | 5762197  | 57 - 3             |          | 30 - 41A           |          |                    |
|              | 1 - 6              |          | 58 - 3             | 5861494  | 29 - 41B           |          |                    |
| 5726141      | 51 -145A           | 5762297  | 60 - 12            |          | 30 - 41B           |          |                    |
| 5731697      | 16 - 4             | 5762320  | 46 - 4             | 5861747  | 28 - 16            |          |                    |
| 5740050      | 10 - 16            |          | 59 - REF           | 5862500  | 5 - 28             |          |                    |
| 5740086      | 22 - REF           | 5762383  | 53 - 22            | 5862918  | 68 - 3             |          |                    |
| 5740089      | 22 - 17            | 5762406  | 57 - 35            | 5862922  | 68 - 3             |          |                    |
| 5758705      | 61 - 2             |          | 58 - 42            | 5862923  | 68 - 3             |          |                    |
| 5758919      | 69 - 6             |          | 59 - 36            | 5862924  | 71 - 3             |          |                    |
| 5759903      | 29 - 61            | 5762407  | 26 - 31            | 5862925  | 68 - 3             |          |                    |
|              | 30 - 61            |          | 51 - 34            |          | 71 - 3             |          |                    |
| 5761710      | 46 - 5             | 5762474  | 57 - 45            | 5862926  | 71 - 3             |          |                    |
|              | 58 - REF           |          | 58 - 52            | 5922117  | 54 - 59            |          |                    |
| 5761904      | 58 - 78            | 5785126  | 11 -144            | 5922123  | 55 - 22            |          |                    |
| 5761907      | 58 - 79            |          | 25 - 6             |          |                    |          |                    |
|              | 58 - 81            |          | 33 -102            |          |                    |          |                    |
| 5761935      | 29 - 27            |          | 70 - REF           |          |                    |          |                    |
|              | 30 - 27            | 5785130  | 28 - 62            |          |                    |          |                    |
|              | 58 - 28            |          | 68 - 5             |          |                    |          |                    |
| 5761936      | 57 - 49            |          | 69 - 7             |          |                    |          |                    |
|              | 58 - 77            |          | 69A- 4             |          |                    |          |                    |
|              | 59 - 47            |          | 71 - 5             |          |                    |          |                    |

This form may be used to communicate your views about this publication. They will be sent to the author's department for whatever review and action, if any, is deemed appropriate. Comments may be written in your own language; use of English is not required.

IBM shall have the nonexclusive right, in its discretion, to use and distribute all submitted information, in any form, for any and all purposes, without obligation of any kind to the submitter. Your interest is appreciated.

*Note: Copies of IBM publications are not stocked at the location to which this form is addressed. Please direct any requests for copies of publications, or for assistance in using your IBM system, to your IBM representative or to the IBM branch office serving your locality.*

- Did you find the part you needed in the catalog?
- If you *did not* find the part in the catalog, how did you obtain the correct part number?
- What parts were you unable to find? (Include numbers if you were able to determine them by an alternate means.)
- If you *did* find the part you needed in the catalog, but had unusual difficulty locating it, please send us the part number and page number. Include a description of your difficulty if you wish.

**Your comments:**

*Note: Staples can cause problems with automated mail sorting equipment. Please use pressure sensitive or other gummed tape to seal this form. If you would like a reply, please supply your name and address on the reverse side of this form.*

Thank you for your cooperation. No postage stamp necessary if mailed in the U.S.A. (Elsewhere, an IBM office or representative will be happy to forward your comments.)

Reader's Comment Form

Cut or Fold Along Line

Fold and Tape

Please Do Not Staple

Fold and Tape

First Class  
Permit 10  
Endicott  
New York

**Business Reply Mail**  
No postage stamp necessary if mailed in the U.S.A.



Postage will be paid by:

International Business Machines Corporation  
Department K10  
P. O. Box 6  
Endicott, New York 13760

Fold

Fold

If you would like a reply, please print:

Your Name \_\_\_\_\_

Company Name \_\_\_\_\_ Department \_\_\_\_\_

Street Address \_\_\_\_\_

City \_\_\_\_\_

State \_\_\_\_\_ Zip Code \_\_\_\_\_

IBM Branch Office serving you \_\_\_\_\_



International Business Machines Corporation  
Data Processing Division  
1133 Westchester Avenue, White Plains, N. Y. 10604

IBM World Trade Americas/Far East Corporation  
Town of Mount Pleasant, Route 9, North Tarrytown, N. Y., U. S. A. 10591

IBM World Trade Europe/Middle East/Africa Corporation  
360 Hamilton Avenue, White Plains, N. Y., U. S. A. 10601

3145 Processing Unit (PC) Printed in U. S. A. S124-0129-2



# Technical Newsletter

This Newsletter No. SN24-0797  
 Date June 3, 1977  
 Base Publication No. S124-0129-1, -2  
 Unit 3145 Processing Unit  
 Previous Newsletters SN24-0701 (-1 only)



## IBM 3145 Processing Unit Parts Catalog

© IBM Corp. 1971, 1973

This Technical Newsletter provides replacement pages for the subject publication. Pages to be inserted and/or removed are:

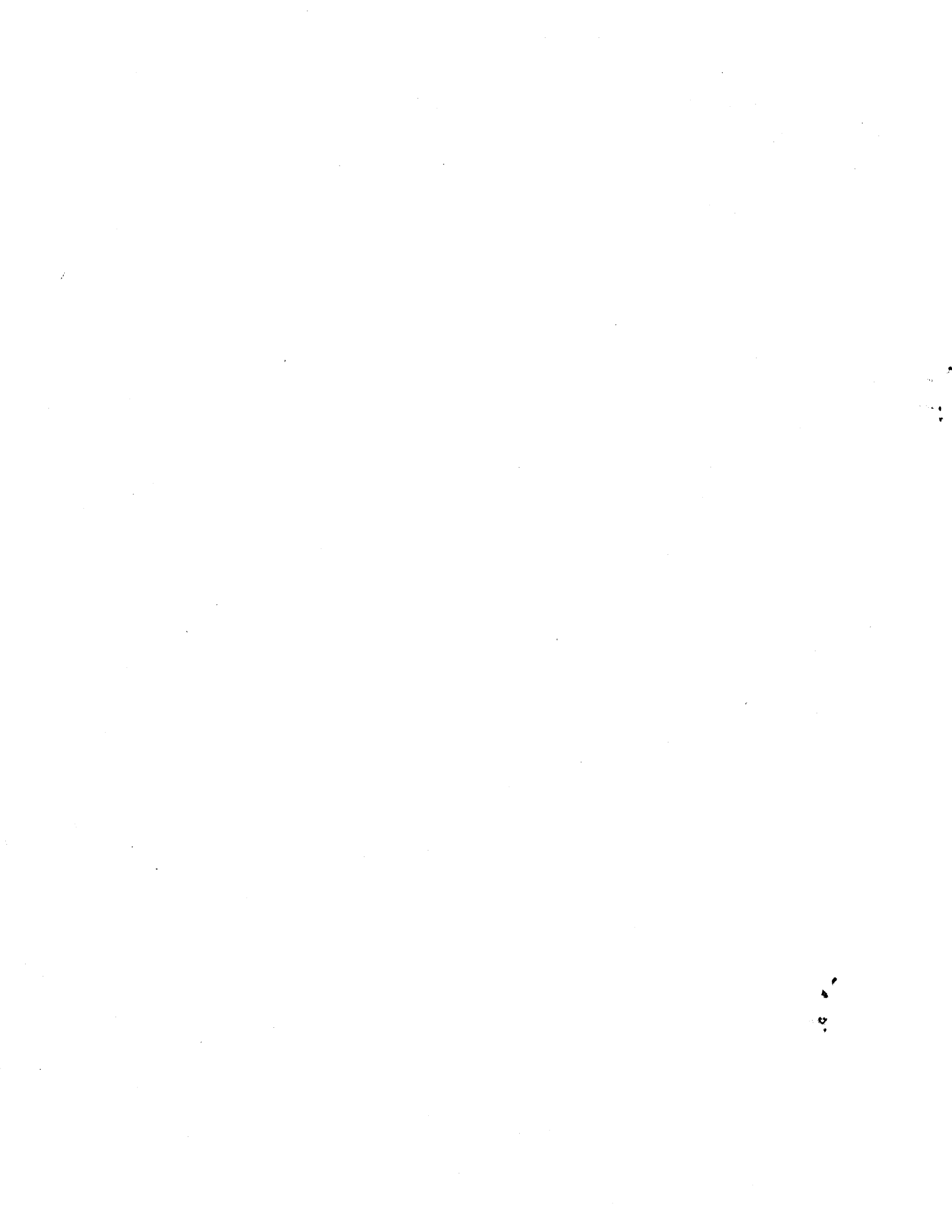
|                        |             |
|------------------------|-------------|
| <del>iii, iv</del>     | 83, 84      |
| <del>xi to xviii</del> | 111, 112    |
| <del>xxxi, blank</del> | 125 to 130  |
| <del>27, 28</del>      | 133, 134    |
| <del>31 to 34</del>    | 145 to 150  |
| <del>37 to 48</del>    | 163, 164    |
| <del>59 to 64</del>    | 184A to 186 |
| <del>67 to 72</del>    | 191 to 198B |
| <del>77 to 80</del>    | X-1 to X-20 |

### Summary of Amendment

Includes 3145-3 plus corrected part numbers.

*Note: Please file this cover letter at the back of the manual to provide a record of changes.*





3145

3145

Fold

Cut

S124-0129-2

3145 Processing Unit (PC) Printed in U.S.A. S124-0129-2

**IBM**

**International Business Machines Corporation**  
**Data Processing Division**  
1133 Westchester Avenue, White Plains, New York 10604  
(U.S.A. only)

**IBM World Trade Corporation**  
821 United Nations Plaza, New York, New York 10017  
(International)