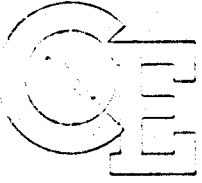


Diagnostic Engineering Publication

1410/7010

Volume 3.01



IBM POUGHKEEPSIE  
December 3, 1963

## Diagnostic Engineering Publication

1410/7010

Subject: Diagnostic Program ST02B - 1410/7010 System Test  
40K Multi-Channel - Overlap and Priority  
Sequence Number 151  
Replaces ST02A

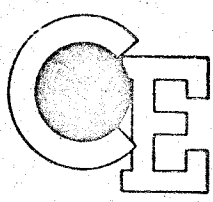
This program obsoletes and replaces ST02A.

This program requires system and four channel control cards.  
These cards must be inserted prior to running.

System Control Card	ST02B	001
Channel One Control Card	ST02B	002
Channel Two Control Card	ST02B	003
Channel Three Control Card	ST02B	004
Channel Four Control Card	ST02B	005

Enclosures: 195 Pages  
Card Deck for CARD ONLY SYSTEMS (as punched by UP51)  
8 Cards - Card Loader (1-7) and 1 Core Clear  
700 Cards No. 001 - 700 Data Cards  
1 Card Execute Card

Distribution: 1410  
7010  
Other 1410/7010 installations with 40K or greater and  
the Priority and Overlap Features.



IBM POUGHKEEPSIE

Diagnostic Engineering Publications

December 14, , 1964

1410/7010

Subject: Diagnostic Program ST02D - 1410/7010 System Test  
 40K Multi-Channel-Overlap and Priority  
 Sequence Number 151  
 Replaces ST02C

This program obsoletes and replaces ST02C.

This program requires system and four channel control cards.  
 These cards must be inserted prior to running.

System Control Card	ST02C	001
Channel One Control	ST02C	002
Channel Two Control Card	ST02C	003
Channel Three Control Card	ST02C	004
Channel Four Control Card	ST02C	005

Corrects errors in ST02C

Enclosures: 198 Pages  
 Card Deck for CARD ONLY SYSTEM (as punched by UP51)  
 8 Cards - Card Loader (1-7) and 1 Core Clear  
 700 Cards No. 001 - 700 Data Cards  
 1 Card Execute Card

Distribution: 1410  
7010

Other 1410/7010 installations with 40K or greater and Priority, Overlap Features

026

5702

ST020

1410/7010 SYSTEM TEST

40K-Multi-Channel  
Overlap and Priority  
12/14/64

This program will operate on any 1410 or 1410 with 1410 with 1411 accelerator feature (No. 1007), or 7010 systems with 40K memory and overlap and priority.

This program requires a system and 4 channel control cards containing the system configuration.

System Control Card	ST02001
Channel One Control Card	ST02002
Channel Two Control Card	ST02003
Channel Three Control Card	ST02004
Channel Four Control Card	ST02005

Do not use the console inquiry key during the operation of this program.

All Remote Inquiry Stations and all devices not tested by ST02 must be "OFF LINE" to avoid causing unsolicited interrupts and false error indications.

028

ST02 024

Page 002

**CONTENTS OF ST02**

<b>3.xx.00.0</b>	<b>Test Description</b>	<b>Page 003</b>
<b>3.xx.01.0</b>	<b>Loading Procedures</b>	<b>Page 004</b>
<b>3.xx.02.0</b>	<b>Operating Procedures</b>	<b>Page 005</b>
<b>3.xx.03.0</b>	<b>Operating Hints, Comments</b>	<b>Page 006</b>
<b>3.xx.04.0</b>	<b>Program Stops</b>	<b>Page 010</b>
<b>3.xx.05.0</b>	<b>Typeouts</b>	<b>Page 010</b>
<b>3.xx.06.0</b>	<b>Running Time</b>	<b>Page 010</b>
<b>3.xx.07.0</b>	<b>Comments</b>	<b>Page 010</b>
<b>3.xx.08.0</b>	<b>Flow Charts</b>	<b>Page 010</b>
	<b>Listing</b>	<b>Page 001</b>
	<b>Summary</b>	<b>Page 197</b>

- ST02

1410/7010 Multi-Channel System Test

3.xx.00.0 TEST DESCRIPTION

3.xx.00.1 MODIFICATIONS

An additional routine has been added in the file sections to Write HA 2 Addresses.  
Minor corrections were also made

3.xx.00.2 DESCRIPTION

This program was written as a system reliability test for the purpose of exercising all available I/O units on all available channels simultaneously in the overlap and priority interrupt mode. Though written for 7010, it is compatible with 1410 or 1410 accelerator with a minimum core storage of 40K and the overlap and priority features.

3.xx.00.3 EQUIPMENT

- 7010/1410 or 1410 with 1411 accelerator feature (No. - 1007).
- 40K memory (minimum size)
- 1415 console printer
- 1402 reader/punch
- 1442 serial card reader
- 1403 printer
- 729 and/or 7330 tape drives
- 7631/1301 files

3.xx.00.4 CARD DECK

- 7 - Load cards                   LIA - standard 7010 loader
- 1 - Core clear
- 700 - Program cards
- 1 - Execute                   (Branch to 2000)

3.xx.00.5 EC LEVEL OF MACHINE

Only applicable to 7631/1301 files. They must have EC's 251720 and 251726 installed for correct operation

3.xx.01.0 LOADING PROCEDURES

- A. Loading procedure from cards without load button on 7010/1410.
  - 1. Display Memory Location 00000.
  - 2. Alter to
    - vv v  
RL%1100011\$. If the card reader is on channel 1.
    - or XL%1100011\$. If the card reader is on channel 2.
  - 3. Set to run, press Computer Reset and Start.
  
- B. Loading procedure from cards with load button on 7010.
  - 1. Computer Reset
  - 2. Depress Load Button
  
- C. Loading Procedure from tapes without load button on 7010/1410.
  - 1. Display Memory Location 00000
  - 2. Alter to
    - vv v  
RL%B000011\$. If TU. 0 is on channel 1.
    - or XL%B000011\$. If TU. 0 is on channel 2.
    - or 3L%B000011\$. If TU. 0 is on channel 3.
    - or 1L%B000011\$. If TU. 0 is on channel 4.
  - 3. Set to Run, press Computer Reset and Start.



- D. Loading procedure from tapes with load button on 7010 (channel 1 only).
  - 1. Computer Reset
  - 2. Depress Load Button
- E. Refer to the Load Program write-up, and listings for specific details.

3.xx.02.0 OPERATING PROCEDURES

SYSTEM AND CHANNEL CONTROL CARDS

The system and the 4 channels control cards must contain the SYSTEM CONFIGURATION for correct program operation (see listing pages 3 to 7 ) for punching these cards, or the introductory material.

For Normal Operation no tads need be entered.

Make ready all units to be tested.

Use of standard tads is as follows:

NORMAL TADS

TAD 0	Loc 01000	<u>Not Used</u>
TAD 1	Loc 01001	<u>Not Used</u>
TAD 2	Loc 01002	<u>Not Used</u>
TAD 3	Loc 01003 Off 1	One pass of program
	On 1	Repeat program

No Special Tads Are Used

3.xx.03.0 OPERATING HINTS, COMMENTS

3.xx.03.1 The operation of the program is as follows: An I/O unit is started on each of the available channels, Priority Alert mode is turned on and a timing loop is entered waiting for the first unit to finish its overlapped operation and interrupt. When a unit finishes its overlapped operation, the timing loop is interrupted to an interrogation routine where the channel which caused the interrupt is determined.

The program then checks the I/O status indicators for the channel causing the interrupt, starts the next available unit on the channel and returns to the timing loop waiting for the next interrupt. When all available units on a channel have been tested, a digit is set indicating channel finished. If the timing loop is not interrupted within ten seconds on a 7010 or twenty seconds on a 1410, the program will exit the timing loop and interrogate the channel finished digits. Should any of them be blank, a unit on that channel failed to interrupt after the completion of an overlapped operation. At the completion of the test a summary typeout is given for each available channel.

3.xx.03.2 GENERAL

- a. If there were any errors on the channel
- b. If overlap failed to work
- c. If channel failed to interrupt
- d. Console Printer - Number of Data Check errors

3.xx.03.3 1402 Card Punch

- a. If not ready
- b. Number of Data Checks
- c. Number of wrong length records
- d. Number of hole count checks

3.xx.03.4 1403 Printer

- a. If not ready
- b. Number of Data Checks
- c. Number of wrong length records
- d. Number of condition errors
- e. If no buffer size and/or chain type set

**3.xx.03.5 1402 Card Reader**

- a. If not ready
- b. Number of Data Checks
- c. Number of wrong length records
- d. Number of compare errors

**3.xx.03.6 729-7330 Tape Drives**

- a. Number of drives tested
- b. If gone not ready during test
- c. If end of file
- d. If any unequal read compares
- e. If any load mode failures
- f. If any tape mark read errors
- g. If any read data checks
- h. If any write data checks
- i. If any read wrong length records
- j. If any read condition errors
- k. If any write end of memory failures

**3.xx.03.7 7631/1301 Files**

- a. If gone not ready
- b. If busy
- c. If data checks occur
- d. If wrong length records
- e. If no transfer occurs
- f. If condition occurs
- g. If compare errors occur

Due to space limitations it is impossible to check all possible operations on all possible units, and therefore this program must be used as a reliability rather than as a diagnostic test.

**3.xx.03.8 The specific unit tests are as follows:****A. Console Printer**

- 1. Type 64 characters load mode
- 2. Type space
- 3. Type 64 characters move mode

**B. 1402 Card Punch**

1. Punch 80 cards with a ripple pattern of 80 columns in the standard collating sequence (by altering the contents of a counter, the number of cards punched can be increased to 9999).

**C. 1403 Printer**

1. Print 80 lines of 132 or 100 characters each (depending upon buffer size). The lines will be a rippled pattern either alpha-numeric or plain numeric depending upon the type of printer chain on the unit.

**D. 1402 Card Reader**

1. Read a ripple deck and compare the ripple with the programmed ripple used for the card punch.

Note: The ripple deck must be in the same sequence as the punched ripple deck.

**E. 729-7330 Tape Drives**

Note: All unit control operations are done unoverlapped with the exception of write tape mark.

1. Rewind all available drives
2. Write a tape mark
3. Backspace all available drives
4. Read tape mark even parity
5. Backspace all available drives
6. Read tape mark odd parity
7. Backspace all available drives
8. Skip and write 132 character record move mode even parity
9. Backspace all available drives
10. Read and compare record move mode even parity

ST02

Page 009

11. Backspace all available drives
12. Skip and write 100 character record move mode even parity.
13. Backspace all available drives
14. Read and compare record move mode even parity. Check for wrong length record indication.
15. Backspace all available drives
16. Skip and write 132 character record load mode even parity.
17. Backspace all available drives
18. Read and compare record load mode even parity
19. Backspace all available drives
20. Skip and write 132 character record load mode odd parity
21. Backspace all available drives
22. Read and compare record load mode odd parity
23. Backspace all available drives
24. Skip and write 132 character record move mode odd parity.
25. Backspace all available drives
26. Read and compare record move mode odd parity
27. Backspace all available drives

\* If machine is 7010, the following write end of memory test is performed. If machine is 1410 or 1410I, they are omitted.

28. Skip and write end of memory move mode odd parity. Check last address
29. Skip and write 132 character record move mode even parity with a radical as the second character.
30. Backspace all available drives
31. Read record move mode even parity and check that tape mark did not indicate.

**F. 7631/1301 Files**

1. Random seek
2. Seek test
3. Seek to 9#00 (CE cylinder)

012

ST02

Page 010

4. Write format
5. Write
6. Random seek
7. Seek test
8. Seek to 9#00 (CE cylinder)
9. Read

3.xx.04.0 PROGRAM STOPS

3.xx.04.1 NORMAL HALTS

None

3.xx.04.2 ERROR HALTS

Consult the Listing

3.xx.04.3 RESTARTS

A restart address (Branch -2000) is moved to location 00001.

3.xx.05.0 TYPEOUTS

ST02

The above typeout occurs only upon initial program loading.

The summary typeouts are self-explanatory.

3.xx.06.0 RUNNING TIME

7010-2channels-reader, punch, printer and 2-729 tape drives on each channel.

Approximately 4 minutes.

3.xx.07.0 COMMENTS

CLEAN ALL TAPE DRIVES BEFORE RUNNING THIS PROGRAM.

**3.xx.07.0 COMMENTS (continued)****3.xx.07.1 7631/1301**

The switches on the 7631/1301 must be set as follows:

7631	HA0 - ON
7631	Write Inhibit - OFF
7631	CE HA0 - OFF
1301	WR Format - ON

**3.xx.07.2 PRIORITY**

The priority switches on the console should not be turned on during this program.

**3.xx.07.3 I/O STOP ON ERROR SWITCHES**

All I/O stop on error switches must be OFF.

**3.xx.07.4 1442 Serial Card reader**

If your system has only a 1442 card reader a test deck may be ordered.

**3.xx.07.5 7631/1301 - Set INOP**

After 3 solid errors a routine will set the Module Inoperative. The summary typeout will indicate the errors that occurred.

**3.xx.07.6 1301 ADDRESSES**

This Program assumes the HA2 address at 9 # 00 to be 88

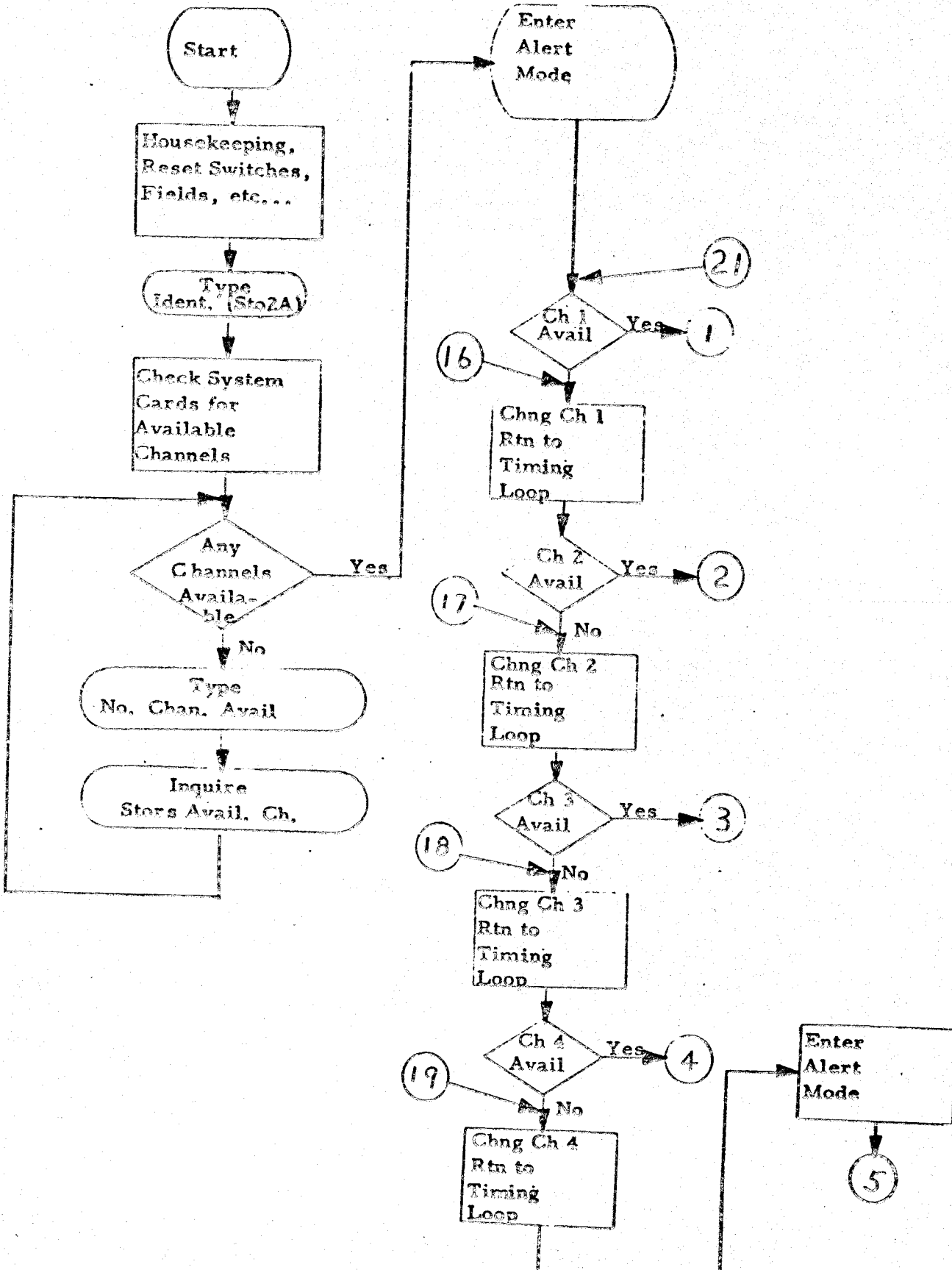
**3.xx.07.7 Console Inquiry**

The console inquiry must not be used during the running of this test as this may cause false error indications.

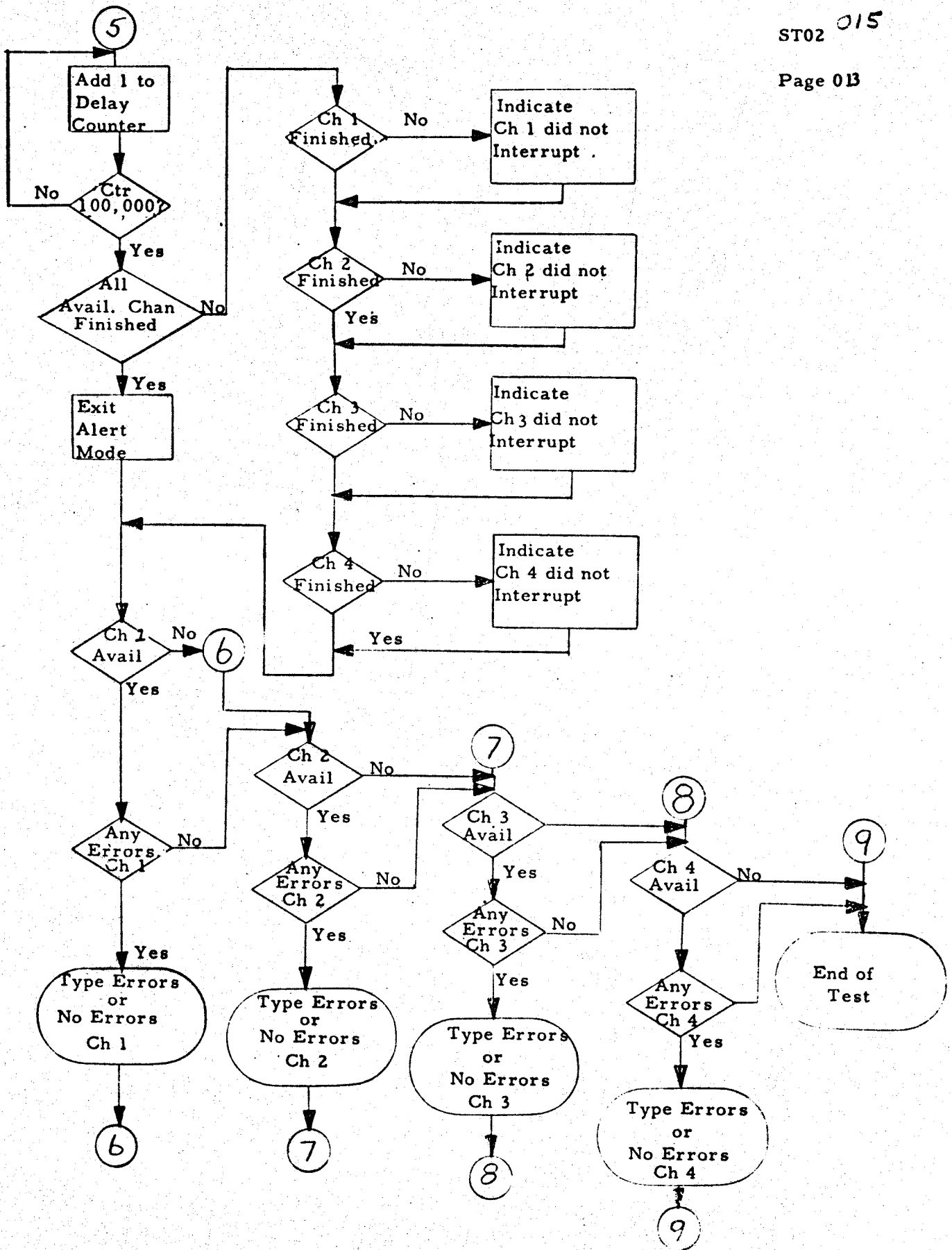
**3.xx.08.7 All Remote Inquiry Stations and all Devices not tested by ST02 must be "Off Line" to avoid causing unsolicited interrupts and false error indications.**

FOUR CHANNEL INTERCONNECTION

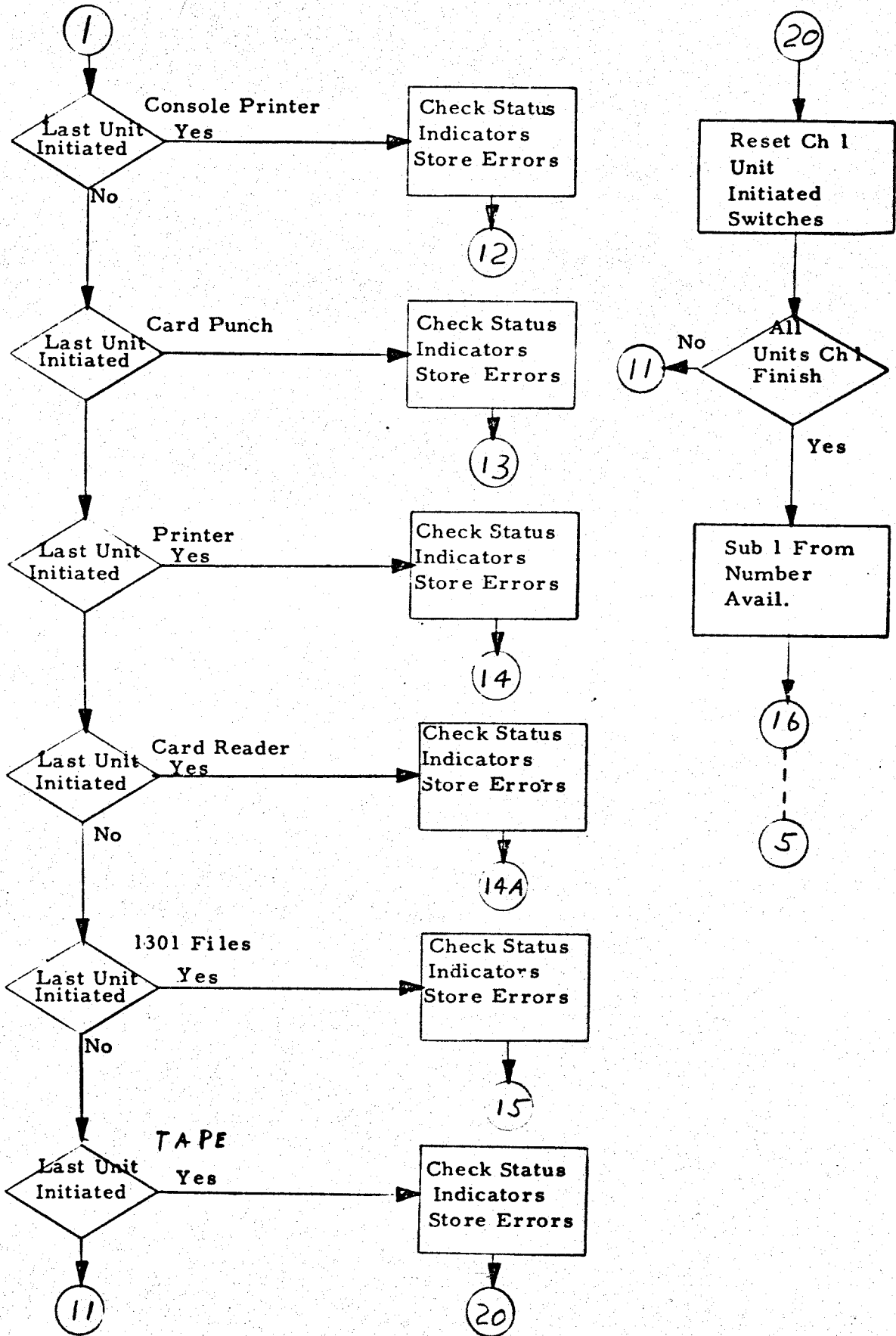
3.xx.08.0

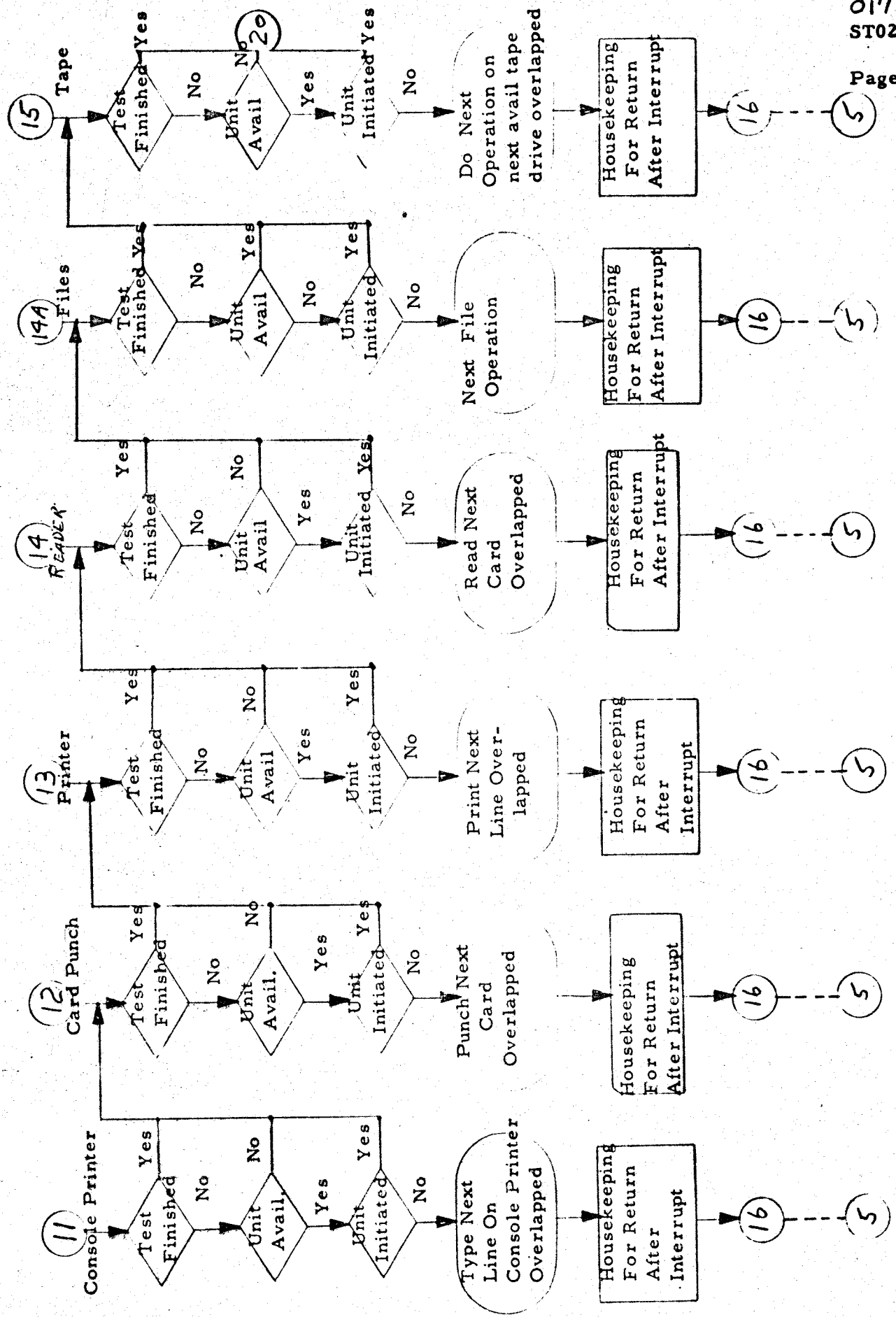




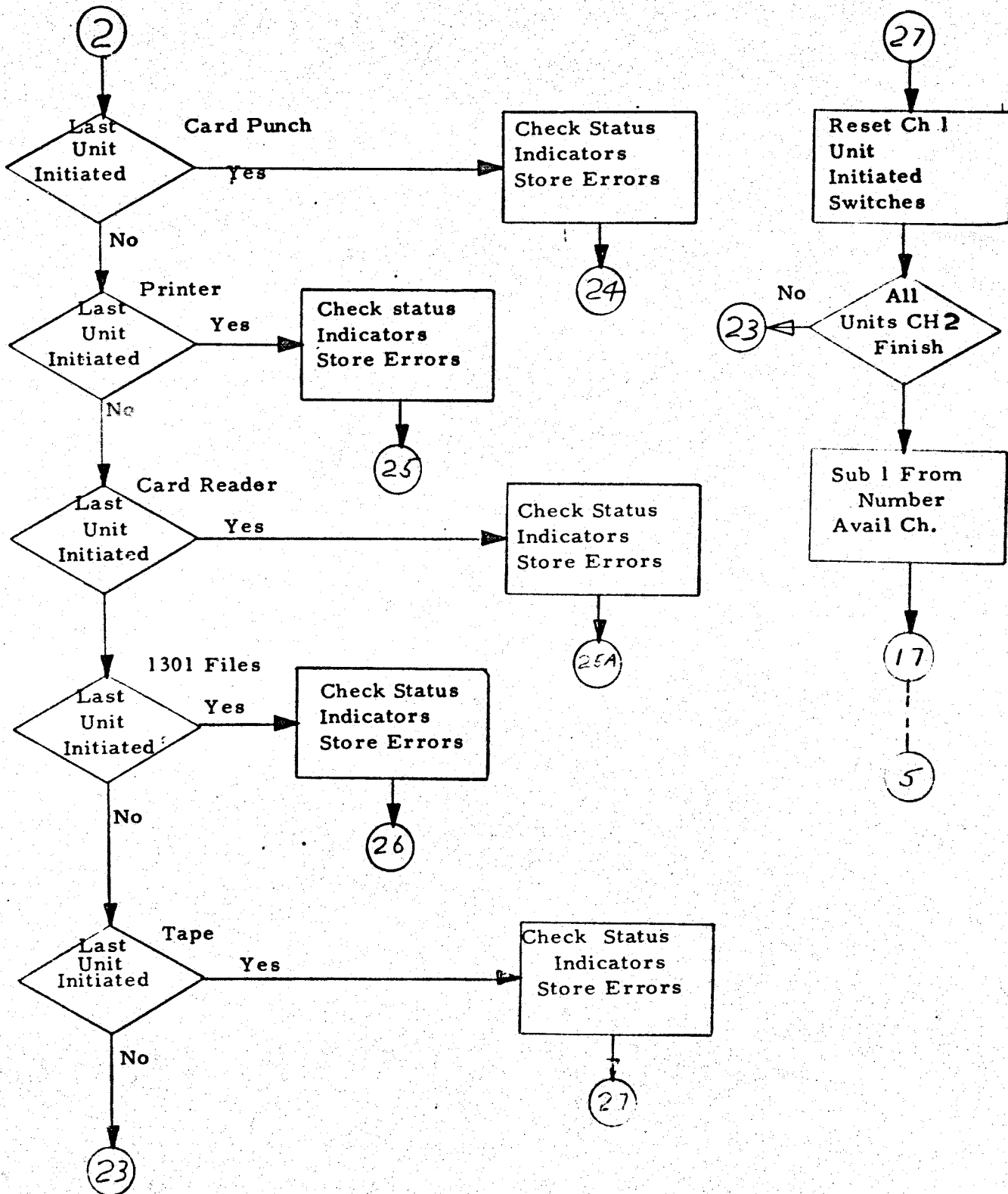


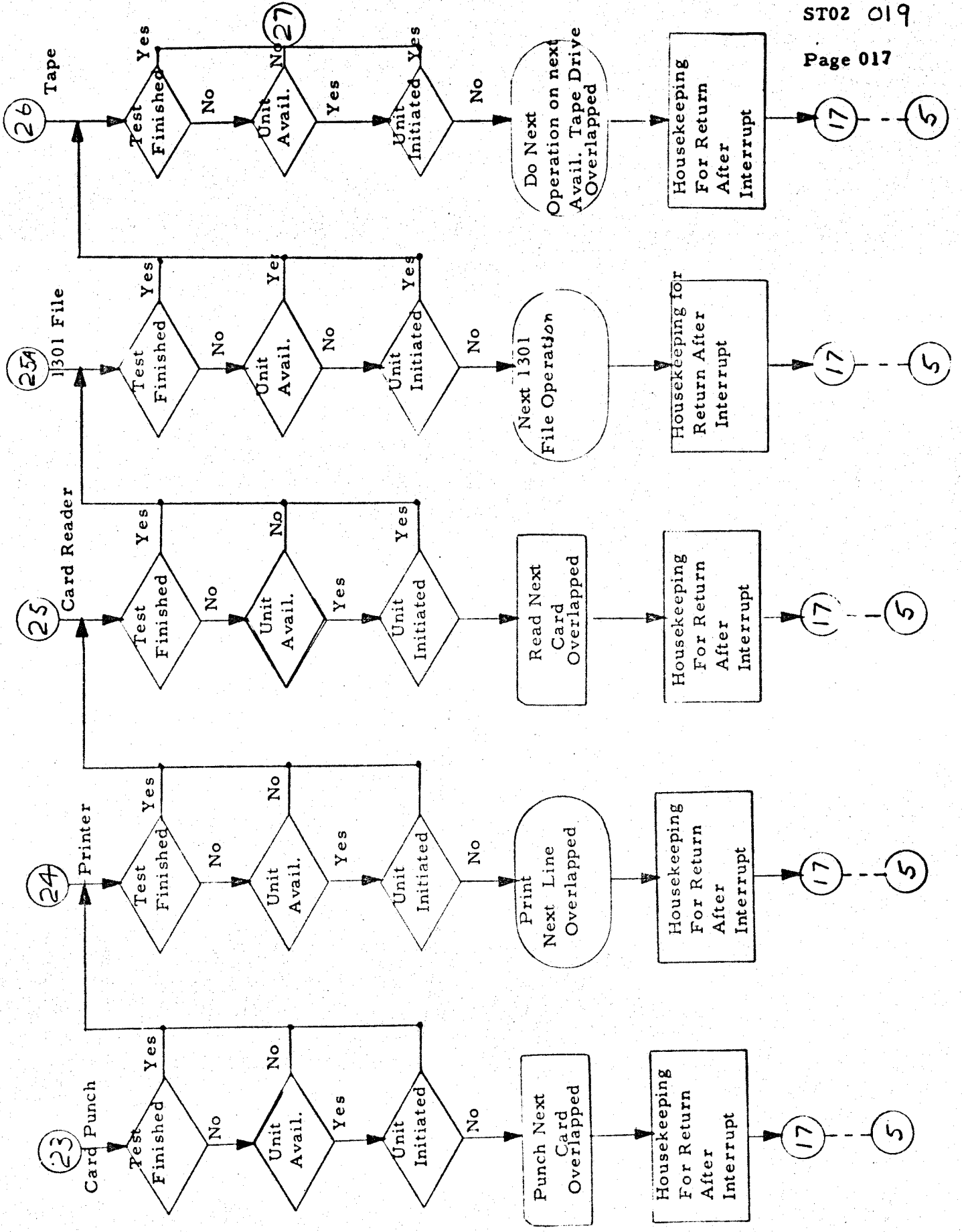
CHANNEL 1 INTERROGATION



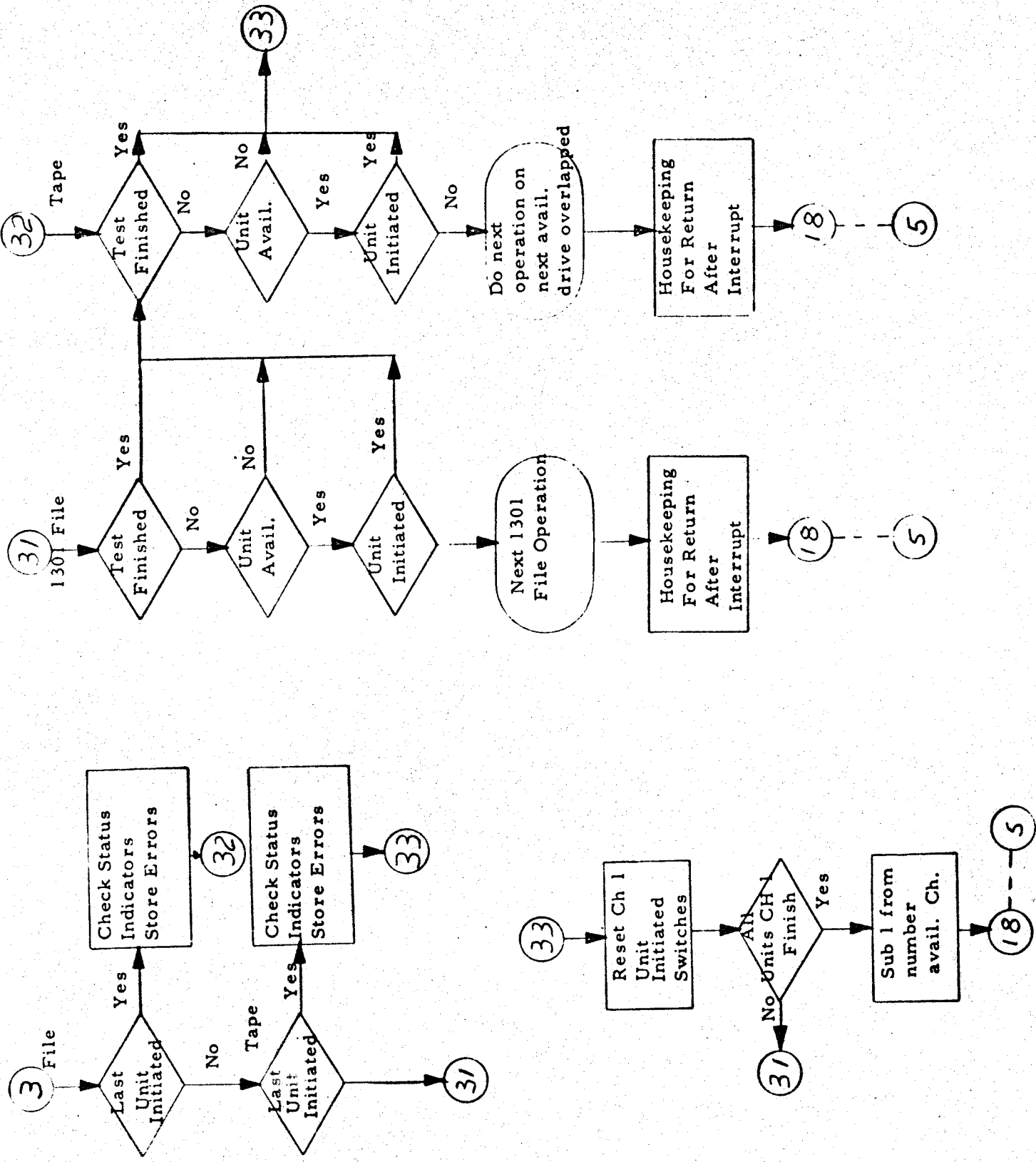


CHANNEL 2 INTERROGATION

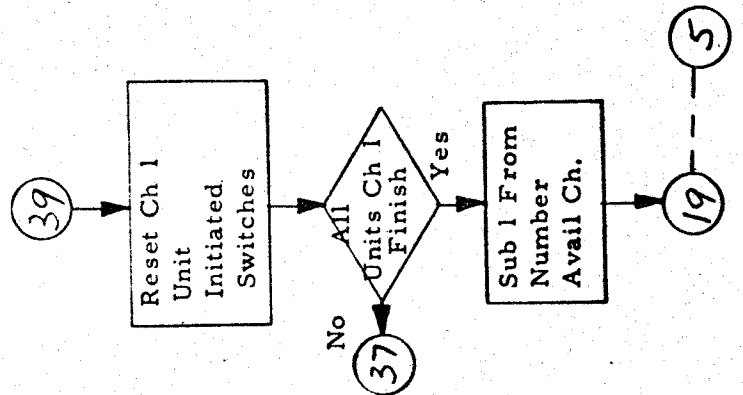
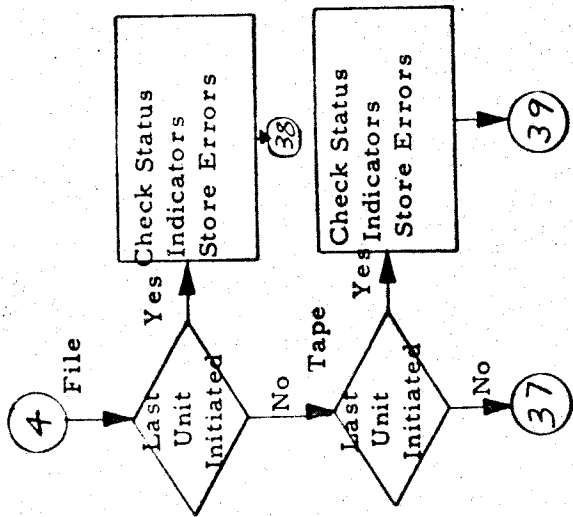
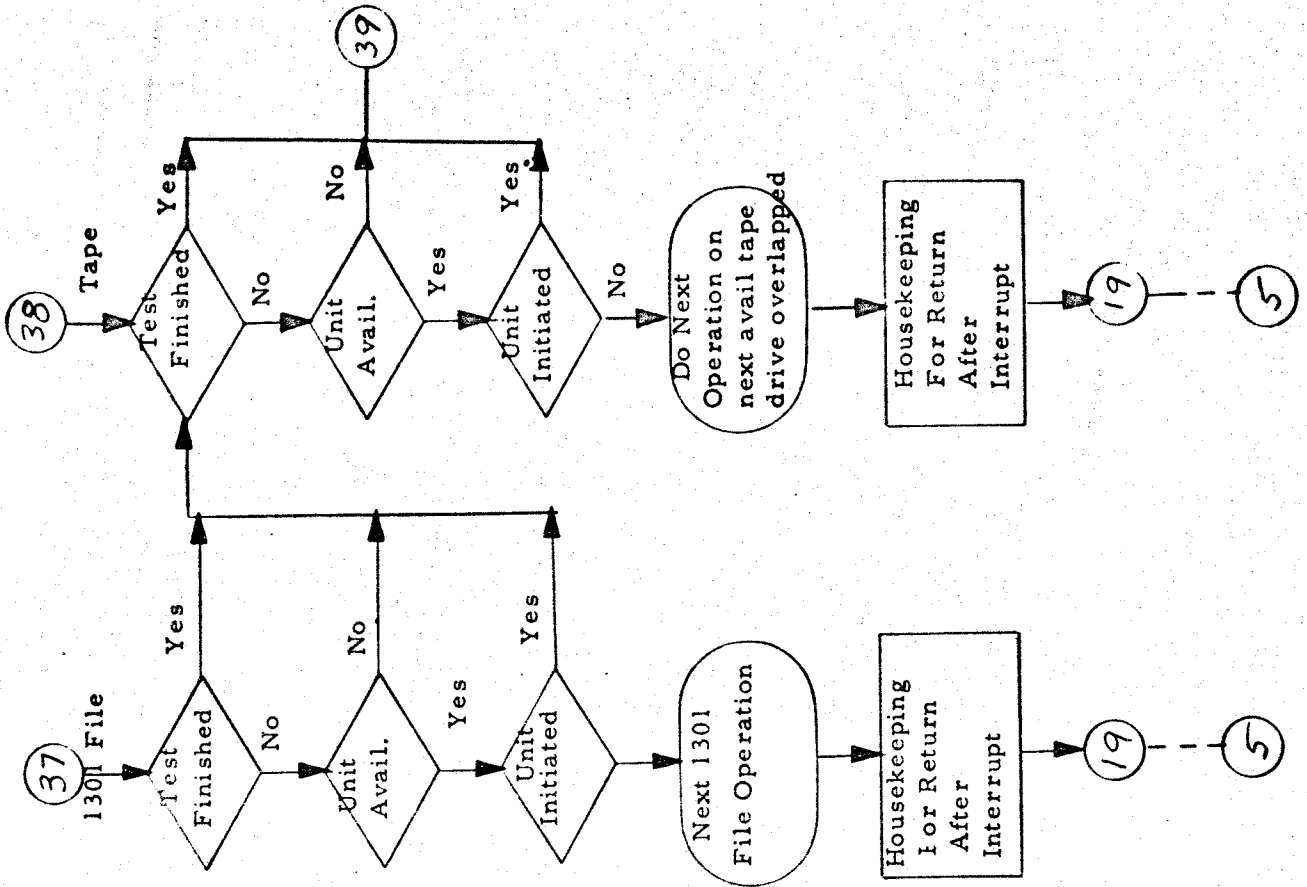




CHANNEL 3 INTERROGATION



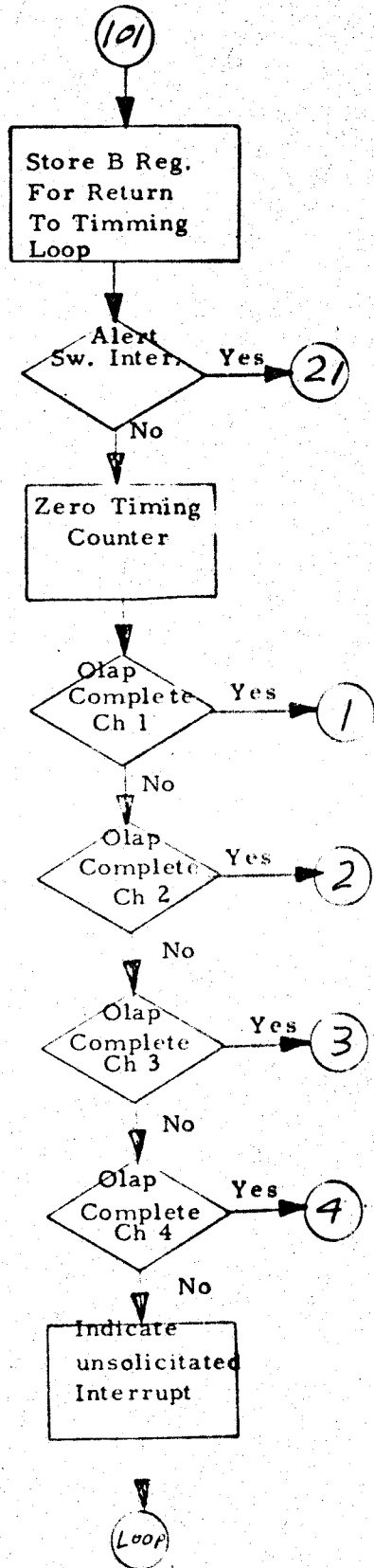
CHANNEL 4 INTERROGATION



PRIORITY INTERRUPT ROUTINE

022  
ST02

Page 020





1410/7010-40K- OVERLAP-PRIORITY-SYSTEM TEST

STOZ  
INSTRUCTION

CT ADDR

PGLIN LABEL

PGLIN	LABEL	OPCODE	OPERAND	CT	ADDR	INSTRUCTION
1002	CTL	5				
1003	LOAD					
1004	LINES	37				
1005	ORG	1000			01000	
1006	*****					
1007	*STANDARD XTADS					
1008	*****					
1009	*		NOT 1			
1010	TADO	0 0	NOT USED	1	01000	
1011	TAD1	0 0	NOT USED	1	01001	
1012	TAD2	0 0	NOT USED	1	01002	
1013	TAD3	0 0	SINGLE PROGRAM PASS REPEAT PROGRAM	1	01003	
1014	DC	0Ma		1	01004	
1015	*****					
1016	* PROGRAM ALTER ROUTINE					
1017	*****					
1018	ORG	1005			01005	
1019	ITR	SBR	ITREXT65	7	01005	G 01072 B
1020	ITR1	RCP	ITR204	10	01012	M 01047 R
1021		BEX1	ITR1.M	7	01022	R 01012 M
1022		BNT1	ITREXT	7	01029	R 01067 B
1023		BAL	ITR2	7	01036	R 01043 M
1024	ITR2	RCPW	0	10	01043	L 01000 R
1025		BEX1	ITR2.M	7	01053	R 01043 M
1026		BAL	*01	7	01060	R 01067 M
1027	ITREXT	B	0	7	01067	J 00000
1028	*****					
1029	* STANDARD TYPE ROUTINE 1.					
1030	*****					
1031	TYPI	SBR	PRT205	7	01074	G 01093 B
1032		SBR	PRT308	7	01081	G 01167 B
1033	PRT2	SCNRG	0,0	12	01088	D 00000 00000 Q
1034		SAR	PRT405	7	01100	G 01196 A
1035		CW	IMPE1	6	01107	0 01184
1036		DCW	@N0000000000000	12	01124	
1037		BOL1	*-6	7	01125	J 01125 I
1038		BOPR1	*08	7	01132	Y 01146 I

1410/7010-40K- OVERLAP-PRIORITY-SYSTEM TEST

PGLIN	LABEL	OFCOD	OPERAND	CT	ADDRS	INSTRUCTION
1039		B	*E7	7	01139	J 01152
1040		SW	IMPGI	6	01140	R 01184 G
1041		BAL	*C1	7	01152	R 01159 H
1042	FRT3	WCP	Q	10	01159	M X10 00000 V
1043		BCB1	PR13	7	01169	R 01159 Z
1044		BAL	*C1	7	01176	R 01183 K
1045	INF	NCPWM		1	01183	N
1046		E	TC11U1	7	01184	J 03100
1047	FRT4	E	C	7	01191	J 00000
1048						
1049						
1050						
1051	F1UP	SBE	PIRN	7	01198	G 35082 B
1052		B	PIR	7	01205	J 30569
1053		N		1	01212	.
1054		DCM	*G2	1	01213	.
1055	NEX1	ECU	400			
1056						
1057						
1058						
1059		ORG	1233		01233	
1060		DCM	201111071001V3T9	17	01249	
1061						
1062						
1063						
1064		ORG	1250		01250	
1065		DCM	251022	6	01250	
1066		SUFFIX	DC	1	01254	

TYPE MESSAGE  
BRANCH ON BUSY  
RESET INTERLOCK

RETURN TO PROGRAM

\* PRIORITY INTERRUPT- MOVED TO 101

DEFINE PREVIOUS INST

EQUATE LOAD PROGRAM TO ADDR 400

DEFINE CONTROL CARDS

\* TEST NUMBER AND SUFFIX

ST02 INSTRUCTION

1410/7010-40K- OVERLAP-PRIORITY-SYSTEM TEST

CT ADDR

INSTRUCTION

OPCOD OPERAND

LABEL

PGLIN

PGLIN	LABEL	OPCOD	OPERAND	CHARACTER & PURPOSE	COL	CT	ADDR	INSTRUCTION
1068	*****			*****				
1069	* STANDARD SYSTEM CONTROL CARD			*				
1070	*****			*****				
1071		ORG	1256	CHARACTER & PURPOSE	COL			
1072	SYS1	DC	@ @	ALPHA U,I,X - 1410,1410ACC,7010	13	1	01256	
1073		£1 DC	@ @	0,1,3,5,7,9-10,20,40,60,80,100K	14	1	01257	
1074		£2 DC	@ @	SPARE	15	1	01258	
1075		£3 DC	@ @	1,2-CHNL1 100,132 CHAR PRINTER	16	1	01259	
1076		£4 DC	@ @	1,2-CHNL2 100,132 CHAR PRINTER	17	1	01260	
1077		£5 DC	@ @	1 - EUROPEAN EDIT	18	1	01261	
1078		£6 DC	@ @	SPARE	19	1	01262	
1079		£7 DC	@ @	1 - OVERLAP	20	1	01263	
1080		£8 DC	@ @	1 - PRIORITY ALERT	21	1	01264	
1081		£11 DC	@ @	SPARES	22-24	3	01267	
1082		£12 DC	@ @	1 - CHANNEL ONE PRESENT	25	1	01268	
1083		£13 DC	@ @	1 - CHANNEL TWO PRESENT	26	1	01269	
1084		£14 DC	@ @	1 - CHANNEL THREE PRESENT	27	1	01270	
1085		£15 DC	@ @	1 - CHANNEL FOUR PRESENT	28	1	01271	
1086		£17 DC	@ @	SPARES	29-30	2	01273	
1087		£18 DC	@ @	1 - 1401 COMPATIBILITY	31	1	01274	
1088		£19 DC	@ @	1 - TIMER INTERRUPT	32	1	01275	
1089		£20 DC	@ @	1 - REAL TIME CLOCK	33	1	01276	
1090		£21 DC	@ @	1 - RELOCATE AND PROTECT	34	1	01277	
1091		£22 DC	@ @	1 - FLOATING POINT ARITHMETIC	35	1	01278	
1092		£31 DC	@ @	SPARES	36-44	9	01287	
1093		£32 DC	@ @	SPARES	45	1	01288	

1410/7010-40K- OVERLAP-PRIORITY-SYSTEM TEST

ST02 INSTRUCTION

PGLIN	LABEL	OPCOD	OPERAND	CT	ADDRS	INSTRUCTION
1095			*****			
1096			* STANDARD CHANNEL 1 CONTROL CARD.			
1097			*****			
1098	CHN1	ORG	1289 CHARACTER & PURPOSE			COL
1099		DC	a a 1 - PAPER TAPE READER	1	01289	13
1100		E1 DC	a a 1 - CONSOLE PRINTER	1	01290	14
1101		E2 DC	a a 1 - TAPES 729/7330	1	01291	15
1102		E11 DC	a a SPARES 16-24	9	01300	
1103		E12 DC	a a K,S,C - 1402,1442,7223 READER	1	01301	25
1104		E13 DC	a a B - READER COLUMN BINARY FEAT.	1	01302	26
1105		E14 DC	a a P - 1402 PUNCH	1	01303	27
1106		E15 DC	a a B - PUNCH COLUMN BINARY FEAT.	1	01304	28
1107		E16 DC	a a P - 1403 PRINTER	1	01305	29
1108		E17 DC	a a A,N - ALPHA,NUMERIC PRINT CHAIN	1	01306	30
1109		E18 DC	a a 1,2 - 100,132 CHAR PRINT BUFFER	1	01307	31
1110		E19 DC	a a F - 1301 FILE	1	01308	32
1111		E20 DC	a a 1 THRU 0 - 1 THRU 10 FILE MODULE	1	01309	33
1112		E21 DC	a a 1 THRU 0 - 1 THRU 10 ACCESSES	1	01310	34
1113		E22 DC	a a R - 1311 IMPAC	1	01311	35
1114		E23 DC	a a 1 THRU 5 - 1 THRU 5 IMPAC MODULE	1	01312	36
1115		E24 DC	a a 1 - SEEK OVERLAP FEATURE	1	01313	37
1116		E25 DC	a a 1 - SCAN FEATURE	1	01314	38
1117		E26 DC	a a 1 - TRACK RECORD FEATURE	1	01315	39
1118		E27 DC	a a F - 1405 FILE	1	01316	40
1119		E28 DC	a a 1,2,3 - 1,2,3 ARMS IN MODULE	1	01317	0 41
1120		E29 DC	a a 1,2,3 - 1,2,3 ARMS IN MODULE	1	01318	1 42
1121		E30 DC	a a 1,2,3 - 1,2,3 ARMS IN MODULE	1	01319	2 43
1122		E31 DC	a a 1,2,3 - 1,2,3 ARMS IN MODULE	1	01320	3 44
1123		E32 DC	a a 1,2,3 - 1,2,3 ARMS IN MODULE	1	01321	4 45
1124		E33 DC	a a 1 - 7750 ON THIS CHANNEL	1	01322	46
1125		E34 DC	a a 1 - 7740 ON THIS CHANNEL	1	01323	47
1126		E35 DC	a a 1 - 1440/1460 ON THIS CHANNEL	1	01324	48
1127		E36 DC	a a 1 - CHAN HAS CHANNEL EXTENDER	1	01325	49
1128		E37 DC	a a L - LOW SPEED HYPER TAPE	1	01326	50
1129		E38 DC	a a 1,2,3-1050-1,2,OR BOTH ADAPTERS	1	01327	51
1130		E55 DC	a a SPARES 52-68	17	01344	
1131		E56 DC	a+a	1	01345	69

1410/7010-40K- OVERLAP-PRIORITY-SYSTEM TEST

PGLIN	LABEL	OPCOD	OPERAND	CT	ADDRS	INSTRUCTION
1132	*****					
1133	* STANDARD CHANNEL 2 CONTROL CARD.					
1134	*****					
1135	CHN2	ORG	1346 CHARACTER & PURPOSE		01346	
1136		DC	a a 1 - PAPER TAPE READER	1	01346	
1137		£1 DC	a a 1 - CONSOLE PRINTER	1	01347	
1138		£2 DC	a a 1 - TAPES 729/7330	1	01348	
1139		£11 DC	a a SPARES 16-24	9	01357	
1140		£12 DC	a a R,S,C - 1402,1442,7223 READER	1	01358	
1141		£13 DC	a a B - READER COLUMN BINARY FEAT.	1	01359	
1142		£14 DC	a a P - 1402 PUNCH	1	01360	
1143		£15 DC	a a B - PUNCH COLUMN BINARY FEAT.	1	01361	
1144		£16 DC	a a P - 1403 PRINTER	1	01362	
1145		£17 DC	a a A,N - ALPHA,NUMERIC PRINT CHAIN 30	1	01363	
1146		£18 DC	a a 1,2 - 100,132 CHAR PRINT BUFFER 31	1	01364	
1147		£19 DC	a a F - 1301 FILE	1	01365	
1148		£20 DC	a a 1 THRU 0 - 1 THRU 10 FILE MODULE33	1	01366	
1149		£21 DC	a a 1 THRU 0 - 1 THRU 10 ACCESSES	1	01367	
1150		£22 DC	a a R - 1311 IMPAC	1	01368	
1151		£23 DC	a a 1 THRU 5 - 1 THRU 5 IMPAC MODULE36	1	01369	
1152		£24 DC	a a 1 - SEEK OVERLAP FEATURE	1	01370	
1153		£25 DC	a a 1 - SCAN FEATURE	1	01371	
1154		£26 DC	a a 1 - TRACK RECORD FEATURE	1	01372	
1155		£27 DC	a a F - 1405 FILE	1	01373	
1156		£28 DC	a a 1,2,3 - 1,2,3 ARMS IN MODULE 0	1	01374	
1157		£29 DC	a a 1,2,3 - 1,2,3 ARMS IN MODULE 1	1	01375	
1158		£30 DC	a a 1,2,3 - 1,2,3 ARMS IN MODULE 2	1	01376	
1159		£31 DC	a a 1,2,3 - 1,2,3 ARMS IN MODULE 3	1	01377	
1160		£32 DC	a a 1,2,3 - 1,2,3 ARMS IN MODULE 4	1	01378	
1161		£33 DC	a a 1 - 7750 ON THIS CHANNEL	1	01379	
1162		£34 DC	a a 1 - 7740 ON THIS CHANNEL	1	01380	
1163		£35 DC	a a 1 - 1440/1460 ON THIS CHANNEL	1	01381	
1164		£36 DC	a a 1 - CHAN HAS CHANNEL EXTENDER	1	01382	
1165		£37 DC	a a L - LOW SPEED HYPER TAPE	1	01383	
1166		£38 DC	a a 1,2,3-1050-1,2,OR BOTH ADAPTERS 51	1	01384	
1167		£55 DC	a a SPARES 52-68	17	01401	
1168		£56 DC	a+a	1	01402	

1410/7010-40K- OVERLAP-PRIORITY-SYSTEM TEST

CT ADDRS INSTRUCTION

PGLIN LABEL OPCOD OPERAND

PGLIN	LABEL	OPCOD	OPERAND	CHARACTER & PURPOSE	COL	CT	ADDRS	INSTRUCTION
1169				*****				
1170				* STANDARD CHANNEL 3 CONTROL CARD.				
1171				*****				
1172	CHN3	DC	1403	CHARACTER & PURPOSE			01403	
1173		DC	a a	1 - PAPER TAPE READER	13	1	01403	
1174		DC	a a	1 - CONSOLE PRINTER	14	1	01404	
1175		DC	a a	1 - TAPES 729/7330	15	1	01405	
1176		DC	a	a SPARES 16-24	24	9	01414	
1177		DC	a a	R,S,C - 1402,1442,7223 READER	25	1	01415	
1178		DC	a a	B - READER COLUMN BINARY FEAT.	26	1	01416	
1179		DC	a a	P - 1402 PUNCH	27	1	01417	
1180		DC	a a	B - PUNCH COLUMN BINARY FEAT.	28	1	01418	
1181		DC	a a	P - 1403 PRINTER	29	1	01419	
1182		DC	a a	A,N - ALPHA,NUMERIC PRINT CHAIN	30	1	01420	
1183		DC	a a	1,2 - 100,132 CHAR PRINT BUFFER	31	1	01421	
1184		DC	a a	F - 1301 FILE	32	1	01422	
1185		DC	a a	1 THRU 0 - 1 THRU 10 FILE MODULE	33	1	01423	
1186		DC	a a	1 THRU 0 - 1 THRU 10 ACCESSES	34	1	01424	
1187		DC	a a	R - 1311 IMPAC	35	1	01425	
1188		DC	a a	1 THRU 5 - 1 THRU 5 IMPAC MODULE	36	1	01426	
1189		DC	a a	1 - SEEK OVERLAP FEATURE	37	1	01427	
1190		DC	a a	1 - SCAN FEATURE	38	1	01428	
1191		DC	a a	1 - TRACK RECORD FEATURE	39	1	01429	
1192		DC	a a	F - 1405 FILE	40	1	01430	
1193		DC	a a	1,2,3 - 1,2,3 ARMS IN MODULE 0	41	1	01431	
1194		DC	a a	1,2,3 - 1,2,3 ARMS IN MODULE 1	42	1	01432	
1195		DC	a a	1,2,3 - 1,2,3 ARMS IN MODULE 2	43	1	01433	
1196		DC	a a	1,2,3 - 1,2,3 ARMS IN MODULE 3	44	1	01434	
1197		DC	a a	1,2,3 - 1,2,3 ARMS IN MODULE 4	45	1	01435	
1198		DC	a a	1 - 7750 ON THIS CHANNEL	46	1	01436	
1199		DC	a a	1 - 7740 ON THIS CHANNEL	47	1	01437	
1200		DC	a a	1 - 1440/1460 ON THIS CHANNEL	48	1	01438	
1201		DC	a a	1 - CHAN HAS CHANNEL EXTENDER	49	1	01439	
1202		DC	a a	L - LOW SPEED HYPER TAPE	50	1	01440	
1203		DC	a a	1,2,3-1050-1,2,OR BOTH ADAPTERS	51	1	01441	
1204		DC	a	a SPARES 52-68	68	17	01458	
1205		DC	a#a		69	1	01459	

1410/7010-40K- OVERLAP-PRIORITY-SYSTEM TEST

PGLIN	LABEL	OPCOD	OPERAND	CT	ADDRS	INSTRUCTION
1206	*****					
1207	* STANDARD CHANNEL 4 CONTROL CARD					
1208	*****					
1209	ORG	1460	CHARACTER & PURPOSE	COL		
1210	CHN4	DC	a a 1 - PAPER TAPE READER	13	01460	
1211		E1 DC	a a 1 - CONSOLE PRINTER	14	01461	
1212		E2 DC	a a 1 - TAPES 729/7330	15	01462	
1213		E11 DC	a a SPARES	16-24	01471	
1214		E12 DC	a a R,S,C - 1402,1442,7223 READER	25	01472	
1215		E13 DC	a a B - READER COLUMN BINARY FEAT.	26	01473	
1216		E14 DC	a a P - 1402 PUNCH	27	01474	
1217		E15 DC	a a B - PUNCH COLUMN BINARY FEAT.	28	01475	
1218		E16 DC	a a P - 1403 PRINTER	29	01476	
1219		E17 DC	a a A,N - ALPHA,NUMERIC PRINT CHAIN	30	01477	
1220		E18 DC	a a 1,2 - 100,132 CHAR PRINT BUFFER	31	01478	
1221		E19 DC	a a F - 1301 FILE	32	01479	
1222		E20 DC	a a 1 THRU 0 - 1 THRU 10 FILE MODULE	33	01480	
1223		E21 DC	a a 1 THRU 0 - 1 THRU 10 ACCESSES	34	01481	
1224		E22 DC	a a R - 1311 IMPAC	35	01482	
1225		E23 DC	a a 1 THRU 5 - 1 THRU 5 IMPAC MODULE	36	01483	
1226		E24 DC	a a 1 - SEEK OVERLAP FEATURE	37	01484	
1227		E25 DC	a a 1 - SCAN FEATURE	38	01485	
1228		E26 DC	a a 1 - TRACK RECORD FEATURE	39	01486	
1229		E27 DC	a a F - 1405 FILE	40	01487	
1230		E28 DC	a a 1,2,3 - 1,2,3 ARMS IN MODULE 0	41	01488	
1231		E29 DC	a a 1,2,3 - 1,2,3 ARMS IN MODULE 1	42	01489	
1232		E30 DC	a a 1,2,3 - 1,2,3 ARMS IN MODULE 2	43	01490	
1233		E31 DC	a a 1,2,3 - 1,2,3 ARMS IN MODULE 3	44	01491	
1234		E32 DC	a a 1,2,3 - 1,2,3 ARMS IN MODULE 4	45	01492	
1235		E33 DC	a a 1 - 7750 ON THIS CHANNEL	46	01493	
1236		E34 DC	a a 1 - 7740 ON THIS CHANNEL	47	01494	
1237		E35 DC	a a 1 - 1440/1460 ON THIS CHANNEL	48	01495	
1238		E36 DC	a a 1 - CHAN HAS CHANNEL EXTENDER	49	01496	
1239		E37 DC	a a L - LOW SPEED HYPER TAPE	50	01497	
1240		E38 DC	a a 1,2,3-1050-1,2,OR BOTH ADAPTERS	51	01498	
1241		E55 DC	a a SPARES	52-68	01515	
1242		E56 DC	a+a	69	01516	

1410/7010-40K- OVERLAP-PRIORITY-SYSTEM TEST

ST02 INSTRUCTION

PGLIN	LABEL	OPCODE	OPERAND	CT	ADDRS	INSTRUCTION
1243	*****					
1244	* CONSTANTS					
1245	*****					
1246	LCA	209999a	LAST CORE ADDRESS	5	01521	
1247	EDMAC1	a	END OF MEMORY WRITE ADDR CH1	5	01526	
1248	EDMAC2	a	END OF MEM WRITE ADDR CH2	5	01531	
1249	CHCK	a a		1	01532	
1250	NMODS	a a		1	01533	
1251	MODNUM	a a		1	01534	
1252	C1MCTR	a a		1	01535	
1253	C2MCTR	a a		1	01536	
1254	C3MCTR	a a		1	01537	
1255	C4MCTR	a a		1	01538	
1256	C1MADD	a a		1	01539	
1257	C2MADD	a a		1	01540	
1258	C3MADD	a a		1	01541	
1259	C4MADD	a a		1	01542	
1260	C1MDAV	a a		1	01543	
1261	C2MDAV	a a		1	01544	
1262	C3MDAV	a a		1	01545	
1263	C4MDAV	a a		1	01546	
1264	C1FECT	a a		1	01547	
1265	C2FECT	a a		1	01548	
1266	C3FECT	a a		1	01549	
1267	C4FECT	a a		1	01550	
1268	PCTR1	a a		1	01551	
1269	PCTR2	a a		1	01552	
1270	PCTR3	a a		1	01553	
1271	PCTR4	a a		1	01554	
1272	FACT	a1589a		4	01558	
1273	RNDADD	a7134a		4	01562	
1274	C1SINP	a a		1	01563	
1275	C2SINP	a a		1	01564	
1276	C3SINP	a a		1	01565	
1277	C4SINP	a a		1	01566	
1278	C1SCOM	a a		1	01567	
1279	C2SCOM	a a		1	01568	



1410/7010-40K- OVERLAP-PRIORITY-SYSTEM TEST

PGLIN	LABEL	OPCOD	OPERAND	CT	ADDRS	ST02 INSTRUCTION
1280	C3SCOM		a a	1	01569	
1281	C4SCOM		a a	1	01570	
1282	CEADD	DCW	a9#00a	4	01574	
1283	ANUM		FLD80	5	01579	35307
1284	C1STMR		a000000a	6	01585	
1285	C2STMR		a000000a	6	01591	
1286	C3STMR		a000000a	6	01597	
1287	C4STMR		a00000a	5	01602	
1288		DCW	FIERFDa90	5	01607	39490
1289	ENDT8L		a a	1	01608	
1290		DCW	FIERFDa90	5	01613	39490
1291		DC	a a	2	01615	
1292		DCW	FIERFDa80	5	01620	39480
1293		DC	a a	2	01622	
1294		DCW	FIERFDa70	5	01627	39470
1295		DC	a a	2	01629	
1296		DCW	FIERFDa60	5	01634	39460
1297		DC	a a	2	01636	
1298		DCW	FIERFDa50	5	01641	39450
1299		DC	a a	2	01643	
1300		DCW	FIERFDa40	5	01648	39440
1301		DC	a a	2	01650	
1302		DCW	FIERFDa30	5	01655	39430
1303		DC	a a	2	01657	
1304		DCW	FIERFDa20	5	01662	39420
1305		DC	a a	2	01664	
1306		DCW	FIERFDa10	5	01669	39410
1307		DC	a a	2	01671	
1308		DCW	FIERFD	5	01676	39400
1309	FERT8	DC	a a	2	01678	
1310	RDSK11	DCW	a a	1	01679	
1311	CESK11	DC	a a	1	01680	
1312	WRF5W1		a a	1	01681	
1313	WRSW1		a a	1	01682	
1314	RDSK12		a a	1	01683	
1315	CESK12		a a	1	01684	
1316	RDSW1		a a	1	01685	



1410/7010-40K- OVERLAP-PRIORITY-SYSTEM TEST

PGLIN	LABEL	OPCOD	OPERAND	CT	ADDRS	ST02	INSTRUCTION
1354	C26RN	DCW	C26RTN	5	01908	16225	
1355	C35RN	DCW	C35RTN	5	01913	19701	
1356	C36RN	DCW	C36RTN	5	01918	21649	
1357	C45RN	DCW	C45RTN	5	01923	25125	
1358	C46RN	DCW	C46RTN	5	01928	27073	
1359	PFLD	DCW	TESTING CHANNELS	32	01929		
1360		DC	TESTING CHANNELS	9	01969		
1361	PRCTR1	DCW	PRIORITY G	4	01974		
1362	PRCTR2	DCW	CHI PRINTER CYCLE COUNTER	4	01978		
1363	SAVE1	DCW	CH2 PRINT CYCLE CTR	5	01983		
1364	SAVE2	DCW	CH2 PRINT CYCLE CTR	5	01988		
1365	RSTAT	DCW	CH2 PRINT CYCLE CTR	7	01989		
1366		DCW	CH2 PRINT CYCLE CTR	1	01996		
1367		DCW	CH2 PRINT CYCLE CTR	1	01997		
1368	FILSTA	DCW	CH2 PRINT CYCLE CTR	2	01999		

1410/7010-40K- OVERLAP-PRIORITY-SYSTEM TEST

PGLIN	LABEL	OPCODE	OPERAND	CT	ADDR	INSTRUCTION
1370	*****				02000	
1371	* FOUR CHANNEL OVERLAP PRIORITY TEST			1	02000	N
1372	*****			7	02001	J 02080
1373	ORG 2000			6	02008	, 02001
1374	NOPWM			12	02014	D 01257 01517 1
1375	B A177			11	02026	A 39801 01521 D
1376	SW *-12			12	02037	D 01198 00101 L
1377	MLNS SYS1&1,LCA-4 MEM SIZE TO LST CORE ADR			7	02049	R 02056 M
1378	A &1,LCA ADD 1 TO LAST CORE ADDRESS			10	02056	M *10 01250 M
1379	MRCWG PIUP,101			7	02066	R 02056 M
1380	BA1 *&1			7	02073	J 01005 Q
1381	WCP NUMBR TYPE TEST NUMBER			12	02080	B 02099 01263 1
1382	BA1 *-16			7	02092	J 02111
1383	BNQ ITR			12	02099	B 02148 01264 1
1384	BCE A178,SYS1&7,1 DOES MACHINE HAVE OLAP			7	02111	J 01074
1385	B A179			22	02139	
1386	BCE A179&37,SYS1&8,1 PRIORITY AVAIL			6	02145	
1387	B TYPI			1	02147	.
1388	DCW @ OLAP AND PRIORITY NOT@			6	02148	/ 00099
1389	DC @ AVAIL@G			12	02154	D 01989 00001 L
1390	H					
1391	CS 99					
1392	MRCWG RSTAT,1					

1410/7010-40K- OVERLAP-PRIORITY-SYSTEM TEST

PGLIN	LABEL	OPCOD	OPERAND	CT	ADDRS	INSTRUCTION
1394		SH	X15-4	6	02166	00095
1395		ZA	306,X15	11	02172	M 39802 00099
1396		MLCWS	TPCUT1,C4MCAV	12	02183	D 35240 01546 7
1400		MLCWS	TPOUT1	6	02195	D 35240
1401		MLCWS	TPCUT1	6	02201	D 35240
1402		MLCWS	TPCUT1	6	02207	D 35240
1403		BCE	C1FL,CHN1&19,F	12	02213	B 02244 01308 F
1404		MLCWS	NCSISC,SCHA	12	02225	D 01816 30646 7
1405		B	CKFL2	7	02237	J 02299
1406	C1FL	MLNS	@1@,CHCK	12	02244	D 39803 01532 1
1407		MLCA	@2R@,FILSTA	12	02256	D 39805 01999 T
1408		MLNS	CHN1&20,NMCDS	12	02268	D 01309 01533 1
1409		MLNS	CHN1&20,C1MDAV	12	02280	D 01309 01543 1
1410		B	CRIBLE	7	02292	J 02552
1411	CKFL2	BCE	C2FL,CHN2&19,F	12	02299	B 02330 01365 F
1412		MLCWS	NCSISC,SCHB	12	02311	D 01816 30653 7
1413		B	CKFL3	7	02323	J 02385
1414		MLNS	@2@,CHCK	12	02330	D 39806 01532 1
1415	C2FL	MLCA	@X@,FILSTA	12	02342	D 39808 01999 T
1416		MLNS	CHN2&20,NMCDS	12	02354	D 01366 01533 1
1417		MLNS	CHN2&20,C2MDAV	12	02366	D 01366 01544 1
1418		B	CRIBLE	7	02378	J 02552
1419	CKFL3	BCE	C3FL,CHN3&19,F	12	02385	B 02416 01422 F
1420		MLCWS	NCSISC,SCHC	12	02397	D 01816 30709 7
1421		B	CKFL4	7	02409	J 02471
1422		MLNS	@3@,CHCK	12	02416	D 39809 01532 1
1423	C3FL	MLCA	@M3@,FILSTA	12	02428	D 39811 01999 T
1424		MLNS	CHN3&20,NMCDS	12	02440	D 01423 01533 1
1425		MLNS	CHN3&20,C3MDAV	12	02452	D 01423 01545 1
1426		B	CRIBLE	7	02464	J 02552
1427	CKFL4	BCE	C4FL,CHN4&19,F	12	02471	B 02490 01479 F
1428		B	PATCH	7	02483	J 39940
1429	C4FL	MLNS	@4@,CHCK	12	02490	D 39812 01532 1
1430		MLCA	@.1@,FILSTA	12	02502	D 39814 01999 T

\*\*\*\*\*  
\* 1301 INITIALIZATION-ERROR FIELDS AND ERROR TABLES \*  
\*\*\*\*\*

1410/7010-60K- OVERLAP-PRIORITY-SYSTEM TEST

PGLIN	LABEL	OPCODE	OPERAND	ST02	INSTRUCTION
1431		MLNS	CHN4C20,NHCCS	12	02514 D 01480 01533 1
1432		MLNS	CHN4C20,C4MDAY	12	02526 D 01480 01540 1
1433		B	CRIBLE	7	02538 J 02552
1434		B	CLFLER	7	02545 J 02714
1435	CRIBLE	SBR	TBRET05	7	02552 G 02712 0
1436		S	MODNUM	6	02559 S 01534
1437	RXMOD	MLNS	CHCK,FERTB-1CX15	12	02565 D 01532 01607 1
1438		MLNS	MODNUM,FERTBEX15	12	02577 D 01534 01608 1
1439		MLNS	MODNUM,CISADDC1	12	02589 D 01534 01771 1
1440		MLCS	FILSTA-1,IONOPC1	12	02601 D 01998 02630 3
1441		MLCS	FILSTA,IONOPC10	12	02613 D 01999 02647 3
1442		MLCS	FILSTA,IONOPC17	12	02625 D 01999 02654 3
1443	IONOP	MU	ZFC,CISADD,C	10	02637 M XFO 01770 0
1444		BCB1	IONOP	7	02647 R 02637 2
1445		BA1	*C1	7	02654 R 02661 M
1446		A	212,MODNUM	11	02601 A 39803 01534
1447		S	272,X15	11	02672 S 39815 00099
1448		C	MODNUM,NHCCS	11	02683 C 01534 01533
1449		BU	RXMOD	7	02694 J 02565 /
1450		S	CISADDC1	6	02701 S 01771
1451	TBRET	B	0	7	02707 J 00000
1452	CLFLER	CS	PIERFDRESS	6	02714 / 39199
1453		CS		1	02720 /
1454		CS		1	02721 /
1455		CS		1	02722 /
1456		CS		1	02723 /
1457		CS		1	02724 /
1458		CS		1	02725 /
1459		CS		1	02726 /
1460		MLCE	BLANK,CIRNLS	12	02727 D 35233 01680 0
1461		MLCE	BLANK,CIRNLS	12	02739 D 35233 01680 1
1462		MLCE	BLANK,CIRNLS	12	02751 D 35233 27901 0
1463		MLCE	BLANK,CIRNLS	12	02763 D 35233 37911 0
1464		ZA	202,X15	11	02775 M 39802 00099
1465		SW	CIRINC1,CZIRINC1	11	02786 / 04383 04970
1466		SW	CIRINC1,CZIRINC1	11	02797 / 05203 05551
1467		MLCS	202,CHCTR ZERO AVAIL CHANNEL CTR	12	02809 D 39002 39002 3

STORE BAR TO RETURN  
ZERO MODULE

ADD 1 TO MODULE  
SUE 7 TO INDEX REG  
CHECK IF ALL MODS  
IN TABLE

RETURN  
FILE  
ERROR  
FIELDS

1410/7010-40K- OVERLAP-PRIORITY-SYSTEM TEST

PGLIN	LABEL	OPCOD	OPERAND	CT	ADDRS	INSTRUCTION
1468		CW	A187,A188	11	02820	06106 05869
1469		CW	B187,B188	11	02831	13089 12838
1470		CS	C46INI	6	02842	35101
1471		CS		1	02848	/
1472		CS		1	02849	/
1473		MLNA	C11RN,TC11IN&I7	12	02850	01858 04285 /
1474		MLNA	C12RN,TC12IN&I7	12	02862	01863 04304 /
1475		MLNA	C13RN,TC13IN&I7	12	02874	01868 04323 /
1476		MLNA	C14RN,TC14IN&I7	12	02886	01873 04342 /
1477		MLNA	C15RN,TC15IN&I7	12	02898	01878 04361 /
1478		MLNA	C17RN,TC17IN&I7	12	02910	01883 04380 /
1479		SW	C11DCE-1,C12CN-1	11	02922	34939 34941
1480		SW	C12DC-1,C12WL-1	11	02933	34943 34945
1481		SW	C13CN-1,C13DC-1	11	02944	34947 34949
1482		SW	C13WL-1,C14WL-1	11	02955	34951 34953
1483		SW	C14DC-1,C14COM-1	11	02966	34955 34957
1484		SW	C17CTR,C17RDY	11	02977	34959 34960
1485		SW	PIRTN-4	6	02988	35078
1486		CW	A196&I TAPE ERROR HEADING TYPEOUT	6	02994	33041
1487		MLNA	C22RN,TC22IN&I7	12	03000	01888 04897 /
1488		MLNA	C23RN,TC23IN&I7	12	03012	01893 04916 /
1489		MLNA	C24RN,TC24IN&I7	12	03024	01898 04935 /
1490		MLNA	C25RN,TC25IN&I7	12	03036	01903 04954 /
1491		MLNA	C26RN,TC26IN&I7	12	03048	01908 04973 /
1492		SW	C22DC-1,C22CN-1	11	03060	34991 34989
1493		SW	C22WL-1,C23CN-1	11	03071	34993 34995
1494		SW	C23DC-1,C23WL-1	11	03082	34997 34999
1495		SW	C24DC-1,C24WL-1	11	03093	35003 35001
1496		SW	C24COM-1,C11INI	11	03104	35005 35087
1497		SW	C22INI,C35INI	11	03115	35093 35098
1498		SW	C45INI,PFLLC&I7	11	03126	35100 01946
1499		MLCWB	BLANK,PFLLD&I23	12	03137	01952 P
1500		SW	C26CTR,C26RDY	11	03149	35012 35013
1501		SW	C36CTR,C36RDY	11	03160	35031 35032
1502		SW	C46CTR,C46RDY	11	03171	35054 35055
1503		MLNA	C35RN,TC35IN&I7	12	03182	01913 05241 /
1504		MLNA	C36RN,TC36IN&I7	12	03194	01918 05260 /

1410/1010-40K- OVERLAP-PRIORITY-SYSTEM TEST

PCOLN	LABEL	OPCODE	OPERAND	CT	ADDRS	INSTRUCTION
1505		HLNA	C43RN,TC45TRR17	12	02106	D 01922 05525 /
1506		HLNA	C43RN,TC46TRR17	12	02210	D 01920 05540 /
1507		BCW	8N0000000000002	12	03241	
1508		D	TPIN1	7	01262	J 12950
1509		B	TPIN2	7	03769	J 19500
1510		R	TPIN3	7	03256	J 24924
1511		R	TPIN4	7	02203	J 30340
1512	11	BCC	A101-SYS1612,1 IS CH1 AVIL	12	02270	B 02370 01208 I
1513	12	BCC	A101-SYS1613,1 IS CH2 AVIL	12	02382	B 02420 01209 I
1514	13	BCE	A102-SYS1614,1 IS CH3 AVIL	12	02294	B 02462 01270 I
1515	14	BCE	A103-SYS1615,1 IS CH4 AVIL	12	02306	B 02504 01271 I
1516	15	BCC	A104-CHAVL,1 ANY CHANNEL AVAIL	12	02318	B 02566 24506 I
1517	5014	WCP	WCS15C	10	02320	M 210 01816 W
1518		BFI	A105	7	02340	R 02320 M



ST02 INSTRUCTION

CT ADDR

CT ADDR

CT ADDR

CT ADDR

CT ADDR

CT ADDR

CT ADDR

PGLIN	LABEL	OPCOD	OPERAND	INSTRUCTION	CT	ADDR	INSTRUCTION
1520	A106	RCP	SYS1&12	STORE AVAIL CHANNELS	10	03347	M %TO 01268 R
1521		BEX1	A106,M	ANY EXTERNAL INDICATORS EX MLR	7	03357	R 03347 M
1522		BA1	*E1		7	03364	R 03371 M
1523		B	T1		7	03371	J 03270
1524	A100	MLNS	@1@,PFLD&17	SET 1 IN TYPE OUT FIELD	12	03378	D 39803 01946 I
1525		MLNS	@1@,CHAVL	SET 1 ANY CH AVAIL	12	03390	D 39803 34904 I
1526		A	E1,CHCTR	ADD 1 TO NUMB AVAIL CHANNELS	11	03402	A 39801 35234
1527		B	T2		7	03413	J 03282
1528	A101	MLNS	@2@,PFLD&19	SET 2 IN TYPE OUT FIELD	12	03420	D 39806 01948 I
1529		MLNS	@1@,CHAVL		12	03432	D 39803 34904 I
1530		A	E1,CHCTR		11	03444	A 39801 35234
1531		B	T3		7	03455	J 03294
1532	A102	MLNS	@3@,PFLD&21	SET 3 IN TYPE OUT FIELD	12	03462	D 39809 01950 I
1533		MLNS	@1@,CHAVL		12	03474	D 39803 34904 I
1534		A	E1,CHCTR		11	03486	A 39801 35234
1535		B	T4		7	03497	J 03306
1536	A103	MLNS	@4@,PFLD&23	SET 4 IN TYPE OUT FIELD	12	03504	D 39812 01952 I
1537		MLNS	@1@,CHAVL		12	03516	D 39803 34904 I
1538		A	E1,CHCTR		11	03528	A 39801 35234
1539		B	T5		7	03539	J 03318
1540	A104	WCP	PFLD	TYPE TESTING CHANNELS	10	03546	M %TO 01929 W
1541		BA1	A104		7	03556	R 03546 M
1542		SW	X5-4,X8	SET WM IN INDEX REG 5 AND 8	11	03563	, 00045 00064
1543		SW	X3-4,X2-4	SET WM IN INDEX REG 2 AND 3	11	03574	, 00035 00030
1544		MLCB	BLANK,X8	BLANK INDEX REG 8	12	03585	D 35233 00064 L

1410/7010-40K- OVERLAP-PRIORITY-SYSTEM TEST

CT ADDR INSTRUCTION

PGLIN LABEL OPCOD OPERAND

PGLIN	LABEL	OPCOD	OPERAND	CT	ADDR	INSTRUCTION
1546			*****			
1547			* START OVERLAP PRIORITY TEST			
1548			*****			
1549		BCE	TC11FN,SYS12,1 IS CH1 AVAIL	12	03597 B	03785 01268 1
1550	TESTC2	CW	C1IRTN&1 CLEAR WM TO RTN TO INT INST	6	03609	04383
1551		BCE	TC22FN,SYS13,1 IS CH2 AVAIL	12	03615 B	04464 01269 1
1552	TESTC3	CW	C2IRTN&1	6	03627	04976
1553		BCE	TC35FN,SYS14,1 IS CH3 AVAIL	12	03633 B	05021 01270 1
1554	TESTC4	CW	C3IRTN&1	6	03645	05263
1555		BCE	TC45FN,SYS15,1 IS CH4 AVAIL	12	03651 B	05308 01271 1
1556	A202	CW	C4IRTN&1	6	03663	05551
1557		DEPA	*61 ENTER PRIORITY ALERT MODE	7	03669 Y	03676 E
1558	A203	A	@12,X9	11	03676 A	39803 00069
1559		BCE	IFAIL,X8,2 NO INTERRUPT	12	03687 B	30749 00064 2
1560		B	A203	7	03699 J	03676 G
1561	TC1LUI	BA1	*61	7	03706 R	03713 M
1562		BCE	TTYIER,CILUI,1 WAS UNIT 1 LST ONE INIT	12	03713 B	05738 34920 1
1563		BCE	TPUIER,CILUI,2 WAS UNIT 2 CHI LAST UNIT INITIATED	12	03725 B	06087 34920 2
1564		BCE	TPTIER,CILUI,3 WAS UNIT 3 CHI LAST UNIT INITIATED	12	03737 B	07196 34920 3
1565		BCE	TC0IER,CILUI,4 WAS UNIT 4 CHI LAST UNIT INITIATED	12	03749 B	06506 34920 4
1566		BCE	TFLIER,CILUI,5	12	03761 B	08901 34920 5
1567		BCE	TPPIER,CILUI,7 WAS UNIT 7 CHI LAST UNIT INITIATED	12	03773 B	10944 34920 7
1568	TC11FN	BCE	CIADRT,C1SCOM,1	12	03785 B	08135 01567 1
1569		BCE	TC12FN,C11FIN,1	12	03797 B	03833 34905 1
1570		BCE	TC11IN,CHN12,1	12	03809 H	04268 01290 1
1571		MLNS	@12,C11FIN	12	03821 D	39803 34905 1
1572	TC12FN	BCE	TC13FN,C12FIN,1	12	03833 B	03881 34906 1
1573		BCE	CIADRT,C1SCOM,1	12	03845 B	08135 01567 1
1574		BCE	TC12IN,CHN14,P	12	03857 B	04287 01303 P
1575		MLNS	@12,C12FIN	12	03869 D	39803 34906 1
1576	TC13FN	BCE	TC14FN,C13FIN,1	12	03881 B	03929 34907 1
1577		BCE	CIADRT,C1SCOM,1	12	03893 B	08135 01567 1
1578		BCE	TC13IN,CHN16,P	12	03905 B	04306 01305 P
1579		MLNS	@12,C13FIN	12	03917 D	39803 34907 1
1580	TC14FN	BCE	TC15FN,C14FIN,1	12	03929 B	03989 34908 1
1581		BCE	CIADRT,C1SCOM,1	12	03941 B	08135 01567 1
1582		BCE	TC14IN,CHN12,R	12	03953 B	04325 01301 R

1410/7010-40K- OVERLAP-PRIORITY-SYSTEM TEST

PGLIN	LABEL	OPCOD	OPERAND	CT	ADDRS	INSTRUCTION
1583		BCE	TC14IN,CHN1&12,5	12	03965	B 04325 01301 S
1584		MLNS	@1&,C14FIN	12	03977	D 39803 34908 1
1585	TC15FN	BCE	TC17FN,C15FIN,1	12	03989	B 04023 34909 1
1586		BCE	TC15IN,CHN1&19,F	12	04001	B 04344 01308 F
1587		MLNS	@1&,C15FIN	12	04013	D 39803 34909 1
1588	TC17FN	BCE	RC1UIN,C17FIN,1	12	04025	B 04073 34910 1
1589		BCE	C1ADRI,C1SCOM,1	12	04037	B 08135 01567 1
1590		BCE	TC17IN,CHN1&2,1	12	04049	B 04363 01291 1
1591		MLNS	@1&,C17FIN	12	04061	D 39803 34910 1
1592	RC1UIN	MLCB	BLANK,C17INI	12	04073	D 35233 35092 1
1593	C11DON	BCE	C12DON,C11FIN,1	12	04085	B 04104 34905 1
1594		B	TC11FN	7	04097	J 03785
1595	C12DON	BCE	C13DON,C12FIN,1	12	04104	B 04123 34906 1
1596		B	TC11FN	7	04116	J 03785
1597	C13DON	BCE	C14DON,C13FIN,1	12	04123	B 04142 34907 1
1598		B	TC11FN	7	04135	J 03785
1599	C14DON	BCE	C15DON,C14FIN,1	12	04142	B 04161 34908 1
1600		B	TC11FN	7	04154	J 03785
1601	C15DON	BCE	C17DON,C15FIN,1	12	04161	B 04180 34909 1
1602		B	TC11FN	7	04173	J 03785
1603	C17DON	BCE	*88,C17FIN,1	12	04180	B 04199 34910 1
1604		B	TC11FN	7	04192	J 03785
1605		BCE	A182,CH1UAV,1	12	04199	B 04238 34924 1
1606		B	TYP1	7	04211	J 01074
1607		DCW	AND UNITS AVAIL CH-12,G	19	04236	
1608	A182	MLCS	@1&,CH1FIN	12	04238	D 39803 35083 3
1609	SUBCH1	S	@1,CHCTR	11	04250	S 39801 35234
1610		B	C11RTN	7	04261	J 04382
1611	TC11IN	BCE	TC12FN,C11INI,1	12	04268	B 03833 35087 1
1612		B	C11RTN	7	04280	J 05565
1613	TC12IN	BCE	TC13FN,C12INI,1	12	04287	B 03881 35088 1
1614		B	C12RTN	7	04299	J 05782
1615	TC13IN	BCE	TC14FN,C13INI,1	12	04306	B 03929 35089 1
1616		B	C13RTN	7	04318	J 06650
1617	TC14IN	BCE	TC15FN,C14INI,1	12	04325	B 03989 35090 1
1618		B	C14RTN	7	04337	J 06229
1619	TC15IN	BCE	TC17FN,C15INI,1	12	04344	B 04025 35091 1

1410/1010-40K- OVERLAP-PRIORITY-SYSTEM TEST

FOLIN	LABEL	OPCODE	OPERAND	BRANCH TO UNIT 5 CHL TEST, RETURN	BRANCH TO UNIT 7 CHL TEST, RETURN	CT	ADDRS	INSTRUCTION
1620		B	C1R1N			7	04350	J 01286
1621	1021FN	BCC	ROZUIN, C2LUI, 1	HAS UNIT 7 CHL BEEN INITIATED		12	04363	B 04073 35092 1
1622		B	C1R1N			7	04375	J 09281
1623	C1R1N	NOF				1	04382	N
1624		B	TEST02			7	04383	J 03609
1625	A220	BEPA	A203			7	04390	Y 03676 E C
1626	1021UI	RA2	461			7	04397	X 04404 M
1627		BCE	1PU2CR, C2LUI, 2	PCW C2 LAST INIT		12	04404	B 13070 34921 2
1628		BCE	1P12ER, C2LUI, 3			12	04410	B 13764 34921 3
1629		BCE	1022CR, C2LUI, 4	ROR C2 LAST INIT		12	04420	B 14133 34921 4
1630		BCE	1P22CR, C2LUI, 5			12	04440	B 15090 34921 5
1631		BCE	1P12ER, C2LUI, 6			12	04452	B 17888 34921 6
1632	1022FN	BCE	C2ADRT, C25CON, 1			12	04464	B 15124 01568 1
1633		BCE	1023FN, C22FIN, 1			12	04470	B 04912 34911 1
1634		BCE	1022IN, CKN2014, 1	1402 PURCH C2 AVAIL		12	04488	B 04880 01360 1
1635		MUNS	816, C22FIN			12	04500	B 39803 34911 1
1636	1023FN	BCE	1024FN, C23FIN, 1			12	04512	B 04560 34912 1
1637		BCE	C2ADRT, C25CON, 1			12	04524	B 15124 01568 1
1638		BCE	1023IN, CKN2016, 1	1402 PRINT C2 AVAIL		12	04536	B 04609 01362 1
1639		MUNS	816, C23FIN			12	04540	B 35803 34912 1
1640	1023FN	BCE	1025FN, C24FIN, 1			12	04560	B 04620 34913 1
1641		BCE	C2ADRT, C25CON, 1			12	04572	B 15124 01568 1
1642		BCE	1026IN, CKN2012, 1	1402 ROR C2 AVAIL		12	04584	B 04910 01358 1
1643		BCE	1024IN, CKN2017, 1			12	04596	B 04910 01358 1
1644		MUNS	816, C24FIN			12	04608	B 39803 34913 1
1645	1025FN	BCE	1026FN, C25FIN, 1			12	04620	B 04656 34914 1
1646		BCE	1025IN, CKN2019, 1	1301 C2 AVAILABLE		12	04632	B 04937 02265 1
1647		MUNS	816, C25FIN			12	04644	B 35803 34914 1
1648	1026FN	BCE	ROZUIN, C20FIN, 1			12	04656	B 04704 34915 1
1649		BCE	C2ADRT, C25CON, 1			12	04668	B 15124 01568 1
1650		BCE	1026IN, CKN2021, 1	1401 CME AVAIL		12	04680	B 04956 01340 1
1651		MUNS	816, C26FIN			12	04692	B 39803 34915 1
1652	ROZUIN	MCLR	BLANK, C20INI			12	04704	B 35233 35097 1
1653	C220CN	BCE	C230CN, C22FIN, 1			12	04716	B 04735 34911 1
1654		B	1022FN			1	04728	J 04464
1655	C230CK	BCE	C240CN, C23FIN, 1			12	04735	B 04754 34912 1
1656		B	1022FN			1	04747	J 04464

12/14/64

1410/7010-40K- OVERLAP-PRIORITY-SYSTEM TEST

PGLIN	LABEL	OPCOD	OPERAND	CT	ADDRS	INSTRUCTION
1657	C240CN	BCE	C250CN,C24FIN,1	12	04754	B 04773 34913 1
1658		B	TC22FN	7	04766	J 04464
1659	C250CN	BCE	C260CN,C25FIN,1	12	04773	B 04792 34914 1
1660		B	TC22FN	7	04785	J 04464
1661	C260CN	BCE	*68,C26FIN,1	12	04792	B 04811 34915 1
1662		B	TC22FN	7	04804	J 04464
1663		BCE	A183,CH2UAV,1 ANY UNITS AVAIL CH2	12	04811	B 04850 34925 1
1664		B	TYPI	7	04823	J 01074
1665		DCM	AND UNITS AVAIL CH-2a,G	19	04848	
1666	A183	MLCS	@1a,CH2FIN SET 1 CH2 FINISHED	12	04850	D 39803 35084 3
1667	SUBCH2	S	&1,CHCTR SUB 1 FROM AVAIL CHANNEL CTR	11	04862	S 39801 35234
1668		B	C2IRTN	7	04873	J 04975
1669	TC22IN	BCE	TC23FN,C22INI,1	12	04880	B 04512 35093 1
1670		B	C22RTN	7	04892	J 12751
1671	TC23IN	BCE	TC24FN,C23INI,1	12	04899	B 04560 35094 1
1672		B	C23RTN	7	04911	J 13212
1673	TC24IN	BCE	TC25FN,C24INI,1	12	04918	B 04620 35095 1
1674		B	C24RTN	7	04930	J 13856
1675	TC25IN	BCE	TC26FN,C25INI,1	12	04937	B 04656 35096 1
1676		B	C25RTN	7	04949	J 14277
1677	TC26IN	BCE	RC2UIN,C26INI,1	12	04956	B 04704 35097 1
1678		B	C26RTN	7	04968	J 16225
1679	C2IRTN	NCP		1	04975	N
1680		B	TESTC3	7	04976	J 03627
1681	A235	BEPA	A203	7	04983	Y 03676 E
1682	TC3LUI	DCW	@3a	1	04990	
1683		DC	A244	5	04995	04997
1684		DC	@Ma	1	04996	
1685	A244	BCE	YFL3ER,C3LUI,5	12	04997	B 21314 34922 5
1686		BCE	TTP3ER,C3LUI,6	12	05009	B 23312 34922 6
1687	TC35FN	BCE	TC36FN,C35FIN,1	12	05021	B 05057 34916 1
1688		BCE	TC35IN,CHN3E19,F 1301 AVAIL CHAN 3	12	05033	B 05224 01422 F
1689		MLNS	@1a,C35FIN	12	05045	D 39803 34916 1
1690	TC36FN	BCE	C3ADRT,C3SCOM,1	12	05057	B 20548 01569 1
1691		BCE	RC3UIN,C36FIN,1	12	05069	B 05105 34917 1
1692		BCE	TC36IN,CHN3E2,1 TAPE AVAIL CHAN 3	12	05081	B 05243 01405 1
1693		MLNS	@1a,C36FIN	12	05093	D 39803 34917 1

042  
PAGE 22  
12/14/64

1410/7010-4CK- OVERLAP-PRIORITY-SYSTEM TEST

ST02  
INSTRUCTION  
CT ADDR

PGLIN LABEL

PGLIN	LABEL	OPCODE	OPERAND	CT	ADDR	INSTRUCTION
1654	RC3UIN	RUCB	BLANK,C36INI	12	05109	D 35233 35099 L
1655	C350CN	BCE	C360CN,C35FIN,1	12	05117	D 05134 34914 1
1656		B	TC35FN	7	05129	J 05021
1657	C360CN	BCE	*88,C36FIN,1	12	05136	D 05135 34917 1
1658		B	TC35FN	7	05140	J 05021
1659		BCE	A184,C35UAV,1 ANY UNITS AVAIL CNS	12	05155	B 05154 34920 1
1700		B	TYPE	7	05167	J 01074
1701		DCN	2ND UNITS AVAIL CR-32,C	19	05192	
1702	A184	RUCS	612,CHEFIN SET 1 CNS FINISHED	12	05194	D 35803 35085 3
1703	SUSCHK3	S	CL,CHCTR SDE 1 FROM AVAIL CHANNEL CTR	11	05206	S 39801 25234
1704		B	CE1RIN	7	05217	J 05262
1705	TC35IN	BCE	TC36FN,C35INI,1	12	05224	B 05057 35056 1
1706		B	C35RIN	7	05236	J 19101
1707	TC36IN	BCE	RC3UIN,C36INI,1	12	05243	B 05105 35039 1
1708		B	C36RIN	7	05255	J 21649
1709	CE1RIN	NCF		1	05262	N
1710		B	TE5104	7	05263	J 03645
1711	A236	BCFA	A203	7	05270	V 03670 1
1712	TC40UI	DCN	212	1	05277	
1713		DC	A245	5	05282	05284
1714		DC	2ND	1	05283	

12/11/64

ST02 INSTRUCTION

PGLIN	LABEL	OPCOD	OPERAND	CT	ADDRS	INSTRUCTION
1716	A245	BCE	TFL4ER,C4LUI,5	12	05284	B 26738 34923 5
1717		BCE	TTP4ER,C4LUI,6	12	05296	B 28736 34923 6
1718	TC45FN	BCE	TC46FN,C45FIN,1	12	05308	B 05344 34918 1
1719		BCE	TC45IN,CHN4&19,F 1301 AVAIL CHAN 4	12	05320	B 05512 01479 F
1720		MLNS	@1&,C45FIN	12	05332	D 39803 34918 1
1721	TC46FN	BCE	C4ADRT,C4SCOM,1	12	05344	B 25972 01570 1
1722		BCE	RC4UIN,C46FIN,1	12	05356	B 05392 34919 1
1723		BCE	TC46IN,CHN4&2,1 TAPE AVAIL CHAN 4	12	05368	B 05531 01462 1
1724		MLNS	@1&,C46FIN	12	05380	D 39803 34919 1
1725	RC4UIN	MLC8	BLANK,C46INI	12	05392	D 35233 35101 L
1726	C45DON	BCE	C46DON,C45FIN,1	12	05404	B 05423 34918 1
1727		B	TC45FN	7	05416	J 05308
1728	C46DON	BCE	*E8,C46FIN,1	12	05423	B 05442 34919 1
1729		B	TC45FN	7	05435	J 05308
1730		BCE	A185,CH4UAV,1 ANY UNITS AVAIL CH4	12	05442	B 05482 34927 1
1731		B	TYPI	7	05454	J 01074
1732		DCW	@ NO UNITS AVAIL CH-4&,G	20	05480	
1733	A185	MLCS	@1&,CH4FIN SET 1 CH4 FINISHED	12	05482	D 39803 35086 3
1734	SUBCH4	S	E1,CHCTR SUB 1 FROM AVAIL CHANNEL CTR	11	05494	S 39801 35234
1735		B	C4IRTN	7	05505	J 05550
1736	TC45IN	BCE	TC46FN,C45INI,1	12	05512	B 05344 35100 1
1737		B	C45RTN	7	05524	J 25125
1738	TC46IN	BCE	RC4UIN,C46INI,1	12	05531	B 05392 35101 1
1739		B	C46RTN	7	05543	J 27073
1740	C4IRTN	NCP		1	05550	N
1741		B	A202	7	05551	J 03663
1742	A237	BEPA	A203	7	05558	Y 03676 E

1410/7010-40K- OVERLAP-PRIORITY-SYSTEM TEST

PGLIN	LABEL	OPCODE	OPERAND	CT	ADDRS	INSTRUCTION
1744			*****			
1745			*CONSOLE PRINTER TEST- CHANNEL 1-UNIT 1 *			
1746			*****			
1747	C11RTN	MLNS	@1@,C11UAV SET A 1 IN CH1 ANY UNITS AVAIL	12	05565	D 39803 34924 1
1748		WCPWO	TPOUT1 TYPE 64 CHAR LOAD MODE	10	05577	L @TO 35240 M
1749		B0L1	SBC11R IS OVERLAP IN PROCESS	7	05587	J 05689 1
1750		BCB1	TC12FN BUSY	7	05594	R 03833 2
1751		B	A158 BRNCH TO OVERLAP FAIL ROUTINE	7	05601	J 10025
1752		WCPO	TPOUT2 TYPE A BLANK	10	05608	M @TO 35305 M
1753		B0L1	SBC11R IS OVERLAP IN PROCESS	7	05618	J 05689 1
1754		BCB1	TC12FN BUSY	7	05625	R 03833 2
1755		B	A158 OVERLAP FAILED TO BRANCH	7	05632	J 10025
1756		WCPO	TPOUT1 TYPE 64 CHARACTERS MOVE MODE	10	05639	M @TO 35240 M
1757		B0L1	SBC11R OVERLAP IN PROCESS	7	05649	J 05689 1
1758		BCB1	TC12FN BUSY	7	05656	R 03833 2
1759		B	A158 OVERLAP FAILED TO BRANCH	7	05663	J 10025
1760		MLNS	@1@,C11FIN SET A 1 IN UNIT 1 CHANNEL 1 TESTED	12	05670	D 39803 34905 1
1761		B	C11DON SEE IF ALL UNITS CH1 TESTED	7	05682	J 04085
1762	SBC11R	SBR	TC11INE17 STORE B REG FOR UNIT 1 CH1 RETURN	7	05689	G 04285 B
1763		A	@14@,TC11INE17 ADD 14 TO RTN ADDR	11	05696	A 39817 04285
1764		MLNS	@1@,C1LUI SET A 1 IN CH1 LAST UNIT INITIATED	12	05707	D 39803 34920 1
1765		MLNS	@1@,C1IINI SET 1 IN UNIT 1 CH1 INITIATED	12	05719	D 39803 35087 1
1766		B	C11RTN RTN TO INTERUPD INST OR TST C2	7	05731	J 04382 G
1767	TTY1ER	BZ1C11	ANY INDICATORS	7	05738	R 05752 M
1768		B	TC12FN SEE IF UNIT 2 CH1 HAS BEEN TESTED	7	05745	J 03833
1769	BZ1C11	A	@1,C11DCE ADD 1 TO DATA CK ERROR	11	05752	A 39801 34940
1770		MLNA	@11@,CH1ERR SET 1 IN UNIT 1 AND CH1 ERRORS	12	05763	D 39819 34929 /
1771		B	TC12FN SEE IF UNIT 2 CH1 HAS BEEN TESTED	7	05775	J 03833



1410/7010-40K- OVERLAP-PRIORITY-SYSTEM TEST

ST02 INSTRUCTION  
CT ADDR

PGLIN	LABEL	OPCOD	OPERAND	CT	ADDR	INSTRUCTION
1773	*****					
1774	* CARD PUNCH TEST-CHANNEL 1-UNIT 2					
1775	*****					
1776	C12RTN	MLNS	@1@,CHIUV	12	05782	D 39803 34924 1
1777		MRCG	FLD80,PUOUT1&1	12	05794	D 35307 35389 \$
1778		ZA	@0080@,PUCTR1	11	05806	M 39823 35555
1779		CW	SWC12&1 CLEAR WM TO OBTAIN B REG ADDR	6	05817	D 05831
1780		SBR	TC12ZIN&17 STORE B REG FOR PUNCH C: RTN	7	05823	G 04304 B
1781	SWC12	SW	A225 SET WM TO INDICATE IF OLAP FAIL	6	05830	, 05970
1782		NOPWM		1	05836	N
1783	A189	B	A188&12	7	05837	J 05881
1784		MLCS	PUOUT1&80,PUOUT1	12	05844	D 35468 35388 3
1785		MLCA	PUOUT1&79,PUOUT1&80 MOVE FIELD ONE POSITION	12	05856	D 35467 35468 T
1786		NOPWM		1	05868	N
1787	A188	MLCB	BLANK,PUOUT1&80	12	05869	D 35233 35468 L
1788		MLNS	@1@,C12INI	12	05881	D 39803 35088 1
1789		MLNS	@2@,C1LUI	12	05893	D 39806 34920 1
1790	PUNCH1	PO	4,PUOUT1&1 PUNCH A CARD	10	05905	M @44 35389 W
1791		BOL1	C11RTN	7	05915	J 04382 1
1792		BCB1	A190	7	05922	R 06038 2
1793		BNR1	NRPN1	7	05929	R 05995 1
1794		MLNA	@11@,C12ERR SET 1 IN PUNCH AND CHI ERR	12	05936	D 39819 34930 /
1795	TC12CN	BEF1	AC12CN	7	05948	R 06169 8
1796	TC12DC	BER1	AC12DC	7	05955	R 06187 4
1797	TC12NL	BWL1	AC12NL	7	05962	R 06211 -
1798		NCP		1	05969	N
1799	A225	B	A158 HRNCH TO OVERLAP FAIL ROUTINE	7	05970	J 10025
1800	BC1	MLCS	BLANK,C1LUI	12	05977	D 35233 34920 3
1801		SW	A225	6	05989	, 05970

ST02 INSTRUCTION

PGLIN	LABEL	OPCOD	OPERAND	CT	ADDRS	INSTRUCTION
1803	NRPN1	MLNS	010,C12NR SET 1 PUNCH CHI NOT RDY	12	0595	D 39803 34931 1
1804		MLNS	010,C12FIN SET 1 IN PUNCH CHI TESTED	12	0607	D 39803 34906 1
1805		MLNA	0110,C12ERR SET 1 IN PUNCH AND CHI ERRORS	12	06019	D 39819 34930 /
1806		B	C11DON SEE IF ALL UNITS CHI TESTED	7	06031	J 04085
1807	A190	SW	A189	6	06038	05837
1808		B	TC13FN SEE IF UNIT 3 CHI TESTED	7	06044	J 03881
1809	S1C12F	MLNS	010,C12FIN SET 1 IN PUNCH CHI TESTED	12	06051	D 39803 34906 1
1810		MLNS	BLANK,C12INI	12	06063	D 35233 35088 1
1811		MLNS	BLANK,C1LUI	12	06075	D 35233 34920 1
1812	TPUIER	S	01,PUCTRI	11	06087	S 39801 35555
1813		BZ	MBPOF1	7	06098	J 06120 V
1814		NOPWM		1	06105	N
1815	A187	B	S1C12F	7	06106	J 06051
1816		B	TSRERI	7	06113	J 06131
1817	MBPOF1	SW	A187,A188	11	06120	06106 05869
1818	TSRERI	CW	A189	6	06131	05837
1819		B	TC1JFN	7	06137	J 01HH1
1820		MLNA	0110,C12ERR 1 TO PUN AND CHI ERRORS	12	06144	D 39819 34930 /
1821		CW	A225	6	06156	05970
1822		B	TC12CN	7	06162	J 05948
1823	AC12CN	A	01,C12CN ADD 1 TO COND ERR PUN C1	11	06169	A 39801 34942
1824		B	TC12DC	7	06180	J 05955
1825	AC12DC	A	01,C12DC ADD 1 TO DATA CHECKS PUNCH CHI	11	06187	A 39801 34944
1826		CW	A225 CLEAR WM-OLAP IDID NOT FAIL	6	06198	05970
1827		B	TC12WL SEE IF ANY WRONG LENGTH RECORDS	7	06204	J 05962
1828	AC12WL	A	01,C12WL ADD 1 TO WLR PUNCH CHI	11	06211	A 39801 34946
1829		B	BC1	7	06222	J 05977

1410/7010-40K- OVERLAP-PRIORITY-SYSTEM TEST

PGLIN	LABEL	OPCOD	OPERAND	CT	ADDR	INSTRUCTION
1831			*****			
1832			* CARD READER TEST-CHANNEL 1-UNIT 4			
1833			*****			
1834	C14RTN	MLNS	@1@,CHIUV	12	06229	D 39803 34924 I
1835		MRGG	FLD80,RDCOMI&1	12	06241	D 35307 36095 \$
1836		CH	BTCC14	6	06253	□ 06291
1837		B	*E1	7	06259	J 06266
1838		SBR	TC14IN&17	7	06266	G 04342 B
1839		A	E18,TC14IN&17	11	06273	A 39825 04342
1840		SW	RDINCI	6	06284	□ 36258
1841		NOPWM		1	06290	N
1842	BTCC14	B	RDICOM	7	06291	J 06446
1843		CH	RDINCI	6	06298	□ 36258
1844		MLNS	@1@,C14INI	12	06304	D 39803 35090 I
1845		MLNS	@4@,C1LUI	12	06316	D 39812 34920 I
1846		RO	O,RDINCI	10	06328	M @10 36258 R
1847		BOLI	CIIRTN	7	06338	J 04382 I
1848		CH	BTCC14	6	06345	□ 06291
1849		MLNS	BLANK,C14INI	12	06351	D 35233 35090 I
1850		MLNS	BLANK,C1LUI	12	06363	D 35233 34920 I
1851		BCB1	TC15FN	7	06375	R 03989 2
1852		BNR1	NRR1	7	06382	R 06403 I
1853		BEF1	RCIINS	7	06389	R 06595 8
1854		B	A158	7	06396	J 10025
1855	NRR1	MLNA	@11@,C14ERR	12	06403	D 39819 34937 /
1856		MLNS	@1@,CHIERR	12	06415	D 39803 34929 I
1857		MLNS	@1@,C14FIN	12	06427	D 39803 34908 I
1858		B	CIIDON	7	06439	J 04085

SET 1 IN CHI UNITS AVAILABLE  
 MOVE 80 CHARACTERS TO COMPARE AREA  
 CLEAR WM IN COMPARE READ  
 STORE B REG FOR PEADER CHI RETURN  
 ADD 18 TO RETURN ADDRESS  
 NO OP NEXT INSTRUCTION  
 BRANCH TO COMPARE ROUTINE  
 CLEAR WM IN BRANCH TO COMP ROUTINE  
 WAS CARD READER CHI BUSY  
 WAS CARD READER NOT READY  
 END OF FILE  
 BRNCH TO OVERLAP FAIL ROUTINE  
 SET 1 IN ANY ERRORS CHI  
 SET 1 IN READER CHI TESTED  
 SEE IF ALL UNITS CHI TESTED

PGLIN	LABEL	OPCOD	OPERAND	COMMENT	CT	ADDRS	INSTRUCTION
1860	RDICOM	C	RDCOM1&80,RDINC1&79	COMPARE FIELD TO INPUT	11	06446	C 36174 36337
1861	BE	BE	BTCC14&7	EQUAL COMPARE	7	06457	J 06298 S
1862	A	A	&1,C14COM	ADD 1 TO COMPARE ERROR COUNTER	11	06464	A 39801 34958
1863	MLNS	MLNS	&1&,C14ERR	SET 1 IN ANY ERRORS READER CHI	12	06475	D 39803 34937 I
1864	MLNS	MLNS	&1&,CHIERR	SET 1 IN ANY ERRORS CHI	12	06487	D 39803 34929 I
1865	B	B	BTCC14&7	BRANCH TO READ A CARD	7	06499	J 06298
1866	TC01ER	SW	BTCC14		6	06506	• 06291
1867	MLCS	MLCS	RDCOM1&80,RDCOM1		12	06512	D 36174 36094 3
1868	MLCA	MLCA	RDCOM1&79,RDCOM1&80		12	06524	D 36173 36174 T
1869	BA1	BA1	*&8		7	06536	R 06550 M
1870	B	B	TC15FN	SEE IF UNIT 5 CHI HAS BEEN TESTED	7	06543	J 03989
1871	MLNS	MLNS	&1&,CHIERR	SET 1 IN ANY ERRORS CHI	12	06550	D 39803 34929 I
1872	MLNS	MLNS	&1&,C14ERR	SET 1 IN CARD READER CHI ANY ERROR	12	06562	D 39803 34937 I
1873	BWLI	BWLI	AC14WL	WRONG LENGTH RECORD	7	06574	R 06614 -
1874	TC14DC	BERI	AC14DC	DATA CHECK	7	06581	R 06632 4
1875	B	B	TC15FN	SEE IF UNIT 5 CHI HAS BEEN TESTED	7	06588	J 03989
1876	RC11NS	MLNS	&1&,C14FIN	SET 1 IN READER CHI TESTED	12	06595	D 39803 34908 I
1877	B	B	C11DON	SEE IF ALL UNITS CHI TESTED	7	06607	J 04085
1878	AC14WL	A	&1,C14WL	ADD 1 TO READER WLR ERRORS CHI	11	06614	A 39801 34954
1879	B	B	TC14DC	SEE IF ANY DATA CHECKS	7	06625	J 06581
1880	AC14DC	A	&1,C14DC	ADD 1 TO READER CHI DATA CHECKS	11	06632	A 39801 34956
1881	B	B	TC15FN HAS UNIT 5 CHI BEEN TESTED		7	06643	J 03989

CT ADDR INSTRUCTION

OPCOD OPERAND

PGLIN LABEL

PGLIN	LABEL	OPCOD	OPERAND	CT	ADDR	INSTRUCTION
1883			*****			
1884			* 1403 PRINTER TEST-CHANNEL 1- UNIT 3			
1885			*****			
1886	C13RTN	MLNS	@1@,C1IUAV SET 1 IN CHI UNITS AVAILABLE	12	06650	D 39803 34924 1
1887		BCE	TALMB,CHN1@17,A ALPHA CHAIN SET	12	06662	B 06729 01306 A
1888		BCE	TNUHB,CHN1@17,N NUMERIC CHAIN SET	12	06674	B 07102 01306 N
1889		MLNA	@11@,C13NCS	12	06686	D 39819 34934 /
1890	SIPCIT	MLNS	@1@,C13FIN SET 1 IN PRINTER CHI TESTED	12	06698	D 39803 34907 1
1891		MLNS	@1@,CHIERR SET 1 IN CHI ERRORS	12	06710	D 39803 34929 1
1892		B	C11DON ALL UNITS CHI TESTED	7	06722	J 04085
1893	TALMB	BCE	Z12C13,CHN1@18,1 IS 100 CHARACTER BUFFER SET	12	06729	B 06772 01307 1
1894		BCE	S12C13,CHN1@18,2 IS 132 CHARACTER BUFFER SET	12	06741	B 07083 01307 2
1895		MLNA	@11@,C13ERR SET 1 IN PRNT ERR AND NO BUFF SET	12	06753	D 39819 34933 /
1896		B	SIPCIT	7	06765	J 06698
1897	Z12C13	S	X2 ZERO X2	6	06772	S 00034
1898		MRCG	ALPFLD,PROUT1@1 MOVE ALPHA FIELD TO PRINT OUT AREA	12	06778	D 35828 35561 \$
1899	SGWC13	MLCWS	PROUT1@133,PROUT1@101@X2 SET GM WM AT BUFF SIZE	12	06790	D 35693 35601 7
1900		ZA	@0080@,PRCTRI	11	06802	M 39823 01974
1901		B	*@1	7	06813	J 06820
1902		SBR	TC13IN@17 STORE B REG FOR PRINTER CHI RETURN	7	06820	G 04323 B
1903		A	@18,TC13IN@17 ADD 18 TO RTN ADDRESS	11	06827	A 39825 04323
1904		NOPWM		1	06838	N
1905	A191	B	A192-24	7	06839	J 06870
1906		MLCS	PROUT1@100@X2,PROUT1 MOVE LAST CHAR TO FIRST	12	06846	D 35600 35560 3
1907		MLCA	PROUT1@99@X2,PROUT1@100@X2 MOVE FIELD 1 POSITION	12	06858	D 35649 35600 T
1908		MLNS	@1@,C13INI	12	06870	D 39803 35089 1
1909		MLNS	@3@,CILUI	12	06882	D 39809 34920 1
1910	A192	WO	PROUT1@1 PRINT A LINE	10	06894	M @20 35561 W
1911		BULL	C1IRTN	7	06904	J 04382 1
1912		MLNS	BLANK,C13INI	12	06911	D 35233 35089 1
1913		MLNS	BLANK,CILUI	12	06923	D 35233 34920 1
1914		BCB1	A193 WAS PRINTER CHI BUSY	7	06935	R 07015 2
1915		BA1	*@8	7	06942	R 06956 M
1916		B	A158 BRANCH TO OVERLAP FAIL ROUTINE	7	06949	J 10025
1917		MLNS	@1@,CHIERR SET 1 ANY ERROR CHI	12	06956	D 39803 34929 1
1918		MLNS	@1@,C13ERR 1 TO PRINT ERROR CHI	12	06968	D 39803 34933 1
1919		BNR1	NRPI WAS PRINTER NOT READY	7	06980	R 07028 1

1410/7010-40K- OVERLAP-PRIORITY-SYSTEM TEST

ST02  
INSTRUCTION

CT  
ADDRS

OPCOD  
OPERAND

PGLIN  
LABEL

PGLIN	LABEL	OPCOD	OPERAND	CONDITION	CT	ADDRS	INSTRUCTION
1920		BEF1	AC13CW		7	06987	R 07234 B
1921	TC13DC	BER1	AC13DC	DATA CHECK	7	06994	R 07252 A
1922	TC13WL	BWL1	AC13WL	WRONG LENGTH RECORD	7	07001	R 07270 -
1923		B	TC14FN	SEE IF UNIT 4 CHI BEEN TESTED	7	07008	J 03929
1924	A193	SW	A191		6	07015	06839
1925		B	TC14FN	SEE IF UNIT 4 CHI TESTED	7	07021	J 03929
1926	NRP1	MLNS	@1@,C13NR	SET 1 PRINTER CHI NOT RDY	12	07028	D 39803 34935 1
1927		MLNS	@1@,C13FIN	SET 1 IN PRINTER CHI TESTED	12	07040	D 39803 34907 1
1928		MLNS	@1@,C13ERR		12	07052	D 39803 34933 1
1929		MLNS	@1@,CHIERR	SET 1 IN ANY ERRORS CHI	12	07064	D 39803 34929 1
1930		B	CI1DON	SEE IF ALL UNITS CHI TESTED	7	07076	J 04085
1931	SI2C13	MLNA	@0032@,X2	SET 32 IN INDEX REGISTER 2	12	07083	D 39829 00034 /
1932		B	ZI2C13C6	GO TO MOVE FLD	7	07095	J 06778
1933	TNUMB	BCE	ZX2C13,CHN1&18,1	IS 100 CHARACTER BUFFER SET	12	07102	B 07133 01307 1
1934		BCE	SX2C13,CHN1&18,2	IS 132 CHARACTER BUFFER SET	12	07114	B 07158 01307 2
1935		B	TALHBE24		7	07126	J 06753
1936	ZX2C13	S	X2		6	07133	S 00034
1937		MRCG	NUMFLD,PROUT1&1	MOVE NUMERIC FIELD TO PRINT OUT	12	07139	D 35961 35561 \$
1938		B	SGWC13		7	07151	J 06790
1939	SX2C13	MLNA	@0032@,X2	SET 32 IN INDEX REGISTER 2	12	07158	D 39829 00034 /
1940		B	ZX2C13C6	GO TO MOVE FLD	7	07170	J 07139
1941	SIC13F	MLNS	@1@,C13FIN	SET 1 IN PRINTER CHI TESTED	12	07177	D 39803 34907 1
1942		B	TSPER1		7	07189	J 07220
1943	TPT1ER	CW	A191		6	07196	06839
1944		S	E1,PRCTRI		11	07202	S 39801 01974
1945		BZ	SIC13F		7	07213	J 07177 V G
1946	TSPER1	BA1	*E8		7	07220	R 07234 M
1947		B	TC14FN	SEE IF UNIT 4 CHI HAS BEEN TESTED	7	07227	J 03929
1948	AC13CW	A	E1,C13CN	ADD 1 TO PRINTER COND ERROR CHI	11	07234	A 39801 34948
1949		B	TC13DC	SEE IF ANY DATA CHECKS	7	07245	J 06994
1950	AC13DC	A	E1,C13DC	ADD 1 TO PRINTER DATA CHECKS CHI	11	07252	A 39801 34950
1951		B	TC13WL	SEE IF ANY WRONG LENGTH RECORDS	7	07263	J 07001
1952	AC13WL	A	E1,C13WL	ADD 1 TO PRINTER WLR CHI	11	07270	A 39801 34952
1953		B	TC14FN		7	07281	J 03929

1410/7010-40K- OVERLAP-PRIORITY-SYSTEM TEST

PGLIN	LABEL	OPCOD	OPERAND	CT	ADDRS	INSTRUCTION
1955	*****					
1956	* 1301 TEST CHANNEL 1-UNIT 5					
1957	*****					
1958	C15RTN	MLNS	CHN1&20,C1MCTR	12	07288	D 01309 01535 1
1959	S	C1PADD		6	07300	S 01539
1960	CW	CKRDSK&1	OBTAIN NEW ENTRY	6	07306	□ 07320
1961	SBR	TC15INE17		7	07312	G 04361 B
1962	CKRDSK	MLNS	①②,CH1UAV	12	07319	D 39803 34924 1
1963	BCE	C1SEEK,RDSK11,		12	07331	B 07670 01679
1964	BCE	C1SWT,CESK11,		12	07343	B 08806 01680
1965	BCE	C1SWT,WRF5W1,		12	07355	B 08806 01681
1966	BCE	C1FWR,WRSW1,		12	07367	B 08367 01682
1967	BCE	C1SEEK,RDSK12,		12	07379	B 07670 01683
1968	BCE	C1SWT,CESK12,		12	07391	B 08806 01684
1969	BCE	C1SWT,RDSW1,		12	07403	B 08806 01685
1970	C	C1WADD&18,C1RADD&18		11	07415	C 37502 37834
1971	BE	C1FRST		7	07426	J 07565 S
1972	MLNS	①②,SARG-1	DATA DOES NOT COMPARE	12	07433	D 39803 01687 1
1973	MLNS	C1RADD&1,SARG	SET UP ERROR FIELD	12	07445	D 37817 01688 1
1974	B	FNERAD	GO FIND ERROE ADD	7	07457	J 08958

1410/7010-40K- OVERLAP-PRIORITY-SYSTEM TEST

ST02

INSTRUCTION

PGLIN LABEL

OPCOD OPERAND

CT

ADDRS

INSTRUCTION

PGLIN	LABEL	OPCOD	OPERAND	CT	ADDRS	INSTRUCTION
1976		A	@30,X15-2	11	07464	A 39809 00097
1977		MLNA	SARG,1&X15	12	07475	D 01688 00MM1 /
1978		MLNS	@10,9&X15	12	07487	D 39803 00MM9 1
1979		MLNS	@10,2&X15	12	07499	D 39803 00MM2 1
1980		MLNS	@10,CHIERR	12	07511	D 39803 34929 1
1981		MLNS	@10,C15ERR	12	07523	D 39803 34938 1
1982		A	@10,C1FECT	11	07535	A 39803 01547
1983		BCE	C1SIOP,C1FECT,3	12	07546	B 09232 01547 3
1984		B	C1FRD	7	07558	J 08652
1985		MLCB	BLANK,C1RNLS	12	07565	D 35233 01686 L
1986	C1FRST	A	@10,C1MADD	11	07577	A 39803 01539
1987		S	@10,C1MCTR	11	07588	S 39803 01535
1988		BZ	C1RSTR	7	07599	J 07613 V
1989		B	TC17FN	7	07606	J 04025
1990		CW	C15RTN&1	6	07613	D 07289
1991		SBR	TC15IN&17	7	07619	G 04361 B
1992		A	@10,PCTRI	11	07626	A 39803 01551
1993		BZ	C1DNE	7	07637	J 07651 V
1994		B	TC17FN	7	07644	J 04025
1995	C1DNE	MLNS	@10,C15FIN	12	07651	D 39803 34909 1
1996		B	TC17FN	7	07663	J 04025



1410/7010-40K- OVERLAP-PRIORITY-SYSTEM TEST

PGLIN	LABEL	OPCOD	OPERAND	CT	ADDRS	INSTRUCTION
1998	*****					
1999	* 1301 SEEK ROUTINE CHANNEL 1					
2000	*****					
2001	CISEEK	BCE	CICESK,CIRNLS,1	12	07670	B 07843 01686 1
2002		BCE	CIRDS2,RDSK11,1	12	07682	B 07824 01679 1
2003		MLNS	@1@,RDSK11	12	07694	D 39803 01679 1
2004		A	FACT,RNDADD	11	07706	A 01558 01562
2005		A	FACT,RNDADD-2	11	07717	A 01558 01560
2006		A	FACT-1,RNDADD-1	11	07728	A 01557 01561
2007	CIRRET	MLNS	@1@,CIRNLS	12	07739	D 39803 01686 1
2008		MLNA	RNDADD,CISADD&5	12	07751	D 01562 01775 /
2009	CISRET	MLNS	CIMADD,CISADD&1	12	07763	D 01539 01771 1
2010		MLNS	@1@,CISINP	12	07775	D 39803 01563 1
2011		SD	1,CISADD	10	07787	M 2FO 01770 R
2012		BCB1	*-16	7	07797	R 07787 2
2013		BA1	CISKER	7	07804	R 07917 M
2014		S	CIFECT	6	07811	S 01547
2015		B	TC17FN	7	07817	J 04025
2016	CIRDS2	MLNS	@1@,RDSK12	12	07824	D 39803 01683 1
2017		B	CIRRET	7	07836	J 07739
2018	CICESK	MLCA	CEADD,CISADD&5	12	07843	D 01574 01775 1
2019		MLCS	BLANK,CIRNLS	12	07855	D 35233 01686 3
2020		BCE	CICES2,CESK11,1	12	07867	B 07898 01680 1
2021		MLNS	@1@,CESK11	12	07879	D 39803 01680 1
2022		B	CISRET	7	07891	J 07763
2023	CICES2	MLNS	@1@,CESK12	12	07898	D 39803 01684 1
2024		B	CISRET	7	07910	J 07763

1410/7010-40K- OVERLAP-PRIORITY-SYSTEM TEST

ST02 INSTRUCTION

CT ADDR

OPCOD OPERAND

PGLIN

PGLIN	LABEL	OPCOD	OPERAND	CT	ADDR	INSTRUCTION
2026	*****					
2027	* 1301 SEEK ERROR ROUTINE					
2028	*****					
2029	CISKER	MLNS	@1@,SARG-1 SET UP	12	07917	D 39803 01687 1
2030		MLNS	CIMADD,SARG SEARCH ARG	12	07924	D 01539 01688 1
2031		B	FNERAD GO FIND ERR ADD	7	07941	J 08958
2032		MLNA	SARG,1&X15	12	07948	D 01688 00MM1 /
2033		BNR1	CISKNR	7	07960	R 07981 1
2034		B	CICMER	7	07967	J 09003
2035		B	CISRET GO RETRY SEEK	7	07974	J 07763
2036	CISKNR	BCE	CIORGP,PCTRI,0 IS THIS FIRST PASS	12	07981	B 08012 01551 0
2037	CICKEF	BCE	CIALNR,3&X15,	12	07993	B 08054 00MM3
2038		B	CIFRST	7	08005	J 07565
2039	CIORGP	BCE	CICKEF,CESK11,1	12	08012	B 07993 01680 1
2040		MLNS	@2@,3&X15	12	08024	D 39806 00MM3 1
2041		S	@1@,CIMDAV	11	08036	S 39803 01543
2042		B	CIFRST	7	08047	J 07565
2043	CIALNR	MLNS	@1@,3&X15 SET 3 IN ERROR FLD	12	08054	D 39803 00MM3 1
2044		MLNS	@1@,CHIERR	12	08066	D 39803 34929 1
2045		MLNS	@1@,2&X15	12	08078	D 39803 00MM2 1
2046		MLNS	@1@,C15ERR	12	08090	D 39803 34938 1
2047		B	CIFRST	7	08102	J 07565
2048	*****					
2049	* 1301 SEEK COMPLETE ROUTINE-CHANNEL 1					
2050	*****					
2051	CISKCM	BOL1	CISKCM LOOP UNTIL OLAP DONE	7	08109	J 08109 1
2052		MLNS	@1@,C1SCOM	12	08116	D 39803 01567 1
2053		BOPRI	TCILUI	7	08128	Y 03706 1
2054	C1ADRT	MLNS	BLANK,C1SINP TURN OFF SEEK IN PROC	12	08135	D 35233 01563 1
2055		MLNS	BLANK,C1SCOM	12	08147	D 35233 01567 1
2056		BCE	C1SEEK,C1RNLS,1 LAST SEEK RANDOM	12	08159	B 07670 01686 1
2057		BCE	C1FRD,RDSK12,1 RND SK 2 DONE	12	08171	B 08652 01683 1
2058		S	C1STMR	6	08183	S 01585

1410/7010-40K- OVERLAP-PRIORITY-SYSTEM TEST

ST02 INSTRUCTION

PGLIN	LABEL	OPCOD	OPERAND	CT	ADDRS	INSTRUCTION
2060			*****			
2061			* 1301 WRITE FORMAT ROUTINE-CHANNEL 1 *			
2062			*****			
2063	CIWFMT	MLNA	CIWADD,CIWADD&1 MOVE MOD TO FILE	12	08189	D 01539 37485 /
2064		MLCWA	FMTFLD,CIWADD&81 MOVE FORMAT FIELD	12	08201	D 01769 37565 X
2065		MLCWS	CIWADD&8,CIWADD&82 MOVE GMWM	12	08213	D 37492 37566 7
2066		MU	@F7,CIWADD,W	10	08225	M @F7 37484 W
2067		B0L1	CIWFMT	7	08235	J 08256 1
2068		BEX1	CIWFER,3	7	08242	R 08299 3
2069		B	A158	7	08249	J 10025
2070	CIWFMT	MLNS	@1&,CISINI SET 1 IN FILE INIT	12	08256	D 39803 35091 1
2071		MLCWS	@5&,CILUI SET 5 IN CHI LAST	12	08268	D 39830 34920 7
2072		MLNS	@1&,WRF5W1	12	08280	D 39803 01681 1
2073		B	CIIRTN	7	08292	J 04382
2074			*****			
2075			* 1301 WRITE FORMAT ERROR ROUTINE-CHANNEL 1 *			
2076			*****			
2077	CIWFER	MLNS	@1&,SARG-1 SET UP	12	08299	D 39803 01687 1
2078		MLNS	CIWADD,SARG SEARCH ARGUMENT	12	08311	D 01539 01688 1
2079		B	FNERAD GO FIND ERROR ADD	7	08323	J 08958
2080		A	@1&,X15-2 ADD 100 TO ERROR ADD	11	08330	A 39803 00097
2081		MLNA	SARG,1&X15	12	08341	D 01688 00MM1 /
2082		B	CIWFER	7	08353	J 09003
2083		B	CIWFMT GO RETRY WRFMT	7	08360	J 08189

1410/7010-40K- OVERLAP-PRIORITY-SYSTEM TEST

PGLIN	LABEL	OPCOD	OPERAND	CT	ADDRS	INSTRUCTION
2085	*****					
2086	* 1301 WRITE ROUTINE-CHANNEL 1					
2087	*****					
2088	CIFWR	SH	C1WADD&9	6	08367	* 37493
2089	DTMVE1	MLCB	FLC&0,C1WADD&16	12	08373	D 35307 37500 L
2090		MLCB	C1SADD&7,C1WADD&10	12	08385	D 01777 37494 L
2091		MLNS	C1WADD,C1WADD&1	12	08397	D 01539 37485 1
2092		MU	X&F5,C1WADD,W	10	08409	M X&F5 37484 W
2093		BCB1	*-16	7	08419	R 08409 2
2094		DA1	*&1	7	08426	R 08433 M
2095		SH	DTMVE1&1	6	08433	* 08374
2096		A	X10&,DTMVE1&5	11	08439	A 39832 08378
2097		C	DTMVE1&5,C&NEND	11	08450	C 08378 35239
2098		CH	C1WADD&9,DTMVE1&1	11	08461	D 37493 08374
2099		BE	*&8	7	08472	J 08486 S
2100		B	C1SWAD	7	08479	J 08498
2101		MLNA	ANUM,DTMVE1&5	12	08486	D 01579 08378 /
2102	C1SWAD	MLCWS	C1WADD&8,C1WADD&19	12	08498	D 37492 37503 7
2103		MU	X&F6,C1WADD,W	10	08510	M X&F6 37484 W
2104		B&L1	C1WROK	7	08520	J 08541 1
2105		B&X1	C1FWER,3	7	08527	R 08584 3
2106		B	A158	7	08534	J 10025
2107	C1WROK	MLNS	X1&,C15INI	12	08541	D 39803 35091 1
2108		MLNS	X5&,C1LUI	12	08553	D 39830 34920 1
2109		MLNS	X1&,WRSW1	12	08565	D 39803 01682 1
2110		B	C1IRIN	7	08577	J 04382
2111	*****					
2112	* 1301 WRITE ERROR ROUTINE-CHANNEL 1					
2113	*****					
2114	C1FWER	MLNS	X1&,SARG-1	12	08584	D 39803 01687 1
2115		MLNS	C1WADD,SARG	12	08596	D 01539 01688 1
2116		B	FNERAD	7	08608	J 08958
2117		A	X2&,X15-2	11	08615	A 39806 00097
2118		MLNA	SARG,1&X15	12	08626	D 01688 00MML /
2119		B	C1CMER	7	08638	J 09003
2120		B	C1SWAD	7	08645	J 08498

MOVE 88  
 MOVE MOD ADDR  
 WR HA 2 ADDR  
 DATA  
 FOK  
 WRITE  
 SET 1 IN FILE INIT  
 ADD 200 TO ERR ADD  
 GO SET UP ERR FLD  
 GO RETRY WRITE

1410/7010-40K- OVERLAP-PRIORITY-SYSTEM TEST

PGLIN	LABEL	OPCOD	OPERAND	CT	ADDR	INSTRUCTION
2122	*****					
2123	* 1301 READ ROUTINE-CHANNEL 1					
2124	*****					
2125	CIFRD	MLNS	C1MADD,C1RADD&1	MOVE	MOD	ADD
2126		MU	@F6,C1RADD,R			
2127		B0L1	C1RDOK			
2128		REX1	C1RDER,3			
2129		B	A158			
2130	C1RDOK	MLNS	@1@,C15INI			
2131		MLNS	@5@,C1LUI			
2132		MLNS	@1@,RDSW1			
2133		B	C11RTN			
2134	*****					
2135	* 1301 READ ERROR ROUTINE-CHANNEL 1					
2136	*****					
2137	C1RDER	MLNS	@1@,SARG-1			
2138		MLNS	C1MADD,SARG			
2139		B	FNERAD			
2140		A	@3@,X15-2	ADD	300	TO ERR ADD
2141		MLNA	SARG,16X15			
2142		B	C1CMER	GO	SET	UP ERR FLD
2143		B	C1FRD	GO	RETRY	READ
2144	*****					
2145	* 1301 WAIT LOOP-CHANNEL 1					
2146	*****					
2147	C1SWT	BCE	C1CKSC,C1SINP,1	SEEK	IN	PROCESS
2148		H				
2149	C1CKSC	BSPR1	C1SKCM			
2150		A	@1@,C1STMTR	ADD	1	TO TIMER
2151		BZ	C1NSC			
2152		B	C11RTN			
2153	C1NSC	MLNS	@1@,SARG-1	MOVE	CHAN	TO ARGUMENT
2154		MLNS	C1SADDE1,SARG	MOVE	MOD	TO ARGUMENT
2155		B	FNERAD	GO	FIND	ERROR ADD
2156		MLNS	@1@,96X15	SET	1	IN ERROR FIELD
2157		B	C1SIOP	GO	SET	ACCESS INOP

CT ADDR INSTRUCTION

PGLIN

LABEL OPCOD OPERAND

2159	*****							
2160	* 1301 ERROR ROUTINE-CHANNEL 1							
2161	*****							
2162	IFLIER	BAL	CIFLER	ANY ERROR ON LAST OP			7 08901	R 08921 M
2163		S	CIFECT				6 08908	S 01547
2164		B	TCI7FN				7 08914	J 04025
2165	CIFLER	BCE	CIRDER,RDSW1,1				12 08921	B 08738 01685 1
2166		BCE	CIFWER,WRSW1,1				12 08933	B 08584 01682 1
2167		BCE	C1WFER,WRFWSW1,1	FORMAT LAST OP			12 08945	B 08299 01681 1
2168		H		SHOULD NEVER STOP			1 08957	.
2169	*****							
2170	* 1301 ROUTINE TO FIND ADDRESS OF ERKOR FIELD							
2171	*****							
2172	FNERAD	SBR	ERADRT65	STORE BAR FOR RETURN			7 08958	G 09001 B
2173		LE	SARG,FERTB	LOOKUP ADDRESS			12 08965	T 01688 01678 2
2174		SBR	*E6				7 08977	G 08989 B
2175		MLNWA	0,X15				12 08984	D 00000 00099 V
2176	ERADRT	B	0				7 08996	J 00000

1410/7010-40K- OVERLAP-PRIORITY-SYSTEM TEST

ST02 INSTRUCTION  
CT ADDR S INSTRUCTION

PGLIN	LABEL	OPCOD	OPERAND	CT	ADDR	S	INSTRUCTION
2178	*****						
2179	* 1301 COMMON ERROR ROUTINE						
2180	*****						
2181	CICMER	SBR	CICERT&5	7	09003	G	09230 B
2182		BNR1	*E8	7	09010	R	09024 1
2183		B	*E13	7	09017	J	09036
2184		MLNS	@1@,3&X15	12	09024	D	39803 00MM3 1
2185		BCB1	*E8	7	09036	R	09050 2
2186		B	*E13	7	09043	J	09062
2187		MLNS	@1@,4&X15	12	09050	D	39803 00MM4 1
2188		BER1	*E8	7	09062	R	09076 4
2189		B	*E13	7	09069	J	09088
2190		MLNS	@1@,5&X15	12	09076	D	39803 00MM5 1
2191		BWL1	*E8	7	09088	R	09102 -
2192		B	*E13	7	09095	J	09114
2193		MLNS	@1@,6&X15	12	09102	D	39803 00MM6 1
2194		BNT1	*E8	7	09114	R	09128 B
2195		B	*E13	7	09121	J	09140
2196		MLNS	@1@,7&X15	12	09128	D	39803 00MM7 1
2197		BEF1	*E8	7	09140	R	09154 8
2198		B	*E13	7	09147	J	09166
2199		MLNS	@1@,8&X15	12	09154	D	39803 00MM8 1
2200		MLNS	@1@,2&X15	12	09166	D	39803 00MM2 1
2201		MLNS	@1@,C15ERR	12	09178	D	39803 34938 1
2202		MLNS	@1@,CHIERR	12	09190	D	39803 34929 1
2203		A	@1@,CIFECT	11	09202	A	39803 01547
2204		BCE	C1SIOP,C1FECT,3	12	09213	B	09232 01547 3
2205	CICERT	B	0	7	09225	J	00000

SBR FOR RETURN  
NOT READY  
BUSY  
DATA CHECK  
WRONG LENGTH  
NO TRANSFER  
CONDITION  
SET 1 IN ANY ERR  
ADD 1 TO ERR COUNT  
SET INOP IF PERM ERR

1410/7010-40K- OVERLAP-PRIORITY-SYSTEM TEST

ST02

INSTRUCTION

PC N	LABEL	OPCOD	OPERAND	CT	ADDRS	INSTRUCTION
2207	*****					
2208	* 1301 SET IN-OP ROUTINE-CHANNEL 1					
2209	*****					
2210	CISICP	MU	8F8.C1SADD.W	10	09232	M 8F8 01770 W
2211		BCB1	*-16	7	09242	R 09232 2
2212		BA1	*61	7	09249	R 09256 M
2213		MLNS	232.36X15	12	09256	D 39809 00MM3 1
2214		S	C1FECT	6	09268	S 01547
2215		B	C1FRST	7	09274	J 07565



1410/7010-40K- OVERLAP-PRIORITY-SYSTEM TEST

PGLIN	LABEL	OPCOD	OPERAND	CT	ADDRS	INSTRUCTION
2217			*****	1	09281	N
2218	* TAPE TEST ROUTINES-CHANNEL 1-UNIT 7		*****	7	09282	J 09414
2219			*****	12	09289	D 39803 34924 1
2220	* REWIND ROUTINE-CHANNEL 1		*****	6	09301	S 00039
2221			*****	12	09307	D 39803 09322 3
2222	C17RTN NOPWM		*****	5	09319	U 091 R
2223	B AURC17		BYPASS CH 1 RWD-13DAG	7	09324	R 09319 2
2224	MLNS 010,CHIUV		SET 1 IN C1 UNIT AVAL	7	09331	R 09361 M
2225	S X3		ZERO X3	11	09338	A 39803 34960
2226	MLCS 010,RWDC1703		RESET REWIND TO DRIVE 1	12	09349	D 39803 390A0 1
2227	CU 001,R		REWIND TAPE DRIVE 1	11	09361	A 39803 00038
2228	BCB1 RWCC17		BUSY	12	09372	B 09414 00038 9
2229	BA1 AIX3		ANY INDICATORS	6	09384	, 09322
2230	A 010,C17RDY		ADD 1 TO NUMB ROY TAPE	11	09390	A 39803 09322
2231	MLNS 010,TP11AVEX3		SET 1 IN TP 10X3 RDY	6	09401	0 09322
2232	A 010,X3-1		ADD 10 TO INDEX REG 3	7	09407	J 09319
2233	BCE AURC17,X3-1,9		IS INDEX REG 3 A 9	12	09414	B 09470 34960
2234	SW RWCC1703		SET WM AT REWIND UNIT	12	09426	D 34960 34959 1
2235	A 010,RWDC1703		INCREASE TAPE DRIVE 1	12	09438	D 34960 34976 1
2236	CW RWCC1703		CLEAR WORD MARK	6	09450	0 09490
2237	R RWCC17		REWIND NEXT TAPE UNIT	7	09456	G 04380 B
2238	AURC17		SNTRC1,C17RDY, NO UNITS READY	7	09463	J 09489
2239	MLNS C17RDY,C17CTR		MOVE NUMB ROY TP TO CTR	12	09470	D 39803 34910 1
2240	MLNS C17RDY,C17AVL		NUMBR ROY TAPES TO AVAL	7	09482	J 04085
2241	CW TPC1UDE1		CLEAR WM TO OBT B REG ADDR			
2242	SBR TC17IN017		STORE B REG FOR TAPE CIRTN			
2243	B TPC1UD					
2244	SNTRC1		MLNS 010,C17FIN SET 1 TAPE TESTED CHI			
2245	B		C11DON SEE IF ALL UNITS CHI TSTD			



1410/7010-40K- OVERLAP-PRIORITY-SYSTEM TEST

PGLIN	LABEL	OPCOD	OPERAND	CT	ADDRS	INSTRUCTION
2264			*****			
2265	*		HOUSEKEEPING ROUTINE			
2266			*****			
2267		MLNS	A1E9, AAB17E3	RDY TAPE TO WTM INSTRUCT	12 09563	D 09529 10002 1
2268		MLNS	A1E9, AAA17E9	RDY TAPE ADDR TO WTM	12 09575	D 09529 10067 1
2269		MLNS	A1E9, ABH17E9	RDY TAPE ADDR TO ERRORS	12 09587	D 09529 10097 1
2270		MLNS	A1E9, AAJ17E9	ADDR TO TM READ ERRORS	12 09599	D 09529 10991 1
2271		MLNS	A1E9, AA017E9	RDY TAPE ADDR TO ERRORS	12 09611	D 09529 11015 1
2272		MLNS	A1E9, AAK17E9	ADDR TO READ DATA CHECK	12 09623	D 09529 11046 1
2273		MLNS	A1E9, AAM17E9	RDY TAPE ADDR TO ERRORS	12 09635	D 09529 11070 1
2274		B	AAB17	BRANCH TO WRITE TAPE MARK	7 09647	J 09999
2275	BKSP1	MLNS	A1E9, AAC17E3	RDY TAPE TO BKSP INSI	12 09654	D 09529 10302 1
2276		MLNS	A1E9, AA017E9	ADDR TO UNIT NOT READY	12 09666	D 09529 10371 1
2277		MLNS	A1E9, ABH17E9	ADDR TO ANY ERRORS	12 09678	D 09529 10395 1
2278		B	AAC17	BRANCH TO BACKSPACE	7 09690	J 10299
2279	RT1	MLNS	A1E9, AAF17E3	RDY TAPE ADDR TO RDTP INS	12 09697	D 09529 10532 1
2280		MLNS	A1E9, AAG17E9	ADDR TO UNIT NOT READY	12 09709	D 09529 10588 1
2281		MLNS	A1E9, AAH17E9	ADDR TO READ COMP ERROR	12 09721	D 09529 10800 1
2282		MLNS	A1E9, ABT17E9	ADDR TO ANY ERRORS	12 09733	D 09529 10824 1
2283		MLNS	A1E9, ABJ17E9	ADDR TO ANY ERRORS	12 09745	D 09529 10629 1
2284		MLNS	A1E9, AAS17E9	ADDR TO WLR	12 09757	D 09529 11589 1
2285		MLNS	A1E9, AAT17E9	ADDR TO ANY ERRORS	12 09769	D 09529 11613 1
2286		MLNS	A1E9, AAU17E9	ADDR TO RD DATA CHECKS	12 09781	D 09529 11651 1
2287		MLNS	A1E9, AAV17E9	ADDR TO ANY ERRORS	12 09793	D 09529 11675 1

PGL IN	LABEL	OPCOD	OPERAND	CT	ADDRS	INSTRUCTION
2289		MLNS	A1E9,AAW17E9	12	09805	D 09529 11694 1
2290		MLNS	A1E9,AAW17E9	12	09817	D 09529 11712 1
2291		MLNS	A1E9,ABK17E9	12	09829	D 09529 10910 1
2292		MLNS	A1E9,ABL17E9	12	09841	D 09529 10922 1
2293		MLNS	A1E9,ABZ17E9	12	09853	D 09529 10934 1
2294		B	RTC1	7	09865	J 10491
2295	WT1	MLNS	A1E9,AAW17E3	12	09872	D 09529 11725 1
2296		MLNS	A1E9,ABC17E3	12	09884	D 09529 11756 1
2297		MLNS	A1E9,ABD17E9	12	09896	D 09529 11812 1
2298		MLNS	A1E9,ABE17E9	12	09908	D 09529 11842 1
2299		MLNS	A1E9,ABF17E9	12	09920	D 09529 11461 1
2300		MLNS	A1E9,ABG17E9	12	09932	D 09529 11485 1
2301		MLNS	A1E9,AAW17E9	12	09944	D 09529 11312 1
2302		MLNS	A1E9,AAQ17E9	12	09956	D 09529 11336 1
2303		MLNS	A1E9,AAL17E9	12	09968	D 09529 11373 1
2304		MLNS	A1E9,AAR17E9	12	09980	D 09529 11385 1
2305		B	AAV17 BRNCH TO SKIP AND WRITE TAPE	7	09992	J 11722

1410/7010-40K- OVERLAP-PRIORITY-SYSTEM TEST

ST02 CT ADDR INSTRUCTION

PGLIN LABEL OPCOD OPERAND

PGLIN	LABEL	OPCOD	OPERAND	CT	ADDR	INSTRUCTION
2307			*****			
2308			* WRITE TAPE MARK-CHANNEL 1 *			
2309			*****			
2310	AAB17	CU	@UO,M WRITE TAPE MARK UNIT 0	5	09999	U @UO M
2311		B0L1	SIWTMI OVERLAP IN PROCESS	7	10004	J 10149 1
2312		BC81	A195 WAS UNIT BUSY	7	10011	R 10267 2
2313		BNR1	AAA17 WAS UNIT NOT READY	7	10018	R 10058 1
2314	A158	SBR	FBO1 STORE B REG IN OLAP FAIL TYPEOUT	7	10025	G 31155 B
2315		BA1	*E1 TURN OFF INTERLOCK	7	10032	R 10039 M
2316		MLCS	@1@,OLNG1 SET 1 OVERLAP FAILED CHI	12	10039	D 39803 34900 3
2317		B	A182 SET CHI FINISHED	7	10051	J 04238
2318	AAA17	MLNS	@2@,TPIOAV SET 2 IN TAPE GONE NOT RDY	12	10058	D 39806 39000 1
2319		SW	C17NR SET WM LAST TAPE GONE NOT READY	6	10070	, 35030
2320		MLNS	@1@,CHIEARR SET 1 ANY ERRORS CHI	12	10076	D 39803 34929 1
2321	ABH17	MLNS	@1@,TPIOER SET 1 ANY ERROR TAPE 0	12	10088	D 39803 39001 1
2322		CW	TPCIUDE1 CLEAR WM TO ALLOW HOUSKPING	6	10100	□ 09490
2323		S	@1@,C17RDY SUB 1 NUMB RDY TAPES	11	10106	S 39803 34960
2324		BZ	CLIO11 NO MORE TAPE UNITS AVAIL	7	10117	J 12426 V
2325		S	@1@,C17CTR SUB 1 FROM TAPE CTR	11	10124	S 39803 34959
2326		BZ	A231 IS COUNTER ZERO	7	10135	J 10280 V
2327		B	TPCIUD	7	10142	J 09489

1410/7010-40K- OVERLAP-PRIORITY-SYSTEM TEST

ST02

CT ADDR INSTRUCTION

OPCOD OPERAND

PGLIN LABEL

PGLIN	LABEL	OPCOD	OPERAND	CT	ADDR	INSTRUCTION
2329	SIWTM1	MLNS	010,WTLLIN SET 1 WR TAPE LST I/O INST	12	10149	D 39803 34961 1
2330		MLNS	070,CILUI SET 7 CH1 LST UNIT INIT	12	10161	D 39815 34920 1
2331		MLNS	010,C17INI SET 1 IN TAPE CI INIT	12	10173	D 39803 35092 1
2332		CW	TPCLUD&1 CLEAR WM TO ALLOW HOUSKPING	6	10185	D 09490
2333		CW	C17NR CLEAR WM LAST TAPE GONE NOT RDY	6	10191	D 35030
2334		S	010,C17CTR SUB 1 FROM COUNTER	11	10197	S 39803 34959
2335		BZ	A231 IS COUNTER ZERO	7	10208	J 10280 V
2336		B	C11RTN RTN TO INTERUPD INST OR TST C2	7	10215	J 04382
2337	MUR1	SW	BBKSC1 SET WM IN BR TO BKSP TEST	6	10222	, 09540
2338		MLNS	C17RDY,C17CTR NUMBR RDY TPS TO CTR	12	10228	D 34960 34959 1
2339		BW	TPCLUD,C17NR LAST TAPE NOT RDY	12	10240	V 09489 35030 1
2340		NOPWM		1	10252	N
2341	A248	B	RC1UIN SEE IF NEXT UNIT ON CH1 AVAIL	7	10253	J 04073
2342		B	C11RTN RTN TO INTERUPD INST OR TST C2	7	10260	J 04382
2343	A195	SW	TPCLUD&1 SET WM TO INHIBIT HOUSKPING	6	10267	, 09490
2344		B	RC1UIN SEE IF NEXT UNIT ON CH1 AVAIL	7	10273	J 04073
2345	A231	SW	A232 SET WM TO READ AFTER BKSP	6	10280	, 10435
2346		CW	A233 CLEAR WM IN WRITE AFTER BKSP	6	10286	D 10442
2347		B	MUR1	7	10292	J 10222

1410/7010-40K- OVERLAP-PRIORITY-SYSTEM TEST

ST02 INSTRUCTION  
CT ADDR

OPCOD OPERAND

PGLIN

PGLIN	LABEL	OPCOD	OPERAND	CT	ADDR	INSTRUCTION
2349			*****			
2350			* BACKSPACE ROUTINE-CHANNEL 1			
2351			*****			
2352	AAC17	CU	QU0,8 BACKSPACE TAPE UNIT 0	5	10299	U QU0 B G
2353		BA1	TBZC17 ANY INDICATORS	7	10304	R 10342 M
2354		CW	TPCIUD&1 CLEAR WM TO ALLOW HOUSKPING	6	10311	□ 09490
2355	SIC17	S	Q1G,C17CTR SUB 1 FROM COUNTER	11	10317	S 39803 34959
2356		BZ	RS117B IS COUNTER ZERO	7	10328	J 10423 V
2357		B	TPCIUD BRNCH TO CH1 TAPE HOUSEKEEPING	7	10335	J 09489
2358	TBZC17	BCB1	A195 WAS UNIT BUSY	7	10342	R 10267 2
2359		BNR1	*&1 WAS UNIT NOT READY	7	10349	R 10356 1
2360		CW	TPCIUD&1 CLEAR WM TO ALLOW HOUSKPING	6	10356	□ 09490
2361	AAE17	MLNS	Q2Q,TP10AV SET 2 IN TAPE GONE NOT RDY	12	10362	D 39806 39000 1
2362		MLNS	Q1Q,CHIERR SET 1 ANY ERRORS CHI	12	10374	D 39803 34929 1
2363	ABB17	MLNS	Q1Q,TP10ER SET 1 ANY ERROR TAPE 0	12	10386	D 39803 39001 1
2364		S	Q1G,C17RDY SUB 1 NUMB READY TAPES	11	10398	S 39803 34960
2365		BZ	CL1011 NO MORE TAPE UNITS AVAIL	7	10409	J 12426 V
2366		B	SIC17	7	10416	J 10317
2367	RS117B	CW	BBKSCI,BRICI CLEAR WM BRNCH BKSP READ	11	10423	□ 09540 09548
2368		NOPWM		1	10434	N
2369	A232	SW	BRTCI SET WM BRNCH READ TAPE TEST	6	10435	□ 09548
2370		NOPWM		1	10441	N
2371	A233	SW	BMICI SET WM BRNCH WRITE TAPE TEST	6	10442	□ 09556
2372		MLNS	C17RDY,C17CTR MOVE RDY TAPES TO CTR	12	10448	D 34960 34959 1
2373		MLCS	Q Q,WTILIN CLEAR WRTP LST I/O OP	12	10460	D 39833 34961 3
2374		MLCS	Q Q,COMPCCI SET BLANK COMPARE READ TAPE	12	10472	D 39833 34965 3
2375		B	TPCIUD	7	10484	J 09489

CT ADDR INSTRUCTION

PGLIN LABEL OPCOD OPERAND

PGLIN	LABEL	OPCOD	OPERAND	CT	ADDR	INSTRUCTION
2377			*****			
2378			* READ TAPE ROUTINE-CHANNEL 1 *			
2379			*****			
2380	RTCL	NOPWM		1	10491	N
2381		MLNS	@1@,RTILIN SET 1 RD TAPE LAST I/O OP	12	10492	D 39803 34962 1
2382		BCE	COMTPR,COMPCL,1 IS COMPARE TO BE DONE	12	10504	B 10749 34965 1
2383		NOPWM		1	10516	N
2384	A227	MLCWA	BLANK,TPROCI@131 BLANK READ IN FIELD	12	10517	D 35233 36551 X
2385	AAF17	RTO	10,TPROCI READ TAPE UNIT 0	10	10529	M @UO 36420 R
2386		BOL1	SC17IN IS OVERLAP IN PROCESS	7	10539	J 10688 1
2387		MLNS	@ @,COMPCL SET BLANK COMPARE READ TAPE	12	10546	D 39833 34965 1
2388		BCB1	AAF17	7	10558	R 10529 2
2389		BNR1	AAG17 WAS UNIT NOT READY	7	10565	R 10579 1
2390		B	A158 BRANCH TO OLAP FAIL ROUTINE	7	10572	J 10025
2391	AAG17	MLNS	@2@,TPLOAV SET 2 TAPE GONE NOT READY	12	10579	D 39806 39000 1
2392		S	@1@,C17CTR SUB 1 FROM COUNTER	11	10591	S 39803 34959
2393		MLNS	@1@,CHIERR SET 1 ANY ERROR CHI	12	10602	D 39803 34929 1
2394		SW	C17NR SET WM LAST TAPE GONE NOT READY	6	10614	, 35030
2395	ABJ17	MLNS	@1@,TP10ER SET 1 ANY ERROR TAPE UNIT 0	12	10620	D 39803 39001 1
2396		S	@1@,C17RDY SUB 1 FROM NUMB RDY TAPES	11	10632	S 39803 34960
2397		BZ	CL1011 NO MORE TAPE UNITS AVAIL	7	10643	J 12426 V
2398		BCE	C1CTRO,RTILIN,1 WAS RD TP LST I/O OP	12	10650	B 10669 34962 1
2399		B	RTM1 SEE IF CNTR IS ZERO	7	10662	J 11073
2400	C1CTRO	BCE	TWLRCL,C17CTR,0 IS COUNTER ZERO	12	10669	B 11999 34959 0
2401		B	RC1UIN SEE IF UNIT 1 CI AVIL	7	10681	J 04073
2402	SC17IN	MLNS	@1@,C17INI SET 1 TAPE CHI INITIATED	12	10688	D 39803 35092 1
2403		MLNS	@7@,CILUI SET 7 CHI LAST UNIT INIT	12	10700	D 39815 34920 1
2404		CW	C17NR CLEAR WM LAST TAPE GONE NOT RDY	6	10712	□ 35030



1410/7010-60K- OVERLAP-PRIORITY-SYSTEM TEST

STO2 INSTRUCTION

OPCOD OPERAND

PGLIN LABEL

PGLIN	LABEL	OPCOD	OPERAND	STO2	INSTRUCTION
2406		NOPWM			
2407	SICRT1	MLNS	@1@,COMPC1 SET 1 COMPARE TAPE READ	1 10718	N
2408		S	@1@,C17CTR SUB 1 FROM COUNTER	12 10719	D 39803 34965 1
2409		B	C11RTN RTN TO INTERUPD INST OR TST C2	11 10731	S 39803 34959
2410	COMTPR	BCE	TWML,LMI,1 LAST WRITE OP LOAD MODE	7 10742	J 04382
2411		BCE	A228,WLRC17,1 WAS WLR WRITTEN	12 10749	B 10889 34967 1
2412		C	TPRDC1@131,TAPFLD@131 COMP READ TO WR	12 10761	B 10871 34971 1
2413	TSTEL	BE	NON11 WAS COMPARE EQUAL	11 10773	C 36551 37083
2414	AAM17	MLCS	@X@,TIQUEC INDICATE RD UNEQUAL CMP	7 10784	J 10827 S
2415		MLNS	@1@,CHIERR SET 1 ANY ERRORS CHI	12 10791	D 39834 39002 3
2416	ABT17	MLNS	@1@,TP10ER SET 1 ANY ERRORS CHI	12 10803	D 39803 34929 1
2417	NON11	MLNS	@1@,TP10ER SET 1 ANY ERROR TAPE UNITO	12 10815	D 39803 39001 1
2418		BCE	*@8,C17CTR,0 IS COUNTER ZERO	12 10827	B 10846 34959 0
2419		B	A227-1 BRNCH TO READ NXT TAPE UNIT	7 10839	J 10516
2420		MLCS	@ @,COMPC1 SET BLANK COMP READ TAPE	12 10846	D 39833 34965 3
2421		SW	A248 SET WM TO START NXT UNIT CHI	6 10858	, 10253
2422	A228	B	TWLRCL BRANCH TO TEST WLR	7 10864	J 11999
2423		C	TPRDC1@98,TAPFLD@98 COMP WLR READ	11 10871	C 36518 37050
2424	TWML	B	TSTEL	7 10882	J 10784
2425	ABK17	BW	COMTPR@12,TPRDC1 WM IN POS 1 RD IN FLD	12 10889	V 10761 36420 1
2426	ABL17	MLCS	@X@,TIOLMF INDICATE LOAD MODE FAIL	12 10901	D 39834 39003 3
2427	ABZ17	MLNS	@1@,CHIERR SET 1 ANY ERRORS CHI	12 10913	D 39803 34929 1
2428		MLNS	@1@,TP10ER SET 1 ANY ERRORS TAPE 0	12 10925	D 39803 39001 1
		B	COMTPR@12 BRNCH TO COMPARE RECORD	7 10937	J 10761

1410/7010-40K- OVERLAP-PRIORITY-SYSTEM TEST

PGLIN	LABEL	OPCOD	OPERAND	CT	ADDRS	INSTRUCTION
2430	*****					
2431	*TAPE ERROR ROUTINES-CHANNEL 1					
2432	*****					
2433	TTPLER	BCE	TWTL,WTLLIN,1 WR TAPE LAST I/O INST	12	10944	B 11256 34961 1
2434		BCE	TRTL,RTLLIN,1 RD TAPE LAST I/O INST	12	10956	B 11495 34962 1
2435		BAI	*C1 ANY INDICATORS READ TAPE MK	7	10968	R 10975 M
2436		BEF1	DC1 WAS TAPE MARK READ	7	10975	R 11018 8
2437	AAJ17	MLCS	AXG,110TME INDICATE TM READ ERRORS	12	10982	D 39834 39004 3
2438		MLNS	AI,CHIERR SET 1 ANY ERRORS CHI	12	10994	D 39803 34929 1
2439	AA017	MLNS	AI,TP10ER SET 1 ANY ERRORS TAPE 0 C1	12	11006	D 39803 39001 1
2440	DC1	BER1	TSTEV1 ANY DATA CHECKS	7	11018	R 11092 4
2441		BCE	RTM1,RTEPC1,1 READ TAPE EVEN PARITY	12	11025	B 11073 34963 1
2442	AAK17	MLCS	AX,110DCR INDICATE READ DATA CHECK	12	11037	D 39834 39005 3
2443		MLNS	AI,CHIERR SET 1 ANY ERRORS CHI	12	11049	D 39803 34929 1
2444	AAH17	MLNS	AI,TP10ER SET 1 ANY ERRORS TAPE 0 C1	12	11061	D 39803 39001 1
2445	RTM1	BCE	OPDC1,C17CTR,0 IS COUNTER ZERO	12	11073	B 11111 34959 0
2446		B	RC1UIN SEE IF UNIT 1 CHI IS AVAIL	7	11085	J 04073
2447	TSTEV1	BCE	AAK17,RTEPC1,1 READ TAPE ODD PARITY	12	11092	B 11037 34963 1
2448		B	RTM1 SEE IF COUNTER IS ZERO	7	11104	J 11073
2449	OPDC1	BCE	MMEIT,RTOP1,1 WAS READ TM ODD DONE	12	11111	B 11196 34964 1
2450		MLNS	AI,RTOP1 SET 1 IN READ TM ODD DONE	12	11123	D 39803 34964 1
2451		MLCS	AB,AAF17C2 CHNG RD INST TO ODD PTY	12	11135	D 39835 10531 3
2452		MLCS	BLANK,C1LUI BLANK LAST UNIT INIT CHI	12	11147	D 35233 34920 3
2453		MLCS	AI,RTOP1 CLEAR READ TAPE EVEN	12	11159	D 39833 34963 3
2454		MLNS	AI,C17INI SET TAPE CHI INITIATED	12	11171	D 39803 35092 1
2455		SW	A248 SET WM TO START NXT UNIT CHI	6	11183	, 10253
2456		B	A231 SET UP BKSP ROUTINE	7	11189	J 10280

1410/7010-40K- OVERLAP-PRIORITY-SYSTEM TEST

PGLIN	LABEL	OPCODE	OPERAND	STOZ	CT	ADDRS	INSTRUCTION
2458	MME17	MLCWS	BLANK,TPRDC1&1 CLR GMWM IN RD FLD	12	11196	D	35233 36421 7
2459		MLCS	010,AAF17&2 CHNG READ INST TO EVEN PAR	12	11208	D	39836 10531 3
2460		MLCS	010,RTPEPC1 SET 1 READ TAPE EVEN	12	11220	D	39803 34963 3
2461		SW	RTC1&1,SI CRT1 WM AT RD LST I/O-COMP RD	11	11232	.	10492 10719
2462		SN	A227	6	11243	.	10517
2463		B	A234	7	11249	J	12501
2464	TWT1	BCE	A210,WEOMT1,1 WRITE EOM TEST	12	11256	B	11407 34973 1
2465	A211	BA1	TDCWC1 ANY INDICATORS	7	11268	R	11282 M
2466		B	RCIUIN SEE IF UNIT 1 CHI IS AVAIL	7	11275	J	04073
2467	TDCWC1	BER1	AAL17 DATA CHECK	7	11282	R	11364 4
2468		BEF1	AAP17 END OF REEL	7	11289	R	11303 8
2469		B	RCIUIN	7	11296	J	04073
2470	AAP17	MLNS	030,TP10AV SET 3 IN UNIT AVAIL	12	11303	D	39809 39000 1
2471		MLNS	010,CHIERR SET 1 IN ANY ERROR C1	12	11315	D	39803 34929 1
2472	AAQ17	MLNS	010,TP10ER SET 1 ANY ERRORS TAPE 0	12	11327	D	39803 39001 1
2473		S	010,C17RDY SUB 1 FROM AVAILABLE TAPES	11	11339	S	39803 34960
2474		BZ	CL1011 NO MORE TAPE UNITS AVAIL	7	11350	J	12426 V
2475		B	RCIUIN	7	11357	J	04073
2476	AAL17	MLCS	0X0,T10DCW INDICATE WRITE TAPE DATA CK	12	11364	D	39834 39006 3
2477	AAR17	MLNS	010,TP10ER SET 1 ANY ERRORS TAPE 0	12	11376	D	39803 39001 1
2478		MLNS	010,CHIERR SET 1 IN ANY ERROR C1	12	11388	D	39803 34929 1
2479		B	TDCWC1&7 SEE IF END OF REEL IS ON	7	11400	J	11289
2480	A210	NOPWM		1	11407	N	
2481	A208	B	A211	7	11408	J	11268
2482		MLCS	BLANK,WEOMT1	12	11415	D	35233 34973 3
2483		SER	EOPAC1 STORE E REG	7	11427	G	01526 E
2484		C	EOMAC1,LCA COMP EOM ADD TO LAST CORE A	11	11434	C	01526 01521
2485		BE	A211 ARE ADDRESSES EQUAL	7	11445	J	11268 S
2486	ABF17	MLCS	0X0,T10EOM INDICATE UNIT 0 EOM FAIL	12	11452	D	39834 39009 3
2487		MLNS	010,CHIERR SET 1 ANY ERRORS CHI	12	11464	D	39803 34929 1
2488	ABG17	MLNS	010,TP10ER SET 1 ANY ERRORS TAPE UNIT 0	12	11476	D	39803 39001 1
2489		B	A211 CHECK INDICATORS	7	11488	J	11268

PGLIN	LABEL	OPCOD	OPERAND	CT	ADRS	INSTRUCTION
2491	TRTI	BAL	TRDCI	7	11495	R 1'540 M <sup>G</sup>
2492		BCE	TCRR1,NERAI,1	12	11502	B 11521 34975 1
2493		B	RCIUN	7	11514	J 04073
2494	TCRR1	BCE	TWLC1,C1CTR,0	12	11521	B 11999 34959 0
2495		B	RCIUN	7	11533	J 04073
2496	TRDCI	BERI	AAU17	7	11540	R 11642 4
2497		BEFI	AAW17	7	11547	R 11685 8
2498		BWL1	WLRTI	7	11554	R 11623 -
2499		BCE	AAS17,WLRC17,1	12	11561	B 11580 34971 1
2500		B	TRTI&7	7	11573	J 11502
2501	AAS17	MLCS	@X@,TIOWLR	12	11580	D 39834 39007 3
2502		MLNS	@1@,CHIERR	12	11592	D 39803 34929 1
2503	AAT17	MLNS	@1@,TPIOER	12	11604	D 39803 39001 1
2504		B	TRTI&7	7	11616	J 11502
2505	WLRTI	BCE	TRTI&7,WLRC17,1	12	11623	B 11502 34971 1
2506		B	AAS17	7	11635	J 11580
2507	AAU17	MLCS	@X@,TIODCR	12	11642	D 39834 39005 3
2508		MLNS	@1@,CHIERR	12	11654	D 39803 34929 1
2509	AAV17	MLNS	@1@,TPIOER	12	11666	D 39803 39001 1
2510		B	TRCCI&7	7	11678	J 11547
2511	AAW17	MLCS	@X@,TIOCOND	6	11685	D 39834
2512		MLNS	@1@,CHIERR	12	11691	D 39803 34929 1
2513	AAX17	MLNS	@1@,TPIOER	12	11703	D 39803 39001 1
2514		B	TRCCI&14	7	11715	J 11554

1410/7010-40K- OVERLAP-PRIORITY-SYSTEM TEST

PGLIN	LABEL	OPCOD	OPERAND	CT	ADDRS	INSTRUCTION
2516	*****		*****			
2517	* SKIP ROUTINE-CHANNEL1					
2518	*****		*****			
2519	AAY17	CU	QUO.E SKIP TAPE UNIT 0	5	11722	U QUO E
2520		BCB1	AAY17	7	11727	R 11722 2
2521		BA1	WRITE1	7	11734	R 11741 M
2522	*****		*****			
2523	* WRITE TAPE ROUTINE-CHANNEL 1					
2524	*****		*****			
2525	WRITE1	MLNS	@1@,WTILIN SET 1 WRIT TAPE LAST I/O OP	12	11741	D 39803 34961 1
2526	ABC17	WTD	10,TAPFLD WRITE 132 CHAR RECORD	10	11753	M QU6 36952 M
2527		BOL1	A209 OVERLAP IN PROCESS	7	11763	J 11894 1
2528		MLCS	BLANK,WEOMT1 CLEAR 1 WRITTEN EOM	12	11770	D 35233 34973 3
2529		BCB1	RCLUIN WAS UNIT BUSY	7	11782	R 04073 2
2530		BNR1	ABC17 WAS UNIT NOT READY	7	11789	R 11803 1
2531		B	A158 BRANCH TO OLAP FAIL ROUTINE	7	11796	J 10025
2532	ABD17	MLNS	@2@,TPIOAV SET 2 IN TAPE GONE NOT RDY	12	11803	D 39806 39000 1
2533		MLNS	@1@,CHIERR SET 1 ANY ERRORS CHI	12	11815	D 39803 34929 1
2534		SW	C17NR SET WM LAST TAPE GONE NOT READY	6	11827	, 35030
2535	ABE17	MLNS	@1@,TPIOER SET 1 ANY ERRORS TAPE UNITO	12	11833	D 39803 39001 1
2536		S	@1@,C17RDY SUB 1 FROM NO.READY UNITS	11	11845	S 39803 34960
2537		BZ	CLIO11 NC MORE TAPE UNITS AVAIL	7	11856	J 12426 V
2538		SW	A208 SET WM BYPASS COMPR LAST ADDRESS	6	11863	, 11408
2539		S	@1@,C17CTR SUB 1 FROM Ctr	11	11869	S 39803 34959
2540		BZ	TEOM1 IS CTR ZERO	7	11880	J 11968 V
2541		B	TPCLUD RETURN TO HOUSEKEEPING ROUTINE	7	11887	J 09489
2542	A209	CW	A208	6	11894	11408
2543		CW	C17NR CLEAR WM LAST TAPE GONE NOT RDY	6	11900	35030
2544	NO1	NOPWM		1	11906	N
2545		MLNS	@1@,WEOMT1 SET 1 IN BRN AFTER WRIT EOM	12	11907	D 39803 34973 1
2546		MLNS	@7@,C1LUI SET 7 IN CHI LAST UNIT INIT	12	11919	D 39815 34920 1
2547		MLNS	@1@,C17INI SET 1 IN TAPES CHI INIT	12	11931	D 39803 35092 1
2548	SSS1	S	@1@,C17CTR SUB 1 FROM COUNTER	11	11943	S 39803 34959
2549		BZ	TEOM1 IS COUNTER ZERU	7	11954	J 11968 V
2550		B	C1IRTN RTN TO INTERUPD INST OR YST C2	7	11961	J 04382

1410/7010-40K- OVERLAP-PRIORITY-SYSTEM TEST

ST02  
CT ADDR INSTRUCTION

PGLIN	LABEL	OPCOD	OPERAND	CT	ADDR	INSTRUCTION
2552			*****			
2553			* DETERMINE NEXT TAPE OPERATION-CHANNEL 1 *			
2554			*****			
2555	TEOMI	BCE	TEMM01,WEOM1,1 IS TEST WR EOM	12	11968	B 12255 34973 1
2556		CW	BWTC1 CLEAR WM AT BRANCH TO WRITE TP	6	11980	D 09556
2557		CW	A248 CLEAR WM TO GO TO WAIT LOOP	6	11986	D 10253
2558		B	A231 BRANCH TO BACKSPACE SEQUENCE	7	11992	J 10280
2559	TWLRCl	BCE	TLMEPI,WLRCl,1 WAS READ WLR MVEV TSTED	12	11999	B 12042 34972 1
2560		MLCWS	TAPFLD&132,TAPFLD&99 SET GMMW IN POS	12	12011	D 37084 37051 7
2561			100 OF READ IN FLD			
2562		MLCA	0110,WLRCl SET 1 IN RD WLR TSTED,WRTN	12	12023	D 39819 34972 1
2563		B	A234	7	12035	J 12501
2564	TLMEPI	BCE	TLMOPI,LMEPI,1 WAS LOAD EVEN TESTED	12	12042	B 12133 34966 1
2565		MLCWS	FLD80&42,TAPFLD&99 CLEAR GMMW IN POS	12	12054	D 35349 37051 7
2566			100 OF READ IN FLD			
2567		MLNS	010,LMEPI SET 1 IN LOAD EVEN TESTED	12	12066	D 39803 34966 1
2568		MLCS	BLANK,WLRCl7 CLEAR 1 IN WLR WRITTEN	12	12078	D 35233 34971 3
2569		MLCS	010,ABC17 WRITE TAPE OP CODE TO LOAD	12	12090	D 39837 11753 3
2570		MLCS	010,AAF17 READ TAPE OP CODE TO LOAD	12	12102	D 39837 10529 3
2571		MLNS	010,LMI SET 1 LOAD MODE LAST OP	12	12114	D 39803 34967 1
2572		B	A234	7	12126	J 12501
2573	TLMOPI	BCE	TMMOPI,LMOPI,1 WAS LOAD MODE ODD TSTD	12	12133	B 12188 34968 1
2574		MLNS	010,LMOPI SET 1 IN LOAD ODD TESTED	12	12145	D 39803 34968 1
2575		MLCS	000,ABC17&2 CHANGE WRITE TAPE TO ODD	12	12157	D 39835 11755 3
2576		MLCS	000,AAF17&2 CHANGE READ TAPE TO ODD	12	12169	D 39835 10531 3
2577		B	A234	7	12181	J 12501
2578	TMMOPI	BCE	TEMM01,MMOPI,1 WAS MOVE MODE ODD TSTD	12	12188	H 12755 34970 1
2579		MLNS	010,MMOPI SET 1 IN MOVE ODD TESTED	12	12200	D 39803 34970 1
2580		MLCS	000,ANC17 WRITE TAPE OP TO MOVE MODE	12	12212	D 39838 11753 3
2581		MLCS	000,AAF17 READ TAPE OP TO MOVE MODE	12	12224	D 39838 10529 3
2582		MLCS	BLANK,LMI CLEAR 1 IN LOAD MODE LAST OP	12	12236	D 35233 34967 3
2583		B	A234	7	12248	J 12501

1410/7010-40K- OVERLAP-PRIORITY-SYSTEM TEST

PGLIN	LABEL	OPCOD	OPERAND	CT	ADRS	INSTRUCTION
2585	TEMMCL	BCE	A207,SYSL,X IS MACHINE 7010	12	12255	B 12274 01256 X
2586		B	TMERAI BYPASS WRITE EOM TESTS	7	12267	J 12323
2587	A207	BCE	TMERAI,EMMCL,1 WAS EOM TESTED	12	12274	B 12323 34974 1
2588		MLNS	Q1Q,EMM01 SET 1 IN EOM MOVE ODD ISTD	12	12286	D 39803 34974 1
2589		SW	NO1E1 SET WM IN EOM INSTRUCTION	6	12298	• 11907
2590		MLCS	QXQ,ABC17Q9 CHANGE WRITE TAPE TO EOM	12	12304	D 39834 11762 3
2591		B	A234XQ6	7	12316	J 12526
2592	TMERAI	BCE	CLIO11,MERAI,1 WAS WRITE RADICAL TESTED	12	12323	B 12426 34975 1
2593		MLNS	Q1Q,MERAI SET 1 WRITE RADICAL TESTED	12	12335	D 39803 34975 1
2594		MLCS	QUQ,AAF17Q2 READ TAPE OP TO EVEN	12	12347	D 39836 10531 3
2595		MLCS	QWQ,ABC17Q9 WRITE TAPE TO SINGLE RECRD	12	12359	D 39839 11762 3
2596		MLCS	QUQ,ABC17Q2 CHANGE WRITE TAPE TO EVEN	12	12371	D 39836 11755 3
2597		CW	NO1E1 CLEAR WM IN EOM INSTRUCTION	6	12383	□ 11907
2598		CW	S1CRT1 CLEAR WM IN COMPARE RECORD	6	12389	□ 10719
2599		MLCS	QMQ,TAPFLDQ1 SET RADICAL IN POSITION	12	12395	D 39840 36953 3
2600	*		TWO OF WRITE FIELD			
2601		BCE	A234X,SYSL,X 7010	12	12407	B 12520 01256 X
2602		B	A234 NOT 7010	7	12419	J 12501
2603	CLIO11	MLCS	BLANK,CILUI CLEAR LAST I/O INITIATED	12	12426	D 35233 34920 3
2604		A	Q1Q,PSCTRI	11	12438	A 39803 01809
2605		BZ	SETIFN	7	12449	J 12482 V
2606		MLNS	CL17RDY,C17CTR	12	12456	D 34960 34959 1
2607		B	TPINCL GO INIT TAPE CH 1	7	12468	J 12550
2608		B	CL1DDN	7	12475	J 04085
2609	SETIFN	MLNS	Q1Q,C17FIN	12	12482	D 39803 34910 1
2610		B	CL1DDN SEE IF ALL UNITS CH1 TESTED	7	12494	J 04085
2611	A234	SW	A233 SET WM IN WRITE AFTER BKSP	6	12501	• 10442
2612		CW	A232 CLEAR WM IN READ AFTER BKSP	6	12507	□ 10435
2613		B	MUR1	7	12513	J 10222
2614	A234X	CW	A248	6	12520	□ 10253
2615		SW	BWTC1	6	12526	• 09556
2616		CW	BBKSC1,BRTC1	11	12532	□ 09540 09548
2617		B	MUR1Q6	7	12543	J 10228

PGLIN LABEL OPCOD OPERAND CT ADDR INSTRUCTION

PGLIN	LABEL	OPCOD	OPERAND	CT	ADDR	INSTRUCTION
2619	*****					
2620	* CHANNEL 1 TAPE INITIALIZATION ROUTINE					
2621	*****					
2622	TPINCL	SBR	TPINR1E5	7	12550	G 12749 B
2623		MLCS	@A@,TAPFLD&1	12	12557	D 39841 36953 3
2624		CW	A248,A232	11	12569	D 10253 10435
2625		CW	TPCIUD&1,BBKSC1	11	12580	D 09490 09540
2626		CW	BRIC1,A227	11	12591	D 09548 10517
2627		CW	BWIC1,NO1&1	11	12602	D 09556 11907
2628		CW	RTIC1&1,SICRT1	11	12613	D 10492 10719
2629		SW	WTILIN	6	12624	, 34961
2630		MLCB	BLANK,NERA1	12	12630	D 35233 34975 L
2631		CW	WTILIN	6	12642	D 34961
2632		MLNS	@1@,RTEPCI	12	12648	D 39803 34963 1
2633		MLCWA	BLANK,TPROCI&131	12	12660	D 35233 36551 X
2634		MLCWS	TAPFLD&132,TPROCI&1	12	12672	D 37084 36421 7
2635		MLCS	@M@,AAF17	12	12684	D 39838 10529 3
2636		MLCS	@U@,AAF17&2	12	12696	D 39836 10531 3
2637		MLCS	@M@,ABC17	12	12708	D 39838 11753 3
2638		MLCS	@U@,ABC17&2	12	12720	D 39836 11755 3
2639		MLCS	@W@,ABC17&9	12	12732	D 39839 11762 3
2640	TPINR1	B	0	7	12744	J 00000



045  
57

1410/7010-40K- OVERLAP-PRIORITY-SYSTEM TEST

PGLIN	LABEL	OPCOD	OPERAND	CT	ADDRS	INSTRUCTION
2642			*****			
2643			* CARD PUNCH TEST-CHANNEL 2-UNIT 2			
2644			*****			
2645	C22RTN	MLNS	212,CH2UAV	12	12751	D 39803 34925 1
2646		MRCG	FLC80,PUOUT261	12	12763	D 35307 35471 5
2647		ZA	200802,PUCTR2	11	12775	M 39823 35559
2648		CH	SWC2261	6	12786	2 12800
2649		SBR	TC22INC17	7	12792	G 04897 8
2650	SWC22	SW	B225	6	12799	1 12963
2651		NCPWM		1	12805	N
2652	B189	B	B188612	7	12806	J 12850
2653		MLCS	PUOUT2680,PUOUT2	12	12813	D 35550 35470 3
2654		MLCA	PUOUT2679,PUOUT2680	12	12825	D 35549 35550 1
2655		NCPWM		1	12837	N
2656	B188	MLCB	BLANK,PUOUT2680	12	12838	D 35233 35550 L
2657		MLNS	212,C22INI	12	12850	D 39803 35093 1
2658		MLNS	222,C2LUI	12	12862	D 39806 34921 1
2659	PUNCH2	P	*44,PUOUT261	10	12874	M *44 35471 W
2660		BCL2	C2IRTN	7	12884	J 04975 2
2661		MLNS	BLANK,C22INI	12	12891	D 35233 35093 1
2662		MLNS	BLANK,C2LUI	12	12903	D 35233 34921 1
2663		BCB2	B190	7	12915	X 13038 2
2664		BNR2	NRPN2	7	12922	X 12995 1
2665		MLNA	2112,C22ERR	12	12929	D 39819 34981 /
2666	TC22CN	BEF2	AC22CN	7	12941	X 13152 8
2667	TC22CC	BER2	AC22CC	7	12948	X 13170 4
2668	TC22WL	BWL2	AC22WL	7	12955	X 13194 -
2669		NOP		1	12962	N
2670	B225	B	B158	7	12963	J 16969

046

1410/7010-40K- OVERLAP-PRIORITY-SYSTEM TEST

14/14/64

PGLIN	LABEL	OPCODE	OPERAND	CT	ADDRS	INSTRUCTION
2672	BC2	MLCS	BLANK,C2LUI	12	12970	D 35233 34921 3
2673		SW	B225	6	12982	, 12963
2674		B	TPUZER	7	12988	J 13070
2675	NRPN2	MLNS	@12,C22NR	12	12995	D 39803 34982 1
2676		MLNS	@12,C22FIN	12	13007	D 39803 34911 1
2677		MLNA	@112,C22ERR	12	13019	D 39819 34981 /
2678		B	C22DON	7	13031	J 04716
2679	B190	SW	B189	6	13038	, 12806
2680		B	TC23FN	7	13044	J 04512
2681	SIC22F	MLNS	@12,C22FIN	12	13051	D 39803 34911 1
2682		DCW	@N0000002	7	13069	
2683	TPUZER	S	E1,PUCTR2	11	13070	S 39801 35559
2684		BZ	MBPOF2	7	13081	J 13103 V
2685		NOPWM		1	13088	N
2686	B187	B	SIC22F	7	13089	J 13051
2687		B	TSRER2	7	13096	J 13114
2688	MBPOF2	SW	B187,B188	11	13103	, 13089 12838
2689	TSRER2	CW	B189	6	13114	□ 12806
2690		B	TC23FN	7	13120	J 04512
2691		MLNA	@112,C22ERR	12	13127	D 39819 34981 /
2692		CW	B225	6	13139	□ 12963
2693		B	TC22CN	7	13145	J 12941
2694	AC22CN	A	E1,C22CN	11	13152	A 39801 34990
2695		B	TC22DC	7	13163	J 12948
2696	AC22DC	A	E1,C22DC	11	13170	A 39801 34992
2697		CW	B225	6	13181	□ 12963
2698		B	TC22HL	7	13187	J 12955
2699	AC22HL	A	E1,C22HL	11	13194	A 39801 34994
2700		B	BC2	7	13205	J 12970

1410/7010-40K- OVERLAP-PRIORITY-SYSTEM TEST

PGLIN	LABEL	OPCOD	OPERAND	CT	ADDRS	INSTRUCTION
2702			*****			
2703			* 1403 PRINTER TEST-CHANNEL 2 UNIT 3			
2704			*****			
2705	C23RTN	MLNS	@1@,CH2UAV	12	13212	D 39803 34925 1
2706		BCE	TALHB2,CHN2&17,A	12	13224	B 13291 01363 A
2707		BCE	TNUHB2,CHN2&17,N	12	13236	B 13664 01363 N
2708		MLNA	@11@,C23NCS	12	13248	D 39819 34985 /
2709	SIPC2T	MLNS	@1@,C23FIN	12	13260	D 39803 34912 1
2710		MLNS	@1@,CH2ERR	12	13272	D 39803 34980 1
2711		B	C22DON	7	13284	J 04716
2712	TALHB2	BCE	Z12C23,CHN2&18,1	12	13291	B 13334 01364 1
2713		BCE	S12C23,CHN2&18,2	12	13303	B 13645 01364 2
2714		MLNA	@11@,C23ERR	12	13315	D 39819 34984 /
2715		B	SIPC2T	7	13327	J 13260
2716	Z12C23	S	X2	6	13334	S 00034
2717		MRCG	ALPFLD,PROUT2&1			
2718	SGWC23	MLCWS	PRCUT2&133,PROUT2&101&X2	12	13340	D 35828 35695 \$
2719		ZA	@0080@,PRCTR2	12	13352	D 35827 357R5 7
2720		B	*&1	11	13364	M 39823 01978
2721		SBR	TC23IN&17	7	13375	J 13382
2722		A	@18,TC23IN&17	7	13382	G 04916 H
2723		NOPWM		11	13389	A 39825 04916
2724	B191	B	B192-24	1	13400	N
2725		MLCS	PROUT2&100&X2,PROUT2	7	13401	J 13432
2726		MLCA	PRCUT2&99&X2,PROUT2&100&X2	12	13408	D 357R4 35694 3
2727		MLNS	@1@,C23INI	12	13420	D 357R3 357R4 T
2728		MLNS	@3@,C2LUI	12	13432	D 39803 35094 1
				12	13444	D 39809 34921 1

PGLIN	LABEL	OPCOD	OPERAND	CT	ADDRS	INSTRUCTION
2730	B192	DCW	@M	1	13456	
2731		DC	@*20a	3	13459	
2732		DC	PROUT2&1	5	13464	35695
2733		DC	@M	1	13465	
2734		BOL2	C2IRTN	7	13466	J 04975 2
2735		MLNS	BLANK,C23INI	12	13473	D 35233 35094 1
2736		MLNS	BLANK,C2LUI	12	13485	D 35233 34921 1
2737		8CB2	B193	7	13497	X 13577 2
2738		BA2	*C8	7	13504	X 13518 M
2739		B	B158	7	13511	J 16969
2740		MLNS	@1a,CH2ERR	12	13518	D 39803 34980 1
2741		MLNS	@1a,C23ERR	12	13530	D 39803 34984 1
2742		BNR2	NRP2	7	13542	X 13590 1
2743		BEF2	AC23CW	7	13549	X 13802 8
2744	TC23DC	BER2	AC23DC	7	13556	X 13820 4
2745	TC23WL	BWL2	AC23WL	7	13563	X 13838 -
2746		B	TC24FN	7	13570	J 04560
2747	B193	SW	B191	6	13577	• 13401
2748		B	TC24FN	7	13584	J 04560
2749	NRP2	MLNS	@1a,C23NR	12	13590	D 39803 34986 1
2750		MLNS	@1a,C23FIN	12	13602	D 39803 34912 1
2751		MLNS	@1a,C23ERR	12	13614	D 39803 34984 1
2752		MLNS	@1a,CH2ERR	12	13626	D 39803 34980 1
2753		B	C2200N	7	13638	J 04716

SEE IF UNIT 4 CH2 TESTED  
 SET 1 PRNT C2 NOT READY  
 SET 1 PRINTER C2 TESTED  
 SET 1 ANY PRNT C2 ERRORS  
 SET 1 ANY C2 ERRORS  
 SEE IF ALL UNITS C2 DONE

1410/7010-40K- OVERLAP-PRIORITY-SYSTEM TEST

PGLIN	LABEL	OPCOD	OPERAND	CT	ADDRS	INSTRUCTION	ST02
2755	S12C23	MLNA	@0032@,X2	12	13645	D 39829 00034 /	
2756		B	Z12C23E6	7	13657	J 13340	
2757	TNUH82	BCE	ZX2C23,CHN2E18,1 100 CHAR RUFF SET	12	13664	B 13695 01364 1	
2758		BCE	SX2C23,CHN2E18,2 132 CHAR BUFF SET	12	13676	B 13726 01364 2	
2759		B	TALH82E24	7	13688	J 13315	
2760	ZX2C23	MLNA	@0000@,X2 ZERO X2	12	13695	D 39846 00034 /	
2761		MKCG	NUMFLD,PROUTZ&1 MOVE NUMERIC FIELD	12	13707	D 35961 35695 \$	
2762		B	SGWC23	7	13719	J 13352	
2763	SX2C23	MLNA	@0032@,X2 SET 32 IN INDEX REG 2	12	13726	D 39829 00034 /	
2764		B	ZX2C23E6 GO MOVE FLD	7	13738	J 13701	
2765	S1C23F	MLNS	@1@,C23FIN SET 1 IN PRINTER TESTED	12	13745	D 39803 34912 1	
2766		B	TSPER2	7	13757	J 13788	
2767	TPT2ER	CW	B191	6	13764	D 13401	
2768		S	E1,PRCTR2	11	13770	S 39801 01978	
2769		BZ	S1C23F	7	13781	J 13745 V	
2770	TSPER2	BAZ	*E8	7	13788	X 13802 M	
2771		B	TC24FN SEE IF UNIT 4 C2 TESTED	7	13795	J 04560	
2772	AC23CW	A	E1,C23CN	11	13802	A 39801 34996	
2773		B	TC230C SEE IF ANY DATA CHECKS	7	13813	J 13556	
2774	AC230C	A	E1,C230C ADD 1 TO PRNT DATA CKS C2	11	13820	A 39801 34998	
2775		B	TC23WL SEE IF ANY WLR ERRORS	7	13831	J 13563	
2776	AC23WL	A	E1,C23WL ADD 1 TO PRNT WLR ERR C2	11	13838	A 39801 35000	
2777		B	TC24FN	7	13849	J 04560	

1410/7010-40K- OVERLAP-PRIORITY-SYSTEM TEST

ST02 INSTRUCTION

PGLIN	LABEL	OPCOD	OPERAND	CT	ADDRS	INSTRUCTION
2779			*****			
2780			* CARD READER TEST-CHANNEL 2-UNIT 4			
2781			*****			
2782	C24RTN	MLNS	@1@,CH2UAV SET 1 IN CH2 UNIT3 AVAIL	12	13856	D 39803 34925 1
2783		MRCG	FLD80,RDCOMP2E1 MOVE 80 CHARS TO CMP	12	13868	D 35307 36177 4
2784		CW	BTCC24	6	13880	D 13918
2785		B	*E1	7	13886	J 13893
2786		SBR	TC24INC17 STORE BAR FOR RETURN	7	13893	G 04935 B
2787		A	E18,TC24INC17 ADD 18 TO RET ADD	11	13900	A 39825 04935
2788		SW	RDINC2	6	13911	, 36339
2789		NOPWM		1	13917	N
2790	BTCC24	B	RD2COM GO TO COMPARE ROUTINE	7	13918	J 14073
2791		CW	RDINC2	6	13925	D 36339
2792		MLNS	@1@,C24INI	12	13931	D 39803 35095 1
2793		MLNS	@4@,C2LUI	12	13943	D 39812 34921 1
2794		R	*10,RDINC2	10	13955	M *10 36339 R
2795		BOL2	C2IRTN	7	13965	J 04975 2
2796		MLNS	BLANK,C24INI	12	13972	D 35233 35095 1
2797		MLNS	BLANK,C2LUI	12	13984	D 35233 34921 1
2798		CW	BTCC24 CLEAR WM FOR COMPARE	6	13996	D 13918
2799		BCB2	TC25FN READER BUSY	7	14002	X 04620 2
2800		BNR2	NRR2 READER NOT READY	7	14009	X 14030 1
2801		BEF2	RC2INS EOF	7	14016	X 14222 B
2802		B	B158 OVERLAP FAILED	7	14023	J 16969
2803	NRR2	MLNA	@11@,C24ERR	12	14030	D 39819 34988 /
2804		MLNS	@1@,CH2ERR SET 1 ANY ERROR C2	12	14042	D 39803 34980 1
2805		MLNS	@1@,C24FIN SET 1 READER C2 TESTED	12	14054	D 39803 34913 1

1410/7010-40K- OVERLAP-PRIORITY-SYSTEM TEST

ST02  
INSTRUCTION

PGLIN	LABEL	OPCOD	OPERAND	CT	ADDRS	INSTRUCTION
2807		B	C22DON	7	14066	J 04716
2808	RD2COM	C	RDCOM2&80,RDINC2&79 COMPARE DATA	11	14073	C 36256 36418
2809		BE	BTCC24&7 EQUAL COMPARE	7	14084	J 13925 S
2810		A	&1,C24COM ADD 1 TO COMP ERROR C2	11	14091	A 39801 35006
2811		MLNS	@1&,C24ERR SET 1 ANY READER ERR C2	12	14102	D 39803 34988 1
2812		MLNS	@1&,CH2ERR SET 1 ANY ERRORS C2	12	14114	D 39803 34980 1
2813		B	BTCC24&7 READ NEXT CARD	7	14126	J 13925
2814	TCD2ER	SW	BTCC24	6	14133	, 13918
2815		MLCS	RDCOM2&80,RDCOM2	12	14139	D 36256 36176 3
2816		MLCA	RDCOM2&79,RDCOM2&80	12	14151	D 36255 36256 T
2817		BA2	*&8	7	14163	X 14177 M
2818		B	TC25FN SEE IF UNIT 5 TESTED	7	14170	J 04620
2819		MLNS	@1&,CH2ERR SET 1 IN ANY C2 ERROR	12	14177	D 39803 34980 1
2820		MLNS	@1&,C24ERR SET 1 IN RDR C2 ERROR	12	14189	D 39803 34988 1
2821		BWL2	AC24WL WRONG LENGTH	7	14201	X 14241 -
2822	TC24DC	BER2	AC24DC DATA CHECK	7	14208	X 14259 4
2823		B	TC25FN SEE IF UNIT 5 TESTED	7	14215	J 04620
2824	RC21NS	MLNS	@1&,C24FIN SET 1 IN RDR C2 TESTED	12	14222	D 39803 34913 1
2825		B	C22DON SEE IF ALL UNITS TESTED	7	14234	J 04716
2826	AC24WL	A	&1,C24WL ADD 1 TO WLR RDR C2	11	14241	A 39801 35002
2827		B	TC24DC SEE IF ANY DATA CKS	7	14252	J 14208
2828	AC24DC	A	&1,C24DC ADD 1 TO RDR C2 DATA CK	11	14259	A 39801 35004
2829		B	TC25FN SEE IF UNIT 5 TESTED	7	14270	J 04620

1410/7010-40K- OVERLAP-PRIORITY-SYSTEM TEST

ST02  
INSTRUCTION

PGLIN	LABEL	OPCOD	OPERAND	CT	ADDRS	INSTRUCTION
2831	*****					
2832	* 1301 TESTS-CHANNEL 2 UNIT 5					
2833	*****					
2834	C25RTN	MLNS	CHN2&20,C2PCTR MOVE # OF CHAN 2 MODS	12	14277	D 01366 01536 I
2835		S	C2MADD	6	14289	S 01540
2836		CW	CKRSK2&1	6	14295	B 14309
2837		SBR	TC25IN&17	7	14301	G 04954 B
2838	CKRSK2	MLNS	a1a,CH2UAV	12	14308	D 39803 34925 I
2839		BCE	C2SEEK,RDSK21,	12	14320	B 14659 01689
2840		BCE	C2SWT,CESK21,	12	14332	B 15795 01690
2841		BCE	C2SWT,WRFWSW2,	12	14344	B 15795 01691
2842		BCE	C2FWR,WRSW2,	12	14356	B 15356 01692
2843		BCE	C2SEEK,RDSK22,	12	14368	B 14659 01693
2844		BCE	C2SWT,CESK22,	12	14380	B 15795 01694
2845		BCE	C2SWT,RDSW2,	12	14392	B 15795 01695
2846		C	C2WADD&18,C2RADD&18	11	14404	C 37585 37854
2847		BE	C2FKST	7	14415	J 14554 S
2848		MLNS	a2a,SARG-1	12	14422	D 39806 01687 I
2849		MLNS	C2RADD&1,SARG	12	14434	D 37837 01688 I
2850		B	FNERAD	7	14446	J 08958



ST02 INSTRUCTION

PGLIN	LABEL	OPCOD	OPERAND	CT	ADDRS	INSTRUCTION
2852		A	@3@,X15-2	11	14453	A 39809 00097
2853		MLNA	SARG,1&X15	12	14464	D 01688 00MM1 /
2854		MLNS	@1@,9&X15	12	14476	D 39803 00MM9 1
2855		MLNS	@1@,2&X15	12	14488	D 39803 00MM2 1
2856		MLNS	@1@,CH2ERR	12	14500	D 39803 34980 1
2857		MLNS	@1@,C25ERR	12	14512	D 39803 35011 1
2858		A	@1@,C2FECT	11	14524	A 39803 01548
2859		BCE	C2SIOP,C2FECT,3	12	14535	B 16176 01548 3
2860		B	C2FRD	7	14547	J 15641
2861	C2FRST	MLCB	BLANK,C2RNLS	12	14554	D 35233 01696 L
2862		A	@1@,C2MADD	11	14566	A 39803 01540
2863		S	@1@,C2MCTR	11	14577	S 39803 01536
2864		BZ	C2RSTR	7	14588	J 14602 V
2865		B	TC26FN	7	14595	J 04656
2866	C2RSTR	CM	C25RTN&1	6	14602	□ 14278
2867		SBR	TC25IN&17	7	14608	G 04954 B
2868		A	@1@,PCTR2	11	14615	A 39803 01552
2869		BZ	C2DNE	7	14626	J 14640 V
2870		B	TC26FN	7	14633	J 04656
2871	C2DNE	MLNS	@1@,C25FIN	12	14640	D 39803 34914 1
2872		B	TC26FN	7	14652	J 04656

SET INOP IF PERM ERR

1410/7010-40K- OVERLAP-PRIORITY-SYSTEM TEST

ST02  
INSTRUCTION

CT ADDR

PGLIN LABEL OPCOD OPERAND

PGLIN	LABEL	OPCOD	OPERAND
2874	*****		
2875	* 1301 SEEK ROUTINE-CHANNEL 2		
2876	*****		
2877	C2SEEK	BCE	C2CESK,C2RNLS,1
2878		BCE	C2RDS2,RDSK21,1
2879		MLNS	@1@,RDSK21
2880		A	FACT,RNDADD
2881		A	FACT,RNDADD-2
2882		A	FACT-1,RNDADD-1
2883	C2RRET	MLNS	@1@,C2RNLS
2884		MLNA	RNDADD,C2SADD&5
2885	C2SRET	MLNS	C2MADD,C2SADD&1
2886		MLNS	@1@,C2SINP
2887		SD	2,C2SADD
2888		BCB2	*-16
2889		BAZ	C2SKER
2890		S	C2FECT
2891		B	TC26FN
2892	C2RDS2	MLNS	@1@,RDSK22
2893		B	C2RRET
2894	C2CESK	MLCA	CEADD,C2SADD&5
2895		MLCS	BLANK,C2RNLS
2896		BCE	C2CES2,CESK21,1
2897		MLNS	@1@,CESK21
2898		B	C2SRET
2899	C2CES2	MLNS	@1@,CESK22
2900		B	C2SRET

CT	ADDR	INSTRUCTION
12	14659	B 14832 01696 1
12	14671	B 14813 01689 1
12	14683	D 39803 01689 1
11	14695	A 01558 01562
11	14706	A 01558 01560
11	14717	A 01557 01561
12	14728	D 39803 01696 1
12	14740	D 01562 01784 /
12	14752	D 01540 01780 1
12	14764	D 39803 01564 1
10	14776	M uFO 01779 K
7	14786	X 14776 2 G
7	14793	X 14906 M
6	14800	S 01548
7	14806	J 04656
12	14813	D 39803 01693 1
7	14825	J 14728
12	14832	D 01574 01784 1
12	14844	D 35233 01696 3
12	14856	B 14887 01690 1
12	14868	D 39803 01690 1
7	14880	J 14752
12	14887	D 39803 01694 1
7	14899	J 14752

1410/7010-40K- OVERLAP-PRIORITY-SYSTEM TEST

PGLIN	LABEL	OPCODE	OPERAND	CT	ADDRS	INSTRUCTION
2902	*****		*****			
2903	* I301 SEEK ERROR ROUTINE					
2904	*****		*****			
2905	C2SKER	MLNS	@2@,SARG-1	12	14906	D 39806 01687 1
2906		MLNS	C2MADD,SARG	12	14918	D 01540 01688 1
2907		B	FNERAD	7	14930	J 08958
2908		MLNA	SARG,1&X15	12	14937	D 01688 00MM1 /
2909		BNR2	C2SKNR	7	14949	X 14970 1
2910		B	C2CMER	7	14956	J 15947
2911		B	C2SRET	7	14963	J 14752
2912	C2ORGP	BCE	C2ORGP,PCTR2,0	12	14970	B 15001 01552 0
2913	C2CKEF	UGE	C2ALNR,3&X15,	12	14982	B 15043 00MM3
2914		B	C2FRST	7	14994	J 14554
2915	C2ORGP	BCE	C2CKEF,CESK21,1	12	15001	B 14982 01690 1
2916		MLNS	@2@,3&X15	12	15013	D 39806 00MM3 1
2917		S	@1@,C2MDAV	11	15025	S 39803 01544
2918		B	C2FRST	7	15036	J 14554
2919	C2ALNR	MLNS	@1@,3&X15	12	15043	D 39803 00MM3 1
2920		MLNS	@1@,CH2ERR	12	15055	D 39803 34980 1
2921		MLNS	@1@,2&X15	12	15067	D 39803 00MM2 1
2922		MLNS	@1@,C25ERR	12	15079	D 39803 35011 1
2923		B	C2FRST	7	15091	J 14554
2924	*****		*****			
2925	* I301 SEEK COMPLETE ROUTINE-CHANNEL 2					
2926	*****		*****			
2927	C2SKCM	BCL2	C2SKCM	7	15098	J 15098 2
2928		MLNS	@1@,C2SCOM	12	15105	D 39803 01568 1
2929		BCPR2	TC2LUI	7	15117	Y 04397 2
2930	C2ADRT	MLNS	BLANK,C2SINP	12	15124	D 35233 01564 1
2931		MLNS	BLANK,C2SCCM	12	15136	D 35233 01568 1
2932		BCE	C2SEEK,C2RNLS,1	12	15148	B 14659 01696 1
2933		BCE	C2FRD,RDSK22,1	12	15160	B 15641 01693 1
2934		S	C25TMR	6	15172	S 01591

1410/7010-40K- OVERLAP-PRIORITY-SYSTEM TEST

ST02 INSTRUCTION  
CT ADDR

PGLIN	LABEL	OPCOD	OPERAND	CT	ADDR	INSTRUCTION
2936						
2937						
2938						
2939						
2940						
2941						
2942						
2943						
2944						
2945						
2946						
2947						
2948						
2949						
2950						
2951						
2952						
2953						
2954						
2955						
2956						
2957						
2958						
2959						

```

*****
* 1301 WRITE FORMAT ROUTINE-CHANNEL 2
*****
C2WFMT      MLNA  C2MADD,C2WADD&1
            MLCWA  FMTFLD,C2WADD&81
            MLCWS  C2HADD&8,C2WADD&82
            MU     *F7,C2WADD,W
            B0L2  C2FMOK
            BEX2  C2WFER,3
            B     B158
            MLNS  @1&,C25INI
            MLCWS @5&,C2LUI
            MLNS  @1&,WRF&W2
            B     C2IRTN
*****
* 1301 WRITE FORMAT ROUTINE-CHANNEL 2
*****
C2WFER      MLNS  @2&,SARG-1
            MLNS  C2MADD,SARG
            B     FNERAD
            A     @1&,X15-2
            MLNA  SARG,1&X15
            B     C2CMER
            B     C2WFMT

```

12	15178	D	01540	37568	/
12	15190	D	01769	37648	X
12	15202	D	37575	37649	7
10	15214	M	*F7	37567	W
7	15224	J	15245	2	
7	15231	X	15288	3	
7	15238	J	16969		
12	15245	D	39803	35096	1
12	15257	D	39830	34921	7
12	15269	D	39803	01691	1
7	15281	J	04975		

12	15288	D	39806	01687	1
12	15300	D	01540	01688	1
7	15312	J	08958		
11	15319	A	39803	00097	
12	15330	D	01688	00MM1	/
7	15342	J	15947		
7	15349	J	15178		

1410/7010-40K- OVERLAP-PRIORITY-SYSTEM TEST

PGLIN	LABEL	OPCOD	OPERAND	CT	ADDRS	INSTRUCTION
2961	*****					
2962	* 1301 WRITE ROUTINE-CHANNEL 2					
2963	*****					
2964	C2FWR	SW	C2WADD&9	6	15356	* 37576
2965	DTMVE2	MLCB	FLC80,C2WADD&16	12	15362	D 35307 37583 L
2966		MLCB	C2SADD&7,C2WADD&10	12	15374	D 01786 37577 L
2967		MLNS	C2MADD,C2WADD&1	12	15386	D 01540 37568 1
2968		MU	#F5,C2WADD,W	10	15398	M #F5 37567 W
2969		BCB2	*-16	7	15408	X 15398 2
2970		BA2	*&1	7	15415	X 15422 M
2971		SW	DTMVE2&1	6	15422	* 15363
2972		A	@10@,DTMVE2&5	11	15428	A 39832 15367
2973		C	DTMVE2&5,CCNEND	11	15439	C 15367 35239
2974		CW	C2WADD&9,DTMVE2&1	11	15450	# 37576 15363
2975		BE	*&8	7	15461	J 15475 S
2976		B	C2SWAD	7	15468	J 15487
2977		MLNA	ANUM,DTMVE2&5	12	15475	D 01579 15367 /
2978	C2SWAD	MLCWS	C2WADD&8,C2WADD&19	12	15487	D 37575 37586 7
2979		MU	*F6,C2WADD,W	10	15499	M *F6 37567 W
2980		BOL2	C2WRUK	7	15509	J 15530 2
2981		REX2	C2FWR,3	7	15516	X 15573 3
2982		B	8158	7	15523	J 16969
2983	C2WRUK	MLNS	@1@,C25INI	12	15530	D 39803 35096 1
2984		MLNS	@5@,C2LUI	12	15542	D 39830 34921 1
2985		MLNS	@1@,WRSW2	12	15554	D 39803 01692 1
2986		B	C2IRTN	7	15566	J 04975

1410/7010-40K- OVERLAP-PRIORITY-SYSTEM TEST

PGLIN	LABEL	OPCOD	OPERAND	CT	ADDRS	INSTRUCTION
2988	*****					
2989	* 1301 WRITE ERROR ROUTINE-CHANNEL 2					
2990	*****					
2991	C2FHER	MLNS	@2@,SARG-1	12	15573	D 39806 01687 1
2992		MLNS	C2MADD,SARG	12	15585	D 01540 01688 1
2993		B	FNERAD	7	15597	J 08958
2994		A	@2@,X15-2	11	15604	A 39806 00097
2995		MLNA	SARG,1@X15	12	15615	D 01688 00MM1 /
2996		B	C2CMER	7	15627	J 15947
2997		B	C2SWAD	7	15634	J 15487
2998	*****					
2999	* 1301 READ ROUTINE-CHANNEL 2					
3000	*****					
3001	C2FRD	MLNS	C2MADD,C2RADD@1	12	15641	D 01540 37837 1
3002		MU	*F6,C2RADD,R	10	15653	M *F6 37836 R
3003		B0L2	C2RDOO	7	15663	J 15684 2
3004		BEX2	C2RDER,3	7	15670	X 15727 3
3005		B	B158	7	15677	J 16969
3006	C2RDOO	MLNS	@1@,C25INI	12	15684	D 39803 35096 1
3007		MLNS	@5@,C2LUI	12	15696	D 39830 34921 1
3008		MLNS	@1@,RDSW2	12	15708	D 39803 01695 1
3009		B	C2IKTN	7	15720	J 04975
3010	*****					
3011	* 1301 READ ERROR ROUTINE-CHANNEL 2					
3012	*****					
3013	C2RDER	MLNS	@2@,SARG-1	12	15727	D 39806 01687 1
3014		MLNS	C2MADD,SARG	12	15739	D 01540 01688 1
3015		B	FNERAD	7	15751	J 08958
3016		A	@3@,X15-2	11	15758	A 39809 00097
3017		MLNA	SARG,1@X15	12	15769	D 01688 00MM1 /
3018		B	C2CMER	7	15781	J 15947
3019		B	C2FRD	7	15788	J 15641

1410/7010-40K- OVERLAP-PRIORITY-SYSTEM TEST

PGLIN	LABEL	OPCOD	OPERAND	CT	ADDRS	INSTRUCTION
3021	*****					
3022	* 1301 WAIT LOOP-CHANNEL 2					
3023	*****					
3024	C2SMT	BCE	C2CKSC,C2SINP,1	12	15795	B 15808 01564 I
3025		H		1	15807	.
3026	C2CKSC	BSPR2	C2SKCM	7	15808	Y 15098 T
3027		A	@1@,C2STMR	11	15815	A 39803 01591
3028		BZ	C2NSC	7	15826	J 15840 V
3029		B	C2IRTN	7	15833	J 04975
3030	C2NSC	MLNS	@2@,SARG-1	12	15840	D 39806 01687 I
3031		MLNS	C2SADD@1,SARG	12	15852	D 01780 01688 I
3032		B	FNERAD	7	15864	J 08958
3033		MLNS	@1@,9@X15	12	15871	D 39803 00MM9 I
3034		B	C2SIOP	7	15883	J 16176
3035	*****					
3036	* 1301 ERROR ROUTINE-CHANNEL 2					
3037	*****					
3038	TFL2ER	BA2	C2FLER	7	15890	X 15910 M
3039		S	C2FECT	6	15897	S 01548
3040		B	TC26FN	7	15903	J 04656
3041	C2FLER	BCE	C2RDER,RDSW2,1	12	15910	B 15727 01695 I
3042		HCE	C2FWER,WRSW2,1	12	15922	B 15573 01692 I
3043		BCE	C2WFER,WRFWSW2,1	12	15934	B 15288 01691 I
3044		H		1	15946	.

1410/7010-40K- OVERLAP-PRIORITY-SYSTEM TEST

ST02

CT ADDR INSTRUCTION

PGLIN

LABEL

OPCODE OPERAND

3046	*****			
3047	* 1301 COMMON ERROR ROUTINE-CHANNEL 2			
3048	*****			
3049	C2CMT	SBR	C2CERT&S	
3050		BNR2	*E8	
3051		B	*E13	
3052		MLNS	@1@,3&X15	
3053		BCB2	*E8	
3054		B	*E13	
3055		MLNS	@1@,4&X15	
3056		BER2	*E8	
3057		B	*E13	
3058		MLNS	@1@,5&X15	
3059		BWL2	*E8	
3060		B	*E13	
3061		MLNS	@1@,6&X15	
3062		BNT2	*E8	
3063		B	*E13	
3064		MLNS	@1@,7&X15	
3065		BEF2	*E8	
3066		B	*E13	
3067		MLNS	@1@,8&X15	
3068		MLNS	@1@,2&X15	
3069		MLNS	@1@,C25ERR	
3070		MLNS	@1@,CH2ERR	
3071		A	@1@,C2FECT	
3072		BCE	C2SIOP,C2FECT,3	
3073	C2CERT	B	0	

7	15947	G	16174	B
7	15954	X	15968	1
7	15961	J	15980	
12	15968	D	39803	00MM3 1
7	15980	X	15994	2
7	15987	J	16006	
12	15994	D	39803	00MM4 1
7	16006	X	16020	4
7	16013	J	16032	
12	16020	D	39803	00MM5 1
7	16032	X	16046	-
7	16039	J	16058	
12	16046	D	39803	00MM6 1
7	16058	X	16072	8
7	16065	J	16084	
12	16072	D	39803	00MM7 1
7	16084	X	16098	8
7	16091	J	16110	
12	16098	D	39803	00MM8 1
12	16110	D	39803	00MM2 1
12	16122	D	39803	35011 1
12	16134	D	39803	34980 1
11	16146	A	39803	01548
12	16157	B	16176	01548 3
7	16169	J	00000	



1410/7010-40K- OVERLAP-PRIORITY-SYSTEM TEST

ST02 PAGE 73  
CT ADDR INSTRUCTION

PGLIN	LABEL	OPCOD	OPERAND	CT	ADDR	INSTRUCTION
3075	*****					
3076	* 1301 SET IN-OP ROUTINE-CHANNEL 2					
3077	*****					
3078	C2SICP	MU	□F8,C2SADD,W	10	16176	M □F8 01779 W
3079		BCB2	*-16	7	16186	X 16176 2
3080		BA2	*C1	7	16193	X 16200 M
3081		MLNS	@1@.3&X15	12	16200	D 39803 00MM3 1
3082		S	C2FECT	6	16212	S 01548
3083		B	C2FRST	7	16218	J 14554

1410/7010-40K- OVERLAP-PRIORITY-SYSTEM TEST

ST02  
CT ADDR INSTRUCTION

PGLIN LABEL OPCOD OPERAND

PGLIN	LABEL	OPCOD	OPERAND	CT	ADDR	INSTRUCTION
3085			*****			
3086	*		TAPE ROUTINES-CHANNEL 2-UNIT 6			
3087	*		REWIND			
3088			*****			
3089	C26RTN	NOPWM		1	16225	N
3090	B	AURC26	BYPASS CH 2 RWD-IBDAG	7	16226	J 16358
3091	MLNS	@1@,CH2UAV	SET 1 IN C2 UNIT AVAL	12	16233	D 39803 34925 1
3092	S	X3	ZERO X3	6	16245	S 00039
3093	MLCS	@1@,RWDC26@3	RESET REWIND TO DRIVE 1	12	16251	D 39803 16266 3
3094	CU	*UI,R	REWIND TAPE DRIVE 1	5	16263	U *UI R
3095	BCB2	RWDC26	BUSY	7	16268	X 16263 2
3096	BA2	A2X3	ANY INDICATORS	7	16275	X 16305 M
3097	A	@1,C26RDY	ADD 1 TO NUMB RDY TAPE	11	16282	A 39801 35013
3098	MLNS	@1@,TP21AV@X3	SET 1 IN TP 1@X3 RDY	12	16293	D 39803 391A0 1
3099	A	@1@,X3-1	ADD 1 TO INDEX REG 3	11	16305	A 39803 00038
3100	BCE	AURC26,X3-1,9	IS INDEX REG 3 A 9	12	16316	B 16358 00038 9
3101	SW	RWDC26@3	SET WM AT REWIND UNIT	6	16328	* 16266
3102	A	@1,RWDC26@3	INCREASE TAPE DRIVE 1	11	16334	A 39801 16266
3103	CW	RWDC26@3	CLEAR WORD MARK	6	16345	u 16266
3104	B	RWDC26	REWIND NEXT TAPE UNIT	7	16351	J 16263
3105	BCE	SNTRC2,C26RDY,	NO UNITS READY	12	16358	B 16414 35013
3106	MLNS	C26RDY,C26CTR	MOVE NUMB RDY TP TO CTR	12	16370	D 35013 35012 1
3107	MLNS	C26RDY,C26AVL	NUMBR RDY TAPES TO AVIL	12	16382	D 35013 34977 1
3108	CW	TPC2UD@1	CLEAR WM TO OBT B ADDR	6	16394	u 16434
3109	SBR	TC26INE@17	STORE B REG FOR TAPE C2RTN	7	16400	G 04973 8
3110	B	TPC2UD		7	16407	J 16433
3111	MLNS	@1@,C26FIN	SET 1 TAPE TESTED CH2	12	16414	D 39803 34915 1
3112	B	C22DON	SEE IF ALL UNITS CH2 TSTD	7	16426	J 04716

1410/7010-60K- OVERLAP-PRIORITY-SYSTEM TEST

PGLIN	LABEL	OPCOD	OPERAND	CT	ADDR	INSTRUCTION
3114	*****					
3115	* TAPE HOUSEKEEPING ROUTINE-CHANNEL 2					
3116	*****					
3117	TPC2UD	NCPWM		1	16433	N
3118		B	B194	7	16434	J 16483
3119		SW	A2E9 SET WM AT ADDR OF RDY TAPE	6	16441	• 16473
3120		A	E1,A2E9 ACB 1 TO ADDR OF READY TAPE	11	16447	A 39801 16473
3121		CW	A2E9 CLEAR WM AT ADDR OF RDY TAPE	6	16458	□ 16473
3122	A2	BCE	*E8,TP20AV,1 IS THIS UNIT AVAILABLE	12	16464	B 16483 39100 1
3123		B	TPC2UD	7	16476	J 16433
3124	B194	NCPWM		1	16483	N
3125	8BKSP2	B	BKSP2 BRANCH TO BACKSPACE ROUTINE	7	16484	J 16598
3126		NCPWM		1	16491	N
3127	BRTC2	B	RT2 BRANCH TO READ TAPE ROUTINE	7	16492	J 16641
3128		NCPWM		1	16499	N
3129	BWTC2	B	WT2 BRANCH TO WRITE TAPE ROUTINE	7	16500	J 16816
3130	*****					
3131	* HOUSEKEEPING					
3132	*****					
3133		MLNS	A2E9,AAB26E3 RDY TAPE TO WTM INSTRUCT	12	16507	D 16473 16946 1
3134		MLNS	A2E9,AAA26E9 RDY TAPE ADDR TO WTM	12	16519	D 16473 17011 1
3135		MLNS	A2E9,ABH26E9 RDY TAPE ADDR TO ERRORS	12	16531	D 16473 17041 1
3136		MLNS	A2E9,AAJ26E9 ADDR TO TM HEAD ERRORS	12	16543	D 16473 17935 1
3137		MLNS	A2E9,AAO26E9 RDY TAPE ADDR TO ERRORS	12	16555	D 16473 17959 1
3138		MLNS	A2E9,AAK26E9 ADDR TO READ DATA CHECK	12	16567	D 16473 17990 1
3139		MLNS	A2E9,AAM26E9 RDY TAPE ADDR TO ERRORS	12	16579	D 16473 18014 1
3140		B	AAH26 BRANCH TO WRITE TAPE MARK	7	16591	J 16943
3141	BKSP2	MLNS	A2E9,AAC26E3 RDY TAPE TO BKSP INST	12	16598	D 16473 17246 1
3142		MLNS	A2E9,AAE26E9 ADDR TO UNIT NOT RDY	12	16610	D 16473 17315 1
3143		MLNS	A2E9,ABB26E9 ADDR TO ANY ERRORS	12	16622	D 16473 17339 1
3144		B	AAC26 BRANCH TO BACKSPACE	7	16634	J 17243
3145	RT2	MLNS	A2E9,AAF26E3 RDY TAPE ADDR TO RDTP INS	12	16641	D 16473 17476 1
3146		MLNS	A2E9,AAG26E9 ADDR TO UNIT NOT READY	12	16653	D 16473 17532 1
3147		MLNS	A2E9,AAH26E9 ADDR TU READ COMP ERRORS	12	16665	D 16473 17744 1
3148		MLNS	A2E9,ABT26E9 ADDR TO ANY ERRORS	12	16677	D 16473 17768 1

1410/7010-40K- OVERLAP-PRIORITY-SYSTEM TEST

ST02 INSTRUCTION

PGLIN	LABEL	OPCOD	OPERAND	CT	ADDRS	INSTRUCTION
3150		MLNS	A2E9,ABJ26E9	12	16689	D 16473 17573 1
3151		MLNS	A2E9,AAS26E9	12	16701	D 16473 18533 1
3152		MLNS	A2E9,AAT26E9	12	16713	D 16473 18557 1
3153		MLNS	A2E9,AAU26E9	12	16725	D 16473 18595 1
3154		MLNS	A2E9,AAV26E9	12	16737	D 16473 18619 1
3155		MLNS	A2E9,AAW26E9	12	16749	D 16473 18638 1
3156		MLNS	A2E9,AAZ26E9	12	16761	D 16473 18662 1
3157		MLNS	A2E9,AHK26E9	12	16773	D 16473 17854 1
3158		MLNS	A2E9,ABL26E9	12	16785	D 16473 17866 1
3159		MLNS	A2E9,ABZ26E9	12	16797	D 16473 17878 1
3160		B	RTC2 BRNCH TO READ TAPE	7	16809	J 17435
3161	WT2	MLNS	A2E9,AAZ26E9	12	16816	D 16473 18675 1
3162		MLNS	A2E9,ABC26E9	12	16828	D 16473 18706 1
3163		MLNS	A2E9,ABD26E9	12	16840	D 16473 18762 1
3164		MLNS	A2E9,ABE26E9	12	16852	D 16473 18792 1
3165		MLNS	A2E9,ABF26E9	12	16864	D 16473 18405 1
3166		MLNS	A2E9,ABG26E9	12	16876	D 16473 18429 1
3167		MLNS	A2E9,AAP26E9	12	16888	D 16473 18256 1
3168		MLNS	A2E9,AAQ26E9	12	16900	D 16473 18280 1
3169		MLNS	A2E9,AAL26E9	12	16912	D 16473 18317 1
3170		MLNS	A2E9,AAR26E9	12	16924	D 16473 18329 1
3171		B	AAY26 BRNCH TO SKIP AND WHITE TAPE	7	16936	J 18672

1410/7010-40K- OVERLAP-PRIORITY-SYSTEM TEST

PGLIN	LABEL	OPCOD	OPERAND	CT	ADDRS	INSTRUCTION
3173			*****			
3174			* WRITE TAPE MARK ROUTINE			
3175			*****			
3176	AAB26	CU	*UC,M WRITE TAPE MARK UNIT 0	5	16943	U *UO M
3177		BOL2	S1WTM2 OVERLAP IN PROCESS	7	16948	J 17093 2
3178		BCB2	B195 BUSY	7	16955	X 17211 2
3179		8NR2	AAA26 NOT READY	7	16962	X 17002 1
3180	B158	SR	F802 STORE B REG OLAP FAIL IYFOUT	7	16969	G J1297 B
3181		BA2	*E1 TURN OFF INTERLOCK	7	16976	X 16983 M
3182		MLCS	@1@,OLNG2 SET 1 OLAP FAILED CH2	12	16983	D 39803 34901 3
3183		B	A183 SET CH2 FINISHED	7	16995	J 04850
3184	AAA26	MLNS	@2@,TP20AV SET 2 IN TAPE GONE NOT RDY	12	17002	D 39806 39100 1
3185		SW	C26NR SET WM LST TAPE GON NOT RDY	6	17014	* 35029
3186		MLNS	@1@,CH2ERR SET 1 ANY ERRORS CH2	12	17020	D 39803 34980 1
3187	ABH26	MLNS	@1@,TP20ER SET 1 ANY ERRORS TAPE 0	12	17032	D 39803 39101 1
3188		CW	TPC2UD&1 CLR WM TO ALLOW HOUSKPING	6	17044	B 16434
3189		S	@1@,C26RDI SUB 1 NUMB RDI TAPES	11	17050	S 39803 35013
3190		BZ	CL10I2 NO MORE TAPE UNITS AVAIL	7	17061	J 19376 V
3191		S	@1@,C26CTR SUB 1 FROM COUNTER	11	17068	S 39803 35012
3192		BZ	B231 IS COUNTER ZERO	7	17079	J 17224 V
3193		B	TPC2UD	7	17086	J 16433

CT ADDR INSTRUCTION

PGLIN	LABEL	OPCOD	OPERAND	MLNS	OPCOD	OPERAND	CT	ADDR	INSTRUCTION
3195	SLWTM2	MLNS	010,WT2LIN	MLNS	SET 1 WR TAPE LST I/D INST	12	17093	D 39803 35014 1	
3196		MLNS	060,C2LUI	MLNS	SET 6 CH2 LST UNIT INIT	12	17105	D 39847 34921 1	
3197		MLNS	010,C26INI	MLNS	SET 1 IN TAPE C2 INIT	12	17117	D 39803 35097 1	
3198		CW	TPC2UD01	CW	CLR WM TO ALLOW HOUSKPING	6	17129	0 16434	
3199		CW	C26NR	CW	CLR WM LST TAPE GON NOT RDY	6	17135	0 35029	
3200		S	01,C26CTR	S	SUB 1 FROM COUNTER	11	17141	S 39801 35012	
3201		BZ	B231	BZ	IS COUNTER ZERO	7	17152	J 17224 V	
3202		B	C2IRTN	B	RTN TO INTERUPD INST OF TST C3	7	17159	J 04975	
3203	MUR2	SW	BBKSC2	SW	SET WM IN BR TO BSP TEST	6	17166	0 16484	
3204		MLNS	C26RDY,C26CTR	MLNS	NUMBR RDY TPS TO CTR	12	17172	D 35013 35012 1	
3205		RW	TPC2UD,C26NR	RW	LAST TAPE NOT READY	12	17184	V 16433 35029 1	
3206		NOPWM		NOPWM		1	17196	N	
3207	0248	B	RC2UIN	B	SEE IF NXT INIT ON CH2 AVAIL	7	17197	J 04704	
3208		B	C2IRTN	B	RTN TO INTERUPD INST OF TST C3	7	17204	J 04975	
3209	0195	SW	TPC2UD01	SW	SET WM TO INHIBIT HOUSKPING	6	17211	0 16434	
3210		B	RC2UIN	B	SEE IF NXT UNIT ON CH2 AVAIL	7	17217	J 04704	
3211	0231	SW	B232	SW	SET WM TO READ AFTER BKSP	6	17224	0 17379	
3212		CW	B233	CW	CLEAR WM IN WRITE AFTER BKSP	6	17230	0 17386	
3213		B	MUR2	B		7	17236	J 17166	

1410/7010-40K- OVERLAP-PRIORITY-SYSTEM TEST

PGLIN	LABEL	OPCOD	OPERAND	CT	ADDRS	INSTRUCTION
3215	*****					
3216	* BACKSPACE ROUTINE-CHANNEL 2					
3217	*****					
3218	AAC26	CU	*U0,B BACKSPACE TAPE UNIT 0	5	17243	U *U0 B
3219	BA2	TRZC26	ANY INDICATORS	7	17248	X 17286 M
3220	CW	TPC2UD&1	CLEAR WM TO ALLOW HOUSKPINF	6	17255	□ 16434
3221	S1C26	S	@1@,C26CTR SUB 1 FRRM COUNTER	11	17261	S 39803 35012
3222	BZ	RSI26B	IS COUNTER ZERO	7	17272	J 17367 V
3223	B	TPC2UD	BRNCH TO CH2 TAPE HOUSEKEEPING	7	17279	J 16433
3224	TBZC26	B195	BUSY	7	17286	X 17211 2
3225	BNR2	*&1	WAS UNIT NOT READY	7	17293	X 17300 1
3226	CW	TPC2UD&1	CLEAR WM TO ALLOW HOUSKPINF	6	17300	□ 16434
3227	AAE26	MLNS	@2@,TP20AV SET 2 IN TAPE GONE NOT RDY	12	17306	D 39806 39100 1
3228	MLNS	@1@,CH2ERR	SET 1 ANY ERRORS CH2	12	17318	D 39803 34980 1
3229	MLNS	@1@,TP20ER	SET 1 ANY ERROR TAPE 0	12	17330	D 39803 39101 1
3230	S	@1@,C26RDY	SUB 1 NUMB READY TAPES	11	17342	S 39803 35013
3231	BZ	CL1012	NO MORE TAPE UNITS AVAIL	7	17353	J 19376 V
3232	B	S1C26		7	17360	J 17261
3233	CW	RBKSC2,BRIC2	CLR WM BRNCH BKSP,READ	11	17367	□ 16484 16492
3234	NOPMM			1	17378	N
3235	SW	BRTC2	SET WM BRNCH READ TAPE TEST	6	17379	, 16492
3236	NOPMM			1	17385	N
3237	SW	BWTC2	SET WM BRNCH WRIT TAPE TEST	6	17386	, 16500
3238	MLNS	C26RDY,C26CTR	MOVE RDY TAPES TO CTR	12	17392	D 35013 35012 1
3239	MLCS	@ @,WT2LIN	CLEAR WRTP LST I/O OP	12	17404	D 39833 35014 3
3240	MLCS	@ @,COMPC2	SET BLANK COMPARE READ TAP	12	17416	D 39833 35018 3
3241	B	TPC2UD		7	17428	J 16433

1410/7010-40K- OVERLAP-PRIORITY-SYSTEM TEST

PGLIN	LABEL	OPCOD	OPERAND	CT	ADDRS	INSTRUCTION
3243			*****			
3244			* READ TAPE ROUTINE-CHANNEL 2			
3245			*****			
3246	RTC2	NOPWM		1	17435	N
3247		MLNS	@1@,RT2LIN SET 1 RD TAPE LAST I/O OP	12	17436	D 39803 35015 1
3248		BCE	COMT2R,COMP2,1 IS COMPARE TO BE DONE	12	17448	B 17693 35018 1
3249		NOPWM		1	17460	N
3250	8227	MLCWA	BLANK,TPROC2&131 BLANK READ IN FIELD	12	17461	D 35233 36684 X
3251	AAF26	RTO	20,TPROD2 READ TAPE UNIT 0	10	17473	M *UO 36553 R
3252		BCL2	SC26IN IS OVERLAP IN PROCESS	7	17483	J 17632 2
3253		MLNS	@ @,COMP2 SET BLANK COMPARE READ TAPE	12	17490	D 39833 35018 1
3254		BCB2	AAF26	7	17502	X 17473 2
3255		BNR2	AAG26 NOT READY	7	17509	X 17523 1
3256		B	8158 BRNCH TO OLAP FAIL ROUTINE	7	17516	J 16969
3257	AAG26	MLNS	@2@,TP20AV SET 2 TAPE GONE NOT READY	12	17523	D 39806 39100 1
3258		S	@1@,C26CTR SUB 1 FROM COUNTER	11	17535	S 39803 35012
3259		MLNS	@1@,CH2ERR SET 1 ANY ERROR CH2	12	17546	D 39803 34980 1
3260		SW	C26NR SET WM LST TAPE GONE NOT RDY	6	17558	* 35029
3261	ABJ26	MLNS	@1@,TP20ER SET 1 ANY ERROR TAPE UNIT 0	12	17564	D 39803 39101 1
3262		S	@1@,C26RDY SUB 1 FROM AVAIL TAPES	11	17576	S 39803 35013
3263		BZ	CL10I2 NO MORE TAPE UNITS AVAIL	7	17587	J 19376 V
3264		BCE	C2CTRO,RT2LIN,1 WAS RD TP LST I/O OP	12	17594	B 17613 35015 1
3265		B	RTM2 SEE IF CNTR IS ZERO	7	17606	J 18017
3266	C2CTRO	BCE	TWLR2,C26CTR,0 IS COUNTER ZERO	12	17613	B 18949 35012 0
3267		B	RC2UIN SEE IF UNIT 1 C2 AVIL	7	17625	J 04704
3268	SC26IN	MLNS	@1@,C26INI SET 1 TAPE CH2 INITIATED	12	17632	D 39803 35097 1
3269		MLNS	@6@,C2LUI SET 7 CH2 LAST UNIT INIT	12	17644	D 39847 34921 1
3270		CH	C26NR CLR WM LST TAPE GONE NOT RDY	6	17656	□ 35029



1410/7010-40K- OVERLAP-PRIORITY-SYSTEM TEST

PGLIN	LABEL	OPCOD	OPERAND	ST02	ADDRS	INSTRUCTION
3272		NOPWM			1	17662 N
3273	SICRT2	MLNS	@1@,COMP2 SET 1 COMPARE TAPE READ		12	17663 D 39803 35018 1
3274		S	@1@,C26CTR BUH 1 FROM COUNTER		11	17675 S 39803 35012
3275		B	C2IRTN KTN TO INTERUPD UNST OR TST C3		7	17686 J 04975
3276	COMT2R	BCE	TWM2,LM2,1 LAST WRITE UP LOAD MUDE		12	17693 B 17833 35020 1
3277		BCE	B228,WLRC26,1 WAS WLR WRITTEN		12	17705 B 17815 35024 1
3278		C	TPRDC2@131,TAPFL2@131 CMP RD TP WR		11	17717 C 36684 37216
3279	TSTE2	BE	NONI2 WAS LCOMP EQUAL		7	17728 J 17771 S
3280	AAH26	MLCS	@X@,T2OUCC INDICATE UNEQUAL COMPR		12	17735 D 39834 39102 3
3281		MLNS	@1@,CH2ERR SET 1 ANY ERRORS CH2		12	17747 D 39803 34980 1
3282	ABT26	MLNS	@1@,TP2OER SET 1 ANY ERROR TAPE UNIT0		12	17759 D 39803 39101 1
3283	NONI2	BCE	*@8,C26CTR,0 IS COUNTER ZERO		12	17771 B 17790 35012 0
3284		B	H227-1 BRNCH TO READ NXT TAPE		7	17783 J 17460
3285		MLCS	@ @,COMP2 SET BLANK COMP READ TAPE		12	17790 D 39833 35018 3
3286		SW	B248 SET WM TO START NXT UNIT CH2		6	17802 , 17197
3287		B	TWLR2 BRNCH TO TEST WLR		7	17808 J 18949
3288	B228	C	TPRDC2@98,TAPFL2@98		11	17815 C 36651 37183
3289		B	TSTE2		7	17826 J 17728
3290	TWM2	BW	COMT2R@12,TPRDC2 WM IN POS 1 RD FIELD		12	17833 V 17705 36553 1
3291	ABK26	MLCS	@X@,T2OLMF INDICATE LOAD MODE FAIL		12	17845 D 39834 39103 3
3292	ABL26	MLNS	@1@,CH2ERR SET 1 ANY ERRORS CH2		12	17857 D 39803 34980 1
3293	ABZ26	MLNS	@1@,TP2OER SET 1 ANY ERRORS TAPE 0		12	17869 D 39803 39101 1
3294		B	COMT2R@12 BRNCH TO COMPR RECORD		7	17881 J 17705

1410/7010-40K- OVERLAP-PRIORITY-SYSTEM TEST

CT ADDR INSTRUCTION

PGLIN	LABEL	OPCOD	OPERAND	CT	ADDR	INSTRUCTION
3296	*****					
3297	* TAPE ERROR ROUTINE-CHANNEL 2					
3298	*****					
3299	TTP2ER	BCE	TWT2,WT2LIN,1 WR TAPE LAST I/O INST	12	17888	B 18200 35014 1
3300		BCE	TRT2,RT2LIN,1 RD TAPE LAST I/O INST	12	17900	B 18439 35015 1
3301		BA2	*E1 ANY INDICATORS READ TAPE MK	7	17912	X 17919 M
3302		BEF2	DC2 WAS TAPE MARK READ	7	17919	X 17962 8
3303	AAJ26	MLCS	AXA,T2OTIME INDICATE TM READ ERROR	12	17926	D 39834 39104 3
3304		MLNS	AI,CH2ERR SET 1 ANY ERRORS CH2	12	17938	D 39803 34980 1
3305	AAO26	MLNS	AI,TP2OER SET 1 ANY ERRORS TAPE 0 C2	12	17950	D 39803 39101 1
3306	DC2	BER2	TSTEV2 ANY DATA CHECKS	7	17962	X 18036 4
3307		BCE	RTM2,RTEPC2,1 READ TAPE EVEN PARITY	12	17969	B 18017 35016 1
3308	AAK26	MLCS	AXA,T2ODCR INDICATE READ DATA CHECK	12	17981	D 39834 39105 3
3309		MLNS	AI,CH2ERR SET 1 ANY ERRORS CH2	12	17993	D 39803 34980 1
3310	AAH26	MLNS	AI,TP2OER SET 1 ANY ERRORS TAPE 0 C2	12	18005	D 39803 39101 1
3311	RTM2	BCE	OPDC2,C26GIR,0 IS COUNTER ZERO	12	18017	B 18055 35012 0
3312		B	RC2UIN SEE IF UNIT 1 CH2 IS AVAIL	7	18029	J 04704
3313	TSTEV2	BCE	AAK26,RTEPC2,1 READ TAPE ODD PARITY	12	18036	B 17981 35016 1
3314		B	RTM2 SEE IF COUNTER IS ZERO	7	18048	J 18017
3315	OPDC2	BCE	MME2T,RTOP2,1 WAS READ TM ODD DONE	12	18055	B 18140 35017 1
3316		MLNS	AI,RTOP2 SET 1 IN READ TM ODD DONE	12	18067	D 39803 35017 1
3317		MLCS	AB,AAF26E2 CHNG RD INST TO ODD PTY	12	18079	D 39835 17475 3
3318		MLCS	BLANK,C2LUI BLANK LAST UNIT INIT CH2	12	18091	D 35233 34921 3
3319		MLCS	A,RTEPC2 CLEAR READ TAPE EVEN	12	18103	D 39833 35016 3
3320		MLNS	AI,C26INI SET TAPE CH2 INITIATED	12	18115	D 39803 35097 1
3321		SW	8248 SET WM START NXT UNIT CH2	6	18127	, 17197
3322		B	B231 SET UP BACKSPACE ROUTINE	7	18133	J 17224
3323	MME2T	MLCWS	BLANK,TPROC2E1 CLEAR GMMW IN RD FIELD	12	18140	D 35233 36554 7
3324		MLCS	AU,AAF26E2 CHNG READ INST TO EBEN PAR	12	18152	D 39836 17475 3
3325		MLCS	AI,RTEPC2 SET 1 READ TAPE EVEN	12	18164	D 39803 35016 3
3326		SW	RTC2E1,SICRT2 WM AT RD LST I/O-COMP RD	11	18176	, 17436 17663
3327		SW	8227	6	18187	, 17461
3328		B	8234	7	18193	J 19451

1410/7010-40K- OVERLAP-PRIORITY-SYSTEM TEST

PGLIN	LABEL	OPCOD	OPERAND	CT	ADDRS	INSTRUCTION
3330	TWT2	BCE	B210,WEOMT2,1 WRITE EOM TEST	12	18200	B 18351 35026 1
3331	D211	BA2	TDCWC2 ANY INDICATORS	7	18212	X 18226 M
3332		B	RC2UIN SEE IF UNIT 1 CH2 IS AVAIL	7	18219	J 04704
3333	TDCWC2	BER2	AAL26 DATA CHECK	7	18226	X 18308 4
3334		BEF2	AAP26 END OF REEL	7	18233	X 18247 8
3335		B	RC2UIN	7	18240	J 04704
3336	AAP26	MLNS	@3@,TP20AV SET 3 IN UNIT AVAIL	12	18247	D 39809 39100 1
3337		MLNS	@1@,CH2ERR SET 1 IN ANY ERROR C2	12	18259	D 39803 34980 1
3338	AAQ26	MLNS	@1@,TP20ER SET 1 ANY ERRORS TAPE 0	12	18271	D 39803 39101 1
3339		S	@1@,C26RDY SUB 1 FROM AVAIL TAPES	11	18283	S 39803 35013
3340		BZ	CL1012 NO MORE TAPE UNITS AVAIL	7	18294	J 19176 V
3341		B	RC2UIN	7	18301	J 04704
3342	AAL26	MLCS	@X@,T20DCW INDICATE WRITE DATA CHECK	12	18308	D 39834 39106 3
3343	AAR26	MLNS	@1@,TP20ER SET 1 ANY ERRORS TAPE 0	12	18320	D 39803 39101 1
3344		MLNS	@1@,CH2ERR SET 1 IN ANY ERROR C2	12	18332	D 39803 34980 1
3345		B	TDCWC2@7 SEE IF END OF REEL IS ON	7	18344	J 18233
3346	B210	NOPHM		1	18351	N
3347	B208	B	B211	7	18352	J 18212
3348		MLCS	BLANK,WEOMT2	12	18359	D 35233 35026 3
3349		SFR	EOMAC2 STOREF REG	7	18371	G 01531 F
3350		C	EOMAC2,LCA COMP EOM ADDR TO LST CORE A	11	18378	C 01531 01521
3351		BE	B211 ARE ADDRESSES EQUAL	7	18389	J 18212 S
3352	ABF26	MLCS	@X@,T20EOM INDICATE UNIT 0 EOM FAIL	12	18396	D 39834 39109 3
3353		MLNS	@1@,CH2ERR SET 1 ANY ERRORS CH2	12	18408	D 39803 34980 1
3354	ABG26	MLNS	@1@,TP20ER SET 1 ANY ERRORS TAPE 0	12	18420	D 39803 39101 1
3355		B	B211 CHECK INDICATORS	7	18432	J 18212

1410/7010-40K- OVERLAP-PRIORITY-SYSTEM TEST

PGLIN	LABEL	OPCOD	OPERAND	ST02	CT	ADDRS	INSTRUCTION
3357	TRT2	BA2	TRCC2	ANY INDICATORS	7	18439	X 18484 M <sup>G</sup>
3358		BCE	TCRR2, MERA2, 1	RADICAL WRTN SECD CHAR	12	18446	B 18465 35028 1
3359		B	RC2UIN	SEE IF UNIT 1 CH2 AVAILABLE	7	18458	J 04704
3360	TCRR2	BCE	TWLR2, C26CTR, 0	IS COUNTER ZERO	12	18465	B 18949 35012 0
3361		B	RC2UIN		7	18477	J 04704
3362	TRDC2	BER2	AAU26	ANY DATA CHECKS	7	18484	X 18586 4
3363		BEF2	AAW26	ANY CONDITION CHECKS	7	18491	X 18629 8
3364		BWL2	WLRT2	ANY WRONG LENGTH RCDS	7	18498	X 18567 -
3365		BCE	AAS26, WLRC26, 1	WAS WLR WRITTEN	12	18505	B 18524 35024 1
3366		B	TRT2E7		7	18517	J 18446
3367	AAS26	MLCS	AXA, T20WLR	INDICATE WLR CHECK	12	18524	D 39834 39107 3
3368		MLNS	A1A, CH2ERR	SET 1 IN ANY ERROR C2	12	18536	D 39803 34980 1
3369	AAT26	MLNS	A1A, TP2OER	SET 1 ANY ERROR TAPE 0	12	18548	D 39803 39101 1
3370		B	TRT2E7		7	18560	J 18446
3371	WLRT2	BCE	TRT2E7, WLRC26, 1	WAS WLR WRITTEN	12	18567	B 18446 35024 1
3372		B	AAS26		7	18579	J 18524
3373	AAU26	MLCS	AXA, T20DCR	INDICATE READ DATA CHECK	12	18586	D 39834 39105 3
3374		MLNS	A1A, CH2ERR	SET 1 ANY ERRORS CH2	12	18598	D 39803 34980 1
3375	AAV26	MLNS	A1A, TP2OER	SET 1 ANY ERROR TAPE UNIT0	12	18610	D 39803 39101 1
3376		B	TRDC2E7		7	18622	J 18491
3377	AAW26	MLCS	AXA, T20COND	INDICATE READ COND ERROR	12	18629	D 39834 39108 3
3378		MLNS	A1A, CH2ERR	SET 1 ANY ERRORS CH2	12	18641	D 39803 34980 1
3379	AAX26	MLNS	A1A, TP2OER	SET 1 ANY ERROR TAPE UNIT0	12	18653	D 39803 39101 1
3380		B	TRCC2E14		7	18665	J 18498

1410/7010-40K- OVERLAP-PRIORITY-SYSTEM TEST

ST02 PAGE 85  
CT ADDR INSTRUCTION

PGLIN	LABEL	OPCOD	OPERAND	CT	ADDR	INSTRUCTION
3382			*****			
3383	*	SKIP ROUTINE-CHANNEL 2	*			
3384			*****			
3385	AAY26	CU	*U0,E SKIP TAPE UNIT 0	5	18672	U *U0 E
3386		BCB2	AAY26	7	18677	X 18672 2
3387		BA2	WRITE2	7	18684	X 18691 M
3388			*****			
3389	*	WRITE TAPE ROUTINE-CHANNEL 2	*			
3390			*****			
3391	WRITE2	MLNS	@1@,WT2LIN SET 1 WRIT TAPE LAST I/O OP	12	18691	D 39803 35014 1
3392	ABC26	WTO	20,TAPFL2	10	18703	M *U0 37085 W
3393		BOL2	B209 OVERLAP IN PROCCSS	7	18713	J 18844 2
3394		MLCS	BLANK,WEOMT2 CLR 1 WRITTEN E07	12	18720	D 35233 35026 3
3395		BCB2	RC2UIN BUSY	7	18732	X 04704 2
3396		BNR2	ABD26 NOT READY	7	18739	X 18753 1
3397		B	B158 BRNCH TO OLAP FAIL ROUTINE	7	18746	J 16969
3398	ABD26	MLNS	@2@,TP20AV SET 2 IN TAPE GONE NOT RDY	12	18753	D 39806 39100 1
3399		MLNS	@1@,CH2ERR SET 1 ANY ERRORS CH2	12	18765	D 39803 34980 1
3400		SW	C26NR SET WM LST TAPE GONE NOT READY	6	18777	, 35029
3401	ABE26	MLNS	@1@,TP20ER SET 1 ANY ERRORS TAPE UNIT0	12	18783	D 39803 39101 1
3402		S	@1@,C26RDY SUB 1 FROM NUMBR RDY UNITS	11	18795	S 39803 35013
3403		BZ	CL10I2 NO MORE TAPE UNITS AVAIL	7	18806	J 19376 V
3404		SW	B208 SET WM BYPASS COMPR LST ADDR	6	18813	, 18352
3405		S	@1@,C26CTR SUB 2 FROM CTR	11	18819	S 39803 35012
3406		BZ	TEOM2 IS COUNTER ZERO	7	18830	J 18918 V
3407		B	TPC2UD RTN TO HOUSKPING ROUTINE	7	18837	J 16433
3408	B209	CW	B208	6	18844	□ 18352
3409		CW	C26NR	6	18850	□ 35029
3410	NO2	NO?PM		1	18856	N
3411		MLNS	@1@,WEOMT2 SET 1BRNCH AFTER WRIT E0M	12	18857	D 39803 35026 1
3412		MLNS	@6@,C2LUI SET 7 IN CH2 LAST UNIT INIT	12	18869	D 39847 34921 1
3413		MLNS	@1@,C26INI SET 1 IN TAPES CH2 INIT	12	18881	D 39803 35097 1
3414	SSS2	S	@1@,C26CTR SUB 1 FROM COUNTER	11	18893	S 39803 35012
3415		BZ	TEOM2 IS COUNTER ZERO	7	18904	J 18918 V
3416		B	C2IRTN RTN TO INTER:UPD INST OF TST C3	7	18911	J 04975

1410/7010-40K- OVERLAP-PRIORITY-SYSTEM TEST

PGLIN	LABEL	OPCOD	OPERAND	CT	ADDRS	INSTRUCTION
3418			*****			
3419			* DETERMINE NEXT TAPE OPERATION-CHANNEL 2			
3420			*****			
3421	TEOM2	BCE	TEM02,WE0M2,1 IS TEST WR EOM	12	18918	B 19205 35026 1
3422		CH	BWTC2 CLEAR WM AT BRANCH TO WRITE TP	6	18930	D 16500
3423		CH	B248 CLEAR WM TO GO TO WAIT LOOP	6	18936	D 17197
3424		B	B231 BRNCH TO BACKSPACE SEQUENCE	7	18942	J 17224
3425	TWLR2	BCE	TLMEP2,WLRC2,1 WAS READ WLR MVEV TSTED	12	18949	B 18992 35025 1
3426		MLCWS	TAPFL26132,TAPFL2E99	12	18961	D 37217 37184 7
3427			* 100 OF READ IN FLD			
3428		MLCA	@11@,WLRC2 SET 1 RD WLR TSTED,WRTN	12	18973	D 39819 35025 1
3429		B	B234	7	18985	J 19451
3430	TLMEP2	BCE	TLMOP2,LMEP2,1 WAS LOAD EVEN TESTED	12	18992	B 19083 35019 1
3431		MLCWS	FLD80642,TAPFL2E99	12	19004	D 35349 37184 7
3432		MLNS	@1@,LMEP2 SET 1 IN LOAD EVEN TESTED	12	19016	D 39803 35019 1
3433		MLCS	BLANK,WLRC26 CLEAR 1 IN WLR WRITTEN	12	19028	D 35233 35024 3
3434		MLCS	@L@,ABC26 WRITE TAPE OP CODE TO LOAD	12	19040	D 39837 18703 3
3435		MLCS	@L@,AAF26 READ TAPE OP CODE TO LOAD	12	19052	D 39837 17473 3
3436		MLNS	@1@,LM2 SET 1 LOAD MODE LAST OP	12	19064	D 39803 35020 1
3437		B	B234	7	19076	J 19451
3438	TLMOP2	BCE	TMOP2,LMOP2,1 WAS LOAD MODE ODD TSTD	12	19083	B 19138 35021 1
3439		MLNS	@1@,LMOP2 SET 1 IN LOAD ODD TESTED	12	19095	D 39803 35021 1
3440		MLCS	@B@,ABC2662 CHANGE WRITE TAPE TO ODD	12	19107	D 39835 18705 3
3441		MLCS	@B@,AAF2662 CHANGE READ TAPE TO ODD	12	19119	D 39835 17475 3
3442		B	B234	7	19131	J 19451
3443	TMOP2	BCE	TEM02,MMOP2,1 WAS MOVE MODE ODD TSTD	12	19138	B 19205 35023 1
3444		MLNS	@1@,MMOP2 SET 1 IN MOVE ODD TESTED	12	19150	D 39803 35023 1
3445		MLCS	@M@,ABC26 WRITE TAPE OP TO MOVE MODE	12	19162	D 39838 18703 3
3446		MLCS	@M@,AAF26 READ TAPE OP TO MOVE MODE	12	19174	D 39838 17473 3
3447		MLCS	BLANK,LM2 CLEAR 1 IN LOAD MODE LST OP	12	19186	D 35233 35020 3
3448		B	B234	7	19198	J 19451
3449	TEM02	BCE	B207,SY51,X IS MACHINE 7010	12	19205	B 19224 01256 X
3450		B	TMERAZ BYPASS WRITE EOM TESTS	7	19217	J 19273

1410/7010-40K- OVERLAP-PRIORITY-SYSTEM TEST

PGLIN	LABEL	OPCODE	OPERAND	CT	ADDRS	INSTRUCTION
3452	B207	BCE	THERA2,EMMO2,1 WAS EOM TESTED	12	19224	B 19273 35027 1
3453		MLNS	@1@,EMMO2 SET 1 IN EOM MOVE ODD TSTD	12	19236	D 39803 35027 1
3454		SW	NO2&1 SET WM IN EOM INSTRUCTION	6	19248	, 18857
3455		MLCS	@X@,ABC26&9 CHANGE WRITE TAPE TO EOM	12	19254	D 39834 18712 3
3456		B	B234X&6	7	19266	J 19476
3457	THERA2	BCE	CL1012,MERA2,1 WAS WRITE RADICAL TESTED	12	19273	B 19376 35028 1
3458		MLNS	@1@,MERA2 SET 1 WRITE RADICAL TESTED	12	19285	D 39803 35028 1
3459		MLCS	@U@,AAF26&2 READ TAPE OP TO EVEN	12	19297	D 39836 17475 3
3460		MLCS	@W@,ABC26&9 WRITE TAPE TO SINGLE RECRD	12	19304	D 39839 18712 3
3461		MLCS	@U@,ABC26&2 CHNG WRITE TAPE TO EVEN	12	19321	D 39836 18705 3
3462		CW	NO2&1 CLEAR WM IN EOM INSTRUCTION	6	19333	□ 18857
3463		CW	SICRT2 CLEAR WM IN COMPARE RECORD	6	19339	□ 17663
3464		MLCS	@M@,TAPEL2&1	12	19345	D 39840 37086 3
3465			TWO OF WRITE FIELD			
3466		BCE	B234X,SYSL,X 7010	12	19357	B 19470 01256 X
3467		B	B234 NOT 7010	7	19369	J 19451
3468	CL1012	MLCS	BLANK,C2LUI CLEAR LAST I/O INITIATED	12	19376	D 35233 34921 3
3469		A	@1@,PSCTR2	11	19388	A 39803 01810
3470		BZ	SET2FN	7	19399	J 19432 V
3471		MLNS	C26RDY,C26CTR	12	19406	D 35013 35012 1
3472		B	TPINC2	7	19418	J 19500
3473		B	C22DON	7	19425	J 04716
3474	SET2FN	MLNS	@1@,C26FIN	12	19432	D 39803 34915 1
3475		B	C22DON SEE IF ALL UNITS CHI TESTED	7	19444	J 04716
3476	B234	SW	B233 SET WM IN WRITE AFTER BKSP	6	19451	, 17386
3477		CW	B232 CLEAR WM IN READ AFTER BKSP	6	19457	□ 17379
3478		B	MUR2	7	19463	J 17166
3479	B234X	CW	B248	6	19470	□ 17197
3480		SW	BWTC2	6	19476	, 16500
3481		CW	BBKSC2,BRTC2	11	19482	□ 16484 16492
3482		B	MUR&6	7	19493	J 17172

1410/7010-40K- OVERLAP-PRIORITY-SYSTEM TEST

PGLIN	LABEL	OPCOD	OPERAND	CT	ADDRS	INSTRUCTION
3484	*****					
3485	• TAPE INITIALIZATION ROUTINE-CHANNEL 2					
3486	*****					
3487	TPINC2	SBR	TPINR2E5	7	19500	G 19699 B
3488		MLCS	@A2,TAPFL2E1	12	19507	D 39841 37086 3
3489		CW	B248,B232	11	19519	□ 17197 17379
3490		CW	TPC2UDE1,8BKSC2	11	19530	□ 16434 16484
3491		CW	BRTC2,B227	11	19541	□ 16492 17461
3492		CW	BWTC2,NO2E1	11	19552	□ 16500 18857
3493		CW	RTC2E1,SICRT2	11	19563	□ 17436 17663
3494		SW	WT2LIN	6	19574	• 35014
3495		MLCB	BLANK,MERA2	12	19580	D 35233 35028 L
3496		CW	WT2LIN	6	19592	□ 35014
3497		MLNS	@12,RTEPC2	12	19598	D 39803 35016 1
3498		MLCWA	BLANK,TPRDC2E131	12	19610	D 35233 36684 X
3499		MLCWS	TAPFL2E132,TPRDC2E1	12	19622	D 37217 36554 7
3500		MLCS	@A2,AAF26	12	19634	D 39838 17473 3
3501		MLCS	@U2,AAF26E2	12	19646	D 39836 17475 3
3502		MLCS	@M2,ABC26	12	19658	D 39838 18703 3
3503		MLCS	@U2,ABC26E2	12	19670	D 39836 18705 3
3504		MLCS	@M2,ABC26E9	12	19682	D 39839 18712 3
3505	TPINR2	B	O	7	19694	J 00000



PGLIN	LABEL	OPCOD	OPERAND	CT	ADDRS	INSTRUCTION
3507			*****			
3508	* 1301 ROUTINES-CHANNEL 3-UNIT 5		*****			
3509			*****			
3510	C35RTN	MLNS	CHN3E20,C3MCTR MOVE # OF CHAN 3 MOD	12	19701	D 01423 01537 1
3511		S	C3MADD	6	19713	S 01541
3512		CW	CKRSK361	6	19719	D 19733
3513		SBR	TC35ING17	7	19725	G 05241 B
3514	CKRSK3	MLNS	@1@,CH3UAV	12	19732	D 39803 34926 1
3515		BCE	C3SEEK,RDSK31,	12	19744	B 20083 37896
3516		BCE	C3SWT,CESK31,	12	19756	B 21219 37897
3517		BCE	C3SWT,WRF3W3,	12	19768	B 21219 37898
3518		BCE	C3FWR,WRSW3,	12	19780	B 20780 37899
3519		BCE	C3SEEK,RDSK33,	12	19792	B 20083 37900
3520		BCE	C3SWT,CESK33,	12	19804	B 21219 37901
3521		BCE	C3SWT,RDSW3,	12	19816	B 21219 37902
3522		C	C3WADDE18,C3RADD&18	11	19828	C 37668 37874
3523		BE	C3FRST	7	19839	J 19978 S
3524		MLNS	@3@,SARG-1	12	19846	D 39809 01687 1
3525		MLNS	C3RADD&1,SARG	12	19858	D 37857 01688 1
3526		B	FNERAD	7	19870	J 08958
3527		A	@3@,X15-2	11	19877	A 39809 00097
3528		MLNA	SARG,1&X15	12	19888	D 01688 00MM1 /
3529		MLNS	@1@,9&X15	12	19900	D 39803 00MM9 1
3530		MLNS	@1@,2&X15	12	19912	D 39803 00MM2 1
3531		MLNS	@1@,CH3ERR	12	19924	D 39803 35007 1
3532		MLNS	@1@,C35ERR	12	19936	D 39803 35009 1
3533		A	@1@,C3FECT	11	19948	A 39803 01549
3534		BCE	C3SIOP,C3FECT,3	12	19959	B 21600 01549 3
3535		B	C3FRD	7	19971	J 21065

SET INOP IF PERM ERR

1410/7010-40K- OVERLAP-PRIORITY-SYSTEM TEST

PGLIN	LABEL	OPCOD	OPERAND	CT	ADDRS	INSTRUCTION
3537	C3FRST	MLCB	BLANK,C3RNLS	12	19978	D 35233 37903 L
3538		A	@1@,C3MA0D	11	19990	A 39803 01541
3539		S	@1@,C3MCTR	11	20001	S 39803 01537
3540		BZ	C3RSTR	7	20012	J 20026 V
3541		B	TC36FN	7	20019	J 05057
3542	C3RSTR	CW	C35RING1	6	20026	□ 19702
3543		SBR	TC35ING17	7	20032	G 05241 B
3544		A	@1@,PCTR3	11	20039	A 39803 01553
3545		BZ	C3DNE	7	20050	J 20064 V
3546		B	TC36FN	7	20057	J 05057
3547	C3DNE	MLNS	@1@,C35FIN	12	20064	D 39803 34916 I
3548		B	TC36FN	7	20076	J 05057

1410/7010-40K- OVERLAP-PRIORITY-SYSTEM TEST

PGLIN	LABEL	OPCOD	OPERAND	CT	ADDR	INSTRUCTION
3550			*****			
3551			* 1301 SEEK ROUTINE-CHANNEL 3			
3552			*****			
3553	C3SEK	BCE	C3CESK,C3RNLS,1	12	20083	B 20256 37903 1
3554		BCE	C3RDS3,RDSK31,1	12	20095	B 20237 37896 1
3555		MLNS	@1@,RDSK31	12	20107	D 39803 37896 1
3556		A	FACT,RNDADD	11	20119	A 01558 01562
3557		A	FACT,RNDADD-2	11	20130	A 01558 01560
3558		A	FACT-1,RNDADD-1	11	20141	A 01557 01561
3559	C3RRET	MLNS	@1@,C3RNLS	12	20152	D 39803 37903 1
3560		MLNA	RNDADD,C3SADD&5	12	20164	D 01562 01793 /
3561	C3SRET	MLNS	C3MADD,C3SADD&1	12	20176	D 01541 01789 1
3562		MLNS	@1@,C3SINP	12	20188	D 39803 01565 1
3563	SD3	DCW	@M@	1	20200	
3564		DC	@MFO@	3	20203	
3565		DC	C3SADD	5	20208	01788
3566		DC	@R@	1	20209	
3567		DCW	@3@	1	20210	
3568		DC	SD3	5	20215	
3569		DC	@2@	1	20216	
3570		DCW	@3@	1	20217	
3571		DC	C3SKER	5	20222	20330
3572		DC	@M@	1	20223	
3573		S	C3FECT	6	20224	S 01549
3574		B	TC36FN	7	20230	J 05057
3575	C3RDS3	MLNS	@1@,RDSK33	12	20237	D 39803 37900 1
3576		B	C3RRET	7	20249	J 20152
3577	C3CESK	MLCA	CEADD,C3SADD&5	12	20256	D 01574 01793 1
3578		MLCS	BLANK,C3RNLS	12	20268	D 35233 37903 3
3579		BCE	C3CES3,CESK31,1	12	20280	B 20311 37897 1
3580		MLNS	@1@,CESK31	12	20292	D 39803 37897 1
3581		B	C3SRET	7	20304	J 20176
3582	C3CES3	MLNS	@1@,CESK33	12	20311	D 39803 37901 1
3583		B	C3SRET	7	20323	J 20176

1410/7010-40K- OVERLAP-PRIORITY-SYSTEM TEST

PGLIN	LABEL	OPCODE	OPERAND	CT	ADDRS	INSTRUCTION
3585	*****		*****			
3586	* 1301 SEEK ERROR ROUTINE-CHANNEL 3					
3587	*****		*****			
3588	C3SKR	MLNS	@3a,SARG-1	12	20330	D 39809 01687 1
3589		MLNS	C3MADD,SARG	12	20342	D 01541 01688 1
3590		B	FNERAD	7	20354	J 08958
3591		MLNA	SARG,1&X15	12	20361	D 01688 00MM1 /
3592		DCW	@3a	1	20373	
3593		DC	C3SKNR	5	20378	20394
3594		DC	@1a	1	20379	
3595		B	C3CMER	7	20380	J 21371
3596		B	C3SRET	7	20387	J 20176
3597	C3SKNR	BCE	C3ORGP,PCTR3,0	12	20394	B 20425 01553 0
3598	C3CKEF	BCE	C3ALNR,3&X15,	12	20406	B 20467 00MM3
3599		B	C3FRST	7	20418	J 19978
3600	C3ORGP	BCE	C3CKEF,CESK31,1	12	20425	B 20406 37897 1
3601		MLNS	@2a,3&X15	12	20437	D 39806 00MM3 1
3602		S	@1a,C3MDAV	11	20449	S 39803 01545
3603		B	C3FRST	7	20460	J 19978
3604	C3ALNR	MLNS	@1a,3&X15	12	20467	D 39803 00MM3 1
3605		MLNS	@1a,CH3ERR	12	20479	D 39803 35007 1
3606		MLNS	@1a,2&X15	12	20491	D 39803 00MM2 1
3607		MLNS	@1a,C35ERR	12	20503	D 39803 35009 1
3608		B	C3FRST	7	20515	J 19978

1410/7010-40K- OVERLAP-PRIORITY-SYSTEM TEST

PGLIN	LABEL	OPCOD	OPERAND	CT	ADDRS	INSTRUCTION
3610	*****					
3611	* 1301 SEEK COMPLETE ROUTINE-CHANNEL 3					
3612	*****					
3613	C3SKCM	DCW	@J@	1	20522	
3614		DC	C3SKCM	5	20527	20522
3615		DC	@3@	1	20528	
3616		MLNS	@1@,C3SCOM	12	20529	D 39803 01569 1
3617		DCW	@Y@	1	20541	
3618		DC	TC3LUI	5	20546	04990
3619		DC	@3@	1	20547	
3620	C3ADRT	MLNS	BLANK,C3SINP	12	20548	D 35233 01565 1
3621		MLNS	BLANK,C3SCOM	12	20560	D 35233 01569 1
3622		BCE	C3SECK,C3RNLS,1	12	20572	B 20083 37903 1
3623		BCE	C3FRD,RDSK33,1	12	20584	B 21065 37900 1
3624		S	C3STMR	6	20596	S 01597

1410/7010-40K- OVERLAP-PRIORITY-SYSTEM TEST

PGLIN	LABEL	OPCOD	OPERAND	CT	ADDRS	INSTRUCTION
3626	*****					
3627	* 1301 WRITE FORMAT ROUTINE-CHANNEL 3					
3628	*****					
3629	C3WFMT	MLNA	C3WADD,C3WADD&1	12	20602	D 01541 37651 /
3630		MLCWA	FMTFLD,C3WADD&81	12	20614	D 01769 37731 X
3631		MLCWS	C3WADD&8,C3WADD&82	12	20626	D 37658 37732 7
3632		DCW	@M@	1	20638	
3633		DC	@SF7@	3	20641	
3634		DC	C3WADD	5	20646	37650
3635		DC	@M@	1	20647	
3636		DCW	@JA@	1	20648	
3637		DC	C3FMOK	5	20653	20669
3638		DC	@3@	1	20654	
3639		DCW	@3@	1	20655	
3640		DC	C3WFER	5	20660	20712
3641		DC	@3@	1	20661	
3642		B	C358	7	20662	J 22393
3643	C3FMOK	MLNS	@1@,C35INI	12	20669	D 39803 35098 1
3644		MLCWS	@5@,C3LUI	12	20681	D 39830 34922 7
3645		MLNS	@1@,WRF5W3	12	20693	D 39803 37898 1
3646		B	C3IRTN	7	20705	J 05262

1410/7010-40K- OVERLAP-PRIORITY-SYSTEM TEST

ST02 INSTRUCTION

CT ADURS

OPCOD OPERAND

LABEL

PGLIN

PGLIN	LABEL	OPCOD	OPERAND	CT	ADURS	INSTRUCTION
3648	*****					
3649	* 1301 WRITE FORMAT ERROR ROUTINE-CHANNEL 3					
3650	*****					
3651	C3WFER	MLNS	@3a,SARG-1	12	20712	D 39809 01687 1
3652		MLNS	C3MADD,SARG	12	20724	D 01541 01688 1
3653		B	FNERAD	7	20736	J 08958
3654		A	@1a,X15-2	11	20743	A 39803 00097
3655		MLNA	SARG,1EX15	12	20754	D 01688 00MM1 /
3656		B	C3CMER	7	20766	J 21371
3657		B	C3WFM	7	20773	J 20602

CT ADDR INSTRUCTION

LABEL OPERAND

PGLIN

PGLIN	LABEL	OPCODE	OPERAND	CT	ADDR	INSTRUCTION
3659	*****					
3660	* 1301 WRITE ROUTINE-CHANNEL 3					
3661	*****					
3662	C3FWR	SW	C3WADD&9	6	20780	* 37659
3663	DTMVE3	MLCB	FLC80,C3WADD&16	12	20786	D 35307 37666 L
3664		MLCB	C3SADD&7,C3WADD&10	12	20798	D 01795 37660 L
3665		MLNS	C3WADD,C3WADD&1	12	20810	D 01541 37651 L
3666		MU	EF5,C3WADD,W	10	20822	M MF5 37650 W
3667		BCB3	*-16	7	20832	3 20822 Z
3668		BA3	*&1	7	20839	3 20846 M
3669		SW	DTMVE3&1	6	20846	* 20787
3670		A	@10@,DTMVE3&5	11	20852	A 39832 20791
3671		C	DTMVE3&5,CENEND	11	20863	C 20791 35239
3672		CW	C3WADD&9,DTMVE3&1	11	20874	W 37659 20787
3673		BE	*&8	7	20885	J 20899 S
3674		B	C3SWAD	7	20892	J 20911
3675		MLNA	ANUM,DTMVE3&5	12	20899	D 01579 20791 /
3676	C3SWAD	MLCWS	C3WADD&8,C3WADD&19	12	20911	D 37658 37669 7
3677		DCW	@M@	1	20923	
3678		DC	@F6@	3	20926	
3679		DC	C3WADD	5	20931	37650
3680		DC	@H@	1	20932	
3681		DCW	@J@	1	20933	
3682		DC	C3WROK	5	20938	20954
3683		DC	@3@	1	20939	
3684		DCW	@3@	1	20940	
3685		DC	C3FMER	5	20945	20997
3686		DC	@3@	1	20946	
3687		R	C358	7	20947	J 22393
3688	C3WROK	MLNS	@1@,C35INI	12	20954	D 39803 35098 1
3689		MLNS	@5@,C3LUI	12	20966	D 39830 34922 1
3690		MLNS	@1@,WRSW3	12	20978	D 39803 37899 1
3691		B	C3IRTN	7	20990	J 05262



1410/7010-40K- OVERLAP-PRIORITY-SYSTEM TEST

PGLIN	LABEL	OPCODE	OPERAND	CT	ADDRS	INSTRUCTION
3693	*****					
3694	* 1301 WRITE ERROR ROUTINE-CHANNEL 3					
3695	*****					
3696	C3FWR	MLNS	@3a,SARG-1	12	20997	D 39809 01687 1
3697		MLNS	C3MADD,SARG	12	21009	D 01541 01688 1
3698		B	FNERAD	7	21021	J 08958
3699		A	@2a,X15-2	11	21028	A 39806 00097
3700		MLNA	SARG,1&X15	12	21039	D 01688 00MM1 /
3701		B	C3CMER	7	21051	J 21371
3702		B	C3SMAD	7	21058	J 20911
3703	*****					
3704	* 1301 READ ROUTINE-CHANNEL 3					
3705	*****					
3706	C3FRD	MLNS	C3MADD,C3RADDE1	12	21065	D 01541 37857 1
3707		DCW	@Ma	1	21077	
3708		DC	@5F6a	3	21080	
3709		DC	C3KADD	5	21085	37856
3710		DC	@Ra	1	21086	
3711		DCW	@Ja	1	21087	
3712		DC	C3RDOK	5	21092	21108
3713		DC	@3a	1	21093	
3714		DCW	@3a	1	21094	
3715		DC	C3RDER	5	21099	21151
3716		DC	@3a	1	21100	
3717		B	C358	7	21101	J 22393
3718	C3RDOK	MLNS	@1a,C35INI	12	21108	D 39803 35098 1
3719		MLNS	@5a,C3LUI	12	21120	D 39830 34922 1
3720		MLNS	@1a,RDSW3	12	21132	D 39803 37902 1
3721		B	C3IRTN	7	21144	J 05262

1410/7010-40K- OVERLAP-PRIORITY-SYSTEM TEST

ST02 INSTRUCTION

PGLIN	LABEL	OPCODE	OPERAND	CT	ADDRS	INSTRUCTION
3723	*****					
3724	* 1301 READ ERROR ROUTINE-CHANNEL 3					
3725	*****					
3726	C3RDER	MLNS	@32,SARG-1	12	21151	D 39809 01687 1
3727		MLNS	C3WADD,SARG	12	21163	D 01541 01688 1
3728		B	FNERAD	7	21175	J 08958
3729		A	@32,X15-2	11	21182	A 39809 00097
3730		MLNA	SARG.1&X15	12	21193	D 01688 00MM1 /
3731		B	C3CMER	7	21205	J 21371
3732		B	C3FRD	7	21212	J 21065
3733	*****					
3734	* 1301 WAIT LOOP-CHANNEL 3					
3735	*****					
3736	C3SWT	BCE	C3CKSC,C3SINP,1	12	21219	B 21232 01565 1
3737		H		1	21231	.
3738	C3CKSC	DCW	@Y2	1	21232	
3739		DC	C3SKCM	5	21237	20522
3740		DC	@Y2	1	21238	
3741		A	@12,C3STMR	11	21239	A 39803 01597
3742		BZ	C3NSC	7	21250	J 21264 V
3743		B	C3IRTN	7	21257	J 05262
3744	C3NSC	MLNS	@32,SARG-1	12	21264	D 39809 01687 1
3745		MLNS	C3SADDE1,SARG	12	21276	D 01789 01688 1
3746		B	FNERAD	7	21288	J 08958
3747		MLNS	@12,96X15	12	21295	D 39803 00MM9 1
3748		B	C3SIOP	7	21307	J 21600

14107010-40K- OVERLAP-PRIORITY-SYSTEM TEST

ST02 INSTRUCTION

CT ADDR

OPCOD OPERAND

PGLIN LABEL

PGLIN	LABEL	OPCOD	OPERAND	CT	ADDR	INSTRUCTION
3750	*****					
3751	* 1301 ERROR ROUTINE-CHANNEL 3					
3752	*****					
3753	TFL3ER	DCW	@3@	1	21314	
3754		DC	C3FLER	5	21319	21334
3755		DC	@M@	1	21320	
3756		S	C3FECT	6	21321	S 01549
3757		B	TC36FN	7	21327	J 05057
3758	C3FLER	BCE	C3RDER,RDSW3,1	12	21334	B 21151 37902 1
3759		BCE	C3FWER,WRSW3,1	12	21346	B 20997 37899 1
3760		BCE	C3FWER,WRFSA3,1	12	21358	B 20997 37898 1
3761		H		1	21370	.
3762	*****					
3763	* 1301 COMMON ERROR ROUTINE-CHANNEL 3					
3764	*****					
3765	C3CMER	SBR	C3CERTC5	7	21371	C 21598 B
3766		DCW	@3@	1	21378	
3767		DC	COMM	5	21383	21392
3768		DC	@1@	1	21384	
3769		B	*@13	7	21385	J 21404
3770	COMM	MLNS	@1@,3EXU5	12	21392	D 39803 00M#3 1
3771		DCW	@3@	1	21404	
3772		DC	COMM1	5	21409	21418
3773		DC	@2@	1	21410	
3774		B	*@13	7	21411	J 21430
3775	COMM1	MLNS	@1@,4EX15	12	21418	D 39803 00MM#4 1
3776		DCW	@3@	1	21430	
3777		DC	COMM2	5	21435	21444
3778		DC	@4@	1	21436	
3779		H	*@13	7	21437	J 21456

ST02 INSTRUCTION

PGLIN	LABEL	OPCOD	OPERAND	CT	ADDRS	INSTRUCTION
3781	COMM2	MLNS	@1@,5@X15	12	21444	D 39803 00MM5 1
3782		DCW	@3@	1	21456	
3783		DC	COMM3	5	21461	21470
3784		DC	@8@	1	21462	
3785		B	*@13	7	21463	J 21482
3786	COMM3	MLNS	@1@,6@X15	12	21470	D 39803 00MM6 1
3787		DCW	@3@	1	21482	
3788		DC	COMM4	5	21487	21496
3789		DC	@A@	1	21488	
3790		B	*@13	7	21489	J 21508
3791	COMM4	MLNS	@1@,7@X15	12	21496	D 39803 00MM7 1
3792		DCW	@3@	1	21508	
3793		DC	COMM5	5	21513	21522
3794		DC	@8@	1	21514	
3795		B	*@13	7	21515	J 21534
3796	COMM5	MLNS	@1@,8@X15	12	21522	D 39803 00MM8 1
3797		MLNS	@1@,2@X15	12	21534	D 39803 00MM2 1
3798		MLNS	@1@,C35ERR	12	21546	D 39803 35009 1
3799		MLNS	@1@,CH3ERR	12	21558	D 39803 35007 1
3800		A	@1@,C3FECT	11	21570	A 39803 01549
3801		BCE	C3SIOP,C3FECT,3	12	21581	B 21600 01549 3
3802	C3CERT	B	0	7	21593	J 00000

1410/7010-40K- OVERLAP-PRIORITY-SYSTEM TEST

CT ADDR INSTRUCTION

PGLIN	LABEL	OPCOD	OPERAND
3804			*****
3805			* 1301 SET IN-OP ROUTINE-CHANNEL 3 *
3806			*****
3807	C3SIOP	DCW	@Ma
3808		DC	@MF8a
3809		DC	C3SADD
3810		DC	@Ma
3811		DCW	@3a
3812		DC	C3SIOP
3813		DC	@2a
3814		DCW	@3a
3815		DC	SIOP3
3816		DC	@Ma
3817	SIOP3	MLNS	@1a,3EX15
3818		S	C3FECT
3819		B	C3FRST

CT	ADDR	INSTRUCTION
1	21600	
3	21603	
5	21608	01788
1	21609	
1	21610	
5	21615	21600
1	21616	
1	21617	
5	21622	21624
1	21623	
12	21624	D 39803 00MM3 1
6	21636	S 01549
7	21642	J 19978

PGLIN LABEL OPCOD OPERAND

PGLIN	LABEL	OPCOD	OPERAND	CT	ADDR	INSTRUCTION
3821			*****	1	21649	N
3822			* TAPE ROUTINES-CHANNEL 3-UNIT 6	7	21650	J 21782
3823			*****	12	21657	D 39803 34926 1
3824			* REWIND	6	21669	S 00039
3825			*****	12	21675	D 39803 21690 3
3826	C36RTN	NOPWM		1	21687	
3827		B	AURC36	3	21690	
3828		MLNS	@1@,CH3UAV	1	21691	
3829		S	X3	1	21692	
3830		MLCS	@1@,RWDC36@3	5	21697	21687
3831	RWDC36	DCW	@U@	1	21698	
3832		DC	@\$U1@	1	21699	
3833		DC	@R@	5	21704	21729
3834		DCW	@3@	1	21705	
3835		DC	RWDC36	11	21706	A 39801 35032
3836		DC	@2@	12	21717	D 39803 392A0 1
3837		DCW	@3@	11	21729	A 39803 00038
3838		DC	A3X3	12	21740	B 21782 00038 9
3839		DC	@M@	6	21752	, 21690
3840		A	@1,C36RDY	11	21758	A 39801 21690
3841		MLNS	@1@,TP31AV@X3	6	21769	@ 21690
3842	A3X3	A	@1@,X3-1	7	21775	J 21687
3843		BCE	AURC36,X3-1,9	12	21782	B 21838 35032
3844		SW	RWDC36@3	12	21794	D 35032 35031 1
3845		A	@1,RWDC36@3	12	21806	D 35032 34978 1
3846		CH	RWCC36@3	6	21818	@ 21858
3847		B	RWDC36	7	21824	G 05260 B
3848		BCE	SNTRC3,C36RDY,	7	21831	J 21857
3849		MLNS	C36RDY,C36CTR	12	21838	D 39803 34917 1
3850	AURC36	MLNS	C36RDY,C36AVL	7	21850	J 05117
3851		CH	TPC3UD@1			
3852		SHR	TC36IN@17			
3853		B	TPC3UD			
3854	SNTRC3	MLNS	@1@,C36FIN			
3855		B	C35DON			

SET 1 TP TSTED CH-3  
SEE IF ALL UNITS TST

1410/7010-40K- OVERLAP--PRIORITY--SYSTEM TEST

CT ADDR INSTRUCTION

PGLIN LABEL OPCOD OPERAND

PGLIN	LABEL	OPCOD	OPERAND	CT	ADDR	INSTRUCTION
3857			*****	1	21857	N
3858	* TAPE HOUSEKEEPING--CHANNEL 3		*****	7	21858	J 21907
3859			*****	6	21865	* 21897
3860	TPC3UD	NOPWM		11	21871	A 39801 21897
3861		B	C194	6	21882	□ 21897
3862		SW	A3E9	12	21888	8 21907 39200 1
3863		A	E1.A3E9	7	21900	J 21857
3864		CH	A3E9	1	21907	N
3865	A3	BCE	*E8,TP30AV,1	7	21908	J 22022
3866		B	TPC3UD	1	21915	N
3867	C194	NOPWM		7	21916	J 22065
3868	BKSC3	B	BKSP3	1	21923	N
3869		NCPWM		7	21924	J 22240
3870	BRTC3	B	RT3	12	21931	D 21897 22370 1
3871		NCPWM		12	21943	D 21897 22435 1
3872	BWTC3	B	WT3	12	21955	D 21897 22465 1
3873		MLNS	A3E9,AAB36E3	12	21967	D 21897 23359 1
3874		MLNS	A3E9,AAA36E9	12	21979	D 21897 23383 1
3875		MLNS	A3E9,ABH36E9	12	21991	D 21897 23414 1
3876		MLNS	A3E9,AAJ36E9	12	22003	D 21897 23438 1
3877		MLNS	A3E9,AAO36E9	7	22015	J 22367
3878		MLNS	A3E9,AAK36E9	12	22022	D 21897 22670 1
3879		MLNS	A3E9,AAM36E9	12	22034	D 21897 22739 1
3880		B	AAB36	12	22046	D 21897 22763 1
3881	BKSP3	MLNS	A3E9,AAC36E3	7	22058	J 22667
3882		MLNS	A3E9,AAE36E9			
3883		MLNS	A3E9,ABB36E9			
3884		B	AAC36			

SET WM AT ADDR OF TD

STEP ADDR OF RDY TP

IS UNIT AVAIL

GO TO BSP ROUTINE

GO TO READ TP ROUT.

GO TO WR TP ROUTINE

RDY TP TO INSTR

RDY TP TO WTM

RDY TP TO ERRORS

ADDR TO TM RD ERROR

RDY TP ADDR TO ERRS

ADDR TO RD DATA CHK

RDY TAPE ADDR TO ERR

GO TO WK TM

RDY TP TO BKSP INST

ADDR TO UNIT NOT RDY

ADDR TO ANY ERRORS

GO TO BACKSPACE

1410/7010-40K- OVERLAP-PRIORITY-SYSTEM TEST

ST02 INSTRUCTION

PGLIN	LABEL	OPCOD	OPERAND	CT	ADDRS	INSTRUCTION
3886	RT3	MLNS	A3E9,AAF36E3	12	22065	D 21897 22900 1
3887		MLNS	A3E9,AAG36E9	12	22077	D 21897 22956 1
3888		MLNS	A3E9,AAH36E9	12	22089	D 21897 23168 1
3889		MLNS	A3E9,ABT36E9	12	22101	D 21897 23192 1
3890		MLNS	A3E9,ABJ36E9	12	22113	D 21897 22997 1
3891		MLNS	A3E9,AAS36E9	12	22125	D 21897 23957 1
3892		MLNS	A3E9,AAT36E9	12	22137	D 21897 23981 1
3893		MLNS	A3E9,AAU36E9	12	22149	D 21897 24019 1
3894		MLNS	A3E9,AAV36E9	12	22161	D 21897 24043 1
3895		MLNS	A3E9,AAW36E9	12	22173	D 21897 24062 1
3896		MLNS	A3E9,AAX36E9	12	22185	D 21897 24086 1
3897		MLNS	A3E9,ABK36E9	12	22197	D 21897 23278 1
3898		MLNS	A3E9,ABL36E9	12	22209	D 21897 23290 1
3899		MLNS	A3E9,ABZ36E9	12	22221	D 21897 23302 1
3900		B	RTC3	7	22233	J 22859
3901	WT3	MLNS	A3E9,AAZ36E3	12	22240	D 21897 24099 1
3902		MLNS	A3E9,ABC36E3	12	22252	D 21897 24130 1
3903		MLNS	A3E9,ABD36E9	12	22264	D 21897 24186 1
3904		MLNS	A3E9,ABE36E9	12	22276	D 21897 24216 1
3905		MLNS	A3E9,ABF36E9	12	22288	D 21897 23829 1
3906		MLNS	A3E9,ABG36E9	12	22300	D 21897 23853 1
3907		MLNS	A3E9,AAP36E9	12	22312	D 21897 23680 1
3908		MLNS	A3E9,AAQ36E9	12	22324	D 21897 23704 1
3909		MLNS	A3E9,AAL36E9	12	22336	D 21897 23741 1
3910		MLNS	A3E9,AAR36E9	12	22348	D 21897 23753 1
3911		B	AAZ36	7	22360	J 24096

ADDR TO RD INSTR.  
ADDR TO NOT RDY  
ADDR TO RD CMP ERR  
ADDR TO ANY ERRORS  
ADDR TO WLR ERROR  
ADDR TO ANY ERROR  
ADDR TO RD DATA CHK  
ADDR TO ANY ERRORS  
ADDR TO COND ERRS  
ADDR TO LOAD MODE FAIL  
TO ANY ERRORS  
TO ANY ERRORS  
GO TO RD TAPE  
ADDR TO SKIP  
ADDR TO WR TP  
ADDR TO NOT RDY  
ADDR TO ANY ERR  
ADDR TO EOM ERR  
ADDR TO ANY ERR  
ADDR TO END OF REEL  
ADDR TO ANY ERR  
ADDR TO WR DATA CHK  
ADDR TO ANY ERRORS  
GO TO SKIP AND WR



1410/7010-40K- OVERLAP-PRIORITY-SYSTEM TEST

ST02 INSTRUCTION  
CT ADDR

CT ADDR INSTRUCTION

OPCOD OPCRAND

LABEL

PGLIN

PGLIN	LABEL	OPCOD	OPCRAND	CT	ADDR	INSTRUCTION
3913						
3914						
3915						
3916	AA836	DCW	@2	1	22367	
3917		DC	@\$U0@	3	22370	
3918		DC	@M@	1	22371	
3919		DCW	@J@	1	22372	
3920		DC	SIWTM3	5	22377	22517
3921		DC	@3@	1	22378	
3922		DCW	@3@	1	22379	
3923		DC	B395	5	22384	22635
3924		DC	@2@	1	22385	
3925		DCW	@3@	1	22386	
3926		DC	AAA36	5	22391	22426
3927		DC	@1@	1	22392	
3928	C358	SBR	FBC3	7	22393	G 31439 B
3929		DCW	@3@	1	22400	
3930		DC	C3A	5	22405	22407
3931		DC	@M@	1	22406	
3932	C3A	MLCS	@1@.OLNG3	12	22407	C 39803 34902 3
3933		H	A184	7	22419	J 05194

OLAP IN PROCESS

BUSY

SBR OLAP FAIL T/O

GO SET CHN 3 FIN

1410/7010-40K- OVERLAP-PRIORITY-SYSTEM TEST

ST02 INSTRUCTION

PGLIN	LABEL	OPCOD	OPERAND	CT	ADDRS	INSTRUCTION
3935	AAA36	MLNS	@2@,TP30AV	12	22426	D 39806 39200 1
3936		SW	C36NR	6	22438	• 35048
3937		MLNS	@1@,CH3ERR	12	22444	D 39803 35007 1
3938	ABH36	MLNS	@1@,TP30ER	12	22456	D 39803 39201 1
3939		CW	TPC3UD&1	6	22468	□ 21858
3940		S	@1@,C36RDY	11	22474	S 39803 35032
3941		BZ	CL10I3	7	22485	J 24800 V
3942		S	@1@,C36CTR	11	22492	S 39803 35031
3943		BZ	B331	7	22503	J 22648 V
3944		B	TPC3UD	7	22510	J 21857
3945	SINTM3	MLNS	@1@,WT3LIN	12	22517	D 39803 35033 1
3946		MLNS	@@@,C3LUI	12	22529	D 39847 34922 1
3947		MLNS	@1@,C36INI	12	22541	D 39803 35099 1
3948		CW	TPC3UD&1	6	22553	□ 21858
3949		CW	C36NR	6	22559	□ 35048
3950		S	@1, C36CTR	11	22565	S 39801 35031
3951		BZ	B331	7	22576	J 22648 V
3952		B	C3IRTN	7	22583	J 05262
3953	MUR3	SW	BBKSC3 SET WM IN BR TO BSP TEST	6	22590	• 21908
3954		MLNS	C36RDY,C36CTR RDY TPS TO CTR	12	22596	D 35032 35031 1
3955		BW	TPC3UD,C36NR	12	22608	V 21857 35048 1
3956		NOPWM		1	22620	N
3957	8348	B	RC3UIN	7	22621	J 05105
3958		B	C3IRTN	7	22628	J 05262
3959	8395	SW	TPC3UD&1	6	22635	• 21858
3960		B	RC3UIN	7	22641	J 05105
3961	8331	SW	B332	6	22648	• 22803
3962		CW	B333	6	22654	□ 22810
3963		B	MUR3	7	22660	J 22590

SET 2 TP GONE NRDY  
 SET WM LST TP NRDY  
 1 TO ANY ERR CH-3  
 1 TO ANY ERR TP-0  
 CL WM-ALLOW HSKP  
 SUB 1 NUMB RDY TPS  
 NO MORE TPS AVAIL  
 SUB 1 CTR  
 IS CTR ZERO  
 1 TO WR TP LST INST  
 6 TO LST UNIT INIT-3  
 1 TO TP C3 INIT  
 CL WM-ALLOW HSKP  
 CL WM LST TP GON NRDY  
 SUB 1 FROM CTR  
 IS CTR ZERO  
 RTN TO INTERUPD INST-C3  
 SET WM IN BR TO BSP TEST  
 RDY TPS TO CTR  
 LAST TP N RDY  
 IS NXT INIT ON C2 AVIL  
 RTN INTERUPD INST C3  
 SET WM INHIB HSKP  
 NXT UNIT CH3 AVAIL  
 WM TO RD AFTER BKSP  
 CL WM IN WR AFTER BSP

1410/7010-40K- OVERLAP-PRIORITY-SYSTEM TEST

CT ADDR INSTRUCTION

PGLIN LABEL OPCOD OPERAND

PGLIN	LABEL	OPCOD	OPERAND	CT	ADDR	INSTRUCTION
3965	*****					
3966	* BACKSPACE ROUTINE-CHANNEL 3					
3967	*****					
3968	AAC36	DCW	@U@	1	22667	
3969		DC	@\$UO@	3	22670	
3970		DC	@B@	1	22671	
3971		DCW	@3@	1	22672	
3972		DC	TBZC36	5	22677	22710
3973		DC	@M@	1	22678	
3974		CH	TPC3UD@1	6	22679	21858
3975	S1C36	S	@1@,C36CTR	11	22685	S 39803 35031
3976		BZ	RS136B	7	22696	J 22791 V
3977		B	TPC3UD	7	22703	J 21857
3978	TBZC36	DCW	@3@	1	22710	
3979		DC	B395	5	22715	22635
3980		DC	@2@	1	22716	
3981		DCW	@3@	1	22717	
3982		DC	C33	5	22722	22724
3983		DC	@1@	1	22723	
3984	C33	CH	TPC3UD@1	6	22724	21858
3985	AAE36	MLNS	@2@,TP30AV	12	22730	0 39806 39200 1
3986		MLNS	@1@,CH3ERR	12	22742	0 39803 35007 1
3987	ABB36	MLNS	@1@,TP30ER	12	22754	0 39803 39201 1
3988		S	@1@,C36RDY	11	22766	S 39803 35032
3989		BZ	CL10I3	7	22777	J 24800 V
3990		B	S1C36	7	22784	J 22685
3991	RS136B	CH	BRKSC3,BRTC3	11	22791	21908 21916
3992		NOPWM		1	22802	N
3993	B332	SW	BRTC3	6	22803	21916
3994		NOPWM		1	22809	N
3995	B333	SW	BWTC3	6	22810	21924
3996		MLNS	C36RDY,C36CTR	12	22816	D 35032 35031 1
3997		MLCS	@ @,WT3LIN	12	22828	D 39833 35033 3
3998		MLCS	@ @,COMPC3	12	22840	D 39833 35037 3
3999		B	TPC3UD	7	22852	J 21857

CL WM-ALLOW HSKP  
 1 FROM CTR  
 IS CTR ZERO  
 BR TO CH3 TP HSKP  
 BUSY  
 ALLOW HSKP  
 2 TO GONE WRDY  
 1 TO ANY ERRS CH-3  
 1 TO ANY ERR TD-0  
 1 FROM # RDY TPS  
 NO MORE TPS AVAIL  
 CL WM BR-BKSP,RD  
 SET WM-DR RD TP  
 SET WM-BR WR TP  
 # RDY TPS TO CTR  
 CL WR TP LST OP  
 BLNK TO CMP RD TP

1410/7010-40K- OVERLAP-PRIORITY-SYSTEM TEST

ST02  
INSTRUCTION

CT ADDRS

LABEL OPCOD OPERAND

PGLIN

PGLIN	LABEL	OPCOD	OPERAND	CT	ADDRS	INSTRUCTION
4001	*****		*****			
4002	* READ TAPE ROUTINE-CHANNEL 3		*****			
4003	*****		*****			
4004	RTC3	NOPWM		1	22859	N
4005		MLNS	@1@,RT3LIN 1 TO RD TP LST OP	12	22860	D 39803 35034 1
4006		BCE	COMT3R,COMP3,1 IS CMP TO BE DONE	12	22872	B 23117 35037 1
4007		NOPWM		1	22884	N
4008	B327	MLCWA	BLANK,TPRDC3@131 BLANK-RD FLD	12	22885	D 35233 36817 X
4009	AAF36	DCW	@M@	1	22897	
4010		DC	@\$UO@	3	22900	
4011		DC	TPRDC3	5	22905	36686
4012		DC	@R@	1	22906	
4013		DCW	@J@	1	22907	
4014		DC	SC361N	5	22912	23056
4015		DC	@3@	1	22913	
4016		MLNS	@ @,COMP3	12	22914	D 39833 35037 1
4017		DCW	@3@	1	22926	
4018		DC	AAF36	5	22931	22897
4019		DC	@2@	1	22932	
4020		DCW	@3@	1	22933	
4021		DC	AAG36	5	22938	22947
4022		DC	@1@	1	22939	
4023		B	C358	7	22940	J 22393
4024	AAG36	MLNS	@2@,TP30AV	12	22947	D 39806 39200 1
4025		S	@1@,C36CTR	11	22959	S 39803 35031
4026		MLNS	@1@,CH3ERR	12	22970	D 39803 35007 1
4027		SW	C36NR	6	22982	* 35048
4028	ABJ36	MLNS	@1@,TP30ER	12	22988	D 39803 39201 1
4029		S	@1@,C36RDY	11	23000	S 39803 35032
4030		BZ	GL1013	7	23011	J 24800 V
4031		BCE	C3CTR0,RT3LIN,1	12	23018	B 23037 35034 1
4032		B	RTM3	7	23030	J 23441

1410/7010-40K- OVERLAP-PRIORITY-SYSTEM TEST

PGLIN	LABEL	OPCOD	OPERAND	IS	CTR	ZERO	CT	ADDRS	INSTRUCTION
4034	C3CTRO	BCE	TWLR3,C36CTR,0				12	23037	B 24373 35031 0
4035		B	RC3UIN				7	23049	J 05105
4036	SC36IN	MLNS	@1@,C36INI	1	TO	TP CH3 INIT	12	23056	D 39803 35099 1
4037		MLNS	@6@,C3LUI	6	LAST	UNIT INIT	12	23068	D 39847 34922 1
4038		CH	C36NR	CL	WM	LST TP NRDY	6	23080	□ 35048
4039		NOPM					1	23086	N
4040	SICRT3	MLNS	@1@,COMPC3	1	TO	CMP RD	12	23087	D 39803 35037 1
4041		S	@1@,C36CTR	SUB	1	FROM CTR	11	23099	S 39803 35031
4042	COMT3R	B	C3IRTN	GO	TO	INTRUPD INST OR C3	7	23110	J 05262
4043		BCE	TW3,LM3,1	LST	OP	WR L-MODE	12	23117	B 23257 35039 1
4044		BCE	B328,WLRC36,1	WLR	WRITTEN		12	23129	B 23239 35043 1
4045		C	TPROC3@131,TAPFL3@131	CMP	Flds		11	23141	C 36817 37349
4046	TSTE3	BE	NONI3	WAS	CMP	OK	7	23152	J 23195 S
4047	AAH36	MLCS	@X@,T3OUQC	NOT	EQ		12	23159	D 39834 39202 3
4048		MLNS	@1@,CH3ERR				12	23171	D 39803 35007 1
4049	ABT36	MLNS	@1@,TP30ER	1	TO	ANY ERR TP-0	12	23183	D 39803 39201 1
4050	NONI3	BCE	*@8,C36CTR,0	IS	CTR	0	12	23195	B 23214 35031 0
4051		B	B327-1	GO	RD	NXT TP	7	23207	J 22884
4052		MLCS	@ @,COMPC3	BLANK	TO	CMP RD	12	23214	D 39833 35037 3
4053		SW	B348	SET	WM	START NXT UNIT-C3	6	23226	• 22621
4054		B	TWLR3	GO	TEST	WLR	7	23232	J 24373
4055	B328	C	TPROC3@98,TAPFL3@98				11	23239	C 36784 37316
4056		B	TSIE3				7	23250	J 23152
4057	TW3	BW	COMT3R@12,TPROC3	WM	IN	POS 1 RD FLD	12	23257	V 23129 36686 1
4058	ABK36	MLCS	@X@,T30LMF	L-MOVE	FAIL		12	23269	D 39834 39203 3
4059	ABL36	MLNS	@1@,CH3ERR	1	TO	ANY ERROR CH3	12	23281	D 39803 35007 1
4060	ABZ36	MLNS	@1@,TP30ER	1	TO	ANY ERROR ID-0	12	23293	D 39803 39201 1
4061		B	COMT3R@12	BR	TO	CMP RECORD	7	23305	J 23129

1410/7010-40K- OVERLAP-PRIORITY-SYSTEM TEST

ST02  
CT ADDR INSTRUCTION

PGLIN	LABEL	OPCOD	OPERAND	CT	ADDR	INSTRUCTION
4063			*****			
4064			* TAPE ERROR ROUTINES-CHANNEL 3			
4065			*****			
4066	TTP3ER	BCE	TR13,WT3LIN,1	12	23312	B 23624 35033 1
4067		BCE	TR13,RT3LIN,1	12	23324	B 23863 35034 1
4068		DCW	@34	1	23336	
4069		DC	BEF3	5	23341	23343
4070		DC	@M2	1	23342	
4071		DCW	@34	1	23343	
4072	BEF3	DC	DC3	5	23348	23386
4073		DC	@82	1	23349	
4074	AAJ36	MLCS	@X2,T30TME	12	23350	D 39834 39204 3
4075		MLNS	@12,CH3ERR	12	23362	D 39803 35007 1
4076	AA036	MLNS	@12,TP30ER	12	23374	D 39803 39201 1
4077	DC3	DCW	@34	1	23386	
4078		DC	TSTEVE3	5	23391	23460
4079		DC	@42	1	23392	
4080		BCE	RTM3,RTEPC3,1	12	23393	B 23441 35035 1
4081	AAK36	MLCS	@X2,T30DCR	12	23405	D 39834 39205 3
4082		MLNS	@12,CH3ERR	12	23417	D 39803 35007 1
4083	AAK36	MLNS	@12,TP30ER	12	23429	D 39803 39201 1
4084	RTM3	BCE	OPCC3,C36CTR,0	12	23441	B 23479 35031 0
4085		B	RC3UIN	7	23453	J 05105
4086	TSTEVE3	BCE	AAK36,RTEPC3,1	12	23460	B 23405 35035 1
4087		B	RTM3	7	23472	J 23441
4088	OPDC3	BCE	MME3T,RTOP3,1	12	23479	B 23564 35036 1
4089		MLNS	@12,RTOP3	12	23491	D 39803 35036 1
4090		MLCS	@B2,AAF36E2	12	23503	D 39835 22899 3
4091		MLCS	BLANK,C3LUI	12	23515	D 35233 34922 3
4092		MLCS	@ ,RTEPC3	12	23527	D 39833 35035 3
4093		MLNS	@12,C36INI	12	23539	D 39803 35099 1
4094		SW	B348	6	23551	• 22621
4095		B	B331	7	23557	J 22648

\*\*\*\*\*  
 \* TAPE ERROR ROUTINES-CHANNEL 3  
 \*\*\*\*\*  
 WR TP LAST GP  
 RD TP LAST OD  
 ANY INDICATOR  
 WAS TM READ  
 TM ERROR  
 1 TO ANY ERROR  
 1 ANY ERR TD-0 CH3  
 ANY DTA CHKS  
 RD TP EVEN PARITY  
 RD DATA CHK  
 1 TO ANY ERROR CH3  
 1 ANY ERR TO-0 CH3  
 IS CTR ZERO  
 RD TP ODD PARITY  
 IS CTR ZERO  
 WAS RD TM ODD DONE  
 1 TO RD TM ODD DONE  
 CHNG RD TO ODD PAR.  
 BLANK LST UNIT INIT CH3  
 CLEAR RD TP EVEN  
 SET TP CH3 INIT.  
 SET WM-START NXT UNIT  
 GO SET UP FOR BKSP

1410/7010-40K- OVERLAP-PRIORITY-SYSTEM TEST

PGLIN	LABEL	OPCOD	OPERAND	CT	ADDRS	INSTRUCTION
4097	MME3T	MLCWS	BLANK,TPRDC3&1	12	23564	D 35233 36687 7
4098		MLCS	@0@,AAF36&2	12	23576	D 39836 22899 3
4099		MLCS	@1@,RTEPC3	12	23588	D 39803 35035 3
4100		SW	RTC3&1,SICRT3	11	23600	• 22860 23087
4101		SW	B327	6	23611	• 22885
4102		B	B334	7	23617	J 24875
4103	TWT3	BCE	B310,WEOMT3,1	12	23624	B 23775 35045 1
4104	B311	DCW	@3@	1	23636	
4105		DC	TDCWC3	5	23641	23650
4106		DC	@M@	1	23642	
4107		B	RC3UIN	7	23643	J 05105
4108	TDCWC3	DCW	@3@	1	23650	
4109		DC	AAL36	5	23655	23732
4110		DC	@4@	1	23656	
4111		DCW	@3@	1	23657	
4112		DC	AAP36	5	23662	23671
4113		DC	@8@	1	23663	
4114		B	RC3UIN	7	23664	J 05105
4115	AAP36	MLNS	@3@,TP30AV	12	23671	D 39809 39200 1
4116		MLNS	@1@,CH3ERR	12	23683	D 39803 35007 1
4117	AAQ36	MLNS	@1@,TP30ER	12	23695	D 39803 39201 1
4118		S	@1@,C36RDY	11	23707	S 39803 35032
4119		BZ	CL1013	7	23718	J 24800 V
4120		B	RC3UIN	7	23725	J 05105
4121	AAL36	MLCS	@X@,T30DCW	12	23732	D 39834 39206 3
4122	AAR36	MLNS	@1@,TP30ER	12	23744	D 39803 39201 1
4123		MLNS	@1@,CH3ERR	12	23756	D 39803 35007 1
4124		B	TDCWC3&7	7	23768	J 23657
4125	B310	NOPWM		1	23775	N
4126	B308	B	B311	7	23776	J 23636
4127		MLCS	BLANK,WEOMT3	12	23783	D 35233 35045 3
4128		DCW	@G@	1	23795	
4129		DC	EOMAC3	5	23800	35053
4130		DC	@G@	1	23801	
4131		C	EOMAC3,LCA	11	23802	C 35053 01521
4132		BE	B311	7	23813	J 23636 S

ANY

DATA CHK

END OF REEL

3 TO UNIT AVAIL

1 TO ANY ERR CH3

1 TO ANY ERR TD-0

1 FROM AVAIL TPS

NO MORE TAPES

INDIC WR DATA CHK

1 TO ANY ERR TD-0

1 TO ANY ERR CH-3

SEE IF END OF REEL

STORE G REG

CMP TO END ADDR

1410/7010-40K- OVERLAP-PRIORITY-SYSTEM TEST

PGLIN	LABEL	OPCOD	OPERAND	CT	ADDRS	INSTRUCTION
4134	ABF36	MLCS	@X@,T30EOM	12	23820	D 39834 39209 3
4135		MLNS	@1@,CH3ERR	12	23832	D 39803 35007 1
4136	ABG36	MLNS	@1@,TP30ERR	12	23844	D 39803 39201 1
4137		B	B311	7	23856	J 23636
4138	TRT3	DCM	@3@	1	23863	
4139		DC	TRDC3	5	23868	23908
4140		DC	@M@	1	23869	
4141		BCE	TC1RR3,MER3,1	12	23870	B 23889 35047 1
4142		B	RC3UIN	7	23882	J 05105
4143	TC1RR3	BCE	TWLR3,C36CTR,0	12	23889	B 24373 35031 0
4144		B	RC3UIN	7	23901	J 05105
4145	TRDC3	DCM	@3@	1	23908	
4146		DC	AAU36	5	23913	24010
4147		DC	@4@	1	23914	
4148		DCM	@3@	1	23915	
4149		DC	AAW36	5	23920	24053
4150		DC	@8@	1	23921	
4151		DCM	@3@	1	23922	
4152		DC	WLRT3	5	23927	23991
4153		DC	@-@	1	23928	
4154		BCE	AAS36,WLRC36,1	12	23929	B 23948 35043 1
4155		B	TRT3@7	7	23941	J 23870
4156	AAS36	MLCS	@X@,T30WLR	12	23948	D 39834 39207 3
4157		MLNS	@1@,CH3ERR	12	23960	D 39803 35007 1
4158	AAT36	MLNS	@1@,TP30ER	12	23972	D 39803 39201 1
4159		B	TRT3@7	7	23984	J 23870
4160	WLRT3	BCE	TRT3@7,WLRC36,1	12	23991	B 23870 35043 1
4161		B	AAS36	7	24003	J 23948
4162	AAU36	MLCS	@X@,T30DCR	12	24010	D 39834 39205 3
4163		MLNS	@1@,CH3ERR	12	24022	D 39803 35007 1
4164	AAV36	MLNS	@1@,TP30ER	12	24034	D 39803 39201 1
4165		B	TRDC3@7	7	24046	J 23915
4166	AAW36	MLCS	@X@,T30COND	12	24053	D 39834 39208 3
4167		MLNS	@1@,CH3ERR	12	24065	D 39803 35007 1
4168	AAX36	MLNS	@1@,TP30ER	12	24077	D 39803 39201 1
4169		B	TRCC3@14	7	24089	J 23922

INDIC EOM FAIL  
1 TO ANY ERR CH-3

CHECK INDICATORS  
ANY

WR RADICAL AS 2ND CHAR

IS CTR ZERO

DATA CHK

CONDITION

WLR

WAS WLR WRITTEN

WLR

1 TO ANY ERR CH3

1 TO ANY ERR TD-0

WAS WLR WRITTEN

RD DATA CHK

1 ANY ERR CH3

1 ANY ERR TD-0

RD COND ERR

1 ANY ERR CH-3

1 ANY ERR TD-0



1410/7010-40K- OVERLAP-PRIORITY-SYSTEM TEST

ST02 INSTRUCTION

CT ADDR

PGLIN LABEL OPCOD OPERAND

```

4171 *****
4172 * SKIP ROUTINE-CHANNEL 3 *
4173 *****
4174 AAY36 DCW @U@ SKIP
4175  DC @SU0@
4176  DC @E@
4177  DCW @3@ ANY
4178  DC AAY36
4179  DC @2@
4180  DCW @3@ BUSY
4181  DC WRITE3
4182  DC @M@
4183 *****
4184 * WRITE TAPE ROUTINE-CHANNEL 3 *
4185 *****
4186 WRITE3 MLNS @1@,WT3LIN 1 TO WR LST OP
4187  ABC36 DCW @M@
4188  DC @330@
4189  DC TAPFL3
4190  DC @W@
4191  DCW @J@
4192  DC B309
4193  DC @3@
4194  MLCS BLANK,WEOMT3
4195  DCW @3@
4196  DC RC3UIN
4197  DC @2@
4198  DCW @3@
4199  DC ABC36
4200  DC @1@
4201  B C358

```

```

1 24096
3 24099
1 24100
1 24101
5 24106 24096
1 24107
1 24108
5 24113 24115
1 24114

12 24115 D 39803 35033 1
1 24127
3 24130
5 24135 37218
1 24136
1 24137
5 24142 24268
1 24143
12 24144 D 35233 35045 3
1 24156
5 24161 05105
1 24162
1 24163
5 24168 24177
1 24169
7 24170 J 22393

```

OVERLAP IN PROCESS

CLEAR 1 WR EDM

NOT RDY

GO TO OLAP FAIL

PGLIN	LABEL	OPCOD	OPERAND	CT	ADDRS	INSTRUCTION
4203	ABD36	MLNS	@2@,TP30AV	12	24177	D 39806 39200 1
4204		MLNS	@1@,CH3ERR	12	24189	D 39803 35007 1
4205		SW	C36NR	6	24201	, 35048
4206	ABE36	MLNS	@1@,TP30ER	12	24207	D 39803 39201 1
4207		S	@1@,C36RDY	11	24219	S 39803 35032
4208		BZ	CL1013	7	24230	J 24800 V
4209		SW	B308	6	24237	, 23776
4210		S	@1@,C36CTR	11	24243	S 39803 35031
4211		BZ	TECM3	7	24254	J 24342 V
4212		B	TPC3UD	7	24261	J 21857
4213	B309	CW	B308	6	24268	□ 23776
4214		CW	C36NR	6	24274	□ 35048
4215	N03	NOPWM		1	24280	N
4216		MLNS	@1@,WEOMT3	12	24281	D 39803 35045 1
4217		MLNS	@6@,C3LUI	12	24293	D 39847 34922 1
4218		MLNS	@1@,C36INI	12	24305	D 39803 35099 1
4219	S553	S	@1@,C36CTR	11	24317	S 39803 35031
4220		BZ	TECM3	7	24328	J 24342 V
4221		B	C31RTN	7	24335	J 05262

2 TO TP GONE NRDY  
 1 TO ANY ERR CH-3  
 WM LST TP GONE NRDY  
 1 TO ANY ERR TD-0  
 1 FROM NUMBR RDY TPS  
 NO MORE TPS  
 SET WM BYPASS CMP LST ADR  
 2 FROM CTR  
 IS CTR ZERO  
 RTN TO ASKP ROUT.  
 1 TO BR AFTER WEOM  
 6 TO CH3 LST INIT  
 1 TO TPS CH3-INIT  
 1 FROM CTR  
 IS CTR ZERO  
 RTN TO INTERUPD INSI

1410/7010-40K- OVERLAP-PRIORITY-SYSTEM TEST

PGLIN	LABEL	OPCOD	OPERAND	CT	ADDRS	INSTRUCTION
4223			*****			
4224			* DETERMINE NEXT TAPE OPERATION-CHANNEL 3 *			
4225			*****			
4226	TEOM3	BCE	TEM03,WE0M3,1 IS TEST WR EDM	12	24342	B 24629 35045 1
4227		CW	BWTC3 CL WM TO WR TP	6	24354	D 21924
4228		CN	B348 CL WM TO GO TO WAIT	6	24360	D 22621
4229		B	B331 BR TO BKSP	7	24366	J 22648
4230	TWLRC3	BCE	TLMEP3,WLRC3,1 WAS RD WLR MVEV TSTED	12	24373	B 24416 35044 1
4231		MLCS	TAPFL3E132,TAPFL3E99	12	24385	D 37350 37317 7
4232		MLCA	@1@,WLRC3 1 TO RD WLR TSTED	12	24397	D 39819 35044 1
4233		B	B334	7	24409	J 24875
4234	TLMEP3	BCE	TLMOP3,LMOP3,1 WAS L-EVEN TSTED	12	24416	B 24507 35038 1
4235		MLCWS	FLD80E42,TAPFL3E99	12	24428	D 35349 37317 7
4236		MLNS	@1@,LMOP3 1 TO L MODE TSTED	12	24440	D 39803 35038 1
4237		MLCS	BLANK,WLRC36 CL 1 IN WLR WRITEN	12	24452	D 35233 35043 3
4238		MLCS	@L@,ABC36 TAPE OP TO L MODE	12	24464	D 39837 24127 3
4239		MLCS	@L@,AAF36 TAPE OP TO L MODE	12	24476	D 39837 22897 3
4240		MLNS	@1@,LM3 1 TO L MODE LST OP	12	24488	D 39803 35039 1
4241		B	B334	7	24500	J 24875
4242	TLMOP3	BCE	TMMOP3,LMOP3,1 L-MODE ODD TSTED &	12	24507	B 24562 35040 1
4243		MLNS	@1@,LMOP3 1 TO L MODE ODD TSTED	12	24519	D 39803 35040 1
4244		MLCS	@B@,ABC36E2 WR TP TO ODD	12	24531	D 39835 24129 3
4245		MLCS	@B@,AAF36E2 RD TP TO ODD	12	24543	D 39835 22899 3
4246		B	B334	7	24555	J 24875
4247	TMMOP3	BCE	TEM03,MMOP3,1 WAS MOVE ODD TSTED	12	24562	B 24629 35042 1
4248		MLNS	@1@,MMOP3 1 TO M-ODD TSTED	12	24574	D 39803 35042 1
4249		MLCS	@M@,ABC36 M TO WR TAPE	12	24586	D 39838 24127 3
4250		MLCS	@M@,AAF36 M TO RD TAPE	12	24598	D 39838 22897 3
4251		MLCS	BLANK,LM3 CL 1 FROM LD LST OP	12	24610	D 35233 35039 3
4252		B	B334	7	24622	J 24875

1410/7010-40K- OVERLAP-PRIORITY-SYSTEM TEST

PGLIN	LABEL	OPCOD	OPERAND	IS IT 7010	CT	ADDRS	INSTRUCTION
4254	TEMMD3	BCE	B307,SYSL,X	IS IT 7010	12	24629	B 24648 01256 X
4255		B	TMER3		7	24641	J 24697
4256	B307	BCE	TMER3,EMMC3,1	WAS EOM TESTED	12	24648	B 24697 35046 1
4257		MLNS	@1@,EMM03	1 TO EOM M-000	12	24660	D 39803 35046 1
4258		SW	NO3@1	WM IN EOM INSTR.	6	24672	• 24281
4259		MLCS	@X@,ABC36@9	WR TO EOM	12	24678	D 39834 24136 3
4260		B	B334X@6		7	24690	J 24900
4261	TMER3	BCE	CL1013,NERA3,1	WAS WR RADICAL TSTED	12	24697	B 24800 35047 1
4262		MLNS	@1@,NERA3	1 TO WR RADICAL TSTED	12	24709	D 39803 35047 1
4263		MLCS	@U@,AAF36@2	RD TP TO EVEN	12	24721	D 39836 22899 3
4264		MLCS	@W@,ABC36@9	WR TP TO 1 RECORD	12	24733	D 39839 24136 3
4265		MLCS	@U@,ABC36@2	WR TP TO EVEN	12	24745	D 39836 24129 3
4266		CW	NO3@1	CL WM IN EOM INSTR.	6	24757	□ 24281
4267		CW	SICRT3	CL WM FOR CMP RECORD	6	24763	□ 23087
4268		MLCS	@M@,TAPFL3@1	RADICAL TO 2ND CHAR	12	24769	D 39840 37219 3
4269		BCE	B334X,SYSL,X	7010	12	24781	B 24894 01256 X
4270		B	B334	NOT 7010	7	24793	J 24875
4271	CL1013	MLCS	BLANK,C@LUI	CL LST I/O INIT.	12	24800	D 35233 34922 3
4272		A	@1@,P@CTR3		11	24812	A 39803 01811
4273		BZ	SET3FN		7	24823	J 24856 V
4274		MLNS	C36RDY,C36CTR		12	24830	D 35032 35031 1
4275		B	TPINC3		7	24842	J 24924
4276		B	C35DON		7	24949	J 05117
4277	SET3FN	MLNS	@1@,C36FIN		12	24856	D 39803 34917 1
4278		B	C35DON	SEE IF ALL DONE	7	24868	J 05117
4279	B334	SW	B333	WM IN WR AFTER BKSP	6	24875	• 22810
4280		CW	B332	CL WM RD AFTER BKSP	6	24881	□ 22803
4281		B	MUR3		7	24887	J 22590
4282	B334X	CW	B348		6	24894	□ 22621
4283		SW	BWTC3		6	24900	• 21924
4284		CW	BBKSC3,BRTC3		11	24906	□ 21908 21916
4285		B	MUR3@6		7	24917	J 22596

PGLIN	LABEL	OPCOD	OPERAND	CT	ADDRS	INSTRUCTION
4287	*****			7	24924	G 25123 B
4288	* TAPE INITIALIZATION ROUTINE-CHANNEL 3			12	24931	D 39841 37219 3
4289	*****			11	24943	□ 22621 22803
4290	TPINC3	SBR	TPINR3E5	11	24954	□ 21858 21908
4291		MLCS	@A2,TAPFL3E1	11	24965	□ 21916 22885
4292		CW	B348,B332	11	24976	□ 21924 24281
4293		CW	TPC3UDE1,BBKSC3	11	24987	□ 22860 23087
4294		CW	BRIC3,B327	6	24998	, 35033
4295		CW	BWTC3,ND3E1	12	25004	D 35233 35047 L
4296		CW	RTC3E1,SICRT3	6	25016	□ 35033
4297		SW	WT3LIN	12	25022	D 39803 35035 1
4298		MLCB	BLANK,MEBA3	12	25034	D 35233 36817 X
4299		CW	WT3LIN	12	25046	D 37350 36687 7
4300		MLNS	@1E,RIEPC3	12	25058	D 39838 22897 3
4301		MLCWA	BLANK,TPRDC3E131	12	25070	D 39836 22899 3
4302		MLCMS	TAPFL3E132,TPRDC3E1	12	25082	D 39838 24127 3
4303		MLCS	@M2,AAF3E	12	25094	D 39836 24129 3
4304		MLCS	@U2,AAF3E2	12	25106	D 39839 24136 3
4305		MLCS	@M2,ABC3E	7	25118	J 00000
4306		MLCS	@U2,ABC3E2			
4307		MLCS	@W2,ABC3E9			
4308	TPINR3	B	0			

CT ADDR INSTRUCTION

OPCOD OPERAND

PGLIN

LABEL

PGLIN	LABEL	OPCOD	OPERAND	CT	ADDR	INSTRUCTION
4310	*****					
4311	* 1301 ROUTINES-CHANNEL 4					
4312	*****					
4313	C45RTN	MLNS	CHN4&20,C4MCTR # OF MODULES	12	25125	D 01480 01538 1
4314		S	C4MADD	6	25137	S 01542
4315		CH	CKRSK4&1	6	25143	R 25157
4316		SBR	TC45IN&17	7	25149	G 05529 B
4317	CKRSK4	MLNS	@1@,CH4UAV	12	25156	D 39803 34927 1
4318		BCE	C4SEEK,RDSK41,	12	25168	B 25507 37904
4319		BCE	C4SWT,CESK41,	12	25180	B 26643 37905
4320		BCE	C4SWT,WRF5W4,	12	25192	B 26643 37906
4321		BCE	C4FWR,WRSW4,	12	25204	B 26204 37907
4322		BCE	C4SEEK,RDSK44,	12	25216	B 25507 37908
4323		BCE	C4SWT,CESK44,	12	25228	H 26643 37909
4324		BCE	C4SWT,RDSW4,	12	25240	B 26643 37910
4325		C	C4WADD&18,C4RADD&18	11	25252	C 37751 37894
4326		BE	C4FRST	7	25263	J 25402 S
4327		MLNS	@4@,SARG-1	12	25270	D 39812 01687 1
4328		MLNS	C4RADD&1,SARG	12	25282	D 37877 01688 1
4329		B	FNERAD	7	25294	J 08958
4330		A	@3@,X15-2	11	25301	A 39809 00097
4331		MLNA	SARG,1&X15	12	25312	D 01688 00MM1 /
4332		MLNS	@1@,9&X15	12	25324	D 39803 00MM9 1
4333		MLNS	@1@,2&X15	12	25336	D 39803 00MM2 1
4334		MLNS	@1@,CH4ERR	12	25348	D 39803 35008 1
4335		MLNS	@1@,C45ERR	12	25360	D 39803 35010 1
4336		A	@1@,C4FECT	11	25372	A 39803 01550
4337		BCE	C4SIOP,C4FECT,3	12	25383	B 27024 01550 3
4338		B	C4FRD	7	25395	J 26489

SET INOP IF PERM ERR

ST02 INSTRUCTION

CT	ADDRS	INSTRUCTION
12	25402	D 35233 37911 L
11	25414	A 39803 01542
11	25425	S 39803 01538
7	25436	J 25450 V
7	25443	J 05344
6	25450	H 25126
7	25456	G 05529 B
11	25463	A 39803 01554
7	25474	J 25488 V
7	25481	J 05344
12	25488	D 39803 34918 I
7	25500	J 05344

PGLIN	LABEL	OPCODE	OPERAND
4340	C4FRST	MLCB	BLANK,C4RNLS
4341		A	@1@,C4MADD
4342		S	@1@,C4MCTR
4343		BZ	C4RSTR
4344		B	TC46FN
4345	C4RSTR	CW	C45RTN@1
4346		SBR	TC45IN@17
4347		A	@1@,PCTR4
4348		BZ	C4ONE
4349		B	TC46FN
4350	C4ONE	MLNS	@1@,C45FIN
4351		B	TC46FN

1410/7010-40K- OVERLAP-PRIORITY-SYSTEM TEST

PGLIN	LABEL	OPCOD	OPERAND	CT	ADDRS	INSTRUCTION
4353			*****			
4354			* 1301 SEEK ROUTINE-CHANNEL 4			
4355			*****			
4356	C4SEEK	BCE	C4CESK,C4RNLS,1	12	25507	B 25680 37911 1
4357		BCE	C4RDS4,RDSK41,1	12	25519	B 25661 37904 1
4358		MLNS	@1@,RDSK41	12	25531	D 39803 37904 1
4359		A	FACT,RNDADD	11	25543	A 01558 01562
4360		A	FACT,RNDADC-2	11	25554	A 01558 01560
4361		A	FACT-1,RNDADC-1	11	25565	A 01557 01561
4362	C4RRET	MLNS	@1@,C4RNLS	12	25576	D 39803 37911 1
4363		MLNA	RNDADD,C4SADD&5	12	25588	D 01562 01802 /
4364	C4SRET	MLNS	C4PADD,C4SADD&1	12	25600	D 01542 01798 1
4365		MLNS	@1@,C4SINP	12	25612	D 39803 01566 1
4366	SD4	DCW	@M@	1	25624	
4367		DC	@.F0@	3	25627	
4368		DC	C4SADD	5	25632	01797
4369		DC	@R@	1	25633	
4370		DCW	@1@	1	25634	
4371		DC	SD4	5	25639	25624
4372		DC	@2@	1	25640	
4373		DCW	@1@	1	25641	
4374		DC	C4SKER	5	25646	25754
4375		DC	@M@	1	25647	
4376		S	C4FECT	6	25648	S 01550
4377		B	TC46FN	7	25654	J 05344
4378	C4RDS4	MLNS	@1@,RDSK44	12	25661	D 39803 37908 1
4379		B	C4RRET	7	25673	J 25576
4380	C4CESK	MLCA	CEADD,C4SACD&5	12	25680	D 01574 01802 1
4381		MLCS	BLANK,C4RNLS	12	25692	D 35233 37911 3
4382		BCE	C4CES4,CESK41,1	12	25704	B 25735 37905 1
4383		MLNS	@1@,CESK41	12	25716	D 39803 37905 1
4384		B	C4SRET	7	25728	J 25600
4385	C4CES4	MLNS	@1@,CESK44	12	25735	D 39803 37909 1
4386		B	C4SRET	7	25747	J 25600



1410/7010-40K- OVERLAP-PRIORITY-SYSTEM TEST

ST02 INSTRUCTION

PGLIN	LABEL	OPCOD	OPERAND	CT	ADDRS	INSTRUCTION
4388	*****					
4389	* 1301 SEEK ERROR ROUTINE-CHANNEL 4					
4390	*****					
4391	C4SKER	MLNS	@@,SARG-1	12	25754	D 39012 01687 1
4392		MLNS	C4MADD,SARG	12	25766	D 01542 01688 1
4393		B	FNERAD	7	25778	J 08958
4394		MLNA	SARG,1&X15	12	25785	D 01688 00MM1 /
4395		DCM	@1@	1	25797	
4396		DC	C4SKNR	5	25802	25818
4397		DC	@1@	1	25803	
4398		B	C4CMER	7	25804	J 26795
4399		B	C4SRET	7	25811	J 25600
4400	C4SKNR	BCE	C4ORGP,PCTR4,0	12	25818	B 25849 01554 0
4401	C4CKEF	BCE	C4ALNR,3&X15,	12	25830	B 25891 00MM3
4402		B	C4FRST	7	25842	J 25402
4403	C4ORGP	BCE	C4CKEF,CESK41,1	12	25849	B 25830 37905 1
4404		MLNS	@2@,3&X15	12	25861	D 39806 00MM3 1
4405		S	@1@,C4MDAV	11	25873	S 39803 01546
4406		B	C4FRST	7	25884	J 25402
4407	C4ALNR	MLNS	@1@,3&X15	12	25891	D 39803 00MM3 1
4408		MLNS	@1@,CH4ERR	12	25903	D 39803 35008 1
4409		MLNS	@1@,2&X15	12	25915	D 39803 00MM2 1
4410		MLNS	@1@,C45ERR	12	25927	D 39803 35010 1
4411		B	C4FRST	7	25939	J 25402

1410/7010-40K- OVERLAP-PRIORITY-SYSTEM TEST

ST02 INSTRUCTION

CT ADDR

OPCOD OPERAND

PGLIN LABEL

PGLIN	LABEL	OPCOD	OPERAND	CT	ADDR	INSTRUCTION
4413	*****					
4414	• 1301 SEEK COMPLETE ROUTINE-CHANNEL 4					
4415	*****					
4416	C4SKCM	DCW	ajz	1	25946	
4417		DC	C4SKCM	5	25951	25946
4418		DC	ajz	1	25952	
4419		MLNS	ajz,C4SCOM	12	25953	D 39803 01570 I
4420		DCW	ayz	1	25965	
4421		DC	TC4LUI	5	25970	05277
4422		DC	ajz	1	25971	
4423	C4ADRT	MLNS	BLANK,C4SINP	12	25972	D 35233 01566 I
4424		MLNS	BLANK,C4SCCM	12	25984	D 35233 01570 I
4425		BCE	C4SEEK,C4RNLS,1	12	25996	B 25507 37911 I
4426		BCE	C4FRD,RDSK44,1	12	26008	B 26489 37908 I
4427		S	C4STMR	6	26020	S 01602

ST02  
CT ADDR INSTRUCTION

1410/7010-40K- OVERLAP-PRIORITY-SYSTEM TEST

PGLIN	LABEL	OPCOD	OPERAND	CT	ADDR	INSTRUCTION
4429				12	26026	D 01542 37734 /
4430				12	26038	D 01769 37814 X
4431				12	26050	D 37741 37815 7
4432	C4MFPT	MLNA	C4MADD,C4MADDE81	1	26062	
4433		MLCWA	FMTFLD,C4MADDE81	3	26065	
4434		MLCWS	C4MADDE8,C4MADDE82	5	26070	37733
4435		DCM	AMA	1	26071	
4436		DC	AMF7a	1	26072	
4437		DC	C4MADD	5	26077	26093
4438		DC	AMa	1	26078	
4439		DCM	AJa	1	26079	
4440		DC	C4FMOK	5	26084	26136
4441		DC	A4a	1	26085	
4442		DCM	A1a	7	26086	J 27817
4443		DC	C4MFER	12	26093	D 39803 35100 1
4444		DC	A3a	12	26105	D 39830 34923 7
4445		B	C458	12	26117	D 39803 37906 1
4446	C4FMOK	MLNS	A1a,C45INI	7	26129	J 05550
4447		MLCWS	A5a,C4LUI			
4448		MLNS	A1a,MRFSW4			
4449		B	C4IRTN			

146

1410/7010-40K- OVERLAP-PRIORITY-SYSTEM TEST

CT ADDR INSTRUCTION

OPCOD OPERAND

LABEL

PGLIN

4451	*****								
4452	* 1301 WRITE FORMAT ERROR ROUTINE-CHANNEL 4								
4453	*****								
4454	C4WFER	MLNS	240,SARG-1						
4455		MLNS	C4MADD,SARG						
4456		B	FNERAD						
4457		A	212,X15-2						
4458		MLNA	SARG,16X15						
4459		B	C4CMER						
4460		B	C4WFMT						

12	26136	D	39812	01687	1
12	26148	D	01542	01688	1
7	26160	J	08958		
11	26167	A	39803	00097	
12	26178	D	01688	00MML	/
7	26190	J	26795		
7	26197	J	26026		

147

1410/7010-40K- OVERLAP-PRIORITY-SYSTEM TEST

PGLIN	LABEL	OPCOD	OPERAND	CT	ADDR	INSTRUCTION
4462			*****			
4463			* 1301 WRITE ROUTINE-CHANNEL 4			
4464			*****			
4465	C4FWR	SW	C4WADDE9	6	26204	* 37742
4466	DTMV4	MLCB	FLC80,C4WACD&16	12	26210	D 35307 37749 L
4467		MLCB	C4SADDE7,C4WADDE10	12	26222	D 01804 37743 L
4468		MLNS	C4MADD,C4WADDE1	12	26234	D 01542 37734 I
4469		MU	-F5,C4WADD,W	10	26246	M .F5 37733 W
4470		8CB4	*-16	7	26256	I 26246 2
4471		8A4	*E1	7	26263	I 26270 M
4472		SW	DTMV4E1	6	26270	* 26211
4473		A	@10@,DTMV4E5	11	26276	A 39832 26215
4474		C	DTMV4E5,C0NEND	11	26287	C 26215 35239
4475		CW	C4WADDE9,DTMV4E1	11	26298	* 37742 26211
4476		8E	*E8	7	26309	J 26323 S
4477		B	C45WAD	7	26316	J 26335
4478		MLNA	ANUM,DTMV4E5	12	26323	D 01579 26215 /
4479	C45WAD	MLCWS	C4WADDE8,C4WADDE19	12	26335	D 37741 37752 7
4480		DCW	@M@	1	26347	
4481		DC	@#F6@	3	26350	
4482		DC	C4WADD	5	26355	37733
4483		DC	@W@	1	26356	
4484		DCW	@J@	1	26357	
4485		DC	C4WR0K	5	26362	26378
4486		DC	@4@	1	26363	
4487		DCW	@1@	1	26364	
4488		DC	C4FWER	5	26369	26421
4489		DC	@3@	1	26370	
4490		B	C458	7	26371	J 27617
4491	C4WR0K	MLNS	@1@,C45INI	12	26378	D 39803 35100 I
4492		MLNS	@5@,C4LUI	12	26390	D 39830 34923 I
4493		MLNS	@1@,WRSW4	12	26402	D 39803 37907 I
4494		B	C4IRTN	7	26414	J 05550

1410/7010-40K- OVERLAP-PRIORITY-SYSTEM TEST

ST02  
CT ADDR INSTRUCTION

PGLIN	LABEL	OPCOD	OPERAND	CT	ADDR	INSTRUCTION
4496	*****					
4497	* 1301 WRITE ERROR ROUTINE-CHANNEL 4					
4498	*****					
4499	C4FWER	MLNS	@4@,SARG-1	12	26421	D 39812 01687 1
4500		MLNS	C4MADD,SARG	12	26433	D 01542 01688 1
4501		B	FNERAD	7	26445	J 08958
4502		A	@2@,X15-2	11	26452	A 39806 00097
4503		MLNA	SARG,1&X15	12	26463	D 01688 00MM1 /
4504		B	C4CMER	7	26475	J 26795
4505		B	C4SWAD	7	26482	J 26335
4506	*****					
4507	* 1301 READ ROUTINE-CHANNEL 4					
4508	*****					
4509	C4FRD	MLNS	C4MADD,C4RADD&1	12	26489	D 01542 37877 1
4510		DCW	@M@	1	26501	
4511		DC	@#F6@	3	26504	
4512		DC	C4RADD	5	26509	37876
4513		DC	@R@	1	26510	
4514		DCW	@J@	1	26511	
4515		DC	C4RDOK	5	26516	26532
4516		DC	@4@	1	26517	
4517		DCW	@1@	1	26518	
4518		DC	C4RDER	5	26523	26575
4519		DC	@3@	1	26524	
4520		B	C458	7	26525	J 27817
4521	C4RDOK	MLNS	@1@,C451NI	12	26532	D 39803 35100 1
4522		MLNS	@5@,C4LUI	12	26544	D 39830 34923 1
4523		MLNS	@1@,RDSW4	12	26556	D 39803 37910 1
4524		B	C4IRTN	7	26568	J 05550

1410/7010-40K- OVERLAP-PRIORITY-SYSTEM TEST

PGLIN	LABEL	OPCOD	OPERAND	CT	ADDRS	INSTRUCTION
4526	*****					
4527	* 1301 READ ERROR ROUTINE-CHANNEL 4					
4528	*****					
4529	C4RDER	MLNS	@4@,SARG-1	12	26575	D 39812 01687 1
4530		MLNS	C4PADD,SARG	12	26587	D 01542 01688 1
4531		B	FNERAD	7	26599	J 08958
4532		A	@3@,X15-2	11	26606	A 39809 00097
4533		MLNA	SARG,1@X15	12	26617	D 01688 00MM1 /
4534		B	C4CMER	7	26629	J 26795
4535		B	C4FRD	7	26636	J 26489
4536	*****					
4537	* 1301 WAIT LOOP-CHANNEL 4					
4538	*****					
4539	C4SWT	BCE	C4CKSC,C4SINP,1	12	26643	B 26656 01566 1
4540		H		1	26655	.
4541	C4CKSC	DCW	@Y@	1	26656	
4542		DC	C4SKCM	5	26661	25946
4543		DC	@@@	1	26662	
4544		A	@1@,C4STMR	11	26663	A 39803 01602
4545		BZ	C4NSC	7	26674	J 26688 V
4546		B	C4IRTN	7	26681	J 05550
4547	C4NSC	MLNS	@4@,SARG-1	12	26688	D 39812 01687 1
4548		MLNS	C4SADDE1,SARG	12	26700	D 01798 01688 1
4549		B	FNERAD	7	26712	J 08958
4550		MLNS	@1@,9@X15	12	26719	D 39803 00MM9 1
4551		B	C4SIOP	7	26731	J 27024

CT ADDR INSTRUCTION

PGLIN LABEL OPCOD OPERAND

```

4553 *****
4554 * 1301 ERROR ROUTINE-CHANNEL 4 *
4555 *****

```

4556	TFL4ER	DCW	@1a	1	26738	
4557		DC	C4FLER	5	26743	26758
4558		DC	@Ma	1	26744	
4559		S	C4FECT	6	26745	S 01550
4560		B	TC46FN	7	26751	J 05344
4561	C4FLER	BCE	C4RDER,RDSW4,I	12	26758	B 26575 37910 I
4562		BCE	C4FWER,WRSW4,I	12	26770	B 26421 37907 I
4563		BCE	C4FWER,WRFWSW4,I	12	26782	B 26421 37906 I
4564		H		1	26794	.

```

4565 *****
4566 * 1301 COMMON ERROR ROUTINE-CHANNEL 4 *
4567 *****

```

4568	C4CMER	SBR	C4CRET65	7	26795	G 27022 B
4569		DCW	@1a	1	26802	
4570		DC	COMM4A	5	26807	26816
4571		DC	@1a	1	26808	
4572		B	*613	7	26809	J 26828
4573	COMM4A	MLNS	@1a,36X15	12	26816	D 39803 00MM3 I
4574		DCW	@1a	1	26828	
4575		DC	COMM41	5	26833	26842
4576		DC	@2a	1	26834	
4577		B	*613	7	26835	J 26854



1410/7010-40K- OVERLAP-PRIORITY-SYSTEM TEST

PGLIN	LABEL	OPCODE	OPERAND	CT	ADDRS	INSTRUCTION	STOZ
4579	COMM41	MLNS	@12,4EX15	12	26842	D 39803 00MM4 1	
4580		DCW	@12	1	26854		
4581		DC	COMM42	5	26859	26868	
4582		DC	@42	1	26860		
4583		B	*E13	7	26861	J 26880	
4584	COMM42	MLNS	@12,5EX15	12	26868	D 39803 00MM5 1	
4585		DCW	@12	1	26880		
4586		DC	COMM43	5	26885	26894	
4587		DC	@82	1	26886		
4588		B	*E13	7	26887	J 26906	
4589	COMM43	MLNS	@12,6EX15	12	26894	D 39803 00MM6 1	
4590		DCW	@12	1	26906		
4591		DC	COMM44	5	26911	26920	
4592		DC	@A2	1	26912		
4593		B	*E13	7	26913	J 26932	
4594	COMM44	MLNS	@12,7EX15	12	26920	D 39803 00MM7 1	
4595		DCW	@12	1	26932		
4596		DC	COMM45	5	26937	26946	
4597		DC	@82	1	26938		
4598		B	*E13	7	26939	J 26958	
4599	COMM45	MLNS	@12,8EX15	12	26946	D 39803 00MM8 1	
4600		MLNS	@12,2EX15	12	26958	D 39803 00MM2 1	
4601		MLNS	@12,C45ERR	12	26970	D 39803 35010 1	
4602		MLNS	@12,CH4ERR	12	26982	D 39803 35008 1	
4603		A	@12,C4FECT	11	26994	A 39803 01550	
4604		BCE	C4SIOP,C4FECT,3	12	27005	B 27024 01550 3	
4605	C4CRET	B	0	7	27017	J 00000	

1410/7010-40K- OVERLAP-PRIORITY-SYSTEM TEST

CT ADDR INSTRUCTION

PGLIN	LABEL	OPCODE	OPERAND
4607	*****		
4608	* 1301 SET IN-OP ROUTINE-CHANNEL 4		
4609	*****		
4610	C4SIOP	DCW	@M2
4611		DC	@.F8@
4612		DC	C4SADD
4613		DC	@M2
4614		DCW	@1@
4615		DC	C4SIOP
4616		DC	@2@
4617		DCW	@1@
4618		DC	SIOP4
4619		DC	@M2
4620	SIOP4	MLNS	@1@,3@X15
4621		S	C4FECT
4622		B	C4FRST

CT	ADDR	INSTRUCTION
1	27024	
3	27027	
5	27032	01797
1	27033	
1	27034	
5	27039	27024
1	27040	
1	27041	
5	27046	27048
1	27047	
12	27048	D 39803 00MM3 1
6	27060	S 01550
7	27066	J 25402

QQ

1410/7010-40K- OVERLAP-PRIORITY-SYSTEM TEST

ST02

CT ADDR INSTRUCTION

OPCOD OPERAND

LABEL

PGLIN

PGLIN	LABEL	OPCOD	OPERAND	CT	ADDR	INSTRUCTION
4624			*****	1	27073	N
4625			* TAPE ROUTINES-CHANNEL 4-UNIT 6	7	27074	J 27206
4626			*****	12	27081	D 39803 34927 1
4627	C46RTN	NOPWM		6	27093	S 00039
4628		B	AURC46 BYPASS RWD-IBDAG	12	27099	D 39803 27114 3
4629		MLNS	@1@,CH4UAV	1	27111	
4630		S	X3 ZERO X3	3	27114	
4631		MLCS	@1@,RWDC4@@3 RESET REWIND TO DRIVE 1	1	27115	
4632	RWDC46	DCW	@U@ REWIND	1	27116	
4633		DC	@#U1@ TAPE	5	27121	27111
4634		DC	@R@ DRIVE 1	1	27122	
4635		DCW	@1@ BRANCH	1	27123	
4636		DC	RWCC46 BUSY	5	27128	27153
4637		DC	2	1	27129	
4638		DCW	@1@ BRANCH	1	27130	A 39803 35055
4639		DC	A4X3 ANY	12	27141	D 39803 393A0 1
4640		DC	@M@ INDICATORS	11	27153	A 39803 00038
4641		A	@1@,C46RDY ADD 1 TO NUMB RDY TAPE	12	27164	H 27206 00038 9
4642		MLNS	@1@,TP4IAVX3 SET 1 IN TP 1&X3 RDY	6	27176	P 27114
4643	A4X3	A	@1@,X3-1 ADD 10 TO INDEX REG 3	11	27182	A 39803 27114
4644		BCE	AURC46,X3-1,9 IS INDEX REG 3 A 9	6	27193	Q 27114
4645		SW	RWDC4@@3 SET WM AT REWD UNIT	7	27199	J 27111
4646		A	@1@,RWDC4@@3 STEP TD NO.	12	27206	B 27262 35055
4647		CH	RWCC4@@3 CLEAR WORD MARK	12	27218	D 35055 35054 1
4648		B	RWDC46 RWD NEXT TAPE UNIT	12	27230	D 35055 34979 1
4649	AURC46	BCE	SNTRC4,C46RDY, NO UNITS READY	6	27242	Q 27282
4650		MLNS	C46RDY,C46CTR MOVE NUMB RDY TP TO CTR	7	27248	G 05548 B
4651		MLNS	C46RDY,C46AVL NUMBR RDY TAPES TO AVAL	7	27255	J 27281
4652		CH	TPC4UDE1 CLR WMK TO CRT R REG ADDR	12	27262	D 39803 34919 1
4653		SBR	TC46INE17 STORE B REG FOR TAPE CIRTN	7	27274	J 05404
4654		B	TPC4UD			
4655	SNTRC4	MLNS	@1@,C46FIN 1 TO TP TSTED CH-4			
4656		B	C45DON SEE IF ALL TSTED CH4			

1410/7010-40K- OVERLAP-PRIORITY-SYSTEM TEST

ST02

CT ADDR INSTRUCTION

PGLIN	LABEL	OPCOD	OPERAND	CT	ADDR	INSTRUCTION
4658	*****			1	27281	N
4659	* TAPE HOUSEKEEPING ROUTINES CHANNEL 4			7	27282	J 27331
4660	*****			6	27289	, 27321
4661	TPC4UD	NOPWM		11	27295	A 39803 27321
4662		B	A494	6	27306	□ 27321
4663		SW	A4E9	12	27312	B 27331 39300 1
4664		A	21E,A4E9	7	27324	J 27281
4665		CW	A4E9	1	27331	N
4666	A4	BCE	*E8,TP40AV,1	7	27332	J 27446
4667		B	TPC4UD	1	27339	N
4668	A494	NOPWM		7	27340	J 27489
4669	BBKSP4	B	BKSP4	1	27347	N
4670		NOPWM		7	27348	J 27664
4671	BRTC4	B	RT4	12	27355	D 27321 27794 1
4672		NOPWM		12	27367	D 27321 27859 1
4673	BWT4	B	WT4	12	27379	D 27321 27889 1
4674		MLNS	A4E9,AAB46E3	12	27391	D 27321 28783 1
4675		MLNS	A4E9,AAA46E9	12	27403	D 27321 28807 1
4676		MLNS	A4E9,ABH46E9	12	27415	D 27321 28838 1
4677		MLNS	A4E9,AAJ46E9	12	27427	D 27321 28862 1
4678		MLNS	A4E9,AAD46E9	7	27439	J 27791
4679		MLNS	A4E9,AAK46E9	12	27446	D 27321 28094 1
4680		MLNS	A4E9,AAM46E9	12	27458	D 27321 28163 1
4681		B	AAB46	12	27470	D 27321 28187 1
4682	BKSP4	MLNS	A4E9,AAC46E3	7	27482	J 28091
4683		MLNS	A4E9,AAE46E9			
4684		MLNS	A4E9,ABB46E9			
4685		B	AAC46			

1410/7010-40K- OVERLAP-PRIORITY-SYSTEM TEST

ST02

CT ADDR INSTRUCTION

OPCOD OPERAND

PGLIN LABEL

PGLIN	LABEL	OPCOD	OPERAND	CT	ADDR	INSTRUCTION
4687	RT4	MLNS	A4E9,AAF46E3	12	27489	D 27321 28324 1
4688		MLNS	A4E9,AAG46E9	12	27501	D 27321 28380 1
4689		MLNS	A4E9,AAH46E9	12	27513	D 27321 28592 1
4690		MLNS	A4E9,ABT46E9	12	27525	D 27321 28616 1
4691		MLNS	A4E9,ABJ46E9	12	27537	D 27321 28421 1
4692		MLNS	A4E9,AAS46E9	12	27549	D 27321 29381 1
4693		MLNS	A4E9,AAT46E9	12	27561	D 27321 29405 1
4694		MLNS	A4E9,AAU46E9	12	27573	D 27321 29443 1
4695		MLNS	A4E9,AAV46E9	12	27585	D 27321 29467 1
4696		MLNS	A4E9,AAW46E9	12	27597	D 27321 29486 1
4697		MLNS	A4E9,AAZ46E9	12	27609	D 27321 29510 1
4698		MLNS	A4E9,AAZ46E9	12	27621	D 27321 28702 1
4699		MLNS	A4E9,ABK46E9	12	27633	D 27321 28714 1
4700		MLNS	A4E9,AHL46E9	12	27645	D 27321 28726 1
4701		R	RTC4	7	27657	J 28283
4702	WT4	MLNS	A4E9,AAZ46E3	12	27664	D 27321 29523 1
4703		MLNS	A4E9,ABC46E3	12	27676	D 27321 29554 1
4704		MLNS	A4E9,ABD46E9	12	27688	D 27321 29610 1
4705		MLNS	A4E9,ARE46E9	12	27700	D 27321 29640 1
4706		MLNS	A4E9,ABF46E9	12	27712	D 27321 29253 1
4707		MLNS	A4E9,ABG46E9	12	27724	D 27321 29277 1
4708		MLNS	A4E9,AAP46E9	12	27736	D 27321 29104 1
4709		MLNS	A4E9,AAU46E9	12	27748	D 27321 29128 1
4710		MLNS	A4E9,AAL46E9	12	27760	D 27321 29165 1
4711		MLNS	A4E9,AAR46E9	12	27772	D 27321 29177 1
4712		B	AAY46	7	27784	J 29520

GO TO RD TP

GO TO SKIP AND WR

CT ADDR INSTRUCTION

LABEL OPCOD OPERAND

PGLIN

PGLIN	LABEL	OPCOD	OPERAND	CT	ADDR	INSTRUCTION
4714			*****			
4715			* WRITE TAPE MARK ROUTINE-CHANNEL 4			
4716			*****			
4717	AAB46	DCW	@1@	1	27791	
4718		DC	@#L0@	3	27794	
4719		DC	@M@	1	27795	
4720		DCW	@J@	1	27796	
4721		DC	SIWIM4	5	27801	27941
4722		DC	@4@	1	27802	
4723		DCW	@1@	1	27803	
4724		DC	B495	5	27808	28059
4725		DC	@2@	1	27809	
4726		DCW	@1@	1	27610	
4727		DC	AAA46	5	27815	27850
4728		DC	@1@	1	27816	
4729	C458	SBR	FBC4	7	27817	G 31593 B
4730		DCW	@1@	1	27824	
4731		DC	C4A	5	27829	27831
4732		DC	@M@	1	27830	
4733	C4A	MLCS	@1@,DLNG4	12	27831	D 39803 34903 3
4734		B	A185	7	27843	J 05482
4735	AAA46	MLNS	@2@,TP40AV	12	27850	D 39806 39300 1
4736		SW	C46NR	6	27862	* 35071
4737		MLNS	@1@,CH4ERR	12	27868	D 39803 35008 1

WR IM

OVERLAP IN PROCESS

BUSY

NOT RDY

SBR TO OLAP FAIL I/O

GO SET CHAN 4 FIN

1410/7010-40K- OVERLAP-PRIORITY-SYSTEM TEST

PGLIN	LABEL	OPCOD	OPERAND	STO2	INSTRUCTION
4739	ADH46	MLNS	012,TP40ER	12	27880 D 39803 39301 1
4740		CM	TPC4UDE1	6	27892 □ 27282
4741		S	012,C46RDY	11	27898 S 39803 35055
4742		BZ	CL10I3	7	27909 J 24800 V
4743		S	012,C46CTR	11	27916 S 39803 35054
4744		BZ	B431	7	27927 J 28072 V
4745		B	TPC4UD	7	27934 J 27281
4746	SINTM4	MLNS	012,MT4LIN	12	27941 D 39803 35056 1
4747		MLNS	062,C4LUI	12	27953 D 39847 34923 1
4748		MLNS	012,C46INI	12	27965 D 39803 35101 1
4749		CM	TPC4UDE1	6	27977 □ 27282
4750		CM	C46NR	6	27983 □ 35071
4751		S	01,C46CTR	11	27989 S 39801 35054
4752		BZ	B431	7	28000 J 28072 V
4753		B	C4IRTN	7	28007 J 05550
4754	PUR4	SW	BBKSP4	6	28014 , 27332
4755		MLNS	C46RDY,C46CTR	12	28020 D 35055 35054 1
4756		BH	TPC4UD,C46NR	12	28032 V 27281 35071 1
4757		NOPMH		1	28044 N
4758	B448	B	RC4UIN	7	28045 J 05392
4759		B	C4IRTN	7	28052 J 05550
4760	B495	SW	TPC4UDE1	6	28059 , 27282
4761		B	RC4UIN	7	28065 J 05392
4762	B431	SW	B432	6	28072 , 28227
4763		CM	B433	6	28078 □ 28234
4764		B	MUR4	7	28084 J 28014

IS CTR ZERO

1410/7010-40K- OVERLAP-PRIORITY-SYSTEM TEST

PGLIN	LABEL	OPCOD	OPERAND	CT	ADDRS	INSTRUCTION
4766			*****			
4767			* BACKSPACE TAPE ROUTINE-CHANNEL 4			
4768			*****			
4769	AAC46	DCW	@A	1	28091	
4770		DC	@#UO@	3	28094	
4771		DC	@B@	1	28095	
4772		DCW	@I@	1	28096	
4773		DC	TBZC46	5	28101	28134
4774		DC	@M@	1	28102	
4775		CW	TPC4UD&1	6	28103	27282
4776	SIC46	S	@I@,C46CTR	11	28109	S 39803 35054
4777		BZ	RSI468	7	28120	J 28215 V
4778		B	TPC4UD	7	28127	J 27281
4779	TBZC46	DCW	@I@	1	28134	
4780		DC	B495	5	28139	28059
4781		DC	@Z@	1	28140	
4782		DCW	@I@	1	28141	
4783		DC	C44	5	28146	28148
4784		DC	@I@	1	28147	
4785	C44	CW	TPC4UD&1	6	28148	27282
4786	AAE46	MLNS	@Z@,TP4OAV	12	28154	D 39806 39300 1
4787		MLNS	@I@,CH4ERR	12	28166	D 39803 35008 1
4788	ABB46	MLNS	@I@,TP4OER	12	28178	D 39803 39301 1
4789		S	@I@,C46RDY	11	28190	S 39803 35055
4790		BZ	CL10I4	7	28201	J 30224 V
4791		B	SIC46	7	28208	J 28109
4792	RSI468	CW	BBKSP4,BRTC4	11	28215	27332 27340
4793		NOPWM		1	28226	N
4794	B432	SW	BRTC4	6	28227	27340
4795		NOPWM		1	28233	N
4796	B433	SW	BWT4	6	28234	27348
4797		MLNS	C46RDY,C46CTR	12	28240	D 35055 35054 1
4798		MLCS	@ @,WT4LIN	12	28252	D 39833 35056 3
4799		MLCS	@ @,COMPCA	12	28264	D 39833 35060 3
4800		B	TPC4UD	7	28276	J 27281



1410/7010-40K- OVERLAP-PRIORITY-SYSTEM TEST

ST02 INSTRUCTION  
CT ADDR

PGLIN	LABEL	OPCOD	OPERAND	CT	ADDR	INSTRUCTION
48C2				1	28283	N
48C3				12	28284	D 39803 35057 1
48C4				12	28296	B 28541 35060 1
48C5	RTC4	NOPWM		1	28308	N
48C6		MLNS	010,RT4LIN	12	28309	D 35233 36950 X
48C7		BCE	COMT4R,COMPC4,1	1	28321	
48C8		NOPWM		3	28324	
48C9	8427	MLCWA	BLANK,TPRDC4&131	5	28329	36819
4810	AAF46	DCM	0M0	1	28330	
4811		DC	0#U00	1	28331	
4812		DC	TPRDC4	5	28336	28480
4813		DC	0R0	1	28337	
4814		DCM	0J0	12	28338	D 39833 35060 1
4815		DC	SC461N	1	28350	
4816		DC	040	5	28355	28321
4817		MLNS	0 0,COMPC4	1	28356	
4818		DCM	010	1	28357	
4819		DC	AAF46	5	28362	28371
4820		DC	020	1	28363	
4821		DCM	010	7	28364	J 27817
4822		DC	AAG46	12	28371	D 39806 39300 1
4823		DC	010	11	28383	S 39803 35054
4824		B	C458	12	28394	D 39803 35008 1
4825	AAG46	MLNS	020,TP40AV	6	28406	35071
4826		S	010,C46CTR	12	28412	D 39803 39301 1
4827		MLNS	010,CH4ERR	11	28424	S 39803 35055
4828		SW	C46NR	7	28435	J 30224 V
4829	ABJ46	MLNS	010,TP40ER	12	28442	B 28461 35057 1
4830		S	010,C46RDI	7	28454	J 28865
4831		BZ	CL1014			
4832		BCE	C4CTRO,RT4LIN,1			
4833		B	RTM4			

OLAP IN PROCESS

BUSY

NOT RDY

GO TO OLAP FAIL

160

PGLIN	LABEL	OPCOD	OPERAND	CT	ADDRS	INSTRUCTION
4835	C4CTRO	BCE	TWLRCA,C46CTR,0	12	28461	B 29797 35054 0
4836		B	RC4UIN	7	28473	J 05392
4837	SC46IN	MLNS	212,C46INI	12	28480	D 39803 35101 1
4838		MLNS	262,C4LUI	12	28492	D 39847 34923 1
4839		CH	C46NR	6	28504	D 35071
4840		NOPWM		1	28510	N
4841	SICRT4	MLNS	212,COMPC4	12	28511	D 39803 35060 1
4842		S	212,C46CTR	11	28523	S 39803 35054
4843		B	C4IRTN	7	28534	J 05550
4844	COMT4R	BCE	TWM4,LM4,1	12	28541	B 28681 35062 1
4845		BCE	8428,WLRC46,1	12	28553	B 28663 35066 1
4846		C	TPRDC42131,TAPFL42131	11	28565	C 36950 37482
4847	TSTE4	BE	NONI4	7	28576	J 28619 S
4848	AAH46	MLCS	2X2,T4OUEC	12	28583	D 39834 39302 3
4849		MLNS	212,CH4ERR	12	28595	D 39803 35008 1
4850	ABT46	MLNS	212,TP4OER	12	28607	D 39803 39301 1
4851	NONI4	BCE	*68,C46CTR,0	12	28619	B 28638 35054 0
4852		B	8427-1	7	28631	J 28308
4853		MLCS	2 2,COMPC4	12	28638	D 39833 35060 3
4854		SW	8448	6	28650	P 28045
4855		B	TWLRCA	7	28656	J 29797
4856	8428	C	TPRDC4298,TAPFL4298	11	28663	C 36917 37449
4857		B	TSTE4	7	28674	J 28576
4858	TWM4	BW	COMT4RE12,TPRDC4	12	28681	V 28553 36819 1
4859	ABK46	MLCS	2X2,T4OLMF	12	28693	D 39834 39303 3
4860	ABL46	MLNS	212,CH4ERR	12	28705	D 39803 35008 1
4861	ABZ46	MLNS	212,TP4OER	12	28717	D 39803 39301 1
4862		B	COMT4RE12	7	28729	J 28553

1410/7010-40K- OVERLAP-PRIORITY-SYSTEM TEST

PGLIN	LABEL	OPCOD	OPERAND	CT	ADDRS	INSTRUCTION
4864	*****					
4865	* TAPE ERROR ROUTINE-CHANNEL 4					
4866	*****					
4867	TTP4ER	BCE	TWT4,WT4LIN,1	12	28736	B 29048 35056 1
4868		BCE	TRT4,RT4LIN,1	12	28748	B 29287 35057 1
4869		DCW	@1@	1	28760	
4870		DC	BEF4	5	28765	28767
4871		DC	@M@	1	28766	
4872	BEF4	DCW	@1@	1	28767	
4873		DC	DC4	5	28772	28810
4874		DC	@@	1	28773	
4875	AAJ46	MLCS	@X@,T4OTME	12	28774	D 39834 39304 3
4876		MLNS	@1@,CH4ERR	12	28786	D 39803 35008 1
4877	AAO46	MLNS	@1@,TP4OER	12	28798	D 39803 39301 1
4878	DC4	DCW	@1@	1	28810	
4879		DC	TSTEV4	5	28815	28884
4880		DC	@4@	1	28816	
4881		BCE	RTM4,RTEPC4,1	12	28817	B 28865 35058 1
4882	AAK46	MLCS	@X@,T4ODCR	12	28829	D 39834 39305 3
4883		MLNS	@1@,CH4ERR	12	28841	D 39803 35008 1
4884	AAM46	MLNS	@1@,TP4OER	12	28853	D 39803 39301 1
4885	RTM4	BCE	OPDC4,C46CTR,0	12	28865	B 28403 35054 0
4886		B	RC4UIN	7	28877	J 05392
4887	TSTEV4	BCE	AAK46,RTEPC4,1	12	28884	B 28829 35058 1
4888		B	RTM4	7	28896	J 28865
4889	OPDC4	HCE	MME4T,RTOP4,1	12	28903	B 28988 35059 1
4890		MLNS	@1@,RTOP4	12	28915	D 39803 35059 1
4891		MLCS	@B@,AAF46@2	12	28927	D 39835 28323 3
4892		MLCS	BLANK,C4LUI	12	28939	D 35233 34923 3
4893		MLCS	@ @,RTEPC4	12	28951	D 39833 35058 3
4894		MLNS	@1@,C46INI	12	28963	D 39803 35101 1
4895		SW	B448	6	28975	* 28045
4896		B	B431	7	28981	J 28072

WAS IN READ

DATA CHK

PGLIN	LABEL	OPCOD	OPERAND	CT	ADDRS	INSTRUCTION
4898	MME4T	MLCWS	BLANK,TPRDC461	12	28988	D 35233 36820 7
4899		MLCS	2UG,AAF4662	12	29000	D 39836 28323 3
4900		MLCS	216,ATEPC4	12	29012	D 39803 35058 3
4901		SW	RTC461,SICRT4	11	29024	, 28284 28511
4902		SW	B427	6	29035	, 28309
4903		B	B434	7	29041	J 30299
4904	TWT4	BCE	B410,WEOMT4,1	12	29048	B 29199 35068 1
4905	B411	DCW	212	1	29060	
4906		DC	TDCWC4	5	29065	29074
4907		DC	2M2	1	29066	
4908		B	RC4UIN	7	29067	J 05392
4909	TDCWC4	DCW	212	1	29074	
4910		DC	AAL46	5	29079	29156
4911		DC	242	1	29080	
4912		DCW	212	1	29081	
4913		DC	AAP46	5	29086	29095
4914		DC	282	1	29087	
4915		B	RC4UIN	7	29088	J 05392
4916	AAP46	MLNS	232,TP40AV	12	29095	D 39809 39300 1
4917		MLNS	212,CH4ERR	12	29107	D 39803 35008 1
4918	AAQ46	MLNS	212,TP40ER	12	29119	D 39803 39301 1
4919		S	212,C46RDY	11	29131	S 39803 35055
4920		BZ	CL1014	7	29142	J 30224 V
4921		B	RC4UIN	7	29149	J 05392
4922	AAL46	MLCS	2X2,T40DCW	12	29156	D 39834 39306 3
4923	AAR46	MLNS	212,TP40ER	12	29168	D 39803 39301 1
4924		MLNS	212,CH4ERR	12	29180	D 39803 35008 1
4925		B	TDCWC467	7	29192	J 29081
4926	B410	NCPMM		1	29199	N
4927	B408	B	B411	7	29200	J 29060
4928		MLCS	BLANK,WEOMT4	12	29207	D 35233 35068 3
4929		DCW	2G2	1	29219	
4930		DC	EOMAC4	5	29224	35076
4931		DC	2H2	1	29225	
4932		C	EOMAC4,LCA	11	29226	C 35076 01521
4933		BE	B411	7	29237	J 29060 S

ANY

DATA CHK

CONDITION

163

1410/7010-40K- OVERLAP-PRIORITY-SYSTEM TEST

PGLIN	LABEL	OPCOD	OPERAND	CT	ADDRS	INSTRUCTION	STO2
4935	ABF46	MLCS	@X@,T40EOM	12	29244	D 39834 39309 3	
4936		MLNS	@I@,CH4ERR	12	29256	D 39803 35008 1	
4937	ABG46	MLNS	@I@,TP4OER	12	29268	D 39803 39301 1	
4938		B	B411	7	29280	J 29060	
4939	TRT4	DCW	@I@	1	29287		ANY
4940		DC	TRDC4	5	29292	29332	
4941		DC	@M@	1	29293		
4942		BCE	TCIRR@,MERA@,1	12	29294	B 29313 35070 1	
4943		B	RC4UIN	7	29306	J 05392	
4944	TCIRR@	BCE	TWLRC@,C46CTR,0	12	29313	B 29797 35054 0	
4945		B	RC4UIN	7	29325	J 05392	
4946	TRDC4	DCW	@I@	1	29332		
4947		DC	AAX46	5	29337	29434	
4948		DC	@@	1	29338		
4949		DCW	@I@	1	29339		
4950		DC	AAX46	5	29344	29477	
4951		DC	@@	1	29345		
4952		DCW	@I@	1	29346		
4953		DC	WLRT4	5	29351	29415	
4954		DC	@-@	1	29352		
4955		BCE	AAS46,WLRC46,1	12	29353	B 29372 35066 1	
4956		B	TRT4@7	7	29365	J 29294	
4957	AAS46	MLCS	@X@,T40WLR	12	29372	D 39834 39307 3	
4958		MLNS	@I@,CH4ERR	12	29384	D 39803 35008 1	
4959	AAT46	MLNS	@I@,TP4OER	12	29396	D 39803 39301 1	
4960		B	TRT4@7	7	29408	J 29294	
4961	WLRT4	BCE	TRT4@7,WLRC46,1	12	29415	B 29294 35066 1	
4962		B	AAS46	7	29427	J 29372	
4963	AAU46	MLCS	@X@,T40DCK	12	29434	D 39834 39305 3	
4964		MLNS	@I@,CH4ERR	12	29446	D 39803 35008 1	
4965	AAV46	MLNS	@I@,TP4OER	12	29458	D 39803 39301 1	
4966		B	TRDC4@7	7	29470	J 29339	
4967	AAX46	MLCS	@X@,T40COND	12	29477	D 39834 39308 3	
4968		MLNS	@I@,CH4ERR	12	29489	D 39803 35008 1	
4969	AAX46	MLNS	@I@,TP4OER	12	29501	D 39803 39301 1	
4970		B	TRDC4@14	7	29513	J 29346	

DATA CHK

CONDITION

WLR

1410/7010-40K- OVERLAP-PRIORITY-SYSTEM TEST

ST02 INSTRUCTION

PGLIN	LABEL	OPCODE	OPERAND	CT	ADDRS	INSTRUCTION
4972	*****					
4973	* SKIP ROUTINE-CHANNEL 4					
4974	*****					
4975	AAY46	DCW	@U@	1	29520	
4976		DC	@#UO@	3	29523	
4977		DC	@E@	1	29524	
4978		DCW	@I@	1	29525	
4979		DC	AAY46	5	29530	29520
4980		DC	@Z@	1	29531	
4981	TBZS4	DCW	@I@	1	29532	
4982		DC	WRITE4			
4983		DC	@M@	5	29537	29539
4984	*****			1	29538	
4985	* WRITE TAPE ROUTINE-CHANNEL 4					
4986	*****					
4987	WRITE4	MLNS	@I@,WT4LIN	12	29539	D 39803 35056 1
4988	ABC46	DCW	@M@	1	29551	
4989		DC	@#40@	3	29554	
4990		DC	TAPFL4	5	29559	37351
4991		DC	@W@	1	29560	
4992		DCW	@J@	1	29561	
4993		DC	B409	5	29566	29692
4994		DC	@4@	1	29567	
4995	MLCS	BLANK, WEOMT4		12	29568	D 35233 35068 3
4996		DCW	@I@	1	29580	
4997		DC	RC4UIN	5	29585	05392
4998		DC	@Z@	1	29586	
4999		DCW	@I@	1	29587	
5000		DC	ABC46	5	29592	29601
5001		DC	@I@	1	29593	
5002		B	C458	7	29594	J 27817

OVERLAP IN PROCESS

BUSY

1410/7010-40K- OVERLAP-PRIORITY-SYSTEM TEST

ST02 INSTRUCTION

PGLIN	LABEL	OPCOD	OPERAND	CT	ADDRS	INSTRUCTION
5004	ABD46	MLNS	@2a,TP40AV	12	29601	D 39806 39300 1
5005		MLNS	@1a,CH4ERR	12	29613	D 39803 35008 1
5006		SW	C46NR	6	29625	, 35071
5007	ABE46	MLNS	@1a,TP40ER	12	29631	D 39803 39301 1
5008		S	@1a,C46RDY	11	29643	S 39803 35055
5009		BZ	CL1DI4	7	29654	J 30224 V
5010		SW	B408	6	29661	, 29200
5011		S	@1a,C46CTR	11	29667	S 39803 35054
5012		BZ	TECM4	7	29678	J 29766 V
5013		B	TPC4UD	7	29685	J 27281
5014	B409	CW	B408	6	29692	□ 29200
5015		CW	C46NR	6	29698	□ 35071
5016	N04	NOPWM		1	29704	N
5017		MLNS	@1a,WEOMT4	12	29705	D 39803 35068 1
5018		MLNS	@6a,C4LUI	12	29717	D 39847 34923 1
5019		MLNS	@1a,C46INI	12	29729	D 39803 35101 1
5020	SS54	S	@1a,C46CTR	11	29741	S 39803 35054
5021		BZ	TECM4	7	29752	J 29766 V
5022		B	C4IRTN	7	29759	J 05550

1410/7010-40K- OVERLAP-PRIORITY-SYSTEM TEST

CT ADDR INSTRUCTION

PGLIN LABEL OPCOD OPERAND

5024	*****		
5025	* DETERMINE NEXT TAPE OPERATION-CHANNEL 4		
5026	*****		
5027	TEOM4	BCE	TEMMO4,MEONT4,1
5028		CW	BWT4
5029		CW	B448
5030		B	B431
5031	TWLRC4	BCE	TLMEP4,WLRC4,1
5032		MLCWS	TAPFL4&132,TAPFL4&99
5033		MLCA	@11@,WLRC4 1 TO RD WLR TSTED
5034		B	B434
5035	TLMEP4	BCE	TLMOP4,LMOP4,1 WAS L-EVEN TSTED
5036		MLCWS	FLD80&42,TAPFL4&99
5037		MLNS	@1@,LMOP4 1-TO L-MODE TSTED
5038		MLCS	BLANK,WLRC46 CL 1 IN WLR WRITTEN
5039		MLCS	@L@,ABC46
5040		MLCS	@L@,AAF46
5041		MLNS	@1@,LM4
5042		B	B434
5043	TMOP4	BCE	TMOP4,LMOP4,1
5044		MLNS	@1@,LMOP4
5045		MLCS	@B@,ABC46&2
5046		MLCS	@B@,AAF46&2
5047		B	B434
5048	TMOP4	BCE	TEMMO4,MMOP4,1
5049		MLNS	@1@,MMOP4
5050		MLCS	@M@,ABC46
5051		MLCS	@M@,AAF46
5052		MLCS	BLANK,LM4
5053		B	B434
5054	TEMMO4	BCE	B407,SYSI,X IS IT A 7010
5055		B	TMERA4

12	29766	B	30053 35068 1
6	29778	D	27348
6	29784	D	28045
7	29790	J	28072
12	29797	B	29840 35067 1
12	29809	D	37483 37450 7
12	29821	D	39819 35067 1
7	29833	J	30299
12	29840	B	29931 35061 1
12	29852	D	35349 37450 7
12	29864	D	39803 35061 1
12	29876	D	35233 35066 3
12	29888	D	39837 29551 3
12	29900	D	39837 28321 3
12	29912	D	39803 35062 1
7	29924	J	30299
12	29931	B	29986 35063 1
12	29943	D	39803 35063 1
12	29955	D	39835 29553 3
12	29967	D	39835 28323 3
7	29979	J	30299
12	29986	B	30053 35065 1
12	29998	D	39803 35065 1
12	30010	D	39838 29551 3
12	30022	D	39838 28321 3
12	30034	D	35233 35062 3
7	30046	J	30299
12	30053	B	30072 01256 X
7	30065	J	30121



167

1410/7010-40K- OVERLAP-PRIORITY-SYSTEM TEST

PGLIN	LABEL	OPCOD	OPERAND	STO2	INSTRUCTION
5057	B407	BCE	TMERA4,EMMC4,1	12	30072 B 30121 35069 1
5058		MLNS	@1@,EMMC4	12	30084 D 39803 35069 1
5059		SW	NO4&1	6	30096 * 29705
5060		MLCS	@X@,ABC46&9	12	30102 D 39834 29560 3
5061		B	B434X&6	7	30114 J 30324
5062	TMERA4	BCE	CLIOI4,MERA4,1	12	30121 B 30224 35070 1
5063		MLNS	@1@,MERA4	12	30133 D 39803 35070 1
5064		MLCS	@U@,AAF46&2	12	30145 D 39836 28323 3
5065		MLCS	@W@,ABC46&9	12	30157 D 39839 29560 3
5066		MLCS	@U@,ABC46&2	12	30169 D 39836 29553 3
5067		CW	NO4&1	6	30181 □ 29705
5068		CW	SICRT4	6	30187 □ 28511
5069		MLCS	@M@,TAPFL4&1	12	30193 D 39840 37352 3
5070		BCE	B434X,SYSL,X	12	30205 B 30318 01256 X
5071		B	B434	7	30217 J 30299
5072	CLIOI4	MLCS	BLANK,C4LUI	12	30224 D 35233 34923 3
5073		A	@1@,PSCTR4	11	30236 A 39803 018&2
5074		BZ	SET4FN	7	30247 J 30280 V
5075		MLNS	C46RDY,C46CTR	12	30254 D 35055 35054 1
5076		B	TPINC4	7	30266 J 30348
5077		B	C45DON	7	30273 J 05404
5078	SET4FN	MLNS	@1@,C46FIN	12	30280 D 39803 34919 1
5079		B	C45DON	7	30292 J 05404
5080	B434	SW	B433	6	30299 * 28234
5081		Ch	B432	6	30305 □ 28227
5082		B	MUR4	7	30311 J 28014
5083	B434X	CW	B448	6	30318 □ 28045
5084		SW	BWT4	6	30324 * 27348
5085		CW	BRKSP4,BRTC4	11	30330 □ 27332 27340
5086		B	MUR4&6	7	30341 J 28020

7010  
NOT 7010

1410/7010-40K- OVERLAP-PRIORITY-SYSTEM TEST  
OPCOD OPERAND

S102 INSTRUCTION  
CT ADDR

PGLIN	LABEL	OPCOD	OPERAND	CT	ADDR	INSTRUCTION
5088	*****					
5089	* TAPE INITIALIZATION ROUTINE--CHANNEL 4					
5090	*****					
5091	TPINC4	SBR	TPINR4E5	7	30348	G 30547 B
5092		MLCS	@A@,TAPFL4E1	12	30355	D 39841 37352 3
5093		CW	B448,B432	11	30367	□ 28045 28227
5094		CW	TPC4UDE1,88KSP4	11	30378	□ 27282 27332
5095		CW	BRTC4,B427	11	30389	□ 27340 28309
5096		CW	BWT4,NO4E1	11	30400	□ 27348 29705
5097		CW	RTC4E1,S1CRT4	11	30411	□ 28284 28511
5098		SW	WT4LIN	6	30422	• 35056
5099		MLCB	BLANK, MERA4	12	30428	D 35233 35070 L
5100		CW	WT4LIN	6	30440	□ 35056
5101		MLNS	@I@,RTEPC4	12	30446	D 39803 35058 1
5102		MLCWA	BLANK, IPRDC4E131	12	30458	D 35233 36950 X
5103		MLCWS	TAPFL4E132, IPRDC4E1	12	30470	D 37483 36820 7
5104		MLCS	@M@,AAF46	12	30482	D 39838 28321 3
5105		MLCS	@U@,AAF46E2	12	30494	D 39836 28323 3
5106		MLCS	@M@,ABC46	12	30506	D 39838 29551 3
5107		MLCS	@U@,ABC46E2	12	30518	D 39836 29553 3
5108		MLCS	@M@,ABC46E9	12	30530	D 39839 29560 3
5109	TPINR4	B	O	7	30542	J 00000

1410/7010-40K- OVERLAP-PRIORITY-SYSTEM TEST

ST02  
INSTRUCTION

PGLIN	LABEL	OPCOD	OPERAND	CT	ADDR	INSTRUCTION
5111			*****			
5112	* PRIORITY INTERRUPT INTERROGATION ROUTINE		*****			
5113			*****			
5114	PIR	S	060,PIRTN SUB 6 FROM RTN ADDR	11	30549	S 39847 35082
5115		MLCA	PIRTN,A22605	12	30560	D 35082 04395 T
5116		MLCA	PIRTN,A23505	12	30572	D 35082 04988 T
5117		MLCA	PIRTN,A23605	12	30584	D 35082 05275 T
5118		MLCA	PIRTN,A23705	12	30596	D 35082 05563 T
5119		MLCA	PIRTN,A24305	12	30608	D 35082 30747 T
5120		MLCB	BLANK,X9	12	30620	D 35233 00069 L
5121		BOPR1	TC1LUI	7	30632	Y 03706 1
5122		BOPR2	TC2LUI	7	30639	Y 04397 2
5123	SCHA	BSPR1	C1SKCM	7	30646	Y 08109 S
5124	SCHB	BSPR2	C2SKCM	7	30653	Y 15098 T
5125		BUPR1	A242	7	30660	Y 30730 U
5126		BUPR2	A242	7	30667	Y 30730 F
5127		BIPR1	A242	7	30674	Y 30730 Q
5128		BIPR2	A242	7	30681	Y 30730 *

OLAP COMPLETE CH1  
 OLAP COMPLETE CH2  
 SEEK COMPLETE CH-1  
 SEEK COMPLETE CH-2  
 CH1 I-O UNIT PRIORITY REQ  
 CH2 I-O UNIT PRIORITY REQ  
 CH1 INQUIRY PRIORITY REQ  
 CH2 INQUIRY PRIORITY REQ

1410/7010-60K- OVERLAP-PRIORITY-SYSTEM TEST

PGLIN	LABEL	OPCOD	OPERAND	CT	ADDRS	INSTRUCTION
5130		DCW	@YA	1	30688	
5131		DC	A242	5	30693	30730
5132		DC	@N@	1	30694	
5133		DCW	@YA	1	30695	
5134		DC	A242	5	30700	30730
5135		DC	@#@	1	30701	
5136		DCW	@YA	1	30702	
5137		DC	TC3LUI	5	30707	04990
5138		DC	@3@	1	30708	
5139	SCHC	DCW	@YA	1	30709	
5140		DC	C3SKCM	5	30714	20522
5141		DC	@YA	1	30715	
5142		DCW	@YA	1	30716	
5143		DC	TC4LUI	5	30721	05277
5144		DC	@4@	1	30722	
5145	SCHD	DCW	@YA	1	30723	
5146		DC	C4SKCM	5	30728	25946
5147		DC	@@@	1	30729	
5148	A242	MLCS	@1@,UNSOLI	12	30730	D 39803 35077 3
5149	A243	BEPA	0	7	30742	Y 00000 E

CH 1 OUTQUIRY PRIORITY REQ  
 CH 2 OUTQUIRY PRIORITY REQ  
 OLAP COMPLETE CH3  
 OLAP COMPLETE CH4  
 SEEK COMPLETE CH-3  
 SEEK COMPLETE CH-4  
 SET I UNSOLICITED INTERRUPT  
 RETURN TO INTERRUPTED INSTRUCTION

1410/7010-40K- OVERLAP-PRIORITY-SYSTEM TEST

PGLIN	LABEL	OPCOD	OPERAND	CT	ADDRS	INSTRUCTION
5151			*****			
5152			* TYPE OUT SUMMARY MESSAGES-END OF TEST			
5153			*****			
5154	IFAIL	BCE	A112,CHCTR,0 IS CHANNEL COUNTER 0	12	30749	B 30857 35234 0
5155	C1FN	BCE	C2FN,CH1FIN,1 CH1 FINISHED	12	30761	B 30785 35083 1
5156		MLCS	@1@,CHIERR SET 1 ANY ERRORS CHI	12	30773	D 39803 34929 3
5157	C2FN	BCE	C3FN,CH2FIN,1 CH2 FINISHED	12	30785	B 30809 35084 1
5158		MLCS	@1@,CH2ERR SET 1 ANY ERRORS CH2	12	30797	D 39803 34980 3
5159	C3FN	BCE	C4FN,CH3FIN,1 CH3 FINISHED	12	30809	B 30833 35085 1
5160		MLCS	@1@,CH3ERR SET 1 ANY ERROR CH3	12	30821	D 39803 35007 3
5161	C4FN	BCE	A112,CH4FIN,1 CH4 FINISHED	12	30833	B 30857 35086 1
5162		MLCS	@1@,CH4ERR	12	30845	D 39803 35008 3
5163	A112	BXPA	*E1 EXIT PRIORITY ALERT NODE	7	30857	Y 30864 X
5164		BCE	*E30,UNSOLI, BR IF NO	12	30864	B 30905 35077
5165		B	TYPI	7	30876	J 01074
5166		DCW	@UNSOLICITED INTERRUPT@,G	21	30903	
5167		BCE	A107,SYS1E12,1 IS CH1 AVIL	12	30905	B 31073 01268 1
5168	A113	BCE	A108,SYS1E13,1 IS CH2 AVIL	12	30917	B 31215 01269 1
5169	A114	BCE	A109,SYS1E14,1 IS CH3 AVIL	12	30929	B 31357 01270 1
5170	A115	BCE	A110,SYS1E15,1 IS CH4 AVIL	12	30941	B 31511 01271 1
5171	A116	MLNS	@@,@ONE	12	30953	D 39802 01813 1
5172		MLNA	E A1161,A200E5	12	30965	D 39852 34188 /
5173		B	A176	7	30977	J 33944
5174	A1161	MLNA	E A113,A149E5	12	30984	D 39857 31869 /
5175		MLNA	E A218,A200E5	12	30996	D 39862 34188 /
5176		MLNS	@1@,ONE	12	31008	D 39803 01813 1
5177		MLNS	@1@,F100E11	12	31020	D 39803 31911 1
5178		ZA	@@,@SAVE1	11	31032	M 39802 01983
5179		ZA	@@,@SAVE2	11	31043	M 39802 01988
5180		BCE	A179E37,TAD3,1	12	31054	H 02148 01003 1
5181		B	400	7	31066	J 00400
5182	A107	MLNS	C17AVL,A217E1 TSTD DRIVES TO TYPEOUT	12	31073	D 34976 34700 1
5183		MLNS	C1MDAV,A217E1	12	31085	D 01543 34736 1
5184		BCE	A221,OLNG1, OVERLAP WORKING CHI	12	31097	B 31164 34900
5185		B	TYPI	7	31109	J 01074
5186		DCW	@FAIL TO BR OLAP CH-1@	20	31135	
5187	F801	DC	@-B ADDRESS REG @,G	20	31155	

1410/7010-60K- OVERLAP-PRIORITY-SYSTEM TEST

PGLJN	LABEL	OPCODE	OPERAND	CT	ADDRS	INSTRUCTION	ST02
5188		B	A113	7	31157	J 30917	
5189	A221	BCE	A111,CH1ERR,1 ANY ERRORS CH1	12	31164	B 31647 34929 1	
5190		B	TYP1	7	31176	J 01074	
5191		DCW	@CH1 NO ERR@,G	10	31192		
5192		B	AF215	7	31194	J 34721	
5193		B	A215	7	31201	J 34685	
5194		B	A113	7	31208	J 30917	
5195	A108	MLNS	C26AVL,A217E1 TSTD DRIVES TO TYPEOUT	12	31215	D 34977 34700 1	
5196		MLNS	C2MDAV,A217FE1	12	31227	D 01544 34736 1	
5197		BCE	A224,OLNG2, OVERLAP WORKING CH2	12	31239	B 31306 34901	
5198		B	TYP1	7	31251	J 01074	
5199		DCW	@FAIL TO BR OLAP CH-2@	20	31277		
5200	F802	DC	@-B ADDRESS REG @,G	20	31297		
5201		B	A114	7	31299	J 30929	
5202	A224	BCE	A117,CH2ERR,1 ANY ERRORS CH2	12	31306	B 33854 34980 1	
5203		B	TYP1	7	31318	J 01074	
5204		DCW	@CH2 NO ERR@,G	10	31334		
5205		B	AF215	7	31336	J 34721	
5206		B	A215	7	31343	J 34685	
5207	A174	B	A114	7	31350	J 30929	
5208	A109	MLNS	C36AVL,A217E1 TSTD DRIVES TO TYPEOUT	12	31357	D 34978 34700 1	
5209		MLNS	C3MDAV,A217FE1	12	31369	D 01545 34736 1	
5210		BCE	A223,OLNG3, OVERLAP WORKING CH3	12	31381	B 31448 34902	
5211		B	TYP1	7	31393	J 01074	
5212		DCW	@FAIL TO BR OLAP CH-3@	20	31419		
5213	F803	DC	@-B ADDRESS REG @,G	20	31439		
5214		B	A115	7	31441	J 30941	
5215	A223	BCE	A118,CH3ERR,1 ANY ERRORS CH3	12	31448	B 34539 35007 1	
5216		B	TYP1	7	31460	J 01074	
5217		DCW	@CH3 NO ERR@,G	10	31476		
5218		MLCS	FIERFD@9EX14,F160E7	12	31478	D 39D.9 32221 3	
5219		B	AF215	7	31490	J 34721	
5220		B	A215	7	31497	J 34685	
5221	A175	B	A115	7	31504	J 30941	
5222	A110	MLNS	C46AVL,A217E1 TSTD DRIVES TO TYPEOUT	12	31511	D 34979 34700 1	
5223		MLNS	C4MDAV,A217FE1	12	31523	D 01546 34736 1	
5224		BCE	A222,OLNG4, OVERLAP WORKING CH4	12	31535	B 31596 34903	

1410/7010-60K- OVERLAP-PRIORITY-SYSTEM TEST

ST02 INSTRUCTION

PGLIN	LABEL	OPCOD	OPERAND	CT	ADDRS	INSTRUCTION
5225		B	TYPI	7	31547	J 01074
5226		DCW	QFAIL TO BR OLAP CH-4a	20	31573	
5227	F804	DC	Q-B ADDRESS REG Q,G	20	31593	
5228		H		1	31595	
5229	A222	BCE	A168,CH4ERR,1 ANY ERRORS CH4	12	31596	B 34612 35008 1
5230		B	TYPI	7	31608	J 01074
5231		DCW	QCH4 NO ERRQ,G	10	31624	
5232		B	AF215	7	31626	J 34721
5233		B	A215	7	31633	J 34685
5234		H	A116	7	31640	J 30953
5235	A111	B	TYPI	7	31647	J 01074
5236		DCW	QCH1 ERRSQ,G	8	31661	
5237		BCE	A204,CH1FIN, CHI NOT FINISHED	12	31663	B 34772 35083
5238		HCE	A119,CH1ERR,1 ANY ERRORS CONSOLE PRNTR	12	31675	B 32345 34928 1
5239	A134	BCE	A120,CH2ERR,1 ANY ERRORS PUNCH C1	12	31687	B 32392 34930 1
5240	A135	BCE	A121,CH3ERR,1 ANY ERRORS PRINTER C1	12	31699	B 32526 34933 1
5241	A136	BCE	A122,CH4ERR,1 ANY ERRORS CARD READER 1	12	31711	B 32735 34937 1
5242	A137	B	AF215	7	31723	J 34721
5243		B	F001	7	31730	J 32876
5244	A218	B	A215	7	31737	J 34685
5245	A139	BCE	A196,TP10ER,1 ANY ERRORS TAPE DRIVE 0	12	31744	B 33040 39001 1
5246	A140	BCE	A124,TP11AVE1,1	12	31756	B 33486 39011 1
5247	A141	BCE	A125,TP12AVE1,1	12	31768	B 33606 39021 1
5248	A142	BCE	A126,TP13AVE1,1	12	31780	B 33637 39031 1
5249	A143	BCE	A127,TP14AVE1,1	12	31792	B 33668 39041 1
5250	A144	BCE	A128,TP15AVE1,1	12	31804	B 33699 39051 1
5251	A145	BCE	A129,TP16AVE1,1	12	31816	B 33730 39061 1
5252	A146	BCE	A130,TP17AVE1,1	12	31828	B 33761 39071 1
5253	A147	BCE	A131,TP18AVE1,1	12	31840	B 33792 39081 1
5254	A148	BCE	A132,TP19AVE1,1	12	31852	B 33823 39091 1
5255	A149	B	A113 SEE IF CH2 IS AVAIL	7	31864	J 30917
5256	F104	SBR	F1C7E5	7	31871	G 32265 B
5257		ZA	X13,X14	11	31878	Q 00089 00094
5258	F103	ZA	SAVE2,X15	11	31889	M 01988 00099
5259	F100	BCE	F101,FERTB-1EX15,1	12	31900	B 31919 01FG7 1
5260		B	F1C6	7	31912	J 32232
5261	F101	BCE	F109,F1ERFCE2EX14,1	12	31919	B 31960 39D.2 1

1410/7010-40K- OVERLAP-PRIORITY-SYSTEM TEST

ST02  
INSTRUCTION

PGLIN	LABEL	OPCODE	OPERAND	NR	BSY	DC	MLR	NT	CT	ADDRS	INSTRUCTION
5262	F102	A	@10@,X14						11	31931	A 39832 00094
5263		S	@7@,X15						11	31942	S 39815 00099
5264		B	F100						7	31953	J 31900
5265	F109	NOPWM							1	31960	N
5266		B	F105						7	31961	J 32027
5267		SW	F109&1						6	31968	, 31961
5268		B	TYPI						7	31974	J 01074
5269		DCW	@						35	32015	
5270		DC	@COND COMP@,G						10	32025	
5271	F105	NOPWM							1	32027	N
5272		B	F110						7	32028	J 32063
5273		B	TYPI						7	32035	J 01074
5274	F150	DCW	@FILE OP- SEEK @,G						14	32042	
5275		SW	F105&1						6	32057	, 32028
5276	F110	MLCS	FIERFD&@X14,FI60&1						12	32063	D 390,8 32215 3
5277		MLCS	FIERFD&@X14,FI60&7						12	32075	D 390,9 32221 3
5278		MLCS	FIERFD&7&X14,FI59&32						12	32087	D 390,7 32210 3
5279		MLCS	FIERFD&6&X14,FI59&28						12	32099	D 390,6 32206 3
5280		MLCS	FIERFD&5&X14,FI59&23						12	32111	D 390,5 32201 3
5281		MLCS	FIERFD&4&X14,FI59&19						12	32123	D 390,4 32197 3
5282		MLCS	FIERFD&3&X14,FI59&14						12	32135	D 390,3 32192 3
5283		MLCS	FIERFD&1&X14,FI59&11						12	32147	D 390,1 32189 3
5284		MLCS	FIERFD&X14,FI59&5						12	32159	D 390,0 32183 3
5285	F108	B	TYPI						7	32171	J 01074
5286	F159	DCW	@CHAN 0 MDC 0						36	32178	
5287	F160	DC	@						10	32214	
5288		B	F102						7	32225	J 31931
5289	F106	A	@100@,X13						11	32232	A 39865 00084
5290		A	@100@,X14						11	32243	A 39865 00094
5291		CW	F105&1						6	32254	@ 32028
5292	F107	B	0						7	32260	J 00000
5293	8F001	MLNS	@@,F100&11						12	32267	D 39806 31911 1
5294		B	F001						7	32279	J 32876
5295		B	B2RET						7	32286	J 33932
5296	8F002	MLNS	@@,F100&11						12	32293	D 39809 31911 1
5297		B	F001						7	32305	J 32876
5298		B	B3RET						7	32312	J 34581



PGLIN	LABEL	OPCODE	OPERAND	MLNS	CT	ADDRS	INSTRUCTION
5299	BFO03	MLNS	240,F100&11		12	32319	D 39812 31911 I
5300		B	F001		7	32331	J 32876
5301		B	B4RET		7	32338	J 34654
5302	A119	MLCA	C11DCE,A133&12		12	32345	D 34940 32376 T
5303		B	TYPI		7	32357	J 01074
5304	A133	DCW	21415 C.P. ----DC EKRS&G		20	32364	
5305		B	A134		7	32385	J 31687
5306	A120	BCE	A151,C12NR, IS PUNCH READY		12	32392	B 32416 34931
5307		MLCA	NOTE2,A150&15		12	32404	D 01808 32474 T
5308	A151	MLCA	C12DC,A150&22		12	32416	D 34944 32481 T
5309		MLCA	C12WL,A150&34		12	32428	D 34946 32493 T
5310		MLCA	C12CN,A150&41		12	32440	D 34942 32500 T
5311		B	TYPI		7	32452	J 01074
5312	A150	DCW	21402 CRD PCH-----RDY,---DATA CKS,&		33	32459	
5313		DC	2----WLR,---CONDA,G		14	32505	
5314		MLCA	2----@,A150&15		12	32507	D 39868 32474 T
5315	PCHRET	B	A135		7	32519	J 31699
5316	A121	BCE	A186,C13NBS,1 WAS BUFFER SIZE SET		12	32526	B 32684 34932 I
5317		BCE	A186,C13NCS,1 WAS CHAIN SIZE SET		12	32538	B 32684 34934 I
5318		BCE	A152,C13NR, IS PRINTER READY		12	32550	B 32574 34935
5319		MLCA	NOTE2,A153&15		12	32562	D 01808 32632 T
5320	A152	MLCA	C13DC,A153&22		12	32574	D 34950 32639 T
5321		MLCA	C13WL,A153&34		12	32586	D 34952 32651 T
5322		MLCA	C13CN,A153&41		12	32598	D 34948 32658 T
5323		B	TYPI		7	32610	J 01074
5324	A153	DCW	21403 PRINTER-----RDY,---DATA CKS,&		33	32617	
5325		DC	2----WLR,---CONDA,G		14	32663	
5326		MLCA	2----@,A153&15		12	32665	D 39868 32632 T
5327	PRTRET	B	A136		7	32677	J 31711
5328	A186	B	TYPI		7	32684	J 01074
5329		DCW	21403 NO BUFF. SIZE-OR CHAIN TYPE SET&G		36	32726	
5330	CHMRET	B	A136		7	32728	J 31711
5331	A122	BCE	A154,C14NR, IS CARD READER READY		12	32735	B 32759 34936
5332		MLCA	NOTE2,A155&15		12	32747	D 01808 32817 T
5333	A154	MLCA	C14DC,A155&22		12	32759	D 34956 32824 T
5334		MLCA	C14WL,A155&34		12	32771	D 34954 32836 T
5335		MLCA	C14COM,A155&41		12	32783	D 34958 32843 T

PGLIN	LABEL	OPCOD	OPERAND	CT	ADDR	INSTRUCTION
5336		B	TYPI	7	32795	J 01074
5337	A155	DCM	01402 CRD RDR-----RDY,---DATA CKS,0	33	32802	
5338		DC	0-----WLR,---COMPARE ERR0,0	21	32855	
5339		MLCA	0-----0,A155015	12	32857	D 39868 32817 T
5340	RDRRET	B	A137	7	32869	J 31723
5341	F001	SBR	F00IRE05	7	32876	G 33038 0
5342		SW	X13-0,X14-4	11	32883	0 00085 00090
5343		ZA	SAVE1,X13	11	32894	M 01983 00089
5344		ZA	SAVE1,X14	11	32905	M 01983 00094
5345		B	F104	7	32916	J 31871
5346		MLCA	0WRFHT0,F150013	12	32923	D 39873 32055 T
5347		B	F104	7	32935	J 31871
5348		MLCA	0WRITE0,F150013	12	32942	D 39878 32055 T
5349		B	F104	7	32954	J 31871
5350		MLCA	0READ 0,F150013	12	32961	D 39883 32055 T
5351		B	F104	7	32973	J 31871
5352		MLCA	X14,SAVE1	12	32980	D 00094 01983 T
5353		MLCA	X15,SAVE2	12	32992	D 00099 01988 T
5354		S	040,SAVE1-2	11	33004	S 39812 01981
5355		MLCA	0SEEK0,F150012	12	33015	D 39887 32054 T
5356		CW	F10901	6	33027	0 31961
5357	F00IRE	B	0	7	33033	J 00000
5358	A196	NOPWM		1	33040	N
5359		B	A123	7	33041	J 33232
5360		B	TYPI	7	33048	J 01074
5361		DCM	0	37	33091	
5362		DC	0M TM READ READ WRITE READ READ	37	33128	
5363		DC	0D WREOM0,0	7	33135	
5364		B	TYPI	7	33137	J 01074
5365		DCM	0	37	33180	
5366		DC	0IL ERROR DATA CK DATA CK WLK CON0	37	33217	
5367		DC	0D FAIL0,0	7	33224	
5368		SW	A19601	6	33226	0 33041
5369	A123	BCE	A219,TP10AV,2 HAS TAPE GONE NOT READY	12	33232	B 33448 39000 2
5370		BCE	A220,TP10AV,3 END OF REEL SENSED	12	33244	B 33467 39000 3
5371	A165	MLCS	T10UEC,A159031 MOVE	12	33256	D 39002 33390 3
5372		MLCS	T10LMF,A159036 ERROR	12	33268	D 39003 33395 3

1410/7010-40K- OVERLAP-PRIORITY-SYSTEM TEST

ST02

CT ADDRS INSTRUCTION

OPCOD OPERAND

PGLIN LABEL

PGLIN	LABEL	OPCOD	OPERAND	CT	ADDRS	INSTRUCTION
5373		MLCS	T10TME,A160&4	12	33280	D 39004 33402 3
5374		MLCS	T10DCR,A160&12	12	33292	D 39005 33410 3
5375		MLCS	T10DCW,A160&20	12	33304	D 39006 33418 3
5376		MLCS	T10WLR,A160&27	12	33316	D 39007 33425 3
5377		MLCS	T10CON,A160&33	12	33328	D 39008 33431 3
5378		MLCS	T10EOM,A161&3	12	33340	D 39009 33437 3
5379		B	TYPI	7	33352	J 01074
5380	A159	DCW	@TAPE DRIVE 0	39	33359	
5381	A160	DC	@	36	33198	
5382	A161	DC	@ a,G	6	33434	
5383		B	A140	7	33441	J 31756
5384	A219	MLCS	@X&,A159&16 SET X TAPE GONE NOT READY	12	33448	D 39834 33375 3
5385		B	A165	7	33460	J 33256
5386	A220	MLCS	@X&,A159&24 SET X TAPE END OF FILE	12	33467	D 39834 33383 3
5387		B	A165	7	33479	J 33256
5388	A124	MLCS	@1&,TPDRNO SET 1IN TAPE DRIVE NUMB	12	33486	D 39803 39800 3
5389		MLCS	BLANK,TP11AV&1 BLANK ANY ERROR TAPE 1	12	33498	D 35233 39011 3
5390	A167	MLCS	TPCRND,A159&11 TAPE NUMB TO PRNT OUT	12	33510	D 39800 33370 3
5391		ZA	@84&,X5 84 TO INDEX REG 5	11	33522	M 39889 00049
5392	A166	MLCS	TPCRND,A165&4&X5 TAPE NUMB TO MOVE ERR	12	33533	D 39800 33500 3
5393		8CE	A171,X5-1,C X5 ZERO	12	33545	B 33575 00048 0
5394		S	&12,X5 SUB 12 FROM INDEXREG5	11	33557	S 39891 00049
5395		B	A166	7	33568	J 33533
5396	A171	MLCS	TPCRND,A123&9 TAPE NUMB TO TEST NR	12	33575	D 39800 33241 3
5397		MLCS	TPCRND,A123&21 TAPE NUMB TO TEST EOF	12	33587	D 39800 33253 3
5398		B	A196	7	33599	J 33040
5399	A125	MLCS	@2&,TPDRNO SET 2 IN TAPE DRIVE NUMB	12	33606	D 39806 39800 3
5400		MLCS	BLANK,TP12AV&1 BLANK ANY ERROR TAPE 2	12	33618	D 35233 39021 3
5401		B	A167	7	33630	J 33510
5402	A126	MLCS	@3&,TPDRNO SET 3 IN TAPE DRIVE NUMB	12	33637	D 39809 39800 3
5403		MLCS	BLANK,TP13AV&1 BLANK ANY ERROR TAPE 3	12	33649	D 35233 39031 3
5404		B	A167	7	33661	J 33510
5405	A127	MLCS	@4&,TPDRNO SET 4 IN TAPE DRIVE NUMB	12	33668	D 39812 39800 3
5406		MLCS	BLANK,TP14AV&1 BLANK ANY ERROR TAPE 4	12	33680	D 35233 39041 3
5407		B	A167	7	33692	J 33510
5408	A128	MLCS	@5&,TPDRNO SET 5 IN TAPE DRIVE NUMB	12	33699	D 39830 39800 3
5409		MLCS	BLANK,TP15AV&1 BLANK ANY ERROR TAPE 5	12	33711	D 35233 39051 3

PGLIN	LABEL	OPCOD	OPERAND	CT	ADDRS	INSTRUC
5410		B	A167	7	33723	J 33510
5411	A129	MLCS	262,TPDRNO SET 6 IN TAPE DRIVE NUMB	12	33730	D 39847 39800 3
5412		MLCS	BLANK,TP16AV1 BLANK ANY ERROR TAPE 6	12	33742	D 35233 39061 3
5413		B	A167	7	33754	J 33510
5414	A130	MLCS	272,TPDRNO SET 7 IN TAPE DRIVE NUMB	12	33761	D 39815 39800 3
5415		MLCS	BLANK,TP17AV1 BLANK ANY ERROR TAPE 7	12	33773	D 35233 39071 3
5416		B	A167	7	33785	J 33510
5417	A131	MLCS	282,TPDRNO SET 8 IN TAPE DRIVE NUMB	12	33792	D 39892 39800 3
5418		MLCS	BLANK,TP18AV1 BLANK ANY ERROR TAPE 8	12	33804	D 35233 39081 3
5419		B	A167	7	33816	J 33510
5420	A132	MLCS	292,TPDRNO SET 9 IN TAPE DRIVE NUMB	12	33823	D 39893 39800 3
5421		MLCS	BLANK,TP19AV1 BLANK ANY ERROR TAPE 9	12	33835	D 35233 39091 3
5422		B	A167	7	33847	J 33510
5423	A117	B	TYP1	7	33854	J 01074
5424		DCW	2C1-2 ERRS2,G	8	33868	
5425		BCE	A204,CH2FIN, CH2 NOT FINISHED	12	33870	H 34772 35084
5426		BCE	B120,C22ERR,1	12	33882	H 34190 34981 1
5427	B135	BCE	B121,C23ERR,1	12	33894	H 34288 34984 1
5428	B136	BCE	B122,C24ERR,1	12	33906	H 34441 34988 1
5429	B137	B	AF215	7	33918	J 34721
5430		B	BF001	7	33925	J 32267
5431	B2RET	MLCWA	A17425,A14925	12	33932	D 31355 31869 X
5432	A176	CH	A19621	6	33944	H 33041
5433		S	X5 ZERO INDEX REG 5	6	33950	S 00049
5434	A164	MLCS	ONE,A139282X5 CHNG TAPE AVAIL TO CH2	12	33956	D 01813 31XV2 3
5435		BCE	A163,X5-2,1 IS X5 108	12	33968	H 33998 00047 1
5436		A	2122,X5 ADD 12 TO INDEX REG 5	11	33980	A 39895 00049
5437		B	A164	7	33991	J 33956
5438	A163	MLNS	ONE,A12328	12	33998	D 01813 33240 1
5439		ZA	2842,X5 SET X5 TO 84	11	34010	M 39889 00049
5440	A156	MLCS	ONE,A165232X5 CHNG TAPE MOVE TO CH2	12	34021	D 01813 33SV9 3
5441		BCE	A157,X5-1,0 IS X5 ZERO	12	34033	B 34063 00048 0
5442		S	2122,X5	11	34045	S 39895 00049
5443		B	A156	7	34056	J 34021
5444	A157	MLNS	ONE,A123220	12	34063	D 01813 33252 1
5445		MLNS	ONE,A124220	12	34075	D 01813 33506 1
5446		MLNS	ONE,A125220	12	34087	D 01813 33626 1

1410/7010-40K- OVERLAP-PRIORITY-SYSTEM TEST

PGLIN	LABEL	OPCODE	OPERAND	CT	ADDRS	INSTRUCTION	STOZ
5447		MLNS	ONE,A126&20	12	34099	D 01813 33657	I
5448		MLNS	ONE,A127&20	12	34111	D 01813 33688	I
5449		MLNS	ONE,A128&20	12	34123	D 01813 33719	I
5450		MLNS	ONE,A129&20	12	34135	D 01813 33750	I
5451		MLNS	ONE,A130&20	12	34147	D 01813 33781	I
5452		MLNS	ONE,A131&20	12	34159	D 01813 33812	I
5453		MLNS	ONE,A132&20	12	34171	D 01813 33843	I
5454	A200	B	A218	7	34183	J 31737	
5455	B120	BCE	B151,C22NR	12	34190	B 34214 34982	
5456		MLCA	NOT&2,A150&15	12	34202	D 01808 32474	T
5457	B151	MLCA	C22DC,A150&22	12	34214	D 34992 32481	T
5458		MLCA	C22WL,A150&34	12	34226	D 34994 32493	T
5459		MLCA	C22CN,A150&41	12	34238	D 34990 32500	T
5460		MLNA	EBR2RET,PCHRET&5	12	34250	D 39900 32524	/
5461		B	A150-7	7	34262	J 32452	
5462	BR2RET	MLNA	EA135,PCHRET&5	12	34269	D 39905 32524	/
5463		B	B135	7	34281	J 33894	
5464	B121	BCE	B186,C23NBS,1	12	34288	B 34422 34983	I
5465		BCE	B186,C23NCS,1	12	34300	B 34422 34985	I
5466		BCE	B152,C23NR,	12	34312	B 34336 34986	
5467		MLCA	NOT&2,A153&15	12	34324	D 01808 32632	T
5468	B152	MLCA	C23DC,A153&22	12	34336	D 34998 32639	T
5469		MLCA	C23WL,A153&34	12	34348	D 35000 32651	T
5470		MLCA	C23CN,A153&41	12	34360	D 34996 32658	T
5471		MLNA	EBR3RET,PRTRET&5	12	34372	D 39910 32682	/
5472		B	A153-7	7	34384	J 32610	
5473	BR3RET	MLNA	EA136,PRTRET&5	12	34391	D 39915 32682	/
5474		MLNA	EA136,CHMRET&5	12	34403	D 39915 32733	/
5475		B	B136	7	34415	J 33906	
5476	B186	MLNA	EBR3RET,CHMRET&5	12	34422	D 39910 32733	/
5477		B	A186	7	34434	J 32684	
5478	B122	BCE	B154,C24NR	12	34441	B 34465 34987	
5479		MLCA	NOT&2,A155&15	12	34453	D 01808 32817	T
5480	B154	MLCA	C24DC,A155&22	12	34465	D 35004 32824	T
5481		MLCA	C24WL,A155&34	12	34477	D 35002 32836	T
5482		MLCA	C24COM,A155&41	12	34489	D 35006 32843	T
5483		MLNA	EBR4RET,RDRRET&5	12	34501	D 39920 32874	/

PGLIN	LABEL	OPCOD	OPERAND	STO2	CT	ADDRS	INSTRUCTION
5484		B	A155-7		7	34513	J 32795
5485	PR4RET	MLNA	CA137,RDRRET&S		12	34520	D 39925 32874 /
5486		B	B137		7	34532	J 33918
5487	A118	B	TYPI		7	34539	J 01074
5488		DCW	@CH3 ERRS@.G		8	34553	
5489		BCE	A204,CH3FIN. CH3 NOT FINISHED		12	34555	B 34772 35085
5490		B	AF215		7	34567	J 34721
5491		B	BF002		7	34574	J 32293
5492	B3RET	MLNS	TWC,ONE		12	34581	D 01814 01813 1
5493		MLCWA	A175&5,A149&5		12	34593	D 31509 31869 X
5494		B	A176		7	34605	J 33944
5495	A168	B	TYPI		7	34612	J 01074
5496		DCW	@CH4 ERRS@.G		8	34626	
5497		BCE	A204,CH4FIN. CH4 NOT FINISHED		12	34628	B 34772 35086
5498		B	AF215		7	34640	J 34721
5499		B	BF003		7	34647	J 32319
5500	B4RET	MLNS	THREE,ONE		12	34654	D 01815 01813 1
5501		MLNA	CA116,A149&5		12	34666	D 39930 31869 /
5502		B	A176		7	34678	J 33944
5503	A215	SBR	A216&5		7	34685	G 34719 B
5504		B	TYPI		7	34692	J 01074
5505	A217	DCW	@ TAPES TESTED@.G		14	34699	
5506	A216	B	0		7	34714	J 00000
5507	AF215	SBR	AF216&5		7	34721	G 34770 B
5508		B	TYPI		7	34728	J 01074
5509	A217F	DCW	@ MODULES TESTED@.G		17	34735	
5510		MLCB	BLANK,A217F&1		12	34753	D 35233 34736 L
5511	AF216	B	0		7	34765	J 00000
5512	A204	SBR	A205&5		7	34772	G 34811 B
5513		B	TYPI		7	34779	J 01074
5514		DCW	@CH DID NOT INTERRUPT@.G		19	34804	
5515	A205	B	0		7	34806	J 00000
5516		H			1	34813	.

1410/7010-40K- OVERLAP-PRIORITY-SYSTEM TEST

PGLIN	LABEL	OPCOD	OPERAND	CT	ADDR	INSTRUCTION
5518					34900	
5519	* CONSTANTS				34900	
5520					34901	
5521		ORG	*X00		34902	
5522	OLNG1	DC	0 0	1	34903	IF OVERLAP FAILED CH1
5523	OLNG2	DC	0 0	1	34904	IF OVERLAP FAILED CH2
5524	OLNG3	DC	0 0	1	34905	IF OVERLAP FAILED CH3
5525	OLNG4	DC	0 0	1	34906	IF OVERLAP FAILED CH4
5526	CHAVL	DC	0 0	1	34907	IF ANY CHANNELS AVAIL
5527	C11FIN	DC	0 0	1	34908	IF UNIT 1 CHANNEL 1 TESTED
5528	C12FIN	DC	0 0	1	34909	IF UNIT 2 CHANNEL 1 TESTED
5529	C13FIN	DC	0 0	1	34910	IF UNIT 3 CHANNEL 1 TESTED
5530	C14FIN	DC	0 0	1	34911	IF UNIT 4 CHANNEL 1 TESTED
5531	C15FIN	DC	0 0	1	34912	IF UNIT 5 CHANNEL 1 TESTED
5532	C17FIN	DC	0 0	1	34913	IF UNIT 7 CHANNEL 1 TESTED
5533	C22FIN	DC	0 0	1	34914	IF UNIT 2 CHANNEL 2 TESTED
5534	C23FIN	DC	0 0	1	34915	IF UNIT 3 CHANNEL 2 TESTED
5535	C24FIN	DC	0 0	1	34916	IF UNIT 4 CHANNEL 2 TESTED
5536	C25FIN	DC	0 0	1	34917	IF UNIT 5 CHANNEL 2 TESTED
5537	C26FIN	DC	0 0	1	34918	IF UNIT 6 CHANNEL 2 TESTED
5538	C35FIN	DC	0 0	1	34919	IF UNIT 5 CHANNEL 3 TESTED
5539	C36FIN	DC	0 0	1	34920	IF UNIT 6 CHANNEL 3 TESTED
5540	C45FIN	DC	0 0	1	34921	IF UNIT 5 CHANNEL 4 TESTED
5541	C46FIN	DC	0 0	1	34922	IF UNIT 6 CHANNEL 4 TESTED
5542	C1LUI	DC	0 0	1	34923	CH1 LAST UNIT INITIATED 1-7
5543	C2LUI	DC	0 0	1	34924	CH2 LAST UNIT INITIATED 1-6
5544	C3LUI	DC	0 0	1	34925	CH3 LAST UNIT INITIATED 1-6
5545	C4LUI	DC	0 0	1	34926	CH4 LAST UNIT INITIATED 1-6
5546	CH1UAV	DC	0 0	1	34927	IF ANY UNITS AVAILABLE ON CH 1
5547	CH2UAV	DC	0 0	1	34928	IF ANY UNITS AVAILABLE ON CH 2
5548	CH3UAV	DC	0 0	1	34929	IF ANY UNITS AVAILABLE ON CH 3
5549	CH4UAV	DC	0 0	1	34930	IF ANY UNITS AVAILABLE ON CH 4
5550	C11ERR	DC	0 0	1	34931	IF ANY ERRORS UNIT 1 CH1
5551	C11ERR	DC	0 0	1	34932	IF ANY ERRORS CHANNEL 1
5552	C12ERR	DC	0 0	1	34933	IF ANY ERROR
5553	C12NR	DC	0 0	1	34934	IF PUNCH CH1 NOT READY
5554	C13NBS	DC	0 0	1	34935	IF NO BUFFER SIZE SET PRNTR CH1

PGLIN	LABEL	OPCOD	OPERAND	CT	ADDRS	INSTRUCTION
5555	C13ERR	DC	0 0 1 IF ANY ERRORS PRINTER CHI	1	34933	
5556	C13NCS	DC	0 0 1 IF NO CHAIN SET PRINTER CHI	1	34934	
5557	C13NR	DC	0 0 1 IF PRINTER CHI NOT READY	1	34935	
5558	C14NR	DC	0 0 1 IF CARD READER CHI NOT READY	1	34936	
5559	C14ERR	DC	0 0 1 IF ANY ERROR CARD READER CHI	1	34937	
5560	C15ERR	DC	0 0	1	34938	
5561	C11DCE	DCW	0 0 UNIT 1 CHI DATA CHECK ERRORS	2	34940	
5562	C12CN	DCW	0000 NUMBER OF CONDITION ERRORS PUN C1	2	34942	
5563	C120C	DCW	0000 NUMBER OF DATA CHECK ERROR PUN C1	2	34944	
5564	C12WL	DCW	0000 NUMBER OF WRNG LNTH REC PUNCH C1	2	34946	
5565	C13CN	DCW	0000 CONDITION ERRORS PRINTER CHI	2	34948	
5566	C13DC	DCW	0000 DATA CHECKS PRINTER CHI	2	34950	
5567	C13WL	DCW	0000 WRONG LENGTH RECORDS PRINTER CHI	2	34952	
5568	C14WL	DCW	0000 NUMBER WRNG LNTH REC READER CHI	2	34954	
5569	C14DC	DCW	0000 NUMBER DATA CHECKS READER CHI	2	34956	
5570	C14COM	DCW	0000 NUMBER COMPARE ERRORS READER CHI	2	34958	
5571	C17CTR	DCW	0 0 TAPE READY COUNTER	1	34959	
5572	C17RDY	DCW	0 0 NUMBER TAPES READY CHI	1	34960	
5573	WTLLIN	DC	0 0 1 IF WR TAPE LAST I/O OP CHI	1	34961	
5574	RTLLIN	DC	0 0 1 IF RD TAPE LAST I/O OP CHI	1	34962	
5575	RTEPCI	DC	0 0 1 IF RD TAPE EVEN PARITY	1	34963	
5576	RTOPI	DC	0 0 1 IF RD TM ODD DONE CHI	1	34964	
5577	COMPCI	DC	0 0 1 IF RD TAPE IS TO BE COMPARED	1	34965	
5578	LMEPI	DC	0 0 1 IF LOAD MODE EVEN TESTED CHI	1	34966	
5579	LM1	DC	0 0 1 IF LOAD MODE LAST OP CHI	1	34967	
5580	LMOP1	DC	0 0 1 IF LOAD MODE ODD TESTED CHI	1	34968	
5581	PMEC1	DC	0 0 1 IF MOVE MODE EVEN TESTED CHI	1	34969	
5582	PMOP1	DC	0 0 1 IF MOVE MODE ODD TESTED CHI	1	34970	
5583	WLRC17	DC	0 0 1 IF WRONG LENGTH RECORD TESTED	1	34971	
5584	WLRC1	DC	0 0 1 IF WRONG LENGTH RECORD WRITTEN	1	34972	
5585	WEOMT1	DC	0 0 1 IF END OF MEM CHI WRITTEN	1	34973	
5586	EMM01	DC	0 0 1 IF EOM MOVE ODD TESTED	1	34974	
5587	PERA1	DC	0 0 1 IF RADICAL WRITTEN	1	34975	
5588	C17AVL	DC	0 0 NUMBR DRIVES BEING TESTED CHI	1	34976	
5589	C26AVL	DC	0 0	2	34977	
5590	C36AVL	DC	0 0	3	34978	
5591	C46AVL	DC	0 0	4	34979	



ST02 INSTRUCTION

1410/7010-40K- OVERLAP-PRIORITY-SYSTEM TEST

PGLIN	LABEL	OPCOD	OPERAND	CT	ADDRS	INSTRUCTION
5592	CH2ERR	DC	@ @ 1 IF ANY ERRORS CH2	1	34980	
5593	C22ERR	DC	@ @ 1 IF ANY PUNCH ERROR CH2	1	34981	
5594	C22NR	DC	@ @ 1 IF PUNCH CH2 NOT READY	1	34982	
5595	C23NBS	DC	@ @ 1 IF NO BUFFER SIZE SET PRINTER C2	1	34983	
5596	C23ERR	DC	@ @ 1 IF ANY ERRORS PRINTER CH2	1	34984	
5597	C23NCS	DC	@ @ 1 IF NO CHAIN SET PRINTER CH2	1	34985	
5598	C23NR	DC	@ @ 1 IF PRINTER CH2 NOT READY	1	34986	
5599	C24NR	DC	@ @ 1 IF READER CH2 NOT READY	1	34987	
5600	C24ERR	DC	@ @ 1 IF ANY READER ERROR CH2	1	34988	
5601	C22CN	DCW	@00@ NUMBER OF CONDITION ERROR PUN C2	2	34990	
5602	C22DC	DCW	@00@ NUMBER OF DATA CHECK ERROR PU C2	2	34992	
5603	C22WL	DCW	@00@ NUMBER OF WRNG LNTH ERROR PU C2	2	34994	
5604	C23CN	DCW	@00@ CONDITION ERRORS PRINTER C2	2	34996	
5605	C23DC	DCW	@00@ DATA CHECKS PRINTER C2	2	34998	
5606	C23WL	DCW	@00@ WRONG LENGTH ERRORS PRINTER C2	2	35000	
5607	C24WL	DCW	@00@ NUMBER OF WRNG LNTH READER C2	2	35002	
5608	C24DC	DCW	@00@ NUMBER OF DATA CHECK READER C2	2	35004	
5609	C24COM	DCW	@00@ NUMBER OF COMPARE ERKS READER C2	2	35006	
5610	CH3ERR	DC	@ @ 1 IF ANY ERRORS CH3	1	35007	
5611	CH4ERR	DC	@ @ 1 IF ANY ERRORS CH4	1	35008	
5612	C35ERR	DC	@ @	1	35009	
5613	C45ERR	DC	@ @	1	35010	
5614	C25ERR	DC	@ @	1	35011	
5615	C26CTR	DCW	@ @ TAPE RDY COUNTER CH2	1	35012	
5616	C26RDY	DCW	@ @ NUMBR TAPES RDY CH2	1	35013	
5617	WT2LIN	DC	@ @ 1 IF WR TAPE LAST I/O OP	1	35014	
5618	RT2LIN	DC	@ @ IF RD LAST I/O OP	1	35015	
5619	RTEPC2	DC	@ @ 1 IF RD TAPE EVEN PARITY	1	35016	
5620	RTOP2	DC	@ @ 1 IF READ TM ODD DONE	1	35017	
5621	COMPC2	DC	@ @ 1 IF RD TAPE IS TO BE COMPARED	1	35018	
5622	LMEP2	DC	@ @ 1 IF LOAD MODE EVEN TESTED CH2	1	35019	
5623	LM2	DC	@ @ 1 IF LOAD MODE LAST OP CH2	1	35020	
5624	LMOP2	DC	@ @ 1 IF LOAD MODE ODD TESTED CH2	1	35021	
5625	MMEC2	DC	@ @ 1 IF LOAD MODE EVEN TESTED CH2	1	35022	
5626	MMOP2	DC	@ @ 1 IF MOVE MODE EVEN TESTED CH2	1	35023	
5627	WLR26	DC	@ @ 1 IF MOVE MODE ODD TESTED CH-2	1	35024	
5628	WLR2	DC	@ @ 1 IF WRONG LNTH REC RITTEN CH2	1	35025	

INSTRUCTION

PGLIN	LABEL	OPCOD	OPERAND	CT	ADDRS
5629	WEOMT2	DC	@ @ 1 IF END OF MEM CH2 WRITTEN	1	35026
5630	EMMO2	DC	@ @ 1 IF EOM MOVE ODD TSTD CH2	1	35027
5631	PERA2	DC	@ @ 1 IF RADICAL WRITTEM CH2	1	35028
5632	C26NR	DC	@ @ WM IF LST TAPE DRIVE WENT NOT RDY	1	35029
5633	C17NR	DC	@ @ WM IF LST TAPE DRIVE WENT NOT RDY	1	35030
5634	C36CTR	DCW	@ @	1	35031
5635	C36RDY	DCW	@ @	1	35032
5636	WT3LIN	DC	@ @	1	35033
5637	RT3LIN	DC	@ @ IF RD LAST I/O OP	1	35034
5638	RTEPC3	DC	@ @	1	35035
5639	RTOP3	DC	@ @	1	35036
5640	COMP3	DC	@ @	1	35037
5641	LMEP3	DC	@ @	1	35038
5642	LM3	DC	@ @	1	35039
5643	LMOP3	DC	@ @	1	35040
5644	MMEC3	DC	@ @	1	35041
5645	MMOP3	DC	@ @	1	35042
5646	WLRC36	DC	@ @	1	35043
5647	WLRC3	DC	@ @	1	35044
5648	WEOMT3	DC	@ @	1	35045
5649	EMMO3	DC	@ @	1	35046
5650	PERA3	DC	@ @	1	35047
5651	C36NR	DC	@ @	1	35048
5652	EOMAC3	DCW	@ @ EOM WR ADDR CH-4	5	35053
5653	C46CTR	DCW	@ @	1	35054
5654	C46RDY	DCW	@ @	1	35055
5655	WT4LIN	DC	@ @ IF WR LAST I/O OP	1	35056
5656	RT4LIN	DC	@ @ IF RR LAST I/O OP	1	35057
5657	RTEPC4	DC	@ @	1	35058
5658	RTOP4	DC	@ @	1	35059
5659	COMP4	DC	@ @	1	35060
5660	LMEP4	DC	@ @	1	35061
5661	LM4	DC	@ @	1	35062
5662	LMOP4	DC	@ @	1	35063
5663	MMEC4	DC	@ @	1	35064
5664	MMOP4	DC	@ @	1	35065
5665	WLRC46	DC	@ @	1	35066

1410/7010-40K- OVERLAP-PRIORITY-SYSTEM TEST

ST02 INSTRUCTION

PGLIN	LABEL	OPCOD	OPERAND	CT	ADDRS	INSTRUCTION
5666	HLRC4	DC	a a	1	35067	
5667	WEOMT4	DC	a a	1	35068	
5668	EPMD4	DC	a a	1	35069	
5669	MERA4	DC	a a	1	35070	
5670	C46NR	DC	a a	1	35071	
5671	EOMAC4	DCW	a	5	35076	EOM WR ADDR-4
5672	UNSOLI	DC	a a	1	35077	1 IF INTER NOT OLAP PRIORITY REQ
5673	PIRTN	DCW	a	5	35082	a PRIORITY INTERRUPT RETURN ADDR
5674	CH1FIN	DC	a a	1	35083	1 IF CH1 TEST FINISHED
5675	CH2FIN	DC	a a	1	35084	1 IF CH2 TEST FINISHED
5676	CH3FIN	DC	a a	1	35085	1 IF CH3 TEST FINISHED
5677	CH4FIN	DC	a a	1	35086	1 IF CH4 TEST FINISHED
5678	C11INI	DCW	a a	1	35087	1 IF UNIT 1 CH1 INITIATED
5679	C12INI	DC	a a	1	35088	1 IF UNIT 2 CH1 INITIATED
5680	C13INI	DC	a a	1	35089	1 IF UNIT 3 CH1 INITIATED
5681	C14INI	DC	a a	1	35090	1 IF UNIT 4 CH1 INITIATED
5682	C15INI	DC	a a	1	35091	1 IF UNIT 5 CH1 INITIATED
5683	C17INI	DC	a a	1	35092	1 IF UNIT 7 CH1 INITIATED
5684	C22INI	DC	a a	1	35093	1 IF UNIT 2 CH2 INITIATED
5685	C23INI	DC	a a	1	35094	1 IF UNIT 3 CH2 INITIATED
5686	C24INI	DC	a a	1	35095	1 IF UNIT 4 CH2 INITIATED
5687	C25INI	DC	a a	1	35096	1 IF UNIT 5 CH2 INITIATED
5688	C26INI	DC	a a	1	35097	1 IF UNIT 6 CH2 INITIATED
5689	C35INI	DC	a a	1	35098	1 IF UNIT 5 CH3 INITIATED
5690	C36INI	DC	a a	1	35099	1 IF UNIT 6 CH3 INITIATED
5691	C45INI	DC	a a	1	35100	1 IF UNIT 5 CH4 INITIATED
5692	C46INI	DC	a a	1	35101	1 IF UNIT 6 CH4 INITIATED
5693		DCW	a	35	35136	a
5694		DC	a	35	35171	a
5695		DC	a	35	35206	a
5696	BLANK	DC	a	27	35233	
5697	CHCTR	DCW	a a	1	35234	a AVAILABLE CHANNELS COUNTER
5698	CONEND	DCW	FLD80&70	5	35239	35377
5699	TPOUT1	DCW	a	1	35240	CONSOLE PRINTER
5700		DCW	a,LLG a,0BTME&*& a,R,D	8	35248	WRITE FIELD
5701		DCW	a,R,L-/,X&*& S,GIQ	10	35258	64 CHAR
5702		DCW	a,B#a,1MABC&	10	35268	

1410/7010-40K- OVERLAP-PRIORITY-SYSTEM TEST

ST02 INSTRUCTION

PGLIN	LABEL	OPCOD	OPERAND	CT	ADDRS	INSTRUCTION
5703		DCW	@DEFGHI.JKL@	10	35278	
5704		DCW	@MNOPQR+STU@	10	35288	
5705		DCW	@VWXYZ01234@	10	35298	
5706		DCW	@56789@.G	5	35303	
5707	TPOUT2	DCW	@ @.G LLG R.D WBS @.@TME\$@B.L-/,%SSM@# 80 CHARACTER	1	35305	SPACE CONSOLE PRINTER
5708	FLD80	DCW	@.@TME\$@B.L-/,%SSM@# 80 CHARACTER	20	35307	
5709		DC	@.TMMARCFEGHI.JKLMNDPQR+S@ LLG R.D	26	35352	FIELD
5710		DC	@TUVWXYZ0123456789.@TME\$@B.L-/,% @.G	34	35386	
5711	PUOUT1	DA	1X81.G CHI PUNCH OUTPUT AREA		35388	
5712			1.1		35388	
5713	PUOUT2	DA	1X81.G CHI PUNCH AREA		35470	
5714			1.1		35470	
5715	PUCTR1	DCW	@ @ CHI PUNCH CYCLE COUNTER	4	35555	
5716	PUCTR2	DCW	@ @ CHI PUNCH CYCLE CTR	4	35559	
5717	PROUT1	DA	1X133.G CHI PRINTER OUTPUT AREA		35560	
5718			1.1		35560	
5719	PROUT2	DA	1X133.G CHI PUNCH AREA		35694	
5720			1.1		35694	
5721	ALPFLD	DCW	@BCDEFGHIJKLNDP@ ALPHA PRINT FIELD	15	35828	
5722		DC	@QRSTUVWXYZ0123456789@. @-@ 132 CHAR	26	35868	
5723		DC	@*/%#@& @. @-@*/.# @0123456789A@	31	35899	
5724		DC	@BCDEFGHIJKLNDPQRSTUWXYZ@	25	35924	
5725		DC	@0123456789@. @-@	16	35940	
5726		DC	@*/%#@& @. @-@*/.# A@.G	19	35959	
5727	NUMFLD	DCW	@123456789@. @-@ NUMERIC PRINT FIELD	13	35961	
5728		DC	@-@0123456789@. @ 132 CHAR	14	35987	
5729		DC	@. @-@0123456789@	14	36001	
5730		DC	@\$. @-@01234567@	14	36015	
5731		DC	@89\$. @-@012345@	14	36029	
5732		DC	@6789\$. @-@0123@	14	36043	
5733		DC	@456789\$. @-@01@	14	36057	
5734		DC	@23456789\$. @-@	14	36071	
5735		DC	@0123456789\$. @. @	14	36085	
5736		DC	@-@01230@.G	7	36092	
5737	RDCOM1	DA	1X81.G READER CHI COMPARE FIELD		36094	
5738			1.1		36094	
5739	RDCOM2	DA	1X81.G READER CH2 COMPARE FIELD		36176	

1410/7010-40K- OVERLAP-PRIORITY-SYSTEM TEST

ST02 INSTRUCTION

CT ADDR

OPCOD OPERAND

PGLIN LABEL

PGLIN	LABEL	OPCOD	OPERAND	CT	ADDR	INSTRUCTION
5740			1,1		36176	
5741	RDINC1	DA	1X80,G READER CH1 READ IN FLD		36258	
5742			1,1		36258	
5743	RDINC2	DA	1X80,G READER CH2 READ IN FLD		36339	
5744			1,1		36339	
5745	TPROD1	DA	1X1,G TAPE READ IN FIELD CH1		36420	
5746		DA	1X130,G		36422	
5747	TPROD2	DA	1X1,G TAPE READ IN FIELD CH2		36553	
5748		DA	1X130,G		36555	
5749	TPROD3	DA	1X1,G TAPE RD IN FLD CH-3		36686	
5750		DA	1X130,G		36688	
5751	TPROD4	DA	1X1,G TAPE RD IN FLD CH-4		36819	
5752		DA	1X130,G		36821	
5753	TAPFLD	DCW	@1A2B3C4D5E6F7G8@ TAPE WRITE AND	15	36952	
5754		DC	@H9I0.J@KBLTMN@ COMPARE FIELD	15	36981	
5755		DC	@0SP*QBR;SLT-U/V@ 132 CHAR	15	36996	
5756		DC	@.WZX@Y#Z 1#2.3T@	15	37011	
5757		DC	@4 5.6Z7A8B9COD.@	15	37026	
5758		DC	@EFBGHIT@J@K*LA@	15	37041	
5759		DC	@BM;NLO-P/Q;RSL-@	15	37056	
5760		DC	@T/U,V@WX@Y#Z.@	15	37071	
5761		DC	@.BCDTEFG@G@.G	12	37083	
5762	TAPFL2	DCW	@1A2B3C4D5E6F7G8@ TAPE WRITE AND	15	37085	
5763		DC	@H9I0.J@KBLTMN@ COMPARE FIELD	15	37114	
5764		DC	@0SP*QBR;SLT-U/V@ 132 CHAR	15	37129	
5765		DC	@.WZX@Y#Z 1#2.3T@	15	37144	
5766		DC	@4 5.6Z7A8B9COD.@	15	37159	
5767		DC	@EFBGHIT@J@K*LA@	15	37174	
5768		DC	@BM;NLO-P/Q;RSL-@	15	37189	
5769		DC	@T/U,V@WX@Y#Z.@	15	37204	
5770		DC	@.BCDTEFG@G@.G	12	37216	
5771	TAPFL3	DCW	@1A2B3C4D5E6F7G8@ TAPE WRITE AND	15	37218	
5772		DC	@H9I0.J@KBLTMN@ COMPARE FIELD	15	37247	
5773		DC	@0SP*QBR;SLT-U/V@ 132 CHAR	15	37262	
5774		DC	@.WZX@Y#Z 1#2.3T@	15	37277	
5775		DC	@4 5.6Z7A8B9COD.@	15	37292	
5776		DC	@EFBGHIT@J@K*LA@	15	37307	

INSTRUCTION

PGLIN	LABEL	OPCOD	OPERAND	CT	ADDRS	INSTRUCTION
5777		DC	R D @RM,NLO-P/Q,RLS-a	15	37322	
5778		DC	@T/U,VZMXY#Z:A@	15	37337	
5779		DC	a.BCDBTEFCG@a,G	12	37349	
5780	TAPEL4	DCW	@1A2B3C4D5E6F7G8@ L L G	15	37351	TAPE WRITE AND
5781		DC	@H9I0.JKBLTMMNE@	15	37380	COMPARE FIELD
5782		DC	@OP*QBR,SLT-U/V@ S	15	37395	132 CHAR
5783		DC	@.YZXYMZ 1#2.3T@	15	37410	
5784		DC	@ 5.677A889COD.a	15	37425	
5785		DC	@EFGHMTIJKL@ R D	15	37440	
5786		DC	@RM,NLO-P/Q,RLS-a	15	37455	
5787		DC	@T/U,VZMXY#Z:A@	15	37470	
5788		DC	a.BCDBTEFCG@a,G	12	37482	
5789	C1WADD	DCW	@009#0088a,G	8	37484	
5790		DA	1X73.G		37493	
5791	C2WADD	DCW	@009#0088a,G	8	37567	
5792		DA	1X73.G		37576	
5793	C3WADD	DCW	@009#0088a,G	8	37650	
5794		DA	1X73.G		37659	
5795	C4WADD	DCW	@009#0088a,G	8	37733	
5796		DA	1X73.G		37742	
5797	C1RADD	DCW	@009#0088a,G	8	37816	
5798		DA	1X10.G		37825	
5799	C2RADD	DCW	@009#0088a,G	8	37836	
5800		DA	1X10.G		37845	
5801	C3RADD	DCW	@009#0088a,G	8	37856	
5802		DA	1X10.G		37865	
5803	C4RADD	DCW	@009#0088a,G	8	37876	
5804		DA	1X10.G		37885	
5805	RDSK31	DCW	a a	1	37896	
5806	CESK31	DC	a a	1	37897	
5807	WRFSW3		a a	1	37898	
5808	WRSW3		a a	1	37899	
5809	RDSK33		a a	1	37900	
5810	CESK33		a a	1	37901	
5811	RDSW3		a a	1	37902	
5812	C3RNLS		a a	1	37903	
5813	RDSK41	DCW	a a	1	37904	

1410/7010-40K- OVERLAP-PRIORITY-SYSTEM TEST

PGLIN	LABEL	OPCOD	OPERAND	CT	ADDRS	INSTRUCTION
5814	CESK41	DC	a a	1	37905	
5815	WRFSW4		a a	1	37906	
5816	WRSW4		a a	1	37907	
5817	RDSK44		a a	1	37908	
5818	CESK44		a a	1	37909	
5819	RDSW4		a a	1	37910	
5820	C4RNLS		a a	1	37911	

1410/7010-40K- OVERLAP-PRIORITY-SYSTEM TEST

CT ADDR

PGLIN LABEL OPCOD OPERAND

39000

ORG 39000

\*\*\*\*\*  
\* CHANNEL 1 TAPE ERROR FIELDS \*  
\*\*\*\*\*

DA 1X10 DRIVE 0 ERROR FIELD  
1 1 IF ANY ERRORS DRIVE 0  
2 1 IF TAPE RDY-2 IF GONE NR-3 IF EOR  
3 X IF READ COMPARE UNEQUAL  
4 X IF LOAD MODE FAILED  
5 X IF READ TAPE MARK ERROR  
6 X IF READ DATA CHECK  
7 X IF WRITE DATA CHECK  
8 X IF READ WRNG LNTH RECORD  
9 X IF HEAD CONDITION ERROR  
10 X IF WRITE END MEM FAIL  
1X10 DRIVE 1 ERROR FIELD  
1X10 DRIVE 2 ERROR FIELD  
1X10 DRIVE 3 ERROR FIELD  
1X10 DRIVE 4 ERROR FIELD  
1X10 DRIVE 5 ERROR FIELD  
1X10 DRIVE 6 ERROR FIELD  
1X10 DRIVE 7 ERROR FIELD  
1X10 DRIVE 8 ERROR FIELD  
1X10 DRIVE 9 ERROR FIELD

39000  
39000  
39001  
39002  
39003  
39004  
39005  
39006  
39007  
39008  
39009  
39010  
39020  
39030  
39040  
39050  
39060  
39070  
39080  
39090

5822  
5823  
5824  
5825  
5826  
5827  
5828  
5829  
5830  
5831  
5832  
5833  
5834  
5835  
5836  
5837  
5838  
5839  
5840  
5841  
5842  
5843  
5844  
5845



1410/7010-40K- OVERLAP-PRIORITY-SYSTEM TEST

OPCOD OPERAND

LABEL

PGLIN

PGLIN	LABEL	OPCOD	OPERAND	CT	ADDR	INSTRUCTION
5847	*****					
5848	* CHANNEL 2 TAPE ERROR FIELDS					
5849	*****					
5850	DA	1X10	DRIVE 0 ERROR FIELD		39100	
5851	TP20AV	1	1 IF ANY ERRORS DRIVE 0		39100	
5852	TP20ER	2	1 IF TAPE RDY-2 IF GONE NR-3 IF EOR		39101	
5853	T20UEC	3	X IF READ COMPARE UNEQUAL		39102	
5854	T20LMF	4	X IF LOAD MODE FAILED		39103	
5855	T20TME	5	X IF READ TAPE MARK ERROR		39104	
5856	T20DCR	6	X IF READ DATA CHECK		39105	
5857	T20DCH	7	X IF WRITE DATA CHECK		39106	
5858	T20WLR	8	X IF READ WRNG LNTH RECORD		39107	
5859	T20CON	9	X IF READ CONDITION ERROR		39108	
5860	T20EOM	10	X IF WRITE END MEM FAIL		39109	
5861	TP21AV	DA	1X10 DRIVE 1 ERROR FIELD		39110	
5862	TP22AV	DA	1X10 DRIVE 2 ERROR FIELD		39120	
5863	TP23AV	DA	1X10 DRIVE 3 ERROR FIELD		39130	
5864	TP24AV	DA	1X10 DRIVE 4 ERROR FIELD		39140	
5865	TP25AV	DA	1X10 DRIVE 5 ERROR FIELD		39150	
5866	TP26AV	DA	1X10 DRIVE 6 ERROR FIELD		39160	
5867	TP27AV	DA	1X10 DRIVE 7 ERROR FIELD		39170	
5868	TP28AV	DA	1X10 DRIVE 8 ERROR FIELD		39180	
5869	TP29AV	DA	1X10 DRIVE 9 ERROR FIELD		39190	

1410/7010-40K- OVERLAP-PRIORITY-SYSTEM TEST

CT ADDR

OPCOD OPERAND

PGLIN LABEL

PGLIN	LABEL	OPCOD	OPERAND	CT	ADDR	INSTRUCTION
5871	*****					
5872	* CHANNEL 3	TAPE ERROR FIELDS				
5873	*****					
5874	DA	1X10	DRIVE 0 ERROR FIELD		39200	
5875	TP30AV	1	1 IF ANY ERRORS DRIVE 0		39200	
5876	TP30ER	2	1 IF TAPE RDY-2 IF GONE NR-3 IF EDR		39201	
5877	T30UEC	3	X IF READ COMPARE UNEQUAL		39202	
5878	T30LPE	4	X IF LOAD MODE FAILED		39203	
5879	T30TPE	5	X IF READ TAPE MARK ERROR		39204	
5880	T30DCR	6	X IF READ DATA CHECK		39205	
5881	T30DCW	7	X IF WRITE DATA CHECK		39206	
5882	T30WLR	8	X IF READ WRNG LNGTH RECORD		39207	
5883	T30CON	9	X IF READ CONDITION ERROR		39208	
5884	T30EOM	10	X IF WRITE END MEM FAIL		39209	
5885	TP31AV	DA	1X10 DRIVE 1 ERROR FIELD		39210	
5886	TP32AV	DA	1X10 DRIVE 2 ERROR FIELD		39220	
5887	TP33AV	DA	1X10 DRIVE 3 ERROR FIELD		39230	
5888	TP34AV	DA	1X10 DRIVE 4 ERROR FIELD		39240	
5889	TP35AV	DA	1X10 DRIVE 5 ERROR FIELD		39250	
5890	TP36AV	DA	1X10 DRIVE 6 ERROR FIELD		39260	
5891	TP37AV	DA	1X10 DRIVE 7 ERROR FIELD		39270	
5892	TP38AV	DA	1X10 DRIVE 8 ERROR FIELD		39280	
5893	TP39AV	DA	1X10 DRIVE 9 ERROR FIELD		39290	

1410/7010-40K- OVERLAP-PRIORITY-SYSTEM TEST

ST02

CT ADDR INSTRUCTION

OPCOD OPERAND

LABEL

PGLIN

PGLIN	LABEL	OPCOD	OPERAND	CT	ADDR	INSTRUCTION
5895	*****					
5896	* CHANNEL 4 TAPE ERROR FIELDS					
5897	*****					
5898	DA	1X10	DRIVE 0 ERROR FIELD		39300	
5899	TP40AV	1	1 IF ANY ERRORS DRIVE 0		39300	
5900	TP40ER	2	1 IF TAPE RDY-2 IF GONE NR-3 IF EOR		39301	
5901	T40UEC	3	X IF READ COMPARE UNEQUAL		39302	
5902	T40LNF	4	X IF LOAD MODE FAILED		39303	
5903	T40TME	5	X IF READ TAPE MARK ERROR		39304	
5904	T40DCR	6	X IF READ DATA CHECK		39305	
5905	T40DCW	7	X IF WRITE DATA CHECK		39306	
5906	T40HLR	8	X IF READ WRNG LNGTH RECORD		39307	
5907	T40CCN	9	X IF READ CONDITION ERROR		39308	
5908	T40ECH	10	X IF WRITE END MEM FAIL		39309	
5909	TP41AV	DA	1X10 DRIVE 1 ERROR FIELD		39310	
5910	TP42AV	DA	1X10 DRIVE 2 ERROR FIELD		39320	
5911	TP43AV	DA	1X10 DRIVE 3 ERROR FIELD		39330	
5912	TP44AV	DA	1X10 DRIVE 4 ERROR FIELD		39340	
5913	TP45AV	DA	1X10 DRIVE 5 ERROR FIELD		39350	
5914	TP46AV	DA	1X10 DRIVE 6 ERROR FIELD		39360	
5915	TP47AV	DA	1X10 DRIVE 7 ERROR FIELD		39370	
5916	TP48AV	DA	1X10 DRIVE 8 ERROR FIELD		39380	
5917	TP49AV	DA	1X10 DRIVE 9 ERROR FIELD		39390	
5918	F1ERFD	DA	1X400		39400	
5919	TPCRNO	DC	202 TAPE DRIVE BEING INTERROGATED	1	39800	
5920	ORG	ORG	39940		39940	
5921	PATCH	MLCWS	NCSISC,SCHC WM N	12	39940	D 01816 30723 7
5922		B	CLFLER	7	39952	J 02714
5923		H		1	39959	.
5924		LTORG	39801		39801	
5924			E1	1	39801	
5924			202	1	39802	
5924			212	1	39803	
5924			222	2	39805	
5924			222	1	39806	
5924			202	2	39808	
5924			232	1	39809	

1410/7010-40K- OVERLAP-PRIORITY-SYSTEM TEST

PGLIN	LABEL	OPCOD	OPERAND	CT	ADDRS	INSTRUCTION	ST02
5924		Q		2	39811		
5924		Q	M3a	1	39812		
5924		Q	4a	2	39814		
5924		Q	.1a	1	39815		
5924		Q	7a	2	39817		
5924		Q	14a	2	39819		
5924		Q	11a	4	39823		
5924		Q	0080a	2	39825		
5924		Q	18	4	39829		
5924		Q	0032a	1	39830		
5924		Q	5a	2	39832		
5924		Q	1Ca	1	39833		
5924		Q	a	1	39834		
5924		Q	Xa	1	39835		
5924		Q	8a	1	39836		
5924		Q	Ua	1	39837		
5924		Q	La	1	39838		
5924		Q	Ma	1	39839		
5924		Q	Wa	1	39840		
5924		Q	Ya	1	39841		
5924		Q	Za	5	39846		
5924		Q	0000a	1	39847		
5924		Q	6a	5	39852	30984	
5924		Q	A1161	5	39857	30917	
5924		Q	A113	5	39862	31737	
5924		Q	A218	3	39865		
5924		Q	1C0a	3	39868		
5924		Q	---a	5	39873		
5924		Q	WRFMTa	5	39878		
5924		Q	WRITa	5	39883		
5924		Q	READ a	4	39887		
5924		Q	SEEKa	2	39889		
5924		Q	84a	2	39891		
5924		Q	12	1	39892		
5924		Q	8a	1	39893		
5924		Q	9a	2	39895		
5924		Q	12a	5	39900	34269	
5924		Q	BR2RET				

049  
PAGE 173  
12/14/64

1410/7010-40K- OVERLAP-PRIORITY-SYSTEM TEST

PGLIN	LABEL	OPCOD	OPERAND	CT	ADDRS	INSTRUCTION	ST02
5924		A135		5	39905	31699	
5924		BR3RET		5	39910	34391	
5924		A136		5	39915	31711	
5924		BR4RET		5	39920	34520	
5924		A137		5	39925	31723	
5924		A116		5	39930	30953	
5925		END	02000			J02000	

END OF ASSEMBLY

050  
3102