

HP 13255

GENERAL PURPOSE ASYNCHRONOUS DATA COMM MODULE

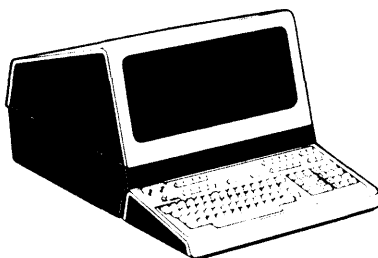
Manual Part No. 13255-91089

PRINTED

AUG-01-76

---

***DATA TERMINAL***  
**TECHNICAL INFORMATION**



HEWLETT  PACKARD

1.0 INTRODUCTION.

The General Purpose Asynchronous Data Communications Module provides a general purpose EIA RS232C or 20 mA dc current loop link from the terminal to an external device. The GP Async Data Comm PCA transmits and receives bit serial data to and from the external device through an interface cable assembly, provides parallel-to-serial and serial-to-parallel conversion, and transmits and receives bit parallel data to and from the terminal through the Backplane Assembly (data bus). Refer also to the Operating and Service Manual (HP Part No. 02640-90042) for additional information. Parts lists for 02640-60043, 02640-60058, 02640-60059, 02640-60077, 02640-60131, and 02645-60002 are contained in module section 13255-91086.

2.0 OPERATING PARAMETERS.

A summary of operating parameters for the GP Async Data Comm Module is contained in tables 1.0 through 6.5.

Table 1.0 Physical Parameters

Part Number	Nomenclature	Size (L x W x D) +/-0.100 Inches	Weight (Pounds)
02640-60043	103/102 Cable Ass'y	N/A	N/A
02640-60058	12531/12880 Cable Ass'y	N/A	N/A
02640-60059	RS232C Cable Ass'y	N/A	N/A
02640-60077	Test Hood Asembly	N/A	N/A
02640-60089	GP Async Data Comm PCA	12.9 x 4.0 x 0.6	0.50
02640-60097	Current Loop Cable Ass'y	N/A	N/A
02640-60098	RS232C Cable (Male) Ass'y	N/A	N/A
02640-60099	RS232C Cable (Female) Ass'y	N/A	N/A
02640-60131	US Modem Cable Ass'y	N/A	N/A
02645-60002	DC Self Test Hood	N/A	N/A
02645-60003	Current Loop Self Test Hood	N/A	N/A
Number of Backplane Slots Required: 1			

HP 13255

GENERAL PURPOSE ASYNCHRONOUS DATA COMM MODULE

Manual Part No. 13255-91089

PRINTED

AUG-01-76

NOTICE

The information contained in this document is subject to change without notice.

HEWLETT-PACKARD MAKES NO WARRANTY OF ANY KIND WITH REGARD TO THIS MATERIAL, INCLUDING, BUT NOT LIMITED TO THE IMPLIED WARRANTIES OF MERCHANTABILITY AND FITNESS FOR A PARTICULAR PURPOSE. Hewlett-Packard shall not be liable for errors contained herein or for incidental or consequential damages in connection with the furnishing, performance, or use of this material.

This document contains proprietary information which is protected by copyright. All rights are reserved. No part of this document may be photocopied or reproduced without the prior written consent of Hewlett-Packard Company.

Copyright © 1976 by HEWLETT-PACKARD COMPANY

NOTE: This document is part of the 264XX DATA TERMINAL product series Technical Information Package (HP 13255).

1.0 INTRODUCTION.

The General Purpose Asynchronous Data Communications Module provides a general purpose EIA RS232C or 20 mA dc current loop link from the terminal to an external device. The GP Async Data Comm PCA transmits and receives bit serial data to and from the external device through an interface cable assembly, provides parallel-to-serial and serial-to-parallel conversion, and transmits and receives bit parallel data to and from the terminal through the Backplane Assembly (data bus). Refer also to the Operating and Service Manual (HP Part No. 02640-90042) for additional information. Parts lists for 02640-60043, 02640-60058, 02640-60059, 02640-60077, 02640-60131, and 02645-60002 are contained in module section 13255-91086.

2.0 OPERATING PARAMETERS.

A summary of operating parameters for the GP Async Data Comm Module is contained in tables 1.0 through 6.5.

Table 1.0 Physical Parameters

Part Number	Nomenclature	Size (L x W x D) +/-0.100 Inches	Weight (Pounds)
02640-60043	103/102 Cable Ass'y	N/A	N/A
02640-60058	12531/12880 Cable Ass'y	N/A	N/A
02640-60059	RS232C Cable Ass'y	N/A	N/A
02640-60077	Test Hood Asembly	N/A	N/A
02640-60089	GP Async Data Comm PCA	12.9 x 4.0 x 0.6	0.50
02640-60097	Current Loop Cable Ass'y	N/A	N/A
02640-60098	RS232C Cable (Male) Ass'y	N/A	N/A
02640-60099	RS232C Cable (Female) Ass'y	N/A	N/A
02640-60131	US Modem Cable Ass'y	N/A	N/A
02645-60002	DC Self Test Hood	N/A	N/A
02645-60003	Current Loop Self Test Hood	N/A	N/A
Number of Backplane Slots Required: 1			

Table 2.0 Reliability and Environmental Information

Environmental:      ( X ) HP Class B      (   ) Other:
Restrictions: Type tested at product level
Failure Rate:    1.502    (percent per 1000 hours)

Table 3.0 Power Supply and Clock Requirements - Measured  
 (At +/-5% Unless Otherwise Specified)

+5 Volt Supply @ 300 mA	+12 Volt Supply @ 40 mA	-12 Volt Supply @ 20 mA	-42 Volt Supply @ mA
			NOT APPLICABLE
115 volts ac @ A		220 volts ac @ A	
NOT APPLICABLE		NOT APPLICABLE	
Clock Frequency: 4.915 MHz			

Table 4.0 Switch Definitions

PCA Designation	Function
A11,A10,A9,A4	Module Address Selection (see section 4.0)
FC0 thru FC7	Firmware Control Word - Function depends on firmware application
CBE	Custom Baud Rate Enable Closed - The custom baud rate generator is enabled when the baud rate switch is in the EXT position Open - The custom baud rate generator is disabled
B0 thru B11	Custom Baud Rate Selection (see section 4.1)
S0,S1,S2	Split Baud Rate Selection (see section 4.2)
134	134.5 Baud Closed - Enable 134.5 baud and 6-bit data word when baud rate switch is in 150 position Open - Disable 134.5 baud
2SB	Two Stop Bits Closed - Transmit and receive data with two stop bits at all baud rates Open - Transmit and receive data with one stop bit at all baud rates except 110 (two stop bits)
THE	Transmit Handshake Enable Closed - Enable transmit handshake circuit Open - Disable transmit handshake circuit
RHE	Receive Handshake Enable Closed - Enable receive handshake circuit Open - Disable receive handshake circuit
IAT	Inhibit ATN Closed - Disable Data Comm Interrupt from this module Open - Enable Data Comm Interrupt from this module

Table 5.0 Connector Information

Connector and Pin No.	Signal Name	Signal Description
P1, Pin 1	+5V	+5 Volt Power Supply
-2	GND	Ground Common Return (Power and Signal)
-3	SYS CLK	4.915 MHz System Clock
-4	-12V	-12 Volt Power Supply
-5	ADDR0	Negative True, Address Bit 0
-6		Not Used
-7	ADDR2	Negative True, Address Bit 2
-8	ADDR3	Negative True, Address Bit 3
-9	ADDR4	Negative True, Address Bit 4
-10	ADDR5	Negative True, Address Bit 5
-11	ADDR6	Negative True, Address Bit 6
-12		) ) Not Used
-13		)
-14	ADDR9	Negative True, Address Bit 9
-15	ADDR10	Negative True, Address Bit 10
-16	ADDR11	Negative True, Address Bit 11
Pin -17 through Pin -20		) ) Not Used )
-21	I/O	Negative True, Input Output/Memory
-22	GND	Ground Common Return (Power and Signal)

Table 5.0 Connector Information (Cont'd.)

Connector and Pin No.	Signal Name	Signal Description
P1, Pin A	GND	Ground Common Return (Power and Signal)
-R		Not Used
-C	+12V	
-D	PWR ON	System Power On
-E	BUS0	Negative True, Data Bus Bit 0
-F	BUS1	Negative True, Data Bus Bit 1
-H	BUS2	Negative True, Data Bus Bit 2
-J	BUS3	Negative True, Data Bus Bit 3
-K	BUS4	Negative True, Data Bus Bit 4
-L	BUS5	Negative True, Data Bus Bit 5
-M	BUS6	Negative True, Data Bus Bit 6
-N	BUS7	Negative True, Data Bus Bit 7
-P	WRITE	Negative True, Write/Read Type Cycle
-R		} } Not Used
-S		} }
-T	PRIOR IN	Bus Controller Priority In
-U	PRIOR OUT	Bus Controller Priority Out
-V		} }
-W		} } Not used
-X		} }
-Y	REQ	Negative True, Request (Bus Data Currently Valid)
-Z	ATN	Negative True, Data Comm Interrupt Request



Table 5.1 Connector Information

Connector and Pin No.	Signal Name	Signal Description
P2, pin 1	<u>ENCL</u>	Negative True, Current Loop Enable
- 2	<u>INI</u>	Negative True, Invert Current Loop Received Data
- 3	CL+12	Power Source for Current Loop Active Receiver
- 4	CL+	Current Loop Receiver Positive Input
- 5	CL-	Current Loop Receiver Negative Input
- 6	CLA	Current Loop Transmitter Current Sourcing Terminal
- 7	CLP	Current Loop Transmitter Current Sinking Terminal
- 8	<u>INO</u>	Negative True, Invert Current Loop Transmitted Data
- 9	PON	Power On Clear
-10	<u>TSB</u>	Negative True, Invert the Sense of SB
-11	XECL	Programmable Control Signal
-12	TTYIN	Teletype Current Loop Receiver Input
-13		} }
-14		} } Not Used
-15	TEST	9650 Test Point

Table 5.1 Connector Information (Cont'd.)

Connector and Pin No.	Signal Name	Signal Description
P2, Pin A	GND	Signal Ground
-B	BA	Transmitted Data Out
-C	BB	Received Data In
-D	CA	Request to Send
-E	CB	Clear to Send
-F		Not Used
-H	GND	Signal Ground
-J	CF	Carrier Received
-K	X8 OUT	Clock of 8 X the Transmit Baud Rate
-L	X16 OUT	Clock of 16 X the Transmit Baud Rate
-M	SA	Secondary Channel Transmitted Data
-N	SB	Secondary Channel Received Data
-P	CD	Data Terminal Ready
-R		Not Used
-S	X16 IN	Clock of 16 X the Receive Baud Rate

Table 6.0 Module Bus Pin Assignments

Function	Value	Bus Signal
Performed: Output Data Character for Transmission	X	ADDR 15
Poll Bit: Not Applicable	X	ADDR 14
	X	ADDR 13
Module Address: (ADDR 11,10,9,4) = (A11,A10,A9,A4)	X	ADDR 12
Switch Selectable (0001)=Data Comm	A11	ADDR 11
(0101)=Printer	A10	ADDR 10
	A9	ADDR 9
Function Specifier: ADDR5 = 1	X	ADDR 8
ADDR6 = 1	X	ADDR 7
	1	ADDR 6
	1	ADDR 5
	A4	ADDR 4
	X	ADDR 3
	X	ADDR 2
Data Bus Bit Interpretation:	X	ADDR 1
	X	ADDR 0
B7 Data Output Bit 7	B7	BUS 7
	B6	BUS 6
	B5	BUS 5
B6 Data Output Bit 6	B4	BUS 4
	B3	BUS 3
	B2	BUS 2
	B1	BUS 1
B5 Data Output Bit 5	B0	BUS 0
	1=Logical 1=Bus Low	
	0=Logical 0=Bus High	
	X=Don't Care	
B4 Data Output Bit 4		
B3 Data Output Bit 3		
B2 Data Output Bit 2		
B1 Data Output Bit 1		
B0 Data Output Bit 0		

Table 6.1 Module Bus Pin Assignments

Function Performed:	Value	Bus Signal
Read Firmware Control Word (FC Switches)	X	ADDR 15
Poll Bit: Not Applicable	X	ADDR 14
	X	ADDR 13
Module Address: (ADDR 11,10,9,4) = (A11,A10,A9,A4)	X	ADDR 12
Switch Selectable (0001)=Data Comm	A11	ADDR 11
(0101)=Printer	A10	ADDR 10
	A9	ADDR 9
Function Specifier: ADDR5 = 0	X	ADDR 8
ADDR6 = 1	X	ADDR 7
	1	ADDR 6
Data Bus Bit Interpretation:	0	ADDR 5
	A4	ADDR 4
B7 Switch_FC7	X	ADDR 3
0 = Switch Closed	X	ADDR 2
1 = Switch Open	X	ADDR 1
	X	ADDR 0
B6 Switch_FC6	B7	BUS 7
0 = Switch Closed	B6	BUS 6
1 = Switch Open	B5	BUS 5
B5 Switch_FC5	B4	BUS 4
0 = Switch Closed	B3	BUS 3
1 = Switch Open	B2	BUS 2
	B1	BUS 1
B4 Switch_FC4	B0	BUS 0
0 = Switch Closed	1=Logical 1=Bus Low	
1 = Switch Open	10=Logical 0=Bus High	
	!X=Don't Care	
B3 Switch_FC3	=====	
0 = Switch Closed		
1 = Switch Open		
B2 Switch_FC2		
0 = Switch Closed		
1 = Switch Open		
B1 Switch_FC1		
0 = Switch Closed		
1 = Switch Open		
B0 Switch_FC0		
0 = Switch Closed		
1 = Switch Open		

Table 6.2 Module Bus Pin Assignments

Function	Value	Bus Signal
Performed: Input Module Status Byte	X	ADDR 15
Poll Bit: Not Applicable	X	ADDR 14
	X	ADDR 13
Module Address: (ADDR 11,10,9,4) = (A11,A10,A9,A4)	X	ADDR 12
Switch Selectable (0001)=Data Comm	A11	ADDR 11
(0101)=Printer	A10	ADDR 10
	A9	ADDR 9
Function Specifier: ADDR5 = 1	X	ADDR 8
ADDR6 = 0	X	ADDR 7
A0 = 0 Read Standard Status	0	ADDR 6
A0 = 1 Read Alternate Status	1	ADDR 5
	A4	ADDR 4
Data Bus Bit Interpretation:	X	ADDR 3
Alternate status is the same as the	X	ADDR 2
standard status unless noted otherwise	X	ADDR 1
	A0	ADDR 0
B7 Not Used	B7	BUS 7
	B6	BUS 6
B6 0 = SB On	B5	BUS 5
1 = SB Off	B4	BUS 4
	B3	BUS 3
B5 0 = CB On	B2	BUS 2
1 = CB Off	B1	BUS 1
	B0	BUS 0
	1=Logical 1=Bus Low	
B4 0 = CF On	10=Logical 0=Bus High	
1 = CF Off	1X=Don't Care	
	=====	
B3 0 = No Parity Error		
1 = Parity Error		
B2 0 = No Overrun Error		
1 = Overrun Error		
	(Alternate)	
B1 0 = Transmit Holding Register Full	0 = Transmission in	
1 = Transmit Holding Register Empty	Progress	
	1 = Transmission Complete	
B0 0 = Receiver Register Empty		
1 = Receiver Register Full		

Table 6.3 Module Bus Pin Assignments

Function		Value	Bus Signal
Performed: Read Received Data Character		X	ADDR 15
Poll Bit: Not Applicable		X	ADDR 14
		X	ADDR 13
Module Address: (ADDR 11,10,9,4) = (A11,A10,A9,A4)		X	ADDR 12
Switch Selectable (0001)=Data Comm		A11	ADDR 11
(0101)=Printer		A10	ADDR 10
		A9	ADDR 9
Function Specifier: ADDR5 = 0		X	ADDR 8
ADDR6 = 0		X	ADDR 7
		0	ADDR 6
		0	ADDR 5
		A4	ADDR 4
		X	ADDR 3
		X	ADDR 2
Data Bus Bit Interpretation:		X	ADDR 1
		X	ADDR 0
B7	Data Input Bit 7	B7	BUS 7
B6	Data Input Bit 6	B6	BUS 6
		B5	BUS 5
B5	Data Input Bit 5	B4	BUS 4
		B3	BUS 3
		B2	BUS 2
		B1	BUS 1
		B0	BUS 0
		1=Logical 1=Bus Low  0=Logical 0=Bus High  X=Don't Care	
B4	Data Input Bit 4		
B3	Data Input Bit 3		
B2	Data Input Bit 2		
B1	Data Input Bit 1		
B0	Data Input Bit 0		

Table 6.4 Module Bus Pin Assignments

Function Performed:	Value	Bus Signal
Output Control Register Bits	X	ADDR 15
Poll Bit: Not Applicable	X	ADDR 14
	X	ADDR 13
Module Address: (ADDR 11,10,9,4) = (A11,A10,A9,A4)	X	ADDR 12
Switch Selectable (0001)=Data Comm	A11	ADDR 11
(0101)=Printer	A10	ADDR 10
	A9	ADDR 9
Function Specifier: ADDR5 = 0	X	ADDR 8
ADDR6 = 1	X	ADDR 7
	1	ADDR 6
	0	ADDR 5
	A4	ADDR 4
	X	ADDR 3
	X	ADDR 2
Data Bus Bit Interpretation:	X	ADDR 1
	X	ADDR 0
B7 Not Used	B7	BUS 7
	B6	BUS 6
B6 0 = No Break	B5	BUS 5
1 = Break	B4	BUS 4
	B3	BUS 3
B5 0 = Enable Parity	B2	BUS 2
1 = Inhibit Parity	B1	BUS 1
	B0	BUS 0
B4 0 = Odd Parity	1=Logical 1=Bus Low	
1 = Even Parity	10=Logical 0=Bus High	
	1X=Don't Care	
RECEIVE BAUD RATE		
	Ext Clk	110 150 300 1200 2400 4800 9600
B3	0	0 0 0 1 1 1 1
B2	0	0 1 1 0 0 1 1
B1	0	1 0 1 0 1 0 1
B0 0 = CA on		
1 = CA off		

Table 6.5 Module Bus Pin Assignments

Function Performed:	Value	Bus Signal
Input instruction to Set/Reset Data Terminal Ready (CD) and Set/Reset External Control signal (XFCL)	X	ADDR 15
	X	ADDR 14
Poll Bit: Not Applicable	X	ADDR 13
	X	ADDR 12
Module Address: (ADDR 11,10,9,4) = (A11,A10,A9,A4)	A11	ADDR 11
Switch Selectable (0001) = Data Comm	A10	ADDR 10
(0101) = Printer	A9	ADDR 9
	X	ADDR 8
Function Specifier: ADDR5 = 1	X	ADDR 7
ADDR6 = 1	1	ADDR 6
A2 = 0, XECL = Low	1	ADDR 5
A2 = 1, XECL = High	A4	ADDR 4
	A3	ADDR 3
A3 = 0, CD On	A2	ADDR 2
A3 = 1, CD Off	X	ADDR 1
	X	ADDR 0
Data Bus Bit Interpretation: Not Applicable	B7	BUS 7
	B6	BUS 6
	B5	BUS 5
	B4	BUS 4
	B3	BUS 3
	B2	BUS 2
	B1	BUS 1
	B0	BUS 0
	1=Logical 1=Bus Low	
	0=Logical 0=Bus High	
	X=Don't Care	



3.0 FUNCTIONAL DESCRIPTION. Refer to the block diagram (figure 1), schematic diagram (figure 2), component location diagram (figure 3), current loop configurations (figure 4), and parts lists (02640-60089, 02640-60097, 02640-60098, 02640-60099, and 02645-60003) located in the appendix.

The functional description of this module is detailed in blocks as shown on the block diagram.

3.1 UART. The UART is an MOS/LSI device used for interfacing a serial asynchronous data path to a parallel data path. The baud rate, number of stop bits, and parity configuration of the received and transmitted serial characters can be programmed. (For details of the UART, consult Western Digital's TR1602B specification sheet.)

3.1.1 Transmitted and received characters can have 6, 7, or 8 data bits (excluding parity). All characters have one start bit. Characters have one stop bit unless 110 baud is selected or the 2SB Switch is closed, in which case two stop bits are used. Six or seven-bit data words can have even or odd parity. Eight-bit data words have no parity.

3.1.2 When the 134 Switch is closed and control register bits 3, 2, and 1 are "010", then 134.5 baud, six data bits, one start bit, and one stop bit are selected.

3.2 I/O INSTRUCTION DECODER.

3.2.1 The I/O instruction decoder is a circuit which decodes terminal data bus signals into hardware control signals on the PCA. It consists of a module address decoder (U46) and a 3-to-8 decoder (U45). The module address decoder is composed of four exclusive OR gates which can be programmed with switches. When the proper module address is present on ADDR11, ADDR10, ADDR9, and ADDR4, an enable signal is provided to the 3-to-8 decoder.

3.2.2 The 3-to-8 decoder provides control signals to the other functional blocks. Address lines  $\overline{\text{ADDR0}}$ ,  $\overline{\text{ADDR2}}$ ,  $\overline{\text{ADDR3}}$ ,  $\overline{\text{ADDR5}}$ ,  $\overline{\text{ADDR6}}$ , and  $\overline{\text{WRITE}}$  and  $\overline{\text{I/O}}$  are decoded and strobed by  $\overline{\text{REQ}}$  to realize control pulses. The following control signals are activated as shown whenever the proper module address is selected.

$\overline{\text{I/O}}$	$\overline{\text{WRITE}}$	$\overline{\text{ADDR0}}$	$\overline{\text{ADDR2}}$	$\overline{\text{ADDR3}}$	$\overline{\text{ADDR5}}$	$\overline{\text{ADDR6}}$	$\overline{\text{REQ}}$	
0	0	X	X	X	1	0	+	Load control register from data bus.
0	0	X	X	X	0	0	+	Load character into transmit half of UART.
0	1	X	X	X	1	0	0	Gate firmware control word onto data bus.
0	1	1	X	X	0	1	0	Gate status word onto data bus.
0	1	0	X	X	0	1	0	Gate modified status word onto data bus.
0	1	X	X	X	1	1	0	Gate received data from UART to data bus. Reset UART's Data Ready flip-flop
0	1	X	0	X	0	0	+	Set XECL high
0	1	X	1	X	0	0	+	Set XECL low
0	1	X	X	0	0	0	+	Turn CD off
0	1	X	X	1	0	0	+	Turn CD on

X = Don't Care  
 + = Rising Edge

### 3.3 CONTROL REGISTER.

3.3.1 The control register is a 7-bit latch that contains the control state of the PCA. The control bits set the parity, baud rate, and RS232C control signals.

3.3.2 The register is composed of seven D-type flip-flops. Data is latched in this register from the data bus. The register's output controls the RS232C control lines and programs the UART and baud rate generator.

When latched in the control register, BUS1, BUS2, and BUS3 program the baud rate generator receive multiplexer. BUS4 and BUS5, in conjunction with the 134 and 2SB Switches, control the PI, SBS, WLS2, WLS1, and EPE signal inputs to the UART.

### 3.4 BAUD RATE GENERATOR.

3.4.1 The baud rate generator provides the timing for data reception and control. It consists of two parts--a standard baud rate generator and a custom baud rate generator.

3.4.2 The standard baud rate generator is composed of three 4-bit binary counters (U37, U26, and U36) and associated presetting logic. The standard baud rates are derived by dividing the bus System Clock to a rate of 16 times the desired baud rate. The standard baud rates are: 110 baud (1.76 kHz), 150 baud (2.4 kHz), 300 baud (4.8 kHz), 1200 baud (19.2 kHz), 2400 baud (38.4 kHz), 4800 baud (76.8 kHz), and 9600 baud (153.6 kHz). The counter preset function is only used when 110 or 134.5 baud is selected.

The select inputs of the receive baud rate multiplexer (U35) are driven by the control register. The proper X16 clock rate is selected to drive the UART receiver. The receive baud rates are selected as follows:

CONTROL REGISTER			RECEIVE BAUD RATE	
3	2	1	-----	
1	1	1	9600	
1	1	0	4800	
1	0	1	2400	
1	0	0	1200	
0	1	1	300	
0	1	0	150 134.5	(If 134 Switch Open) (If 134 Switch Closed)
0	0	1	110	
0	0	0	External Clock	(If CBE Switch Open)
			Custom Baud Rate	(If CBE Switch Closed)

3.4.3 The custom baud rate generator also consists of three 4-bit binary counters (U27, U17, and U14). These counters are programmed with 12 switches to produce the desired baud rate. The counters get preset when the TC (Pin 15) output of all three counters is true. The TC output of the last counter is gated with the bus System Clock to prevent glitching and routed through a D-type flip-flop to square the signal.

The transmit baud rate multiplexer (U25) is programmed with the split-rate (S0, S1, and S2) switches and selects a frequency to clock the UART at the desired baud rate. The transmit baud rates are selected as follows:

S2	S1	S0	TRANSMIT BAUD RATE
-----	-----	-----	-----
SC	SC	SC	Custom Baud Rate
S0	S0	SC	4800
S0	SC	S0	2400
S0	SC	SC	1200
SC	S0	S0	300
SC	S0	SC	150
SC	SC	S0	9600
S0	S0	S0	Selected Receive Baud Rate

SC = Switch Closed  
S0 = Switch Open

### 3.5 TRANSMIT HANDSHAKE.

3.5.1 The transmit handshake circuit provides the capability of handshaking transmitted data with an RS232C control line. When the transmit handshake circuit is enabled (THE Switch closed), the device receiving the transmission has the capability of signaling a "busy" condition on the CR or SR control lines and thus temporarily stopping data transmission. Transmission is halted by turning off the Transmit Clock (TRC) to the UART.

3.5.2 This circuit is a 2-state, synchronous machine that is clocked at 16 times the transmit baud rate. CB and SB must be stable at the middle of the last sixteenth of the last stop bit of a character with at least 150 nanoseconds of setup time. The Off state of CB signals a "busy" condition. The On state of SR signals a "busy" condition unless ISB (P2, Pin 10) is grounded, in which case the Off state of SB signals a "busy" condition. If a "busy" signal appears on CB, SB, or both, then the transmission will be held off.

### 3.6 RECEIVE HANDSHAKE.

3.6.1 The receive handshake circuit provides the capability of handshaking received data with an RS232C control line.

- 3.6.2 when the receive handshake circuit is enabled (RHE Switch closed), CD is driven by the DR output of the UART. When DR is active (a character is in the receiver holding register of the UART), CD is turned off. CD is turned off at the nominal center of the first stop bit of each receive character. When the character is read by the processor (DR cleared), CD is turned on. It should be noted that the mandatory disconnect feature (ESCf) cannot be used when the receive handshake circuit is enabled.
- 3.6.3 To use the receive handshake function, the IAT (Inhibit  $\overline{\text{ATN}}$ ) Switch must be closed. The PCA will not generate interrupts and must be scanned for received data.
- 3.7 STATUS.
- 3.7.1 The status circuit is used to gate RS232C control signal information (CF, CB, and SB) and UART status signals (DR, THRE, OE, and PE) to the terminal data bus. When the proper address is decoded, this circuit gates seven bits of status information onto the data bus while  $\overline{\text{REQ}}$  is low. (Refer to table 6.2 for detailed explanation of data bit interpretation.)
- 3.8 FIRMWARE CONTROL WORD. The firmware control word circuit consists of drivers that gate an 8-bit firmware control word to the terminal data bus when enabled by the I/O instruction decoder. When the proper address is decoded, Switch FC0 through FC7 information is gated onto the data bus while  $\overline{\text{REQ}}$  is low. A closed switch produces a logic 0 on the data bus and an open switch generates a logic 1.
- 3.9 CURRENT LOOP. The current loop circuits (In and Out) provide the capability of transmitting and receiving data in a 20-mA dc current loop. (Refer to figure 4 for current loop configurations.)
- 3.9.1 The current loop receiver (In) is enabled when  $\overline{\text{ENCL}}$  (P2, Pin 1) is low (grounded). The receiver can be configured as a floating, passive receiver or as a non-floating, active receiver.

- 3.9.1.1 In the floating configuration, the transmitter sources current. The current path is into the CL+ (P2, Pin 4) terminal and out the CL- (P2, Pin 5) terminal. When a teletype is the transmitter, the TTY IN (P2, Pin 12) input should be used instead of the CL+ input. In the non-floating configuration, CL+12 (P2, Pin 3) and CL+ are connected, and CL- is connected to ground. (A passive transmitter should be used with this configuration.) The current path is from +12V into CL+ and out of CL- to ground. The transmitter can then short the CL+ and CL- terminals and make the path from +12V to ground directly.
- 3.9.1.2 The output current of the 5082-4352 opto-isolator (U11) is converted to a voltage with a 2.2K resistor and sensed with a 74LS132 (U19). From a distortion standpoint, the ideal 0-to-20 mA or 20 mA to 0 transition sense level is 10 mA. However, noise considerations dictate that some hysteresis should be incorporated into the design. The current transfer ratio of the opto-isolator and the thresholds of the 74LS132 are the primary factors in determining the current thresholds of the receiver. The 0-to-20 mA transition is sensed between 8.2 mA and 13.4 mA. The 20 mA to 0 transition is sensed between 7.4 mA and 9.4 mA. There is always at least 0.82 mA of hysteresis in the receiver.
- 3.9.1.3 Current flowing in the receiver is interpreted as a mark. By grounding INI (P2, Pin 2), current flowing in the receiver can be interpreted as a space.
- 3.9.2 The current loop transmitter (Out) consists of a 20-mA dc current source and a 20-mA dc current sink.
- 3.9.2.1 The transmitter circuits are switched on and off to provide a high output impedance 20-mA dc current loop transmitter. The CLA line (P2, Pin 6) will source 20 mA when on. The current path is from the +12V supply out the CLA pin, and into the receiver. The return path is ground. The CLP line (P2, Pin 7) will sink 20 mA dc when on. The current path is from the receiver into the CLP pin, and into the -12V supply. The return path is ground. This transmitter will source current into +7.5V to -12V (referenced to ground) or sink current from +12V to -7.5V (referenced to ground).

3.9.2.2 The first stage of the transmitter consists of an NPN (2N4401) and a PNP (2N4403) transistor Q2 and Q1, respectively. This circuit shifts the data from TTL levels to the 12V levels required to turn the 20 mA current controllers on and off. The second stage controls the sourced and sunk current when on, and presents a high impedance to the line when off. The CLA and CLP output pins are protected with series diodes. The output current is controlled by impressing a constant voltage across the 0.15K and 0.10K resistors that are in series with the output. This voltage is maintained by the 1.5K, 8.2K, 1.5K voltage divider. When the transmitter is on, 24V is impressed across these resistors. The two diodes in series with these resistors are used to reduce current variations due to temperature changes.

3.9.2.3 A mark is transmitted as current in the line. By grounding  $\overline{INO}$  (P2, Pin 8), a space can be transmitted as current in the line.

3.9.3 Current Loop Specifications.

	Min ----	Max -----	Units -----
Passive Receiver, Floating			
Marking Current	15.0	25.00	mA
Spacing Current	0.0	5.00	mA
Voltage Drop, Marking	1.4	1.80	volts
Active Receiver, Non-floating			
Marking Current	0.0	10.00	mA
Spacing Current	20.0	25.00	mA
Open Circuit Voltage	1.4	1.80	volts
Active Transmitter			
Marking Current Sourced	17.0	25.00	mA
Marking Current Sunk	25.0	35.00	mA
Spacing Current	0.0	0.01	mA
Receiver Voltage			
(receiver sourcing)	- 7.5	12.00	volts
(receiver sinking)	-12.0	7.50	volts



4.0 MODULE ADDRESS STRAPPING.

The module address is a unique 4-bit value (2 octal digits) used to address a particular module on the terminal data bus. The GP Async Data Comm PCA can be strapped to respond to any module address from 00 17. To determine the configuration of the A4, A11, A10, and A9 Switches, the following is required:

- a) Convert the octal address to a binary address as shown below.

		Switch			
		A4	A11	A10	A9
Module Address	12	1	0	1	0
	3	0	0	1	1

- b) Close a switch wherever a "0" appears in the binary module address.

The data comm driver uses module address 10 and the RS232C printer driver uses module address 12.

#### 4.1 CUSTOM BAUD RATE STRAPPING.

The custom baud rate generator provides a clock that is 16 times the desired baud rate. The range of baud rates is from 37.5 to 2400 baud (within 1.0 percent). In addition, certain rates from 2400 to 19.2K baud are also provided.

The baud rate switches are configured as follows. (The example configuration is for 110 baud selection.)

- a) Divide 153600 by the desired baud rate.

$$153600/110 = 1396.36$$

- b) Round the quotient to the nearest integer.

$$1396.36 \text{ becomes } 1396$$

- c) Subtract one from the rounded quotient.

$$1396-1 = 1395$$

- d) Convert the decimal number to a 12-bit binary number.

SWITCH	MSB											LSB
	B11	B10	B9	B8	B7	B6	B5	B4	B3	B2	B1	
1395	0	1	0	1	0	1	1	1	0	0	1	1

- e) Close a switch in every position that has a "1". The remaining switches are left open.

- f) To calculate the actual generated baud rate, divide 153600 by the result of step b, above.

$$153600/1396 = 110.03$$

(Note: The actual rate may not be exactly equal to the desired rate.)

To clock the receive half of the UART with a custom baud rate, the CBE Switch must be closed and bits, 1, 2, and 3 of the control register must be "0" (External Clock).

4.2 SPLIT BAUD RATE STRAPPING.

Baud rate selection is controlled by bits 1, 2, and 3 of the control register and the S0-S2 Switches. Bits 1, 2, and 3 of the control register, in conjunction with the 134 and CBE switches, determine the receive baud rate. If the S0-S2 Switches are all open the transmit baud rate will always be equal to the receive baud rate. The following chart shows the available split rates and corresponding switch configurations.

		TRANSMIT BAUD RATE														
		C U S														
		1 2 4 9 3														
		E T 1 1 3 2 4 8 6 4										B B B				
		X O 1 5 0 0 0 0 0										. T T T				
		T M 0 0 0 0 0 0 0 5										3 2 1				
		EXT X X X X X X X X										0 0 0				
		CUSTOM X X X X X X X X										0 0 0		CBE Switch Closed		
B	110	X	X	X	X	X	X	X	X	X	X	0	0	1		
R	A	150	X	X	X	X	X	X	X	X	X	0	1	0		
E	U	300	X	X	X	X	X	X	X	X	X	0	1	1		
C	D	1200	X	X	X	X	X	X	X	X	X	1	0	0		
E		2400	X	X	X	X	X	X	X	X	X	1	0	1		
I	R	4800	X	X	X	X	X	X	X	X	X	1	1	0		
V	A	9600	X	X	X	X	X	X	X	X	X	1	1	1		
E	T	134.5										X	0	1	0	134 Switch Closed
E			S2	S0	SC	S0	SC	SC	S0	S0	S0	SC	S0			
			S1	S0	SC	S0	S0	S0	SC	SC	S0	SC	S0			
			S0	S0	SC	S0	SC	S0	SC	S0	SC	S0	S0			

X = Available Split Rate  
SC = Switch Closed  
S0 = Switch Open

- Note: a) If all S0-S2 Switches are open, the transmit baud rate will equal the receive baud rate.  
b) The 134 Switch must be closed to get 134.5 baud.  
c) The CBE Switch must be closed to get a custom baud rate.

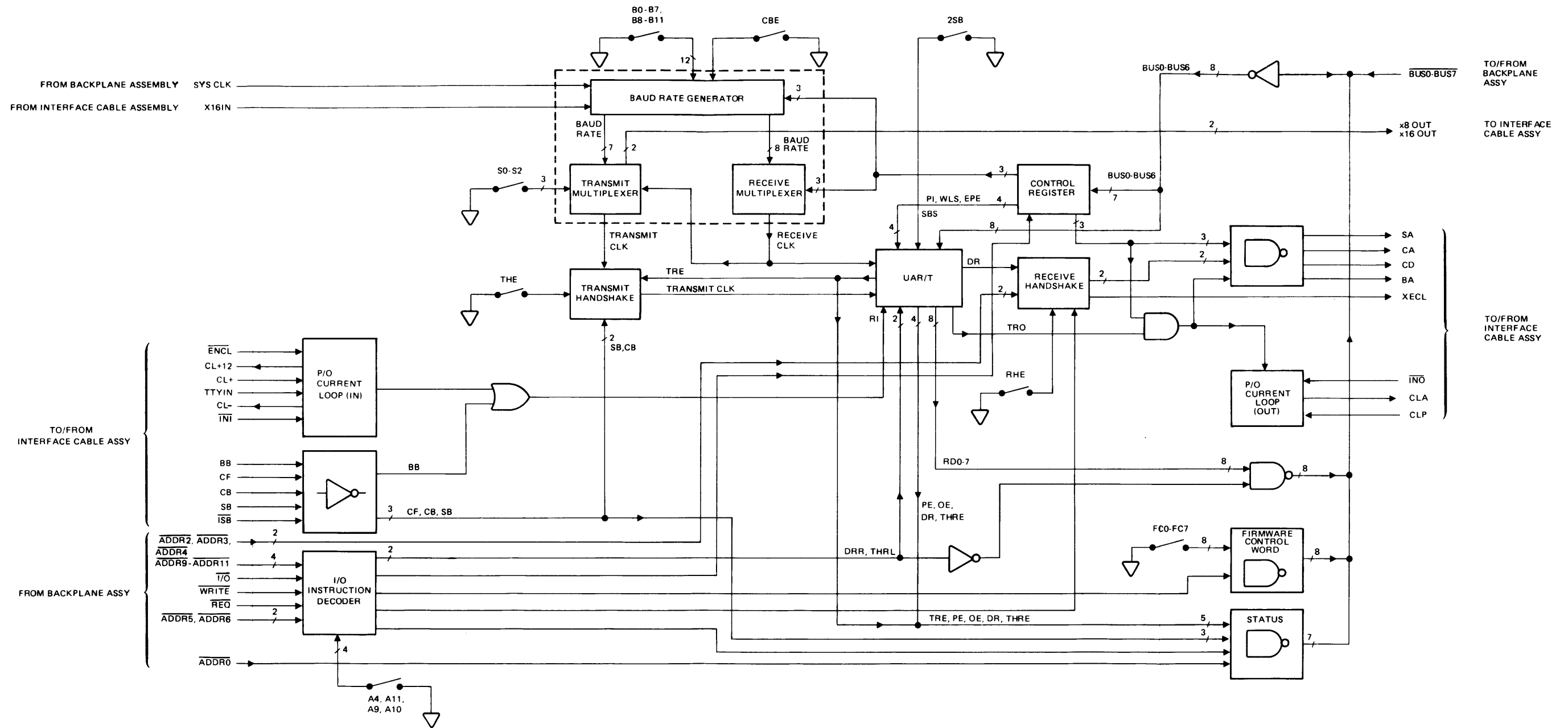
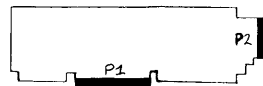
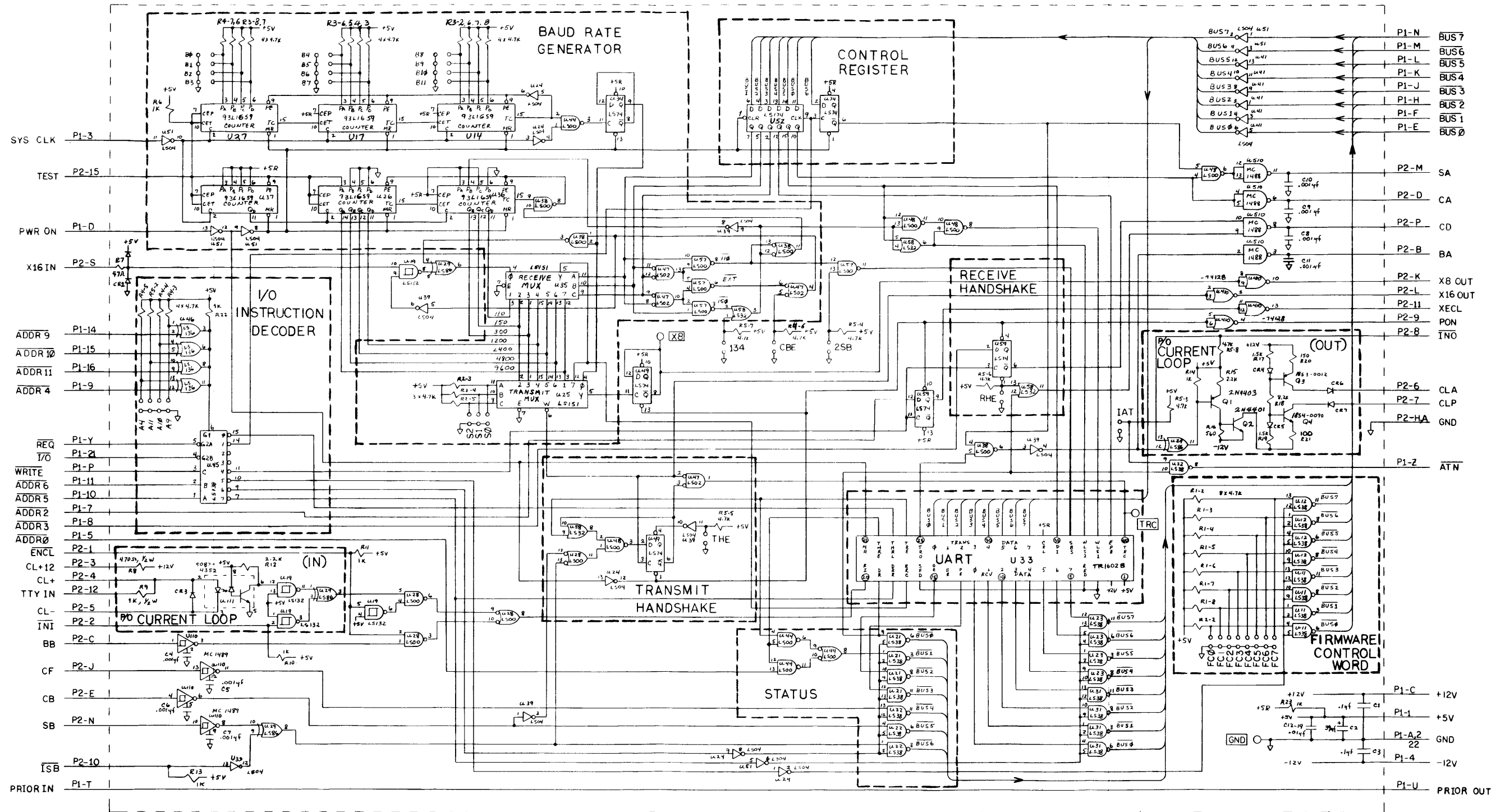


Figure 1  
 GP Asynchronous Data Comm Block Diagram  
 AUG-01-76 13255-91089



1) all resistors are in ohms, 5%, 1/4watt unless noted otherwise.  
 2) All diodes are 1N91-0040.

Figure 2  
 GP Asynchronous Data Comm PCA Schematic Diagram  
 AUG-01-76  
 13255-91089

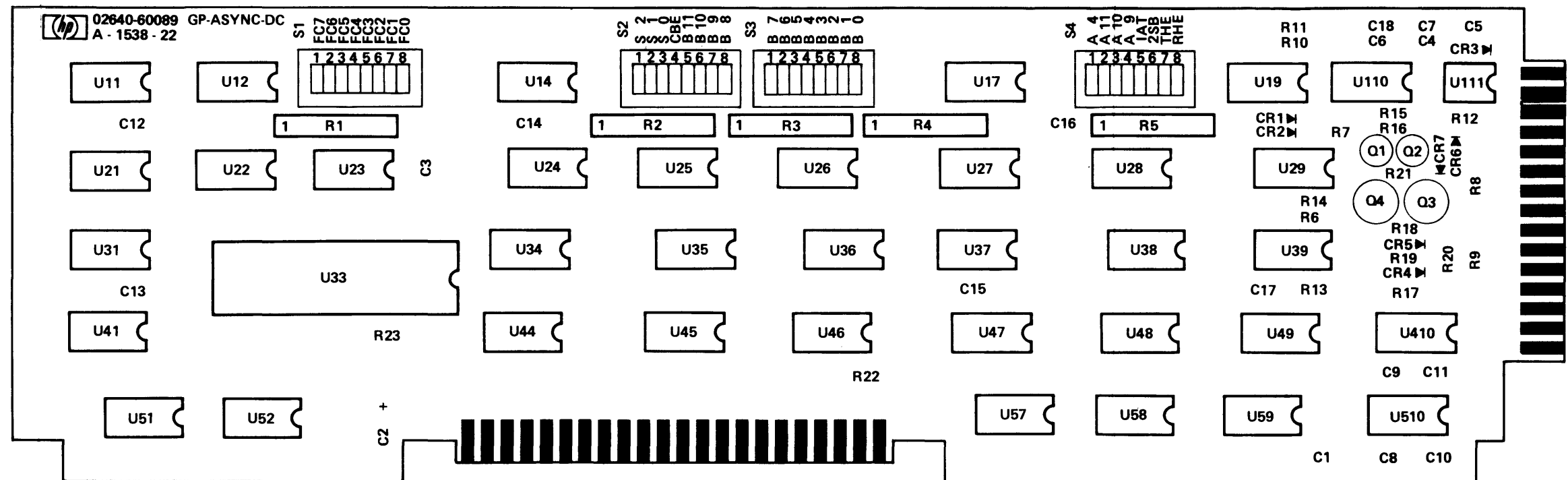
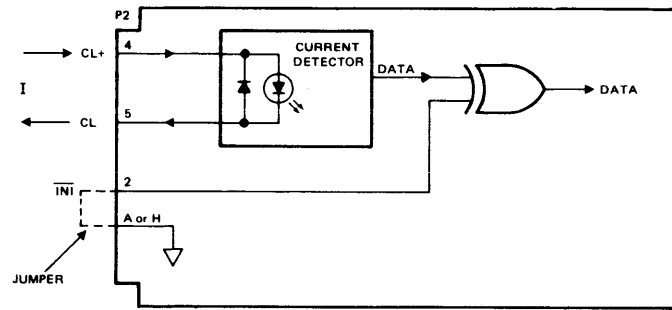
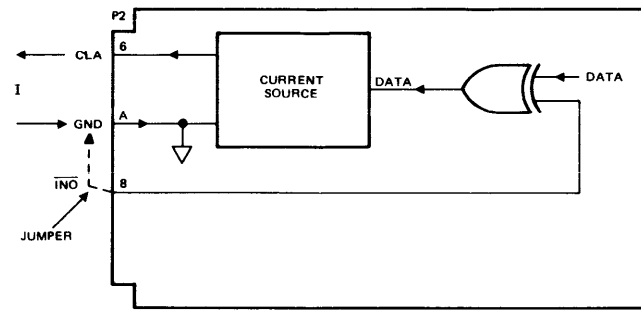


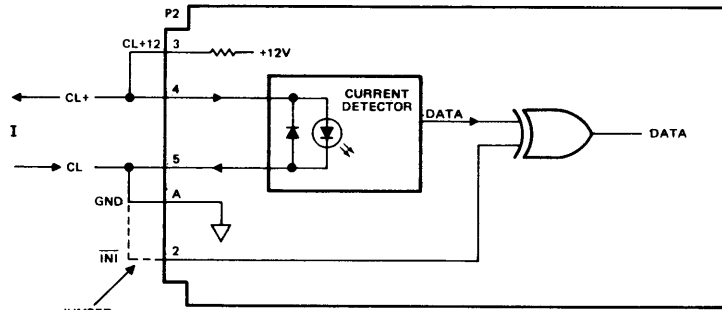
Figure 3  
 GP Asynchronous Data Comm PCA  
 Component Location Diagram  
 AUG-01-76 13255-91089



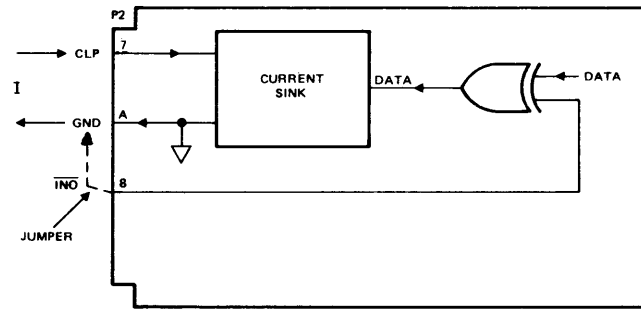
FLOATING PASSIVE RECEIVER



SOURCING TRANSMITTER



NON-FLOATING ACTIVE RECEIVER



SINKING TRANSMITTER

Figure 4  
Current Loop Configuration Diagram  
AUG-01-76 13255-91089

*Replaceable Parts*

Reference Designation	HP Part Number	Qty	Description	Mfr Code	Mfr Part Number
	02645-60003	1	CURRENT LOOP SELF TEST HOOD ASSEMBLY REVISION DATE: 05-14-76	28480	02645-60003
	0624-0098	2	SCREW-TPG 4-40 .438-IN-LG PAN-HD-POZI	28480	0624-0099
	1251-0159	1	CONNECTOR-PC EDGE 15-CONT/ROW 2-ROWS	71785	251-15-30-261
	1251-4339	1	POLARIZING KEY-PC EDGE CONN	28480	1251-4339
	2200-0091	1	SCREW-MACH 4-40 .562-IN-LG PAN-HD-POZI	28480	2200-0091
	2260-0002	1	NUT-HEX-DBL-CHAM 4-40-THD .062-THK	28480	2260-0005
	3030-0009	1	SCREW-SET 6-32 .375-IN-LG SMALL CUP-PT	28480	3030-0009
	8150-2344	1	WIRE 24AWG BK 300V PVC 7X32 80C	28480	8150-2344
	5040-6003	1	CLAMP	28480	5040-6003
	5040-6072	1	MOUNTING BLOCK	28480	5040-6072
	5040-6086	1	HOOD, CONNECTOR	28480	5040-6086



*Replaceable Parts*

Reference Designation	HP Part Number	Qty	Description	Mfr Code	Mfr Part Number
	02640-60089	1	G.P. A-SYNC DATA COMM ASSEMBLY DATE CODE: A-1538-22 REVISION DATE:08-13-76	28480	02640-60089
C1	0150-0121	2	CAPACITOR-FXD .1UF +80-20% 50WVDC CER	28480	0150-0121
C2	0160-0393	1	CAPACITOR-FXD 39UF+-10% 10VDC TA	56289	1500396X901082
C3	0150-0121	1	CAPACITOR-FXD .1UF +80-20% 50WVDC CER	28480	0150-0121
C4	0160-3456	8	CAPACITOR-FXD 1000PF +-10% 1000WVDC CER	28480	0160-3456
C5	0160-3456	1	CAPACITOR-FXD 1000PF +-10% 1000WVDC CER	28480	0160-3456
C6	0160-3456	1	CAPACITOR-FXD 1000PF +-10% 1000WVDC CER	28480	0160-3456
C7	0160-3456	1	CAPACITOR-FXD 1000PF +-10% 1000WVDC CER	28480	0160-3456
C8	0160-3456	1	CAPACITOR-FXD 1000PF +-10% 1000WVDC CER	28480	0160-3456
C9	0160-3456	1	CAPACITOR-FXD 1000PF +-10% 1000WVDC CER	28480	0160-3456
C10	0160-3456	1	CAPACITOR-FXD 1000PF +-10% 1000WVDC CER	28480	0160-3456
C11	0160-3456	1	CAPACITOR-FXD 1000PF +-10% 1000WVDC CER	28480	0160-3456
C12	0160-2055	7	CAPACITOR-FXD .01UF +80-20% 100WVDC CER	28480	0160-2055
C13	0160-2055	1	CAPACITOR-FXD .01UF +80-20% 100WVDC CER	28480	0160-2055
C14	0160-2055	1	CAPACITOR-FXD .01UF +80-20% 100WVDC CER	28480	0160-2055
C15	0160-2055	1	CAPACITOR-FXD .01UF +80-20% 100WVDC CER	28480	0160-2055
C16	0160-2055	1	CAPACITOR-FXD .01UF +80-20% 100WVDC CER	28480	0160-2055
C17	0160-2055	1	CAPACITOR-FXD .01UF +80-20% 100WVDC CER	28480	0160-2055
C18	0160-2055	1	CAPACITOR-FXD .01UF +80-20% 100WVDC CER	28480	0160-2055
CR1	19C1-0040	7	DIODE-SWITCHING 30V 50MA 2NS DC-35	28480	1901-0040
CR2	19C1-0040	1	DIODE-SWITCHING 30V 50MA 2NS DC-35	28480	1901-0040
CR3	19C1-0040	1	DIODE-SWITCHING 30V 50MA 2NS DC-35	28480	1901-0040
CR4	19C1-0040	1	DIODE-SWITCHING 30V 50MA 2NS DC-35	28480	1901-0040
CR5	19C1-0040	1	DIODE-SWITCHING 30V 50MA 2NS DC-35	28480	1901-0040
CR6	19C1-0040	1	DIODE-SWITCHING 30V 50MA 2NS DC-35	28480	1901-0040
CR7	19C1-0040	1	DIODE-SWITCHING 30V 50MA 2NS DC-35	28480	1901-0040
	0360-0124	3	TERMINAL-STUD SGL-PIN PRESS-MTG	28480	0360-0124
	0360-0124	1	TERMINAL-STUD SGL-PIN PRESS-MTG	28480	0360-0124
	0360-0124	1	TERMINAL-STUD SGL-PIN PRESS-MTG	28480	0360-0124
Q1	1853-0271	1	TRANSISTOR PNP 2N4403 SI TO-92 PD=310MW	04713	2N4403
Q2	1854-0467	1	TRANSISTOR NPN 2N4401 SI TO-92 PD=310MW	04713	2N4401
Q3	1853-0012	1	TRANSISTOR PNP 2N2904A SI TO-5 PD=600MW	01295	2N2904A
Q4	1854-0090	1	TRANSISTOR NPN SI TO-39 PD=1W FT=100MHZ	28480	1854-0090
K1	1810-0125	5	NETWORK-RES 8-PIN-SIP .125-PIN-SPCG	11236	750
K2	1810-0125	1	NETWORK-RES 8-PIN-SIP .125-PIN-SPCG	11236	750
K3	1810-0125	1	NETWORK-RES 8-PIN-SIP .125-PIN-SPCG	11236	750
K4	1810-0125	1	NETWORK-RES 8-PIN-SIP .125-PIN-SPCG	11236	750
K5	1810-0125	1	NETWORK-RES 8-PIN-SIP .125-PIN-SPCG	11236	750
K6	06E3-1025	7	RESISTOR 1K 5% .25W FC TC=-400/+600	01121	C81025
K7	06E3-4705	1	RESISTOR 47 5% .25W FC TC=-400/+500	01121	C84705
K8	06E6-4715	1	RESISTOR 470 5% .5W CC TC=0+529	01121	E84715
K9	06E6-1025	1	RESISTOR 1K 5% .5W CC TC=0+647	01121	E81025
K10	06E3-1025	1	RESISTOR 1K 5% .25W FC TC=-400/+600	01121	C81025
K11	06E3-1025	1	RESISTOR 1K 5% .25W FC TC=-400/+600	01121	C81025
K12	06E3-2225	2	RESISTOR 2.2K 5% .25W FC TC=-400/+700	01121	C82225
K13	06E3-1025	1	RESISTOR 1K 5% .25W FC TC=-400/+600	01121	C81025
K14	06E3-1025	1	RESISTOR 1K 5% .25W FC TC=-400/+600	01121	C81025
K15	06E3-2225	1	RESISTOR 2.2K 5% .25W FC TC=-400/+700	01121	C82225
K16	06E3-5615	1	RESISTOR 560 5% .25W FC TC=-400/+600	01121	C85615
K17	06E3-1525	2	RESISTOR 1.5K 5% .25W FC TC=-400/+700	01121	C81525
K18	06E3-8225	1	RESISTOR 8.2K 5% .25W FC TC=-400/+700	01121	C88225
K19	06E3-1525	1	RESISTOR 1.5K 5% .25W FC TC=-400/+700	01121	C81525
K20	06E3-1515	1	RESISTOR 150 5% .25W FC TC=-400/+600	01121	C81515
K21	06E3-1015	1	RESISTOR 100 5% .25W FC TC=-400/+500	01121	C81015
K22	06E3-1025	1	RESISTOR 1K 5% .25W FC TC=-400/+600	01121	C81025
K23	06E3-1025	1	RESISTOR 1K 5% .25W FC TC=-400/+600	01121	C81025
S1	31C1-1983	4	SWITCH-TGL DIP ROCKER ASSEMBLY 8-1A NS	81073	76YY2078
S2	31C1-1983	1	SWITCH-TGL DIP ROCKER ASSEMBLY 8-1A NS	81073	76YY2078
S3	31C1-1983	1	SWITCH-TGL DIP ROCKER ASSEMBLY 8-1A NS	81073	76YY2078
S4	31C1-1983	1	SWITCH-TGL DIP ROCKER ASSEMBLY 8-1A NS	81073	76YY2078
U11	1820-1209	6	IC-DIGITAL SN74LS38N TTL LS QUAD 2 NAND	01295	SN74LS38N
U12	1820-1209	1	IC-DIGITAL SN74LS38N TTL LS QUAD 2 NAND	01295	SN74LS38N
U14	1820-0778	6	IC-DIGITAL 93L16DC TTL L 8IN SYNCHRO	07263	93L16DC
U17	1820-0778	1	IC-DIGITAL 93L16DC TTL L 8IN SYNCHRO	07263	93L16DC
U19	1820-1425	1	IC-DIGITAL SN74LS132N TTL LS QUAD 2 NAND	01295	SN74LS132N
U21	1820-1209	1	IC-DIGITAL SN74LS38N TTL LS QUAD 2 NAND	01295	SN74LS38N
U22	1820-1209	1	IC-DIGITAL SN74LS38N TTL LS QUAD 2 NAND	01295	SN74LS38N
U23	1820-1209	1	IC-DIGITAL SN74LS38N TTL LS QUAD 2 NAND	01295	SN74LS38N
J24	1820-1199	4	IC-DIGITAL SN74LS04N TTL LS HEX 1	01295	SN74LS04N
U25	1820-1217	2	IC-DIGITAL SN74LS151N TTL LS 8	01295	SN74LS151N

*Replaceable Parts*

Reference Designation	HP Part Number	Qty	Description	Mfr Code	Mfr Part Number
			G.P. A-SYNC DATA COMM ASSEMBLY (Cont'd.)		
U26	1820-0778		IC-DIGITAL 93L16DC TTL L BIN SYNCHRO	07263	93L16DC
U27	1820-0778		IC-DIGITAL 93L16DC TTL L BIN SYNCHRO	07263	93L16DC
U28	1820-1197	5	IC-DIGITAL SN74LS00N TTL LS QUAD 2 NAND	01295	SN74LS00N
U29	1820-1211	1	IC-DIGITAL SN74LS86N TTL LS QUAD 2	01295	SN74LS86N
U31	1820-1209		IC-DIGITAL SN74LS38N TTL LS QUAD 2 NAND	01295	SN74LS38N
U33	1820-1219	1	IC-DIGITAL TR1602B TTL*	0026W	TR1602B
U34	1820-1112	3	IC-DIGITAL SN74LS74N TTL LS DUAL	01295	SN74LS74N
U35	1820-1217		IC-DIGITAL SN74LS151N TTL LS 8	01295	SN74LS151N
U36	1820-0778		IC-DIGITAL 93L16DC TTL L BIN SYNCHRO	07263	93L16DC
U37	1820-0778		IC-DIGITAL 93L16DC TTL L BIN SYNCHRO	07263	93L16DC
U38	1820-1197		IC-DIGITAL SN74LS00N TTL LS QUAD 2 NAND	01295	SN74LS00N
U39	1820-1199		IC-DIGITAL SN74LS04N TTL LS HEX 1	01295	SN74LS04N
U41	1820-1199		IC-DIGITAL SN74LS04N TTL LS HEX 1	01295	SN74LS04N
U44	1820-1197		IC-DIGITAL SN74LS00N TTL LS QUAD 2 NAND	01295	SN74LS00N
U45	1820-1216	1	IC-DIGITAL SN74LS138N TTL LS 3	01295	SN74LS138N
U46	1820-1215	1	IC-DIGITAL SN74LS136N TTL LS QUAD 2	01295	SN74LS136N
U47	1820-1144	1	IC-DIGITAL SN74LS02N TTL LS QUAD 2 NOR	01295	SN74LS02N
U48	1820-1197		IC-DIGITAL SN74LS00N TTL LS QUAD 2 NAND	01295	SN74LS00N
U49	1820-1112		IC-DIGITAL SN74LS74N TTL LS DUAL	01295	SN74LS74N
U51	1820-1199		IC-DIGITAL SN74LS04N TTL LS HEX 1	01295	SN74LS04N
U52	1820-1196	1	IC-DIGITAL SN74LS174N TTL LS HEX	01295	SN74LS174N
U57	1820-1197		IC-DIGITAL SN74LS00N TTL LS QUAD 2 NAND	01295	SN74LS00N
U58	1820-1208	1	IC-DIGITAL SN74LS32N TTL LS QUAD 2 OR	01295	SN74LS32N
U59	1820-1112		IC-DIGITAL SN74LS74N TTL LS DUAL	01295	SN74LS74N
U110	1820-0990	1	IC-DIGITAL MC1489AL DTL QUAD NAND	04713	MC1489AL
U111	1950-0544	1	OPTO-ISOLATOR LED-POIO/XSTR IF=50MA-MAX	28480	1950-0544
U410	1820-1074	1	IC-DIGITAL SN74LS28N TTL QUAD 2 NOR	01295	SN74LS28N
U510	1820-0509	1	IC-DIGITAL MC1488L DTL QUAD LINE	04713	MC1488L
	4330-0145		BEADS, INDIAN	28480	4330-0159
	1200-0185	2	PAD-MTG T05		

*Replaceable Parts*

Reference Designation	HP Part Number	Qty	Description	Mfr Code	Mfr Part Number
	02640-60097	1	CURRENT LOOP CABLE ASSEMBLY REVISION DATE: 06-11-76	28480	02640-60097
	0362-0317	4	TERMINAL-CRIMP SPD-FK-FLG #6 22-18-ANG	98410	A-515-06-T
	0624-0098	2	SCREW-TPC 4-40 .438-IN-LG PAN-HD-POZI	28480	0624-0099
	1251-0159	1	CONNECTOR-PC EDGE 15-CONT/ROW 2-ROWS	71785	251-15-30-261
	1251-4339	1	POLARIZING KEY-PC EDGE CONN	28480	1251-4339
	2200-0149	3	SCREW-MACH 4-40 .625-IN-LG PAN-HD-POZI	28480	2200-0149
	2260-0002	1	NUT-HEX-DBL-CHAM 4-40-THD .062-THK	28480	2260-0005
	3030-0009	1	SCREW-SET 6-32 .375-IN-LG SMALL CUP-PT	28480	3030-0009
	8120-1871	1	CABLE-UNSHLD 22AWG 5-CNDCT JGK-JKT	28480	8120-1893
	5040-6003	1	CLAMP	28480	5040-6003
	5040-6072	1	MOUNTING BLOCK	28480	5040-6072
	5040-6086	1	HOOD, CONNECTOR	28480	5040-6086

*Replaceable Parts*

Reference Designation	HP Part Number	Qty	Description	Mfr Code	Mfr Part Number
	02640-60098	1	RS232 CABLE ASSEMBLY REVISION DATE: 05-15-76	28480	02640-60098
	0624-0098	2	SCREW-TPG 4-40 .438-IN-LG PAN-HD-POZI	28480	0624-0099
	1251-0159	1	CONNECTOR-PC EDGE 15-CONT/ROW 2-ROWS	71785	251-15-30-261
	1251-0352	1	CABLE BUSHING-CIRC STD CONN	71468	CA18220-6
	1251-2417	1	CONNECTOR 25-PIN M D SERIES	71468	DBC-25P-F0
	1251-3250	7	CONTACT-CONN MALE GRP .04-IN-CONT-SZ	71468	030-1952-000
	1251-3320	1	ACCESSORY-SUBMIN D CONN	71468	018-5000-167
	1251-3328	2	ACCESSORY-SUBMIN D CONN	71785	423-42-22-022
	1251-4339	1	POLARIZING KEY-PC EDGE CONN	28480	1251-4339
	2150-0078	2	WASHER-LK HLCL NO.-4 .115-IN-ID	28480	2190-0078
	2200-0149	1	SCREW-MACH 4-40 .625-IN-LG PAN-HD-POZI	28480	2200-0149
	2200-0757	2	SCREW-MACH 4-40 .688-IN-LG PAN-HD-POZI	28480	2200-0757
	2220-0010	2	SCREW-MACH 4-40 .5-IN-LG FIL-HD-SLT	28480	2220-0010
	2260-0001	2	NUT-HEX-DBL-CHAM 4-40-THD .094-THK	28480	2260-0002
	2260-0002	1	NUT-HEX-DBL-CHAM 4-40-THD .062-THK	28480	2260-0005
	3030-0009	1	SCREW-SET 6-32 .375-IN-LG SMALL CUP-PT	28480	3030-0009
	8120-1857		CABLE-UNSHLD 22AWG 10-CNDCT JGK-JKT	28480	8120-1857
	5040-6003	1	CLAMP	28480	5040-6003
	5040-6072	1	MOUNTING BLOCK	28480	5040-6072
	5040-6086	1	HOOD, CONNECTOR	28480	5040-6086

*Replaceable Parts*

Reference Designation	HP Part Number	Qty	Description	Mfr Code	Mfr Part Number
	02640-60099	1	RS232 CABLE ASSEMBLY REVISION DATE: 03-13-76	28480	02640-60099
	0624-0098	2	SCREW-TPG 4-40 .438-IN-LG PAN-HD-POZI	28480	0624-0099
	1251-0159	1	CONNECTOR-PC EDGE 15-CGNT/ROW 2-ROWS	71785	251-15-30-261
	1251-0352	1	CABLE BUSHING-CIRC STD CONN	71468	CA18220-6
	1251-2416	1	CONNECTOR 25-PIN F D SERIES	71468	DBC-25S-F0
	1251-3252	7	CONTACT-CONN FEM CRP .04-IN-CONT-SZ	71468	030-1953-000
	1251-3320	1	ACCESSORY-SUBMIN D CONN	71468	018-5000-167
	1251-3328	2	ACCESSORY-SUBMIN D CONN	71785	423-42-22-022
	1251-4339	1	POLARIZING KEY-PC EDGE CONN	28480	1251-4339
	2150-0078	2	WASHER-LK HLCL NO.-4 .115-IN-ID	28480	2190-0078
	2200-0149	1	SCREW-MACH 4-40 .625-IN-LG PAN-HD-POZI	28480	2200-0149
	2200-0757	2	SCREW-MACH 4-40 .688-IN-LG PAN-HD-POZI	28480	2200-0757
	2220-0010	2	SCREW-MACH 4-40 .5-IN-LG FIL-HD-SLT	28480	2220-0010
	2260-0001	2	NUT-HEX-DBL-CHAM 4-40-THD .094-THK	28480	2260-0002
	2260-0002	1	NUT-HEX-DBL-CHAM 4-40-THD .062-THK	28480	2260-0005
	3030-0009	1	SCREW-SET 6-32 .375-IN-LG SMALL CUP-PT	28480	3030-0009
	8120-1857		CABLE-UNSHLD 22AWG 10-CNDCT JGK-JKT	28480	8120-1857
	5040-6003	1	CLAMP	28480	5040-6003
	5040-6072	1	MOUNTING BLOCK	28480	5040-6072
	5040-6086	1	HOOD, CONNECTOR	28480	5040-6086