

Programmer's  
Guide

HP 16550A  
100-MHz State/500-MHz Timing  
Logic Analyzer

---

# Programmer's Guide

Publication number 16550-97000

First edition, May 1993

For Safety information, Warranties, and Regulatory information, see the pages behind the index

© Copyright Hewlett-Packard Company 1987, 1990, 1993  
All Rights Reserved

---

## HP 16550A 100-MHz State/ 500-MHz Timing Logic Analyzer



---

## In This Book

This guide, combined with the *HP 16500B/16501A Programmer's Guide*, provides you with the information needed to program the HP 16550A logic analyzer module. Each module has its own reference to supplement the mainframe manual since not all mainframes will be configured with the same modules.

This manual is organized in three parts. Part 1 consists of chapters 1 and 2 which contain general information and instructions to help you get started.


Chapter 1 also contains:

- Mainframe system commands that are frequently used with the logic analyzer module
- HP 16550A Logic Analyzer command tree
- Alphabetic command-to-subsystem directory

Chapter 2 contains module level commands.

Part 2 consists of chapters 3 through 15 which contain the subsystem commands for the logic analyzer and chapter 16 which contains information on the `SYSTEM:DATA` and `SYSTEM:SETup` commands for this module.

<b>1</b>	<b>Programming the HP 16550B</b>
<b>2</b>	<b>Module Level Commands</b>
<b>3</b>	<b>MACHine Subsystem</b>
<b>4</b>	<b>WLISt Subsystem</b>
<b>5</b>	<b>SFORmat Subsystem</b>
<b>6</b>	<b>STRigger (STRace) Subsystem</b>
<b>7</b>	<b>SLISt Subsystem</b>
<b>8</b>	<b>SWAVeform Subsystem</b>
<b>9</b>	<b>SCHart Subsystem</b>
<b>10</b>	<b>COMPare Subsystem</b>
<b>11</b>	<b>TFORmat Subsystem</b>
<b>12</b>	<b>TTRigger (TTRace) Subsystem</b>
<b>13</b>	<b>TWAVeform Subsystem</b>
<b>14</b>	<b>TLISt Subsystem</b>



Part 3, chapter 17, contains program examples of actual tasks that show you how to get started in programming the HP HP 16550A logic analyzer. These examples are written in HP BASIC 6.2; however, the program concepts can be used in any other popular programming language that allows communications with either the HP-IB or RS-232C buses.

Error messages for the HP 16550A are included in generic system error messages and are in the *HP 16500B/16501A Programmer's Guide*.

<b>15</b>	<b>SYMBOL Subsystem</b>
<b>16</b>	<b>DATA and SETUp Commands</b>
<b>17</b>	<b>Programming Examples</b>
	<b>Index</b>



---

# Contents

## **1 Programming the HP 16550A**

Selecting the Module 1-3  
Programmer's the Logic Analyzer 1-3  
Mainframe Commands 1-5  
Command Set Organization 1-8  
Module Status Reporting 1-13  
MESE<N> 1-14  
MESR<N> 1-16

## **2 Module Level Commands**

ARMLine 2-5  
MACHine 2-5  
WLISt 2-6

## **3 MACHine Subsystem**

MACHine 3-4  
ARM 3-5  
ASSign 3-6  
LEVelarm 3-7  
NAME 3-8  
REName 3-8  
RESource 3-9  
TYPE 3-10

## **4 WLISt Subsystem**

WLISt 4-4  
DELay 4-5  
INSert 4-6  
LINE 4-7  
MINus 4-8  
OSTate 4-9  
OTIME 4-9  
OVERlay 4-10  
PLUS 4-11  
RANGe 4-12



## Contents

REMove 4-12  
XOTime 4-13  
XState 4-13  
XTIME 4-14

### 5 SFORmat Subsystem

SFORmat 5-6  
CLOCK 5-6  
LABel 5-7  
MASTer 5-9  
MODE 5-10  
MOPQual 5-10  
MQual 5-11  
REMove 5-12  
SETHold 5-12  
SLAVe 5-14  
SOPQual 5-15  
SQual 5-16  
THReshold 5-16

### 6 STRigger (STRace) Subsystem

Qualifier 6-7  
STRigger (STRace) 6-9  
ACQuisition 6-9  
BRANCh 6-10  
CLEar 6-12  
FIND 6-13  
RANGe 6-14  
SEQuence 6-16  
STORe 6-17  
TAG 6-18  
TAKenbranch 6-19  
TCONtrol 6-20  
TERM 6-21  
TIMER 6-22  
TPOStion 6-23

## 7 SLISt Subsystem

SLISt 7-7  
COLumn 7-7  
CLRPattern 7-8  
DATA 7-9  
LINE 7-9  
MMODE 7-10  
OPATtern 7-11  
OSEarch 7-12  
OSTate 7-13  
OTAG 7-14  
OVERlay 7-15  
REMOve 7-15  
RUNTil 7-16  
TAVerage 7-17  
TMAXimum 7-18  
TMINimum 7-18  
VRUNs 7-19  
XOTag 7-19  
XOTime 7-20  
XPATtern 7-20  
XSEarch 7-21  
XState 7-22  
XTAG 7-23

## 8 SWAVEform Subsystem

SWAVEform 8-4  
ACCumulate 8-5  
ACQquisition 8-5  
CENTer 8-6  
CLRPattern 8-6  
CLRStat 8-7  
DELay 8-7  
INSert 8-8  
RANGe 8-8  
REMOve 8-9

## Contents

TAKenbranch 8-9

TPOStion 8-10

### 9 SCHart Subsystem

SCHart 9-4

ACCumulate 9-4

HAXis 9-5

VAXis 9-6

### 10 COMPare Subsystem

COMPare 10-4

CLEar 10-5

CMASk 10-5

COPY 10-6

DATA 10-6

FIND 10-8

LINE 10-9

MENU 10-10

RANGe 10-10

RUNTIl 10-11

SET 10-13

### 11 TFORmat Subsystem

TFORmat 11-4

ACQMode 11-5

LABel 11-6

REMOve 11-7

THReshold 11-8

### 12 TTRigger (TTRace) Subsystem

Qualifier 12-6

TTRigger (TTRace) 12-8

ACQuisition 12-8

BRANCh 12-9

CLEar 12-12

FIND 12-12

GLEDe 12-14  
 RANGe 12-15  
 SEQuence 12-17  
 SPERiod 12-18  
 TCONtrol 12-19  
 TERM 12-20  
 TIMER 12-21  
 TPOStion 12-22

### 13 TWAVeform Subsystem

TWAVeform 13-7  
 ACCumulate 13-7  
 ACQuisition 13-8  
 CENTer 13-8  
 CLRPattern 13-9  
 CLRStat 13-9  
 DELay 13-10  
 INSert 13-11  
 MINus 13-12  
 MMODE 13-13  
 OCONdition 13-14  
 OPATtern 13-15  
 OSEarch 13-16  
 OTIME 13-17  
 OVERlay 13-17  
 PLUS 13-18  
 RANGe 13-19  
 REMove 13-19  
 RUNTil 13-20  
 SPERiod 13-21  
 TAVerage 13-22  
 TMAXimum 13-22  
 TMINimum 13-23  
 TPOStion 13-23  
 VRUNs 13-24  
 XCONdition 13-25  
 XOTime 13-25

## Contents

XPATtern 13-26  
XSEarch 13-27  
XTIME 13-28

### 14 TLISt Subsystem

TList 14-7  
COLumn 14-7  
CLRPattern 14-8  
DATA 14-9  
LINE 14-9  
MMODE 14-10  
OCONdition 14-11  
OPATtern 14-12  
OSEarch 14-13  
OSTate 14-14  
OTAG 14-14  
REMove 14-15  
RUNTil 14-16  
TAVerage 14-17  
TMAXimum 14-17  
TMINimum 14-18  
VRUNs 14-18  
XCONdition 14-19  
XOTag 14-19  
XOTime 14-20  
XPATtern 14-20  
XSEarch 14-21  
XState 14-22  
XTAG 14-23

### 15 SYMBol Subsystem

SYMBol 15-5  
BASE 15-5  
PATTern 15-6  
RANGe 15-7  
REMove 15-8  
WIDTh 15-8

## **16 DATA and SETUp Commands**

- Introduction 16-2
- Data Format 16-3
- SYSTem:DATA 16-4
- Section Header Description 16-6
- Section Data 16-6
- Data Preamble Description 16-6
- Acquisition Data Description 16-11
- Time Tag Data Description 16-13
- Glitch Data Description 16-15
- SYSTem:SETUp 16-17

## **17 Programming Examples**

- Making a Timing analyzer measurement 17-3
- Making a State analyzer measurement 17-5
- Making a State Compare measurement 17-9
- Transferring the logic analyzer configuration 17-14
- Transferring the logic analyzer acquired data 17-17
- Checking for measurement completion 17-21
- Sending queries to the logic analyzer 17-22

## **Index**



---

# Part 1

- 1** Introduction to Programming 1-1
- 2** Module Level Commands 2-1

---

**General  
Information**





---

**Programming the  
HP 16550A**

---



# Introduction

This chapter introduces you to the basic command structure used to program the logic analyzer. Also included is an example program that sets up the timing analyzer for a basic timing measurement. Additional program examples are in chapter 17.

---

## Selecting the Module

Before you can program the logic analyzer, you must first "select" it. This directs your commands to the logic analyzer.

To select the module, use the system command `:SElect` followed by the numeric reference for the slot location of the logic analyzer (1 through 10 refers to slot A through J respectively). For example, if the logic analyzer is in slot E, then the command:

```
:SElect 5
```

would select this module. For more information on the select command, refer to the *HP 16500B/16501A Programmer's Guide* manual.

---

## Programmer's the Logic Analyzer

A typical logic analyzer program will do the following:

- select the appropriate module
- name a specified analyzer
- specify the analyzer type
- assign pods
- assign labels
- sets pod thresholds
- specify a trigger condition
- set up the display
- specify acquisition type
- start acquiring data

## Programming the HP 16550A Programmer's the Logic Analyzer

The following example program sets up the logic analyzer to make a simple timing analyzer measurement.

---

### Example

```
10  OUTPUT XXX;":SELECT 3"
20  OUTPUT XXX;":MACH1:NAME 'TIMING'"
30  OUTPUT XXX;":MACH1:TYPE TIMING"
40  OUTPUT XXX;":MACH1:ASSIGN 1"
50  OUTPUT XXX;":MACH1:TFORMAT:LABEL 'COUNT',POS,0,0,255"
60  OUTPUT XXX;":MACH1:TTRIGGER:TERM A, 'COUNT', '#HFF'"
70  OUTPUT XXX;":MACH1:TWAVEFORM:RANGE 1E-6"
80  OUTPUT XXX;":MENU 3,5"
90  OUTPUT XXX;":MACH1:TWAVEFORM:INSERT 'COUNT'"
100 OUTPUT XXX;":RMODE SINGLE"
110 OUTPUT XXX;":START"
120  END
```

---

The three Xs (XXX) after the "OUTPUT" statements in the previous example refer to the device address required for programming over either HP-IB or RS-232C. Refer to your controller manual and programming language reference manual for information on initializing the interface.

### Program Comments

Line 10 selects the logic analyzer in slot C.

Line 20 names machine (analyzer) 1 "TIMING".

Line 30 specifies machine 1 is a timing analyzer.

Line 40 assigns pods 1 and 2 to machine 1.

Line 50 sets up the Timing Format menu by assigning the label COUNT, and assigning a polarity and channels to the label.

Line 60 selects the trigger pattern for the timing analyzer.

Line 70 sets the range to 100 ns (10 times s/div).

Line 80 changes the onscreen display to the Timing Waveforms menu.

Line 90 inserts the label "COUNT" in the Timing Waveform menu.

Line 100 specifies the Single run mode.

Line 110 starts data acquisition.

For more information on the specific logic analyzer commands, refer to chapters 2 through 16.

---

## Mainframe Commands

These commands are part of the HP 16500B/16501A mainframe system and are mentioned here only for reference. For more information on these commands, refer to the *HP 16500B/16501A Programmer's Guide*.

### CARDcage? Query

The CARDcage query returns a string of integers which identifies the modules that are installed in the mainframe. The returned string is in two parts. The first five two-digit numbers identify the card type. The identification number for the HP 16550A logic analyzer is 32. A "-1" in the first part of the string indicates no card is installed in the slot.

The five, single-digit numbers in the second part of the string indicate which slots have cards installed, which card has the controlling software for the module, and where the master card is located.

---

#### Example

12,11,-1,-1,32,2,2,0,0,5

A returned string of 12,11,-1,-1,32,2,2,0,0,5 means that an oscilloscope time base card (ID number 11) is loaded in slot B and the oscilloscope acquisition card (ID number 12) is loaded in slot A. The next two slots (C and D) are empty (-1). Slot E contains a logic analyzer module (ID number 32).

The next group of numbers (2,2,0,0,5) indicate that a two-card module is installed in slots A and B with the master card in slot B. The "0" indicates an empty slot, or the module software is not recognized or, is not loaded. The last digit (5) in this group indicates a single module card is loaded in slot E. Complete information for the CARDcage query is in the *HP 16500B/16501A Programmer's Guide* manual.

---

### **MENU Command/query**

The MENU command selects a new displayed menu. The first parameter (X) specifies the desired module. The optional, second parameter specifies the desired menu in the module. It defaults to 0 if it is not specified). The query returns the currently selected and displayed menu.

For the HP 16550A Logic Analyzer:

- X,0 — State/Timing Configuration
- X,1 — Format 1
- X,2 — Format 2
- X,3 — Trigger 1
- X,4 — Trigger 2
- X,5 — Waveform 1
- X,6 — Waveform 2
- X,7 — Listing 1
- X,8 — Listing 2
- X,9 — Mixed Display
- X,10 — Compare 1
- X,11 — Compare 2
- X,12 — Chart 1
- X,13 — Chart 2

The menus of an "OFF" machine are not available when only one analyzer is turned on. The Mixed Display is available only when one or both analyzers are state analyzers.

### **SElect Command/query**

The SElect command selects which module or intermodule will have parser control. SElect 0 selects the intermodule, SElect 1 through 5 selects modules A through E respectively. Values -1 and -2 select software options 1 and 2. The SElect query returns the currently selected module.

### **STARt Command**

The STARt command starts the specified module or intermodule. If the specified module is configured for intermodule, STARt will start all modules configured for intermodule.

### **STOP Command**

The STOP command stops the specified module or intermodule. If the specified module is configured for intermodule, STOP will stop all modules configured for intermodule.

START and STOP are Overlapped Commands. Overlapped Commands allow execution of subsequent commands while the logic analyzer operations initiated by the Overlapped Command are still in progress. For more information, see \*OPC and \*WAI commands in Chapter 5 of the *HP 16500B/16501A Programmer's Guide*.

### **RMODe Command/query**

The RMODe command specifies the run mode (single or repetitive) for a module or intermodule. If the selected module is configured for intermodule, the intermodule run mode will be set by this command. The RMODe query returns the current setting.

### **SYSTem:ERRor? Query**

The SYSTem:ERRor query returns the oldest error in the error queue. In order to return all the errors in the error queue, a simple FOR/NEXT loop can be written to query the queue until all errors are returned. Once all errors are returned, the query will return zeros.

### **SYSTem:PRINt Command/query**

The SYSTem:PRINt command initiates a print of the screen or listing buffer over the current printer communication interface. The SYSTem:PRINt query sends the screen or listing buffer data over the current controller communication interface.

### **MMEMory Subsystem**

The MMEMory Subsystem provides access to both internal disc drives for loading and storing configurations.

### **INTErmodule Subsystem**

The INTErmodule Subsystem commands are used to specify intermodule arming between multiple modules.

## Command Set Organization

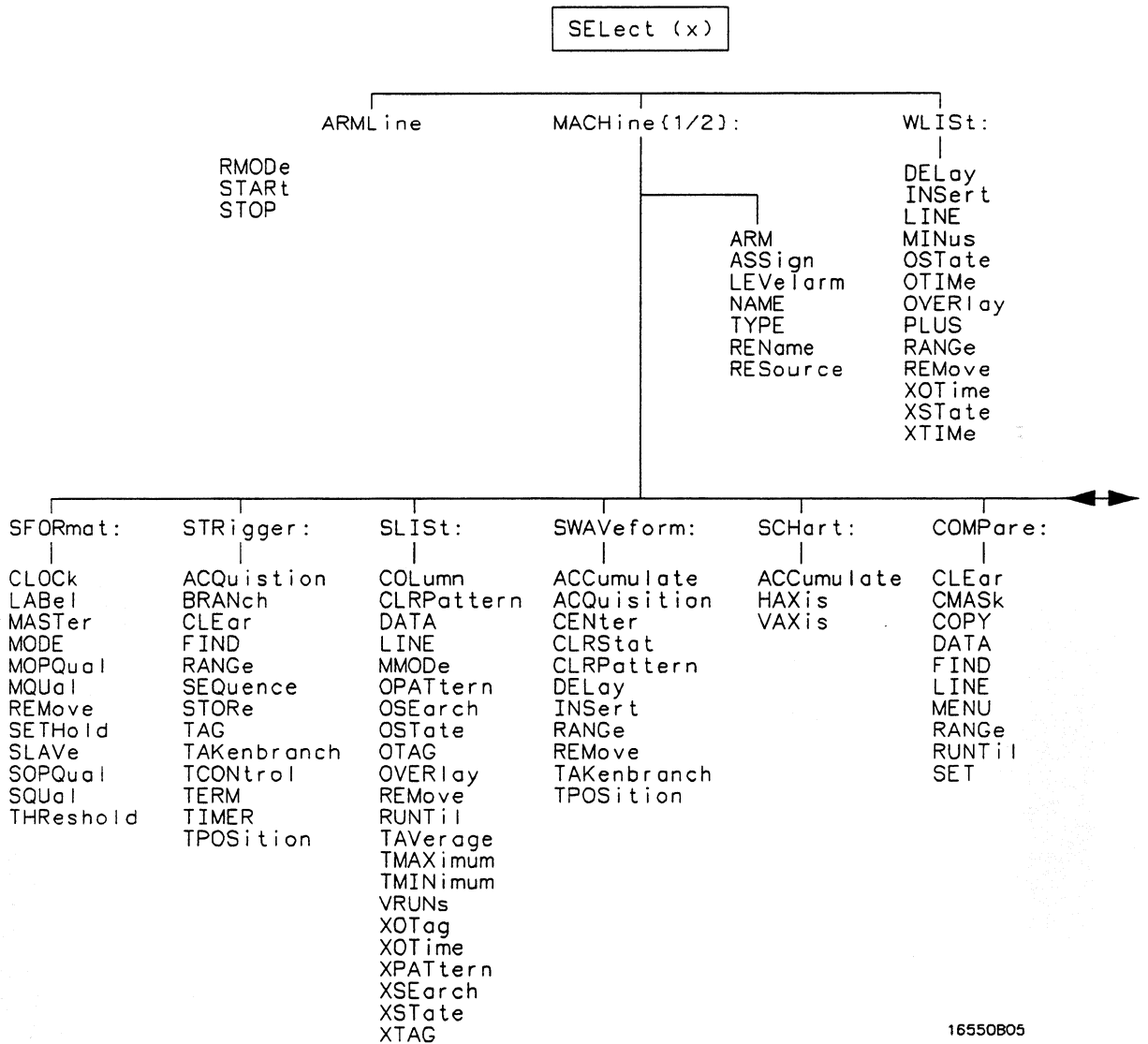
The command set for the HP 16550A is divided into module-level commands and subsystem commands. Module-level commands are listed in Chapter 2, "Module Level Commands" and each of the subsystem commands are covered in their individual chapters starting with Chapter 3, "MACHine Subsystem."

Each of these chapters contains a description of the subsystem, syntax diagrams, and the commands in alphabetical order. The commands are shown in long form and short form using upper and lowercase letters. For example, LABEL indicates that the long form of the command is LABEL and the short form is LAB. Each of the commands contain a description of the command and its arguments, the command syntax, and a programming example.

Figure 1-1 on the following page shows the command tree for the HP 16550A logic analyzer module. The (x) following the SElect command at the top of the tree represents the slot number where the logic analyzer module is installed. The number may range from 1 through 10, representing slots A through J, respectively.



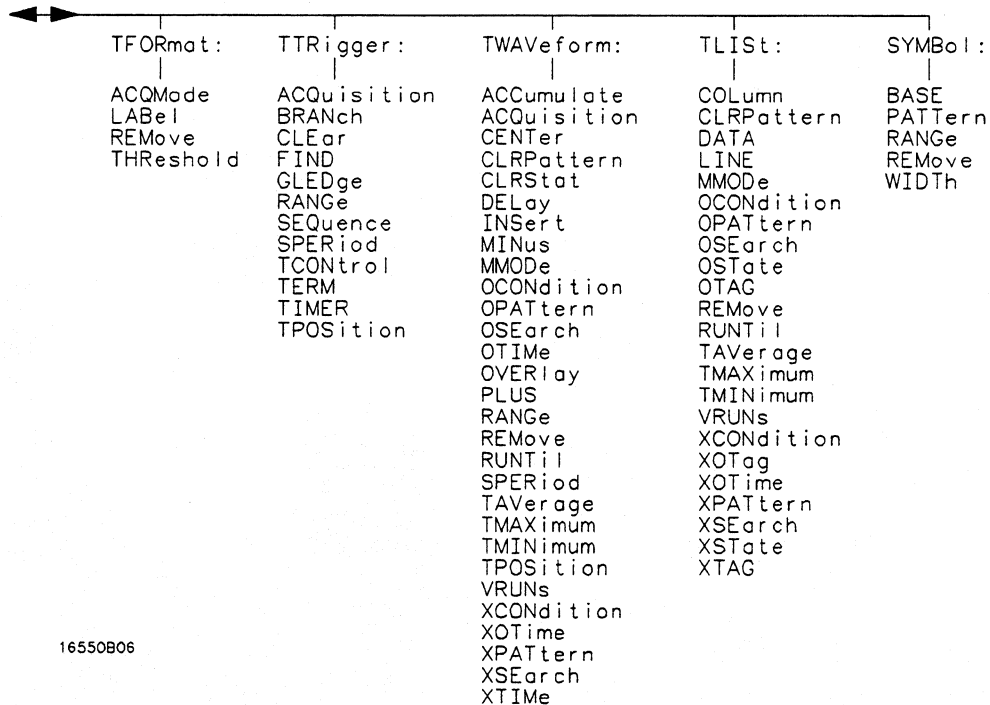
**Figure 1-1**



**HP 16550A Command Tree**

Programming the HP 16550A  
Command Set Organization

Figure 1-1 (continued)



**Table 1-1**

**Alphabetical Command-to-Subsystem Directory**

<b>Command</b>	<b>Where Used</b>	<b>Command</b>	<b>Where Used</b>
ACCumulate	SCHart, SWAVeform, TWAVeform	MASTer	SFORmat
ACQMode	TFORmat	MENU	COMPare
ACQuisition	STRigger, SWAVeform, TTRigger, TWAVeform	MINus	TWAVeform, WLISt
ARM	MACHine	MMODE	SLISt, TLISt, TWAVeform
ARMLine	Module Level Commands	MODE	SFORmat
ASSign	MACHine	MOPQual	SFORmat
BASE	SYMBOL	MQUal	SFORmat
BRANCh	STRigger, TTRigger	NAME	MACHine
CENter	SWAVeform, TWAVeform	OCONdition	TLISt, TWAVeform
CLEar	COMPare, STRigger, TTRigger	OPATtern	SLISt, TLISt, TWAVeform
CLOCK	SFORmat	OSEarch	SLISt, TLISt, TWAVeform
CLRPattern	SLISt, SWAVeform, TLISt, TWAVeform	OSTate	SLISt, TLISt, WLISt
CLRStat	SWAVeform, TWAVeform	OTAG	SLISt, TLISt
CMASK	COMPare	OTIME	TWAVeform, WLISt
COLumn	SLISt, TLISt	OVERlay	SLISt, TWAVeform, WLISt
COPY	COMPare	PATTern	SYMBOL
DATA	COMPare, SLISt, TLISt	PLUS	TWAVeform, WLISt
DELay	SWAVeform, TWAVeform, WLISt	RANGE	COMPare, STRigger, SWAVeform, SYMBOL, TFORmat, TWAVeform, WLISt
FIND	COMPare, STRigger, TTRigger	REMOve	SFORmat, SLISt, SWAVeform, SYMBOL, TFORmat, TLISt, TWAVeform, WLISt
GLEDge	TTRigger	REName	MACHine
HAXis	SCHart	RESource	MACHine
INSert	SWAVeform, TWAVeform, WLISt	RUNTil	COMPare, SLISt, TLISt, TWAVeform
LABEL	SFORmat, TFORmat	SEQUence	STRigger, TTRigger
LEVelarm	MACHine	SET	COMPare
LINE	COMPare, SLISt, TLISt, WLISt		

**Table 1-1 (continued)**

**Alphabetical Command-to-Subsystem Directory**

<b>Command</b>	<b>Where Used</b>	<b>Command</b>	<b>Where Used</b>
SETHold	SFORmat	TPOStion	STRigger, SWAVeform, TTRigger, TWAVeform
SLAVe	SFORmat	TYPE	MACHine
SOPQual	SFORmat	VAXis	SCHart
SPERiod	TFORmat, TWAVeform	VRUNs	SLISt, TLISt, TWAVeform
SQUal	SFORmat	WIDTh	SYMBol
STORe	STRigger	XCONdition	TLISt, TWAVeform
TAG	STRigger	XOTag	SLISt, TLISt
TAKenbranch	STRigger, SWAVeform	XOTime	SLISt, TLISt, TWAVeform, WLISt
TAVerage	SLISt, TLISt, TWAVeform	XPATtern	SLISt, TLISt, TWAVeform
TCONtrol	STRigger, TTRigger	XSEarch	SLISt, TLISt, TWAVeform
TERM	STRigger, TTRigger	XSTate	SLISt, TLISt, WLISt
THReshold	SFORmat, TFORmat	XTAG	SLISt, TLISt
TIMER	STRigger, TTRigger	XTIME	TWAVeform, WLISt
TMAXimum	SLISt, TLISt, TWAVeform		
TMINimum	SLISt, TLISt, TWAVeform		

---

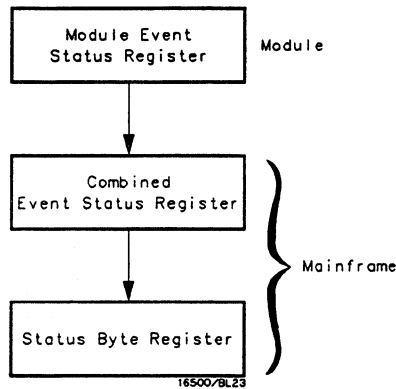
## Module Status Reporting

Each module reports its status to the Module Event Status Register (MESR<N>), which in turn reports to the Combined Event Status Register (CESR) in the HP 16500B/16501A mainframe (see *HP 16500B/16501A Programmer's Guide* chapter 6). The Module Event Status Register is enabled by the Module Event Status Enable Register (MESE<N>).

The MESE<N> and MESR<N> instructions are not used in conjunction with the SElect command, so they are not listed in the HP 16550A's command tree.

The following descriptions of the MESE<N> and MESR<N> instructions provide the module specific information needed to enable and interpret the contents of the registers.

Figure 1-2



### Module Status Reporting

---

## MESE<N>

Command           :MESE<N><enable\_mask>

The MESE<N> command sets the Module Event Status Enable register bits. The MESE register contains a mask value for the bits enabled in the MESR register. A one in the MESE will enable the corresponding bit in the MESR, a zero will disable the bit.

The first parameter <N> specifies the module (1 through 10 refers to the module in slot A through J). The second parameter specifies the enable value.

Refer to table 1-2 for information about the Module Event Status register bits, bit weights, and what each bit masks for the module. Complete information for status reporting is in chapter 6 of the *HP 16500B/16501A Programmer's Guide* manual.

<N>           { 1 | 2 | 3 | 4 | 5 | 6 | 7 | 8 | 9 | 10 } number of slot in which the module resides

<enable\_mask> integer from 0 to 255

---

**Example**           OUTPUT XXX; ":MESE5 1"

---

Query            :MESE<N>?

The MESE query returns the current setting.

Returned Format   [ :MESE<N> ] <enable\_mask> <NL>

---

**Example**           10 OUTPUT XXX; ":MESE5?"  
                  20 ENTER XXX; Mes  
                  30 PRINT Mes  
                  40 END

---

**Table 1-2**

**Module Event Status Enable Register (A "1" enables the MESR bit)**

<b>Bit</b>	<b>Weight</b>	<b>Enables</b>
7	128	Not used
6	64	Not used
5	32	Not used
4	16	Not used
3	8	Pattern searches failed
2	4	Trigger found
1	2	RNT-Run until satisfied
0	1	MC-Measurement complete

The Module Event Status Enable Register contains a mask value for the bits to be enabled in the Module Event Status Register (MESR). A one in the MESE enables the corresponding bit in the MESR, and a zero disables the bit.

---

## MESR<N>

Query                   :MESR<N>?

The MESR<N> query returns the contents of the Module Event Status register. When you read the MESR, the value returned is the total bit weights of all bits that are set at the time the register is read. Reading the register clears the Module Event Status Register.

Table 1-3 shows each bit in the Module Event Status Register and their bit weights for this module.

The parameter 1 through 10 refers to the module in slot A through J respectively.

Returned Format       [MESR<N>]<status><NL>

    <N>       { 1 | 2 | 3 | 4 | 5 | 6 | 7 | 8 | 9 | 10 } number of slot in which the module resides  
    <status>   integer from 0 to 255

---

### Example

```
10 OUTPUT XXX;":MESR5?"  
20 ENTER XXX; Mer  
30 PRINT Mer  
40 END
```

---



**Table 1-3**

**Module Event Status Register**

<b>Bit</b>	<b>Weight</b>	<b>Condition</b>
7	128	Not used
6	64	Not used
5	32	Not used
4	16	Not used
3	8	1 = One or more pattern searches failed 0 = Pattern searches did not fail
2	4	1 = Trigger found 0 = Trigger not found
1	2	1 = Run until satisfied 0 = Run until not satisfied
0	1	1 = Measurement complete 0 = Measurement not complete





---

**Module Level  
Commands**

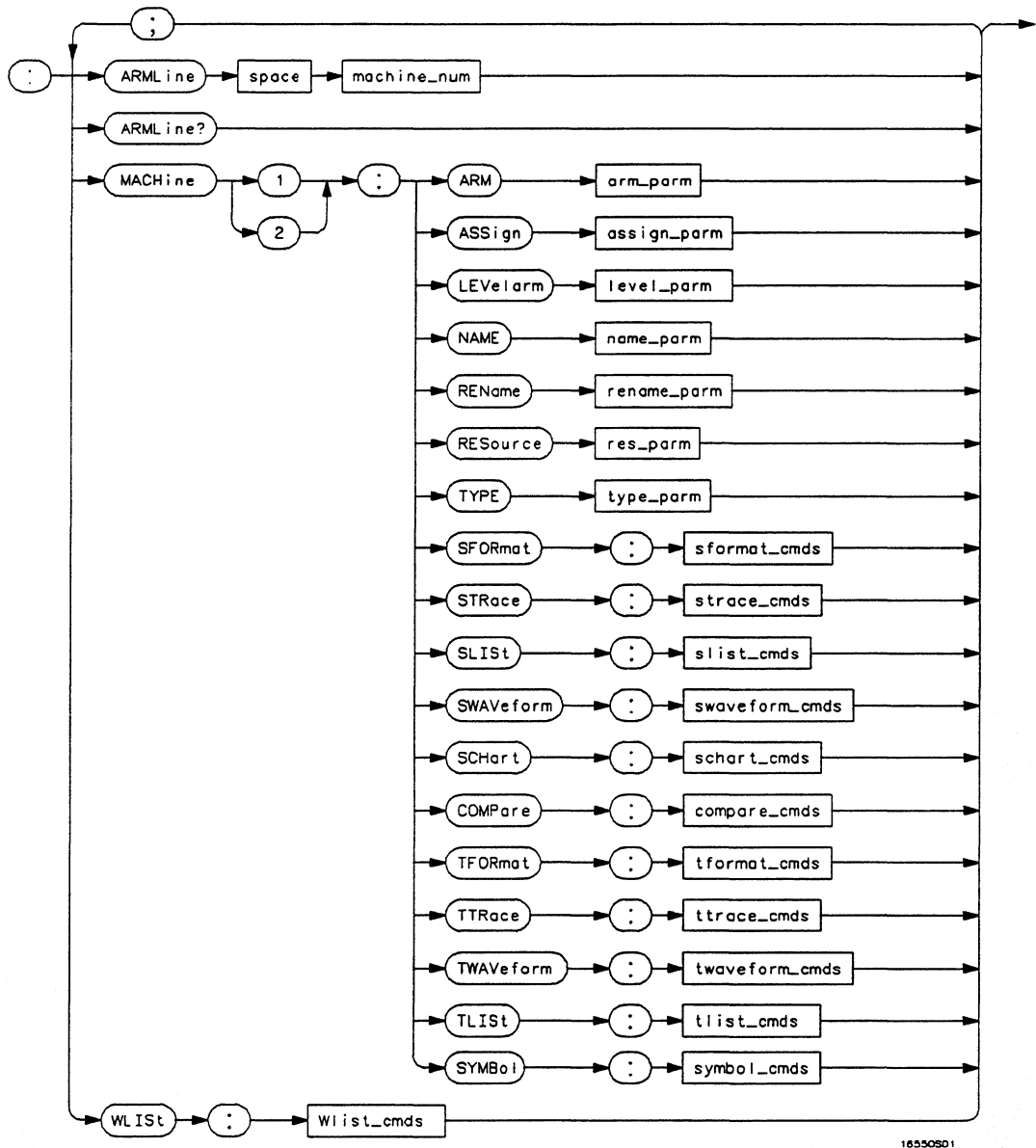
---

# Introduction

The logic analyzer Module level commands access the global functions of the HP 16550A logic analyzer module. These commands are:

- ARMLine
- MACHine
- WLISt

Figure 2-1



16550501

Module Level Syntax Diagram

Table 2-1

---

**Module Level Parameter Values**


---

<b>Parameter</b>	<b>Type of Parameter or Command</b>	<b>Reference</b>
machine_num	MACHine{1   2}	
arm_parm	arm parameters	see chapter 3
assign_parm	assignment parameters	see chapter 3
level_parm	level parameters	see chapter 3
name_parm	name parameters	see chapter 3
rename_parm	rename parameters	see chapter 3
res_parm	resource parameters	see chapter 3
type_parm	type parameters	see chapter 3
sformat_cmds	state format subsystem commands	see chapter 5
strace_cmds	state trace subsystem commands	see chapter 6
slist_cmds	state list subsystem commands	see chapter 7
swaveform_cmds	state waveform subsystem commands	see chapter 8
schart_cmds	state chart subsystem commands	see chapter 9
compare_cmds	compare subsystem commands	see chapter 10
tformat_cmds	timing format subsystem commands	see chapter 11
ttrace_cmds	timing trace subsystem commands	see chapter 12
twaveform_cmds	timing waveform subsystem commands	see chapter 13
tlist_cmds	timing listing subsystem commands	see chapter 14
symbol_cmds	symbol subsystem commands	see chapter 15

---

---

## ARMLine

**Command**            :ARMLine {MACHine<N>}

The ARMLine command selects which machine generates the arm out signal on the IMB (intermodule bus). This command is only valid when two analyzers are on. However, the query is always valid.

<N>    {1|2}

---

**Example**            OUTPUT XXX;":ARMLINE MACHINE1"

---

**Query**             :ARMLine?

**Returned Format**   [:ARMLine]{MACHine<N>}<NL>

---

**Example**            OUTPUT XXX;":ARMLine?"

---



---

## MACHine

**Command**            :MACHine<N>

The MACHine command selects which of the two machines (analyzers) the subsequent commands or queries will refer to. MACHine is also a subsystem containing commands that control the logic analyzer system level functions. Examples include pod assignments, analyzer names, and analyzer type. See chapter 3 for details about the MACHine Subsystem.

<N>    {1|2}

---

**Example**            OUTPUT XXX;":MACHINE1:NAME 'DRAMTEST'"

---

---

## WLISt

Command            :WLISt

The WLISt selector accesses the commands used to place markers and query marker positions in Timing/State Mixed mode. The WLISt subsystem also contains commands that allows you to insert waveforms from other time-correlated machines and modules. The details of the WLISt subsystem are in chapter 4.

---

### Example

OUTPUT XXX;":WLISt:OTIME 40.0E-6"



---

## Part 2

- 3** MACHine Subsystem 3-1
- 4** WLISt Subsystem 4-1
- 5** SFORmat Subsystem 5-1
- 6** STRigger (STRace) Subsystem 6-1
- 7** SLISt Subsystem 7-1
- 8** SWAVEform Subsystem 8-1
- 9** SCHart Subsystem 9-1
- 10** COMPare Subsystem 10-1
- 11** TFORmat Subsystem 11-1
- 12** TTRigger (TTRace) Subsystem 12-1
- 13** TWAVEform Subsystem 13-1
- 14** TLISt Subsystem 14-1
- 15** SYMBol Subsystem 15-1
- 16** DATA and SETup Commands 16-1

---

## Commands

---

**MACHine  
Subsystem**

---

# Introduction

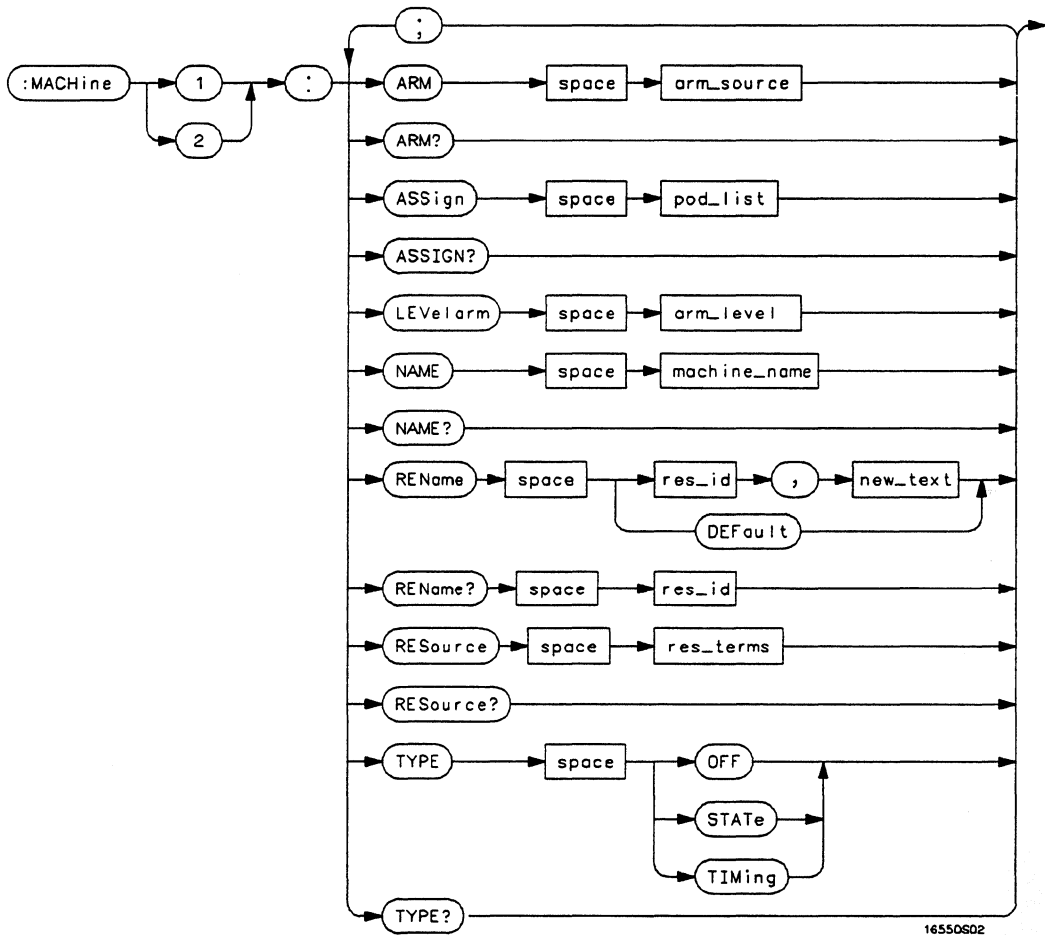
The MACHine subsystem contains the commands that control the machine level of operation of the logic analyzer. The functions of three of these commands reside in the State/Timing Configuration menu. These commands are:

- ARM
- ASSign
- LEVelarm
- NAME
- TYPE

Even though the functions of the following commands reside in the Format menu they are at the machine level of the command tree and are therefore located in the MACHine subsystem. These commands are:

- REName
- RESource

Figure 3-1



Machine Subsystem Syntax Diagram

Table 3-1

**Machine Subsystem Parameter Values**

Parameter	Value
arm_source	{RUN   INTermodule   MACHine {1 2}}
pod_list	{NONE   <pod_num>[, <pod_num>]...}
pod_num	{1   2   3   4   5   6   7   8   9   10   11   12}
arm_level	integer from 1 to 11 representing sequence level
machine_name	string of up to 10 alphanumeric characters
res_id	<state_terms> for state analyzer or <state_terms> GLEdGe{1 2} for timing analyzer
new_text	string of up to 8 alphanumeric characters
state_terms	{A B C D E F G H I J RANGE{1 2} TIMER{1 2}}
res_terms	{<res_id>[,<res_id>]...}

**MACHine**

Selector :MACHine<N>

The MACHine <N> selector specifies which of the two analyzers (machines) available in the HP 16550A the commands or queries following will refer to. Because the MACHine<N> command is a root level command, it will normally appear as the first element of a compound header.

<N> {1|2} (the machine number)

**Example**

OUTPUT XXX; ":MACHINE1:NAME 'TIMING'"

---

## ARM

**Command**                    :**MACHine**{1|2}:**ARM** <arm\_source>

The ARM command specifies the arming source of the specified analyzer (machine). The RUN option disables the arm source. For example, if you do not want to use either the intermodule bus or the other machine to arm the current machine, you specify the RUN option.

<arm\_source>            {**RUN** | **INTERmodule** | **MACHine**{1|2}}

---

**Example**                    **OUTPUT** xxx;":**MACHINE1**:**ARM** **MACHINE2**"

---

**Query**                    :**MACHine**{1|2}:**ARM**?

The ARM query returns the source that the current analyzer (machine) will be armed by.

**Returned Format**        [ :**MACHine**{1|2}:**ARM**] <arm\_source>

---

**Example**                    **OUTPUT** xxx;":**MACHINE**:**ARM**?"

---

## ASSign

**Command** `:MACHine{1|2}:ASSign <pod_list>`

The ASSign command assigns pods to a particular analyzer (machine). The ASSign command will assign two pods for each pod number you specify because pods must be assigned to analyzers in pairs.

`<pod_list>` {NONE | <pod >#[, <pod >#]...}  
`<pod>#` {1|2|3|4|5|6|7|8|9|10|11|12}

---

**Example** `OUTPUT XXX;":MACHINE1:ASSIGN 5, 2, 1"`

---

**Query** `:MACHine{1|2}:ASSign?`

The ASSign query returns which pods are assigned to the current analyzer (machine).

**Returned Format** `[:MACHine{1|2}:ASSign] <pod_list><NL>`

---

**Example** `OUTPUT XXX;":MACHINE1:ASSIGN?"`

---

---

## LEVelarm

**Command**                   :MAChine{1|2}:LEVelarm <arm\_level>

The LEVelarm command allows you to specify the sequence level for a specified machine that will be armed by the Intermodule Bus or the other machine. This command is only valid if the specified machine is on and the arming source is not set to RUN with the ARM command.

<arm\_level>           integer from 1 to 11 representing sequence level

---

**Example**                    OUTPUT XXX;":MACHINE1:LEVELARM 2"

**Query**                     :MAChine{1|2}:LEVelarm?

The LEVelarm query returns the current sequence level receiving the arming for a specified machine.

**Returned Format**       [:MAChine{1|2}:LEVelarm] <arm\_level><NL>

---

**Example**                    OUTPUT XXX;":MACHINE1:LEVELARM?"



## MACHine Subsystem

### NAME

---

### NAME

**Command** `:MACHine{1|2}:NAME <machine_name>`

The NAME command allows you to assign a name of up to 10 characters to a particular analyzer (machine) for easier identification.

**<machine\_name>** string of up to 10 alphanumeric characters

---

**Example** `OUTPUT XXX;":MACHINE1:NAME 'DRAMTEST' "`

**Query** `:MACHine{1|2}:NAME?`

The NAME query returns the current analyzer name as an ASCII string.

**Returned Format** `[:MACHine{1|2}:NAME] <machine name><NL>`

---

**Example** `OUTPUT XXX;":MACHINE1:NAME?"`

---

### REName

**Command** `:MACHine{1|2}:REName {<res_id>, <new_text> | DEFault}`

The REName command allows you to assign a specific name of up to eight characters to terms A through J, Range 1 and 2, and Timer 1 and 2 in the state analyzer. In the timing analyzer, GLEDge (glitch/edge) 1 and 2 can be renamed in addition to the terms available in the state analyzer. The DEFault option sets all resource term names to the default names assigned when turning on the instrument.

**<res\_id>** <state\_terms> for state analyzer  
or  
{<state\_terms>|GLEdGe{1|2}} for timing analyzer  
**<new\_text>** string of up to 8 alphanumeric characters

---

**Example** OUTPUT XXX;":MACHINE1:RENAME A,'DATA'"

---

**Query** :MACHine{1|2}:RENAME? <res\_id>

The REName query returns the current names for specified terms assigned to the specified analyzer.

**Returned Format** [:MACHine{1|2}:RENAME] <res\_id>,<new\_text><NL>

---

**Example** OUTPUT XXX;":MACHINE1:RENAME? D"

---



---

## RESource

**Command** :MACHine{1|2}:RESource <res\_terms>

The RESource command allows you to assign resource terms A through J, Range 1 and 2, and Timer 1 and 2 to a particular analyzer (machine 1 or 2). In the timing analyzer only, two additional resource terms are available. These terms are GLEdGe (Glitch/Edge) 1 and 2. These terms will always be assigned to the the machine that is configured as the timing analyzer.

**<res\_terms>** {A|B|C|D|E|F|G|H|I|J|TIMER1|TIMER2|RANGe1|RANGe2}

---

**Example** OUTPUT XXX;":MACHINE1:RESOURCE A,C,RANGE1"

---

## MACHine Subsystem TYPE

Query                    :MAChine{1|2}:RESOURCE?

The RESource query returns the current resource terms assigned to the specified analyzer.

Returned Format        [:MAChine{1|2}:RESOURCE] <res\_terms>[,<res\_terms>,...]<NL>

---

**Example**                    OUTPUT XXX;":MACHINE1:RESOURCE?"

---

---

## TYPE

Command                :MAChine{1|2}:TYPE <analyzer type>

The TYPE command specifies what type a specified analyzer (machine) will be. The analyzer types are state or timing. The TYPE command also allows you to turn off a particular machine.

Only one timing analyzer can be specified at a time.

<analyzer  
  type>                {OFF|STATE|TIMing}

---

**Example**                    OUTPUT XXX;":MACHINE1:TYPE STATE"

---

Query                    :MAChine{1|2}:TYPE?

The TYPE query returns the current analyzer type for the specified analyzer.

Returned Format        [:MAChine{1|2}:TYPE] <analyzer type><NL>

---

**Example**                    OUTPUT XXX;":MACHINE1:TYPE?"

---



---

**WLIS<sub>t</sub> Subsystem**

---

---

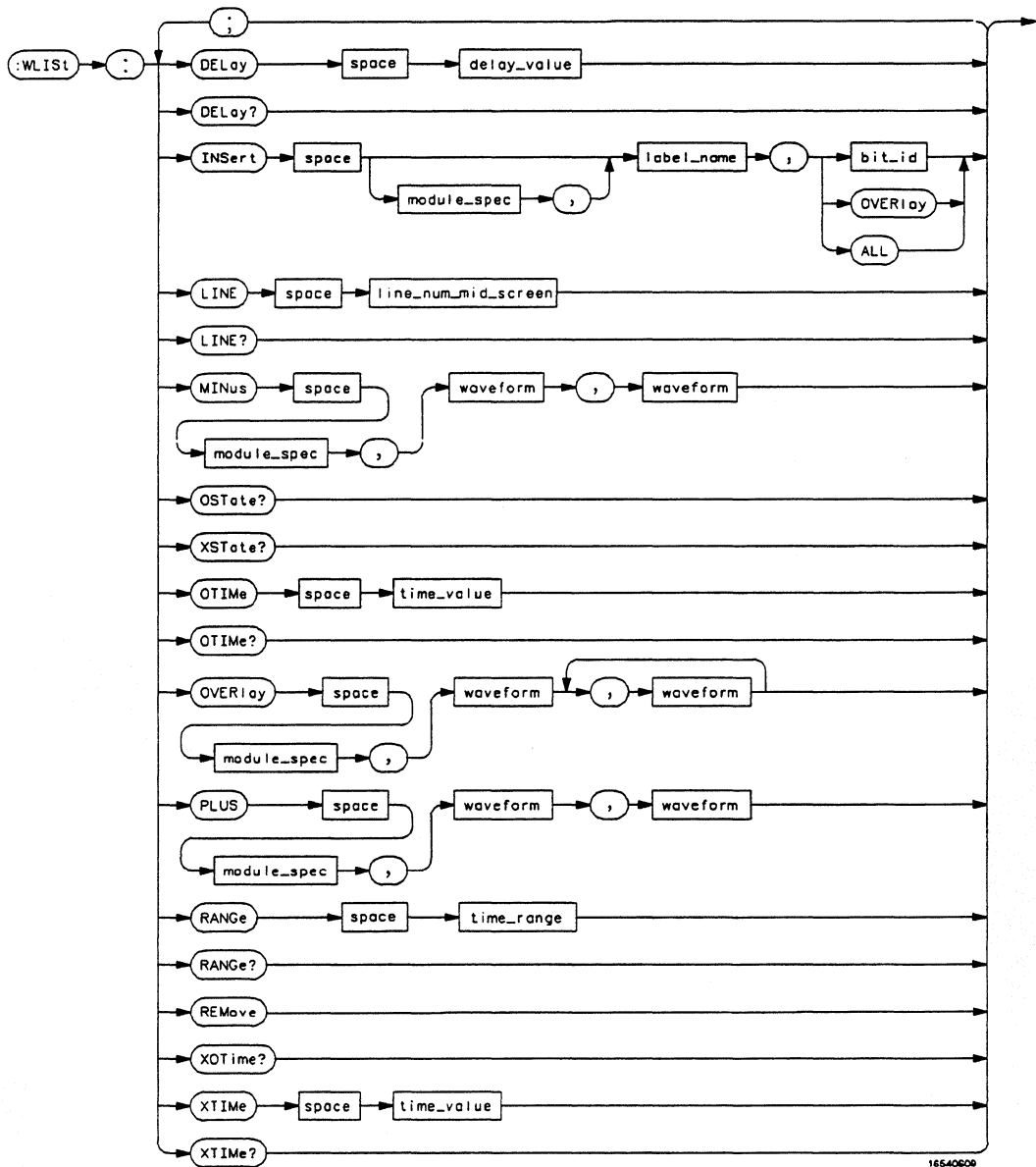
# Introduction

The commands in the WLISt (Waveforms/LISting) subsystem control the X and O marker placement on the waveforms portion of the Timing/State mixed mode display. The XState and OState queries return what states the X and O markers are on. Because the markers can only be placed on the timing waveforms, the queries return what state (state acquisition memory location) the marked pattern is stored in.

In order to have mixed mode, one machine must be a state analyzer with time tagging on (use **MACHine<N>:STRigger:TAG TIME**).

- DELay
- INSert
- LINE
- MINus
- OState
- OTIME
- OVERlay
- PLUS
- RANGE
- REMove
- XOTime
- XState
- XTIME

Figure 4-1



WLISt Subsystem Syntax Diagram

WLISt Subsystem  
WLISt

Table 4-1

WLISt Subsystem Parameter Values

---

Parameter	Value
delay_value	real number between -2500 s and +2500 s
module_spec	{1   2   3   4   5   6   7   8   9   10} (slot where time card is installed)
bit_id	integer from 0 to 31
label_name	string of up to 6 alphanumeric characters
line_num_mid_screen	integer from -8191 to +8191
waveform	string containing <acquisition_spec>{1   2}
time_value	real number
time_range	real number between 10 ns and 10 ks

---

WLISt

Selector

:WLISt

The WLISt (Waveforms/LISting) selector is used as a part of a compound header to access the settings normally found in the Mixed Mode menu. Because the WLISt command is a root level command, it will always appear as the first element of a compound header.

The WLISt subsystem is only available when one or more state analyzers with time tagging on are specified.

Example

```
OUTPUT XXX;":WLISt:XTIME 40.0E-6"
```

---

## DELaY

**Command**                    :MAChine{1|2}:WLISt:DELaY <delay\_value>

The DELaY command specifies the amount of time between the timing trigger and the horizontal center of the the timing waveform display. The allowable values for delay are -2500 s to +2500 s. If the acquisition mode is automatic, then in glitch acquisition mode, as delay becomes large in an absolute sense, the sample rate is adjusted so that data will be acquired in the time window of interest. In transitional acquisition mode, data may not fall in the time window since the sample period is fixed and the amount of time covered in memory is dependent on how frequent the input signal transitions occur.

<delay\_value>    real number between -2500 s and +2500 s

---

**Example**                    OUTPUT XXX;":MAChINE1:WLISt:DELaY 100E-6"

---

**Query**                     :MAChine{1|2}:WLISt:DELaY?

The DELaY query returns the current time offset (delay) value from the trigger.

**Returned Format**        [:MAChine{1|2}:WLISt:DELaY] <time\_value><NL>

---

**Example**                    OUTPUT XXX;":MAChINE1:WLISt:DELaY?"

---



---

## INSert

Command           :MACHine{1|2}:WLISt:INSert  
                  [<module\_spec>,<label\_name>  
                  [, {<bit\_id>|OVERlay|ALL}]

The INSert command inserts waveforms in the timing waveform display. The waveforms are added from top to bottom up to a maximum of 96 waveforms. Once 96 waveforms are present, each time you insert another waveform, it replaces the last waveform.

Time-correlated waveforms from the oscilloscope and high speed timing modules can also be inserted in the logic analyzer's timing waveforms display. Oscilloscope waveforms occupy the same display space as three logic analyzer waveforms. When inserting waveforms from the oscilloscope or high-speed timing modules, the optional first parameter must be used, which is the module specifier. 1 through 10 corresponds to modules A through J. If you do not specify the module, the selected module is assumed.

The second parameter specifies the label name that will be inserted. The optional third parameter specifies the label bit number, overlay, or all. If a number is specified, only the waveform for that bit number is added to the screen.

If you specify OVERlay, all the bits of the label are displayed as a composite overlaid waveform. If you specify ALL, all the bits are displayed sequentially. If you do not specify the third parameter, ALL is assumed.

<module\_spec>    {1|2|3|4|5|6|7|8|9|10}  
<label\_name>    string of up to 6 alphanumeric characters  
<bit\_id>        integer from 0 to 31

---

**Example**                   OUTPUT XXX;":MACHINE1:WLIST:INSERT 3, 'WAVE',10"

---

### Inserting Oscilloscope Waveforms

Command            :MAChine{1|2}:WLISt:INSert  
                     <module\_spec>,<label\_name>

This inserts a waveform from an oscilloscope to the timing waveforms display.

<module\_spec>    {1|2|3|4|5|6|7|8|9|10} slot in which timebase card is installed  
   <label\_name>   string of one alpha and one numeric character

---

**Example**                    OUTPUT XXX;":MACHINE1:WLIS:INSERT 5, 'C1'"

---



---

### LINE

Command            :MAChine{1|2}:WLISt:LINE <line\_num\_mid\_screen>

The LINE command allows you to scroll the timing analyzer listing vertically. The command specifies the state line number relative to the trigger that the analyzer highlights at the center of the screen.

<line\_num\_mid\_screen>   integer from -8191 to +8191

---

**Example**                    OUTPUT XXX;":MACHINE1:WLIS:LINE 0"

---

WLISt Subsystem  
**MINus**

Query                    :**MACHine**{1|2}:**WLISt:LINE?**

The **LINE** query returns the line number for the state currently in the box at center screen.

Returned Format        [**:MACHine**{1|2}:**WLISt:LINE**] <line\_num\_mid\_screen><NL>

---

**Example**                    **OUTPUT XXX; ":MACHINE1:WLIST:LINE?"**

---

---

## MINus

Command                :**WLISt:MINus** <module\_spec>,<waveform>,<waveform>

The **MINus** command inserts time-correlated A–B (A minus B) oscilloscope waveforms on the screen. The first parameter is the module specifier where the oscilloscope module resides, where 1 through 10 refers to slots A through J. The next two parameters specify which waveforms will be subtracted from each other.

**MINus** is only available for oscilloscope waveforms.

<module\_spec>        {1|2|3|4|5|6|7|8|9|10}

<waveform>         string containing <acquisition\_spec>{1|2}

<acquisition\_spec> {A|B|C|D|E|F|G|H|I|J} (slot where acquisition card is located)

---

**Example**                    **OUTPUT XXX; ":WLIST:MINUS 2, 'A1', 'A2'"**

---

---

## OSTate

**Query** :WLISt:OSTate?

The OSTate query returns the state where the O Marker is positioned. If data is not valid, the query returns 32767.

**Returned Format** [:WLISt:OSTate] <state\_num><NL>  
 <state\_num> integer

---

**Example** OUTPUT XXX;":WLISt:OSTATE?"

---



---

## OTIME

**Command** :WLISt:OTIME <time\_value>

The OTIME command positions the O Marker on the timing waveforms in the mixed mode display. If the data is not valid, the command performs no action.

<time\_value> real number

---

**Example** OUTPUT XXX;":WLISt:OTIME 40.0E-6"

---

WLISt Subsystem  
**OVERlay**

Query                    :WLISt:OTIME?

The OTIME query returns the O Marker position in time. If data is not valid, the query returns 9.9E37.

Returned Format        [:WLISt:OTIME] <time\_value><NL>

**Example**                OUTPUT XXX;":WLISt:OTIME?"

---

## OVERlay

Command                :MACHine{1|2}:WLISt:OVERlay <module\_number>,  
                          <label>[, <label>]...

The OVERlay command overlays two or more oscilloscope waveforms and adds the resultant waveform to the current waveform display. The first parameter of the command syntax specifies which slot contains the oscilloscope time base card. The next parameters are the labels of the waveforms that are to be overlaid.

<module\_spec>        {1|2|3|4|5|6|7|8|9|10}

<waveform>           string containing <acquisition\_spec>{1|2}

<acquisition\_spec>   {A|B|C|D|E|F|G|H|I|J} (slot where acquisition card is located)

**Example**                OUTPUT XXX;":MACHINE1:WLISt:OVERLAY 4, 'C1','C2'"

---

## PLUS

**Command**           :WLISt:PLUS <module\_spec>,<waveform>,<waveform>

The PLUS command inserts time-correlated A+B oscilloscope waveforms on the screen. The first parameter is the module specifier where the oscilloscope module resides, where 1 through 10 refers to slots A through J. The next two parameters specify which waveforms will be subtracted from each other.

PLUS is only available for oscilloscope waveforms.

<module\_spec>       {1|2|3|4|5|6|7|8|9|10}

<waveform>         string containing <acquisition\_spec>{1|2}

<acquisition\_spec> {A|B|C|D|E|F|G|H|I|J} (slot where acquisition card is located)

---

### Example

OUTPUT XXX; ":WLISt:PLUS 2,'A1','A2'"

---

## RANGe

**Command**            :MaCHine{1|2}:WLISt:RANGe <time\_value>

The RANGe command specifies the full-screen time in the timing waveform menu. It is equivalent to ten times the seconds per division setting on the display. The allowable values for RANGe are from 10 ns to 10 ks.

<time\_range>    real number between 10 ns and 10 ks

---

**Example**            OUTPUT XXX;":MACHINE1:WLIST:RANGE 100E-9"

**Query**             :MaCHine{1|2}:WLISt:RANGe?

The RANGe query returns the current full-screen time.

**Returned Format**   [:MaCHine{1|2}:WLISt:RANGE] <time\_value><NL>

---

**Example**            OUTPUT XXX;":MACHINE1:WLIST:RANGE?"

---

## REMOve

**Command**           :MaCHine{1|2}:WLISt:REMOve

The REMOve command deletes all waveforms from the display.

---

**Example**            OUTPUT XXX;":MACHINE1:WLIST:REMOVE"

---

## XOTime

Query                   :MAChine{1|2}:WLISt:XOTime?

The XOTime query returns the time from the X marker to the O marker. If data is not valid, the query returns 9.9E37.

Returned Format       [:MAChine{1|2}:WLISt:XOTime] <time\_value><NL>  
                           <time\_value> real number

---

**Example**                   OUTPUT XXX;":MAChine1:WLISt:XOTime?"

---



---

## XState

Query                   :WLISt:XState?

The XState query returns the state where the X Marker is positioned. If data is not valid, the query returns 32767.

Returned Format       [:WLISt:XState] <state\_num><NL>  
                           <state\_num> integer

---

**Example**                   OUTPUT XXX;":WLISt:XSTATE?"

---



## XTIME

**Command**            :WLISt:XTIME <time\_value>

The XTIME command positions the X Marker on the timing waveforms in the mixed mode display. If the data is not valid, the command performs no action.

<time\_value>    real number

---

**Example**            OUTPUT XXX;":WLISt:XTIME 40.0E-6"

---

**Query**             :WLISt:XTIME?

The XTIME query returns the X Marker position in time. If data is not valid, the query returns 9.9E37.

**Returned Format**   [:WLISt:XTIME] <time\_value><NL>

---

**Example**            OUTPUT XXX;":WLISt:XTIME?"

---

---

SFORmat  
Subsystem

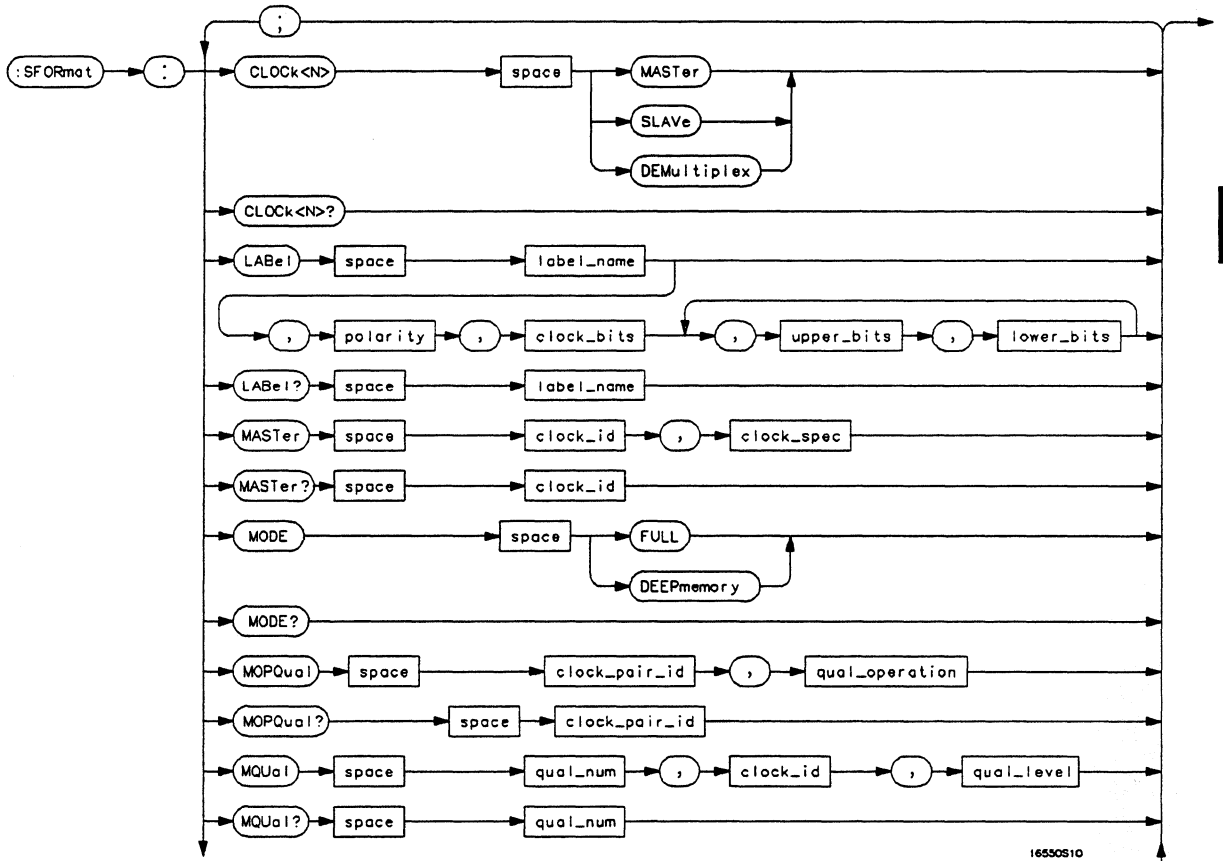
---

# Introduction

The SFORmat subsystem contains the commands available for the State Format menu in the HP 16550A logic analyzer module. These commands are:

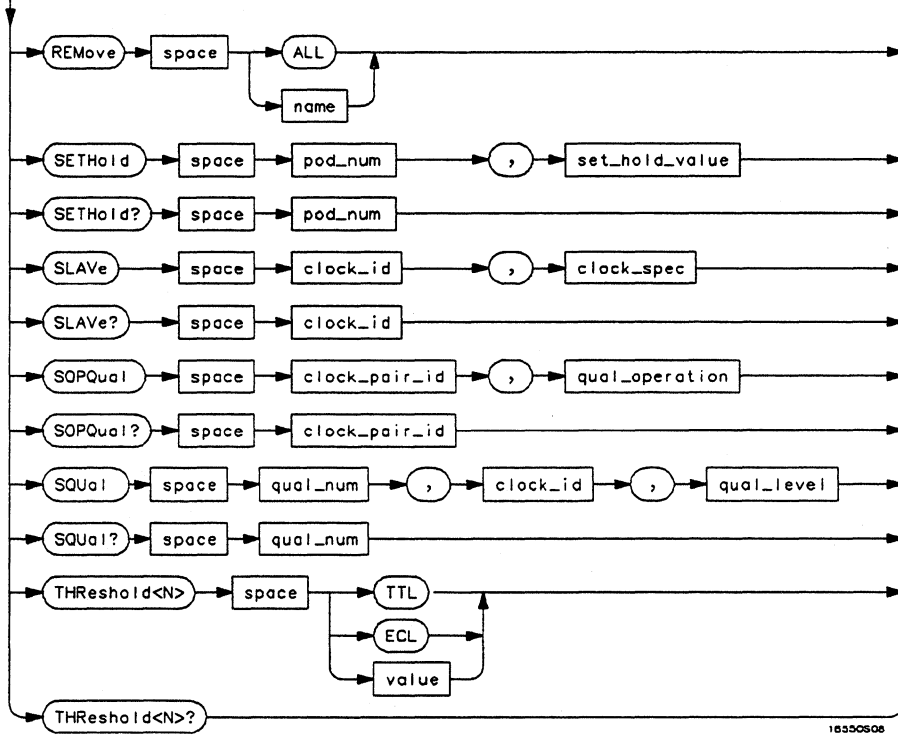
- CLOCK
- LABEL
- MASTER
- MODE
- MOPQual
- MQUal
- REMOVE
- SETHold
- SLAVE
- SOPQual
- SQUal
- THRESHold

Figure 5-1



SFORmat Subsystem Syntax Diagram

Figure 5-1 (continued)



SFORmat Subsystem Syntax Diagram (continued)

Table 5-1

SFORmat Subsystem Parameter Values

Parameter	Value
<N>	{{1   2   3   4   5   6} {7   8   9   10   11   12}}
label_name	string of up to 6 alphanumeric characters
polarity	{POSitive   NEGative}
clock_bits	format (integer from 0 to 63) for a clock (clocks are assigned in decreasing order)
upper_bits	format (integer from 0 to 65535) for a pod (pods are assigned in decreasing order)
lower_bits	format (integer from 0 to 65535) for a pod (pods are assigned in decreasing order)
clock_id	{J   K   L   M   N   P}
clock_spec	{OFF   RISing   FALLing   BOTH}
clock_pair_id	{1   2}
qual_operation	{AND   OR}
qual_num	{1   2   3   4}
qual_level	{OFF   LOW   HIGH}
pod_num	{1   2   3   4   5   6   7   8   9   10   11   12}
set_hold_value	{0   1   2   3   4   5   6   7   8   9}
value	voltage (real number) -6.00 to +6.00

---

## SFORmat

Selector            :MAChine{1|2}:SFORmat

The SFORmat (State Format) selector is used as a part of a compound header to access the settings in the State Format menu. It always follows the MACHine selector because it selects a branch directly below the MACHine level in the command tree.

---

**Example**            OUTPUT XXX;":MACHINE2:SFORMAT:MASTER J, RISING"

---

---

## CLOCK

Command            :MAChine{1|2}:SFORmat:CLOCK<N> <clock\_mode>

The CLOCK command selects the clocking mode for a given pod when the pod is assigned to the state analyzer. When the MASTER option is specified, the pod will sample all 16 channels on the master clock. When the SLAVE option is specified, the pod will sample all 16 channels on the slave clock. When the DEMultiplex option is specified, only one pod of a pod pair can acquire data. The 16 bits of the selected pod will be clocked by the demultiplex master for labels with bits assigned under the Master pod. The same 16 bits will be clocked by the demultiplex slave for labels with bits assigned under the Slave pod. The master clock always follows the slave clock when both are used.

<N>            {{1|2|3|4|5|6}|{7|8|9|10|11|12}} 1 through 6 for one card or 1 through 12 for a two-card set

<clock\_mode>   {MASTER | SLAVE | DEMultiplex}

---

**Example**            OUTPUT XXX;":MACHINE1:SFORMAT:CLOCK2 MASTER"

---

Query `:MACHine{1|2}:SFORmat:CLOCK<N>?`

The CLOCK query returns the current clocking mode for a given pod.

Returned Format `[:MACHine{1|2}:SFORmat:CLOCK<N>] <clock_mode><NL>`

---

Example `OUTPUT XXX; ":MACHINE1:SFORMAT:CLOCK2?"`

---



---

## LABel

Command `:MACHine{1|2}:SFORmat:LABel  
<name>,[<polarity>,<clock_bits>,<upper_bits>,  
<lower_bits>[,<upper_bits>,<lower_bits>]...]`

The LABel command allows you to specify polarity and assign channels to new or existing labels. If the specified label name does not match an existing label name, a new label will be created.

The order of the pod-specification parameters is significant. The first one listed will match the highest numbered pod assigned to the machine you're using. Each pod specification after that is assigned to the next highest numbered pod. This way they match the left-to-right descending order of the pods you see on the Format display. Not including enough pod specifications results in the lowest numbered pod(s) being assigned a value of zero (all channels excluded). If you include more pod specifications than there are pods for that machine, the extra ones will be ignored. However, an error is reported anytime when more than 13 pod specifications are listed.

The polarity can be specified at any point after the label name.

Because pods contain 16 channels, the format value for a pod must be between 0 and 65535 ( $2^{16} - 1$ ). When giving the pod assignment in binary (base 2), each bit will correspond to a single channel. A "1" in a bit position means the associated channel in that pod is assigned to that pod and bit. A "0" in a bit position means the associated channel in that pod is excluded from the label. For example, assigning #B1111001100 is equivalent to entering ".....\*\*\*\*..\*\*.." through the touchscreen.

A label can not have a total of more than 32 channels assigned to it.



SFORmat Subsystem  
**LABel**

<name> string of up to 6 alphanumeric characters  
<polarity> {POSitive | NEGative}  
<clock\_bits> format (integer from 0 to 63) for a clock (clocks are assigned in decreasing order)  
<upper\_bits> format (integer from 0 to 65535) for a pod (pods are assigned in decreasing order)  
<lower\_bits> format (integer from 0 to 65535) for a pod (pods are assigned in decreasing order)

---

**Examples**

```
OUTPUT XXX;":MACHINE2:SFORMAT:LABEl 'STAT', POSITIVE,  
0,127,40312"  
OUTPUT XXX;":MACHINE2:SFORMAT:LABEl 'SIG 1',  
#B11,#B0000000011111111,  
#B0000000000000000 "
```

---

**Query**

:MACHine{1|2}:SFORMat:LABel? <name>

The LABel query returns the current specification for the selected (by name) label. If the label does not exist, nothing is returned. The polarity is always returned as the first parameter. Numbers are always returned in decimal format.

**Returned Format**

[:MACHine{1|2}:SFORMat:LABel] <name>,<polarity>  
[, <assignment>]...<NL>

---

**Example**

```
OUTPUT XXX;":MACHINE2:SFORMAT:LABEl? 'DATA' "
```

---

## MASTer

**Command**            :MAChine{1|2}:SFORmat:MASTer  
                           <clock\_id>,<clock\_spec>

The MASTer clock command allows you to specify a master clock for a given machine. The master clock is used in all clocking modes (Master, Slave, and Demultiplexed). Each command deals with only one clock (J,K,L,M,N,P); therefore, a complete clock specification requires six commands, one for each clock. Edge specifications (RISing, FALLing, or BOTH) are ORed.

At least one clock edge must be specified.

    <clock\_id>        {J|K|L|M|N|P}  
     <clock\_spec>     {OFF|RISing|FALLing|BOTH}

---

**Example**             OUTPUT XXX;":MACHINE2:SFORmat:MASTer J, RISING"

---

**Query**                :MAChine{1|2}:SFORmat:MASTer? <clock\_id>

The MASTer query returns the clock specification for the specified clock.

**Returned Format**    [:MAChine{1|2}:SFORmat:MASTer] <clock\_id>,<clock\_spec><NL>

---

**Example**             OUTPUT XXX;":MACHINE2:SFORmat:MASTer? <clock\_id>"

---

---

## MODE

**Command**            `:MACHine{1|2}:SFOrmat:MODE <acq_mode>`

The MODE command allows you to select the acquisition mode of the state analyzer. The modes are either full-channel with 4 Kbit of memory depth per channel or half-channel with 8 Kbit of memory depth per channel.

`<acq_mode>`        `{FULL|DEEPmemory}`

---

**Example**            `OUTPUT XXX;":MACHine1:SFOrmat:MODE FULL"`

**Query**             `:MACHine{1|2}:SFOrmat:MODE?`

The MODE query returns the current acquisition mode.

**Returned Format**    `[:MACHine{1|2}:SFOrmat:MODE] <acq_mode><NL>`

---

**Example**            `OUTPUT XXX;":MACHine1:SFOrmat:MODE?"`

---

## MOPQual

**Command**            `:MACHine{1|2}:SFOrmat:MOPQual  
<clock_pair_id>,<qual_operation>`

The MOPQual (master operation qualifier) command allows you to specify either the AND or the OR operation between master clock qualifier pair 1 and 2, or between master clock qualifier pair 3 and 4. For example, you can specify a master clock operation qualifier 1 AND 2.

<clock\_pair\_id> {1|2}

<qual\_operation> {AND|OR}

---

**Example**

---

OUTPUT XXX;":MACHINE1:SFORMAT:MOPQUAL 1,AND"

**Query**

:MACHINE{1|2}:SFORMAT:MOPQUAL? <clock\_pair\_id>

The MOPQual query returns the operation qualifier specified for the master clock.

**Returned Format**

[ :MACHINE{1|2}:SFORMAT:MOPQUAL <clock\_pair\_id>]  
 <qual\_operation><NL>

---

**Example**

---

OUTPUT XXX;":MACHINE1:SFORMAT:MOPQUAL? 1"

---

## MQUal

**Command**

:MACHINE{1|2}:SFORMAT:MQUal  
 <qual\_num>,<clock\_id>,<qual\_level>

The MQUal (master qualifier) command allows you to specify the level qualifier for the master clock.

<qual\_num> {1|2|3|4}

<clock\_id> {J|K|L|M|N|P}

<qual\_level> {OFF|LOW|HIGH}

---

**Example**

---

OUTPUT XXX;":MACHINE2:SFORMAT:MQUAL 1,J,LOW"

## SFORmat Subsystem

### REMove

Query `:MACHine{1|2}:SFORmat:MQUal? <qual_num>`

The MQUal query returns the qualifier specified for the master clock.

Returned Format `[:MACHine{1|2}:SFORmat:MQUal] <qual_level><NL>`

---

**Example** `OUTPUT XXX;":MACHINE2:SFORMAT:MQUAL? 1"`

---

### REMove

Command `:MACHine{1|2}:SFORmat:REMove {<name>|ALL}`

The REMove command allows you to delete all labels or any one label for a given machine.

**<name>** string of up to 6 alphanumeric characters

---

**Examples** `OUTPUT XXX;":MACHINE2:SFORMAT:REMOVE 'A'"`  
`OUTPUT XXX;":MACHINE2:SFORMAT:REMOVE ALL"`

---

### SETHold

Command `:MACHine{1|2}:SFORmat:SETHold  
<pod_num>,<set_hold_value>`

The SETHold (setup/hold) command allows you to set the setup and hold specification for the state analyzer.

Even though the command requires integers to specify the setup and hold, the query returns the current settings in a string. For example, if you send the integer 0 for the setup and hold value, the query will return 3.5/0.0 ns as an ASCII string when you have one clock and one edge specified.

<pod\_num> {1|2|3|4|5|6} for a single board or  
 {1|2|3|4|5|6|7|8|9|10|11|12} for a pair of boards  
 <set\_hold\_value> integer {0|1|2|3|4|5|6|7|8|9} representing the following setup and hold values:

**Table 5-2 Setup and hold values**

For one clock and one edge	For one clock and both edges	Multiple Clocks
0 = 3.5/0.0 ns	0 = 4.0/0.0	0 = 4.5/0.0
1 = 3.0/0.5 ns	1 = 3.5/0.5	1 = 4.0/0.5
2 = 2.5/1.0 ns	2 = 3.0/1.0	2 = 3.5/1.0
3 = 2.0/1.5 ns	3 = 2.5/1.5	3 = 3.0/1.5
4 = 1.5/2.0 ns	4 = 2.0/2.0	4 = 2.5/2.0
5 = 1.0/2.5 ns	5 = 1.5/2.5	5 = 2.0/2.5
6 = 0.5/3.0 ns	6 = 1.0/3.0	6 = 1.5/3.0
7 = 0.0/3.5 ns	7 = 0.5/3.5	7 = 1.0/3.5
N/A	8 = 0.0/4.0	8 = 0.5/4.0
N/A	N/A	9 = 0.0/4.5

**Example** OUTPUT XXX;":MACHINE2:SFORMAT:SETHOLD 1,2"

Query :MACHINE{1|2}:SFORMAT:SETHOLD? <pod\_num>

The SETHold query returns the current setup and hold settings.

Returned Format [:MACHINE{1|2}:SFORMAT:SETHold <pod\_num>] <set\_hold\_value><NL>

**Example** OUTPUT XXX;":MACHINE2:SFORMAT:SETHOLD? 3"

---

## SLAVe

**Command**                    :MAChine{1|2}:SFOrmat:SLAVe <clock\_id>,<clock\_spec>

The SLAVe clock command allows you to specify a slave clock for a given machine. The slave clock is only used in the Slave and Demultiplexed clocking modes. Each command deals with only one clock (J,K,L,M,N,P); therefore, a complete clock specification requires six commands, one for each clock. Edge specifications (RISing, FALLing, or BOTH) are ORed.

When slave clock is being used at least one edge must be specified.

<clock\_id>            {J|K|L|M|N|P}

<clock\_spec>         {OFF|RISing|FALLing|BOTH}

---

### Example

OUTPUT XXX;":MACHINE2:SFOrmat:SLAVE J, RISING"

**Query**                        :MAChine{1|2}:SFOrmat:SLAVe?<clock\_id>

The SLAVe query returns the clock specification for the specified clock.

**Returned Format**            [:MAChine{1|2}:SFOrmat:SLAVE] <clock\_id>,<clock\_spec><NL>

---

### Example

OUTPUT XXX;":MACHINE2:SFOrmat:SLAVE? K"

---

## SOPQual

**Command**           :MACHine{1|2}:SFORmat:SOPQual  
 <clock\_pair\_id>,<qual\_operation>

The SOPQual (slave operation qualifier) command allows you to specify either the AND or the OR operation between slave clock qualifier pair 1 and 2, or between slave clock qualifier pair 3 and 4. For example you can specify a slave clock operation qualifer 1 AND 2.

<clock\_pair\_id>    {1|2}  
 <qual\_operation>    {AND|OR}

---

**Example**            OUTPUT XXX;":MACHine2:SFORmat:SOPQUAL 1,AND"

---

**Query**             :MACHine{1|2}:SFORmat:SOPQual? <clock\_pair\_id>

The SOPQual query returns the operation qualifier specified for the slave clock.

**Returned Format**   [:MACHine{1|2}:SFORmat:SOPQual <clock\_pair\_id>]  
 <qual\_operation><NL>

---

**Example**            OUTPUT XXX;":MACHine2:SFORmat:SOPQUAL? 1"

---



---

## SQUal

**Command**            :MAChine{1|2}:SFORmat:SQUal  
                      <qual\_num>,<clock\_id>,<qual\_level>

The SQUal (slave qualifier) command allows you to specify the level qualifier for the slave clock.

<qual\_num>    {1|2|3|4}  
<clock\_id>    {J|K|L|M|N|P}  
<qual\_level>  {OFF|LOW|HIGH}

---

**Example**            OUTPUT XXX;":MACHINE2:SFORMAT:SQUAL 1,J,LOW"

---

**Query**             :MAChine{1|2}:SFORmat:SQUal?<qual\_num>

The SQUal query returns the qualifier specified for the slave clock.

**Returned Format**   [:MAChine{1|2}:SFORmat:SQUal] <clock\_id>,<qual\_level><NL>

---

**Example**            OUTPUT XXX;":MACHINE2:SFORMAT:SQUAL? 1"

---

---

## THReshold

**Command**            :MAChine{1|2}:SFORmat:THReshold<N>  
                      {TTL|ECL|<value>}

The THReshold command allows you to set the voltage threshold for a given pod to ECL, TTL, or a specific voltage from -6.00 V to +6.00 V in 0.05 volt increments.

<N> pod number {1|2|3|4|5|6|7|8|9|10|11|12}  
<value> voltage (real number) -6.00 to +6.00  
TTL default value of +1.6 V  
ECL default value of -1.3 V

---

**Example**

---

OUTPUT XXX;":MACHINE1:SFORMAT:THRESHOLD1 4.0"

**Query**

:MACHine{1|2}:SFORmat:THReshold<N>?

The THReshold query returns the current threshold for a given pod.

**Returned Format**

[ :MACHine{1|2}:SFORmat:THReshold<N>] <value><NL>

---

**Example**

---

OUTPUT XXX;":MACHINE1:SFORMAT:THRESHOLD4?"



---

**STRigger (STRace)  
Subsystem**

---

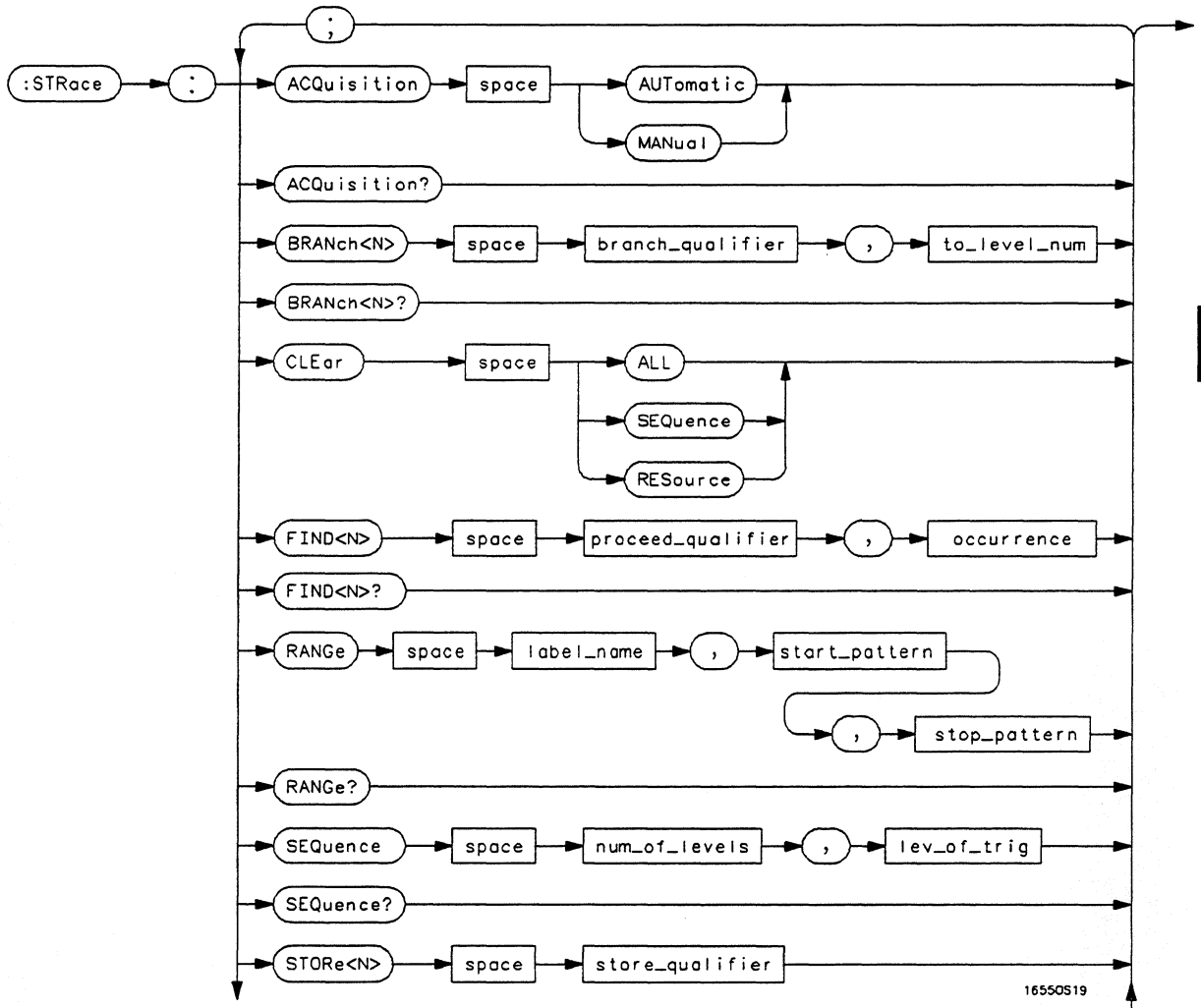
---

# Introduction

The STRigger subsystem contains the commands available for the State Trigger menu in the HP 16550A logic analyzer module. The State Trigger subsystem will also accept the STRace selector as used in previous HP 16500-Series Logic Analyzer modules to eliminate the need to rewrite programs containing STRace as the selector keyword. The STRigger subsystem commands are:

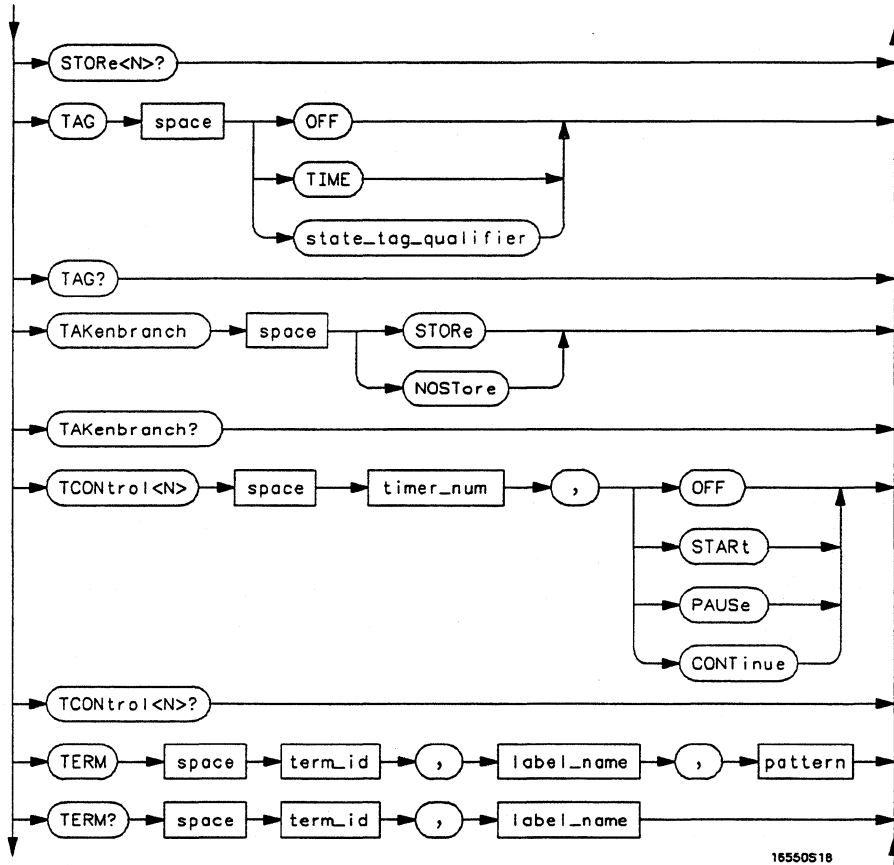
- ACQuisition
- BRANCh
- CLear
- FIND
- RANGe
- SEQuence
- STORe
- TAG
- TAKenbranch
- TCONtrol
- TERM
- TIMER
- TPOsition

Figure 6-1



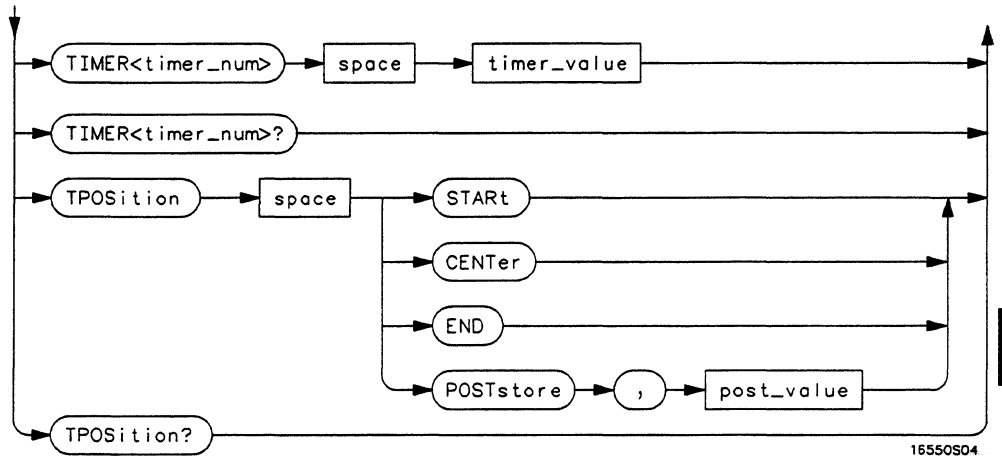
STRigger Subsystem Syntax Diagram

Figure 6-1 (continued)



STRigger Subsystem Syntax Diagram (continued)

Figure 6-1 (continued)



STRigger Subsystem Syntax Diagram (continued)



Table 6-1

STRigger Subsystem Parameter Values

Parameter	Value
branch_qualifier	<qualifier>
to_lev_num	integer from 1 to last level
proceed_qualifier	<qualifier>
occurrence	number from 1 to 1048575
label_name	string of up to 6 alphanumeric characters
start_pattern	"{#B{0 1} . . .   #Q{0 1 2 3 4 5 6 7} . . .   #H{0 1 2 3 4 5 6 7 8 9 A B C D E F} . . .   {0 1 2 3 4 5 6 7 8 9} . . . }"
stop_pattern	"{#B{0 1} . . .   #Q{0 1 2 3 4 5 6 7} . . .   #H{0 1 2 3 4 5 6 7 8 9 A B C D E F} . . .   {0 1 2 3 4 5 6 7 8 9} . . . }"
num_of_levels	integer from 2 to 12
lev_of_trig	integer from 1 to (number of existing sequence levels - 1)
store_qualifier	<qualifier>
state_tag_qualifier	<qualifier>
timer_num	{1 2}
timer_value	400 ns to 500 seconds
term_id	{A B C D E F G H I J}
pattern	"{#B{0 1 X} . . .   #Q{0 1 2 3 4 5 6 7 X} . . .   #H{0 1 2 3 4 5 6 7 8 9 A B C D E F X} . . .   {0 1 2 3 4 5 6 7 8 9} . . . }"
qualifier	see "Qualifier" on page 6-5
post_value	integer from 0 to 100 representing percentage

---

## Qualifier

The qualifier for the state trigger subsystem can be terms A through J, Timer 1 and 2, and Range 1 and 2. In addition, qualifiers can be the NOT boolean function of terms, timers, and ranges. The qualifier can also be an expression or combination of expressions as shown below and figure 6-2, "Complex Qualifier," on page 6-11.

The following parameters show how qualifiers are specified in all commands of the STRigger subsystem that use <qualifier>.

```

<qualifier> { "ANystate" | "NOSTATE" | "<expression>" }
<expression> {<expression1a>|<expression1b>|<expression1a> OR
               <expression1b>|<expression1a> AND <expression1b>}
<expression1a> {<expression1a_term>|(<expression1a_term>[ OR
               <expression1a_term>]* )|(<expression1a_term>[ AND
               <expression1a_term>]* )}
<expression1a_term> { <expression2a>|<expression2b>|<expression2c>|<expression2d>}
<expression1b> {<expression1b_term>|(<expression1b_term>[ OR
               <expression1b_term>]* )|(<expression1b_term>[ AND
               <expression1b_term>]* )}
<expression1b_term> {<expression2e>|<expression2f>|<expression2g>|<expression2h>}
<expression2a> {<term3a>|<term3b>|(<term3a> <boolean_op> <term3b>)}
<expression2b> {<term3c>|<range3a>|(<term3c> <boolean_op> <range3a>)}
<expression2c> {<term3d>}
<expression2d> {<term3e>|<timer3a>|(<term3e> <boolean_op> <timer3a>)}
<expression2e> {<term3f>|<term3g>|(<term3f> <boolean_op> <term3g>)}
<expression2f> {<term3h>|<range3b>|(<term3h> <boolean_op> <range3b>)}
<expression2g> {<term3i>}
<expression2h> {<term3j>|<timer3b>|(<term3e> <boolean_op> <timer3b>)}
<boolean_op> {AND | NAND | OR | NOR | XOR | NXOR}
<term3a> { A | NOTA }

```

## STRigger (STRace) Subsystem Qualifier

```
<term3b> { B | NOTB }
<term3c> { C | NOTC }
<term3d> { D | NOTD }
<term3e> { E | NOTE }
<term3f> { F | NOTF }
<term3g> { G | NOTG }
<term3h> { H | NOTH }
<term3i> { I | NOTI }
<term3j> { J | NOTJ }
<range3a> { IN_RANGE1 | OUT_RANGE1 }
<range3b> { IN_RANGE2 | OUT_RANGE2 }
<timer3a> { TIMER1< | TIMER1>}
<timer3b> { TIMER2< | TIMER2>}
```

### Qualifier Rules

The following rules apply to qualifiers:

- Qualifiers are quoted strings and, therefore, need quotes.
- Expressions are evaluated from left to right.
- Parenthesis are used to change the order evaluation and, therefore, are optional.
- An expression must map into the combination logic presented in the combination pop-up menu within the STRigger menu (see figure 6-2 on page 6-11).

---

### Examples

```
'A'
'( A OR B )'
'(( A OR B ) AND C )'
'(( A OR B ) AND C AND IN_RANGE2 )'
'(( A OR B ) AND ( C AND IN_RANGE1 ))'
'IN_RANGE1 AND ( A OR B ) AND C'
```

---

---

## STRigger (STRace)

**Selector**                   :MACHine{1|2}:STRigger

The STRigger (STRace) (State Trigger) selector is used as a part of a compound header to access the settings found in the State Trace menu. It always follows the MACHine selector because it selects a branch directly below the MACHine level in the command tree.

---

**Example**                    OUTPUT XXX;":MACHINE1:STRIGGER:TAG TIME"

---



---

## ACQquisition

**Command**                   :MACHine{1|2}:STRigger:ACQquisition  
                              {AUTOMatic|MANual}

The ACQquisition command allows you to specify the acquisition mode for the State analyzer.

---

**Example**                    OUTPUT XXX;":MACHINE1:STRIGGER:ACQUISITION AUTOMATIC"

---

**Query**                      :MACHine{1|2}:STRigger:ACQquisition?

The ACQquisition query returns the current acquisition mode specified.

**Returned Format**       [:MACHine{1|2}:STRigger:ACQquisition] {AUTOMatic|MANual}<NL>

---

**Example**                    OUTPUT XXX;":MACHINE1:STRIGGER:ACQUISITION?"

---

---

## BRANCh

Command           :MACHine{1|2}:STRigger:BRANCh<N>  
                  <branch\_qualifier>,<to\_level\_number>

The BRANCh command defines the branch qualifier for a given sequence level. When this branch qualifier is matched, it will cause the sequencer to jump to the specified sequence level.

The terms used by the branch qualifier (A through J) are defined by the TERM command. The meaning of IN\_RANGE and OUT\_RANGE is determined by the RANGE command.

Within the limitations shown by the syntax definitions, complex expressions may be formed using the AND and OR operators. Expressions are limited to what you could manually enter through the State Trigger menu. Regarding parentheses, the syntax definitions on the next page show only the required ones. Additional parentheses are allowed as long as the meaning of the expression is not changed. Figure 6-2 shows a complex expression as seen in the State Trigger menu.

---

### Example

The following statements are all correct and have the same meaning. Notice that the conventional rules for precedence are not followed. The expressions are evaluated from left to right.

```
OUTPUT XXX;":MACHINE1:TTRIGGER:BRANCH1 'C AND D OR F OR G', 1"  
OUTPUT XXX;":MACHINE1:TTRIGGER:BRANCH1 '((C AND D) OR (F OR  
G))', 1"  
OUTPUT XXX;":MACHINE1:TTRIGGER:BRANCH1 'F OR (C AND D) OR G',1"
```

---

<N> integer from 1 to <number\_of\_levels>

<to\_level\_number> integer from 1 to <number\_of\_levels>

<number\_of\_levels> integer from 2 to the number of existing sequence levels (maximum 12)

<branch\_qualifier> see "Qualifier" on page 5

**Examples**

```
OUTPUT XXX;":MACHINE1:STRIGGER:BRANCH1 'ANystate', 3"
OUTPUT XXX;":MACHINE2:STRIGGER:BRANCH2 'A', 7"
OUTPUT XXX;":MACHINE1:STRIGGER:BRANCH3 '((A OR B) OR NOTG)', 1"
```

**Query**

:MACHIne{1|2}:STRigger:BRANch<N>?

The BRANch query returns the current branch qualifier specification for a given sequence level.

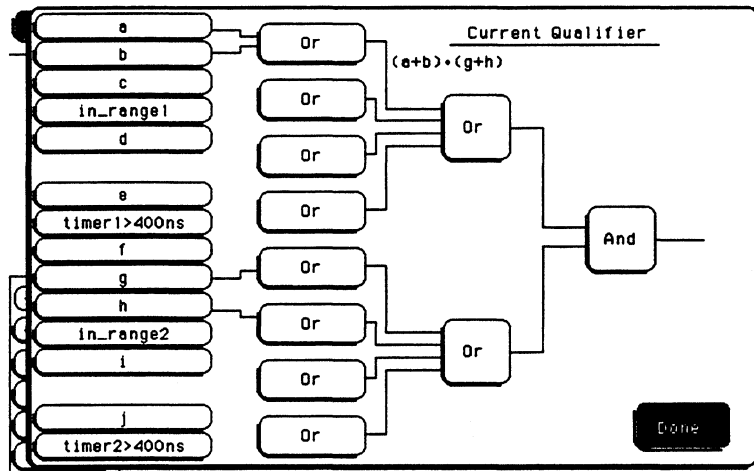
**Returned Format**

```
[ :MACHIne{1|2}:STRigger:BRANch<N>]
<branch_qualifier>,<to_level_num><NL>
```

**Example**

```
OUTPUT XXX;":MACHINE1:STRIGGER:BRANCH3?"
```

**Figure 6-2**



**Complex qualifier**

Figure 6-2 is a front panel representation of the complex qualifier (a or b) And (g or h).

## STRigger (STRace) Subsystem CLEar

---

### Example

The following example would be used to specify this complex qualifier.

```
OUTPUT XXX;":MACHINE1:STRIGGER:BRANCH1 '((A OR B) AND (G OR H))', 2"
```

---

Terms A through E, RANGE 1, and TIMER 1 must be grouped together and terms F through J, RANGE 2, and TIMER 2 must be grouped together. In the first level, terms from one group may not be mixed with terms from the other. For example, the expression ((A OR IN\_RANGE2) AND (C OR H)) is not allowed because the term C cannot be specified in the E through J group.

In the first level, the operators you can use are AND, NAND, OR, NOR, XOR, NXOR. Either AND or OR may be used at the second level to join the two groups together. It is acceptable for a group to consist of a single term. Thus, an expression like (B AND G) is legal, since the two operands are both simple terms from separate groups.

---

## CLEar

### Command

```
:MACHINE{1|2}:STRigger:CLEar  
{All|SEquence|RESOURCE}
```

The CLEar command allows you to clear all settings in the State Trigger menu and replace them with the default, clear only the Sequence levels, or clear only the resource term patterns.

---

### Example

```
OUTPUT XXX;":MACHINE1:STRIGGER:CLEAR RESOURCE"
```

---

---

**FIND**

Command           :MACHine{1|2}:STRigger:FIND<N>  
                  <proceed\_qualifier>,<occurrence>

The FIND command defines the proceed qualifier for a given sequence level. The qualifier tells the state analyzer when to proceed to the next sequence level. When this proceed qualifier is matched the specified number of times, the sequencer will proceed to the next sequence level. In the sequence level where the trigger is specified, the FIND command specifies the trigger qualifier (see SEQuence command).

The terms A through J are defined by the TERM command. The meaning of IN\_RANGE and OUT\_RANGE is determined by the RANGE command. Expressions are limited to what you could manually enter through the State Trigger menu. Regarding parentheses, the syntax definitions below show only the required ones. Additional parentheses are allowed as long as the meaning of the expression is not changed. See figure 6-2 for a detailed example.

<N>           integer from 1 to (number of existing sequence levels -1)  
<occurrence>   integer from 1 to 1048575  
  <proceed\_    <qualifier> see "Qualifier" on page 6-5  
  qualifier>

---

**Examples**

OUTPUT XXX;":MACHINE1:STRIGGER:FIND1 'ANYSSTATE', 1"  
OUTPUT XXX;":MACHINE1:STRIGGER:FIND3 '((NOTA AND NOTB) OR G)',  
1"

---



## STRigger (STRace) Subsystem

### RANGe

Query `:MACHine{1|2}:STRigger:FIND4?`

The FIND query returns the current proceed qualifier specification for a given sequence level.

Returned Format `[ :MACHine{1|2}:STRigger:FIND<N>]  
<proceed_qualifier>,<occurrence><NL>`

---

Example `OUTPUT XXX;":MACHINE1:STRIGGER:FIND<N>?"`

---

### RANGe

Command `:MACHine{1|2}:STRigger:RANGE  
<label_name>,<start_pattern>,<stop_pattern>`

The RANGe command allows you to specify a range recognizer term for the specified machine. Since a range can only be defined across one label and, since a label must contain 32 or less bits, the value of the start pattern or stop pattern will be between  $(2^{32})-1$  and 0.

Because a label can only be defined across a maximum of two pods, a range term is only available across a single label; therefore, the end points of the range cannot be split between labels.

When these values are expressed in binary, they represent the bit values for the label at one of the range recognizers' end points. Don't cares are not allowed in the end point pattern specifications.

`<label_name>` string of up to 6 alphanumeric characters

`<start_pattern>` `"{#B{0|1} . . . |  
#Q{0|1|2|3|4|5|6|7} . . . |  
#H{0|1|2|3|4|5|6|7|8|9|A|B|C|D|E|F} . . . |  
{0|1|2|3|4|5|6|7|8|9} . . . }"`

`<stop_pattern>` `"{#B{0|1} . . . |  
#Q{0|1|2|3|4|5|6|7} . . . |  
#H{0|1|2|3|4|5|6|7|8|9|A|B|C|D|E|F} . . . |  
{0|1|2|3|4|5|6|7|8|9} . . . }"`

---

**Examples**

```
OUTPUT XXX;":MACHINE1:STRIGGER:RANGE 'DATA', '127', '255' "  
OUTPUT XXX;":MACHINE1:STRIGGER:RANGE 'ABC', '#B00001111',  
'#HCF' "
```

---

**Query**

**:MACHINE{1|2}:STRigger:RANGE?**

The RANGE query returns the range recognizer end point specifications for the range.

**Returned Format**

[ :MACHINE{1|2}:STRace:RANGE] <label\_name>,<start\_pattern>,  
<stop\_pattern><NL>

---

**Example**

```
OUTPUT XXX;":MACHINE1:STRIGGER:RANGE?"
```

---

## SEquence

**Command**            :MAChine{1|2}:STRigger:SEquence  
                      <number\_of\_levels>,<level\_of\_trigger>

The SEquence command redefines the state analyzer trace sequence. First, it deletes the current trace sequence. Then it inserts the number of levels specified, with default settings, and assigns the trigger to be at a specified sequence level. The number of levels can be between 2 and 12 when the analyzer is armed by the RUN key.

<number\_of\_levels>   integer from 2 to 12

<level\_of\_trigger>   integer from 1 to (number of existing sequence levels - 1)

---

**Example**            OUTPUT XXX;":MACHINE1:STRIGGER:SEQUENCE 4,3"

---

**Query**             :MAChine{1|2}:STRigger:SEquence?

The SEquence query returns the current sequence specification.

**Returned Format**   [:MAChine{1|2}:STRigger:SEquence] <number\_of\_levels>,  
                      <level\_of\_trigger><NL>

---

**Example**            OUTPUT XXX;":MACHINE1:STRIGGER:SEQUENCE?"

---

---

## STORE

**Command**                   :MACHine{1|2}:STRigger:STORE<N> <store\_qualifier>

The STORE command defines the store qualifier for a given sequence level. Any data matching the STORE qualifier will actually be stored in memory as part of the current trace data. The qualifier may be a single term or a complex expression. The terms A through J are defined by the TERM command. The meaning of IN\_RANGE1 and 2 and OUT\_RANGE1 and 2 is determined by the RANGE command.

Expressions are limited to what you could manually enter through the State Trigger menu. Regarding parentheses, the syntax definitions below show only the required ones. Additional parentheses are allowed as long as the meaning of the expression is not changed.

A detailed example is provided in figure 6-2 on page 6-11.

<N>                   an integer from 1 to the number of existing sequence levels (maximum 12)

<store\_qualifier>   <qualifier> see "Qualifier" on page 6-5

---

### Examples

```
OUTPUT XXX;":MACHINE1:STRIGGER:STORE1 'ANystate' "
OUTPUT XXX;":MACHINE1:STRIGGER:STORE2 'OUT_RANGE1' "
OUTPUT XXX;":MACHINE1:STRIGGER:STORE3 '(NOTC AND NOTD AND
NOTH)' "
```

**Query**                   :MACHine{1|2}:STRigger:STORE<N>?

The STORE query returns the current store qualifier specification for a given sequence level <N>.

**Returned Format**       [:MACHine{1|2}:STRigger:STORE<N>] <store\_qualifier><NL>

---

**Example**                   OUTPUT XXX;":MACHINE1:STRIGGER:STORE4?"

---

---

## TAG

Command `:MACHine{1|2}:STRigger:TAG  
{OFF|TIME|<state_tag_qualifier>}`

The TAG command selects the type of count tagging (state or time) to be performed during data acquisition. State tagging is indicated when the parameter is the state tag qualifier, which will be counted in the qualified state mode. The qualifier may be a single term or a complex expression. The terms A through J are defined by the TERM command. The terms IN\_RANGE1 and 2 and OUT\_RANGE1 and 2 are defined by the RANGE command.

Expressions are limited to what you could manually enter through the State Trigger menu. Regarding parentheses, the syntax definitions below show only the required ones. Additional parentheses are allowed as long as the meaning of the expression is not changed. A detailed example is provided in figure 6-2 on page 6-11.

`<state_tag_qualifier>` `<qualifier>` see "Qualifier" on page 6-5

---

### Examples

```
OUTPUT XXX;":MACHINE1:STRIGGER:TAG OFF"  
OUTPUT XXX;":MACHINE1:STRIGGER:TAG TIME"  
OUTPUT XXX;":MACHINE1:STRIGGER:TAG '(IN_RANGE OR NOTF)'"  
OUTPUT XXX;":MACHINE1:STRIGGER:TAG '((IN_RANGE OR A) AND E)'"
```

---

Query `:MACHine{1|2} :STRigger:TAG?`

The TAG query returns the current count tag specification.

Returned Format `[:MACHine{1|2}:STRigger:TAG]  
{OFF|TIME|<state_tag_qualifier>}<NL>`

---

Example `OUTPUT XXX;":MACHINE1:STRIGGER:TAG?"`

---

---

## TAKenbranch

**Command**                   :MACHine{1|2}:STRigger:TAKenbranch {STORE|NOSTore}

The TAKenbranch command allows you to specify whether the state causing the branch is stored or not stored for the specified machine. The state causing the branch is defined by the BRANch command.

---

**Example**                    OUTPUT XXX;":MACHINE2:STRIGGER:TAKENBRANCH STORE"

---

**Query**                     :MACHine{1|2}:STRigger:TAKenbranch?

The TAKenbranch query returns the current setting.

**Returned Format**       [:MACHine{1|2}:STRigger:TAKenbranch] {STORE|NOSTore}<NL>

---

**Example**                    OUTPUT XXX;":MACHINE2:STRIGGER:TAKENBRANCH?"

---

---

## TCONtrol

**Command**            :MAChine{1|2}:STRigger:TCONtrol<N> <timer\_num>,  
                      {OFF|START|PAUSE|CONTInue}

The TCONtrol (timer control) command allows you to turn off, start, pause, or continue the timer for the specified level. The time value of the timer is defined by the TIMER command. There are two timers and they are available for either machine but not both machines simultaneously.

<N>           integer from 1 to the number of existing sequence levels (maximum 12)

<timer\_num>   {1|2}

---

**Example**            OUTPUT XXX;":MACHINE2:STRIGGER:TCONTROL6 1, PAUSE"

---

**Query**             :MAChine{1|2}:STRigger:TCONTROL<N>? <timer\_num>

The TCONtrol query returns the current TCONtrol setting of the specified level.

**Returned Format**   [:MAChine{1|2}:STRigger:TCONTROL<N> <timer\_num>]  
                      {OFF|START|PAUSE|CONTInue}<NL>

---

**Example**            OUTPUT XXX;":MACHINE2:STRIGGER:TCONTROL?6 1"

---

---

## TERM

Command           :MACHINE{1|2}:STRigger:TERM  
                   <term\_id>,<label\_name>,<pattern>

The TERM command allows you to specify a pattern recognizer term in the specified machine. Each command deals with only one label in the given term; therefore, a complete specification could require several commands. Since a label can contain 32 or less bits, the range of the pattern value will be between  $2^{32} - 1$  and 0. When the value of a pattern is expressed in binary, it represents the bit values for the label inside the pattern recognizer term. Because the pattern parameter may contain don't cares and be represented in several bases, it is handled as a string of characters rather than a number.

All 10 terms (A through J) are available for either machine but not both simultaneously. If you send the TERM command to a machine with a term that has not been assigned to that machine, an error message "Legal command but settings conflict" is returned.

<term\_id>        {A|B|C|D|E|F|G|H|I|J}  
 <label\_name>    string of up to 6 alphanumeric characters  
 <pattern>        "{#B{0|1|X} . . . |  
                   #Q{0|1|2|3|4|5|6|7|X} . . . |  
                   #H{0|1|2|3|4|5|6|7|8|9|A|B|C|D|E|F|X} . . . |  
                   {0|1|2|3|4|5|6|7|8|9} . . . }"

---

### Example

```
OUTPUT XXX;":MACHINE1:STRIGGER:TERM A,'DATA','255' "  

OUTPUT XXX;":MACHINE1:STRIGGER:TERM B,'ABC','#BXXXX1101' "
```



## STRigger (STRace) Subsystem TIMER

Query `:MACHine{1|2}:STRigger:TERM? <term_id>,<label_name>`

The TERM query returns the specification of the term specified by term identification and label name.

Returned Format `[:MACHine{1|2}:STRace:TERM]  
<term_id>,<label_name>,<pattern><NL>`

---

**Example** `OUTPUT XXX;":MACHINE1:STRIGGER:TERM? B,'DATA' "`

---

## TIMER

Command `:MACHine{1|2}:STRigger:TIMER{1|2} <time_value>`

The TIMER command sets the time value for the specified timer. The limits of the timer are 400 ns to 500 seconds in 16 ns to 500  $\mu$ s increments. The increment value varies with the time value of the specified timer. There are two timers and they are available for either machine but not both machines simultaneously.

`<time_value>` real number from 400 ns to 500 seconds in increments which vary from 16 ns to 500  $\mu$ s.

---

**Example** `OUTPUT XXX;":MACHINE1:STRIGGER:TIMER1 100E-6"`

---

Query `:MACHine{1|2}:STRigger:TIMER{1|2}?`

The TIMER query returns the current time value for the specified timer.

Returned Format `[:MACHine{1|2}:STRigger:TIMER{1|2}] <time_value><NL>`

---

**Example** `OUTPUT XXX;":MACHINE1:STRIGGER:TIMER1?"`

---

## TPOsition

**Command**           :MAChine{1|2}:STRigger:TPOsition  
 {START|CENTer|END| POSTstore,<poststore>}

The TPOsition (trigger position) command allows you to set the trigger at the start, center, end or at any position in the trace (poststore). Poststore is defined as 0 to 100 percent with a poststore of 100 percent being the same as start position and a poststore 0 percent being the same as an end trace.

<poststore> integer from 0 to 100 representing percentage of poststore.

**Examples**           OUTPUT XXX;":MACHINE1:STRIGGER:TPOSITION END"  
 OUTPUT XXX;":MACHINE1:STRIGGER:TPOSITION POSTstore,75"

**Query**               :MAChine{1|2}:STRigger:TPOsition?

The TPOsition query returns the current trigger position setting.

**Returned Format**   [:MAChine{1|2}:STRigger:TPOsition] {START|CENTer|END|  
 POSTstore,<poststore>}<NL>

**Example**            OUTPUT XXX;":MACHINE1:STRIGGER:TPOSITION?"



---

**SLIS<sub>t</sub> Subsystem**

---

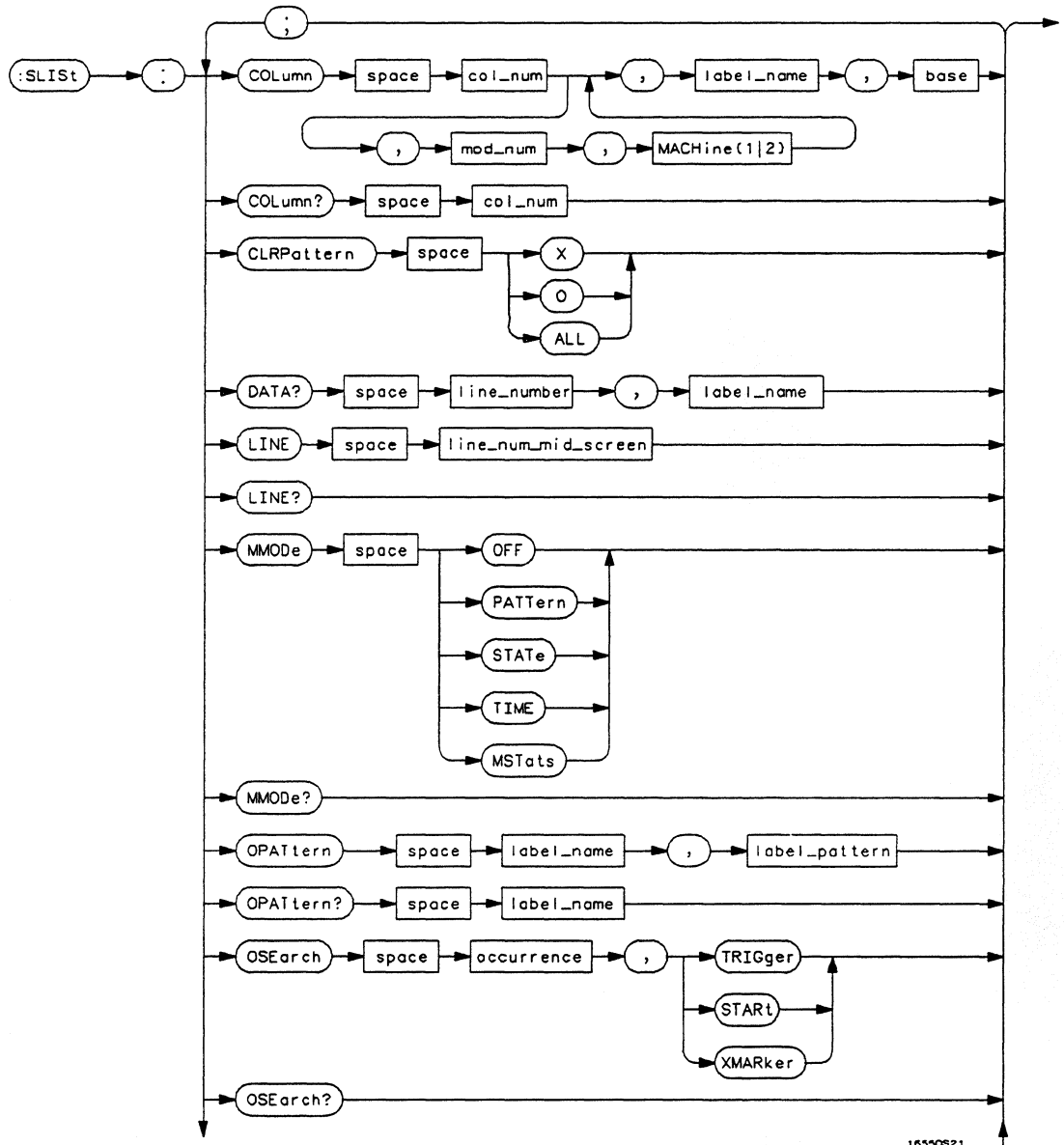
---

# Introduction

The SLISt subsystem contains the commands available for the State Listing menu in the HP 16550A logic analyzer module. These commands are:

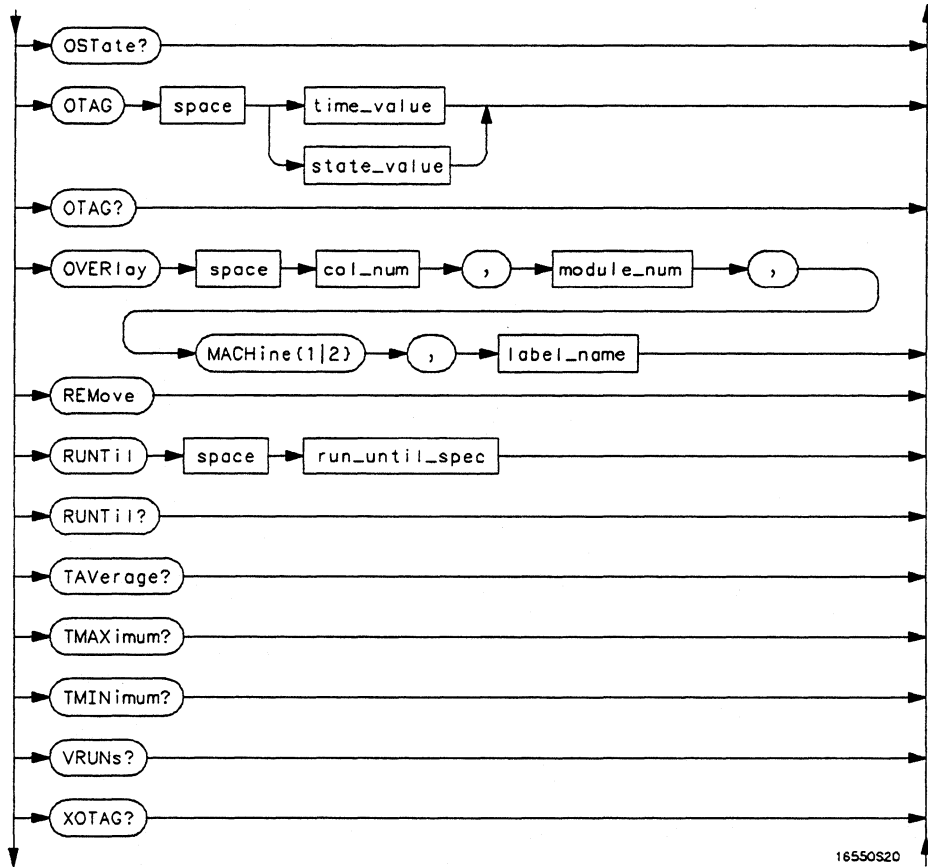
- COLumn
- CLRPattern
- DATA
- LINE
- MMODE
- OPATtern
- OSEarch
- OSTate
- OTAG
- OVERlay
- REMove
- RUNTil
- TAVerage
- TMAXimum
- TMINimum
- VRUNs
- XOTag
- XOTime
- XPATtern
- XSEarch
- XSTate
- XTAG

Figure 7-1



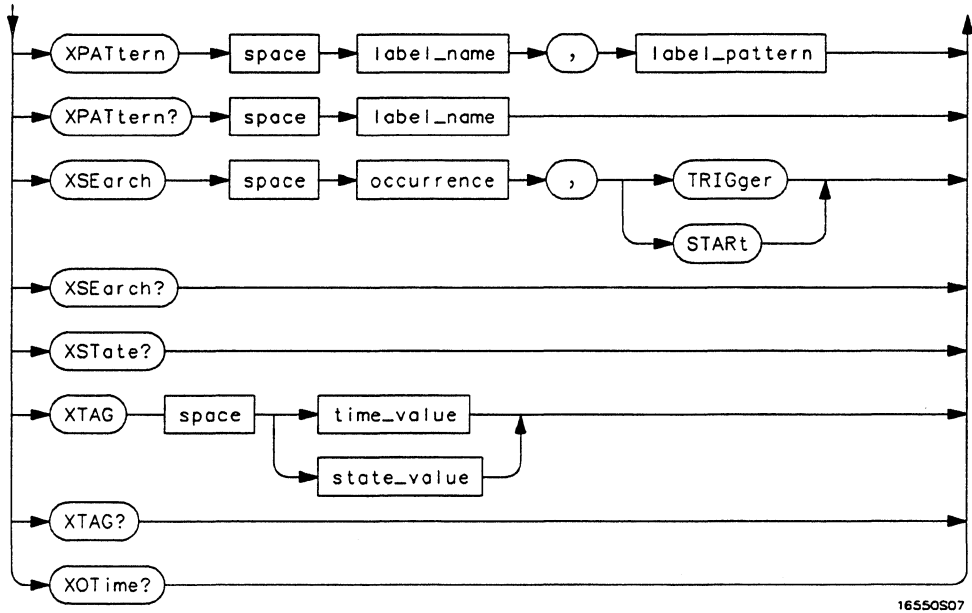
SLISt Subsystem Syntax Diagram

Figure 7-1 (continued)



SLISt Subsystem Syntax Diagram (continued)

Figure 7-1 (continued)



SLISSt Subsystem Syntax Diagram (continued)



Table 7-1

SLIS<sub>t</sub> Subsystem Parameter Values

Parameter	Value
module_num	{1 2 3 4 5 6 7 8 9 10}
mach_num	{1 2}
col_num	integer from 1 to 61
line_number	integer from -8191 to +8191
label_name	a string of up to 6 alphanumeric characters
base	{BINary HEXadecimal OCTal DECimal TWOS AScii SYMBOL IASSEMBler} for labels or {ABSolute RELative} for tags
line_num_mid_screen	integer from -8191 to +8191
label_pattern	"{#B{0 1 X} . . .   #Q{0 1 2 3 4 5 6 7 X} . . .   #H{0 1 2 3 4 5 6 7 8 9 A B C D E F X} . . .   {0 1 2 3 4 5 6 7 8 9} . . . }"
occurrence	integer from -8191 to +8192
time_value	real number
state_value	real number
run_until_spec	{OFF LT,<value> GT,<value> INRange,<value>,<value> OUTRange,<value>,<value>}
value	real number

---

## SLISt

**Selector**            `:MACHine{1|2}:SLISt`

The SLISt selector is used as part of a compound header to access those settings normally found in the State Listing menu. It always follows the MACHine selector because it selects a branch directly below the MACHine level in the command tree.

---

**Example**            `OUTPUT XXX;":MACHINE1:SLIST:LINE 256"`

---

---

## COLumn

**Command**            `:MACHine{1|2}:SLISt:COLumn`  
`<col_num>[,<module_num>, MACHine{1|2}],`  
`<label_name>,<base>`

The COLumn command allows you to configure the state analyzer list display by assigning a label name and base to one of the 61 vertical columns in the menu. A column number of 1 refers to the left most column. When a label is assigned to a column it replaces the original label in that column.

When the label name is "TAGS," the TAGS column is assumed and the next parameter must specify RELative or ABSolute.

A label for tags must be assigned in order to use ABSolute or RELative state tagging.

## SLIST Subsystem CLRPattern

<col\_num> integer from 1 to 61  
<module\_num> {1|2|3|4|5|6|7|8|9|10}  
<label\_name> a string of up to 6 alphanumeric characters  
<base> {BINary|HEXadecimal|OCTal|DECimal|TWOS|ASCii|SYMBOL|IASsembler} for labels or  
{ABSolute|RELative} for tags

---

### Example

---

OUTPUT XXX;":MACHINE1:SLIST:COLUMN 4,'A',HEX"

### Query

:MACHine{1|2}:SLIST:COLumn? <col\_num>

The COLumn query returns the column number, label name, and base for the specified column.

### Returned Format

{:MACHine{1|2}:SLIST:COLumn}  
<col\_num>,<module\_num>,MACHine{1|2}, <label\_name>,<base><NL>

---

### Example

---

OUTPUT XXX;":MACHINE1:SLIST:COLUMN? 4"

---

## CLRPattern

### Command

:MACHine{1|2}:SWAVEform:CLRPattern {X|O|ALL}

The CLRPattern command allows you to clear the patterns in the selected Specify Patterns menu.

---

### Example

---

OUTPUT XXX;":MACHINE1:SWAVEFORM:CLRPATTERN X"

## DATA

**Query**                    :**MACHine**{1|2}:**SLISt:DATA?**  
                          <line\_number>,<label\_name>

The DATA query returns the value at a specified line number for a given label. The format will be the same as the one shown in the listing display.

**Returned Format**        [:**MACHine**{1|2}:**SLISt:DATA**] <line\_number>,<label\_name>,  
                          <pattern\_string><NL>

<line\_number>   integer from -8191 to +8191

<label\_name>   string of up to 6 alphanumeric characters

<pattern\_string>   "{#B{0|1|X} . . . |  
                      #Q{0|1|2|3|4|5|6|7|X} . . . |  
                      #H{0|1|2|3|4|5|6|7|8|9|A|B|C|D|E|F|X} . . . |  
                      {0|1|2|3|4|5|6|7|8|9} . . . }"

**Example**                    **OUTPUT XXX;":MACHINE1:SLIST:DATA? 512, 'RAS'"**

## LINE

**Command**                 :**MACHine**{1|2}:**SLISt:LINE** <line\_num\_mid\_screen>

The LINE command allows you to scroll the state analyzer listing vertically. The command specifies the state line number relative to the trigger that the analyzer highlights at the center of the screen.

<line\_num\_mid\_screen>   integer from -8191 to +8191

**Example**                    **OUTPUT XXX;":MACHINE1:SLIST:LINE 0"**

## SLISt Subsystem MMODE

Query `:MACHine{1|2}:SLISt:LINE?`

The LINE query returns the line number for the state currently in the box at the center of the screen.

Returned Format `[:MACHine{1|2}:SLISt:LINE] <line_num_mid_screen><NL>`

---

**Example** `OUTPUT XXX;":MACHINE1:SLIST:LINE?"`

---

---

## MMODE

Command `:MACHine{1|2}:SLISt:MMODE <marker_mode>`

The MMODE command (Marker Mode) selects the mode controlling the marker movement and the display of marker readouts. When PATTERN is selected, the markers will be placed on patterns. When STATE is selected and state tagging is on, the markers move on qualified states counted between normally stored states. When TIME is selected and time tagging is enabled, the markers move on time between stored states. When MSTATS is selected and time tagging is on, the markers are placed on patterns, but the readouts will be time statistics.

`<marker_mode>` {OFF | PATTERN | STATE | TIME | MSTATS}

---

**Example** `OUTPUT XXX;":MACHINE1:SLIST:MMODE TIME"`

---

Query :MACHine{1|2}:SLISt:MMODE?

The MMODE query returns the current marker mode selected.

Returned Format [:MACHine{1|2}:SLISt:MMODE] <marker\_mode><NL>

---

**Example** OUTPUT XXX;":MACHINE1:SLIST:MMODE?"

---



---

## OPATtern

Command :MACHine{1|2}:SLISt:OPATtern  
<label\_name>,<label\_pattern>

The OPATtern command allows you to construct a pattern recognizer term for the O Marker which is then used with the OSEarch criteria when moving the marker on patterns. Because this command deals with only one label at a time, a complete specification could require several invocations.

When the value of a pattern is expressed in binary, it represents the bit values for the label inside the pattern recognizer term. In whatever base is used, the value must be between 0 and  $2^{32} - 1$ , since a label may not have more than 32 bits. Because the <label\_pattern> parameter may contain don't cares, it is handled as a string of characters rather than a number.

<label\_name> string of up to 6 alphanumeric characters

<label\_pattern> "{#B{0|1|X} . . . |  
#Q{0|1|2|3|4|5|6|7|X} . . . |  
#H{0|1|2|3|4|5|6|7|8|9|A|B|C|D|E|F|X} . . . |  
{0|1|2|3|4|5|6|7|8|9} . . . }"

---

**Examples** OUTPUT XXX;":MACHINE1:SLIST:OPATTERN 'DATA','255' "  
OUTPUT XXX;":MACHINE1:SLIST:OPATTERN 'ABC','#BXXXX1101' "

---

## SLIST Subsystem OSeArch

**Query** `:MACHine{1|2}:SLIST:OPATtern? <label_name>`

The OPATtern query returns the pattern specification for a given label name.

**Returned Format** `[:MACHine{1|2}:SLIST:OPATtern] <label_name>,<label_pattern><NL>`

---

**Example** `OUTPUT XXX;":MACHINE1:SLIST:OPATTERN? 'A'"`

---

## OSeArch

**Command** `:MACHine{1|2}:SLIST:OSeArch <occurrence>,<origin>`

The OSeArch command defines the search criteria for the O marker, which is then used with associated OPATtern recognizer specification when moving the markers on patterns. The origin parameter tells the marker to begin a search with the trigger, the start of data, or with the X marker. The actual occurrence the marker searches for is determined by the occurrence parameter of the OSeArch recognizer specification, relative to the origin. An occurrence of 0 places the marker on the selected origin. With a negative occurrence, the marker searches before the origin. With a positive occurrence, the marker searches after the origin.

`<occurrence>` integer from -8191 to +8191

`<origin>` {TRIGger | START | XMARKer}

---

**Example** `OUTPUT XXX;":MACHINE1:SLIST:OSEARCH +10,TRIGGER"`

---

**Query**                    :**MACHine**{1|2}:**SLIS<sub>t</sub>:OSEarch?**

The OSEarch query returns the search criteria for the O marker.

**Returned Format**        [:**MACHine**{1|2}:**SLIS<sub>t</sub>:OSEarch**] <occurrence>,<origin><NL>

---

**Example**                    **OUTPUT XXX;":MACHINE1:SLIST:OSEARCH?"**

---



---

## OSTate

**Query**                    :**MACHine**{1|2}:**SLIS<sub>t</sub>:OSTate?**

The OSTate query returns the line number in the listing where the O marker resides (-8191 to +8191). If data is not valid, the query returns 32767.

**Returned Format**        [:**MACHine**{1|2}:**SLIS<sub>t</sub>:OSTate**] <state\_num><NL>

    <state\_num>        an integer from -8191 to +8191, or 32767

---

**Example**                    **OUTPUT XXX;":MACHINE1:SLIST:OSTATE?"**

---



---

## OTAG

**Command**            :MAChine{1|2}:SLiSt:OTAG  
                      <time\_value>|<state\_value>}

The OTAG command specifies the tag value on which the O Marker should be placed. The tag value is time when time tagging is on, or states when state tagging is on. If the data is not valid tagged data, no action is performed.

<time\_value>    real number

<state\_value>   integer

---

**Example**               :OUTPUT XXX;":MACHINE1:SLiSt:OTAG 40.0E-6"

---

**Query**                :MAChine{1|2}:SLiSt:OTAG?

The OTAG query returns the O Marker position in time when time tagging is on or in states when state tagging is on, regardless of whether the marker was positioned in time or through a pattern search. If data is not valid, the query returns 9.9E37 for time tagging, or returns 32767 for state tagging.

**Returned Format**    [:MAChine{1|2}:SLiSt:OTAG] {<time\_value>|<state\_value>}<NL>

---

**Example**               OUTPUT XXX;":MACHINE1:SLiSt:OTAG?"

---

---

## OVERlay

**Command**            :MAChine{1|2}:SLISt:OVERlay  
                       <col\_num>,<module\_num>,MAChine{1|2}, <label\_name>

The OVERlay command allows you to add time-correlated labels from other modules or machines to the state listing.

- <col\_num>           integer from 1 to 61
- <Module\_num>        ::= {1|2|3|4|5|6|7|8|9|10}
- <label\_name>        a string of up to 6 alphanumeric characters

---

**Example**            OUTPUT XXX;":MACHINE1:SLIST:OVERlay,25,5,MACHINE2,'DATA' "

---



---

## REMOve

**Command**            :MAChine{1|2}:SLISt:REMOve

The REMove command removes all labels, except the leftmost label, from the listing menu.

---

**Example**            OUTPUT XXX;":MACHINE1:SLIST:REMOVE"

---

---

## RUNTil

Command           :MACHine{1|2}:SLISt:RUNTil <run\_until\_spec>

The RUNTil (run until) command allows you to define a stop condition when the trace mode is repetitive. Specifying OFF causes the analyzer to make runs until either the display's STOP field is touched, or, when the STOP command is issued.

There are four conditions based on the time between the X and O markers. Using this difference in the condition is effective only when time tags have been turned on (see the TAG command in the STRace subsystem). These four conditions are as follows:

- The difference is less than (LT) some value.
- The difference is greater than (GT) some value.
- The difference is inside some range (INRange).
- The difference is outside some range (OUTRange).

End points for the INRange and OUTRange should be at least 8 ns apart since this is the minimum time resolution of the time tag counter.

There are two conditions which are based on a comparison of the acquired state data and the compare data image. The analyzer can run until one of the following conditions is true:

- Every channel of every label has the same value (EQUal).
- Any channel of any label has a different value (NEQUal).

The RUNTil instruction (for state analysis) is available in both the SLISt and COMPare subsystems.

```
<run_until_spec> {OFF|LT,<value>|GT,<value>|INRange,<value>,<value>|OUTRange,<value>,<value>|EQUal|NEQUal}
<value>          real number from -9E9 to +9E9
```

---

### Example

```
OUTPUT XXX;":MACHINE1:SLIST:RUNTIL GT,800.0E-6"
```

Query                    :**MACHine**{1|2}:**SLISt:RUNTil?**

The **RUNTil** query returns the current stop criteria.

Returned Format        [:**MACHine**{1|2}:**SLISt:RUNTil**] <run\_until\_spec><NL>

---

**Example**                    OUTPUT **XXX;":MACHINE1:SLIST:RUNTIL?"**

---



---

## TAVerage

Query                    :**MACHine**{1|2}:**SLISt:TAVerage?**

The **TAVerage** query returns the value of the average time between the X and O Markers. If the number of valid runs is zero, the query returns 9.9E37. Valid runs are those where the pattern search for both the X and O markers was successful, resulting in valid delta-time measurements.

Returned Format        [:**MACHine**{1|2}:**SLISt:TAVerage**] <time\_value><NL>  
                           <time\_value> real number

---

**Example**                    OUTPUT **XXX;":MACHINE1:SLIST:TAVERAGE?"**

---

---

## TMAXimum

Query `:MACHine{1|2}:SLIST:TMAXimum?`

The TMAXimum query returns the value of the maximum time between the X and O Markers. If data is not valid, the query returns 9.9E37.

Returned Format `[:MACHine{1|2}:SLIST:TMAXimum] <time_value><NL>`  
`<time_value>` real number

---

**Example** `OUTPUT XXX;":MACHINE1:SLIST:TMAXIMUM?"`

---

## TMINimum

Query `:MACHine{1|2}:SLIST:TMINimum?`

The TMINimum query returns the value of the minimum time between the X and O Markers. If data is not valid, the query returns 9.9E37.

Returned Format `[:MACHine{1|2}:SLIST:TMINimum] <time_value><NL>`  
`<time_value>` real number

---

**Example** `OUTPUT XXX;":MACHINE1:SLIST:TMINIMUM?"`

---

---

## VRUNS

Query `:MACHine{1|2}:SLISt:VRUNS?`

The VRUNS query returns the number of valid runs and total number of runs made. Valid runs are those where the pattern search for both the X and O markers was successful resulting in valid delta time measurements.

Returned Format `[:MACHine{1|2}:SLISt:VRUNS] <valid_runs>,<total_runs><NL>`

`<valid_runs>` zero or positive integer

`<total_runs>` zero or positive integer

---

**Example** `OUTPUT XXX;":MACHINE1:SLIST:VRUNS?"`

---



---

## XOTag

Query `:MACHine{1|2}:SLISt:XOTag?`

The XOTag query returns the time from the X to O markers when the marker mode is time or number of states from the X to O markers when the marker mode is state. If there is no data in the time mode the query returns 9.9E37. If there is no data in the state mode, the query returns 32767.

Returned Format `[:MACHine{1|2}:SLISt:XOTag] {<XO_time>|<XO_states>}<NL>`

`<XO_time>` real number

`<XO_states>` integer

---

**Example** `OUTPUT XXX;":MACHINE1:SLIST:XOTAG?"`

---

---

## XOTime

Query `:MACHine{1|2}:SLIST:XOTime?`

The XOTime query returns the time from the X to O markers when the marker mode is time or number of states from the X to O markers when the marker mode is state. If there is no data in the time mode the query returns 9.9E37. If there is no data in the state mode, the query returns 32767.

Returned Format `[:MACHine{1|2}:SLIST:XOTime] {<XO_time>|<XO_states>}<NL>`

`<XO_time>` real number

`<XO_states>` integer

---

### Example

OUTPUT XXX;":MACHINE1:SLIST:XOTIME?"

---

## XPATtern

Command `:MACHine{1|2}:SLIST:XPATtern  
<label_name>,<label_pattern>`

The XPATtern command allows you to construct a pattern recognizer term for the X Marker which is then used with the XSEarch criteria when moving the marker on patterns. Since this command deals with only one label at a time, a complete specification could require several invocations.

When the value of a pattern is expressed in binary, it represents the bit values for the label inside the pattern recognizer term. In whatever base is used, the value must be between 0 and  $2^{32} - 1$ , since a label may not have more than 32 bits. Because the `<label_pattern>` parameter may contain don't cares, it is handled as a string of characters rather than a number.

<label\_name> string of up to 6 alphanumeric characters

<label\_pattern> "{#B{0|1|X} . . . |  
#Q{0|1|2|3|4|5|6|7|X} . . . |  
#H{0|1|2|3|4|5|6|7|8|9|A|B|C|D|E|F|X} . . . |  
{0|1|2|3|4|5|6|7|8|9} . . . }"

---

**Examples**

---

OUTPUT XXX;":MACHINE1:SLIST:XPATTERN 'DATA','255' "  
OUTPUT XXX;":MACHINE1:SLIST:XPATTERN 'ABC','#BXXXX1101' "

**Query**

:MACHINE{1|2}:SLIST:XPATtern? <label\_name>

**Returned Format**

The XPATtern query returns the pattern specification for a given label name.

[ :MACHINE{1|2}:SLIST:XPATtern] <label\_name>,<label\_pattern><NL>

---

**Example**

---

OUTPUT XXX;":MACHINE1:SLIST:XPATTERN? 'A' "

---

## XSEarch

**Command**

:MACHINE{1|2}:SLIST:XSEarch <occurrence>,<origin>

The XSEarch command defines the search criteria for the X Marker, which is then with associated XPATtern recognizer specification when moving the markers on patterns. The origin parameter tells the Marker to begin a search with the trigger or with the start of data. The occurrence parameter determines which occurrence of the XPATtern recognizer specification, relative to the origin, the marker actually searches for. An occurrence of 0 places a marker on the selected origin.



## SLIS<sub>t</sub> Subsystem XState

<occurrence> integer from -8191 to +8191

<origin> {TRIGger|START}

---

### Example

---

OUTPUT XXX;":MACHINE1:SLIST:XSEARCH +10,TRIGGER"

Query :MACHINE{1|2}:SLIST:XSEARCH?

The XSEARCH query returns the search criteria for the X marker.

Returned Format [:MACHINE{1|2}:SLIST:XSEARCH] <occurrence>,<origin><NL>

---

### Example

---

OUTPUT XXX;":MACHINE1:SLIST:XSEARCH?"

---

## XState

Query :MACHINE{1|2}:SLIST:XSTATE?

The XSTATE query returns the line number in the listing where the X marker resides (-8191 to +8191). If data is not valid, the query returns 32767.

Returned Format [:MACHINE{1|2}:SLIST:XSTATE] <state\_num><NL>

<state\_num> an integer from -8191 to +8191, or 32767

---

### Example

---

OUTPUT XXX;":MACHINE1:SLIST:XSTATE?"

---

## XTAG

**Command**            :MAChine{1|2}:SLISt:XTAG  
                       {<time\_value>|<state\_value>}

The XTAG command specifies the tag value on which the X Marker should be placed. The tag value is time when time tagging is on or states when state tagging is on. If the data is not valid tagged data, no action is performed.

<time\_value>    real number

<state\_value>   integer

---

**Example**             OUTPUT XXX;":MACHINE1:SLIST:XTAG 40.0E-6"

**Query**               :MAChine{1|2}:SLISt:XTAG?

The XTAG query returns the X Marker position in time when time tagging is on or in states when state tagging is on, regardless of whether the marker was positioned in time or through a pattern search. If data is not valid tagged data, the query returns 9.9E37 for time tagging, or returns 32767 for state tagging.

**Returned Format**    [:MAChine{1|2}:SLISt:XTAG] {<time\_value>|<state\_value>}<NL>

---

**Example**             OUTPUT XXX;":MACHINE1:SLIST:XTAG?"



---

SWAVeform  
Subsystem

---

# Introduction

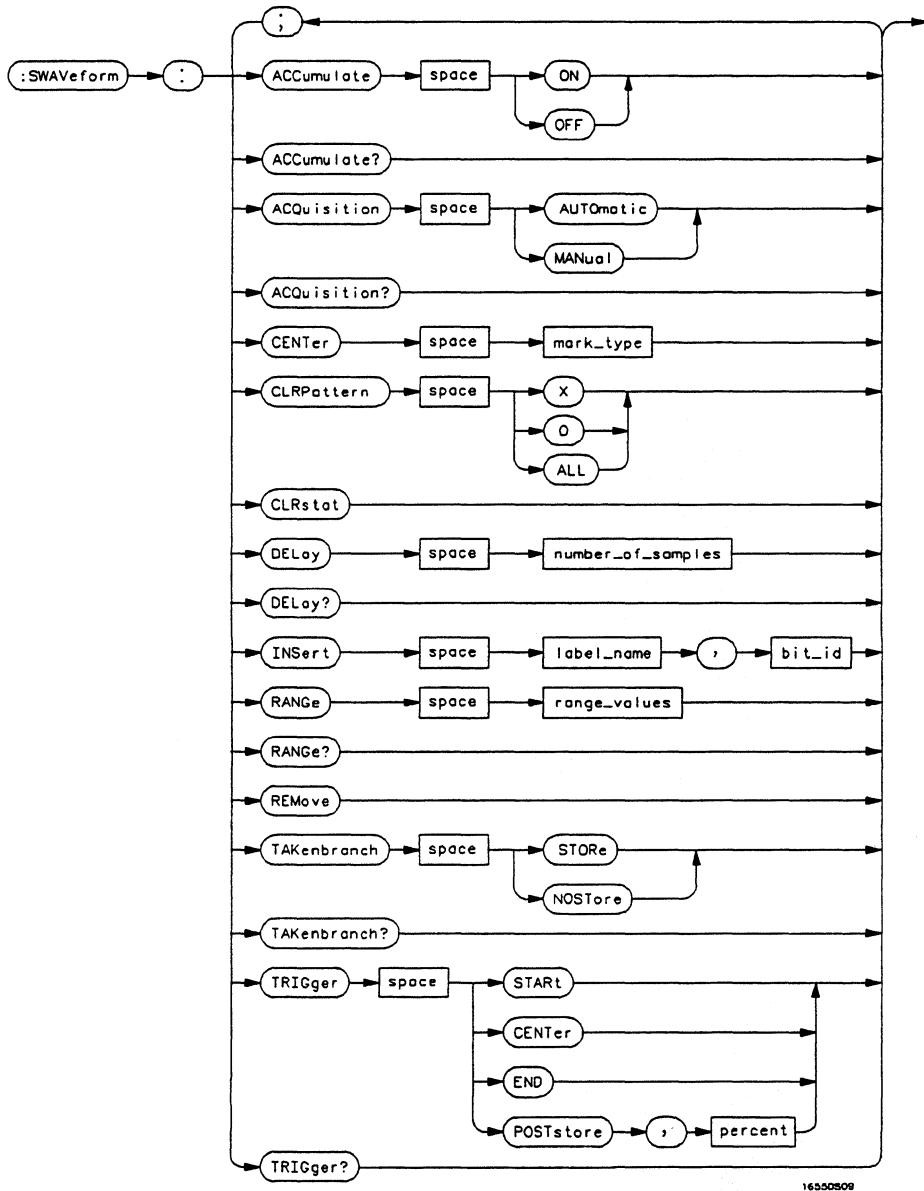
The commands in the State Waveform subsystem allow you to configure the display so that you can view state data as waveforms on up to 96 channels identified by label name and bit number. The 11 commands are analogous to their counterparts in the Timing Waveform subsystem. However, in this subsystem the x-axis is restricted to representing only samples (states), regardless of whether time tagging is on or off. As a result, the only commands which can be used for scaling are DELay and RANge.

The way to manipulate the X and O markers on the Waveform display is through the State Listing (SLIST) subsystem. Using the marker commands from the SLIST subsystem will affect the markers on the Waveform display.

The commands in the SWAVEform subsystem are:

- ACCumulate
- ACQquisition
- CENter
- CLRPattern
- CLRStat
- DELay
- INSert
- RANge
- REMove
- TAKenbranch
- TPOSition

Figure 8-1



SWAVeform Subsystem Syntax Diagram

**Table 8-1**

---

**SWAVeform Subsystem Parameter Values**

---

<b>Parameter</b>	<b>Value</b>
number_of_samples	integer from -8191 to +8191
label_name	string of up to 6 alphanumeric characters
bit_id	{OVERlay   <bit_num>   ALL}
bit_num	integer representing a label bit from 0 to 31
range_values	integer from 10 to 5000 (representing (10 × states/Division))
mark_type	{X   O   XO   TRIGger}
percent	integer from 0 to 100

---

**SWAVeform**

Selector

:MACHine{1 | 2}:SWAVeform

The SWAVeform (State Waveform) selector is used as part of a compound header to access the settings in the State Waveform menu. It always follows the MACHine selector because it selects a branch directly below the MACHine level in the command tree.

---

**Example**

---

```
OUTPUT XXX; ":MACHINE2:SWAVEFORM:RANGE 40"
```

---

## ACCumulate

**Command**                    `:MACHine{1|2}:SWAVeform:ACCumulate {{ON|1}|{OFF|0}}`

The ACCumulate command allows you to control whether the waveform display gets erased between individual runs or whether subsequent waveforms are allowed to be displayed over the previous waveforms.

---

**Example**                    `OUTPUT XXX; ":MACHINE1:SWAVEFORM:ACCUMULATE ON"`

---

**Query**                    `MACHine{1|2}:SWAVeform:ACCumulate?`

The ACCumulate query returns the current setting. The query always shows the setting as the characters, "0" (off) or "1" (on).

**Returned Format**            `[MACHine{1|2}:SWAVeform:ACCumulate] {0|1}<NL>`

---

**Example**                    `OUTPUT XXX; ":MACHINE1:SWAVEFORM:ACCUMULATE?"`

---

---

## ACQquisition

**Command**                    `:MACHine{1|2}:SWAVeform:ACQquisition {AUTOMatic|MANual}`

The ACQquisition command allows you to specify the acquisition mode for the state analyzer. The acquisition modes are automatic and manual.

---

**Example**                    `OUTPUT XXX; ":MACHINE2:SWAVEFORM:ACQUISITION AUTOMATIC"`

---



## SWAVEform Subsystem CENTer

**Query**                    **MACHine{1|2}:SWAVEform:ACQuisition?**

The ACQuisition query returns the current acquisition mode.

**Returned Format**        **[MACHine{1|2}:SWAVEform:ACQuisition] {AUTOMATIC|MANUAL}<NL>**

---

**Example**                    **OUTPUT XXX;":MACHINE2:SWAVEFORM:ACQUISITION?"**

---

---

## CENTer

**Command**                **:MACHine{1|2}:SWAVEform:CENTER <marker\_type>**

The CENTER command allows you to center the waveform display about the specified markers. The markers are placed on the waveform in the SLIST subsystem.

**<marker\_type>**        **{X|O|XO|TRIGGER}**

---

**Example**                    **OUTPUT XXX;":MACHINE1:SWAVEFORM:CENTER X"**

---

---

## CLRPattern

**Command**                **:MACHine{1|2}:SWAVEform:CLRPattern {X|O|ALL}**

The CLRPattern command allows you to clear the patterns in the selected Specify Patterns menu.

---

**Example**                    **OUTPUT XXX;":MACHINE1:SWAVEFORM:CLRPATTERN"**

---

---

## CLRStat

**Command**           :MACHine{1|2}:SWAVeform:CLRStat

The CLRStat command allows you to clear the waveform statistics without having to stop and restart the acquisition.

---

**Example**            OUTPUT XXX;":MACHINE1:SWAVEFORM:CLRSTAT"

---



---

## DELaY

**Command**           :MACHine{1|2}:SWAVeform:DELaY <number\_of\_samples>

The DELaY command allows you to specify the number of samples between the State trigger and the horizontal center of the screen for the waveform display. The allowed number of samples is from -8191 to +8191.

<number\_of\_ integer from -8191 to +8191  
samples>

---

**Example**            OUTPUT XXX;":MACHINE2:SWAVEFORM:DELAY 127"

---

**Query**             MACHine{1|2}:SWAVeform:DELaY?

The DELaY query returns the current sample offset value.

**Returned Format**   [MACHine{1|2}:SWAVEform:DELaY] <number\_of\_samples><NL>

---

**Example**            OUTPUT XXX;":MACHINE1:SWAVEFORM:DELAY?"

---

---

## INSert

Command            **MACHine{1|2}:SWAVEform:INSert <label\_name>,<bit\_id>**

The INSert command allows you to add waveforms to the state waveform display. Waveforms are added from top to bottom on the screen. When 96 waveforms are present, inserting additional waveforms replaces the last waveform. Bit numbers are zero based, so a label with 8 bits is referenced as bits 0 through 7. Specifying OVERlay causes a composite waveform display of all bits or channels for the specified label.

<label\_name>    string of up to 6 alphanumeric characters  
    <bit\_id>     {OVERlay|<bit\_num>ALL}  
    <bit\_num>    integer representing a label bit from 0 to 31

---

### Examples

```
OUTPUT XXX;":MACHINE1:SWAVEFORM:INSERT 'WAVE', 19"  
OUTPUT XXX;":MACHINE1:SWAVEFORM:INSERT 'ABC', OVERLAY"  
OUTPUT XXX;":MACH1:SWAV:INSERT 'POD1', #B1001"
```

---

## RANGe

Command            **MACHine{1|2}:SWAVEform:RANGe <number\_of\_samples>**

The RANGe command allows you to specify the number of samples across the screen on the State Waveform display. It is equivalent to ten times the states per division setting (states/Div) on the front panel. A number between 10 and 5000 may be entered.

<number\_of\_    integer from 10 to 5000  
    samples>

---

### Example

```
OUTPUT XXX;":MACHINE2:SWAVEFORM:RANGE 80"
```

**Query**                    **MACHine{1|2}:SWAVeform:RANGe?**

The RANGe query returns the current range value.

**Returned Format**        **[MACHine{1|2}:SWAVeform:RANGe] <number\_of\_samples><NL>**

---

**Example**                    **OUTPUT XXX; ":MACHINE2:SWAVEFORM:RANGE?"**

---



---

## REMOve

**Command**                    **:MACHine{1|2}:SWAVeform:REMOve**

The REMOve command allows you to clear the waveform display before building a new display.

---

**Example**                    **OUTPUT XXX; ":MACHINE1:SWAVEFORM:REMOVE"**

---



---

## TAKenbranch

**Command**                    **MACHine{1|2}:SWAVeform:TAKenbranch {STORE|NOSTore}**

The TAKenbranch command allows you to control whether the states that cause branching are stored or not stored. This command is only available when the acquisition mode is set to manual.

---

**Example**                    **OUTPUT XXX; ":MACHINE2:SWAVEFORM:TAKENBRANCH STORE"**

---

## SWAVeform Subsystem TPOStion

**Query**                    **MACHine{1|2}:SWAVeform:TAKenbranch?**

The TAKenbranch query returns the current setting.

**Returned Format**        **[MACHine{1|2}:SWAVeform:TAKenbranch] {STORE|NOSTore}<NL>**

---

**Example**                    **OUTPUT XXX; ":MACHINE2:SWAVEFORM:TAKENBRANCH?"**

---

---

## TPOStion

**Command**                **MACHine{1|2}:SWAVeform:TPOStion  
{START|CENTER|END|POSTstore,<percent>}**

The TPOStion command allows you to control where the trigger point is placed. The trigger point can be placed at the start, center, end, or at a percentage of post store. The post store option is the same as the User Defined option when setting the trigger point from the front panel.

The TPOStion command is only available when the acquisition mode is set to manual.

**<percent>**                integer from 1 to 100

---

**Example**                    **OUTPUT XXX; ":MACHINE2:SWAVEFORM:TPOSITION CENTER"**

---

**Query**                    **MACHine{1|2}:SWAVeform:TPOStion?**

The TPOStion query returns the current trigger setting.

**Returned Format**        **[MACHine{1|2}:SWAVeform:TPOStion] {START|CENTER|END|POSTstore,  
<percent>}<NL>**

---

**Example**                    **OUTPUT XXX; ":MACHINE2:SWAVEFORM:TPOSITION?"**

---

---

**SCHart Subsystem**

---

---

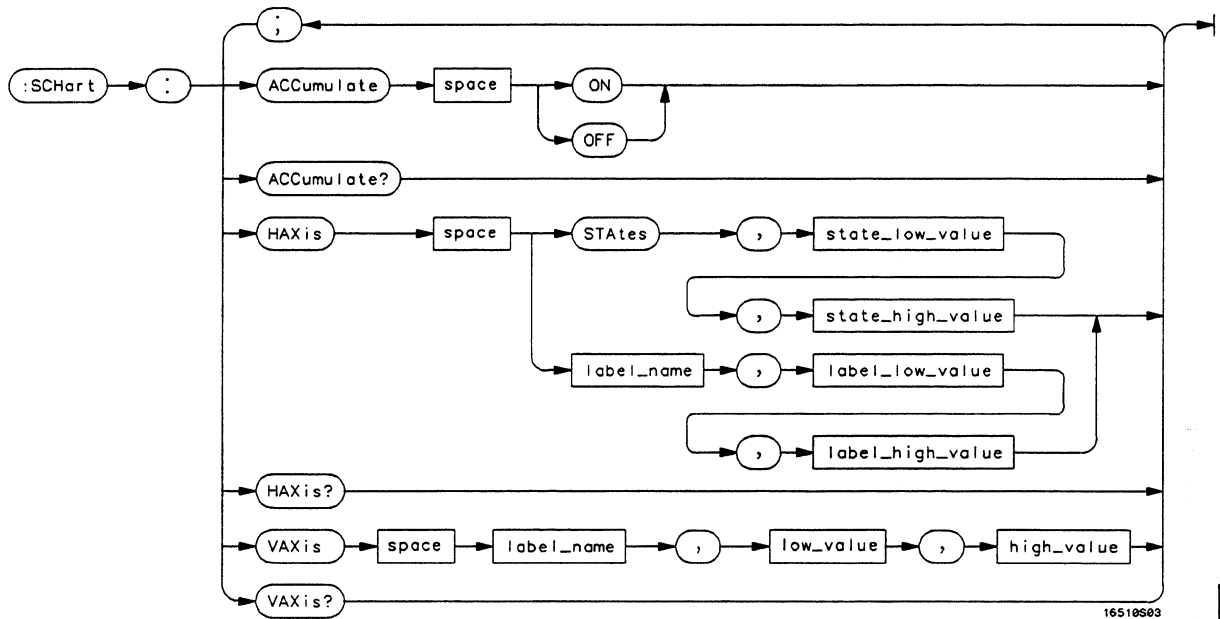
# Introduction

The State Chart subsystem provides the commands necessary for programming the HP 16550A's Chart display. The commands allow you to build charts of label activity, using data normally found in the Listing display. The chart's Y-axis is used to show data values for the label of your choice. The X-axis can be used in two different ways. In one, the X-axis represents states (shown as rows in the State Listing display). In the other, the X-axis represents the data values for another label. When states are plotted along the X-axis, X and O markers are available. Because the State Chart display is simply an alternative way of looking at the data in the State Listing, the X and O markers can be manipulated through the SLIS subsystem. Because the programming commands do not force the menus to switch, you can position the markers in the SLIS subsystem and see the effects in the State Chart display.

The commands in the SCHart subsystem are:

- ACCumulate
- HAXis
- VAXis

Figure 9-1



SCart Subsystem Syntax Diagram

Table 9-1

SCart Subsystem Parameter Values

Parameter	Value
state_low_value	integer from -8191 to +8191
state_high_value	integer from <state_low_value> to +8191
label_name	a string of up to 6 alphanumeric characters
label_low_value	string from 0 to $2^{32} - 1$ (#HFFFF)
label_high_value	string from <label_low_value> to $2^{32} - 1$ (#HFFFF)
low_value	string from 0 to $2^{32} - 1$ (#HFFFF)
high_value	string from low_value to $2^{32} - 1$ (#HFFFF)



---

## SCHart

Selector `:MACHine{1|2}:SCHart`

The SCHart selector is used as part of a compound header to access the settings found in the State Chart menu. It always follows the MACHine selector because it selects a branch below the MACHine level in the command tree.

---

**Example** `OUTPUT XXX;":MACHINE1:SCART:VAXIS 'A', '0', '9'"`

---

---

## ACCumulate

Command `MACHine{1|2}:SCHart:ACCumulate {{ON|1} | {OFF|0}}`

The ACCumulate command allows you to control whether the chart display gets erased between each individual run or whether subsequent waveforms are allowed to be displayed over the previous waveforms.

---

**Example** `OUTPUT XXX;":MACHINE1:SCART:ACCUMULATE OFF"`

---

Query `MACHine{1|2}:SCHart:ACCumulate?`

The ACCumulate query returns the current setting. The query always shows the setting as the character "0" (off) or "1" (on).

Returned Format `[ :MACHine{1|2}:SCHart:ACCumulate] {0|1}<NL>`

---

**Example** `OUTPUT XXX;":MACHINE1:SCART:ACCUMULATE?"`

---

---

## HAXis

**Command**            `MACHine{1|2}:SCHart:HAXis`  
                          `{STates,<state_low_value>,<state_high_value>|<label_`  
                          `name>,<label_low_value>,<label_high_value>}`

The HAXis command allows you to select whether states or a label's values will be plotted on the horizontal axis of the chart. The axis is scaled by specifying the high and low values. The shorthand for STATES is STA. This is an intentional deviation from the normal truncation rule.

`<state_low_value>`    integer from -8191 to +8191

`<state_high_value>`   integer from `<state_low_value>` to +8191

`<label_name>`        a string of up to 6 alphanumeric characters

`<label_low_value>`    string from 0 to  $2^{32}-1$  (#HFFFF)

`<label_high_value>`   string from `<label_low_value>` to  $2^{32}-1$  (#HFFFF)

---

**Examples**            `OUTPUT XXX;":MACHINE1:SCHART:HAXIS STATES, -100, 100"`  
                          `OUTPUT XXX;":MACHINE1:SCHART:HAXIS 'READ', '-511', '511'"`

---

**Query**                `MACHine{1|2}:SCHart:HAXis?`

The HAXis query returns the current horizontal axis label and scaling.

**Returned Format**    `[:MACHine{1|2}:SCHart:HAXis] {STates,<state_low_value>,<state_high_value>|<label_name>,<label_low_value>,<label_high_value>}`

---

**Example**              `OUTPUT XXX;":MACHINE1:SCHART:HAXIS?"`

---

---

## VAXis

**Command**            `MACHine{1|2}:SCHart:VAXis  
<label_name>,<low_value>,<high_value>`

The VAXis command allows you to choose which label will be plotted on the vertical axis of the chart and scale the vertical axis by specifying the high value and low value.

`<label_name>`    a string of up to 6 alphanumeric characters  
`<low_value>`    string from 0 to  $2^{32}-1$  (#HFFFF)  
`<high_value>`    string from `<low_value>` to  $2^{32}-1$  (#HFFFF)

---

**Examples**            `OUTPUT XXX;":MACHINE2:SCHART:VAXIS 'SUM1', '0', '99'"`  
`OUTPUT XXX;":MACHINE1:SCHART:VAXIS 'BUS', '#H00FF', '#H0500'"`

---

**Query**                `MACHine{1|2}:SCHart:VAXis?`

The VAXis query returns the current vertical axis label and scaling.

**Returned Format**    `[:MACHine{1|2}:SCHart:VAXis]  
<label_name>,<low_value>,<high_value><NL>`

---

**Example**              `OUTPUT XXX;":MACHINE1:SCHART:VAXIS?"`

---

---

**COMPare  
Subsystem**

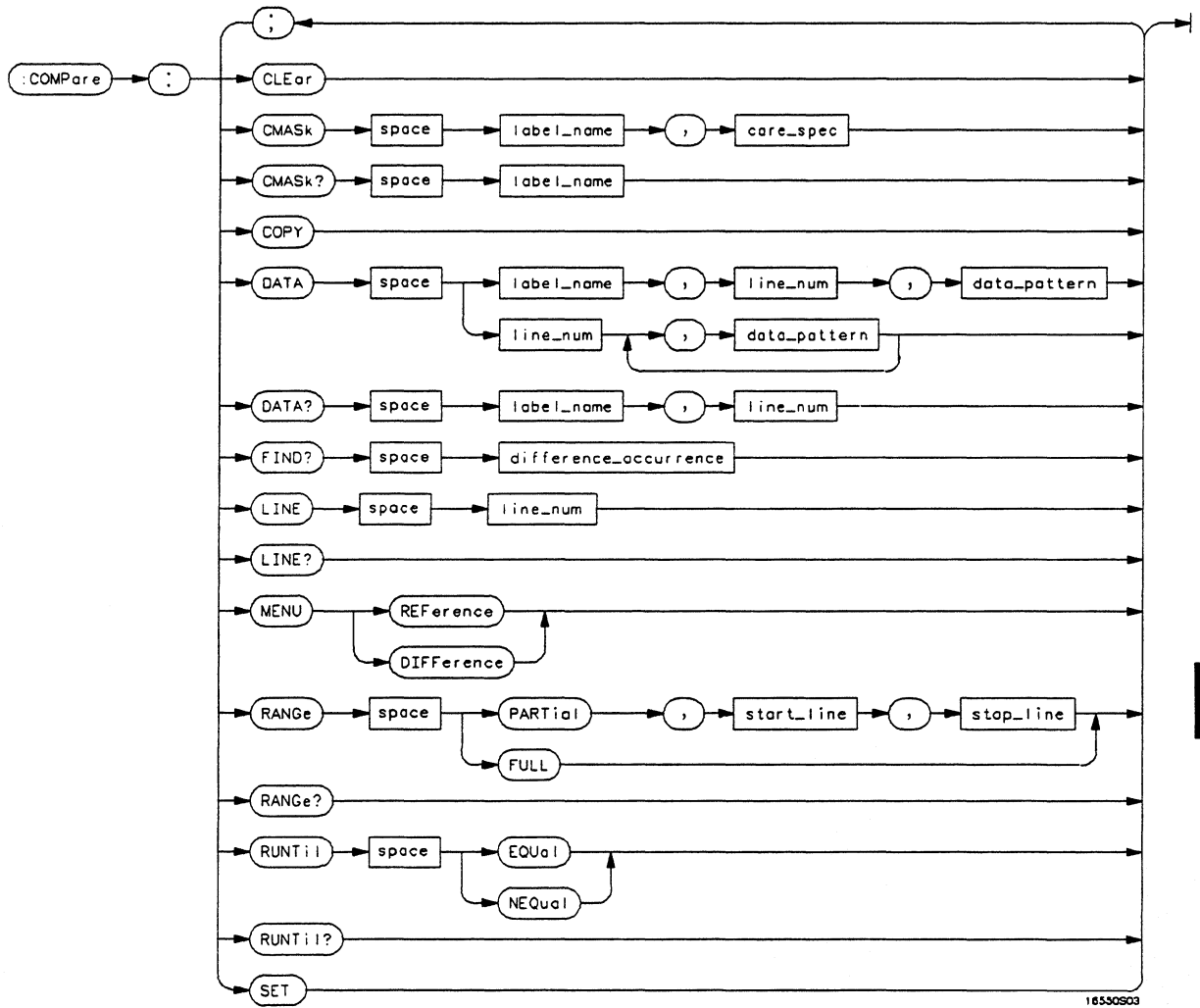
---

# Introduction

Commands in the state COMPare subsystem provide the ability to do a bit-by-bit comparison between the acquired state data listing and a compare data image. The commands are:

- CLEAr
- CMASk
- COPY
- DATA
- FIND
- LINE
- MENU
- RANGE
- RUNTil
- SET

Figure 10-1



COMPare Subsystem Syntax Diagram

Table 10-1

**COMPare Subsystem Parameter Values**

Parameter	Value
label_name	string of up to 6 characters
care_spec	string of characters "{* .}..."
*	care
.	don't care
line_num	integer from -8191 to +8191
data_pattern	"{#B{0 1 X}...  #Q{0 1 2 3 4 5 6 7 X}...  #H{0 1 2 3 4 5 6 7 8 9 A B C D E F X}...  {0 1 2 3 4 5 6 7 8 9}...}"
difference_occurrence	integer from 1 to 8192
start_line	integer from -8191 to +8191
stop_line	integer from <start_line> to +8191

**COMPare**

Selector

**:MACHine{1|2}:COMPare**

The COMPare selector is used as part of a compound header to access the settings found in the Compare menu. It always follows the MACHine selector because it selects a branch directly below the MACHine level in the command tree.

**Example**

OUTPUT XXX;":MACHINE1:COMPARE:FIND? 819"

## CLEAr

**Command**           :MACHine{1|2}:COMParE:CLEAr

The CLEAr command clears all "don't cares" in the reference listing and replaces them with zeros except when the CLEAr command immediately follows the SET command (see SET command).

**Example**            OUTPUT XXX;":MACHINE2:COMPARE:CLEAR

## CMASk

**Command**           :MACHine{1|2}:COMParE:CMASk  
<label\_name>,<care\_\_spec>

The CMASk (Compare Mask) command allows you to set the bits in the channel mask for a given label in the compare listing image to "compares" or "don't compares."

The CMASk query returns the state of the bits in the channel mask for a given label in the compare listing image.

- <label\_name>   a string of up to 6 alphanumeric characters
- <care\_\_spec>   string of characters "{\*|.}..." (32 characters maximum)
  - \*   care
  - .   don't care

**Example**            OUTPUT XXX;":MACHINE2:COMPARE:CMASK 'DATA', '\*.\*.\*.\*.\*'"



---

## COPY

Command           :MACHine{1|2}:COMPare:COPY

The COPY command copies the current acquired State Listing for the specified machine into the Compare Listing template. It does not affect the compare range or channel mask settings.

---

Example            OUTPUT XXX; ":MACHINE2:COMPARE:COPY"

---

---

## DATA

Command           :MACHine{1|2}:COMPare:DATA  
                  {<label\_name>,<line\_num>,<data\_pattern>|  
                  <line\_num>,<data\_pattern>[, <data\_pattern>]... }

The DATA command allows you to edit the compare listing image for a given label and state row. When DATA is sent to an instrument where no compare image is defined (such as at power-up) all other data in the image is set to don't cares.

Not specifying the <label\_name> parameter allows you to write data patterns to more than one label for the given line number. The first pattern is placed in the left-most label, with the following patterns being placed in a left-to-right fashion (as seen on the Compare display). Specifying more patterns than there are labels simply results in the extra patterns being ignored.

Because don't cares (Xs) are allowed in the data pattern, it must always be expressed as a string. You may still use different bases; although, don't cares cannot be used in a decimal number.

<label\_name> a string of up to 6 alphanumeric characters  
 <line\_num> integer from -8191 to +8191  
 <data\_pattern> "{#B{0|1|X} . . . |  
 #Q{0|1|2|3|4|5|6|7|X} . . . |  
 #H{0|1|2|3|4|5|6|7|8|9|A|B|C|D|E|F|X} . . . |  
 {0|1|2|3|4|5|6|7|8|9} . . . }"

---

**Examples**

```
OUTPUT XXX;":MACHINE2:COMPARE:DATA 'CLOCK', 42, '#B011X101X'"
OUTPUT XXX;":MACHINE2:COMPARE:DATA 'OUT3', 0, '#HFF40'"
OUTPUT XXX;":MACHINE1:COMPARE:DATA 129, '#BXX00', '#B1101',
'#B10XX'"
OUTPUT XXX;":MACH2:COMPARE:DATA -511, '4', '64', '16', 256',
'8', '16'"
```

---

Query :MACHINE{1|2}:COMPare:DATA? <label\_name>,<line\_num>

The DATA query returns the value of the compare listing image for a given label and state row.

Returned Format [:MACHINE{1|2}:COMPare:DATA] <label\_name>,<line\_num>,<data\_pattern><NL>

## COMPare Subsystem FIND

---

### Example

```
10 DIM Label${6}, Response${80}
15 PRINT "This program shows the values for a signal's Compare listing"
20 INPUT "Enter signal label: ", Label$
25 OUTPUT XXX;":SYSTEM:HEADER OFF"      !Turn headers off (from responses)
30 OUTPUT XXX;":MACHINE2:COMPARE:RANGE?"
35 ENTER XXX; First, Last                !Read in the range's end-points
40 PRINT "LINE #", "VALUE of "; Label$
45 FOR State = First TO Last             !Print compare value for each state
50   OUTPUT XXX;":MACH2:COMPARE:DATA? '" Label$ "' ," VAL$(State)
55   ENTER XXX; Response$
60   PRINT State, Response$
65 NEXT State
70 END
```

---

---

## FIND

Query                   :MAChine{1|2}:COMPare:FIND? <difference\_occurrence>

The FIND query is used to get the line number of a specified difference occurrence (first, second, third, etc) within the current compare range, as dictated by the RANGE command (see next page). A difference is counted for each line where at least one of the current labels has a discrepancy between its acquired state data listing and its compare data image.

Invoking the FIND query updates both the Listing and Compare displays so that the line number returned is in the center of the screen.

Returned Format       [:MAChine{1|2}:COMPare:FIND] <difference\_occurrence>,  
                          <line\_number><NL>

<difference\_  
 occurrence> integer from 1 to 8192

<line\_number> integer from -8191 to +8191

---

**Example**

OUTPUT XXX;":MACHINE2:COMPARE:FIND? 26"

---

**LINE**

Command

:MACHine{1|2}:COMPare:LINE <line\_num>

The LINE command allows you to center the compare listing data about a specified line number.

<line\_num> integer from -8191 to +8191

---

**Example**

OUTPUT XXX;":MACHINE2:COMPARE:LINE -511"

---

Query

:MACHine{1|2}:COMPare:LINE?

The LINE query returns the current line number specified.

Returned Format

[:MACHine{1|2}:COMPare:LINE] <line\_num><NL>

---

**Example**

OUTPUT XXX;":MACHINE4:COMPARE:LINE?"

---

---

## MENU

Command           :MACHine{1|2}:COMPare:MENU {REFerence|DIFFerence}

The MENU command allows you to display the reference or the difference listings in the Compare menu.

---

### Example

OUTPUT XXX; ":MACHINE2:COMPARE:MENU REFERENCE"

---

## RANGE

Command           :MACHine{1|2}:COMPare:RANGE  
{FULL|PARTial,<start\_line>,<stop\_line>}

The RANGE command allows you to define the boundaries for the comparison. The range entered must be a subset of the lines in the acquire memory.

<start\_line>   integer from -8191 to +8191

<stop\_line>   integer from <start\_line> to +8191

---

### Examples

OUTPUT XXX; ":MACHINE2:COMPARE:RANGE PARTIAL, -511, 512"  
OUTPUT XXX; ":MACHINE2:COMPARE:RANGE FULL"

---

Query                    :MAChine{1|2}:COMPare:RANGe?

The RANGe query returns the current boundaries for the comparison.

Returned Format        [:MAChine{1|2}:COMPare:RANGe] {FULL|PARTIAL,<start\_line>,<stop\_line>}<NL>

---

**Example**

```
10 DIM String$(100)
20 OUTPUT 707;"SELECT 2"
30 OUTPUT 707;"MACHINE1:COMPARE:RANGE?"
40 ENTER 707;String$
50 PRINT "RANGE IS ";String$
60 END
```

---



---

## RUNTi

Command                :MAChine{1|2}:COMPare:RUNTi {OFF|LT,<value>|GT,<value>|INRange,<value>,<value>|OUTRange,<value>,<value>|EQUAL|NEQUAL}

The RUNTi (run until) command allows you to define a stop condition when the trace mode is repetitive. Specifying OFF causes the analyzer to make runs until either the display's STOP field is touched or the STOP command is issued.

There are four conditions based on the time between the X and O markers. Using this difference in the condition is effective only when time tags have been turned on (see the TAG command in the STRace subsystem). These four conditions are as follows:

- The difference is less than (LT) some value.
- The difference is greater than (GT) some value.
- The difference is inside some range (INRange).
- The difference is outside some range (OUTRange).

## COMPare Subsystem RUNTil

End points for the INRange and OUTRange should be at least 8 ns apart since this is the minimum time resolution of the time tag counter.

There are two conditions which are based on a comparison of the acquired state data and the compare data image. You can run until one of the following conditions is true:

- Every channel of every label has the same value (EQual).
- Any channel of any label has a different value (NEQual).

The RUNTil instruction (for state analysis) is available in both the SLISt and COMPare subsystems.

<value> real number from -9E9 to +9E9

---

### Example

---

```
OUTPUT XXX;":MACHINE2:COMPARE:RUNTIL EQUAL"
```

### Query

```
:MACHine{1|2}:COMPare:RUNTil?
```

The RUNTil query returns the current stop criteria for the comparison when running in repetitive trace mode.

### Returned Format

```
[ :MACHine{1|2}:COMPare:RUNTil] {OFF| LT,<value>|GT,<value>|  
INRange,<value>,<value>|OUTRange,<value>,<value>|EQual|NEQual}  
<NL>
```

---

### Example

---

```
OUTPUT XXX;":MACHINE2:COMPARE:RUNTIL?"
```

---

## SET

**Command**            `:MACHine{1|2}:COMPare:SET`

The SET command sets every state in the reference listing to "don't cares."  
If you send the SET command by mistake you can immediately send the  
CLEar command to restore the previous data. This is the only time the  
CLEar command will not replace "don't cares" with zeros.

---

**Example**            `OUTPUT XXX;":MACHINE2:COMPARE:SET"`

---





---

**TFORmat  
Subsystem**

---

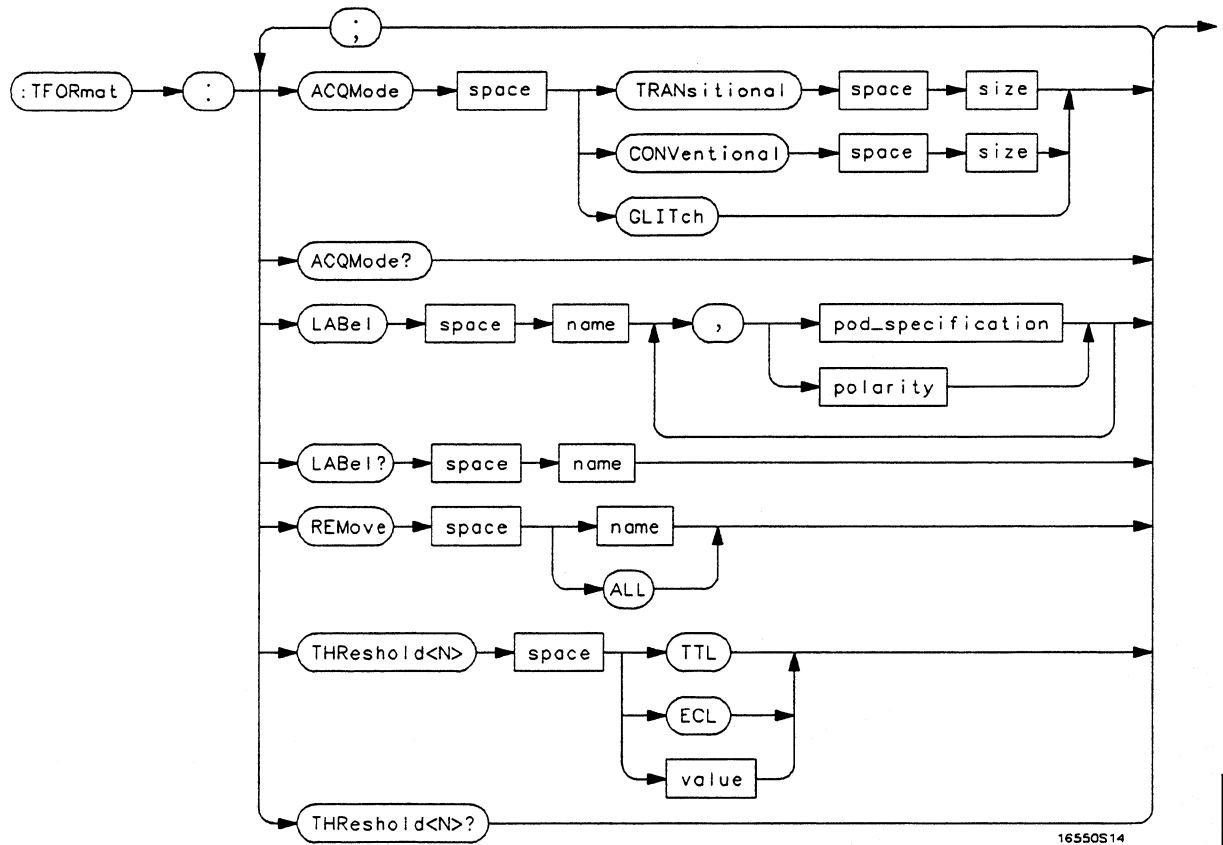
---

# Introduction

The TFORmat subsystem contains the commands available for the Timing Format menu in the HP 16550A logic analyzer module. These commands are:

- ACQMode
- LABEL
- REMove
- THReshold

Figure 11-1



TFORmat Subsystem Syntax Diagram

**Table 11-1**

**TFOFormat Subsystem Parameter Values**

Parameter	Value
size	{FULL   HALF}
<N>	{{1   2   3   4   5   6} {7   8   9   10   11   12}}
name	string of up to 6 alphanumeric characters
polarity	{POSitive   NEGative}
pod_specification	format (integer from 0 to 65535) for a pod (pods are assigned in decreasing order)
value	voltage (real number) -6.00 to +6.00

## TFOFormat

Selector

:MACHINE{1 | 2}:TFOFormat

The TFOFormat selector is used as part of a compound header to access those settings normally found in the Timing Format menu. It always follows the MACHINE selector because it selects a branch directly below the MACHINE level in the language tree.

### Example

```
OUTPUT XXX;":MACHINE1:TFOFORMAT:ACQMODE?"
```

## ACQMode

**Command**            `:MACHine{1|2}:TFORMat:ACQMode {TRANSitional  
<size>|CONVentional <size>|GLITCh}`

The ACQMode (acquisition mode) command allows you to select the acquisition mode for the timing analyzer. The options are:

- conventional mode at full-channel 250 MHz
- conventional mode at half-channel 500 Mhz
- transitional mode at full-channel 125 MHz
- transitional mode at half-channel 250 MHz
- glitch mode.

`<size>`    `{FULL|HALF}`

**Example**            `OUTPUT XXX; ":MACHINE2:TFORMAT:ACQMODE TRANSITIONAL HALF"`

**Query**              `:MACHine{1|2}:TFORMat:ACQMode?`

The ACQMode query returns the current acquisition mode.

**Returned Format**    `[:MACHine{1|2}:TFORMat:ACQMode] {TRANSitional  
<size>|CONVentional <size>|GLITCh}<NL>`

**Example**            `OUTPUT XXX; ":MACHINE2:TFORMAT:ACQMODE?"`

---

## LABel

Command           :MAChine{1|2}:Tformat:LABel  
                  <name>,[<polarity>,<clock\_bits>,<upper\_bits>,  
                  <lower\_bits>[,<upper\_bits>,<lower\_bits>]...]

The LABel command allows you to specify polarity and to assign channels to new or existing labels. If the specified label name does not match an existing label name, a new label will be created.

The order of the pod-specification parameters is significant. The first one listed will match the highest numbered pod assigned to the machine you're using. Each pod specification after that is assigned to the next highest numbered pod. This way they match the left-to-right descending order of the pods you see on the Format display. Not including enough pod specifications results in the lowest numbered pods being assigned a value of zero (all channels excluded). If you include more pod specifications than there are pods for that machine, the extra ones will be ignored. However, an error is reported anytime more than 13 pod specifications are listed.

The polarity can be specified at any point after the label name.

Because pods contain 16 channels, the format value for a pod must be between 0 and 65535 ( $2^{16}-1$ ). When giving the pod assignment in binary (base 2), each bit will correspond to a single channel. A "1" in a bit position means the associated channel in that pod is assigned to that pod and bit. A "0" in a bit position means the associated channel in that pod is excluded from the label. For example, assigning #B1111001100 is equivalent to entering ".....\*\*\*\*..\*\*.." through the touchscreen.

A label can not have a total of more than 32 channels assigned to it.

<name>           string of up to 6 alphanumeric characters  
<polarity>       {POSitive | NEGative}  
<clock\_bits>     format (integer from 0 to 63) for a clock (clocks are assigned in decreasing order)  
<upper\_bits>     format (integer from 0 to 65535) for a pod (pods are assigned in decreasing order)  
<lower\_bits>     format (integer from 0 to 65535) for a pod (pods are assigned in decreasing order)

---

**Examples**

```
OUTPUT XXX;":MACHINE2:TFORMAT:LABEL 'STAT', POSITIVE,
0,127,40312"
OUTPUT XXX;":MACHINE2:TFORMAT:LABEL 'SIG 1',
#B11,#B0000000011111111,
#B0000000000000000 "
```

---

**Query**

**:MACHine{1|2}:Tformat:LABel? <name>**

The LABel query returns the current specification for the selected (by name) label. If the label does not exist, nothing is returned. Numbers are always returned in decimal format.

**Returned Format**

```
[ :MACHine{1|2}:Tformat:LABel] <name>,<polarity>[,
<assignment>]...<NL>
```

---

**Example**

```
OUTPUT XXX;":MACHINE2:TFORMAT:LABEL? 'DATA' "
```

---

## REMOve

**Command**

**:MACHine{1|2}:TFORMAT:REMOve {<name>|ALL}**

The REMove command allows you to delete all labels or any one label specified by name for a given machine.

**<name>** string of up to 6 alphanumeric characters

---

**Examples**

```
OUTPUT XXX;":MACHINE1:TFORMAT:REMOVE 'A' "
OUTPUT XXX;":MACHINE1:TFORMAT:REMOVE ALL "
```

---



---

## THReshold

**Command**            :MAChine{1|2}:TFOrmat:THReshold<N>  
                      {TTL|ECL|<value>}

The THReshold command allows you to set the voltage threshold for a given pod to ECL, TTL, or a specific voltage from -6.00 V to +6.00 V in 0.05 volt increments.

<N>   pod number {1|2|3|4|5|6|7|8|9|10|11|12}

<value> voltage (real number) -6.00 to +6.00

TTL   default value of +1.6 V

ECL   default value of -1.3 V

---

**Example**            OUTPUT XXX;":MACHINE1:TFORMAT:THRESHOLD1 4.0"

---

**Query**             :MAChine{1|2}:TFOrmat:THReshold<N>?

The THReshold query returns the current threshold for a given pod.

**Returned Format**   [:MAChine{1|2}:TFOrmat:THReshold<N>] <value><NL>

---

**Example**            OUTPUT XXX;":MACHINE1:TFORMAT:THRESHOLD2?"

---

---

**TTRigger  
(TTRace)  
Subsystem**

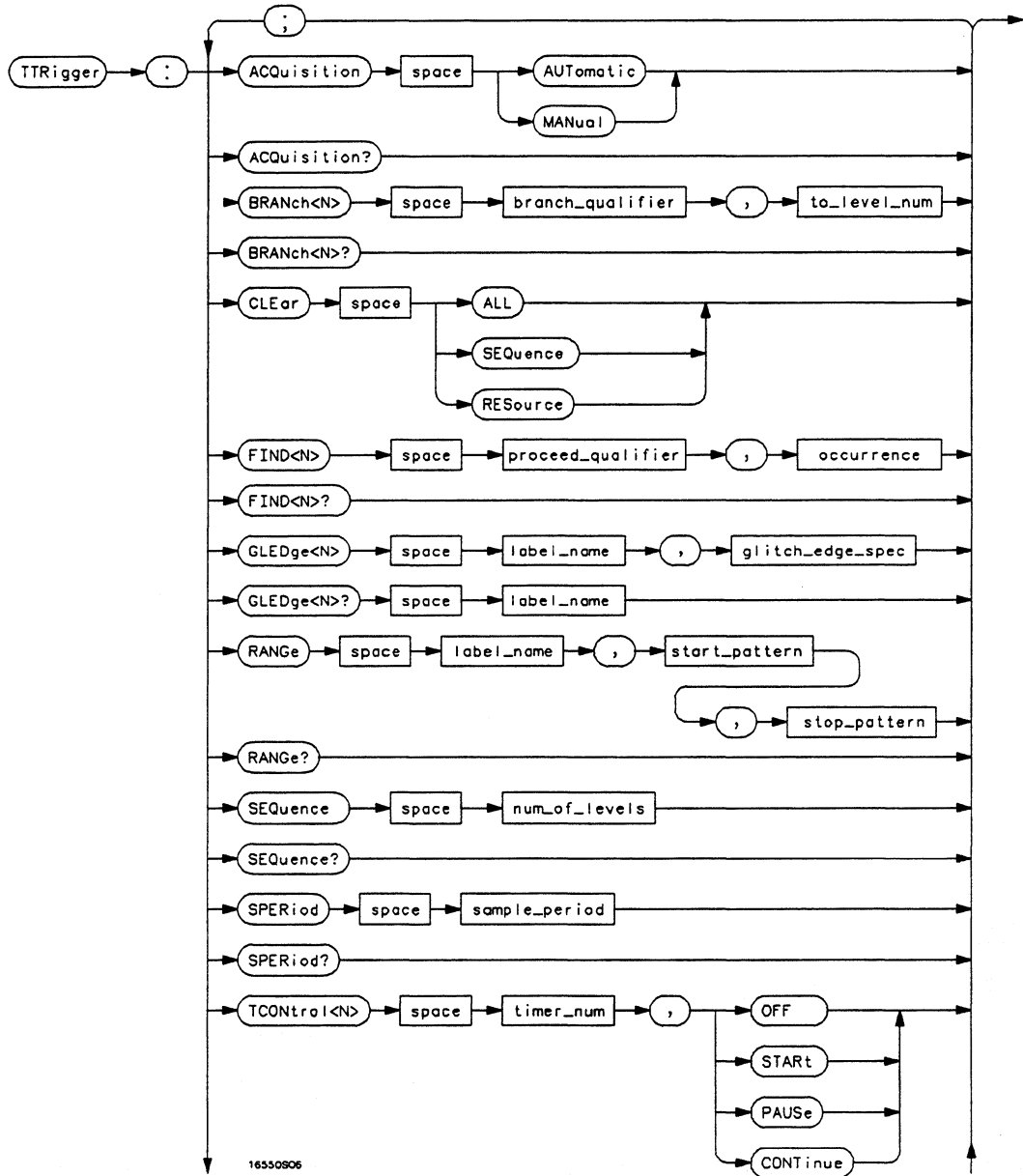
---

# Introduction

The TTRigger subsystem contains the commands available for the Timing Trigger menu in the HP 16550A logic analyzer module. The Timing Trigger subsystem will also accept the TTRace selector as used in previous HP 16500-series logic analyzer modules to eliminate the need to rewrite programs containing TTRace as the selector keyword. The TTRigger subsystem commands are:

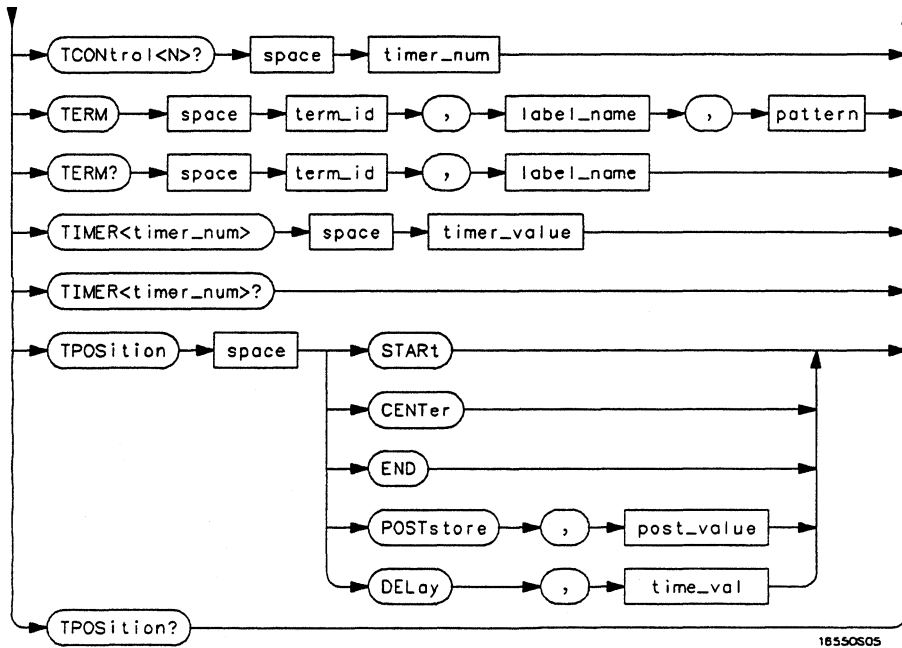
- ACQuisition
- BRANch
- CLear
- FIND
- GLEdge
- RANGe
- SEQuence
- SPERiod
- TCONtrol
- TERM
- TIMER
- TPOsition

Figure 12-1



TTRigger Subsystem Syntax Diagram

Figure 12-1 (continued)



TTRigger Subsystem Syntax Diagram (continued)

Table 12-1

---

**TTRigger Parameter Values**


---

Parameter	Value
branch_qualifier	<qualifier>
to_lev_num	integer from 1 to last level
proceed_qualifier	<qualifier>
occurrence	number from 1 to 1048575
label_name	string of up to 6 alphanumeric characters
start_pattern	"{#B{0 1} . . .   #Q{0 1 2 3 4 5 6 7} . . .   #H{0 1 2 3 4 5 6 7 8 9 A B C D E F} . . .   {0 1 2 3 4 5 6 7 8 9} . . . }"
stop_pattern	"{#B{0 1} . . .   #Q{0 1 2 3 4 5 6 7} . . .   #H{0 1 2 3 4 5 6 7 8 9 A B C D E F} . . .   {0 1 2 3 4 5 6 7 8 9} . . . }"
num_of_levels	integer from 1 to 10
lev_of_trig	integer from 1 to (number of existing sequence levels)
store_qualifier	<qualifier>
state_tag_qualifier	<qualifier>
timer_num	{1 2}
timer_value	400 ns to 500 seconds
term_id	{A B C D E F G H I J}
pattern	"{#B{0 1 X} . . .   #Q{0 1 2 3 4 5 6 7 X} . . .   #H{0 1 2 3 4 5 6 7 8 9 A B C D E F X} . . .   {0 1 2 3 4 5 6 7 8 9} . . . }"
qualifier	see "Qualifier" on page 12-6
post_store	integer from 0 to 100 representing percentage

---

---

## Qualifier

The qualifier for the timing trigger subsystem can be terms A through J, Timer 1 and 2, and Range 1 and 2. In addition, qualifiers can be the NOT boolean function of terms, timers, and ranges. The qualifier can also be an expression or combination of expressions as shown below and figure 12-2, "Complex Qualifier," on page 12-11.

The following parameters show how qualifiers are specified in all commands of the TTRigger subsystem that use <qualifier>.

```

<qualifier>      { "ANYSSTATE" | "NOSTATE" | "<expression>" }
<expression>    {<expression1a>|<expression1b>|<expression1a> OR
                  <expression1b>|<expression1a> AND <expression1b>}
<expression1a>  {<expression1a_term>|(<expression1a_term>[ OR
                  <expression1a_term>]* )|(<expression1a_term>[ AND
                  <expression1a_term>]* )}
<expression1a_term> {<expression2a>|<expression2b>|<expression2c>| <expression2d>}
<expression1b>  {<expression1b_term>|(<expression1b_term>[ OR
                  <expression1b_term>]* )|(<expression1b_term>[ AND
                  <expression1b_term>]* )}
<expression1b_term> {<expression2e>|<expression2f>|<expression2g>| <expression2h>}
<expression2a>  {<term3a>|<term3b>|(<term3a> <boolean_op> <term3b>)}
<expression2b>  {<term3c>|<range3a>|(<term3c> <boolean_op> <range3a>)}
<expression2c>  {<term3d>|<gledge3a>|(<term3d> <boolean_op> <gledge3a>)}
<expression2d>  {<term3e>|<timer3a>|(<term3e> <boolean_op> <timer3a>)}
<expression2e>  {<term3f>|<term3g>|(<term3f> <boolean_op> <term3g>)}
<expression2f>  {<term3h>|<range3b>|(<term3h> <boolean_op> <range3b>)}
<expression2g>  {<term3i>|<gledge3b>|(<term3i> <boolean_op> <gledge3b>)}
<expression2h>  {<term3j>|<timer3b>|(<term3e> <boolean_op> <timer3b>)}
<boolean_op>    {AND | NAND | OR | NOR | XOR | NXOR}
<term3a>        { A | NOTA }

```

```

<term3b> { B | NOTB }
<term3c> { C | NOTC }
<term3d> { D | NOTD }
<term3e> { E | NOTE }
<term3f> { F | NOTF }
<term3g> { G | NOTG }
<term3h> { H | NOTH }
<term3i> { I | NOTI }
<term3j> { J | NOTJ }

<range3a> { IN_RANGE1 | OUT_RANGE1 }
<range3b> { IN_RANGE2 | OUT_RANGE2 }

<gledge3a> { GLEDge1 | NOT GLEDge1 }
<gledge3b> { GLEDge2 | NOT GLEDge2 }

<timer3a> { TIMER1< | TIMER1>}
<timer3b> { TIMER2< | TIMER2>}

```

\* = is optional such that it can be used zero or more times  
+ = must be used at least once and can be repeated

### Qualifier Rules

The following rules apply to qualifiers:

- Qualifiers are quoted strings and, therefore, need quotes.
- Expressions are evaluated from left to right.
- Parenthesis are used to change the order evaluation and, therefore, are optional.
- An expression must map into the combination logic presented in the combination pop-up menu within the TTRigger menu.



## TTRigger (TTRace) Subsystem

### TTRigger (TTRace)

---

#### Examples

```
'A'  
'( A OR B )'  
'(( A OR B ) AND C )'  
'(( A OR B ) AND C AND IN_RANGE2 )'  
'(( A OR B ) AND ( C AND IN_RANGE1 ))'  
'IN_RANGE1 AND ( A OR B ) AND C'
```

---

---

## TTRigger (TTRace)

Selector **:MACHine{1|2}:TTRigger**

The TTRigger (TTRace) (Trace Trigger) selector is used as a part of a compound header to access the settings found in the Timing Trace menu. It always follows the MACHine selector because it selects a branch directly below the MACHine level in the command tree.

---

#### Example

```
OUTPUT XXX; ":MACHINE1:TTRIGGER:TAG TIME"
```

---

## ACQuisition

Command **:MACHine{1|2}:TTRigger:ACQuisition**  
**{AUTOMatic|MANual}**

The ACQuisition command allows you to specify the acquisition mode for the Timing analyzer.

---

#### Example

```
OUTPUT XXX; ":MACHINE1:TTRIGGER:ACQUISITION AUTOMATIC"
```

---

Query                   :MACHine{1|2}:TTRigger:ACQuisition?

The ACQuisition query returns the current acquisition mode specified.

Returned Format       [:MACHine{1|2}:TTRigger:ACQuisition] {AUTOMatic|MANual}<NL>

---

**Example**               OUTPUT XXX;":MACHINE1:TTRIGGER:ACQUISITION?"

---



---

## BRANCh

Command               :MACHine{1|2}:TTRigger:BRANCh<N>  
 <branch\_qualifier>,<to\_level\_number>

The BRANCh command defines the branch qualifier for a given sequence level. When this branch qualifier is matched, it will cause the sequencer to jump to the specified sequence level.

The terms used by the branch qualifier (A through J) are defined by the TERM command. The meaning of IN\_RANGE and OUT\_RANGE is determined by the RANGE command.

Within the limitations shown by the syntax definitions, complex expressions may be formed using the AND and OR operators. Expressions are limited to what you could manually enter through the Timing Trigger menu. Regarding parentheses, the syntax definitions on the next page show only the required ones. Additional parentheses are allowed as long as the meaning of the expression is not changed. Figure 12-2, on page 12-11 shows a complex expression as seen in the Timing Trigger menu.

---

**Example**               The following statements are all correct and have the same meaning. Notice that the conventional rules for precedence are not followed. The expressions are evaluated from left to right.

```
OUTPUT XXX;":MACHINE1:TTRIGGER:BRANCH1 'C AND D OR F OR G', 1"
OUTPUT XXX;":MACHINE1:TTRIGGER:BRANCH1 '((C AND D) OR (F OR G))', 1"
OUTPUT XXX;":MACHINE1:TTRIGGER:BRANCH1 'F OR (C AND D) OR G',1"
```

---

TTRigger (TTRace) Subsystem  
**BRANCh**

<N> integer from 1 to <number\_of\_levels>  
<to\_level\_number> integer from 1 to <number\_of\_levels>  
<number\_of\_levels> integer from 1 to the number of existing sequence levels (maximum 10)  
<branch\_qualifier> <qualifier> see "Qualifier" on page 12-5

---

**Examples**

```
OUTPUT XXX;":MACHINE1:TTRIGGER:BRANCH1 'ANYSATE', 3"  
OUTPUT XXX;":MACHINE2:TTRIGGER:BRANCH2 'A', 7"  
OUTPUT XXX;":MACHINE1:TTRIGGER:BRANCH3 '((A OR B) OR NOTG)', 1"
```

---

**Query**

:MACHine{1|2}:TTRigger:BRANCh<N>?

The BRANCh query returns the current branch qualifier specification for a given sequence level.

**Returned Format**

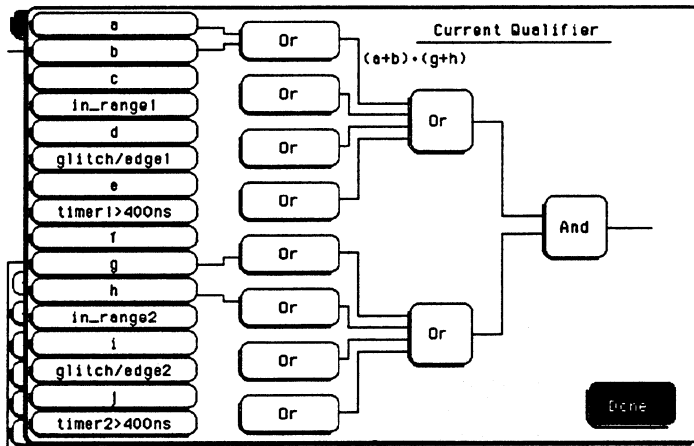
[ :MACHine{1|2}:TTRigger:BRANCh<N>]  
<branch\_qualifier>,<to\_level\_num><NL>

---

**Example**

```
OUTPUT XXX;":MACHINE1:TTRIGGER:BRANCH3?"
```

Figure 12-2



**Complex Qualifier**

Figure 12-2 is a front-panel representation of the complex qualifier (a Or b) And (g Or h).

**Example**

This example would be used to specify this complex qualifier.

```
OUTPUT XXX;":MACHINE1:TTRIGGER:BRANCH1 '((A OR B) AND (G OR H))', 2"
```

Terms **A** through **E**, **RANGE 1**, **GLITCH/EDGE1**, and **TIMER 1** must be grouped together and terms **F** through **J**, **RANGE 2**, **GLITCH/EDGE2**, and **TIMER 2** must be grouped together. In the first level, terms from one group may not be mixed with terms from the other. For example, the expression ((A OR IN\_RANGE2) AND (C OR H)) is not allowed because the term C cannot be specified in the E through J group.

In the first level, the operators you can use are **AND**, **NAND**, **OR**, **NOR**, **XOR**, **NXOR**. Either **AND** or **OR** may be used at the second level to join the two groups together. It is acceptable for a group to consist of a single term. Thus, an expression like (B AND G) is legal since the two operands are both simple terms from separate groups.

## CLEAr

**Command**            **:MACHine{1|2}:TTRigger:CLEAr**  
                         **{All|SEquence|RESource}**

The CLEAr command allows you to clear all settings in the Timing Trigger menu and replace them with the default, clear only the sequence levels, or clear only the resource term patterns.

---

**Example**            **OUTPUT XXX; ":MACHINE1:TTRIGGER:CLEAR RESOURCE"**

---

## FIND

**Command**            **:MACHine{1|2}:TTRigger:FIND<N>**  
                         **<time\_qualifier>,<condition\_mode>**

The FIND command defines the time qualifier for a given sequence level. The qualifier tells the timing analyzer when to proceed to the next sequence level. When this proceed qualifier is matched the specified number of times, the sequencer will proceed to the next sequence level. In the sequence level where the trigger is specified, the FIND command specifies the trigger qualifier (see SEQuence command).

The terms A through J are defined by the TERM command. The meaning of IN\_RANGE and OUT\_RANGE is determined by the RANGE command. Expressions are limited to what you could manually enter through the Timing Trigger menu. Regarding parentheses, the syntax definitions below show only the required ones. Additional parentheses are allowed as long as the meaning of the expression is not changed. See figure 12-2 on page 12-11 for a detailed example.

**<N>** integer from 1 to the number of existing sequence levels (maximum 10)

**<condition\_mode>** {{GT|LT}, <duration\_time>|OCCurrence, <occurrence>}

**GT** greater than

**LT** less than

**<duration\_time>** real number from 8 ns to 5.00 seconds depending on sample period

**<occurrence>** integer from 1 to 1048575

**<time\_qualifier>** <qualifier> see "Qualifier" on page 12-6

---

**Examples**

OUTPUT XXX;":MACHINE1:TTRIGGER:FIND1 'ANYSATE', GT, 10E-6"  
 OUTPUT XXX;":MACHINE1:TTRIGGER:FIND3 '((NOTA AND NOTB) OR G)',  
 OCCURRENCE, 10"

---

**Query**

:MACHine{1|2}:TTRigger:FIND4?

The FIND query returns the current time qualifier specification for a given sequence level.

**Returned Format**

[ :MACHine{1|2}:TTRigger:FIND<N>]  
 <proceed\_qualifier>,<occurrence><NL>

---

**Example**

OUTPUT XXX;":MACHINE1:TTRIGGER:FIND<N>?"

---

## GLEdge

**Command**            `:MACHINE{1|2}:TTRigger:GLEdge<N> <label_name>, <glitch_edge_spec>`

The GLEdge (glitch/edge) command allows you to define edge and glitch specifications for a given label. Edge specifications can be R (rising), F (falling), E (either), or "." (don't care). Glitch specifications consist of G (glitch) or "." (don't care). Edges and glitches are sent in the same string with the right most string character specifying what the right most bit will be.

The <glitch\_edge\_spec> string length must match the exact number of bits assigned to the specified label. If the string length does not match the number of bits, the "Parameter string invalid" message is displayed.

<N>            {1|2}  
<label\_name>    string of up to 6 alphanumeric characters  
<glitch\_edge\_spec>    string consisting of {R|F|E|G|.} [to total number of bits]

---

### Example

For 8 bits assigned and no glitch:

```
OUTPUT XXX;":MACHINE1:TTRIGGER:GLEDGE1 'DATA', '....F..E'
```

For 16 bits assigned with glitch:

```
OUTPUT XXX;":MACHINE1:TTRIGGER:GLEDGE1 'DATA',  
'....GGG.....F..R'
```

**Query** `:MACHine{1|2}:TTRigger:GLEDe<N>? <label_name>`

The GLEDe query returns the current specification for the given label.

**Returned Format** `[:MACHine{1|2}:TTRigger:GLEDe<N>]  
<label_name>,<glitch_edge_pattern><NL>`

---

**Example** `OUTPUT XXX;":MACHINE1:TTRIGGER:GLEDGE1? 'DATA' "`

---

---

## RANGe

**Command** `:MACHine{1|2}:TTRigger:RANGe  
<label_name>,<start_pattern>,<stop_pattern>`

The RANGe command allows you to specify a range recognizer term for the specified machine. Since a range can only be defined across one label and, since a label must contain 32 or less bits, the value of the start pattern or stop pattern will be between  $(2^{32}) - 1$  and 0.

Since a label can only be defined across a maximum of two pods, a range term is only available across a single label; therefore, the end points of the range cannot be split between labels.

When these values are expressed in binary, they represent the bit values for the label at one of the range recognizers' end points. Don't cares are not allowed in the end point pattern specifications.



## TTRigger (TTRace) Subsystem

### RANGe

<label\_name> string of up to 6 alphanumeric characters

<start\_pattern> "{#B{0|1} . . . |  
#Q{0|1|2|3|4|5|6|7} . . . |  
#H{0|1|2|3|4|5|6|7|8|9|A|B|C|D|E|F} . . . |  
{0|1|2|3|4|5|6|7|8|9} . . . }"

<stop\_pattern> "{#B{0|1} . . . |  
#Q{0|1|2|3|4|5|6|7} . . . |  
#H{0|1|2|3|4|5|6|7|8|9|A|B|C|D|E|F} . . . |  
{0|1|2|3|4|5|6|7|8|9} . . . }"

---

#### Examples

```
OUTPUT XXX;":MACHINE1:TTRIGGER:RANGE 'DATA', '127', '255' "  
OUTPUT XXX;":MACHINE1:TTRIGGER:RANGE 'ABC', '#B00001111',  
'#HCF' "
```

---

Query :MACHINE{1|2}:TTRigger:RANGe?

The RANGe query returns the range recognizer end point specifications for the range.

Returned Format [ :MACHINE{1|2}:STRace:RANGE] <label\_name>,<start\_pattern>,  
<stop\_pattern><NL>

---

#### Example

```
OUTPUT XXX;":MACHINE1:TTRIGGER:RANGE?"
```

---

---

## SEQuence

**Command**                   :MAChine{1|2}:TTRigger:SEQuence <number\_of\_levels>

The SEQuence command defines the timing analyzer trace sequence. First, it deletes the current trace sequence. Then, it inserts the number of levels specified, with default settings. The number of levels can be between 1 and 10 when the analyzer is armed by the RUN key.

<number\_of\_  
levels>           integer from 1 to 10

---

**Example**

OUTPUT XXX;":MACHINE1:TTRIGGER:SEQUENCE 4"

**Query**                     :MAChine{1|2}:TTRigger:SEQuence?

The SEQuence query returns the current sequence specification.

**Returned Format**       [:MAChine{1|2}:TTRigger:SEQuence] <number\_of\_levels>,  
                          <level\_of\_trigger><NL>

---

**Example**

OUTPUT XXX;":MACHINE1:TTRIGGER:SEQUENCE?"

## SPERiod

**Command**            :MAChine{1|2}:TTRigger:SPERiod <sample\_period>

The SPERiod command allows you to set the sample period of the timing analyzer in the Conventional and Glitch modes. The sample period range depends on the mode selected and is as follows:

- 2 ns to 8 ms for Conventional Half Channel 500 MHz
- 4 ns to 8 ms for Conventional Full Channel 250 MHz
- 4 ns for Transitional Half Channel
- 8 ns for Transitional Full Channel
- 8 ns to 8 ms for Glitch Half Channel 125 MHz

<sample\_period> real number from 2 ns to 8 ms depending on mode

---

**Example**            OUTPUT XXX;":MACHINE1:TTRIGGER:SPERIOD 50E-9"

---

**Query**             :MAChine{1|2}:TTRigger:SPERiod?

The SPERiod query returns the current sample period.

**Returned Format**   [:MAChine{1|2}:TTRigger:SPERiod] <sample\_period><NL>

---

**Example**            OUTPUT XXX;":MACHINE1:TTRIGGER:SPERIOD?"

---

---

## TCONtroll

**Command**           :MACHine{1|2}:TTRigger:TCONtroll<N> <timer\_num>,  
 {OFF|START|PAUSE|CONTINUE}

The TCONtroll (timer control) command allows you to turn off, start, pause, or continue the timer for the specified level. The time value of the timer is defined by the TIMER command.

<N>           integer from 1 to the number of existing sequence levels (maximum 10)

<timer\_num>   {1|2}

---

**Example**

OUTPUT XXX;":MACHINE2:TTRIGGER:TCONTROL6 1, PAUSE"

**Query**             :MACHine{1|2}:TTRigger:TCONTROL<N>? <timer\_num>

The TCONtroll query returns the current TCONtroll setting of the specified level.

**Returned Format**   [:MACHine{1|2}:TTRigger:TCONTROL<N> <timer\_num>]  
 {OFF|START|PAUSE|CONTINUE}<NL>

---

**Example**

OUTPUT XXX;":MACHINE2:TTRIGGER:TCONTROL6? 1"

---

## TERM

Command           :MACHINE{1|2}:TTRigger:TERM  
                  <term\_id>,<label\_name>,<pattern>

The TERM command allows you to specify a pattern recognizer term in the specified machine. Each command deals with only one label in the given term; therefore, a complete specification could require several commands. Since a label can contain 32 or less bits, the range of the pattern value will be between  $2^{32} - 1$  and 0. When the value of a pattern is expressed in binary, it represents the bit values for the label inside the pattern recognizer term. Since the pattern parameter may contain don't cares and be represented in several bases, it is handled as a string of characters rather than a number.

All 10 terms (A through J) are available to either machine but not both simultaneously. If you send the TERM command to a machine with a term that has not been assigned to that machine, an error message "Legal command but settings conflict" is returned.

<term\_id>        {A|B|C|D|E|F|G|H|I|J}  
<label\_name>     string of up to 6 alphanumeric characters  
<pattern>        "{#B{0|1|X} . . . |  
                  #Q{0|1|2|3|4|5|6|7|X} . . . |  
                  #H{0|1|2|3|4|5|6|7|8|9|A|B|C|D|E|F|X} . . . |  
                  {0|1|2|3|4|5|6|7|8|9} . . . }"

---

### Example

OUTPUT XXX;":MACHINE1:TTRIGGER:TERM A,'DATA','255' "  
OUTPUT XXX;":MACHINE1:TTRIGGER:TERM B,'ABC','#BXXXX1101' "

Query `:MACHine{1|2}:TTRigger:TERM? <term_id>,<label_name>`

The TERM query returns the specification of the term specified by term identification and label name.

Returned Format `[:MACHine{1|2}:STRace:TERM]  
 <term_id>,<label_name>,<pattern><NL>`

---

**Example** `OUTPUT XXX;":MACHINE1:TTRIGGER:TERM? B,'DATA' "`

---



---

## TIMER

Command `:MACHine{1|2}:TTRigger:TIMER{1|2} <time_value>`

The TIMER command sets the time value for the specified timer. The limits of the timer are 400 ns to 500 seconds in 16 ns to 500  $\mu$ s increments. The increment value varies with the time value of the specified timer.

`<time_value>` real number from 400 ns to 500 seconds in increments which vary from 16 ns to 500  $\mu$ s.

---

**Example** `OUTPUT XXX;":MACHINE1:TTRIGGER:TIMER1 100E-6"`

---

Query `:MACHine{1|2}:TTRigger:TIMER{1|2}?`

The TIMER query returns the current time value for the specified timer.

Returned Format `[:MACHine{1|2}:TTRigger:TIMER{1|2}] <time_value><NL>`

---

**Example** `OUTPUT XXX;":MACHINE1:TTRIGGER:TIMER1?"`

---

---

## TPOsition

**Command**            :MAChine{1|2}:TTRigger:TPOsition  
                      {START|CENTer|END|DELay, <time\_val>|  
                      POSTstore,<poststore>}

The TPOsition (trigger position) command allows you to set the trigger at the start, center, end or at any position in the trace (poststore). Poststore is defined as 0 to 100 percent with a poststore of 100 percent being the same as start position and a poststore 0 percent being the same as an end trace.

<time\_val>    real number from either ( $2 \times$  sample period) or 16 ns whichever is greater to ( $1048575 \times$  sample period).

<poststore>   integer from 0 to 100 representing percentage of poststore.

---

### Examples

OUTPUT XXX;":MACHINE1:TTRIGGER:TPOSITION END"  
OUTPUT XXX;":MACHINE1:TTRIGGER:TPOSITION POSTstore,75"

**Query**                :MAChine{1|2}:TTRigger:TPOsition?

The TPOsition query returns the current trigger position setting.

**Returned Format**    [:MAChine{1|2}:TTRigger:TPOsition] {START|CENTer|END|DELay,  
                      <time\_val>|POSTstore,<poststore>}<NL>

---

### Example

OUTPUT XXX;":MACHINE1:TTRIGGER:TPOSITION?"

---

TWAVeform  
Subsystem



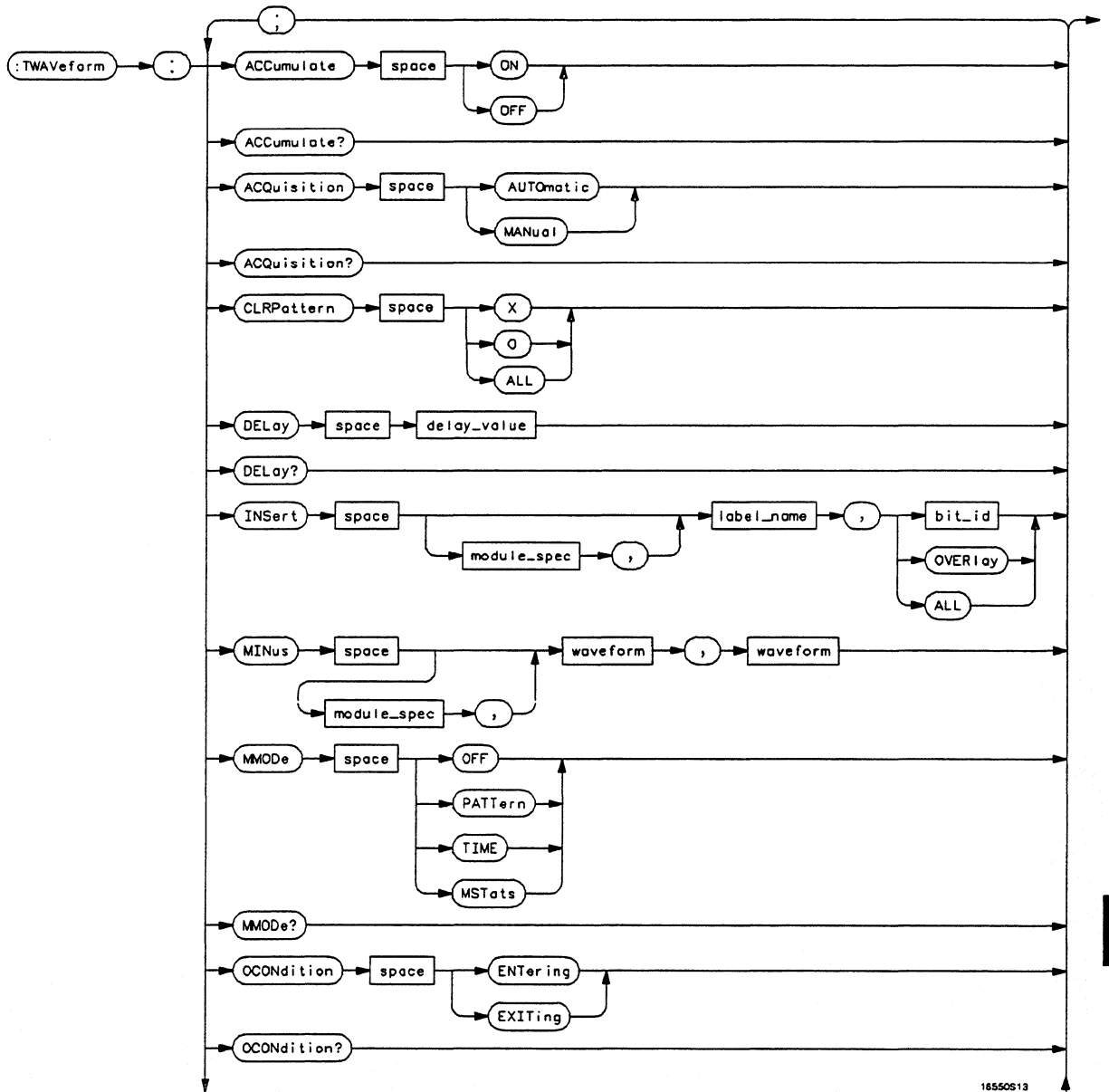
---

# Introduction

The TWAVEform subsystem contains the commands available for the Timing Waveforms menu in the HP 16550A. These commands are:

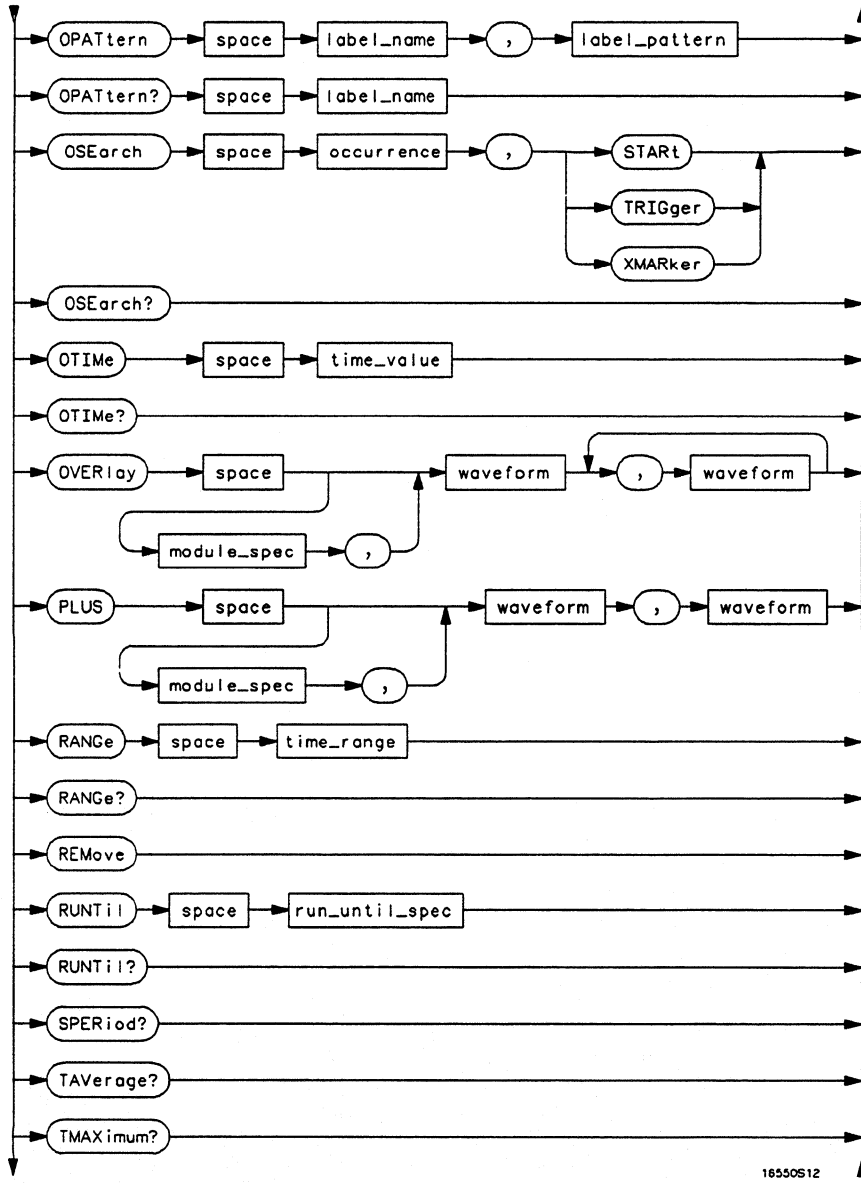
- ACCumulate
- ACQuisition
- CENter
- CLRPattern
- CLRStat
- DELay
- INSert
- MINus
- MMODE
- OCONdition
- OPATtern
- OSEarch
- OTIME
- OVERlay
- PLUS
- RANGe
- REMove
- RUNTil
- SPERiod
- TAVerage
- TMAXimum
- TMINimum
- TPOSition
- VRUNs
- XCONdition
- XOTime
- XPATtern
- XSEarch
- XTIME

Figure 13-1



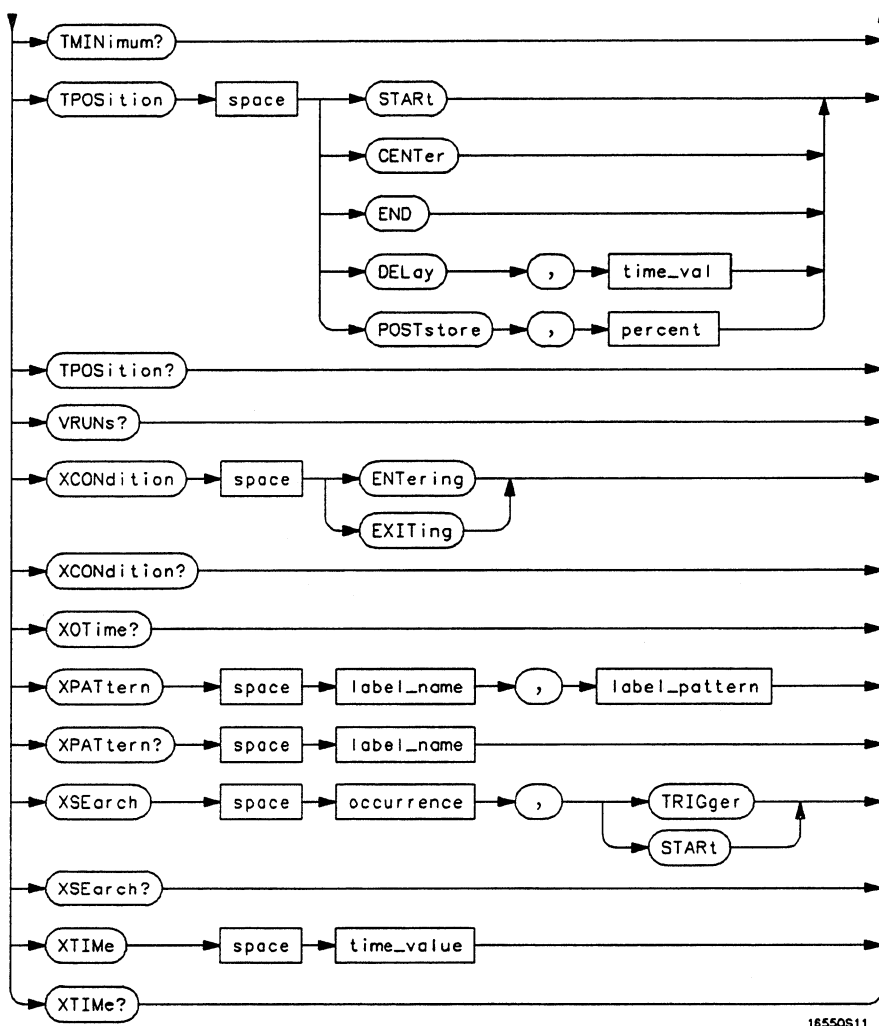
TWAVEform Subsystem Syntax Diagram

Figure 13-1 (continued)



TWAVEform Subsystem Syntax Diagram (continued)

Figure 13-1 (continued)



18550S11

TWAVEform Subsystem Syntax Diagram (continued)

Table 13-1

TWAVeform Parameter Values	
Parameter	Value
delay_value	real number between -2500 s and +2500 s
module_spec	{1 2 3 4 5 6 7 8 9 10 11 12}
bit_id	integer from 0 to 31
waveform	string containing <acquisition_spec>{1 2}
acquisition_spec	{A B C D E F G H I J} (slot where acquisition card is located)
label_name	string of up to 6 alphanumeric characters
label_pattern	"{#B{0 1 X} . . .   #Q{0 1 2 3 4 5 6 7 X} . . .   #H{0 1 2 3 4 5 6 7 8 9 A B C D E F X} . . .   {0 1 2 3 4 5 6 7 8 9} . . . }"
occurrence	integer
time_value	real number
label_id	string of one alpha and one numeric character
module_num	slot number in which the time base card is installed
time_range	real number between 10 ns and 10 ks
run_until_spec	{OFF LT,<value> GT,<value> INRange<value>,<value> OUTRange<value>,<value>}
GT	greater than
LT	less than
value	real number
time_val	real number from 0 to 500 representing seconds

---

## TWAVEform

**Selector**                   :MACHine{1|2}:TWAVEform

The TWAVEform selector is used as part of a compound header to access the settings found in the Timing Waveforms menu. It always follows the MACHine selector because it selects a branch below the MACHine level in the command tree.

---

**Example**                    OUTPUT XXX;":MACHINE1:TWAVEFORM:DELAY 100E-9"

---



---

## ACCumulate

**Command**                   :MACHine{1|2}:TWAVEform:ACCumulate <setting>

The ACCumulate command allows you to control whether the chart display gets erased between each individual run or whether subsequent waveforms are allowed to be displayed over the previous ones.

<setting>    {0|OFF} or {1|ON}

---

**Example**                    OUTPUT XXX;":MACHINE1:TWAVEFORM:ACCUMULATE ON"

---

**Query**                     :MACHine{1|2}:TWAVEform:ACCumulate?

The ACCumulate query returns the current setting. The query always shows the setting as the characters, "0" (off) or "1" (on).

**Returned Format**        [:MACHine{1|2}:TWAVEform:ACCumulate] {0|1}<NL>

---

**Example**                    OUTPUT XXX;":MACHINE1:TWAVEFORM:ACCUMULATE?"

---

---

## ACQquisition

**Command**            :MAChine{1|2}:TWAVeform:ACQquisition  
                      {AUTOMatic|MANual}

The ACQquisition command allows you to specify the acquisition mode for the state analyzer. The acquisition modes are automatic and manual.

**Query**                MAChine{1|2}:TWAVeform:ACQquisition?

The ACQquisition query returns the current acquisition mode.

**Returned Format**    [MACHine{1|2}:TWAVeform:ACQquisition] {AUTOMatic|MANual}<NL>

---

**Example**                OUTPUT XXX;":MACHINE2:TWAVEFORM:ACQUISITION?"

---

---

## CENTEr

**Command**            :MAChine{1|2}:Twaveform:CENTEr <marker\_type>

The CENTEr command allows you to center the waveform display about the specified markers. The markers are placed on the waveform in the SLISt subsystem.

<marker\_type>        {X|O|XO|TRIGger}

---

**Example**                OUTPUT XXX;":MACHINE1:TWAVEFORM:CENTER X"

---

---

## CLRPattern

**Command**            `:MACHine{1|2}:TWAVEform:CLRPattern {X|O|ALL}`

The CLRPattern command allows you to clear the patterns in the selected Specify Patterns menu.

---

**Example**

`OUTPUT XXX; ":MACHINE1:TWAVEFORM:CLRPATTERN ALL"`

---

## CLRStat

**Command**            `:MACHine{1|2}:Twaveform:CLRStat`

The CLRStat command allows you to clear the waveform statistics without having to stop and restart the acquisition.

---

**Example**

`OUTPUT XXX; ":MACHINE1:TWAVEFORM:CLRSTAT"`

---



---

## DELaY

**Command**            :MaCHine{1|2}:TWAVeform:DELaY <delay\_value>

The DELaY command specifies the amount of time between the timing trigger and the horizontal center of the the timing waveform display. The allowable values for delay are -2500 s to +2500 s. If the acquisition mode is automatic, then in glitch acquisition mode, as delay becomes large in an absolute sense, the sample rate is adjusted so that data will be acquired in the time window of interest. In transitional acquisition mode, data may not fall in the time window since the sample period is fixed and the amount of time covered in memory is dependent on how frequent the input signal transitions occur.

<delay\_value>    real number between -2500 s and +2500 s

---

**Example**            OUTPUT XXX;":MaCHINE1:TWAVEFORM:DELaY 100E-6"

**Query**             :MaCHine{1|2}:TWAVeform:DELaY?

The DELaY query returns the current time offset (delay) value from the trigger.

**Returned Format**   [:MaCHine{1|2}:TWAVeform:DELaY] <time\_value><NL>

---

**Example**            OUTPUT XXX;":MaCHINE1:TWAVEFORM:DELaY?"

---

## INSert

**Command**            **:MACHINE{1|2}:TWAVEform:INSert**  
**[<module\_spec>,<label\_name>**  
**[,<bit\_id>|OVERlay|ALL}]**

The INSert command inserts waveforms in the timing waveform display. The waveforms are added from top to bottom up to a maximum of 96 waveforms. Once 96 waveforms are present, each time you insert another waveform, it replaces the last waveform.

Time-correlated waveforms from the oscilloscope and high speed timing modules can also be inserted in the logic analyzer's timing waveforms display. Oscilloscope waveforms occupy the same display space as three logic analyzer waveforms. When inserting waveforms from the oscilloscope or high-speed timing modules, the optional first parameter must be used, which is the module specifier. 1 through 10 corresponds to modules A through J. If you do not specify the module, the selected module is assumed.

The second parameter specifies the label name that will be inserted. The optional third parameter specifies the label bit number, overlay, or all. If a number is specified, only the waveform for that bit number is added to the screen.

If you specify OVERlay, all the bits of the label are displayed as a composite overlaid waveform. If you specify ALL, all the bits are displayed sequentially. If you do not specify the third parameter, ALL is assumed.

**<module\_spec>**    {1|2|3|4|5|6|7|8|9|10|11|12}  
**<label\_name>**    string of up to 6 alphanumeric characters  
**<bit\_id>**        integer from 0 to 31

---

**Example**

**OUTPUT XXX;":MACHINE1:TWAVEFORM:INSERT 3, 'WAVE',10"**

### Inserting Oscilloscope Waveforms

Command           :MACHine{1|2}:TWAVEform:INSert  
                  <module\_spec>,<label\_name>

This inserts a waveform from an oscilloscope to the timing waveforms display.

<module\_spec>    {1|2|3|4|5|6|7|8|9|10|11|12} slot in which timebase card is installed

<label\_name>    string of one alpha and one numeric character

---

Example           OUTPUT XXX;":MACHINE1:TWAVEFORM:INSERT 5, 'C1'"

---

---

### MINus

Command           :TWAVEform:MINus  
                  <module\_spec>,<waveform>,<waveform>

The MINus command inserts time-correlated A-B (A minus B) oscilloscope waveforms on the screen. The first parameter is the module specifier where the oscilloscope module resides, where 1 through 10 refers to slots A through J. The next two parameters specify which waveforms will be subtracted from each other.

MINus is only available for oscilloscope waveforms.

<module\_spec>    {1|2|3|4|5|6|7|8|9|10}

<waveform>      string containing <acquisition\_spec>{1|2}

<acquisition\_spec> {A|B|C|D|E|F|G|H|I|J} (slot where acquisition card is located)

---

Example           OUTPUT XXX; ":TWAVEFORM:MINUS 2,'A1','A2'"

---

---

## MMODE

**Command**            :MACHine{1|2}:TWAVEform:MMODE  
                          {OFF|PATTern|TIME|MSTats}

The MMODE (Marker Mode) command selects the mode controlling marker movement and the display of the marker readouts. When PATTern is selected, the markers will be placed on patterns. When TIME is selected, the markers move on time. In MSTats, the markers are placed on patterns, but the readouts will be time statistics.

---

**Example**            OUTPUT XXX; ":MACHINE1:TWAVEFORM:MMODE TIME"

---

**Query**                :MACHine{1|2}:TWAVEform:MMODE?

The MMODE query returns the current marker mode.

**Returned Format**    [:MACHine{1|2}:TWAVEform:MMODE] <marker\_mode><NL>  
                          <marker\_mode> {OFF|PATTern|TIME|MSTats}

---

**Example**            OUTPUT XXX; ":MACHINE1:TWAVEFORM:MMODE?"

---

---

## OCONdition

**Command**            :MAChine{1|2}:TWAVeform:OCONdition  
                      {ENTerInG|EXITing}

The OCONdition command specifies where the O marker is placed. The O marker can be placed on the entry or exit point of the OPATtern when in the PATtern marker mode.

---

**Example**            OUTPUT XXX; ":MACHINE1:TWAVEFORM:OCONDITION ENTERING"

---

**Query**             :MAChine{1|2}:TWAVeform:OCONdition?

The OCONdition query returns the current setting.

**Returned Format**   [:MAChine{1|2}:TWAVeform:OCONDITION] {ENTerInG|EXITing}<NL>

---

**Example**            OUTPUT XXX; ":MACHINE1:TWAVEFORM:OCONDITION?"

---

---

## OPATtern

**Command**            :MAChine{1|2}:TWAVEform:OPATtern  
                      <label\_name>,<label\_pattern>

The OPATtern command allows you to construct a pattern recognizer term for the O marker which is then used with the OSEarch criteria and OCONdition when moving the marker on patterns. Since this command deals with only one label at a time, a complete specification could require several invocations.

When the value of a pattern is expressed in binary, it represents the bit values for the label inside the pattern recognizer term. In whatever base is used, the value must be between 0 and  $2^{32} - 1$ , since a label may not have more than 32 bits. Because the <label\_pattern> parameter may contain don't cares, it is handled as a string of characters rather than a number.

<label\_name>       string of up to 6 alphanumeric characters

<label\_pattern>   "#{B{0|1|X} . . . |  
                  #Q{0|1|2|3|4|5|6|7|X} . . . |  
                  #H{0|1|2|3|4|5|6|7|8|9|A|B|C|D|E|F|X} . . . |  
                  {0|1|2|3|4|5|6|7|8|9} . . . }"

---

### Example

OUTPUT XXX; ":MACHINE1:TWAVEFORM:OPATTERN 'A','511'"

### Query

:MAChine{1|2}:TWAVEform:OPATtern? <label\_name>

The OPATtern query, in pattern marker mode, returns the pattern specification for a given label name. In the time marker mode, the query returns the pattern under the O marker for a given label. If the O marker is not placed on valid data, don't cares (X) are returned.

### Returned Format

[ :MAChine{1|2}:TWAVEform:OPATtern]  
<label\_name>,<label\_pattern><NL>

---

### Example

OUTPUT XXX; ":MACHINE1:TWAVEFORM:OPATTERN? 'A'"

---

## OSeArch

**Command** :MACHine{1|2}:TWAVEform:OSeArch  
<occurrence>,<origin>

The OSeArch command defines the search criteria for the O marker which is then used with the associated OPATtern recognizer specification and the OCONdition when moving markers on patterns. The origin parameter tells the marker to begin a search with the trigger or with the X marker. The actual occurrence the marker searches for is determined by the occurrence parameter of the OPATtern recognizer specification, relative to the origin. An occurrence of 0 places a marker on the selected origin. With a negative occurrence, the marker searches before the origin. With a positive occurrence, the marker searches after the origin.

<origin> {START|TRIGger|XMARKer}

<occurrence> integer from -8192 to +8192

---

**Example** OUTPUT XXX; ":MACHINE1:TWAVEFORM:OSEARCH +10,TRIGGER"

---

**Query** :MACHine{1|2}:TWAVEform:OSeArch?

The OSeArch query returns the search criteria for the O marker.

**Returned Format** [:MACHine{1|2}:TWAVEform:OSeArch] <occurrence>,<origin><NL>

---

**Example** OUTPUT XXX;":MACHINE1:TWAVEFORM:OSEARCH?"

---

## OTIME

**Command**                   :MACHine{1|2}:TWAVEform:OTIME <time\_value>

The OTIME command positions the O marker in time when the marker mode is TIME. If data is not valid, the command performs no action.

<time\_value>   real number -2.5 ks to +2.5 ks

**Example**                    OUTPUT XXX; ":MACHINE1:TWAVEFORM:OTIME 30.0E-6"

**Query**                     :MACHine{1|2}:TWAVEform:OTIME?

The OTIME query returns the O marker position in time. If data is not valid, the query returns 9.9E37.

**Returned Format**       [:MACHine{1|2}:TWAVEform:OTIME] <time\_value><NL>

**Example**                    OUTPUT XXX; ":MACHINE1:TWAVEFORM:OTIME?"

## OVERlay

**Command**                   :MACHine{1|2}:TWAVEform:OVERlay <module\_number>, <label>[, <label>]...

The OVERlay command overlays two or more oscilloscope waveforms and adds the resultant waveform to the current waveforms display. The first parameter of the command syntax specifies which slot contains the oscilloscope time base card. The next parameters are the labels of the waveforms that are to be overlaid.



## TWAVEform Subsystem PLUS

<module\_spec> {1|2|3|4|5|6|7|8|9|10}  
<waveform> string containing <acquisition\_spec>{1|2}  
<acquisition\_spec> {A|B|C|D|E|F|G|H|I|J} (slot where acquisition card is located)

---

**Example** OUTPUT XXX; ":MACHINE1:TWAVEFORM:OVERLAY 4, 'C1','C2'"

---

---

## PLUS

**Command** :TWAVEform:PLUS <module\_spec>,<waveform>,<waveform>

The PLUS command inserts time-correlated A+B oscilloscope waveforms on the screen. The first parameter is the module specifier where the oscilloscope module resides, where 1 through 10 refers to slots A through J. The next two parameters specify which waveforms will be subtracted from each other.

PLUS is only available for oscilloscope waveforms.

<module\_spec> {1|2|3|4|5|6|7|8|9|10}  
<waveform> string containing <acquisition\_spec>{1|2}  
<acquisition\_spec> {A|B|C|D|E|F|G|H|I|J} (slot where acquisition card is located)

---

**Example** OUTPUT XXX; ":TWAVEFORM:PLUS 2,'A1','A2'"

---

---

## RANGe

**Command**                   :MACHine{1|2}:TWAVeform:RANGe <time\_value>

The RANGe command specifies the full-screen time in the timing waveform menu. It is equivalent to ten times the seconds-per-division setting on the display. The allowable values for RANGe are from 10 ns to 10 ks.

<time\_range>   real number between 10 ns and 10 ks

---

**Example**                    OUTPUT XXX;":MACHINE1:TWAVEFORM:RANGE 100E-9"

**Query**                     :MACHine{1|2}:TWAVeform:RANGe?

The RANGe query returns the current full-screen time.

**Returned Format**       [:MACHine{1|2}:TWAVeform:RANGe] <time\_value><NL>

---

**Example**                    OUTPUT XXX;":MACHINE1:TWAVEFORM:RANGE?"

---

## REMOve

**Command**                   :MACHine{1|2}:TWAVeform:REMOve

The REMOve command deletes all waveforms from the display.

---

**Example**                    OUTPUT XXX;":MACHINE1:TWAVEFORM:REMOVE"

---

## RUNTil

**Command**                    :MAChine{1|2}:TWAVEform:RUNTil <run\_until\_spec>

The RUNTil (run until) command defines stop criteria based on the time between the X and O markers when the trace mode is in repetitive. When OFF is selected, the analyzer will run until either the STOP touch screen field is touched, or, the STOP command is sent. Run until time between X and O marker options are:

- Less Than (LT) a specified time value.
- Greater Than (GT) a specified time value.
- In the range (INRange) between two time values.
- Out of the range (OUTRange) between two time values.

End points for the INRange and OUTRange should be at least 2 ns apart since this is the minimum time at which data is sampled.

This command affects the timing analyzer only, and has no relation to the RUNTil commands in the SLIST and COMPare subsystems.

<run\_until\_spec> {OFF | LT,<value> | GT,<value> | INRange<value>,<value> | OUTRange<value>,<value>}  
<value> real number

---

### Examples

OUTPUT XXX;":MACHINE1:TWAVEFORM:RUNTIL GT, 800.0E-6"  
OUTPUT XXX;":MACHINE1:TWAVEFORM:RUNTIL INRANGE, 4.5, 5.5"

**Query**                        :MAChine{1|2}:TWAVEform:RUNTil?

The RUNTil query returns the current stop criteria.

**Returned Format**           [:MAChine{1|2}:TWAVEform:RUNTil] <run\_until\_spec><NL>

---

### Example

OUTPUT XXX;":MACHINE1:TWAVEFORM:RUNTIL?"

---

## SPERiod

**Command**                   :MACHine{1|2}:TWAVeform:SPERiod <sample\_period>

The SPERiod command allows you to set the sample period of the timing analyzer in the Conventional and Glitch modes. The sample period range depends on the mode selected and is as follows:

- 2 ns to 8 ms for Conventional Half Channel 500 MHz
- 4 ns to 8 ms for Conventional Full Channel 250 MHz
- 8 ns to 8 ms for Glitch Half Channel 125 MHz

<sample\_period>   real number from 2 ns to 8 ms depending on mode

---

### Example

OUTPUT XXX;":MACHINE1:TWAVEFORM:SPERIOD 50E-9"

### Query

:MACHine{1|2}:TWAVeform:SPERiod?

The SPERiod query returns the current sample period.

### Returned Format

[ :MACHine{1|2}:TWAVeform:SPERiod] <sample\_period><NL>

---

### Example

OUTPUT XXX;":MACHINE1:TWAVEFORM:SPERIOD?"

## TAVerage

**Query**                    :MAChine{1|2}:TWAVEform:TAVerage?

The TAVerage query returns the value of the average time between the X and O markers. If there is no valid data, the query returns 9.9E37.

**Returned Format**       [:MAChine{1|2}:TWAVEform:TAVerage] <time\_value><NL>  
                  <time\_value> real number

---

**Example**                    OUTPUT XXX;":MACHINE1:TWAVEFORM:TAVERAGE?"

---

---

## TMAXimum

**Query**                    :MAChine{1|2}:TWAVEform:TMAXimum?

The TMAXimum query returns the value of the maximum time between the X and O markers. If there is no valid data, the query returns 9.9E37.

**Returned Format**       [:MAChine{1|2}:TWAVEform:TMAXimum] <time\_value><NL>  
                  <time\_value> real number

---

**Example**                    OUTPUT XXX;":MACHINE1:TWAVEFORM:TMAXIMUM?"

---

## TMINimum

**Query** `:MACHINE{1|2}:TWAVEform:TMINimum?`

The TMINimum query returns the value of the minimum time between the X and O markers. If there is no valid data, the query returns 9.9E37.

**Returned Format** `[:MACHINE{1|2}:TWAVEform:TMINimum] <time_value><NL>`  
 <time\_value> real number

**Example** `OUTPUT XXX;":MACHINE1:TWAVEFORM:TMINIMUM?"`

## TPOSITION

**Command** `MACHINE{1|2}:TWAVEform:TPOSITION  
 {START|CENTER|END|DELAY, <time_val>|  
 POSTstore,<percent>}`

The TPOSITION command allows you to control where the trigger point is placed. The trigger point can be placed at the start, center, end, at a percentage of post store, or at a value specified by delay. The post store option is the same as the User Defined option when setting the trigger point from the front panel.

The TPOSITION command is only available when the acquisition mode is set to manual.

<time\_val> real number from 0 to 500 seconds

<percent> integer from 1 to 100

**Example** `OUTPUT XXX;":MACHINE2:TWAVEFORM:TPOSITION CENTER"`

## TWAVEform Subsystem VRUNs

**Query**                    **MACHine{1|2}:TWAVEform:TPOsition?**

The TPOsition query returns the current trigger setting.

**Returned Format**       **[MACHine{1|2}:TWAVEform:TPOsition] {START|CENTer|END|DELay,  
<time\_val>| POSTstore,<percent>}<NL>**

---

**Example**                    **OUTPUT XXX;":MACHINE2:TWAVEFORM:TPOsition?"**

---

---

## VRUNs

**Query**                    **:MACHine{1|2}:TWAVEform:VRUNs?**

The VRUNs query returns the number of valid runs and total number of runs made. Valid runs are those where the pattern search for both the X and O markers was successful resulting in valid delta time measurements.

**Returned Format**       **[:MACHine{1|2}:TWAVEform:VRUNs] <valid\_runs>,<total\_runs><NL>**  
    **<valid\_runs>**        zero or positive integer  
    **<total\_runs>**        zero or positive integer

---

**Example**                    **OUTPUT XXX;":MACHINE1:TWAVEFORM:VRUNs?"**

---

---

## XCONdition

**Command**           :MACHine{1|2}:TWAVEform:XCONdition  
                       {ENTering|EXITing}

The XCONdition command specifies where the X marker is placed. The X marker can be placed on the entry or exit point of the XPATtern when in the PATtern marker mode.

---

**Example**            OUTPUT XXX; ":MACHINE1:TWAVEFORM:XCONDITION ENTERING"

---

**Query**             :MACHine{1|2}:TWAVEform:XCONdition?

The XCONdition query returns the current setting.

**Returned Format**   [:MACHine{1|2}:TWAVEform:XCONDITION] {ENTering|EXITing}<NL>

---

**Example**            OUTPUT XXX; ":MACHINE1:TWAVEFORM:XCONDITION?"

---



---

## XOTime

**Query**             :MACHine{1|2}:TWAVEform:XOTime?

The XOTime query returns the time from the X marker to the O marker. If data is not valid, the query returns 9.9E37.

**Returned Format**   [:MACHine{1|2}:TWAVEform:XOTime] <time\_value><NL>  
                       <time\_value> real number

---

**Example**            OUTPUT XXX; ":MACHINE1:TWAVEFORM:XOTIME?"

---



---

## XPATtern

Command           :MACHine{1|2}:TWAVEform:XPATtern  
                  <label\_name>,<label\_pattern>

The XPATtern command allows you to construct a pattern recognizer term for the X marker which is then used with the XSearch criteria and XCondition when moving the marker on patterns. Since this command deals with only one label at a time, a complete specification could require several iterations.

When the value of a pattern is expressed in binary, it represents the bit values for the label inside the pattern recognizer term. In whatever base is used, the value must be between 0 and  $2^{32} - 1$ , since a label may not have more than 32 bits. Because the <label\_pattern> parameter may contain don't cares, it is handled as a string of characters rather than a number.

<label\_name>   string of up to 6 alphanumeric characters  
<label\_pattern> "{#B{0|1|X} . . . |  
                  #Q{0|1|2|3|4|5|6|7|X} . . . |  
                  #H{0|1|2|3|4|5|6|7|8|9|A|B|C|D|E|F|X} . . . |  
                  {0|1|2|3|4|5|6|7|8|9} . . . }"

---

Example           OUTPUT XXX; ":MACHINE1:TWAVEFORM:XPATTERN 'A','511'"

---

Query             :MACHine{1|2}:TWAVEform:XPATtern? <label\_name>

The XPATtern query, in pattern marker mode, returns the pattern specification for a given label name. In the time marker mode, the query returns the pattern under the X marker for a given label. If the X marker is not placed on valid data, don't cares (X) are returned.

Returned Format   [:MACHine{1|2}:TWAVEform:XPATtern]  
                  <label\_name>,<label\_pattern><NL>

---

Example           OUTPUT XXX;":MACHINE1:TWAVEFORM:XPATTERN? 'A'"

---

---

## XSEarch

**Command**           :MACHine{1|2}:TWAVEform:XSEarch  
                           <occurrence>,<origin>

The XSEarch command defines the search criteria for the X marker which is then used with the associated XPATtern recognizer specification and the XCONdition when moving markers on patterns. The origin parameter tells the marker to begin a search with the trigger. The occurrence parameter determines which occurrence of the XPATtern recognizer specification, relative to the origin, the marker actually searches for. An occurrence of 0 (zero) places a marker on the origin.

          <origin>     {TRIGger|START}  
           <occurrence> integer from -8192 to +8192

---

**Example**            OUTPUT XXX; ":MACHINE1:TWAVEFORM:XSEARCH,+10,TRIGGER"

---

**Query**             :MACHine{1|2}:TWAVEform:XSEarch?  
                           <occurrence>,<origin>

The XSEarch query returns the search criteria for the X marker.

**Returned Format**   [:MACHine{1|2}:TWAVEform:XSEARCH] <occurrence>,<origin><NL>

---

**Example**            OUTPUT XXX;":MACHINE1:TWAVEFORM:XSEARCH?"

---

## XTIME

**Command**            :MAChine{1|2}:TWAVEform:XTIME <time\_value>

The XTIME command positions the X marker in time when the marker mode is TIME. If data is not valid, the command performs no action.

<time\_value>    real number from -2.5 ks to +2.5 ks

---

**Example**

OUTPUT XXX; ":MACHINE1:TWAVEFORM:XTIME 40.0E-6"

**Query**               :MAChine{1|2}:TWAVEform:XTIME?

The XTIME query returns the X marker position in time. If data is not valid, the query returns 9.9E37.

**Returned Format**   [:MAChine{1|2}:TWAVEform:XTIME] <time\_value><NL>

---

**Example**

OUTPUT XXX; ":MACHINE1:TWAVEFORM:XTIME?"

---

**TLIS<sub>t</sub> Subsystem**

---

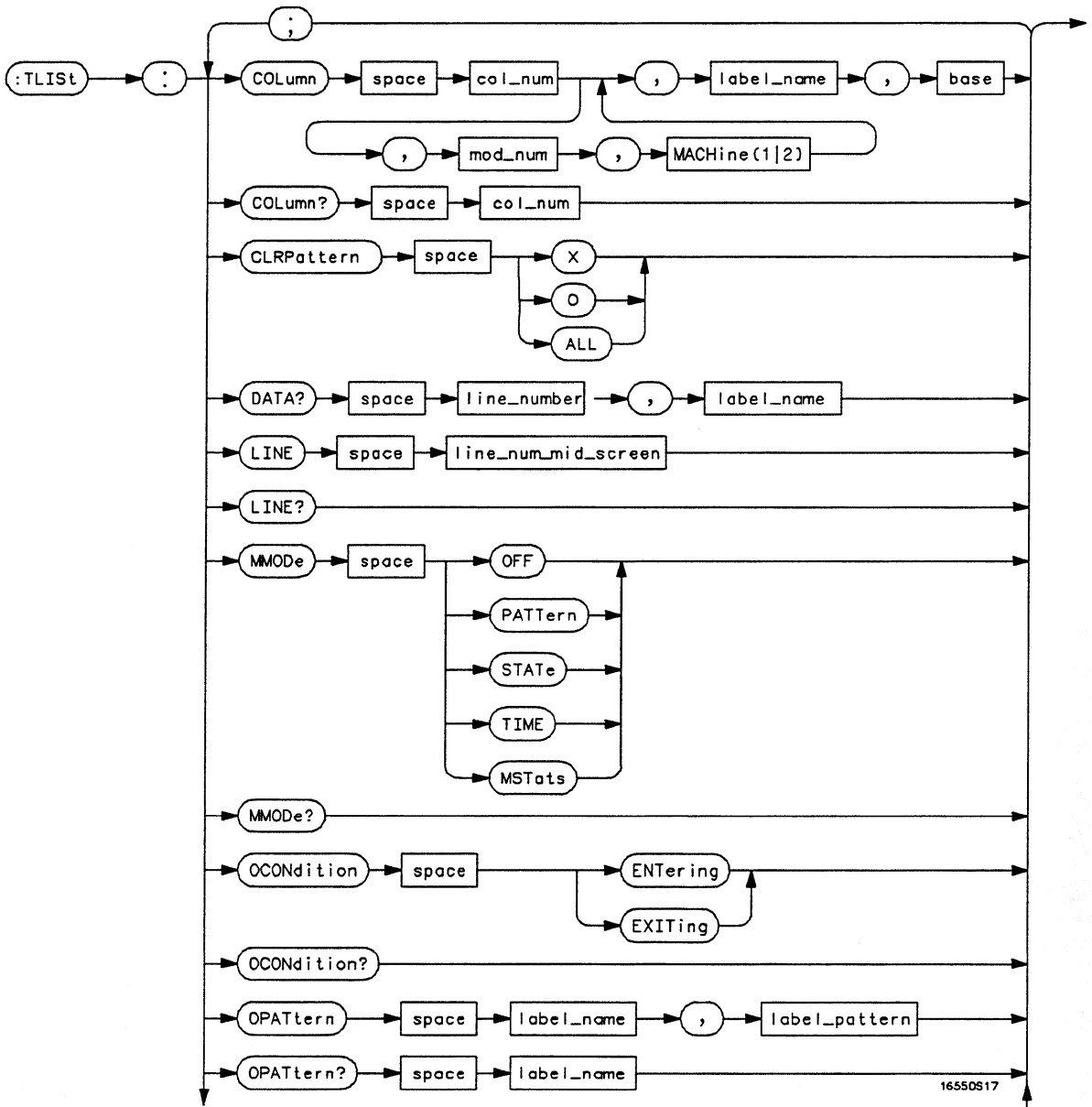
---

# Introduction

The TLISt subsystem contains the commands available for the Timing Listing menu in the HP 16550A logic analyzer module and is the same as the SLISt subsystem with the exception of the OCONdition and XCONdition commands. The TLISt subsystem commands are:

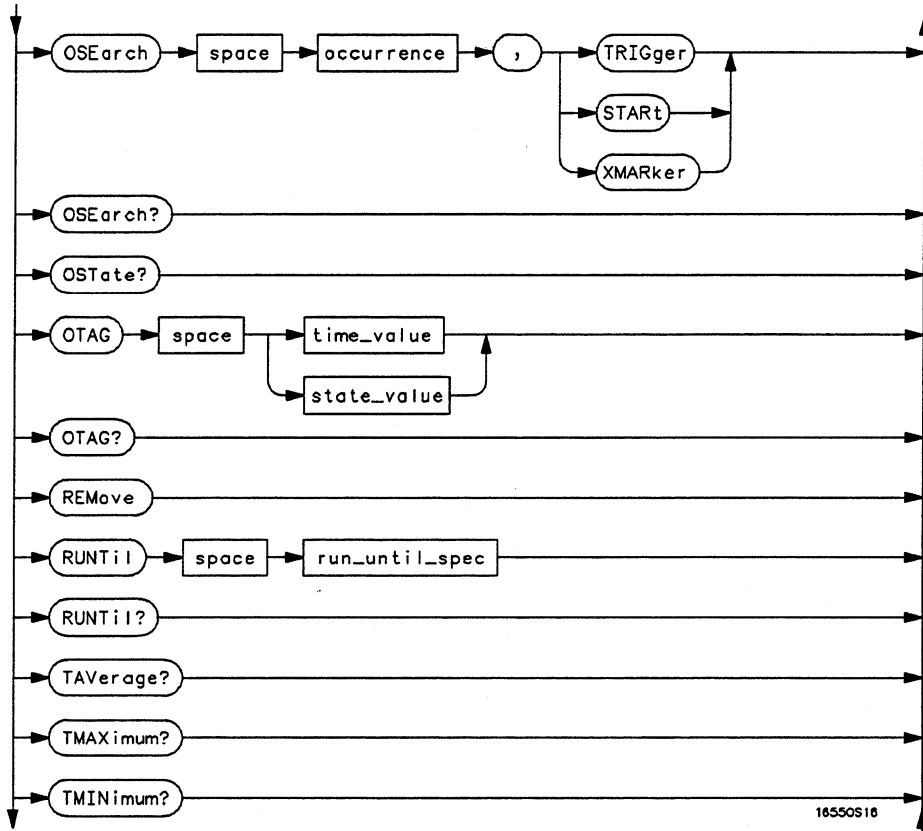
- COLumn
- CLRPattern
- DATA
- LINE
- MMODE
- OCONdition
- OPATtern
- OSEarch
- OSTate
- OTAG
- REMove
- RUNTil
- TAVerage
- TMAXimum
- TMINimum
- VRUNs
- XCONdition
- XOTag
- XOTime
- XPATtern
- XSEarch
- XSTate
- XTAG

Figure 14-1



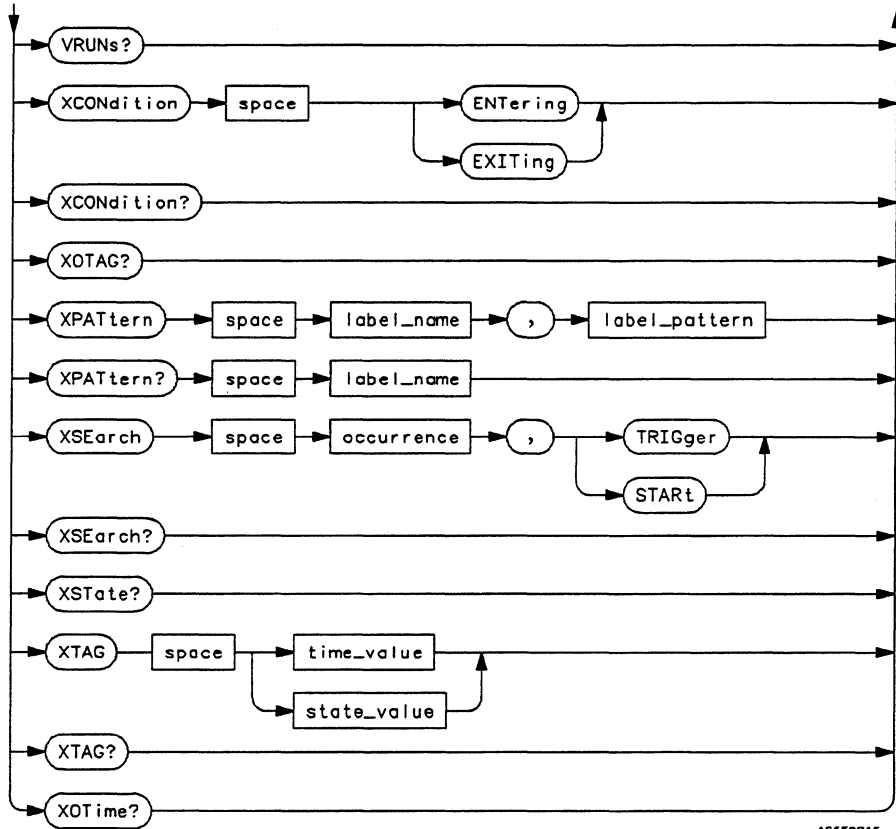
TLISt Subsystem Syntax Diagram

Figure 14-1 (continued)



TLISt Subsystem Syntax Diagram (continued)

Figure 14-1 (continued)



16550615

TLISr Subsystem Syntax Diagram (continued)



Table 14-1

TLIS<sub>t</sub> Parameter Values

Parameter	Value
module_num	{1 2 3 4 5 6 7 8 9 10}
mach_num	{1 2}
col_num	integer from 1 to 61
line_number	integer from -8191 to +8191
label_name	a string of up to 6 alphanumeric characters
base	{BINary HEXadecimal OCTal DECimal TWOS ASCii SYMBOL IASsembler} for labels or {ABSolute RELative} for tags
line_num_mid_screen	integer from -8191to +8191
label_pattern	"{#B{0 1 X} . . .   #Q{0 1 2 3 4 5 6 7 X} . . .   #H{0 1 2 3 4 5 6 7 8 9 A B C D E F X} . . .   {0 1 2 3 4 5 6 7 8 9} . . . }"
occurrence	integer from -8191 to +8191
time_value	real number
state_value	real number
run_until_spec	{OFF LT,<value> GT,<value> INRange,<value>,<value> OUTRange,<value>,<value>}
value	real number

---

## TLISt

**Selector**            :MAChine{1|2}:TLISt

The TLISt selector is used as part of a compound header to access those settings normally found in the Timing Listing menu. It always follows the MAChine selector because it selects a branch directly below the MAChine level in the command tree.

---

### Example

OUTPUT XXX;" :MACHINE1:TLIST:LINE 256"

---



---

## COLumn

**Command**            :MAChine{1|2}:TLISt:COLumn  
 <col\_num>[,<module\_num>,MAChine{1|2}],<label\_name>,  
 <base>

The COLumn command allows you to configure the timing analyzer list display by assigning a label name and base to one of the 61 vertical columns in the menu. A column number of 1 refers to the left most column. When a label is assigned to a column it replaces the original label in that column.

When the label name is "TAGS," the TAGS column is assumed and the next parameter must specify RELative or ABSolute.

A label for tags must be assigned in order to use ABSolute or RELative state tagging.

## TLISSt Subsystem CLRPattern

**<col\_num>** integer from 1 to 61  
**<label\_name>** a string of up to 6 alphanumeric characters  
**<base>** {BINARY|HEXadecimal|OCTal|DECimal|TWOS|AScii|SYMBOL|IASSEMBler} for labels  
or  
{ABSolute|RELative} for tags

---

### Example

---

OUTPUT XXX;":MACHINE1:TLIST:COLUMN 4,2,'A',HEX"

### Query

:MACHINE{1|2}:TLIST:COLUMN? <col\_num>

The COLUMN query returns the column number, label name, and base for the specified column.

### Returned Format

[ :MACHINE{1|2}:TLIST:COLUMN]  
<col\_num>,<module\_num>,MACHINE{1|2},<label\_name>,<base><NL>

---

### Example

---

OUTPUT XXX;":MACHINE1:TLIST:COLUMN? 4"

---

## CLRPattern

### Command

:MACHINE{1|2}:TLIST:CLRPattern {X|O|ALL}

The CLRPattern command allows you to clear the patterns in the selected Specify Patterns menu.

---

### Example

---

OUTPUT XXX;":MACHINE1:TLIST:CLRPATTERN O"

---

## DATA

**Query**                   :MACHine{1|2}:TLISt:DATA?  
                          <line\_number>,<label\_name>

The DATA query returns the value at a specified line number for a given label. The format will be the same as the one shown in the Listing display.

**Returned Format**       [:MACHine{1|2}:TLISt:DATA] <line\_number>,<label\_name>,  
                          <pattern\_string><NL>

<line\_number>           integer from -8191 to +8191

<label\_name>           string of up to 6 alphanumeric characters

<pattern\_string>       "{#B{0|1|X} . . . |  
                          #Q{0|1|2|3|4|5|6|7|X} . . . |  
                          #H{0|1|2|3|4|5|6|7|8|9|A|B|C|D|E|F|X} . . . |  
                          {0|1|2|3|4|5|6|7|8|9} . . . }"

---

**Example**                   OUTPUT XXX;":MACHINE1:TLIST:DATA? 512, 'RAS'"

---



---

## LINE

**Command**                :MACHine{1|2}:TLISt:LINE <line\_num\_mid\_screen>

The LINE command allows you to scroll the timing analyzer listing vertically. The command specifies the state line number relative to the trigger that the analyzer highlights at the center of the screen.

<line\_num\_mid\_screen>   integer from -8191 to +8191

---

**Example**                   OUTPUT XXX;":MACHINE1:TLIST:LINE 0"

---

TLIS<sub>t</sub> Subsystem  
MMODE

Query                   :MAChine{1|2}:TLIS<sub>t</sub>:LINE?

The LINE query returns the line number for the state currently in the box at the center of the screen.

Returned Format       [:MAChine{1|2}:TLIS<sub>t</sub>:LINE] <line\_num\_mid\_screen><NL>

---

Example                OUTPUT XXX;":MACHINE1:TLIS<sub>t</sub>:LINE?"

---

---

## MMODE

Command               :MAChine{1|2}:TLIS<sub>t</sub>:MMODE <marker\_mode>

The MMODE command (Marker Mode) selects the mode controlling the marker movement and the display of marker readouts. When PAT<sub>T</sub>ern is selected, the markers will be placed on patterns. When STA<sub>T</sub>e is selected and state tagging is on, the markers move on qualified states counted between normally stored states. When TIME is selected and time tagging is enabled, the markers move on time between stored states. When MS<sub>T</sub>ats is selected and time tagging is on, the markers are placed on patterns, but the readouts will be time statistics.

<marker\_mode>        {OFF|PAT<sub>T</sub>ern|STA<sub>T</sub>e|TIME|MS<sub>T</sub>ats}

---

Example                OUTPUT XXX;":MACHINE1:TLIS<sub>t</sub>:MMODE TIME"

---

Query                   :MAChine{1|2}:TLIS<sub>t</sub>:MMODE?

The MMODE query returns the current marker mode selected.

Returned Format       [:MAChine{1|2}:TLIS<sub>t</sub>:MMODE] <marker\_mode><NL>

---

Example                OUTPUT XXX;":MACHINE1:TLIS<sub>t</sub>:MMODE?"

---

---

## OCONdition

**Command**            :MAChine{1|2}:TLISt:OCONdition {ENTering|EXITing}

The OCONdition command specifies where the O marker is placed. The O marker can be placed on the entry or exit point of the OPATtern when in the PATtern marker mode.

---

**Example**             OUTPUT XXX; ":MACHINE1:TLIST:OCONDITION ENTERING"

---

**Query**               :MAChine{1|2}:TLISt:OCONdition?

The OCONdition query returns the current setting.

**Returned Format**   [:MAChine{1|2}:TLISt:OCONdition] {ENTering|EXITing}<NL>

---

**Example**             OUTPUT XXX;":MACHINE1:TLIST:OCONDITION?"

---

---

## OPATtern

**Command**            :**MACHine**{1|2}:**TLISt:OPATtern**  
                      <label\_name>,<label\_pattern>

The OPATtern command allows you to construct a pattern recognizer term for the O Marker which is then used with the OSearch criteria when moving the marker on patterns. Since this command deals with only one label at a time, a complete specification could require several iterations.

When the value of a pattern is expressed in binary, it represents the bit values for the label inside the pattern recognizer term. In whatever base is used, the value must be between 0 and  $2^{32} - 1$ , since a label may not have more than 32 bits. Because the <label\_pattern> parameter may contain don't cares, it is handled as a string of characters rather than a number.

<label\_name>       string of up to 6 alphanumeric characters

<label\_pattern>   "#{B{0|1|X} . . . |  
                  #Q{0|1|2|3|4|5|6|7|X} . . . |  
                  #H{0|1|2|3|4|5|6|7|8|9|A|B|C|D|E|F|X} . . . |  
                  {0|1|2|3|4|5|6|7|8|9} . . . }"

---

### Examples

OUTPUT XXX;":MACHINE1:TLIS:OPATTERN 'DATA','255' "  
OUTPUT XXX;":MACHINE1:TLIS:OPATTERN 'ABC','#BXXXX1101' "

**Query**               :**MACHine**{1|2}:**TLISt:OPATtern?** <label\_name>

The OPATtern query returns the pattern specification for a given label name.

**Returned Format**   [ :**MACHine**{1|2}:**TLISt:OPATtern**] <label\_name>,<label\_pattern><NL>

---

### Example

OUTPUT XXX;":MACHINE1:TLIS:OPATTERN? 'A' "

---

## OSEarch

**Command**            :**MACHine**{1|2}:**TLISt:OSEarch** <occurrence>,<origin>

The OSEarch command defines the search criteria for the O marker, which is then used with associated OPATtern recognizer specification when moving the markers on patterns. The origin parameter tells the marker to begin a search with the trigger, the start of data, or with the X marker. The actual occurrence the marker searches for is determined by the occurrence parameter of the OSEarch recognizer specification, relative to the origin. An occurrence of 0 places the marker on the selected origin. With a negative occurrence, the marker searches before the origin. With a positive occurrence, the marker searches after the origin.

<occurrence>   integer from -8191 to +8191

<origin>       {TRIGger | START | XMARKer}

---

**Example**

OUTPUT XXX;":MACHINE1:TLIST:OSEARCH +10,TRIGGER"

---

**Query**

:MACHine{1|2}:TLISt:OSEarch?

The OSEarch query returns the search criteria for the O marker.

**Returned Format**

[ :MACHine{1|2}:TLISt:OSEarch] <occurrence>,<origin><NL>

---

**Example**

OUTPUT XXX;":MACHINE1:TLIST:OSEARCH?"



---

## OSTate

**Query** :MACHine{1|2}:TLISt:OSTate?

The OSTate query returns the line number in the listing where the O marker resides (-8191 to +8191). If data is not valid, the query returns 32767.

**Returned Format** [:MACHine{1|2}:TLISt:OSTate] <state\_num><NL>

<state\_num> an integer from -8191 to +8191, or 32767

---

**Example** OUTPUT XXX;":MACHINE1:TLIST:OSTATE?"

---

---

## OTAG

**Command** :MACHine{1|2}:TLISt:OTAG <time\_value>

The OTAG command specifies the tag value on which the O Marker should be placed. The tag value is time. If the data is not valid tagged data, no action is performed.

<time\_value> real number

---

**Example** :OUTPUT XXX;":MACHINE1:TLIST:OTAG 40.0E-6"

---

**Query**                    :MAChine{1|2}:TLISt:OTAG?

The OTAG query returns the O Marker position in time regardless of whether the marker was positioned in time or through a pattern search. If data is not valid, the query returns 9.9E37 for time tagging, or returns 32767 for state tagging.

**Returned Format**        [:MAChine{1|2}:TLISt:OTAG] <time\_value><NL>

---

**Example**                    OUTPUT XXX;":MACHINE1:TLIST:OTAG?"

---

---

## REMove

**Command**                :MAChine{1|2}:TLISt:REMove

The REMove command removes all labels, except the leftmost label, from the listing menu.

---

**Example**                    OUTPUT XXX;":MACHINE1:TLIST:REMOVE"

---

---

## RUNTI

**Command**            `:MACHine{1|2}:TLISt:RUNTI <run_until_spec>`

The RUNTI (run until) command allows you to define a stop condition when the trace mode is repetitive. Specifying OFF causes the analyzer to make runs until either the display's STOP field is touched, or, until the STOP command is issued.

There are four conditions based on the time between the X and O markers. Using this difference in the condition is effective only when time tags have been turned on (see the TAG command in the STRace subsystem). These four conditions are as follows:

- The difference is less than (LT) some value.
- The difference is greater than (GT) some value.
- The difference is inside some range (INRange).
- The difference is outside some range (OUTRange).

End points for the INRange and OUTRange should be at least 8 ns apart since this is the minimum time resolution of the time tag counter.

`<run_until_spec>`    `{OFF|LT,<value>|GT,<value>|INRange,<value>,<value>|OUTRange,<value>,<value>}`

`<value>`            real number from  $-9E9$  to  $+9E9$

---

**Example**            `OUTPUT XXX;":MACHINE1:TLISt:RUNTI GT,800.0E-6"`

---

**Query**             `:MACHine{1|2}:TLISt:RUNTI?`

The RUNTI query returns the current stop criteria.

**Returned Format**    `[:MACHine{1|2}:TLISt:RUNTI] <run_until_spec><NL>`

---

**Example**            `OUTPUT XXX;":MACHINE1:TLISt:RUNTI?"`

---

## TAVerage

**Query** `:MACHine{1|2}:TLISt:TAVerage?`

The TAVerage query returns the value of the average time between the X and O Markers. If the number of valid runs is zero, the query returns 9.9E37. Valid runs are those where the pattern search for both the X and O markers was successful, resulting in valid delta-time measurements.

**Returned Format** `[:MACHine{1|2}:TLISt:TAVerage] <time_value><NL>`  
 <time\_value> real number

**Example** `OUTPUT XXX;":MACHINE1:TLIST:TAVERAGE?"`

## TMAXimum

**Query** `:MACHine{1|2}:TLISt:TMAXimum?`

The TMAXimum query returns the value of the maximum time between the X and O Markers. If data is not valid, the query returns 9.9E37.

**Returned Format** `[:MACHine{1|2}:TLISt:TMAXimum] <time_value><NL>`  
 <time\_value> real number

**Example** `OUTPUT XXX;":MACHINE1:TLIST:TMAXIMUM?"`

---

## TMINimum

Query `:MACHine{1|2}:TLISt:TMINimum?`

The TMINimum query returns the value of the minimum time between the X and O Markers. If data is not valid, the query returns 9.9E37.

Returned Format `[:MACHine{1|2}:TLISt:TMINimum] <time_value><NL>`

`<time_value>` real number

---

Example `OUTPUT XXX;":MACHINE1:TLIST:TMINIMUM?"`

---

---

## VRUNs

Query `:MACHine{1|2}:TLISt:VRUNs?`

The VRUNs query returns the number of valid runs and total number of runs made. Valid runs are those where the pattern search for both the X and O markers was successful resulting in valid delta time measurements.

Returned Format `[:MACHine{1|2}:TLISt:VRUNs] <valid_runs>,<total_runs><NL>`

`<valid_runs>` zero or positive integer

`<total_runs>` zero or positive integer

---

Example `OUTPUT XXX;":MACHINE1:TLIST:VRUNs?"`

---

---

## XCONdition

**Command**            :MAChine{1|2}:TLISt:XCONdition {ENterIng|EXITIng}

The XCONdition command specifies where the X marker is placed. The X marker can be placed on the entry or exit point of the XPATtern when in the PATtern marker mode.

---

**Example**             OUTPUT XXX; ":MACHINE1:TLIST:XCONDITION ENTERING"

---

**Query**               :MAChine{1|2}:TLISt:XCONdition?

The XCONdition query returns the current setting.

**Returned Format**   [:MAChine{1|2}:TLISt:XCONdition] {ENterIng|EXITIng}<NL>

---

**Example**             OUTPUT XXX; ":MACHINE1:TLIST:XCONDITION?"

---



---

## XOTag

**Query**               :MAChine{1|2}:TLISt:XOTag?

The XOTag query returns the time from the X to O markers. If there is no data in the time mode the query returns 9.9E37.

**Returned Format**   [:MAChine{1|2}:TLISt:XOTag] <XO\_time><NL>  
                  <XO\_time> real number

---

**Example**             OUTPUT XXX; ":MACHINE1:TLIST:XOTAG?"

---

---

## XOTime

Query `:MACHine{1|2}:TLISt:XOTime?`

The XOTime query returns the time from the X to O markers. If there is no data in the time mode the query returns 9.9E37.

Returned Format `[ :MACHine{1|2}:TLISt:XOTime] <XO_time><NL>`

`<XO_time>` real number

---

Example `OUTPUT XXX; ":MACHINE1:TLIST:XOTime?"`

---

---

## XPATtern

Command `:MACHine{1|2}:TLISt:XPATtern  
<label_name>,<label_pattern>`

The XPATtern command allows you to construct a pattern recognizer term for the X Marker which is then used with the XSEarch criteria when moving the marker on patterns. Since this command deals with only one label at a time, a complete specification could require several iterations.

When the value of a pattern is expressed in binary, it represents the bit values for the label inside the pattern recognizer term. In whatever base is used, the value must be between 0 and  $2^{32} - 1$ , since a label may not have more than 32 bits. Because the `<label_pattern>` parameter may contain don't cares, it is handled as a string of characters rather than a number.

`<label_name>` string of up to 6 alphanumeric characters

`<label_pattern>` `"#{B{0|1|X} . . . |  
#Q{0|1|2|3|4|5|6|7|X} . . . |  
#H{0|1|2|3|4|5|6|7|8|9|A|B|C|D|E|F|X} . . . |  
{0|1|2|3|4|5|6|7|8|9} . . . }"`

---

**Examples**

---

```
OUTPUT XXX;":MACHINE1:TLIST:XPATTERN 'DATA','255' "
OUTPUT XXX;":MACHINE1:TLIST:XPATTERN 'ABC','#BXXXX1101' "
```

**Query**

```
:MACHine{1|2}:TLISt:XPATtern? <label_name>
```

**Returned Format**

The XPATtern query returns the pattern specification for a given label name.

```
[:MACHine{1|2}:TLISt:XPATtern] <label_name>,<label_pattern><NL>
```

---

**Example**

---

```
OUTPUT XXX;":MACHINE1:TLIST:XPATTERN? 'A' "
```

---

## XSEarch

**Command**

```
:MACHine{1|2}:TLISt:XSEarch <occurrence>,<origin>
```

The XSEarch command defines the search criteria for the X Marker, which is then with associated XPATtern recognizer specification when moving the markers on patterns. The origin parameter tells the marker to begin a search with the trigger or with the start of data. The occurrence parameter determines which occurrence of the XPATtern recognizer specification, relative to the origin, the marker actually searches for. An occurrence of 0 places a marker on the selected origin.

<occurrence> integer from -8191 to +8191

<origin> {TRIGger|START}

---

**Example**

---

```
OUTPUT XXX;":MACHINE1:TLIST:XSEARCH +10,TRIGGER"
```



TLISt Subsystem  
XState

Query :MACHine{1|2}:TLISt:XSEarch?

The XSEarch query returns the search criteria for the X marker.

Returned Format [ :MACHine{1|2}:TLISt:XSEarch] <occurrence>,<origin><NL>

---

Example OUTPUT XXX;":MACHINE1:TLIST:XSEARCH?"

---

---

XState

Query :MACHine{1|2}:TLISt:XState?

The XState query returns the line number in the listing where the X marker resides (-8191 to +8191). If data is not valid, the query returns 32767.

Returned Format [ :MACHine{1|2}:TLISt:XState] <state\_num><NL>

<state\_num> an integer from -8191 to +8191, or 32767

---

Example OUTPUT XXX;":MACHINE1:TLIST:XSTATE?"

---

---

## XTAG

**Command**            :MAChine{1|2}:TLISt:XTAG <time\_value>

The XTAG command specifies the tag value on which the X Marker should be placed. The tag value is time. If the data is not valid tagged data, no action is performed.

<time\_value>    real number

---

**Example**            OUTPUT XXX;":MACHINE1:TLIS:XTAG 40.0E-6"

---

**Query**             :MAChine{1|2}:TLIS:XTAG?

The XTAG query returns the X Marker position in time regardless of whether the marker was positioned in time or through a pattern search. If data is not valid tagged data, the query returns 9.9E37.

**Returned Format**    [:MAChine{1|2}:TLIS:XTAG] <time\_value><NL>

---

**Example**            OUTPUT XXX;":MACHINE1:TLIS:XTAG?"

---





---

**SYMBOL Subsystem**

---

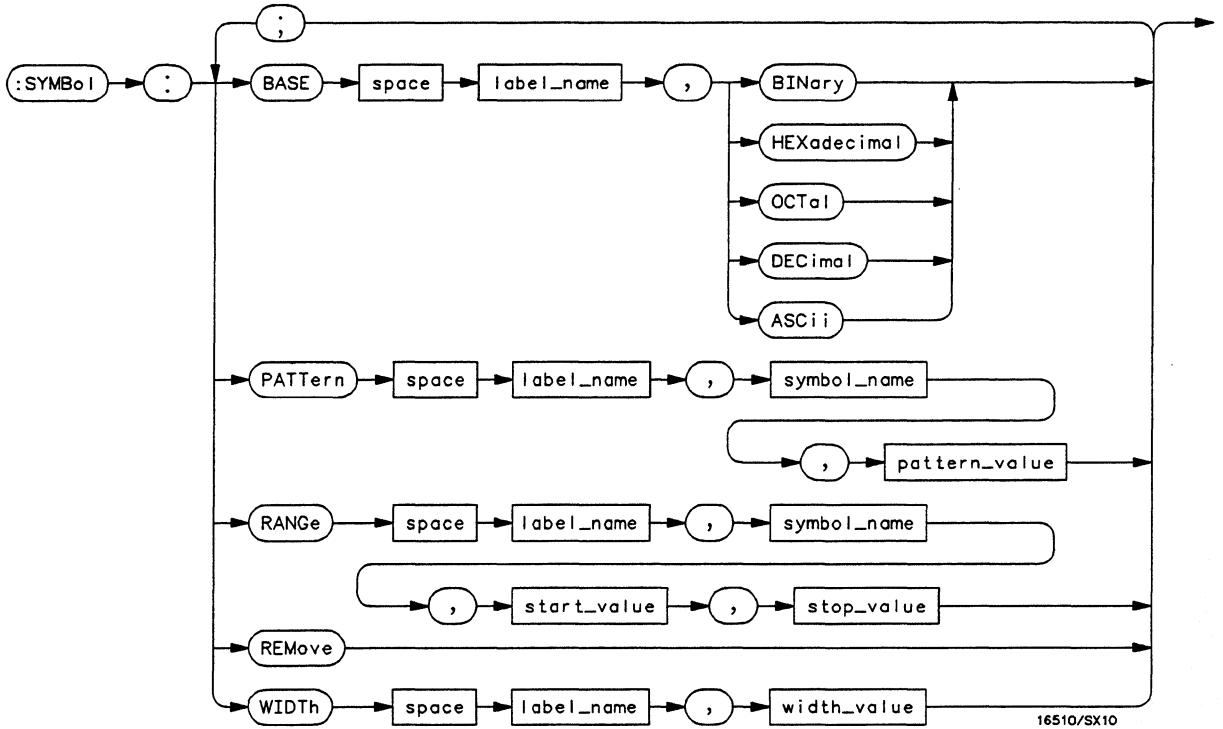
---

# Introduction

The SYMBol subsystem contains the commands that allow you to define symbols on the controller and download them to the HP 16550A logic analyzer module. The commands in this subsystem are:

- BASE
- PATtern
- RANGe
- REMove
- WIDTHh

Figure 15-1



SYMBOL Subsystem Syntax Diagram

Table 15-5

## SYMBOL Parameter Values

Parameter	Value
label_name	string of up to 6 alphanumeric characters
symbol_name	string of up to 16 alphanumeric characters
pattern_value	"{#B{0 1 X} . . .   #Q{0 1 2 3 4 5 6 7 X} . . .   #H{0 1 2 3 4 5 6 7 8 9 A B C D E F X} . . .   {0 1 2 3 4 5 6 7 8 9} . . . }"
start_value	"{#B{0 1} . . .   #Q{0 1 2 3 4 5 6 7} . . .   #H{0 1 2 3 4 5 6 7 8 9 A B C D E F} . . .   {0 1 2 3 4 5 6 7 8 9} . . . }"
stop_value	"{#B{0 1} . . .   #Q{0 1 2 3 4 5 6 7} . . .   #H{0 1 2 3 4 5 6 7 8 9 A B C D E F} . . .   {0 1 2 3 4 5 6 7 8 9} . . . }"
width_value	integer from 1 to 16

---

## SYMBOL

**Selector**           :MAChine{1|2}:SYMBOL

The SYMBOL selector is used as a part of a compound header to access the commands used to create symbols. It always follows the MACHine selector because it selects a branch directly below the MACHine level in the command tree.

---

**Example**            OUTPUT XXX;":MACHINE1:SYMBOL:BASE 'DATA', BINARY"

---

---

## BASE

**Command**           :MAChine{1|2}:SYMBOL:BASE <label\_name>,<base\_value>

The BASE command sets the base in which symbols for the specified label will be displayed in the symbol menu. It also specifies the base in which the symbol offsets are displayed when symbols are used.

BINARY is not available for labels with more than 20 bits assigned. In this case the base will default to HEXadecimal.

<label\_name>       string of up to 6 alphanumeric characters

<base\_value>       {BINARY | HEXadecimal | OCTal | DECimal | ASCii}

---

**Example**            OUTPUT XXX;":MACHINE1:SYMBOL:BASE 'DATA',HEXADECIMAL"

---



---

## PATtern

**Command**            :MAChine{1|2}:SYMBOL:PATtern <label\_name>,  
                      <symbol\_name>,<pattern\_value>

The PATtern command allows you to create a pattern symbol for the specified label.

Because don't cares (X) are allowed in the pattern value, it must always be expressed as a string. You may still use different bases, though don't cares cannot be used in a decimal number.

<label\_name>       string of up to 6 alphanumeric characters

<symbol\_name>     string of up to 16 alphanumeric characters

<pattern\_value>   "#{#B{0|1|X} . . . |  
                  #Q{0|1|2|3|4|5|6|7|X} . . . |  
                  #H{0|1|2|3|4|5|6|7|8|9|A|B|C|D|E|F|X} . . . |  
                  {0|1|2|3|4|5|6|7|8|9} . . . }"

---

### Example

OUTPUT XXX;":MACHINE1:SYMBOL:PATTERN 'STAT', 'MEM\_RD','#H01XX'"

---

## RANGe

**Command**           :MACHine{1|2}:SYMBOL:RANGe <label\_name>,  
                  <symbol\_name>,<start\_value>,<stop\_value>

The RANGe command allows you to create a range symbol containing a start value and a stop value for the specified label. The values may be in binary (#B), octal (#Q), hexadecimal (#H) or decimal (default). You can not use don't cares in any base.

<label\_name>   string of up to 6 alphanumeric characters  
<symbol\_name>   string of up to 16 alphanumeric characters  
<start\_value>   "{#B{0|1} . . . |  
                  #Q{0|1|2|3|4|5|6|7} . . . |  
                  #H{0|1|2|3|4|5|6|7|8|9|A|B|C|D|E|F} . . . |  
                  {0|1|2|3|4|5|6|7|8|9} . . . }"  
<stop\_value>    "{#B{0|1} . . . |  
                  #Q{0|1|2|3|4|5|6|7} . . . |  
                  #H{0|1|2|3|4|5|6|7|8|9|A|B|C|D|E|F} . . . |  
                  {0|1|2|3|4|5|6|7|8|9} . . . }"

---

### Example

OUTPUT XXX;":MACHINE1:SYMBOL:RANGE 'STAT',  
'IO\_ACC','0','#H000F'"

---

---

## REMove

**Command**           :MACHine{1|2}:SYMBOL:REMove

The REMove command deletes all symbols from a specified machine.

---

**Example**            OUTPUT XXX;":MACHINE1:SYMBOL:REMOVE"

---

---

## WIDTh

**Command**           :MACHine{1|2}:SYMBOL:WIDTh <label\_name>,  
                      <width\_value>

The WIDTh command specifies the width (number of characters) in which the symbol names will be displayed when symbols are used.

The WIDTh command does not affect the displayed length of the symbol offset value.

<label\_name>       string of up to 6 alphanumeric characters

<width\_value>     integer from 1 to 16

---

**Example**            OUTPUT XXX;":MACHINE1:SYMBOL:WIDTH 'DATA',9 "

---



---

**DATA and SETup  
Commands**

---

## Introduction

The DATA and SETup commands are SYSTem commands that allow you to send and receive block data between the HP 16550A and a controller. Use the DATA instruction to transfer acquired timing and state data, and the SETup instruction to transfer instrument configuration data. This is useful for:

- Re-loading to the logic analyzer
- Processing data later
- Processing data in the controller

This chapter explains how to use these commands.

The format and length of block data depends on the instruction being used, the configuration of the instrument, and the amount of acquired data. The length of the data block can be up to 606,384 bytes in a two-card configuration.

The SYSTem:DATA section describes each part of the block data as it will appear when used by the DATA instruction. The beginning byte number, the length in bytes, and a short description is given for each part of the block data. This is intended to be used primarily for processing of data in the controller.

Do not change the block data in the controller if you intend to send the block data back into the logic analyzer for later processing. Changes made to the block data in the controller could have unpredictable results when sent back to the logic analyzer.

---

## Data Format

To understand the format of the data within the block data, there are four important things to keep in mind.

- Data is sent to the controller in binary form.
- Each byte, as described in this chapter, contains 8 bits.
- The first bit of each byte is the MSB (most significant bit).
- Byte descriptions are printed in binary, decimal, or ASCII depending on how the data is described.

---

### Example

The first ten bytes that describe the section name contain a total of 80 bits as follows:

	Byte 1			Byte 2
Binary	0100 0100	0100 0001	0101 0100	0100 0001 0010 0000...0010 0000
	MSB	LSB		
Decimal	68 65	84 65	32 32 32 32 32	
ASCII	DATA	space	space space space space	

---

---

## SYSTEM:DATA

**Command**            :SYSTEM:DATA <block data>

The SYSTEM:DATA command transmits the acquisition memory data from the controller to the HP 16550A logic analyzer.

The block data consists of a variable number of bytes containing information captured by the acquisition chips. The information will be in one of three formats, depending on the type of data captured. The three formats are glitch, transitional, conventional timing or state. Each format is described in the "Acquisition Data Description" section. Since no parameter checking is performed, out-of-range values could cause instrument lockup; therefore, care should be taken when transferring the data string into the HP 16550A.

The <block data> parameter can be broken down into a <block length specifier> and a variable number of <section>s.

The <block length specifier> always takes the form #8DDDDDDDD. Each D represents a digit (ASCII characters "0" through "9"). The value of the eight digits represents the total length of the block (all sections). For example, if the total length of the block is 14522 bytes, the block length specifier would be "#800014522".

Each <section> consists of a <section header> and <section data>. The <section data> format varies for each section and may be any length. For the DATA instruction, there is only one <section>, which is composed of a data preamble followed by the acquisition data. This section has a variable number of bytes depending on configuration and amount of acquired data.

---

### Example

OUTPUT XXX; ":SYSTEM:DATA" <block data>

**<block data>** **<block length specifier><section>...**

**<block length specifier** **#8<length>**

**<length>** the total length of all sections in byte format (must be represented with 8 digits)

**<section>** **<section header><section data>**

**<section header>** 16 bytes, described on the following page

**<section data>** format depends on the type of data

The total length of a section is 16 (for the section header) plus the length of the section data. So when calculating the value for <length>, don't forget to include the length of the section headers.

**Query** **:SYSTem:DATA?**

The SYSTem:DATA query returns the block data to the controller. The data sent by the SYSTem:DATA query reflect the configuration of the machines when the last run was performed. Any changes made since then through either front-panel operations or programming commands do not affect the stored configuration.

**Returned Format** **[ :SYSTem:DATA] <block data><NL>**

---

**Example** See "Transferring the logic analyzer acquired data" on page 17-18 in Chapter 17, "Program Examples" for an example.

---



## Section Header Description

The section header uses bytes 1 through 16 (this manual begins counting at 1; there is no byte 0). The 16 bytes of the section header are as follows:

### Byte Position

- 1 10 bytes - Section name ("DATA space space space space space" in ASCII for the DATA instruction).
- 11 1 byte - Reserved
- 12 1 byte - Module ID (0010 0000 binary or 32 decimal for the HP 16550A)
- 13 4 bytes - Length of block in number of bytes that when converted to decimal, specifies the number of bytes contained in the data block.

---

## Section Data

For the SYSTEM:DATA command, the <section data> parameter consists of two parts: the data preamble and the acquisition data. These are described in the following two sections.

---

## Data Preamble Description

The block data is organized as 160 bytes of preamble information, followed by a variable number of bytes of data. The preamble gives information for each analyzer describing the amount and type of data captured, where the trace point occurred in the data, which pods are assigned to which analyzer, and other information.

The preamble (bytes 17 through 176) consists of the following 160 bytes:

- 17 2 bytes - Instrument ID (always 16500 decimal for HP 16550A)
- 19 1 byte - Revision Code
- 20 1 byte - number of acquisition chips used in last acquisition

The values stored in the preamble represent the captured data currently stored in this structure and not the current analyzer configuration. For example, the mode of the data (bytes 21 and 49) may be STATE with tagging, while the current setup of the analyzer is TIMING.

The next 40 bytes are for Analyzer 1 Data Information.

**Byte Position**

- 21 1 byte - Machine data mode, one of the following decimal values:
  - 1 = off
  - 0 = state data without tags
  - 1 = state data with each chip assigned to a machine (2kB memory) and either time or state tags
  - 2 = state data with unassigned pod used to store tag data (4kB memory)
  - 8 = state data at half channel (8kB memory with no tags)
  - 10 = conventional timing data at full channel
  - 11 = transitional timing data at full channel
  - 12 = glitch timing data
  - 13 = conventional timing data at half channel
  - 14 = transitional timing data at half channel

- 22 1 byte - Unused.

- 23 2 bytes - List of pods in this analyzer, where a binary 1 indicates that the corresponding pod is assigned to this analyzer

bit 15	bit 14	bit 13	bit 12	bit 11	bit 10	bit 9	bit 8
unused	unused	always 1	Pod 12	Pod 11	Pod 10	Pod 9	Pod 8
bit 7	bit 6	bit 5	bit 4	bit 3	bit 2	bit 1	bit 0
Pod 7	Pod 6	Pod 5	Pod 4	Pod 3	Pod 2	Pod 1	Pod 0

**Example**

**xx10 0000 0001 111x** indicates pods 1 through 4 are assigned to this analyzer (x = unused bit).

- 25 1 byte - This byte returns which chip is used to store the time or state tags when an unassigned pod is available to store tag data. This chip is available in state data mode with an unassigned pod and state or time tags on. Byte 21 = 2 in this mode.

## DATA and SETUp Commands

### Data Preamble Description

#### Byte Position

26 1 byte - Master chip for this analyzer. This decimal value returns which chip's time tag data is valid in a non-transitional mode; for example, state with time tags.

#### Master card

5 - pods 1 and 2

4 - pods 3 and 4

3 - pods 5 and 6

#### Expansion card

2 - pods 1 and 2

1 - pods 3 and 4

0 - pods 5 and 6

- 1 - no chip

27 6 bytes - Unused

33 8 bytes - A decimal integer representing sample period in picoseconds (timing only).

---

#### Example

The following 64 bits in binary would equal 8,000 picoseconds or, 8 nanoseconds:

00000000 00000000 00000000 00000000 00000000 00011111 01000000

---

41 8 bytes - Unused

49 1 byte - Tag type for state only in one of the following decimal values:

0 = off

1 = time tags

2 = state tags

50 1 bytes - Unused

51 8 bytes - A decimal integer representing the time offset in picoseconds from when this analyzer is triggered and when this analyzer provides an output trigger to the IMB or port out. The value for one analyzer is always zero and the value for the other analyzer is the time between the triggers of the two analyzers.

59 2 bytes - Unused

Byte Position

- 61 40 bytes - The next 40 bytes are for Analyzer 2 Data Information. They are organized in the same manner as Analyzer 1 above, but they occupy bytes 61 through 100.
- 101 26 bytes - Number of valid rows of data (starting at byte 177) for each pod. The 26 bytes of this group are organized as follows:  
Bytes 1 and 2 - Unused  
Bytes 3 and 4 contain the number of valid rows of data for pod 6 of the expansion card in a two-card configuration. These two bytes are not used for a single-card configuration.  
Bytes 5 and 6 contain the number of valid rows of data for pod 5 of the expansion card in a two-card configuration. These two bytes are not used for a single-card configuration.  
Bytes 7 and 8 contain the number of valid rows of data for pod 4 of the expansion card in a two-card configuration. These two bytes are not used for a single-card configuration.  
Bytes 9 and 10 contain the number of valid rows of data for pod 3 of the expansion card in a two-card configuration. These two bytes are not used for a single-card configuration.  
Bytes 11 and 12 contain the number of valid rows of data for pod 2 of the expansion card in a two-card configuration. These two bytes are not used for a single-card configuration.  
Bytes 13 and 14 contain the number of valid rows of data for pod 1 of the expansion card in a two-card configuration. These two bytes are not used for a single-card configuration.  
Bytes 15 and 16 contain the number of valid rows of data for pod 6 of the master card in a two-card configuration or for a single-card configuration.  
Bytes 17 and 18 contain the number of valid rows of data for pod 5 of the master card in a two-card configuration or for a single-card configuration.  
Bytes 19 and 20 contain the number of valid rows of data for pod 4 of the master card in a two-card configuration or for a single-card configuration.  
Bytes 21 and 22 contain the number of valid rows of data for pod 3 of the master card in a two-card configuration or for a single-card configuration.  
Bytes 23 and 24 contain the number of valid rows of data for pod 2 of the master card in a two-card configuration or for a single-card configuration.  
Bytes 25 and 26 contain the number of valid rows of data for pod 1 of the master card in a two-card configuration or for a single-card configuration.

**DATA and SETUp Commands**  
**Data Preamble Description**

**Byte Position**

- 127 26 bytes - Row of data containing the trigger point. This byte group is organized in the same way as the data rows (starting at byte 101 above). These binary numbers are base zero numbers which start from the first sample stored for a specific pod. For example, if bytes 151 and 152 contained a binary number with a decimal equivalent of +1018, the data row having the trigger is the 1018th data row on pod 1. There are 1018 rows of pre-trigger data as shown below.
- row 0
  - row 1
  - .
  - .
  - .
  - row 1017
  - row 1018 - trigger row
- 153 24 bytes - Unused

---

## Acquisition Data Description

The acquisition data section consists of a variable number of bytes depending on a one- or two-card configuration, the acquisition mode and the tag setting (time, state, or off). The data is grouped in 14-byte rows for a single card analyzer or in 26-byte rows for a two-card analyzer. The number of rows for each pod is stored in byte positions 101 through 126.

### Byte Position

	clock lines	pod 6	pod 5	pod 4	pod 3	pod 2	pod 1*
177	2 bytes	2 bytes	2 bytes	2 bytes	2 bytes	2 bytes	2 bytes
191	2 bytes	2 bytes	2 bytes	2 bytes	2 bytes	2 bytes	2 bytes
.	.	.	.	.	.	.	.
.	.	.	.	.	.	.	.
.	.	.	.	.	.	.	.
(x)	2 bytes	2 bytes	2 bytes	2 bytes	2 bytes	2 bytes	2 bytes

The clock line bytes for a one-card configuration are organized as follows:  
**xxxx xxxx xxPN MLKJ**

**DATA and SETUp Commands  
Acquisition Data Description**

In the following two-card analyzer example the data appears to be two rows; however, it is one continuous row.

**Byte Position**

	clock lines	pod 12	pod 11	pod 10	pod 9	pod 8	pod 7*
177	2 bytes	2 bytes	2 bytes	2 bytes	2 bytes	2 bytes	2 bytes
	pod 6	pod 5	pod 4	pod 3	pod 2	pod 1*	
	2 bytes	2 bytes	2 bytes	2 bytes	2 bytes	2 bytes	
203	Row two - same as above						
.		.					
.		.					
.		.					
(x)	Row (x) - same as above						

The clock line bytes for a two-card configuration are organized as follows:

**xxPN MLKJ xxPN MLKJ**

\*The headings are not a part of the returned data.

Row (x) is the highest number of valid rows specified by the bytes in byte positions 101 through 126 in all modes except glitch. In the glitch mode, row (x) is the larger of:

1. The highest number of valid rows specified by the bytes in byte positions 101 through 126; or,
2. 2048 + the highest number of valid rows for the pods assigned to the timing analyzer.

---

## Time Tag Data Description

The time tag data starts at the end of the acquired data. Each data row has an 8-byte time tag for each chip (2-pod set). The starting location of the time tag data is immediately after the last row of valid data (maximum data byte + 1). If an analyzer is in a non-transitional mode, the master chip (byte 26) is the only chip with valid time-tag data. The time tag data is a decimal integer representing time in picoseconds for both timing and state time tags. For state tags in the state analyzer, tag data is a decimal integer representing the number of states.

### Time Tag Block (One-card)

Byte 1 through 8 (64 bits starting with the MSB) - First sample tag for pods 1 and 2.

Byte 9 through 16 (64 bits starting with the MSB) - Second sample tag for pods 1 and 2.

.  
. .  
.

Byte (x) through (x + 7) (64 bits starting with the MSB) - Last sample tag for pods 1 and 2.

Byte (x + 8) through (x + 15) (64 bits starting with the MSB) - First sample tag for pods 3 and 4.

Byte (x + 16) through (x + 23) (64 bits starting with the MSB) - Second sample tag for pods 3 and 4.

.  
. .  
.

Byte (y) through (y + 7) (64 bits starting with the MSB) - Last sample tag for pods 3 and 4.



**DATA and SETUp Commands**  
**Time Tag Data Description**

Byte (y + 8 ) through (y + 15) (64 bits starting with the MSB) - First sample tag for pods 5 and 6.

Byte (y + 16 ) through (y + 23) (64 bits starting with the MSB) - Second sample tag for pods 5 and 6.

•  
•  
•

Byte (z) through (z + 7) (64 bits starting with the MSB) - Last sample tag for pods 5 and 6.

**Time Tag Block (Two-cards)**

The description of the one-card time tag block is the same for the master card in a two-card configuration. The time tag block for the expansion card of a two-card configuration follows the master card as follows:

<b>Master card</b>	<b>Expansion card</b>
Pods 1 and 2	Pods 1 and 2
Pods 3 and 4	Pods 3 and 4
Pods 5 and 6	Pods 5 and 6



**DATA and SETUp Commands**  
**Glitch Data Description**

	clock lines	pod 6	pod 5	pod 4	pod 3	pod 2	pod 1*
First byte of glitch data — 28849	2 bytes	2 bytes	2 bytes	2 bytes	2 bytes	2 bytes	2 bytes
28863	2 bytes	2 bytes	2 bytes	2 bytes	2 bytes	2 bytes	2 bytes
.	.	.	.	.	.	.	.
.	.	.	.	.	.	.	.
.	.	.	.	.	.	.	.
(x)	2 bytes	2 bytes	2 bytes	2 bytes	2 bytes	2 bytes	2 bytes

In the following two-card analyzer example the glitch data appears to be two rows; however, it is one continuous row.

	clock lines	pod 12	pod 11	pod 10	pod 9	pod 8	pod 7*
First byte of glitch data — 53425	2 bytes	2 bytes	2 bytes	2 bytes	2 bytes	2 bytes	2 bytes
	pod 6	pod 5	pod 4	pod 3	pod 2	pod 1*	
	2 bytes	2 bytes	2 bytes	2 bytes	2 bytes	2 bytes	
53451	Row two - same as above						
.		.					
.		.					
.		.					
(x)	Row (x) - same as above						

\*The headings are not a part of the returned data.

---

## SYSTEM:SETup

**Command**            **:SYSTEM:SETup <block data>**

The SYSTEM:SETup command configures the logic analyzer module as defined by the block data sent by the controller. The length of the configuration data block can be up to 877,016 bytes in a two-card configuration.

There are three data sections which are always returned. These are the strings which would be included in the section header.

```
"CONFIG "  

"DISPLAY1 "  

"BIG_ATTRIB"
```

Additionally, the following sections may also be included, depending on what's available:

```
"SYMBOLS A "  

"SYMBOLS B "  

"INVASM A "  

"INVASM B "  

"COMPARE "
```

**DATA and SETup Commands**  
**SYSTem:SETup**

**<block data>** <block length specifier><section>...

**<block length specifier>** #8<length>

**<length>** the total length of all sections in byte format (must be represented with 8 digits)

**<section>** <section header><section data>

**<section header>** 16 bytes in the following format:  
10 bytes for the section name  
1 byte reserved  
1 byte for the module ID code (32 for the HP 16550A logic analyzer)  
4 bytes for the length of the section data in bytes

**<section data>** format depends on the type of data. The total length of a section is 16 (for the section header) plus the length of the section data. So when calculating the value for <length>, don't forget to include the length of the section headers.

---

**Example** OUTPUT XXX;"SETUP" <block data>

---

**Query** :SYSTem:SETup?

The SYSTem:SETup query returns a block of data that contains the current configuration to the controller.

**Returned Format** [:SYSTem:SETup] <block data><NL>

---

**Example** See "Transferring the logic analyzer configuration" on page 17-14 in Chapter 17, "Program Examples" for an example.

---

---

# Part 3

17 Programming Examples 17-1

---

Programming  
Examples

---

**Programming  
Examples**

---

---

# Introduction

This chapter contains short, usable, and tested program examples that cover the most asked for examples. The examples are written in HP BASIC 6.0.

- Making a Timing analyzer measurement
- Making a State analyzer measurement
- Making a State Compare measurement
- Transferring Logic Analyzer configuration between the logic analyzer and the controller
- Transferring Logic Analyzer data between the logic analyzer and the controller
- Checking for measurement completion
- Sending queries to the logic analyzer



## Making a Timing analyzer measurement

This program sets up the logic analyzer to make a simple timing analyzer measurement. This example can be used with E2422-60004 Logic Analyzer Training board to acquire and display the output of the ripple counter. It can also be modified to make any timing analyzer measurement.

```

10  ! ***** TIMING ANALYZER EXAMPLE *****
20  !                               for the HP 16550A Logic Analyzer
30  !
40  ! *****
50  ! Select the module slot in which the HP 16550A is installed. In
60  ! this example, the HP 16550A is in slot B of the mainframe.
70  !
80  OUTPUT 707;":SELECT 2"
90  !
100 ! *****
110 ! Name Machine 1 "TIMING," configure Machine 1 as a timing analyzer,
120 ! and assign pod 1 to Machine 1.
130 !
140 OUTPUT 707;":MACH1:NAME 'TIMING'"
150 OUTPUT 707;":MACH1:TYPE TIMING"
160 OUTPUT 707;":MACH1:ASSIGN 1"
170 !
180 ! *****
190 ! Make a label "COUNT," give the label a positive polarity, and
200 ! assign the lower 8 bits.
210 !
220 OUTPUT 707;":MACHINE1:TFORMAT:REMOVE ALL"
230 OUTPUT 707;":MACH1:TFORMAT:LABEL 'COUNT',POS,0,0,#B000000001111111"
240 !
250 ! *****
260 ! Specify FF hex for resource term A, which is the default trigger term for
270 ! the timing analyzer.
280 !
290 OUTPUT 707;":MACH1:TTRACE:TERM A, 'COUNT', '#HFF'"
300 !
310 ! *****
320 ! Remove any previously inserted labels, insert the "COUNT"
330 ! label, change the seconds-per-division to 100 ns, and display the
340 ! waveform menu.
350 !

```

Programming Examples  
Making a Timing analyzer measurement

```
360 OUTPUT 707;":MACH1:TWAVEFORM:REMOVE"  
370 OUTPUT 707;":MACH1:TWAVEFORM:INSERT 'COUNT', ALL"  
380 OUTPUT 707;":MACH1:TWAVEFORM:RANGE 1E-6"  
390 OUTPUT 707;":MENU 2,5"  
400 !  
410 ! *****  
420 ! Run the timing analyzer in single mode.  
430 !  
440 OUTPUT 707;":RMODE SINGLE"  
450 OUTPUT 707;":START"  
460 !  
470 ! *****  
480 ! Set the marker mode (MMODE) to time so that time tags are available  
490 ! for marker measurements. Place the X-marker on 03 hex and the O-  
500 ! marker on 07 hex. Then tell the timing analyzer to find the first  
510 ! occurrence of 03h after the trigger and the first occurrence of 07h  
520 ! after the X-marker is found.  
530 !  
540 OUTPUT 707;":MACHINE1:TWAVEFORM:MMODE TIME"  
550 !  
560 OUTPUT 707;":MACHINE1:TWAVEFORM:XPATTERN 'COUNT', '#H03'"  
570 OUTPUT 707;":MACHINE1:TWAVEFORM:OPATTERN 'COUNT', '#H07'"  
580 !  
590 OUTPUT 707;":MACHINE1:TWAVEFORM:XCONDITION ENTERING"  
600 OUTPUT 707;":MACHINE1:TWAVEFORM:OCONDITION ENTERING"  
610 !  
620 OUTPUT 707;":MACHINE1:TWAVEFORM:XSEARCH +1, TRIGGER"  
630 OUTPUT 707;":MACHINE1:TWAVEFORM:OSEARCH +1, XMARKER"  
640 !  
650 ! *****  
660 ! Turn the longform and headers on, dimension a string for the query  
670 ! data, send the XOTIME query and print the string containing the  
680 ! XOTIME query data.  
690 !  
700 OUTPUT 707;":SYSTEM:LONGFORM ON"  
710 OUTPUT 707;":SYSTEM:HEADER ON"  
720 !  
730 DIM Mtime$(100)  
740 OUTPUT 707;":MACHINE1:TWAVEFORM:XOTIME?"  
750 ENTER 707;Mtime$  
760 PRINT Mtime$  
770 END
```

---

## Making a State analyzer measurement

This state analyzer program selects the HP 16550A card, displays the configuration menu, defines a state machine, displays the state trigger menu, sets a state trigger for multilevel triggering. This program then starts a single acquisition measurement while checking for measurement completion.

This program is written in such a way you can run it with the HP E2433-60004 Logic Analyzer Training Board. This example is the same as the "Multilevel State Triggering" example in chapter 9 of the *HP E2433-90910 Logic Analyzer Training Guide*.

```
10  ! ***** STATE ANALYZER EXAMPLE *****
20  !           for the HP 16550A Logic Analyzer
30  !
40  ! ***** SELECT THE HP 16550A MODULE *****
50  ! Select the module slot in which the HP 16550A is installed. In this
60  ! example, the HP 16550A is in slot B of the mainframe.
70  !
80  OUTPUT 707;":SELECT 2"
90  !
100 ! ***** CONFIGURE THE STATE ANALYZER *****
110 ! Name Machine 1 "STATE," configure Machine 1 as a state analyzer, assign
120 ! pod 1 to Machine 1, and display System Configuration menu of the
130 ! HP 16550A.
140 !
150 OUTPUT 707;":MACHINE1:NAME 'STATE'"
160 OUTPUT 707;":MACHINE1:TYPE STATE"
170 OUTPUT 707;":MACHINE1:ASSIGN 1"
180 OUTPUT 707;":MENU 2,0"
190 !
200 ! ***** SETUP THE FORMAT SPECIFICATION *****
210 ! Make a label "SCOUNT," give the label a positive polarity, and
220 ! assign the lower 8 bits.
230 !
240 OUTPUT 707;":MACHINE1:SFORMAT:REMOVE ALL"
250 OUTPUT 707;":MACHINE1:SFORMAT:LABEL 'SCOUNT', POS, 0,0,255"
260 !
270 ! ***** SETUP THE TRIGGER SPECIFICATION *****
280 ! The trigger specification will use five sequence levels with the trigger
290 ! level on level four. Resource terms A through E, and RANGE1 will be
300 ! used to store only desired counts from the 8-bit ripple counter.
```

Programming Examples  
Making a State analyzer measurement

```
310 !
320 ! Display the state trigger menu.
330 !
340 OUTPUT 707;":MENU 2,3"
350 !
360 ! Create a 5 level trigger specification with the trigger on the
370 ! fourth level.
380 !
390 OUTPUT 707;":MACHINE1:STRIGGER:SEQUENCE 5,4"
400 !
410 ! Define pattern terms A, B, C, D, and E to be 11, 22, 33, 44 and 59
420 ! decimal respectively.
430 !
440 OUTPUT 707;":MACHINE1:STRIGGER:TERM A,'SCOUNT','11'"
450 OUTPUT 707;":MACHINE1:STRIGGER:TERM B,'SCOUNT','22'"
460 OUTPUT 707;":MACHINE1:STRIGGER:TERM C,'SCOUNT','33'"
470 OUTPUT 707;":MACHINE1:STRIGGER:TERM D,'SCOUNT','44'"
480 OUTPUT 707;":MACHINE1:STRIGGER:TERM E,'SCOUNT','59'"
490 !
500 ! Define a Range having a lower limit of 50 and an upper limit of 58.
510 !
520 OUTPUT 707;":MACHINE1:STRIGGER:RANGE1 'SCOUNT','50','58'"
530 !
540 ! ***** CONFIGURE SEQUENCE LEVEL 1 *****
550 ! Store NOSTATE in level 1 and Then find resource term "A" once.
560 !
570 OUTPUT 707;":MACHINE1:STRIGGER:STORE1 'NOSTATE'"
580 OUTPUT 707;":MACHINE1:STRIGGER:FIND1 'A',1"
590 !
600 ! ***** CONFIGURE SEQUENCE LEVEL 2 *****
610 ! Store RANGE1 in level 2 and Then find resource term "E" once.
620 !
630 OUTPUT 707;":MACHINE1:STRIGGER:STORE2 'IN_RANGE1'"
640 OUTPUT 707;":MACHINE1:STRIGGER:FIND2 'E',1"
650 !
660 ! ***** CONFIGURE SEQUENCE LEVEL 3 *****
670 ! Store NOSTATE in level 3 and Then find term "B" once.
680 !
690 OUTPUT 707;":MACHINE1:STRIGGER:STORE3 'NOSTATE'"
700 OUTPUT 707;":MACHINE1:STRIGGER:FIND3 'B',1"
710 !
720 ! ***** CONFIGURE SEQUENCE LEVEL 4 *****
730 ! Store a combination of resource terms (C or D or RANGE1) in level 4 and
740 ! Then Trigger on resource term "E."
750 !
```

```
760 OUTPUT 707;":MACHINE1:STRIGGER:STORE4 '(C OR D OR IN_RANGE1)'"
770 !
780 ! ***** NOTE *****
790 !     The FIND command selects the trigger in the
800 !     sequence level specified as the trigger level.
810 ! *****
820 !
830 OUTPUT 707;":MACHINE1:STRIGGER:FIND4 'E',1"
840 !
850 ! ***** CONFIGURE SEQUENCE LEVEL 5 *****
860 ! Store anystate on level 5
870 !
880 OUTPUT 707;":MACHINE1:STRIGGER:STORE5 'ANYSSTATE'"
890 !
900 ! ***** START ACQUISITION *****
910 ! Place the logic analyzer in single acquisition mode, then determine when
920 ! the acquisition is complete.
930 !
940 OUTPUT 707;":RMODE SINGLE"
950 !OUTPUT 707;"*CLS"
960 OUTPUT 707;":START"
970 !
980 ! ***** CHECK FOR MEASUREMENT COMPLETE *****
990 ! Enable the MESR register and query the register for a measurement
1000 ! complete condition.
1010 !
1020 OUTPUT 707;":SYSTEM:HEADER OFF"
1030 OUTPUT 707;":SYSTEM:LONGFORM OFF"
1040 !
1050 Status=0
1060 OUTPUT 707;":MESE2 1"
1070 OUTPUT 707;":MESR2?"
1080 ENTER 707;Status
1090 !
1100 ! Print the MESR register status.
1110 !
1120 CLEAR SCREEN
1130 PRINT "Measurement complete status is ";Status
1140 PRINT "0 = not complete, 1 = complete"
1150 ! Repeat the MESR query until measurement is complete.
1160 WAIT 1
1170 IF Status=1 THEN GOTO 1190
1180 GOTO 1070
1190 PRINT TABXY(30,15);"Measurement is complete"
1200 !
```

**Programming Examples**  
**Making a State analyzer measurement**

```
1210 ! ***** VIEW THE RESULTS *****
1220 ! Display the State Listing and select a line number in the listing that
1230 ! allows you to see the beginning of the listing on the logic analyzer
1240 ! display.
1250 !
1260 OUTPUT 707;":MACHINE1:SLIST:COLUMN 1, 'SCOUNT', DECIMAL"
1270 OUTPUT 707;":MENU 2,7"
1280 OUTPUT 707;":MACHINE1:SLIST:LINE -16"
1290 !
1300 END
```

## Making a State Compare measurement

This program example acquires a state listing, copies the listing to the compare listing, acquires another state listing, and compares both listings to find differences.

This program is written in such a way you can run it with the HP E2433-60004 Logic Analyzer Training Board. This example is the same as the "State Compare" example in chapter 3 of the *HP E2433-90910 Logic Analyzer Training Guide*.

```

10  ! ***** STATE COMPARE EXAMPLE *****
20  !           for the HP 16550A Logic Analyzer
30  !
40  !
50  !***** SELECT THE HP 16550A MODULE *****
60  ! Select the module slot in which the HP 16550A is installed.  In this
70  ! example, the HP 16550A is in slot B of the mainframe.
80  !
90  OUTPUT 707;":SELECT 2"
100 !
110 !***** CONFIGURE THE STATE ANALYZER *****
120 ! Name Machine 1 "STATE," configure Machine 1 as a state analyzer, and
130 ! assign pod 1 to Machine 1.
140 !
150 OUTPUT 707;":MACHINE1:NAME 'STATE'"
160 OUTPUT 707;":MACHINE1:TYPE STATE"
170 OUTPUT 707;":MACHINE1:ASSIGN 1"
180 !
190 ! *****
200 ! Remove all labels previously set up, make a label "SCOUNT," specify
210 ! positive logic, and assign the lower 8 bits of pod 1 to the label.
220 !
230 OUTPUT 707;":MACHINE1:SFORMAT:REMOVE ALL"
240 OUTPUT 707;":MACHINE1:SFORMAT:LABEL 'SCOUNT', POS, 0,0,255"
250 !
260 ! *****
270 ! Make the "J" clock the Master clock and specify the falling edge.
280 !
290 OUTPUT 707;":MACHINE1:SFORMAT:MASTER J, FALLING"
300 !
310 ! *****
320 ! Specify two sequence levels, the trigger sequence level, specify

```

## Programming Examples Making a State Compare measurement

```
330 ! FF hex for the "a" term which will be the trigger term, and store
340 ! no states until the trigger is found.
350 !
360 OUTPUT 707;":MACHINE1:STRIGGER:SEQUENCE 2,1"
370 OUTPUT 707;":MACHINE1:STRIGGER:TERM A,'SCOUNT','#HFF'"
380 OUTPUT 707;":MACHINE1:STRIGGER:STORE1 'NOSTATE'"
390 OUTPUT 707;":MENU 2,3"
400 !
410 ! *****
420 ! Change the displayed menu to the state listing and start the state
430 ! analyzer in repetitive mode.
440 !
450 OUTPUT 707;":MENU 2,7"
460 OUTPUT 707;":RMODE REPETITIVE"
470 OUTPUT 707;":START"
480 !
490 ! *****
500 ! The logic analyzer is now running in the repetitive mode
510 ! and will remain in repetitive until the STOP command is sent.
520 !
530 PRINT "The logic analyzer is now running in the repetitive mode"
540 PRINT "and will remain in repetitive until the STOP command is sent."
550 PRINT
560 PRINT "Press CONTINUE"
570 PAUSE
580 !
590 !*****
600 ! Stop the acquisition and copy the acquired data to the compare reference
610 ! listing.
620 !
630 OUTPUT 707;":STOP"
640 OUTPUT 707;":MENU 2,10"
650 OUTPUT 707;":MACHINE1:COMPARE:MENU REFERENCE"
660 OUTPUT 707;":MACHINE1:COMPARE:COPY"
670 !
680 ! The logic analyzer acquisition is now stopped, the Compare menu
690 ! is displayed, and the data is now in the compare reference
700 ! listing.
710 !
720 !*****
730 ! Display line 4090 of the compare listing and start the analyzer
740 ! in a repetitive mode.
750 !
760 OUTPUT 707;":MACHINE1:COMPARE:LINE 4090"
770 OUTPUT 707;":START"
```



```
780  !
790  ! Line 4090 of the listing is now displayed at center screen
800  ! in order to show the last four states acquired. In this
810  ! example, the last four states are stable. However, in some
820  ! cases, the end points of the listing may vary thus causing
830  ! a false failure in compare. To eliminate this problem, a
840  ! partial compare can be specified to provide predicable end
850  ! points of the data.
860  !
870  PRINT "Press CONTINUE to send the STOP command."
880  PAUSE
890  OUTPUT 707;":STOP"
900  !
910  !*****
920  ! The end points of the compare can be fixed to prevent false failures.
930  ! In addition, you can use partial compare to compare only sections
940  ! of the state listing you are interested in comparing.
950  !
960  OUTPUT 707;":MACHINE1:COMPARE:RANGE PARTIAL, 0, 508"
970  !
980  ! The compare range is now from line 0 to +508
990  !
1000 !*****
1010 ! Change the Glitch jumper settings on the training board so that the
1020 ! data changes, reacquire the data and compare which states are different.
1030 PRINT "Change the glitch jumper settings on the training board so that the"
1040 PRINT "data changes, reacquire the data and compare which states are
different."
1050 !
1060 PRINT "Press CONTINUE when you have finished changing the jumper."
1070 !
1080 PAUSE
1090 !
1100 !*****
1110 ! Start the logic analyzer to acquire new data and then stop it to compare
1120 ! the data. When the acquisition is stopped, the Compare Listing Menu will
1130 ! be displayed.
1140 !
1150 OUTPUT 707;":START"
1160 OUTPUT 707;":STOP"
1170 OUTPUT 707;":MENU 2,10"
1180 !
1190 !*****
1200 ! Dimension strings in which the compare find query (COMPARE:FIND?)
1210 ! enters the line numbers and error numbers.
```

Programming Examples  
Making a State Compare measurement

```
1220 !
1230 DIM Line$(20)
1240 DIM Error$(4)
1250 DIM Comma$(1)
1260 !
1270 ! *****
1280 ! Display the Difference listing.
1290 !
1300 OUTPUT 707;":MACHINE1:COMPARE:MENU DIFFERENCE"
1310 !
1320 ! *****
1330 ! Loop to query all 508 possible errors.
1340 !
1350 FOR Error=1 TO 508
1360 !
1370 ! Read the compare differences
1380 !
1390 OUTPUT 707;":MACHINE1:COMPARE:FIND? "VAL$(Error)
1400 !
1410 ! *****
1420 ! Format the Error$ string data for display on the controller screen.
1430 !
1440 IF Error=99 THEN GOTO 1580
1450 IF Error=9 THEN GOTO 1550
1460 !
1470 ENTER 707 USING "#,1A";Error$
1480 ENTER 707 USING "#,1A";Comma$
1490 ENTER 707 USING "K";Line$
1500 Error_return=IVAL(Error$,10)
1510 IF Error_return=0 THEN GOTO 1820
1520 !
1530 GOTO 1610
1540 !
1550 ENTER 707 USING "#,3A";Error$
1560 ENTER 707 USING "K";Line$
1570 GOTO 1610
1580 !
1590 ENTER 707 USING "#,4A";Error$
1600 ENTER 707 USING "K";Line$
1610 !
1620 ! *****
1630 ! Test for the last error. The error number of the last error is the same
1640 ! as the error number of the first number after the last error.
1650 !
1660 Error_line=IVAL(Line$,10)
```

```
1670 IF Error_line=Error_line2 THEN GOTO 1780
1680 Error_line2=Error_line
1690 !
1700 ! *****
1710 ! Print the error numbers and the corresponding line numbers on the
1720 ! controller screen.
1730 !
1740 PRINT "Error number ",Error," is on line number ",Error_line
1750 !
1760 NEXT Error
1770 !
1780 PRINT
1790 PRINT
1800 PRINT "Last error found"
1810 GOTO 1850
1820 PRINT "No errors found"
1830 !
1840 !
1850 END
```

## Transferring the logic analyzer configuration

This program uses the **SYSTEM:SETup** query to transfer the configuration of the logic analyzer to your controller. This program also uses the **SYSTEM:SETup** command to transfer a logic analyzer configuration from the controller back to the logic analyzer. The configuration data will set up the logic analyzer according to the data. It is useful for getting configurations for setting up the logic analyzer by the controller. This query differs from the **SYSTEM:DATA** query because it only transfers the configuration and not the acquired data. The **SYSTEM:SETup** command differs from the **SYSTEM:DATA** command because it only transfers the configuration and not acquired data.

```
10  ! ***** SETUP COMMAND AND QUERY EXAMPLE *****
20  !                                     for the HP 16550A
30  !
40  ! ***** CREATE TRANSFER BUFFER *****
50  ! Create a buffer large enough for the block data. See page 16-9 for
55  ! maximum block length.
56  !
60  ASSIGN @Buff TO BUFFER [170000]
70  !
80  ! ***** INITIALIZE HPIB DEFAULT ADDRESS *****
90  !
100 REAL Address
110 Address=707
120 ASSIGN @Comm TO Address
130 !
140 CLEAR SCREEN
150 !
160 ! ***** INTTIALIZE VARIABLE FOR NUMBER OF BYTES *****
170 ! The variable "Numbytes" contains the number of bytes in the buffer.
180 !
190 REAL Numbytes
200 Numbytes=0
210 !
220 ! ***** RE-INITIALIZE TRANSFER BUFFER POINTERS *****
230 !
240 CONTROL @Buff,3;1
250 CONTROL @Buff,4;0
260 !
270 ! ***** SEND THE SETUP QUERY *****
```

```
280 OUTPUT 707;":SYSTEM:HEADER ON"
290 OUTPUT 707;":SYSTEM:LONGFORM ON"
300 OUTPUT @Comm;"SELECT 2"
310 OUTPUT @Comm;":SYSTEM:SETUP?"
320 !
330 ! ***** ENTER THE BLOCK SETUP HEADER *****
340 ! Enter the block setup header in the proper format.
350 !
360 ENTER @Comm USING "#,B";Byte
370 PRINT CHR$(Byte);
380 WHILE Byte<>35
390     ENTER @Comm USING "#,B";Byte
400     PRINT CHR$(Byte);
410 END WHILE
420 ENTER @Comm USING "#,B";Byte
430 PRINT CHR$(Byte);
440 Byte=Byte-48
450 IF Byte=1 THEN ENTER @Comm USING "#,D";Numbytes
460 IF Byte=2 THEN ENTER @Comm USING "#,DD";Numbytes
470 IF Byte=3 THEN ENTER @Comm USING "#,DDD";Numbytes
480 IF Byte=4 THEN ENTER @Comm USING "#,DDDD";Numbytes
490 IF Byte=5 THEN ENTER @Comm USING "#,DDDDD";Numbytes
500 IF Byte=6 THEN ENTER @Comm USING "#,DDDDDD";Numbytes
510 IF Byte=7 THEN ENTER @Comm USING "#,DDDDDDD";Numbytes
520 IF Byte=8 THEN ENTER @Comm USING "#,DDDDDDDD";Numbytes
530 PRINT Numbytes
540 !
550 ! ***** TRANSFER THE SETUP *****
560 ! Transfer the setup from the logic analyzer to the buffer.
570 !
580 TRANSFER @Comm TO @Buff;COUNT Numbytes,WAIT
600 !
610 ENTER @Comm USING "-K";Length$
620 PRINT "LENGTH of Length string is";LEN(Length$)
630 !
640 PRINT "**** GOT THE SETUP ****"
650 PAUSE
660 ! ***** SEND THE SETUP *****
670 ! Make sure buffer is not empty.
680 !
690 IF Numbytes=0 THEN
700     PRINT "BUFFER IS EMPTY"
710     GOTO 1170
720 END IF
730 !
```

**Programming Examples**  
**Transferring the logic analyzer configuration**

```
740 ! ***** SEND THE SETUP COMMAND *****
750 ! Send the Setup command
760 !
770 OUTPUT @Comm USING "#,15A";":SYSTEM:SETUP #"
780 PRINT "SYSTEM:SETUP command has been sent"
790 PAUSE
800 !
810 ! ***** SEND THE BLOCK SETUP *****
820 ! Send the block setup header to the HP 16550A in the proper format.
830 !
840 Byte=LEN(VAL$(Numbytes))
850 OUTPUT @Comm USING "#,B";(Byte+48)
860 IF Byte=1 THEN OUTPUT @Comm USING "#,A";VAL$(Numbytes)
870 IF Byte=2 THEN OUTPUT @Comm USING "#,AA";VAL$(Numbytes)
880 IF Byte=3 THEN OUTPUT @Comm USING "#,AAA";VAL$(Numbytes)
890 IF Byte=4 THEN OUTPUT @Comm USING "#,AAAA";VAL$(Numbytes)
900 IF Byte=5 THEN OUTPUT @Comm USING "#,AAAAA";VAL$(Numbytes)
910 IF Byte=6 THEN OUTPUT @Comm USING "#,AAAAAA";VAL$(Numbytes)
920 IF Byte=7 THEN OUTPUT @Comm USING "#,AAAAAAA";VAL$(Numbytes)
930 IF Byte=8 THEN OUTPUT @Comm USING "#,AAAAAAA";VAL$(Numbytes)
940 !
950 ! ***** SAVE BUFFER POINTERS *****
960 ! Save the transfer buffer pointer so it can be restored after the
970 ! transfer.
980 !
990 STATUS @Buff,5;Streg
1000 !
1010 ! ***** TRANSFER SETUP TO THE HP 16550 *****
1020 ! Transfer the setup from the buffer to the HP 16550A.
1030 !
1040 TRANSFER @Buff TO @Comm;COUNT Numbytes,WAIT
1050 !
1060 ! ***** RESTORE BUFFER POINTERS *****
1070 ! Restore the transfer buffer pointer
1080 !
1090 CONTROL @Buff,5;Streg
1100 !
1110 ! ***** SEND TERMINATING LINE FEED *****
1120 ! Send the terminating linefeed to properly terminate the setup string.
1130 !
1140 OUTPUT @Comm;" "
1150 !
1160 PRINT "**** SENT THE SETUP ****"
1170 END
```

---

## Transferring the logic analyzer acquired data

This program uses the **SYSTEM:DATA** query to transfer acquired data to your controller. It is useful for getting acquired data for setting up the logic analyzer by the controller at a later time. This query differs from the **SYSTEM:SETup** query because it transfers only the acquired data.

This program also uses the **SYSTEM:DATA** command to transfer the logic analyzer data from the controller back to the logic analyzer and load the analyzer with the acquired data. The **SYSTEM:DATA** command differs from the **SYSTEM:SETup** command because it transfers both the configuration and the acquired data.

You should always precede the **SYSTEM:DATA** query and command with the **SYSTEM:SETup** query and command if the acquired data depends on a specific configuration. If you are only interested in the acquired data for post processing in the controller and the data is not dependent on the configuration, you can use the **SYSTEM:DATA** query and command alone.

```
10  ! ***** DATA COMMAND AND QUERY EXAMPLE *****
20  !                                     for the HP 16550A
30  !
40  ! ***** CREATE TRANSFER BUFFER *****
50  ! Create a buffer large enough for the block data.  See page 16-1 for
55  ! maximum block length.
56  !
60  ASSIGN @Buff TO BUFFER [170000]
70  !
80  ! ***** INITIALIZE HPIB DEFAULT ADDRESS *****
90  !
100 REAL Address
110 Address=707
120 ASSIGN @Comm TO Address
130 !
140 CLEAR SCREEN
150 !
160 ! ***** INITIALIZE VARIABLE FOR NUMBER OF BYTES *****
170 ! The variable "Numbytes" contains the number of bytes in the buffer.
180 !
190 REAL Numbytes
```

**Programming Examples**  
**Transferring the logic analyzer acquired data**

```

200 Numbytes=0
210 !
220 ! ***** RE-INITIALIZE TRANSFER BUFFER POINTERS *****
230 !
240 CONTROL @Buff,3;1
250 CONTROL @Buff,4;0
260 !
270 ! ***** SEND THE DATA QUERY *****
280 OUTPUT 707;":SYSTEM:HEADER ON"
290 OUTPUT 707;":SYSTEM:LONGFORM ON"
300 OUTPUT @Comm;"SELECT 2"
310 OUTPUT @Comm;":SYSTEM:DATA?"
320 !
330 ! ***** ENTER THE BLOCK DATA HEADER *****
340 ! Enter the block data header in the proper format.
350 !
360 ENTER @Comm USING "#,B";Byte
370 PRINT CHR$(Byte);
380 WHILE Byte<>35
390     ENTER @Comm USING "#,B";Byte
400     PRINT CHR$(Byte);
410 END WHILE
420 ENTER @Comm USING "#,B";Byte
430 PRINT CHR$(Byte);
440 Byte=Byte-48
450 IF Byte=1 THEN ENTER @Comm USING "#,D";Numbytes
460 IF Byte=2 THEN ENTER @Comm USING "#,DD";Numbytes
470 IF Byte=3 THEN ENTER @Comm USING "#,DDD";Numbytes
480 IF Byte=4 THEN ENTER @Comm USING "#,DDDD";Numbytes
490 IF Byte=5 THEN ENTER @Comm USING "#,DDDDD";Numbytes
500 IF Byte=6 THEN ENTER @Comm USING "#,DDDDDD";Numbytes
510 IF Byte=7 THEN ENTER @Comm USING "#,DDDDDDD";Numbytes
520 IF Byte=8 THEN ENTER @Comm USING "#,DDDDDDDD";Numbytes
530 PRINT Numbytes
540 !
550 ! ***** TRANSFER THE DATA *****
560 ! Transfer the data from the logic analyzer to the buffer.
570 !
580 TRANSFER @Comm TO @Buff;COUNT Numbytes,WAIT
590 !
600 ENTER @Comm USING "-K";Length$
610 PRINT "LENGTH of Length string is";LEN(Length$)
620 !
630 !
640 PRINT "**** GOT THE DATA ****"
650 PAUSE

```



```
660 ! ***** SEND THE DATA *****
670 ! Make sure buffer is not empty.
680 !
690 IF Numbytes=0 THEN
700     PRINT "BUFFER IS EMPTY"
710     GOTO 1170
720 END IF
730 !
740 ! ***** SEND THE DATA COMMAND *****
750 ! Send the Setup command
760 !
770 OUTPUT @Comm USING "#,14A";":SYSTEM:DATA #"
780 PRINT "SYSTEM:DATA command has been sent"
790 PAUSE
800 !
810 ! ***** SEND THE BLOCK DATA *****
820 ! Send the block data header to the HP 16550A in the proper format.
830 !
840 Byte=LEN(VAL$(Numbytes))
850 OUTPUT @Comm USING "#,B";(Byte+48)
860 IF Byte=1 THEN OUTPUT @Comm USING "#,A";VAL$(Numbytes)
870 IF Byte=2 THEN OUTPUT @Comm USING "#,AA";VAL$(Numbytes)
880 IF Byte=3 THEN OUTPUT @Comm USING "#,AAA";VAL$(Numbytes)
890 IF Byte=4 THEN OUTPUT @Comm USING "#,AAAA";VAL$(Numbytes)
900 IF Byte=5 THEN OUTPUT @Comm USING "#,AAAAA";VAL$(Numbytes)
910 IF Byte=6 THEN OUTPUT @Comm USING "#,AAAAAA";VAL$(Numbytes)
920 IF Byte=7 THEN OUTPUT @Comm USING "#,AAAAAAA";VAL$(Numbytes)
930 IF Byte=8 THEN OUTPUT @Comm USING "#,AAAAAAA";VAL$(Numbytes)
940 !
950 ! ***** SAVE BUFFER POINTERS *****
960 ! Save the transfer buffer pointer so it can be restored after the
970 ! transfer.
980 !
990 STATUS @Buff,5;Streg
1000 !
1010 ! ***** TRANSFER DATA TO THE HP 16550 *****
1020 ! Transfer the data from the buffer to the HP 16550A.
1030 !
1040 TRANSFER @Buff TO @Comm;COUNT Numbytes,WAIT
1050 !
1060 ! ***** RESTORE BUFFER POINTERS *****
1070 ! Restore the transfer buffer pointer
1080 !
1090 CONTROL @Buff,5;Streg
1100 !
```

Programming Examples  
Transferring the logic analyzer acquired data

```
1110 ! ***** SEND TERMINATING LINE FEED *****  
1120 ! Send the terminating linefeed to properly terminate the data string.  
1130 !  
1140 OUTPUT @Comm;" "  
1150 !  
1160 PRINT "**** SENT THE DATA ****"  
1170 END
```

---

## Checking for measurement completion

This program can be appended to or inserted into another program when you need to know when a measurement is complete. If it is at the end of a program it will tell you when measurement is complete. If you insert it into a program, it will halt the program until the current measurement is complete. In this example, the module installed in slot B is being checked for measurement complete.

This program is also in the state analyzer example program in "Making a State Analyzer Measurement" on pages 17-7 and 17-8. It is included in the state analyzer example program to show how it can be used in a program to halt the program until measurement is complete.

```
420 ! ***** CHECK FOR MEASUREMENT COMPLETE *****
430 ! Enable the MESR register and query the register for a measurement
440 ! complete condition.
450 !
460 OUTPUT 707;":SYSTEM:HEADER OFF"
470 OUTPUT 707;":SYSTEM:LONGFORM OFF"
480 !
490 Status=0
500 OUTPUT 707;":MESE2 1"
510 OUTPUT 707;":MESR2?"
520 ENTER 707;Status
530 !
540 ! Print the MESR register status.
550 !
560 CLEAR SCREEN
570 PRINT "Measurement complete status is ";Status
580 PRINT "0 = not complete, 1 = complete"
590 ! Repeat the MESR query until measurement is complete.
600 WAIT 1
610 IF Status=1 THEN GOTO 630
620 GOTO 510
630 PRINT TABXY(30,15);"Measurement is complete"
640 !
650 END
```

## Sending queries to the logic analyzer

This program example contains the steps required to send a query to the logic analyzer. Sending the query alone only puts the requested information in an output buffer of the logic analyzer. You must follow the query with an ENTER statement to transfer the query response to the controller. When the query response is sent to the logic analyzer, the query is properly terminated in the logic analyzer. If you send the query but fail to send an ENTER statement, the logic analyzer will display the error message "Query Interrupted" when it receives the next command from the controller, and, the query response is lost.

```
10  !***** QUERY EXAMPLE *****
20  !           for the HP 16550A Logic Analyzer
30  !
40  ! ***** OPTIONAL *****
50  ! The following two lines turn the headers and longform on so
60  ! that the query name, in its long form, is included in the
70  ! query response.
80  !
90  !           ***** NOTE *****
100 !           If your query response includes real
110 !           or integer numbers that you may want
120 !           to do statistics or math on later, you
130 !           should turn both header and longform
140 !           off so only the number is returned.
150 !           *****
160 !
170 OUTPUT 707;":SYSTEM:HEADER ON"
180 OUTPUT 707;":SYSTEM:LONGFORM ON"
190 !
200 ! *****
210 ! Select the slot in which the HP 16550A is located.
220 !
230 OUTPUT 707;":SELECT 2"
240 !
250 ! *****
260 ! Dimension a string in which the query response will be entered.
270 !
280 DIM Query$(100)
290 !
300 ! *****
```

```
310 ! Send the query. In this example the MENU? query is sent. All
320 ! queries except the SYSTEM:DATA and SYSTEM:SETup can be sent with
330 ! this program.
340 !
350 OUTPUT 707;"MENU?"
360 !
370 ! *****
380 ! The two lines that follow transfer the query response from the
390 ! query buffer to the controller and then print the response.
400 !
410 ENTER 707;Query$
420 PRINT Query$
430 !
440 !
450 END
```



---

# Index

---

## A

ACCumulate command/query, 8-5, 9-4, 13-7  
ACQMode command/query, 11-5  
ACQquisition command/query, 6-9, 8-5, 12-8, 13-8  
Analyzer 1 Data Information, 16-7  
Analyzer 2 Data Information, 16-9  
ARM command/query, 3-5  
ASSign command/query, 3-6

## B

BASE command, 15-5  
Block data, 16-4  
Block length specifier, 16-4  
Block length specifier, 16-18  
Block length specifier>, 16-5  
BRANch command/query, 6-10 to 6-11, 12-9 to 12-11

## C

CARDcage query, 1-5  
CENTer command, 8-6, 13-8  
chart display, 9-2  
CLEar command, 6-12, 10-5, 12-12  
CLOCK command/query, 5-6  
CLRPattern command, 7-8, 8-6, 13-9, 14-8  
CLRStat command, 8-7, 13-9  
CMASK command/query, 10-5  
COLumn command/query, 7-7, 14-7  
command  
  ACCumulate, 8-5, 9-4, 13-7  
  ACQMode, 11-5  
  ACQquisition, 6-9, 12-8  
  ARM, 3-5  
  ASSign, 3-6  
  BASE, 15-5  
  BRANch, 6-10, 12-9  
  CENTer, 8-6, 13-8  
  CLEar, 10-5  
  CLOCK, 5-6  
  CLRPattern, 7-8, 8-6, 13-9, 14-8  
  CLRStat, 8-7, 13-9  
  CMASK, 10-5  
  COLumn, 7-7, 14-7  
  COMPare, 10-4  
  COPY, 10-6  
  DATA, 10-6, 16-4  
  DELay, 4-5, 8-7, 13-10

FIND, 6-13, 12-12  
GLEDge, 12-14  
HAXis, 9-5  
INSert, 4-6, 8-8, 13-11  
LAbel, 5-7, 11-6  
LEVelarm, 3-7  
LINE, 4-7, 7-9, 10-9, 14-9  
MACHine, 2-5, 3-4  
MASTer, 5-9  
MENU, 1-6, 10-10  
MESE, 1-14  
MINus, 4-8, 13-12  
MMODE, 7-10, 13-13, 14-10  
Module Level, 2-2  
NAME, 3-8  
OCONdition, 13-14, 14-11  
OPATtern, 7-11, 13-15, 14-12  
OSEArch, 7-12, 13-16, 14-13  
OTAG, 7-14, 14-14  
OTIME, 4-9, 13-17  
OVERlay, 4-10, 7-15, 13-17  
PATtern, 15-6  
PLUS, 4-11, 13-18  
PRINT, 1-7  
RANGe, 4-12, 6-14, 8-8, 10-10, 12-15, 13-19, 15-7  
REMOve, 4-12, 5-12, 7-15, 8-9, 11-7, 13-19, 14-15, 15-8  
REName, 3-8  
RESource, 3-9  
RMODE, 1-7  
RUNTil, 7-16, 10-11, 13-20, 14-16  
SCHart, 9-4  
SELEct, 1-3, 1-6  
SEQuence, 6-16, 12-17  
SET, 10-13  
SETUp, 16-17  
SFORmat, 5-6  
SLAVE, 5-14  
SLISt, 7-7  
SPERiod, 12-18, 13-21  
STARt, 1-6  
STOP, 1-7  
STORe, 6-17  
SWAVeform, 8-4  
SYMBol, 15-5  
SYSTem:DATA, 16-2, 16-4  
SYSTem:PRINT, 1-7  
SYSTem:SETUp, 16-2, 16-17

TAG, 6-18  
TAKenbranch, 6-19, 8-9  
TCONtrol, 6-20, 12-19  
TERM, 6-21, 12-20  
TFORmat, 11-4  
THReshold, 5-16, 11-8  
TIMER, 6-22, 12-21  
TLISt, 14-7  
TPOsition, 6-23, 8-10, 12-22, 13-23  
TYPE, 3-10  
VAXis, 9-6  
WIDTh, 15-8  
WLISt, 2-6, 4-4  
XCONdition, 13-25, 14-19  
XPATtern, 7-20, 13-26, 14-20  
XSEArch, 7-21, 13-27, 14-21  
XTAG, 7-23, 14-23  
XTIME, 4-14, 13-28  
Command Set Organization, 1-8 to 1-12  
  compare  
  program example, 17-9  
COMPare selector, 10-4  
COMPare Subsystem, 10-1, 10-3 to 10-13  
Complex qualifier, 6-11, 12-11  
COPY command, 10-6

## D

DATA, 16-4  
  State (no tags, 16-11 to 16-12)  
Data and Setup Commands, 16-1, 16-3 to 16-18  
Data block  
  Analyzer 1 data, 16-7  
  Analyzer 2 data, 16-9  
  Data preamble, 16-6  
  Section data, 16-6  
  Section header, 16-6  
DATA command/query, 10-6 to 10-7  
Data preamble, 16-6 to 16-10  
DATA query, 7-9, 14-9  
DELay command/query, 4-5, 8-7, 13-10

## E

Examples  
  program, 17-2

# Index

- 
- F**  
FIND command/query, 6–13, 12–12 to 12–13  
FIND query, 10–8
- G**  
GLEDge command/query, 12–14
- H**  
HAXis command/query, 9–5
- I**  
INsert command, 4–6, 8–8, 13–11  
INtermodule Subsystem, 1–7
- L**  
LABel command/query, 5–7 to 5–8, 11–6  
LEVelarm command/query, 3–7  
LINE command/query, 4–7, 7–9, 10–9, 14–9
- M**  
MACHine selector, 2–5, 3–4  
MACHine Subsystem, 3–1, 3–3 to 3–10  
MASter command/query, 5–9  
measurement complete program example, 17–21  
MENU, 1–6  
MENU command, 10–10  
MESE command/query, 1–14  
MESR query, 1–16  
MINus command, 4–8, 13–12  
MMEMory Subsystem, 1–7  
MMODE command/query, 7–10, 13–13, 14–10  
Module Level Commands, 2–1, 2–3 to 2–6  
Module Status Reporting, 1–13
- N**  
NAME command/query, 3–8
- O**  
OCONdition command/query, 13–14, 14–11  
OPATtern command/query, 7–11, 13–15, 14–12  
OSEarch command/query, 7–12, 13–16, 14–13  
OSTate query, 4–9, 7–13, 14–14
- OTAG command/query, 7–14, 14–14  
OTIME command/query, 4–9, 13–17  
OVERlay command, 4–10, 13–17  
OVERlay command/query, 7–15
- P**  
PATTern command, 15–6  
PLUS command, 4–11, 13–18  
Preamble description, 16–6  
program example  
  checking for measurement complete, 17–21  
  compare, 17–9  
  sending queries to the logic analyzer, 17–22  
  state analyzer, 17–5  
  SYSTEM:DATA command, 17–17  
  SYSTEM:DATA query, 17–17  
  SYSTEM:SETup command, 17–14  
  SYSTEM:SETup query, 17–14  
  timing analyzer, 17–3  
  transferring configuration to analyzer, 17–14  
  transferring configuration to the controller, 17–14  
  transferring setup and data to the analyzer, 17–17  
  transferring setup and data to the controller, 17–17  
Program Examples, 17–2
- Q**  
Query  
  ACCumulate, 8–5, 9–4, 13–7  
  ACQMode, 11–5  
  ACQquisition, 6–9, 12–9  
  ARM, 3–5  
  ASSign, 3–6  
  BRANch, 6–11, 12–10  
  CARDcage, 1–5  
  CLOCK, 5–7  
  CMASK, 10–5  
  COLumn, 7–8, 14–8  
  DATA, 7–9, 10–7, 14–9, 16–5  
  DELay, 4–5, 8–7, 13–10  
  ERRor, 1–7  
  FIND, 6–14, 10–8, 12–13  
  GLEDge, 12–15
- HAXis, 9–5  
LABel, 5–8, 11–7  
LEVelarm, 3–7  
LINE, 4–8, 7–10, 10–9, 14–10  
MASter, 5–9  
MENU, 1–6  
MESE, 1–14  
MESR, 1–16  
MMODE, 7–11, 13–13, 14–10  
NAME, 3–8  
OCONdition, 13–14, 14–11  
OPATtern, 7–12, 13–15, 14–12  
OSEArch, 7–13, 13–16, 14–13  
OSTate, 4–9, 7–13, 14–14  
OTAG, 7–14, 14–15  
OTIME, 4–10, 13–17  
PRINT, 1–7  
RANGE, 4–12, 6–15, 8–9, 10–11, 12–16, 13–19  
REName, 3–9  
RESource, 3–10  
RMODE, 1–7  
RUNTIL, 7–17, 10–12, 13–20, 14–16  
SEQuence, 6–16, 12–17  
SETup, 16–18  
SLAVE, 5–14  
SPERiod, 12–18, 13–21  
STORE, 6–17  
SYSTEM:DATA, 16–5  
SYSTEM:ERRor, 1–7  
SYSTEM:PRINT, 1–7  
SYSTEM:SETup, 16–18  
TAG, 6–18  
TAKenbranch, 6–19, 8–10  
TAVerage, 7–17, 13–22, 14–17  
TCONtrol, 6–20, 12–19  
TERM, 6–22, 12–21  
THReshold, 5–17, 11–8  
TIMER, 6–22, 12–21  
TMAXimum, 7–18, 13–22, 14–17  
TMINimum, 7–18, 13–23, 14–18  
TPOSITION, 6–23, 8–10, 12–22, 13–24  
TYPE, 3–10  
VAXis, 9–6  
VRUNs, 7–19, 13–24, 14–18  
XCONdition, 13–25, 14–19  
XOTag, 7–19, 14–19  
XOTime, 4–13, 7–20, 13–25, 14–20



- XPATtern,7-21, 13-26, 14-21  
 XSEarch,7-22, 13-27, 14-22  
 XStAte,4-13, 7-22, 14-22  
 XTAG,7-23, 14-23  
 XTime,4-14, 13-28  
 query program example,17-22
- R**
- RANGe command,15-7  
 RANGe command/query,4-12, 6-14 to 6-15, 8-8, 10-10, 12-15 to 12-16, 13-19  
 REMove command,4-12, 5-12, 7-15, 8-9, 11-7, 13-19, 14-15, 15-8  
 REName command/query,3-8  
 RESource command/query,3-9  
 RMODE,1-7  
 RUNTil command/query,7-16, 10-11 to 10-12, 13-20, 14-16
- S**
- SCHart selector,9-4  
 SCHart Subsystem,9-1, 9-3 to 9-6  
 Section data,16-6  
 Section data format,16-4  
 Section header,16-6  
 SElect,1-6  
 SElect command,1-3  
 SEquence command/query,6-16, 12-17  
 SET command,10-13  
 SETup,16-17  
 SFORmat selector,5-6  
 SFORmat Subsystem,5-1, 5-3 to 5-17  
 SLAVe command/query,5-14  
 SLISt selector,7-7  
 SLISt Subsystem,7-1, 7-3 to 7-23  
 SPERiod command/query,12-18, 13-21  
 STArt,1-6  
 state analyzer  
   program example,17-5  
 STOP,1-7  
 STORe command/query,6-17  
 STRace selector,6-9  
 STRigger selector,6-9  
 STRigger/STRace Subsystem,6-1, 6-3 to 6-23  
 STTRace selector,12-8  
 Subsystem  
   COMPare,10-2
- MACHine,3-2  
 SCHart,9-2  
 SFORmat,5-1, 5-3 to 5-17  
 SLISt,7-1, 7-3 to 7-23  
 STRigger/STRace,6-1, 6-3 to 6-23  
 SWAVeform,8-2  
 SYMBol,15-1, 15-3 to 15-8  
 TFORmat,11-1, 11-3 to 11-8  
 TLISt,14-1, 14-3 to 14-23  
 TTRigger/TTRace,12-1, 12-3 to 12-22  
 TWAVeform,13-1, 13-3 to 13-28  
 WLiSt,4-1, 4-3 to 4-14  
 SWAVeform selector,8-4  
 SWAVeform Subsystem,8-1, 8-3 to 8-10  
 SYMBol selector,15-5  
 SYMBol Subsystem,15-1, 15-3 to 15-8  
 Syntax Diagram  
   COMPare Subsystem,10-3  
   MACHine Subsystem,3-3  
   SCHart Subsystem,9-3  
   SFORmat Subsystem,5-3  
   SLISt Subsystem,7-3  
   STRigger Subsystem,6-3 to 6-5  
   SWAVeform Subsystem,8-3  
   SYMBol Subsystem,15-3  
   TFORmat Subsystem,11-3  
   TLISt Subsystem,14-3  
   TTRigger Subsystem,12-3  
   TWAVeform Subsystem,13-3 to 13-4  
   WLiSt Subsystem,4-3  
 SYSTem:DATA,16-4 to 16-5  
 SYSTem:DATA command program example,17-17  
 SYSTem:DATA query program example,17-17  
 SYSTem:ERROR,1-7  
 SYSTem:PRINT,1-7  
 SYSTem:SETup,16-17 to 16-18  
 SYSTem:SETup command program example,17-14  
 SYSTem:SETup query program example,17-14
- T**
- TAG command/query,6-18  
 TAKenbranch command/query,6-19, 8-9  
 TAVerage query,7-17, 13-22, 14-17  
 TCONtrol command/query,6-20, 12-19
- TERM command/query,6-21, 12-20  
 TFORmat selector,11-4  
 TFORmat Subsystem,11-1, 11-3 to 11-8  
 THReshold command/query,5-16 to 5-17, 11-8  
 time tag data description,16-13 to 16-14  
 TIMER command/query,6-22, 12-21  
 timing analyzer  
   program example,17-3  
 TLISt selector,14-7  
 TLISt Subsystem,14-1, 14-3 to 14-23  
 TMAXimum query,7-18, 13-22, 14-17  
 TMINimum query,7-18, 13-23, 14-18  
 TPOsition command/query,6-23, 8-10, 12-22, 13-23  
 TTRigger selector,12-8  
 TTRigger/TTRace Subsystem,12-1, 12-3 to 12-22  
 TWAVeform selector,13-7  
 TWAVeform Subsystem,13-1, 13-3 to 13-28  
 TYPE command/query,3-10
- V**
- VAXis command/query,9-6  
 VRUNs query,7-19, 13-24, 14-18
- W**
- WIDTh command,15-8  
 WLiSt selector,2-6, 4-4  
 WLiSt Subsystem,4-1, 4-3 to 4-14
- X**
- XCONdition command/query,13-25, 14-19  
 XOTag query,7-19, 14-19  
 XOTime query,4-13, 7-20, 13-25, 14-20  
 XPATtern command/query,7-20, 13-26, 14-20  
 XSEarch command/query,7-21, 13-27, 14-21  
 XStAte query,4-13, 7-22, 14-22  
 XTAG command/query,7-23, 14-23  
 XTime command/query,4-14, 13-28



© Copyright Hewlett-Packard Company 1987, 1990, 1993  
All Rights Reserved.

Reproduction, adaptation, or translation without prior written permission is prohibited, except as allowed under the copyright laws.

#### Document Warranty

The information contained in this document is subject to change without notice.

**Hewlett-Packard makes no warranty of any kind with regard to this material, including, but not limited to, the implied warranties of merchantability or fitness for a particular purpose.**

Hewlett-Packard shall not be liable for errors contained herein or for damages in connection with the furnishing, performance, or use of this material.

#### Safety

This apparatus has been designed and tested in accordance with IEC Publication 348, Safety Requirements for Measuring Apparatus, and has been supplied in a safe condition. This is a Safety Class I instrument (provided with terminal for protective earthing). Before applying power, verify that the correct safety precautions are taken (see the following warnings). In addition, note the external markings on the instrument that are described under "Safety Symbols."

#### Warning

- Before turning on the instrument, you must connect the protective earth terminal of the instrument to the protective conductor of the (mains) power cord. The mains plug shall only be inserted in a socket outlet provided with a protective earth contact. You must not negate the protective action by using an extension cord (power cable) without a protective conductor (grounding). Grounding one conductor of a two-conductor outlet is not sufficient protection.
- Only fuses with the required rated current, voltage, and specified type (normal blow, time delay, etc.) should be used. Do not use repaired fuses or short-circuited fuseholders. To do so could cause a shock or fire hazard.
- Service instructions are for trained service personnel. To avoid dangerous electric shock, do not perform any service unless qualified to do so. Do not attempt internal service or adjustment unless another person, capable of rendering first aid and resuscitation, is present.
- If you energize this instrument by an auto transformer (for voltage reduction), make sure the common terminal is connected to the earth terminal of the power source.
- Whenever it is likely that the ground protection is impaired, you must make the instrument inoperative and secure it against any unintended operation.
- Do not operate the instrument in the presence of flammable gasses or fumes. Operation of any electrical instrument in such an environment constitutes a definite safety hazard.
- Do not install substitute parts or perform any unauthorized modification to the instrument.
- Capacitors inside the instrument may retain a charge even if the instrument is disconnected from its source of supply.
- Use caution when exposing or handling the CRT. Handling or replacing the CRT shall be done only by qualified maintenance personnel.

#### Safety Symbols



Instruction manual symbol: the product is marked with this symbol when it is necessary for you to refer to the instruction manual in order to protect against damage to the product.



Hazardous voltage symbol.



Earth terminal symbol: Used to indicate a circuit common connected to grounded chassis.

#### WARNING

The Warning sign denotes a hazard. It calls attention to a procedure, practice, or the like, which, if not correctly performed or adhered to, could result in personal injury. Do not proceed beyond a Warning sign until the indicated conditions are fully understood and met.

#### CAUTION

The Caution sign denotes a hazard. It calls attention to an operating procedure, practice, or the like, which, if not correctly performed or adhered to, could result in damage to or destruction of part or all of the product. Do not proceed beyond a Caution symbol until the indicated conditions are fully understood or met.

### **Product Warranty**

This Hewlett-Packard product has a warranty against defects in material and workmanship for a period of one year from date of shipment. During the warranty period, Hewlett-Packard Company will, at its option, either repair or replace products that prove to be defective.

For warranty service or repair, this product must be returned to a service facility designated by Hewlett-Packard.

For products returned to Hewlett-Packard for warranty service, the Buyer shall prepay shipping charges to Hewlett-Packard and Hewlett-Packard shall pay shipping charges to return the product to the Buyer. However, the Buyer shall pay all shipping charges, duties, and taxes for products returned to Hewlett-Packard from another country.

Hewlett-Packard warrants that its software and firmware designated by Hewlett-Packard for use with an instrument will execute its programming instructions when properly installed on that instrument. Hewlett-Packard does not warrant that the operation of the instrument software, or firmware will be uninterrupted or error free.

### **Limitation of Warranty**

The foregoing warranty shall not apply to defects resulting from improper or inadequate maintenance by the Buyer, Buyer-supplied software or interfacing, unauthorized modification or misuse, operation outside of the environmental specifications for the product, or improper site preparation or maintenance.

No other warranty is expressed or implied. Hewlett-Packard specifically disclaims the implied warranties of merchantability or fitness for a particular purpose.

### **Exclusive Remedies**

The remedies provided herein are the buyer's sole and exclusive remedies. Hewlett-Packard shall not be liable for any direct, indirect, special, incidental, or consequential damages, whether based on contract, tort, or any other legal theory.

### **Assistance**

Product maintenance agreements and other customer assistance agreements are available for Hewlett-Packard products. For any assistance, contact your nearest Hewlett-Packard Sales Office.

### **Certification**

Hewlett-Packard Company certifies that this product met its published specifications at the time of shipment from the factory. Hewlett-Packard further certifies that its calibration measurements are traceable to the United States National Institute of Standards and Technology, to the extent allowed by the Institute's calibration facility, and to the calibration facilities of other International Standards Organization members.

### **About this edition**

This is the first edition of the *HP 16550A Programmer's Guide*.

Publication number  
16560-97000

Printed in USA.

Edition dates are as follows:

First edition, April 1993

New editions are complete revisions of the manual. Update packages, which are issued between editions, contain additional and replacement pages to be merged into the manual by you. The dates on the title page change only when a new edition is published.

A software or firmware code may be printed before the date. This code indicates the version level of the software or firmware of this product at the time the manual or update was issued. Many product updates do not require manual changes; and, conversely, manual corrections may be done without accompanying product changes. Therefore, do not expect a one-to-one correspondence between product updates and manual updates.

The following list of pages gives the date of the current edition and of any changed pages to that edition.

All pages original edition



HEWLETT<sup>®</sup>  
PACKARD

Hewlett-Packard  
Printed in the USA