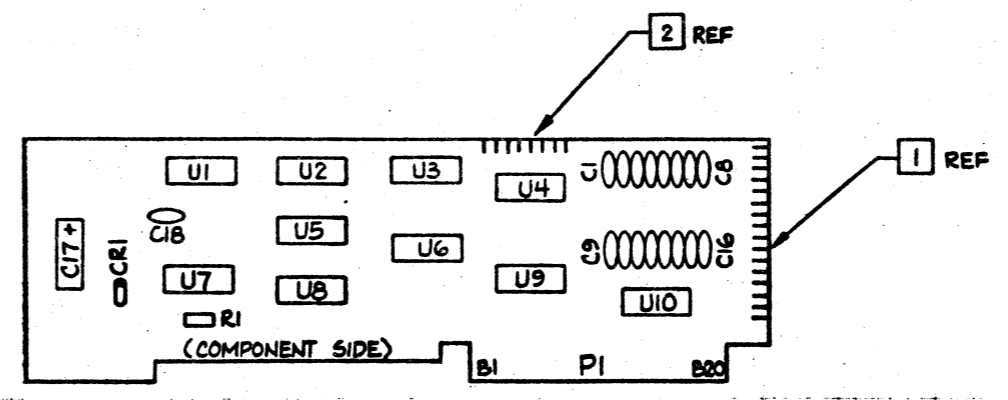
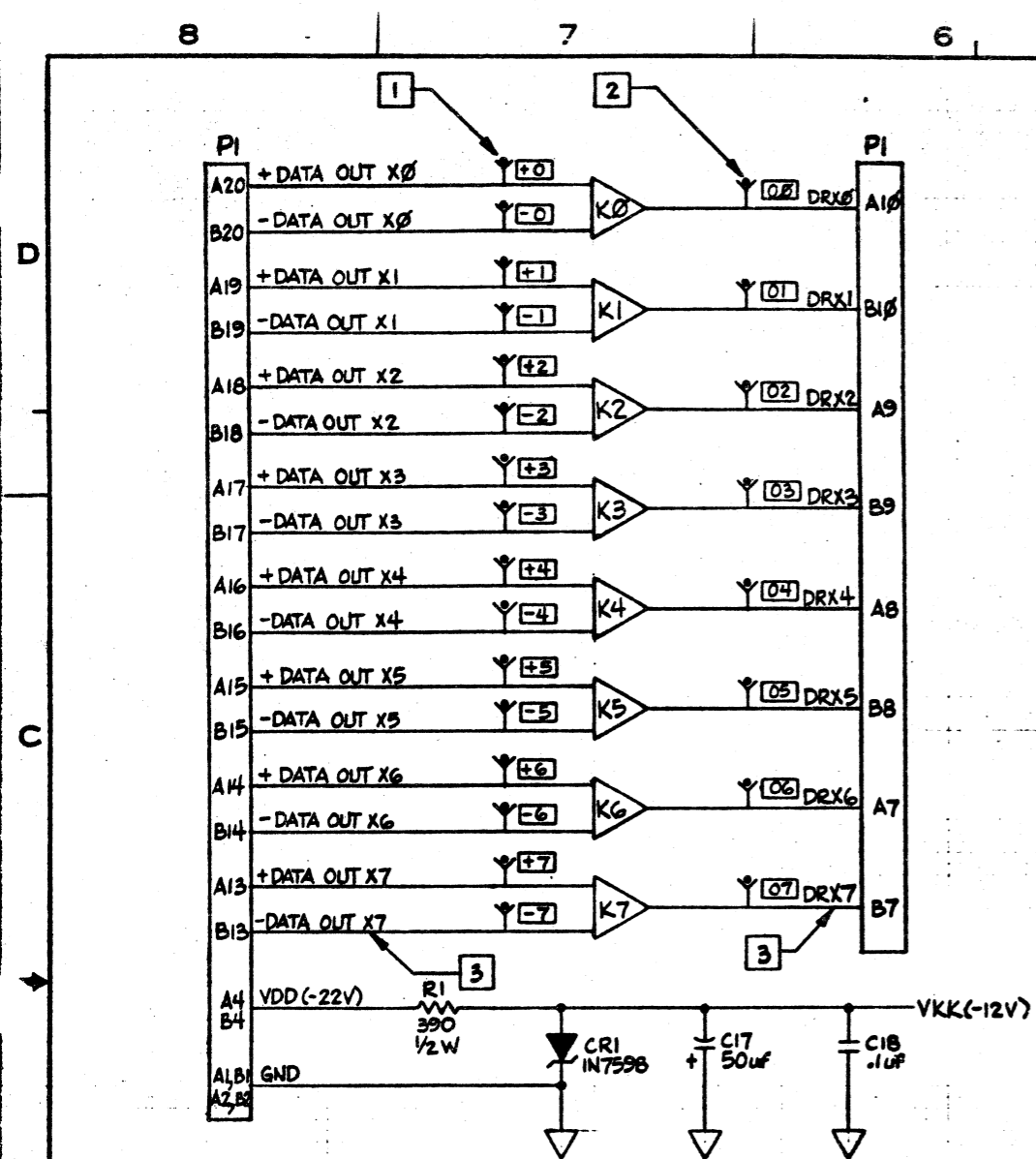


REVISIONS				
ZONE	BY	DESCRIPTION	BY	DATE
A		RELEASED TO PCO 5445		1-2-81



- NOTES:
- INPUT TEST POINTS. K.B. DATA FROM DATA JUMPER PRINTED CIRCUIT BOARD.
  - OUTPUT TEST POINTS. TO K.B. DATA HEADER PLUG (JT1)
  - X = QUADRANT NUMBER = 0, 1, 2 OR 3; IT IS DETERMINED BY THE LOCATION OF THIS PRINTED CIRCUIT BOARD ON THE TERMINAL DISTRIBUTION BOARD.

DATA REC LOCATION	QUADRANT NUMBER
J55 (DR0)	0
J56 (DR1)	1
J61 (DR2)	2
J62 (DR3)	3

ITEM NO.	QTY	PART NUMBER	REF. DES.	DESCRIPTION
				SCALE: NONE
				DATE: 1-19-81
				DATE: 1-14-81
				DATE: 1-14-81
UNLESS OTHERWISE SPECIFIED ALL DIMENSIONS INCHES TOLERANCES:				
DECIMAL .XX ±	FRACTIONAL =	ANGULAR =		
FOUR-PHASE SYSTEMS, INC. ©				KEYBOARD DATA RECEIVER CARD
D 9001272X-27 A				SHEET 1 OF 1 REV.