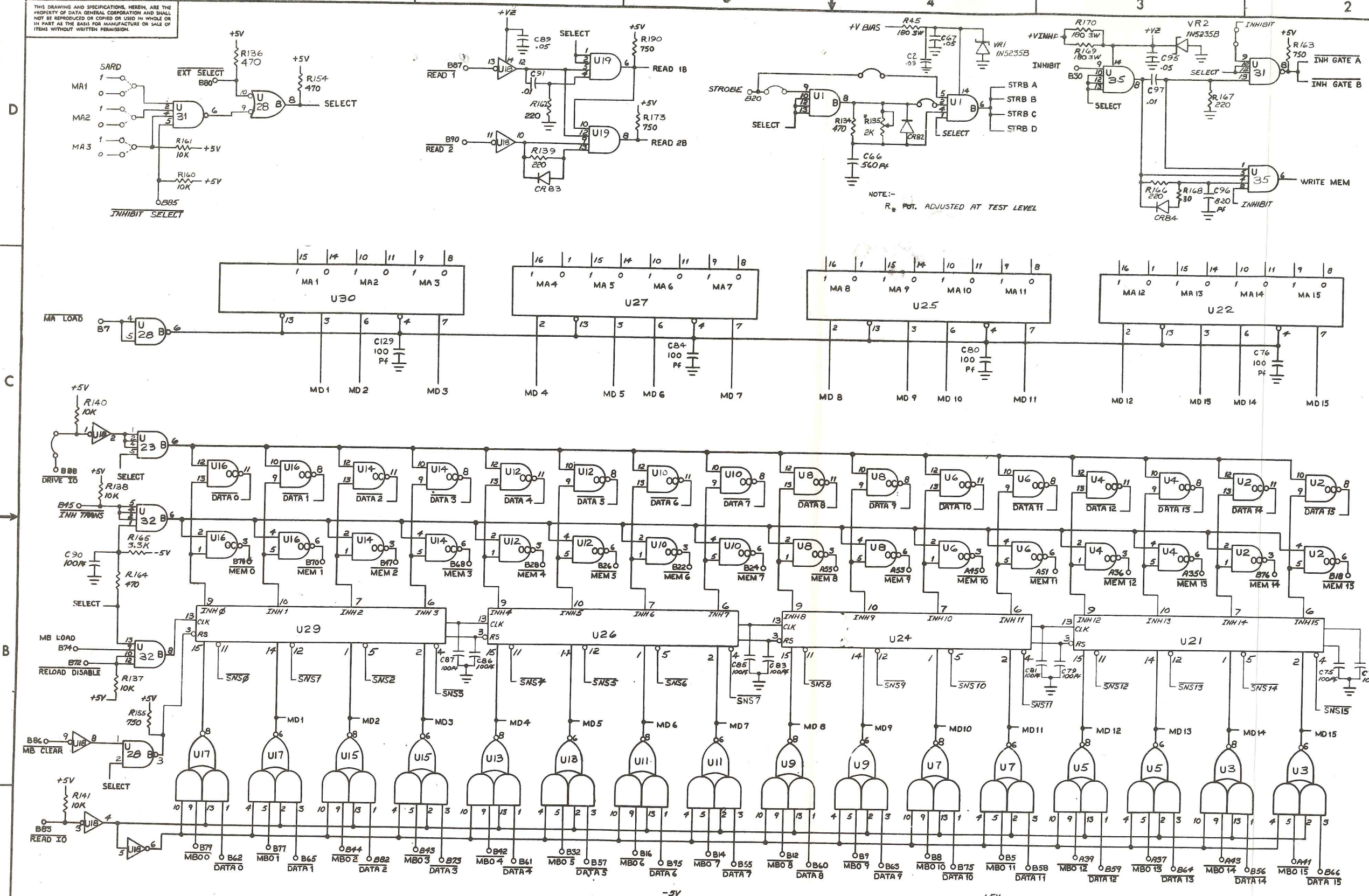


THIS DRAWING AND SPECIFICATIONS, HEREIN, ARE THE PROPERTY OF DATA GENERAL CORPORATION AND SHALL NOT BE REPRODUCED OR COPIED OR USED IN WHOLE OR IN PART AS THE BASIS FOR MANUFACTURE OR SALE OF ITEMS WITHOUT WRITTEN PERMISSION.

REVISIONS				
REV.	DESCRIPTION	DRFTG	APP BY	DATE
00				
01	PER ECO 4155	JD		2-1-78



NOTE:-  
R<sub>2</sub> POT. ADJUSTED AT TEST LEVEL

NOTE: ALL CAPACITORS ARE IN MICROFARADS, AND ALL RESISTORS ARE IN OHMS, 1/4 WATT, WITH 5% TOLERANCE UNLESS OTHERWISE SPECIFIED.

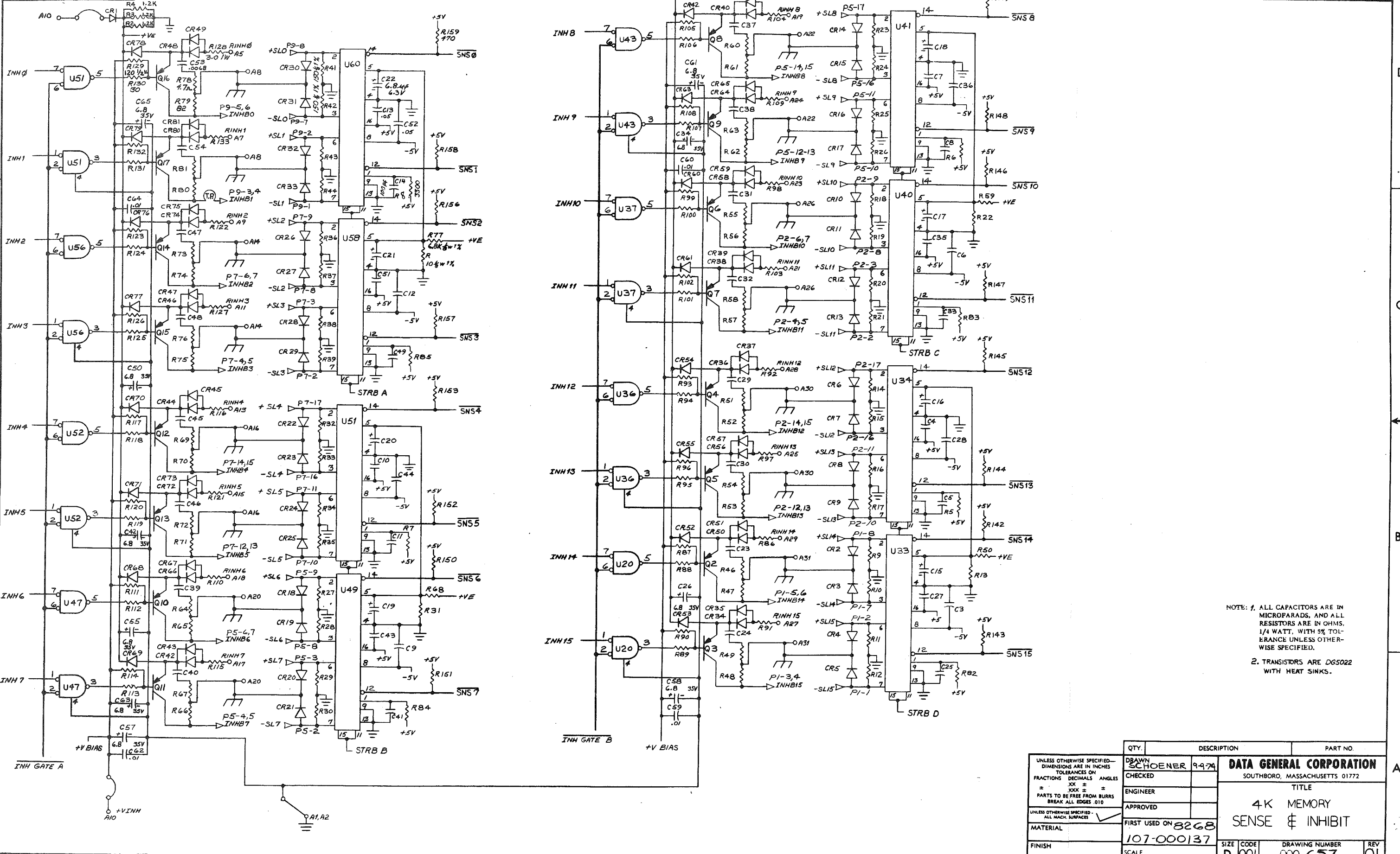
QTY.	DESCRIPTION	PART NO.
	DRAWN	SCHOENER 9-9-74
	CHECKED	
	ENGINEER	
	APPROVED	
	FIRST USED ON	8268
		107-000137
	SCALE	

UNLESS OTHERWISE SPECIFIED - DIMENSIONS ARE IN INCHES TOLERANCES ON FRACTIONS DECIMALS ANGLES .XX ± .XXX ± .010 PARTS TO BE FREE FROM BURRS BREAK ALL EDGES .010		DATA GENERAL CORPORATION	
		SOUTHBORO, MASSACHUSETTS 01772	
MATERIAL		TITLE	
FINISH		4K MEMORY	
		MA & MB REGISTER & CONTROL	
		800, 820	
SIZE	CODE	DRAWING NUMBER	REV
D	001	000 657	01

THIS DRAWING AND SPECIFICATIONS, HEREIN, ARE THE PROPERTY OF DATA GENERAL CORPORATION AND SHALL NOT BE REPRODUCED OR COPIED OR USED IN WHOLE OR IN PART AS THE BASIS FOR MANUFACTURE OR SALE OF ITEMS WITHOUT WRITTEN PERMISSION.

REVISIONS			
REV.	DESCRIPTION	DRFTG	APP BY DATE



NOTE: 1. ALL CAPACITORS ARE IN MICROFARADS, AND ALL RESISTORS ARE IN OHMS, 1/4 WATT, WITH 5% TOLERANCE UNLESS OTHERWISE SPECIFIED.  
 2. TRANSISTORS ARE DG502 WITH HEAT SINKS.

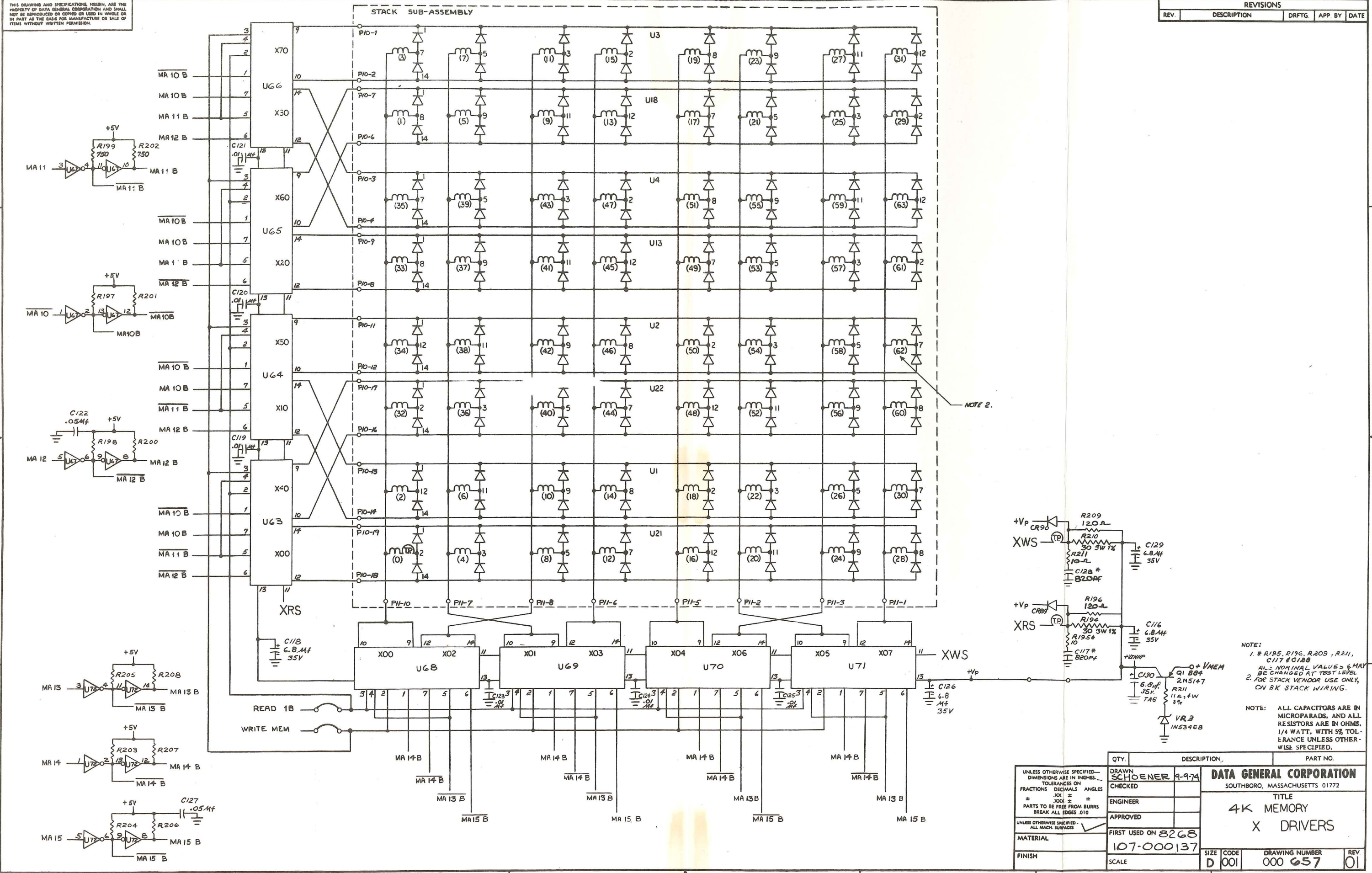
QTY.	DESCRIPTION	PART NO.

UNLESS OTHERWISE SPECIFIED— DIMENSIONS ARE IN INCHES FRACTIONS DECIMALS ANGLES CHECKED ± .005 ± .010 ± .020 PARTS TO BE FREE FROM BURRS BREAK ALL EDGES .010	<b>DRAWN</b> SCHOENER 9-9-74 <b>ENGINEER</b> <b>APPROVED</b> FIRST USED ON 8268 107-000137 <b>FINISH</b> SCALE	<b>DATA GENERAL CORPORATION</b> SOUTHBORO, MASSACHUSETTS 01772 <b>TITLE</b> 4K MEMORY SENSE & INHIBIT <b>DRAWING NUMBER</b> 000 657 <b>REV</b> 01
--	---	---

THIS DRAWING AND SPECIFICATIONS, HEREIN, ARE THE PROPERTY OF DATA GENERAL CORPORATION AND SHALL NOT BE REPRODUCED OR COPIED OR USED IN WHOLE OR IN PART AS THE BASIS FOR MANUFACTURE OR SALE OF ITEMS WITHOUT WRITTEN PERMISSION.

REVISIONS				
REV.	DESCRIPTION	DRFTG.	APP. BY	DATE



NOTE 2.

NOTE:  
 1. \* R195, R196, R205, R211, C117 & C128  
 ALL NOMINAL VALUES & MAY BE CHANGED AT TEST LEVEL  
 2. FOR STACK VENDOR USE ONLY, CN BK STACK WIRING.

NOTE: ALL CAPACITORS ARE IN MICROFARADS, AND ALL RESISTORS ARE IN OHMS, 1/4 WATT, WITH 5% TOLERANCE UNLESS OTHERWISE SPECIFIED.

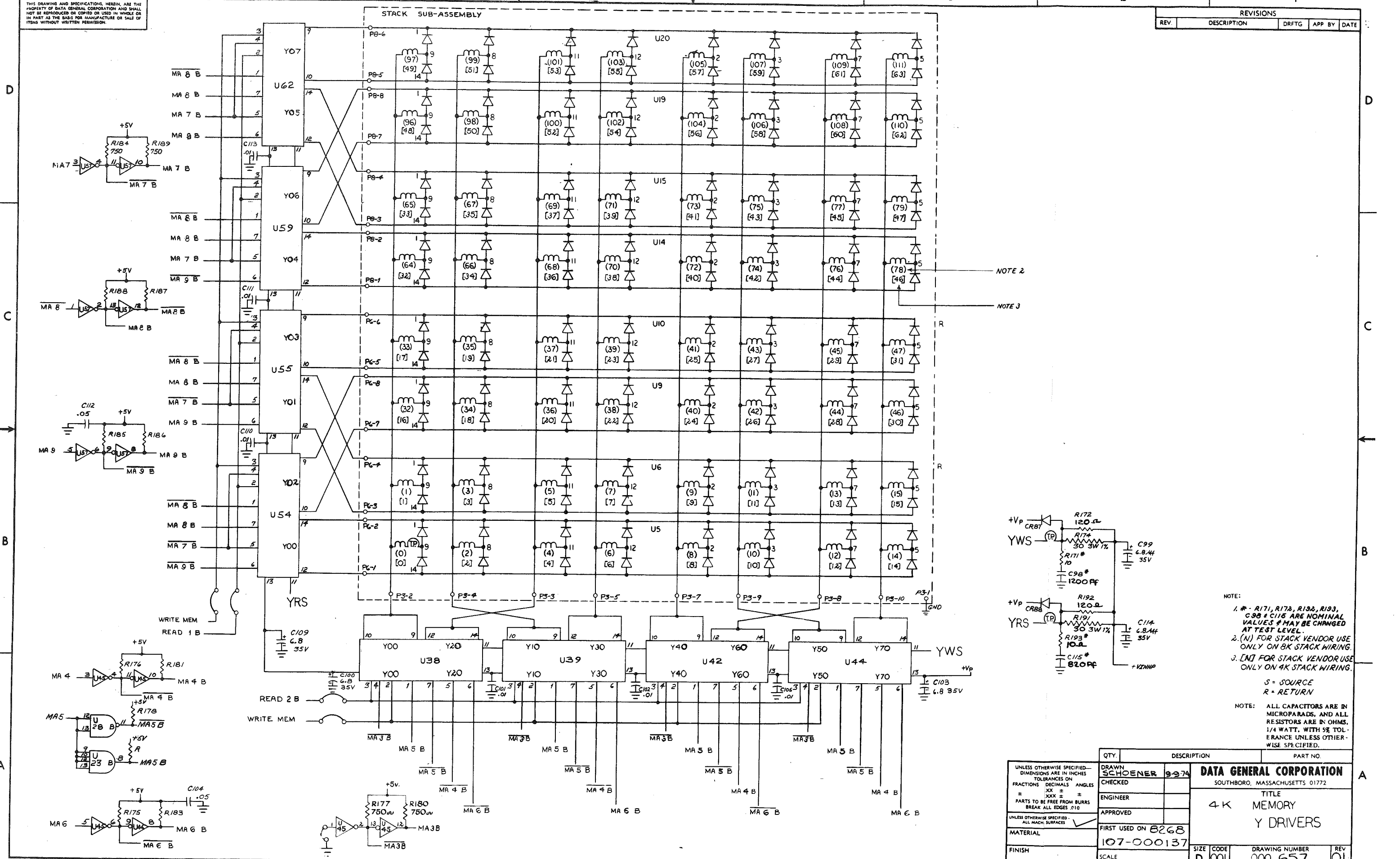
QTY.	DESCRIPTION	PART NO.

UNLESS OTHERWISE SPECIFIED— DIMENSIONS ARE IN INCHES— FRACTIONS DECIMALS ANGLES TOLERANCES ON X.XX ± .001 X.XX ± .005 PARTS TO BE FREE FROM BURRS BREAK ALL EDGES .010	DRAWN <b>SCHOENER</b> 9-9-74 CHECKED ENGINEER APPROVED	<b>DATA GENERAL CORPORATION</b> SOUTHBORO, MASSACHUSETTS 01772
MATERIAL	FIRST USED ON 8268	TITLE <b>4K MEMORY X DRIVERS</b>
FINISH	107-000137	DRAWING NUMBER 000 657
	SCALE	REV. 01

THIS DRAWING AND SPECIFICATIONS, HEREIN, ARE THE PROPERTY OF DATA GENERAL CORPORATION AND SHALL NOT BE REPRODUCED OR COPIED OR USED IN WHOLE OR IN PART AS THE BASIS FOR MANUFACTURE OR SALE OF ITEMS WITHOUT WRITTEN PERMISSION.

REVISIONS				
REV.	DESCRIPTION	DRFTG	APP BY	DATE



NOTE 2  
NOTE 3

NOTE:  
1. \* - R171, R172, R192, R193, C98 & C114 ARE NOMINAL VALUES & MAY BE CHANGED AT TEST LEVEL.  
2. (A) FOR STACK VENDOR USE ONLY ON 8K STACK WIRING.  
3. (N) FOR STACK VENDOR USE ONLY ON 4K STACK WIRING.

S = SOURCE  
R = RETURN

NOTE: ALL CAPACITORS ARE IN MICROPARADS, AND ALL RESISTORS ARE IN OHMS, 1/4 WATT, WITH 5% TOLERANCE UNLESS OTHERWISE SPECIFIED.

QTY.	DESCRIPTION	PART NO.

UNLESS OTHERWISE SPECIFIED— DIMENSIONS ARE IN INCHES— TOLERANCES ON FRACTIONS DECIMALS ANGLES XXX ± PARTS TO BE FREE FROM BURRS BREAK ALL EDGES .010	DRAWN SCHOENER 9-9-74 CHECKED ENGINEER APPROVED FIRST USED ON B268 107-000137 SCALE	<b>DATA GENERAL CORPORATION</b> SOUTHBORO, MASSACHUSETTS 01772 TITLE <b>4 K MEMORY Y DRIVERS</b>
UNLESS OTHERWISE SPECIFIED— ALL MACH SURFACES	SIZE D 001	DRAWING NUMBER 000 657
FINISH	SCALE	REV 01