





DRAWING NO.	NO. OF SHTS.	PART NO.	DESCRIPTION	REVISIONS															
				A1	A2	A1	A2												
		L0008-YA	PARTS REVISION	A1	A2	A1	A2												
		L0008-YB	PARTS REVISION	A1	A2	B1	B2												
		L0008-YC	PARTS REVISION	A1	A2	B1	B2												
E-MD-5015549-0-0	7		DRILL AND ETCH DRAWING	A	B	B	B												
		5015549-0	ETCH BOARD	B	B	B	B												
E-UA-L0008-0-YA	1		UNIT ASSEMBLY	A	A	A	A												
E-UA-L0008-0-YB	1		UNIT ASSEMBLY	A	A	A	A												
E-UA-L0008-0-YC	1		UNIT ASSEMBLY	A	A	A	A												
E-EC-5015549-0-0	2		ETCH CUT	A	A	A	A												
K-PL-L0008-0-DBP	3		PARTS LIST	A	A	B	B												
K-PG-L0008-0-DBI	-		P.C. DATABASE	B	B	B	B												
K-CS-L0008-0-01	1		SCHEMATIC	A	A	A	A												
K-CS-L0008-0-02	1		SCHEMATIC	A	A	A	A												
K-CS-L0008-0-03	1		SCHEMATIC	A	A	A	A												
K-CS-L0008-0-04	1		SCHEMATIC	A	A	A	A												
K-CS-L0008-0-05	1		SCHEMATIC	A	A	A	A												
K-CS-L0008-0-06	1		SCHEMATIC	A	A	A	A												
K-CS-L0008-0-07	1		SCHEMATIC	A	A	A	A												
K-CS-L0008-0-08	1		SCHEMATIC	A	A	A	A												
K-CS-L0008-0-09	1		SCHEMATIC	A	A	A	A												
K-CS-L0008-0-10	1		SCHEMATIC	A	A	A	A												
K-CS-L0008-0-11	1		SCHEMATIC	A	A	A	A												
K-CS-L0008-0-12	1		SCHEMATIC	A	A	A	A												
K-CS-L0008-0-13	1		SCHEMATIC	A	A	A	A												
K-CS-L0008-0-14	1		SCHEMATIC	A	A	A	A												
K-CS-L0008-0-15	1		SCHEMATIC	A	A	A	A												

**NOTES:**

REVISIONS		REV.
DATE	CHG NO.	
7-83	TW001	B
11-83	TW002	C
11-83	TW002	C

"THIS DRAWING AND SPECIFICATIONS, HEREIN, ARE THE PROPERTY OF DIGITAL EQUIPMENT CORPORATION AND SHALL NOT BE REPRODUCED OR COPIED OR USED IN WHOLE OR IN PART AS THE BASIS FOR THE MANUFACTURE OR SALE OF ITEMS WITHOUT WRITTEN PERMISSION.  
 COPYRIGHT © 1983 DIGITAL EQUIPMENT CORPORATION



USED ON OPTION/MODEL	DRN. <i>[Signature]</i> 11-24-83
	CHK'D. <i>[Signature]</i> 11-29-83
	ENG. <i>[Signature]</i> 11-29-83
	PROD. <i>[Signature]</i> 11-29-83

TITLE PCS			
SIZE B	CODE DD	NUMBER L0008-0	REV. C
SHEET 1 OF 2			





LINE ITEM	DOCUMENT NUMBER	PART NUMBER	DESCRIPTION	QTY PER VARIATION			REFERENCE DESIGNATOR
				YA	YB	YC	
1	42	5015549-00	DRILL AND ETCH	1	1	1	
2	1	1013466-22	.1 MFD 50V +80-20% Z5U CER	61	-	-	C7-C30,C32-C35,C37-C40,C42-C54,C57,C59-C63,C66-C75
		CONT		-	69	69	C7-C75
3	44	1017472-00	10 MFD 35V +50-10% AL EL	6	6	6	C1-C6
4	43	1216988-02	HANDLE,MODULE,HEX TWO EJECTORS	1	1	1	
5	37	1300247-00	120.0 .25 W 5.0 % CF	1	1	1	R46
6	34	1300309-00	390.0 .25 W 5.0 % CF	10	-	-	R23,R25,R27,R29,R31,R33,R35,R37,R39,R41
		CONT		-	20	-	R23,R25,R27,R29,R31,R33,R35,R37,R39,R41,R3,R5,R7,R9,R11,R13,R15,R17,R19,R21
		CONT		-	-	30	R23,R25,R27,R29,R31,R33,R35,R37,R39,R41,R3,R5,R7,R9,R11,R13,R15,R17,R19,R21,R51,R53,R55,R57,R59,R61,R63,R65,R67,R69
7	32	1300316-00	470.0 .25 W 5.0 % CF	5	5	5	R1,R43,R45,R47,R70
8	36	1301424-00	680.0 .25 W 5.0 % CF	1	1	1	R44
9	33	1301972-00	270.0 .25 W 5.0 % CF	10	-	-	R22,R24,R26,R28,R30,R32,R34,R36,R38,R40
		CONT		-	20	-	R22,R24,R26,R28,R30,R32,R34,R36,R38,R40,R2,R4,R6,R8,R10,R12,R14,R16,R18,R20
		CONT		-	-	30	R22,R24,R26,R28,R30,R32,R34,R36,R38,R40,R2,R4,R6,R8,R10,R12,R14,R16,R18,R20,R50,R52,R54,R56,R58,R60,R62,R64,R66,R68
10	38	1302379-00	75.0 .25 W 5.0 % CF	2	2	2	R48,R49
11	35	1311522-00	200.0 .25 W 5.0 % CF	1	1	1	R42
12	40	1503121-00	2N 2369 NPN 350MW SI	1	1	1	Q1

REVISION HISTORY		BASIC PART NO: L0008		DRN: R.LOVE	DATE: 15-NOV-82	D I G I T A L		
ENG: ECO NUMBER	REV	SECTION A OF A	SECTION VARIATION INDEX	CHK'D: F.GERRY	DATE: 15-NOV-82	TITLE PARTS LIST		
INITIAL SF	A	L0008-TW002	[A] YA,YB,YC	DES.ENG: J.STARK	DATE: 15-NOV-82	PCS 750		
	B		[B]	RESP.ENG.: J.STARK	DATE: 15-NOV-82	DOCUMENT NUMBER		
			[C]	MFG.ENG.: B.NEUMANN	DATE: 15-NOV-82	SIZE: K	CODE: PL	NUMBER: L0008-0-DBP
			[D]	ASSEMBLY NUMBER: E-UA-L0008-0-0	TOP DOCUMENT NUMBER: B-DD-L0008-0-0	FILE NAME: Z3928B.PLS	REV: B	EDIT #: 18
			[E]	"THIS DRAWING AND SPECIFICATIONS HEREIN, ARE THE PROPERTY OF DIGITAL EQUIPMENT CORPORATION AND SHALL NOT BE REPRODUCED OR COPIED OR USED IN WHOLE OR IN PART AS THE BASIS FOR THE MANUFACTURE OR SALE OF ITEMS WITHOUT WRITTEN PERMISSION. COPYRIGHT (C) 1983. DIGITAL EQUIPMENT CORPORATION "				
			[F]					
			[G]					
			[H]					
			[I]					
			[J]					
			[K]					
			[L]					
			[M]					
			[N]					

AUTOMATED BY PPT\_ST.4Q(50)

PARTS LIST

SHEET A2 OF A3

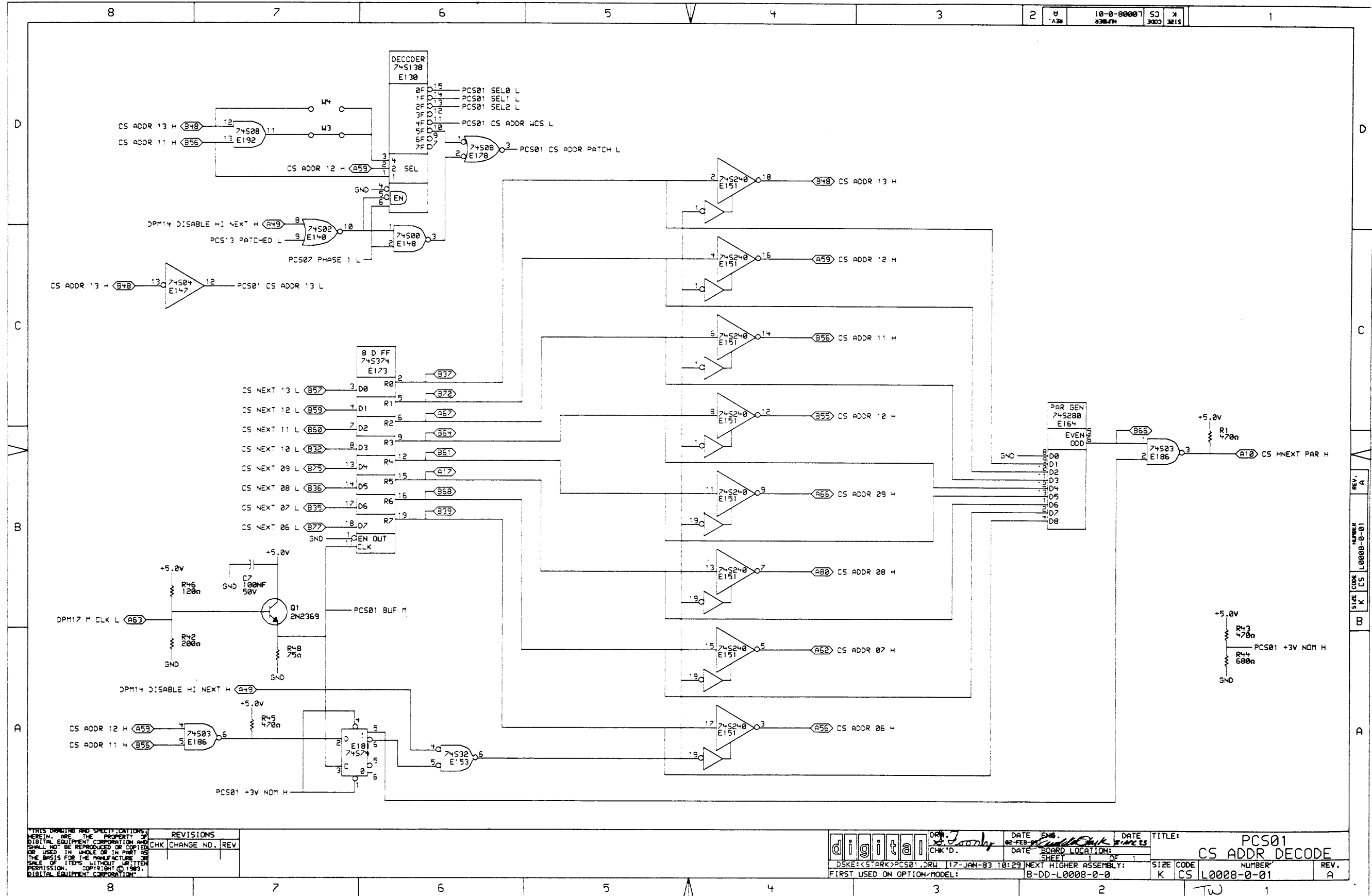
LINE	ITEM	DOCUMENT NUMBER	PART NUMBER	DESCRIPTION	QTY PER VARIATION			REFERENCE DESIGNATOR
					YA	YB	YC	
13	18		1811660-01	OSCILLATOR, XTAL 10.000 MHZ	1	1	1	E159
14	41		1811660-29	OSCILLATOR, XTAL 18.750 MHZ	1	1	1	E168
15	13		1910532-00	74S00 NAND GATE-QUAD 2IN	2	2	2	E148,E171
16	23		1910533-00	74S03 NAND GATE-QUAD 2IN,0	2	2	2	E175,E186
17	10		1910534-00	74S04 INVERTER GATE-HEX 1I	5	5	5	E139,E147,E162,E172,E190
18	20		1910536-00	74S10 NAND GATE-TRIPLE 3IN	2	2	2	E161,E170
19	27		1910544-00	74S74 FF-D DUAL,EDGE TRIGG	3	3	3	E181,E183,E188
20	29		1910546-00	74S140 NAND GATE-DUAL 4INPU	1	1	1	E187
21	19		1910547-00	74S153 MUX 1 OF 4 (DUAL)	6	6	6	E160,E167,E174,E176,E177,E191
22	14		1910549-00	74S158 MUX 1 OF 2 (QUAD)	6	6	6	E149,E156,E165,E166,E169,E185
23	22		1911573-00	74S280 PARITY GEN/CHKR,9BIT	1	1	1	E164
24	6		1911675-00	74S138 DECODER/DEMUX 3-8 LI	3	3	-	E119,E129,E130
			CONT		-	-	4	E119,E129,E130,E138
25	25		1911712-00	74S51 AND-OR GATE-INVERT D	1	1	1	E179
26	31		1911983-00	74S133 NAND GATE-POSITIVE 1	1	1	1	E195
27	11		1912388-00	74S02 NOR GATE-QUAD 2IN,PO	1	1	1	E140
28	24		1912389-00	74S08 AND GATE-QUAD 2IN,PO	2	2	2	E178,E192
29	7		1912746-00	DEC 74S37 NAND GATE-QUAD 2IN	3	3	3	E120,E121,E122
30	26		1912803-00	LS04 INVERTER GATE,HEX	1	1	1	E180
31	16		1912830-00	LS90 COUNTER,ASYNCH UP,DE	1	1	1	E152
32	8		1912872-00	LS377 FF-D 8BIT W/ENABLE	2	2	2	E128,E137
33	17		1913340-00	74S32 OR GATE-QUAD 2IN	1	1	1	E153
34	15		1913462-00	74S240 OCTAL BUFFER,INVERTI	1	1	1	E151
35	2		1913493-00	74S241 OCTAL BUFFER,TRI-STA	12	-	-	E1,E8,E28,E41,E54,E88,E101,E114, E132,E150,E155,E184
			CONT		-	22	22	E1,E6,E8,E16,E28,E33,E41,E46, E54,E59,E88,E93,E101,E109,E114, E123,E132,E141,E150,E155,E157, E184
36	21		1913671-00	74S374 FF-D,OCTAL,TR1 STATE	2	2	2	E163,E173
37	28		1914085-00	74S260 NOR GATE-DUAL,POS	2	2	2	E182,E196
38	12		1914868-00	FF-D QUAD, COMMON R	1	1	1	E146
39	9		1915193-00	LS244 DRIVER,LINE,OCTAL,T	1	1	1	E131
40	3		1915218-00	LS245 TRANSCEIVER,BUS,OCT	15	-	-	E2,E12,E24,E37,E50,E63,E67,E72, E76,E80,E92,E105,E118,E136,E154 E2,E7,E12,E20,E24,E32,E37,E45, E50,E58,E63,E67,E71,E72,E76,E80, E84,E92,E97,E105,E113,E118,E127, E136,E145,E154,E158 E189,E194
			CONT		-	27	27	E11,E19,E23,E31,E36,E44,E49,E57, E62,E70,E75,E83,E91,E96,E104, E112,E117,E126,E135,E144
41	30		2114523-00	4K MOS RAM 55NS 18PIN	2	2	2	E11,E19,E23,E31,E36,E44,E49,E57, E62,E70,E75,E83,E91,E96,E104, E112,E117,E126,E135,E144
42	5		2116957-03	1K MOS RAM 55NS 1	20	-	-	E11,E19,E23,E31,E36,E44,E49,E57, E62,E70,E75,E83,E91,E96,E104, E112,E117,E126,E135,E144,E9,E17, E21,E29,E34,E42,E47,E55,E60,E68, E73,E81,E89,E94,E102,E110,E115.
			CONT		-	40	-	E11,E19,E23,E31,E36,E44,E49,E57, E62,E70,E75,E83,E91,E96,E104, E112,E117,E126,E135,E144,E9,E17, E21,E29,E34,E42,E47,E55,E60,E68, E73,E81,E89,E94,E102,E110,E115.

D	I	G	I	T	A	L	TITLE	SECTION A OF A	SIZE	CODE	DOCUMENT NUMBER	REV
							PCS 750		K	PL	L0008-0-DBP	B

LINE	ITEM	DOCUMENT NUMBER	PART NUMBER	DESCRIPTION	QTY	PER	VARIATION	REFERENCE DESIGNATOR
					YA	YB	YC	
			CONT		-	-	60	CONT E124,E133,E142 E9,E10,E11,E17,E18,E19,E21,E22, CONT E23,E29,E30,E31,E34,E35,E36,E42, CONT E43,E44,E47,E48,E49,E55,E56,E57, CONT E60,E61,E62,E68,E69,E70,E73,E74, CONT E75,E81,E82,E83,E89,E90,E91,E94, CONT E95,E96,E102,E103,E104,E110, CONT E111,E112,E115,E116,E117,E124, CONT E125,E126,E133,E134,E135,E142, CONT E143,E144
43	4	B_LAN		*** THIS ITEM IS NOT USED ***	-	-	-	
44	45		23090F4-00	F4-01	1	1	1	E3
45	46		23091F4-00	F4-01	1	1	1	E4
46	47		23092F4-00	F4-01	1	1	1	E5
47	48		23093F4-00	F4-01	1	1	1	E13
48	49		23094F4-00	F4-01	1	1	1	E14
49	50		23095F4-00	F4-01	1	1	1	E15
50	51		23096F4-00	F4-01	1	1	1	E25
51	52		23097F4-00	F4-01	1	1	1	E26
52	53		23098F4-00	F4-01	1	1	1	E27
53	54		23099F4-00	F4-01	1	1	1	E38
54	55		23100F1-00	F1-01	1	1	1	E39
55	56		23101F4-00	F4-01	1	1	1	E40
56	57		23102F4-00	F4-01	1	1	1	E51
57	58		23103F4-00	F4-01	1	1	1	E52
58	59		23104F4-00	F4-01	1	1	1	E53
59	60		23105F4-00	F4-01	1	1	1	E64
60	61		23106F4-00	F4-01	1	1	1	E65
61	62		23107F4-00	F4-01	1	1	1	E66
62	63		23108F4-00	F4-01	1	1	1	E77
63	64		23109F4-00	F4-01	1	1	1	E78
64	65		23110F4-00	F4-01	1	1	1	E79
65	66		23111F4-00	F4-01	1	1	1	E85
66	67		23112F4-00	F4-01	1	1	1	E86
67	68		23113F4-00	F4-01	1	1	1	E87
68	69		23114F4-00	F4-01	1	1	1	E98
69	70		23115F4-00	F4-01	1	1	1	E99
70	71		23116F4-00	F4-01	1	1	1	E100
71	72		23117F4-00	F4-01	1	1	1	E106
72	73		23118F4-00	F4-01	1	1	1	E107
73	74		23119F4-00	F4-01	1	1	1	E108
74	39		9009185-00	JUMPER, WIRE, INSULATED, BLACK B	2	-	-	W1,W3
			CONT		-	2	-	W2,W4
			CONT		-	-	1	W4
75	75		9000024-01	EYELET,ROLLED 0.1210DX0.192	12	12	12	

D	I	G	I	T	A	L	TITLE	SECTION A	OF A	SIZE	CODE	DOCUMENT NUMBER	REV
CHK	HH	4					PCS 750			K	PL	L0008-0-DBP	B





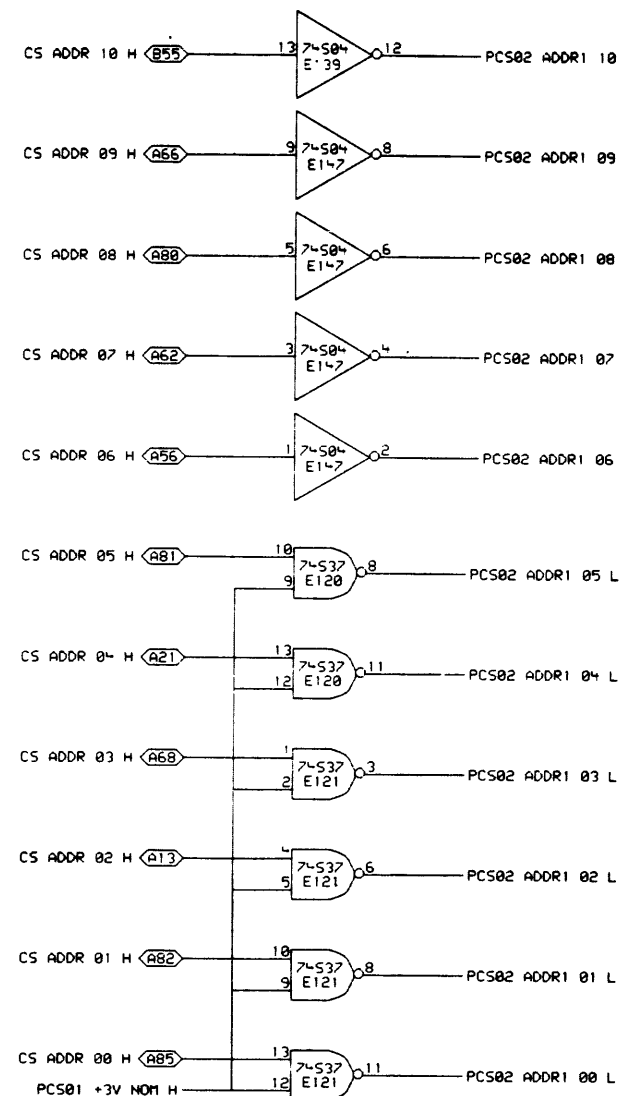
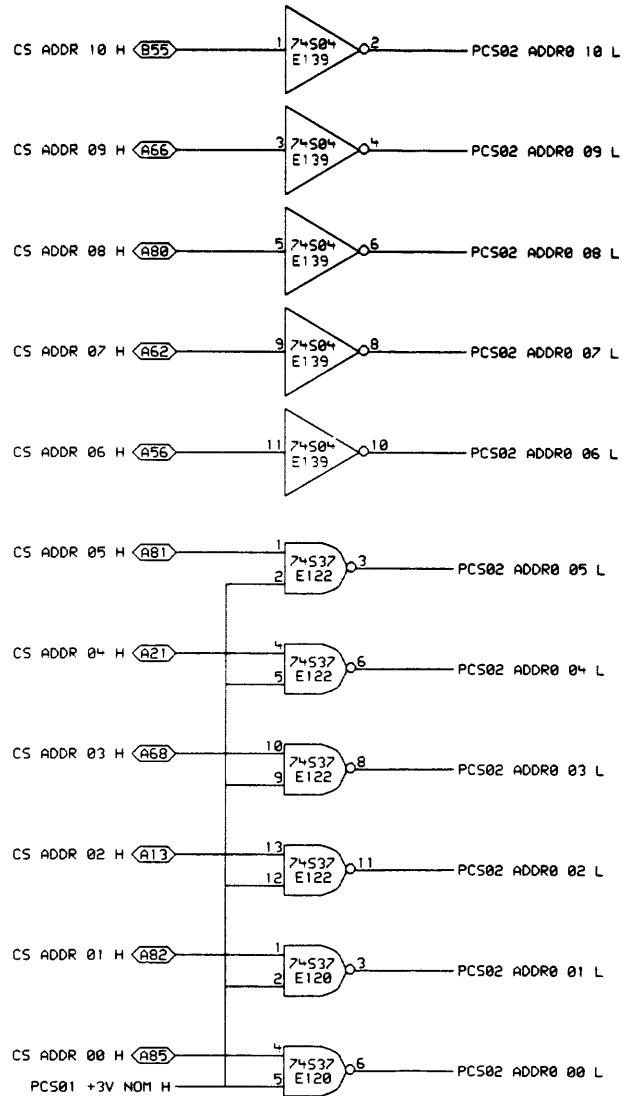
ALL DIMENSIONS AND SPECIFICATIONS HEREIN ARE THE PROPERTY OF DIGITAL EQUIPMENT CORPORATION AND SHALL NOT BE REPRODUCED OR COPIED OR USED IN WHOLE OR IN PART AS THE BASIS FOR THE MANUFACTURE OR SALE OF ITEMS WITHOUT WRITTEN PERMISSION. COPYRIGHT © 1987, DIGITAL EQUIPMENT CORPORATION.

REVISIONS	
CHK	CHANGE NO. REV

digit@	DATE ENG. 02-FEB-83	DATE 02-FEB-83	TITLE: PCS01 CS ADDR DECODE
CHK'D.	DATE BOARD LOCATION: 17-JAN-83 10:29	SHEET 1 OF 1	SIZE CODE NUMBER REV. K CS L0008-0-01 A
DSKE:CS\ARK>PCS01.JRW	NEXT HIGHER ASSEMBLY: B-DD-L0008-0-0		
FIRST USED ON OPTION/MODEL:			

TW

D  
 C  
 B  
 A



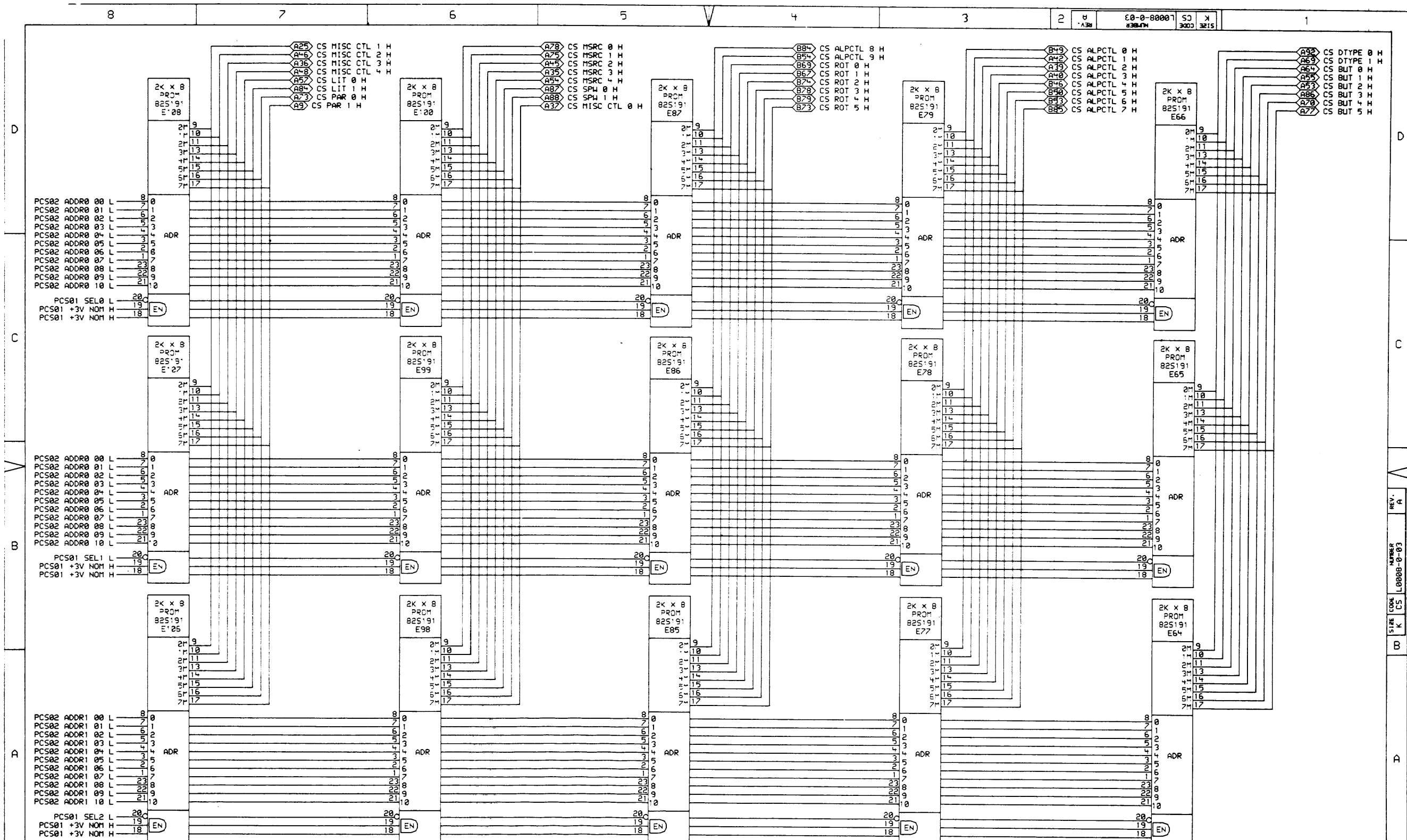
D  
 C  
 B  
 A

REV. A  
 NUMBER L0008-0-02  
 CS K

THIS DRAWING AND SPECIFICATIONS HEREIN ARE THE PROPERTY OF DIGITAL EQUIPMENT CORPORATION AND SHALL NOT BE REPRODUCED OR COPIED OR USED IN WHOLE OR IN PART AS THE BASIS FOR THE MANUFACTURE OR SALE OF ITEMS, WITHOUT WRITTEN PERMISSION. COPYRIGHT © 1983, DIGITAL EQUIPMENT CORPORATION.	
REVISIONS	
CHK	CHANGE NO. REV

<b>digital</b> DRAWN: <i>St. J. J. J.</i> CHK'D.	DATE ENG. 02-FEB-83	DATE 2/19/83	TITLE: PCS02 ADDRESS BUFFERS
	DATE BOARD LOCATION: SHEET 1 OF 1	NEXT HIGHER ASSEMBLY: B-DD-L0008-0-0	
DSKE: <<S>ARK> PCS02.DRW 17-JAN-83 10:30	FIRST USED ON OPTION/MODEL:	SIZE CODE K CS	NUMBER L0008-0-02

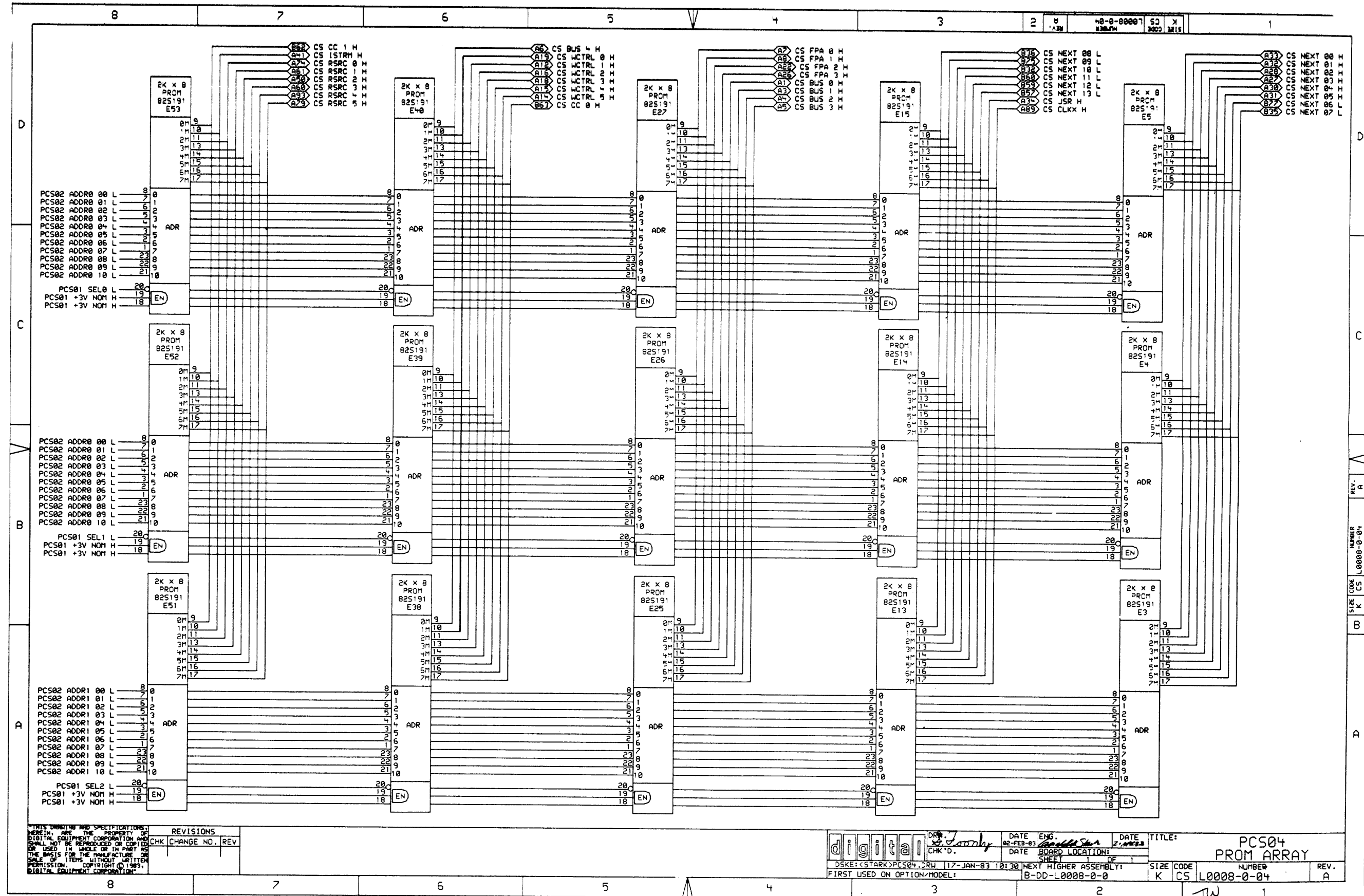
TW 1



THIS DRAWING AND SPECIFICATIONS HEREIN ARE THE PROPERTY OF DIGITAL EQUIPMENT CORPORATION AND SHALL NOT BE REPRODUCED OR COPIED OR USED IN WHOLE OR IN PART ON THE BASIS FOR THE MANUFACTURE OF ANY ITEMS WITHOUT WRITTEN PERMISSION. COPYRIGHT © 1981 DIGITAL EQUIPMENT CORPORATION

REVISIONS	
CHK	CHANGE NO. REV

	DATE ENG	DATE	TITLE:
	82-FEB-81	2/8/83	PCS03 PROM ARRAY
CHK'D.	DATE	BOARD LOCATION:	
		SHEET 1 OF 1	
OSKE:(STARK)PCS03.DRW 17-JAN-83 10:30 NEXT HIGHER ASSEMBLY:		SIZE CODE	NUMBER
FIRST USED ON OPTION/MODEL:		K CS	L0008-0-03
		REV.	A



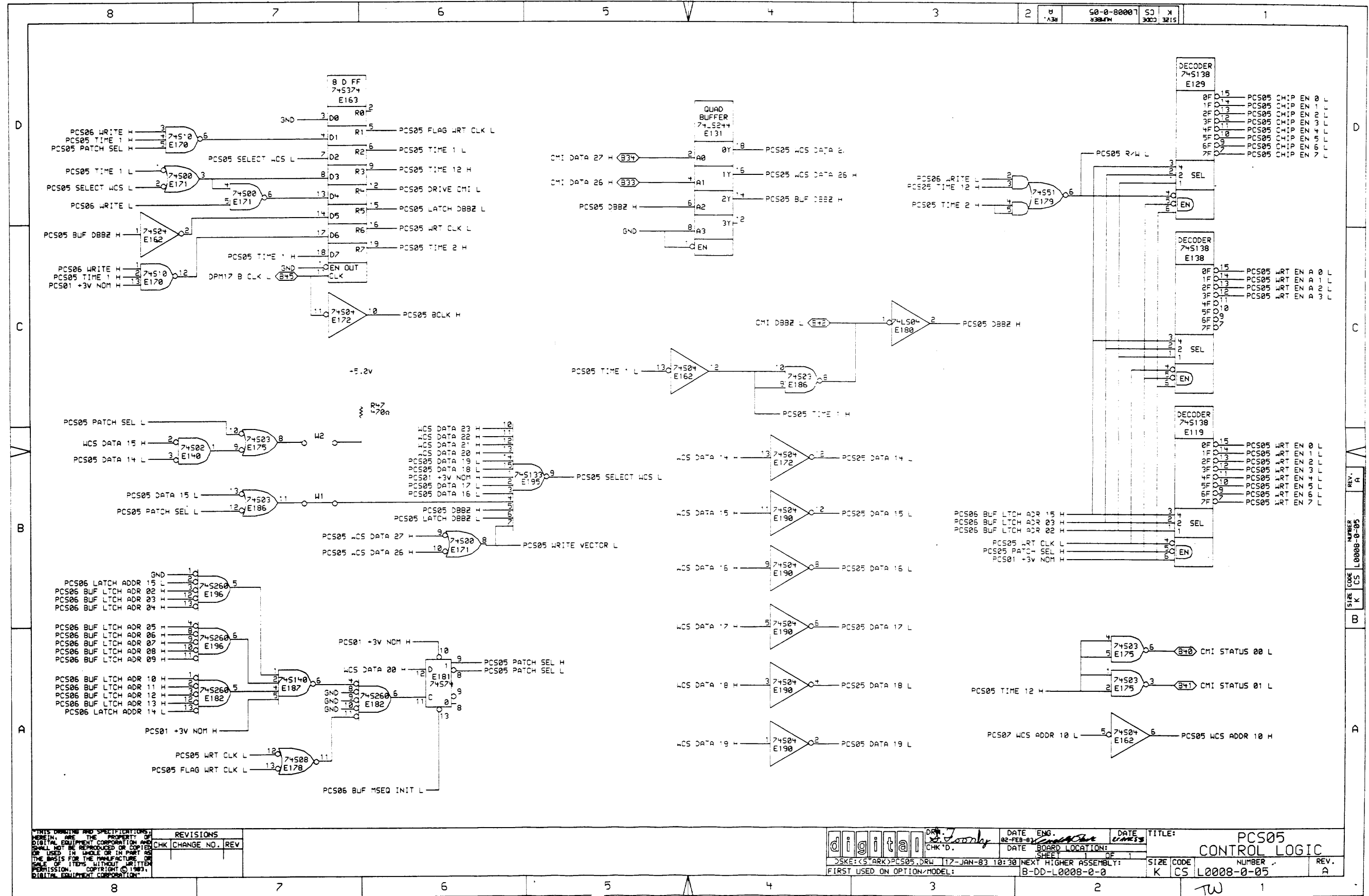
THIS DRAWING AND SPECIFICATIONS ARE THE PROPERTY OF DIGITAL EQUIPMENT CORPORATION AND SHALL NOT BE REPRODUCED OR COPIED OR USED IN WHOLE OR IN PART ON THE BASIS FOR THE MANUFACTURE OR SALE OF ITEMS WITHOUT WRITTEN PERMISSION. COPYRIGHT © 1983. DIGITAL EQUIPMENT CORPORATION.

REVISIONS  
CHK CHANGE NO. REV

digital  
DATE ENG. 02-FEB-83  
DATE BOARD LOCATION: 17-JAN-83 10:30  
SHEET 1 OF 1  
FIRST USED ON OPTION/MODEL: B-DD-L-0008-0-0

TITLE: PCS04 PROM ARRAY  
SIZE CODE NUMBER REV. K CS L0008-0-04 A

TW

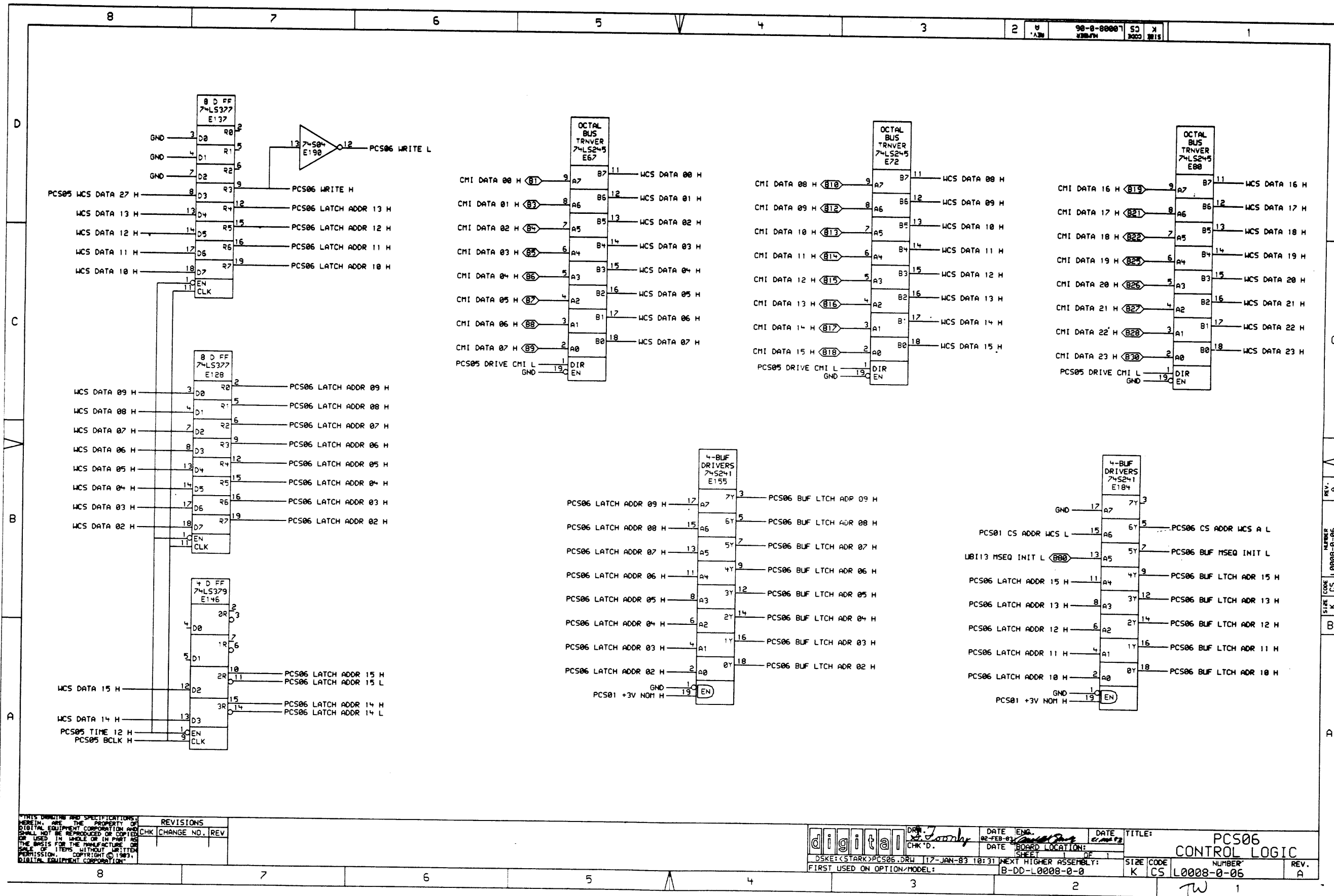


THIS DRAWING AND SPECIFICATIONS  
HEREIN ARE THE PROPERTY OF  
DIGITAL EQUIPMENT CORPORATION AND  
SHALL NOT BE REPRODUCED OR COPIED  
OR USED IN WHOLE OR IN PART AS  
THE BASIS FOR THE MANUFACTURE OR  
SALE OF ITEMS WITHOUT WRITTEN  
PERMISSION. COPYRIGHT © 1983  
DIGITAL EQUIPMENT CORPORATION

REV. NO.	DESCRIPTION	CHK	CHANGE NO.	REV.

digital	DATE ENG.	DATE	TITLE:	PCS05
	82-FEB-83	DATE	BOARD LOCATION:	CONTROL LOGIC
CSKE: (STARK) PCS05.DRW	12-JAN-83 10:30	NEXT HIGHER ASSEMBLY:	SIZE CODE	NUMBER
FIRST USED ON OPTION/MODEL:	B-DD-L0008-0-0		K CS	L0008-0-05
			REV.	A

TW 1

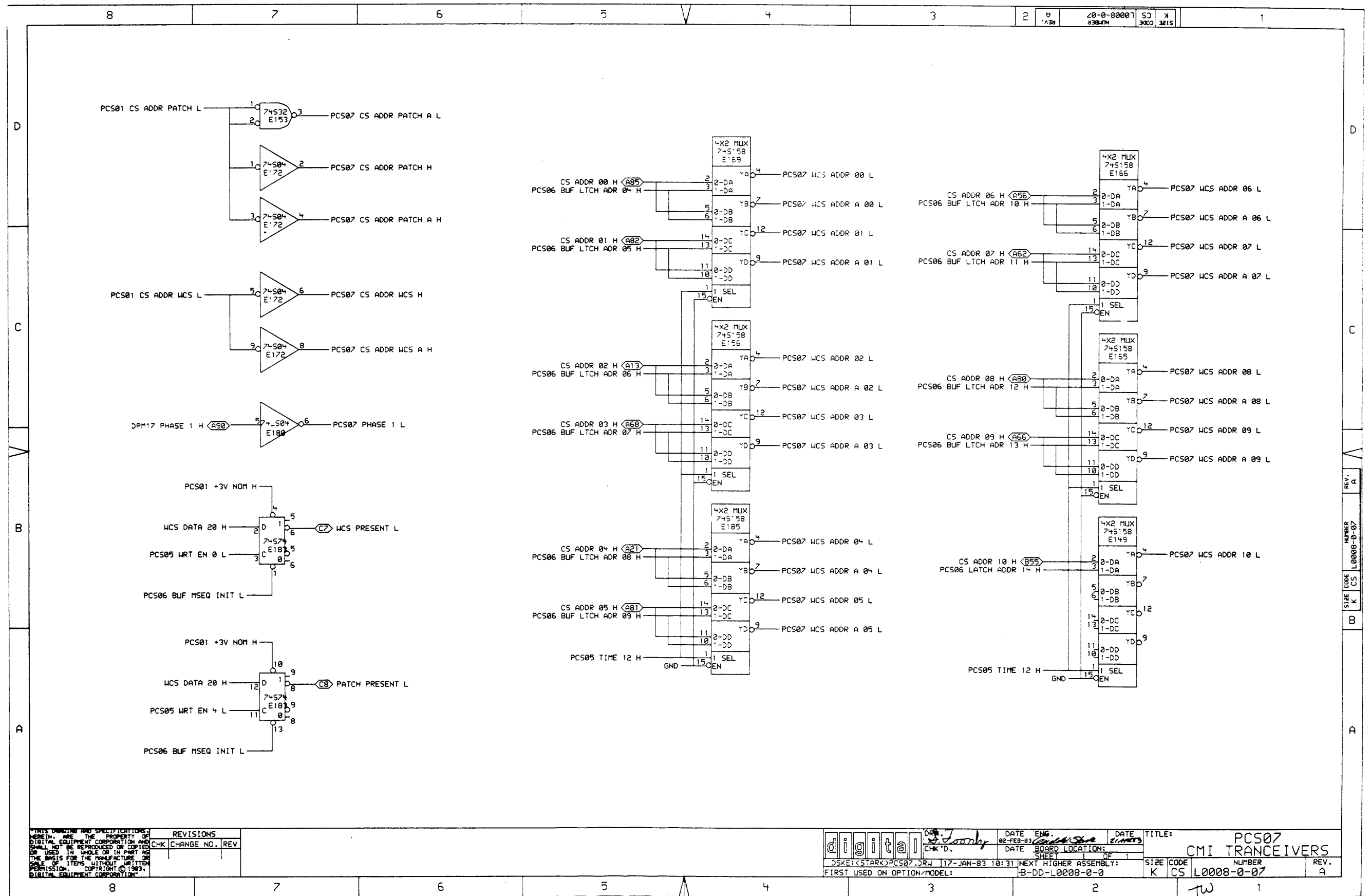


THIS DRAWING AND SPECIFICATIONS ARE THE PROPERTY OF DIGITAL EQUIPMENT CORPORATION AND SHALL NOT BE REPRODUCED OR COPIED OR USED IN WHOLE OR IN PART AS THE BASIS FOR THE MANUFACTURE OR SALE OF ITEMS WITHOUT WRITTEN PERMISSION. COPYRIGHT © 1982, DIGITAL EQUIPMENT CORPORATION.

REVISIONS		
CHK	CHANGE NO.	REV

	DATE ENG. <i>02-FEB-83</i>	DATE <i>02-FEB-83</i>	TITLE: PCS06 CONTROL LOGIC
	DATE <i>02-FEB-83</i>	BOARD LOCATION: <i> </i>	NUMBER: L0008-0-06
DSKE: <STARK>PCS06.DRW	117-JAN-83 10:31	NEXT HIGHER ASSEMBLY: B-DD-L0008-0-0	SIZE CODE: K CS
FIRST USED ON OPTION/MODEL: <i> </i>			REV. A

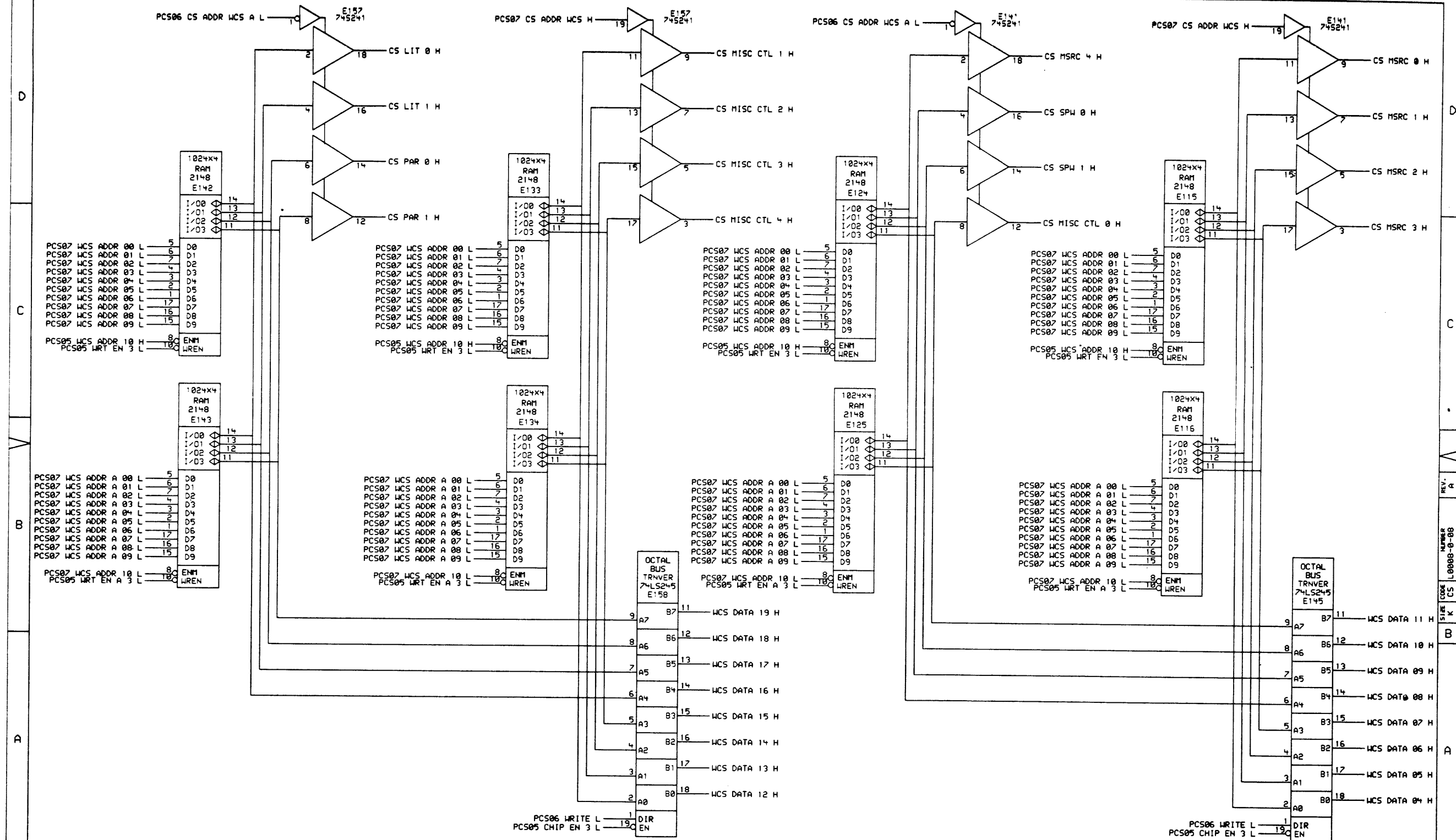
REV. A  
NUMBER L0008-0-06  
SIZE CODE CS



THIS DRAWING AND SPECIFICATIONS HEREIN ARE THE PROPERTY OF DIGITAL EQUIPMENT CORPORATION AND SHALL NOT BE REPRODUCED OR COPIED OR USED IN WHOLE OR IN PART AS THE BASIS FOR THE MANUFACTURE OR SALE OF ITEMS WITHOUT WRITTEN PERMISSION. COPYRIGHT © 1983, DIGITAL EQUIPMENT CORPORATION.

REVISIONS	
CHK	CHANGE NO. REV

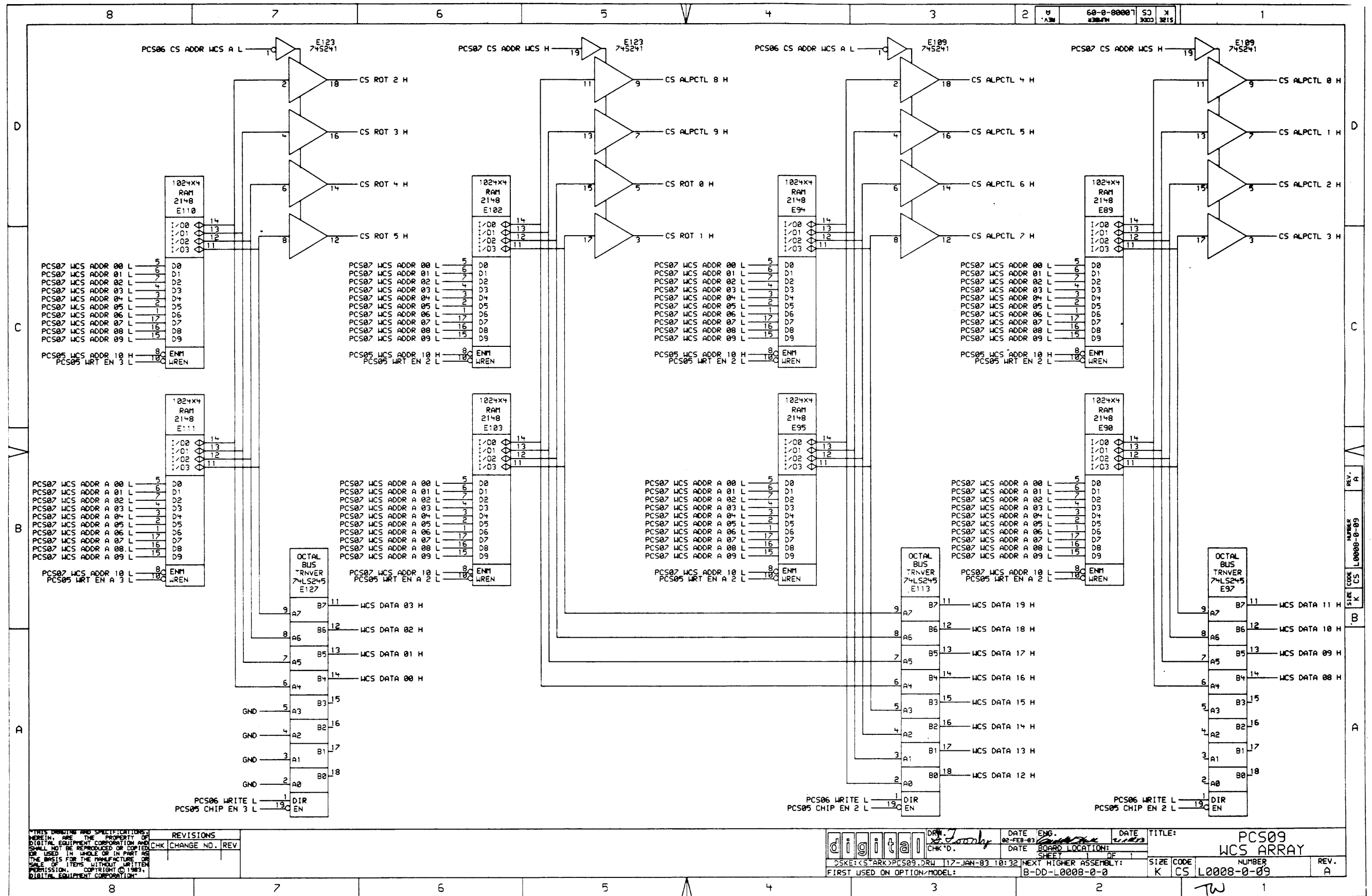
DIGITAL	DATE ENG. 02-FEB-83	DATE 01-MAR-83	TITLE: PCS07 CMI TRANCEIVERS
	CHK'D. <i>[Signature]</i>	DATE BOARD LOCATION: SHEET 1 OF 1	SIZE CODE NUMBER REV. K CS L0008-0-07 A
DSKE: (STARK) PCS07.DRW 17-JAN-83 10:31 NEXT HIGHER ASSEMBLY: B-DD-L0008-0-0			tw 1



REVISIONS	
CHK	CHANGE NO. REV

DATE: 82-FEB-83	ENG: [Signature]	DATE: 2/83	TITLE: PCS08 WCS ARRAY
DATE: 12-JAN-83 10:31	CHK'D: [Signature]	BOARD LOCATION: 1	SIZE CODE: K
DSKE: <STARK> PCS08.DRW	FIRST USED ON OPTION/MODEL: B-DD-L0008-0-0	NEXT HIGHER ASSEMBLY: B-DD-L0008-0-0	NUMBER: CS L0008-0-08
			REV: A

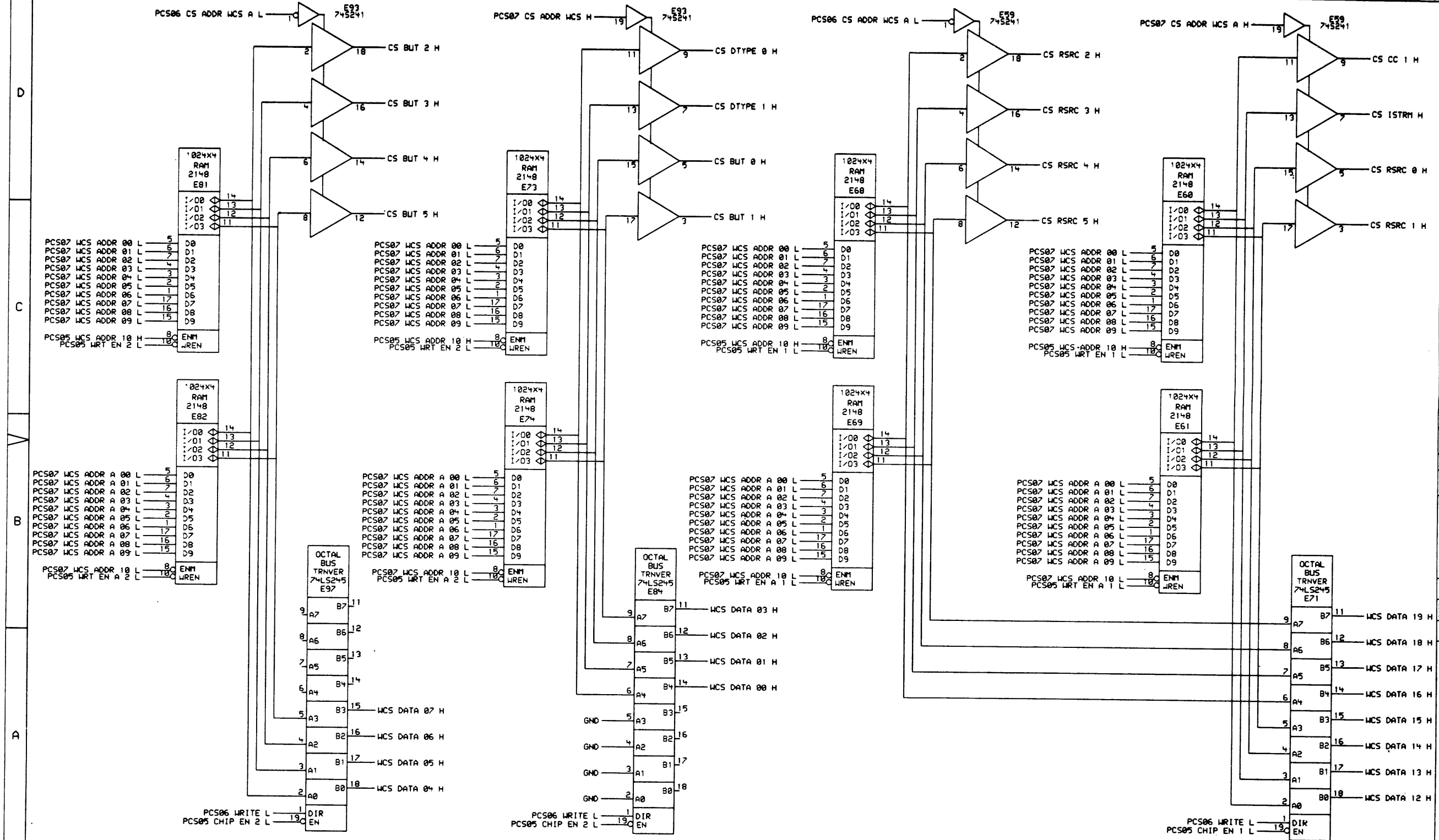


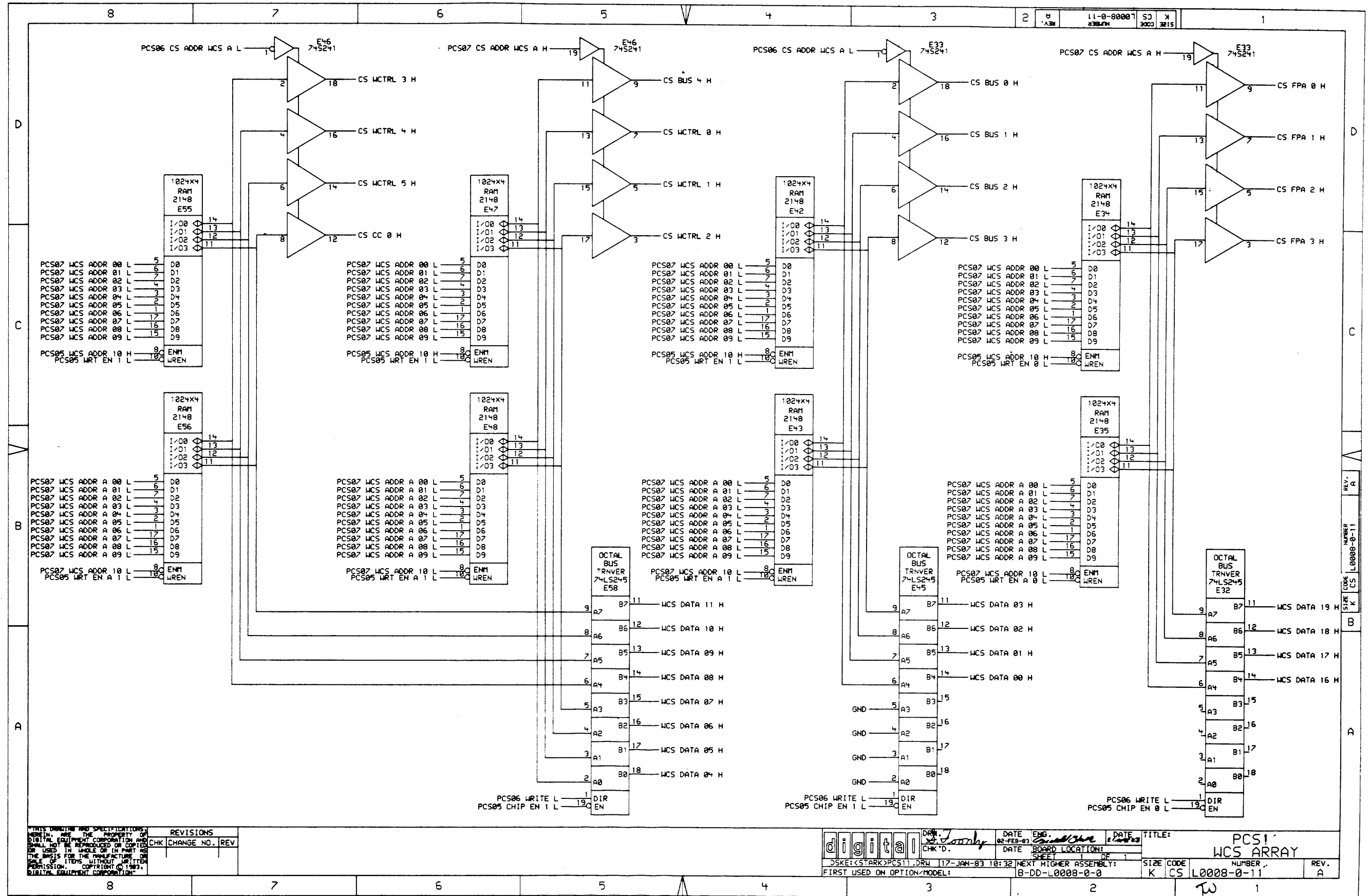


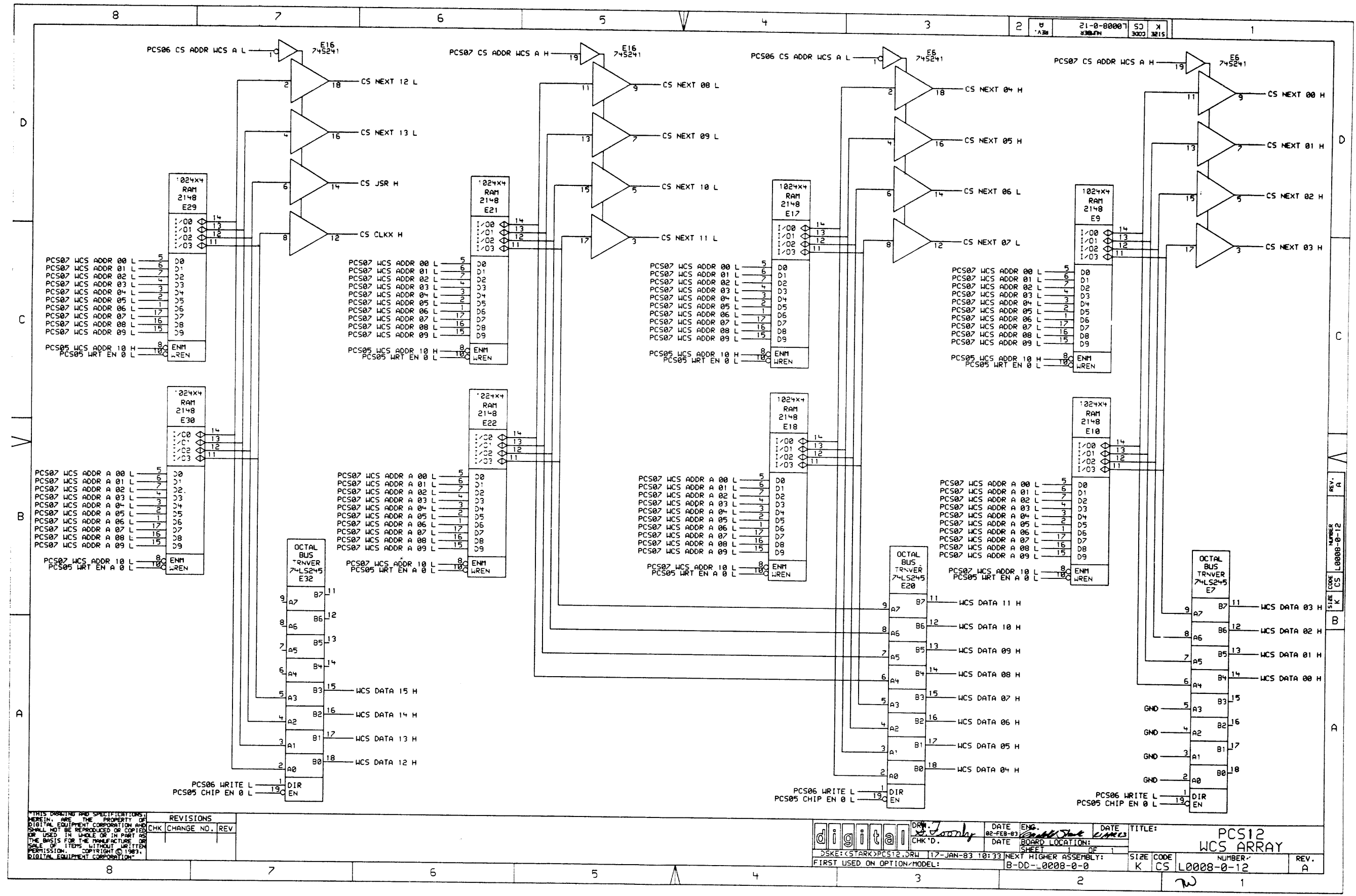
THIS DRAWING AND SPECIFICATIONS HEREIN ARE THE PROPERTY OF DIGITAL EQUIPMENT CORPORATION AND SHALL NOT BE REPRODUCED OR COPIED OR USED IN WHOLE OR IN PART AS THE BASIS FOR THE MANUFACTURE OR SALE OF ITEMS WITHOUT WRITTEN PERMISSION. COPYRIGHT © 1983, DIGITAL EQUIPMENT CORPORATION.

REVISIONS	
CHK	CHANGE NO. REV

	DATE ENG. 02-FEB-83	DATE	TITLE: PCS09 WCS ARRAY
	DATE BOARD LOCATION: 17-JAN-83 10:32	SHEET	NUMBER L0008-0-09
DSKE: <S>ARK>PCS09.DRW		NEXT HIGHER ASSEMBLY: B-DD-L0008-0-0	SIZE CODE K CS
FIRST USED ON OPTION/MODEL:			REV. A



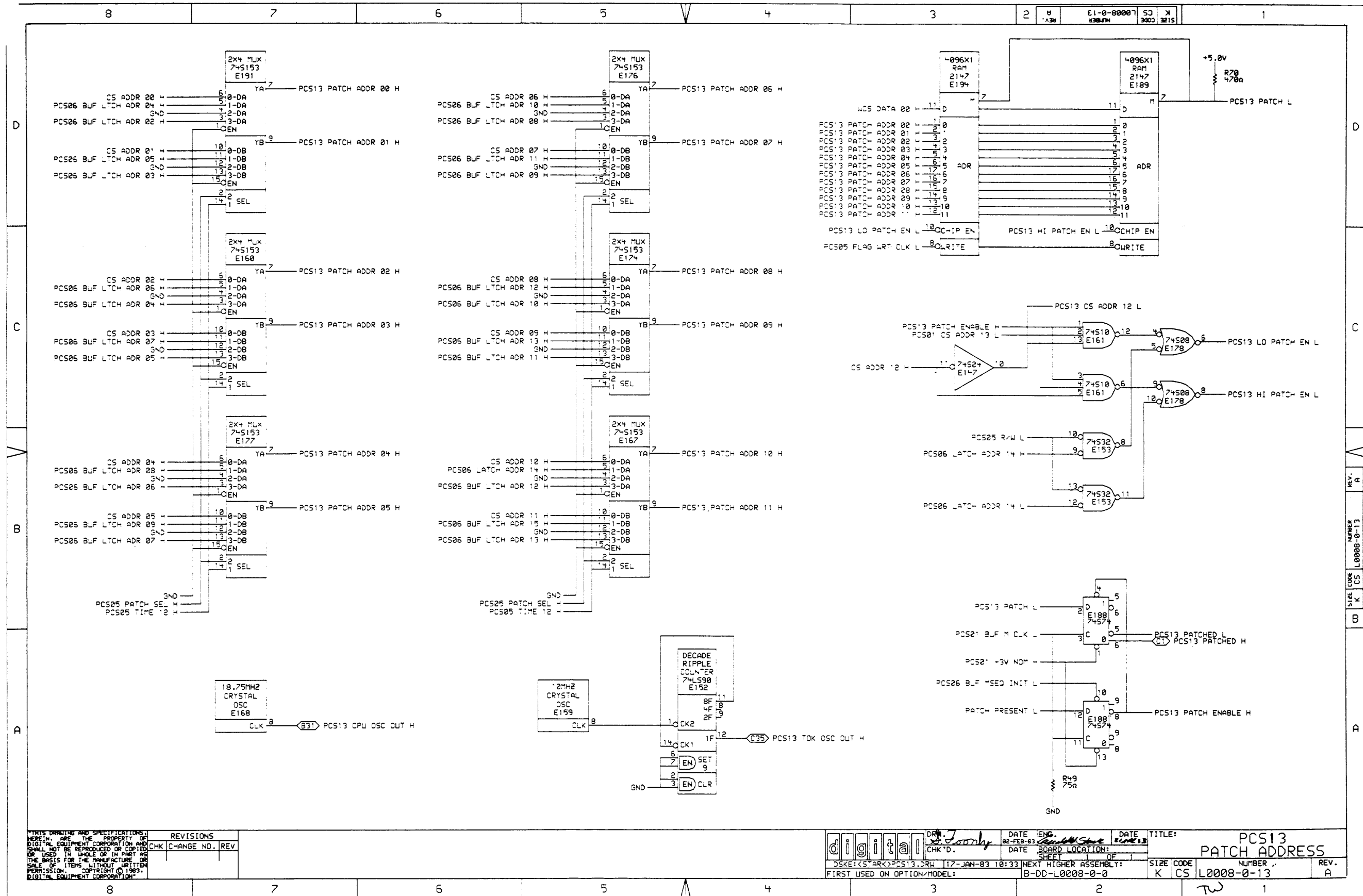




THIS DRAWING AND SPECIFICATIONS ARE THE PROPERTY OF DIGITAL EQUIPMENT CORPORATION AND SHALL NOT BE REPRODUCED OR COPIED OR USED IN WHOLE OR IN PART AS THE BASIS FOR THE MANUFACTURE OR SALE OF ITEMS WITHOUT WRITTEN PERMISSION. COPYRIGHT © 1983, DIGITAL EQUIPMENT CORPORATION.

REVISIONS	
CHK	CHANGE NO. REV

<b>digital</b> DATE: 02-FEB-83 DATE: 17-JAN-83 10:33 FIRST USED ON OPTION/MODEL: B-DD-L0008-0-0	ENG: <i>[Signature]</i> BOARD LOCATION: <i>[Signature]</i> SHEET: 1 OF 1	TITLE: PCS12 WCS ARRAY
	SIZE CODE: K CS L0008-0-12	NUMBER: 1

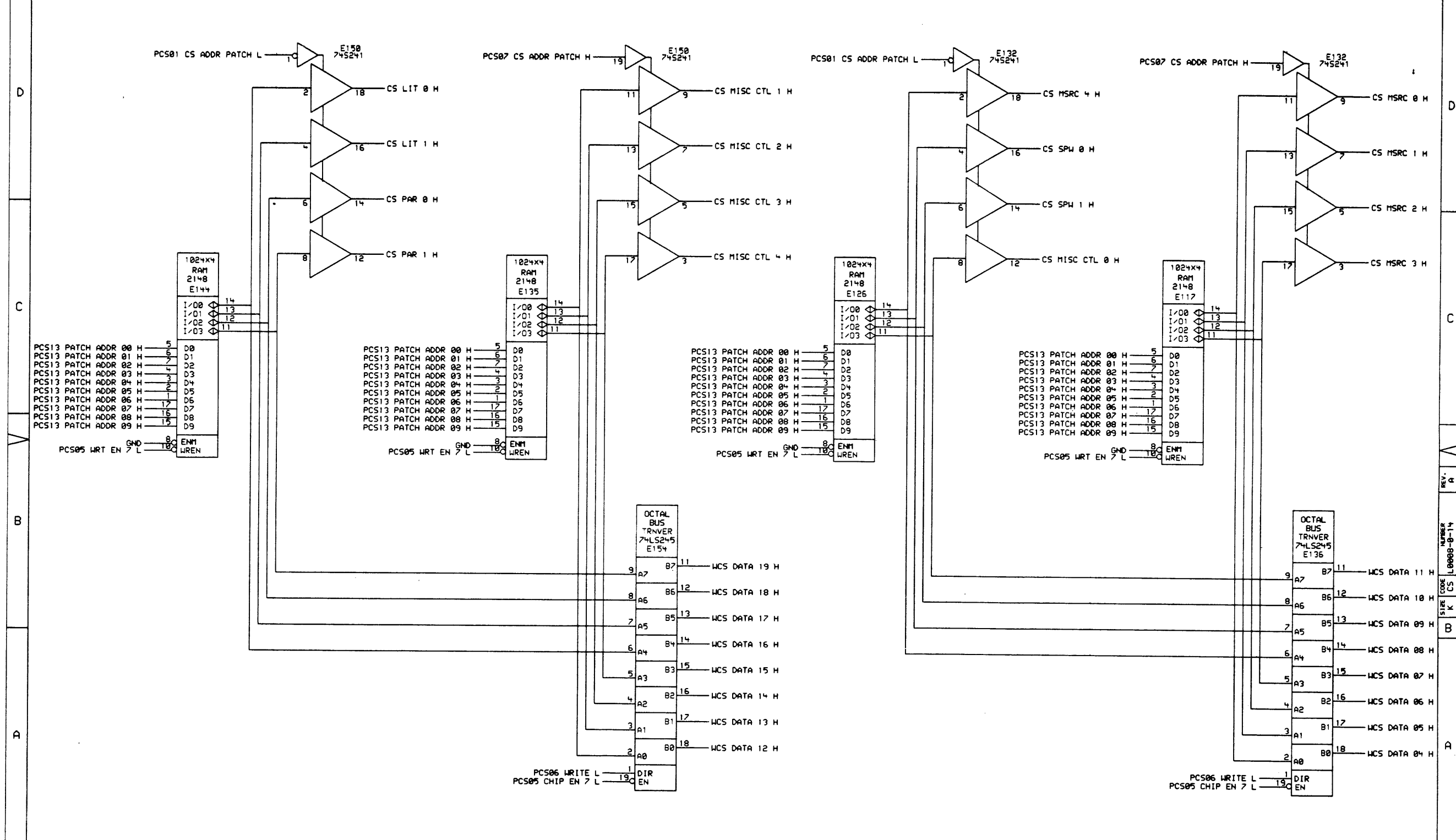


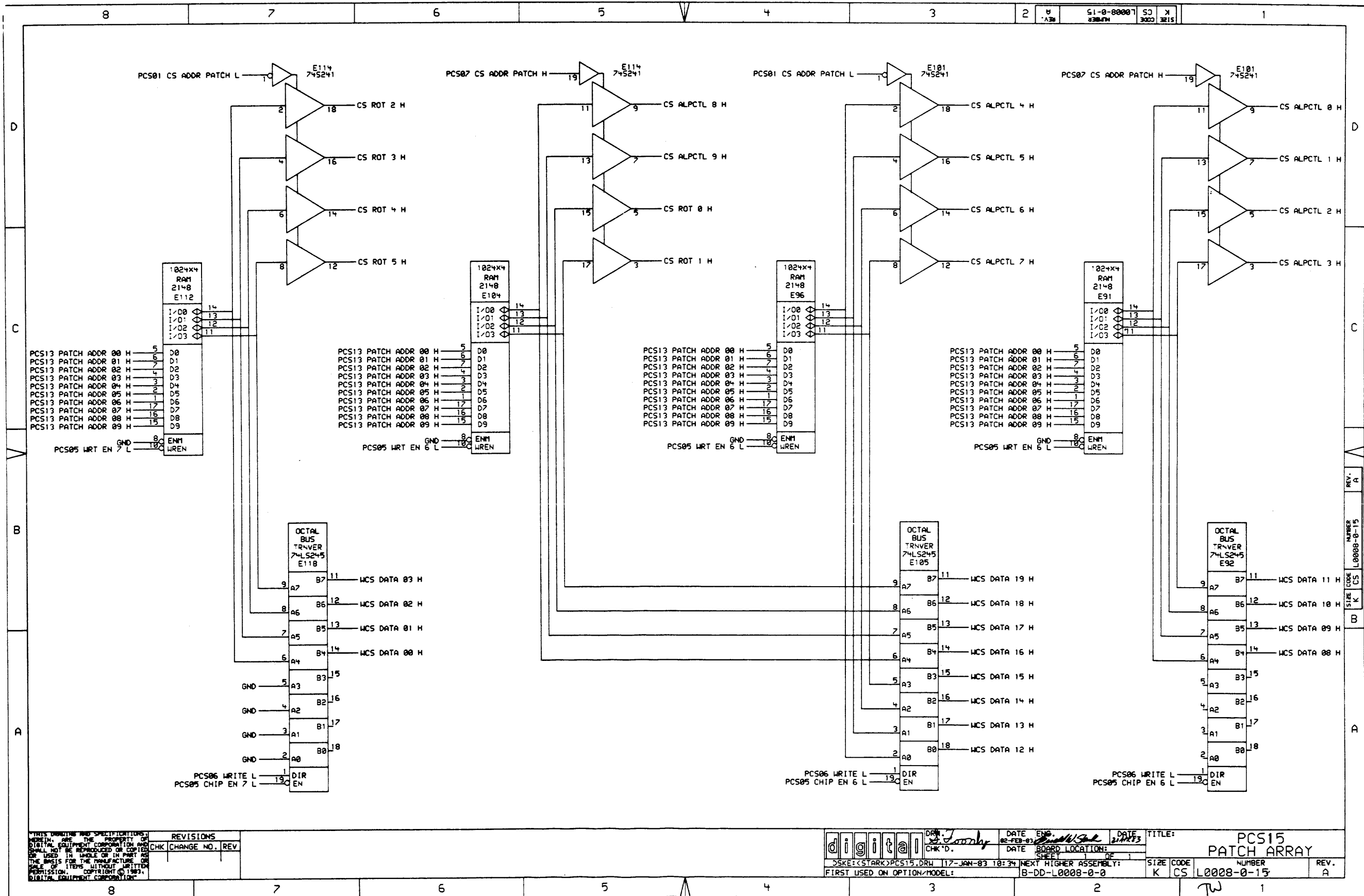
THIS DRAWING AND SPECIFICATIONS ARE THE PROPERTY OF DIGITAL EQUIPMENT CORPORATION AND SHALL NOT BE REPRODUCED OR COPIED OR USED IN WHOLE OR IN PART AS THE BASIS FOR THE MANUFACTURE OR SALE OF ITEMS WITHOUT WRITTEN PERMISSION. COPYRIGHT © 1983, DIGITAL EQUIPMENT CORPORATION.

REVISIONS	
CHK	CHANGE NO. REV

	DATE ENG: 02-FEB-83	DATE: 02-FEB-83	TITLE: PCS13 PATCH ADDRESS
	DATE BOARD LOCATION: 12-JAN-83 10:33	SHEET: 1 OF 1	SIZE CODE: K CS
FIRST USED ON OPTION/MODEL: B-DD-L0008-0-0	NEXT HIGHER ASSEMBLY: B-DD-L0008-0-0	NUMBER: L0008-0-13	REV. A

REV. A  
NUMBER L0008-0-13  
SIZE L0008-0-13  
K CS





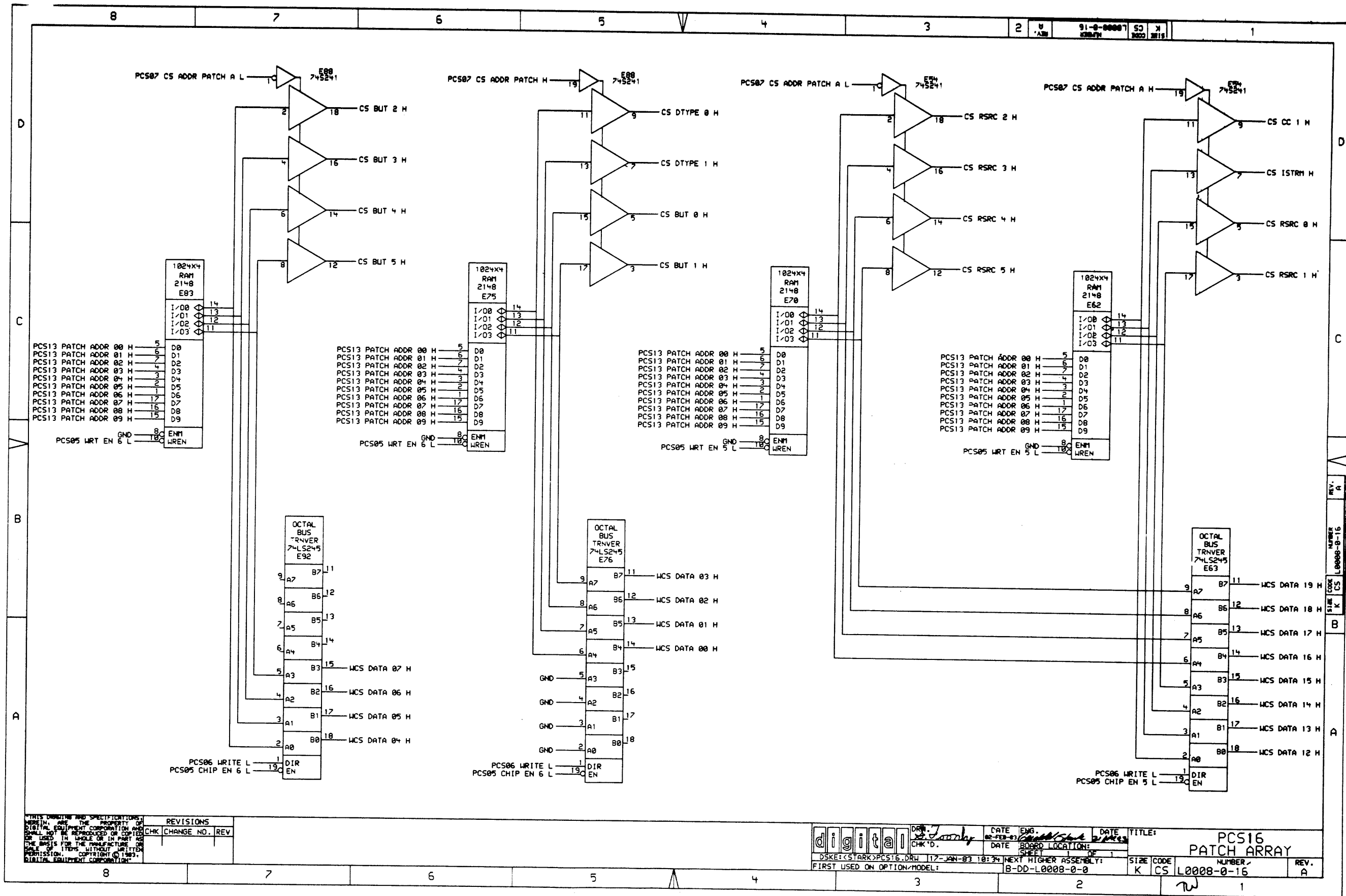
THIS DRAWING AND SPECIFICATIONS  
HEREIN ARE THE PROPERTY OF  
DIGITAL EQUIPMENT CORPORATION AND  
SHALL NOT BE REPRODUCED OR COPIED  
OR USED IN WHOLE OR IN PART AS  
THE BASIS FOR THE MANUFACTURE OR  
SALE OF ITEMS WITHOUT WRITTEN  
PERMISSION. COPYRIGHT © 1983,  
DIGITAL EQUIPMENT CORPORATION.

REVISIONS		
CHK	CHANGE NO.	REV

**digital** DRW: J. J. J. DATE ENG: 02-FEB-83 DATE: 2/83  
 CHK'D: DATE BOARD LOCATION: SHEET 1 OF 1  
 DSKE: (STARK) PCS15.DRW 117-JAN-83 18:34 NEXT HIGHER ASSEMBLY:  
 FIRST USED ON OPTION/MODEL: B-DD-L0008-0-0

TITLE: **PCS15 PATCH ARRAY**  
 SIZE CODE: K CS L0008-0-15  
 NUMBER: TW  
 REV: A

REV. A  
 NUMBER L0008-0-15  
 SIZE CODE K CS  
 BOARD

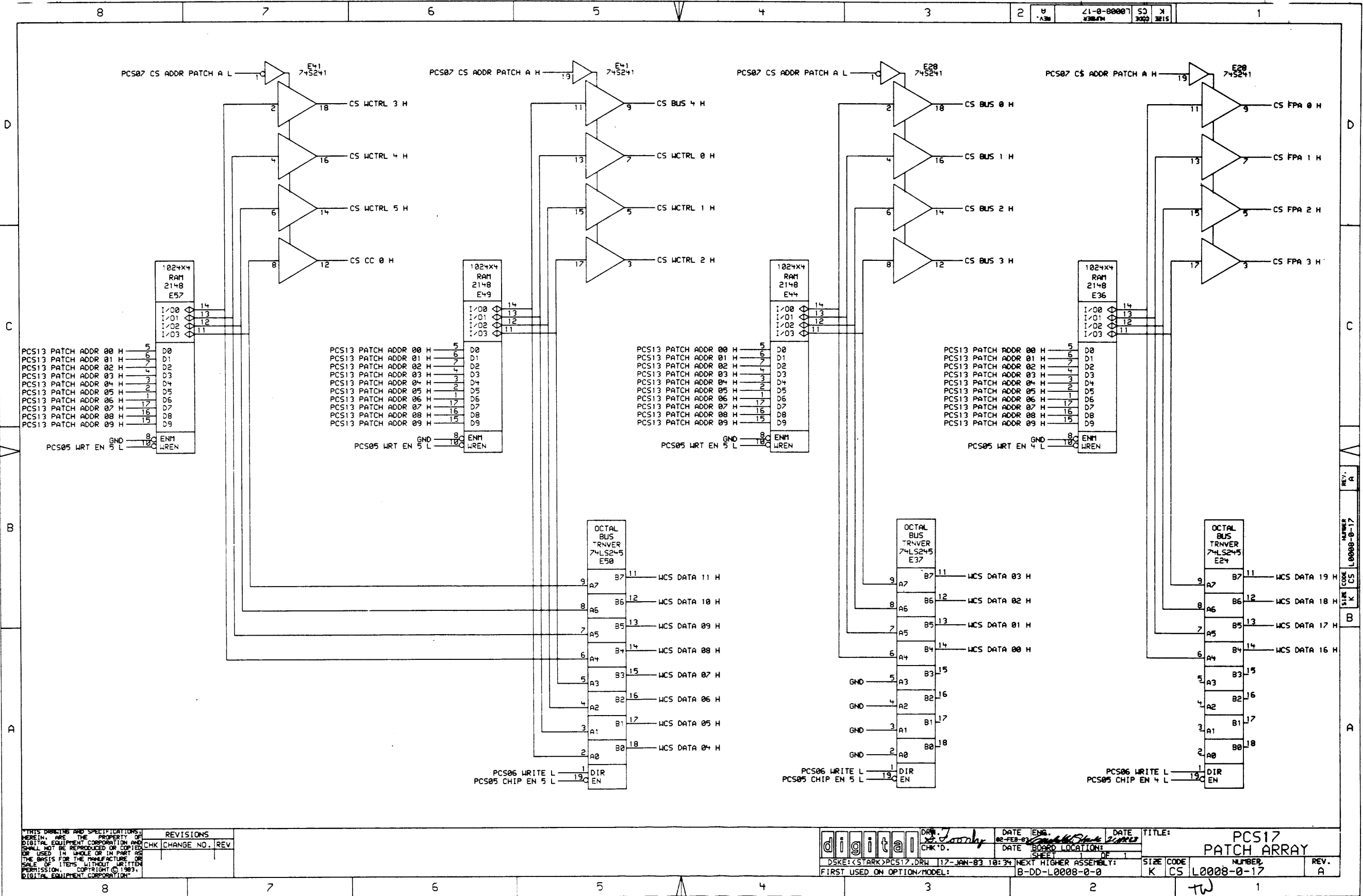


REVISIONS	
CHK	CHANGE NO. REV

digital  
 DATE ENG. 02-FEB-83  
 DATE BOARD LOCATION: 17-JAN-83 10:34  
 DATE SHEET OF 1  
 TITLE: PCS16 PATCH ARRAY  
 DSKE: <STARK>PCS16.DRW  
 FIRST USED ON OPTION/MODEL: B-DD-L0008-0-0  
 NEXT HIGHER ASSEMBLY: B-DD-L0008-0-0  
 SIZE CODE K CS  
 NUMBER L0008-0-16  
 REV. A

REV. A  
 NUMBER L0008-0-16  
 SIZE CODE K CS  
 B  
 A



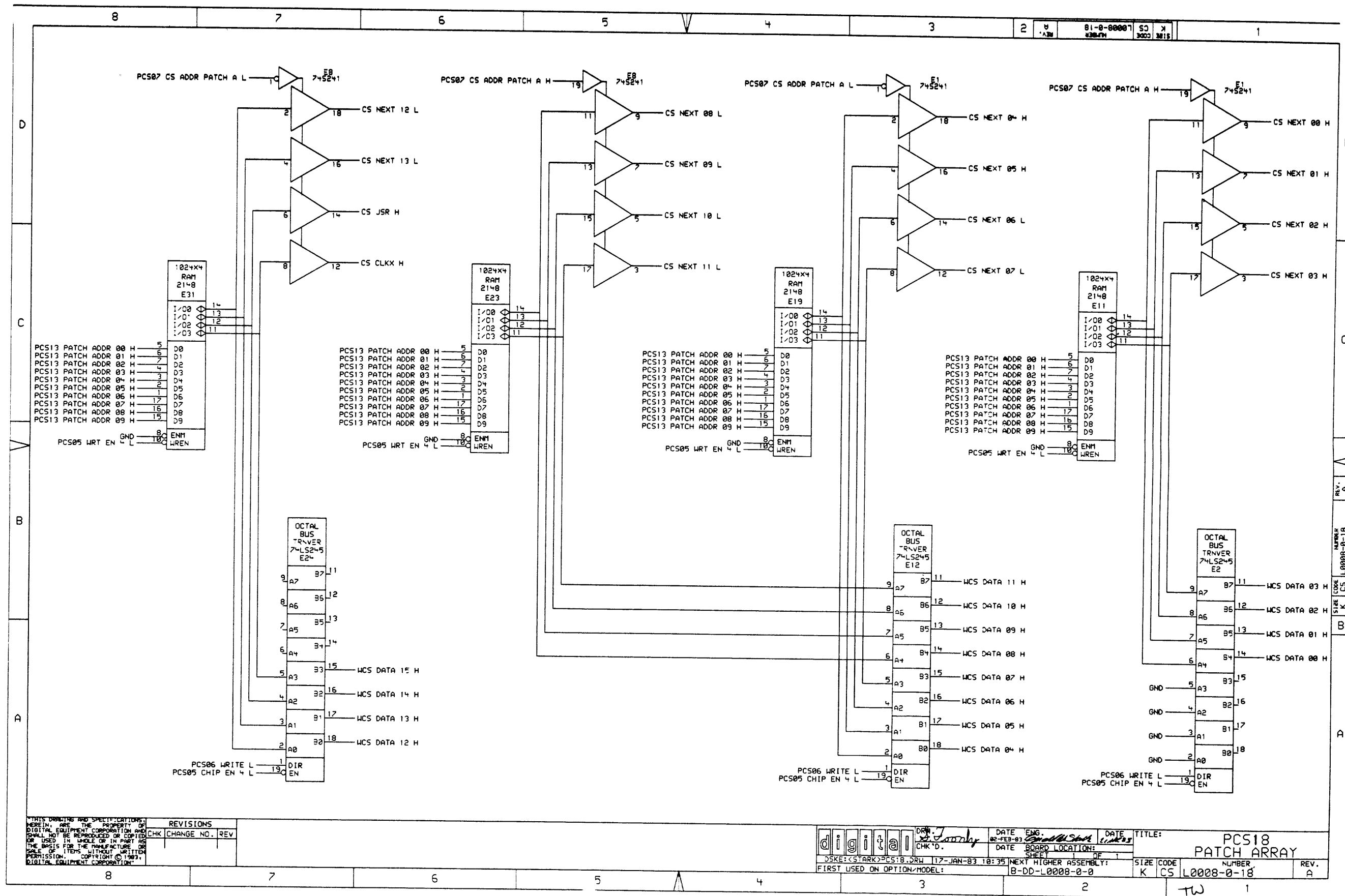


THIS DRAWING AND SPECIFICATIONS HEREIN ARE THE PROPERTY OF DIGITAL EQUIPMENT CORPORATION AND SHALL NOT BE REPRODUCED OR COPIED OR USED IN WHOLE OR IN PART AS THE BASIS FOR THE MANUFACTURE OR SALE OF ITEMS WITHOUT WRITTEN PERMISSION. COPYRIGHT © 1983, DIGITAL EQUIPMENT CORPORATION.

REVISIONS		
CHK	CHANGE NO.	REV.

	DATE ENG. <i>2/1/83</i>	DATE TITLE: PCS17 PATCH ARRAY
	DATE <i>11-7-83</i>	DATE BOARD LOCATION: <i>2/1/83</i>
DSKE: <STARK>PCS17.DRW 117-JAN-83 10:34	NEXT HIGHER ASSEMBLY: B-DD-L0008-0-0	SIZE CODE K CS L0008-0-17
FIRST USED ON OPTION/MODEL:		NUMBER REV. A

REV. A  
NUMBER 17  
L0008-0-17

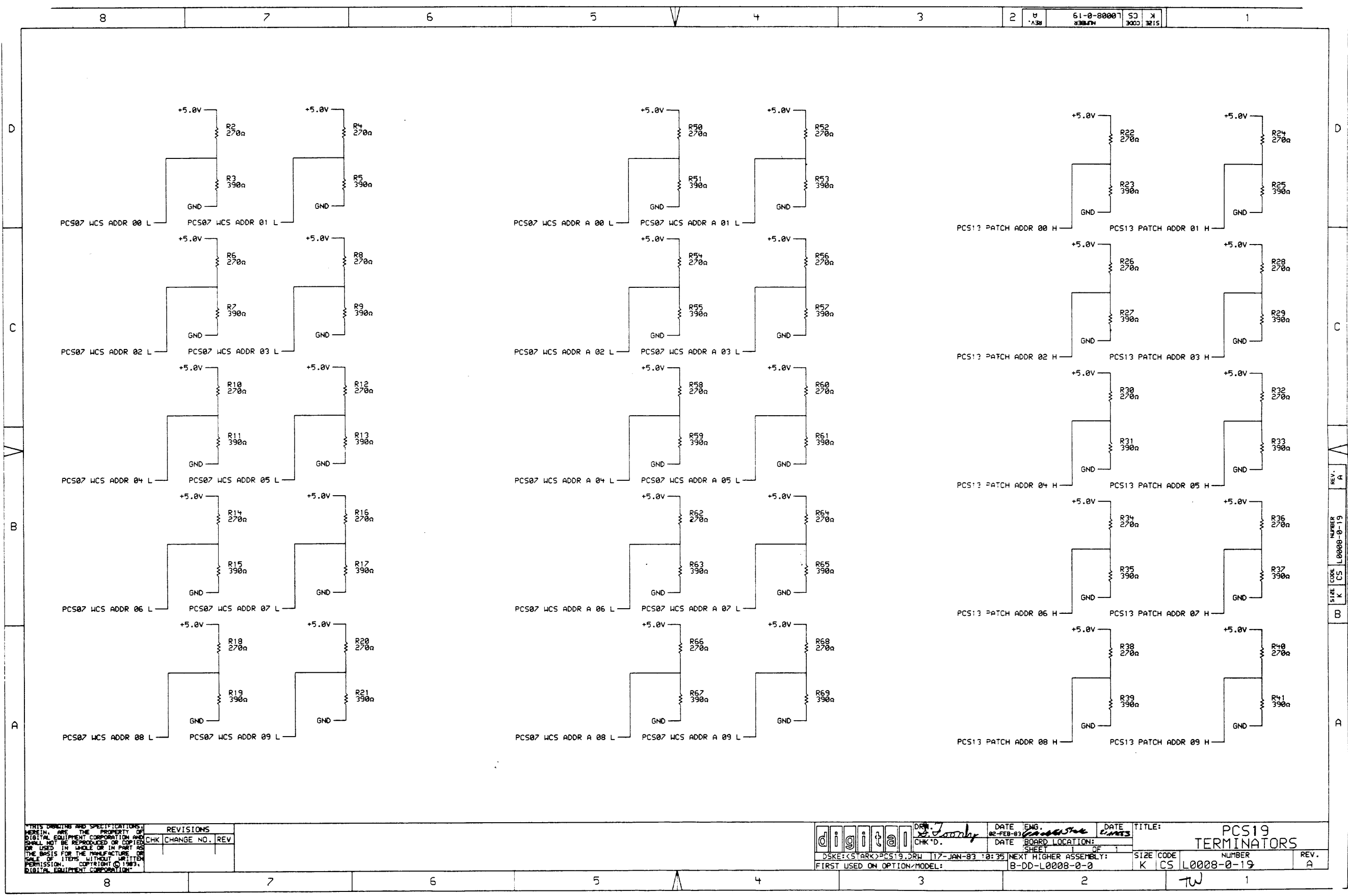


THIS DRAWING AND SPECIFICATIONS HEREIN, ARE THE PROPERTY OF DIGITAL EQUIPMENT CORPORATION AND SHALL NOT BE REPRODUCED OR COPIED OR USED IN WHOLE OR IN PART AS THE BASIS FOR THE MANUFACTURE OR SALE OF ITEMS, WITHOUT WRITTEN PERMISSION. COPYRIGHT © 1983, DIGITAL EQUIPMENT CORPORATION.

REVISIONS	
CHK	CHANGE NO. REV.

DATE ENG. 02-FEB-83  
 DATE BOARD LOCATION: 17-JAN-83 10:35  
 SHEET OF 1  
 NEXT HIGHER ASSEMBLY: B-DD-L0008-0-0

TITLE: PCS18 PATCH ARRAY  
 NUMBER: L0008-0-18  
 SIZE CODE: K CS  
 REV. A

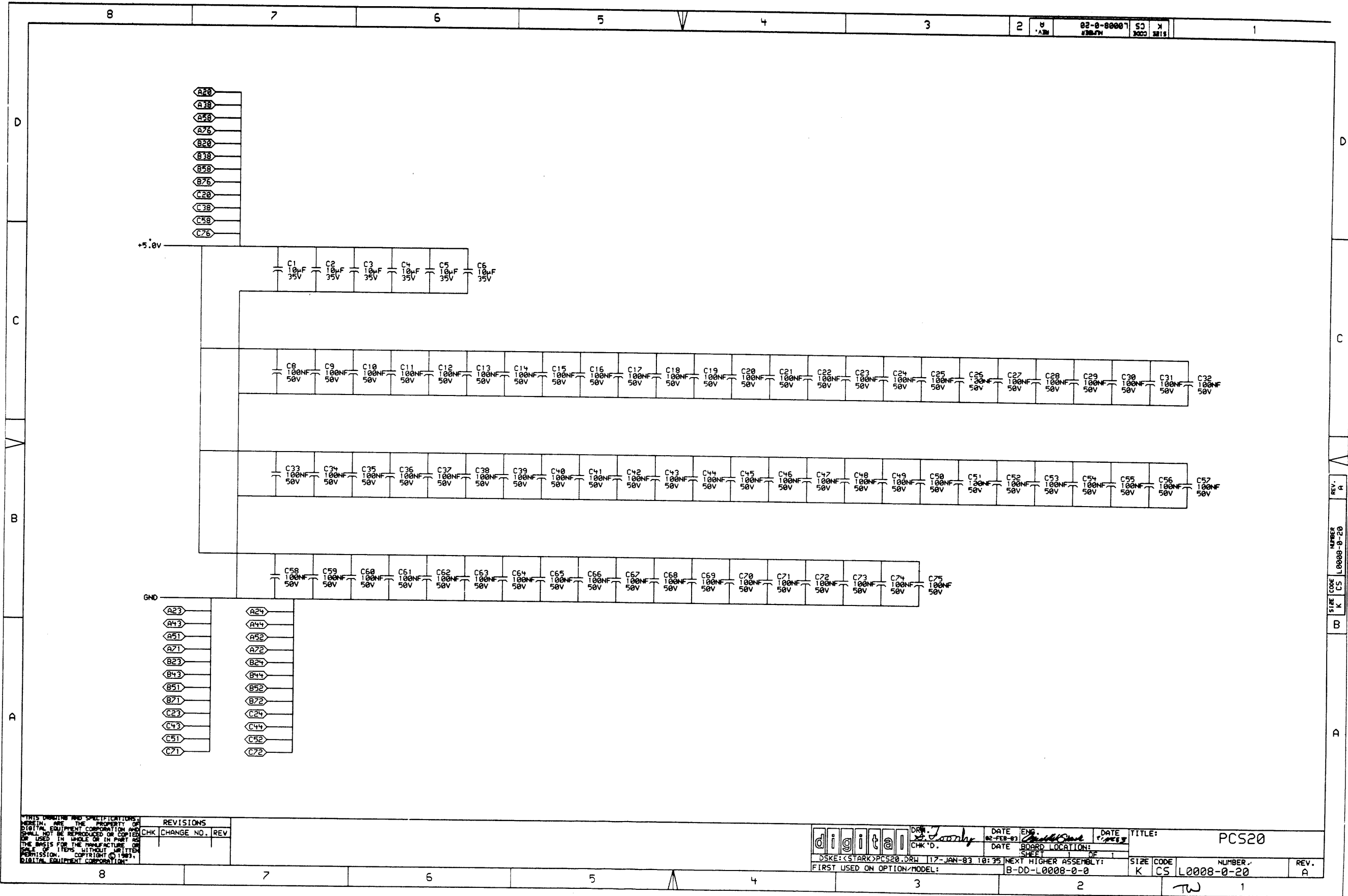


THIS DRAWING AND SPECIFICATIONS ARE THE PROPERTY OF DIGITAL EQUIPMENT CORPORATION AND SHALL NOT BE REPRODUCED OR COPIED OR USED IN WHOLE OR IN PART AS THE BASIS FOR THE MANUFACTURE OR SALE OF ITEMS WITHOUT WRITTEN PERMISSION. COPYRIGHT © 1983, DIGITAL EQUIPMENT CORPORATION.

REVISIONS		
CHK	CHANGE NO.	REV

	DATE ENG.	DATE	TITLE:
	02-FEB-83	ems	PCS19 TERMINATORS
CHK'D.	DATE	BOARD LOCATION:	
	17-JAN-83 10:35	SHEET 1 OF 1	
DSKE: <STARK> PCS19.DRW	NEXT HIGHER ASSEMBLY:	SIZE CODE	NUMBER
FIRST USED ON OPTION/MODEL:	B-DD-L0008-0-0	K CS	L0008-0-19
		REV.	A

TW



THIS DRAWING AND SPECIFICATIONS  
HEREIN, ARE THE PROPERTY OF  
DIGITAL EQUIPMENT CORPORATION AND  
SHALL NOT BE REPRODUCED OR COPIED  
OR USED IN WHOLE OR IN PART  
FOR ANY OTHER PROJECT WITHOUT  
THE BASIS FOR THE MANUFACTURE OR  
SALE OF ITEMS WITHOUT WRITTEN  
PERMISSION. COPYRIGHT © 1983,  
DIGITAL EQUIPMENT CORPORATION.

REVISIONS		
CHK	CHANGE NO.	REV

	DRW. <i>J. Lashby</i>	DATE <i>02-FEB-93</i>	ENG. <i>Chad Stone</i>	DATE <i>01-FEB-93</i>	TITLE: <b>PC520</b>
	CHK'D.	DATE	BOARD LOCATION:	SHEET	OF
DSKE: CSTARK\PC520.DRW 117-JAN-93 10:35			NEXT HIGHER ASSEMBLY:		SIZE CODE NUMBER REV.
FIRST USED ON OPTION/MODEL:			B-DD-L0008-0-0		K CS L0008-0-20 A

REV. A  
NUMBER L0008-0-20  
SIZE CODE K CS  
B  
A