

LINE ITEM	TOP DOCUMENT	PART NUMBER	MIN REV	DESCRIPTION	QUANTITY PER VARIATION/REVISION	
					AA A1	BA A1
1	1 B-DD-5416802-0-0	54-16802-AA		MS400-AA 2MB MEM,SURFACE MNT,256K	1	-
2	2 B-DD-5416802-0-0	54-16802-BA		MS400-BA 4MB MEM,SURFACE MNT,256K	-	1
3	3 SEE NOTE	37-00689-25		PKG UNIVERSAL MODULE	1	1

3 NOTE: REFERENCE PACKAGE SPEC, FA-3700689-25

REVISION HISTORY		KPL MATRIX FORMAT		SECTION A OF A		DRN: PAUL GAGNE		DIGITAL	
ENG	ECO NUMBER	REV	SECTION/VARIATION INDEX		CHK'D:	DATE:	TITLE		PARTS LIST
	INITIAL	A	[A]	AA,BA	D. HEALY	25-FEB-87	MEMORY UPGRADE		
			[B]		L. KIZINA	25-FEB-87	DOCUMENT NUMBER		
			[C]		G. LORD	25-FEB-87	SIZE	CODE	NUMBER
			[D]		D. TAYLOR	25-FEB-87	K	PL	MS400-0-DBP
			[E]				RELEASE DATE: 25-FEB-87		
			[F]				RELEASE STATUS: RELEASED		
			[G]						
			[H]						
			[I]						
			[J]						
		BASIC PART NUMBER:		ASSEMBLY NUMBER:		TOP DOCUMENT NUMBER:		FILE NAME:	
		MS400				K-PL-MS400-0-DBP		MLA0754A.PLS	
								EDIT #	
								13	

"THIS DRAWING AND THE SPECIFICATIONS CONTAINED HEREIN ARE CONFIDENTIAL AND PROPRIETARY. THEY ARE THE PROPERTY OF DIGITAL EQUIPMENT CORPORATION AND SHALL NOT BE REPRODUCED OR COPIED OR USED IN WHOLE OR IN PART AS THE BASIS FOR THE MANUFACTURE OR SALE OF ITEMS WITHOUT WRITTEN PERMISSION. THIS IS AN UNPUBLISHED WORK PROTECTED UNDER THE FEDERAL COPYRIGHT LAWS."

DRAWING NO.	NO. SHTS	PART NO.	DESCRIPTION	REVISIONS
		5416802-AA	12 MB MEMORY OPTION	1A1 A2
		5416802-BA	14 MB MEMORY OPTION	1A1 A2
D-UA-5416802-0-0	2		UNIT ASSEMBLY	1A
D-UA-5416802-1-0	2		UNIT ASSEMBLY	1A
B-CS-5416802-0-0	11		CIRCUIT SCHEMATICS	A
K-PL-5416802-0-DBP	3		PARTS LIST	A A
K-PC-5416802-0-DBC			P.C. DATA BASE	A A
K-CS-5416802-0-DBX			SCHEMATIC DATA BASE	D A
		5016801-01	ETCHED CIRCUIT BOARD	1D1 D2
K-DD-5016801-0-0	1		DRAWING DIRECTORY	1A A

NOTES:

R E V I S I O N S

D I A T

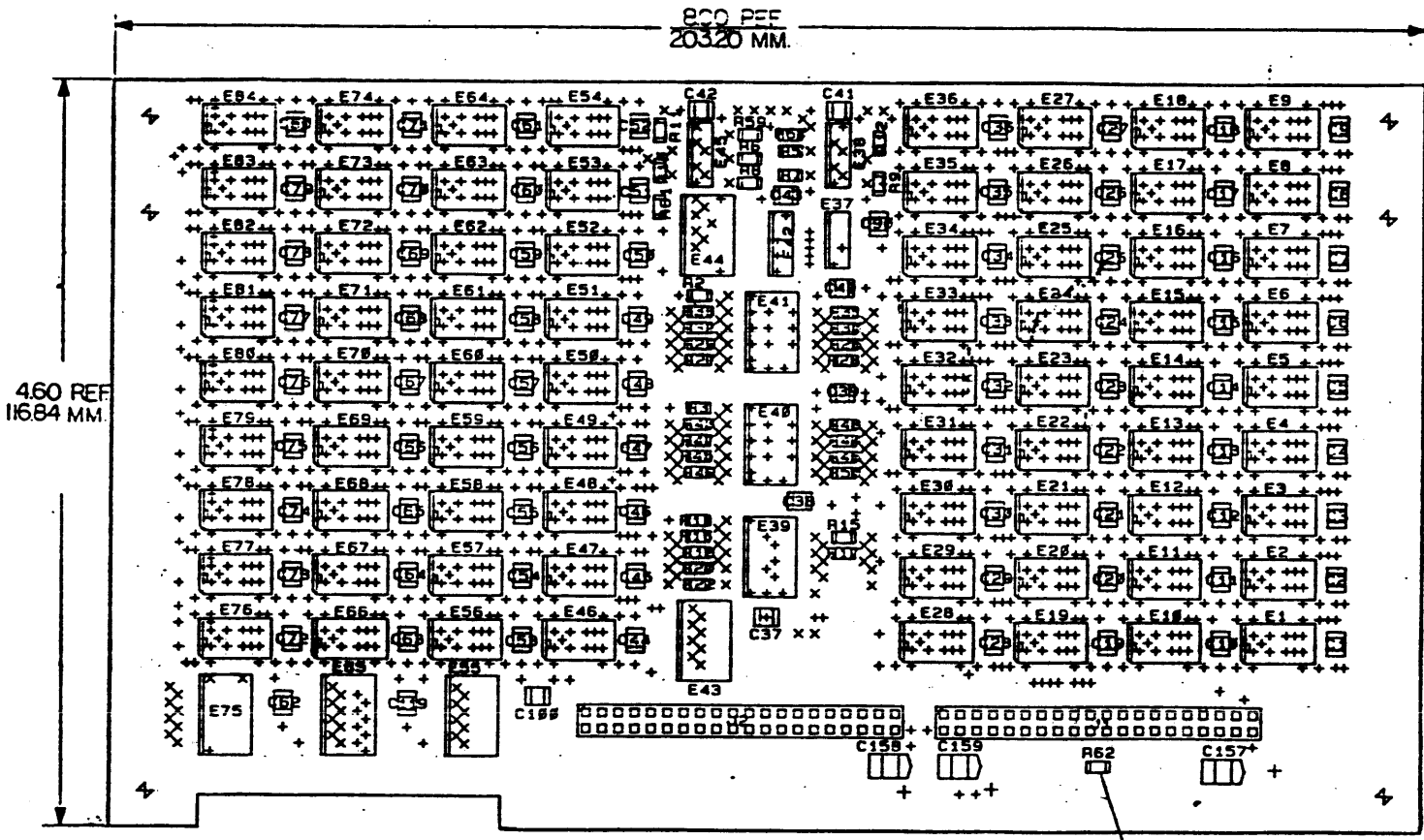
A 1 0 / E 1 8 1 6

THIS DRAWING AND THE SPECIFICATIONS CONTAINED HEREIN ARE CONFIDENTIAL AND PROPRIETARY. THEY ARE THE PROPERTY OF DIGITAL EQUIPMENT CORPORATION AND SHALL NOT BE REPRODUCED OR COPIED OR USED IN WHOLE OR IN PART AS THE BASIS FOR THE MANUFACTURE OR SALE OF ITEMS WITHOUT WRITTEN PERMISSION. THIS IS AN UNPUBLISHED WORK PROTECTED UNDER THE FEDERAL COPYRIGHT LAWS.

DRN: J. CUNNINGHAM	DATE: 10/7/86	d i g i t a l	
CHK'D: L. HAYWOOD	DATE: 10/7/86	TITLE	
DES. ENG.: G. LORD	DATE: 10/7/86	SHEET 1 OF 1	EDIT: 3
RESP. ENG.: G. LORD	DATE: 10/7/86	DOCUMENT NUMBER	
DD FILENAME: 5416802A.DDF			
MFG. ENG.: D. TAYLOR	DATE: 1/20/86	SIZE	NUMBER
		K DD	5416802-0-0
		REV	A

THIS DRAWING AND THE SPECIFICATIONS CONTAINED HEREIN ARE CONFIDENTIAL AND UNCLASSIFIED. THEY ARE THE PROPERTY OF DIGITAL EQUIPMENT CORPORATION AND SHALL NOT BE REPRODUCED OR COPIED IN WHOLE OR IN PART FOR ANY PURPOSES WITHOUT THE WRITTEN AUTHORITY OF THE CORPORATION. THIS IS AN UNCLASSIFIED DOCUMENT UNDER THE FEDERAL COPYRIGHT LAWS.

SIDE VIEW



SEE NOTE 1

NOTES: R62 IS INSTALLED ONLY ON BA (4MB) VARIATION

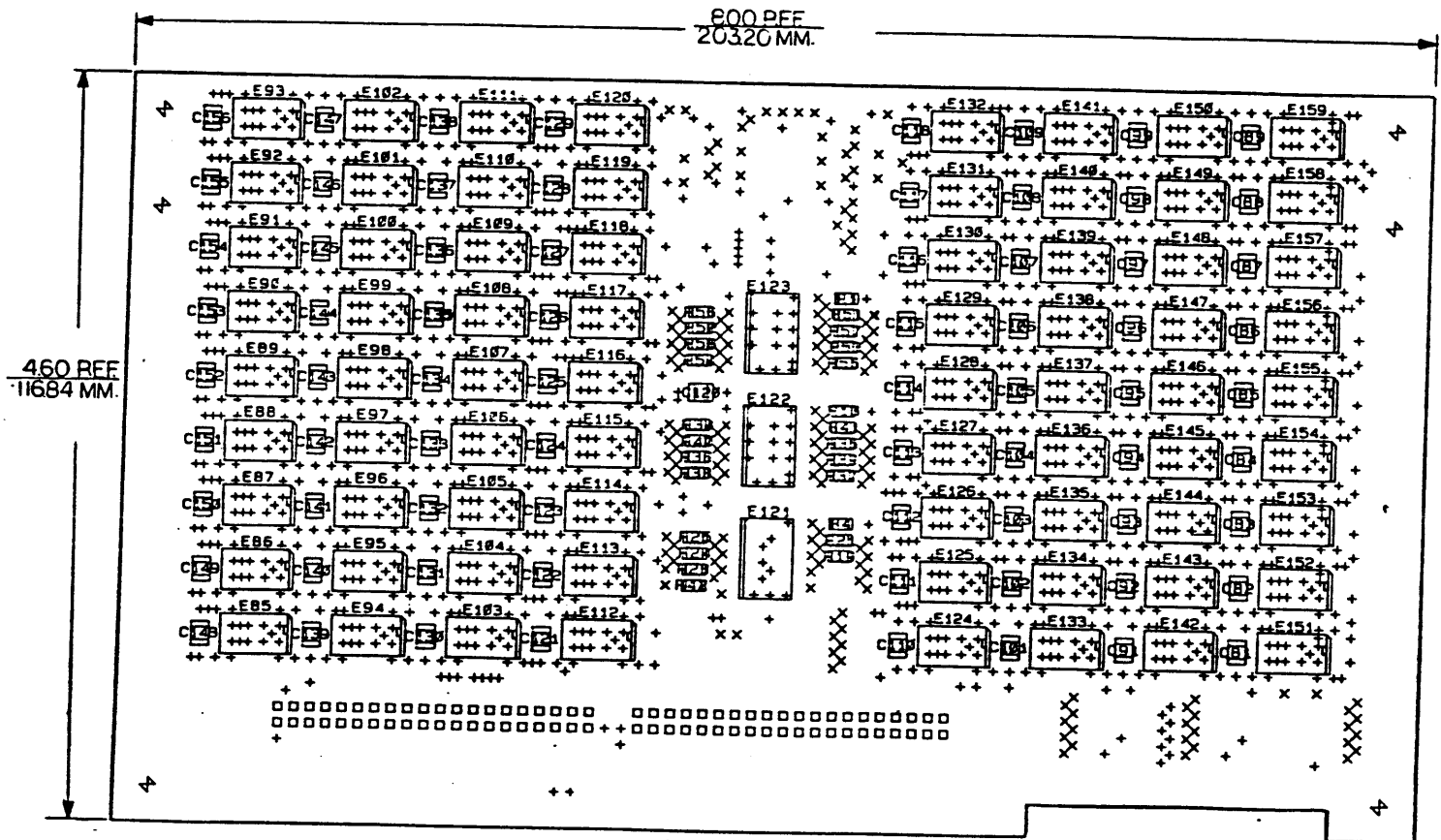
DESIGNED BY L. HAYWOOD	DATE 7-2-85	TITLE 2/4 MB MEMORY OPTION	digital
DESIGNED BY J. CUNNINGHAM	DATE 7-2-86		
DESIGNED BY G. Lord by 25	DATE 11-25-86	DOCUMENT NUMBER DUA 5416802-0-0	A
DESIGNED BY G. Lord by 25	DATE 11-25-86		
DESIGNED BY Donald J. ...	DATE 2-10-87	2/1	4
K-DD-5416802-0-0			

REVISION HISTORY	DATE
REV. 1	3-86

THIS DRAWING AND SPECIFICATIONS HEREIN ARE THE PROPERTY OF DIGITAL EQUIPMENT CORPORATION AND SHALL NOT BE REPRODUCED OR COPIED OR USED IN WHOLE OR IN PART AS THE BASIS FOR THE MANUFACTURE OR SALE OF ITEMS WITHOUT WRITTEN PERMISSION OF DIGITAL EQUIPMENT CORPORATION.
 1986 DIGITAL EQUIPMENT CORPORATION

0-0-208915 UN Q

SIDE 2 VIEW



REVISION HISTORY		
DATE	ECO NUMBER	REV

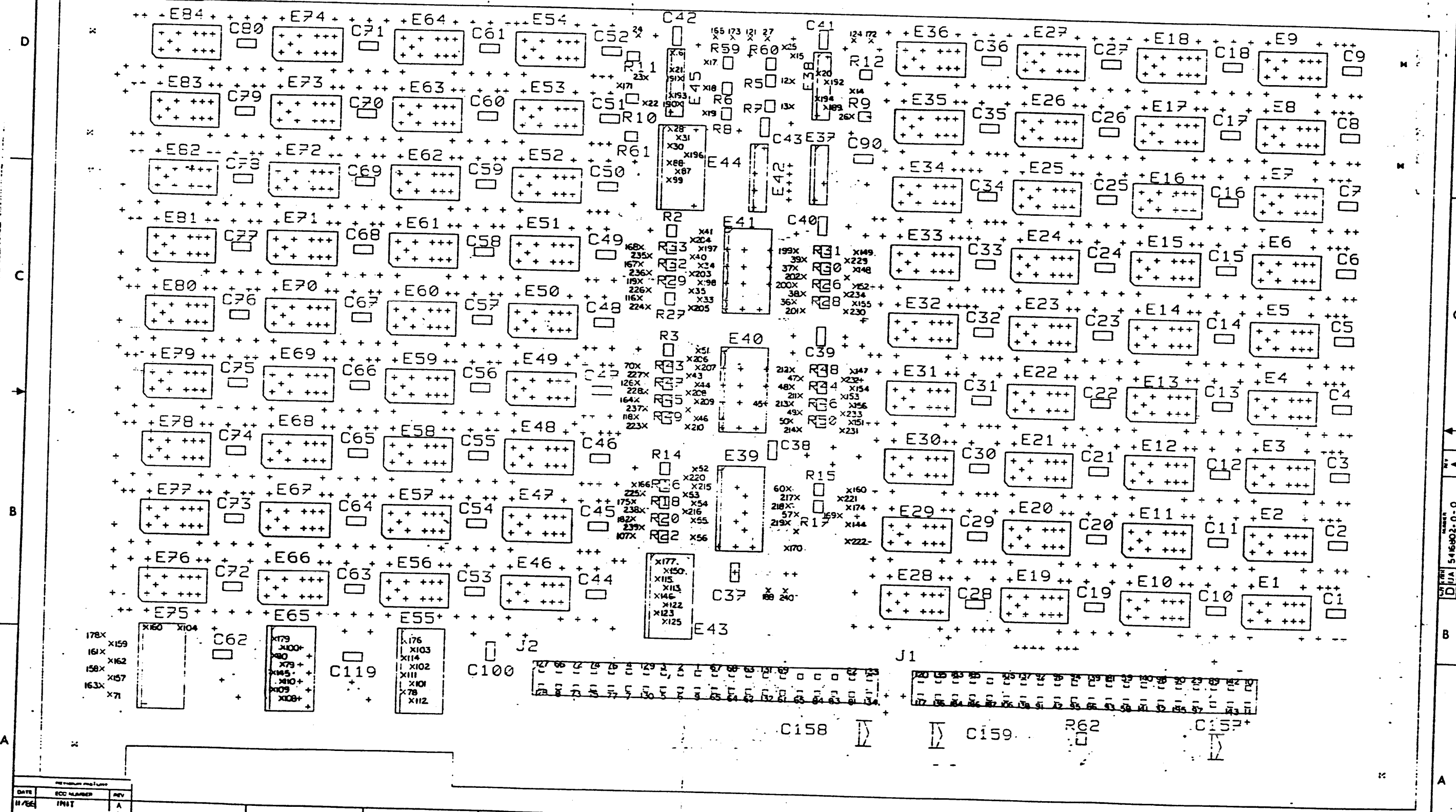
TITLE 2/4 MB MEMORY OPTION

DOCUMENT NUMBER		
SIZE	CODE	NUMBER
DUA	5416802-0-0	A
SCALE	2 1	SHEET 2 OF 4

THIS DRAWING AND SPECIFICATIONS HEREBY ARE THE PROPERTY OF DIGITAL EQUIPMENT CORPORATION AND SHALL BE REPRODUCED OR COPIED OR USED IN WHOLE OR IN PART AS THE BASIS FOR THE MANUFACTURE OF SALE OF ITEMS WITHOUT WRITTEN PERMISSION OF COMPANY.

1986 DIGITAL EQUIPMENT CORPORATION

C-0-200914C
DUA 5416802-0-0



THE DRAWING AND SPECIFICATIONS HEREIN ARE THE PROPERTY OF DIGITAL EQUIPMENT CORPORATION AND SHALL NOT BE REPRODUCED OR COPIED OR USED IN WHOLE OR IN PART AS THE BASIS FOR THE MANUFACTURE OR SALE OF ITEMS WITHOUT WRITTEN PERMISSION OF DIGITAL EQUIPMENT CORPORATION
 1966 DIGITAL EQUIPMENT CORPORATION

0-0-2099105 7/11

(DIMENSIONS ARE GIVEN RELATIVE TO "H" MASTER 0)

ASSOCIATED PIN ID	I	I	SIGNAL NAME	LOCATION CODE
J2.19	6.900	2.400	BDAL17 H	1
J2.17	7.000	2.400	BDAL19 H	2
J2.15	7.100	2.400	BDAL21 H	3
J2.11	7.300	2.400	BDAL23 H	4
J2.16	7.100	2.300	BDAL20 H	5
J2.18	7.000	2.300	BDAL18 H	6
J2.12	7.300	2.300	BDAL22 H	7
J2.4	7.700	2.300	BDAL30 H	8
J1.39	6.900	2.300	BDAL16 H	9
J1.40	6.700	2.300	+57A	10
E38.4	6.450	5.900	+57A	11
E38.7	6.400	5.750	E38.4	12
E38.12	6.100	6.050	E38.7	13
E31.1	6.450	6.050	E38.12	14
E45.1	7.150	6.050	E38.1	15
E45.15	6.950	6.000	E45.1	16
E45.12	6.950	5.850	E45.15	17
E45.3	6.950	5.700	E45.12	18
E45.7	7.300	4.750	E45.3	19
E45.4	7.300	4.900	E45.7	20
R11.2	7.350	6.150	E45.4	21
R2	6.500	6.100	NRAS0 L	22
R7.2	6.100	5.700	R2	23
R4.1	7.150	5.600	R7.2	24
J1.33	8.000	2.400	R4.1	25
E4.3	7.150	5.500	E38.9	26
E4.2	7.100	5.550	NRAS1 L	27
J1.30	8.200	2.200	E4.3	28
R41.9	6.950	4.400	E4.2	29
R41.5	6.950	4.800	NRAS L	30
R29.1	7.000	4.650	R41.9	31
E41.12	6.400	4.600	R41.5	32
R41.16	6.400	4.800	E41.9	33
R26.1	6.350	4.800	R29.1	34
R31.1	6.350	4.850	E41.12	35
R33.1	7.000	4.850	R41.16	36
E41.1	6.950	5.000	R26.1	37
R41.1	8.800	2.300	R31.1	38
R43.1	7.000	4.150	R33.1	39
R40.5	6.950	4.100	R41.1	40
			R43.1	41
			R40.5	42
			MEMAD02 H	43
			E40.5	44

ASSOCIATED PIN ID	I	I	SIGNAL NAME	LOCATION CODE
E40.14	6.450	4.000	E40.14	45
E40.9	6.950	3.900	E40.9	46
R48.1	6.350	4.150	R48.1	47
E40.16	6.400	4.100	R48.16	48
R45.1	6.350	3.950	R46.1	49
E40.12	6.400	4.100	E40.12	50
E40.1	6.950	4.100	E40.1	51
E39.1	6.950	3.600	E39.1	52
E39.5	7.400	3.450	E39.5	53
R15.1	6.950	3.400	R15.1	54
E39.7	6.450	3.300	E39.7	55
E39.9	6.950	3.200	E39.9	56
R17.1	6.350	3.350	R17.1	57
J1.26	4.400	2.300	LASO L	58
J1.25	4.400	2.300	CAS1 L	59
E39.18	6.400	2.400	E39.18	60
J2.30	6.400	2.300	J2.30	61
J2.26	6.600	2.300	BDAL08 H	62
J2.25	6.600	2.400	BDAL10 H	63
J2.24	6.700	2.400	BDAL11 H	64
J2.22	6.800	2.700	BDAL12 H	65
J2.3	7.700	2.400	BDAL14 H	66
J2.21	6.800	2.400	BDAL15 H	67
J2.23	6.700	2.400	BDAL13 H	68
J2.29	6.400	2.400	BDAL09 H	69
R43.2	7.300	4.200	MEMAD27 H	70
E75.9	10.300	2.200	MEMAD15 H	71
J2.5	7.600	2.200	BDAL29 H	72
J2.6	7.600	2.300	BDAL28 H	73
J2.7	7.500	2.400	BDAL27 H	74
J2.8	7.500	2.300	BDAL26 H	75
J2.9	7.400	2.400	BDAL25 H	76
J2.10	7.800	2.300	BDAL24 H	77
E55.8	8.600	2.250	BDAL30 H	78
E65.5	9.300	2.400	BDAL03 H	79
E65.4	9.350	2.450	BDAL02 H	80
J2.38	6.000	2.300	BDAL05 H	81
J2.37	6.000	2.400	BDAL04 H	82
J2.36	6.100	2.400	BDAL01 H	83
J2.35	6.100	2.400	BDAL06 H	84
J2.31	6.300	2.400	BDAL07 H	85
J1.22	4.600	2.300	J1.22	86
E44.6	7.100	5.350	E44.6	87
E44.5	7.100	5.400	E44.5	88
J1.35	3.900	2.400	VRBE L	89
J1.31	4.100	2.400	NRAS L	90
J1.16	4.900	2.300	MEMAD04 H	91
R1.15	4.900	2.400	MEMAD05 H	92
J1.24	4.500	2.300	CAS2 L	93

ASSOCIATED PIN ID	I	I	SIGNAL NAME	LOCATION CODE
J1.19	8.700	2.400	MEMAD01 H	94
J1.20	4.700	2.300	MEMAD02 H	95
J1.17	4.800	2.400	MEMAD03 H	96
J1.34	4.900	2.300	VRAS L	97
J1.36	4.200	2.400	MSEL2 H	98
E44.7	7.150	5.300	MSEL3 H	99
E65.3	9.700	2.300	BDAL01 H	100
E55.7	8.450	2.400	BDAL02 H	101
E55.5	8.450	2.400	BDAL03 H	102
E75.19	8.950	2.500	BDAL04 H	103
J1.11	4.900	2.600	BDAL05 H	104
J1.12	5.100	2.400	MEMAD07 H	105
R22.2	7.300	3.200	MEMAD08 H	106
E65.9	9.300	2.200	NCAS03 L	107
E65.8	9.350	2.250	BDAL07 H	108
R65.7	9.300	2.300	BDAL06 H	109
E55.6	8.600	2.300	BDAL05 H	110
E55.4	8.450	2.350	BDAL04 H	111
E43.4	7.100	2.400	BDAL03 H	112
E55.4	8.600	2.400	BDAL02 H	113
R27.2	7.350	2.950	BDAL01 H	114
J1.2	5.600	4.600	BDAL18 H	115
NR9.2	7.400	3.900	MEMAD21 H	116
R29.2	7.300	4.700	+57B	117
J1.1	5.600	2.400	MEMAD25 H	118
R5.2	6.700	2.800	MEMAD22 H	119
E43.7	6.150	2.800	+57C	120
E43.8	7.150	2.800	NRAS1 L	121
R9.2	6.100	6.150	BDAL21 H	122
E43.9	7.100	2.700	BDAL22 H	123
R9.2	7.300	2.700	NRAS21 L	124
J2.1	4.100	2.700	MEMAD23 H	125
J2.2	7.800	2.400	MEMAD24 H	126
J2.13	7.200	2.400	GND	127
J2.14	7.200	2.300	GND	128
J2.27	6.500	2.300	GND	129
J2.28	6.500	2.400	GND	130
J2.39	6.500	2.300	GND	131
J2.40	5.900	2.400	GND	132
J1.3	5.500	2.400	GND	133
J1.4	5.500	2.300	GND	134
J1.13	5.000	2.400	GND	135
J1.14	5.000	2.400	GND	136
J1.21	5.000	2.300	GND	137
J1.27	4.300	2.400	GND	138
J1.28	4.300	2.300	GND	139
J1.37	3.800	2.400	GND	140
			GND	141
			GND	142

ASSOCIATED PIN ID	I	I	SIGNAL NAME	LOCATION CODE
J1.38	3.800	2.300	GND	143
R23.2	6.050	3.300	NCAS12 L	144
E65.6	9.350	2.850	BDAL08 H	145
E43.6	7.150	2.850	BDAL09 H	146
R4.12	6.050	4.200	MEMAD14 H	147
R30.2	6.050	4.800	MEMAD13 H	148
R31.2	6.050	4.900	MEMAD10 H	149
E43.3	7.100	3.000	BDAL17 H	150
R26.2	6.050	4.700	BDAL16 H	151
R40.2	6.100	4.050	MEMAD15 H	152
R4.2	6.050	4.100	MEMAD17 H	153
R28.2	6.050	4.600	MEMAD12 H	154
46.2	6.050	4.000	MEMAD11 H	155
E75.7	10.300	2.300	MEMAD15 H	156
E75.6	10.350	2.350	BDAL13 H	157
E75.3	10.300	2.500	BDAL12 H	158
R15.2	6.050	3.500	BDAL09 H	159
E75.4	6.950	3.500	MEMAD28 H	160
E75.5	10.300	2.450	BDAL10 H	161
E75.8	10.350	2.250	BDAL11 H	162
R45.2	7.300	4.000	BDAL14 H	163
R8.2	6.900	6.150	MEMAD26 H	164
R16.2	7.300	3.500	NRAS20 L	165
R32.2	7.300	4.900	NCAS00 L	166
R33.2	7.300	4.800	MEMAD20 H	167
R24.2	6.100	3.350	MEMAD23 H	168
E39.12	6.400	3.150	MEMAD11 L	169
R10.2	7.450	5.850	BWRT10 L	170
R12.2	6.000	5.850	NRAS30 L	171
R6.2	6.800	6.150	NRAS11 L	172
R17.2	6.050	6.150	NRAS10 L	173
R18.2	7.300	3.800	MEMAD18 H	174
E55.2	8.600	2.550	NCAS01 L	175
E43.2	10.350	2.550	BDAL24 H	176
E75.2	7.150	3.050	BDAL16 H	177
E65.2	9.350	2.550	BDAL08 H	178
E75.1	10.100	2.600	BDAL00 H	179
J1.23	4.500	2.400	BWRT12 L	180
R20.2	7.300	3.400	MEMAD11 H	181
J1.5	5.400	2.400	NCAS02 L	182
J1.6	5.300	2.400	FBIT3 H	183
J1.7	5.300	2.300	FBIT2 H	184
J1.8	5.300	2.300	FBIT1 H	185
R1.10	5.200	2.300	FBIT0 H	186
E39.14	6.500	2.900	MEMAD08 H	187
E38.10	6.500	2.900	BWRT20 L	188
E45.10	7.100	5.750	E38.10	189
E45.13	7.100	5.900	E45.10	190
			E45.13	191

ASSOCIATED PIN ID	I	I	SIGNAL NAME	LOCATION CODE
E38.13	6.250	5.900	E38.13	192
E45.6	7.150	5.800	E45.6	193
J1.32	6.300	5.800	E38.6	194
E44.4	7.000	2.300	MSELB H	195
E123.18	6.950	4.900	MSELB H	196
E123.14	6.950	4.700	E123.18	197
E123.3	6.400	4.900	E123.14	198
E123.7	6.400	4.700	E123.3	199
R54.1	6.350	4.750	E123.7	200
R52.1	6.350	4.750	R54.1	201
R57.1	7.000	4.750	R52.1	202
R1.2	7.000	4.950	R57.1	203
R55.1	7.000	4.550	R1.2	204
R13.2	7.000	4.250	R55.1	205
R35.1	7.000	4.200	R13.2	206
E122.18	6.950	4.000	E122.18	207
E122.14	6.950	4.000	R35.1	208
R37.1	7.000	3.850	E122.14	209
R40.1	6.350	4.050	R37.1	210
E122.3	6.400	4.200	R40.1	211
E122.7	6.400	4.200	E122.3	212
R38.1	6.350	3.850	E122.7	213
E121.18	6.950	3.500	R38.1	214
R19.1	7.000	3.350	E121.18	215
R25.1	6.400	3.450	R19.1	216
E121.7	6.800	3.400	R25.1	217
R4.2	7.000	3.550	E121.7	218
R25.2	6.100	3.450	R4.2	219
R37.2	6.050	3.200	R25.2	220
R37.2	7.250	3.850	NCAS10 L	221
R55.2	7.250	3.850	NCAS11 L	222
R21.2	7.250	3.550	MEMAD45 H	223
R53.2	7.250	3.450	MEMAD41 H	224
R41.2	7.250	4.650	MEMAD48 H	225
R35.2	7.250	4.150	MEMAD42 H	226
R32.2	7.250	4.050	MEMAD47 H	227
R54.2	6.100	4.850	MEMAD44 H	228
R38.2	6.100	3.950	MEMAD30 H	229
R34.2	6.100	3.950	MEMAD32 H	230
R36.2	6.100	3.950	MEMAD36 H	231
R54.2	6.100	4.750	MEMAD34 H	23

8

C-1-2009.FSIA1Q

6

5

4

3

2

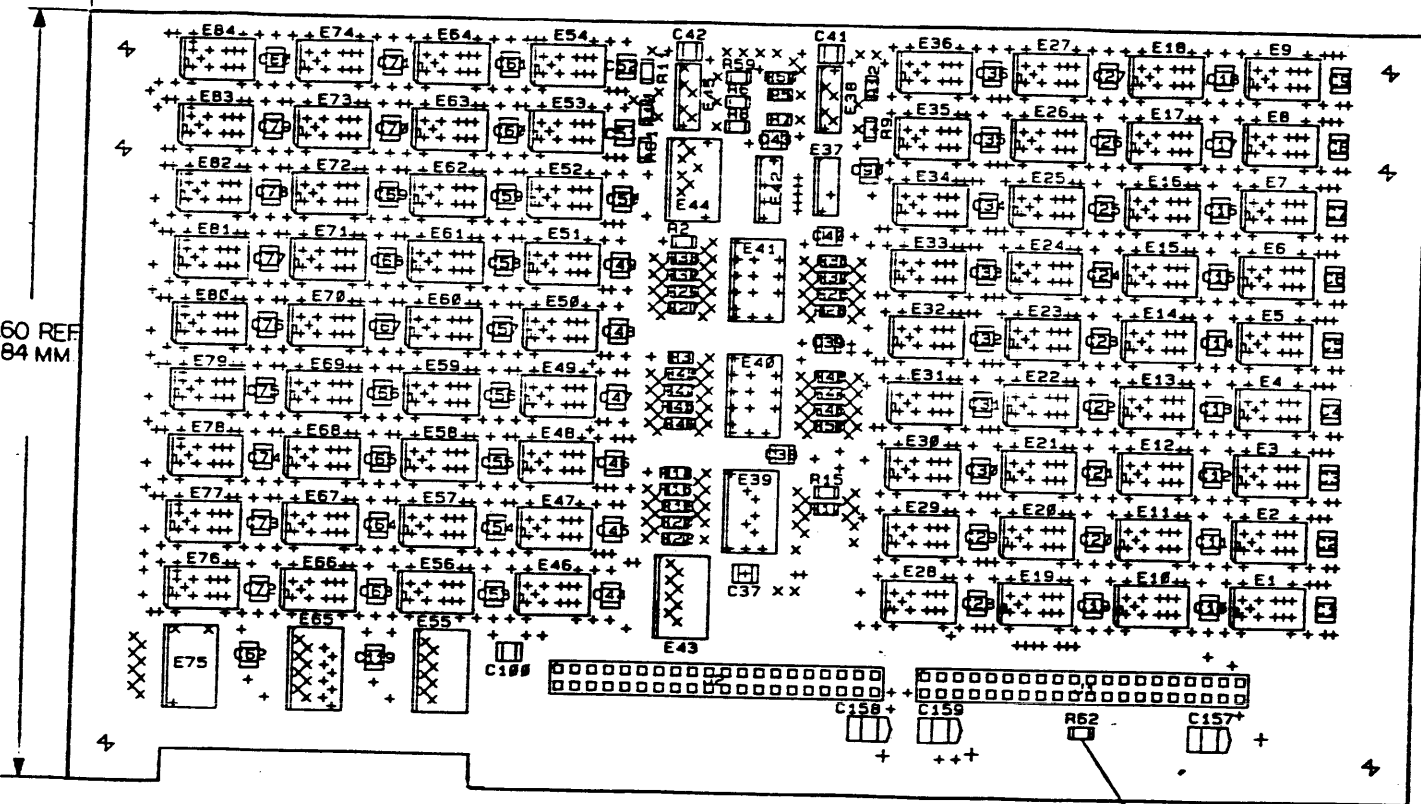
1

THIS DRAWING AND THE SPECIFICATIONS CONTAINED HEREIN ARE CONFIDENTIAL AND PROPRIETARY. THE PROPERTY OF DIGITAL EQUIPMENT CORPORATION AND SHALL NOT BE REPRODUCED OR COPIED OR USED IN WHOLE OR IN PART AS THE BASIS FOR MANUFACTURE OR SALE OF ITEMS WITHOUT WRITTEN PERMISSION. THIS IS AN UNCLASSIFIED WORK PROTECTED UNDER THE FEDERAL COPYRIGHT ACT OF 1976.

SIDE VIEW

E20 REF 20320 MM.

460 REF 11684 MM.



SEE NOTE 1

NOTES: 1.R62 IS INSTALLED ONLY ON BA (4MB) VARIATION.

REVISION HISTORY	
REV	DATE
INIT	986
A	

DESIGNED BY	L HAYWOOD	DATE	7-2-86	TITLE	digital	
DESIGNED BY	J. CUNNINGHAM	DATE	7-2-86	2/4 MB MEMORY OPTION	A	
DESIGNED BY	G. load by P.S.	DATE	11-25-86			
DESIGNED BY	G. load by P.S.	DATE	11-25-86			
DESIGNED BY	David Z...	DATE	2-10-87			
DOC NO	K-DD-5416802-0-0				SCALE	2/1
DOCUMENT NUMBER				DJA	5416802-1-0	A

8

7

6

5

4

3

2

1

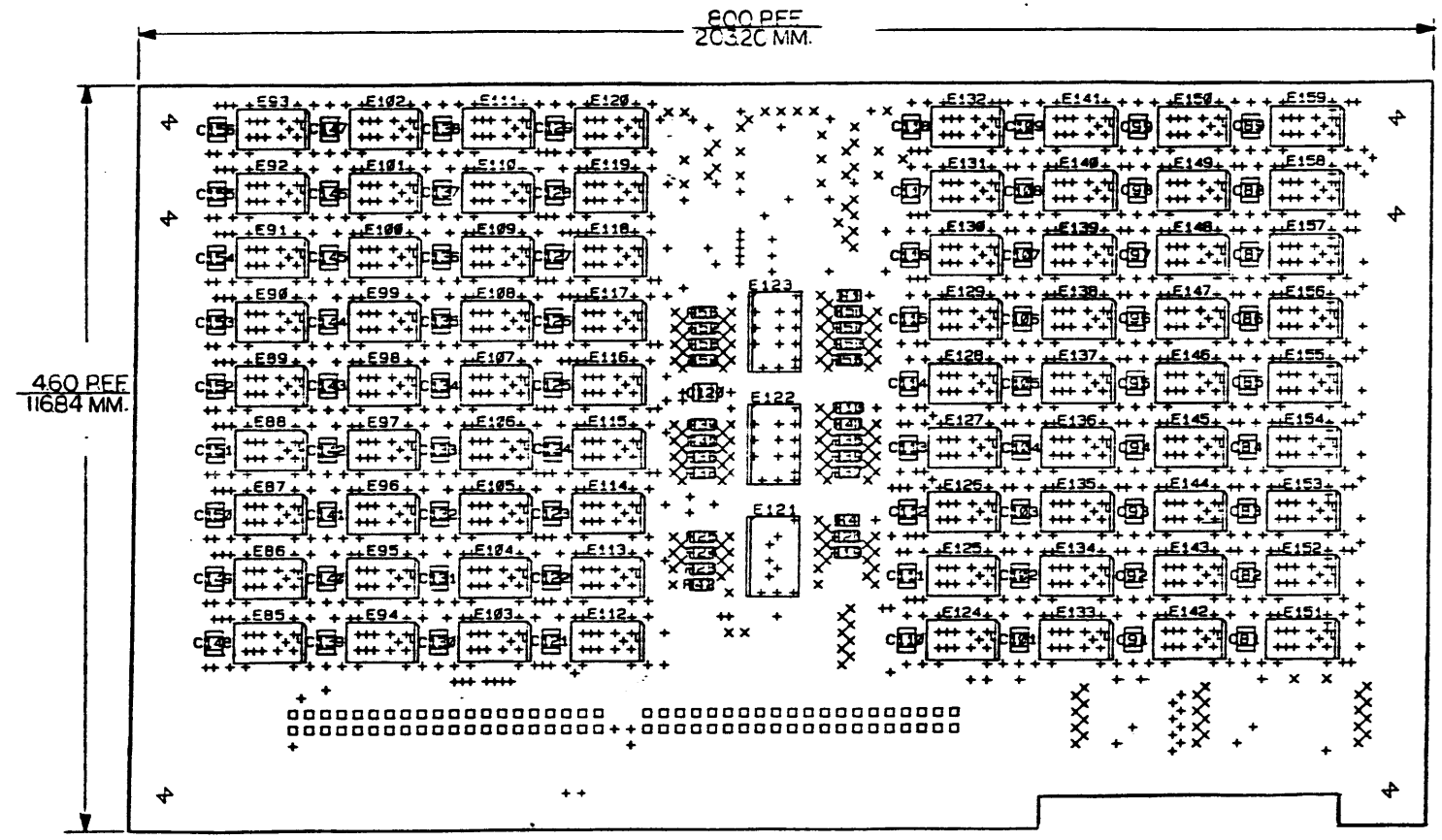
REV. 10/87
DJA 5416802-1-0

THIS DRAWING AND SPECIFICATIONS HEREIN ARE THE PROPERTY OF DIGITAL EQUIPMENT CORPORATION AND SHALL NOT BE REPRODUCED OR COPIED OR IN ANY MANNER OR IN PART AS THE BASIS FOR THE MANUFACTURE OR SALE OF ITEMS WITHOUT WRITTEN PERMISSION OF DIGITAL EQUIPMENT CORPORATION.

DEC DIGITAL EQUIPMENT CORPORATION

0-1-206919 (REV) 11/82

SIDE 2 VIEW



REVISION HISTORY		
DATE	ECD NUMBER	REV
11/82	INIT	A

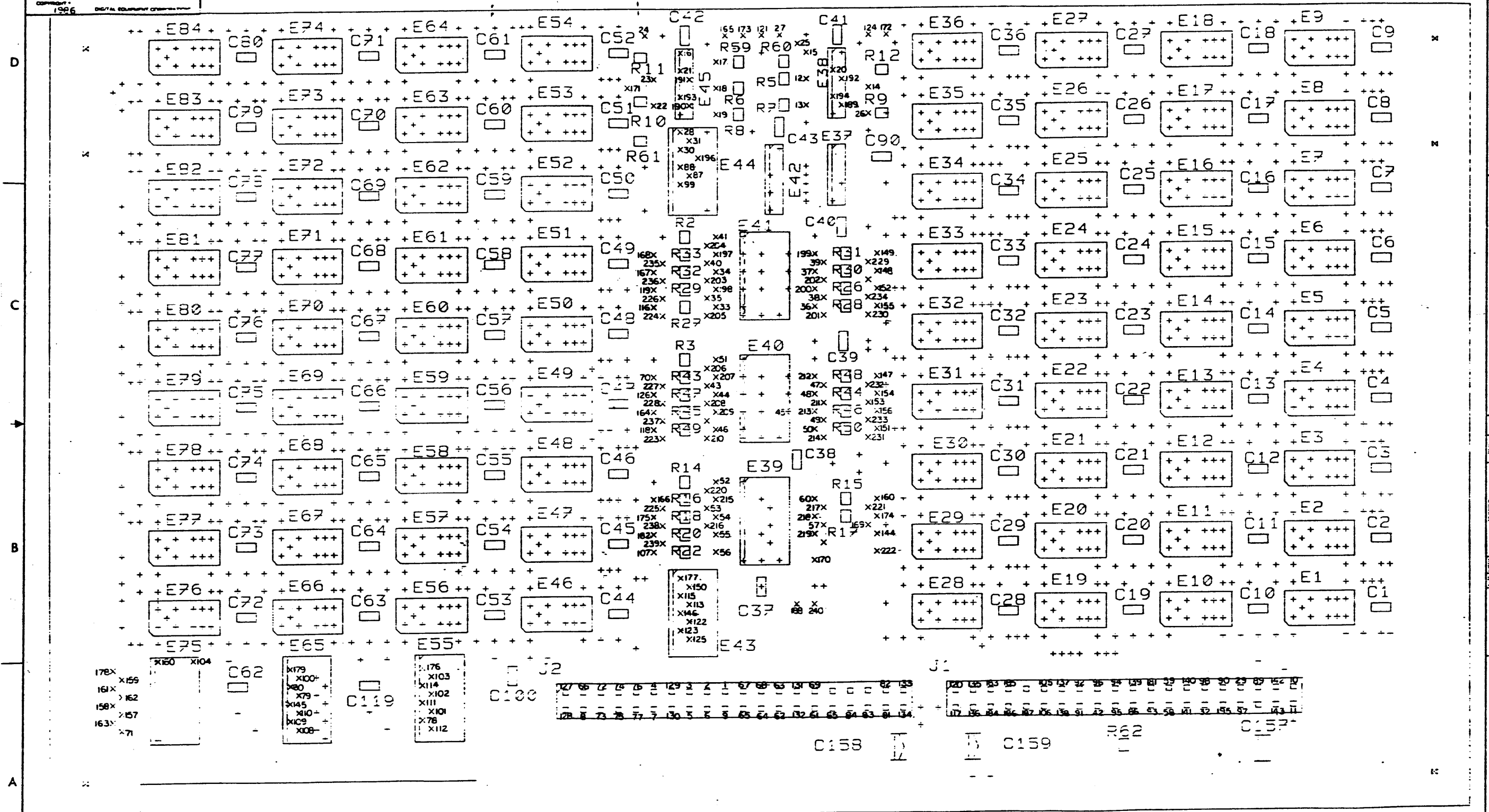
TITLE 2/4 MB MEMORY OPTION

DOCUMENT NUMBER		
SIZE CODE	NUMBER	REV
DUA	5416802-1-0	A
SCALE 2/1		SHEET 2 OF 4

DUA 5416802-1-0

THIS DRAWING AND SPECIFICATIONS HEREIN ARE THE PROPERTY OF DIGITAL EQUIPMENT CORPORATION AND SHALL NOT BE REPRODUCED OR COPIED OR USED IN WHOLE OR IN PART AS THE BASIS FOR THE MANUFACTURE OR SALE OF ITEMS WITHOUT WRITTEN PERMISSION.
 Copyright © 1976 DIGITAL EQUIPMENT CORPORATION

DUA 5416802-1-0



178X X159
 161X X162
 158X X157
 163X X171

X179 X100-
 X180 X79-
 X145 X10-
 X109 X78
 X108

X176 X103
 X114 X102
 X111 X101
 X78 X112

C100 100 101 102 103 104 105 106 107 108 109 110 111 112 113 114 115 116 117 118 119 120 121 122 123 124 125 126 127 128 129 130 131 132 133 134 135 136 137 138 139 140 141 142 143 144 145 146 147 148 149 150 151 152 153 154 155 156 157 158 159 160 161 162 163 164 165 166 167 168 169 170 171 172 173 174 175 176 177 178 179 180 181 182 183 184 185 186 187 188 189 190 191 192 193 194 195 196 197 198 199 200

J1 100 101 102 103 104 105 106 107 108 109 110 111 112 113 114 115 116 117 118 119 120 121 122 123 124 125 126 127 128 129 130 131 132 133 134 135 136 137 138 139 140 141 142 143 144 145 146 147 148 149 150 151 152 153 154 155 156 157 158 159 160 161 162 163 164 165 166 167 168 169 170 171 172 173 174 175 176 177 178 179 180 181 182 183 184 185 186 187 188 189 190 191 192 193 194 195 196 197 198 199 200

DATE	ECO NUMBER	REV
11/76	INIT	A

TITLE 24 MB MEMORY OPTION

DOCUMENT NUMBER		
SIZE	CODE	NUMBER
DUA	5416802-1-0	A
SCALE 4/1		SHEET 3 OF 4

DUA 5416802-1-0

THIS DRAWING AND SPECIFICATIONS HEREON ARE THE PROPERTY OF DIGITAL EQUIPMENT CORPORATION AND SHALL NOT BE REPRODUCED OR COPIED OR USED IN WHOLE OR IN PART AS THE BASIS FOR THE MANUFACTURE OR SALE OF ITEMS WITHOUT WRITTEN PERMISSION.
 Copyright © 1986 DIGITAL EQUIPMENT CORPORATION

(DIMENSIONS ARE GIVEN RELATIVE TO "H" MASTER 0)

ASSOCIATED PIN ID	X	Y	SIGNAL NAME	LOCATION CODE
J2.19	6.900	2.400	BDAL17 H	1
J2.17	7.000	2.400	BDAL19 H	2
J2.15	7.100	2.400	BDAL21 H	3
J2.11	7.300	2.400	BDAL23 H	4
J2.16	7.100	2.300	BDAL20 H	5
J2.12	7.300	2.300	BDAL22 H	7
J2.8	7.700	2.300	BDAL30 H	8
J2.20	6.900	2.300	BDAL16 H	9
J1.39	3.700	2.400	-5VA	10
J1.40	3.700	2.300	-5VA	11
E38.4	6.450	5.900	E38.4	12
E38.7	6.400	5.750	E38.7	13
E38.12	6.100	5.950	E38.12	14
E38.1	6.450	5.950	E38.1	15
E45.1	7.150	6.350	E45.1	16
E45.15	6.950	6.000	E45.15	17
E45.12	6.950	5.850	E45.12	18
E45.9	6.950	5.700	E45.9	19
E38.3	6.300	5.950	E38.3	20
E45.3	7.150	5.950	E45.3	21
E45.7	7.300	5.750	E45.7	22
E45.4	7.300	5.900	E45.4	23
R11.2	7.350	6.150	NRAS40 L	24
R2	6.500	6.100	R2	25
E38.9	6.100	5.700	E38.9	26
R7.2	6.600	6.150	NRAS31 L	27
E44.1	7.150	5.600	E44.1	28
J1.33	8.000	2.400	WSELA H	29
E44.1	7.150	5.500	WSELA H	30
E44.2	7.100	5.550	E44.2	31
J1.30	4.200	2.300	ERAS L	32
E41.9	6.950	4.600	E41.9	33
E41.5	6.950	4.800	E41.5	34
E41.1	7.000	4.450	E41.1	35
E41.12	6.800	4.600	E41.12	36
E41.16	6.800	4.800	E41.16	37
R26.1	6.350	4.650	R26.1	38
R31.1	6.350	4.950	R31.1	39
R33.1	7.000	4.350	R33.1	40
E41.1	6.950	5.000	E41.1	41
J1.18	4.800	2.300	MEMADD2 H	42
R43.1	7.000	4.150	R43.1	43
E40.5	6.950	4.100	E40.5	44

ASSOCIATED PIN ID	X	Y	SIGNAL NAME	LOCATION CODE
E40.14	6.950	4.000	E40.14	45
E40.9	6.950	3.900	E40.9	46
R44.1	6.350	4.150	R44.1	47
E40.16	6.400	4.100	E40.16	48
R46.1	6.350	4.950	R46.1	49
E40.12	6.400	3.900	E40.12	50
E40.1	6.950	4.300	E40.1	51
E39.1	6.950	3.600	E39.1	52
R15.1	7.000	3.450	R15.1	53
E39.5	6.950	3.400	E39.5	54
E39.7	6.950	3.300	E39.7	55
E39.4	6.950	3.200	E39.4	56
R17.1	6.350	3.350	R17.1	57
J1.26	4.400	2.300	LASO L	58
J1.25	4.400	2.400	CAS1 L	59
E39.10	6.400	3.500	E39.10	60
J2.30	6.400	2.300	BDAL08 H	61
J2.26	6.600	2.300	BDAL10 H	62
J2.25	6.600	2.400	BDAL11 H	63
J2.24	6.700	2.300	BDAL12 H	64
J2.22	6.800	2.300	BDAL14 H	65
J2.5	7.800	2.400	BDAL31 H	66
J2.21	6.800	2.400	BDAL15 H	67
J2.23	6.700	2.400	BDAL13 H	68
J2.29	6.400	2.400	BDAL29 H	69
R43.2	7.300	4.200	BRAD27 H	70
E75.4	10.300	2.200	MCAL15 H	71
J2.5	7.800	2.400	BDAL29 H	72
J2.6	7.600	2.300	BDAL28 H	73
J2.7	7.500	2.400	BDAL27 H	74
J2.8	7.500	2.300	BDAL26 H	75
J2.9	7.400	2.400	BDAL25 H	76
J2.10	7.400	2.300	BDAL24 H	77
E55.8	8.600	2.250	BDAL30 H	78
E65.5	9.300	2.400	BDAL03 H	79
E65.4	9.350	2.450	BDAL02 H	80
J2.38	6.000	2.300	BDAL06 H	81
J2.37	6.000	2.400	BDAL01 H	82
J2.36	6.100	2.300	BDAL02 H	83
J2.35	6.100	2.400	BDAL06 H	84
J2.31	6.300	2.400	BDAL07 H	85
J1.22	4.600	2.300	J1.22	86
E44.6	7.100	5.350	E44.6	87
E44.5	7.150	5.400	E44.5	88
J1.35	3.900	2.400	YDRE L	89
J1.31	4.100	2.400	SRAS L	90
J1.16	4.900	2.300	MEMADD4 H	91
J1.15	4.900	2.400	MEMADD5 H	92
J1.24	4.500	2.300	CAS2 L	93

ASSOCIATED PIN ID	X	Y	SIGNAL NAME	LOCATION CODE
J1.19	8.700	2.400	MEMADD1 H	94
J1.20	4.700	2.300	MEMADD0 H	95
J1.17	4.800	2.400	MEMADD3 H	96
J1.34	4.300	2.300	VAS L	97
J1.39	4.200	2.400	WSELC H	98
E44.7	7.150	5.300	WSELC H	99
E55.3	9.300	2.900	BDAL01 H	100
E55.7	8.550	2.300	BDAL29 H	101
E55.5	8.450	2.400	BDAL27 H	102
E55.3	8.450	2.500	BDAL25 H	103
E75.19	4.900	2.600	E75.19	104
J1.11	4.900	2.400	MEMADD7 H	105
J1.12	5.100	2.300	MEMADD6 H	106
R22.2	7.300	3.200	NCAS03 L	107
E65.9	9.300	2.200	BDAL07 H	108
E65.8	9.350	2.250	BDAL06 H	109
R65.7	9.300	2.300	BDAL05 H	110
E55.6	8.600	2.350	BDAL28 H	111
E55.9	8.550	2.200	BDAL31 H	112
E43.5	7.100	2.900	BDAL19 H	113
E55.4	8.600	2.400	BDAL26 H	114
E43.4	7.150	2.950	BDAL18 H	115
R27.2	7.100	4.600	BRAD21 H	116
J1.2	5.600	2.300	-5VB	117
R49.2	7.500	3.900	BRAD25 H	118
R29.2	7.300	4.700	BRAD22 H	119
J1.1	5.600	2.400	-5TC	120
R5.2	6.700	6.150	MCAS1 L	121
J1.2	7.100	2.800	BDAL21 H	122
R43.8	7.150	2.750	BDAL22 H	123
R9.2	6.100	6.150	NRAS21 L	124
E43.9	7.100	2.700	BDAL23 H	125
R47.2	7.300	4.100	BRAD24 H	126
J2.1	7.800	2.400	GND	127
J2.2	7.800	2.300	GND	128
J2.13	7.200	2.400	GND	129
J2.14	7.200	2.300	GND	130
J2.27	6.500	2.400	GND	131
J2.28	6.500	2.300	GND	132
J2.39	5.900	2.400	GND	133
J2.40	5.900	2.300	GND	134
J1.3	5.500	2.400	GND	135
J1.4	5.500	2.300	GND	136
J1.13	5.000	2.400	GND	137
J1.1	5.000	2.300	GND	138
J1.21	4.600	2.400	GND	139
J1.27	4.300	2.400	GND	140
J1.28	4.300	2.300	GND	141
J1.37	3.800	2.400	GND	142

ASSOCIATED PIN ID	X	Y	SIGNAL NAME	LOCATION CODE
J1.38	3.800	2.300	GND	143
R23.2	6.050	3.300	NCAS12 L	144
E65.6	9.350	2.350	BDAL04 H	145
E43.6	7.150	2.850	BDAL20 H	146
R4.82	6.050	4.200	BRAD14 H	147
R30.2	6.050	4.200	BRAD13 H	148
R31.2	6.050	4.900	BRAD10 H	149
E43.3	7.100	3.000	BDAL17 H	150
R26.2	6.050	3.900	BRAD16 H	151
R40.2	6.050	4.700	BRAD11 H	152
R44.2	6.100	4.050	BRAD37 H	153
R44.2	6.050	4.100	BRAD17 H	154
R28.2	6.050	4.600	BRAD12 H	155
R6.2	6.050	4.000	BRAD15 H	156
E75.7	10.300	2.300	BDAL13 H	157
E75.6	10.350	2.350	BDAL12 H	158
E75.3	10.300	2.500	BDAL09 H	159
R15.2	6.050	3.500	BRAD28 H	160
E75.4	10.350	2.450	BDAL10 H	161
E75.5	10.300	2.400	BDAL11 H	162
E75.8	10.350	2.250	BDAL14 H	163
R45.2	7.300	4.000	BRAD26 H	164
R8.2	6.900	6.150	NRAS20 L	165
R16.2	7.300	3.500	NCAS00 L	166
R32.2	7.300	4.800	BRAD20 H	167
R33.2	7.300	4.900	BRAD23 H	168
R24.2	6.100	3.350	NCAS11 L	169
E39.12	6.400	3.150	BRAD10 L	170
R10.2	7.450	5.850	NRAS30 L	171
R12.2	6.000	6.150	NRAS11 L	172
R6.2	6.800	6.150	NRAS10 L	173
R17.2	6.050	3.400	BRAD18 H	174
R18.2	7.300	3.400	NCAS01 L	175
E55.2	8.600	2.550	BDAL24 H	176
E43.2	7.150	3.050	BDAL16 H	177
E75.2	10.350	2.550	BDAL08 H	178
E65.2	9.350	2.550	BDAL00 H	179
E75.1	10.100	2.600	BRAD19 L	180
J1.23	4.500	2.400	CAS3 L	181
R20.2	7.300	3.300	NCAS02 L	182
J1.5	5.400	2.400	FEIT3 H	183
J1.6	5.400	2.300	FEIT2 H	184
J1.7	5.300	2.400	FEIT1 H	185
J1.8	5.300	2.300	FEIT0 H	186
R1.10	5.200	2.700	MEMADD8 H	187
E39.14	6.500	2.900	BRAD20 L	188
E38.10	6.250	5.750	E38.10	189
E45.10	7.100	5.750	E45.10	190
E45.13	7.100	5.900	E45.13	191

ASSOCIATED PIN ID	X	Y	SIGNAL NAME	LOCATION CODE
E38.13	6.250	5.900	E38.13	192
E45.15	7.150	5.800	E45.15	193
E38.6	6.300	5.800	E38.6	194
J1.32	4.100	2.300	WSELA H	195
E44.4	7.050	5.450	WSELA H	196
E123.18	6.950	4.900	E123.18	197
E123.14	6.950	4.700	E123.14	198
E123.3	6.400	4.900	E123.3	199
E123.7	6.400	4.700	E123.7	200
R54.1	4.50	4.50	R54.1	201
R52.1	6.350	4.750	R52.1	202
R57.1	7.000	4.750	R57.1	203
R1.2	7.000	4.950	R1.2	204
R55.1	7.800	4.550	R55.1	205
R13.2	7.000	4.250	R13.2	206
E122.18	6.950	4.200	E122.18	207
R35.1	7.000	4.050	R35.1	208
E122.14	6.950	4.000	E122.14	209
R37.1	7.000	3.350	R37.1	210
R40.1	6.350	4.050	R40.1	211
E122.3	6.400	4.200	E122.3	212
E122.7	6.400	4.00	E122.7	213
R34.1	6.350	3.450	R34.1	214
E121.18	6.950	3.500	E121.18	215
R19.1	7.000	3.350	R19.1	216
R25.1	6.350	3.450	R25.1	217
E121.5	6.400	3.400	E121.5	218
E121.7	6.400	3.300	E121.7	219
R4.2	7.000	3.550	R4.2	220
R25.2	6.100	3.450	NCAS10 L	221
R42.2	6.050	3.200	NCAS13 L	222
R37.2	7.250	3.850	BRAD45 H	223
R55.2	7.250	4.550	BRAD41 H	224
R21.2	7.250	3.450	BRAD48 H	225
R53.2	7.250	4.650	BRAD42 H	

LINE	ITEM	TOP DOCUMENT	PART NUMBER	MIN REV	DESCRIPTION	QTY PER VAR/REV				REFERENCE DESIGNATORS
						AF A2	AH A2	AP A2	BF A2	
1	1	D-DD-5016801-0-0	50-16801-01		CIRCUIT DRILL AND ETCH	1	1	1	1	
2	2		13-27953-01		0.22 MFD 50V +/-20% Z5U CE	-	-	-	156	C1-C156
			CONT			33	33	33		C1-C30,C90,C100,C119
3	3		10-24455-1B		10 MFD 15V +/-10% CHI	3	3	3	3	C157-C159
4	4		12-19055-05		CONN,P+S 40POS(2X20)	2	2	2	2	J1,J2
5	5		13-23325-11		27.0 .25 W 5.0 % CHIP	-	-	-	53	R5-R12,R15-R58,R62
			CONT			30	30	30		R5-R12,R15-R18,R20,R22,R26-R33, R43-R50
6	6		13-23328-01		100.0 .25 W 1.0 % CHIP	-	-	-	9	R1-R4,R13,R14,R59-R61
			CONT			6	6	6		R2,R3,R14,R59-R61
7	7		19-20441-02		74F245 TRANSCEIVER,BI-DIREC	4	4	4	4	E43,E55,E65,E75
8	8		19-20572-02		74F244 BUFFER/LINE DRIVER,0	-	-	-	6	E39-E41,E121-E123
			CONT			3	3	3		E39-E41
9	9		19-21010-03		74F373 OCTAL TRANSPARENT LA	1	1	1	1	E44
10	10		19-21312-02		74F32 OR GATE,QUAD,2-IN	1	1	1	1	E37
11	11		19-21316-02		74F138D DECODER/DEMUX,10F8,S	1	1	1	1	E42
12	12		19-21330-02		74F257 DATA SEL/MUX,QUAD 2T	2	2	2	2	E38,E45
13	13		21-21413-22		41256 RAM 256KX1,DYNAMIC M	-	72	-		E1-E36,E46-E54,E56-E64,E66-E74, E76-E84
			CONT			-	-	-	144	E1-E36,E46-E54,E56-E64,E66-E74, E76-E120,E124-E159
14	14		21-21414-22		256KX1,DYNAMIC 150NS	-	-	-		E1-E36,E46-E54,E56-E64,E66-E74, E76-E84
			CONT			72	-	-		E1-E36,E46-E54,E56-E64,E66-E74, E76-E84
15	15		21-22422-22		256KX1 MOS RAM 150NS 1	-	-	72		E1-E36,E46-E54,E56-E64,E66-E74, E76-E84

- 1 GEN: 5416802-AA IS THE PRIMARY VARIATION OF THE 2MB MODULE.
- 2 GEN: 5416802-BA IS THE PRIMARY VARIATION OF THE 4 MB MODULE
- 3 GEN: 5416802-AH IS A MODULE USING NEC 256K PLCC DRAMS
- 4 GEN: 5416802-AP IS A MODULE USING MITSUBISHI 256K PLCC DRAMS

REVISION HISTORY		KPL MODULE FORMAT		SECTION A OF 5		DRN: J. CUNNINGHAM		DIGITAL	
ENG	ECO NUMBER	REV	SECTION/VARIATION INDEX	CHK'D:	D. DROZD	DATE:	31-JUL-85	TITLE	PARTS LIST
	INITIAL	A	[A] AF,AH,AP,BF [M] [B] BH,BP [N] [C] [P] [D] [Q] [E] [R] [F] [S] [H] [T] [J] [V] [K] [W] [L] [Y]	DATE:	31-JUL-85	DES.ENG:	G. LORD	2 / 4 MB MEMORY OPTION	
				DATE:	31-JUL-85	RESP.ENG.:	G. LORD	DOCUMENT NUMBER	
				DATE:	27-JAN-86	DATE:	27-JAN-86	SIZE!CODE!	NUMBER
				MFG.ENG:	D. TAYLOR	DATE:	08-AUG-86	K ! PL !	5416802-0-DBP
				DATE:	08-AUG-86	RELEASE DATE:	04-FEB-87	REV	A
						RELEASE STATUS:	RELEASED		
				BASIC PART NUMBER:	5416802	ASSEMBLY NUMBER:	D-UA-5416802-2-0	TOP DOCUMENT NUMBER:	B-DD-5416802-0-0
						FILE NAME:	GH057A.PLS	EDIT #	38

"THIS DRAWING AND THE SPECIFICATIONS CONTAINED HEREIN ARE CONFIDENTIAL AND PROPRIETARY. THEY ARE THE PROPERTY OF DIGITAL EQUIPMENT CORPORATION AND SHALL NOT BE REPRODUCED OR COPIED OR USED IN WHOLE OR IN PART AS THE BASIS FOR THE MANUFACTURE OR SALE OF ITEMS WITHOUT WRITTEN PERMISSION. THIS IS AN UNPUBLISHED WORK PROTECTED UNDER THE FEDERAL COPYRIGHT LAWS."

*** DOCUMENT CONVERTED TO VAX ***

AUTOMATED BY VAXKPL (V1.3)

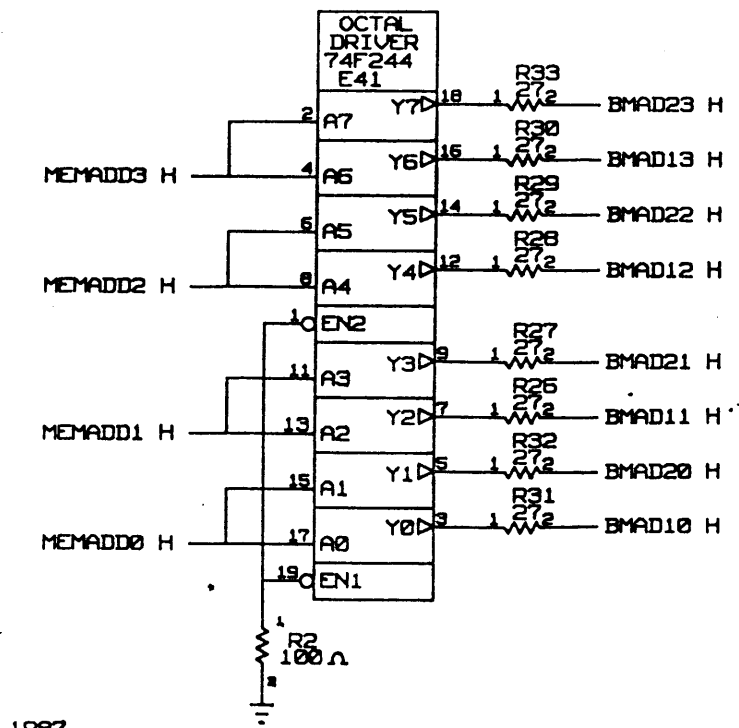
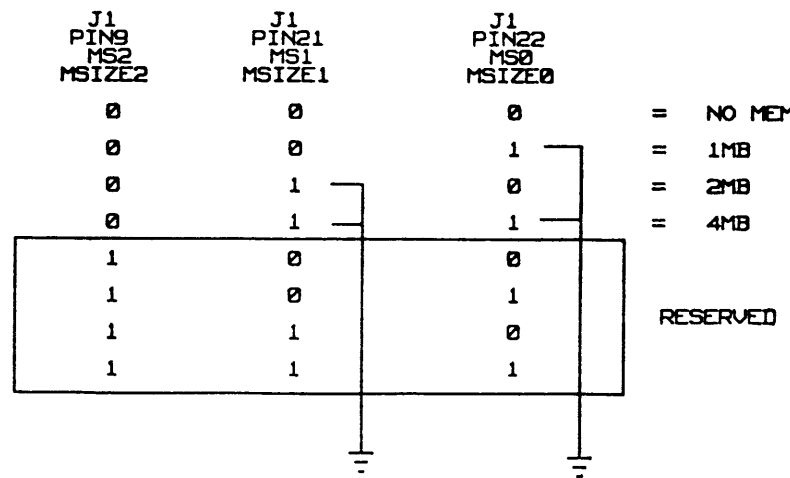
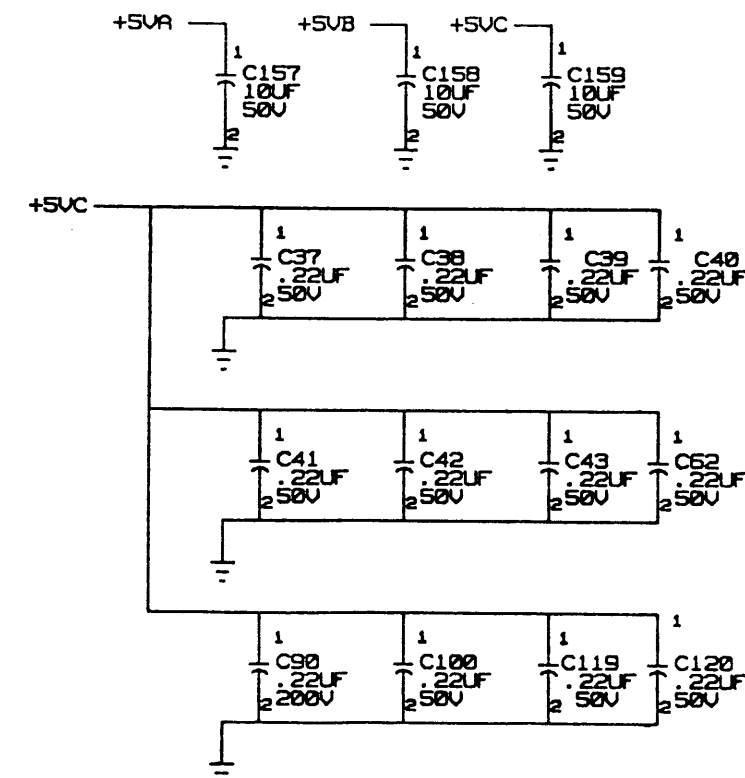
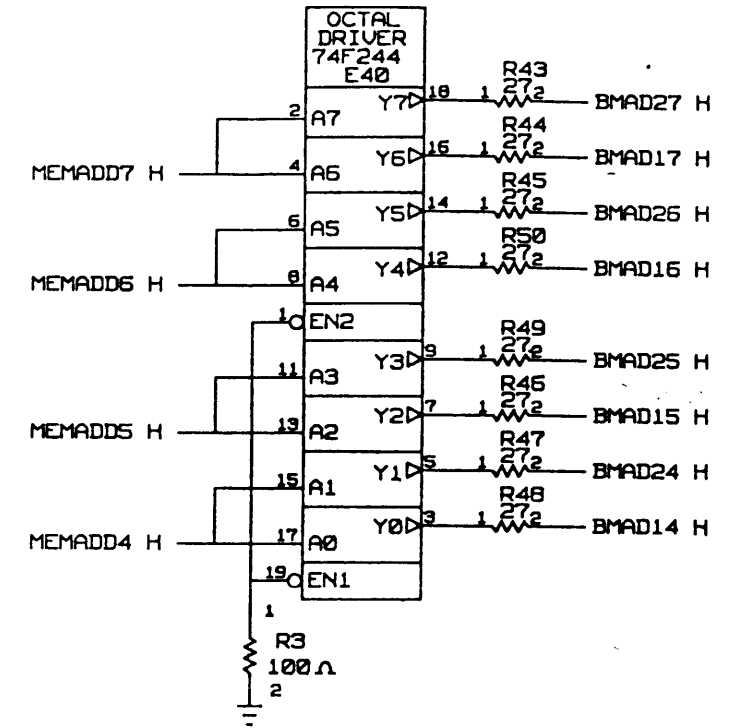
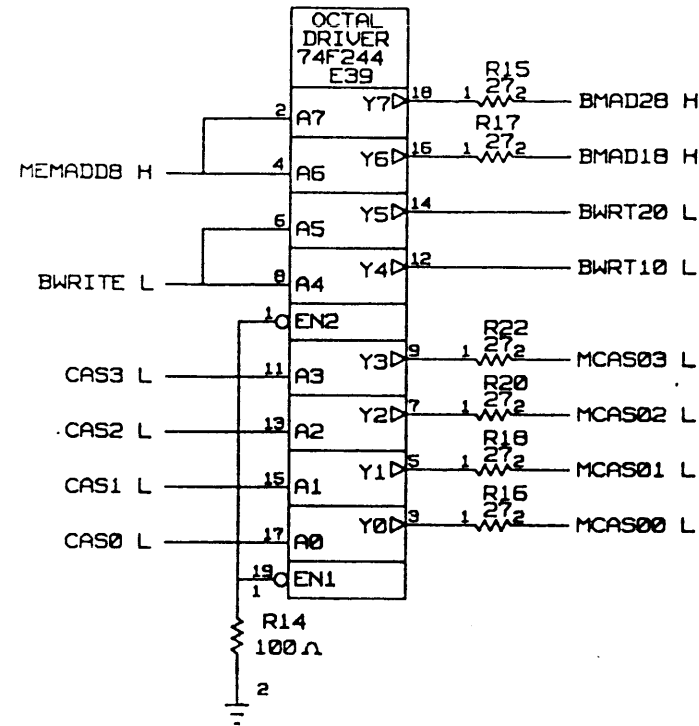
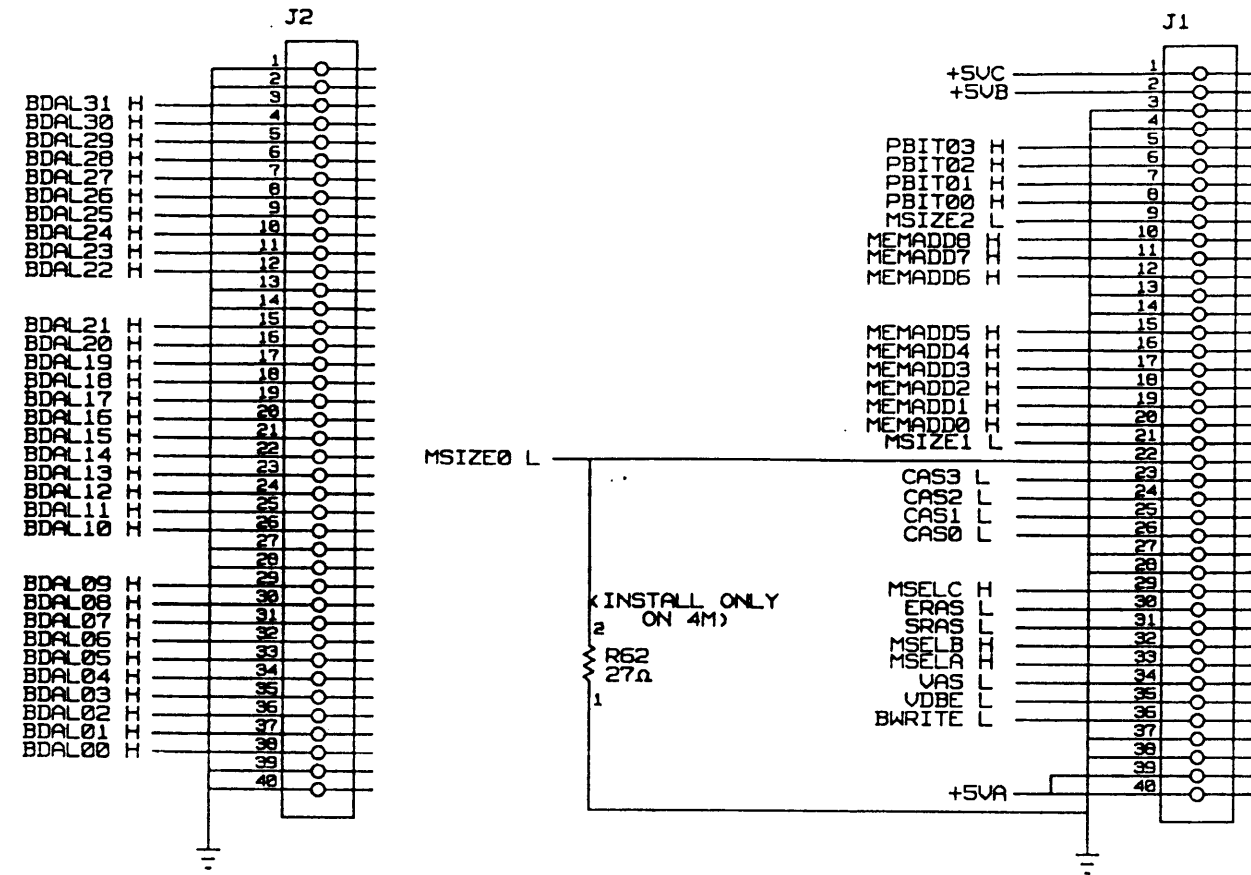
P A R T S L I S T

SHEET A2 OF A2

LINE ITEM	TOP DOCUMENT	PART NUMBER	MIN REV	DESCRIPTION	QTY PER VAR/REV				REFERENCE DESIGNATORS
					AF	AH	AP	BF	
5 GEN:	5416802-0H	IS A		MODULE USING NEC 256K PLCC DRAMS					
6 GEN:	5416802-3P	IS A		MODULE USING MITSUBISHI 256K PLCC DRAMS					
7 GEN:	5416802-AF	IS A		MODULE USING HITACHI 256K PLCC DRAMS.					
8 GEN:	5416802-3F	IS A		MODULE USING HITACHI 256K DRAMS.					

D	I	G	I	T	A	L	TITLE	SECTION A OF B	SIZE	CODE	DOCUMENT NUMBER	REV
							2 / 4 MB MEMORY OPTION		K	PL	5416802-0-DBP	A

NOTE: ALL I.C.'S OTHER THAN MEMORY CHIPS
VCC IS CONNECTED TO +5VC



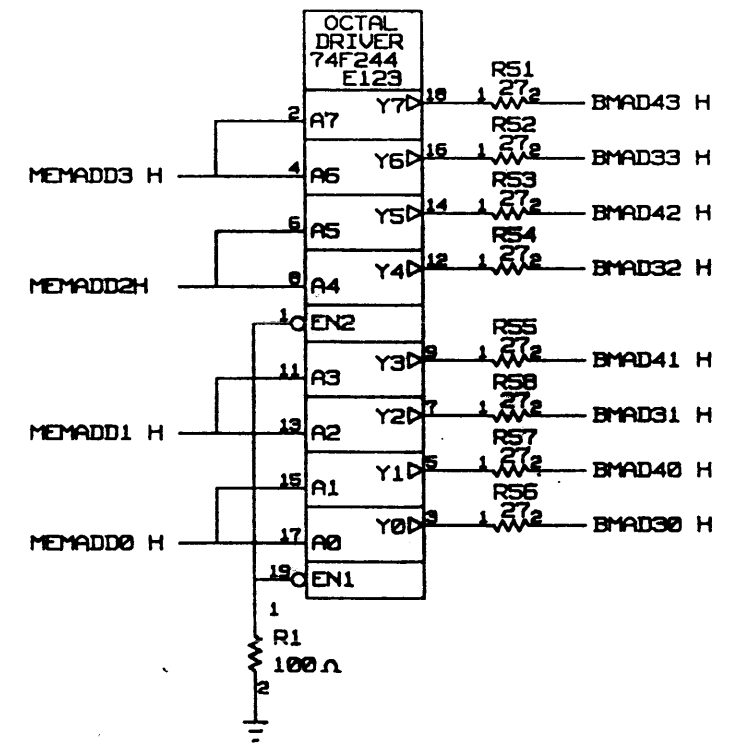
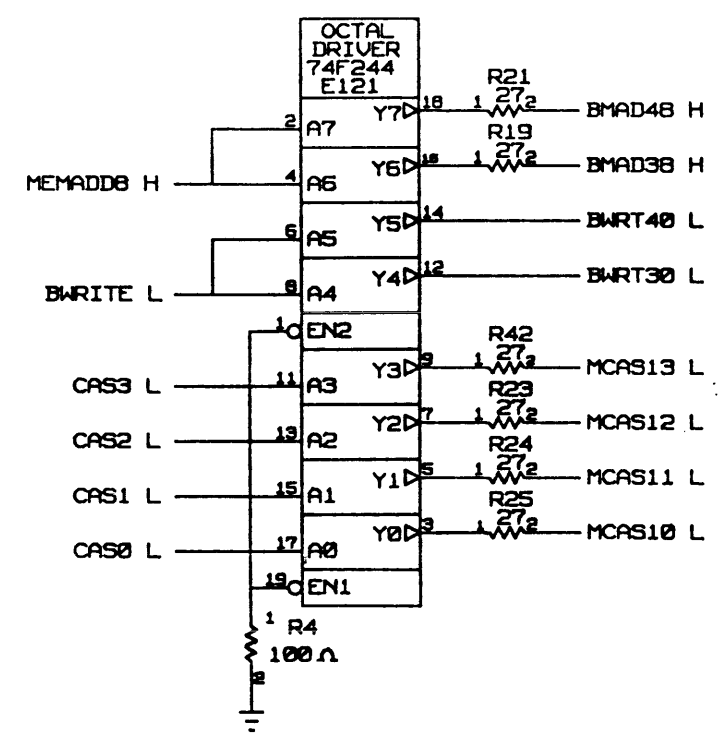
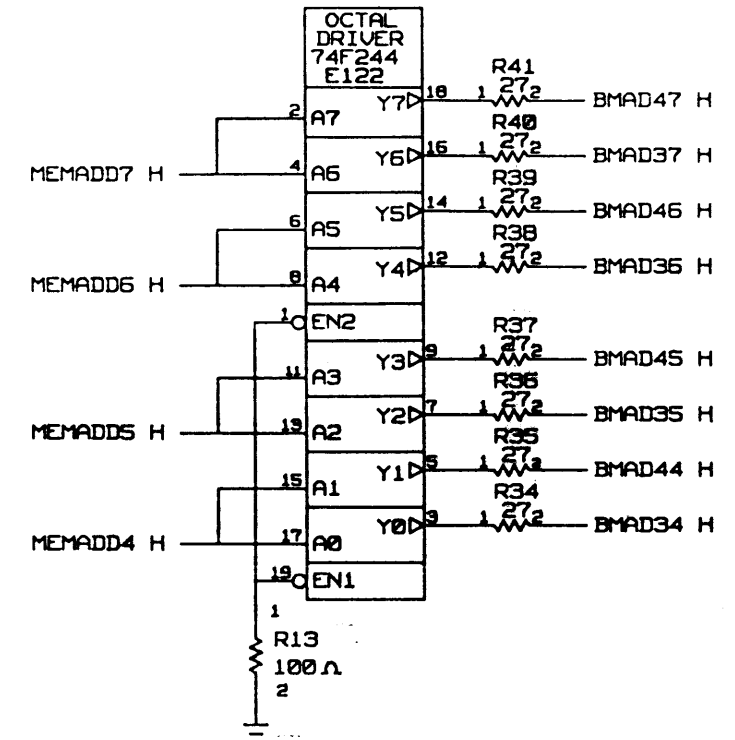
DRAWING
TITLE=MEM2/4
ABBREV=MEM2
LAST_MODIFIED=Mon Jan 26 08:27:34 1987



REVISION	CHK	CHANGE NO.	REV

digital	DESIGNED BY	K. GLEEZEN	DATE	8/7/85	DESIGNED BY	G. LORD	DATE	8/7/85	TITLE	2/4 MBYTE MEMORY OPTION	
	APPROVED BY	P. SCANTLEBURY	DATE	8/7/85	DESIGNED BY		DATE				
TOP DOCUMENT NUMBER											
FIRST USED ON OPTION MODEL											
K-DD-5416802-0-0									SIZE	B	CS
									NUMBER	5416802-0-1	
									REV.	A	

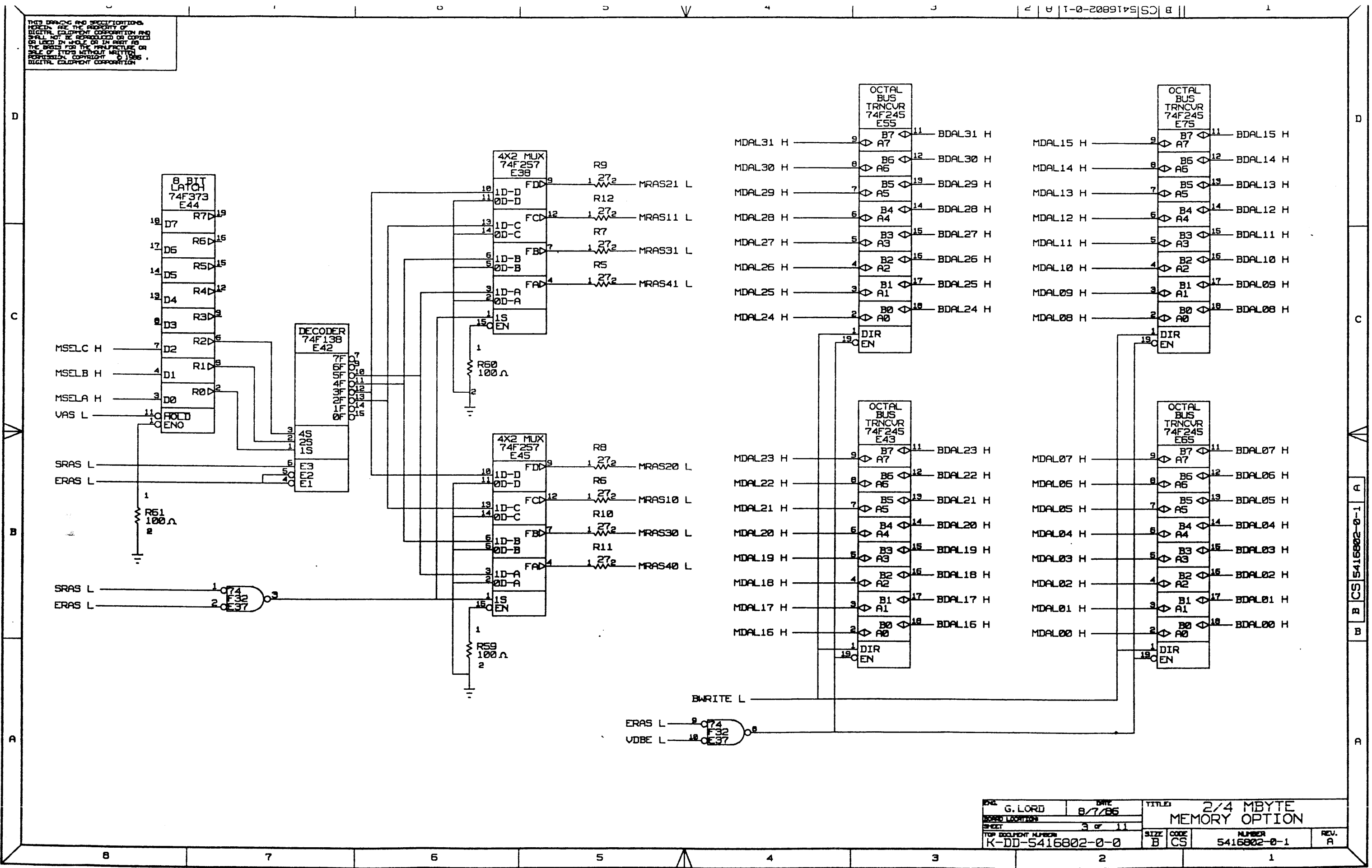
THIS DRAWING AND SPECIFICATIONS
HEREIN ARE THE PROPERTY OF
DIGITAL EQUIPMENT CORPORATION AND
SHALL NOT BE REPRODUCED OR COPIED
OR USED IN WHOLE OR IN PART AS
THE BASIS FOR THE MANUFACTURE OR
SALE OF ITEMS WITHOUT WRITTEN
PERMISSION. COPYRIGHT © 1985
DIGITAL EQUIPMENT CORPORATION



THESE ARE LOCATED ON SIDE 2

DESIGNER	G. LORD	DATE	8/7/85	TITLE	2/4 MBYTE MEMORY OPTION		
DESIGN CHECKED		SHEET	2 OF 11	SIZE	B	CODE	CS
TOP DOCUMENT NUMBER	K-DD-5416802-0-0			NUMBER	5416802-0-1		REV.
							A

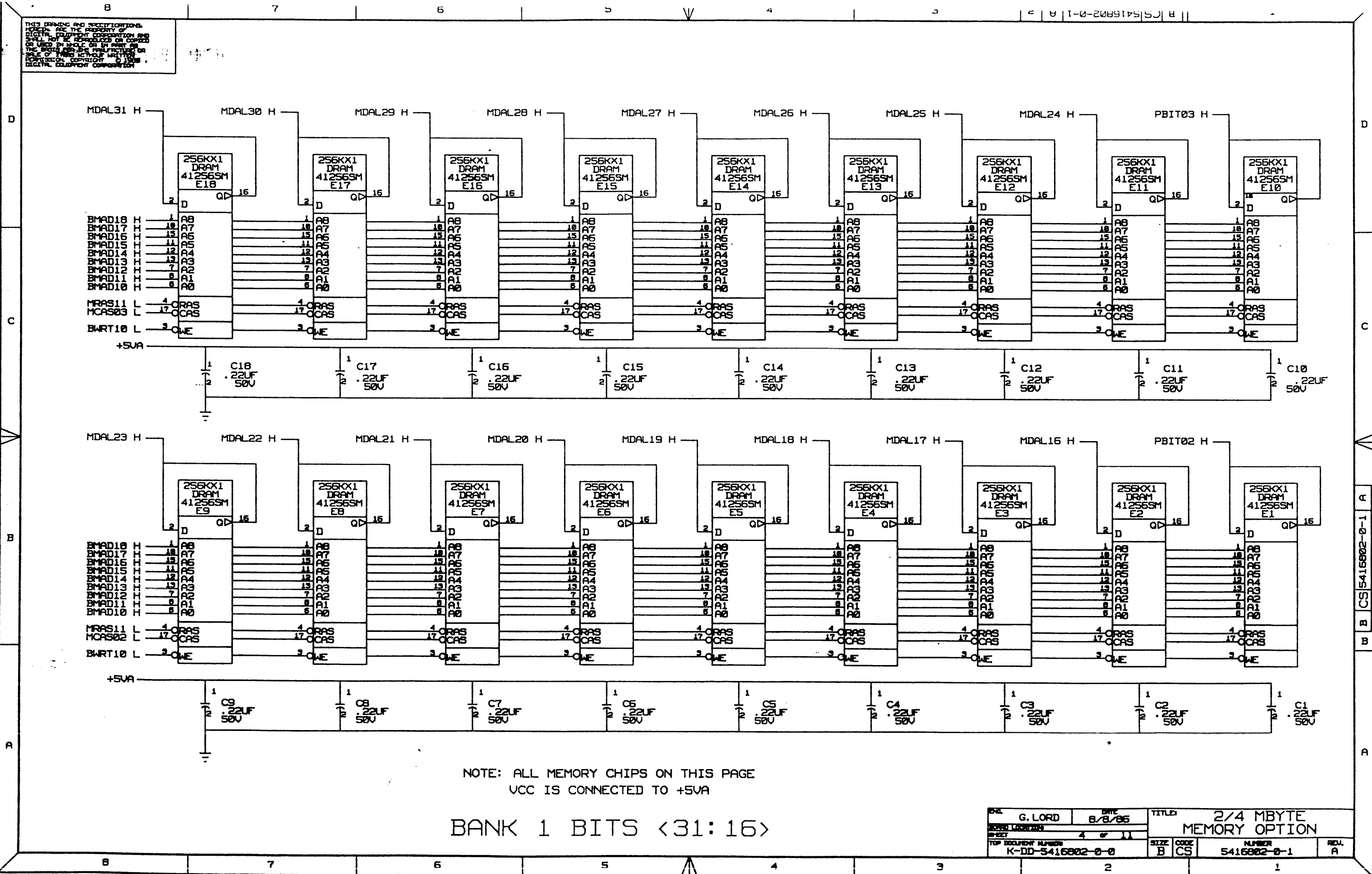
THIS DRAWING AND SPECIFICATIONS
 HEREIN ARE THE PROPERTY OF
 DIGITAL EQUIPMENT CORPORATION AND
 SHALL NOT BE REPRODUCED OR COPIED
 OR USED IN WHOLE OR IN PART AS
 THE BASIS FOR THE MANUFACTURE OR
 SALE OF ITEMS WITHOUT WRITTEN
 PERMISSION. COPYRIGHT © 1986
 DIGITAL EQUIPMENT CORPORATION



DESIGNER	G. LORD	DATE	8/7/86	TITLE	2/4 MBYTE MEMORY OPTION
BOARD LOCATION					
SHEET	3 of 11				
TOP DOCUMENT NUMBER	K-DD-5416802-0-0	SIZE	B	CODE	CS
		NUMBER	5416802-0-1		REV.
					A

THIS DRAWING AND SPECIFICATIONS
 HEREON ARE THE PROPERTY OF
 DIGITAL EQUIPMENT CORPORATION AND
 SHALL NOT BE REPRODUCED OR COPIED
 IN ANY MANNER OR BY ANY MEANS
 WITHOUT THE WRITTEN PERMISSION OF
 DIGITAL EQUIPMENT CORPORATION.

CS 5416802-0-1

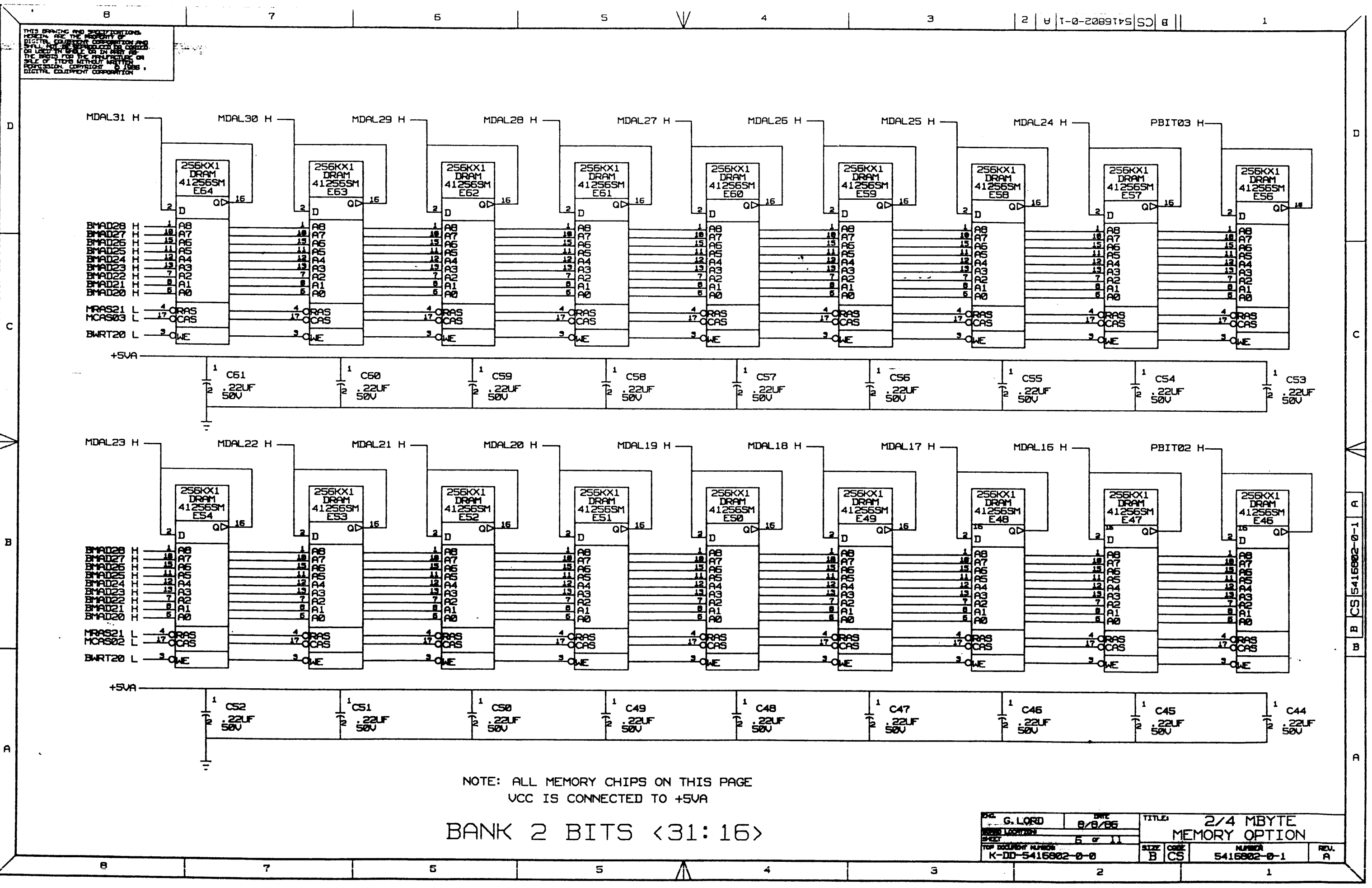


NOTE: ALL MEMORY CHIPS ON THIS PAGE
 UCC IS CONNECTED TO +5VA

BANK 1 BITS <31:16>

DESIGN	G. LORD	DATE	8/8/85	TITLE	2/4 MBYTE MEMORY OPTION
REV					
TOP DOCUMENT NUMBER	K-DD-5416802-0-0			SIZE	B CS
				NUMBER	5416802-0-1
				REV.	A

THIS DRAWING AND SPECIFICATIONS HEREAFTER ARE THE PROPERTY OF DIGITAL EQUIPMENT CORPORATION AND SHALL REMAIN CONFIDENTIAL AND UNCLASSIFIED UNLESS SO INDICATED OTHERWISE. NO PART OF THIS DRAWING OR SPECIFICATIONS MAY BE REPRODUCED OR TRANSMITTED IN ANY FORM OR BY ANY MEANS, ELECTRONIC OR MECHANICAL, INCLUDING PHOTOCOPYING, RECORDING, OR BY ANY INFORMATION STORAGE AND RETRIEVAL SYSTEM, WITHOUT PERMISSION IN WRITING FROM DIGITAL EQUIPMENT CORPORATION.

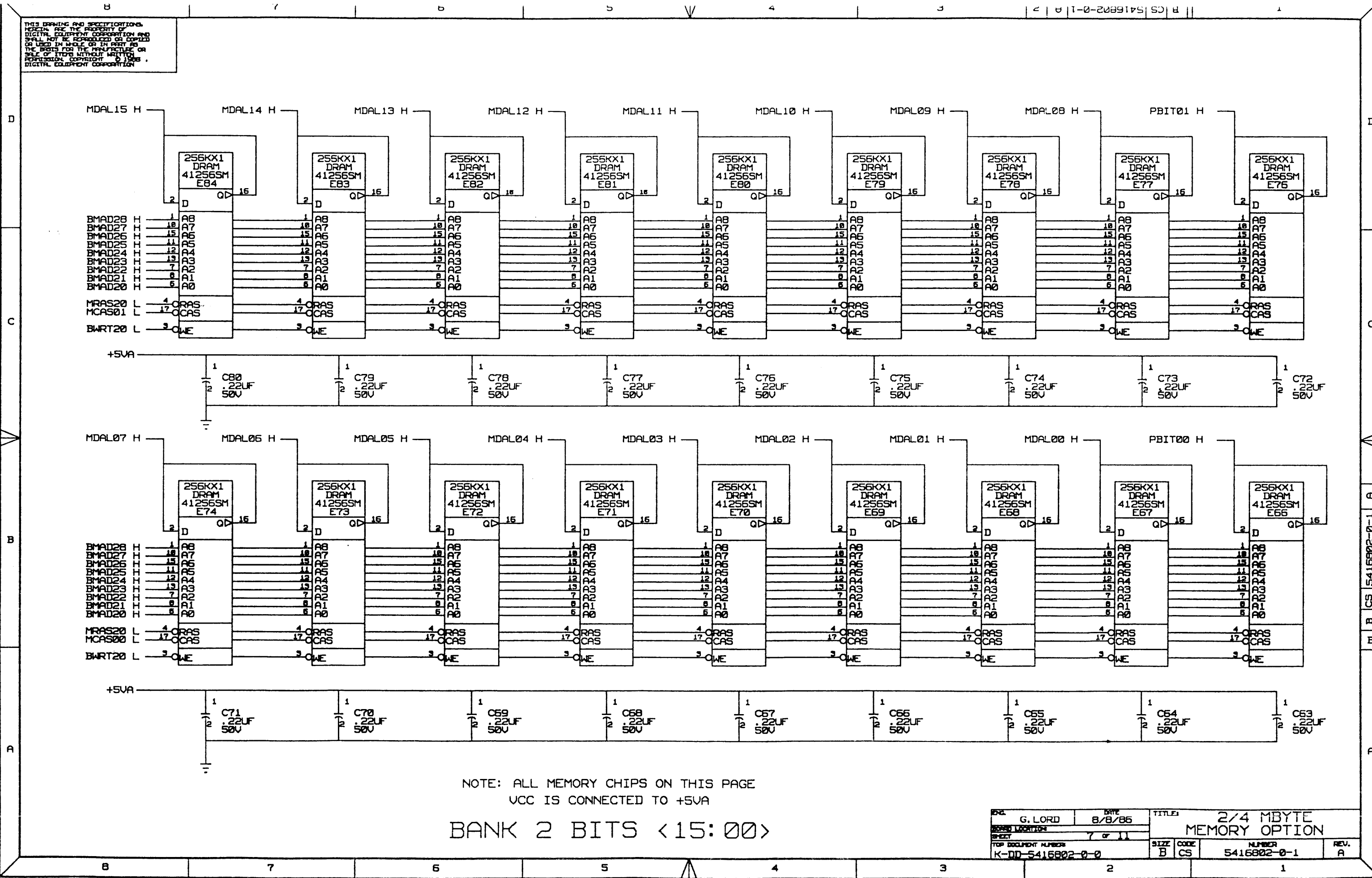


NOTE: ALL MEMORY CHIPS ON THIS PAGE
VCC IS CONNECTED TO +5VA

BANK 2 BITS <31:16>

DESIGNER	G. LORD	DATE	8/8/86	TITLE	2/4 MBYTE MEMORY OPTION			
ISSUE LOCATION	5 of 11			SIZE	B	CASE	CS	
TOP DOCUMENT NUMBER	K-DD-5416802-0-0			NUMBER	5416802-0-1		REV.	A

THIS DRAWING AND SPECIFICATIONS HEREIN ARE THE PROPERTY OF DIGITAL EQUIPMENT CORPORATION AND SHALL NOT BE REPRODUCED OR COPIED OR USED IN WHOLE OR IN PART AS THE BASIS FOR THE MANUFACTURE OR SALE OF ITEMS WITHOUT WRITTEN PERMISSION. COPYRIGHT © 1986 . DIGITAL EQUIPMENT CORPORATION

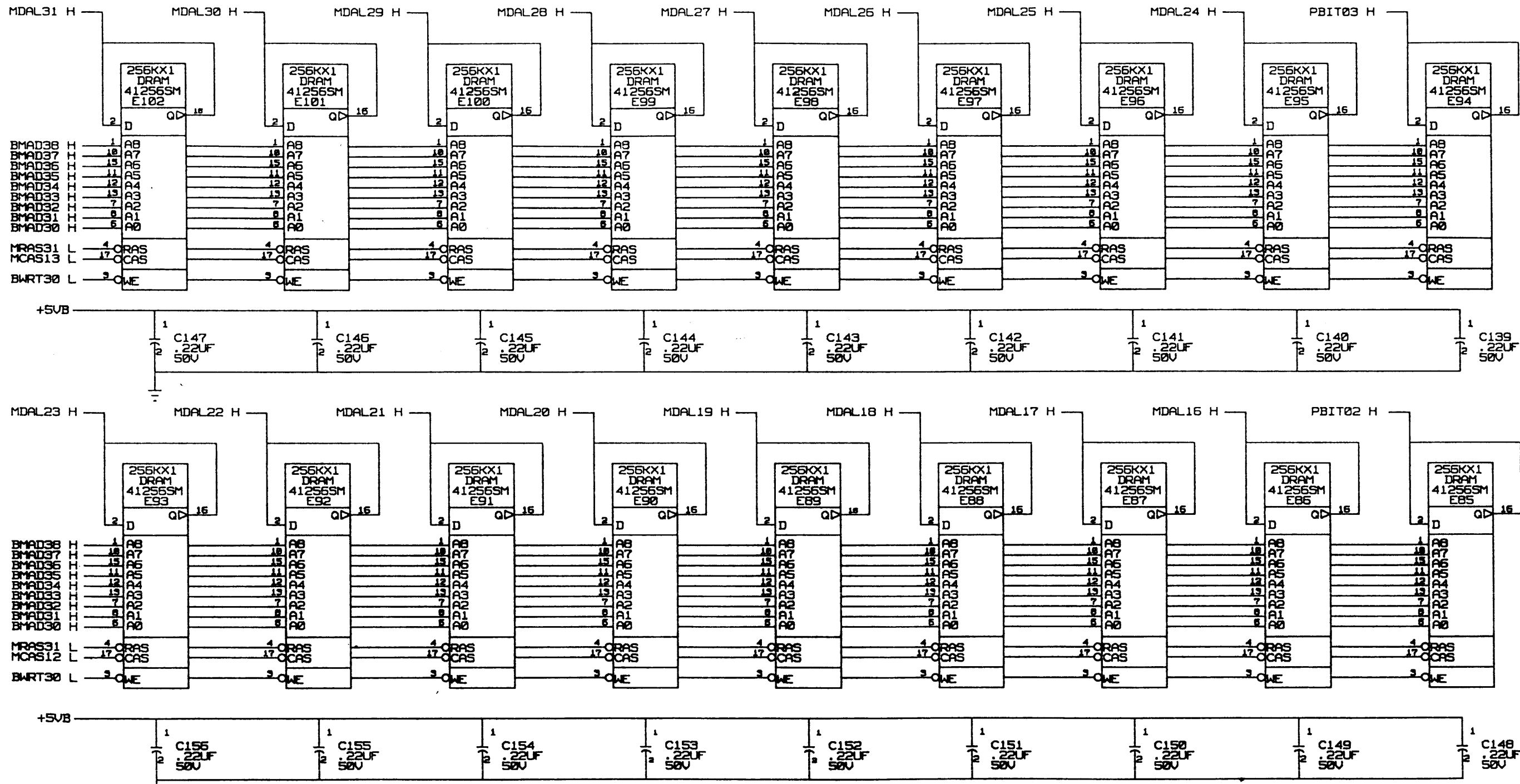


NOTE: ALL MEMORY CHIPS ON THIS PAGE
VCC IS CONNECTED TO +5VA
BANK 2 BITS <15:00>

DESIGNER	G. LORD	DATE	8/8/86	TITLE	2/4 MBYTE MEMORY OPTION			
DESIGN LOCATION				SIZE	B	CODE	CS	
SHEET	7 of 11			NUMBER	5416802-0-1		REV.	A
TOP DOCUMENT NUMBER	K-DD-5416802-0-0							

A
B
C
D
1
2
3
4
5
6
7
8
CS 5416802-0-1

THIS DRAWING AND SPECIFICATIONS HEREAFTER ARE THE PROPERTY OF DIGITAL EQUIPMENT CORPORATION AND SHALL NOT BE REPRODUCED OR COPIED OR USED IN WHOLE OR IN PART AS THE BASIS FOR ANY MANUFACTURE OR SALE OF ITEMS WITHOUT WRITTEN PERMISSION. COPYRIGHT © 1986 . DIGITAL EQUIPMENT CORPORATION



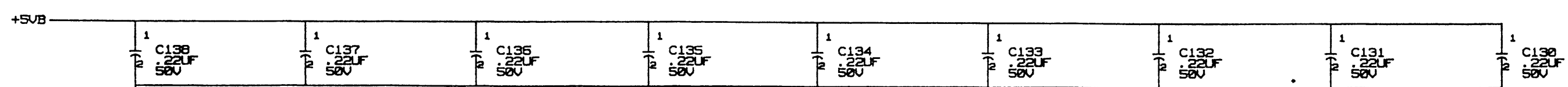
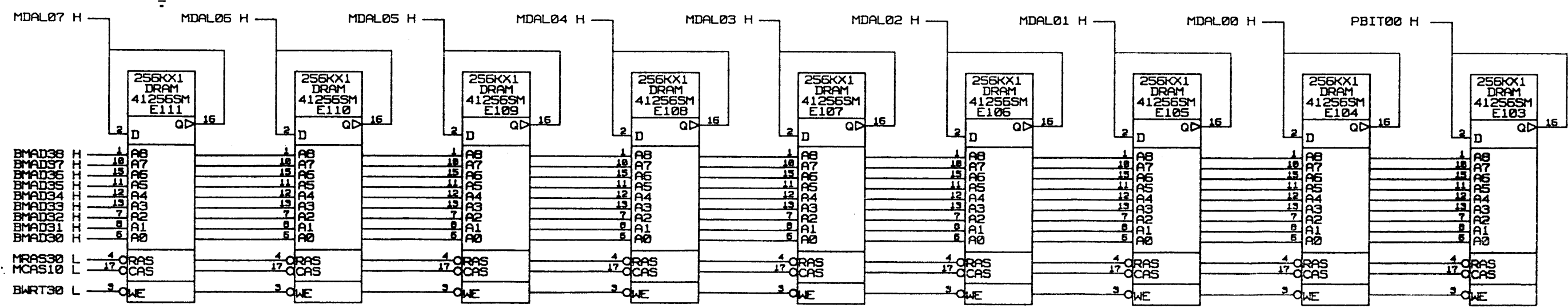
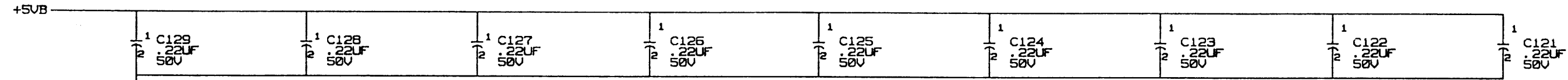
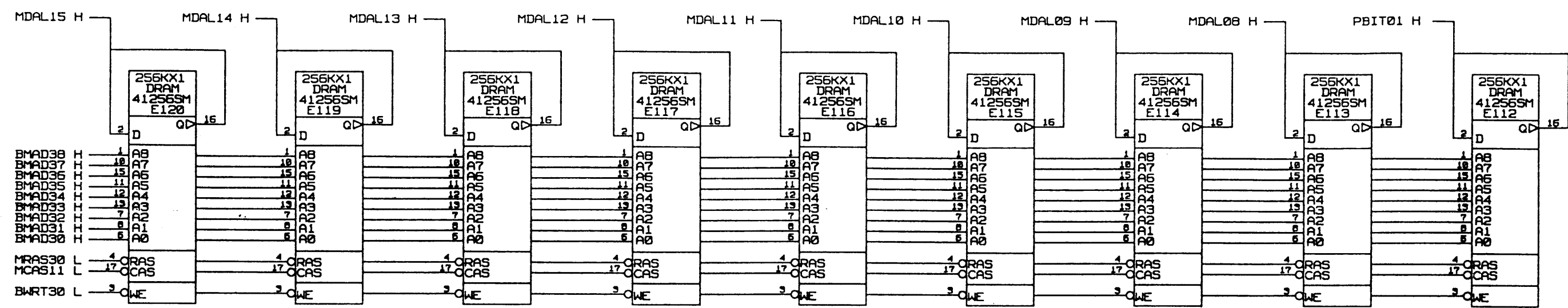
COMPONENTS ON SIDE 2
 NOTE: ALL MEMORY CHIPS ON THIS PAGE
 VCC IS CONNECTED TO +5VB

BANK 3 BITS <31:16>

DESIGNER G. LORD	DATE 8/8/85	TITLE 2/4 MBYTE MEMORY OPTION
DESIGNED BY B. J. J.	SIZE B	CODE CS
TOP DOCUMENT NUMBER K-DD-5416802-0-0	NUMBER 5416802-0-1	REV. A

A
B
B
B
A
A
1
2
3
4
5
6
7
8

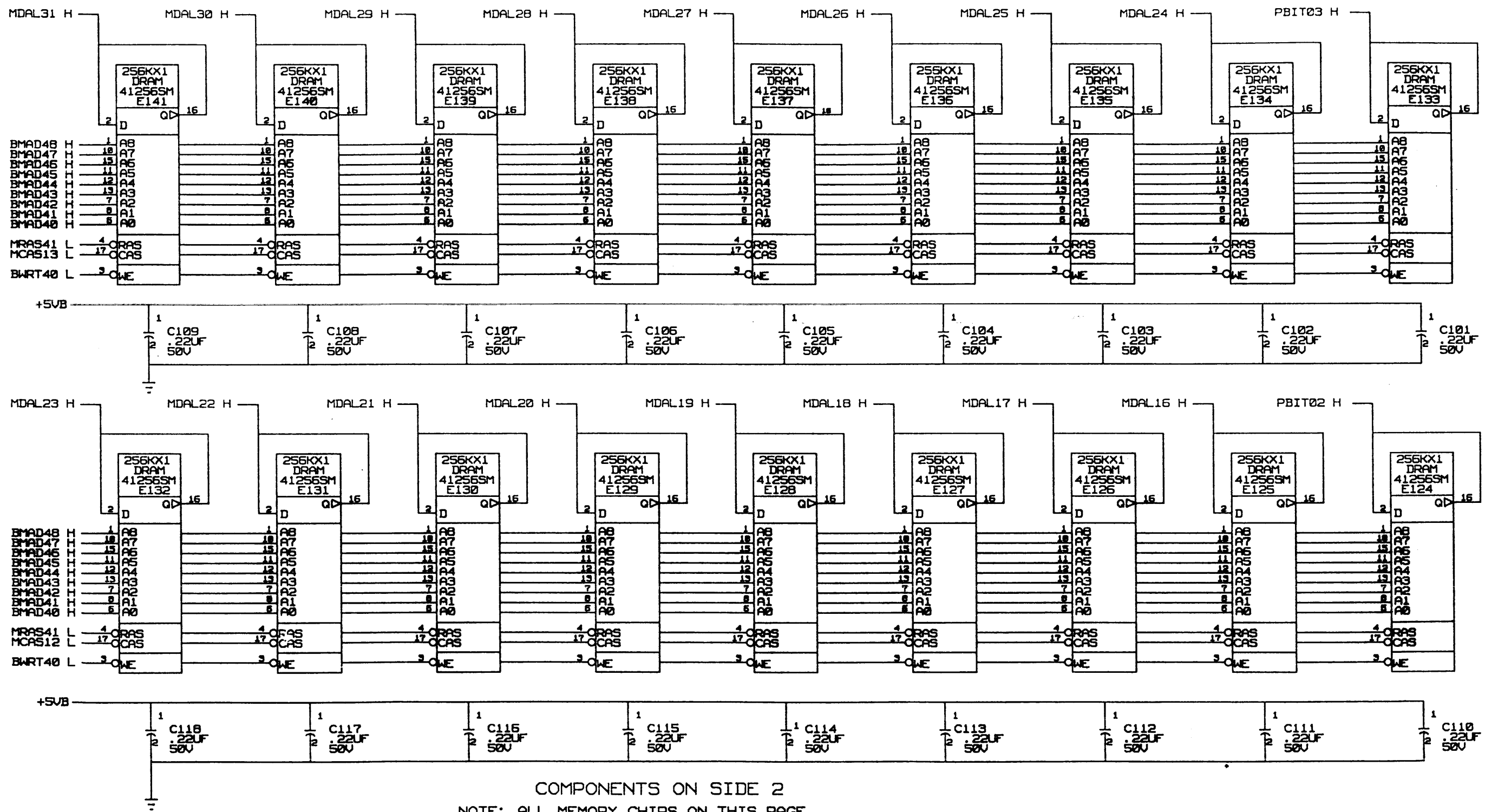
THIS DRAWING AND SPECIFICATIONS
HEREON ARE THE PROPERTY OF
DIGITAL EQUIPMENT CORPORATION AND
SHALL NOT BE REPRODUCED OR COPIED
OR USED IN WHOLE OR IN PART AS
THE BASIS FOR THE MANUFACTURE OR
SALE OF ITEMS WITHOUT WRITTEN
PERMISSION. COPYRIGHT © 1986,
DIGITAL EQUIPMENT CORPORATION



COMPONENTS NO SIDE 2
NOTE: ALL MEMORY CHIPS ON THIS PAGE
VCC IS CONNECTED TO +5VB
BANK 3 BITS <15:00>

DESIGNER	G. LORD	DATE	8/8/86	TITLE	2/4 MBYTE MEMORY OPTION			
BOARD LOCATION	9 of 11			SIZE	B	CODE	CS	
TOP DOCUMENT NUMBER	K-DD-5416802-0-0			NUMBER	5416802-0-1		REV.	A

THIS DRAWING AND SPECIFICATIONS
HEREIN ARE THE PROPERTY OF
DIGITAL EQUIPMENT CORPORATION AND
SHALL NOT BE REPRODUCED OR COPIED
OR USED IN WHOLE OR IN PART OR
THE BASIS FOR THE MANUFACTURE OR
SALE OF ITEMS WITHOUT WRITTEN OR
DIGITAL EQUIPMENT CORPORATION
1985

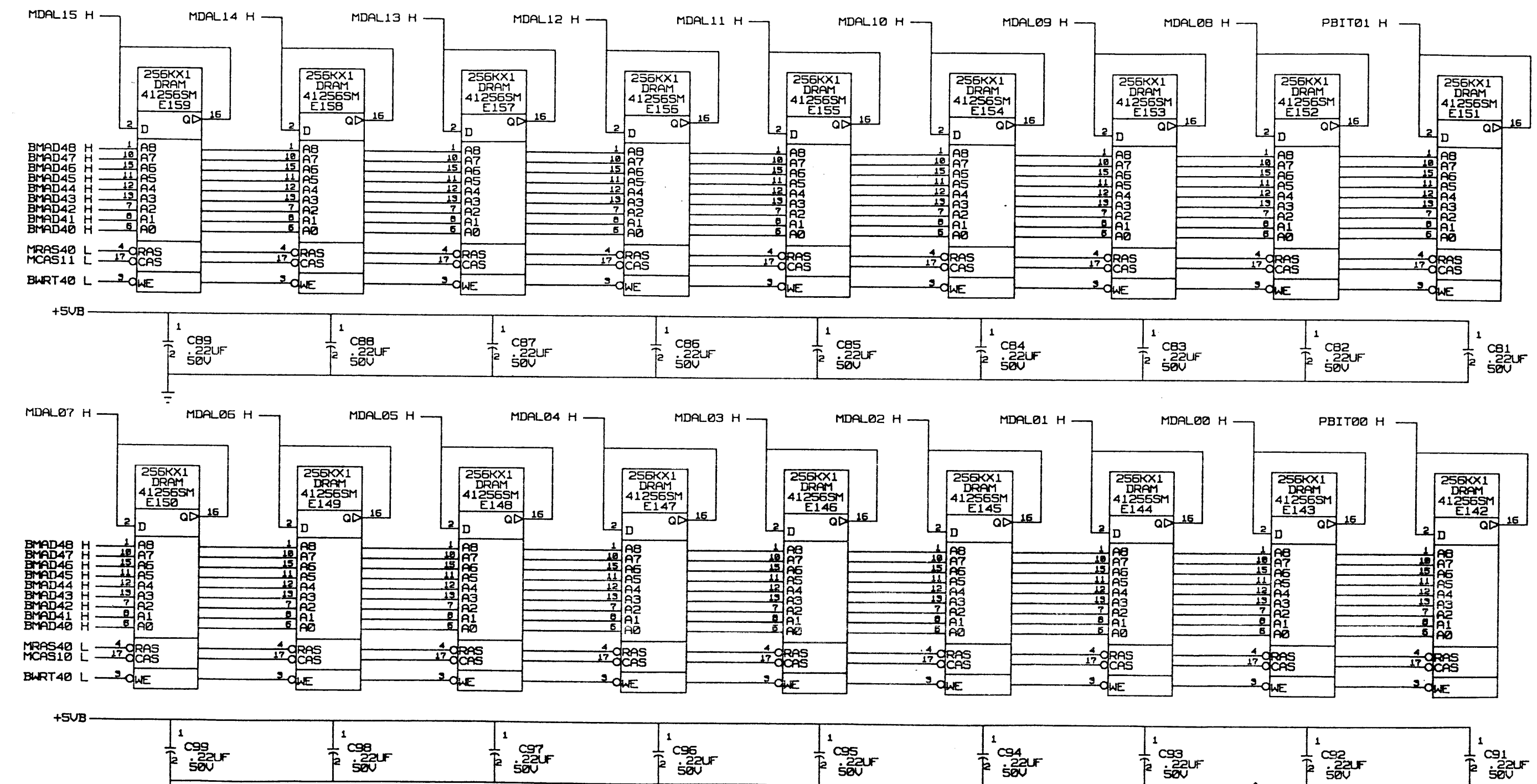


COMPONENTS ON SIDE 2
NOTE: ALL MEMORY CHIPS ON THIS PAGE
VCC IS CONNECTED TO +5VB
BANK 4 BITS <31:16>

ENCL	G. LORD	DATE	8/8/85	TITLE	2/4 MBYTE MEMORY OPTION		
REV		SIZE	10 or 11	NUMBER	5416802-0-1		
TOP EQUIPMENT NUMBER	K-DD-5416802-0-0			REV.	A		

A
B
CS 5416802-0-1
B
A

THIS DRAWING AND SPECIFICATIONS
HEREIN ARE THE PROPERTY OF
DIGITAL EQUIPMENT CORPORATION AND
SHALL NOT BE REPRODUCED OR COPIED
OR USED IN WHOLE OR IN PART FOR
THE BIDS FOR THE MANUFACTURE OR
SALE OF ITEMS WITHOUT WRITTEN
PERMISSION. COPYRIGHT © 1985
DIGITAL EQUIPMENT CORPORATION



COMPONENTS ON SIDE 2

NOTE: ALL MEMORY CHIPS ON THIS PAGE
VCC IS CONNECTED TO +5VB

BANK 4 BITS <15:00>

DESIGNER	G. LORD	DATE	8/8/86	TITLE	2/4 MBYTE MEMORY OPTION		
BOARD LOCATION				SHEET	11 of 11		
TOP DOCUMENT NUMBER	K-DD-5416802-0-0			SIZE	B	CODE	CS
				NUMBER	5416802-0-1		REV.
							A