

**digital**

**RH II**  
**Engineering Drawings**  
**Digital Equipment Corporation**

The material herein is for information purposes only and is subject to change without notice. Digital Equipment Corporation assumes no responsibility for any errors which may appear herein.

These drawings and specifications herein are the property of Digital Equipment Corporation and shall not be reproduced or copied or used in whole or in part as the basis for the manufacture or sale of items without written permission.  
Copyright © 1975, Digital Equipment Corporation



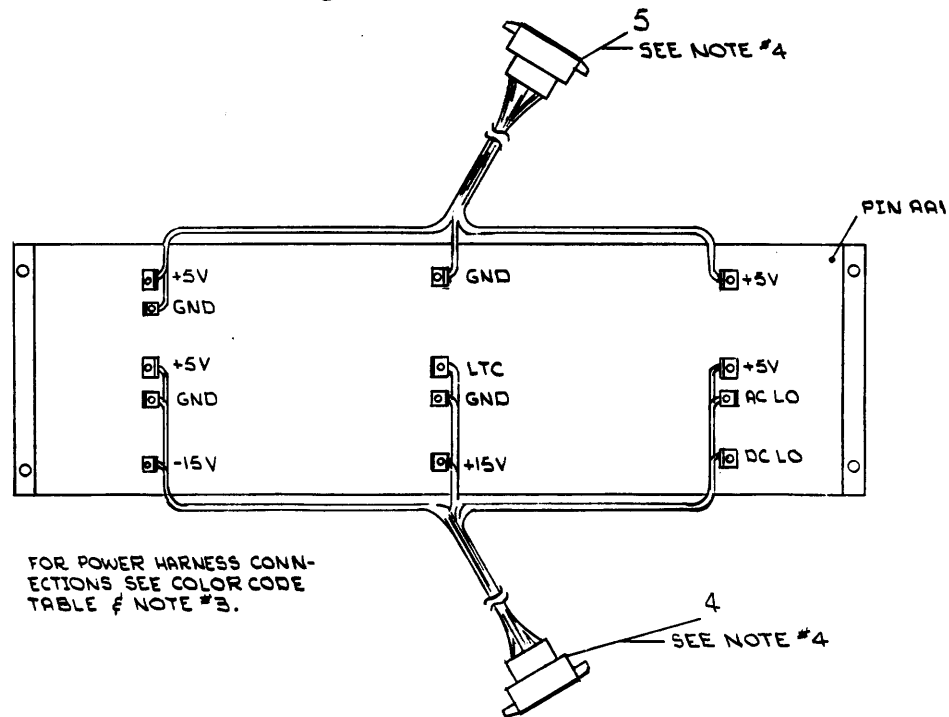
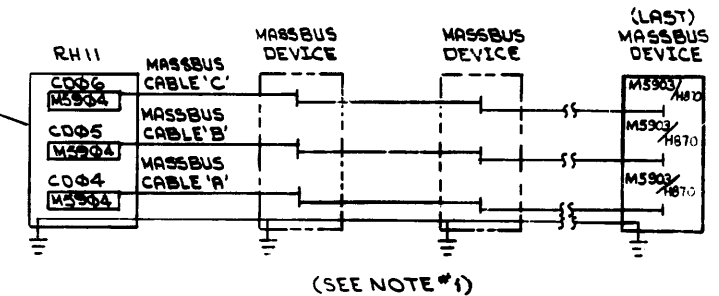
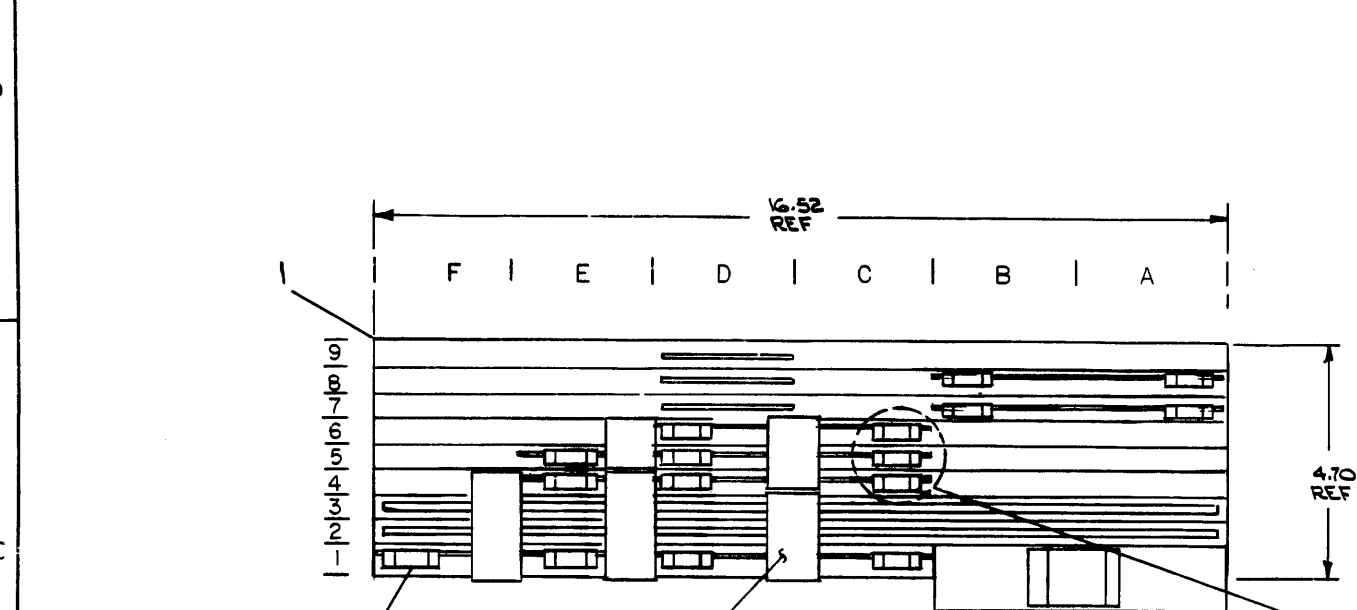
CUSTOMER PRINT SET		ELECTRICAL					CUSTOMER PRINT SET		MECHANICAL						
RH11-0	MFG. SET	FIND NO.	DRAWING NO.	REV	NO OF SHT	DESCRIPTION	OPTION NO./FILE DATE	RH11-0	MFG. SET	FIND NO.	DRAWING NO.	REV	NO OF SHT	DESCRIPTION	OPTION NO./FILE DATE
X		1	D-UA-RH11-0-0	C	1	RH11 UNIT ASSEMBLY		X		1	D-UA-RH11-0-0	A	1	RH11 UNIT ASSEMBLY	
X			D-MJ-RH11-0-01	B	1	MODULE UTILIZATION		X			D-IA-7009570-0-0	#	1	RH11 POWER HARNESS (15 PIN)	
X			D-BS-RH11-0-02	B	3	MASSBUS TRANSCEIVER		X			D-IA-7009563-0-0	#	1	POWER HARNESS (15 PIN)	
X			D-IC-RH11-0-03	*	1	UNIBUS A CABLE DIAGRAM					A-PL-H850-0-0		1	HANDLE EXTENDER	
X			D-IC-RH11-0-04	*	1	UNIBUS B CABLE DIAGRAM					D-IA-7009571-0-0		1	RH11 POWER HARNESS (9 PIN)	
X			D-TD-RH11-0-05	A	1	WRITE UNIBUS (TIMING DIAGRAM)					D-IA-7009099-0-0		1	POWER HARNESS (9 PIN)	
X			D-TD-RH11-0-06	A	1	READ + WRITE CHECK UNIBUS (TIMING DIAGRAM)									
X			D-TD-RH11-0-07	*	1	WRITE MASSBUS (TIMING DIAGRAM)									
X			D-TD-RH11-0-08	*	1	READ + WRITE CHECK MASSBUS (TIMING DIAGRAM)									
X			D-FD-RH11-0-09	A	1	WRITE COMMAND FLOW DIAGRAM									
X			D-FD-RH11-0-10	A	1	READ COMMAND FLOW DIAGRAM									
X			D-FD-RH11-0-11	A	1	WRITE CHECK COMMAND FLOW DIAGRAM									
X			D-CS-M7295-0-1	#	10	BUS CONTROL									
X			D-CS-M7296-0-1	#	3	CONTROL & STATUS REG									
X			D-CS-M7294-0-1	#	9	DATA BUFFER & CONTROL									
X			D-CS-M7297-0-1	#	2	PARITY CONTROL									
X			D-CS-M9300-0-1	#	2	UNIBUS TERMINATOR (BUS B)									
X			D-CS-M5904-0-1	#	2	CONTROLLER TRANSCEIVER									
X			B-CS-G727-0-1	#	1	GRANT CONTINUITY									
X			D-CS-M870-0-1	#	2	MASSBUS TERMINATOR				2	D-AD-7009397-0-0	F	1	WIRED ASSEMBLY (RH11)	
X			C-CS-M920-0-1	#	1	UNIBUS CONNECTOR					D-SC-1210258-0-0		1	CONN. BLOCK 288 PIN	
X			D-CS-M688-0-1	#	2	POWER FAIL DRIVER					A/D-PS-1211425-0		3	CONN. BLOCK 72 PIN	
											E-PS-1211439-0		1	11/05 LOGIC FRAME	
											A-88-7407846-0-0		1	LOGIC SERIAL NO. LABELS	
											A-DC-7411881-0-1		1	DECAL LOGIC ASSY	
											A-PI-3700040-0-0			PACKAGING INSTRUCTION	
X		2	D-AD-7009397-0-0	H	1	WIRED ASSEMBLY (RH11)				3	D-CS-5410506-0-1	#	1	CIRCUIT SCHEMATIC	
X			K-WL-RH11-0-12	C	1	WIRE LIST					K-CO-5410506-0-4		1	X-Y COORDINATE HOLE LOCATION	
X			A-WT-7009397-0	E	1	AWT REVISION STATUS					D-AH-5410506-0-5		1	ASSY DRILLING HOLE LAYOUT	
											B-MH-5410506-0-6		1	MODULE ECO HISTORY	
											5010505		1	ETCHED CIRCUIT BOARD	
X		3	D-CS-5410506-0-1	#	1	CIRCUIT SCHEMATIC									

CUSTOMER PRINT SET CODES	X = PRINT OF DOCUMENT INCLUDED IN PRINT SET C = INCLUDES ALL PRINTS INDICATED ON DOCUMENT S = CONFIDENTIAL AUTHORIZED SIGNATURE REQUIRED	TITLE DRAWING DIRECTORY (RH11)	SIZE CODE B DD	NUMBER RH11-0	REV K
--------------------------	--	-----------------------------------	-------------------	------------------	----------

THIS DRAWING AND SPECIFICATIONS HEREIN ARE THE PROPERTY OF DIGITAL EQUIPMENT CORPORATION AND SHALL NOT BE REPRODUCED OR COPIED OR USED IN WHOLE OR IN PART AS THE BASIS FOR THE MANUFACTURE OR SALE OF ITEMS WITHOUT WRITTEN PERMISSION FROM DIGITAL EQUIPMENT CORPORATION ©1973

LEGEND		POWER HARNESS COLOR CODE TABLE	
VARIATION	DESCRIPTION	WIRE COLOR	TAB CONN.
RH11-AB	DUAL UNIBUS PORT CONTROLLER FOR MASSBUS	RED	+5V
		BLK	GND
		BLU	-15V
		YEL	AC LO
		VIO	DC LO
		GRY	+15V
		BRN	LTC

- NOTES:**
1. INSERT ONE H870 MASSBUS TERMINATOR MODULE IN J2 (ETCH SIDE OF H870 TO COMPONENT SIDE OF M5903) OF EACH OF THE M5903 MASSBUS TRANSCIEVER MODULES IN THE LAST MASSBUS DRIVE.
  2. FOR MODULE LOCATION REFER TO: D-MU-RH11-0-01.
  3. USE CAUTION WHEN ATTACHING POWER HARNESS CABLES AS NOT TO PINCH WIRES ON THE WIRED ASSY. OR SHORT POWER TABS TO WIRE WRAP PINS.
  4. FOR 9 PIN POWER DISTRIBUTION SYSTEMS USE POWER HARNESSES D-IA-1009571-0-0 & D-IA-1009099-0-0 IN PLACE OF ITEMS #4 & 5.
  5. COLORED EDGE OF MASSBUS CABLES SHOULD BE FACING MODULE HANDLE OF M5904 & M5903-YA.
  6. ROMS IN PARTS LIST, ITEMS 7, 8 & 9 SHOULD BE SHIPPED IN BOX, ITEM #6.



FOR POWER HARNESS CONNECTIONS SEE COLOR CODE TABLE & NOTE #3.

QTY.	DESCRIPTION	PART NO.	ITEM NO.
1	ROM FOR R503/04	23759A9	9
1	ROM FOR TUI6, TM02/TUI7, TM03	23757A9	8
1	ROM FOR R004, R5, 06/RM02, 03	23755A9	7
1	BOX	9906228	6
1	POWER HARNESS (9 PIN)	D-IA-1009099-0-0	REF
1	RH11 POWER HARN. (9 PIN)	D-IA-1009571-0-0	REF
1	RH11 POWER HARN. (15 PIN)	D-IA-1009570-0-0	5
1	POWER HARNESS (15 PIN)	D-IA-1009363-0-0	4
5	MODULE HOLDER	1209856	3
1	MODULE UTILIZATION	D-MU-RH11-0-01	2
1	WIRED ASSY (RH11)	D-AD-1009397-0-0	1

FIRST USED ON OPTION MODEL		PARTS LIST	
QTY.	DESCRIPTION	PART NO.	ITEM NO.
RH11			
UNLESS OTHERWISE SPECIFIED DIMENSION IN INCHES			
TOLERANCES			
DECIMALS	ANGLES		
.XXX .005	0 30'		
.XX .02			
REMOVE BURR, AND BREAK SHARP CORNERS SURFACE QUALITY 1			
MATERIAL	NEXT HIGHER ASSY.	TITLE	
		RH11 UNIT ASSEMBLY	
FINISH	SCALE NONE	SIZE CODE	NUMBER
		DUA RH11-0-0	
SHEET	OF	DIST.	REV.
2	1		C

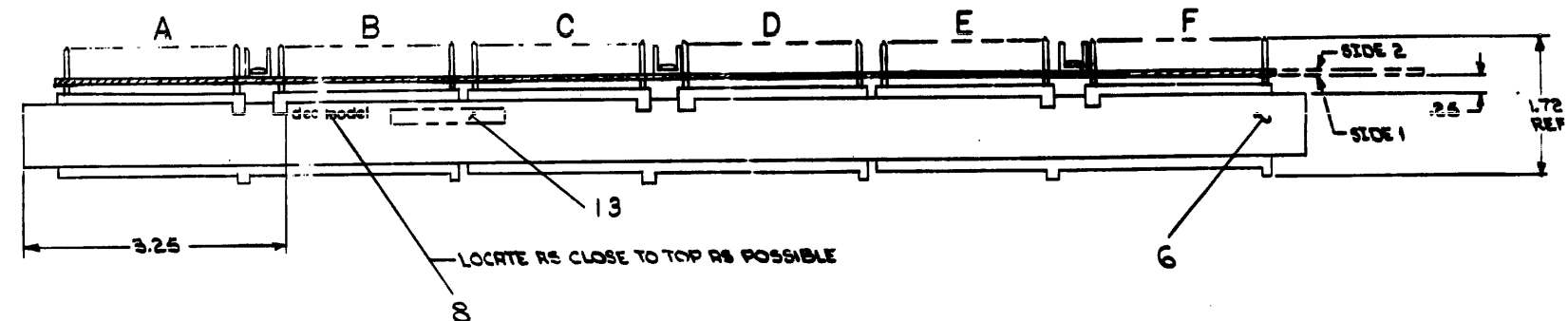
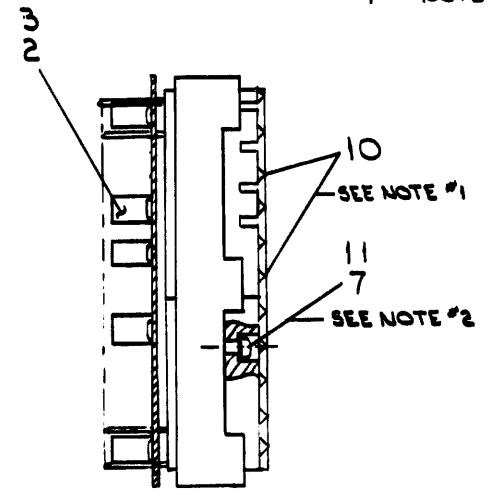
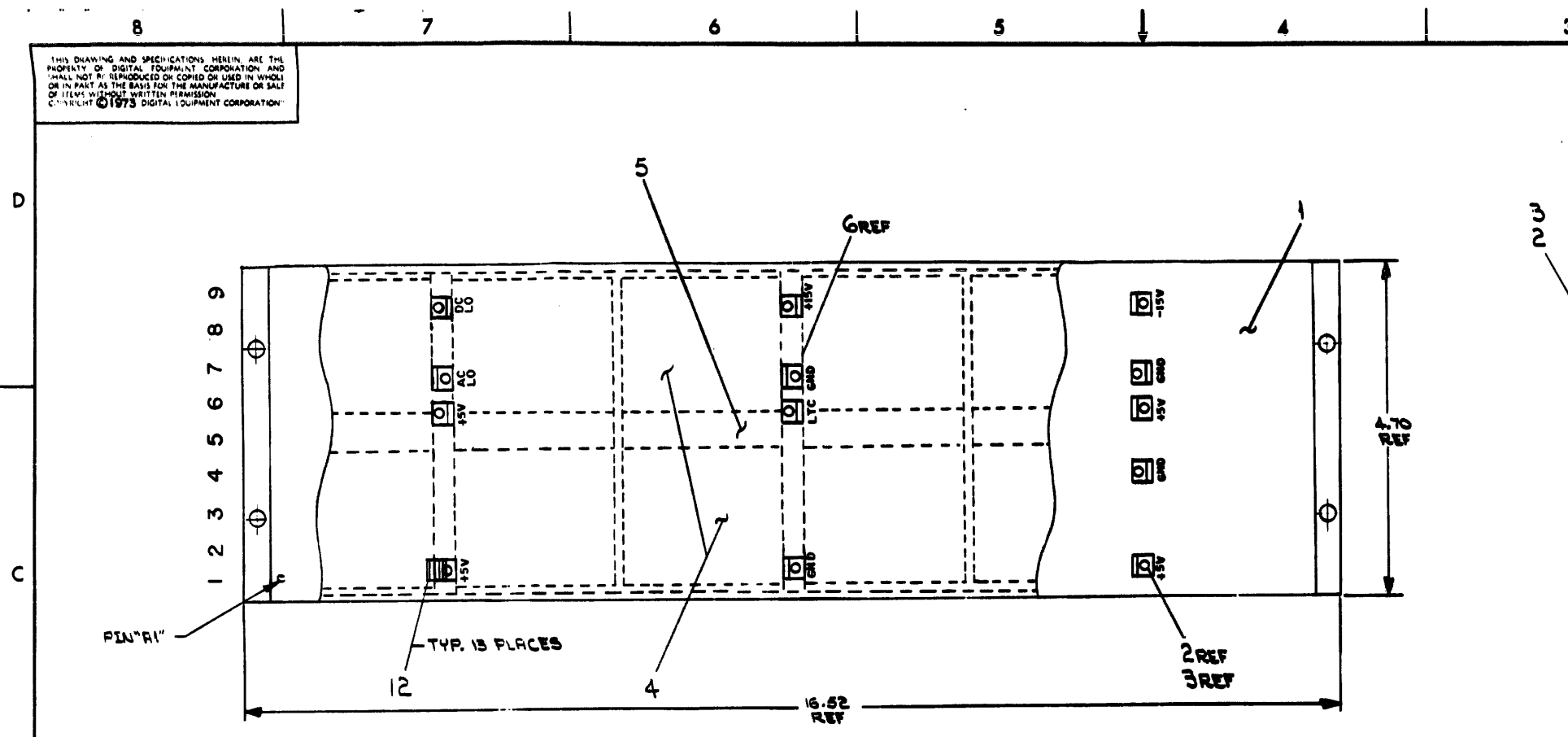
REV.	DATE	BY	CHKD.
A	1-6-75	S. JENKINS	
B	1-7-75	S. JENKINS	
C	1-7-75	S. JENKINS	
D	1-7-75	S. JENKINS	
E	1-7-75	S. JENKINS	
F	1-7-75	S. JENKINS	
G	1-7-75	S. JENKINS	
H	1-7-75	S. JENKINS	
I	1-7-75	S. JENKINS	
J	1-7-75	S. JENKINS	
K	1-7-75	S. JENKINS	
L	1-7-75	S. JENKINS	
M	1-7-75	S. JENKINS	
N	1-7-75	S. JENKINS	
O	1-7-75	S. JENKINS	
P	1-7-75	S. JENKINS	
Q	1-7-75	S. JENKINS	
R	1-7-75	S. JENKINS	
S	1-7-75	S. JENKINS	
T	1-7-75	S. JENKINS	
U	1-7-75	S. JENKINS	
V	1-7-75	S. JENKINS	
W	1-7-75	S. JENKINS	
X	1-7-75	S. JENKINS	
Y	1-7-75	S. JENKINS	
Z	1-7-75	S. JENKINS	

DUA RH11-0-0

THIS DRAWING AND SPECIFICATIONS HEREIN ARE THE PROPERTY OF DIGITAL EQUIPMENT CORPORATION AND SHALL NOT BE REPRODUCED OR COPIED OR USED IN WHOLE OR IN PART AS THE BASIS FOR THE MANUFACTURE OR SALE OF ITEMS WITHOUT WRITTEN PERMISSION.  
 © 1973 DIGITAL EQUIPMENT CORPORATION

H 0-0-2666002 DWD 2

NOTES:  
 1. CUT ITEM #10 (CARD GUIDE), ON 6 SLOTS. DOWN TO 3 WITH 4 SLOTS & 3 WITH 5 SLOTS.  
 2. AFTER WAVE SOLDER PROCEDURE, REPLACE ITEM #7 (SCREWS) WITH ITEM #11 (SPECIAL SCREWS) WHEN INSTALLING ITEM #10 (CARD GUIDES) CUT TO SPECIFICATIONS IN NOTE #1.

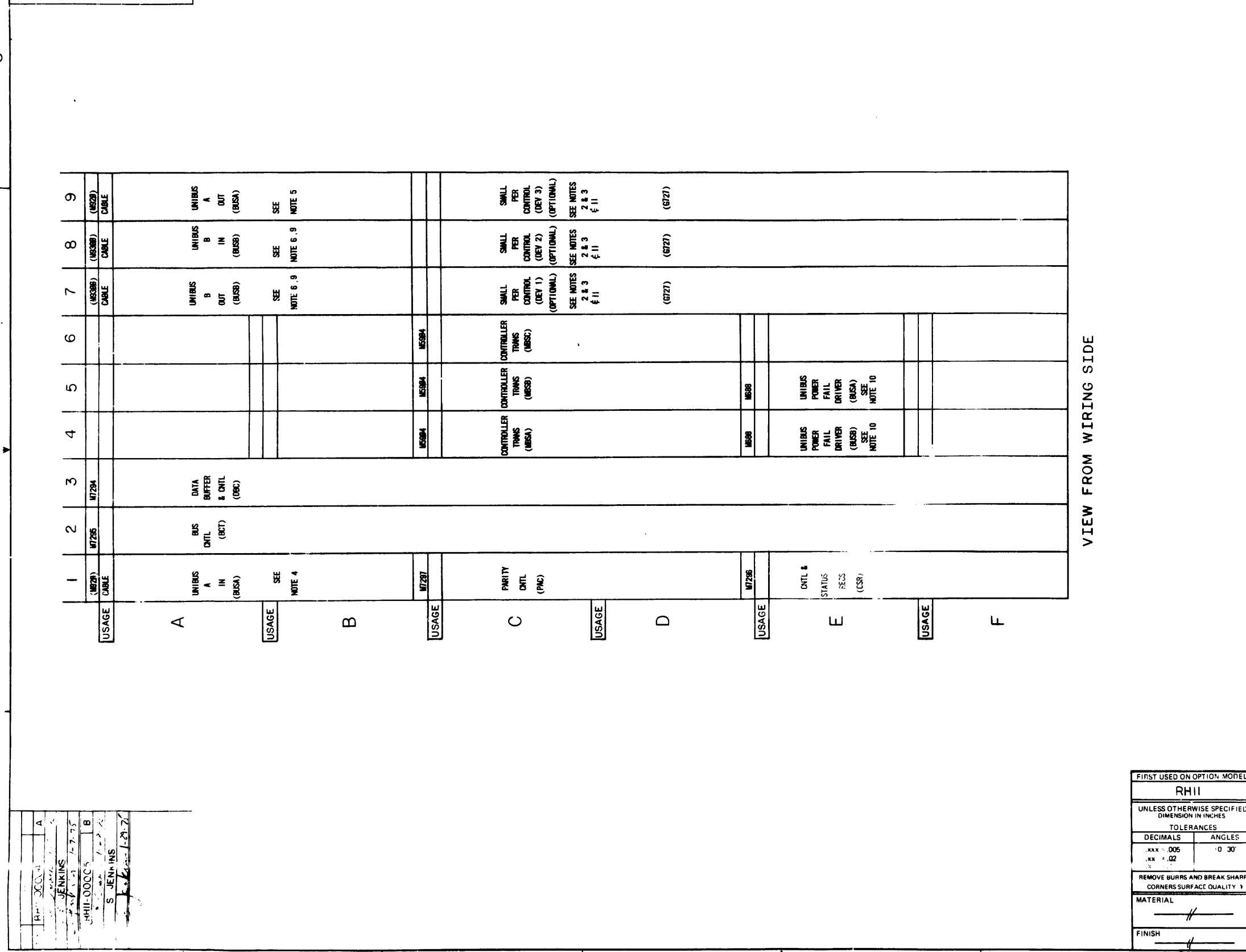


QTY.	DESCRIPTION	PART NO.	ITEM NO.
1	WIRE #30 TWP BLK & WHT	9107720-09	16
1	COMPRESS-O-CARTON	9905016-4	15
REF	PACKAGING INSTRUCTIONS	A-PI-370X130	14
1	DECAL LOGIC ASSY	A-DC-7411831-0-1	13
1	AWT REVISION STATUS	A-WT-7009397-0	REF
1	RH11 BACK PANEL	D-GS-5410506-0	REF
1	WIRE LIST	HWL-RH11-0-12	REF
13	WIRE SHIELD	9009826	12
12	SCR, SELF TAPPING PHL SPECIAL HD. #8-32x.810'.G	9009070-2	11
6	CARD GUIDE CENTER	1210698	10
R/R	WIRE SPRING SOLID KVMAR, VEL	9105740-44	9
1	LOGIC SERIAL NO. LABELS	999747846-0-0	8
15	SCR, PHL HD POSITIVE #8-32x.518 LG	9006120-0	7
1	11/25 FRAME	1211439-0	6
3	CONN. BLOCK 72 PIN	1211425-0	5
6	CONN. BLOCK 288 PIN	0-5626258-0-0	4
13	EVELET	9009000	3
13	TAB, RIGHT ANGLE	9008210	2
1	ETCH CKT BOARD	5010505	1

FIRST USED ON OPTION/MODEL		PARTS LIST	
<b>RH11</b>			
UNLESS OTHERWISE SPECIFIED DIMENSION IN INCHES		DATE: 5-13-73	
TOLERANCES		DATE: 5-13-73	
DECIMALS	ANGLES	TITLE	
.XX = .005	.0 30'	WIRED ASSY (RH11)	
.XX = .02			
.X = .1		DATE: 5-13-73	
REMOVE BURS AND BREAK SHARP CORNERS SURFACE QUALITY Y		DATE: 5-13-73	
MATERIAL	NEXT HIGHER ASSY.	SIZE CODE	NUMBER
	D-UA-RH11-0-0	DAD	7009397-0-0
FINISH	SCALE NONE	DIST.	H
SHEET	OF		

REV.	DATE	BY	CHKD.	APP.
1	11-20-72	S. JENKINS		
2	2-25-74	S. JENKINS		
3	7-27-74	S. JENKINS		
4	7-30-74	S. JENKINS		
5	1-6-75	S. JENKINS		
6	1-7-75	S. JENKINS		
7	1-7-75	S. JENKINS		
8	1-7-75	S. JENKINS		
9	1-7-75	S. JENKINS		
10	1-7-75	S. JENKINS		
11	1-7-75	S. JENKINS		
12	1-7-75	S. JENKINS		
13	1-7-75	S. JENKINS		
14	1-7-75	S. JENKINS		
15	1-7-75	S. JENKINS		
16	1-7-75	S. JENKINS		
17	1-7-75	S. JENKINS		
18	1-7-75	S. JENKINS		
19	1-7-75	S. JENKINS		
20	1-7-75	S. JENKINS		
21	1-7-75	S. JENKINS		
22	1-7-75	S. JENKINS		
23	1-7-75	S. JENKINS		
24	1-7-75	S. JENKINS		
25	1-7-75	S. JENKINS		
26	1-7-75	S. JENKINS		
27	1-7-75	S. JENKINS		
28	1-7-75	S. JENKINS		
29	1-7-75	S. JENKINS		
30	1-7-75	S. JENKINS		
31	1-7-75	S. JENKINS		
32	1-7-75	S. JENKINS		
33	1-7-75	S. JENKINS		
34	1-7-75	S. JENKINS		
35	1-7-75	S. JENKINS		
36	1-7-75	S. JENKINS		
37	1-7-75	S. JENKINS		
38	1-7-75	S. JENKINS		
39	1-7-75	S. JENKINS		
40	1-7-75	S. JENKINS		
41	1-7-75	S. JENKINS		
42	1-7-75	S. JENKINS		
43	1-7-75	S. JENKINS		
44	1-7-75	S. JENKINS		
45	1-7-75	S. JENKINS		
46	1-7-75	S. JENKINS		
47	1-7-75	S. JENKINS		
48	1-7-75	S. JENKINS		
49	1-7-75	S. JENKINS		
50	1-7-75	S. JENKINS		

1973



VIEW FROM WIRING SIDE

- NOTES:**
- VIEW OF LOGIC PANEL IS FROM WIRING SIDE.
  - THE SMALL PERIPHERAL CONTROLLER SLOTS MAY CONTAIN A VARIETY OF POP 11 OPTIONS. THE OPTION MAY CONSIST OF A SINGLE QMD MODULE BOARD (SLOTS C, D, E, & F) OR A DOUBLE HEIGHT CONTROLLER BOARD (SLOTS C & D) WITH AN M105 ADDRESS SELECTOR MODULE (SLOT E) AND AN M7821 INTERRUPT CONTROL MODULE (SLOT F).
  - IF NO OPTION IS PRESENT IN THE SMALL PERIPHERAL CONTROLLER SLOTS, G727 GRANT CONTINUITY MODULE(S) MUST BE INSERTED IN SLOTS D.
  - MAY BE EITHER M828 (CONNECTION FROM ADJACENT DEVICE) OR BC11A CABLE (CONNECTION FROM ANOTHER BOX OR NON-ADJACENT DEVICE).
  - MAY BE M828 (CONNECTION TO ADJACENT DEVICE), M838 (TERMINATION AT END OF UNIBUS A), OR BC11A CABLE (CONNECTION TO NEXT BOX OR NON-ADJACENT DEVICE).
  - MAY BE M838 (TERMINATION AT BEGINNING OR END OF UNIBUS B) OR BC11A CABLE (CONNECTION TO OTHER BUS B DEVICES).
  - FOR DIAGNOSTIC CHECKOUT AN M828 CONNECTOR MODULE MAY BE PLACED IN SLOTS A, B OR 8, 9, AN M838 OR BC11A CABLE IS THEN USED IN SLOT A, B OR 9.
  - THE M7870 MODULE WILL BE INSERTED IN J2 OF EACH OF THE M5903 MODULES IN THE LAST DRIVE UNIT ATTACHED TO THE MASSBUS CARLES ORIGINATING FROM THE M5904(S) IN THE RHII CONTROLLER BACKPLANE, WHEN BUILDING A MASSBUS SYSTEM.
  - IF NO UNIBUS B CABLE IS CONNECTED TO THE RHII ONLY ONE M838 MODULE SHOULD BE USED IN SLOT A808.
  - IF ANOTHER DEVICE ATTACHED TO THE SAME POWER SUPPLY AS THE RHII HAS UNIBUS POWER FAIL SIGNALS WIRED TO THE UNIBUS REMOVE THE M888 MODULE FOR THAT BUS.
  - SMALL PER CONTROL SLOTS FOR MANUFACTURING USE ONLY.
  - ONE M870 MODULE WILL BE INSERTED IN J1 (COMPONENT SIDE OUT) OF EACH OF THE 3 M5904 MODULES FOR SHIPMENT ONLY!

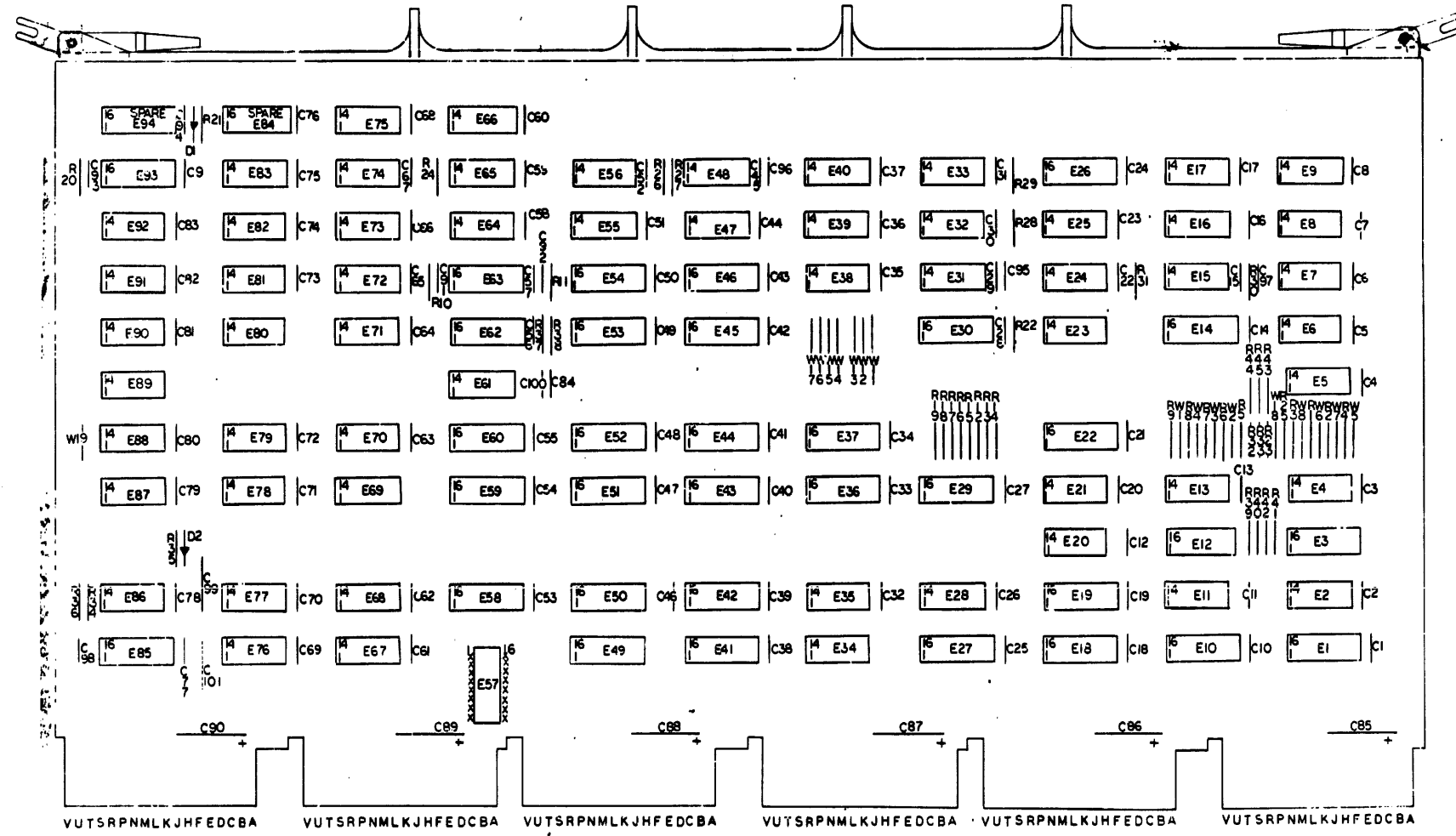
JENKINS  
S. JENKINS  
1-7-75  
1-2-75  
1-2-75

1	BUS CNTL	D-CS-M7286-B-1	1
3	GRANT CONTINUITY	B-CS-G727-B-1	2
3	MASS BUS TERMINATOR	D-CS-M870-0-1	3
1	PARITY CNTL	D-CS-M7297-B-1	4
1	CNTL & STATUS REG	D-CS-M7298-B-1	5
1	DATA BUFFER & CONTROL	D-CS-M7294-0-4	6
3	CONTROLLER TRANSCEIVER	D-CS-M5904-B-1	7
2	UNIBUS TERMINATOR (BUS B)	D-CS-M8380-B-1	8
1	UNIBUS CONNECTOR	C-CS-M828-B-1	9
2	POWER FAIL DRIVER	D-CS-M888-B-1	10
2	HANDLE EXTENDER	A-PL-M858-B-B	11

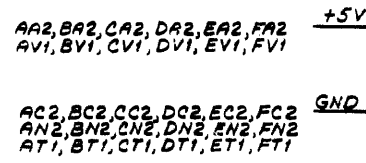
FIRST USED ON OPTION MODEL	QTY.	DESCRIPTION	PART NO.	ITEM NO.
RHII				
PARTS LIST				
UNLESS OTHERWISE SPECIFIED DIMENSION IN INCHES				
TOLERANCES				
DECIMALS	ANGLES			
.xxx ± .005	0° 30'			
.xx ± .02				
REMOVE BURRS AND BREAK SHARP CORNERS SURFACE QUALITY 1				
NEXT HIGHER ASBY.				
MATERIAL				
FINISH				
B-DD-RHII-0		SIZE CODE	NUMBER	REV.
SCALE NONE		D MU RHII-0-01		B
SHEET	OF	DIST.		
	1			

This drawing and specifications, herein, are the property of Digital Equipment Corporation and shall not be reproduced or copied or used in whole or in part as the basis for the manufacture or sale of items without written permission. COPYRIGHT © 1973 DIGITAL EQUIP. CORP.

**NOTES:**



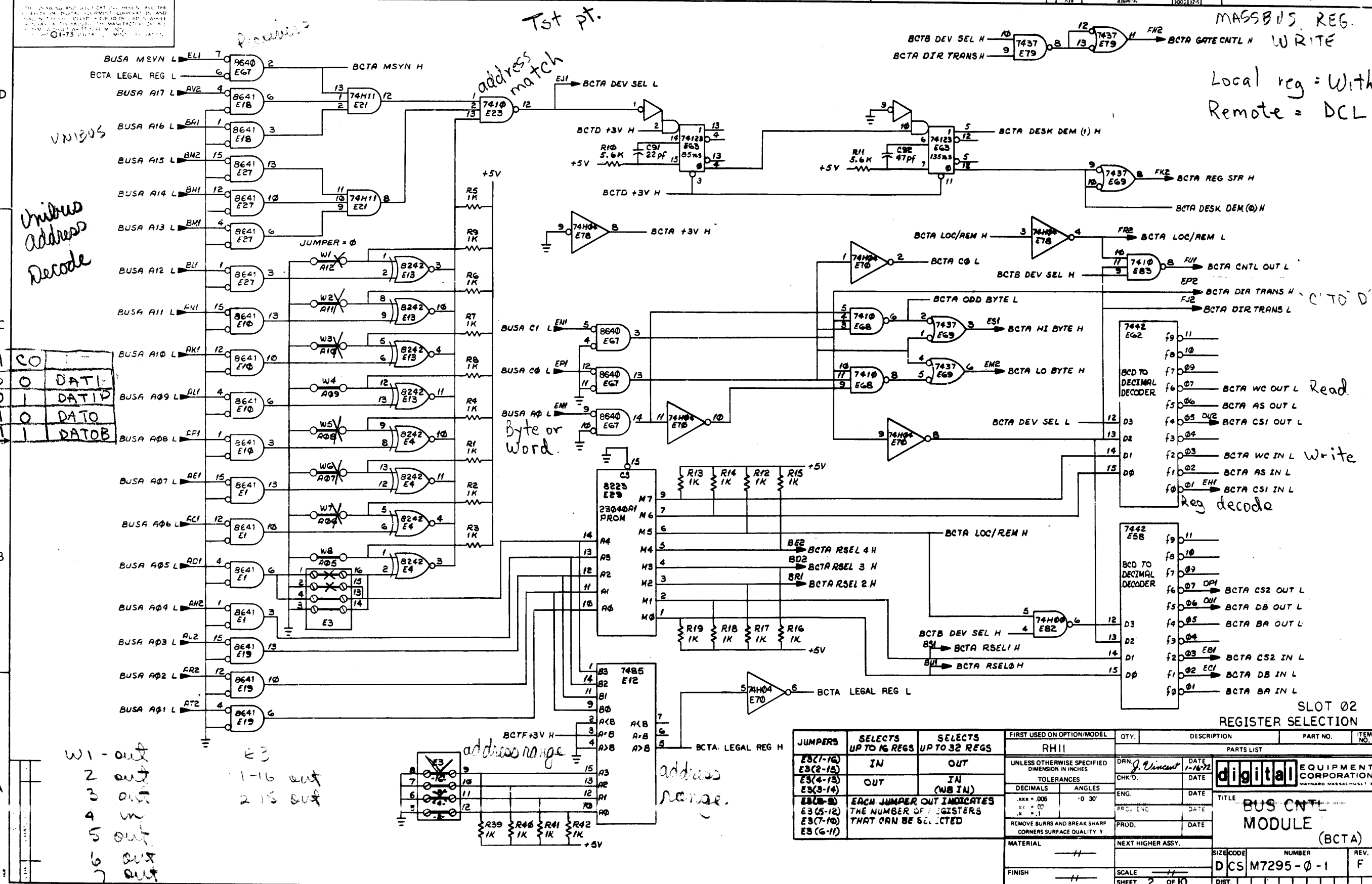
DEC 8223 PROM.	B	16
DEC 8234	B	16
DEC 8641	B	16
DEC 8640	I	8
DEC 745157	B	16
DEC 74123	B	16
DEC 74193	B	16
DEC 7485	B	16
IC TYPE	GND	+5V



REV	CHANGED BY	REVISIONS
1	P. SCHINDLER	7/20/73
2	L. JENKINS	7-23-73
3	L. JENKINS	7-23-73
4	L. JENKINS	7-23-73
5	L. JENKINS	7-23-73
6	L. JENKINS	7-23-73
7	L. JENKINS	7-23-73
8	L. JENKINS	7-23-73
9	L. JENKINS	7-23-73
10	L. JENKINS	7-23-73
11	L. JENKINS	7-23-73
12	L. JENKINS	7-23-73
13	L. JENKINS	7-23-73
14	L. JENKINS	7-23-73
15	L. JENKINS	7-23-73
16	L. JENKINS	7-23-73
17	L. JENKINS	7-23-73
18	L. JENKINS	7-23-73
19	L. JENKINS	7-23-73
20	L. JENKINS	7-23-73
21	L. JENKINS	7-23-73
22	L. JENKINS	7-23-73
23	L. JENKINS	7-23-73
24	L. JENKINS	7-23-73
25	L. JENKINS	7-23-73
26	L. JENKINS	7-23-73
27	L. JENKINS	7-23-73
28	L. JENKINS	7-23-73
29	L. JENKINS	7-23-73
30	L. JENKINS	7-23-73
31	L. JENKINS	7-23-73
32	L. JENKINS	7-23-73
33	L. JENKINS	7-23-73
34	L. JENKINS	7-23-73
35	L. JENKINS	7-23-73
36	L. JENKINS	7-23-73
37	L. JENKINS	7-23-73
38	L. JENKINS	7-23-73
39	L. JENKINS	7-23-73
40	L. JENKINS	7-23-73
41	L. JENKINS	7-23-73
42	L. JENKINS	7-23-73
43	L. JENKINS	7-23-73
44	L. JENKINS	7-23-73
45	L. JENKINS	7-23-73
46	L. JENKINS	7-23-73
47	L. JENKINS	7-23-73
48	L. JENKINS	7-23-73
49	L. JENKINS	7-23-73
50	L. JENKINS	7-23-73
51	L. JENKINS	7-23-73
52	L. JENKINS	7-23-73
53	L. JENKINS	7-23-73
54	L. JENKINS	7-23-73
55	L. JENKINS	7-23-73
56	L. JENKINS	7-23-73
57	L. JENKINS	7-23-73
58	L. JENKINS	7-23-73
59	L. JENKINS	7-23-73
60	L. JENKINS	7-23-73
61	L. JENKINS	7-23-73
62	L. JENKINS	7-23-73
63	L. JENKINS	7-23-73
64	L. JENKINS	7-23-73
65	L. JENKINS	7-23-73
66	L. JENKINS	7-23-73
67	L. JENKINS	7-23-73
68	L. JENKINS	7-23-73
69	L. JENKINS	7-23-73
70	L. JENKINS	7-23-73
71	L. JENKINS	7-23-73
72	L. JENKINS	7-23-73
73	L. JENKINS	7-23-73
74	L. JENKINS	7-23-73
75	L. JENKINS	7-23-73
76	L. JENKINS	7-23-73
77	L. JENKINS	7-23-73
78	L. JENKINS	7-23-73
79	L. JENKINS	7-23-73
80	L. JENKINS	7-23-73
81	L. JENKINS	7-23-73
82	L. JENKINS	7-23-73
83	L. JENKINS	7-23-73
84	L. JENKINS	7-23-73
85	L. JENKINS	7-23-73
86	L. JENKINS	7-23-73
87	L. JENKINS	7-23-73
88	L. JENKINS	7-23-73
89	L. JENKINS	7-23-73
90	L. JENKINS	7-23-73
91	L. JENKINS	7-23-73
92	L. JENKINS	7-23-73
93	L. JENKINS	7-23-73
94	L. JENKINS	7-23-73
95	L. JENKINS	7-23-73
96	L. JENKINS	7-23-73
97	L. JENKINS	7-23-73
98	L. JENKINS	7-23-73
99	L. JENKINS	7-23-73

REF	REF DESIGNATION	DESCRIPTION	PART NO	ITEM NO
1	C82	CAP 47 PF 5% 100V	1000011	1
2	C83 C85	CAP 100 PF 5% 300V	1000017	2
1	C88	CAP 180 PF 5% 100V	1000020	3
1	C84	CAP 220 PF 5% 100V	1000021	4
2	C88, C97	CAP 330 PF 5% 100V	1000023	5
1	E12	I.C. DEC 7485	1000024	6
2	C84, C100	CAP 001 UF 20% 250V	1000043	7
1	C99	CAP 39 UF 10% 10V S TANT	1000076	8
85	C1 THRU C83	CAP 01 UF 20% 50V DISK	1001610	9
8	C85 THRU C80	CAP 6.6 UF 10% 35V S TANT	1005308	10
1	C81	CAP 22 PF 5% 100V	1005820	11
2	D1, D2	DIODE 7664	1100114	12
2	R28, R30	RES 47 5% 1 4W	1300202	13
5	R23, R32, R33, R37, R38	RES 390 5% 1 4W	1300309	14
25	R1 THRU R8, R12 THRU R19, R22, R25, R27, R35, R39 THRU R42, R47, R51	RES 1K 5% 1 4W	1300365	15
6	R44, R28, R29, R43, R44, R45	RES 180 5% 1 4W	1301322	16
4	R10, R11, R20, R34	RES 5.6K 5% 1 4W	1301874	17
2	R21, R25	RES 27K 5% 1 4W	1505340	18
3	E86, E74, E66	I.C. DEC 7474	1905547	19
7	E7, E23, E68, E73, E60, E83, E88	I.C. DEC 7410	1305576	20
4	E12, E75, E77, E81	I.C. DEC 7402	1305004	21
5	E5, E17, E47, E82, E87	I.C. DEC 7400	1309056	22
3	E21, E25, E81	I.C. DEC 7411	1509287	23
6	E9, E58, E71, E30, E92, E6	I.C. DEC 74174	1509867	24
10	E2, E11, E24, E28, E33, E34, E35, E40, E56, E65	I.C. DEC 8081	1903705	25
2	E4, E13	I.C. DEC 8242	1911711	26
1	E31	I.C. DEC 748C1	1509849	27
1	E38	I.C. DEC 7405	1909830	28
5	E8, E64, E70, E72, E78	I.C. DEC 748D4	1909831	29
13	E14, E22, E30, E38, E37, E42, E47, E45, E46, E50, E51, E57, E54	I.C. DEC 74133	1810018	30
2	E50, E82	I.C. DEC 7442	1910046	31
2	E88, E79	I.C. DEC 7437	1910091	32
3	E15, E46, E88	I.C. DEC 7408	1910156	33
3	E83, E85, E93	I.C. DEC 74123	1910438	34
1	E28	I.C. DEC 745157	1810548	35
2	E20, E81	I.C. DEC 7427	1910878	36
4	E16, E39, E87, E78	I.C. DEC 8640	1911488	37
5	E1, E10, E18, E18, E27	I.C. DEC 8641	1911879	38
6	E41, E44, E49, E52, E59, E60	I.C. DEC 8234	1911916	39
1	F29	I.C. DEC 8223 PROM	230100A1	40
1	(FOR E57)	I.C. SOCKET	1909839	41
1	E3	I.C. COMPONENT CARRIER	1211323	42
1	E57	HANDLE	1210711-2	43
1	E57	PRIORITY JUMPER LEVEL #6	8408778	44
12		EYELET	9088732	45
17	W1-W6, W11-W19	INSULATED JUMPER	1009110	46

FIRST USED ON OPTION MODEL		PARTS LIST	
RH11		ETCH BOARD REV C	
DEC NO		EIA NO	
SEMICONDUCTOR CONVERSION CHART		SCALE 10:1	
D664		IN3606	
NEXT HIGHER ASSY		EQUIPMENT CORPORATION	
TITLE		BUS CNTL MODULE (BCT)	
NUMBER		M7295-0-1	
DISTR.		DICS	



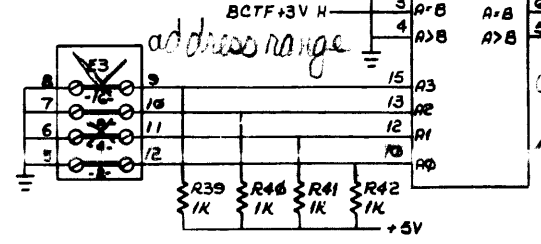
MASSBUS REG. WRITE  
Local reg = Within RH11  
Remote = DCL

Unibus Address Decode

READ	0	0	DATI
READ	0	1	DATI
WRITE	1	0	DATO
WRITE	1	1	DATO

w1 - out  
2 out  
3 out  
4 in  
5 out  
6 out

e3  
1-16 out  
2 15 out



JUMPERS	SELECTS UP TO 16 REGS	SELECTS UP TO 32 REGS	FIRST USED ON OPTION/MODEL	QTY.	DESCRIPTION	PART NO.	ITEM NO.
E3(1-16)	IN	OUT	RH11				
E3(2-15)							
E3(4-13)	OUT	IN (WB IN)					
E3(5-12)	EACH JUMPER OUT INDICATES THE NUMBER OF REGISTERS THAT CAN BE SELECTED						
E3(6-11)							

REGISTER SELECTION		PARTS LIST	
DRN	DATE	DESCRIPTION	PART NO.
J. Vincent	1-16-72		
CHK'D.	DATE		
ENG.	DATE		
PROJ. ENG.	DATE		
PROD.	DATE		
MATERIAL		NEXT HIGHER ASSY.	
FINISH		SCALE	
		SHEET 2 OF 10	
		DISTR.	

SLOT 02 REGISTER SELECTION

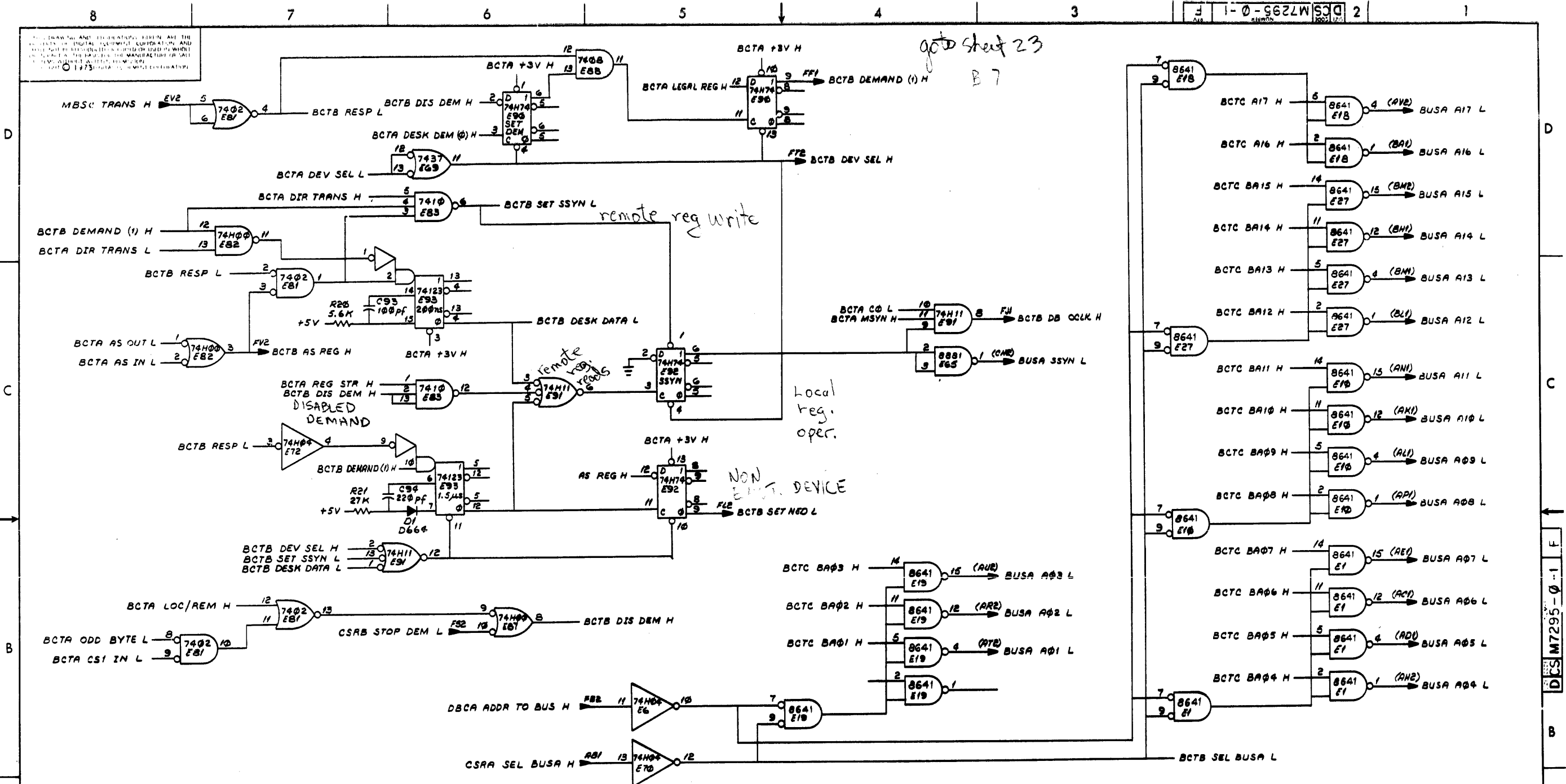
**digital** EQUIPMENT CORPORATION  
BUS CNTL MODULE (BCTA)

SIZE CODE NUMBER REV.  
DCS M7295-0-1 F

DCS M7295-0-1 F

BCTA 1



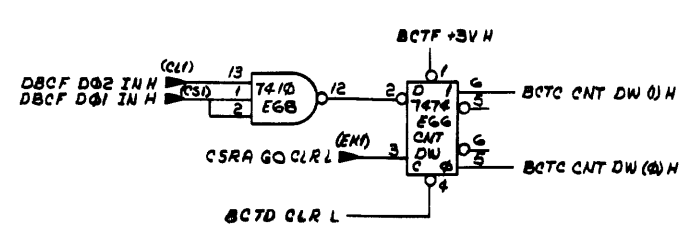
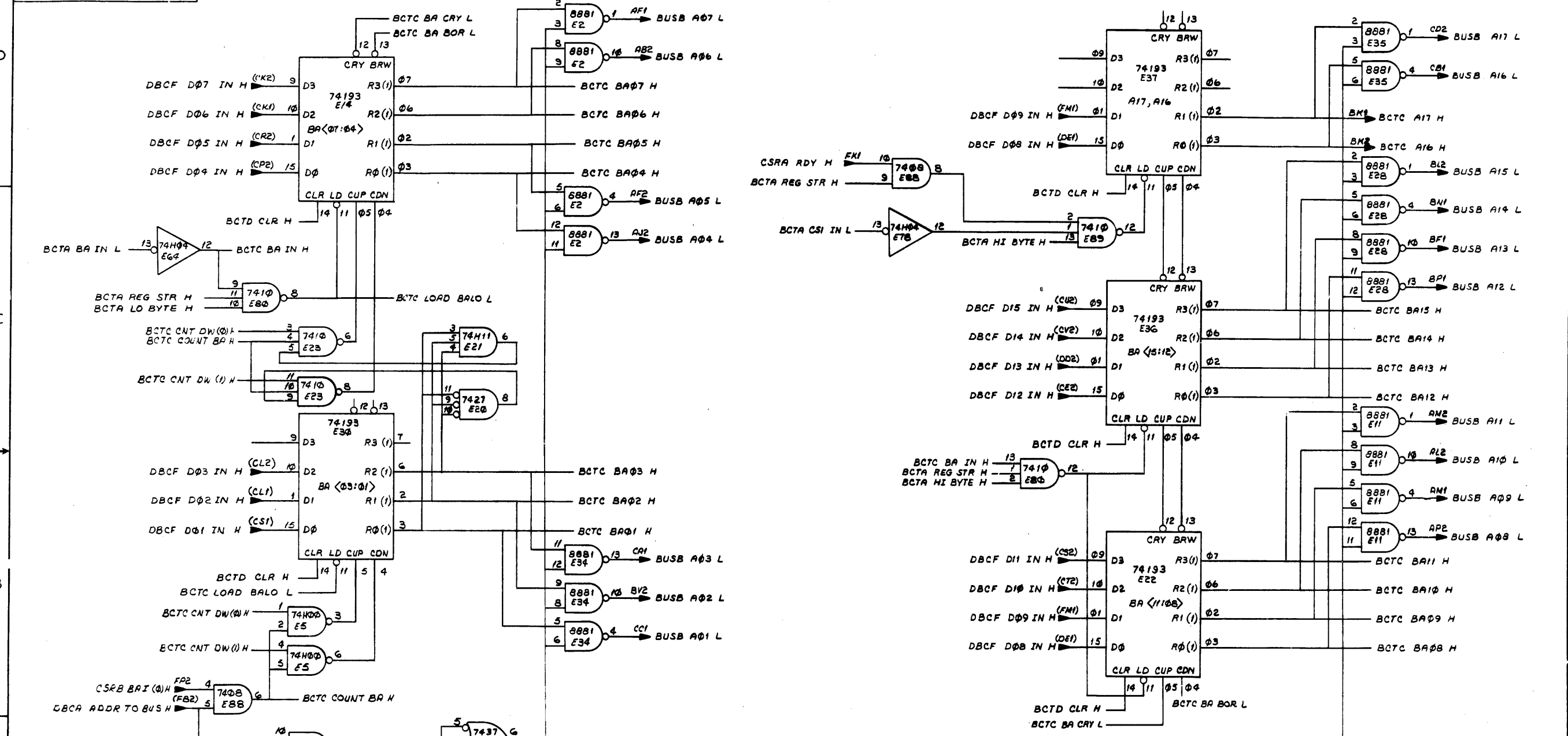


SLOT 02  
UNIBUS A ADDR DRIVERS & SSYN; DEMAND

FIRST USED ON OPTION/MODEL	QTY.	DESCRIPTION	PART NO.	ITEM NO.
RH11		PARTS LIST		
UNLESS OTHERWISE SPECIFIED DIMENSION IN INCHES		DRN. <i>J. Vincent</i>	DATE 1-17-73	
TOLERANCES		CHK'D.	DATE	
DECIMALS	ANGLES	ENG.	DATE	
.XXX = .005	.X = .02	PROJ. ENG.	DATE	
REMOVE BURRS AND BREAK SHARP CORNERS SURFACE QUALITY V		PROD.	DATE	TITLE
MATERIAL		NEXT HIGHER ASSY.		BUS CNTL MODULE (BCTB)
FINISH		SCALE	SHEET 3 OF 10	SIZE CODE NUMBER REV. DCS M7295-0-1 F

BCTB  
2

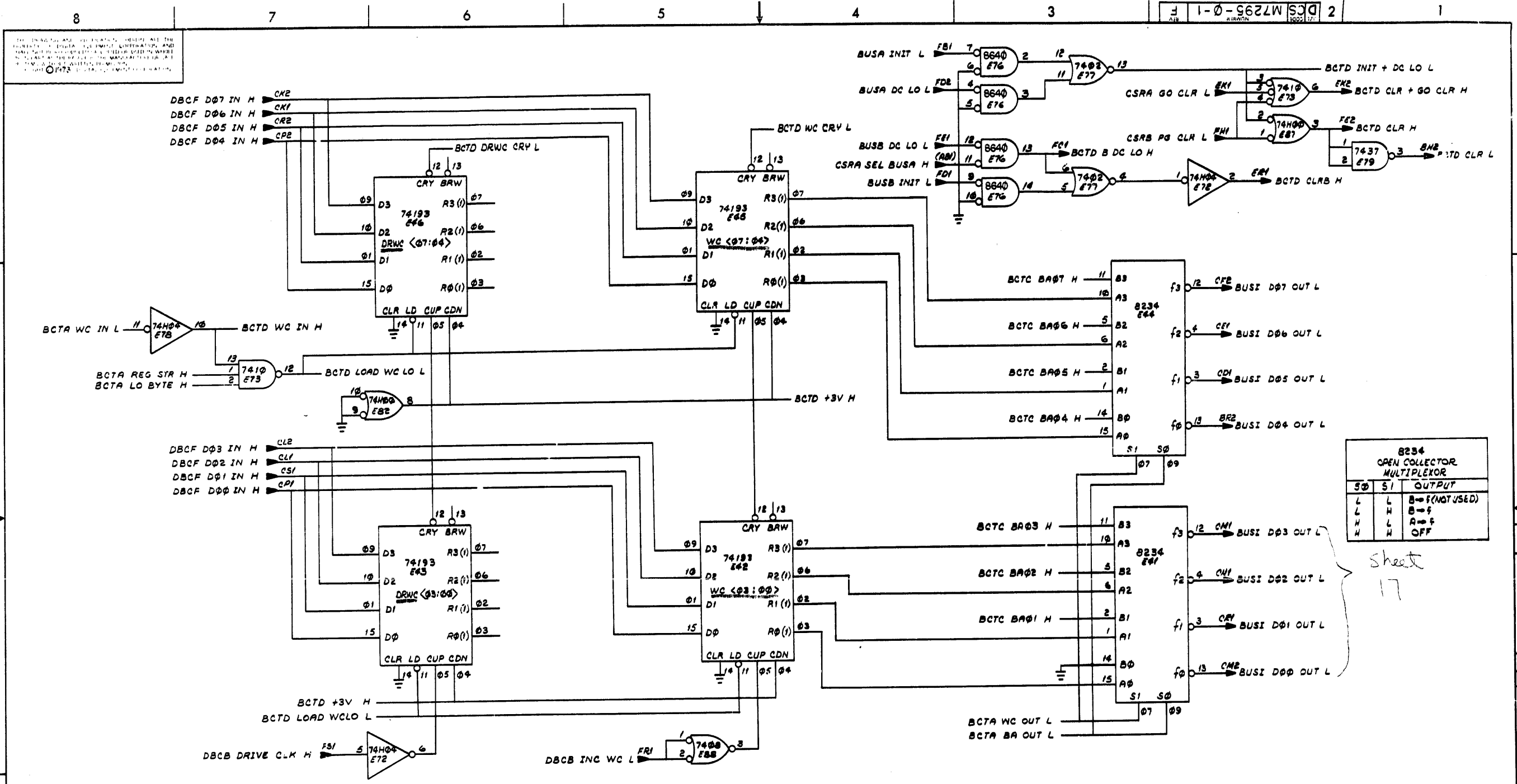
ALL DIMENSIONS AND OPERATIONAL MODES ARE THE PROPERTY OF DIGITAL EQUIPMENT CORPORATION, AND NO PART OF THIS DOCUMENT IS TO BE REPRODUCED OR TRANSMITTED IN ANY FORM OR BY ANY MEANS, ELECTRONIC OR MECHANICAL, INCLUDING PHOTOCOPYING, RECORDING, OR BY ANY INFORMATION STORAGE AND RETRIEVAL SYSTEM. ©1973 DIGITAL EQUIPMENT CORPORATION



SLOT 02  
BUS ADDR REG

FIRST USED ON OPTION/MODEL	QTY.	DESCRIPTION	PART NO.	ITEM NO.
RH11		PARTS LIST		
UNLESS OTHERWISE SPECIFIED DIMENSION IN INCHES				
TOLERANCES				
DECIMALS	ANGLES	ENG.	DATE	
.XXX ± .006	° 0' 30"	PROJ. ENG.	DATE	
REMOVE BURRS AND BREAK SHARP CORNERS SURFACE QUALITY V				
MATERIAL		NEXT HIGHER ASSY.		
FINISH		SCALE		
		SHEET 4 OF 10		
TITLE			NUMBER	REV.
BUS CNTL MODULE (BCTC)			DCS M7295-0-1	F
DIST.				

DCS M7295-0-1 E



8234  
OPEN COLLECTOR  
MULTIPLEXOR

S0	S1	OUTPUT
L	L	B=f (NOT USED)
L	H	B=f
H	L	A=f
H	H	OFF

Sheet  
17

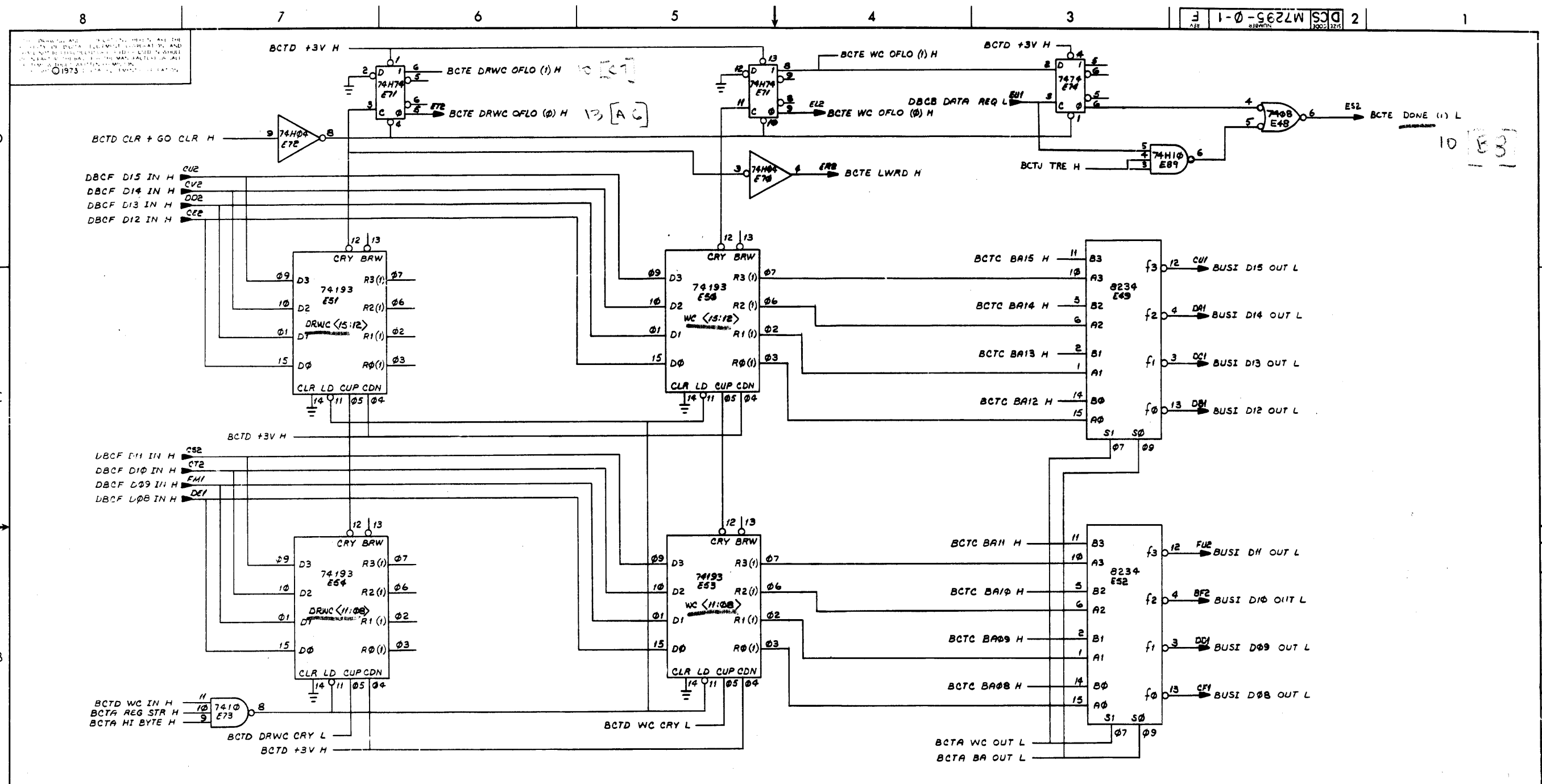
SLOT 02  
WORD COUNT REGS. <08:00> & CLR LOGIC

FIRST USED ON OPTION/MODEL	QTY.	DESCRIPTION	PART NO.	ITEM NO.
RH11				
PARTS LIST				
UNLESS OTHERWISE SPECIFIED DIMENSION IN INCHES		DRN: J. Vincent	DATE: 1-22-73	
TOLERANCES		CHK'D.	DATE	
DECIMALS	ANGLES	ENG.	DATE	
.xxx = .006	+0 30'	PROJ. ENG.	DATE	
REMOVE BURRS AND BREAK SHARP CORNERS SURFACE QUALITY Y		PROD.	DATE	TITLE: BUS CNTL MODULE (BCTD)
MATERIAL	---	NEXT HIGHER ASSY.	SIZE CODE	NUMBER
FINISH	---	SCALE	DCS	M7295-0-1
SHEET 5 OF 10		DIST.		REV. F

BCTD

4

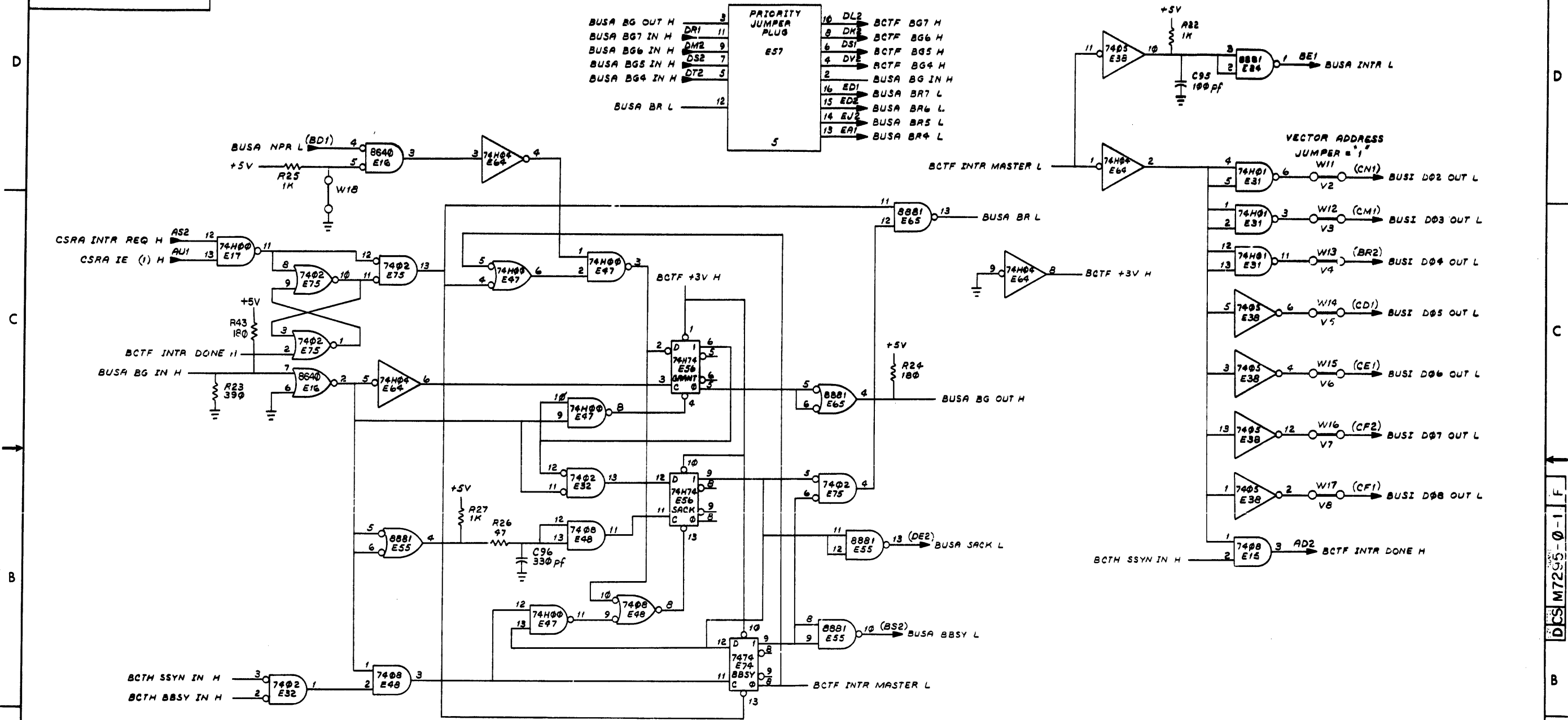
DCS M7295-0-1 F



SLOT 02  
WORD COUNT REGS. <15:08>

FIRST USED ON OPTION/MODEL	QTY.	DESCRIPTION	PART NO.	ITEM NO.
RH11				
PARTS LIST				
UNLESS OTHERWISE SPECIFIED DIMENSION IN INCHES		DRN. DATE 1-23-73		
TOLERANCES		CHK'D. DATE		
DECIMALS	ANGLES	ENG. DATE	TITLE <b>BUS CNTL MODULE (BCTE)</b>	
.xxx ± .006	.0 30'	PRD. ENG. DATE		
REMOVE BURRS AND BREAK SHARP CORNERS SURFACE QUALITY 1		PROD. DATE	SIZE CODE NUMBER <b>DCS M7295-0-1</b>	
MATERIAL		NEXT HIGHER ASSY.		
FINISH		SCALE	REV. <b>F</b>	
		SHEET 6 OF 10		

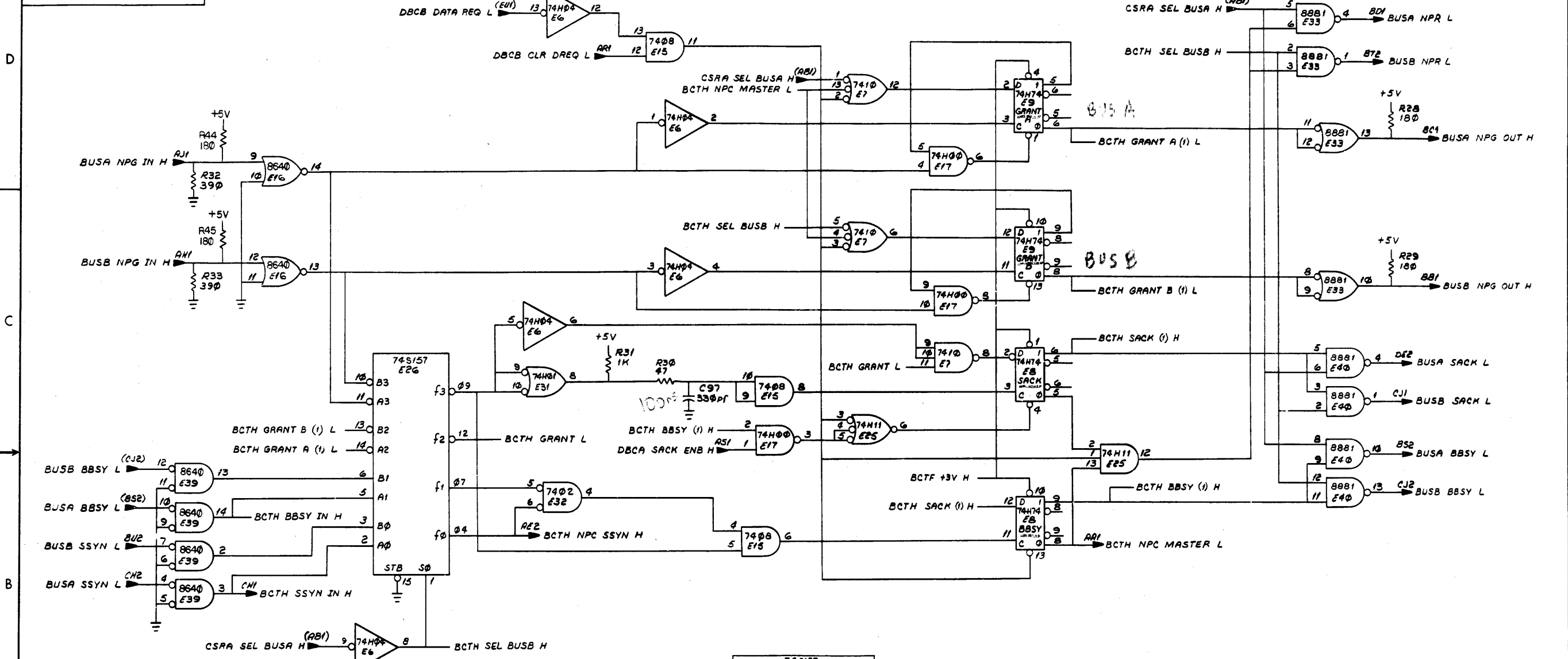
THIS DRAWING AND SPECIFICATIONS HEREIN ARE THE PROPERTY OF DIGITAL EQUIPMENT CORPORATION AND SHALL NOT BE REPRODUCED OR USED IN WHOLE OR IN PART AS THE BASIS FOR THE MANUFACTURE OF ANY EQUIPMENT WITHOUT THE WRITTEN PERMISSION OF DIGITAL EQUIPMENT CORPORATION.



SLOT 02  
INTERRUPT CNTL

FIRST USED ON OPTION MODEL	QTY.	DESCRIPTION	PART NO.	ITEM NO.
RH11				
PARTS LIST				
UNLESS OTHERWISE SPECIFIED DIMENSION IN INCHES	DRN. <i>J. Lincoln</i>	DATE 1-24-73		
TOLERANCES	CHK D.	DATE		
DECIMALS .005	ANGLES 0 30'	ENG.	DATE	TITLE <b>BUS CNTL MODULE (BCTF)</b>
REMOVE BURRS AND RIBS AS SHARP CORNERS SURFACE QUALITY Y	PROJ. ENG.	DATE		
MATERIAL	PROD.	DATE		
FINISH	NEXT HIGHER ASSY.	SCALE	SIZE CODE	NUMBER
		SHEET 7 OF 10	DCS M7295-0-1	RFV. F

THIS DRAWING AND SPECIFICATIONS HEREIN ARE THE PROPERTY OF DIGITAL EQUIPMENT CORPORATION AND SHALL NOT BE REPRODUCED OR COPIED OR USED IN WHOLE OR IN PART AS THE BASIS FOR THE MANUFACTURE OF ANY ITEM, WITHOUT WRITTEN PERMISSION.  
 © 1973 DIGITAL EQUIPMENT CORPORATION



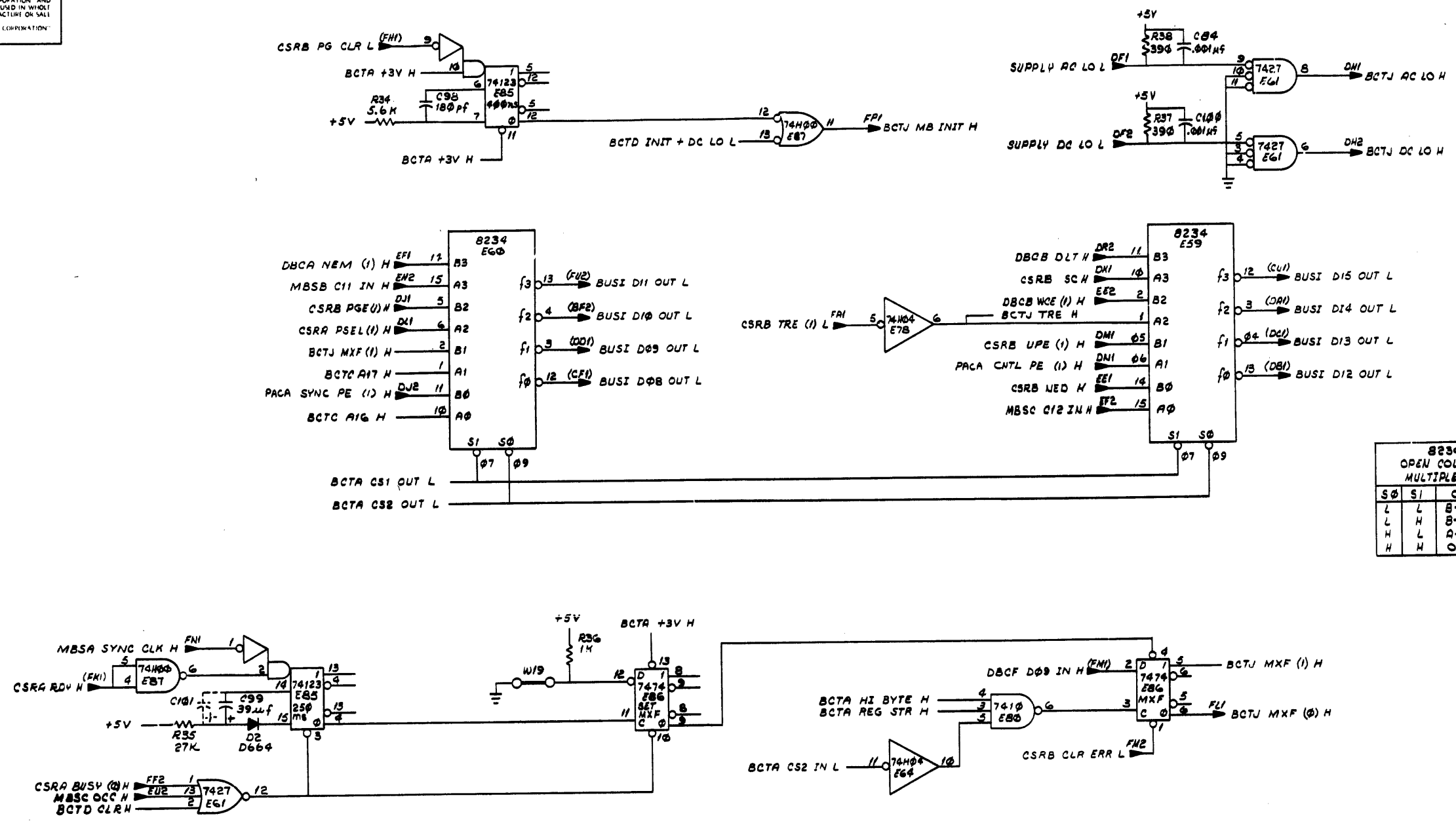
74S157 QUAD MULTIPLEXOR	
S0	OUTPUT
L	A → F
H	B → F

SLOT 02  
NPR CNTL

FIRST USED ON OPTION/MODEL	QTY.	DESCRIPTION	PART NO.	ITEM NO.
RH11				
PARTS LIST				
UNLESS OTHERWISE SPECIFIED DIMENSION IN INCHES	DRN. <i>J. Vincent</i>	DATE 1-29-73		
TOLERANCES	CHK'D.	DATE		
DECIMALS ANGLES	ENG.	DATE		
.xxx = .005 .0 30'	PROJ. ENG.	DATE		
REMOVE BURRS AND BRFAK SHARP CORNERS SURFACE QUALITY 1	PROD.	DATE	TITLE <b>BUS CNTL MODULE (BCTH)</b>	
MATERIAL	NEXT HIGHER ASSY.			
FINISH	SCALE			
	SHEET 8 OF 10	DIST.	SIZE CODE	NUMBER
			DCS M7295-0-1	REV. F

DCS M7295-0-1 F

THIS DRAWING AND SPECIFICATIONS HEREIN ARE THE PROPERTY OF DIGITAL EQUIPMENT CORPORATION AND SHALL NOT BE REPRODUCED OR COPIED OR USED IN WHOLE OR IN PART AS THE BASIS FOR THE MANUFACTURE OR SALE OF ITEMS WITHOUT WRITTEN PERMISSION.  
 © 1975 DIGITAL EQUIPMENT CORPORATION



8234 OPEN COLLECTOR MULTIPLEXOR		
S0	S1	OUTPUT
L	L	B → F (NOT USED)
L	H	B → F
H	L	A → F
H	H	OFF

SLOT 02  
 MXF; DATA OUT MPX; MB INIT

FIRST USED ON OPTION/MODEL	QTY.	DESCRIPTION	PART NO.	ITEM NO.
RH11				
UNLESS OTHERWISE SPECIFIED DIMENSION IN INCHES				
TOLERANCES				
DECIMALS	ANGLES	ENG.	DATE	
.XXX ± .005	° 0' 30"	PROJ. ENG.	DATE	
REMOVE BURRS AND BREAK SHARP CORNERS SURFACE QUALITY Y				
MATERIAL				
NEXT HIGHER ASSY.				
FINISH				
SCALE		SHEET		OF
11		9		10
TITLE			SIZE	NUMBER
BUS CNTL MODULE (BCTJ)			CODE	M7295-0-1
REV.			REV.	
F			F	

DCS M7295-0-1 F

THE DRAWING AND SPECIFICATIONS HEREIN ARE THE PROPERTY OF DIGITAL EQUIPMENT CORPORATION AND SHALL NOT BE REPRODUCED OR COPIED OR USED IN WHOLE OR IN PART AS THE BASIS FOR THE MANUFACTURE OR SALE OF ITEMS UNLESS SO WRITTEN IN PERMISSION. COPYRIGHT ©1973 DIGITAL EQUIPMENT CORPORATION

DCS M7295-0-1

**REGISTER SELECT PROM - 23040A1 (8223)**

OCTAL ADDR	LOC/REM							
	M7	M6	M5	M4	M3	M2	M1	M0
00	L	L	L	L	L	L	L	L
01	H	L	H	L	L	L	H	H
02	H	H	H	L	L	L	L	L
03	H	H	L	L	L	H	L	H
04	H	H	H	L	L	L	H	L
05	H	H	L	L	L	L	L	H
06	H	H	L	L	L	L	H	L
07	L	H	L	L	L	H	L	L
10	H	H	L	L	L	H	H	H
11	H	H	H	L	L	L	L	H
12	H	H	L	L	L	L	H	H
13	H	H	L	L	L	H	H	L
14	H	H	L	L	H	L	L	L
15	H	H	L	L	H	L	L	H
16	H	H	L	L	H	L	H	L
17	H	H	L	L	H	L	H	H
20	H	H	L	L	H	H	L	L
21	H	H	L	L	H	H	L	H
22	H	H	L	L	H	H	H	L
23	H	H	L	L	H	H	H	H
24	H	H	L	H	L	L	L	L
25	H	H	L	H	L	L	L	H
26	H	H	L	H	L	L	H	L
27	H	H	L	H	L	L	H	H
30	H	H	L	H	L	H	L	L
31	H	H	L	H	L	H	L	H
32	H	H	L	H	L	H	H	L
33	H	H	L	H	L	H	H	H
34	H	H	L	H	H	L	L	L
35	H	H	L	H	H	L	L	H
36	H	H	L	H	H	L	H	L
37	H	H	L	H	H	L	H	H

- REGISTER SELECTED**
- RHCS1 & MASSBUS (00)
  - RHWC
  - RHBA
  - MASSBUS (05)
  - RHCS2
  - MASSBUS (01)
  - MASSBUS (02)
  - MASSBUS (04)
  - MASSBUS (07)
  - RHDB
  - MASSBUS (03)
  - MASSBUS (06)
  - MASSBUS (10)
  - MASSBUS (11)
  - MASSBUS (12)
  - MASSBUS (13)
  - MASSBUS (14)
  - MASSBUS (15)
  - MASSBUS (16)
  - MASSBUS (17)
  - MASSBUS (20)
  - MASSBUS (21)
  - MASSBUS (22)
  - MASSBUS (23)
  - MASSBUS (24)
  - MASSBUS (25)
  - MASSBUS (26)
  - MASSBUS (27)
  - MASSBUS (30)
  - MASSBUS (31)
  - MASSBUS (32)
  - MASSBUS (33)

DCS M7295-0-1 F

**PROM TRUTH TABLE**

FIRST USED ON OPTION MODEL	QTY.	DESCRIPTION	PART NO.	ITEM NO.
RH11				
PARTS LIST				
UNLESS OTHERWISE SPECIFIED DIMENSION IN INCHES	CHK'D.	DATE	<b>digital</b> EQUIPMENT CORPORATION	
TOLERANCES	ENG.	DATE		
DECIMALS	ANGLES	PROJ. ENG.	TITLE <b>BUS CNTL MODULE (BCTK)</b>	
.xxx = .006 .xx = .02 .x = .1	.0 30'	DATE		
REMOVE BURRS AND BREAK SHARP CORNERS SURFACE QUALITY Y	PROD.	DATE	SIZE CODE NUMBER REV. DCS M7295-0-1 F	
MATERIAL	NEXT HIGHER ASSY.	DATE		
FINISH	SCALE	SHEET	DIST.	
	NONE	0 OF 10		

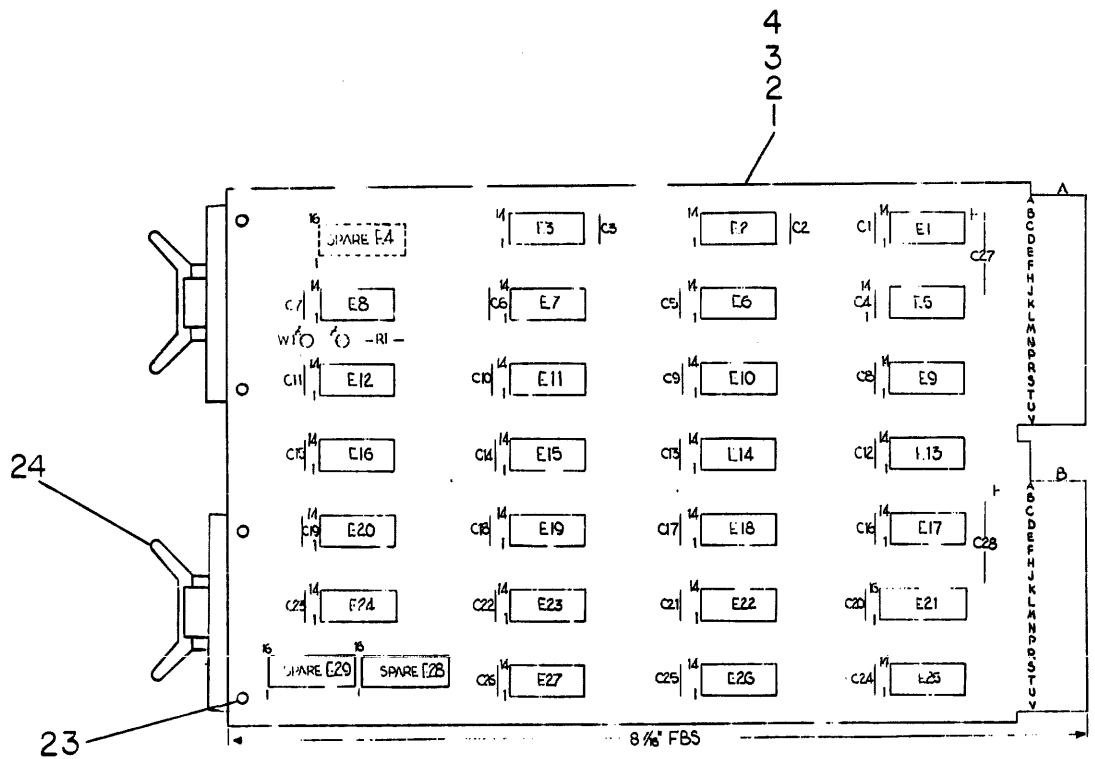


This drawing and specifications, herein, are the property of Digital Equipment Corporation and shall not be reproduced or used in whole or in part as the basis for the manufacture or sale of items without written permission. COPYRIGHT © 1978

DIGITAL EQUIP CORP

**NOTES:**

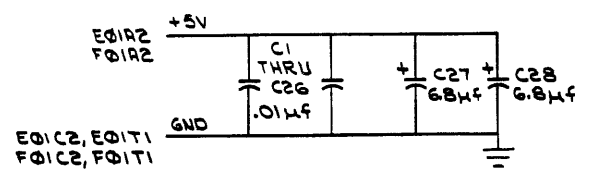
1. PIN NOTATION THROUGHOUT IS ORDERED UPON MODULE PLACEMENT IN THE RHII. MODULE PIN REFERENCE ALONE IS OBTAINED BY DELETING THE NUMBER (SLOT LOCATION) AFTER THE FIRST LETTER AND CONVERTING THE FIRST LETTER ACCORDING TO THE PIN NOMENCLATURE CHART AT RIGHT.



**PIN NOMENCLATURE**

MODULE	RHII
A	E
B	F

QTY	REF DESIGNATION	DESCRIPTION	PART NO.	ITEM NO.
2		HANDLE, FLIP CHIP	9008337-6	24
4		EYELET	9006732	23
2		SPLIT LUG	9006735	22
1	E21	IC DEC 74175	1910651	21
2	E8, E11	IC DEC 7408	1910155	20
1	E5	IC DEC 7437	1910091	19
3	E10, E13, E26	IC DEC 74H04	1909931	18
3	E3, E24, E25	IC DEC 74H74	1909667	17
3	E16, E23, E27	IC DEC 74H11	1909267	16
1	E22	IC DEC 74H30	1909054	15
1	E6	IC DEC 74H10	1909057	14
1	E9	IC DEC 74H00	1909056	13
1	E20	IC DEC 7402	1909004	12
1	E19	IC DEC 7420	1905577	11
1	E14	IC DEC 7410	1905576	10
3	E1, E2, E17	IC DEC 7400	1905575	9
4	E12, E15, E7, E18	IC DEC 7474	1905547	8
1	R1	RESISTOR 1K 1/4W 5%	1300365	7
2	C27, C28	CAP 6.8uF 35V 10% TANT	1005306	6
26	C1 THRU C26	CAP .01uF 50V 20% AXIAL CER	1001610	5
1		ETCHED CIRCUIT BOARD	5010429	4
REF		MODULE ECO HISTORY	B-MH-M7296-0-6	3
REF		ASSY/DRILLING HOLE LAYOUT	D-AH-M7296-0-5	2
REF		XY COORDINATE HOLE LOCATION	X-CO-M7296-0-4	1



IC TYPE	IC PIN LOCATIONS
DEC 74175	8 16
	GND +5V

GND AND 5V ARE USUALLY PIN 7 AND 14 RESPECTIVELY. EXCEPTIONS ARE STATED ABOVE.

**REVISIONS**

CHK	CHANGE NO.	REV

**SEMICONDUCTOR CONVERSION CHART**

DEC NO.	EIA NO.	DEC NO.	EIA NO.

**PARTS LIST**

QTY	REF DESIGNATION	DESCRIPTION	PART NO.	ITEM NO.

**digital EQUIPMENT CORPORATION**  
WATYARD MASSACHUSETTS

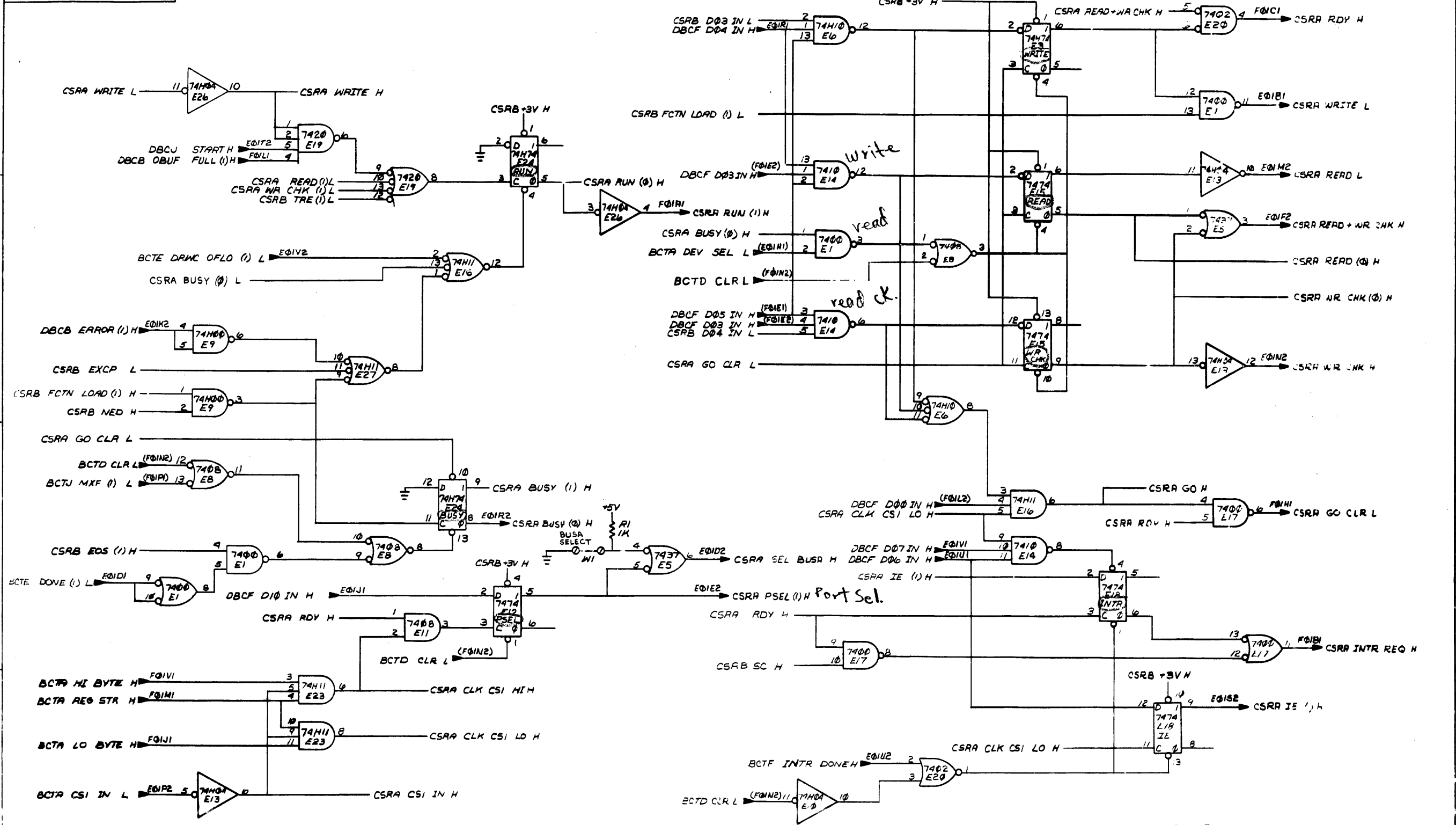
**CONTROL & STATUS REGS (CSR)**

SCALE NONE  
SHEET 2 OF 3

DATE 3-13-78  
DATE 2/2/78  
DATE 9/26/73  
DATE 7/26/72

SIZE CODE: DCS  
NUMBER: M7296-0-1  
REV: B

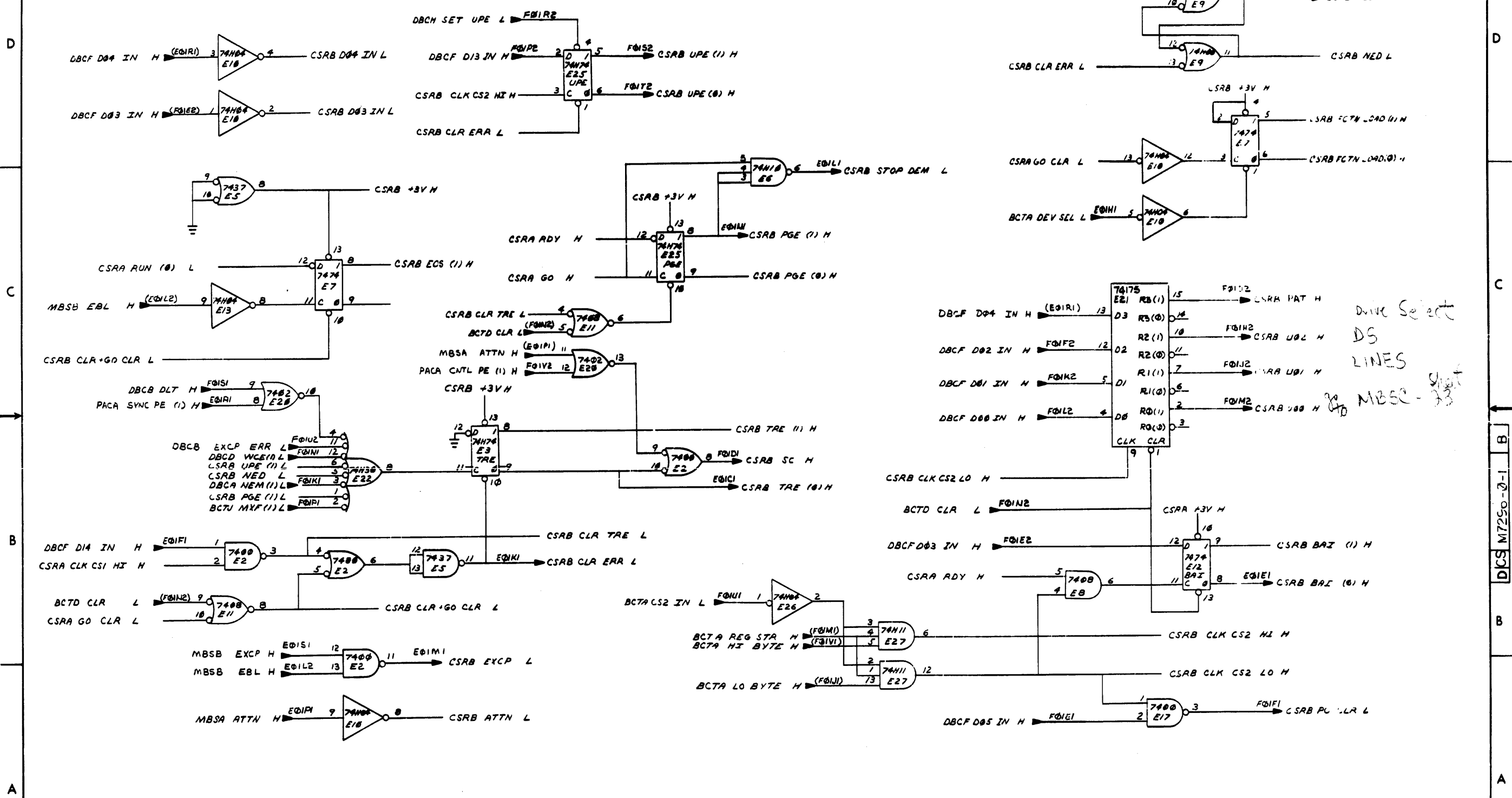
THIS DRAWING AND SPECIFICATIONS, HEREIN, ARE THE PROPERTY OF DIGITAL EQUIPMENT CORPORATION, AND SHALL NOT BE REPRODUCED OR COPIED OR USED IN WHOLE OR IN PART AS THE BASIS FOR THE MANUFACTURE OR SALE OF ITEMS WITHOUT WRITTEN PERMISSION. COPYRIGHT © 1973, DIGITAL EQUIPMENT CORPORATION.



REVISIONS		
HK	CHANGE NO	REV

D  
C  
B  
A  
Function decoding  
CSRA  
10

"THIS DRAWING AND SPECIFICATIONS, HEREIN, ARE THE PROPERTY OF DIGITAL EQUIPMENT CORPORATION AND SHALL NOT BE REPRODUCED OR COPIED OR USED IN WHOLE OR IN PART AS THE BASIS FOR THE MANUFACTURE OR SALE OF ITEMS WITHOUT WRITTEN PERMISSION. COPYRIGHT © 1973 DIGITAL EQUIPMENT CORPORATION"



Drive Select DS LINES MBSC-33

ERROR STATUS & CS2 REG

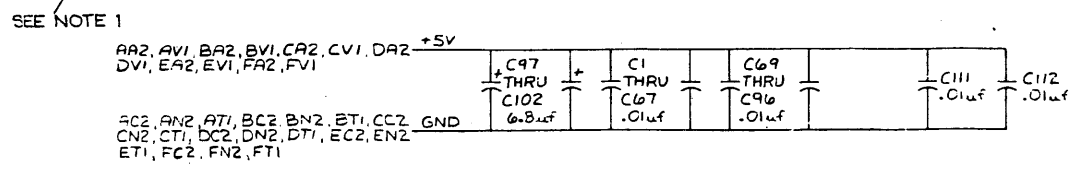
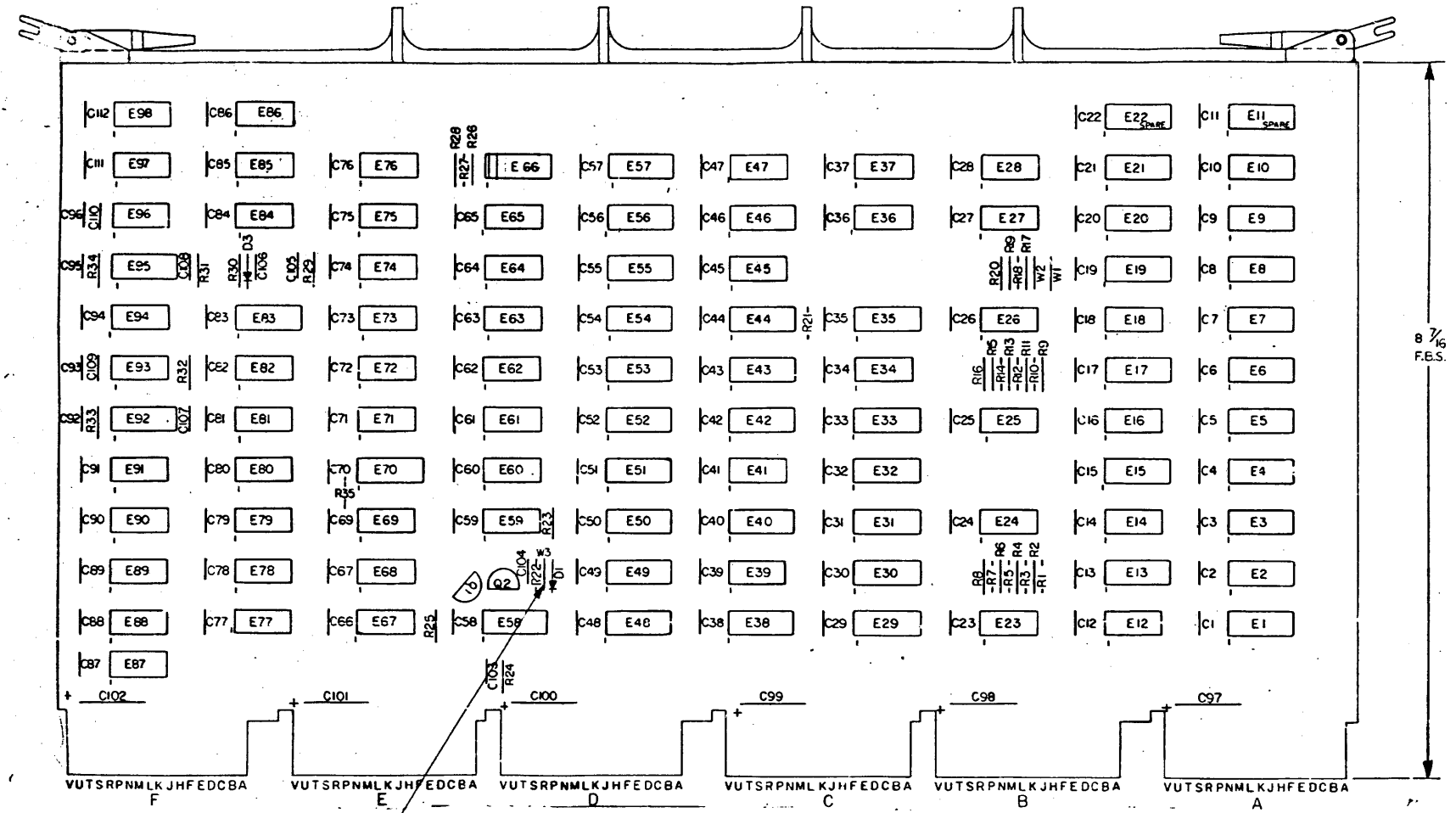
REVISIONS		
CHK	CHANGE NO	REV

TITLE	CONTROL & STATUS REGS (CSRB)	SIZE CODE	DCS M7296-0-1	NUMBER		REV.	B
SCALE		SHEET	3 OF 3	DIST.			

CER 2 11

THIS DRAWING AND SPECIFICATIONS, HEREIN, ARE THE PROPERTY OF Digital Equipment Corporation and shall not be reproduced or copied or used in whole or in part in any manner without the prior written permission of Digital Equipment Corporation. COPYRIGHT © 1973 DIGITAL EQUIP. CORP.

**NOTES:**  
1. V3 SHOULD NOT BE REMOVED FOR ANY PURPOSE.

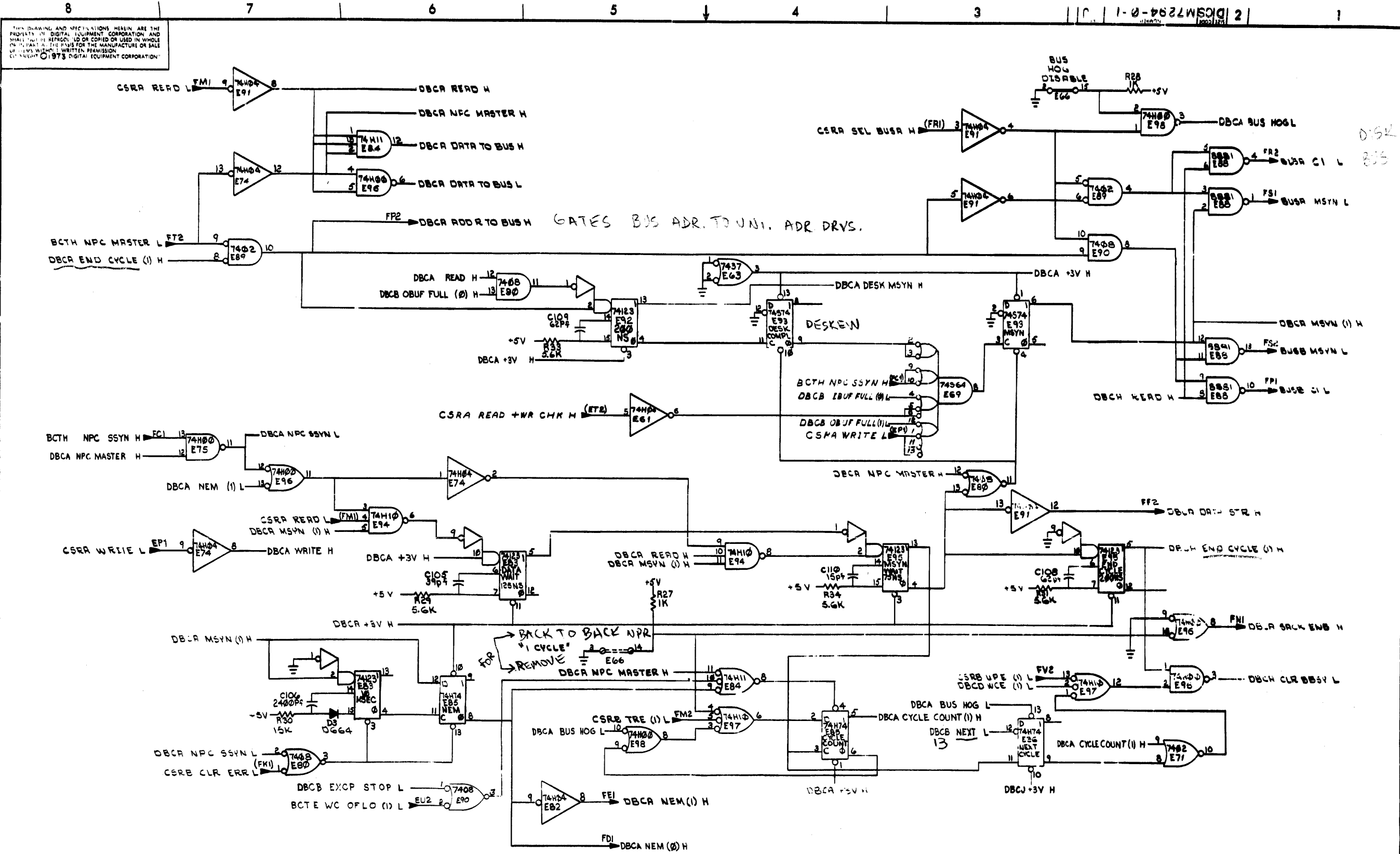


DEC 8234	8	16
DEC 8341	8	16
DEC 8641	8	16
DEC 7457	8	16
DEC 7474	8	16
DEC 74123	8	16
IC TYPE	GND	+5V
GND AND 5V ARE USUALLY PIN 7 AND 14 RESPECTIVELY. EXCEPTIONS ARE STATED ABOVE.		
IC PIN LOCATIONS		

DRN	P. SCHNORR	DATE	7/27/73
CHK	D. BURCH	DATE	2-2-73
ENG	V. SCHNORR	DATE	7-7-73
PROJ. ENG.	P. SCHNORR	DATE	7-7-73
PROD. ENG.	L. CONDON	DATE	7-7-73
REV.		DATE	
1			
2			
3			
4			
5			
6			
7			
8			
9			
10			
11			
12			
13			
14			
15			
16			
17			
18			
19			
20			
21			
22			
23			
24			
25			
26			
27			
28			
29			
30			
31			
32			
33			
34			
35			
36			
37			
38			
39			
40			
41			
42			
43			
44			
45			
46			
47			
48			
49			
50			
51			
52			

REF	X-Y COORDINATE HOLE LOCATION	K-CO	ITEM NO.
REF	ASSY/DRILLING HOLE LAYOUT	D-M-17294-B-4	2
REF	MODULE ECO HISTORY	B-M-17294-B-4	3
1	ETCHED CIRCUIT BOARD	5010427	4
1	C105 CAP 33 PF 5% 100V DM	1000010	5
1	C103 CAP 56 PF 5% 100V DM	1000012	6
2	C108, C109 CAP 62 PF 5% 100V DM	1000013	7
1	C107 CAP 220 PF 5% 100V DM	1000021	8
98	C1 THRU C7, C59 THRU C38, C104 C111, C112 CAP .01 UF 20% 100V DISC	1001610-00	9
1	C108 CAP 2400 PF 5% 100V DM	1001638	10
1	C110 CAP 15 PF 5% 100V DM	1002427	11
6	C97 THRU C102 CAP 6 8 UF 10% 35V TANT	1003308	12
1	D3 DIODE D884	1100114	13
1	D1 DIODE ZENER M9648	1109968	14
23	R1 THRU R17, R20, R21, R23, R26, R27 R28 RES 1K 5% 1/4W	1300385	15
2	R22, R30 RES 15K 5% 1/4W	1300686	16
2	R18, R19 RES 750 5% 1/4W	1301401	17
3	R24, R25, R29, R31 THRU R35 RES 5 6K 5% 1/4W	1301674	18
1	Q2 TRANS 2N3906	1509525	19
1	Q1 TRANS 2N5459	1509374	20
1	B86 I.C. COMPONENT CARRIER	1211323	21
1	E73 I.C. DEC 7474	1908547	22
1	E79 I.C. DEC 7410	1908576	23
2	E76, E77 I.C. DEC 74H50	1909060	24
2	E87, E88 I.C. DEC 74H53	1909062	25
3	E71, E78, E79 I.C. DEC 7402	1908004	26
4	E27, E75, E96, E98 I.C. DEC 74H00	1300958	27
2	E94, E97 I.C. DEC 74H10	1908087	28
2	E95, E92 I.C. DEC 74H30	1909059	29
3	E86, E28, E94 I.C. DEC 74H11	1300827	30
6	E36, E37, E80, E81, E85, E97 I.C. DEC 74H74	1908087	31
5	E12, E14, E16, E18, E20 I.C. DEC 8001	1908708	32
5	E34, E38, E41, E45, E47 I.C. DEC 8242	1908712	33
8	E23 THRU E26, E31, E34, E32, E31 I.C. DEC 74H04	1300831	34
2	E54, E85 I.C. DEC 74197	1910035	35
1	E83 I.C. DEC 7437	1910081	36
2	E80, E90 I.C. DEC 7408	1910155	37
5	E58, E70, E83, E92, E95 I.C. DEC 74123	1910438	38
6	E38, E42, E44, E38, E33, E36 I.C. DEC 74174	1910852	39
11	E2, E4, E6, E7, E9, E10, E21, E43, E48, E51, E55, E57 I.C. DEC 74157	1910855	40
10	E1, E3, E5, E7, E9, E13, E15, E17, E19, E20 I.C. DEC 8641	1911579	41
6	E29, THRU E33, E36 I.C. DEC 8234	1911315	42
5	E40, E46, E48, E52, E54 I.C. DEC 3341	2111108	43
1	HANDLE MODULE	1210711-2	44
12	EYELET	9088732	45
1	E72 IC DEC 74500	1910532	46
1	E69 IC DEC 74564	1910542	47
1	E93 IC DEC 74574	1910544	48
	TRANSISTOR CAP	9009087	49
	PERM BOND ELEMENT	9009157	50
3	W1, W2, W3 JUMPER, INSULATED	9009185	51
2	(SEE E66) JUMPER WIRE	9107560-01	52

FIRST USED IN OPTION MODEL		PARTS LIST	
RH11		ETCH BOARD REV C	
DEC NO.	EIA NO.	DEC NO.	EIA NO.
SEMICONDUCTOR CONVERSION CHART			
SCALE NONE		SHEET 1 OF 9	
DRN P. SCHNORR DATE 7/27/73		digital EQUIPMENT CORPORATION	
CHK S. JENKINS DATE 2-2-73		TITLE DATA BUFFER & CONTROL (DBC)	
REV. 1 DATE 7-7-73		SIZE CODE DICS NUMBER M7294-0-1 REV. J	

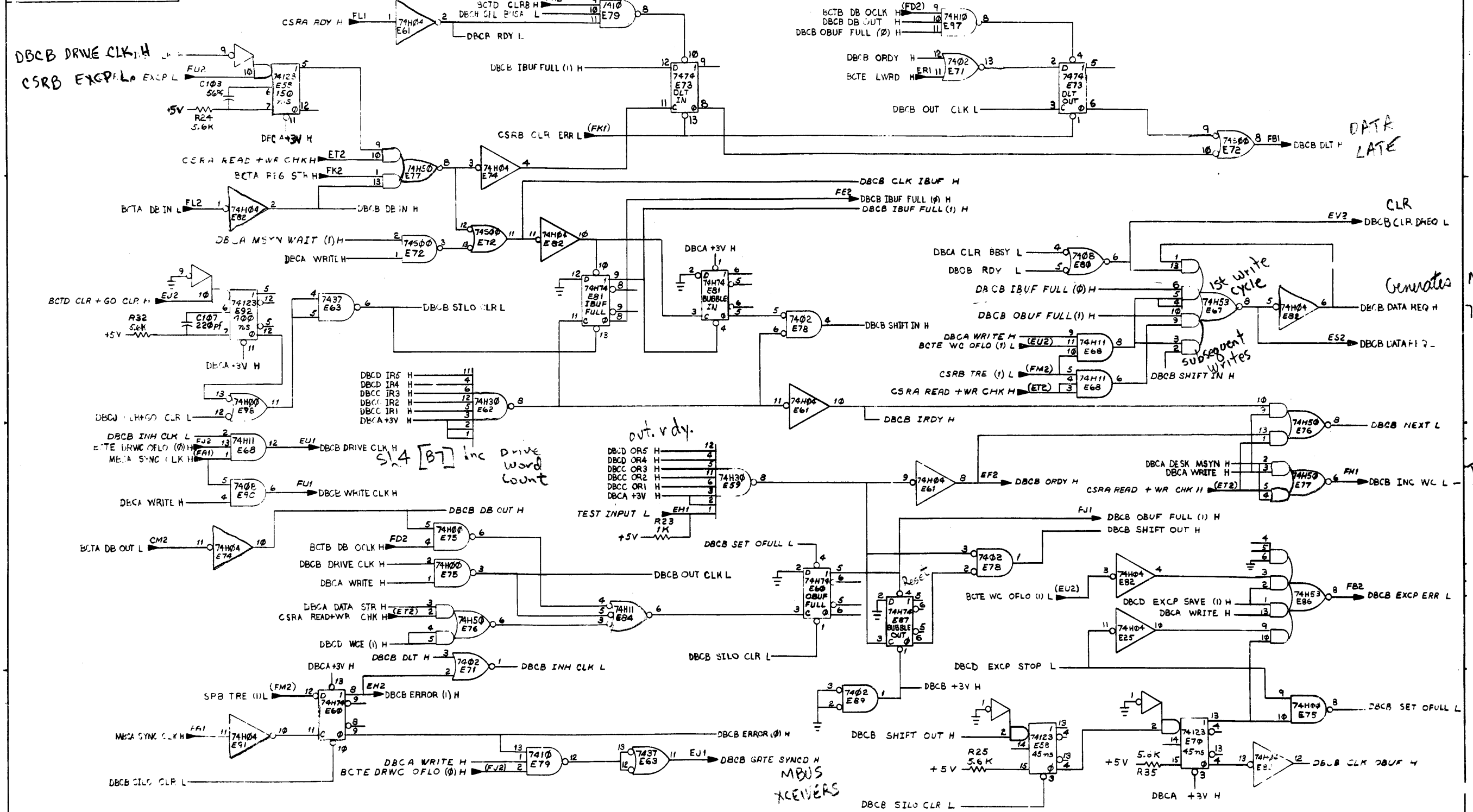


DBCA  
12

CHK	CHANGE	REV

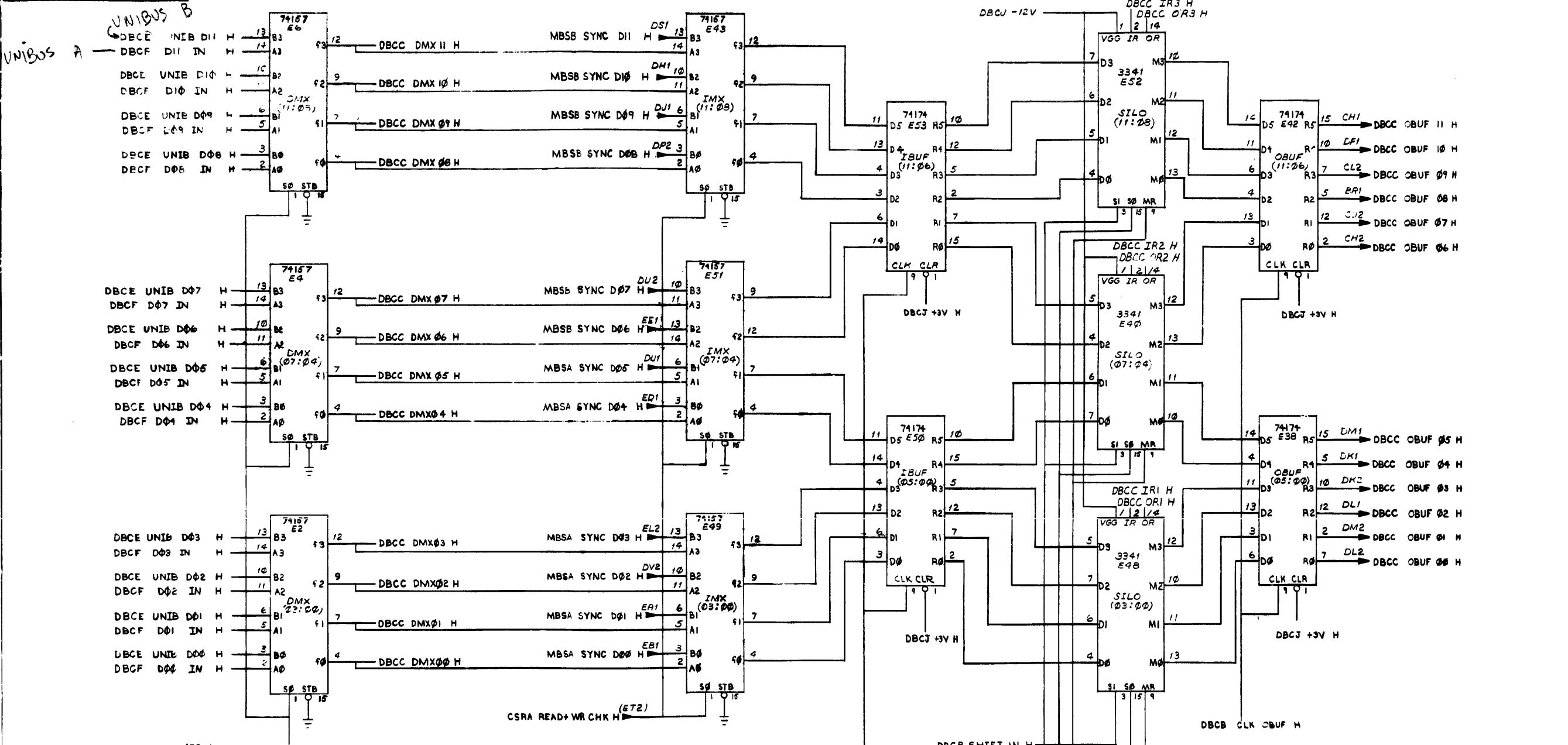
SLOT 03		NPR CNTL LOGIC	
TITLE	DATA BUFFER & CONTROL (DECA)	SIZE CODE	D
NUMBER	DCSM7294-2-1	REV.	J
SCALE	NONE	SHEET	2 OF 9

THIS DRAWING AND SPECIFICATION HEREIN ARE THE PROPERTY OF DIGITAL EQUIPMENT CORPORATION, AND ARE TO BE USED ONLY IN CONNECTION WITH THE SALE OF EQUIPMENT MANUFACTURED BY OR FOR SALEM DIGITAL EQUIPMENT CORPORATION.



REV. 0		CHANGING TO		REV. 1	
SLOT 03 SLOTTING CNTL					
TITLE DATA BUFFER # CONTROL (DBC)				SIZE CODE DCS	NUMBER A17294-7-1
SCALE N/A		SHEET 3 OF 9		DIST	

THE DRAWING AND SPECIFICATIONS HEREIN ARE THE PROPERTY OF DIGITAL EQUIPMENT CORPORATION AND SHALL NOT BE REPRODUCED, COPIED OR USED IN WHOLE OR IN PART AS THE BASIS FOR THE MANUFACTURE OF SALE OR SERVICE WITHOUT WRITTEN PERMISSION.  
 © 1975 DIGITAL EQUIPMENT CORPORATION



UNIBUS A  
 UNIBUS B

DBCE UNIB D11 H 13 B3  
 DBCF D11 IN H 14 A3  
 DBCE UNIB D10 H 12 B2  
 DBCF D10 IN H 11 A2  
 DBCE UNIB D09 H 7 B1  
 DBCF D09 IN H 5 A1  
 DBCE UNIB D08 H 3 B0  
 DBCF D08 IN H 2 A0

DBCE UNIB D07 H 13 B3  
 DBCF D07 IN H 14 A3  
 DBCE UNIB D06 H 10 B2  
 DBCF D06 IN H 11 A2  
 DBCE UNIB D05 H 6 B1  
 DBCF D05 IN H 5 A1  
 DBCE UNIB D04 H 3 B0  
 DBCF D04 IN H 2 A0

DBCE UNIB D03 H 13 B3  
 DBCF D03 IN H 14 A3  
 DBCE UNIB D02 H 10 B2  
 DBCF D02 IN H 11 A2  
 DBCE UNIB D01 H 6 B1  
 DBCF D01 IN H 5 A1  
 DBCE UNIB D00 H 3 B0  
 DBCF D00 IN H 2 A0

CSRA SEL BUSA (F1) 11  
 BCTM NPG MASTER L (F2) 12

DBCC DMX S0 L

74157 QUAD MULTIPLEXER	
S0	OUTPUT
L	A → F
H	B → F

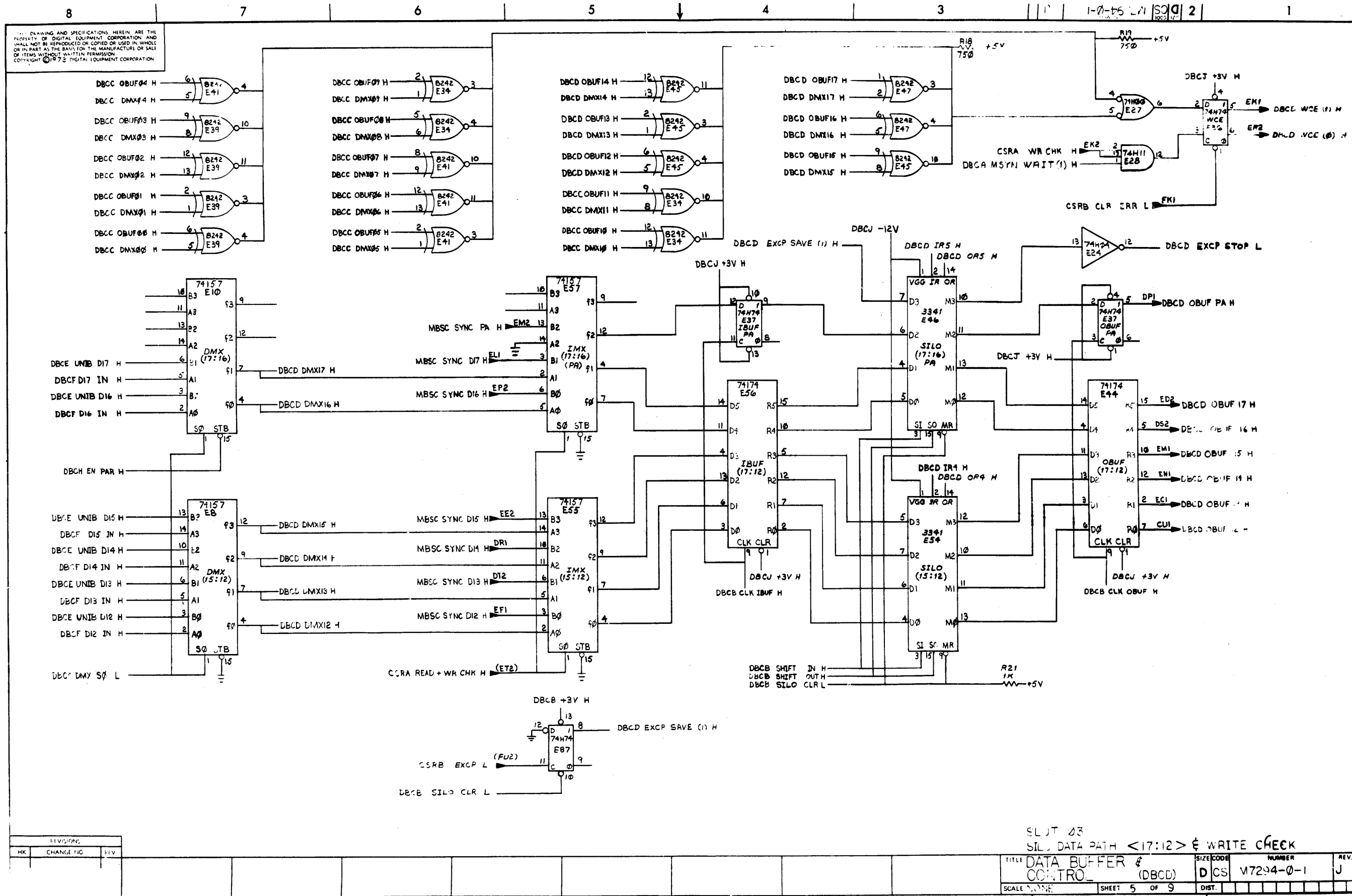
REVISION		
CHK	CHANGE NO.	REV.

SLJT 03  
 SILO DATA PATH <11:00>

TITLE	SIZE CODE	NUMBER	REV.
DATA BUFFER & CONTROL (DBCC)	D CS	M7294-0-1	J

SCALE: NONE SHEET 4 OF 9 DIST.

DBCC  
 14



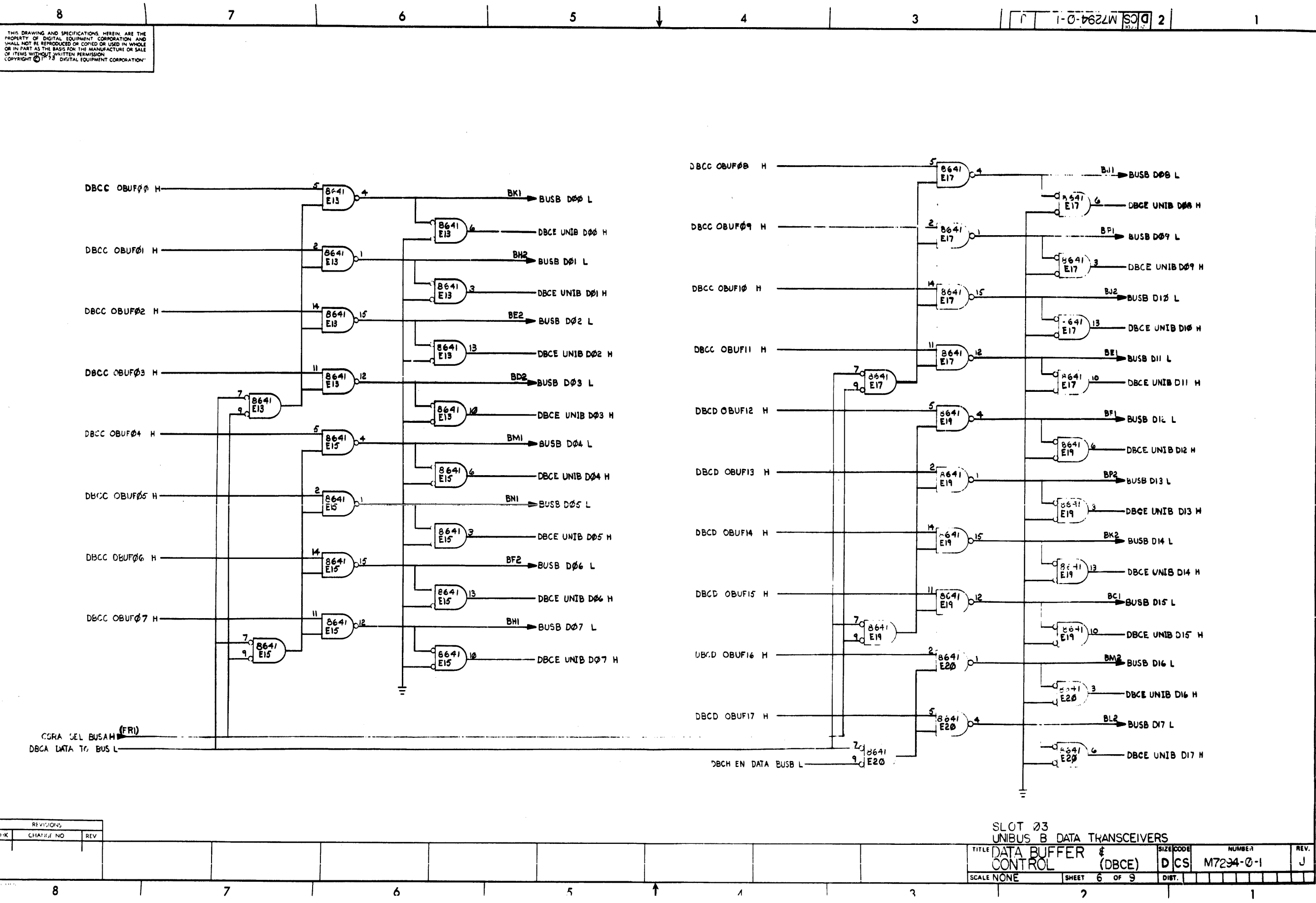
REVISIONS	
HR	CHANGE FIG. / REV.

SLOT 03  
SILO DATA PATH <17:12> & WRITE CHECK

TITLE		SIZE CODE	NUMBER		REV.
DATA BUFFER & CONTROL (DBCD)		D CS	V7294-0-1		J
SCALE NONE	SHEET 5 OF 9	DIST.			



THIS DRAWING AND SPECIFICATIONS HEREIN ARE THE PROPERTY OF DIGITAL EQUIPMENT CORPORATION AND SHALL NOT BE REPRODUCED OR COPIED OR USED IN WHOLE OR IN PART AS THE BASIS FOR THE MANUFACTURE OR SALE OF ITEMS WITHOUT WRITTEN PERMISSION. COPYRIGHT © 1973 DIGITAL EQUIPMENT CORPORATION

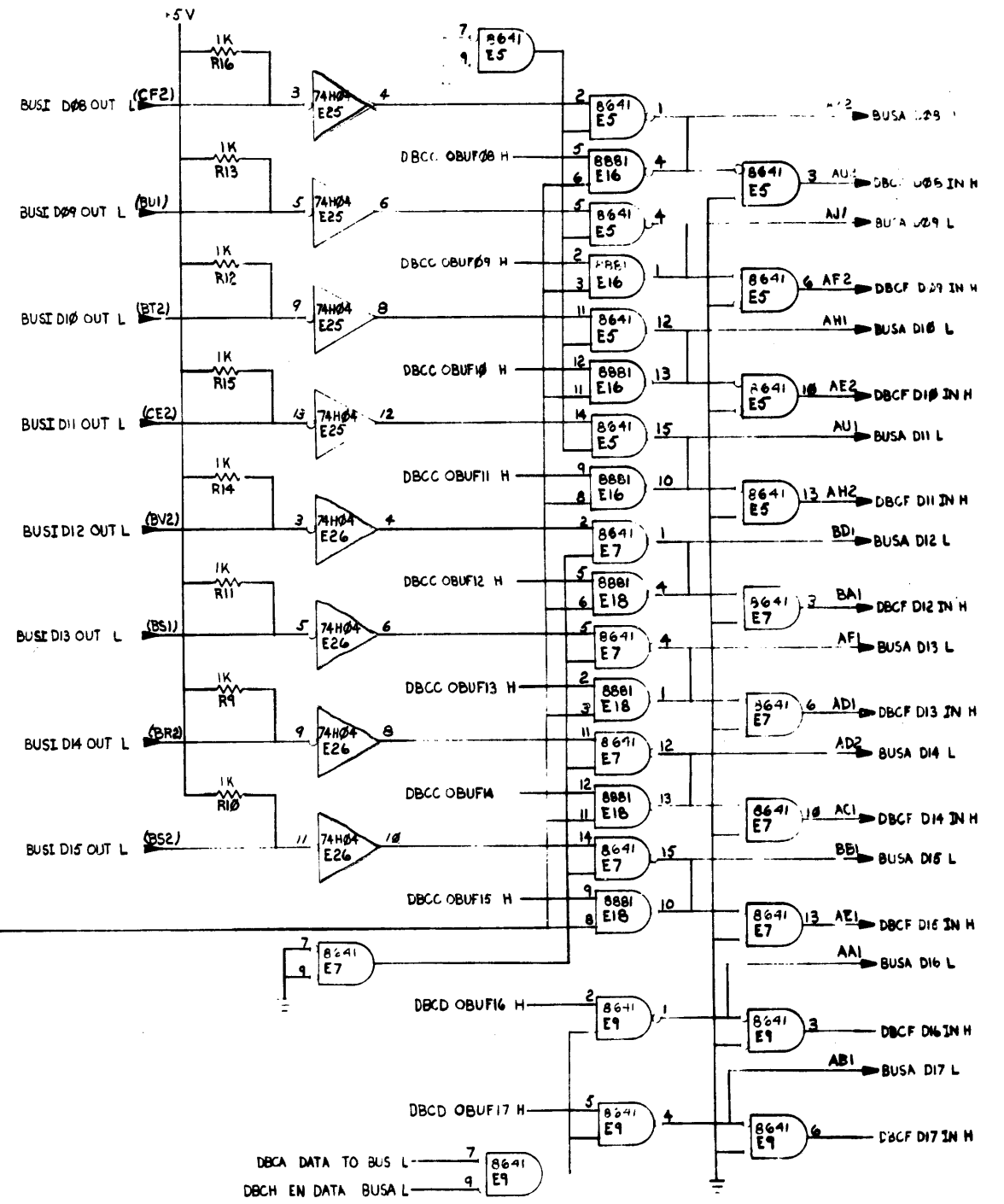
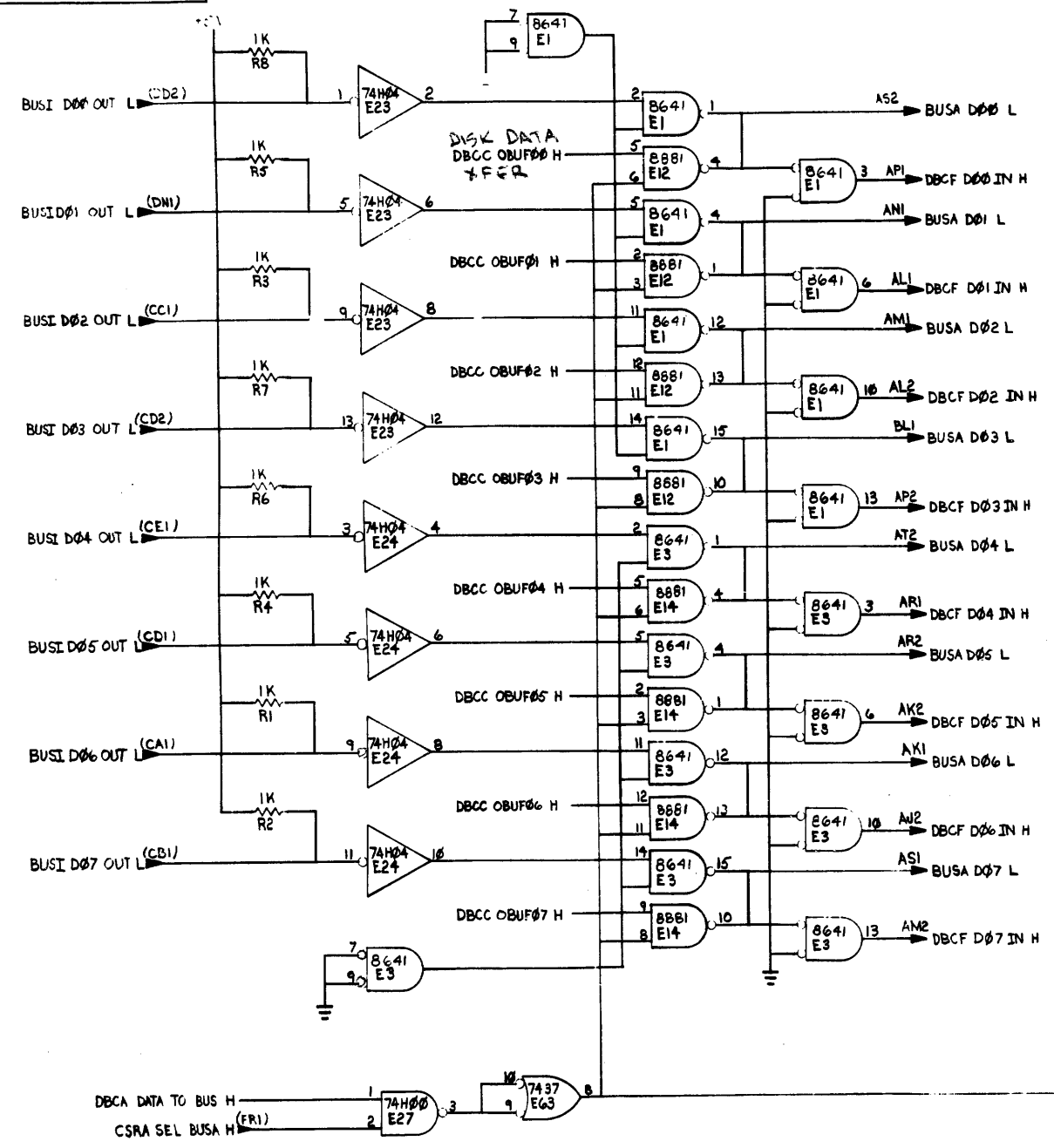


SLOT 03  
UNIBUS B DATA TRANSCIVERS

TITLE	DATA BUFFER & CONTROL (DBCE)	SIZE CODE	DCS	NUMBER	M7234-0-1	REV.	J
SCALE	NONE	SHEET	6 OF 9	DIST.			

REVISIONS		
CHK	CHANGE NO	REV

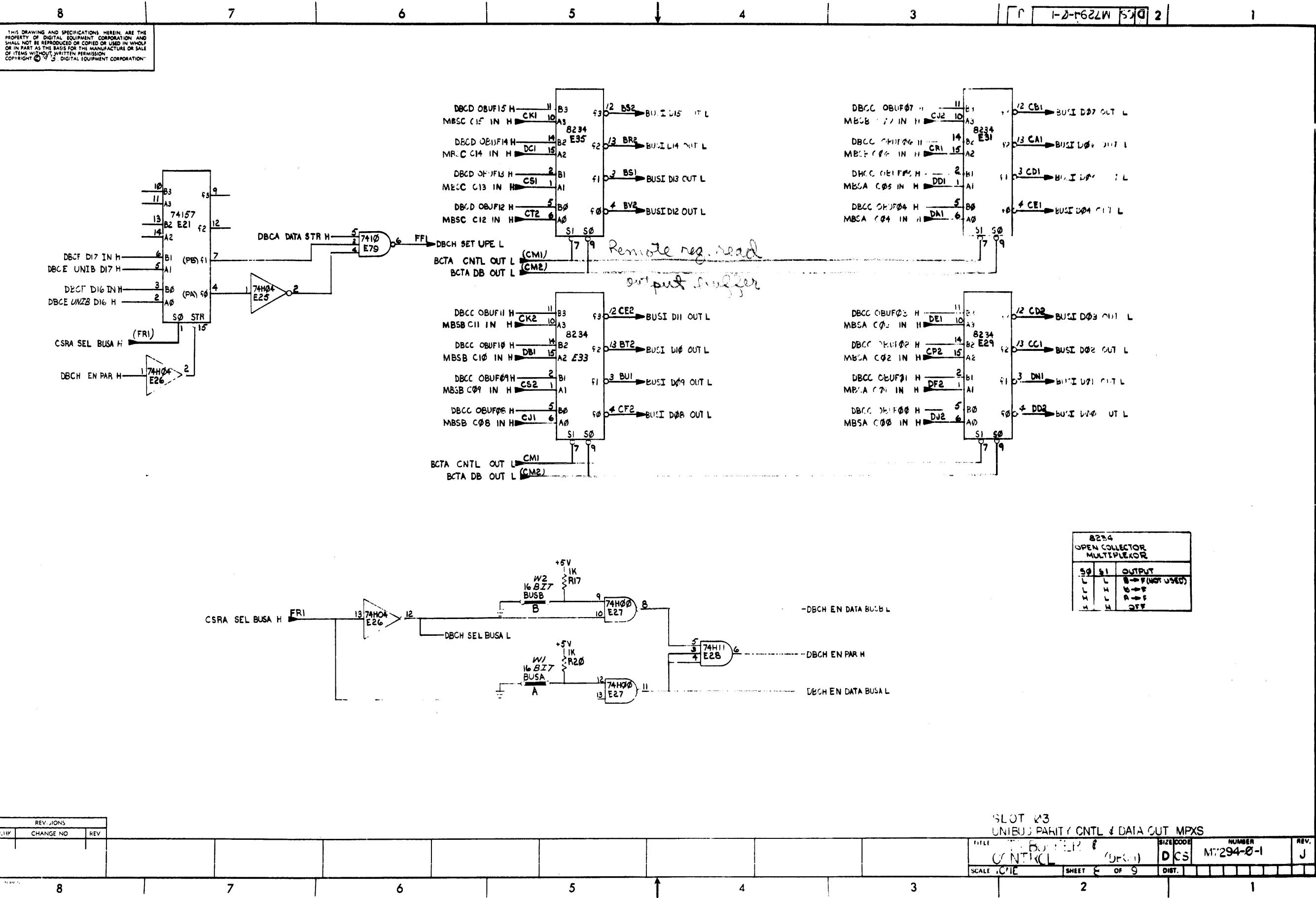
THIS DRAWING AND SPECIFICATIONS, HEREIN, ARE THE PROPERTY OF DIGITAL EQUIPMENT CORPORATION, AND SHALL NOT BE REPRODUCED OR COPIED OR USED IN WHOLE OR IN PART AS THE BASIS FOR THE MANUFACTURE OR SALE OF ITEMS WITHOUT WRITTEN PERMISSION. COPYRIGHT © 1977 DIGITAL EQUIPMENT CORPORATION.



REVISIONS		
CHK	CHANGE NO	REV

SLOT 03		UNIBUS A DATA TRANSCEIVERS	
TITLE	DATA BUFFER & CONTROL (DBC)	SIZE CODE	D CS
NUMBER	M7294-01	REV.	J
SCALE	NONE	SHEET	7 OF 9

THIS DRAWING AND SPECIFICATIONS HEREIN ARE THE PROPERTY OF DIGITAL EQUIPMENT CORPORATION AND SHALL NOT BE REPRODUCED OR COPIED IN WHOLE OR IN PART AS THE BASIS FOR THE MANUFACTURE OR SALE OF ITEMS WITHOUT WRITTEN PERMISSION. COPYRIGHT © 1973 DIGITAL EQUIPMENT CORPORATION



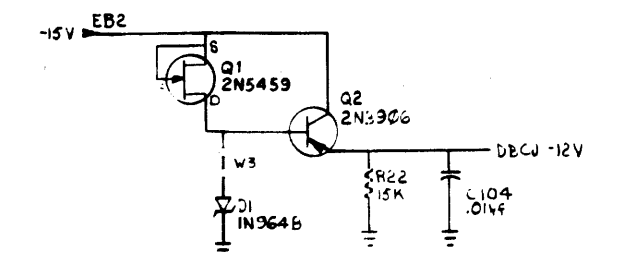
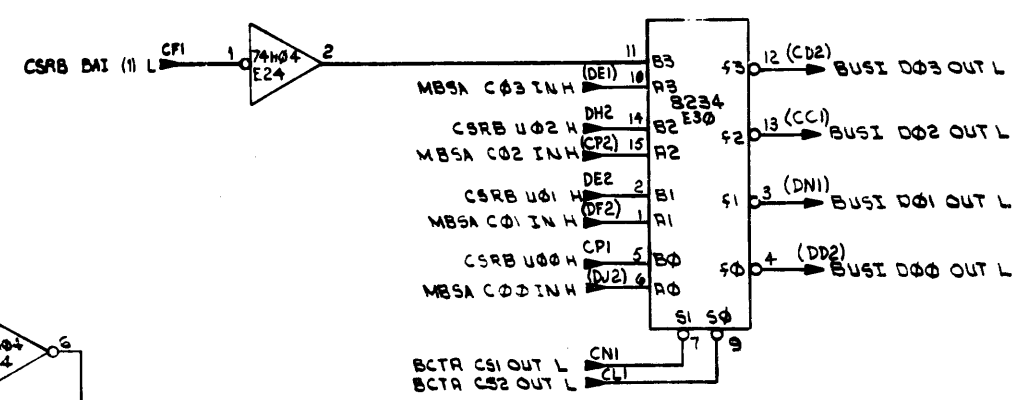
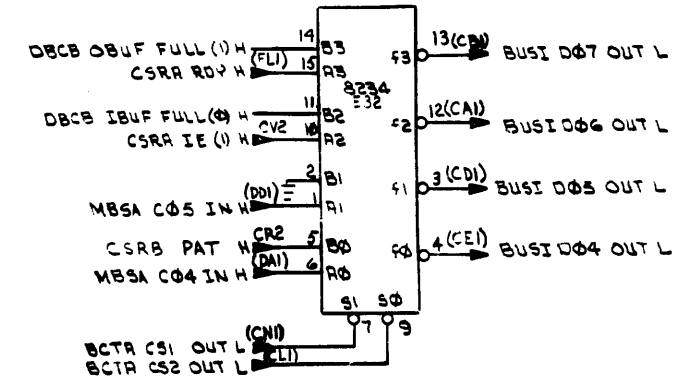
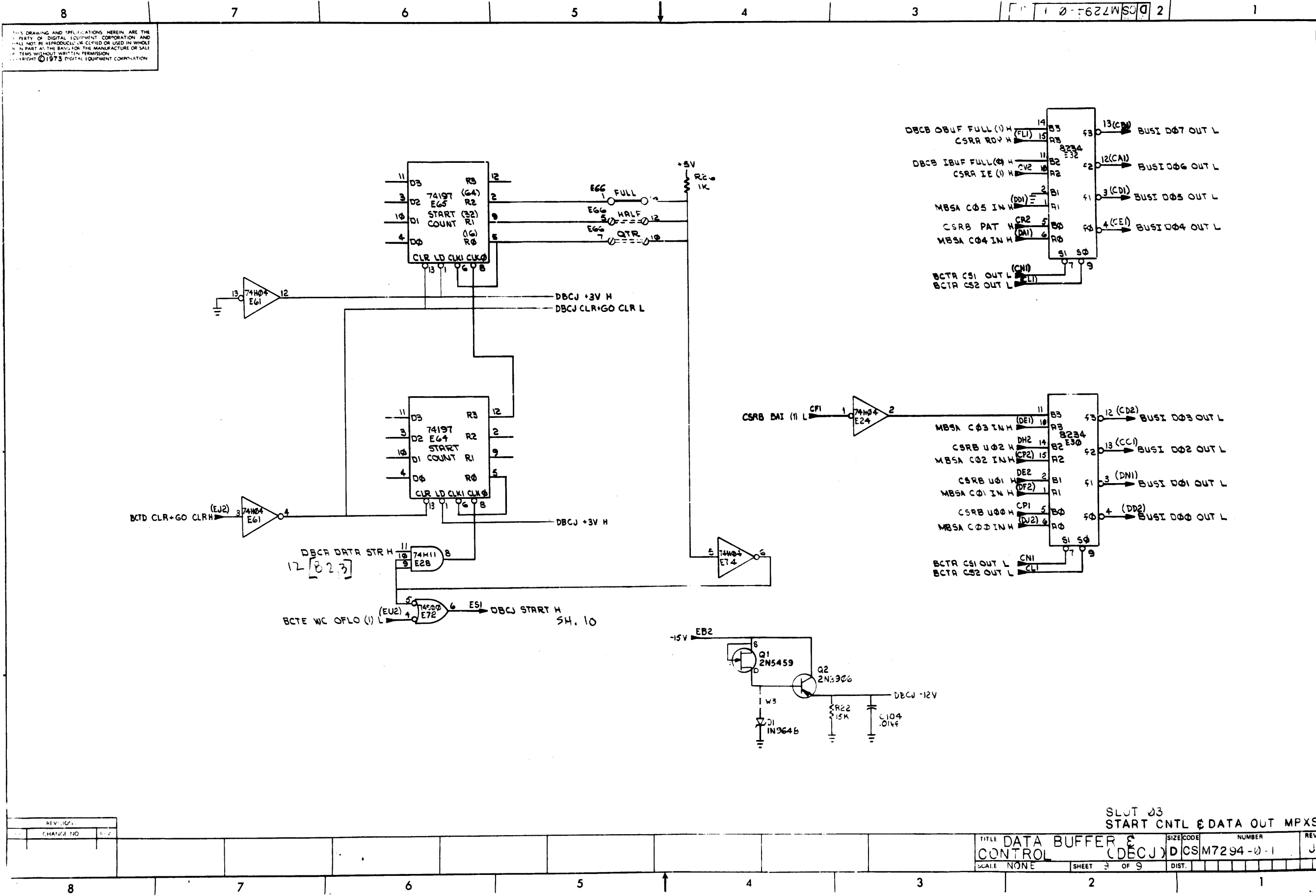
8234 OPEN COLLECTOR MULTIPLEXOR		
S0	S1	OUTPUT
L	L	0 (NOT USED)
L	H	1
H	L	2
H	H	3

SLOT #3  
UNIBUS PARITY CNTL & DATA OUT MPXS

TITLE	UNIBUS PARITY CNTL & DATA OUT MPXS	SIZE CODE	DCS	NUMBER	MT294-0-1	REV.	J
SCALE	1:1	SHEET	4	OF	9	DIST.	

REV. JIONS		
CHK	CHANGE NO	REV

THIS DRAWING AND SPECIFICATIONS HEREIN ARE THE PROPERTY OF DIGITAL EQUIPMENT CORPORATION AND SHALL NOT BE REPRODUCED, COPIED OR USED IN WHOLE OR IN PART AS THE BASIS FOR THE MANUFACTURE OR SALE OF ANY EQUIPMENT WITHOUT WRITTEN PERMISSION FROM DIGITAL EQUIPMENT CORPORATION  
 © 1973 DIGITAL EQUIPMENT CORPORATION



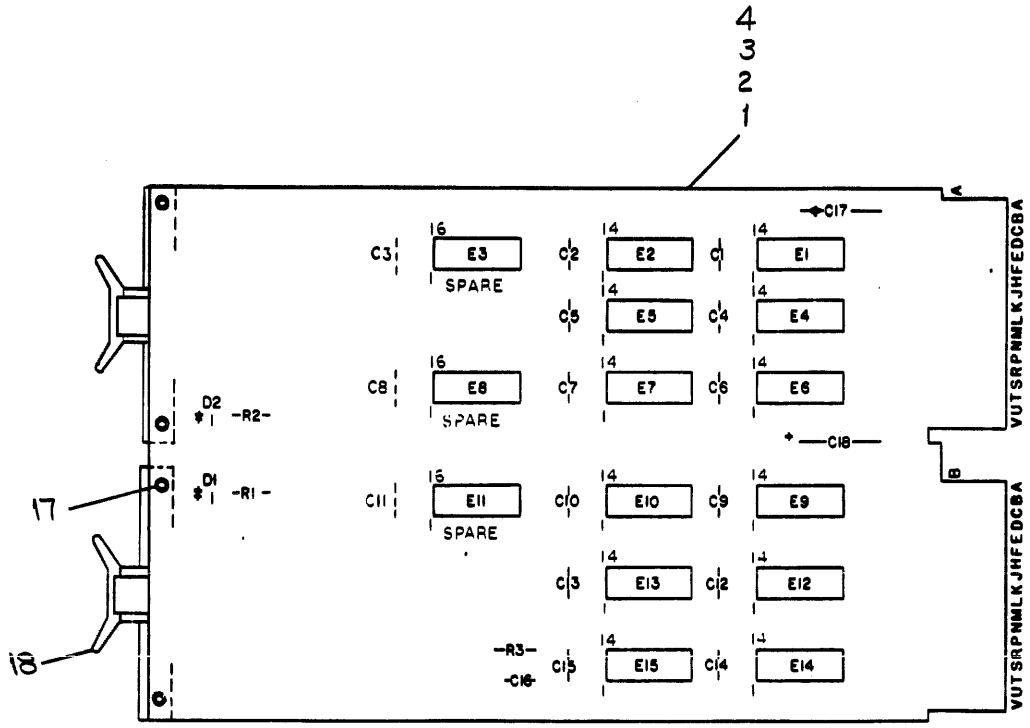
REV	CHANGE NO	DATE

TITLE DATA BUFFER CONTROL (DECJ)		SIZE CODE	NUMBER	REV.
D CSM7294-0-1				
SCALE NONE	SHEET 3 OF 9	DIST.		

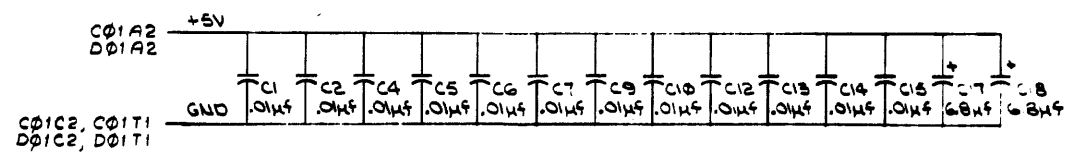
DECJ  
19

This drawing and specifications, herein, are the property of Digital Equipment Corporation and shall not be reproduced or used in any way or as a basis for the manufacture or sale of items without written permission. COPYRIGHT © 1973  
DIGITAL EQUIP. CORP.

**NOTES:**  
 1. PIN NOTATION THROUGHOUT IS ORDERED UPON MODULE PLACEMENT IN THE RH11. MODULE PIN REFERENCE ALONE IS OBTAINED BY DELETING THE NUMBER (SLOT LOCATION) AFTER THE FIRST LETTER AND CONVERTING THE FIRST LETTER ACCORDING TO THE PIN NOMENCLATURE CHART AT RIGHT.  
 2. C3, C8, C11, E3, E8 & E11 ARE SPARE COMPONENT SLOTS.



PIN NOMENCLATURE	
MODULE	RH11
A	C
B	D



REF	X-Y COORDINATE HOLE LOCATION	KCO-M7297-0-4	1	
REF	RSSY/DRILLING HOLE LAYOUT	0-RH-M7297-0-5	2	
REF	MODULE ECO HISTORY	0-RH-M7297-0-6	3	
1	ETCHED CIRCUIT BOARD	5010504	4	
12	C12, C4, C5, C6, C7, C9, C10, C12, C13, C14, C15	CAP .01uF, 20%, 50V D13C	1001610-00	5
1	C16	CAP 27pF, 5%, 100V MICA	1001753	6
2	C17, C18	CAP 6.8uF, 10%, 35V S.TANT	1006306	7
2	D1, D2	DIODE LED	1110864	8
1	R3	RES. 1K, 5%, 1/4W	1260365	9
2	R1, R2	RES. 390, 5%, 1/4W	1360309	10
1	E7	IC DEC 74H00	1909056	11
1	E8	IC DEC 74H10	1909057	12
1	E10	IC DEC 74H74	1909667	13
1	E13	IC DEC 8881	1909705	14
1	E15	IC DEC 74H04	1909931	15
7	E1, E2, E4, E6, E9, E12, E14	IC DEC 74180	1910724	16
4	EYELET	9006732	17	
2	HANDLE, FLIP-CHIP (MAGENTA)	9008537-6	18	

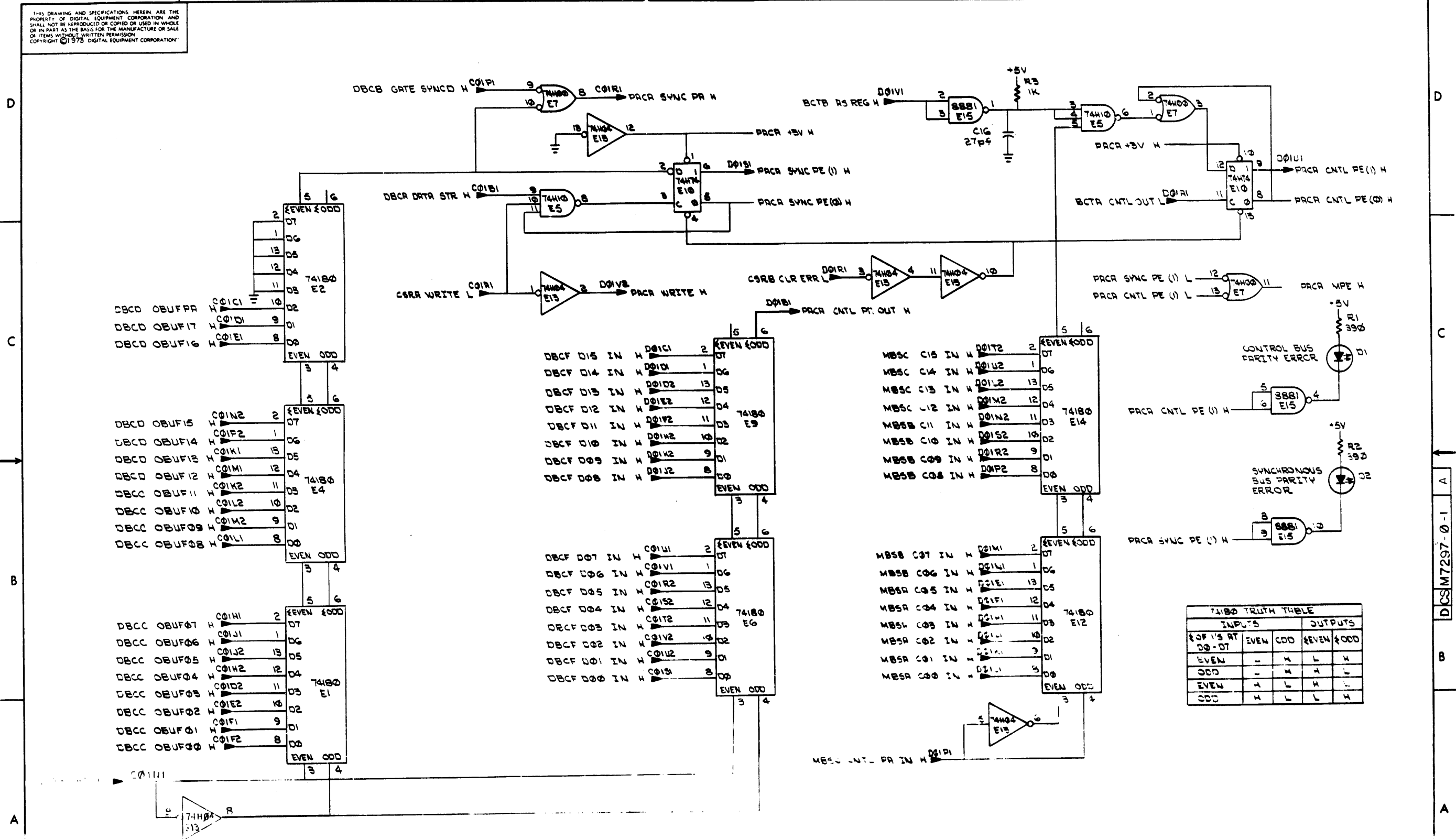
QTY	REF DESIGNATION	DESCRIPTION	PART NO.	ITEM NO.
-----	-----------------	-------------	----------	----------

IC PIN LOCATIONS	
IC TYPE	GND +5V
GND AND 5V ARE USUALLY PIN 7 AND 14 RESPECTIVELY EXCEPTIONS ARE STATED ABOVE	

FIRST USED ON OPTION MODEL		PARTS LIST	
RH11		ETCH BOARD REV	B
CHK	CHANGE NO.	REV	DATE
SEMICONDUCTOR CONVERSION CHART		SCALE	NONE
SHEET		OF	2
DIST.			

EQUIPMENT CORPORATION MAYNARD, MASSACHUSETTS	
TITLE	
PARITY CONTROL (PAC)	
SIZE/CODE	NUMBER
DICS	M7297-0-1
REV.	A

THIS DRAWING AND SPECIFICATIONS HEREIN ARE THE PROPERTY OF DIGITAL EQUIPMENT CORPORATION AND SHALL NOT BE REPRODUCED OR COPIED OR USED IN WHOLE OR IN PART AS THE BASIS FOR THE MANUFACTURE OR SALE OF ITEMS WITHOUT WRITTEN PERMISSION. COPYRIGHT © 1975 DIGITAL EQUIPMENT CORPORATION.



74180 TRUTH TABLE

INPUTS		OUTPUTS	
# OF '1'S AT D0-D7	EVEN	ODD	EVEN/ODD
EVEN	-	H	L
ODD	-	H	L
EVEN	H	L	L
ODD	H	L	L

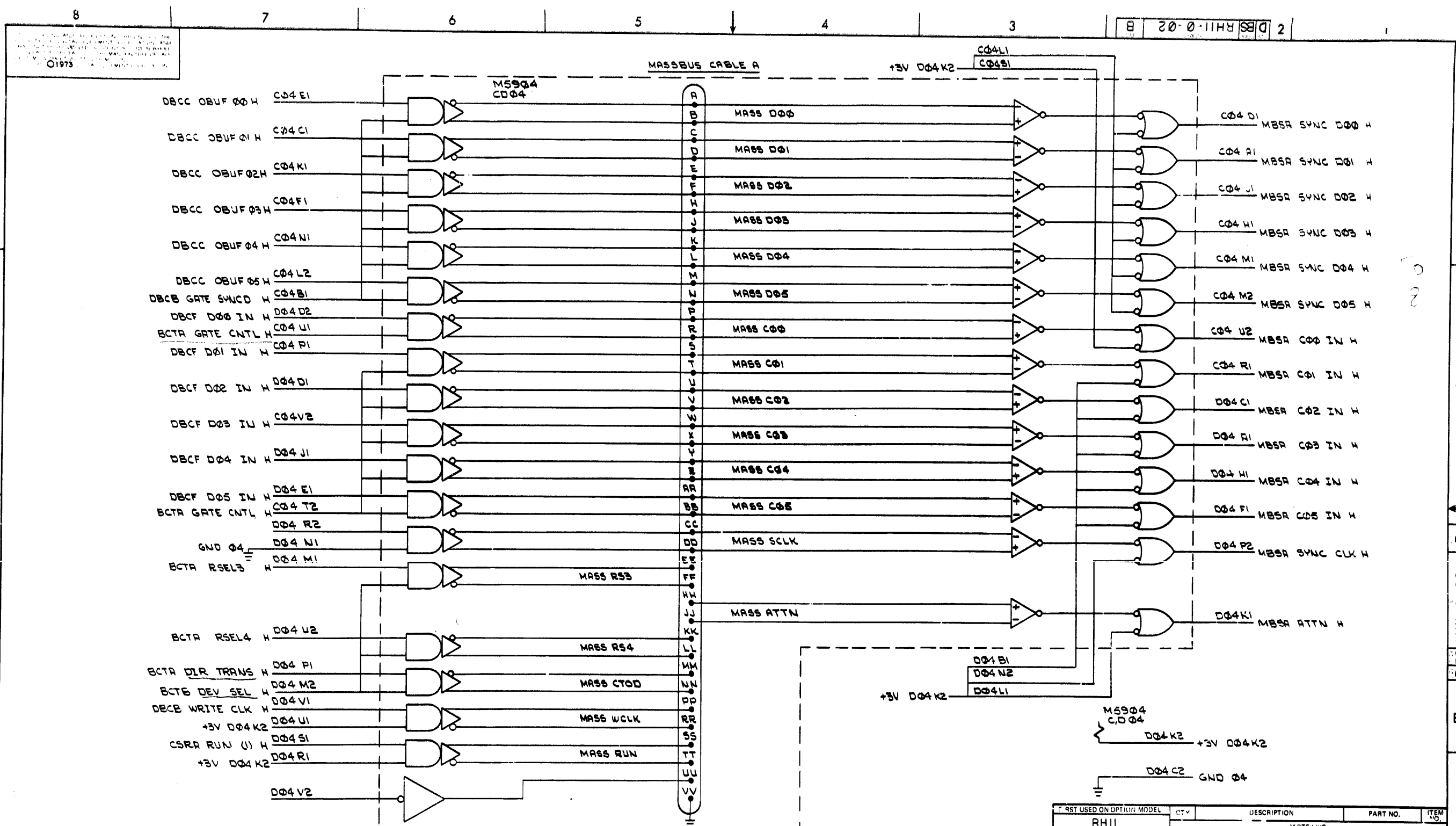
REVISIONS

CHK	CHANGE NO	REV

PARITY DETECT. & GEN. FOR MASSBUS

TITLE	SIZE CODE	NUMBER	REV.
PARITY CONTROL (PACA)	DCS M7297-0-1	2	A
SCALE	SHEET	OF	
NCNE	2	2	

A FACE

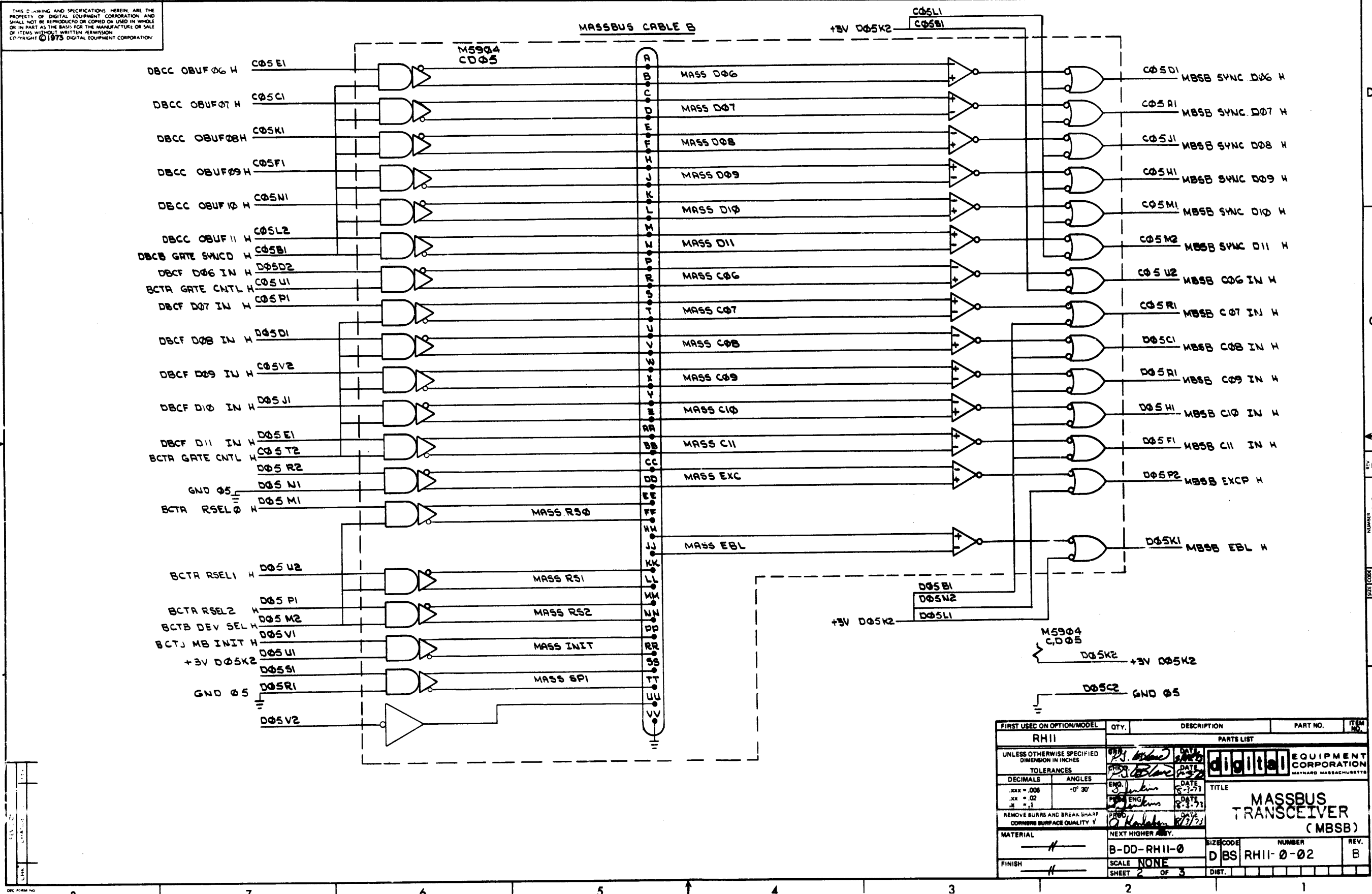


FIRST USED ON OPTION MODEL		QTY	DESCRIPTION	PART NO.	ITEM NO.
RH11					
UNLESS OTHERWISE SPECIFIED DIMENSION IN INCHES		DATE: 5/27/73	<b>digital</b> EQUIPMENT CORPORATION WATUARD, MASSACHUSETTS		
TOLERANCES		DATE: 1-3-73			
DECIMALS	ANGLES	DATE: 8-3-73	TITLE <b>MASSBUS TRANSCEIVER (MBSA)</b>		
.xxx .005	.0 30'	DATE: 8-27-73			
.xx .02		DATE: 8-27-73	MATERIAL NEXT HIGHER ASSY. B-DD-RH11-0 SCALE NONE SHEET OF 3		
.x .1		DATE: 8-27-73			
REMOVE BURRS AND BREAK SHARP CORNERS SURFACE QUALITY 1		DATE: 8-3-73	NUMBER DBS RH11-0-02 REV. B		

MBSA  
21

PHIL-20001	A
S. JENKINS	R
20-0-1111-00002	R
S. JENKINS	R
20-0-1111-00002	R

THIS DRAWING AND SPECIFICATIONS HEREIN ARE THE PROPERTY OF DIGITAL EQUIPMENT CORPORATION AND SHALL NOT BE REPRODUCED OR COPIED OR USED IN WHOLE OR IN PART AS THE BASIS FOR THE MANUFACTURE OR SALE OF ITEMS WITHOUT WRITTEN PERMISSION. COPYRIGHT © 1975 DIGITAL EQUIPMENT CORPORATION.



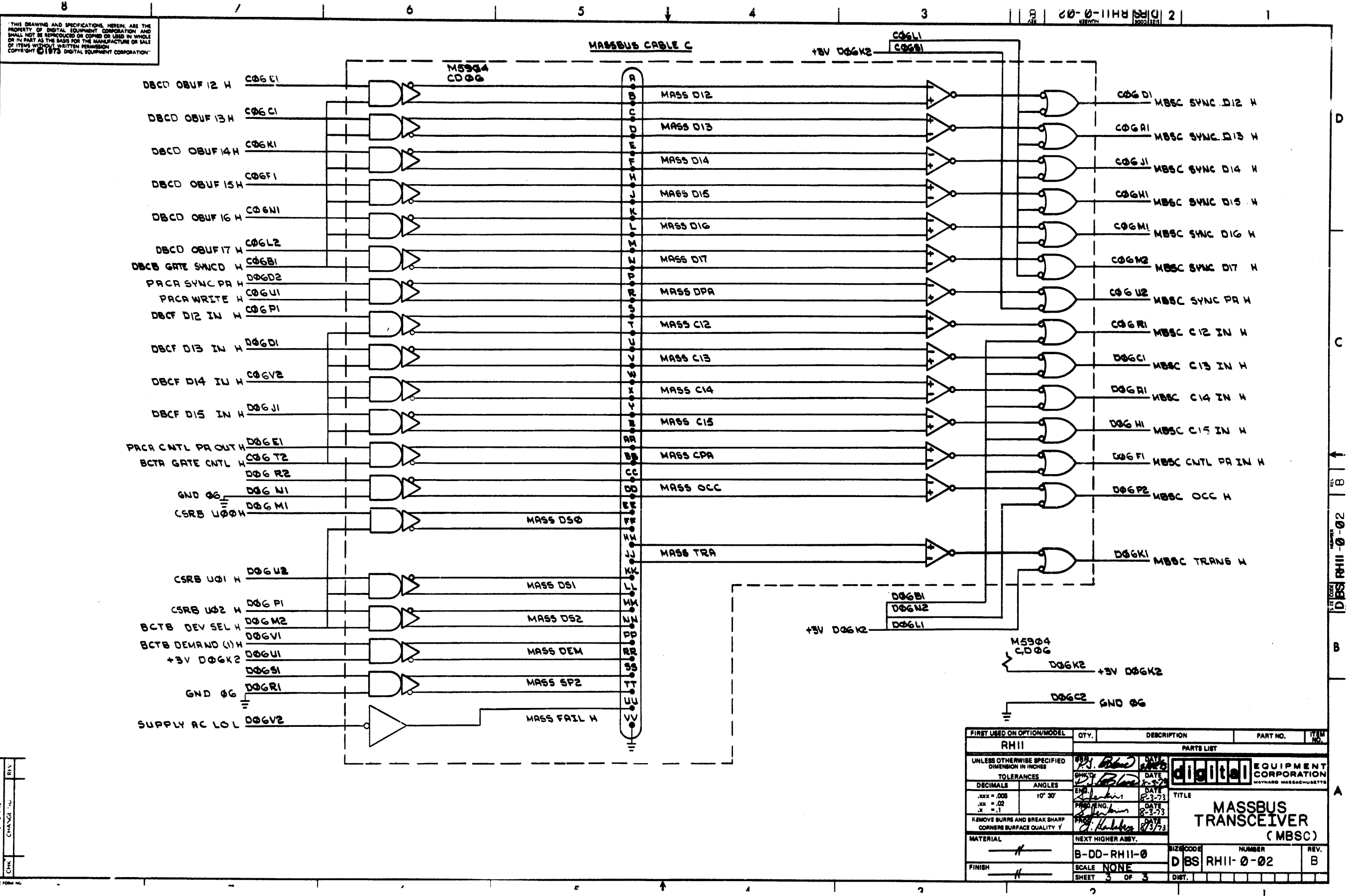
FIRST USED ON OPTION/MODEL	QTY.	DESCRIPTION	PART NO.	ITEM NO.
RH11		MASSBUS TRANSCEIVER (MBSB)	B-DD-RH11-0	B
UNLESS OTHERWISE SPECIFIED DIMENSION IN INCHES				
TOLERANCES				
DECIMALS	ANGLES	END. DATE	TITLE	
.XXX = .006	-0° 30'	8-2-73	MASSBUS TRANSCEIVER (MBSB)	
.XX = .02		8-8-73	digital EQUIPMENT CORPORATION MAYNARD MASSACHUSETTS	
.X = .1		8/3/73		
REMOVE BURRS AND BREAK SHARP CORNERS SURFACE QUALITY				
MATERIAL	NEXT HIGHER ASSY.		SIZE/CODE	NUMBER
	B-DD-RH11-0		D BS	RH11-0-02
FINISH	SCALE	NONE	REV. B	
	SHEET	2 OF 3		

REV. B  
PH11-0-02  
NUMBER

22

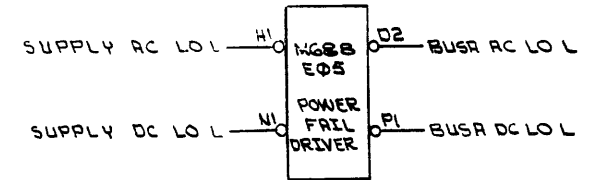
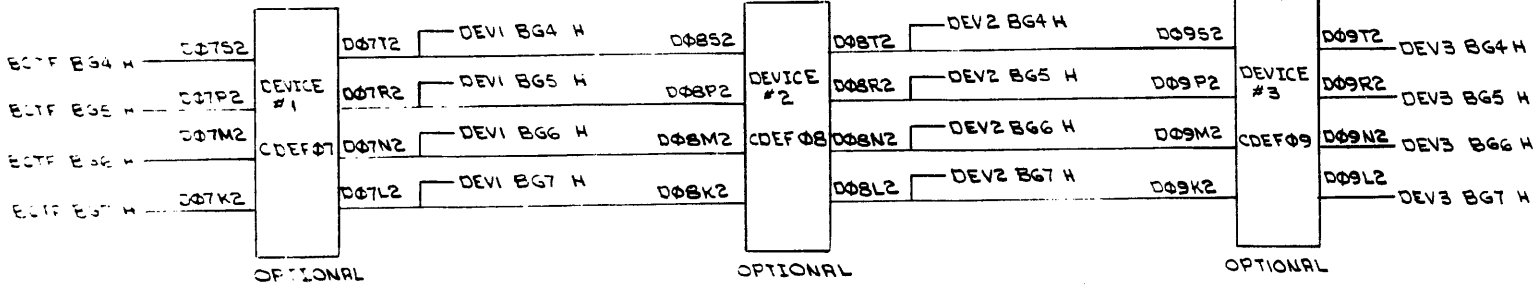
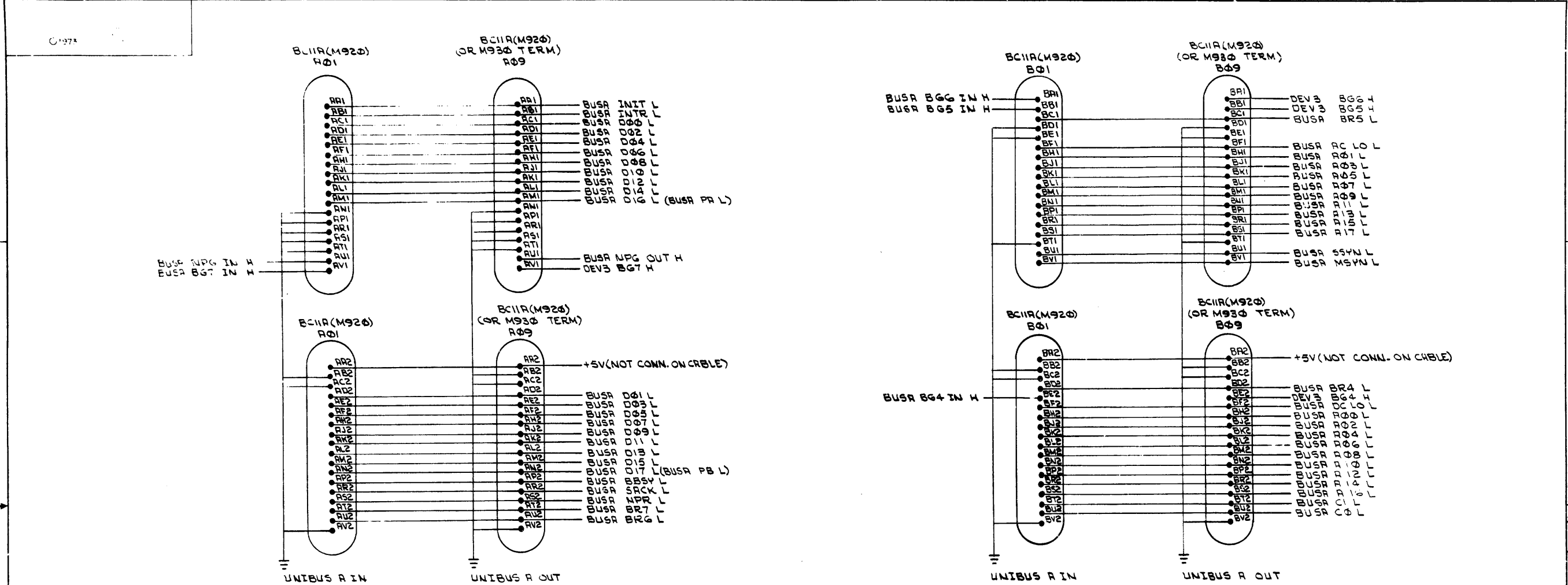


THIS DRAWING AND SPECIFICATIONS HEREIN ARE THE PROPERTY OF DIGITAL EQUIPMENT CORPORATION AND SHALL NOT BE REPRODUCED OR COPIED OR USED IN WHOLE OR IN PART AS THE BASIS FOR THE MANUFACTURE OR SALE OF ITEMS WITHOUT WRITTEN PERMISSION. COPYRIGHT © 1973 DIGITAL EQUIPMENT CORPORATION.



MBSC  
23

FIRST USED ON OPTION/MODEL	QTY.	DESCRIPTION	PART NO.	ITEM NO.
RH11				
PARTS LIST				
UNLESS OTHERWISE SPECIFIED DIMENSION IN INCHES		DATE	DIGITAL EQUIPMENT CORPORATION MAYNARD MASSACHUSETTS	
TOLERANCES	ANGLES	DATE	TITLE <b>MASSBUS TRANSCEIVER (MBSC)</b>	
.XX = .005	10° 30'	8-3-73		
.XX = .02		DATE	SIZE CODE NUMBER REV. B-DD-RH11-0 D BS RH11-0-02 B	
X = .1		8-3-73		
REMOVE BURRS AND BREAK SHARP CORNERS SURFACE QUALITY V		DATE	SCALE NONE SHEET 3 OF 3 DIST.	
		8/3/73		
MATERIAL	NEXT HIGHER ASSY.			
FINISH				



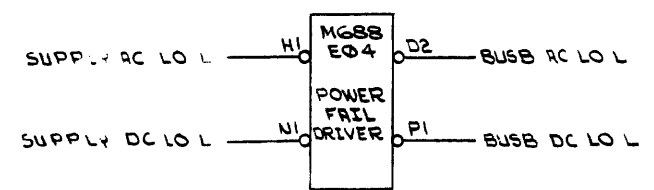
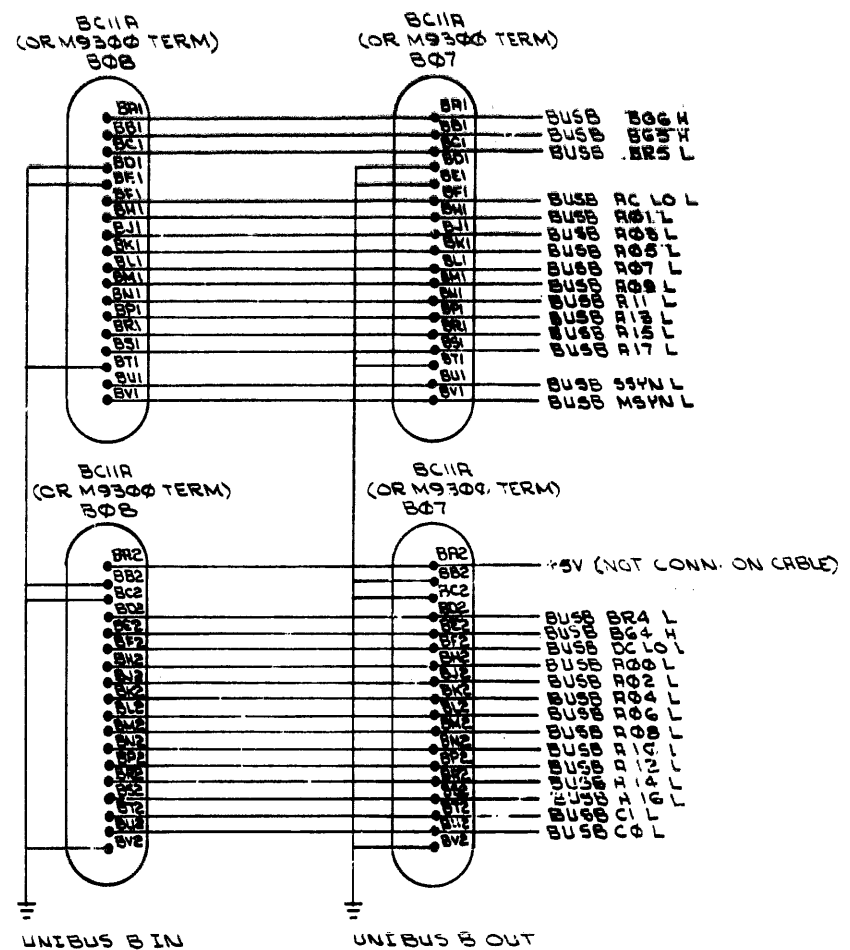
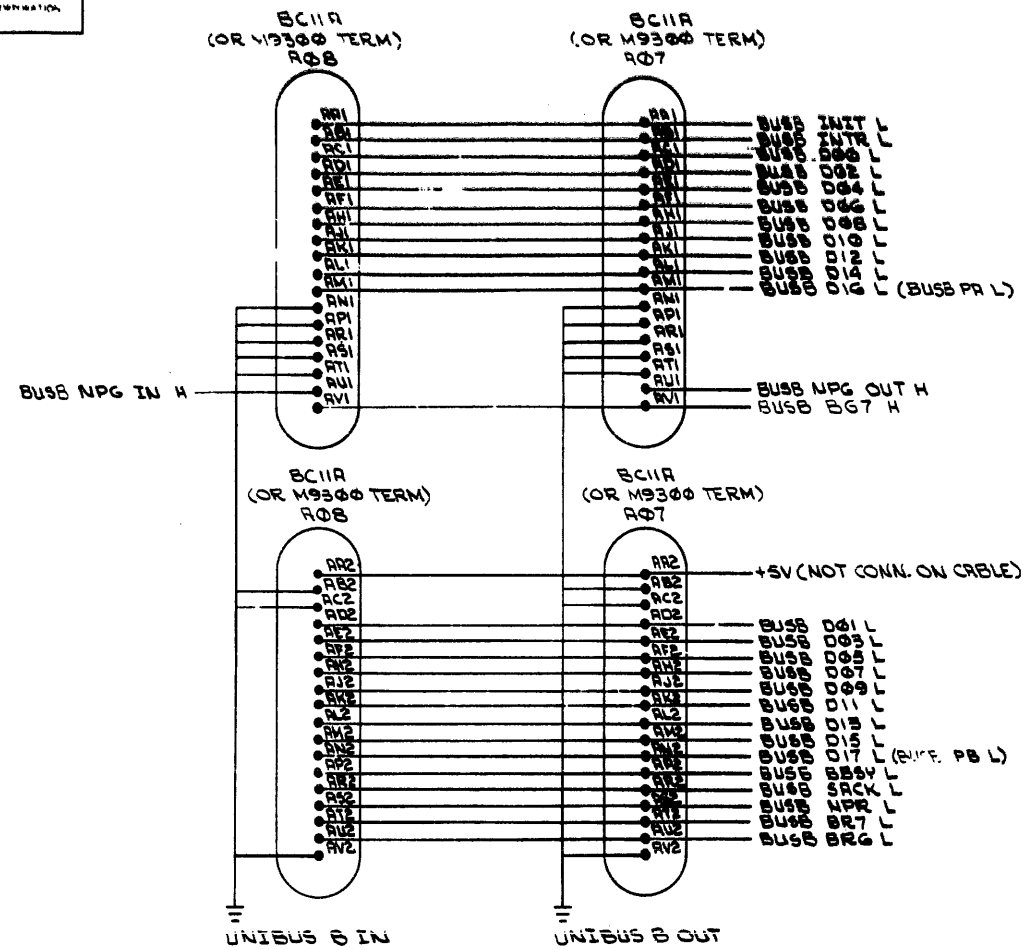
FIRST USED ON OPTION/MODEL	QTY.	DESCRIPTION	PART NO.	ITEM NO.
RH11				
UNLESS OTHERWISE SPECIFIED: DIMENSION IN INCHES				
TOLERANCES				
DECIMALS	ANGLES	DATE		
xxx .005	0 30'	DATE	TITLE	
.xx .02		DATE	UNIBUS A CABLE DIAGRAM (BUSA)	
x .1		DATE	D I C R H I I - 0 - 0 3	
REMOVE BURRS AND BREAK SHARP CORNERS SURFACE QUALITY 1				
MATERIAL				
NEXT HIGHER ASSY.				
FINISH				
SCALE NONE				
SHEET OF				
SIZE CODE NUMBER REV.				
B-DD-RH11-0				
D I C R H I I - 0 - 0 3				
DIST.				

D I C R H I I - 0 - 0 3

B

A

THE DRAWING AND SPECIFICATIONS HEREIN ARE THE PROPERTY OF DIGITAL EQUIPMENT CORPORATION AND SHALL NOT BE REPRODUCED OR COPIED IN WHOLE OR IN PART WITHOUT THE WRITTEN PERMISSION OF SAID CORPORATION. © 1975



BUSB  
25

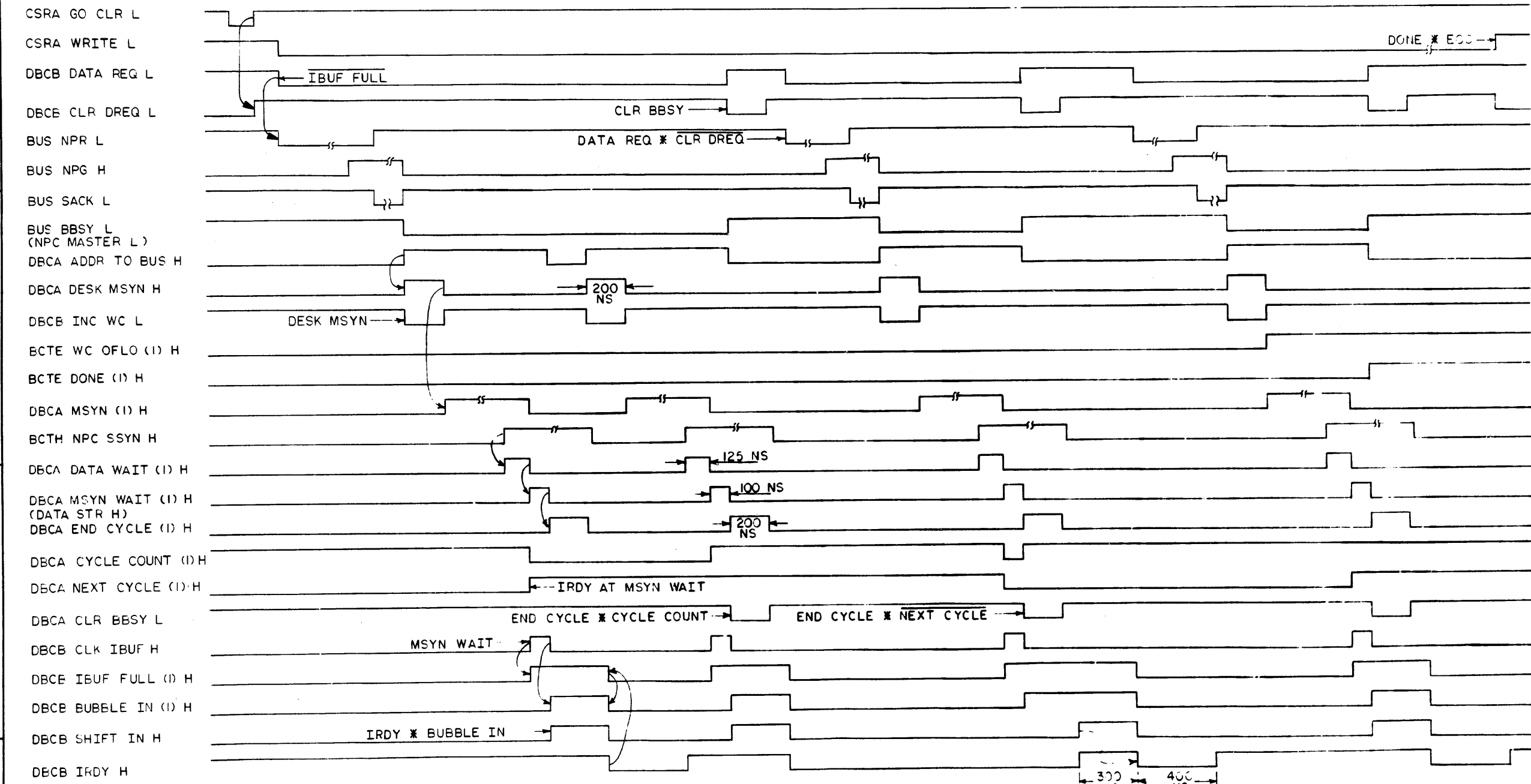
FIRST USED ON OPTION/MODEL	QTY.	DESCRIPTION	PART NO.	ITEM NO.
RH11				
PARTS LIST				
UNLESS OTHERWISE SPECIFIED DIMENSION IN INCHES		DATE: 8-3-74	 digital EQUIPMENT CORPORATION MAYNARD, MASSACHUSETTS 01901	
TOLERANCES		DATE: 8-3-74		
DECIMALS	ANGLES	ENG: J. Jenkins	TITLE UNIBUS B CABLE DIAGRAM (BUSB)	
.xxx ± .005	∠ 0° 30'	PROB. ENG: J. Jenkins		
.xx ± .02		DATE: 8-3-73	NUMBER D I C R H 1 1 - 0 - 0 4	
.x ± .1		DATE: 8-3-73		
REMOVE BURRS AND BREAK SHARP CORNERS SURFACE QUALITY V		DATE: 8-3-73	REV. DIST.	
NEXT HIGHER ASSY.				
MATERIAL	B-DD-RH11-0	SCALE		
FINISH	NONE	SHEET		

D I C R H 1 1 - 0 - 0 4

THIS DRAWING AND SPECIFICATIONS HEREIN ARE THE PROPERTY OF DIGITAL EQUIPMENT CORPORATION AND SHALL NOT BE REPRODUCED OR COPIED OR USED IN WHOLE OR IN PART AS THE BASIS FOR THE MANUFACTURE OR SALE OF ITEMS WITHOUT WRITTEN PERMISSION. COPYRIGHT © 1973 DIGITAL EQUIPMENT CORPORATION.

WRITE COMMAND UNIBUS TIMING DIAGRAM (DATI)

90-0-111RH11-002



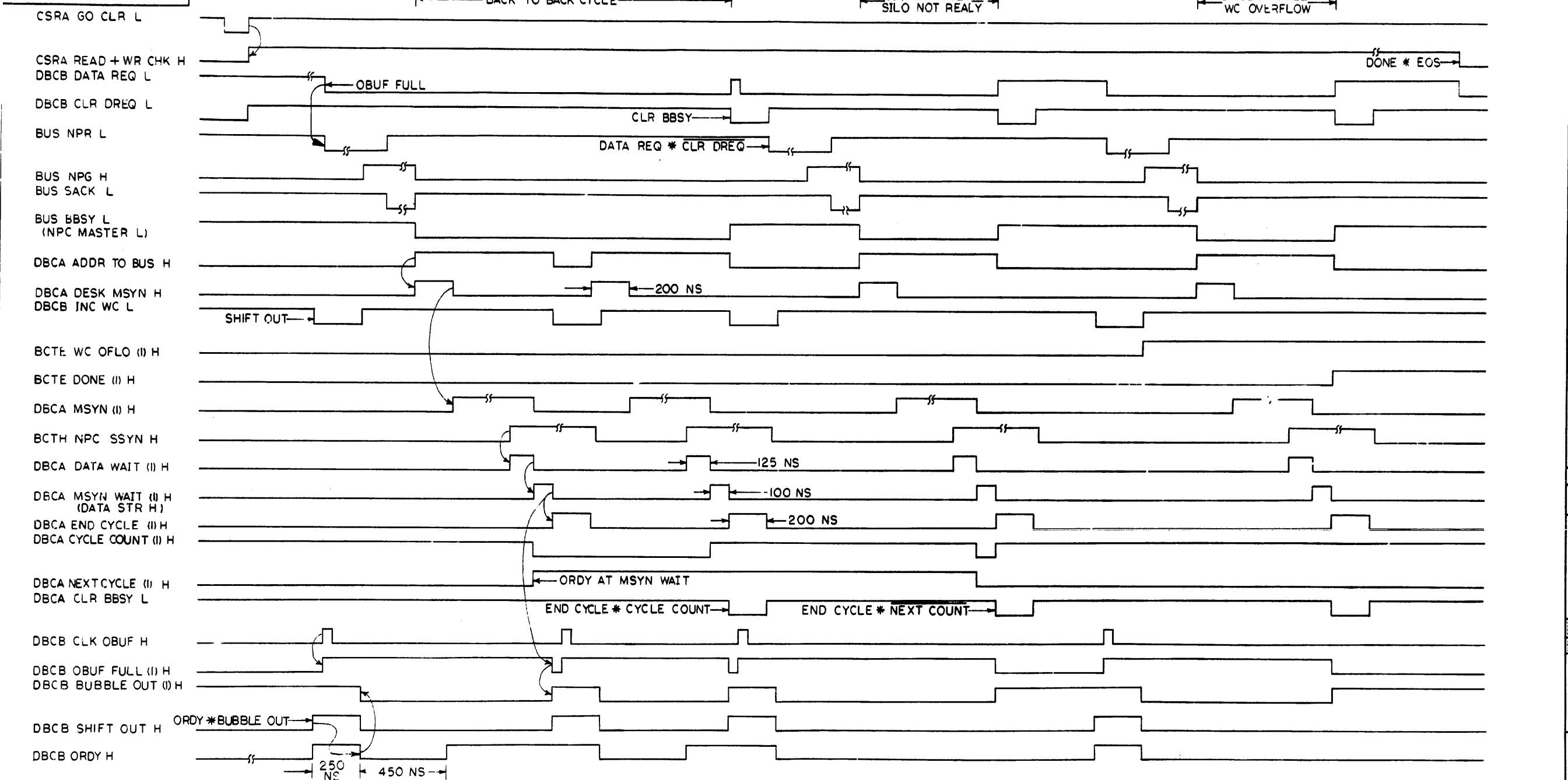
REV	DATE
1	11-16-73
2	11-23-73

FIRST USED ON OPTION MODEL	QTY	DESCRIPTION	PART NO.	ITEM NO.
RH11				
PARTS LIST				
UNLESS OTHERWISE SPECIFIED: DIMENSION IN INCHES		DATE	DATE	
TOLERANCES		DATE	DATE	
DECIMALS	ANGLES	DATE	DATE	
.005	0 30'	DATE	DATE	
.02		DATE	DATE	
.1		DATE	DATE	
REMOVE BURRS AND BREAK SHARP CORNERS SURFACE QUALITY				
MATERIAL	NEXT HIGHER ASSY.	SIZE CODE	NUMBER	REV.
		B-DD-RH11-0	D1DRH11-0-05	A
FINISH	SCALE	NONE		
	SHEET	OF		

D1DRH11-0-05

THIS DRAWING AND SPECIFICATIONS HEREIN ARE THE PROPERTY OF DIGITAL EQUIPMENT CORPORATION AND SHALL NOT BE REPRODUCED OR COPIED OR USED IN WHOLE OR IN PART AS THE BASIS FOR THE MANUFACTURE OR SALE OF ITEMS WITHOUT WRITTEN PERMISSION. COPYRIGHT © 1973 DIGITAL EQUIPMENT CORPORATION.

READ OR WRITE CHECK UNIBUS TIMING DIAGRAM (READ: DATO-WR CHK: DATI)



REV.	A
CHG.	11-20-73
CHK.	S. JENKINS
DESIGNER	S. JENKINS
DATE	11-20-73

FIRST USED ON OPTION/MODEL	QTY.	DESCRIPTION	PART NO.	ITEM NO.
RH11				
PARTS LIST				
UNLESS OTHERWISE SPECIFIED DIMENSION IN INCHES		DRN	DATE	
TOLERANCES		6-22-73	6-22-73	
DECIMALS	ANGLES	ENG.	DATE	
.xxx = .006	'0 30'	8-2-73	8-2-73	
.xx = .02		PROJ. ENG.	DATE	
.x = .1		8-2-73	8-2-73	
REMOVE BURRS AND BREAK SHARP CORNERS SURFACE QUALITY 1		PROD.	DATE	
MATERIAL				
NEXT HIGHER ASSY.				
FINISH				
SCALE NONE				
SHEET OF				
DIST.				

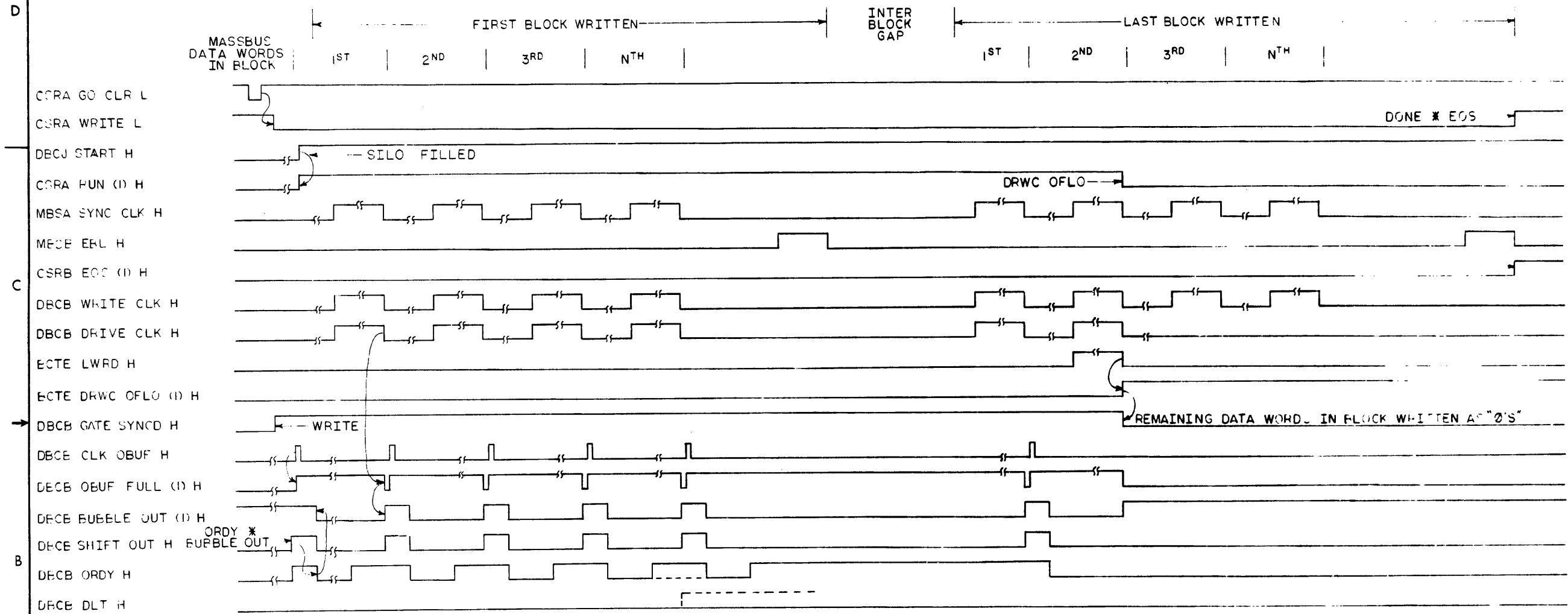


TITLE  
READ + WRITE CHECK UNIBUS (TIMING DIAG)

SIZE CODE NUMBER REV.  
D TD RH11-0-06 A

THIS DRAWING AND SPECIFICATION HEREIN ARE THE PROPERTY OF DIGITAL EQUIPMENT CORPORATION AND SHALL NOT BE REPRODUCED OR COPIED OR USED IN WHOLE OR IN PART AS THE BASIS FOR THE MANUFACTURE OR SALE OF ITEMS, WITHOUT WRITTEN PERMISSION.  
 © 1977 DIGITAL EQUIPMENT CORPORATION

### WRITE COMMAND MASSBUS TIMING DIAGRAM

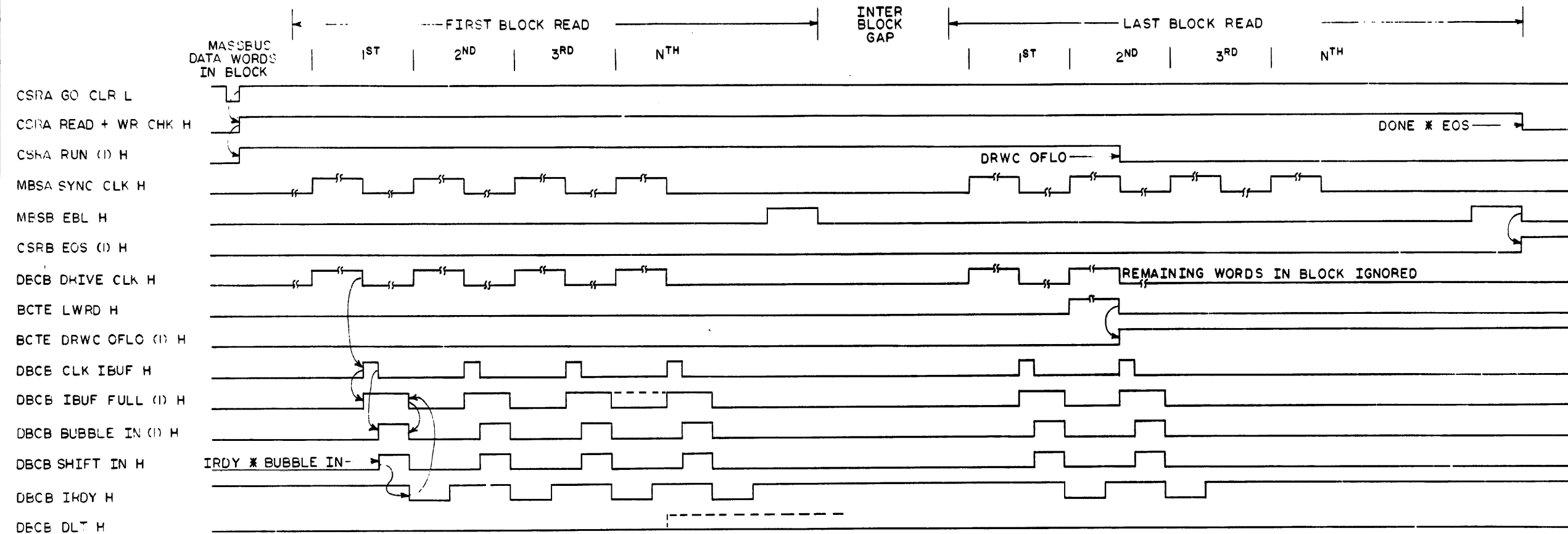


FIRST USED ON OPTION/MODEL	QTY.	DESCRIPTION	PART NO.	ITEM NO.
RH11				
PARTS LIST				
UNLESS OTHERWISE SPECIFIED DIMENSION IN INCHES		DATE: 2/10/78	<b>digital</b> EQUIPMENT CORPORATION NATURAL MASSACHUSETTS	
TOLERANCES		DATE: 8-5-73		
DECIMALS .006	ANGLES 0 30	DATE: 8-5-73	TITLE <b>WRITE MASSBUS TIMING DIAGRAM</b>	
REMOVE BURRS AND BREAK SHARP CORNERS SURFACE QUALITY 1		DATE: 8-5-73		
MATERIAL	NEXT HIGHER ASSY.	DATE: 8-5-73	SIZE/CD	NUMBER
FINISH	E-DD-RH11-0	SCALE NONE	DTD RH11-0-07	REV.
SHEET	OF	DIST.		

D110, RH11-0-07

THIS DRAWING AND SPECIFICATIONS HERIN ARE THE PROPERTY OF DIGITAL EQUIPMENT CORPORATION AND SHALL NOT BE REPRODUCED OR COPIED OR USED IN WHOLE OR IN PART AS THE BASIS FOR THE MANUFACTURE OR SALE OF ITEMS WITHOUT WRITTEN PERMISSION.  
 ©1973 DIGITAL EQUIPMENT CORPORATION

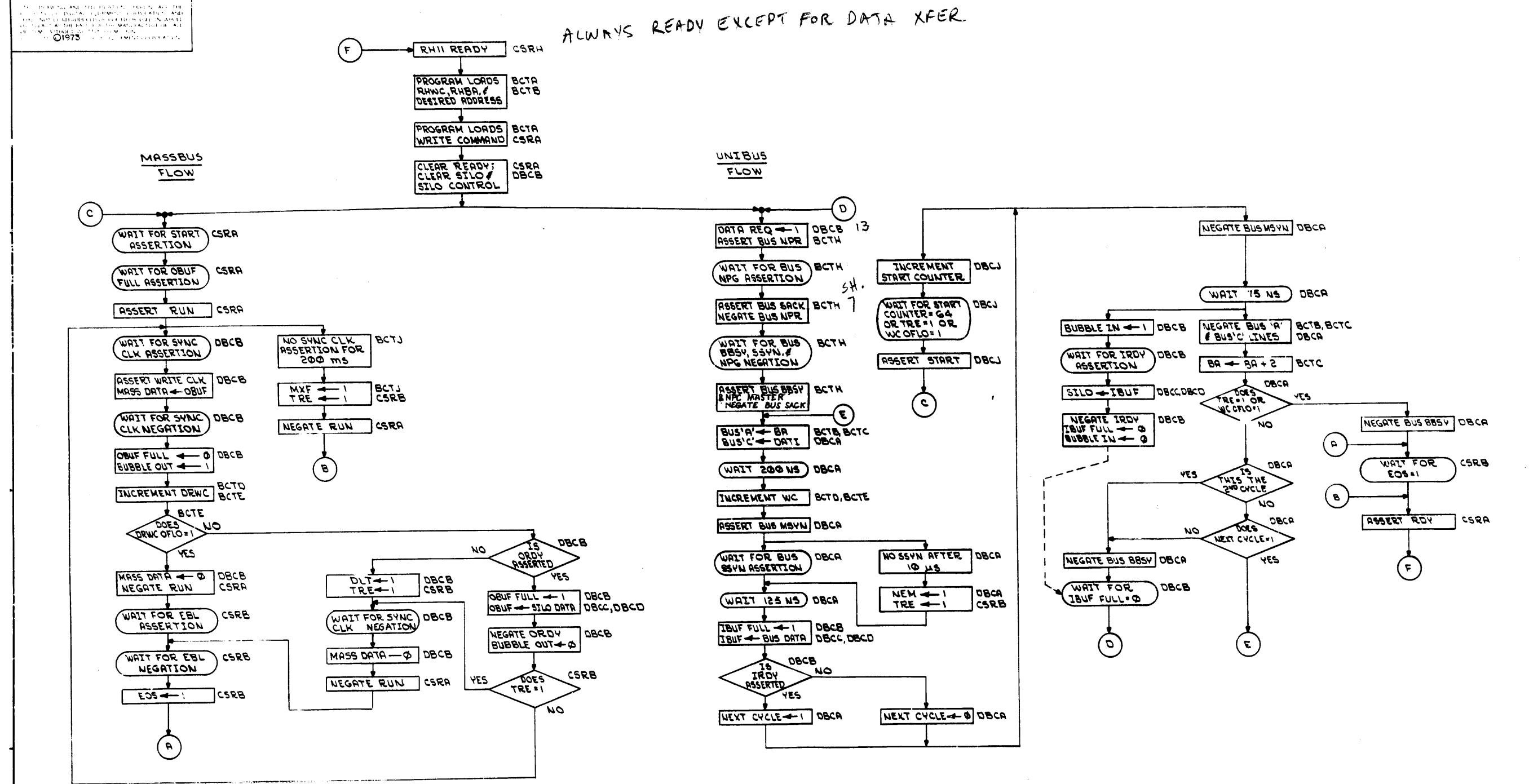
READ OR WRITE CHECK MASSBUS TIMING DIAGRAM



FIRST USED ON OPTION/MODEL	QTY.	DESCRIPTION	PART NO.	ITEM NO.
RH11				
PARTS LIST				
UNLESS OTHERWISE SPECIFIED DIMENSION - IN INCHES		DATE	digital EQUIPMENT CORPORATION STANDARD OF MASSACHUSETTS	
TOLERANCES		DATE	TITLE	
DECIMALS	ANGLES	DATE	READ + WRITE CHECK MASSBUS (TIMING DIAGRAM)	
.XX = .006	'0 30'	8-3-73	SIZE CODE NUMBER	
.XX = .02		8-3-73	DTDRH11-0-08	
.X = .1		8-3-73	REV.	
REMOVE BURRS AND BREAK SHARP CORNERS SURFACE QUALITY 1		DATE		
MATERIAL		NEXT HIGHER ASSY.		
FINISH		B-DD-RH11-0		
SCALE NONE		SHEET		
SHEET OF		DIST.		

D  
C  
B  
A  
 DTDRH11-0-08

ALWAYS READY EXCEPT FOR DATA XFER.

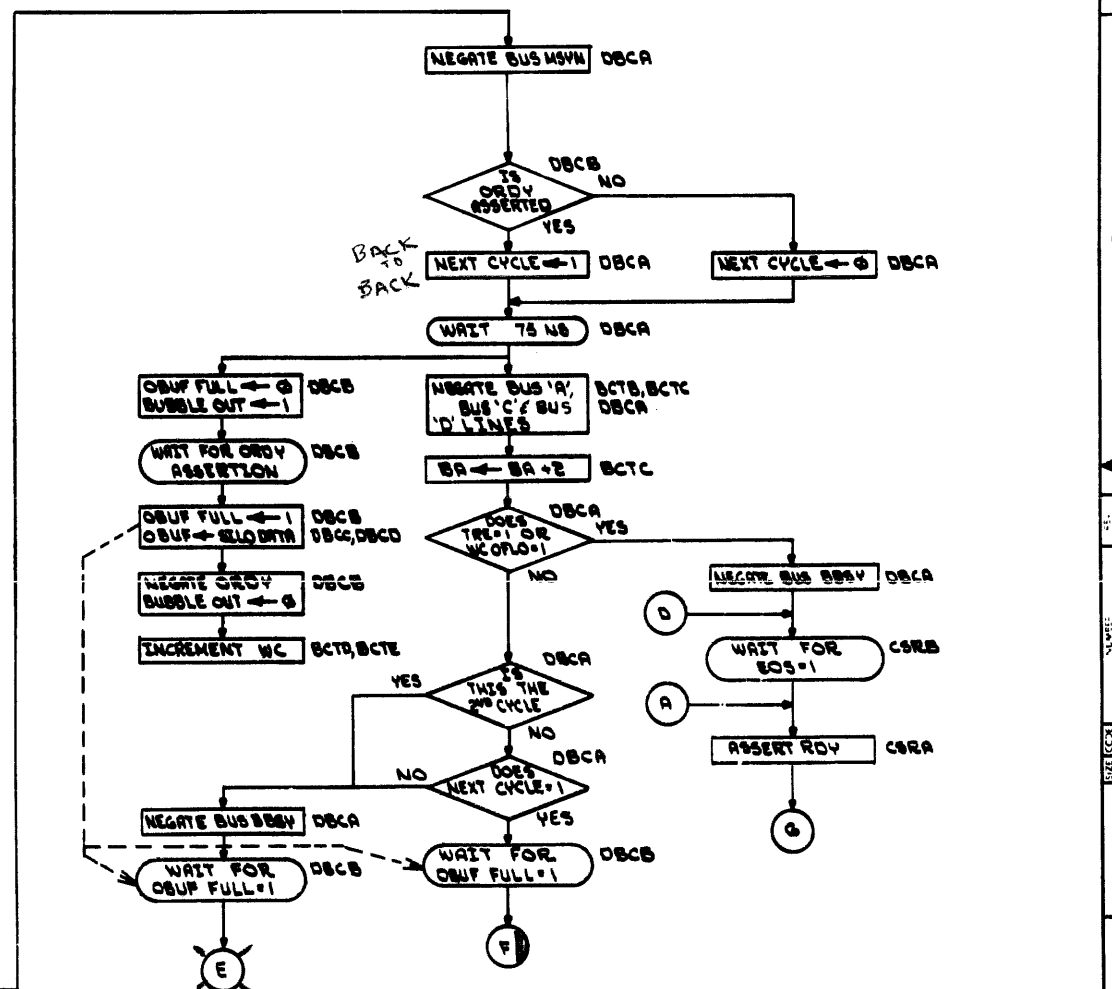
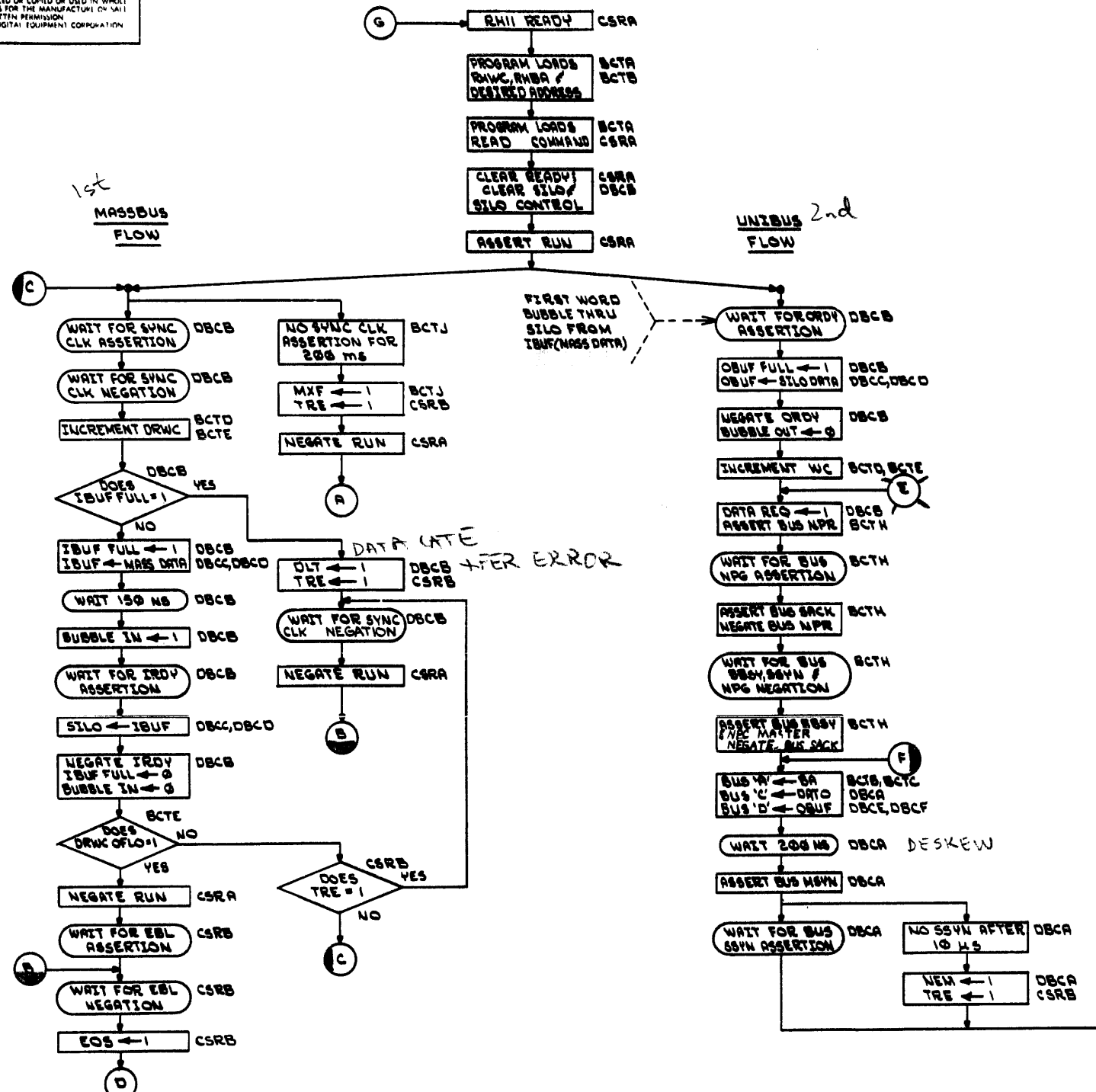


CHN  
RH11-0-09  
S. JENKINS  
11-28-73

FIRST USED ON OPTION/MODEL	QTY.	DESCRIPTION	PART NO.	ITEM NO.
RH11				
PARTS LIST				
UNLESS OTHERWISE SPECIFIED DIMENSION IN INCHES		DATE	digital EQUIPMENT CORPORATION	
TOLERANCES		DATE	MATERIAL	
DECIMALS	ANGLES	DATE	TITLE	
.xxx ± .006	° 0' 30"	DATE	WRITE COMMAND	
.xx ± .02		DATE	FLOW DIAGRAM	
REMOVE BURRS AND BREAK SHARP CORNERS SURFACE QUALITY 1		DATE		
MATERIAL	NEXT HIGHER ASSY.	SIZE/CODL	NUMBER	REV.
	B-DD-RH11-0	D	DFD RH11-0-09	
FINISH	SCALE	NONE		
	SHEET	OF		

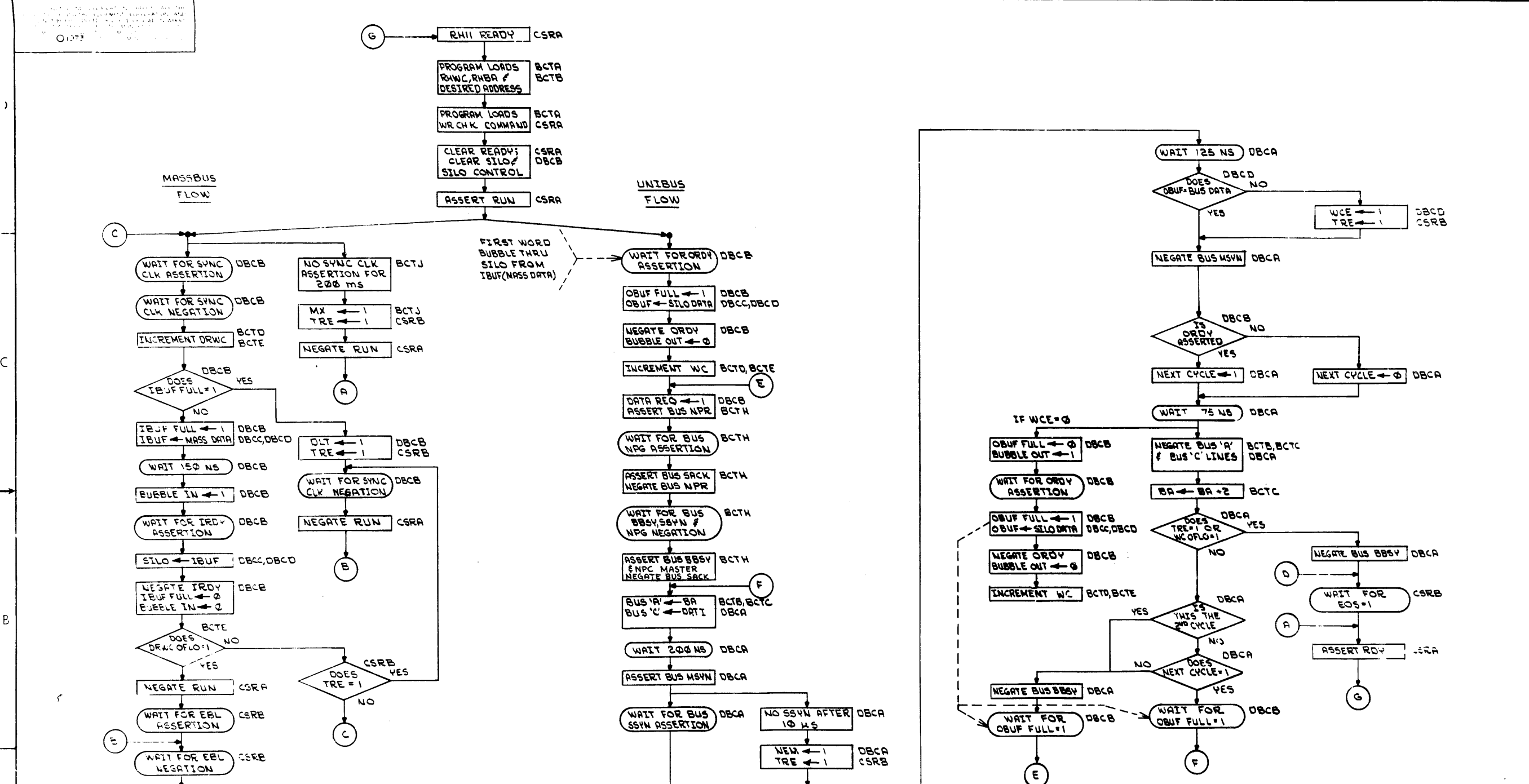


THIS DRAWING AND SPECIFICATIONS HEREIN ARE THE PROPERTY OF DIGITAL EQUIPMENT CORPORATION AND SHALL NOT BE REPRODUCED OR COPIED OR USED IN WHOLE OR IN PART AS THE BASIS FOR THE MANUFACTURE OF ANY OF THESE WITHOUT WRITTEN PERMISSION.  
 © 1973 DIGITAL EQUIPMENT CORPORATION



REV. NO.	1
CHANGED BY	J. J. JENKINS
DATE	11-26-73
BY	J. J. JENKINS
CHKD BY	J. J. JENKINS
DATE	11-26-73

FIRST USED ON OPTION/MODEL	QTY.	DESCRIPTION	PART NO.	ITEM NO.
RHII				
PARTS LIST				
UNLESS OTHERWISE SPECIFIED DIMENSION IN INCHES		DATE 8-2-73		
TOLERANCES		DATE 8-2-73		
DECIMALS	ANGLES	DATE 8-2-73		
.XX = .006	10' 30'	DATE 8-2-73		
.XX = .02	X = .1	DATE 8-2-73		
REMOVE BURRS AND BREAK SHARP CORNERS SURFACE QUALITY V				
MATERIAL		NEXT HIGHER ASSY.		
FINISH		SCALE NONE		
SHEET OF		DISTR.		
B-DD-RHII-0		SIZE CODE		
D FDRHII-0-10		NUMBER		
		REV. A		

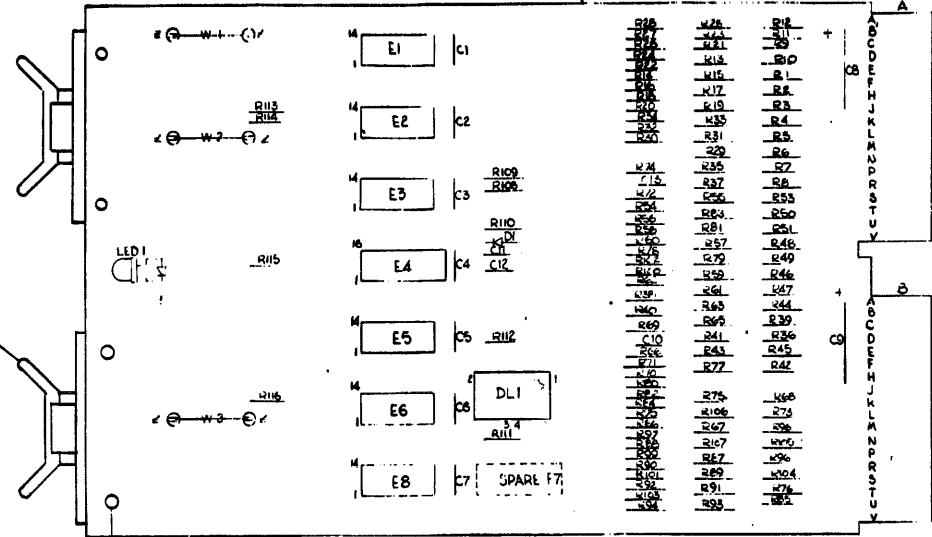


DATE	BY	CHKD	ENG	PROV ENG	APP
11/11/73	J. DeLury	J. DeLury	J. DeLury	J. DeLury	J. DeLury

FIRST USED ON OPTION/MODEL	QTY.	DESCRIPTION	PART NO.	ITEM NO.
RHII				
PARTS LIST				
UNLESS OTHERWISE SPECIFIED DIMENSION IN INCHES		DATE	EQUIPMENT CORPORATION	
TOLERANCES		DATE	WATYARD MASSACHUSETTS	
DECIMALS	ANGLES	DATE	TITLE <b>WRITE CHECK COMMAND FLOW DIAGRAM</b>	
.xxx = .006	'0 30'	DATE		
.xx = .02		DATE		
REMOVE BURRS AND BREAK SHARP CORNERS SURFACE QUALITY 1		DATE	REV	
MATERIAL	NEXT HIGHER ASSY.	DATE	A	
FINISH	B-DD-RH11-0	DATE	D FDRH11-0-11	
SHEET	SCALE NONE	DATE	DIST.	
	OF	DATE		

1. All drawings and specifications, herein, are the property of the Equipment Corporation and shall not be reproduced or used in whole or in part as the basis for the manufacture or sale of items without written permission. COPYRIGHT © 1973  
EQUIPMENT CORP

**NOTES:**



QTY	REF DESIGNATION	DESCRIPTION	PART NO.	ITEM NO.
2	R22	AWG BUS WIRE	9107560-01	27
2		HANDLE RIP CHIP MAGENTA	9006337-6	26
6		SPLIT LUG	9006735	25
4		EYELETS	9006732	24
2	E5, E1	IC DEC 11300	1911113	23
1	E4	IC DEC 74123	1910436	22
1	E6	IC DEC 7437	1910091	21
1	EB	IC DEC 8881	1909705	20
1	E2	IC DEC 74100	1909056	19
1	E3	IC DEC 7474	1905597	18
1	DL1	DELAY LINE	1609559	17
1	R10B	RES 330 1/4W 5%	1300295	16
2	R10A, R11	RES 750 1/4W 5%	1301401	15
52	R2, R4, R6, R8, R10, R12, R14, R15 R16, R18, R20, R22, R24, R26 R28, R30, R32, R34, R36, R38 R40, R42, R44, R46, R48, R50, R52 R61, R54, R56, R58, R60, R62 R64, R66, R68, R70, R72, R74, R76 R78, R80, R82, R84, R86, R88 R90, R92, R94, R96, R98, R100, R102	RES 390 1/4W 5%	300309	14
54	R1, R3, R5, R7, R9, R11, R13 R15, R17, R19, R21, R23, R25 R27, R29, R31, R33, R35, R37, R39 R41, R43, R45, R47, R49, R51, R53 R55, R57, R59, R61, R63, R65, R67, R69 R71, R73, R75, R77, R79, R81, R83, R85 R87, R89, R91, R93, R95, R97, R99 R101, R103, R105, R107, R109, R111	RES 180 1/4W 5%	1301322	13
1	R110	RES 15K 1/4W 5%	1300496	12
4	R114, R116, R118, R112	RES 1K 1/4W 5%	1300365	11
1	LED1	DIODE LED	1110864	10
1	D1	DIODE D664	1100114	9
2	C11, C12	CAP 1200 PF 100V 5% DM	1002424	8
7	C1, C2, C3, C4, C5, C6, C7	CAP 0.01uF 50V 20% PXIAL	1001610	7
2	C8, C9	CAP 39 uF 10V 10% STAN7	1000076	6
2	C10, C13	CAP 0.001uF 250V 20% DISC	1000043	5
1		ETCHED CIRCUIT BOARD	5010509	4
REF		MODULE ECO HISTORY	B-MH-M9300-0-6	3
REF		ASSY DRILLING HOLE LAYOUT	D-AM-M9300-0-5	2
REF		X-Y COORDINATE HOLE LOCATION	K-CO-M9300-0-4	1

IC TYPE	GND	+5V
74123	8	16
11380	1	8
GND AND 5V ARE USUALLY PIN 7 AND 14 RESPECTIVELY. EXCEPTIONS ARE STATED ABOVE.		
IC PIN LOCATIONS		

FIRST USED ON OPTION MODEL: RH11

ETCH BOARD REV: A

SEMICONDUCTOR CONVERSION CHART

REVISIONS:

CHK	CHANGE NO.	REV	DATE
	D664	1	IN3606
	TIL-209	-	-

DATE: 3/6/73  
DATE: 5/10/72  
DATE: 6/11/73  
DATE: 6/11/73  
DATE: 6/11/73

DRN: J. Chavira  
CHK'D: J. Chavira  
ENG: J. Chavira  
DES: J. Chavira  
MOD: J. Chavira

NEXT HIGHER ASSY: -

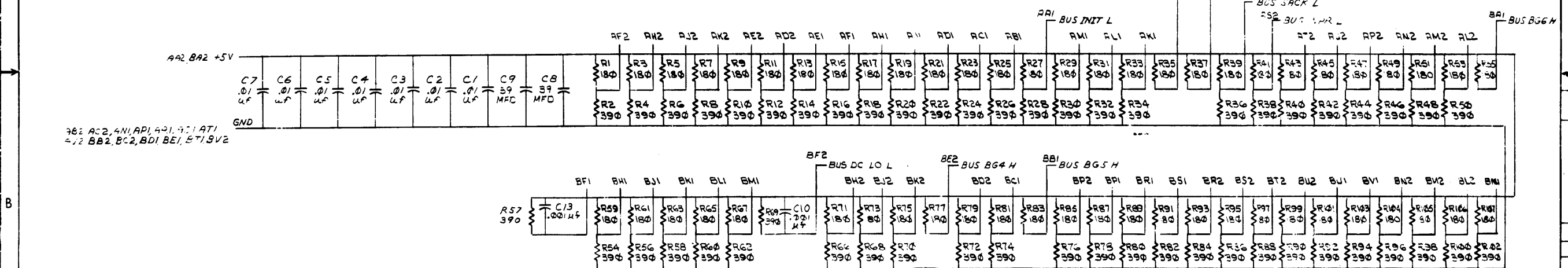
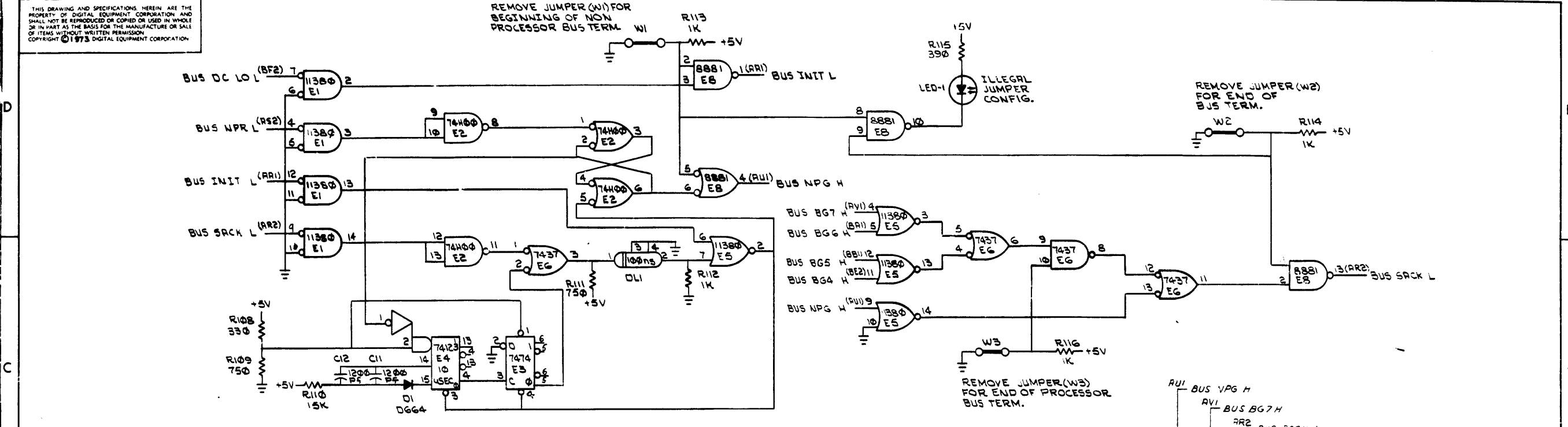
SCALE: DCS  
SHEET: 1 OF 2

EQUIPMENT CORPORATION  
MAYNARD, MASSACHUSETTS

TITLE: UNIBUS B TERMINATOR

REV. NUMBER: M9300-0-1

THIS DRAWING AND SPECIFICATIONS HEREIN ARE THE PROPERTY OF DIGITAL EQUIPMENT CORPORATION AND SHALL NOT BE REPRODUCED OR COPIED OR USED IN WHOLE OR IN PART AS THE BASIS FOR THE MANUFACTURE OR SALE OF ITEMS WITHOUT WRITTEN PERMISSION. COPYRIGHT © 1973 DIGITAL EQUIPMENT CORPORATION.

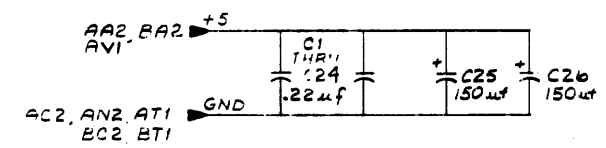
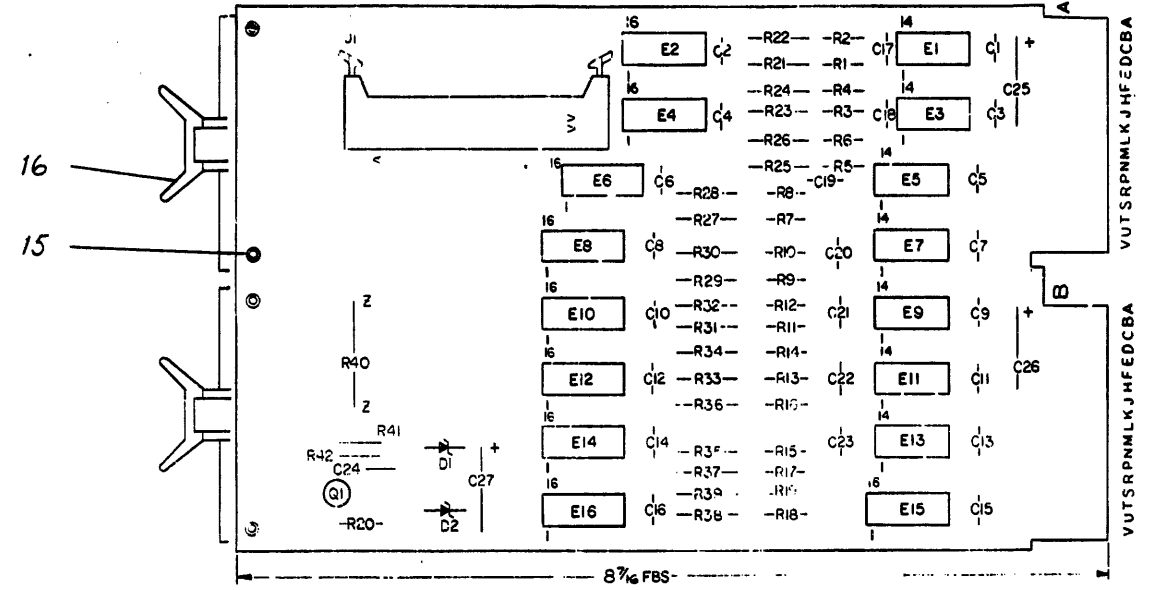


382 AC2, 4N1, AP1, AP2, AT1  
 472 BB2, BC2, BD1, BE1, E7, SV2

REVISIONS		
CHK	CHANGE NO	REV

This drawing and specifications, herein, are the property of Digital Equipment Corporation and shall not be reproduced or copied in whole or in part in any form or by any means, electronic, mechanical, photocopying, recording, or by any information storage and retrieval system, without the prior written permission. COPYRIGHT © 1973 DIGITAL EQUIP. CORP.

**NOTES:**



IC PIN LOCATIONS			
I.C. 75107B	13	7	14
I.C. 75113	-	8	16
IC TYPE	-5V	GND	+5V

GND AND 5V ARE USUALLY PIN 7 AND 14 RESPECTIVELY. EXCEPTIONS ARE STATED ABOVE.

DEC FORM NO. DDD 1354

*Handwritten notes and signatures:*

STAMPAUGH  
10/24/73  
ALTER  
5/7/73  
1/28/74

CHK	CHANGE NO.	REV.
1	1	C

FIRST USED ON OPTION MODEL  
**R111**

REF.	DESIGNATION	DESCRIPTION	PART NO.	ITEM NO.
	X-Y COORDINATE HOLE LOCATION	X-CO-M5904-0-9		
	ASSY/DRILLING HOLE LAYOUT	D-AM-M5904-0-5		
	MODULE ECO HISTORY	B-MH-M5904-0-6		
1		ETCHED CIRCUIT BOARD	5010503	4
24	C1 THRU C24	CAP. .22uf 20% 50V DISC	1010274	5
				6
2	D1, D2	DIODE ZENER IN4733A 5.1V 1W	1109943	7
19	R21 THRU R29	RES. 82 5% 1/2W	1301781	8
19	R1 THRU R19	RES. 82 5% 1/4W	1301477	9
1	R41	RES. 150 5% 1/4W	1300250	10
1	R42	RES. 390 5% 1/4W	1300309	11
1	R40	RES. 56 5% 5W	1311337	12
7	E1, E3, E5, E7, E9, E11, E13	I.C. DEC 75107B	1910268	13
9	E2, E4, E6, E8, E10, E12, E14, E15	I.C. DEC 75113	1911341	14
4		EYELET	9006732	15
2		HANDLE, FLIP-CHIP MAGENTA	9008337-06	16
1	U1	CONN. (40 PIN)	1209941-2	17
2	C25, C26	CAP. 150uf 20% 6V	1005572	18
1	Q1	TRANS. DEC 2N3646	1503014-00	19
1	R20	RES. 4.7K 5% 1/4W	1300407-00	20
1	C27	CAP. 6.8uf 35V S. TANT	1005306	21
1		CLIP	1209941-3	22
1		CLIP	1209941-4	23

QTY REF DESIGNATION DESCRIPTION PART NO. ITEM NO.

ETCH BOARD REV F PARTS LIST

DRN.	DATE
CHKD.	DATE
ENG.	DATE
PROJ. ENG.	DATE
PROD.	DATE

**digital** EQUIPMENT CORPORATION  
MAYNARD MASSACHUSETTS

TITLE  
**CONTROLLER TRANSCEIVER**

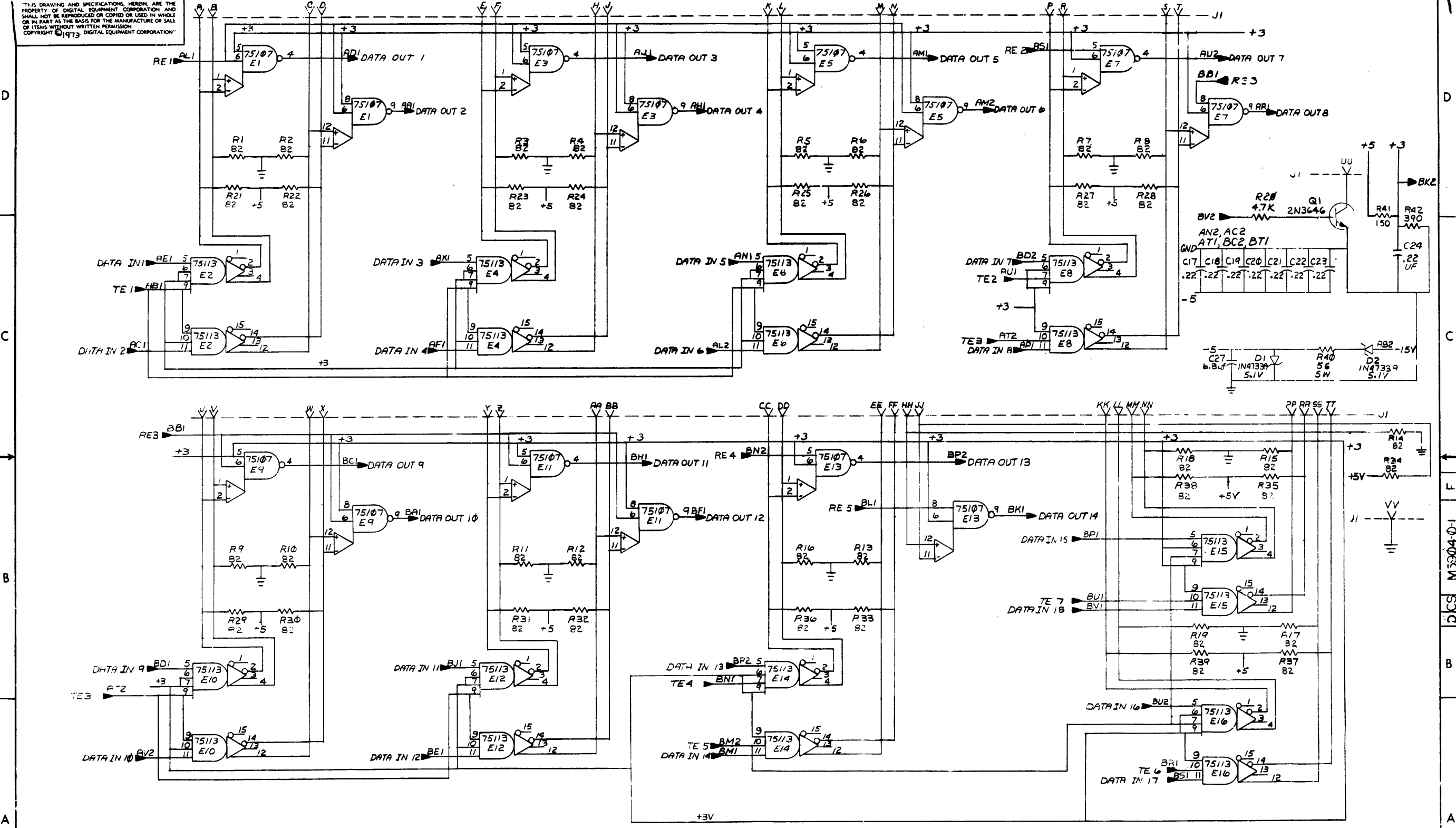
DWG. CODE NUMBER  
**D.C.S. M5904-0-1**

SEMICONDUCTOR CONVERSION CHART

DEC. NO.	EIA NO.	DEC. NO.	EIA NO.

SCALE OF 2  
SHEET OF 2

THIS DRAWING AND SPECIFICATIONS HEREIN ARE THE PROPERTY OF DIGITAL EQUIPMENT CORPORATION AND SHALL NOT BE REPRODUCED OR COPIED OR USED IN WHOLE OR IN PART AS THE BASIS FOR THE MANUFACTURE OR SALE OF ITEMS WITHOUT WRITTEN PERMISSION. COPYRIGHT © 1973 DIGITAL EQUIPMENT CORPORATION



REVISIONS		
CHK	CHANGE NO	REV

TITLE	SIZE CODE	NUMBER	REV.
CONTROLLER TRANSCEIVER	D CS	M5904-0-1	F
SCALE	SHEET 2 OF 2	DIST.	

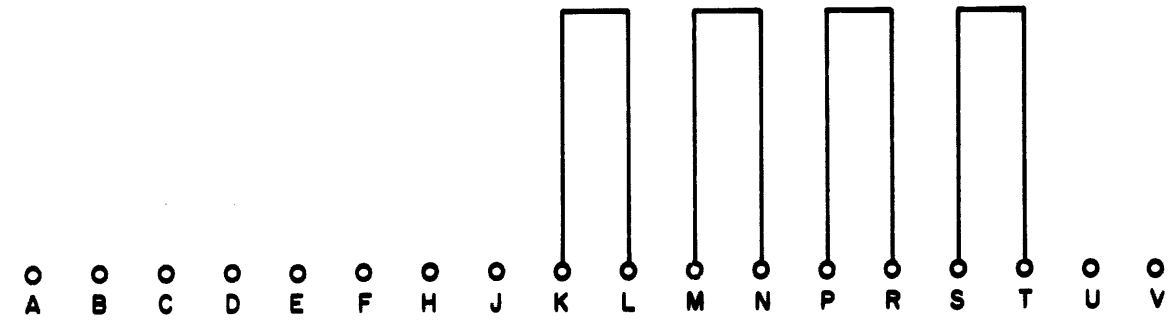


REV.

NUMBER  
G727-0-1

SIZE CODE  
B CS

THIS SCHEMATIC IS FURNISHED ONLY FOR TEST AND MAINTENANCE PURPOSES. THE CIRCUITS ARE PROPRIETARY IN NATURE AND SHOULD BE TREATED ACCORDINGLY. COPYRIGHT 1969 BY DIGITAL EQUIPMENT CORPORATION



REVISIONS	CHK	CHG NO	REV

DRN.	DATE
BUTLER	11-19-69
CHK'D	DATE
P. J. Smith	6-1-70
ENG.	DATE
J. Johnson	1/25/70
PROD.	DATE

TRANSISTOR & DIODE CONVERSION CHART			
DEC	EIA	DEC	EIA

**digital**  
EQUIPMENT CORPORATION  
MAYNARD, MASSACHUSETTS

TITLE GRANT CONTINUITY G727			
SIZE	CODE	NUMBER	REV
B	CS	G727-0-1	
PRINTED CIRCUIT REV			A

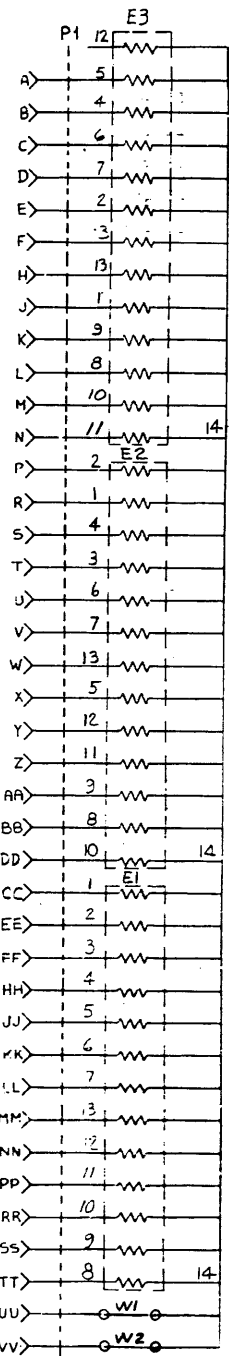
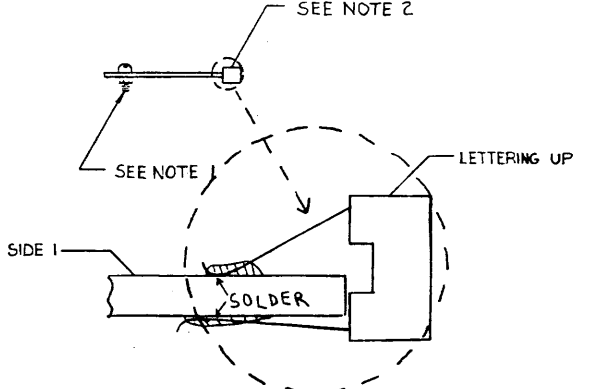
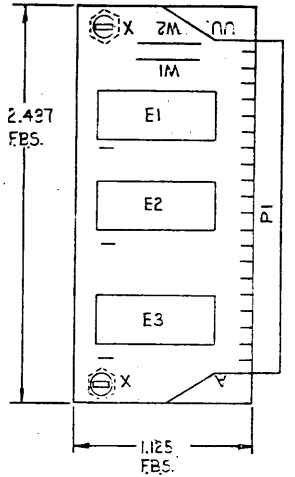


5 Pin

DIST. 321.434.435 3

This drawing and specifications, herein, are the property of Digital Equipment Corporation and shall not be reproduced or copied or used in whole or in part as the basis for the manufacture or sale of items without written permission. COPYRIGHT © 1973 DIGITAL EQUIP. CORP.

**NOTES:**  
 1. ASSEMBLE (2) SCREW AND NUT TO BOARD, CUT OFF SCREW FLUSH WITH NUT.  
 2. INSERT BOARD INTO CONNECTOR FINGERS AND SOLDER ON TO BOARD PADS AS PER DETAIL SHOWN, USING TOOLING #9412105-1 AS SOLDERING HOLDING FIXTURE  
 3. USE TOOLING 9412101-1 TO REWORK P1 PRIOR TO ASSEMBLY.



QTY	REF DESIGNATION	DESCRIPTION	PART NO.	ITEM NO.
1		ETCH CIRCUIT BOARD	5010845	1
1	P1	CONNECTOR, EDGE CARD 40 PIN	T21102J-00	2
3	E1, E2, E3	RESISTOR PACK	1300005-05	3
2		SCREW, NYLON #2-56 X 1/2 LG	9004410-05	4
2		NUT #2-56 1/8 ACROSS FLATS 1/16 THK	9007263	5
2	W1 & W2	REEL JUMPER (UNINSULATED)	91 07560-1	6
REF		XY COOR. HOLE LOCATION	K-CO-HB70-0-4	7
REF		ASSY DRILLING HOLE LAYOUT	D-AH-HB70-0-5	8
REF		MODULE ECO HISTORY	B-MH-HB70-0-6	9


IC TYPE	GND	+5V
GND AND 5V ARE USUALLY PIN 7 AND 14 RESPECTIVELY. EXCEPTIONS ARE STATED ABOVE		
IC PIN LOCATIONS		

DRN. 8-7-74	DATE 4-8-74
CHK'D. [Signature]	DATE 11-9-74
ENG. [Signature]	DATE 7-3-74
PRJ. E.D.S. [Signature]	DATE 7-3-74
PROD. [Signature]	DATE 7-3-74
NEXT HIGHER ASSY	

FIRST USED ON OPTION MODEL: \_\_\_\_\_

ETCH BOARD REV: **F**

SEMICONDUCTOR CONVERSION CHART

DEC NO.	EIA NO.	DEC NO.	EIA NO.
---------	---------	---------	---------

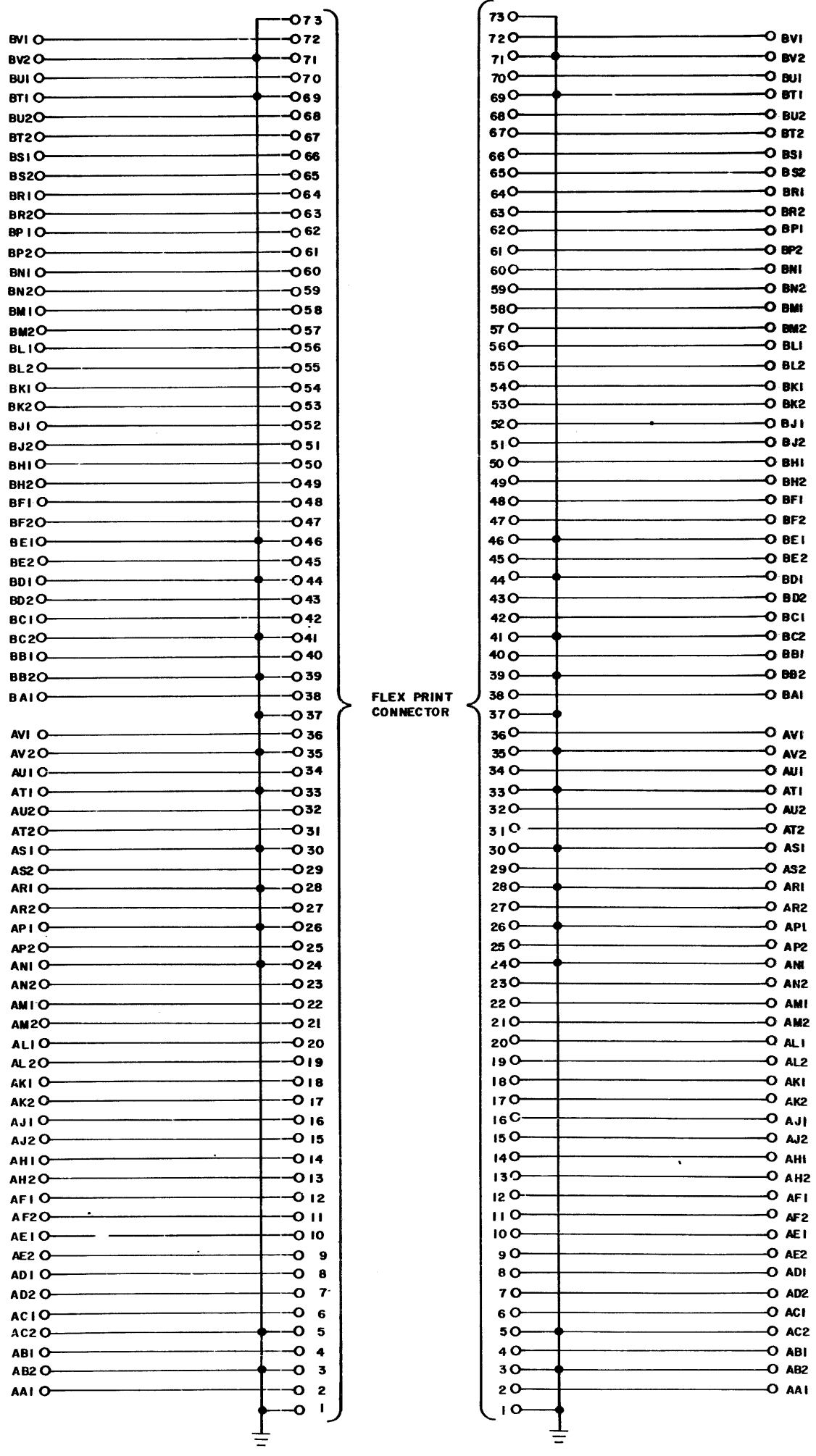
SCALE: NONE SHEET 1 OF 1

SIZE CODE: DCS NUMBER: H870-0-1 REV. F.

REV. 10/78 H870-0-1



THIS SCHEMATIC IS FURNISHED ONLY FOR TEST AND MAINTENANCE PURPOSES. THE CIRCUITS ARE PROPRIETARY IN NATURE AND SHOULD BE TREATED ACCORDINGLY. COPYRIGHT 1988 BY DIGITAL EQUIPMENT CORPORATION.



REVISIONS			
CHK	CHG NO.	REV.	
✓	00001	A	
✓	00002	B	
✓	00004	C	

DATE	BY	DESCRIPTION
11/17/70	J. J. ...	...
...	...	...
...	...	...

DATE	BY	DESCRIPTION
...	...	...
...	...	...

DATE	BY	DESCRIPTION
...	...	...
...	...	...

DATE	BY	DESCRIPTION
...	...	...
...	...	...

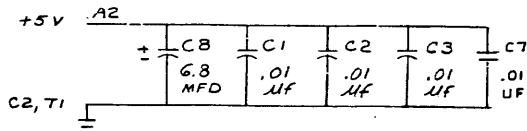
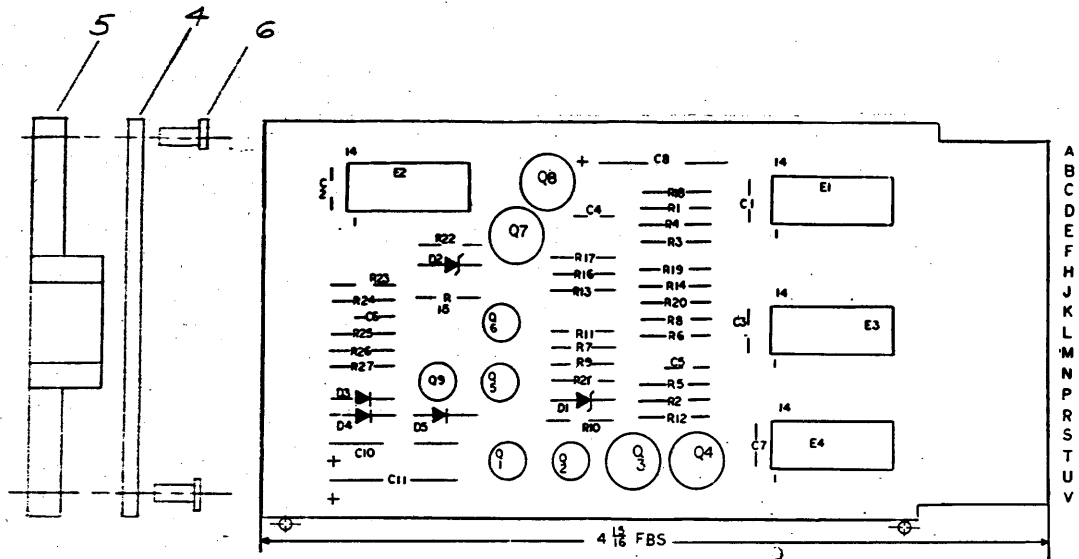
**DIGITAL EQUIPMENT CORPORATION**

TITLE: INTERNAL BUS CONNECTOR  
 NUMBER: M920  
 SIZE CODE: C  
 CS M920-0-1  
 PRINTED CIRCUIT REV. B

DRG FORM NO. 5  
 DISTO 5-9-79 7-5-8  
 PAK

The drawing and manufacturer's name, on the part list, are the property of Original Equipment Corporation and shall not be reproduced or copied or used in whole or in part in any other form without the prior approval of this office.

NOTES:



QTY	REF DESIGNATION	DESCRIPTION	PART NO.	ITEM NO
32				32
1	Q9	TRANSIPAGE	9C07200	31
1	C11	CAP. 10UF 20V 10%	1J04813	30
1	C10	CAP. 39UF 10V 10%	1000076	29
5	R7, R13, R19, R20, R16	RES. 4.7K 1/4W 5%	1300447	28
2	R23, R24	RES. 1.5K 1/4W 5%	1300391	27
4	R12, R18, R25, R26	RES. 470 1/4W 5%	1300316	26
1	Q9	TRANSISTOR DEC 30098	1503100	25
3	D3, D4, D5	DIODE D664	1100114	23
1	E2	IC DEC 140A	1909686	22
5	C1, C2, C3, C6, C7	CAP. .01 UF 100V 20% DGR	1001670	21
1	C8	CAP. 6.8UF 35V, 20% TANT	1000067	20
2	C4, C5	CAP. 1000PF 100V 5% MICA	1200042	19
2	D1, D2	DIODE INT50A 4.7V ZENER	1100124	18
4	R8, R11, R14, R17	RES. 10K 1/4 5%	1300479	16
2	R1, R2	RES. 3.9K 1/4 5%	<del>1300479</del>	15
6	R4, R6, R15, R19, R21, R22	RES. 1K 1/4, 5%	<del>1300479</del>	14
3	R3, R5, R27	RES. 100 1/4, 5%	1300229	13
4	Q1, Q2, Q5, Q6	TRANS. DEC 6534D	1503909	12
2	Q3, Q7	TRANS. 2N1309	1501311	11
2	Q4, Q8	TRANS. 2N1308	1500593	10
1	E3	IC DEC 7405	1909930	9
2	E1, E4	IC DEC 74H52	1909061	8
3			9006730	7
1		MOBILE FLIP CHIP MANGRO 70 PIN	8010085	6
1		ETCHED CRT RD	8010085	5
1		MOBILE RSA HISTORY	8010085	4
1		ASSEMBLY MALE LATCH	8010085	3
1		BY COORDINATE	8010085	2
1				1

IC TYPE	IC PIN LOCATIONS
GND	+ 5V

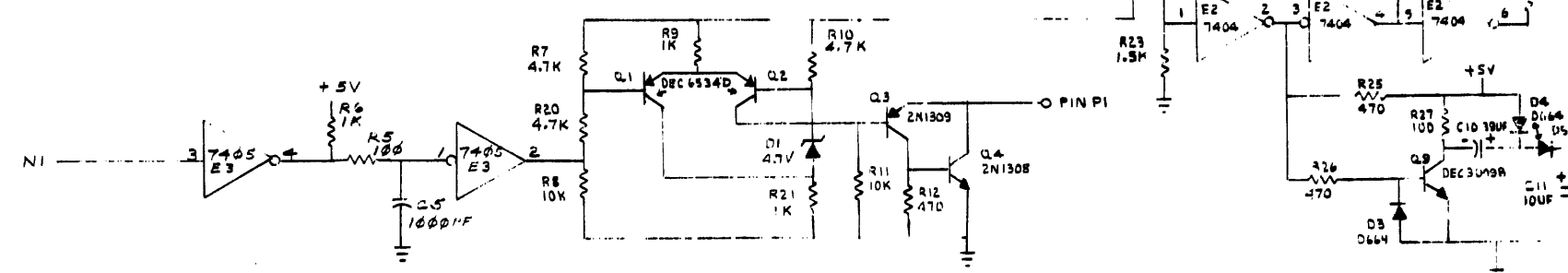
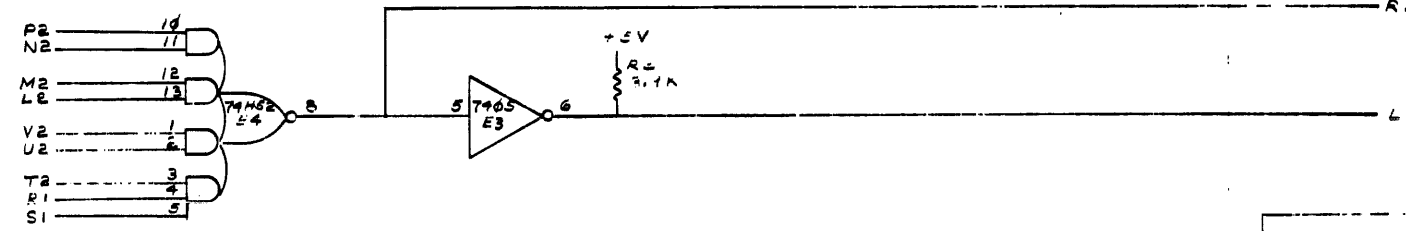
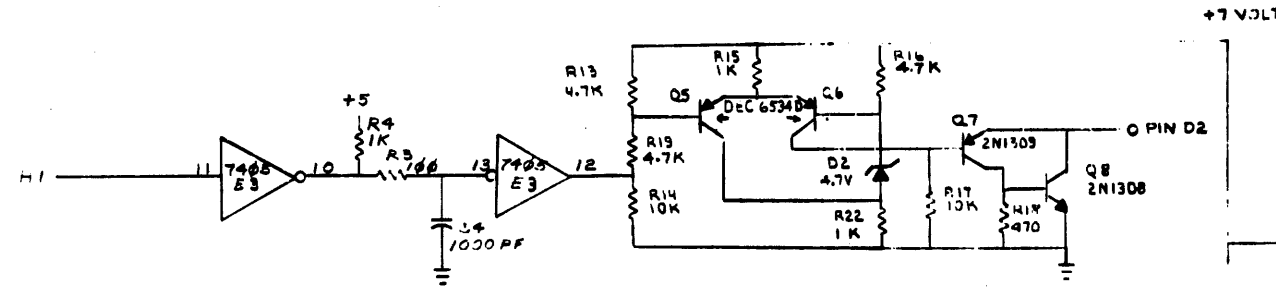
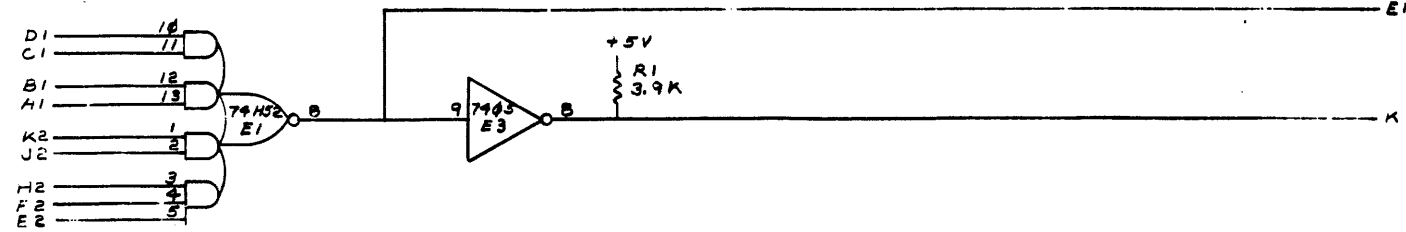
REV. 10-20-74  
 S. ROTHMAN  
 S. ROTHMAN  
 S. ROTHMAN  
 S. ROTHMAN  
 S. ROTHMAN  
 S. ROTHMAN  
 S. ROTHMAN  
 S. ROTHMAN  
 S. ROTHMAN  
 S. ROTHMAN  
 S. ROTHMAN  
 S. ROTHMAN  
 S. ROTHMAN

FIRST USED ON OPTION MODEL  
 PDP 11

ETCH BOARD REV B  
 PARTS LIST  
 DEC NO. EIA NO. DEC NO. EIA NO.  
 SEMICONDUCTOR CONVERSION CHART

DATE 5/1/74  
 CHN 5/1/74  
 ORIGINAL EQUIPMENT CORPORATION  
**UNIBUS POWER FAIL DRIVERS**  
 SIZE CODE 01  
 NUMBER 01  
 REV E  
 SHEET 1 OF 2

The drawing and specifications, herein, are the property of Digital Equipment Corporation and shall not be reproduced or copied or used in whole or in part as the basis for the manufacture or sale of items without written permission.



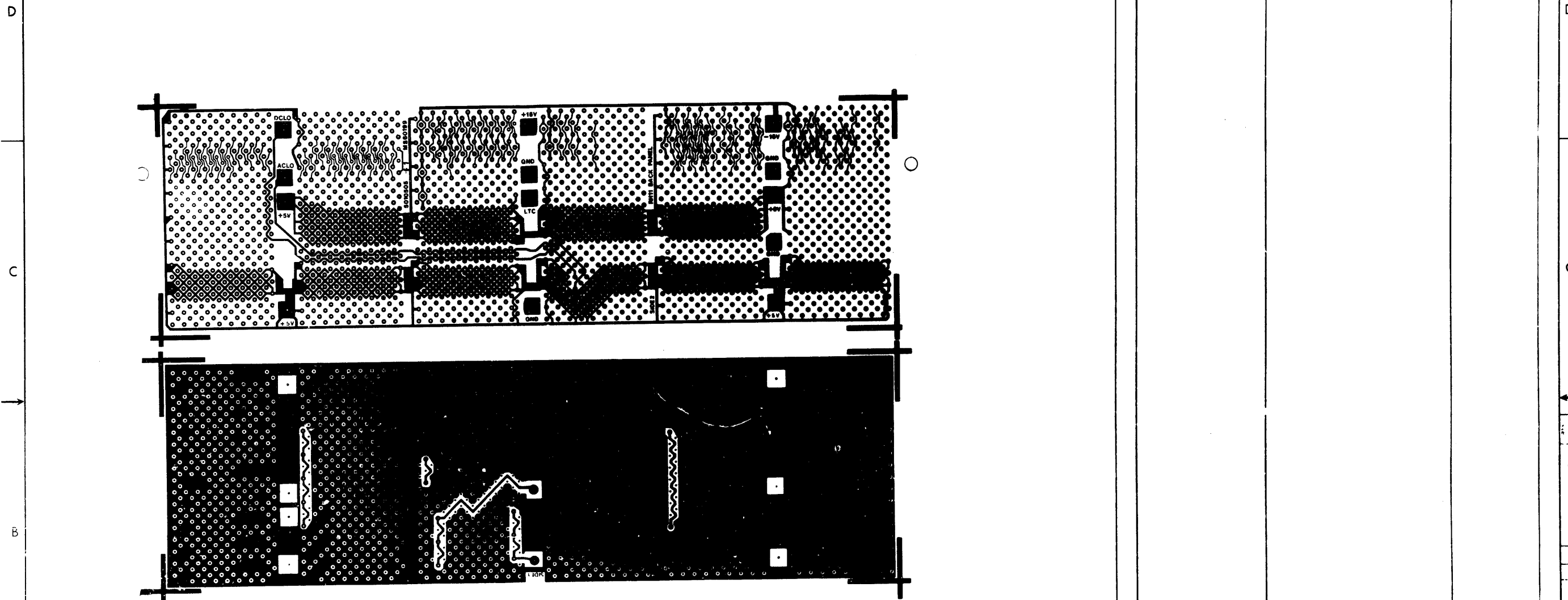
FIRST USED ON OPTION/MODEL	QTY	DESCRIPTION	PART NO	ITEM NO
PDP 11				
PARTS LIST				
UNLESS OTHERWISE SPECIFIED DIMENSION IN INCHES TOLERANCES	DRN 5/19/72	DATE	 <b>digital EQUIPMENT CORPORATION</b> <small>KEYWORD MASSACHUSETTS</small>	
DECIMALS	CHK'D J.C.	DATE		
ANGLES	ENG J.C.	DATE	<b>TITLE</b> <b>UNIBUS POWER FAIL DRIVERS</b>	
XX - 005	PROJ ENG J.C.	DATE		
XX - 02	PROJ	DATE	<b>SIZE CODE</b> <b>DCS M688-0-1</b>	
X - 1	PROJ	DATE		
REMOVE BURRS AND BREAK SHARP CORNERS SURFACE QUALITY	PROJ	DATE	<b>NUMBER</b> <b>E</b>	
MATERIAL	NEXT HIGHER ASSY			
FINISH	SCALE	NOTE	<b>REV</b> <b>E</b>	
	SHEET	2 OF 2		

REV. 5/19/72  
CHANGED NO.  
LWR

THIS DRAWING AND SPECIFICATIONS HEREIN ARE THE PROPERTY OF DIGITAL EQUIPMENT CORPORATION AND SHALL NOT BE REPRODUCED OR COPIED OR USED IN WHOLE OR IN PART AS THE BASIS FOR THE MANUFACTURE OR SALE OF ITEMS WITHOUT WRITTEN PERMISSION. COPYRIGHT © 1973 DIGITAL EQUIPMENT CORPORATION

**NOTES:**

REF	ASST DRILLING HOLE LAYOUT	DAW-5410506-0-5	1
REF	MODULE ECO HISTORY	B-MH-5410506-0-6	2
REF	X-Y COORDINATE HOLE LOCATION	KCO-5410506-0-4	3
1	ETCHED CIRCUIT BOARD	5010505	4



IC TYPE	GND	+5V
GND AND 5V ARE USUAL Y PIN 7 AND 14 RESPECTIVELY. EXCEPTIONS ARE STATED ABOVE		
IC PIN LOCATIONS		

QTY	REF DESIGNATION	DESCRIPTION	PART NO	ITEM NO

DRY		DATE	7-27-73
CHND		DATE	7-27-73
ENGR		DATE	7-27-73
PRD		DATE	7-27-73
NEXT HIGHER ASSY			
<b>digital</b> EQUIPMENT CORPORATION			
TITLE <b>RH11 BACK PANEL</b>			
SIZE CODE	NUMB-R	REV	
DCS	5410506-0-1	C	
SCALE	NONE		
SHEET	OF		

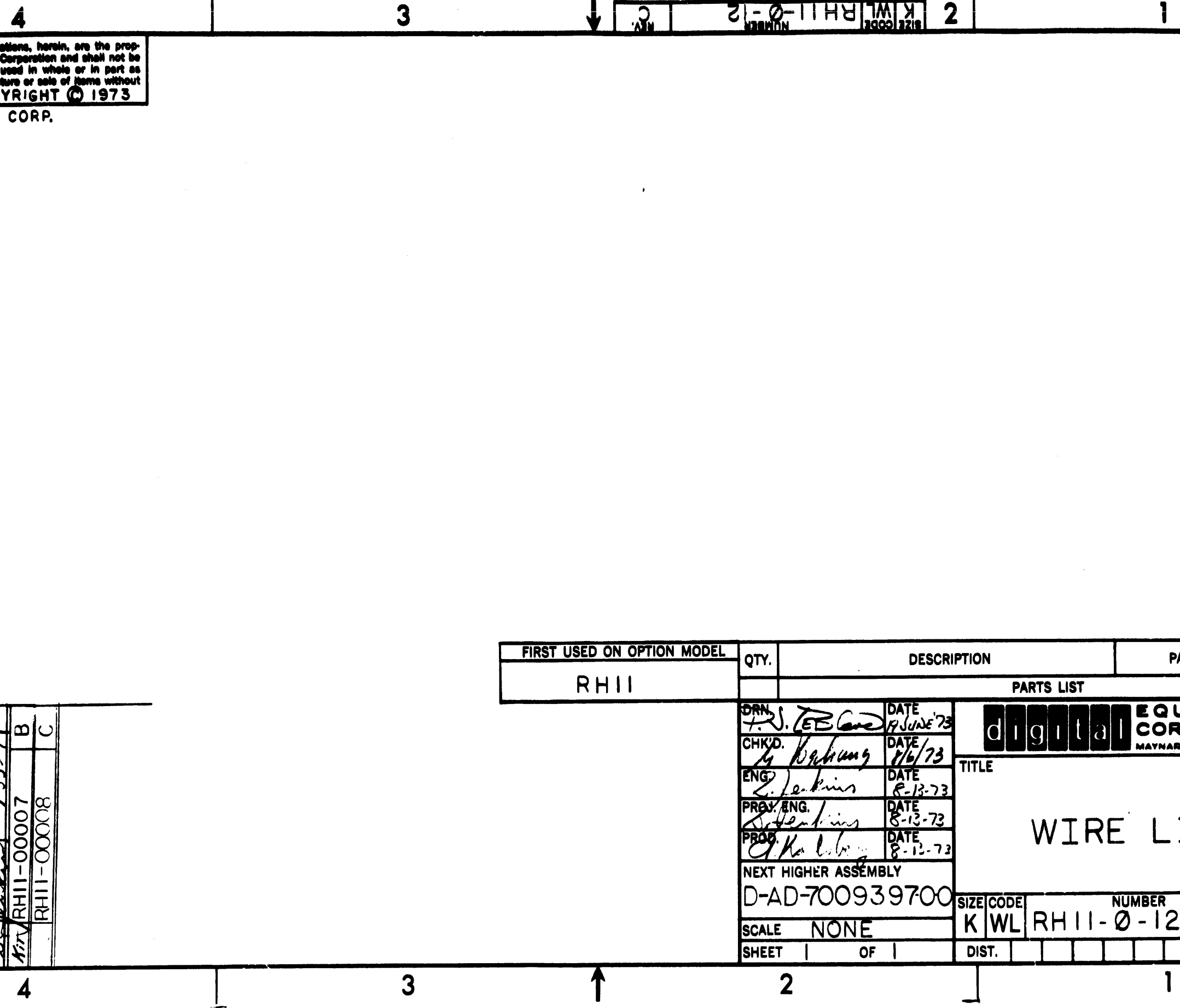
DCS 5410506-0-1 C

This drawing and specifications, herein, are the property of Digital Equipment Corporation and shall not be reproduced or copied or used in whole or in part as the basis for the manufacture or sale of items without written permission. COPYRIGHT © 1973

DIGITAL EQUIP. CORP.

FIRST USED ON OPTION MODEL	QTY.	DESCRIPTION	PART NO.	ITEM NO.
RH11				
PARTS LIST				
DRN. <i>F. J. Jenkins</i> DATE <i>17 JUNE 73</i> CHK'D. <i>K. K. Jenkins</i> DATE <i>8/6/73</i> ENG. <i>F. Jenkins</i> DATE <i>8-13-73</i> PRY. ENG. <i>F. Jenkins</i> DATE <i>8-13-73</i> PRD. <i>F. Jenkins</i> DATE <i>8-13-73</i>		digital EQUIPMENT CORPORATION MAYNARD, MASSACHUSETTS		
NEXT HIGHER ASSEMBLY		TITLE		
D-AD-700939700		WIRE LIST		
SCALE	NONE	SIZE CODE	NUMBER	REV.
		KWL	RH11-0-12	C
SHEET	OF	DIST.		

REVISIONS		REV.
CHK	CHANGE NO.	A
<i>R. J.</i>	RH11-00003	
	<i>1-19-74</i>	
	JENKINS	
	<i>7-30-74</i>	
	RH11-00007	B
	RH11-00008	C



This drawing and specifications, herein, are the property of Digital Equipment Corporation and shall not be reproduced or copied or used in whole or in part as the basis for the manufacture or sale of items without written permission.

DRAWING NUMBER	INIT REL	AUTOMATIC WIRE TESTER (AWT) REVISION STATUS														REV				
	T2	A	B	C	D	E														
K-WL-RH11-Ø	*	A	A	A	B	C														
D-AD-7009397-0-0	B	C	D	E	F	H														
D-CS-5410506-0-1	C	C	C	C	C	C														

REV. E  
NUMBER 7009397-0  
SIZE CODE A WT

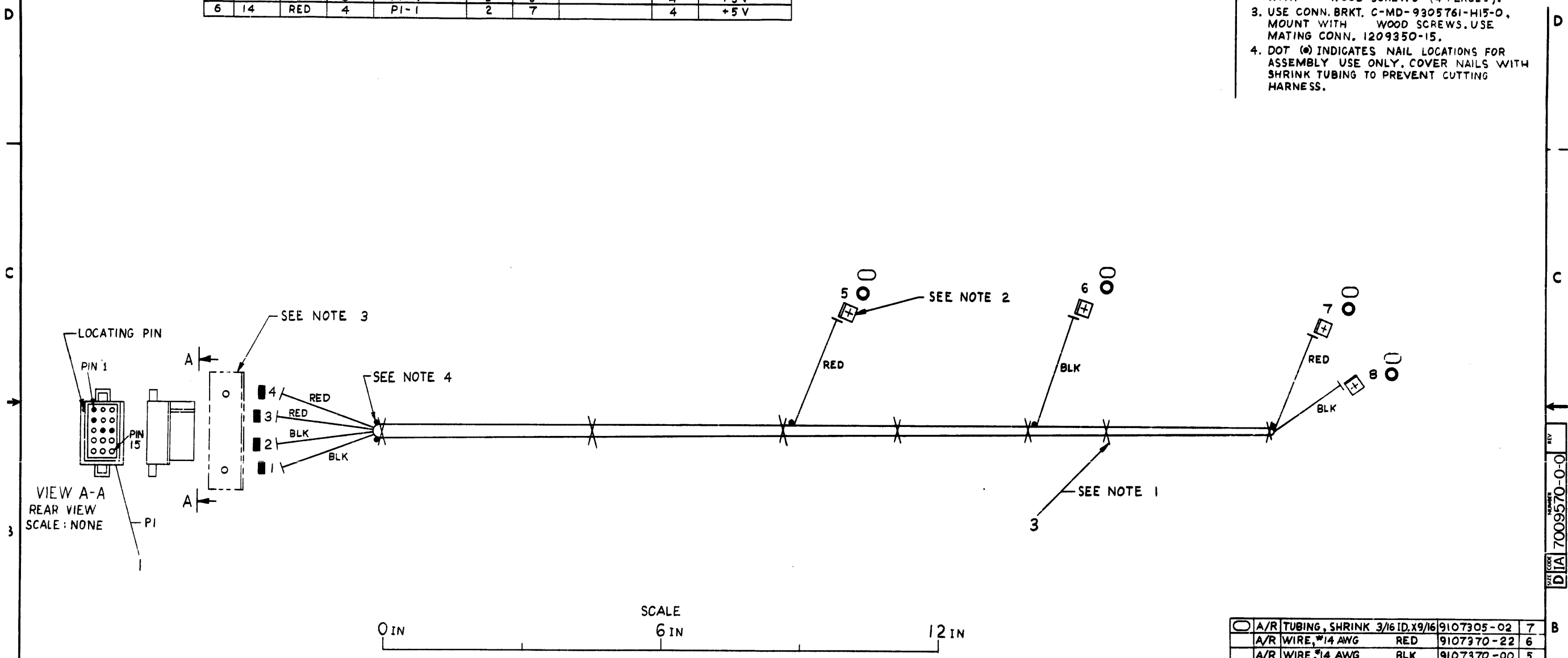
REVISIONS		REV.
CHK	CHANGE NO.	
	RH11-00003 ORIGINATED	A
84	RH11-00004	B
7/2/74	RH11-00006	C
K	RH11-00007	D
S.C.	RH11-00008	E

DRN. <i>S. Chartier</i>	DATE 7-19-74	<b>digital</b> EQUIPMENT CORPORATION MAYNARD, MASSACHUSETTS
CHK'D. <i>L. Gilbert</i>	DATE 7-22-74	
ENG. <i>S. Jenkins</i>	DATE 7-30-74	TITLE RH11
PROV. ENG. <i>S. Jenkins</i>	DATE 7-30-74	MASSBUS CONTROLLER
PROD. <i>S. Jenkins</i>	DATE 7-30-74	AWT REVISION STATUS
FIRST USED ON		SIZE CODE NUMBER REV.
SCALE <i>1/1</i>		A WT 7009397-0 E
SHEET 1 OF 1		DIST.

"THIS DRAWING AND SPECIFICATIONS HEREIN ARE THE PROPERTY OF DIGITAL EQUIPMENT CORPORATION AND SHALL NOT BE REPRODUCED OR COPIED OR USED IN WHOLE OR IN PART AS THE BASIS FOR THE MANUFACTURE OR SALE OF ITEMS WITHOUT WRITTEN PERMISSION. COPYRIGHT © 1973, DIGITAL EQUIPMENT CORPORATION"

WIRE TABLE										
ITEM NO.	DESCRIPTION			FROM			TO			SIGNAL
	AWG	COLOR	POINT	CONNECTION	TERM	POINT	CONNECTION	TERM		
5	14	BLK	1	PI-9	2	8		4	GND	
5	14	BLK	2	PI-8	2	6		4	GND	
6	14	RED	3	PI-4	2	5		4	+5V	
6	14	RED	4	PI-1	2	7		4	+5V	

- NOTES:
1. USE TIE WRAPS (X) ITEM #3 APPROXIMATELY EVERY THREE (3) INCHES WHEN NECESSARY, AND AT EVERY BREAKOUT POINT.
  2. ATTACH MALE FASTON DEC # 9008219-0 WITH WOOD SCREWS (4 PLACES).
  3. USE CONN. BRKT. C-MD-9305761-H15-0. MOUNT WITH WOOD SCREWS. USE MATING CONN. 1209350-15.
  4. DOT (●) INDICATES NAIL LOCATIONS FOR ASSEMBLY USE ONLY, COVER NAILS WITH SHRINK TUBING TO PREVENT CUTTING HARNESS.



DO NOT REDUCE  
DO NOT BUILD FROM REDUCED PRINT

QTY.	DESCRIPTION	PART NO.	ITEM NO.
○	A/R TUBING, SHRINK 3/16 ID, X9/16	9107305-02	7
○	A/R WIRE, #14 AWG RED	9107370-22	6
○	A/R WIRE, #14 AWG BLK	9107370-00	5
○	4 CONN, SOLDERLESS	9009262-0	4
○	A/R WRAP, TIE	9007031	3
○	4 PIN, MALE	1209378-00	2
○	1 HOUSING, CONN 15 PIN	1209351-15	1

FIRST USED ON OPT/MOD.	S/M	QTY.	DESCRIPTION	PART NO.	ITEM NO.
PARTS LIST					
UNLESS OTHERWISE SPECIFIED DIMENSION IN INCHES		DRN.	DATE	digital EQUIPMENT CORPORATION MAYNARD MASSACHUSETTS	
TOLERANCES		CHKD.	DATE	TITLE	
DECIMALS	ANGLES	ENG.	DATE	OPTION HARNESS	
.XXX = .005	±0° 30'	PRD. ENG.	DATE	RH11 15 PIN	
.XX = .02		PROD.	DATE		
.X = .1			DATE		
REMOVE BURRS AND BREAK SHARP CORNERS SURFACE QUALITY Y					
MATERIAL		NEXT HIGHER ASSY.		SIZE CODE	NUMBER
SEE PARTS LIST				DIA	7009570-0-0
FINISH		SCALE 1/1		REV.	
		SHEET OF		DIST.	

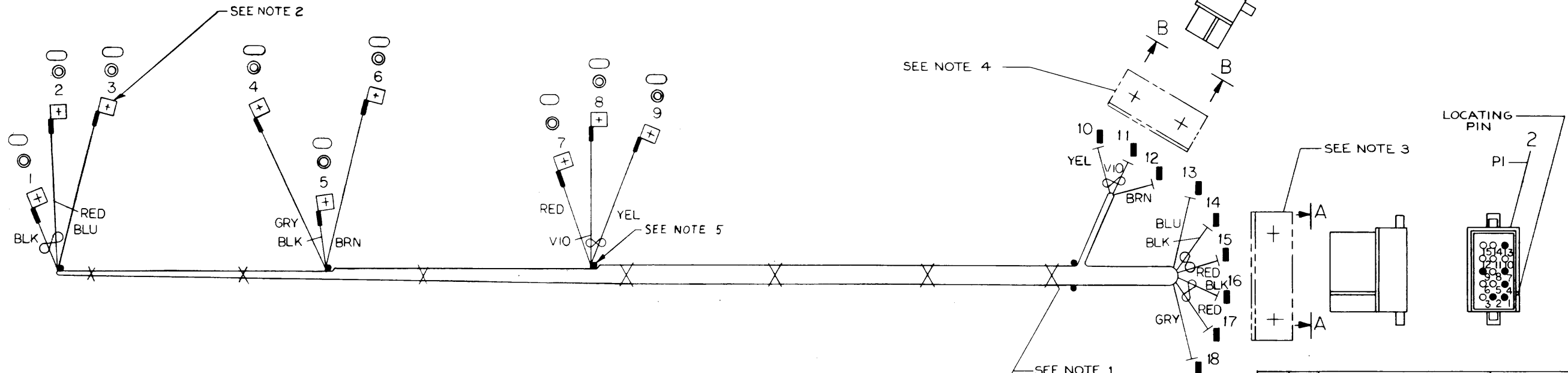
REVISIONS	REV.
CHANGE NO.	
CHK	

DIA 7009570-0-0

DIA 7009570-0-0 2

WIRE TABLE									
ITEM NO	DESCRIPTION	FROM			TO			REMARKS	
		AWG	COLOR	POINT	CONNECTION	TERM	POINT		CONNECTION
7	14 TWP	RED	7		5,6	17	P1-1	3	+5V
		BLK	5			16	P1-7		GND
9	18 AWG	GRY	4			18	P1-2		+15
7	14 TWP	RED	2			15	P1-4		+5
		BLK	1			14	P1-9		GND
11	14 AWG	BLU	3			13	P1-13		-15
10	18 AWG	BRN	6			12	P2-2		LINE CLOCK
8	18 TWP	VIO	8			11	P2-3		DC LO
		YEL	9		5,6	10	P2-4	3	AC LO

- NOTES:
- USE TIE WRAPS (X) ITEM 4 APPROXIMATELY EVERY THREE (3) INCHES WHEN NECESSARY, AND AT EVERY BREAK-OUT POINT.
  - ATTACH MALE FASTON DEC 9008219-0 WITH #4 WOOD SCREWS (9 PLACES).
  - USE CONN. BRKT C-MD-9305761-HIS-0 MOUNT WITH #6 WOOD SCREWS. USE MATING CONN. 1209350-15.
  - USE CONN. BRKT C-MD-9305761-H6-0 MOUNT WITH #6 WOOD SCREWS. USE MATING CONN. 1209350-06.
  - DOT (●) INDICATES NAIL LOCATIONS FOR ASSEMBLY USE ONLY. COVER NAILS WITH SHRINK TUBING TO PREVENT CUTTING HARNESS.



SYMBOL	DESCRIPTION	PART NO.	ITEM NO.
A/R	WIRE, #14 AWG BLU	9107370-66	11
A/R	WIRE, #18 AWG BRN	9107360-11	10
A/R	WIRE, #18 AWG GRY	9107360-88	9
A/R	WIRE, #18 TWP YEL/VIO	9107430-47	8
A/R	WIRE, #14 TWP BLK/RED	9107440-02	7
○	A/R TUBING, SHRINK	9107305-02	6
⊙	9 CONN., SOLDERLESS	9009262-0	5
X	A/R WRAP, TIE	9007031	4
■	9 PIN, MALE	1209378-01	3
I	HOUSING, CONN. 15 PIN	1209351-15	2
I	HOUSING, CONN. 6 PIN	1209351-06	1

DO NOT REDUCE SCALE 6 IN. 12 IN.

DO NOT BUILD FROM REDUCED PRINT

FIRST USED ON OPT/MOD	SYM	QTY.	DESCRIPTION	PART NO.	ITEM NO.
PARTS LIST					
UNLESS OTHERWISE SPECIFIED DIMENSION IN INCHES TOLERANCES		DRN	DATE	digital EQUIPMENT CORPORATION	
DECIMALS	ANGLES	CHKD	DATE	MAYNARD MASSACHUSETTS	
XXX - 006	±0° 30'	ENG	DATE	TITLE	
XX - 02		PROJ. ENG.	DATE	POWER HARNESS	
X - 1		PROD.	DATE	DA11-F/DD11-B	
REMOVE BURRS AND BREAK SHARP CORNERS SURFACE QUALITY	PROO.	DATE			
MATERIAL	NEXT HIGHER ASSY.				
SEE PARTS LIST	FINISH		SCALE 1/1	SIZE CODE	NUMBER
			SHEET 1 OF 1	DAI7009563-0-0	REV A

REVISIONS	CHANGE NO	REV	DATE
1	7009563-0000	A	
H. KWAN 17 OCT 76			

This drawing and specifications, herein, are the property of Digital Equipment Corporation and shall not be reproduced or copied or used in whole or in part as the basis for the manufacture or sale of items without written permission. COPYRIGHT © 1973 DIGITAL EQUIP. CORP.