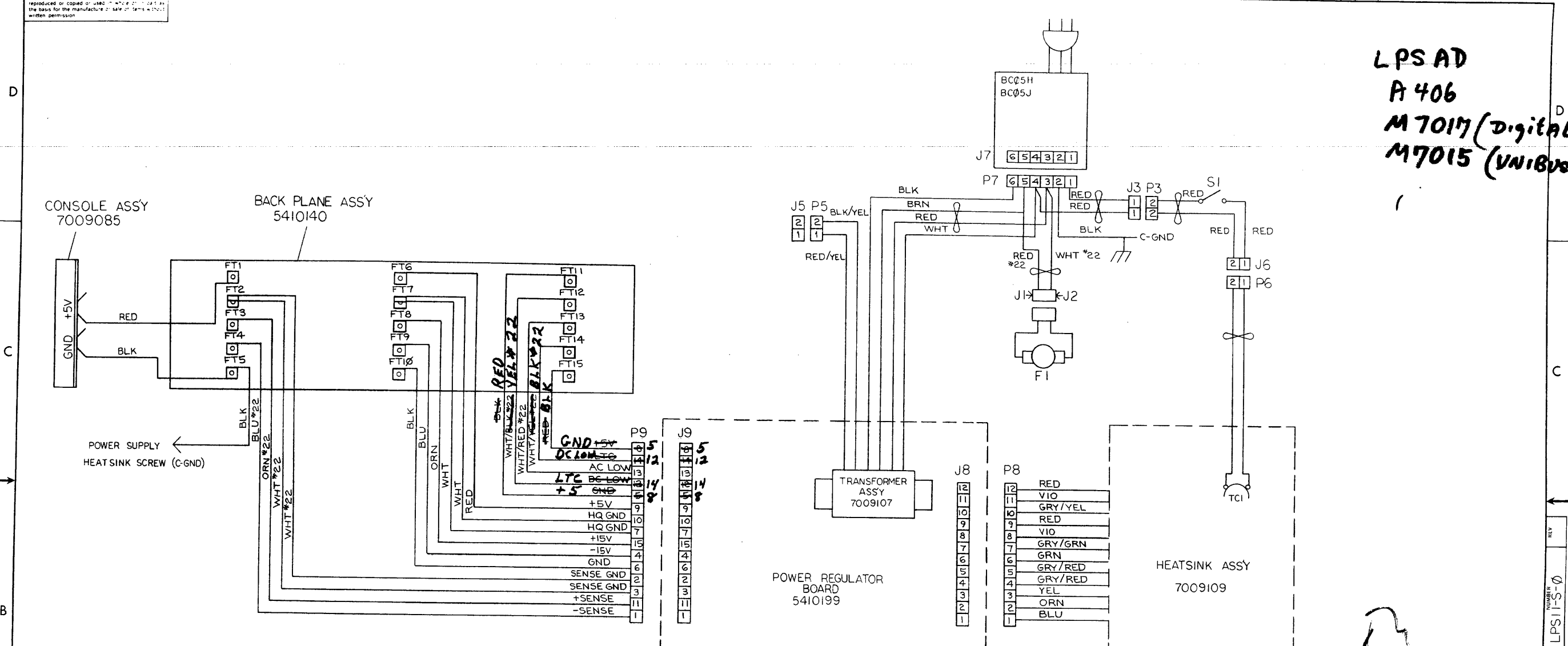


LPS-11

8 6 5 4 3 2 1

This drawing and specifications are the property of Digital Equipment Corporation and shall not be reproduced or copied or used in whole or in part as the basis for the manufacture of any part without written permission.



LPS AD
A 406
M7017 (Digital I/O)
M7015 (UNIBUS INTERFACE)

- NOTES:
- FOR 230V OPERATION: INSTALL BC05J.
FOR 115V OPERATION: INSTALL BC05H.
 - FOR 100V OPERATION: REMOVE BROWN TRANSFORMER WIRE AND RED FAN WIRE FROM P7-5 CUT CRIMP OFF.
REMOVE WHT TRANSFORMER WIRE AND RED J3-2 WIRE FROM P7-4 CUT CRIMP OFF.
REMOVE RED/YEL TRANSFORMER WIRE FROM P5-1 CUT CRIMP OFF.
REMOVE BLK/YEL TRANSFORMER WIRE FROM P5-2 CUT OFF CRIMP.
INSTALL CRIMP ON BROWN WIRE AND PLACE IN P5-1.
INSTALL CRIMP ON WHITE WIRE AND PLACE IN P5-2.
INSTALL CRIMP ON RED/YEL AND RED FAN WIRES AND PLACE IN P7-5.
INSTALL CRIMP ON BLK/YEL AND RED J3-2 WIRES AND PLACE IN P7-4.
 - ALL WIRES ARE #18AWG UNLESS OTHERWISE NOTED.

Handwritten: M-7015
M-7018

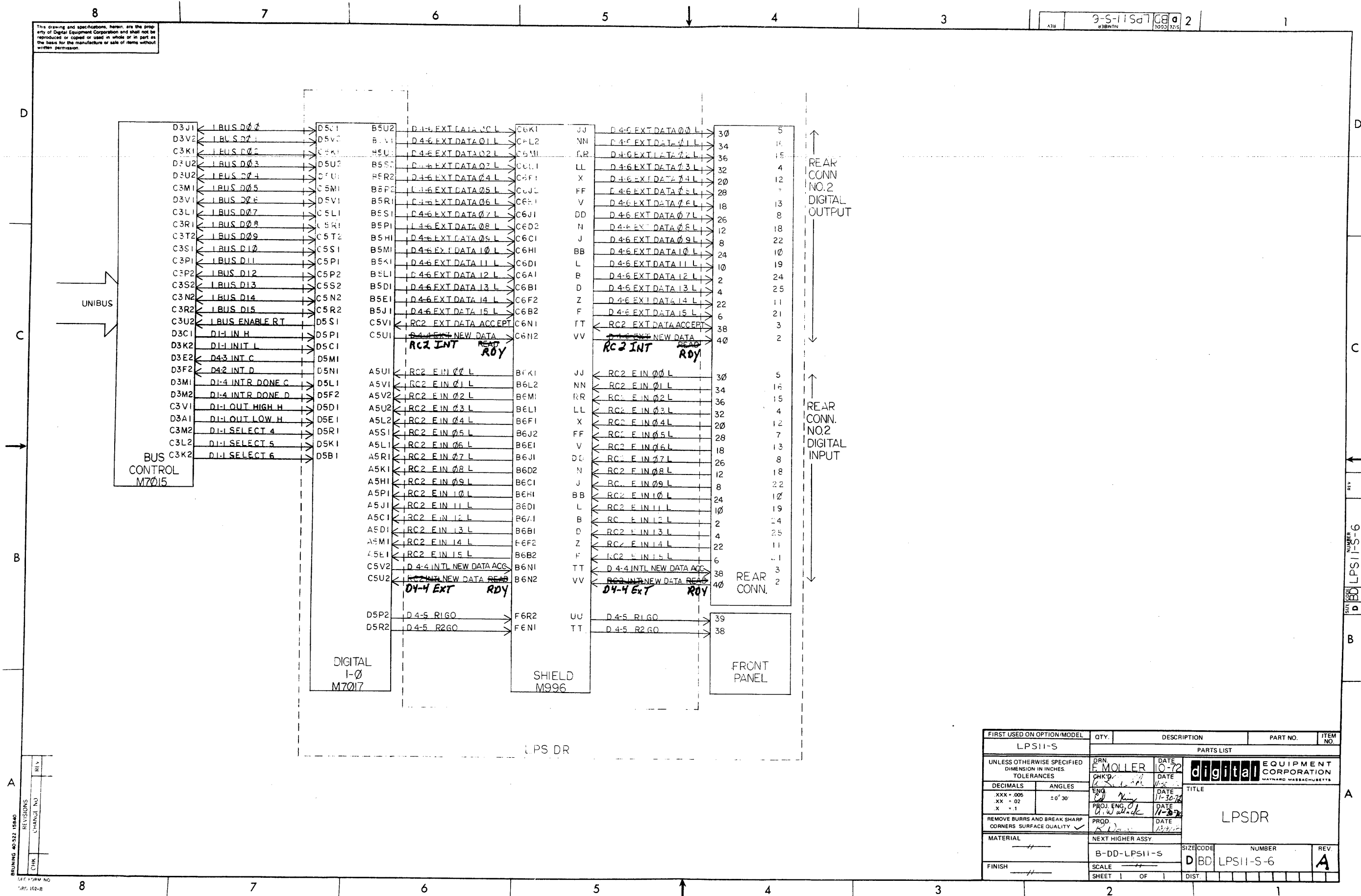
FIRST USED ON OPTION/MODEL	QTY	DESCRIPTION	PART NO.	ITEM NO.
LPS11-S				
PARTS LIST				
UNLESS OTHERWISE SPECIFIED DIMENSION IN INCHES TOLERANCES	DRN DATE	CHK'D DATE	digital EQUIPMENT CORPORATION MAYNARD MASSACHUSETTS	
DECIMALS	ANGLES	FRG	TITLE	
XXX .005 XX .02 X .1	±0.30	PROF ENG DATE	LAB PERIPHERAL SYSTEM (LPS11-S)	
REMOVE BURRS AND FILE AWK SHARP CORNERS TO RADIUS .015	PROD DATE		SIZE CODE	NUMBER
MATERIAL	NEXT HIGHER ASSY		DUA	LPS11-S-0
FINISH	SCALE			REV. A
	SHEET 5 OF 8			

BRUNING 40 107 15868
REVISIONS
CHANGE NO
CHK

REV
NUMBER
LPS11-S-0

This drawing and specifications, herein, are the property of Digital Equipment Corporation and shall not be reproduced or copied or used in whole or in part as the basis for the manufacture or sale of items without written permission.

9-S-11-S-6 2



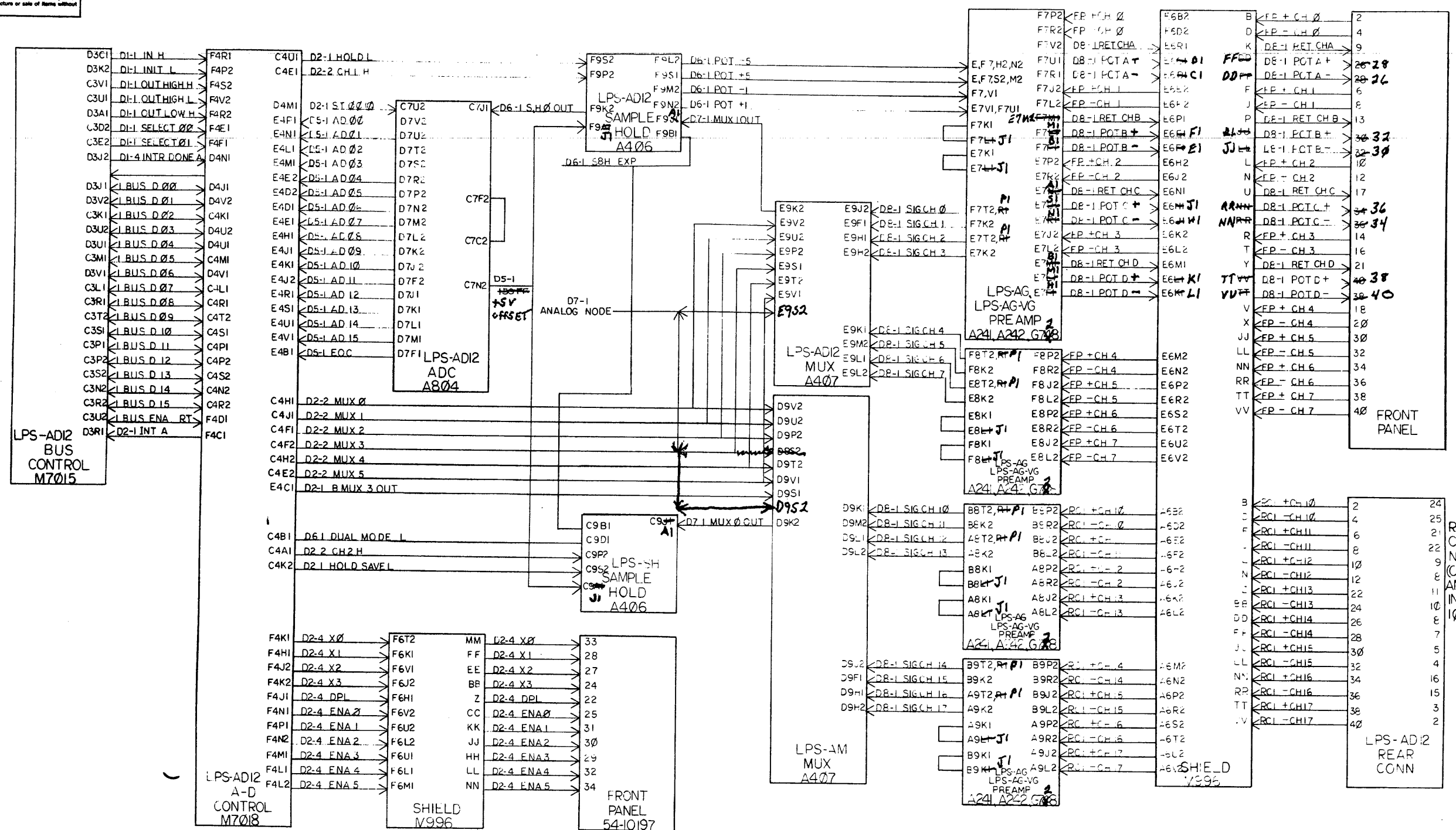
FIRST USED ON OPTION/MODEL	QTY.	DESCRIPTION	PART NO.	ITEM NO.
LPS11-S		PARTS LIST		
UNLESS OTHERWISE SPECIFIED DIMENSION IN INCHES TOLERANCES		DRN F. MOLLER 10-72	DATE 10-72	 digital EQUIPMENT CORPORATION <small>MAYNARD MASSACHUSETTS</small>
DECIMALS	ANGLES	CHK'D 11-30-72	DATE 11-30-72	
.XXX + .005	± 0° 30'	ENG 11-30-72	DATE 11-30-72	
.XX + .02		PROJ. ENG. 11-30-72	DATE 11-30-72	
REMOVE BURRS AND BREAK SHARP CORNERS SURFACE QUALITY		PRGD 11-30-72	DATE 11-30-72	TITLE LPSDR
MATERIAL	NEXT HIGHER ASSY		SIZE CODE	NUMBER
	B-DD-LPS11-S		D BD	LPS11-S-6
FINISH	SCALE	SHEET	OF	REV.
		1	1	A

BRUNING 40-522 18640
 REVISIONS
 CHANGE NO.
 CHK
 RY

PART NUMBER
D BD LPS11-S-6

This drawing and specifications herein are the property of Digital Equipment Corporation and shall not be reproduced or copied or used in whole or in part in the basis for the manufacture or sale of items without written permission.

8-5-11SD 108 2
330013215



REV	DATE	DESCRIPTION	BY	CHKD	DATE
1	11-20-72				
2	11-20-72				
3	11-20-72				
4	11-20-72				
5	11-20-72				
6	11-20-72				
7	11-20-72				
8	11-20-72				

REV	DATE	DESCRIPTION	BY	CHKD	DATE
1	11-20-72				
2	11-20-72				
3	11-20-72				
4	11-20-72				
5	11-20-72				
6	11-20-72				
7	11-20-72				
8	11-20-72				

REV	DATE	DESCRIPTION	BY	CHKD	DATE
1	11-20-72				
2	11-20-72				
3	11-20-72				
4	11-20-72				
5	11-20-72				
6	11-20-72				
7	11-20-72				
8	11-20-72				

REV	DATE	DESCRIPTION	BY	CHKD	DATE
1	11-20-72				
2	11-20-72				
3	11-20-72				
4	11-20-72				
5	11-20-72				
6	11-20-72				
7	11-20-72				
8	11-20-72				

REV	DATE	DESCRIPTION	BY	CHKD	DATE
1	11-20-72				
2	11-20-72				
3	11-20-72				
4	11-20-72				
5	11-20-72				
6	11-20-72				
7	11-20-72				
8	11-20-72				

REVISIONS
 CHANGE NO. REV.
 1
 2
 3
 4
 5
 6
 7
 8

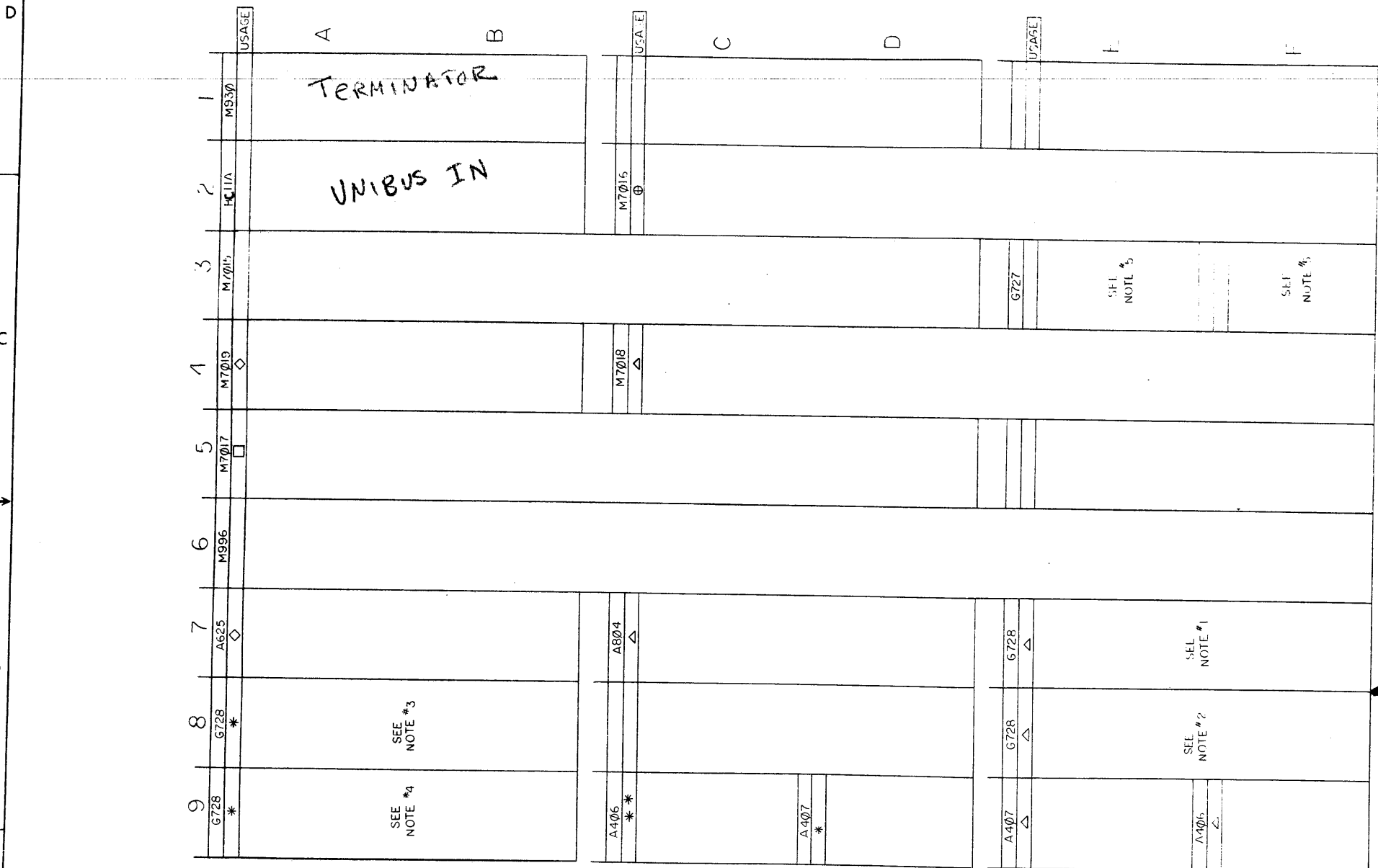
DEC FORM NO. 102A

This drawing and specifications herein are the property of Digital Equipment Corporation and shall not be reproduced or copied or used in whole or in part as the basis for the manufacture or sale of items without written permission.

KEY TO MODULE USAGE

NOTES:

1. TERMINATOR PLACED BY A242 (LPSAG) OF A241 FOR CHANNELS 0-3.
2. UNIBUS PLACED BY A242 (LPSAG) OF A241 FOR CHANNELS 4-7.
3. A/D PLACED BY A242 (LPSAG) OF A241 FOR CHANNELS 10-13.
4. DUAL D/A PLACED BY A242 (LPSAG) OF A241 FOR CHANNELS 14-17.
5. UNIBUS PLACED BY M720 (SLOT E-F) WHEN LEAD-IN IS IMPLEMENTED.



18 ⊕

18 *

DO NOT USE TO ORDER PARTS

2 ELECTROMAGNETIC S. 1700021-00 18			
1	DMA INTERFACE	M7020	17
1	SCOPE CONTROL	M7019	16
1	A/D CONTROL	M7018	15
1	DIGITAL I/O	M7017	14
1	REAL TIME CLOCK	M7016	13
1	LPS UNIBUS INTERFACE	M7015	12
1	CONNECTOR SHIELD BD.	M996	11
REF	UNIBUS TERMINATOR	M930	10
4	JUMPER	G728	9
1	BUS GRANT CONTINUITY	G727	8
1	UNIBUS CABLE	BC11A-6	7
1	A/D CONVERTER	A804	6
1	DUAL D/A CONVERTER	A625	5
2	8-CHAN. MULTIPLEXER	A407	4
2	SAMPLE + HOLD	A406	3
A/R	4 CHAN. PREAMP.	A242	2
A/R	MULTI-GAIN - 4 CHAN. PREAMP.	A241	1

REV	
CHG	
REVISIONS	
CHANGE NO.	

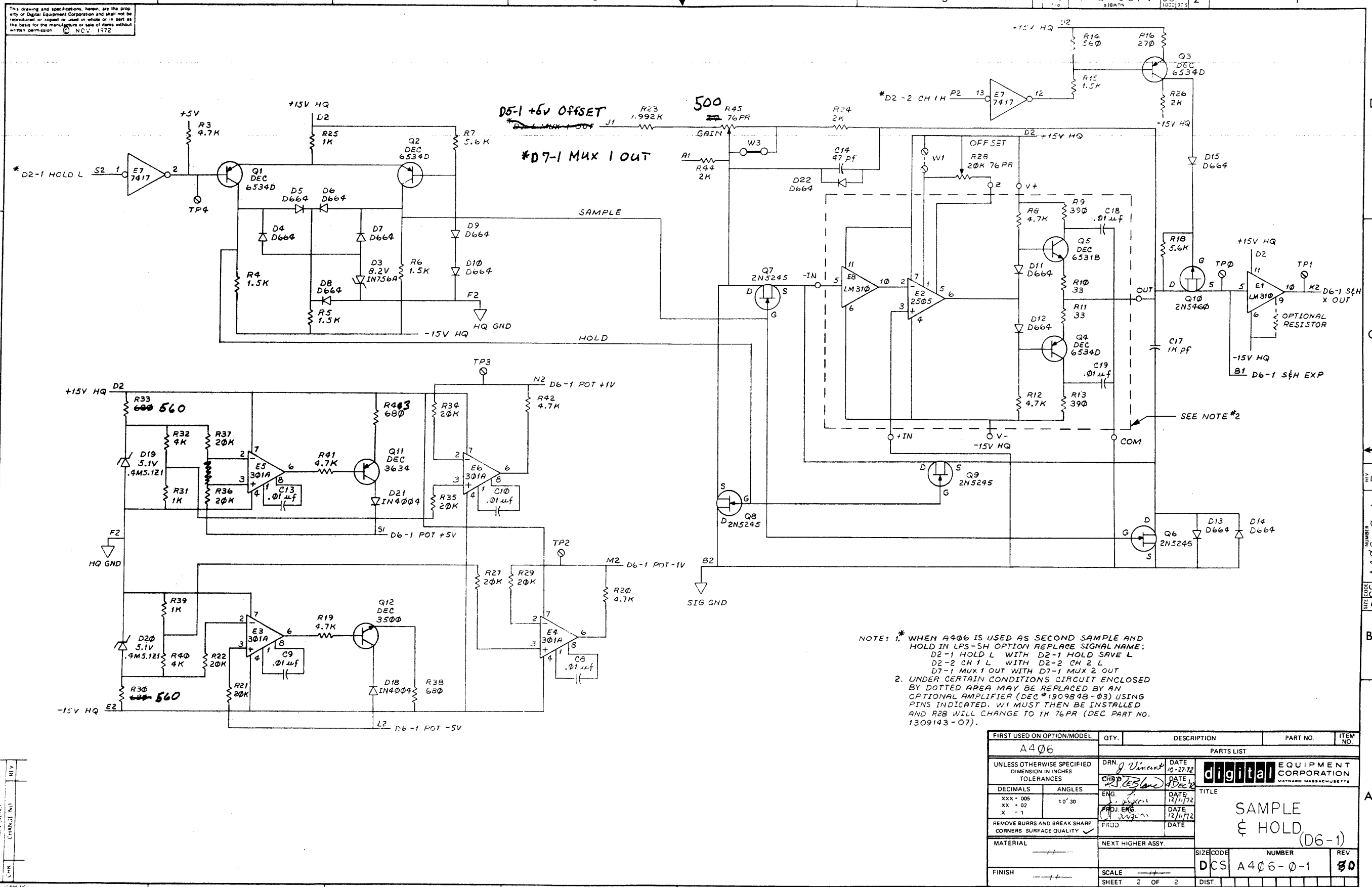
FIRST USED ON OPTION/MODEL	QTY.	DESCRIPTION	PART NO.	ITEM NO.
LPS11-S				
UNLESS OTHERWISE SPECIFIED DIMENSION IN INCHES TOLERANCES				
DECIMALS	ANGLES	DATE		
XXX = .005	±0°30'	DRN.	11-2-72	
XX = .02		CHK'D.		
X = .1		ENG.		
REMOVE BURRS AND BREAK SHARP CORNERS SURFACE QUALITY		PROJ. ENG.		
		PROD.		
NEXT HIGHER ASSY.				
B-D: -LPS11-S				
SCALE				
SHEET 1 OF 1				
MATERIAL		SIZE CODE		NUMBER
FINISH		DMU		LPS11-S-1
TITLE				REV
MODULE UTILIZATION				A

BRUNING 40 107 15488

10/11/72

10/11/72

This drawing and specifications herein are the property of Digital Equipment Corporation and shall not be reproduced or copied or used in whole or in part as the basis for the manufacture or sale of items without written permission. © NOV 1972



NOTE: 1. * WHEN A406 IS USED AS SECOND SAMPLE AND HOLD IN LPS-SH OPTION REPLACE SIGNAL NAME: D2-1 HOLD L WITH D2-1 HOLD SAVE L D2-2 CH 1 L WITH D2-2 CH 2 L D7-1 MUX 1 OUT WITH D7-1 MUX 2 OUT
 2. UNDER CERTAIN CONDITIONS CIRCUIT ENCLOSED BY DOTTED AREA MAY BE REPLACED BY AN OPTIONAL AMPLIFIER (DEC #1909848-03) USING PINS INDICATED. W1 MUST THEN BE INSTALLED AND R28 WILL CHANGE TO 1K 76PR (DEC PART NO. 1309143-07).

FIRST USED ON OPTION/MODEL	QTY.	DESCRIPTION	PART NO.	ITEM NO.
A406				
PARTS LIST				
UNLESS OTHERWISE SPECIFIED DIMENSION IN INCHES TOLERANCES		DRN <i>J. Vincent</i> DATE 10-27-72	digital EQUIPMENT CORPORATION WATYARD MASSACHUSETTS	
		CHKD <i>J. B. Lane</i> DATE 4 Dec 72		
DECIMALS	ANGLES	ENG. <i>J. Vincent</i> DATE 12/1/72	TITLE SAMPLE & HOLD (D6-1)	
xxx + .005	± 0° 30'	APPJ ENG. DATE 12/1/72		
REMOVE BURRS AND BREAK SHARP CORNERS SURFACE QUALITY ✓		PROD. DATE		
MATERIAL	NEXT HIGHER ASSY.	SIZE CODE	NUMBER	REV
FINISH	SCALE	DCS	A406-0-1	30
SHEET 2 OF 2		DIST.		

BRUNING 40522 INRAC
 REVISIONS
 CHANGE NO.
 CHK
 H1V

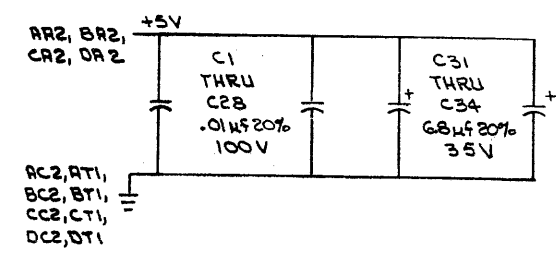
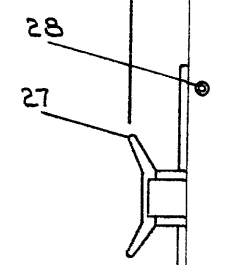
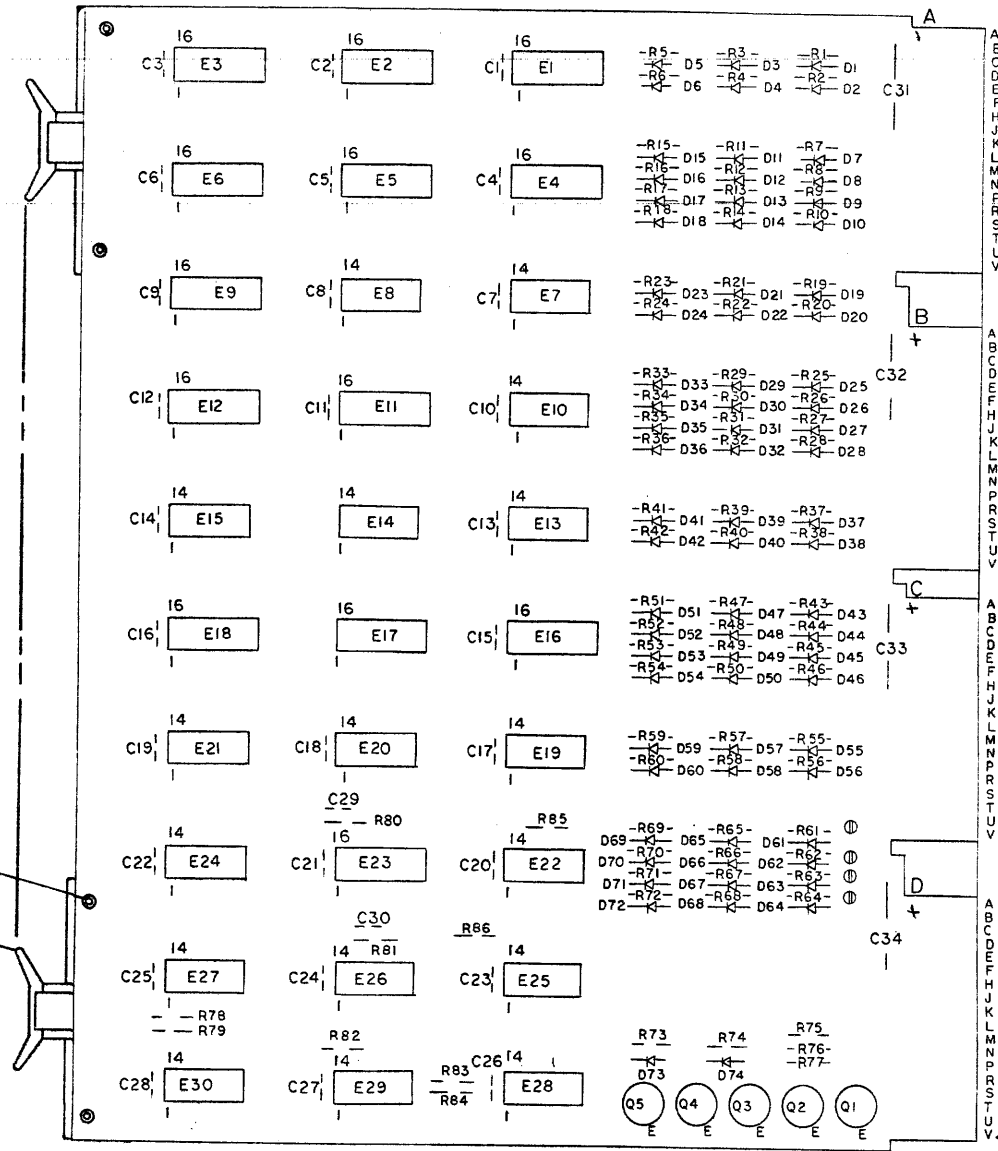
H1V
 NUMBER
 DCS A406-0-1
 SIZE CODE

A

This drawing and specifications, herein, are the property of Digital Equipment Corporation and shall not be reproduced or copied or used in whole or in part as the basis for the manufacture or sale of items without written permission.

NOTES:

DIGITAL EQUIPMENT CORPORATION
 1-01107M7017-0-1 2



QTY	REF DESIGNATION	DESCRIPTION	PART NO.	ITEM NO.
4		SPLIT LUG #M-1033	9006135	29
8		EPELET #GS47 STIMPSON	9006132	28
4		HANDLE, FLIP-CHIP (MARGENTA)	9008337-06	27
2	E20, E28	I.C. DEC 8881	1909105	26
4	E2, E5, E12, E17	I.C. DEC 8235	1909935	25
8	E13, E14, E15, E11, E16, E18	I.C. DEC 74175	1910651	24
4	E24, E27, E29, E30	I.C. DEC 74174	1905547	23
1	E23	I.C. DEC 74123	1910436	22
3	E8, E14, E15	I.C. DEC 7404	1909686	21
4	E10, E13, E22	I.C. DEC 7416	1909928	20
1	E25	I.C. DEC 7408	1910155	19
1	E26	I.C. DEC 7402	1909004	18
2	E19, E21	I.C. DEC 7400	1905515	17
3	Q1, Q2, Q3	TRANSISTOR DEC 3009B	1503100	16
2	Q4, Q5	TRANSISTOR DEC 2219	1501881	15
2	R80, R81	RES. 10K 10% 1/4W	1300481	14
18	R1, R3, R5, R7, R9, R11, R13, R15, R17, R19, R21, R23, R29, R31, R33, R35, R61, R63	RES. 3.3K 5% 1/4W	1300439	13
10	R13, R18, R83, R86	RES. 1K 5% 1/4W	1300365	12
20	R25, R27, R37, R39, R41, R43, R45, R47, R49, R51, R53, R55, R57, R59, R65, R67, R69, R71, R73, R82, R2, R4, R6, R8, R10, R12, R14, R16, R18, R20, R22, R24, R26, R28, R30, R32, R34, R36, R38, R40, R42, R44, R46, R48, R50, R52, R54, R56, R58, R60, R62, R64, R66, R68, R70, R72	RES 470Ω 1% 1/4W	1300316	11
36	R2, R4, R6, R8, R10, R12, R14, R16, R18, R20, R22, R24, R26, R28, R30, R32, R34, R36, R38, R40, R42, R44, R46, R48, R50, R52, R54, R56, R58, R60, R62, R64, R66, R68, R70, R72	RES 47Ω 1% 1/4W FUSIBLE	1310881-2	10
2	D73, D74	DIODE D664	1100114	9
12	D1-D72	DIODE 1N4004	1103796	8
4	C31, C32, C33, C34	CAP. 6.8 μF 20% 35V	1000067	7
28	C1-C28	CAP. .01 μF 20% 100V	1001610-01	6
2	C29, C30	CAP. 330 pF 5% 100V	1000023	5
1		ETCHED CIRCUIT BOARD	5010172	4
REF		MODULE ECO HISTORY	B-MH-M7017-0-6	3
REF		PSSY/DRILLING HOLE LAYOUT	D-HH-M7017-0-5	2
REF		XY-COORDINATE HOLE LOCATION	R-CO-M7017-0-4	1

DATE	REV	QTY	LOC
DEC 8235	8	16	
DEC 74123	8	16	
DEC 74175	8	16	
IC TYPE	GND	+5V	

GND AND 5V ARE USUALLY PIN 7 AND 14 RESPECTIVELY. EXCEPTIONS ARE STATED ABOVE.

IC PIN LOCATIONS

BRUNING 40-522 16899
 DEC FORM NO. DRD-135A

FIRST USED ON OPTION MODEL

LPS II

ETCH BOARD REV B

REVISIONS

CHK	CHANGE NO.	REV	DESCRIPTION
			1N4004 SAME
			DEC 2219 2N2219
			DEC 3009B 2N3009
			U664 1N3606

DATE 12/16/72
 DATE 5/28/72
 DATE 11/19/72
 DATE 10/17/72

DIGITAL EQUIPMENT CORPORATION
 MAYNARD, MASSACHUSETTS

TITLE
 DIGITAL I/O
 LPSDR

SCALE NONE
 SHEET 1 OF 4

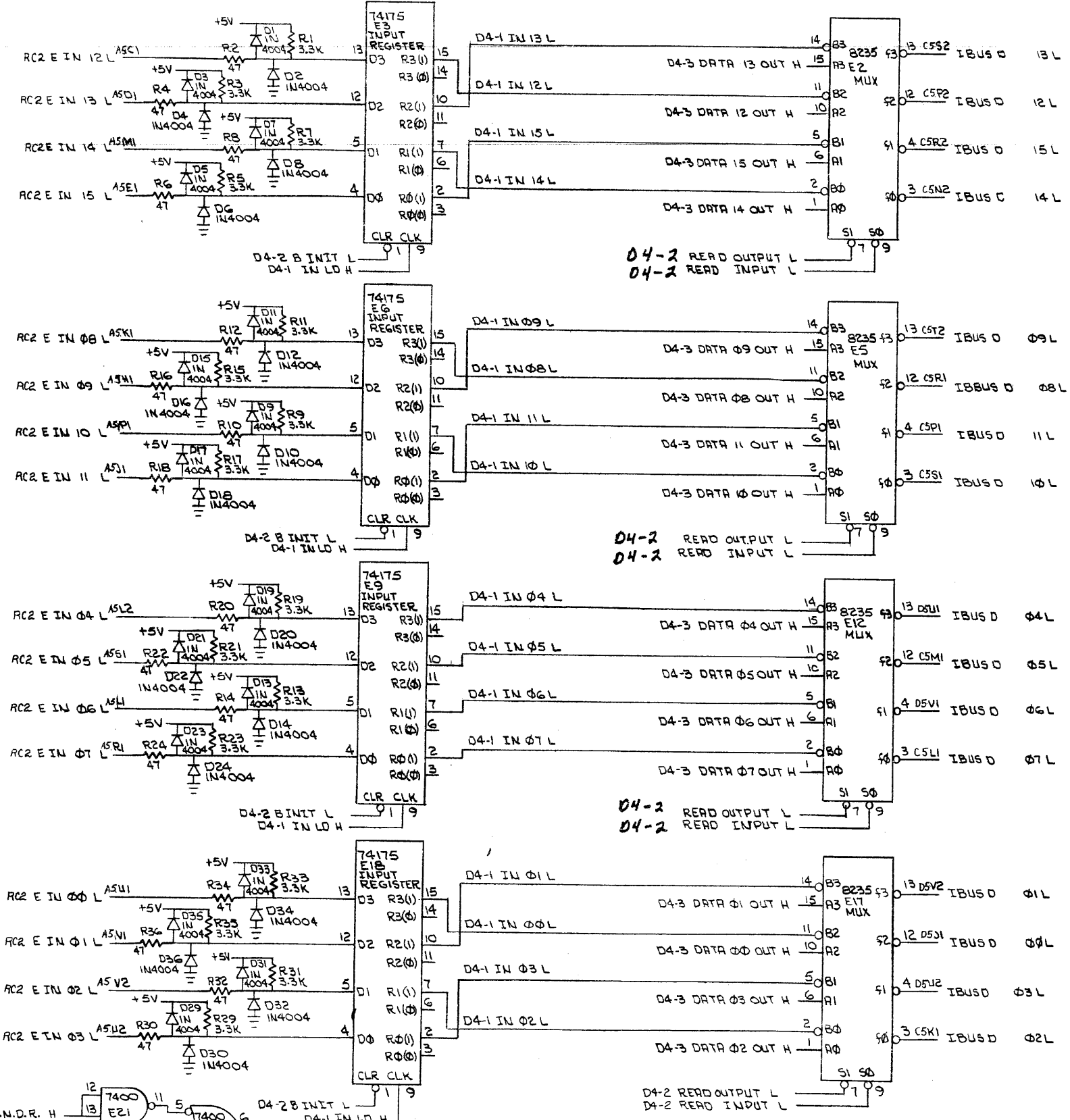
DIST. DCS M7017-0-1

REV. 28

Drawings and specifications herein are the property of Digital Equipment Corporation and shall not be reproduced or copied or used in whole or in part as the basis for the manufacture or sale of items without written permission.

DCS M7017-0-1

NOTE:
ALL 47 OHM RESISTORS ARE FUSIBLE AND WILL BLOW OPEN WHEN OVER VOLTAGE IS APPLIED TO THE INPUT OR OUTPUT.



D4-2 READ OUTPUT L
D4-2 READ INPUT L

D4-2 READ OUTPUT L
D4-2 READ INPUT L

D4-2 READ OUTPUT L
D4-2 READ INPUT L

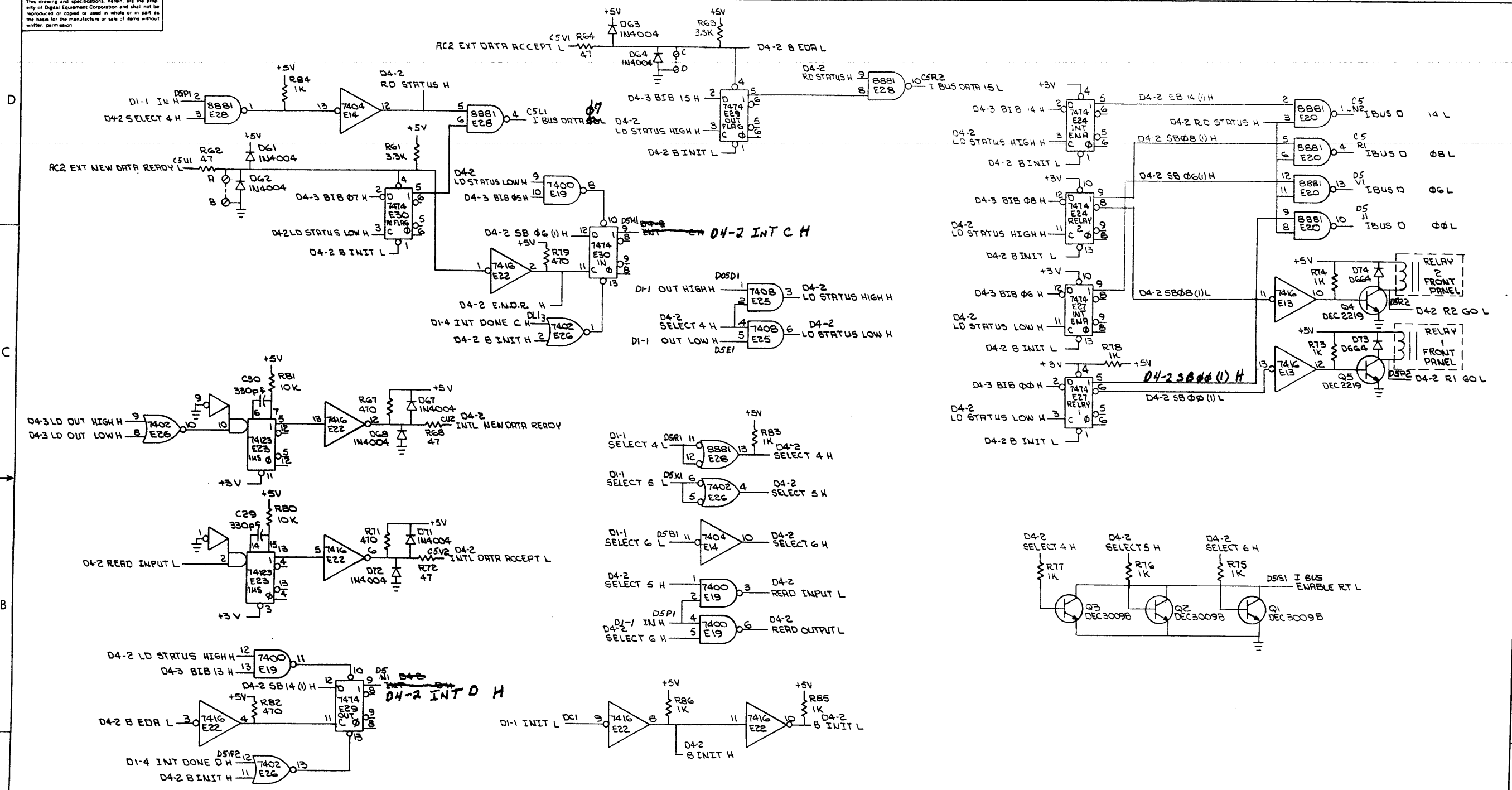
D4-2 READ OUTPUT L
D4-2 READ INPUT L

BRUNING 40522 15840
DEF 1 ORN NO
100-102-11

FIRST USED ON OPTION/MODEL	QTY.	DESCRIPTION	PART NO.	ITEM NO.
LPS II				
PARTS LIST				
UNLESS OTHERWISE SPECIFIED DIMENSION IN INCHES TOLERANCES	CHK'D MARKET MOORE	DATE 28 AUG 72	DIGITAL EQUIPMENT CORPORATION MAYNARD MASSACHUSETTS	
DECIMALS .XXX ± .005	ANGLES ± 0° 30'	DATE 11/28/72	TITLE DIGITAL I/O (INPUT BUFFER) LPSDR	
REMOVE BURRS AND BREAK SHARP CORNERS SURFACE QUALITY	PROD.	DATE 11/28/72	MATERIAL NEXT HIGHER ASSY.	
FINISH	SCALE NONE	SHEET 2 OF 4	SIZE CODE DCS M7017-0-1	NUMBER REV 28

REV A
DCS M7017-0-1

This drawing and specifications herein are the property of Digital Equipment Corporation and shall not be reproduced or copied in whole or in part as the basis for the manufacture or sale of items without written permission.



BRUNING 40-522 15840
DEC 1 FORM NO 1/69 102-B
REV
CHANGE NO
CHK

FIRST USED ON OPTION/MODEL	QTY.	DESCRIPTION	PART NO.	ITEM NO.
LPS II				
PARTS LIST				
UNLESS OTHERWISE SPECIFIED DIMENSION IN INCHES TOLERANCES	DATE 1 23/10/66	DATE 2 28/12/72	digital EQUIPMENT CORPORATION	
DECIMALS	ANGLES	DATE 1 23/10/66	MAYNARD MASSACHUSETTS	
XXX - 005	+0° 30'	DATE 2 28/12/72	TITLE	
XX - 02		DATE 1 23/10/66	DIGITAL I/O (CONTROLLER) LPSDR	
X - 1		DATE 2 28/12/72	D4-2	
REMOVE BURRS AND BREAK SHARP CORNERS SURFACE QUALITY	PROD.	DATE	SIZE CODE	NUMBER
MATERIAL	NEXT HIGHER ASSY.		DCS M7017-0-1	#8
FINISH	SCALE NONE		SHEET 3 OF 4	DIST

REV A
NUMBER DCS M7017-0-1

DIGITAL EQUIPMENT CORPORATION
MAYNARD, MASSACHUSETTS
PARTS LIST

QUANTITY / VARIATION

MADE BY C.B. MCCOY	CHECKED <i>[Signature]</i>	SECTION
DATE 11-13-72	DATE <i>[Signature]</i>	
ENG <i>[Signature]</i>	PROD <i>[Signature]</i>	ISSUED SECT.
DATE	DATE	

ITEM NO.	DWG NO. / PART NO.	DESCRIPTION
1	A407	8 CHAN. MULTIPLEXER
2	G728	JUMPER CARD
3	1205886	CONN., PLUG #DB25-P
4	1205885	HOOD, #DB51226-1
5	7009086-0H	CABLE ASSY, PANEL MTG.
6	1209818	EXTENDER MODULE
	D-UA-LPS11-S-0	LAB PERIPHERAL SYSTEM (LPS11-S)
	B-DD-LPS11-S	DRAWING DIRECTORY
7	1700021-00	Electromagnetic Shield

1																			
2																			
1																			
1																			
1																			
2																			
REF																			
1																			

TITLE LPSAM	ASSY NO. ---	SIZE A	CODE PL	NUMBER LPSAM-0-0	REV. A	ECO NO.
SHEET 1 OF 1		DIST.				

DIGITAL EQUIPMENT CORPORATION
MAYNARD, MASSACHUSETTS
PARTS LIST

QUANTITY / VARIATION

MADE BY	CARL MCCCY	CHECKED	SECTION
DATE	11-13-72	DATE	
ENG		PROD	ISSUED SECT.
DATE		DATE	

ITEM NO.	DWG NO. / PART NO.	DESCRIPTION	QUANTITY	VARIATION
1	M7016	REAL TIME CLOCK		
2	1209430	PLUG, PHONE SWITCHCRAFT #90		
3	1700021-00	<i>Electromagnetic Shield</i>		
	D-UA-LPS11-S-0	LAB PERIPHERAL SYSTEM (LPS11-S)	REF	
	B-DD-LPS11-S	DRAWING DIRECTORY	REF	

TITLE	ASSY NO.	SIZE	CODE	NUMBER	REV.	ECO NO.
LPSKW		A	PL	LPSKW-0-0	A	
SHEET 1 OF 1		DIST.				

This drawing and specifications herein are the property of Digital Equipment Corporation and shall not be reproduced, copied or used in whole or in part as a basis for the manufacture or sale of items without written permission.


ITEM NO.	DESCRIPTION	FROM		TO		REMARKS
		CONNECTION	TERM	CONNECTION	TERM	
19	#24 BLK	FT12-2	18,15,Δ	F02M1	*	
		FT13-2	18,15,Δ	B03F1		
		FT14-2	18,15,Δ	B03F2		
		FT 2-2	11,15,Δ	C07C2		
				F02 BF		SEE NOTE #1
				F09F2		
				E09F2		
				D09F2		
				C09F2		
			11,15,Δ	A07F2		SEE NOTE #1
		A07F2	*	A08F2		
		A08F2		A09F2		
		A09F2		B09F2		
		B09F2		B08F2		
		F09F2		F08F2		
		F08F2		F07F2		
		E09F2		E08F2		
		E08F2		E07F2		
		C09F2		C08F2		
		C08F2		C07F2		
		C07K2		C09 B2		
		C09 B2		B09C1		
		B09C1		B09B1		
		B09B1		B09A1		
		B09A1		B08C1		
		B08C1		B08B1		
		B08B1		B08A1		
		C07K2		F09 B2		
		F09 B2		F08C1		
		F08C1		F08B1		
		F08B1		F08A		
		F08A1		F07C1		
		F07C1		F07F		
19	BLK	F07B1	*	F07A1		
22	#24 BLU	FT4-2	18,15,Δ	C07E2	*	

ITEM NO.	DESCRIPTION	FROM		TO		REMARKS
		CONNECTION	TERM	CONNECTION	TERM	
22	#24 BLU		18,15,Δ	B04B2	*	SEE NOTE #2
				A07E2		
				C09E2		
				D09E2		
				E09E2		
			18,15,Δ	F09E2		SEE NOTE #2
				F02E2		
				A04B2	*	
				A07E2		
				A08E2		
				A09E2		
				B09E2		
				C09E2		
				C08E2		
				E09E2		
				E08E2		
				F09E2		
				F08E2		
22	BLU	F08E2	*	F07E2		
20	ORN	FT3-2	18,15,Δ	C07D2		SEE NOTE #3
				F02D2		
				A07D2		
				C09D2		
				D09D2		
				E09D2		
			18,15,Δ	F09D2		SEE NOTE #3
				A08D2	*	
				A09D2		
				B09D2		
				B08D2		
				C09D2		
				C08D2		
				E09D2		
				E08D2		
				F09D2		
				F08D2		
20	#24 ORN	FT3-2	*	F07D2	*	

REF FOR SOLDER LUG LOC ON PRINTED CIRCUIT BOARD.

- | | | | | | |
|-----|-------|------|--------|------|--------|
| FT1 | FT1-1 | FT6 | FT6-1 | FT11 | FT11-1 |
| | FT1-2 | | FT6-2 | | FT11-2 |
| FT2 | FT2-1 | FT7 | FT7-1 | FT12 | FT12-1 |
| | FT2-2 | | FT7-2 | | FT12-2 |
| FT3 | FT3-1 | FT8 | FT8-1 | FT13 | FT13-1 |
| | FT3-2 | | FT8-2 | | FT13-2 |
| FT4 | FT4-1 | FT9 | FT9-1 | FT14 | FT14-1 |
| | FT4-2 | | FT9-2 | | FT14-2 |
| FT5 | FT5-1 | FT10 | FT10-1 | FT15 | FT15-1 |
| | FT5-2 | | FT10-2 | | FT15-2 |

*-ASTERISK ARE NOT SOLDER
Δ = SOLDER

FIRST USED ON OPTION/MODEL	QTY.	DESCRIPTION	PART NO.	ITEM NO.
PARTS LIST				
UNLESS OTHERWISE SPECIFIED DIMENSION IN INCHES TOLERANCES	DRN	DATE	 TITLE WIRE ASS'Y	
DECIMALS	CHK'D	DATE		
ANGLES	ENG.	DATE		
XXX - 009 XX - 02 X - 1	PROJ. ENG.	DATE		
REMOVE BURRS AND BREAK SHARP CORNERS SURFACE QUALITY	PROJ. ENG.	DATE	NEXT HIGHER ASSY.	
MATERIAL	SCALE		SIZE CODE	NUMBER
FINISH	SHEET 2 OF 2		DAD	7009N000
			DIST.	REV. A

DRAWING NO. 9110 0-0
 REV. NO. 1
 QUANTITY NO. 1

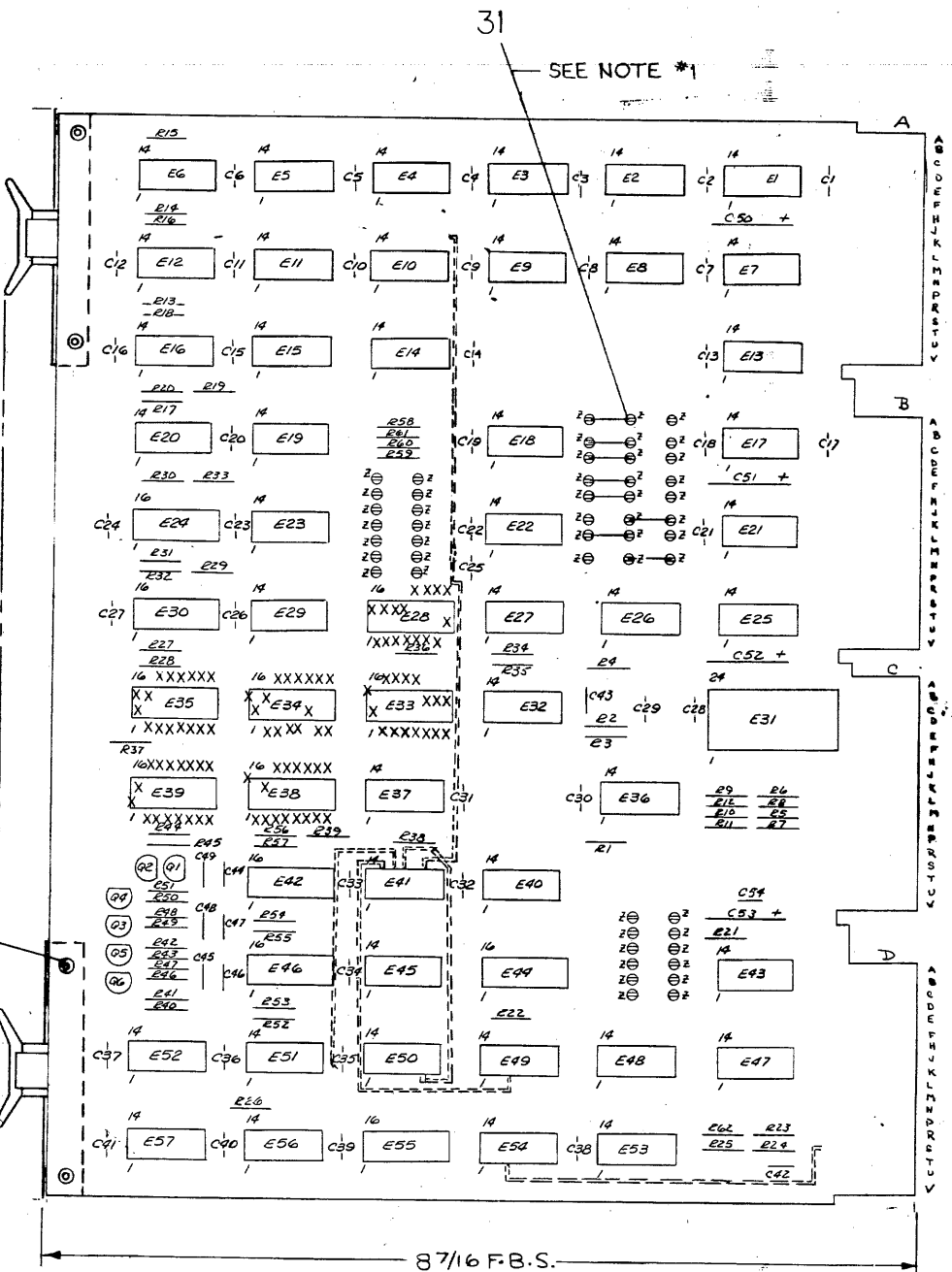
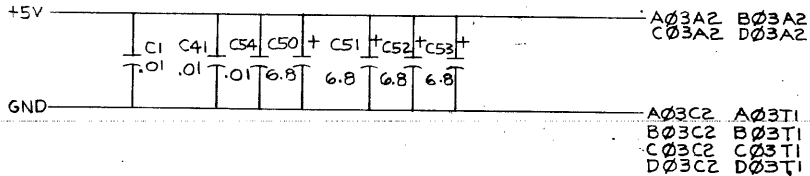
SIZE CODE DAD
 NUMBER 9110 0-0
 REV.

This drawing and specifications, herein, are the property of Digital Equipment Corporation and shall not be reproduced or copied or used in whole or in part as the basis for the manufacture or sale of items without written permission.

NOTES:

NOTES:

1. JUMPERS INSTALLED IN SPLIT LUGS:
 Ø = A10, A6, A11, A9, A7, A5
 1 = A12, A8



QTY	REF DESIGNATION	DESCRIPTION	PART NO.	ITEM NO.
4	E34, E35, E38, E39	PRIORITY JUMPER LEVEL #4	5408776	37
1	E33	PRIORITY JUMPER LEVEL #5	5408778	36
1	E28	PRIORITY JUMPER LEVEL #6	5408780	35
6	E28, E33, E34, E35, E38, E39	SOCKET, GLASS W/P AUGAT ZIGAGI	1209838	34
4		HANDLE, FLIP CHIP-MAGENTA	9008337-06	33
8		EYELET #GS4-7 E.B. STIMPSON	9006732	32
50		SPLIT LUG	9006735	31
1	E31	I.C. DEC 74154	1909701	30
2	E42, E46	I.C. DEC 8235	1909935	29
2	E44, E55	I.C. DEC 74174	1910652	28
1	E36	I.C. DEC 7437	1910091	27
2	E24, E30	I.C. DEC 7483	1909932	26
2	E43, E52	I.C. DEC 7405	1909930	25
14	E2, E4, E6, E7, E9, E11, E14, E16, E17, E23, E29, E32, E48, E53	I.C. DEC 0881	1909705	24
2	E25, E26	I.C. DEC 314 A	1909704	23
4	E8, E10, E12, E20	I.C. DEC 7404	1909486	22
2	E27, E37	I.C. DEC 384	1909486	21
8	E1, E3, E5, E15, E17, E21, E22, E18	I.C. DEC 380 A	1909485	20
3	E40, E41, E45	I.C. DEC 7402	1909004	19
1	E56	I.C. DEC 7430	1905578	18
1	E50	I.C. DEC 7410	1905576	17
4	E13, E47, E51, E57	I.C. DEC 7400	1905575	16
2	E49, E54	I.C. DEC 7474	1905547	15
6	Q1 THRU Q6	TRANSISTOR DEC 3009B	1503100	14
12	R46 THRU R57	RES. 180Ω 10% 1/4 W	1301324	13
38	R1, R2, R3, R5 THRU R20, R22, R23, R25 THRU R33, R58 THRU R62	RES. 1K 5% 1/4 W	1300365	12
1	R21	RES. 470Ω 5% 1/4 W	1300316	11
12	R34 THRU R45	RES. 390Ω 5% 1/4 W	1300309	10
2	R4, R24	RES. 100Ω 5% 1/4 W	1300229	9
42	C1 THRU C41, C54	CAP. .01μf 20% 100V DISC.	1001610	8
4	C50 THRU C53	CAP. 6.8μf 20% 35V STANT	1000067	7
2	C42, C43	CAP. 470pf 5% 100V DM	1000024	6
6	C44 THRU C49	CAP. 560pf 5% 100V DM	1000025	5
1		ETCHED CIRCUIT BOARD	5010128	4
REF.		MODULE ECO HISTORY	B-MH-M7015-0-6	3
REF.		ASSY/DRILLING HOLE LAYOUT	D-AH-M7015-0-5	2
REF.		X-Y COORDINATE HOLE LOCATION	X-CO-M7015-0-4	1

DEC	QTY	QTY
DEC 7483	8	16
DEC 74174	8	16
DEC 380A	1	8
DEC 314 A	1	8
DEC 74154	12	24
DEC 8235	8	16
DEC 384	1	8
IC TYPE	GND	+5V

GND AND 5V ARE USUALLY PIN 7 AND 14 RESPECTIVELY EXCEPTIONS ARE STATED ABOVE

IC PIN LOCATIONS

FIRST USED IN OPTION MODEL LPS11

ETCH BOARD REV G

CHK	CHANGE NO.	REV

3009 B 2N3009B

DEC NO. EIA NO. DEC NO. EIA NO.

SEMICONDUCTOR CONVERSION CHART

DRAWN: C.M. Coy DATE: 8-15-72
 CHECKED: J. Neal DATE: 8-30-72
 ENG: J. King DATE: 9-1-72
 PROJ. ENG: D.W. Wood DATE: 9-7-72
 PROD: R. Davis DATE: 9-28-72

EQUIPMENT CORPORATION
 MAYNARD, MASSACHUSETTS

TITLE: UNIBUS INTERFACE

SIZE CODE: DCS NUMBER: M7015-0-1 REV: D

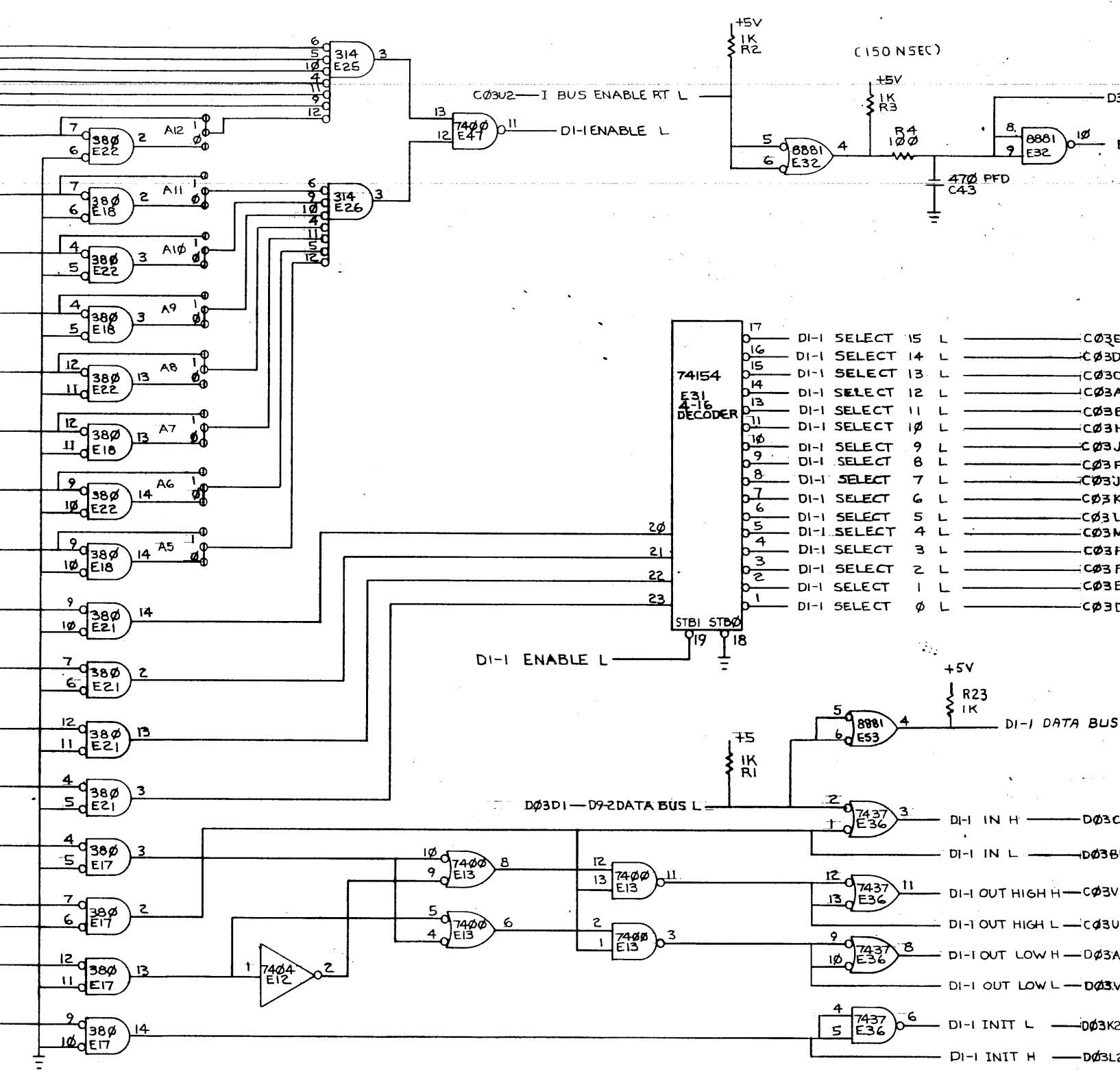
SHEET 1 OF 6

BRUNING 40-522 18899
 DEC FORM NO. DRD-135A

This drawing and specifications, herein, are the property of Digital Equipment Corporation and shall not be reproduced or copied or used in whole or in part as the basis for the manufacture or sale of items without written permission.

- B03V1 — BUS MSYN L
- B03S1 — BUS A 17 L
- B03S2 — BUS A 16 L
- B03R1 — BUS A 15 L
- B03R2 — BUS A 14 L
- B03P1 — BUS A 13 L

- B03P2 — BUS A 12 L
- B03N1 — BUS A 11 L
- B03N2 — BUS A 10 L
- B03M1 — BUS A 09 L
- B03M2 — BUS A 08 L
- B03L1 — BUS A 07 L
- B03L2 — BUS A 06 L
- B03K1 — BUS A 05 L
- B03K2 — BUS A 04 L
- B03J1 — BUS A 03 L
- B03J2 — BUS A 02 L
- B03H1 — BUS A 01 L
- B03U2 — BUS C 00 L
- B03T2 — BUS C 01 L
- B03H2 — BUS A 00 L
- A03A1 — BUS INIT L



NOTES:

- Ø = SPLIT LUG.
- JUMPERS A12-A5 ARE BUS ADDRESS SELECT JUMPERS. PLACE EITHER IN (1) SIDE OR (Ø) SIDE.

EXAMPLE:
 A12, A8 = (1) } 170400
 A11, A10, A9, A7, A6, A5 = (Ø) } STARTING ADDRESS.

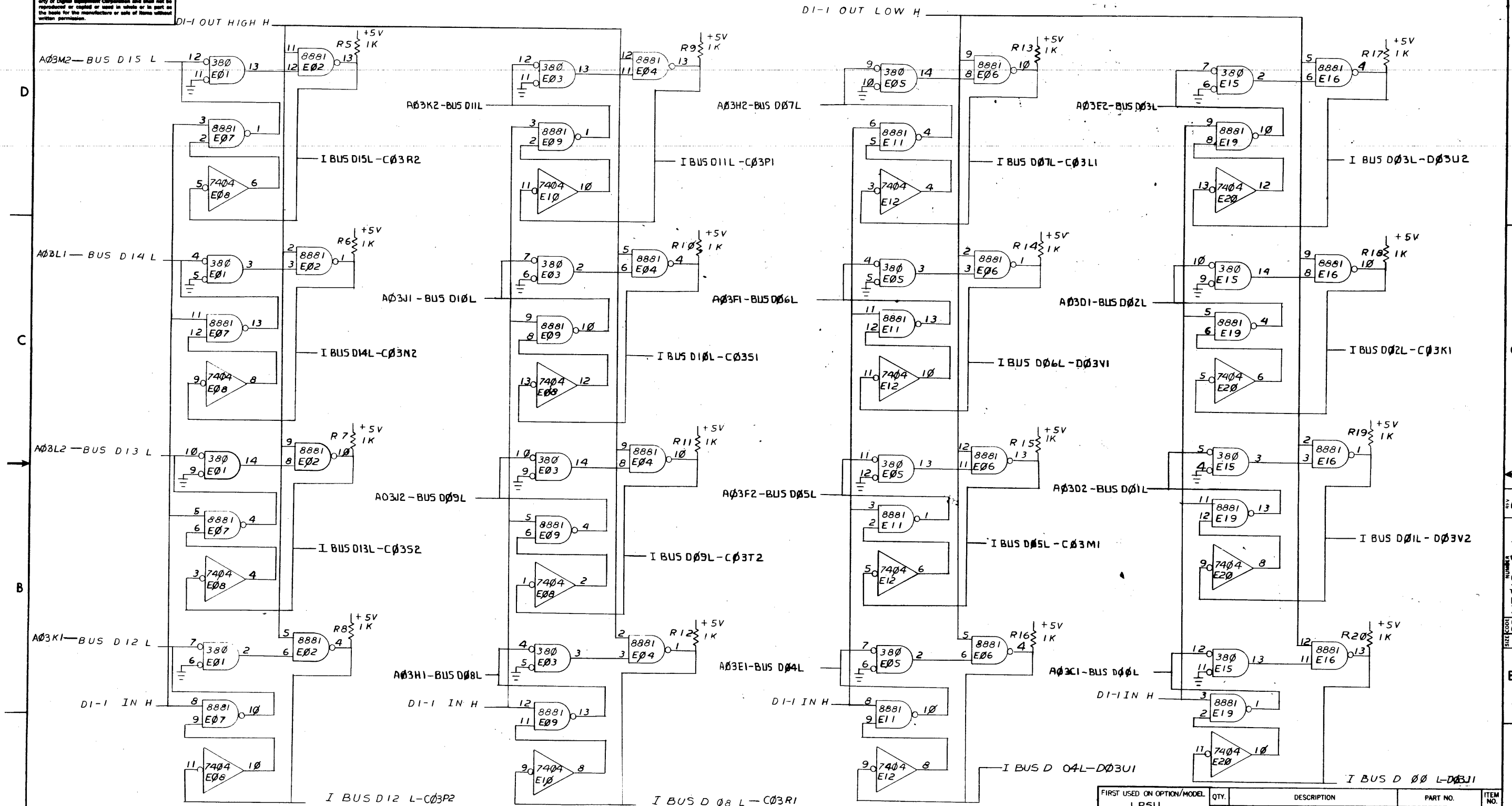
- 17 DI-1 SELECT 15 L — C03E1
- 16 DI-1 SELECT 14 L — C03D1
- 15 DI-1 SELECT 13 L — C03C1
- 14 DI-1 SELECT 12 L — C03A1
- 13 DI-1 SELECT 11 L — C03B1
- 12 DI-1 SELECT 10 L — C03H1
- 11 DI-1 SELECT 9 L — C03J1
- 10 DI-1 SELECT 8 L — C03F1
- 9 DI-1 SELECT 7 L — C03J2
- 8 DI-1 SELECT 6 L — C03K2
- 7 DI-1 SELECT 5 L — C03L2
- 6 DI-1 SELECT 4 L — C03M2
- 5 DI-1 SELECT 3 L — C03R2
- 4 DI-1 SELECT 2 L — C03F2
- 3 DI-1 SELECT 1 L — C03E2
- 2 DI-1 SELECT 0 L — C03D2

FIRST USED ON OPTION/MODEL	QTY.	DESCRIPTION	PART NO.	ITEM NO.
LPS11				
PARTS LIST				
UNLESS OTHERWISE SPECIFIED DIMENSION IN INCHES TOLERANCES		DRN <i>comcy</i> DATE 8-19-72	digital EQUIPMENT CORPORATION	
DECIMALS .XXX - .005	ANGLES ±0° 30'	CHK'D <i>al</i> DATE 8/20/72		
REMOVE BURRS AND BREAK SHARP CORNERS SURFACE QUALITY ✓		ENG. <i>ed</i> DATE 9-1-72	TITLE UNIBUS INTERFACE (ADDRESS CONTROL)	
		PROJ. ENG. <i>al</i> DATE 9-1-72		
		PRG'D. <i>R.Davis</i> DATE 9/2/72	M7015 DI-1	
MATERIAL		NEXT HIGHER ASSY.	D-UA-LPS11-0-0	SIZE CODE
FINISH		SCALE	SHEET 2 OF 6	DIST.

REV. D
 M7015-0-1
 REV. D

REVISIONS
 CHANGE NO. REV.
 DEC FORM NO DRD 102-B

This drawing and specifications, herein, are the property of Digital Equipment Corporation and shall not be reproduced or copied or used in whole or in part as the basis for the manufacture or sale of items without written permission.

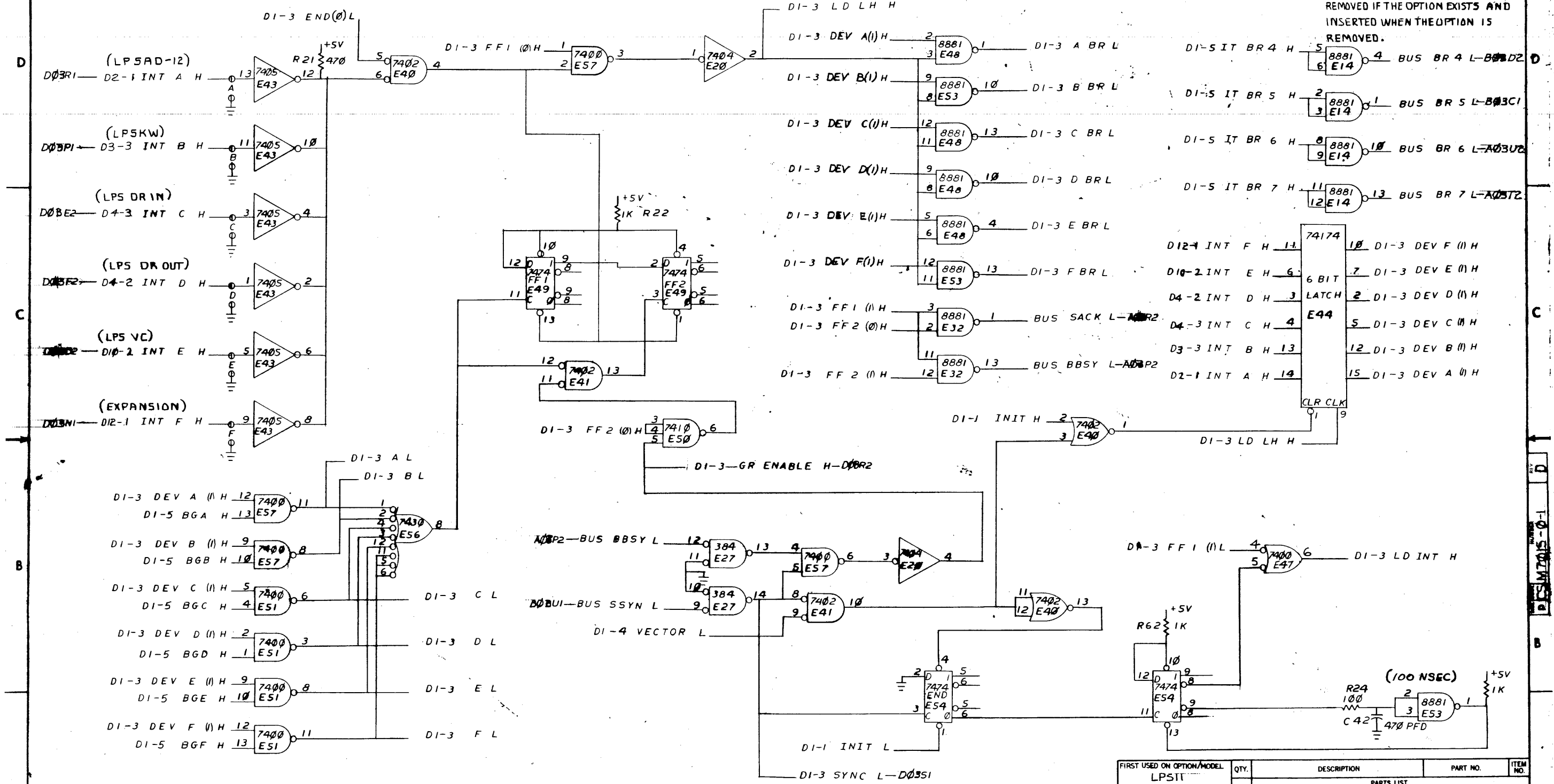


REV	CHANGE NO.

FIRST USED ON OPTION/MODEL	QTY.	DESCRIPTION	PART NO.	ITEM NO.
LPS11				
UNLESS OTHERWISE SPECIFIED				
DRN: ED KING DATE: 4-18-72				
CHKD: [Signature] DATE: 8-30-72				
TOLERANCES				
DIMENSION IN INCHES				
DECIMALS FRACTIONS ANGLES				
± .005 ± 1/64 ± 0°30'				
FINAL SURFACE QUALITY				
REMOVE BURRS AND BREAK SHARP CORNERS				
MATERIAL				
NEXT HIGHER ASSY				
FINISH				
SCALE				
SHEET 3 OF 6				
TITLE			PARTS LIST	
UNIBUS INTERFACE (INTERNAL BUS)			EQUIPMENT CORPORATION	
D-UA-LPS11-0-0			MAYNARD MASSACHUSETTS	
SIZE CODE			NUMBER	
DCS M7015-0-1			DI-2	
DIST.			REV.	
			D	

SIZE CODE: DCS M7015-0-1

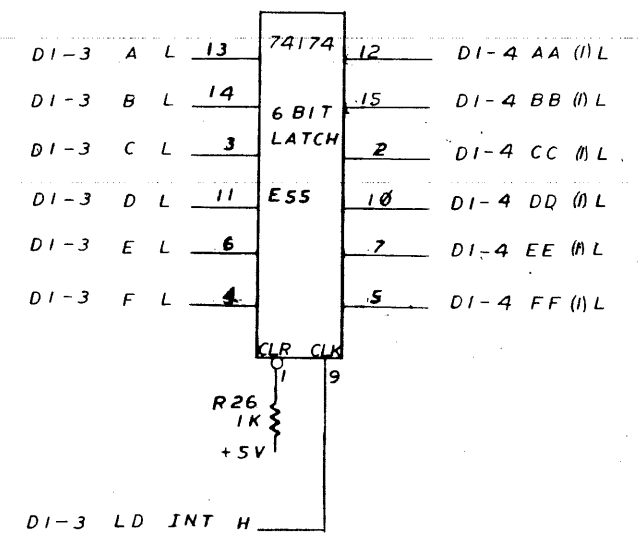
NOTE: 1. 0 = SPLIT LUGS
 2. JUMPERS INT A-INTF MUST BE REMOVED IF THE OPTION EXISTS AND INSERTED WHEN THE OPTION IS REMOVED.



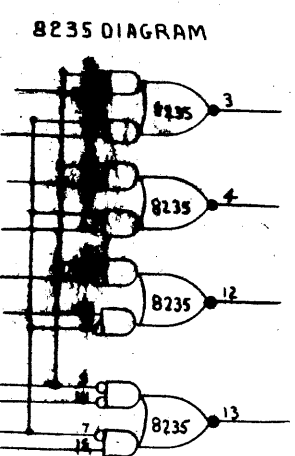
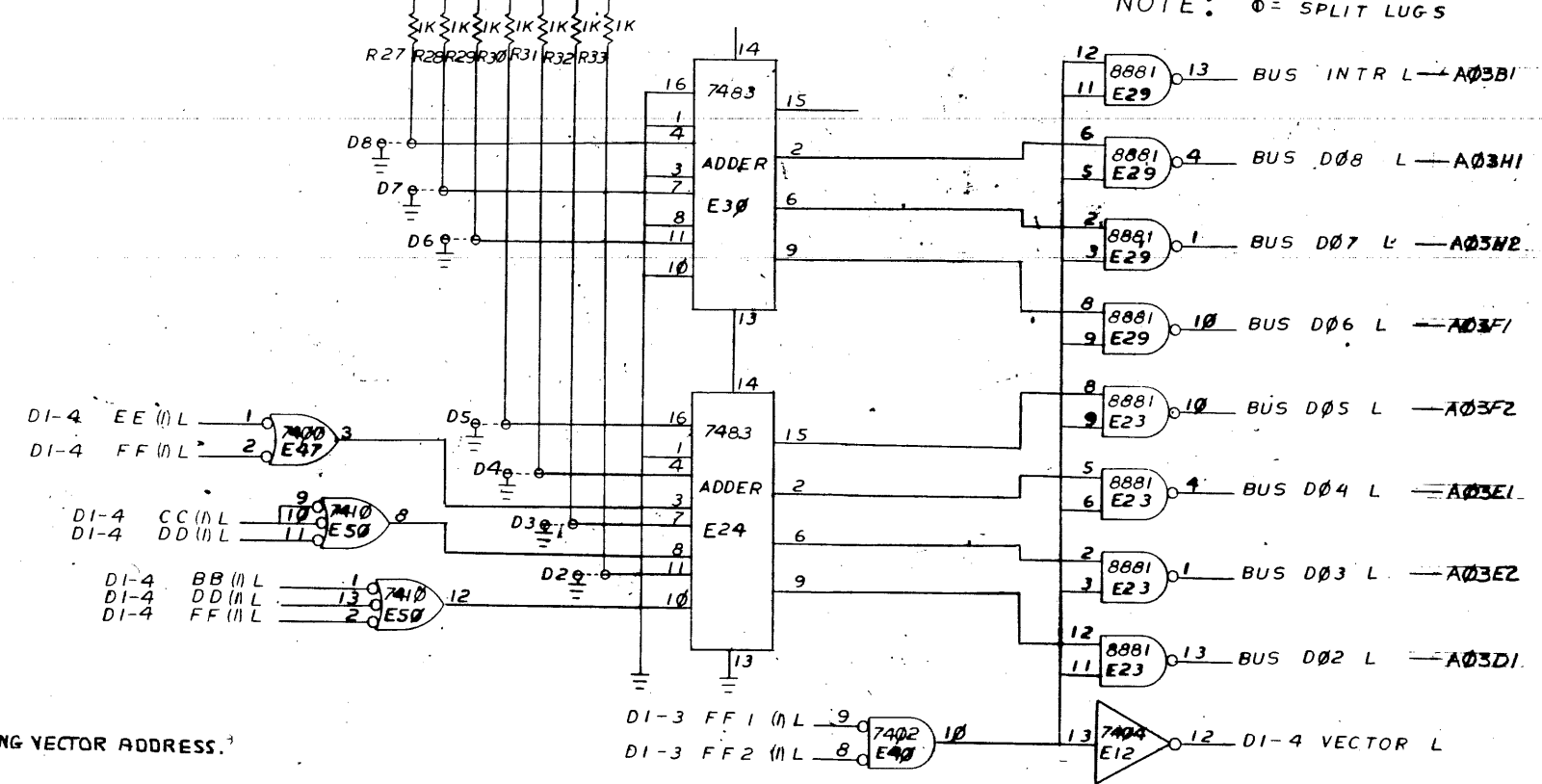
REV.	
CHANGE NO.	
CHK	

FIRST USED ON OPTION/MODEL	QTY.	DESCRIPTION	PART NO.	ITEM NO.
LPSIT				
PARTS LIST				
UNLESS OTHERWISE SPECIFIED	DATE 4-21-72	EQUIPMENT CORPORATION MAYNARD, MASSACHUSETTS		
UNLESS OTHERWISE SPECIFIED	DATE 5-30-72	TITLE		
DIMENSION IN INCHES				
TOLERANCES				
DECIMALS	FRACTIONS	ANGLES	DATE 7-1-72	
± .008	± 1/64	± 0°30'	DATE 9-1-72	
FINAL SURFACE QUALITY / REMOVE BURRS AND BREAK SHARP CORNERS				
DATE 9-1-72				
NEXT HIGHER ASSY				
MATERIAL	D-UA-LPS11-0-0		M7015	DI-3
FINISH	SCALE		DIC	M7015-0-1
SHEET 4 OF 6			DIST.	

NOTE: 0 = SPLIT LUGS



NOTE 1: JUMPERS D8-D2 ARE THE FLOATING VECTOR ADDRESS SELECTION JUMPERS. INSERT FOR A (0), DELETE FOR A (1)
 EXAMPLE: D8, D5, D4, D3, D2 = (C11) } 300 = STARTING VECTOR ADDRESS.
 D7, D6 = (C11)

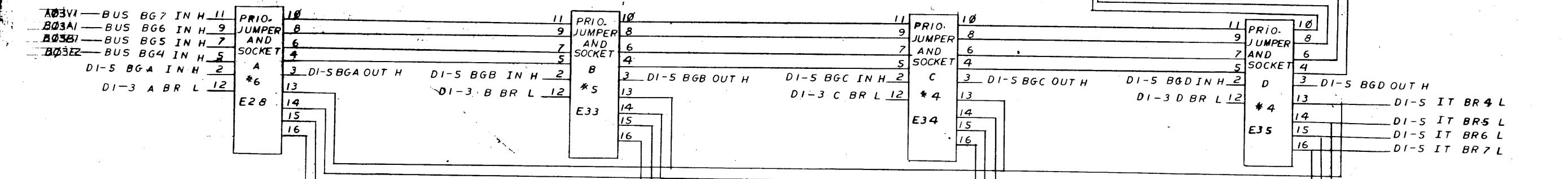
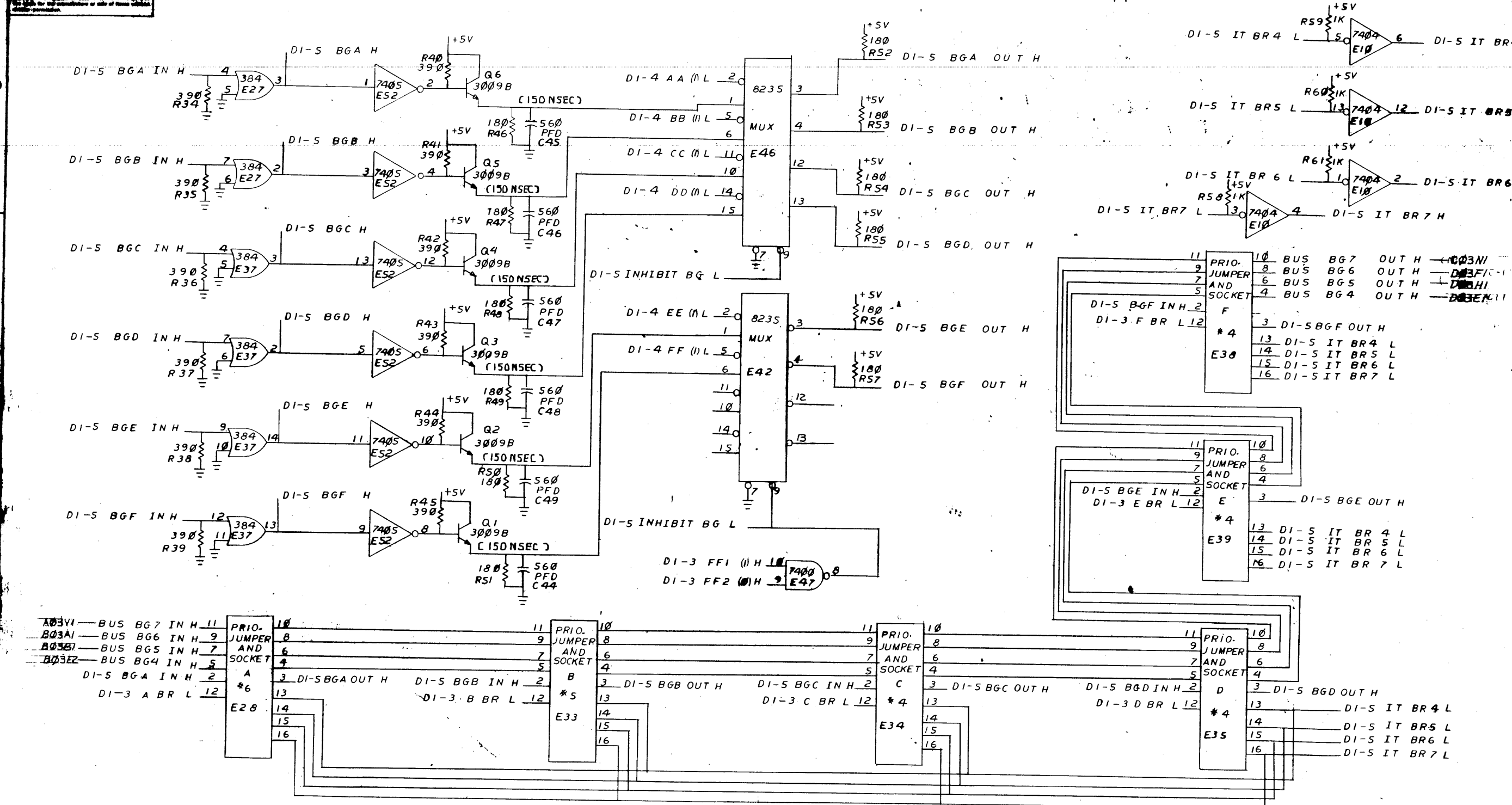


REV. 1	CHK
CHANGE NO.	CHK

FIRST USED ON OPTION/MODEL
 LPS 11

UNLESS OTHERWISE SPECIFIED	ED KING
TOLERANCES	AS SHOWN
FINISH	AS SHOWN
MATERIAL	AS SHOWN
FINISH	AS SHOWN

QTY.	DESCRIPTION	PART NO.
1	UNIBUS INTERFACE (INTERRUPT 2)	M7015
1	UNIBUS INTERFACE (INTERRUPT 2)	D14
1	UNIBUS INTERFACE (INTERRUPT 2)	D14



REVISIONS

REV.	CHANGE NO.

FIRST USED ON OPTION/MODEL
LPS 11

QTY.	DESCRIPTION	PART NO.	REV.

UNLESS OTHERWISE SPECIFIED
DIMENSIONS IN INCHES

TOLERANCES
FRACTIONS DECIMALS ANGLES
± .005 ± .004 ± .030

FULL SURFACE QUALITY
REMOVE BURRS AND BREAK SHARP CORNERS

MATERIAL
FINISH

ED KING 2-21-72
J. King 3-30-72
O. King 7-7-72
R. King 8-7-72

EQUIPMENT CORPORATION

UNIBUS INTERFACE
(GRANT AND REQUEST SELECT)

DI-5

DICS M7015-0-1

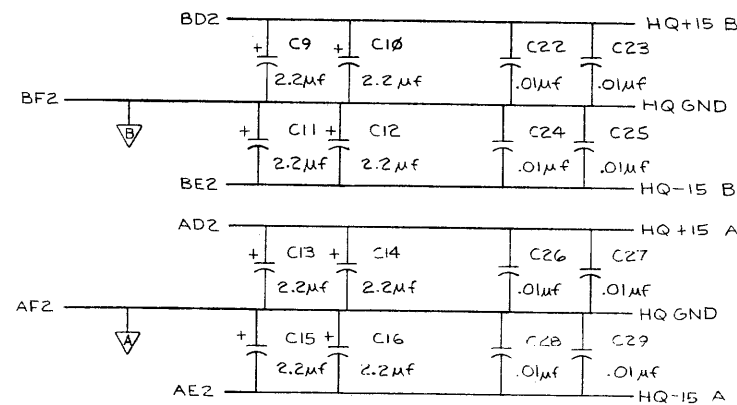
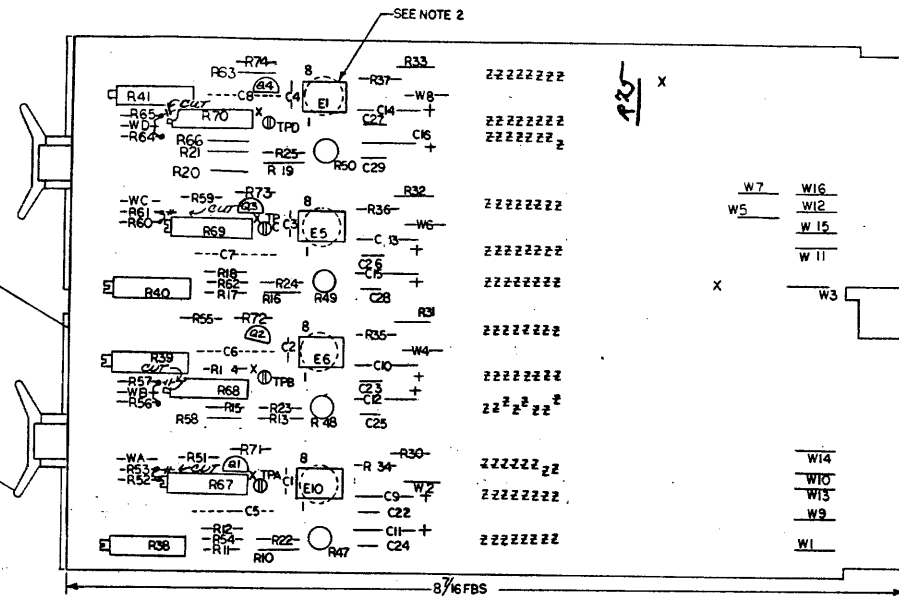
SCALE
SHEET 6 OF 6

LPS-11 OPTIONS:

- A 242
- M 7015
- ~~M 7016~~
- M 7019
- D M 996

NOTES:

1. C5, C6, C7, & C8 ARE OPTIONAL CAPACITORS TO BE INSTALLED WHEN NEET (E1, E2) MAINTENANCE MANUAL I OF PP011 IS IN USE.
2. E1, E5, E6, & E10 MAY BE DIFF. OF THE CANC.
3. JUMPERS W1 THRU W14 ARE NOT OPTIONAL. THEY ARE ALWAYS INSTALLED.
4. JUMPERS WA, WB, WC, OR WD MAY BE REMOVED DURING CALIBRATION. THEY MUST BE REINSTALLED IF E1, E5, E6, OR E10 IS REPLACED BEFORE CALIBRATION.



QTY	REF DESIGNATION	DESCRIPTION	PART NO.	ITEM NO.
4	Q1 THRU Q4	TRANSISTOR, PNP DEC 6534 D	1503409	22
20		JUMPER, WHITE, BODY INSULATED	9009185	21
2		HANDLE, FLIP-CHIP, AMBER	9006337-0	20
4		SPLIT LUG	9006735	19
4	R54, R58, R62, R66	RES. 4.7M 5% 1/4 W	1309341	18
4	R47 THRU R50	RES. 200 10% 1/2 W 62 PR	1309150-10	17
4	R38 THRU R41	RES. 500 10% 3/4 W 76 PR	1309143-06	16
4	R34 THRU R37	RES. 4K .1% 1/8 W MF	1305354	15
4	R30 THRU R33	RES. 1K .1% 1/8 W MF	1304865	14
16	R10 THRU R25	RES. 64K .1% 1/8 W MF	1305515	13
4	E1, E5, E6, E10	OPER. AMPLIFIER-201A	1911143	12
4	R67 THRU R70	RES. 20K 10% 3/4 W 76 PR	1309143-11	11
12	R51 THRU R53, R59 THRU R61 R55 THRU R57, R63 THRU R65	RES. 10M 5% 1/4 W	1302666	10
4	R71 THRU R74	RES. 3K 5% 1/4 W	1300432	9
8	C22 THRU C29	CAP. .01Mf 10% 100V DISC	1001610-01	8
3	C9 THRU C16	CAP. 2.2Mf 10% 20V	1002627	7
4	C1, C2, C3, C4	CAP. 10Pf 5% 100V D.M.	1000006	6
4		EYELET	9006732	5
1		ETCHED CIRCUIT BOARD	5010192	4
REF		MODULE ECO HISTORY	B-MH-A242-0-6	3
REF		ASSY/DRILLING HOLE LAYOUT	D-AH-A242-0-5	2
REF		X-Y COORDINATE HOLE LOCATION	K-CO-A242-0-4	1

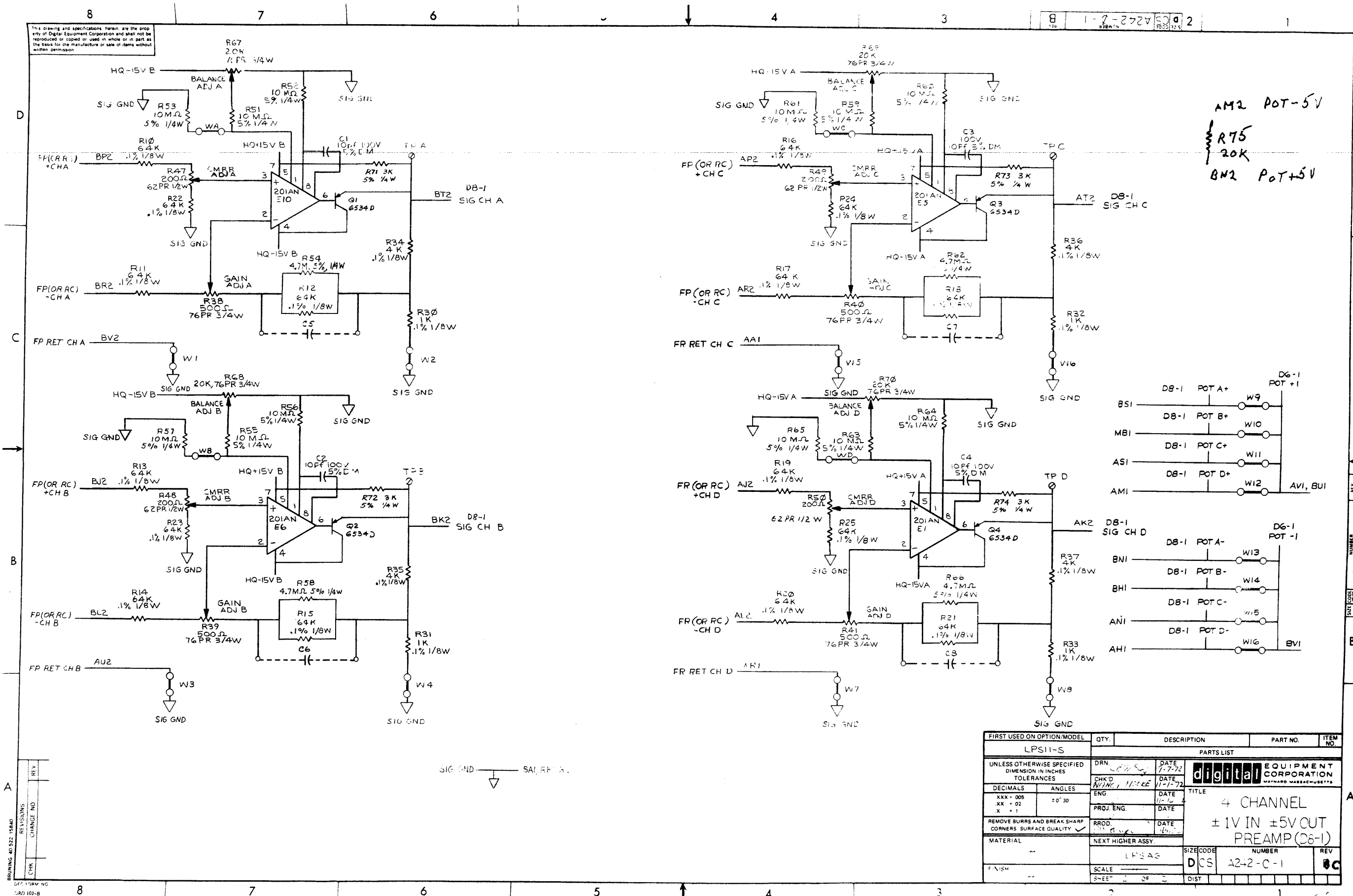
FIRST USED ON OPTION MODEL			PARTS LIST			
LPS11-S			ETCH BOARD	REV	DATE	BY
DRN	DATE	BY				
CHK'D	DATE	BY				
ENGR	DATE	BY				
PROJ. ENGR	DATE	BY				
PRD	DATE	BY				
NEXT HIGHER ASSY						
IN 7521	SAME					
DEC NO.	EIA NO.	DEC NO.	EIA NO.			
SEMICONDUCTOR CONVERSION CHART			TITLE			
SCALE			digital EQUIPMENT CORPORATION WATUARD MASSACHUSETTS			
DIST			4 CHANNEL ±1V IN ±5V OUT PREAMP			
REV. NO.			NUMBER			
REV. 2			DICS A242-01			
			REV. 2			

IC TYPE	GND	+5V

GND AND 5V ARE USUALLY PIN 7 AND 14 RESPECTIVELY. EXCEPTIONS ARE STATED ABOVE.

IC PIN LOCATIONS

BRUNING 40-522 1685-99
CFC FORM NO.
1160 135A



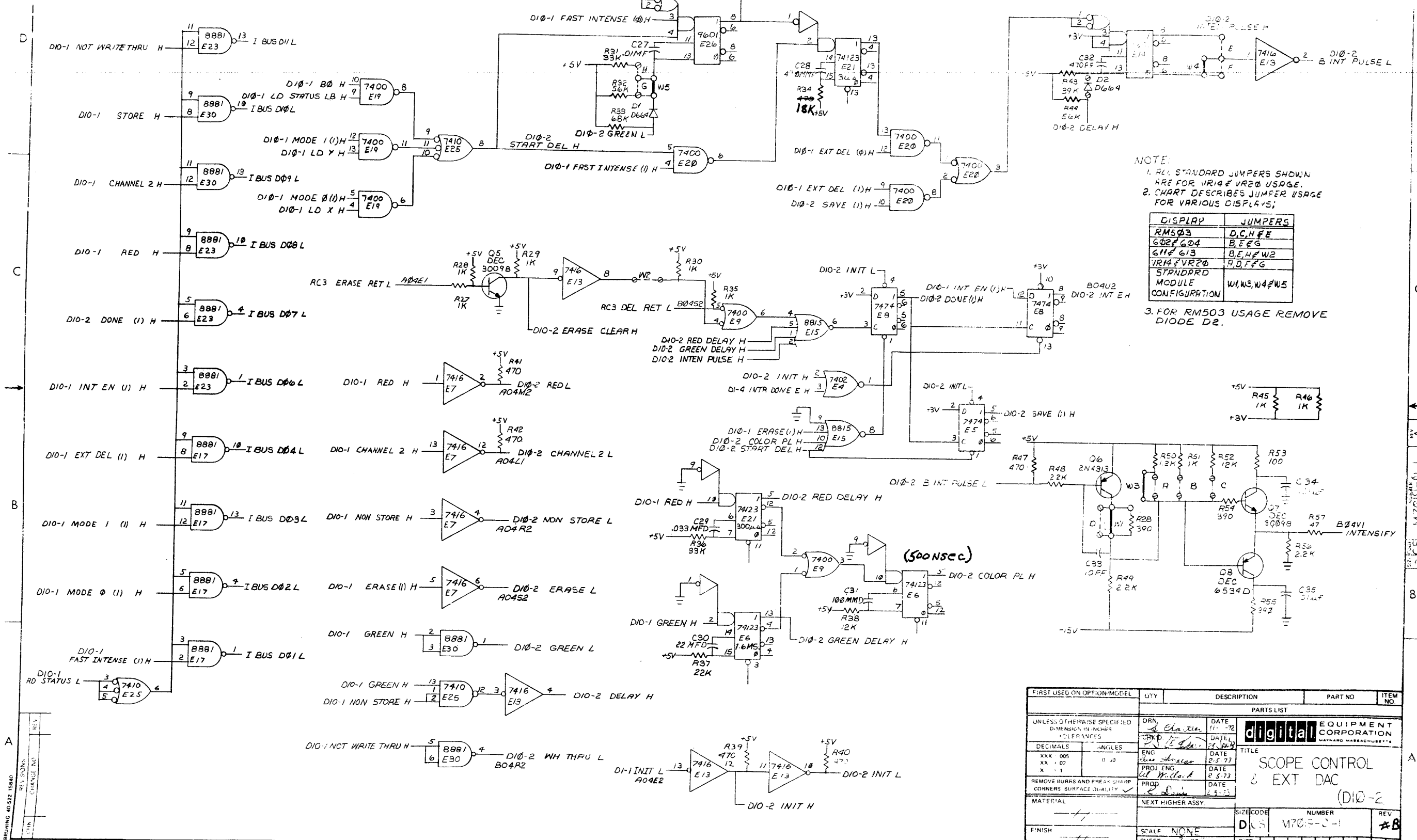
BRUNING 40 532 15840
 REV
 CHG
 CHANGE NO

REV
 DCS
 A242-0-1

1. Drawing and specifications herein are the property of Digital Equipment Corporation and shall not be reproduced or copied or used in whole or in part as a basis for the manufacture or sale of items without the permission of Digital Equipment Corporation. © NOV, 1972

Red = (15msec)
Green = (18msec)

(6msec) = Red or Store
(1msec) = Green



NOTE:
1. ALL STANDARD JUMPERS SHOWN ARE FOR VR14 & VR20 USAGE.
2. CHART DESCRIBES JUMPER USAGE FOR VARIOUS DISPLAYS;

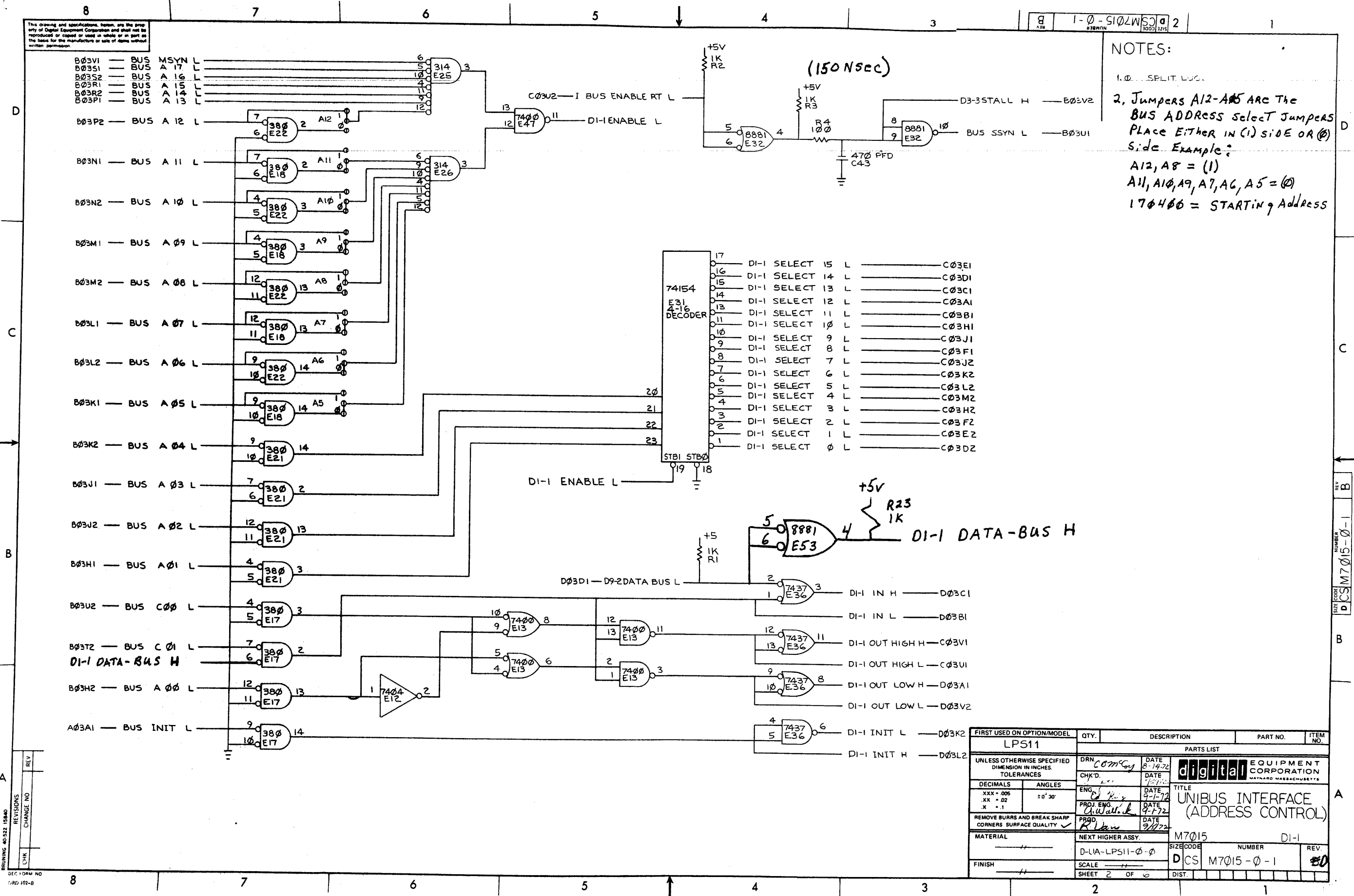
DISPLAY	JUMPERS
RM503	D, C, H & E
602/604	B, E, F
611/613	B, E, H, W2
VR14/VR20	A, D, F, G
STANDARD MODULE CONFIGURATION	W1, W3, W4 & W5

3. FOR RM503 USAGE REMOVE DIODE D2.

FIRST USED ON OPTION/MODEL	QTY	DESCRIPTION	PART NO	ITEM NO.
PARTS LIST				
UNLESS OTHERWISE SPECIFIED: DIMENSIONS IN INCHES TOLERANCES		DRN <i>S. Charter</i>	DATE 11-72	digital EQUIPMENT CORPORATION MAYNARD, MASSACHUSETTS
DECIMALS	ANGLES	CHKD <i>S. Charter</i>	DATE 11-72	
XXX 005	0.00	ENG <i>Jim Anderson</i>	DATE 2-5-73	TITLE SCOPE CONTROL & EXT DAC (DIO-2)
X - 1		PROJ. ENG. <i>W. Miller</i>	DATE 2-5-73	
REMOVE BURRS AND BREAK SHARP CORNERS SURFACE QUALITY		PRD <i>S. Charter</i>	DATE 2-5-73	
MATERIAL		NEXT HIGHER ASSY		
FINISH		SIZE CODE DUS	NUMBER M7015-0-1	REV #B
		SCALE NONE	SHEET 2 OF	DIST

REV. 11-72
M7015-0-1
SHEET 2 OF 2

This drawing and specifications, herein, are the property of Digital Equipment Corporation and shall not be reproduced or copied or used in whole or in part as the basis for the manufacture or sale of items without written permission.



NOTES:
 1. SPLIT LOG.
 2. JUMPERS A12-A05 ARE THE BUS ADDRESS SELECT JUMPERS PLACE EITHER IN (1) SIDE OR (2) SIDE EXAMPLE:
 A12, A8 = (1)
 A11, A10, A9, A7, A6, A5 = (2)
 170400 = STARTING ADDRESS

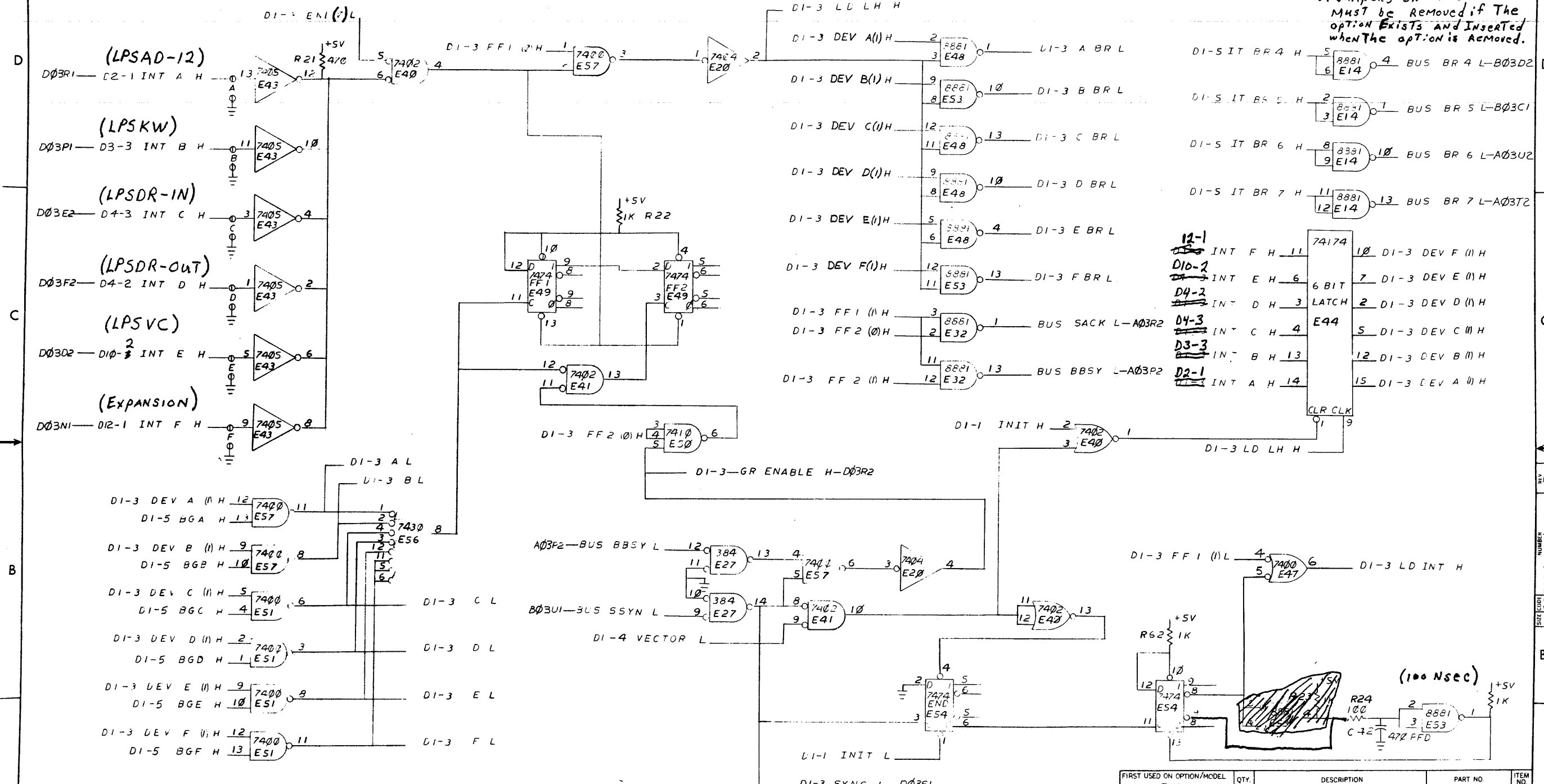
FIRST USED ON OPTION/MODEL	QTY.	DESCRIPTION	PART NO.	ITEM NO.
LPS11				
UNLESS OTHERWISE SPECIFIED DIMENSION IN INCHES. TOLERANCES				
DECIMALS	ANGLES	TITLE		
XXX + .005	± 0° 30'	UNIBUS INTERFACE (ADDRESS CONTROL)		
XX + .02		PARTS LIST		
X + .1		M7015 DI-1		
REMOVE BURRS AND BREAK SHARP CORNERS SURFACE QUALITY				
MATERIAL	NEXT HIGHER ASSY.	SIZE CODE		
	D-LA-LPS11-0-0	NUMBER		
FINISH		DIST		
		REV. 80		
SHEET 2 OF 6		D CS M7015-0-1		

REV	CHANGE NO	REVISIONS

DEC 1974 NO 17RD 102-B

This drawing and specifications, herein, are the property of Digital Equipment Corporation and shall not be reproduced or copied or used in whole or in part as the basis for the manufacture or sale of items without written permission.

NOTE: 1. \emptyset = SPLIT LOSS
 2. JUMPERS INTA-INTF MUST be REMOVED if The OPTION EXISTS AND INSERTED when The OPTION is REMOVED.

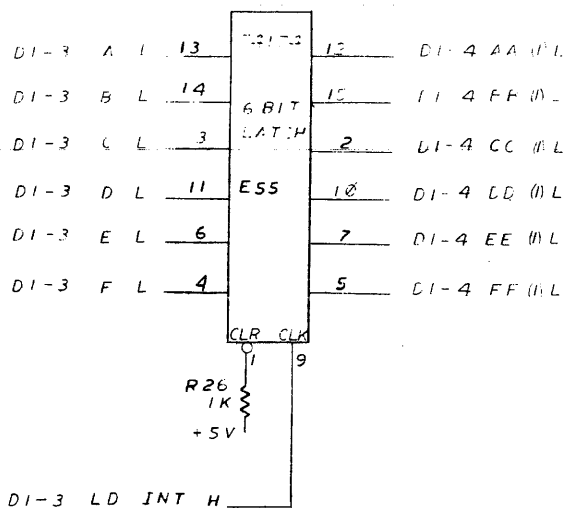


12-1	INT F H	11	74174	10	DI-3 DEV F (I) H
D10-2	INT E H	6	6 BIT	7	DI-3 DEV E (I) H
D4-2	INT D H	3	LATCH	2	DI-3 DEV D (I) H
D4-3	INT C H	4	E44	5	DI-3 DEV C (I) H
D3-3	INT B H	13		12	DI-3 DEV B (I) H
D2-1	INT A H	14		15	DI-3 DEV A (I) H

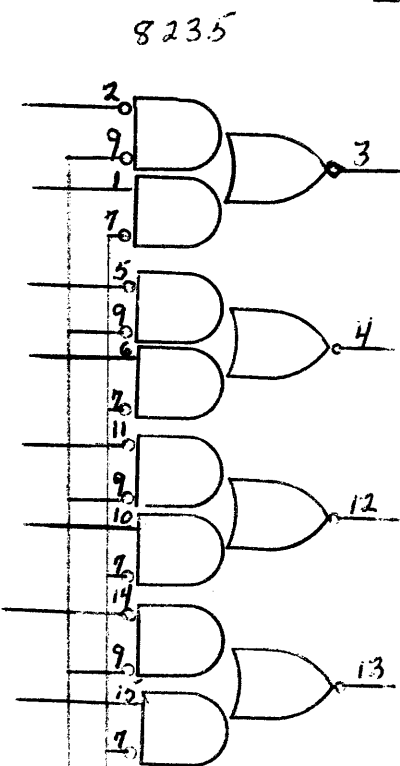
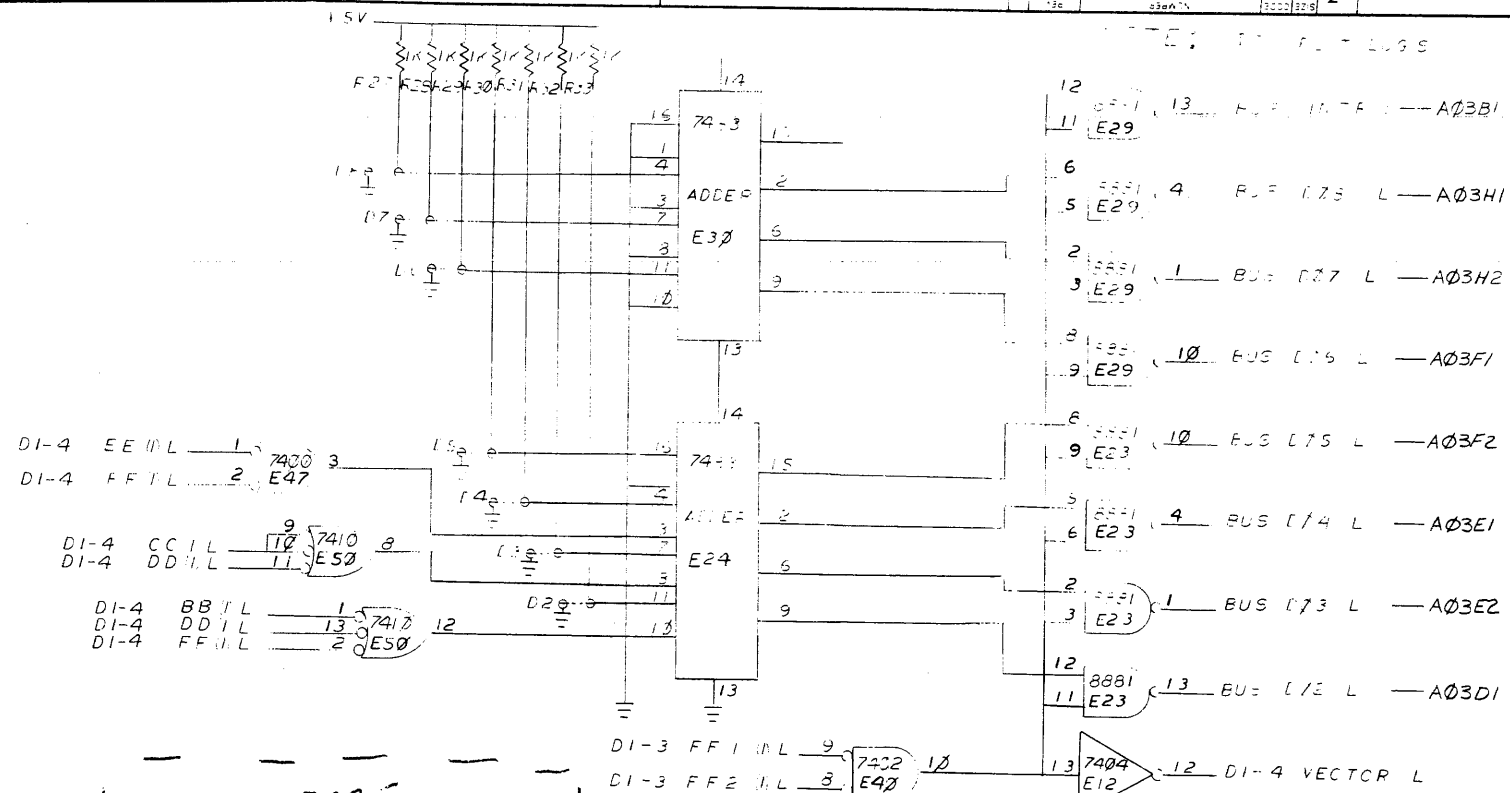
FIRST USED ON OPTION/MODEL	QTY.	DESCRIPTION	PART NO.	ITEM NO.
LPS11				
PARTS LIST				
UNLESS OTHERWISE SPECIFIED	DRN: ED KING	DATE: 4-21-76	digital EQUIPMENT CORPORATION MILFORD, MASSACHUSETTS	
UNLESS OTHERWISE SPECIFIED	CHK'D: [Signature]	DATE: 8-20-72	TITLE: UNIFUS INTERFACE (INTERRUPT I)	
DIMENSIONS IN INCHES	ENG: [Signature]	DATE: 7-1-72	MATERIAL: NEXT HIGHER ASSY	
TOLERANCES	PROJ. ENG: [Signature]	DATE: 9-11-72	M7015	
DECIMALS = 0.005	PROD: [Signature]	DATE: 9/8/72	D-UA-LPS11-0-0	
FRACTIONS = 1/64			SIZE CODE: M7015-0-1	
ANGLES = 0°30'			NUMBER: DCS M7015-0-1	
FINAL SURFACE QUALITY			REV: 80	
REMOVE BURRS AND BREAK SHARP CORNERS			SHEET: + OF 6	
MATERIAL			DIST.	
FINISH				

REV	
CHANGE NO.	
CHK	

This drawing and specifications herein are the property of Digital Equipment Corporation and shall not be reproduced or copied or used in whole or in part as the basis for the manufacture or sale of items without written permission.



NOTE: JUMPERS D8-D2 ARE THE FLOATING VECTOR ADDRESS SELECTION JUMPERS.
 INSERT FOR A (0) DELETE FOR A (1).
 Example: D8, D5, D4, D3, D2 = (0)
 D7, D6, = (1)
 300 = STARTING VECTOR ADDRESS



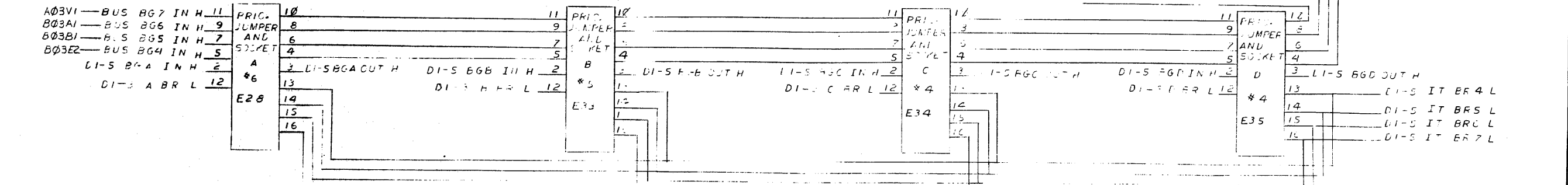
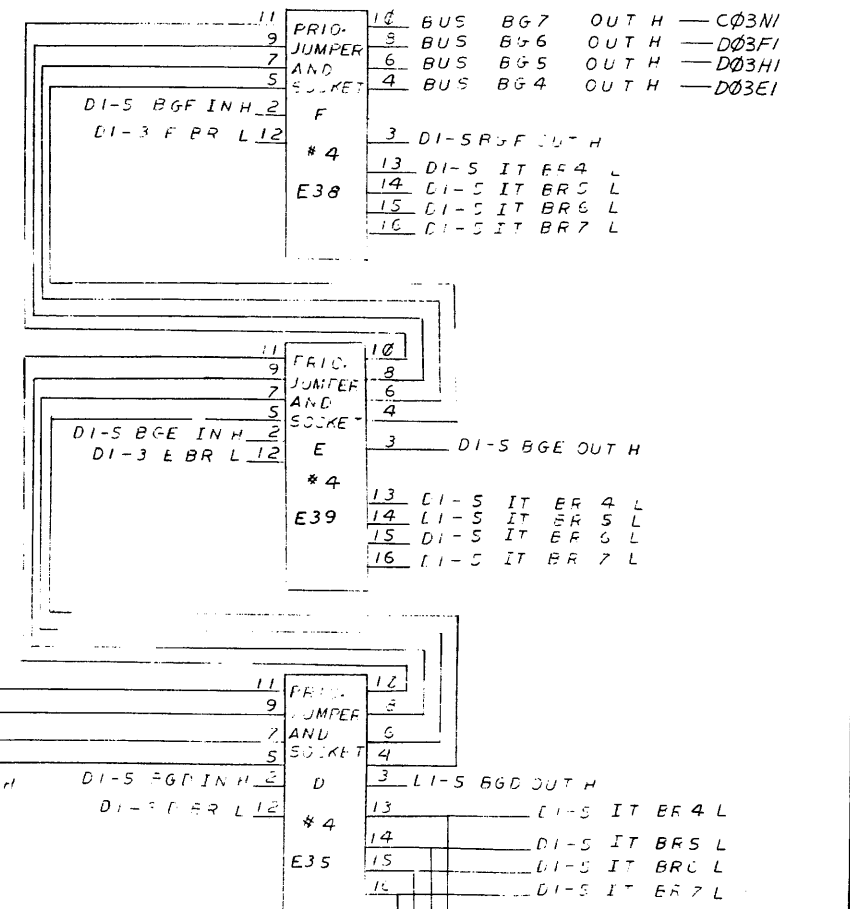
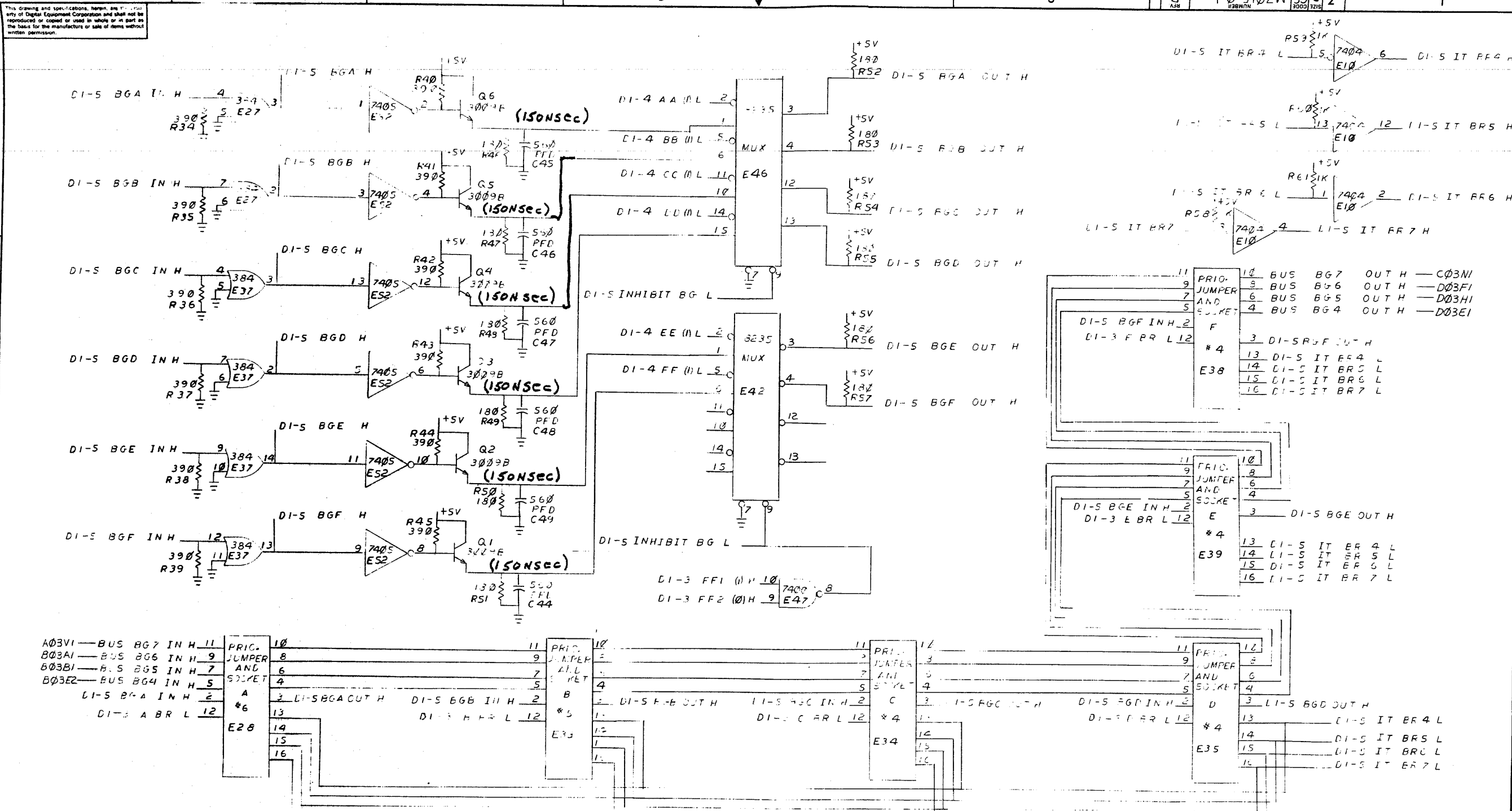
- DI-4 AA I L 6 7402 4 LI-4 INTR DONE A H — D03J2 (LPSAD-12)
- DI-3 END I L 5 E45
- DI-4 BB I L 20 7402 1 DI-4 INTR DONE B H — D03H2 (LPS KW)
- 3 E45
- DI-4 CC I L 12 7402 13 DI-4 INTR DONE C H — D03M1 (LPSOR-IN)
- 11 E45
- DI-4 LD I L 8 7402 10 LI-4 INTR DONE D H — D03M2 (LPSOR-OUT)
- 9 E45
- DI-4 EE I L 5 7402 9 LI-4 INTR DONE E H — D03L1 (LPSVC)
- 6 E41
- DI-4 FF I L 20 7402 1 LI-4 INTR DONE F H — D03K1 (EXPANSION)
- 3 E41

REV	NO
CHK	

FIRST USED ON OPTION / MODEL
 LF-11

DO NOT SCALE DRAWING		PARTS LIST	
DRN. ECKING	DATE 4-21-72		
CHK'D. 8/22	DATE 8-30-72		
UNLESS OTHERWISE SPECIFIED DIMENSION IN INCHES		TITLE	
TOLERANCES		UNIBUS INTERFACE (INTERRUPT 2)	
DECIMALS	FRACTIONS	ANGLES	DATE 9-1-72
= .005	= 1/64	= 0°30'	DATE 9-1-72
FINAL SURFACE QUALITY REMOVE BURRS AND BREAK SHARP CORNERS		PROJ. ENG. G. Wallack	DATE 9-1-72
MATERIAL		PROD. R. Davis	DATE 9/13/72
NEXT HIGHER ASSY		M7015	
FINISH		NUMBER DI-4	
SCALE		SIZE CODE DCS M7015-0-1	
SHEET 5 OF 5		REV #0	

This drawing and specifications, herein, are the property of Digital Equipment Corporation and shall not be reproduced or copied or used in whole or in part as the basis for the manufacture or sale of items without written permission.



REV.	CHANGE NO.

FIRST USED ON OPTION/MODEL
LFC 11

QTY.	DESCRIPTION	PART NO.	ITEM NO.

DRN.	DATE	CHK'D.	DATE

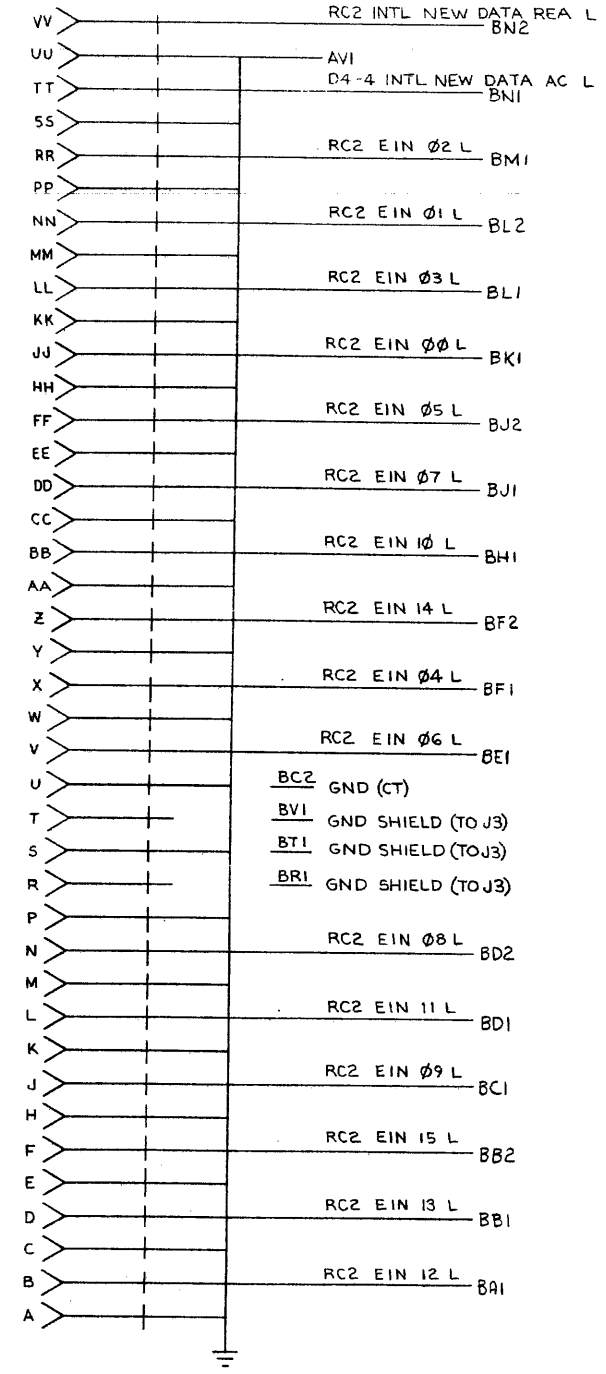
PROJ. ENG.	DATE	PROJ. PROD.	DATE

TITLE	NUMBER	REV.
UNIBUS INTERFACE (GRANT AND REQUEST SELECT)	D-11A-LPS11-2	01

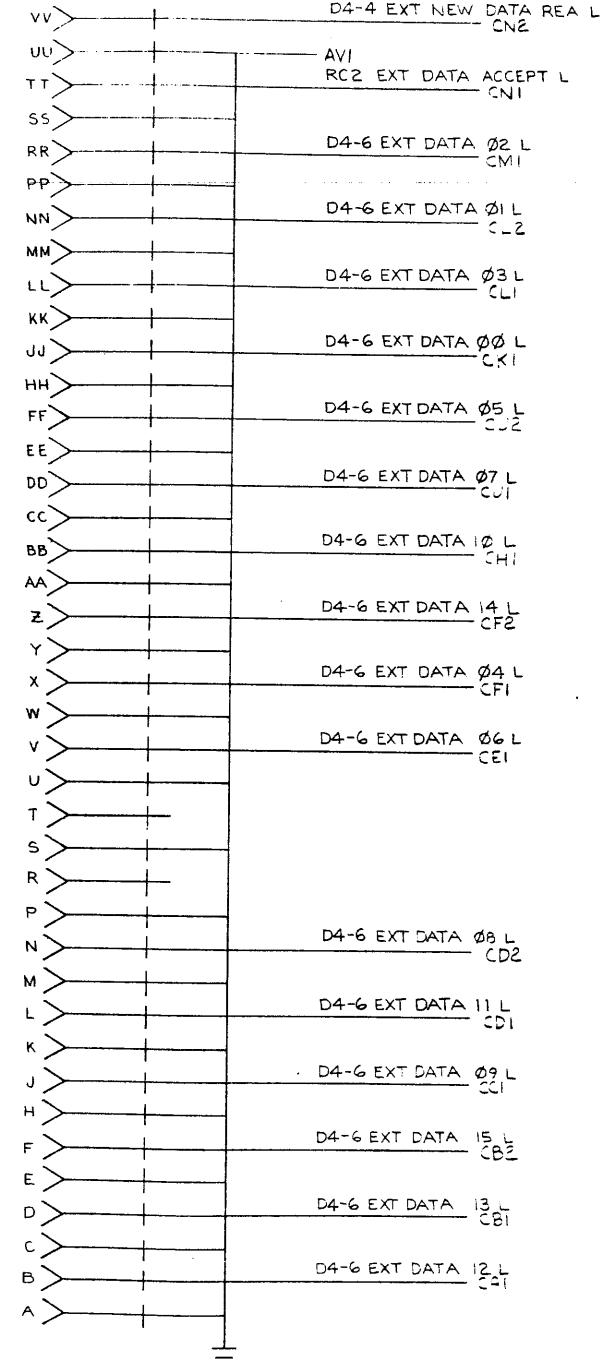
This drawing and specifications, herein, are the property of Digital Equipment Corporation and shall not be reproduced or copied or used in whole or in part as the basis for the manufacture or sale of items without written permission.

1-0-96cW 50 2

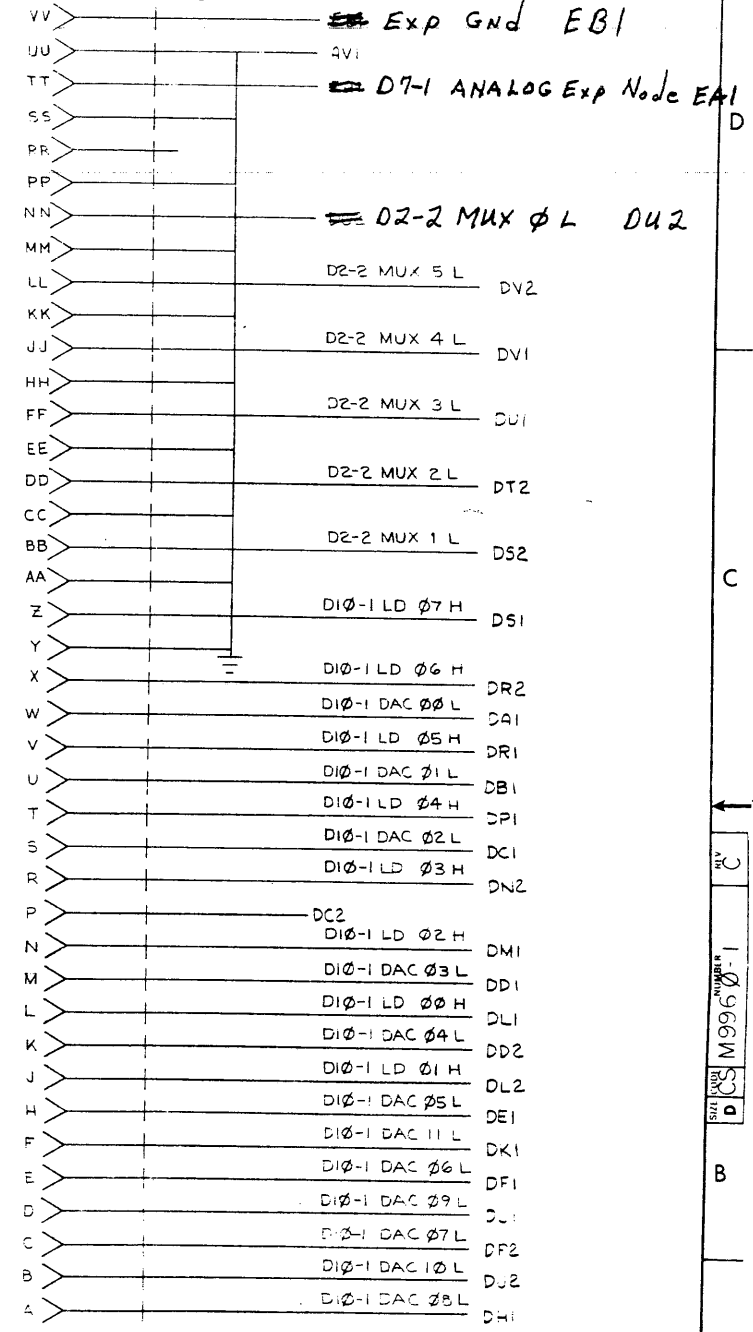
D I/O INPUT
J2



D I/O OUT
J4



EXPANSION
J5



BRUNN	7 15840	REVISIONS	CHANGE NO	REV
CHK				

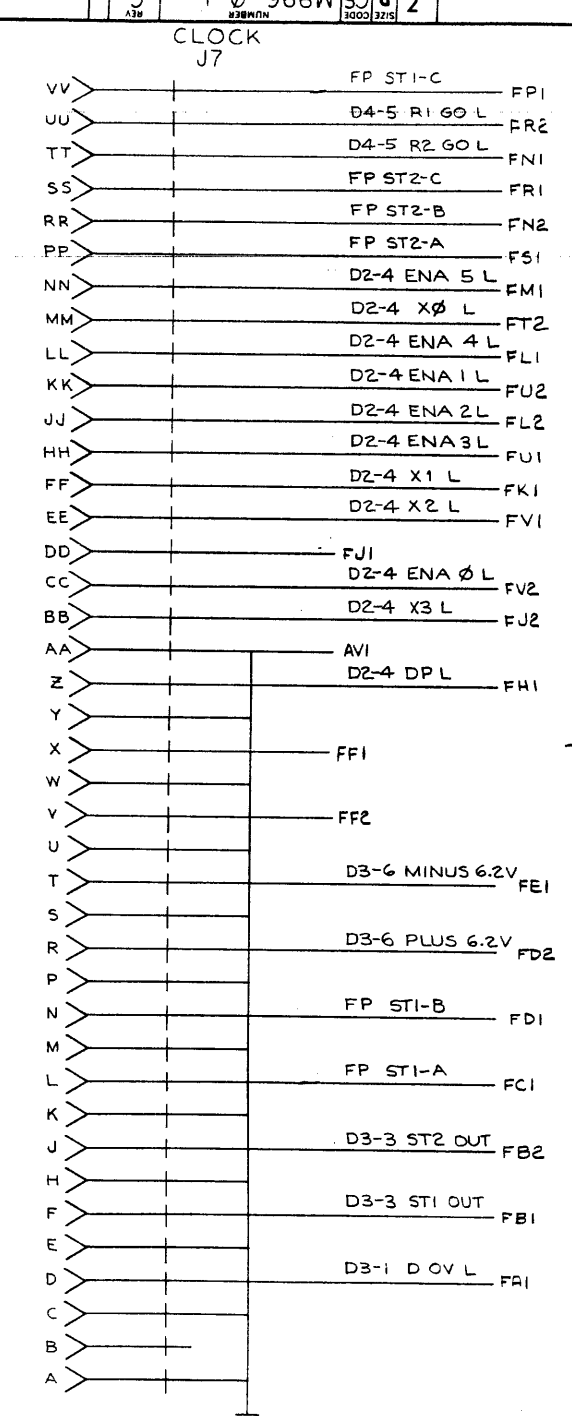
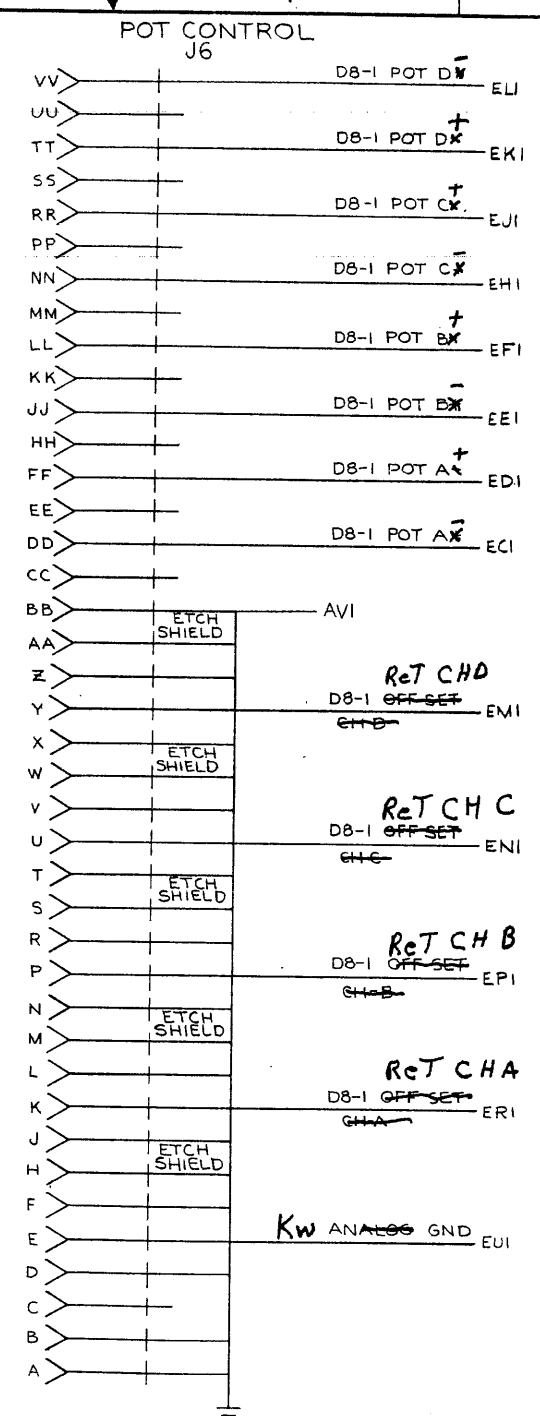
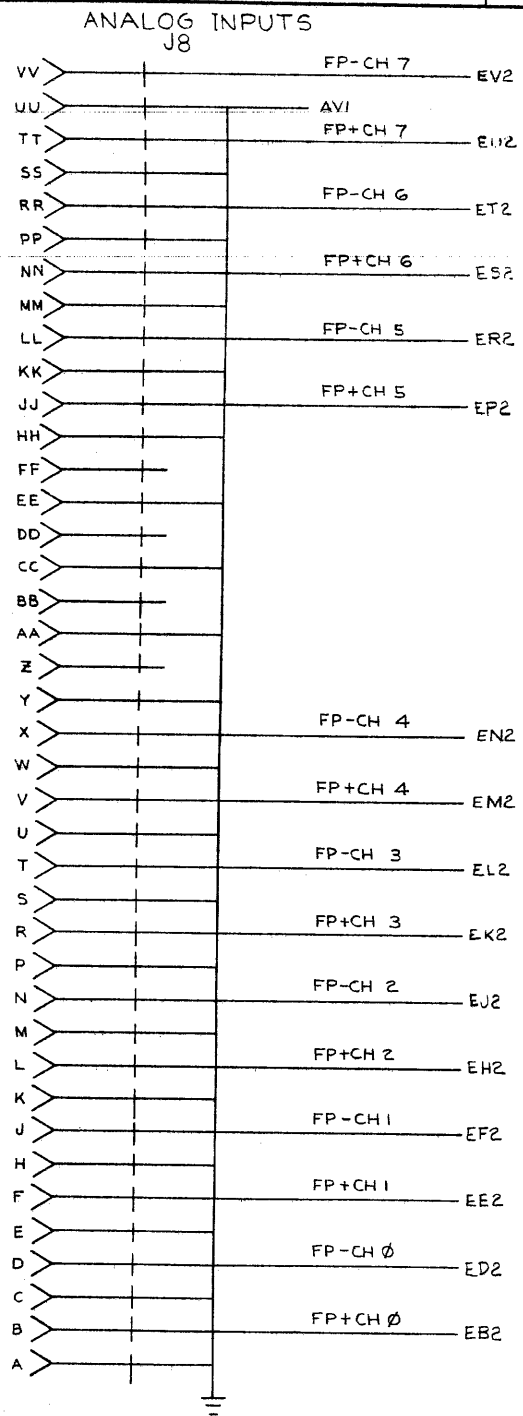
DEC 1964 NO
RD 102-B

FIRST USED ON OPTION MODEL	QTY	DESCRIPTION	PART NO	ITEM NO
LPS11-S				
PARTS LIST				
UNLESS OTHERWISE SPECIFIED DIMENSION IN INCHES TOLERANCES	DRN 1/1/64 ENG	DATE 1/1/64	digital EQUIPMENT CORPORATION MAYNARD MASSACHUSETTS	
DECIMALS	ANGLES	DATE	TITLE CONNECTOR SHIELD BOARD	
XXX - .005	± .00	1/1/64		
XX - .02				
X - .1				
REMOVE BURRS AND BREAK SHARP CORNERS SURFACE QUALITY	PRG'D 1/1/64	DATE 1/1/64		
MATERIAL	NEXT HIGHER ASSY	SIZE CODE	NUMBER	REV
	D-1A-LP11-S-07	D-1	1596-D-1	ED
FINISH		SCALE	DIST	

REV C
REV B
REV A
M996-D-1

This drawing and specifications herein are the property of Digital Equipment Corporation and shall not be reproduced or copied or used in whole or in part as the basis for the manufacture or sale of items without written permission.

1-0-966W 2



REV	
CHG	
NO	
NO	
NO	

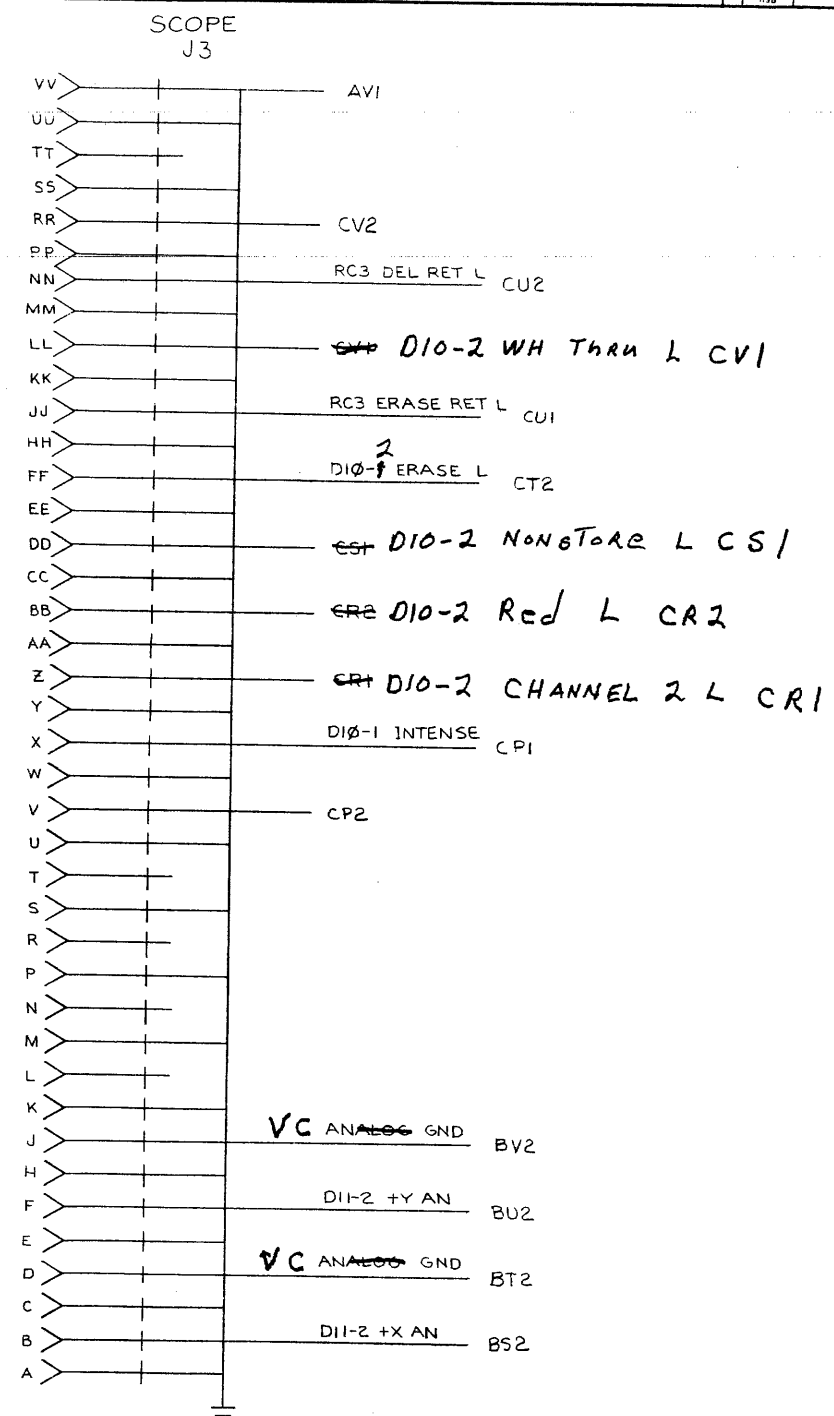
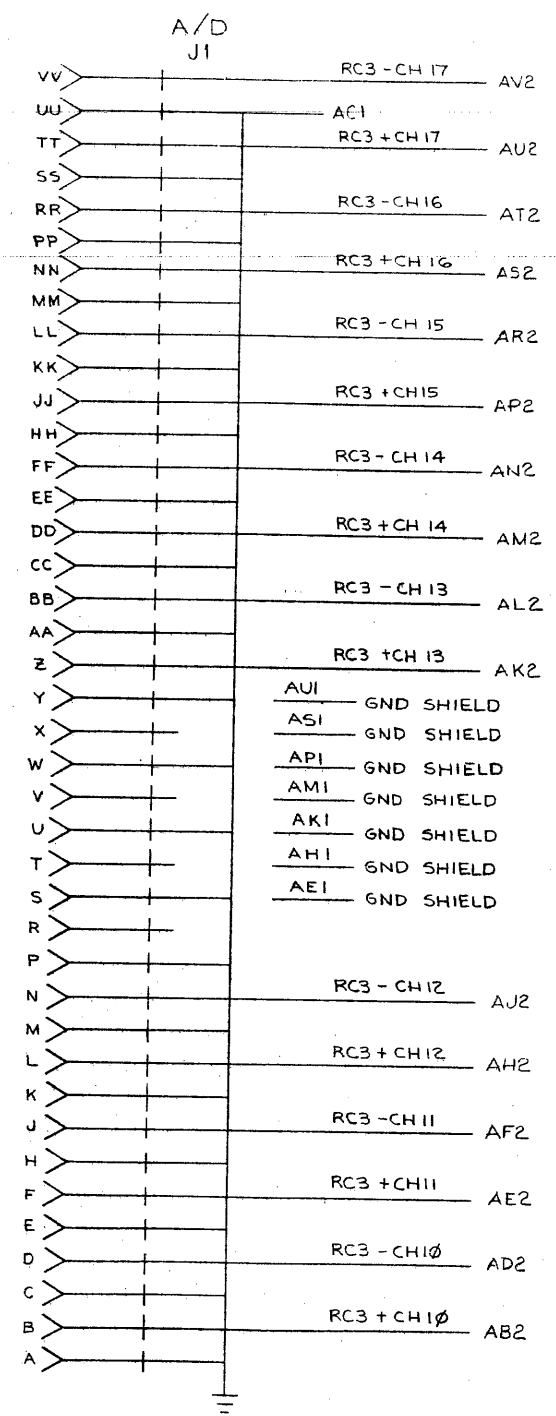
FIRST USED ON OPTION/MODEL	QTY.	DESCRIPTION	PART NO.	ITEM NO.
LPS11-S				
UNLESS OTHERWISE SPECIFIED DIMENSION IN INCHES TOLERANCES				
DECIMALS	ANGLES	PARTS LIST		
XXX = .005	± 0° 30'	DRN	DATE	 digital EQUIPMENT CORPORATION MAYNARD MASSACHUSETTS
.XX = .02		CHK'D	DATE	
.X = .1		ENG	DATE	
		PROJ. ENG.	DATE	
REMOVE BURRS AND BREAK SHARP CORNERS SURFACE QUALITY				
NEXT HIGHER ASSY				
MATERIAL			SIZE CODE	NUMBER
FINISH			DICS	M996-0-1
SCALE		SHEET		REV.
OF 4		3 OF 4		ED

BRUNING 40 922 18840
PL 102-B

REV. C
NUMBER 0-1
DICS M996-0-1

This drawing and specifications, herein, are the property of Digital Equipment Corporation and shall not be reproduced or copied or used in whole or in part as the basis for the manufacture or sale of items without written permission.

1-0-966W SCS 2



REV	
CHG	
REVISIONS	
CHANGE NO	

REV C
ITEM NO M996-0-1
DCS

FIRST USED ON OPTION/MODEL	QTY.	DESCRIPTION	PART NO.	ITEM NO.
LPS11-S				
PARTS LIST				
UNLESS OTHERWISE SPECIFIED DIMENSION IN INCHES	DRN	DATE	digital EQUIPMENT CORPORATION MAYNARD MASSACHUSETTS	
TOLERANCES	CHK'D	DATE	TITLE	
DECIMALS	FRANCY NICKRE	1/18/72	CONNECTOR	
ANGLES	ENG.	DATE	SHIELD BOARD	
XXX - 005	PROJ. ENG.	DATE		
XX - 02	PROD.	DATE		
X - 1				
REMOVE BURRS AND BREAK SHARP CORNERS SURFACE QUALITY				
MATERIAL	NEXT HIGHER ASSY	SIZE CODE	NUMBER	REV.
	D-UA-LPS11-S	DCS	M996-0-1	ED
FINISH	SCALE	SHEET	DIST	
	4 OF 4	4		