



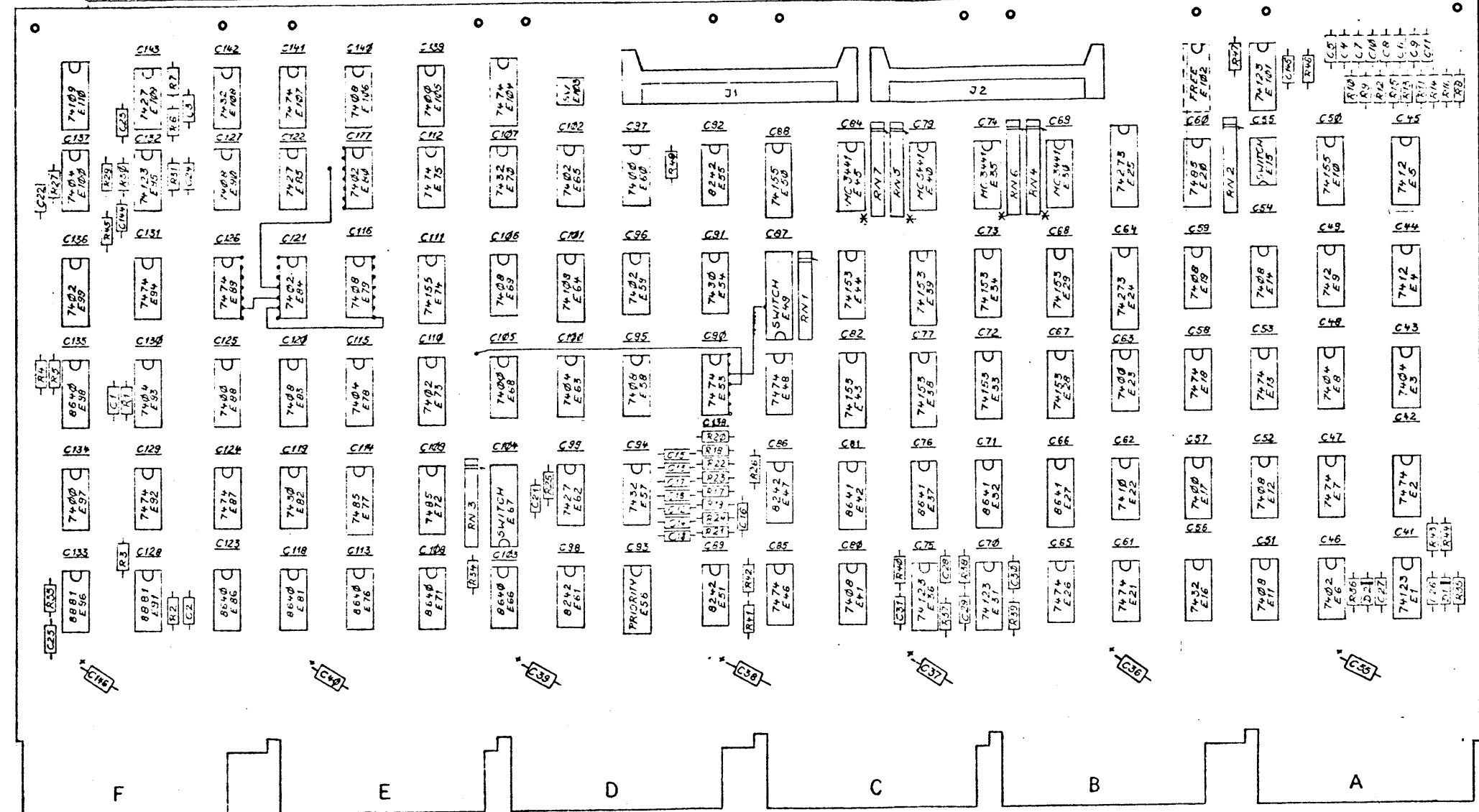
CUSTOMER PRINT SET				ELECTRICAL					CUSTOMER PRINT SET				MECHANICAL								
IEC11-AA	IEC11-AB	IEC11-AC		MFG. SET	FIND NO.	DRAWING NO.	REV	NO OF SHT	DESCRIPTION	OPTION NO.					MFG. SET	FIND NO.	DRAWING NO.	REV	NO OF SHT	DESCRIPTION	OPTION NO.
X	X	X		X		A-PL-IEC11-A-0	B	1	Parts List												
X	X	X		X		D-CS-M7985-0-0	J	9	IEC11-A					X		K-MD-7610170-1-0	B	1	IEC Bus Mounting Bracket		
				X		C-AD-7610170-0-0	A	1	Adapter Cable with IEC 66.22Con.					X		A-MD-YG-H28HB-00		1	Stand Off		
	X			X		B-DD-H343-A-1		6	Bus Adapter Assy												
		X		X		C-AD-YG-F03PB-00		1	IEEE-Adapter Cable												
				X		A-SP-IEC-11-A		2	IEC 11-A Bus Controller M-7985 In-house Test & Acceptance Procedure												

TITLE	SHEET 2 OF 2	SIZE	CODE	NUMBER	REV
IEC BUS INTERFACE		B	DD	IEC11-A	J



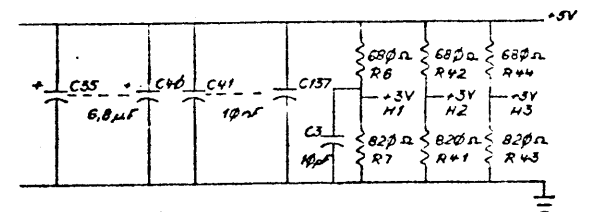
THIS DRAWING AND SPECIFICATIONS HEREIN ARE THE PROPERTY OF DIGITAL EQUIPMENT CORPORATION AND SHALL NOT BE REPRODUCED OR COPIED IN WHOLE OR IN PART AT THE REQUEST OF THE BUYER WITHOUT WRITTEN PERMISSION FROM DIGITAL EQUIPMENT CORPORATION.

### COMPONENTS ARRANGEMENT



NOTE: PLACED IN DD 11-A  
OR IN DD 11-B  
OR IN DD 11-C

SLOT 2A - 2F  
SLOT 2A - 2F  
SLOT 3A - 3F



\* IN ORDER OF PART DELIVERY PROBLEMS  
IT IS POSSIBLE TO USE FOR ITEM 24 ONE  
OF FOLLOWING 3 ASSEMBLY COMBINATIONS:

QTY	DESCRIPTION	PART NO.	ITEM NO.
4	IC MC3441 E32, E33, E40, E45	19-13664	24
OR			
4	IC MC3443P E32, E33, E40, E45	26-1215A-20	24
2	RES-NETWORK RN4, RN5	26-1282A-03	56
OR			
4	IC MC3443P E32, E33, E40, E45	26-1215A-00	24
2	RES-NETWORK RN4, RN5	26-1157A-00	57
2	RES-NETWORK RN6, RN7	26-1157A-01	58

IC TYPE	QTY	ITEM NO.
MC3441	8	16
74273	10	20
74155	8	16
74153	8	16
74123	8	16
74109	8	16
8838	1	8
8640	1	8
7405	8	16

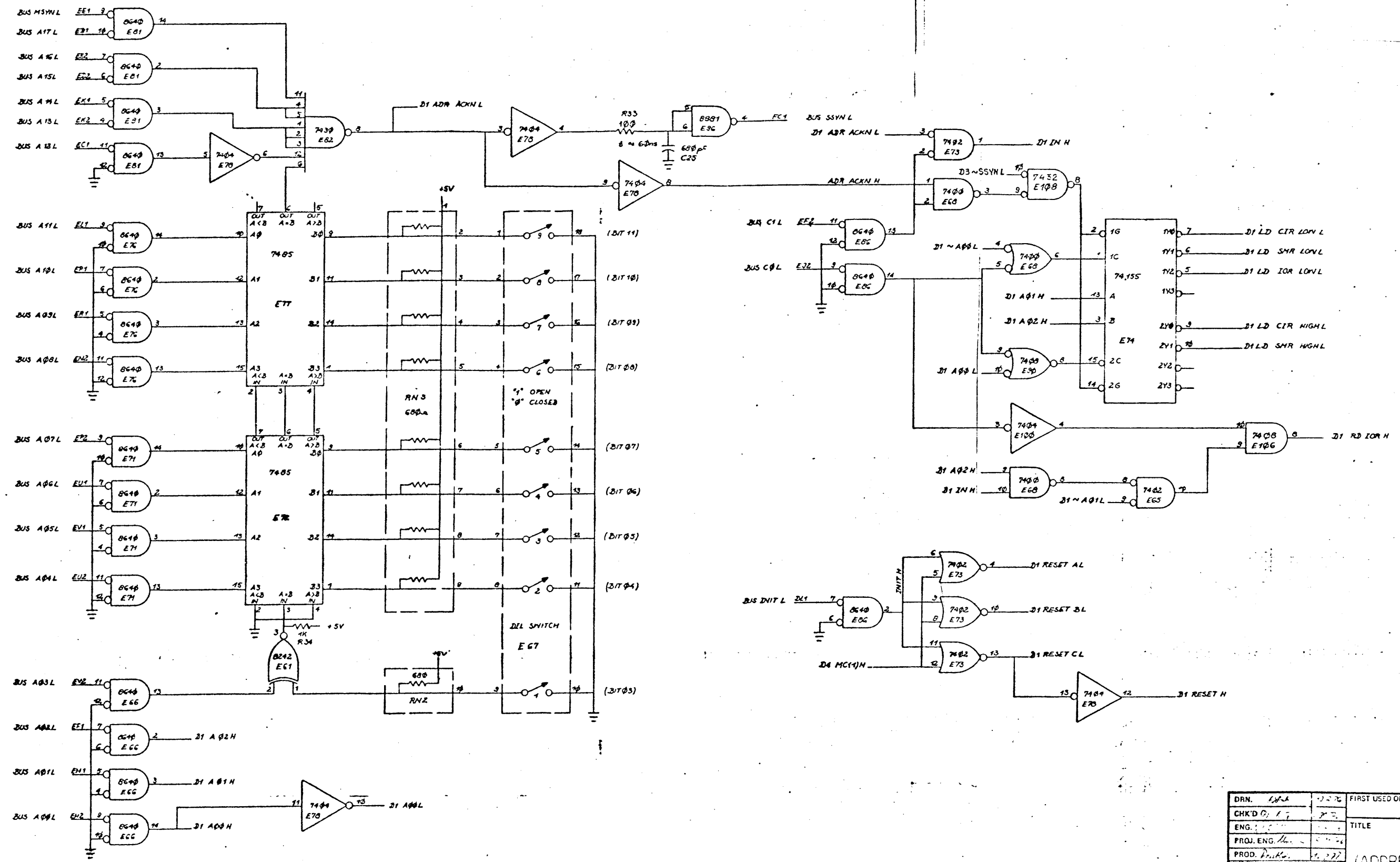
QTY	DESCRIPTION	PART NO.	ITEM NO.
2	BERG CONNECTOR J1, J2	12-09941-02	55
1	MINI-SWITCH E103	12-14452-00	54
1	DIL-SWITCH 10 pd. E48	12-11164-26	53
1	DIL-SWITCH 8 pd. E67	12-11164-05	52
1	DIL-SWITCH 5 pd. E15	12-11164-01	51
3	SIL-RES 685Ω RN1, RN2, RN3	13-14453-00	50
2	DIODE D664 D1, D2	11-00114	49
1	CAP. 100µF C27	55M-0166	48
1	CAP. 56µF C144	10-00012	47
102	CAP. 10nF C3, C41-C77, C79-C82, C84-C143	10-01610	46
7	CAP. 6.8µF C35-C43, C146	10-05306	45
1	CAP. 22µF C26	10-11683	44
3	CAP. 680µF C24, C25, C31	10-00026	43
4	CAP. 330µF C1, C2, C23, C28	10-00023	42
11	CAP. 220µF C12-C18, C22, C145	10-00021	41
9	CAP. 150µF C4-C11, C30	10-00019	40
1	CAP. 35µF C29	10-00009	39
1	RES. 18K, 1/4W R45	13-02465	38
2	RES. 0.1K, 1/4W R35, R36	13-03496	37
5	RES. 10K, 1/4W R31, R37, R39, R40, R46	13-00473	36
1	RES. 47K, 1/4W R38	13-00447	35
3	RES. 1K, 1/4W R28, R34, R47	13-00365	34
3	RES. 820Ω, 1/4W R7, R41, R43	13-01775	33
5	RES. 680Ω, 1/4W R6, R8, R26, R42, R44, R49	13-01424	32
1	RES. 390Ω, 1/4W R4	13-00389	31
1	RES. 330Ω, 1/4W R30	13-00295	30
2	RES. 180Ω, 1/4W R3, R5	13-01322	29
20	RES. 100Ω, 1/4W R2-R5, R27, R28, R21	13-00223	28
1	RES. 47Ω, 1/4W R1	13-00202	27
1	PRIORITY JUMPER	54-08780	26
1	PRIORITY SOCKET E56	12-09038	25
			* 24
2	IC 74273 E24, E25	19-13962	23
3	IC 74155 E13, E50, E74	19-10656	22
8	IC 74153 E49, E29, E35, E34, E43, E36, E37, E38	19-09937	21
5	IC 74123 E1, E31, E36, E35, E101	19-10436	20
2	IC 74109 E64, E110	19-13961	19
2	IC 8881 E91, E96	19-09705	18
6	IC 8640 E55, E71, E76, E81, E58, E59	19-11469	17
4	IC 8242 E47, E51, E55, E61	19-09712	16
4	IC 8641 E27, E32, E37, E42	19-11579	15
3	IC 7485 E22, E72, E77	19-10224	14
16	IC 7474 E2, E7, E13, E18, E21, E25, E40, E48, E53, E75, E87, E89, E92, E94, E102, E107	19-05547	13
4	IC 7432 E16, E57, E70, E78	19-11521	12
2	IC 7430 E54, E82	19-05578	11
3	IC 7427 E62, E85, E109	19-10878	10
3	IC 7412 E4, E5, E9	19-09955	9
1	IC 7410 E22	19-05576	8
11	IC 7408 E11, E12, E14, E19, E41, E58, E69, E79, E83, E86, E106	19-10155	7
6	IC 7404 E3, E9, E63, E78, E32, E102	19-09686	6
7	IC 7402 E6, E59, E72, E80, E52, E84, E93	19-09004	5
7	IC 7400 E17, E23, E28, E68, E88, E97, E105	19-05575	4
12	EVELET	90-06732	3
1	HANDLE	12-10711	2
1	PC-BOARD	26-1077A-00	1

PARTS LIST		FIRST USED ON	
DRN. NO.	DATE	PROJECT	DESCRIPTION
CHK'D	DATE	POP II	Digital
ENG.	DATE	TITLE	
PROJ. ENG.	DATE	IEC 11-A	
PROD. DATE	DATE		
NEXT HIGHER ASSY.			
A. P. - IEC 11-A-D			
SCALE	SIZE	CODE	NUMBER
	D	OS	M 7933-0-0
SHEET	OF	DIST.	REV.
9	9		J

REV.	CHANGE NO.	DESCRIPTION
1	1	INITIAL RELEASE
2	2	REVISED FOR MOUNTING
3	3	REVISED FOR MOUNTING
4	4	REVISED FOR MOUNTING
5	5	REVISED FOR MOUNTING
6	6	REVISED FOR MOUNTING
7	7	REVISED FOR MOUNTING
8	8	REVISED FOR MOUNTING
9	9	REVISED FOR MOUNTING
10	10	REVISED FOR MOUNTING
11	11	REVISED FOR MOUNTING
12	12	REVISED FOR MOUNTING
13	13	REVISED FOR MOUNTING
14	14	REVISED FOR MOUNTING
15	15	REVISED FOR MOUNTING
16	16	REVISED FOR MOUNTING
17	17	REVISED FOR MOUNTING
18	18	REVISED FOR MOUNTING
19	19	REVISED FOR MOUNTING
20	20	REVISED FOR MOUNTING
21	21	REVISED FOR MOUNTING
22	22	REVISED FOR MOUNTING
23	23	REVISED FOR MOUNTING
24	24	REVISED FOR MOUNTING
25	25	REVISED FOR MOUNTING
26	26	REVISED FOR MOUNTING
27	27	REVISED FOR MOUNTING
28	28	REVISED FOR MOUNTING
29	29	REVISED FOR MOUNTING
30	30	REVISED FOR MOUNTING
31	31	REVISED FOR MOUNTING
32	32	REVISED FOR MOUNTING
33	33	REVISED FOR MOUNTING
34	34	REVISED FOR MOUNTING
35	35	REVISED FOR MOUNTING
36	36	REVISED FOR MOUNTING
37	37	REVISED FOR MOUNTING
38	38	REVISED FOR MOUNTING
39	39	REVISED FOR MOUNTING
40	40	REVISED FOR MOUNTING
41	41	REVISED FOR MOUNTING
42	42	REVISED FOR MOUNTING
43	43	REVISED FOR MOUNTING
44	44	REVISED FOR MOUNTING
45	45	REVISED FOR MOUNTING
46	46	REVISED FOR MOUNTING
47	47	REVISED FOR MOUNTING
48	48	REVISED FOR MOUNTING
49	49	REVISED FOR MOUNTING
50	50	REVISED FOR MOUNTING
51	51	REVISED FOR MOUNTING
52	52	REVISED FOR MOUNTING
53	53	REVISED FOR MOUNTING
54	54	REVISED FOR MOUNTING
55	55	REVISED FOR MOUNTING
56	56	REVISED FOR MOUNTING
57	57	REVISED FOR MOUNTING
58	58	REVISED FOR MOUNTING
59	59	REVISED FOR MOUNTING
60	60	REVISED FOR MOUNTING
61	61	REVISED FOR MOUNTING
62	62	REVISED FOR MOUNTING
63	63	REVISED FOR MOUNTING
64	64	REVISED FOR MOUNTING
65	65	REVISED FOR MOUNTING
66	66	REVISED FOR MOUNTING
67	67	REVISED FOR MOUNTING
68	68	REVISED FOR MOUNTING
69	69	REVISED FOR MOUNTING
70	70	REVISED FOR MOUNTING
71	71	REVISED FOR MOUNTING
72	72	REVISED FOR MOUNTING
73	73	REVISED FOR MOUNTING
74	74	REVISED FOR MOUNTING
75	75	REVISED FOR MOUNTING
76	76	REVISED FOR MOUNTING
77	77	REVISED FOR MOUNTING
78	78	REVISED FOR MOUNTING
79	79	REVISED FOR MOUNTING
80	80	REVISED FOR MOUNTING
81	81	REVISED FOR MOUNTING
82	82	REVISED FOR MOUNTING
83	83	REVISED FOR MOUNTING
84	84	REVISED FOR MOUNTING
85	85	REVISED FOR MOUNTING
86	86	REVISED FOR MOUNTING
87	87	REVISED FOR MOUNTING
88	88	REVISED FOR MOUNTING
89	89	REVISED FOR MOUNTING
90	90	REVISED FOR MOUNTING
91	91	REVISED FOR MOUNTING
92	92	REVISED FOR MOUNTING
93	93	REVISED FOR MOUNTING
94	94	REVISED FOR MOUNTING
95	95	REVISED FOR MOUNTING
96	96	REVISED FOR MOUNTING
97	97	REVISED FOR MOUNTING
98	98	REVISED FOR MOUNTING
99	99	REVISED FOR MOUNTING
100	100	REVISED FOR MOUNTING

THIS DRAWING AND SPECIFICATIONS HEREIN ARE THE PROPERTY OF DIGITAL EQUIPMENT CORPORATION AND SHALL NOT BE REPRODUCED OR COPIED OR USED IN WHOLE OR IN PART AS THE BASIS FOR THE MANUFACTURE OR SALE OF ITEMS WITHOUT WRITTEN PERMISSION. COPYRIGHT © DIGITAL EQUIPMENT CORPORATION

D  
C  
B  
A

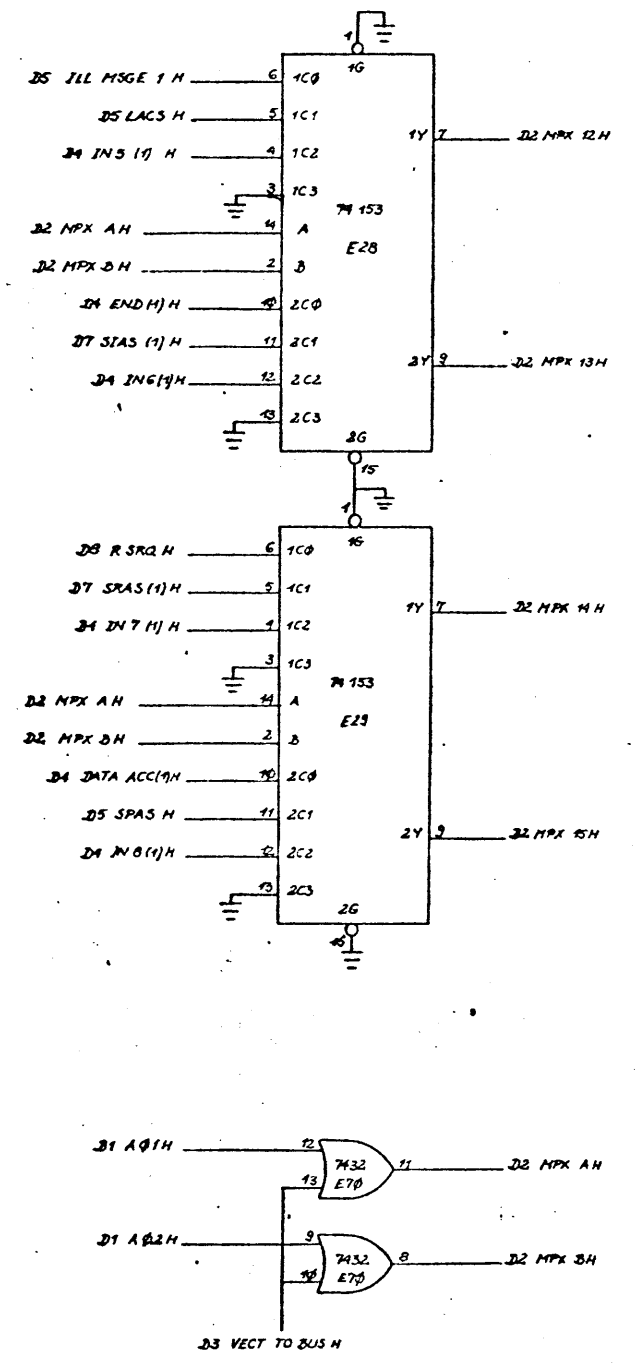
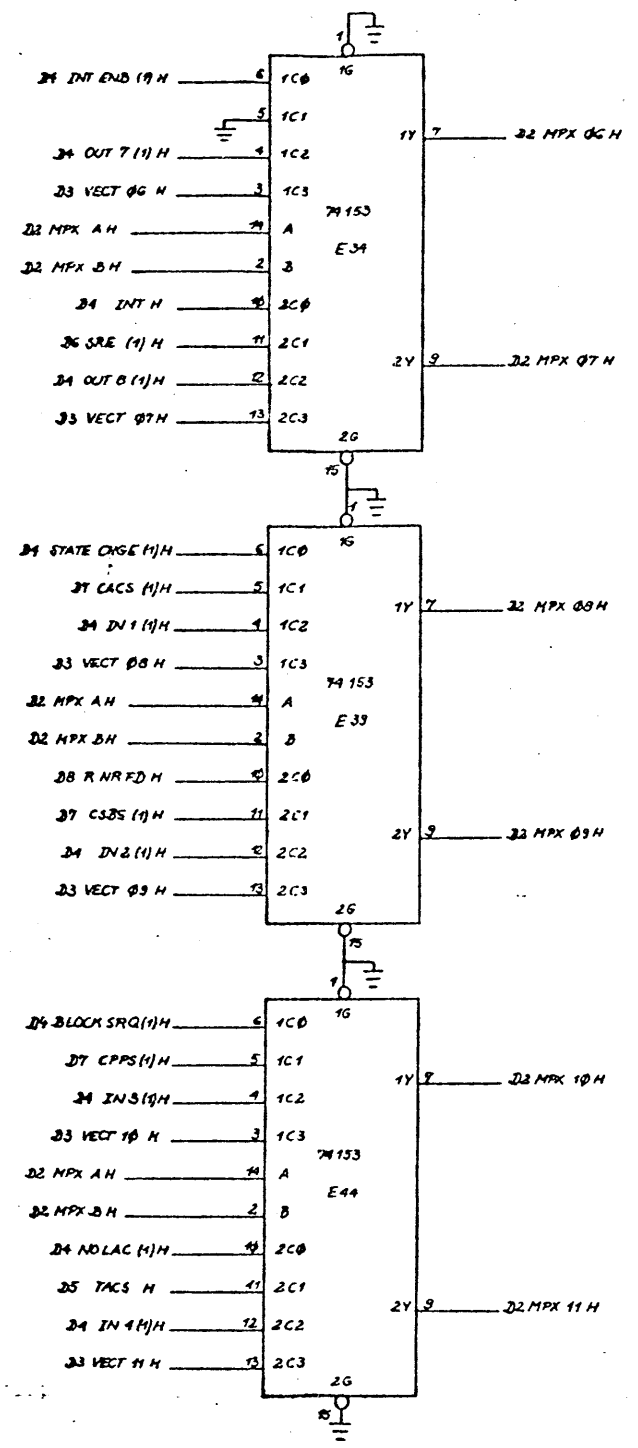
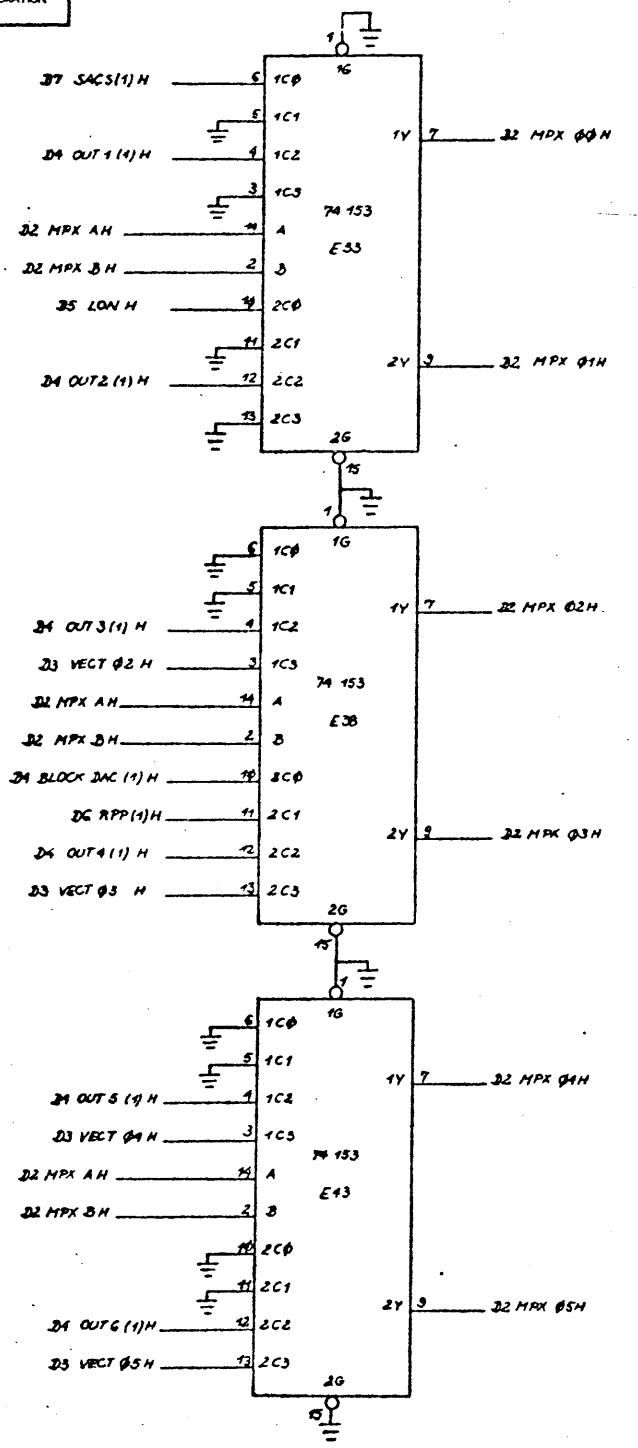


REV.	CHANGE NO.

DRN. 184	2276	FIRST USED ON	digital
CHK'D BY 17	277	TITLE	IEC II-A DI
ENG. 100		(ADDRESS SELECTOR)	
PROJ. ENG. No. 100			
PROD. No. 100			
NEXT HIGHER ASSY.			
A-PL-IEC II-A	SIZE CODE	NUMBER	REV.
SCALE NONE	D CS	M7985-0-0	J1
SHEET 2 OF 9	DIST.		

THIS DRAWING AND SPECIFICATIONS HEREIN ARE THE PROPERTY OF DIGITAL EQUIPMENT CORPORATION AND SHALL NOT BE REPRODUCED OR COPIED OR USED IN WHOLE OR IN PART AS THE BASIS FOR THE MANUFACTURE OR SALE OF ITEMS WITHOUT WRITTEN PERMISSION. COPYRIGHT © DIGITAL EQUIPMENT CORPORATION

D  
C  
B  
A



REV.	CHANGE NO.

H - HIGH LEVEL  
L - LOW LEVEL  
X - IRRELEVANT

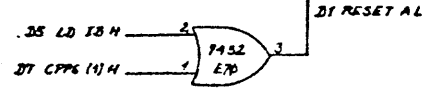
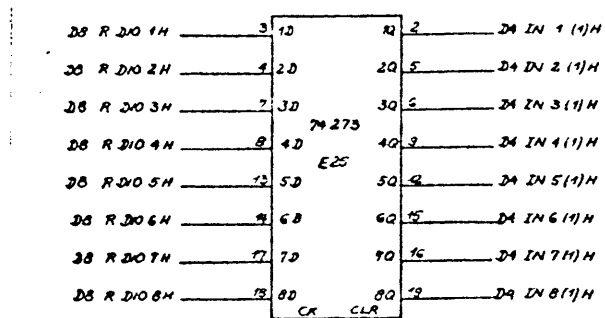
SELECT INPUTS		DATA INPUTS				STROBE	OUTPUT
B	A	C0	C1	C2	C3	S	Y
X	X	X	X	X	X	H	L
L	L	L	X	X	X	L	L
L	L	L	H	X	X	L	H
L	L	L	X	L	X	L	H
L	L	L	X	X	L	L	H
L	H	X	H	X	X	L	L
L	H	X	X	L	X	L	L
H	L	X	X	H	X	L	L
H	L	X	X	X	L	L	L
H	H	X	X	X	L	L	L
H	H	X	X	L	L	L	L
H	H	X	X	X	H	L	L
H	H	X	X	X	X	L	L

DRN. <i>AKA</i>	DATE	FIRST USED ON
CHK'D <i>CT</i>		
ENG. <i>AKA</i>		
PROJ. ENG. <i>AKA</i>		
PROD. <i>AKA</i>		
NEXT HIGHER ASSY.		
A-PL-IEC II-A		
SCALE <i>NOTE</i>	SIZE <i>D</i>	CODE <i>CS</i>
SHEET <i>3</i>	OF <i>3</i>	DIST.
TITLE <b>IEC II-A</b>		REV <i>D</i>
(DATA IN MULTIPLEXER)		
NUMBER <i>17995-0-0</i>	REV <i>J</i>	

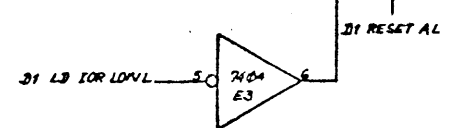
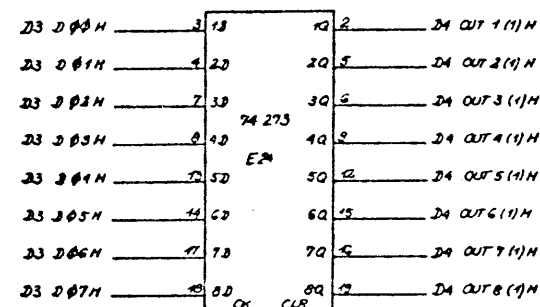


THIS DRAWING AND SPECIFICATIONS HEREIN ARE THE PROPERTY OF DIGITAL EQUIPMENT CORPORATION AND SHALL NOT BE REPRODUCED OR COPIED OR USED IN WHOLE OR IN PART AS THE BASIS FOR THE MANUFACTURE OR SALE OF ITEMS WITHOUT WRITTEN PERMISSION. COPYRIGHT © DIGITAL EQUIPMENT CORPORATION

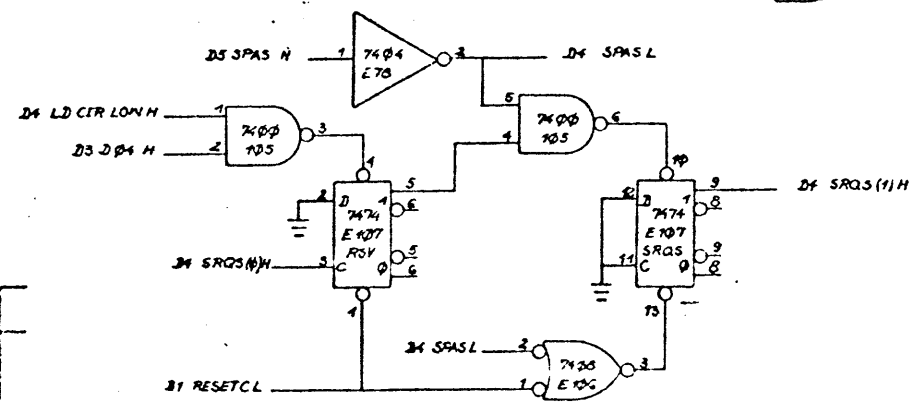
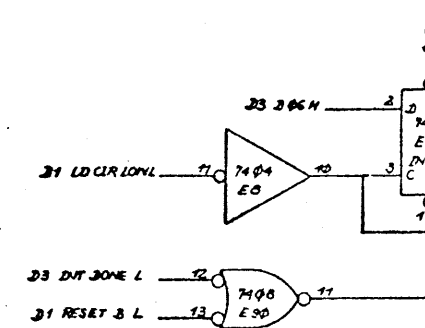
D



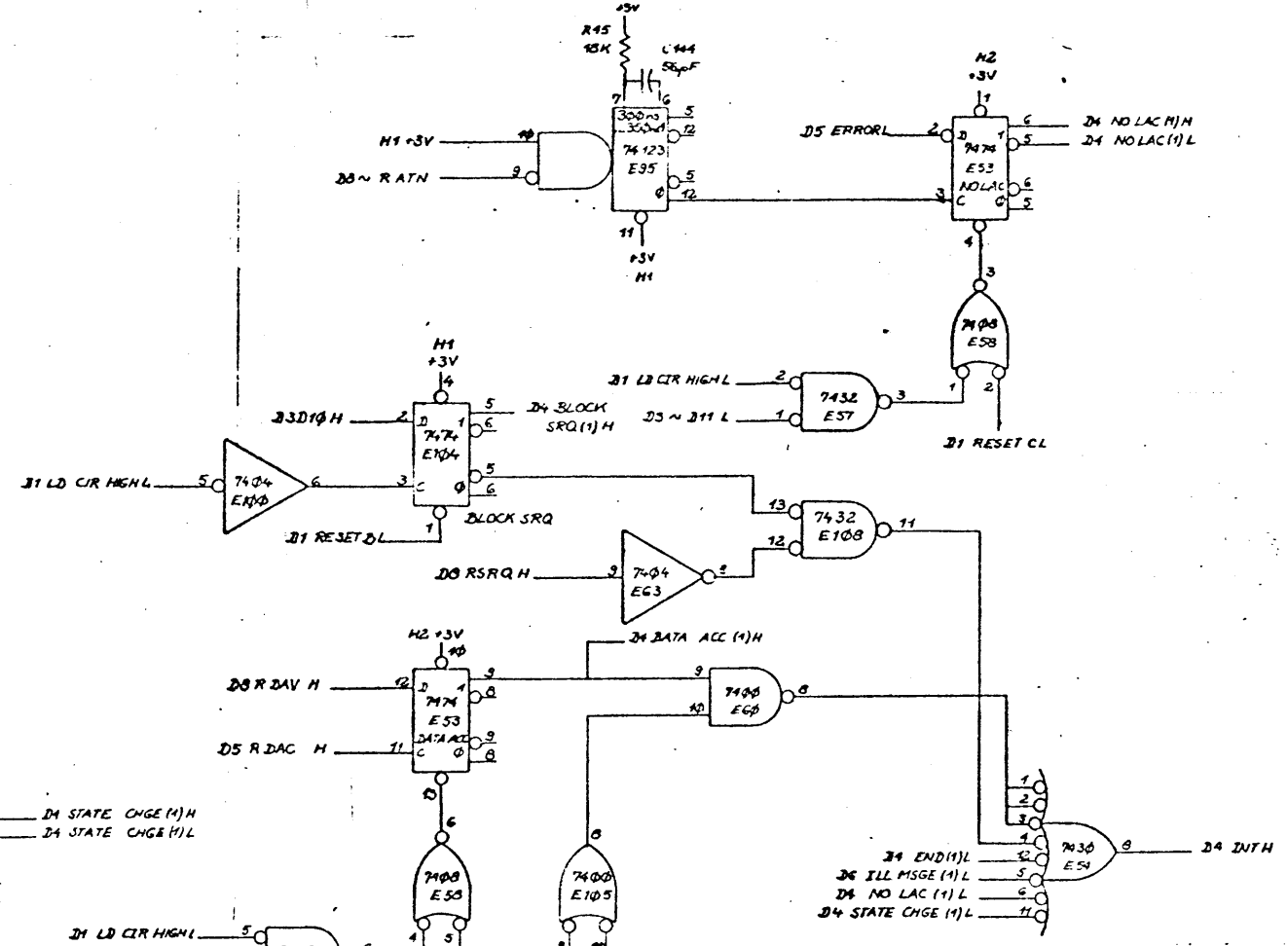
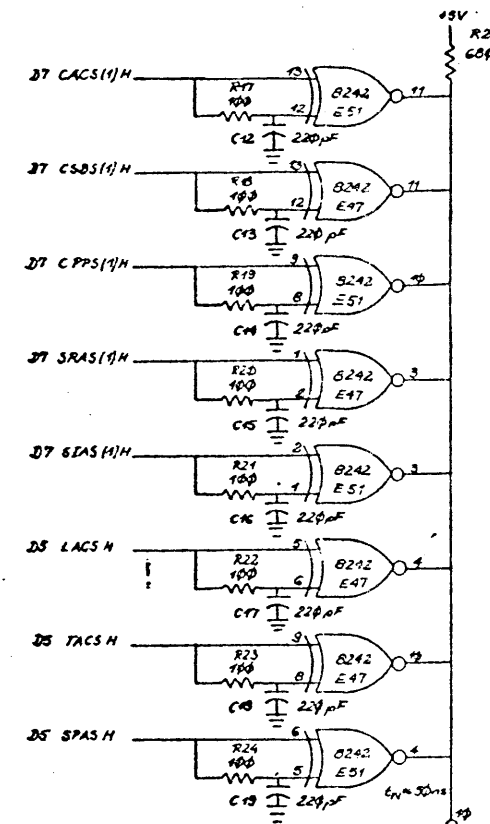
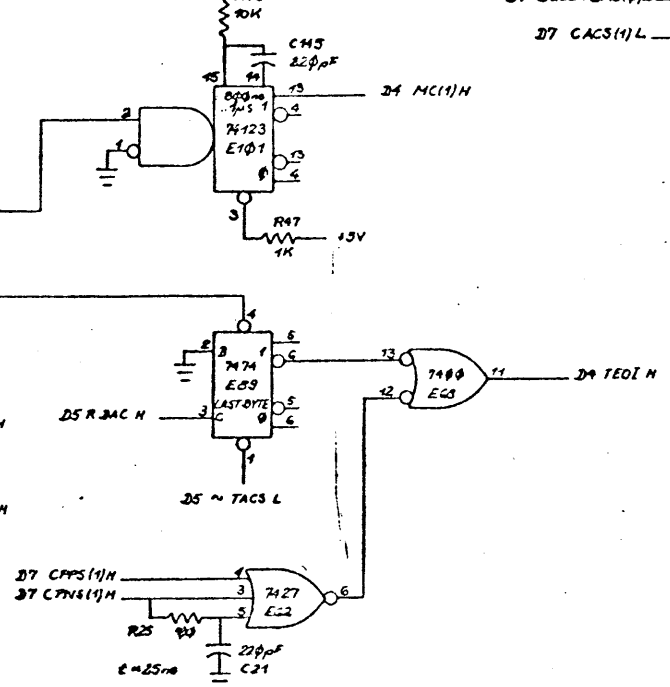
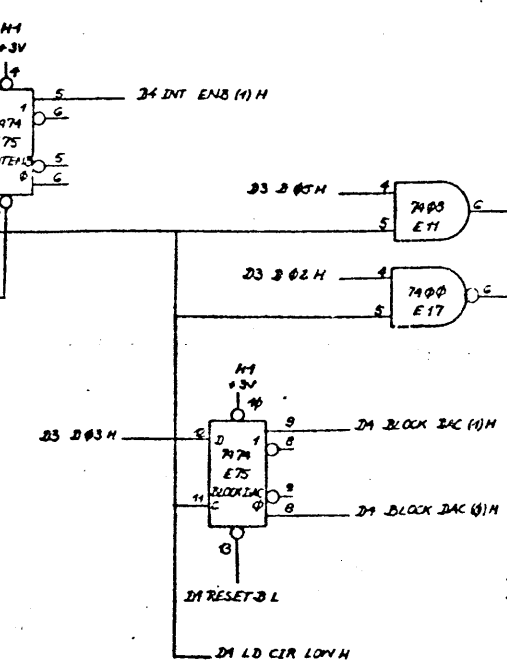
C



B



A



REV.	CHG.	DATE	BY

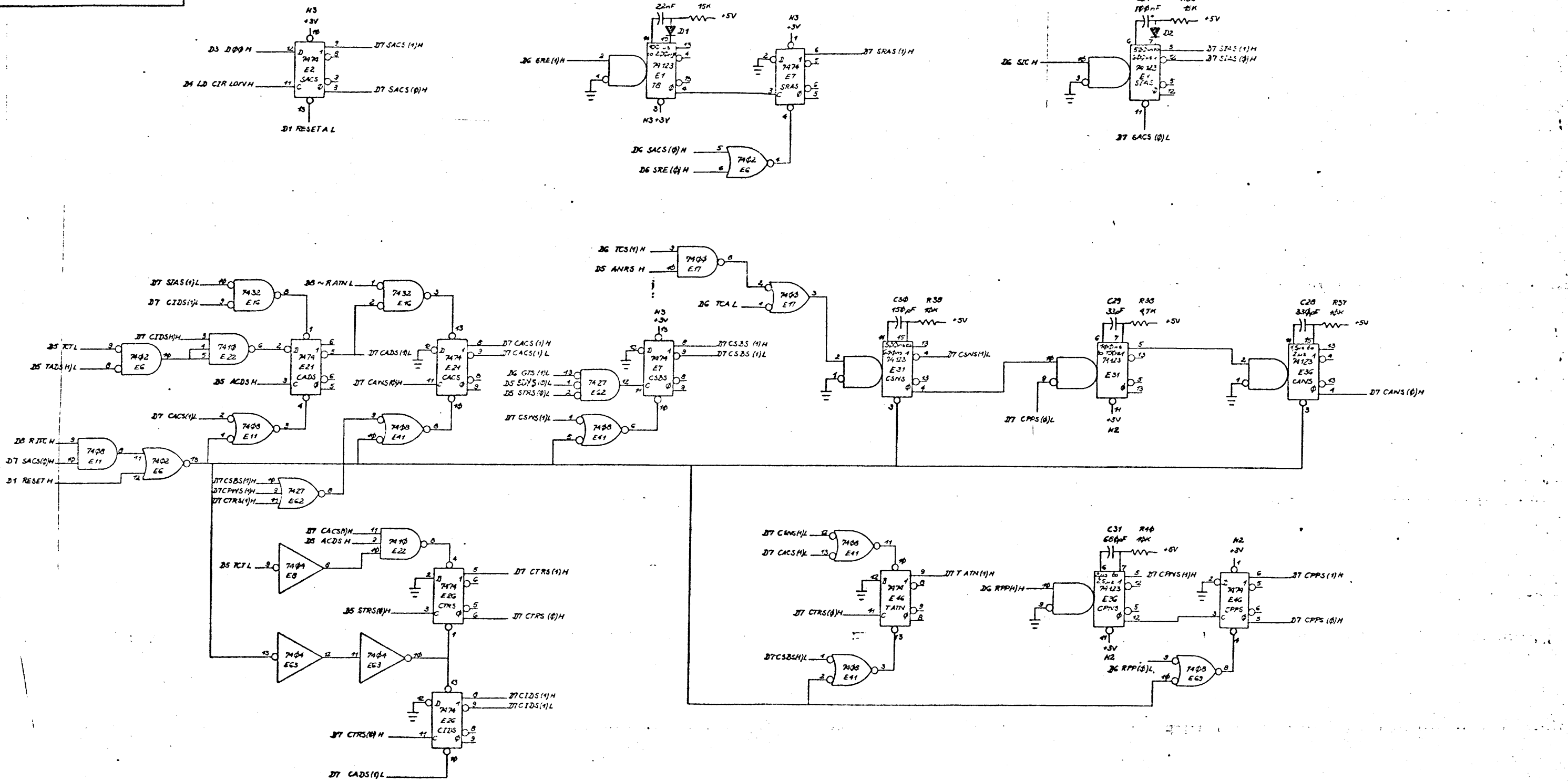
DRN. 107-A	2/77	FIRST USED ON	digit
CHK'D. /		TITLE	IEC II-A
ENG. /		(INPUT/OUTPUT REG. AND CIR)	
PROJ. ENG. /			
PROD. /			
NEXT HIGHER ASSY.			
A-F-L-IEC II-A		SIZE CODE	NUMBER
SCALE NONE	D 03	M7985-0-0	J
SHEET 5 OF 5	DIST		







THIS DRAWING AND SPECIFICATIONS, HEREIN, ARE THE PROPERTY OF DIGITAL EQUIPMENT CORPORATION AND SHALL NOT BE REPRODUCED OR COPIED OR USED IN WHOLE OR IN PART AS THE BASIS FOR THE MANUFACTURE OR SALE OF ITEMS WITHOUT WRITTEN PERMISSION. COPYRIGHT © DIGITAL EQUIPMENT CORPORATION



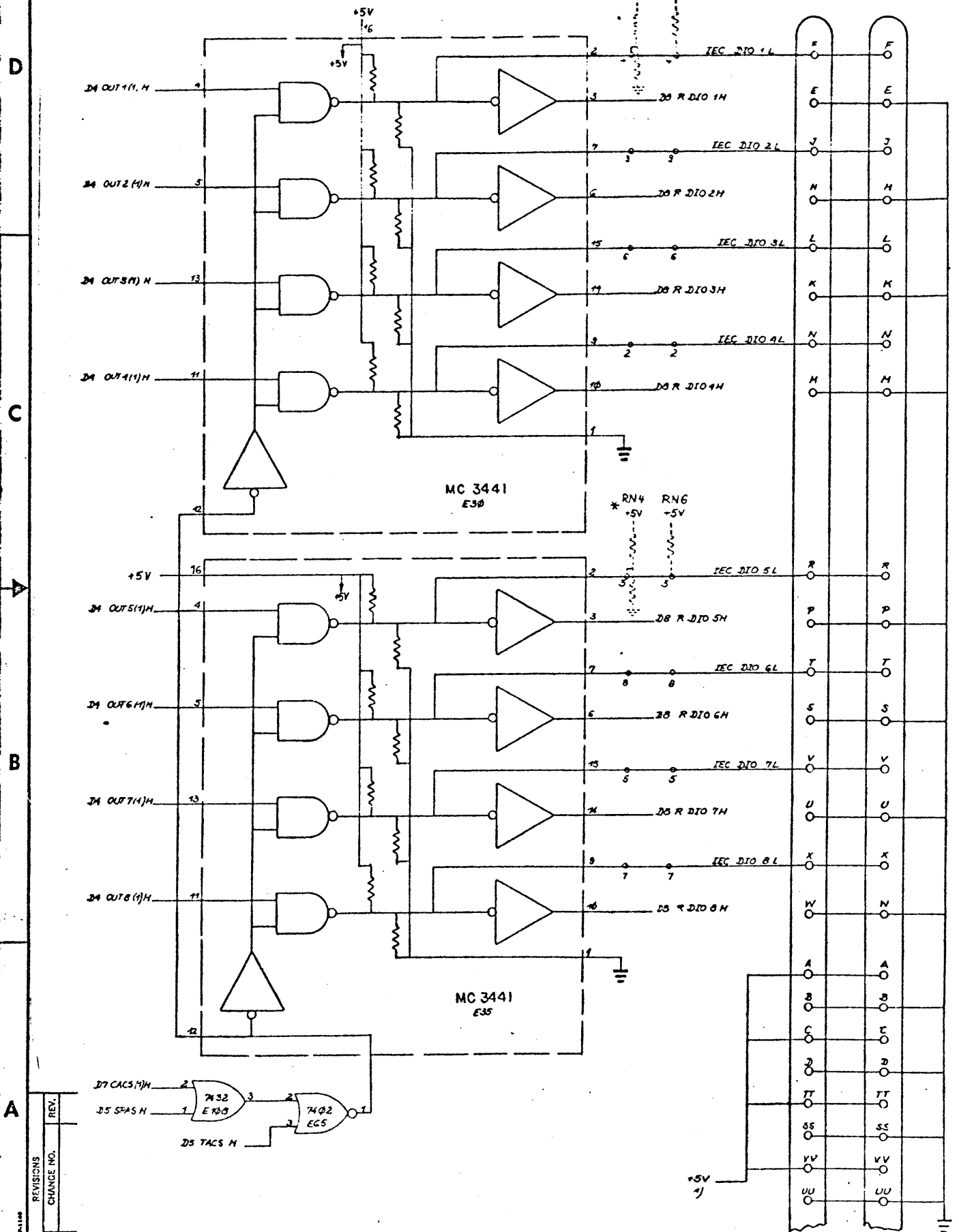
REV.	CHANGE NO.

DRN. 48-A	DATE	FIRST USED ON	digital
CHK'D G		TITLE	IEC II-A D7
ENG.			(CONTROL)
PROJ. ENG.			
PROD.			
NEXT HIGHER ASSY.			
A-PL-IEC	SIZE	CODE	NUMBER
SCALE N/E	D	CS	M7985-2-0
SHEET 6 OF 6	DIST.		REV. J

THIS DRAWING AND SPECIFICATIONS HEREIN ARE THE PROPERTY OF DIGITAL EQUIPMENT CORPORATION AND SHALL NOT BE REPRODUCED OR COPIED OR USED IN WHOLE OR IN PART AS THE BASIS FOR THE MANUFACTURE OR SALE OF ITEMS WITHOUT WRITTEN PERMISSION OF DIGITAL EQUIPMENT CORPORATION

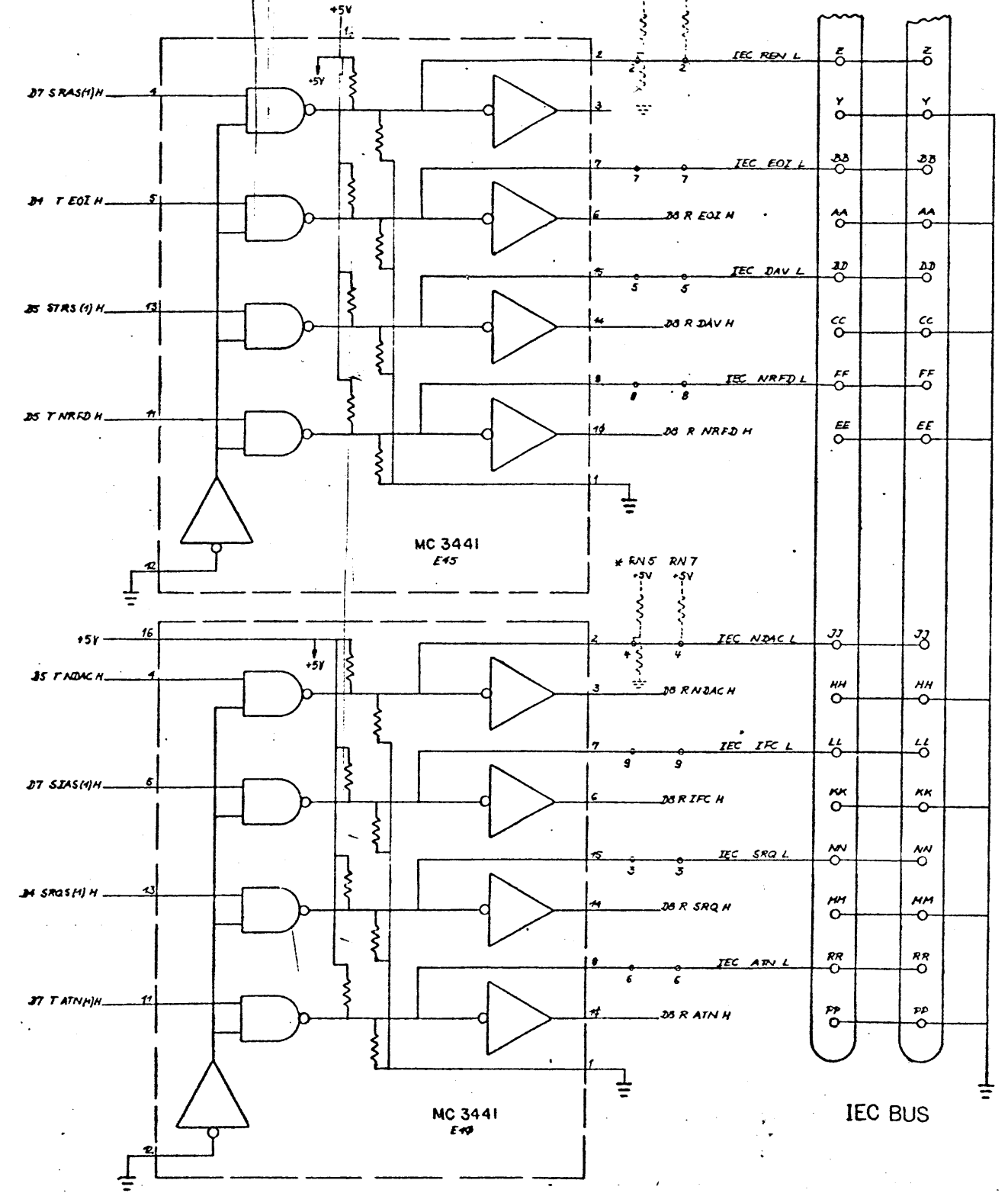
IEC BUS

J1 J2



IEC BUS

J1 J2



IEC BUS

REVISIONS

REV.	CHANGE NO.	DESCRIPTION
1		

732 E100  
7402 EGS

REMARKS: 1) FOR TEST PURPOSES ONLY  
\* NOTE: SCHEMATIC CAN BE DIFFERENT BECAUSE THERE ARE ASSEMBLY VARIATION SEE COMPONENTS ARRANGEMENT

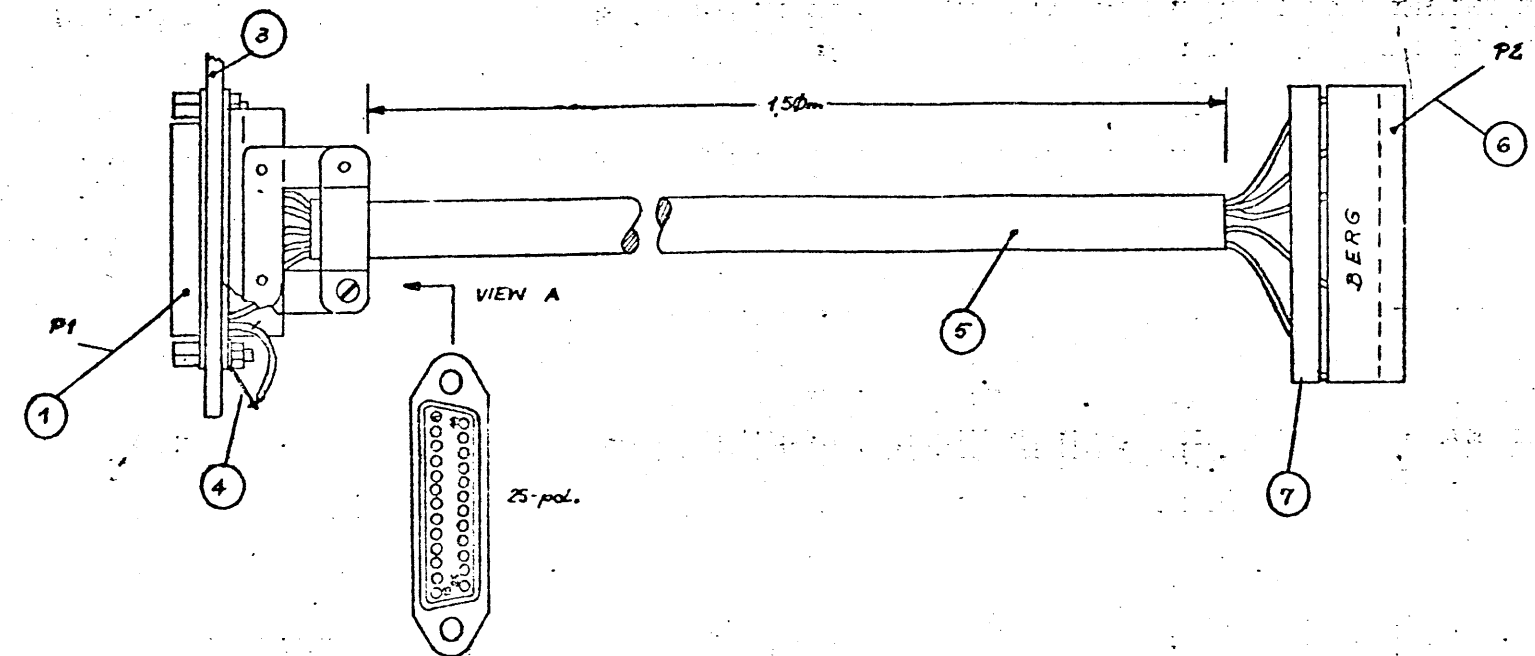
DRN. 1000	24270	FIRST USED ON	
CHK'D		TITLE	IEC11-A DE
ENG.			(IEC BUS TRANSCIEVER
PROJ. ENG.			
PROD.			
NEXT HIGHER ASSY.			
A.P.L.		SIZE CODE	NUMBER
SCALE	1:1	D CS	M7985-0-0 J
SHEET	2 OF 3	DST.	

PROPERTY OF DIGITAL EQUIPMENT CORPORATION AND SHALL NOT BE REPRODUCED OR COPIED OR USED IN WHOLE OR IN PART AS THE BASIS FOR THE MANUFACTURE OR SALE OF ITEMS WITHOUT WRITTEN PERMISSION. COPYRIGHT © DIGITAL EQUIPMENT CORPORATION

ITEM No.	DESCRIPTION	FROM		TO		SIGNAL NAME		
		AVG	COLOR	CONNECTION	WITH		CONNECTION	WITH
5	Ø.44 <sup>Ø</sup>	WHT	BRN	P1-1	8	P2-F	2	DIO 1 L RETURN
				P1-18		P2-E		
		GRN	YEL	P1-2		P2-J		DIO 2 L RETURN
				P1-18		P2-H		
		GRY	PNK	P1-3		P2-L		DIO 3 L RETURN
				P1-18		P2-K		
		BLU	RED	P1-4		P2-N		DIO 4 L RETURN
				P1-18		P2-M		
		WHT-BRN	GRN-YEL	P1-14		P2-R		DIO 5 L RETURN
				P1-18		P2-P		
		GRY-PNK	BLU-RED	P1-15		P2-T		DIO 6 L RETURN
				P1-23		P2-S		
		WHT-GRN	BRN-GRN	P1-16		P2-V		DIO 7 L RETURN
				P1-23		P2-U		
		WHT-YEL	BRN-YEL	P1-17		P2-X		DIO 8 L RETURN
				P1-23		P2-W		
		WHT-GRY	BRN-GRY	P1-5		P2-Z		REN L RETURN
				P1-23		P2-Y		
		WHT-PNK	BRN-PNK	P1-6		P2-BB		EOI L RETURN
				P1-19		P2-AA		
		WHT-BLU	BRN-BLU	P1-7		P2-DD		DAV L RETURN
				P1-20		P2-CC		
		WHT-RED	BRN-RED	P1-8		P2-FF		NRF L RETURN
				P1-21		P2-EE		
		WHT-BLK	BRN-BLK	P1-9		P2-JJ		NACL RETURN
				P1-22		P2-HH		
		GRN-GRY	YEL-GRY	P1-10		P2-LL		IFC L RETURN
				P1-23		P2-KK		
		GRN-PNK	YEL-PNK	P1-11		P2-NN		SRQ L RETURN
				P1-24		P2-MM		
5	Ø.44 <sup>Ø</sup>	GRN-BLU	YEL-BLU	P1-12	8	P2-RR	2	ATN L RETURN
				P1-25		P2-PP		
5	Ø.25 <sup>Ø</sup>	BLK		P1-13	-	SOLD. TERMINAL HOUSING	-	SHIELD

NOTES:

1) COMBINE ALL WIRES FOR P1-18 AND FOR P1-23 AND SOLDER EACH OF BOTH GROUPS TO ONE WIRE WHICH LEADS TO THE APPROPRIATE PIN AT P1. ISOLATE BOTH BUNDLES WITH SHRINKABLE TUBING



QTY	DESCRIPTION	PART - NO	ITEM NO
			1Ø
			9
1m	SHRINKABLE TUBING	91-Ø7255	8
1	STRAN RELIEF	12-11166	7
1	BERG-CONNECTOR 44 pos.	12-1Ø318-15	6
1	CABLE 16x2-18 15Øm	26-1Ø68A	5
1	SOLDER TERMINAL	3Ø-Ø8281	4
1	MOUNTING BRACKET	761Ø17Ø-1-Ø	3
32	BERG - PIN	12-1ØØ89-Ø4	2
1	CONNECTOR P1 25-pol.	26-1239A-ØØ	1

DRN. <i>WJL</i>	29.4.76	FIRST USED ON	PDP11 digital
CHK'D BY <i>WJL</i>	11/20/76	TITLE	JEC11-A ADAPTER CABLE
ENG. <i>WJL</i>	8/21/76	SIZE	C
PROJ. ENG. <i>WJL</i>	8/21/76	CODE	AD
PROD. <i>Rauha</i>	12.2.77	NUMBER	761Ø17Ø-Ø-Ø
NEXT HIGHER ASSY.		SCALE	NONE
A-PL-IEC		DIST.	
SHEET 1 OF 1		REV.	A

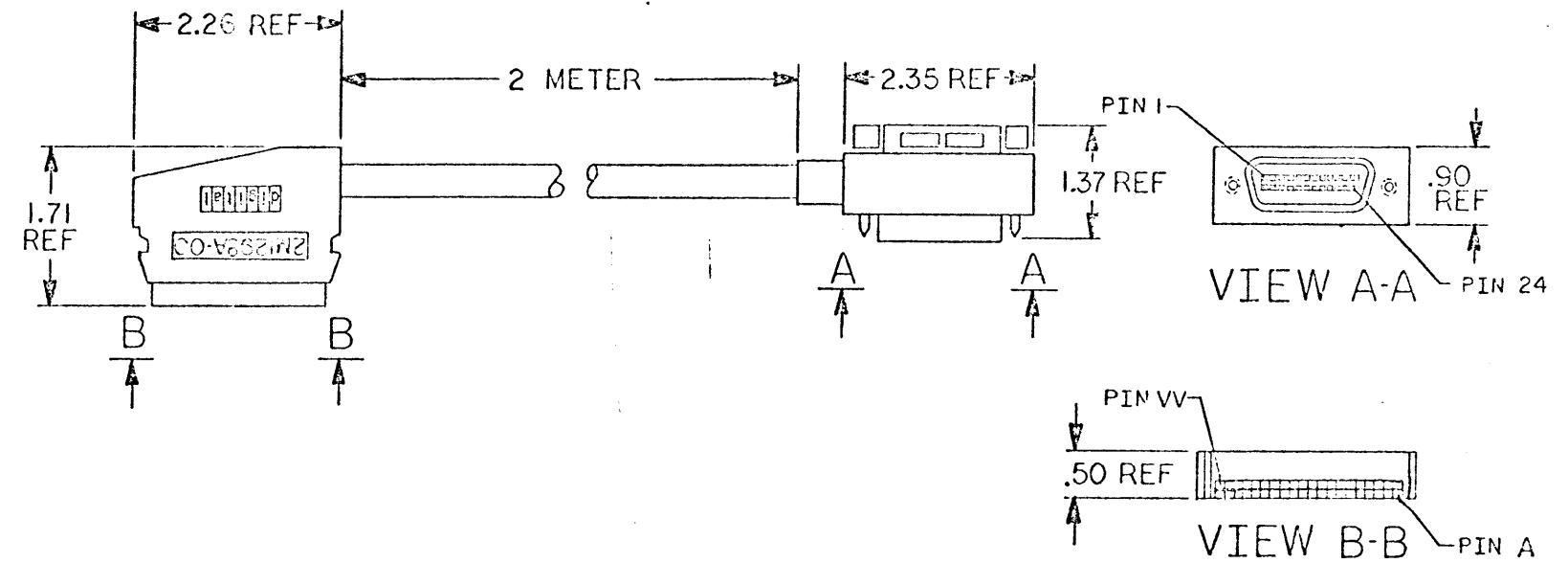
D  
C  
B  
A

REV.	A
CHANGE NO.	17955-ØØØØ
REVISIONS	

Ø11-4

"THIS DRAWING AND SPECIFICATIONS, HEREIN, ARE THE PROPERTY OF DIGITAL EQUIPMENT CORPORATION AND SHALL NOT BE REPRODUCED OR COPIED OR USED IN WHOLE OR IN PART AS THE BASIS FOR THE MANUFACTURE OR SALE OF ITEMS WITHOUT WRITTEN PERMISSION. COPYRIGHT © 1970, DIGITAL EQUIPMENT CORPORATION"

WIRE TABLE			
ITEM NO.	FROM CONNECTION	TO CONNECTION	SIGNAL
	PI-1	P2-F	DI 01
	PI-2	P2-J	DI 02
	PI-3	P2-L	DI 03
	PI-4	P2-N	DI 04
	PI-5	P2-BB	E2i
	PI-6	P2-DD	DAV
	PI-7	P2-FF	NRFD
	PI-8	P2-JJ	NDAC
	PI-9	P2-LL	IFC
	PI-10	P2-NN	SRQ
	PI-11	P2-RR	ATN
	PI-12	—	SHIELD CONNECTED TO EARTH GROUND
	PI-13	P2-R	DI 05
	PI-14	P2-T	DI 06
	PI-15	P2-V	DI 07
	PI-16	P2-X	DI 08
	PI-17	P2-Z	REN
	PI-18	P2-CC	TWP OF 6
	PI-19	P2-EE	TWP OF 7
	PI-20	P2-HH	TWP OF 8
	PI-21	P2-KK	TWP OF 9
	PI-22	P2-MM	TWP OF 10
	PI-23	P2-PP	TWP OF 11
	PI-24	FREE	ALL FREE WIRES SIGNAL GROUND



D  
C  
B  
A

REV.	CHANGE NO.

SEC FORM NO. DMC 100-C

DESCRIPTION		DWG./PART NO.	ITEM NO.				
UNLESS OTHERWISE SPECIFIED DIMENSIONS ARE IN INCHES							
ANGLES 50° 30'	CLASS OF ACCURACY (CHECK ONE)	NOMINAL DIMENSION RANGE INCHES					
		OVER 0 TO 0.2	OVER 0.2 TO 1.2	OVER 1.2 TO 4.0	OVER 4.0 TO 12.0	OVER 12.0 TO 40.0	OVER 40.0 TO 80.0
SURFACE QUALITY IN	MEDIUM	±.004	±.008	±.012	±.016	±.024	±.04
	PREFERRED	±.012	±.016	±.025	±.04	±.063	±.1
THIRD ANGLE PROJECTION	DRN. <i>[Signature]</i>	FIRST USED ON					
REMOVE BURRS AND BREAK SHARP CORNERS	CHK'D <i>[Signature]</i>	IEC11-A <i>digital</i>					
DO NOT SCALE DWG	ENG.	TITLE					
MATERIAL	PROJ. ENG.	CABLE, IEEE-488					
FINISH	PROD.	SIZE CODE					
	NEXT HIGHER ASSY.	NUMBER					
		PSYMI2988-0-0					
		REV. A					
		SHEET 1 OF 1					
		DIST.					

4

3

2

1