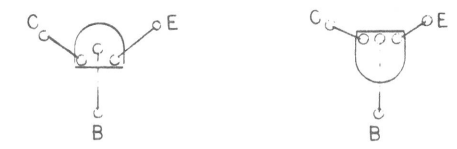


"THIS DRAWING AND SPECIFICATIONS HEREIN ARE THE PROPERTY OF DIGITAL EQUIPMENT CORPORATION AND SHALL NOT BE REPRODUCED OR COPIED OR USED IN WHOLE OR IN PART AS THE BASIS FOR THE MANUFACTURE OR SALE OF ITEMS WITHOUT WRITTEN PERMISSION. COPYRIGHT © 1975 DIGITAL EQUIPMENT CORPORATION"

NOTES:
 1. THIS MODULE PLUG IS COMPATIBLE WITH:
 A. BC05M TTY CABLE.
 B. BC05C MODEM CABLE.
 2. THE POLARITY REVERSES WHEN USING THE 20 MA CURRENT LOOP TRANSMITTER OR RECEIVER IN THE PASSIVE CONFIGURATION. WHEN USING THE BC05M CABLE MUST BE TAKEN TO SWAP THE APPROPRIATE WIRES.

3. A. INSERT WITH ACCORDANCE TO VENDOR PACKAGE.
 VENDOR NAME:
 G.P.S.A.(GE) MOTOROLA,ITT,NATIONAL TRANSISTOR,
 NATIONAL SEMI CONDUCTOR.



TOP VIEW

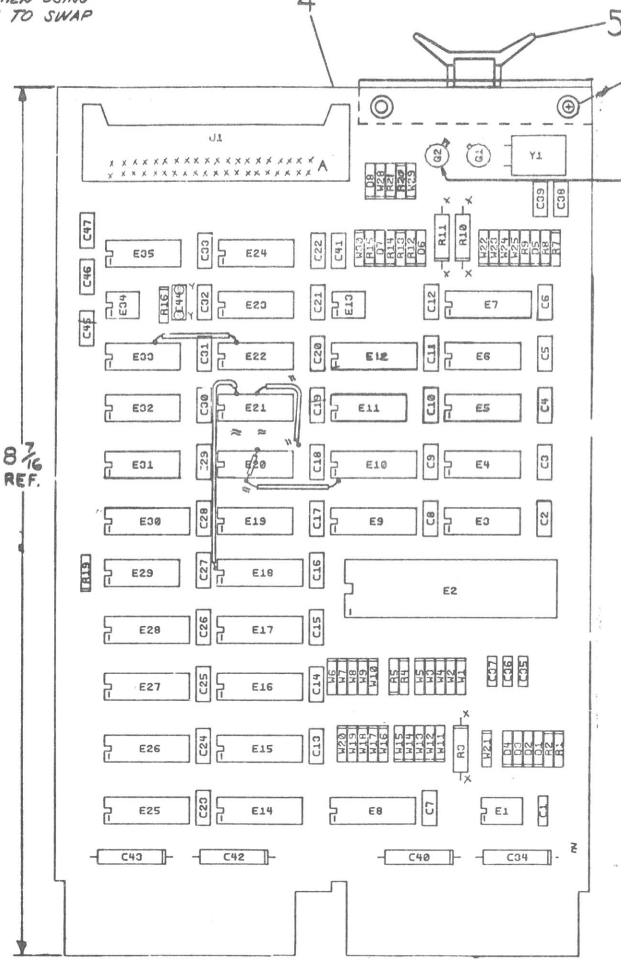
B.G.P.S.A (VENDOR-E) IS THE ONLY VENDOR PACKAGE MOUNTED WITH THE FLAT REVERSED.

4. PARTS IN THE FOLLOWING ALTERNATE PARTS LIST MAY BE USED IN PLACE OF THE CORRESPONDING PRIME PART WHEN NECESSARY.

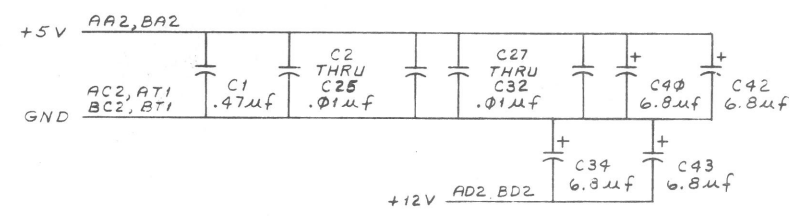
| QTY | REF DESIGNATION | DESCRIPTION | PART NO. | ITEM NO. |
|-----|------------------------|-----------------------------|------------|----------|
| 31 | C2 THRU 25, 27 THRU 33 | CAPACITOR .01uf 100V+80-20% | 1001610-01 | 8A |

- 5. USE ADHESIVE (ITEM 60) WHERE NECESSARY TO SECURE REWORK WIRES.
- 6. THE FOLLOWING JUMPER REFERENCE DESIGNATIONS ARE NOT USED: W26, W27 (REPLACED BY RESISTORS R20, R21 PER ECO *M7940-00002).
- 7. THE FOLLOWING JUMPERS MAY BE INSERTED BY MANUFACTURING IN ORDER TO TEST AT 9600 BAUD, BUT WILL BE REMOVED BEFORE FINAL TEST AT 110 BAUD AND SHIPMENT TO CUSTOMER: W2, W22 THRU W24, W30.

| REF | DESIGNATION | DESCRIPTION | PART NO. | ITEM NO. |
|-----|--------------------------------------|------------------------------|------------|----------|
| B | W6, W7, W10, W16, W20, W21, W28, W29 | INSULATED JUMPER WIRE | 9009185 | 55 |
| 1 | | HANDLE, FLIP CHIP, MAGENTA | 9008337-6 | 56 |
| 2 | | EYELET | 9006732 | 57 |
| 6* | | WIRE #30 AWG BUSS (RETROFIT) | 9105740-55 | 58 |
| 2 | R20, R21 | RESISTOR, 180 OHM, 1/4W 5% | 1301322 | 59 |
| A/R | | ADHESIVE | 4901230 | 60 |



SEE NOTE 3



| REF | DESIGNATION | DESCRIPTION | PART NO. | ITEM NO. |
|-----|---------------------------|--------------------------------------|----------------|----------|
| REF | | X-Y COORDINATE HOLE LOCATION | K-CO-M7940-0-4 | 1 |
| REF | | ASSY/DRILLING HOLE LAYOUT | D-AH-M7940-0-5 | 2 |
| REF | | MODULE ECO HISTORY | B-MH-M7940-0-6 | 3 |
| 1 | | ETCHED CIRCUIT BOARD | 5011558 | 4 |
| 2 | C38, C39 | CAPACITOR, 33pf, 100V, 5% | 1000009 | 5 |
| 4 | C41, C45, C46, C47 | CAPACITOR, 330pf, 100V, 5% | 1000023 | 6 |
| 1 | C28 | CAPACITOR, 820pf, 100V, 5% | 1000027 | 7 |
| 31 | C2 THRU C25, C27 THRU C33 | CAPACITOR, .01uf, 50V, +80-20 | 1001610-00 | 8 |
| 1 | C44 | CAPACITOR, 5000 Pf, 100V, 20% | 1001765 | 9 |
| 4 | C34, C40, C42, C43 | CAPACITOR, 6.8uf, 35V, 10% | 1005306 | 10 |
| 4 | C35, C36, C37, C1 | CAPACITOR, .47uf, 25V, 20% | 1010279 | 11 |
| 4 | D1, D2, D3, D5 | DIODE, D864 | 1100114 | 12 |
| 2 | D8, D7 | DIODE, 1N4004 | 1105796 | 13 |
| 1 | D4 | DIODE, 1N759A | 1110836 | 14 |
| 1 | D8 | DIODE, MCL1301 | 1105610 | 15 |
| 1 | J1 | CONNECTOR, 40 PIN, R. ANG. HEADER 3M | 1209941-02 | 16 |
| 2 | R4, R5 | RESISTOR, 47 OHM, 1/4W, 5% | 1300202 | 17 |
| 1 | R13 | RESISTOR, 88 OHM, 1/4W, 5% | 1300219 | 18 |
| 1 | R3 | RESISTOR, 120 OHM, 1/2W, 5% | 1300243 | 19 |
| 1 | R15 | RESISTOR, 150 OHM, 1/4W, 5% | 1300250 | 20 |
| 2 | R7, R14 | RESISTOR, 220 OHM, 1/4W, 5% | 1300271 | 21 |
| 1 | R8 | RESISTOR, 330 OHM, 1/4W, 5% | 1300295 | 22 |
| 2 | R10, R11 | RESISTOR, 270 OHM, 1/2W, 5% | 1300285 | 23 |
| 2 | R1, R2 | RESISTOR, 470 OHM, 1/4W, 5% | 1300316 | 24 |
| 1 | R16 | RESISTOR, 2.4K OHM, 1/4W, 5% | 1303177 | 25 |
| 1 | R12 | RESISTOR, 88K OHM, 1/4W, 5% | 1301327 | 26 |
| 1 | R19 | RESISTOR, 100 OHM, 1/4W, 5% | 1300229 | 27 |
| 1 | R9 | RESISTOR, 10M, 1/4W | 1302666 | 28 |
| 2 | E14, E28 | RESISTOR NETWORK, 330/680 OHM | 1311003-02 | 29 |
| 1 | Q1 | TRANSISTOR, DEC 65340 | 1503409 | 30 |
| 1 | Q2 | TRANSISTOR, MKA55 | 1510700 | 31 |
| 1 | Y1 | XTAL, 2.4576 MHZ | 1812396 | 32 |
| 3 | E5, E31, E33 | I.C. DEC 7474 | 1905547 | 33 |
| 1 | E22 | I.C. DEC 7410 | 1905576 | 34 |
| 1 | E11 | I.C. DEC 7430 | 1905578 | 35 |
| 1 | E23 | I.C. DEC 7402 | 1909004 | 36 |
| 1 | E6 | I.C. DEC 7493 | 1908054 | 37 |
| 1 | E4 | I.C. DEC 74S04 | 1910534 | 38 |
| 3 | E3, E19, E29 | I.C. DEC 8081 | 1909705 | 39 |
| 2 | E21, E32 | I.C. DEC 7408 | 1910155 | 40 |
| 1 | E24 | I.C. DEC 1488 | 1910322 | 41 |
| 1 | E35 | I.C. DEC 1489 | 1910323 | 42 |
| 1 | E20 | I.C. DEC 74S74 | 1910544 | 43 |
| 1 | E9 | I.C. DEC 74175 | 1910651 | 44 |
| 3 | E17, E27, E30 | I.C. DEC 74157 | 1910655 | 45 |
| 3 | E8, E12, E25 | I.C. DEC 8837 | 1911116 | 46 |
| 2 | E16, E18 | I.C. DEC 8641 | 1911579 | 47 |
| 2 | E13, E34 | I.C. DEC 4N26-01 | 1911998-01 | 48 |
| 1 | E1 | I.C. DEC MH0026C | 1912098 | 49 |
| 2 | E15, E26 | I.C. DEC 8136 | 1912395 | 50 |
| 1 | E10 | I.C. DEC 74155 | 1910656 | 51 |
| 1 | E7 | I.C. DEC 34702 | 2112622-00 | 52 |
| 1 | E2 | I.C. DEC HSUART (40 PIN) | 2111450 | 53 |
| 2 | TP1, TP2 | SPLIT LUG | 9006735 | 54 |

| IC TYPE | GND | +5V | -12V | +12V |
|------------------|-----|-----|------|------|
| I.C. DEC MH0026C | 3 | | | 6 |
| I.C. DEC HSUART | 3 | 1 | 2 | |
| I.C. DEC 1488 | | | 1 | 14 |
| I.C. DEC 7493 | 10 | 5 | | |
| I.C. DEC 74175 | 8 | 16 | | |
| I.C. DEC 74157 | 8 | 16 | | |
| I.C. DEC 74155 | 3 | 16 | | |
| I.C. DEC 8837 | 3 | 16 | | |
| I.C. DEC 8641 | 8 | 16 | | |
| I.C. DEC 8136 | 8 | 16 | | |

GND AND 5V ARE USUALLY PIN 7 AND 14 RESPECTIVELY EXCEPTIONS ARE STATED ABOVE

| REV | DATE | BY | CHK | DESCRIPTION |
|-----|---------|------------|-----|-------------|
| 1 | 4-8-75 | J. VINCENT | | DRN |
| 2 | 5-2-75 | | | CHK |
| 3 | 5-13-75 | | | ENG |
| 4 | 5-13-75 | | | PROJ. ENL. |
| 5 | 6-11-75 | | | REV. |

FIRST USED ON OPTION MODEL LSI 11

ETCH BOARD REV. B

digital

SERIAL LINE UNIT

SIZE CODE DCS M7940-0-1

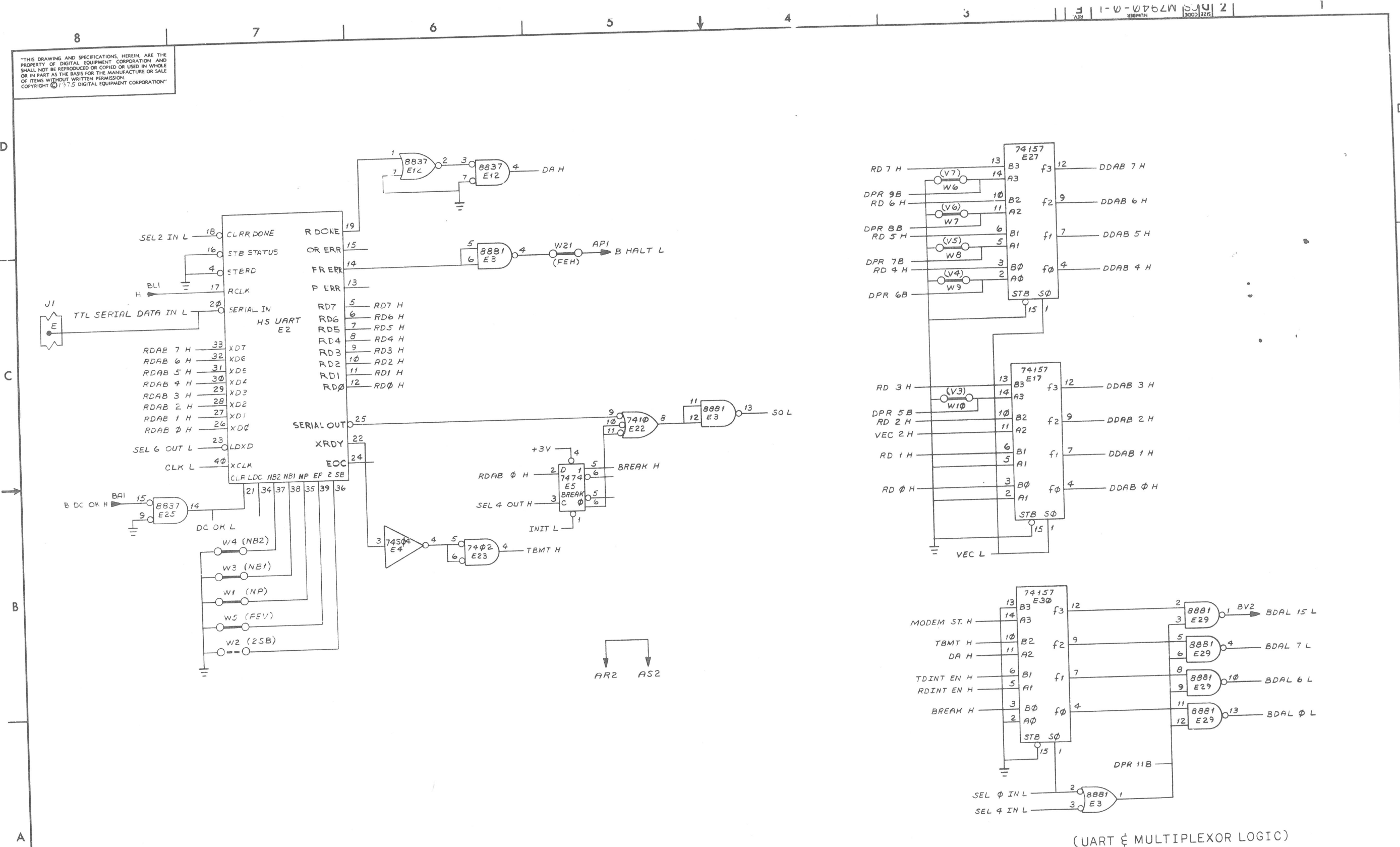
REVISIONS

DEC NO. EIA NO. DEC NO. EIA NO.

SEMICONDUCTOR CONVERSION CHART

SHEET 1 OF 3

"THIS DRAWING AND SPECIFICATIONS, HEREIN, ARE THE PROPERTY OF DIGITAL EQUIPMENT CORPORATION AND SHALL NOT BE REPRODUCED OR COPIED OR USED IN WHOLE OR IN PART AS THE BASIS FOR THE MANUFACTURE OR SALE OF ITEMS WITHOUT WRITTEN PERMISSION. COPYRIGHT © 1975 DIGITAL EQUIPMENT CORPORATION"

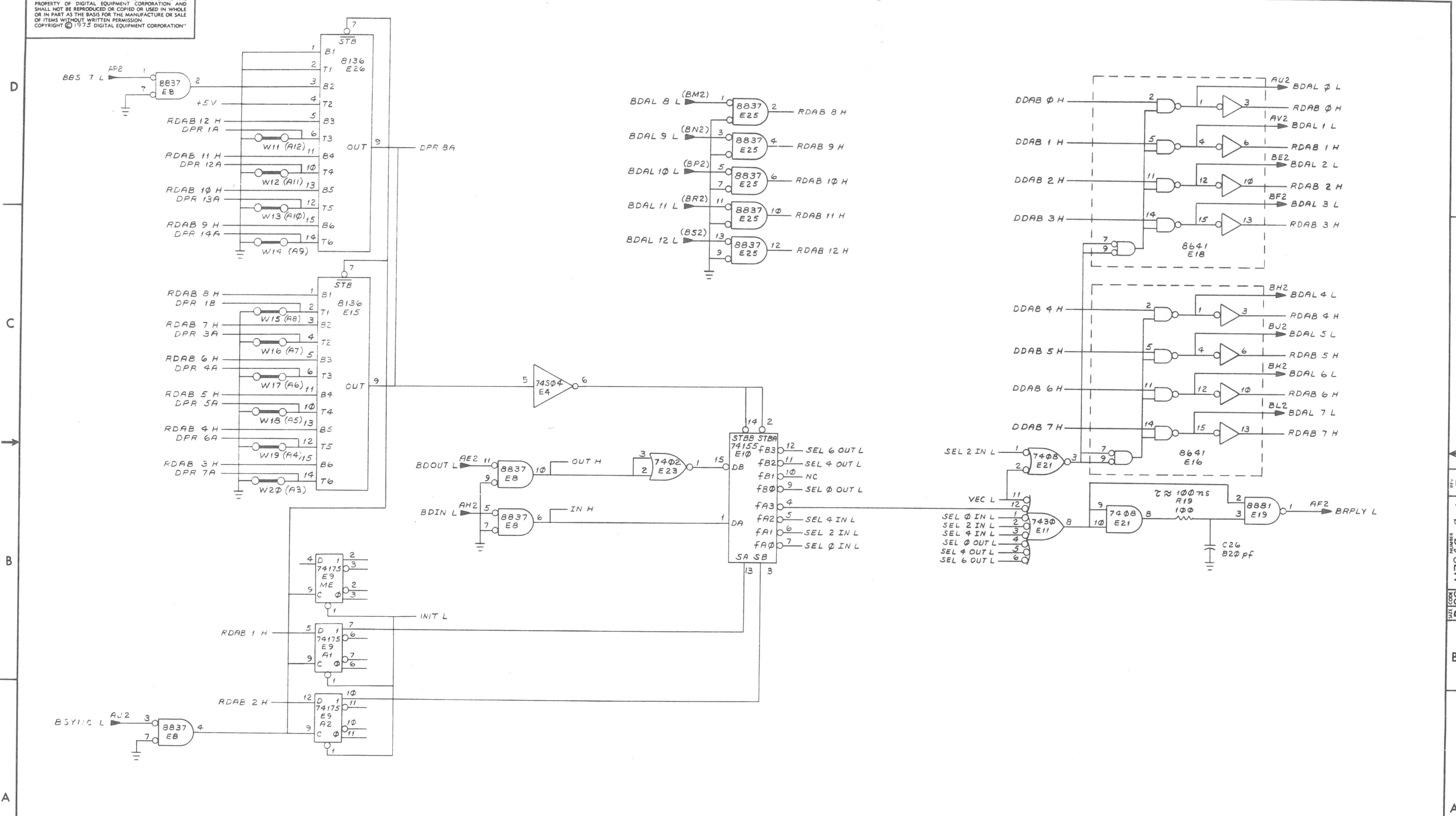


(UART & MULTIPLEXOR LOGIC)

| REVISIONS | | |
|-----------|------------|------|
| CHK | CHANGE NO. | REV. |
| | | |

| | | | |
|------------------|-----------|-----------|------|
| TITLE | SIZE CODE | NUMBER | REV. |
| SERIAL LINE UNIT | D CS | M7940-0-1 | F |
| SCALE | SHEET | DIST. | |
| | 2 OF 5 | | |

"THIS DRAWING AND SPECIFICATIONS, HEREIN, ARE THE PROPERTY OF DIGITAL EQUIPMENT CORPORATION AND SHALL NOT BE REPRODUCED OR COPIED OR USED IN WHOLE OR IN PART AS THE BASIS FOR THE MANUFACTURE OR SALE OF ITEMS WITHOUT WRITTEN PERMISSION. COPYRIGHT © 1975 DIGITAL EQUIPMENT CORPORATION"



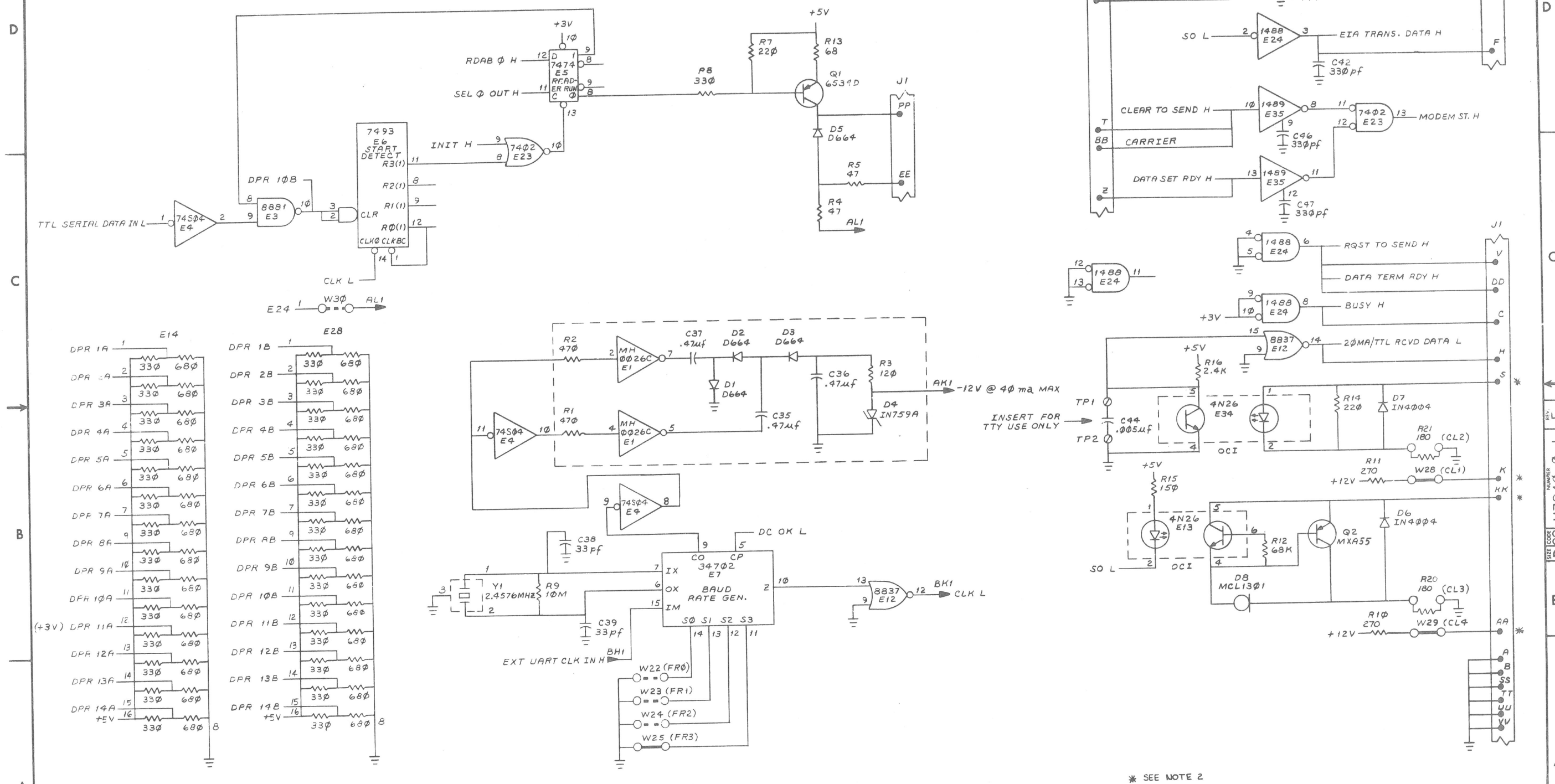
| REVISIONS | | |
|-----------|------------|------|
| CHK | CHANGE NO. | REV. |
| | | |

(BUS ADDRESS & I/O LOGIC)

| | | | |
|------------------|-----------|-----------|------|
| TITLE | SIZE CODE | NUMBER | REV. |
| SERIAL LINE UNIT | DCS | M7940-0-1 | F |
| SCALE | SHEET | DIST. | |
| | 3 OF 5 | | |

SIZE CODE NUMBER
 DCS M7940-0-1 F

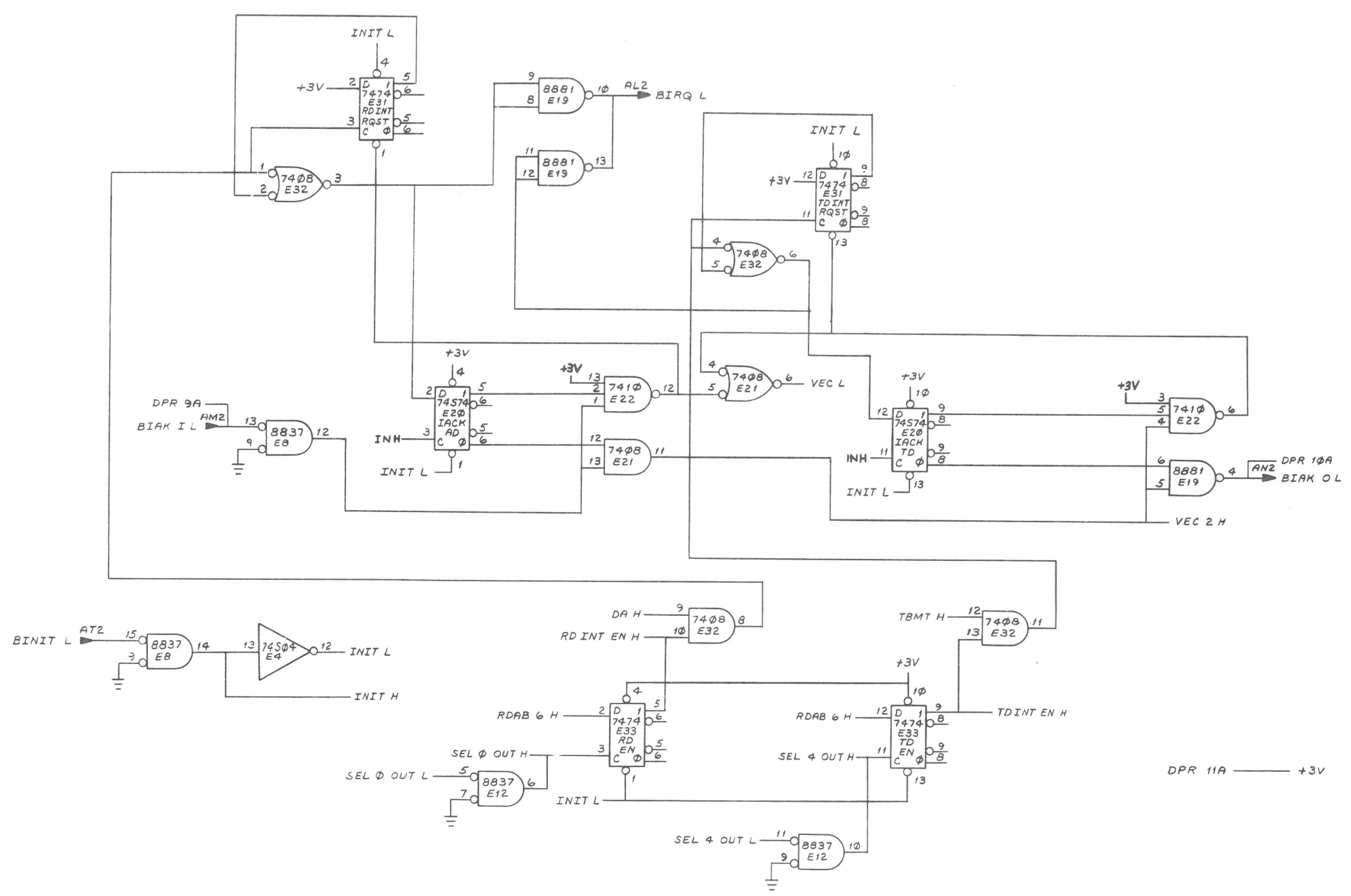
THIS DRAWING AND SPECIFICATIONS, HEREIN, ARE THE PROPERTY OF DIGITAL EQUIPMENT CORPORATION AND SHALL NOT BE REPRODUCED OR COPIED OR USED IN WHOLE OR IN PART AS THE BASIS FOR THE MANUFACTURE OR SALE OF ITEMS WITHOUT WRITTEN PERMISSION. COPYRIGHT © 1975 DIGITAL EQUIPMENT CORPORATION



(PERIPHERAL & BAUD RATE LOGIC)

| REVISIONS | | | TITLE | | SIZE CODE | NUMBER | REV. |
|-----------|------------|------|------------------|-------|-----------|-----------|------|
| CHK | CHANGE NO. | REV. | SERIAL LINE UNIT | | DCS | M7940-0-1 | F |
| | | | SCALE | SHEET | 4 OF 5 | DIST. | |

"THIS DRAWING AND SPECIFICATIONS, HEREIN, ARE THE PROPERTY OF DIGITAL EQUIPMENT CORPORATION AND SHALL NOT BE REPRODUCED OR COPIED OR USED IN WHOLE OR IN PART AS THE BASIS FOR THE MANUFACTURE OR SALE OF ITEMS WITHOUT WRITTEN PERMISSION. COPYRIGHT © 1975 DIGITAL EQUIPMENT CORPORATION"



(INTERRUPT & ENABLE LOGIC)

| REVISIONS | | |
|-----------|------------|------|
| CHK | CHANGE NO. | REV. |
| | | |

| | | | |
|------------------|-----------|-----------|------|
| TITLE | SIZE CODE | NUMBER | REV. |
| SERIAL LINE UNIT | DCS | M7940-0-1 | F |
| SCALE | SHEET | DIST. | |
| | 5 OF 5 | | |

DIGITAL EQUIPMENT CORPORATION

MAYNARD, MASSACHUSETTS

PARTS LIST

| | | |
|---------------------|----------------|-------------------|
| MADE BY Liz Hevesh | CHECKED J. SYR | SECTION 1 |
| DATE 1/19/76 | DATE 27 JAN 76 | |
| ENG <i>John Coy</i> | PROD J. SYR | ISSUED SECT. 1 |
| DATE 1/22/76 | DATE 27 JAN 76 | |

QUANTITY / VARIATION

| | | | | | | | | | | | |
|-----|--|--|--|--|--|--|--|--|--|--|--|
| 1 | | | | | | | | | | | |
| * # | | | | | | | | | | | |
| | | | | | | | | | | | |
| | | | | | | | | | | | |
| | | | | | | | | | | | |
| | | | | | | | | | | | |
| | | | | | | | | | | | |
| | | | | | | | | | | | |
| | | | | | | | | | | | |
| | | | | | | | | | | | |
| | | | | | | | | | | | |
| | | | | | | | | | | | |
| | | | | | | | | | | | |
| | | | | | | | | | | | |
| | | | | | | | | | | | |
| | | | | | | | | | | | |
| | | | | | | | | | | | |
| | | | | | | | | | | | |
| | | | | | | | | | | | |
| | | | | | | | | | | | |
| | | | | | | | | | | | |
| | | | | | | | | | | | |
| | | | | | | | | | | | |
| | | | | | | | | | | | |
| | | | | | | | | | | | |
| | | | | | | | | | | | |

| ITEM NO. | DWG NO. / PART NO. | DESCRIPTION |
|---|--------------------|--------------------------|
| 1 | MP-0054 | CUSTOMER PRINT SET DLV11 |
| 2 | DEC11-DVKA-E-A-P6 | DLV11 TEST |
| *NOTE: These items are shipped with first ship to customer. | | |

| | | | | | | |
|---------------------|----------|-------|------|-----------|------|-----------------|
| TITLE | ASSY NO. | SIZE | CODE | NUMBER | REV | ECO NO |
| SHIPPING LIST DLV11 | | A | PL | DLV11-2-? | ORIG | DLVII- 00001 |
| SHEET 1 OF 1 | | DIST. | | | | |

