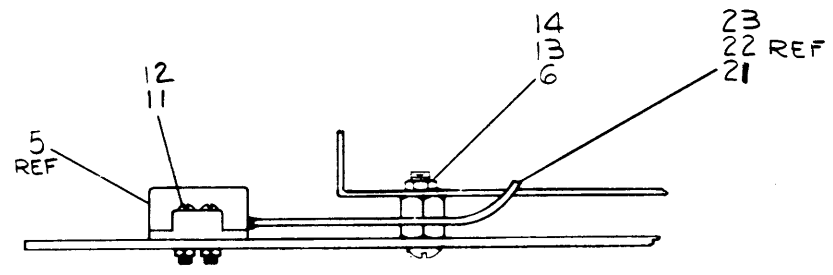
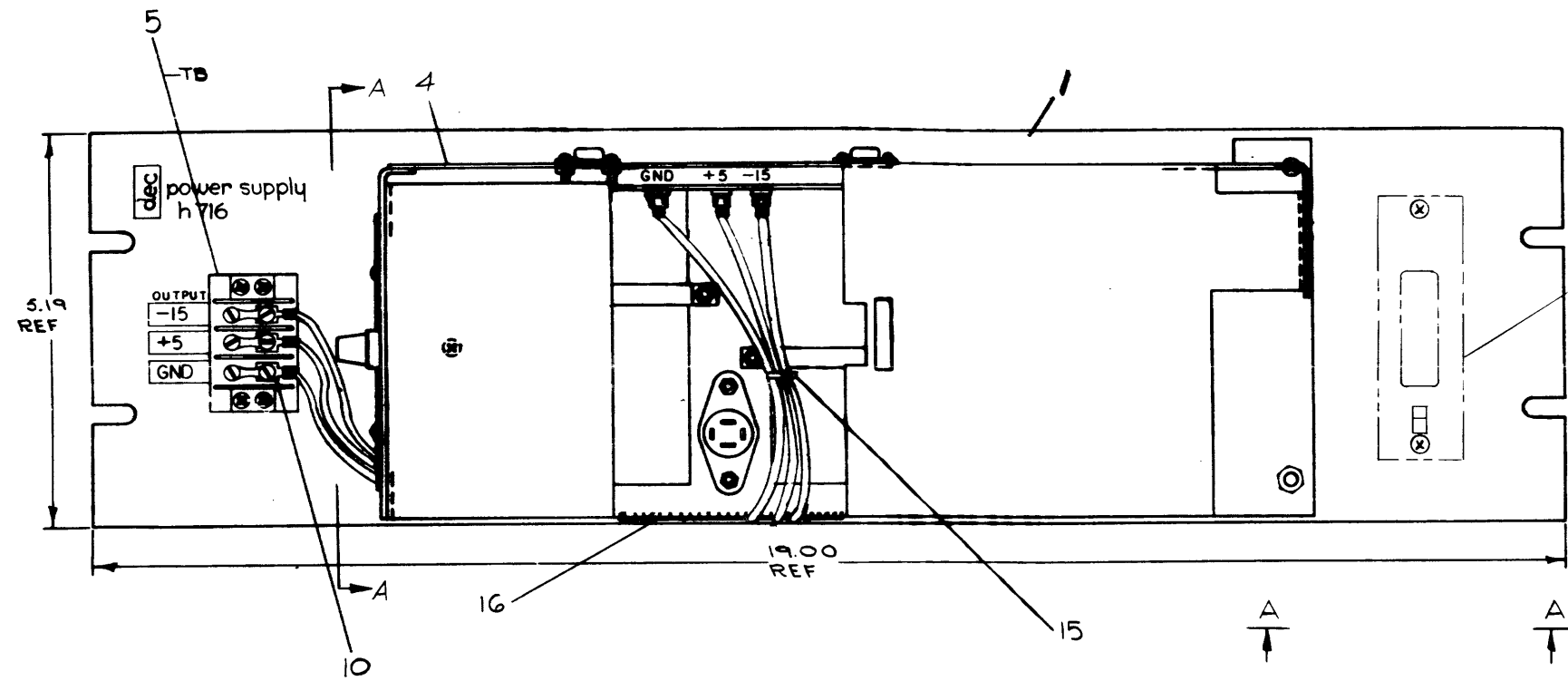


Observe and specifications, herein, are the property of Digital Equipment Corporation and shall not be reproduced or copied in whole or in part for the use of any manufacturer or user of items without written permission.

| LEGEND | |
|--------|---|
| NUMBER | VARIATION |
| H716-0 | W/ANLESS P.S WITH 110V RECEPTACLE |
| H716-A | H716 WITH 230V RECEPTACLE |
| H716-B | 19" H716 (115V RECEPTACLE) |
| H716-C | H716-B WITH OUTPLT RELAY SWITCHED FROM +5V (115V) |
| H716-D | H716-B WITH 230V RECEPTACLE |

NOTES:
 1. FOR H716 A OR H716-D (230V) REMOVE EXISTING DECAL AND ADD NEW DECAL (ITEM #25).



SEE VIEW A-A SHEET #2.

| | |
|------------|--|
| REV. | |
| CHANGE NO. | |
| DATE | |

FIRST USED ON OPTION/MODEL
AD01

UNLESS OTHERWISE SPECIFIED
 DIMENSIONS IN INCHES
 FINISH: MILL
 TOLERANCES: .005
 DIMENSIONS ARE TO CENTER UNLESS OTHERWISE SPECIFIED

| QTY. | DESCRIPTION | PART NO. | REV. |
|------|--------------------------|----------|------|
| | EQUIPMENT CORPORATION | | |
| | TITLE: POWER SUPPLY H716 | | |
| | PART NO.: DUA H716-0-0 | | |
| | REV. 1G | | |

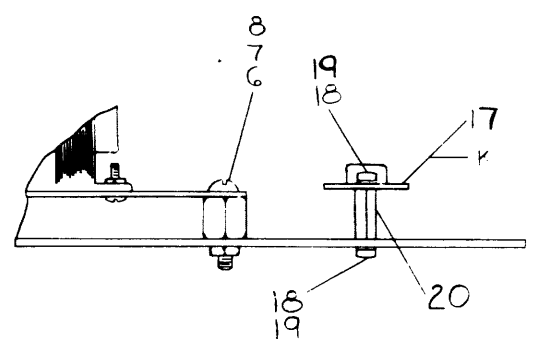
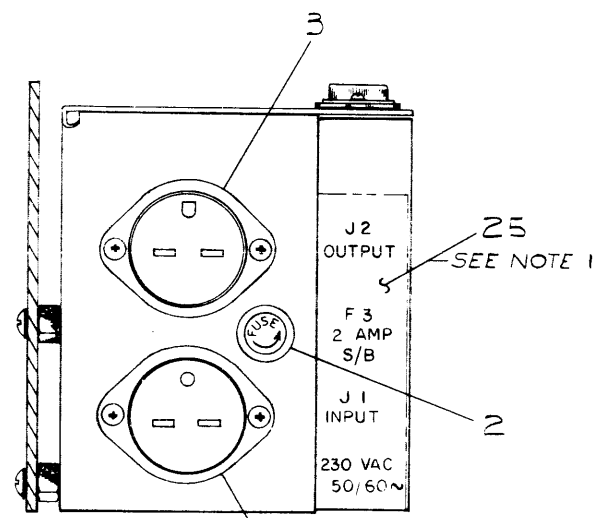
This drawing and specifications, herein, are the property of Digital Equipment Corporation and shall not be reproduced or copied or used in whole or in part as the basis for the manufacture or sale of items without written permission.

WIRE TABLE H716-B&D

| ITEM NO. | DESCRIPTION | FROM CONNECTION | WITH | TO CONNECTION | WITH |
|----------|-------------|-----------------|------|---------------|------|
| 23 | 18 BLK | PS-GND | 9 | TB-GND | 0 |
| 21 | 18 RED | PS-+5 | 0 | TB-+5 | 10 |
| 22 | 18 BLU | PS--15 | 9 | TB--15 | 0 |

WIRE TABLE H716-C

| ITEM NO. | DESCRIPTION | FROM CONNECTION | WITH | TO CONNECTION | WITH |
|----------|-------------|-----------------|------|---------------|--------|
| 23 | 18 BLK | PS-GND | 26 | TB-GND | 10 |
| 23 | 18 BLK | PS-GND | 26 | K-GND | SOLDER |
| 21 | 18 RED | PS-+5 | 26 | TB-+5 | 10 |
| 21 | 18 RED | PS-+5 | 26 | K-+5 | SOLDER |
| 22 | 18 BLU | PS--15 | 9 | K--15 | SOLDER |
| 22 | 18 BLU | K--15 | 9 | TB--15 | 10 |



VIEW A-A
FOR H716-C

| FIRST USED ON OPTION/MODEL | QTY | DESCRIPTION | PART NO | ITEM NO. |
|--|------------------|--------------|--|----------|
| PARTS LIST | | | | |
| UNLESS OTHERWISE SPECIFIED DIMENSION IN INCHES | DRN CHK'D | DATE DATE | digital EQUIPMENT CORPORATION MAYNARD, MASSACHUSETTS POWER SUPPLY H716 | |
| DECIMALS | ANGLES | DATE | | |
| xxx 005 | 10' 30' | DATE | | |
| xx 02 | | DATE | | |
| REMOVE BURRS AND BREAK SHARP CORNERS SURFACE QUALITY | PROJ | DATE | SIZE CODE NUMBER REV. DUA H716-0-0 | |
| MATERIAL | NEXT HIGHER ASSY | DATE | | |
| FINISH | SCALE | SHEET 2 OF 2 | DIST | |
| | | | | |

| REV. | CHANGE NO. |
|------|------------|
| | |
| | |

11C FORM NO. 100-A

NUMBER
 DUA H716-0-0
 SIZE CODE
 30003295

DIGITAL EQUIPMENT CORPORATION
MAYNARD, MASSACHUSETTS
PARTS LIST

MADE BY G. FLANDERS
DATE 7-22-71
ENG *Sever*
DATE *7/27/71*

CHECKED *J. Flannery*
DATE *8-22-71*
PROD *Rev. 2/10/71*
DATE *1/27/71*

SECTION 1
ISSUED SECT. 1

| ITEM NO | DWG NO. / PART NO. | DESCRIPTION | H716-Ø | H716-A | H716-B | H716-C | H716-D |
|---------|--------------------|-------------------------------|--------|--------|--------|--------|-----------|
| 1 | D-IA-7408142-0-0 | MOUNTING PANEL H716 | - | - | 1 | - | - |
| 1 | D-IA-7408142-1-0 | MOUNTING PANEL H716 | - | - | - | 1 | - |
| 1 | D-IA-7408142-2-0 | MOUNTING PANEL H716 | - | - | - | - | 1 |
| 2 | 9007216 | 2 AMP S.B. FUSE | - | 1 | - | - | - |
| 3 | 9008470 | FEMALE A.C. CONN | - | 1 | 1 | 1 | 1 |
| 4 | 3009282 | H716 POWER SUPPLY | 1 | 1 | - | - | - |
| 5 | 9007631 | TERM STRIP #3-541 JONES | - | - | 1 | 1 | 1 |
| 6 | 9006829 | SPACER ½ AF X 3/8 LG #10 HOLE | - | - | 3 | 3 | 3 |
| 7 | 9006027-1 | SCR PHL HD PAN 6-32 X 7/8 LG | - | - | 2 | 2 | 2 |
| 8 | 9006560 | NUT KEPS #6-32 | - | - | 2 | 2 | 2 |
| 9 | 9007917 | CONN SLDS ARK. #50902 | - | - | 3 | 3 | 3 |
| 10 | 9007929 | CONN SLDS ARK. #50321 | - | - | 3 | 3 | 3 |
| 11 | 9006041-1 | SCR PHL HD 8-32 X 3/4 LG | - | - | 4 | 4 | 4 |
| 12 | 2006563 | NUT KEPS 8-32 | - | - | 4 | 4 | 4 |
| 13 | 9006076-1 | SCR PH HD 10-32 X 7/8 LG | - | - | 1 | 1 | 1 |
| 14 | 9006565 | NUT KEPS #10-32 | - | - | 1 | 1 | 1 |
| 15 | 9007031 | TIE WRAP #SST-1-B | - | - | - | - | A/RA/RA/R |
| 16 | 9007622 | CATAPILLAR GROMMET | - | - | - | - | A/RA/RA/R |
| 17 | C-IA-5408857-0-0 | +15V POWER SEQUENCING BD | - | - | - | 1 | - |
| 18 | 9006022-1 | SCR PHL HD 6-32 X 3/8 LG | - | - | - | 4 | - |
| 19 | 9006633 | WASHER INT TOOTH #6 | - | - | - | 4 | - |
| 20 | 9006857 | SPACER ¼ AF X 5/8 LG 6-32 | - | - | - | - | 2 |

TITLE H716 POWER SUPPLY
SIZE CODE A PL
ASSY NO. D-UA-H716-Ø-Ø
SHEET 1 OF 2
NUMBER H716-Ø-Ø
REV. ECO NO

DEC FORM DEC 16 (325) 1031 N870
DRA 110

DIGITAL EQUIPMENT CORPORATION
MAYNARD, MASSACHUSETTS
PARTS LIST

MADE BY G. FLANDERS
DATE 7-22-71
ENG *Sever*
DATE *7/27/71*

CHECKED *J. Flannery*
DATE *8-22-71*
PROD *Rev. 2/10/71*
DATE *1/27/71*

SECTION 1
ISSUED SECT. 1

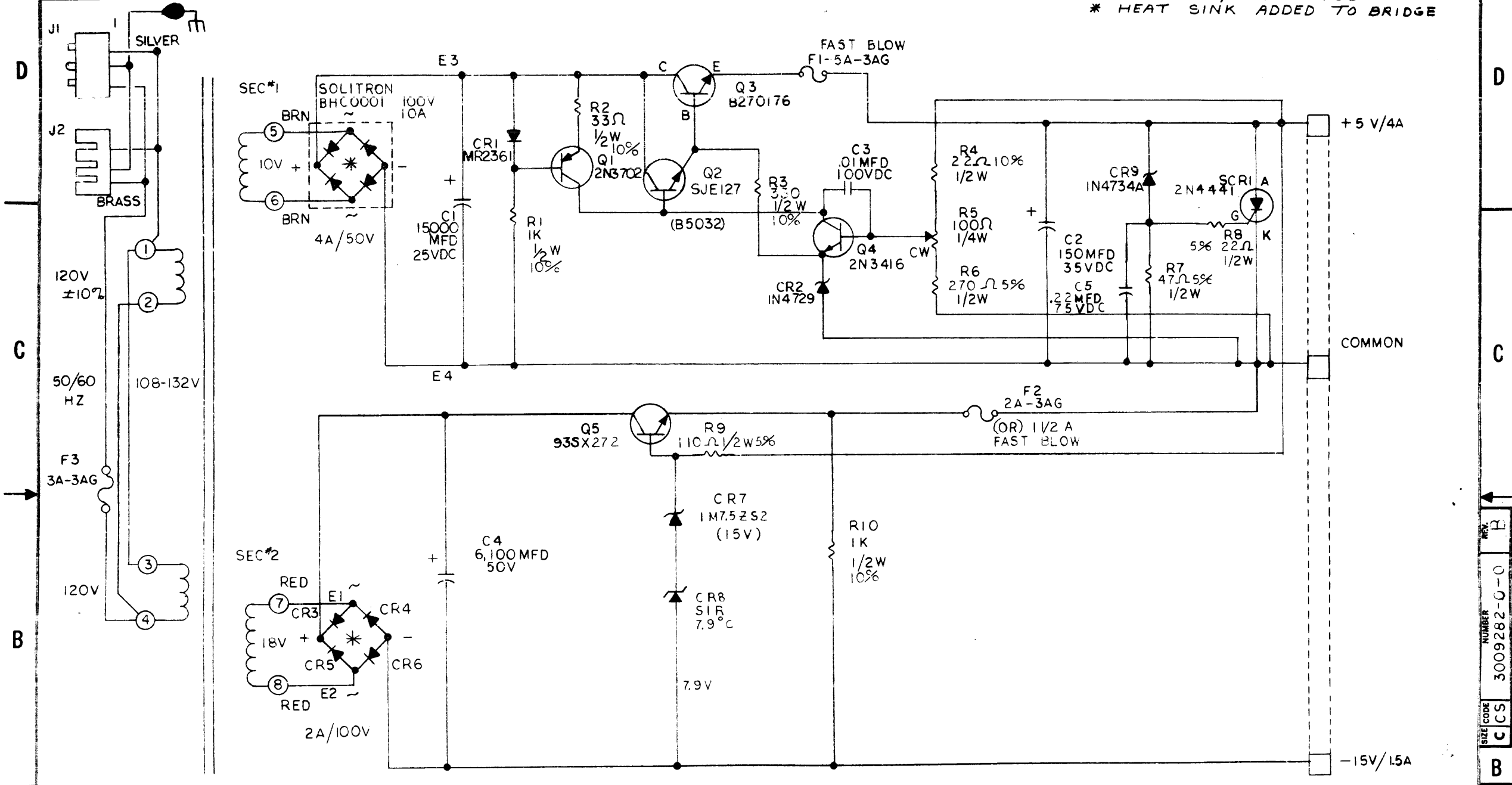
| ITEM NO | DWG NO. / PART NO. | DESCRIPTION | H716-Ø | H716-A | H716-B | H716-C | H716-D |
|---------|--------------------|-------------------------------|--------|--------|--------|--------|--------|
| 21 | 9107360-22 | 18 AWG WIRE INSULATED RED | - | - | - | - | - |
| 22 | 9107360-66 | 18 AWG WIRE INSULATED BJU | - | - | - | - | - |
| 23 | 9107360-00 | 18 AWG WIRE INSULATED FLK | - | - | - | - | - |
| 24 | 9008854 | MALE AC CONNECTOR INLET FIG'D | - | 1 | - | - | 1 |
| 25 | A-DC-5309717-0-0 | DECAL, POWER H716 (230V) | - | 1 | - | - | - |
| 26 | 9007919 | CONN SLDS ARK 50906 | - | - | - | 2 | - |

TITLE H716 POWER SUPPLY
SIZE CODE A PL
ASSY NO. D-UA-H716-Ø-Ø
SHEET 2 OF 2
NUMBER H716-Ø-Ø
REV. ECO NO

DEC FORM DEC 16 (325) 1031 N870
DRA 110

This drawing and specifications, herein, are the property of Digital Equipment Corporation and shall not be reproduced or copied or used in whole or in part as the basis for the manufacture or sale of items without written permission.

R5= POT = + 1377019, BD91038
 CR3, CR4, CR5, CR6 = IN5392
 T1 = 101748, - 9966936
 * HEAT SINK ADDED TO BRIDGE



T1
SK-820-WM

| REV. | CHANGE NO. | DATE | BY |
|------|------------|---------|--------------|
| A | H716-00001 | 4-21-70 | M. ARSENAULT |
| B | H716-00002 | 5/24/71 | K. PIERCE |

NOTE:
 THIS CIRCUIT SCHEMATIC
 HAS BEEN REDRAWN WITH
 THE PERMISSION OF
 WANLESS ELECTRIC CO.
 SEE WANLESS DRAWING
 NUMBER C-101418, MODEL
 C-148

| | | |
|--|----------------------------------|----------------|
| UNLESS OTHERWISE SPECIFIED DIMENSION IN INCHES | DRN. <i>Monaco</i> | DATE 4/1/69 |
| TOLERANCES | CHK'D <i>John P. Pierce</i> | DATE 4-3-69 |
| DECIMALS ± .005 | ENG. <i>John P. Pierce</i> | DATE 4-4-69 |
| FRACTIONS ± 1/64 | PROJ. ENG. <i>John P. Pierce</i> | DATE 4-4-69 |
| ANGLES ± 0°30' | PROD. <i>John P. Pierce</i> | DATE 4-4-69 |
| FINAL SURFACE QUALITY REMOVE BURRS AND BREAK SHARP CORNERS | FIRST USED ON | |
| MATERIAL | SCALE | |
| FINISH | SHEET 1 OF 1 | |

| QTY. | DESCRIPTION | PART NO. | ITEM NO. |
|---|-------------|-----------------------|----------|
| PARTS LIST | | | |
| digital EQUIPMENT CORPORATION MAYNARD, MASSACHUSETTS | | | |
| TITLE H-716.P.S. | | | |
| SIZE CODE C CS | | NUMBER 3009282-0-0 | |
| REV. B | | | |

REV. B
 NUMBER 3009282-0-0
 SIZE CODE C CS