

# DRAWING DIRECTORY

"THIS DRAWING AND SPECIFICATIONS, HEREIN, ARE THE PROPERTY OF DIGITAL EQUIPMENT CORPORATION AND SHALL NOT BE REPRODUCED OR COPIED OR USED IN WHOLE OR IN PART AS THE BASIS FOR THE MANUFACTURE OR SALE OF ITEMS WITHOUT WRITTEN PERMISSION. COPYRIGHT © 1974, DIGITAL EQUIPMENT CORPORATION"

## CUSTOMER PRINT SET INDEX

THIS IS PRINT SET 

--	--	--	--

SEQUENCE ⌞

- BM812-I ASSY
- MODULE UTILIZATION
- CONTROL TIMING BM812-I
- MD BUFFER BM812-I
- MEMORY BUS CABLES & BUFFERS
- EXPANDED OMNI BUS & MEMORY
- BM812-I ENGINEERING SPEC
- BM812-I ACCEP. & INSTAL. PROC.
- WIRED ASSY (BM812-I)
- WIRED ASSY (BM812-I)
- WIRE LIST BM812-I
- UNIT ASSY BM812-I
- LINE SET, 115V
- POWER CONTROL BOARD (115V)
- LINE SET 230V
- POWER CONTROL BOARD (230V)
- POWER SUPPLY ASSY
- HARNESS (BM812-I)

SEQUENCE ⌞

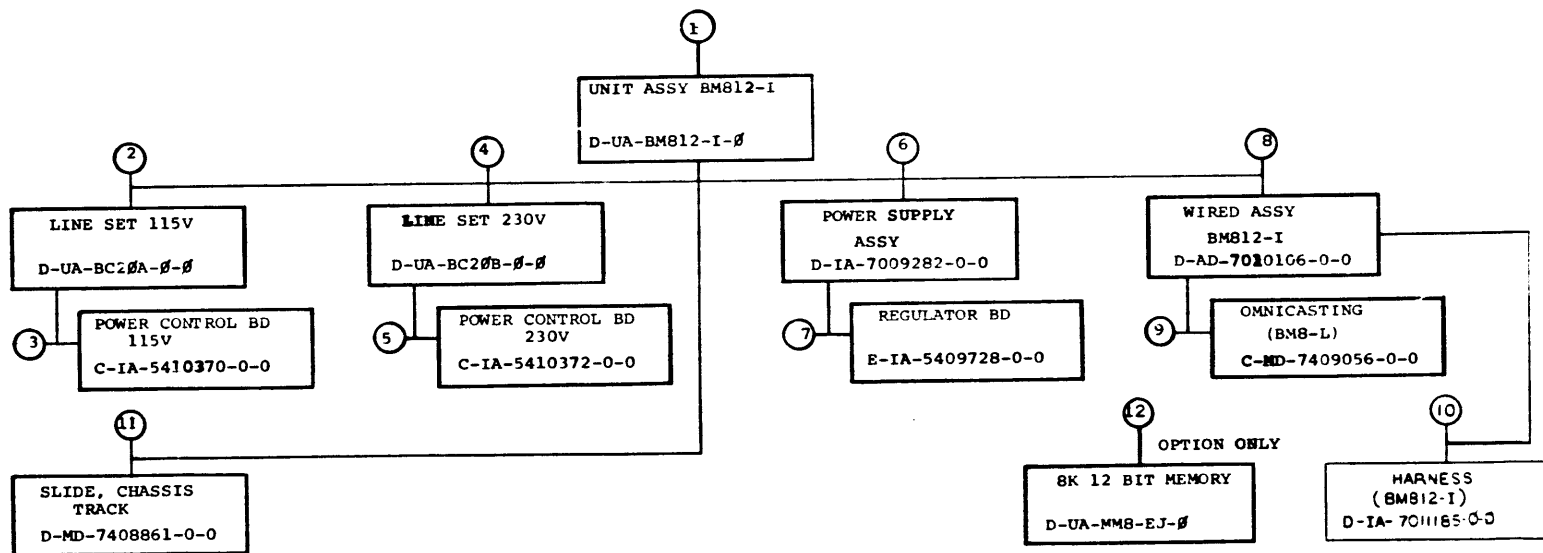
- B-DD-BM812-I
- D-MU-BM812-I-2
- D-BS-BM812-I-4
- D-BS-BM812-I-3
- D-CS-BM812-I-1
- D-IC-BM812-I-5
- A-SP-BM812-I-7
- A-SP-BM812-I-9
- D-AD-7010106-0-0
- A-PL-7010106-0-0
- K-WL-BM812-I-8
- D-UA-BM812-I-0
- D-UA-BC20A-0-0
- C-IA-5410370-0-0
- D-UA-BC20B-0-0
- C-IA-5410372-0-0
- D-IA-7009282-0-0
- D-IA-7011155-0-0

UNIT VARIATIONS		PRINT SET			
VAR	TITLE				
BM812-IA	UNIT ASSY BM812-I	X			
BM812-IB	UNIT ASSY BM812-I	X			

DEC 16 11:25:10 1974 TA 0072

REVISIONS		
DATE	CHG. NO.	REV
1/74	0001	A
6/75	0002	B

USED ON OPTION/MODEL		DRM	DATE	TITLE	
		M. LAURENCE	7/30/74		
		CHK'D.	DATE	BM812-I ASSY	
		S. FLANDERS	7/23/74		
		PROJ ENG.	DATE		
		PROD.	DATE	SIZE CODE	NUMBER
				B DD	BM812-I
		FIELD SERV.	DATE	DIST	
SHEET	OF				REV



TITLE	SHEET	OF	SIZE	CODE	NUMBER	REV
BM812-I ASSY	SHEET	20F	4	B DD	BM812-I	B

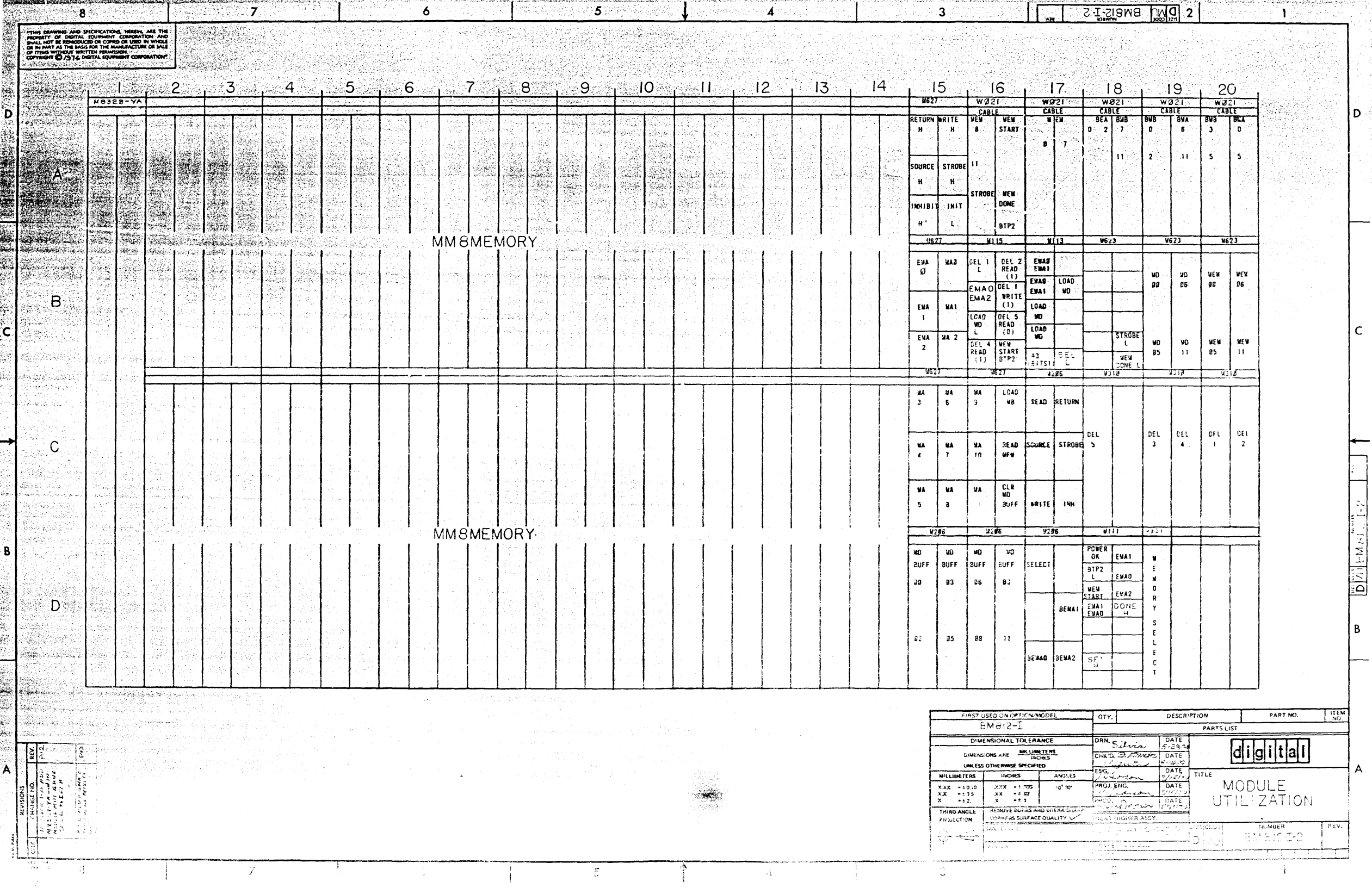
ELECTRICAL						ELECTRICAL							
CUSTOMER PRINT SET	MFG. SET	FIND NO.	DRAWING NO.	NO OF REV	DESCRIPTION	OPTION NO / FILE DATE	CUSTOMER PRINT SET	MFG. SET	FIND NO.	DRAWING NO.	NO OF REV	DESCRIPTION	OPTION NO / FILE DATE
X		1	D-UA-BM812-I-0	3	UNIT ASSY BM812-I		X		6	D-IA-7009282-0-0	1	POWER SUPPLY ASSY	
			A-PL-BM812-I-0	3	UNIT ASSY BM812-I					E-IA-7007279-0-0	1	TRANSFORMER ASSY	
X			D-CS-BM812-I-1	1	MEMORY BUS CABLES & BUFFERS					D-IA-7009280-0-0	1	HARNESS, D.C.	
Y			D-MU-BM812-I-2	1	MODULE UTILIZATION					C-IA-7009452-0-0	1	THERMOSTAT ASSY	
X			A-PL-BM812-I-2	1	MODULE UTILIZATION								
X			D-BS-BM812-I-3	1	MD BUFFER BM812-I								
X			D-BS-BM812-I-4	1	CONTROL TIMING BM812-I								
X			D-IC-BM812-I-5	1	EXPANDED OMNIBUS 8E MEMORY				7	E-IA-5409728-0-0	1	REGULATOR BOARD	
X			A-SP-BM812-I-6	4	BM812-I CHECKOUT PROCEDURE					D-CS-5409728-0-1	1	REGULATOR BOARD FOR H740	
X			A-SP-BM812-I-7	3	BM812-I ENGINEERING SPEC					K-CO-5409728-0-4	1	X-Y COORDINATE HOLE LOCATION	
X			B-WL-BM812-I-8	1	WIRE LIST					D-AH-5409728-0-5	1	ASSY/DRILLING HOLE LAYOUT	
X			A-SP-BM812-I-9	A 6	BM812-I ACCEP. & INSTAL. PROC.					B-MH-5409728-0-6	1	MODULE ECO HISTORY	
			D-IA-7010107-0-0	1	HARNESS AC					5009727	1	ETCHED CIRCUIT BOARD	
			C-IA-7005820-0-0	1	CABLE CONN TYPE W011 TO W021					A-SP-5409728-0-3	13	MANUFACTURING TEST PROCEDURE	
			B-AD-7010108-0-0	1	CONNECTOR J1					A-SP-5409728-0-8	25	MANUFACTURING SPECIFICATION	
										A-SP-5409728-0-9	4	ASSEMBLY PROCEDURE	
										B-IP-5409728-0-10	3	INSPECTION PROCEDURE	
										A-PI-3700065-0-0	2	5409728 INTERPLANT/CUST. PKG.	
X		2	D-UA-BC20A-0-0	1	LINE SET, 115V		X		8	D-AD-7010106-0-0	1	WIRED ASSY (BM812-I)	
							X			A-WT-7010106-0	1	AWT REVISION STATUS BM812-I	
										K-WL-BM812-I-8	1	WIRE LIST BM812-I	
X		3	C-IA-5410370-0-0	1	POWER CONTROL BOARD (115V)				12	D-UA-MM8-EJ-0	1	8K 12 BIT MEMORY (OPTION)	
			K-CO-5410370-0-4	1	X-Y COORDINATE HOLE LOCATION								
			D-AH-5410370-0-5	1	ASSY/DRILLING HOLE LAYOUT								
			B-MH-5410370-0-6	1	MODULE ECO HISTORY								
			5010369	1	ETCHED CIRCUIT BOARD				10	D-IA-7011185-0-0	1	DC HARNESS BM812-I	
X		4	D-UA-BC20B-0-0	1	LINE SET 230V								
Y		5	C-IA-5410372-0-0	1	POWER CONTROL BOARD (230V)								
			K-CO-5410372-0-4	1	X-Y COORDINATE HOLE LOCATION								
			D-AH-5410372-0-5	1	ASSY/DRILLING HOLE LAYOUT								
			B-MH-5410372-0-6	1	MODULE ECO HISTORY								
			5010371	1	ETCHED CIRCUIT BOARD								

CUSTOMER PRINT SET  
 X = PRINT OF DOCUMENT INCLUDED IN PRINT SET  
 C = INCLUDES ALL PRINTS INDICATED ON DOCUMENT  
 S = CONFIDENTIAL AUTHORIZED SIGNATURE REQUIRED

TITLE  
 BM812-I ASSY  
 SHEET 3 OF 4  
 SIZE CODE  
 B DD  
 NUMBER  
 BM812-I  
 REV  
 B



THIS DRAWING AND SPECIFICATIONS, HEREIN, ARE THE PROPERTY OF DIGITAL EQUIPMENT CORPORATION AND SHALL NOT BE REPRODUCED OR COPIED OR USED IN WHOLE OR IN PART AS THE BASIS FOR THE MANUFACTURE OR SALE OF ITEMS WITHOUT WRITTEN PERMISSION. COPYRIGHT © 1974, DIGITAL EQUIPMENT CORPORATION.

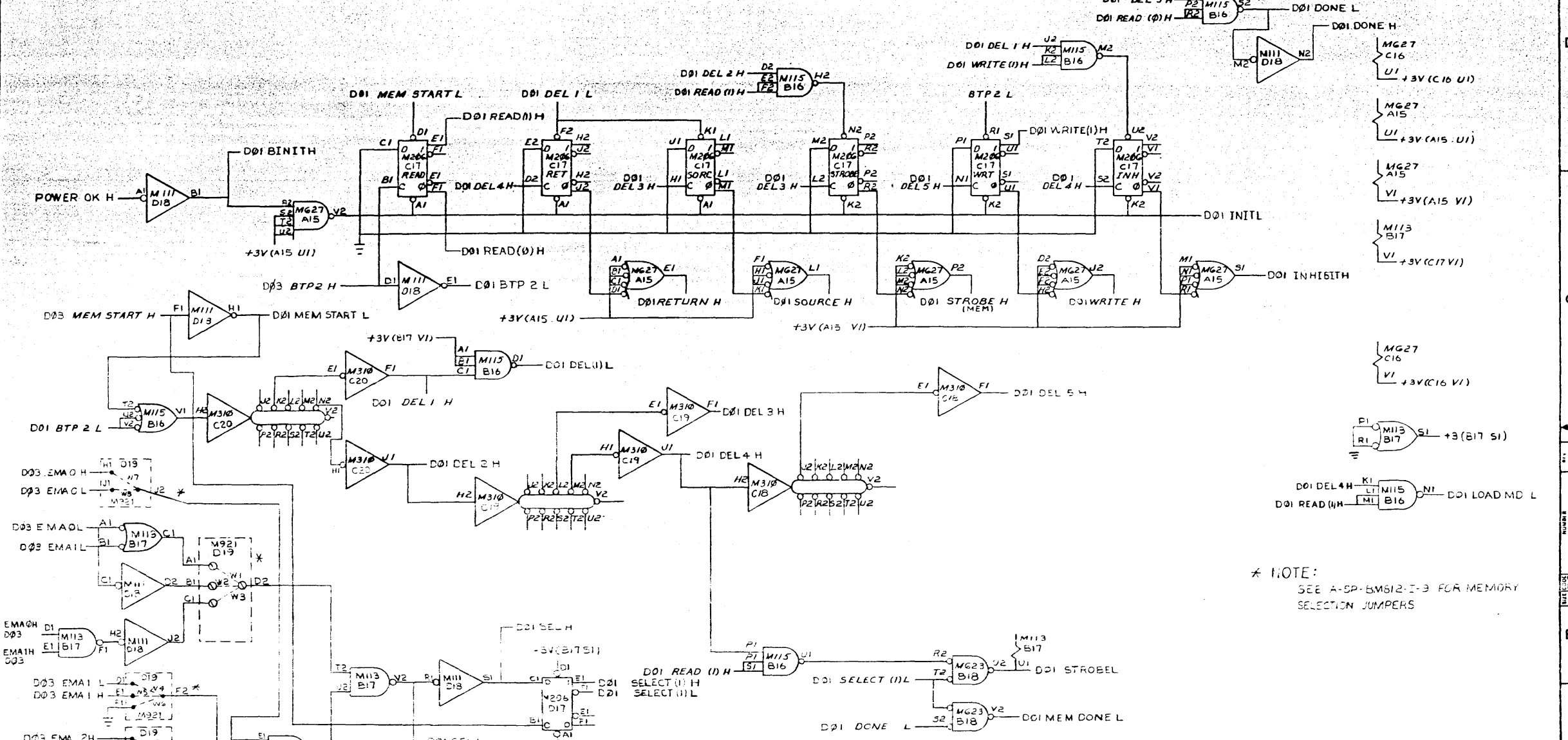


REV.	CHANGE NO.	DATE	BY
1			
2			
3			

FIRST USED ON OPTION MODEL		QTY.	DESCRIPTION	PART NO.	ITEM NO.
5M812-I			PARTS LIST		
DIMENSIONAL TOLERANCE		DRN. Silvia	DATE 5-29-74		
DIMENSIONS ARE IN MILLIMETERS UNLESS OTHERWISE SPECIFIED		CHK'D. J. Jones	DATE 6-2-74		
MILLIMETERS	INCHES	ANGLES	EDG. J. Jones	DATE 6/1/74	TITLE
XXX ±0.10	XXX ±.005	10° 30'	PROJ. ENG. J. Jones	DATE 6/1/74	MODULE UTILIZATION
XX ±0.3	XX ±.02		PROD. DATE 6/1/74	REV. 1	
X ±.2	X ±.1		DATE 6/1/74	NUMBER 5M812-I-2	REV.
THIRD ANGLE PROJECTION	REMOVE DIMS AND BREAK SHARP CORNERS SURFACE QUALITY		DATE 6/1/74	NUMBER 5M812-I-2	REV.

The drawing and specifications herein, are the property of Digital Equipment Corporation and shall not be reproduced or copied in whole or in part for any purpose other than that for which they were originally prepared without the written permission of Digital Equipment Corporation.

DIGITAL EQUIPMENT CORP.



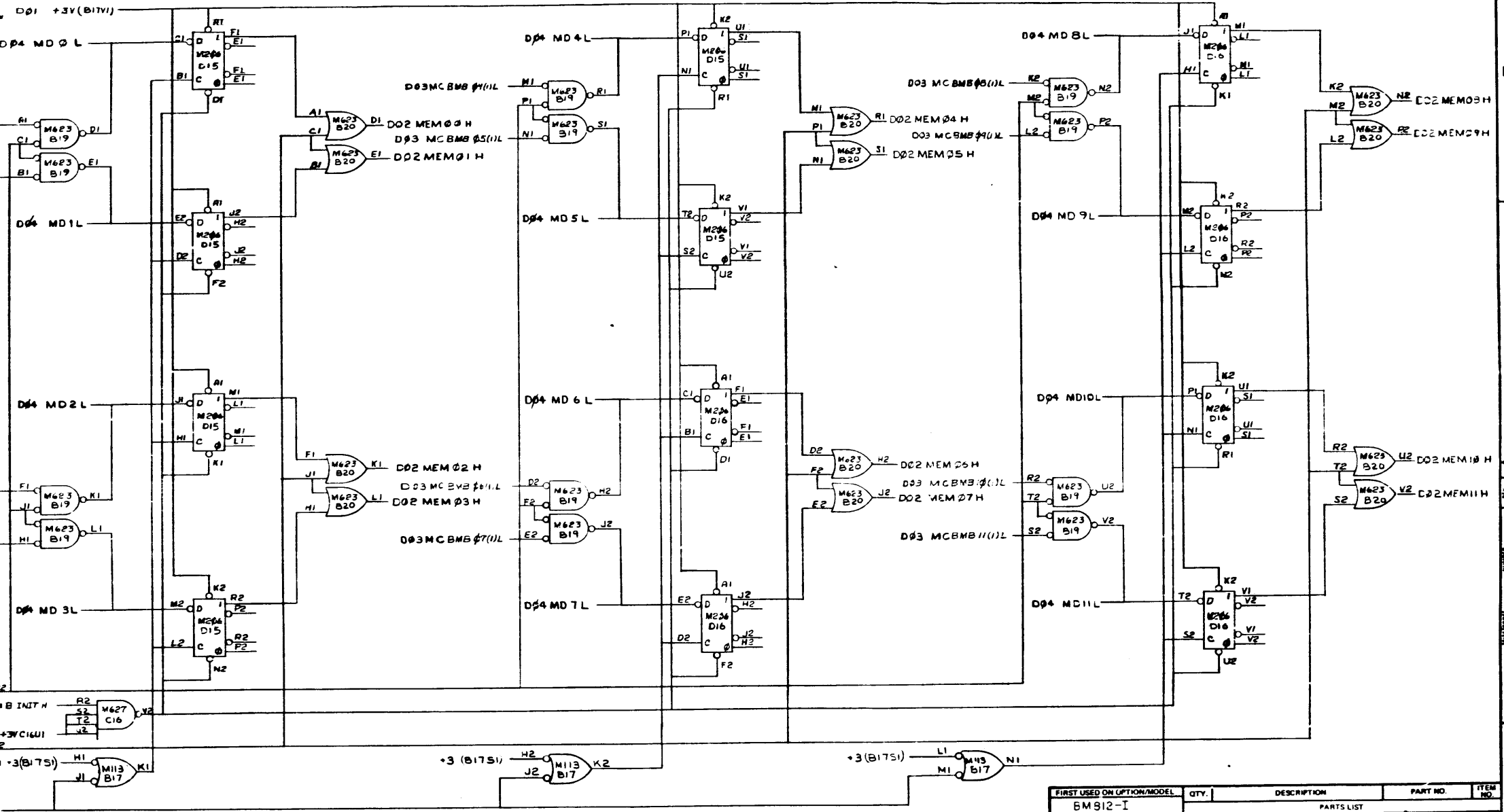
\* NOTE:  
SEE A-SP-BM812-I-3 FOR MEMORY  
SELECTION JUMPERS

REV.	DESCRIPTION	DATE
1	INITIAL DESIGN	11/17/75
2	REVISION	12/1/75
3	REVISION	12/1/75
4	REVISION	12/1/75
5	REVISION	12/1/75
6	REVISION	12/1/75
7	REVISION	12/1/75
8	REVISION	12/1/75

FIRST USED ON OPTION/MODEL	CT.	DESCRIPTION	PART NO.	ITEM NO.
BM812-I				
PARTS LIST				
UNLESS OTHERWISE SPECIFIED	DRN	DATE	<b>digital</b> EQUIPMENT CORPORATION MILITARY MARKING SYSTEM	
DIMENSION IN INCHES	CHK'D BY	DATE		
TOLERANCES	ENG.	DATE	TITLE <b>CONTROL TIMING</b> BM812-I	
DECIMALS	FRG.	DATE		
ANGLES	FRG.	DATE	SIZE CODE NUMBER DBS BM812-I-4	
XXX = 000	FRG.	DATE		
.XX = .02	FRG.	DATE	DOI	
X = .1	FRG.	DATE		
REMOVE BURRS AND BREAK SHARP CORNERS SURFACE QUALITY	FRG.	DATE	REV. A	
MATERIAL	FRG.	DATE		
FINISH	FRG.	DATE	SCALE 1:1	
	FRG.	DATE		
	FRG.	DATE	DIST.	
	FRG.	DATE		

This drawing and associated documents, herein, are the property of Digital Equipment Corporation and shall not be reproduced or transmitted in any form or by any means, electronic, mechanical, photocopying, recording, or by any information storage and retrieval system, without the prior written permission of Digital Equipment Corporation.

DIGITAL EQUIPMENT CORPORATION



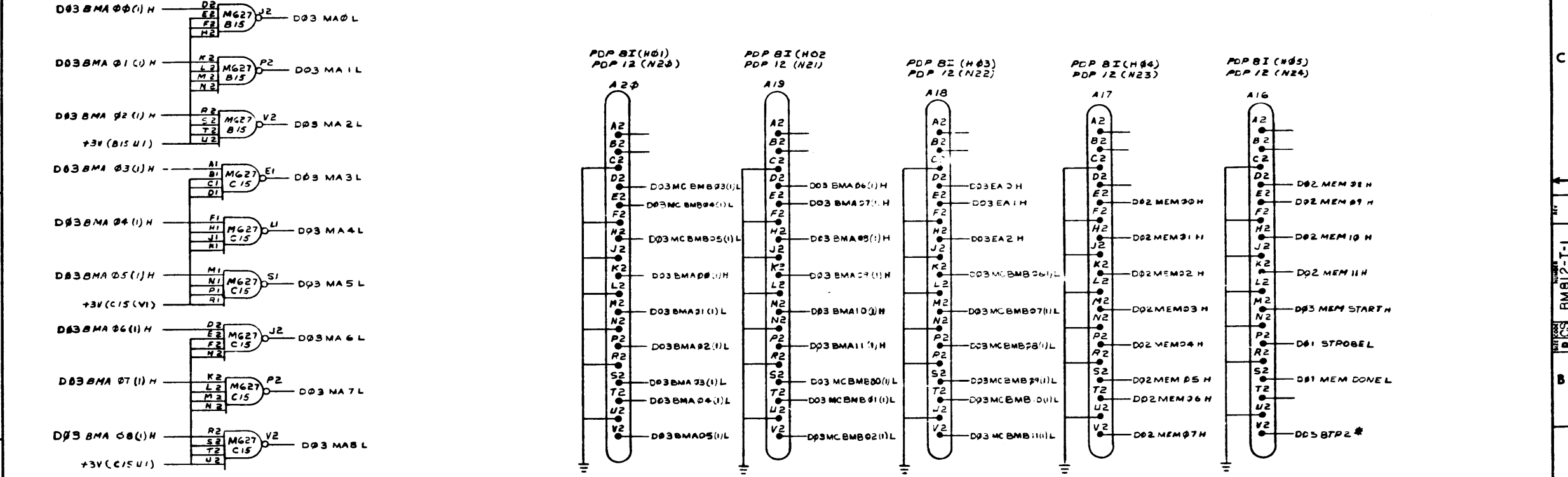
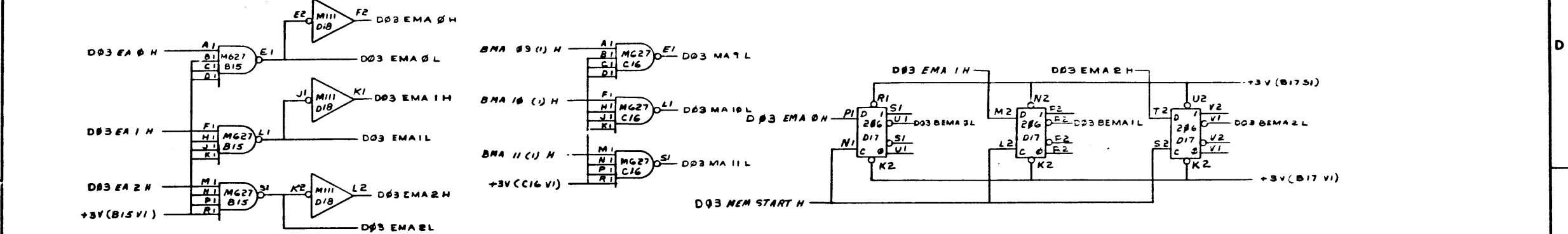
REV  
CHANGE NO  
CHK  
REC FORM NO  
DSD 100-0

FIRST USED ON OPTION/MODEL	QTY.	DESCRIPTION	PART NO.	ITEM NO.
BM812-I				
PARTS LIST				
UNLESS OTHERWISE SPECIFIED	DRN	DATE	digital EQUIPMENT CORPORATION	
DIMENSION IN INCHES	CHK'D	DATE	TOLERANCES	
DECIMALS	ENG	DATE	TITLE	
ANGLES	PROL ENG	DATE	MD BUFFER	
	PROL	DATE	BM812-I	
REMOVE BURRS AND BREAK SHARP	PROD	DATE	REV. 002	
CORNERS SURFACE QUALITY			NUMBER	
MATERIAL	NEXT HIGHER ASSY.		REV.	
	A-FL-EM812-I-2	SIZE CODE	D1ES	
FINISH	SCALE	DIST	BM812 I 3	
	SHEET OF 1			

REV  
CHANGE NO  
CHK  
REC FORM NO  
DSD 100-0

The drawing and specifications herein are the property of Digital Equipment Corporation and shall not be reproduced or used in whole or in part as the basis for the manufacture of any of those articles without written permission of Digital Equipment Corporation.

DIGITAL EQUIPMENT CORPORATION



NOTE:  
\* FOR PDP 12 THIS SIGNAL IS MEM TP 3 H

REV. NO.	REV.
CHANGE NO.	
CHK	

FIRST USED BY OR BY MODE	QTY	DESCRIPTION	PART NO.	ITEM NO.
EM812-I				
UNLESS OTHERWISE SPECIFIED		DATE	PARTS LIST	
UNLESS OTHERWISE SPECIFIED		DATE	digital EQUIPMENT CORPORATION	
TOLERANCES		DATE	TITLE	
DIMENSIONS FRACTIONS		DATE	MEMORY BUS	
DIMENSIONS DECIMALS		DATE	CABLES AND	
FINISH SURFACE QUALITY		DATE	BUFFERS	
REMOVE BURRS AND BREAK SHARP CORNERS		DATE	D03	
MATERIAL		DATE	REV.	
FINISH		DATE	D03	
SCALE		DATE	REV.	
SHEET		DATE	REV.	
OF		DATE	REV.	
OF		DATE	REV.	



This drawing and specifications, herein, are the property of Digital Equipment Corporation and shall not be reproduced or copied in whole or in part, or the listing for the manufacturing of any of the items without the written permission of Digital Equipment Corporation.

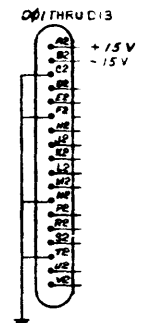
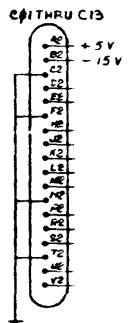
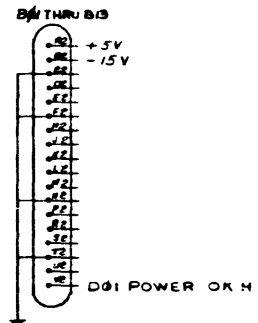
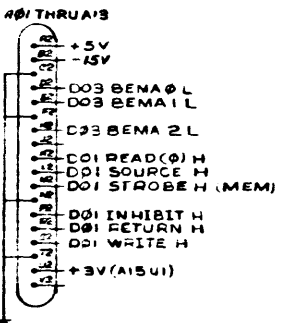
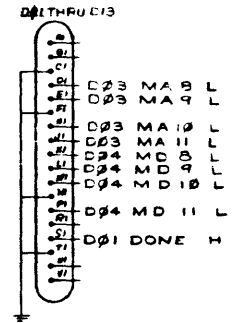
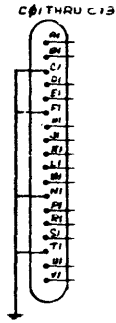
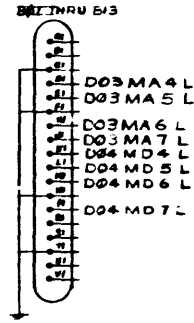
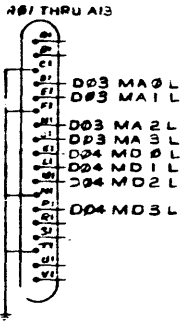
DIGITAL EQUIPMENT CORPORATION

D

C

B

A



REV	CHG	NO

FIRST USED ON OPTION/MODEL		QTY.	DESCRIPTION	PART NO.	ITEM NO.
BM812-I					
UNLESS OTHERWISE SPECIFIED DIMENSION IN INCHES TOLERANCES		DRN. DATE	PARTS LIST		
		CHK'D DATE	digital EQUIPMENT CORPORATION		
DECIMALS	ANGLES	ENG. DATE	TITLE		
.XX - .000	±.00	PROJ. ENG. DATE	EXPANDED OMN. BUS		
.X - .01	±.01	PROD. DATE	8E MEMORY		
REMOVES BURRS AND BREAK SHARP CORNERS SURFACE QUALITY		DATE	D1C		
MATERIAL		NEXT HIGHER ASSY.	SIZE CODE	NUMBER	REV.
+		A-PL8M812I-2	D1C	BM812-I-5	D04
FINISH		SCALE	DIST.		
+		SHEET OF			

REV. 10/74  
D1C BM812-I-5

**DIGITAL EQUIPMENT CORPORATION  
MAYNARD, MASSACHUSETTS**

**ENGINEERING SPECIFICATION**

DATE 7/25/74

TITLE BM812-I ENGINEERING SPECIFICATION

**REVISIONS**

REV	DESCRIPTION	CHG NO	ORIG	DATE	APPD BY	DATE
A	ECO CHANGE	BM812-I-00002	LEARSON	6-75	<i>WZ</i>	6-75

••

ENG <i>Jack Learson</i>	APPD <i>Harry Meyer</i>	SIZE A	CODE SP	NUMBER BM812-I-7	REV A
-------------------------	-------------------------	--------	---------	------------------	-------

DEC 16-(102)-1070A-R073  
DRA 107A

SHEET 1 OF 3

**ENGINEERING SPECIFICATION**

CONTINUATION SHEET

TITLE

BM812-I

GENERAL DESCRIPTION

The BM812-I is a memory expansion box that is capable of expanding either a PDP8I or PDP12 from 8K to 32K. This is accomplished by plugging in MM8E type stacks, to a wired assembly. The BM812-I is capable of handling a mixture of 8K (MM8EJ) or 4K (MM8EH) memories upto a total of three stacks. The Basic PDP8I or PDP12 must contain the extended memory control and one extra field (1K of memory). The BM812-I is rack mounted on slides and interfaces, via 5 BC08 cables, to the computer memory bus.

PHYSICAL DESCRIPTION

The BM812-I is housed in a standard PDPRM chassis, which contains a power supply (either 115V 60Hz, or 230V 50Hz), a wire assembly, and the logic necessary to control the MM8E memories. It is provided with chassis slides for rack mounting in the standard DEC 19-inch cabinetry.

BM812-I SELECTION:

The MM8EJ can be decoded for even number fields only. i.e., Field 0, 2, 4 or 6. If the BM812-I is to be added to a machine that already has a 4K stack, as the last on the memory bus, it must be shifted (re-decoded) so as to remain the last field on the bus. Below is a table of jumpers showing how this is achieved. When expanding with both 4K and 8K stacks, see A-SP-BM812-I-9. For Memory Selection BM812-I Jumpers:

BASIC MACHINE	M921 JUMPERS	COMMENTS
8K	W1, W6	Existing field 2 re-decoded to field 4 if BM812-I contains 8K or field 6 if contains 16K.
12K	W1, W4, W7, W10	
16K	W2, W6	existing field 4 re-decoded to field 6.
20K	W2, W5, W7, W10	
24K	W3, W6	

PROGRAMMING

The BM812-I is program compatible with existing system programs.

DEC FORM NO DEC 16-(101)-1022-N370  
DRA 108

SHEET 2 OF 3

**ENGINEERING SPECIFICATION**

CONTINUATION SHEET

TITLE

SPECIFICATIONS:

Power Requirements: BM812-I Self Contained  
95-130 VAC  
47-63 HZ  
6A Maximum

185-250 VAC  
47-63 HZ  
3A Maximum

Power Supply: +5V at 20A  
+15V at 1A  
-15V at 5A

Module Type: M Series

Capacity: MM8/EJ Maximum Number 3  
MM8/EH Maximum Number 3

Temperature: 0°- 50°Centigrade

Cables: 7005820-3

NOTE: Six foot cables are supplied unless otherwise specified. Maximum cable on memory bus 15 feet.

SIZE A	CODE SP	NUMBER BM812-I-7	REV A
--------	---------	------------------	-------

DEC FORM NO DEC 16-(101)-1022-N370  
DRA 108

SHEET 3 OF 3

This document contains confidential proprietary information of DEC. This information shall not be disclosed to persons outside the employ of DEC, except by DEC personnel so authorized by DEC, and may be used by such other persons as in the design, production or manufacture of products for DEC. Copyright © 1974 Digital Equipment Corporation.

DIGITAL EQUIPMENT CORPORATION MAYNARD, MASSACHUSETTS						
ENGINEERING SPECIFICATION				DATE 8/1/74		
TITLE BM812-I ACCEPTANCE AND INSTALLATION PROCEDURE						
REVISIONS						
REV	DESCRIPTION	CHG NO	ORIG	DATE	APPD BY	DATE
A	ECO CHANGE	BM812-00001	LEARSON	12/74	<i>[Signature]</i>	12/24/74
B	ECO CHANGE	BM812-I-00002	LEARSON	6/75	<i>[Signature]</i>	6-75

ENG <i>[Signature]</i>	APPD <i>[Signature]</i>	SIZE A	CODE SP	NUMBER BM812-I-9	REV B
---------------------------	----------------------------	-----------	------------	---------------------	----------

SHEET 1 OF 6

DEC FORM NO DEC 16-(381)-1022-N370  
DRA 107A

ENGINEERING SPECIFICATION				CONTINUATION SHEET	
TITLE					
1.0 ACCEPTANCE					
1.1 EQUIPMENT					
1 BM812-I					
1 set of BM812-I Software					
1 PDP-8I or PDP-12 with at least 8K.					
1.2 TEST SOFTWARE					
TIME	PROGRAM				
20/MIN	Extended Memory Control Test PDP8I MD-08-DGMCA-B PDP12 MD-12-DAMCA-A				
10 MIN/FIELD	MD-08-D1HA-PB Extended Memory Address				
10 MIN/FIELD	MD-08-DBMA-A Extended Memory Data and Checkerboard Test				
1.3 VIBRATION OF BM812-I					
All modules will be vibrated, excluding the MM8E, while the checkerboard diagnostic is being run.					
2.0 BM812-I SHIPPING LIST					
1 BM812-I Software Package					
1 Extender Card					
5 7005820-3 Cables					
1 BM812-I Print Set					
1 set of MM8E H or J Prints if applicable					
1 M112 MODULE IF THE BM812-I is to be an add-on to an existing machine with either 12K or 20K					

SIZE A	CODE SP	NUMBER BM812-I-9	REV B
-----------	------------	---------------------	----------

SHEET 2 OF 6

DEC FORM NO DEC 16-(381)-1022-N370  
DRA 108

ENGINEERING SPECIFICATION				CONTINUATION SHEET	
TITLE					
3.0 BM812-IA 115VAC 47-63HZ					
BM812-IB 230VAC 47-63HZ					
3.1 The BM812-I must be plugged in to the switched A.C. line.					

SIZE A	CODE SP	NUMBER BM812-I-9	REV B
-----------	------------	---------------------	----------

SHEET 3 OF 6

DEC FORM NO DEC 16-(381)-1022-N370  
DRA 108

ENGINEERING SPECIFICATION				CONTINUATION SHEET	
TITLE					
BM812-I CONFIGURATIONS FOR PDP-12 OR PDP8I					
4.0					
4.1.0 BASIC MACHINE PK					
C.P.	F0 F1	F2	F3 F4 F5 F6 F7	F8 F9 F10	BM812-I Jumpers W1, W6
4.2.0 BASIC MACHINE 12K (See Section 5.0)					
NOTE: When the BM812-I is added to a machine that already has an external MM8I, the terminator card in the MM8I must be removed.					
4.2.1 BM812-I add on with 4K (MM8E!!)					
C.P.	F0 F1	F2	F3 F4	F5 F6 F7 F8	BM812-I Jumpers W1, W8, W5, W10
4.2.2 BM812-I Add on with 8K (2-MM8E!!)					
C.P.	F0 F1	F2	F3 F4	F5 F6 F7 F8	BM812-I Jumpers W1, W8, W5, W10 2 - 4K STACKS
4.2.3 BM812-I Add on with 12K (3-MM8E!!) MAX Configuration					
C.P.	F0 F1	F2	F3 F4	F5 F6 F7 F8	BM812-I Jumpers W1, W8, W5, W10 3 - 4K STACKS
4.2.4 BM812-I Add on with 8K (MM8E!!)					
C.P.	F0 F1	F2 F3 F4	F5 F6 F7 F8	F9 F10	BM812-I Jumpers W1, W4, W7, W10

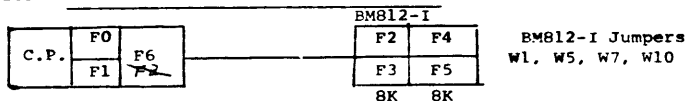
SIZE A	CODE SP	NUMBER BM812-I-9	REV B
-----------	------------	---------------------	----------

SHEET 4 OF 6

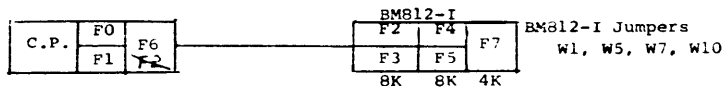
DEC FORM NO DEC 16-(381)-1022-N370  
DRA 108

TITLE

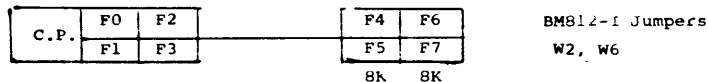
4.2.5 BM812-I Add on with 16K (2-MM8E7)



4.2.6 MAX Configuration 32K (2-MM8EJ & MM8EH)

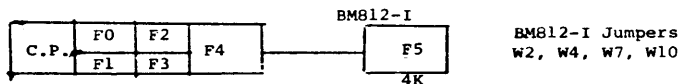


4.3.0 BASIC MACHINE 16K

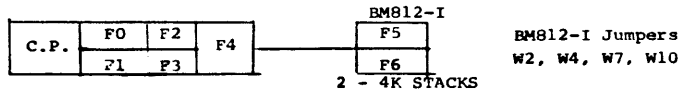


4.4.0 BASIC MACHINE 20K (See Section 5.0)

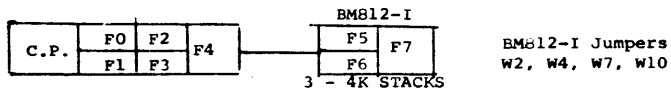
4.4.1 BM812-I Add-on with 4K (MM8EH)



4.4.2 BM812-I Add on with 8K (2-MM8EH)



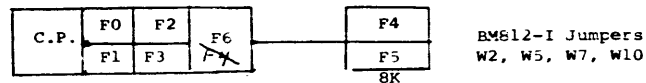
4.4.3 BM812-I Addon with 12K (3 - MM8EH) MAX Configuration



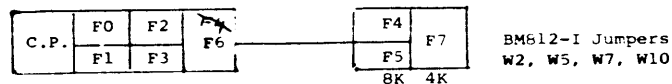
SIZE	CODE	NUMBER	REV
A	SP	BM812-I-9	B

TITLE

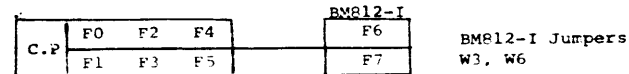
4.4.4 BM812-I Add on with 8K (MM8EJ) (See Section 5.0)



4.4.5 BM812-I Add on with MAX Configuration (MM8EJ and MM8EH) (See Section 5.0)



4.5.0 BASIC MACHINE 24K



5.0 This change must be installed in the existing MM81-A, when the BM812 is added to a machine already having either 12K or 20K of core.

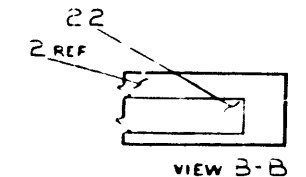
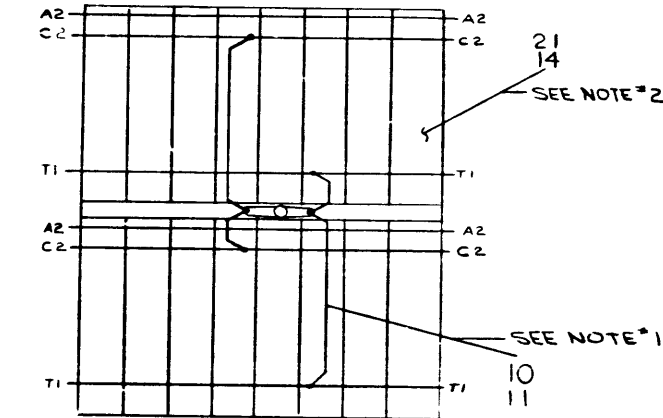
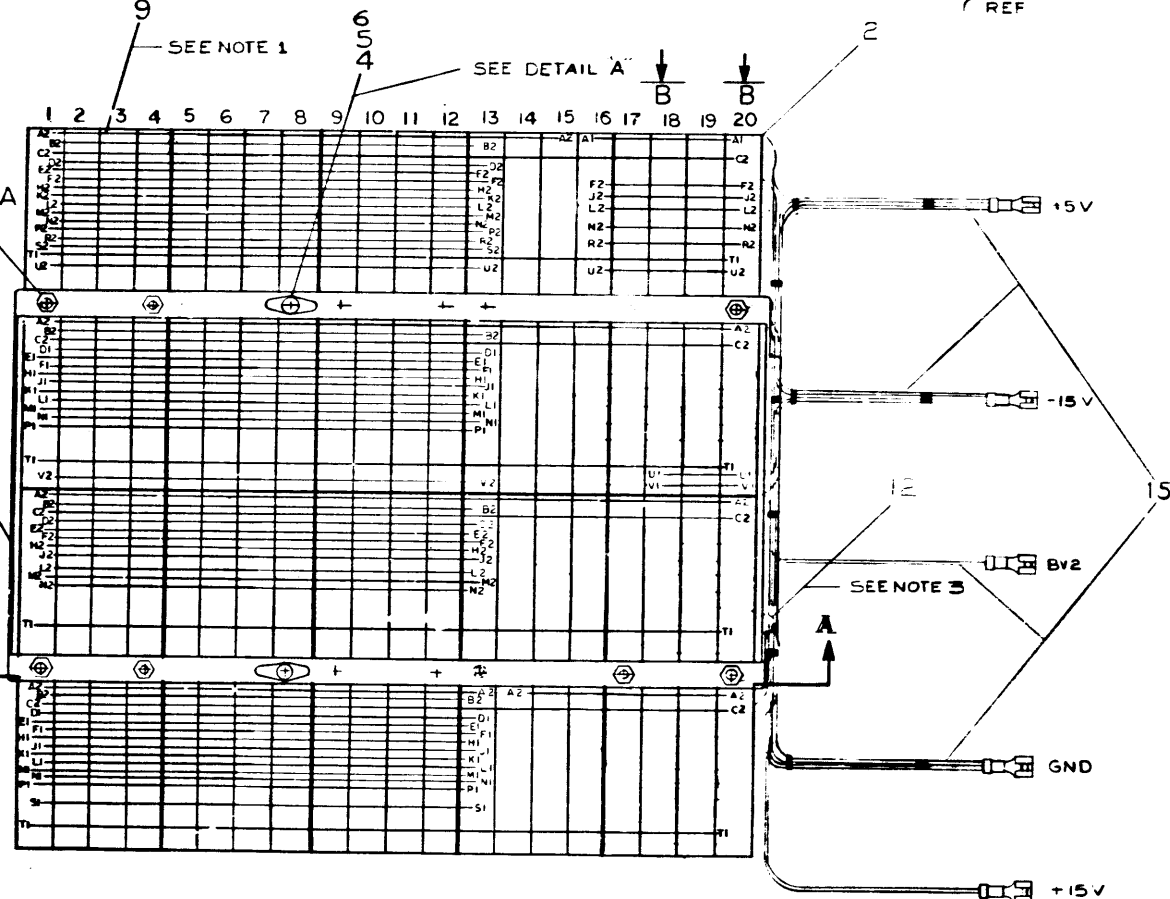
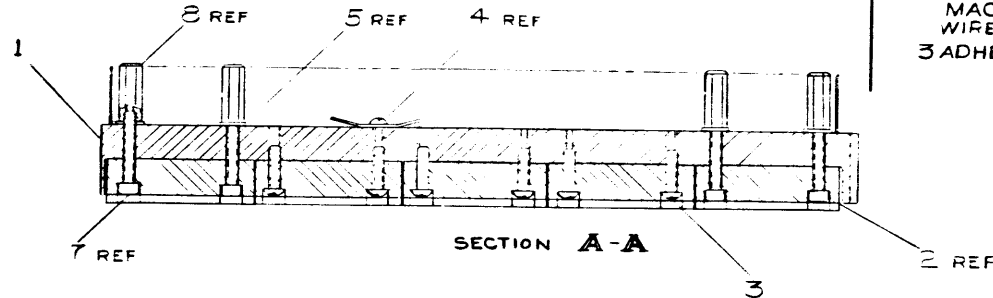
1. Add the M112 module to slot B05 of the MM81-A.
2. Use normal decoding procedure as stated on D-BS-MM8-I-A-1, to redecode the new field number if necessary.
3. Delete these wires in MM81-A: B06F2 B08C1 B08C1 B07D1
4. Add these wires to MM81-A: B07N1 B05A1 B08E2 B05B1 B05C1 B08C1 B08C1 B07D1

SIZE	CODE	NUMBER	REV
A	SP	BM812-I-9	B

This drawing and specifications, herein are the property of Digital Equipment Corporation and shall not be reproduced or copied or used in whole or in part for any purpose other than that for which they were originally prepared without the written permission of Digital Equipment Corporation. © 1974

WIRE TABLE							
ITEM NO	DESCRIPTION	FROM			TO		WIRE LENGTH
		AV3	COLOR	CONNECTION	WITH	CONNECTION	
22	BLK	A20-C2		SOLDER		GND	14"
22	BLK	B20-C2				GND	11 1/2"
22	BLK	C20-C2				GND	9 1/2"
22	BLK	D20-C2				GND	8 1/2"
22	RED	A15-A2				+5V	12 1/2"
22	RED	B20-A2				+5V	9 1/2"
22	RED	C20-A2				+5V	12 1/2"
22	RED	D20-A2				+5V	15"
22	BLU	A13-B2				-15V	14"
22	BLU	B13-E2				-15V	12"
22	BLU	C13-E2				-15V	14 1/2"
22	BLU	D13-B2				-15V	11 1/2"
18	VEL	D13-A2				+15V	10 1/2"
18	GRY	B13-V2	SOLDER			BV2	11"

- NOTES:
1. CONNECTIONS ON ITEMS 9 & 11 TO BE LOCATED & SOLDERED AT MINIMUM PRACTICAL HEIGHT ABOVE BLOCKS.
  2. USE YELLOW WIRE #14 FOR MACHINE WRAPPED & BLUE WIRE #21 FOR HAND WRAPPED
  3. ADHERE TAPE TO SURFACE SHOWN



REV	CHANGE NO	DATE	BY
1	1	10/1/74	J. LEARSON

UNLESS OTHERWISE SPECIFIED DIMENSIONS IN INCHES	DRN DATE 10/1/74	DATE 10/1/74	digital EQUIPMENT CORPORATION MILFORD, MASSACHUSETTS
TOLERANCES FRACTIONS ANGLES ± .005 ± .001 ± .010	ENG DATE 10/1/74	DATE 10/1/74	
SEE PARTS LIST	PROJ ENG DATE 10/1/74	DATE 10/1/74	TITLE WIRED ASSY (BM82-I)
SCALE 1 OF 1	SIZE CODE D/A/D	NUMBER 7010:06-0-G	REV 1

DIGITAL EQUIPMENT CORPORATION  
MAYNARD, MASSACHUSETTS

PARTS LIST

MADE BY M. LAURENCE  
DATE 6/7/74  
ENG'D *D. S. ...*  
DATE 6/7/74

CHECKED G. FLANDERS  
DATE 7/12/74  
PROD'G *...*  
DATE 6/7/74

SECTION 1  
ISSUED SECT. 1

ITEM NO	DWG NO. / PART NO	DESCRIPTION	SIZE CODE	REV	QUANTITY / VARIATION
1	C-MD-7409056-0-0	OMNICASTING (BMB-L)	A PL		
2	E-SC-1205348-0-0	288 PIN CON. BLOCK TYPE HB03			
3	9006120-06	SCR PHIL HD POSITIVE #8-12 X .62			
4	9006035-1	SCR PHIL HD PAN #8-12 X .25			
5	9008072	WASH EXT TOOTH #8			
6	9007597	TERM SHAKEPROOF			
7	9007988-8	SCR SOCKET HD #8-32 X 1.00			
8	9008334	SPACER .25AFx.69LG #8-32 HOLE			
9	1205541	BUSS STRIP			
10	9107265-09	#22 AWG TUBING TEP (WHT)			
11	9107560-01	#22 AWG BUS WIRE			
12	9008845	TAPE INSULATING			
13	9007969	CON. # 50-PIN STRIPS			
14	9005740-44	#30 AWG SOLID KYNAR WIRE (YEL)			
15	A-1A-7011185 0-0	DC HARNESS			
16	9107330-00	#22 AWG STRIP TEP (BLK)			
17	9107330-02	#22 AWG STRIP TEP (RED)			
18	9107330-03	#18 AWG STRIP TEP (YEL)			
19	9107330-04	#18 AWG STRIP TEP (GRN)			
20	9007031	SH. WASH			
21	9105740-66	#30 AWG SOLID KYNAR WIRE (BLD)			
22	A-DC-7411181-0-0	DECAL LOGIC ASSY REVISION			
TITLE WIRED ASSY (BMB12-I)				ASSY NO D-AD-7010106 0-0	SIZE CODE A PL
DEC FORM D1C (Rev. 1-73) 1011 ASSY				NUMBER 7010106-0-0	REV BMB12-I
ORA 50				SHEET 1 OF 2	DIST 00002

DIGITAL EQUIPMENT CORPORATION  
MAYNARD, MASSACHUSETTS

PARTS LIST

MADE BY M. LAURENCE  
DATE 6/7/74  
ENG'D *D. S. ...*  
DATE 6/7/74

CHECKED G. FLANDERS  
DATE 7/12/74  
PROD'G *...*  
DATE 6/7/74

SECTION 1  
ISSUED SECT. 1


ITEM NO	DWG NO. / PART NO.	DESCRIPTION	SIZE CODE	REV	QUANTITY / VARIATION
23	A-DC-7411181-0-0	LOGIC FRAME DECALS			
24	K-WL-BMB12 I-R	WIRE LIST (BMB12-I)			
TITLE WIRE ASSY (BMB12-I)				ASSY NO D-AD-7010106 0-0	SIZE CODE A PL
DEC FORM D1C (Rev. 1-73) 1011 ASSY				NUMBER 7010106-0-0	REV A
ORA 110				SHEET 2 OF 2	DIST

This drawing and specifications, herein, are the property of Digital Equipment Corporation and shall not be reproduced or copied or used in whole or in part as the basis for the manufacture or sale of items without written permission. COPYRIGHT © 1974

DIGITAL EQUIPMENT CORPORATION

REV. A  
 NUMBER BM812-I-8  
 SIZE CODE K WL

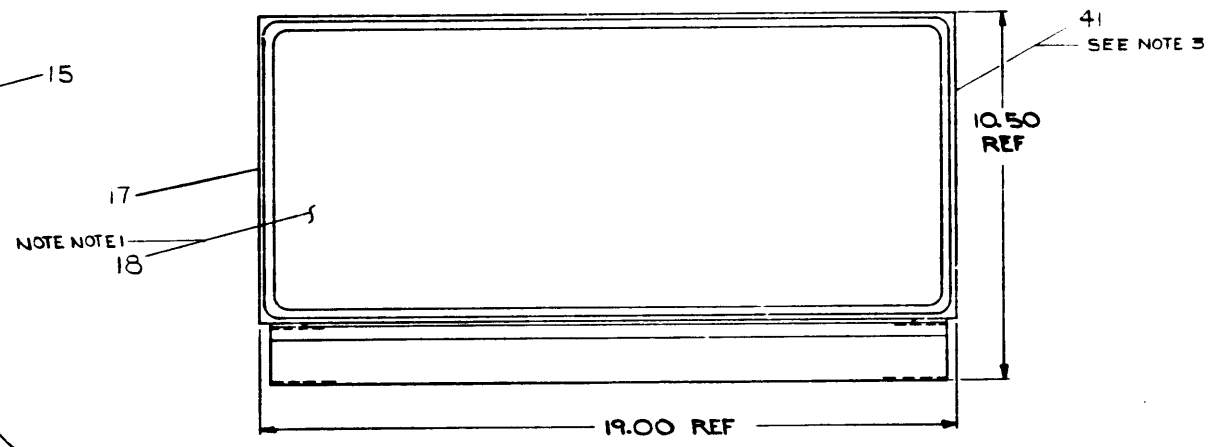
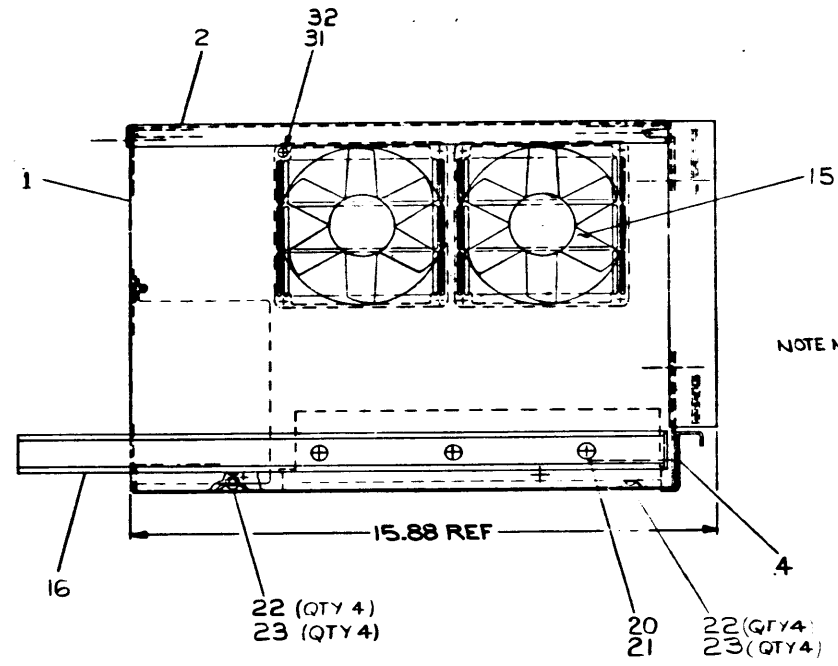
REVISIONS	CHK	CHANGE NO.	REV.
	28	BM812-I-00002	A
		53 9/20/74 J.C. 6-15	
		J. LEARSON	
		1/18/74 6-18-75	

FIRST USED ON OPTION MODEL		QTY.	DESCRIPTION	PART NO.	ITEM NO.
BM812-I					
PARTS LIST					
DRN. <i>MD</i>	DATE <i>2/1/74</i>	 <b>digital</b> EQUIPMENT CORPORATION MAYNARD, MASSACHUSETTS			
CHK'D <i>J. Leason</i>	DATE <i>6-15-75</i>				
ENG. <i>J. Leason</i>	DATE <i>6-18-75</i>				
PROJ. ENG. <i>J. Leason</i>	DATE <i>6-18-75</i>				
PRD. <i>Stammyer</i>	DATE <i>6/18/78</i>				
TITLE		WIRE LIST			
NEXT HIGHER ASSEMBLY		D-AD-7010106-0-0			
SCALE		SIZE CODE	NUMBER	REV.	
SHEET 1 OF 1		K WL	BM812-I-8	A	
DIST.					

This drawing and specifications herein are the property of Digital Equipment Corporation and shall not be reproduced or copied in whole or in part, or be used for any purpose other than that specified, without the written permission of Digital Equipment Corporation.

LEGEND	
NUMBER	VARIATION
BM812-IA	115V
BM812-IB	230V

- NOTES:**
- ADHERE TWO PANELS (ITEM #18) TOGETHER USING ADHESIVE (ITEM #19) FOR LOCATION OF MODULES (ITEM #37) AND CABLE CONN (ITEM #39) SEE DWG D-MU-BM812-I-2
  - PLACE ITEM #41 AROUND INTAKE SLOTS USING (ITEM #2) AS TEMPLATE



REVISIONS

CHK	CHANGE NO	REV
J. J. LEARSON	1	A
J. J. LEARSON	2	A

DATE: 6-17-75

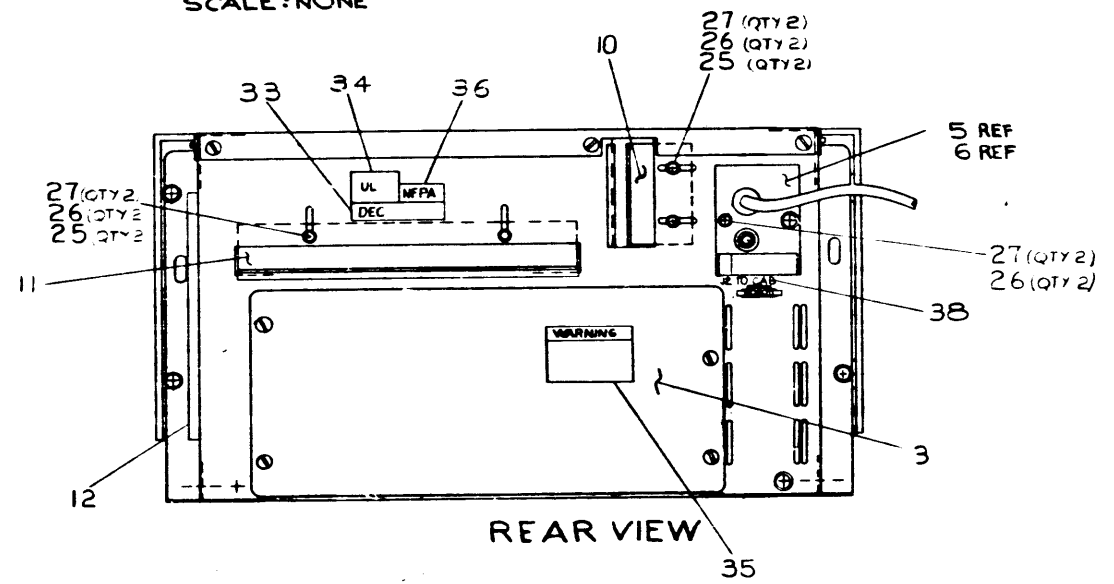
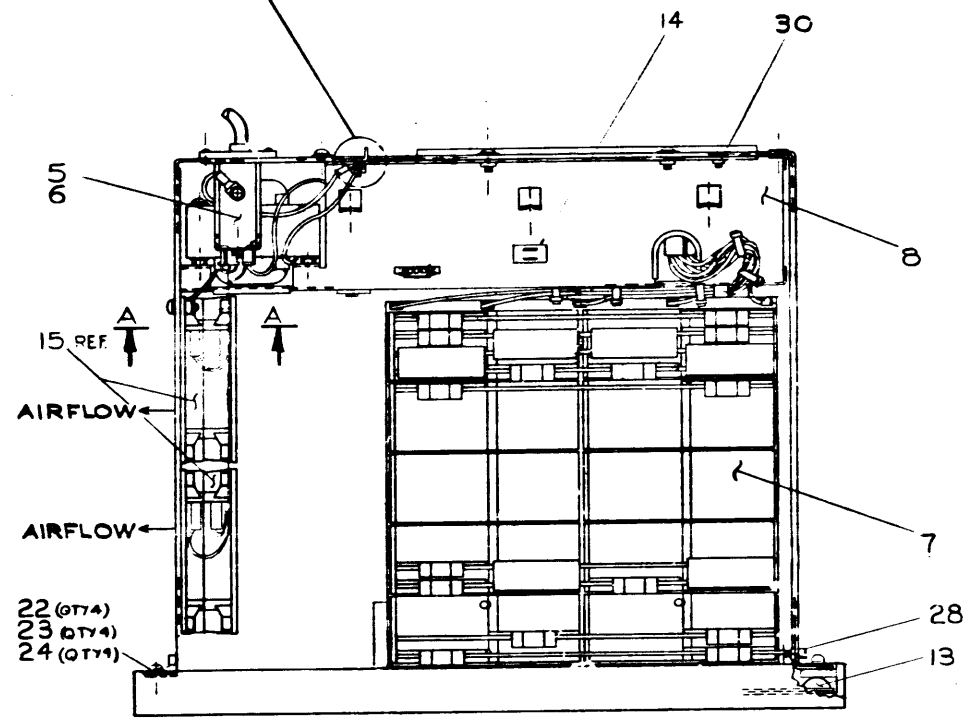
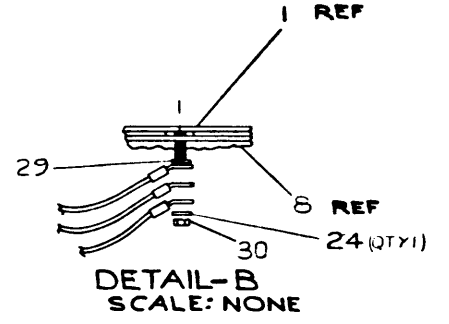
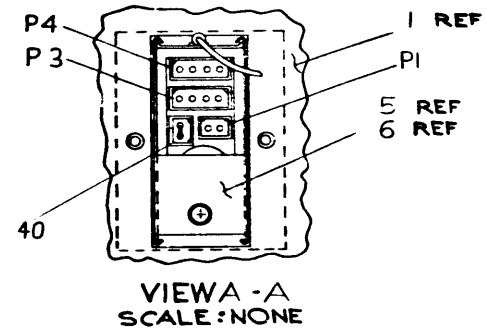
FIRST USED ON OPTION/MODEL	QTY	DESCRIPTION	PART NO	ITEM NO
BM 812-I				
UNLESS OTHERWISE SPECIFIED DIMENSION IN INCHES				
TOLERANCES				
DECIMALS	ANGLES	TITLE		
XXX - 008	10° 30'	UNIT ASSY.		
XX - 02		BM812-I		
X - 1.1				
REMOVE BURRS AND BREAK SHARP CORNERS SURFACE QUALITY				
MATERIAL				
SEE PARTS LIST	B-DD-BM812I	SIZE CODE	NUMBER	REV
FINISH	SCALE	DUA	BM812-I-0	A
	SHEET 1 OF 3	DIST		

PART NO. BM812-I-0



Any drawing and specifications, herein, are the property of Digital Equipment Corporation and shall not be reproduced or used in whole or in part, or in any manner, for the manufacture or sale of any product without permission. (27) (12/1976)  
 DIGITAL EQUIPMENT CORPORATION

SEE DETAIL-B

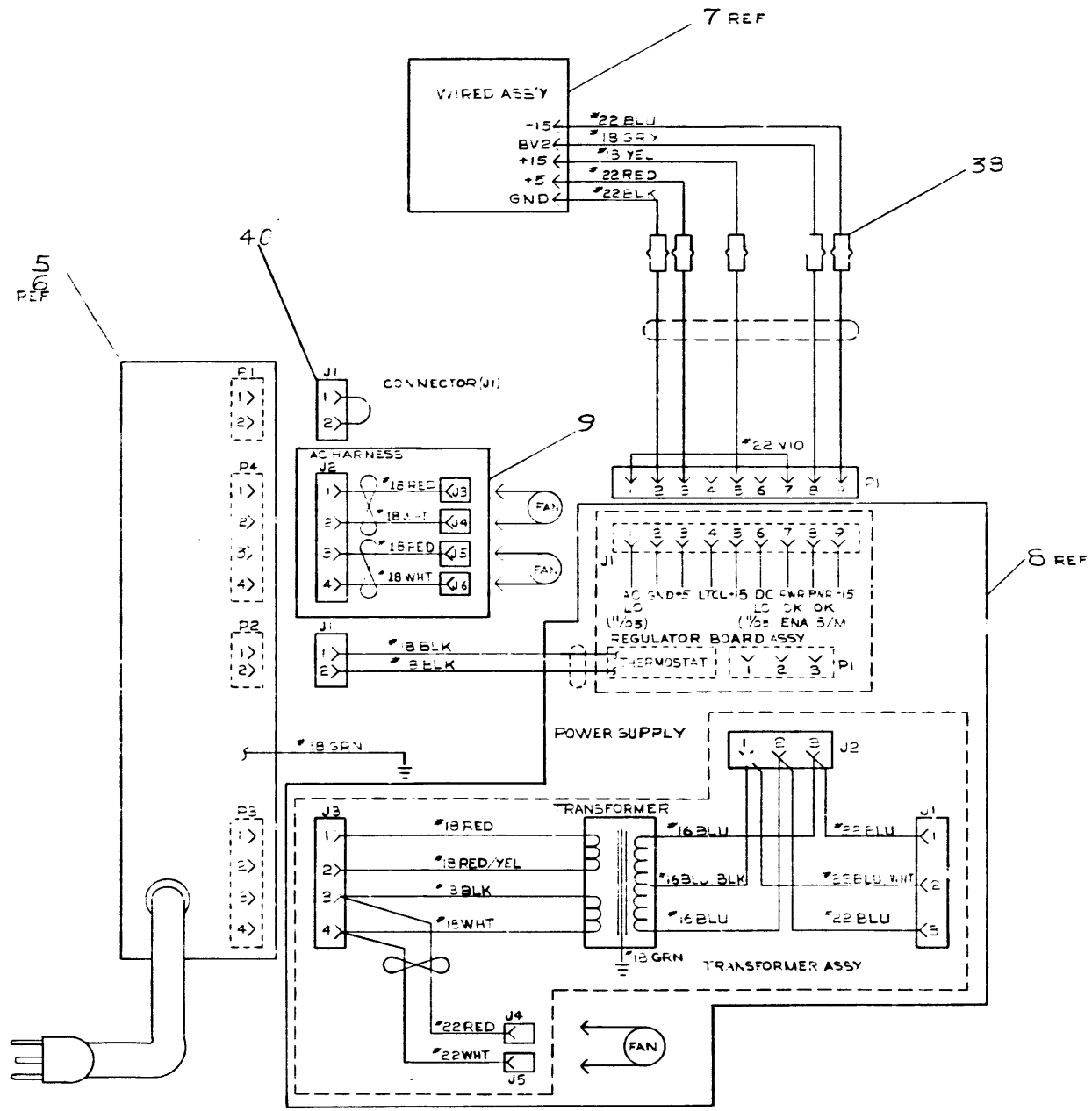


REVISIONS		
CHK	CHANGE NO	REV

TITLE	UNIT ASSY	BM812-I	D U A	NUMBER	BM812-I-0	REV	A
SCALE	SHEET 2 OF 3		LIST				

UNIT ASSY BM812-I-0  
 REV A  
 SHEET 2 OF 3

THIS DRAWING AND SPECIFICATIONS HEREIN ARE THE PROPERTY OF DIGITAL EQUIPMENT CORPORATION AND SHALL NOT BE REPRODUCED OR COPIED OR USED IN WHOLE OR IN PART AS THE BASIS FOR THE MANUFACTURE OR SALE OF ITEMS WITHOUT WRITTEN PERMISSION. COPYRIGHT © 1977, DIGITAL EQUIPMENT CORPORATION.



REVISIONS		
CHK	CHANGE NO	REV

TITLE	UNIT ASSY BM812-I	SIZE CODE	DJA	NUMBER	5082-I-C	REV.	A
SCALE	---	SHEET	3	OF	3	DIST	

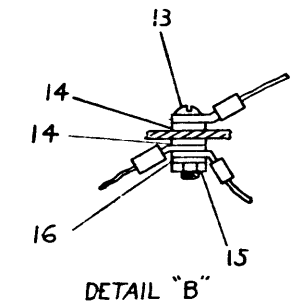
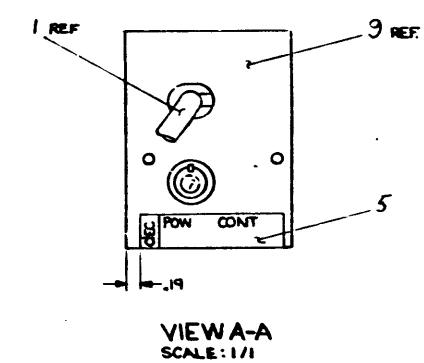
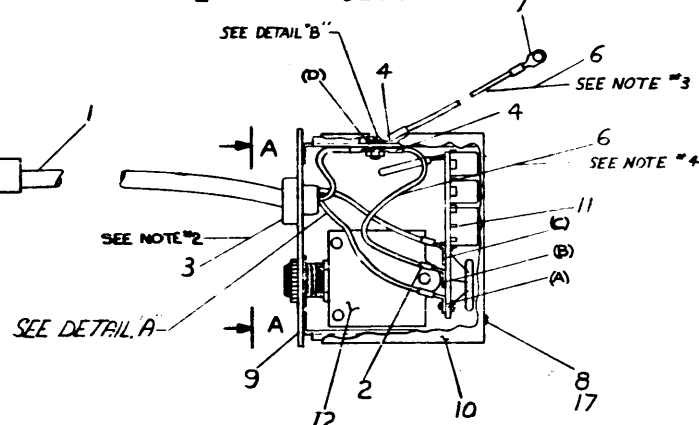
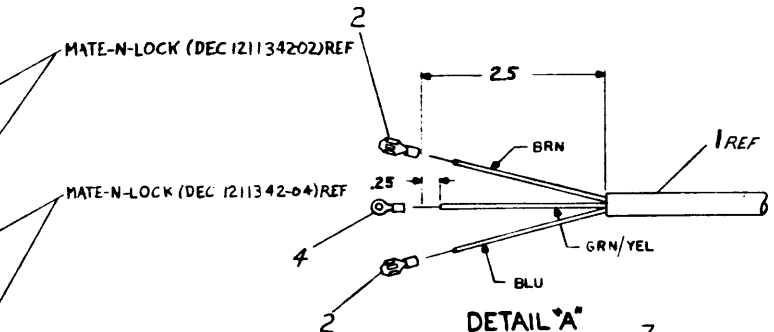
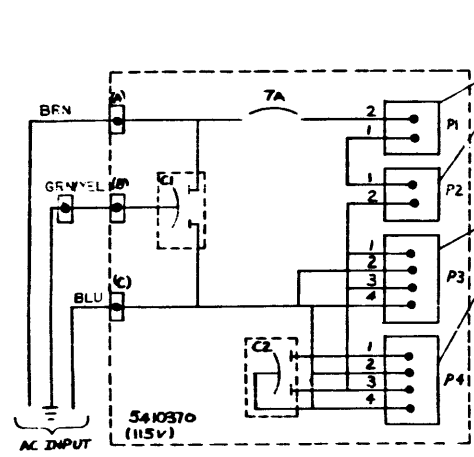
DUA BMS12 I O A

This drawing and specifications remain the property of Digital Equipment Corporation and shall not be reproduced or copied in whole or in part without the written permission of Digital Equipment Corporation. © 1973

DIGITAL EQUIPMENT CORPORATION

LEGEND		
PART NO.	ITEM #	QUANTITY
BC20A-06	170005-06	6 FT
BC20A-07	170005-07	9 FT

- NOTES:
- CONNECT ITEM #1 (POWER CORD) PER CIRCUIT SCHEMATIC.
  - FOR INSTALLATION USE HEYCO #29 STRAIN RELIEF PLIERS.
  - LENGTH OF THIS WIRE (ITEM #6) IS 9.75" ±.5
  - LENGTH OF THIS WIRE (ITEM #6) IS 3.0" ±.5



QTY.	DESCRIPTION	PART NO.	ITEM NO.
1	WASHER, 6 INTERNAL TOOTH	9006633	17
1	WASHER, FLAT, 3/16x25x.027	9006655	16
1	KEPNUT #4-40	9006557	15
2	WASHER, 4 INTERNAL TOOTH	9006632	14
1	SCR. PHL PAN #4-40x.38	9006011-1	13
1	CIRCUIT BREAKER (7A)P	1210330-7	12
1	POWER CONTROL BQ(115V)	EA-S410370-0-0	11
1	COVER, AC INPUT	C-MD-530373-0-0	10
1	BOX, AC INPUT	DJAS309845-0-0	9
1	SCR. PHL HD. PAN #6-32x.25	9006020-1	8
1	SOLDERLESS, CONN #5360	9007930	7
AIR	#18 AWG. STRD GRN	9107360-55	6
1	PWR CONTROL DEC-L(115V)	A-DC-510438-0-0	5
3	SOLDERLESS, CONN	9007929-0	4
1	STRAIN RELIEF SA-6N3-4	9008492-2	3
3	SOLDERLESS CONN	9007917	2
1	POWER CORD 120 V	SEE LEGEND	1

FIRST USED ON OPTION/MODEL		QTY.		DESCRIPTION		PART NO.		ITEM NO.	
PDP8M									
UNLESS OTHERWISE SPECIFIED DIMENSIONS IN INCHES TOLERANCES									
DECIMALS	ANGLES	DRN		DATE		DIGITAL EQUIPMENT CORPORATION			
±.0005	±.0005	D. Sullivan		2-2-73		TITLE			
±.001	±.001	END		DATE		LINE SET, 115 V			
±.002	±.002	PROJ. ENG.		DATE		MATERIAL			
±.005	±.005	PROD.		DATE		NEXT HIGHER ASSY.			
±.010	±.010	FINISH		SCALE		SIZE CODE		NUMBER	
±.020	±.020	SHEET		OF		D UA		BC20A-2-2	
±.030	±.030	DIST		REV		D		D	

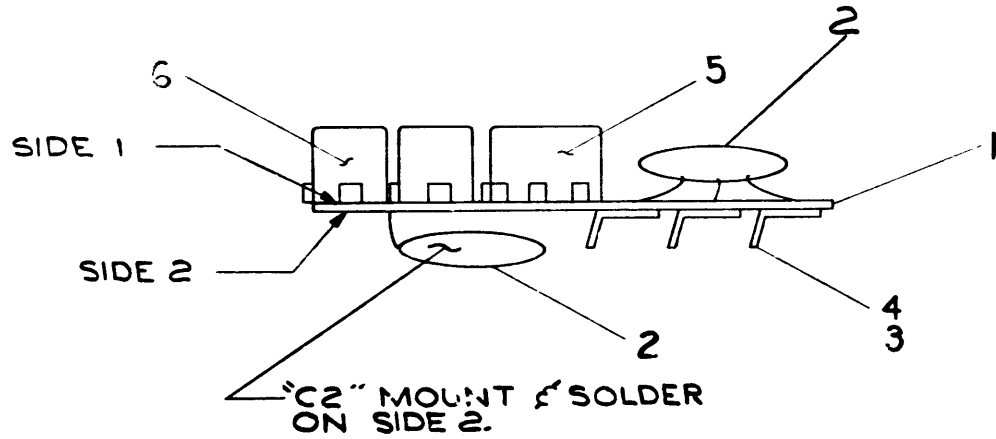
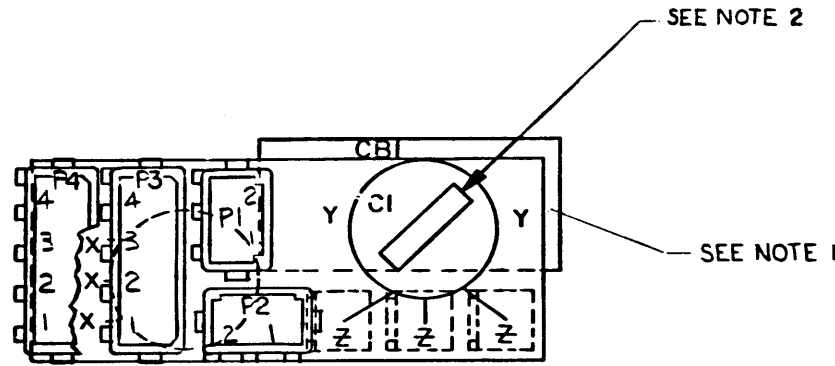
REV	CHANGE NO	DATE	BY	CHK
1	FC 00-00001			
2	FC 00-00002			
3	FC 00-00003			
4	FC 00-00004			
5	FC 00-00005			
6	FC 00-00006			
7	FC 00-00007			
8	FC 00-00008			

REVISIONS: 8 7 6 5 4 3 2 1

THIS DRAWING AND SPECIFICATIONS HEREIN ARE THE PROPERTY OF DIGITAL EQUIPMENT CORPORATION, AND SHALL NOT BE REPRODUCED OR COPIED OR USED IN WHOLE OR IN PART AS THE BASIS FOR THE MANUFACTURE OR SALE OF ITEMS WITHOUT WRITTEN PERMISSION. COPYRIGHT © 1973 DIGITAL EQUIPMENT CORPORATION.

NOTES:

1. CBI (CIRCUIT BREAKER) TO BE INSTALLED ON NEXT HIGHEST ASSEMBLY.
2. ETCHED BOARD (ITEM #1) MUST BE U.L. APPROVED LOCATION FOR MANUFACTURERS U.L. NUMBER SHALL BE ON SIDE 1 IN POSITION SHOWN. SIZE 1/8" X 1/2" FULL SCALE MAX.



QTY	REF DESIGNATION	DESCRIPTION	PART NO.	ITEM NO.
2	P3, P4	4 CIRCUIT PC. B'D MATE-N-LOCK	1211342-04	6
2	P1, P2	2 CIRCUIT PC. B'D MATE-N-LOCK	1211342-02	5
3		EYELET #GS4-5	9009000	4
3		FASTON TABS	9008219	3
2	C1, C2	CAP. DUAL-SECTION DISC .02uf	1010767	2
1		ETCHED CIRCUIT BOARD	5010369	1
		MODULE ECO HISTORY	B-MH-5410370-0-6	REF
		ASSY/DRILLING HOLE LAYOUT	D-AH-5410370-0-5	REF
		X-Y COORDINATE HOLE LOCATION	KCO-5410370-0-4	REF

FIRST USED ON OPTION MODEL		H402		PARTS LIST		
UNLESS OTHERWISE SPECIFIED DIMENSION IN INCHES		DRY	DATE	 <b>digital</b> EQUIPMENT CORPORATION MAYNARD, MASSACHUSETTS		
TOLERANCES		CHK'D.	DATE			
DECIMALS	ANGLES	ENG.	DATE			
.xxx = .005	.0 30	PROJ. ENG.	DATE			
.xx = .02		PROD.	DATE	TITLE		
.x = .1		REMOVE BURRS AND BREAK SHARP CORNERS SURFACE QUALITY		POWER CONTROL BOARD (115V)		
MATERIAL	NEXT HIGHER ASSY.		SIZE	CODE	NUMBER	REV.
	D-UA-H402-0-0		C	IA	5410370-0-0	A
FINISH	SCALE	SHEET		DIST.		
		1 OF 1				

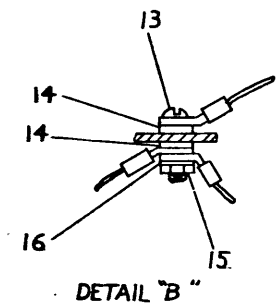
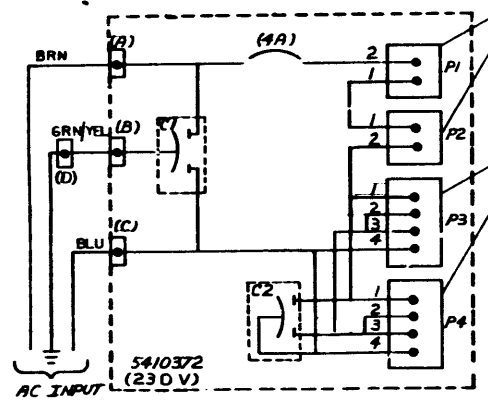
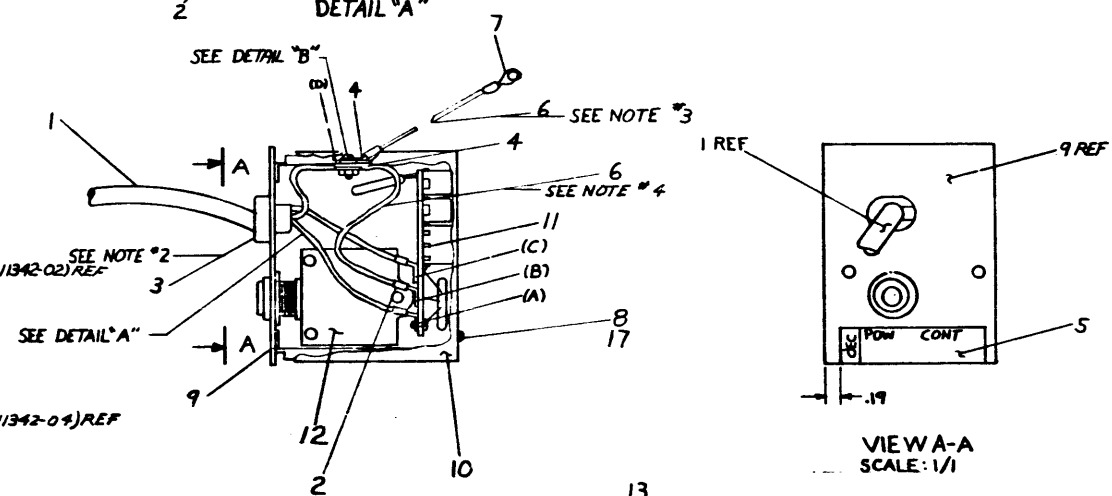
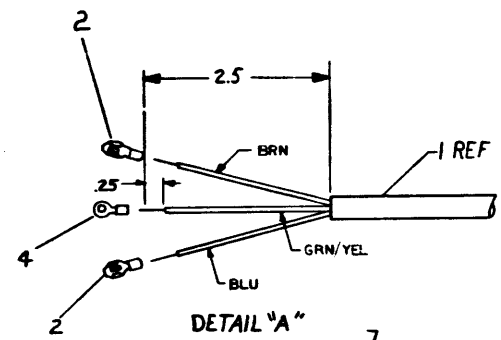
REVISIONS	REV
CHANGE NO	
CHK	

REV. 1  
 5410370-0-0-1  
 C IA  
 B  
 A

ALL DIMENSIONS AND SPECIFICATIONS GIVEN, ARE THE PROPERTY OF DIGITAL EQUIPMENT CORPORATION, AND WILL BE REPRODUCED OR COPIED OR USED IN WHOLE OR IN PART BY THE BUYER FOR THE MANUFACTURE OF MADE TO ORDER EQUIPMENT WITHOUT THE WRITTEN PERMISSION OF DIGITAL EQUIPMENT CORPORATION.

LEGEND		
PART NO.	ITEM #1	VARIATION
BC20B-06	1700015-06	6 FT
BC20B-07	1700016-03	9 FT

- NOTES:**
1. CONNECT ITEM #1 (POWER CORD) PER CIRCUIT SCHEMATIC.
  2. FOR INSTALLATION USE HEYCO #29 STRAIN RELIEF PLIERS.
  3. LENGTH OF THIS WIRE (ITEM #5) IS 9.75" ± .5
  4. LENGTH OF THIS WIRE (ITEM #6) IS 3.0" ± .5



1	WASHER, 5/16 INTERNAL TOOTH	9006633	17
1	WASHER, FLAT, 3/12 x 1/25 x .027	9006655	16
1	KEP NUT #4-10	9006557	15
2	WASHER, #4 INTERNAL TOOTH	9006632	14
1	SCR. PHL PAN HD #4 x .38	9006011-1	13
1	CIRCUIT BREAKER (4 AMP)	1210830-4	12
1	POWER CONTROL BD (230V)	5-29-5410372-00	11
1	COVER, AC INPUT	CMD-530373-0-0	10
1	BOX, AC INPUT	D-2A-5309945-0-0	9
1	SCR. PHL PAN HD #6-32 x .25	9006020-1	8
1	SOLDERLESS CONN #50360	9007930	7
NR	#18 AWG STRD, GRN	9107360-55	6
1	PNR CONTROL DECAL (230V)	A-DC-530437-0-0	5
3	SOLDERLESS CONN	9007929-0	4
1	STRAIN RELIEF SR-6N3-4	9008492-2	3
3	SOLDERLESS CONN	9007917	2
1	POWER CORD 240V	SEE LEGEND	1

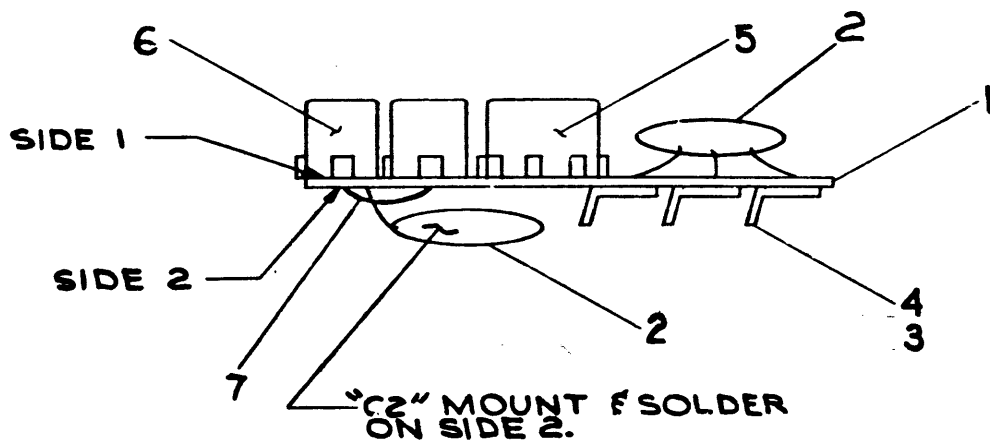
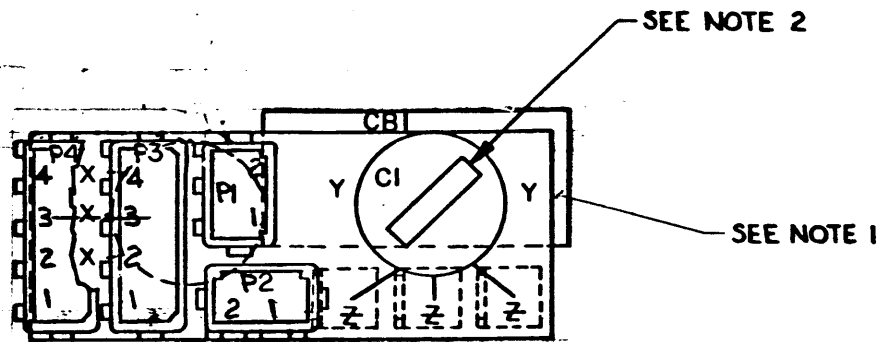
FIRST USED ON OPTION MODEL	QTY.	DESCRIPTION	PART NO.	ITEM NO.
PDP8M PARTS LIST				
UNLESS OTHERWISE SPECIFIED DIMENSION IN INCHES		DATE	TITLE	
TOLERANCES		DATE	digital EQUIPMENT CORPORATION	
DECIMALS	ANGLES	DATE	LINE SET, 230V	
.001	.030	DATE	REV. B	
REMOVE BURRS AND BREAK SHARP CORNERS SURFACE QUALITY 1		DATE	DIST	
MATERIAL	NEXT HIGHER ASSY.	DATE	NUMBER	
FINISH	SCALE	DATE	REV.	
	SHEET OF	DATE	DIST	

REV.	DATE	BY	CHKD.	APP'D.
1	11/17/74	C. NORRIS		
2	11/17/74	C. NORRIS		
3	11/17/74	C. NORRIS		
4	11/17/74	C. NORRIS		
5	11/17/74	C. NORRIS		
6	11/17/74	C. NORRIS		
7	11/17/74	C. NORRIS		
8	11/17/74	C. NORRIS		

"THIS DRAWING AND SPECIFICATIONS HEREIN ARE THE PROPERTY OF DIGITAL EQUIPMENT CORPORATION AND SHALL NOT BE REPRODUCED OR COPIED OR USED IN WHOLE OR IN PART AS THE BASIS FOR THE MANUFACTURE OR SALE OF ITEMS WITHOUT WRITTEN PERMISSION. COPYRIGHT © 1973, DIGITAL EQUIPMENT CORPORATION"

**NOTES:**

1. CBI CIRCUIT BREAKER TO BE INSTALLED ON NEXT HIGHEST ASSEMBLY.
2. ETCHED BOARD (ITEM #1) MUST BE UL-APPROVED LOCATION FOR MANUFACTURERS U.L. NUMBER SHALL BE ON SIDE 1 IN POSITION SHOWN. SIZE 1/8" X 1/2" FULL SCALE MAX.
3. FOR CIRCUIT SCHEMATIC SEE D-UA-BC2ΦB-Φ-Φ.



A/R	REF DESIGNATION	DESCRIPTION	PART NO.	ITEM NO.
		WIRE, #18AWG, STRD, RED	9107360-22	7
2	P3,P4	4CIRCUIT P.C. B'D MATE-N-LOCK	1211342-04	6
2	P1,P2	2CIRCUIT P.C. B'D MATE-N-LOCK	1211342-02	5
3		EYELET #GS4-5	9009000	4
3		FASTON TABS	9008219	3
2	C1,C2	CAP DUAL-SECTION DISC .0047UF	1014912	2
1		ETCHED CIRCUIT BOARD	5010371	1
		MODULE ECO HISTORY	B-MH-5410372-06	REF
		ASSY/DRILLING HOLE LAYOUT	D-AH-5410372-05	REF
		X-Y COORDINATE HOLE LOC.	K-CG-5410372-04	REF

QTY		REF DESIGNATION	DESCRIPTION	PART NO.	ITEM NO.
FIRST USED ON OPTION/MODEL					
H402					
PARTS LIST					
UNLESS OTHERWISE SPECIFIED DIMENSION IN INCHES		DRN	DATE	digital EQUIPMENT CORPORATION MAYNARD MASSACHUSETTS	
TOLERANCES		CHK'D	DATE	TITLE	
DECIMALS	ANGLES	ENG	DATE	POWER CONTROL BOARD (230V)	
.XXX = .005	±0° 30'	PROJ. ENG.	DATE	SIZE CODE	
.XX = .02		PBOD	DATE	NUMBER	
.X = .1			DATE	REV.	
REMOVE BURRS AND BREAK SHARP CORNERS SURFACE QUALITY V				C IA 5410372-0-0 C	
MATERIAL		NEXT HIGHER ASSY.		DIST.	
		D-UA-H402-0-0			
FINISH		SCALE			
		SHEET OF			

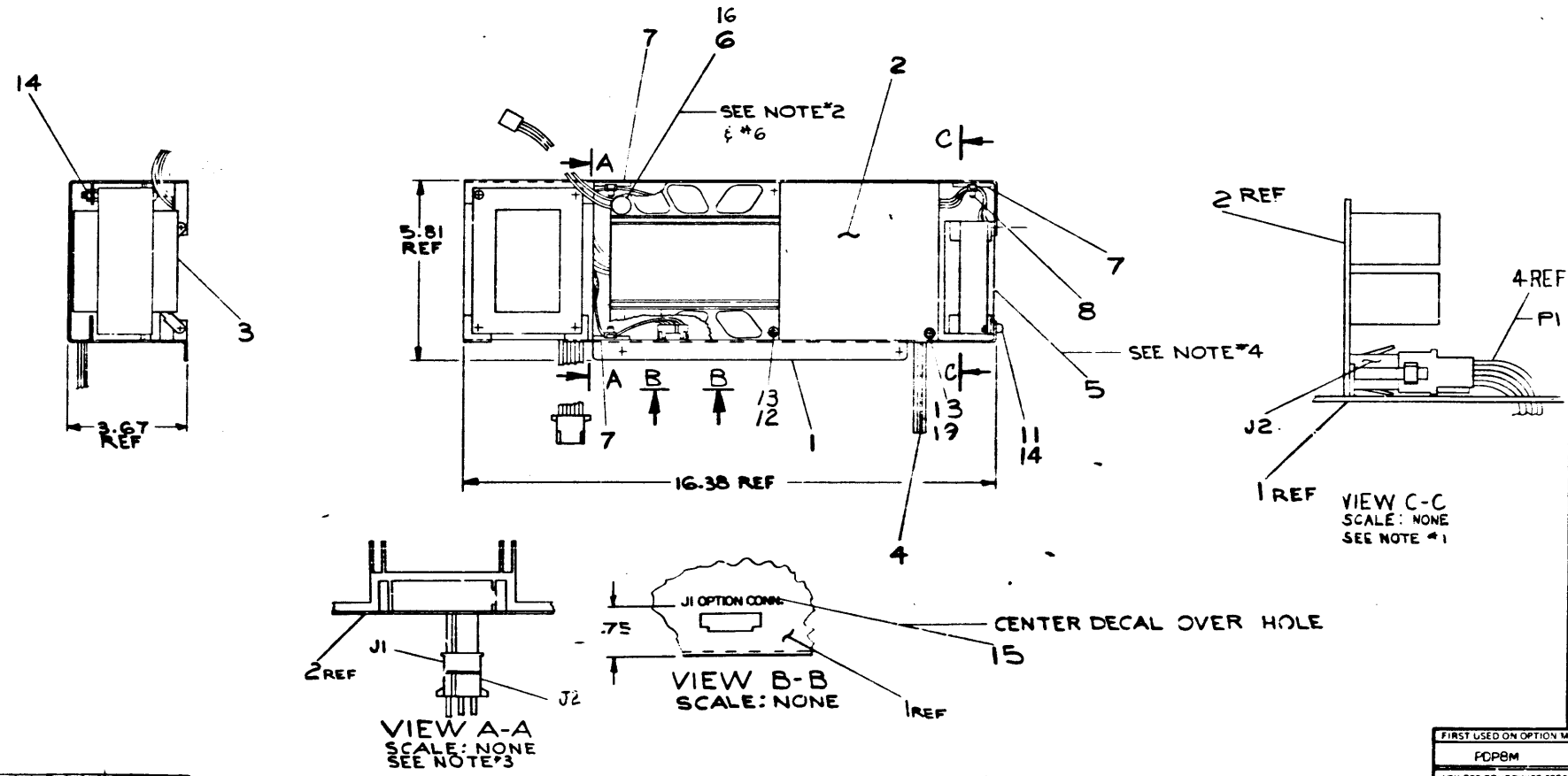
REV.	CHANGE NO.	CHK	DATE
B	5410372-00001		3-NOV-75
C		P. GARDNER	11/4/75
		A. BARON	5-0-78
		A. BARON	11-16-78

1. This drawing and its contents shall remain the property of Digital Equipment Corporation and shall not be reproduced or used in whole or in part in any form for the manufacture of any part without the express permission of Digital Equipment Corporation.

DIGITAL EQUIPMENT CORPORATION

LEGEND	
7009282-0	DC HARNESS
7009282-1	NO DC HARNESS

- NOTES:
- CONNECT J2 OF ITEM#2 (REGULATOR BOARD ASSY) TO P1 OF ITEM#4 (D.C. HARNESS).
  - REPLACE THERMOSTAT ON ITEM#2, ITEM#76 ON D.V.G. NO E-1A-5409728-0-0 WITH ITEM#6 (THERMOSTAT). LEAVE LEADS AT FULL LENGTH AND ADD ITEM#10 (PIN) AND ITEM#11 (CONN.) TO END OF LEADS RETURN OLD THERMOSTAT WITH 5 INCH LEADS TO STOCKROOM.
  - CONNECT J1 OF ITEM#2 (REGULATOR BOARD ASSY) TO J2 OF ITEM#3 (TRANSFORMER ASSY).
  - CONNECT J4 AND J5 OF ITEM#3 (TRANSFORMER ASSY.) TO ITEM#5 (FAN).
  - FOR POWER SUPPLY ASSEMBLY PROCEDURE SEE DWG A-SP-PDP8M-0-8
  - REMOVE THERMOSTAT (ITEM#6) FROM THE BOARD AND LEAVE WITH THE MACHINE WHEN RETURNING THE REGULATOR BD ASSY. (ITEM#2) FOR REPAIR.



QTY	DESCRIPTION	PART NO	ITEM NO	
2	SCR, PHL, HD PAN, HD #6-32x25	9006320-1	19	
N/A	N/A	PACKAGING INSTRUCTIONS A-SP-370010-0	18	
REF	REF	PS ASSY PROCEDURE A-SP-PDP8M-0-8	17	
A/R	A/R	COMPOUND THERMAL JOINT	9008268	16
1	1	DECAL (PDP8/M)	A-DC1410730-00	15
3	3	NUT, KEPS # 8-32	9006533	14
6	6	WASHER, INT TOOTHLOCK	9006633	13
4	4	SCR, PHL, HD PAN #5-32x.16	9006023-1	12
4	4	SCR, PHL, HD PAN #8-32x.44	9006038-1	11
1	1	PIN, MATE-N-LOK - MALE	1209378-01	10
1	1	CONN, MATE-N-LOK	1210822-02	9
3	3	CABLE, TIE	9007031	8
3	3	CABLE, TIE MOUNT	9008264	7
1	1	THERMOSTAT ASSY	E-1A-7009452-00	6
1	1	FAN,	1210719	5
0	1	HARNESS, D.C.	D-1A-7009120-00	4
1	1	TRANSFORMER ASSY.	E-1A-7009271-00	3
1	1	REGULATOR BD ASSY	E-1A-5409728-00	2
1	1	CHASSIS, POWER SUPPLY	E-1A-7410746-00	1

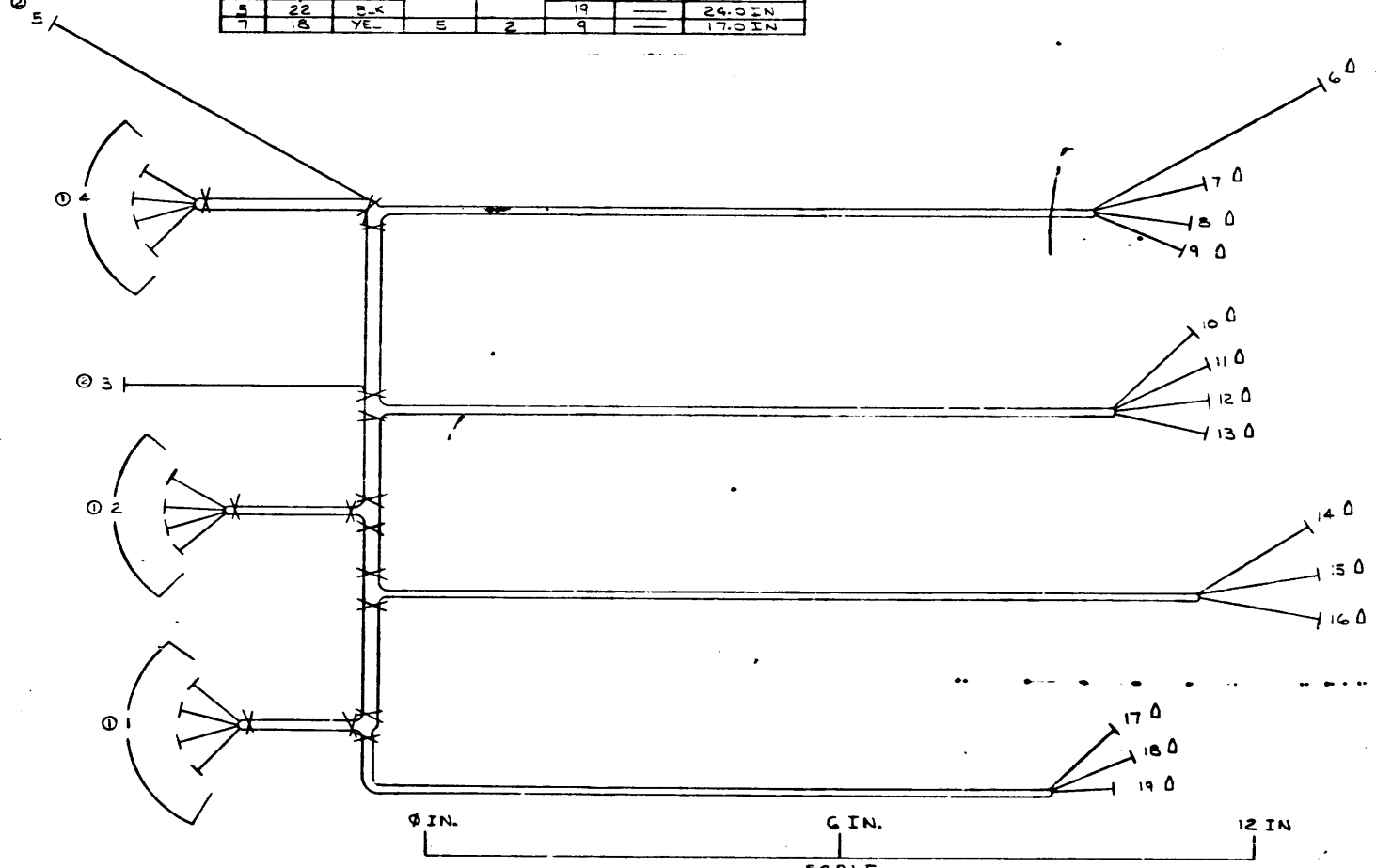
FIRST USED ON OPTION MODEL		QTY	DESCRIPTION	PART NO	ITEM NO
PDP8M PARTS LIST					
UNLESS OTHERWISE SPECIFIED DIMENSIONS IN INCHES TOLERANCES	DRN	DATE	DIGITAL EQUIPMENT CORPORATION		
DECIMALS ANGLES	CHKD	DATE	TITLE		
X.XX - .005 10' 30"	ENG	DATE	POWER SUPPLY ASSY		
X - .1	PROJ. ENG.	DATE	REV		
REMOVE BURRS AND BREAK SHARP CORNERS SURFACE QUALITY	PROD	DATE	D AD 7009282-0-0		
MATERIAL	NEXT HIGHER ASSY	SIZE CODE	NUMBER	REV	
FINISH	D-1A-PDP8M-0-8	D AD	7009282-0-0	C	
	SCALE NONE	SHEET	1 OF 1		

CHK	CHANGE NO	REV	DATE	BY
X	1	A	11/17/73	P. GARDNER
		B	12/14/73	P. GARDNER
		C	12/14/73	P. GARDNER
		D	12/14/73	P. GARDNER
		E	1/15/74	P. GARDNER

REVISIONS 40-107 18888

# WIRE TABLE

ITEM NO.	DESCRIPTION	FROM		TO		WIRE LENGTH
		POINT	TERM.	POINT	TERM.	
3	22	RED	1	1	8	23.0 MIN
3	22	RED	1	1	13	30.0 MIN
3	22	RED	1	1	14	17.0 MIN
4	22	RED	1	1	17	16.0 MIN
4	22	RED	1	1	6	23.0 MIN
4	22	RED	1	1	12	17.0 MIN
4	22	RED	1	1	18	18.0 MIN
4	22	RED	1	1	10	8.0 MIN
6	22	BLU	3	2	10	8.0 MIN
5	22	GRY	3	2	7	16.0 MIN
5	22	GRY	3	2	11	18.0 MIN
5	22	GRY	3	2	16	23.0 MIN
5	22	GRY	3	2	19	24.0 MIN
7	22	YEL	5	2	9	17.0 MIN



DO NOT REDUCE  
(FOR MFG PURPOSES ONLY)

ITEM NO.	DESCRIPTION	QTY	PART NO.	ITEM NO.
X 15	TIE, CABLE	1	9067031-00	8
17	WIRE, 18 AWG STRD (YEL)	1	9107360-44	7
15	WIRE, 22 AWG STRD (GRY)	1	9107360-88	6
82	WIRE, 22 AWG STRD (BLU)	1	9107350-00	5
76	WIRE, 22 AWG STRD (BLU)	1	9107350-66	4
76	WIRE, 22 AWG STRD (RED)	1	9107350-22	3
2	TERMINAL, QUICK CONNECT	1	9007917-00	2
3	TERMINAL, QUICK CONNECT	1	9007919-00	1

UNLESS OTHERWISE SPECIFIED DIMENSIONS ARE IN INCHES																																														
<table border="1" style="width: 100%; border-collapse: collapse;"> <tr> <td>ANGLES</td> <td>CLASS NEW</td> <td>CLASS OLD</td> <td>CLASS NEW</td> <td>CLASS OLD</td> </tr> <tr> <td>90°</td> <td>0.125</td> <td>0.125</td> <td>0.125</td> <td>0.125</td> </tr> <tr> <td>120°</td> <td>0.125</td> <td>0.125</td> <td>0.125</td> <td>0.125</td> </tr> <tr> <td>150°</td> <td>0.125</td> <td>0.125</td> <td>0.125</td> <td>0.125</td> </tr> <tr> <td>180°</td> <td>0.125</td> <td>0.125</td> <td>0.125</td> <td>0.125</td> </tr> </table>	ANGLES	CLASS NEW	CLASS OLD	CLASS NEW	CLASS OLD	90°	0.125	0.125	0.125	0.125	120°	0.125	0.125	0.125	0.125	150°	0.125	0.125	0.125	0.125	180°	0.125	0.125	0.125	0.125	<table border="1" style="width: 100%; border-collapse: collapse;"> <tr> <td>CLASS NEW</td> <td>CLASS OLD</td> <td>CLASS NEW</td> <td>CLASS OLD</td> </tr> <tr> <td>0.125</td> <td>0.125</td> <td>0.125</td> <td>0.125</td> </tr> <tr> <td>0.125</td> <td>0.125</td> <td>0.125</td> <td>0.125</td> </tr> <tr> <td>0.125</td> <td>0.125</td> <td>0.125</td> <td>0.125</td> </tr> <tr> <td>0.125</td> <td>0.125</td> <td>0.125</td> <td>0.125</td> </tr> </table>	CLASS NEW	CLASS OLD	CLASS NEW	CLASS OLD	0.125	0.125	0.125	0.125	0.125	0.125	0.125	0.125	0.125	0.125	0.125	0.125	0.125	0.125	0.125	0.125
ANGLES	CLASS NEW	CLASS OLD	CLASS NEW	CLASS OLD																																										
90°	0.125	0.125	0.125	0.125																																										
120°	0.125	0.125	0.125	0.125																																										
150°	0.125	0.125	0.125	0.125																																										
180°	0.125	0.125	0.125	0.125																																										
CLASS NEW	CLASS OLD	CLASS NEW	CLASS OLD																																											
0.125	0.125	0.125	0.125																																											
0.125	0.125	0.125	0.125																																											
0.125	0.125	0.125	0.125																																											
0.125	0.125	0.125	0.125																																											
SURFACE QUALITY IN MICRONS																																														
<table border="1" style="width: 100%; border-collapse: collapse;"> <tr> <td>CLASS NEW</td> <td>CLASS OLD</td> <td>CLASS NEW</td> <td>CLASS OLD</td> </tr> <tr> <td>0.125</td> <td>0.125</td> <td>0.125</td> <td>0.125</td> </tr> <tr> <td>0.125</td> <td>0.125</td> <td>0.125</td> <td>0.125</td> </tr> <tr> <td>0.125</td> <td>0.125</td> <td>0.125</td> <td>0.125</td> </tr> <tr> <td>0.125</td> <td>0.125</td> <td>0.125</td> <td>0.125</td> </tr> </table>	CLASS NEW	CLASS OLD	CLASS NEW	CLASS OLD	0.125	0.125	0.125	0.125	0.125	0.125	0.125	0.125	0.125	0.125	0.125	0.125	0.125	0.125	0.125	0.125	<table border="1" style="width: 100%; border-collapse: collapse;"> <tr> <td>CLASS NEW</td> <td>CLASS OLD</td> <td>CLASS NEW</td> <td>CLASS OLD</td> </tr> <tr> <td>0.125</td> <td>0.125</td> <td>0.125</td> <td>0.125</td> </tr> <tr> <td>0.125</td> <td>0.125</td> <td>0.125</td> <td>0.125</td> </tr> <tr> <td>0.125</td> <td>0.125</td> <td>0.125</td> <td>0.125</td> </tr> <tr> <td>0.125</td> <td>0.125</td> <td>0.125</td> <td>0.125</td> </tr> </table>	CLASS NEW	CLASS OLD	CLASS NEW	CLASS OLD	0.125	0.125	0.125	0.125	0.125	0.125	0.125	0.125	0.125	0.125	0.125	0.125	0.125	0.125	0.125	0.125					
CLASS NEW	CLASS OLD	CLASS NEW	CLASS OLD																																											
0.125	0.125	0.125	0.125																																											
0.125	0.125	0.125	0.125																																											
0.125	0.125	0.125	0.125																																											
0.125	0.125	0.125	0.125																																											
CLASS NEW	CLASS OLD	CLASS NEW	CLASS OLD																																											
0.125	0.125	0.125	0.125																																											
0.125	0.125	0.125	0.125																																											
0.125	0.125	0.125	0.125																																											
0.125	0.125	0.125	0.125																																											
PREFERRED																																														
MICRONS																																														
QUANTITY & VARIATION																																														
THIRD ANGLE PROJECTION																																														
REMOVE BURRS AND BREAK SHARP CORNERS																																														
DO NOT SCALE DWG																																														
MATERIAL SEE PARTS LIST																																														
FINISH																																														
UNLESS OTHERWISE SPECIFIED DIMENSIONS ARE IN INCHES																																														
FIRST USED ON																																														
TITLE																																														
HARNESS (BM812-I)																																														
SCALE																																														
SHEET																																														
OF 1																																														
DIST.																																														

DATE  
 DESIGNED BY  
 CHECKED BY  
 CHANGE NO.  
 REV.

DATE 7/01/85-0-0