

**digital**

**RK8J-E**

**Engineering Drawings**

**Digital Equipment Corporation**

The material herein is for information purposes only and is subject to change without notice. Digital Equipment Corporation assumes no responsibility for any errors which may appear herein.

These drawings and specifications herein are the property of Digital Equipment Corporation and shall not be reproduced or copied or used in whole or in part as the basis for the manufacture or sale of items without written permission.  
Copyright © 1975, Digital Equipment Corporation

# DRAWING DIRECTORY

THIS DRAWING AND SPECIFICATIONS, HEREIN, ARE THE PROPERTY OF DIGITAL EQUIPMENT CORPORATION AND SHALL NOT BE REPRODUCED OR COPIED OR USED IN WHOLE OR IN PART AS THE BASIS FOR THE MANUFACTURE OR SALE OF ITEMS WITHOUT WRITTEN PERMISSION. COPYRIGHT © , DIGITAL EQUIPMENT CORPORATION"

## CUSTOMER PRINT SET INDEX

THIS IS PRINT SET

SEQUENCE

SEQUENCE

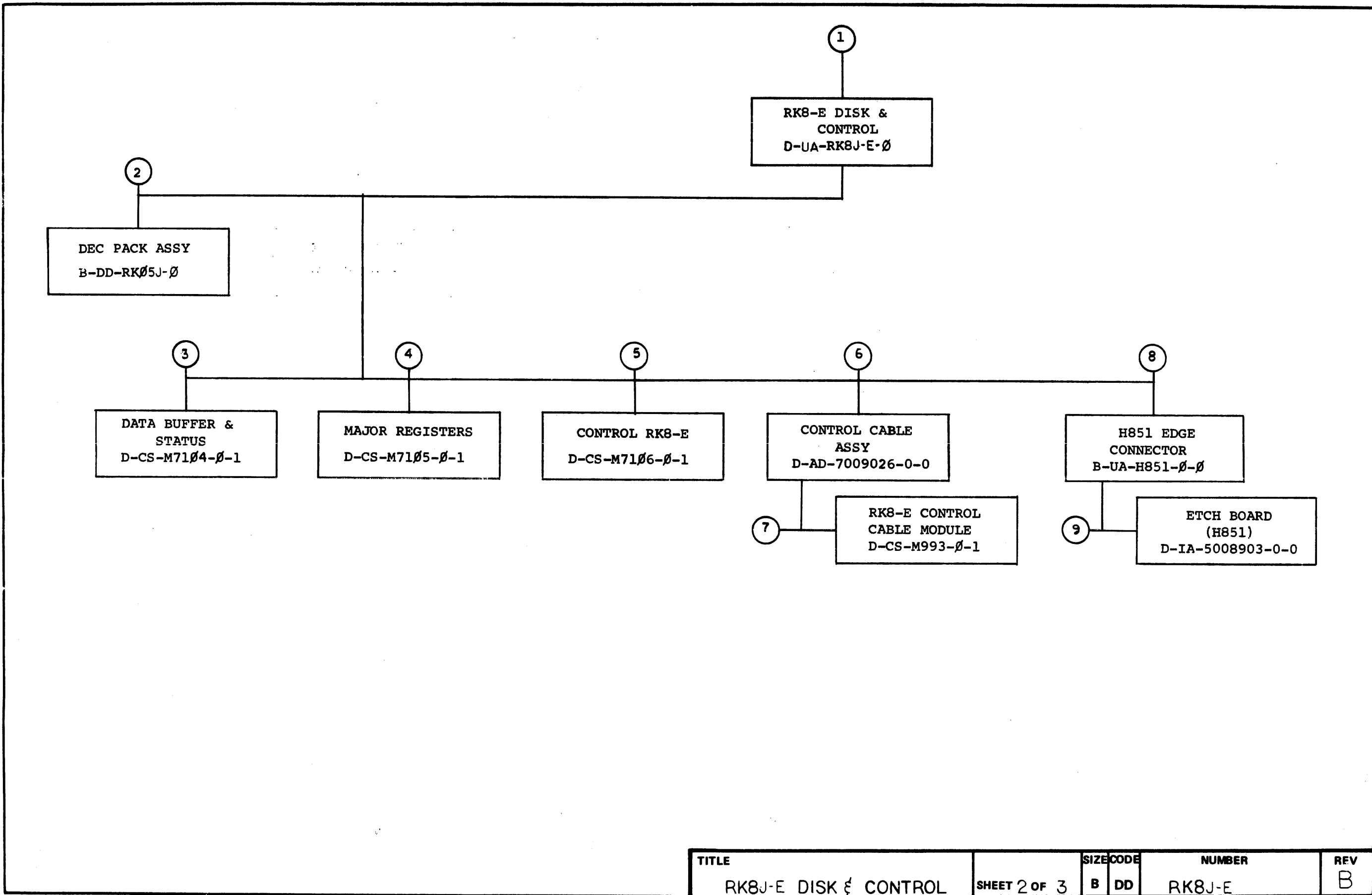
RK8J-E DISK & CONTROL  
FIELD INSTALL. & ACCEPT. PROC.  
RK8J-E DISK & CONTROL  
ACCESSORY SHIPPING LIST  
MAJOR STATES & TIMING FLOW  
FLOW DIAGRAM RK8J-E  
DATA BUFFER & STATUS  
MAJOR REGISTERS  
CONTROL RK8J-E  
CONTROL CABLE ASSY  
RK8J-E CONTROL CABLE MODULE  
H851 EDGE CONNECTOR  
DEC PACK ASSY

B-DD-RK8J-E  
A-SP-RK8-E-6  
D-UA-RK8J-E-0  
A-AL-RK8-E-3  
D-TD-RK8-E-2  
D-FD-RK8-E-1  
D-CS-M7104-0-1  
D-CS-M7105-0-1  
D-CS-M7106-0-1  
D-AD-7009026-0-0  
D-CS-M993-0-1  
B-CS-H851-0-1  
B-DD-RK05J-0 (SHEET 1 ONLY)

UNIT VARIATIONS			PRINT SET		
VAR	TITLE				
RK8J-EA	RK05J-AA & CONTROL 115V 60 HZ	x			
RK8J-EB	RK05J-BB & CONTROL 230V 60 HZ	x			
RK8J-EC	RK05J-BC & CONTROL 115V 50 HZ	x			
RK8J-ED	RK05J-BD & CONTROL 230V 50 HZ	x			
RK8J-E	RK8J-E CONTROL	x			

DRG NO WAS RK8-E

REVISIONS		CHG. NO. RK8 E - J	REV E	DATE DEC 16 1972	USED ON OPTION/MODEL PDP8E PDP8F PDP8M	DRN. FERGUSON	DATE 10/72	TITLE RK8J-E DISK & CONTROL						
CHK'D.						FERGUSON	DATE 10/72							
PROJ ENG.						S. GROSS								
PROD.						OLSEN	DATE 10/72	SIZE B	CODE DD	NUMBER RK8J-E			REV B	
FIELD SERV.		QUINN		DATE 10/72	DIST									



TITLE	SHEET	SIZE	CODE	NUMBER	REV
RK8J-E DISK & CONTROL	2 OF 3	B	DD	RK8J-E	B

C

CUSTOMER PRINT SET		MECHANICAL/ELECTRICAL					CUSTOMER PRINT SET		MECHANICAL/ELECTRICAL					
	MFG. SET	FIND NO.	DRAWING NO.	REV	NO OF SHT	OPTION NO./FILE DATE		MFG. SET	FIND NO.	DRAWING NO.	REV	NO OF SHT	DESCRIPTION	OPTION NO./FILE DATE
							x		6	D-AD-7009026-0-0	#	2	CONTROL CABLE ASSY,	
							x		7	D-CS-M993-Ø-1	#	2	RK8-E CONTROL CABLE MCDULE	
										K-CO-M993-Ø-4		1	X-Y COORDINATE HOLE LOCATION	
										D-AH-M993-Ø-5		1	ASSY/DRILLING HOLE LAYOUT	
										B-MH-M993-Ø-6		1	MODULE ECO HISTORY	
x		1	D-UA-RK8J-E-Ø	A	1	RK8J-E DISK & CONTROL								
x			D-FD-RK8-E-1	A	4	FLOW DIAGRAM RK8-E								
x			D-TD-RK8-E-2	A	1	MAJOR STATES & TIMING FLOW								
x			A-AL-RK8-E-3	A	1	ACCESSORY SHIPPING LIST			8	B-UA-H851-Ø-Ø		1	H851 EDGE CONNECTOR	
			A-SP-RK8-E-4		3	MODULE TEST & ACCEPTANCE FOR RK8-E				A-PL-H851-Ø-Ø		1	H851 EDGE CONNECTOR	
			A-SP-RK8-E-5		39	RK8E DISK CONTROL	x			B-CS-H851-Ø-1	#	1	EDGE CONNECTOR H851	
x			A-SP-RK8-E-6		5	FIELD INSTALL & ACCEPT. PROC.				C-AH-H851-Ø-5		1	ASSY/DRILLING HOLE LAYOUT	
			A-SP-RK8-E-7		5	IN-HOUSE ACCEPT. PROC.				B-MH-H851-Ø-6		1	MODULE ECO HISTORY	
x		2	B-DD-RKØ5J-Ø	#	5	DEC PACK ASSY								
x		3	D-CS-M71Ø4-Ø-1	#	7	DATA BUFFER & STATUS			9	D-IA-5008903-0-0		1	ETCH BOARD (H851)	
			K-CO-M71Ø4-Ø-4		1	X-Y COORDINATE HOLE LOCATION				C-AH-5008903-0-5		1	ASSY/DRILLING HOLE LOCATION	
			D-AH-M71Ø4-Ø-5		1	ASSY/DRILLING HOLE LAYOUT								
			B-MH-M71Ø4-Ø-6		1	MODULE ECO HISTORY								
x		4	D-CS-M71Ø5-Ø-1	#	5	MAJOR REGISTERS								
			K-CO-M71Ø5-Ø-4		1	X-Y COORDINATE HOLE LOCATION								
			D-AH-M71Ø5-Ø-5		1	ASSY DRILLING HOLE LAYOUT								
			B-MH-M71Ø5-Ø-6		1	MODULE ECO HISTORY								
x		5	D-CS-M71Ø6-Ø-1	#	6	CONTROL RK8-E								
			K-CO-M71Ø6-Ø-4		1	X-Y COORDINATE HOLE LOCATION								
			D-AH-M71Ø6-Ø-5		1	ASSY/DRILLING HOLE LAYOUT								
			B-MH-M71Ø6-Ø-6		1	MODULE ECO HISTORY								

CUSTOMER PRINT SET CODES  
X = PRINT OF DOCUMENT INCLUDED IN PRINT SET  
C = INCLUDES ALL PRINTS INDICATED ON DOCUMENT  
S = CONFIDENTIAL AUTHORIZED SIGNATURE REQUIRED

TITLE

RK8J-E DISK & CONTROL

SIZE CODE

SHEET 3 OF 3

B DD

NUMBER

RK8J-E

REV

B

G

DIGITAL EQUIPMENT CORPORATION MAYNARD, MASSACHUSETTS		DATE 10-12-72				
TITLE RK8E FIELD INSTALLATION AND ACCEPTANCE PROCEDURE						
REVISIONS						
REV	DESCRIPTION	CHG NO	ORIG	DATE	APPD BY	DATE

ENG	APPD	SIZE	CODE	NUMBER	REV
10-12-72	<i>[Signature]</i>	A	SP	RK8-E-6	5

DEC FORM NO. 107A  
DRA 108

SHEET 1 OF 5

ENGINEERING SPECIFICATION		CONTINUATION SHEET	
TITLE RK8E FIELD INSTALLATION AND ACCEPTANCE PROCEDURE			
3.0	UNPACKING AND INSTALLATION		
3.1	Unpack and inspect RK05 using the procedure in the RK05 Disk Drive Maintenance Manual, Chapter 2.		
3.2	Using the Shipping Hardware and Software lists, verify that all items are present.		
3.3	Insure power on the PDP-8E, 8M, 8F is turned off.		
3.4	Check the M7104 to insure that the device code jumpers are in the correct configuration (normally 674X), refer to Table 1.		
<b>NOTE:</b> The diagnostic programs normally recognizes Program Device Code 674X. If it desired to operate with a different code, refer to the Diagnostic Document's Section headed "Change Program Device Codes".			
TABLE 1			
Octal Code		Jumpers Installed	
674X		W2	
		W4	
		W6	
675X		W2	
		W3	
		W4	
676X		W1	
		W2	
		W6	
677X		W1	
		W2	
		W3	
3.5	Check M7105 module to insure that the priority jumpers are in the correct configuration, refer to Table 2.		

DEC FORM NO. 108  
DRA 108

SHEET 3 OF 5

ENGINEERING SPECIFICATION		CONTINUATION SHEET	
TITLE RK8E FIELD INSTALLATION AND ACCEPTANCE PROCEDURE			
1.0	SHIPPING HARDWARE		
1.1	RK8E Control		
1.1.1	M7104		
1.1.2	M7105		
1.1.3	M7106		
1.2	RK05 Disk Drive (Maximum of 4 drives per control)		
1.2.1	95 to 130VAC @ 60 ± 0.5 Hz - RK05-AA		
1.2.2	190 to 260VAC @ 60 ± 0.5 Hz - RK05-AB		
1.2.3	95 to 130 VAC @ 50 ± 0.5 Hz - RK05-BA		
1.2.4	190 to 260 VAC @ 50 ± 0.5 Hz - RK05-BB		
1.3	Interface Cables and Terminator		
1.3.1	Interface cable between RK8E control and RK05 - 7009026		
1.3.2	Interface cable from one RK05 to another. BCL1A		
1.3.3	Terminator Module (last RK05) M930		
1.4	(1)Disk Cartridge, HD16 Sector, 30-10350-02.		
2.0	SHIPPING SOFTWARE		
2.1	RK8E Diskless Control Test Maindec-08-DHRKA-A-PB Maindec-08-DHRKA-A-D		
2.2	RK8E Drive Control Test Maindec-08-DHRKB-A-PB Maindec-08-DHRKB-A-D		
2.3	RK8E Formatter Program Maindec-08-DHRKD-A-PB Maindec-08-DHRKD-A-D		
2.4	RK8E Data Reliability Program Maindec-08-DHRKC-A-PB Maindec-08-DHRKC-A-D		

DEC FORM NO. 16-1022  
DRA 108

SHEET 2 OF 5

ENGINEERING SPECIFICATION		CONTINUATION SHEET	
TITLE RK8E FIELD INSTALLATION AND ACCEPTANCE PROCEDURE			
3.0	UNPACKING AND INSTALLATION (continued)		
<b>Break Priority</b>			
Ø		<b>Jumpers Installed</b>	
		W1	
		W4	
1*		W2	
		W3	
		W5	
*Normally shipped with priority 1 jumpers installed.			
3.6	Connect the 7009026 cable to the Berg connector on the M7106 module.		
3.7	Insert the RK8E modules into the Omnibus (refer to UA-RK8-E-Ø). Refer to Table 2-3 in Volume I of the PDP-8E Maintenance Manual for installation priorities.		
3.8	Install H851 top connectors between the modules (refer to UA-RK8-E-Ø).		
3.9	Following the procedure in the RK05 Maintenance Manual, Chapter 2, install the RK05.		
4.0	ACCEPTANCE		
4.1	Requirements for Acceptance A. ASR33 teletype, or equivalent. B. Programmers console. C. At least 4K of Read/Write Memory.		
4.2	Run, in order, the programs listed in the "Shipping Software", using the loading and operating procedures in each program's document. If any errors occur, refer to the errors section of the document to evaluate the printout, and Chapter 5 of the RK8E Maintenance Manual for aids in determining the problem.		

DEC FORM NO. 16-1022  
DRA 108

SHEET 4 OF 5

**ENGINEERING SPECIFICATION****CONTINUATION SHEET**

TITLE

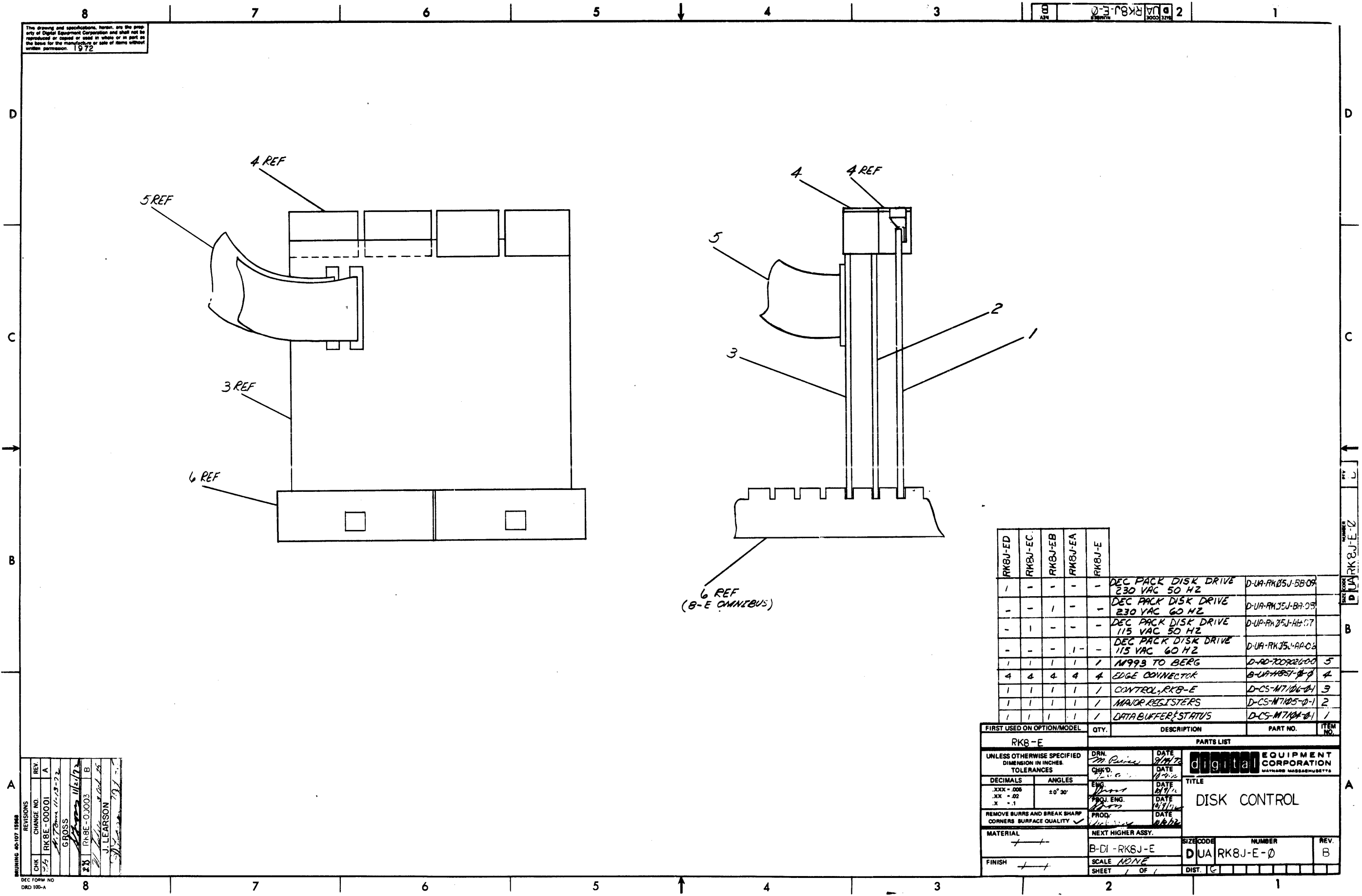
RK8E FIELD INSTALLATION AND ACCEPTANCE PROCEDURE

- 4.0 ACCEPTANCE (continued)
- 4.3 Each program should be run the following amount of passes.
- A. Diskless Control Test - Two Passes
  - B. Drive Control Test - Two Passes
  - C. Formatter Program - One Pass
  - D. Data Reliability Program - One Pass
- 4.4 Acceptable Errors
- A. One read error during the Acceptance Procedure

SIZE	CODE	NUMBER	REV
A	SP	RK8-E-6	

DEC FORM NO DEC 16-(381)-1022-N370  
DRA 108SHEET 5 OF 5

The drawing and specifications, herein, are the property of Digital Equipment Corporation and shall not be reproduced or copied or used in whole or in part as the basis for the manufacture or sale of items without written permission. 1972



RKBJ-ED	RKBJ-EC	RKBJ-EB	RKBJ-EA	RKBJ-E		
1	-	-	-	-	DEC PACK DISK DRIVE 230 VAC 50 HZ	D-UA-RKBJ-5B-09
-	-	1	-	-	DEC PACK DISK DRIVE 230 VAC 60 HZ	D-UA-RKBJ-5B-09
-	1	-	-	-	DEC PACK DISK DRIVE 115 VAC 50 HZ	D-UA-RKBJ-5B-07
-	-	-	1	-	DEC PACK DISK DRIVE 115 VAC 60 HZ	D-UA-RKBJ-5B-08
1	1	1	1	1	M993 TO BERG	D-AD-700R2600 5
4	4	4	4	4	EDGE CONNECTOR	B-UA-H85T-8-Ø 4
1	1	1	1	1	CONTROL, RKBJ-E	D-CS-M7106-Ø1 3
1	1	1	1	1	MAJOR REGISTERS	D-CS-M7105-Ø1 2
1	1	1	1	1	DATA BUFFER STATUS	D-CS-M7104-Ø1 1

FIRST USED ON OPTION/MODEL	QTY.	DESCRIPTION	PART NO.	ITEM NO.
<b>RKBJ-E PARTS LIST</b>				
UNLESS OTHERWISE SPECIFIED DIMENSION IN INCHES. TOLERANCES		DRAWN: <i>M. Reiner</i> DATE: 9/11/72		
DECIMALS ANGLES		CHECK'D: <i>W. G. ...</i> DATE: 11/11/72		
.XXX - .008		ENG: <i>W. G. ...</i> DATE: 11/11/72	TITLE: DISK CONTROL	
.XX - .02		PROJ. ENG: <i>W. G. ...</i> DATE: 11/11/72		
.X - .1		PROD: <i>W. G. ...</i> DATE: 11/11/72	REV. B	
REMOVE BURRS AND BREAK SHARP CORNERS SURFACE QUALITY ✓		NEXT HIGHER ASSY.		
MATERIAL: <i>+</i>		B-DI - RKBJ-E		
FINISH: <i>+</i>		SCALE: NONE		
SHEET 1 OF 1		DUA RKBJ-E-Ø		

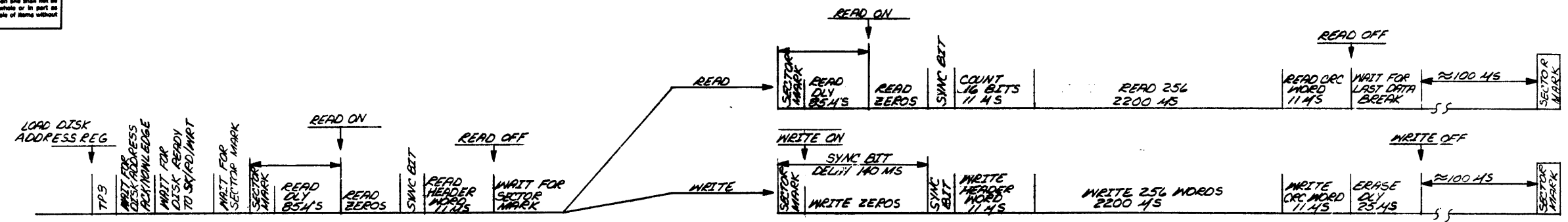
REV.	CHANGE NO.	BY
A	0001	J. LEARSON
B	0003	J. LEARSON

DEC FORM NO. DRD 100-A





The drawing and specifications, herein, are the property of Digital Equipment Corporation and shall not be reproduced or copied or used in whole or in part as the basis for the manufacture or sale of items without written permission. 1972



IF "SEEK ONLY" GO TO IDLE AND SET DONE FLAG.  
 IF NOT A HEADER CHECK, GO TO SECTOR SEEK STATE.  
 SET FOR DONE FLAG.

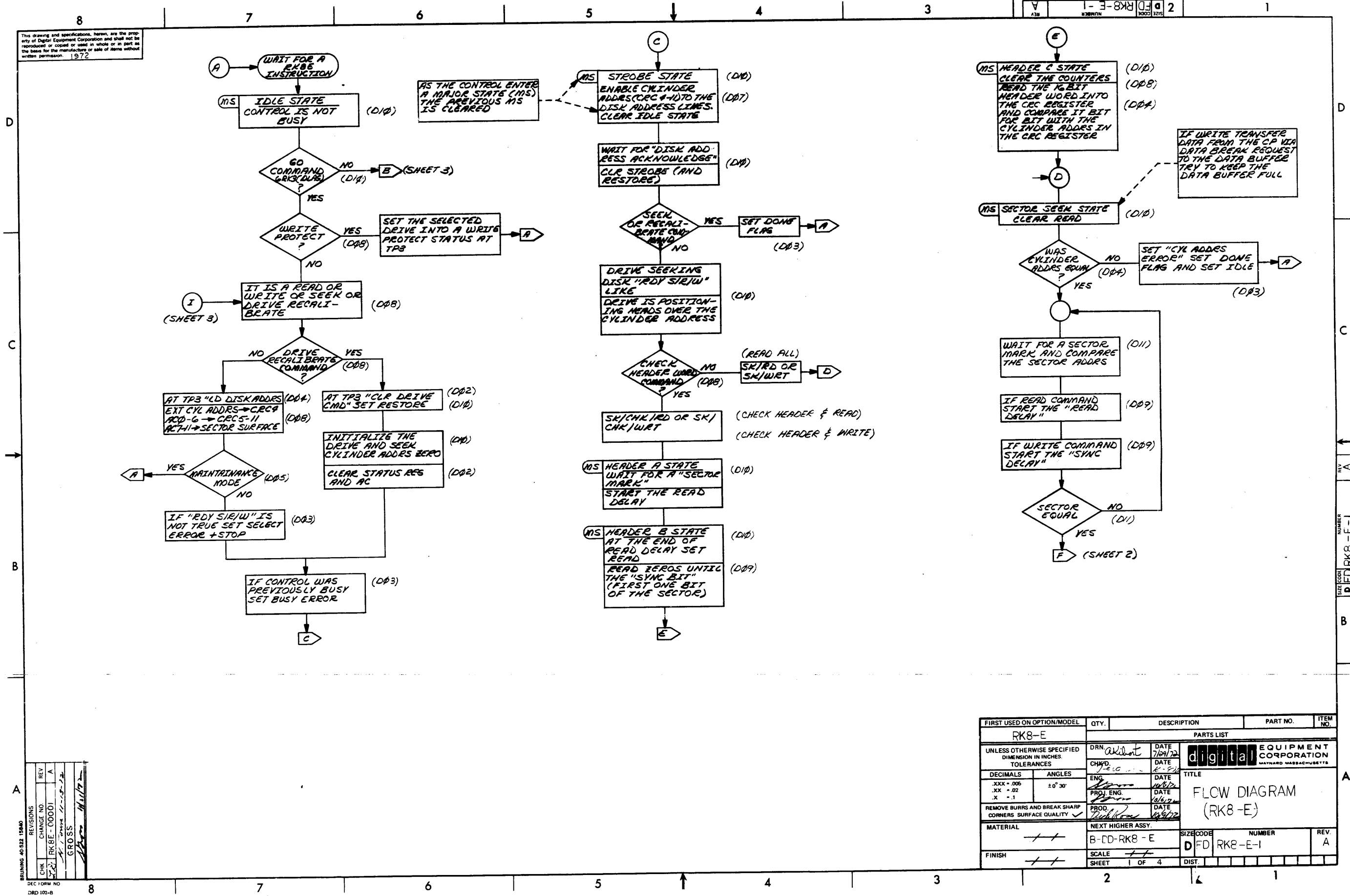
MAJOR STATE	FUNCTION	SEEK	SK/CHK/RD	SK/CHK/WRT	SK/RD	SK/WRT
IDLE	CONTROL IS NOT BUSY. WHEN THE GO COMMAND (FLAG) IS ISSUED THE C (AC) IS LOADED INTO THE CRC* AND SECTOR-SURFACE REGISTERS (DISK ADDRESS)	✓	✓	✓	✓	✓
STROBE	STROBE THE CYLINDER ADDRESS FROM THE C/C REGISTER TO THE DRIVE AND WAIT FOR THE DRIVE'S "ADDRESS ACKNOWLEDGE" SIGNAL.	✓	✓	✓	✓	✓
DRIVE SEEKING	WAIT FOR THE "DISK READY TO SEEK/READ/WRITE" LEVEL FROM THE DRIVE TO SIGNIFY THAT THE HEADS ARE POSITIONED OVER THE CYLINDER ADDRESS.		✓	✓	✓	✓
HEADER A	WAIT FOR THE FIRST SECTOR MARK, THEN START THE READ DELAY.		✓	✓		
HEADER B	AT THE END OF THE READ DELAY TURN THE READ FLAG ON. ZEROS WILL BE READ UNTIL THE SYNC BIT WHICH SIGNIFYS THE BEGINNING OF A SECTOR'S DATA.		✓	✓		
HEADER C	READ THE 16 BIT HEADER WORD AND COMPARE IT WITH THE CYLINDER ADDRESS IN THE CRC REGISTER.		✓	✓		
SECTOR SEEK	IF THE HEADER WORD DOES NOT EQUAL THE CYLINDER ADDRESS SET THE "CYLINDER ADDRESS ERROR" AND GO TO THE IDLE STATE. AT EACH SECTOR MARK COMPARE THE SECTOR ADDRESS WITH THE DISK SECTOR ADDRESS LINES, IF EQUAL GO TO THE NEXT STATE.		✓	✓	✓	✓
HEADER D	AT THE BEGINNING OF THE SECTOR START THE "READ DELAY." AT THE END OF THE "READ DELAY" SET "READ." ZEROS WILL BE READ UNTIL THE SYNC BIT. AT THE BEGINNING OF THE SECTOR START THE "SYNC BIT DELAY." ZEROS ARE WRITTEN FOR THE LENGTH OF THE DELAY. A "ONE" BIT (SYNC BIT) IS THEN WRITTEN.		✓	✓		✓

MAJOR STATE	FUNCTION	SEEK	SK/CHK/RD	SK/CHK/WRT	SK/RD	SK/WRT
HEADER E	COUNT AND IGNORE THE FIRST 16 BITS. WRITE THE HEADER WORD SPECIFIED BY THE CRC REGISTER.		✓	✓		✓
DATA STATE	READ 256-12 BIT WORDS FROM THE DISK INTO THE DATA BUFFER AND COMPUTE THE CRC. TRANSFER 12 BIT WORD FROM DATA BUFFER TO THE PROCESSOR. THE CONTROL WILL TRY TO KEEP DATA BUFFER EMPTY VIA DATA BREAKS. WRITE ON THE DISK 256-12 BIT WORDS TRANSFERED FROM THE PROCESSOR TO THE DATA BUFFER, TRYING TO KEEP DATA BUFFER FULL VIA DATA BREAKS. COMPUTE CRC.		✓	✓		✓
CRC STATE	READ AND COMPARE THE CRC WORD WITH THE COMPUTED CRC. WRITE THE COMPUTED CRC ON THE DISK.		✓	✓		✓
END STATE	IF THE CRC FROM THE DISK DOES NOT EQUAL THE COMPUTED CRC, SET THE "CRC ERROR" CLEAR READ. WHEN THE DATA BUFFERS ARE EMPTIED INTO THE PROCESSOR SET THE DONE FLAG AND GO TO THE IDLE STATE. START THE ERASE DELAY AND WRITE ZEROS. AT THE END OF THE ERASE DELAY CLEAR WRITE, SET THE DONE FLAG AND GO TO THE IDLE STATE.		✓	✓		✓

REV	A
CHANGE NO	0001
CHK	RKB-E-0001
DATE	11-08-72
GROSS	11-17-72

FIRST USED ON OPTION/MODEL	QTY.	DESCRIPTION	PART NO.	ITEM NO.
RKB-E		PARTS LIST		
UNLESS OTHERWISE SPECIFIED DIMENSION IN INCHES TOLERANCES	DATE 9/27/72	digital EQUIPMENT CORPORATION MAYNARD MASSACHUSETTS		
DECIMALS .005	DATE 10/6/72	TITLE MAJOR STATES TIMING & FLOW		
ANGLES ±0° 30'	DATE 11/6/72			
REMOVE BURNS AND BREAK SHARP CORNERS SURFACE QUALITY	DATE 11/6/72	SIZE CODE B-DD-RKB-E		
MATERIAL	NEXT HIGHER ASSY.	NUMBER DTD RKB-E-2		
FINISH	SCALE 1/16"	REV. A		
	SHEET 1 OF 1	DIST.		

This drawing and specifications, herein, are the property of Digital Equipment Corporation and shall not be reproduced or copied or used in whole or in part as the basis for the manufacture or sale of items without written permission. 1972

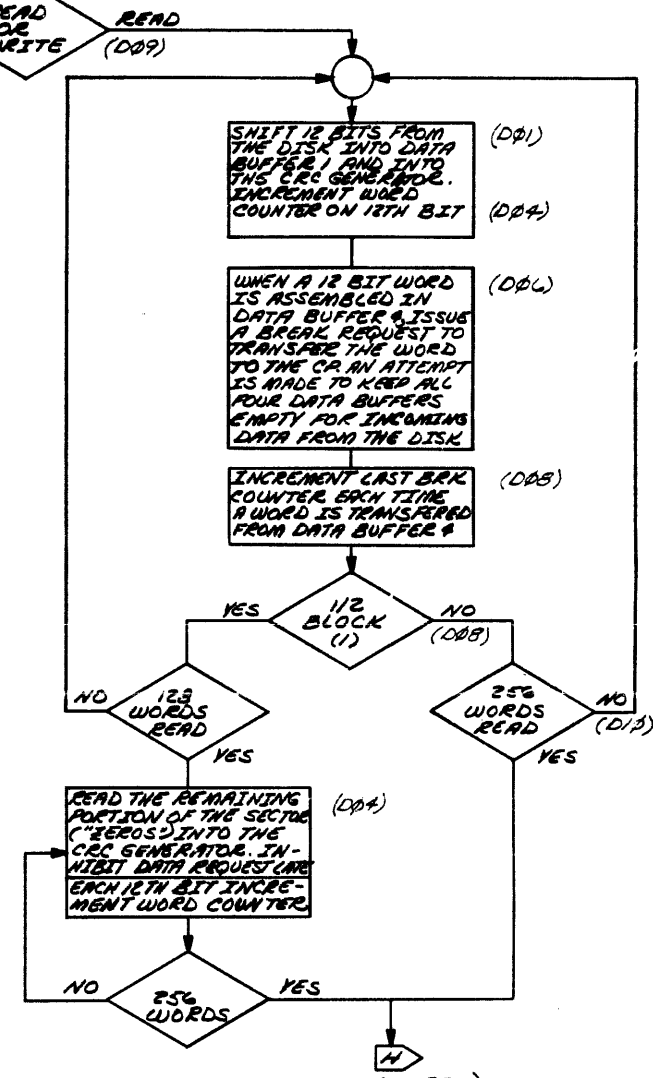
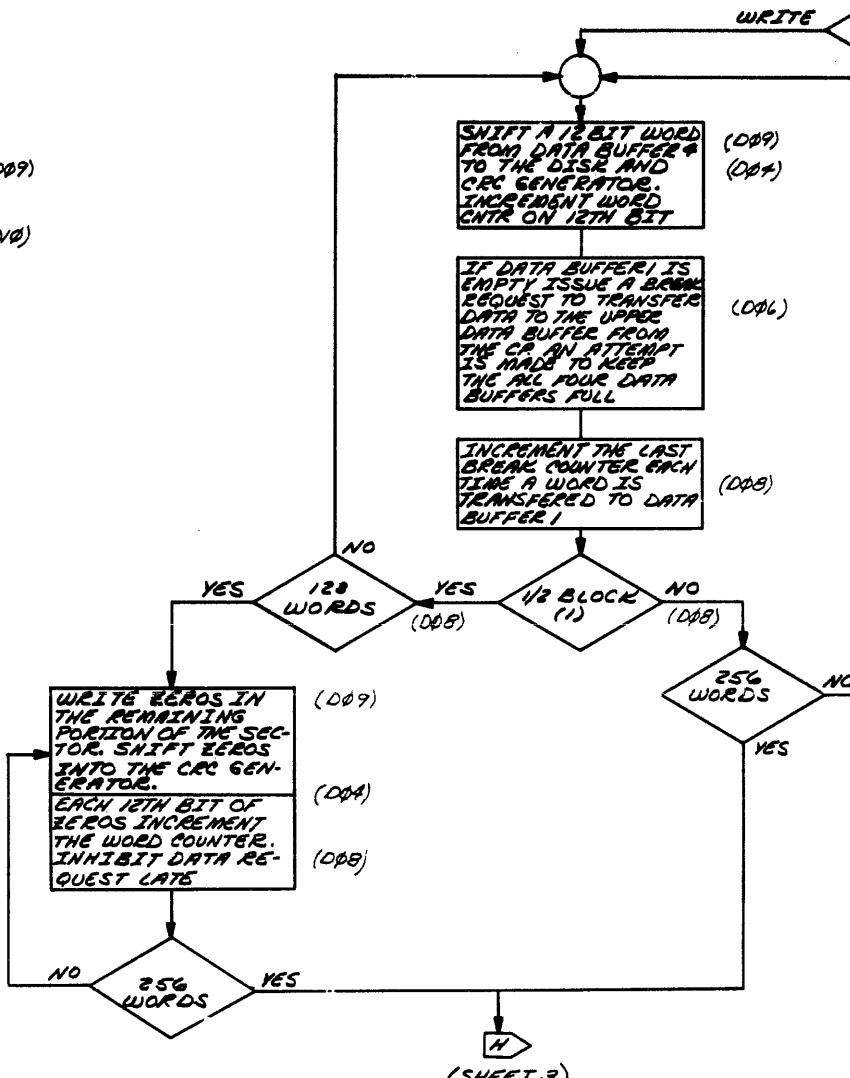
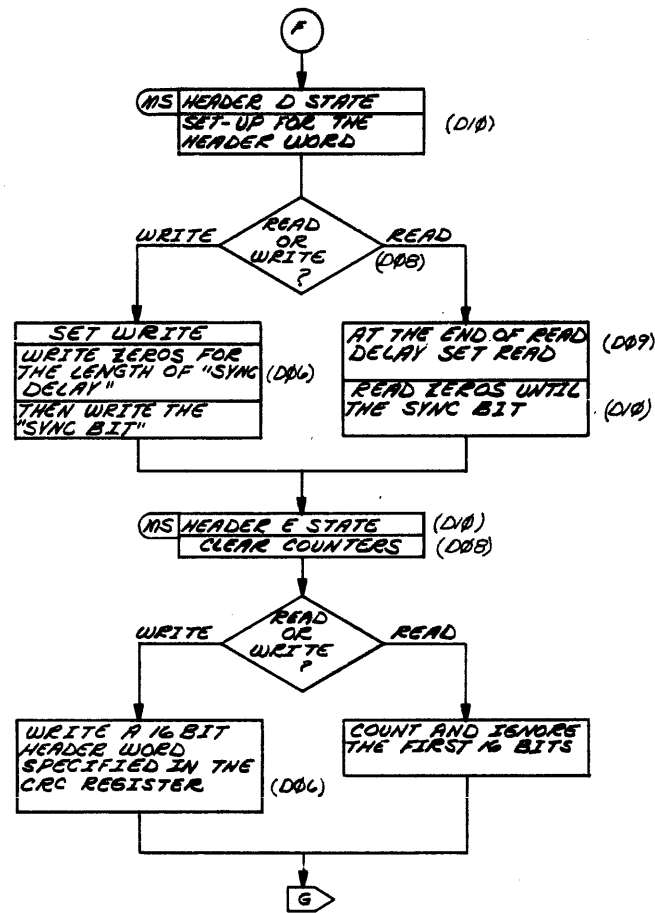


BRUNING 40-522 15840  
DEC FORM NO. DRD 102-B

REV	CHANGE NO.	DATE
A	0001	11-15-72
GROSS		

FIRST USED ON OPTION/MODEL	QTY.	DESCRIPTION	PART NO.	ITEM NO.
RK8-E		PARTS LIST		
UNLESS OTHERWISE SPECIFIED DIMENSION IN INCHES. TOLERANCES	DRN <i>admitt</i>	DATE 7/29/72	<b>digital</b> EQUIPMENT CORPORATION MAYNARD MASSACHUSETTS	
DECIMALS .XXX = .005	CHKD <i>210</i>	DATE 6-8-72		
ANGLES .XX = .02	ENG <i>[Signature]</i>	DATE 10/17/72		
.X = .1	PROJ. ENG. <i>[Signature]</i>	DATE 10/16/72		
REMOVE BURRS AND BREAK SHARP CORNERS SURFACE QUALITY	PROD. <i>[Signature]</i>	DATE 10/17/72	TITLE FLOW DIAGRAM (RK8-E)	
MATERIAL	NEXT HIGHER ASSY.	SIZE CODE	NUMBER	REV.
FINISH	B-DD-RK8-E	D	RK8-E-1	A
	SCALE			
	SHEET 1 OF 4	DIST.		

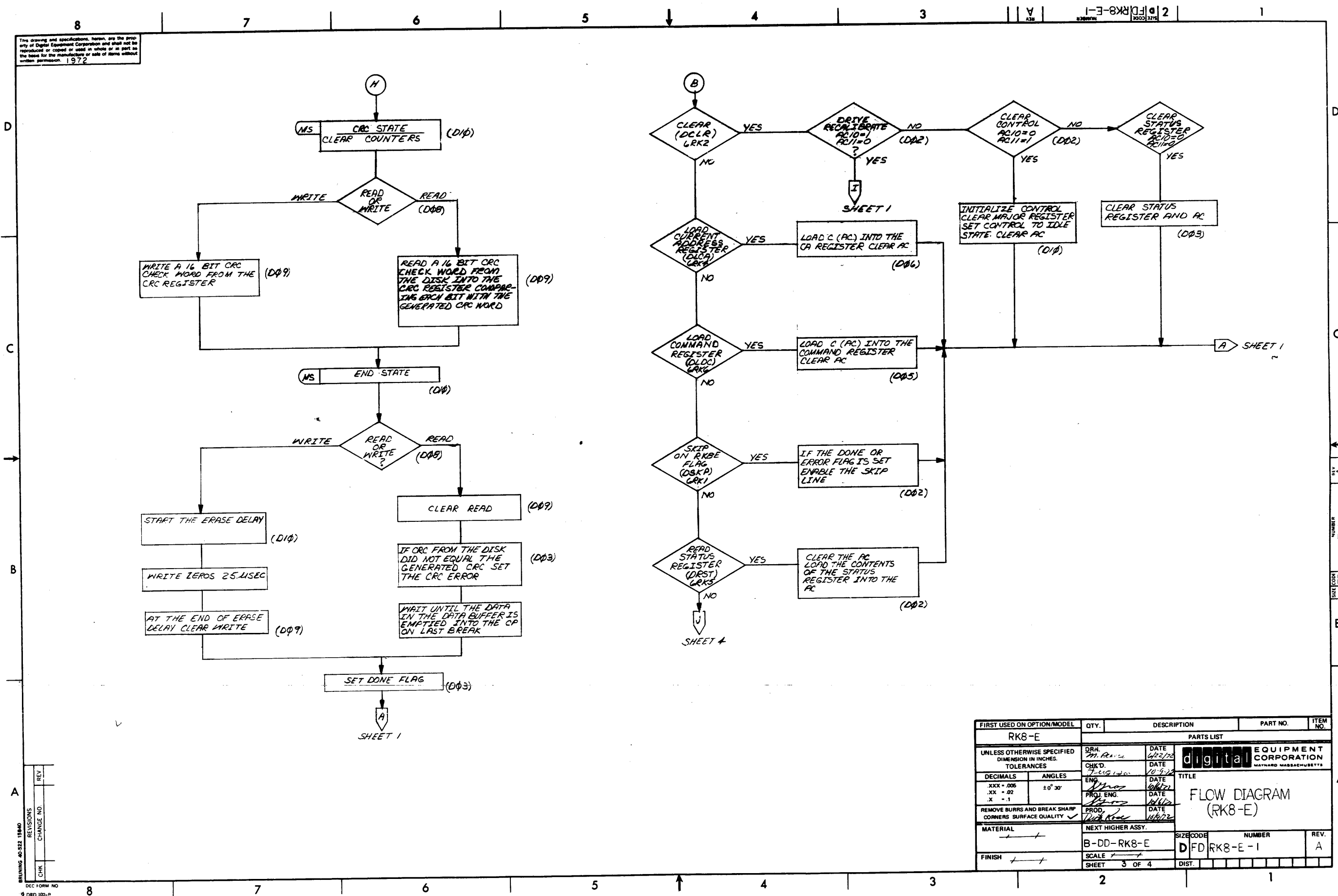
This drawing and specifications, herein, are the property of Digital Equipment Corporation and shall not be reproduced or copied or used in whole or in part as the basis for the manufacture or sale of items without written permission 1972



REV	CHG	NO

FIRST USED ON OPTION/MODEL	QTY.	DESCRIPTION	PART NO.	ITEM NO.
RK8-E				
PARTS LIST				
UNLESS OTHERWISE SPECIFIED DIMENSION IN INCHES TOLERANCES	DRN axilob	DATE 11-8-72	<b>digital</b> EQUIPMENT CORPORATION MATTAPOISETT MASSACHUSETTS TITLE <b>FLOW DIAGRAM (RK8-E)</b>	
DECIMALS .XXX - .005	CHK'D. 11-8-72	DATE 11-8-72		
ANGLES ±0° 30'	ENG. 11-8-72	DATE 11-8-72		
REMOVE BURRS AND BREAK SHARP CORNERS SURFACE QUALITY	PROJ. ENG. 11-8-72	DATE 11-8-72		
MATERIAL	PROD. 11-8-72	DATE 11-8-72	NEXT HIGHER ASSY. B-DD-RK8-E SIZE CODE NUMBER REV. D FD RK8-E-1 A	
FINISH	SCALE	SHEET 2 OF 4	DIST.	

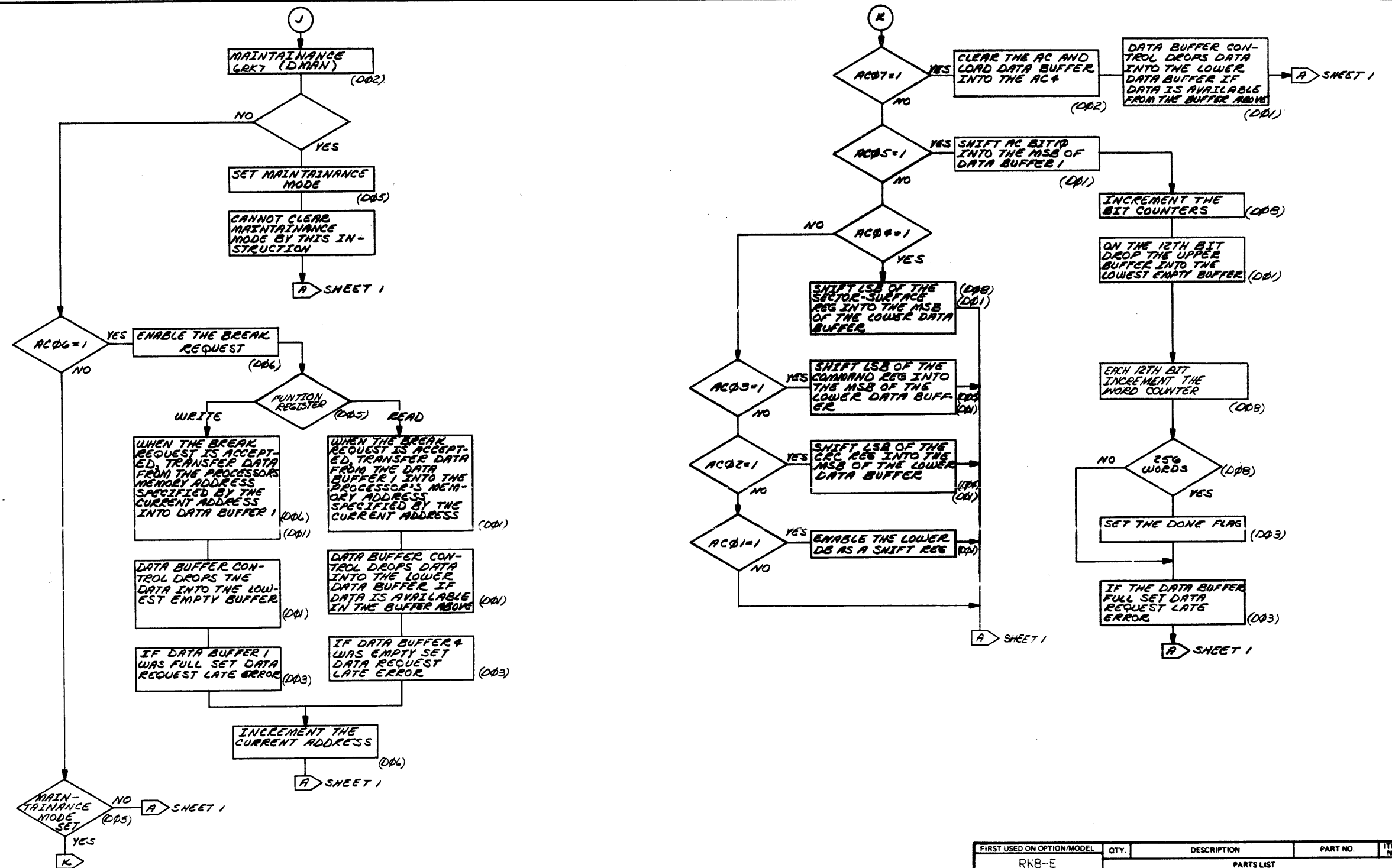
The drawing and specifications herein are the property of Digital Equipment Corporation and shall not be reproduced or copied or used in whole or in part as the basis for the manufacture or sale of items without written permission. 1972



BRUNING 40-522 15840	REV
REVISIONS	CHANGE NO.
CHK	
DEC FORM NO	
DRD 102-P	

FIRST USED ON OPTION/MODEL	QTY.	DESCRIPTION	PART NO.	ITEM NO.
RK8-E		PARTS LIST		
UNLESS OTHERWISE SPECIFIED DIMENSION IN INCHES. TOLERANCES	DRN <i>M. Reice</i>	DATE 6/22/72	digital EQUIPMENT CORPORATION MAYNARD MASSACHUSETTS	
DECIMALS	CHK'D <i>F. G. W. G.</i>	DATE 10-9-72	TITLE FLOW DIAGRAM (RK8-E)	
ANGLES	ENG. <i>M. Reice</i>	DATE 10/6/72		
.XXX - .006 .XX - .02 .X - .1	PROJ. ENG. <i>M. Reice</i>	DATE 10/6/72		
REMOVE BURRS AND BREAK SHARP CORNERS SURFACE QUALITY	PROD. <i>Wick Rose</i>	DATE 10/6/72		
MATERIAL	NEXT HIGHER ASSY.		SIZE CODE	NUMBER
FINISH	B-DD-RK8-E	SCALE	D	FD RK8-E-1
	SHEET 3 OF 4	DIST.		REV. A

The drawing and specifications, herein, are the property of Digital Equipment Corporation and shall not be reproduced or copied or used in whole or in part as the basis for the manufacture or sale of items without written permission. 1972



REV	
CHG	
CHK	
REVISIONS	
CHANGE NO	
DATE	

FIRST USED ON OPTION/MODEL	QTY.	DESCRIPTION	PART NO.	ITEM NO.						
PARTS LIST										
RK8-E										
UNLESS OTHERWISE SPECIFIED DIMENSION IN INCHES		DRN	DATE	<div style="text-align: center;"> <p><b>DIGITAL</b> EQUIPMENT CORPORATION MAYNARD MASSACHUSETTS</p> </div>						
TOLERANCES		CHK'D	DATE							
DECIMALS	ANGLES	ENG	DATE							
XXX + .008	± 0° 30'	PROJ. ENG.	DATE							
REMOVE BURNS AND BREAK SHARP CORNERS SURFACE QUALITY		PROD	DATE	<p style="text-align: center;">FLOW DIAGRAM (RK8-E)</p>						
MATERIAL		NEXT HIGHER ASSY.	DATE							
FINISH		B-DD-RK8-E	SCALE	<table border="1"> <tr> <td>SIZE CODE</td> <td>NUMBER</td> <td>REV.</td> </tr> <tr> <td>DFD</td> <td>RK8-E-1</td> <td>A</td> </tr> </table>	SIZE CODE	NUMBER	REV.	DFD	RK8-E-1	A
SIZE CODE	NUMBER	REV.								
DFD	RK8-E-1	A								
		SHEET 4 OF 4	DIST.							

PAGE REVISION CONTROL SHEET

REMARKS

PAGE REVISIONS

SH NO.	REVISION	DATE	ENG.	ETCH REV.	ECO NO.
1	A			B	
2	A			B	
3	A			B	
4	A			B	
5	A			B	
6	A			B	
7	A			B	
	B	11-3-72	<i>LA</i>	B	1
	C	3-20-73	<i>LA</i>	B	2
	D	6-19-73	<i>LA</i>	B	3
	E	12-13-73	<i>LA</i>	B	4
	F	10-14-74	<i>LA</i>	B	5
	G			B	6
	H	1-13-76	<i>SPM</i>	B	6
	I			B	6A
	J	1-19-76	L.N.	B	6A
	K	1-20-76	L.N.	B	7
	L			B	8

FIRST USED ON OPTION/MODEL  
RK8-E

"THIS DRAWING AND SPECIFICATIONS, HEREIN, ARE THE PROPERTY OF DIGITAL EQUIPMENT CORPORATION AND SHALL NOT BE REPRODUCED OR COPIED OR USED IN WHOLE OR IN PART AS THE BASIS FOR THE MANUFACTURE OR SALE OF ITEMS WITHOUT WRITTEN PERMISSION."  
DIGITAL EQUIPMENT CORPORATION  
COPYRIGHT ©

DEN. *[Signature]* DATE *11-9-72*

CHK'D *[Signature]* DATE *11-9-72*

ENG. *[Signature]* DATE *11-9-72*

PROJ. ENG. *[Signature]* DATE *11-9-72*

PROD. *[Signature]* DATE *11-9-72*

NEXT HIGHER ASSY.

D-UA-RK8-E-0

SCALE

SHEET 1 OF 7

**digital** EQUIPMENT CORPORATION  
MAYNARD, MASSACHUSETTS

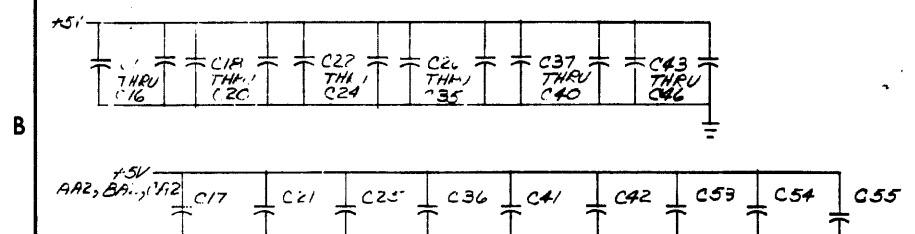
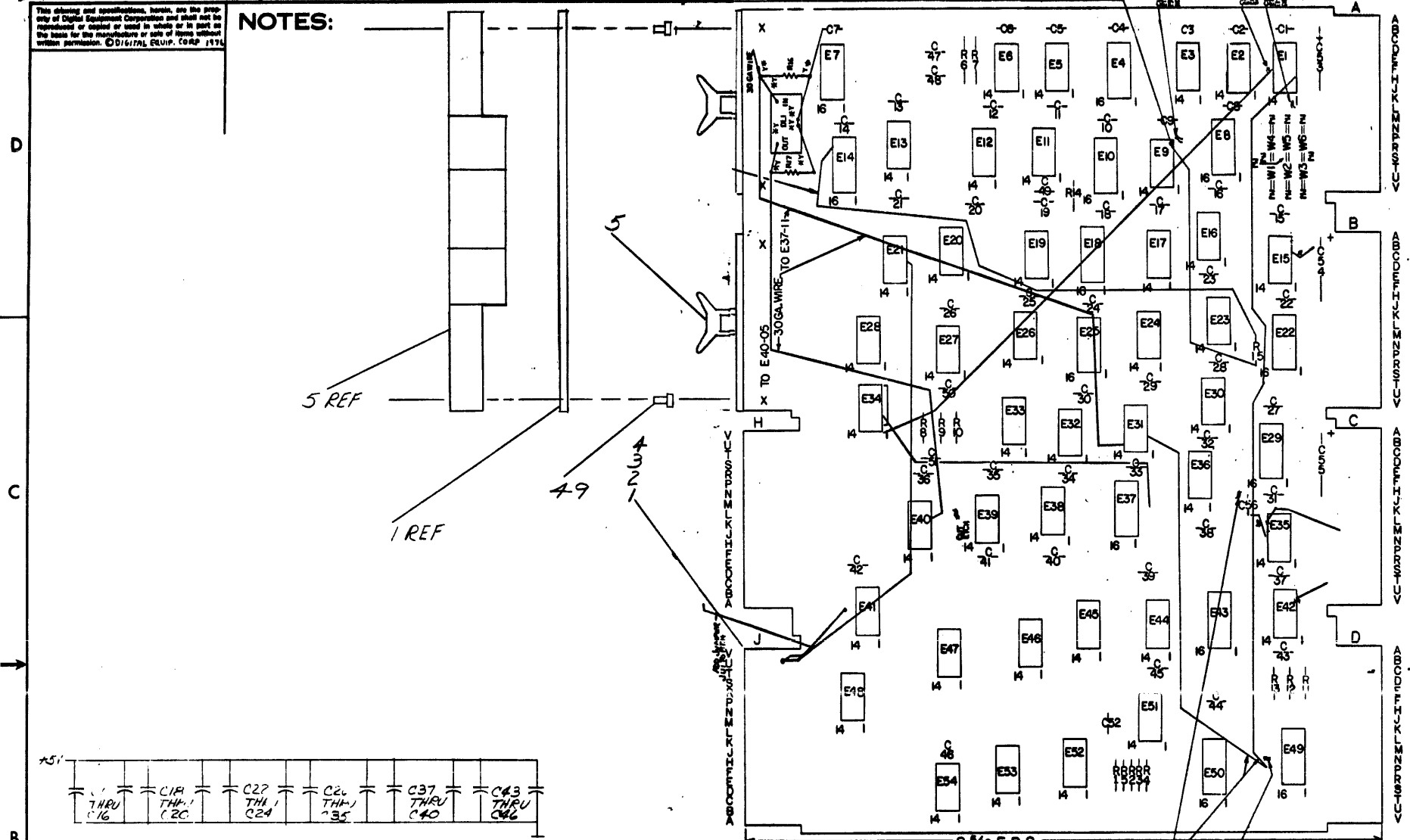
TITLE  
DATA BUFFER & STATUS

SIZE CODE NUMBER REV.  
B CS M7104-0-1 K

DIST.

This drawing and specifications, herein, are the property of Digital Equipment Corporation and shall not be reproduced or copied or used in whole or in part as the basis for the manufacture or sale of items without written permission. © DIGITAL EQUIP. CORP. 1972

**NOTES:**



DEC 74123	8	16
DEC 74174	8	16
DEC 74175	5	12
DEC 74125	8	16
DEC 8235	8	16
DEC 314	1	8
DEC 8251B	8	16
DEC 394	1	8
DEC 385	1	8
DEC 7475	4	11
DEC 7476	5	13
IC TYPE	GND	+5V

GND AND 5V ARE USUALLY PIN 7 AND 14 RESPECTIVELY. EXCEPTIONS ARE STATED ABOVE.

IC PIN LOCATIONS

AC2, AF1, AN1, AT1, AF2, AN2, AT2, BC1, BF1, BN1, BT1, BC2, BF2, BN2, BT2, CC1, CF1, CN1, CT1, CC2, CF2, CN2, CT2, DC1, DF1, DN1, DT1, DC2, DF2, DN2, DT2.

QTY	REF DESIGNATION	DESCRIPTION	PART NO.	ITEM NO.
1	DL1	DELAY LINE, 100NS D-10100	1609559	51
1	E1	EYELET	9006757	52
9	E2	SPLIT LUGS	9006735	50
4	E4, E10, E18, E25	I.C. DEC 74174	1910652	49
1	E7	I.C. DEC 74123	1910436	48
1	E5B	I.C. DEC 7496	1910363	47
3	E11, E14, E48	I.C. DEC 7408	1910155	46
1	E33	I.C. DEC 7437	1910091	45
3	W2, W4, W6	22 GA BUSS WIRE	9107560-01	44

QTY	REF DESIGNATION	DESCRIPTION	PART NO.	ITEM NO.
1	E13	I.C. DEC 74195	1910018	43
4	E3, E22, E29, E49	I.C. DEC 8235	1909988	42
1	E21	I.C. DEC 74184	1909981	41
1	E36	I.C. DEC 8081	1909705	40
1	E1	I.C. DEC 314	1909704	39
4	E6, E23, E27, E31	I.C. DEC 7404	1909686	38
1	E38	I.C. DEC 74174	1909667	37
1	E47	I.C. DEC 8251B	1909594	36
1	E30	I.C. DEC 394	1909486	35
4	E2, E15, E35, E42	I.C. DEC 8640	1917469	34
2	E6, E86	I.C. DEC 74153	1909062	33
1	E20	I.C. DEC 74180	1909056	32
2	R16, R17	RES., 1K, 1/4W, 5%	1300365	31
6	E3, E5, E9, E17, E24, E32	I.C. DEC 7495	1909055	30
6	E18, E19, E20, E39, E51, E58	I.C. DEC 7402	1909004	29
1	E12	I.C. DEC 7473	1905587	28
1	E14	I.C. DEC 7476	1905585	27
2	E1, E44	I.C. DEC 7440	1905579	26
1	E47	I.C. DEC 7410	1905576	25
3	E45, E46, E54	I.C. DEC 7400	1905575	24
2	E39, E52	I.C. DEC 7474	1905547	23
2	E6, E7	RES., 5.1K, 1/8W, 1%, MF	1304054	22
2	R2, R3	RES., 10K, 1/4W, 5%, C.C.	1301322	21
2	R12, R13	RES., 4.7K, 1/4W, 5%, C.C.	1300947	20
1	R9	RES., 2.2K, 1/4W, 5%, C.C.	1300917	19
1	R11	RES., 1.8K, 1/4W, 5%, C.C.	1300398	18
2	R1, R4	RES., 390, 1/4W, 5%, C.C.	1300309	17
6	R5, R8, R10, R14, R15	RES., 100, 1/4W, 5%, C.C.	1300289	16
2		SPACER (CABLE CLAMP)	1202701	15
10	C1 THRU C16, C18 THRU C22, C24 THRU C26, C28 THRU C30, C32 THRU C34, C38 THRU C40	CAP., 0.1UF, 50V, 20%, DISC	1001610	14
3	C53 THRU C55	CAP., 0.1UF, 35V, 10%, TANT	1005306	13
2	C49, C56	CAP., 470PF, 100V, 5% DM	1000024	12
1	C51	CAP., 330PF, 100V, 5% DM	1000023	11
2	C50, C52	CAP., 100PF, 100V, 5% DM	1000020	10
1	C47	CAP., 39PF, 100V, 5% DM	1000010	8
1	C48	CAP., 10PF, 100V, 5% DM	1000006	7
6	C17, C21, C25, C26, C41, C42	CAP., 0.02UF, 100V, 20%, DISC	1000004	6
2		HANDLE, PLTACNIP, MAGENTA	9008337-06	5
1		ETCHED CIRCUIT BOARD	5010064	4
REF		MODULE ECO HISTORY	B-RH-17104-B-6	3
REF		RESY/DRILLING HOLE LAYOUT	D-RH-17104-B-5	2
REF		X-Y COORDINATE HOLE LOCATION	A-CO-17104-B-4	1

FIRST USED ON OPTION MODEL: RK8-E

ETCH BOARD REV: B

DRN: *admit* DATE: 7/17/72

CHK'D: *[Signature]* DATE: 7/6/72

ENG: *[Signature]* DATE: 10/1/72

PROJ. ENG: *[Signature]* DATE: 10/1/72

PRD: *[Signature]* DATE: 10/1/72

NEXT HIGHER ASSY: D-UA-RK8-E-0

SCALE: NONE

SHEET: 2 OF 7

DIST.:

REVISIONS:

CHK	CHANGE NO.	REV

SEMICONDUCTOR CONVERSION CHART

DEC. NO.	EIA NO.	DEC. NO.	EIA NO.

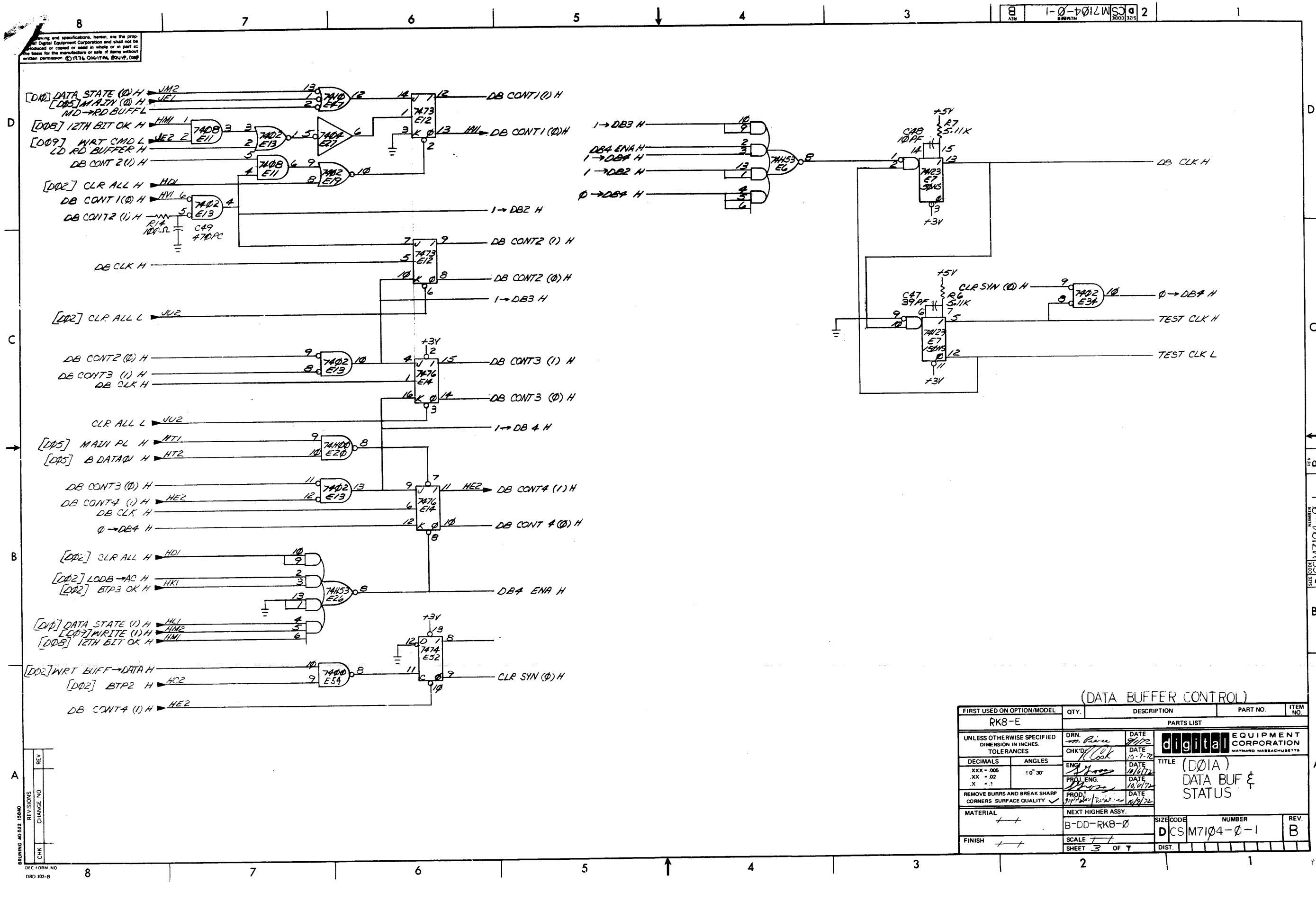
digital EQUIPMENT CORPORATION  
MAYNARD, MASSACHUSETTS

TITLE: DATA BUFFER & STATUS

SIZE CODE: DICS M7104-0-1

NUMBER: 8

REV. NO.:



Drawing and specifications herein are the property of Digital Equipment Corporation and shall not be reproduced or copied in whole or in part without the written permission of Digital Equipment Corporation.

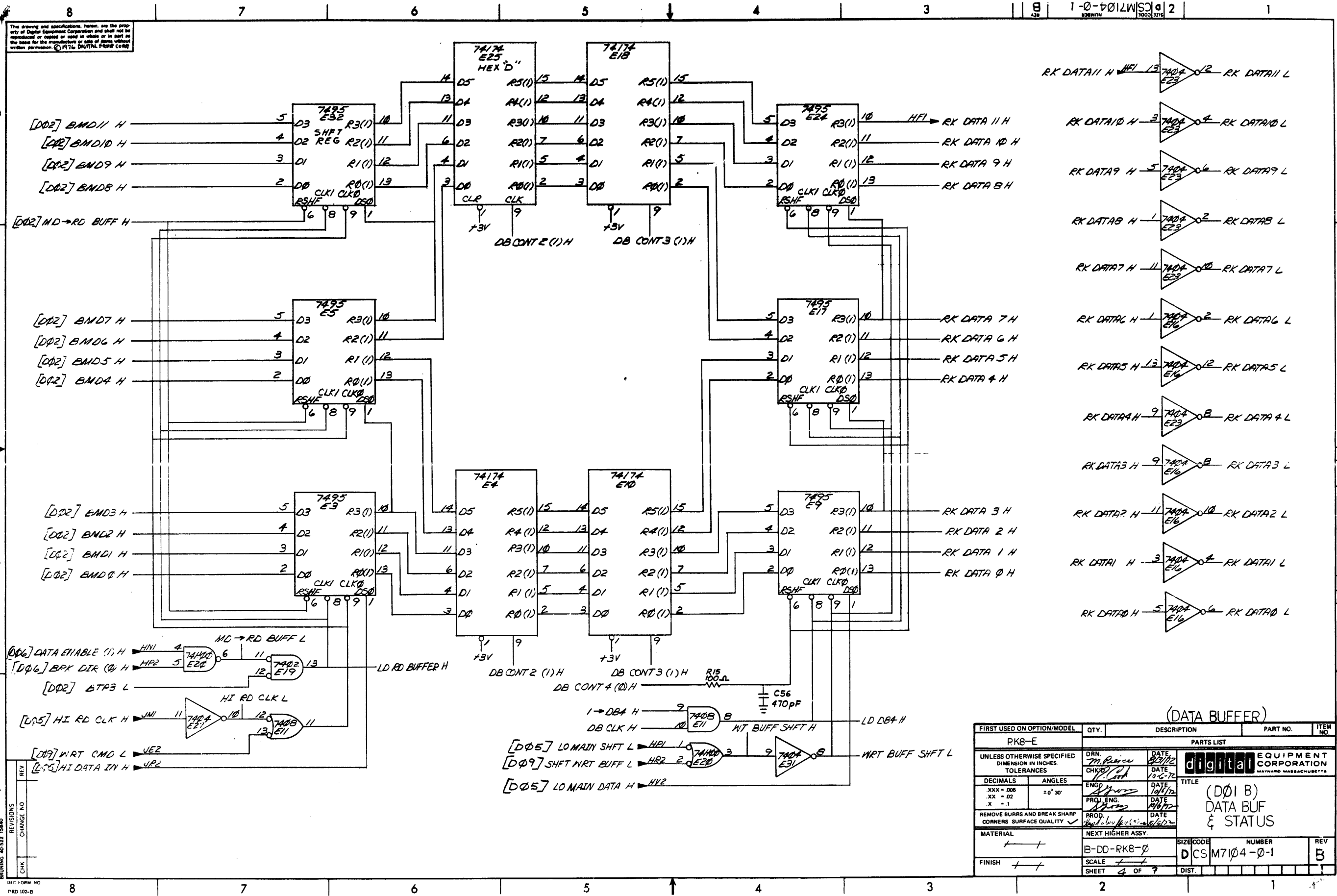
CSM7104-0-1

(DATA BUFFER CONTROL)

FIRST USED ON OPTION/MODEL	QTY.	DESCRIPTION	PART NO.	ITEM NO.
RKB-E		PARTS LIST		
UNLESS OTHERWISE SPECIFIED DIMENSION IN INCHES. TOLERANCES	DRN <i>m. Rine</i>	DATE <i>8/1/72</i>	 TITLE (D01A) DATA BUF & STATUS	
DECIMALS .XXX - .005	CHK'D <i>W. Cook</i>	DATE <i>10-7-72</i>		
ANGLES ±0° 30'	ENGR <i>A. Gross</i>	DATE <i>11/1/72</i>		
	PROJ. ENGR <i>A. Gross</i>	DATE <i>10/21/72</i>		
REMOVE BURRS AND BREAK SHARP CORNERS SURFACE QUALITY	PROD <i>A. Gross</i>	DATE <i>11/1/72</i>		
MATERIAL	NEXT HIGHER ASSY.		SIZE CODE	NUMBER
FINISH	B-DD-RKB-0		DCS	M7104-0-1
	SCALE			REV. B
	SHEET 3	OF 7	DIST.	

BRUNING 40-522 15840  
 DEC 1 FORM NO. DRD 102-B



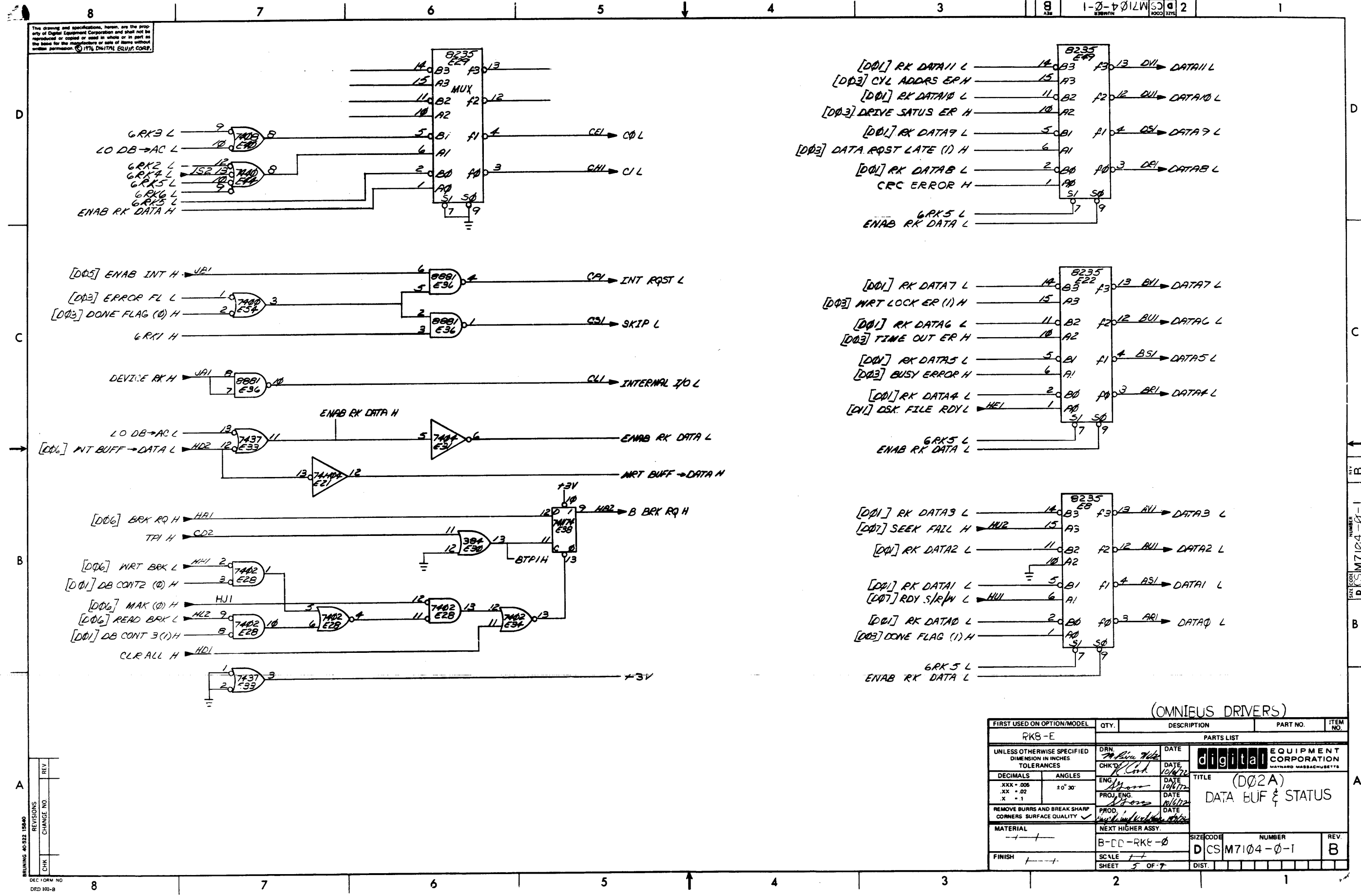


The drawing and specifications, herein, are the property of Digital Equipment Corporation and shall not be reproduced or used in whole or in part as the basis for the manufacture of items without written permission. © 1976 DIGITAL EQUIPMENT CORPORATION

FIRST USED ON OPTION/MODEL	QTY.	DESCRIPTION	PART NO.	ITEM NO.
RK8-E		PARTS LIST		
UNLESS OTHERWISE SPECIFIED DIMENSION IN INCHES TOLERANCES	DRN. <i>M. P. [Signature]</i>	DATE 10/1/72	 <b>digital EQUIPMENT CORPORATION</b> <small>MAYNARD MASSACHUSETTS</small>	
DECIMALS ANGLES	CHKD. <i>[Signature]</i>	DATE 10-6-72		
XXX ± .006 .XX ± .02 .X ± .1	ENGR. <i>[Signature]</i>	DATE 10/1/72		
REMOVE BURRS AND BREAK SHARP CORNERS SURFACE QUALITY	PROJ. ENG. <i>[Signature]</i>	DATE 10/1/72		
MATERIAL	PROD. <i>[Signature]</i>	DATE 10/1/72	TITLE <b>(DØ1 B) DATA BUF &amp; STATUS</b>	
FINISH	NEXT HIGHER ASSY.		SIZE CODE	NUMBER
	B-DD-RK8-Ø		DCS M71Ø4-Ø-1	REV
	SCALE			<b>B</b>
	SHEET 4 OF 7	DIST.		

BRUNING 40-522 15840  
DEC FORM NO  
PRD 102-B

The drawing and specifications, herein, are the property of Digital Equipment Corporation and shall not be reproduced or copied in whole or in part as the basis for the manufacture or sale of items without written permission. © 1974, DIGITAL EQUIPMENT CORP.



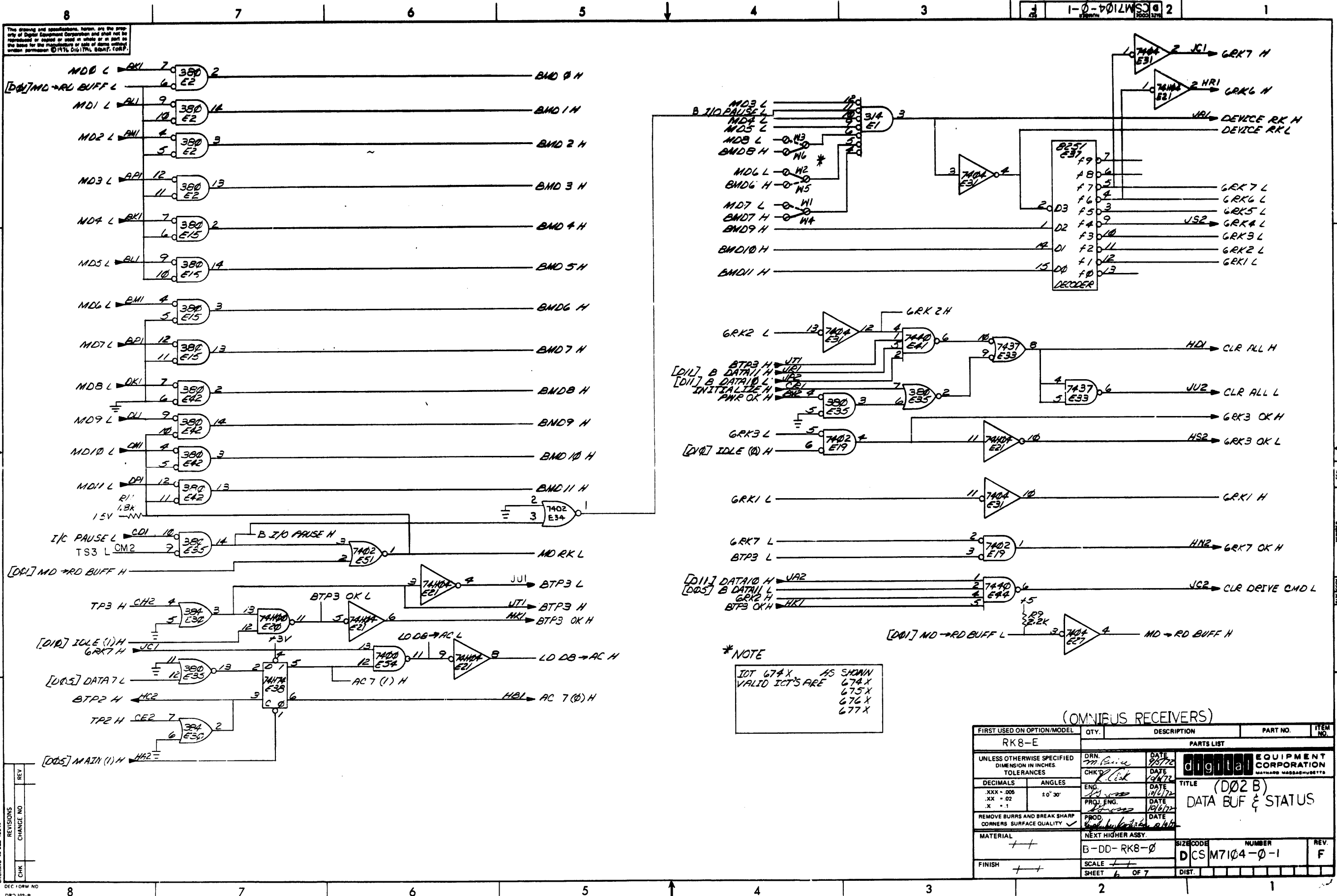
(OMNIBUS DRIVERS)

FIRST USED ON OPTION/MODEL	QTY.	DESCRIPTION	PART NO.	ITEM NO.
RKB-E				
PARTS LIST				
UNLESS OTHERWISE SPECIFIED		DRN	DATE	<b>digital</b> EQUIPMENT CORPORATION <small>MATNARD MASSACHUSETTS</small>
DIMENSION IN INCHES		CHK	DATE	
TOLERANCES		ENG	DATE	
DECIMALS	ANGLES	PROJ. ENG.	DATE	
.XXX - .006	±0° 30'	PROD.	DATE	TITLE (D02A) DATA BUF & STATUS
.XX - .02				
X - .1				
REMOVE BURRS AND BREAK SHARP CORNERS SURFACE QUALITY				
MATERIAL	NEXT HIGHER ASSY.		SIZE CODE	NUMBER
FINISH	B-DD-RKE-0		D	C
	SCALE			REV
	SHEET 5 OF 7			B

BRUNING 40-922 19640  
 DEC FORM NO  
 DFD 102-B

REV B  
 PART NO. M7104-0-1  
 SHEET 5 OF 7

This drawing and specifications, herein, are the property of Digital Equipment Corporation and shall not be reproduced or copied in whole or in part for any purpose without the prior written permission of Digital Equipment Corporation.

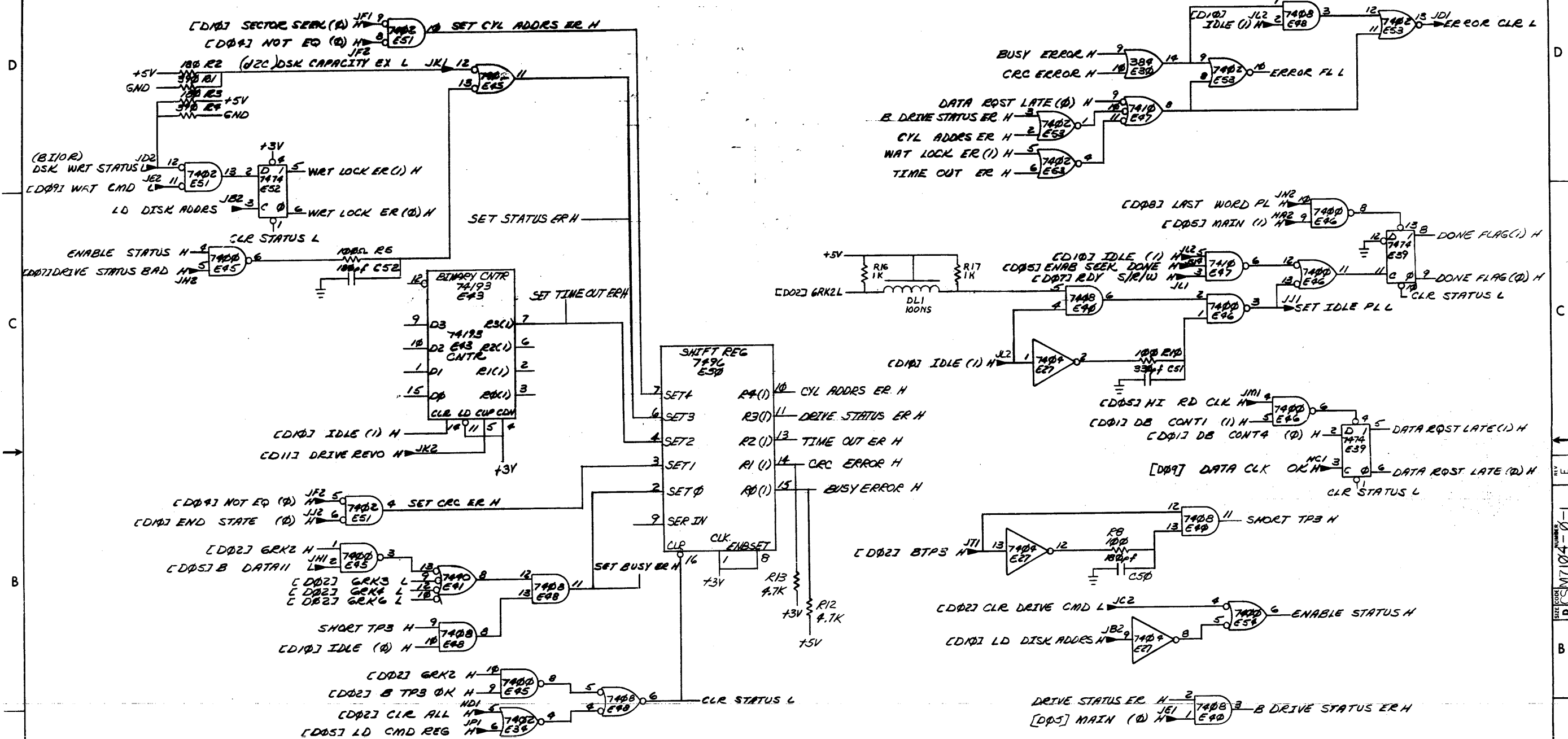


\*NOTE  
 IDT 674X AS SHOWN  
 VALID ICT'S ARE  
 674X  
 675X  
 676X  
 677X

FIRST USED ON OPTION/MODEL	QTY.	DESCRIPTION	PART NO.	ITEM NO.
RK8-E				
PARTS LIST				
UNLESS OTHERWISE SPECIFIED DIMENSION IN INCHES TOLERANCES	DRN. <i>m. B. B. B.</i>	DATE <i>9/17/72</i>	 TITLE (D02 B) DATA BUF & STATUS	
DECIMALS	CHK'D <i>R. C. C.</i>	DATE <i>9/17/72</i>		
ANGLES	ENG. <i>m. B. B. B.</i>	DATE <i>9/17/72</i>		
XXX - .006 .XX - .02 .X - .1	PROJ. ENG. <i>m. B. B. B.</i>	DATE <i>9/17/72</i>		
REMOVE BURRS AND BREAK SHARP CORNERS SURFACE QUALITY	PROD. <i>m. B. B. B.</i>	DATE <i>9/17/72</i>		
MATERIAL	NEXT HIGHER ASSY.		SIZE CODE	NUMBER
FINISH	B-DD-RK8-0		DCS M7104-0-1	REV. F
	SCALE			
	SHEET 6 OF 7			

BRUNING 40-522 15840  
 DEC FORM NO. 100-102-R

This drawing and specifications, herein, are the property of Digital Equipment Corporation and shall not be reproduced or copied in whole or in part as the basis for the manufacture or sale of items without written permission of P76, DIGITAL EQUIPMENT CORP.



(STATUS REGISTER ERROR DETECT)

FIRST USED ON OPTION/MODEL	QTY.	DESCRIPTION	PART NO.	ITEM NO.
RK8-E		PARTS LIST		
UNLESS OTHERWISE SPECIFIED DIMENSION IN INCHES TOLERANCES	DRN <i>ckibot</i>	DATE 7-11-72	 <b>digital EQUIPMENT CORPORATION</b> <small>MAYNARD MASSACHUSETTS</small>	
DECIMALS .XXX - .006 .XX - .02 .X - .1	CHK'D <i>L. Cook</i>	DATE 4/6/72		
ANGLES ±0° 30'	ENG. <i>W. Brown</i>	DATE 11/6/72	<b>TITLE (D03)</b> <b>DATA BUF &amp; STATUS</b>	
REMOVE BURRS AND BREAK SHARP CORNERS SURFACE QUALITY	PROJ. ENG. <i>W. Brown</i>	DATE 10/16/72		
MATERIAL	PROD. <i>W. Brown</i>	DATE	MATERIAL NEXT HIGHER ASSY. D-UA-RK8-E-0	
FINISH	SCALE	SHEET 7 OF -	SIZE CODE NUMBER DCS M7104-0-1	

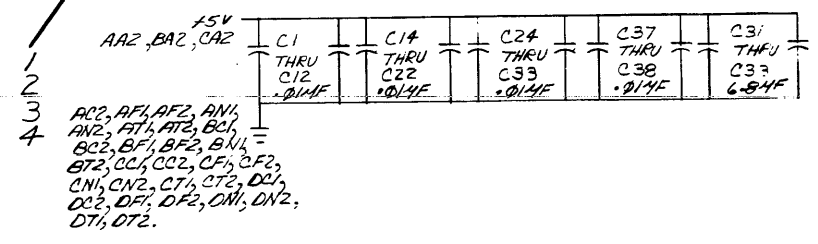
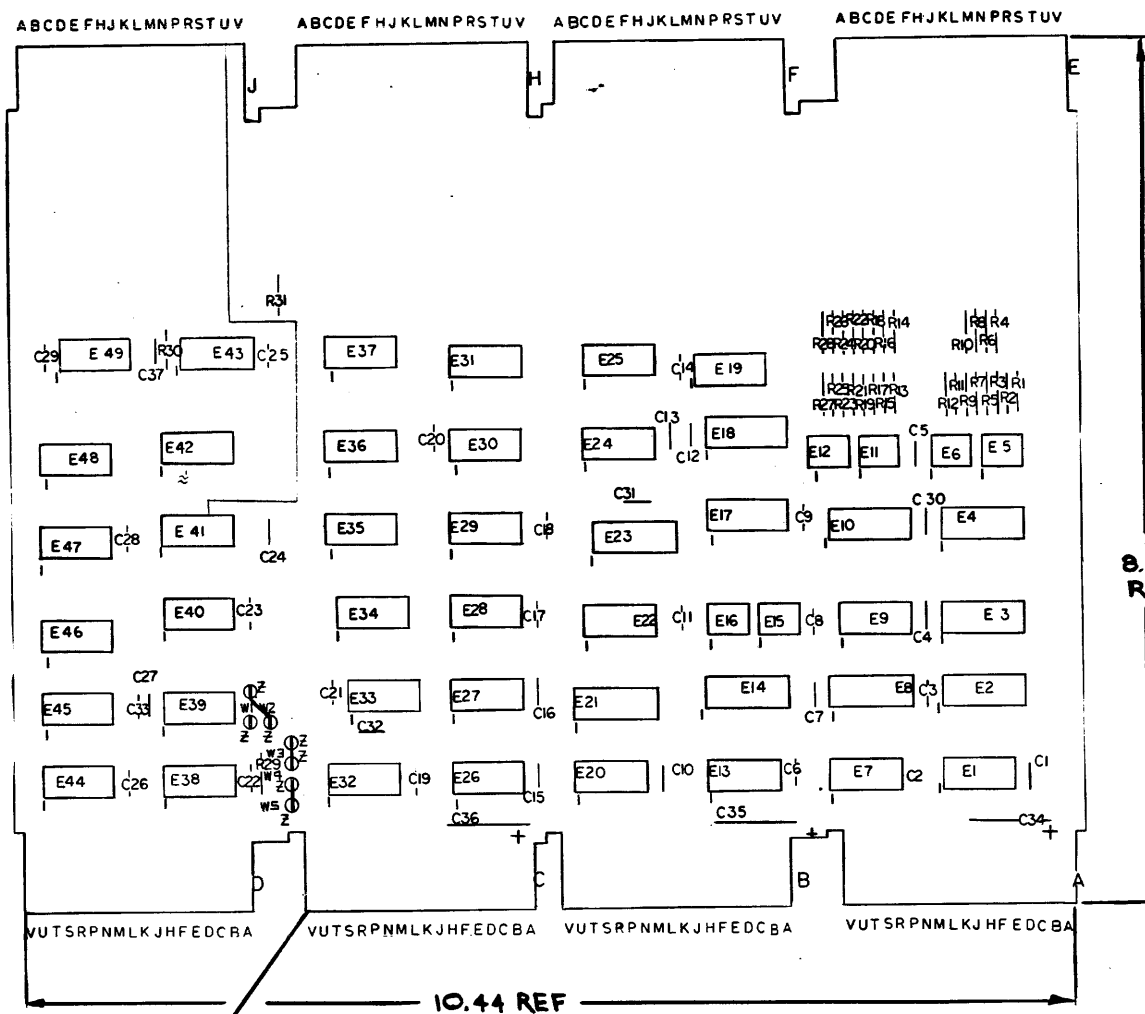
REV.	CHANGE NO.	DATE
1	1-72	1/1/72
2	2-72	2/1/72

BRUNING 40-522 15840  
 DFC FORM NO. DED 102-B



This drawing and specifications, herein, are the property of Digital Equipment Corporation and shall not be reproduced or copied or used in whole or in part as the basis for the manufacture or sale of items without written permission.

**NOTES:**



DEC 74155	8	16
DEC 74174	8	16
DEC 74174	8	16
DEC 74161	8	16
DEC 75452	4	8
DEC 75451	4	8
DEC 8271	8	16
DEC 384	1	8
DEC 380	1	8
IC TYPE	GND	+5V

GND AND 5V ARE USUALLY PIN 7 AND 14 RESPECTIVELY. EXCEPTIONS ARE STATED ABOVE.

**IC PIN LOCATIONS**

QTY	REF DESIGNATION	DESCRIPTION	PART NO.	ITEM NO.
3	W2, W3, W5	HAND INSTALLED JUMPER	246	35
7		SPLIT LUG	9006735	34
1	E46	I.C. DEC 7440	1905579	33
1	E10	I.C. DEC 74155	1910656	32
1	E28	I.C. DEC 74174	1910652	31
3	E8, E18, E21	I.C. DEC 74161	1910650	30
4	E5, E6, E15, E16	I.C. DEC 75452	1910645	29
2	E11, E12	I.C. DEC 75451	1910406	28
2	E9, E14	I.C. DEC 7496	1910363	27
3	E25, E38, E41	I.C. DEC 7408	1910155	26
1	E24	I.C. DEC 7486	1910011	25
6	E17, E20, E26, E38, E44	I.C. DEC 8881	1909705	24
2	E39, E45	I.C. DEC 74474	1909667	23
3	E23, E3, E17	I.C. DEC 8271	1909615	22
2	E42, E43	I.C. DEC 7404	1909686	21
1	E27	I.C. DEC 384	1909486	20
3	E13, E22, E32	I.C. DEC 380	1909485	19
1	E38	I.C. DEC 74411	1909267	18
1	E9	I.C. DEC 74452	1909061	17
1	E37	I.C. DEC 74410	1909057	16
2	E28, E47	I.C. DEC 7402	1909004	15
6	E19, E29, E31, E36, E40, E49	I.C. DEC 7400	1905575	14
3	E39, E35, E48	I.C. DEC 7474	1905547	13
14	R2, R5, R6, R9, R10, R12, R15, R16, R17, R20, R23, R24, R27, R28	RESISTOR 100, 1/4W, 5%	1301322	12
1	E29	RESISTOR, 1K, 1/4W, 5%	1300365	11
14	R1, R3, R4, R7, R8, R11, R13, R14, E12, E18, R21, R22, E25, E26	RESISTOR, 390, 1/4W, 5%	1300309	10
2	R30	RESISTOR, 100, 1/4W, 5%	1300229	9
32	C1 THRU C33	CAP., .01µF, 100V, 20% DISC	1001610	8
3	C34 THRU C36	CAP., 6.8µF, 35V, 20% STANT	1000067	7
1	R31	RES. 10, 1/4W, 5%	1301317	6
1	C37	CAP., 470pF, 100V, 5%, D.M.	1000024	5
1		ETCHED CIRCUIT BOARD	5010065	4
REF		MODULE ECO HISTORY	B-MH-M7105-0-6	3
REF		ASSY DRILLING HOLE LAYOUT	D-MH-M7105-0-5	2
REF		X-Y COORDINATE HOLE LOCATION	K-CO-M7105-0-4	1

FIRST USED ON OPTION MODEL

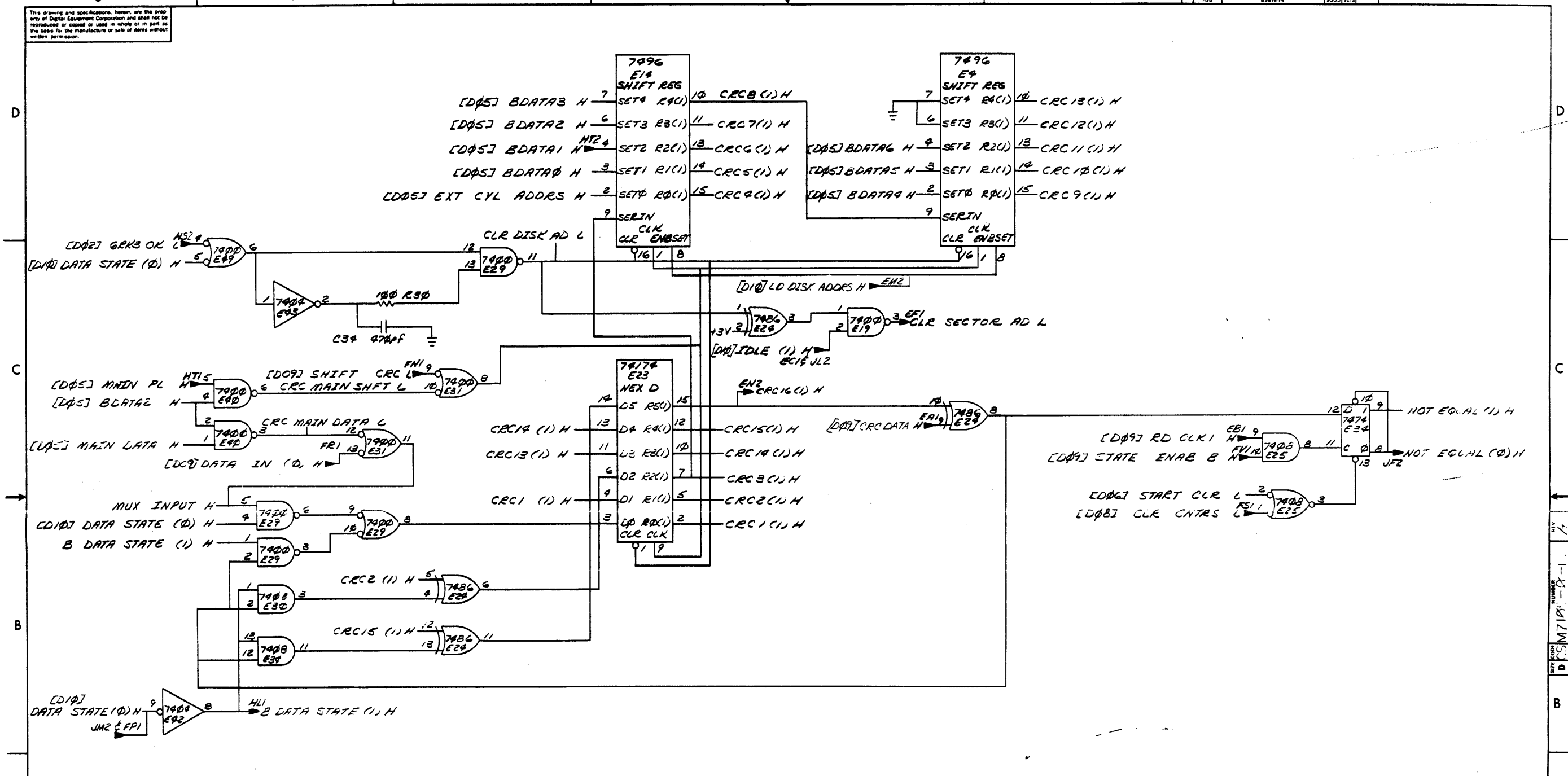
CHK	CHANGE NO.	REV	REVISIONS
DEC NO.	EIA NO.	DEC NO.	EIA NO.
SEMICONDUCTOR CONVERSION CHART			
DATE	DATE	DATE	DATE
DRN	CHKD.	ENG.	PROJ. ENG.
DATE	DATE	DATE	DATE
NEXT HIGHER ASSY			
D-UA-RK8-E-0			
SCALE	SHEET	OF	DIST.
SCALE	SHEET	OF	DIST.

**EQUIPMENT CORPORATION**  
 MAYNARD, MASSACHUSETTS

**MAJOR REGISTERS**

SIZE CODE: DCSM7105-0-1  
 NUMBER: 1  
 REV: D

This drawing and specifications, herein, are the property of Digital Equipment Corporation and shall not be reproduced or copied in whole or in part as the basis for the manufacture or sale of items without written permission.

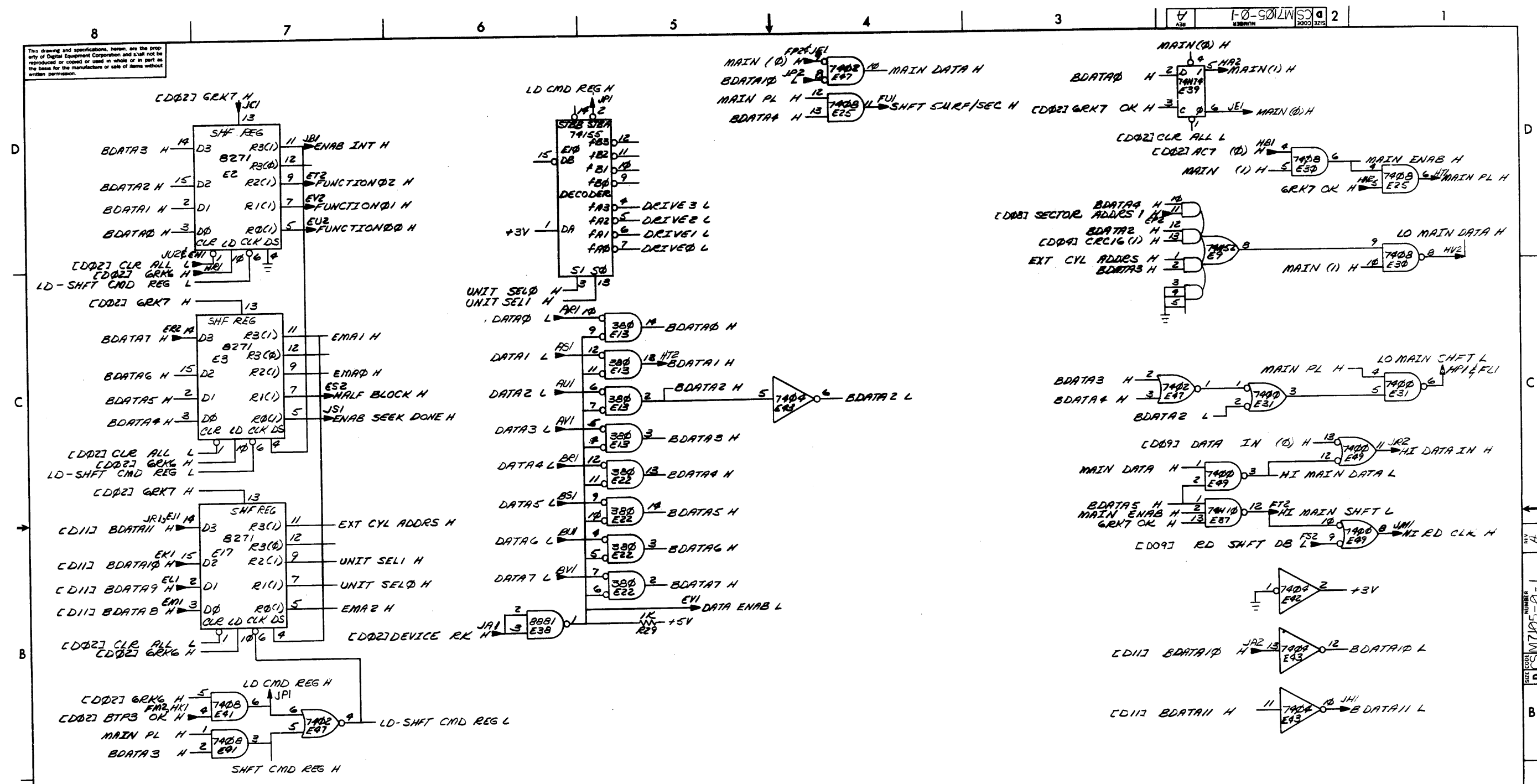


CRC/DISK ADDRESS REG

FIRST USED ON OPTION/MODEL	QTY.	DESCRIPTION	PART NO.	ITEM NO.
RK4-E				
PARTS LIST				
UNLESS OTHERWISE SPECIFIED DIMENSION IN INCHES TOLERANCES	DRN. <i>ck</i>	DATE <i>6/13/72</i>	<b>digital EQUIPMENT CORPORATION</b> TITLE <i>D04</i> AUG 7 REGISTERS	
DECIMALS	CHK'D.	DATE		
ANGLES	ENG.	DATE		
XXX - .005 XX - .02 X - .1	PROJ. ENG.	DATE		
REMOVE BURRS AND BREAK SHARP CORNERS. SURFACE QUALITY	PROD.	DATE		
MATERIAL	NEXT HIGHER ASSY.			
FINISH	D-JA-RK8-E-0	SIZE CODE	NUMBER	REV.
	SCALE	D04	D04	1
	SHEET 3 OF	D04	D04	1

REV	1
CHK	OK 6-1-72

This drawing and specifications, herein, are the property of Digital Equipment Corporation and shall not be reproduced or copied in whole or in part as the basis for the manufacture or sale of items without written permission.



REV	1/91
CHK	OK 8-7-73
CHG	

DEC FORM NO. DND 102-8

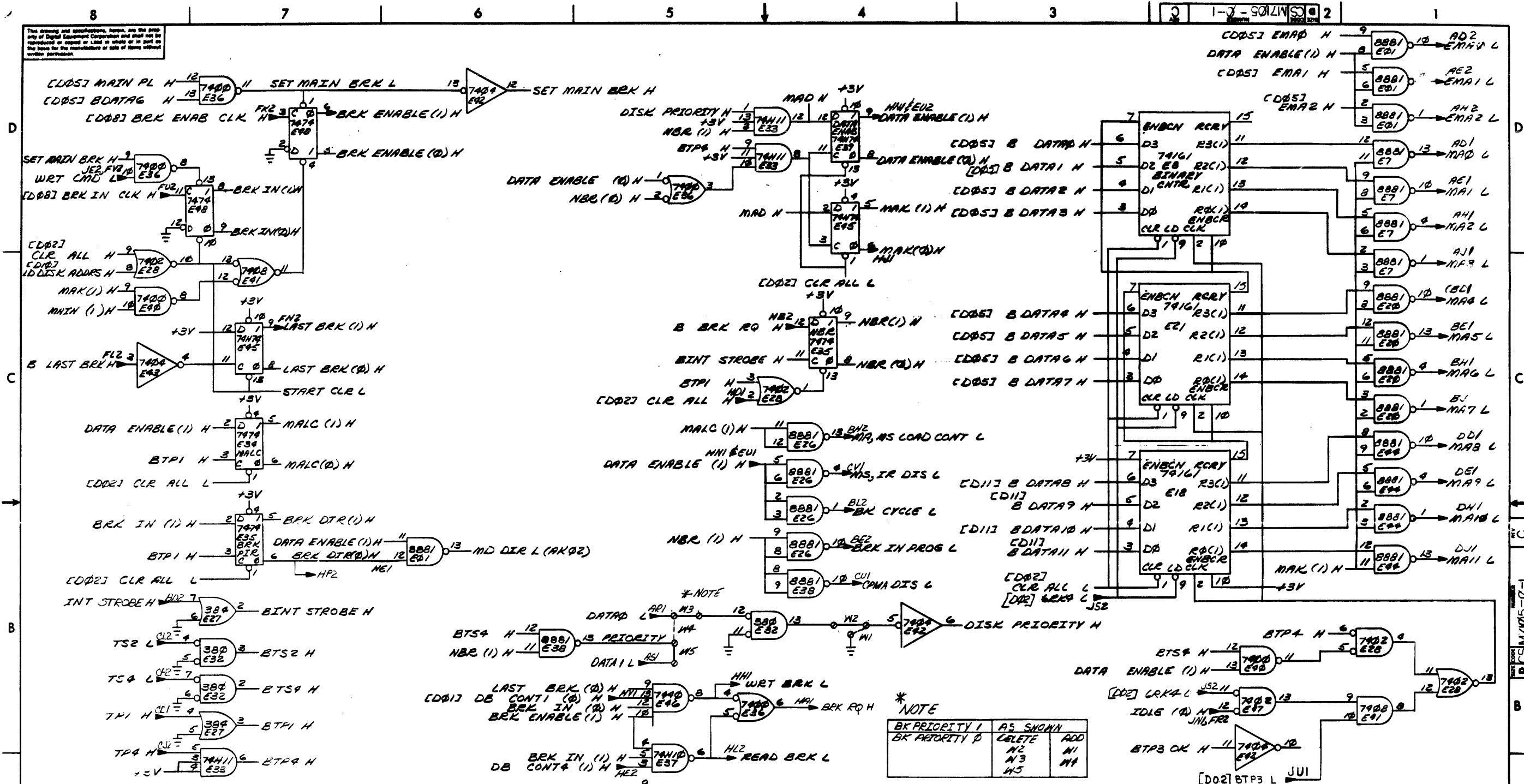
(COMMAND REG. MAINT. LOGIC)

FIRST USED ON OPTION/MODEL	QTY.	DESCRIPTION	PART NO.	ITER NO.
RK8-E				
UNLESS OTHERWISE SPECIFIED DIMENSION IN INCHES TOLERANCES				
DECIMALS	ANGLES	DATE	PARTS LIST	
.XXX - .005	±0° 30'	6/15/72	digital EQUIPMENT CORPORATION MAYNARD MASSACHUSETTS	
.XX - .02		6/7/72	TITLE (D05)	
.X - .1		10/12/72	MAJOR REGISTER	
REMOVE BURRS AND BREAK SHARP CORNERS SURFACE QUALITY				
MATERIAL NEXT HIGHER ASSY.				
FINISH				
SCALE		SIZE CODE	NUMBER	REV.
SHEET 4 OF 6		D CS	M7105-0-1	A

SIZE CODE NUMBER  
 DCS M7105-0-1  
 SHEET 4 OF 6



This drawing and specifications, herein, are the property of Digital Equipment Corporation and shall not be reproduced or copied in whole or in part or the basis for the manufacture of any item without written permission.



\* NOTE

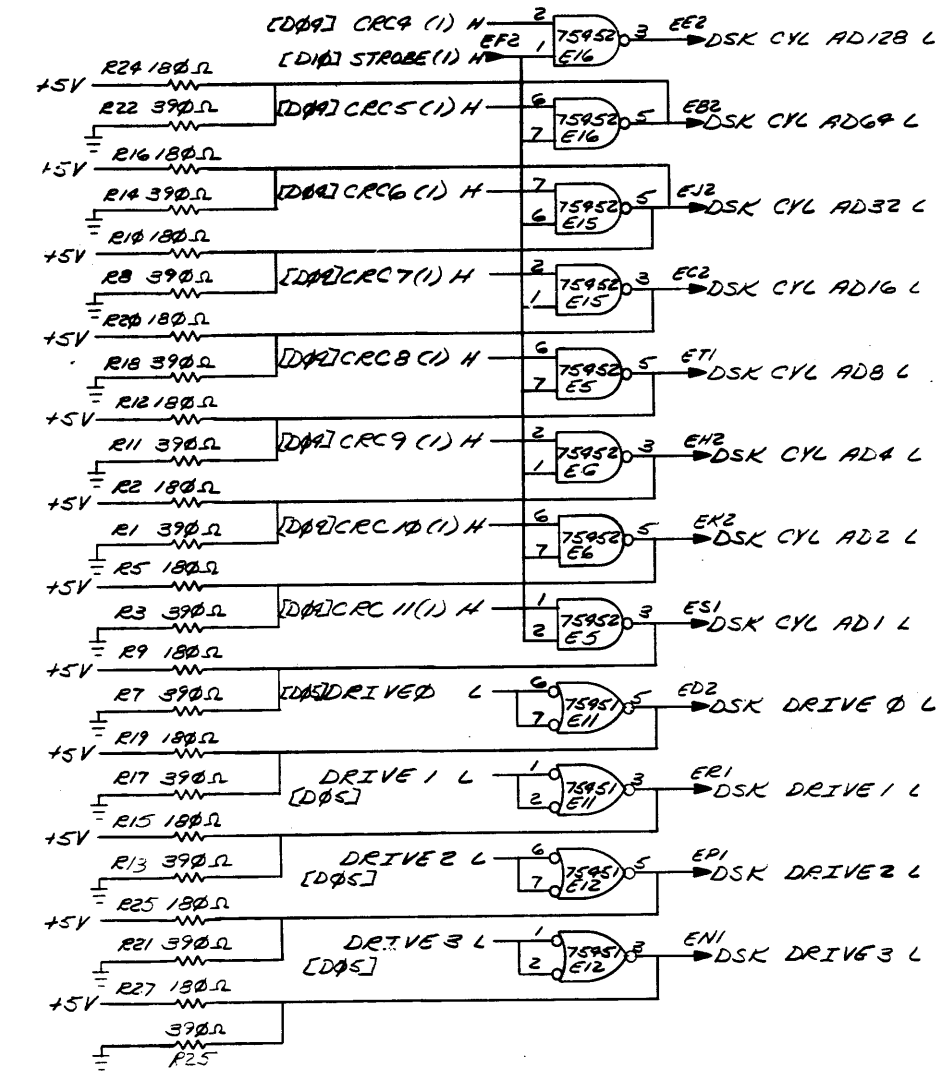
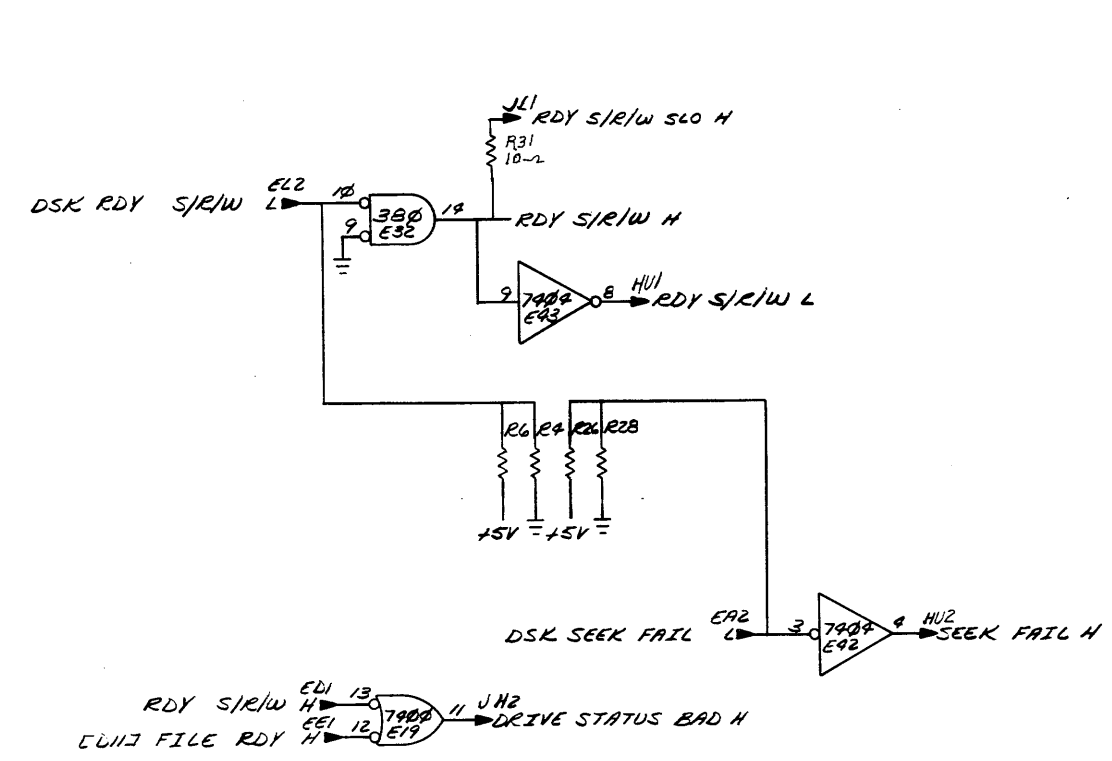
BK PRIORITY 1	A5 SHOWN	
BK PRIORITY 0	DELETE	ADD
	N2	N1
	N3	N4
	N5	N4

(CURRENT ADD DATA BR CONT.)

FIRST USED ON OPTION/MODEL	QTY.	DESCRIPTION	PART NO.	ITEM NO.
RK8-E				
PARTS LIST				
UNLESS OTHERWISE SPECIFIED DIMENSION IN INCHES				
TOLERANCES				
DECIMALS	ANGLES	DATE		
.XXX - .008	±0° 30'	DATE		
.XX - .02		DATE		
.X - .1		DATE		
REMOVE BURRS AND BREAK SHARP CORNERS SURFACE QUALITY				
MATERIAL	NEXT HIGHER ASSY.	SIZE CODE	NUMBER	REV.
++	B-DD-RK8-0	DCS	M7105-0-1	C
FINISH	SCALE	SHEET	DIST.	
++	5 OF			

REV.	
CHG.	
NO.	

This drawing and specifications, herein, are the property of Digital Equipment Corporation and shall not be reproduced or copied or used in whole or in part as the basis for the manufacture or sale of items without written permission.



(DRIVE SIGNALS CABLE J1)

FIRST USED ON OPTION/MODEL	QTY.	DESCRIPTION	PART NO.	ITEM NO.
RK8-E				
PARTS LIST				
UNLESS OTHERWISE SPECIFIED DIMENSION IN INCHES TOLERANCES		DRN <i>akib</i> DATE 6-4-72	 digital EQUIPMENT CORPORATION MAYNARD MASSACHUSETTS	
DECIMALS .005		CHK'D. DATE		
ANGLES ±0°30'		ENG. DATE 6/11/72	TITLE (D07) MAJOR REGISTERS	
.XX ±.02		PROJ. ENG. DATE 6/17/72		
X ±.1		PROD. DATE 6/17/72		
REMOVE BURRS AND BREAK SHARP CORNERS SURFACE QUALITY				
MATERIAL		NEXT HIGHER ASSY.		
FINISH		D-VA-RK8-E-0		
		SCALE	SIZE CODE	NUMBER
		SHEET 6 OF	D CS M7105-0-1	REV 3
		DIST.		

BRUNING 40-522 15840	REV	1701
CHG	CHANGE NO	1701
CHK	DATE	7-7-72

DEC FORM NO DRD 102-B



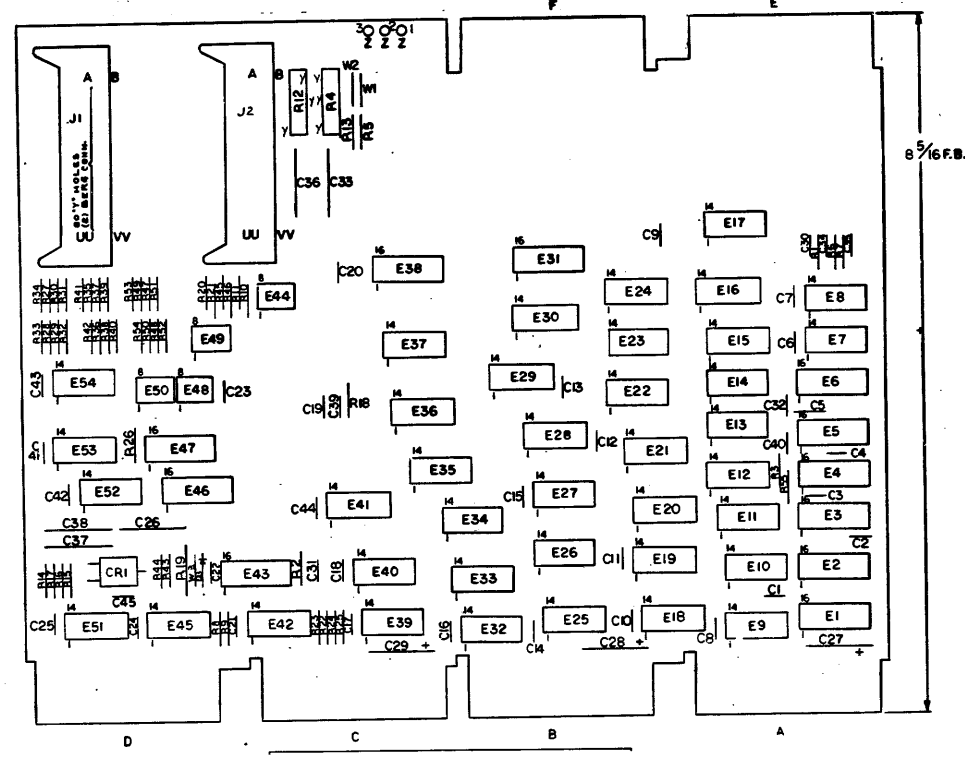
The drawing and specifications herein are the property of Digital Equipment Corporation and shall not be reproduced or copied in whole or in part as the basis for the manufacture or sale of items without written permission.

**NOTES:** CUT ETCH ON SIDE 2 BETWEEN:

JIM - JIN  
 JIHH - JIJJ  
 JIMM - JINN  
 JISS - JITT

FOR ETCH REV. A & B ONLY

1	E46	I.C. TYPE 7496	1910363	41
1	E47	I.C. TYPE 7485	1910224	40
9	E15, E18 THRU E22, E24, E37, E41	I.C. TYPE 7474	1905547	39
1	E28	I.C. TYPE 74H52	1909061	38
1	E10	I.C. TYPE 74H10	1909057	37
2	E34, E39	I.C. TYPE 7410	1905576	36
2	E16, E32	I.C. TYPE 7408	1910155	35
5	E42, E51 THRU E54	I.C. TYPE 380	1909485	34
2	E11, E7	I.C. TYPE 74N04	1909931	33
3	E2, E35, E36	I.C. TYPE 7404	1909686	32
6	E13, E23, E26, E28, E30, E40	I.C. TYPE 7402	1909004	31
8	E8, E9, E14, E17, E25, E27, E33, E45	I.C. TYPE 7400	1905575	30
6	E1 THRU E6	I.C. TYPE 74161	1910650	29
4	E44, E48 THRU E50	I.C. TYPE 75452	1910645	28
1	CR1	CRYSTAL, 2.88 MHZ	1310694-3	27
2	R9, R12	POTENTIOMETER, 10K, 10%, 1/4W, 76P	1309143-10	26
1	R19	RESISTOR, 20.3K, 1%, 1/4W, MF	1309419	25
6	R1, R3, R6, E7, R18, R55	RESISTOR, 100Ω, 5%, 1/4W, CC	1300229	24
1	R13	RESISTOR, 15K, 5%, 1/4W, CC	1300496	23
2	R15, R17	RESISTOR, 10K, 5%, 1/4W, CC	1300479	22
1	R2	RESISTOR, 56K, 5%, 1/4W, CC	1301874	21
1	R44	RESISTOR, 3K, 5%, 1/4W, CC	1300432	20
4	R8, R9, R26, R43	RESISTOR, 1K, 5%, 1/4W, CC	1300365	19
2	R14, R16	RESISTOR, 470Ω, 5%, 1/4W, CC	1300316	18
17	R11, R20, R23, R25, R27, R30, R31, R34, R35, R37, R38, R41, R45, R47, R48, R51, R53	RESISTOR, 390Ω, 5%, 1/4W, CC	1300309	17
17	R10, R21, R22, R24, R28, R29, R32, R33, R36, R38, R40, R42, R46, R48, R50, R52, R54	RESISTOR, 100Ω, 5%, 1/4W, CC	1301322	16
1	D3	DIODE 1N664	1100114	15
2	C33, C36	CAPACITOR, 0.022μF, 100V, 10% MKAP	1002323	14
3	C37, C38, C26	CAPACITOR, 470pF, 100V, 1% MYLAR	1009312	13
1	C31	CAPACITOR, 10pF, 100V, 5% DM	1000006	12
2	C32, C34	CAPACITOR, 820pF, 100V, 5% DM	1000027	11
1	C39	CAPACITOR, 560pF, 100V, 5% DM	1000025	10
2	C35, C40	CAPACITOR, 470pF, 100V, 5% DM	1000024	9
1	C30	CAPACITOR, 100pF, 100V, 5% DM	1000020	8
3	C27 THRU C29	CAPACITOR, 6.8μF, 35V, 20% TANT	1000067	7
30	C1 THRU C25, C41 THRU C45	CAPACITOR, .01μF, 100V, 20% DISC	1001610	6
3	TP1 THRU TP3	SPLIT LUG	9006735	5
1		ETCHED CIRCUIT BOARD	5010166	4
1		MODULE ECO HISTORY	B-MH-N7100-3	3
1		ASSY DRILLING HOLE LAYOUT	D-H-N7100-2-5	2
1		X-Y COORDINATE HOLE LOCATION	K-C-N7100-3-4	1



1	R5	RES. 68K 1/4W 5%	1301423	49
				48
				47
				46
AIR	W1, W2, W3	INSULATED JUMPER	9009185	45
2	J1, J2	CONN. 40 RT. ANGLE	1209941	44 REF
1	E31	I.C. TYPE 74155	1910656	43 REF
2	E38, E43	I.C. TYPE 74123	1910436	42 REF

**DELETED PARTS**  
 D1, D2, D4

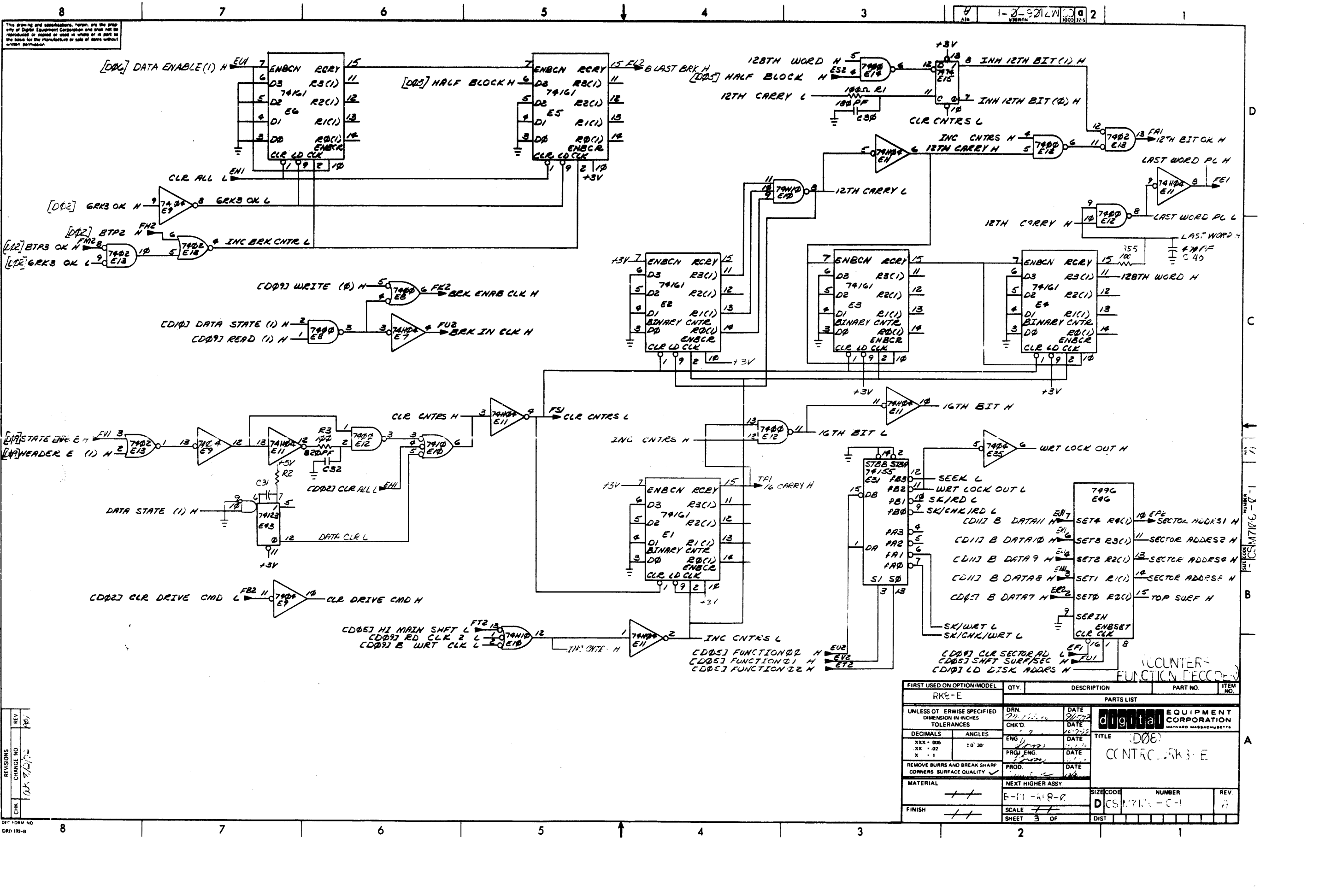
DEC 380	1	8
DEC 7485	8	16
DEC 7496	5	12
DEC 74155	8	16
DEC 74161	8	16
IC TYPE	GND	+5V
GND AND 5V ARE USUALLY PIN 7 AND 14 RESPECTIVELY EXCEPTIONS ARE STATED ABOVE		
IC PIN LOCATIONS		

FIRST USED ON OPTION MODEL RK8-E		ETCH BOARD REV C		PARTS LIST	
REV	CHG	DATE	BY	DATE	BY
1		1/13/72			
SEMICONDUCTOR CONVERSION CHART					
DEC NO.	EIA NO.	DEC NO.	EIA NO.	SCALE	SHEET 2 OF
				7/110	

**digital EQUIPMENT CORPORATION**  
 MAYNARD, MASSACHUSETTS

TITLE  
 CNTRL, RK8-E

SIZE CODE  
 CS 7100-0-1

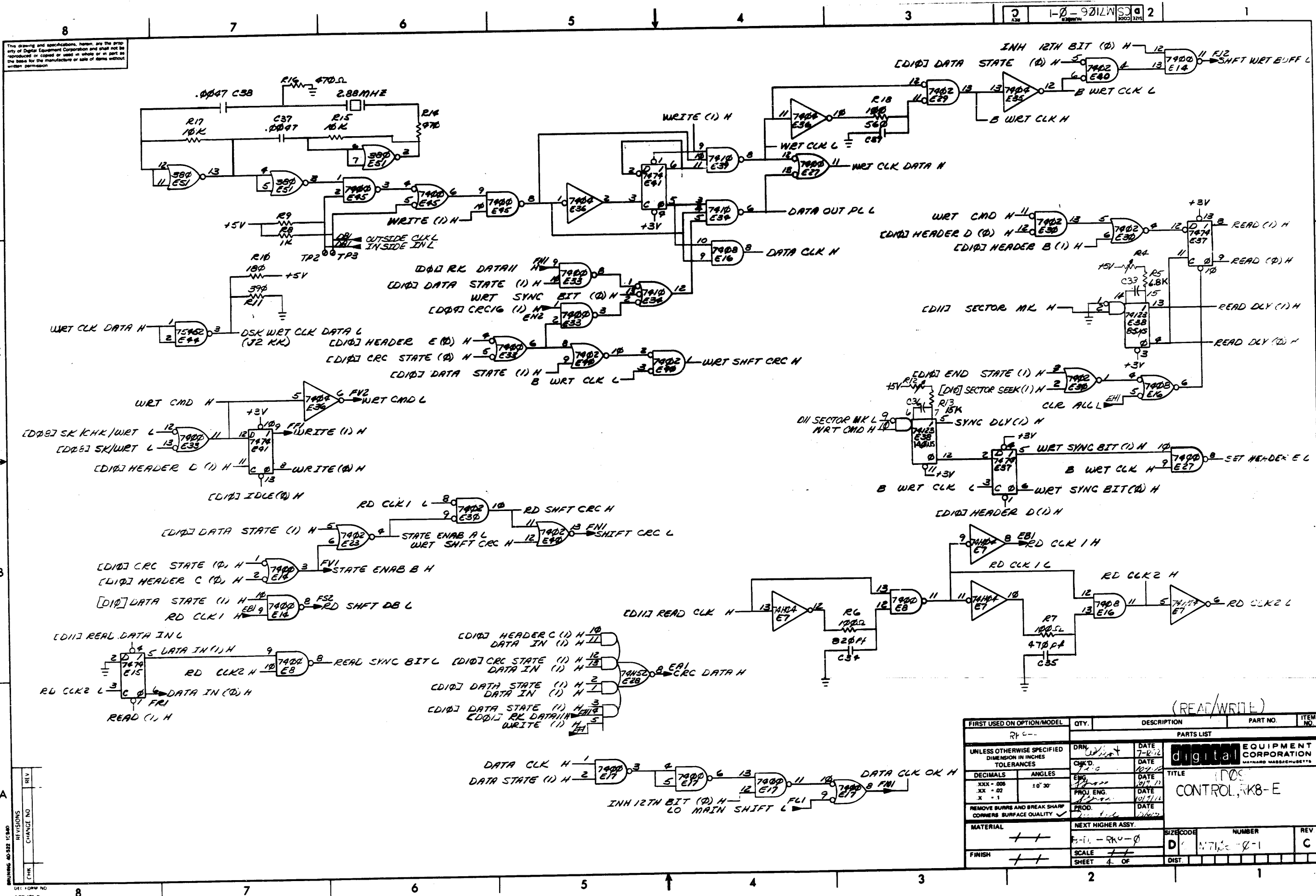


This drawing and specifications, herein, are the property of Digital Equipment Corporation and shall not be reproduced or copied in whole or in part as the basis for the manufacture or sale of items without written permission.

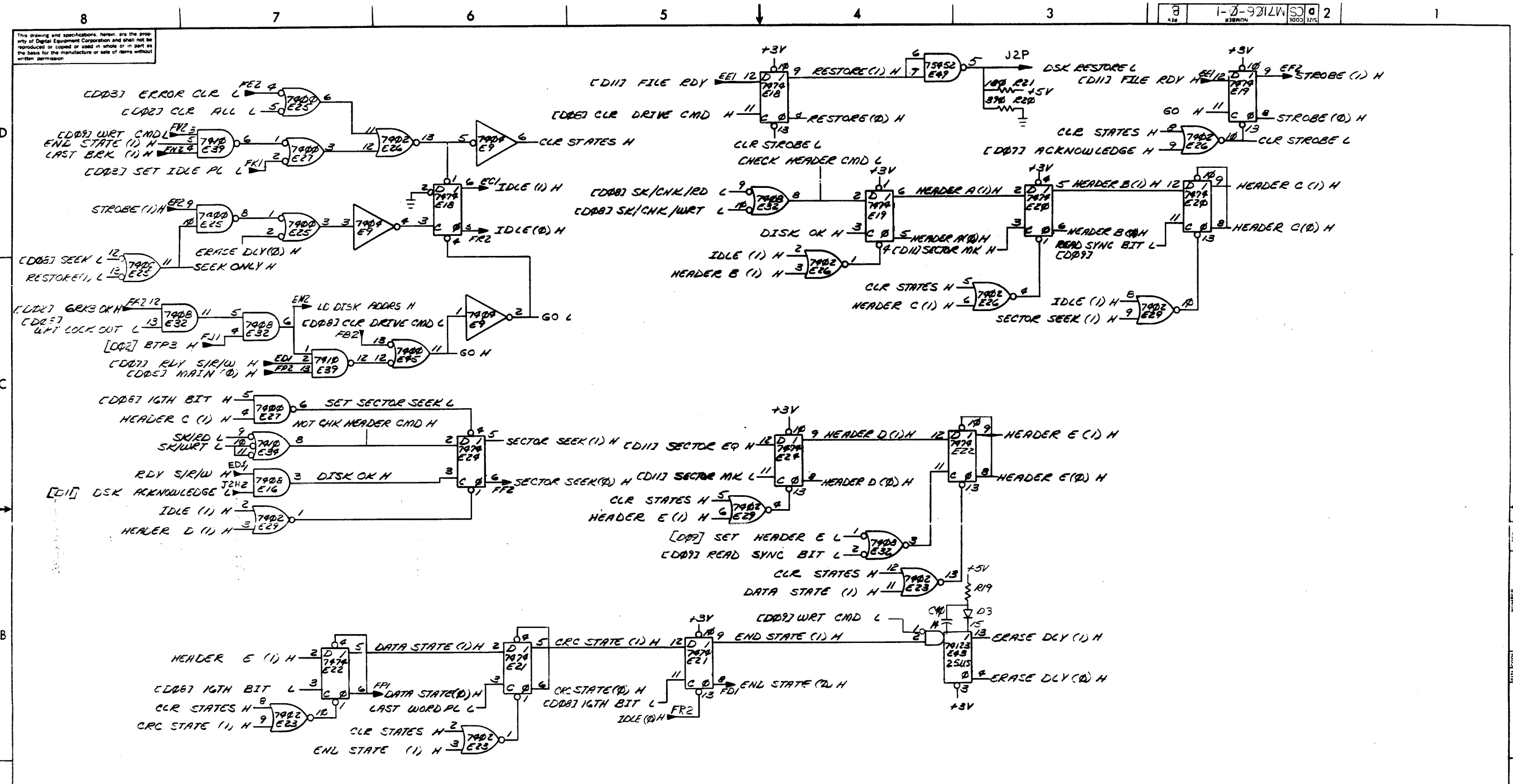
FIRST USED ON OPTION/MODEL	QTY.	DESCRIPTION	PART NO.	ITEM NO.
RKE-E		PARTS LIST		
UNLESS OTHERWISE SPECIFIED DIMENSION IN INCHES TOLERANCES	DRN 20/1/10/10	DATE 2/25/72		
DECIMALS ANGLES	CHK'D	DATE 10/1/72		
XXX - 000 X - 02 X - 1	ENG	DATE	TITLE CD08	
REMOVE BURRS AND BREAK SHARP CORNERS SURFACE QUALITY	PROJ. ENG.	DATE	CNTROL RKS-E	
MATERIAL	PROD.	DATE	COUNTERS FUNCTION (CC02)	
FINISH	NEXT HIGHER ASSY	DATE	SIZE CODE	NUMBER
	E-11-418-0		DCSM710-C-1	REV. A
	SCALE		DIST	
	SHEET 3 OF			

REV	1	10/1/72
CHG	10/1/72	

This drawing and specifications, herein, are the property of Digital Equipment Corporation and shall not be reproduced or copied or used in whole or in part as the basis for the manufacture or sale of items without written permission.



This drawing and specifications herein are the property of Digital Equipment Corporation and shall not be reproduced or copied or used in whole or in part as the basis for the manufacture or sale of items without written permission.

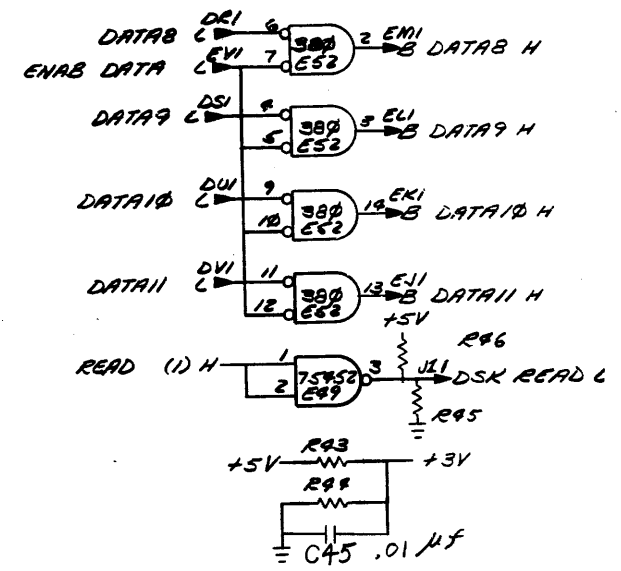
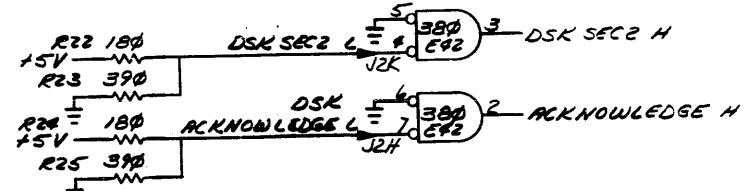
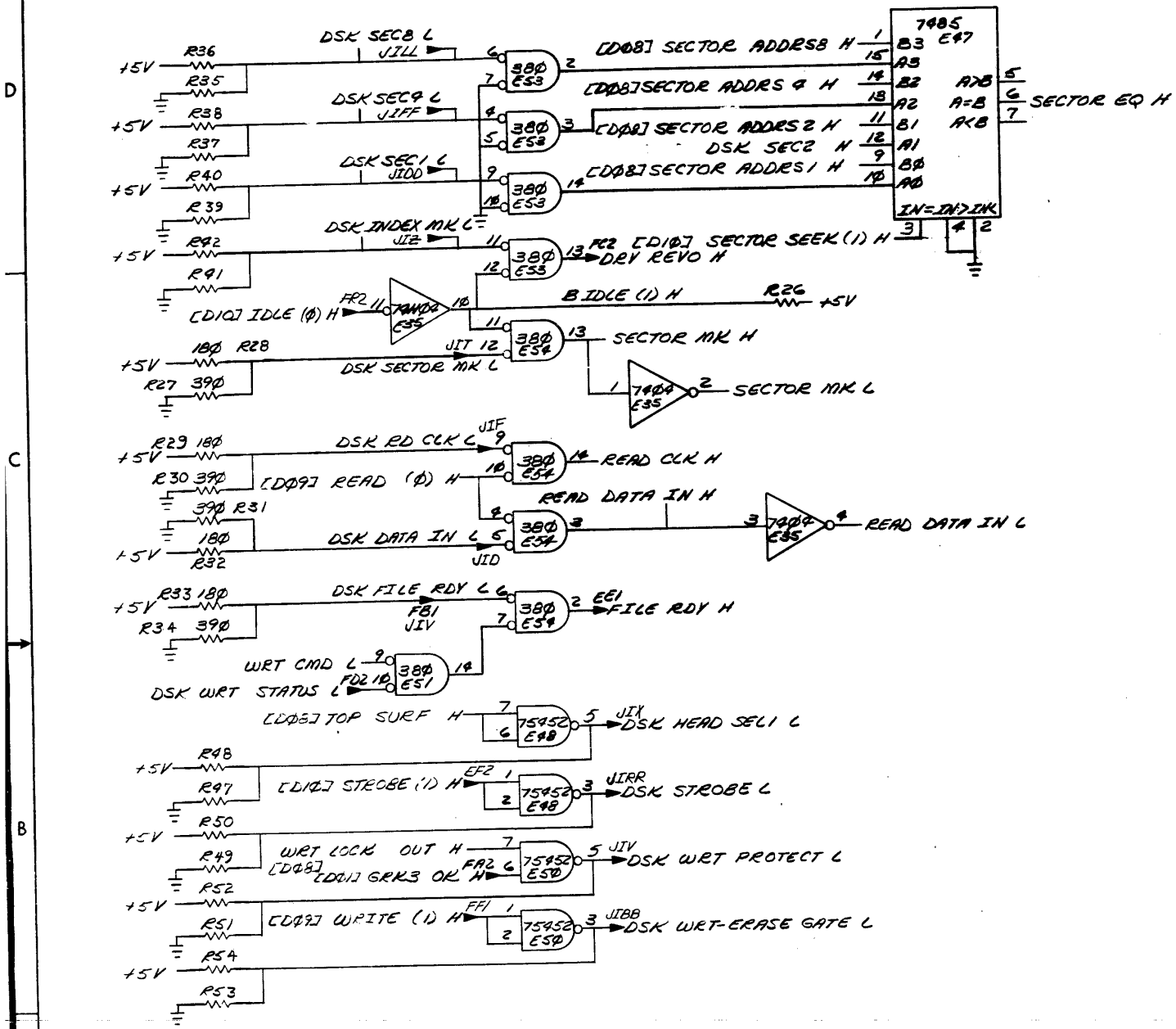


BRUNING 40522 15840  
 REVISIONS  
 CHANGE NO.  
 1 15840-1  
 10-10-68

(MAJOR STATES)

FIRST USED ON OPTION/MODEL	QTY.	DESCRIPTION	PART NO.	ITEM NO.
RK8-E				
PARTS LIST				
UNLESS OTHERWISE SPECIFIED DIMENSION IN INCHES TOLERANCES	DRN. <i>ax/lot</i>	DATE 7-14-72	<b>digital</b> EQUIPMENT CORPORATION MAYNARD MASSACHUSETTS TITLE (D10) <b>CONTROL, RK8-E</b>	
DECIMALS ANGLES	CHK'D.	DATE		
XXX - .006 .XX - .02 X - .1	ENG.	DATE		
REMOVE BURRS AND BREAK SHARP CORNERS SURFACE QUALITY	PROJ. ENG.	DATE		
MATERIAL	PROD.	DATE		
FINISH	NEXT HIGHER ASSY.		SIZE CODE	NUMBER
	B-DI - RK8-E		DCS	M7106-0-1
SCALE				REV. B
SHEET OF				

This drawing and specifications, herein, are the property of Digital Equipment Corporation and shall not be reproduced or copied or used in whole or in part as the basis for the manufacture or sale of items without written permission.



J2

UU	DSK CYL AD8 L	E71
SS	DSK CYL AD2 L	E82
PP	DSK CYL AD6 L	E82
MM	DSK CYL AD16 L	E82
KK	DSK WRT CLK DATA L	E44-3
HH	DSK CYL AD128 L	E82
EE	DSK RDY SIRIW L	E82
CC	DSK CYL AD 52 L	E82
AA	DSK DRIVE 0 L	E82
Y	DSK CYL AD 1 L	E81
W	DSK DRIVE 1 L	E81
U	DSK CYL AD 4 L	E82
S	DSK DRIVE 2 L	E81
P	DSK RESTORE L	E48-5
M	DSK DRIVE 3 L	E81
K	DSK SEC 2 L	E42-4
H	DSK ACKNOWLEDGE L	E42-7
E	DSK SEEK FAIL L	E82
C	DSK CAPACITY EX L	F81
GND	B, D, F, J, L, N, R, T, V, X, Z; BB, DD, FF, JJ, LL, NN, RR, TT, VV.	

J1

D	DSK DATA IN L	E54-5
F	DSK RD CLK L	E54-9
V	DSK WRT PROTECT L	E50-5
L	DSK READ L	E49-3
R	DSK WRT STATUS L	F82
T	DSK SECTOR MK L	E54-12
X	DSK FILE RDY L	E54-6
Z	DSK HEAD SEL 1 L	E48-5
BA	DSK INDEX MK L	E53-11
DD	DSK WRT-ERASE GATE L	E50-3
DD	DSK SEC 1 L	E53-9
FF	DSK SEC 4 L	E53-4
LL	DSK SEC 8 L	E53-6
RR	DSK STROBE L	E48-5
T, T		BV2
GND	A, B, C, E, H, K, M, P, S, U, W, Y, AA, CC, EE, HH, KK, MM, PP, SS, UU.	

(DRIVE SIGNALS CABLE J2 DRIVERS)

FIRST USED ON OPTION/MODEL	QTY.	DESCRIPTION	PART NO.	ITEM NO.
RKB-E		PARTS LIST		
UNLESS OTHERWISE SPECIFIED DIMENSION IN INCHES TOLERANCES	DRN 7-19-72	DATE	digital EQUIPMENT CORPORATION MAYNARD MASSACHUSETTS	
DECIMALS .xxx = .006 .xx = .02 x = .1	CHKD 7-19-72	DATE	TITLE (D11) CONTROL, RKB-E	
REMOVE BURRS AND BREAK SHARP CORNERS SURFACE QUALITY	END 7-19-72	DATE	PROL. ENG. DATE 10/19/72	
MATERIAL	PROD.	DATE	NEXT HIGHER ASSY.	
FINISH			SIZE CODE B-DD-RKB-0	NUMBER DCS M7106-0-1
			SCALE	REV C
			SHEET 6 OF	

REVISIONS  
CHANGE NO  
DATE  
CHK  
REV  
15/1/72  
15/1/72

DEC FORM NO  
DRD 102-B

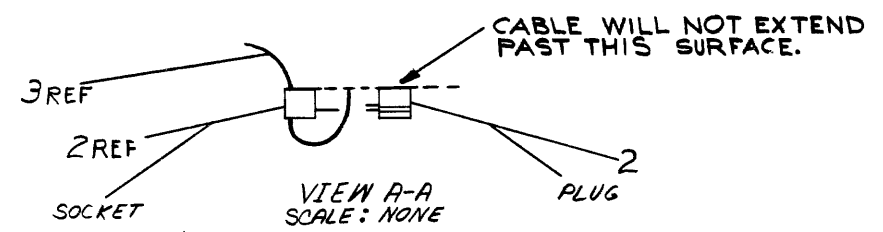
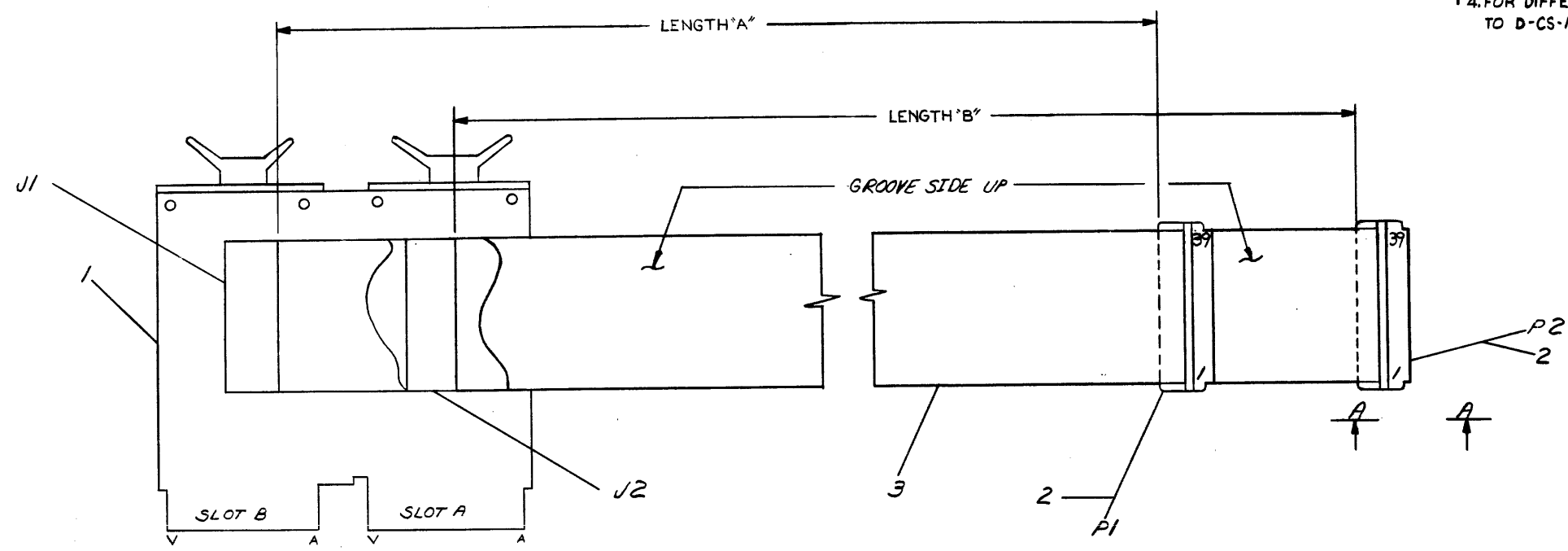


This drawing and specifications, herein, are the property of Digital Equipment Corporation and shall not be reproduced or copied or used in whole or in part as the basis for the manufacture or sale of items without written permission.

0-0-9206002 01 2

VARIATION	LENGTH 'A'	LENGTH 'B'
7009026-00	12.0FT 1.5IN ± 3.0IN	12.0FT 1.5IN ± 3.0IN
7009026-01	20.0FT ± 3.0IN	20.0FT ± 3.0IN
7009026-02	10.0FT ± 3.0IN	10.0FT ± 3.0IN
7009026-03	12.0FT 1.5IN ± 3IN	12.0FT 1.5IN ± 3IN

- NOTES:
- CABLE TO BE WIRED WITH GROOVE SIDE UP
  - WHEN ATTACHING CONN (ITEM #2) TO CABLE (ITEM #3) USE SCOTCH FLEX LOCATOR PLATE #3443-24 AND SCOTCH FLEX ASSY. PRESS #3445 FROM 3M COMPANY.
  - TAPE CABLE EVERY 1.5 FEET
  - FOR DIFFERENT CKT VARIATIONS REFER TO D-CS-M993-0-1



QTY.	DESCRIPTION	PART NO.	ITEM NO.
1	RK8-L CONTROL CABLE MOD	D-CS-M993-YB	6
1	RK8-E CONTROL CABLE MOD	D-CS-M993-YA	5
A/R	A/R TAPE, ELECTRICAL WHT.	9008880-00	4
2	2 CABLE 40 CONDUCTOR 30AWG	9107747-01	3
2	2 CONN, SOCKET 40 PIN	1211206-00	2
1	1 RK8-E CONTROL CABLE MOD	D-CS-M993-0-1	1
7009026-03			
7009026-02			
7009026-01			
7009026-00			

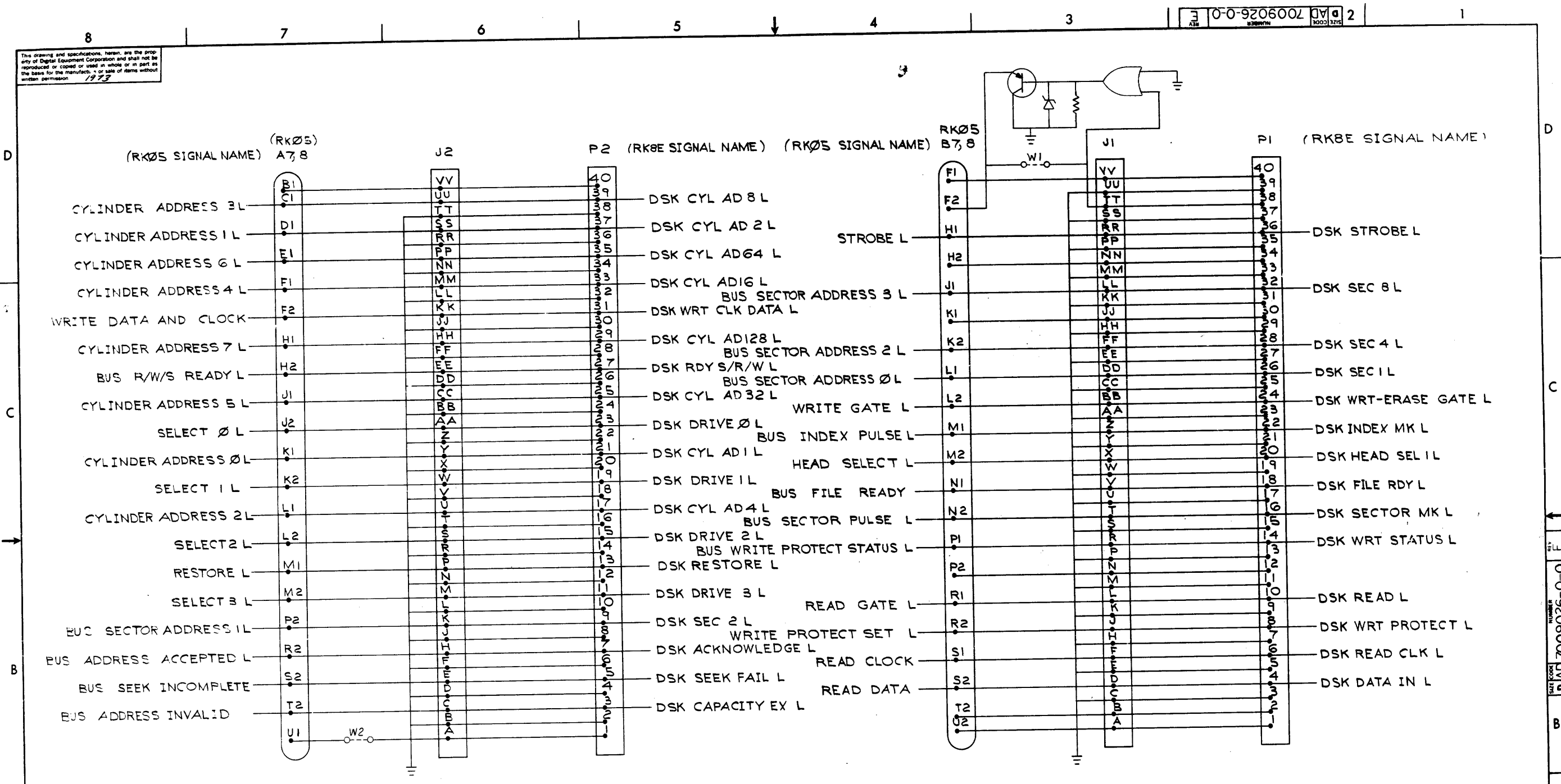
FIRST USED ON OPTION/MODEL RK8-E	QTY.	DESCRIPTION	PART NO.	ITEM NO.
PARTS LIST				
UNLESS OTHERWISE SPECIFIED DIMENSION IN INCHES TOLERANCES	DRN DATE 2/1/72	DATE 2/1/72	digital EQUIPMENT CORPORATION MAYFIELD MASSACHUSETTS	
DECIMALS .XXX = .005 .XX = .02 .X = .1	ANGLES ±0° 30'	ENG. DATE 2/1/72	TITLE CONTROL CABLE ASSY	
REMOVE BURRS AND BREAK SHARP CORNERS SURFACE QUALITY	PRG. ENG. DATE 2/1/72	PROD. DATE 2-13-72	SIZE CODE D AD	
MATERIAL	NEXT HIGHER ASSY. D-UA-RK8-E-0	SCALE NONE	NUMBER 7009026-0-0	REV. E
FINISH	SHEET 1 OF 2	DIST.		

REV.	CHANGE NO.	DATE	BY	CHKD.
A	00002		J. LEARSON	
B				
C				
D				
E				

BRUNING 40 107 15588

PART NO. 7009026-0-0

This drawing and specifications, herein, are the property of Digital Equipment Corporation and shall not be reproduced or copied or used in whole or in part as the basis for the manufacture or sale of items without written permission.



BRUNING 40-522 15840	REV. 1
REVISIONS	CHK
CHANGE NO.	
DEC 1 FORM NO. DRD 102-B	

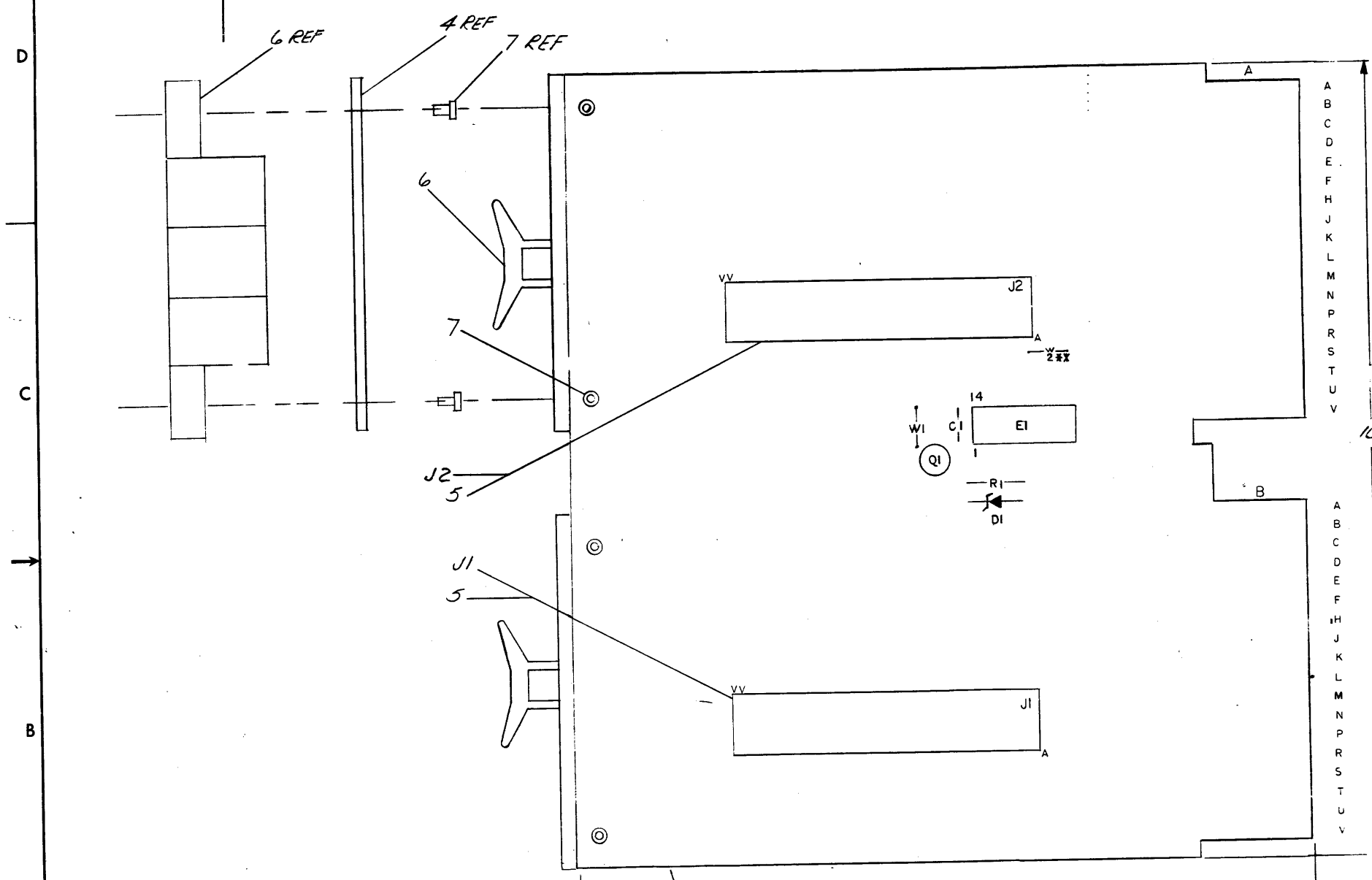
FIRST USED ON OPTION/MODEL	QTY.	DESCRIPTION	PART NO.	ITEM NO.
RK8-E				
UNLESS OTHERWISE SPECIFIED DIMENSION IN INCHES TOLERANCES				
DECIMALS	ANGLES	PARTS LIST		
.XXX - .025	± 0° 30'	DRN.	DATE	<b>digital</b> <b>EQUIPMENT CORPORATION</b> <small>MAYNARD MASSACHUSETTS</small>
.XX - .02		CHK'D.	DATE	
.X - .1		ENG.	DATE	
		PROD. ENG.	DATE	
REMOVE BURRS AND BREAK SHARP CORNERS SURFACE QUALITY		PROD.	DATE	TITLE
				CONTROL CABLE ASSY.
MATERIAL		NEXT HIGHER ASSY.	SIZE CODE	NUMBER
		D-UA-RK8-E-0	DAD	7009026-0-0
FINISH		SCALE	SHEET	REV.
			2 OF 2	E



The drawing and specifications herein are the property of Digital Equipment Corporation and shall not be reproduced or copied or used in whole or in part as the basis for the manufacture or sale of items without written permission.

**NOTES:**

\* NOTE: IF IC 7384 IS NOT AVAILABLE, IC 5384 MAY BE USED.  
 \*\*ON YB VARIATION, ONLY W2 IS INSTALLED.



YB	YA	QTY	REF DESIGNATION	DESCRIPTION	PART NO.	ITEM NO.
1	2	-	W1, W2	JUMPER**	8009185	13
1	-	1	C1	CAP. .01MFD 100V 20%	1001610-01	12
1	-	1	R1	RES. 470 1/4W 5%	1300316	11
1	-	1	Q1	6534B TRANSISTOR	153409-1	10
1	-	1	DI	ZENER DIODE 1N748A	1100122	9
1	-	1	E1	IC 7384 *	1310393	8
4	4	4		EYELET, GS #4-7 EB. STIMPSON	9006732	7
2	2	2		HANDLE, FLIP-CHIP, MAGENTA	9008337-06	6
2	2	2	J1, J2	CONN. 3M (40 PINS)	1210073-0	5
1	1	1		ETCHED CIRCUIT BOARD	5010178	4
REF	REF	REF		MODULE ECO HISTORY	B-MH-1993-0-6	3
REF	REF	REF		ASSY/DRILLING HOLE LAYOUT	D-AH-1993-0-5	2
REF	REF	REF		X-Y COORDINATE HOLE LOCATION	K-CO-1993-0-4	1

IC TYPE	GND	+5V
7384	1	8
GND AND 5V ARE USUALLY PIN 7 AND 14 RESPECTIVELY. EXCEPTIONS ARE STATED ABOVE.		
IC PIN LOCATIONS		

**REVISIONS**

CHK	CHANGE NO.	REV	DESCRIPTION

**SEMICONDUCTOR CONVERSION CHART**

DEC. NO.	EIA NO.	DEC. NO.	EIA NO.

**PARTS LIST**

QTY	REF	DESCRIPTION	PART NO.	ITEM NO.

**DRG. axibnt DATE 8/4/72**

**CHK'D. DATE**

**ENG. DATE**

**PROL. ENG. DATE**

**PROD. DATE 10-12-72**

**NEXT HIGHER ASSY: D-AT-7009026-0**

**SCALE: NONE**

**SHEET 2 OF 3**

**digital EQUIPMENT CORPORATION**

**WATUARD, MASSACHUSETTS**

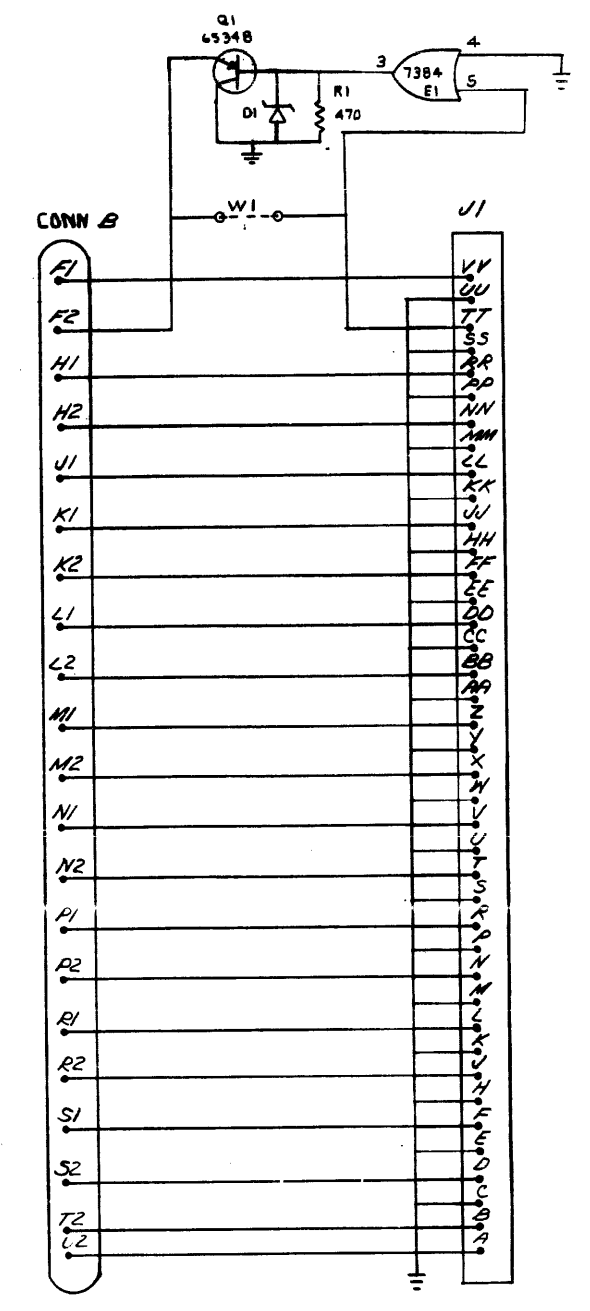
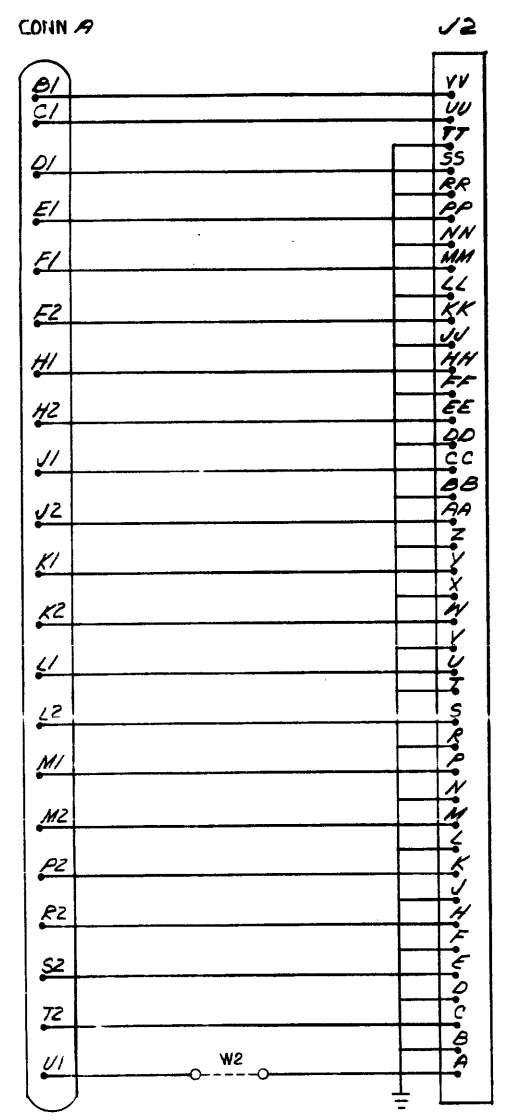
**RK8-E CONTROL CABLE MODULE**

**SIZE CODE: D CS M993-0-1**

**NUMBER: 1**

**REV. C**

The drawing and specifications, herein, are the property of Digital Equipment Corporation and shall not be reproduced or copied or used in whole or in part as the basis for the manufacture or sale of items without written permission.



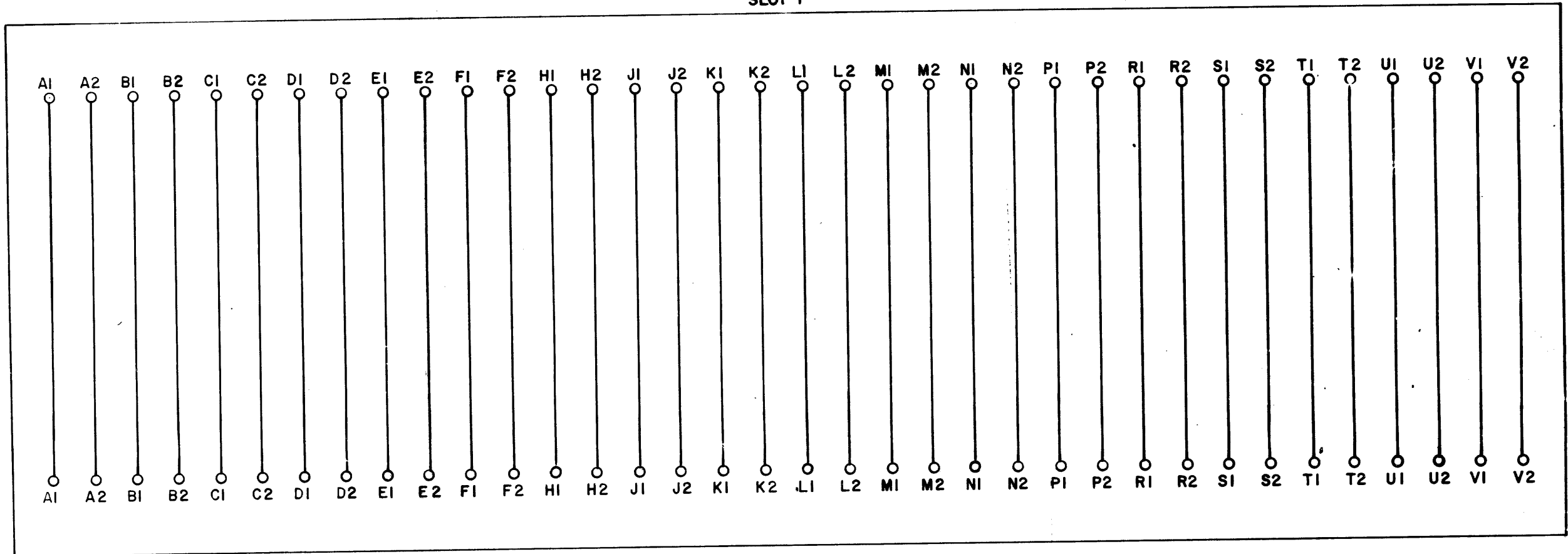
ALL UNUSED PINS ARE GROUNDED EXCEPT FOR PINS AA2, AB2, AM2 AND BB2. BA2 IS +5V.

REV	
CHG	
CHK	

FIRST USED ON OPTION/MODEL	QTY.	DESCRIPTION	PART NO.	ITEM NO.
RK8-E				
PARTS LIST				
UNLESS OTHERWISE SPECIFIED DIMENSION IN INCHES. TOLERANCES	DRN. <i>M. Quinn</i>	DATE <i>8/1/72</i>	digital EQUIPMENT CORPORATION MAYNARD MASSACHUSETTS	
DECIMALS	CHKD. <i>[Signature]</i>	DATE <i>8/1/72</i>	TITLE	
ANGLES	EMD. <i>[Signature]</i>	DATE <i>8/1/72</i>	RK8-E CONTROL CABLE MODULE	
.XXX - .006	PRD. ENG. <i>[Signature]</i>	DATE <i>8/1/72</i>	SIZE CODE NUMBER	
.XX - .02	PROD. <i>[Signature]</i>	DATE <i>8-1-72</i>	D CS M993-0-1	
.X - .1	REMOVED BURS AND BREAK SHARP CORNERS SURFACE QUALITY ✓		REV. D	
MATERIAL	NEXT HIGHER ASSY.		SCALE 1/1	
FINISH	D-AD-7009026-0-0		SHEET 3 OF 3	

THIS SCHEMATIC IS FURNISHED ONLY FOR TEST AND MAINTENANCE PURPOSES. THE CIRCUITS ARE PROPRIETARY IN NATURE AND SHOULD BE TREATED ACCORDINGLY. COPYRIGHT 1970 BY DIGITAL EQUIPMENT CORPORATION

SLOT 1



SLOT 2

UNLESS OTHERWISE INDICATED:  
CONNECTOR IS A 1210152

REVISIONS CHK CHG NO. REV. 00002 B P. GARDNER J. GARDNER R. D. HALL P. GARDNER S-3-D3	DRN. jeanne french	DATE 7/29/70	TRANSISTOR & DIODE CONVERSION CHART				<b>digital</b> EQUIPMENT CORPORATION MAYNARD, MASSACHUSETTS	TITLE EDGE CONNECTOR H851			
	CHK'D. [Signature]	DATE 1-29-71	DEC	EIA	DEC	EIA		SIZE B	CODE CS	NUMBER H851-0-1	REV C
	ENG. [Signature]	DATE 1-29-71						PRINTED CIRCUIT REV. C			
	PROD.	DATE									

# DRAWING DIRECTORY

## CUSTOMER PRINT SET INDEX

THIS IS PRINT SET

**DRAWING DIRECTORY**  
 MODULE UTILIZATION LIST  
 READ/WRITE  
 INDEX & SECTOR  
 CYLINDER ADDRESS & DIFFERENCE  
 CONTROL & INTERLOCK  
 POSITION SERVO PREAMP  
 SERVO POWER AMP CIRCUIT  
 SERVO POWER AMP  
 CONTROL PANEL CIRCUIT  
 CONTROL PANEL  
 RELAY BOARD CIRCUIT  
 DECPACK MOTOR RELAYS  
 CHASSIS WIRING  
 ACCESSORY LIST  
 POWER SUPPLY (H743)  
 WIRE LIST

**SEQUENCE**  
 B-DD-RK05J-0 SHEET #1 ONLY  
 C-MU-RK05-0-2  
 D-CS-G180-0-1  
 D-CS-M7680-0-1  
 D-CS-M7681-0-1  
 D-CS-M7701-0-1  
 D-CS-G938-0-1  
 D-CS-1004-0-1  
 E-UA-H604-0-0  
 D-CS-5409698-0-1  
 E-IA-5409698-0-0  
 D-CS-5409574-0-1  
 E-IA-5409574-0-0  
 D-BD-RK05-0-1  
 A-AL-RK05-0-17  
 B-DD-H743-0  
 K-WL-RK05-0-3

**SEQUENCE**  
**MFG. PRINT SET**  
 MODULE UTILIZATION (PL)  
 RK05J TESTER  
 DECPACK ASSY  
 DECPACK ASSY (PL)  
 WIRED ASSY  
 LINEAR POSITIONER ASSY  
 LINEAR POSITIONER ASSY (PL)  
 H743 POWER SUPPLY  
 REVISION STATUS

A-PL-RK05-0-2  
 B-DD-RK05J-T  
 D-UA-RK05J-0-0  
 A-PL-RK05J-0-0  
 D-AD-7008696-0-0  
 D-AD-7008702-0-0  
 A-PL-7008702-0-0  
 B-DD-H743-0  
 A-WT-7008696-0

UNIT VARIATIONS		PRINT SET			
VAR	TITLE	RK05J-0			
RK05J-AA	DECPACK 115V 60HZ	X			
RK05J-AB	DECPACK 230V 60HZ	X			
RK05J-BA	DECPACK 115V 50HZ	X			
RK05J-BB	DECPACK 230V 50HZ	X			
RK05J-CA	RK05J AA H967				
RK05J-CD	RK05J BB H967				
RK05J-DE	RK05J AA H960 861 PWR CONTROL				
RK05J DF	RK05J AB H960 861				
RK05J-DH	RK05J BA H960 861				
RK05J-DJ	RK05J BB H960 861				

EN-01062-1A-16-R972-(325)

REVISIONS	
DATE	CHG. NO.
A.V.	RK05-69 AL
	DWG VIAS RK05-0
A.V.	RK05J-3 AM
	RK05J-4 AN
	RK05J-5 AP
	RK05J-6 AR
	RK05J-7 AS
	RK05J-8 AT

USED ON OPTION/MODEL	DRN	DATE	TITLE		NUMBER	REV
	CHK'D	DATE	DECPACK ASSY			
	PROJ ENG	DATE	SIZE	CODE		
	PROD	DATE	B	DD		
	FIELD SERV.	DATE	DIST			
SHEET 1 OF 5						