



"THE MATERIAL HEREIN IS FOR INFORMATION PURPOSES ONLY AND IS SUBJECT TO CHANGE WITHOUT NOTICE. DIGITAL EQUIPMENT CORPORATION ASSUMES NO RESPONSIBILITY FOR ANY ERRORS WHICH MAY APPEAR HEREIN."

# FIELD MAINTENANCE PRINT SET

"THIS DRAWING AND SPECIFICATIONS, HEREIN, ARE THE PROPERTY OF DIGITAL EQUIPMENT CORPORATION AND SHALL NOT BE REPRODUCED OR COPIED OR USED IN WHOLE OR IN PART AS THE BASIS FOR THE MANUFACTURE OR SALE OF ITEMS WITHOUT WRITTEN PERMISSION. COPYRIGHT © 1977, DIGITAL EQUIPMENT CORPORATION."

## TABLE OF CONTENTS

B-DD-866-E	POWER SUPPLY ASSY 866E
D-CS-866-E-1	POWER CONTROL SCHEMATIC 866E
E-UA-866-E-Ø	POWER SUPPLY ASSY 866E
A-PL-866-E-Ø	POWER SUPPLY ASSY 866E
D-TC-11/6Ø-Ø-1	PDP11/6Ø BASIC COMPUTER (REF)
B-TC-BALL-P-1	BALL-P BOX AND POWER SUPPLY (REF)

UNIT VARIATIONS COVERED BY THIS PRINT SET

11/6Ø SYS.

### Field Maintenance Print Set

### Digital Equipment Corporation

PRINT SET ORDER NO.  
MP00166



TITLE:  
11/6Ø SYSTEMS

SIZE <b>B</b>	CODE <b>TC</b>	NUMBER 11/6Ø-Ø-4	REV. <b>A</b>
DIST.			

REVISIONS EN-01124-16-N876-(277)	REV.	USED ON OPTION/MODEL	DRN.	DATE
	CHG. NO.		BLODGETT	24 MAY 77
	DATE		CHK'D J. BUZYNSKI	6 JUN 77
			PROJ. ENG. J. O'LOUGHLIN	2 JUN 77
			FIELD SERV. G. ENGMAN	3 JUN 77

SHEET 2 OF 2

# DRAWING DIRECTORY

"THIS DRAWING AND SPECIFICATIONS, HEREIN, ARE THE PROPERTY OF DIGITAL EQUIPMENT CORPORATION AND SHALL NOT BE REPRODUCED OR COPIED OR USED IN WHOLE OR IN PART AS THE BASIS FOR THE MANUFACTURE OR SALE OF ITEMS WITHOUT WRITTEN PERMISSION. COPYRIGHT © 1976, DIGITAL EQUIPMENT CORPORATION"

## CUSTOMER PRINT SET INDEX

SEQUENCE

77

77

SEQUENCE

77

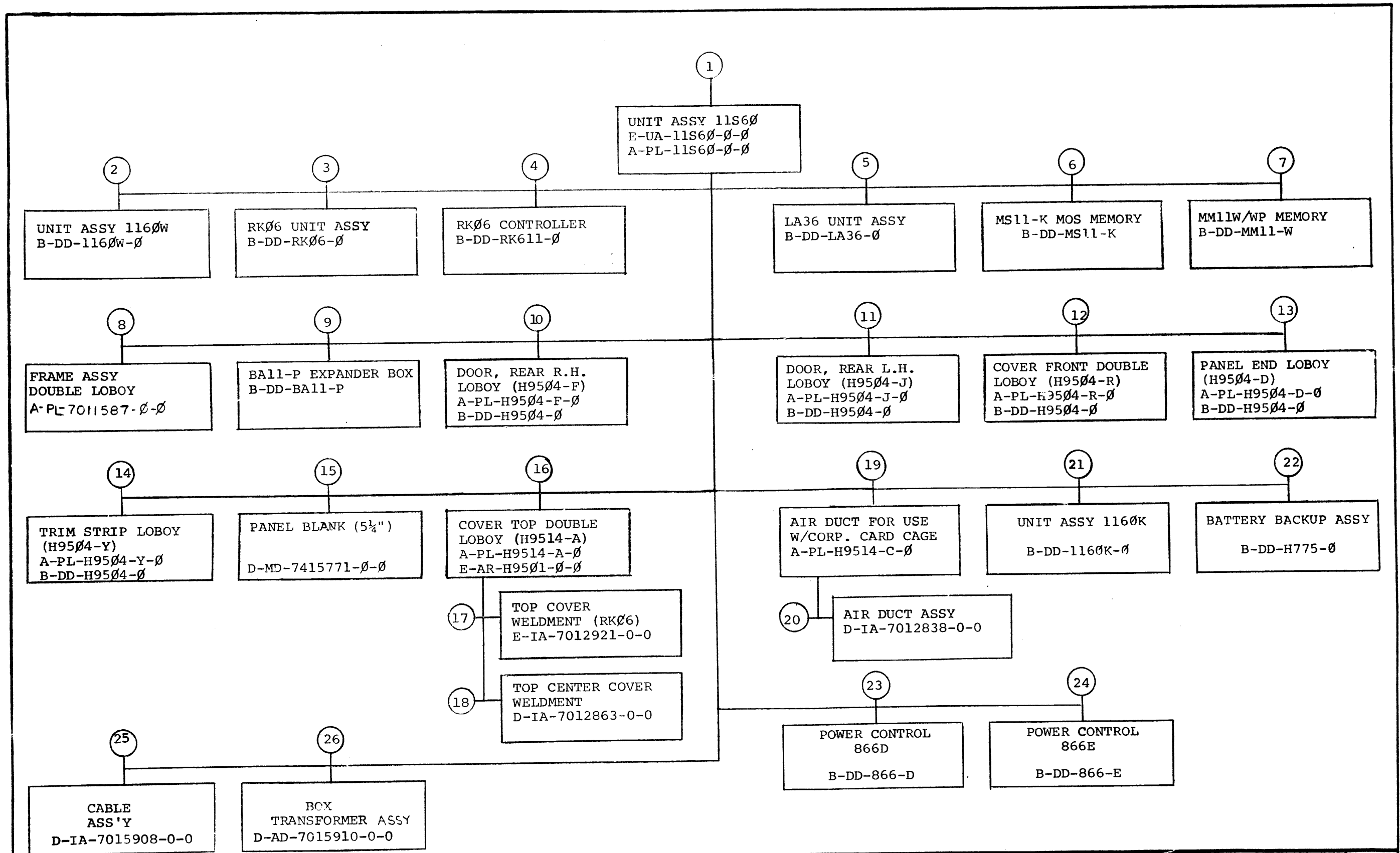
THIS IS PRINT SET

UNIT VARIATIONS		PRINT SET		
VAR	TITLE			
<del>11S60-AA</del>	<del>UNIT ASSY 11S60 (60 HZ 120V)</del>			
<del>11S60-AB</del>	<del>UNIT ASSY 11S60 (60 HZ 240V)</del>			
<del>11S60-AC</del>	<del>UNIT ASSY 11S60 (50 HZ 120V)</del>			
<del>11S60-AD</del>	<del>UNIT ASSY 11S60 (50 HZ 240V)</del>			
11S60-BA	UNIT ASSY 11S60 (60 HZ 120V)			
11S60-BB	UNIT ASSY 11S60 (60 HZ 240V)			
11S60-BC	UNIT ASSY 11S60 (50 HZ 120V)			
11S60-BD	UNIT ASSY 11S60 (50 HZ 240V)			
11S60-CA	UNIT ASSY 11S60 (60 HZ 120V) (MOS)			
11S60-CB	UNIT ASSY 11S60 (60 HZ 240V) (MOS)			
11S60-CC	UNIT ASSY 11S60 (50 HZ 120V) (MOS)			
11S60-CD	UNIT ASSY 11S60 (50 HZ 240V) (MOS)			

REVISIONS				USED ON OPTION/MODEL	DRW. D. HEALY	DATE DEC 76	TITLE			
DATE	CHG. NO.	REV		11/60	D. HEALY	DEC 76	UNIT ASSY 11S60			
6-77	11S60-00001	A			CHK'D. D. HEALY	DEC 76				
2-78	11S60-00002	B			PROJECTED	DATE 1 FEB 77	SIZE	CODE	NUMBER	REV
3-79	11S60-3	C			W.D. [Signature]	DATE 1 FEB 77	B	DD	11S60-0	C
					W.D. [Signature]	DATE	DIST			
				CASEY 1 OF 4	[Signature]					

EN-01062-1A-16-R972-1325

TW



TITLE	SHEET	OF	SIZE	CODE	NUMBER	REV
UNIT ASSY 11S6Ø	2	4	B	DD	11S6Ø-Ø	C

TW

FIND NO.	DRAWING NO.	DESCRIPTION	TYPE	FIND NO.	DRAWING NO.	DESCRIPTION	TYPE
1	MP00166	11/60 SYSTEMS (PRINT SET ORDER NO.)	-	7	B-DD-MM11-W	MM11W/WP MEMORY	E/M
	B-TC-11/60-0-4	11/60 SYSTEMS (PRINT SET)	-				
	F-UA-11S60-0-0	UNIT ASSY 11S60	E/M				
	A-PL-11S60-0-0	UNIT ASSY 11S60 (PL)	E/M				
	A-SP-11/60-0-2	PDP1160 COMPUTER SPECIFICATION	E/M	8	A-PL-7011587-0-0	FRAME ASSY (DOUBLE LOBOY)	M
	D-IA-7008360-0-0	CABLE ASSY (KL8-E)	E/M		E-PS-1213092-0-0	TROUGH, CABLE	M
	A-SP-BALL-P-2	BALL-P VOLTAGE CONVERSION PROCEDURE	E				
	C-MD-7415640-0-0	BRACKET, POWER SUPPLY MTG.	M				
	C-IA-7417519-0-0	BRACKET, POWER CABLE	M				
	C-MD-7415774-0-0	BRACKET, VERTICAL PANEL MTG. DOUBLE	M				
	E-AR-H9501-0-0	H9501 OPTION ARRANGEMENT	-	9	B-DD-BALL-P	BALL-P EXPANDER BOX	E/M
	B-AR-11/60-0-3	PDP11/60 CONFIGURATION DRAWING	E/M				
	A-PL-11S60-0-4	SOFTWARE LIST	E				
	D-AD-7011184-0-0	LOWER BEZEL ASSY (RK06)	M				
	D-UA-M9202-0-0	CABLE, UNIBUS (JUMPER)	E/M	10	A-PL-H9504-F-0	DOOR, REAR R.H. LOBOY (H9504-F)	M
	E-IA-7012292-0-0	CABLE ASSY I/O	E/M		B-DD-H9504-0	CABINET COVERS	M
	B-TC-11/60-0-1	11/60 BASIC COMPUTER (MP00409)	-				
	B-TC-BALL-P-1	BALL-P BOX AND POWER SUPPLY (MP00410)	-				
	A-PL-11S60-0-2	SHIPPING LIST 11S60	E/M				
				11	A-PL-H9504-J-0	DOOR, REAR L.H. LOBOY (H9504-J)	M
					B-DD-H9504-0	CABINET COVERS	M
				12	A-PL-H9504-R-0	COVER, FRONT DOUBLE LOBOY (H9504-R)	M
					B-DD-H9504-0	CABINET COVERS	M
2	B-DD-1160W-0	UNIT ASSY 1160W	E/M				
				13	A-PL-H9504-D-0	PANEL END LOBOY (H9504-D)	M
					B-DD-H9504-0	CABINET COVERS	M
3	B-DD-RK06-0	RK06 UNIT ASSY	E/M				
				14	A-PL-H9504-Y-0	TRIM STRIP LOBOY (H9504-Y)	M
4	B-DD-RK611-0	RK06 CONTROLLER	E/M		B-DD-H9504-0	CABINET COVERS	M
				15	D-MD-7415771-0-0	PANEL BLANK 5 1/4	M
5	B-DD-LA36-0	LA36 UNIT ASSY	E/M				
6	B-DD-MS11-K	MS11-K MOS MEMORY	E/M				

EN-01062-2C-16-R316-1251

TYPE: E ELECTRICAL  
M MECHANICAL  
E/M ELECTRO/MECHANICAL

digital

TITLE	SIZE	CODE	NUMBER	REV
UNIT ASSY 11S60	B	DD	11S60-0	C

SHEET 3 OF 4

TW

FIND NO.	DRAWING NO.	DESCRIPTION	TYPE	FIND NO.	DRAWING NO.	DESCRIPTION	TYPE
16	A-PL-H9514-A-Ø E-AR-H95Ø1-Ø-Ø	COVER TOP DOUBLE LOBOY (H9514-A) OPTION ARRANGEMENT	M	24	B-DD-866-E	POWER CONTROL 866E	E/M
	A-PL-H95Ø1-Ø-Ø E-MD-7417025-0-0	OPTION ARRANGEMENT (PL) TRIM, SIDE	M	25	D-IA-7015908-0-0	CABLE ASS'Y	E/M
				26	D-AD-7015910-0-0 D-IA-7421298-0-0 D-IA-7421299-0-0	BOX, TRANSFORMER ASS'Y ENCLOSURE, BASE ENCLOSURE, COVER	E/M E/M E/M
17	E-IA-7012921-0-0 E-IA-7417023-0-0 C-MD-7417022-0-0	TOP COVER WELDMENT (RKØ6) COVER, STIFFENER COVER, CATCH	M M M				
18	D-IA-7012863-0-0 D-MD-7416958-0-0 D-MD-7416959-0-0	TOP CENTER COVER WELDMENT (RKØ6) TOP CENTER COVER HAT SECTION	M M				
19	A-PL-H9514-C-Ø	AIR DUCT FOR USE WITH CORP. CARD CAGE	M				
20	D-IA-7012838-0-0 E-MD-7415894-0-0	AIR DUCT ASSY AIR DUCT	M M				
21	B-DD-1160K-Ø	UNIT ASSY 1160K	E/M				
22	B-DD-H775-Ø	BATTERY BACKUP ASSY	E/M				
23	B-DD-866-D	POWER CONTROL 866D	E/M				

TYPE: E ELECTRICAL  
M MECHANICAL  
E/M ELECTRO/MECHANICAL

digital

TITLE  
UNIT ASSY 11S6Ø

SHEET 4 OF 4

SIZE CODE  
B DD

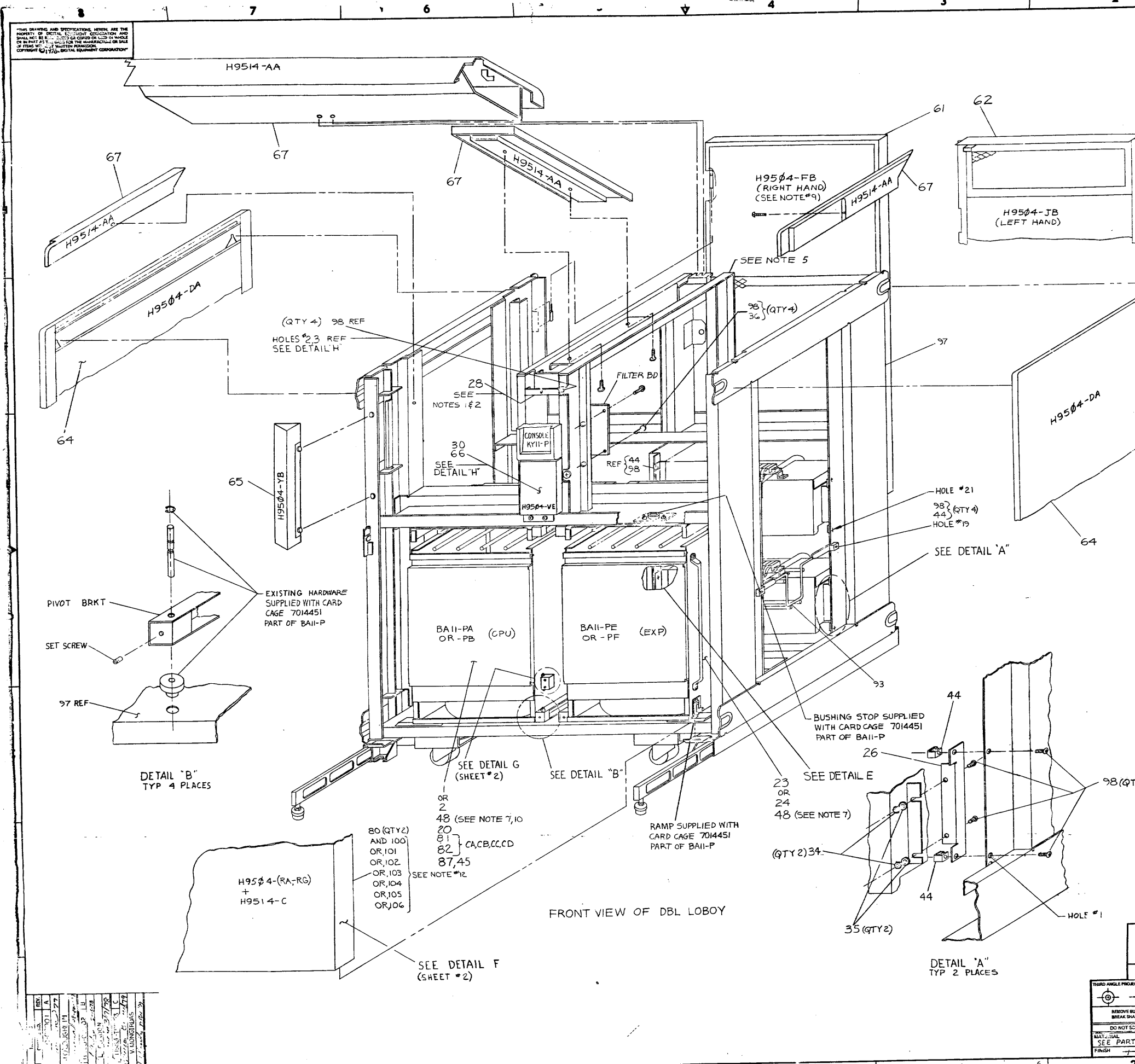
NUMBER  
11S6Ø-Ø

REV  
C

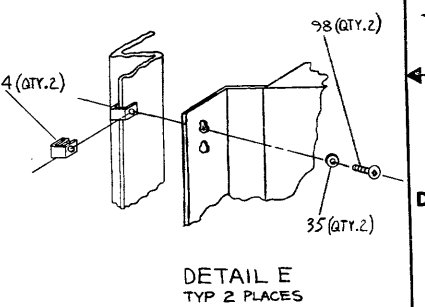
DRB 108A

TW

EN-01062-2C-16-R376-13251



- NOTES:
1. MOUNT ITEM #28 (BRKT) AS SHOWN ON INSIDE ROW OF VERTICAL HOLES AND 3RD HOLE FROM TOP. FASTEN FROM THE TOP USING ITEM #34 (NUT).
  2. MOUNT CONSOLE (KYII-P) TO ITEM #28 USING ITEM #34 (NUT).
  3. FOR OPTION ARRANGEMENT DWG SEE E-AR-H9501-0-0 & A-PL-H950-0-0.
  4. FOR BREAKDOWN OF ALL COVERS SEE B-DD-H9504-0.
  5. THIS PART IS REVERSED (AS SHOWN) TO ACCOMMODATE STD RKG TOP COVER. SEE E-AR-H9501-0-0.
  6. MOUNT BRACKETS - PART OF ITEM #66 AS SHOWN ON INSIDE ROW OF VERTICAL HOLES 3RD HOLE FROM BOTTOM & 7TH HOLE FROM BOTTOM.
  7. REFER TO PDP 1160 CONFIGURATION DWG. B-AR-1160-0-3.
  8. ALL COVERS COME WITH GROUND STRAP ALREADY ATTACHED TO THEM. GROUND NUT ITEM #69 IS USED TO FASTEN GROUND STRAPS TO CAB FRAME. SEE E-AR-H9501-0-0.
  9. REMOVE THE LOWER AIR FILTER (230V) FILTER COVER (E-MD-7415446-0) AND SIX (6) #10-32 SCREWS FROM ITEM #41 BEFORE ASSY. THESE PARTS ARE NOT NEEDED.
  10. INSTALLATION OF THE 1160W-AA-AB REQUIRES THE FOLLOWING:
    - A. REMOVE THE MF11-WP MEMORY FROM THE 1160W BOX AND INSTALL IT INTO SYSTEM UNIT POSITION 1, 2 IN THE EXPANDER BOX BAIL-PE-PF.
    - B. REMOVE THE H754 REGULATOR FROM THE BASE H7420 SUPPLY (SLOT) AND INSTALL IT INTO THE EXPANDER H7420 (SLOT L).



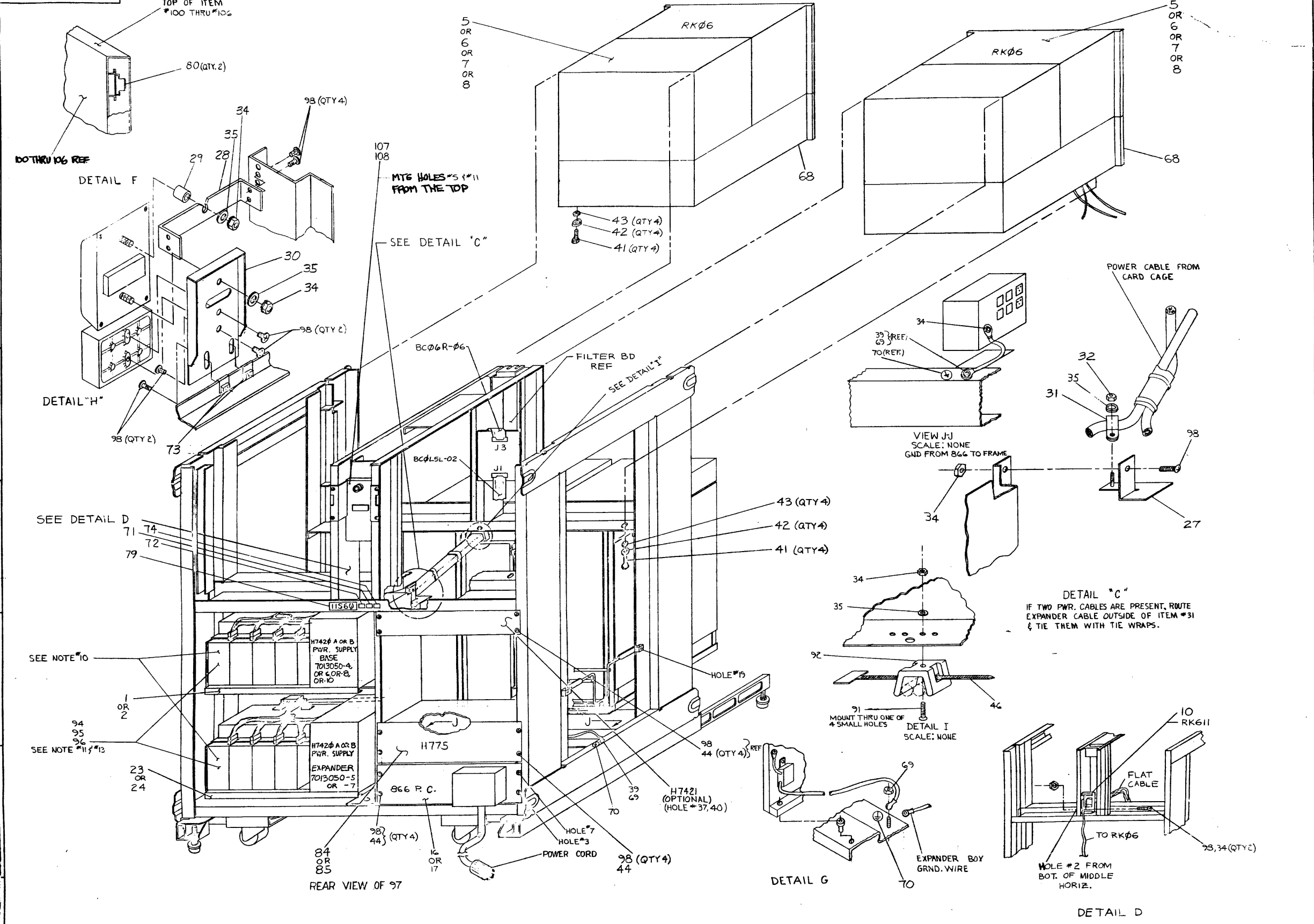
12. ONE (1) FRONT COVER MUST BE INSTALLED ON EACH SYSTEM. FRONT COVER VARIATION IS DETERMINED BY THE INDIVIDUAL PRODUCT LINES.
13. WHEN SYSTEM CONTAINS EMPTY REGULATOR SLOTS IN THE H7420, PLUS LOOSE END OF POWER HARNESS INTO MATING CONN. (ITEM #95) AND THE DOWN TO MAIN BODY OF HARNESS USING TIE WRAP (ITEM #96).
14. WHEN A SYSTEM CONTAINS AN H7421, USE A SUPPORT BRACKET (741836) WITH A #10 KEPNUT AND A #10-32 x 1/2 TRUSS PHL SCREW MAY BE USED IN PLACE OF (7412319-0-0) WHEN SYSTEM CONTAINS ANY OF THE FOLLOWING OPTIONS: RJTP04, RJTP05, RJTP06, RJM02 OR RJM03.

CAUTION: OFF SHEET PARTS LIST EXISTS SEE A-PL-11560-0-0

DESCRIPTION	DWG. PART NO.	ITEM NO.
UNLESS OTHERWISE SPECIFIED DIMENSIONS ARE IN INCHES		
ANGLES	CLASS OF ACCURACY	MINIMUM DIMENSION RANGE INCHES
SURFACE QUALITY	FINISH	FINISH
QUANTITY & VARIATION	QUANTITY	VARIATION
THIRD ANGLE PROJECTION		
DRW. 11560-0-0	REV. 1	DATE 12/27/72
ENGR. J. J. J.	DESIGNER	
PROJ. ENGR. J. J. J.	PROJECT	
PROD. J. J. J.	PRODUCTION	
DO NOT SCALE DWG		
NEXT HIGHER ASSY.		
SCALE NONE		
SEE PARTS LIST		
FINISH		
SHEET 1 OF 2		

REV.	DATE	BY	APP.	DESCRIPTION
1	12/27/72	J. J. J.		INITIAL
2	12/27/72	J. J. J.		REVISED
3	12/27/72	J. J. J.		REVISED
4	12/27/72	J. J. J.		REVISED
5	12/27/72	J. J. J.		REVISED
6	12/27/72	J. J. J.		REVISED
7	12/27/72	J. J. J.		REVISED
8	12/27/72	J. J. J.		REVISED
9	12/27/72	J. J. J.		REVISED
10	12/27/72	J. J. J.		REVISED
11	12/27/72	J. J. J.		REVISED
12	12/27/72	J. J. J.		REVISED
13	12/27/72	J. J. J.		REVISED
14	12/27/72	J. J. J.		REVISED
15	12/27/72	J. J. J.		REVISED
16	12/27/72	J. J. J.		REVISED
17	12/27/72	J. J. J.		REVISED
18	12/27/72	J. J. J.		REVISED
19	12/27/72	J. J. J.		REVISED
20	12/27/72	J. J. J.		REVISED

THIS DRAWING AND SPECIFICATIONS SHALL BE THE PROPERTY OF THE UNITED STATES GOVERNMENT AND SHALL BE LOANED TO YOU FOR THE PERFORMANCE OF YOUR DUTY. IT IS TO BE RETURNED TO THE OFFICE OF ORIGIN UPON COMPLETION OF YOUR DUTY. (GPO: 1975 O-300-000)



REV.	CHANGE NO.	REV.

TITLE	UNIT ASSY 11S60	SIZE/SCALE	EUA	NUMBER	11S60-0-0	REV.	C
SCALE	1:1	SHEET	2	OF	2	DIST.	1



DIGITAL EQUIPMENT CORPORATION MAYNARD, MASSACHUSETTS				QUANTITY / VARIATION														
PARTS LIST				11S60-BA	11S60-BB	11S60-BC	11S60-BD	11S60-CA	11S60-CB	11S60-CC	11S60-CD							
MADE BY	CHECKED	SECTION																
DATE	DATE	1																
ENG	PROD	ISSUED SECT.																
DATE	DATE	1																
ITEM NO.	DWG NO. / PART NO.	DESCRIPTION																
x		MAJOR COMPONENTS																
1	E-UA-1160W-AA-0	UNIT ASSY (1160W) (120V)																
2	E-UA-1160W-AB-0	UNIT ASSY (1160W) (240V)																
3	A-SP-1160-0-2	PDP11/60 COMPUTER SPECIFICATION																
4	7010574-0-0	PANEL CONNECTOR ASSEMBLY (SEE NOTE 15)																
5	E-UA-RK06-AA-0	RK06 UNIT ASSY (60 HZ 120V)																
6	E-UA-RK06-AB-0	RK06 UNIT ASSY (60 HZ 240V)																
7	E-UA-RK06-AC-0	RK06 UNIT ASSY (50 HZ 120V)																
8	E-UA-RK06-AD-0	RK06 UNIT ASSY (50 HZ 240V)																
9																		
10	E-UA-RK611-0-0	RK06 CONTROLLER																
11																		
12	D-UA-LA36-CE-0	LA36 UNIT ASSY (60 HZ 120V)																
13	D-UA-LA36-CF-0	LA36 UNIT ASSY (60 HZ 240V)																
14	D-UA-LA36-CH-0	LA36 UNIT ASSY (50 HZ 120V)																
15	D-UA-LA36-CJ-0	LA36 UNIT ASSY (50 HZ 240V)																
16	E-UA-866-D-0	POWER CONTROL 866-D (120V)																
17	E-UA-866-E-0	POWER CONTROL 866-E (240V)																
18																		
19																		
20	D-UA-MM11-WP-0	MM11-W/WP MEMORY																

DEC FORM DEC 16 (325) 1031-N870  
DRA 110

TW

DIGITAL EQUIPMENT CORPORATION MAYNARD, MASSACHUSETTS				QUANTITY / VARIATION														
PARTS LIST				11S60-BA	11S60-BB	11S60-BC	11S60-BD	11S60-CA	11S60-CB	11S60-CC	11S60-CD							
MADE BY	CHECKED	SECTION																
DATE	DATE	1																
ENG	PROD	ISSUED SECT.																
DATE	DATE	1																
ITEM NO.	DWG NO. / PART NO.	DESCRIPTION																
x		CABINET STRUCTURE (CONT.)																
41	9006243-09	SCR, HEX HED 1/4 - 20 x .75																
42	9007797	WASHER, HELICAL, SPRING LOCK																
43	9007792	WASHER, FLAT .28 id.																
44	9007786	RETAINER, U NUT 10 - 32																
45	1213314	AIR DEFLECTOR																
46	9009617	CABLE TIE, 3/16W x 11"L																
47	E-AR-H9504-0-0	H9504, OPTION ARRANGEMENT																
48	B-AR-1160-0-3	PDP11/60 CONFIGURATION DRAWING																
49	A-PL-11S60-0-4	SOFTWARE LIST																
50																		
51		CABLES																
52																		
53	D-UA-M9202-0-0	CABLE, UNIBUS (JUMPER)																
54	D-IA-7008360-1-0	CABLE ASSY (KL8-E)																
55	E-IA-7012292-03-0	CABLE ASSY I/O																
56	E-IA-7012292-02-0	CABLE ASSY I/O																
57	D-UA-BC11A-08-0	CABLE, ASSY BC11A																
58																		
59	7411632-00	STRESS CLAMP																
60	7411633-00	STRESS CLAMP																

DEC FORM DEC 16 (325) 1031-N870  
DRA 110

TW

DIGITAL EQUIPMENT CORPORATION MAYNARD, MASSACHUSETTS				QUANTITY / VARIATION														
PARTS LIST				11S60-BA	11S60-BB	11S60-BC	11S60-BD	11S60-CA	11S60-CB	11S60-CC	11S60-CD							
MADE BY	CHECKED	SECTION																
DATE	DATE	1																
ENG	PROD	ISSUED SECT.																
DATE	DATE	1																
ITEM NO.	DWG NO. / PART NO.	DESCRIPTION																
x		CABINET STRUCTURE																
21	E-AD-7012984-0-0	FRAME ASSY (DBL LOBOY) (120V)																
22	E-AD-7012984-1-0	FRAME ASSY (DBL LOBOY) (240V)																
23	E-UA-BALL-PE-0	BALL-P EXPANDER BOX																
24	E-UA-BALL-PF-0	BALL-P EXPANDER BOX																
25	A-SP-BALL-P-2	BALL-P VOLTAGE CONVERSION PROCEDURE																
26	C-MD-7415640-0-0	BRACKET, POWER SUPPLY MTG.																
27	C-IA-7417519-0-0	BRACKET, POWER CABLE																
28	C-MD-7419055	BRACKET, CONSOLE MOUNTING																
29	9009922-00	SPACER, 5/16 ODX x .194 ID x 1/8																
30	C-MD-7419056-0-0	PLATE, CONSOLE MOUNTING																
31	9007091	CLAMP, CABLE																
32	9006563	NUT, KEPS #8-32																
33	9006073-03	SCR, FH HD TROSS #10-32 x .50																
34	9006565	NUT, KEPS #10-32																
35	9006664	WASHER, FLAT .437 d x .21 id. x .06 thk																
36	9009789-01	INSERT SNAP IN #10-32																
37	9009248-03	SCR, FH HD TROSS #10-32 x .25																
38	9006635	WASHER, INT. TOOTH LOCK #10																
39	C-IA-7415578-1-0	GROUND STRAP																
40	9006661	WASH, FLAT .437 d x .187 I.D. x .03 thk																

DEC FORM DEC 16 (325) 1031-N870  
DRA 110

TW

DIGITAL EQUIPMENT CORPORATION MAYNARD, MASSACHUSETTS				QUANTITY / VARIATION														
PARTS LIST				11S60-BA	11S60-BB	11S60-BC	11S60-BD	11S60-CA	11S60-CB	11S60-CC	11S60-CD							
MADE BY	CHECKED	SECTION																
DATE	DATE	1																
ENG	PROD	ISSUED SECT.																
DATE	DATE	1																
ITEM NO.	DWG NO. / PART NO.	DESCRIPTION																
x		CABINET EXTERIOR																
61	A-PL-H9504-FB-0	DOOR REAR, R.H. LOBOY (9504-FB)																
62	A-PL-H9504-JB-0	DOOR REAR, L.H. LOBOY (H9504-JB)																
63	A-PL-H9504-RF-0	COVER FRONT DBL LOBOY (H9504-RF)																
64	A-PL-H9504-DA-0	PANEL END DBL LOBOY (H9504-DA)																
65	A-PL-H9504-YB-0	TRIM STRIP LOBOY (H9504-YB)																
66	D-MD-7415771-07	PANEL BLANK VERTICAL (5 1/4)																
67	A-PL-H9514-AA-0	COVER TOP DBL LOBOY (H9514-AA)																
68	D-AD-7011184-0-0	LOWER BEZEL ASSY (RK06)																
69	9008203-01	KEP NUT, 1/4 - 20 GREEN																
70	3613272-00	DECAL, CHASSIS GND																
71	A-DC-7416197-1-0	DECAL, UL																
72	3613211-01	DECAL, CSA																
73	9009923-00	NUT - CLIP, FLOATING 10-32																
74	A-DC-7409478-0-0	Patent Decal (PDP11)																
75																		
76	B-DD-H9504-0	DRAWING DIRECTORY #9504																
77																		
78	9007730-00	CLASH STOPPING TUBING 1 1/8W																
79	3613210-00	LABEL, ADHESIVE BACKED, ELEC. DATA																
80	A-PL-H9514-CA-0	AIR DUCT FOR USE/CORP. CARD CAGE																

DEC FORM DEC 16 (325) 1031-N870  
DRA 110

TW

**DIGITAL EQUIPMENT CORPORATION**  
MAYNARD, MASSACHUSETTS  
**PARTS LIST**

MADE BY *J. Buzynski* CHECKED *J. Buzynski* SECTION  
 DATE *6-7-77* DATE *6-7-77* ISSUED SECT. *1*  
 ENG *J. Buzynski* PROD *John Rogers*  
 DATE *6-7-77* DATE *6-7-77*

ITEM NO.	DWG NO. / PART NO.	DESCRIPTION	QUANTITY / VARIATION								
			11S60-BA	11S60-BB	11S60-BC	11S60-BD	11S60-CA	11S60-CB	11S60-CC	11S60-CD	
		MAJOR COMPONENTS (MOS)									
81	E-UA-1160K-AA-0	UNIT ASSY (1160K) (120V)	-	-	-	1	-	1	-	-	
82	E-UA-1160K-AB-0	UNIT ASSY (1160K) (240V)	-	-	-	-	-	1	-	-	
83											
84	E-UA-H775-BA-0	BATTERY BACK-UP ASSY (120V)	-	-	-	-	-	1	-	-	
85	E-UA-H775-BB-0	BATTERY BACK-UP ASSY (240V)	-	-	-	-	-	-	-	1	
86											
87	MS11-KA	32x16 MOS Array Card	-	-	-	-	-	1	1	1	1
88											
89											
90		CABINET STRUCTURE (CONT)									
91	9006074-03	SCR, TRUSS HD 10-32 x .62	1	1	1	1	1	1	1	1	1
92	9009911	CABLE TIE MOUNT	1	1	1	1	1	1	1	1	1
93	1213092-01	TROUGH, CABLE	1	1	1	1	1	1	1	1	1
94		<del>UNIT ASSY (11S60) (120V)</del>									
95	1209340-00	MATE-N-LOK, 8 PIN HSG E-UA-11S60-0-0	A/RA/RA/RA/RA/RA/RA/R	A/RA/RA/RA/RA/RA/RA/R	A/RA/RA/RA/RA/RA/RA/R	A/RA/RA/RA/RA/RA/RA/R	A/RA/RA/RA/RA/RA/RA/R	A/RA/RA/RA/RA/RA/RA/R	A/RA/RA/RA/RA/RA/RA/R	A/RA/RA/RA/RA/RA/RA/R	

TITLE UNIT ASSY 11S60  
 SIZE CODE **A PL** NUMBER 11S60-0-0  
 SHEET 5 OF 6  
 DEC FORM DEC 16-(325)-1031-N870  
 DRA 110

TW

**DIGITAL EQUIPMENT CORPORATION**  
MAYNARD, MASSACHUSETTS  
**PARTS LIST**

MADE BY J. BUZYNSKI CHECKED J. BUZYNSKI SECTION  
 DATE 6-7-77 DATE 6-7-77 1  
 ENG J. BUZYNSKI PROD JOHN ROGERS  
 DATE 6-7-77 DATE 6-7-77 1

ITEM NO.	DWG NO. / PART NO.	DESCRIPTION	QUANTITY / VARIATION								
			11S60-BA	11S60-BB	11S60-BC	11S60-BD	11S60-CA	11S60-CB	11S60-CC	11S60-CD	
96	9007880	TIE WRAP	1	1	1	1	1	1	1	1	
97	A-PL-7011587-2-0	FRAME ASSY (DOUBLE LOBOY)	35	35	35	39	39	39	39	39	
98	9009700-00	SEMS SCREW, PH TR HD, #10-32 x .50									
99											
		CABINET EXTERIOR (CONT)									
100	A-PL-H9504-RA-0	COVER, FRONT (LT GRAY)	A/RA/RA/RA/RA/RA/RA/R	A/RA/RA/RA/RA/RA/RA/R	A/RA/RA/RA/RA/RA/RA/R	A/RA/RA/RA/RA/RA/RA/R	A/RA/RA/RA/RA/RA/RA/R	A/RA/RA/RA/RA/RA/RA/R	A/RA/RA/RA/RA/RA/RA/R	A/RA/RA/RA/RA/RA/RA/R	
101	A-PL-H9504-RB-0	COVER, FRONT (BLUE MULLEN)	A/RA/RA/RA/RA/RA/RA/R	A/RA/RA/RA/RA/RA/RA/R	A/RA/RA/RA/RA/RA/RA/R	A/RA/RA/RA/RA/RA/RA/R	A/RA/RA/RA/RA/RA/RA/R	A/RA/RA/RA/RA/RA/RA/R	A/RA/RA/RA/RA/RA/RA/R	A/RA/RA/RA/RA/RA/RA/R	
102	A-PL-H9504-RC-0	COVER, FRONT (BL MULLEN W/SILK SCREEN)	A/RA/RA/RA/RA/RA/RA/R	A/RA/RA/RA/RA/RA/RA/R	A/RA/RA/RA/RA/RA/RA/R	A/RA/RA/RA/RA/RA/RA/R	A/RA/RA/RA/RA/RA/RA/R	A/RA/RA/RA/RA/RA/RA/R	A/RA/RA/RA/RA/RA/RA/R	A/RA/RA/RA/RA/RA/RA/R	
103	A-PL-H9504-RD-0	COVER, FRONT (BL MULLEN W/SS SYSTEM 48)	A/RA/RA/RA/RA/RA/RA/R	A/RA/RA/RA/RA/RA/RA/R	A/RA/RA/RA/RA/RA/RA/R	A/RA/RA/RA/RA/RA/RA/R	A/RA/RA/RA/RA/RA/RA/R	A/RA/RA/RA/RA/RA/RA/R	A/RA/RA/RA/RA/RA/RA/R	A/RA/RA/RA/RA/RA/RA/R	
104	A-PL-H9504-RE-0	COVER, FRONT (PREFERRED RED)	A/RA/RA/RA/RA/RA/RA/R	A/RA/RA/RA/RA/RA/RA/R	A/RA/RA/RA/RA/RA/RA/R	A/RA/RA/RA/RA/RA/RA/R	A/RA/RA/RA/RA/RA/RA/R	A/RA/RA/RA/RA/RA/RA/R	A/RA/RA/RA/RA/RA/RA/R	A/RA/RA/RA/RA/RA/RA/R	
105	A-PL-H9504-RF-0	COVER, FRONT (PREFERRED RED W/S. SCREEN)	A/RA/RA/RA/RA/RA/RA/R	A/RA/RA/RA/RA/RA/RA/R	A/RA/RA/RA/RA/RA/RA/R	A/RA/RA/RA/RA/RA/RA/R	A/RA/RA/RA/RA/RA/RA/R	A/RA/RA/RA/RA/RA/RA/R	A/RA/RA/RA/RA/RA/RA/R	A/RA/RA/RA/RA/RA/RA/R	
106	A-PL-H9504-RG-0	COVER, FRONT (DARK GRAY)	A/RA/RA/RA/RA/RA/RA/R	A/RA/RA/RA/RA/RA/RA/R	A/RA/RA/RA/RA/RA/RA/R	A/RA/RA/RA/RA/RA/RA/R	A/RA/RA/RA/RA/RA/RA/R	A/RA/RA/RA/RA/RA/RA/R	A/RA/RA/RA/RA/RA/RA/R	A/RA/RA/RA/RA/RA/RA/R	
107	D-IA-7015908-0-0	CABLE ASSY	-	-	-	1	1	1	1	1	
108	D-AD-7015910-0-0	BOX TRANSFORMER ASSY	-	-	-	-	-	1	-	1	
109	7418361	SUPPORT BRACKET	A/RA/R	A/RA/R	A/RA/R	A/RA/R	A/RA/R	A/RA/R	A/RA/R	A/RA/R	
		(SEE NOTE 14 ON E-UA-11S60-0-0)									

TITLE UNIT ASSY 11S60  
 SIZE CODE **A PL** NUMBER 11S60-0-0  
 SHEET 6 OF 6  
 DEC FORM DEC 16-(325)-1031-N870  
 DRA 110

TW

DIGITAL EQUIPMENT CORPORATION  
MAYNARD, MASSACHUSETTS

Q Y / VARIATION

**PARTS LIST**

MADE BY *J. Buzyński* CHECKED: \_\_\_\_\_ SECTION 1  
DATE 5-27-77 DATE 5-27-77 ISSUED SECT. 1  
ENG J. BUZYNSKI PROD DATE 5-27-77  
DATE 5-27-77

ITEM NO.	DWG NO. / PART NO.	DESCRIPTION	11S60-BA	11S60-BB	11S60-CA	11S60-CB
1	EK-11060-OP-*	OPERATOR INSTALLATION MANUAL (11-60)	1	1	1	1
2	EK-11060-TM-*	BASIC COMPUTER (11/60)	**	**	**	**
3	EK-11060-PS-*	PDP 11/60 CABINET AND POWER SUPPLY	**	**	**	**
4	MP00166	PRINT SET, 11/60 SYSTEMS	1	1	1	1
5	MP00409	PRINT SET, 11/60 BASIC	1	1	1	1
6	MP00410	PRINT SET, BAIL-P BOX AND POWER SUPPLY	1	1	1	1
7	MP00034	PRINT SET, MFI1-W/WP	1	1	-	-
8	EK-MF11W-MM-*	MFI1-W/WP CORE MEMORY SYSTEM MANUAL	**	**	-	-
9	EK-MF11K-MM-*	MFI1S-K MOS MEMORY MANUAL	-	-	**	**
10	EK-M9301-MM-*	M9301 MAINTENANCE MANUAL	**	**	**	**
11	EK-DL11W-MM-*	DL11-W MAINTENANCE MANUAL	**	**	**	**
12	EK-LA36-MM-*	LA36 MAINTENANCE MANUAL	**	**	**	**
13	EA0649820	PDP 11/60 HANDBOOK	1	1	1	1
14	MD-11-DZZRA--BB	DIAGNOSTIC PROGRAMS (RMDP #1)	1	1	1	1
15	<del>11S60-1</del>	<del>CABLE ASSY (20 MA) (DL11-WA)</del>	<del>1</del>	<del>1</del>	<del>1</del>	<del>1</del>
16	1212315	5 PRONG TWIST RECEPTACLE (NEMA I21-30R)	1	-	1	-
17	1214033	5 PRONG TWIST RECEPTACLE (NEMA I22-20R)	-	1	-	1
18	MP00310	PRINT SET, MFI1S-K	-	-	1	1
19	1213091-00	KEY FOR SPANNER HEAD STUD	1	1	1	1
		** MANUALS ARE SHIPPED BY PRODUCT LINE REQUEST ONLY.				
		*LATEST REVISION				

TITLE SHIPPING LIST, 11S60  
SIZE CODE **A PL** NUMBER 11S60-0-2  
ASSY NO. NONE SHEET 1 OF 2 DIST. B  
REV. 11S60-00002

DEC FORM DEC 16-(325)-1031-N870  
DRA 110

DIGITAL EQUIPMENT CORPORATION  
MAYNARD, MASSACHUSETTS

Q Y / VARIATION

**PARTS LIST**

MADE BY J. BUZYNSKI CHECKED J. BUZYNSKI SECTION 1  
DATE 5/27/77 DATE 5/27/77  
ENG J. BUZYNSKI PROD JOHN ROGERS ISSUED SECT. 1  
DATE 5/27/77 DATE 5/27/77

ITEM NO.	DWG NO. / PART NO.	DESCRIPTION	11S60-BA	11S60-BB	11S60-CA	11S60-CB
20	MAINDEC DQMA-D	11/60 MICROCODE LISTING	REF	REF	REF	REF
21	EP-KD11-K-WL-*	11/60 WIRE LIST (MICROFICHE)	REF	REF	REF	REF

TITLE SHIPPING LIST, 11S60  
SIZE CODE **A PL** NUMBER 11S60-0-2  
ASSY NO. NONE SHEET 2 OF 2 DIST. B  
REV. 11S60-00002

DEC FORM DEC 16-(325)-1031-N870  
DRA 110

**CUSTOMER PRINT SET INDEX**

THIS IS PRINT SET 

--	--	--	--

SEQUENCE

77

77

SEQUENCE

77

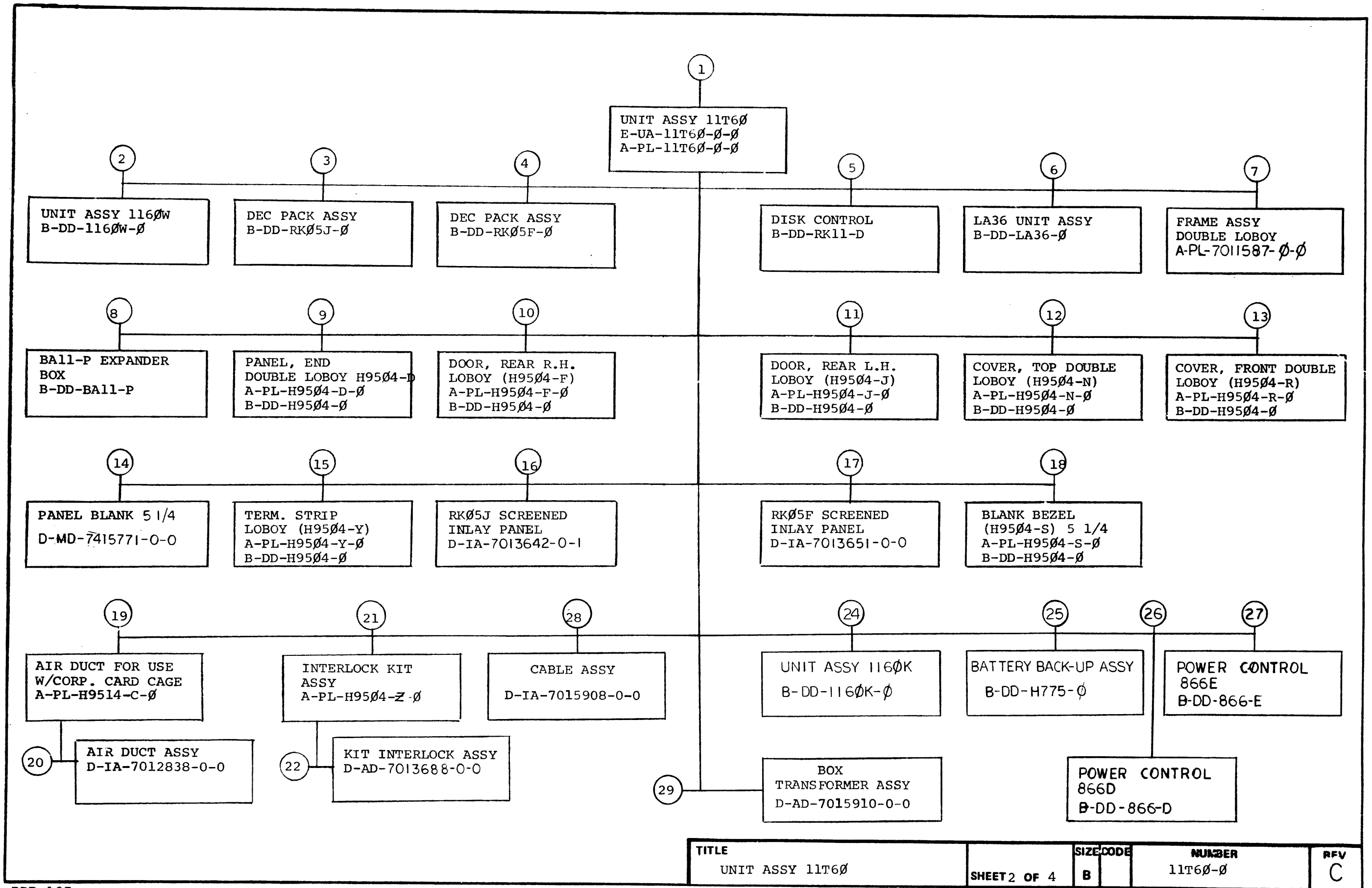
**UNIT VARIATIONS**

VAR	TITLE	PRINT SET			
<del>11T60-AA</del>	<del>UNIT ASSY 11T60 (60 HZ 120V)</del>				
<del>11T60-AD</del>	<del>UNIT ASSY 11T60 (60 HZ 240V)</del>				
<del>11T60-AC</del>	<del>UNIT ASSY 11T60 (50 HZ 120V)</del>				
<del>11T60-AD</del>	<del>UNIT ASSY 11T60 (50 HZ 240V)</del>				
11T60-BA	UNIT ASSY 11T60 (60 HZ 120V)				
11T60-BB	UNIT ASSY 11T60 (60 HZ 240V)				
11T60-BC	UNIT ASSY 11T60 (50 HZ 120V)				
11T60-BD	UNIT ASSY 11T60 (50 HZ 240V)				
11T60-CA	UNIT ASSY 11T60 (60 HZ 120V)(MOS)				
11T60-CB	UNIT ASSY 11T60 (60 HZ 240V)(MOS)				
11T60-CC	UNIT ASSY 11T60 (50 HZ 120V)(MOS)				
11T60-CD	UNIT ASSY 11T60 (50 HZ 240V)(MOS)				

REVISIONS	DATE	CHG. NO.	REV	UNIT ASSY 11T60	DRN. D. HEALY	DATE	TITLE	SIZE	CODE	NUMBER	REV
	7-77	11T60-1	A			DEC 76					
	2-78	11T60-2	B			DEC 76					
	3-79	11T60-3	C			1 FEB 77					
							B	DD	11T60-0	C	
							DIST				
CHEET 1 OF 4											

EN-01062-1A-16-R972-1325

TW



TITLE	SHEET	SIZE	CODE	NUMBER	REV
UNIT ASSY 11T6Ø	2 OF 4	B		11T6Ø-Ø	C

FIND NO.	DRAWING NO.	DESCRIPTION	TYPE	FIND NO.	DRAWING NO.	DESCRIPTION	TYPE
1	MP00166	11/60 SYSTEMS (PRINT SET ORDER NO.)	-				
	B-TC-11/60-0-4	11/60 SYSTEMS (FIELD MAINT. PRINT SET)	-				
	E-UA-11T60-0-0	UNIT ASSY 11T60	E/M	7	A-PL-7011587-0-0	FRAME ASSY DOUBLE LOBOY	E/M
	A-PL-11T60-0-0	UNIT ASSY 11T60 (PL)	E/M		E-PS-1213092-0-0	TROUGH, CABLE	
	A-SP-11/60-0-2	PDP11/60 COMPUTER SPECIFICATION	E/M				
	D-IA-7008360-0-0	CABLE ASSY (KL8-E)	E/M				
	A-SP-BALL-P-2	BALL-P VOLTAGE CONVERSION PROCEDURE	E	8	B-DD-BALL-P	BALL-P EXPANDER BOX	E/M
	C-MD-7415640-0-0	BRACKET, POWER SUPPLY MTG.	M				
	C-IA-7417519-0-0	BRACKET, POWER CABLE	M				
	C-MD-7415774-0-0	BRACKET, VERTICAL PANEL MTG. DOUBLE	M				
	E-AR-H9501-0-0	H9501 OPTION ARRANGEMENT	-				
	B-AR-11/60-0-3	PDP11/60 CONFIGURATION DRAWING	E/M	9	A-PL-H9504-D-0	PANEL END DOUBLE LOBOY (H9504)	M
	A-PL-11T60-0-4	SOFTWARE LIST	E		B-DD-H9504-0	CABINET COVERS	M
	E-MD-7416621-0-0	RK05 BEZEL	M				
	C-IA-7419269-0-0	BRACKET, SHIPPING	M				
	D-UA-M9202-0-0	CABLE, UNIBUS (JUMPER)	E/M				
	D-UA-BC11A-0-0	CABLE ASSY (BC11A)	E/M				
	B-TC-11/60-0-1	11/60 BASIC COMPUTER (MP00409)	-	10	A-PL-H9504-F-0	DOOR REAR R.H. LOBOY (H9504-F)	M
	A-PL-11T60-0-5	SHIPPING LIST 11T60	E/M		B-DD-H9504-0	CABINET COVERS	M
	B-TC-BALL-P-1	BALL-P BOX AND POWER SUPPLY (MP00410)	-				
				11	A-PL-H9504-J-0	DOOR REAR L.H. LOBOY (H9504-J)	M
					B-DD-H9504-0	CABINET COVERS	M
2	B-DD-1160W-0	UNIT ASSY 1160W	E/M	12	A-PL-H9504-N-0	COVER, TOP DOUBLE LOBOY (H9504-N)	M
					B-DD-H9504-0	CABINET COVERS	M
3	B-DD-RK05J-0	DEC PACK ASSY	E/M	13	A-PL-H9504-R-0	COVER, FRONT DOUBLE LOBOY (H9504-R)	M
					B-DD-H9504-0	CABINET COVERS	M
4	B-DD-RK05F-0	DEC PACK ASSY	E/M	14	D-MD-7415771-0-0	PANEL BLANK 5 1/4	M
							M
5	B-DD-RK11-D	DISK CONTROL	E/M	15	A-PL-H9504-Y-0	TERM. STRIP LOBOY (H9504-Y)	M
					B-DD-H9504-0	CABINET COVERS	M
6	B-DD-LA36-0	LA36 UNIT ASSY	E/M				

TYPE: E ELECTRICAL  
 M MECHANICAL  
 E/M ELECTRO/MECHANICAL

digital

TITLE	SIZE	CODE	NUMBER	REV
UNIT ASSY 11T60	B	DD	11T60-0	C
SHEET 3 OF 4				

FIND NO.	DRAWING NO.	DESCRIPTION	TYPE	FIND NO.	DRAWING NO.	DESCRIPTION	TYPE
16	D-IA-7013642-0-1 C-SS-7416627-0-2	RK05J SCREENED INLAY PANEL SILK SCREEN RK05J	M M	26	B-DD-866-D	POWER CONTROL 866D	E/M
17	D-IA-7013651-0-0	RK05F SCREENED INLAY PANEL	M	27	B-DD-866-E	POWER CONTROL 866E	E/M
18	A-PL-H9504-S-0 B-DD-H9504-0	BLANK BEZEL CABINET COVERS	M M	28	D-IA-7015908-0-0	CABLE ASSY	E/M
19	A-PL-H9514-C-0	AIR DUCT FOR USE WITH CORP. CARD CAGE	M	29	D-AD-7015910-0-0 D-IA-7421298-0-0 D-IA-7421299-0-0	BOX, TRANSFORMER ASSY ENCLOSURE, BASE ENCLOSURE, COVER	E/M M M
20	D-IA-7012838-0-0 E-MD-7415894-0-0	AIR DUCT ASSY AIR DUCT	M M				
21	A-PL-H9504-Z-0	INTERLOCK KIT ASSY	M				
22	D-AD-7013688-0-0	KIT, INTERLOCK ASSY	M M M M				
24	B-DD-1160K-0	UNIT ASSY 1160K (MOS)	E/M				
25	B-DD-H775-0	BATTERY BACK-UP ASSY.	E/M				

TYPE: E ELECTRICAL  
M MECHANICAL  
E/M ELECTRO/MECHANICAL

digital

TITLE

UNIT ASSY 11T60

SHEET 4 OF 4

SIZE CODE  
B DD

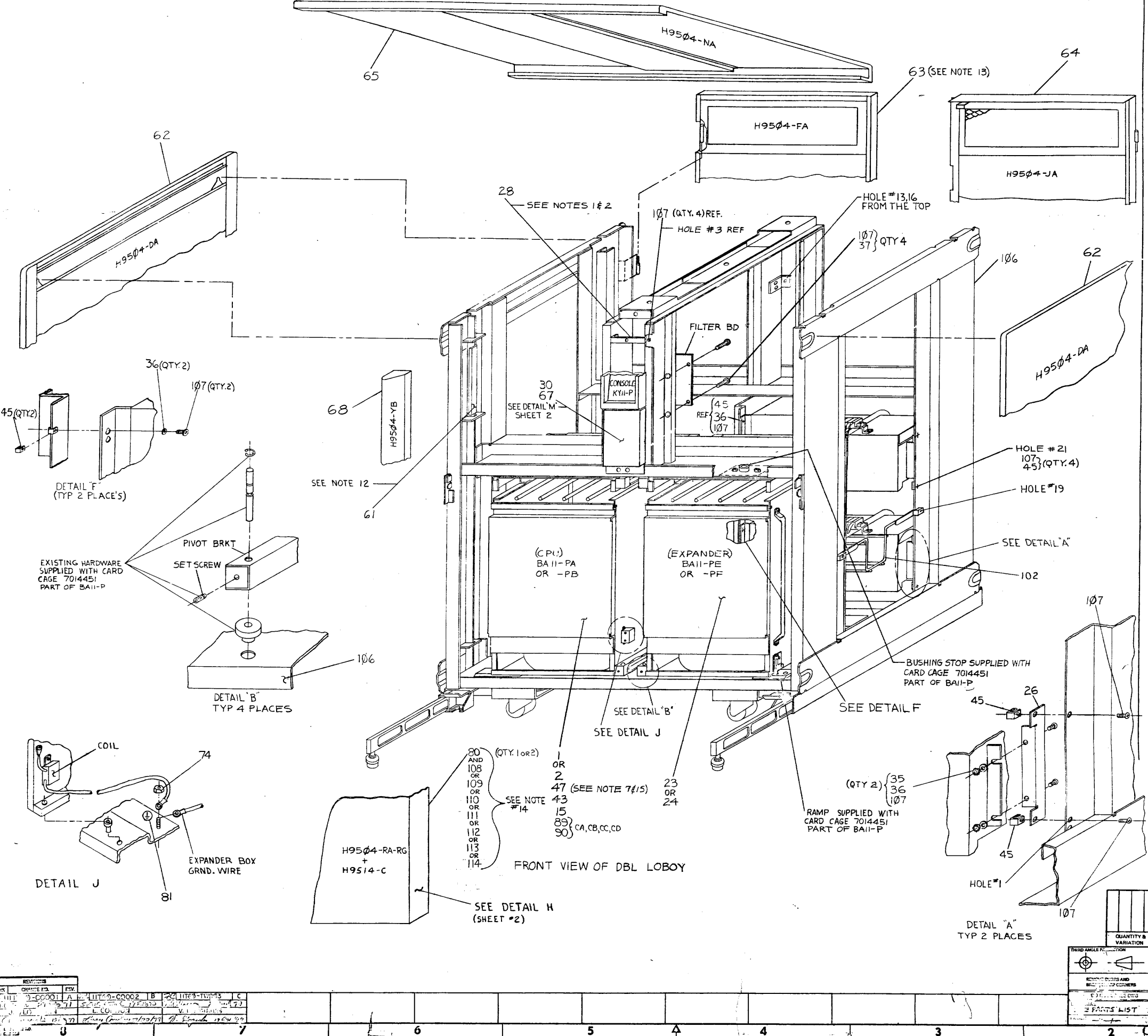
NUMBER  
11T60-0

REV  
C

TW

EN-01002-2C-16-R376-13251

THIS DRAWING IS THE PROPERTY OF GEORGE EASTMAN COMPANY. IT IS TO BE KEPT IN CONFIDENCE AND NOT TO BE REPRODUCED OR COPIED IN ANY MANNER WITHOUT THE WRITTEN PERMISSION OF GEORGE EASTMAN COMPANY. COPYRIGHT © 1976



- ON INSIDE ROW OF VERTICAL HOLES**  
2nd & 3rd HOLE FROM TOP
2. MOUNT CONSOLE (KY11-P) TO ITEM #28 USING ITEM #35 (NOT).
  3. FOR OPTION ARRANGEMENT DWG SEE E-AR-H9501-0-0 & A-PL-H9501-0-0.
  4. FOR BREAKDOWN OF ALL COVERS, ETC. SEE B-DD-H9504-0-0.
  5. ITEMS 72 & 73 TO BE REMOVED DURING CUSTOMER INSTALLATION & ITEM 73 TO BE REINSTALLED WITH ITEMS 117, 118
  6. MOUNT BRACKETS, PART OF ITEM #67, AS SHOWN ON INSIDE ROW OF VERTICAL HOLES 2ND HOLE FROM BOTTOM & 7TH HOLE FROM BOTTOM.
  7. REFER TO PDP 11/60 CONFIGURATION DWG B-AR-1160-0-3.
  8. ALL COVERS COME WITH GROUND STRAP ALREADY ATTACHED TO THEM. GROUND NUT ITEM #74 IS USED TO FASTEN GROUND STRAPS TO CAB FRAME, SEE E-AR-H9504-0-0.
  9. REPLACE BEZEL E-MD-7409217 OR E-PS-1211250-0-0 PART OF D-UA-RK05J-0-0 & D-UA-RK05F-0-0 WITH BEZEL E-MD-7416621-0-0.
  10. REPLACE FRONT PANEL, RK05F - D-IA-7415560-0-0, PART OF D-UA-RK05F-0-0 WITH INLAY, BEZEL D-IA-7013651-0-0.
  11. REPLACE FRONT PANEL, RK05J - D-IA-7409207-0-0, PART OF D-UA-RK05J-0-0 WITH INLAY, BEZEL D-IA-7013642-0-1.
  12. FOR INSTALLATION OF ITEM #61 REFER TO D-AD-7012669-0-0 (INSTALL ABOVE SLIDES).
  13. REMOVE THE LOWER AIR FILTER (1213096-00), FILTER COVER (E-MD-7415446-0-0) AND SIX (6) 10-32 SCREWS FROM ITEM #63 BEFORE ASSEMBLY. THESE PARTS ARE NOT NEEDED.
  14. ONE (1) FRONT COVER MUST BE INSTALLED ON EACH SYSTEM. FRONT COVER VARIATION IS DETERMINED BY THE INDIVIDUAL PRODUCT LINES.
  15. INSTALLATION OF THE 1160W-AA, -AB REQUIRES THE FOLLOWING:
    - A. REMOVE THE MF11-WP MEMORY FROM THE 1160W BOX AND INSTALL IT INTO SU POSITIONS 1, 2 IN THE EXPANDER BOX, BAI1-PE, -PF.
    - B. REMOVE THE HT54 REGULATOR FROM THE BASE H7420 SUPPLY (SLOT E) AND INSTALL IT INTO SLOT L IN THE EXPANDER H7420.
  16. FILLER PANEL 7413405 ITEM #101 MUST BE INSTALLED IN EMPTY REGULATOR POSITIONS.
  17. WHEN SYSTEM CONTAINS EMPTY REGULATOR SLOTS IN THE H7420, PLUG LOOSE END OF POWER HARNESS INTO MATING CONN. (ITEM #104) AND TIE DOWN TO MAIN BODY OF HARNESS USING THE WRAP (ITEM #105).
  18. WHEN A SYSTEM CONTAINS AN H7421, USE A SUPPORT BRACKET (7418306) WITH A #10 KEP NUT AND A #10-32 1/2 TRUSS HD PHILLIPS SCREW.
  19. THE PANEL CONNECTOR ASSY (7010574-0-0) MAY BE USED IN PLACE OF (7412313-0-0) WHEN THE SYSTEM CONTAINS ANY OF THE FOLLOWING OPTIONS: RJP04, RJP05, RJP06, RJM02 OR RJM03.

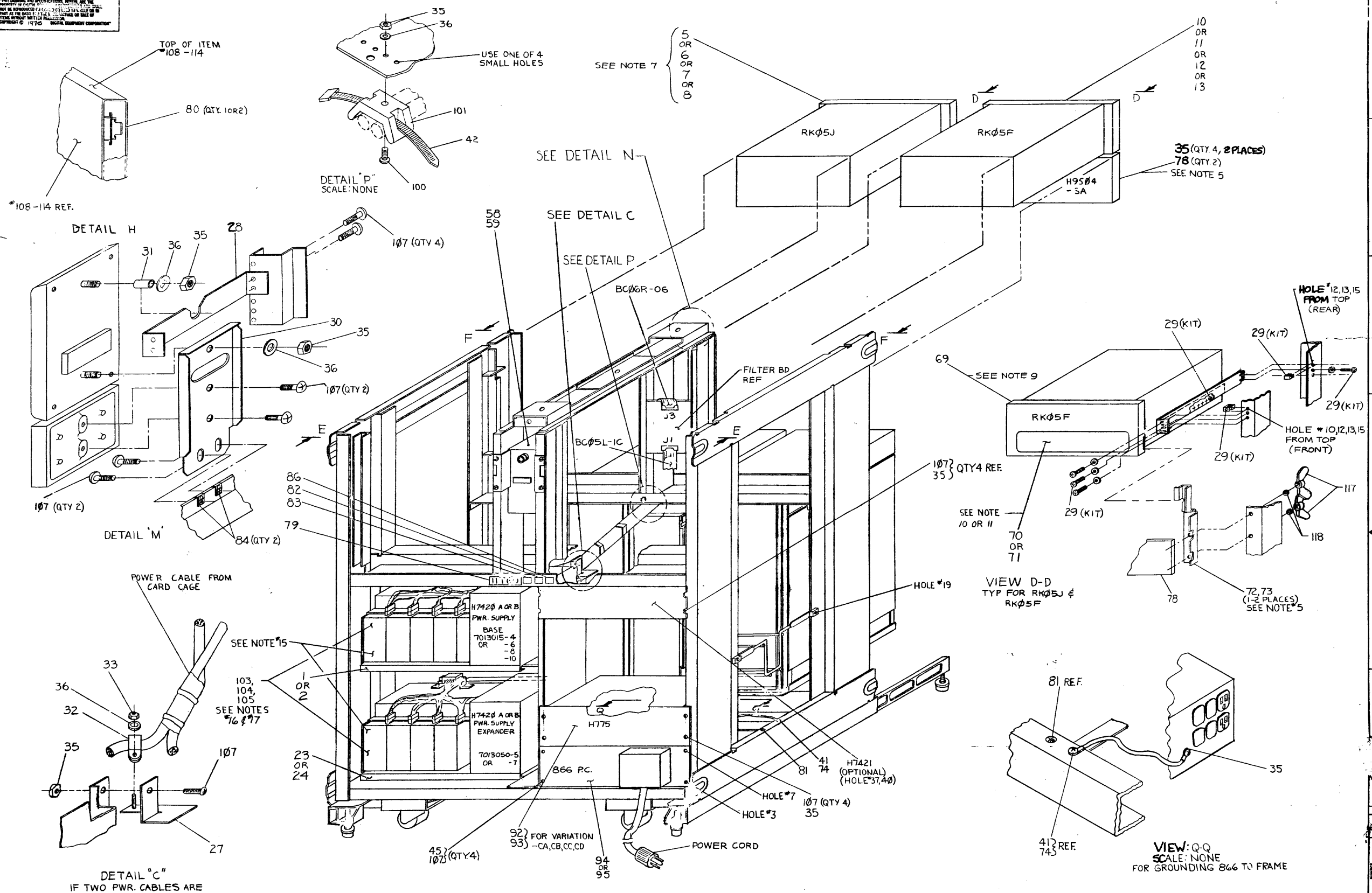
CAUTION: OFF SHEET PARTS LIST EXISTS SEE A-PL-1160-0-0

DESCRIPTION	QTY	PART NO.	ITEM NO.
UNLESS OTHERWISE SPECIFIED, DIMENSIONS ARE IN INCHES			
ANGLES	±30"	NORMAL DIMENSION RANGE IN INCHES	
SURFACE QUALITY	SEE CHECK ONE	1.0	1.5
QUANTITY VARIATION	SEE CHECK ONE	1.0	1.5
THIRD ANGLE PROJECTION	DRILL DIA. TOLERANCE	USED ON	PDP 11/60
REWORK PARTS AND REWORKED CORNERS	CHK'D BY	DATE	7/1/77
PARTS LIST			
UNIT ASSY 1160			
EUA 1160-0-0			

REV	DATE	BY	CHKD	DESCRIPTION
1	11/77	...	...	...
2	...	...	...	...



THIS DRAWING AND SPECIFICATIONS HEREOF ARE THE PROPERTY OF DIGITAL EQUIPMENT CORPORATION. THEY SHALL NOT BE REPRODUCED OR TRANSMITTED IN ANY FORM OR BY ANY MEANS, ELECTRONIC OR MECHANICAL, INCLUDING PHOTOCOPYING, RECORDING, OR BY ANY INFORMATION STORAGE AND RETRIEVAL SYSTEM, WITHOUT THE WRITTEN PERMISSION OF DIGITAL EQUIPMENT CORPORATION. COPYRIGHT © 1976 DIGITAL EQUIPMENT CORPORATION



DETAIL "C"  
IF TWO PWR. CABLES ARE PRESENT, ROUTE EXPANDER CABLE OUTSIDE ITEM #32 AND TIE THEM WITH TIE WRAPS

REAR VIEW OF ITEM #106

106 RK05J (REAR)	106 RK05F (REAR)
H7420 (BASE)	B66 H7421 (R.P.C.)
H7420 EXP.	H775 B66 P.C.

VIEW-EE  
REAR OF IIT60  
(SEE NOTE 7)

RK05F (FRONT)	RYHP	RK05J (FRONT)
H9504-SA		H9504-SA
B411-PA -PB (BASE) -PK -PL		B411-PE -PF (EXP.)

VIEW-F-F  
FRONT OF IIT60  
(SEE NOTE 7)

THIRD ANGLE PROJECTION		DESCRIPTION		DWG. NO./REV. NO.		ITEM NO.
UNLESS OTHERWISE SPECIFIED DIMENSIONS ARE IN INCHES		UNLESS OTHERWISE SPECIFIED DIMENSIONS ARE IN INCHES		UNLESS OTHERWISE SPECIFIED DIMENSIONS ARE IN INCHES		UNLESS OTHERWISE SPECIFIED DIMENSIONS ARE IN INCHES
ANGLE OF 30°	AS OF 30°	AS OF 30°	AS OF 30°	AS OF 30°	AS OF 30°	AS OF 30°
SURFACE QUALITY	FINISH	FINISH	FINISH	FINISH	FINISH	FINISH
QUANTITY & VARIATION	QUANTITY & VARIATION	QUANTITY & VARIATION	QUANTITY & VARIATION	QUANTITY & VARIATION	QUANTITY & VARIATION	QUANTITY & VARIATION
ORAL	ORAL	ORAL	ORAL	ORAL	ORAL	ORAL
CHK'D	CHK'D	CHK'D	CHK'D	CHK'D	CHK'D	CHK'D
ENG. 9	ENG. 9	ENG. 9	ENG. 9	ENG. 9	ENG. 9	ENG. 9
PROD. 7	PROD. 7	PROD. 7	PROD. 7	PROD. 7	PROD. 7	PROD. 7
TITLE		TITLE		TITLE		TITLE
UNIT ASSY IIT60		UNIT ASSY IIT60		UNIT ASSY IIT60		UNIT ASSY IIT60
SCALE		SCALE		SCALE		SCALE
EUA IIT60-0-0		EUA IIT60-0-0		EUA IIT60-0-0		EUA IIT60-0-0
SHEET 2 OF 2		SHEET 2 OF 2		SHEET 2 OF 2		SHEET 2 OF 2



DIGITAL EQUIPMENT CORPORATION MAYNARD, MASSACHUSETTS			QUANTITY / VARIATION							
PARTS LIST			11T60-BA	11T60-BB	11T60-BC	11T60-BD	11T60-CA	11T60-CB	11T60-CC	11T60-CD
MADE BY <i>John Buzyński</i>	CHECKED <i>John Buzyński</i>	SECTION								
DATE 6-7-77	DATE 6-9-77	ISSUED SECT.								
ENG <i>John Buzyński</i>	PROD <i>John Rogers</i>	ISSUED SECT.								
DATE 6-7-77	DATE 6-7-77	ISSUED SECT.								
ITEM NO.	DWG NO. / PART NO.	DESCRIPTION								
X		CABINET EXTERIOR (CONT.)								
81	3613272	DECAL, CHASSIS GND	2	2	2	2	2	2	2	2
82	A-DC-7416197-1-0	DECAL, UL	1	1	1	1	1	1	1	1
83	3613211-01	DECAL, CSA	1	1	1	1	1	1	1	1
84	9009923-00	NUT, CLIP, FLOATING 10-32	2	2	2	2	2	2	2	2
85	<del>9007730-00</del>	<del>BLACK ZIPPER TUBING 1 1/8"</del>	<del>R</del>	<del>R</del>	<del>A</del>	<del>A</del>	<del>RA</del>	<del>RA</del>	<del>RA</del>	<del>RA</del>
86	A-DC-7409478-C-0	Patent Decal ( PDP11)	1	1	1	1	1	1	1	1
87	<del>C-IA-7419269-0-0</del>	<del>SHIPPING BRACKET</del>	<del>1</del>	<del>1</del>	<del>1</del>	<del>1</del>	<del>1</del>	<del>1</del>	<del>1</del>	<del>1</del>
88		MAJOR COMPONENTS (MOS)								
89	E-UA-1160K-AA-0	UNIT ASSY (1160K) (120V)	-	-	-	-	1	1	-	-
90	E-UA-1160K-AB-0	UNIT ASSY (1160K) (240V)	-	-	-	-	1	-	1	-
91										
92	E-UA-H775-BA-0	BATTERY BACK-UP ASSY (120V)	-	-	-	-	1	-	1	-
93	E-UA-H775-BB-0	BATTERY BACK-UP ASSY (240V)	-	-	-	-	1	-	1	-
94	E-UA-866-D-0	POWER CONTROL 866-D (120V)	1	-	1	-	1	-	1	-
95	E-UA-866-E-0	POWER CONTROL 866-E (240V)	-	1	-	1	-	1	-	1
96										
97										
98										
99										
TITLE		UNIT ASSY 11T60	ASSY NO. E-UA-11T60-0-0		SIZE A	CODE PL	NUMBER 11T60-0-0		REV C	ECO NO.
			SHEET 5 OF 7		DIST.					

DEC FORM DEC 16 (325)-1031-N870  
DRA 110

DIGITAL EQUIPMENT CORPORATION MAYNARD, MASSACHUSETTS			QUANTITY / VARIATION							
PARTS LIST			11T60-BA	11T60-BB	11T60-BC	11T60-BD	11T60-CA	11T60-CB	11T60-CC	11T60-CD
MADE BY JOHN BUZYNSKI	CHECKED JOHN BUZYNSKI	SECTION								
DATE 6/7/77	DATE 6/7/77	ISSUED SECT.								
ENG JOHN BUZYNSKI	PROD JOHN BUZYNSKI	ISSUED SECT.								
DATE 6/7/77	DATE 6/7/77	ISSUED SECT.								
ITEM NO.	DWG NO. / PART NO.	DESCRIPTION								
		CABINET STRUCTURE (CONT)								
117	9006572	NUT, WING, #10-32	4	4	4	4	4	4	4	4
118	9007906	SPLIT LOCK WASHER, #10	4	4	4	4	4	4	4	4
119										
120										
121										
122										
123										
124	7411632-00	STRESS CLAMP	A	RA	RA	R	A	RA	RA	RA
125	7411633-00	STRESS CLAMP	A	RA	RA	R	A	RA	RA	RA
TITLE		UNIT ASSY 11T60	ASSY NO. E-UA-11T60-0-0		SIZE A	CODE PL	NUMBER 11T60-0-0		REV C	ECO NO.
			SHEET 7 OF 7		DIST.					

DEC FORM DEC 16 (325)-1031-N870  
DRA 110

DIGITAL EQUIPMENT CORPORATION MAYNARD, MASSACHUSETTS			QUANTITY / VARIATION							
PARTS LIST			11T60-BA	11T60-BB	11T60-BC	11T60-BD	11T60-CA	11T60-CB	11T60-CC	11T60-CD
MADE BY JOHN BUZYNSKI	CHECKED JOHN BUZYNSKI	SECTION								
DATE 6-7-77	DATE 6-7-77	ISSUED SECT.								
ENG JOHN BUZYNSKI	PROD JOHN ROGERS	ISSUED SECT.								
DATE 6-7-77	DATE 6-7-77	ISSUED SECT.								
ITEM NO.	DWG NO. / PART NO.	DESCRIPTION								
		CABINET STRUCTURE (CONT)								
100	9006074-03	SCR, TRUSS HD 10-32 x .62	1	1	1	1	1	1	1	1
101	9009911	CABLE TIE MOUNT	1	1	1	1	1	1	1	1
102	1213092-01	TROUGH, CABLE	1	1	1	1	1	1	1	1
103	<del>7413405</del>	<del>PANEL, FILLER #7420 (SEE NOTES 16 &amp; 17 ON P. 11T60-0-0)</del>	<del>A</del>	<del>RA</del>	<del>RA</del>	<del>R</del>	<del>A</del>	<del>RA</del>	<del>RA</del>	<del>RA</del>
104	1209340-00	MATE-N-LOK, SPIN, HOUSING	A	RA	RA	RA	R	A	RA	RA
105	9007880	TIE WRAP	A	RA	RA	RA	R	A	RA	RA
106	A-PL-7011587-2-0	FRAME ASSY (DOUBLE LOBOY)	1	1	1	1	1	1	1	1
107	9009700-00	SEMS SCREW, PH TR HD, 10-32 x .50	37	37	37	37	33	33	33	33
		CABINET EXTERIOR (CONT)								
108	A-PL-H9504-RA-0	COVER, FRONT (LT GRAY)	A	RA	RA	RA	R	A	RA	RA
109	A-PL-H9504-RB-0	COVER, FRONT (BLUE MULLEN)	A	RA	RA	RA	R	A	RA	RA
110	A-PL-H9504-RC-0	COVER, FRONT (BL MULLEN W/SILK SCREEN)	A	RA	RA	RA	R	A	RA	RA
111	A-PL-H9504-RD-0	COVER, FRONT (BL MULLEN W/SS, SYSTEM 48)	A	RA	RA	RA	R	A	RA	RA
112	A-PL-H9504-RE-0	COVER, FRONT (PREFERRED RED)	A	RA	RA	RA	R	A	RA	RA
113	A-PL-H9504-RF-0	COVER, FRONT (PREFERRED RED W/S.SCREEN)	A	RA	RA	RA	R	A	RA	RA
114	A-PL-H9504-RG-0	COVER, FRONT (DARK GRAY)	A	RA	RA	RA	R	A	RA	RA
115										
116										
TITLE		UNIT ASSY 11T60	ASSY NO. E-UA-11T60-0-0		SIZE A	CODE PL	NUMBER 11T60-0-0		REV C	ECO NO.
			SHEET 6 OF 7		DIST.					

DEC FORM DEC 16 (325)-1031-N870  
DRA 110



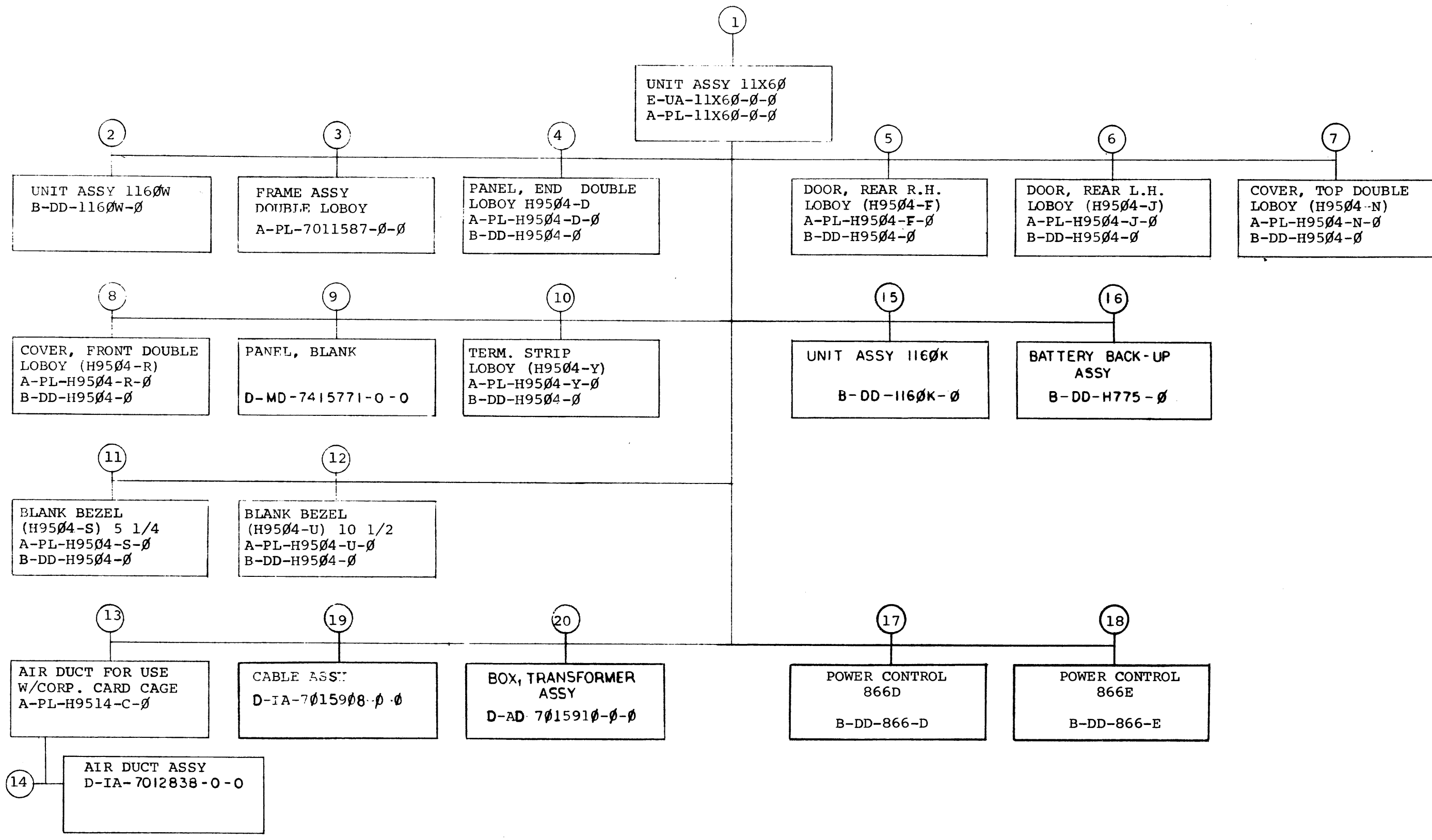
"THE MATERIAL HEREIN IS FOR INFORMATION PURPOSES ONLY AND IS SUBJECT TO CHANGE WITHOUT NOTICE. DIGITAL EQUIPMENT CORPORATION ASSUMES NO RESPONSIBILITY FOR ANY ERRORS WHICH MAY APPEAR HEREIN."

## DRAWING DIRECTORY

"THIS DRAWING AND SPECIFICATIONS, HEREIN, ARE THE PROPERTY OF DIGITAL EQUIPMENT CORPORATION AND SHALL NOT BE REPRODUCED OR COPIED OR USED IN WHOLE OR IN PART AS THE BASIS FOR THE MANUFACTURE OR SALE OF ITEMS WITHOUT WRITTEN PERMISSION. COPYRIGHT © 1977 DIGITAL EQUIPMENT CORPORATION."

UNIT VARIATIONS		
VAR	TITLE	
11X60-BA	UNIT ASSY 11X60	(120v)
11X60-BB	UNIT ASSY 11X60	(240v)
11X60-CA	UNIT ASSY 11X60	(120V MOS)
11X60-CB	UNIT ASSY 11X60	(240V MOS)

REVISIONS	CHK	CHANGE NO.	REV.		USED ON OPTION/MODEL	DRN. <i>[Signature]</i>	DATE 13 APR 77	TITLE  <b>digital</b>  UNIT ASSY 11X60			
		11X60-00001	A			CHK'D. <i>[Signature]</i>	DATE 6/1/77				
		11X60-00002	B		PROJ. ENG. <i>[Signature]</i>	DATE 12/21/77	SIZE B		CODE DD	NUMBER 11X60-0	REV C
		11X60-TW/03	C		PROD. <i>[Signature]</i>	DATE 4/1/77	DIST.				
					SHEET 1 OF 4						



TITLE	UNIT ASSY 11X6Ø	SHEET 2 OF 4	SIZE CODE	NUMBER	REV
			B DD	11X6Ø-Ø	C

FIND NO.	DRAWING NO.	DESCRIPTION	TYPE	FIND NO.	DRAWING NO.	DESCRIPTION	TYPE
1	MP00166	11/60 SYSTEMS (PRINT SET ORDER NO.)	-	7	A-PL-H9504-N-0	COVER, TOP DOUBLE LOBOY (H9504-N)	M
	B-TC-11/60-0-4	11/60 SYSTEMS FIELD MAINTENANCE PRINT SET	-		B-DD-H9504-0	CABINET COVERS	M
	E-UA-11X60-0-0	UNIT ASSY 11X60	E/M				
	A-PL-11X60-0-0	UNIT ASSY 11X60 (PL)	E/M				
	A-SP-11/60-0-2	PDP11/60 COMPUTER SPECIFICATION	E/M				
	D-IA-7008360-1-0	CABLE ASSY (KL8-E)	E/M	8	A-PL-H9504-R-0	COVER, FRONT DOUBLE LOBOY (H9504-R)	M
	A-SP-BALL-P-2	BALL-P VOLTAGE CONVERSION PROCEDURE	E		B-DD-H9504-0	CABINET COVERS	M
	C-MD-7415640-0-0	BRACKET, POWER SUPPLY MTG.	M				
	C-IA-7417519-0-0	BRACKET, POWER CABLE	M				
	C-MD-7415774-0-0	BRACKET, VERTICAL PANEL MTG. DOUBLE	M				
	E-AR-H9501-0-0	H9501 OPTION ARRANGEMENT	-				
	B-AR-11/60-0-3	PDP11/60 CONFIGURATION DRAWING	E/M	9	D-MD-7415771-07	PANEL BLANK	M
			E				M
	D-UA-M9202-0-0	CABLE, UNIBUS (JUMPER)	E/M				
	D-UA-BC11A-0-0	CABLE ASSY (BC11A)	E/M				
	A-PL-11X60-0-2	SHIPPING LIST, 11X60	E/M				
	B-TC-11/60-0-1	11/60 BASIC COMPUTER (MP00409)	-				
	B-TC-BALL-P-1	BALL-P BOX AND POWER SUPPLY (MP00410)	-	10	A-PL-H9504-Y-0	TERM. STRIP LOBOY (H9504-Y)	M
	A-PL-11X60-0-2	SHIPPING LIST 11X60	E/M		B-DD-H9504-0	CABINET COVERS	M
2	B-DD-1160W-0	UNIT ASSY 1160W	E/M	11	A-PL-H9504-S-0	BLANK BEZEL	M
					B-DD-H9504-0	CABINET COVERS	M
3	A-PL-7011587-0-0	FRAME ASSY DOUBLE LOBOY	M	12	A-PL-H9504-U-0	BLANK BEZEL	M
	E-PS-1213092-0-0	TROUGH, CABLE	M		B-DD-H9504-0	CABINET COVERS	M
4	A-PL-H9504-D-0	PANEL END DOUBLE LOBOY (H9504)	M	13	A-PL-H9514-C-0	AIR DUCT FOR USE WITH CORP. CARD CAGE	M
	B-DD-H9504-0	CABINET COVERS	M				
5	A-PL-H9504-F-0	DOOR REAR R.H. LOBOY (H9504-F)	M	14	D-IA-7012838-0-0	AIR DUCT ASSY	M
	B-DD-H9504-0	CABINET COVERS	M		E-MD-7415894-0-0	AIR DUCT	M
				15	B-DD-1160K-0	UNIT ASSY 1160K	E/M
6	A-PL-H9504-J-0	DOOR REAR L.H. LOBOY (H9504-J)	M	16	B-DD-H775-0	BATTERY BACK-UP ASSY	E/M
	B-DD-H9504-0	CABINET COVERS	M				

TYPE: E ELECTRICAL  
M MECHANICAL  
E/M ELECTRO/MECHANICAL

digital

TITLE

UNIT ASSY 11X60

SHEET 3 OF 4

SIZE CODE  
B DD

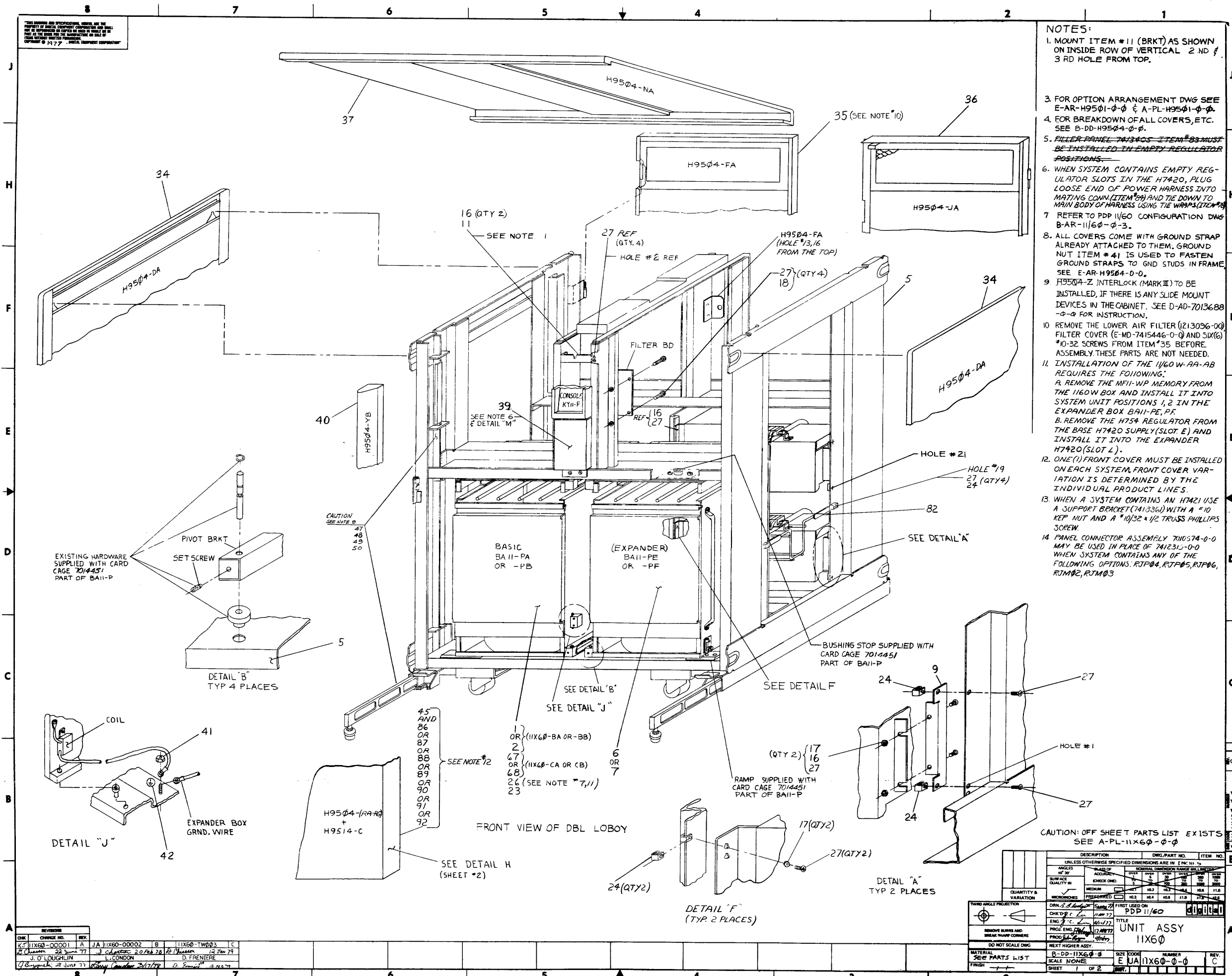
NUMBER  
11X60-0

REV  
C





THIS DRAWING AND SPECIFICATIONS, HEREIN, ARE THE PROPERTY OF GENERAL ELECTRIC COMPANY AND SHALL REMAIN AS THE SOLE PROPERTY OF SAID COMPANY IN WHOLE OR IN PART. NO REPRODUCTION OR TRANSMISSION OF THIS DRAWING WITHOUT THE WRITTEN PERMISSION OF GENERAL ELECTRIC COMPANY IS PERMITTED. © 1977, GENERAL ELECTRIC COMPANY

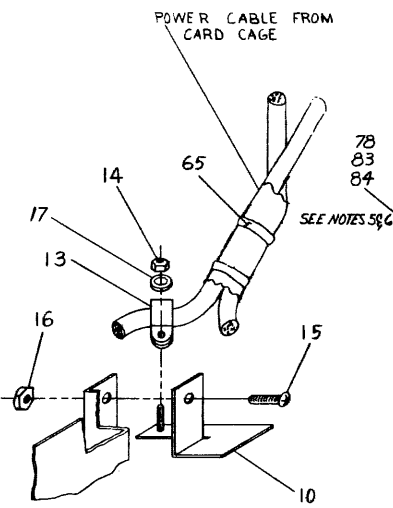
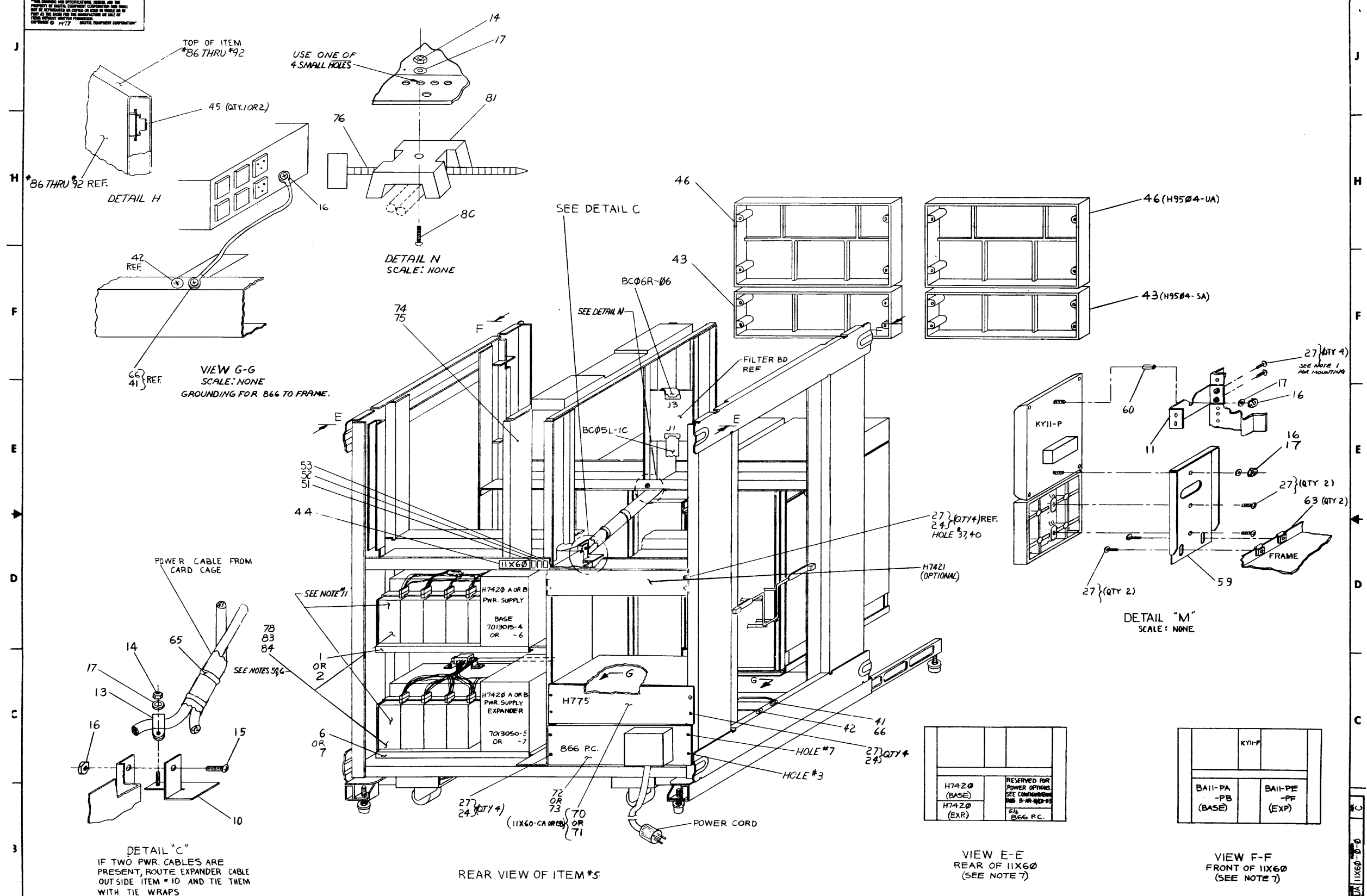


- NOTES:**
1. MOUNT ITEM #11 (BRKT) AS SHOWN ON INSIDE ROW OF VERTICAL 2 ND & 3 RD HOLE FROM TOP.
  3. FOR OPTION ARRANGEMENT DWG SEE E-AR-H9501-0-0 & A-PL-H9501-0-0.
  4. FOR BREAKDOWN OF ALL COVERS, ETC. SEE B-DD-H9504-0-0.
  5. FILLER PANEL 741340S ITEM #83 MUST BE INSTALLED IN EMPTY REGULATOR POSITIONS.
  6. WHEN SYSTEM CONTAINS EMPTY REGULATOR SLOTS IN THE H7420, PLUG LOOSE END OF POWER HARNESS INTO MATING CONN. (ITEM #89) AND TIE DOWN TO MAIN BODY OF HARNESS USING TIE WRAPS (ITEM #88).
  7. REFER TO PDP 11/60 CONFIGURATION DWG B-AR-11160-0-3.
  8. ALL COVERS COME WITH GROUND STRAP ALREADY ATTACHED TO THEM. GROUND NUT ITEM #41 IS USED TO FASTEN GROUND STRAPS TO GND STUDS IN FRAME. SEE E-AR-H9504-0-0.
  9. H9504-Z INTERLOCK (MARK III) TO BE INSTALLED, IF THERE IS ANY SLIDE MOUNT DEVICES IN THE CABINET. SEE D-AD-7013688-0-0 FOR INSTRUCTION.
  10. REMOVE THE LOWER AIR FILTER (213096-00) FILTER COVER (E-MD-7415446-0-0) AND SIX (6) #10-32 SCREWS FROM ITEM #35 BEFORE ASSEMBLY. THESE PARTS ARE NOT NEEDED.
  11. INSTALLATION OF THE 11/60 W-AA-AB REQUIRES THE FOLLOWING:
    - A. REMOVE THE MF11-WP MEMORY FROM THE 1160W BOX AND INSTALL IT INTO SYSTEM UNIT POSITIONS 1, 2 IN THE EXPANDER BOX BA11-PE, PF.
    - B. REMOVE THE H754 REGULATOR FROM THE BASE H7420 SUPPLY (SLOT E) AND INSTALL IT INTO THE EXPANDER H7420 (SLOT L).
  12. ONE (1) FRONT COVER MUST BE INSTALLED ON EACH SYSTEM. FRONT COVER VARIATION IS DETERMINED BY THE INDIVIDUAL PRODUCT LINES.
  13. WHEN A SYSTEM CONTAINS AN H7421 USE A SUPPORT BRACKET (7413361) WITH A #10 KEP NUT AND A #10/32 x 1/2 TRUSS PHILLIPS SCREW.
  14. PANEL CONNECTOR ASSEMBLY 7010574-0-0 MAY BE USED IN PLACE OF 741231-0-0 WHEN SYSTEM CONTAINS ANY OF THE FOLLOWING OPTIONS: RTP04, RTP05, RTP06, R1M02, R1M03.

REV.	CHG. NO.	DATE	BY	CHKD.	DESCRIPTION
1		12 JUN 79	J. O'LOUGHLIN		INITIAL DESIGN
2		20 FEB 78	D. FRENIERE		REVISED FOR PDP 11/60
3		21 JUL 77			REVISED FOR PDP 11/60

DESCRIPTION	DWG. PART NO.	ITEM NO.
UNIT ASSY	11X60	
SCALE	1:1	
SHEET	1 OF 2	

THIS DRAWING AND SPECIFICATIONS HEREBY ARE THE PROPERTY OF DIGITAL EQUIPMENT CORPORATION AND SHALL BE REPRODUCED OR COPIED IN WHOLE OR IN PART AS THE BASIS FOR THE MANUFACTURE OR SALE OF ANY EQUIPMENT WITHOUT PERMISSION. COPYRIGHT © 1977 DIGITAL EQUIPMENT CORPORATION



DETAIL "C"  
IF TWO PWR. CABLES ARE PRESENT, ROUTE EXPANDER CABLE OUTSIDE ITEM #10 AND TIE THEM WITH TIE WRAPS

VIEW G-G  
SCALE: NONE  
GROUNDING FOR 866 TO FRAME.

DETAIL N  
SCALE: NONE

DETAIL "M"  
SCALE: NONE

REAR VIEW OF ITEM #5

VIEW E-E  
REAR OF 11X6  
(SEE NOTE 7)

VIEW F-F  
FRONT OF 11X6  
(SEE NOTE 7)

H7420 (BASE)	RESERVED FOR POWER OPTIONS SEE CONSTRUCTION DSE B-AR-NEP-23
H7426 (EXP)	EA 866 P.C.

KY11-P	
B11-PA -PB (BASE)	B11-PE -PF (EXP)

REV.	DESCRIPTION	DATE	BY	CHKD.	APP'D.	QTY.	UNIT	ASSEMBLY	DESCRIPTION	QTY.	UNIT	ASSEMBLY
1	UNIT ASSY 11X6	11/16/60										

TITLE: UNIT ASSY 11X6  
 MATERIAL: B-DD-11X6-0  
 SCALE: E UA 11X6-0-0  
 SHEET: 2 OF 2

DIGITAL EQUIPMENT CORPORATION  
MAYNARD, MASSACHUSETTS

PARTS LIST

MADE BY *J.C. Lee* CHECKED *J.C. Lee* SECTION 1  
 DATE *4/11/77* DATE *4/11/77* ISSUED SECT. 1  
 ENG *J.C. Lee* PROD *4/11/77*  
 DATE *4/11/77* DATE *4/11/77*

ITEM NO.	DWG NO./PART NO.	DESCRIPTION	MAJOR COMPONENTS
x			
1	E-UA-116ØW-AA-Ø	UNIT ASSY (116ØW) (12ØV)	
2	E-UA-116ØW-AB-Ø	UNIT ASSY (116ØW) (24ØV)	
3	A-SP-11/6Ø-Ø-2	PDP11/6Ø COMPUTER SPECIFICATION	
x		CABINET STRUCTURE	
<del>4</del>	<del>E-AD-7012984-0-0</del>	<del>FRAME ASSY (DBL LOBOY) (12ØV)</del>	
5	A-PL-7011587-2-0	FRAME ASSY (DBL LOBOY)	
6	E-UA-BALL-PE-Ø	BALL-P EXPANDER BOX (12ØV)	
7	E-UA-BALL-PF-Ø	BALL-P EXPANDER BOX (24ØV)	
8	A-SP-BALL-P-2	BALL-P VOLTAGE CONVERSION PROCEDURE	
9	C-MD-7415640-0-0	BRACKET, POWER SUPPLY MTG	
10	C-IA-7417519-0-0	BRACKET, POWER CABLE	
11	C-MD-7419055-0-0	BRACKET, CONSOLE MTG.	
12	<del>A-AD-7009276-0-0</del>	<del>MTG. BRACKET KIT</del>	
13	9007091	CLAMP, CABLE	
14	9006563	NUT, KEPS #8-32	
15	9006073-03	SCR, PH TRUSS ID #10 - 32 x .50	
16	9006565	NUT, KEPS #10 - 32	
17	9006664	WASHER, FLAT .437 d. x .21 id. x .06 thk	

TITLE UNIT ASSY 11X6Ø  
 ASSY NO. E-UA-11X6Ø-Ø-Ø  
 SIZE A PL  
 SHEET 1 OF 5 DIST

DEC FORM DRA 110

QUANTITY VARIATION

REV	NUMBER	ECO NO.
C	11X6Ø-Ø-Ø	11X6Ø-00003

DIGITAL EQUIPMENT CORPORATION  
MAYNARD, MASSACHUSETTS

PARTS LIST

MADE BY *J.C. Lee* CHECKED *J.C. Lee* SECTION 1  
 DATE *4/11/77* DATE *4/11/77* ISSUED SECT. 1  
 ENG *J.C. Lee* PROD *4/11/77*  
 DATE *4/11/77* DATE *4/11/77*

ITEM NO.	DWG NO./PART NO.	DESCRIPTION	MAJOR COMPONENTS
18	9009789-01	INSERT, SNAP IN	
19	9009248-03	SCR, PH HD TRUSS #10 - 32 x .25	
20	9006635	WASHER, INT. TIGHT LOCK #10	
21	9006661	WASH, FL .437 o.d. x .187 id. x .03 thk	
22	9006056-1	SCR, PH HD PAN 1/4 - 20 x .50	
23	1213314	AIR DEFLECTOR	
24	9007786	RETAINER U NUT 10 - 32	
25	E-AR-H95Ø1-Ø-Ø	H95Ø1 OPTION ARRANGEMENT	
26	B-AR-11/6Ø-Ø-3	PDP11/6Ø CONFIGURATION DRAWING	
27	9009700-00	SEMS SCREW, PH HD TR, 10-32 x .50	
28	B-DD-H95Ø4-Ø	DRAWING DIRECTORY H95Ø4	
29		CABLES	
30	<del>D-UA-M92Ø2-Ø-Ø</del>	<del>CABLE, UNIBUS (JUMPER)</del>	
31	D-IA-7008360-1-0	CABLE ASSY (KL8-E)	
32	<del>D-UA-Bell-A-ØØ</del>	<del>CABLE ASSY (BellA)</del>	
x		CABINET EXTERIOR	
33			
34	A-PL-H95Ø4-DA-Ø	PANEL, END DOUBLE LOBOY (H95Ø4-DA)	
35	A-PL-H95Ø4-FA-Ø	DOOR, REAR R.H. LOBOY (H95Ø4-FA)	
36	A-PL-H95Ø4-JA-Ø	DOOR, REAR L.H. LOBOY (H95Ø4-JA)	

TITLE UNIT ASSY 11X6Ø  
 ASSY NO. E-UA-11X6Ø-Ø-Ø  
 SIZE A PL  
 SHEET 2 OF 5 DIST

DEC FORM DRA 110

QUANTITY VARIATION

REV	NUMBER	ECO NO.
C	11X6Ø-Ø-Ø	11X6Ø-00003

DIGITAL EQUIPMENT CORPORATION  
MAYNARD, MASSACHUSETTS  
PARTS LIST

MADE BY *J.C. Lee* CHECKED *J.C. Lee* SECTION  
DATE *4/12/77* DATE *4/12/77* ISSUED SECT. 1  
ENG *J.C. Lee* PROD *J.C. Lee* ISSUED SECT. 1  
DATE *4/12/77* DATE *4/12/77*

ITEM NO.	DWG NO./PART NO.	DESCRIPTION	SIZE	ASSY NO.	SIZE	CODE	NUMBER	REV	ECO NO.
37	A-PL-H9504-NA-0	COVER, TOP DOUBLE LOBOY (H9504-NA)	A	E-UA-11X60-0-0	A	PL	11X60-0-0	C	
<del>38</del>	<del>A-PL-H9504-RE-0</del>	<del>COVER, FRONT DOUBLE LOBOY (H9504-RE)</del>							
39	D-MD-7415771-07	FILLER PANEL 5-1/4							
40	A-PL-H9504-YB-0	TRIM STRIP LOBOY (H9504-YB)							
41	9008203-01	NUT, 1/4 - 20 GREEN							
42	3613272-00	DECAL, CHASSIS GND							
43	A-PL-H9504-SA-0	BLANK BEZEL (H9504-SA) 5 1/4							
44	3613210-00	LABEL, ADHESIVE BACKED ELEC. DATA							
45	A-PL-H9514-CA-0	AIR DUCT FOR USE/CORP CARD CAGE							
46	A-PL-H9504-UA-0	BLANK BEZEL (H9504-UA) 10 1/2							
47	A-PL-H9504-ZA-0	INTERLOCK KIT (MARK III) L.H.							
48	A-PL-H9504-ZB-0	INTERLOCK KIT (MARK III) R.H.							
49	A-PL-7013688-0-0	INTERLOCK KIT (MARK III)							
50	D-AD-7013688-0-0	INTERLOCK KIT (MARK III)							
51	A-DC-7416197-1-0	DECAL, UL							
52	3613211-01	DECAL, CSA							
53	A-DC-7409478-0-0	PATENT DECAL (PDPII)							
54									
55									
56									
57	7411632-00	STRESS CLAMP							
58	7411633-00	STRESS CLAMP							
TITLE	UNIT ASSY 11X60		A	E-UA-11X60-0-0	A	PL	11X60-0-0	C	
			SIZE	ASSY NO.	SIZE	CODE	NUMBER	REV	ECO NO.
				E-UA-11X60-0-0	A	PL	11X60-0-0	C	
			SHEET	3	OF	5	DIST		

DEC FORM  
DRA 110

DIGITAL EQUIPMENT CORPORATION  
MAYNARD, MASSACHUSETTS  
PARTS LIST

MADE BY *J.C. Lee* CHECKED *J.C. Lee* SECTION  
DATE *4-12-77* DATE *4-12-77* ISSUED SECT. 1  
ENG *J.C. Lee* PROD *J.C. Lee* ISSUED SECT. 1  
DATE *4-12-77* DATE *4-12-77*

ITEM NO.	DWG NO./PART NO.	DESCRIPTION	SIZE	ASSY NO.	SIZE	CODE	NUMBER	REV	ECO NO.
		CABINET STRUCTURE (CONT.)							
59	C-MD-7419056-0-0	PLATE, CONSOLE MTG.							
60	9009922-00	SPACE, 5/16 od x .194 id x 1/8 lg.							
<del>61</del>	<del>9006634-00</del>	<del>WASHER, #8 INTERNAL TOOTH LOCK</del>							
<del>62</del>	<del>9006039-03</del>	<del>SCR-PTH TRUSS HD 8 - 32 x 1/2</del>							
63	9009923-00	NUT-CLIP, FLOATING 8 - 32							
<del>64</del>	<del>9007730-00</del>	<del>TUBING, BLACK ZIPPER</del>							
65	9007032	CABLE, TIE							
66	C-IA-7415578-1-0	GROUND STRAP							
		MAJOR COMPONENTS (CONT.)							
67	E-UA-1160K-AA-0	UNIT ASSY (1160K) (120V)							
68	E-UA-1160K-AB-0	UNIT ASSY (1160K) (240V)							
69									
70	E-UA-H775-BA-0	BATTERY BACK-UP ASSY (120V)							
71	E-UA-H775-BB-0	BATTERY BACK-UP ASSY (240V)							
72	E-UA-866-D-0	POWER CONTROL 866-D (120V)							
73	E-UA-866-E-0	POWER CONTROL 866-E (240V)							
74	D-IA-7015908-0-0	CABLE ASSY							
75	D-AD-7015910-0-0	BOX, TRANSFORMER ASSY							
TITLE	UNIT ASSY 11X60		A	E-UA-11X60-0-0	A	PL	11X60-0-0	C	
			SIZE	ASSY NO.	SIZE	CODE	NUMBER	REV	ECO NO.
				E-UA-11X60-0-0	A	PL	11X60-0-0	C	
			SHEET	4	OF	5	DIST		

DEC FORM  
DRA 110

DIGITAL EQUIPMENT CORPORATION MAYNARD, MASSACHUSETTS <b>PARTS LIST</b>					QUANTITY VARIATION																
MADE BY Y.C. LEE		CHECKED Y.C. LEE		SECTION	11X6Ø-BA	11X6Ø-BB	11X6Ø-CA	11X6Ø-CB													
DATE 4-12-77		DATE 4-12-77		1																	
ENG Y.C. LEE		PROD JOHN ROGERS		ISSUED SECT.																	
DATE 4-12-77		DATE 4-12-77		1																	
ITEM NO.	DWG NO. / PART NO.	DESCRIPTION																			
		CABINET STRUCTURE (CONT)																			
76	9009617	CABLE TIE, 3/16W x 11"L			1	1	1	1													
77	7418361	SUPPORT BRACKET			A/R	A/R	A/R	A/R													
78	9007880	TIE WRAP			A/R	A/R	A/R	A/R													
79	7010574-Ø-Ø	PANEL CONNECTOR ASSY			A/R	A/R	A/R	A/R													
80	9006074-03	SCR, TRUSS HD 10-32 x .62			1	1	1	1													
81	9009911	CABLE TIE MOUNT			1	1	1	1													
82	1213092-01	TROUGH, CABLE			1	1	1	1													
<del>83</del>	<del>7413405</del>	<del>PANEL, FILLER, H7420 (SEE NOTES 5 &amp; 6 ON</del>			<del>A/R</del>	<del>A/R</del>	<del>A/R</del>	<del>A/R</del>													
84	1209340-00	MATE-N-LOK, 8 PIN, HSG ( <del>E-UA-11X6Ø-Ø-Ø</del> )			A/R	A/R	A/R	A/R													
85																					
		CABINET EXTERIOR (CONT)																			
86	A-PL-H95Ø4-RA-Ø	COVER, FRONT (LT GRAY)			A/R	A/R	A/R	A/R													
87	A-PL-H95Ø4-RB-Ø	COVER, FRONT (BLUE MULLEN)			A/R	A/R	A/R	A/R													
88	A-PL-H95Ø4-RC-Ø	COVER, FRONT (BL MULLEN W/SILK SCREEN)			A/R	A/R	A/R	A/R													
89	A-PL-H95Ø4-RD-Ø	COVER, FRONT (BL MULLEN W/SS, SYSTEM 48)			A/R	A/R	A/R	A/R													
90	A-PL-H95Ø4-RE-Ø	COVER, FRONT (PREFERRED RED)			A/R	A/R	A/R	A/R													
91	A-PL-H95Ø4-RF-Ø	COVER, FRONT (PREFERRED RED W/S.SCREEN)			A/R	A/R	A/R	A/R													
92	A-PL-H95Ø4-RG-Ø	COVER, FRONT (DARK GRAY)			A/R	A/R	A/R	A/R													
TITLE		ASSY NO.		SIZE	CODE		NUMBER		REF	ECO NO											
UNIT ASSY 11X6Ø		E-UA-11X6Ø-Ø-Ø		A	PL		11X6Ø-Ø-Ø		C												
		SHEET 5 OF 5		DIST																	

**DIGITAL EQUIPMENT CORPORATION  
MAYNARD, MASSACHUSETTS**

**PARTS LIST**

MADE BY *J. Buzynski* 12 May 77 DATE *J. Buzynski* 12 May 77 SECTION 1  
 ENG *J. Buzynski* 12 May 77 PROD *J. Buzynski* 12 May 77 ISSUED SECT. 1  
 DATE *J. Buzynski* 12 May 77 DATE *John & Riggs* 12 May 77

ITEM NO.	DWG NO./PART NO.	DESCRIPTION	11X60-BA	11X60-BB	11X60-CA	11X60-CB	QUANTITY VARIATION					
1	EK-11060-OP-***	Operator Installation Manual (11/60)	1	1	1	1						
2	EK-11060-TM-***	Basic Computer (11/60)	**	**	**	**						
3	EK-11060-PS-***	PDP 11/60 Cabinet and Power Supply	**	**	**	**						
4	MP00166	Print Set 11/60 SYSTEMS										
5	EK-MF11W-MM-***	MF11-W/WP Core Memory System Manual	**	**	-	-						
6	EK-MF11K-MM-***	MF11S-K MOS MEMORY MANUAL	-	-	**	**						
7	EK-M9301-MM-***	M9301 Maintenance Manual	**	**	**	**						
8	EK-DL11W-MM-***	DL11-W Maintenance Manual	**	**	**	**						
9	EK-LA36-MM-***	LA36 Maintenance Manual	**	**	**	**						
10	EA0649820	PDP 11/60 Handbook	1	1	1	1						
11	See Note #1	Diagnostic Programs	1	1	1	1						
12	<del>EA0649821</del>	<del>Cable Assy (21 pin) (D11-11)</del>	<del>1</del>	<del>1</del>	<del>1</del>	<del>1</del>						
13	1212315	5 Prong Twist Receptacle (NEMA L21-3ØR)	1	-	1	-						
14	1214033	5 Prong Twist Receptacle (NEMA L22-2ØR)	-	1	-	1						
15	MP00034	PRINT SET, MF11-W/WP	1	1	-	-						
16	MP000310	PRINT SET, MF11S-K	-	-	1	1						
17	MP000409	PRINT SET, 11/60 BASIC	1	1	1	1						
18	MP000410	PRINT SET, BAI-P BOX AND POWER SUPPLY	1	1	1	1						
	NOTES:	1. Diagnostics to be shipped on the media applicable to the particular system configuration.										
		*** Latest Revision.										
TITLE	SHIPPING LIST, 11X60											
ECO NO.	11X60-00002											
REV.	B											
NUMBER	11X60-0-2											
SIZE CODE	A P L											
DIST	1 1 OF 2											

DEC FORM 110  
ORA 110

**DIGITAL EQUIPMENT CORPORATION  
MAYNARD, MASSACHUSETTS**

**PARTS LIST**

MADE BY *J. Buzynski* 12 MAY 77 DATE *J. Buzynski* 12 MAY 77 SECTION 1  
 ENG *J. Buzynski* 12 MAY 77 PROD *J. Buzynski* 12 MAY 77 ISSUED SECT. 1  
 DATE *J. Buzynski* 12 MAY 77 DATE *J. Buzynski* 12 MAY 77

ITEM NO.	DWG NO. / PART NO.	DESCRIPTION	11X60-BA	11X60-BB	11X60-CA	11X60-CB	QUANTITY / VARIATION					
19	1213091-00	KEY FOR SPANNER HEAD STUD	1	1	1	1						
20	MAINDEC DOMCA-D	11/60 MICROCODE LISTING	REF	REF	REF	REF						
21	EP-KD11-K-WL--*	11/60 WIRE LIST (MICROFICHE)	REF	REF	REF	REF						
TITLE	SHIPPING LIST, 11X60											
ASSY NO.	NONE											
SIZE CODE	A P L											
DIST	1 2 OF 2											
NUMBER	11X60-0-2											
REV.	B											
ECO NO.	11X60-00002											

DEC FORM 16-(325)-1031 N670  
ORA 110

## CUSTOMER PRINT SET INDEX

THIS IS PRINT SET

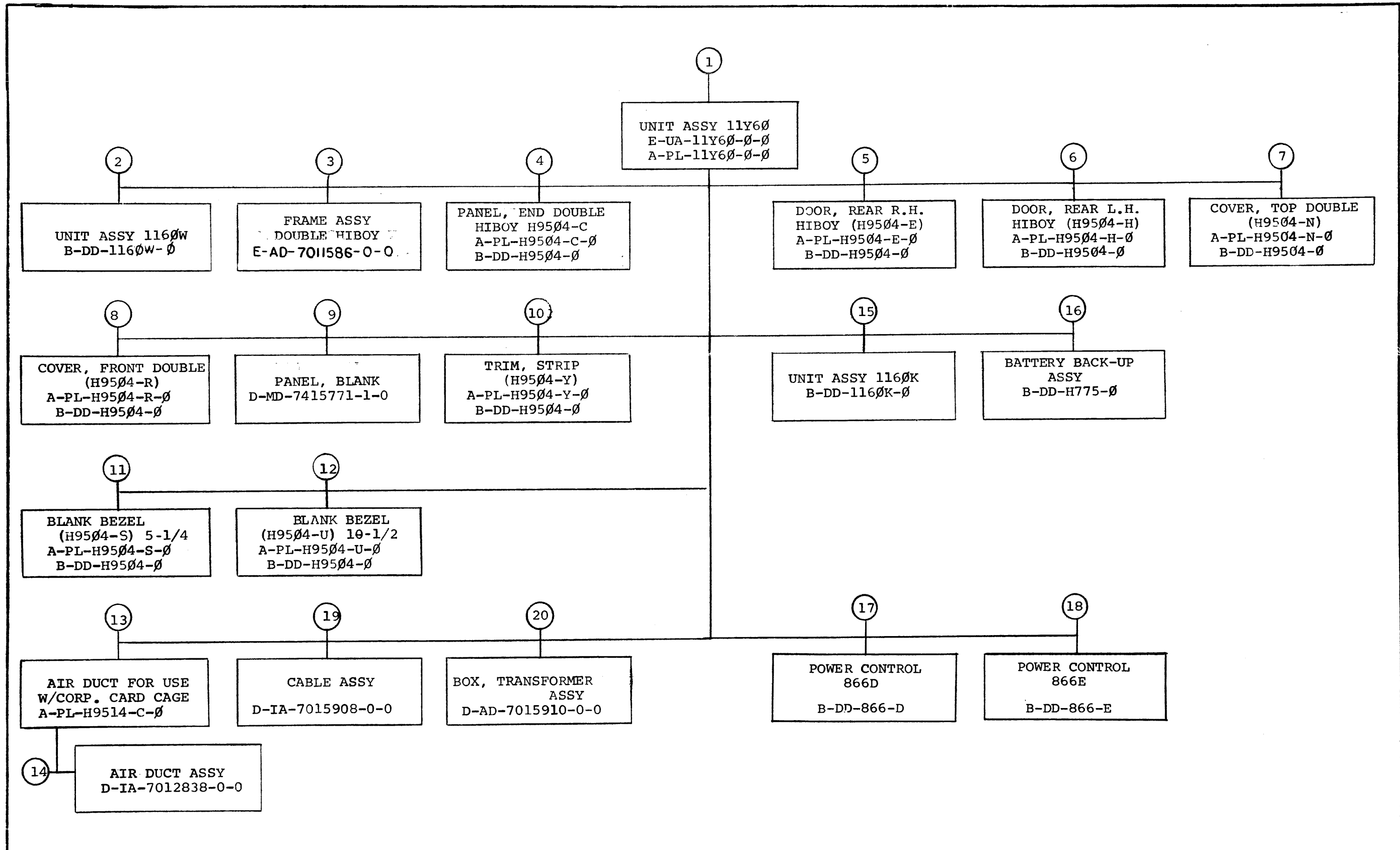
SEQUENCE  $\lrcorner$        $\lrcorner$       SEQUENCE  $\lrcorner$

UNIT VARIATIONS			PRINT SET
VAR	TITLE		
11Y60-BA	UNIT ASSY 11Y60 (120V)		
11Y60-BB	UNIT ASSY 11Y60 (240V)		
11Y60-CA	UNIT ASSY 11Y60 (120V MOS)		
11Y60-CB	UNIT ASSY 11Y60 (240V MOS)		

REVISIONS			USED ON OPTION/MODEL	DRAWN	DATE	TITLE		
DATE	CHG. NO.	REV		<i>B. Blodgett</i>	27 JUN 77	UNIT ASSY 11Y60		
17-78	11Y60-1	A		CHK'D.	DATE			
3-79	11Y60-2	B		<i>J. C. Lee</i>	30 JAN 77			
				PROJ ENG.	DATE			
				<i>John Duggan</i>	30 June 77			
				PROP.	DATE			
				<i>John Rogers</i>	29 JUL 77			
				FIELD SERV.	DATE			
				<i>Geo. Evanov</i>	29 Jul 77			
				SHEET 1 OF 3		SIZE B DD	NUMBER 11Y60-0	REV B
						DIST		

EN-01062-1A-16-R972-(325)

TW



TITLE	SIZE CODE	NUMBER	REV
UNIT ASSY 11Y60	B DD	11Y60-0	B
SHEET 2 OF 3			

TW



FIND NO.	DRAWING NO.	DESCRIPTION	TYPE	FIND NO.	DRAWING NO.	DESCRIPTION	TYPE
1	MP00166	11/60 SYSTEMS (PRINT SET ORDER NO.)	-	6	A-PL-H9504-H-0 B-DD-H9504-0	DOOR REAR L.H. HIROY (H9504-H) CABINET COVERS	M M
	B-TC-11/60-0-1	11/60 SYSTEMS FIELD MAINTENANCE PRINT SET	-	7	A-PL-H9504-N-0 B-DD-H9504-0	COVER, TOP DOUBLE LOBOY (H9504-N) CABINET COVERS	M M
	E-UA-11Y60-0-0	UNIT ASSY 11Y60	E/M	8	A-PL-H9504-R-0 B-DD-H9504-0	COVER, FRONT DOUBLE (H9504-R) CABINET COVERS	M M
	A-PL-11Y60-0-0	UNIT ASSY 11Y60 (PL)	E/M	9	D-MD-7415771-01	PANEL BLANK	M
	A-SP-11/60-0-2	PDP11/60 COMPUTER SPECIFICATION	E/M	10	A-PL-H9504-Y-0 B-DD-H9504-0	TRIM STRIP LOBOY (H9504-Y) CABINET COVERS	M M
	D-IA-7008360-0-0	CABLE ASSY (KL8-E)	E/M	11	A-PL-H9504-S-0 B-DD-H9504-0	BLANK BEZEL CABINET COVERS	M M
	A-SP-BALL-P-2	BALL-P VOLTAGE CONVERSION PROCEDURE	E	12	A-PL-H9504-U-0 B-DD-H9504-0	BLANK BEZEL CABINET COVERS	M M
	C-MD-7415640-0-0	BRACKET, POWER SUPPLY MTG.	M	13	A-PL-H9514-C-0	AIR DUCT FOR USE WITH CORP. CARD CAGE	M
	C-IA-7417519-0-0	BRACKET, POWER CABLE	M	14	D-IA-7012838-0-0 E-MD-7415894-0-0	AIR DUCT ASSY AIR DUCT	M M
	C-MD-7415774-0-0	BRACKET, VERTICAL PANEL MTG. DOUBLE	M	15	B-DD-1160K-0	UNIT ASSY 1160K	E/M
	E-AR-H9501-0-0	H9501 OPTION ARRANGEMENT	-	16	B-DD-H775-0	BATTERY, BACK-UP ASSY	E/M
	B-AR-11/60-0-3	PDP11/60 CONFIGURATION DRAWING	E/M	17	B-DD-866-D	POWER CONTROL 866D	E/M
	D-UA-M9202-0-0	CABLE, UNIBUS (JUMPER)	E/M	18	B-DD-866-E	POWER CONTROL 866E	E/M
	D-UA-BC11A-0-0	CABLE ASSY (BC11A)	E/M	19	D-IA-7015908-0-0	CABLE ASSY	E/M
	B-TC-11/60-0-1	11/60 BASIC PRINT SET (MP00409)	-	20	D-AD-7015910-0-0 D-IA-7421298-0-0 D-IA-7421299-0-0	BOX, TRANSFORMER ASSY ENCLOSURE, BASE ENCLOSURE, COVER	E/M M M
	B-TC-BALL-P-1	BALL-P BOX AND POWER SUPPLY PRINT SET (MP00410)	-				
	A-PL-11Y60-0-2	SHIPPING LIST 11Y60	E/M				
2	B-DD-1160W-0	UNIT ASSY 1160W	E/M				
3	E-AD-7011586-0-0 E-PS-1213092-0-0	FRAME ASSY DOUBLE HIROY TROUGH, CABLE	E/M M				
4	A-PL-H9504-C-0 B-DD-H9504-0	PANEL END DOUBLE HIROY (H9504) CABINET COVERS	M M				
5	A-PL-H9504-E-0 B-DD-H9504-0	DOOR REAR R.H. HIROY (H9504-E) CABINET COVERS	M M				

TYPE: E ELECTRICAL  
M MECHANICAL  
E/M ELECTRO/MECHANICAL

digital

TITLE

UNIT ASSY 11Y60

SHEET 3 OF 3

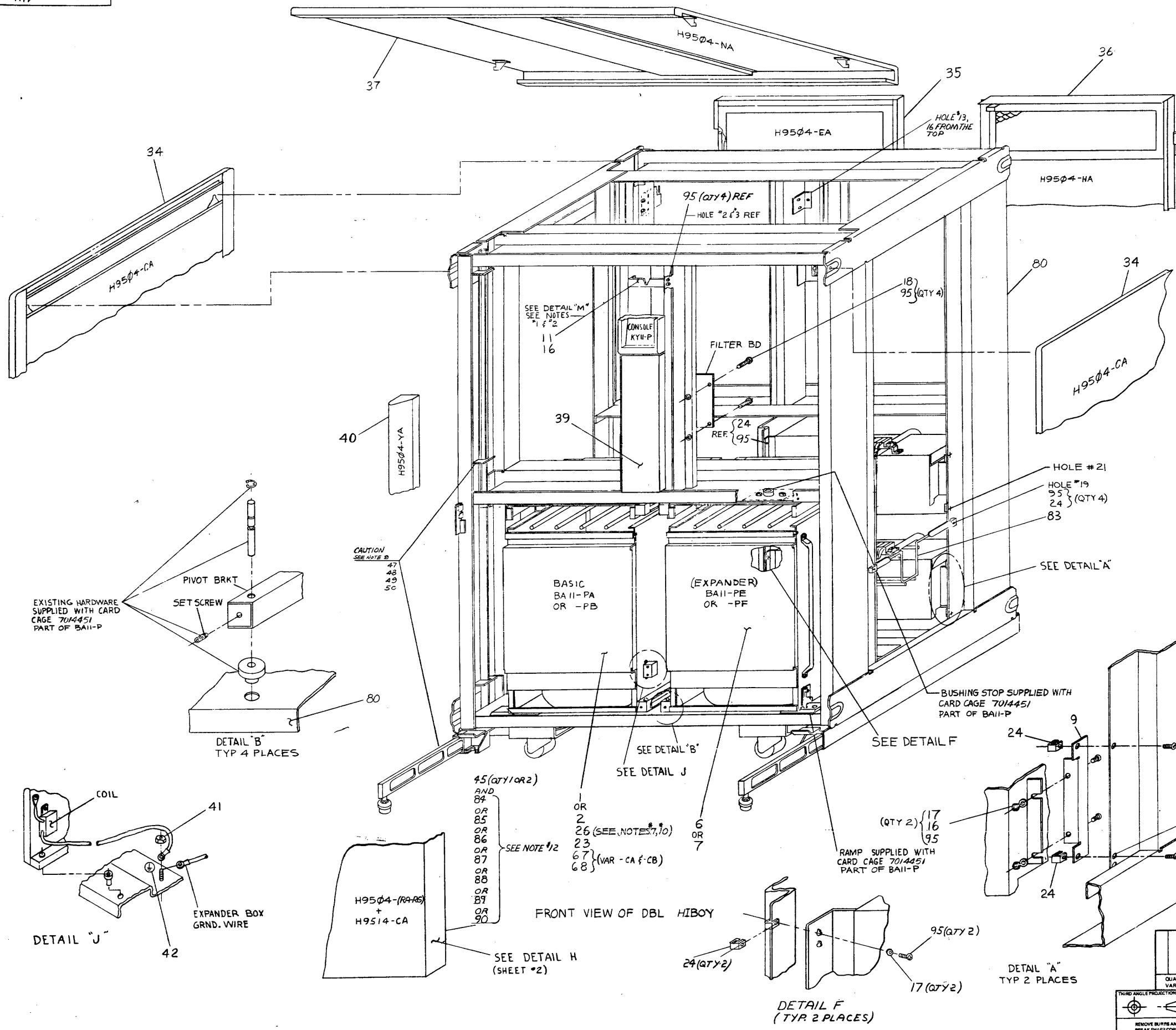
SIZE CODE  
B DD

NUMBER  
11Y60-0

REV  
B

THIS DRAWING AND SPECIFICATIONS, GENERAL AND THE  
 PARTS LIST, ARE THE PROPERTY OF THE  
 UNITED STATES GOVERNMENT. IT IS TO BE  
 REPRODUCED AND TRANSMITTED IN ANY FORM OR BY  
 ANY MEANS, ELECTRONIC OR MECHANICAL, INCLUDING  
 PHOTOCOPYING, RECORDING, OR BY ANY INFORMATION  
 STORAGE AND RETRIEVAL SYSTEM, WITHOUT PERMISSION  
 THEREOF BY THE GOVERNMENT COMPONENT.

J  
H  
F  
E  
D  
C  
B  
A



- NOTES:
1. MOUNT ITEM #11 (BRKT) AS SHOWN ON INSIDE ROW OF VERTICAL HOLES 2ND & 3RD HOLE FROM TOP & 16 HOLE FROM THE TOP USING ITEM NO. 95 (QTY 4).
  2. MOUNT CONSOLE (KYU-P) TO ITEM #11 USING ITEM #16 (NUT).
  3. FOR OPTION ARRANGEMENT DWG SEE E-AR-H9501-0-0 & A-PL-H9501-0-0.
  4. FOR BREAKDOWN OF ALL COVERS, ETC. SEE B-DD-H9504-0-0.
  - 5.
  - 6.
  7. REFER TO PDP 11/60 CONFIGURATION DWG B-AR-11/60-0-3.
  8. ALL COVERS COME WITH GROUND STRAP ALREADY ATTACHED TO THEM. GROUND NUT ITEM #41 IS USED TO FASTEN GROUND STRAPS TO 6ND STUDS IN FRAME SEE E-AR-H9504-0-0.
  9. H9504-Z INTERLOCK (MARKED) TO BE INSTALLED IF THERE IS ANY SLIDE MOUNT DEVICES IN THE CABINET. SEE AD-7013688-0-0 FOR INSTRUCTION.
  10. INSTALLATION OF THE 1160W-RA, AB REQUIRES THE FOLLOWING:
    - A. REMOVE THE MF11-WP MEMORY FROM THE 1160W BOX AND INSTALL IT INTO SYSTEM UNIT POSITIONS 1,2 IN THE EXPANDER BOX BAII-PE, -PF.
    - B. REMOVE THE H754 REGULATOR FROM THE BASE H7420 SUPPLY (SLOT E) AND INSTALL IT IN THE EXPANDER H7420 (SLOT L).
  11. FILTER PANEL 7413403 ITEM #81 MUST BE INSTALLED IN EMPTY REGULATOR POSITIONS.
  12. ONE (1) FRONT COVER MUST BE INSTALLED ON EACH SYSTEM. FRONT COVER VARIATION IS DETERMINED BY THE INDIVIDUAL PRODUCT LINES.
  13. WHEN THE SYSTEM CONTAINS EMPTY REGULATOR SLOTS IN THE H7420 PLUG THE LOOSE END OF THE POWER HARNESS INTO A MATING CONN. (ITEM #82) AND TIE IT DOWN TO THE MAIN BODY OF THE HARNESS USING A TIE WRAP (ITEM #76).
  14. WHEN A SYSTEM CONTAINS AN H7421, USE A SUPPORT BRACKET (7418361) WITH A #10 KEP NUT AND A #10-32x1/2 TRUSS HD. PHILLIPS SCREW.
  15. THE PANEL CONNECTOR ASSY (7010574-0-0) MAY BE USED IN PLACE OF (7412319-0-0) WHEN THE SYSTEM CONTAINS ANY OF THE FOLLOWING OPTIONS: RJF#4, RJF#5, RJF#6, RJM#2 OR RJM#3.

EXISTING HARDWARE SUPPLIED WITH CARD CAGE 7014451 PART OF BAII-P

CAUTION SEE NOTE B

DETAIL B TYP 4 PLACES

DETAIL J

FRONT VIEW OF DBL HI BOY

DETAIL F (TYP 2 PLACES)

DETAIL A TYP 2 PLACES

CAUTION: OFF SHEET PARTS LIST EXISTS SEE A-PL-11/60-0-0

- 45 (QTY 1 OR 2)  
 AND  
 84  
 OR  
 85  
 OR  
 86  
 OR  
 87  
 OR  
 88  
 OR  
 89  
 OR  
 90

SEE NOTE #12

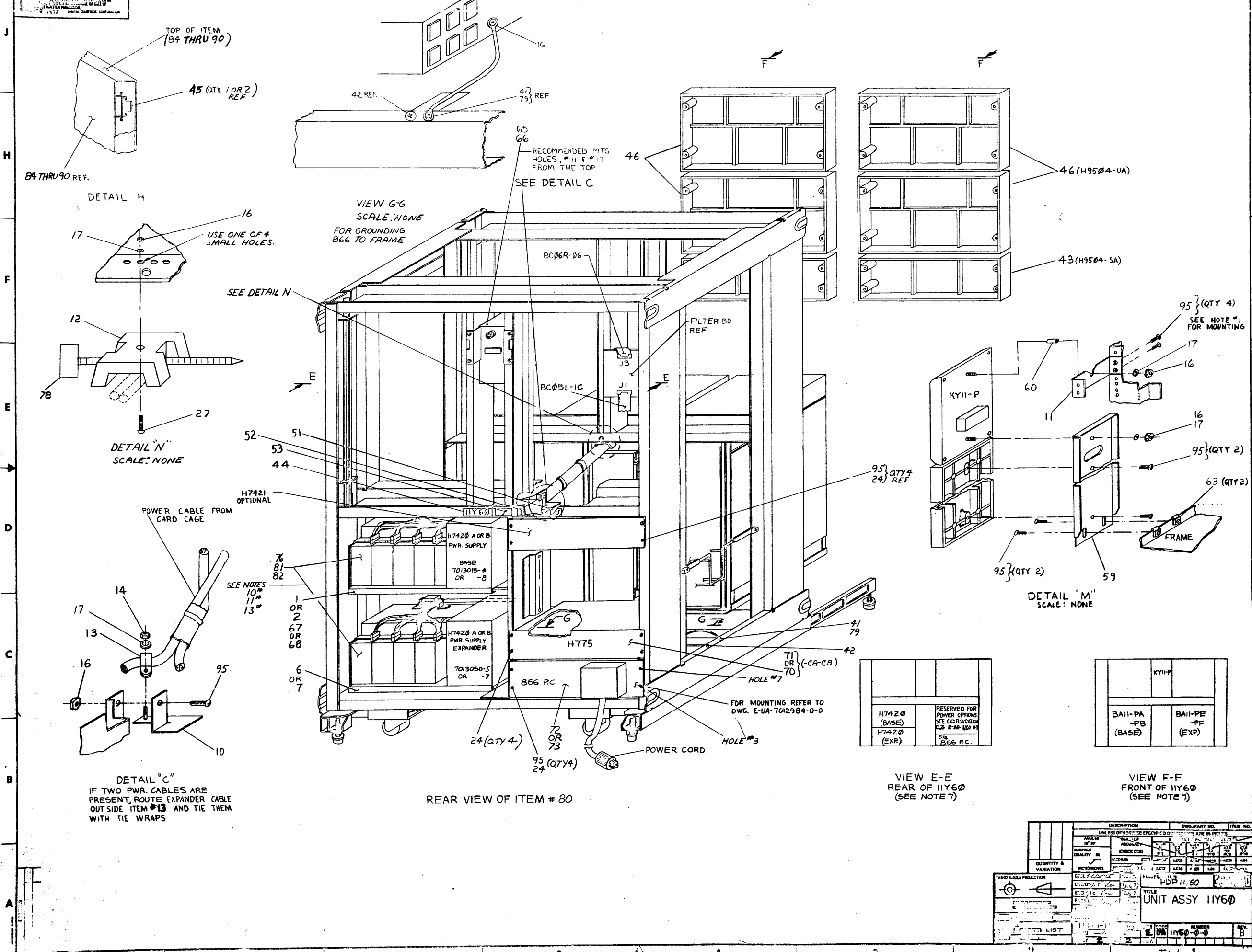
- 1 OR  
 26 (SEE NOTES #7, 10)  
 23  
 67 (VAR - CA & CB)  
 68

- (QTY 2) {  
 17  
 16  
 95

RAMP SUPPLIED WITH CARD CAGE 7014451 PART OF BAII-P

DESCRIPTION	DWG. PART NO.	ITEM NO.
UNLESS OTHERWISE SPECIFIED DIMENSIONS ARE IN INCHES		
ANGLES		
NO. OF SURFACE		
QUALITY		
QUANTITY & VARIATION		
MICROINCHES		
THIRD ANGLE PROJECTION		
DRN		
CHKD		
ENG		
PROJ. ENG.		
DESIGN		
CD NOT SCALE DWG		
SCALE		
SHEET		
TITLE	PDP 11/60	
TITLE	UNIT ASSY	
TITLE	11Y60	
SIZE CODE	E-JA	11Y60-0-0
NUMBER		
REV.		

J  
H  
F  
E  
D  
C  
B  
A



DESCRIPTION	QTY	UNIT NO.
UNLESS OTHERWISE SPECIFIED: ALL DIMENSIONS ARE IN INCHES		
ANGLE		
FINISH		
QUALITY		
QUANTITY & VARIATION		
THIRD ANGLE PROJECTION		
DATE		
DESIGNED BY		
ENGINEER		
CHECKED BY		
APPROVED BY		
TITLE	UNIT ASSY 11Y60	
NUMBER	E-08 11Y60-0-0	
REV.	B	

TW 1



**DIGITAL EQUIPMENT CORPORATION**  
MAYNARD, MASSACHUSETTS.

**PARTS LIST**

MADE BY	LARRY CONDON	CHECKED	LARRY CONDON	SECTION
DATE	11/10/77	DATE	11/10/77	
ENG	LARRY CONDON	PROD	LARRY CONDON	ISSUED SECT.
DATE	11/10/77	DATE	11/10/77	

ITEM NO.	DWG NO. / PART NO.	DESCRIPTION	QUANTITY / VARIATION
74			11Y60-BA
75			11Y60-BB
			11Y60-CA
			11Y60-CB
X		CABINET STRUCTURE (CONT)	
76	9007880	TIE WRAP	A/RA/RA/RA/R
77			
78	9009617	CABLE TIE, 3/16W x 11"L	1 1 1 1
79	C-IA-7415578-1-0	GROUND STRAP	1 1 1 1
80	E-AD-7011586-0-0	FRAME ASSEMBLY (DBL HIBOY)	1 1 1 1
<del>81</del>	<del>7413465</del>	<del>PANEL, FIBER #7420 SEE NOTES 11 &amp; 13</del>	<del>A/RA/RA/RA/R</del>
82	1209340-00	MATE-N-LOCK, 8-PIN HSG. ON E-UA-11Y60-0-0	A/RA/RA/RA/R
83	1213092-01	TROUGH, CABLE	1 1 1 1
		CABINET EXTERIOR (CONT)	
84	A-PL-H9504-RA-0	COVER, FRONT (LT GRAY)	A/RA/RA/RA/R
85	A-PL-H9504-RB-0	COVER, FRONT (BLUE MULLEN)	A/RA/RA/RA/R
86	A-PL-H9504-RC-0	COVER, FRONT (BLUE MULLEN W/SILK SCREEN)	A/RA/RA/RA/R
87	A-PL-H9504-RD-0	COVER, FRONT (BL MULLEN W/S.SCREEN 48SYS)	A/RA/RA/RA/R
88	A-PL-H9504-RE-0	COVER, FRONT (PREFERRED RED)	A/RA/RA/RA/R
89	A-PL-H9504-RF-0	COVER, FRONT (PREFERRED RED W/S.SCREEN)	A/RA/RA/RA/R
90	A-PL-H9504-RG-0	COVER, FRONT (DARK GRAY)	A/RA/RA/RA/R

TITLE	UNIT ASSY 11Y60	SIZE CODE	A PL	NUMBER	11Y60-0-0	R	V	ECONO	B
ASSY NO.	E-UA-11Y60-0-0	SIZE CODE	A PL	NUMBER	11Y60-0-0	R	V	ECONO	B
SHEET	5	OF	6	DIST.					

DEC FORM DEC 16 (325) 1031 N870  
DRA 110

TW

**DIGITAL EQUIPMENT CORPORATION**  
MAYNARD, MASSACHUSETTS.

**PARTS LIST**

MADE BY	LARRY CONDON	CHECKED	LARRY CONDON	SECTION
DATE	12/12/77	DATE	12/12/77	
ENG	LARRY CONDON	PROD	LARRY CONDON	ISSUED SECT.
DATE	12/12/77	DATE	12/12/77	

ITEM NO.	DWG NO. / PART NO.	DESCRIPTION	QUANTITY / VARIATION
91			11Y60-BA
92			11Y60-BB
93			11Y60-CA
94			11Y60-CB
		CABINET STRUCTURE (CONT)	
95	9009700-00	SEMS SCREW, PH TR HD, 10-32 x .50	32 32 28 28
96			
97			
98			
99			
100			

TITLE	UNIT ASSY 11Y60	SIZE CODE	A PL	NUMBER	11Y60-0-0	R	V	ECONO	B
ASSY NO.	E-UA-11Y60-0-0	SIZE CODE	A PL	NUMBER	11Y60-0-0	R	V	ECONO	B
SHEET	6	OF	6	DIST.					

DEC FORM DEC 16 (325) 1031 N870  
DRA 110



## CUSTOMER PRINT SET INDEX

THIS IS PRINT SET 

--	--	--

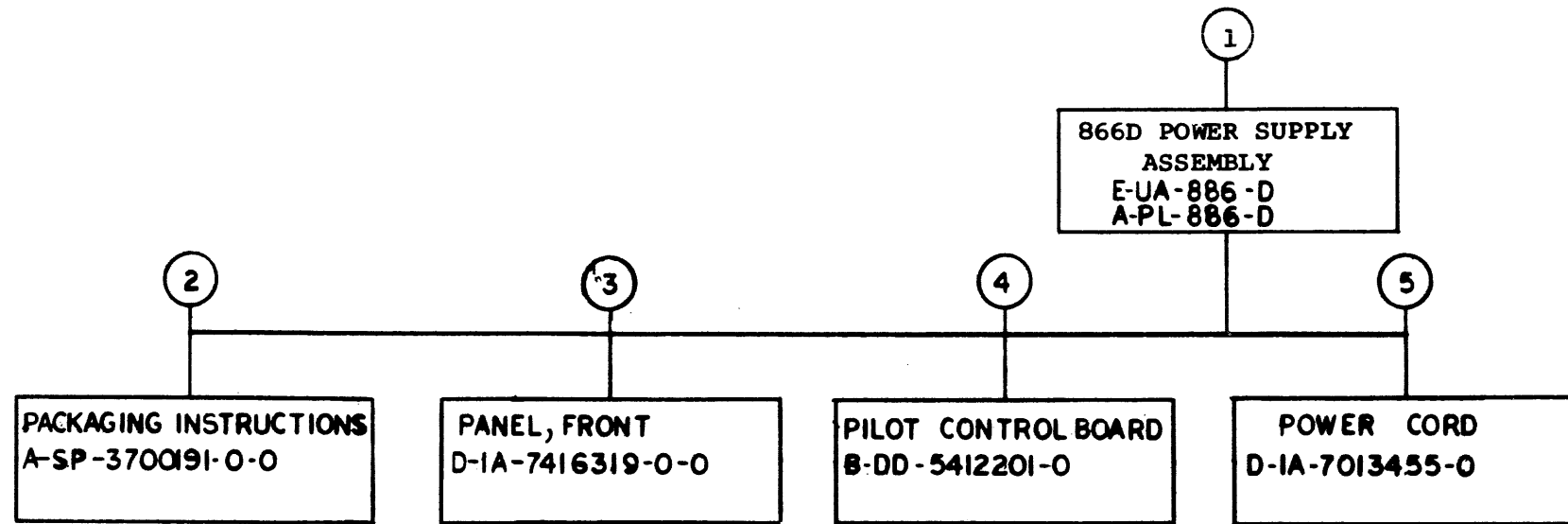
SEQUENCE	SEQUENCE
866D DRAWING DIRECTORY	B-DD-866-D
866D POWER CONTROL ASSY.	E-UA-866-D
866D POWER CONTROL P.L.	A-PL-866-D
PILOT CONTROL BOARD	B-DD-5412201-0
PACKAGING INSTRUCTIONS	A-SP-3700191-0-0

UNIT VARIATIONS		PRINT SET	
VAR	TITLE		
866-D	866-D POWER CONTROL		

REVISIONS	
DATE	CHG. NO.
3-77	866D-1
8-77	866D-3
	A
	B

USED ON OPTION/MODEL		DRN. R.E. Miller	DATE 7-15-76	TITLE POWER SUPPLY ASSEMBLY 866-D		
		CHK'D. R.E. Miller	DATE 7-28-76			
		PROJ ENG. <i>DM</i>	DATE 12/10/76	SIZE	CODE	NUMBER
		PROD. <i>Rab</i>	DATE 12/10/76	B	DD	866-D
		FIELD SERV. <i>James H. G.</i>	DATE	DIST		
SHEET 1 OF 3						

EN-01062-1A-16-R872-1328



TITLE POWER SUPPLY ASSY 866-D	SHEET 2 OF 3	SIZE CODE B DD	NUMBER 866-D	REV B
----------------------------------	--------------	-------------------	-----------------	----------



FIND NO.	DRAWING NO.	DESCRIPTION	TYPE	FIND NO.	DRAWING NO.	DESCRIPTION	TYPE
	B-DD-866-D	866-D POWER SUPPLY ASSEMBLY					
1	E-UA-866-D-0	866-D POWER SUPPLY ASSEMBLY	E/M				
	A-PL-866-D-0	866-D POWER SUPPLY ASSEMBLY	E/M				
	E-IA-7416321-0-0	CHASSIS	M				
	<del>D-IA-7416319-0-0</del>	<del>PANEL, FRONT</del>					
	D-MD-7416322-0-0	COVER, TOP	M				
	C-IA-7416870-0-1	CHANNEL, STRAIN RELIEF	M				
	C-MD-7416871-0-0	COVER, STRAIN RELIEF	M				
	D-CS-866-D-1	POWER CONTROL SCHEMATIC 866D	E				
	A-WL-7012937-0-0	WIRE RUN LIST	E/M				
	A-DC-3610267-00	DECAL, HIGH VOLTAGE	M				
	A-DC-3612063-00	DECAL UL	M				
	A-DC-3612680-00	DECAL, GROUND	M				
	A-DC-7416582-1-1	DECAL, NOT FOR EXTERNAL LOADS	M				
	C-DC-7416754-0-0	DECAL	M				
	<del>D-IA-5412201-0-0</del>	<del>PILOT CONTROL BOARD ASSY</del>					
	A-SP-866-D-2	TEST PROCEDURE 866D	E				
	A-SP-861-0-3	ENGINEERING SPEC 861/866	M				
2	A-SP-3700191-0-0	PACKAGING INSTRUCTIONS (INTER PLANT)	M				
	A-PS-9905726-0-0	FULL OVERLAP CARTON	M				
	A-PS-9905727-0-0	LAMINATED BUILDUP	M				
	A-PS-9905729-0-0	TAPE - GLASFLEX	M				
	A-SP-3700191-2-0	PACKING INSTRUCTIONS (CUSTOMER)	M				
	<del>D-IA-7013455-0</del>	<del>POWER CORD</del>					
3	D-IA-7416319-0-0	PANEL, FRONT	M				
	B-SS-7416319-0-1	PANEL, FRONT, SILKSCREEN 866-D	M				
4	B-DD-5412201-0	PILOT CONTROL BOARD	E/M				
5	D-IA-7013455-0	POWER CORD	E/M				
	A-WL-7012937-0	GENERAL WIRING SHEET	E				

TYPE: E ELECTRICAL  
M MECHANICAL  
E/M ELECTRO/MECHANICAL



TITLE  
POWER SUPPLY ASSY 866D

SHEET<sup>3</sup> OF 3

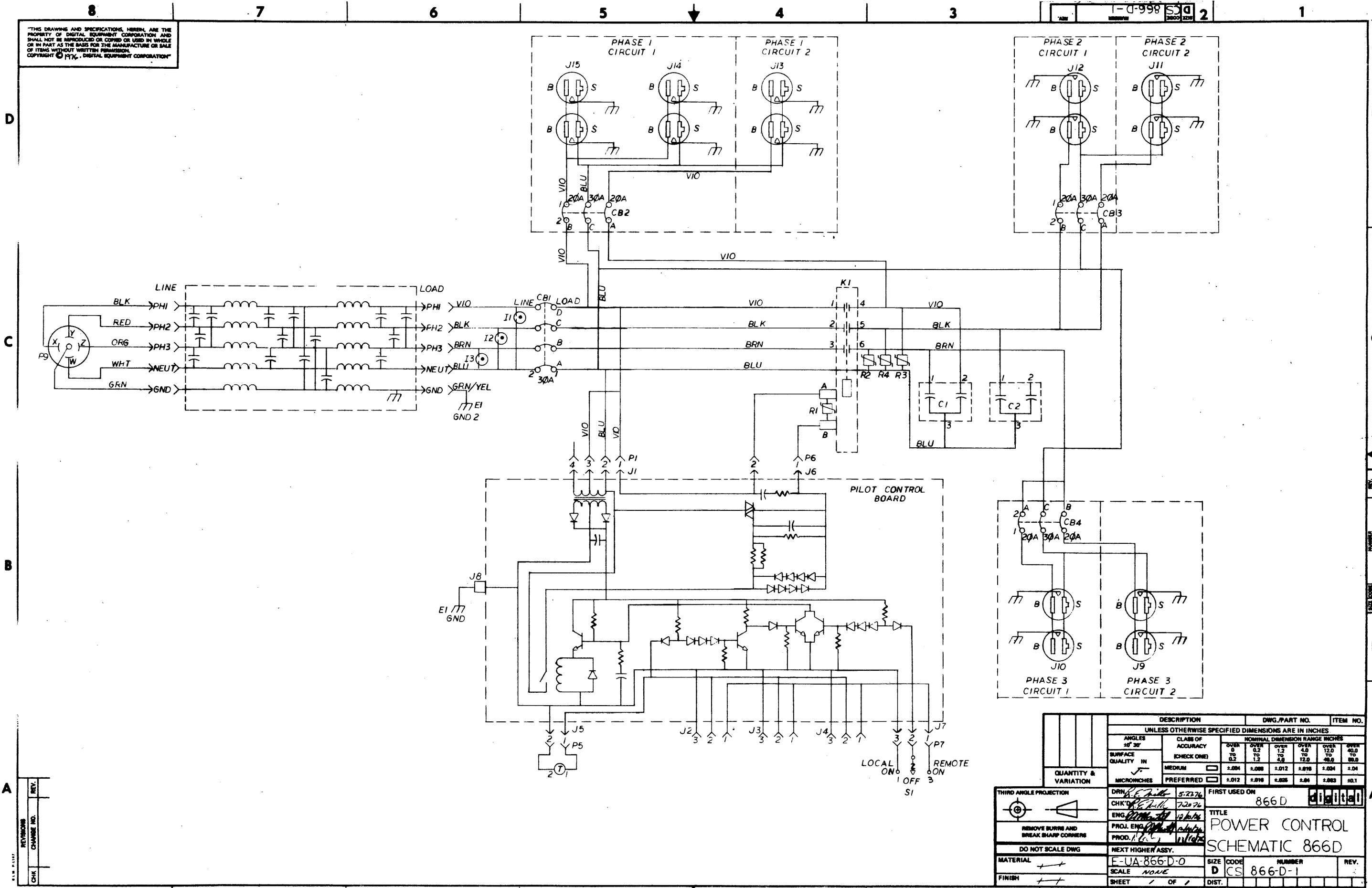
SIZE CODE  
B DD

NUMBER  
866-D

REV  
B

EN-01062-2C-16-R376-(1325)

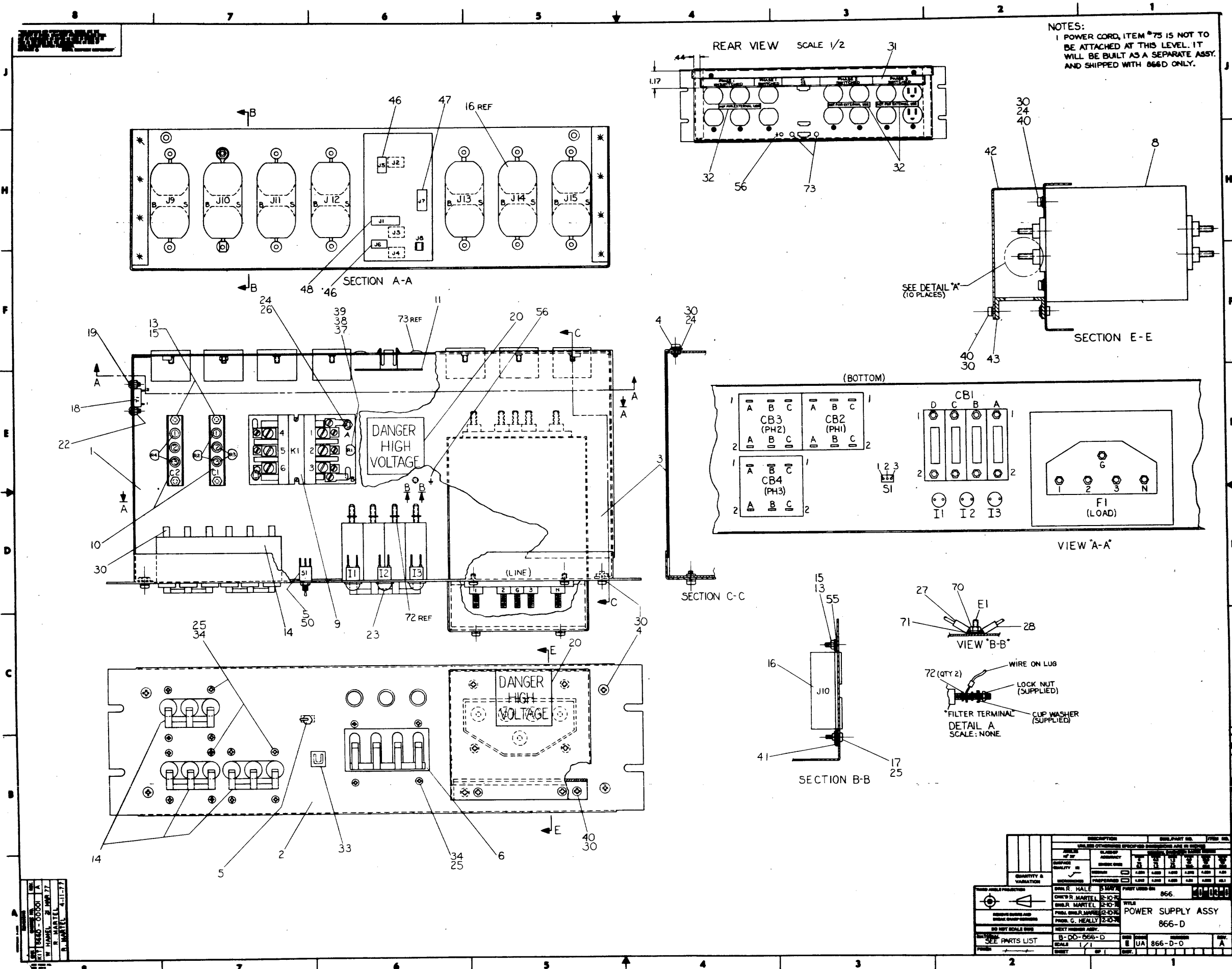
THIS DRAWING AND SPECIFICATIONS, HEREIN, ARE THE PROPERTY OF DIGITAL EQUIPMENT CORPORATION AND SHALL NOT BE REPRODUCED OR COPIED OR USED IN WHOLE OR IN PART AS THE BASIS FOR THE MANUFACTURE OR SALE OF ITEMS WITHOUT WRITTEN PERMISSION. COPYRIGHT © 1974, DIGITAL EQUIPMENT CORPORATION.



REV.	
CHG.	
CHK.	
REV.	

THIRD ANGLE PROJECTION		DRN. <i>R. E. Hill</i> 5-22-76		FIRST USED ON 866D	
REMOVE BURRS AND BREAK SHARP CORNERS		CHK'D <i>R. E. Hill</i> 7-25-76		TITLE POWER CONTROL SCHEMATIC 866D	
DO NOT SCALE DWG		PROJ. ENG. <i>R. E. Hill</i> 10-16-76		SIZE CODE NUMBER	
MATERIAL		NEXT HIGHER ASSY.		SCALE NONE	
FINISH		E-UA-866-D-0		SHEET 1 OF 1	
QUANTITY & VARIATION		MICRONICHES PREFERRED		DIST.	
CLASS OF ACCURACY (CHECK ONE)		NOMINAL DIMENSION RANGE IN INCHES		REV.	
SURFACE QUALITY IN		OVER 0 TO 0.2		D CS 866-D-1	
MEDIUM		OVER 0.2 TO 0.5			
PREFERRED		OVER 0.5 TO 1.2			
		OVER 1.2 TO 4.0			
		OVER 4.0 TO 12.0			
		OVER 12.0 TO 48.0			
		OVER 48.0 TO 96.0			

REV. 1  
D CS 866-D-1



REV	DATE	BY	CHKD
1	11-17-71	R. MARTEL	
2	1-11-72	R. MARTEL	

REV	DATE	BY	CHKD	DESCRIPTION	QUANTITY	UNIT	REVISION
1	11-17-71	R. MARTEL		POWER SUPPLY ASSY	1	EA	
2	1-11-72	R. MARTEL		POWER SUPPLY ASSY	1	EA	

DIGITAL EQUIPMENT CORPORATION  
MAYNARD, MASSACHUSETTS

PARTS LIST

MADE BY R.E. Miller  
DATE 24 JUN 76  
ENG R. E. Miller  
DATE 12/10/76

CHECKED DATE 1/20/76  
SECTION ISSUED SECT.

ITEM NO.	DWG NO. / PART NO.	DESCRIPTION	QUANTITY	VARIATION
1	E-IA-7416321-0-0	CHASSIS	1	
2	D-IA-7416319-0-0	PANEL, FRONT	1	
3	D-MD-7416322-0-0	COVER, TOP	1	
4	9006037-1	8-32 X .375 PAN HD SCREW	6	
5	1211180-00	TOGGLE SWITCH	1	S1
6	1211037-02	CIRCUIT BREAKER	1	CB1
7	A-WL-7012937-0-0	WIRE RUN LIST	REF	
8	1213287-00	FILTER, LINE	1	F1
9	1212266-01	CONTACTOR	1	K1
10	1000034	CAPACITORS	2	C1 C2
11	5412201-00	PCB ASSY	1	
<del>12</del>	<del>9006038-00</del>	<del>SPACER #6-32 X .50 LG</del>	<del>2</del>	
13	9006658-00	.144 ID X .375 OD X .062 FLAT WASHER	13	
14	1211196-02	CIRCUIT BREAKER	3	CB2 CB3 CB4
15	9008185-00	6-32 KEP NUTS	11	
16	1212265	DUPLEX RECEPTACLE	7	J9 J10 J11 J12 J13 J14 J15
17	9006023-1	6-32X.437 PAN HD SCREW	7	
18	1211158	THERMOSTAT FIXED TEMPERATURE	1	T1
19	9006010-1	4-40 X .312 PAN HD SCREW	2	
20	A-DC-3610267-00	DECAL, HIGH VOLTAGE	2	
21	9009695-00	TERMINAL SPADE TONGUE	14	
22	9006557-00	4-40 KEP NUT	2	

TITLE POWER SUPPLY ASSY 866-D  
ASSY NO. E-UA-866-D-0  
SIZE CODE A PL  
SHEET 1 OF 4  
NUMBER 866-D-0  
REV. A  
ECO NO. 866D  
00001

DEC FORM DEC 16-(325)-1031-N870  
DRA 110

DIGITAL EQUIPMENT CORPORATION  
MAYNARD, MASSACHUSETTS

PARTS LIST

MADE BY R.E. Miller  
DATE 24 JUN 76  
ENG R. E. Miller  
DATE 12/10/76

CHECKED DATE 1/20/76  
SECTION ISSUED SECT.

ITEM NO.	DWG NO. / PART NO.	DESCRIPTION	QUANTITY	VARIATION
23	1205303	PILOT LAMP	3	I1 I2 I3
24	9006660-00	.187 ID X .375 OD X .036 FLAT WASHER	8	
25	9007801-00	#6 SPLIT LOCK WASHER	25	
26	9006563-00	8-32 KEP NUTS	2	
27	9007928-00	TERMINAL RINGS	25	
28	9007926-01	TERMINAL RINGS	19	
29	9007969-00	TERMINAL QUICK DISCONNECT	8	
30	9006690-00	#8 SPLIT LOCK WASHER	32	
31	C-DC-7416754-00	DECAL, PHASE 1,2,3 WHITE ON BLACK	1	
32	A-DC-7416582-1-1	DECAL, NOT FOR EXT LOAD, BLACK ON CLEAR	3	
33	A-DC-3612063-00	DECAL, UL	1	
34	9006020-01	6-32 X .25 PAN HD SCREW	18	
<del>35</del>	<del>9006038-00</del>	<del>6-32 X .50 LG HEX SPACER</del>	<del>2</del>	
36	9007930-00	TERMINAL RING	8	
37	1311996-00	MOV VARISTOR 150 VAC	4	R1 R2 R3 R4
38	9107278-11	TUBING TEE THIN WALL	A	
39	9007970-00	TERMINAL QUICK DISCONNECT	6	
40	9006036-01	8-32 X .31 PAN HD SCREW	8	
41	9007300-00	6-32 CLIP ON SELF LOCKING	7	
42	C-MD-7416871-0-0	COVER, STRAIN RELIEF	1	
43	C-IA-7416870-01	CHANNEL, STRAIN RELIEF	1	
44	9007920 00	TERMINAL, QUICK CONNECT	1	

TITLE POWER SUPPLY ASSY 866-D  
ASSY NO. E-UA-866-D-0  
SIZE CODE A PL  
SHEET 2 OF 4  
NUMBER 866-D-0  
REV. A  
ECO NO.

DEC FORM DEC 16-(325)-1031-N870  
DRA 110

DIGITAL EQUIPMENT CORPORATION  
MAYNARD, MASSACHUSETTS

PARTS LIST

MADE BY R.E. Miller  
DATE 24 JUN 76  
ENG  
DATE

CHECKED  
DATE  
PROD  
DATE

SECTION  
ISSUED SECT.

ITEM NO.	DWG NO. / PART NO.	DESCRIPTION	QUANTITY	VARIATION
<del>45</del>	<del>9009389-01</del>	<del>NET STRAIN RELIEF</del>		
46	1212167-02	CONNECTOR PLUG (UNIVERSAL)	P5 P6	
47	1212167-00	CONNECTOR PLUG (UNIVERSAL)	P1	
48	1212167-01	CONNECTOR PLUG (UNIVERSAL)	P7	
49	1212170-00	SOCKET	10	
50	9007714-0D	SHRINK TUBING	A/R	
<del>51</del>	<del>1700978-00</del>	<del>POWER CORD AWG 10 5 WIRE</del>	<del>15</del>	
<del>52</del>	<del>1717314</del>	<del>TWIST LOCK PLUG</del>	<del>P9</del>	
<del>53</del>	<del>1212437</del>	<del>SOCKET</del>	<del>3</del>	
54	9007032-00	TIE WRAPS	A/R	
55	9007649	#6 STAR WASHER	7	
56	3612680-0-0	DECAL, GROUND	2	
57	9107390-66	WIRE, BLUE 10 AWG	A/R	
58	9107390-00	WIRE, BLK 10 AWG	A/R	
59	9107390-11	WIRE, BRN 10 AWG	A/R	
60	9107390-77	WIRE, VIO 10 AWG	A/R	
61	9107779-54	WIRE, GRN/YEL 10 AWG	A/R	
62	9107370-66	WIRE, BLUE 14 AWG	A/R	
63	9107370-00	WIRE, BLK 14 AWG	A/R	
64	9107370-11	WIRE, BRN 14 AWG	A/R	
65	9107370-77	WIRE, VIO 14 AWG	A/R	
66	9107777-54	WIRE, GRN/YEL 14 AWG	A/R	

TITLE POWER SUPPLY ASSY 866-D  
ASSY NO. E-UA-866-D-0  
SIZE CODE A PL  
NUMBER 866-D-0  
REV. ECO NO. A

DEC FORM DEC 16 (325)-1031-N870  
DRA 110

DIGITAL EQUIPMENT CORPORATION  
MAYNARD, MASSACHUSETTS

PARTS LIST

MADE BY R.E. Miller  
DATE 24 JUN 76  
ENG  
DATE

CHECKED  
DATE  
PROD  
DATE

SECTION  
ISSUED SECT.

ITEM NO.	DWG NO. / PART NO.	DESCRIPTION	QUANTITY	VARIATION
67	9107360-33	WIRE, ORG 18 AWG	A/R	
68	9107360-88	WIRE, GRY 18 AWG	A/R	
69	9107360-44	WIRE, YEL 18 AWG	A/R	
70	9006565-00	KEI NUT 10-32	1	
71	9007651	10 EXTERNAL TOOTH LOCKWASHER	1	
72	9006636	LOCKWASHER, #10 INTERNAL TOOTH	28	
73	9007049	BUTTON, PLUG	2	
74	A-SP-3700191-0-0	PACKING INSTRUCTIONS (IN PLANT)	1	
75	7013455-0	CORD, POWER ASSY.	1	
76	A-SP-3700191-2-0	PACKING INSTRUCTIONS (CUSTOMER)	0	
77	A-SP-866-D-2	TEST PROCEDURE, 866D	REF	

TITLE POWER SUPPLY ASSY 866D  
ASSY NO. E-UA-866-D-0  
SIZE CODE A PL  
NUMBER 866-D-0  
REV. ECO NO. A

DEC FORM DEC 16-(325)-1031-N870  
DRA 110

# DRAWING DIRECTORY

"THIS DRAWING AND SPECIFICATIONS, HEREIN, ARE THE PROPERTY OF DIGITAL EQUIPMENT CORPORATION AND SHALL NOT BE REPRODUCED OR COPIED OR USED IN WHOLE OR IN PART AS THE BASIS FOR THE MANUFACTURE OR SALE OF ITEMS WITHOUT WRITTEN PERMISSION. COPYRIGHT © 1976, DIGITAL EQUIPMENT CORPORATION"

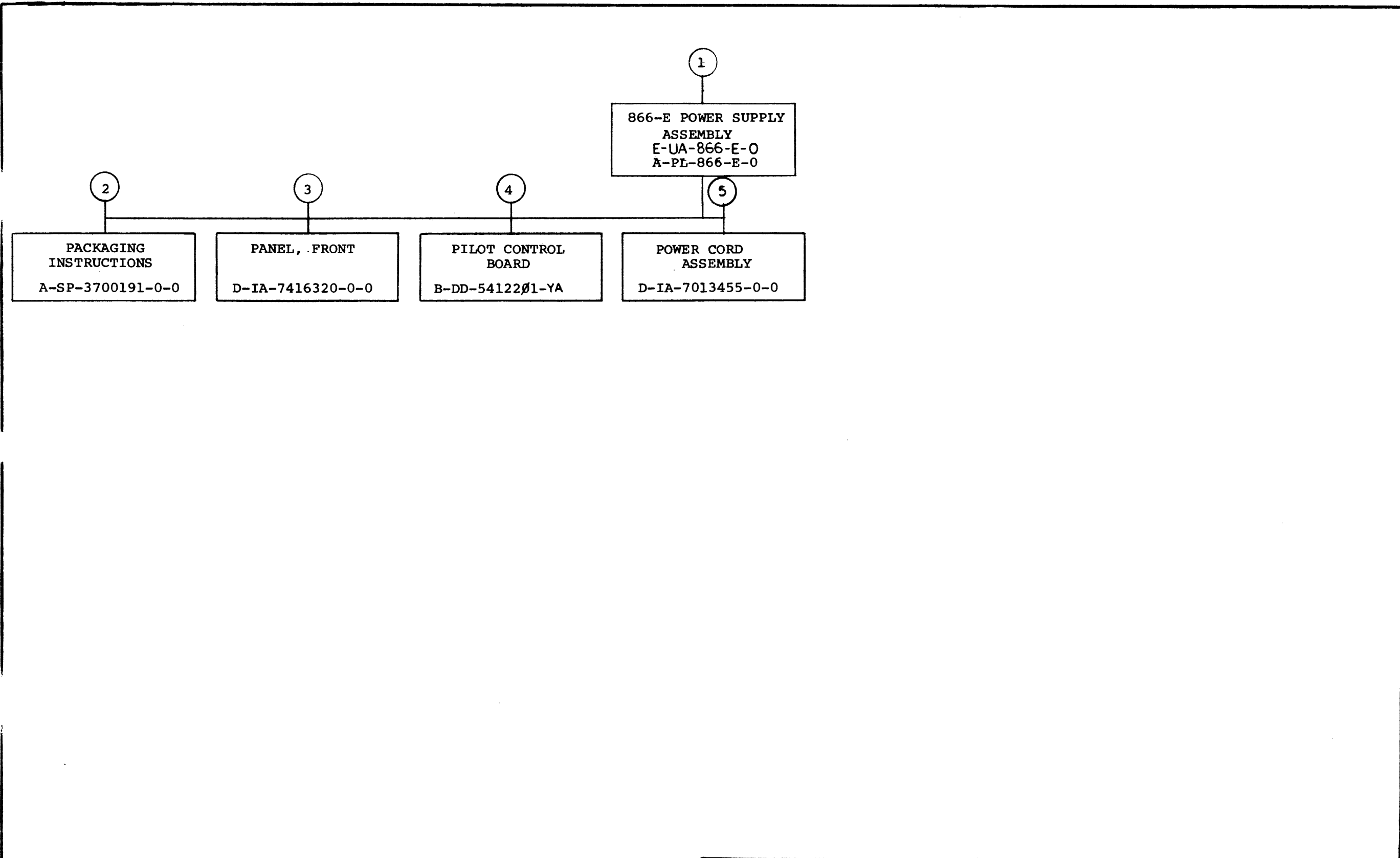
## CUSTOMER PRINT SET INDEX

THIS IS PRINT SET   

- |   |  |
|---|--|
| <p>866-E DRAWING DIRECTORY<br/>866-E POWER CONTROL ASSY<br/>866-E POWER CONTROL P.L.<br/>PILOT CONTROL BOARD<br/>PACKAGING INSTRUCTIONS</p> | <p>B-DD-866-E<br/>E-UA-866-E<br/>A-PL-866-E<br/>B-DD-54122Ø1-YA<br/>A-SP-3700191-Ø-Ø</p> |
|---|--|

UNIT VARIATIONS		PRINT SET	
VAR	TITLE		
866-E	866-E POWER CONTROL		

EN-01062-1A-16-R972-1251	REV					
	CHG. NO.	A	B	C	D	
	DATE	5-77 866E-1	8-77 866E-2	10-77 866E-4	2-78 866E-5	
	TITLE					POWER SUPPLY ASSEMBLY 866-E
USED ON OPTION/MODEL	DATE	DATE	DATE	DATE	DATE	
DESIGNER	<i>N. L. F. K. W.</i>	<i>2/2/77</i>	<i>3/2/77</i>	<i>12/2/77</i>	<i>12/2/77</i>	
CHK'D	<i>AK</i>	<i>3/2/77</i>	<i>12/2/77</i>	<i>12/2/77</i>	<i>12/2/77</i>	
PROG'D.	<i>W.P.M. mtd</i>	<i>12/2/77</i>	<i>12/2/77</i>	<i>12/2/77</i>	<i>12/2/77</i>	
PRD.	<i>P. Blain</i>	<i>12/2/77</i>	<i>12/2/77</i>	<i>12/2/77</i>	<i>12/2/77</i>	
FIELD SVY.	<i>P. Davis</i>	<i>12/2/77</i>	<i>12/2/77</i>	<i>12/2/77</i>	<i>12/2/77</i>	
SHEET 1 OF 3	SIZE	CODE	NUMBER	REV		
	B DD		866-E	D		
	DIST					



TITLE	SHEET	OF	SIZE	CODE	NUMBER	REV
POWER SUPPLY ASSY 866-E	SHEET 2 OF	3	B		866-E	D

FIND NO.	DRAWING NO.	DESCRIPTION	TYPE	FIND NO.	DRAWING NO.	DESCRIPTION	TYPE
	B-DD-866-E	866-E POWER SUPPLY ASSY					
1	E-UA-866-E-0	866-E POWER SUPPLY ASSEMBLY	E/M				
	A-PL-866-E-0	866-E POWER SUPPLY ASSEMBLY	E/M				
	E-IA-7416321-0-0	CHASSIS	M				
	D-MD-7416322-0-0	COVER, TOP	M				
	C-IA-7416870-0-0	CHANNEL, STRAIN RELIEF	M				
	C-MD-7416871-0-0	COVER, STRAIN RELIEF	M				
	D-CS-866-E-1	POWER CONTROL SCHEMATIC	E				
	A-WL-7013772-0-0	WIRE RUN LIST	E/M				
	A-DC-3610267-00	DECAL HIGH VOLTAGE	M				
	A-DC-3612063-00	DECAL UL	M				
	A-DC-3612680-00	DECAL GROUND	M				
	A-DC07416582-1-1	DECAL, NOT FOR EXTERNAL USE	M				
	C-DC-7416754-00	DECAL	M				
	A-DC-7416581-0-0	DECAL	M				
	A-SP-866-E-2	SPECIFICATION TEST	E				
	A-SP-861-0-3	ENGINEERING SPECIFICATION 861/866	E				
2	A-SP-3700191-0-0	PACKAGING INSTRUCTIONS	M				
	A-PS-9905726-0-0	FULL OVERLAP CARTON	M				
	A-PS-9905727-00	LAMINATED BUILDUP	M				
	A-PS-9905729-0-0	TAPE GLASFLEX	M				
3	D-IA-7416320-0-0	PANEL, FRONT	M				
	D-SS-7416320-0-1	PANEL, SILKSCREEN, 866-E	M				
4	B-DD-5412201-YA	PILOT CONTROL BOARD	E/M				
5	D-IA-7013455-0-0	POWER CORD ASSEMBLY					

EM-01088-86-16-R276-12861

TYPE: E ELECTRICAL  
M MECHANICAL  
E/M ELECTRO/MECHANICAL

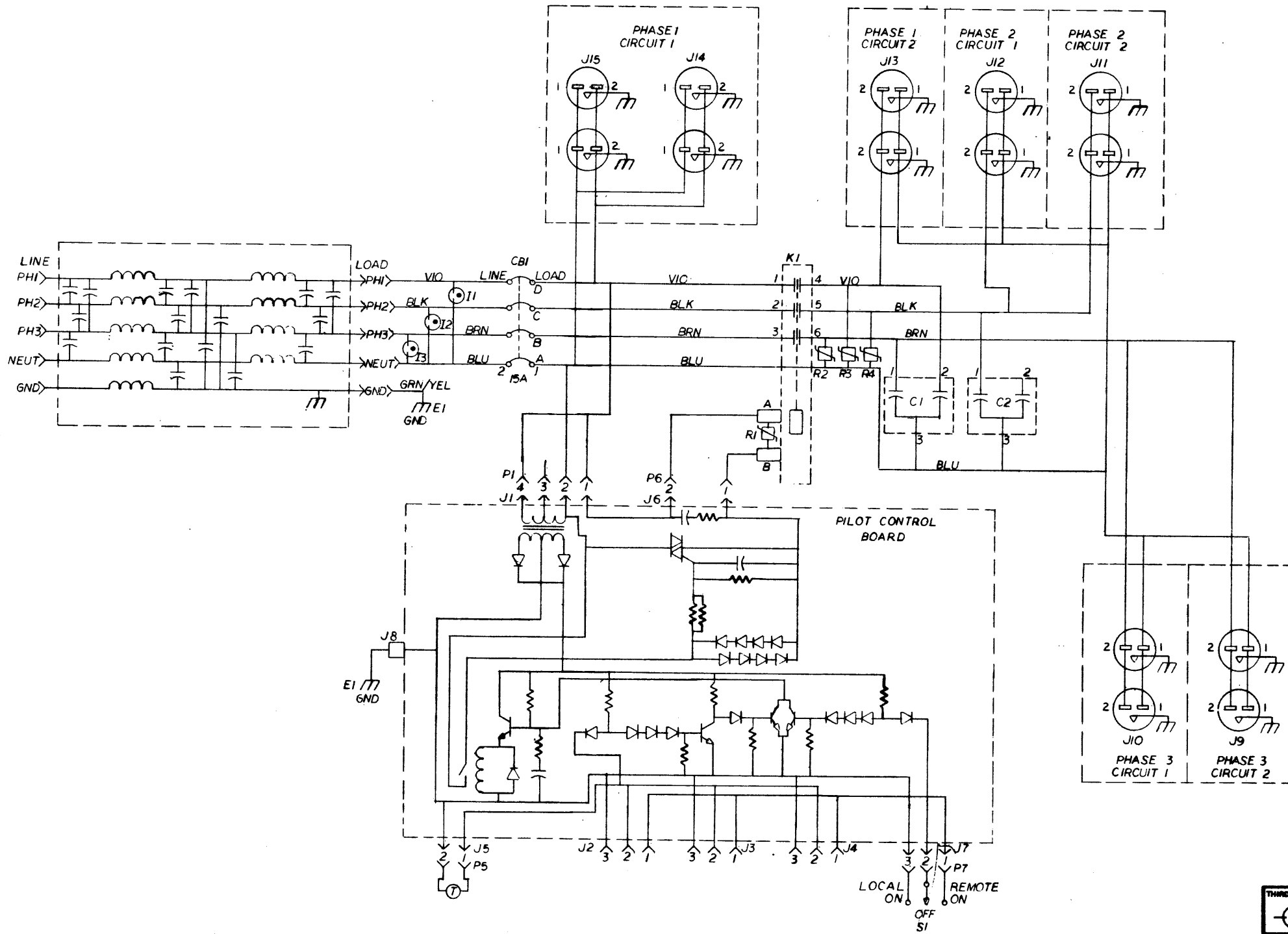


TITLE	POWER SUPPLY ASSY 866	SHEET 3 OF 3	SIZE CODE	B DD	NUMBER	866-E	REV	D
-------	-----------------------	--------------	-----------	------	--------	-------	-----	---



THIS DRAWING AND SPECIFICATIONS HEREIN ARE THE PROPERTY OF DIGITAL EQUIPMENT CORPORATION AND SHALL NOT BE REPRODUCED OR COPIED OR USED IN WHOLE OR IN PART AS THE BASIS FOR THE MANUFACTURE OR SALE OF ITEMS WITHOUT WRITTEN PERMISSION.  
 COPYRIGHT © 1976, DIGITAL EQUIPMENT CORPORATION

1-3-998 SCD 2



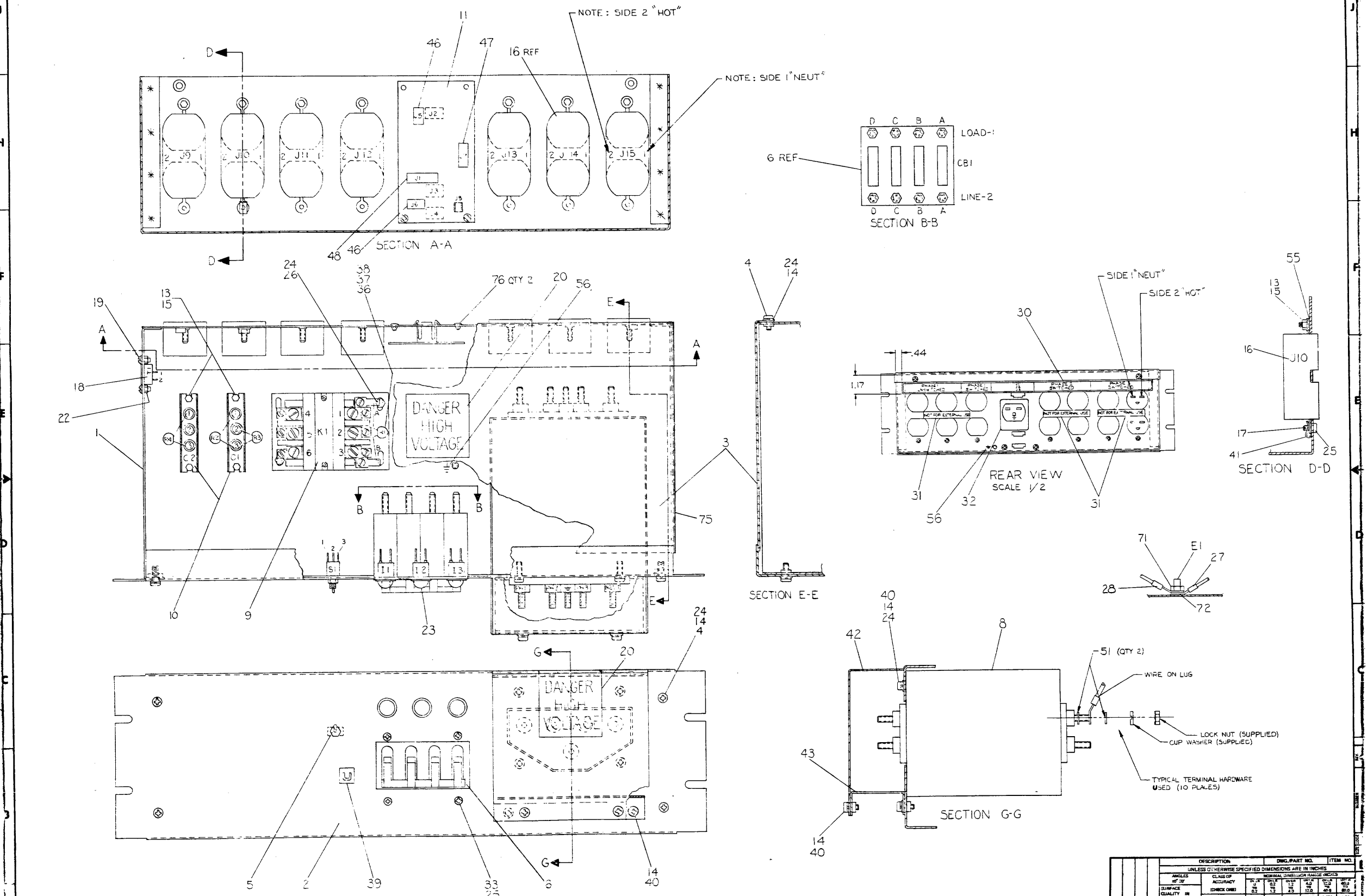
REV. 1  
 CHANGE NO. 1  
 DATE 11/10/76

DESCRIPTION		QTY/PART NO.		ITEM NO.	
UNLESS OTHERWISE SPECIFIED DIMENSIONS ARE IN INCHES					
ANGLES 40° SW	CLASS OF ACCURACY	NOMINAL DIMENSION RANGE INCHES			
SURFACE QUALITY IN	(CHECK ONE)	0.1	0.2	0.3	0.4
		0.5	0.7	1.0	1.5
MICROMETERS	PREFERRED	0.001	0.002	0.005	0.010
QUANTITY & VARIATION		FIRST USED ON			
THIRD ANGLE PROJECTION		866-E			
REMOVE BURRS AND BREAK SHARP CORNERS		TITLE POWER CONTROL SCHEMATIC 866-E			
DO NOT SCALE DWG		NEXT HIGHER ASBY.			
MATERIAL		E-UA-866-E-0		SIZE	CODE
FINISH		SCALE NONE		D	CS
		SHEET 1 OF 1		DIST.	

REV. 1  
 CHANGE NO. 1  
 DATE 11/10/76

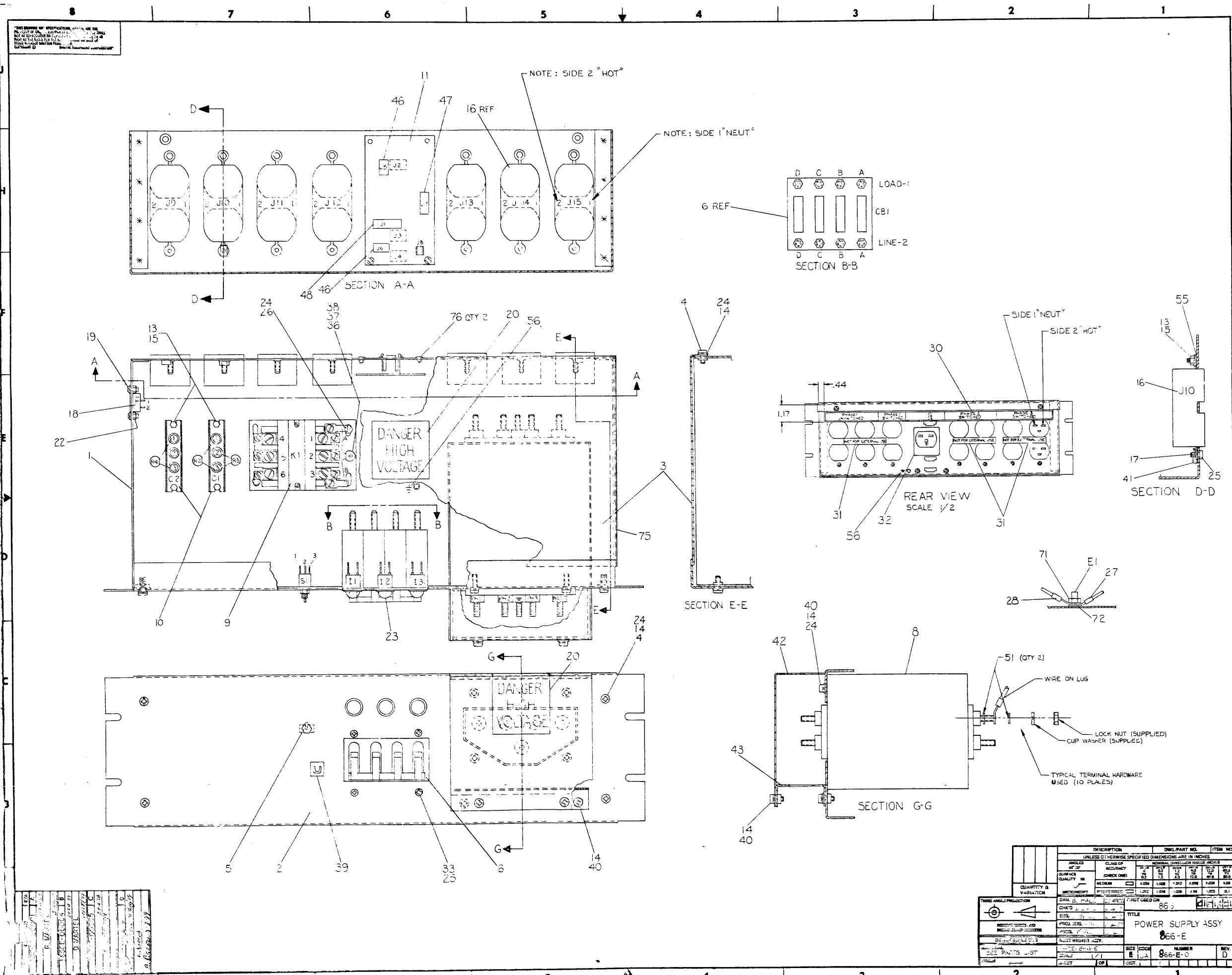
REV. 1

THIS DRAWING AND INFORMATION CONTAINED HEREIN ARE THE PROPERTY OF THE UNITED STATES GOVERNMENT AND ARE LOANED TO YOU BY THE NATIONAL BUREAU OF STANDARDS. IT IS TO BE REPRODUCED OR TRANSMITTED IN ANY FORM OR BY ANY MEANS WITHOUT MATERIAL FURTHER APPROVAL FROM THE NATIONAL BUREAU OF STANDARDS.



1	2	3	4	5	6	7	8	9	10	11	12	13	14	15	16	17	18	19	20	21	22	23	24	25	26	27	28	29	30	31	32	33	34	35	36	37	38	39	40	41	42	43	44	45	46	47	48	49	50	51	52	53	54	55	56	57	58	59	60	61	62	63	64	65	66	67	68	69	70	71	72	73	74	75	76
---	---	---	---	---	---	---	---	---	----	----	----	----	----	----	----	----	----	----	----	----	----	----	----	----	----	----	----	----	----	----	----	----	----	----	----	----	----	----	----	----	----	----	----	----	----	----	----	----	----	----	----	----	----	----	----	----	----	----	----	----	----	----	----	----	----	----	----	----	----	----	----	----	----	----	----

DESCRIPTION		DIM PART NO.			ITEM NO.	
UNLESS OTHERWISE SPECIFIED DIMENSIONS ARE IN INCHES						
ANGLES	CLASS OF	ACCU	MINIMUM DIMENSION RANGE INCHES			
PT OF	ACC	ACC	1/2	3/4	1	1 1/2
QUALITY	FIN	FIN	1/2	3/4	1	1 1/2
QUANTITY & VARIATION	QUANTITY	PREPARED	1.000	1.000	1.000	1.000
THIRD ANGLE PROJECTION	DRAWN BY	CHECKED BY	FIRST USED ON			
THIRD ANGLE PROJECTION	DATE		863			
THIRD ANGLE PROJECTION			POWER SUPPLY ASSY			
THIRD ANGLE PROJECTION			866-E			
THIRD ANGLE PRODUCTION	DATE		SIZE	CODE	NUMBER	REV.
THIRD ANGLE PRODUCTION			D	JA	866-E-0	D
THIRD ANGLE PRODUCTION	SCALE		1/1			
THIRD ANGLE PRODUCTION	CHECKED BY					
THIRD ANGLE PRODUCTION	DATE					



THIS DRAWING OF INSPECTION SHALL BE THE PROPERTY OF THE GOVERNMENT AND SHALL NOT BE LOANED, REPRODUCED, COPIED, OR IN ANY MANNER DISCLOSED TO THE PUBLIC WITHOUT THE EXPRESS WRITTEN PERMISSION OF THE GOVERNMENT.

REV	DATE	BY	CHKD	DESCRIPTION
1				INITIAL DESIGN
2				REVISED TO ADD...
3				REVISED TO ADD...

DESCRIPTION		DWG PART NO.		ITEM NO.	
UNLESS OTHERWISE SPECIFIED DIMENSIONS ARE IN INCHES					
ANGLES	CLASS OF ACCURACY	0.1	0.2	0.3	0.4
FINISH	CHECK ONE	AS SHOWN	AS SHOWN	AS SHOWN	AS SHOWN
QUANTITY & VARIATION	APPROVED	APPROVED	APPROVED	APPROVED	APPROVED
THIRD ANGLE PROJECTION	DATE	86	86	86	86
TITLE		POWER SUPPLY ASSY			
DRAWN BY		866-E			
CHECKED BY		866-E-0			
SCALE		1/1			
SHEET		1 OF 1			

