

"THE MATERIAL HEREIN IS FOR INFORMATION PURPOSES ONLY AND IS SUBJECT TO CHANGE WITHOUT NOTICE. DIGITAL EQUIPMENT CORPORATION ASSUMES NO RESPONSIBILITY FOR ANY ERRORS WHICH MAY APPEAR HEREIN."

FIELD MAINTENANCE PRINT SET

"THE DRAWING AND SPECIFICATIONS, HEREIN, ARE THE PROPERTY OF DIGITAL EQUIPMENT CORPORATION AND SHALL NOT BE REPRODUCED OR COPIED OR USED IN WHOLE OR IN PART AS THE BASIS FOR THE MANUFACTURE OR SALE OF ITEMS WITHOUT WRITTEN PERMISSION. COPYRIGHT © 1976, DIGITAL EQUIPMENT CORPORATION."

TABLE OF CONTENTS

FIELD MAINTENANCE PRINT SET	
PDP11/55 (CPU)	B-TC-11/55- β -1
BASIC ASSY (11/55) (SHT.1,2)	B-DD-11/55- β
BASIC ASSY (11/55)	D-UA-11/55- β - β
BASIC ASSY (11/55) (P.L.)	C-PL-11/55- β - β
CONSOLE PHYSICAL LAYOUT	E-IA-5409684- β - β
CIRCUIT SCHEMATIC (CONSOLE)	D-CS-5409684- β -1
16 BIT PROCESSOR (COMPLETE SET)	B-DD-KB11-D
POWER SYSTEM CONFIGURATION	D-IC-11/45- β -1
11/45 BACK PANEL P.C. BOARD	D-IC-11/45- β -2
WIRE LIST (COMPLETE LIST)	D-WL-7009540- β -2
G772 OPTION HARNESS	E-IA-7009562- β - β
POWER CONTROL 861 (COMPLETE SET)	B-DD-861- β
POWER SUPPLY H7420 (COMPLETE SET)	B-DD-H742 β - β
+5V REGULATOR(COMPLETE SET)	B-DD-H744- β
-15V REGUALTOR (COMPLETE SET)	B-DD-H745- β
+20V,-5V REGULATOR (COMPLETE SET)	B-DD-H754- β
11/55 SYSTEM PARTS LIST	C-PL-11/55- β -4
SHIPPING LIST 11/55	A-PL-11/55- β -3
STANDARD SYSTEM 11T55	B-DD-11T55- β
STANDARL SYSTEM 11T55	B-AR-11T55- β - β
SHIPPING LIST 11T55	A-PL-11T55- β -1

UNIT VARIATIONS COVERED BY THIS PRINT SET
11/55-CA
11/55-CB
11/55-CC
11/55-CD
11/55-CE
11/55-CF

11/55 VOL. I
Field Maintenance
Print Set

Digital Equipment Corporation

PRINT SET ORDER NO. MP00039

ENC 1 24 18 MAR 76 (327)

REVISIONS		USED ON OPTION/MODEL	DRN.	DATE	TITLE				
REV.	CHG. NO.		D.HEALY	2FEB76	FIELD MAINTENANCE PRINT SET PDP11/55 (CPU)				
		11/55-BA	CHK'D						
		11/55-BB	D.HEALY	10/FEB/76	SIZE	CODE	NUMBER		REV.
		11/55-BC			B	TC	11/55- β -1		
DATE		11/55-BD			DIST.				

DRAWING DIRECTORY

"THIS DRAWING AND SPECIFICATIONS, HEREIN, ARE THE PROPERTY OF DIGITAL EQUIPMENT CORPORATION AND SHALL NOT BE REPRODUCED OR COPIED OR USED IN WHOLE OR IN PART AS THE BASIS FOR THE MANUFACTURE OR SALE OF ITEMS WITHOUT WRITTEN PERMISSION. COPYRIGHT © 1976, DIGITAL EQUIPMENT CORPORATION"

CUSTOMER PRINT SET INDEX

SEQUENCE ⌒ ⌒ SEQUENCE ⌒ ⌒

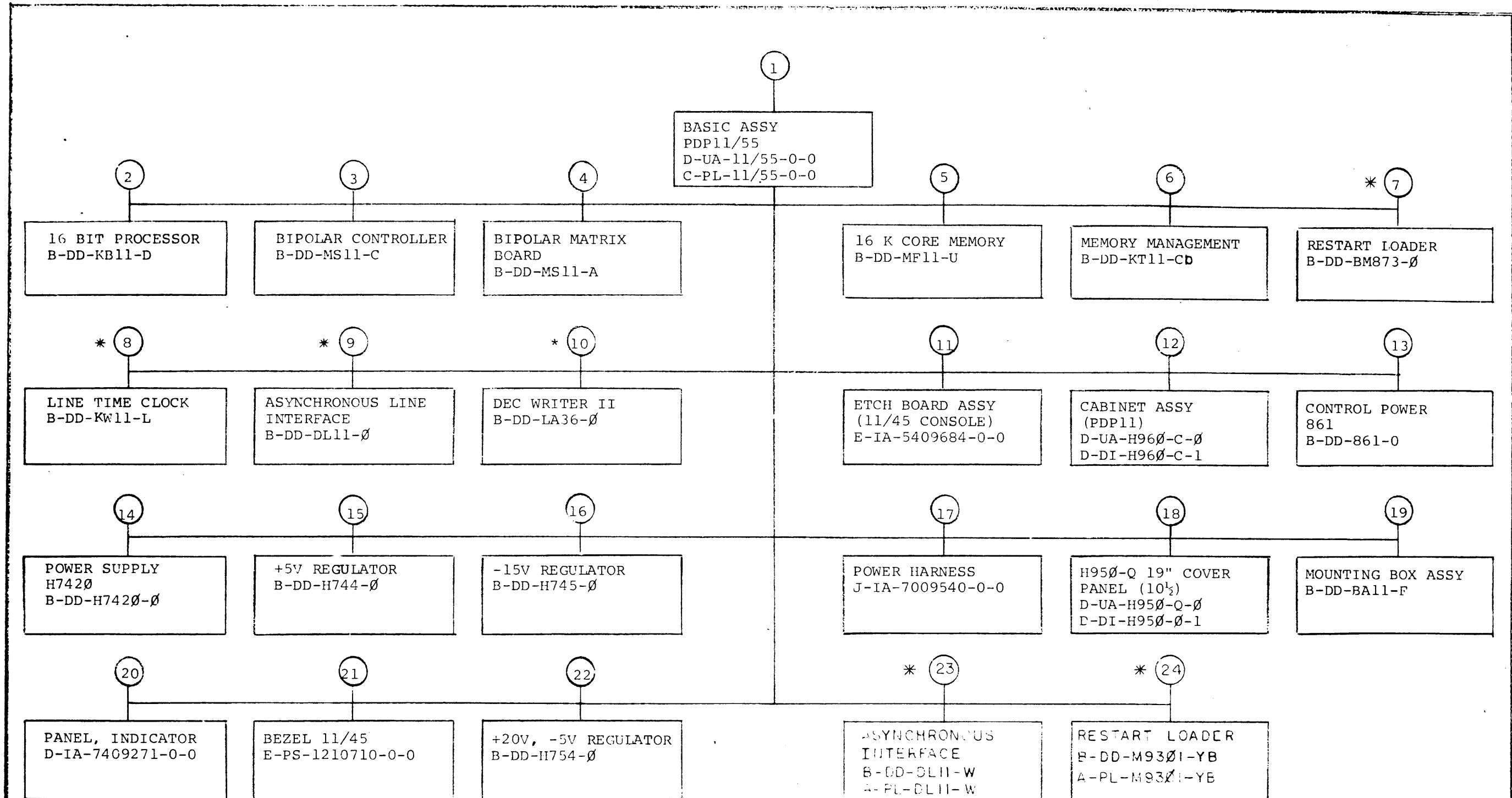
~~THIS IS PRINT SET~~

--	--	--	--

NOTE:
FOR FIELD MAINTENANCE
PRINT SET REFER TO
B-TC-11/55-0-1 (CPU)
B-TC-11/55-0-2 (INTERNAL OPTIONS)

UNIT VARIATIONS		PRINT SET
VAR	TITLE	
11/55-CA	BASIC ASSY PDP11/55 115V	
11/55-CB	BASIC ASSY PDP11/55 230V	
11/55-CC	BASIC ASSY PDP11/55 115V	
11/55-CD	BASIC ASSY PDP11/55 230V	
11/55-CE	BASIC ASSY PDP11/55 115V	
11/55-CF	BASIC ASSY PDP11/55 230V	

EN-01062-1A-16-R972-1325	REVISIONS				USED ON OPTION/MODEL	DRN. R. BEASLEY	DATE 6 FEB 76	TITLE BASIC ASSY PDP11/55										
		CHG. NO.	11/55-1	A	11/55-FA	CHK'D. D. HEALY	DATE 9 FEB 76											
					11/55-BB	PROJ ENG Vessell Boo	DATE 12 FEB 76											
					11/55-BC	PROD. J. Corvino	DATE 12 MAR 76											
					11/55-BD													
	DATE	6-76																
					SHEET 1 OF 6				SIZE CODE B DD	NUMBER 11/55-0	REV A							



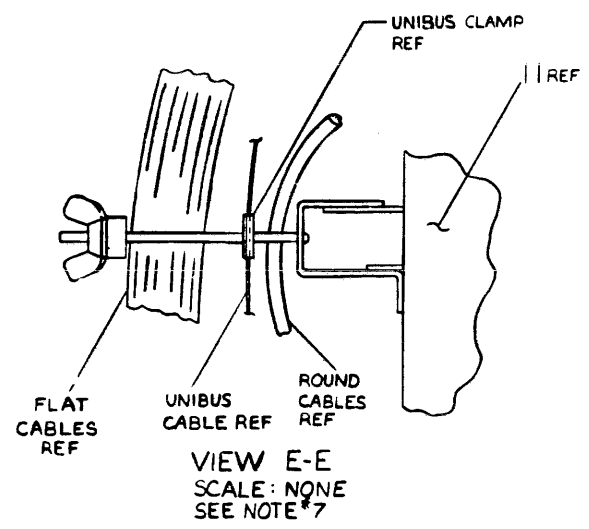
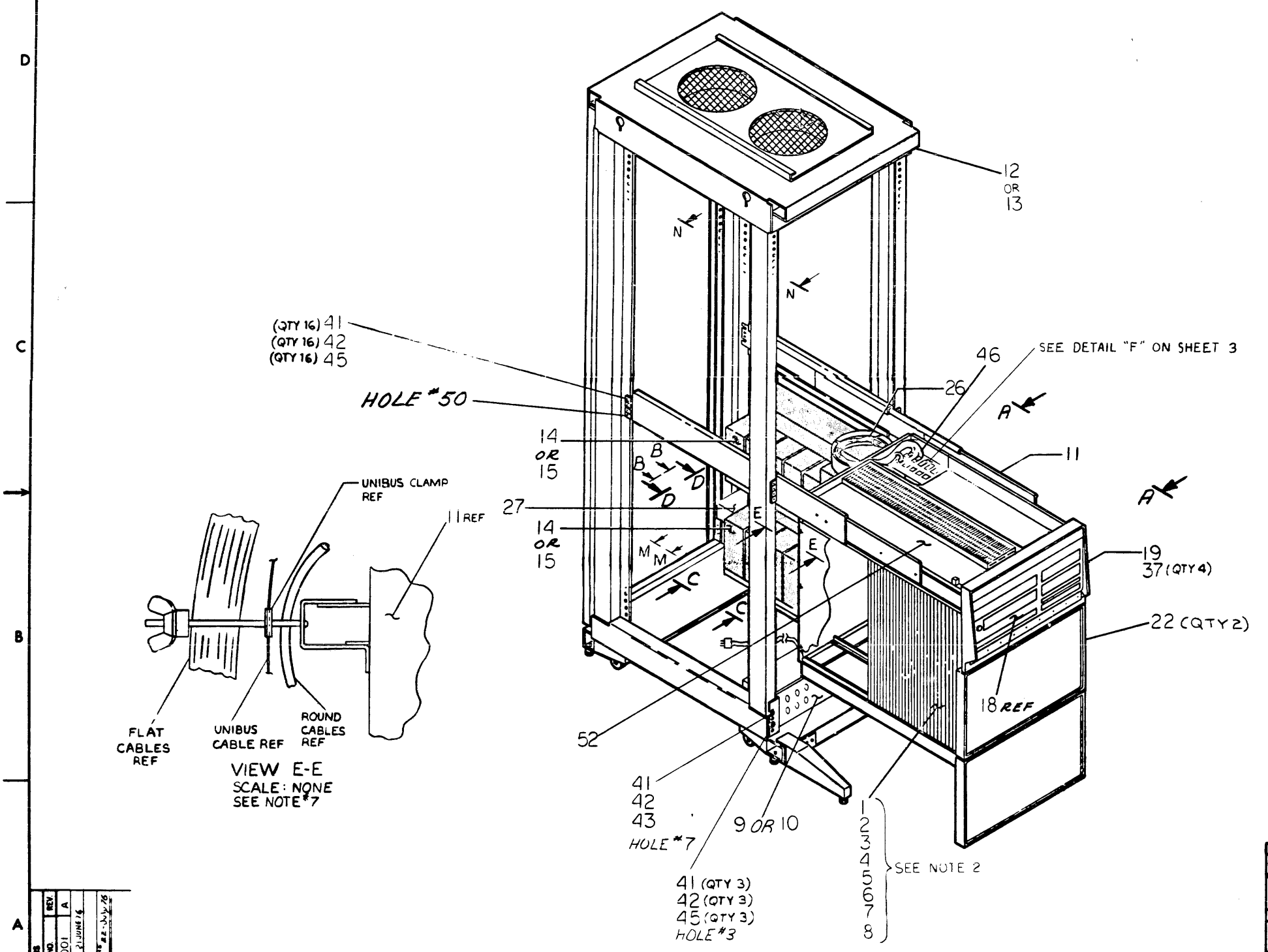
* OPTION

TITLE	BASIC ASSY PDP11/55	SIZE	CODE	NUMBER	REV
		B	DD	11/55-0	A
SHEET 2 OF 6					

This drawing and specifications herein are the property of Digital Equipment Corporation and shall not be reproduced or copied in whole or in part as the basis for the manufacture or sale of items without written permission. © 1976

NOTES:

1. IN SYSTEMS CONFIGURATION, SEPARATE PARALLEL BC11-A UNIBUS CABLES WITH .12 IN. GRAY FOAM TAPE DEC #9006881.
2. ITEM'S * 2 THRU * 8 NOT SHOWN.
3. USE CABLE GUIDE (P/N 1212064) WHERE NECESSARY.
4. THE UPPER H7420 TO BE PLUGGED INTO THE SWITCHED CIRCUIT 2, AND THE LOWER H7420 TO BE PLUGGED INTO THE UNSWITCHED CIRCUIT 1. THE CABINET FANS MUST BE PLUGGED INTO UNSWITCHED CIRCUIT 1. THE REMAINING LOADS ARE TO BE BALANCED BETWEEN CIRCUIT 1 AND CIRCUIT 2 SELECTING SWITCHED OR UNSWITCHED AS APPROPRIATE.
5. ALL LOOSE CONNECTORS ON THE MAIN-POWER HARNESS (P/N 7009540) WHICH ARE NOT IN USE DUE TO THE LACK OF ONE OR MORE REGULATORS, ARE TO BE INSERTED INTO AN 8 PIN MATE-N-LOCK CONNECTOR, ITEM #66, AND THE CONNECTOR IS TO BE SECURED TO THE H7420 POWER SUPPLY USING ITEM'S #64 & #39 OR IN THE CASE OF EXTRA PLUGS FOR THE +20V REGULATORS, SECURE LOOSE PLUGS TO THE POWER HARNESS USING ITEM #46.
6. SHAPE PAINT .20M AROUND MTG HOLE INDICATED IN CAB. UPRIGHT-4 PLACES FOR MTG ITEM #62 GROUND STRAPS.
7. WHEN MTG CABLES IN THE CABLE CLAMP THEY SHALL BE MTD AGAINST CLAMP WALL IN THIS ORDER ONLY. ROUND CABLES FIRST, UNIBUS CABLES SECOND & FLAT CABLES LAST. ANY DEVIATION COULD CAUSE FRACTURE OF UNIBUS CABLE. (SEE VIEW E-E).

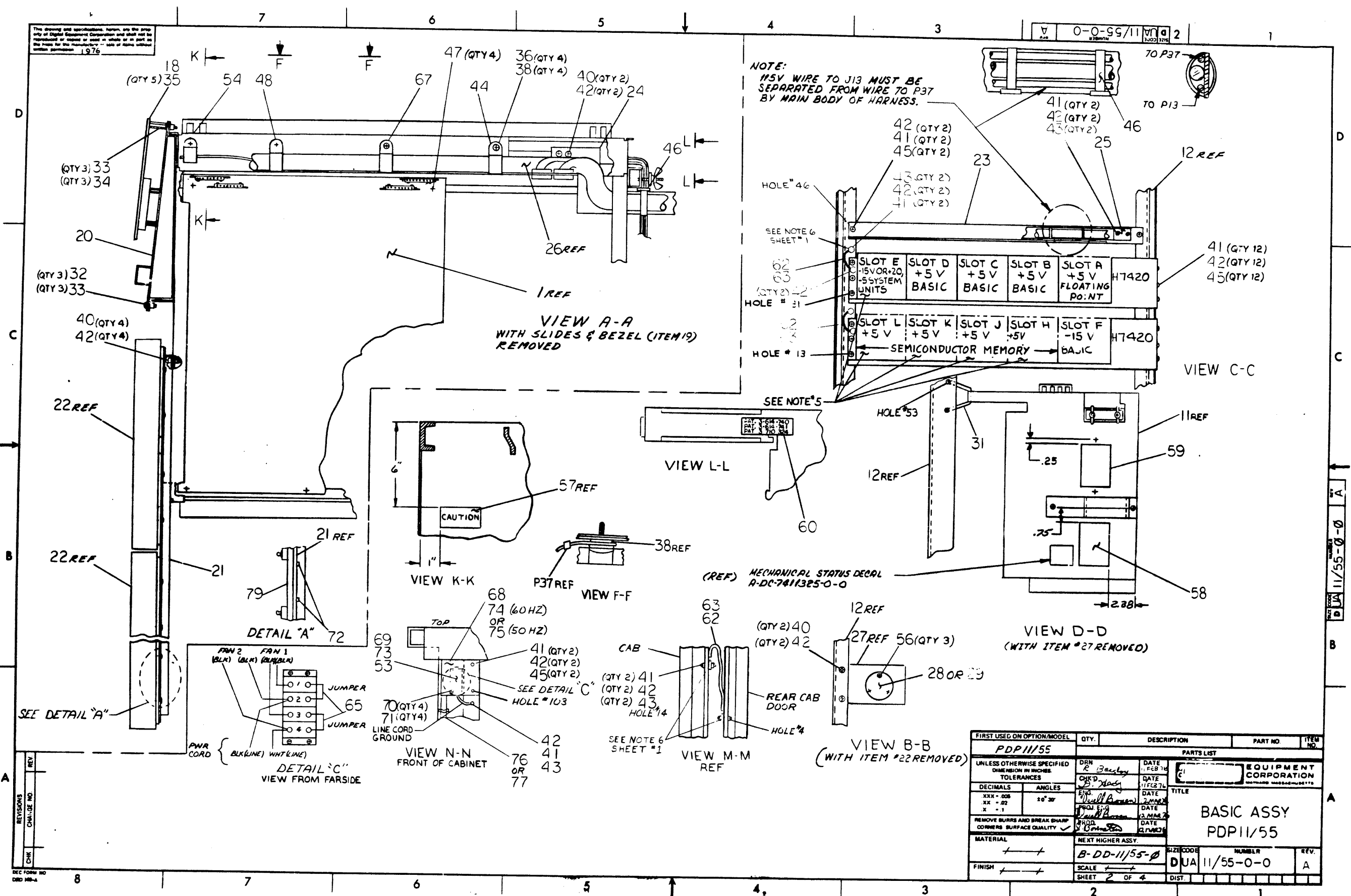


REV	CHANGE NO	DATE	BY	CHKD
1	11/55-00001	A	V. BOAEN	
2				

FIRST USED ON OPTION/MODEL	QTY.	DESCRIPTION	PART NO.	ITEM NO.
PDP11/55				
PARTS LIST				
UNLESS OTHERWISE SPECIFIED DIMENSION IN INCHES	DRN L. Bosley	DATE 11 FEB 76	EQUIPMENT CORPORATION MAYWOOD MASSACHUSETTS	
TOLERANCES	CHKD S. Bosley	DATE 11 FEB 76		
DECIMALS	ANGLES	TITLE	BASIC ASSY PDP11/55	
.XXX - .008	± 0° 30'	DATE 12 FEB 76		
.XX - .02		DATE 2 FEB 76		
.X - .1		DATE 2 FEB 76		
MATERIAL	NEXT HIGHER ASSY	DATE		
SEE PARTS LIST	B-00-11/55-0	DATE 2 FEB 76	SIZE CODE DJA	NUMBER 11/55-0-0
FINISH	SCALE	DATE	REV. A	
	SHEET 1 OF 4			

This drawing and specifications herein are the property of Digital Equipment Corporation and shall not be reproduced or copied in whole or in part without the prior written permission of Digital Equipment Corporation.

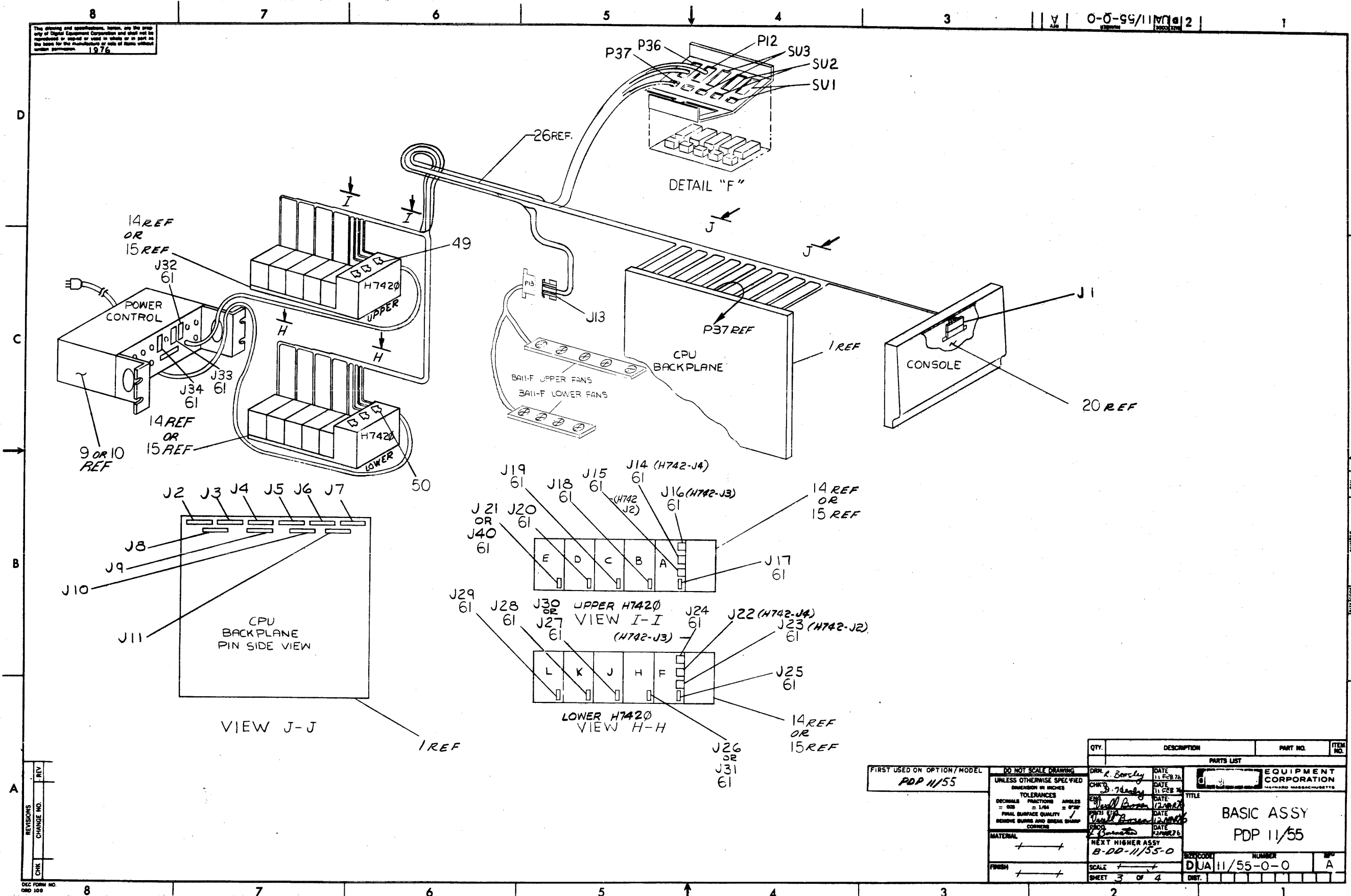
0-0-99/11/55-0-0



FIRST USED ON OPTION/MODEL	QTY.	DESCRIPTION	PART NO.	ITEM NO.
PDP11/55				
PARTS LIST				
UNLESS OTHERWISE SPECIFIED DIMENSION IN INCHES	DRN R. Bentley	DATE 11 FEB 76	EQUIPMENT CORPORATION	
TOLERANCES	CHKD B. Macy	DATE 11 FEB 76		
DECIMALS	XXX - .008	XX - .02	X - .1	TITLE BASIC ASSY PDP11/55
ANGLES	±0° 30'			
REMOVE BURRS AND BREAK SHARP CORNERS SURFACE QUALITY	PROJ. DATE 3 MAR 76	DATE 12 MAR 76	SIZE CODE NUMBER DUA 11/55-0-0	
MATERIAL	NEXT HIGHER ASSY.		REV. A	
FINISH	SCALE 2 OF 4		SHEET 2 OF 4	

This drawing and specifications, herein, are the property of Digital Equipment Corporation and shall not be reproduced or used in whole or in part as the basis for the manufacture or sale of items without written permission. 1976

0-0-99/11/11/2



REV	NO.
CHK	

FIRST USED ON OPTION/MODEL
PDP 11/55

DO NOT SCALE DRAWING UNLESS OTHERWISE SPECIFIED	DRN: <i>L. Bortley</i>	DATE: 11/18/76
TOLERANCES DECIMALS FRACTIONS ANGLES	CHKD: <i>J. Deady</i>	DATE: 11/18/76
= .005 ± .001 ± .002	ENR: <i>David Brown</i>	DATE: 12/2/76
FINAL SURFACE QUALITY	DATE: 12/2/76	
REMOVE BURRS AND BREAK SHARP CORNERS	DATE: 12/2/76	
MATERIAL		
FINISH		

QTY.	DESCRIPTION	PART NO.	ITEM NO.
PARTS LIST			
EQUIPMENT CORPORATION MAYNARD MASSACHUSETTS		TITLE	
BASIC ASSY		PDP 11/55	
NEXT HIGHER ASSY B-DD-11/55-0		SIZE CODE	NUMBER
SCALE		DUA 11/55-0-0	A
SHEET 3 OF 4		DIST.	

REV. NO. 11/55-0-0

"THIS DRAWING AND SPECIFICATIONS, HEREIN, ARE THE PROPERTY OF DIGITAL EQUIPMENT CORPORATION AND SHALL NOT BE REPRODUCED OR COPIED OR USED IN WHOLE OR IN PART AS THE BASIS FOR THE MANUFACTURE OR SALE OF ITEMS WITHOUT WRITTEN PERMISSION. COPYRIGHT © 1976, DIGITAL EQUIPMENT CORPORATION."

WIRE TABLE #1		
ITEM NO.	FROM HARNESS CONNECTION	TO CONNECTION
26	P1	J1
	P2	J2
	P3	J3
	P4	J4
	P5	J5
	P6	J6
	P7	J7
	P8	J8
	P9	J9
	P10	J10
	P11	J11
	P12	J12
	P13	J13
	P14	J14
	P15	J15
	P16	J16
	P17	J17
	P18	J18
	P19	J19
	P20	J20
	P21	J21 (E-H745)
	P22	J22
	P23	J23
	P24	J24
	P25	J25
	P26	J26
	P27	J27
	P28	J28
	P29	J29
	P30	J30
	P31	J31
	P32	J32
	P33	J33
	P34	ELAPSED TIME METER
	P35	ELAPSED TIME METER
	P36	J36
	P37	GND CH
	P38	GND CH
	P39	GND CH
26	P40	J40 (E-H754)

REGULATOR/HARNESS JUMPER CONFIG. FOR SEMICOND. MEMORY														
MEMORY	BACK PANEL SLOT				REG SLOT				HARNESS TO BE CUT				REMARKS	
	17	18	19	20	22	23	24	25	H	J	K	L		
BIPOLAR	B	-	-	-	-	-	-	+5	-	-	-	-	NONE	NONE
4K	B	-	-	-	-	-	-	+5	-	-	-	-	NONE	NONE
8K	B	-	-	-	-	-	-	+5	-	-	-	-	P5 - PINS 7-8	
12K	B	-	-	-	-	-	-	+5	-	-	-	-	P5 - PINS 7-8	
16K	B	-	-	-	-	-	-	+5	-	-	-	-	P5 - PINS 3-4 & 7-8	
20K	B	-	-	-	-	-	-	+5	-	-	-	-	P5 - PINS 3-4 & 7-8	
24K	B	-	-	-	-	-	-	+5	-	-	-	-	P5 - PINS 3-4 & 7-8	
28K	B	-	-	-	-	-	-	+5	-	-	-	-	P5 - PINS 3-4 & 7-8, P6 - PINS 7-8	
32K	B	B	B	B	B	B	B	+5	+5	+5	+5	+5	P5 - PINS 3-4 & 7-8, P6 - PINS 7-8	NONE

0-0-55/11 MTD 2

REVISIONS		
CHK	CHANGE NO.	REV

TITLE	SIZE CODE	NUMBER	REV.
BASIC ASSY PDP11/55	D UA	11/55-0-0	A
SCALE	SHEET	DIST.	
	4 OF 4		

DUA 11/55-0-0
 SHEET 4 OF 4

THIS DRAWING AND SPECIFICATIONS, HEREIN ARE THE PROPERTY OF DIGITAL EQUIPMENT CORPORATION AND SHALL NOT BE REPRODUCED OR COPIED OR USED IN WHOLE OR IN PART AS THE BASIS FOR THE MANUFACTURE OR SALE OF ITEMS WITHOUT WRITTEN PERMISSION. COPYRIGHT © 1976 . DIGITAL EQUIPMENT CORPORATION

ITEM NO.	DWG. NO./PART NO.	DESCRIPTION	QUANTITY/VARIATIONS					
			11/55-CA	11/55-CB	11/55-CC	11/55-CD	11/55-CE	11/55-CF
1	A-PL-KB11-D-Ø	16 BIT PROCESSOR	1	1	1	1	1	1
2	A-PL-MS11-CC-Ø	BIPOLAR CONTROLLER	2	2	1	1	-	-
3	A-PL-MS11-AP-Ø	BIPOLAR MATRIX BOARD	8	8	4	4	-	-
4	D-UA-MF11-UP-Ø	16K CORE MEMORY	-	-	1	1	-	-
5	A-PL-KT11-CD-Ø	MEMORY MANAGEMENT	1	1	1	1	1	1
6	A-PL-SM873-VR-Ø	RESTART LOADER	1	1	1	1	1	1
7	C-UA-DF	ASYNCHRONOUS LINE INTERFACE	1	1	1	1	1	1
8	A-PL-KM2	TIME TIME CLOCK	1	1	1	1	1	1
9	E-UA-861-A-Ø	CONTROL POWER 115VAC	1	-	1	-	1	-
10	E-UA-861-B-Ø	CONTROL POWER 230VAC	-	1	-	1	-	1
11	E-UA-BA11-FA-Ø	MTG. BOX ASSY	1	1	1	1	1	1
12	D-UA-H96Ø-CD-Ø	CABINET ASSY (PDP-11)	1	-	1	-	1	-
13	D-UA-H96Ø-CE-Ø	CABINET ASSY (PDP-11)	-	1	-	1	-	1
14	E-UA-H742Ø-A-Ø	POWER SUPPLY H742ØA, 120VAC	2	-	2	-	2	-
15	E-UA-H742Ø-B-Ø	POWER SUPPLY, H742ØB 240VAC	-	2	-	2	-	2
16	E-UA-H744-0-0	+5V REGULATOR	3	3	3	3	3	3
17	E-UA-H745-0-0	-15 REGULATOR	1	1	1	1	1	1
18	D-IA-7409271-4-0	PANEL, CONSOLE INDICATOR	1	1	1	1	1	1
19	E-PS-1210710-0-0	BEZEL	1	1	1	1	1	1
20	E-IA-5409684-0-0	ETCH BOARD ASSY (11/45 CONSOLE)	1	1	1	1	1	1
21	D-IA-7409289-0-0	MTG. BRKT. 10.50 PANEL	2	2	2	2	2	2
22	D-UA-H95Ø-QB-Ø	H95Ø-Q 19" COVER PANEL 10.50	2	2	2	2	2	2
23	D-MD-7409445-0-0	BRACKET, HARNESS SUPPORT	1	1	1	1	1	1
24	D-MD-7409446-0-0	SUPPORT, HARNESS	1	1	1	1	1	1
25	B-MD-7409447-0-0	PLATE, SUPPORT	1	1	1	1	1	1
26	J-IA-7009540-0-0	11/45 POWER HARNESS	1	1	1	1	1	1
27	D-IA-7409622-0-0	BRKT. METER MTG.	1	1	1	1	1	1
28	1201208	METER, ELAPSED TIME M1906, 120VAC	1	-	1	-	1	-
29	1202234	METER, ELAPSED TIME M1905, 240VAC	-	1	-	1	-	1
30	C-IA-7008864-0-0	INDICATOR CABLE	2	2	2	2	2	2
31	A-PL-7010865-0-0	BRACKET, SHIPPING	1	1	1	1	1	1
32	9006022-3	SCR PHL HD TRUSS 6-32 x .38	3	3	3	3	3	3
33	9006633	WASHER INTERNAL TOOTH #6	6	6	6	6	6	6
34	9009120-1	SPACER, HEX SPECIAL	3	3	3	3	3	3
35	9006404-2	SCR FLAT HD NYLON #6-32 x .38	5	5	5	5	5	5
36	9006037-3	SCR PHL HD TRUSS 8-32 x .38	4	4	4	4	4	4
37	9006022-1	SCR PHL HD PAN 6-32 x .38	4	4	4	4	4	4
38	9008072	WASHER, LOCK EXT TOOTH #8	4	4	4	4	4	4
39	9006563	NUTS, KEPS 8-32	5	5	5	5	5	5
40	9006071-3	SCR PHL HD TRUSS 10-32 x .38	8	8	8	8	8	8
41	9006073-3	SCR PHL HD TRUSS 10-32 x .50	43	43	43	43	43	43
42	9007651	WASHER, LOCK EXT. TOOTH #10	53	53	53	53	53	53
43	9006565	NUTS, KEPS 10-32	8	8	8	8	8	8

REV.	A
CHANGE NO.	11/55-00001
CHK	V. BOAEN
DATE	18 JUNE 76
BY	Perrell Boen
DATE	22 July 76

DRN. R. BEASLEY	4 FEB 76	FIRST USED ON	11/55	digital
CHK'D D. HEALY	4 FEB 76	TITLE	BASIC ASSY PDP11/55	
ENG. <i>Perrell Boen</i>	12 FEB 76	SIZE	C	PL
PROJ. ENG. <i>Perrell Boen</i>	12 FEB 76	NUMBER	11/55-0-0	
PROD. <i>Perrell Boen</i>	12 MAR 76	REV.	A	
NEXT HIGHER ASSY.	D-UA-11/55-0-0	SCALE	1 OF 2	
SHEET	1	DIST.	1	

REV. A
NUMBER 11/55-0-0
SIZE CODE C PL

THIS DRAWING AND SPECIFICATIONS, HEREIN ARE THE PROPERTY OF DIGITAL EQUIPMENT CORPORATION AND SHALL NOT BE REPRODUCED OR COPIED OR USED IN WHOLE OR IN PART AS THE BASIS FOR THE MANUFACTURE OR SALE OF ITEMS WITHOUT WRITTEN PERMISSION. COPYRIGHT © 1976, DIGITAL EQUIPMENT CORPORATION

QUANTITY/VARIATIONS

ITEM NO.	DWG. NO./PART NO.	DESCRIPTION	QUANTITY/VARIATIONS					
			11/55-CA	11/55-CB	11/55-CC	11/55-CD	11/55-CE	11/55-CF
44	9007090	CLAMP, CABLE .88	1	1	1	1	1	1
45	9007786	NUT, TINNED	35	35	35	35	35	35
46	9007880	TIE WRAP	A/R	A/R	A/R	A/R	A/R	A/R
47	9007988-8	SCR SOCKET HD CAP 8-32 x 1.00	4	4	4	4	4	4
48	9007087	CLAMP, CABLE .62	1	1	1	1	1	1
49	A-DC-5310049-0-0	DECAL, POWER SUPPLY	1	1	1	1	1	1
50	A-DC-5310048-0-0	DECAL, POWER SUPPLY	1	1	1	1	1	1
51	9007867	TIE MOUNT	A/R	A/R	A/R	A/R	A/R	A/R
52	A-PS-3613212-0-1	DECAL (KB11-D)	1	1	1	1	1	1
53	9007928	CONN. SOLDERLESS	3	3	3	3	3	3
54	9007083	CLAMP, CABLE .38	A/R	A/R	A/R	A/R	A/R	A/R
55	9008881	TAPE, FOAM, GRAY .12 x 1.19	A/R	A/R	A/R	A/R	A/R	A/R
56	9009236	SCR SELF TAP 4-40 x .31	3	3	3	3	3	3
57	A-DC-7411170-0-0	BACK PANEL CAUTION DECAL	1	1	1	1	1	1
58	A-DC-5310710-0-0	DECAL 11/45 - 11/50 REG. CONF. B	1	1	1	1	1	1
59	A-DC-5310709-0-0	DECAL, 11/45 - 11/50 REG. CONF. A	1	1	1	1	1	1
60	A-DC-7409478-0-0	DECAL, PATENT	1	1	1	1	1	1
61	A-DC-7409873-0-0	DECAL J1-J48 WHITE ON CLR	A/R	A/R	A/R	A/R	A/R	A/R
62	9006990	GROUND STRAP	3	3	3	3	3	3
63	9107246	.50" TUBING	18"	18"	18"	18"	18"	18"
64	9006037-1	SCR. PHL. PAN HD. 8-32 x .38	5	5	5	5	5	5
65	9009002	CINCH JONES JUMPER	2	2	2	2	2	2
66	1209340	8 PIN MATE-N-LOCK CONN.	7	7	7	7	7	7
67	9007089	CLAMP CABLE .75	1	1	1	1	1	1
68	C-MD-7407607-0-0	PLATE JONES STRIP	1	1	1	1	1	1
69	9006899	CINCH JONES TERMINAL STRIP	1	1	1	1	1	1
70	9006025-1	SCR. PHL. PAN HD. 6-32 x .62	4	4	4	4	4	4
71	9006560	NUT, KEPS #6-32	4	4	4	4	4	4
72	9006071-2	SCR PHL. FLAT HD. 10-32 x .38	16	16	16	16	16	16
73	9007929	CONN. SOLDERLESS	4	4	4	4	4	4
74	100104-1	DECAL 115 VAC WHITE ON CLR.	1	-	1	-	1	-
75	100104-7	DECAL 230 VAC WHITE ON CLR.	-	1	-	1	-	1
76	1700006-9	LINE CORD 115V	1	-	1	-	1	-
77	1700016-9	LINE CORD 230V	-	1	-	1	-	1
78	1212064	CABLE GUIDE	1	1	1	1	1	1
79	A-PS-1209224-0-0	LATCH, MOLDING	8	8	8	8	8	8
80	9007649	WASHER, LOCK EXT. TOOTH #6	4	4	4	4	4	4
81	E-UA-H754-0-0	+20V, -5V REGULATOR	1	1	1	1	1	1
82	A-PL-M9301-YB	RESTART LOADER	1	1	1	1	1	1
83	A-PL-DL11-W	ASYN. INTERFACE, LINE CLOCK	1	1	1	1	1	1
84	D-IA-7008368-Ø	DL11-W CABLE	1	1	1	1	1	1

REV.	
CHG	
NO.	

DRN. R. BEASLEY	4 FEB 76	FIRST USED ON	11/55	digital
CHK'D D. HEALY	4 FEB 76	TITLE		
ENG. <i>Neil Brown</i>	4 FEB 76			
PROJ. ENG. <i>J. Brown</i>	4 FEB 76			
PROD. <i>J. Brown</i>	12 MAR 76			BASIC ASSY PDP11/55
NEXT HIGHER ASSY.				
D-UA-11/55-0-0	SIZE	CODE	NUMBER	REV.
SCALE	C	PL	11/55-0-0	A
SHEET 2 OF 2	DIST.			

D

D

C

C

B

B

A

A

A

C PL

B

A

A

A

A

REV. NUMBER 11/55-0-0

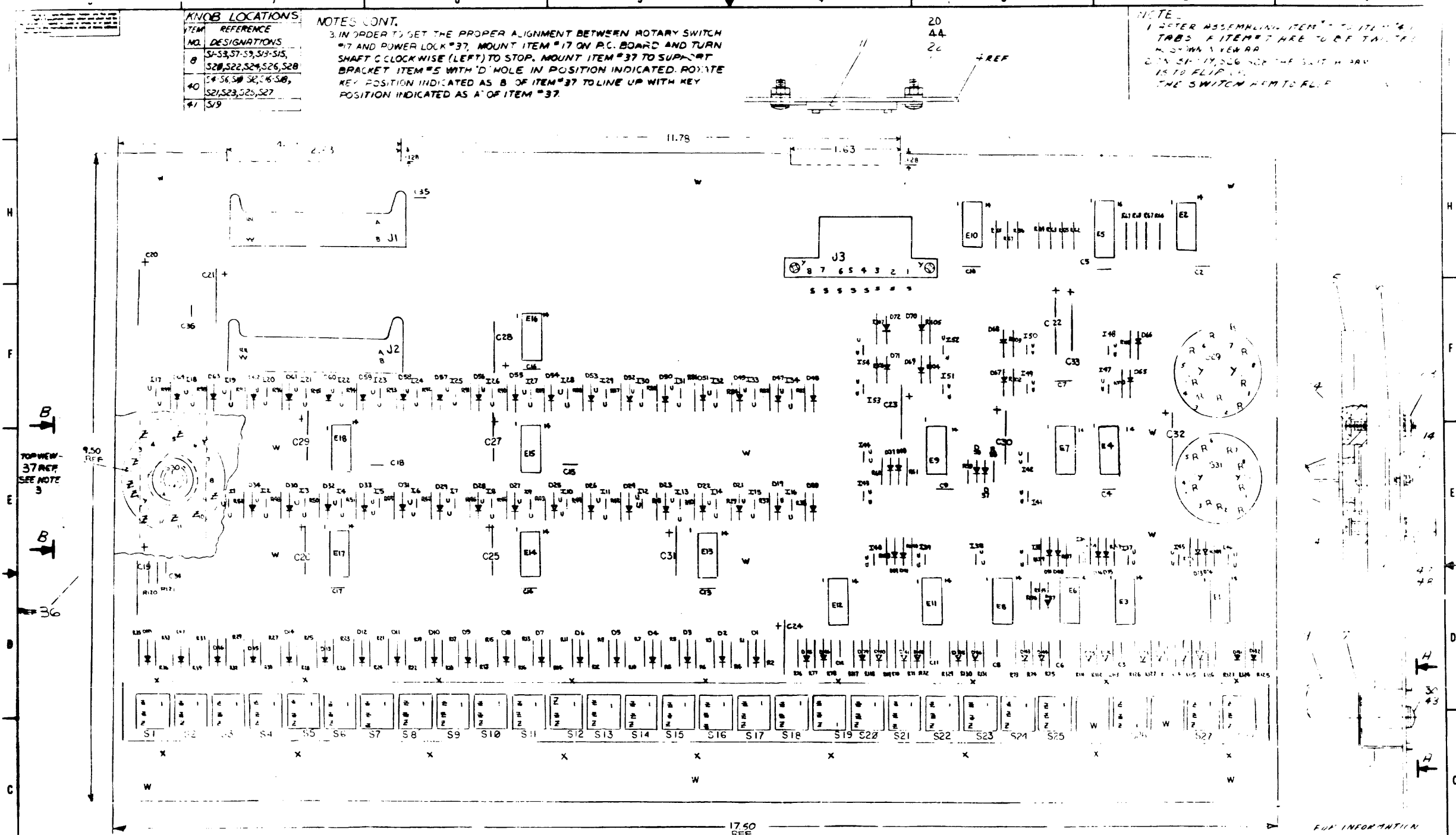
KNOB LOCATIONS	
ITEM	REFERENCE
NO.	DESIGNATIONS
8	S4, S5, S7, S9, S13, S15, S20, S22, S24, S26, S28
40	S4, S6, S8, S12, S14, S16, S18, S21, S23, S25, S27
41	S19

NOTES CONT.

3. IN ORDER TO GET THE PROPER ALIGNMENT BETWEEN ROTARY SWITCH #17 AND POWER LOCK #37, MOUNT ITEM #17 ON P.C. BOARD AND TURN SHAFT C CLOCKWISE (LEFT) TO STOP. MOUNT ITEM #37 TO SUPPORT BRACKET ITEM #5 WITH 'D' HOLE IN POSITION INDICATED. ROTATE KEY POSITION INDICATED AS B OF ITEM #37 TO LINE UP WITH KEY POSITION INDICATED AS A OF ITEM #37.

NOTE

1. AFTER ASSEMBLING ITEM #17 TO ITEM #14, TABS A ITEM #7 ARE TO BE TAILED IN SHOWN VIEW A.
2. ON S4, S6, S8 FOR THE SWITCH ARM IS TO FLIP UP. THE SWITCH ARM TO BE UP.

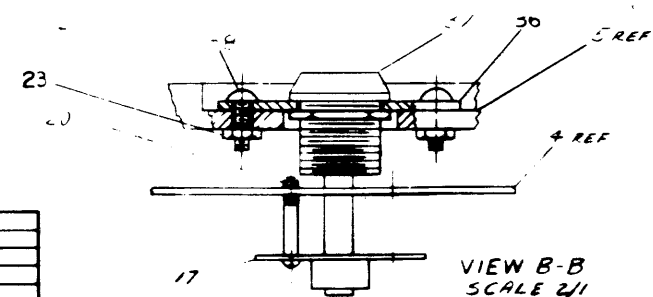


TOP VIEW - 37 REF SEE NOTE 3

36

17.50 REF

FOR INFORMATION IN COLOR OF KNOB SEE TABLE



SEE NOTE 1

SEE CHIEF ENGINEER'S PARTS LIST

QTY	REF	DESCRIPTION	SPECIFICATION	PART NO.

QTY	REF	DESCRIPTION	SPECIFICATION	PART NO.

ETCH BOARD ASSY (1U45 CONSOLE)
 EQUIPMENT CORPORATION
 5409624-00

540964-0
 1
 H
 F
 E
 D
 C
 B
 A

DEC 2218	0	20					
C 700	000	000					
<small>AND ONE OF THE REMAINING FOUR ARE IDENTICALLY IDENTIFIED AND GROUPED TOGETHER</small>							
DEC NO.	QTY	UNIT	PRICE	TOTAL			
E. C. H. LOCKWOOD							

QTY	REV	DESCRIPTION	REVISION	PRICE	UNIT	TOTAL
13	0	KNOB SWITCH AC RED		1210796-04	59	
4	0	KNOB SWITCH DC BLUE		1210796-08	52	
1	1	R110 RES 68 1/4W 10%		1300221	51	
1	1	R121 RES 56 1/4W 10%		1301429	50	
2	3	WASHER INT TOOTH #6		7006623	48	
2	4	SPACER .5X.1" 32X.0016		7006601	47	
4	4	WASHER INT TOOTH #6		7006621	46	
4	4	NUT NYLON #4-40		7006555	45	
2	2	SCR PHL #2 PAN #1-40X .30		7006011-1	44	
2	2	WASHER #2 INT TOOTH		7006630	43	
1	1	ASSY DRILL HOLE 1/8" DIA		7006604-3	42	
1	1	KNOB SWITCH LARY		7006603-0	41	
1	1	KNOB SWITCH MAGENTA		7006602-0	40	
1	1	IC DEC 104		1309806	39	
2	2	SCR PHL PAN #2-1/8X .3125		7006022-1	38	
1	1	WASHER LOCK		7006656	37	
1	1	STRAP LOCK 476		7006600	36	
1	1	IC MC 1001		7006610	35	
7	7	E7 E18 E18		7006618	34	
1	1	IC DEC 3018		7006636	33	
1	1	IC DEC 3017		7006635	32	
1	1	IC DEC 3000		7006634	31	
1	1	IC 1/8" DIA TAPPING		7006633	30	
1	1	RES 1/4W 10%		1300221	29	
1	1	RES 1/4W 10%		1300221	28	
1	1	RES 1/4W 10%		1300221	27	
1	1	RES 1/4W 10%		1300221	26	
1	1	RES 1/4W 10%		1300221	25	
1	1	RES 1/4W 10%		1300221	24	
1	1	RES 1/4W 10%		1300221	23	
1	1	RES 1/4W 10%		1300221	22	
1	1	RES 1/4W 10%		1300221	21	
1	1	RES 1/4W 10%		1300221	20	
1	1	RES 1/4W 10%		1300221	19	
1	1	RES 1/4W 10%		1300221	18	
1	1	RES 1/4W 10%		1300221	17	
1	1	RES 1/4W 10%		1300221	16	
1	1	RES 1/4W 10%		1300221	15	
1	1	RES 1/4W 10%		1300221	14	
1	1	RES 1/4W 10%		1300221	13	
1	1	RES 1/4W 10%		1300221	12	
1	1	RES 1/4W 10%		1300221	11	
1	1	RES 1/4W 10%		1300221	10	
1	1	RES 1/4W 10%		1300221	9	
1	1	RES 1/4W 10%		1300221	8	
1	1	RES 1/4W 10%		1300221	7	
1	1	RES 1/4W 10%		1300221	6	
1	1	RES 1/4W 10%		1300221	5	
1	1	RES 1/4W 10%		1300221	4	
1	1	RES 1/4W 10%		1300221	3	
1	1	RES 1/4W 10%		1300221	2	
1	1	RES 1/4W 10%		1300221	1	

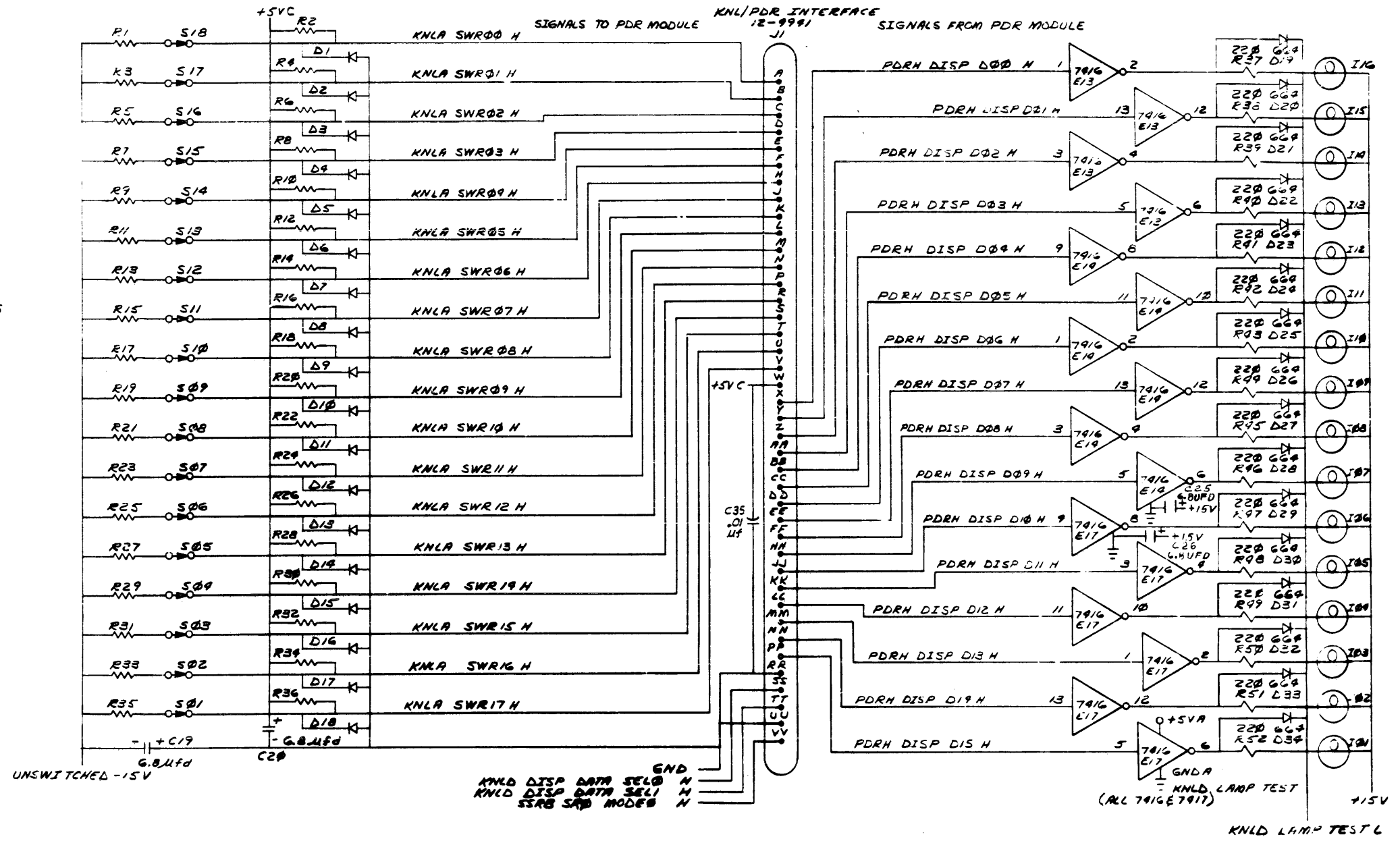
0664	1/2600						
DEC NO.	QTY	UNIT	PRICE	TOTAL			
SEMICONDUCTOR COMPONENT CHART							
EQUIPMENT CORPORATION							
ETCH BOARD ASSY (1/45 CONSOLE)							
540964-0-0							

12

This drawing and specifications herein are the property of Digital Equipment Corporation and shall not be reproduced or copied in whole or in part or the base for the manufacture of parts without written permission.

"SWITCH REGISTER" SWITCHES SHOWN IN LOGICAL "0" STATE (DOWN)

- NOTES:
 1. CONTROL LOGIC AND DISPLAY GROUNDS MUST BE KEPT SEPARATE
 2. ALL RESISTORS ARE 2.2K UNLESS MARKED OTHERWISE.
 3. ALL UNMARKED DIODES ARE D664



KNLD DISP DATA SEL0 H
 KNLD DISP DATA SEL1 H
 SSAB SAB MODE0 H

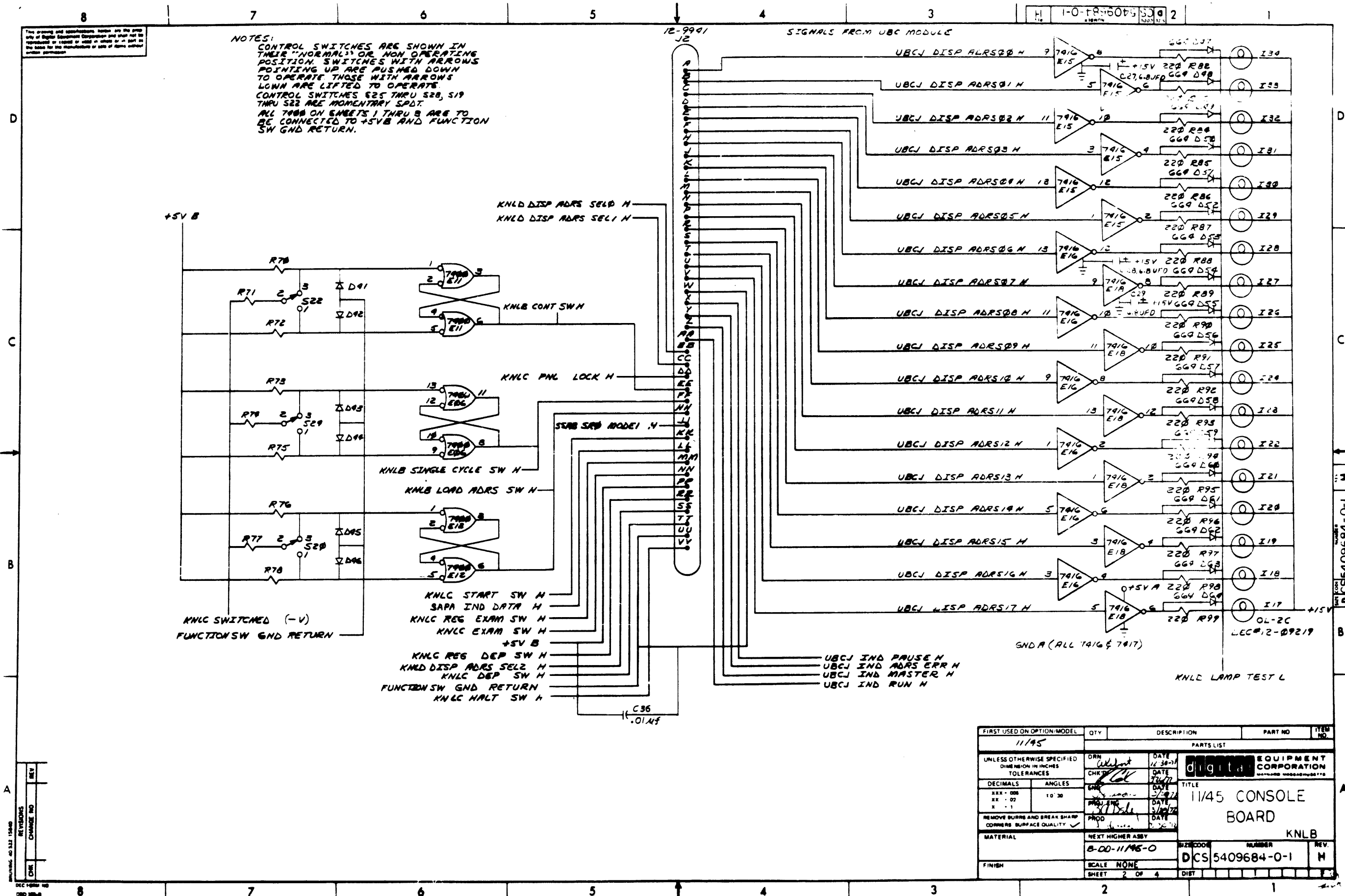
KNLD LAMP TEST L

REV	REV	REV	REV	REV	REV	REV	REV	REV	REV
1	2	3	4	5	6	7	8	9	10
DATE	DATE	DATE	DATE	DATE	DATE	DATE	DATE	DATE	DATE
BY	BY	BY	BY	BY	BY	BY	BY	BY	BY
CHKD	CHKD	CHKD	CHKD	CHKD	CHKD	CHKD	CHKD	CHKD	CHKD
DATE	DATE	DATE	DATE	DATE	DATE	DATE	DATE	DATE	DATE
APPROVED	APPROVED	APPROVED	APPROVED	APPROVED	APPROVED	APPROVED	APPROVED	APPROVED	APPROVED
J. SWANSON	J. SWANSON	J. SWANSON	J. SWANSON	J. SWANSON	J. SWANSON	J. SWANSON	J. SWANSON	J. SWANSON	J. SWANSON
15409684-00001	15409684-00002	15409684-00003	15409684-00004	15409684-00005	15409684-00006	15409684-00007	15409684-00008	15409684-00009	15409684-00010

FIRST USED ON OPTION/MODEL	QTY	DESCRIPTION	PART NO.	ITEM NO.
11/45				
UNLESS OTHERWISE SPECIFIED DIMENSIONS IN INCHES TOLERANCES				
DECIMALS	ANGLES	PARTS LIST		
XXX - 008	10' 30"	EQUIPMENT CORPORATION		
XX - 07		11/45 CONSOLE BOARD		
X - 1		KNLA		
REMOVE BURRS AND BREAK SHARP CORNERS SURFACE QUALITY	PROD. DATE	NEXT HIGHER ASSY		
		8-00-11/45-0		
MATERIAL	SCALE	DCS 5409684-0-1		
FINISH	SHEET 1 OF 4	REV. H		

This drawing and specifications herein are the property of Digital Equipment Corporation and shall not be reproduced or used in whole or in part in any manner for the manufacture or sale of items without written permission.

NOTES:
 CONTROL SWITCHES ARE SHOWN IN THEIR "NORMAL" OR NON OPERATING POSITION. SWITCHES WITH ARROWS POINTING UP ARE PUSHED DOWN TO OPERATE THOSE WITH ARROWS DOWN ARE LIFTED TO OPERATE.
 CONTROL SWITCHES S25 THRU S28, S19 THRU S22 ARE MOMENTARY SPDT.
 ALL 7900 ON SHEETS 1 THRU 3 ARE TO BE CONNECTED TO +5VB AND FUNCTION SW GND RETURN.

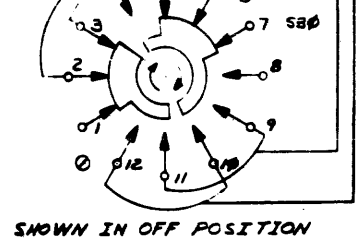
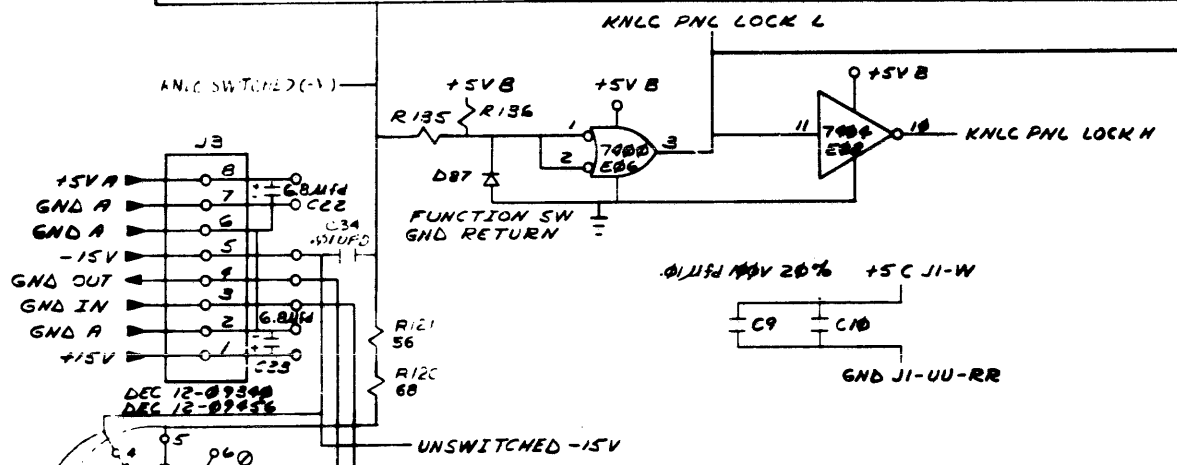
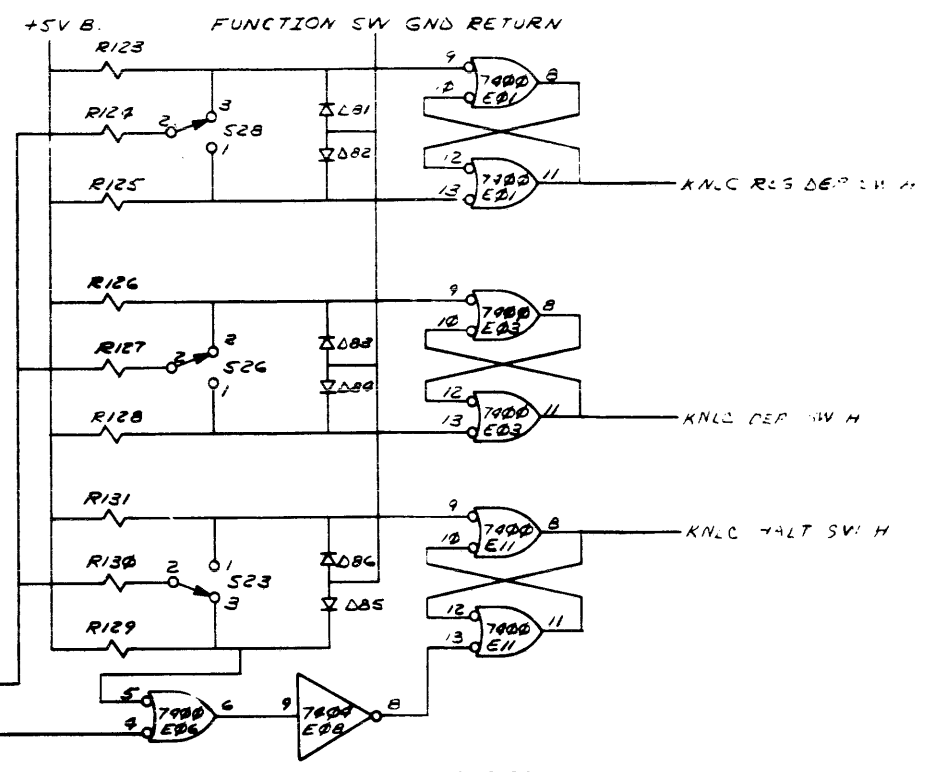
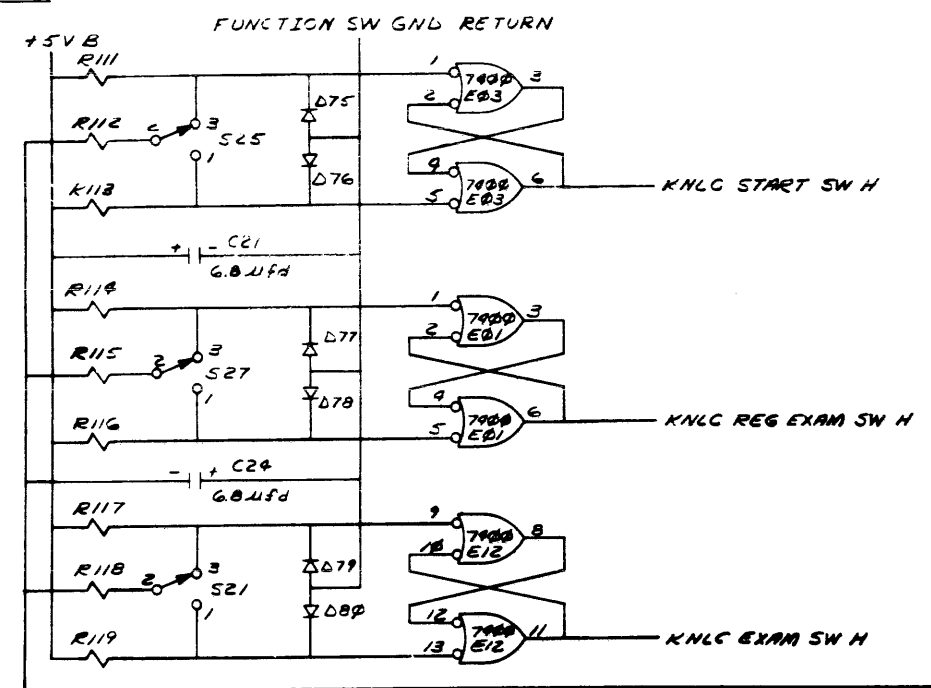


FIRST USED ON OPTION/MODEL	QTY	DESCRIPTION	PART NO	ITEM NO.
11/45				
PARTS LIST				
UNLESS OTHERWISE SPECIFIED	DRN	DATE		
DIMENSION IN INCHES	CHK	DATE		
TOLERANCES			11/45 CONSOLE BOARD KNLB	
DECIMALS				
ANGLES			MATERIAL NEXT HIGHER ASBY B-00-11/45-0 NUMBER DCS 5409684-0-1 REV. H	
XXX - 000				
XX - 02			FINISH SCALE NONE SHEET 2 OF 4	
X - 1				
REMOVE BURRS AND BREAK SHARP CORNERS SURFACE QUALITY			DCS 5409684-0-1 SHEET 2 OF 4	

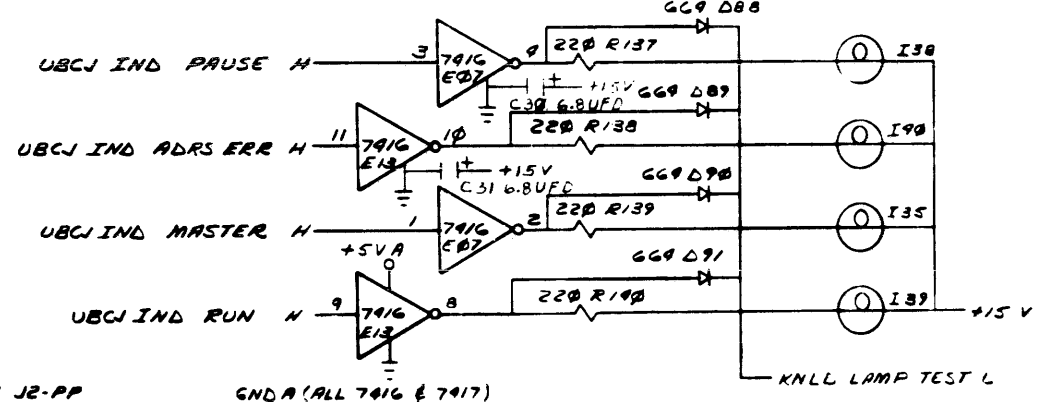
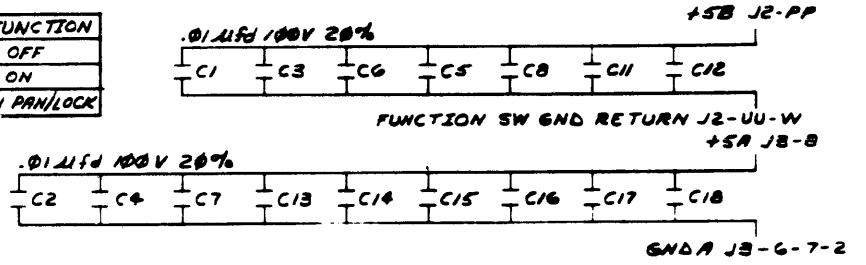
DEC 1968 NO. 010 100-0

DCS 5409684-0-1

Instructions herein are the property of Digital Equipment Corporation and shall not be reproduced, stored in a retrieval system, or used in whole or in part as a basis for any other work without the written permission of Digital Equipment Corporation.



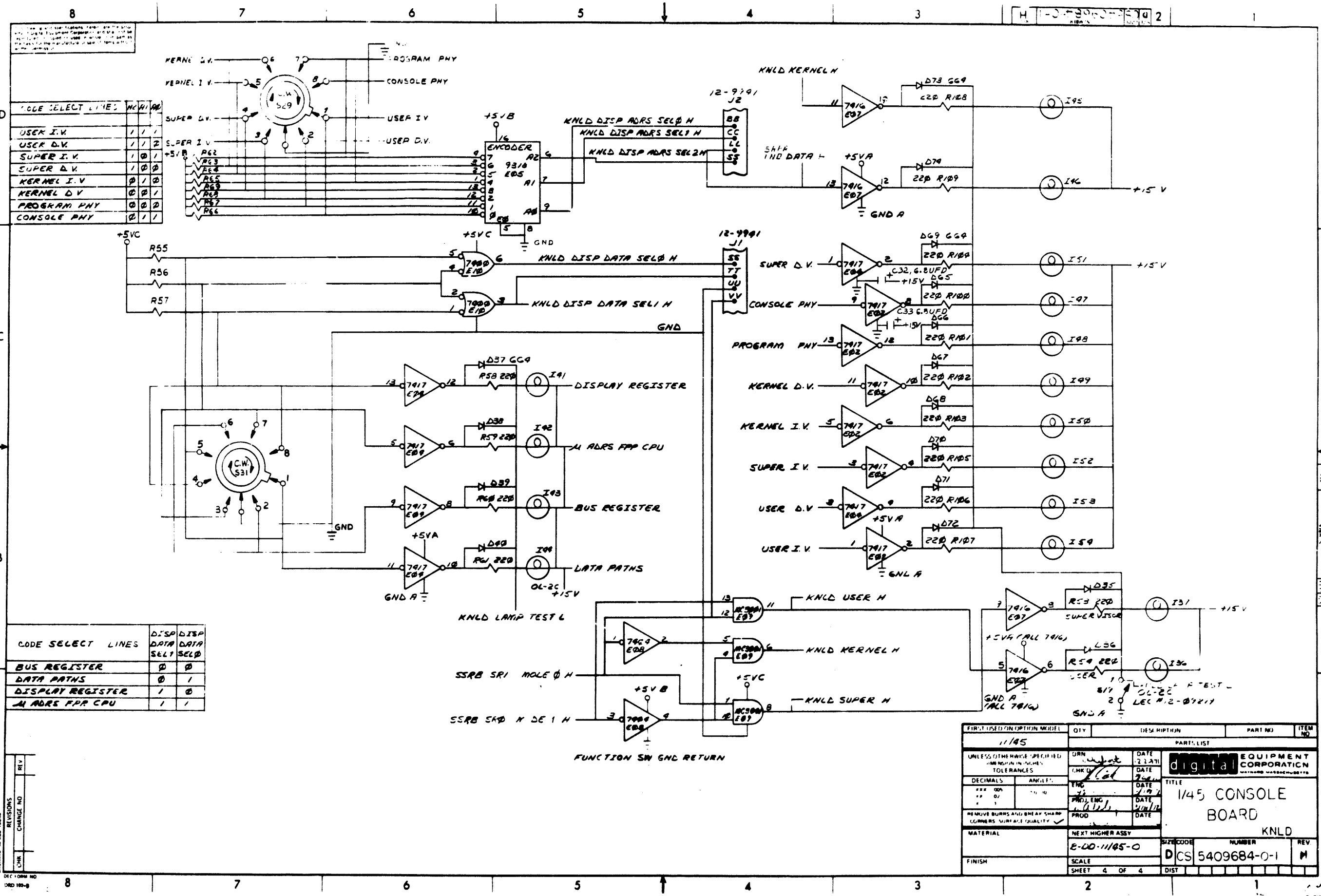
POSITION	POLE	FUNCTION
POS 1	2,3	OFF
POS 2	4,5,8,10	ON
POS 3	11,12	ON PAN/LOCK



REV
CHANGE NO
CHK
DEC 1968

FIRST USED ON OPTION MODEL	QTY	DESCRIPTION	PART NO	ITEM NO
11/45				
PARTS LIST				
UNLESS OTHERWISE SPECIFIED DIMENSION IN INCHES TOLERANCES	DRN	DATE	digital EQUIPMENT CORPORATION	
DECIMALS	CHK	DATE	11/45 CONSOLE BOARD	
ANGLE	ENG	DATE	KNLC	
REMOVE BURRS AND BREAK SHARP CORNERS SURFACE QUALITY	PROJ. ENG	DATE	DCS 5409684-0-1	
MATERIAL	PROD	DATE	REV 4	
FINISH	NEXT HIGHER ASSY	SCALE	SHEET 3 OF 4	

DCS 5409684-0-1



CODE SELECT LINES	W	X	Y	Z
USER I.V.	1	1	1	
USER D.V.	1	1	2	
SUPER I.V.	1	0	1	
SUPER D.V.	1	0	0	
KERNEL I.V.	0	1	0	
KERNEL D.V.	0	0	1	
PROGRAM PNY	0	0	0	
CONSOLE PNY	0	1	1	

CODE SELECT LINES	DISP DATA SEL1	DISP DATA SEL0
BUS REGISTER	0	0
DATA PATHS	0	1
DISPLAY REGISTER	1	0
AI ADRE FPR CPU	1	1

REV	CHG	NO

FIRST USED ON OPTION MODEL	QTY	DESCRIPTION	PART NO	ITEM NO
1145				

UNLESS OTHERWISE SPECIFIED		DATE		PARTS LIST
ORIGIN	DATE	ORIGIN	DATE	
CHK'D	12 2 71	CHK'D	7 2 71	digital EQUIPMENT CORPORATION TITLE: 1145 CONSOLE BOARD KNLD
ENG	7 1 71	PROJ. ENG	7 1 71	
PROJ. ENG	7 1 71	PROJ. ENG	7 1 71	
PROD	7 1 71	PROD	7 1 71	

MATERIAL	FINISH	SCALE	SHEET	OF	DIST
			4	4	

CS 5409684-0-1

DRAWING DIRECTORY

"THIS DRAWING AND SPECIFICATIONS, HEREIN, ARE THE PROPERTY OF DIGITAL EQUIPMENT CORPORATION AND SHALL NOT BE REPRODUCED OR COPIED OR USED IN WHOLE OR IN PART AS THE BASIS FOR THE MANUFACTURE OR SALE OF ITEMS WITHOUT WRITTEN PERMISSION. COPYRIGHT © 1975, DIGITAL EQUIPMENT CORPORATION"

CUSTOMER PRINT SET INDEX

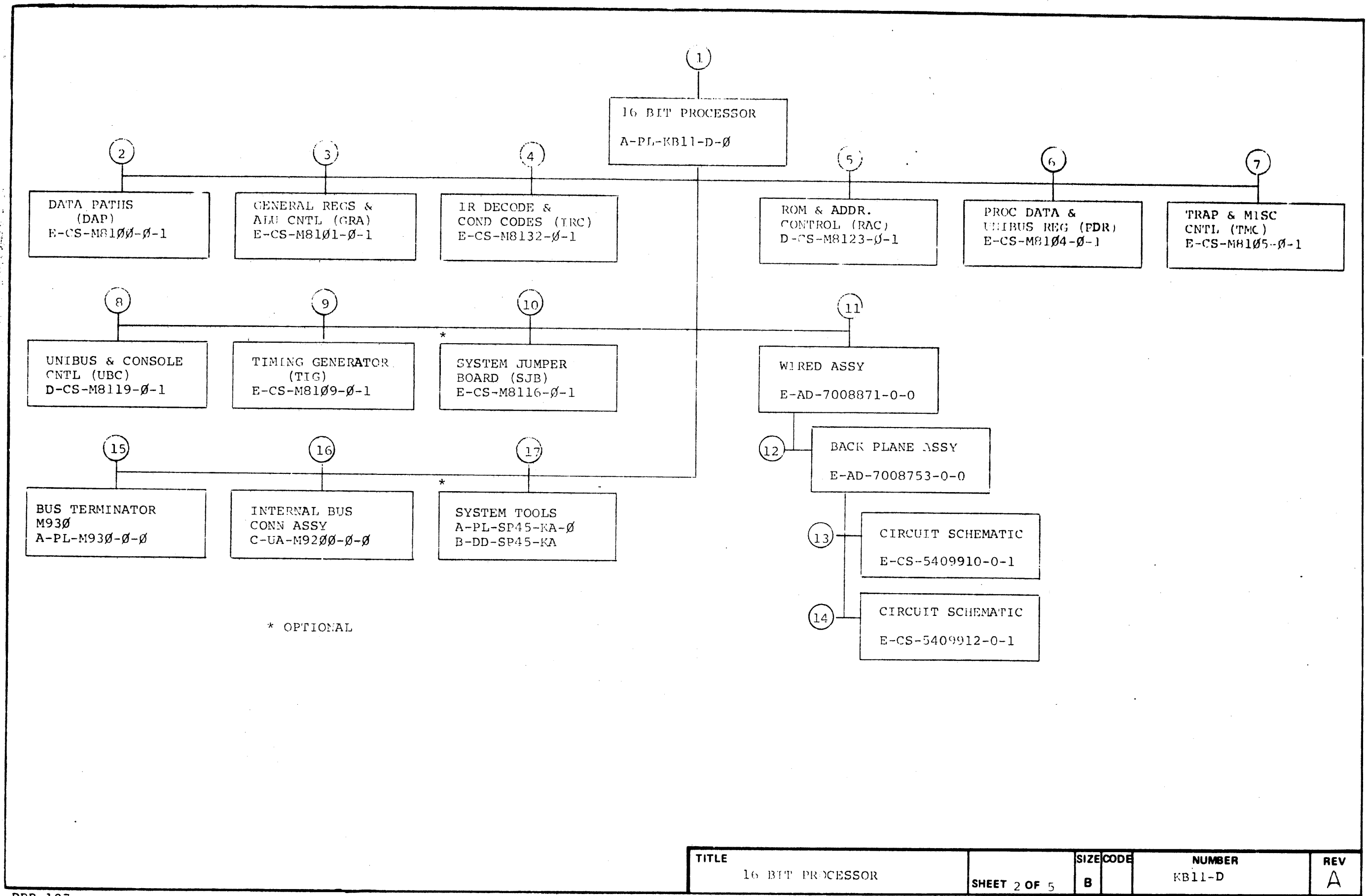
THIS IS PRINT SET

--	--	--	--	--

SEQUENCE	SEQUENCE	UNIT VARIATIONS																																													
DRAWING DIRECTORY	B-DD-KB11-D (SHEETS 1 & 2 ONLY)	<table border="1" style="width: 100%; border-collapse: collapse;"> <thead> <tr> <th style="width: 15%;">VAR</th> <th style="width: 75%;">TITLE</th> <th style="width: 10%;">PRINT SET</th> </tr> </thead> <tbody> <tr> <td>KB11-D</td> <td>16 BIT PROCESSOR</td> <td>X</td> </tr> <tr><td> </td><td> </td><td> </td></tr> <tr><td> </td><td> </td><td> </td></tr> <tr><td> </td><td> </td><td> </td></tr> <tr><td> </td><td> </td><td> </td></tr> <tr><td> </td><td> </td><td> </td></tr> <tr><td> </td><td> </td><td> </td></tr> <tr><td> </td><td> </td><td> </td></tr> <tr><td> </td><td> </td><td> </td></tr> <tr><td> </td><td> </td><td> </td></tr> <tr><td> </td><td> </td><td> </td></tr> <tr><td> </td><td> </td><td> </td></tr> <tr><td> </td><td> </td><td> </td></tr> <tr><td> </td><td> </td><td> </td></tr> </tbody> </table>	VAR	TITLE	PRINT SET	KB11-D	16 BIT PROCESSOR	X																																							
VAR	TITLE		PRINT SET																																												
KB11-D	16 BIT PROCESSOR		X																																												
MODULE UTILIZATION	E-MU-KB11-D-1																																														
BUS CABLES & GRANT CHART	D-IC-KB11-A-BG																																														
BLOCK DIAGRAM	D-BD-KB11-D-2																																														
KB11-C FLOW DIAGRAMS	D-FD-KB11-C-1																																														
DATA PATHS (DAP)	E-CS-M8100-0-1																																														
GEN REG & ALU CONTROL (GRA)	E-CS-M8101-0-1																																														
IR DECODE & COND. CODES (IRC)	E-CS-M8132-0-1																																														
ROM & ADDR CONTROL (RAC)	E-CS-M8123-0-1																																														
PROC DATA & UNIBUS REG (PDR)	D-CS-M8104-0-1																																														
TRAP & MISC CONTROL (TMC)	E-CS-M8105-0-1																																														
UNIBUS & CONSL. CONTROL (UBC)	E-CS-M8119-0-1																																														
TIMING GENERATOR	E-CS-M8109-0-1																																														
SYSTEM JUMPER BOARD	D-CS-M8116-0-1																																														
CIRCUIT SCHEMATIC	C-CS-M930-0-1																																														
CIRCUIT SCHEMATIC	C-CS-M920-0-1																																														
CIRCUIT SCHEMATIC	E-CS-5409910-0-1																																														
CIRCUIT SCHEMATIC	E-CS-5409912-0-1																																														

REVISIONS	REV	A		ORN.	DATE	16 BIT PROCESSOR				
	CHG. NO.	1		D. HEALY	12/30/75					
	DATE	7-76	11/55							
					PROJ ENG.	DATE	SIZE	CODE	NUMBER	REV
					Devill Bros	5/21/76	B	DD	KB11-D	A
					PROD.	DATE				
				2. Borstein	1/FEB/76					
				FIELD SERV.	DATE					
				C. Lynch	5/17/76					
SHEET 1 OF 5										

EN-01062-1A-16-R972-(325)

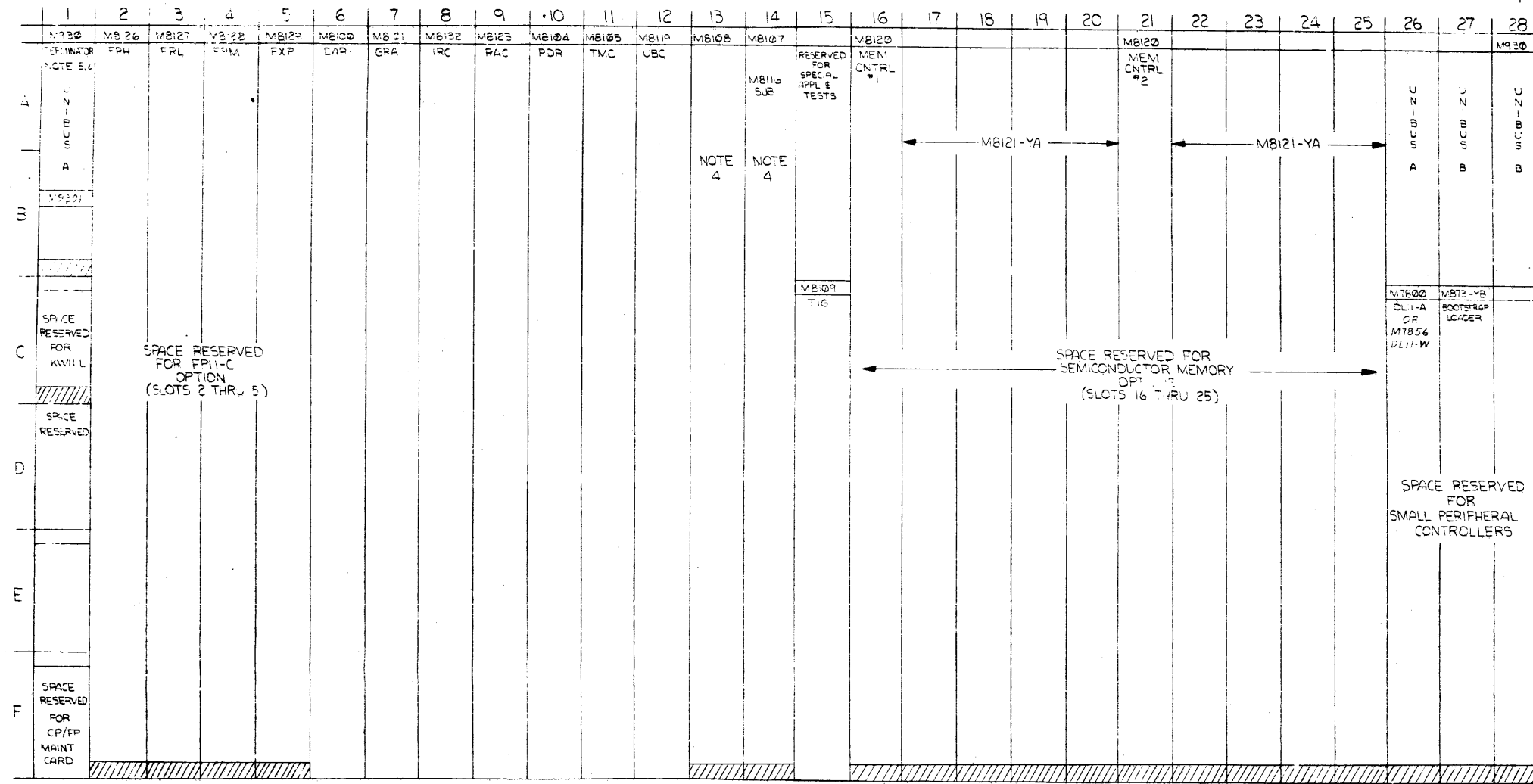
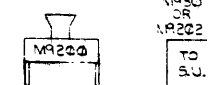


TITLE	SHEET	SIZE	CODE	NUMBER	REV
16 BIT PROCESSOR	2 OF 5	B		KB11-D	A

THIS DRAWING AND THE INFORMATION CONTAINED HEREIN ARE UNCLASSIFIED EXCEPT WHERE SHOWN OTHERWISE. DATE 05-19-2011 BY 60322 UCBAW/SJS

NOTES:

1. POWER TO BIPOLAR MEMORY REMAINS ON WITH THE CONSOLE ON/OFF SWITCH IN THE OFF POSITION.
2. CAUTION MUST BE OBSERVED WHEN INSTALLING THE BOARDS INTO THE BACK PANEL SLOTS BECAUSE OF NON-STANDARD VOLTAGES PRESENT IN SLOTS 01, 02 AND 15 THRU 28.
- 3.0 THE KBI1 BACK PLANE IS WIRED WITH TWO UNIBUSES:
UNIBUS A - CONNECTS TO THE CPU, KWILL AND SPC SLOTS
UNIBUS B - CONNECTS TO THE TWO SEMICONDUCTOR MEMORY CONTROL SLOTS.
USUALLY UNIBUS A AND UNIBUS B ARE JUMPED TOGETHER TO FORM ONE CONTINUING UNIBUS.
- 3.1 IF ONLY ONE UNIBUS IS USED:
A. THE UNIBUS PLUGS IN SLOT # 28
B. PLUG AN INTERNAL BUS CONNECTOR JUMPER (M9200) INTO SLOTS # 26 AND # 27.
C. PLUG A BUS TERMINATOR (M930) INTO SLOT # 1.
3.2 IF TWO UNIBUSES ARE USED:
A) UNIBUS A PLUGS IN SLOT # 26.
B) TERMINATOR (M930) FOR UNIBUS A PLUGS INTO SLOT # 1.
C) UNIBUS B PLUGS IN SLOT # 27.
D) TERMINATOR (M930) FOR UNIBUS B PLUGS INTO SLOT # 28.
4. IF KTH-CD OPTION IS PRESENT MB108-YA GOES IN SLOT # 3 AND MB107 GOES IN SLOT # 14, IF NO KTH-CD OPTION GOES IN SLOT # 14 AND SLOT # 13 IS EMPTY.
5. NEVER INSTALL A M9202 TERMINATOR IN SLOT A(1), AS UNIBUS WILL NOT OPERATE PROPERLY.
6. OPT. 21 AND 22 REQUIRE UNIBUS TERMINATOR BOOTJUMP

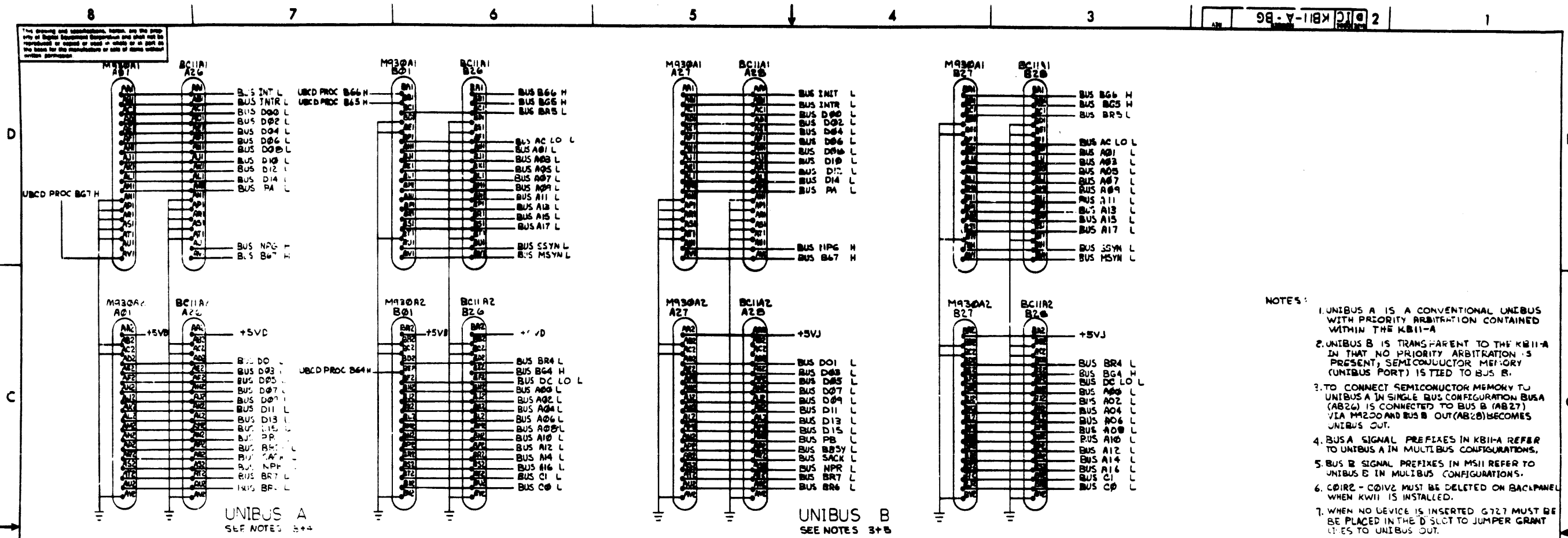


DESIGNATES OPTION

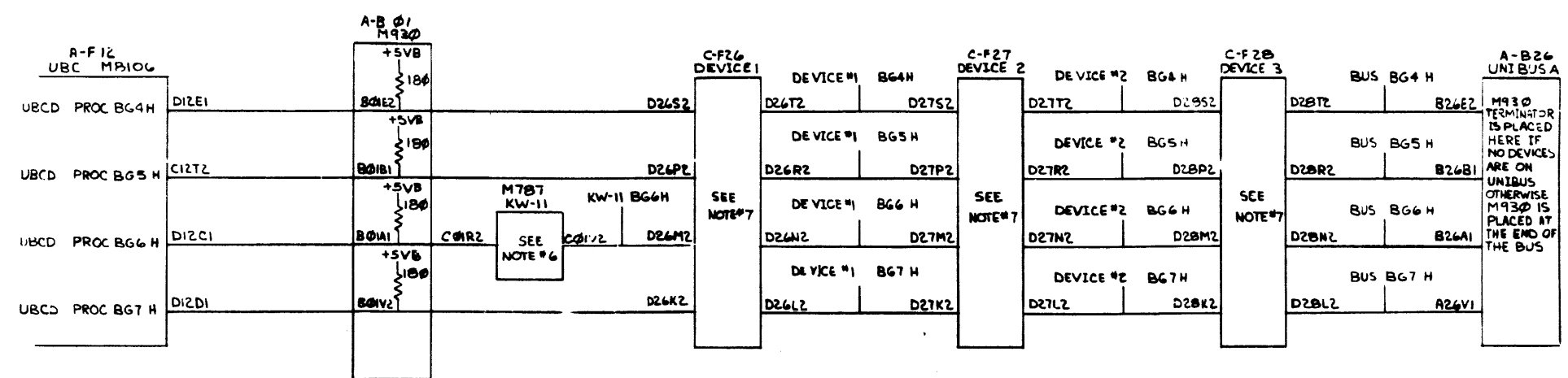
DESCRIPTION	DWG. PART NO.	ITEM NO.
CONSOLE TERMINAL CONTROL	A-PL-DL11-W	
BOOTSTRAP LOADER	A-PL-M930-A-B	
BOOTSTRAP LOADER	D-CS-MB73-YA	
BUS CONN ASSY	D-UA-M9202-00	
SYSTEM MAINT TOOLS	A-PL-SF45-KA-0	
FLOATING POINT PROC.	A-PL-FPH-C-B	
CONSOLE TERMINAL CONTROL	A-PL-DL11-A-B	
INTERVAL CLOCK	A-PL-KW11-0-0	
BIPOLAR MEMORY	A-PL-MS11-A-0	
BIPOLAR MEMORY CONTROL	A-PL-MS11-CC-0	
MEM. MANAGEMENT UNIT	A-PL-KTH-CC-0	
INT. BUS CONN ASSY	D-UA-M9200-0-0	
BUS TERMINATOR	A-PL-M930-0-0	
SYSTEM JUMPER BD	D-CS-MB16-0-1	
TIMING GENERATOR	D-CS-MB09-0-1	
UNIBUS & CONSOLE CNTRL	D-CS-MB11-0-1	
TRAP & MISC CONTROL	E-CS-MB105-0-1	
PROC DATA & UNIBUS REG	E-CS-MB104-0-1	
IR & ADDR. CONTROL	E-CS-MB123-0-1	
IR DECOD & COND CODES	E-CS-MB132-0-1	
GENERAL REGS & ALU CNTRL	E-CS-MB101-0-1	
DATA PATHS	E-CS-MB100-0-1	

THIRD ANGLE PROJECTION		ORIN & 3rd ANGLE	1:25	FIRST USED ON 11/55-11/45	<input checked="" type="checkbox"/> 1:1
UNLESS OTHERWISE SPECIFIED DIMENSIONS ARE IN INCHES					
QUANTITY & VARIATION		CLASS OF FINISH	CHECK ONE	CHECK ONE	CHECK ONE
		SAFETY	QUANTITY	QUALITY	FINISH
		PREFERRED	1:200	1:500	1:2500
DO NOT SCALE DWG					
MATERIAL					
FINISH					
SCALE		B-DD-KBI1-D	SIZE CODE	E MU	NUMBER
SHEET			OF		

MODULE UTILIZATION

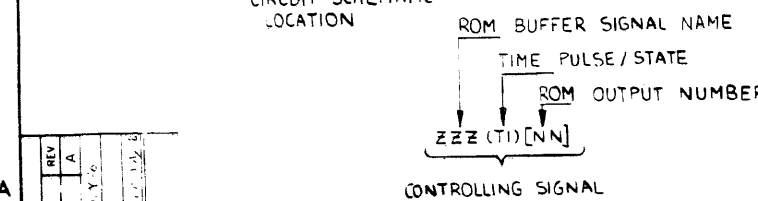
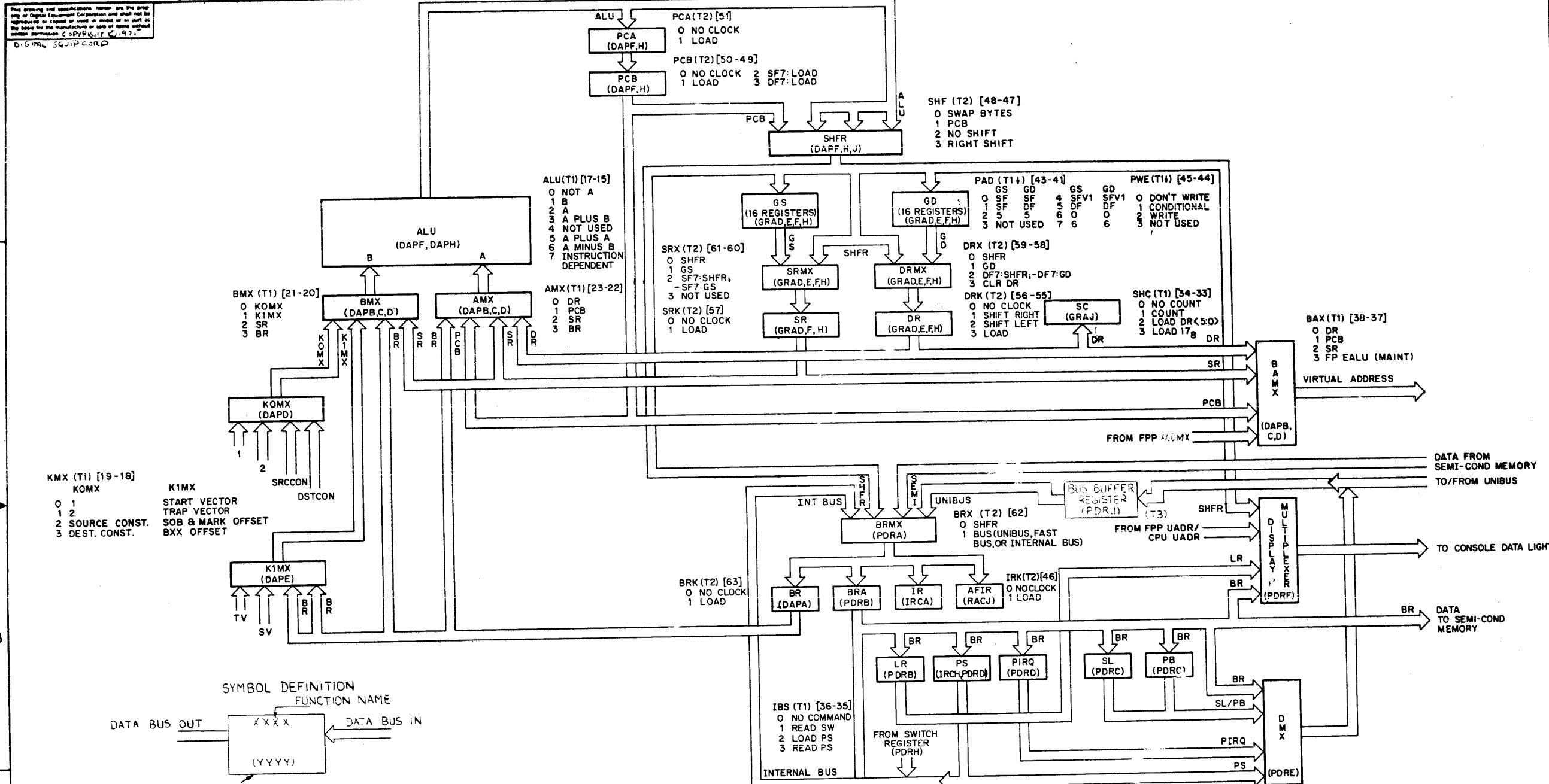


- NOTES:
1. UNIBUS A IS A CONVENTIONAL UNIBUS WITH PRIORITY ARBITRATION CONTAINED WITHIN THE KB11-A
 2. UNIBUS B IS TRANSPARENT TO THE KB11-A IN THAT NO PRIORITY ARBITRATION IS PRESENT; SEMICONDUCTOR MEMORY (UNIBUS PORT) IS TIED TO BUS B.
 3. TO CONNECT SEMICONDUCTOR MEMORY TO UNIBUS A IN SINGLE BUS CONFIGURATION BUS A (A26) IS CONNECTED TO BUS B (A27) VIA M930A1 AND BUS B OUT (A28) BECOMES UNIBUS OUT.
 4. BUS A SIGNAL PREFIXES IN KB11-A REFER TO UNIBUS A IN MULTIBUS CONFIGURATIONS.
 5. BUS B SIGNAL PREFIXES IN MS11 REFER TO UNIBUS B IN MULTIBUS CONFIGURATIONS.
 6. C01R2 - C01V2 MUST BE DELETED ON BACKPANEL WHEN KW11 IS INSTALLED.
 7. WHEN NO DEVICE IS INSERTED G727 MUST BE PLACED IN THE D SLOTT TO JUMPER GRANT LINES TO UNIBUS OUT.



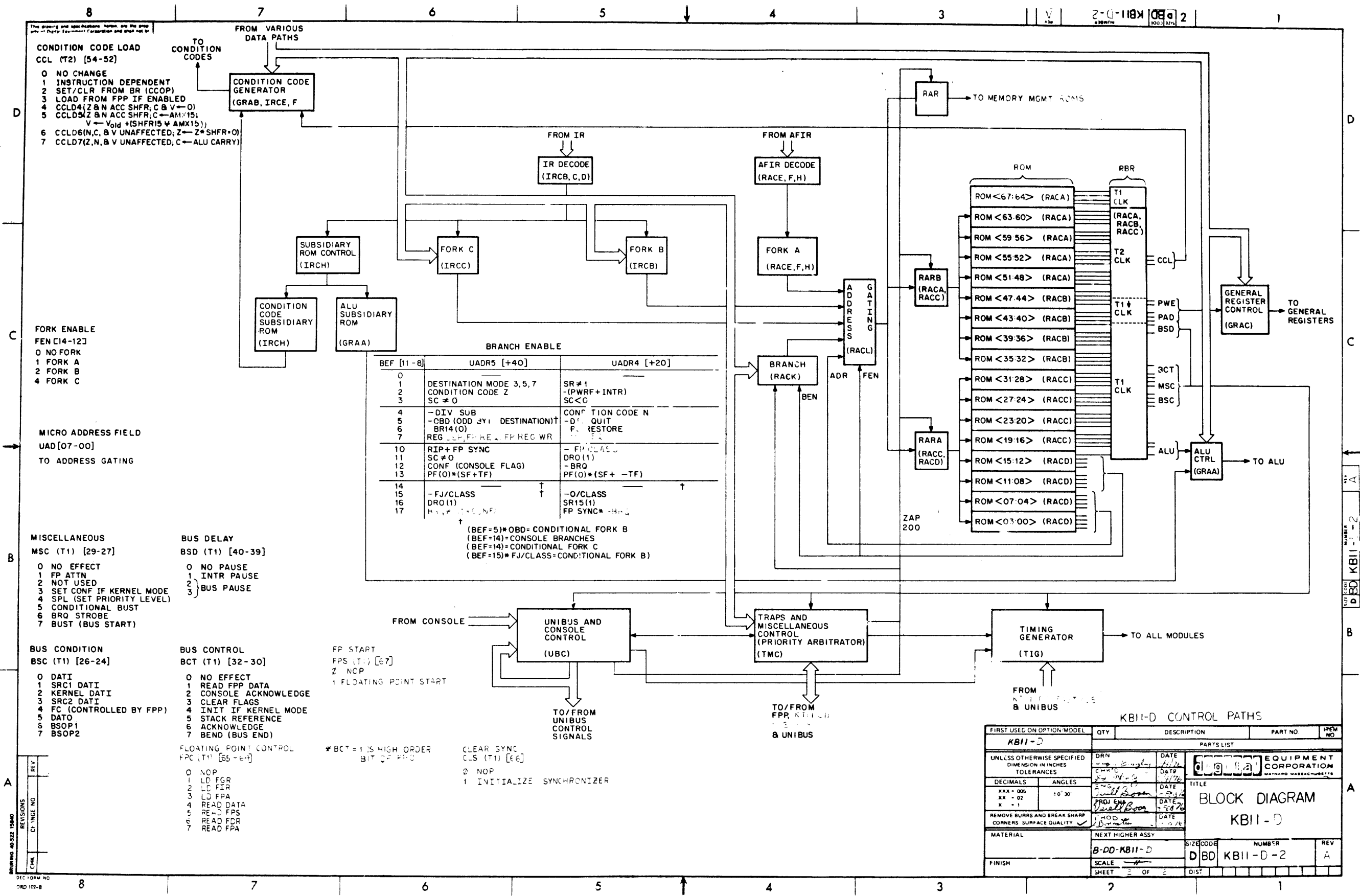
REV	NO
CHK	CHG
REV	NO
CHK	CHG

FIRST USED ON OPTION MODEL	QTY.	DESCRIPTION	PART NO.	ITEM NO.
11/45				
PARTS LIST				
UNLESS OTHERWISE SPECIFIED DIMENSION IN INCHES TOLERANCES	DATE	DATE	DIGITAL EQUIPMENT CORPORATION	
DECIMALS ANGLES	3/8/72	4/7/72	TITLE	
X.X - 008 X.X - 02 > - 1	10" 30'		BUS CABLES AND GRANT CHAIN	
REMOVE BURRS AND BREAK SHARP CORNERS SURFACE QUALITY	DATE	DATE	(BUS)	
	4-21-72			
MATERIAL	NEXT HIGHER ASSY.	SIZE CODE	NUMBER	REV.
		B-DD-KB11-A	D1C	KB11-A-BG
FINISH	SCALE	SHEET	OF	DIST.
		1	OF	



REV	1	11/55-00/001	A
CHK	1	V. BOAEN	
REV	2	11/55-00/001	A
CHK	1	V. BOAEN	

FIRST USED ON OPTION/MODEL	11/45	QTY		DESCRIPTION	PART NO.	ITEM NO.
PARTS LIST						
UNLESS OTHERWISE SPECIFIED DIMENSION IN INCHES						
TOLERANCES						
DECIMALS	ANGLES					
XXX - 008	± 0° 30'					
XX - 02						
X - 1						
REMOVE BURRS AND BREAK SHARP CORNERS SURFACE QUALITY						
MATERIAL	NEXT HIGHER ASSY	SIZE CODE	NUMBER	REV		
FINISH	B-DD-KBII-D	DBDKBII-D-2				
SCALE	1 OF 2					
SHEET						



CONDITION CODE LOAD CCL (T2) [54-52]

- NO CHANGE
- INSTRUCTION DEPENDENT
- SET/CLR FROM BR (CCOP)
- LOAD FROM FPP IF ENABLED
- CCLD4(Z & N ACC SHFR; C & V ← 0)
- CCLD5(Z & N ACC SHFR; C ← AMX15; V ← Vold + (SHFR15 & AMX15))
- CCLD6(N, C, & V UNAFFECTED; Z ← Z*SHFR+0)
- CCLD7(Z, N, & V UNAFFECTED; C ← ALU CARRY)

FORK ENABLE FEN [14-12]

- NO FORK
- FORK A
- FORK B
- FORK C

MISCELLANEOUS MSC (T1) [29-27]

- NO EFFECT
- FP ATTN
- NOT USED
- SET CONF IF KERNEL MODE
- SPL (SET PRIORITY LEVEL)
- CONDITIONAL BUST
- BRQ STROBE
- BUST (BUS START)

BUS CONDITION BSC (T1) [26-24]

- DATI
- SRC1 DATI
- KERNL DATI
- SRC2 DATI
- FC (CONTROLLED BY FPP)
- DATO
- BSOP1
- BSOP2

BUS CONTROL BCT (T1) [32-30]

- NO EFFECT
- READ FPP DATA
- CONSOLE ACKNOWLEDGE
- CLEAR FLAGS
- INIT IF KERNEL MODE
- STACK REFERENCE
- ACKNOWLEDGE
- BEND (BUS END)

FLOATING POINT CONTROL FPC (T1) [65-64]

- NOP
- LD FGR
- LD FIR
- LD FPA
- READ DATA
- READ FPS
- READ FDR
- READ FPA

FP START FPS (T1) [67]

- NOP
- FLOATING POINT START

CLEAR SYNC CLS (T1) [66]

- NOP
- INITIALIZE SYNCHRONIZER

REVISIONS

REV	DATE	BY	DESCRIPTION
1			
2			
3			
4			
5			
6			
7			

KB11-D CONTROL PATHS

FIRST USED ON OPTION/MODEL	QTY	DESCRIPTION	PART NO	ITEM NO
KB11-D				

PARTS LIST

UNLESS OTHERWISE SPECIFIED DIMENSION IN INCHES TOLERANCES	DRN	DATE	DATE
DECIMALS	XXX-005	XX-02	X-1
ANGLES	±0'30"		

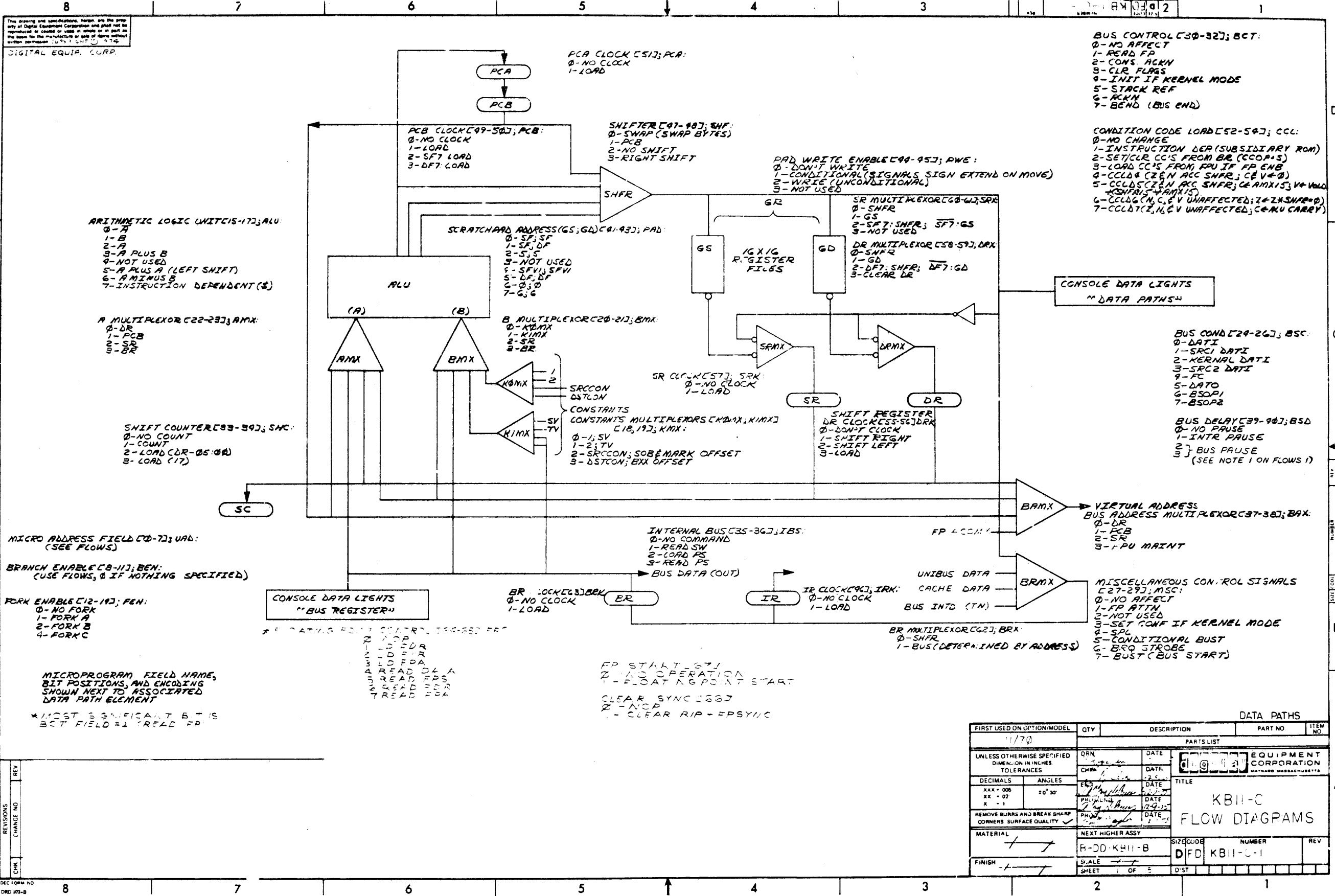
EQUIPMENT CORPORATION

BLOCK DIAGRAM KB11-D

MATERIAL	NEXT HIGHER ASSY	SIZE CODE	NUMBER	REV
	B-DD-KB11-D			

SCALE DIST

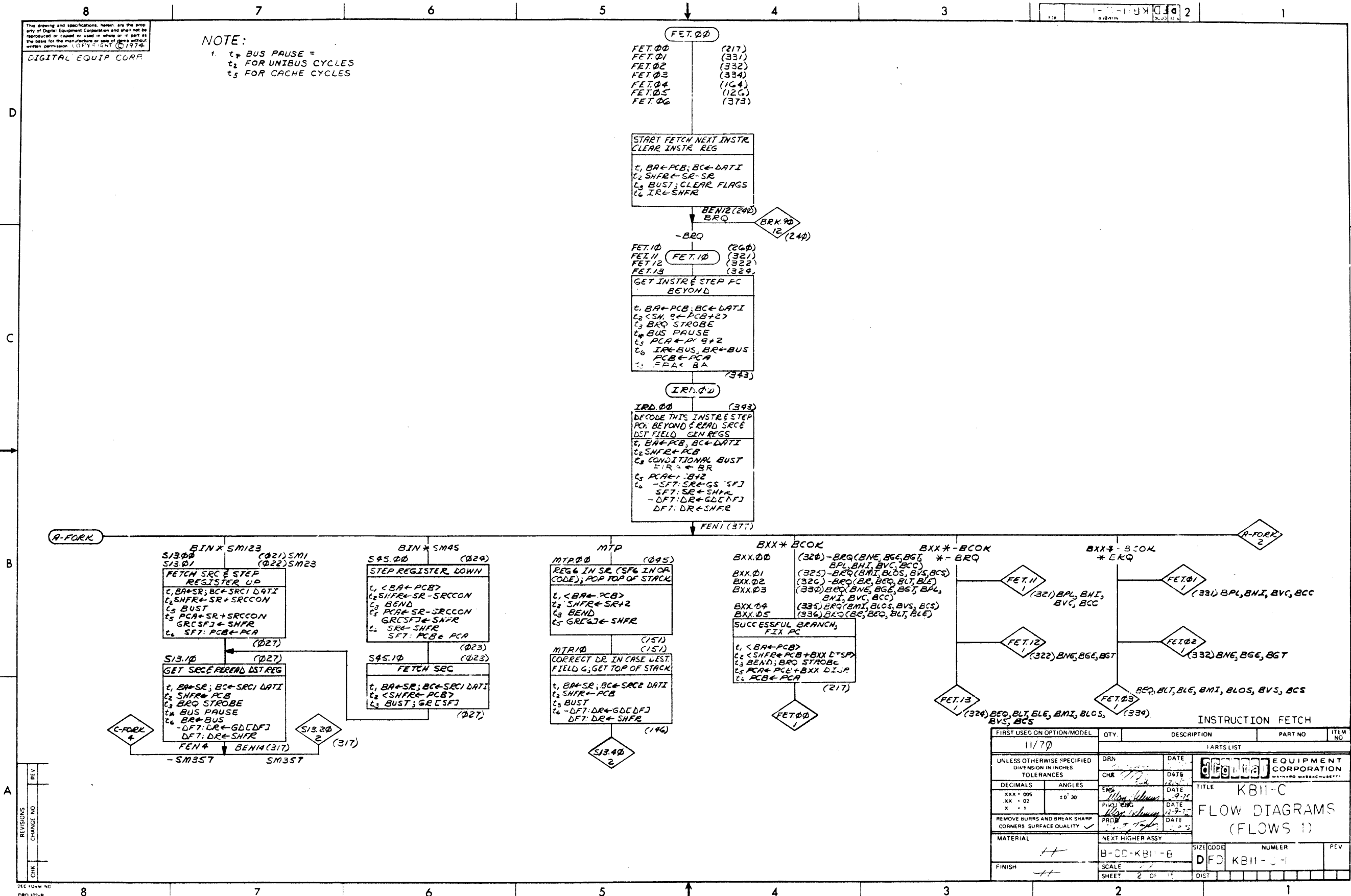
SHEET 2 OF 2



FIRST USED ON OPTION/MODEL	QTY	DESCRIPTION	PART NO	ITEM NO
11/70				
PARTS LIST				
UNLESS OTHERWISE SPECIFIED DIMENSION IN INCHES TOLERANCES	DRN	DATE	EQUIPMENT CORPORATION HARDWARE DEPARTMENT	
DECIMALS	CMR	DATE		
XXX - 008	ELC	DATE	TITLE KBII-C FLOW DIAGRAMS	
XX - 02	PHD	DATE		
X - 1	PHD	DATE	MATERIAL NEXT HIGHER ASSY	
REMOVE BURRS AND BREAK SHARP CORNERS SURFACE QUALITY			MATERIAL R-00-KBII-B	
FINISH			SHEET CODE D1FD KBII-C-1	
			NUMBER REV	
			SCALE 1 OF 5	
			D'ST	

This drawing and specifications, herein are the property of Digital Equipment Corporation and shall not be reproduced or copied in whole or in part as the basis for the manufacture or sale of items without written permission. © 1974 DIGITAL EQUIP CORP.

NOTE:
 1. t_1 BUS PAUSE =
 2. FOR UNIBUS CYCLES
 3. FOR CACHE CYCLES



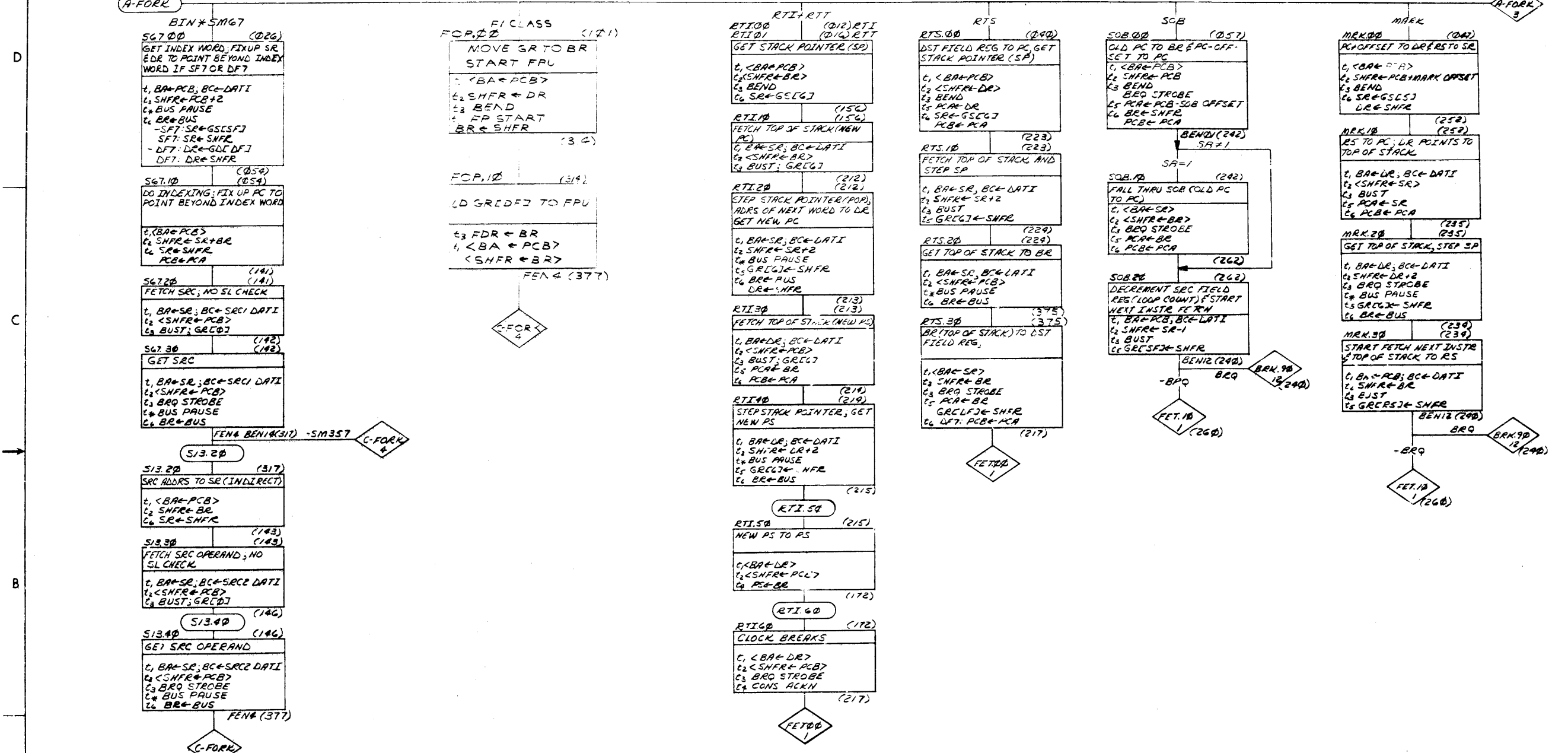
FIRST USE OR OPTION/MODEL	QTY	DESCRIPTION	PART NO	ITEM NO
11/70				
UNLESS OTHERWISE SPECIFIED DIMENSION IN INCHES TOLERANCES				
DECIMALS	ANGLES	DATE		
XXX - 005	±0.30	DATE		
XX - 02		DATE		
X - 1		DATE		
REMOVE BURRS AND BREAK SHARP CORNERS SURFACE QUALITY				
MATERIAL		NEXT HIGHER ASSY		
FINISH		SCALE		
		SHEET 2 OF 14		
		DIST		

INSTRUCTION FETCH

Digital EQUIPMENT CORPORATION
KBII-C
FLOW DIAGRAMS (FLOWS 1)

23

This drawing and specifications herein are the property of Digital Equipment Corporation and shall not be reproduced or copied in whole or in part as the basis for the manufacture or sale of items without written permission. © 1974
 DIGITAL EQUIP. CORP.



CONTROL; FLOATING; INDEXED SOURCE

FIRST USED ON OPTION MODEL	QTY	DESCR PTIL N	PART NO	ITEM NO
11/70				
UNLESS OTHERWISE SPECIFIED DIMENSION IN INCHES TOLERANCES				
DECIMALS	ANGLES	DATE	PARTS LIST	
XXX .005	10.00	12-9-75	EQUIPMENT CORPORATION	
XX .02		12-9-75	TITLE KBIIC	
X .1		12-9-75	FLOW DIAGRAMS (FLOWS 2)	
REMOVE BURRS AND BREAK SHARP CORNERS SURFACE QUALITY				
MATERIAL	NEXT HIGHER ASSY	SCALE	SIZE CODE	NUMBER
	B-CC-KBIIC-E	1:1	DFD	KBIIC
FINISH		SHEET	3 OF 15	REV
				1

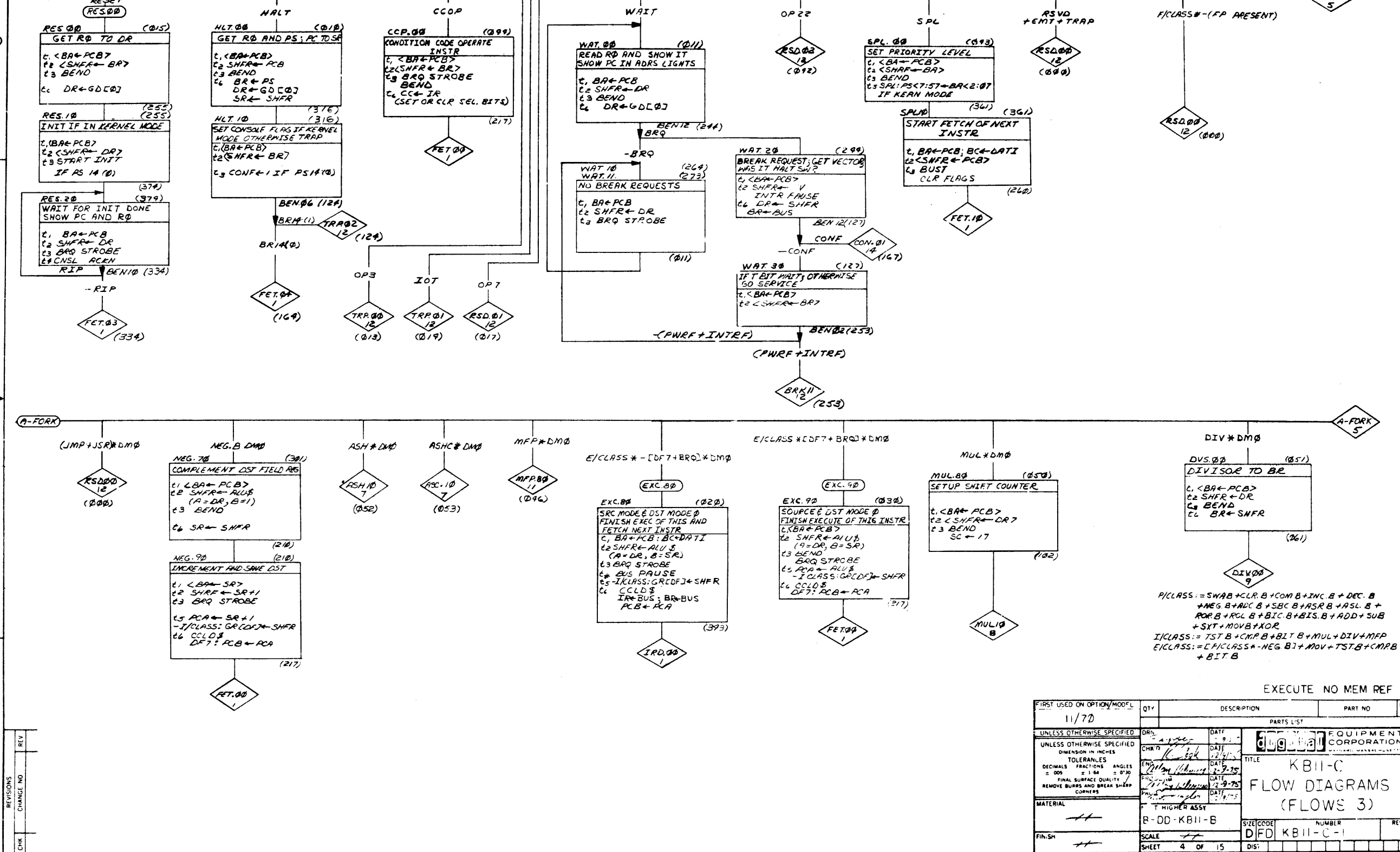
24

REV
 CHG
 NO
 DATE

This drawing and specifications herein are the property of Digital Equipment Corporation and shall not be reproduced or used in whole or in part as the basis for the manufacture or sale of items without written permission. COPYRIGHT © 1974

DIGITAL EQUIP. CORP

A-FORK



$P/CLASS := SWAB + CLR.B + COM.B + INC.B + DEC.B + NEG.B + AND.B + SBC.B + ASR.B + ASL.B + ROR.B + ROL.B + BIC.B + BIS.B + ADD + SUB + SYT + MOV + XOR$
 $I/CLASS := TST.B + CMP.B + BLT.B + MUL + DIV + MFP$
 $E/CLASS := E/CLASS + NEG.B + MOV + TST.B + CMP.B + BIT.B$

EXECUTE NO MEM REF

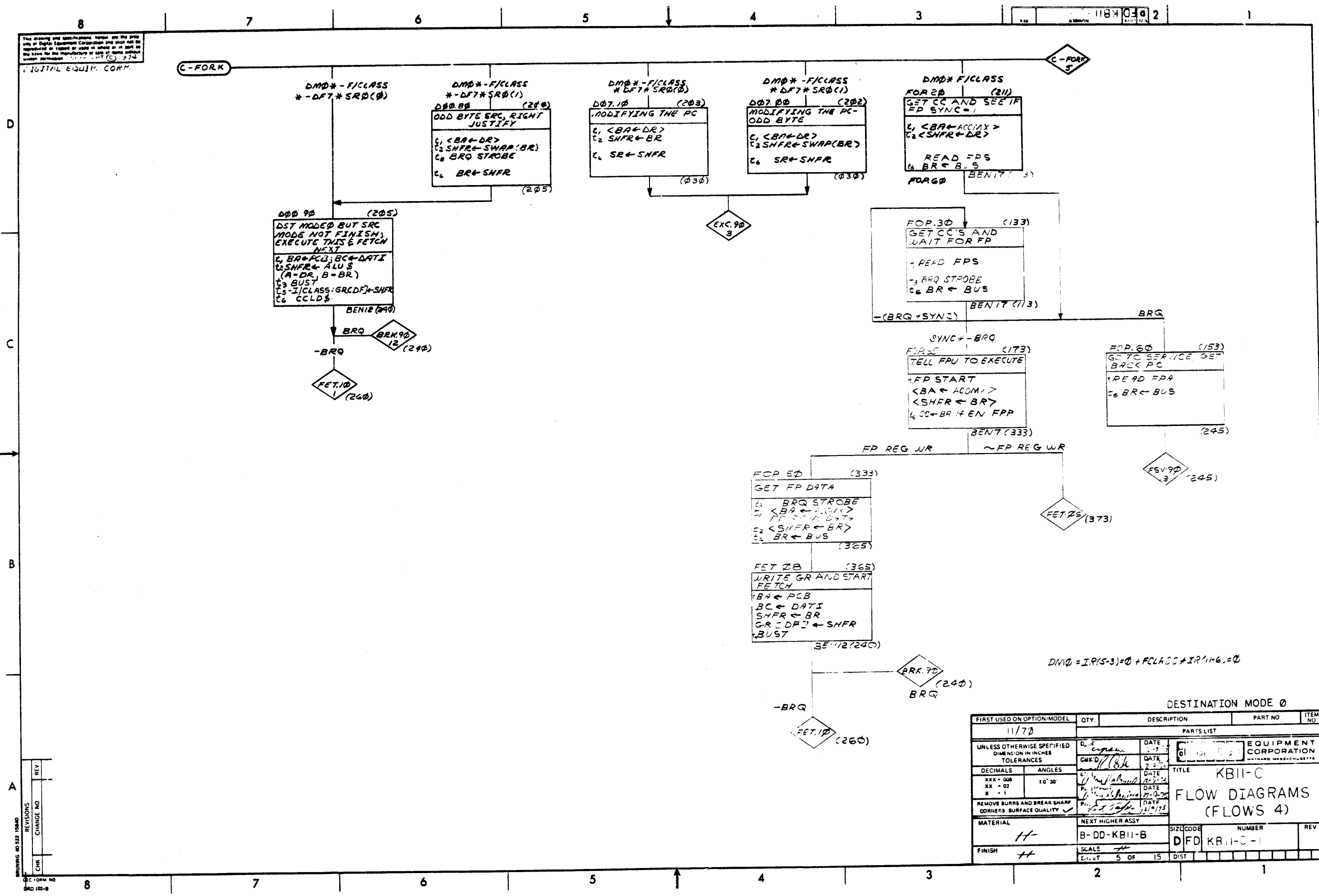
FIRST USED ON OPTION/MODEL	QTY	DESCRIPTION	PART NO	ITEM NO
11/70				
UNLESS OTHERWISE SPECIFIED				
DIMENSION IN INCHES				
TOLERANCES				
DECIMALS FRACTIONS ANGLES				
= .005 ±.004 ±.010				
FINAL SURFACE QUALITY				
REMOVE BURRS AND BREAK SHARP CORNERS				
MATERIAL				
FINISH				
PART HIGHER ASSY				
SCALE				
SHEET 4 OF 15				

REV	DATE	DESCRIPTION
1	12/4/75	INITIAL RELEASE
2	12/9/75	REVISED
3	12/9/75	REVISED

EQUIPMENT CORPORATION		TITLE	
KBII-C		FLOW DIAGRAMS (FLOWS 3)	
SIZE CODE	NUMBER	REV	
DIFD	KBII-C-1		

This drawing and specifications herein are the property of Digital Equipment Corporation and shall not be reproduced or copied in whole or in part for any purpose other than that for which it was prepared without the written permission of Digital Equipment Corporation.

DIGITAL EQUIP. CORP.



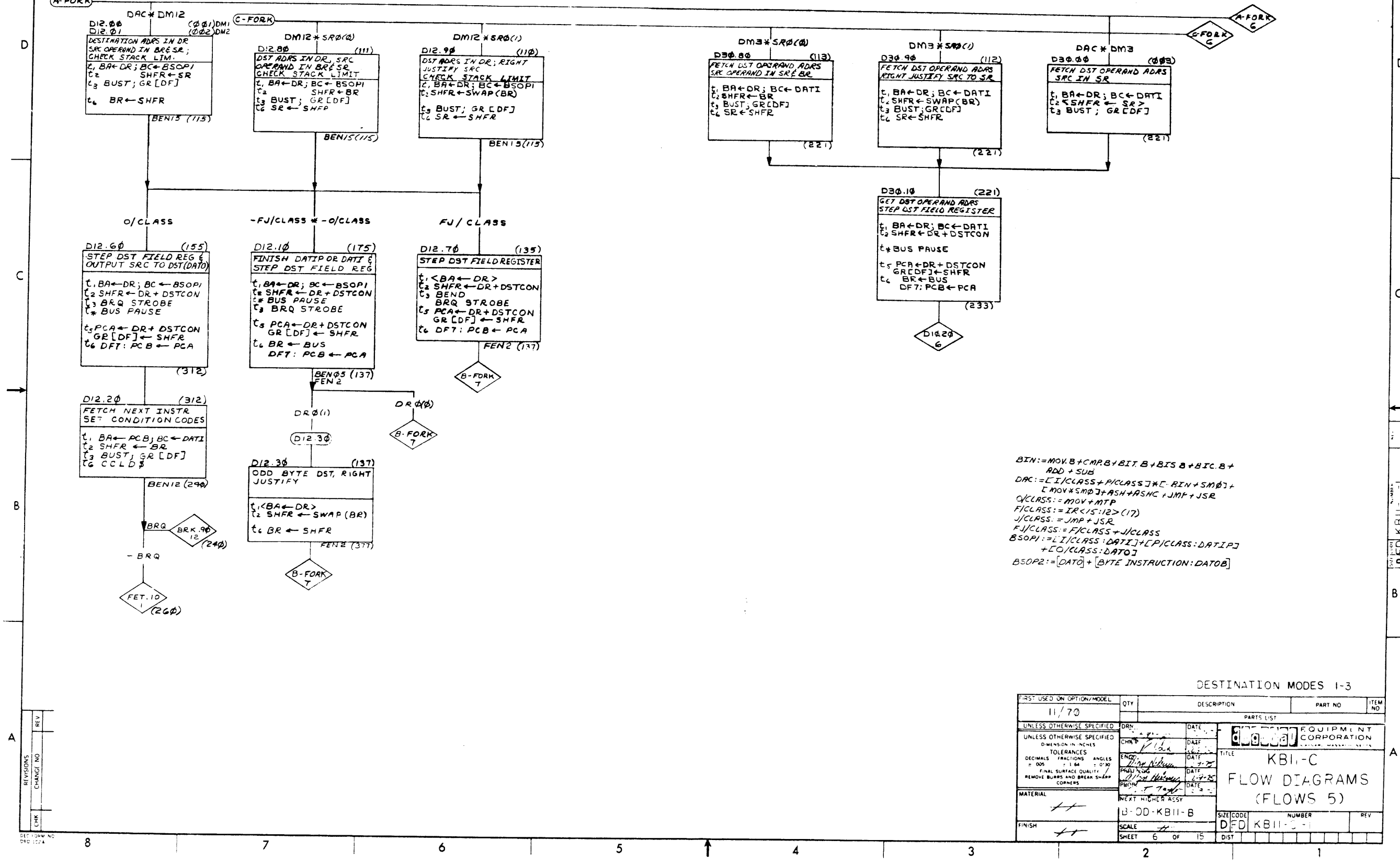
FIRST USED ON OPTION/MODEL	QTY.	DESCRIPTION	PART NO	ITEM NO
11/70				
UNLESS OTHERWISE SPECIFIED DIMENSION IN INCHES TOLERANCES				
DECIMALS	ANGLES	DATE		
XXX - 006	10' 30"	DATE		
XX - 02		DATE		
X - 1		DATE		
REMOVE BURRS AND BREAK SHARP CORNERS SURFACE QUALITY				
MATERIAL	FINISH	NEXT HIGHER ASSY	SIZE/CODE	NUMBER
H	H	B-DD-KBII-B	DFD	KBII-C-1
FINISH				
SCALE				
5 OF 15				

DESTINATION MODE 0

EQUIPMENT CORPORATION
TITLE
KBII-C
FLOW DIAGRAMS
(FLOWS 4)

This drawing and specifications herein are the property of Digital Equipment Corporation and shall not be reproduced or copied or used in whole or in part as the basis for the manufacturing or sale of items without written permission.

DIGITAL EQUIP CORP.



BIN:=MOV.B+CMR.B+BIT.B+BIS.B+BIC.B+ADD+SUB
 DAC:=L.I/CLASS+R.I/CLASS+J.C.BIN+SMO+T.MOV+SMO+ASH+ASNC+JMF+JSR
 O/CLASS:=MOV+MTP
 F/CLASS:=IR<15:12>(17)
 J/CLASS:=JMP+JSR
 F/J/CLASS:=F/CLASS+J/CLASS
 BSOPI:=L.I/CLASS+DATI+L.P/CLASS+DATI+L.O/CLASS+DATO
 BSOPI2:=DATO+[BYTE INSTRUCTION:DATO]

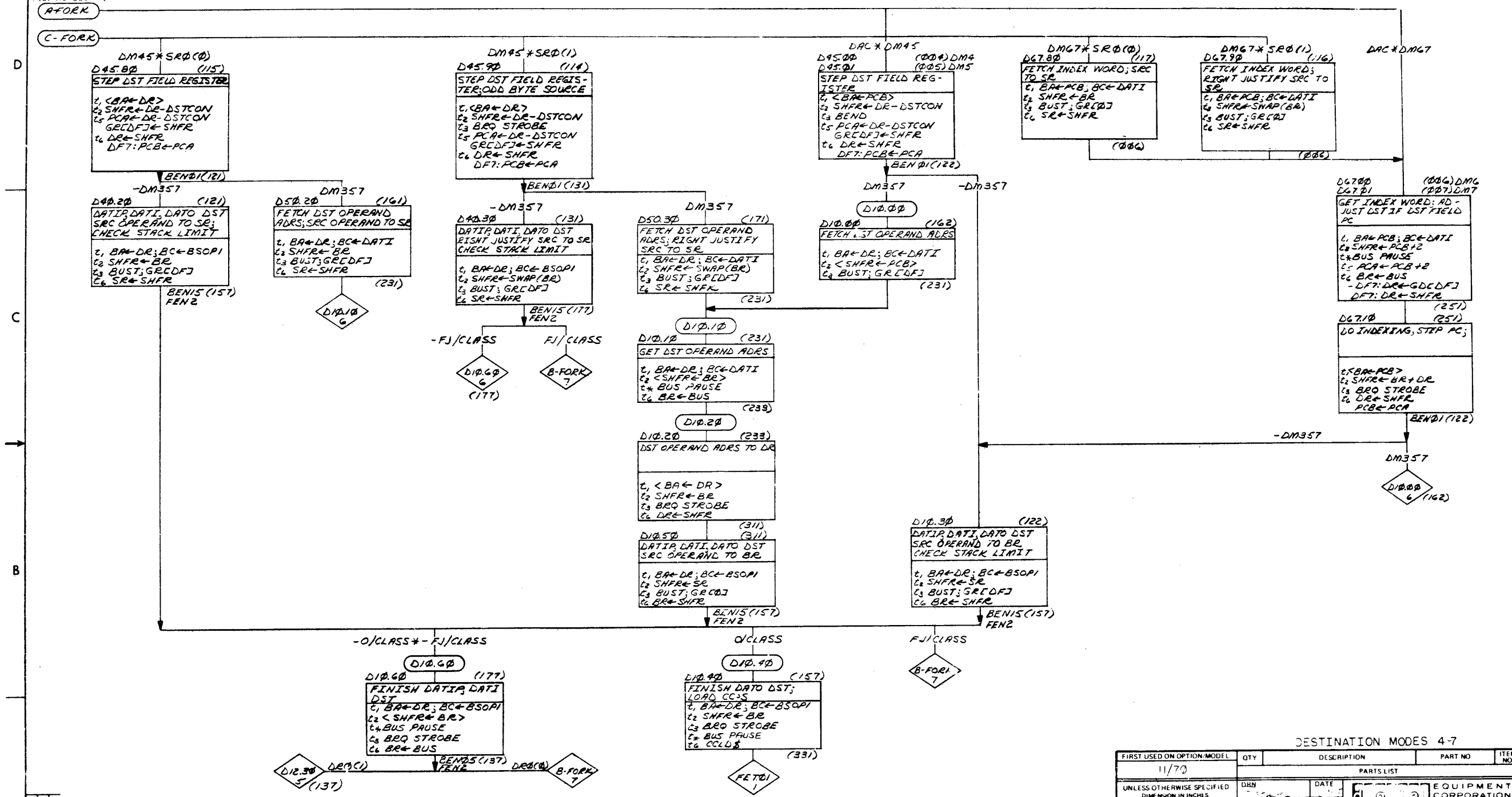
DESTINATION MODES 1-3

FIRST USED ON OPTION/MODEL	QTY	DESCRIPTION	PART NO	ITEM NO
11/70				
UNLESS OTHERWISE SPECIFIED				
DIMENSION IN INCHES				
TOLERANCES				
DECIMALS FRACTIONS ANGLES				
FINAL SURFACE QUALITY				
REMOVE BURRS AND BREAK SHARP CORNERS				
MATERIAL				
FINISH				
NEXT HIGHER ASSY				
SCALE				
SHEET 6 OF 15				

DATE	BY	DESCRIPTION
11/70		

PARTS LIST	
DIGITAL EQUIPMENT CORPORATION	
TITLE	
KBI-C	
FLOW DIAGRAMS	
(FLOWS 5)	
SIZE CODE	NUMBER
DFD	KBI-C-1
SCALE	REV

This drawing and specifications herein are the property of Digital Equipment Corporation and shall not be reproduced or copied in whole or in part as the basis for the manufacture or sale of items without written permission.



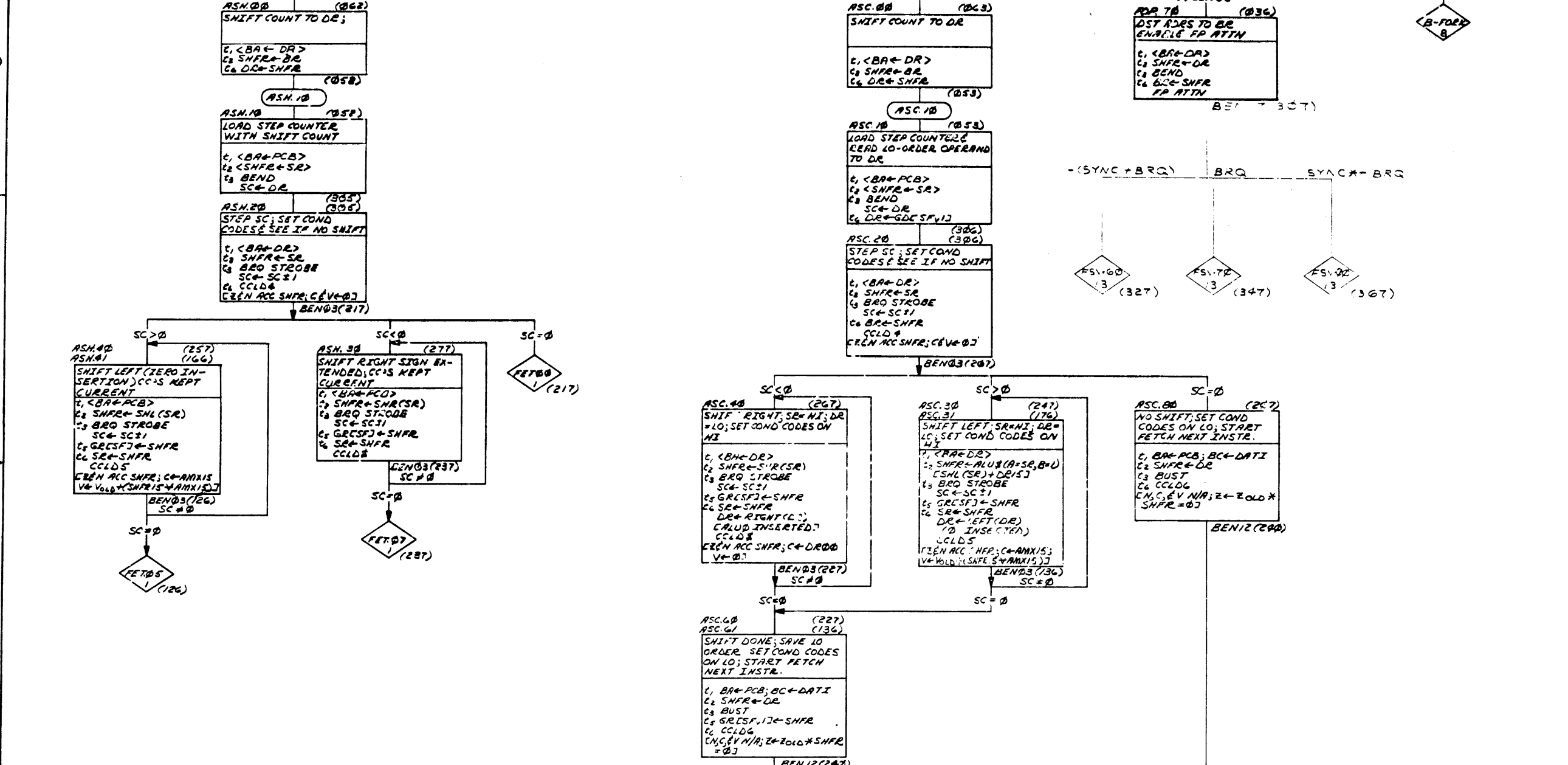
FIRST USED ON OPTION/MODEL		QTY	DESCRIPTION	PART NO	ITEM NO
11/70					
UNLESS OTHERWISE SPECIFIED DIMENSION IN INCHES TOLERANCES		DRN	DATE	PARTS LIST	
DECIMALS	ANGLES	CHRYN	DATE	EQUIPMENT CORPORATION	
XXX - 006	±0° 30'	EMW	DATE	TITLE	
XX - 02		PRWY	DATE	KBI-C	
X - 1		PRWD	DATE	FLOW DIAGRAMS	
REMOVE BURRS AND BREAK SHARP CORNERS SURFACE QUALITY				(FLOWS 6)	
MATERIAL	NEXT HIGHER ASSY			SIZE/CODE	NUMBER
				DFD	KBI-C-
FINISH	SCALE				
	SHEET 7 OF 15				

28

REV	CHG	NO

DEC 1 FORM NO. 010 11-69

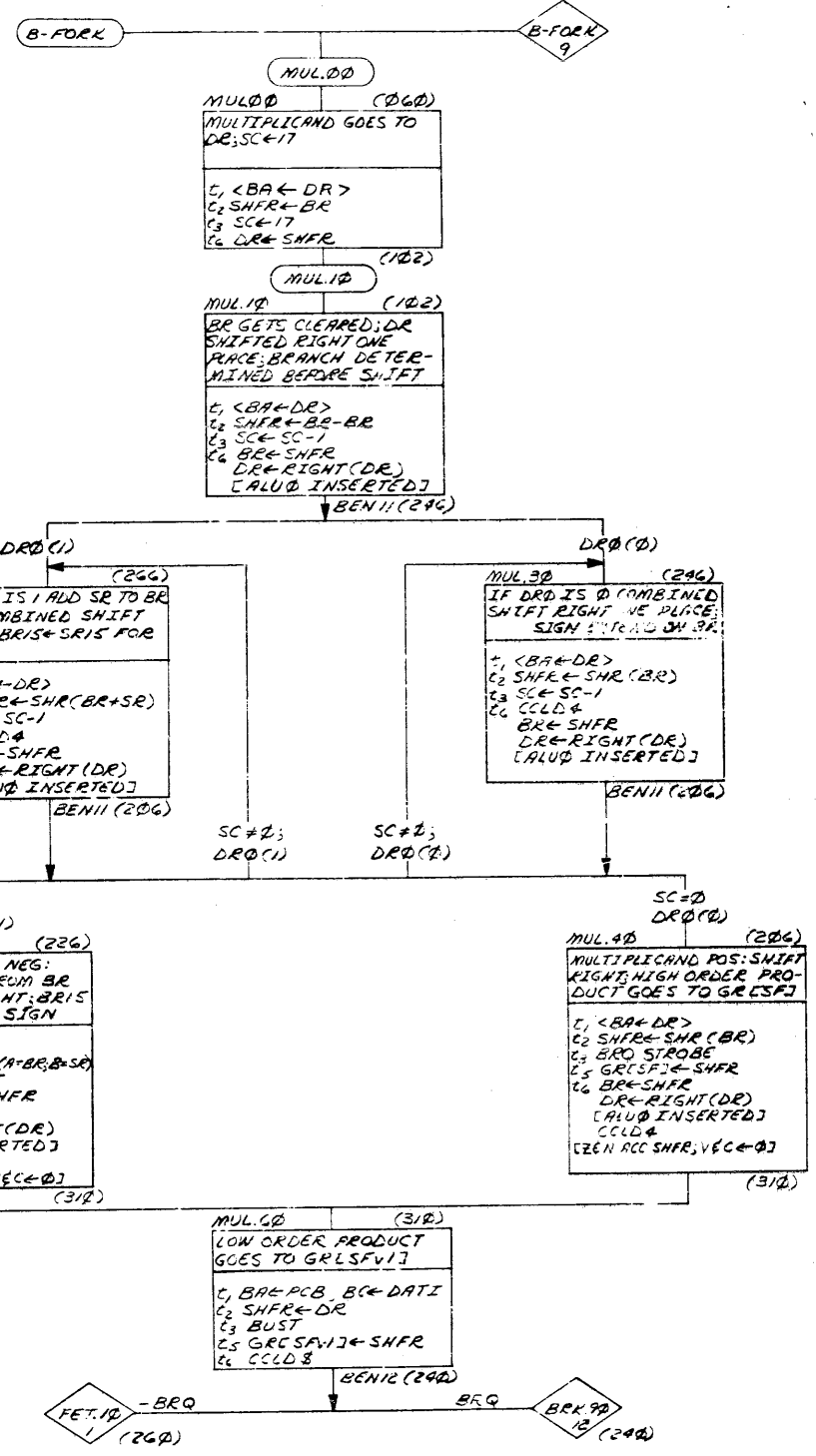
This drawing and specifications herein are the property of Digital Equipment Corporation and shall not be reproduced or copied or used in whole or in part as the basis for the manufacture of any device without written permission. © 1970 DIGITAL EQUIP. CORP.



FIRST USED ON OPTION/MODEL	QTY	DESCRIPTION	PART NO	ITEM NO.
11/70				
UNLESS OTHERWISE SPECIFIED DIMENSION IN INCHES TOLERANCES				
DECIMALS	ANGLES	TITLE		
XXX - 006	10' 30"	KBI-C		
XX - 02		FLOW DIAGRAMS (FLOWS 7)		
REMOVE JURRS AND BREAK SHARP CORNERS SURFACE QUALITY				
MATERIAL	NEXT HIGHER ASSY	SIZE CODE	NUMBER	REV
	B-DD-KBII-B	D	FD	KBI-C-1
FINISH	SCALE	SHEET		DIST
	8 OF 15	8 OF 15		

REVISIONS
 CHANCE NO
 DATE

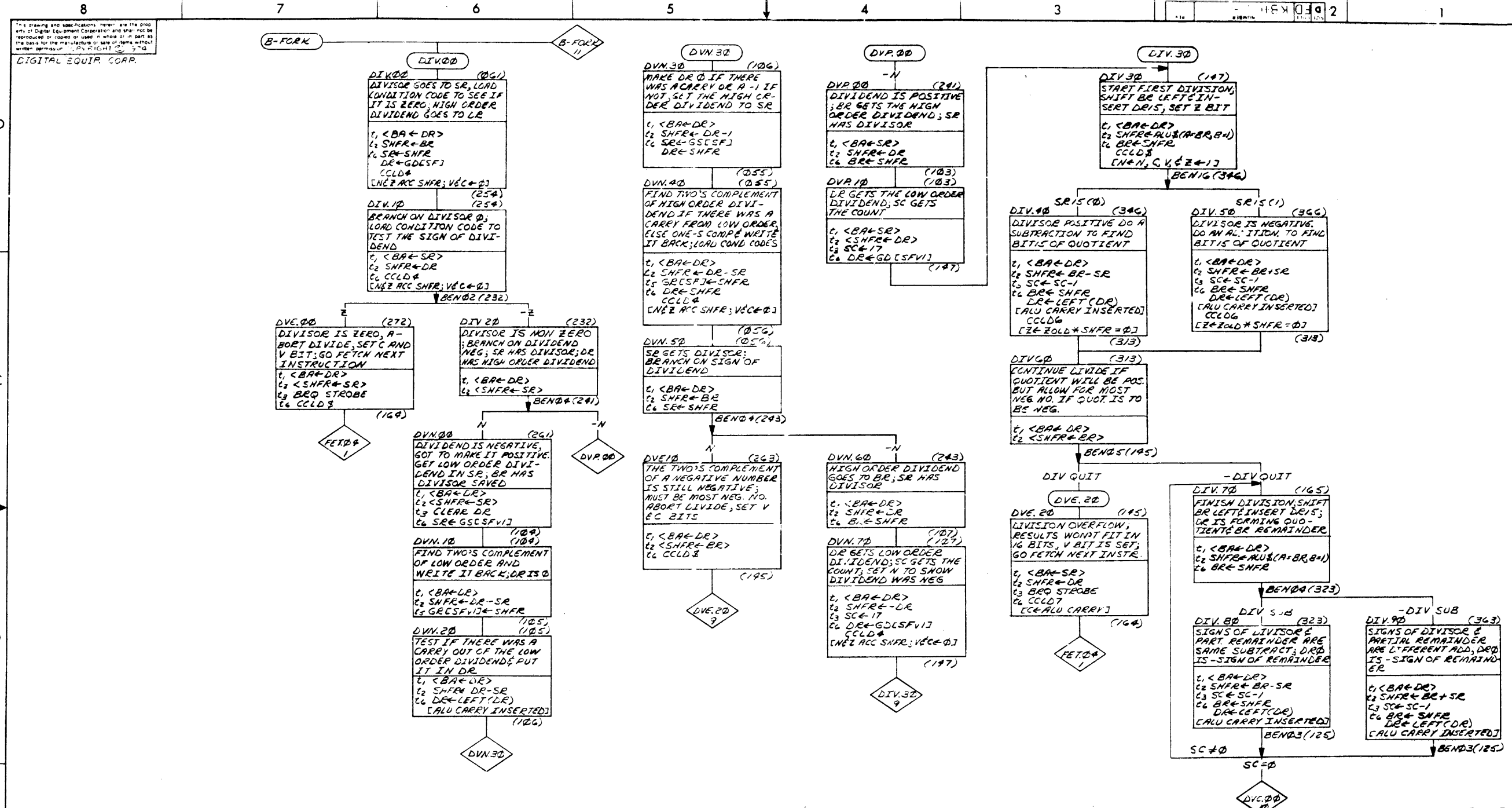
This drawing and specifications herein are the property of Digital Equipment Corporation and shall not be reproduced or copied or used in whole or in part as the basis for the manufacture or sale of items without written permission. COPYRIGHT © 1974 DIGITAL EQUIP. CORP.



FIRST LIST ON OPTIM. MODEL	QTY	DESCRIPTION	PRICE	ITEM
11/70		PHOTO LIST		
UNLESS OTHERWISE SPECIFIED DIMENSIONS IN INCHES TOLERANCES		DATE	DIGITAL EQUIPMENT CORPORATION	
DECIMALS	ANGLES	DATE	TITLE	
XXX .005	±0.25	DATE	KBI1-B	
X .1		DATE	FLOW DIAGRAMS (FLOWS 8)	
REMOVE BURRS AND BREAK SHARP CORNERS SURFACE QUALITY		DATE		
MATERIAL	NEXT HIGHER ASSY	DATE		
FINISH	A-05-KBI1-B	DATE	SIZE/CODE	NUMBER
	SCALE	DATE	DFD	KBI1-01
	SHEET	DATE	5 OF 15	DIST

REV	DESCRIPTION	DATE

30



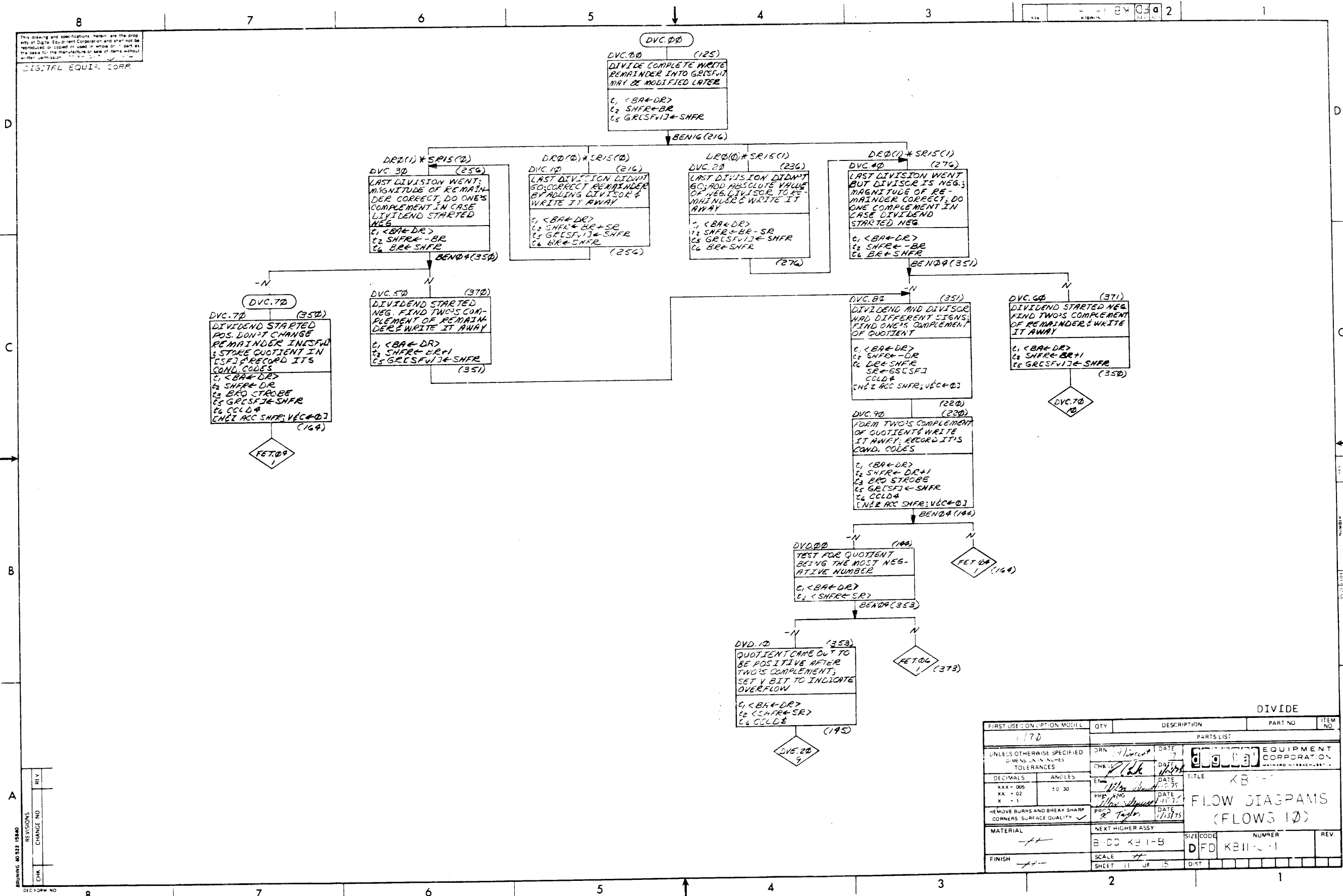
8
 DIGITAL EQUIP. CORP.
 ALL RIGHTS RESERVED

REV
 CHANGI NO
 CHK
 REVISIONS
 11/70
 102-B

FIRST USED ON OPTION MODEL	QTY	DESCRIPTION	PART NO	ITEM NO
11/70		PARTS LIST		
UNLESS OTHERWISE SPECIFIED DIMENSION IN INCHES TOLERANCES	DRN	DATE	EQUIPMENT CORPORATION	
DECIMALS ANGLES	CHK'D	DATE	TITLE	
XXX + 005	ENR	DATE	KBI-1	
XX + 02	PNJ	DATE	FLOW DIAGRAMS	
X + 1	ARL	DATE	(FLOWS 9)	
MATERIAL	NEXT HIGHER ASSY	SIZE CODE	NUMBER	REV
FINISH	SCALE	SHEET	DIST	

This drawing and specifications herein are the property of Digital Equipment Corporation and shall not be reproduced or copied in whole or in part as the basis for the manufacture of any items without written permission.

DIGITAL EQUIP. CORP.



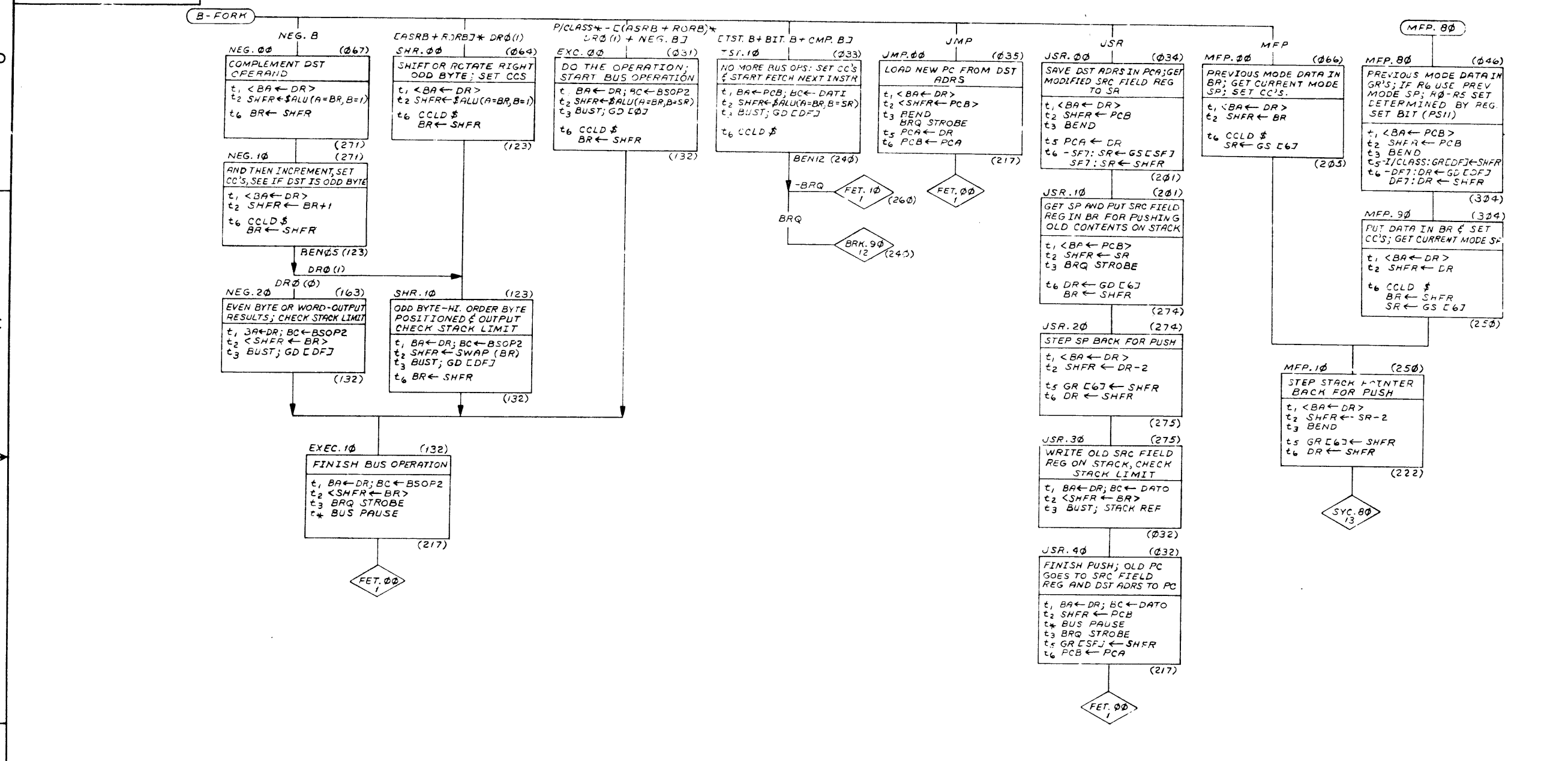
FIRST USED ON OPTION MODEL		QTY	DESCRIPTION	PART NO	ITEM NO
PARTS LIST					
UNLESS OTHERWISE SPECIFIED					
DIMENSIONS IN INCHES		DRN	DATE	EQUIPMENT CORPORATION	
TOLERANCES		CHK'D	DATE	CORPORATION	
DECIMALS	ANGLES	ENG	DATE	TITLE	
XXX + 005	± 0 30	WHL	DATE	KB	
XX + 02		WHL	DATE	FLOW DIAGRAMS	
X + 1		WHL	DATE	(FLOWS 10)	
REMOVE BURRS AND BREAK SHARP CORNERS SURFACE QUALITY					
MATERIAL		PREC	DATE	NEXT HIGHER ASSY	
FINISH		SCALE	DATE	SIZE CODE	
		SHEET	OF	NUMBER	
		11	OF	REV.	
		8	OF	1	
		DIST			

32

BRUNING 40522 15840
DEC 13 1964
DRD 101-B

REV	CHANGE NO

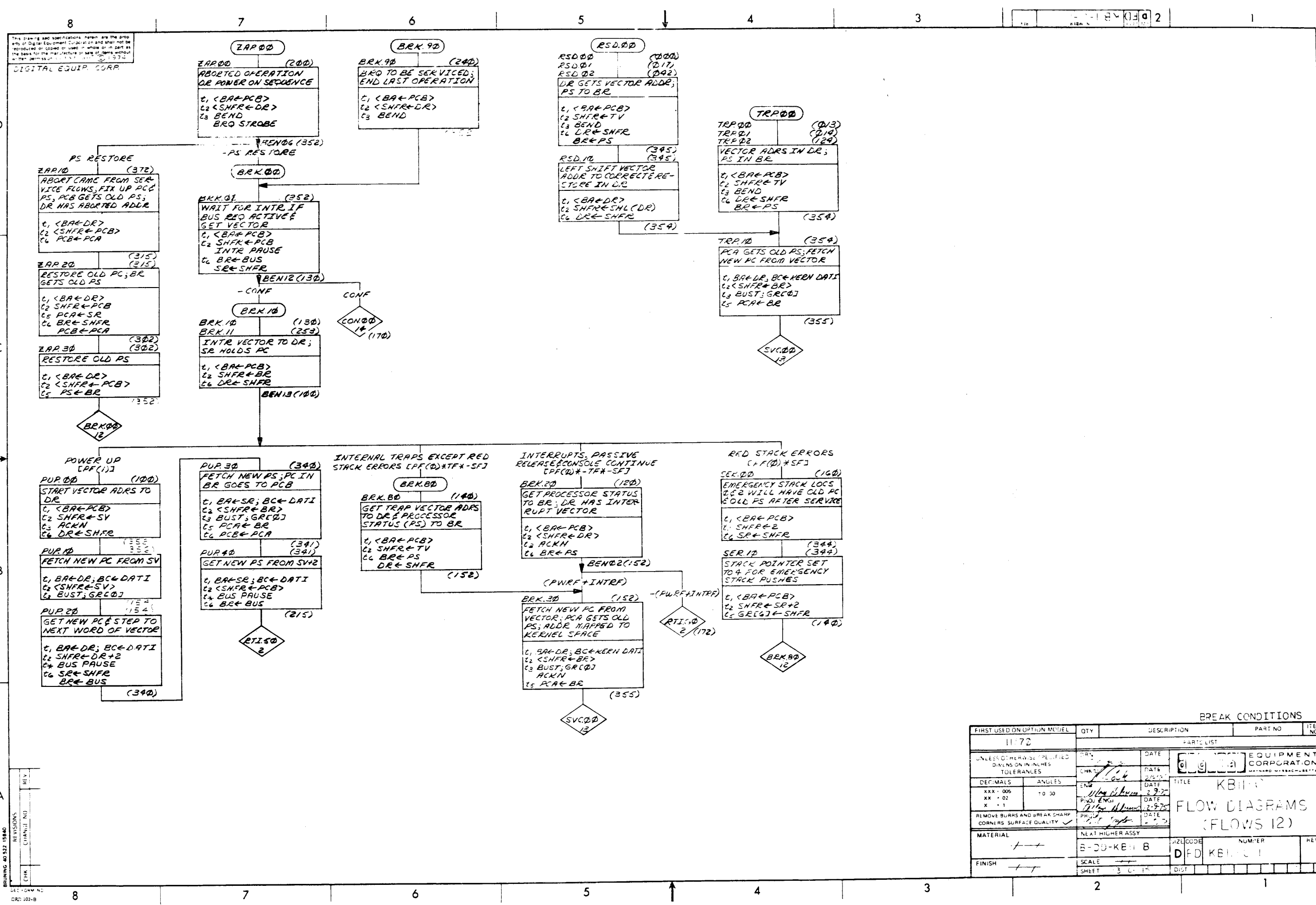
"THIS DRAWING AND SPECIFICATIONS, HEREIN, ARE THE PROPERTY OF DIGITAL EQUIPMENT CORPORATION, AND SHALL NOT BE REPRODUCED OR COPIED OR USED IN WHOLE OR IN PART AS THE BASIS FOR THE MANUFACTURE OR SALE OF ITEMS WITHOUT WRITTEN PERMISSION. COPYRIGHT © 1974, DIGITAL EQUIPMENT CORPORATION"



EXECUTE - MEM REF

FIRST USED ON OPTION/MODEL 11/70		QTY.	DESCRIPTION	PART NO.	ITEM NO.
PARTS LIST					
DIMENSIONAL TOLERANCE		DRAWN	DATE	digital	
DIMENSIONS ARE MILLIMETERS INCHES UNLESS OTHERWISE SPECIFIED		CHK'D	DATE	TITLE	
MILLIMETERS INCHES ANGLES		ENGR	DATE	KBII-(
XXX ±0.10	XX ±0.05	10° 30'	DATE	FLOW DIAGRAMS	
XX ±0.5	X ±1		DATE	(FLOWS II)	
X ±2			DATE	D F D K B I I - C - 1	
THIRD ANGLE PROJECTION	REMOVE BURRS AND BREAK SHARP CORNERS SURFACE QUALITY	NE XT HIGHER ASSY.	SCALE	NONE	REV.
MATERIAL	FINISH	B-DD-KBII-B	SHEET	12 OF 15	

REV	NO
CHK	CHANGE NO



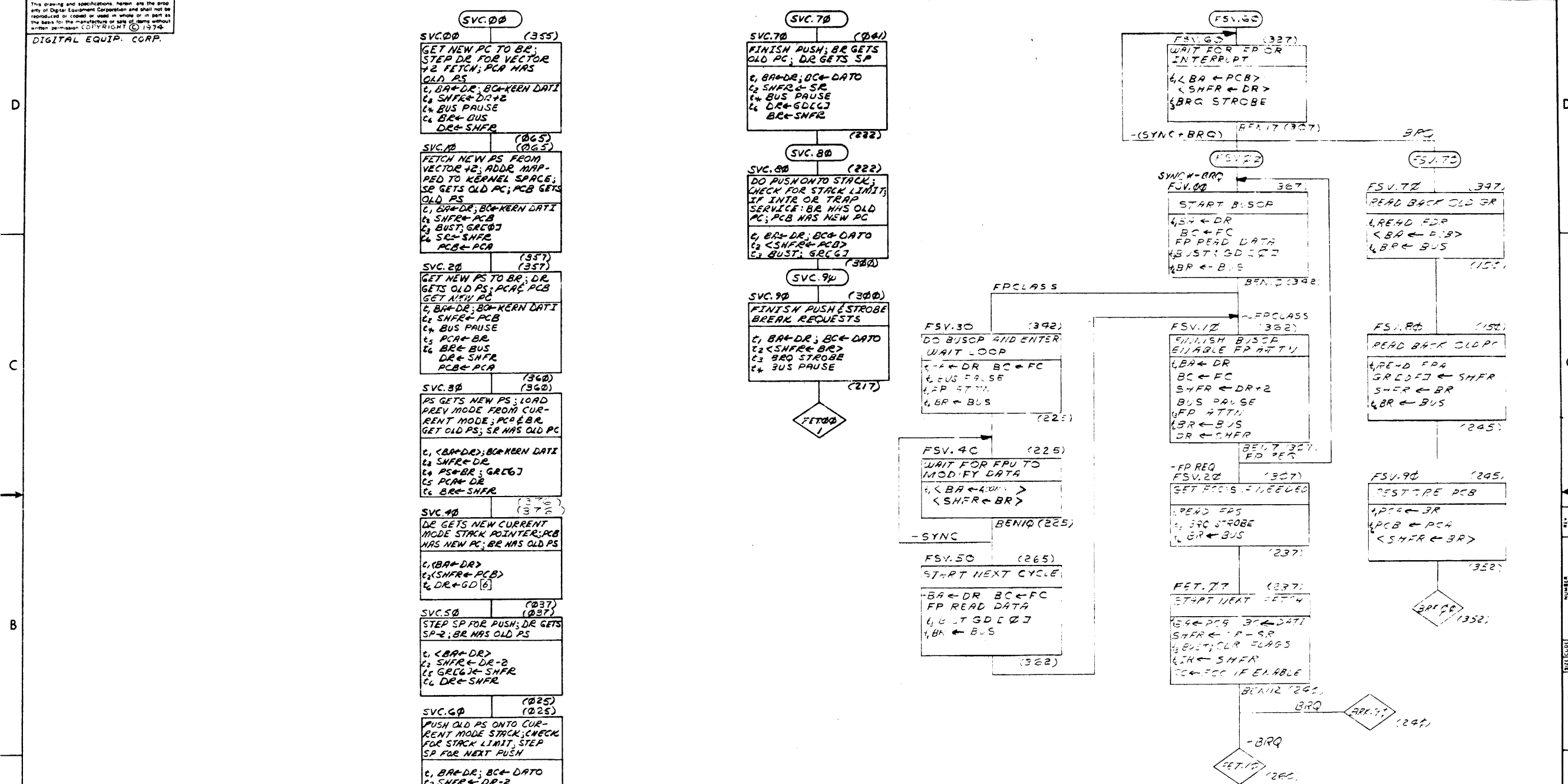
This drawing and specifications herein are the property of Digital Equipment Corporation and shall not be reproduced or copied or used in whole or in part as the basis for the preparation of any other drawing without the written permission of Digital Equipment Corporation.

REV	DESCRIPTION	DATE
1	INITIAL	
2	REVISED	
3	REVISED	
4	REVISED	
5	REVISED	
6	REVISED	
7	REVISED	
8	REVISED	

BREAK CONDITIONS				
FIRST USED ON OPTION MODEL	QTY	DESCRIPTION	PART NO	ITEM NO
1172				
PARTS LIST				
UNLESS OTHERWISE SPECIFIED DIMENSIONS IN INCHES TOLERANCES		DATE	EQUIPMENT CORPORATION	
DEFINALS	ANGLES	DATE	TITLE	
XXX-005	10 30	2/9/75	KBIII	
XX-02		2/9/75	FLOW DIAGRAMS	
X-11		2/9/75	(FLOWS 12)	
REMOVE BURRS AND BREAK SHARP CORNERS SURFACE QUALITY		DATE	REV	
MATERIAL		DATE	REV	
NEXT HIGHER ASSY		DATE	REV	
FINISH		DATE	REV	
SCALE		DATE	REV	
SHEET		DATE	REV	

34

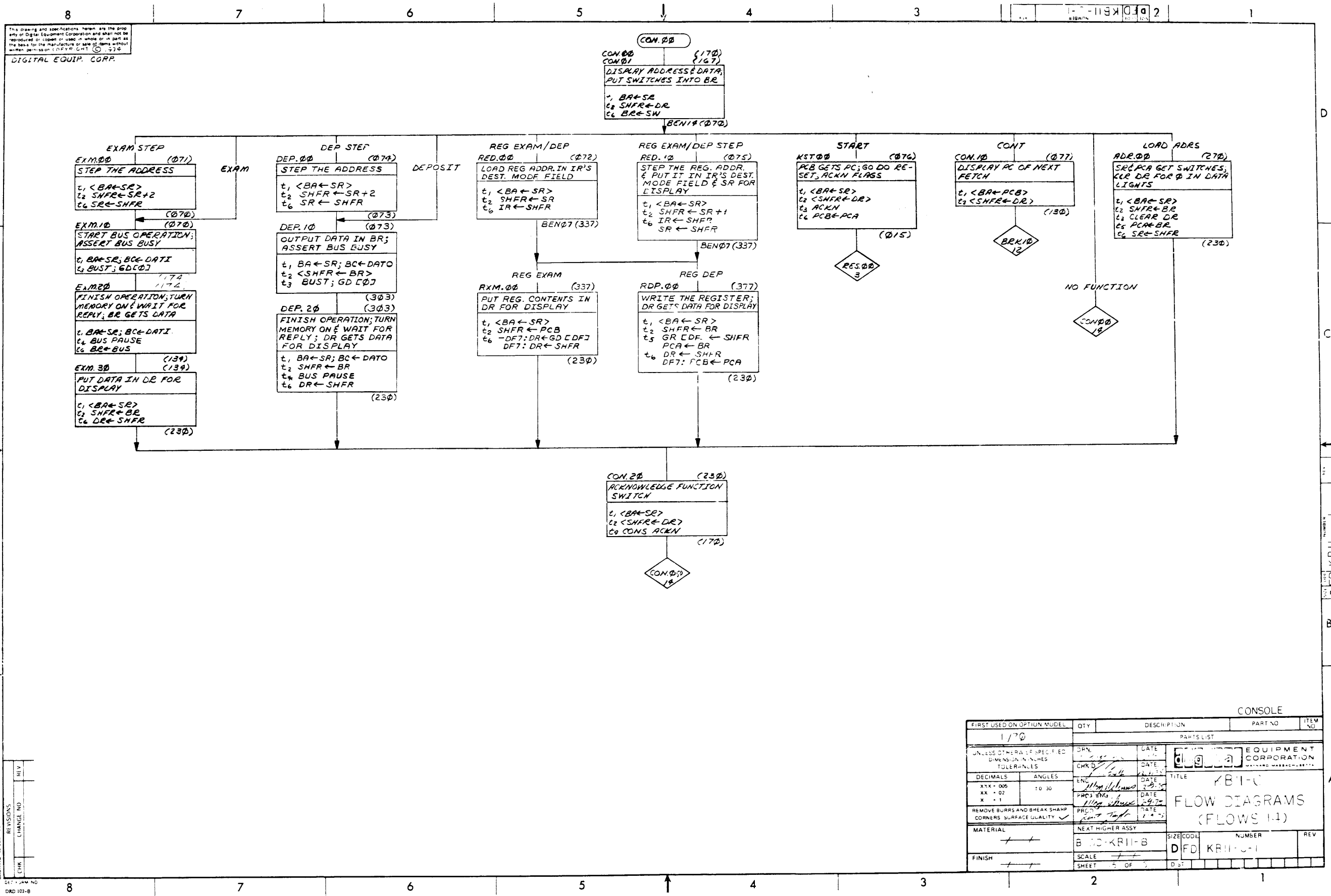
This drawing and specifications herein are the property of Digital Equipment Corporation and shall not be reproduced or copied or used in whole or in part as the basis for the manufacture or sale of items without written permission. COPYRIGHT © 1974
DIGITAL EQUIP. CORP.



REV	NO
CHG	NO
CHG	NO
CHG	NO

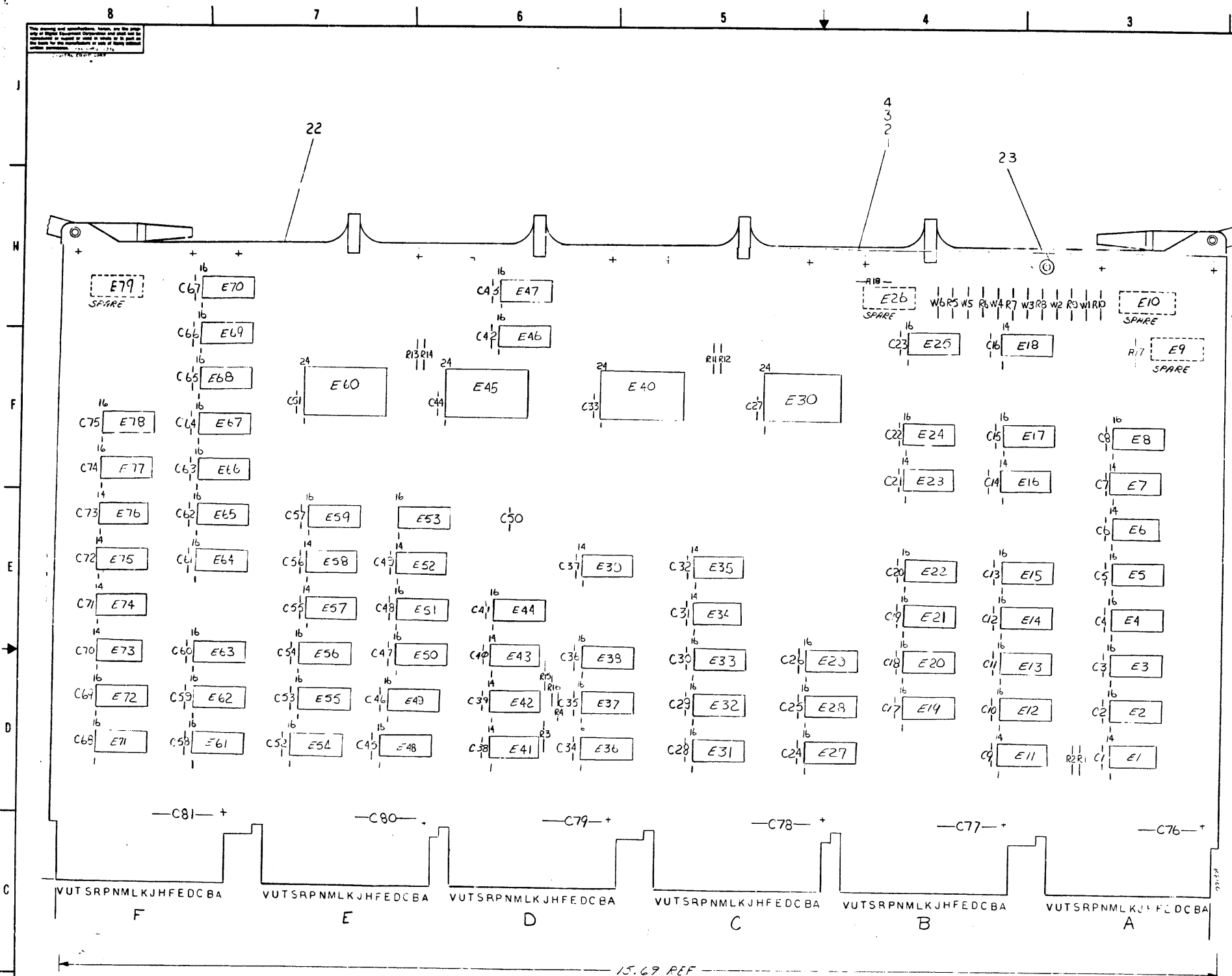
DEC 1974 NO
ORD 102-B

FIRST USED ON OPTION/MODEL	QTY	DESCRIPTION	PART NO	ITEM NO
11/70				
PARTS LIST				
UNLESS OTHERWISE SPECIFIED DIMENSIONS IN INCHES TOLERANCES				
DECIMALS	ANGLES	DATE	EQUIPMENT CORPORATION	
XXX - 006	10° 30'	DATE	TITLE	
XX - 02		DATE	KBII-C	
X - 1		DATE	FLOW DIAGRAMS	
		DATE	(FLOWS 13)	
REMOVE BURRS AND BREAK SHARP EDGES SURFACE QUALITY				
MATERIAL	NEXT HIGHER ASSY	SIZE CODE	NUMBER	REV.
+	B-00-KBII-B	DFD	KBII-C-1	
FINISH	SCALE	SHEET	14 OF 15	



FIRST USED ON OPTION MODEL	QTY	DESCRIPTION	PART NO	ITEM NO
170		PARTS LIST		
UNLESS OTHERWISE SPECIFIED DIMENSIONS IN INCHES TOLERANCES	DATE	DATE	EQUIPMENT CORPORATION	
DECIMALS ANGLES	ENC	DATE	TITLE KBI-C	
XX + 005 XX + 02 X + 1	PROJ BRG	DATE	FLOW DIAGRAMS (FLOWS 1-1)	
REMOVE BURRS AND BREAK SHARP CORNERS SURFACE QUALITY	PROG	DATE	MATERIAL NEXT HIGHER ASSY	
			B 10-KR11-B	SIZE CODE NUMBER REV
			SCALE	D FD KR11-C-1
			SHEET 5 OF 5	

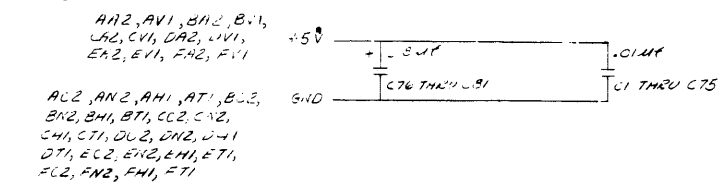
36



- NOTES:
- UNLESS OTHERWISE NOTED RESISTANCE IS IN OHMS AND CAPACITANCE IS IN PICOFARADS. CAPS WITHOUT VALUE NOTED ARE .01 MFD.
 - E7, E10, E26 & E79 ARE SPARE IC LOCATIONS
 - R1, R3 & R15 ARE NOT USED
 - IFT - UP PRIMER - UP VECTOR - JUMPER IN ACCORDANCE WITH TABLE ON DATE OF THIS PRINT.

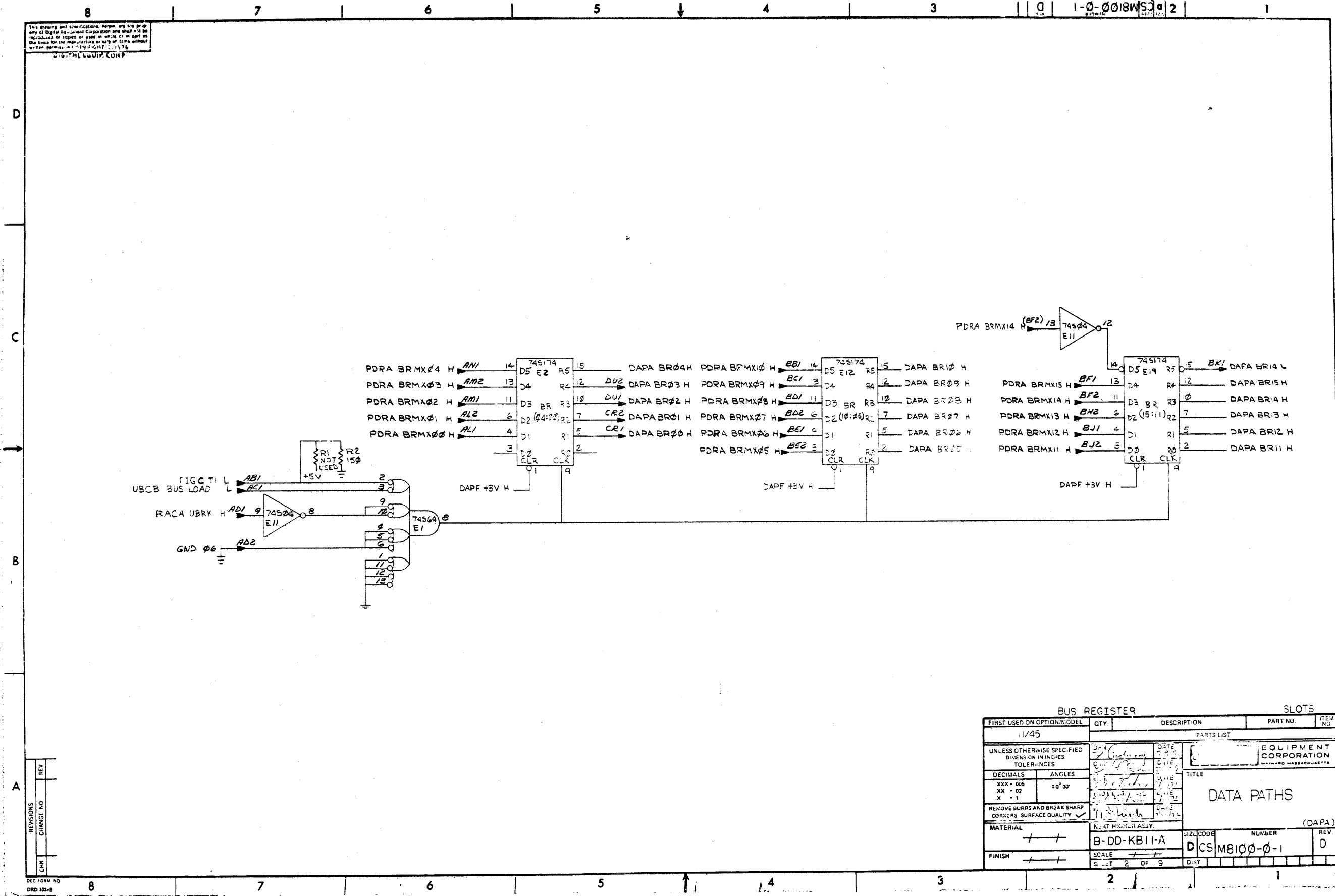
QTY	REF DESIGNATION	DESCRIPTION	PART NO	ITEM NO
2	E79	SPARE	700732	23
1	E70	MODULE, MODULE	89-2107-2	21
1	E44	IC DEC 74182-1	1710551	8
3	E45, E46, E47, E48, E49, E70	IC DEC 745174	1910550	30
2	E43, E49	IC DEC 745157	1910543	9
39	E1, E2, E3, E4, E5, E6, E7, E8, E9, E10, E11, E12, E13, E14, E15, E16, E17, E18, E19, E20, E21, E22, E23, E24, E25, E26, E27, E28, E29, E30, E31, E32, E33, E34, E35, E36, E37, E38, E39, E40, E41, E42, E43, E44, E45, E46, E47, E48, E49, E70	IC DEC, 745153	1910541	5
1	E50	IC DEC, 745200	1910539	17
4	E75, E76, E77, E78	IC DEC, 745111	1910537	18
2	E16, E34	IC DEC, 745110	1910536	15
3	E6, E7, E8, E9, E10, E11, E12, E13, E14, E15, E16, E17, E18, E19, E20, E21, E22, E23, E24, E25, E26, E27, E28, E29, E30, E31, E32, E33, E34, E35, E36, E37, E38, E39, E40, E41, E42, E43, E44, E45, E46, E47, E48, E49, E70	IC DEC, 745204	1910534	14
3	E23, E35, E74	IC DEC, 745200	1910532	13
4	E30, E40, E45, E60	IC DEC, 745181	1910531	12
2	E1, E42	IC DEC, 74562	1910542	11
2	R10, R14	RES., 500Ω, 1/4W, 5%	1301840	10
3	R2, R4, R16	RES., 150Ω, 1/4W, 5%	1260250	9
2	R11, R13	RES., 330Ω, 1/4W, 5%	1300015	11
9	R5, R7, R8, R9, R12, R15	RES., 10K, 1/4W, 5%	1300479	7
6	C16 THRU C81	CAP., 6.8μF, 35V, 20%	1000067	6
75	C1 THRU C75	CAP., 0.1μF, 100V, 20%	1001610	5
1		ERRORS: DEC. T. BOARD	5009254	4
REF		MODULE ECU HISTORY	89H M101-04	3
REF		ASS./WORKING HOLE LAYOUT	89H M300-5	2
REF		X-Y COORDINATE HOLE LOCATION	1004300-4	1

DATE	REV	BY	CHKD	DESCRIPTION
DEC 74182-1	8	16		
DEC 745174	8	16		
DEC 745157	8	16		
DEC 745153	8	16		
DEC 745151	12	24		



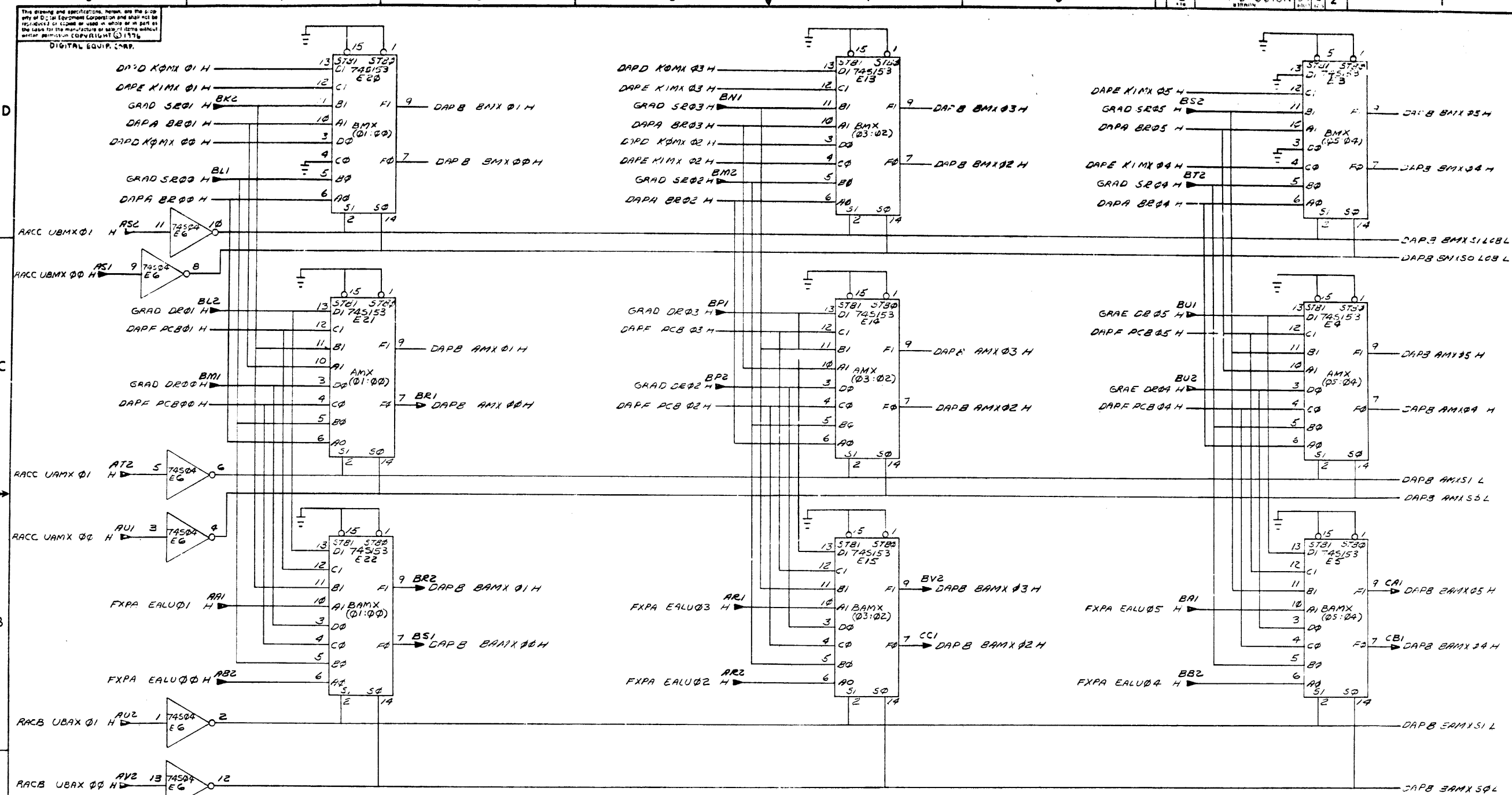
DATE	REV	BY	CHKD	DESCRIPTION
DEC 74182-1	8	16		
DEC 745174	8	16		
DEC 745157	8	16		
DEC 745153	8	16		
DEC 745151	12	24		

This drawing and specifications herein are the property of Digital Equipment Corporation and shall not be reproduced or copied or used in whole or in part as the basis for the manufacture of any of items without written permission of Digital Equipment Corporation.



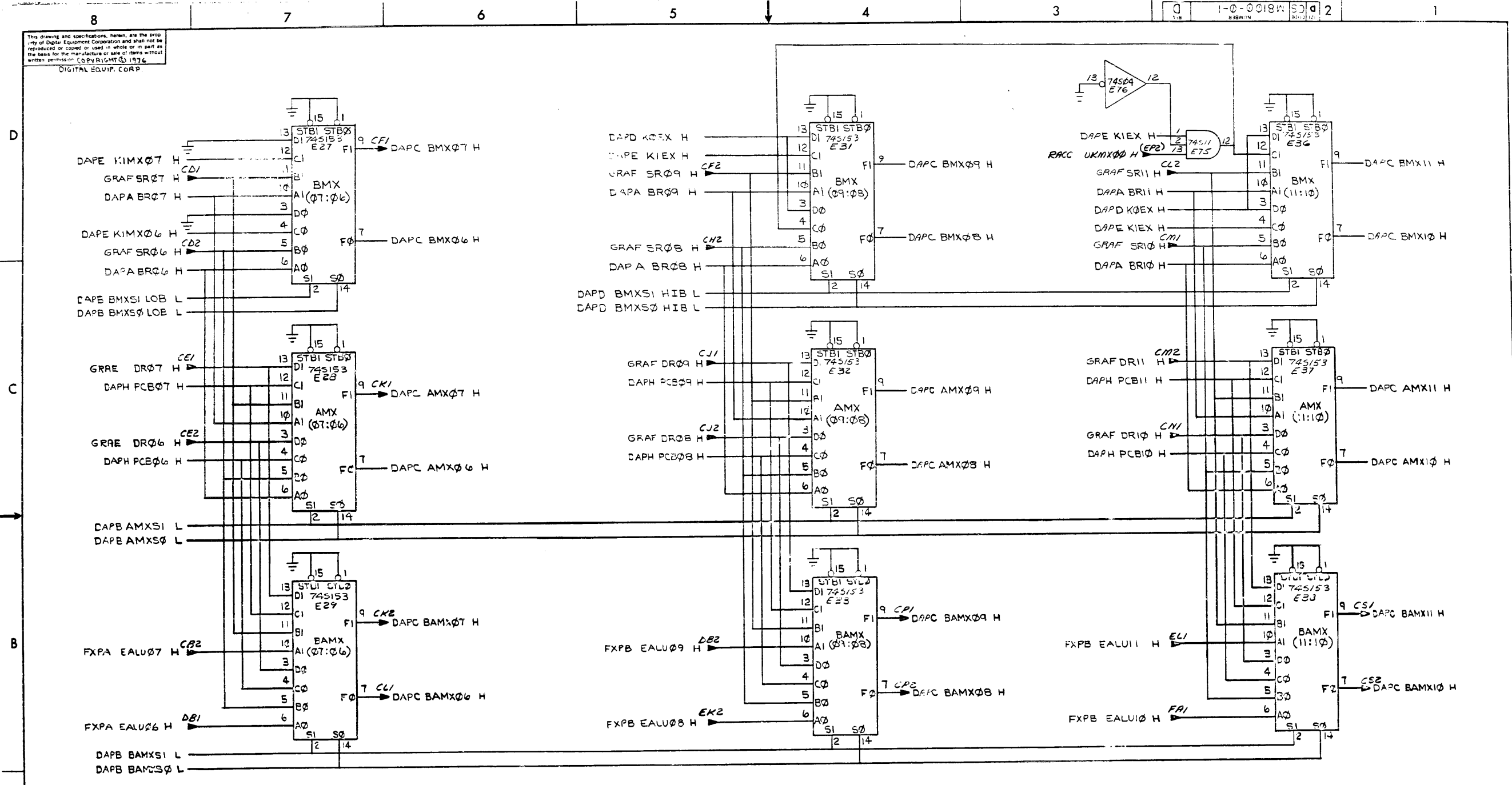
BUS REGISTER		SLOTS	
FIRST USED ON OPTION/MODEL	QTY.	DESCRIPTION	PART NO.
11/45			
PARTS LIST			
UNLESS OTHERWISE SPECIFIED DIMENSION IN INCHES TOLERANCES		EQUIPMENT CORPORATION	
DECIMALS	ANGLES	TITLE	
XXX - 0.05	±0° 30'	DATA PATHS	
XX - 0.2		(DAPA)	
X - 1			
REMOVE BURRS AND BREAK SHARP CORNERS SURFACE QUALITY			
MATERIAL	NEXT HIGHER ASSY.	SIZE CODE	NUMBER
FINISH		B-DD-KB11-A	DCS M8100-0-1
SCALE		REV. D	
SHEET 2 OF 9		DIST	

REV	
CHANGE NO	
CHK	



B.A. & BUS ADDR. MULTIPLEXERS (05:00)				SLOT 6	
FIRST USED ON OPTION LABEL	QTY	DESCRIPTION	PART NO.	ITEM NO.	
11/45					
PARTS LIST					
UNLESS OTHERWISE SPECIFIED DIMENSION IN INCHES TOLERANCES					
DECIMALS	ANGLES	TITLE			
XXX - .05	± 0° 30'	DATA PATHS			
XX - .02		EQUIPMENT CORPORATION			
X - .01		MATERIAL			
REMOVE BURRS AND BREAK SHARP CORNERS SURFACE QUALITY					
MATERIAL					
FINISH					
B-DD-KB11-A		SIZE CODE	NUMBER	REV	
SCALE		DCS	MB100-0-1	D	
SHEET 3 OF 9		DIST			

This drawing and specifications, herein, are the property of Digital Equipment Corporation and shall not be reproduced or used in whole or in part as the basis for the manufacture or sale of items without written permission of DEPC (B) (MTC) 1974
 DIGITAL EQUIP. CORP.

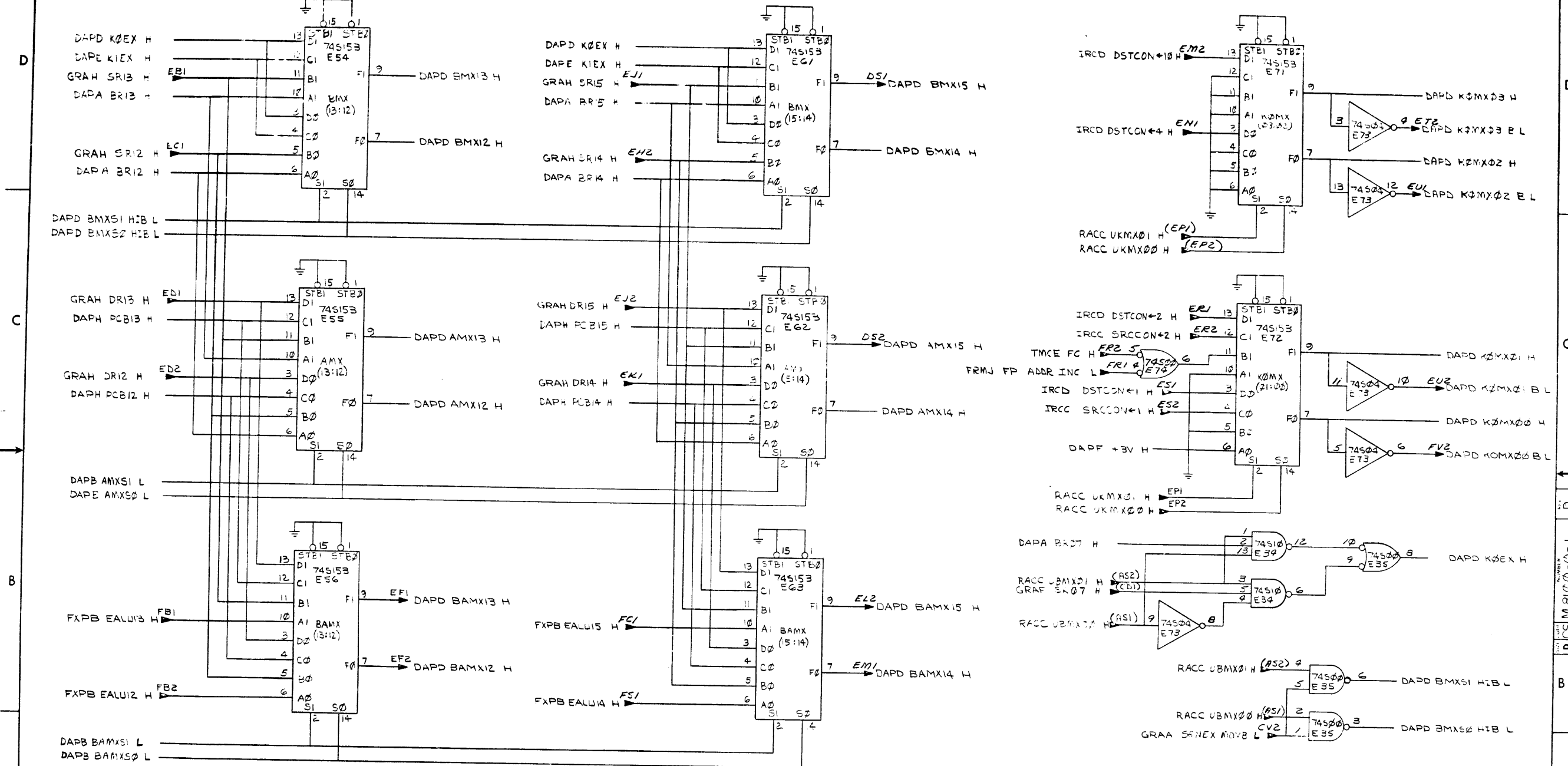


REV	CHG	NO

B, A, & BUS ADDR. MULTIPLEXERS (11:07)		SLOTS	
FIRST POSITION	QTY.	DESCRIPTION	PART NO.
11/45			
UNLESS OTHERWISE SPECIFIED DIMENSIONS IN INCHES TOLERANCES		EQUIPMENT CORPORATION MILWAUKEE, WISCONSIN	
DECIMALS	ANGLES	TITLE	
XXX - LUS	20° 30'	DATA PATHS	
XX - 02		(DAP C)	
X - 1			
REMOVE BURRS AND BREAK SHARP CORNERS SURFACE QUALITY		NEXT HIGHER ASSY.	
MATERIAL		B-DD-KB11-A	
FINISH		SCALE	
		SHEET	

440

This drawing and specifications herein are the property of Digital Equipment Corporation and shall not be reproduced or used in whole or in part as the basis for the manufacture of any product without written permission (Copy Right 1977) 1976
DIGITAL EQUIP. CORP.



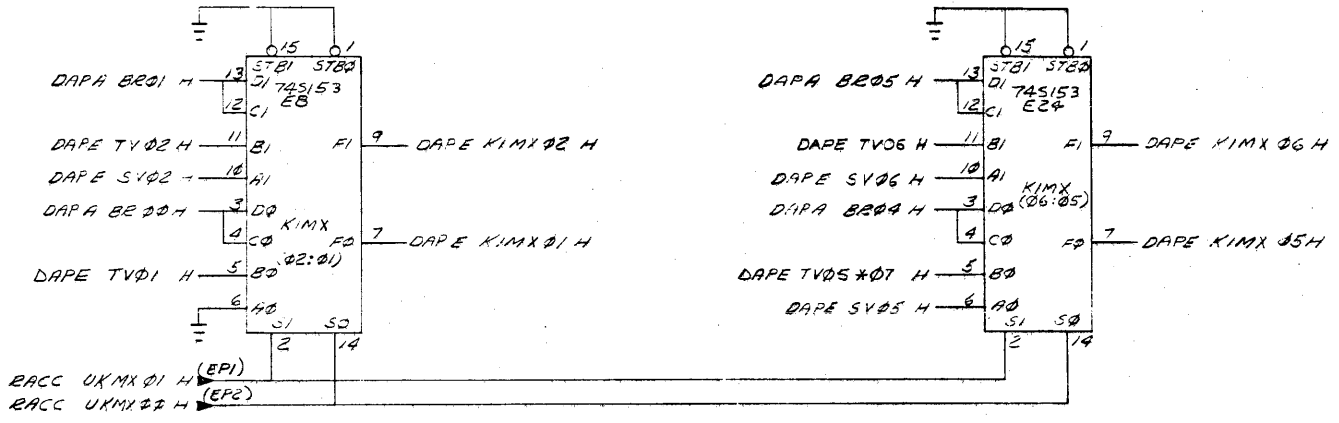
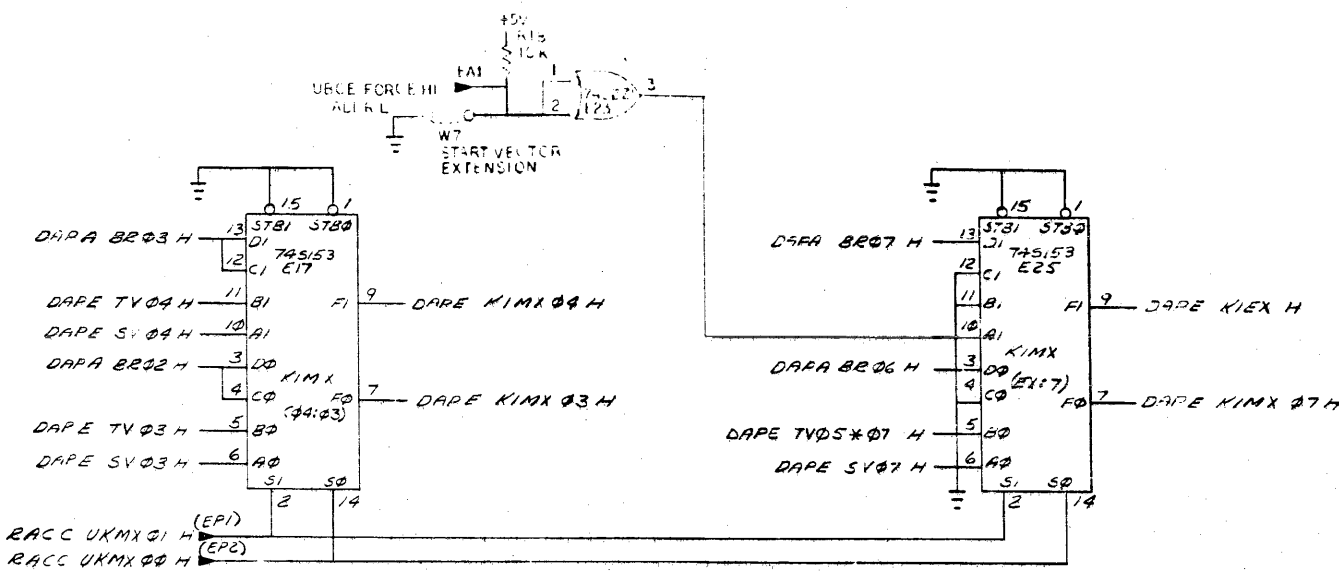
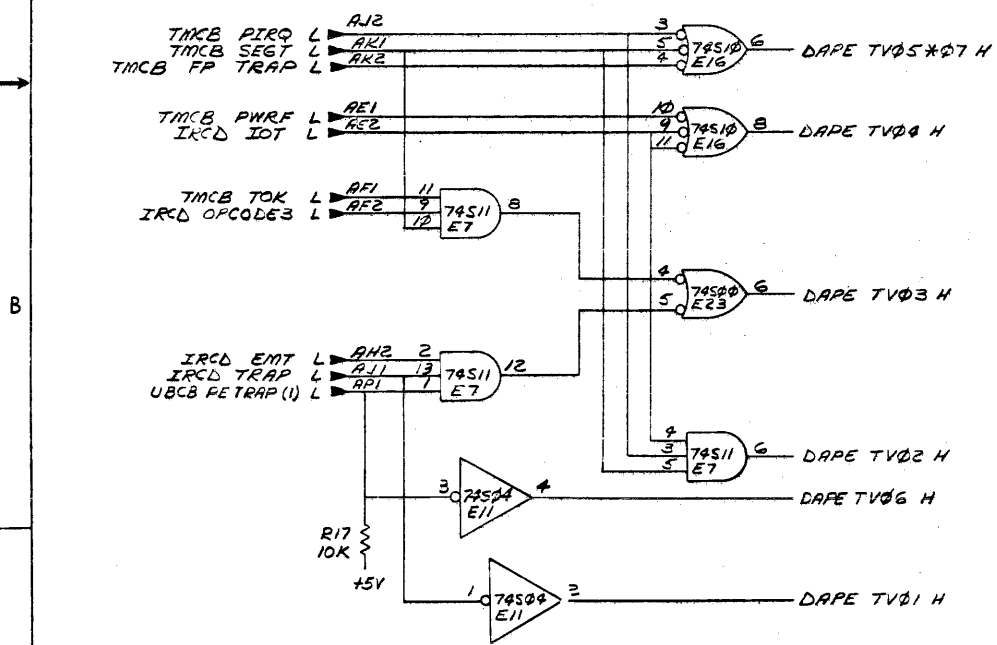
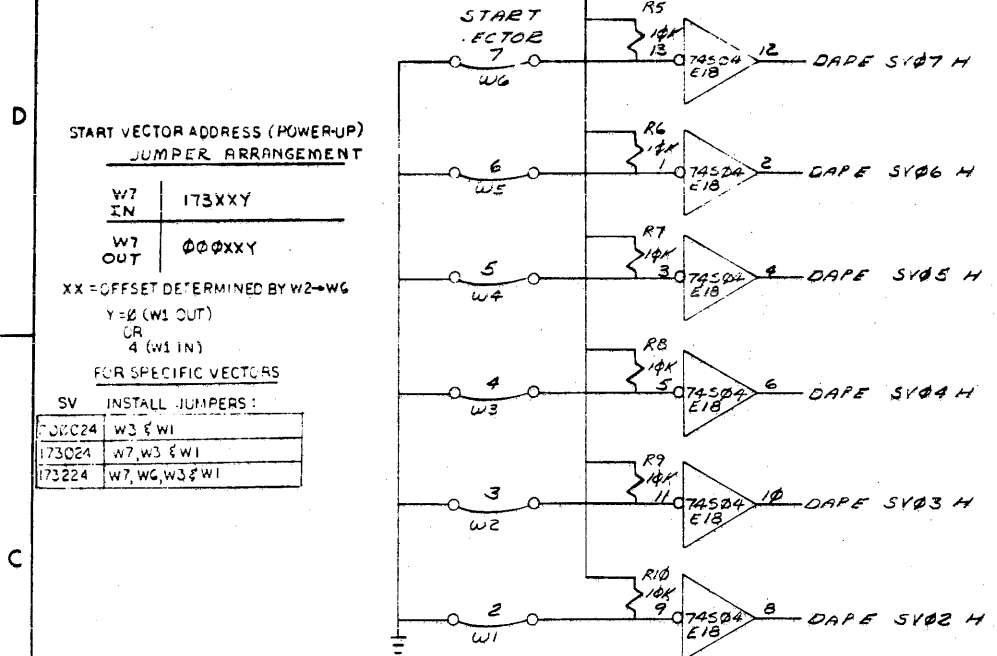
REV	
CHK	

DAPD BAMX15 H 4 74511 6 → F02 DAPD EX MEM FLAG H
DAPD BAMX14 H 5 E75
DAPD BAMX13 H 3

UKMX Ø1 ØØ KØMX	
L L 1	
L L 2	
H H SRCON	
H H DSTCON	

BA ØBUS ADDR. MULTIPLEXERS (15:12); KØMX		SLOT6	
FIRST USED ON OPTION MODEL	QTY.	DESCRIPTION	PART NO.
11/45			
UNLESS OTHERWISE SPECIFIED DIMENSION IN INCHES TOLERANCES			
DECIMALS	ANGLES	PARTS LIST	
XXX - 05	±0° 30'	EQUIPMENT CORPORATION	
XX - 02		MAYNARD MASSACHUSETTS	
X - 1		TITLE	
REMOVE BURNS AND BREAK SHARP CORNERS SURFACE QUALITY			
MATERIAL NEAT HIGHER ASSY.			
FINISH		SCALE	NUMBER
++		SHEET 5 OF 9	DIST
		SIZE CODE	REV
		DCE M 8100-Ø-1	C

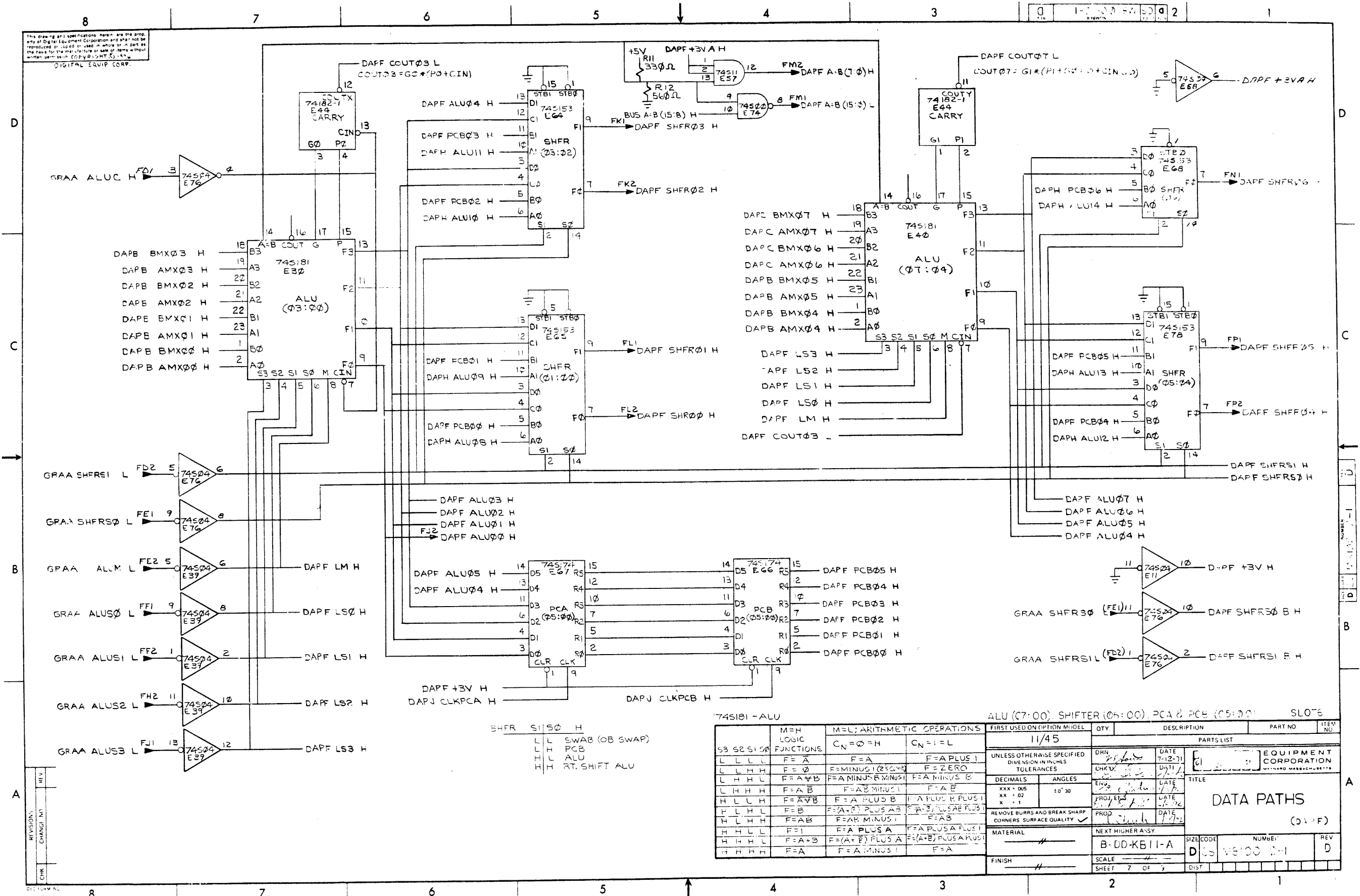
This drawing and specifications herein are the property of the Equipment Corporation and shall not be reproduced or copied in whole or in part or the data for the manufacture or sale of items without written permission.



	TRAP VECTOR	UKMX 01	00	KIMX
RSVD INST	10 (4 LEFT SHIFTED)	L	L	S1
TOK+3	14	L	H	T1
IOT	20	H	L	SOBEMAX DISPLACEMENT
PWRP	24	H	H	RTM DISPLACEMENT
EMT	30 (16 LEFT SHIFTED)			
TRAP	34 (16 LEFT SHIFTED)			
PIRQ	240			
FP TRAP	244			
SEGT	250			
PERF	114			

NOTE: LEFT SHIFTING TAKES PLACE ON FLOWS12 RSD.10

TRAP VECTORS, START VECTOR, & KIMX					SLO-6	
FIRST USED ON OPTION MODEL	QTY.	DESCRIPTION	PART NO.	ITEM NO.	PARTS LIST	
11/45						
UNLESS OTHERWISE SPECIFIED DIMENSION IN INCHES TOLERANCES		DATE	EQUIPMENT CORPORATION			
DECIMALS	ANGLES	DATE	TITLE			
XXX - 0.05	±0°30'	DATE	DATA PATHS			
XX - 0.2		DATE				
X - 1		DATE				
REMOVE BURRS AND BREAK SHARP CORNERS SURFACE QUALITY		DATE				
MATERIAL	NEXT HIGHER ASSY	DATE				
FINISH	B-DD-KB11-A	DATE				
SCALE	SIZE CODE	NUMBER	REV			
SHEET 6 OF 9	DIST		DCS M8100-0-1			



REVISIONS:
 CHANGE NO. _____
 DATE _____

745181-ALU			ALU (Q7:Q0), SHIFTER (Q5:Q0), PCA & PCB (Q5:Q0)		SLOT 6
M=H LOGIC FUNCTIONS	M=L; ARITHMETIC OPERATIONS CN=0=H CN=1=L	FIRST USED ON OPTION MODEL 11/45	QTY.	DESCRIPTION	PART NO.
L L L L	F=A	F=A PLUS 1			
L L H H	F=0	F=ZERO			
L H H L	F=A-B	F=A MINUS B			
L H H H	F=A-B	F=A-B MINUS 1			
H L L H	F=A+B	F=A PLUS B			
H L H L	F=B	F=A-B PLUS A			
H L H H	F=A-B	F=A-B PLUS A			
H H L L	F=1	F=A PLUS A			
H H H L	F=A+B	F=(A+B) PLUS A			
H H H H	F=A	F=A MINUS 1			

DATA PATHS

UNLESS OTHERWISE SPECIFIED
 DIMENSION IN INCHES
 TOLERANCES
 DECIMALS ANGLES
 XXX ± .015
 XX ± .02
 X ± .04

REMOVE BURRS AND BREAK SHARP CORNERS SURFACE QUALITY

MATERIAL: #

FINISH: #

DATE: 7-12-71
 TITLE: DATA PATHS
 (D:1F)

REVISIONS: _____

DATE: _____

PROJ. ENG. _____

DATE: _____

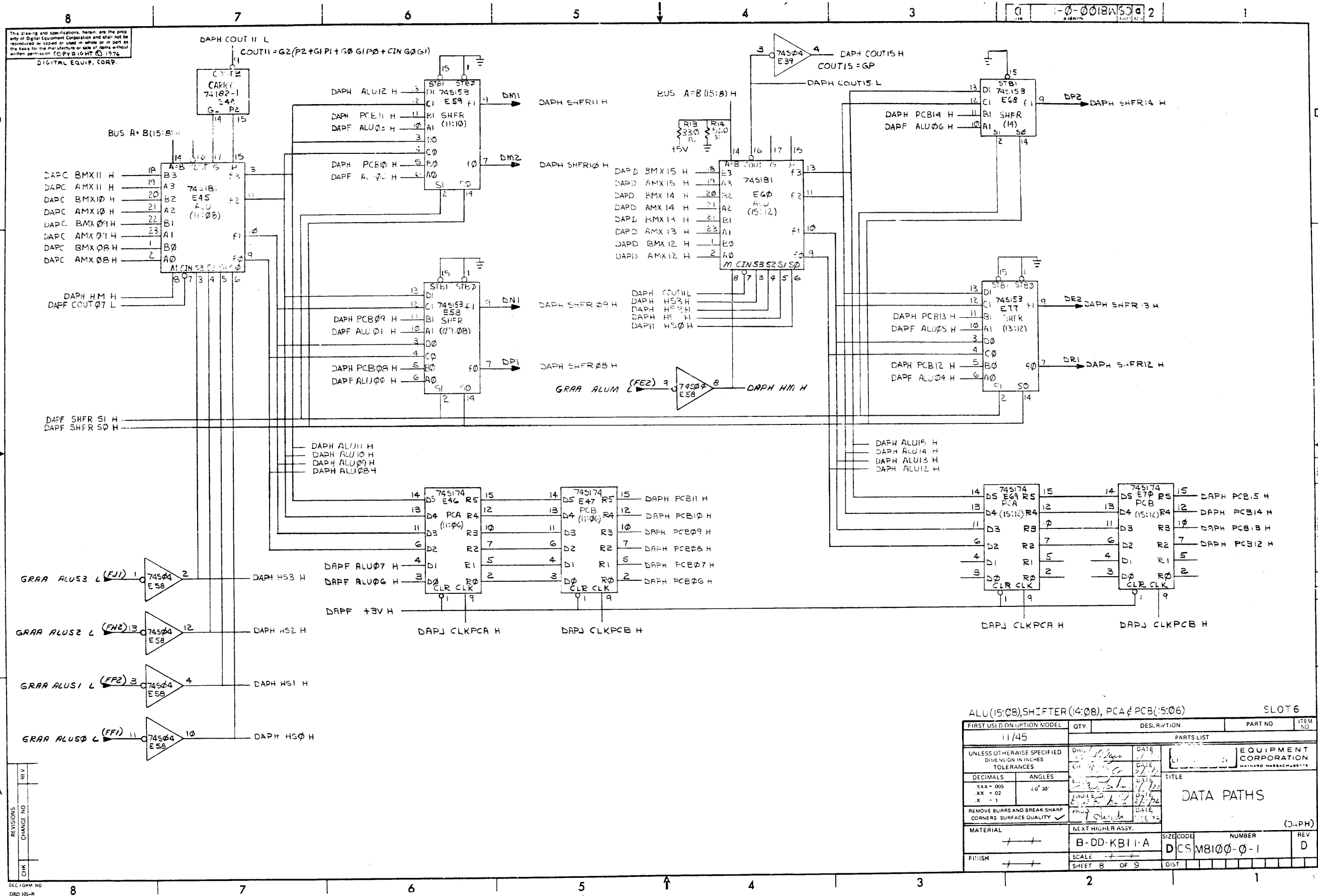
PROD. _____

DATE: _____

B-DD-KB11-A

SCALE: _____

SHEET: 7 OF 9



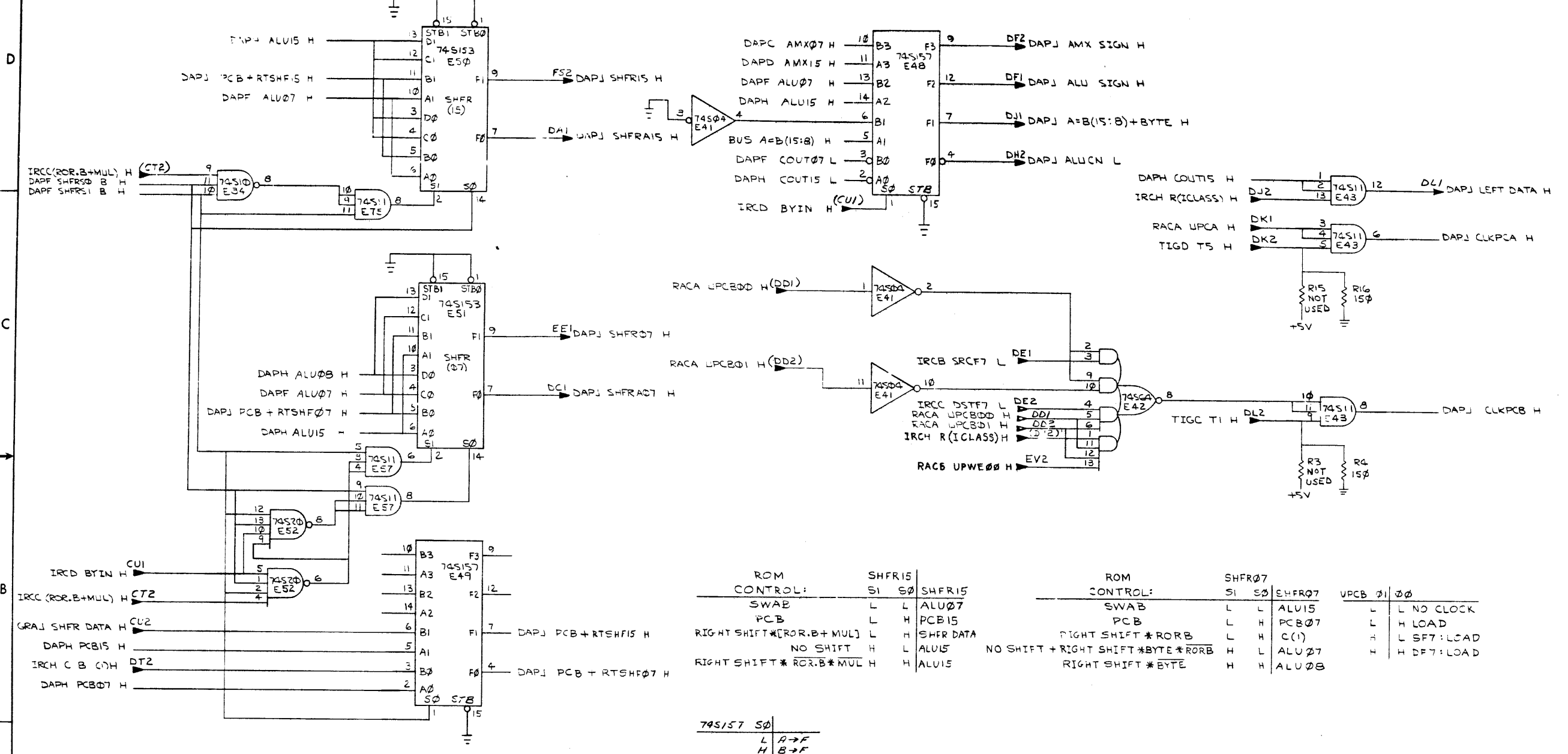
The drawings and specifications herein are the property of Digital Equipment Corporation and shall not be reproduced or copied in whole or in part as the basis for the manufacture of any of items without written permission (COPYRIGHT © 1974 DIGITAL EQUIP. CORP.)

1-0-0018W50 2

FIRST USED ON OPTION MODEL		QTY	DESCRIPTION	PART NO	ITEM NO
11/45					
PARTS LIST					
UNLESS OTHERWISE SPECIFIED DIMENSIONS IN INCHES TOLERANCES		DATE	DATE	EQUIPMENT CORPORATION	
DECIMALS	ANGLES	DATE	DATE	MILWAUKEE WISCONSIN	
XXX - .005	± 0° 30'	DATE	DATE	TITLE	
.XX - .02		DATE	DATE	DATA PATHS	
.X - .1		DATE	DATE	REMOVE BURRS AND BREAK SHARP CORNERS SURFACE QUALITY	
MATERIAL		NEXT HIGHER ASSY.		SIZE CODE	NUMBER
FINISH		SCALE		D	CSM8100-0-1
		SHEET B OF 9		DIST	REV D

44

This drawing and specifications herein are the property of Digital Equipment Corporation and shall not be reproduced or copied or used in whole or in part as the basis for the manufacture or sale of items without written permission. COPYRIGHT © 1974 DIGITAL EQUIP. CORP.



ROM CONTROL:	SHFR15	SHFR07	UPCB 01	00		
SWAB	L	L	ALU07	L	L	NO CLOCK
PCB	L	H	PCB07	L	H	LOAD
RIGHT SHIFT * [ROR.B + MUL]	L	H	SHFR DATA	H	H	SF7: LOAD
NO SHIFT	H	L	ALU15	H	L	ALU07
RIGHT SHIFT * ROR.B * MUL	H	H	ALU15	H	H	ALU08

74S157 S0	
L	R → F
H	B → F

SHIFTER (15:07); PCA & PCB CLOCKS SLOT 6

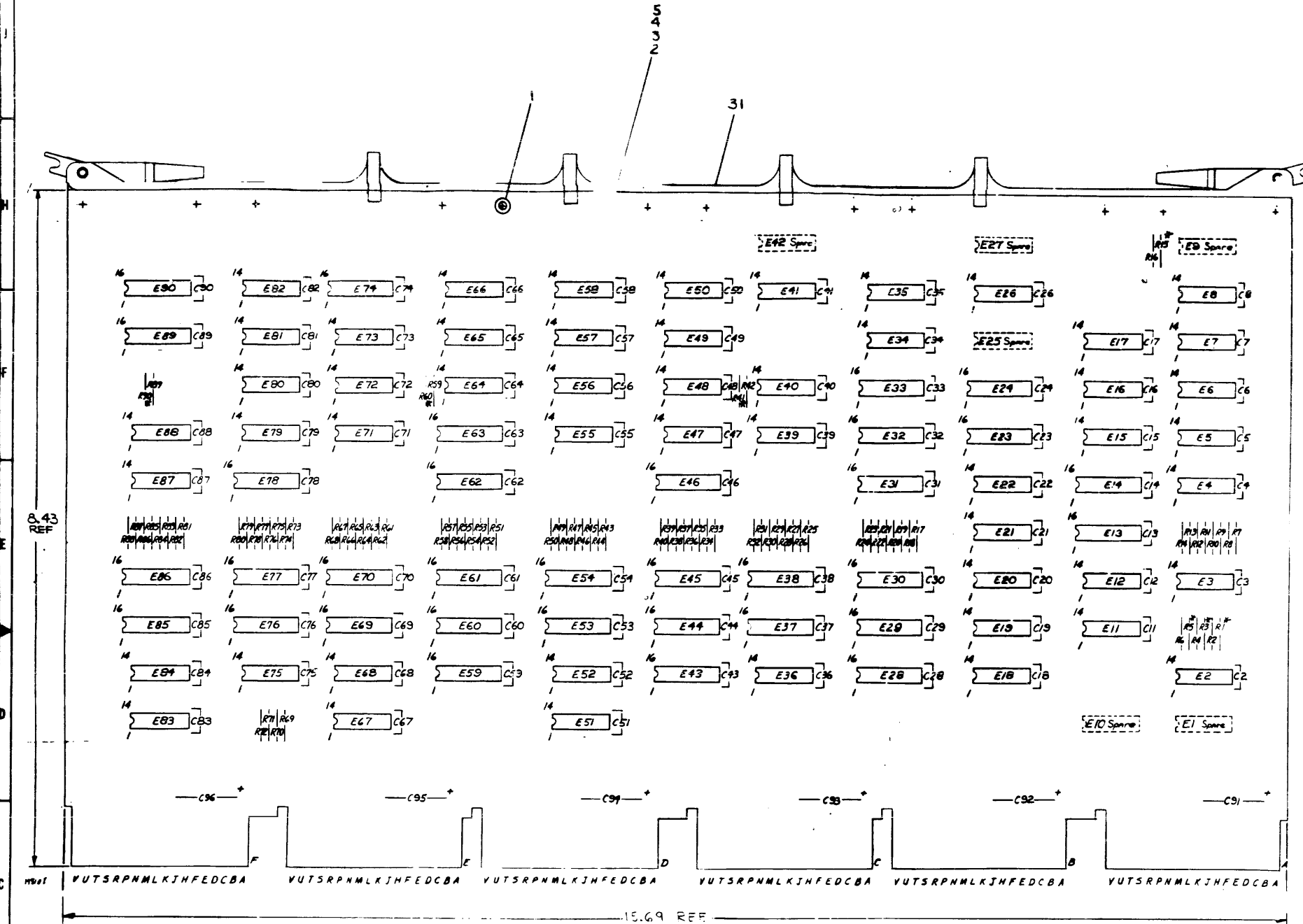
FIRST USED ON OPTION/MODEL	QTY	DESCRIPTION	PART NO	ITEM NO
11/45		PARTS LIST		
UNLESS OTHERWISE SPECIFIED		DRN	DATE	EQUIPMENT CORPORATION
DIMENSION IN INCHES		CHK'D	DATE	
TOLERANCES		TITLE		
DECIMALS	ANGLES	DATA PATHS		
.XXX - .005	±0°30'	REMOVE BURRS AND BREAK SHARP CORNERS SURFACE QUALITY		
MATERIAL		NEXT HIGHER ASSY.		
FINISH		SCALE		
		SHEET 9 OF 9		

REV	CHG	NO

DEC FORM NO 09D 102-B

1. UNLESS OTHERWISE NOTED RESISTANCE IS IN OHMS & CAPACITANCE IS IN PICOFARADS. CAPACITORS WITHOUT VALUE NOTED ARE .01MFD.

NOTES:
 1. UNLESS OTHERWISE NOTED RESISTANCE IS IN OHMS & CAPACITANCE IS IN PICOFARADS. CAPACITORS WITHOUT VALUE NOTED ARE .01MFD.
 2. RESISTORS MARKED WITH ASTERISK ARE NOT USED.
 3. LOCATIONS MARKED E1, E9, E10, E25, E27, E42 ARE SPARES.



QTY	DESCRIPTION	PART NO	REF
1	E74	IC DEC, DM8598-AD	23
8	E3, E30, E33, E54, E55, E76, E85, E86	IC DEC, 3101A	1910658
4	E3, E4, E6, E7, E8	IC DEC, 74S194	1910558
3	E28, E29, E29	IC DEC, 74S174	1910550
18	E2, E3, E4, E5, E6, E7, E8, E9	IC DEC, 74S158	1910549
4	E23, E24, E32, E33	IC DEC, 74S153	1910587
1	E43	IC DEC, 74S112	1910595
2	E50, E79	IC DEC, 74S74	1910586
11	E5, E6, E7, E8, E9, E10, E11, E12, E13, E14, E15, E16, E17, E18, E19, E20, E21, E22	IC DEC, 74S64	1910592
3	E68, E73, E81	IC DEC, 74S20	1910539
7	E8, E9, E10, E11, E12, E13, E14, E15, E16, E17, E18, E19	IC DEC, 74S11	1910537
5	E15, E20, E22, E56	IC DEC, 74S10	1910526
5	E16, E20, E22, E48, E84	IC DEC, 74S05	1910535
10	E7, E34, E39, E40, E51, E57, E66, E67, E83, E87	IC DEC, 74S09	1910539
5	E8, E9, E11, E24, E80	IC DEC, 74S08	1910532
3	E13, E14	IC DEC, 74S71	1910096
1	E97	IC DEC, 74S50	1909060
2	E55, E72	IC DEC, 74S30	1909059
2	R10, R12	RES, 150R, 1/4W, 5%	1301401
32	R17, R18, R19, R20, R21, R22, R23, R24, R25, R26, R27, R28, R29, R30, R31, R32, R33, R34, R35, R36, R37, R38, R39, R40, R41, R42, R43, R44, R45, R46, R47, R48, R49, R50, R51, R52, R53, R54, R55, R56, R57, R58, R59, R60, R61, R62, R63, R64, R65, R66, R67, R68, R69, R70, R71, R72, R73, R74, R75, R76, R77, R78, R79, R80, R81, R82, R83, R84, R85, R86, R87, R88, R89, R90, R91, R92, R93, R94, R95, R96, R97, R98, R99, R100	RES, 300R, 1/4W, 5%	1301424
4	R8, R10, R12, R14	RES, 500R, 1/4W, 5%	1301490
7	R2, R4, R6, R8, R10, R12, R14, R16, R18, R20, R22, R24, R26, R28, R30, R32, R34, R36, R38, R40, R42, R44, R46, R48, R50, R52, R54, R56, R58, R60, R62, R64, R66, R68, R70, R72, R74, R76, R78, R80, R82, R84, R86, R88, R90, R92, R94, R96, R98, R100	RES, 150R, 1/4W, 5%	1300250
38	R1, R2, R3, R4, R5, R6, R7, R8, R9, R10, R11, R12, R13, R14, R15, R16, R17, R18, R19, R20, R21, R22, R23, R24, R25, R26, R27, R28, R29, R30, R31, R32, R33, R34, R35, R36, R37, R38, R39, R40, R41, R42, R43, R44, R45, R46, R47, R48, R49, R50, R51, R52, R53, R54, R55, R56, R57, R58, R59, R60, R61, R62, R63, R64, R65, R66, R67, R68, R69, R70, R71, R72, R73, R74, R75, R76, R77, R78, R79, R80, R81, R82, R83, R84, R85, R86, R87, R88, R89, R90, R91, R92, R93, R94, R95, R96, R97, R98, R99, R100	RES, 300R, 1/4W, 5%	1300295
84	C28, C1, C29, C26, C28-C41, C43-C49	CAP, 0.01M, 100V, 20% DISC	1001610
6	C91-C96	CAP, 0.01M, 35V, 50% TANT	1000067
1		ETCHED CIRCUIT BOARD	5009807
1		MODULE I/O HISTORY	B-M-M-B01-D-4
1		MODULE LING HOLE LAYOUT	E-M-M-B01-D-5
1		MODULE LING HOLE LOCATION	E-CO-M-B01-D-4
1			9006732

AA2, AA1, BA2, BV1, CA2, CV1, DA2, DV1, FA2, EV1, FA2, FV1

+5V

6.8M, 35V
C91 THRU C96

.01M, C2 THRU C8, C11 THRU C24, C26, C28 THRU C41, C43 THRU C49

AL2, AN2, AH1, AT1, BC2, BN2, BH1, BT1, CL2, CN2, CH1, CT1, DC2, DN2, DH1, DT1, EC2, EN2, EH1, ET1, FC2, FN2, FH1, FT1

IC TYPE	QTY	REF
DEC DM8598-AD	1	16
DEC 3101A	8	16
DEC 74S174	3	16
DEC 74S158	3	16
DEC 74S153	3	15
DEC 74S194	3	16
DEC 74S112	3	16
DEC 74S191	3	16

SEMICONDUCTOR CONVERSION CHART

SCALE 2/1

SHEET 1 OF 10

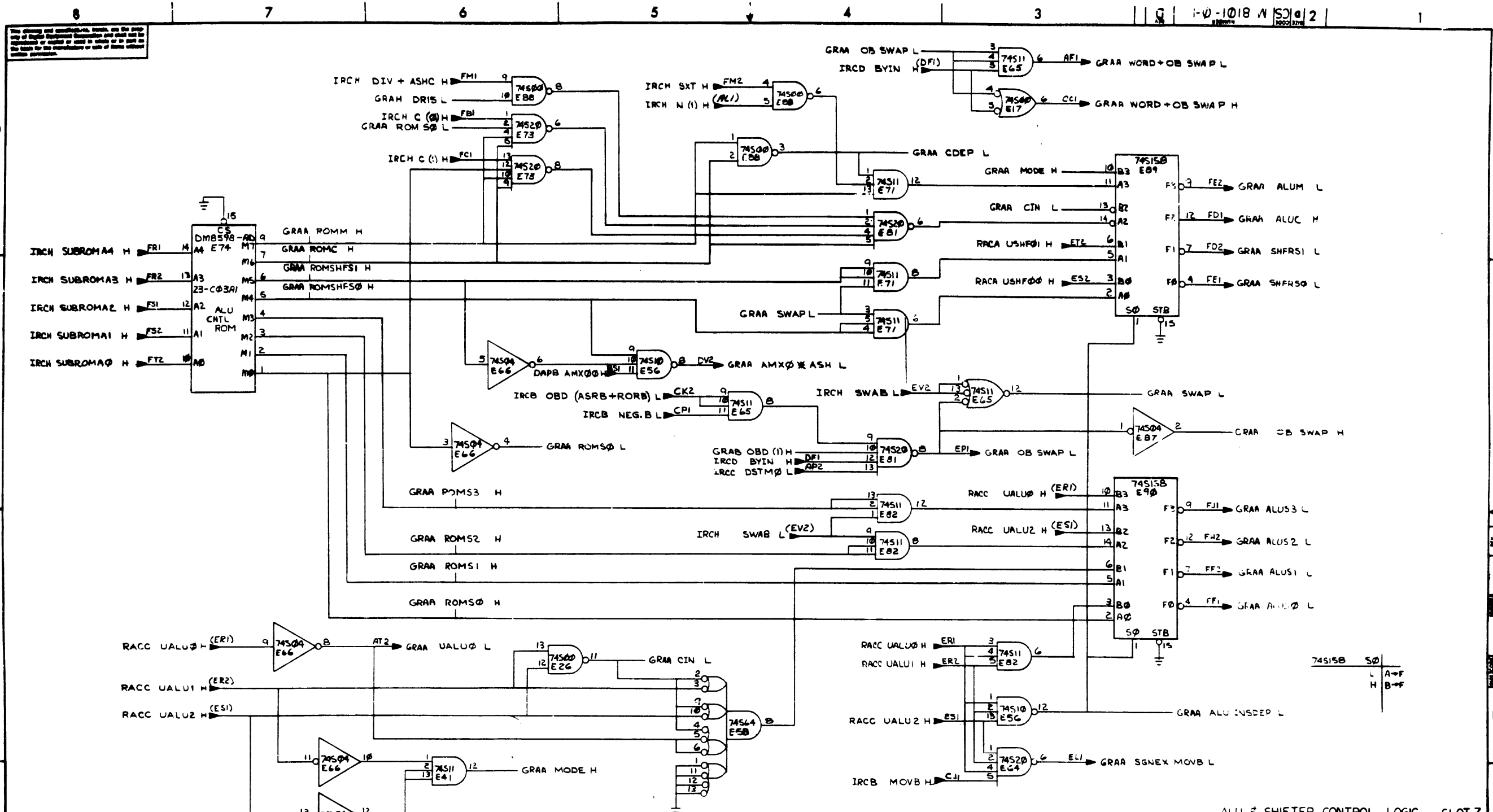
EQUIPMENT CORPORATION

GENERAL REGS. & ALU. CNTL.

B-DD-KB11-0

ECSMB01-0-1

The drawing and specifications herein, are the property of Douglas Equipment Corporation and shall not be copied, reproduced, or used in whole or in part without the written permission of Douglas Equipment Corporation.

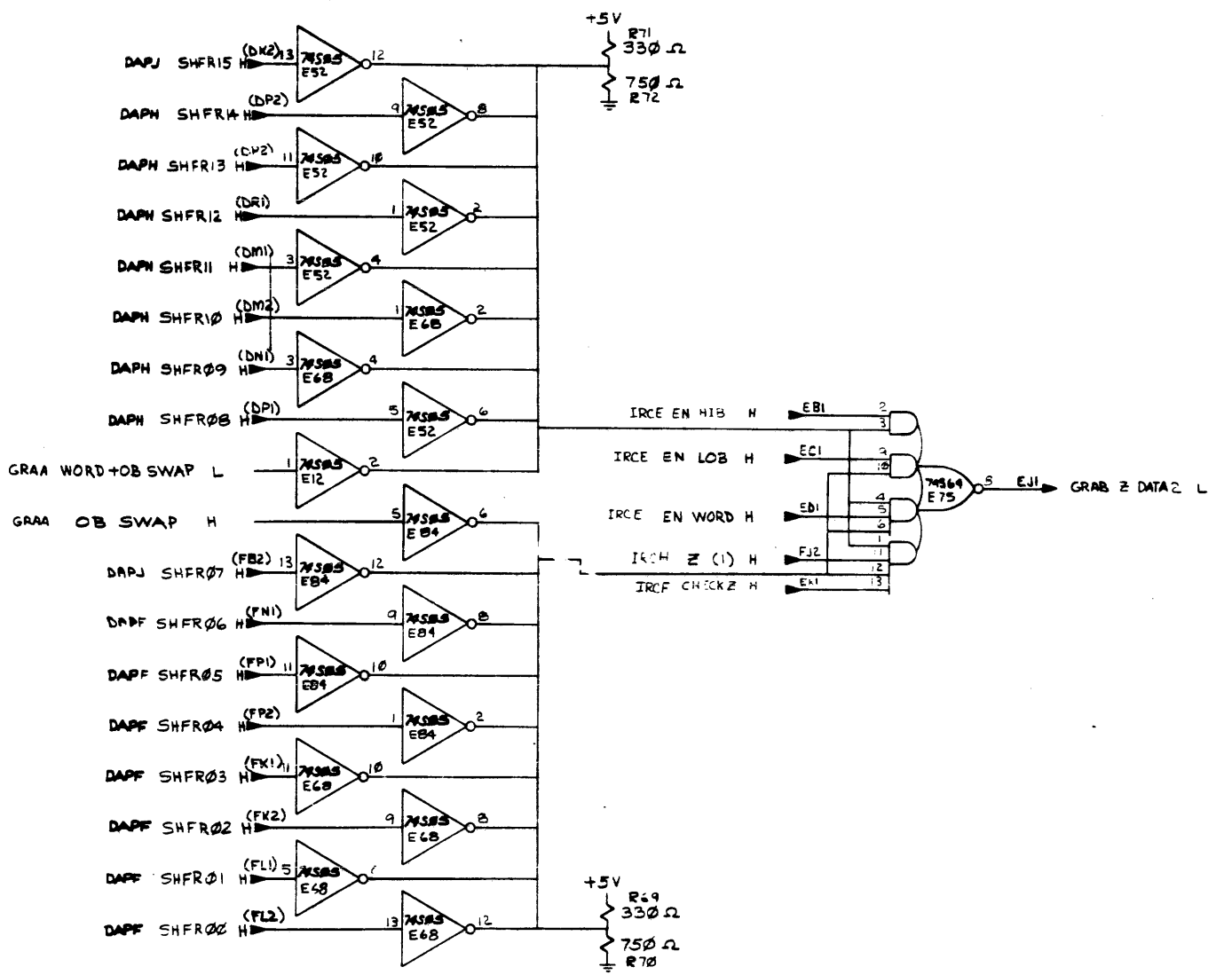
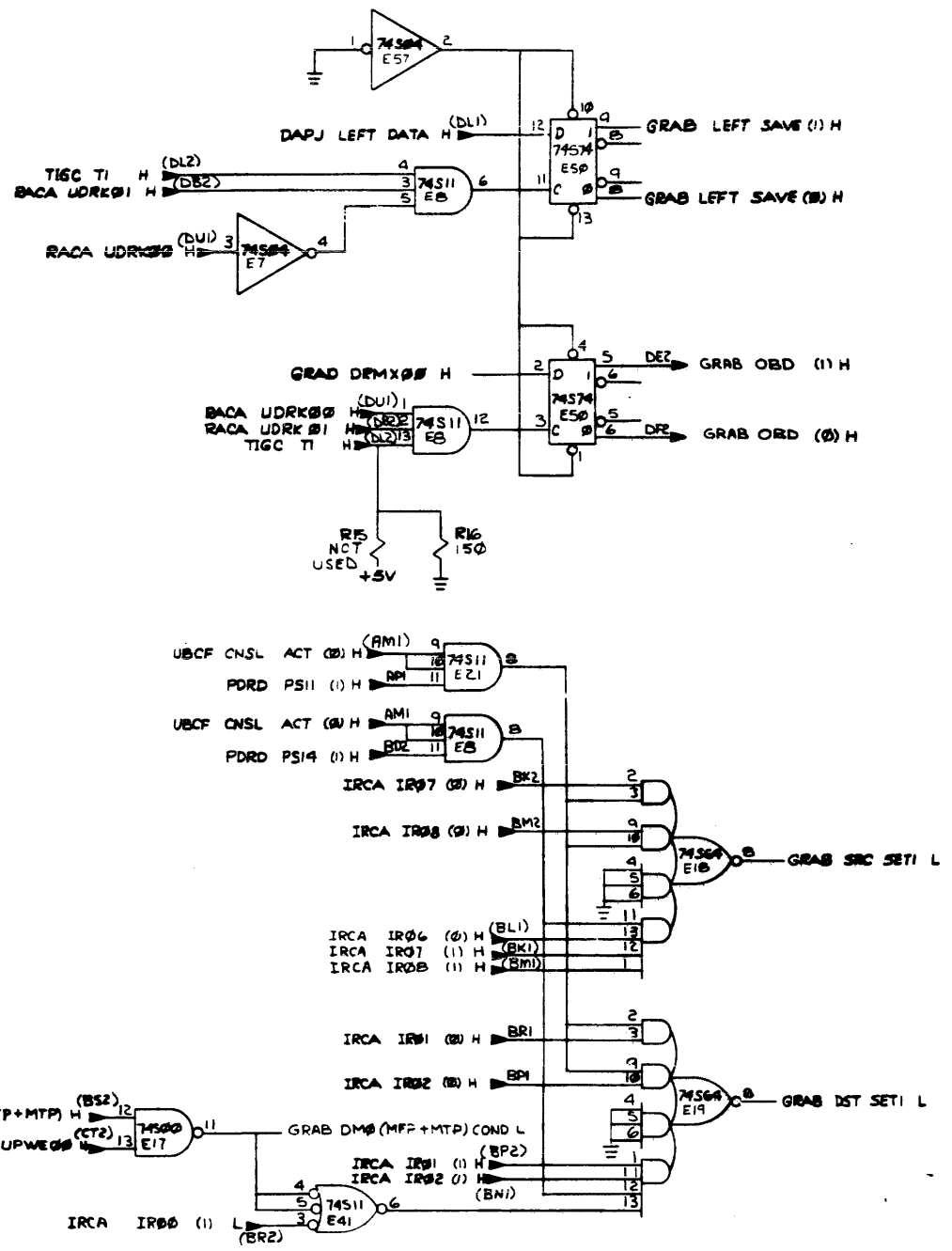


REVISION	REV
CHANGE NO.	
CIR	

ALU & SHIFTER CONTROL LOGIC SLOT 7

FIRST USED ON OPTION/MODEL	QTY.	DESCRIPTION	PART NO.	REV.
11/45				
PARTS LIST				
UNLESS OTHERWISE SPECIFIED DIMENSION IN INCHES		DATE: 6-23-71		EQUIPMENT CORPORATION MILWAUKEE, WISCONSIN 53190
TOLERANCES		DATE:		
DECIMALS	ANGLES	TITLE		
XXX - 008	10° 30'	GENERAL REGS & ALU CNTL (GRAA)		
XX - 02		DATE: 6-23-71		
X - 1		DATE: 6-23-71		
REMOVE BURRS AND BREAK SHARP CORNERS SURFACE QUALITY		DATE: 6-23-71		
MATERIAL		NEXT HIGHER ASSY.		
+	+	B-DD-KB11-0	SIZE CODE	NUMBER
FINISH		SCALE	DCS M8101-0-1	REV. D
		SHEET 2 OF 10	DIST.	

The drawing and specifications herein, are the property of Hughes Equipment Corporation and shall not be reproduced or used in whole or in part on any basis for the manufacture or sale of items without written permission.

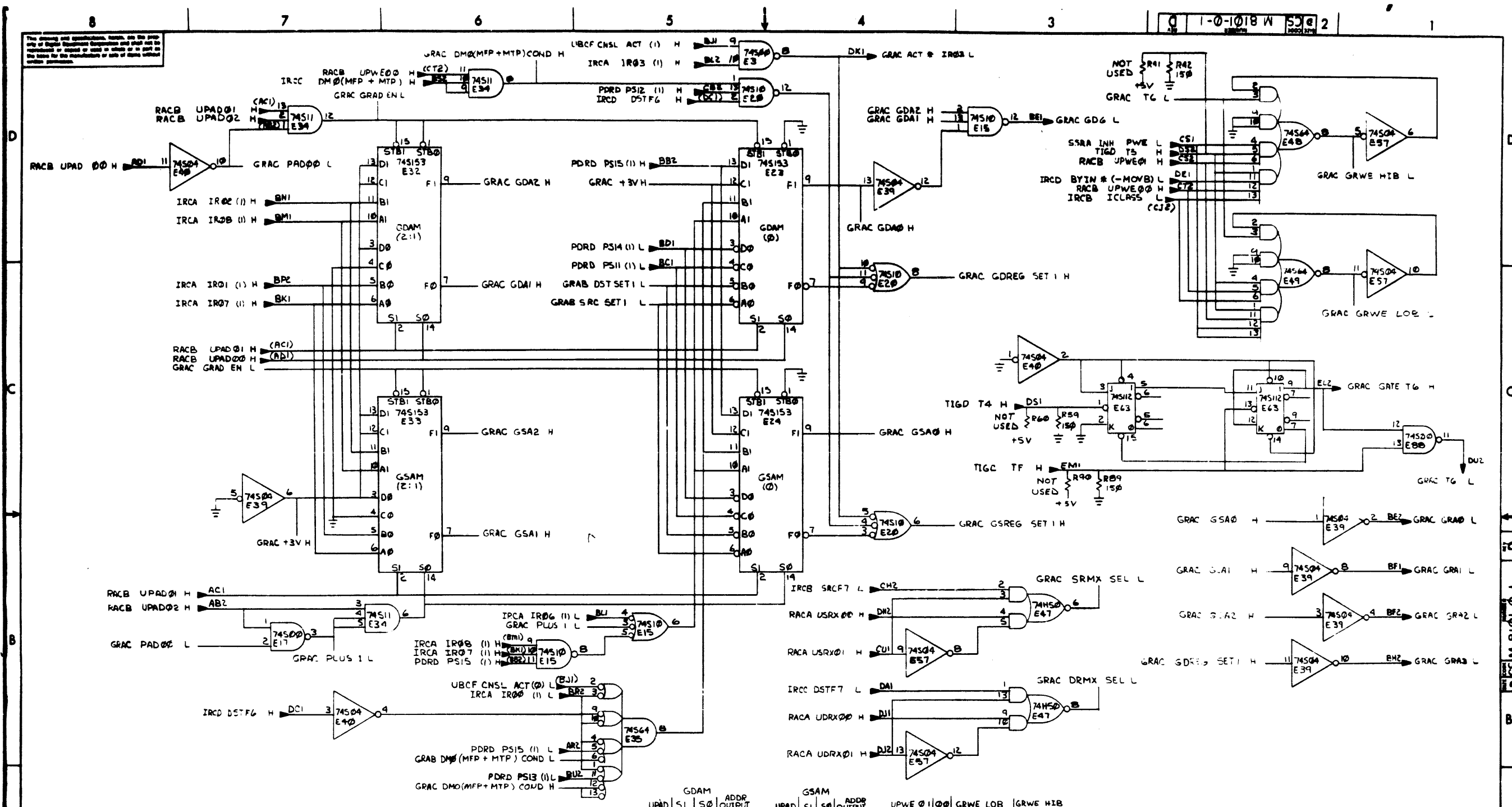


SHIFTER = 0 DETECTOR; MSC. LOGIC

SLOT 7

FIRST USED ON OPTION/MODEL	QTY.	DESCRIPTION	PART NO.	ITEM NO.
11/45				
PARTS LIST				
UNLESS OTHERWISE SPECIFIED DIMENSION IN INCHES TOLERANCES	DBN DATE 7-15-71	EQUIPMENT CORPORATION		
DECIMALS	ANGLES	TITLE		
XXX - .005	10° 30'	GENERAL REGS.		
XX - .02		#ALU CNTL		
X - .1				
REMOVE BURRS AND BREAK SHARP CORNERS SURFACE QUALITY	PROD DATE 7-15-71			
MATERIAL	NEXT HIGHER ASSY.	SIZE CODE	NUMBER	REV.
	B-DD-KB11-J	DCS M8101-0-1		
FINISH	SCALE	SHEET	OF	TOT.
		3	OF	10

48



REVISIONS

REV	CHG	CHANGE NO

GDAM

UPAD	SI	S0	ADDR OUTPUT
0	L	L	SF
4	L	L	SFVI
1+5	L	H	DF
2+3	H	L	S
3+	H	H	G

GSAM

UPAD	SI	S0	ADDR OUTPUT
0+1	L	L	SF
4	L	L	SFVI
5	L	H	DF
2+3	H	L	S
7	H	H	G

UPWE 01 00

UPWE 01	00	GRWE LOB	GRWE HIB
L	L	DON'T WRITE	DON'T WRITE
L	H	WRITE COND	WRITE COND
H	L	I'CLASS	I'CLASS + BYTE INST
H	H	WRITE	+MOVRS (SIGN EXTEN EN)
L	L	NOT USED	WRITE
L	H	NOT USED	NOT USED

USRX 01 00 OUTPUT (SRMX)

USRX 01	00	OUTPUT (SRMX)
L	L	SHFR
L	H	GS
L	L	SF7:SHFR; SF7:GS
H	H	NOT USED

UDRX 01 00 OUTPUT (DRMX)

UDRX 01	00	OUTPUT (DRMX)
L	L	SHFR
L	H	GD
H	L	DF7:SHFR; DF7:GD
H	H	CLEAR DR

GENERAL REGS ADDR & WRITE PULSE CNTL SLOT 7

FIRST USED ON OPTION/MODEL	QTY.	DESCRIPTION	PART NO.	TITLE
11/45				

PARTS LIST

QTY.	DESCRIPTION	PART NO.	TITLE

UNLESS OTHERWISE SPECIFIED DIMENSION IN INCHES TOLERANCES

DECIMALS	ANGLES
XXX - 008	10' 30"
XX - 02	
X - 1	

REMOVE BURRS AND BREAK SHARP CORNERS SURFACE QUALITY

MATERIAL

FINISH

NEXT HIGHER ASSY

B-DD-KB1-F0

SCALE

SHEET 4 OF 10

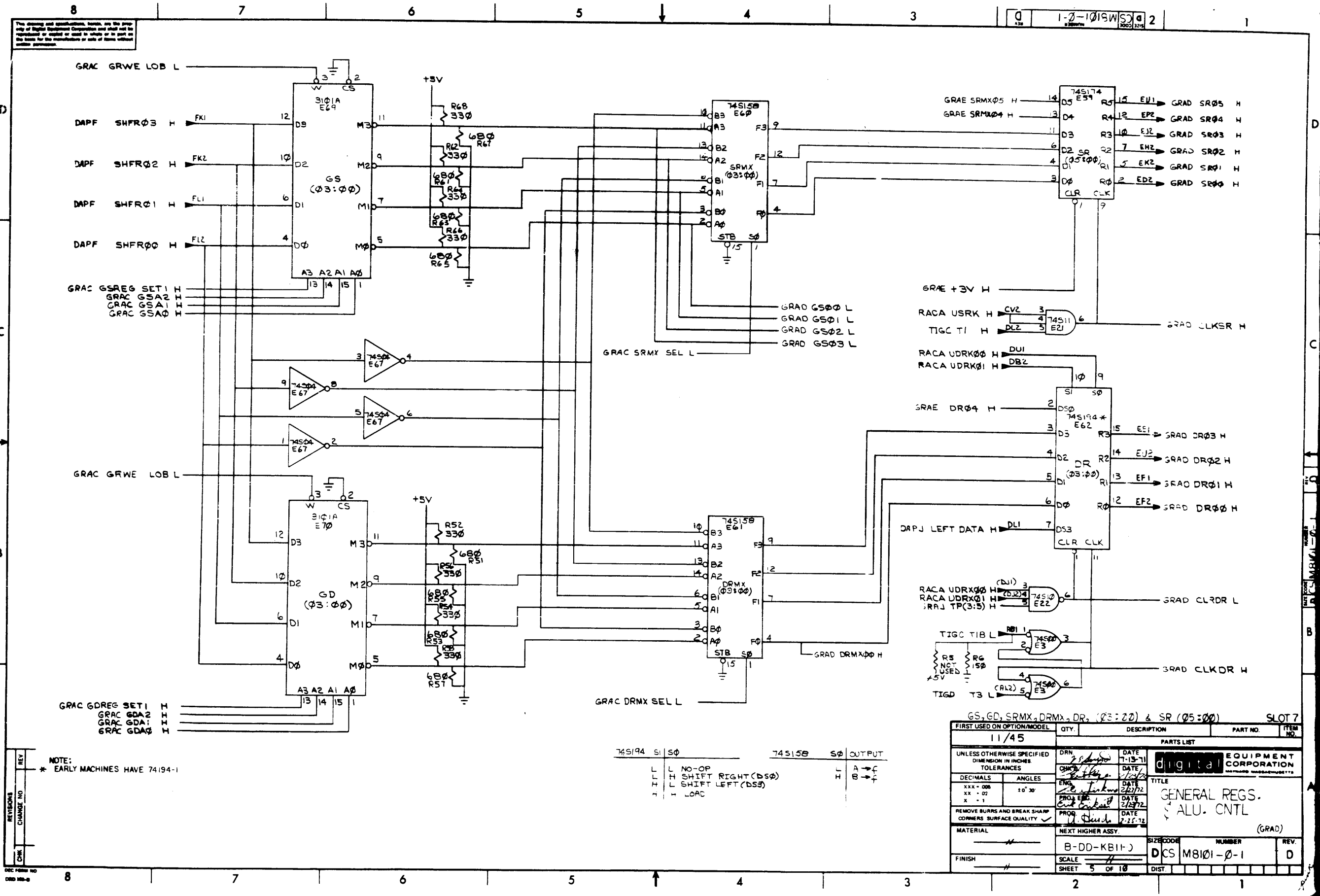
DCS M8101-0-1

GENERAL REGS & ALU CNTL (GRAC)

NUMBER

REV

The drawing and specifications herein are the property of Digital Equipment Corporation and shall not be reproduced or copied in whole or in part for any purpose other than for the manufacture or sale of items without written permission.



GRAC GSREG SET1 H
GRAC GSA2 H
GRAC GSA1 H
GRAC GSA0 H

GRAC GOREG SET1 H
GRAC GDA2 H
GRAC GDA1 H
GRAC GDA0 H

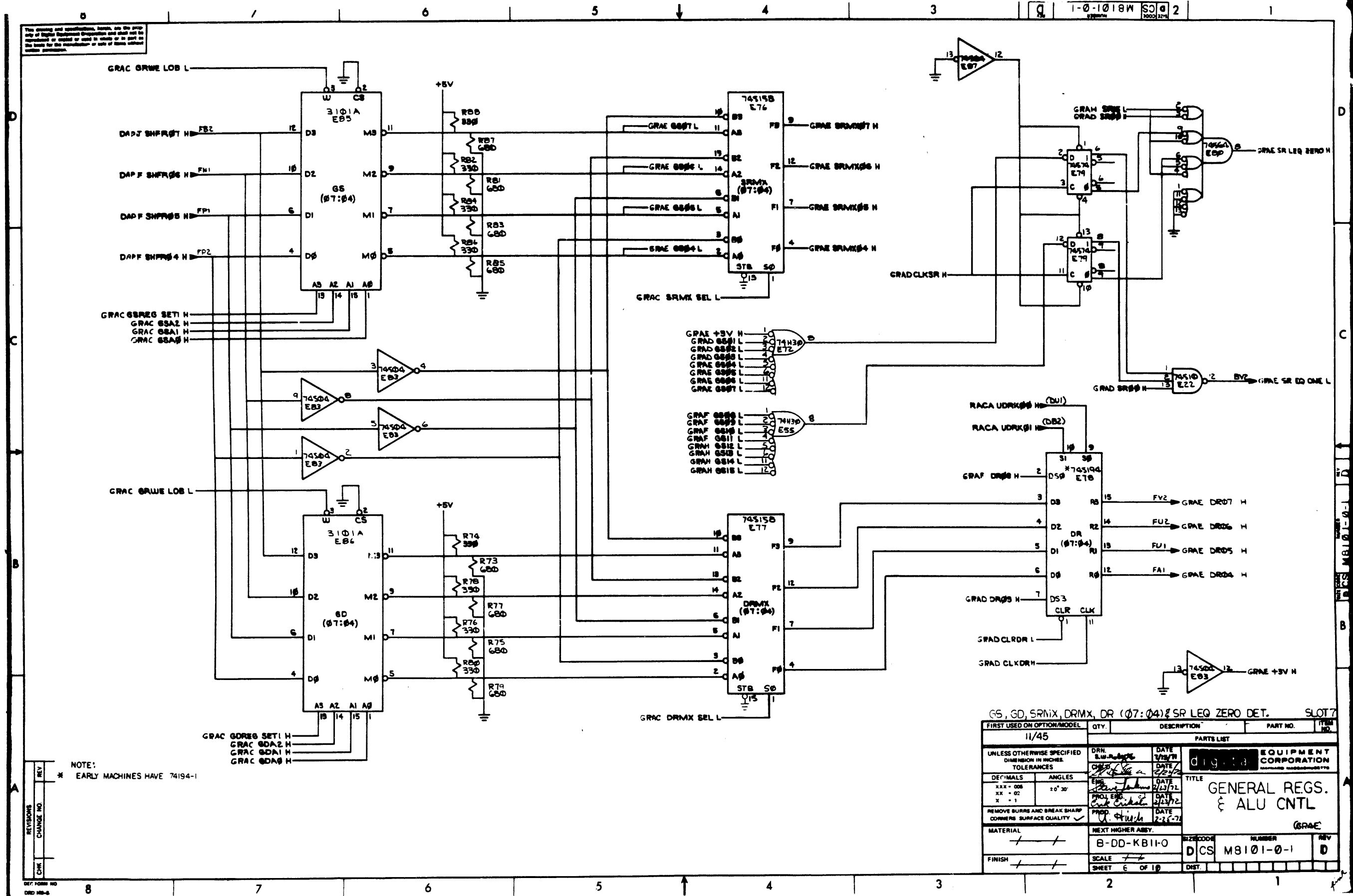
REV	REVISIONS

NOTE:
* EARLY MACHINES HAVE 74194-1

74S194	SI	S0	74S158	S0	OUTPUT
L	L	NO-OP	L	A	A → F
L	H	SHIFT RIGHT (DS0)	H	B	B → F
H	L	SHIFT LEFT (DS3)			
H	H	LOAD			

FIRST USED ON OPTION/MODEL		QTY.	DESCRIPTION	PART NO.	ITEM NO.
11/45					
UNLESS OTHERWISE SPECIFIED DIMENSION IN INCHES TOLERANCES		DRN	DATE	PARTS LIST	
DECIMALS	ANGLES		7-13-71	digital EQUIPMENT CORPORATION	
xxx - 000	10' 30"			MATERIAL (MACHINABLE)	
xx - 02				TITLE	
x - 1				GENERAL REGS. \$ ALU. CNTL	
REMOVE BURRS AND BREAK SHARP CORNERS SURFACE QUALITY				(GRAD)	
MATERIAL	NEXT HIGHER ASSY.			SIZE CODE	NUMBER
	B-DD-KB1(-)			DCS	M8101-0-1
FINISH	SCALE			DIST	REV.
	5 OF 10				D

This drawing and specifications herein are the property of Digital Equipment Corporation and shall not be reproduced or copied or used in whole or in part for any other purpose without the written permission of Digital Equipment Corporation.



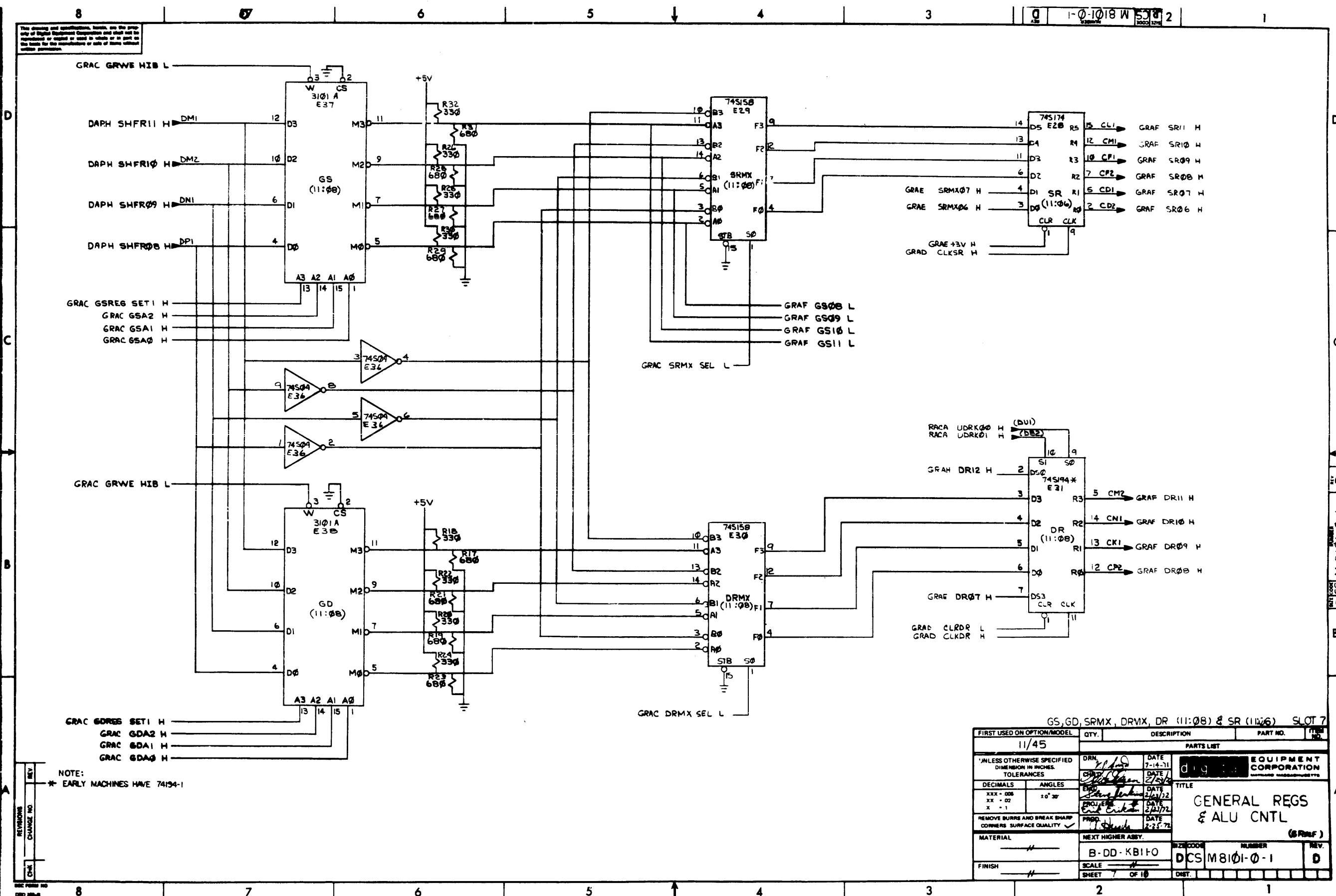
NOTE:
* EARLY MACHINES HAVE 74194-1

REV	CHG

GS, GD, SRMX, DRMX, DR (Ø7:Ø4) & SR LEQ ZERO DET. SLOT 7

FIRST USED ON OPTION/MODEL	QTY	DESCRIPTION	PART NO.	ITEM NO.
11/45				
UNLESS OTHERWISE SPECIFIED DIMENSION IN INCHES TOLERANCES				
DECIMALS	ANGLES	TITLE		
XXX = 008	±0° 30'	GENERAL REGS. & ALU CNTL		
XX = 02				
X = 1				
REMOVE BURRS AND BREAK SHARP CORNERS SURFACE QUALITY				
MATERIAL	NEXT HIGHER Assy.	PARTS LIST		
	B-DD-KB11-0	DIGITAL EQUIPMENT CORPORATION		
FINISH		SIZE CODE	NUMBER	REV
		D	DCS M8101-0-1	D
		SCALE		
		SHEET E OF 10	DIST.	

The drawing and specifications herein, are the property of Hughes Aircraft Company and shall not be reproduced or copied in whole or in part, or the basis for the manufacture of any of these without written permission.



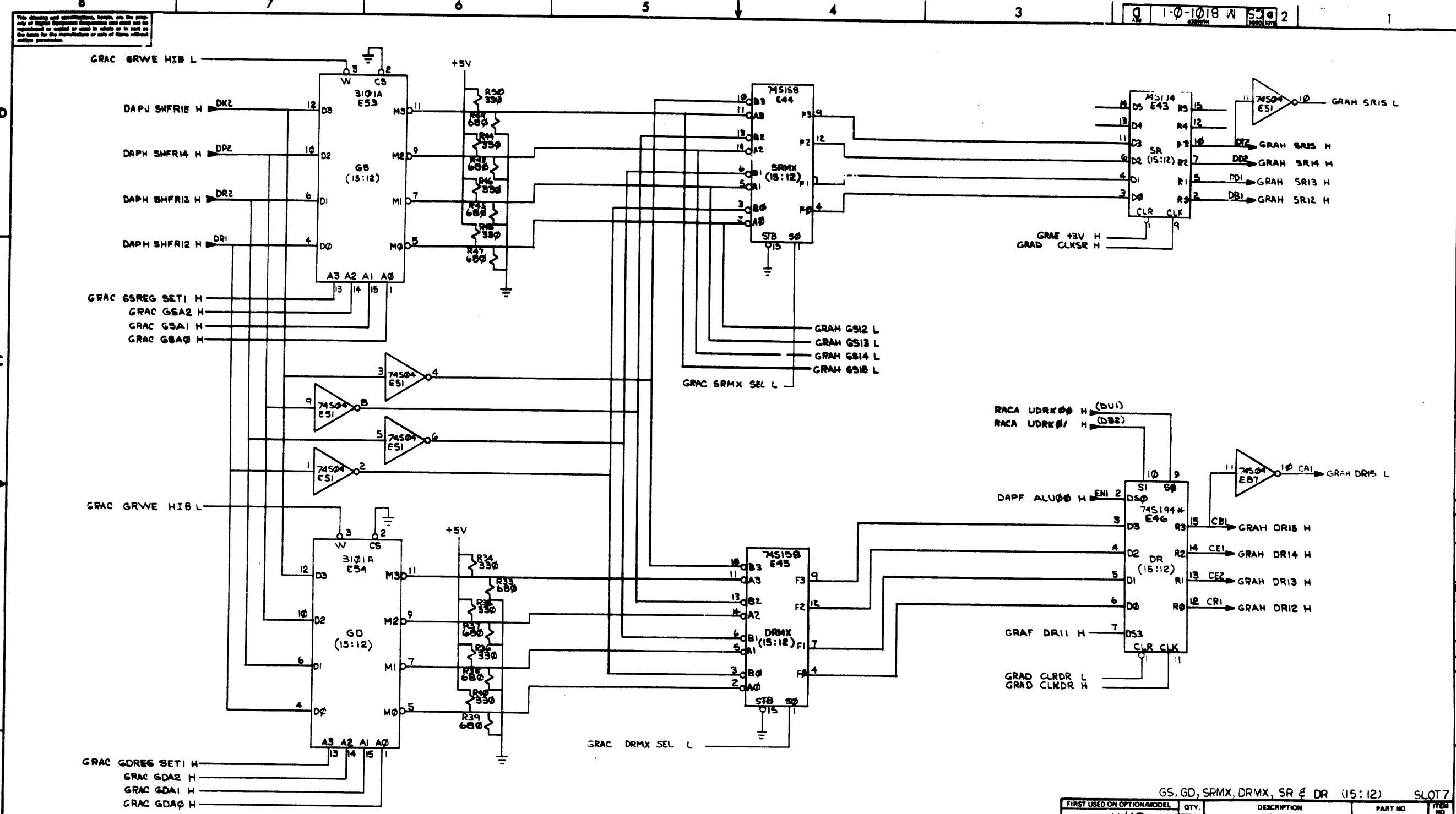
GRAC GSREG SET1 H
 GRAC GSA2 H
 GRAC GSA1 H
 GRAC GSA0 H

GRAC GDRS SET1 H
 GRAC GDA2 H
 GRAC GDA1 H
 GRAC GDA0 H


NOTE:
 * EARLY MACHINES HAVE 74194-1

REV	CHG	NO

FIRST USED ON OPTION/MODEL		QTY.	DESCRIPTION	PART NO.	FILE NO.
11/45					
PARTS LIST					
UNLESS OTHERWISE SPECIFIED DIMENSION IN INCHES		DRN	DATE	EQUIPMENT CORPORATION	
TOLERANCES		CHKD	DATE		
DECIMALS	ANGLES	ENG	DATE	TITLE	
XXX - 008	20' 30"	PROJ	DATE	GENERAL REGS & ALU CNTL	
XX - 02		PRD	DATE	(SHEET)	
X - 1					
REMOVE BURRS AND BREAK SHARP CORNERS SURFACE QUALITY		MATERIAL			
		NEXT HIGHER ASSY.			
		B-DD-KB1FO		DCS M8101-0-1	REV. D
FINISH		SCALE		SHEET 7 OF 10	



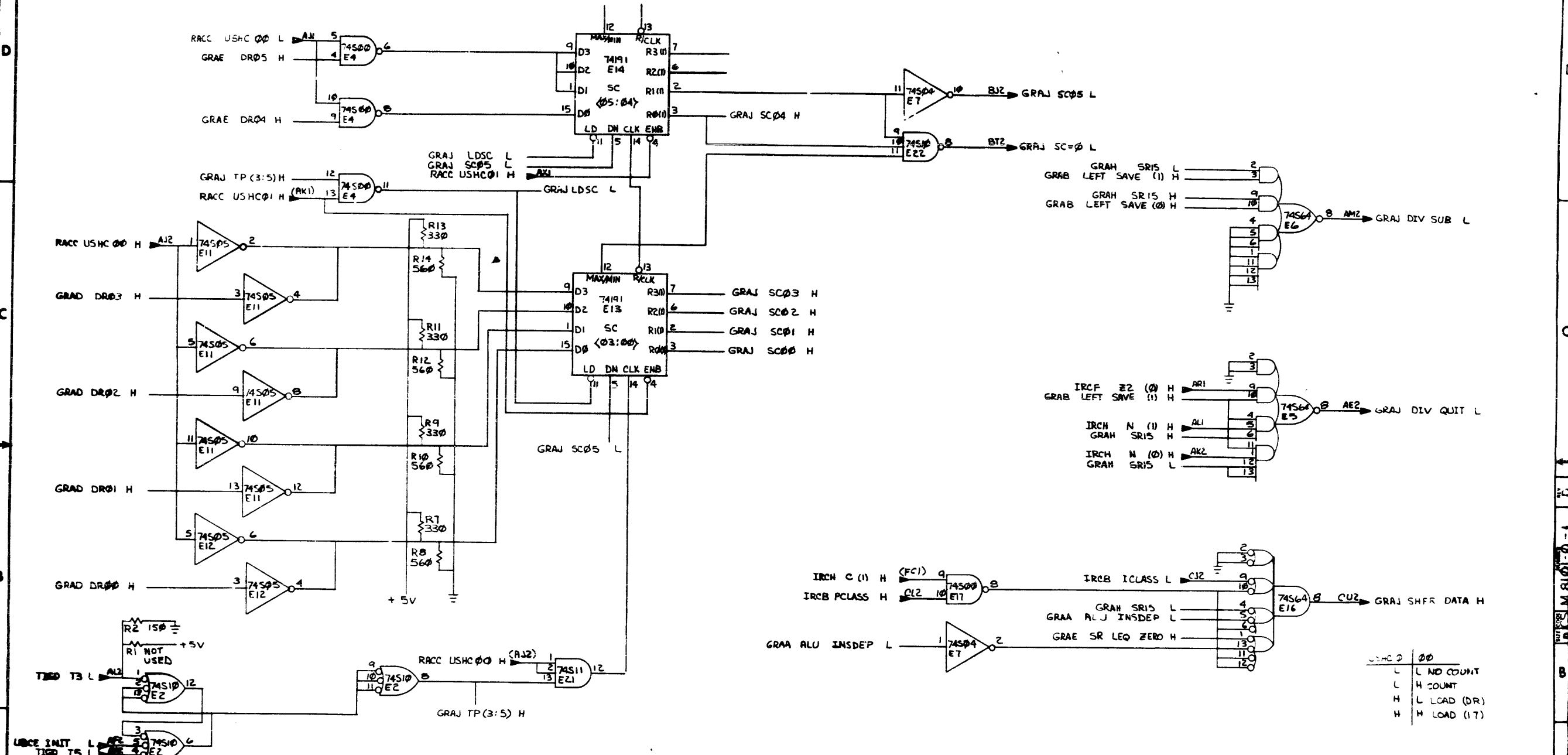
NOTE: * EARLY MACHINES HAVE 74154-1

FIRST USED ON OPTION/MODEL	QTY.	DESCRIPTION	PART NO.	ITEM NO.
11/45		GS, GD, SRMX, DRMX, SR & DR (15:12)		SLOT 7
PARTS LIST				
UNLESS OTHERWISE SPECIFIED DIMENSION IN INCHES TOLERANCES	DRN 7-76-71	DATE 7-76-71	 EQUIPMENT CORPORATION <small>DATE 2/23/75</small>	
DECIMALS	XX - .00	DATE 2/23/75		
ANGLES	X - 1	DATE 2/23/75		
REMOVE BURRS AND BREAK SHARP CORNERS SURFACE QUALITY	PROG. T. Chisholm	DATE 2-15-72		
MATERIAL	NEXT HIGHER ASSY.	REV. CODE	NUMBER	REV.
	B-DD-KB110	DCS M 8101-0-1		0
FINISH	SCALE	SHEET 8 OF 10	DIST.	

DCS M 8101-0-1

This drawing and specifications herein are the property of Equipment Corporation and shall not be reproduced or used in whole or in part in any manner without the written consent of Equipment Corporation.

1-0-1018W SCD 2



SHIFT COUNT REG (SC) SLOT 7

FIRST USED ON OPTION/MODEL 11/45	QTY.	DESCRIPTION	PART NO.	ITEM NO.
PARTS LIST				
UNLESS OTHERWISE SPECIFIED DIMENSION IN INCHES TOLERANCES	DATE 12/11/71	DATE 2/23/72	EQUIPMENT CORPORATION	
DECIMALS ANGLES	DATE 2/23/72	DATE 2/23/72	TITLE GENERAL REGS & ALU CNTL (GRAJ)	
MATERIAL	DATE 2/23/72	DATE 2/23/72	NEXT HIGHER ASSY.	
FINISH	DATE 2/23/72	DATE 2/23/72	B-00-KB11-0	
SCALE		DCS M8101-0-1		NUMBER
SHEET 5 OF 10		DWT.		REV.

The drawings and specifications herein are the property of Digital Equipment Corporation and shall not be reproduced or copied in whole or in part in any form for the manufacture or sale of items without written permission.

INSTRUCTION	OCTAL ADDRESS
ROL.B	00
ROF.B	01
ASR.B	02
ASL.B	03
MARK	04
NEP	05
NEF	06
SXT	07
CLR.B	10
CON.B	11
INC.B	12
DEC.B	13
NEG.B	14
ADC.B	15
SBC.B	16
TST.B	17
SUB	20
MOV.B	21
CMP.B	22
BIT.B	23
BIC.B	24
BIS.B	25
ADD	26
	27
MUL	30
DIV	31
ASH	32
ASMC	33
XOR	34
	35
	36
SOB	37

ALU CNTL ROM DM8598-AD

17	16	15	14	13	12	11	10
L	L	M	M	L	L	L	L
H	H	M	L	M	H	L	L
L	L	H	H	L	L	L	L
L	L	H	L	H	H	L	L
L	L	L	L	L	L	L	L
H	L	H	L	H	L	H	L
H	L	H	L	L	L	H	L
H	L	H	L	L	L	H	H
H	L	H	L	L	L	H	H
L	L	H	L	H	H	H	H
H	L	H	L	L	L	L	L
L	L	H	L	L	L	L	L
L	L	L	L	L	L	L	L
L	L	L	L	L	L	L	L
L	L	L	L	L	L	L	L
L	L	L	L	L	L	L	L
L	L	L	L	L	L	L	L
L	L	L	L	L	L	L	L
L	L	L	L	L	L	L	L
L	L	L	L	L	L	L	L
L	L	L	L	L	L	L	L
L	L	L	L	L	L	L	L
L	L	L	L	L	L	L	L

SWAB

INSTRUCTION DEP. ALU FUNCTION (RACC UALU (2:0)=7)

F=A
F=A PLUS A PLUS CRIT
F=A
F=A PLUS A
NOT INST. DEP.
F=B
F=B
N: F=MINUS I; N: F=B
F=B
F=B
F=A PLUS I
F=A MINUS I
F=A
F=A PLUS C BIT
F=A MINUS C BIT
F=A
F=A MINUS B
F=B
F=A MINUS B MINUS I
F=AB
F=AB
F=AB
F=A PLUS B
F=A MINUS B
F=A PLUS A PLUS DR15
NOT INST. DEP.
F=A PLUS A PLUS DR15
F=A & B
NOT INST. DEP.
F=A


INSTRUCTION DEP. SHFR FUNCTION (RACC UALU (2:0)=7)

RIGHT SHIFT
NO - SHIFT **
RIGHT SHIFT
NO - SHIFT **
NOT INST. DEP.
NO - SHIFT
NO - SHIFT
NO - SHIFT
NO - SHIFT **
NO - SHIFT **
NO - SHIFT **
NO - SHIFT
NO - SHIFT **
NO - SHIFT **
NO - SHIFT **
NO - SHIFT **
NO - SHIFT **
NO - SHIFT
NO - SHIFT **
NO - SHIFT **
NO - SHIFT **
NO - SHIFT **
RIGHT SHIFT
NO - SHIFT
NOT INST. DEP.
NOT INST. DEP.
NO - SHIFT
NO - SHIFT
NOT INST. DEP.
SWAB BYTES

NOTE: SWAB INST. HAS SAME ROM ADDRESS AS ASL.B
 *ROMSHF OUTPUTS USED TO DECODE ASH
 **ODD BYTE*BYTE INSTR: SWAB BYTES

ALU CNTL ROM MAP

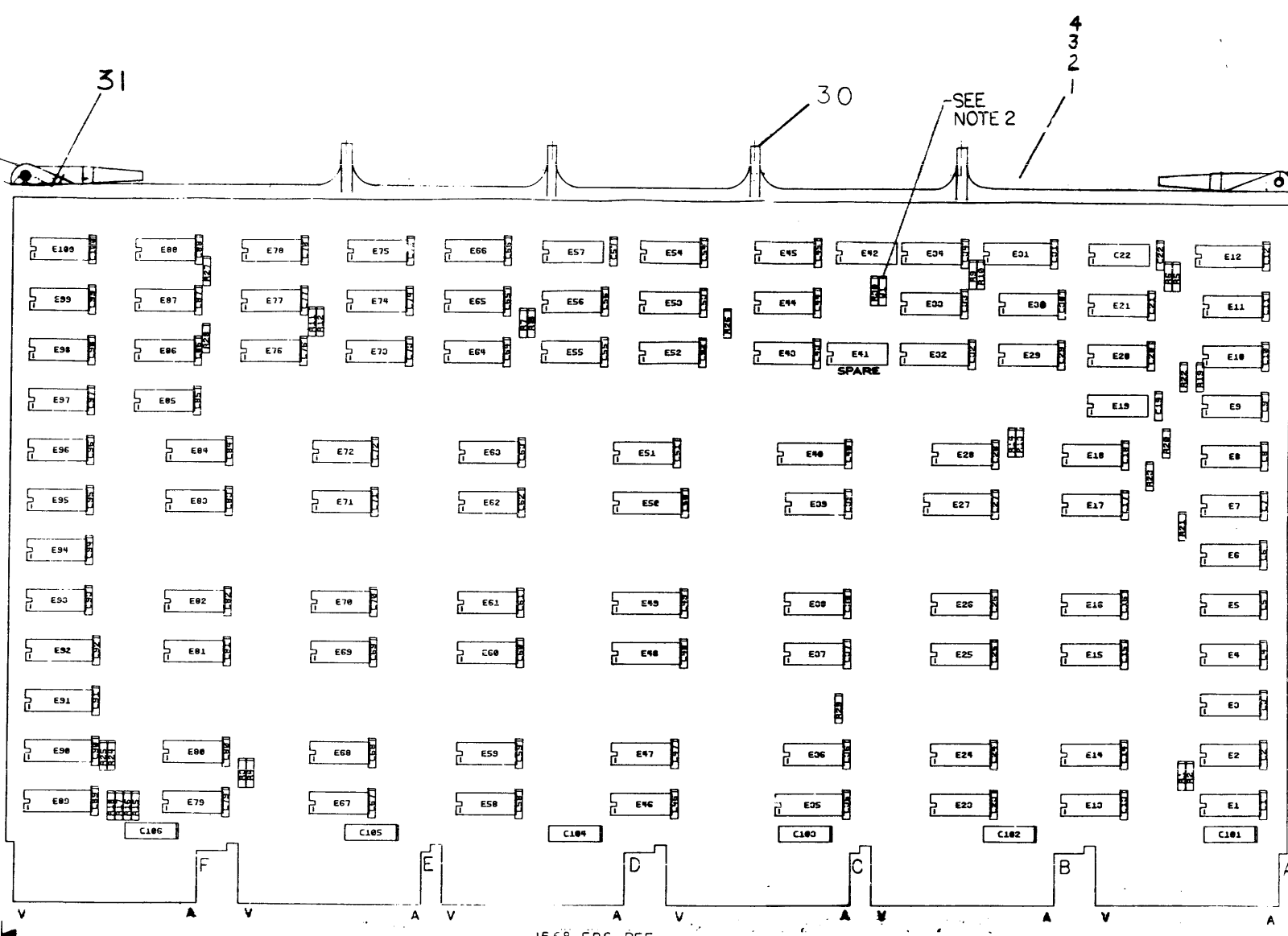
SLOT 7

FIRST USED ON OPTION/MODEL	QTY	DESCRIPTION	PART NO.	ITEM NO.
11/45				
PARTS LIST				
UNLFS OTHERWISE SPECIFIED DIMENSION IN INCHES	DRN <i>W. Kent</i>	DATE 1-25-71	 DIGITAL EQUIPMENT CORPORATION <small>MILWAUKEE WISCONSIN 53191</small>	
TOLERANCES	DECIMALS ANGLES .XXX - .006 10° 30' .XX - .02 X - .1		DATE 2/3/72 DATE 2/23/72 DATE 2-16-73	
REMOVE BURRS AND BREAK SHARP CORNERS SURFACE QUALITY	PROD. <i>W. Kent</i>	DATE 2-16-73	GENERAL REGS. & ALU CNTL (BR4K)	
MATERIAL	NEXT HIGHER ASSY.	SCALE	NUMBER	REV.
FINISH	B-DD-KB11-0	NONE	DCS M8101-0-1	D
	SHEET 10 OF 10			

THIS DRAWING AND SPECIFICATIONS HEREIN ARE THE PROPERTY OF DIGITAL EQUIPMENT CORPORATION AND SHALL NOT BE REPRODUCED OR COPIED OR USED IN WHOLE OR IN PART AS THE BASIS FOR THE MANUFACTURE OR SALE OF ITEMS WITHOUT WRITTEN PERMISSION. COPYRIGHT © 1974 DIGITAL EQUIPMENT CORPORATION.

NOTES:

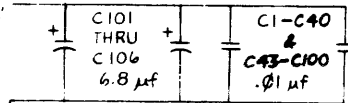
1. RESISTORS R1, R2 AND R4 ARE NOT USED.
2. INSTALL JUMPER W1 FOR USE WITH FP11-B



8.44 REF

15.68 F.B.S. REF

AA2, BA2, CA2, AV1, BV1, CV1, DA2, EA2, FA2, DV1, EV1, FV1



AC2, AI, AH1, AN2, BC2, BT1, BH1, BN2, CC2, CT1, CH1, CN2, DC2, DT1, DH1, DN2, EC2, ET1, EH1, EN2, FC2, FT1, FH1, FN2

IC	TYPE	QTY	DESCRIPTION
IC DEC 8598AC	B	16	
IC DEC 74S157	B	16	
IC DEC 74S153	B	16	
IC DEC 8598AB	B	16	
IC DEC 82S1-1	B	16	
IC TYPE	GND	+5V	

QTY AND QTY ARE USUALLY PIN 7 AND 14 RESPECTIVELY EXCEPT WHERE STATED ABOVE

REV	DATE	BY	CHK
1	11/19/75	A. HELENIUS	
2			
3			
4			
5			
6			
7			
8			
9			
10			

FIRST USED ON OPTION MODEL 1170

QTY	REF DESIGNATION	DESCRIPTION	PART NO.	ITEM NO.
1	E89	I.C. DEC 8598-AB	23C01A1	28
1	E90	I.C. DM 8598-AC	23C02A1	29
1		HANDLE MODULE EYELET	1210711-2	30
12			9006732	31

ETCH BOARD REV B

digital EQUIPMENT CORPORATION

TITLE: IR DECODE & COND CCODES (IRC)

SIZE CODE: DCS M8132-3-1

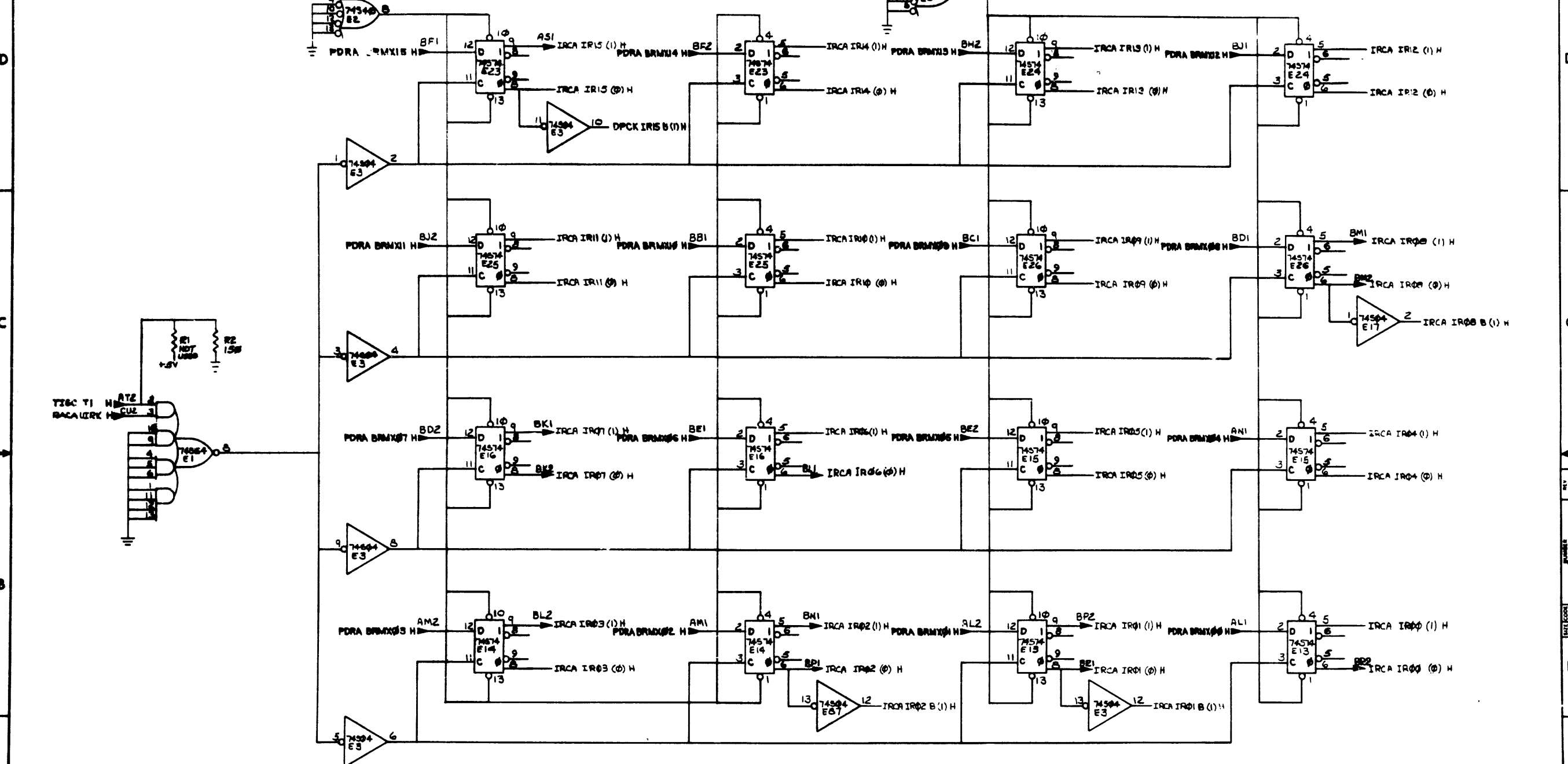
SCALE: DIST.

SHEET 1 OF 9

REF	DESCRIPTION	PART NO.	ITEM NO.
REF	X-Y COORDINATE HOLE LOCATION	K CO M8132-0-4	1
REF	ASSY DRILLING HOLE LAYOUT	D-AH M8132-0-5	2
REF	MODULE ECO HISTORY	B-MH M8132-0-6	3
1	ETCHED CIRCUIT BOARD	5011394	4
6	C101 THRU C106	CAPACITOR, 6.8MFD, 35V 10%	10053C6
98	C1 THRU C40, C43 THRU C100	CAPACITOR, .01MFD, 100V 20% DISC	1001610-01
3	R2, R11, R13	RESISTOR, 150, 1/4W 5%	1300250
4	R4, R5, R8, R9	RESISTOR, 330, 1/4W 5%	1300295
10	R20 THRU R29	RESISTOR, 470, 1/4W 5%	1300316
4	R3, R6, R7, R10	RESISTOR, 560, 1/4W 5%	1301090
6	R15 THRU R19, R30	RESISTOR, 1K, 1/4W 5%	1300365
12	E8, E11, E19, E21, E36, E37, E39, E52, E55, E62, E64, E93	I.C. DEC 74500	1910532
1	E34	I.C. DEC 74503	1910533
8	E3, E17, E30, E43, E68, E87, E97, E45	I.C. DEC 74504	1910534
9	E28, E33, E39, E53, E58, E74, E95, E98, E100	I.C. DEC 74510	1910536
16	E4, E6, E10, E22, E29, E46, E56, E59, E60, E71, E72, E75, E76, E78, E86, E89	I.C. DEC 74511	1910537
6	E7, E9, E18, E67, E70, E96	I.C. DEC 74520	1910539
1	E2	I.C. DEC 74540	1910541
11	E1, E5, E91, E63, E77, E81, E82, E83, E84, E88, E42	I.C. DEC 74564	1910542
5	E20, E54, E57, E65, E66	I.C. DEC 74565	1910543
11	E13, E14, E15, E16, E23, E24, E25, E26, E73, E79, E94	I.C. DEC 74574	1910544
4	E12, F31, E91, E92	I.C. DEC 745153	1910547
2	E35, E40	I.C. DEC 745157	1910548
3	E51, E80, E85	I.C. DEC 74H50	1909060
5	E27, E32, E48, E49, E50	I.C. DEC 8251-1	1909854
1	E47	I.C. DEC 8875	1910647
2	E44, E69	I.C. DEC 8885	1910649
1	E89	I.C. DEC 8598-AB	23C01A1
1	E90	I.C. DM 8598-AC	23C02A1
1		HANDLE MODULE EYELET	1210711-2
12			9006732

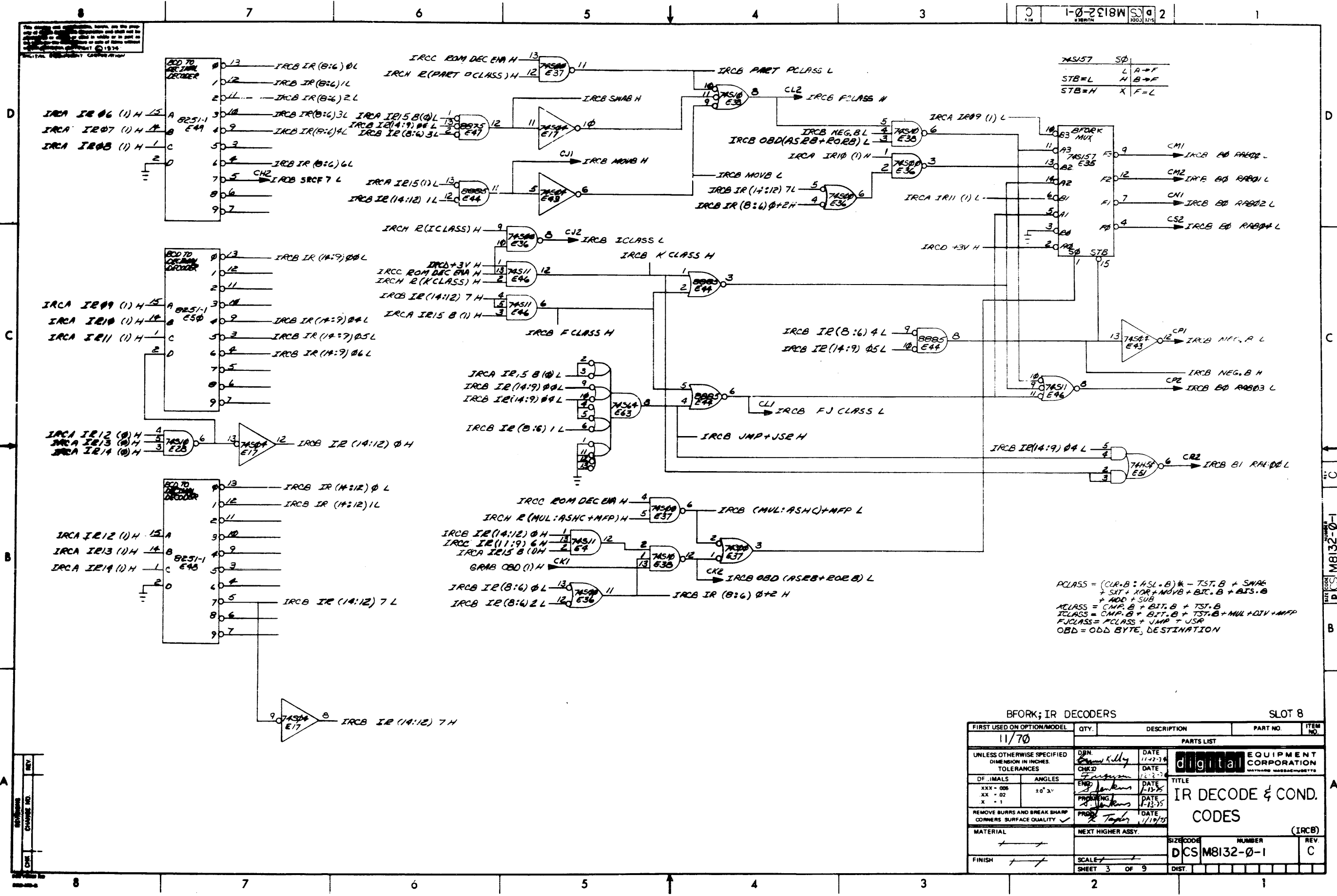
The drawing and specifications herein are the property of Digital Equipment Corporation and shall not be reproduced or used in whole or in part in any form for the manufacture of any of items without written permission of Digital Equipment Corporation.

DIGITAL EQUIPMENT CORPORATION



REV	
CHANGE NO.	
DATE	

FIRST USED ON OPTION/MODEL		QTY.	DESCRIPTION	PART NO.	ITEM NO.
11/70					
UNLESS OTHERWISE SPECIFIED DIMENSION IN INCHES TOLERANCES		DRN. <i>Bo Kelly</i>	DATE 11-12-70	PARTS LIST	
DECIMALS	ANGLES	CHKD. <i>G. Gorman</i>	DATE 1-2-71	TITLE	
XXX - .008	20° 30'	ENG. <i>J. Gorman</i>	DATE 1-13-75	IR DECODE & COND. CODES	
XX - .02		PROD. ENG. <i>J. Gorman</i>	DATE 11-13-75	SIZE CODE	
X - .1		PROJ. <i>J. Gorman</i>	DATE 11/13/75	NUMBER	
REMOVE BURRS AND BREAK SHARP CORNERS SURFACE QUALITY		MATERIAL	NEXT HIGHER ASSY.	REV. C	
		FINISH	SCALE 2 OF 9	DCS M8132-0-1	
			SHEET 2 OF 9	DIST.	

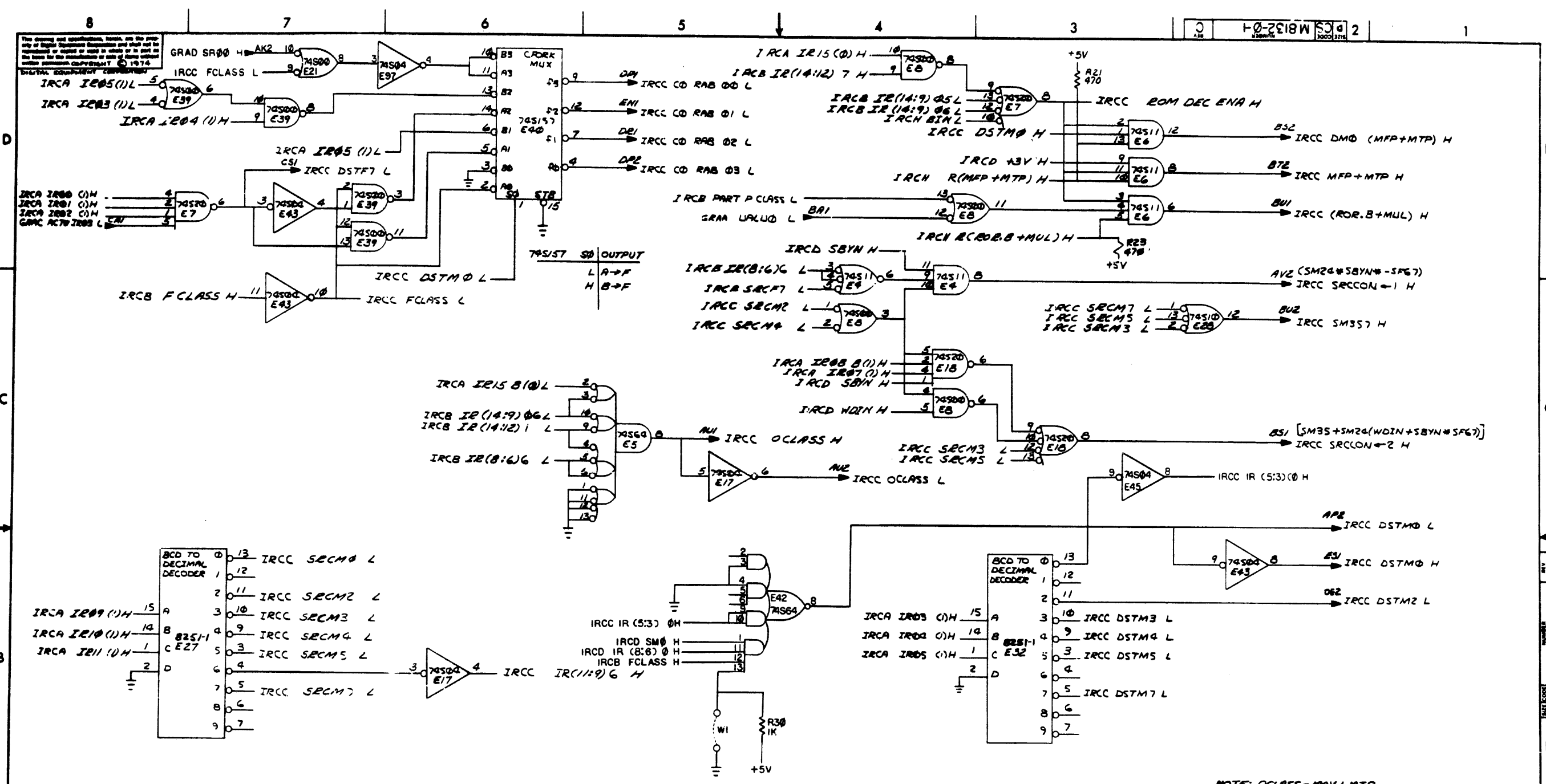


74517	S0	
STB=L	L	A=F
STB=H	H	B=F
	X	F=L

$PCLASS = (CUR.B : ASL.B) * -TST.B + SWAB$
 $+ SIX + XOR + MOV.B + BIT.B + BIS.B$
 $+ ADD + SUB$
 $ACLASS = CMP.B + BIT.B + TST.B$
 $ICLASS = CMP.B + BIT.B + TST.B + MUL + DIV + MFP$
 $FJCLASS = FCLASS + JMP + USP$
 $OBD = ODD\ BYTE, DESTINATION$

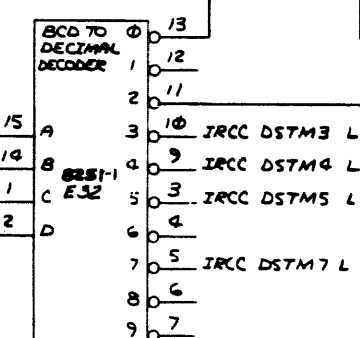
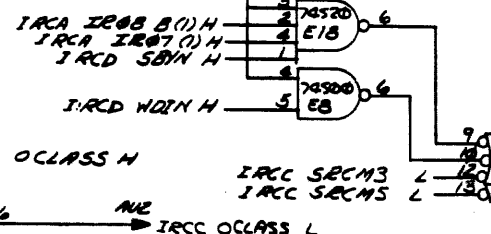
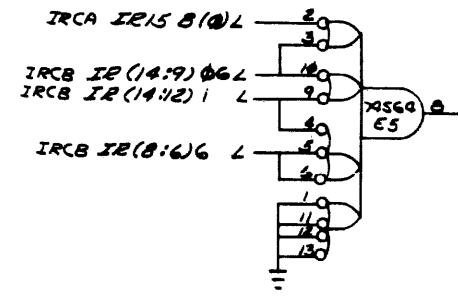
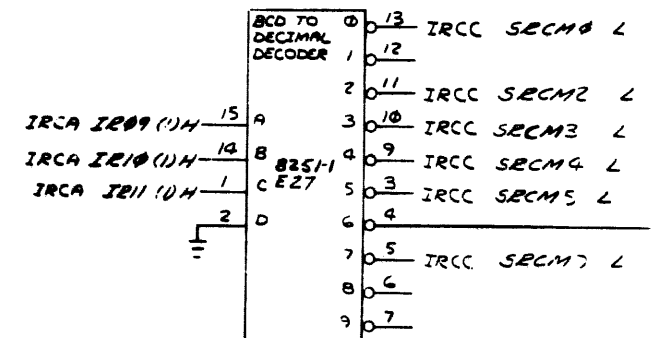
BFORK; IR DECODERS SLOT 8

FIRST USED ON OPTION/MODEL 11/70	QTY.	DESCRIPTION	PART NO.	ITEM NO.
PARTS LIST				
UNLESS OTHERWISE SPECIFIED DIMENSION IN INCHES. TOLERANCES	DPN. <i>Kelly</i>	DATE 11-27-70	digital EQUIPMENT CORPORATION MAYNARD MASSACHUSETTS	
DF. IMALS ANGLES	CHKD <i>Ferguson</i>	DATE 12-2-70	TITLE IR DECODE & COND. CODES	
XXX - 006 XX - 02 X - 1	END <i>Ferguson</i>	DATE 1-12-75	REV. C	
REMOVE BURRS AND BREAK SHARP CORNERS SURFACE QUALITY	PROG. <i>Winters</i>	DATE 1-12-75	SIZE CODE DCS M8132-0-1	
MATERIAL	PROF. <i>Toplin</i>	DATE 1/19/75	NUMBER REV.	
FINISH	NEXT HIGHER ASSY.	SCALE	DIST.	
		SHEET 3 OF 9		



The drawing and specifications herein are the property of Digital Equipment Corporation and shall not be reproduced or copied or used in whole or in part in any manner without the express written consent of Digital Equipment Corporation. © 1974

IRCA IE05 (1) L
IRCA IE03 (1) L
IRCA IE04 (1) H



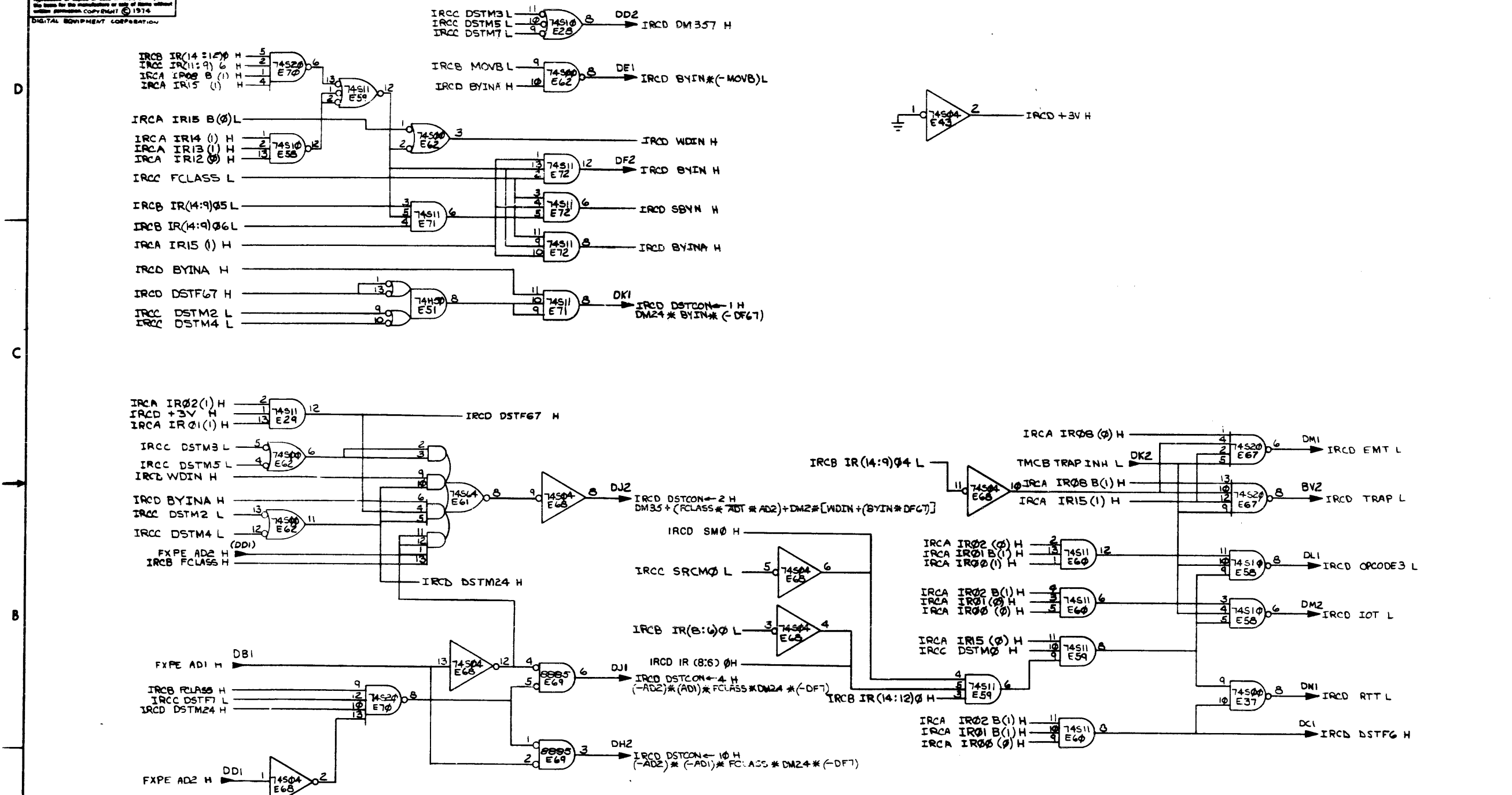
INSTALL JUMPER W1 FOR USE WITH FPII-B

NOTE: OCLASS = MOV + MTP
SBYN = MOV + CAMP + BITB + BICB + BISB
SR00 = OBS (ODD BYTE, SOURCE)
FCLASS = FPU OPCODES

FIRST USED ON OPTION/MODEL		QTY.	DESCRIPTION	PART NO.	ITEM NO.
11170					
PARTS LIST					
UNLESS OTHERWISE SPECIFIED DIMENSION IN INCHES TOLERANCES		DFN: Kellay DATE: 11-12-74 CHD: Ferguson DATE: 1-1-78 ERS: J. Jones DATE: 12-5-78 PRO: J. Jones DATE: 1-3-79 P: J. Jones DATE: 11-10-75			
DECIMALS: .005 ANGLES: 0° 30'		TITLE: IR DECODE & COND. CODES (IRCC) EQUIPMENT CORPORATION MAYFIELD MASSACHUSETTS			
REMOVE BURRS AND BREAK SHARP CORNERS SURFACE QUALITY		MATERIAL: NEXT HIGHER ASSY.			
FINISH: + +		SCALE: + +			
		SIZE CODE: DCS M8132-0-1		NUMBER: REV. C	
SHEET 4 OF 9		DIST:			

D CS M8132-0-1

The drawing and specifications herein are the property of Digital Equipment Corporation and shall not be reproduced or copied in whole or in part in any form for the manufacture or use of items without written permission. COPYRIGHT © 1974 DIGITAL EQUIPMENT CORPORATION

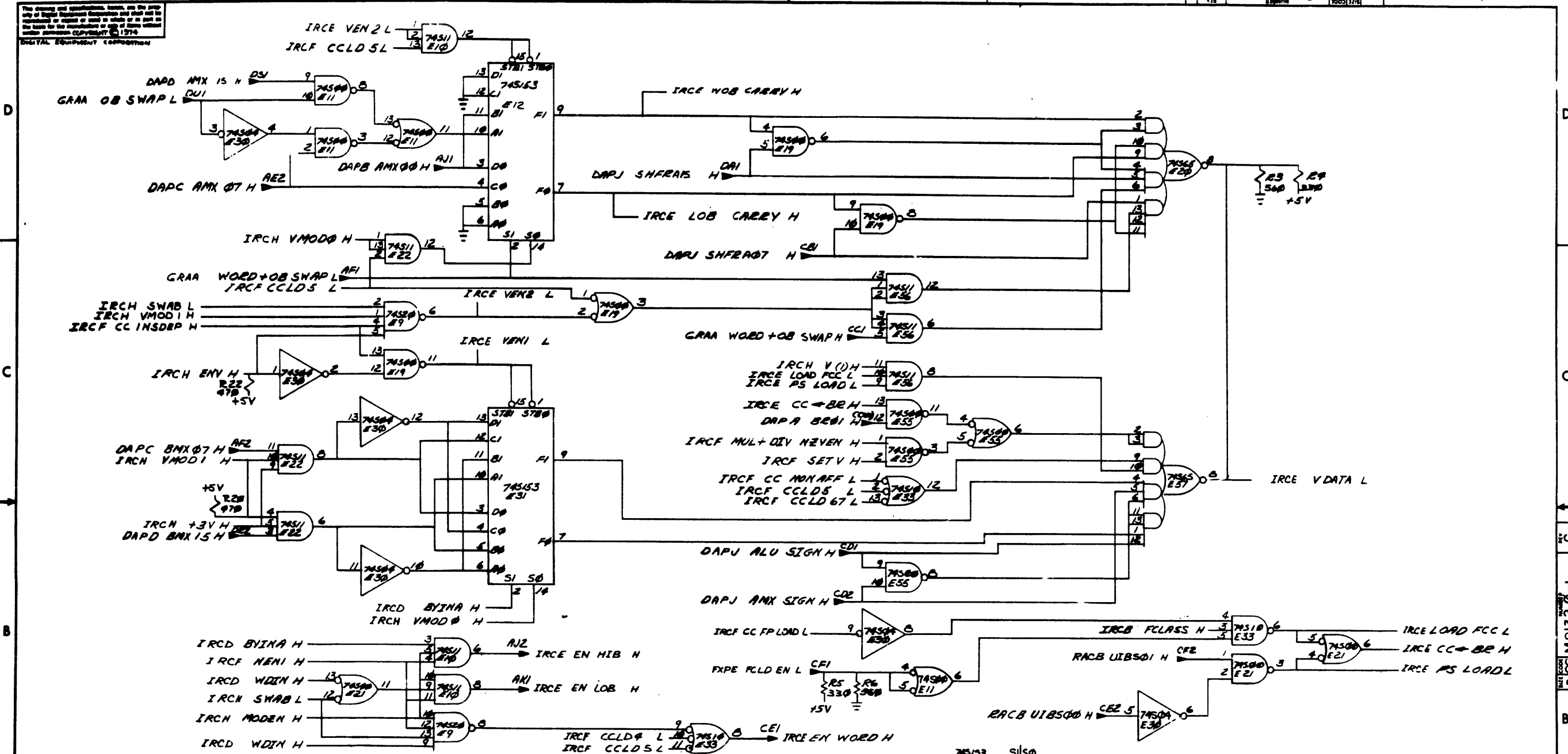


REV	
CHANGE NO	
CHK	

INSTRUCTION TRAPS & DESTINATION CONSTANTS				SLOT 8	
FIRST USED ON OPTION/MODEL	QTY.	DESCRIPTION	PART NO.	ITEM NO.	
11/70					
UNLESS OTHERWISE SPECIFIED DIMENSION IN INCHES TOLERANCES					
DECIMALS	ANGLES	PARTS LIST			
XXX - .006	XY - .02				
X - .1					
REMOVE BURRS AND BREAK SHARP CORNERS SURFACE QUALITY					
MATERIAL		NEXT HIGHER ASSY.		TITLE	
FINISH		SCALE		IR DECODE & COND. CODES	
		SHEET 5 OF 9		DCS M8132-0-1	
				REV C	

600

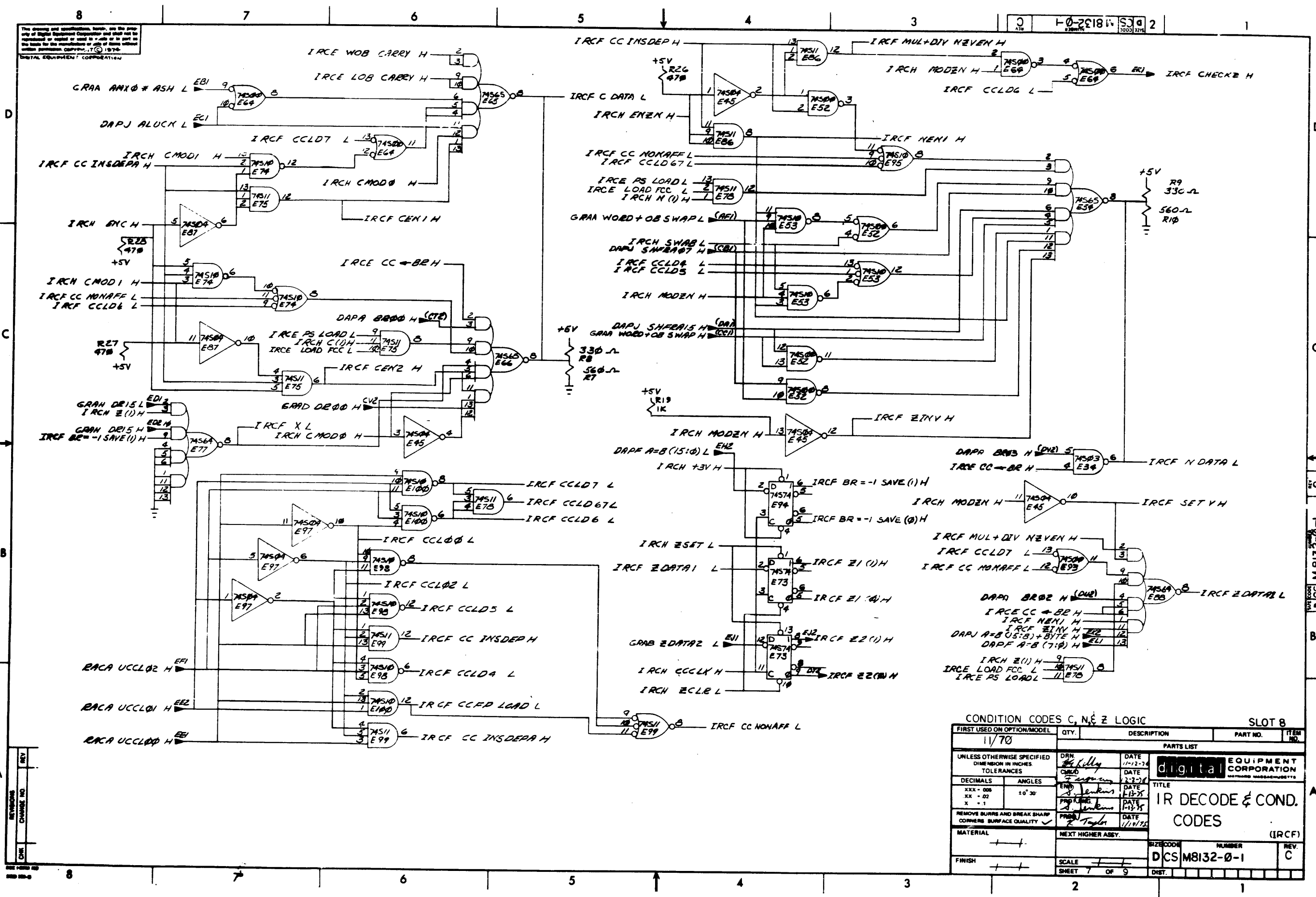
The drawing and specifications herein are the property of Digital Equipment Corporation and shall not be reproduced or copied in whole or in part or in any manner for the execution of any of their units or other equipment without the written consent of Digital Equipment Corporation.



74S13	S	S0
L	L	A → F
57B L	L	H B → F
	N	L C → F
	H	N D → F
57B H	X	X β = L

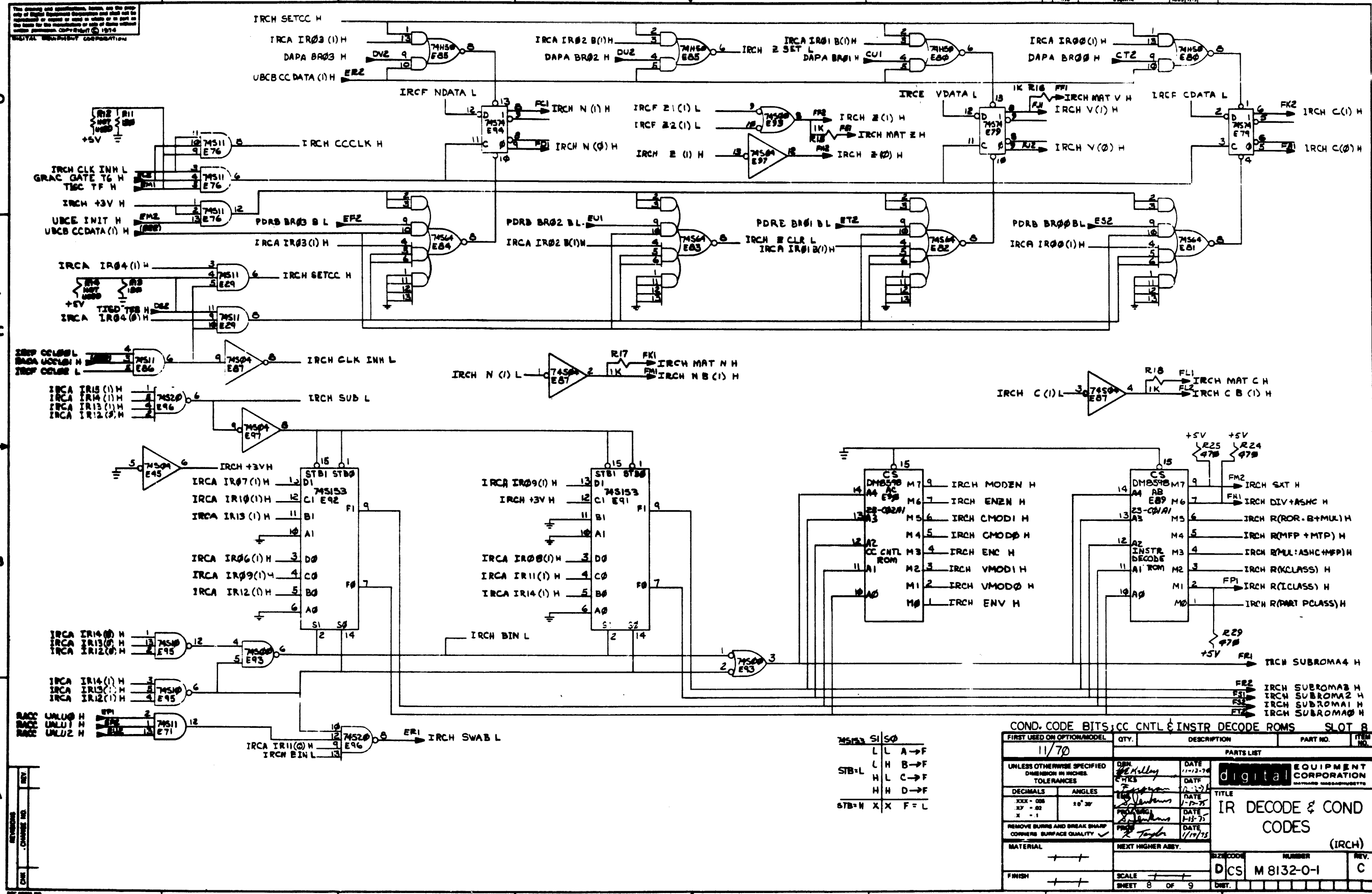
FIRST USED ON OPTION/MODEL		QTY.	DESCRIPTION	P.A.T. NO.	ITEM NO.
11/70					
UNLESS OTHERWISE SPECIFIED DIMENSION IN INCHES TOLERANCES		PARTS LIST			
DECIMALS	ANGLES	TITLE			
XXX - 000	±0° 30'	IR DECODE & COND CODES (IRCE)			
XX - 00		DCS M8132-0-1			
X - 0		SHEET 6 OF 9			
MATERIAL	NEXT HIGHER ASSY.	REV. C			
FINISH	SCALE	DIST.			

DCS M8132-0-1



The drawing and specifications herein are the property of Digital Equipment Corporation and shall not be reproduced, stored in a retrieval system, or used in any form or by any means, without the prior written permission of Digital Equipment Corporation. © 1974
DIGITAL EQUIPMENT CORPORATION

CONDITION CODES C, N, Z LOGIC		SLOT B	
FIRST USED ON OPTION/MODEL	QTY.	DESCRIPTION	PART NO.
11/70			
PARTS LIST			
UNLESS OTHERWISE SPECIFIED DIMENSION IN INCHES TOLERANCES			
DECIMALS	ANGLES	TITLE	
XXX - 006	10° 30'	IR DECODE & COND. CODES	
REMOVE BURRS AND BREAK SHARP CORNERS SURFACE QUALITY			
MATERIAL			
NEXT HIGHER ASSEMBLY			
FINISH		SCALE	REV.
++		1 OF 9	C
		SHEET	DIST.
		7	



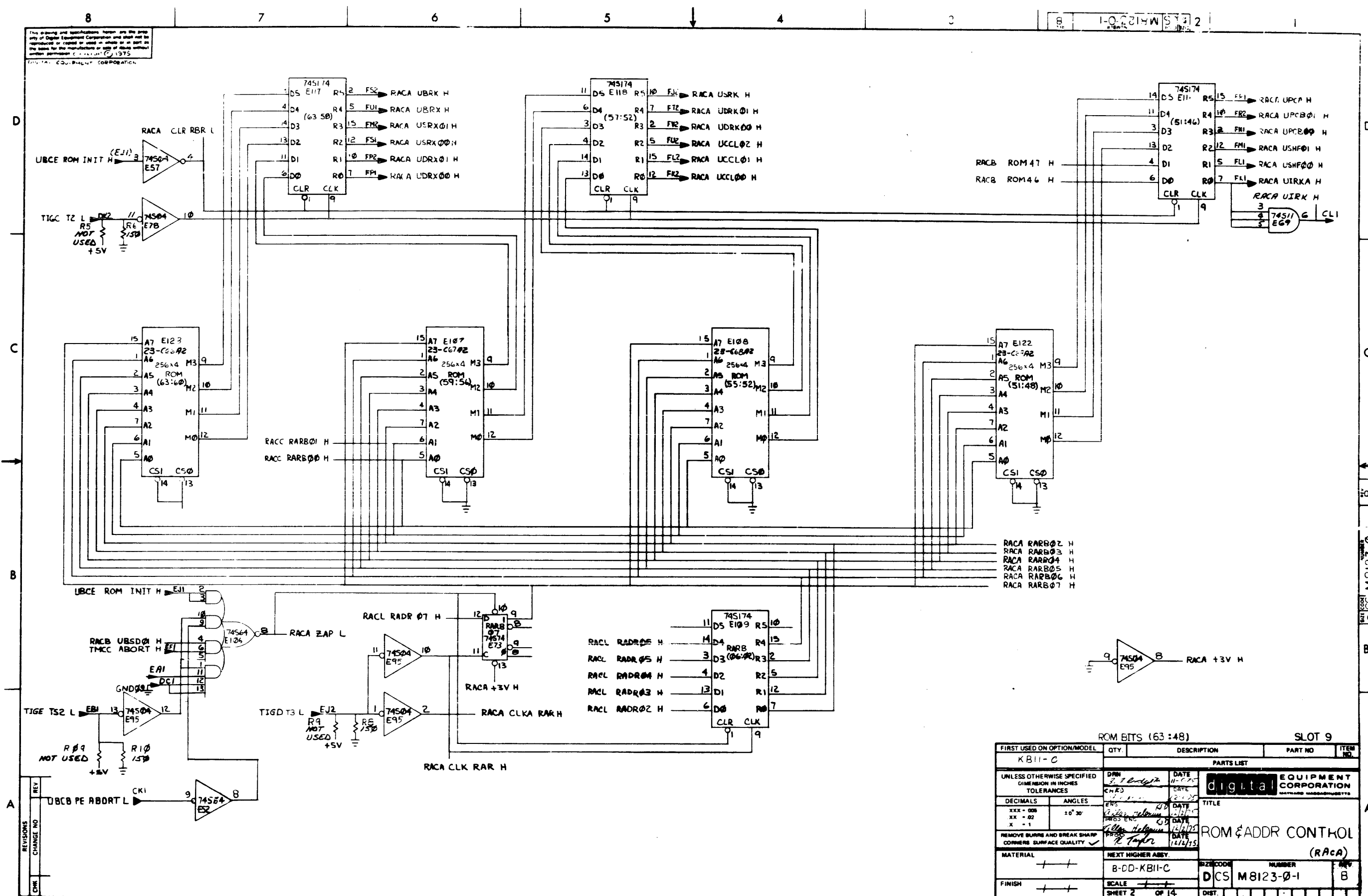
74LS153 S1 S0
 L L A → F
 L H B → F
 H L C → F
 H H D → F
 STB = H X X F = L

COND. CODE BITS, CC CNTL & INSTR DECODE ROMS		SLOT B	
FIRST USED ON OPTION/MODEL	QTY.	DESCRIPTION	PART NO.
11/70			
UNLESS OTHERWISE SPECIFIED DIMENSION IN INCHES. TOLERANCES			
DECIMALS	ANGLES	DATE	
XXX - 000	±0.30°	11-12-70	
.XX - .00		DATE	
X - .1		11-27-70	
REMOVE BURRS AND BREAK SHARP CORNERS SURFACE QUALITY			
MATERIAL		NEXT HIGHER ASSY.	
FINISH		SCALE	
		SHEET 8 OF 9	

PARTS LIST			
QTY.	DESCRIPTION	PART NO.	ITEM NO.
1	IRCH SWAB L		
1	IRCH BIN L		
1	IRCH SUBROMA 4 H		
1	IRCH SUBROMA 2 H		
1	IRCH SUBROMA 1 H		
1	IRCH SUBROMA 0 H		
1	IRCH MODEN H		
1	IRCH ENEN H		
1	IRCH CMODI H		
1	IRCH CMOD0 H		
1	IRCH ENCL H		
1	IRCH VMODI H		
1	IRCH VMOD0 H		
1	IRCH ENV H		
1	IRCH N (1) L		
1	IRCH Z (1) L		
1	IRCH V (1) H		
1	IRCH C (1) H		
1	IRCH SETCC H		
1	IRCH CLK INH L		
1	IRCH SUB L		
1	IRCH +3V H		
1	IRCA IR09 (1) H		
1	IRCA IR08 (1) H		
1	IRCA IR11 (1) H		
1	IRCA IR14 (1) H		
1	IRCA IR14 (0) H		
1	IRCA IR13 (0) H		
1	IRCA IR12 (0) H		
1	IRCA IR13 (1) H		
1	IRCA IR10 (1) H		
1	IRCA IR07 (1) H		
1	IRCA IR06 (1) H		
1	IRCA IR09 (1) H		
1	IRCA IR00 (1) H		
1	IRCA IR03 (1) H		
1	IRCA IR04 (1) H		
1	IRCA IR04 (0) H		
1	IRCA IR03 (0) H		
1	IRCA IR02 B (1) H		
1	IRCA IR02 B (0) H		
1	IRCA IR01 B (1) H		
1	IRCA IR01 B (0) H		
1	IRCA IR00 (1) H		
1	IRCA IR00 (0) H		
1	IRCA IR03 (1) H		
1	IRCA IR03 (0) H		
1	IRCA IR02 B (1) H		
1	IRCA IR02 B (0) H		
1	IRCA IR01 B (1) H		
1	IRCA IR01 B (0) H		
1	IRCA IR00 (1) H		
1	IRCA IR00 (0) H		
1	IRCH N (0) H		
1	IRCH Z (0) H		
1	IRCH V (0) H		
1	IRCH C (0) H		
1	IRCH SETCC H		
1	IRCH CLK INH L		
1	IRCH SUB L		
1	IRCH +3V H		
1	IRCA IR09 (1) H		
1	IRCA IR08 (1) H		
1	IRCA IR11 (1) H		
1	IRCA IR14 (1) H		
1	IRCA IR14 (0) H		
1	IRCA IR13 (0) H		
1	IRCA IR12 (0) H		
1	IRCA IR13 (1) H		
1	IRCA IR10 (1) H		
1	IRCA IR07 (1) H		
1	IRCA IR06 (1) H		
1	IRCA IR09 (1) H		
1	IRCA IR00 (1) H		
1	IRCA IR03 (1) H		
1	IRCA IR04 (1) H		
1	IRCA IR04 (0) H		
1	IRCA IR03 (0) H		
1	IRCA IR02 B (1) H		
1	IRCA IR02 B (0) H		
1	IRCA IR01 B (1) H		
1	IRCA IR01 B (0) H		
1	IRCA IR00 (1) H		
1	IRCA IR00 (0) H		
1	IRCH N (0) H		
1	IRCH Z (0) H		
1	IRCH V (0) H		
1	IRCH C (0) H		
1	IRCH SETCC H		
1	IRCH CLK INH L		
1	IRCH SUB L		
1	IRCH +3V H		

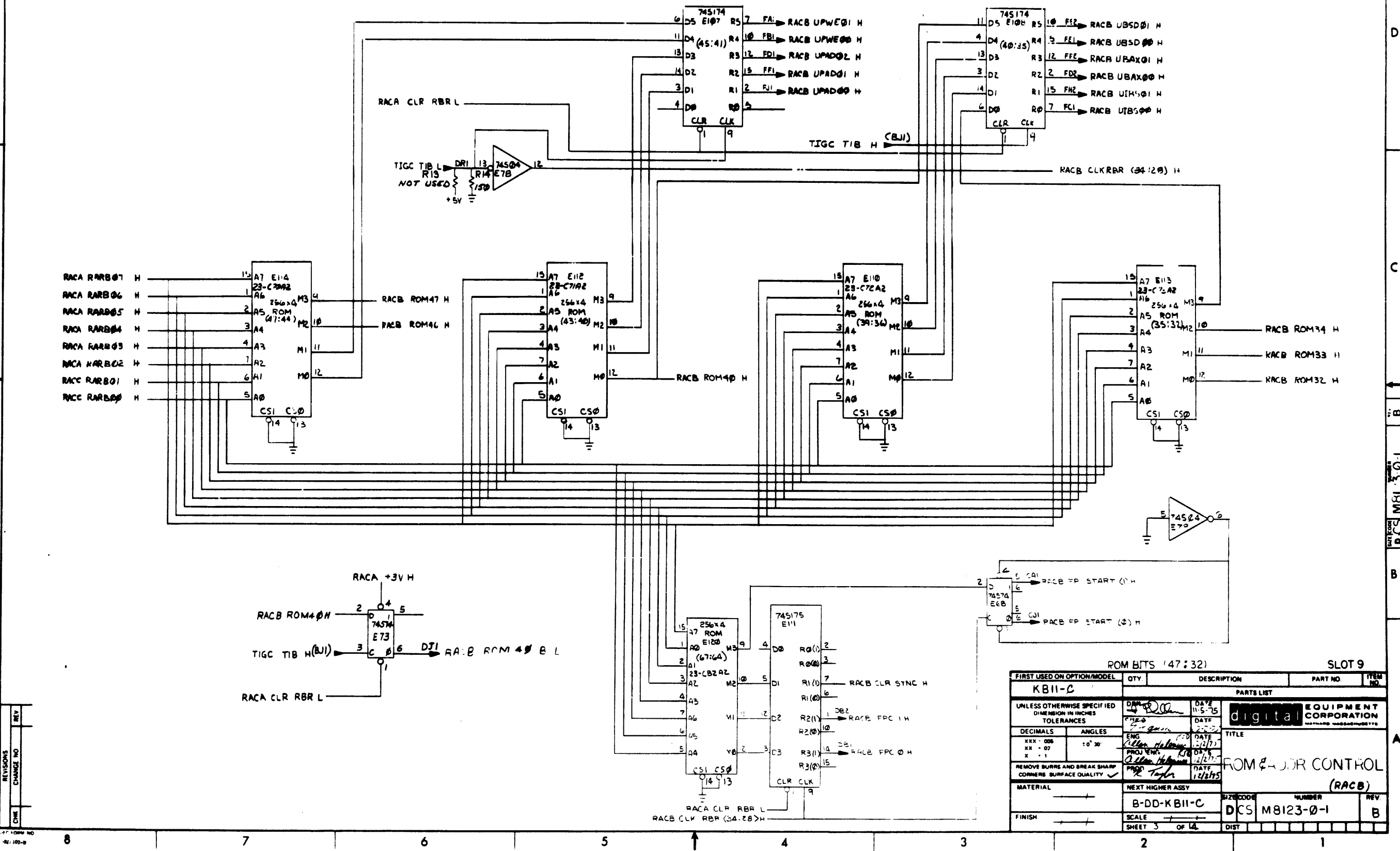
This drawing and specifications herein are the property of Digital Equipment Corporation and shall not be reproduced or copied in whole or in part in any form for the manufacture or sale of items without written permission of Digital Equipment Corporation.

1-0-214W 2



FIRST USED ON OPTION/MODEL	QTY.	DESCRIPTION	PART NO.	ITEM NO.
KB11-C		ROM BITS (63:48)		SLOT 9
PARTS LIST				
UNLESS OTHERWISE SPECIFIED DIMENSION IN INCHES TOLERANCES		DATE	digital EQUIPMENT CORPORATION	
DECIMALS	ANGLES	DATE	TITLE	
XXX - 000	XX - 30'	DATE	ROM & ADDR CONTROL (RACA)	
REMOVE BURRS AND BREAK SHARP CORNERS SURFACE QUALITY		DATE	SIZE CODE NUMBER	
MATERIAL		DATE	B-DD-KB11-C	
FINISH		DATE	DCS M8123-0-1	
SCALE		DATE	SHEET 2 OF 14	
SHEET 2 OF 14		DATE	DST.	

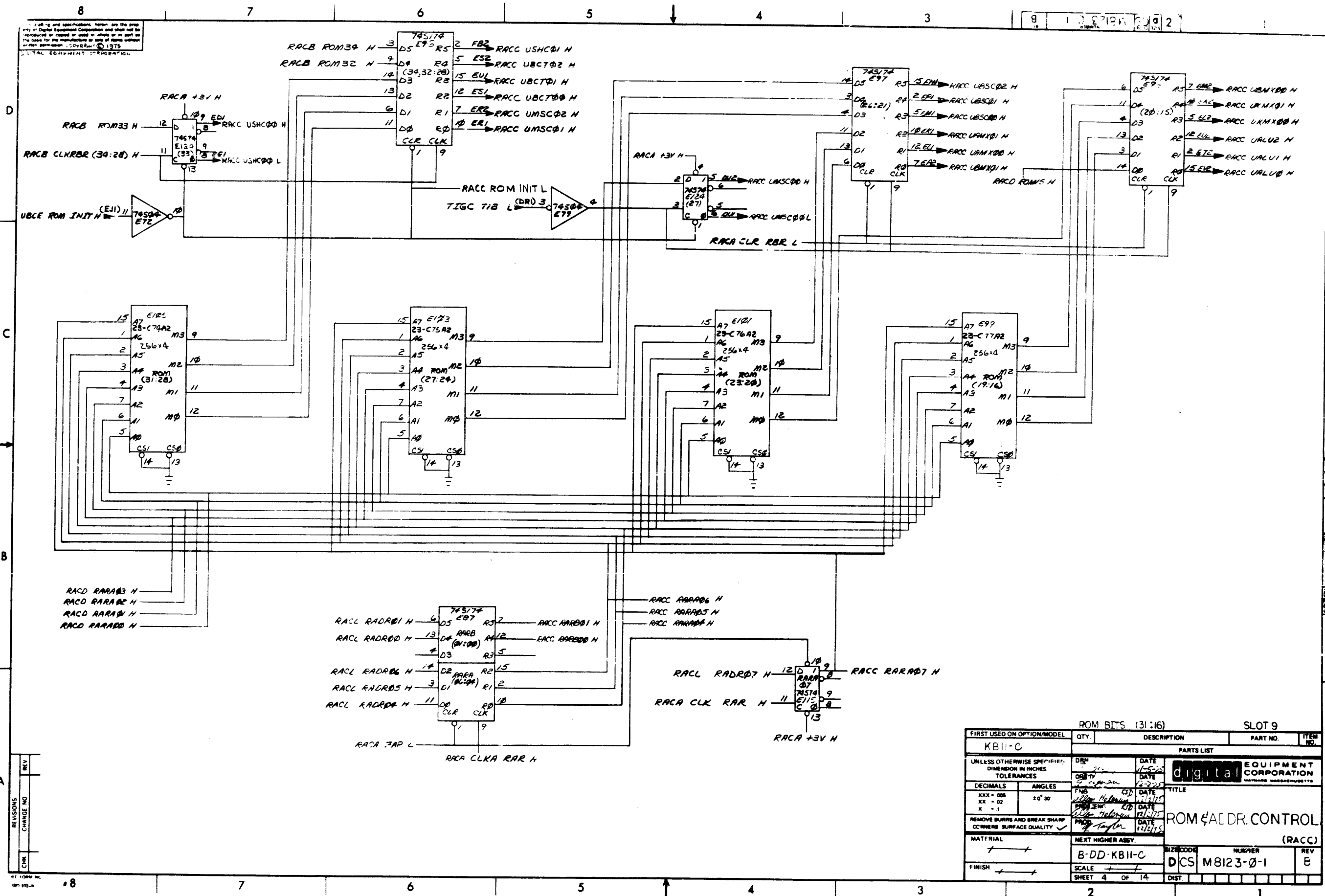
1. Drawing and specifications herein are the property of Digital Equipment Corporation and shall not be reproduced or copied in whole or in part or by any means for the manufacture or sale of items without the express permission of Digital Equipment Corporation.



FIRST USED ON OPTION/MODEL		QTY	DESCRIPTION	PART NO	ITEM NO
KB11-C					
PARTS LIST					
UNLESS OTHERWISE SPECIFIED DIMENSION IN INCHES TOLERANCES					
DECIMALS	ANGLES	DATE	DATE	TITLE	
XXX - 006	10' 30"	11/5/75	12/2/75	ROM 47-32 CONTROL (RACB)	
REMOVE BURRS AND BREAK SHARP CORNERS SURFACE QUALITY					
MATERIAL					
NEXT HIGHER ASSY					
FINISH		SCALE		SHEET 3 OF 14	
B-DD-KB11-C			SIZE CODE	NUMBER	REV.
			DCS	M8123-0-1	B

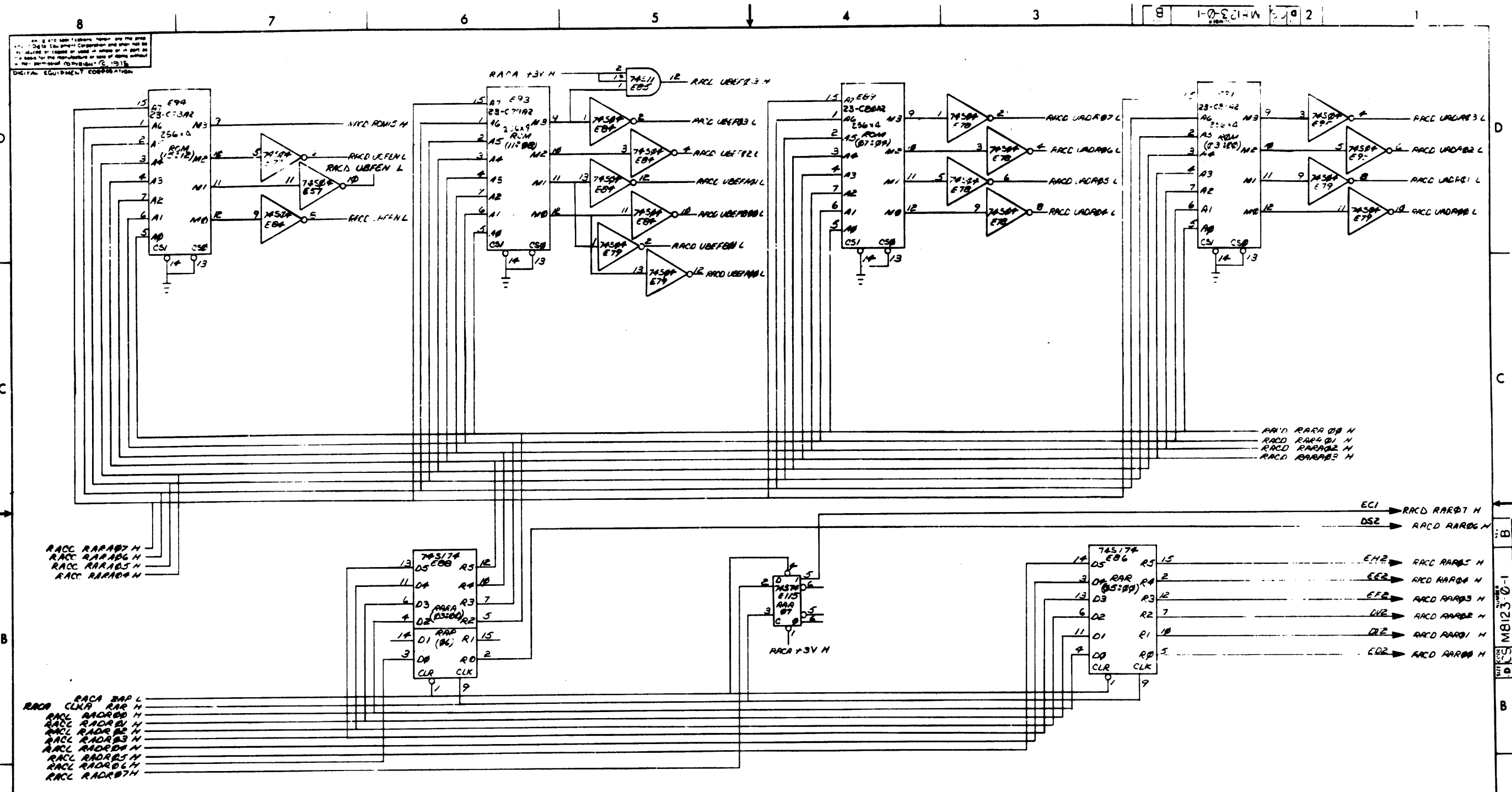
REV	
CHANGE NO	
REVISIONS	

DCS M8130-1



FIRST USED ON OPTION/MODEL		QTY.	DESCRIPTION	PART NO.	ITEM NO.
KB11-C			ROM #4 ALDR CONTROL		
PARTS LIST					
UNLESS OTHERWISE SPECIFIED, DIMENSION IN INCHES TOLERANCES		DRN	DATE	digital EQUIPMENT CORPORATION	
DECIMALS		CSY	DATE	MAYNARD MASSACHUSETTS	
ANGLES		FNB	DATE	TITLE	
XXX - 008		XXX - 02	DATE	ROM #4 ALDR CONTROL	
X - 1		XXX - 03	DATE	(RACC)	
REMOVE BURRS AND BREAK SHARP CORNERS SURFACE QUALITY		PROD	DATE	MATERIAL	
MATERIAL		NEXT HIGHER ASSY.		B-DD-KB11-C	
FINISH		SCALE		SIZE CODE	
		SHEET 4 OF 14		DISTRIBUTION	

PART NO. M8123-0-1
 REV. B
 DATE 11/27/75

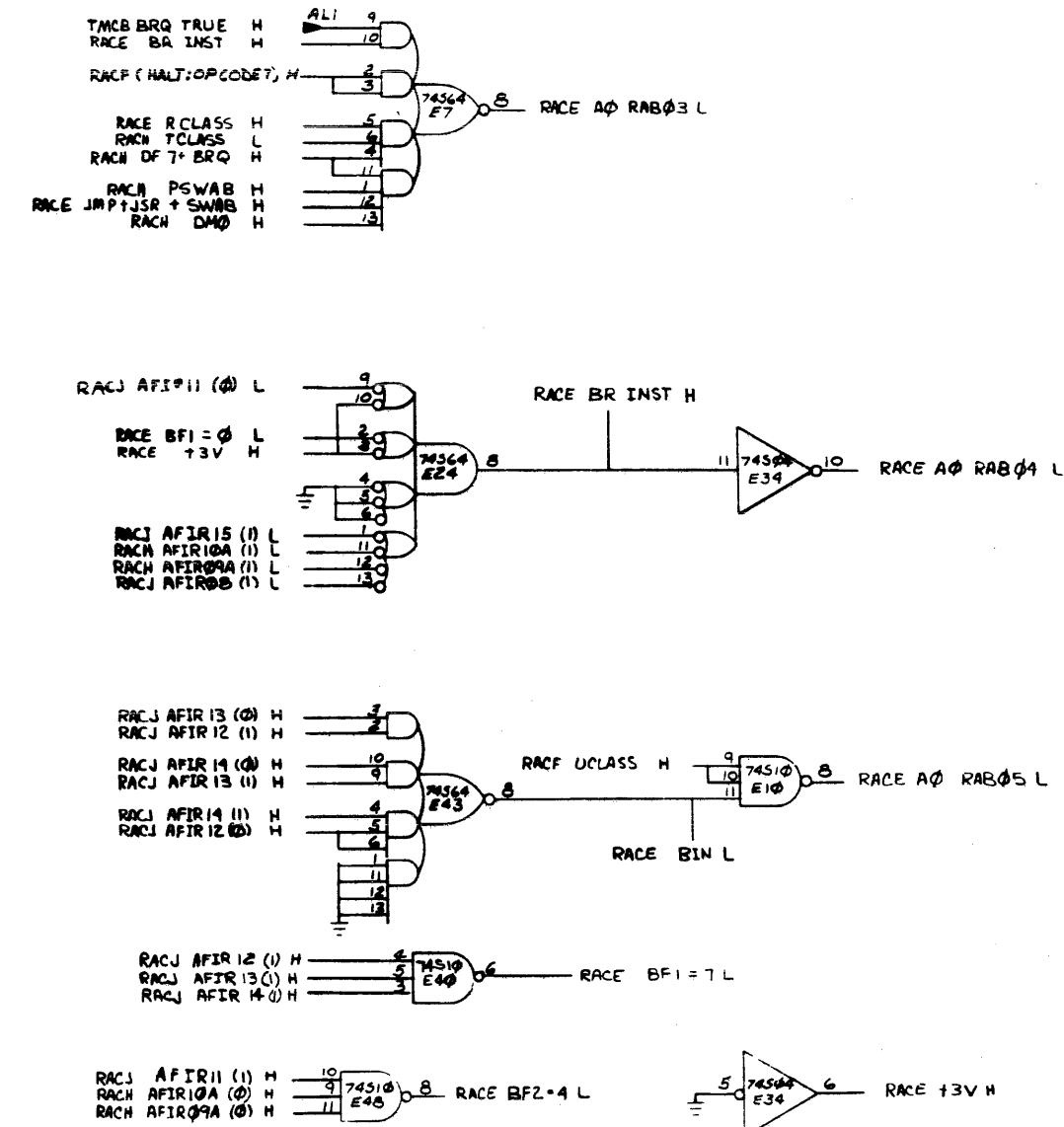
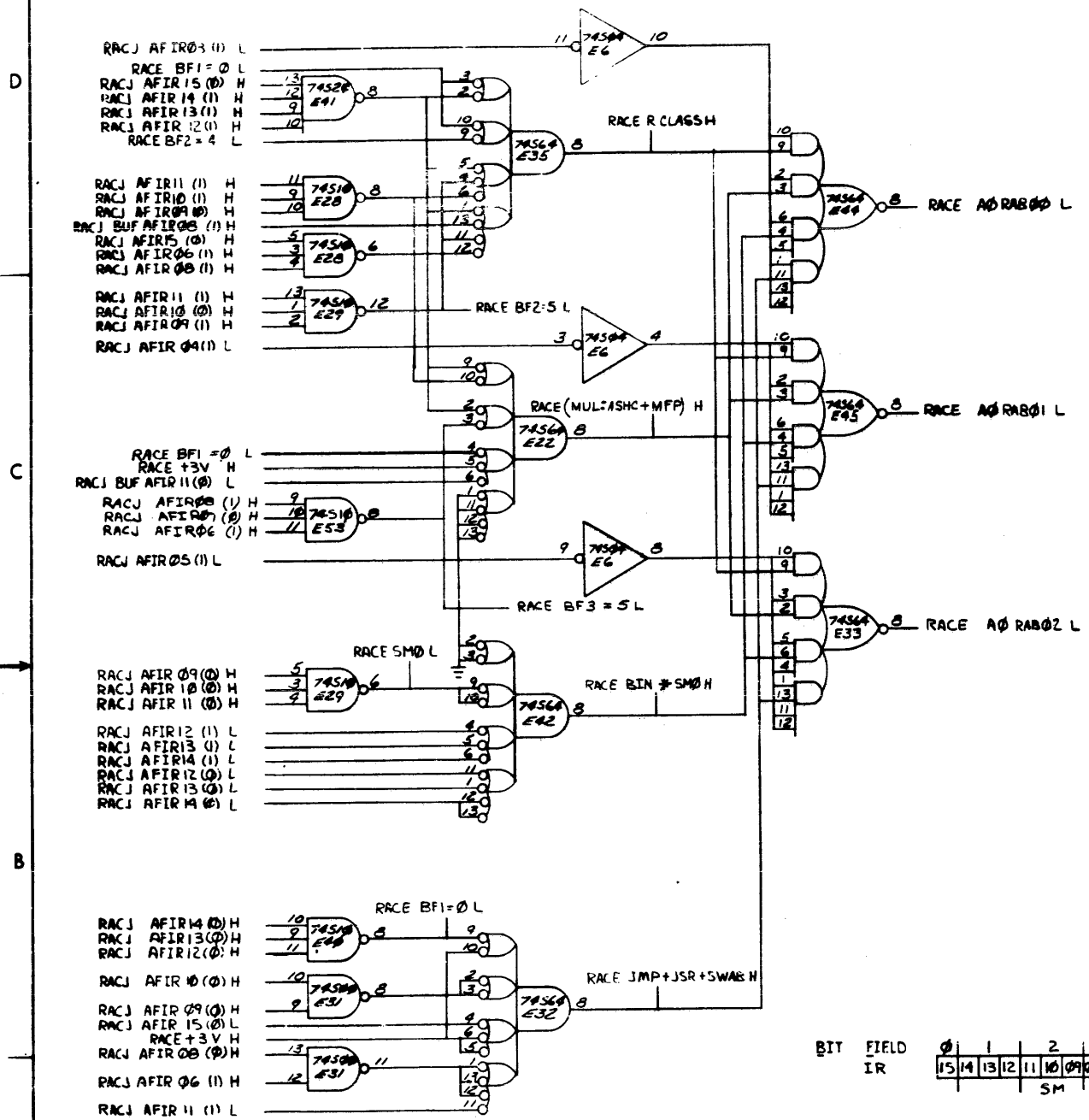


1. All IC's used herein are the standard type as shown on the data sheet.
 2. All IC's are to be tested at the time of assembly.
 3. All IC's are to be tested at the time of assembly.
 4. All IC's are to be tested at the time of assembly.
 5. All IC's are to be tested at the time of assembly.
 6. All IC's are to be tested at the time of assembly.
 7. All IC's are to be tested at the time of assembly.
 8. All IC's are to be tested at the time of assembly.

REV	CHG	NO

FIRST USED ON OPTION-MODEL	QTY	DESCRIPTION	PART NO	ITEM NO
KB11-C				
PARTS LIST				
UNLESS OTHERWISE SPECIFIED				
DIMENSION IN INCHES				
TOLERANCES				
DECIMALS	ANGLES	DATE		
XXX . 008	10 30	12-2-73		
XX . 02		DATE		
X . 1		2-12-73		
REMOVE BURRS AND BREAK SHARP				
CORNERS SURFACE QUALITY				
MATERIAL				
NEXT HIGHER ASSEMBLY				
B-DD-KB11-C				
FINISH				
SCALE				
SHEET 5 OF 14				
TITLE			SIZE CODE	NUMBER
ROM ADDR. CONTROL (RACD)			DCS	M8123-0-1
			REV	B

1. Timing and waveforms herein are the property of Digital Equipment Corporation and shall not be reproduced or copied in whole or in part for any purpose other than that for which they were originally submitted. COPYRIGHT © 1976 DIGITAL EQUIPMENT CORPORATION.



BIT FIELD IR

0	1	2	3	4	5
15	14	13	12	11	10
09	08	07	06	05	04
03	02	01	00		
		SM	SF	DM	DF

NOTE: UCLASS = (MUL:ASHC)*DM0+SOB+BIN
 RCLASS = (CLR.B:ASL.B)+MFP+SXT+XOR
 TCLASS EXCLUDES [MFP+NEG.B+(DM0)] FROM RCLASS WHEN COMBINED

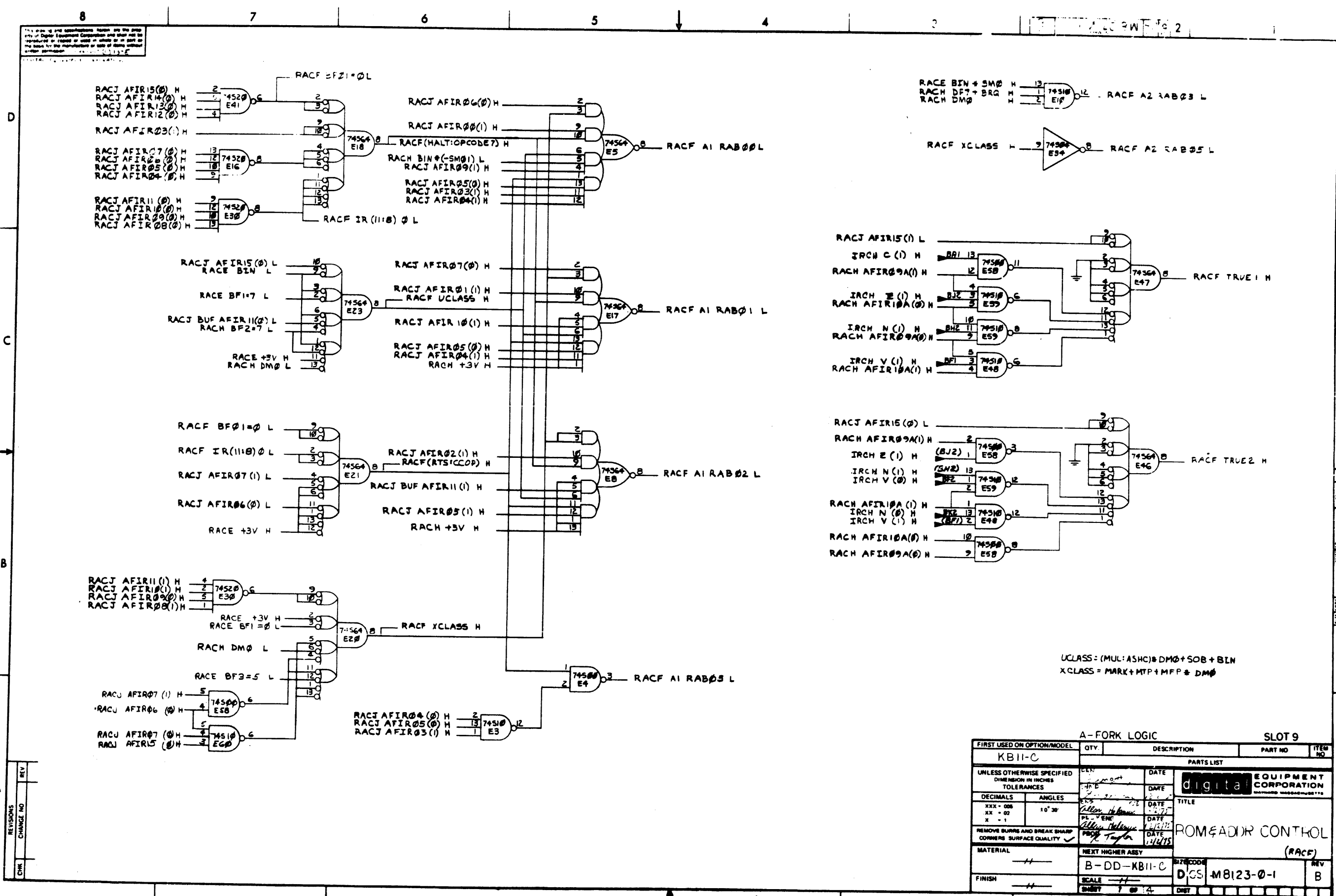
A-FORK LOGIC SLOT 9

FIRST USED ON OPTION/MODEL	QTY.	DESCRIPTION	PART NO.	ITEM NO.
KB11-C				
UNLESS OTHERWISE SPECIFIED				
TURNS	DATE	PARTS LIST		
DIMENSION IN INCHES	DATE	digital EQUIPMENT CORPORATION		
TOLERANCES	DATE	TITLE		
DECIMALS	ANGLES	ROM & ADDR CONTROL (RACE)		
XXX - 008	10° 30'	MATERIAL		
XX - 02		FINISH		
X - 1		SCALE		
REMOVE BURRS AND BREAK SHARP CORNERS SURFACE QUALITY		SHEET 6 OF 14		
MATERIAL	NEXT HIGHER ASBY.	SIZE CODE	NUMBER	REV.
++	B-DD-KB11-C	DCS	M8123-0-1	B
FINISH		SCALE		
++		SHEET		

REVISIONS

NO.	CHANGE NO.	REV.

PART NO. M8123-0-1
 REV. B
 DCS



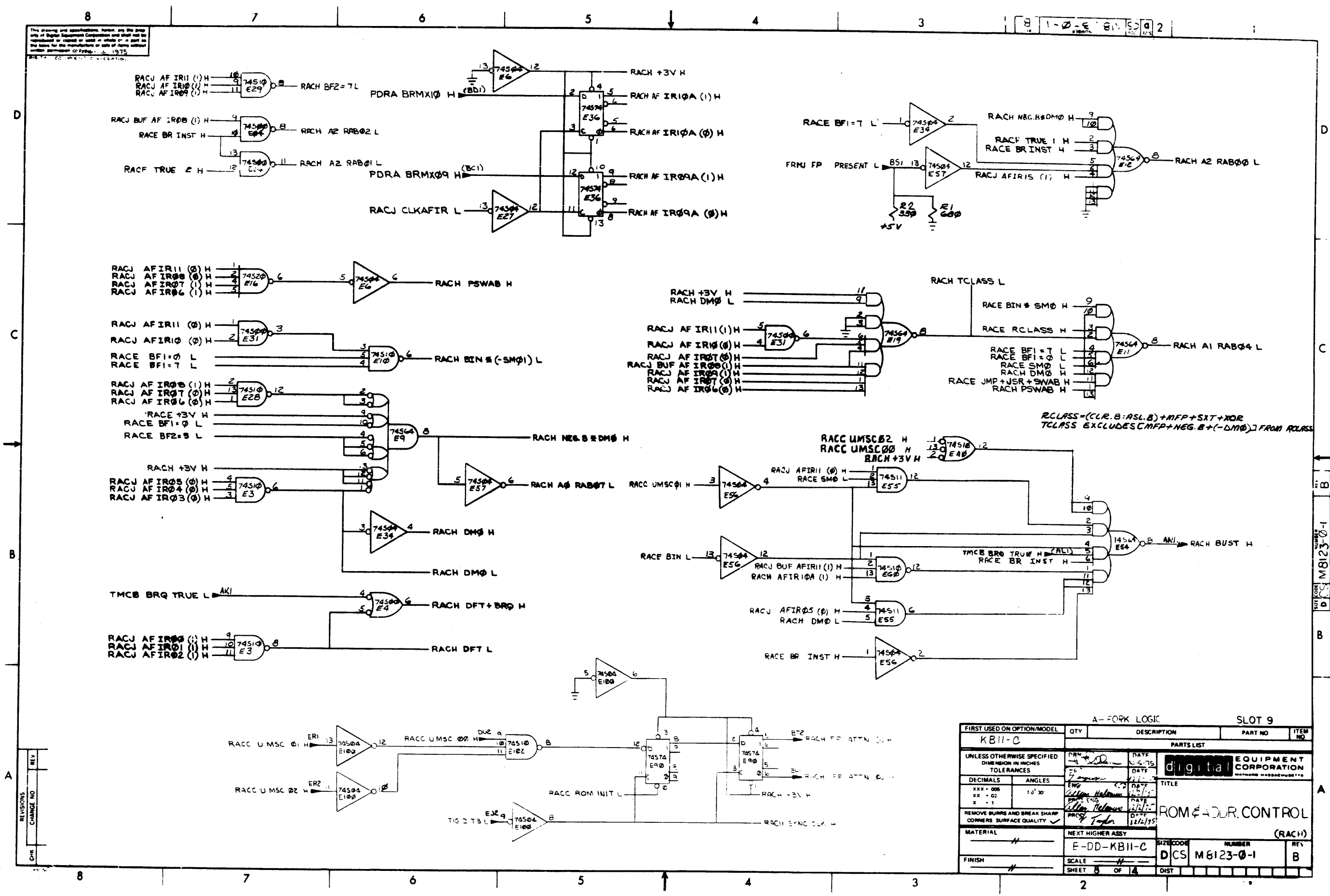
This drawing and specifications herein are the property of Digital Equipment Corporation and shall not be reproduced or copied in whole or in part for any purpose without the written permission of Digital Equipment Corporation.

FIRST USED ON OPTION/MODEL		QTY.	DESCRIPTION	PART NO.	ITEM NO.
KB11-C					
PARTS LIST					
UNLESS OTHERWISE SPECIFIED		LEN	DATE	<div style="text-align: center;"> DIGITAL EQUIPMENT CORPORATION </div>	
DIMENSION IN INCHES		DATE			
TOLERANCES		DATE		TITLE PROM & ADDR CONTROL (RACF)	
DECIMALS	ANGLES	DATE			
XXX - 008	10° 30'	DATE		MATERIAL NEXT HIGHER ASSY B-DD-KB11-C	
XX - 02		DATE			
X - 1		DATE		FINISH SCALE DCS M8123-0-1	
		DATE			
REMOVE BURRS AND BREAK SHARP CORNERS SURFACE QUALITY		DATE		DIST DIST	
		DATE			
MATERIAL					
NEXT HIGHER ASSY					
FINISH					
SCALE					
DWT					

UCLASS = (MUL:ASHC) * DM0 + SOB + BLN
 XCLASS = MARK + MTP + MFP * DM0

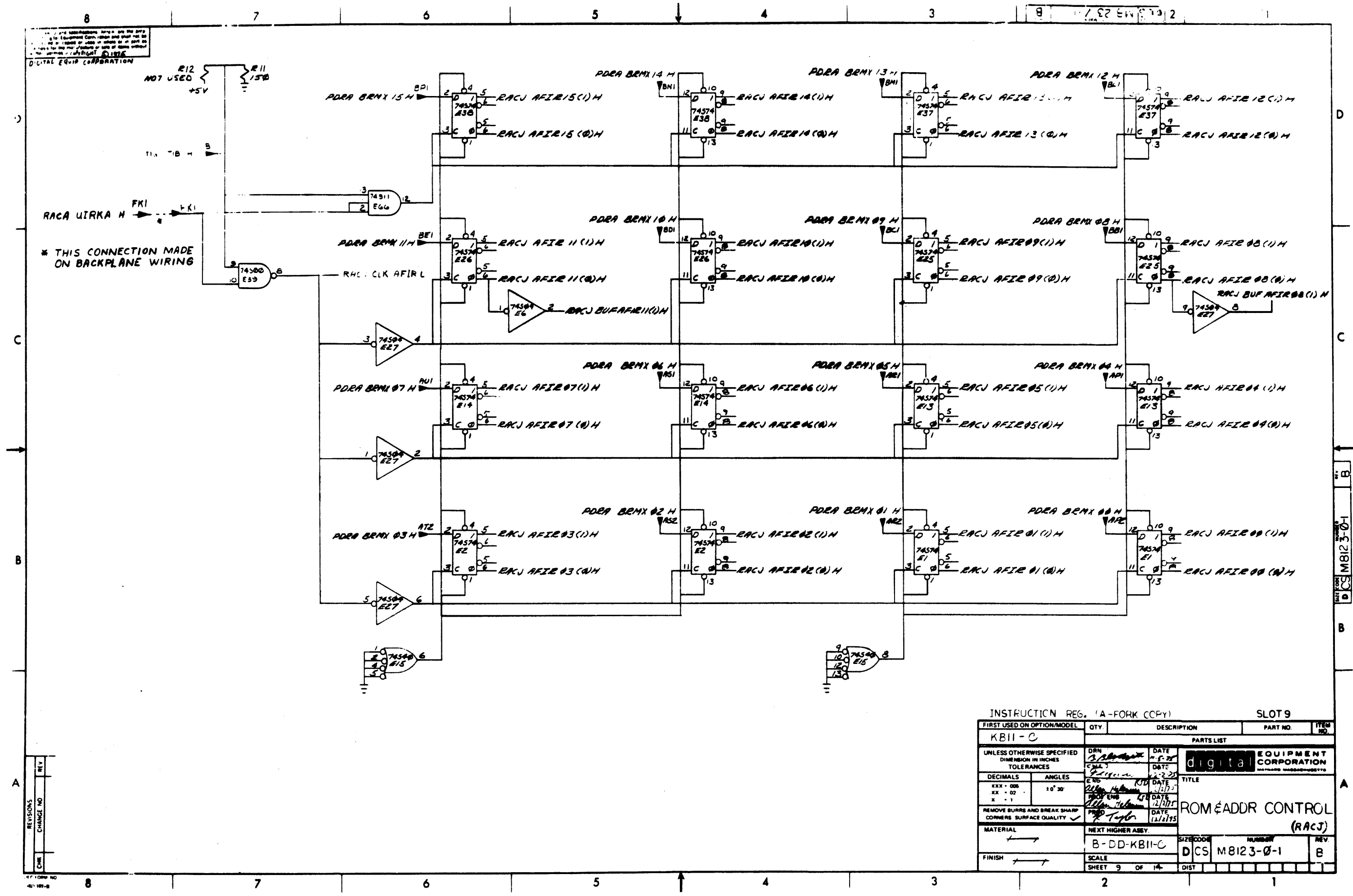
ITEM NO. B
 DIST DCS M8123-0-1
 REV B

This drawing and specifications herein, are the property of Digital Equipment Corporation and shall not be reproduced or copied or used in whole or in part as the basis for the manufacture or sale of items without written permission of Esys. J. 1975



RCLASS=(CLR.B:ASL.B)+MFP+SXT+XOR
TCLASS EXCLUDES CMFP+NEG.B+(-DM0) FROM RCLASS

FIRST USED ON OPTION/MODEL		QTY	DESCRIPTION	PART NO	ITEM NO
KB11-C					
UNLESS OTHERWISE SPECIFIED DIMENSION IN INCHES TOLERANCES					
DECIMALS	ANGLES				
XXX - 006	10' 30"				
XX - 02					
X - 1					
REMOVE BURRS AND BREAK SHARP CORNERS SURFACE QUALITY					
MATERIAL		NEXT HIGHER ASSY		(RACH)	
FINISH		E-DD-KB11-C		SIZE/SCALE	NUMBER/REV
SHEET 8 OF 14		DIST		DCS M8123-0-1 B	



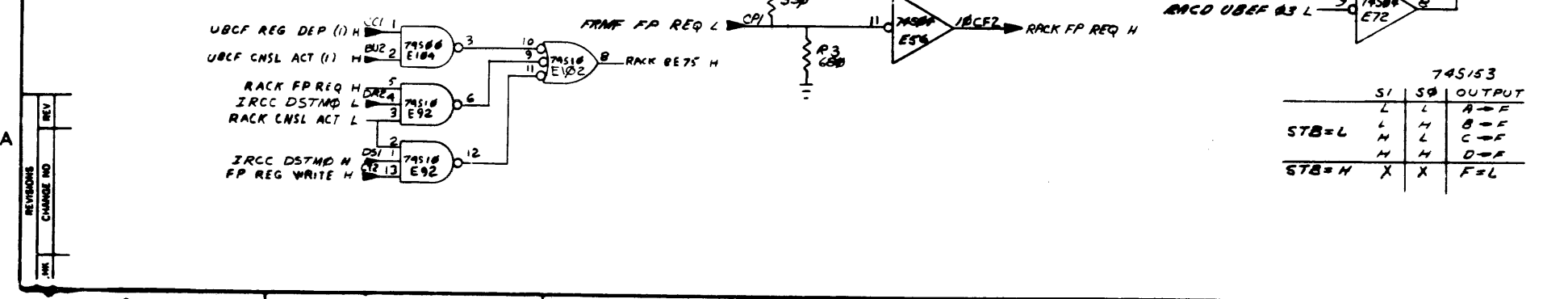
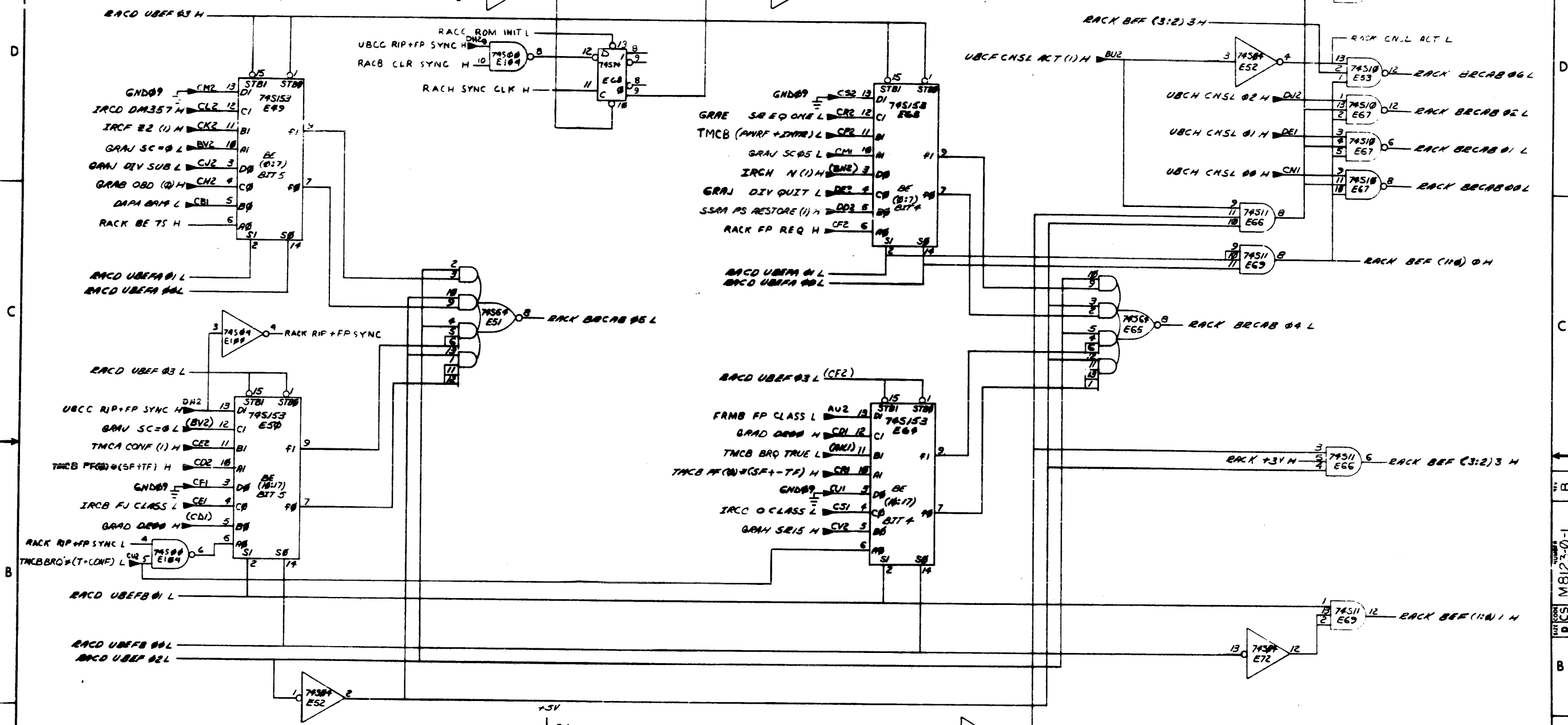
DIGITAL EQUIPMENT CORPORATION

* THIS CONNECTION MADE ON BACKPLANE WIRING

FIRST USED ON OPTION/MODEL		QTY.	DESCRIPTION	PART NO.	ITEM NO.
KB11-C					
PARTS LIST					
UNLESS OTHERWISE SPECIFIED DIMENSION IN INCHES		DATE			
TOLERANCES		DATE			
DECIMALS	ANGLES	DATE	TITLE		
XX - 005	10° 30'	DATE			
REMOVE BURRS AND BREAK SHARP CORNERS SURFACE QUALITY		DATE	ROM ADDR CONTROL (RACJ)		
		DATE			
MATERIAL	NEXT HIGHER ASSY.	SIZE/COOR.	NUMBER	REV.	
	B-DD-KB11-C	DCS	M8123-0-1	B	
FINISH	SCALE	SHEET	9 OF 14	DIST	

REV.	CHANGE NO.

DIGITAL EQUIPMENT CORPORATION
 Drawing and specifications herein are the property of Digital Equipment Corporation and shall not be reproduced or used in whole or in part in any manner for the manufacturing or use of items without the written consent of Digital Equipment Corporation.



74513

SI	SB	OUTPUT
L	L	A=F
L	H	B=F
H	L	C=F
H	H	D=F
X	X	F=L

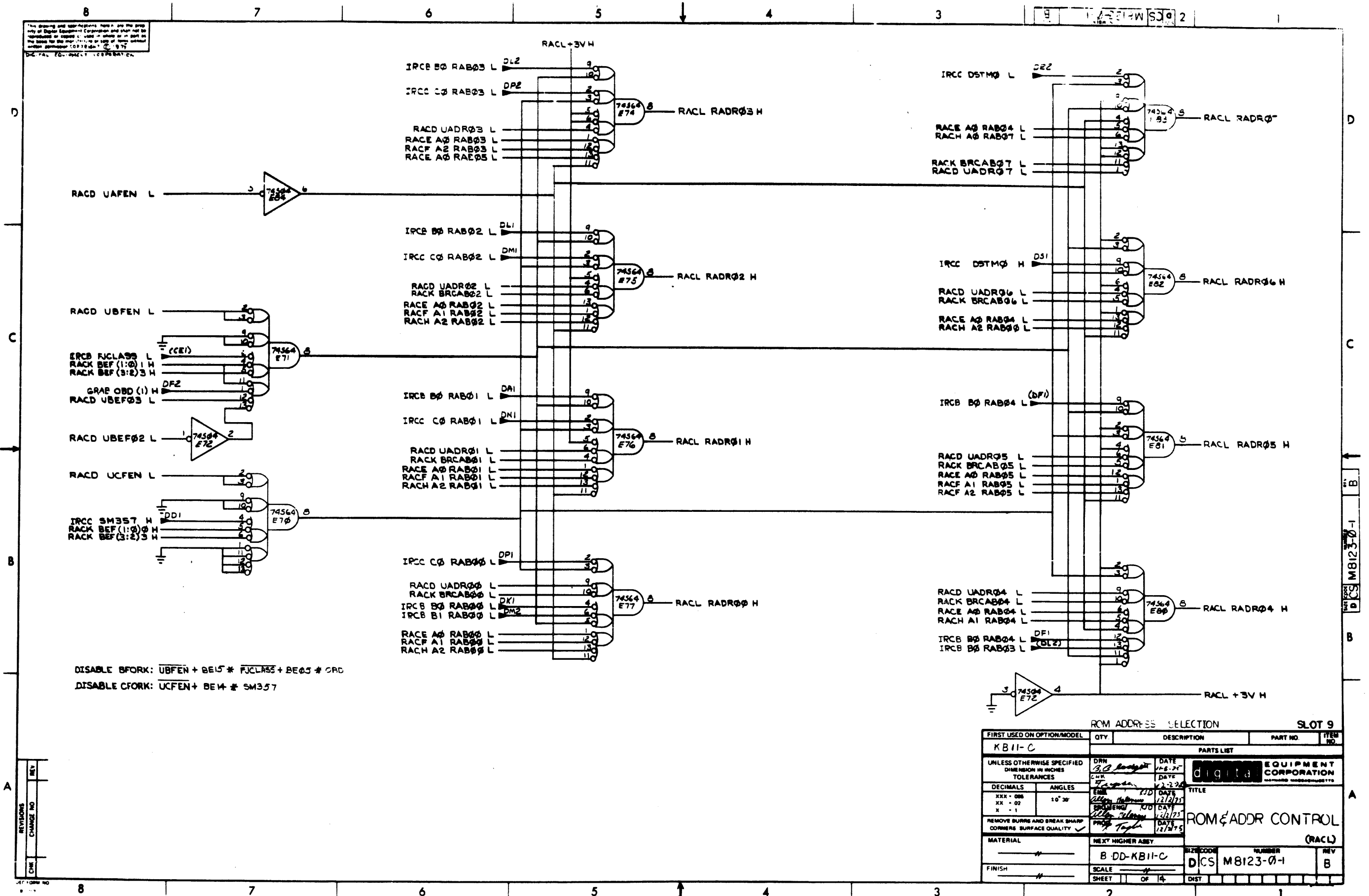
BRANCH CONDITIONS (ROM ADDRESS MODIFICATION) SLOT 9

FIRST USED ON OPTION/MODEL	QTY.	DESCRIPTION	PART NO.	ITEM NO.
KB11-C				
UNLESS OTHERWISE SPECIFIED DIMENSION IN INCHES TOLERANCES				
DECIMALS		ANGLES		
XXX + 005		± 0° 30'		
XX + 02				
X + 1				
REMOVE BURRS AND BREAK SHARP CORNERS SURFACE QUALITY				
MATERIAL		NEXT HIGHER ASSEMBLY		
		B-DD-KB11-C		
FINISH		SCALE		
		SHEET 10 OF 14		

digital EQUIPMENT CORPORATION
 TITLE: ROM & ADDR. CONTROL (RACK)
 NUMBER: DCS M8123-0-1
 REV: B

74

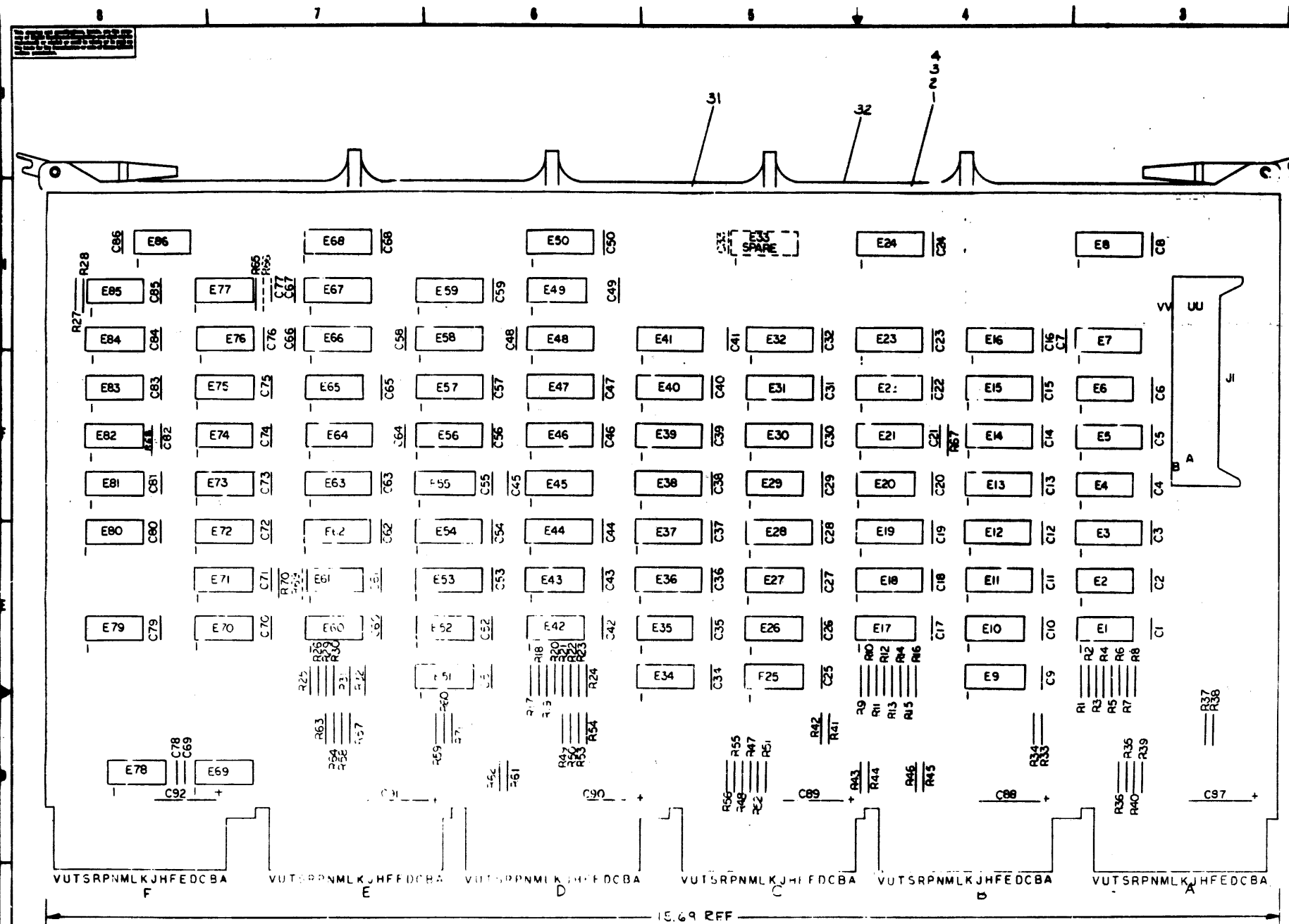
This drawing and specifications hereon are the property of Digital Equipment Corporation and shall not be reproduced or copied in whole or in part in any form for the purpose of sale of any other product without approval of Digital Equipment Corporation. © 1975



DISABLE BFORK: $\overline{UBFEN} + BE15 * \overline{FJCLASS} + BE05 * \overline{ORD}$
 DISABLE CFORK: $\overline{UCFEN} + BE14 * \overline{SM357}$

ROM ADDRESS SELECTION				SLOT 9	
FIRST USED ON OPTION/MODEL	QTY	DESCRIPTION	PART NO.	ITEM NO.	
KB11-C					
UNLESS OTHERWISE SPECIFIED					
DIMENSION IN INCHES		DRN	DATE	PARTS LIST	
TOLERANCES		<i>B.B. Langdon</i>	<i>11-6-75</i>	DIGITAL EQUIPMENT CORPORATION	
DECIMALS	ANGLES	CHK	DATE	TITLE	
XXX - 008	10° 30'	<i>7/2/75</i>	<i>12-2-75</i>	ROM & ADDR CONTROL (RACL)	
XX - 02		<i>11/11/75</i>	<i>12/1/75</i>	MATERIAL	
X - 1		<i>12/1/75</i>	<i>12/1/75</i>	NEXT HIGHER ASBY	
REMOVE BURRS AND BREAK SHARP CORNERS SURFACE QUALITY					
FINISH		SCALE		REV	
SHEET		OF 14		B	
B DD-KB11-C		DICS		M8123-0-1	

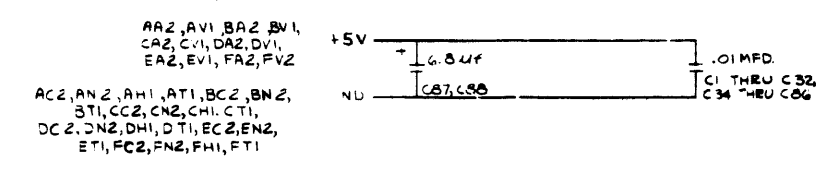
M8123-0-1



NOTES:
 1. UNLESS OTHERWISE NOTED RESISTANCE IS IN OHMS AND CAPACITANCE IS IN PICO FARADS. CAPS. WITHOUT VALUE NOTED .01 MFD.

QTY	REF DESIGNATION	DESCRIPTION	PART NO.	REV.
1		HANDLE, MODULE	E-PS-210711-2	32
1		EYELET	9006732	31
1	J1	CONN 40PIN BREG	1209941	30
2	E47, E59	IC DEC 74175	1910251	29
4	E8, E24, E50, E68	IC DEC 7485	1910284	28
12	E11, E18, E19, E21, E22, E23, E28, E45, E63, E57, E43, E47	IC DEC 745174	1910550	27
1	E31	IC DEC 745157	1910548	26
24	E3, E5, E7, E12, E14, E16, E19, E21, E23, E28, E30, E32, E37, E39, E41, E44, E46, E48, E54, E56, E58, E62, E64, E66	IC DEC 745153	1910547	25
7	E6, E49, E69, E80, E82, E83, E85	IC DEC 74574	1910544	24
1	E79	IC DEC 74540	1910541	23
1	E71	IC DEC 74520	1910539	22
8	E4, E10, E29, E35, E52, E55, E65, E75	IC DEC 74504	1910534	21
2	E20, E77	IC DEC 74311	1910537	20
3	E70, E73, E86	IC DEC 74510	1910536	19
1	E72	IC DEC 74500	1910532	18
1	E40	IC DEC 9318	1910454	17
8	E9, E17, E25, E34, E51, E78, E81, E84	IC DEC 74401	1909849	16
4	E1, E26, E42, E60	IC DEC 8881	1909705	15
4	E2, E27, E43, E41	IC DEC 380	1909485	14
1	E74	IC DEC 74450	1909060	13
1	E76	IC DEC 74440	1905586	12
1	E68	RESISTOR 310Ω, 1/4W, 5%	1300309	11
1	E67	RESISTOR 180Ω, 1/4W, 5%	1301322	10
3	E65, E70, E71	RESISTOR 150Ω, 1/4W, 5%	1300250	9
32	R1, R2, R5, R7, R9, R11, R13, R15, R17, R19, R21, R23, R25, R27, R29, R31, R33, R35, R37, R39, R41, R43, R45, R47, R49, R51, R53, R55, R57, R59, R61, R63	RESISTOR 330Ω, 1/4W, 5%	1300295	8
32	R2, R4, R6, R8, R10, R12, R14, R16, R18, R20, R22, R24, R26, R28, R30, R32, R34, R36, R38, R40, R42, R44, R46, R48, R50, R52, R54, R56, R58, R60, R62, R64	RESISTOR 600Ω, 1/4W, 5%	1301424	7
85	C1 THRU C32, C34 THRU C86	CAPACITOR .01MFD, 50V, 20% AXIAL	1001610	6
6	C87 THRU C92	CAPACITOR 6.8UF, 50V, 10% TANT	1005306	5
1		ETCHED CIRCUIT BOARD	5009804	4
REP		MODULE ECO HISTORY	B-MH-1804-0-3	3
REP		ASSY/DRILLING HOLE LAYOUT	D-MH-1804-0-2	2
REP		X-Y COORDINATE HOLE LOCATION	K-CO-1804-0-1	1

QTY	REF DESIGNATION	DESCRIPTION	PART NO.	REV.
16	DEC 745153			
16	DEC 74175			
16	DEC 7485			
16	DEC 745174			
16	DEC 745157			
16	DEC 9318			
1	DEC 380			



AA2, AV1, BA2, BV1, CA2, CV1, DA2, DV1, EA2, EV1, FA2, FV2
 AC2, AN2, AH1, AT1, BC2, BN2, BT1, CC2, CN2, CH1, CT1, DC2, DN2, DH1, DT1, EC2, EN2, ET1, FC2, FN2, FH1, FT1

DEC NO.	ISA NO.	SEC NO.	ISA NO.

SEMICONDUCTOR CONVERSION CHART

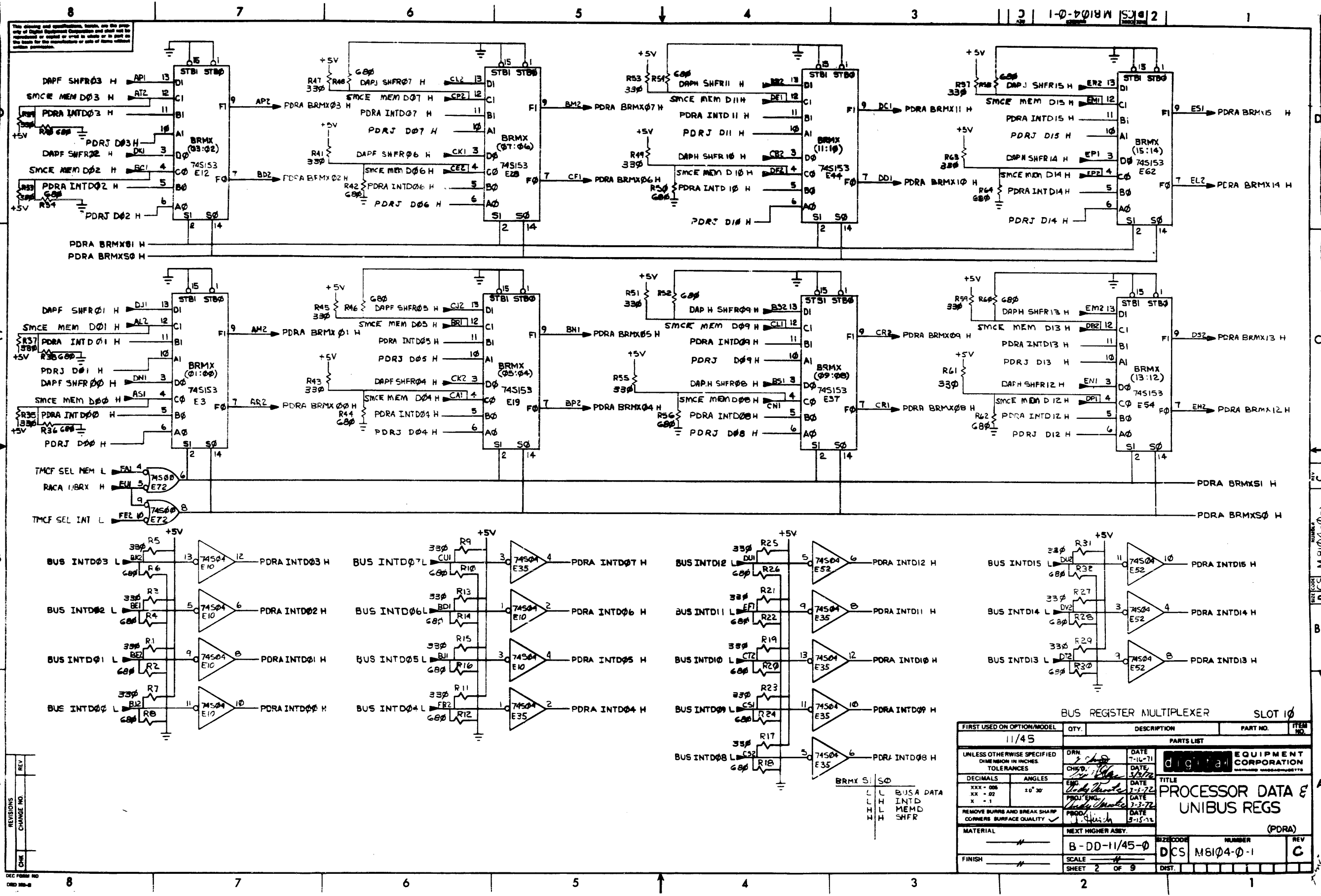
ETCH BOARD REV C

EQUIPMENT CORPORATION

PROCESSOR DATA UNIBUS REGS.

B-00-11/45-0

18124-0-1



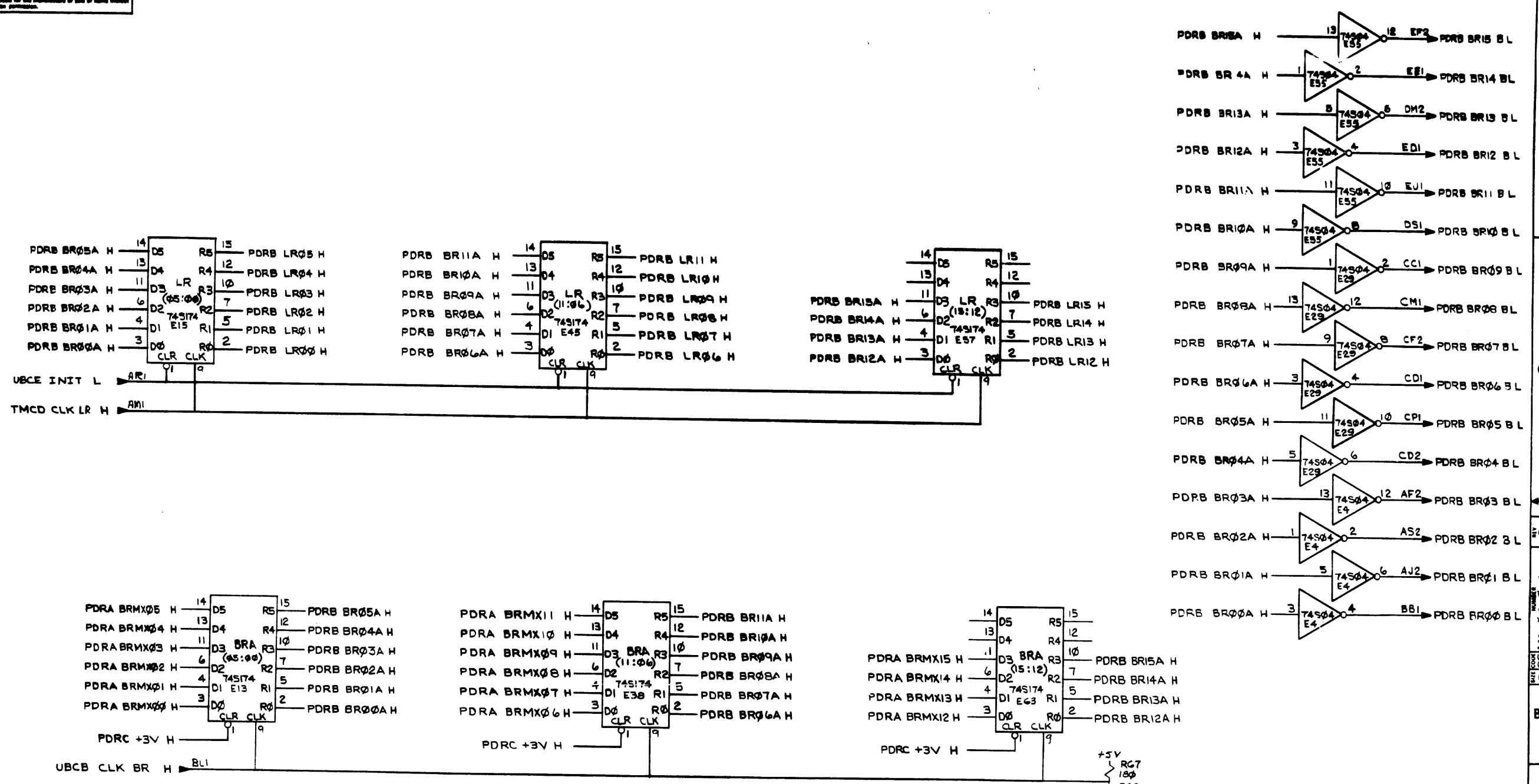
The drawing and specifications herein are the property of Digital Equipment Corporation and shall not be reproduced or used in whole or in part in any manner without the written consent of Digital Equipment Corporation.

REV	CHANGE NO

FIRST USED ON OPTION/MODEL	QTY.	DESCRIPTION	PART NO.	ITEM NO.
11/45				
UNLESS OTHERWISE SPECIFIED DIMENSION IN INCHES TOLERANCES				
DECIMALS	ANGLES	DATE	PARTS LIST	
XXX - .006	XX - .02	X - .1	TITLE	
REMOVE BURRS AND BREAK SHARP CORNERS SURFACE QUALITY			PROCESSOR DATA & UNIBUS REGS	
MATERIAL			(PDRA)	
NEXT HIGHER ASBY.				
FINISH				
SCALE				
SHEET 2 OF 9				

This drawing and specifications, herein, are the property of Digital Equipment Corporation and shall not be reproduced or copied in whole or in part or the form for the manufacture or sale of items without written permission.

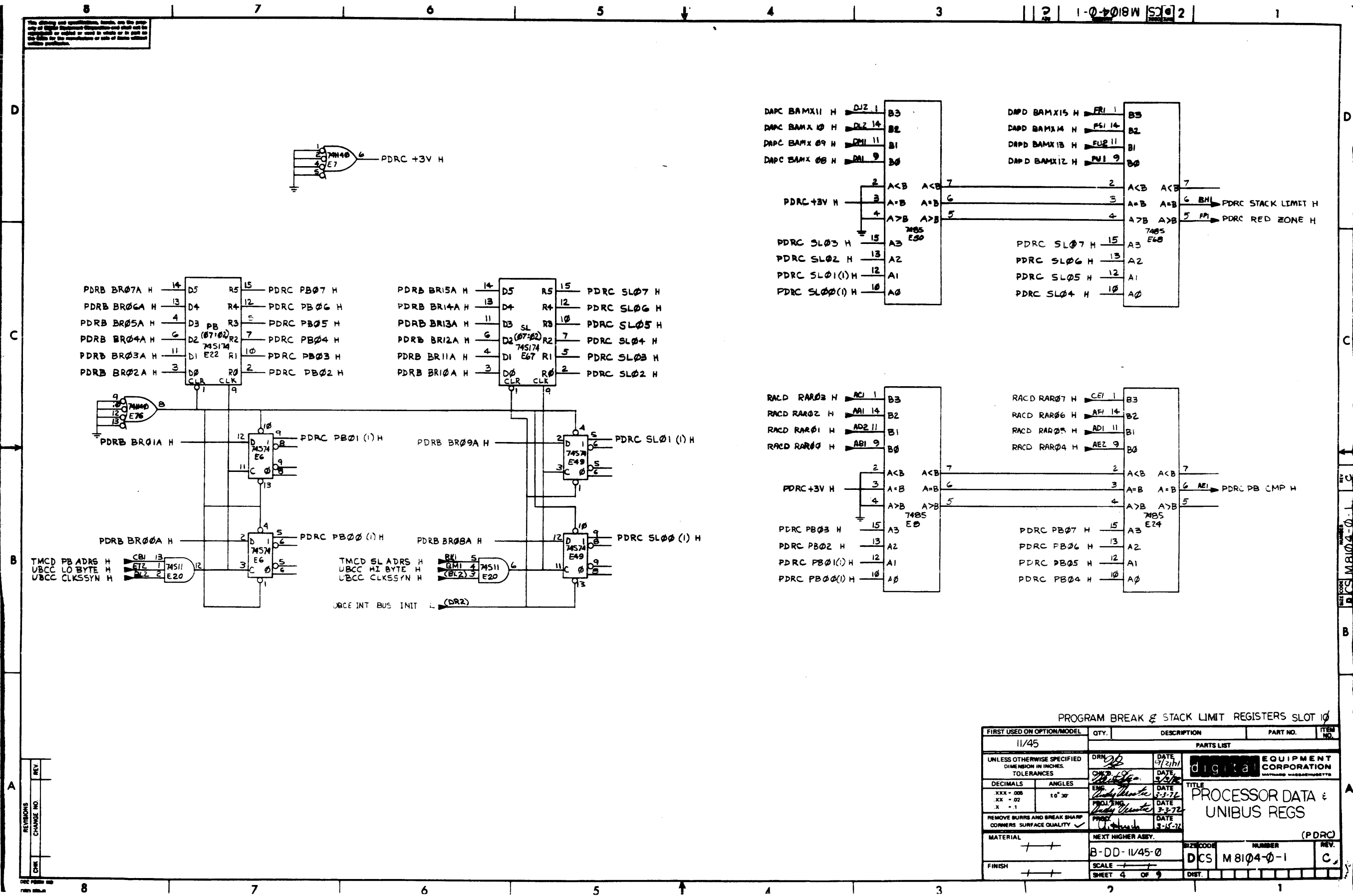
1-0-018MS02



REV	CHANGE NO.

BUS REGISTER A; LIGHT REGISTER		SLOT 10	
FIRST USED ON OPTION/MODEL	QTY.	DESCRIPTION	PART NO.
11/45			
PARTS LIST			
UNLESS OTHERWISE SPECIFIED DIMENSION IN INCHES TOLERANCES	DRN <i>P. J. ...</i> DATE 6-29-71	DATE 3/3/72	digital EQUIPMENT CORPORATION <small>MILITARY MESSAGE NO. 001175</small>
DECIMALS ANGLES	ENG. <i>...</i> DATE 3-3-72	DATE 3-3-72	
XXX - 006 .XX - 02 .X - 1	PROJ. ENG. <i>...</i> DATE 3-3-72	DATE 3-3-72	PROCESSOR DATA & UNIBUS REGS (PDRB)
REMOVE BURRS AND BREAK SHARP CORNERS SURFACE QUALITY	PROD. <i>...</i> DATE 3-1-72		MATERIAL NEXT HIGHER ASSY. B-DD-11/45-0
FINISH			SIZE CODE NUMBER REV. DCS M8104-0-1 C
SCALE			SHEET 3 OF 9 DIST.

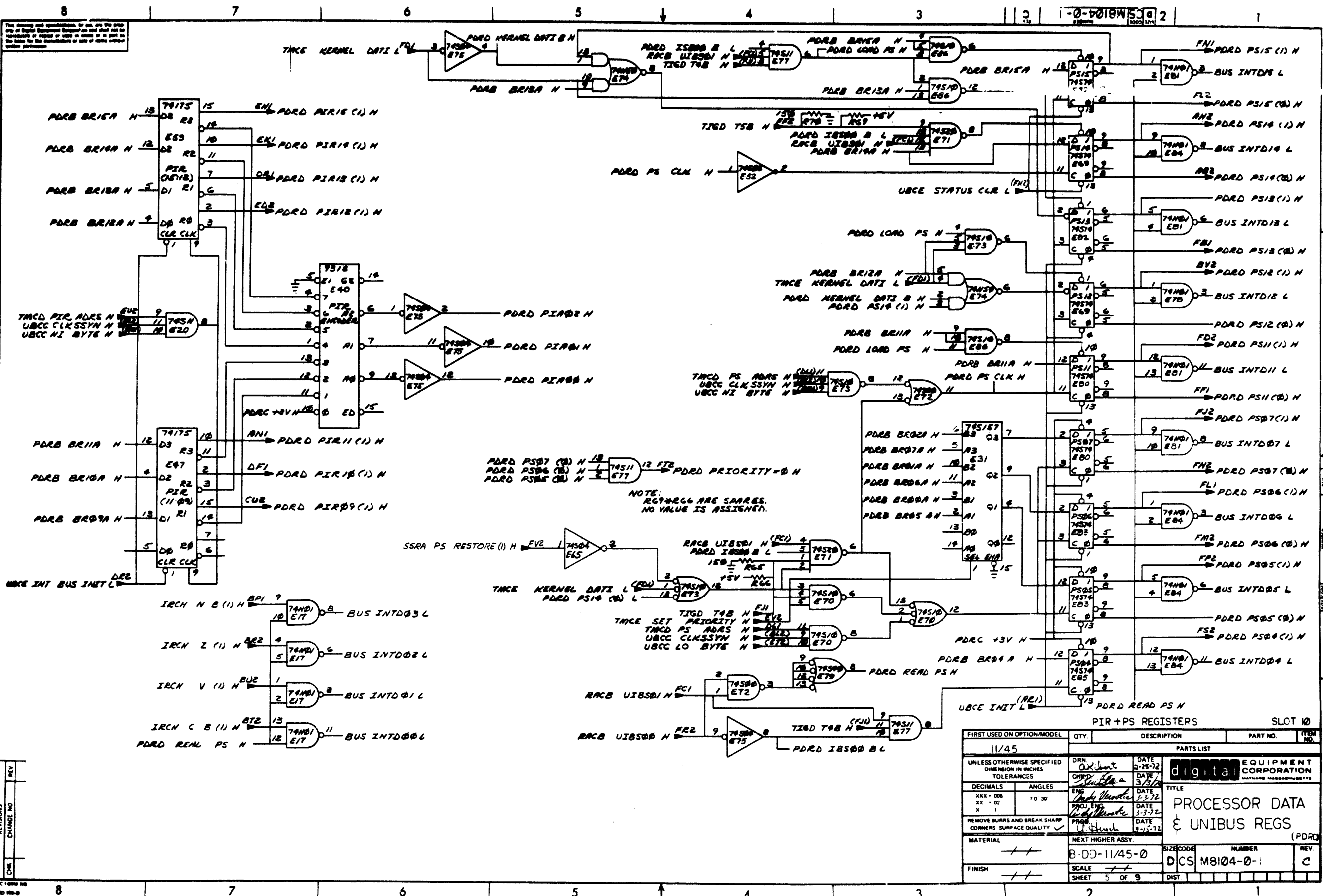
The drawing and specifications herein are the property of Digital Equipment Corporation and shall not be reproduced or used in whole or in part in any manner for the manufacture of any of those units without written permission.



PROGRAM BREAK & STACK LIMIT REGISTERS SLOT 10

FIRST USED ON OPTION/MODEL	QTY.	DESCRIPTION	PART NO.	ITEM NO.
11/45				
PARTS LIST				
UNLESS OTHERWISE SPECIFIED DIMENSION IN INCHES.		DRN	DATE	
TOLERANCES		CHK'D	DATE	
DECIMALS	ANGLES	ENG	DATE	PROCESSOR DATA & UNIBUS REGS
.XXX - 008	10° 30'	PROJ. ENG.	DATE	
.XX - 02		PROJ. MGR.	DATE	(P.D.R.C.)
.X - 1		PROJ. CHECKER	DATE	
REMOVE BURRS AND BREAK SHARP CORNERS SURFACE QUALITY		PROJ.	DATE	
MATERIAL	NEXT HIGHER ASSY.		SIZE CODE	NUMBER
++	B-DD-11/45-0		DCS	M 8104-0-1
FINISH	SCALE	SHEET		REV.
++	+	4 OF 9		C

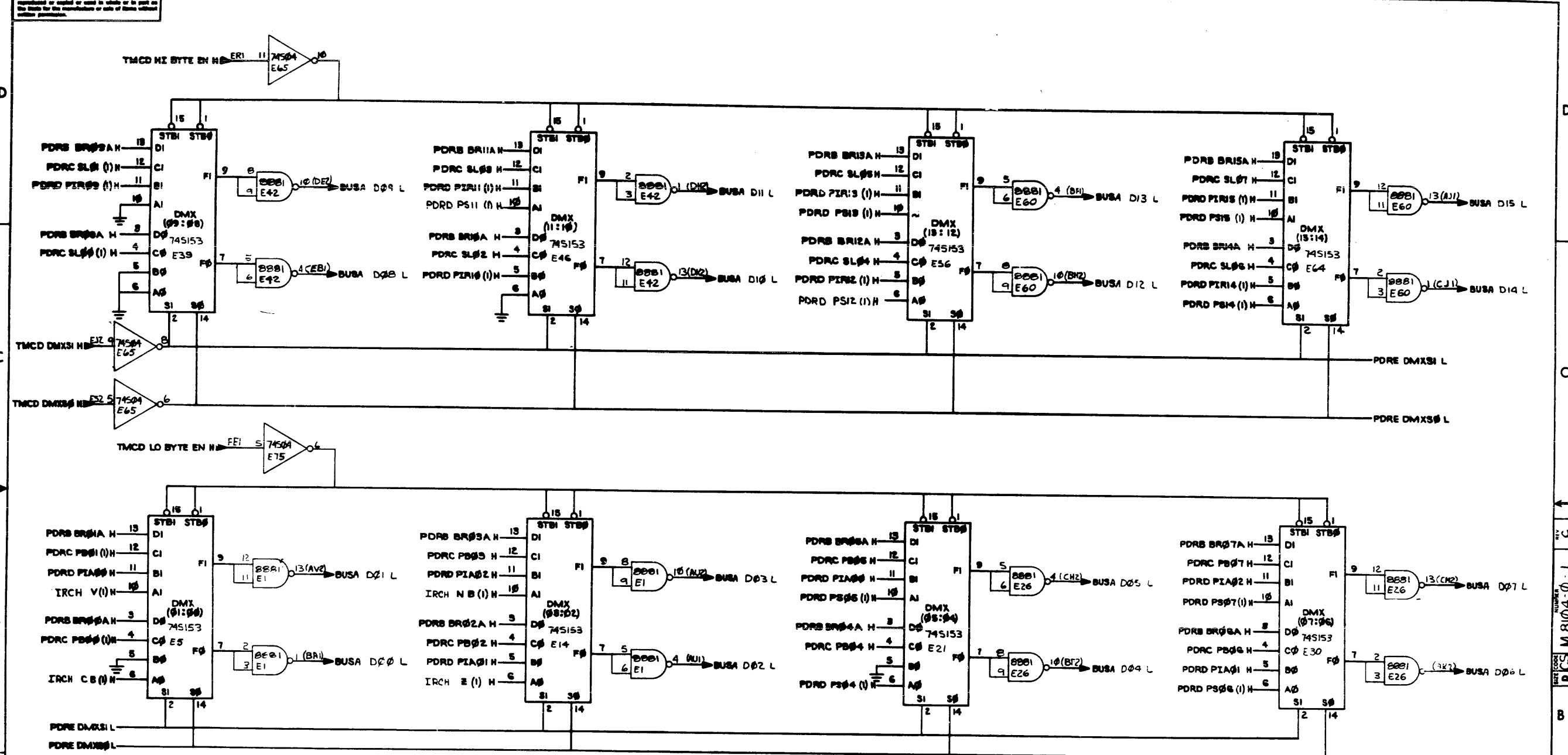
The drawing and construction by you and the propriety of Digital Equipment Corporation and that you be responsible in terms of cost in terms of a part in this form for the manufacture or use of those other items mentioned.



REV
REVISIONS

FIRST USED ON OPTION/MODEL	QTY.	DESCRIPTION	PART NO.	ITEM NO.
11/45				
UNLESS OTHERWISE SPECIFIED DIMENSION IN INCHES TOLERANCES				
DECIMALS	ANGLES	DATE		
XXX - 006	10 30	3-29-72		
XX - 02		DATE		
X - 1		3-3-72		
REMOVE BURRS AND BREAK SHARP CORNERS SURFACE QUALITY				
MATERIAL				
NEXT HIGHER ASSY.				
SCALE			SIZE/CODE	NUMBER
SHEET 5 OF 9			DCS	M8104-0-1
FINISH				REV. C

PART NO. DCS M8104-0-1



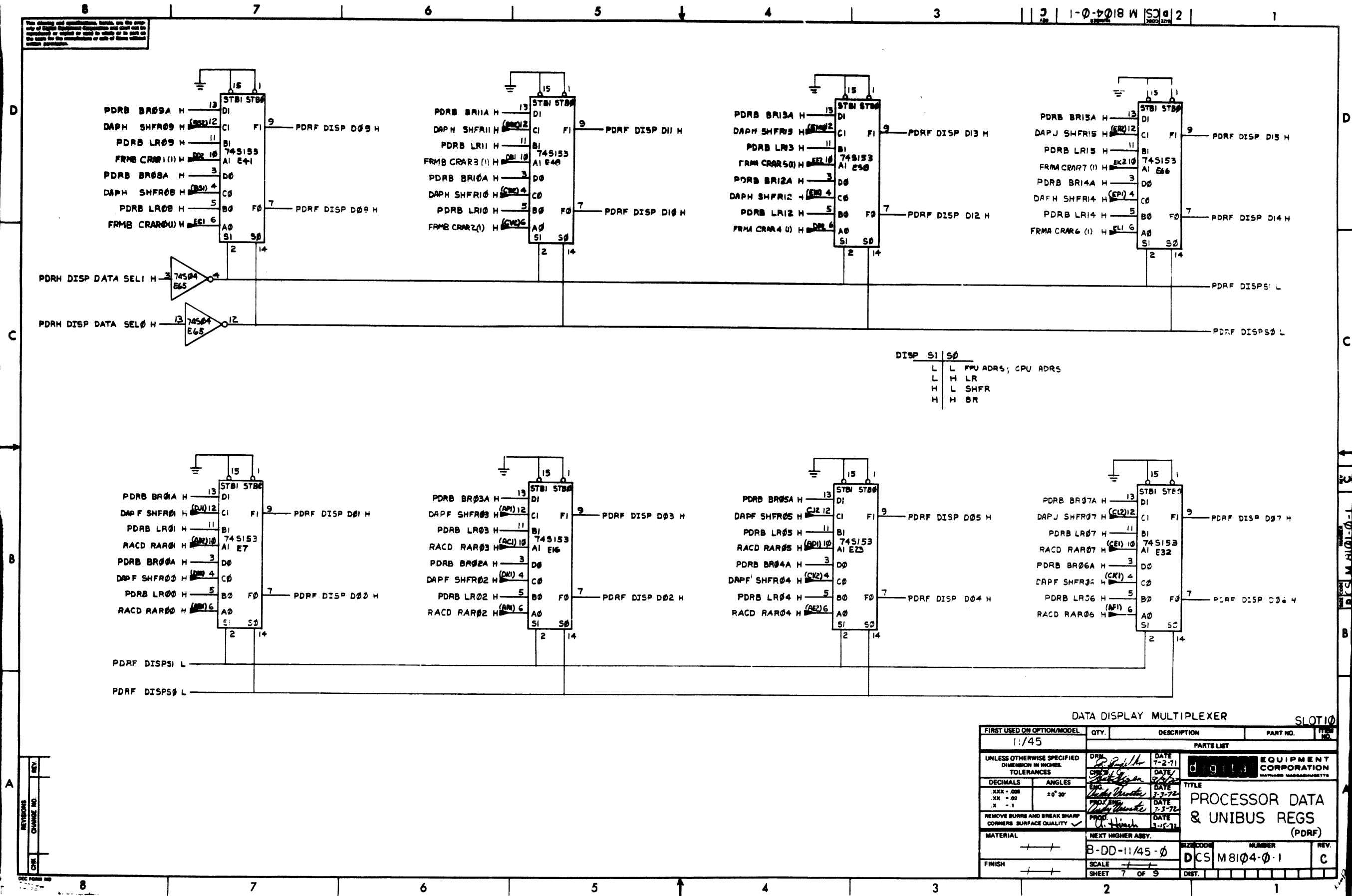
DMX	SI	S0	OUTPUT
L	L	L	STATUS
L	H	L	PIR;PIA
H	L	L	SL;PB
H	H	L	BR

REV	CHANGE NO	DESCRIPTION

FIRST USED ON OPTION/MODEL 11/45		QTY.	DESCRIPTION	PART NO.	ITEM NO.
PARTS LIST					
UNLESS OTHERWISE SPECIFIED DIMENSION IN INCHES TOLERANCES		DRN S.W.P. [Signature]	DATE 7/13/71	 digital EQUIPMENT CORPORATION MATTHEW MASSACHUSETTS	
DECIMALS	ANGLES	CHK'D [Signature]	DATE 3/5/72		
XXX - .005	± 0° 30'	ENG [Signature]	DATE 3-5-72		
.XX - .02		PROJ. ENG [Signature]	DATE 3-5-72		
REMOVE BURRS AND BREAK SHARP CORNERS SURFACE QUALITY		PRG'D [Signature]	DATE 3-17-73	TITLE PROCESSOR DATA & UNIBUS REGS. (PDRE)	
MATERIAL		NEXT HIGHER ASSY.			
FINISH		SCALE			
SHEET 6 OF 9		DIST.			

The drawing and associated items, herein, are the property of Digital Equipment Corporation and shall not be reproduced or copied in whole or in part, or in any manner, for the construction of any of these items without written permission.

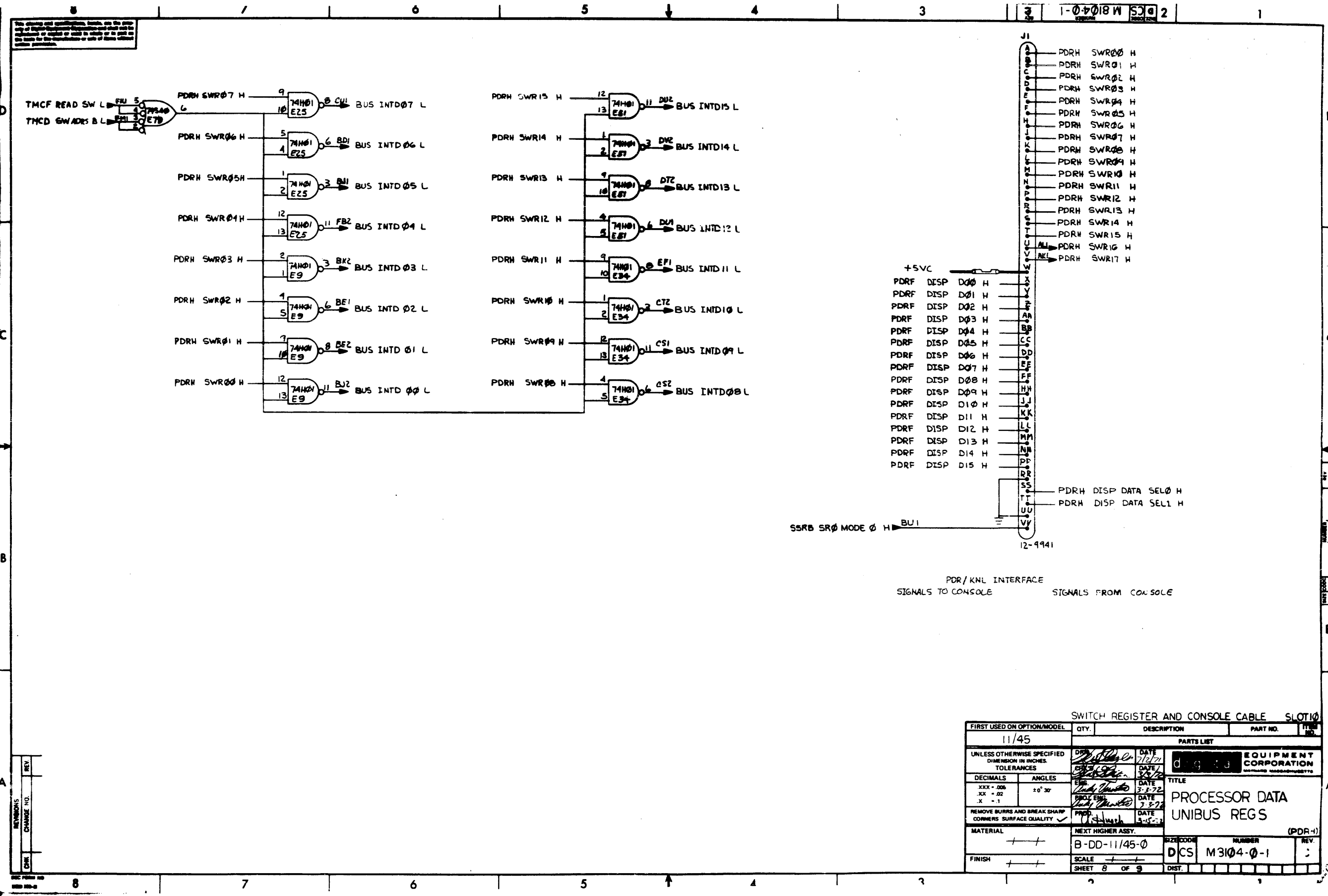
2 | 1-0-4018 W | SCS | 2



DISP S1 S0
 L L FPU ADRS; CPU ADRS
 L H LR
 H L SHFR
 H H BR

DATA DISPLAY MULTIPLEXER SLOT10

FIRST USED ON OPTION/MODEL 1/45	QTY.	DESCRIPTION	PART NO.	REV.
PARTS LIST				
UNLESS OTHERWISE SPECIFIED DIMENSION IN INCHES TOLERANCES	DRN <i>R. Radtke</i>	DATE 7-2-71	EQUIPMENT CORPORATION MAYNARD MASSACHUSETTS	
DECIMALS .XXX - .008	ENG. <i>Lady Wren</i>	DATE 7-3-72	TITLE PROCESSOR DATA & UNIBUS REGS (PDRF)	
ANGLES .XX - .02 ±0° 30'	PROD. ENGR. <i>Lady Wren</i>	DATE 7-3-72	NUMBER DCS M8104-0-1	
.X - .1	PROF. <i>L. Wren</i>	DATE 7-1-71	REV. C	
REMOVE BURRS AND BREAK SHARP CORNERS SURFACE QUALITY ✓	PROF. <i>L. Wren</i>	DATE 7-1-71	SHEET 7 OF 9	
MATERIAL ++	NEXT HIGHER ASSEMBLY B-DD-11/45-0	SCALE +	DIST.	
FINISH ++				

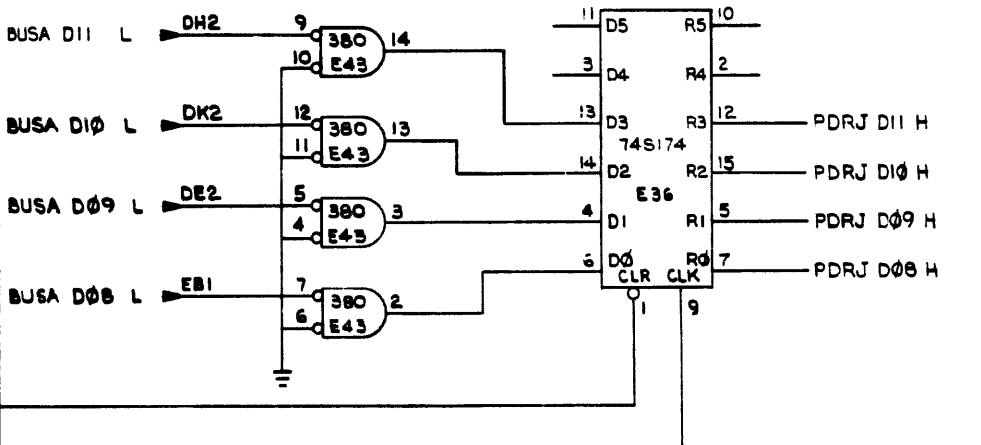
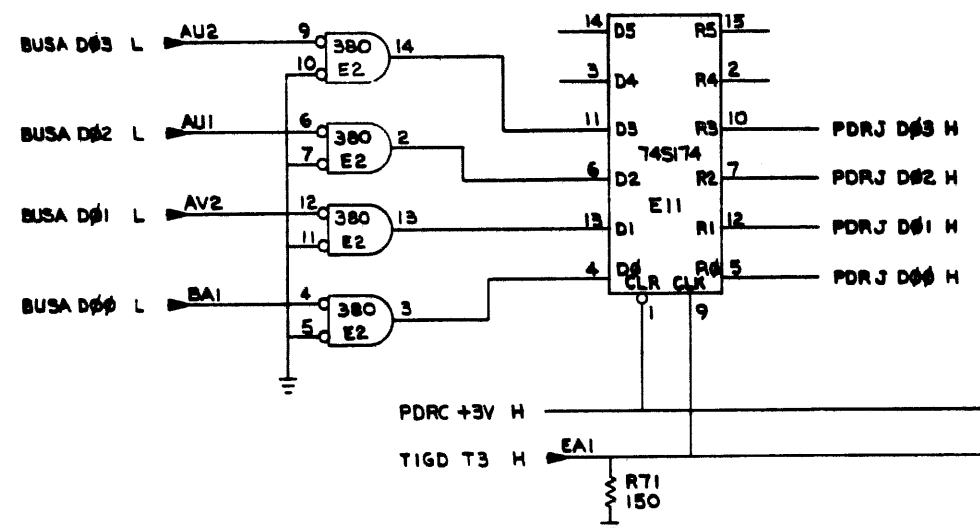
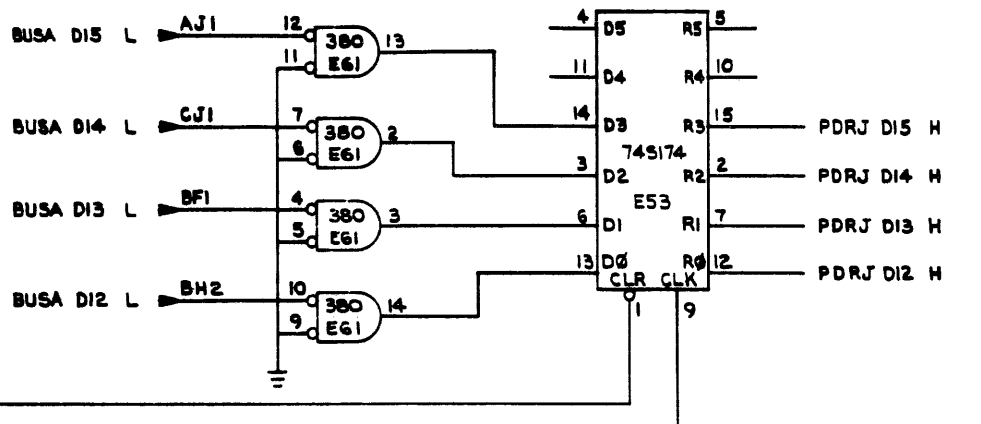
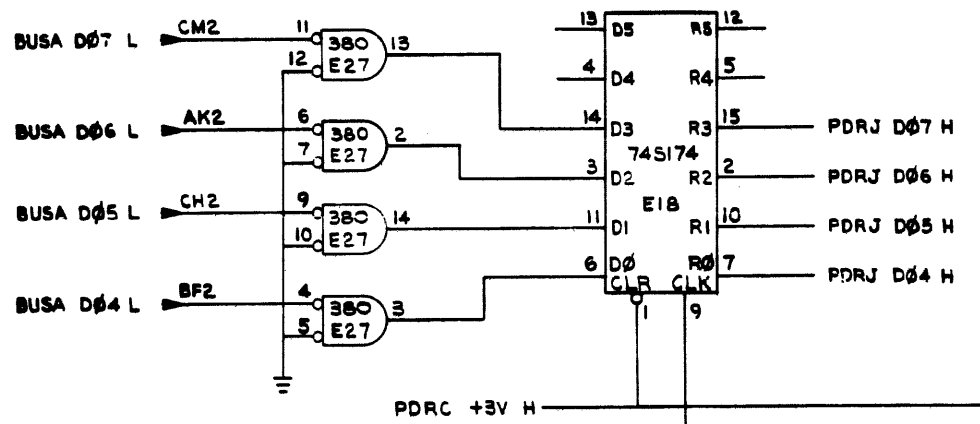


PDR/KNL INTERFACE
 SIGNALS TO CONSOLE SIGNALS FROM CONSOLE

SWITCH REGISTER AND CONSOLE CABLE SLOT10

FIRST USED ON OPTION/MODEL	QTY.	DESCRIPTION	PART NO.	ITEM NO.
11/45				
PARTS LIST				
UNLESS OTHERWISE SPECIFIED DIMENSION IN INCHES TOLERANCES		DATE 7/2/71	 EQUIPMENT CORPORATION	
DECIMALS	ANGLES	DATE 3/3/72		
XXX - .006	± 0° 30'	DATE 3/3/72		
.XX - .02		DATE 3/3/72		
REMOVE BURRS AND BREAK SHARP CORNERS SURFACE QUALITY		DATE 3-15-72	TITLE PROCESSOR DATA UNIBUS REGS	
MATERIAL	NEXT HIGHER ASSY.	NUMBER (PDR-1)		
FINISH	SCALE	SIZE CODE DCS	M3104-0-1	REV. :
SHEET 8 OF 9		DST.		

THE DRAWING AND SPECIFICATIONS HEREIN ARE THE PROPERTY OF DIGITAL EQUIPMENT CORPORATION AND SHALL NOT BE REPRODUCED OR COPIED OR USED IN WHOLE OR IN PART AS THE BASIS FOR THE MANUFACTURE OR SALE OF ITEMS WITHOUT WRITTEN PERMISSION FROM DIGITAL EQUIPMENT CORPORATION.

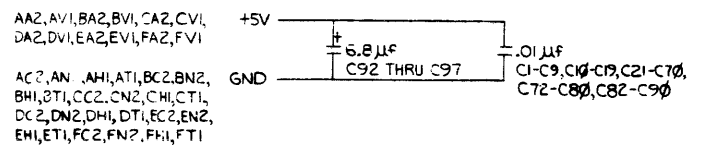
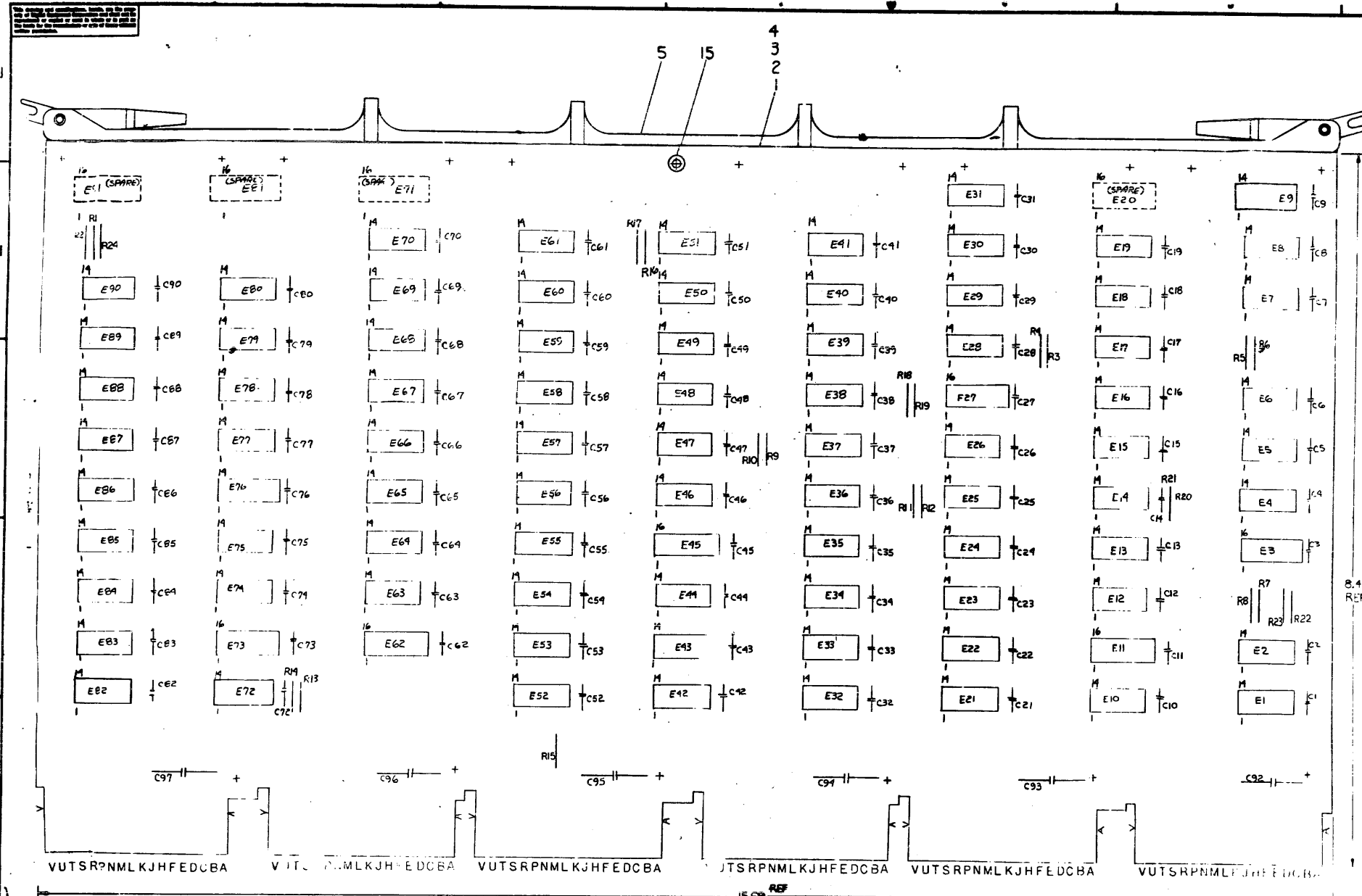


BUS BUFFER REG SLOT 10

FIRST USED ON OPTION/MODEL	QTY.	DESCRIPTION	PART NO.	ITEM NO.
11/45				
PARTS LIST				
UNLESS OTHERWISE SPECIFIED DIMENSIONS IN INCHES		DRN	DATE	
TOLERANCES		CHK'D	DATE	
DECIMALS	ANGLES	ENG.	DATE	
.001 = .005	.0° 30'	PROL. ENG.	DATE	
REMOVE BURRS AND BREAK SHARP CORNERS SURFACE QUALITY Y		PRD.	DATE	PROCESSOR DATA UNIBUS REGS (PDRJ)
MATERIAL		NEXT HIGHER ASSY.		
FINISH		B-DD-11/45-0	SIZE/CODE	
		SCALE	NUMBER	
		SHEET 9 OF 9	DNST.	REV. C

REV.	CHANGE NO.	REVISION

NOTE:
1. UNLESS OTHERWISE NOTED RESISTANCE IS IN Ω.
CAPACITANCE IS IN PICOFARADS. CAPS WITHOUT
VALUE NOTED ARE .01 MFD.



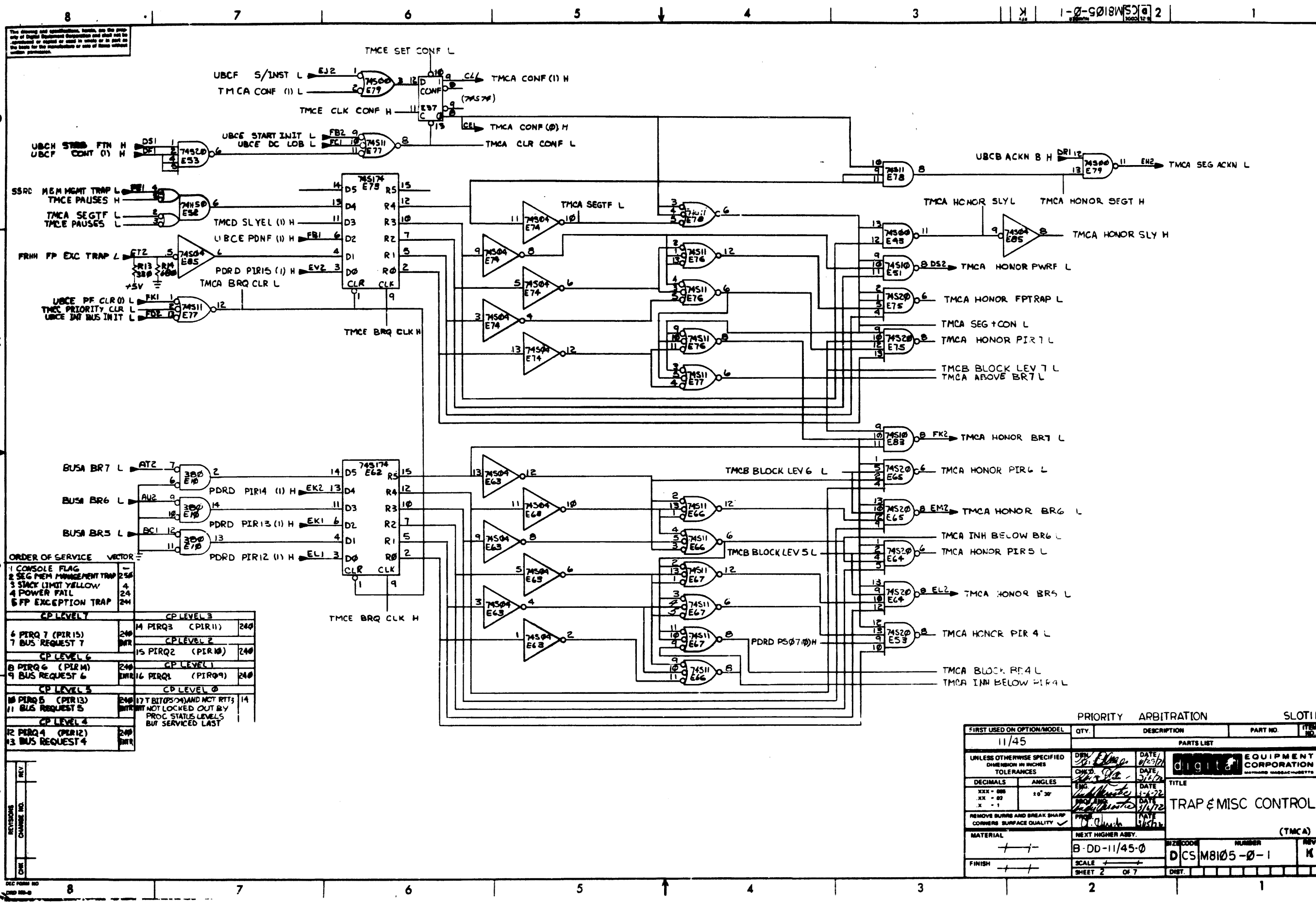
IC PART LOCATIONS	IC TYPE	QTY	REV	DATE
DEC 74574	B	16		
DEC 74155	B	16		
DEC 74153	B	16		
DEC 741512	B	16		
DEC 509A	B	16		

QTY	REF DESIGNATION	DESCRIPTION	PART NO.	REV
1	R24	RESISTOR 10K, 1/4W, 5%	1301479	34
1	E3	DEC IC 74155	1910656	33
2	E24, E59	DEC IC 8085	1910649	34
3	E45, E62, E73	DEC IC 7415174	1910550	31
1	E11	DEC IC 7415153	1910547	33
3	E38, E56, E85	DEC IC 7415140	1910546	29
1	F27	DEC IC 7415112	1910545	28
5	E17, E40, E41, E54, E37	DEC IC 741574	1910544	27
1	E16, E25, E28	DEC IC 741564	1910542	26
11	E8, E30, E39, E48, E58, E53, E64, E65, E70, E75, E89	DEC IC 741520	1910539	25
17	E42, E47, E49, E66, E67, E72, E76, E77, E78, E88	DEC IC 741511	1910537	24
5	E13, E32, E44, E51, E83	DEC IC 74150	1910536	23
12	E4, E18, E22, E26, E33, E36, E46, E57, E63, E74, E85, E90	DEC IC 741504	1910534	22
8	E16, E17, E19, E20, E29, E31, E34, E35	DEC IC 741500	1910532	21
1	E2	DEC IC 8015A	1909713	20
1	E10	DEC IC 380A	1909485	19
1	E7	DEC IC 74111	1909267	18
5	E15, E52, E58, E61, E84	DEC IC 74150	1909060	17
1	E12, E13, E14, E68, E69, E80, E82	DEC IC 74150	1909059	16
12		EYELET	9006732	15
2	R2, R14	RESISTOR, 680Ω, 1/4W, 5%	1301424	14
1	R7	RESISTOR, 180Ω, 1/4W, 5%	1301322	13
3	R15, R16, R17	RESISTOR, 1K, 1/4W, 5%	300365	12
1	R3	RESISTOR, 390Ω, 1/4W, 5%	1300309	11
2	R1, R18	RESISTOR, 330Ω, 1/4W, 5%	1300295	10
1	R21	RESISTOR, 150Ω, 1/4W, 5%	1300250	9
4	R4, R6, R18, R23	RESISTOR, 120Ω, 1/4W, 5%	1300247	8
1	C1-C9, C10-C19, C21-C70, C72-C80, C82-C90	CAP. 0.01μF, 100V, 20% DISC	100.610	7
6	C92 THRU C97	CAP. 6.8 μF, 35V, 10%	1002306	6
1		HANDLE/MODULE	1210711-2-0	5
1		ETCHED CIRCUIT BOARD	5009803	4
REF		ECO MODULE HISTORY	B-MH-M815-0-6	3
REF		ASSY/DRILLING HOLE LAYOUT	E-MH-M815-0-5	2
R2F		X-Y COORDINATE HOLE LOCATION	K-CO-M815-0-4	1

IC PART LOCATIONS	IC TYPE	QTY	REV	DATE
DEC 74574	B	16		
DEC 74155	B	16		
DEC 74153	B	16		
DEC 741512	B	16		
DEC 509A	B	16		

QTY	REF DESIGNATION	DESCRIPTION	PART NO.	REV
1		ETCHED CIRCUIT BOARD	5009803	4
REF		ECO MODULE HISTORY	B-MH-M815-0-6	3
REF		ASSY/DRILLING HOLE LAYOUT	E-MH-M815-0-5	2
R2F		X-Y COORDINATE HOLE LOCATION	K-CO-M815-0-4	1

TRAP & MISC. CONTROL



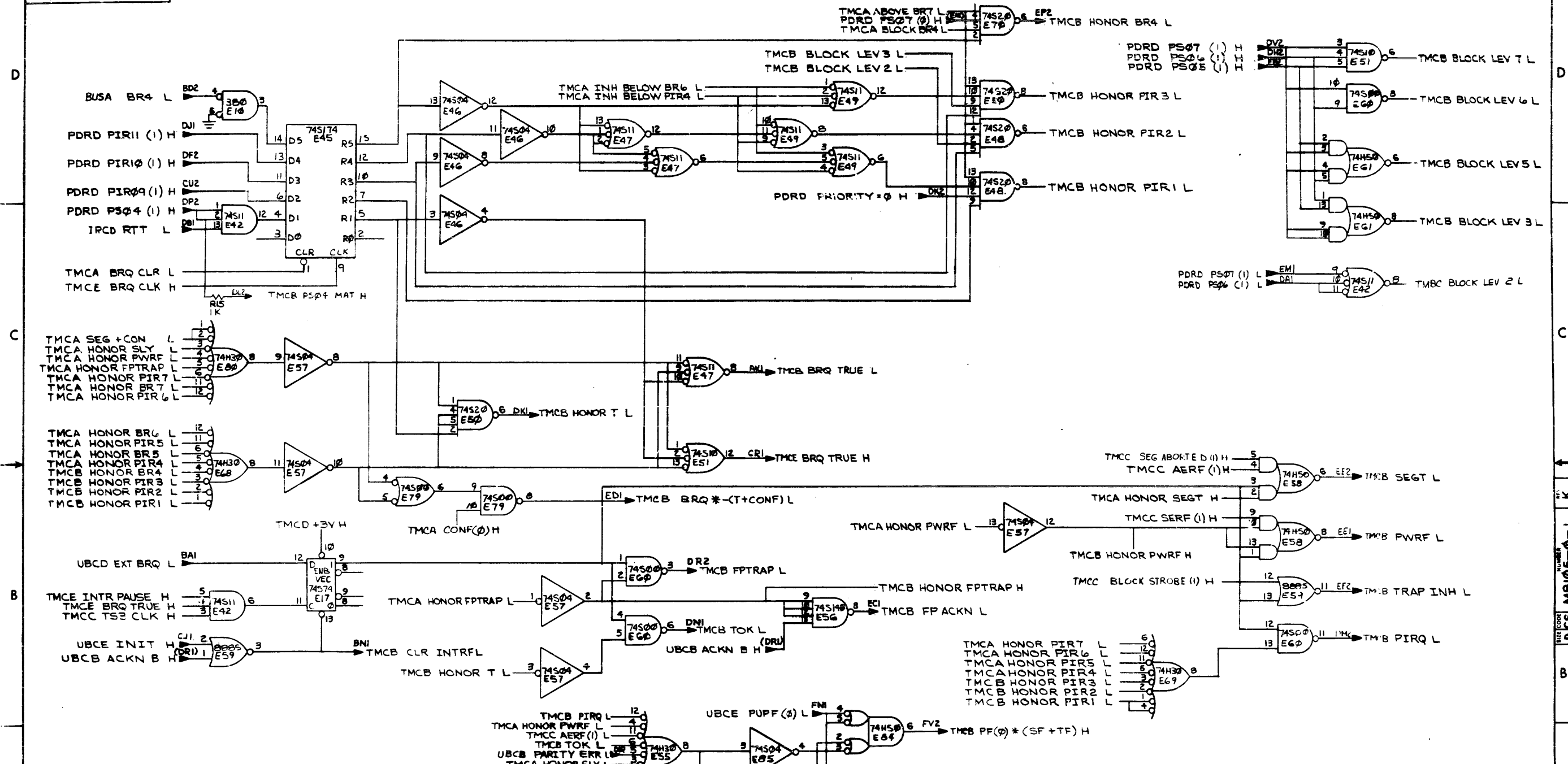
ORDER OF SERVICE VECTOR

1	CONSOLE FLAG	256
2	SEG MEM MGMT TRAP	4
3	STACK LIMIT YELLOW	24
4	POWER FAIL	24
5	FP EXCEPTION TRAP	24

CP LEVEL	CP LEVEL 3	CP LEVEL 2	CP LEVEL 1	CP LEVEL 0
6	PIRQ 7 (PIR15)	14	PIRQ 3 (PIR11)	240
7	BUS REQUEST 7	240		
8	PIRQ 6 (PIR14)	240	15	PIRQ 2 (PIR10)
9	BUS REQUEST 6	240	16	PIRQ 1 (PIR09)
10	PIRQ 5 (PIR13)	240	17	7 BIT(S) AND NOT RTT3
11	BUS REQUEST 5	240	14	NOT LOCKED OUT BY PROC STATUS LEVELS BUT SERVICED LAST
12	PIRQ 4 (PIR12)	240		
13	BUS REQUEST 4	240		

FIRST USED ON OPTION/MODEL		QTY.	PRIORITY	ARBITRATION	SLOT 11
11/45					
PARTS LIST					
UNLESS OTHERWISE SPECIFIED DIMENSION IN INCHES TOLERANCES					
DECIMALS	ANGLES	TITLE			
XXX - 000	10° 30'	TRAP & MISC CONTROL			
REMOVE BURRS AND BREAK SHARP CORNERS SURFACE DUALITY					
MATERIAL					
NEXT HIGHER ASSEMBLY					
FINISH		B-DD-11/45-0		DCS M8105-0-1	
		SCALE		SHEET 2 OF 7	

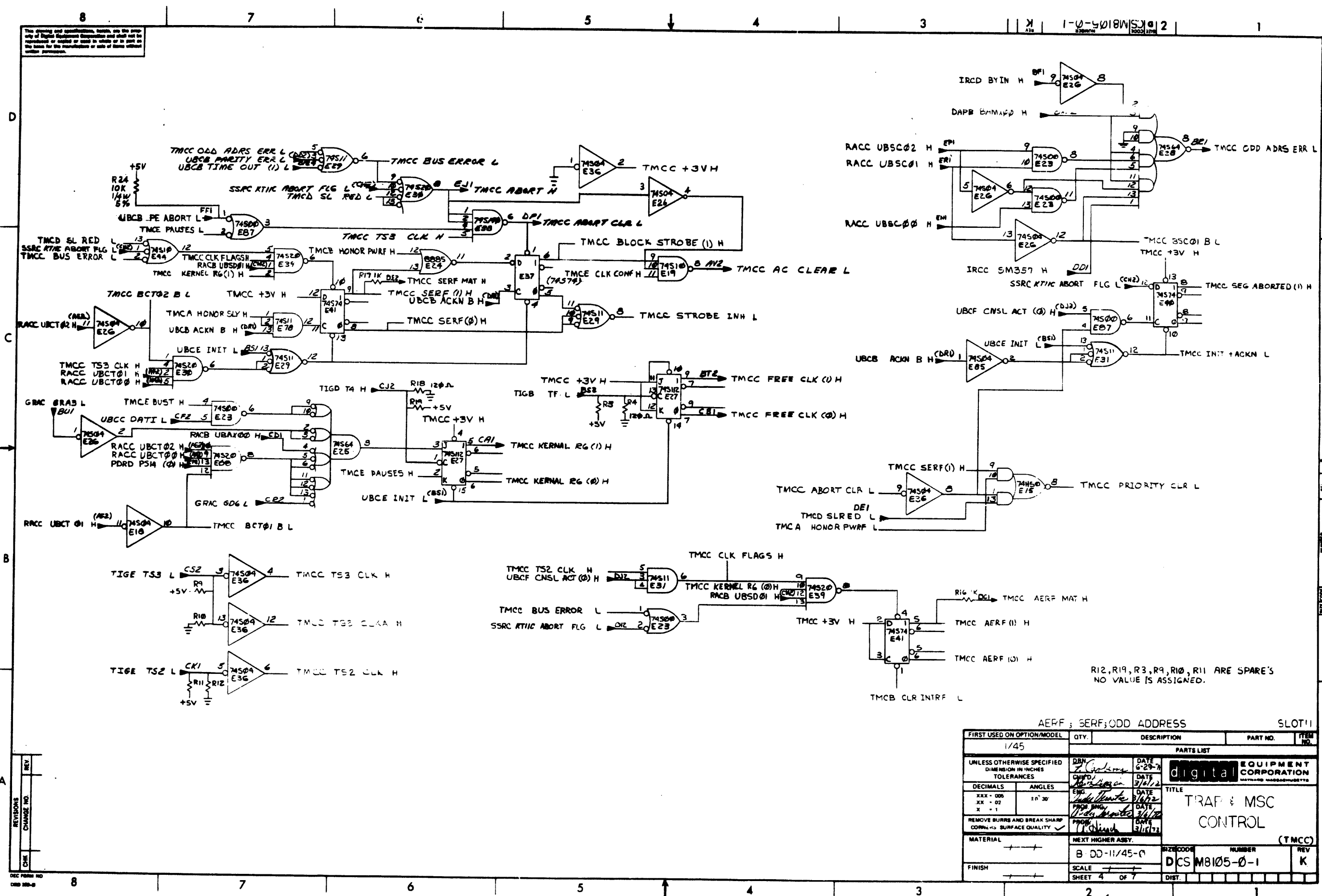
This drawing and specifications herein are the property of Digital Equipment Corporation and shall not be reproduced or used in whole or in part as the basis for the manufacture of any items without written permission.



PRIORITY ARBITRATION; TRAP VECTORS SLOT 11

FIRST USED ON OPTION/MODEL	QTY.	DESCRIPTION	PART NO.	ITEM NO.
11/45				
PARTS LIST				
UNLESS OTHERWISE SPECIFIED	DRN.	DATE	digital EQUIPMENT CORPORATION	
DIMENSION IN INCHES	CHK'D	DATE	MAYLAND MASSACHUSETTS	
TOLERANCES				
DECIMALS	ANGLES	DATE	TITLE: TRAP & MISC. CONTROL	
XXX - 005	10' 30"	DATE	TMCB	
XX - 02		DATE		
X - 1		DATE		
REMOVE DIMS AND BREAK SHARP CORNERS SURFACE QUALITY	PROF.	DATE		
MATERIAL	NEXT HIGHER ASSY.	SIZE CODE	NUMBER	REV.
FINISH	B-DD-11/45-0	DCS	M8105-0-1	K
	SCALE	SHEET	DIST.	
	3 OF 7			

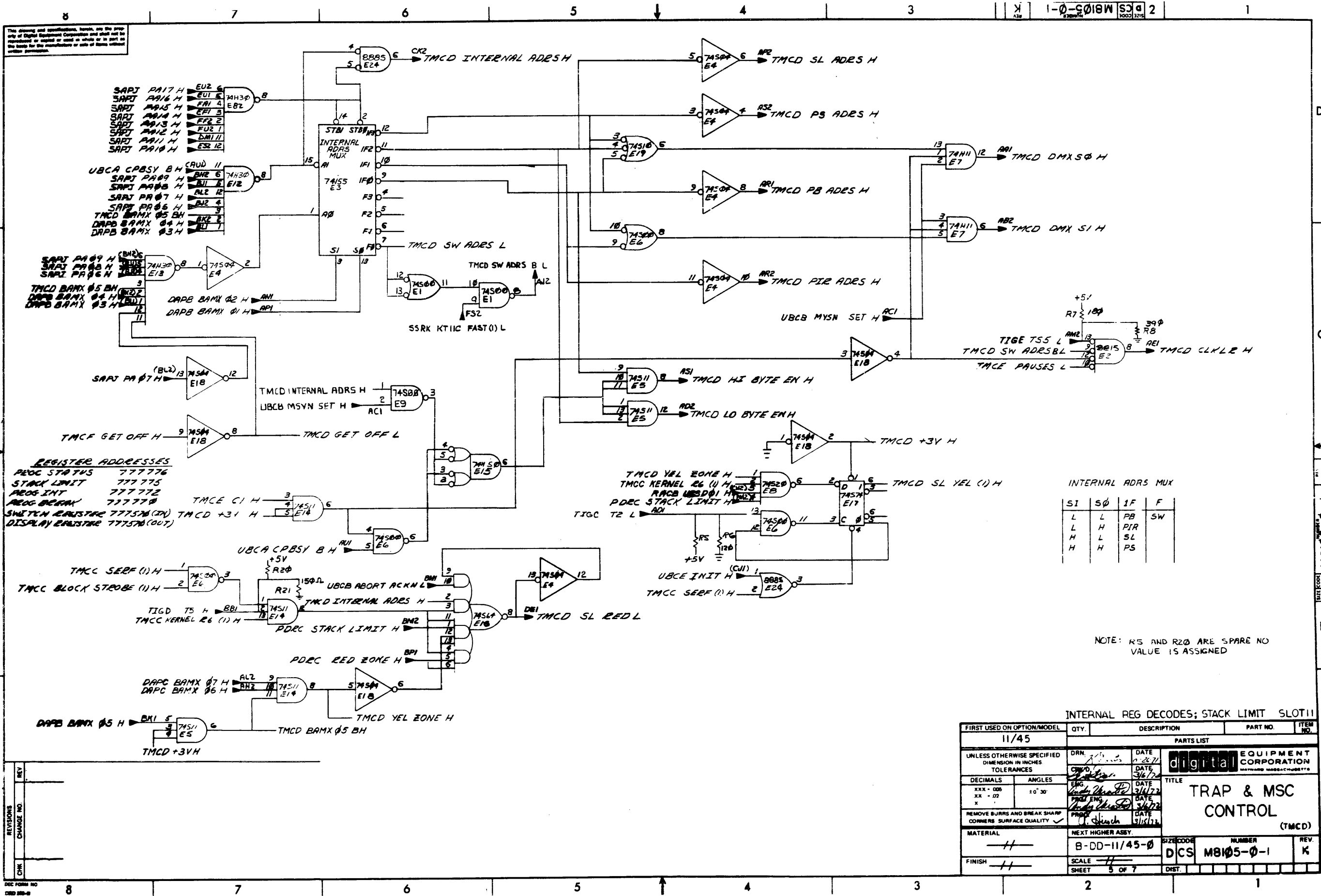
REV.	
CHG	
REVISIONS	
CHANGE NO.	



REV	NO
CHG	NO
REV	NO
CHG	NO

FIRST USED ON OPTION/MODEL	QTY.	DESCRIPTION	PART NO.	ITEM NO.
1/45				
PARTS LIST				
UNLESS OTHERWISE SPECIFIED DIMENSION IN INCHES TOLERANCES				
DECIMALS	ANGLES	TITLE		
XXX - 005	± 0° 30'	TRAF & MSC CONTROL (TMCC)		
REMOVE BURRS AND BREAK SHARP CORNERS TO SURFACE QUALITY				
MATERIAL	NEXT HIGHER ASSY.		SIZE CODE	NUMBER
FINISH	SCALE		DCS M8105-0-1	REV
	SHEET 4 OF 7		DIST.	K

This drawing and specifications, herein, are the property of Digital Equipment Corporation and shall not be reproduced or copied or used in whole or in part as the basis for the manufacture or sale of items without written permission.



REGISTER ADDRESSES

PROC STATUS	777776
STACK LIMIT	777775
PROC INT	777772
PROC BERRK	777770
SWITCH REGISTER	777570 (IN)
DISPLAY REGISTER	777570 (OUT)

INTERNAL ADRES MUX

SI	S0	1F	F
L	L	PB	SW
L	H	PIR	
H	L	SL	
H	H	PS	

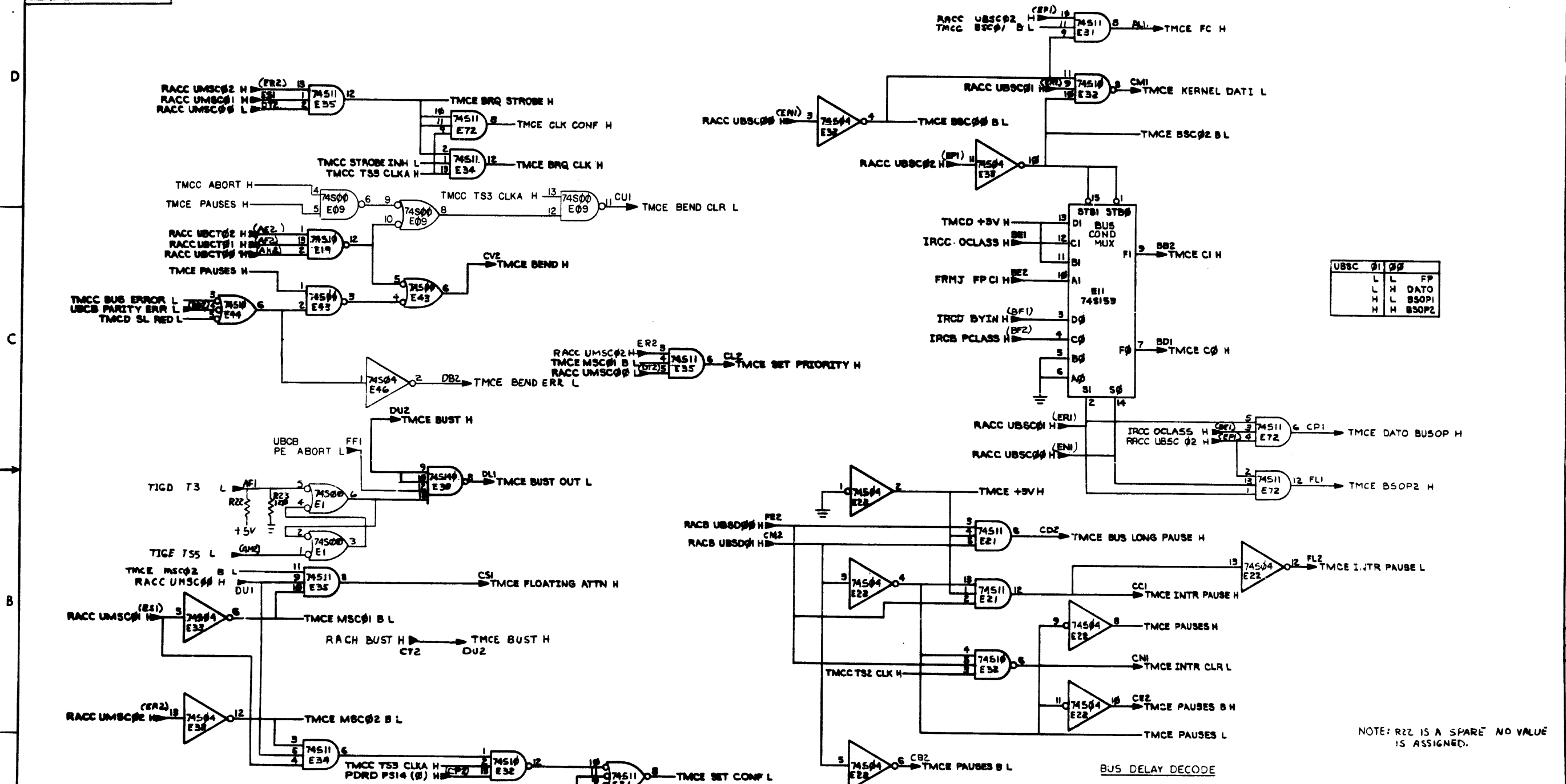
NOTE: R5 AND R20 ARE SPARE NO VALUE IS ASSIGNED

INTERNAL REG DECODES; STACK LIMIT SLOT 11

FIRST USED ON OPTION/MODEL	QTY.	DESCRIPTION	PART NO.	ITEM NO.
11/45				
PARTS LIST				
UNLESS OTHERWISE SPECIFIED DIMENSION IN INCHES TOLERANCES				
DECIMALS	ANGLES	TITLE		
XXX - 020	± 0° 30'	TRAP & MSC CONTROL (TMCD)		
XX - 02		EQUIPMENT CORPORATION		
X		MATERIAL		
REMOVE BURRS AND BREAK SHARP CORNERS SURFACE QUALITY				
MATERIAL				
NEXT HIGHER ASSEMBLY				
FINISH				
SCALE				
SHEET				

DSC M8105-0-1 K

This drawing and specifications herein are the property of Digital Equipment Corporation and shall not be reproduced or copied or used in whole or in part without the written permission of any of those listed within permission.



UBSC	DI	DO
L	L	FP
L	H	DATO
H	L	BSOP1
H	H	BSOP2

REV	DATE	BY	CHK

FIRST USED ON OPTION/MODEL		QTY	DESCRIPTION	PART NO.	ITEM NO.
11/45					
UNLESS OTHERWISE SPECIFIED DIMENSION IN INCHES TOLERANCES					
DECIMALS	ANGLES				
XXX - 006	10° 30'				
XX - 02					
X - 1					
REMOVE PURRS AND BREAK SHARP CORNERS SURFACE QUALITY					
MATERIAL		NEXT HIGHER ASSEMBLY			
FINISH					

PARTS LIST

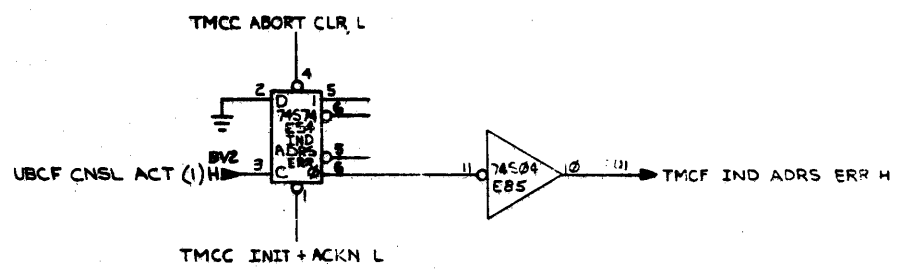
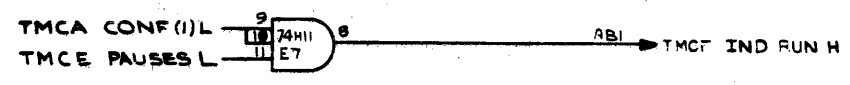
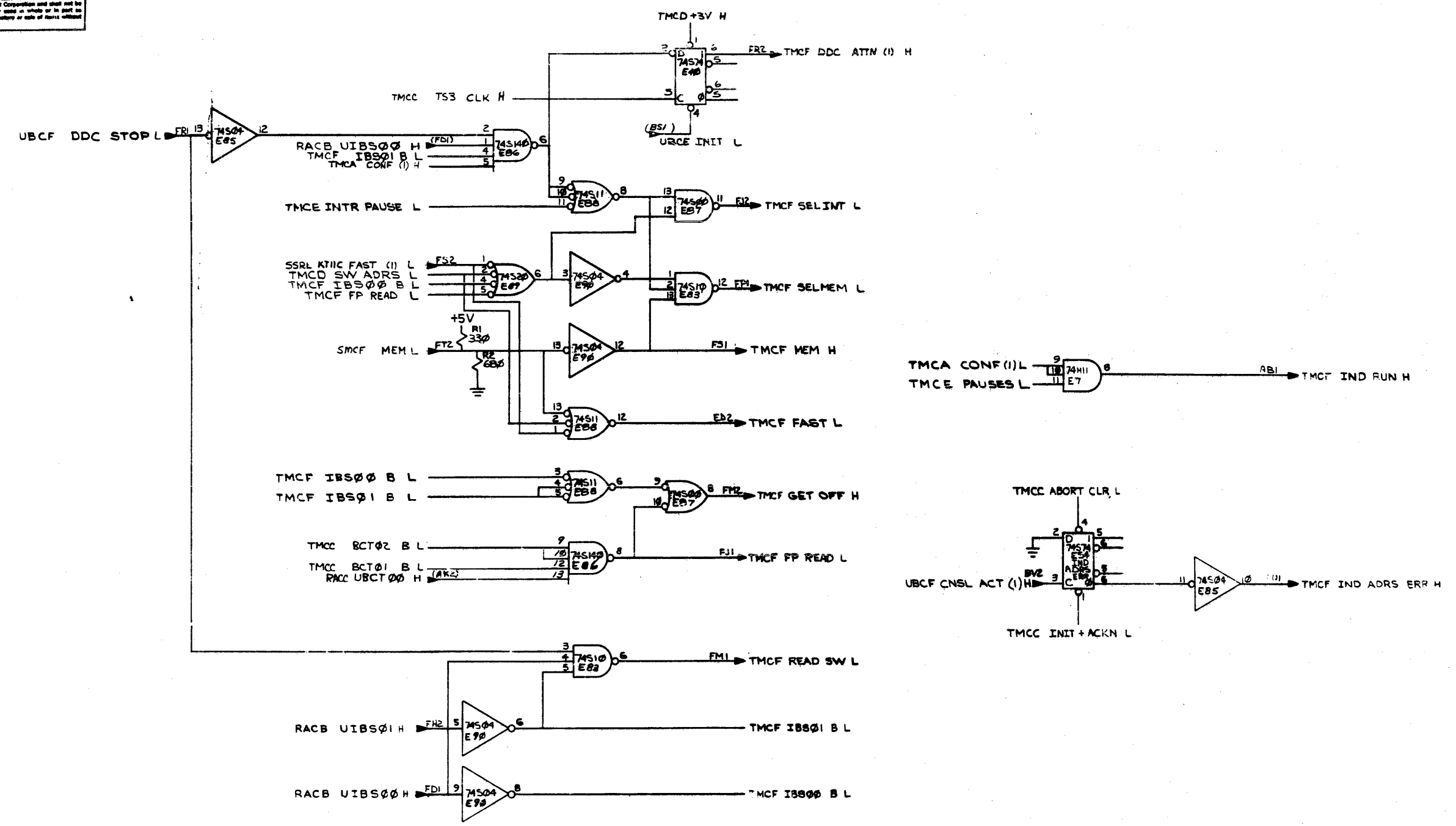
digital EQUIPMENT CORPORATION

TITLE
TRAP & MSC CONTROL
(TMCE)

SIZE CODE: DCS NUMBER: M8105-0-1 INV: K

SCALE: 1:1 SHEET 6 OF 7

This drawing and specifications, herein, are the property of Digital Equipment Corporation and shall not be reproduced or copied in whole or in part by any person without the written permission of Digital Equipment Corporation.



BRMX SELECTION; FP READ SLOT11

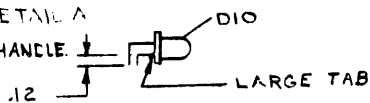
FIRST USED ON OPTION/MODEL	QTY.	DESCRIPTION	PART NO.	ITEM NO.
11/45		PARTS LIST		
UNLESS OTHERWISE SPECIFIED DIMENSION IN INCHES TOLERANCES		DRN	DATE	digital EQUIPMENT CORPORATION 1450 BROADWAY BOSTON, MASSACHUSETTS
DECIMALS	ANGLES	CHK'D	DATE	
X.XX - .006	10° 30'	ENG	DATE	
X - .1		PRM. ENG.	DATE	
REMOV' BURRS AND BREAK SHARP CORNERS SURFACE QUALITY		PROF.	DATE	TITLE TRAP & MSC CONTROL (TMCF)
MATERIAL	NEXT HIGHER ASSY.			
FINISH	B-DD-11/45-0	SIZE CODE	NUMBER	
	SCALE	DCS	M8105-0-1	
	SHEET 7 OF 7	DIST.		REV. K

REV.	CHANGE NO.	REVISIONS
		CHK

THIS DRAWING AND SPECIFICATIONS HEREIN ARE THE PROPERTY OF DEC. IT IS TO BE USED ONLY FOR THE PROJECT AND SHALL NOT BE REPRODUCED OR TRANSMITTED IN ANY FORM OR BY ANY MEANS, ELECTRONIC OR MECHANICAL, INCLUDING PHOTOCOPYING, RECORDING, OR BY ANY INFORMATION STORAGE AND RETRIEVAL SYSTEM, WITHOUT PERMISSION IN WRITING FROM DIGITAL EQUIPMENT CORPORATION.

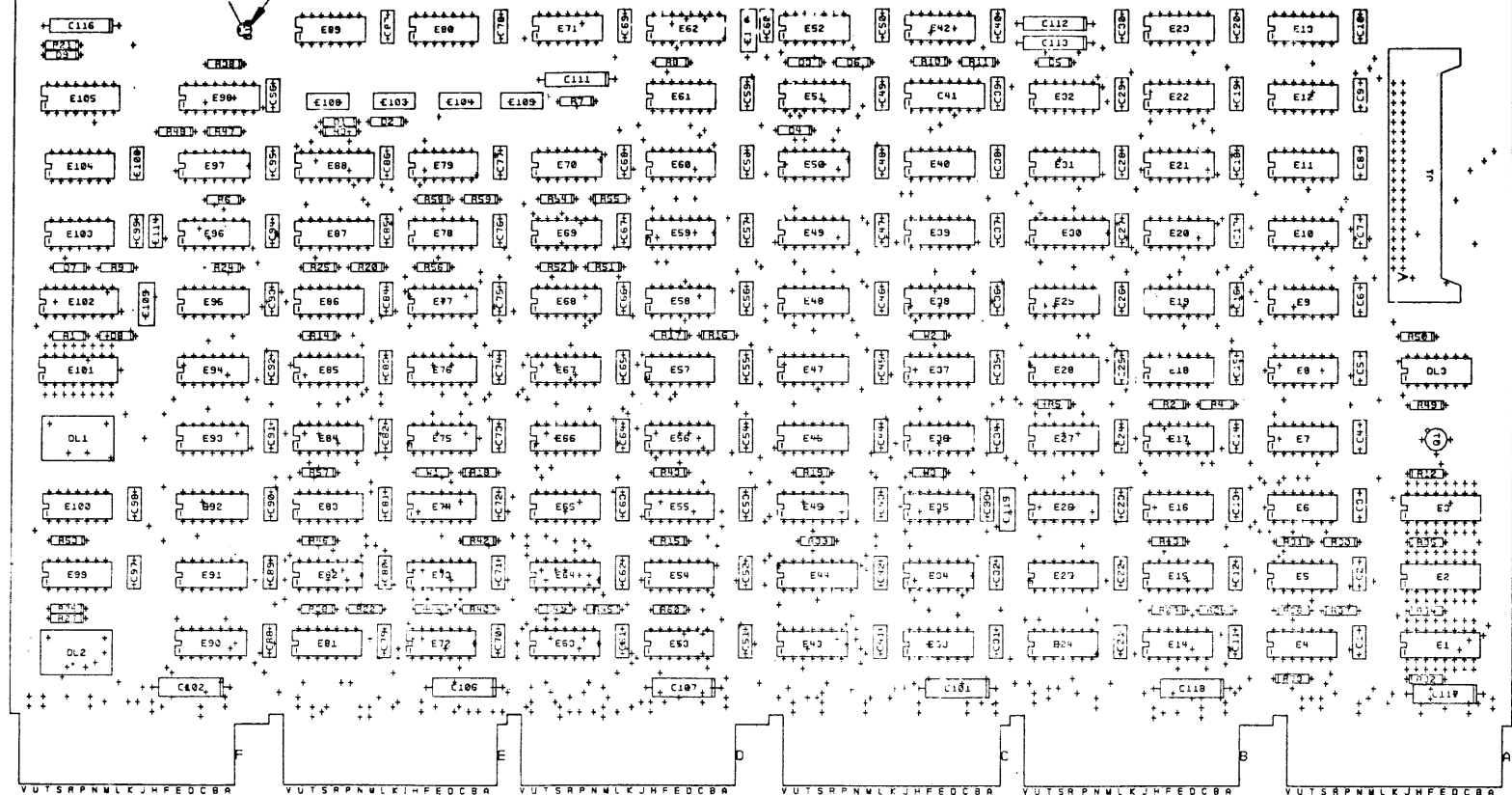
NOTES:

1. MOUNT D10 AS SHOWN IN DETAIL A
 2. THE BEND LEADS MUST BE FACED TOWARD HANDLE.



SEE DETAIL A

SEE NOTE 1



8.44
FBS REF

15.69
FBS REF

IC TYPE	GND	+5V
IC 74157	8	16
IC 74123	8	16
IC 74175	8	16
IC 745112	8	16
IC 745174	8	16
IC 380	1	8

GND AND 5V ARE USUALLY PIN 7 AND 14 RESPECTIVELY EXCEPTS ARE STATED ABOVE

IC PIN LOCATIONS

REF	X-Y COORDINATE HOLE LOCATION	K CO-M3119-B-4	1
REF	ASSY/DRILLING HOLE LAYOUT	D-AH-E3119-D-5	2
REF	MODULE ECO HISTORY	D-M3119-D-E	3
1	ETCHED CIRCUIT BOARD	5011908	4
1	C116	CAPACITOR, 2.2, 35V, 10% TANT	1002431
7	C102, C106, C107, C112, C118, C117, C101	CAPACITOR, 8.8, 35V, 10% TANT	1005308
101	C1 THRU C100, C114	CAPACITOR, .01, 100V, 20%	1001610-01
4	C103, C104, C109, C109	CAPACITOR, 1200pf, 100V, 5% DM	1002424
2	C105, C110	CAPACITOR, 330pf, 100V, 5% DM	1000023
2	C111, C113	CAPACITOR, .47uf, 35V, 10% TANT	1005965
1	C115	CAPACITOR, 22pf, 100V, 5%	1005820
9	D1 THRU D9	DIODE, D664	1100114
1	D10	DIODE, LED	1110324
5	R1, R3, R6, R8, R21	RESISTOR, 15K, 1/4W, 5%	1300496
4	R2, R22, R24, R39	RESISTOR, 330, 1/4W, 5%	1300295
4	R4, R19, R23, R25	RESISTOR, F80, 1/4W, 5%	1301424
9	R5, R13, R26, R27, R42, R43, R46, R53, R57	RESISTOR, 1K, 1/4W, 5%	1300365
2	R7, R11	RESISTOR, 20K, 1/4W, 5%	1302391
2	R9, R10	RESISTOR, 30K, 1/4W, 5%	1302394
1	R12	RESISTOR, 3.9K, 1/4W, 5%	1300444
2	R14, R18	RESISTOR, 100, 1/4W, 5%	1300229
8	R15, R52, R55, R56, R58, R60, R50, R20	RESISTOR, 150, 1/4W, 5%	1300250
9	R16, R29, R30, R34, R36, R44, R47, R32, R40	RESISTOR, 180, 1/4W, 5%	1301322
10	R17, R28, R31, R33, R35, R37, R45, R48, R41, R35	RESISTOR, 390, 1/4W, 5%	1300309
1	R49	RESISTOR, 220, 1/4W, 5%	1300271
1	E87	I.C. DEC 745174	1910550
3	R51, R54, R59	RESISTOR ENG OPTION NOT INST.	
1	Q1	TRANSISTOR, DEC 3009B	1503100
1	DL3	DELAY LINE 125 NS	1611300
1	DL2	DELAY LINE 100 NS	1609559
1	DL1	DELAY LINE 50 NS	1609428
4	E4, E83, E56, E33	I.C. DEC 8640	1911469
2	E5, E7	I.C. DEC 7400	1925575
3	E5, E70, E36	I.C. DEC 74H04	1909931
3	E9, E12, E13	I.C. DEC 7474	1905547
2	E8, E19	I.C. DEC 7408	1910155
2	E10, E72	I.C. DEC 74H38	1909059
2	E11, E18	I.C. DEC 7404	1908886
9	E104, E22, E27, E51, E60, E81, E85, E92	I.C. DEC 74S00	1910532
3	E15, E38, E95	I.C. DEC 74H08	1909056
2	E16, E52	I.C. DEC 74H11	1909267
1	E49	I.C. DEC 74S74-45	1910950
11	E17, E29, E40, E67, E69, E84, E79, E69, E77, E86, E100	I.C. DEC 74S74	1910544
8	E20, E21, E53, E99, E54, E64, E28, E81	I.C. DEC 74S40	1910541
4	E76, E66, E93, E85	I.C. DEC 74S64	1910542
2	E88, E90	I.C. DEC 74H50	1909060
2	E93, E60	I.C. DEC 8815	1909713
2	E96, E103	I.C. DEC 74S140	1910546
2	E74, E23	I.C. DEC 74S10	1910538

FIRST USED ON OPTION MODEL

PARTS LIST

ETCH BOARD REV. A

REV.	DESCRIPTION	DATE
1	ISSUED FOR PRODUCTION	5-27-76
2	REVISION	5-27-76

DEC NO.	EIA NO.	DEC NO.	EIA NO.

SCALE	DATE	BY	CHKD
1 OF 15			

SIZE CODE	NUMBER	REV.
D	CSM819-0-1	B

SEMICONDUCTOR CONVERSION CHART

DEC NO. EIA NO. DEC NO. EIA NO.

SCALE 1 OF 15

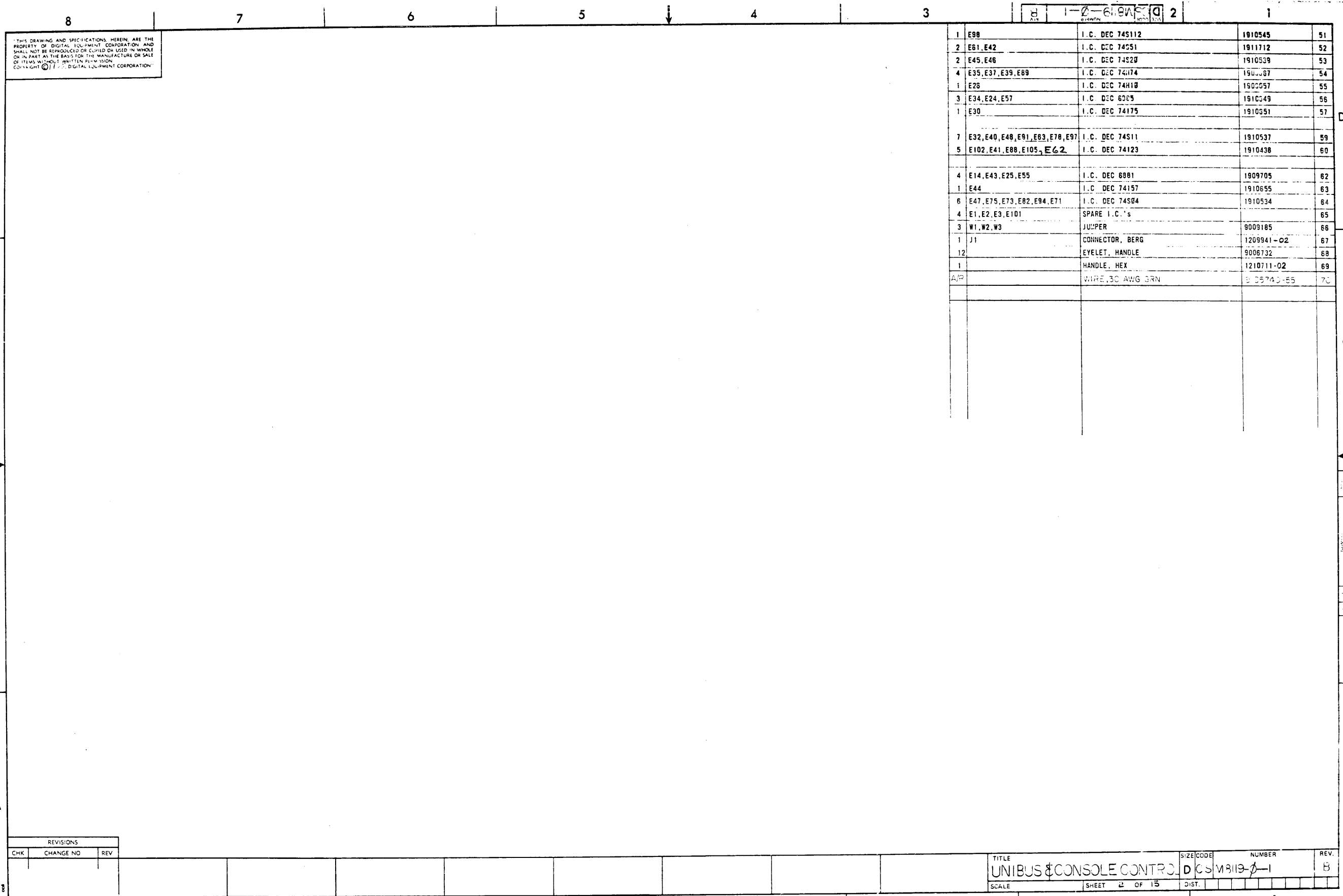
TITLE: UNIBUS & CONSOLE CONTROL

DATE: 5-27-76

BY: V. BOULEN

CHKD: M. B. HUGHES

95



THIS DRAWING AND SPECIFICATIONS HEREIN ARE THE PROPERTY OF DIGITAL EQUIPMENT CORPORATION, AND SHALL NOT BE REPRODUCED OR COPIED OR USED IN WHOLE OR IN PART AS THE BASIS FOR THE MANUFACTURE OR SALE OF ITEMS WITHOUT WRITTEN PERMISSION. COPYRIGHT © 1970, DIGITAL EQUIPMENT CORPORATION.

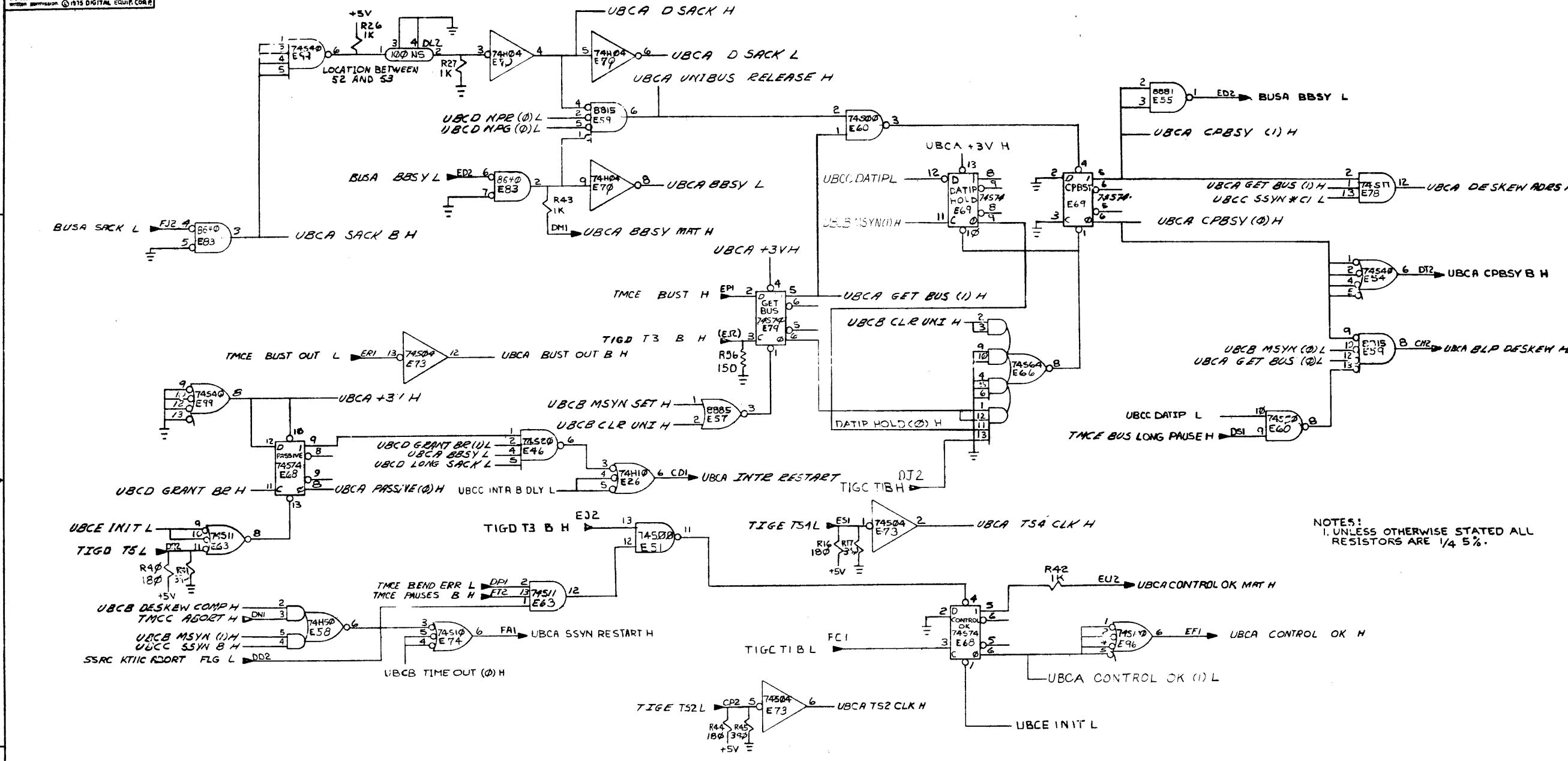
QTY	DESCRIPTION	UNIT	PRICE	TOTAL
1	E98	I. C. DEC 74S112	1910545	51
2	E61, E42	I. C. DEC 74S51	1911712	52
2	E45, E46	I. C. DEC 74S20	1910539	53
4	E35, E37, E39, E89	I. C. DEC 74H74	1900067	54
1	E26	I. C. DEC 74H10	1900057	55
3	E34, E24, E57	I. C. DEC 80C5	1910349	56
1	E30	I. C. DEC 74175	1910251	57
7	E32, E40, E48, E91, E83, E78, E97	I. C. DEC 74S11	1910537	59
5	E102, E41, E88, E105, E62	I. C. DEC 74123	1910438	60
4	E14, E43, E25, E55	I. C. DEC 8881	1909705	62
1	E44	I. C. DEC 74157	1910655	63
6	E47, E75, E73, E82, E94, E71	I. C. DEC 74S04	1910534	64
4	E1, E2, E3, E101	SPARE I.C.'s		65
3	W1, W2, W3	JUMPER	9009185	66
1	J1	CONNECTOR, BERG	1209941-02	67
12		EYELET, HANDLE	9006732	68
1		HANDLE, HEX	1210711-02	69
AP		WIRE, 30 AWG GRN	905745-55	70

REVISIONS		
CHK	CHANGE NO	REV

TITLE	UNIBUS & CONSOLE CONTR.	SIZE CODE	DCS	NUMBER	M819-1	REV.	B
SCALE	SHEET 2 OF 15		DIST.				

96

This drawing and specifications herein are the property of Digital Equipment Corporation and shall not be reproduced or copied in whole or in part as the basis for the manufacture or sale of items without written permission. © 1975 DIGITAL EQUIPMENT CORP.



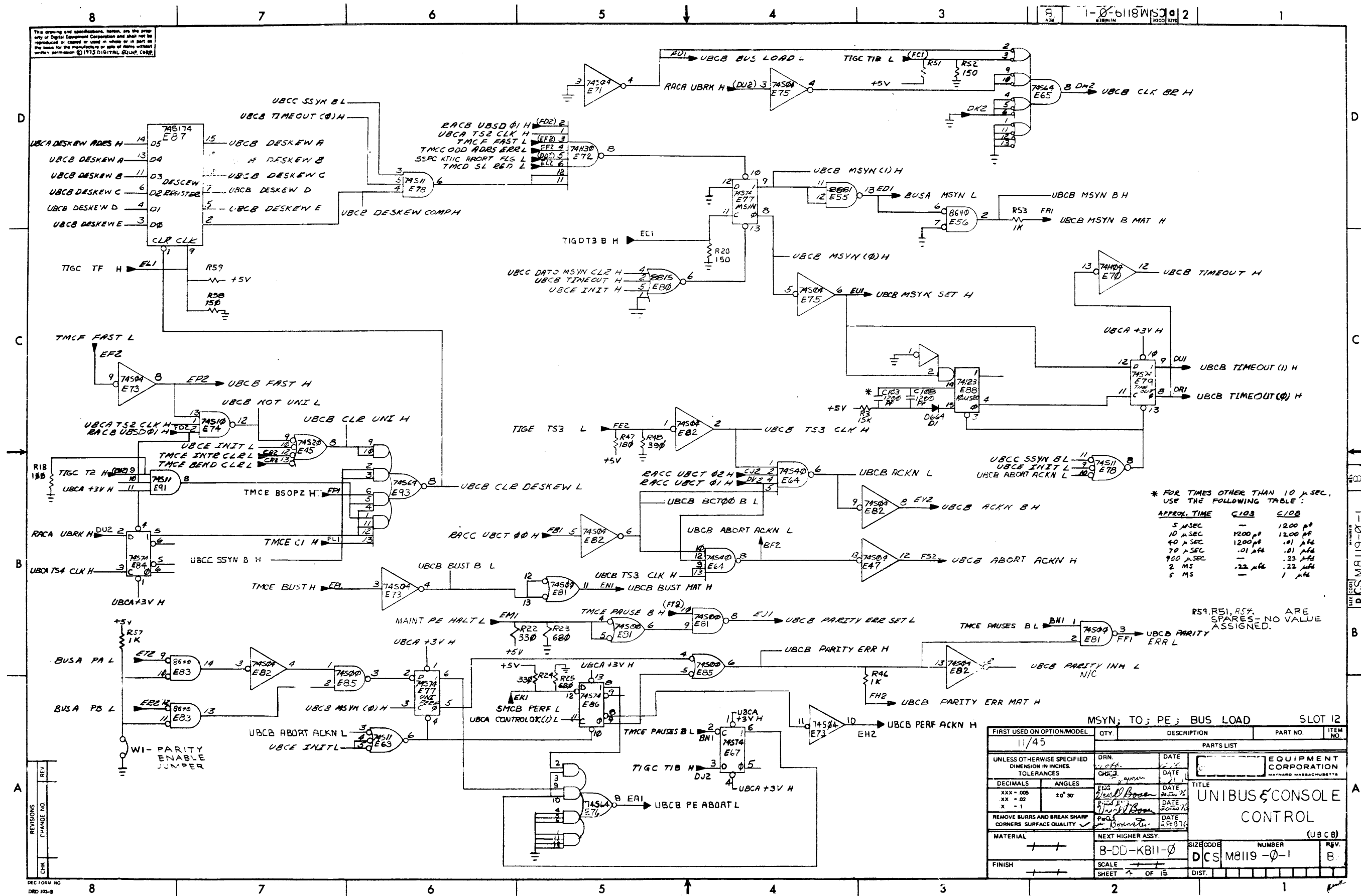
NOTES:
1. UNLESS OTHERWISE STATED ALL RESISTORS ARE 1/4 5%.

REV	CHANGE NO	REVISIONS

CP BUSY, CONTROL OK, TIG RESTARTS SLOT 12

FIRST USED	DEL	QTY.	DESCRIPTION	PART NO.
11/75			EQUIPMENT	
UNLESS OTHERWISE SPECIFIED DIMENSIONS ARE IN INCHES TOLERANCES				
DECIMALS	FRACTIONS		EQUIPMENT CORPORATION MAYNARD MASSACHUSETTS	
XXX = 0.01	1/32"		TITLE UNIBUS & CONSOLE CONTROL (UBCA)	
XX = 0.005	1/64"		MATERIAL	
X = 0.0025	1/128"		FINISH	
REMOVES BURRS AND BREAKS SHARP CORNERS SURFACE QUALITY				
MATERIAL			B-DD-KB11-0	
FINISH			DCC M8119-0-1	

This drawing and specifications, herein, are the property of Digital Equipment Corporation and shall not be reproduced or copied in whole or in part without written permission © 1975 DIGITAL EQUIP. CORP.



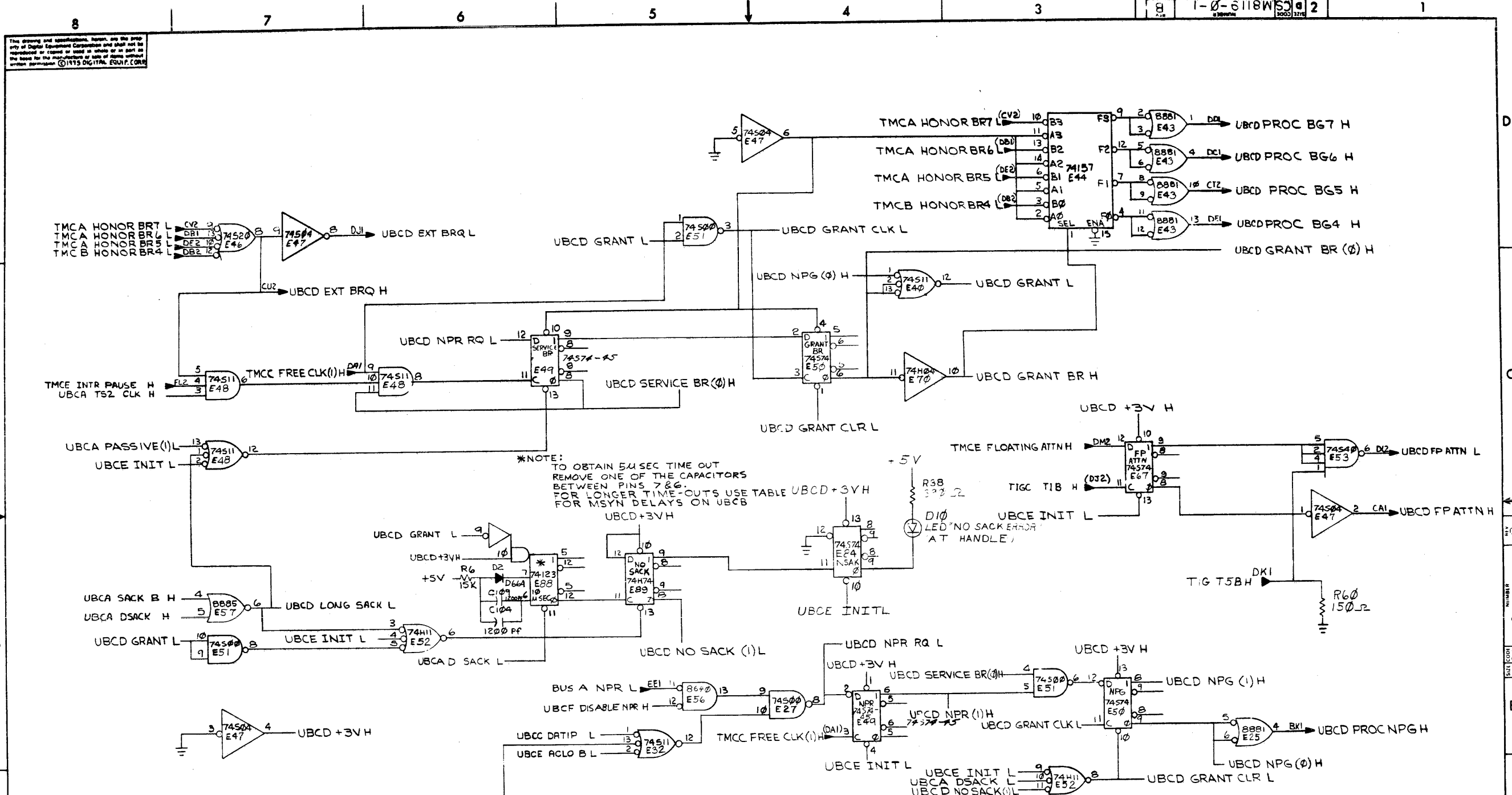
* FOR TIMES OTHER THAN 10 μSEC, USE THE FOLLOWING TABLE:

APPROX. TIME	C103	C108
5 μSEC	—	1200 pF
10 μSEC	1200 pF	1200 pF
40 μSEC	1200 pF	.01 μF
70 μSEC	.01 μF	.01 μF
900 μSEC	—	.22 μF
2 MS	.22 μF	.22 μF
5 MS	—	1 μF

R59, R51, R55 ARE SPARES - NO VALUE ASSIGNED.

FIRST USED ON OPTION/MODEL		QTY.	DESCRIPTION	PART NO.	ITEM NO.
11/45					
PARTS LIST					
UNLESS OTHERWISE SPECIFIED		DRN.	DATE	EQUIPMENT CORPORATION	
DIMENSION IN INCHES		CHK.	DATE	MAYNARD MASSACHUSETTS	
TOLERANCES		TITLE			
DECIMALS	ANGLES	UNIBUS & CONSOLE CONTROL			
XXX - .005	16° 30'	MATERIAL			
.XX - .02		NEXT HIGHER ASSY.			
X - .1		B-DD-KB11-0			
REMOVE BURRS AND BREAK SHARP CORNERS SURFACE QUALITY		DATE		SIZE CODE	NUMBER
		2 FEB 76		DCS M8119-0-1	(UBCB)
FINISH		SCALE		DIST.	REV.
		1 OF 15			B

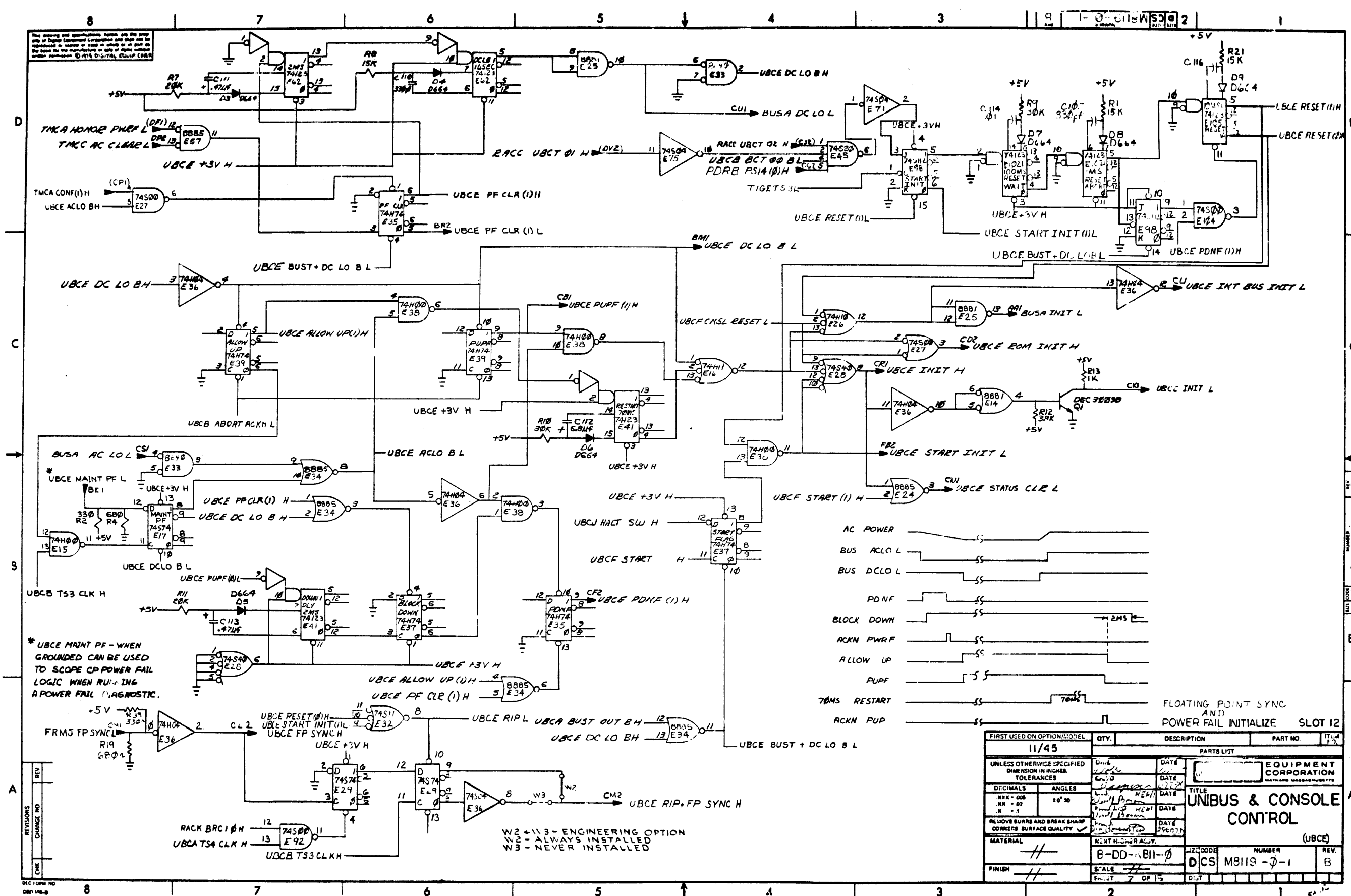
This drawing and specifications, herein, are the property of Digital Equipment Corporation and shall not be reproduced or used in whole or in part as the basis for the manufacture or sale of items without written permission. ©1975 DIGITAL EQUIPMENT CORPORATION



*NOTE:
TO OBTAIN 5μ SEC TIME OUT
REMOVE ONE OF THE CAPACITORS
BETWEEN PINS 7 & 6.
FOR LONGER TIME-OUTS USE TABLE
FOR MSYN DELAYS ON UBCB

FIRST USED ON OPTION/MODEL		QTY.	DESCRIPTION	PART NO.	ITEM NO.
11/45					
UNLESS OTHERWISE SPECIFIED DIMENSION IN INCHES TOLERANCES		DRN	DATE	EQUIPMENT CORPORATION MAYFIELD MASSACHUSETTS	
DECIMALS	ANGLES	ENG	DATE	TITLE	
XXX - 008	±0° 30'	PROJ ENGR	DATE	UNIBUS & CONSOLE CONTROL (UBCD)	
X - 1		PRGR	DATE	PART NO.	
REMOVE BURRS AND BREAK SHARP CORNERS SURFACE QUALITY		PRGR	DATE	REV.	
MATERIAL	NEXT HIGHER ASSY.	SIZE CODE	NUMBER	REV.	
++	B-DD-KB11-0	D	CS	M8119-0-1	
FINISH	SCALE	SHEET	OF	REV.	
++	1/8"	6	OF 15	B	

REV	NO
CHK	NO
CHG	NO
REV	NO



The drawing and specifications herein are the property of Digital Equipment Corporation and shall not be reproduced or copied in whole or in part without the written permission of DEC. © 1975 DEC. ECU-1P (08/75)

TMCA HONOR PWRFL (DPI) 12
TMCA AC CLREL L D885 E57

TMCA CONF(1)H (CPI) 74500 E27
UBCE ACLO BH

UBCE DC LO BH 74400 E36

UBCE ALLOW UP(1)H 74400 E38

UBCE ACLO B L 74400 E36

UBCE MAINT PF L 74400 E36

UBCE DCLO B L 74400 E36

UBCE PUFF(1)H 74400 E38

UBCE +3V H 74400 E36

UBCE PF CLR(1)H 74400 E36

UBCE RIPL 74400 E36

RACC UBCT 01 H (DVE) 74500 E27

UBCE PF CLR(1)H 74400 E36

UBCE DC LO B L 74400 E36

UBCE PUFF(1)H 74400 E38

UBCE +3V H 74400 E36

UBCE ACLO B L 74400 E36

UBCE DCLO B L 74400 E36

UBCE PUFF(1)H 74400 E38

UBCE +3V H 74400 E36

UBCE PF CLR(1)H 74400 E36

UBCE RIPL 74400 E36

UBCE +3V H 74400 E36

UBCE PF CLR(1)H 74400 E36

UBCE DC LO B L 74400 E36

UBCE PUFF(1)H 74400 E38

UBCE +3V H 74400 E36

UBCE ACLO B L 74400 E36

UBCE DCLO B L 74400 E36

UBCE PUFF(1)H 74400 E38

UBCE +3V H 74400 E36

UBCE PF CLR(1)H 74400 E36

UBCE RIPL 74400 E36

UBCE DC LO B L 74400 E36

UBCE PF CLR(1)H 74400 E36

UBCE DC LO B L 74400 E36

UBCE PUFF(1)H 74400 E38

UBCE +3V H 74400 E36

UBCE ACLO B L 74400 E36

UBCE DCLO B L 74400 E36

UBCE PUFF(1)H 74400 E38

UBCE +3V H 74400 E36

UBCE PF CLR(1)H 74400 E36

UBCE RIPL 74400 E36

UBCE DC LO B L 74400 E36

UBCE PF CLR(1)H 74400 E36

UBCE DC LO B L 74400 E36

UBCE PUFF(1)H 74400 E38

UBCE +3V H 74400 E36

UBCE ACLO B L 74400 E36

UBCE DCLO B L 74400 E36

UBCE PUFF(1)H 74400 E38

UBCE +3V H 74400 E36

UBCE PF CLR(1)H 74400 E36

UBCE RIPL 74400 E36

UBCE DC LO B L 74400 E36

UBCE PF CLR(1)H 74400 E36

UBCE DC LO B L 74400 E36

UBCE PUFF(1)H 74400 E38

UBCE +3V H 74400 E36

UBCE ACLO B L 74400 E36

UBCE DCLO B L 74400 E36

UBCE PUFF(1)H 74400 E38

UBCE +3V H 74400 E36

UBCE PF CLR(1)H 74400 E36

UBCE RIPL 74400 E36

UBCE DC LO B L 74400 E36

UBCE PF CLR(1)H 74400 E36

UBCE DC LO B L 74400 E36

UBCE PUFF(1)H 74400 E38

UBCE +3V H 74400 E36

UBCE ACLO B L 74400 E36

UBCE DCLO B L 74400 E36

UBCE PUFF(1)H 74400 E38

UBCE +3V H 74400 E36

UBCE PF CLR(1)H 74400 E36

UBCE RIPL 74400 E36

UBCE DC LO B L 74400 E36

UBCE PF CLR(1)H 74400 E36

UBCE DC LO B L 74400 E36

UBCE PUFF(1)H 74400 E38

UBCE +3V H 74400 E36

UBCE ACLO B L 74400 E36

UBCE DCLO B L 74400 E36

UBCE PUFF(1)H 74400 E38

UBCE +3V H 74400 E36

UBCE PF CLR(1)H 74400 E36

UBCE RIPL 74400 E36

REVISIONS
NO. CHANGE NO. DATE

DEC 1080 808 1080

8

7

6

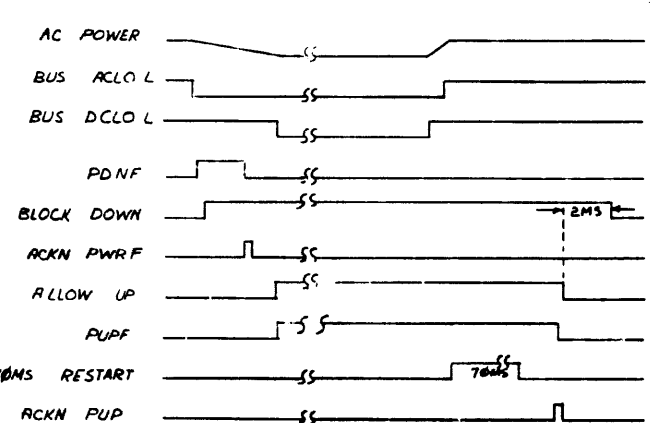
5

4

3

2

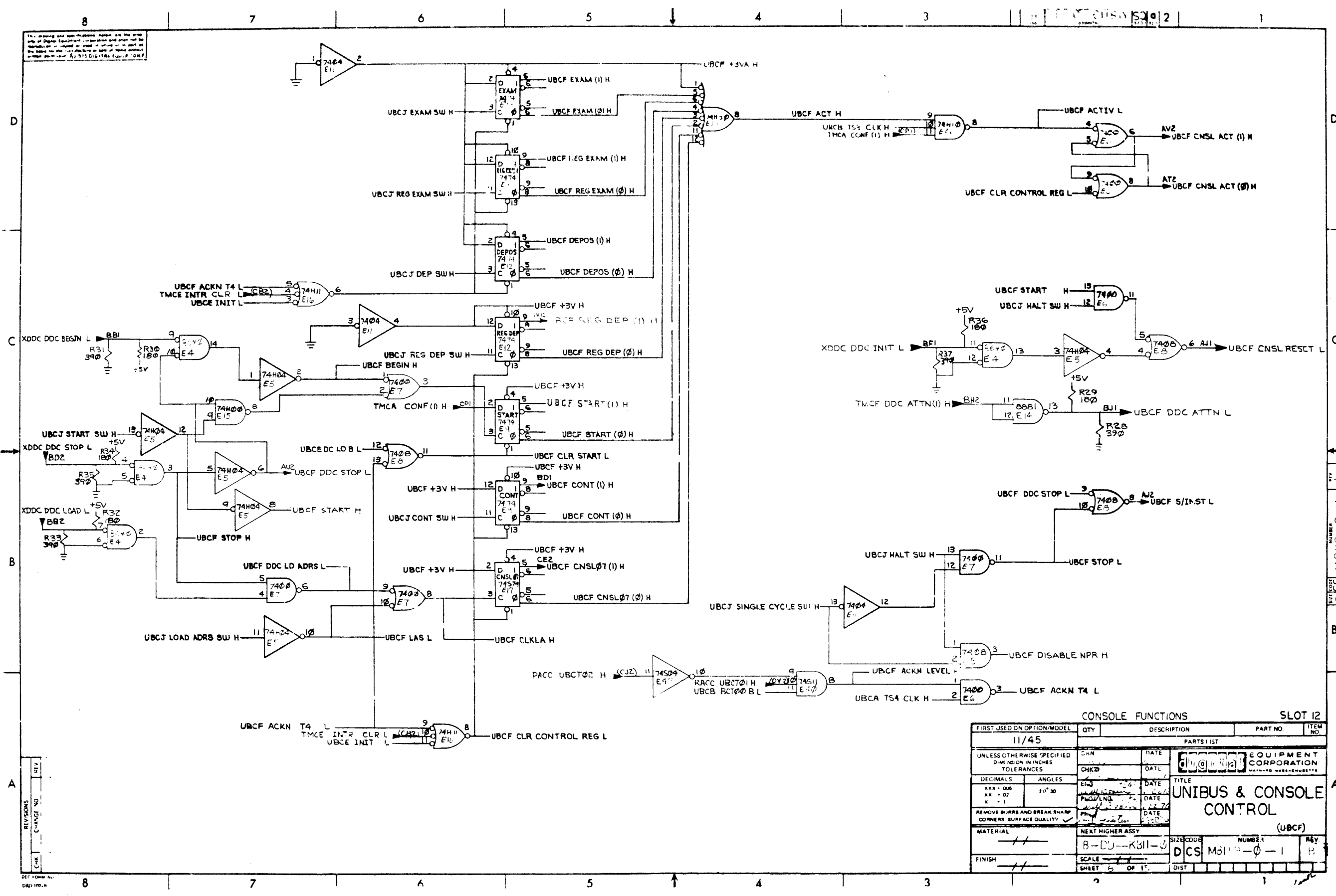
1



FLOATING POINT SYNC AND POWER FAIL INITIALIZE SLOT 12

FIRST USED ON OPTION/MODEL	QTY.	DESCRIPTION	PART NO.	ITL#
11/45				
UNLESS OTHERWISE SPECIFIED DIMENSION IN INCHES TOLERANCES				
DECIMALS	ANGLES	TITLE		
.XX - .008	± 30°	UNIBUS & CONSOLE CONTROL (UBCE)		
.XX - .01		EQUIPMENT CORPORATION		
.XX - .1		MAYNARD MASSACHUSETTS		
RELIEVE BURRS AND BREAK SHARP CORNERS SURFACE QUALITY				
MATERIAL	NEXT HIGHER REV.	J2 CODE	NUMBER	REV.
FINISH	B-DD-8B11-0-1	DCS	M8119-0-1	8
7 OF 15				

W2 + W3 - ENGINEERING OPTION
W2 - ALWAYS INSTALLED
W3 - NEVER INSTALLED

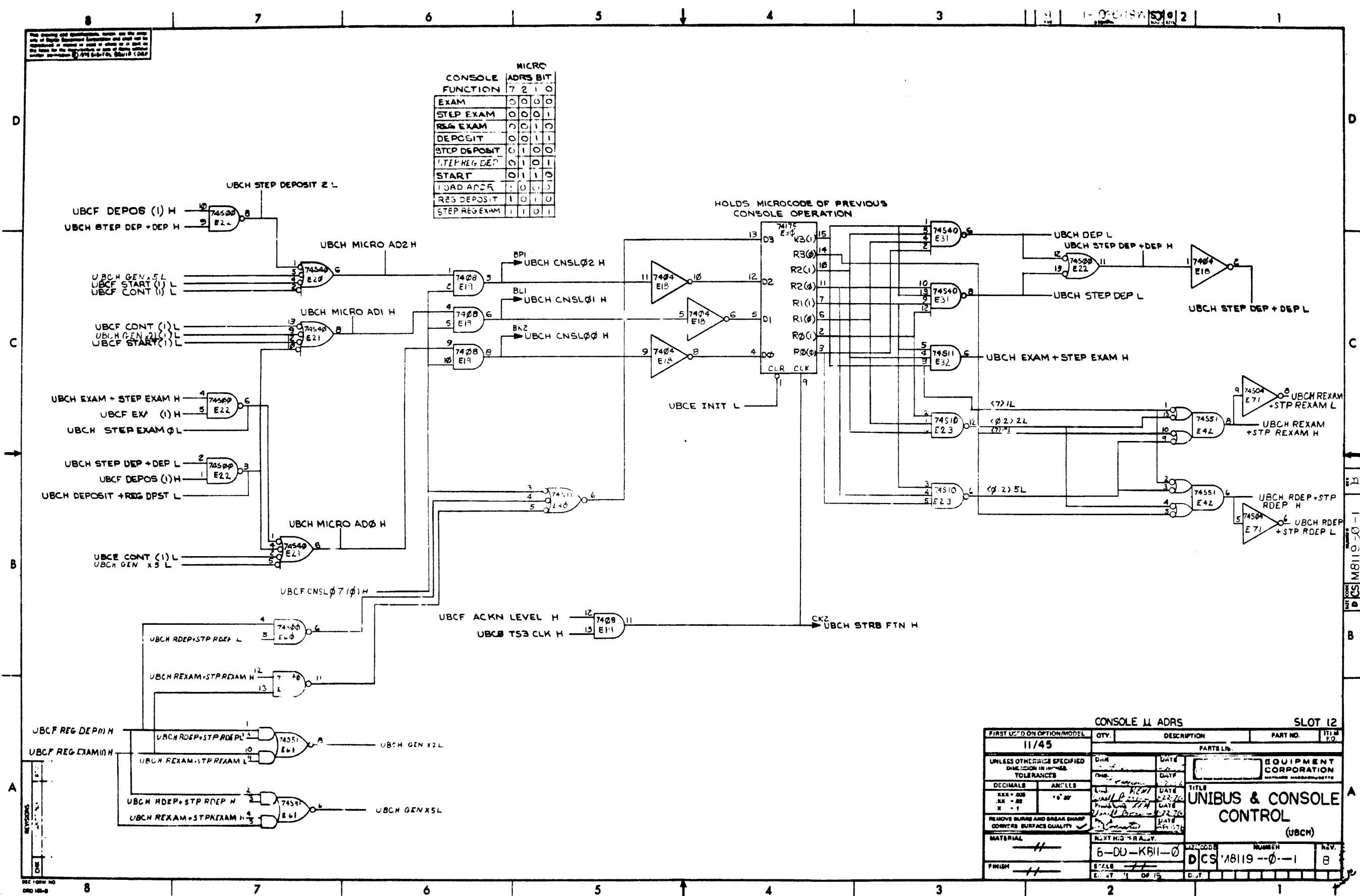


This drawing and sub-assembly herein are the property of Digital Equipment Corporation and shall not be reproduced, copied or used in whole or in part as the basis for the manufacture or sale of items without prior written consent of Digital Equipment Corporation.

REV	NO
CHG	NO
REV	NO

FIRST USED ON OPTION/MODEL		QTY	DESCRIPTION	PART NO.	ITEM NO.
11/45					
UNLESS OTHERWISE SPECIFIED DIMENSION IN INCHES TOLERANCES		GRN	DATE	PARTS LIST	
DECIMALS		CHKD	DATE	EQUIPMENT CORPORATION	
ANGLES		ETG	DATE	UNIBUS & CONSOLE CONTROL	
XXX - 008 XX - 02 X - 1		PHO/LNG	DATE	(UBCF)	
REMOVE BURRS AND BREAK SHARP CORNERS SURFACE QUALITY		PH	DATE	MATERIAL	
MATERIAL		PH	DATE	NEXT HIGHER ASSY	
FINISH		PH	DATE	B-DJ--K311--	
		PH	DATE	SCALE	
		PH	DATE	SHEET 2 OF 15	

DCS M8119-0-1
 NUMBER 1
 REV 1



CONSOLE FUNCTION	MICRO ADRS BIT			
	7	2	1	0
EXAM	0	0	0	0
STEP EXAM	0	0	0	1
REG EXAM	0	0	1	0
DEPOSIT	0	0	1	1
STEP DEPOSIT	0	1	0	0
STEP REG DEP	0	1	0	1
START	0	1	1	0
LOAD ADCA	1	0	1	0
REG DEPOSIT	1	0	1	1
STEP REG EXAM	1	1	0	1

CONSOLE 11 ADRS SLOT 12

FIRST USED ON OPTION/MODEL	QTY.	DESCRIPTION	PART NO.	ITEM P.O.
11/45				
UNLESS OTHERWISE SPECIFIED DIMENSIONS IN INCHES TOLERANCES				
DECIMALS				
XXX - 000				
.XX - 00				
X - 1				
REMOVE BURRS AND BREAK SHARP CORNERS SURFACE QUALITY				
MATERIAL	NEXT MFG R.A.S.V.			
FINISH	6-DU-KB11-0			
EQUIPMENT CORPORATION				
TITLE UNIBUS & CONSOLE CONTROL (UBCH)				
MATERIAL 6-DU-KB11-0				
PART NO. DCS 18119-0-1				
REV. B				

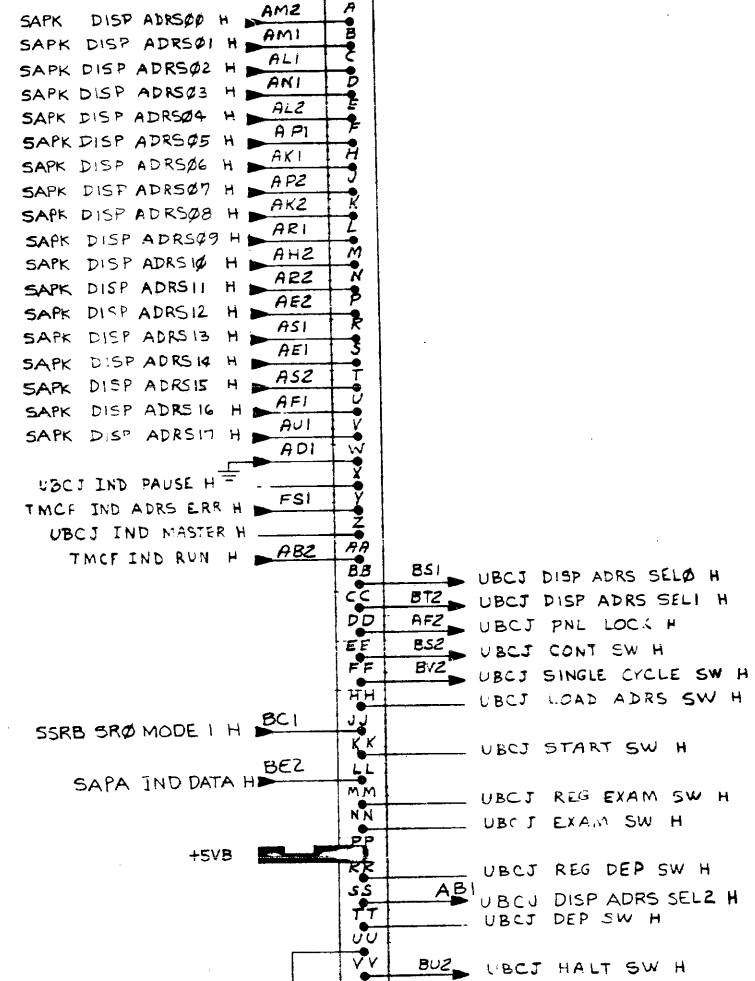
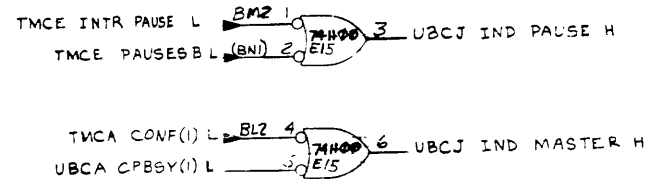
This drawing and specifications, herein, are the property of Digital Equipment Corporation and shall not be reproduced or copied or used in whole or in part as the basis for the manufacture or sale of items without written permission of DIGITAL EQUIPMENT CORPORATION.

1-02-6118W Slot 12

UBC/KNL INTERFACE

SIGNALS TO CONSOLE

SIGNALS FROM CONSOLE



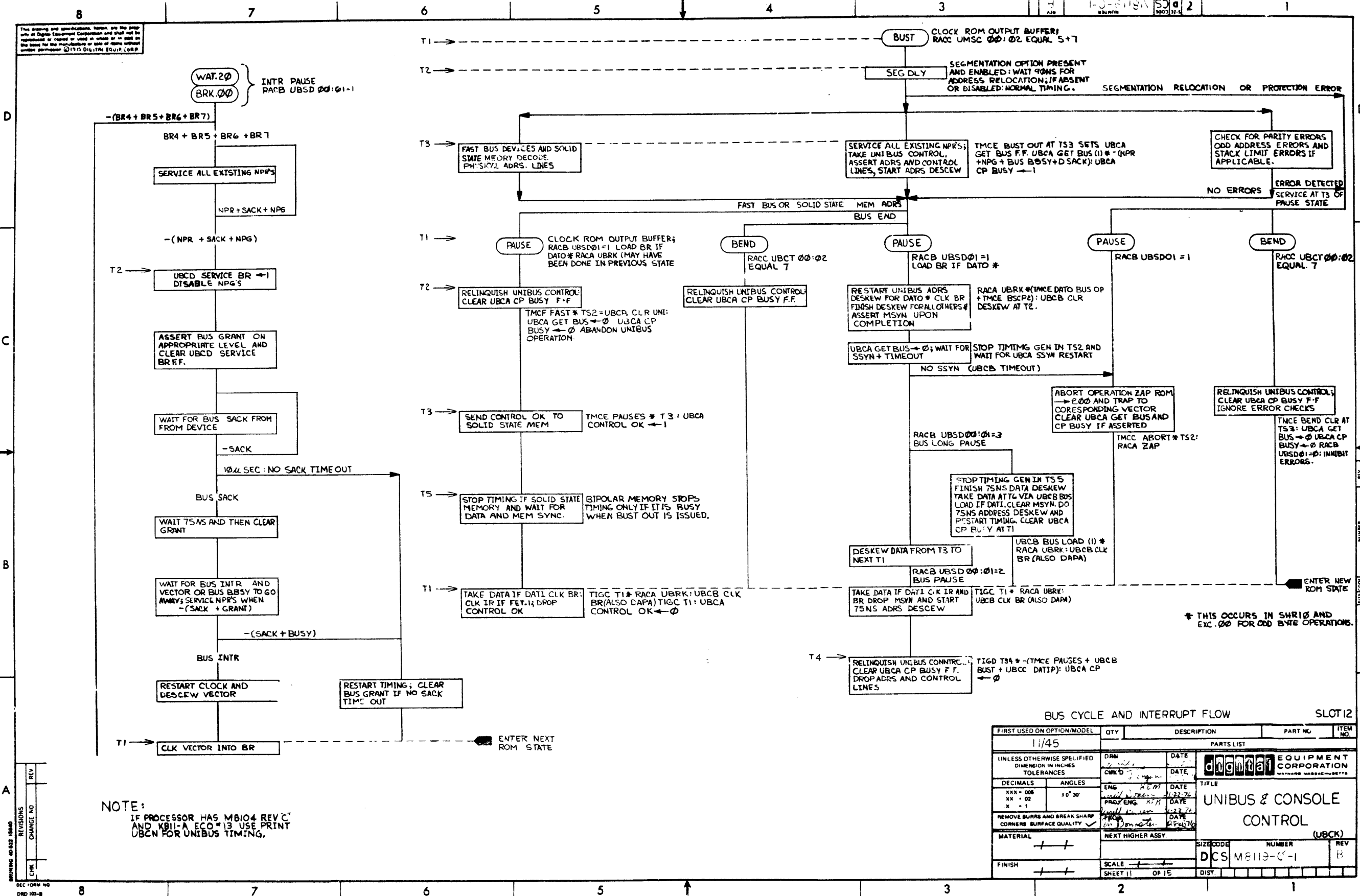
7008864

CONSOLE CABLE; INDICATORS SLOT 12

FIRST USED ON OPTION/MODEL	QTY.	DESCRIPTION	PART NO.	ITEM NO.
11/45				
PARTS LIST				
UNLESS OTHERWISE SPECIFIED DIMENSIONS IN INCHES TOLERANCES		DRN: [Signature]	DATE: [Date]	EQUIPMENT CORPORATION
DECIMALS	ANGLES	ENG: [Signature]	DATE: [Date]	TITLE
XXX - 006	±0° 30'	PROJ. ENG: [Signature]	DATE: [Date]	UNIBUS & CONSOLE CONTROL (UBCJ)
REMOVE BURRS AND BREAK SHARP CORNERS SURFACE QUALITY		DATE: [Date]		
MATERIAL	NEXT HIGHER ASSY.	SIZE CODE	NUMBER	REV.
---	3-DD-KB11-0	DCS	M6119-0-1	B
FINISH	SCALE	SHEET	DIST.	
---	10 OF 15			

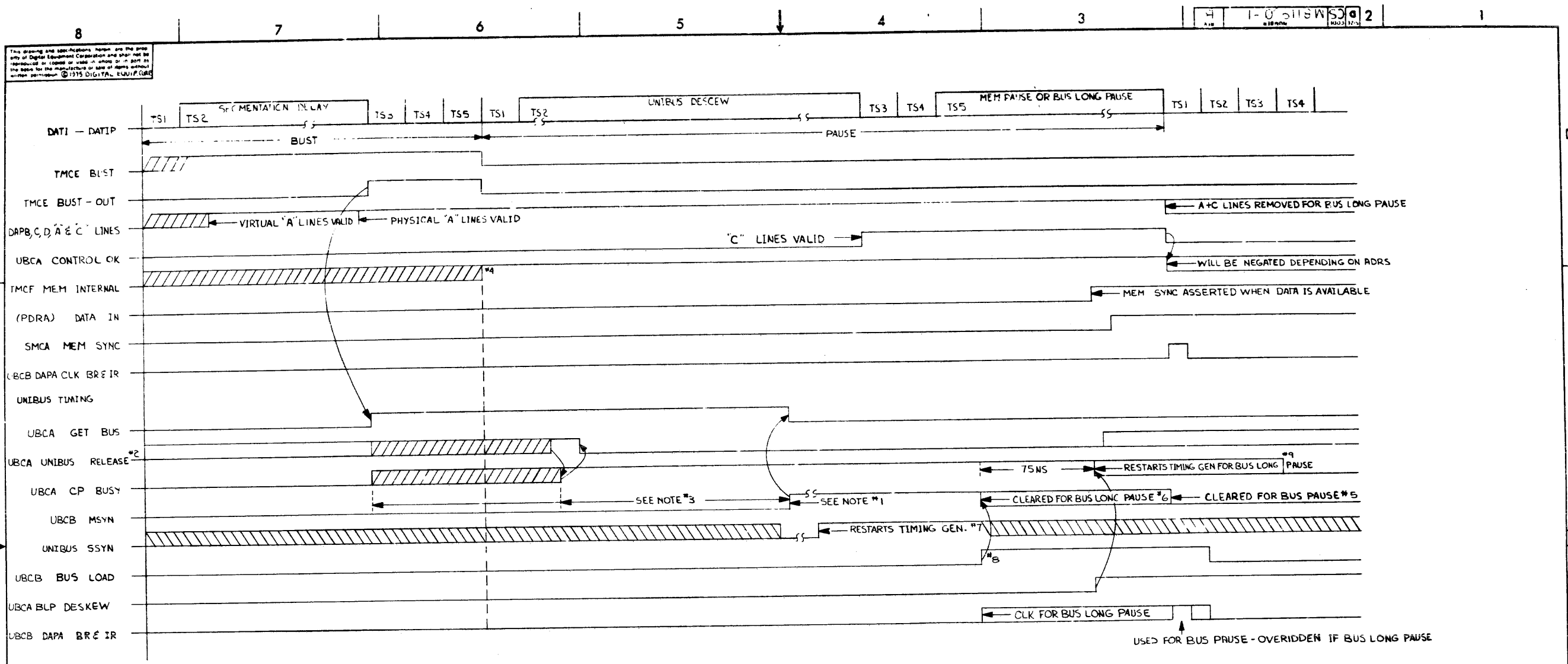
104

This drawing and specifications herein are the property of Digital Equipment Corporation and shall not be reproduced or transmitted in whole or in part or by any means without the prior written permission of Digital Equipment Corporation.



BUS CYCLE AND INTERRUPT FLOW SLOT 12

FIRST USED ON OPTION/MODEL	QTY	DESCRIPTION	PART NO.	ITEM NO.
11/45		PARTS LIST		
UNLESS OTHERWISE SPECIFIED DIMENSION IN INCHES TOLERANCES				
DECIMALS	ANGLES	TITLE		
XX - 008	10° 30'	Digital EQUIPMENT CORPORATION UNIBUS & CONSOLE CONTROL (UBCK)		
XX - 02				
X - 1		SIZE CODE NUMBER REV		
MATERIAL		NEXT HIGHER ASSY.		
FINISH		SCALE		
		SHEET 11 OF 15		
		DISTR.		



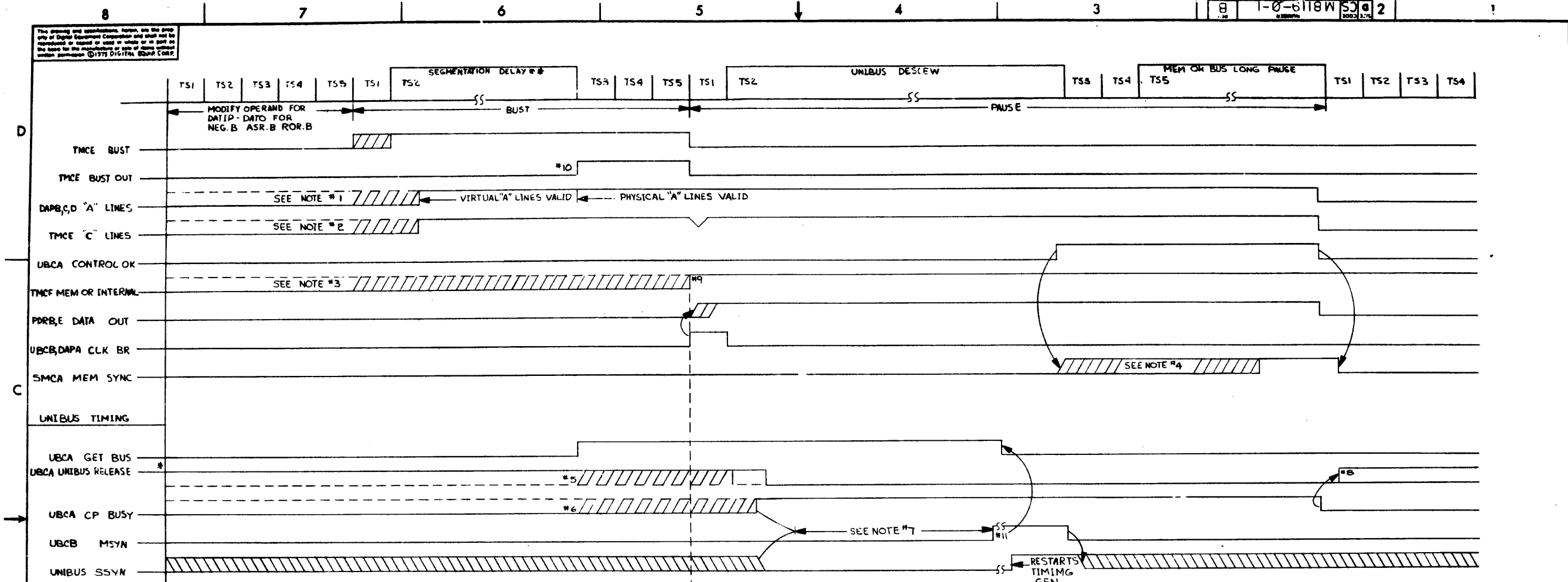
1. MSYN IS NOT SET IF ODD ADRS, SEGMENTATION, PARITY OR STACK LIMIT ERROR HAS OCCURED. ERROR CONDITION RESTARTS TIMING GENERATOR AND ROM IS FORCED TO ZAP: 00
2. UNIBUS RELEASE = -(NPG + NPR + DSACK + BBSY)
3. MSYN IS SET 150 NS AFTER CP BUSY IS OFF OR WHENEVER SSYN IS NOT PRESENT AFTER THE 150 NS DESKEW
4. IF ADRS IS INTERNAL OR SOLID STATE MEMORY UNIBUS CNTL LOGIC IS CLEARED, DESKEW STOPPED, MSYN NOT ASSERTED.
5. BUS PAUSE - ADRS WILL NOT BE CHANGED IMMEDIATELY UPON EXITING PAUSE STATE
6. BUS LONG PAUSE - 75 NS ADRS DESKEW AFTER NEGATION OF MSYN MUST BE DONE BEFORE TIMING GEN. RESTARTS AT TS OF PAUSE CYCLE BECAUSE 'A' & 'C' LINES WILL CHANGE UPON EXITING PAUSE STATE
7. IF NON-EXISTANT MEMORY, TIMEOUT RESTARTS CLOCK.
8. BUS LOAD IS SET ONE CLOCK AFTER TS TO ALLOW COMPLETION OF WRITE TO SCRATCHPAD FOR PREVIOUS CYCLE BEFORE NEW IR & BR ARE LOADED
9. CLEARED 75 NS AFTER MSYN → 0: T4 FOR BUS PAUSE

NOTE:
IF PROCESSOR HAS M8104 REV C
AND KB11-A ECO #13 USE PRINT
UBCP FOR UNIBUS TIMING.

DATI - DATIP TIMING DIAGRAM SLOT 12

FIRST USED ON OPTION/MODEL	QTY	DESCRIPTION	PART NO.	ITEM NO.
PARTS LIST				
UNLESS OTHERWISE SPECIFIED DIMENSION IN INCHES TOLERANCES	DATE	DATE	digital EQUIPMENT CORPORATION MAYFIELD, OHIO 44130	
DECIMALS ANGLES	DATE	DATE		
XXX - 005 XX - 02 X - 1	1-22-76	1-22-76	TITLE UNIBUS & CONSOLE CONTROL (UBCL)	
REMOVE BURRS AND BREAK SHARP CORNERS SURFACE QUALITY	DATE	DATE		
MATERIAL	NEXT HIGHER ASSY.	DATE	SIZE CODE	NUMBER
FINISH	B-DD-KB11-A	1-22-76	DCS	M8119-0-1
	SCALE	DATE	DIST	REV.
	SHEET 12 OF 15			B

BRUNING 40 532 15840
 DEC 1974
 DRD 102-B



- NOTES:**
- * UNIBUS RELEASE = -(NPR + NPG + BBSY + SACK)
 - ** TIMING GEN: PROVIDES DELAY EQUIVALENT TO 3 TIME STATES FOR RELOCATION OF ADDRESSES IF SEGMENTATION IS PRESENT AND ENABLED
 - 1. ADDRESS WILL NOT BE CHANGING IF DATO IS PRECEDED BY DATIP (DOTTED LINE SHOWS DATIP)
 - 2. CONTROL LINES WILL SHOW DATIP OR ELSE ARE INVALID UNTIL CONTROL OK
 - 3. MEM OR INTERNAL WILL BE TRUE UPON ENTERING DATO IF ADDRESS WAS SEMI CONDUCTOR MEMORY OR INTERNAL FROM PREVIOUS DATIP
 - 4. MEM SYNC IS ASSERTED BY SEMI CONDUCTOR MEMORY AS SOON AS DATA IS TAKEN-IF DATA IS TAKEN AND MEM SYNC ASSERTED PRIOR TO T 5 OF THE PAUSE CYCLE TIMING GENERATOR IS NOT STOPPED IN T 5
 - 5. UNIBUS RELEASE WILL BE TRUE IF PREVIOUS OPERATION WAS A DATIP TO A UNIBUS ADDRESS.
 - 6. CP BUSY WILL BE ASSERTED UPON ENTRY INTO DATO IF PREVIOUS OPERATION WAS A DATIP TO A UNIBUS ADDRESS

- 7. DESKEW FOR "A" "C" "D" LINES IS 150NS STARTING WHEN CP BUSY IS SET AND SSYM FROM THE PREVIOUS BUS OPERATION IS NEGATED.
- 8. UNIBUS RELEASE BECOMES TRUE IF NO NPR DEVICE HAS BEEN GIVEN CONTROL OR IS REQUESTING PRIOR TO CP BSY GETTING CLEARED
- 9. IF ADDRESS IS SEMI CONDUCTOR MEMORY OR INTERNAL, UNIBUS LOGIC IS CLEARED DESKEW IS STOPPED AND MSYN IS NOT ASSERTED.
- 10. BUST OUT IS INHIBITED IN 1RD.00 FOR CONDITIONAL BUST (MSC=5) IF EIN * SM123 + BR INST * BKQ TRUE : DM123 * -(BIN * SM61 + BR INST)
- 11. MSYN IS NOT SET IF AN ODD ADRS, STACK LIMIT RED SEGMENTATION OR FARTY ERROR HAS OCCURED

NOTE: 1. ALL SIGNALS ARE SHOWN TRUE WHEN HIGH

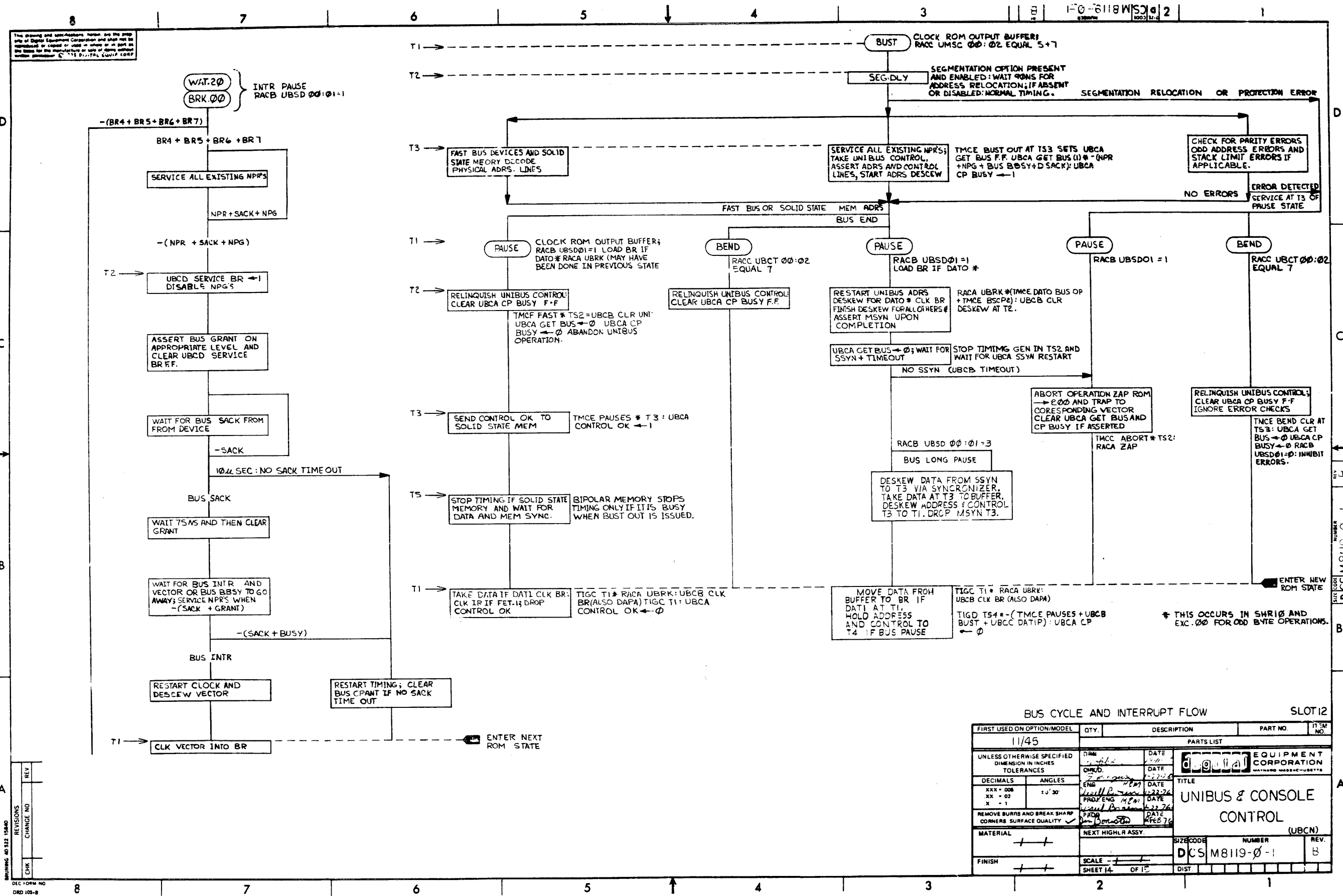
NOTE: IF PROCESSOR HAS M8104 REV 2 AND KB11-A ECO #13, USE PRINT UBCP FOR UNIBUS TIMING.

DATO TIMING DIAGRAM

SLOT 12

FIRST USED ON OPTION/MODEL 11/45	QTY	DESCRIPTION	PART NO.	ITEM NO.
PARTS LIST				
UNLESS OTHERWISE SPECIFIED DIMENSION IN INCHES. TOLERANCES	DATE 1-22-76	DIGITAL EQUIPMENT CORPORATION MAYNARD MASSACHUSETTS		
DECIMALS ANGLES	DATE 1-22-76	TITLE UNIBUS & CONSOLE CONTROL		
XXX = .006 .XX = .02 X = .1	DATE 1-22-76	REV. B		
REMOVE BURRS AND BREAK SHARP CORNERS SURFACE QUALITY	DATE 1-22-76	SIZE CODE DCS M8119-0-1		
MATERIAL	NEXT HIGHER ASSY	(UBCM)		
FINISH	SCALE	SHEET 13 OF 15		

BRUNING 40-332 18000
 REVISIONS
 CHG CHANGE NO
 DATE



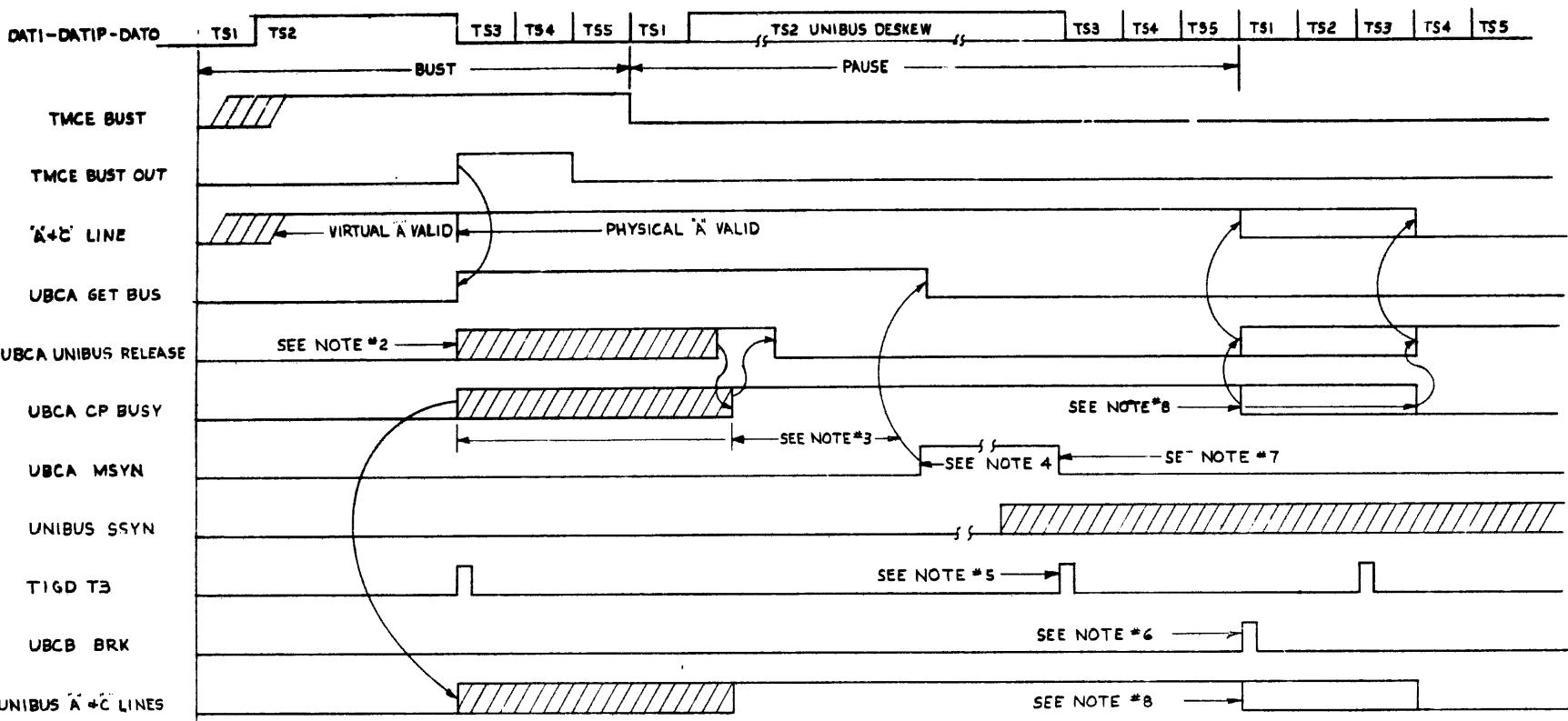
108

REVISIONS
 CHANGE NO. REV.
 CHK

NUMBER
 DCS M8119-0-1

BUS CYCLE AND INTERRUPT FLOW SLOT 12

THIS DRAWING AND SPECIFICATIONS HEREIN ARE THE PROPERTY OF DIGITAL EQUIPMENT CORPORATION AND SHALL NOT BE REPRODUCED OR COPIED OR USED IN WHOLE OR IN PART AS THE BASIS FOR THE MANUFACTURE OR SALE OF ITEMS WITHOUT WRITTEN PERMISSION. COPYRIGHT © 1975 DIGITAL EQUIPMENT CORPORATION.



- NOTES:
- *1 MSYN IS NOT SET IF ODD ADDRESS, KTHC, PARITY OR STACK LIMIT HAS OCCURED. ERROR CONDITION RESTARTS TIMING GEN. AND ROM IS FORCED TO ZAP.00
 - *2 UNIBUS RELEASE = $-(NPG + NPR + SACK + B BUSY)$
 - *3 MSYN IS SET 150 NS AFTER CP BUSY OR WHENEVER S5YN IS NOT PRESENT AFTER 150 NS DESKEW.
 - *4 IF ADDR IS INTERNAL OR SOLID STATE MEMORY UNIBUS CONTROL LOGIC IS CLEARED, DESKEW STOPPED, MSYN NOT ASSERTED.
 - *5 T3 STROBES UNIBUS DATA TO BUS BUFFER REGISTER EVERY T3. FOR DATI-DATIP THE BR CLOCK IS NEXT T1
 - *6 BRK IS DEPENDENT ON ROM TO LOAD BUS TO BR.
 - *7 T5NS DESKEW FOR MSYN IS OBTAINED BY THE FACT THAT S5YN MUST GO THROUGH 2 RANKS OF SYNCHRONIZATION
 - *8 FOR BUS LONG PAUSE ADDRESS + CONTROL IS DESKEWED FROM T3 TO T1. FOR BUS PAUSE THEY ARE HELD TO TS4 OF THE NEXT ROM CYCLE.

REV	CHG

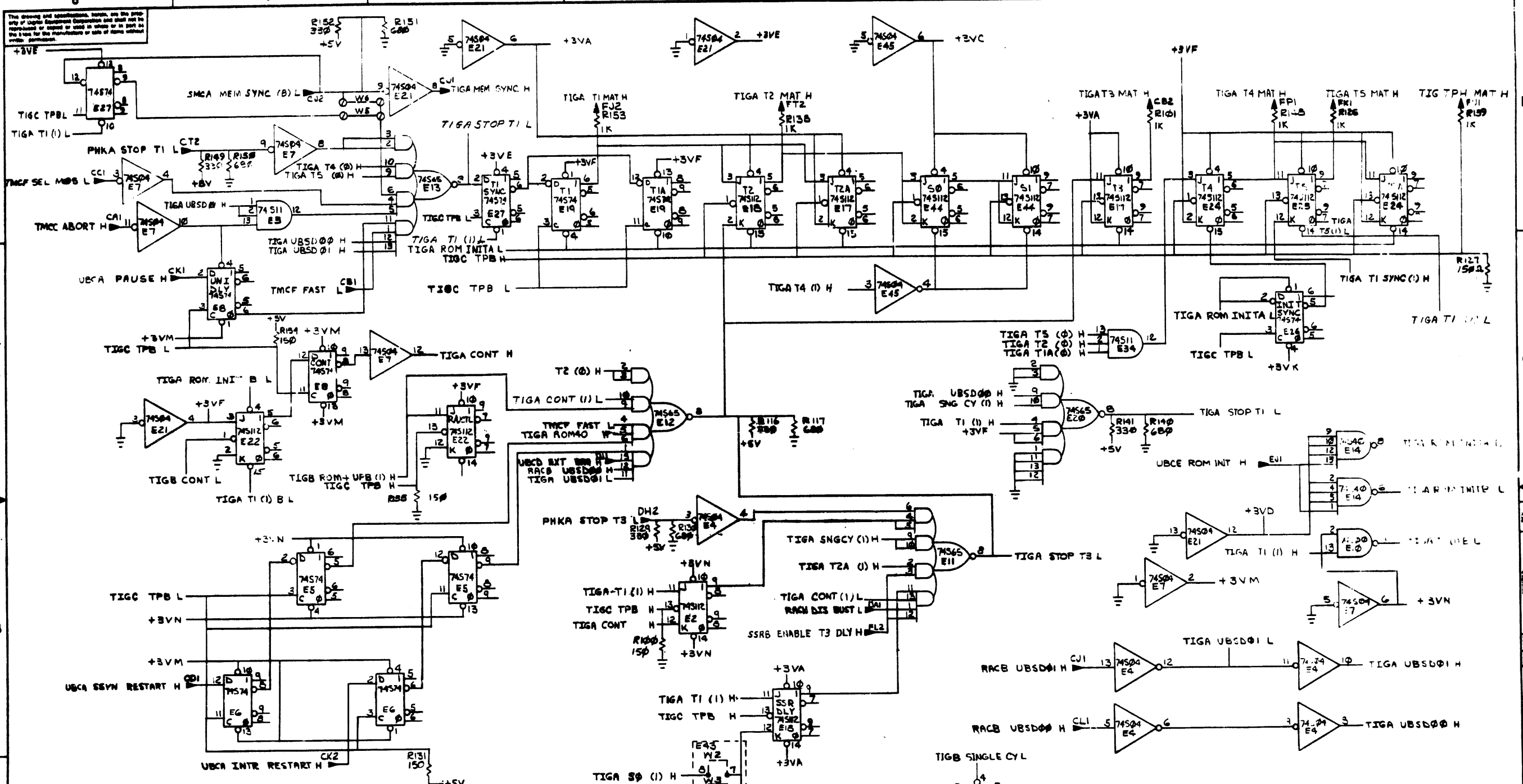
FIRST USED ON OPTION/MODEL		QTY.	DESCRIPTION	PART NO.	ITEM NO.
11/45					
PARTS LIST					
UNLESS OTHERWISE SPECIFIED DIMENSION IN INCHES		DRN.	DATE	digital EQUIPMENT CORPORATION	
TOLERANCES		CHK'D	DATE	MAYFORD MASSACHUSETTS	
DECIMALS	ANGLES	ENG	DATE	TITLE	
.xxx = .005	.0° 30'	PROJ. ENG	DATE	UNIBUS & CONSOLE CONTROL	
.xx = .02		DRN	DATE	(UBCP)	
.x = .1		BOARD	DATE	SIZE CODE	NUMBER
REMOVE BURRS AND BREAK SHARP CORNERS SURFACE QUALITY Y		DATE		DCS	M8119-0-1
MATERIAL	NEXT HIGHER ASSY.			SCALE	REV.
					B
FINISH	SCALE	SHEET	OF	DIST.	

SLOT 12

DCS M8119-0-1

187

This drawing and specifications herein, are the property of Hughes Aircraft Company and shall not be reproduced or used in whole or in part as the basis for the manufacture or sale of items without written permission.

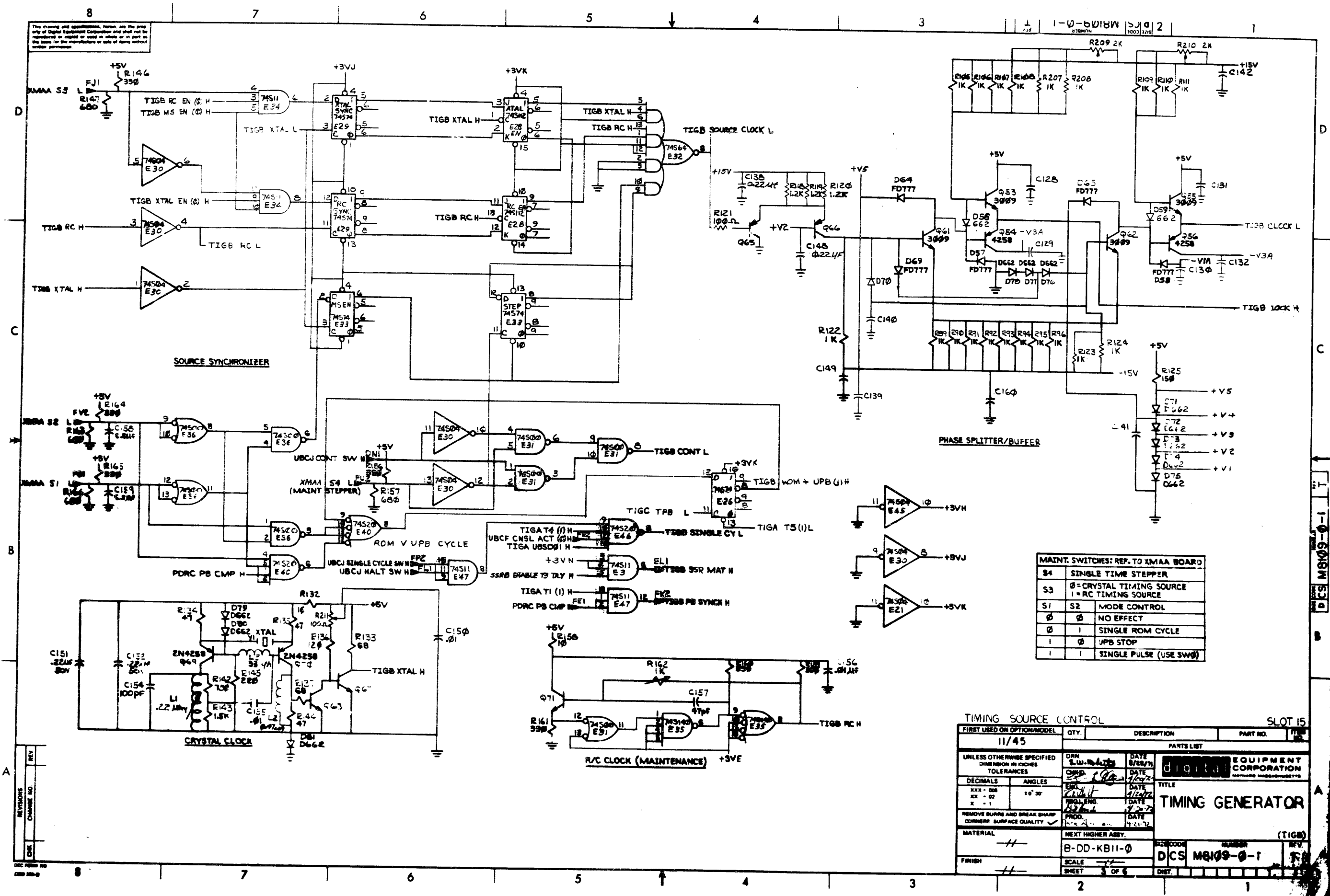


FIRST USED ON OPTION/MODEL		QTY.	DESCRIPTION	PART NO.	ITEM NO.
11145					
PARTS LIST					
UNLESS OTHERWISE SPECIFIED DIMENSION IN INCHES TOLERANCES					
DECIMALS	ANGLES	DATE			
XXX - 000	10' 30"	DATE			
XX - 00		DATE			
X - 0		DATE			
REMOVE BURRS AND BREAK SHARP CORNERS SURFACE QUALITY					
MATERIAL					
NEXT HIGHER ASSY.					
FINISH					

TIMING GENERATOR CONTROL		SLOT 5	
DATE	DATE	DATE	DATE
BY	BY	BY	BY
CHKD	CHKD	CHKD	CHKD
PROD.	PROD.	PROD.	PROD.
MATERIAL		NUMBER	
B-DD-KB11-0		DCS M8109-0-1	
SCALE		REV.	
SHEET 2 OF 6		1	

REVISIONS
NO. CHANGE NO. REV.

DCS M8109-0-1



MAINT. SWITCHES: REF. TO XMAA BOARD

S4	SINGLE TIME STEPPER	
S3	0 = CRYSTAL TIMING SOURCE 1 = RC TIMING SOURCE	
S1	S2	MODE CONTROL
0	0	NO EFFECT
0	1	SINGLE ROM CYCLE
1	0	UPB STOP
1	1	SINGLE PULSE (USE SW0)

TIMING SOURCE CONTROL

FIRST USED ON OPTION/MODEL	QTY.	DESCRIPTION	PART NO.	REV.
11/45				

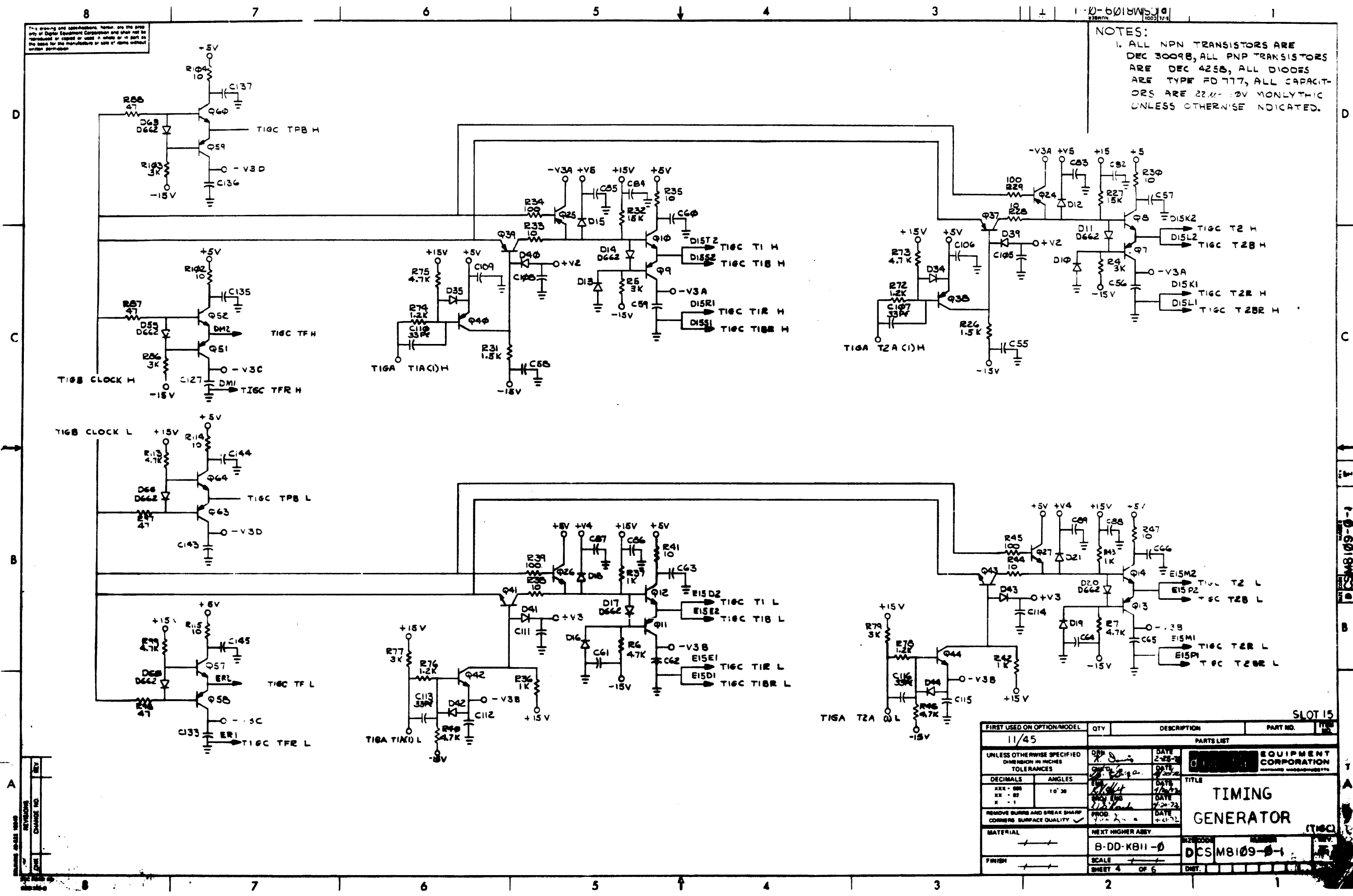
PARTS LIST		TITLE	
DRN	DATE	DATE	TITLE
CHKD	DATE	DATE	TITLE
ENG	DATE	DATE	TITLE
FRM/ENG	DATE	DATE	TITLE
PRD.	DATE	DATE	TITLE

MATERIAL	SCALE	SIZE CODE	NUMBER	REV.
--	--	B-DD-KB11-0	DCS M8109-0-1	1

112

This drawing and specifications, herein, are the property of Digital Equipment Corporation and shall not be reproduced or copied or used in whole or in part as the basis for the manufacture of any of items without written permission.

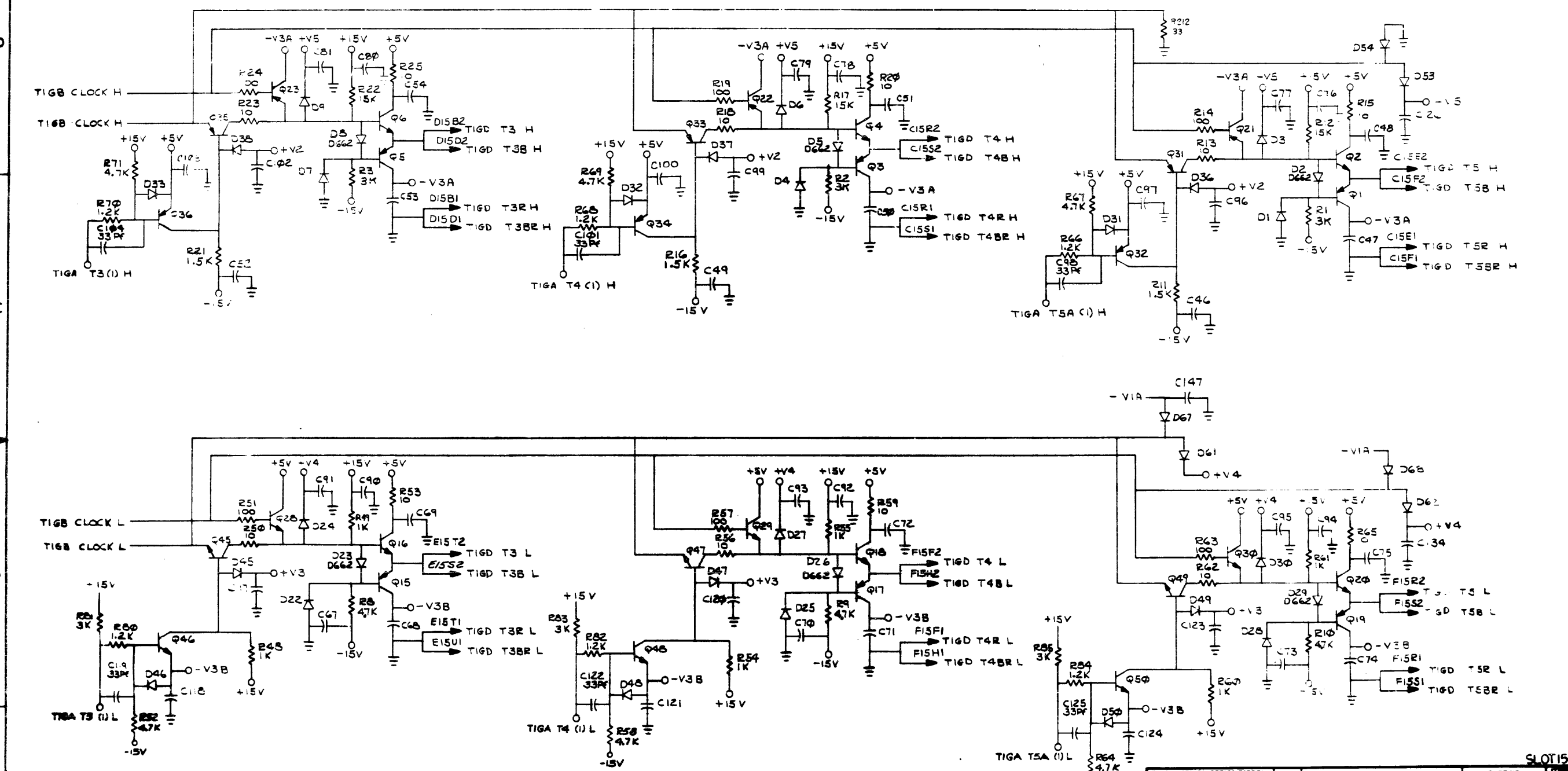
NOTES:
1. ALL NPN TRANSISTORS ARE DEC 3009B, ALL PNP TRANSISTORS ARE DEC 425B, ALL DIODES ARE TYPE FD 717, ALL CAPACITORS ARE 22% 10V MONOLITHIC UNLESS OTHERWISE INDICATED.



SLOT 15

FIRST USED OR OPTION/MODEL	QTY	DESCRIPTION	PART NO.	REV. NO.	
11/45					
PARTS LIST					
UNLESS OTHERWISE SPECIFIED DIMENSIONS IN INCHES TOLERANCES		DATE 2-28-72	EQUIPMENT CORPORATION		
DECIMALS	ANGLES	DATE 2-27-72	TITLE		
XXX - 000	10 30	DATE 1/2/72	TIMING GENERATOR		
XX - 00		DATE 1/2-72			
REMOVE BURRS AND BREAK SHARP CORNER SURFACE QUALITY		PROD. 1/2-72	DATE 1-2-72	REV. NO.	
MATERIAL		NEXT HIGHER ASSY.		REV. CODE	
FINISH		B-DD-KB11-0		DCS M8109-0-1	
		SCALE		DST.	
		SHEET 4 OF 6			

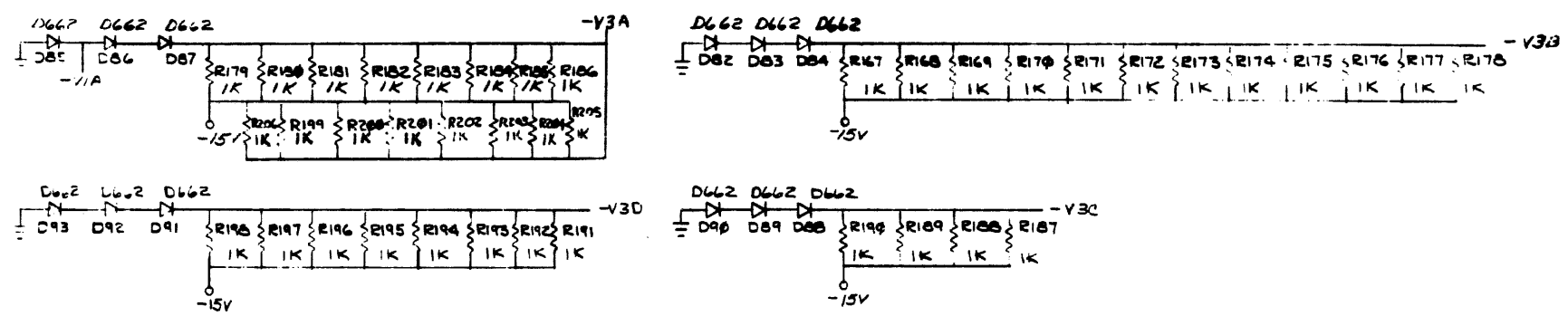
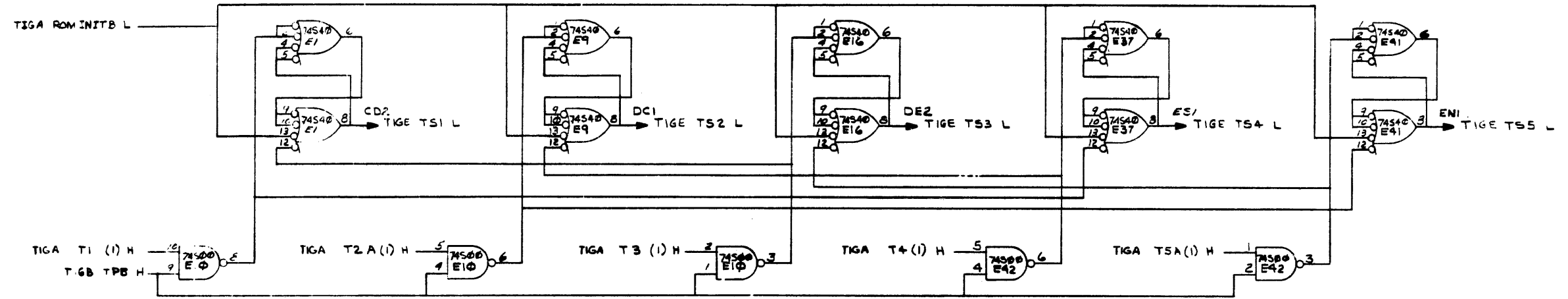
The drawing and specifications here are the property of Digital Equipment Corporation and shall not be reproduced or copied in whole or in part as the basis for the manufacture or sale of items without written permission.



NOTE: ALL NPN TRANSISTORS ARE DEC 3007B, ALL PNP TRANSISTORS ARE DEC 425B, ALL DIODES ARE TYPE PD77, ALL CAPACITORS ARE .22 uF POLYETHYLENE UNLESS OTHERWISE INDICATED.

FIRST USED ON OPTION/MODEL	QTY	DESCRIPTION	PART NO
11/45			
UNLESS OTHERWISE SPECIFIED DIMENSION IN INCHES TOLERANCES			
DECIMALS	ANGLES	PARTS LIST	
XXX - 008	10' 30	DIGITAL EQUIPMENT CORPORATION	
XX - 02		TITLE	
X - 1		TIMING GENERATOR	
REMOVE BURRS AND BREAK SHARP CORNERS SURFACE QUALITY		PART NO	
MATERIAL	NEXT HIGHER ASBY.	DCS M8109-0-1	
FINISH	SCALE	SHEET 5 OF 6	

This drawing and substitutions hereon are the property of Digital Equipment Corporation and shall not be reproduced or copied or used in whole or in part as the basis for the manufacture or sale of items without written permission.



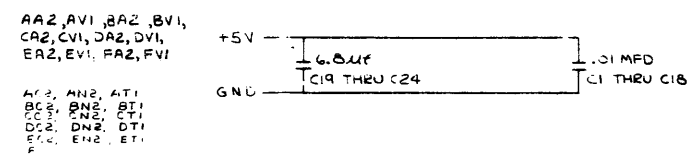
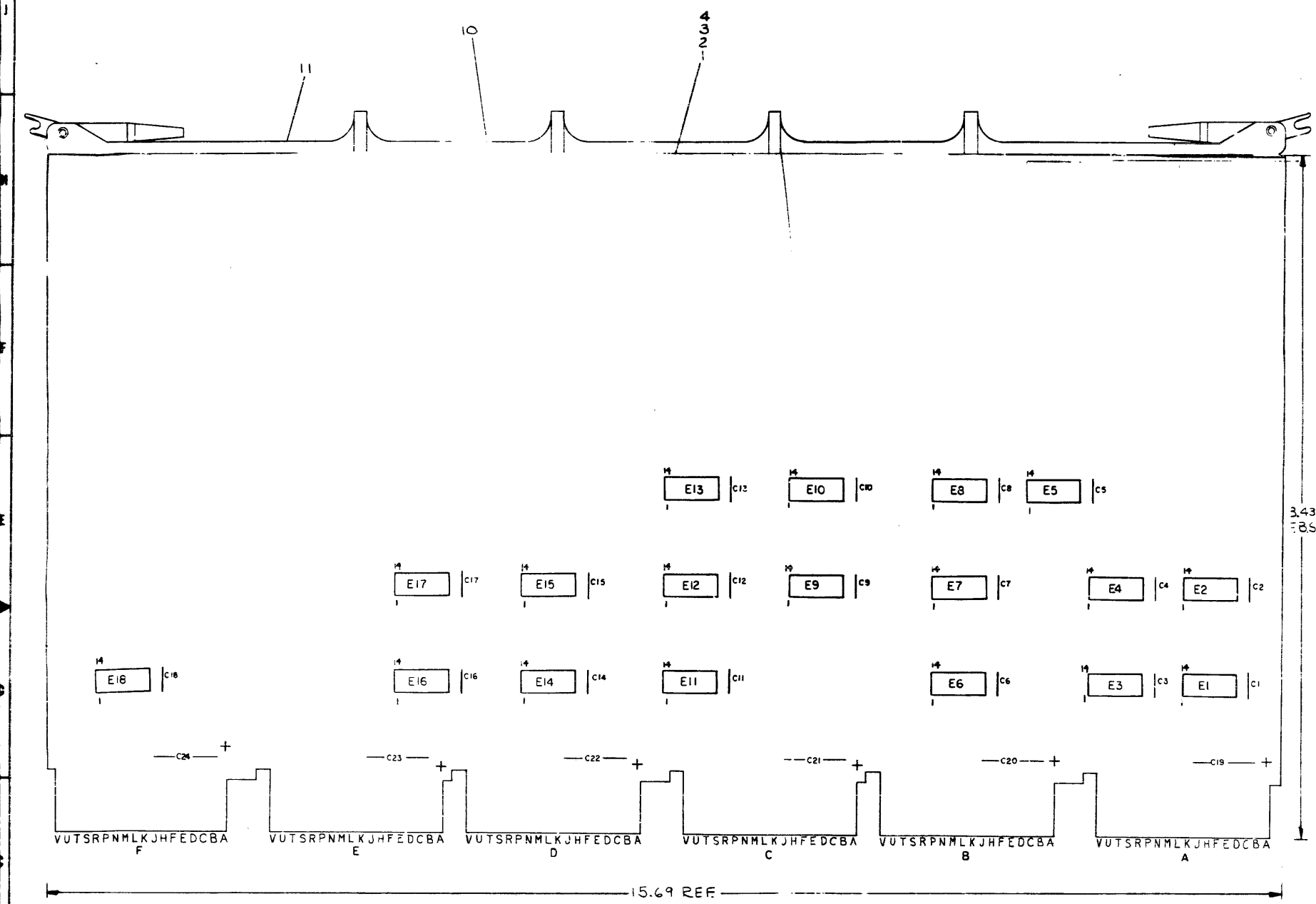
REV	NO	DATE

TIMING STATE DRIVERS		SLOT 15	
FIRST USED ON OPTION/MODEL	QTY.	DESCRIPTION	PART NO.
11/45			
UNLESS OTHERWISE SPECIFIED DIMENSION IN INCHES TOLERANCES			
DECIMALS	ANGLES	DATE	
XXX - 000	10° 30'	DATE	
XX - 00		DATE	
X - 0		DATE	
REMOVE BURRS AND BREAK SHARP CORNERS SURFACE QUALITY			
MATERIAL			
NEXT HIGHER ASSY.			
FINISH			
SCALE			
SHEET 6 OF 6			

DIGITAL EQUIPMENT CORPORATION
TIMING GENERATOR (TIGE)
DCS 10000-0-1

ALL DIMENSIONS UNLESS OTHERWISE SPECIFIED ARE IN MILLIMETERS. DIMENSIONS IN PARENTHESES ARE IN INCHES. DIMENSIONS ARE SHOWN TO 0.25 MM (0.01 INCH) UNLESS OTHERWISE SPECIFIED. DIMENSIONS ARE TO CENTER UNLESS OTHERWISE SPECIFIED.

NOTES:
1. UNLESS OTHERWISE NOTED RESISTANCE IS IN OHMS AND CAPACITANCE IS IN PICOFARADS. CAPS. WITHOUT VALUE NOTED ARE .01 MFD.



QTY	REF DESIGNATION	DESCRIPTION	PART NO.	REV.
1		HANDLE MODULE	E-95-210711-2	11
12		EYELET	9006732	10
6	E1, E2, E3, E4, E5, E6, E7, E9, E11, E12	IC DEC 74S11	1910537	9
5	E3, E4, E5, E13, E15, E16, E18	IC DEC 8881	909705	8
7	E1, E2, E7, E8	IC DEC 7404	909686	7
18	C1 THRU C18	CAPACITOR .001, 10%, 20% DISC	1001610	6
6	C19 THRU C24	CAPACITOR 6.8MΩ, 35%, 20%	1005306	5
1		ETCHED CIRCUIT BOARD	5009950	4
REF		MODULE ECO HISTORY	B-NH-MB16-0-4	3
REF		ASSY/DRILLING HOLE LAYOUT	E-NH-MB16-0-5	2
REF		X-Y COORDINATE HOLE LOCATION	KCO-MB16-0-4	1

ETCH BOARD REV A B C

DEC NO.	ISA NO.	DEC NO.	ISA NO.

SEMICONDUCTOR CONVERSION CHART

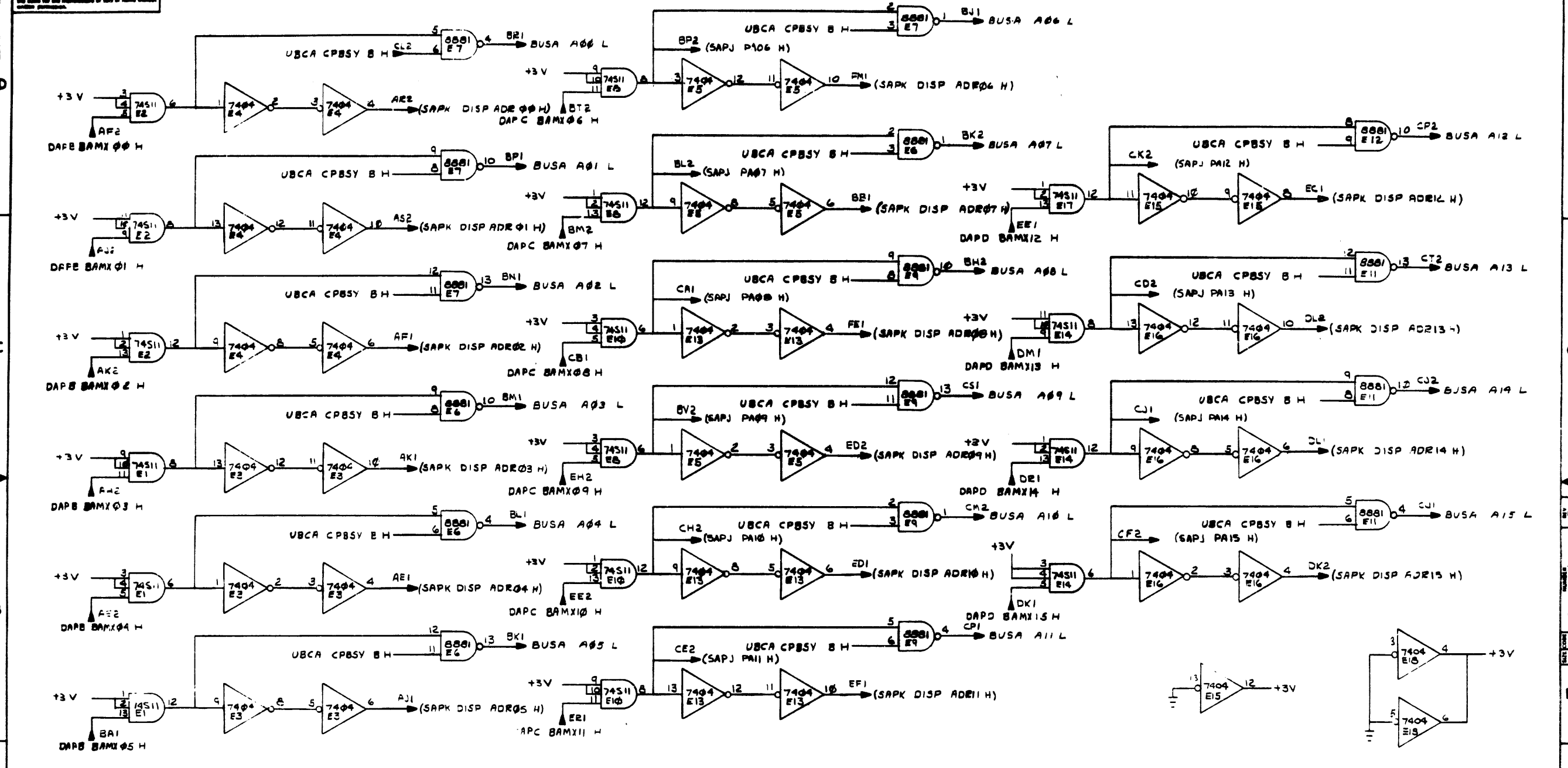
EQUIPMENT CORPORATION
SYSTEM ADDRESS BUFFERS

B-DD-11/45-0

CSMB116-0-1

IC TYPE	QTY	REF. NO.	QTY	REF. NO.	QTY	REF. NO.	QTY	REF. NO.	QTY	REF. NO.

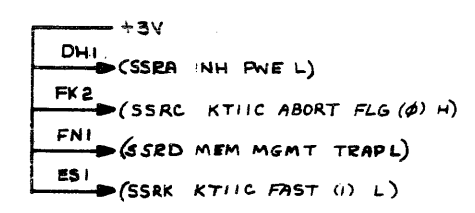
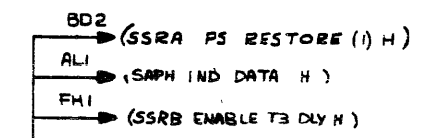
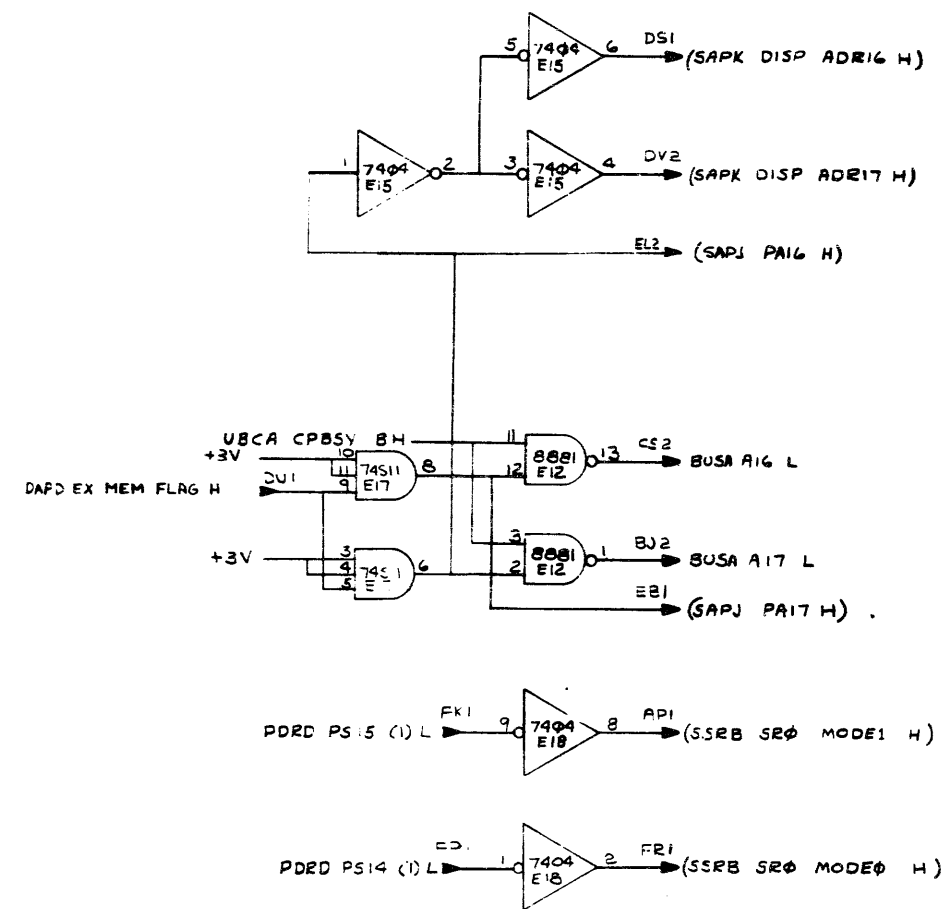
This drawing and specifications herein are the property of Digital Equipment Corporation and shall not be reproduced or used in whole or in part in any form for the manufacture of any of their without written permission.



REV	NO
CHANGE NO	
CHK	

ADDRESS LINES 0 - 15		SLOT 14	
FIRST USED ON OPTION/MODEL 11/45	QTY.	DESCRIPTION	PART NO.
PARTS LIST			
UNLESS OTHERWISE SPECIFIED DIMENSION IN INCHES TOLERANCES	DATE 11/10/71	EQUIPMENT CORPORATION	
DECIMALS	ANGLES	TITLE	
XXX - 000	20° 30'	SYSTEM ADDRESS BUFFERS	
XX - 02		(S J B A)	
X - 1		REV B	
REMOVE BURRS AND BREAK SHARP CORNERS SURFACE QUALITY	DATE 3/2/72	SIZE CODE	
MATERIAL	DATE 3/2/72	NUMBER	
FINISH		CSC M8116-0-1	
		SHEET 2 OF 3	
		DIST.	

The drawing and specifications herein are the property of Digital Equipment Corporation and shall not be reproduced or copied in whole or in part in any form or by any means without the express written permission of Digital Equipment Corporation.

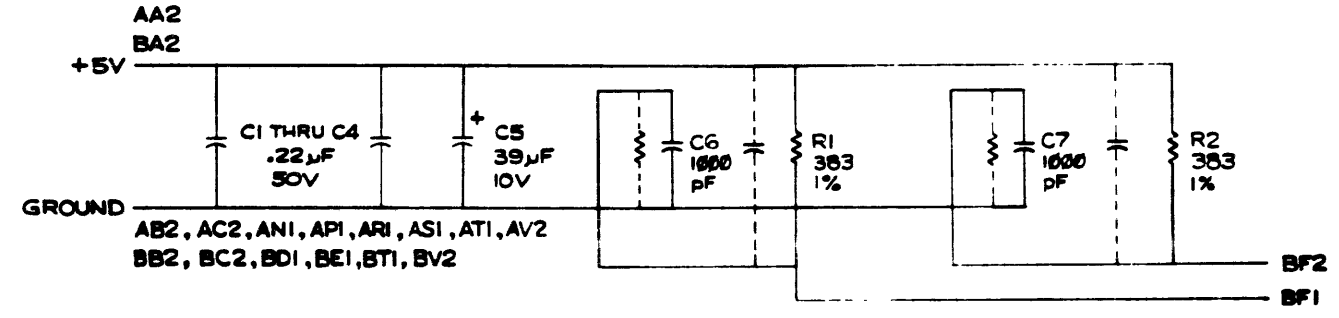
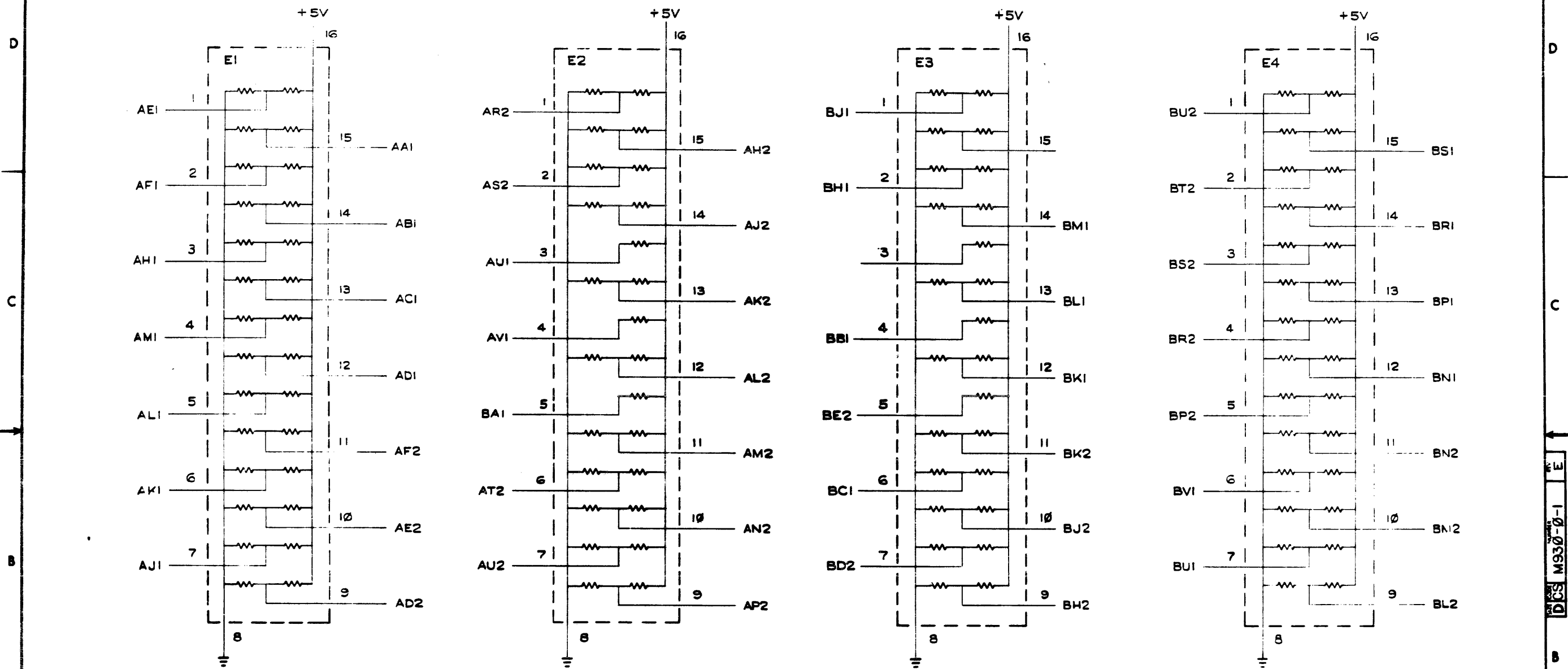


MISC. SIGNALS AND ADRS. LINES 16 & 17 SLOT 14

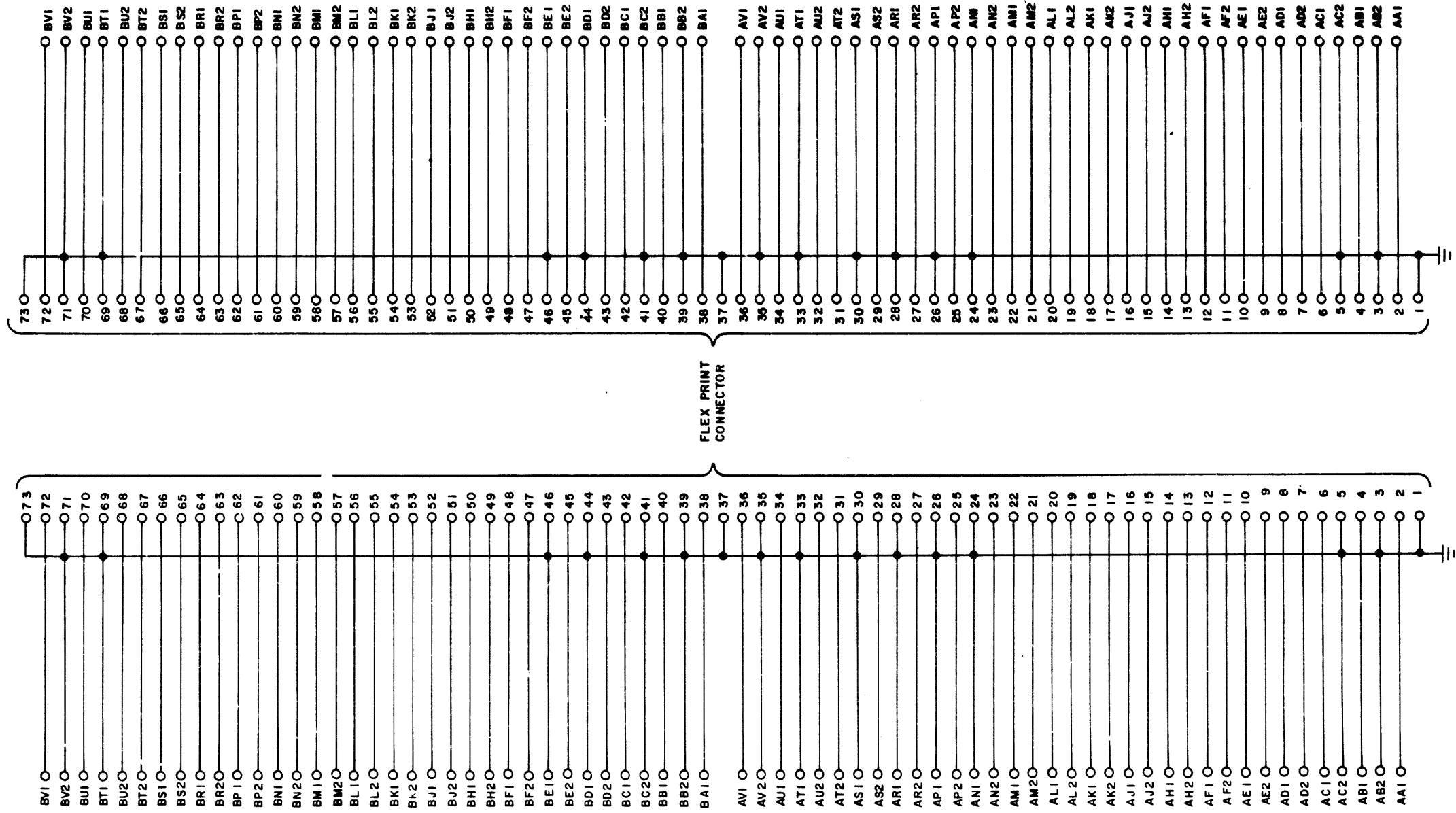
FIRST USED ON OPTION/MODEL	QTY.	DESCRIPTION	PART NO.	ITEM NO.
11/45				
PARTS LIST				
UNLESS OTHERWISE SPECIFIED DIMENSION IN INCHES TOLERANCES		DRN <i>R. C. Chan</i>	DATE 11/16/71	<p>digital EQUIPMENT CORPORATION</p> <p>TITLE SYSTEM ADDRESS BUFFERS</p> <p>(SJB)</p>
DECIMALS	ANGLES	CHKD <i>R. C. Chan</i>	DATE 3/6/72	
.XXX - .005	± 0° 30'	ENG <i>R. C. Chan</i>	DATE 3/6/72	
.XX - .02		PROJ ENGR <i>R. C. Chan</i>	DATE 3/21/72	
REMOVE BURRS AND BREAK SHARP CORNERS SURFACE QUALITY ✓		PROD <i>A. H. Hinch</i>	DATE 3/15/72	
MATERIAL	NEXT HIGHER ASSY.	SIZE CODE NUMBER REV		
+	B-DD-11/45-0	DCS M8116-0-1 B		
FINISH	SCALE	SHEET 3 OF 3		
+		DST.		

REV	CHANGE NO	REVISIONS

THE DRAWING AND SPECIFICATIONS HEREIN ARE THE PROPERTY OF THE GENERAL ELECTRIC COMPANY AND SHALL NOT BE REPRODUCED OR USED IN WHOLE OR IN PART IN ANY MANNER WITHOUT THE APPROVING OR SALE OF THE GENERAL ELECTRIC COMPANY.



THIS SCHEMATIC IS FURNISHED ONLY FOR TEST AND MAINTENANCE PURPOSES. THE CIRCUITS ARE PROPRIETARY IN NATURE AND SHOULD BE TREATED ACCORDINGLY. COPYRIGHT 1968 BY DIGITAL EQUIPMENT CORPORATION



REVISIONS		
CHK	CHG NO.	REV.
✓	00001	A
✓	00002	B
✓	00004	C

DEC FORM NO. DR-102

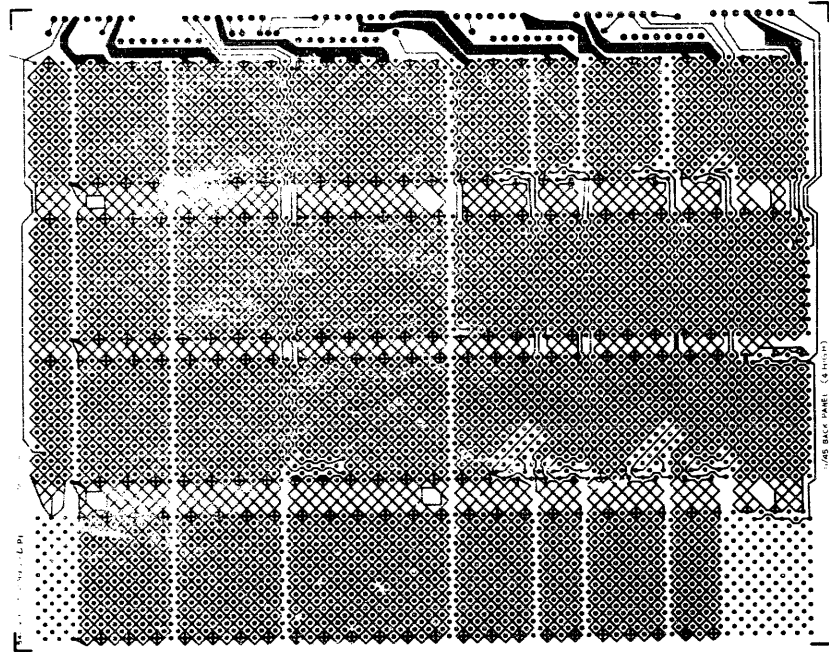
DRN <i>R. Williams</i>	DATE 11-1-68
CHK'D <i>V. Young</i>	DATE 11-6-68
ENG <i>R. Allen</i>	DATE 7-7-77
PRD. <i>R. Williams</i>	DATE 12/6/70

TRANSISTOR & DIODE CONVERSION CHART			
DEC		EIA	

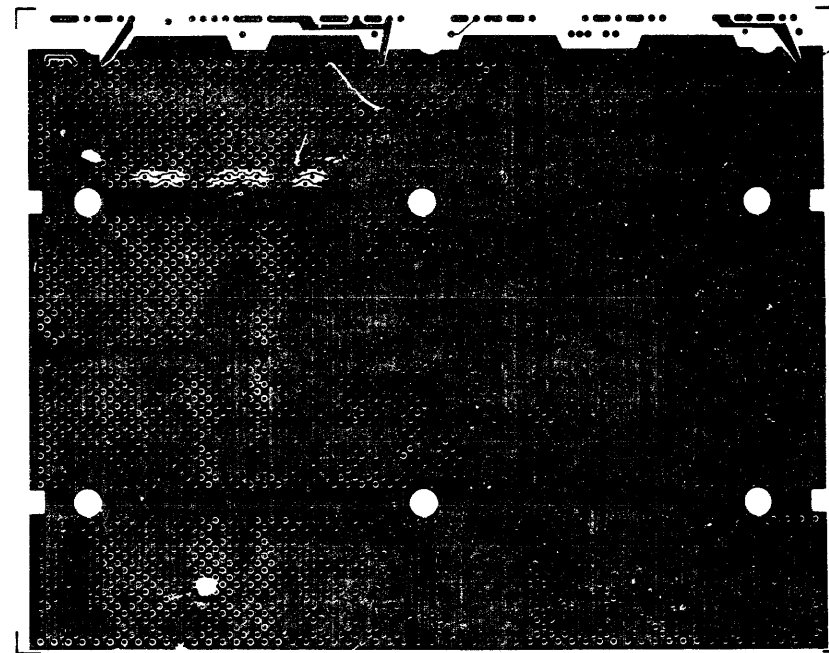
digital
EQUIPMENT CORPORATION
MAYNARD, MASSACHUSETTS

TITLE INTERNAL BUS CONNECTOR M920			
SIZE C	CODE CS	NUMBER M920-0-1	REV. C
PRINTED CIRCUIT REV. <input type="checkbox"/>			

C CS M920-0-1 REV. C



SOLDER STRIP (SEE 2)



PCB (SEE 2)

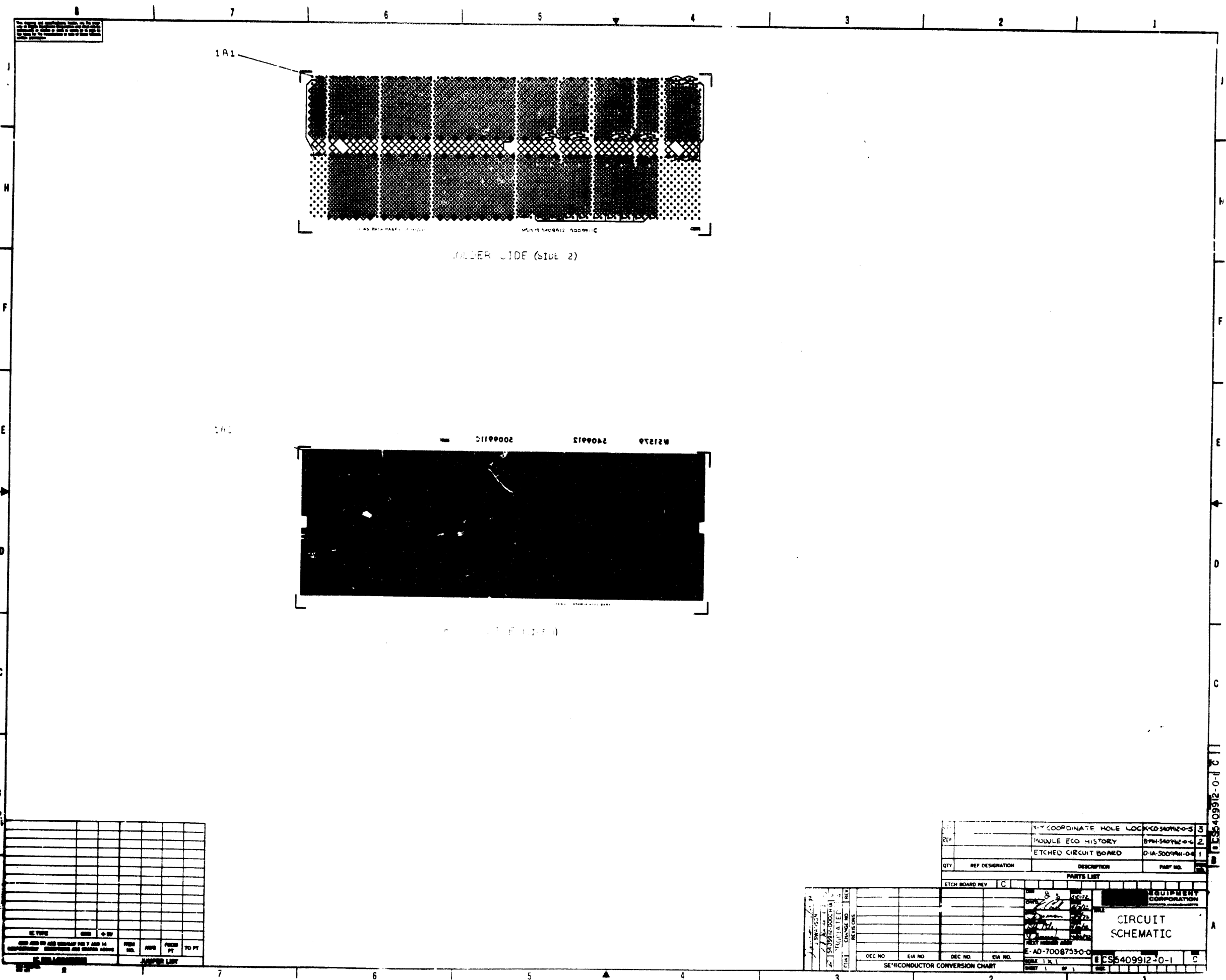
IC TYPE	GRID	Φ 5V	ITEM NO.	ARRG	FROM PT	TO PT
IC PIN LOCATIONS						
JUMPER LIST						

REVISIONS
 1. ORIGINAL DESIGN
 2. CHANGE NO. 1
 3. CHANGE NO. 2
 4. CHANGE NO. 3
 5. CHANGE NO. 4
 6. CHANGE NO. 5
 7. CHANGE NO. 6
 8. CHANGE NO. 7
 9. CHANGE NO. 8
 10. CHANGE NO. 9
 11. CHANGE NO. 10

REF	AS-MORLING-HELLER-JUI	DAH-5409910-0-5	5
REF	11/15 BACK PANEL	F-1A 50099090-0	4
REF	X-Y COORDINATE HOLE LOC	K-CD-5409910-0-4	3
REF	MODULE HISTORY	E-AD-5409910-0-4	2
REF	ETCHED CIRCUIT BOARD	5009909	1

PARTS LIST			
ETCH BOARD REV	D	TITLE	CIRCUIT SCHEMATIC
DATE	1/1/71	DATE	1/1/71
BY	J. SWANEY	BY	J. SWANEY
CHECKED		CHECKED	
DATE		DATE	
DEC NO.	EIA NO.	DEC NO.	EIA NO.
SEMICONDUCTOR CONVERSION CHART			
E-AD-7008753-0-0			
SCALE 1/1			
EQUIPMENT CORPORATION			
5409910-0-1			

H
 F
 E
 D
 C
 B
 A
 8
 7
 6
 5
 4
 3
 2
 1



REF	X-Y COORDINATE HOLE LOC	K-CD-540912-0-3	3
REF	MODULE ECO HISTORY	8PM-540912-0-4	2
REF	ETCHED CIRCUIT BOARD	D-1A-500912-0-1	1
QTY	REF DESIGNATION	DESCRIPTION	PART NO.
PARTS LIST			
ETCH BOARD REV C			
EQUIPMENT CORPORATION			
CIRCUIT SCHEMATIC			
DEC NO	EIA NO	DEC NO	EIA NO
SEMICONDUCTOR CONVERSION CHART			

The drawing and specifications herein are the property of Digital Equipment Corporation and shall not be reproduced or used in whole or in part in any manner without the written consent of Digital Equipment Corporation.

NOTE

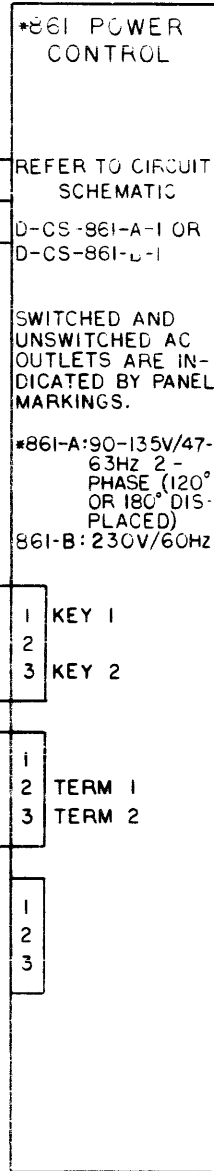
1. FOR 11/45 SYSTEMS BUILT WITH 860 POWER CONTROLS, REFER TO D-IC-11/45-0-1 REV. A DRAWING.

TABLE 1
POWER SYSTEM - MAJOR ECO SUMMARY
ECO# D-IC-11/45-0-1 DESCRIPTION
REV CHANGES (PROBLEM-SOLUTION)
FROM TO
REV REV

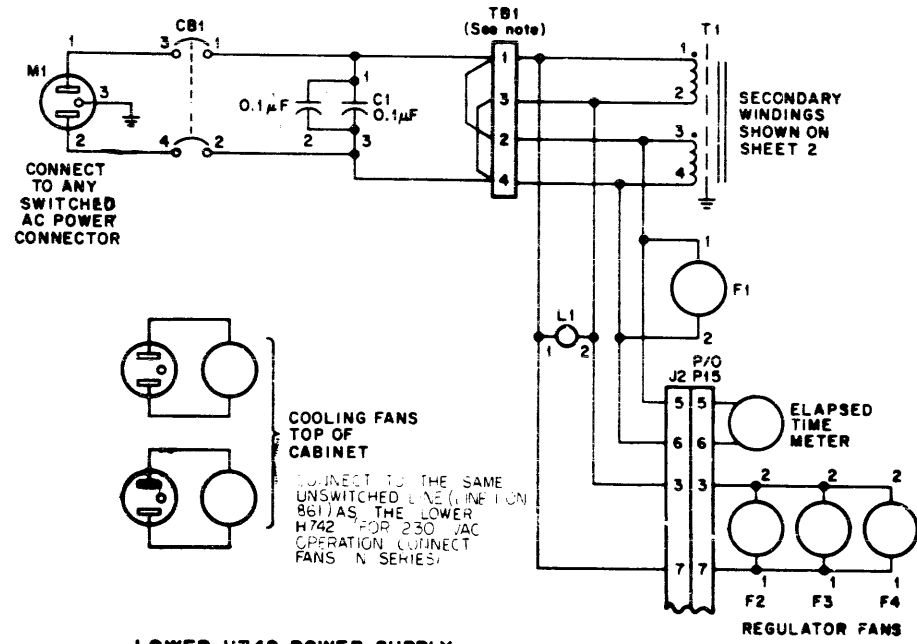
11/45-00031	A	B	REPLACED OBSOLETE 860 POWER CONTROL WITH 861 POWER CONTROL (D-IC-11/45-0-1 REV. A DOCUMENTS MACHINES WITH 860 POWER CONTROL.)
11/45-00054	C	D	POWER DISTRIBUTION REDESIGNED TO ACCOMMODATE H754 REGULATOR (+20V±5V) FOR 16K MEMORY. MAIN POWER HARNESS CHANGED FROM 7008784 TO 7009540. SYSTEM UNIT POWER DISTRIBUTION MOVED FROM BACK OF CPU BOX TO TOP REAR OF CPU BOX. SYSTEM UNIT CONNECTORS CHANGED FROM FLAT 8-PIN CONNECTOR TO 15-PIN AND 6-PIN RECTANGULAR CONNECTOR-PAIR. MACHINES WITH THIS ECO HAVE SERIAL NO'S ≥ 2000.
11/45-00057	C	E	7009540 HARNESS REVISED TO DISTRIBUTE +5V TO SYSTEM UNITS WHEN H754 REGULATOR IS INSTALLED FOR 16K MEMORY. P45/J45 (FLAT 4-PIN CONNECTOR) ADDED TO HARNESS NEAR P7. AFFECTS ONLY MACHINES WITH S/N ≥ 2000.
11/45-00160	E	F	+5V FROM SLOT D H744 REWIRED TO LOWER VOLTAGE DROPS TO SYSTEM UNITS.
11/45-00061	F	H	CPU HARNESS MODIFIED TO ACCOMMODATE SECOND H746 MOS REGULATOR. ADD P30 TO 700954 HARNESS NEAR P29 MACHINE WITH S/N ≥ 2000. IF S/N < 2000 P30 OF THE 700954 HARNESS IS REWIRED TO DISTRIBUTE MOS VOLTAGE FROM AN H746 IN SLOT L OF THE LOWER H742. 8611-A ECO# MUST BE INSTALLED AT SAME TIME.

90-135V/47-63HZ
(2-PHASE 120° OR 180° DISPLACED) OR
180-270V/47-63HZ
SINGLE PHASE

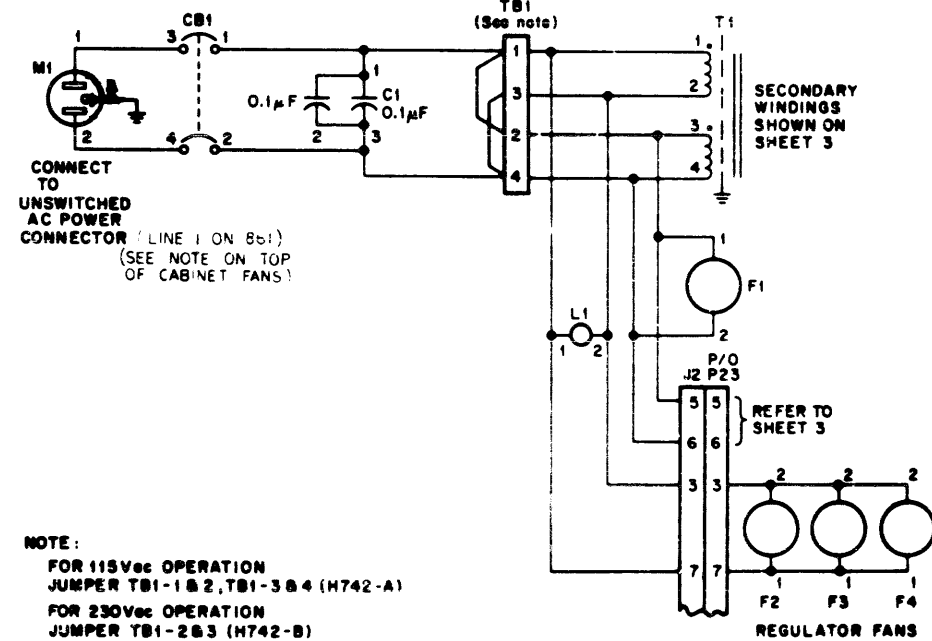
861-A: NEMA L14-20P CONNECTOR
861-B: NEMA L6-20P CONNECTOR



UPPER H742 POWER SUPPLY
REFER TO D-CS-H742-0-1



LOWER H742 POWER SUPPLY



NOTE:
FOR 115Vdc OPERATION
JUMPER TB1-1 & 2, TB1-3 & 4 (H742-A)
FOR 230Vdc OPERATION
JUMPER TB1-2 & 3 (H742-B)

TABLE 2

MEMORY CONFIGURATION	REGULATOR SLOTS				JUMPERS		
	H	J	K	L	+5V2 (P5-7 & 8)	+5V1 (P5-3 & 4)	+5V3 (P6-7 & 8)
BIPOLAR ONLY							
1-4K	H742	X	X	X	IN	IN	IN
2-4K	H744	H744	X	X	IN	IN	IN
5-8K	H742	H744	X	X	X	Y	IN
7-8K	H742	H744	H744	H744	X	X	X
MIXED MODE BIPOLAR							
4-16K MOS, 1-2K BIPOLAR	H746	H744	X	X	IN	X	IN
4-16K MOS, 2-4K BIPOLAR	H746	H744	H744	H744	IN	X	X

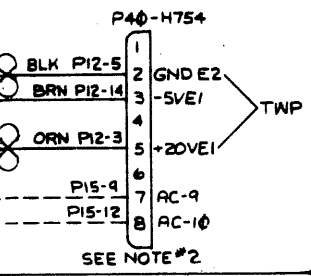
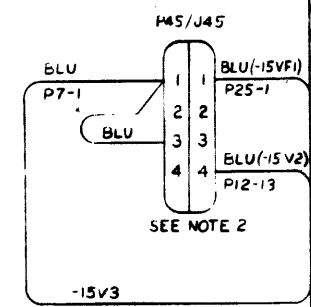
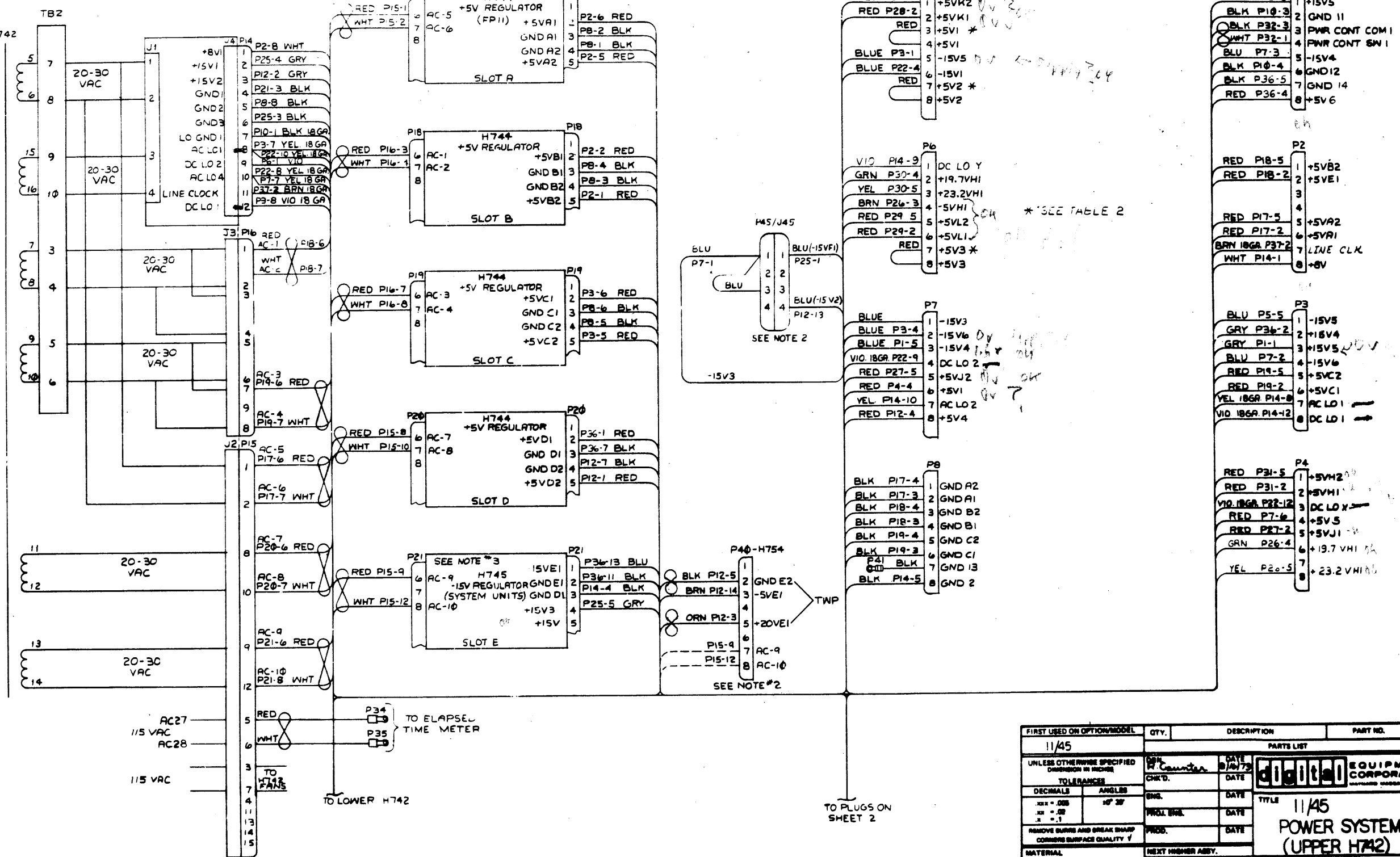
FIRST USED ON OPTION/MODEL	QTY	DESCRIPTION	PART NO	ITEM NO
11/45				
UNLESS OTHERWISE SPECIFIED DIMENSION IN INCHES TOLERANCES				
DECIMALS	ANGLES	PARTS LIST		
XXX-008	10° 30'	digital EQUIPMENT CORPORATION		
REMOVE BURRS AND BREAK SHARP CORNERS SURFACE QUALITY				
MATERIAL				
NEXT HIGHER ASSY				
FINISH				
SCALE		SHEET		REV.
H 10-11/45		D IC 11/45-0-1		H

REV. 11/45-00031 A	REV. 11/45-00047 B	REV. 11/45-00052 C	REV. 11/45-00054 D	REV. 11/45-00057 E	REV. 11/45-00060 F	REV. 11/45-00061 H	REV. 11/45-00160 I
V. BOLEN	V. BOLEN	V. BOLEN	V. BOLEN	V. BOLEN	V. BOLEN	V. BOLEN	V. BOLEN

THIS DRAWING AND SPECIFICATIONS HEREIN ARE THE PROPERTY OF DIGITAL EQUIPMENT CORPORATION AND SHALL NOT BE REPRODUCED OR COPIED OR USED IN WHOLE OR IN PART AS THE BASIS FOR THE MANUFACTURE OR SALE OF ITEMS WITHOUT WRITTEN PERMISSION. COPYRIGHT © 1973 DIGITAL EQUIPMENT CORPORATION.

UPPER H742

SECONDARY - H742

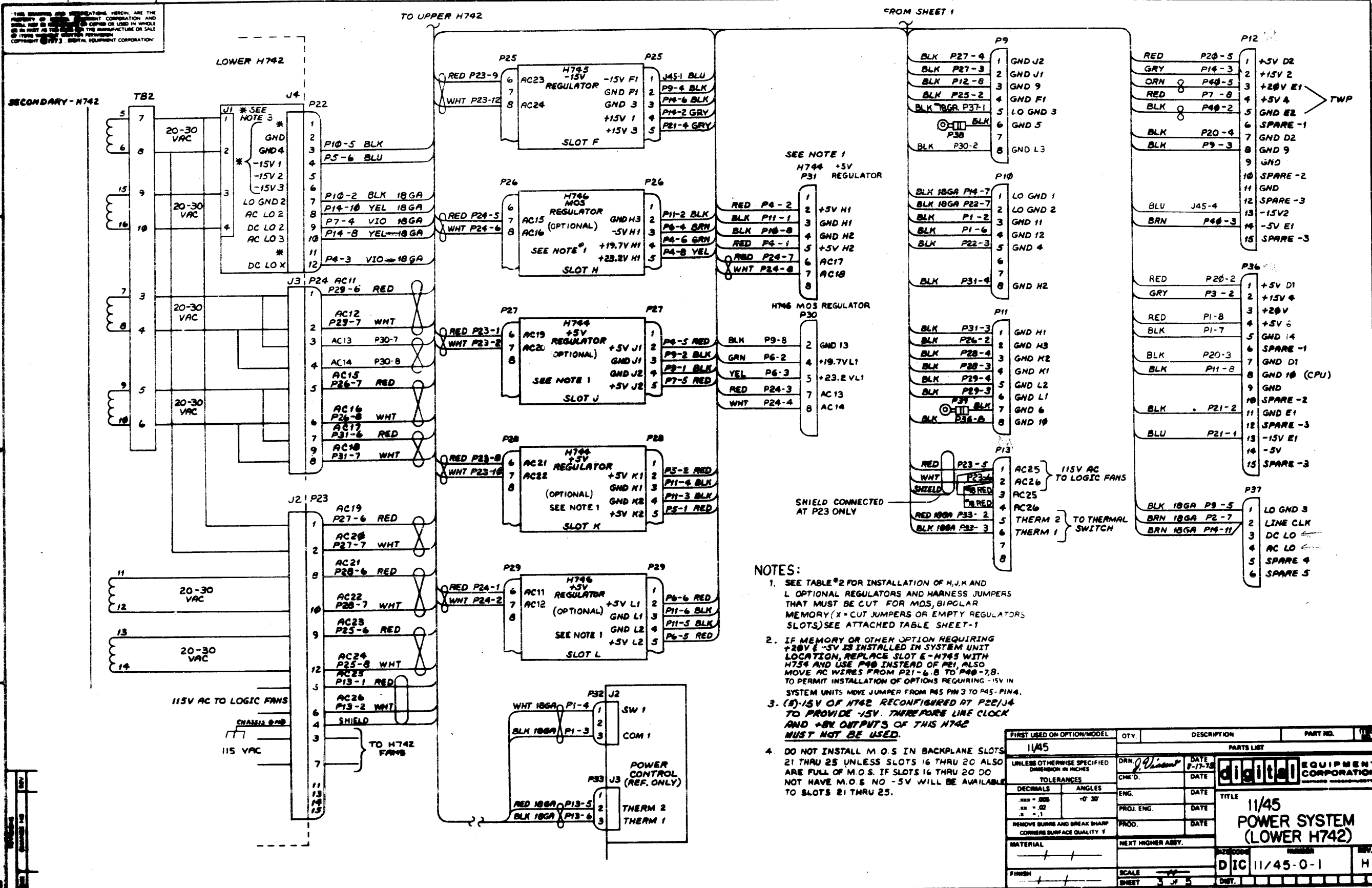


FIRST USED ON OPTION/MODEL	QTY.	DESCRIPTION	PART NO.
11/45			
UNLESS OTHERWISE SPECIFIED DIMENSIONS IN INCHES			
TOLERANCES			
DECIMALS	ANGLES		
.015 - .030	± .01		
.031 - .062	± .02		
.063 - .125	± .03		
REMOVE BURRS AND BREAK SHARP CORNERS SURFACE QUALITY V			
MATERIAL	NEXT HIGHER ASSY.		
FINISH	SCALE NONE		
	SHEET 2 OF 5		



TITLE
11/45
POWER SYSTEM
(UPPER H742)

D I C 11/45-0-1 H

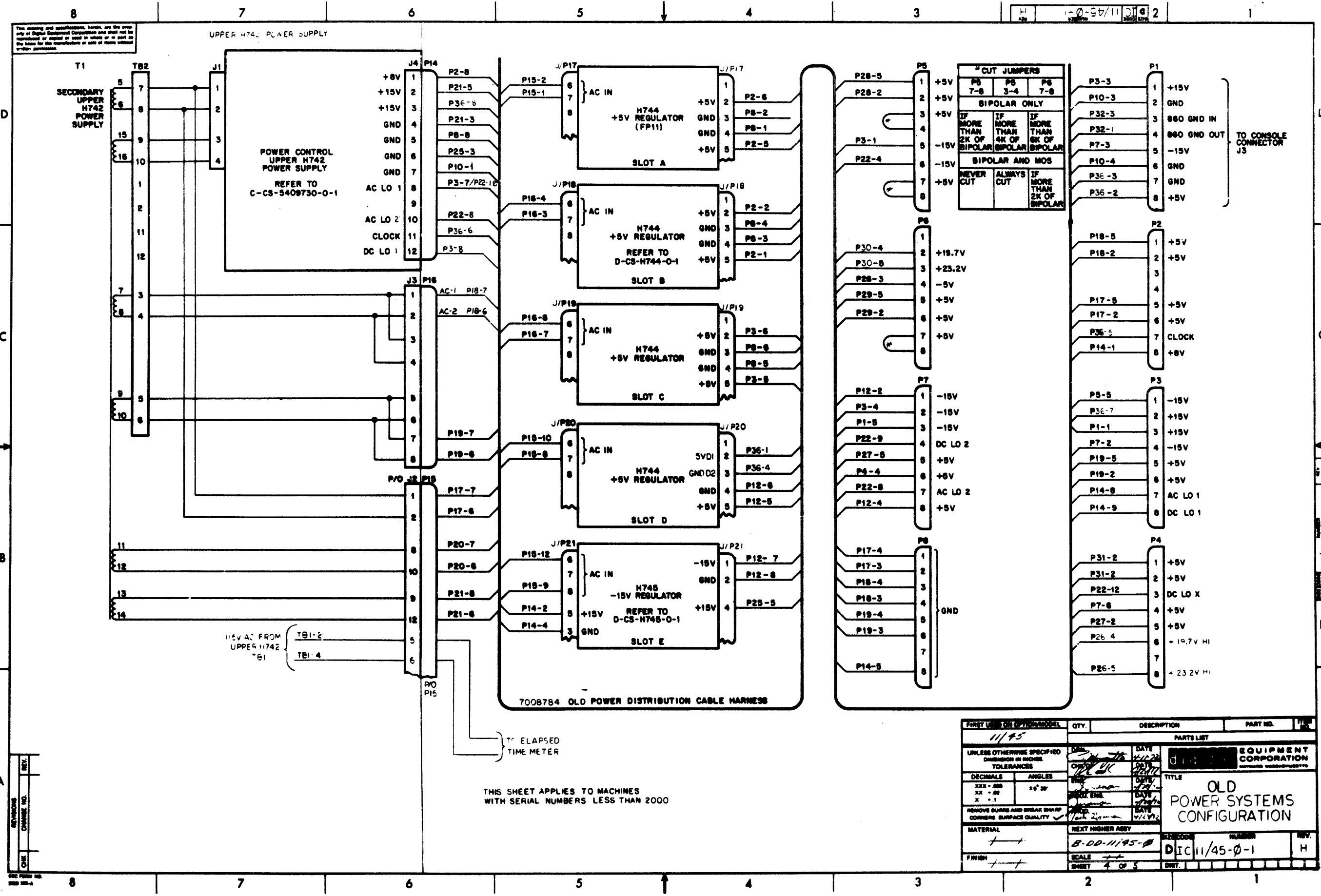


THIS DRAWING AND SPECIFICATIONS HEREIN ARE THE PROPERTY OF DIGITAL EQUIPMENT CORPORATION AND SHALL BE KEPT IN CONFIDENTIALITY. NO PART OF THIS DRAWING OR SPECIFICATIONS SHALL BE REPRODUCED OR TRANSMITTED IN ANY FORM OR BY ANY MEANS, ELECTRONIC OR MECHANICAL, INCLUDING PHOTOCOPYING, RECORDING, OR BY ANY INFORMATION STORAGE AND RETRIEVAL SYSTEM. DIGITAL EQUIPMENT CORPORATION

- NOTES:**
- SEE TABLE #2 FOR INSTALLATION OF M, J, K AND L OPTIONAL REGULATORS AND HARNESS JUMPERS THAT MUST BE CUT FOR MOS, BIPOLAR MEMORY (X-CUT JUMPERS OR EMPTY REGULATORS SLOTS) SEE ATTACHED TABLE SHEET-1
 - IF MEMORY OR OTHER OPTION REQUIRING +20V E -5V IS INSTALLED IN SYSTEM UNIT LOCATION, REPLACE SLOT E-H745 WITH H754 AND USE P40 INSTEAD OF P21, ALSO MOVE AC WIRES FROM P21-6, 8 TO P40-7, 8. TO PERMIT INSTALLATION OF OPTIONS REQUIRING -15V IN SYSTEM UNITS MOVE JUMPER FROM P45 PIN 3 TO P45-PIN 4.
 - (S)-15V OF H742 RECONFIGURED AT P22/J4 TO PROVIDE -15V. THEREFORE LINE CLOCK AND +5V OUTPUTS OF THIS H742 MUST NOT BE USED.
 - DO NOT INSTALL M.O.S IN BACKPLANE SLOTS 21 THRU 25 UNLESS SLOTS 16 THRU 20 ALSO ARE FULL OF M.O.S. IF SLOTS 16 THRU 20 DO NOT HAVE M.O.S NO -5V WILL BE AVAILABLE TO SLOTS 21 THRU 25.

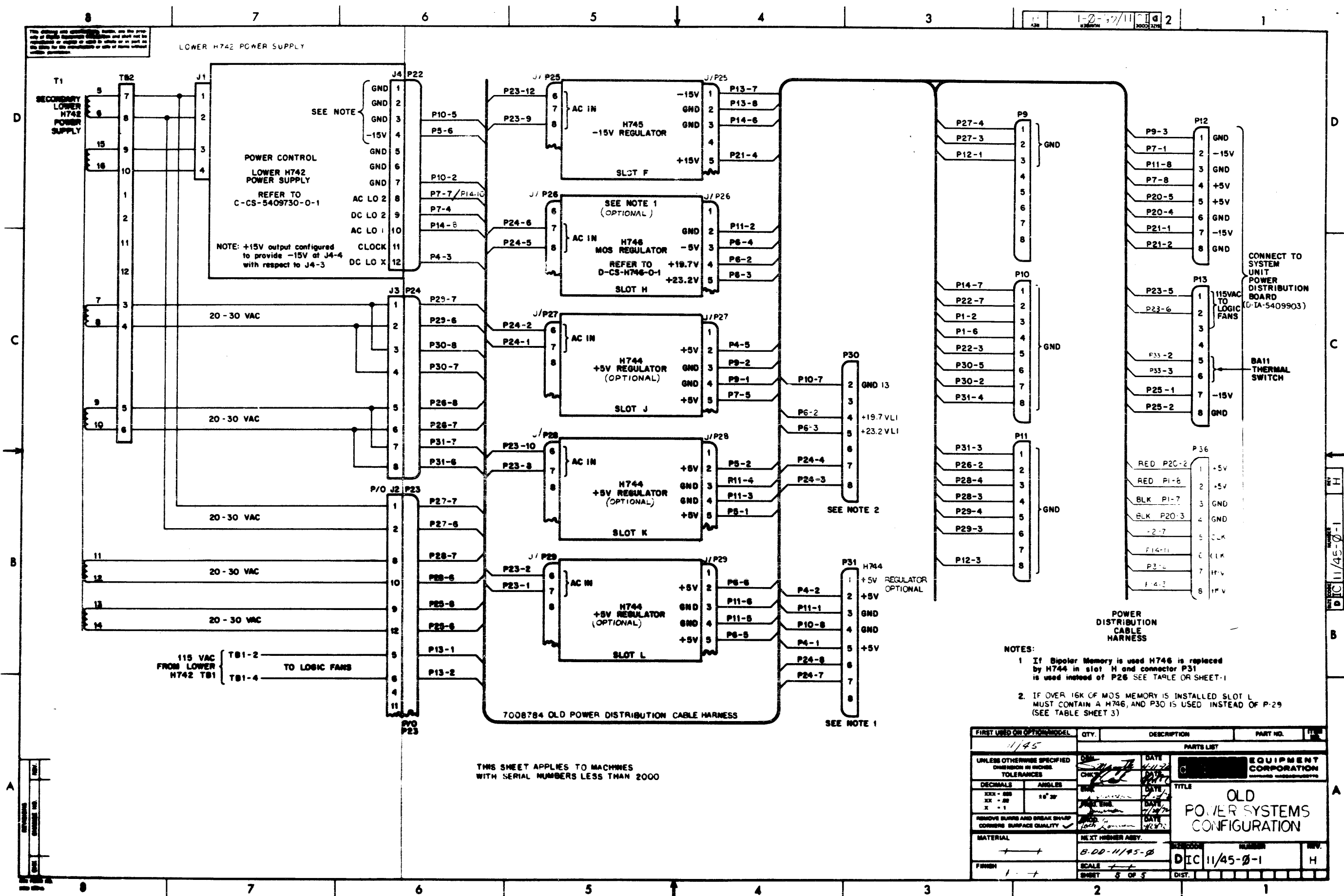
FIRST USED ON OPTION/MODEL	QTY.	DESCRIPTION	PART NO.	TITLE
11/45				
PARTS LIST				
UNLESS OTHERWISE SPECIFIED DIMENSIONS IN INCHES				
TOLERANCES				
DECIMALS	ANGLES			
.005	± .00			
.01	± .01			
REMOVE BURRS AND BREAK SHARP CORNERS SURFACE QUALITY Y				
MATERIAL		NEXT HIGHER ASSY.		
FINISH		SCALE		
		SHEET 3 OF 5		
		DIB		

DRN. J. Wilson	DATE 8-7-72	digital EQUIPMENT CORPORATION
CHK'D.	DATE	
ENG.	DATE	
PROJ. ENG.	DATE	
TITLE		
11/45 POWER SYSTEM (LOWER H742)		
REV. CODE		
NUMBER		
REV.		
SCALE		
SHEET 3 OF 5		
DIB		



FIRST LINE ONLY	QTY.	DESCRIPTION	PART NO.
11/95			
UNLESS OTHERWISE SPECIFIED DIMENSION IN INCHES TOLERANCES			
DECIMALS	ANGLES	TITLE	
XXX - .00	20° 30'	OLD POWER SYSTEMS CONFIGURATION	
XX - .01		EQUIPMENT CORPORATION	
REMOVES BURRS AND BREAK SHARP CORNERS SURFACE QUALITY			
MATERIAL	NEXT HIGHER ASSY	REV. NO.	H
+	B-00-11/95-0	DIC 11/45-0-1	
FINISH	SCALE	DISTRIBUTION	
+	4 OF 5		

LOWER H742 POWER SUPPLY



SEE NOTE
 POWER CONTROL
 LOWER H742
 POWER SUPPLY
 REFER TO
 C-CS-5409730-0-1
 NOTE: +15V output configured
 to provide -15V at J4-4
 with respect to J4-3

SEE NOTE 1
 (OPTIONAL)
 H746
 MOS REGULATOR
 REFER TO
 D-CS-H746-0-1
 SLOT H

H744
 +5V REGULATOR
 (OPTIONAL)
 SLOT J

H744
 +5V REGULATOR
 (OPTIONAL)
 SLOT K

H744
 +5V REGULATOR
 (OPTIONAL)
 SLOT L

- NOTES:
1. If Bipolar Memory is used H746 is replaced by H744 in slot H and connector P31 is used instead of P26. SEE TABLE OR SHEET-1
 2. IF OVER 16K OF MOS MEMORY IS INSTALLED SLOT L MUST CONTAIN A H746, AND P30 IS USED INSTEAD OF P-29 (SEE TABLE SHEET 3)

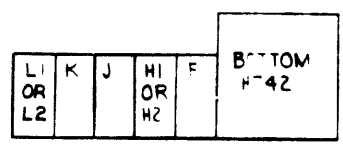
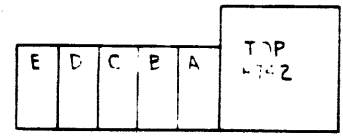
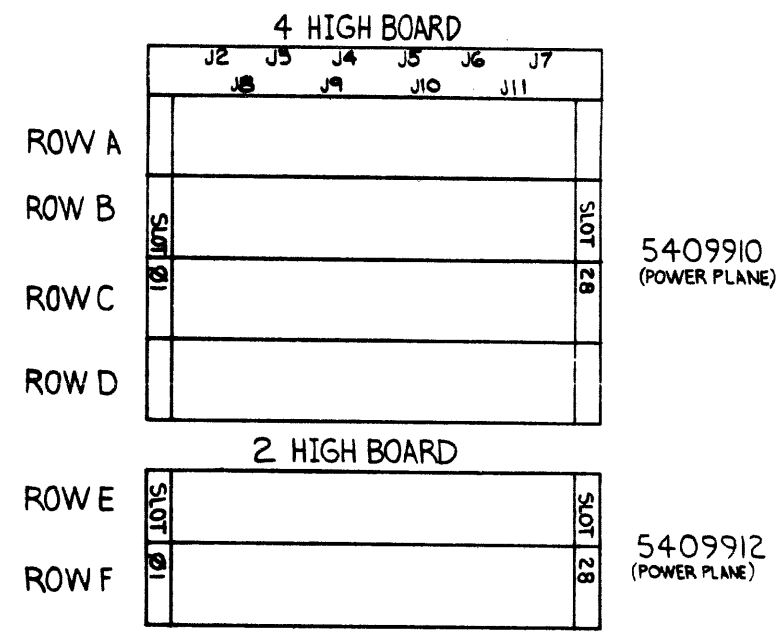
THIS SHEET APPLIES TO MACHINES
 WITH SERIAL NUMBERS LESS THAN 2000

FIRST USED ON OPTION MODEL	QTY.	DESCRIPTION	PART NO.
1145			
PARTS LIST			
UNLESS OTHERWISE SPECIFIED DIMENSIONS IN INCHES TOLERANCES	DATE 11/77	DATE 11/77	EQUIPMENT CORPORATION
DECIMALS	ANGLES	DATE 11/77	TITLE OLD POWER SYSTEMS CONFIGURATION
XXX - .00 XX - .01 X - .05	±0°30'	DATE 11/77	REV. H
REMOVE BURRS AND BREAK SHARP CORNERS SURFACE QUALITY	DATE 11/77	DATE 11/77	
MATERIAL	NEXT HIGHER ASSY.	DATE 11/77	
FINISH	SCALE 5 OF 5	DATE 11/77	
		DATE 11/77	

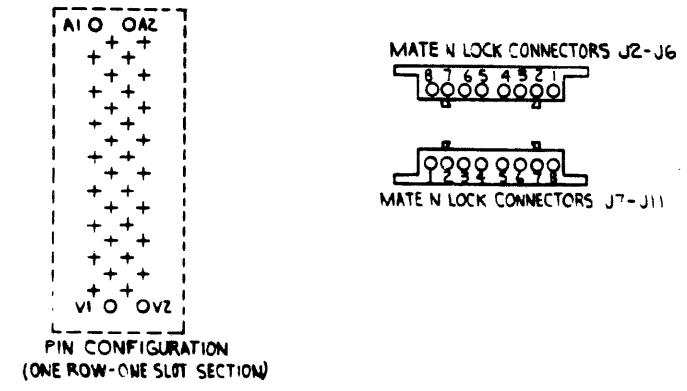
VOLTAGE	REGULATOR LOCATION	PIN	ROW	SLOT	MATE N LOCK CONNECTION	WIRE WRAP PIN
+5V	A	A2, V1	A-F	2-5	J2-5, 6	
	B	A2		1, 6-9	J2-3, 4	
	B	V1		6-9	J2-3, 4	
	C	A2, V1		10-15	J3-5, 6	
	J			16-18	J4-6, 7	
	H2			19, 20	J4-1, 2, J5-8	
	K			21-23	J5-1, 2, 3	
	L	A2, V1	A-F	24, 25	J6-5, 6, 7	
	J	A2	A	16	J5-4, 7, J6-8	
	D		A, B	26	J7-8	
	D		C-F	26-28	J7-8	
+5V	J	A2	A, B	27, 28	J7-5, 6	
+8V	TOP H742	B1	F	1	J2-8	SP-1
LTCL	TOP H742	R1	C	1	J2-7	
DCLOY	TOP H742				J6-1	SPI0
DCLOI	TOP H742	U1	C	12	J3-8	
A1LO1	TOP H742	S1	C	12	J3-7	
-15V	E	B2	E	2	J3-4	SP-3
+15V	TOP H742	A1	E	15	J3-2, 3	SP-4
-15V	BOT. H742	B2	E	16	J3-1	SP-5
+3.2VLI	L2	V2	A, C, E	22-25	J6-3	
+19.7VLI	L2	U2	A, C, E	22-25	J6-2	
DCLOX	BOT. H742	U2	B	16	J4-3	
-15V	BOT. H742	B2	E	21	J5-5, 6	SP-8
-5V	H1	C1	F	17-20, 22-25	J6-4	SP-9
+23VH1	H1	V2	A, C, E	17-20	J4-8	SP-6
+19VH1	H1	U2	A, C, E	17-20	J4-6	SP-7
ACLOZ	EXT. H742	F1	B	28	J7-7	
DCLOZ	BOT. H742	F1	E	28	J7-4	

	PIN	ROW	SLOT	MATE N LOCK CONNECTION
GROUND	C2, N2, T1	A-F	2-25	J8-1, 8
	C2, T1	A-F	1, 26-28	J9-1, 8
	B2, V2	A, B		J10-1, 8
	N1, P1, R1, S1	A		J11-1, 8
	D1, E1	B	1, 26-28	

NOTES:
 1. THIS LISTING IS FURNISHED TO SHOW COMBINATIONS OF MATE N LOCK CONNECTORS (J#) AND WIREWRAP PINS THAT ARE TO BE ETCHED TOGETHER. VOLTAGES WILL BE WIREWRAPPED BETWEEN 5409910 AND 5409912
 2. ALL MATE N LOCK CONNECTORS AND PINS LISTED ARE CONNECTED TOGETHER BY THE GROUND PLANE (5409910-4 HIGH BOARD). WIREWRAP CONNECTIONS WILL BE MADE BETWEEN DXXT1 (5409910) AND EXXC2 (5409912)-XX= SLOT NUMBERS 01-28



REGULATOR LOCATIONS



PIN CONFIGURATION (ONE ROW-ONE SLOT SECTION)

REV	A
DATE	4-10-75
BY	V. BOWEN
CHKD	
DATE	
BY	
CHKD	
DATE	
BY	

FIRST USED OR OPTION/MODEL	QTY.	DESCRIPTION	PART NO.
PDP11/45			
PARTS LIST			
UNLESS OTHERWISE SPECIFIED DIMENSIONS IN INCHES TOLERANCES			
DECIMALS	ANGLES	TITLE	
XEN - 000	10° 30'	11/45 BACK PANEL	
XI - 00		PC BOARD	
XII - 00		EQUIPMENT CORPORATION	
REMOVE BURRS AND BREAK SHARP CORNERS SURFACE QUALITY			
MATERIAL	NEXT NUMBER ASSY.		
	B-DD-11/45-0		
FINISH	SCALE	D1C 11/45-0-2 A	
	SHEET 1 OF 1	DRGT. 1	

This drawing and specifications, herein, are the property of Digital Equipment Corporation and shall not be reproduced or copied or used in whole or in part as the basis for the manufacture or sale of items without written permission. COPYRIGHT 1973

DIGITAL EQUIPMENT CORPORATION

REV. C
NUMBER 7009540-0-2
SIZE CODE K WL


4 3 2 1

B

B

A

A

FIRST USED ON OPTION MODEL	QTY.	DESCRIPTION	PART NO.	ITEM NO.
11/45				
PARTS LIST				
DRN. <i>B. B. Lopez</i>	DATE 10-5-73	 digital EQUIPMENT CORPORATION <small>MAYNARD, MASSACHUSETTS</small>		
CHK'D. <i>M. Nagay</i>	DATE 11/5/73			
ENG. <i>Varell Boon</i>	DATE 11/5/73			
PROJ. ENG. <i>Varell Boon</i>	DATE 11/5/73			
PROD. <i>Chuck H. ...</i>	DATE 11-5-73			
NEXT HIGHER ASSEMBLY		<p>TITLE</p> <p>WIRE LIST</p>		
J-IA-7009540-0-0				
SCALE	+			
SHEET	1	OF	—	
		SIZE CODE	NUMBER	REV.
		K WL	7009540-0-2	C
		DIST.		

REVISIONS	CHANGE NO.	REV.
	11/45-00057	A
<i>(4. 11/20/73 3-21-74)</i>		
	V. BOAEN	
	<i>Varell Boon</i>	
	11/45-00060	B
<i>(8/4 9/15/73 3-6-73)</i>		
	V. BOAEN	
	<i>Varell Boon</i>	
	11/45-00061	C
<i>(11/15/73 1-3-75)</i>		
	V. BOAEN	
	<i>Varell Boon</i>	

DEC FORM NO DRB 109

4 3 2 1

1145PH.WNL NAME SORT	URL18D.SAV(18)	15-MAR-72	24-MAR-75	1515	PAGE 1
RUN NAME	A/P PIN LOCATION	BAY @ DRAW RV RG Y X Z LEVEL	REMARKS	NEW RUN INDICATOR	RUN NUM
SEE NOTE 1 SEE NOTE 1	NOTE NOTE		ALL WIRES #14 AUG UNLESS OTHERWISE NOTED	X	1 1
+15V1 +15V1	P14-2 P25-4 42.25"		GRY	X	2 2
+15V2 +15V2	P12-2 P14-3 56.5"		GRY	X	3 3
+15V3 +15V3	P21-4 P25-5 51"		GRY	X	4 4
+15V4 +15V4	P3-2 P34-2 31.5"		GRY	X	5 5
+15V5 +15V5	P1-1 P3-1 18"		GRY	X	6 6
+19.7VH1 +19.7VH1	P26-4 P4-6 46"		GRN	X	7 7
+19.7VLL +19.7VLL	P31-4 P6-2 61"		GRN	X	8 8
+20VE1 +20VE1	P12-3 P411-5 62.5"			X	9 9
+23.2VH1 +23.2VH1	P26-4 P4-8 46"		YEL	X	10 10
+23.2VLL +23.2VLL	P31-5 P6-3 61"		YEL	X	11 11
+5J1 +5J1	P27-2 P4-5 60"		RED	X	12 12
+5V1 +5V1	P5-3 P5-4 2.25"		RED	X	13 13
+5V2 +5V2	P5-7 P5-8 2.25"		RED	X	14 14
+5V3 +5V3	P6-7 P6-8 2.25"		RED	X	15 15
+5V4 +5V4	P12-4 P7-8 20.5"		RED	X	16 16
+5V5 +5V5	P4-4 P7-6 17"		RED	X	17 17
+5V6 +5V6	P1-8 P36-4 38"		RED	X	18 18

1145PH.WNL NAME SORT	URL18D.SAV(18)	15-MAR-72	24-MAR-75	1515	PAGE 2
RUN NAME	A/P PIN LOCATION	BAY @ DRAW RV RG Y X Z LEVEL	REMARKS	NEW RUN INDICATOR	RUN NUM
+5VA1 +5VA1	P17-2 P2-6 65"		RED	X	19 19
+5VA2 +5VA2	P17-5 P2-5 65.5"		RED	X	20 20
+5VB2 +5VB2	P15-5 P2-1 69"		RED	X	21 21
+5VC1 +5VC1	P14-2 P3-6 71"		RED	X	22 22
+5VC2 +5VC2	P14-5 P3-5 71"		RED	X	23 23
+5VD1 +5VD1	P20-2 P36-1 61"		RED	X	24 24
+5VD2 +5VD2	P12-1 P20-5 59.5"		RED	X	25 25
+5VE1 +5VE1	P18-2 P2-2 69"		RED	X	26 26
+5VH1 +5VH1	P31-2 P4-2 77"		RED	X	27 27
+5VH2 +5VH2	P31-5 P4-1 77"		RED	X	28 28
+5VJ2 +5VJ2	P27-5 P7-5 72.5"		RED	X	29 29
+5VK1 +5VK1	P2A-2 P5-2 81.25"		RED	X	30 30
+5VK2 +5VK2	P2A-5 P5-1 81"		RED	X	31 31
+5VL1 +5VL1	P24-2 P6-6 81"		RED	X	32 32
+5VL2 +5VL2	P24-5 P5-5 81"		RED	X	33 33
+8V +8V	P14-1 P2-7 71"		WHI	X	34 34
-15V1 -15V1	P22-4 P5-6 76.5"		WHI	X	35 35
-15V2 -15V2	J45-4 P12-13 21"		WHI	X	36 36

132

3145PM, WNL NAME SORT	URL 100.SAV(10)	15-MAR-72	24-MAR-75	1515	PAGE 3
RUN NAME	A/P PIN LOCATION	BAY 0 DRAW RV NG V X Z LEVEL	REMARKS	NEW RUN INDICATOR	RUN NUM
-15V3 -15V3 -15V3	P07-1 4" P45-1 2" P45-3	BLU BLU	010AUG 010AUG	X	37 37 37
-15V4 -15V4	P1-5 P7-3 27.75"	BLU		X	38 38
-15V5 -15V5	P3-1 P5-5 14.5"	BLU		X	39 39
-15V6 -15V6	P3-4 P7-2 19.5"	HLU		X	40 40
-15VE1 -15VE1	P21-1 P36-13 64"	BLU		X	41 41
-15VF1 -15VF1	J45-1 P25-1 65"	BLU		X	42 42
-5VE1 -5VE1	P12-14 P47-3 62.75"	BRN		X	43 43
-5VM1 -5VM1	P26-3 72.5" P6-4	BRN		X	44 44
AC L01 AC L01	P14-6 70.5 P3-7	YEL	010AUG	X	45 45
AC L01' AC L01'	P14-6 P22-10 47"	YEL	010AUG	X	46 46
AC L02 AC L02	P14-10 P7-7 60.25"	YEL	010AUG	X	47 47
AC L02' AC L02'	P14-10 P22-8 46"	YEL	010AUG	X	48 48
AC01 AC01	P16-1 P18-6 11"		RED=UHT TWP(AC2)	X	49 49
AC02 AC02	P16-2 P18-7 11"		UHT=RED TWP(AC1)	X	50 50
AC03 AC03	P16-7 P19-6 15.75"		RED=UHT TWP(AC4)	X	51 51
AC04 AC04	P16-8 P19-7 15.75"		UHT=RED TWP(AC3)	X	52 52
AC05 AC05	P16-1 P17-6 11.5"		RED=UHT TWP(AC6)	X	53 53
AC06 AC06	P16-2 P17-7 11.5"		UHT=RED TWP(AC5)	X	54 54

3145PM, WNL NAME SORT	URL 100.SAV(10)	15-MAR-72	24-MAR-75	1515	PAGE 4
RUN NAME	A/P PIN LOCATION	BAY 0 DRAW RV NG V X Z LEVEL	REMARKS	NEW RUN INDICATOR	RUN NUM
AC07 AC07	P16-8 P20-6 16"		RED=UHT TWP(AC8)	X	55 55
AC08 AC08	P16-10 P20-7 16"		UHT=RED TWP(AC7)	X	56 56
AC09 AC09	P16-9 P21-6 21.5"		RED=UHT TWP(AC10)	X	57 57
AC10 AC10	P16-12 P21-8 21.5"		UHT=RED TWP(AC9)	X	58 58
AC11 AC11	P24-1 P29-6 27"		RED=UHT TWP(AC12)	X	59 59
AC12 AC12	P24-2 P29-7 27"		UHT=RED TWP(AC11)	X	60 60
AC13 AC13	P24-3 P30-7 27"		RED=UHT TWP(AC14)	X	61 61
AC14 AC14	P24-4 P30-8 27"		RED=UHT TWP(AC13)	X	62 62
AC15 AC15	P24-5 P26-7 18"		RED=UHT TWP(AC16)	X	63 63
AC16 AC16	P24-6 P26-8 18"		UHT=RED TWP(AC15)	X	64 64
AC17 AC17	P24-7 P31-6 17.5"		RED=UHT TWP(AC18)	X	65 65
AC18 AC18	P24-8 P31-7 17.5"		UHT=RED TWP(AC17)	X	66 66
AC19 AC19	P23-1 P27-6 21"		RED=UHT TWP(AC21)	X	67 67
AC20 AC20	P23-2 P27-7 21"		UHT=RED TWP(AC19)	X	68 68
AC21 AC21	P23-6 P28-6 17.5"		RED=UHT TWP(AC22)	X	69 69
AC22 AC22	P23-10 P28-7 17.5"		UHT=RED TWP(AC21)	X	70 70
AC23 AC23	P23-9 P25-6 9.5"		RED=UHT TWP(AC24)	X	71 71
AC24 AC24	P23-12 P25-8 9.5"		UHT=RED TWP(AC23)	X	72 72

1145PH.WNL NAME SORT	URL18D.SAV(18)	15-MAR-72	24-MAR-75	1515	PAGE 5
RUN NAME	A/P PIN LOCATION	BAY @ DRAW RV RG Y X Z LEVEL	REMARKS	NEW RUN INDICATOR	RUN NUM
AC25 AC25	P13-1 P13-3 2.75"		RED	X	73 73
AC25' AC25'	P13-1 P23-5 64.5"		RED	X	74 74
AC26 AC26	P13-2 P23-6 64.5"		WHT	X	75 75
AC26' AC26'	P13-2 P13-4 2.75"		WHT	X	76 76
AC27 AC27	P15-5 P34 57"			X	77 77
AC28 AC28	P15-6 P35 57"			X	78 78
DC L01 DC L01	P14-12 69.5" P3-8		VIO	X	79 79
DC L02 DC L02	P22-7 71" P7-4		VIO	X	80 80
DC L0X DC L0X	P22-12 P4-3 78.5"		VIO	X	81 81
DC L0Y DC L0Y	P14-9 P6-1 64"		VIO	X	82 82
GND 01 GND 01	P14-4 P21-3 28.5"		BLK	X	83 83
GND 02 GND 02	P14-5 73" P8-8		BLK	X	84 84
GND 03 GND 03	P14-6 P25-3 43.5"		BLK	X	85 85
GND 04 GND 04	P10-5 P22-3 74"		BLK	X	86 86
GND 05 GND 05	P36 P9-6 7"		BLK	X	87 87
GND 06 GND 06	P11-7 P39 7"		BLK	X	88 88
GND 09 GND 09	P12-8 31.5" P9-3		BLK	X	89 89
GND 10 GND 10	P11-8 P36-8 25.5"		BLK	X	90 90

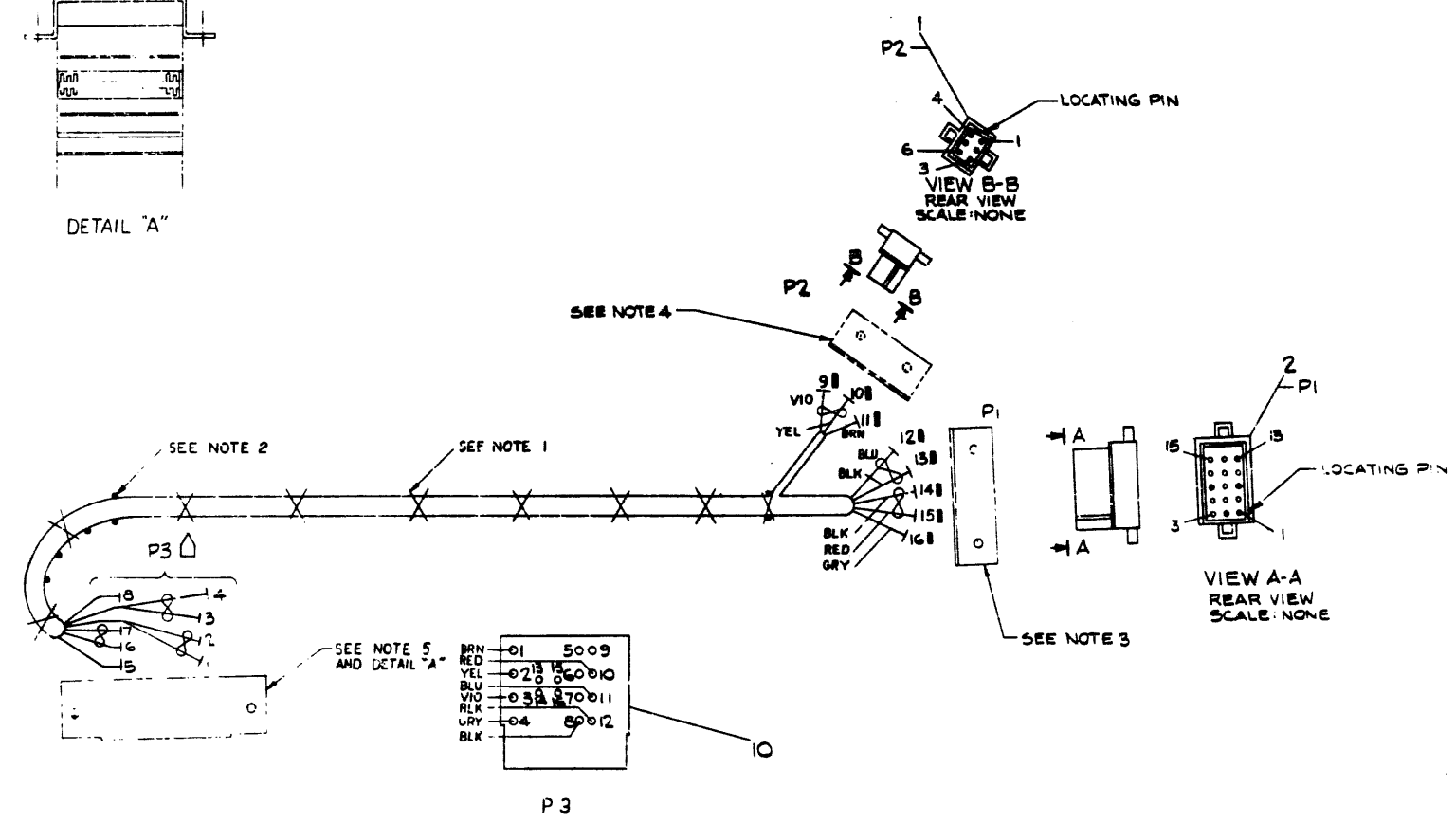
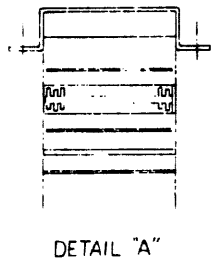
1145PH.WNL NAME SORT	URL18D.SAV(18)	15-MAR-72	24-MAR-75	1515	PAGE 6
RUN NAME	A/P PIN LOCATION	BAY @ DRAW RV RG Y X Z LEVEL	REMARKS	NEW RUN INDICATOR	RUN NUM
GND 11 GND 11	P1-2 P10-3 24.5"		BLK	X	91 91
GND 12 GND 12	P1-6 P10-4 24.5"		BLK	X	92 92
GND 13 GND 13	P41 P8-7 7"		BLK	X	93 93
GND 14 GND 14	P1-7 38 P36-5		BLK	X	94 94
GND A1 GND A1	P17-3 64.5" P8-2		BLK	X	95 95
GND A2 GND A2	P17-4 66" P8-1		BLK	X	96 96
GND H1 GND H1	P18-3 70.75" P8-4		BLK	X	97 97
GND H2 GND H2	P18-4 71.5" P8-3		BLK	X	98 98
GND C1 GND C1	P19-3 73.5" P8-6		BLK	X	99 99
GND C2 GND C2	P19-4 73.5" P8-5		BLK	X	100 100
GND D1 GND D1	P20-3 61" P36-7		BLK	X	101 101
GND D2 GND D2	P12-7 P211-4 61"		BLK	X	102 102
GND E1 GND E1	P21-2 P36-11 64"		BLK	X	103 103
GND E2 GND E2	P12-5 P40-2 63"			X	104 104
GND F1 GND F1	P25-2 75.5" P9-4		BLK	X	105 105
GND H1 GND H1	P11-1 P31-3 74.5"		BLK	X	106 106
GND H2 GND H2	P11-6 P31-4 74"		BLK	X	107 107
GND H3 GND H3	P11-2 P26-2 73"		BLK	X	108 108

133

1145PH, WNL NAME SORT	URL16D, SAV(16)	15-MAR-72	24-MAR-75	1515	PAGE 7
RUN NAME	A/P PIN LOCATION	BAY # DRAW RV RG Y X Z LEVEL	REMARKS	NEW RUN INDICATOR	RUN NUM
GND J1 GND J1	P27-3 82.5" P9-2		BLK	X	104 104
GND J2 GND J2	P27-4 82.5" P9-1		BLK	X	110 110
GND K1 GND K1	P11-4 P28-3 78"		BLK	X	111 111
GND K2 GND K2	P11-3 P28-4 78"		BLK	X	112 112
GND L1 GND L1	P11-6 P29-3 81"		BLK	X	113 113
GND L2 GND L2	P11-5 P29-4 81"		BLK	X	114 114
GND L3 GND L3	P30-2 P9-8 84"		BLK	X	115 115
LINE CLOCK LINE CLOCK	P14-11 P37-2 58.5"		BRN	X	116 116
LINE CLOCK' LINE CLOCK'	P2-7 P37-2 33"		BRN	X	117 117
LO GND U1 LO GND U1	P10-1 P14-7 66"		BLK	X	118 118
LO GND U2 LO GND U2	P10-2 P22-7 78"		BLK	X	119 119
LO GND U3 LO GND U3	P37-1 30.5" P9-5		BLK	X	120 120
PWR CONT COM1 PWR CONT COM1	P1-3 P32-3 98.25"		BLK-WHT	X	121 121
PWR CONT SW1 PWR CONT SW1	P1-4 P32-1 98.25"		WHT-BLK	X	122 122
SHIELD	P23-4			X	123
THERM 1 THERM 1	P13-6 P33-3 77.75"		BLK	X	124 124
THERM 2 THERM 2	P13-5 P33-2 77.75"		RED	X	125 125

WIRE TABLE									
ITEM NO.	DESCRIPTION	COLOR	POINT	CONNECTION	TERM	POINT	CONNECTION	TERM	SIGNAL
5	14	RED	3	P3-10	SOLD	15	P1-1	3	+5V
	TWP	BLK	4	P3-8	SOLD	14	P1-7	3	GND
9	14	GRY	5	P3-4	SOLD	16	P1-2	3	+15V
6	14	BLK	1	P3-12	SOLD	13	P1-8	3	GND
	TWP	BLU	2	P3-11	SOLD	12	P1-13	3	-15V
8	18	BRN	8	P3-1	SOLD	11	P2-2	3	LT ₂
7	18	VIO	6	P3-3	SOLD	9	P2-3	3	D ₂ L ₂
	TWP	YEL	7	P3-2	SOLD	10	P2-4	3	A ₂ L ₂
11	22	-	-	P3-13	SOLD	-	P3-14	SOLD	D ₂ L ₂
11	22	-	-	P3-15	SOLD	-	P3-16	SOLD	A ₂ L ₂

- NOTES:
- USE TIE WRAPS (X) ITEM #4 APPROXIMATELY EVERY THREE (3) INCHES WHEN NECESSARY AND AT EVERY BREAKOUT POINT.
 - DOT (•) INDICATES NAIL LOCATIONS FOR ASSEMBLY USE ONLY. COVER NAILS WITH SHRINK TUBING TO PREVENT CUTTING HARNESS.
 - USE CONN BRKT C-MD-930576-00 MOUNT WITH WOOD SCREWS. USE MATING CONN 1209350-5.
 - USE CONN BRKT C-MD-930576-00 MOUNT WITH WOOD SCREWS. USE MATING CONN 1209350-06.
 - USE CONN. HOLD DOWN B-MD-930576-00 WITH PLATE B-MD-9305767-0-1. USE TAPE DEC #9008734 (CONN HB07 DEC #1209123) REMOVE PINS #FLANGES A, SHOWN IN DETAIL "A". MOUNT WITH WOOD SCREWS.



SYM	DESCRIPTION	PART NO.	QTY
A/R	BUSS WIRE #22AWG	91075600-11	11
I	POWER CONN	6772	3/10
A/R	WIRE #14AWG GRY	9107370-05	3/10
A/R	WIRE #18AWG BRN	9107360-11	8
A/R	WIRE #18TWP YEL/VIO	9107430-47	7
A/R	WIRE #14TWP BLK/BLU	9107440-06	6
A/R	WIRE #14TWP BLK/RED	9107440-02	5
X	A/R WRAP TIE	9007031	4
B	PIN, MALE	1209376-00	3
I	HOUSING CONN, 5 PIN	1209351-15	2
SYM	HOUSING CONN, 6 PIN	1209351-06	1

EQUIPMENT CORPORATION 6772 SYSTEM UNIT HARNESS PART NO. 7009562-0-0	DATE: 1/1/57 DRAWN BY: [Signature] CHECKED BY: [Signature] APPROVED BY: [Signature]
--	--

CUSTOMER PRINT SET INDEX

SEQUENCE

SEQUENCE

DRAWING DIRECTORY
POWER CONTROL, 861
PILOT CONTROL
CIRCUIT SCHEMATIC 861
CIRCUIT SCHEMATIC 861
CIRCUIT SCHEMATIC 861
PACKAGING INSTRUCTION
CIRCUIT SCHEMATIC 861

B-DD-861-0
E-UA-861-0-0
D-CS-5411522-0-1
D-CS-861-A-1
D-CS-861-B-1
D-CS-861-C-1
A-PI-3700083-0-0
D-CS-861-F-1

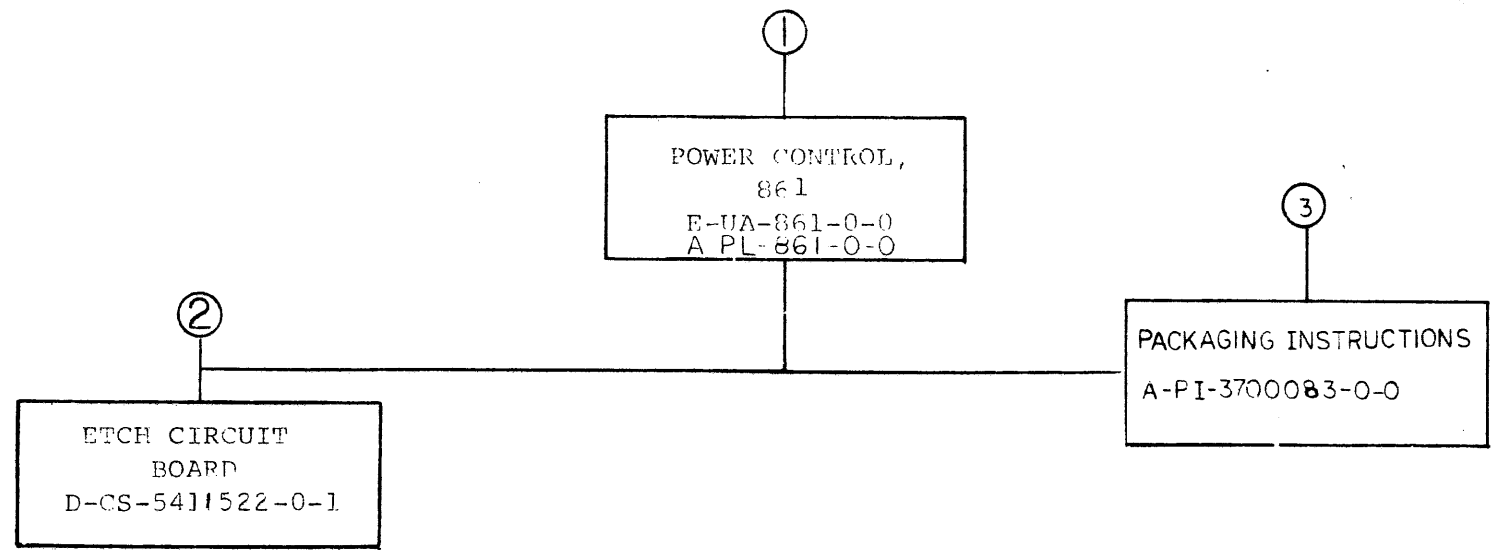
THIS IS PRINT SET

UNIT VARIATIONS		PRINT SET	
VAR	TITLE		
861-A	POWER CONTROL, 861-A		
861-B	POWER CONTROL, 861-B		
861-C	POWER CONTROL, 861-C		
861-F	POWER CONTROL, 861-F		

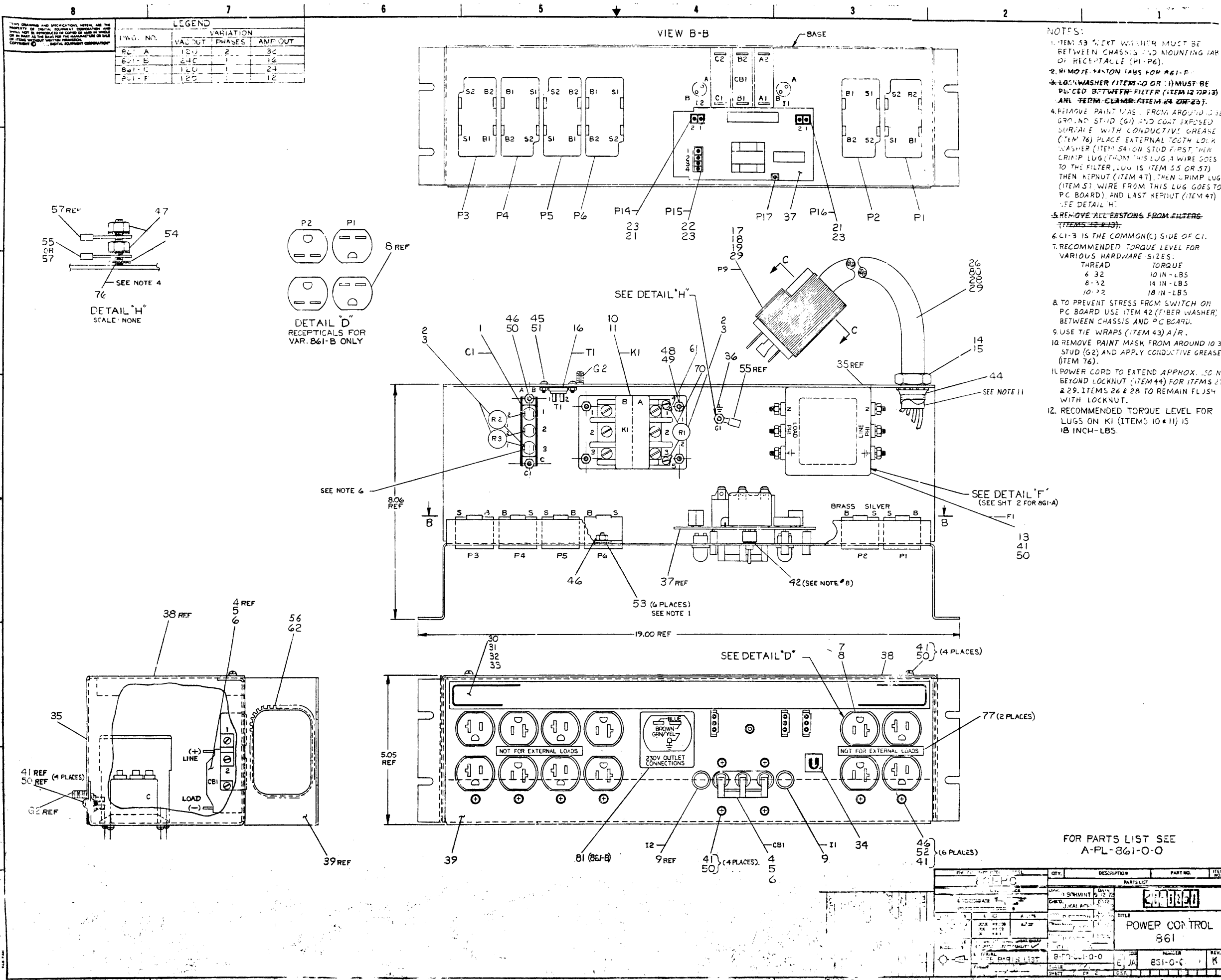
DEC 16/13251-1062-1A-R9/2

REVISIONS		
DATE	CHG. NO.	REV
2-73	861-3	A
8-74	861-4	B
12-74	861-6	C
4-75	861-7	D
7-75	861-8	E
2-76	861-9	F
4-76	861-10	H
8-76	861-11	J
9-76	861-12	K

USED ON OPTION/MODEL		DRN. SCHMIDT	DATE 9/13/72	TITLE 861 POWER CONTROL
		CHK'D. B. ALLEN	DATE 9/13/72	
		PROJ ENG. JIM KALAGHER	DATE 9/13/72	
		PROD. Fazio Paul	DATE 9/25/72	
FIELD SERV. Paton Irving		DATE 9/25/72	SIZE CODE B DD	
SHEET 1 OF 3			NUMBER 861-0	
			R14 K	
			DIST	



TITLE	SHEET	SIZE	CODE	NUMBER	REV
POWER CONTROL	2 OF 3	B	DD	861-0	K

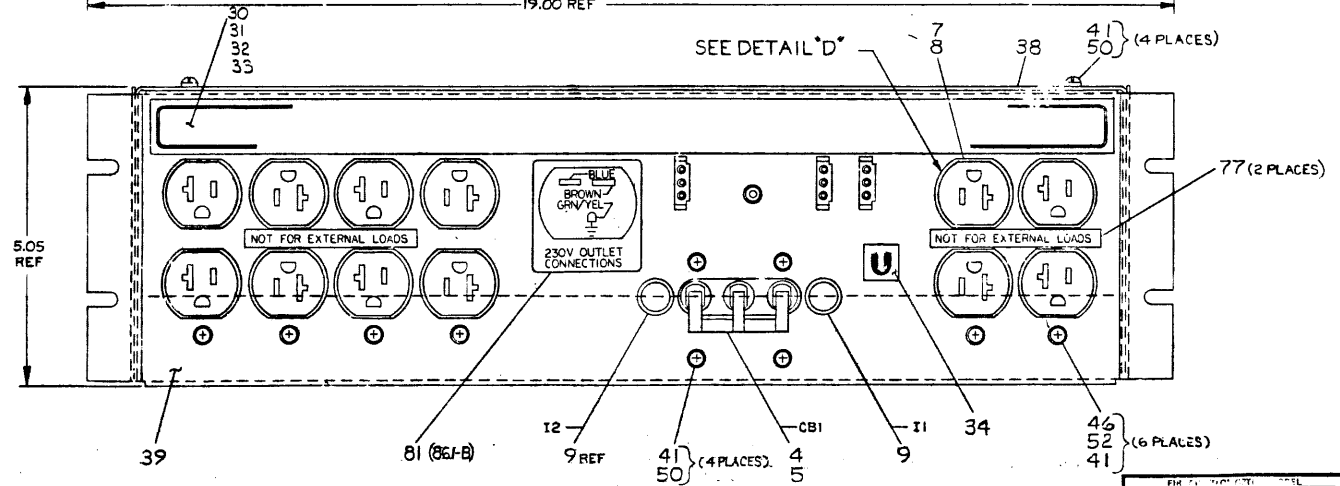
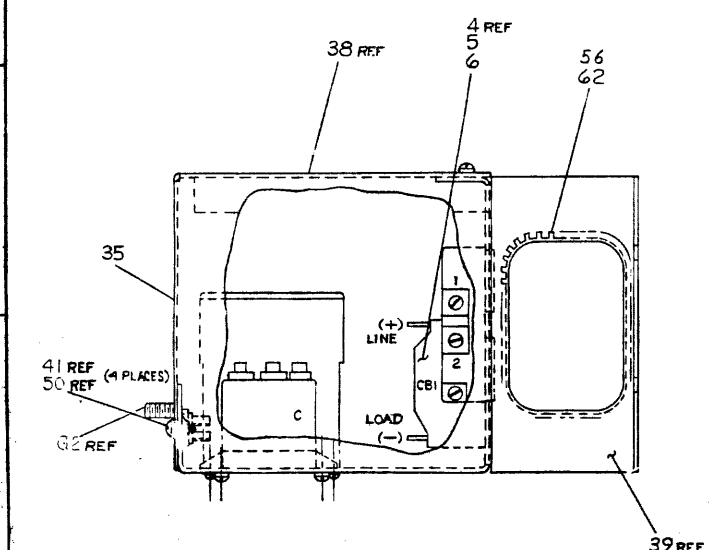
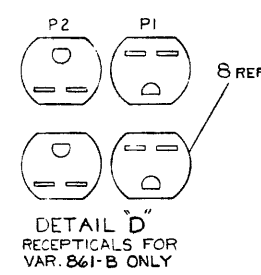
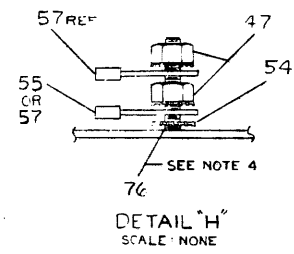


LEGEND

DWG. NO.	VOL. OUT	PHASES	AMP. OUT
B61-A	120	2	30
B61-B	240	1	16
B61-C	120	1	24
B61-F	120	1	12

- NOTES:
- ITEM 43 NEXT WASHER MUST BE BETWEEN CHASSIS AND MOUNTING TAB OF RECEPTACLE (P1-P6).
 - REMOVE FASTON TABS FOR 861-F.
 - LOCKWASHER (ITEM 40 OR 41) MUST BE PLACED BETWEEN FILTER (ITEM 12 OR 13) AND TERM. CLAMP (ITEM 44 OR 23).
 - FLUORESCENT PAINT MASK FROM AROUND STUD (G1) AND COAT EXPOSED SURFACE WITH CONDUCTIVE GREASE (ITEM 76). PLACE EXTERNAL TOOTH LOCK WASHER (ITEM 54) ON STUD FIRST, THEN CRIMP LUG (FROM THIS LUG A WIRE GOES TO THE FILTER, LUG IS ITEM 55 OR 57) THEN KEYPIN (ITEM 47), THEN CRIMP LUG (ITEM 57) WIRE FROM THIS LUG GOES TO PC BOARD, AND LAST KEYPIN (ITEM 47) SEE DETAIL H.
 - REMOVE ALL FASTONS FROM FILTERS (ITEMS 12-13).
 - C1-3 IS THE COMMON(C) SIDE OF C1.
 - RECOMMENDED TORQUE LEVEL FOR VARIOUS HARDWARE SIZES:

THREAD	TORQUE
6-32	10 IN-LBS
8-32	14 IN-LBS
10-22	18 IN-LBS
 - TO PREVENT STRESS FROM SWITCH ON PC BOARD USE ITEM 42 (FIBER WASHER) BETWEEN CHASSIS AND PC BOARD.
 - USE TIE WRAPS (ITEM 43) A/R.
 - REMOVE PAINT MASK FROM AROUND 10-32 STUD (G2) AND APPLY CONDUCTIVE GREASE (ITEM 76).
 - POWER CORD TO EXTEND APPROX. 50 N. BEYOND LOCKNUT (ITEM 44) FOR ITEMS 27 & 29. ITEMS 26 & 28 TO REMAIN FLUSH WITH LOCKNUT.
 - RECOMMENDED TORQUE LEVEL FOR LUGS ON K1 (ITEMS 10 & 11) IS 18 INCH-LBS.



FOR PARTS LIST SEE A-PL-861-O-O

QTY.	DESCRIPTION	PART NO.	REV.
	POWER CONTROL	861	
		861-O-O	

THIS DRAWING AND SPECIFICATIONS HEREAFTER SHALL BE THE PROPERTY OF DIGITAL EQUIPMENT CORPORATION AND SHALL NOT BE REPRODUCED OR COPIED OR USED IN WHOLE OR IN PART AS THE BASIS FOR THE MANUFACTURE OR SALE OF ITEMS WITHOUT THE WRITTEN PERMISSION OF DIGITAL EQUIPMENT CORPORATION.

WIRE TABLE 861-A											
ITEM NO.	DESCRIPTION	AWG	COLOR	CONN	FROM		TO		WITH	REMARKS	
					POINT	POINT	POINT	POINT			
73	14	BLU	RI-1		RI-1		RI-2		70.61	1. IN.	
73	14	BLU	RI-1		RI-1		RI-5		70.61	1. IN.	
73	14	BLU	KI-B3				P6-S1		60	5.25 IN.	
72	14	BLU	KI-B3				P4-S1		60	4. IN.	
72	14	BLU	KI-B3				P6-B1		60	5.25 IN.	
72	14	BLU	KI-B3				P4-B1		60	5.25 IN.	
71	14	BLU	KI-B3				P3-B2		60	6.25 IN.	
73	14	BLU	KI-B3				CI-3B		63	3.5 IN.	
72	14	BLU	KI-B3				CI-2B		63	3.5 IN.	
71	14	BLU	KI-B1				CI-1B		63	3.5 IN.	
73	14	BLU	KI-B1				PI-51		60	3. IN.	
66	12	BLU	KI-A3				PI-52		23.22	3.75 IN.	
73	14	BLU	PI6-2				KI-A3		*	6.5 IN.	
65	12	BRN	CB1-B2				KI-A2		*	6.75 IN.	
72	14	BRN	CB1-B2				PI-B1		60	10.5 IN.	
64	12	ELK	CB1-A2				KI-A1		55	7.5 IN.	
71	14	BLK	CB1-A2				P2-B1		60	8. IN.	
72	14	BRN	KI-A1				PI-53		23.22	5.5 IN.	
72	14	BRN	KI-A2				KI-4		63	5. IN.	
72	14	BRN	PI6-1				KI-5		63	7.5 IN.	
73	14	BLU	PI-S2				P2-S1		60	3. IN.	
66	12	BLU	CB1-C1			LOAD	FI-N	LOAD	55	5.5 IN.	
9		RED	I1-A				CB1-C1		57	5.75 IN.	
9		RED	I2-A				CB1-A1		58	3.75 IN.	
9		RED	I1-B				CB1-A1		55	3. IN.	
64	12	BLK	FI-PHI			LOAD	CB1-B1		58	4.75 IN.	
65	12	BRN	FI-PHZ			LOAD	CB1-B1		55	5.25 IN.	
74	14	ORN	PI4-1				TI-1		23.21	10. IN.	
74	14	ORN	PI4-2				TI-2		23.21	10. IN.	
67	12	GRN/YEL	FI-S			LOAD	GI	SEE DETAIL "H"	55	4.75 IN.	
67	14	GRN/YEL	P17			LOAD	GI	SEE DETAIL "H"	57	7.75 IN.	
2			R2-1				CI-3A		70	1. IN.	
2			R2-2				CI-1A		70	1. IN.	
2			R2-2				CI-2A		70	1. IN.	
26	12	ELK	P9-Y				FI-PHI	LINE	17	15. FT.	
1		WHT	P9-X				FI-N	LINE	55		
1		RED	P9-X				FI-PHZ	LINE	55		
26	16	GRN	P9-G				FI-S	LINE	17	15. FT.	

* STRIP WIRE .38 IN

WIRE TABLE 861-E

ITEM NO.	DESCRIPTION	AWG	COLOR	CONN	FROM		TO		WITH	REMARKS
					POINT	POINT	POINT	POINT		
3			RI-1		RI-1		RI-4		70.61	1. IN.
73	14	BLU	RI-1		RI-1		RI-5		70.61	1. IN.
73	14	BLU	KI-B3				P6-S1		60	4. IN.
73	14	BLU	KI-B3				CI-3B		63	3.5 IN.
73	14	BLU	KI-B3				P6-S2		60	4.5 IN.
72	14	BRN	KI-B1				P6-B1		60	5. IN.
72	14	BRN	KI-B1				P4-B1		60	5.5 IN.
73	14	BRN	KI-B1				CI-1B		63	3.5 IN.
73	14	BRN	P6-B2				P5-B1		60	3. IN.
72	14	BLK	KI-B1				KI-4		63	3.25 IN.
72	14	BLK	P4-B2				P3-B1		60	3. IN.
71	14	BLK	KI-A1				KI-4		63	3.25 IN.
71	14	BLK	KI-A1				PI-54		23.22	6. IN.
72	14	BRN	CB1-A2				PI-B2		60	10. IN.
72	14	BRN	CB1-A2				KI-A1		63	7.5 IN.
73	14	BLU	CB1-C2				KI-A3		65	5. IN.
73	14	BLU	CB1-C2				PI-S2		60	8. IN.
73	14	BLU	CB1-C2				PI6-2		23.21	6. IN.
73	14	BLU	CB1-C2				KI-A3		23.22	4. IN.
73	14	BRN	PI-B1				P2-S2		60	3. IN.
9		BLK	I1-B				P2-B2		60	4.5 IN.
9		BLK	I2-B				CB1-B2		57	4. IN.
9		RED	I1-A				CB1-A1		58	5. IN.
9		RED	I2-A				CB1-C1		58	5. IN.
74	14	ORN	PI4-1				TI-1	LOAD	57	3. IN.
74	14	ORN	PI4-2				TI-2	LOAD	57	4.75 IN.
74	14	ORN	PI4-2				TI-2		23.21	10. IN.
74	14	ORN	PI4-2				TI-2		23.21	10. IN.
67	12	GRN/YEL	FI-S			LOAD	GI	SEE DETAIL "H"	57	4.75 IN.
67	14	GRN/YEL	P17			LOAD	GI	SEE DETAIL "H"	57	7.75 IN.
3			R2-2				CI-3A		70	1. IN.
3			R2-2				CI-1A		70	1. IN.
72	14	BRN	PI6-1				KI-5		23.21	7. IN.
80	14	GRN/YEL	P9-G				FI-S	LINE	57	15. FT.
80	14	BRN	P9-X				FI-PHI	LINE	57	15. FT.
80	14	BLU	P9-Y				FI-N	LINE	57	15. FT.

WIRE TABLE 861-C

ITEM NO.	DESCRIPTION	AWG	COLOR	CONN	FROM		TO		WITH	REMARKS
					POINT	POINT	POINT	POINT		
2			RI-1		RI-1		RI-4		70.61	1. IN.
2			RI-2		RI-1		RI-5		70.61	1. IN.
73	14	BLU	KI-B3				P6-S1		60	4.5 IN.
73	14	BLU	KI-B3				P4-S1		60	4.75 IN.
72	14	BRN	KI-B2				P6-B1		60	5. IN.
72	14	BRN	KI-B2				P4-B1		60	4.5 IN.
71	14	BLK	KI-B1				P6-B2		60	6.0 IN.
71	14	BLK	KI-B1				P4-B1		60	4.5 IN.
73	14	BLU	KI-B3				PI-51		60	3.5 IN.
73	14	BLU	KI-B3				PI-52		60	3.5 IN.
72	14	BRN	KI-B2				CI-2B		63	3.5 IN.
71	14	BLK	KI-B1				CI-1B		63	3.5 IN.
72	14	BRN	CB1-B2				PI-A2		60	7.5 IN.
72	14	BRN	CB1-B2				KI-A2		63	3.25 IN.
71	14	BLK	CB1-C2				P2-B1		60	7.0 IN.
71	14	BLK	CB1-C2				KI-A1		65	5.75 IN.
73	14	BLU	CB1-A2				PI-53		23.21	5.5 IN.
71	14	BRN	PI-B1				PI-S2		60	7.5 IN.
71	14	BRN	PI-B1				KI-A3		60	6. IN.
73	14	BLU	PI-51				PI-52		60	3.75 IN.
73	14	BLU	PI-51				KI-A3		23.21	3.75 IN.
72	14	BRN	PI6-1				KI-5		63	6.5 IN.
74	14	ORN	PI4-1				TI-1		63	10. IN.
74	14	ORN	PI4-2				TI-2		63	10. IN.
2			R2-1				CI-3A		70	1. IN.
2			R2-2				CI-1A		70	1.25 IN.
2			R2-2				CI-2A		70	1. IN.
68	12	GRN/YEL	FI-S			LOAD	GI	SEE DETAIL "H"	55	4.75 IN.
67	14	GRN/YEL	P17			LOAD	GI	SEE DETAIL "H"	57	7.5 IN.
65	12	BRN	CB1-B1				FI-PHI	LOAD	55	3. IN.
64	12	BLK	CB1-C1				FI-PHI	LOAD	55	3.25 IN.
9		RED	I1-A				CB1-B1		57	4.25 IN.
9		RED	I2-A				CB1-B1		57	4.75 IN.
9		BLK	I1-B				CB1-A1		57	3.0 IN.
9		BLK	I2-B				CB1-A1		57	5.75 IN.
66	12	BLU	CB1-A1				FI-N	LOAD	55	4.5 IN.
28	19	GRN	P9-G				FI-S	LINE	55	15. FT.
28	19	BLK	P9-X				FI-PHI	LINE	55	15. FT.
28	12	WHT	P9-S				FI-N	LINE	55	15. FT.

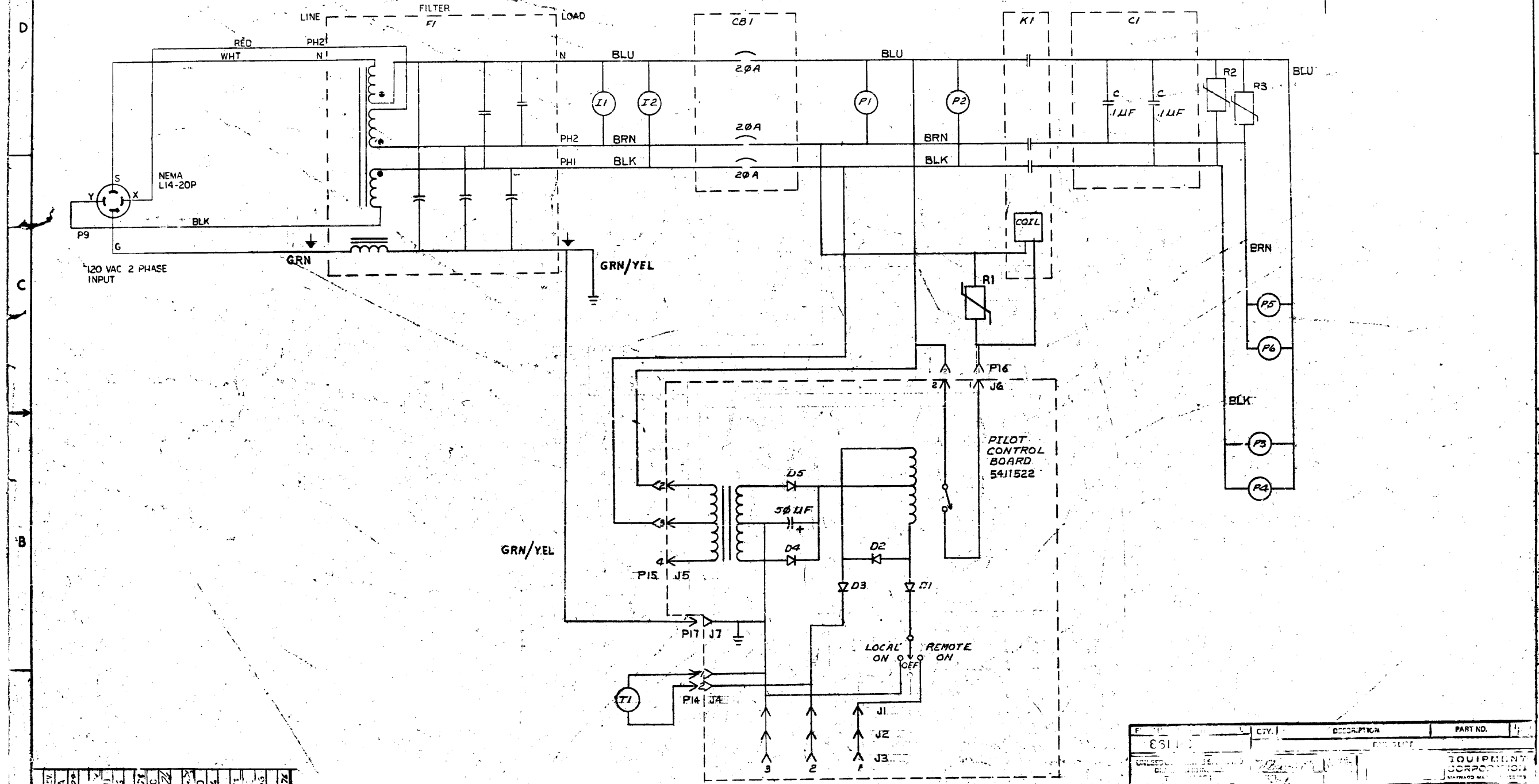
WIRE TABLE 861-F

ITEM NO.	DESCRIPTION	AWG	COLOR	CONN	FROM		TO		WITH	REMARKS
					POINT	POINT	POINT	POINT		
2			RI-1		RI-1		RI-4		70.61	1. IN.
73	14	BLU	RI-1		RI-1		RI-5		70.61	1. IN.
73	14	BLU	KI-B3				P6-S1		60	5.25 IN.
72	14	BRN	KI-B2				P4-S1		60	4. IN.
72	14	BRN	KI-B2				P6-B1		60	5.25 IN.
71	14	BLK	KI-B1				P4-B1		60	5.25 IN.
71	14	BLK	KI-B1				P3-B2		60	6.25 IN.
73	14	BLU	KI-B3				CI-3B		63	3.5 IN.
72	14	BRN	KI-B2				CI-2B		63	3.5 IN.
71	14	BLK	KI-B1				CI-1B		63	3.5 IN.
2			R2-2				CI-1A		70	1. IN.
2			R2-1				CI-3A		59	1. IN.
2			R3-1				CI-1A		59	1. IN.
2			R3-2				CI-2A		70	1.25 IN.
73	14	BLU	KI-A3				PI-52		23.22	4.25 IN.
73	14	BLU	KI-A3				PI6-2		23.21	5.75 IN.
73	14	BLU	CB1-A2				KI-A3		*	6.75 IN.
72	14	BRN	KI-A2				PI-S2		60	8. IN.
72	14	BRN	KI-A2				KI-4		63	3.75 IN.
71	14	BRN	CB1-B2				KI-A2		*	6.5 IN.
72	14	BRN	KI-5				PI-52		60	8.25 IN.
71	14	BLK	KI-A1				PI-53		23.22	6. IN.
71	14	BLK	CB1-C2				P2-B1		60	8. IN.
71	14	BLK	CB1-C2				KI-A1		60	7. IN.
73	14	BLU	PI-S1				P2-S2		60	3. IN.
9		BLK	I1-B				CB1-B1		57	4.5 IN.
9		BLK	I2-B				CB1-B1		57	4.5 IN.
9		RED	I1-A				CB1-A1		57	3.5 IN.
9		RED	I2-A				CB1-A1		57	4.5 IN.
73	14	BLU	CB1-A1				FI-N	LOAD	57	4.5 IN.
71	14	BLK	CB1-C1				CB1-B1		55	3. IN.
71	14	BLK	CB1-C1				CB1-B1		55	3. IN.
67	12	GRN/YEL	FI-S			LOAD	GI	SEE DETAIL "H"	57	4.75 IN.
67	14	GRN/YEL	P17			LOAD	GI	SEE DETAIL "H"	57	7.75 IN.
74	14	ORN	PI4-1				TI-1		23.21	10. IN.
74	14	ORN	PI4-2				TI-2		23.21	10. IN.
73	14	BLU	P3-S1				P2-B2		60	4.5 IN.
73	14	BLU	P5-S1				P2-B2		60	4.5 IN.
19	14	GRN	P9-G				FI-S	LINE	57	9. FT.
16	16	BLK	P9-X				FI-PHI	LINE	57	9. FT.
17	16	WHT	P9-Y				FI-N	LINE	57	9. FT.

This drawing and specifications, herein, are the property of the Equipment Corporation and shall not be reproduced or copied or used in whole or in part as the basis for the manufacture or sale of items without written permission.

1-V-198 2

NOTE:
1. R1, P2, + R3 ARE MOV VARISTOR SPIKE SUPPRESSORS.



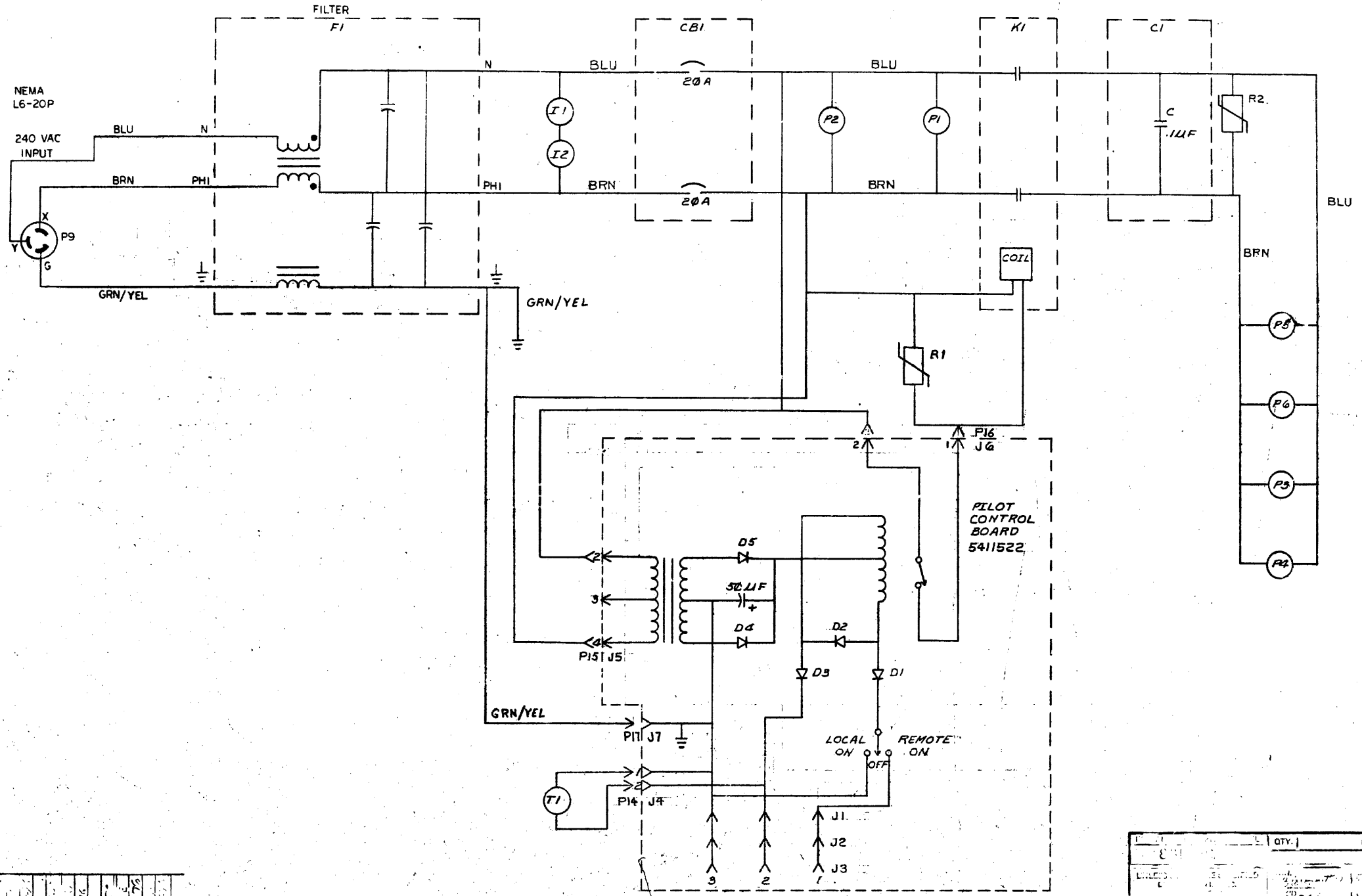
REV.	DATE	BY	CHKD.	DESCRIPTION
A	11-22-55	W		REVISED TO ADD REMOTE CONTROL
B	11-22-55	W		REVISED TO ADD REMOTE CONTROL
C	11-22-55	W		REVISED TO ADD REMOTE CONTROL
D	11-22-55	W		REVISED TO ADD REMOTE CONTROL
E	11-22-55	W		REVISED TO ADD REMOTE CONTROL
F	11-22-55	W		REVISED TO ADD REMOTE CONTROL
G	11-22-55	W		REVISED TO ADD REMOTE CONTROL
H	11-22-55	W		REVISED TO ADD REMOTE CONTROL
I	11-22-55	W		REVISED TO ADD REMOTE CONTROL
J	11-22-55	W		REVISED TO ADD REMOTE CONTROL
K	11-22-55	W		REVISED TO ADD REMOTE CONTROL
L	11-22-55	W		REVISED TO ADD REMOTE CONTROL
M	11-22-55	W		REVISED TO ADD REMOTE CONTROL
N	11-22-55	W		REVISED TO ADD REMOTE CONTROL
O	11-22-55	W		REVISED TO ADD REMOTE CONTROL
P	11-22-55	W		REVISED TO ADD REMOTE CONTROL
Q	11-22-55	W		REVISED TO ADD REMOTE CONTROL
R	11-22-55	W		REVISED TO ADD REMOTE CONTROL
S	11-22-55	W		REVISED TO ADD REMOTE CONTROL
T	11-22-55	W		REVISED TO ADD REMOTE CONTROL
U	11-22-55	W		REVISED TO ADD REMOTE CONTROL
V	11-22-55	W		REVISED TO ADD REMOTE CONTROL
W	11-22-55	W		REVISED TO ADD REMOTE CONTROL
X	11-22-55	W		REVISED TO ADD REMOTE CONTROL
Y	11-22-55	W		REVISED TO ADD REMOTE CONTROL
Z	11-22-55	W		REVISED TO ADD REMOTE CONTROL

REV.	CTY.	DESCRIPTION	PART NO.
8311			
EQUIPMENT CORPORATION			
CIRCUIT SCHEMATIC (LINE-FLU)			

142

This drawing and specifications, herein, are the property of Digital Equipment Corporation and shall not be reproduced or copied or used in whole or in part as the basis for the manufacture or sale of items without written permission.

NOTE :
 1. R1-R2 ARE MOV VARISTOR SPIKE SUPPRESSORS.



1	2	3	4	5	6	7	8
...

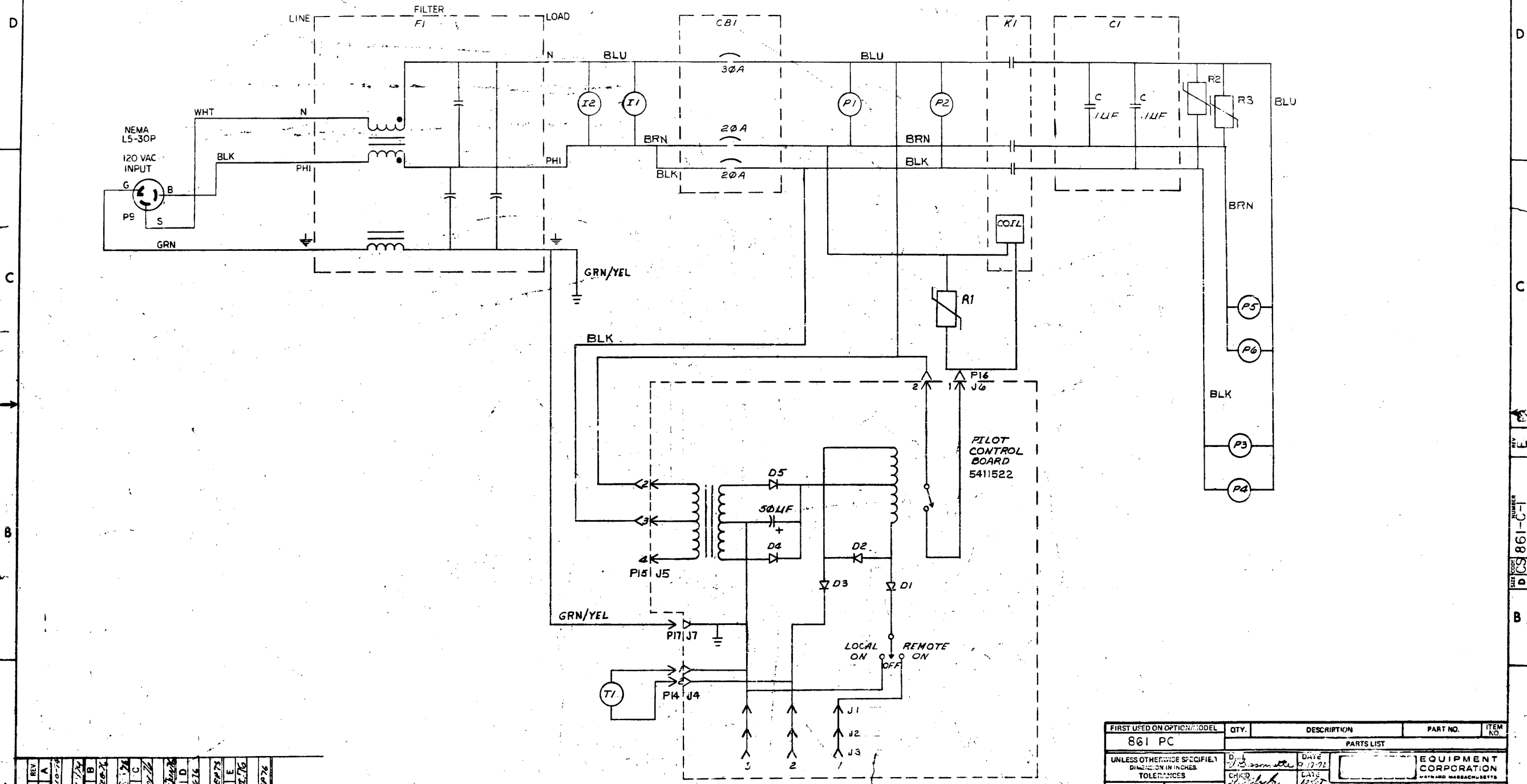
QTY.	DESCRIPTION	PART NO.	U.S.A.
1	PILOT CONTROL BOARD	5411522	
1	CIRCUIT SCHEMATIC	(861-B PC)	

143

This drawing and specifications herein are the property of Digital Equipment Corporation and shall not be reproduced or copied or used in whole or in part as the basis for the manufacture or sale of items without written permission.

10-1985 2

NOTE:
1. R₂, R₂+R₃ ARE MOV VARISTOR SPIKE SUPPRESSORS.



REV	CHANGE NO.	DATE	BY	CHKD	DATE
A	1	12-10-76	R. KENNEDY		
B	1	12-10-76	R. KENNEDY		
C	1	12-10-76	R. KENNEDY		
D	1	12-10-76	R. KENNEDY		
E	1	12-10-76	R. KENNEDY		

FIRST USED ON OPTION/MODEL	QTY.	DESCRIPTION	PART NO.	ITEM NO.
861 PC		PARTS LIST		
UNLESS OTHERWISE SPECIFIED, DIMENSION IN INCHES TOLERANCES		EQUIPMENT CORPORATION		
DECIMALS	ANGLES	TITLE		
.XXX - F30	±0°30'	CIRCUIT SCHEMATIC		
.XX - .02		861-C P.C.		
.X - .1		DATE 10-14-77		
REMOVE CURRS AND BREAK SHARP CORNERS SURFACE QUALITY		DATE 10-14-77		
MATERIAL	B-DD-861-0	SIZL CODE	NUMBER	REV.
FINISH		DCS	861-C-1	E

144

This drawing and specifications, herein, are the property of Digital Equipment Corporation and shall not be reproduced or copied or used in whole or in part as the basis for the manufacture or sale of items without written permission.

**DIGITAL EQUIPMENT CORPORATION
MAYNARD MASSACHUSETTS**

PACKAGING INSTRUCTION REV: A DATE: 4-73
TITLE 861 POWER CONTROL, INTERPLANT PACKAGE

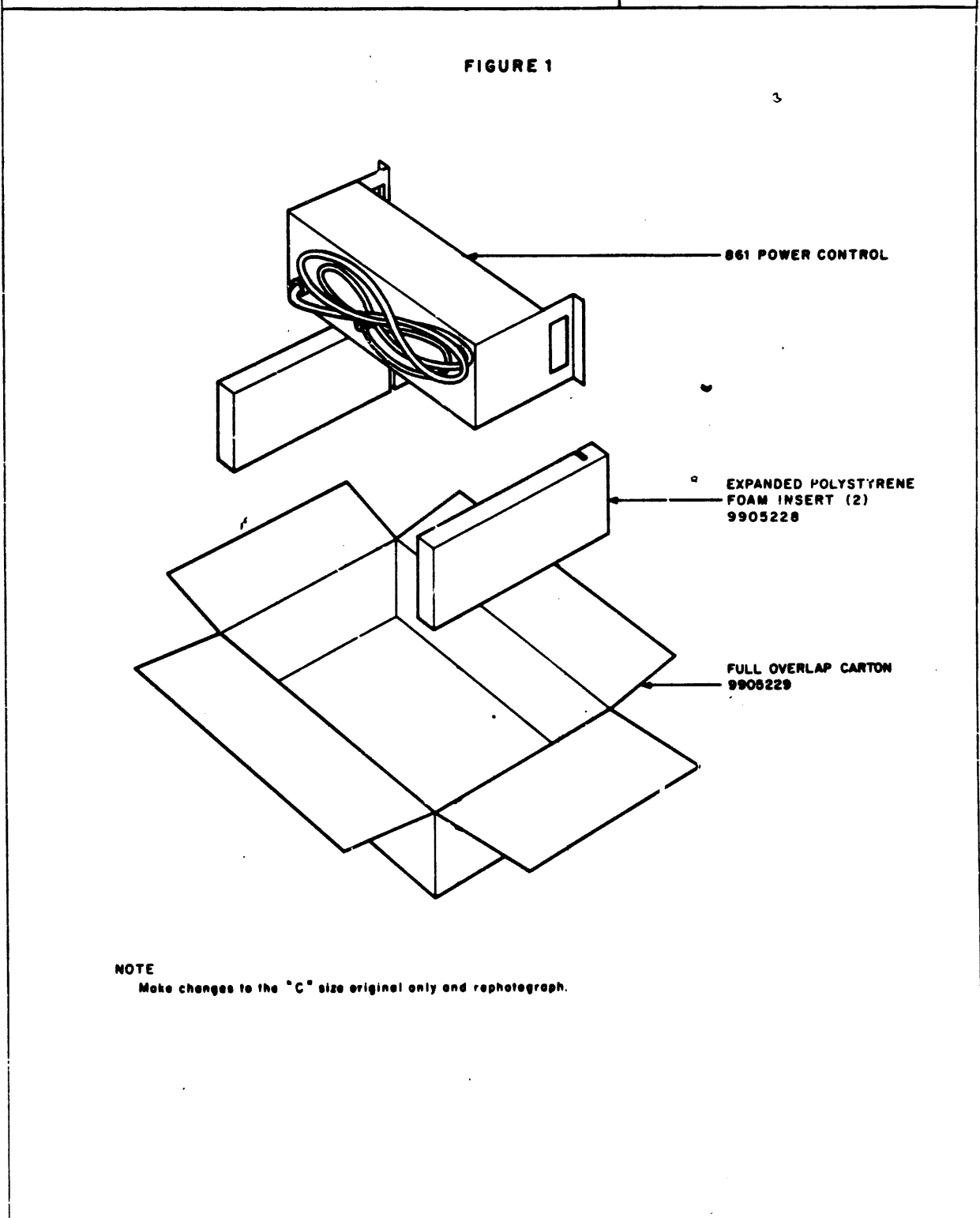
MATERIAL REQUIREMENTS			
Quantity	Identification No.	Purchase Spec	Description
1	7-2008 1314 0500-0	9905229	Full overlap carton
2		9905228	Expanded polystyrene foam insert
A/R			3-inch wide Glasflex tape

PACKAGING INSTRUCTIONS	
Step	Procedure
1	Set up the full over lap carton (9905229) using one strip of tape across the bottom and extending up the sides approximately three inches. See Figure 1.
2	Place one expanded polystyrene foam insert (9905228) in each end of the carton with the slots in the foam facing inward.
3	Place the 861 power control in the carton with the ears of the upright sliding into the slots in the foam.
4	Coil the power cord so that it fits into the cavity in the rear of the power control.
5	Close and seal the carton with one piece of tape across the top of the carton and extending down the sides approximately three inches.

ENG. <i>[Signature]</i>	APPD. <i>[Signature]</i>	SIZE A	CODE PI	NUMBER 3700083-0-0	REV A
-------------------------	--------------------------	-----------	------------	-----------------------	----------

This drawing and specifications, herein, are the property of Digital Equipment Corporation and shall not be reproduced or copied or used in whole or in part as the basis for the manufacture or sale of items without written permission.

PACKAGING INSTRUCTION REV: A DATE: 4/73
TITLE 861 POWER CONTROL, INTERPLANT PACKAGE



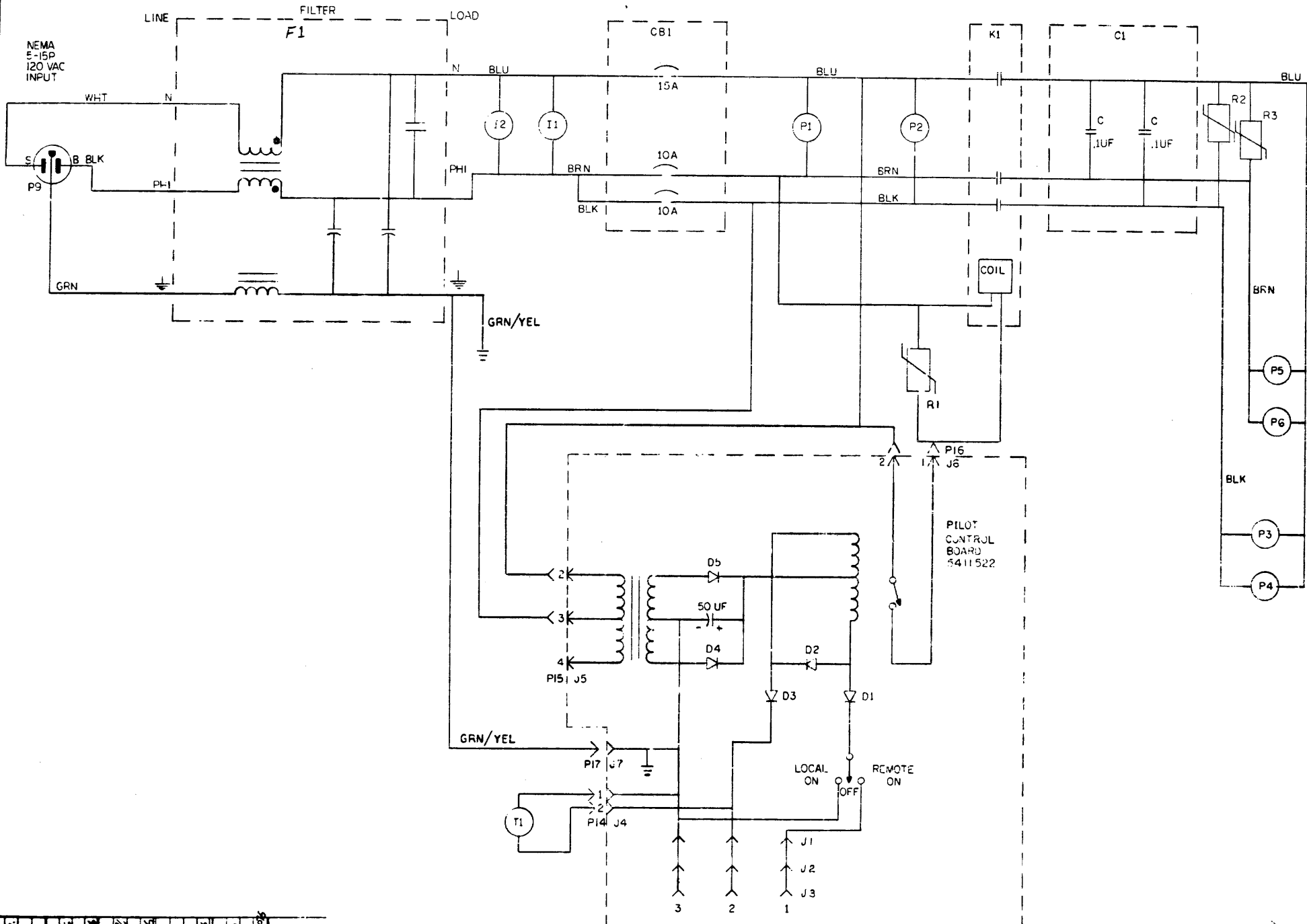
NOTE
Make changes to the "C" size original only and rephotograph.

ENG. <i>[Signature]</i>	APPD. <i>[Signature]</i>	SIZE A	CODE PI	NUMBER 3700083-0-0	REV A
-------------------------	--------------------------	-----------	------------	-----------------------	----------

8 7 6 5 4 3 2 1

"THIS DRAWING AND SPECIFICATIONS HEREIN ARE THE PROPERTY OF DIGITAL EQUIPMENT CORPORATION AND SHALL NOT BE REPRODUCED OR COPIED OR USED IN WHOLE OR IN PART AS THE BASIS FOR THE MANUFACTURE OR SALE OF ITEMS WITHOUT WRITTEN PERMISSION. COPYRIGHT © 1974, DIGITAL EQUIPMENT CORPORATION"

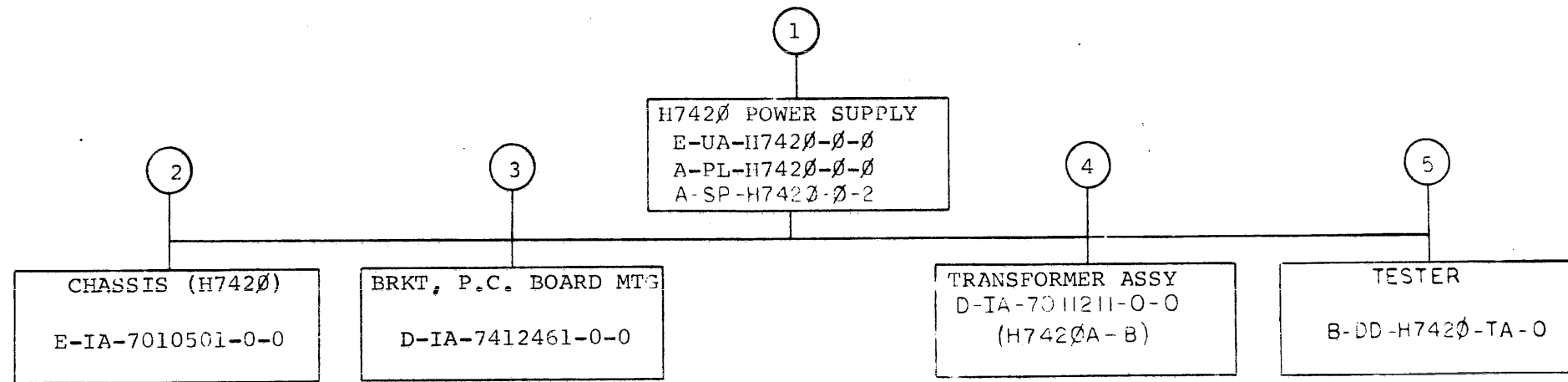
NOTE:
R2+R3 ARE MOV VARISTOR SPIKE SURPRESSORS.



REV.	DATE	BY	CHK'D	DESCRIPTION
1				ORIGINAL
2				REVISED
3				REVISED
4				REVISED
5				REVISED
6				REVISED
7				REVISED
8				REVISED

DESCRIPTION		DWG. PART NO.	ITEM NO.
UNLESS OTHERWISE SPECIFIED DIMENSIONS ARE IN INCHES			
ANGLES	CLASS OF ACCURACY	NOMINAL DIMENSIONS RANGE INCHES	
30°	(CHECK ONE)	OVER 0	0.125
SURFACE QUALITY	IN	0.125	0.250
IN	MEDIUM	0.250	0.500
	PREFERRED	0.500	1.000
QUANTITY & VARIATION		1.000	2.000
THIRD ANGLE PROJECTION		2.000	4.000
REMOVE BURRS AND BREAK SHARP CORNERS		4.000	6.000
DO NOT SCALE DWG		6.000	8.000
MATERIAL		8.000	10.000
FINISH		10.000	12.000
		12.000	14.000
		14.000	16.000
		16.000	18.000
		18.000	20.000
		20.000	22.000
		22.000	24.000
		24.000	26.000
		26.000	28.000
		28.000	30.000
		30.000	32.000
		32.000	34.000
		34.000	36.000
		36.000	38.000
		38.000	40.000
		40.000	42.000
		42.000	44.000
		44.000	46.000
		46.000	48.000
		48.000	50.000
		50.000	52.000
		52.000	54.000
		54.000	56.000
		56.000	58.000
		58.000	60.000
		60.000	62.000
		62.000	64.000
		64.000	66.000
		66.000	68.000
		68.000	70.000
		70.000	72.000
		72.000	74.000
		74.000	76.000
		76.000	78.000
		78.000	80.000
		80.000	82.000
		82.000	84.000
		84.000	86.000
		86.000	88.000
		88.000	90.000
		90.000	92.000
		92.000	94.000
		94.000	96.000
		96.000	98.000
		98.000	100.000

146



TITLE	SHEET 2 OF 3	SIZE CODE	NUMBER	REV
H7420 POWER SUPPLY		B DD	H7420-0	E

148

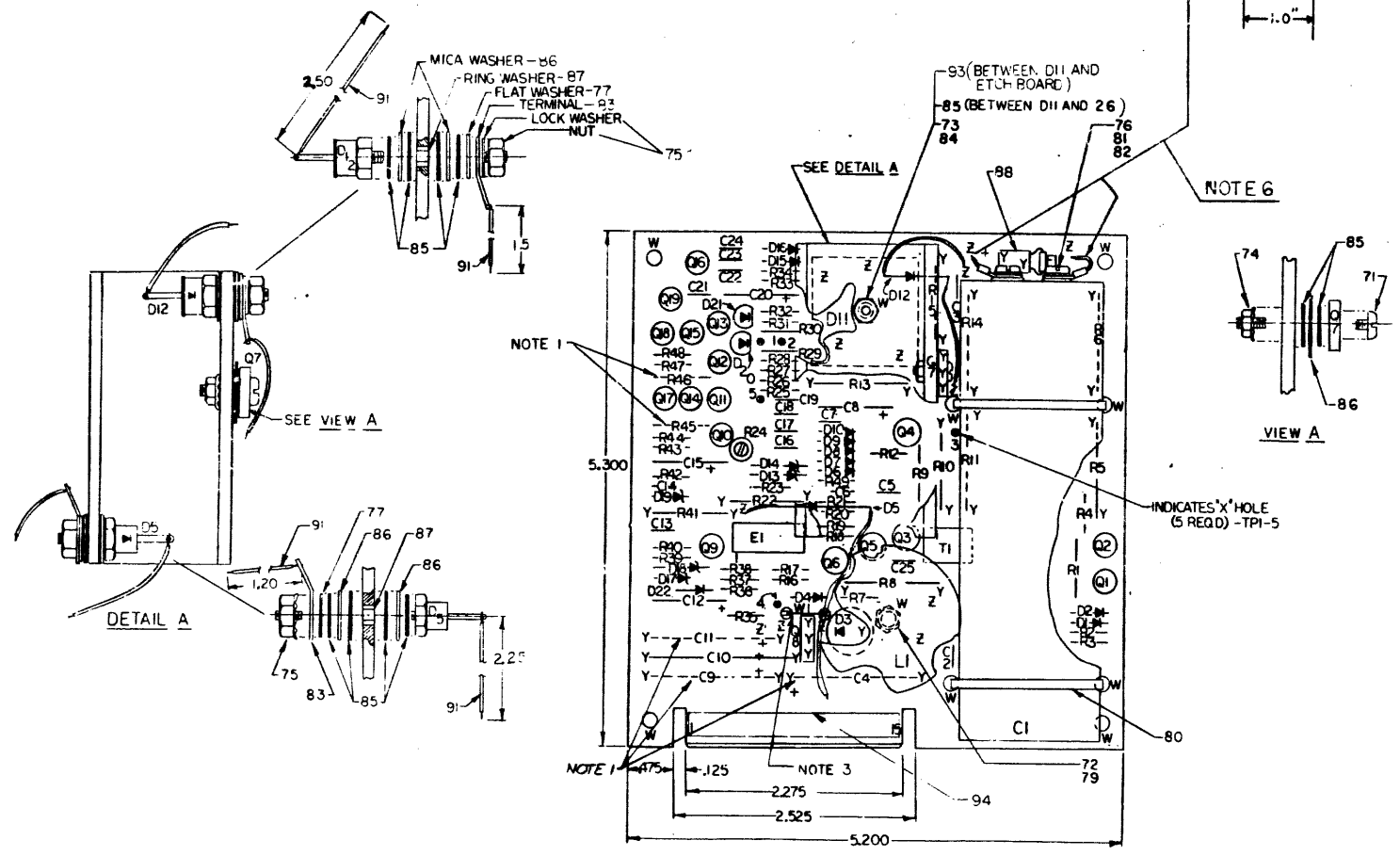
THIS DRAWING AND PROFESSIONAL DESIGN ARE THE PROPERTY OF DIGITAL EQUIPMENT CORPORATION AND SHALL NOT BE REPRODUCED OR TRANSMITTED IN ANY FORM OR BY ANY MEANS, ELECTRONIC OR MECHANICAL, INCLUDING PHOTOCOPYING, RECORDING, OR BY ANY INFORMATION STORAGE AND RETRIEVAL SYSTEM. © 1974 DIGITAL EQUIPMENT CORPORATION

NOTES:

1. R45, R46, C4, C9, & C11 ARE NOT USED ON BASIC 5411086 BUT ARE RESERVED FOR PLANNED FUTURE MODULE VARIATIONS.
2. ** TOTAL +15V AND +8V CURRENT NOT TO EXCEED 4.0 AMPERES.
3. W1 (TEST JUMPER) MAYBE TEMPORARILY REMOVED WHILE TROUBLE-SHOOTING TO DETERMINE IF LOSS OF 15V IS DUE TO CROW-BAR CIRCUITRY. BUT MUST BE IN THE BOARD FOR NORMAL OPERATION.
4. ~~NON-ITEMIZED PARTS SUPPLIED WITH D12.~~
4. YA VERSION DOES NOT CONTAIN +15VDC REG.
5. A) FOR STANDARD VERSION USE SHEETS 1, 2, 3, & 4 OF THIS DWG.
B) FOR YA VERSION USE SHEETS 1, 2, & 3 OF THIS DWG.
6. WIRES MUST NOT EXTEND BEYOND THE DIMENSIONS OF THE BOARD.

1-0-5411086-0-1 2

REF	QTY	REF. DESIGNATION	DESCRIPTION	PART NO.	ITEM NO.
REF	REF		X-Y COORDINATE HOLE LOCATION	K-CO-5411086-B-4	1
REF	REF		ASSY/DRILLING HOLE LAYOUT	D-MH-5411086-B-5	2
REF	REF		MODULE ECO HISTORY	B-MH-5411086-B-8	3
			ETCHED CIRCUIT BOARD	5011005	4
0	1	C2	CAPACITOR 56PF 100V 5%	1000012	5
4	4	C18, C17, C18, C21	CAPACITOR 330PF 100V 5%	1000023	6
3	5	C3, C13, C19, C22, C23	CAPACITOR .01uf 100V 20%	1001810-01	7
1	3	C8, C12, D15	CAPACITOR 2.2uf 35V 10%	1002431	8
2	2	C8, C25	CAPACITOR 10PF 100V 5%	1002908	9
1	1	C26	CAPACITOR 1.5uf 35V 10%	1009725	10
4	4	C5, C7, C14, C24	CAPACITOR .22uf 50V -20% -80%	1010274-01	11
0	1	C19	CAPACITOR 500uf 25V -10% +75%	1010509-01	12
1	1	C1	CAPACITOR 8400uf 50V -10% +75%	1010851	13
1	2	D2, D19	DIODE 1N748A	1100122	14
0	1	D5	DIODE 1N2978B	1100134	15
0	1	D3	DIODE M10338	1103341	16
7	8	D1, D6, D7, D8, D9, D15, D16, D22	DIODE D672	1105275	17
1	2	D19, D17	DIODE 1N4744	1105648	18
0	1	D4	DIODE 1N4004	1105796	19
0	1	D12	DIODE 1N3888	1109440	20
0	1	D18	DIODE 1N967A	1110088	21
2	2	D20, D21	DIODE MV5054-1 (LIGHT EMITTING)	1110324	22
1	1	D11	DIODE BRIDGE 200V 22A	1110714	23
2	2	D13, D14	DIODE ITT429	1110925	24
0	1	F1	FUSE PICO 5A	1205747	25
0	1		HEAT SINK	1211986	26
0	1	R23	RESISTOR 47 1/4W 5%	1300202	27
0	2	R7, R48	RESISTOR 100 1/4W 5%	1300229	28
0	1	R41	RESISTOR 100 1W 5%	1300232	29
1	3	R4, R12, R49	RESISTOR 220 1/4W 5%	1300271	30
0	1	R14	RESISTOR 220 2W 10%	1300278	31
0	1	R11	RESISTOR 680 2W 5%	1300348	32
2	2	R18, R20	RESISTOR 1K 1/4W 5%	1300365	33
0	1	R1	RESISTOR 1.5K 1/2W 5%	1300394	34
0	1	R10	RESISTOR 2.2K 1W 10%	1300420	35
1	1	R15	RESISTOR 3.3K 1W 10%	1300437	36
0	1	R3	RESISTOR 3.3K 1/4W 5%	1300439	37
2	2	R43, R47	RESISTOR 10K 1/4W 5%	1300479	38
0	1	R37	RESISTOR 10 1/4W 5%	1301317	39
2	3	R2, R44, R48	RESISTOR 750 1/4W 5%	1301401	40
0	1	R39	RESISTOR 680 1/4W 5%	1301424	41
0	1	R:5	RESISTOR 22K 1/4W 5%	1301808	42
1	1	R13	RESISTOR 1K 2W 5%	1301952	43
0	1	R9	RESISTOR 27 1/2W 5%	1302253	44
2	2	R19, R21	RESISTOR 30K 1/4W 5%	1302394	45
0	1	R36	RESISTOR 511 1/4W 1%	1302411	46
0	1	R39	RESISTOR 909 1/4W 1%	1302685	47
1	1	R25	RESISTOR 3.16K 1/4W 1%	1303045	48
1	1	R8	RESISTOR 470 2W 5%	1303082	49
1	2	R17, R2P	RESISTOR 1K 1/4W 1%	1303114	50
1	1	R31	RESISTOR 2.61K 1/4W 1%	1303303	51
0	1	R42	RESISTOR 10K 1/4W 1%	1303312	52
2	2	R33, R34	RESISTOR 5.11K 1/4W 1%	1304854	53
1	1	R38	RESISTOR 9.09K 1/4W 1%	1304855	54



COMPONENT CHART - YA VERSION

QTY	REF. DESIGNATION	ITEM
3	C19, C22, C23	7
1	C2	8
1	D19	14
7	D6, D7, D8, D9, D15, D16, D22	17
1	D10	18
1	R49	30
2	R44, R48	40
1	R28	50
4	Q3, Q5, Q10, Q19	63
4	Q11, Q12, Q13, Q16	66

IC TYPE	QTY	REF. DESIGNATION	ITEM

IC PIN LOCATIONS

SEMICONDUCTOR CONVERSION CHART

DEC NO.	EIA NO.	DEC NO.	EIA NO.

PARTS LIST

ETCH BOARD REV. _____

DRN. _____ DATE _____

CHK'D. _____ DATE _____

DESIGNED BY: *David Boen* DATE: *10/9/74*

PROJ. ENG: *David Boen* DATE: *10/9/74*

PROD. DATE: _____

NEXT HIGHER ASSY: _____

digital

TITLE: **PWR. LINE MONITOR/15V REG.**

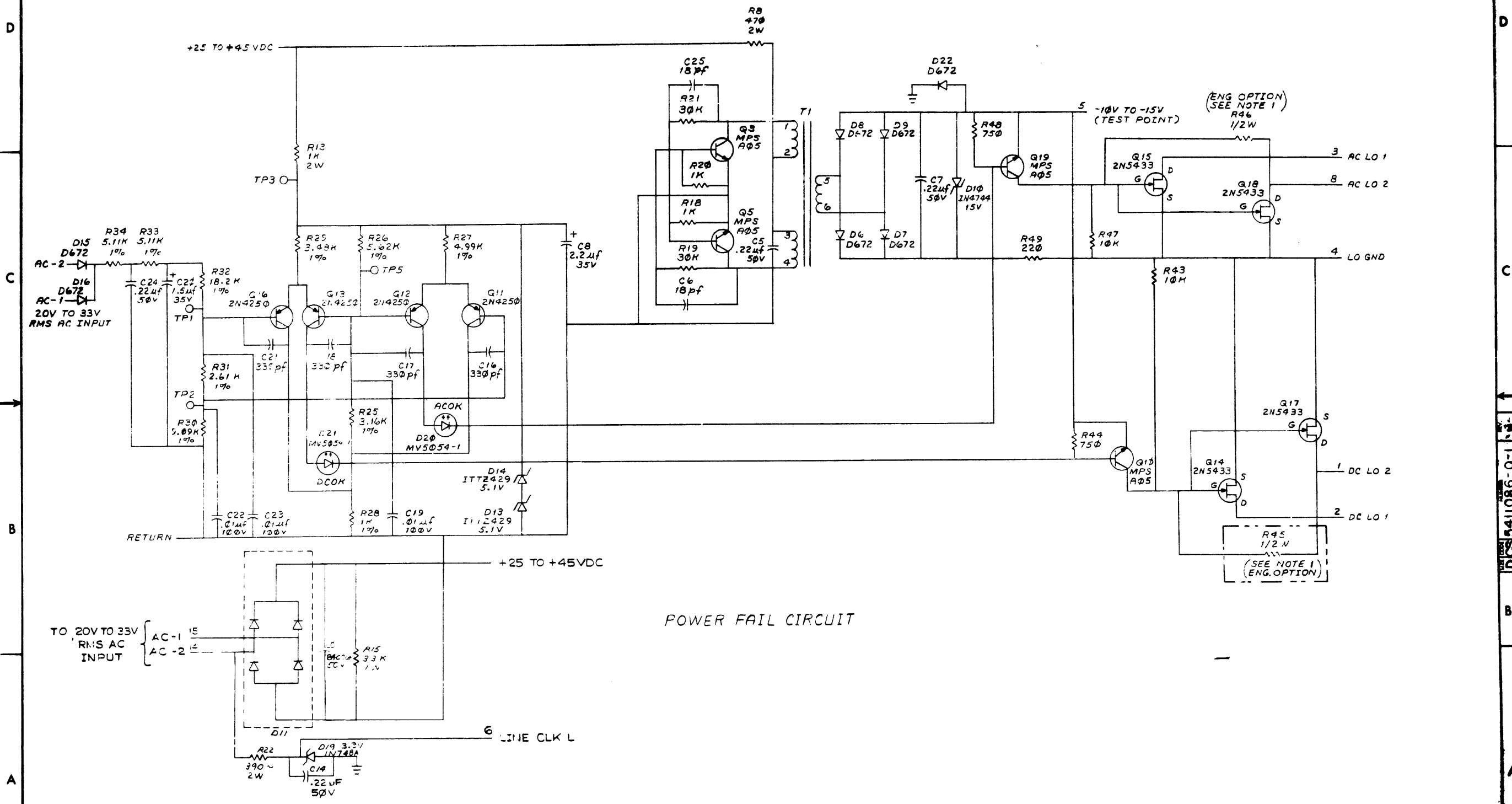
SCALE: _____

SHEET _____ OF 4

SIZE: _____ CODE: _____ NUMBER: _____ REV. _____

DCS 5411086-0-1 J

THE DRAWING AND SPECIFICATION HEREIN ARE THE PROPERTY OF BUSHNELL TELEVISION CORPORATION AND SHALL NOT BE REPRODUCED OR COPIED IN WHOLE OR IN PART AS THE BASIS FOR THE MANUFACTURE OR SALE OF OTHER EQUIPMENT WITHOUT PERMISSION. COPYRIGHT © 1974 BUSHNELL TELEVISION CORPORATION



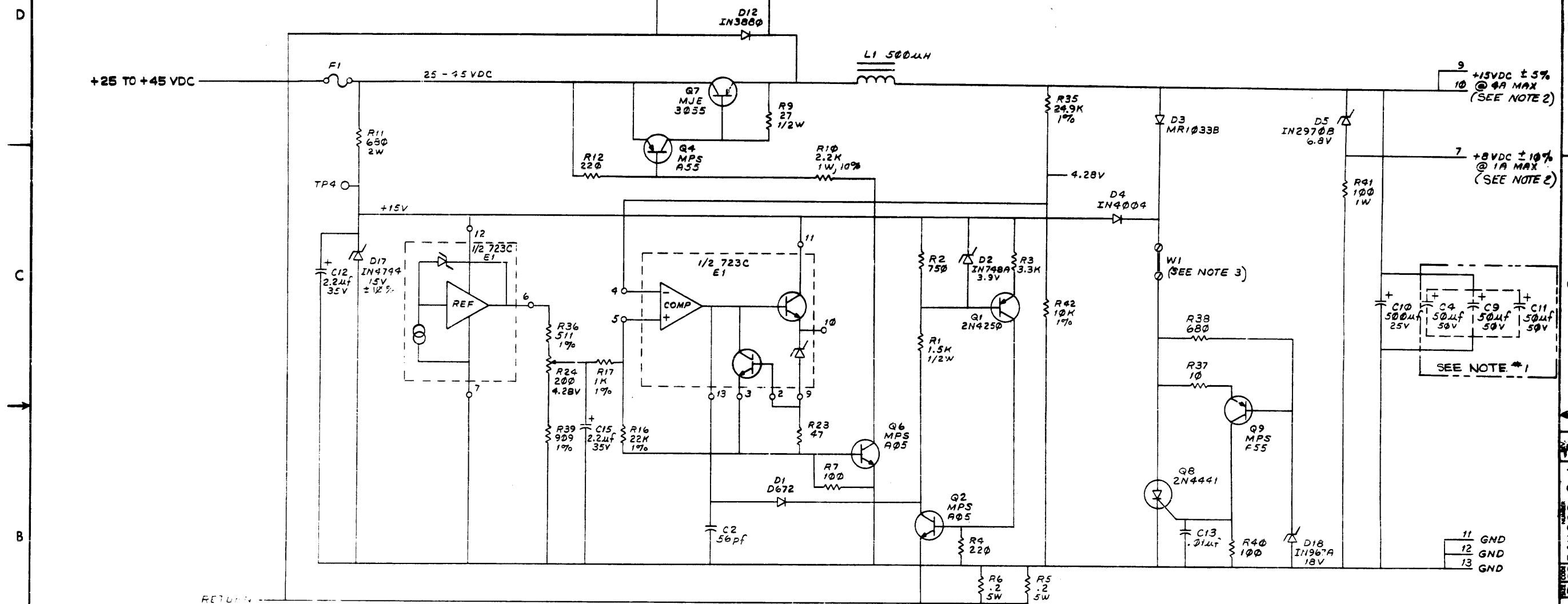
POWER FAIL CIRCUIT

REVISIONS		
CHK	CHANGE NO.	REV.

TITLE	PWR. LINE MONITOR/15V REG.	SIZE CODE	DCS 5411086-0-1
SCALE		SHEET	3 OF 4

THIS DRAWING AND SPECIFICATIONS HEREIN ARE THE PROPERTY OF ORIGINATOR AND SHALL NOT BE REPRODUCED OR USED IN WHOLE OR IN PART AS THE BASIS FOR THE MANUFACTURE OR SALE OF THIS EQUIPMENT WITHOUT PERMISSION OF THE ORIGINATOR. SMITH CORPORATION COPYRIGHT © 1974 SMITH CORPORATION

DCS 5411086-0-1 2



15V REGULATOR
(SEE NOTE #4)

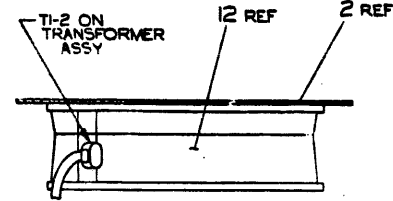
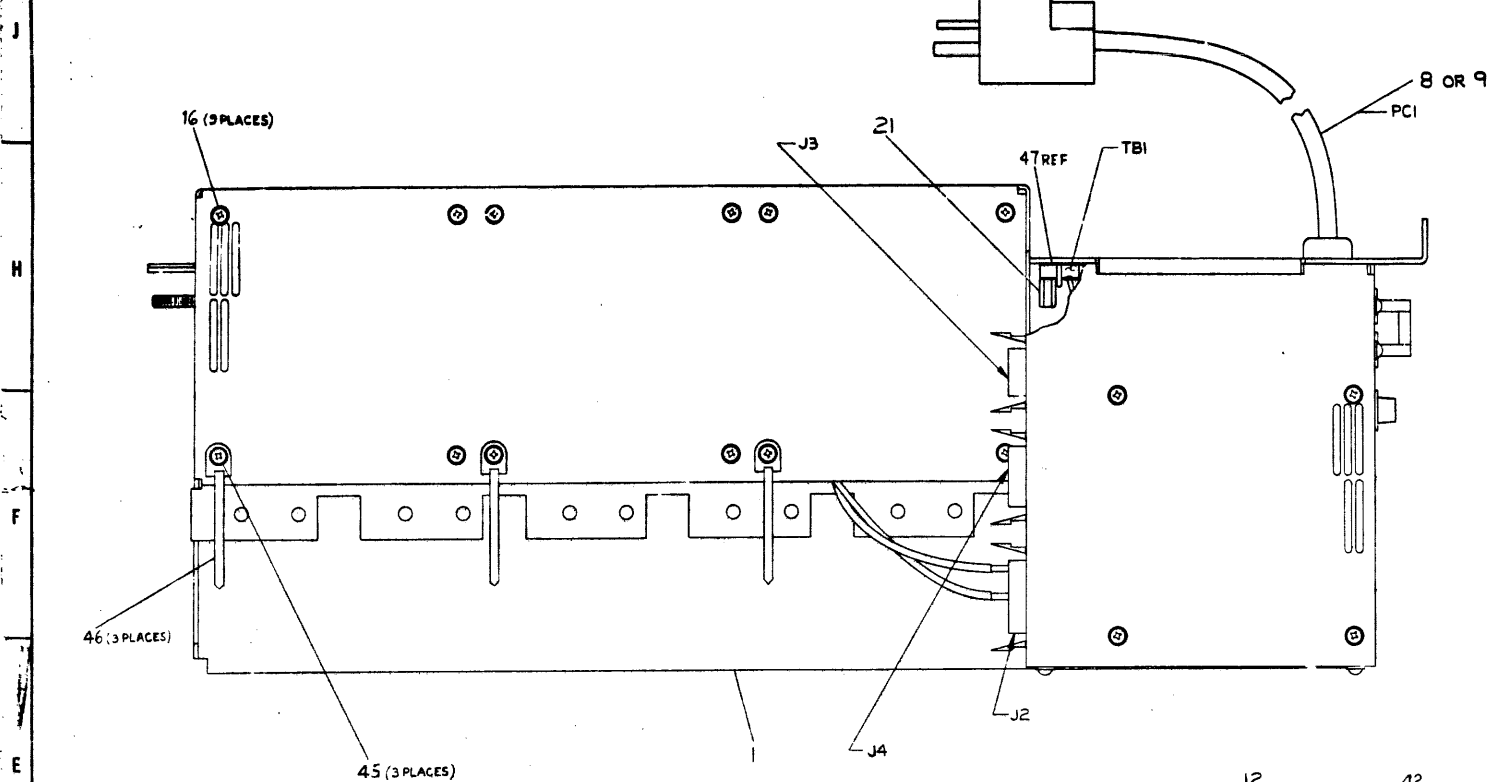
REVISIONS		
CHK	CHANGE NO.	REV.

TITLE	PWR. LINE MONITOR/15V REG.	SIZE/CODE	NUMBER
SCALE	1:1	SHEET	1 OF 4
DIST.			

154

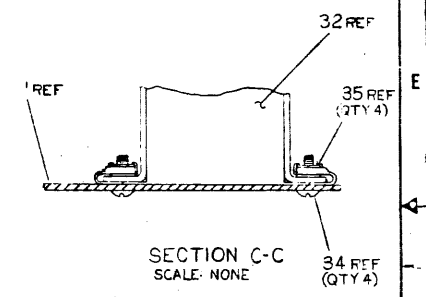
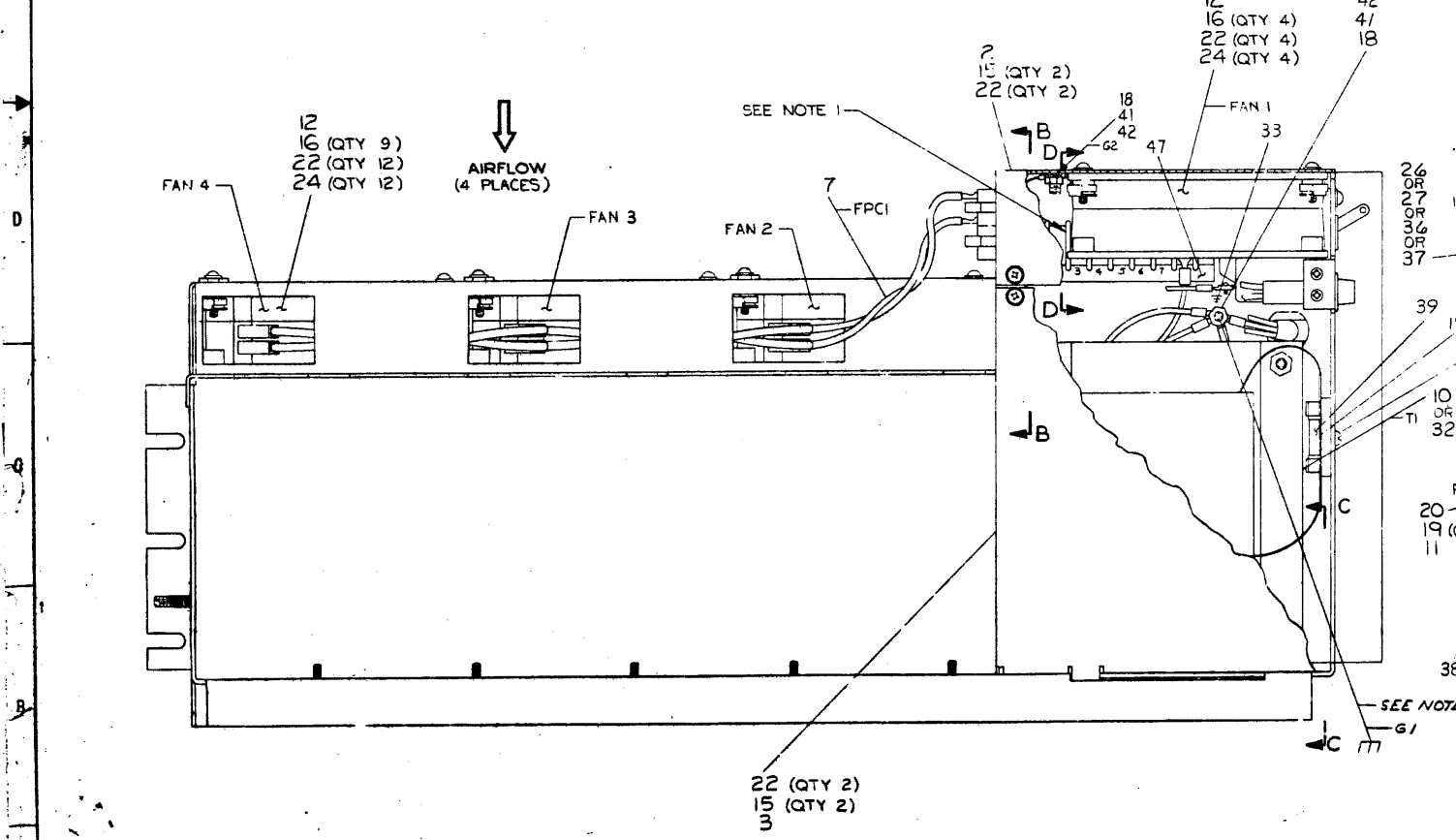
DO NOT SCALE DRAWING

ALL DIMENSIONS AND LOCATIONS ARE TO BE MEASURED FROM THE FRONT PANEL UNLESS OTHERWISE SPECIFIED.
DIMENSIONS ARE TO BE TAKEN TO THE CENTER OF THE COMPONENT UNLESS OTHERWISE SPECIFIED.
© 1975, BENTLEY SYSTEMS CORPORATION



SECTION D-D
SCALE: NONE

NOTES:
1. AFTER TERMINAL BLOCK (PART OF TRANSFORMER ASSEMBLY) IS MOUNTED TO CHASSIS, CAPACITOR AND VARISTOR SHOULD BE BENT FORWARD TO ALLOW CLEARANCE FOR COVER.
2. REV. D AND EARLIER TRANSFORMERS DO NOT HAVE THIS WIRE. H7420-E+F ONLY.
3. FILLER PANELS (D-1A-7413A05-0-0) MAY BE USED IN UNFILLED REGULATOR SLOTS (REF).
4. CABLE TIE MOUNTS TO BE MOUNTED AFTER TRANSFORMER ASSEMBLY IS INSTALLED.
5. H7420-A+B ONLY.
6. H7420-E+F ONLY.
7. REMOVE PRINT MASK, APPLY CONDUCTIVE GREASE ITEM #2, PLACE ITEM #1 8-32 EXT TOOTH WASHER NEXT TO CHASSIS BEFORE INSTALLING REMAINING HARDWARE. DO THIS AT G1 AND G2.



SECTION C-C
SCALE: NONE

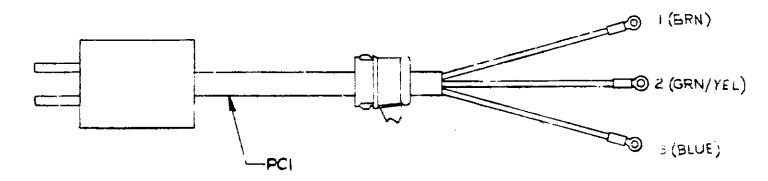
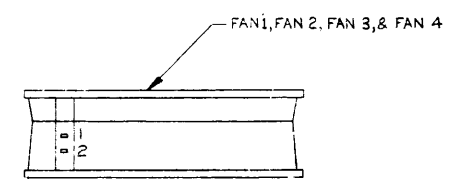
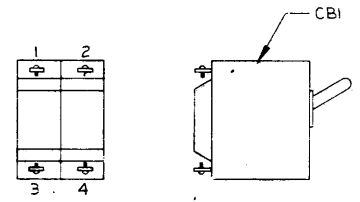
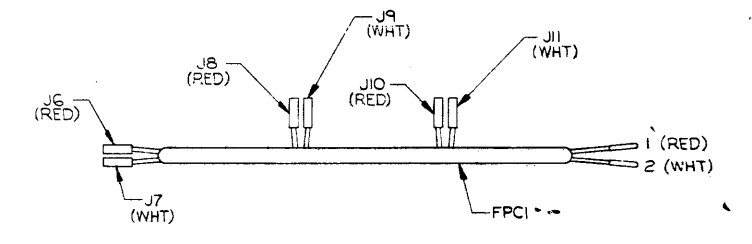
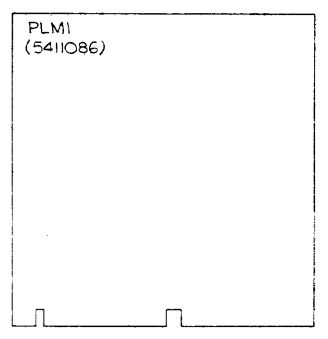
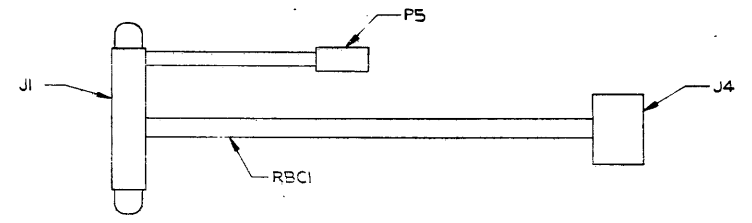
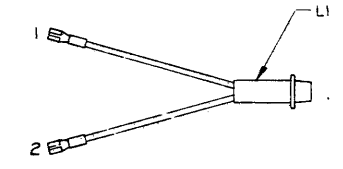
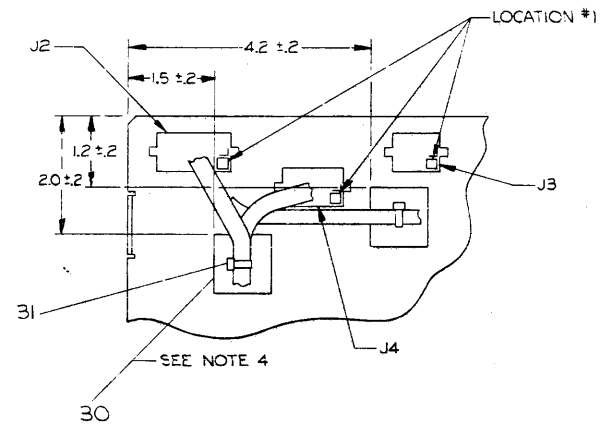
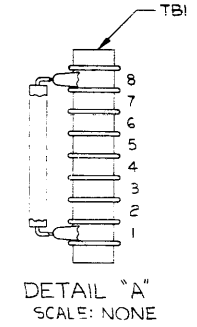
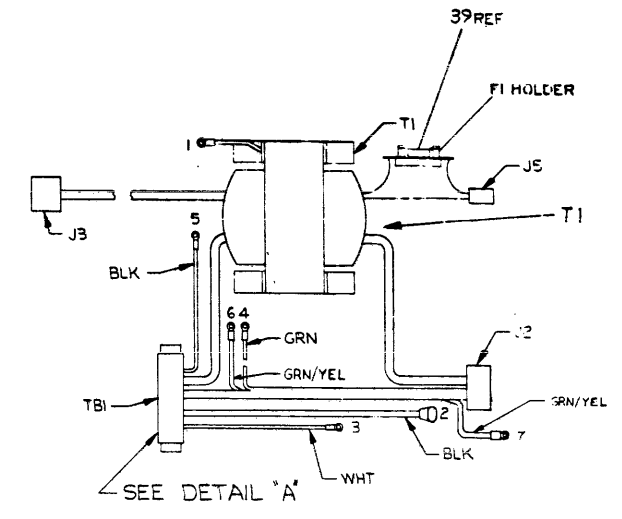
FOR PARTS LIST REFER TO A-PL-H7420-0-0			
QTY.	DESCRIPTION	PART NO.	REV.
	H7420		
	POWER SUPPLY		
	100-H7420-0		
	EUA H7420-0-0		

THIS DRAWING AND SPECIFICATIONS HEREBY ARE THE PROPERTY OF THE UNITED STATES GOVERNMENT AND SHALL NOT BE REPRODUCED OR COPIED OR USED IN WHOLE OR IN PART AS THE BASIS FOR THE MANUFACTURE OR SALE OF ITEMS WITHOUT WRITTEN PERMISSION OF THE GENERAL INVESTIGATIVE DIVISION, AIR FORCE RESEARCH AND DEVELOPMENT COMMAND, WRIGHT-PATTERSON AIR FORCE BASE, OHIO 45433-6151

DO NOT SCALE DRAWING

WIRE TABLE					
ITEM NO	DESCRIPTION	FROM CONNECTION	TO CONNECTION	REMARKS	
10	14	GRN	T1-1	G1	SEE NOTE 2 & 7
	14	BLK	T1-2	FAN1-1 & 2	
	14	WHT	T1-3	CBI-1	
	14	GRN	T1-4	G1	SEE NOTE 7
10	14	BLK	T1-5	CBI-2	
5	22	BLK	L1-1	TBI-5	
5	22	BLK	L1-2	TBI-7	
7	18	RED	FPCI-J6	FAN 4-1	
		WHT	FPCI-J7	FAN 4-2	
		RED	FPCI-J8	FAN 3-1	
		WHT	FPCI-J9	FAN 3-2	
		RED	FPCI-J10	FAN 2-1	
		WHT	FPCI-J11	FAN 2-2	
		RED	FPCI-1	J2-3	
7	18	WHT	FPCI-2	J2-7	
8/9	14	BRN	PCI-1	CBI-4	
8/9	4	GRN/YEL	PCI-2	G1	SEE NOTE 7
8/9	14	BLU	PCI-3	CBI-3	
11	14	GRN/YEL	T1-6	G1	SEE NOTE 7
10	14	GRN/YEL	T1-7	G2	SEE NOTE 7

JUMPER TABLE								
ITEM NO	DESCRIPTION	FROM CONNECTION	TO CONNECTION	PRECUT LENGTH	VARIATION			
29	14	BLK	TBI-2	ITEM 28	TBI-6	ITEM 28	3.0	H7420E1A
29	14	BLK	TBI-4	ITEM 28	TBI-8	ITEM 28	3.0	
29	14	BLK	TBI-4	ITEM 28	TBI-6	ITEM 28	3.0	H7420F1B



REVISIONS		
CHK	CHANGE NO.	REV.

156

DIGITAL EQUIPMENT CORPORATION MAYNARD, MASSACHUSETTS				QUANTITY/VARIATION											
PARTS LIST															
MADE BY R. THELLEN		CHECKED P. CAPPABIANCA		SECTION		H7420A		H7420B							
DATE 1/17/75		DATE 2/3/75		1											
ENG R. WOLF		PROD J. BORENSTEIN		ISSUED SECT.											
DATE 2/3/75		DATE 2/3/75		1											
ITEM NO.	DWG NO. / PART NO.	DESCRIPTION													
1	E-IA-7010501-0-0	CHASSIS (H7420)		1		1									
2	D-MD-7412459-0-0	COVER, CONTROL BOX		1		1									
3	D-IA-7412461-0-0	BRKT, P.C. BOARD MTG.		1		1									
4	C-IA-7413133-0-0	PLATE, ADAPTER (H7420)													
5	C-IA-7010730-0-0	POWER INDICATOR ASSEMBLY		1		1									
6	D-IA-7010729-0-0	CABLE, REGULATOR BOARD		1		1									
7	D-IA-7010728-0-0	CABLE, FAN POWER		1		1									
8	C-IA-7010727-1-0	POWER CORD ASSY (120V)		1		-									
9	C-IA-7010727-2-0	POWER CORD ASSY (240V)		-		1									
10	D-IA-7010814-0-0	TRANSFORMER ASSY													
11	D-CS-5411086-0-1	POWER LINE MONITOR		1		1									
12	1209403-01	FAN		4		4									
13	1210191-04	CIRCUIT BREAKER (20A)		1											
14	1210191-03	CIRCUIT BREAKER (15A)		1											
15	9006020-01	SCR, PHL PAN HD #6-32 x .25		8		8									
16	9006025-01	SCR, PHL PAN HD #6-32 x .62		13		13									
17	9006563-00	NUT, KEP #10-32													
18	9006563-00	NUT, KEP #8-32		2		2									
19	9008185-00	NUT, KEP #6-32		5		5									
20	9006840-00	SPACER, #6-32 x .19		2		2									
21	9006851-00	SPACER, #6-32 x .50		2		2									
22	9006633-00	WASHER, INT. TOOTH LOCK #6		24		24									
TITLE POWER SUPPLY H7420				ASSY NO. E-UA-H7420-0-0		SIZE CODE A PL		NUMBER H7420-0-0		REV. E		ECO NO. H7420-00005		SHEET 1 OF 3	
DEC FORM DEC 16-(325)-1031-N870				DRA 110											

DIGITAL EQUIPMENT CORPORATION MAYNARD, MASSACHUSETTS				QUANTITY/VARIATION											
PARTS LIST															
MADE BY R. THELLEN		CHECKED P. CAPPABIANCA		SECTION		H7420A		H7420B							
DATE 17-JAN-75		DATE 3-FEB-75		1											
ENG R. WOLF		PROD J. BORENSTEIN		ISSUED SECT.											
DATE 3-FEB-75		DATE 3-FEB-75		1											
ITEM NO.	DWG NO. / PART NO.	DESCRIPTION													
45	9006026-1	SCR PH PAN HD #6-32 x 3/4		3		3									
46	9007033	TIE CABLE		3		3									
47	9006933	BLOCK, TERM MARKER STRIP		1		1									
TITLE POWER SUPPLY H7420				ASSY NO. E-UA-H7420-0-0		SIZE CODE A PL		NUMBER H7420-0-0		REV. E		ECO NO. H7420-00005		SHEET 3 OF 3	
DEC FORM DEC 16-(325)-1031-N870				DRA 110											

DIGITAL EQUIPMENT CORPORATION MAYNARD, MASSACHUSETTS				QUANTITY/VARIATION											
PARTS LIST															
MADE BY R. THELLEN		CHECKED P. CAPPABIANCA		SECTION		H7420A		H7420B							
DATE 1/17/75		DATE 2/3/75		1											
ENG R. WOLF		PROD J. BORENSTEIN		ISSUED SECT.											
DATE 2/3/75		DATE 2/3/75		1											
ITEM NO.	DWG NO. / PART NO.	DESCRIPTION													
23	9008185-00	RELIEF, STRAIN		1		1									
24	9009165-00	CLIP, FAN MOUNTING		16		16									
25	A-DC-7413184-0-0	POWER SUPPLY DECAL (H7420)		1		1									
26	A-DC-7413186-0-0	POWER SUPPLY DECAL (H7420)													
27	A-DC-7413185-0-0	POWER SUPPLY DECAL (H7420)													
28	9007969-00	TERMINAL, QUICK CONNECT		4		2									
29	9107370-00	WIRE, #14 AWG, TVC		A		R/A/R									
30	9008264-00	MOUNT, CABLE TIE, ADHESIVE		2		2									
31	9007880-00	TIE, CABLE		2		2									
32	D-IA-7011211-0-0	TRANSFORMER ASSY		1		1									
33	3612680-01	SAFETY GROUND DECAL		1		1									
34	9006074-3	SCR, PH. HD. TRUSS 10x32x5/8		4		4									
35	9006586	TINNERMAN SPEED NUT 10-32		4		4									
36	A-DC-7413965-0-0	POWER SUPPLY DECAL (H7420A)		1		-									
37	A-DC-7413967-0-0	POWER SUPPLY DECAL (H7420B)		-		1									
38	9008021-1	SCR. PAN HD. 6-32x5/16		1		1									
39	9007224	FUSE 7 AMP SLOW BLOW		1		1									
40	9009768-01	RELIEF, STRAIN		1		1									
41	9008072	8-32 WASHER EXT. TOOTH		1		1									
42	4901173-01	CONDUCTIVE GREASE		A		R/A/R									
43	1212124-01	CIRCUIT BREAKER (20A) SCREW TERM		1		-									
44	1212124-02	CIRCUIT BREAKER (15A) SCREW TERM		-		1									
TITLE POWER SUPPLY H7420				ASSY NO. E-UA-H7420-0-0		SIZE CODE A PL		NUMBER H7420-0-0		REV. E		ECO NO. H7420-00005		SHEET 2 OF 3	
DEC FORM DEC 16-(325)-1031-N870				DRA 110											

CUSTOMER PRINT SET INDEX

THIS IS PRINT SET

 DRAWING DIRECTORY
 CIRCUIT SCHEMATIC
 UNIT ASS'Y

SEQUENCE

 B-DD-H744-Ø
 D-CS-H744-Ø-1
 E-JA-H744-0-0

SEQUENCE

MFG. SET

TEST PROCEDURE	A-SP-H744 Ø-3
MFG. SPE	A-SP-H744-Ø-Ø
PACKAGING INSTRUCTIONS	A-P1-3700074-0-0

UNIT VARIATIONS		PRINT SET		
VAR	TITLE	X	1	2
H744	+5v REGULATOR	X		

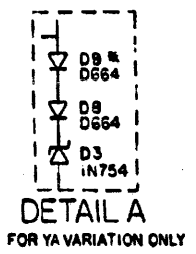
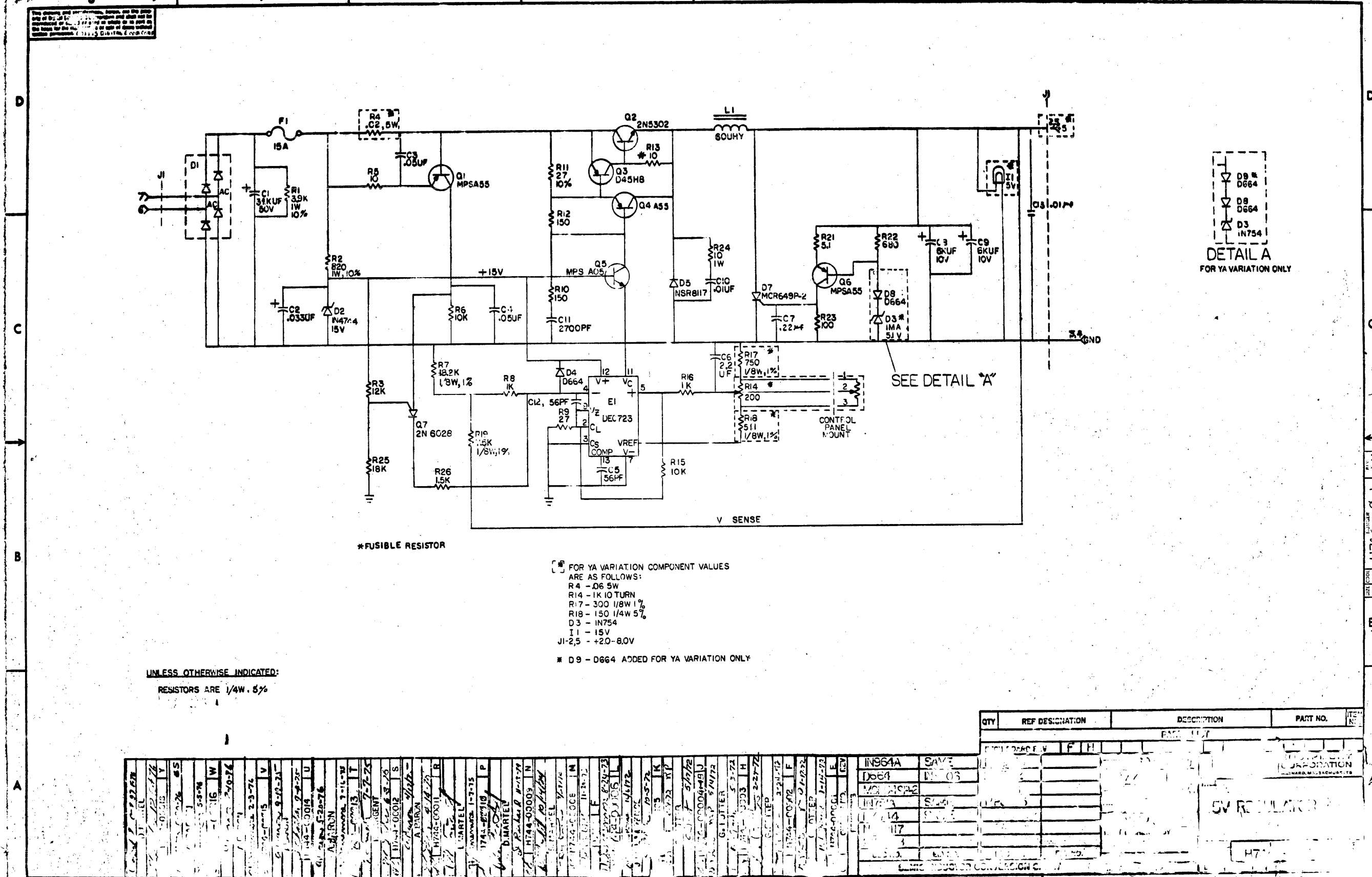
REVISIONS	CHG. NO.	REV	USED ON OPTION/MODEL	DRN.	DATE	TITLE			
	DATE	L	M	N	P				
	00015	L		D. FONTAINE	2-4-72	+5v REGULATOR			
	00016	M	11/45	CHK'D.	DATE				
	00017	N		D. FONTAINE	2-4-72				
	00018	P		PROJ ENG.	DATE				
9-76				G. POTTER	2-25-72				
10-76				PROD.	DATE				
				A. HIRSCH	2-24-72	SIZE	CODE	NUMBER	REV
				FIELD SERV.	DATE	B	DD	H744-Ø	P
				A. ZINS	2-25-72	DIST			

CUSTOMER PRINT SET		ELECTRICAL						CUSTOMER PRINT SET		MECHANICAL							
H744-1		MFG. SET	FIND NO.	DRAWING NO.	REV	NO OF SHT	DESCRIPTION	OPTION NO./FILE DATE	H744-1		MFG. SET	FIND NO.	DRAWING NO.	REV	NO OF SHT	DESCRIPTION	OPTION NO./FILE DATE
X			1	D-CS-H744-0-1	Y	1	CIRCUIT SCHEMATIC	H744	X			1	E-UA-H744-0-0	Y	1	UNIT ASSY	H744
		X		A-SP-H744-0-3			TEST PROCEDURE	H744					D-PS-1210737-0-0		1	HEAT SINK	H744
		X		A-SP-H744-0-8			MFG. SPEC	H744					D-IA-5309756-0-0		1	REGULATOR BRK'T	H744
													C-IA-5309760-0-0		1	COMPONENT COVER	H744
													C-MD-5309759-0-0		1	CAPACITOR STRAP	H744
												2	A-PI-3700074-0-0	-	2	PACKAGING INSTRUCTION	H744
													A-PS-9905211-0-0	-	2	OUTER CARTON	
													A-PS-9905212-0-0	-	2	INNER PACKAGING	
													C-IA-7412388-0-0		2, 5	CAP HOLDER	H744

CUSTOMER PRINT SET CODES
X = PRINT OF DOCUMENT INCLUDED IN PRINT SET
C = INCLUDES ALL PRINTS INDICATED ON DOCUMENT
S = CONFIDENTIAL AUTHORIZED SIGNATURE REQUIRED

TITLE: +5v REGULATOR
SHEET 2 OF 2
SIZE CODE: B DD
NUMBER: H744-0
REV: P

The drawings and specifications herein are the property of the manufacturer and shall not be reproduced or transmitted in any form or by any means, electronic, mechanical, photocopying, recording, or by any information storage and retrieval system, without the prior written permission of the manufacturer.



SEE DETAIL "A"

* FUSIBLE RESISTOR

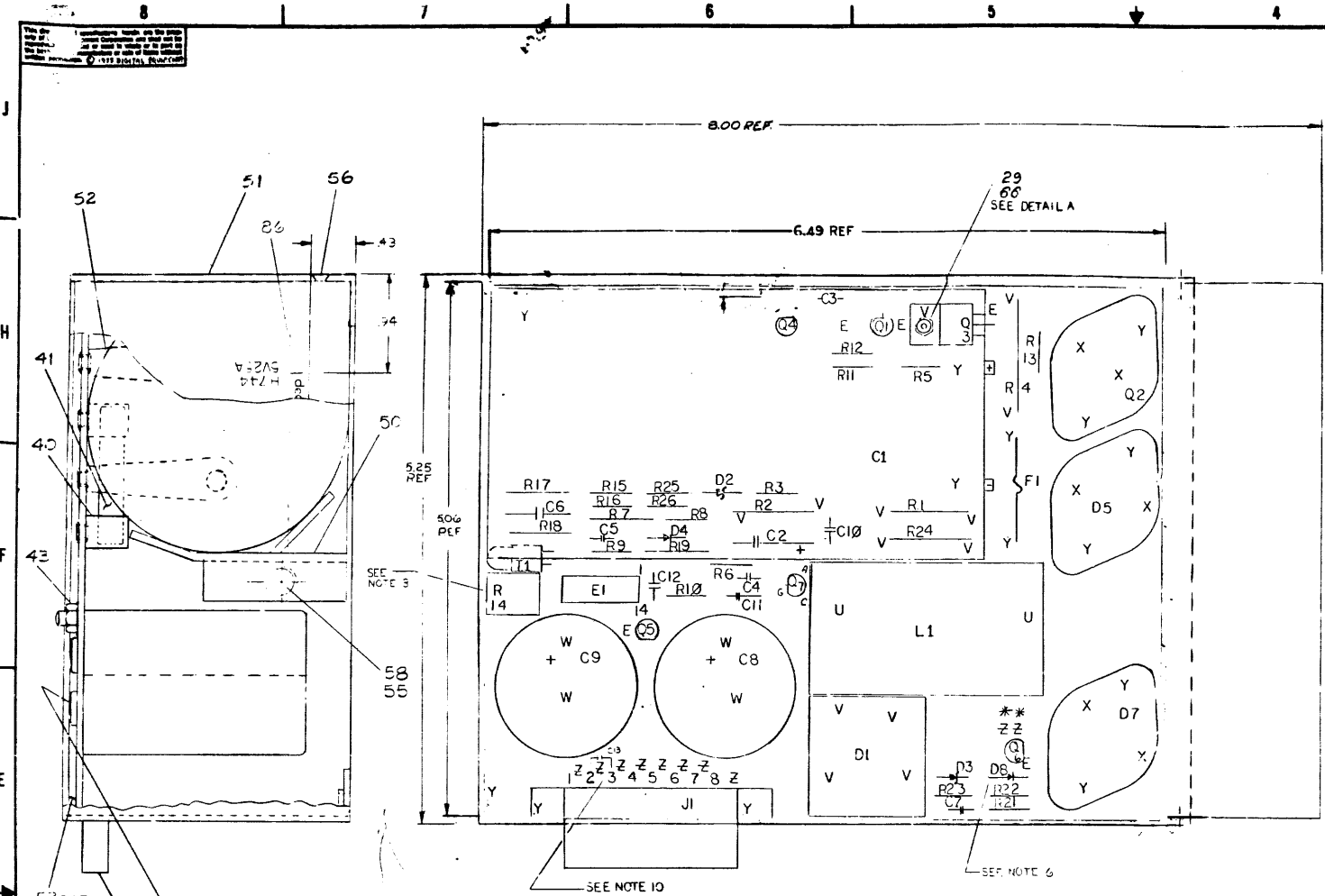
- [] FOR YA VARIATION COMPONENT VALUES ARE AS FOLLOWS:
- R4 - 0.6 SW
- R14 - 1K 10 TURN
- R17 - 300 1/8W 1%
- R18 - 150 1/4W 5%
- D3 - 1N754
- I1 - 15V
- J1-2,5 - +20-8.0V
- * D9 - D664 ADDED FOR YA VARIATION ONLY

UNLESS OTHERWISE INDICATED:
RESISTORS ARE 1/4W, 5%

1	0.001	RES	0.001	RES
2	0.002	RES	0.002	RES
3	0.005	RES	0.005	RES
4	0.01	RES	0.01	RES
5	0.02	RES	0.02	RES
6	0.05	RES	0.05	RES
7	0.1	RES	0.1	RES
8	0.2	RES	0.2	RES
9	0.5	RES	0.5	RES
10	1	RES	1	RES
11	2	RES	2	RES
12	5	RES	5	RES
13	10	RES	10	RES
14	20	RES	20	RES
15	50	RES	50	RES
16	100	RES	100	RES
17	1K	RES	1K	RES
18	5K	RES	5K	RES
19	10K	RES	10K	RES
20	20K	RES	20K	RES
21	50K	RES	50K	RES
22	100K	RES	100K	RES
23	200K	RES	200K	RES
24	500K	RES	500K	RES
25	1M	RES	1M	RES
26	5M	RES	5M	RES
27	10M	RES	10M	RES
28	0.001	CAP	0.001	CAP
29	0.002	CAP	0.002	CAP
30	0.005	CAP	0.005	CAP
31	0.01	CAP	0.01	CAP
32	0.02	CAP	0.02	CAP
33	0.05	CAP	0.05	CAP
34	0.1	CAP	0.1	CAP
35	0.2	CAP	0.2	CAP
36	0.5	CAP	0.5	CAP
37	1	CAP	1	CAP
38	2	CAP	2	CAP
39	5	CAP	5	CAP
40	10	CAP	10	CAP
41	20	CAP	20	CAP
42	50	CAP	50	CAP
43	100	CAP	100	CAP
44	0.01	IND	0.01	IND
45	0.02	IND	0.02	IND
46	0.05	IND	0.05	IND
47	0.1	IND	0.1	IND
48	0.2	IND	0.2	IND
49	0.5	IND	0.5	IND
50	1	IND	1	IND
51	2	IND	2	IND
52	5	IND	5	IND
53	10	IND	10	IND
54	20	IND	20	IND
55	50	IND	50	IND
56	100	IND	100	IND
57	0.1	DIODE	0.1	DIODE
58	0.2	DIODE	0.2	DIODE
59	0.5	DIODE	0.5	DIODE
60	1	DIODE	1	DIODE
61	5	DIODE	5	DIODE
62	10	DIODE	10	DIODE
63	0.01	RES	0.01	RES
64	0.02	RES	0.02	RES
65	0.05	RES	0.05	RES
66	0.1	RES	0.1	RES
67	0.2	RES	0.2	RES
68	0.5	RES	0.5	RES
69	1	RES	1	RES
70	2	RES	2	RES
71	5	RES	5	RES
72	10	RES	10	RES
73	20	RES	20	RES
74	50	RES	50	RES
75	100	RES	100	RES
76	0.01	IND	0.01	IND
77	0.02	IND	0.02	IND
78	0.05	IND	0.05	IND
79	0.1	IND	0.1	IND
80	0.2	IND	0.2	IND
81	0.5	IND	0.5	IND
82	1	IND	1	IND
83	2	IND	2	IND
84	5	IND	5	IND
85	10	IND	10	IND
86	20	IND	20	IND
87	50	IND	50	IND
88	100	IND	100	IND
89	0.01	RES	0.01	RES
90	0.02	RES	0.02	RES
91	0.05	RES	0.05	RES
92	0.1	RES	0.1	RES
93	0.2	RES	0.2	RES
94	0.5	RES	0.5	RES
95	1	RES	1	RES
96	2	RES	2	RES
97	5	RES	5	RES
98	10	RES	10	RES
99	20	RES	20	RES
100	50	RES	50	RES

QTY	REF DESIGNATION	DESCRIPTION	PART NO.	ITEM
1	F1	FUSE	15A	
1	J1	TRANSFORMER	20-8.0V	
1	Q1	MOSFET	MPSA55	
1	Q2	TRANSISTOR	2N5302	
1	Q3	DIODE	D45H8	
1	Q4	DIODE	A55	
1	Q5	MOSFET	MPSA55	
1	Q6	MOSFET	MPSA55	
1	Q7	TRANSISTOR	2N6028	
1	E1	OP-AMP	DEC723	
1	D1	DIODE	AC	
1	D2	DIODE	1N4744	
1	D3	DIODE	1N754	
1	D4	DIODE	D664	
1	D5	DIODE	NSR817	
1	D6	DIODE	D664	
1	D7	DIODE	MCR649P-2	
1	L1	INDUCTOR	50UH	
1	C1	CAPACITOR	33KUF 50V	
1	C2	CAPACITOR	5W 10%	
1	C3	CAPACITOR	0.05UF	
1	C4	CAPACITOR	0.05UF	
1	C5	CAPACITOR	56PF	
1	C6	CAPACITOR	2.2UF	
1	C7	CAPACITOR	0.22UF	
1	C8	CAPACITOR	0.1UF	
1	C9	CAPACITOR	10UF 10V	
1	R1	RESISTOR	3.9K 1W 10%	
1	R2	RESISTOR	820 1W 10%	
1	R3	RESISTOR	12K	
1	R4	RESISTOR	0.6 SW	
1	R5	RESISTOR	10	
1	R6	RESISTOR	10K	
1	R7	RESISTOR	300 1/8W 1%	
1	R8	RESISTOR	1K	
1	R9	RESISTOR	27	
1	R10	RESISTOR	150	
1	R11	RESISTOR	27 10%	
1	R12	RESISTOR	150	
1	R13	RESISTOR	10	
1	R14	RESISTOR	1K 10 TURN	
1	R15	RESISTOR	10K	
1	R16	RESISTOR	1K	
1	R17	RESISTOR	750 1/8W 1%	
1	R18	RESISTOR	150 1/4W 5%	
1	R19	RESISTOR	15K 1/8W 1%	
1	R20	RESISTOR	150	
1	R21	RESISTOR	5.1	
1	R22	RESISTOR	680	
1	R23	RESISTOR	100	
1	R24	RESISTOR	10 1W	
1	R25	RESISTOR	18K	
1	R26	RESISTOR	15K	
1	C10	CAPACITOR	0.1UF	

5V REGULATOR



- NOTES:**
- 3. R14-200Ω VARIABLE IN THIS LOCATION DELETED ONLY FOR YA VARIATION.
 - 4. ITEMS 79,80,81 ADDED ONLY FOR YA VARIATION.
 - 5. ITEM 57A ADDED ONLY FOR YA VARIATION.
 - 6. RELOCATING D8 AND ADDITION OF D9 ONLY FOR YA VARIATION.
 - 7. USE D9 IN YA VARIATION ONLY.

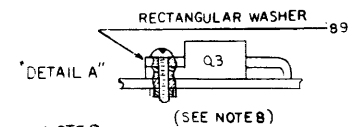
IC TYPE	QTY	QTY	QTY	QTY	QTY
IC TYPE	QTY	QTY	QTY	QTY	QTY

QTY	REF	DESCRIPTION	PART NO.	NO.
1	R22	RES 400 1/4W 5%	1301424	69
1	1	PACKING INSTRUCTIONS	API 3700074-00	70
1	1	SCR PHL PAN HD #4-32 X 5/8 LG	9006025-1	71
1	1	15 VOLT LAMP	1207169	72
1	1	LOCKWASHER #10 INT	9006035	73
1	1	FRONT PANEL (MOUNTING)	9006036	74
1	1	MT LUBING	9107532-11	75
1	1	MT LUBING	9107532-11	76
1	1	T. TRANSISTOR 2N234	1508355	77
1	1	SHRINK SLEEVING	9109090-09	78
1	1	12 IN WIRE, MICRODOT	1700014	79
1	1	CLAMP, CABLE	9007079	80
1	1	POT, 10 TURN, 1KΩ	1309532-04	81
1	1	RES, 300Ω 1/4W 5%	1301425	82
1	1	RES, 150Ω 1/4W 5%	1300250	83
1	1	RES, 56Ω 1/4W 5%	1300876-02	84
1	1	DIODE ZENER IN754	1109991	85
1	1	DECAL (H744)	ADC-741744-11	86

NOTES:

- APPLY ITEM #63 (COMPOUND) BETWEEN TRANSISTOR (#82), DIODES (#85, #87) AND ITEM #44 (WASHER) ALSO BETWEEN ITEM #44 (WASHER) AND HEAT SINK (ITEM #49). ALSO APPLY ITEM #63 (COMPOUND) BETWEEN ITEM #9 (DIODE BRIDGE) AND ITEM #64 (HEAT SINK BRIDGE).

QTY	REF	DESCRIPTION	PART NO.	NO.
1	1	RECTANGULAR WASHER	9009765	89
1	1	RES 10 1/4W 5% FUSIBLE	1317196	88
1	1	CAP .22UF 50V	1010274	87
6	6	WASHER INT 100TH #4	9006632	86
1	1	5.1 1/4W 5%	1309422	85
1	1	RES 100 1/4W 5%	1300229	84
1	1	SCR, MPH #4-41 X 1/8	9006011-1	83
1	1	RES 27 1/4W 10%	1301420	82
1	1	RES 750 1/8W 1%	1302935	81
1	1	RES 27 1/4W 5%	1301522	80
1	1	RES 18.2K 1/8W 1%	1313942	79
2	2	RES 1K 1/4W 5%	1300305	78
1	1	RES 511 1/8W 1%	1302411	77
1	1	RES 18K 1/4W 5%	1302405	76
2	2	RES 10K 1/4W 5%	1300411	75
1	1	RES .02 5W 3%	1310276	74
1	1	RES 320 1W 10%	1300358	73
1	1	RES 3.9K 1W 10%	1302427	72
1	1	RES 10 1/4W 5%	1301317	71
2	2	RES 150 1/4W 5%	1300250	70
1	1	DIODE ZENER 1MA .51V	1109991	69
1	1	SCR MCR 6A9P-2	1109465	68
4	4	SCR, FFH #4.5/16 LG SET FOR	9009765	67
1	1	DIODE PWR NSR B17	1110715	66
3	3	DIODE PWR D664	1100114	65
1	1	DIODE ZENER IN4744	1105448	64
1	1	DIODE BRIDGE	110714	63
2	2	CAP .047UF 10V	100704	62
1	1	CAP .01UF 50V	1010274	61
2	2	CAP .01UF 25V	1001774	60
1	1	CAP .033UF 100V 10%	1000050	59
1	1	CAP .01UF 100V 5% DM	1001637	58
2	2	CAP .01UF 100V 20% DISC	1001610	57
1	1	CAP .22UF 50V 3%	1002527	56
1	1	ETCHED CIRCUIT BOARD	5009725	55



QTY	REF	DESCRIPTION	PART NO.	NO.
1	1	WASHER RECTANGULAR	9009765	89
1	1	RES 10 1/4W 5% FUSIBLE	1317196	88
1	1	CAP .22UF 50V	1010274	87
6	6	WASHER INT 100TH #4	9006632	86

FIRST USED ON OPTION D-UA-H742A-0-0

ETCH BOARD REV H

PARTS LIST

QTY	REF	DESCRIPTION	PART NO.	NO.
D664	13606			
IN4744				

5V REGULATOR

DRAWING DIRECTORY

"THIS DRAWING AND SPECIFICATIONS, HEREIN, ARE THE PROPERTY OF DIGITAL EQUIPMENT CORPORATION AND SHALL NOT BE REPRODUCED OR COPIED OR USED IN WHOLE OR IN PART AS THE BASIS FOR THE MANUFACTURE OR SALE OF ITEMS WITHOUT WRITTEN PERMISSION. COPYRIGHT ©, DIGITAL EQUIPMENT CORPORATION"

CUSTOMER PRINT SET INDEX

THIS IS PRINT SET

DRAWING DIRECTORY
CIRCUIT SCHEMATIC
UNIT ASS'Y

SEQUENCE 7┌
B-DD-H745-∅
D-CS-H745-∅-1
E-UA-H745-∅-∅

MFG. SET
TEST PROCEDURE
MFG. SPEC.
PACKAGING INSTRUCTION

SEQUENCE 7┐
A-SP-11/45 TA-2
A-SP-H745 ∅ 8
A-PI-3700074 0-0

UNIT VARIATIONS		PRINT SET			
VAR	TITLE	H745-1			
H745	-15V REGULATOR	X			

REVISIONS CHG. NO. DATE H745-16 H745-17 H745-18 H745-19 H745-20 K L M N P	USED ON OPTION/MODEL 11/45	DRN. D. FONTAINE	DATE 2-7-72	TITLE - 15V REGULATOR	SIZE B	CODE DD	NUMBER H745-∅	REV P.
		CHK'D. J GAUDETTE	DATE 2-17-72					
		PROJ ENG. G POTTER	DATE 2-25-72					
		PROD. A HUSCH	DATE 2-25-72					
	FIELD SERV. A. ZINS	DATE 2-25-72						
SHEET 1 OF 2				DIST				

DEC 16 (1-37-71) 1082-1A-R022

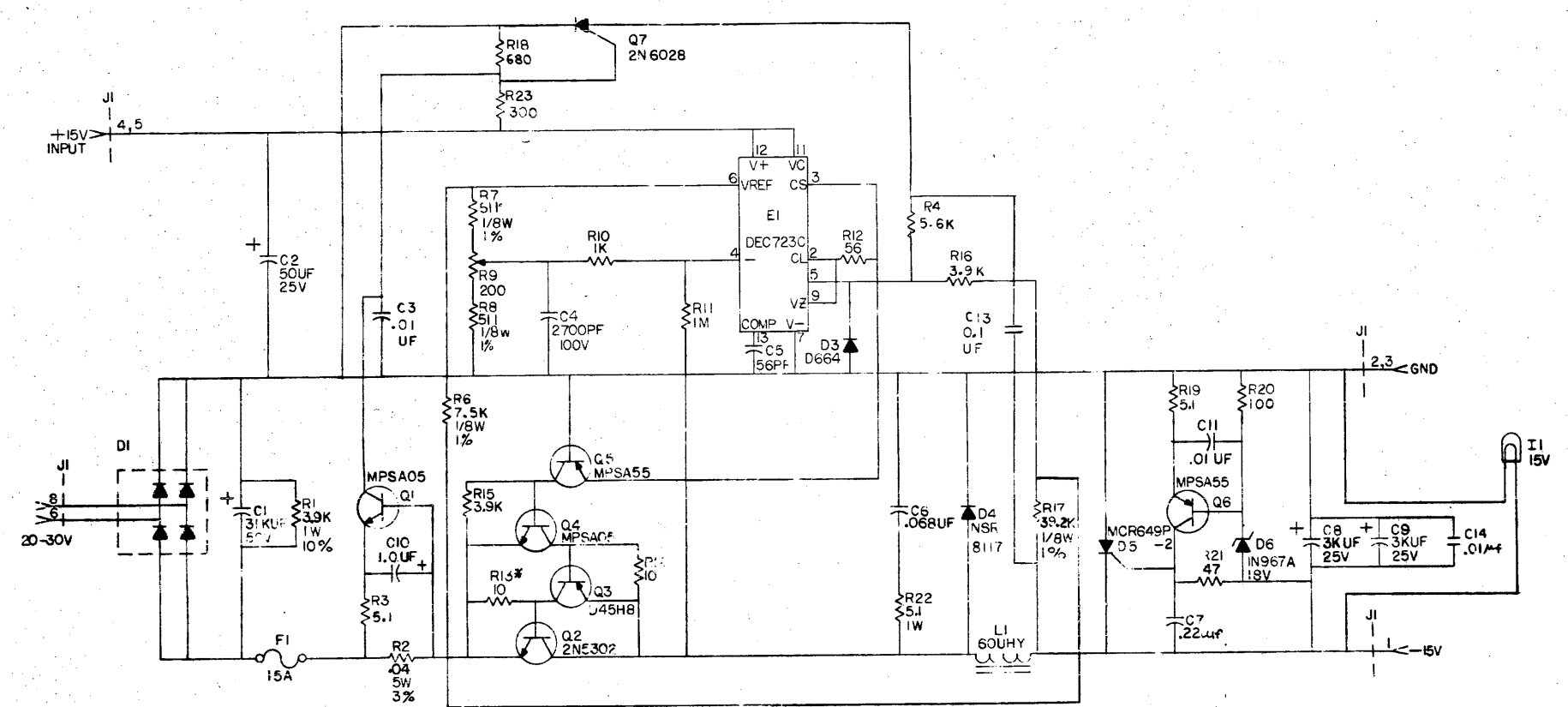
162

ELECTRICAL								MECHANICAL							
CUSTOMER PRINT SET	MFG SET	FIND NO.	DRAWING NO.	REV	NO OF SHT	DESCRIPTION	OPTION NO.	CUSTOMER PRINT SET	MFG SET	FIND NO.	DRAWING NO.	REV	NO OF SHT	DESCRIPTION	OPTION NO.
X		1	D-CS-H745-0-1	1	1	CIRCUIT SCHEMATIC	H745	X		1	E-UA-H745-0-0	1	1	UNIT ASSY	H745
	X		A-SP-11/45-TA-2			TEST PROCEDURE	H745				D-PS-1210737-0-0		1	HEAT SINK	H745
	X		A-SP-H745-0-8			MFG SPEC	H745				D-1A-5309756-0-0		1	REGULATOR BRKT	H745
			D-AH-H745-0-5								D-1A-5309761-0-0		1	2 - 5 CAP BRKT	H745
			B-MH-H745-0-6								C-MD-5309759-0-0		1	CAPACITOR STRAP	H745
										2	A-PI-3700074-0-0		2	PACKAGING INSTRUCTIONS	H745
											A-PS-9905211-0-0		2	OUTER CARTON	H745
											A-PS-9905212-0-0		2	INNER PACKAGE	H745

TITLE	SIZE	CODE	NUMBER	REV
-15V REGULATOR	B	DD	H745-0	0P
SHEET 2 OF 2				

163

The drawing and specifications herein are the property of Digital Equipment Corporation and shall not be reproduced or copied in whole or in part for any purpose other than that for which it was originally prepared without the written permission of Digital Equipment Corporation. TOP SECRET © 1976
DIGITAL EQUIP. CORP. MAYNARD, MASS.



* FUSIBLE
UNLESS OTHERWISE INDICATED:
RESISTORS = 1/4W, 5%.

QTY	REF DESIGNATION	DESCRIPTION	PART NO.	ITEM NO.
		PARTS LIST		
		ETCH BOARD REV	E	
		D664	IN 3606	
		NSR 8117		
		MCR 649P - 2		
		IN 967A	SAME	
		2N 5302		
		MPS A05		
		MPS A55		
		NEXT HIGHER ASSY		
		DEC NO.	EIA NO.	DEC NO.
		SEMICONDUCTOR CONVERSION CHART		
		SCALE		
		SHEET	OF	

DATE	BY	DESCRIPTION
11-8-71	DRP	DRP
1-9-72	ENG	ENG
1/1/72	PROJ	PROJ
1/13/72	PROJ	PROJ

DATE	BY	DESCRIPTION
11-8-71	DRP	DRP
1-9-72	ENG	ENG
1/1/72	PROJ	PROJ
1/13/72	PROJ	PROJ

DATE	BY	DESCRIPTION
11-8-71	DRP	DRP
1-9-72	ENG	ENG
1/1/72	PROJ	PROJ
1/13/72	PROJ	PROJ

DATE	BY	DESCRIPTION
11-8-71	DRP	DRP
1-9-72	ENG	ENG
1/1/72	PROJ	PROJ
1/13/72	PROJ	PROJ

DATE	BY	DESCRIPTION
11-8-71	DRP	DRP
1-9-72	ENG	ENG
1/1/72	PROJ	PROJ
1/13/72	PROJ	PROJ

digital EQUIPMENT CORPORATION
MAYNARD MASSACHUSETTS

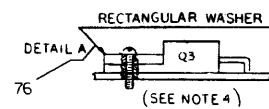
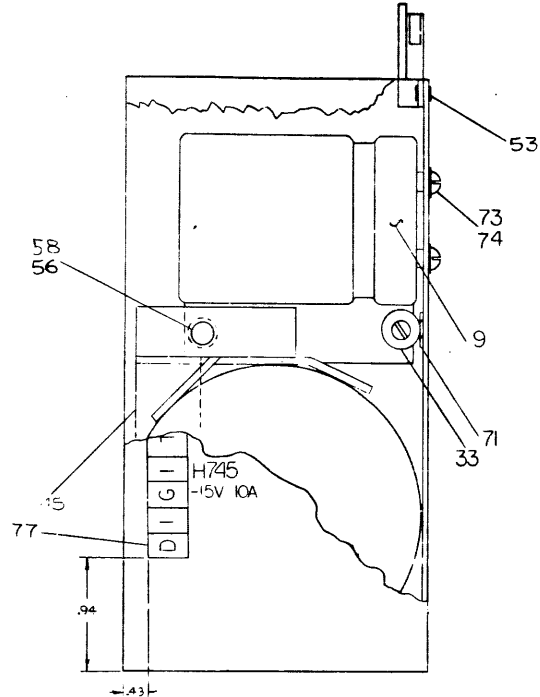
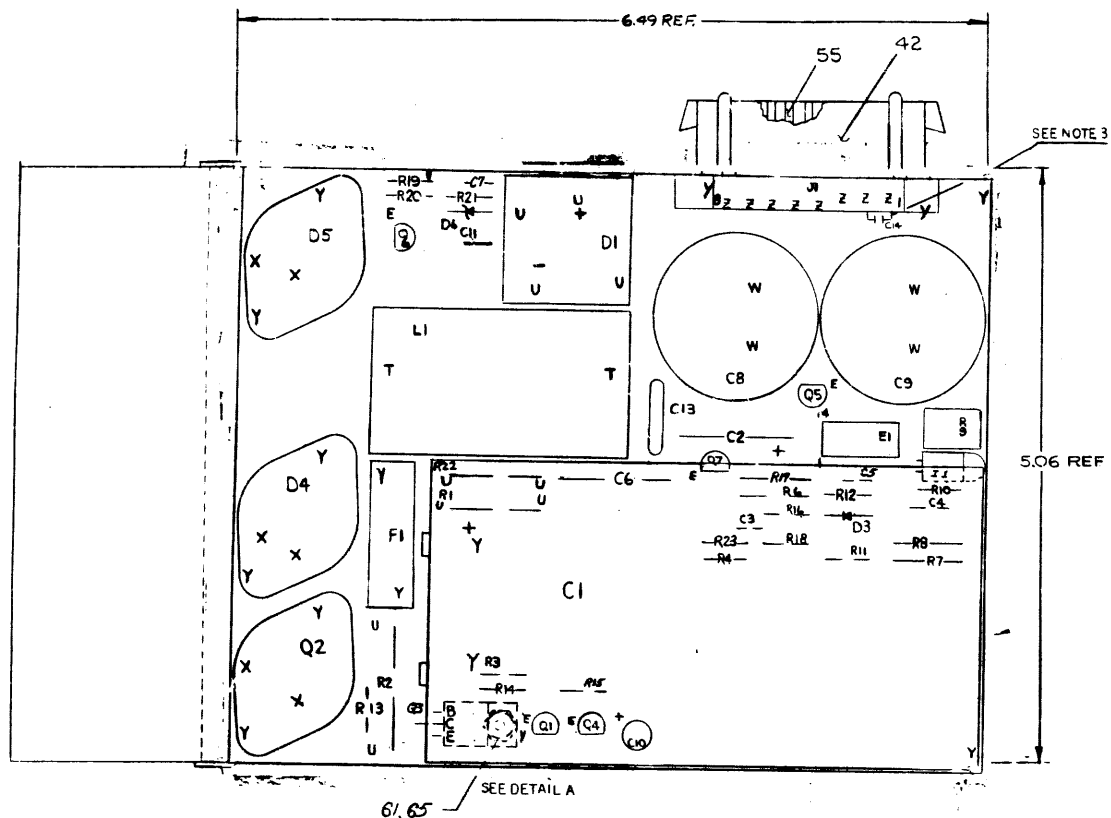
TITLE: **-15V REG.**

SIZE CODE: **D CS** NUMBER: **H745-0-1**

THIS DRAWING AND ASSOCIATED DATA ARE THE PROPERTY OF THE GOVERNMENT AND ARE TO BE KEPT CONFIDENTIAL UNLESS SO INDICATED OTHERWISE.

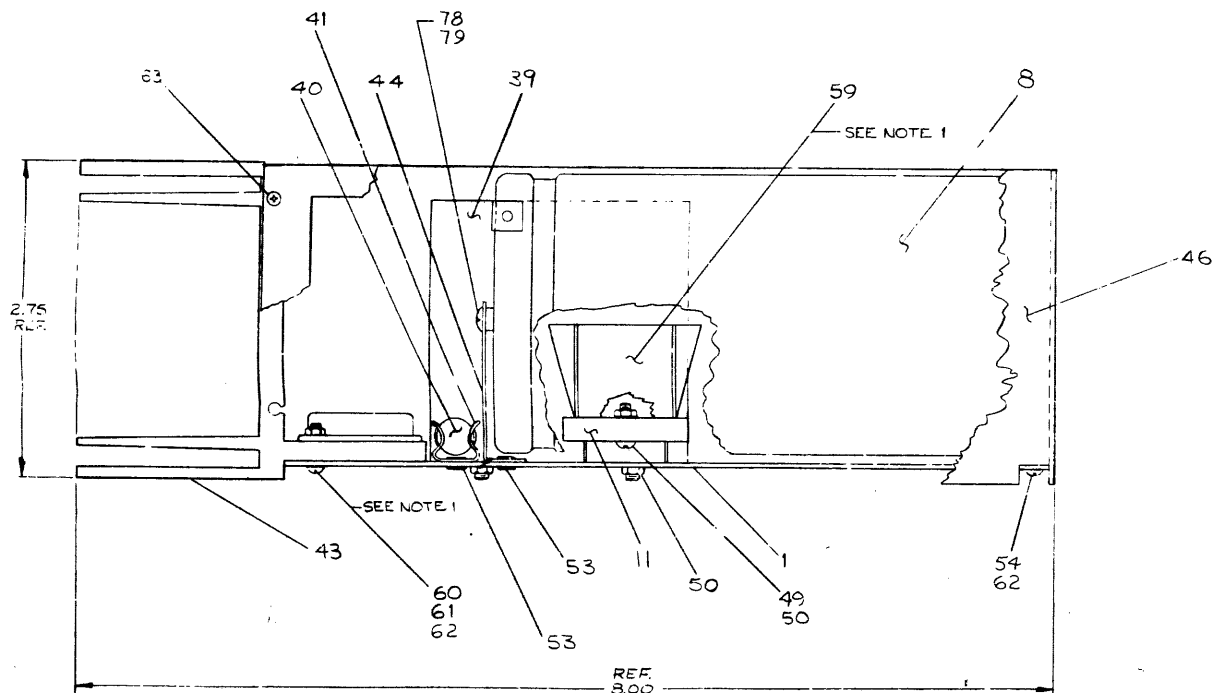
NOTE:
3. INSERT C14 INTO ETCH PAD HOLES CONNECTED TO J1 TERMINALS 1-2.

NOTE:
1. APPLY ITEM #51 (THERMAL COMPOUND) BETWEEN TRANSISTOR AND INSULATOR, WASHER (ITEM #52) ALSO BETWEEN WASHER & HEAT SINK FOR Q2, Q4, Q5 ALSO APPLY ITEM #51 (COMPOUND) BETWEEN ITEM #11 (DIODE BRIDGE) AND ITEM #59 (HEAT SINK).
2. 1010621 MAY BE SUBSTITUTED FOR C13 (1000030).



NOTE 4:
Q3 SCREW HEAD SHOULD BE ON TOP OF FLAT RECTANGULAR WASHER AS SHOWN, APPLY 6 INCH LBS. OF TORQUE WHEN SECURING Q3 TO CKT. BOARD BEFORE SOLDERING.

NOTE 5: TORQUE APPLICATION
(1) APPLY 12 INCH LBS. OF TORQUE TO ALL #4 HARDWARE EXCEPT Q3.
(2) APPLY 16 INCH LBS. OF TORQUE TO ALL #6 AND #10 HARDWARE.
(3) ALL HARDWARE TO BE TORQUED BEFORE SOLDERING.



ITEM NO.	ASSEMBLY / DRILLING HOLE LAYOUT	Q-AM-H745-0-0	70
1	PACKING INSTRUCTIONS	API-3700076-0-0	68
2	RES 1K0 ± 5%	1301424	62
3	RES 200 ± 5%	1301424	67
4	CAP .01 UF 100V 20%	1000030	46
5	SCR PIN #4-40X3/8LG	8009600-1	60
6	LAMP 15V	809969	64
7	SCR, PTH #4X5/16LG, SELF TAPPING	8009642	63
8	WASHER #4	9006635	53
9	WASHER #6	8009657	61
10	SCR PIN #4-40 X 1/2 LG	8009600-1	60
11	HEAT SINK BRIDGE RECT	1210807	58
12	SCR PIN #4-40 X 1/2 LG	8009600-1	60
13	SCR PIN FLT #8-32 X 1/4 LG	9004020-02	37
14	WASHER LOCK #6	9006633	56
15	CONTACT FEMALE	1209456	55
16	SCR PIN #4-40 X 1/2 LG	8009600-1	60
17	EYELET OS-4	400-000	54
18	INSULATOR W/HEAT	8009721	57
19	THERMAL COMPOUND	8009728	51
20	NUT KEPS #4-40	8009657	61
21	SCR PIN #4-40 X 1/2 LG	8009600-1	60
22	SCREW PTH #8-32 X 1/2 LG	9006025-01	40
23	SCREW PTH #6-32 X 1/2 LG	8009657	61
24	REGULATOR BRKT	0-18-300758-0-0	45
25	2.5 MOLDED CAPACITOR	0-18-74 236-010-0	49
26	STRIP CAPACITOR	0-40-500758-0-0	44
27	HEAT SINK	0-75-1210711-0-0	63
28	TRANSISTOR 2N2902	1518706	54
29	DIODE BRIDGE	1210807	58
30	DIODE BRIDGE	1210807	58
31	DIODE BRIDGE	1210807	58
32	DIODE BRIDGE	1210807	58
33	DIODE BRIDGE	1210807	58
34	DIODE BRIDGE	1210807	58
35	DIODE BRIDGE	1210807	58
36	DIODE BRIDGE	1210807	58
37	DIODE BRIDGE	1210807	58
38	DIODE BRIDGE	1210807	58
39	DIODE BRIDGE	1210807	58
40	DIODE BRIDGE	1210807	58
41	DIODE BRIDGE	1210807	58
42	DIODE BRIDGE	1210807	58
43	DIODE BRIDGE	1210807	58
44	DIODE BRIDGE	1210807	58
45	DIODE BRIDGE	1210807	58
46	DIODE BRIDGE	1210807	58
47	DIODE BRIDGE	1210807	58
48	DIODE BRIDGE	1210807	58
49	DIODE BRIDGE	1210807	58
50	DIODE BRIDGE	1210807	58
51	DIODE BRIDGE	1210807	58
52	DIODE BRIDGE	1210807	58
53	DIODE BRIDGE	1210807	58
54	DIODE BRIDGE	1210807	58
55	DIODE BRIDGE	1210807	58
56	DIODE BRIDGE	1210807	58
57	DIODE BRIDGE	1210807	58
58	DIODE BRIDGE	1210807	58
59	DIODE BRIDGE	1210807	58
60	DIODE BRIDGE	1210807	58
61	DIODE BRIDGE	1210807	58
62	DIODE BRIDGE	1210807	58

ITEM NO.	DESCRIPTION	QTY	REF DESIG.	DESCRIPTION	REF NO.
1	DECAL (H745)	7416945-02	70		
2	WASHER INT. TOOTH #10	9006635	79		
3	SCREW PAN #0 3/8 LG	9009649-01	78		
4	CAP .02 UF 50V	1010274	77		
5	WASHER, RECTANGULAR	9009657	76		
6	RES 100W ± 5% FUSIBLE	1312456-02	75		
7	LOCKWASHER #10 INT	9006635	74		
8	SCR #10-32X3/8 SLOTTED PIN HD.	9009669-01	73		

IC TYPE	SYMBOL	CONV	ITEM NO.	FROM PT.	TO PT.

TRANSIMP	DESCRIPTION	REF NO.
1	TRANSIMP	9008206
2	TRANSIMP	9008206
3	TRANSIMP	9008206
4	TRANSIMP	9008206
5	TRANSIMP	9008206
6	TRANSIMP	9008206
7	TRANSIMP	9008206
8	TRANSIMP	9008206
9	TRANSIMP	9008206
10	TRANSIMP	9008206
11	TRANSIMP	9008206
12	TRANSIMP	9008206
13	TRANSIMP	9008206
14	TRANSIMP	9008206
15	TRANSIMP	9008206
16	TRANSIMP	9008206
17	TRANSIMP	9008206
18	TRANSIMP	9008206
19	TRANSIMP	9008206
20	TRANSIMP	9008206
21	TRANSIMP	9008206
22	TRANSIMP	9008206
23	TRANSIMP	9008206
24	TRANSIMP	9008206
25	TRANSIMP	9008206
26	TRANSIMP	9008206
27	TRANSIMP	9008206
28	TRANSIMP	9008206
29	TRANSIMP	9008206
30	TRANSIMP	9008206
31	TRANSIMP	9008206
32	TRANSIMP	9008206
33	TRANSIMP	9008206
34	TRANSIMP	9008206
35	TRANSIMP	9008206
36	TRANSIMP	9008206
37	TRANSIMP	9008206
38	TRANSIMP	9008206
39	TRANSIMP	9008206
40	TRANSIMP	9008206
41	TRANSIMP	9008206
42	TRANSIMP	9008206
43	TRANSIMP	9008206
44	TRANSIMP	9008206
45	TRANSIMP	9008206
46	TRANSIMP	9008206
47	TRANSIMP	9008206
48	TRANSIMP	9008206
49	TRANSIMP	9008206
50	TRANSIMP	9008206
51	TRANSIMP	9008206
52	TRANSIMP	9008206
53	TRANSIMP	9008206
54	TRANSIMP	9008206
55	TRANSIMP	9008206
56	TRANSIMP	9008206
57	TRANSIMP	9008206
58	TRANSIMP	9008206
59	TRANSIMP	9008206
60	TRANSIMP	9008206
61	TRANSIMP	9008206
62	TRANSIMP	9008206

DEC NO.	EIA NO.	DEC NO.	EIA NO.	EQUIPMENT CORPORATION

DRAWING DIRECTORY

"THIS DRAWING AND SPECIFICATIONS, HEREIN, ARE THE PROPERTY OF DIGITAL EQUIPMENT CORPORATION AND SHALL NOT BE REPRODUCED OR COPIED OR USED IN WHOLE OR IN PART AS THE BASIS FOR THE MANUFACTURE OR SALE OF ITEMS WITHOUT WRITEN PERMISSION. COPYRIGHT © 1974, DIGITAL EQUIPMENT CORPORATION"

CUSTOMER PRINT SET INDEX

THIS IS PRINT SET

SEQUENCE

┌┐

┌┐

SEQUENCE

┌┐

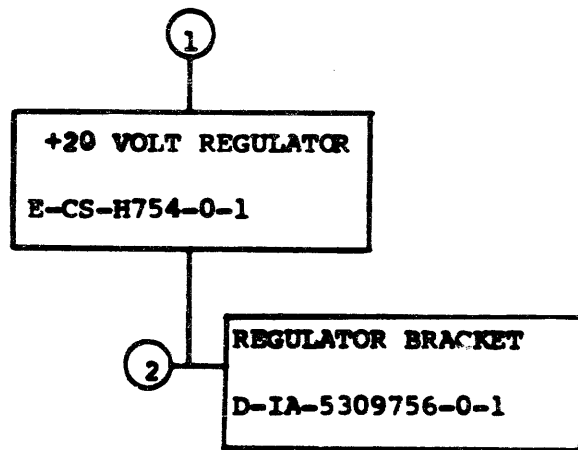
DRAWING DIRECTORY
+20 VOLT REGULATOR

B-DD-H754-Ø
E-CS-H754-0-1

UNIT VARIATIONS		PRINT SET			
VAR	TITLE	1			
H754-0	+20 VOLT REGULATOR	X			

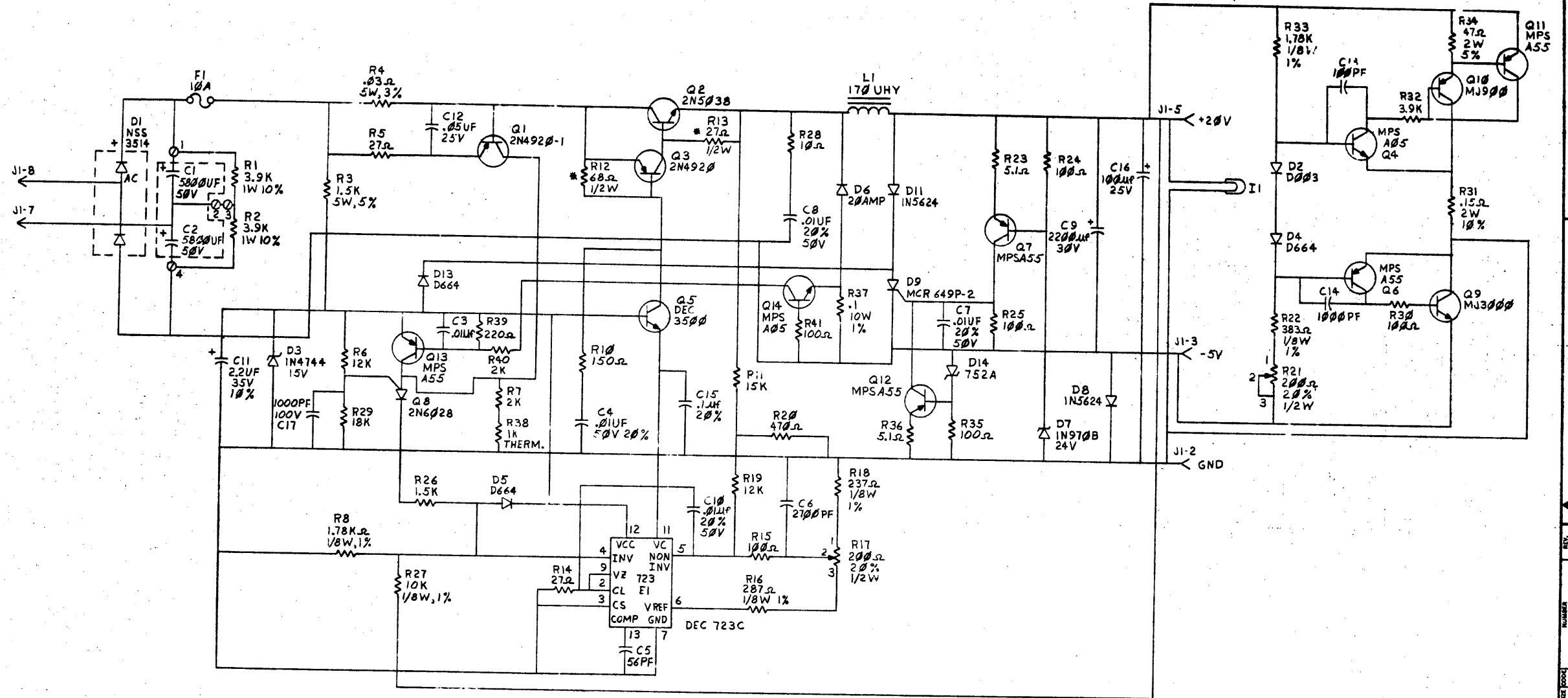
REVISIONS	DATE	CHG. NO.	REV	USED ON OPTION/MODEL	DRW.	DATE	TITLE	SIZE	CODE	NUMBER	REV
	10-75	H754-9	A		CHK'D.	J. Fleming					
11-3	H754-10	B	PROJ ENG.	E. Fleming	2/21/74						
				PROD.	E. Fleming	3-13-74					
				FIELD SERV.	Jack Thomas	2-19-74					
					Walt Dubois	7/25/74					
				SHEET 1 OF 3							

DIG-41-001-0001-01 DRB 106



TITLE	SIZE	CODE	NUMBER	REV
+20 VOLT REGULATOR	SHEET 3 OF 3	B DD	H754-β	B

THE DRAWING AND SPECIFICATIONS HERIN ARE THE PROPERTY OF DIGITAL EQUIPMENT CORPORATION AND SHALL NOT BE REPRODUCED OR COPIED OR USED IN WHOLE OR IN PART AS THE BASIS FOR THE MANUFACTURE OR SALE OF ITEMS WITHOUT WRITTEN PERMISSION.
 COPYRIGHT © 1972, DIGITAL EQUIPMENT CORPORATION



* FUSIBLE RESISTOR

DRW. BISSONNETTE 8-22-72	FIRST USED ON	H754
CHKD R. VOWLES 12-17-72	TITLE	+20 VOLT REGULATOR
ENGR. R. BURTON 5-7-73	SCALE	1:1
PROD. ENGR. R. HIRL 5-7-73	SHEET	2 OF 2
PROD. L. BAPTISTE 5-9-73	DATE	12-17-72
NEXT HIGHER ASSY.	REV.	P
	SIZE	D
	CODE	CS
	NUMBER	H754-0-1
	PAGE	1

PART NUMBER
 DCS H754-0-1

4

3

2

1

THIS DRAWING AND SPECIFICATIONS, HEREIN ARE THE PROPERTY OF DIGITAL EQUIPMENT CORPORATION AND SHALL NOT BE REPRODUCED OR COPIED OR USED IN WHOLE OR IN PART AS THE BASIS FOR THE MANUFACTURE OR SALE OF ITEMS WITHOUT WRITTEN PERMISSION. COPYRIGHT © 1976, DIGITAL EQUIPMENT CORPORATION

QUANTITY/VARIATION

ITEM NO.	DWG. NO./PART NO.	DESCRIPTION	QUANTITY/VARIATION			
			11/55-BA	11/55-BB	11/55-BC	11/55-ED
1	C-PL-11/55-CA-Ø	BASIC ASSY 115V 60HZ	-	-	-	-
2	C-PL-11/55-CB-Ø	BASIC ASSY 230V 50HZ	-	1	-	-
3	C-PL-11/55-CC-Ø	BASIC ASSY 115V 60HZ	-	-	1	-
4	C-PL-11/55-CD-Ø	BASIC ASSY 230V 50HZ	-	-	-	1
5	A-PL-LA36-CE-Ø	SERIAL DEC WRITER 115V 60HZ	1	-	1	-
6	A-PL-LA36-CJ-Ø	SERIAL DEC WRITER 230V 50HZ	-	1	-	1

D

D

C

C

B

B

A

A

REV.	
CHANGE NO.	
CHK	

DRN. R. BEASLEY	3 FEB 76	FIRST USED ON	PDP11, 55		
CHK'D D. HEALY	10 FEB 76	TITLE	11/55 SYSTEMS PARTS LIST		
ENG. <i>Valle Bon</i>	12 MAR 76				
PROJ. ENG. <i>J. Bon</i>	12 MAR 76				
PROD. <i>P. Corvito</i>	12 MAR 76				
NEXT HIGHER ASSY.		SIZE	CODE	NUMBER	REV.
B-DD-11/55-0		C	PL	11/55-0-4	
SCALE		SHEET		OF	1
		DIST.			

4

3

2

1

70

DIGITAL EQUIPMENT CORPORATION
MAYNARD, MASSACHUSETTS

PARTS LIST

MADE BY MAT GAIGE
DATE 8 MAR 76
ENG *David Bowen*
DATE 12 MAR 76

CHECKED D. HEALY
DATE 9 MAR 76
PROD *D. Bowen*
DATE 12 MAR 76

SECTION 1
ISSUED SECT. 1

ITEM NO.	DWG NO. / PART NO.	DESCRIPTION	QUANTITY / VARIATION
1	MP00039	11/55 PRINT SET (CPU)	1
2	MP00040	11/55 PRINT SET (INTERNAL OPTIONS)	1
3	EK-11045-MM	11/45 SYSTEM & INSTALLATION MANUAL	1
4	EK-KB11A-MM	KB11 MAINTENANCE MANUAL	1
5	2002-20175-4526	PDP11 PERIPHERALS HANDBOOK	1
6	67-00473-2743	11/45 PROCESSOR HANDBOOK	1
7	ZR001-RB	SYSTEM SOFTWARE KIT	1
8	MAINDEC-11-DZOMB-D	MEMORY 0-124 DIAGNOSTIC	1
9	MAINDEC-11-DZOMB-PB	MEMORY 0-124 DIAGNOSTIC	1
10	MAINDEC-11-DZMMJ-D	8K SPECIAL DIAGNOSTIC	1
11	MAINDEC-11-DZMMJ-PR	3K SPECIAL DIAGNOSTIC	1
12	MAINDEC-11-DCMFA-D	MOS-CORE PARITY DIAGNOSTIC	1
13	MAINDEC-11-ICMFA-PR	MOS-CORE PARITY DIAGNOSTIC	1
14	EK-MS11-ME	MS11 MAINTENANCE MANUAL	1
15	EK-MF11U-N	MF11-U/UP MAINTENANCE MANUAL	1
16	EK-KF11C-TM	KT11 MAINTENANCE MANUAL	1
17	ZR104-RB	KT11 SOFTWARE KIT	1
18	ZJ135-RB	DL11 SOFTWARE KIT	1
19	EK-DL11-TM	DL11 MANUAL	1
20	EK-3M873-TM	BMS73 LOADER, MANUAL	1
21	ZJJ06-RB	EM873 SOFTWARE KIT	1
22	ZJ137-RB	W11-L, LINE CLOCK SOFTWARE KIT	1

TITLE SHIPPING LIST 11/55

SIZE CODE A PL
NUMBER 11/55-0-3
REV ECO NO A

DEC FORM DEC 16 (325) 1031 N870
DRA 110

DIGITAL EQUIPMENT CORPORATION
MAYNARD, MASSACHUSETTS

PARTS LIST

MADE BY MAT GAIGE
DATE 8 MAR 76
ENG *David Bowen*
DATE 12 MAR 76

CHECKED D. HEALY
DATE 9 MAR 76
PROD *D. Bowen*
DATE 12 MAR 76

SECTION 1
ISSUED SECT. 1

ITEM NO.	DWG NO. / PART NO.	DESCRIPTION	QUANTITY / VARIATION
23	EK-KW11L-TM	KW11L MAINTENANCE MANUAL	1
24	7008855	POWER CABLE, SYSTEMS UNIT	3
25	9007221	AGC 5A FUSE	5
26	9007226	AGC 15A FUSE	5
27	5009039	2/10A S B FUSE	5
28		H960-C CAB FILTER	1
29		CONSOLE KEY	2
30		LOG BOOK	1
31		PDP11 INSTRUCTION CARD	1
32	EK-DL11-W-MM	DL11-W MAINTENANCE MANUAL	1
33	EK-M9301-MM	M9301-YB MAINTENANCE MANUAL	1
34	DZYM9A--	M9301-YB SOFTWARE KIT	1

TITLE SHIPPING LIST 11/55

SIZE CODE A PL
NUMBER 11/55-0-3
REV ECO NO A

DEC FORM DEC 16 (325) 1031 N870
DRA 110



EQUIPMENT CORPORATION
MAYNARD MASSACHUSETTS

DRAWING DIRECTORY

"THIS DRAWING AND SPECIFICATIONS, HEREIN, ARE THE PROPERTY OF DIGITAL EQUIPMENT CORPORATION AND SHALL NOT BE REPRODUCED OR COPIED OR USED IN WHOLE OR IN PART AS THE BASIS FOR THE MANUFACTURE OR SALE OF ITEMS WITHOUT WRITTEN PERMISSION. COPYRIGHT © 1976, DIGITAL EQUIPMENT CORPORATION"

CUSTOMER PRINT SET INDEX

THIS IS PRINT SET

SEQUENCE

SEQUENCE

UNIT VARIATIONS		PRINT SET		
VAR	TITLE			
11T55-BA	11/55-BA, FP11-C, RK11J-DE, RK05J-AA, 115V 60 HZ			
11T55-BB	11/55-BB, FP11-C, RK11J-DJ, RK05J-BB, 230V 50 HZ			
11T55-BC	11/55-BC, FP11-C, RK11J-DE, RK05J-AA, 115V 60 HZ			
11T55-BD	11/55-BD, FP11-C, RK11J-DJ, RK05J-BB, 230V 50 HZ			

REVISIONS	REV		USED ON OPTION/MODEL	DRN	<i>B. Hoag</i>	DATE	1 MAR 76	TITLE	STANDARD SYSTEM 11T55			
	CHG. NO.			CHR'D.	<i>D. Hoag</i>	DATE	2 MAR 76		SIZE	CODE	NUMBER	REV
	DATE			PROJ ENG.	<i>David Boes</i>	DATE	12 MAR 76					
				PROD.	<i>L. Boensten</i>	DATE	18 MAR 76					
		FIELD SERV.	<i>David M. Boes</i>	DATE	12 MAR 76	DIST						
			SHEET	1	OF	2						

EN-1106-1A-16-972-1281

CUSTOMER PRINT SET					CUSTOMER PRINT SET									
MFG. SET	FUND NO.	DRAWING NO.	REV	NO OF SHT	OPTION NO./FILE DATE	MFG. SET	FUND NO.	DRAWING NO.	REV	NO OF SHT	OPTION NO./FILE DATE			
	1	B-AR-11T55-0-0		3	STANDARD SYSTEM 11T55									
		A-PL-11T55-0-1		1	SHIPPING LIST 11T55									
	2	B-DD-11/55-0		6	BASIC BASIC ASSY PDP11/55									
	3	B-DD-FP11-C		2	FLOATING POINT PROCESSOR FP11-C									
	4	B-DD-RK11-D		4	DISK DRIVE & CONTROL RK11J									
	5	B-DD-RK05J-0		5	DISK DRIVE RK05J									
	6	D-IA-7409271-0-0			CONSOLE PANEL 11T55									
		C-SS-7009271-0-13			SILK SCREEN									
		C-SS-7009271-0-14			SILK SCREEN									
		C-SS-7009271-0-15			SILK SCREEN									
		C-SS-7009271-0-16			SILK SCREEN									
		C-SS-7009271-0-17			SILK SCREEN									
		C-SS-7009271-0-12			SILK SCREEN									
CUSTOMER PRINT SET CODES					TITLE					SIZE CODE		NUMBER		REV
X = PRINT OF DOCUMENT INCLUDED IN PRINT SET C = INCLUDES ALL PRINTS INDICATED ON DOCUMENT S = CONFIDENTIAL AUTHORIZED SIGNATURE REQUIRED					STANDARD SYSTEM 11T55					SHEET 2 OF 2 B DD		11T55-0		

DRB 108

176

"THIS DRAWING AND SPECIFICATIONS HEREIN ARE THE PROPERTY OF DIGITAL EQUIPMENT CORPORATION AND SHALL NOT BE REPRODUCED OR COPIED OR USED IN WHOLE OR IN PART AS THE BASIS FOR THE MANUFACTURE OR SALE OF ITEMS WITHOUT WRITTEN PERMISSION. COPYRIGHT © 1976 DIGITAL EQUIPMENT CORPORATION"

TABLE OF CONTENTS

SHEET NO.

REVISIONS	
CHK	CHANGE NO

1. TABLE OF CONTENTS
2. ARRANGEMENT GUIDELINES
3. 11T55 BASIC ARRANGEMENT

B AR 11T55-0-0

2

1

11T55-0-0 B AR

2

1

ENG. *Paul Brown* 18 MAR 76
 CHK. *D. Hardy* 8 MAR 76
 MKT. *Paul Brown* 18 MAR 76
 PRG. *S. Barnhart* 18 MAR 76
 FILED *PAUL BROWN* 18 MAR 76

FIRST USED ON

digital

TITLE

STANDARD SYSTEM 11T55

NEXT HIGHER ASSY.

B-DD-11T55-0

SCALE 1/1

SHEET 1 OF 3

SIZE CODE

B AR

NUMBER

11T55-0-0

REV.

"THIS DRAWING AND SPECIFICATIONS, HEREIN, ARE THE PROPERTY OF DIGITAL EQUIPMENT CORPORATION AND SHALL NOT BE REPRODUCED OR COPIED OR USED IN WHOLE OR IN PART AS THE BASIS FOR THE MANUFACTURE OR SALE OF ITEMS WITHOUT WRITTEN PERMISSION. COPYRIGHT © 1976, DIGITAL EQUIPMENT CORPORATION"

ARRANGEMENT GUIDELINES

NOTES:

- FOR MODULE PLACEMENT INFORMATION REFER TO E-MU-KB11-D-1, A-SP-FP11-C-5, D-MF11-U-MU, and D-MU-RK11-D-1.

VARIATIONS OF 11T55

11T55-BA	=	115V, 60 HZ
11T55-BB	=	230V, 50 HZ
11T55-BC	=	115V, 60 HZ
11T55-BD	=	230V, 50 HZ

- AIR FLOW RESTRICTIONS:

NO FULL DEPTH OPTION WILL BE INSTALLED ABOVE THE 11/55 CPU BOX; ONLY SEMI-DEPTH OPTION (PCØ5, RXØ1, TU56, etc.) CAN BE INSTALLED ONLY IF THERE IS A MINIMUM OF 5 INCHES BETWEEN THE TOP OF CPU BOX AND THE OPTION.

- NO NON-PARITY MEMORY WILL BE INSTALLED IN ANY 11/55 SYSTEM.

REVISIONS	
CHK	REV.

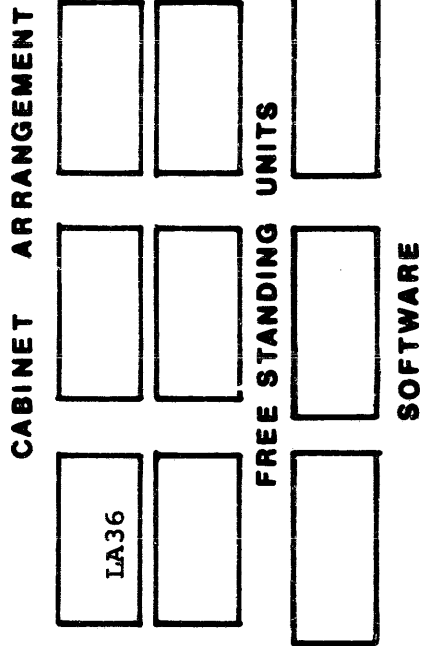
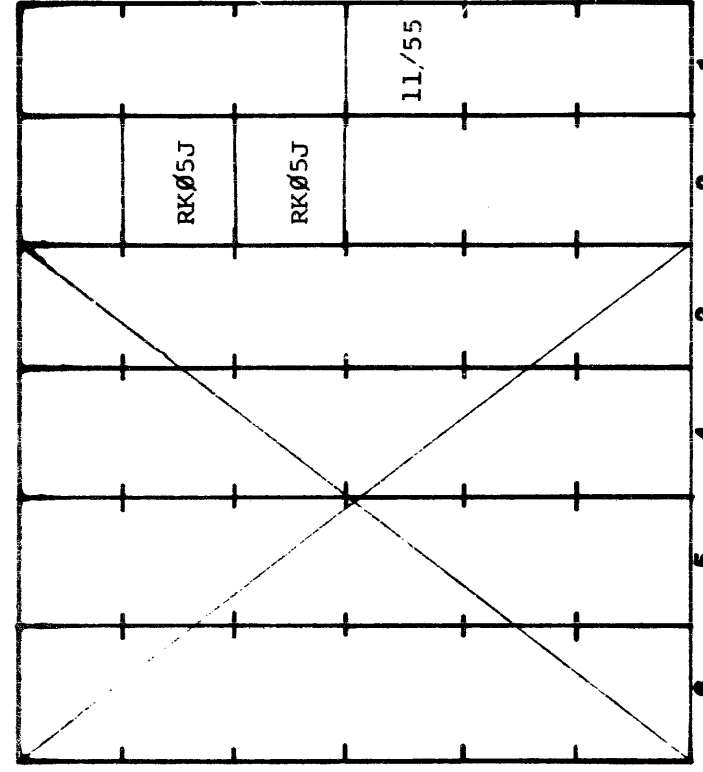
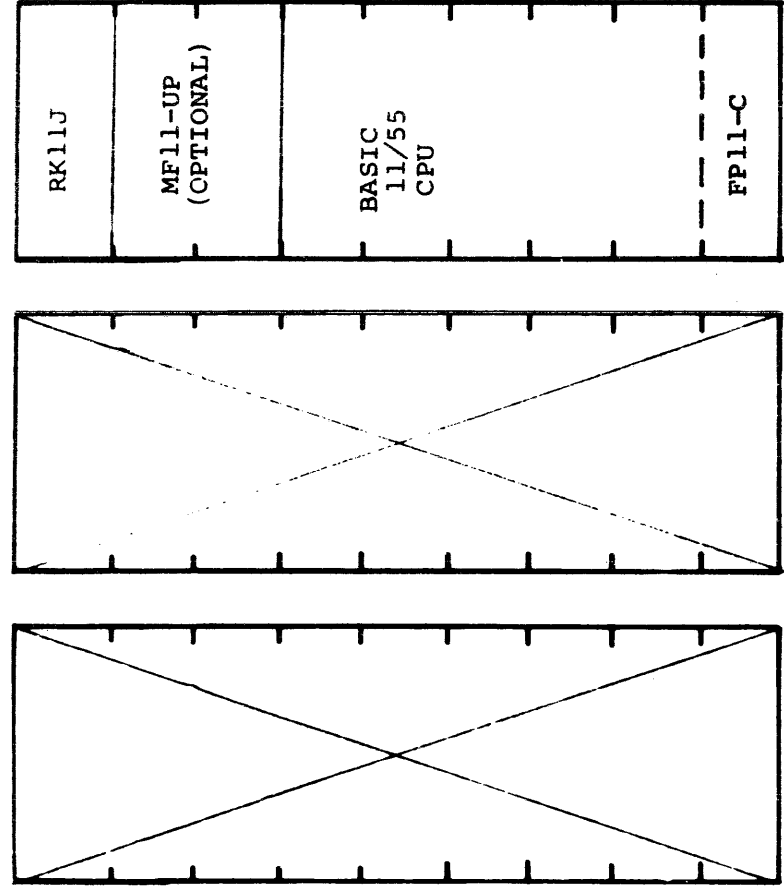
TITLE STANDARD SYSTEM 11T55	SIZE CODE B AR	NUMBER 11T55-Ø-Ø	REV.
SCALE 1/4"	DIST.		
SHEET 2 OF 3			

EN-01120-16-N575. (325)

DRB 122

178

"THIS DRAWING AND SPECIFICATIONS HEREIN, ARE THE PROPERTY OF DIGITAL EQUIPMENT CORPORATION AND SHALL NOT BE REPRODUCED OR COPIED OR USED IN WHOLE OR IN PART AS THE BASIS FOR THE MANUFACTURE OR SALE OF ITEMS WITHOUT WRITTEN PERMISSION OF DIGITAL EQUIPMENT CORPORATION"
 COPYRIGHT © 1976 DIGITAL EQUIPMENT CORPORATION"



11/55 CPU	MF11-UP (OPTIONAL)	RK11-D					
-----------	--------------------	--------	--	--	--	--	--

UNIBUS SEQUENCE

6.	2	2	1						
	2								

UNIBUS LOAD

--	--	--	--	--	--	--	--	--	--

UNIBUS LENGTH

--	--	--	--	--	--	--	--	--	--

REVISIONS

CHK	CHANGE NO.	REV.
-----	------------	------

1	CONSOLE PANEL 11T55	7409271-5	-	-	-	5
1	DISK DRIVE	RK05J	AA	BB	AA	BB
1	DISK DRIVE & CONTROL	RK11J	DE	DJ	DE	DJ
1	FLOATING POINT PROCESSOR	FP11	C	C	C	C
1	BASIC ASSY	11/55	BA	BB	BC	BD
	SYSTEM - BASIC 11T55	11T55	BA	BB	BC	BD

QUANTITY DESCRIPTION DWG./PART NO. VARIATION ITEM NO.

TITLE	SIZE CODE	NUMBER	REV.
STANDARD SYSTEM 11T55	B AR	11T55-0-0	

SCALE $\frac{1}{1}$ SHEET 3 OF 3 DIST.

DIGITAL EQUIPMENT CORPORATION MAYNARD, MASSACHUSETTS PARTS LIST			QUANTITY / VARIATION												
MADE BY M. GAIGE	CHECKED D. HEALY		SECTION												
DATE 15 Mar 76	DATE 16 Mar 76		1												
ENG <i>Neill Bopen</i>	PROD <i>J. Bognelli</i>		ISSUED SECT.												
DATE 18 MARCH 76	DATE 3-18-76		1												
ITEM NO.	DWG NO. / PART NO.	DESCRIPTION	11T55-BA	11T55-BB	11T55-BC	11T55-BD									
1	A-PL-11/55-Ø-3	SHIPPING LIST 11/55	1	1	1	1									
2	A-PL-RK11-D-7	SOFTWARE LIST RK11-D	1	1	1	1									
3	A-AL-RK11-D-6	ACCESSORY LIST RK11-D	1	1	1	1									
4	A-PL-FP11-C-4	SHIPPING LIST FP11-C	1	1	1	1									
5	A-PL-FP11-C-3	SOFTWARE LIST FP11-C	1	1	1	1									
6	MAINDEC-DZZA-I-HB	RKDP DISK SOFTWARE KIT #1	1	1	1	1									
7	MAINDEC-DZZB-I-HB	RKDP DISK SOFTWARE KIT #2	1	1	1	1									
8	MAINDEC-DZQXA-H-D	RKDP OPERATOR MANUALS	1	1	1	1									
TITLE		ASSY NO.	SIZE CODE		NUMBER				REV.		ECO NO				
SHIPPING LIST 11T55		NONE	A PL		11T55-Ø-1										
SHEET 1 OF 1			DIST.												

DEC FORM DEC 16 (375) 1031 N870