

**digital**

**MGIO**

**Engineering Drawings**

**Digital Equipment Corporation**

The material herein is for information purposes only and is subject to change without notice. Digital Equipment Corporation assumes no responsibility for any errors which may appear herein.

These drawings and specifications herein are the property of Digital Equipment Corporation and shall not be reproduced or copied or used in whole or in part as the basis for the manufacture or sale of items without written permission.

Copyright © 1975, Digital Equipment Corporation

**DRAWING DIRECTORY**

"THIS DRAWING AND SPECIFICATIONS, HERETH, ARE THE PROPERTY OF DIGITAL EQUIPMENT CORPORATION AND SHALL NOT BE REPRODUCED OR COPIED OR USED IN WHOLE OR IN PART AS THE BASIS FOR THE MANUFACTURE OR SALE OF ITEMS WITHOUT WRITTEN PERMISSION. COPYRIGHT © 1975, DIGITAL EQUIPMENT CORPORATION"

**CUSTOMER PRINT SET INDEX**

THIS IS PRINT SET

- DRAWING DIRECTORY
- MEMORY CYCLE FLOW
- MEMORY CYCLE FLOW
- MEMORY CYCLE FLOW
- INSTRUCTION SHEET
- INSTRUCTION SHEET
- INTERCONNECTION BLOCK DIAGRAM
- INTERCONNECTION BLOCK DIAGRAM
- MG10 TIMING DIAGRAM
- MG10 TIMING DIAGRAM
- DATA BITS 0-7
- DATA BITS 8-15
- DATA BITS 16-23
- DATA BITS 24-31
- DATA BITS 32-PAR
- ADDRESS BITS 21-28
- ADDRESS BITS 29-33, WRRQ, RDRQ
- PORT REQUEST LOGIC 0-3
- PORT REQUEST LOGIC 4-7
- CHECK LOGIC
- C0 CYCLE TIMING
- C0 CYCLE TIMING
- C0 CYCLE TIMING
- C0 CYCLE TIMING
- C1 CYCLE TIMING
- C1 CYCLE TIMING
- C1 CYCLE TIMING
- C1 CYCLE TIMING
- C1 CYCLE TIMING
- C1 CYCLE TIMING
- C0 PRIORITY CONTROL
- C0 PRIORITY CONTROL
- C0 PRIORITY CONTROL
- C0 PRIORITY CONTROL
- C1 PRIORITY CONTROL
- C1 PRIORITY CONTROL
- C1 PRIORITY CONTROL
- C1 PRIORITY CONTROL
- INTERNAL CABLES & JUMPERS
- INTERNAL CABLES & JUMPERS
- INTERNAL CABLES & JUMPERS
- C0 STACK TIMING
- C0 STACK TIMING
- C0 STACK TIMING
- C1 STACK TIMING
- C1 STACK TIMING

- SEQUENCE
- B-DD-MG10-0
  - D-FD-MG10-0-MCF0
  - D-FD-MG10-0-MCF1
  - D-FD-MG10-0-MCF2
  - D-BS-MG10-0-IS0
  - D-BS-MG10-0-IS1
  - D-BD-MG10-0-IBD0
  - D-BD-MG10-0-IBD1
  - D-TD-MG10-0-TD1
  - D-TD-MG10-0-TD2
  - D-BS-MG10-0-DB0
  - D-BS-MG10-0-DB1
  - D-BS-MG10-0-DB2
  - D-BS-MG10-0-DB3
  - D-BS-MG10-0-DB4
  - D-BS-MG10-0-AB0
  - D-BS-MG10-0-AB1
  - D-BS-MG10-0-PR0
  - D-BS-MG10-0-PR1
  - D-BS-MG10-0-CHK
  - D-BS-MG10-0-0C0
  - D-BS-MG10-0-0C1
  - D-BS-MG10-0-0C2
  - D-BS-MG10-0-0C3
  - D-BS-MG10-0-1C0
  - D-BS-MG10-0-1C1
  - D-BS-MG10-0-1C2
  - D-BS-MG10-0-1C3
  - D-BS-MG10-0-0PC0
  - D-BS-MG10-0-0PC1
  - D-BS-MG10-0-0PC2
  - D-BS-MG10-0-0PC3
  - D-BS-MG10-0-1PC0
  - D-BS-MG10-0-1PC1
  - D-BS-MG10-0-1PC2
  - D-BS-MG10-0-1PC3
  - D-BS-MG10-0-CBL0
  - D-BS-MG10-0-CBL1
  - D-BS-MG10-0-CBL2
  - D-BS-MG10-0-0ST0
  - D-BS-MG10-0-0ST1
  - D-BS-MG10-0-0ST2
  - D-BS-MG10-0-1ST0
  - D-BS-MG10-0-1ST1

- C1 STACK TIMING
- 16K X-Y DRIVE (SHEET 2)
  - 16K X-Y DRIVE (SHEET 3)
  - 16K X-Y DRIVE (G235)
  - 16K X-Y DRIVE (G235)
  - 16K X-Y DRIVE (G235)
  - STACK BOARD (SHEET 1)
  - STACK MODULE (H217B)
  - STACK MODULE (H217B)
  - STACK MODULE (H217B)
  - 16K SENSE/INHIBIT (SHEET 2)
  - 16K SENSE/INHIBIT (SHEET 3)
  - 16K SENSE/INHIBIT (G114)
  - 16K SENSE/INHIBIT (G114)
  - 16K SENSE/INHIBIT (G114)
  - 16K SENSE/INHIBIT (G114)
  - 16K SENSE/INHIBIT (G114)
  - 16K SENSE/INHIBIT (G114)
  - 16K SENSE/INHIBIT (G114)
  - 16K X-Y DRIVE (G235)
  - 16K X-Y DRIVE (G235)
  - 16K X-Y DRIVE (G235)
  - STACK MODULE (H217B)
  - STACK MODULE (H217B)
  - STACK MODULE (H217B)
  - 16K SENSE/INHIBIT (G114)
  - 16K SENSE/INHIBIT (G114)
  - 16K SENSE/INHIBIT (G114)
  - 16K SENSE/INHIBIT (G114)
  - 16K SENSE/INHIBIT (G114)
  - 16K SENSE/INHIBIT (G114)
  - 16K SENSE/INHIBIT (G114)
  - MODULE UTILIZATION
  - MODULE UTILIZATION
  - CABLE SET
  - PARITY CHECK
  - PARITY CHECK
  - PARITY CHECK
  - ADDRESS RECEIVER
  - ADDRESS RECEIVER
  - ADDRESS RECEIVER
  - POWER AND GROUND
  - MG10 PORT ADDRESS
  - MG10 PORT ADDRESS

- D-BS-MG10-0-1ST2
- D-CS-G235-0-1
  - D-CS-G235-0-1
  - D-BS-MG10-0-DR0
  - D-BS-MG10-0-DR1
  - D-BS-MG10-0-DR2
  - D-CS-H217-0-1
  - D-BS-MG10-0-ST0
  - D-BS-MG10-0-ST1
  - D-BS-MG10-0-ST2
  - D-CS-G114-0-1
  - D-CS-G114-0-1
  - D-BS-MG10-0-SI0
  - D-BS-MG10-0-SI1
  - D-BS-MG10-0-SI2
  - D-BS-MG10-0-SI3
  - D-BS-MG10-0-SI4
  - D-BS-MG10-0-SI5
  - D-BS-MG10-0-SI6
  - D-BS-MG10-0-DR10
  - D-BS-MG10-0-DR11
  - D-BS-MG10-0-DR12
  - D-BS-MG10-0-ST10
  - D-BS-MG10-0-ST11
  - D-BS-MG10-0-ST12
  - D-BS-MG10-0-SI10
  - D-BS-MG10-0-SI11
  - D-BS-MG10-0-SI12
  - D-BS-MG10-0-SI13
  - D-BS-MG10-0-SI14
  - D-BS-MG10-0-SI15
  - D-BS-MG10-0-SI16
  - D-MU-MG10-0-MUAF
  - D-MU-MG10-0-MUHL
  - D-AD-7010995-0-0
  - D-CS-M8588-0-CHK0
  - D-CS-M8588-0-CHK1
  - D-CS-M8588-0-CHK2
  - D-CS-M8591-0-ADR0
  - D-CS-M8591-0-ADR1
  - D-CS-M8591-0-ADR2
  - D-CS-M8591-0-ADR3
  - D-CS-M8592-0-PAD0
  - D-CS-M8592-0-PAD1

UNIT VARIATIONS		PRINT SET	
VAR	TITLE		
MG10-A	CORE MEMORY 32K	X	
MG10-E	32K EXPANSION		
MG10-G	MG10-A PLUG MG10-E, 64K	X	
MG10-H	CORE MEMORY 128K	X	

<b>REVISIONS</b> DATE    CHG. NO.    REV 1-76    MG10-0003    A 5-76    MG10-0004    B 5-77    MG10-0009    C 11-77    MG10-M000    D				<b>USED ON OPTION/MODEL</b> DRN <i>W. Hamelin</i> DATE <i>6/10/75</i> CHK'D. <i>P. LaBlanc</i> DATE <i>6-10-75</i> PROJ ENG. <i>D.J. Chin</i> DATE <i>6-10-75</i> PROD. <i>J. Chover</i> DATE <i>6-10-75</i> FIELD SERV. <i>L.K. Cleaver</i> DATE <i>6-10-75</i>		<b>TITLE</b> CORE MEMORY (MG10)			<b>REV</b> D
				<b>SHEET 1 OF 14</b>		<b>NUMBER</b> MGI0-0			
		<b>SIZE</b> B    DD		<b>DIST</b>					

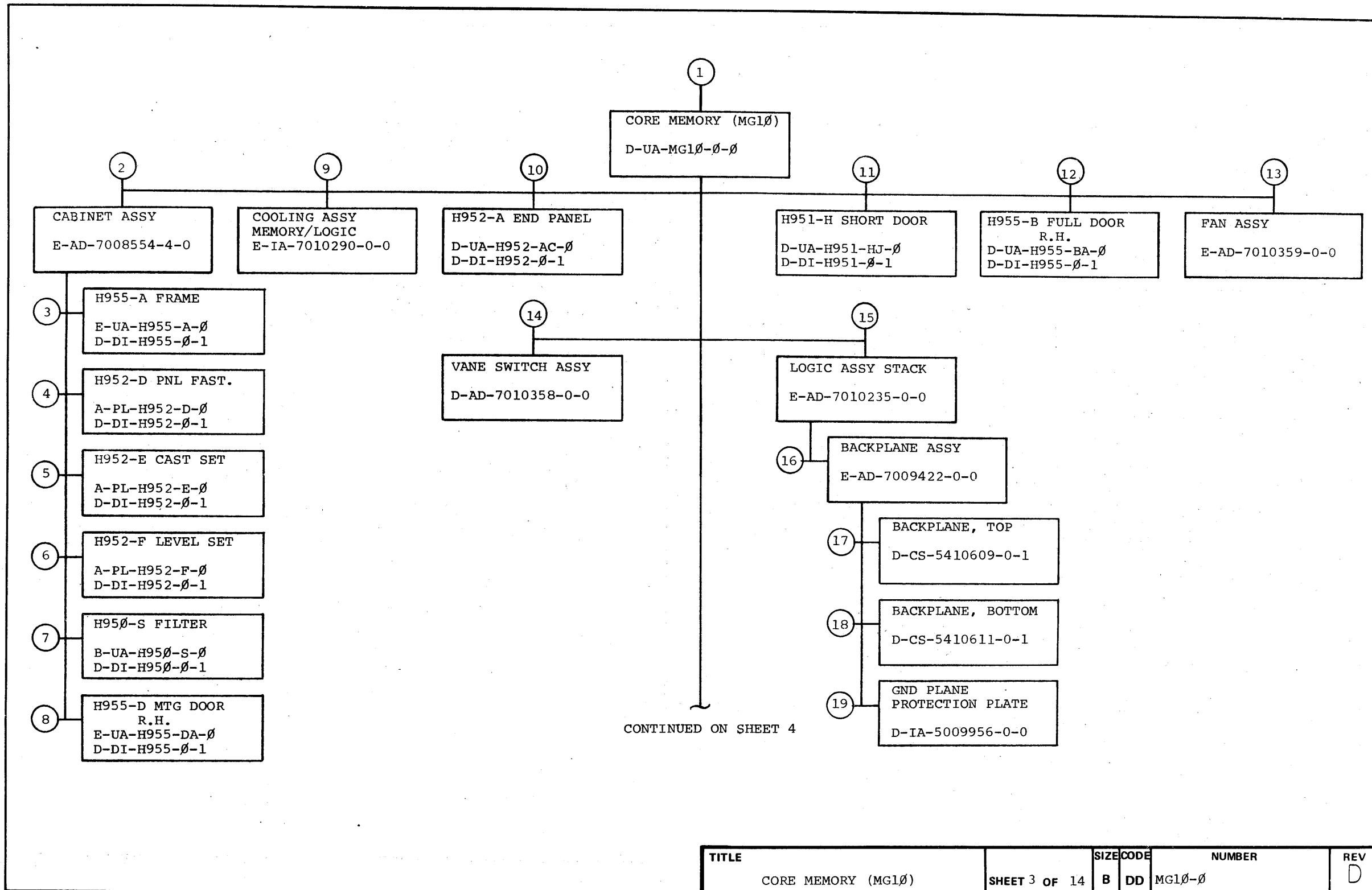
	SEQUENCE
MG10 PORT ADDRESS	D-CS-M8592-0-PAD2
MG10 PORT ADDRESS	D-CS-M8592-0-PAD3
MG10 DATA REGISTER	D-CS-M8593-0-DR0
MG10 DATA REGISTER	D-CS-M8593-0-DR1
MG10 DATA REGISTER	D-CS-M8593-0-DR2
MG10 ADDRESS REGISTER	D-CS-M8593-YA-AR0
MG10 ADDRESS REGISTER	D-CS-M8593-YA-AR1
MG10 ADDRESS REGISTER	D-CS-M8593-YA-AR2
MG10 DATA TRANSCEIVER	D-CS-M8594-0-DAT0
MG10 DATA TRANSCEIVER	D-CS-M8594-0-DAT1
MG10 DATA TRANSCEIVER	D-CS-M8594-0-DAT2
JUMPER CARD	D-CS-G728-YA-1
FLEXPRINT CABLE CONNECTOR	B-CS-M901-0-1
KI-10 INDICATOR DRIVER	C-CS-M947-0-1
KI-10 INDICATOR BOARD	C-CS-M948-0-1
SBUS TERMINATOR	D-CS-M9005-0-TRN1
CABLE CONNECTOR	D-CS-M9011-0-1
MEM BUS INTERFACE	D-IC-MG10-0-MB1
AC-DC POWER WIRING	D-IC-MG10-0-PW
WIRED ASSY (CONTROL)	K-WL-MG10-0-CONT
WIRED ASSY (STACK)	K-WL-MG10-0-STK
SWITCH PLATE ASSY (SHTS 1,2)	D-UA-5411446-0-0
MG10 SWITCH BOARD	D-CS-5411446-0-1
ACCESSORY LIST	A-PL-MG10-0-ACL
H7420 POWER SUPPLY	D-CS-H7420-0-1
H7420 POWER SUPPLY	E-UA-H7420-0-0
H7420 POWER SUPPLY (P.L.)	A-PL-H7420-0-0
POWER LINE MONITOR	D-CS-5411086-0-1
<del>POWER CONTROL BOARD</del>	<del>E-IA-5409730-0-0</del>
H744 POWER SUPPLY	D-CS-H744-0-1
H744 POWER SUPPLY	E-UA-H744-0-0
H754 POWER SUPPLY	E-CS-H754-0-1
+15V REGULATOR	D-CS-5411207-0-1
H770 POWER SUPPLY	E-UA-H770-0-0
H770 POWER SUPPLY (P.L.)	A-PL-H770-0-0
+15V REGULATOR	D-UA-5411207-0-0
857 POWER CONTROL	B-DD-857-0
857 POWER CONTROL (P.L.)	A-PL-857-0-0
CORE MEMORY MG10	D-UA-MG10-0-0
CORE MEMORY (P.L.)	A-PL-MG10-0-0
COOLING ASSY	E-IA-7010290-0-0
FAN ASSY	E-AD-7010359-0-0
VANE SWITCH ASSY	D-AD-7010358-0-0
INDICATOR PANEL ASSY	E-AD-7006671-0-0
MC10-G ADD. PORT OPTION	A-SP-MC10-G-AAP
ACCEPTANCE TEST MEMORY SYSTEMS	A-SP-PDP10-0-MEMS
EXTERNAL COMPONENTS LIST	B-CP-MG10-0-EC

SEQUENCE

MFG. SET

CHECKOUT PROCEDURE	A-SP-MG10-0-CP
ON-LINE CHECKOUT PROCEDURE	A-SP-MG10-0-OCP

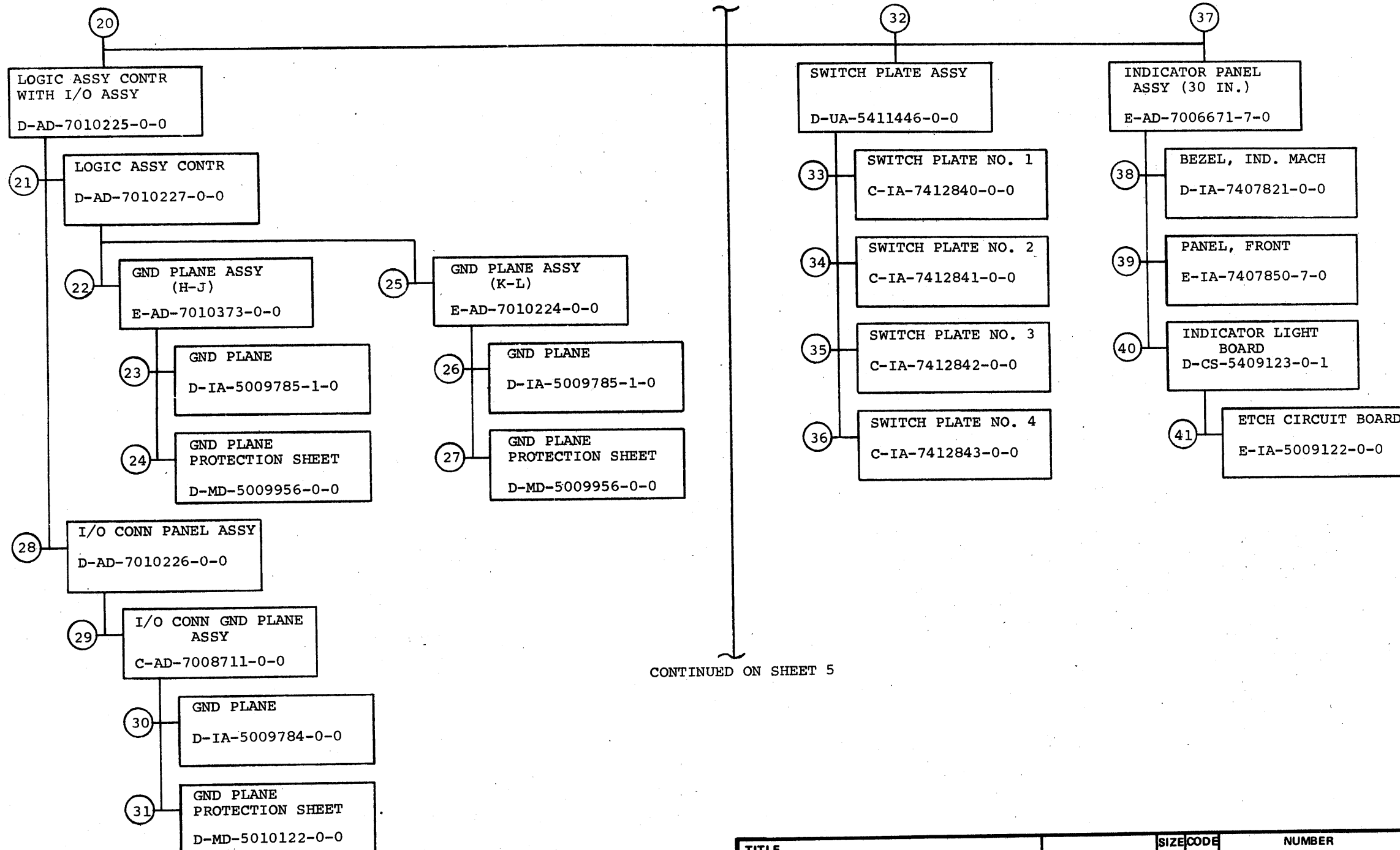
TITLE	SIZE	CODE	NUMBER	REV
CORE MEMORY (MG10)	B	DD	MG10-0	D
SHEET 2 OF 14				



TITLE	SIZE	CODE	NUMBER	REV
CORE MEMORY (MG1Ø)	B	DD	MG1Ø-Ø	D



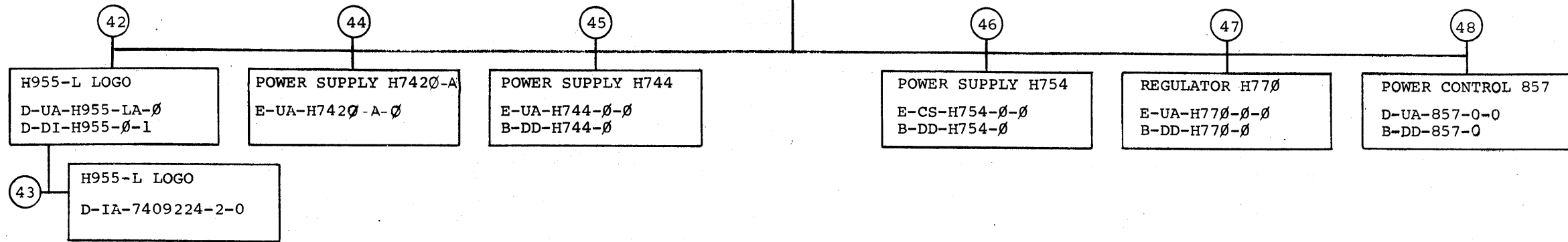
CONTINUED FROM SHEET 3



CONTINUED ON SHEET 5

TITLE	SHEET	SIZE	CODE	NUMBER	REV
CORE MEMORY (MG1Ø)	4 OF 14	B	DD	MG1Ø-Ø	D

CONTINUED FROM SHEET 4



TITLE	SHEET	OF	SIZE	CODE	NUMBER	REV
CORE MEMORY (MG10)	SHEET 5	OF 14	B	DD	MG10-0	D

CUSTOMER PRINT SET		ELECTRICAL					CUSTOMER PRINT SET		ELECTRICAL				
	MFG. SET	FIND NO.	REV	NO OF SHT	DESCRIPTION	OPTION NO./FILE DATE		MFG. SET	FIND NO.	REV	NO OF SHT	DESCRIPTION	OPTION NO./FILE DATE
X		1		# 1	MEMORY CYCLE FLOW		X				# 1	16K X-Y DRIVE (SHEET 2)	
X				# 1	MEMORY CYCLE FLOW		X				# 1	16K X-Y DRIVE (SHEET 3)	
X				# 1	MEMORY CYCLE FLOW		X				# 1	16K X-Y DRIVE (G235)	
X				# 1	INSTRUCTION SHEET 0		X				# 1	16K X-Y DRIVE (G235)	
X				# 1	INSTRUCTION SHEET 1		X				# 1	16K X-Y DRIVE (G235)	
X				# 1	INTERCONNECTION BLOCK DIAGRAM		X				# 1	STACK BOARD (SHEET 1)	
X				# 1	INTERCONNECTION BLOCK DIAGRAM		X				# 1	STACK MODULE (H217B)	
X				# 1	MG10 TIMING DIAGRAM		X				# 1	STACK MODULE (H217B)	
X				# 1	MG10 TIMING DIAGRAM		X				# 1	STACK MODULE (H217B)	
X				# 1	DATA BITS 0-7		X				# 1	16K SENSE/INHIBIT (SHEET 2)	
X				# 1	DATA BITS 8-15		X				# 1	16K SENSE/INHIBIT (SHEET 3)	
X				# 1	DATA BITS 16-23		X				# 1	16K SENSE/INHIBIT (G114)	
X				# 1	DATA BITS 24-31		X				# 1	16K SENSE/INHIBIT (G114)	
X				# 1	DATA BITS 32-PAR		X				# 1	16K SENSE/INHIBIT (G114)	
X				# 1	ADDRESS BITS 21-28		X				# 1	16K SENSE/INHIBIT (G114)	
X				# 1	ADDRESS BITS 29-33, WR RQ, RD RQ		X				# 1	16K SENSE/INHIBIT (G114)	
X				# 1	PORT REQUEST LOGIC 0-3		X				# 1	16K SENSE/INHIBIT (G114)	
X				# 1	PORT REQUEST LOGIC 4-7		X				# 1	16K SENSE/INHIBIT (G114)	
X				# 1	C0 CYCLE TIMING		X				# 1	16K X-Y DRIVE (G235)	
X				# 1	C0 CYCLE TIMING		X				# 1	16K X-Y DRIVE (G235)	
X				# 1	C0 CYCLE TIMING		X				# 1	16K X-Y DRIVE (G235)	
X				# 1	C0 CYCLE TIMING		X				# 1	STACK MODULE (H217B)	
X				# 1	C0 CYCLE TIMING		X				# 1	STACK MODULE (H217B)	
X				# 1	C1 CYCLE TIMING		X				# 1	STACK MODULE (H217B)	
X				# 1	C1 CYCLE TIMING		X				# 1	16K SENSE/INHIBIT (G114)	
X				# 1	C1 CYCLE TIMING		X				# 1	16K SENSE/INHIBIT (G114)	
X				# 1	C1 CYCLE TIMING		X				# 1	16K SENSE/INHIBIT (G114)	
X				# 1	C1 CYCLE TIMING		X				# 1	16K SENSE/INHIBIT (G114)	
X				# 1	C0 PRIORITY CONTROL		X				# 1	16K SENSE/INHIBIT (G114)	
X				# 1	C0 PRIORITY CONTROL		X				# 1	16K SENSE/INHIBIT (G114)	
X				# 1	C0 PRIORITY CONTROL		X				# 1	16K SENSE/INHIBIT (G114)	
X				# 1	C0 PRIORITY CONTROL		X				# 1	16K SENSE/INHIBIT (G114)	
X				# 1	C1 PRIORITY CONTROL		X				# 1	16K SENSE/INHIBIT (G114)	
X				# 1	C1 PRIORITY CONTROL		X				# 1	16K SENSE/INHIBIT (G114)	
X				# 1	C1 PRIORITY CONTROL		X				# 1	16K SENSE/INHIBIT (G114)	
X				# 1	C1 PRIORITY CONTROL		X				# 1	16K SENSE/INHIBIT (G114)	
X				# 1	INTERNAL CABLES AND JUMPERS		X				# 1	MODULE UTILIZATION	
X				# 1	INTERNAL CABLES AND JUMPERS		X				# 1	MODULE UTILIZATION	
X				# 1	INTERNAL CABLES AND JUMPERS		X				# 1	PARITY CHECK	
X				# 1	C0 STACK TIMING		X				# 1	PARITY CHECK	
X				# 1	C0 STACK TIMING		X				# 1	PARITY CHECK	
X				# 1	C1 STACK TIMING		X				# 1	ADDRESS RECEIVER	
X				# 1	C1 STACK TIMING		X				# 1	ADDRESS RECEIVER	
X				# 1	C1 STACK TIMING		X				# 1	ADDRESS RECEIVER	
X				# 1	C1 STACK TIMING		X				# 1	POWER AND GROUND	
X				# 1	C1 STACK TIMING		X				# 1	MG10 PORT ADDRESS	
X				# 1	C1 STACK TIMING		X				# 1	MG10 PORT ADDRESS	
X				# 1	C1 STACK TIMING		X				# 1	MG10 PORT ADDRESS	
X				# 1	C1 STACK TIMING		X				# 1	MG10 PORT ADDRESS	

DPB 108  
DEC 16-(325)-1062-2B-R972

CUSTOMER PRINT SET CODES  
X = PRINT OF DOCUMENT INCLUDED IN PRINT SET  
C = INCLUDES ALL PRINTS INDICATED ON DOCUMENT  
S = CONFIDENTIAL AUTHORIZED SIGNATURE REQUIRED

TITLE: CORE MEMORY (MG10)  
SHEET 6 OF 14  
SIZE CODE: B DD  
NUMBER: MG10-0  
REV: D





CUSTOMER PRINT SET		MECHANICAL					CUSTOMER PRINT SET		MECHANICAL						
	MFG. SET	FIND NO.	DRAWING NO.	REV	NO OF SHT	DESCRIPTION	OPTION NO./FILE DATE		MFG. SET	FIND NO.	DRAWING NO.	REV	NO OF SHT	DESCRIPTION	OPTION NO./FILE DATE
		7	B-UA-H950-S-0	#	1	H950-S FILTER				10	D-UA-H952-AC-0	#	2	H952-A END PANEL	
			D-DI-H950-0-1	#	1	H950 DWG INDEX LIST					A-PL-H952-AC-0	#	1	H952-A END PANEL (P.L.)	
											D-DI-H952-0-1	#	1	H952 DWG INDEX LIST	
		8	E-UA-H955-DA-0	#	1	H955-D EQUIP MTG DOOR R.H.				11	D-UA-H951-HJ-0	#	4	H951-H SHORT DOOR ASSY	
			A-PL-H955-DA-0	#	2	H955-D EQUIP MTG DOOR R.H. (PL)					A-PL-H951-HJ-0	#	1	H951-H SHORT DOOR ASSY (P.L.)	
			D-DI-H955-0-1	#	1	H955 DWG INDEX LIST					D-DI-H951-0-1	#	1	H951 DWG INDEX LIST	
X		9	E-IA-7010290-0-0	#	1	COOLING ASSY MEMORY/LOGIC				12	D-UA-H955-BA-0	#	2	H955-B 30" FULL DOOR R.H.	
			E-AD-7010228-0-0	#	1	CHASSIS WELD., COOLING ASSY					A-PL-H955-BA-0	#	1	H955-B 30" FULL DOOR R.H. (PL)	
			D-MD-7412654-0-0	#	1	DOOR, LEFT					D-DI-H955-0-1	#	1	H955 DWG INDEX LIST	
			D-MD-7512655-0-0	#	1	DOOR, RIGHT									
			E-IA-7411807-0-0	#	1	BRACKET, MICROSWITCH									
			D-IA-7010360-1-0	#	1	CENTER SUPPORT ASSY, TOP									
			D-IA-7010360-2-0	#	1	CENTER SUPPORT ASSY, BOTTOM									
								X		13	E-AD-7010359-0-0	#	1	FAN ASSY	
											E-IA-7410929-0-0	#	1	FAN HSG, 4 FANS	
CUSTOMER PRINT SET CODES		X = PRINT OF DOCUMENT INCLUDED IN PRINT SET C = INCLUDES ALL PRINTS INDICATED ON DOCUMENT S = CONFIDENTIAL AUTHORIZED SIGNATURE REQUIRED					TITLE		SIZE CODE		NUMBER		REV		
							CORE MEMORY (MGI0)		SHEET 9 OF 14		B DD MGI0-0		D		

DRB 108

DEC 16-(325)-1062-2B-R972

CUSTOMER PRINT SET	MECHANICAL					CUSTOMER PRINT SET	MECHANICAL								
	MFG. SET	FIND NO.	DRAWING NO.	REV	NO OF SHT	DESCRIPTION	OPTION NO./FILE DATE		MFG. SET	FIND NO.	DRAWING NO.	REV	NO OF SHT	DESCRIPTION	OPTION NO./FILE DATE
X		14	D-AD-7010358-0-0 D-MD-7412817-0-0	# #	1 1	VANE SWITCH ASSY BRACKET, SWITCH					FIXTURE DWG REF. E-MD-9605685-0-0	#	1	FIXTURE MTG BLOCK & BAR	
		15	E-AD-7010235-0-0 D-MD-7412000-0-0	# #	1 1	LOGIC ASSY STACK BAR, BACKPLANE, TOP & BOTTOM									
		16	E-AD-7009422-0-0 C-MD-7411947-0-0 D-MD-7411611-0-0 C-MD-7411399-1-0	# # # #	1 1 1 1	BACKPLANE ASSY BAR, BACKPLANE BAR, LOGIC FRAME (CASTING) SPACER, BACKPLANE									
		17	D-CS-5410609-0-1 5010608 K-CO-5410609-0-4 D-AH-5410609-0-5 B-MH-5410609-0-6	# # # # #	1 - - 1 1	BACKPLANE (TOP) ETCHED CIRCUIT BOARD X-Y COORDINATE HOLE LOC. ASSY DRILLING HOLE LAYOUT MODULE HISTORY DWG									
		18	D-CS-5410611-0-1 5010610 K-CO-5410611-0-4 D-AH-5410611-0-5 B-MH-5410611-0-6	# # # # #	1 - - 1 1	BACKPLANE (BOTTOM) ETCHED CIRCUIT BOARD X-Y COORDINATE HOLE LOC. ASSY DRILLING HOLE LAYOUT MODULE HISTORY DWG									
		19	D-IA-5009956-0-0 D-SS-5009956-0-1	# #	1 1	GND PLANE PROTECTION SHEET SILK SCREEN									
		20	D-AD-7010225-0-0	#	1	LOGIC ASSY CONTR/I/O ASSY									
CUSTOMER PRINT SET CODES	X = PRINT OF DOCUMENT INCLUDED IN PRINT SET C = INCLUDES ALL PRINTS INDICATED ON DOCUMENT S = CONFIDENTIAL AUTHORIZED SIGNATURE REQUIRED							TITLE	CORE MEMORY (MG1Ø)		SHEET 10 OF 14	SIZE	CODE	NUMBER	REV
											B DD		MG1Ø-Ø	D	

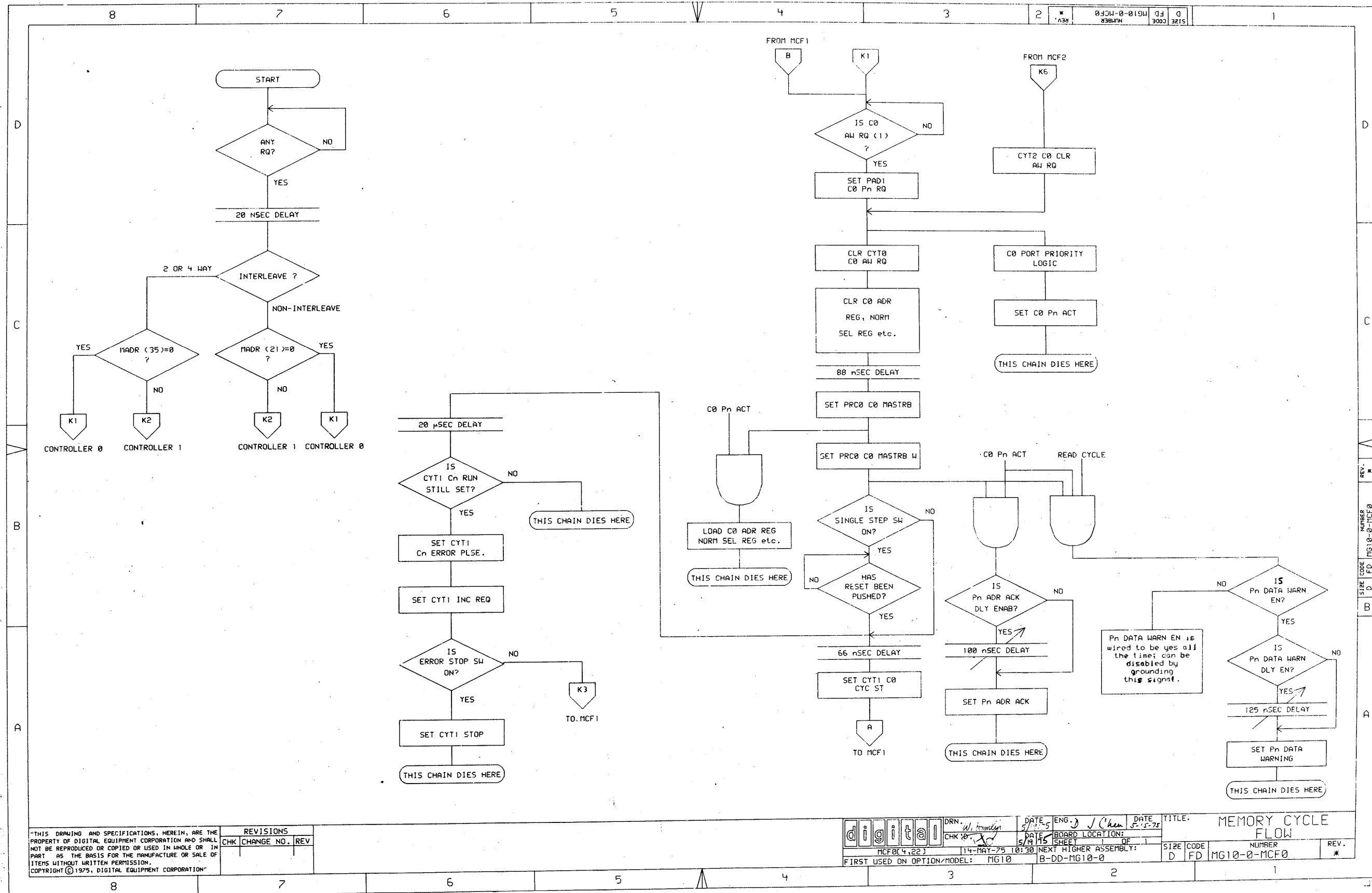






CUSTOMER PRINT SET	MECHANICAL					CUSTOMER PRINT SET	MECHANICAL								
	MFG. SET	FIND NO.	DRAWING NO.	REV	NO OF SHT		DESCRIPTION	OPTION NO./FILE DATE	MFG. SET	FIND NO.	DRAWING NO.	REV	NO OF SHT	DESCRIPTION	OPTION NO./FILE DATE
		35	C-IA-7412842-0-0 A-SS-7412842-0-1	# #	1 1	SWITCH PLATE NO. 3 SILK SCREEN			38	D-IA-7407821-0-0 A-PL-7407821-0-0 B-MD-7408028-0-0	# # #	1 1 1	BEZEL, IND. MACH BEZEL, IND. MACH (P.L.) HINGE, IND. BEZEL		
		36	C-IA-7412843-0-0 A-SS-7412843-0-1	# #		SWITCH PLATE NO. 4 SILK SCREEN			39	E-IA-7407850-7-0 D-SS-7407850-0-9 D-SS-7407850-0-10	# # #	1 1 1	PANEL FRONT SILK SCREEN FRONT (WHT) SILK SCREEN REAR (BLK)		
X		37	E-AD-7006671-7-0 A-PL-7006671-7-0 E-IA-7407810-0-0 C-MD-7407807-0-0 C-MD-7407820-1-0 E-MD-7408029-0-0 B-IA-7407822-0-0 A-DC-7409408-0-0 A-II-7006671-0-4	# # # # # # # # #	1 2 1 1 1 1 1 1 1	INDICATOR PANEL ASSY 30 IN. INDICATOR PANEL ASSY (P.L.) PLATE, BEZEL MTG #1 SLIDE SUPPORT SLIDE SUPPORT 30 IN. INDICATOR BRKT LOCKING DECAL "LAMP TEST" WHT/CLR INSPECTION PROCEDURE			40	D-CS-5409123-0-1 K-CO-5409123-0-4 D-MH-5409123-0-6	# # #	1 1 1	INDICATOR LIGHT BOARD X-Y HOLE LOCATIONS MODULE ECO HISTORY		
		41	E-IA-5009122-0-0 PC-5009122-0-1	# #	1 1	ETCH CIRCUIT BOARD PRINTED CIRCUIT LAYOUT									
CUSTOMER PRINT SET CODES	X = PRINT OF DOCUMENT INCLUDED IN PRINT SET C = INCLUDES ALL PRINTS INDICATED ON DOCUMENT S = CONFIDENTIAL AUTHORIZED SIGNATURE REQUIRED						TITLE		SIZE CODE	NUMBER	REV				
							CORE MEMORY (MG1Ø)		B DD	MG1Ø-Ø	SHEET 13 of 14				

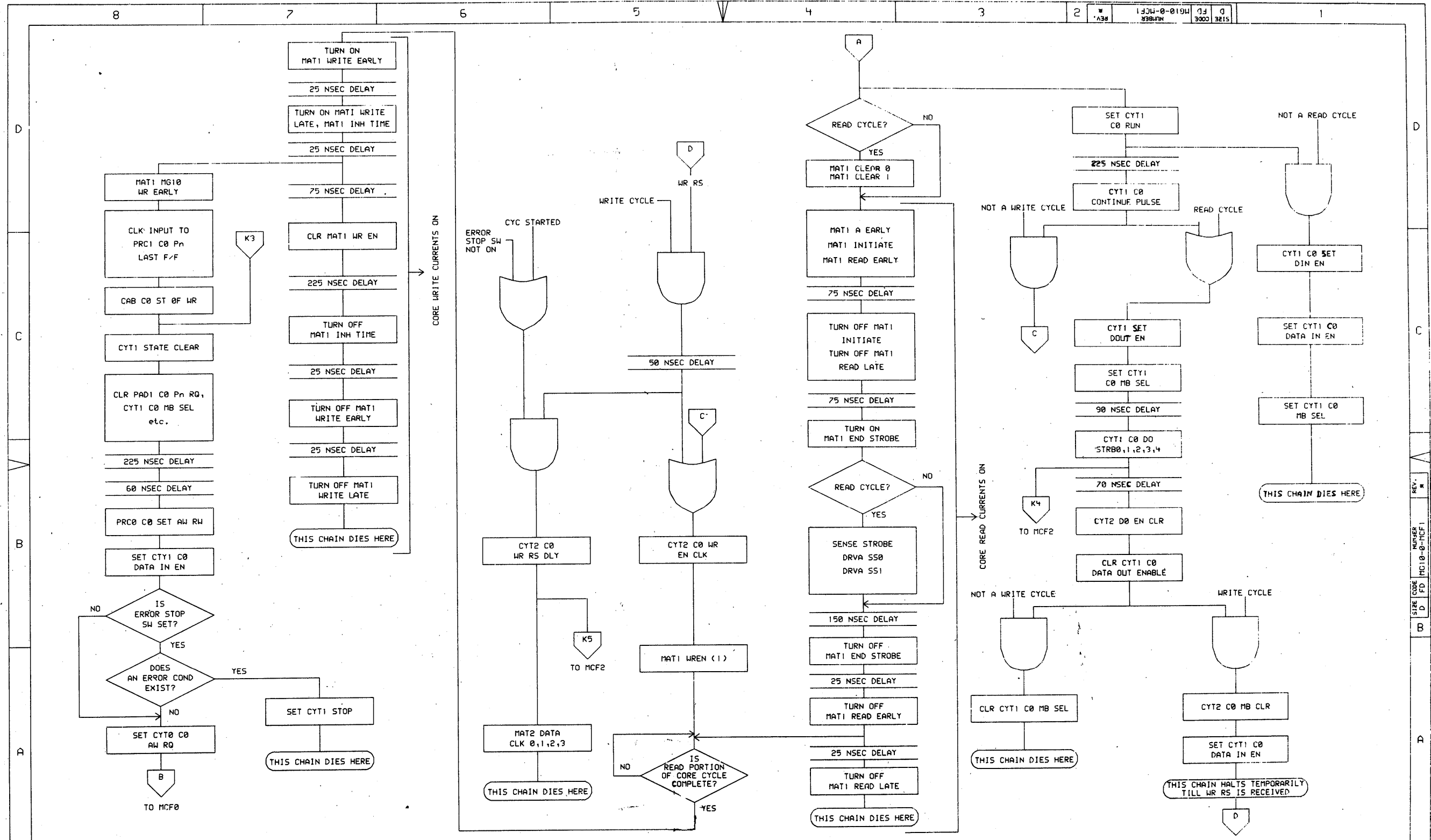
CUSTOMER PRINT SET					MECHANICAL					CUSTOMER PRINT SET					MECHANICAL				
MFG. SET	FIND NO.	DRAWING NO.	REV	NO OF SHT	DESCRIPTION	OPTION NO./FILE DATE	MFG. SET	FIND NO.	DRAWING NO.	REV	NO OF SHT	DESCRIPTION	OPTION NO./FILE DATE	SIZE CODE		NUMBER	REV		
														B	DD				
	42	D-UA-H955-LA-Ø	#	1	H955-L LOGO		X	46	E-CS-H754-Ø-1	#	2	PWR SUPPLY H754							
		A-PL-H955-LA-Ø	#	1	H955-L LOGO (P.L.)				B-DD-H754-Ø	#	3	DWG DIRECTORY							
		D-DI-H955-Ø-1	#	1	H955 DWG INDEX LIST				A-SP-H754-Ø-8	#	3	MFG SPEC							
	43	D-IA-7409224-2-0	#	1	H955-L LOGO		X	47	E-UA-H77Ø-Ø-Ø	#	1	REGULATOR H77Ø							
		A-PL-7409224-2-0	#	1	H955-L LOGO (P.L.)		X		A-PL-H77Ø-Ø-Ø	#	1	REGULATOR H77Ø (P.L.)							
		C-SS-7409224-0-2	#	1	SILK SCREEN		X		D-UA-5411207-0-0	#	2	+15V REGULATOR							
									B-DD-H77Ø-Ø	#	2	DWG DIRECTORY							
									A-SP-H77Ø-Ø-1	#	4	MFG SPEC							
X	44	E-UA-H742Ø-A-Ø	#	2	PWR SUPPLY H742Ø-A (115V AC)			48	D-UA-857-0-0	#	3	POWER CONTROL 857							
X		A-PL-H742Ø-A-Ø	#	2	PWR SUPPLY H742Ø-A (115V AC) (PL)				B-DD-857-0	#	3	DWG DIRECTORY							
							X		A-PL-857-0-0	#	4	POWER CONTROL 857 (P.L.)							
X	45	E-UA-H744-Ø-Ø	#	1	PWR SUPPLY H744														
		B-DD-H744-Ø	#	2	DWG DIRECTORY														
		A-SP-H744-Ø-8	#	2	MFG SPEC														
CUSTOMER PRINT SET CODES	X = PRINT OF DOCUMENT INCLUDED IN PRINT SET C = INCLUDES ALL PRINTS INDICATED ON DOCUMENT S = CONFIDENTIAL AUTHORIZED SIGNATURE REQUIRED						TITLE CORE MEMORY (MGIØ)			SHEET 14 OF 14		SIZE CODE B DD		NUMBER MGIØ-Ø		REV D			



THIS DRAWING AND SPECIFICATIONS, HEREIN, ARE THE PROPERTY OF DIGITAL EQUIPMENT CORPORATION AND SHALL NOT BE REPRODUCED OR COPIED OR USED IN WHOLE OR IN PART AS THE BASIS FOR THE MANUFACTURE OR SALE OF ITEMS WITHOUT WRITTEN PERMISSION.  
 COPYRIGHT © 1975, DIGITAL EQUIPMENT CORPORATION

REVISIONS	
CHK	CHANGE NO. REV

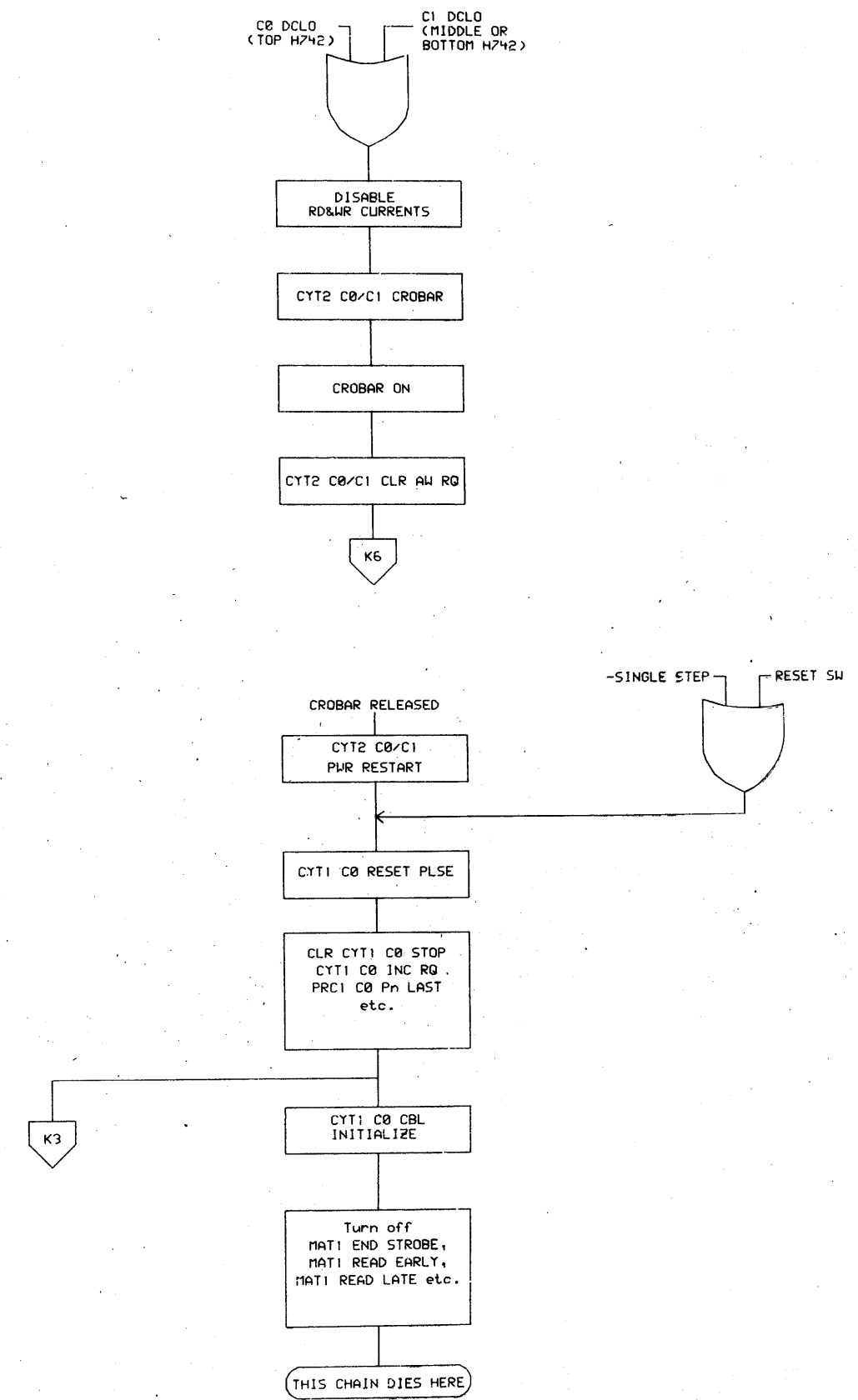
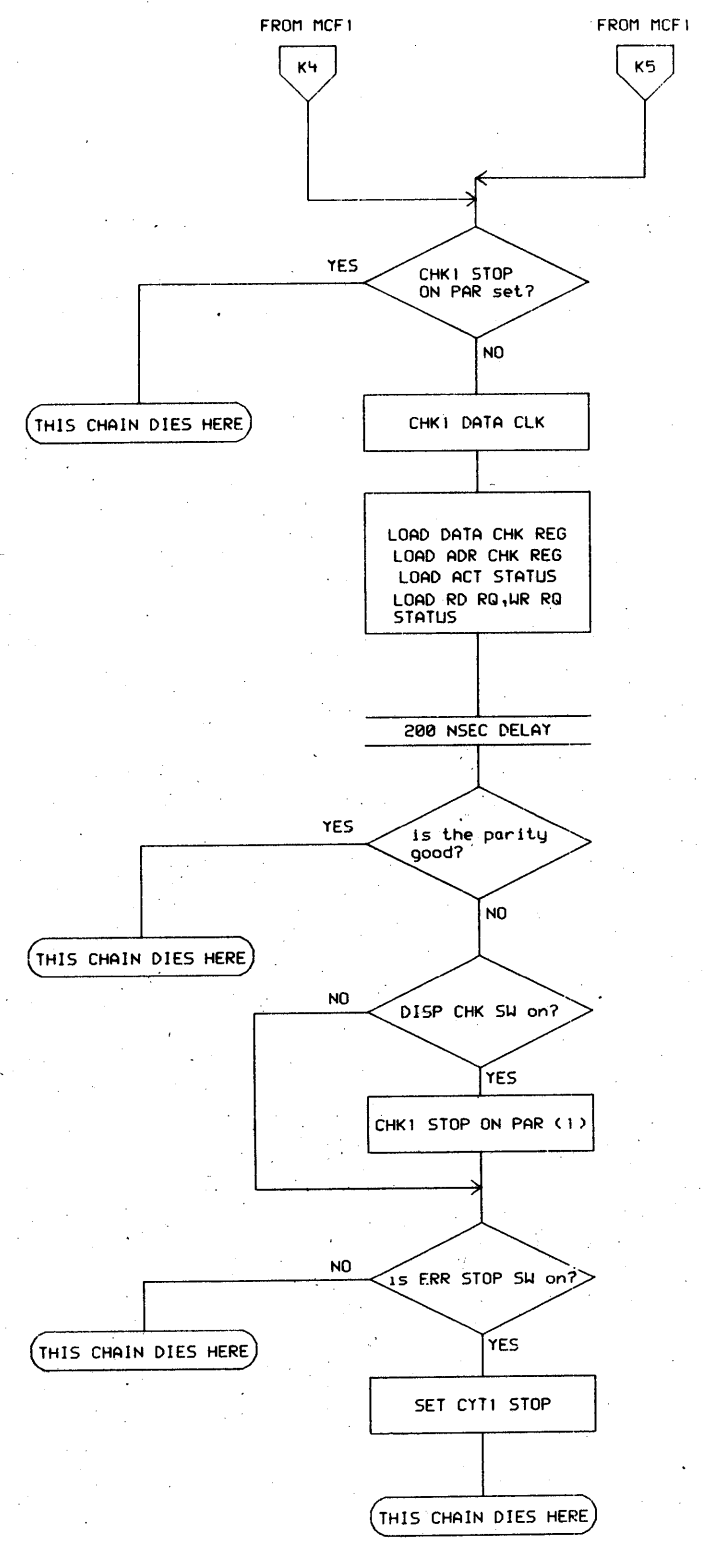
digital	DRN. <i>W. Franklin</i>	DATE <i>5/13/75</i>	ENG. <i>D. J. Chen</i>	DATE <i>5/13/75</i>	TITLE. MEMORY CYCLE FLOW
	CHK. <i>W. Franklin</i>	DATE <i>5/19/75</i>	BOARD LOCATION: <i> </i>	SHEET <i>1</i> OF <i>1</i>	SIZE CODE NUMBER REV. D FD MG10-0-MCF0 *
MCF04,22		14-MAY-75 10:30	NEXT HIGHER ASSEMBLY: B-DD-MG10-0	FIRST USED ON OPTION/MODEL: MG10	



"THIS DRAWING AND SPECIFICATIONS, HEREIN, ARE THE PROPERTY OF DIGITAL EQUIPMENT CORPORATION AND SHALL NOT BE REPRODUCED OR COPIED OR USED IN WHOLE OR IN PART AS THE BASIS FOR THE MANUFACTURE OR SALE OF ITEMS WITHOUT WRITTEN PERMISSION. COPYRIGHT © 1975, DIGITAL EQUIPMENT CORPORATION"

REVISIONS	
CHK	CHANGE NO. REV

digital	DRN	DATE	ENG.	DATE	TITLE:
	CHK	5/15/75	J. J. Chinn	5-16-75	MEMORY CYCLE FLOW
MCF1(4,22)		14-MAY-75 10:37	DATE	BOARD LOCATION:	SIZE CODE
FIRST USED ON OPTION/MODEL: MG10		5/19/75	SHEET	OF	D FD
NEXT HIGHER ASSEMBLY: B-DD-MG10-0		NUMBER		REV.	*



"THIS DRAWING AND SPECIFICATIONS, HEREIN, ARE THE PROPERTY OF DIGITAL EQUIPMENT CORPORATION AND SHALL NOT BE REPRODUCED OR COPIED OR USED IN WHOLE OR IN PART AS THE BASIS FOR THE MANUFACTURE OR SALE OF ITEMS WITHOUT WRITTEN PERMISSION. COPYRIGHT © 1975, DIGITAL EQUIPMENT CORPORATION"

REVISIONS		
CHK	CHANGE NO.	REV

digital	DRN W. Hamlin	DATE 5/14/75	ENG. J. J. Chen	DATE 5-16-75	TITLE: MEMORY CYCLE FLOW
MCF2(4,22)	CHK'D [Signature]	DATE 5/14/75	BOARD LOCATION: 1 OF 1	SHEET 1 OF 1	SIZE CODE NUMBER REV. * D FD MG10-0-MCF2
FIRST USED ON OPTION/MODEL: MG10	114-MAY-75 11:06	NEXT HIGHER ASSEMBLY: B-DD-MG10-0			

	WIRE	FROM	TO	USE
<p><b>NOTE 1. REQUEST CYCLE JUMPER SELECTION</b></p>	JUMPER	T7	A4	FOR KA TYPE BUS OR MA10-TA TESTER
	JUMPER	T7	B5	FOR KI, KL TYPE BUS ON WHICH THE M610 IS NOT THE FASTEST MEMORY ON THAT BUS
	JUMPER	T7	A5	FOR KI, KL TYPE BUS ON WHICH THE M610 IS THE FASTEST MEMORY ON THAT BUS <small>* FASTEST MEMORY IS DEFINED AS THE FASTEST TIME FROM REQ CYC TO RD RS ASSUMING THE MEMORY WAS IDLE</small>
<p><b>NOTE 2. ADR ACK JUMPER SELECTION</b></p>	JUMPER	T7	A1	FOR KA, KL TYPE BUS OR MA10-TA TESTER
	JUMPER	T7	C7	FOR KI TYPE BUS
<p><b>NOTE 3. DATA WARNING DELAYED AND ADR ACK (T) DELAYED</b></p> <p><b>NOTE 3A. FOR KA TYPE MEMORY BUSES</b></p> <p>DATA WARNING IS NOT USED ON KA TYPE MEMORY BUSES AND MUST BE DISABLED.</p>				<p>PCN) DATA WARN IS USUALLY ENABLED BY PCN) DATA WARN EN H BEING HELD HIGH ON THE M8591 ADDRESS RECEIVER MODULE OF THE PORT IN QUESTION. FOR KA TYPE MEMORY BUSES, PCN) DATA WARN IS DISABLED BY GROUNDING THE FOLLOWING PINS:</p> <ul style="list-style-type: none"> <li>L39E2 FOR PORT 0</li> <li>L32E2 FOR PORT 1</li> <li>L38E2 FOR PORT 2</li> <li>L31E2 FOR PORT 3</li> <li>L37E2 FOR PORT 4</li> <li>L38E2 FOR PORT 5</li> <li>L36E2 FOR PORT 6</li> <li>L29E2 FOR PORT 7</li> </ul> <p>REFER TO DWG NO. D-CS-M8591-0-ADR2</p>
<p><b>NOTE 3B. FOR KI TYPE MEMORY BUSES</b></p> <p>WHEN ONLY M610 MEMORIES ARE CONNECTED ONTO A KI TYPE MEMORY BUS, DATA WARNING IS SENT UNDELAYED TO THE BUS.</p> <p>WHEN M610 MEMORIES ARE CONNECTED ONTO A KI TYPE MEMORY BUS ON WHICH OTHER MEMORIES OF USUALLY DIFFERENT SPEEDS ARE ALSO ATTACHED, DATA WARNING MUST BE DELAYED IN THE SLOWER MEMORIES SUCH THAT THE TIME FROM DATA WARNING DELAYED TO RD RS IS EXACTLY T1. T1 IS DEFINED AS THE TIME FROM DATA WARNING TO RD RS IN THE FASTEST MEMORY AND IN THIS FASTEST MEMORY DATA WARNING IS USUALLY SENT UNDELAYED.</p> <p>ADR ACK (T) MUST ALSO BE DELAYED FOR THE THIRD FASTEST MEMORY SUCH THAT THE TIME FROM ADR ACK (T) DELAYED TO RD RS IS EXACTLY T2. T2 IS DEFINED AS THE TIME FROM ADR ACK (T) UNDELAYED TO RD RS IN THE SECOND FASTEST MEMORY.</p>				<p>PCN) DATA WARN IS USUALLY NOT DELAYED BY PCN) DATA WARN DLY EN L BEING HELD HIGH ON THE M8591 ADDRESS RECEIVER MODULE OF THE PORT IN QUESTION. TO DELAY PCN) DATA WARN, THE FOLLOWING PINS ARE GROUNDED:</p> <ul style="list-style-type: none"> <li>L39U2 FOR PORT 0</li> <li>L32U2 FOR PORT 1</li> <li>L38U2 FOR PORT 2</li> <li>L31U2 FOR PORT 3</li> <li>L37U2 FOR PORT 4</li> <li>L38U2 FOR PORT 5</li> <li>L36U2 FOR PORT 6</li> <li>L29U2 FOR PORT 7</li> </ul> <p>REFER TO DWG NO. D-CS-M8591-0-ADR2</p> <p>ADJUST THE HIGHER OF THE TWO VARIABLE DELAYS LOCATED ON THE M8591 TO OBTAIN T1.</p>

NOTE 3B. (CONTINUED)

USE  
 P[N] ADR ACK (T) IS USUALLY NOT DELAYED BY P[N] ADR ACK DLY EN L BEING HELD HIGH ON THE M8591 ADDRESS RECEIVER MODULE OF THE PORT IN QUESTION. TO DELAY P[N] ADR ACK (T), THE FOLLOWING PINS ARE GROUNDED:

L3951	FOR	PORT 0
L3251	FOR	PORT 1
L3851	FOR	PORT 2
L3151	FOR	PORT 3
L3751	FOR	PORT 4
L3051	FOR	PORT 5
L3651	FOR	PORT 6
L2951	FOR	PORT 7

REFER TO DWG. NO D-C5-M8591-0-ADR2

ADJUST THE LOWER OF THE TWO VARIABLE DELAYS LOCATED ON THE M8591 TO OBTAIN T2.

NOTE 3C. FOR KL TYPE MEMORY BUSES

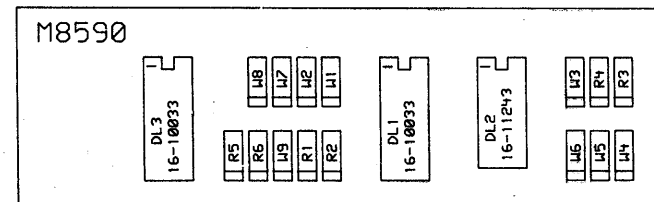
DATA WARNING AND ADR ACK (T) ARE ADJUSTED AS DESCRIBED FOR KI TYPE MEMORY BUSES EXCEPT T1 IS ADJUSTED FOR 250 ±5 NANoseconds.

NOTE 4. DELAY CHECK PROCEDURE WHEN REPLACING M8590

SET UP

NOTE 4A. FOR CONTROL 0  
 SYNC INTERNAL NEGATIVE WITH CH. 1 ON CYT0 C0 AH RQ H ON H28M2 AND CH. 2 ON PRC0 C0 MA STRB H ON L34H2. MEASURE FROM FALLING EDGE OF CH. 1 TO RISING EDGE OF CH. 2. DELAY IS DETERMINED BY SELECTION OF ONE OF THREE JUMPERS W1, W2, W3. W2 SHOULD BE THE SELECTED JUMPER. TYPICAL DELAY IS 88 NANoseconds. IF DELAY IS LESS THAN 85 NANoseconds, SELECT JUMPER W1 INSTEAD. IF DELAY IS GREATER THAN 95 NANoseconds, SELECT JUMPER W3 INSTEAD.

DO REPEATED READ CYCLES AT A REPETITION RATE NO FASTER THAN EVERY TWO MICROSECONDS



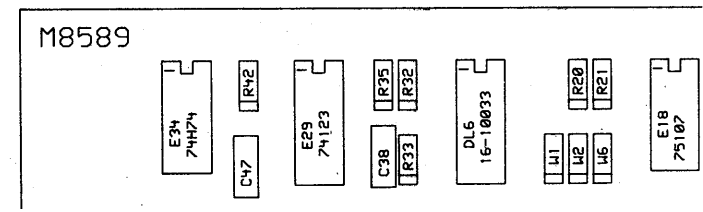
NOTE 4B. FOR CONTROL 1  
 SYNC INTERNAL NEGATIVE WITH CH. 1 ON CYT0 C1 AH RQ H ON H29M2 AND CH. 2 ON PRC0 C1 MA STRB H ON L34H2. MEASURE FROM FALLING EDGE OF CH. 1 TO RISING EDGE OF CH. 2. DELAY IS DETERMINED BY SELECTION OF ONE OF THREE JUMPERS W1, W2, W3. W2 SHOULD BE THE SELECTED JUMPER. TYPICAL DELAY IS 88 NANoseconds. IF DELAY IS LESS THAN 85 NANoseconds, SELECT JUMPER W1 INSTEAD. IF DELAY IS GREATER THAN 95 NANoseconds, SELECT JUMPER W3 INSTEAD.

SAME

NOTE 5. DELAY CHECK PROCEDURE WHEN REPLACING M8589

NOTE 5A. FOR CONTROL 0  
 SYNC INTERNAL POSITIVE WITH CH. 1 ON PRC0 C0 MA STRB H, J28K2 AND CH. 2 ON CYT1 C0 CAB CYC START H, J28K2. DELAY IS DETERMINED BY SELECTION OF ONE OF THREE JUMPERS W1, W2, W6. W2 SHOULD BE THE SELECTED JUMPER. MEASURE FROM RISING EDGE OF CH. 1 TO RISING EDGE OF CH. 2. DELAY SHOULD BE TYPICALLY 64 NANoseconds. IF DELAY IS LESS THAN 60 NANoseconds, SELECT JUMPER W1 INSTEAD. IF DELAY IS GREATER THAN 70 NANoseconds, SELECT JUMPER W6 INSTEAD.

SAME



MOVE CH. 1 TO CYT0 C0 M01 SEL H, J28M2 AS SHOWN ON PRINT CYT0 OF THE M8589 LOCATED IN HJ29. MEASURE FROM RISING EDGE OF CH. 1 TO RISING EDGE OF CH. 2. DELAY SHOULD BE EQUAL TO OR GREATER THAN 26 NANoseconds. IF LESS, SELECT JUMPER GIVING NEXT LONGER DELAY.

NOTE 5B. FOR CONTROL 1  
 SYNC INTERNAL POSITIVE WITH CH. 1 ON PRC0 C1 MA STRB H, J29K2 AND CH. 2 ON CYT1 C1 CAB CYC START H, J29K2. DELAY IS DETERMINED BY SELECTION OF ONE OF THREE JUMPERS W1, W2, W6. W2 SHOULD BE THE SELECTED JUMPER. MEASURE FROM RISING EDGE OF CH. 1 TO RISING EDGE OF CH. 2. DELAY SHOULD BE TYPICALLY 64 NANoseconds. IF DELAY IS LESS THAN 60 NANoseconds, SELECT JUMPER W1 INSTEAD. IF DELAY IS GREATER THAN 70 NANoseconds, SELECT JUMPER W6 INSTEAD.

SAME

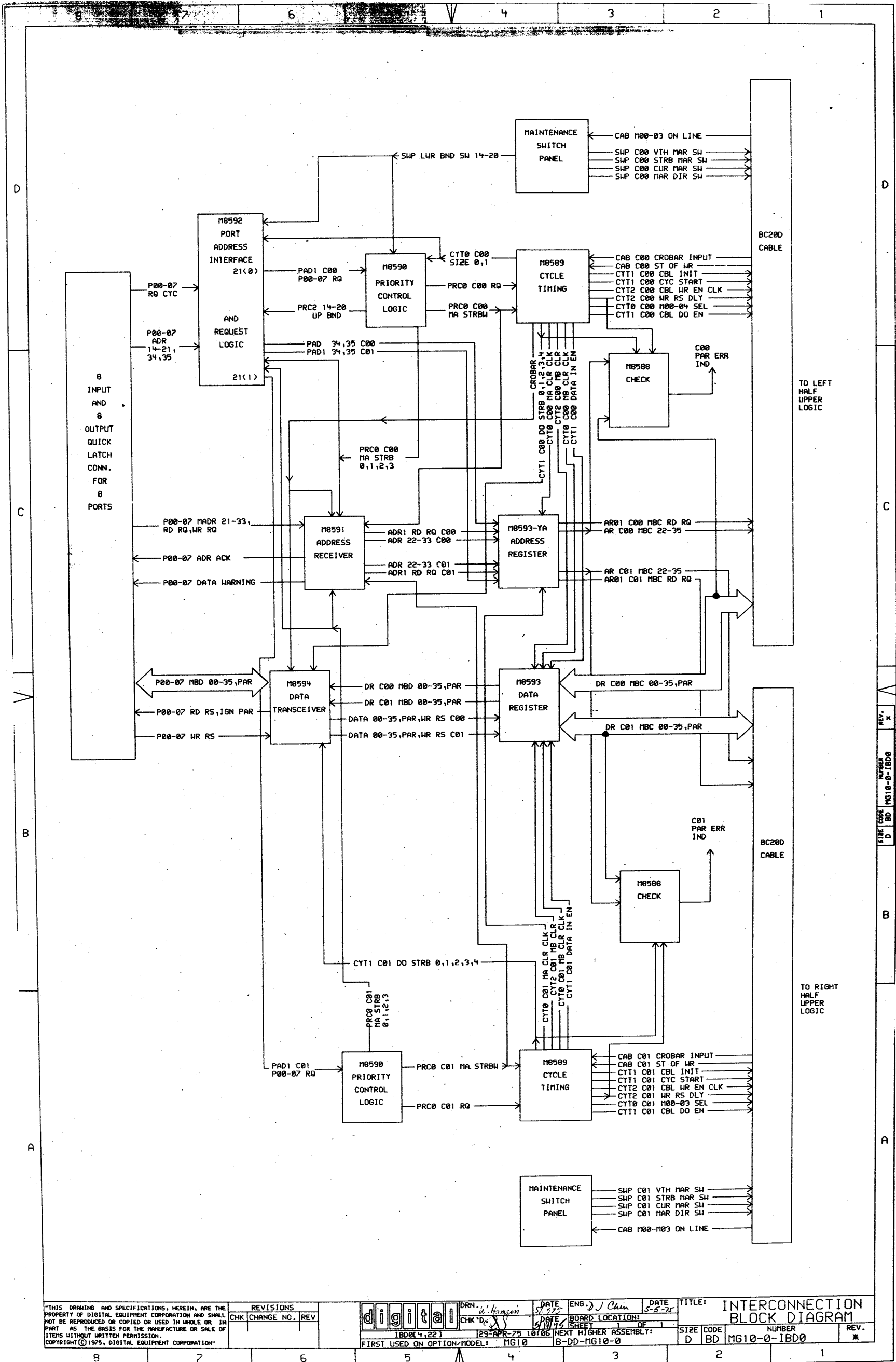
MOVE CH. 1 TO CYT0 C1 M01 SEL H, J29M2 AS SHOWN ON PRINT CYT0 OF THE M8589 LOCATED IN HJ29. MEASURE FROM RISING EDGE OF CH. 1 TO RISING EDGE OF CH. 2. DELAY SHOULD BE EQUAL TO OR GREATER THAN 26 NANoseconds. IF LESS, SELECT JUMPER GIVING NEXT LONGER DELAY.

"THIS DRAWING AND SPECIFICATIONS, HEREIN, ARE THE PROPERTY OF DIGITAL EQUIPMENT CORPORATION AND SHALL NOT BE REPRODUCED OR COPIED OR USED IN WHOLE OR IN PART AS THE BASIS FOR THE MANUFACTURE OR SALE OF ITEMS WITHOUT WRITTEN PERMISSION. COPYRIGHT © 1975, DIGITAL EQUIPMENT CORPORATION"

REVISIONS		
CHK	CHANGE NO.	REV

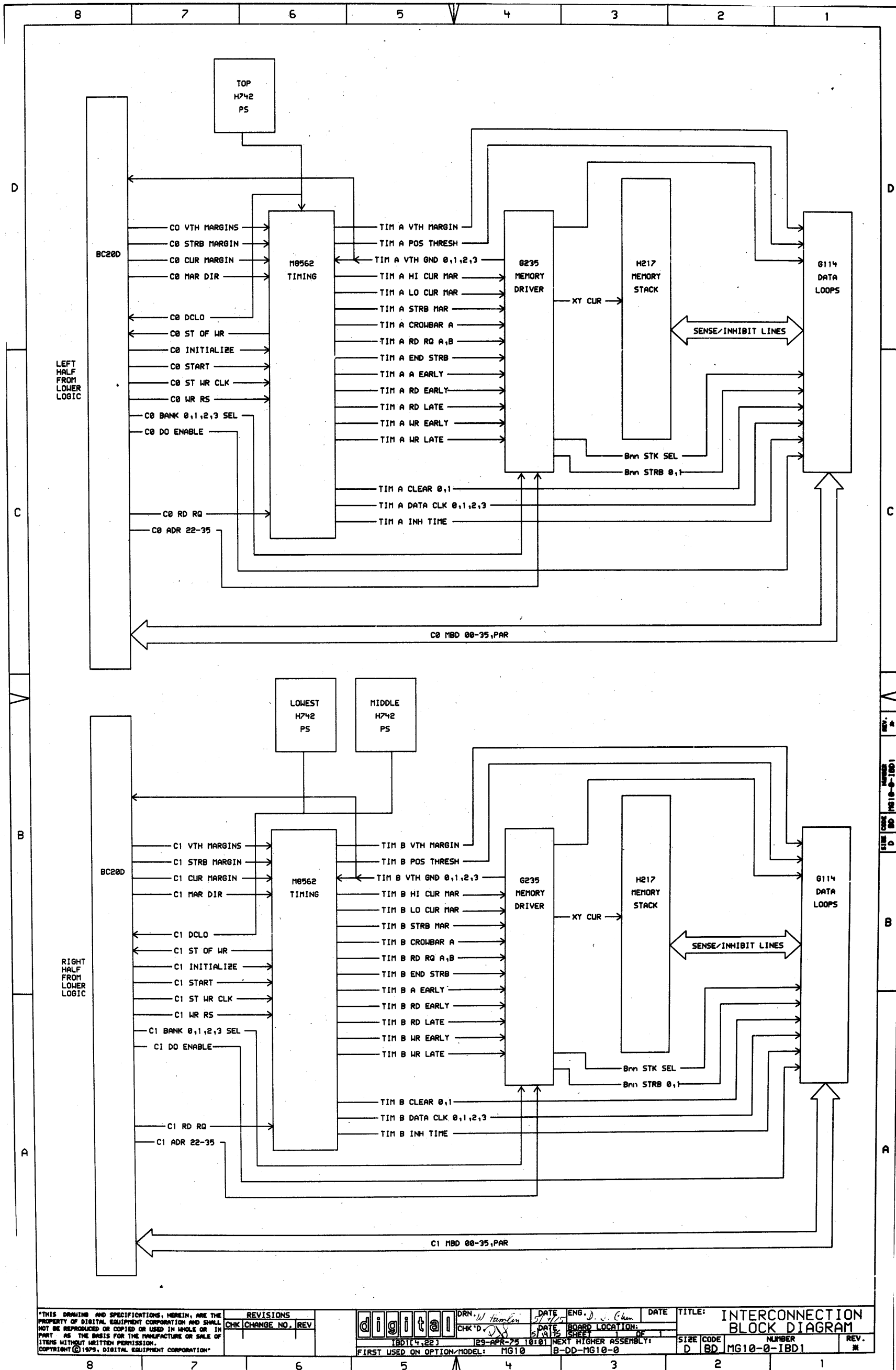
digital	DRN. <i>W. Franklin</i>	DATE <i>5/27/75</i>	ENG. <i>D.J. Chen</i>	DATE <i>5-2-75</i>	TITLE: INSTRUCTION SHEET 1
	CHK. <i>0.38</i>	DATE <i>5/15/75</i>	BOARD LOCATION: <i>1</i>	SHEET <i>1</i> OF <i>1</i>	SIZE CODE NUMBER REV. <i>D B5 MG10-0-1S1 *</i>
FIRST USED ON OPTION/MODEL: <i>MG10</i>		NEXT HIGHER ASSEMBLY: <i>B-DD-MG10-0</i>			



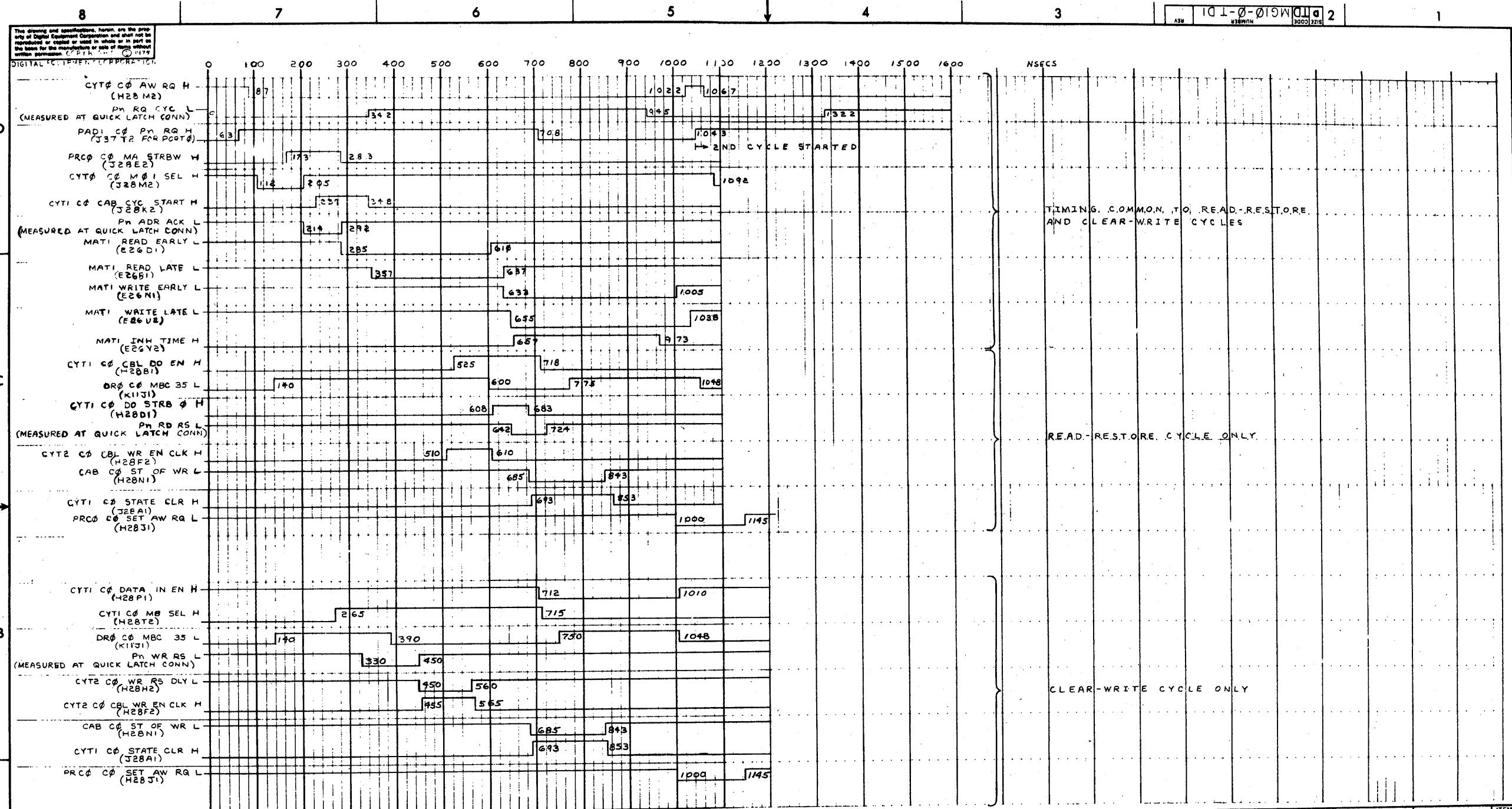


REV. \*  
 NUMBER MG10-0-1BD0  
 SIZE CODE D  
 BOARD BD  
 TO LEFT HALF UPPER LOGIC  
 TO RIGHT HALF UPPER LOGIC

*THIS DRAWING AND SPECIFICATIONS, HEREIN, ARE THE PROPERTY OF DIGITAL EQUIPMENT CORPORATION AND SHALL NOT BE REPRODUCED OR COPIED OR USED IN WHOLE OR IN PART AS THE BASIS FOR THE MANUFACTURE OR SALE OF ITEMS WITHOUT WRITTEN PERMISSION. COPYRIGHT © 1975, DIGITAL EQUIPMENT CORPORATION*		REVISIONS CHK CHANGE NO. REV	digital DRN W. Hanson CHK D. S.	DATE 5-2-75 DATE 5-2-75	ENG. J. Chin BOARD LOCATION: 1 OF 1 SHEET 1 OF 1	TITLE: INTERCONNECTION BLOCK DIAGRAM SIZE CODE D BD NUMBER MG10-0-1BD0 REV. *
8	7	6	5	4	3	1



*THIS DRAWING AND SPECIFICATIONS, HEREIN, ARE THE PROPERTY OF DIGITAL EQUIPMENT CORPORATION AND SHALL NOT BE REPRODUCED OR COPIED OR USED IN WHOLE OR IN PART AS THE BASIS FOR THE MANUFACTURE OR SALE OF ITEMS WITHOUT WRITTEN PERMISSION. COPYRIGHT © 1975, DIGITAL EQUIPMENT CORPORATION*		<b>REVISIONS</b> CHK CHANGE NO. REV	<b>digital</b> DRN. <i>W. Hamlin</i> DATE <i>5/1/75</i> CHK'D <i>DJ</i> DATE <i>5/9/75</i> BOARD LOCATION: _____ SHEET _____ OF _____ FIRST USED ON OPTION/MODEL: MG10 B-DD-MG10-0	ENG. <i>J. Chen</i> DATE _____ DATE _____ NEXT HIGHER ASSEMBLY: _____ B-DD-MG10-0	TITLE: INTERCONNECTION BLOCK DIAGRAM SIZE CODE NUMBER REV. D BD MG10-0-IBD1
--	--	--	---	--	---

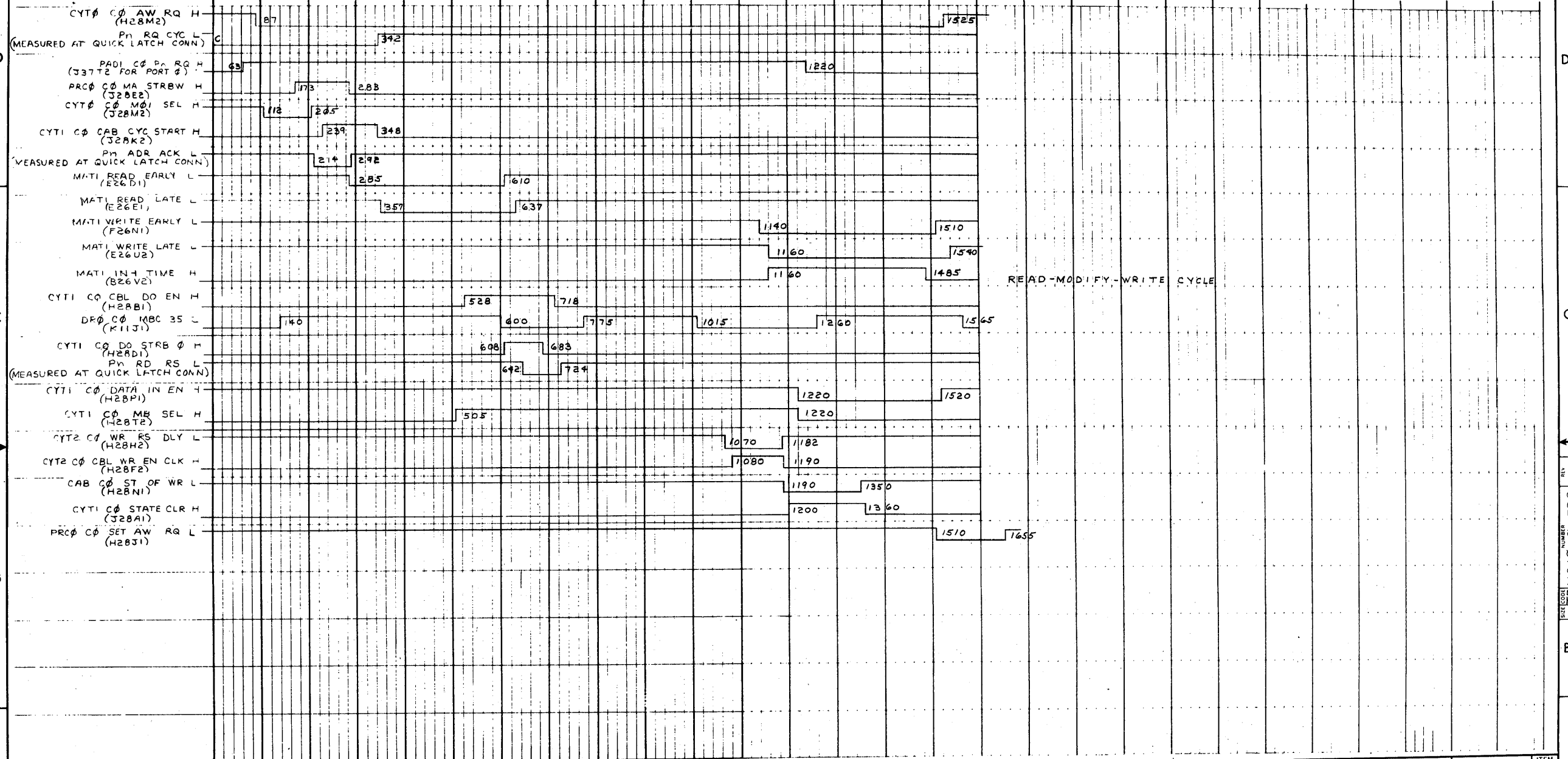


This drawing and specifications, herein, are the property of Digital Equipment Corporation and shall not be reproduced or copied or used in whole or in part as the basis for the manufacture or sale of items without written permission. CPTM 1175

REV.	
CHG.	
NO.	

FIRST USED ON OPTION/MODEL	QTY.	DESCRIPTION	PART NO.	ITEM NO.
MG10		PARTS LIST		
UNLESS OTHERWISE SPECIFIED DIMENSION IN INCHES. TOLERANCES		DRN. <i>E. Wilson</i> DATE 3/3/75	digital EQUIPMENT CORPORATION WATERTOWN MASSACHUSETTS	
DECIMALS	ANGLES	CHK'D. <i>J. Mearns</i> DATE 3/1/75	TITLE	
.xxx - .005	± 0° 30'	ENG. <i>D. J. Chin</i> DATE 3-21-75	MG10	
.xx - .02		PROJ. ENG. <i>D. J. Chin</i> DATE 3-21-75	TIMING DIAGRAM	
.x - .1		PROD. <i>J. Nathan</i> DATE 3-21-75		
REMOVE BURRS AND BREAK SHARP CORNERS. SURFACE QUALITY ✓		NEXT HIGHER ASSY.	SIZE CODE	NUMBER
MATERIAL		B-DD-MG10-0	DTDMG10-0-TDI	REV.
FINISH		SCALE NONE	DIST.	
		SHEET 1 OF 1		

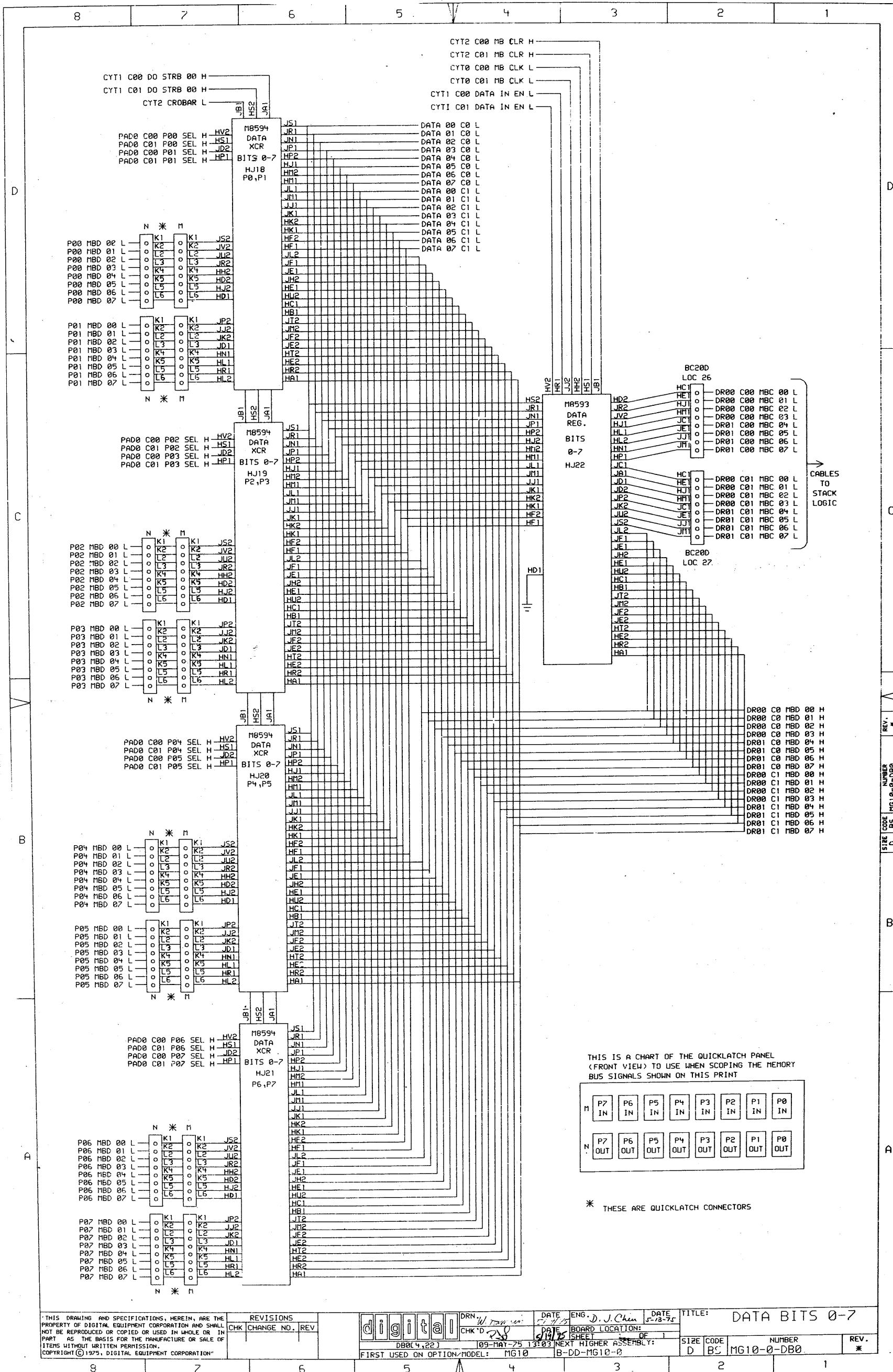
This drawing and specifications, herein, are the property of Digital Equipment Corporation and shall not be reproduced or copied in whole or in part on any basis for the manufacture or sale of items without written permission. CDP 7-8114-1 (0-1175)  
 DIGITAL EQUIPMENT CORPORATION



REV	
CHANGE NO.	
CHK	

PART NUMBER: DTDMG10-0-TD2  
 SHEET NO.: 2  
 REV. NO.: 1

FIRST USED ON OPTION/MODEL MG 10	QTY.	DESCRIPTION	PART NO.	ITEM NO.
PARTS LIST				
UNLESS OTHERWISE SPECIFIED DIMENSION IN INCHES TOLERANCES	DRN E. Nelson	DATE 3/6/74	digital EQUIPMENT CORPORATION MAYNARD MASSACHUSETTS	
DECIMALS .XXX = .005 .XX = .02 .X = .1	CHK'D J. Minich	DATE 3/11/75	TITLE MG10 TIMING DIAGRAM	
ANGLES ±0° 30'	ENG J. Chen	DATE 3-21-75	SIZE CODE D	
REMOVE BURRS AND BREAK SHARP CORNERS SURFACE QUALITY	PROJ ENG J. Chen	DATE 3-21-75	NUMBER DTDMG10-0-TD2	
NEXT HIGHER ASSY.	MATERIAL B-DD-MG10-0	SCALE NONE	REV.	
FINISH	SHEET OF 1	DIST.		



CYT1 C00 DO STRB 00 H  
 CYT1 C01 DO STRB 00 H  
 CYT2 CROBAR L

CYT2 C00 MB CLR H  
 CYT2 C01 MB CLR H  
 CYT0 C00 MB CLK L  
 CYT0 C01 MB CLK L  
 CYT1 C00 DATA IN EN L  
 CYT1 C01 DATA IN EN L

PAD0 C00 P00 SEL H HV2  
 PAD0 C01 P00 SEL H HS1  
 PAD0 C00 P01 SEL H JD2  
 PAD0 C01 P01 SEL H HP1

P00 MBD 00 L  
 P00 MBD 01 L  
 P00 MBD 02 L  
 P00 MBD 03 L  
 P00 MBD 04 L  
 P00 MBD 05 L  
 P00 MBD 06 L  
 P00 MBD 07 L

P01 MBD 00 L  
 P01 MBD 01 L  
 P01 MBD 02 L  
 P01 MBD 03 L  
 P01 MBD 04 L  
 P01 MBD 05 L  
 P01 MBD 06 L  
 P01 MBD 07 L

PAD0 C00 P02 SEL H HV2  
 PAD0 C01 P02 SEL H HS1  
 PAD0 C00 P03 SEL H JD2  
 PAD0 C01 P03 SEL H HP1

P02 MBD 00 L  
 P02 MBD 01 L  
 P02 MBD 02 L  
 P02 MBD 03 L  
 P02 MBD 04 L  
 P02 MBD 05 L  
 P02 MBD 06 L  
 P02 MBD 07 L

P03 MBD 00 L  
 P03 MBD 01 L  
 P03 MBD 02 L  
 P03 MBD 03 L  
 P03 MBD 04 L  
 P03 MBD 05 L  
 P03 MBD 06 L  
 P03 MBD 07 L

PAD0 C00 P04 SEL H HV2  
 PAD0 C01 P04 SEL H HS1  
 PAD0 C00 P05 SEL H JD2  
 PAD0 C01 P05 SEL H HP1

P04 MBD 00 L  
 P04 MBD 01 L  
 P04 MBD 02 L  
 P04 MBD 03 L  
 P04 MBD 04 L  
 P04 MBD 05 L  
 P04 MBD 06 L  
 P04 MBD 07 L

P05 MBD 00 L  
 P05 MBD 01 L  
 P05 MBD 02 L  
 P05 MBD 03 L  
 P05 MBD 04 L  
 P05 MBD 05 L  
 P05 MBD 06 L  
 P05 MBD 07 L

PAD0 C00 P06 SEL H HV2  
 PAD0 C01 P06 SEL H HS1  
 PAD0 C00 P07 SEL H JD2  
 PAD0 C01 P07 SEL H HP1

P06 MBD 00 L  
 P06 MBD 01 L  
 P06 MBD 02 L  
 P06 MBD 03 L  
 P06 MBD 04 L  
 P06 MBD 05 L  
 P06 MBD 06 L  
 P06 MBD 07 L

P07 MBD 00 L  
 P07 MBD 01 L  
 P07 MBD 02 L  
 P07 MBD 03 L  
 P07 MBD 04 L  
 P07 MBD 05 L  
 P07 MBD 06 L  
 P07 MBD 07 L

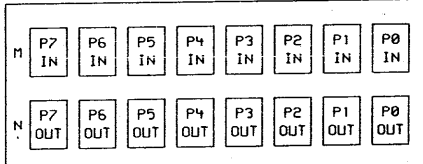
DATA 00 C0 L  
 DATA 01 C0 L  
 DATA 02 C0 L  
 DATA 03 C0 L  
 DATA 04 C0 L  
 DATA 05 C0 L  
 DATA 06 C0 L  
 DATA 07 C0 L  
 DATA 00 C1 L  
 DATA 01 C1 L  
 DATA 02 C1 L  
 DATA 03 C1 L  
 DATA 04 C1 L  
 DATA 05 C1 L  
 DATA 06 C1 L  
 DATA 07 C1 L

BC200  
 LOC 26  
 DR00 C00 MBC 00 L  
 DR00 C00 MBC 01 L  
 DR00 C00 MBC 02 L  
 DR00 C00 MBC 03 L  
 DR01 C00 MBC 04 L  
 DR01 C00 MBC 05 L  
 DR01 C00 MBC 06 L  
 DR01 C00 MBC 07 L

BC200  
 LOC 27  
 DR00 C01 MBC 00 L  
 DR00 C01 MBC 01 L  
 DR00 C01 MBC 02 L  
 DR00 C01 MBC 03 L  
 DR01 C01 MBC 04 L  
 DR01 C01 MBC 05 L  
 DR01 C01 MBC 06 L  
 DR01 C01 MBC 07 L

DR00 C0 MBD 00 H  
 DR00 C0 MBD 01 H  
 DR00 C0 MBD 02 H  
 DR00 C0 MBD 03 H  
 DR01 C0 MBD 04 H  
 DR01 C0 MBD 05 H  
 DR01 C0 MBD 06 H  
 DR00 C1 MBD 00 H  
 DR00 C1 MBD 01 H  
 DR00 C1 MBD 02 H  
 DR00 C1 MBD 03 H  
 DR01 C1 MBD 04 H  
 DR01 C1 MBD 05 H  
 DR01 C1 MBD 06 H  
 DR01 C1 MBD 07 H

THIS IS A CHART OF THE QUICKLATCH PANEL  
 (FRONT VIEW) TO USE WHEN SCOPING THE MEMORY  
 BUS SIGNALS SHOWN ON THIS PRINT

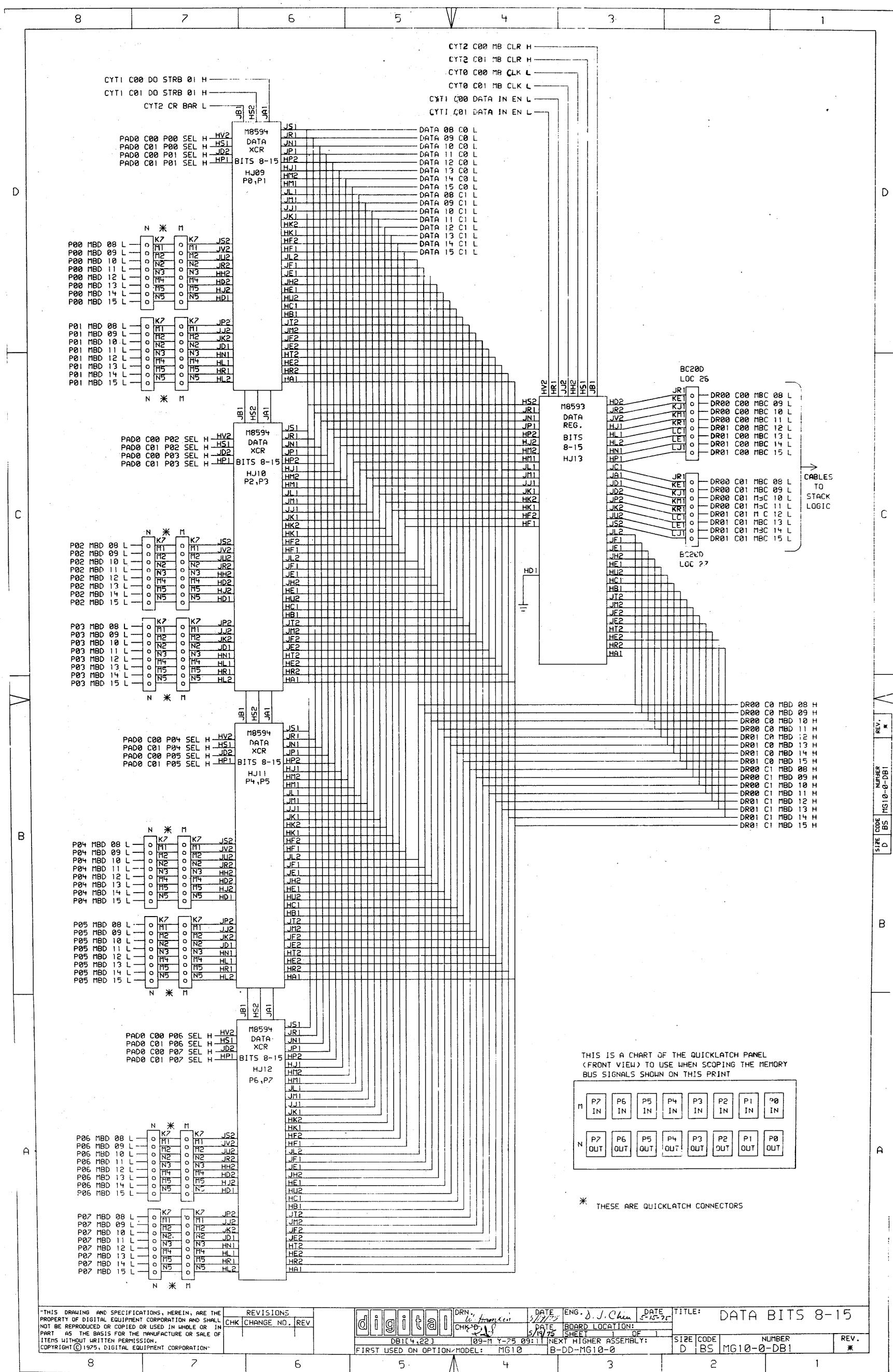


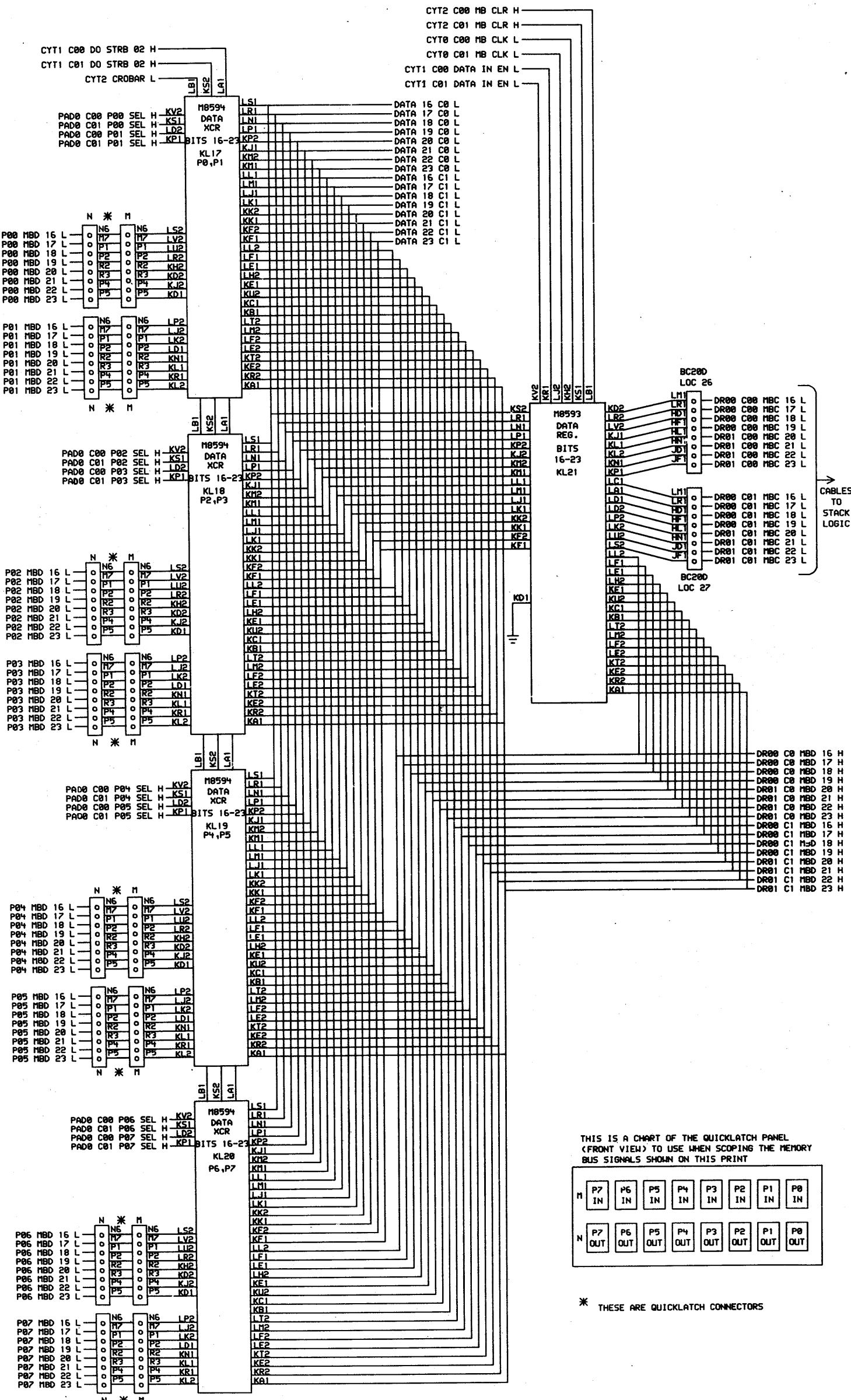
\* THESE ARE QUICKLATCH CONNECTORS

THIS DRAWING AND SPECIFICATIONS, HEREIN, ARE THE PROPERTY OF DIGITAL EQUIPMENT CORPORATION AND SHALL NOT BE REPRODUCED OR COPIED OR USED IN WHOLE OR IN PART AS THE BASIS FOR THE MANUFACTURE OR SALE OF ITEMS WITHOUT WRITTEN PERMISSION. COPYRIGHT © 1975, DIGITAL EQUIPMENT CORPORATION

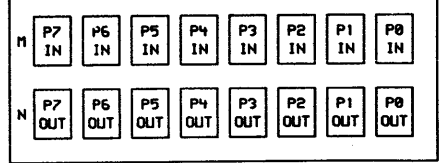
REVISIONS	CHK	CHANGE NO.	REV

digital DRN. *W. Tan* DATE *5-13-75* ENG. *D. J. Chen* DATE *5-13-75* TITLE: DATA BITS 0-7  
 DB04,22] 109-MAT-25 1303 NEXT HIGHER ASSEMBLY: SIZE CODE NUMBER REV.  
 FIRST USED ON OPTION/MODEL: MG10 B-DD-MG10-0 D BS MG10-0-DB0 \*



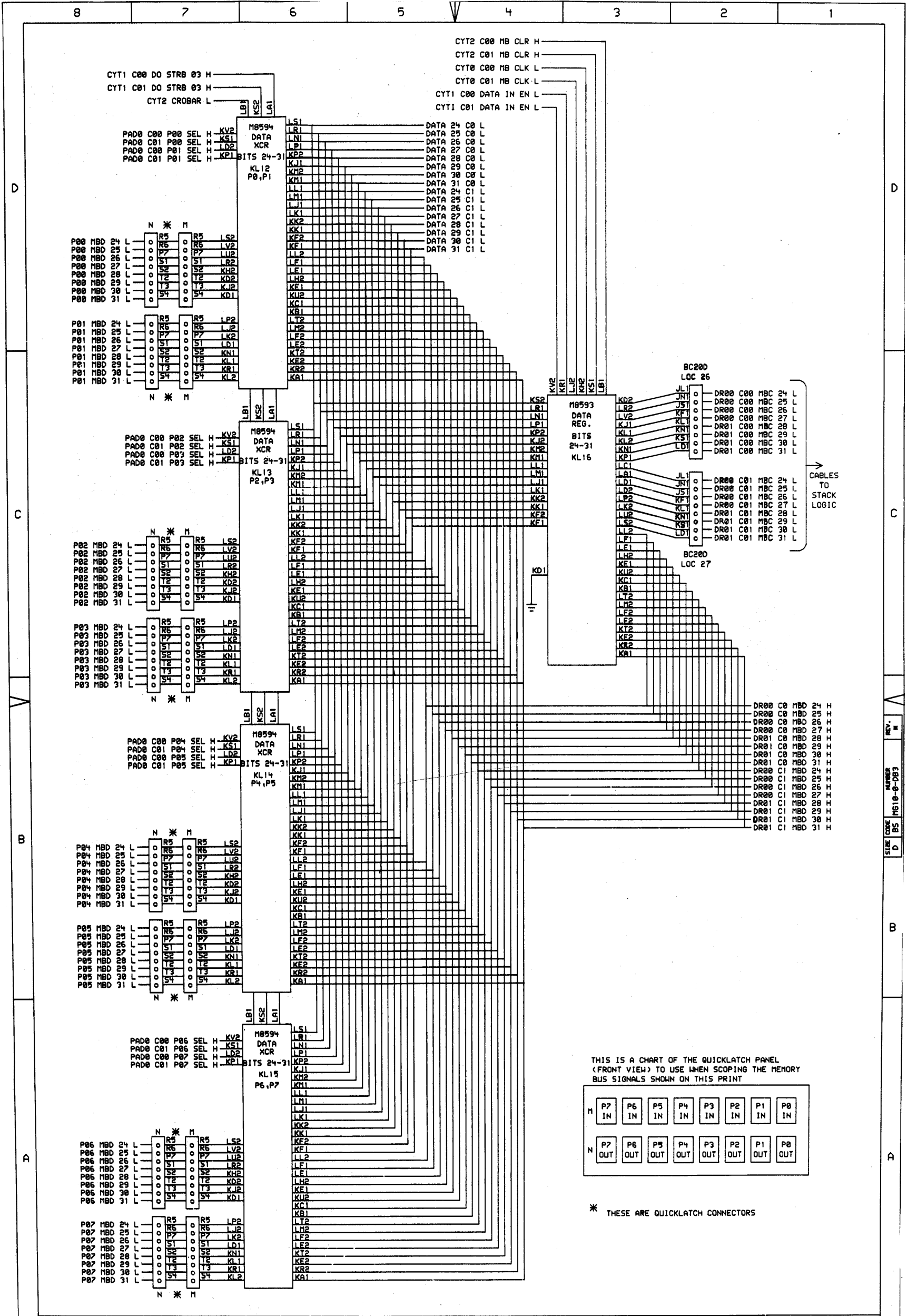


THIS IS A CHART OF THE QUICKLATCH PANEL (FRONT VIEW) TO USE WHEN SCOPING THE MEMORY BUS SIGNALS SHOWN ON THIS PRINT



\* THESE ARE QUICKLATCH CONNECTORS





"THIS DRAWING AND SPECIFICATIONS, HEREIN, ARE THE PROPERTY OF DIGITAL EQUIPMENT CORPORATION AND SHALL NOT BE REPRODUCED OR COPIED OR USED IN WHOLE OR IN PART AS THE BASIS FOR THE MANUFACTURE OR SALE OF ITEMS WITHOUT WRITTEN PERMISSION. COPYRIGHT © 1979, DIGITAL EQUIPMENT CORPORATION"

REVISIONS	
CHK	REV

**digital** DRN. *1000000* DATE *5/28/75* TITLE: DATA BITS 24-31  
 CHK'D. *1000000* DATE *5/28/75* BOARD LOCATION: *1*  
 SHEET *1* OF *1*

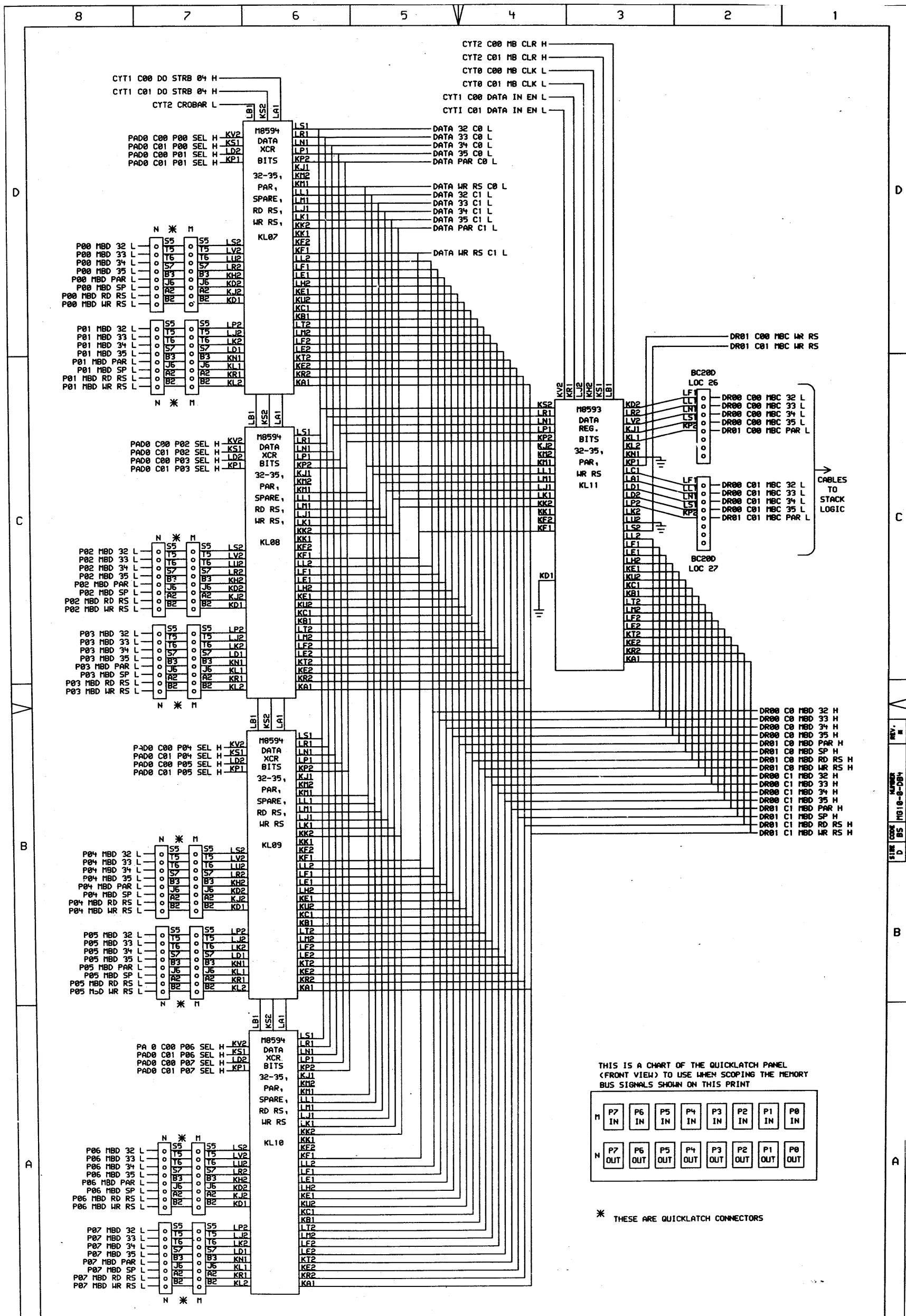
DR34-221	22-MAY-75	13148	NEXT HIGHER ASSEMBLY:	SIZE	CODE	NUMBER	REV.
FIRST USED ON OPTION/MODEL:	MG10	B-DD-MG10-0		D	BS	MG10-0-DB3	*

REV. #  
 MG10-0-DB3

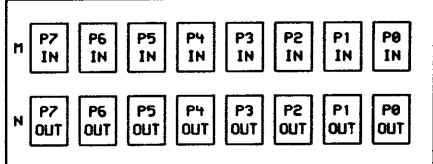
D

A





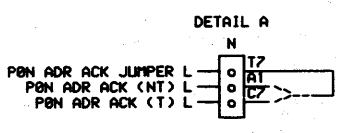
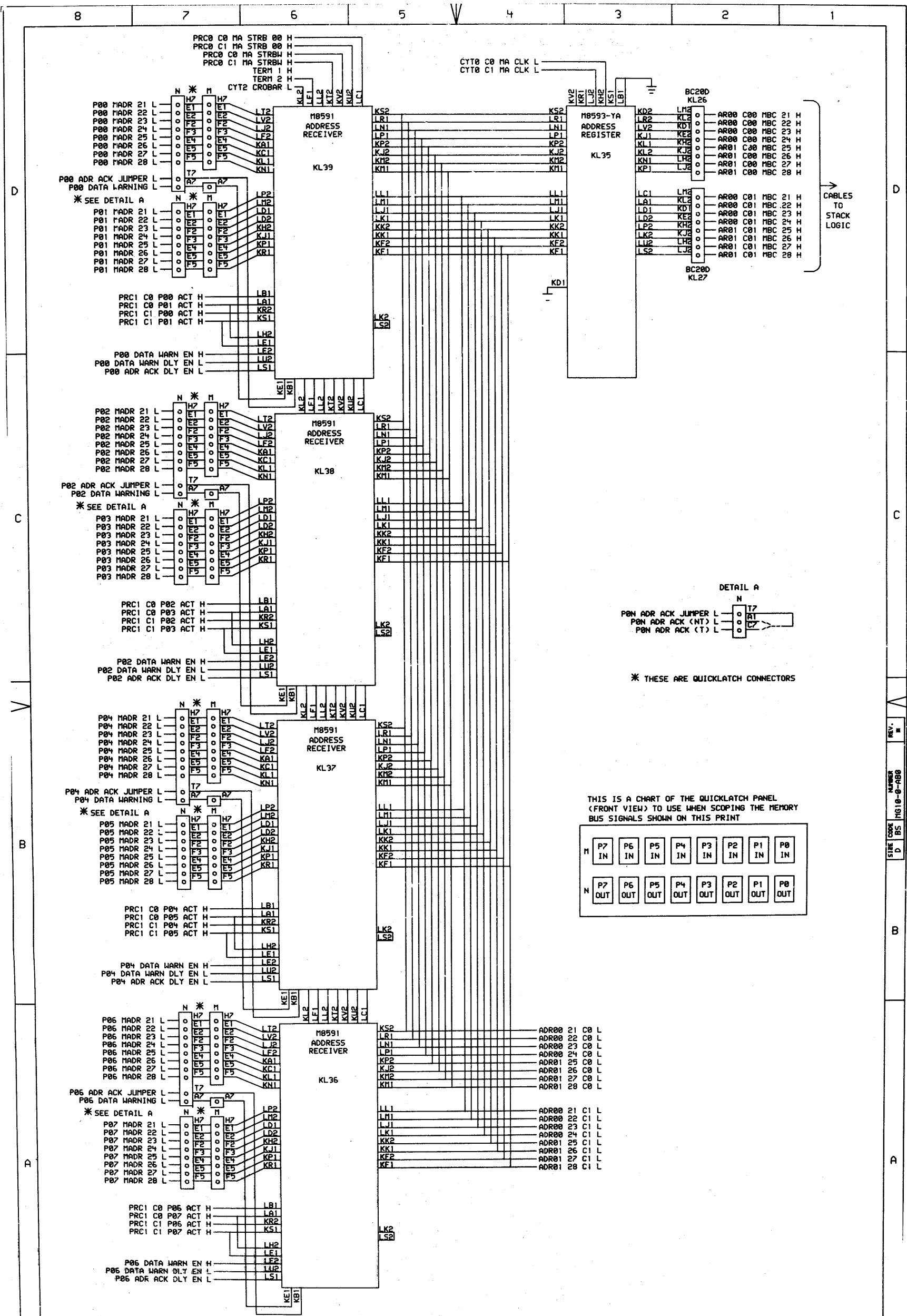
THIS IS A CHART OF THE QUICKLATCH PANEL (FRONT VIEW) TO USE WHEN SCOPING THE MEMORY BUS SIGNALS SHOWN ON THIS PRINT



\* THESE ARE QUICKLATCH CONNECTORS

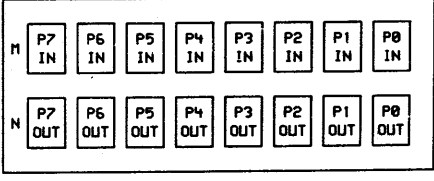
THIS DRAWING AND SPECIFICATIONS, HEREIN, ARE THE PROPERTY OF DIGITAL EQUIPMENT CORPORATION AND SHALL NOT BE REPRODUCED OR COPIED OR USED IN WHOLE OR IN PART AS THE BASIS FOR THE MANUFACTURE OR SALE OF ITEMS WITHOUT WRITTEN PERMISSION. COPYRIGHT © 1975, DIGITAL EQUIPMENT CORPORATION		REVISIONS CHK CHANGE NO. REV	<b>digital</b> DRN. DATE 5-14-75 ENG. D. J. Chen BOARD LOCATION: 1 OF 1 SHEET 1 OF 1	DATE 5-14-75 NEXT HIGHER ASSEMBLY: B-DD-MG10-0	TITLE: DATA BITS 32-PAR		
8	7	6	5	4	3	2	1

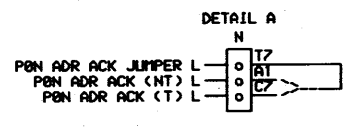
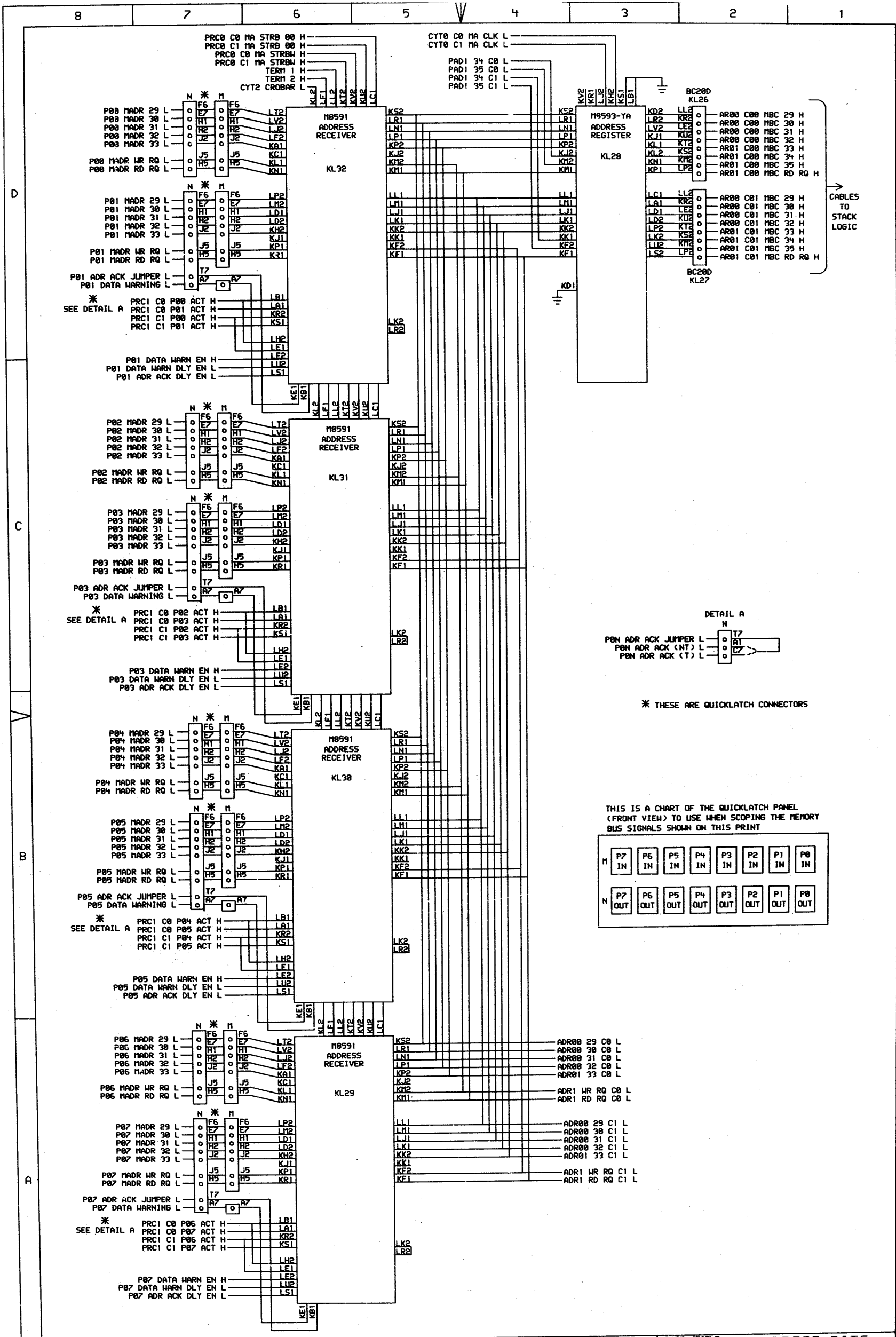
REV. M  
 NUMBER MG10-0-DB4  
 CODE B5  
 D



\* THESE ARE QUICKLATCH CONNECTORS

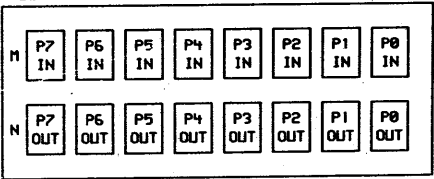
THIS IS A CHART OF THE QUICKLATCH PANEL (FRONT VIEW) TO USE WHEN SCOPING THE MEMORY BUS SIGNALS SHOWN ON THIS PRINT





\* THESE ARE QUICKLATCH CONNECTORS

THIS IS A CHART OF THE QUICKLATCH PANEL (FRONT VIEW) TO USE WHEN SCOPING THE MEMORY BUS SIGNALS SHOWN ON THIS PRINT



"THIS DRAWING AND SPECIFICATIONS, HEREIN, ARE THE PROPERTY OF DIGITAL EQUIPMENT CORPORATION AND SHALL NOT BE REPRODUCED OR COPIED OR USED IN WHOLE OR IN PART AS THE BASIS FOR THE MANUFACTURE OR SALE OF ITEMS WITHOUT WRITTEN PERMISSION. COPYRIGHT © 1975, DIGITAL EQUIPMENT CORPORATION"

REVISIONS: CHK CHANGE NO. REV. TITLE: ADDRESS BITS 29-33, WR RQ, RD RQ. DATE: 5/23/75. ENG: J. J. Chen. DATE: 5-28-75. BOARD LOCATION: SHEET 1 OF 1. SIZE CODE: D B5. NUMBER: MG10-0-AB1. REV. \*

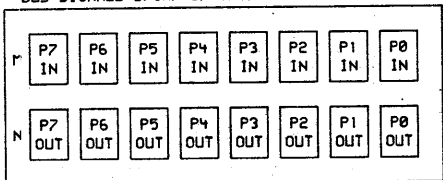
CABLES TO STACK LOGIC

MG10-0-AB1

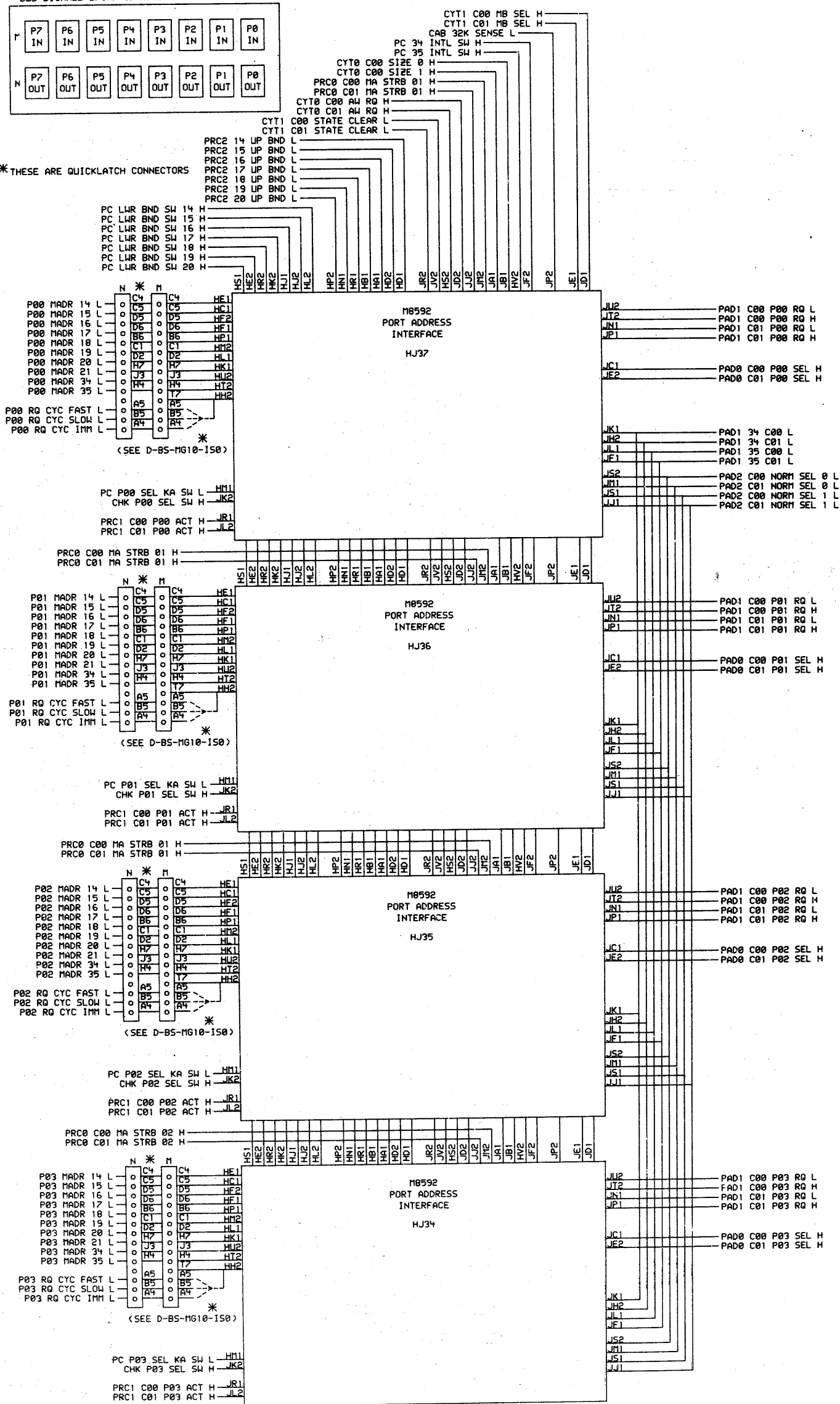
B

A

THIS IS A CHART OF THE QUICKLATCH PANEL  
(FRONT VIEW) TO USE WHEN SCOPING THE MEMORY  
BUS SIGNALS SHOWN ON THIS PRINT

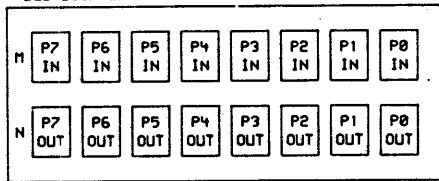


\* THESE ARE QUICKLATCH CONNECTORS

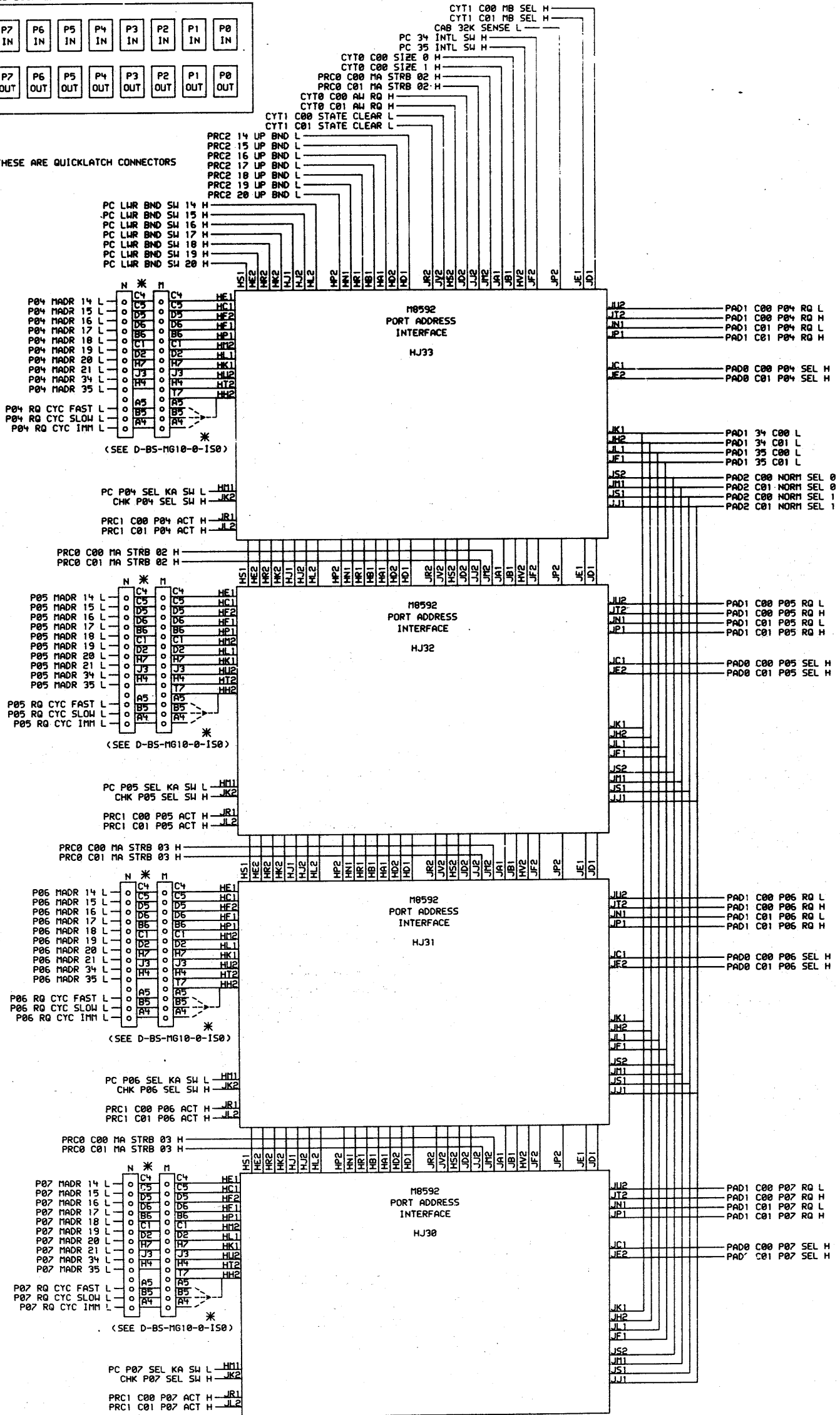


<p>THIS DRAWING AND SPECIFICATIONS, HEREIN, ARE THE PROPERTY OF DIGITAL EQUIPMENT CORPORATION AND SHALL NOT BE REPRODUCED OR COPIED OR USED IN WHOLE OR IN PART AS THE BASIS FOR THE MANUFACTURE OR SALE OF ITEMS WITHOUT WRITTEN PERMISSION. COPYRIGHT © 1975, DIGITAL EQUIPMENT CORPORATION</p>		<p>REVISIONS CHK CHANGE NO. REV</p>	<p>digital DRN. 51775 CHK D. J. 5/17/75</p>	<p>DATE ENG. D. J. Chin DATE 5-14-75 DATE BOARD LOCATION: SHEET 1 OF 1</p>	<p>TITLE: PORT REQUEST LOGIC 0-3</p>						
<p>FIRST USED ON OPTION/MODEL: MG10</p>	<p>DATE 09-MAY-75 12:56</p>	<p>NEXT HIGHER ASSEMBLY: B-DD-MG10-0</p>	<p>SIZE CODE NUMBER REV. D BS MG10-0-PR0 *</p>	<p>8</p>	<p>7</p>	<p>6</p>	<p>5</p>	<p>4</p>	<p>3</p>	<p>2</p>	<p>1</p>

THIS IS A CHART OF THE QUICKLATCH PANEL  
(FRONT VIEW) TO USE WHEN SCOPING THE MEMORY  
BUS SIGNALS SHOWN ON THIS PRINT

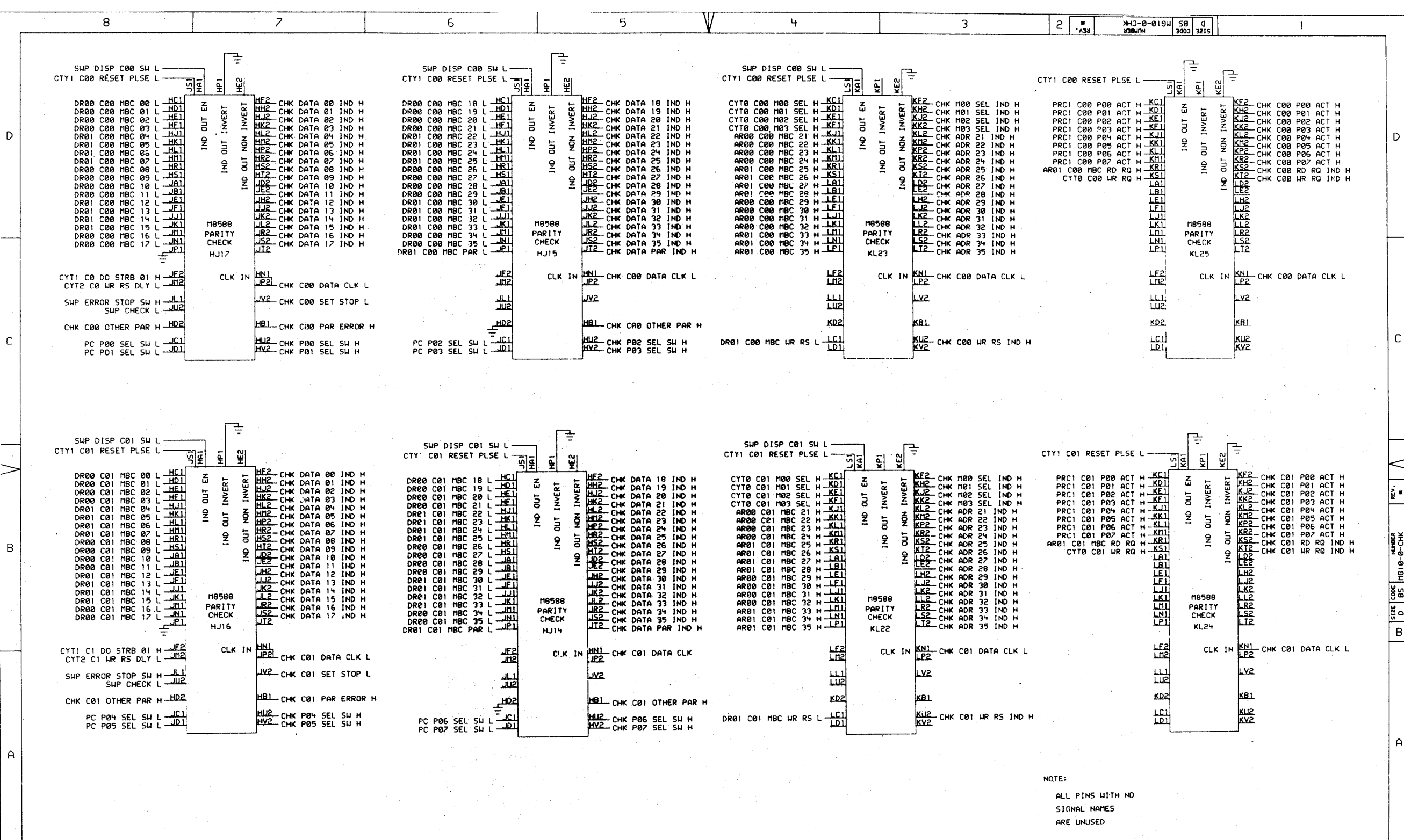


\* THESE ARE QUICKLATCH CONNECTORS



<p>"THIS DRAWING AND SPECIFICATIONS, HEREIN, ARE THE PROPERTY OF DIGITAL EQUIPMENT CORPORATION AND SHALL NOT BE REPRODUCED OR COPIED OR USED IN WHOLE OR IN PART AS THE BASIS FOR THE MANUFACTURE OR SALE OF ITEMS WITHOUT WRITTEN PERMISSION. COPYRIGHT © 1975, DIGITAL EQUIPMENT CORPORATION"</p>		<p>REVISIONS</p> <table border="1"> <tr> <th>CHK</th> <th>CHANGE NO.</th> <th>REV</th> </tr> <tr> <td></td> <td></td> <td></td> </tr> </table>	CHK	CHANGE NO.	REV				<p><b>digital</b> DRN. 101100001</p>	<p>DATE: 09-MAY-75 13:00</p>	<p>ENG. J. J. Chin DATE: 5-14-75</p>	<p>TITLE: PORT REQUEST LOGIC 4-7</p>
CHK	CHANGE NO.	REV										
<p>FIRST USED ON OPTION-MODEL: MG10</p>		<p>BOARD LOCATION: B-DD-MG10-0</p>	<p>SIZE CODE: D BS</p>	<p>NUMBER: MG10-0-PR1</p>	<p>REV. *</p>							

REV. #  
 SITE CODE NUMBER  
 D BS MG10-0-PR1

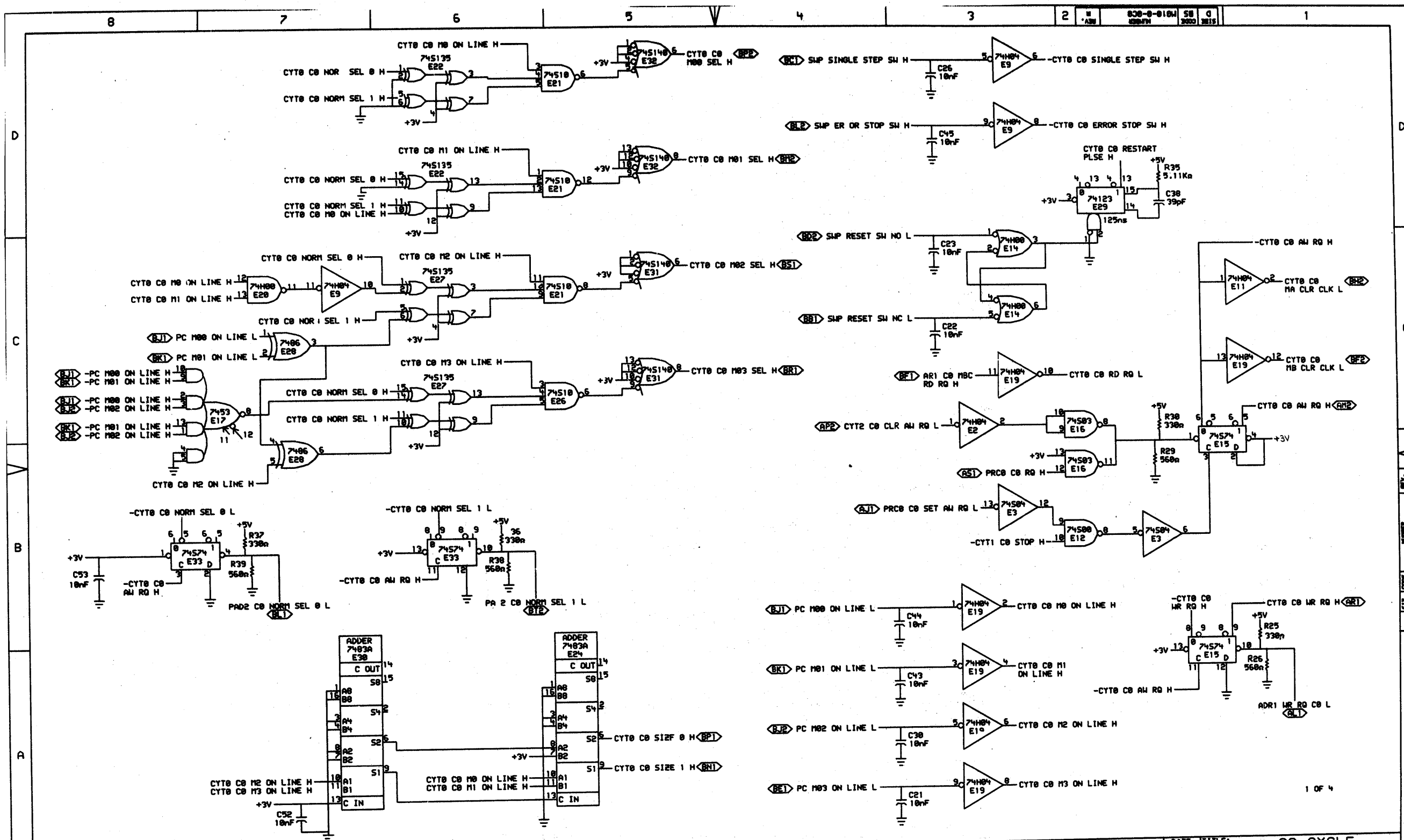


NOTE:  
ALL PINS WITH NO  
SIGNAL NAMES  
ARE UNUSED

"THIS DRAWING AND SPECIFICATIONS, HEREIN, ARE THE PROPERTY OF DIGITAL EQUIPMENT CORPORATION AND SHALL NOT BE REPRODUCED OR COPIED OR USED IN WHOLE OR IN PART AS THE BASIS FOR THE MANUFACTURE OR SALE OF ITEMS WITHOUT WRITTEN PERMISSION. COPYRIGHT © 1975, DIGITAL EQUIPMENT CORPORATION"

REVISIONS	
CHK	CHANGE NO. REV

digital	DRN: 11-11-75	DATE: 5-6-75	ENG: D. J. Chen	TITLE: CHECK LOGIC
	CHK'D: [Signature]	DATE: 5/1/75	BOARD LOCATION: [Blank]	
FIRST USED ON OPTION/MODEL: MG10		NEXT HIGHER ASSEMBLY: B-DD-MG10-0		
SIZE: D	CODE: BS	NUMBER: MG10-0-CHK	REV: *	

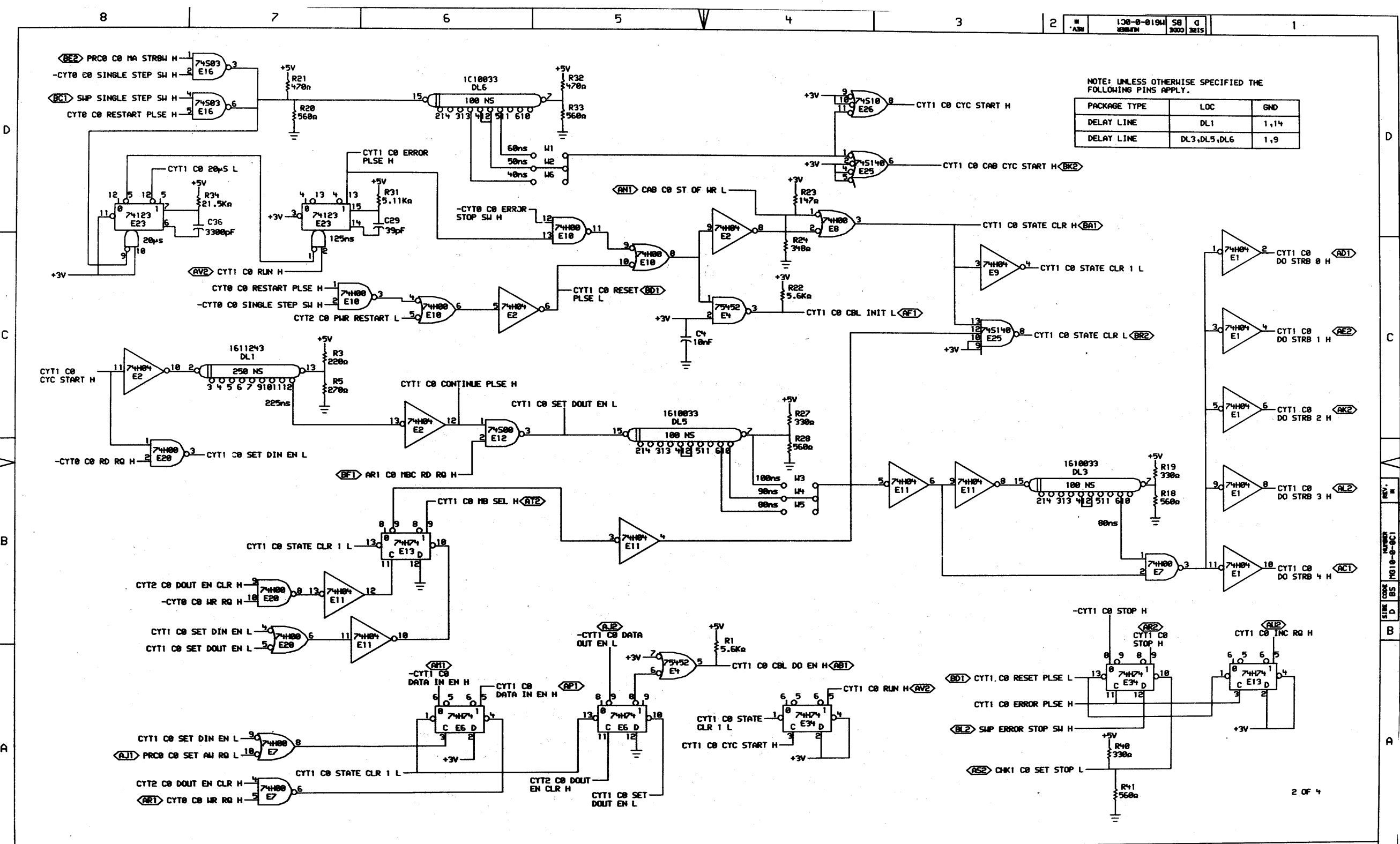


THIS DRAWING AND SPECIFICATIONS, HEREIN, ARE THE PROPERTY OF DIGITAL EQUIPMENT CORPORATION AND SHALL NOT BE REPRODUCED OR COPIED OR USED IN WHOLE OR IN PART AS THE BASIS FOR THE MANUFACTURE OR SALE OF ITEMS WITHOUT WRITTEN PERMISSION.  
 COPYRIGHT © 1975, DIGITAL EQUIPMENT CORPORATION

REVISIONS	
CHK	CHANGE NO. REV

	DATE: 5-6-75	ENG: D.J. Chen	DATE: 5-6-75	TITLE: C0 CYCLE TIMING
	CHK'D: [Signature]	DATE: 5/6/75	BOARD LOCATION: 1	SIZE: D
FIRST USED ON OPTION/MODEL: MG10		NEXT HIGHER ASSEMBLY: B-DD-MG10-0		NUMBER: BS MG10-0-00
REV. #				1





NOTE: UNLESS OTHERWISE SPECIFIED THE FOLLOWING PINS APPLY.

PACKAGE TYPE	LOC	GND
DELAY LINE	DL1	1,14
DELAY LINE	DL3,DL5,DL6	1,9

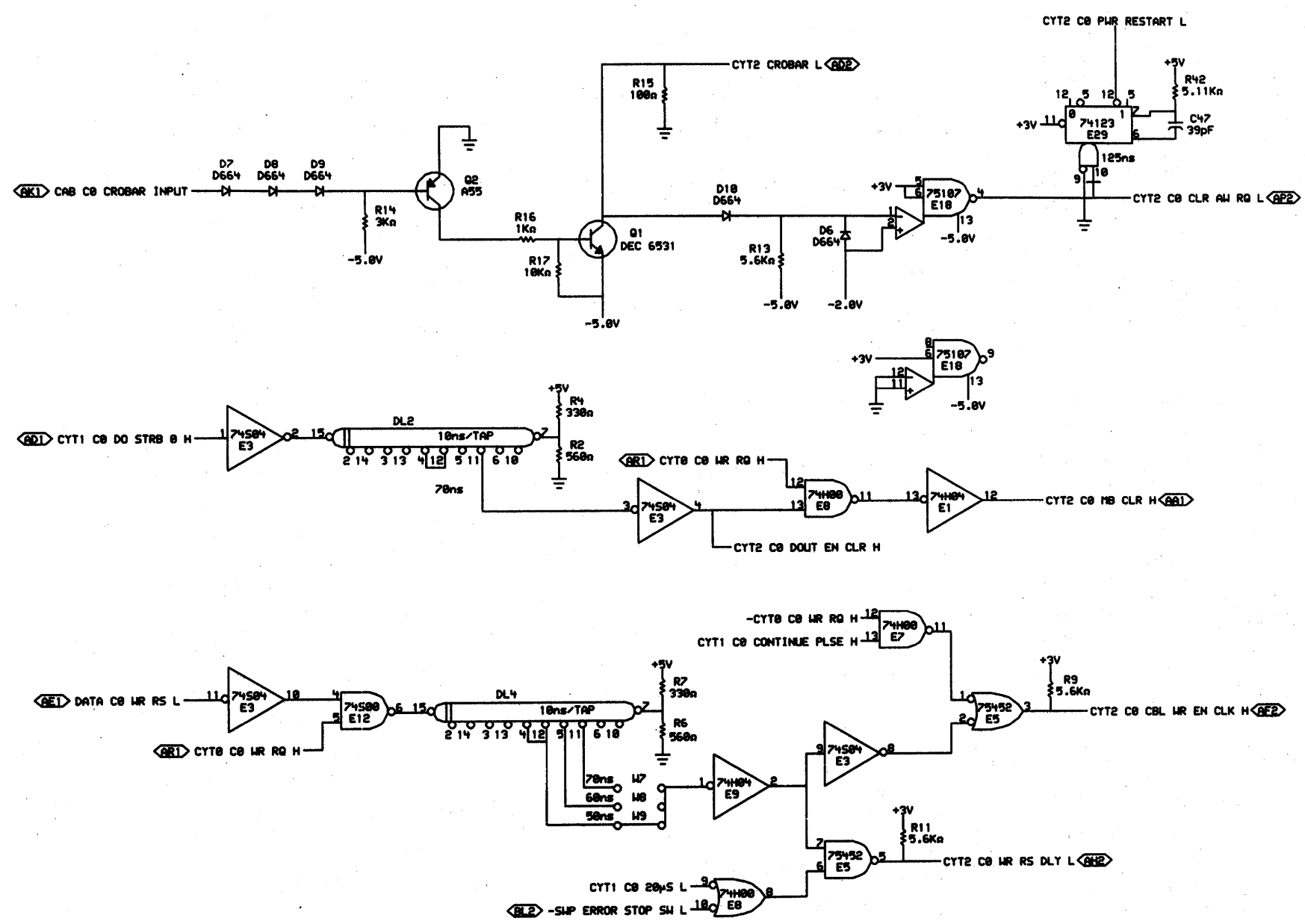
2 OF 4

THIS DRAWING AND SPECIFICATIONS, HEREIN, ARE THE PROPERTY OF DIGITAL EQUIPMENT CORPORATION AND SHALL NOT BE REPRODUCED OR COPIED OR USED IN WHOLE OR IN PART AS THE BASIS FOR THE MANUFACTURE OR SALE OF ITEMS WITHOUT WRITTEN PERMISSION. COPYRIGHT © 1975, DIGITAL EQUIPMENT CORPORATION

REV.	CHG	CHANGE NO.	REV
7			

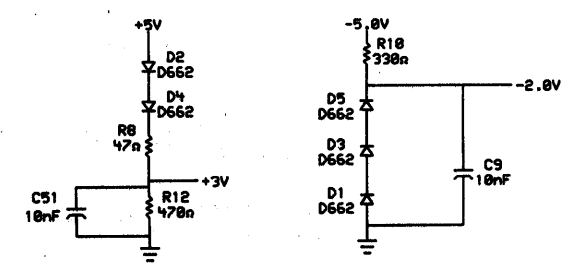
DRN: *[Signature]* DATE: 5/23/75  
 CHK'D: *[Signature]* DATE: 5/23/75  
 BOARD LOCATION: 12  
 SHEET: 1 OF 1  
 TITLE: C0 CYCLE TIMING  
 SIZE: D CODE: B5 NUMBER: MG10-0-0C1 REV. #:  
 FIRST USED ON OPTION/MODEL: MG10 18-DD-MG10-0





NOTE: UNLESS OTHERWISE SPECIFIED THE FOLLOWING PINS APPLY.

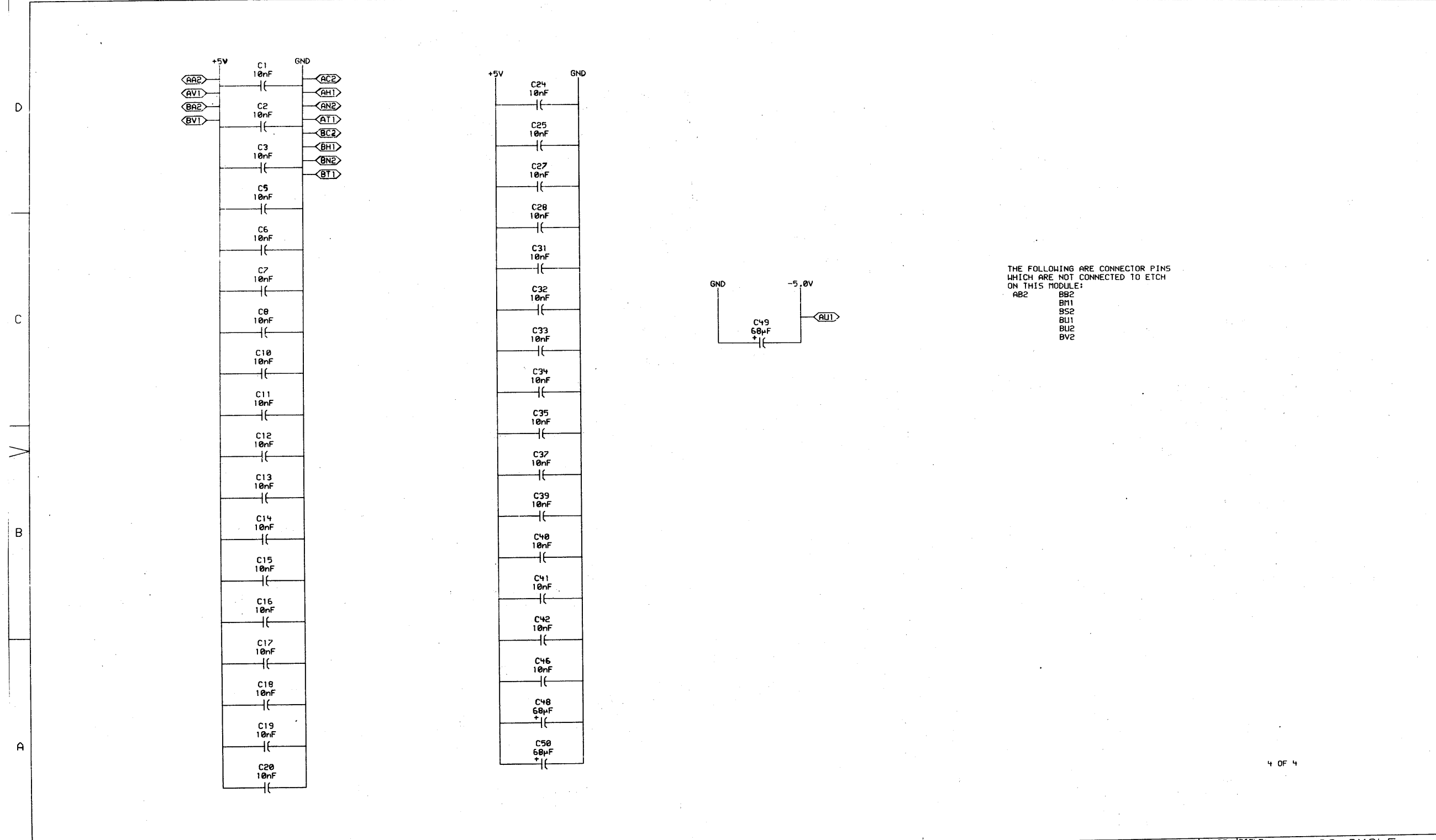
PACKAGE TYPE	LOC	GND
DELAY LINE	DL2,DL4	1,9



"THIS DRAWING AND SPECIFICATIONS, HEREIN, ARE THE PROPERTY OF DIGITAL EQUIPMENT CORPORATION AND SHALL NOT BE REPRODUCED OR COPIED OR USED IN WHOLE OR IN PART AS THE BASIS FOR THE MANUFACTURE OR SALE OF ITEMS WITHOUT WRITTEN PERMISSION. COPYRIGHT © 1977, DIGITAL EQUIPMENT CORPORATION"

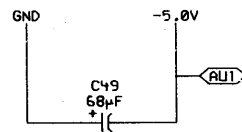
REVISIONS		
CHK	CHANGE NO.	REV
AKK	MG10-00011	A
	2.0 (Rev. 30 NOV 77)	
	L. Bales	
	J. Bales	

digital	DATE	31-08-77	ENG.	J. Bales	DATE	9/1/77	TITLE:	C0 CYCLE TIMING	
	DRG.	J. Lantry	DATE	31-08-77	BOARD LOCATION		SIZE	D	
	002, DRK 4, 257	101, 006, 77	12, 119	NEXT HIGHER ASSEMBLY:	B-DD-MG10-0	NUMBER	MG10-0-0C2	REV.	A
FIRST USED ON OPTION/MODEL:		MG10							



THE FOLLOWING ARE CONNECTOR PINS WHICH ARE NOT CONNECTED TO ETCH ON THIS MODULE:

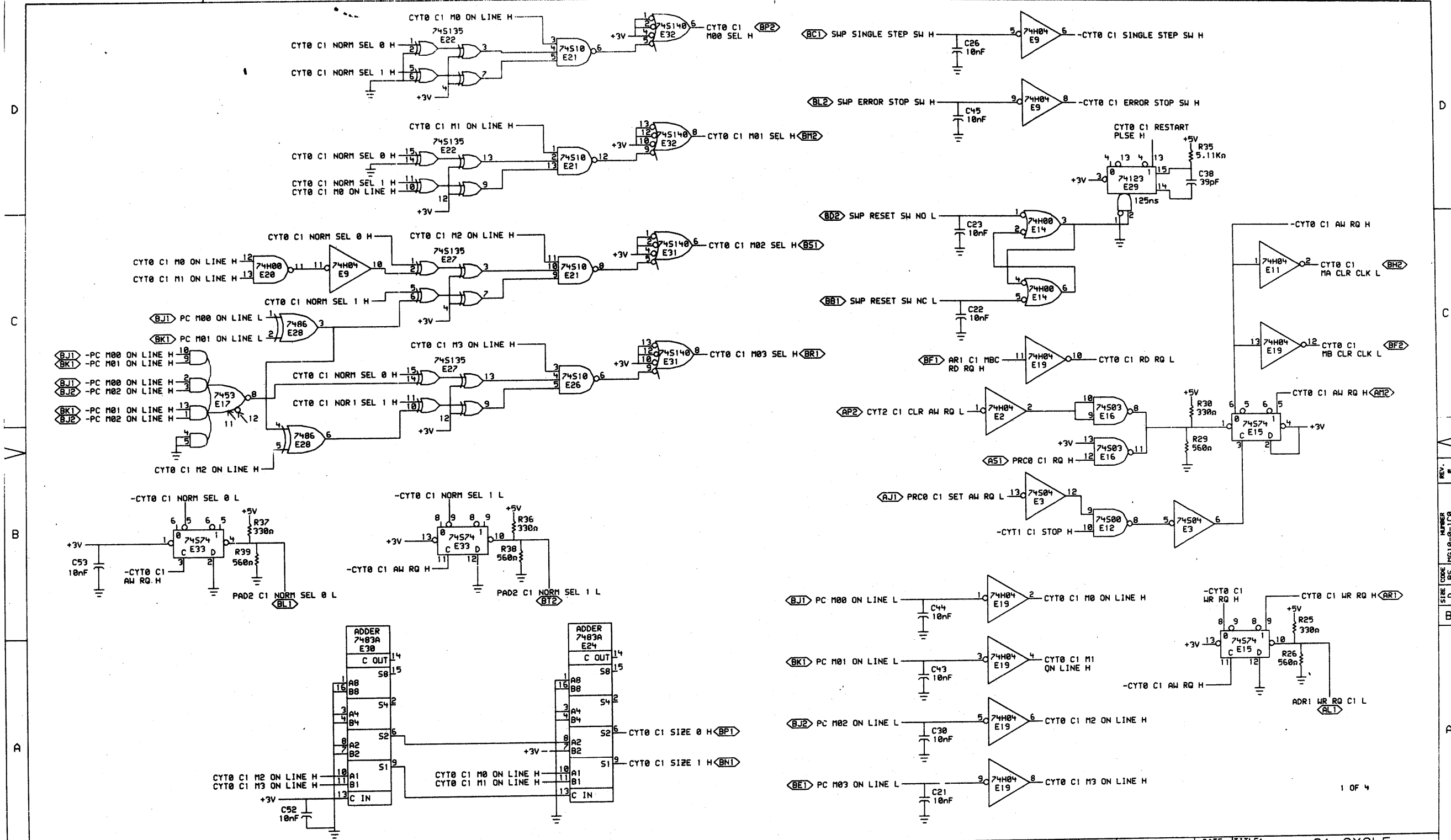
- AA2
- BB2
- BN1
- BS2
- BU1
- BU2
- BV2



\*THIS DRAWING AND SPECIFICATIONS, HEREIN, ARE THE PROPERTY OF DIGITAL EQUIPMENT CORPORATION AND SHALL NOT BE REPRODUCED OR COPIED OR USED IN WHOLE OR IN PART AS THE BASIS FOR THE MANUFACTURE OR SALE OF ITEMS WITHOUT WRITTEN PERMISSION.  
COPYRIGHT © 1975, DIGITAL EQUIPMENT CORPORATION\*

REVISIONS		
CHK	CHANGE NO.	REV.

digital	PRN: D. J. Chin	DATE: 5-6-75	ENG: D. J. Chin	DATE: 5-6-75	TITLE: C0 CYCLE TIMING
	CHK: D. J. Chin	DATE: 5/19/75	BOARD LOCATION: 1	SHEET: 1 OF 1	
0C34.1373	21-APR-75 18:59	NEXT HIGHER ASSEMBLY: B-DD-MG10-0	SIZE CODE: D BS	NUMBER: MG10-0-0C3	REV. *
FIRST USED ON OPTION/MODEL: MG10					



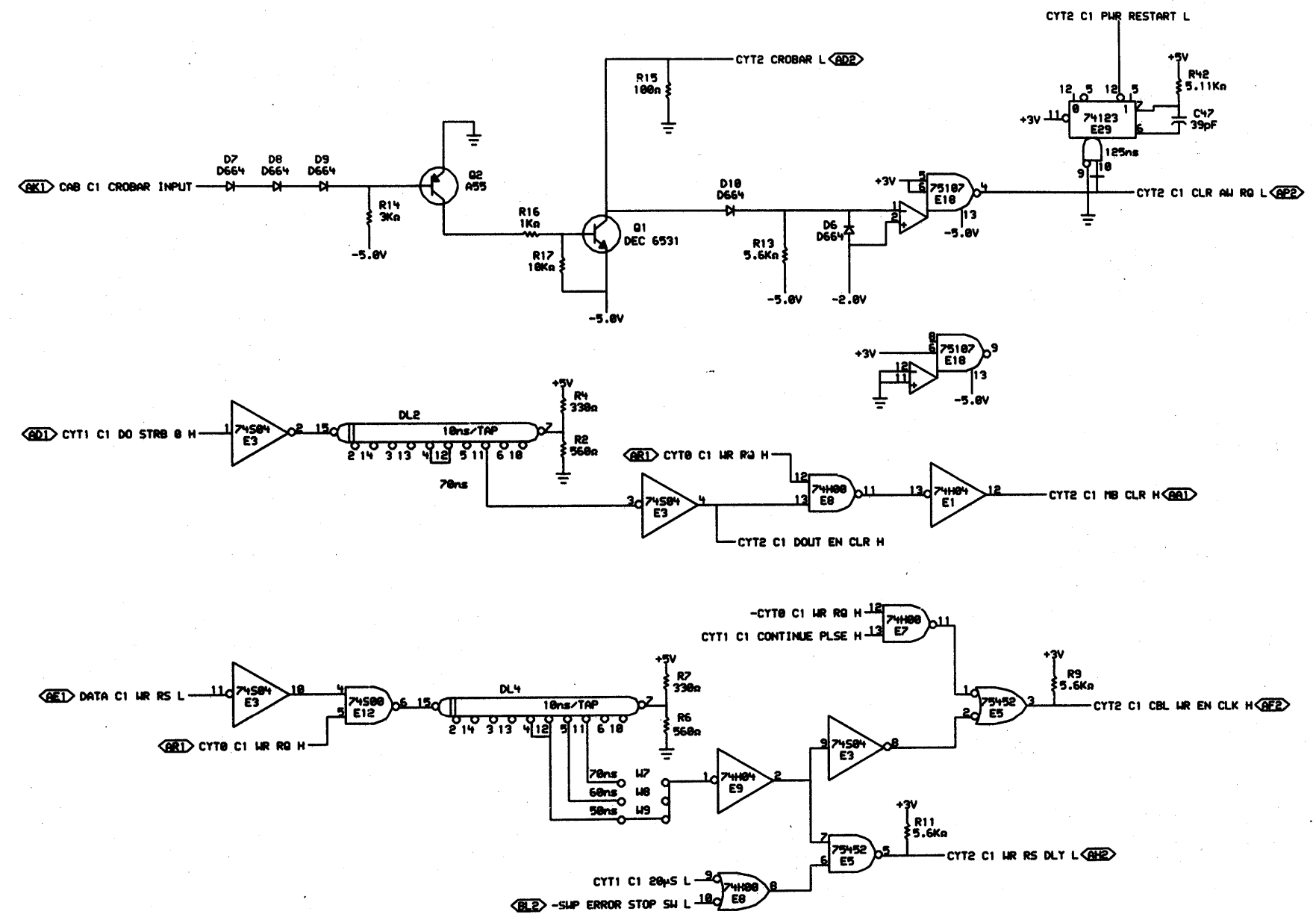
THIS DRAWING AND SPECIFICATIONS, HEREIN, ARE THE PROPERTY OF DIGITAL EQUIPMENT CORPORATION AND SHALL NOT BE REPRODUCED OR COPIED OR USED IN WHOLE OR IN PART AS THE BASIS FOR THE MANUFACTURE OR SALE OF ITEMS WITHOUT WRITTEN PERMISSION.  
COPYRIGHT © 1975, DIGITAL EQUIPMENT CORPORATION

REVISIONS		
CHK	CHANGE NO.	REV

digital	DRN: 5/1/75	DATE: 5/1/75	ENG: J. J. ...	DATE: 5/1/75	TITLE: C1 CYCLE TIMING
10814.137	CHK: 5/1/75	DATE: 5/1/75	BOARD LOCATION: B-DD-MG10-0	SHEET: 1 OF 4	SIZE CODE: D BS
FIRST USED ON OPTION MODEL: MG10	123-APR-75 13159	NEXT HIGHER ASSEMBLY: B-DD-MG10-0	NUMBER: MG10-0-1C0	REV. #	

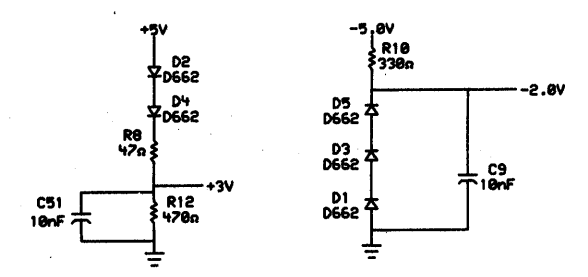
REV. #  
NUMBER  
MG10-0-1C0  
SIZE CODE  
D BS  
A B C D





NOTE: UNLESS OTHERWISE SPECIFIED THE FOLLOWING PINS APPLY.

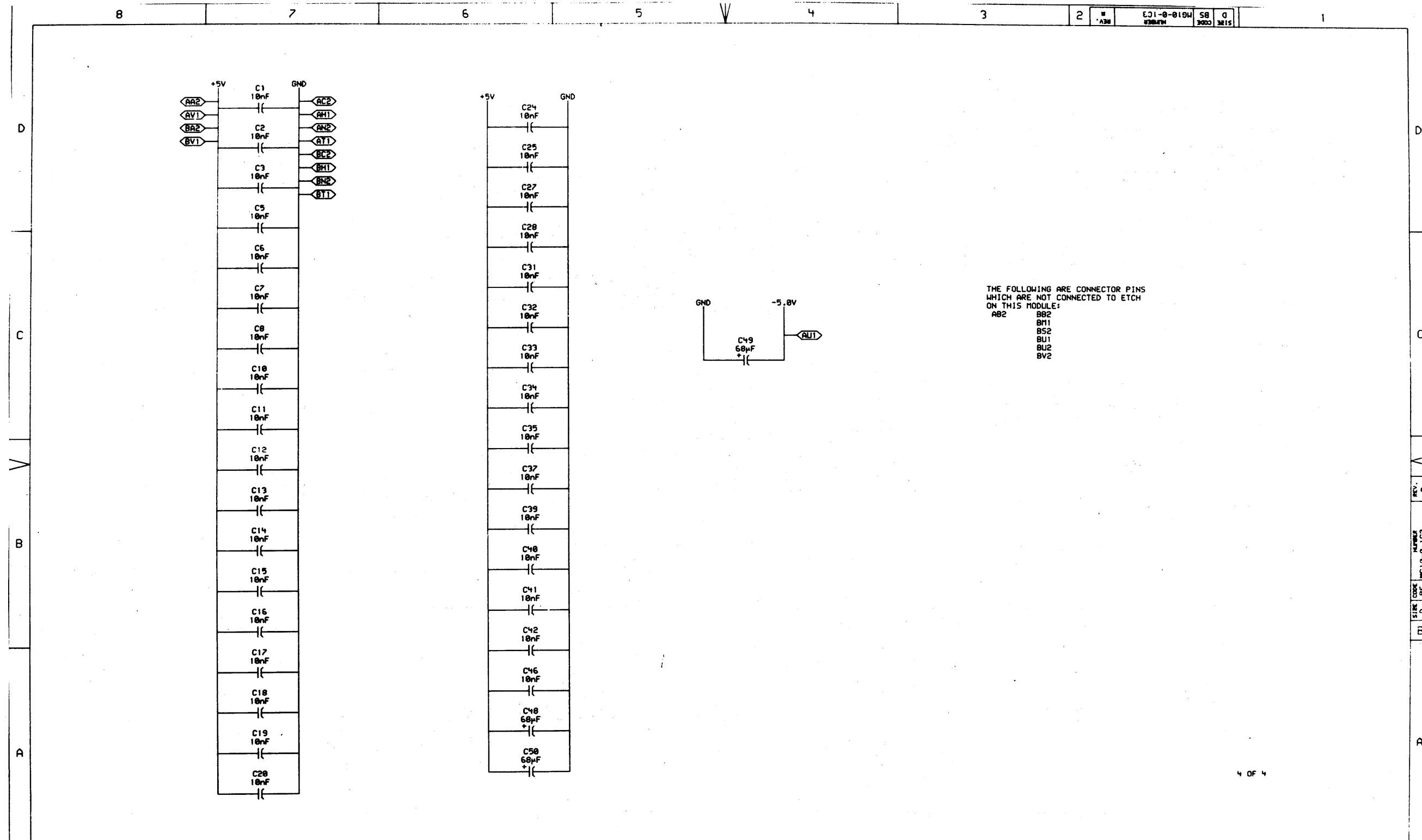
PACKAGE TYPE	LOC	GND
DELAY LINE	DL2,DL4	1,9



\*THIS DRAWING AND SPECIFICATIONS, HEREIN, ARE THE PROPERTY OF DIGITAL EQUIPMENT CORPORATION AND SHALL NOT BE REPRODUCED OR COPIED OR USED IN WHOLE OR IN PART AS THE BASIS FOR THE MANUFACTURE OR SALE OF ITEMS WITHOUT WRITTEN PERMISSION.  
 COPYRIGHT © 1977, DIGITAL EQUIPMENT CORPORATION

REVISIONS	
CHK	CHANGE NO. REV
MAA	MG10-MR01 A
	6/20/77 30-42-77
	DALES
	A. Balbo

	DATE: 31-10-77	ENG: A. Balbo	DATE: 9/1/77	TITLE: C1 CYCLE TIMING
	DATE: 12/77	BOARD LOCATION: 12	SHEET: 2	REV: A
FIRST USED ON OPTION/MODEL: MG10		NEXT HIGHER ASSEMBLY: B-DD-MG10-0		SIZE CODE: D B5
		NUMBER: MG10-0-1C2		REV: A



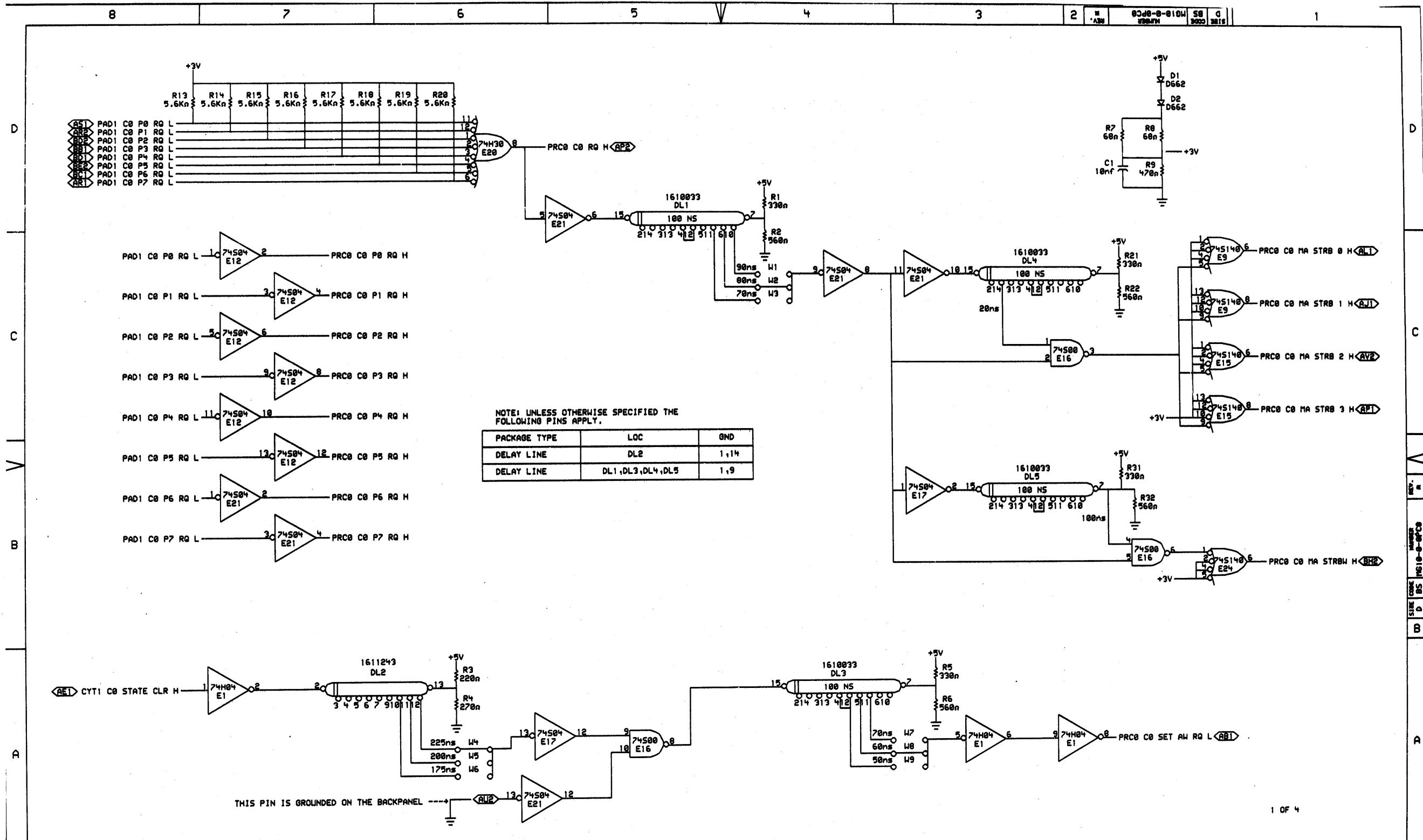
THE FOLLOWING ARE CONNECTOR PINS WHICH ARE NOT CONNECTED TO ETCH ON THIS MODULE:

- AA2
- BA2
- BV1
- BB2
- BH1
- BS2
- BU1
- BU2
- BV2

"THIS DRAWING AND SPECIFICATIONS, HEREIN, ARE THE PROPERTY OF DIGITAL EQUIPMENT CORPORATION AND SHALL NOT BE REPRODUCED OR COPIED OR USED IN WHOLE OR IN PART AS THE BASIS FOR THE MANUFACTURE OR SALE OF ITEMS WITHOUT WRITTEN PERMISSION. COPYRIGHT © 1979, DIGITAL EQUIPMENT CORPORATION"

REVISIONS		
CHK	CHANGE NO.	REV

digital	DRN.	DATE	ENG.	DATE	TITLE:
	CHK'D	DATE	BOARD LOCATION:		C1 CYCLE TIMING
IC 4.132	21-APR-79 10:59	NEXT HIGHER ASSEMBLY:	SIZE	CODE	NUMBER
FIRST USED ON OPTION/MODEL: MG10	B-DD-MG10-0		D	BS	MG10-0-1C3



"THIS DRAWING AND SPECIFICATIONS, HEREIN, ARE THE PROPERTY OF DIGITAL EQUIPMENT CORPORATION AND SHALL NOT BE REPRODUCED OR COPIED OR USED IN WHOLE OR IN PART AS THE BASIS FOR THE MANUFACTURE OR SALE OF ITEMS WITHOUT WRITTEN PERMISSION.  
 COPYRIGHT © 1979, DIGITAL EQUIPMENT CORPORATION"

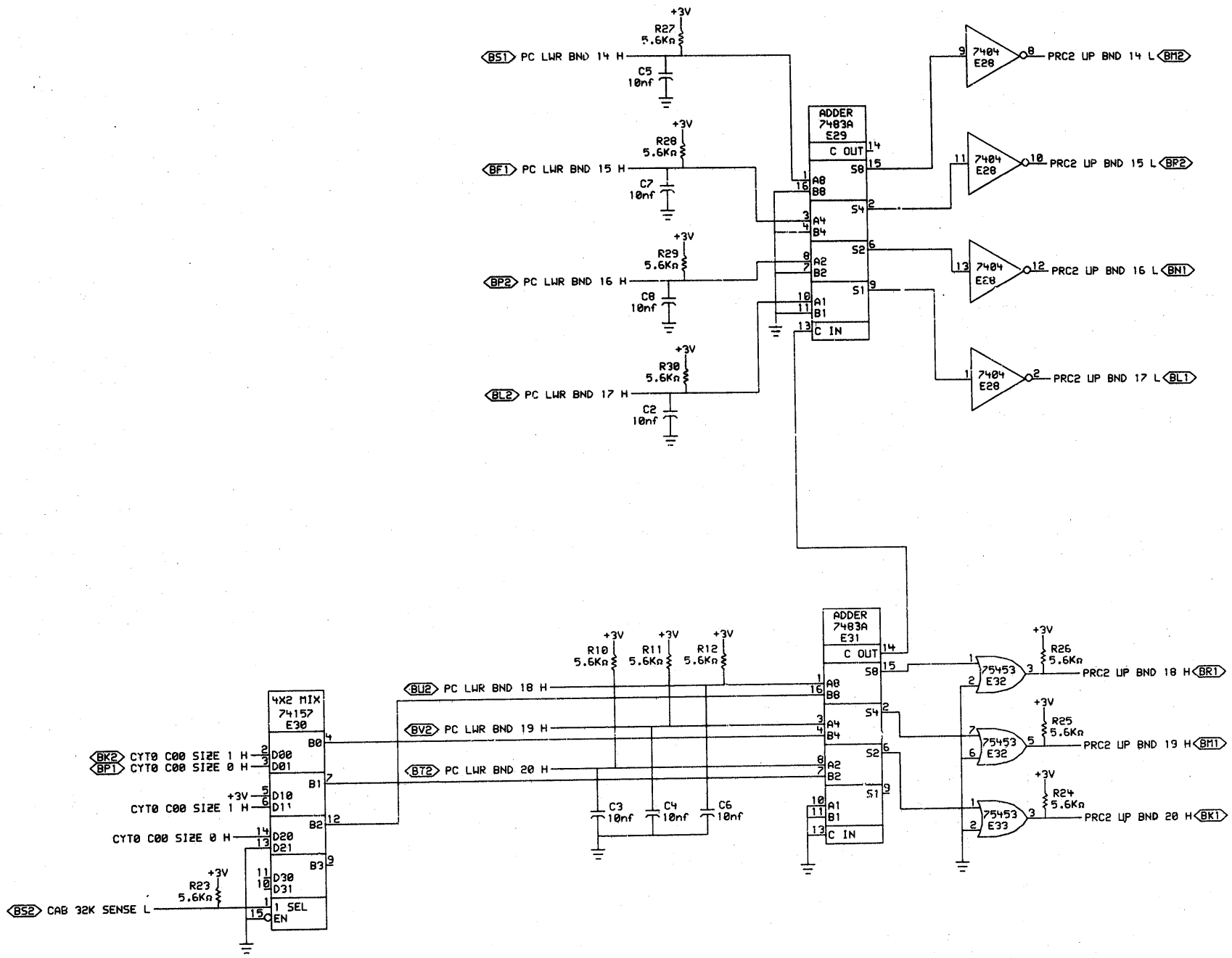
REVISIONS		
CHK	CHANGE NO.	REV.

	DRN: D. J. Chin	DATE: 5-6-79	TITLE: C0 PRIORITY CONTROL
	DATE: 123-APR-79	DATE: 5-6-79	DATE: 5-6-79
8PC04.1321 FIRST USED ON OPTION/MODEL: MG10	123-APR-79 13127 NEXT HIGHER ASSEMBLY: B-DD-MG10-0	SIZE: D CODE: BS	NUMBER: MG10-0-0PC0 REV. #

REV. #  
 NUMBER  
 8PC04-0-0PC0  
 SIZE CODE  
 D BS







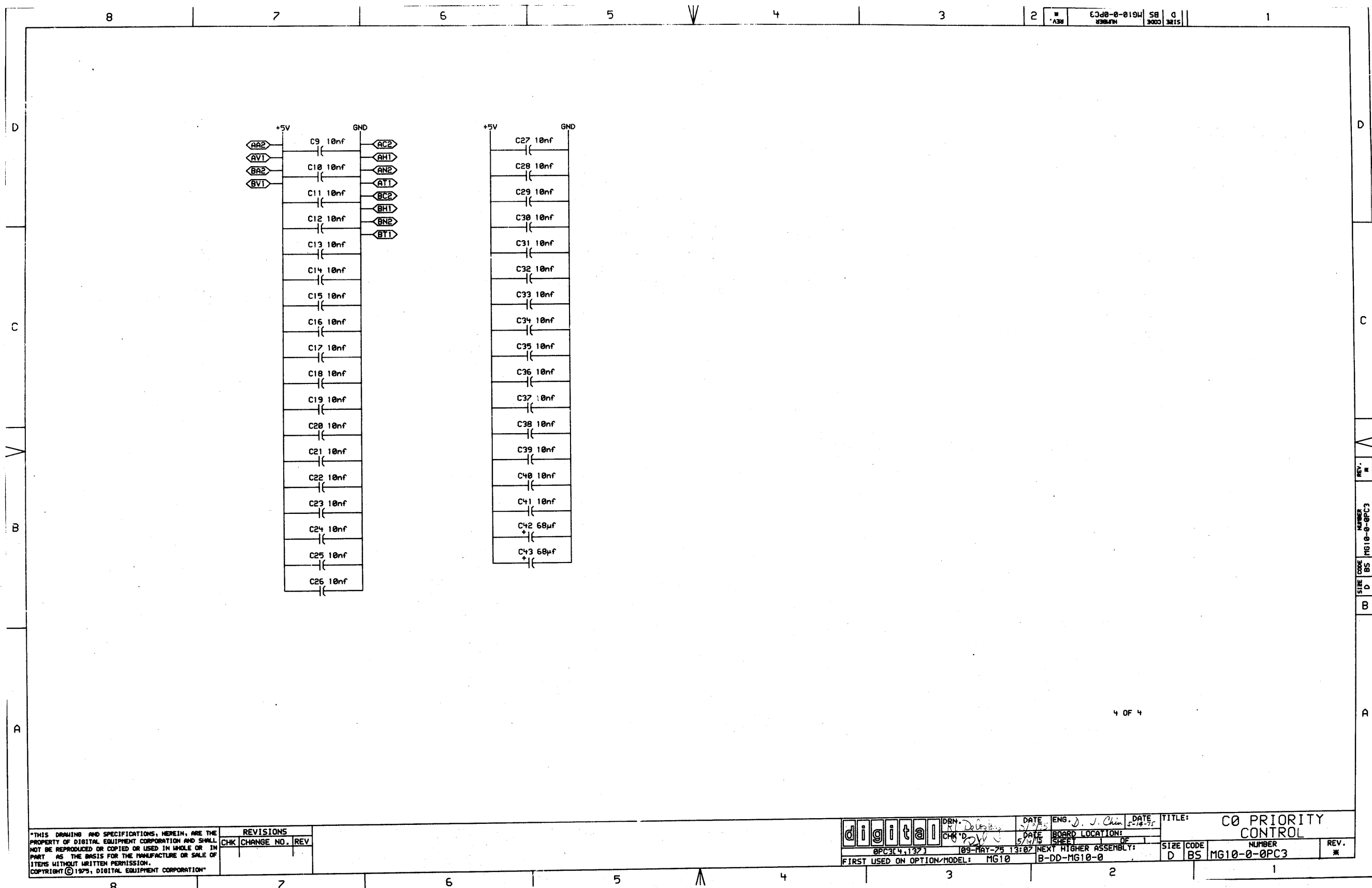
3 OF 4

"THIS DRAWING AND SPECIFICATIONS, HEREIN, ARE THE PROPERTY OF DIGITAL EQUIPMENT CORPORATION AND SHALL NOT BE REPRODUCED OR COPIED OR USED IN WHOLE OR IN PART AS THE BASIS FOR THE MANUFACTURE OR SALE OF ITEMS WITHOUT WRITTEN PERMISSION. COPYRIGHT © 1975, DIGITAL EQUIPMENT CORPORATION"

REVISIONS	
CHK	CHANGE NO. REV

--	--	--	--	--	--	--	--	--	--

digital	DRN. <i>D. J. Chen</i>	DATE <i>5-6-75</i>	ENG. <i>D. J. Chen</i>	DATE	TITLE: <b>C0 PRIORITY CONTROL</b>
	CHK. <i>D. J. Chen</i>	DATE / BOARD LOCATION: <i>1/17/75</i>	DATE / SHEET: <i>1</i> OF <i>1</i>	DATE	NUMBER
FIRST USED ON OPTION/MODEL: <i>0PC2(4,137)</i>		NEXT HIGHER ASSEMBLY: <i>B-DD-MG10-0</i>		SIZE CODE	REV. *
MG10		B-DD-MG10-0		D BS	MG10-0-0PC2

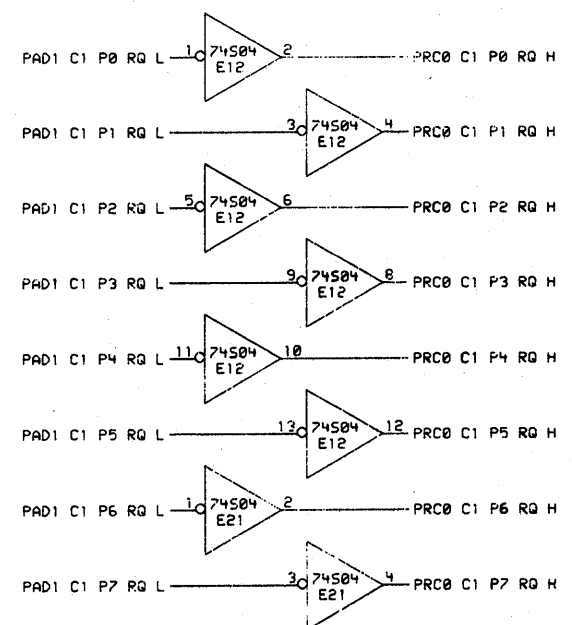
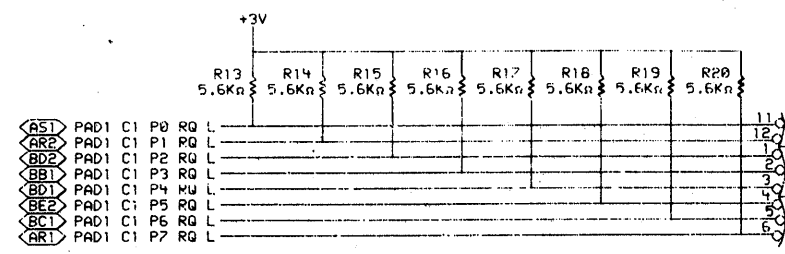


4 OF 4

\*THIS DRAWING AND SPECIFICATIONS, HEREIN, ARE THE PROPERTY OF DIGITAL EQUIPMENT CORPORATION AND SHALL NOT BE REPRODUCED OR COPIED OR USED IN WHOLE OR IN PART AS THE BASIS FOR THE MANUFACTURE OR SALE OF ITEMS WITHOUT WRITTEN PERMISSION.  
 COPYRIGHT © 1975, DIGITAL EQUIPMENT CORPORATION\*

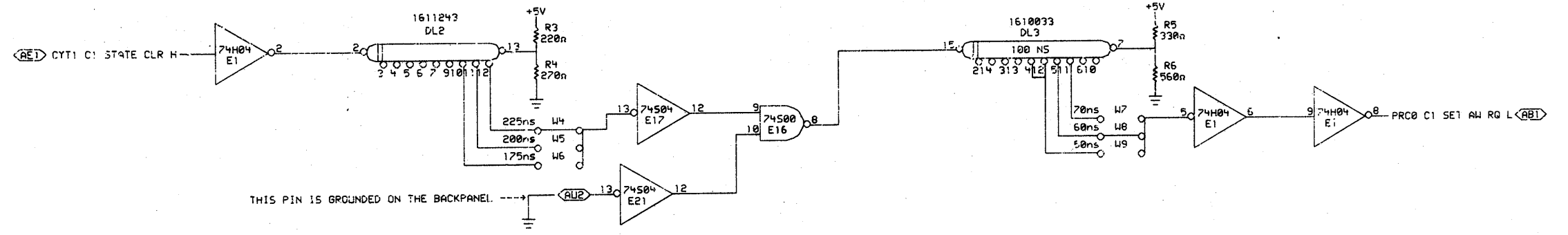
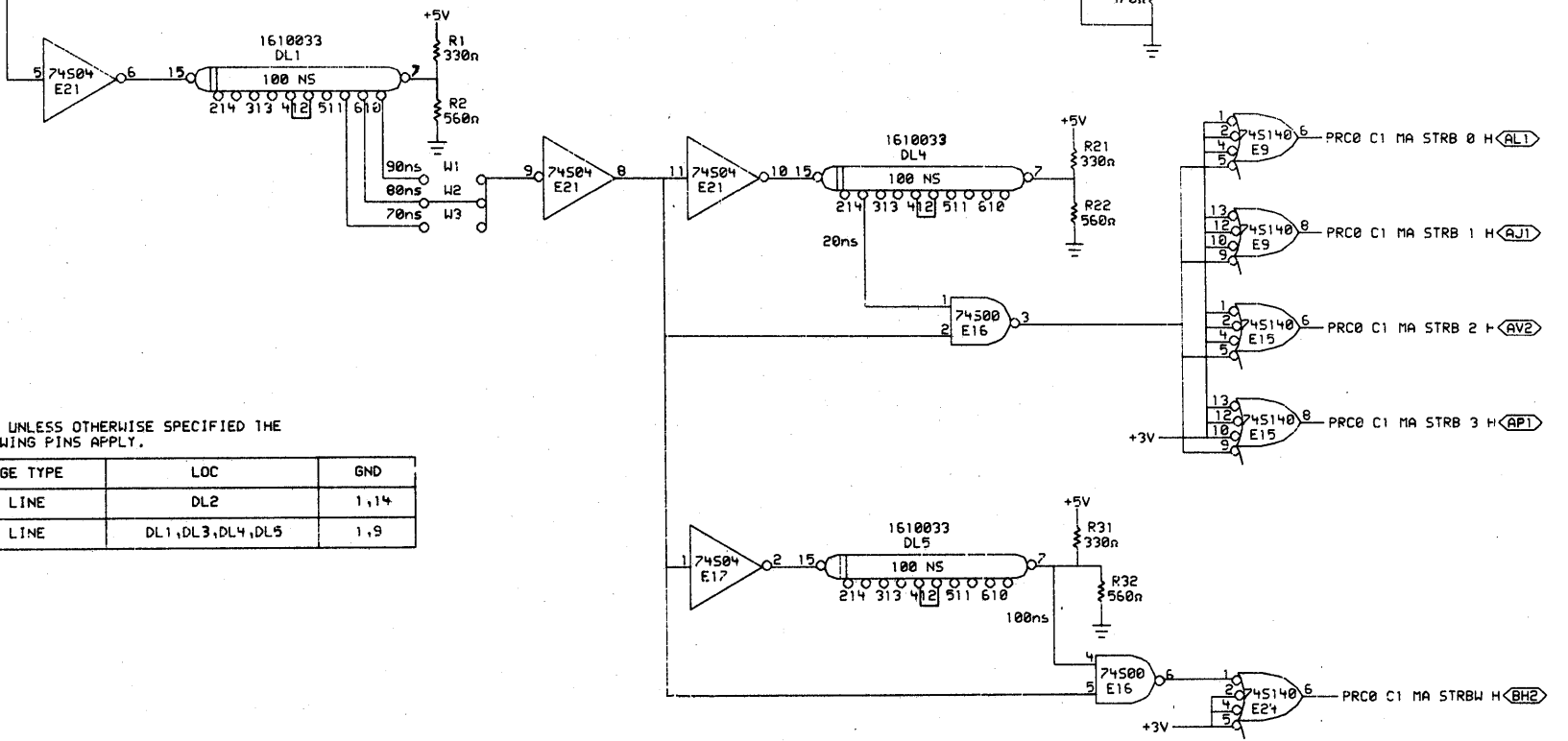
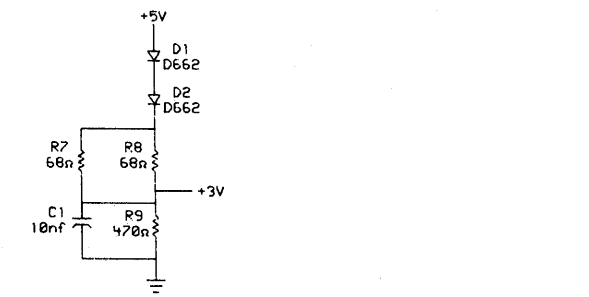
REVISIONS		
CHK	CHANGE NO.	REV

	DRN. <i>D. J. Chin</i>	DATE: <i>5-14-75</i>	ENG. <i>D. J. Chin</i>	DATE: <i>5-14-75</i>	TITLE: <b>C0 PRIORITY CONTROL</b>
	CHK'D <i>Row</i>	DATE: <i>5/14/75</i>	BOARD LOCATION: <i>1</i>	SHEET: <i>1</i>	OF: <i>1</i>
FIRST USED ON OPTION/MODEL: <b>MG10</b>			NEXT HIGHER ASSEMBLY: <b>B-DD-MG10-0</b>		SIZE CODE: <b>D BS</b>
NUMBER: <b>MG10-0-0PC3</b>				REV.:	*



NOTE: UNLESS OTHERWISE SPECIFIED THE FOLLOWING PINS APPLY.

PACKAGE TYPE	LOC	GND
DELAY LINE	DL2	1,14
DELAY LINE	DL1,DL3,DL4,DL5	1,9



THIS PIN IS GROUNDED ON THE BACKPANEL.

THIS DRAWING AND SPECIFICATIONS, HEREIN, ARE THE PROPERTY OF DIGITAL EQUIPMENT CORPORATION AND SHALL NOT BE REPRODUCED OR COPIED OR USED IN WHOLE OR IN PART AS THE BASIS FOR THE MANUFACTURE OR SALE OF ITEMS WITHOUT WRITTEN PERMISSION. COPYRIGHT © 1975 DIGITAL EQUIPMENT CORPORATION

REVISIONS	
CHK	CHANGE NO. REV

digital

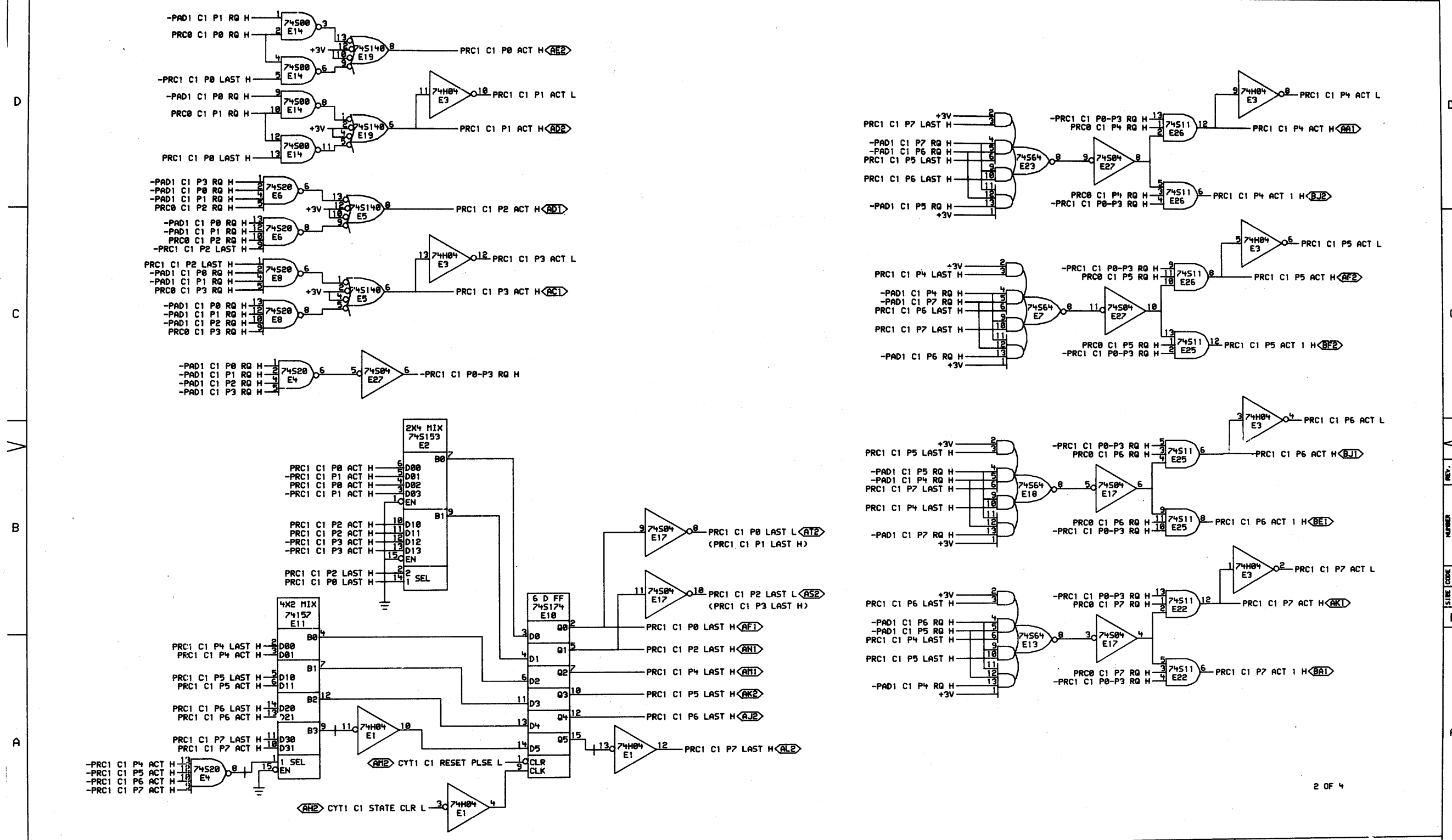
DRN: *R. J. Chen* DATE: *5/1/75* ENG: *D. J. Chen* DATE: *5-6-75* TITLE: **C1 PRIORITY CONTROL**

DATE: *5/1/75* BOARD LOCATION: SHEET: *1* OF *1*

100L41137 123-APR-75 15:34 NEXT HIGHER ASSEMBLY: B-DD-MG10-0

FIRST USED ON OPTION/MODEL: MG10

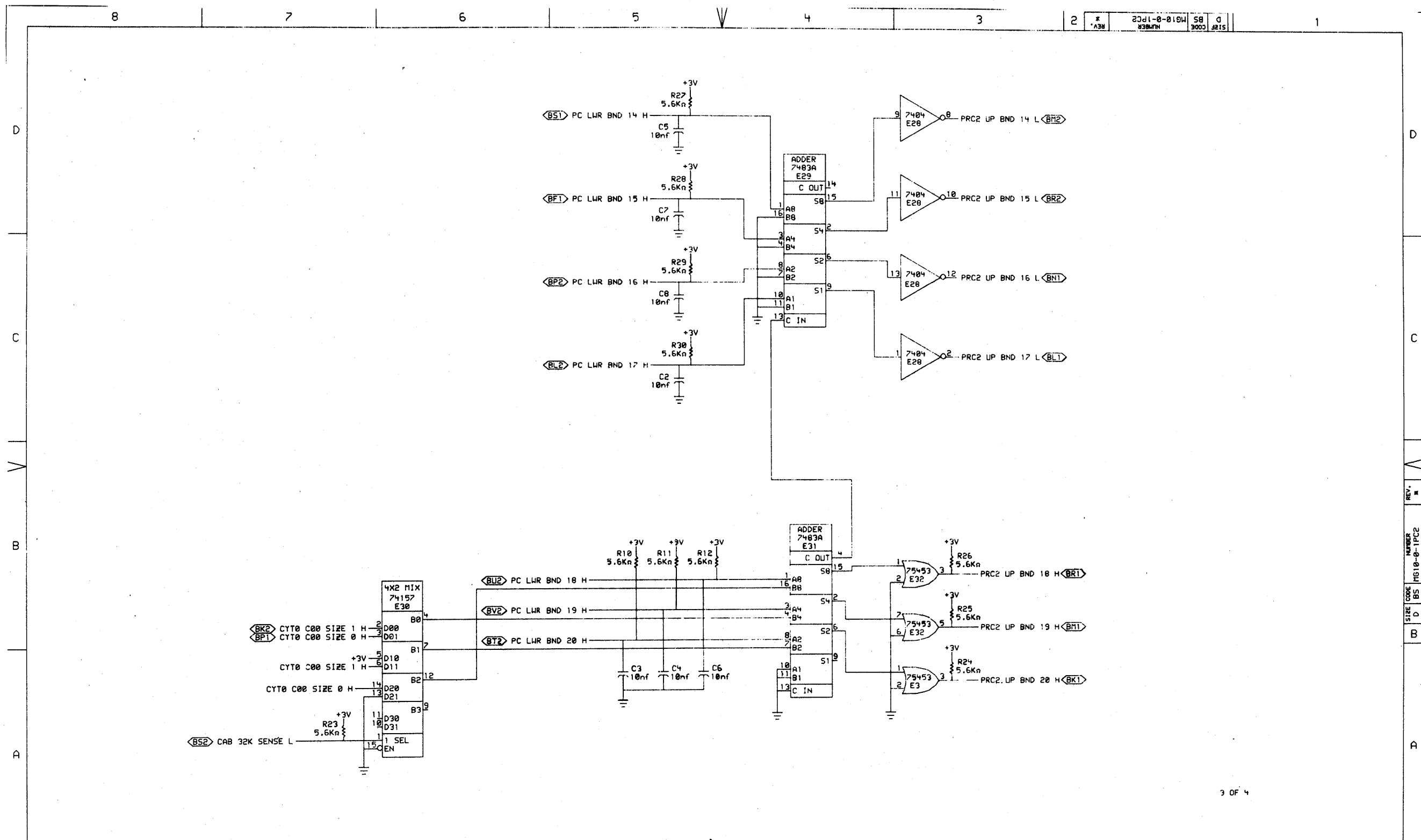
SIZE	CODE	NUMBER	REV.
D	BS	MG10-0-1PC0	*



THIS DRAWING AND SPECIFICATIONS, HEREIN, ARE THE PROPERTY OF DIGITAL EQUIPMENT CORPORATION AND SHALL NOT BE REPRODUCED OR COPIED OR USED IN WHOLE OR IN PART AS THE BASIS FOR THE MANUFACTURE OR SALE OF ITEMS WITHOUT WRITTEN PERMISSION. COPYRIGHT © 1973, DIGITAL EQUIPMENT CORPORATION

REVISIONS	
CHK	CHANGE NO. REV

<b>digital</b>	DRN. <i>J. J. Chen</i>	DATE <i>5-23-75</i>	ENG. <i>J. J. Chen</i>	DATE <i>5-23-75</i>	TITLE: <b>C1 PRIORITY CONTROL</b>
	CHK'D. <i>J. J. Chen</i>	DATE <i>5-23-75</i>	BOARD LOCATION: <i>DE 1</i>	SIZE CODE: <b>D BS</b>	NUMBER: <b>MG10-0-1PC1</b>
FIRST USED ON OPTION/MODEL: <b>MG10</b>		NEXT HIGHER ASSEMBLY: <b>B-DD-MG10-0</b>		REV.:	<b>*</b>



3 OF 4

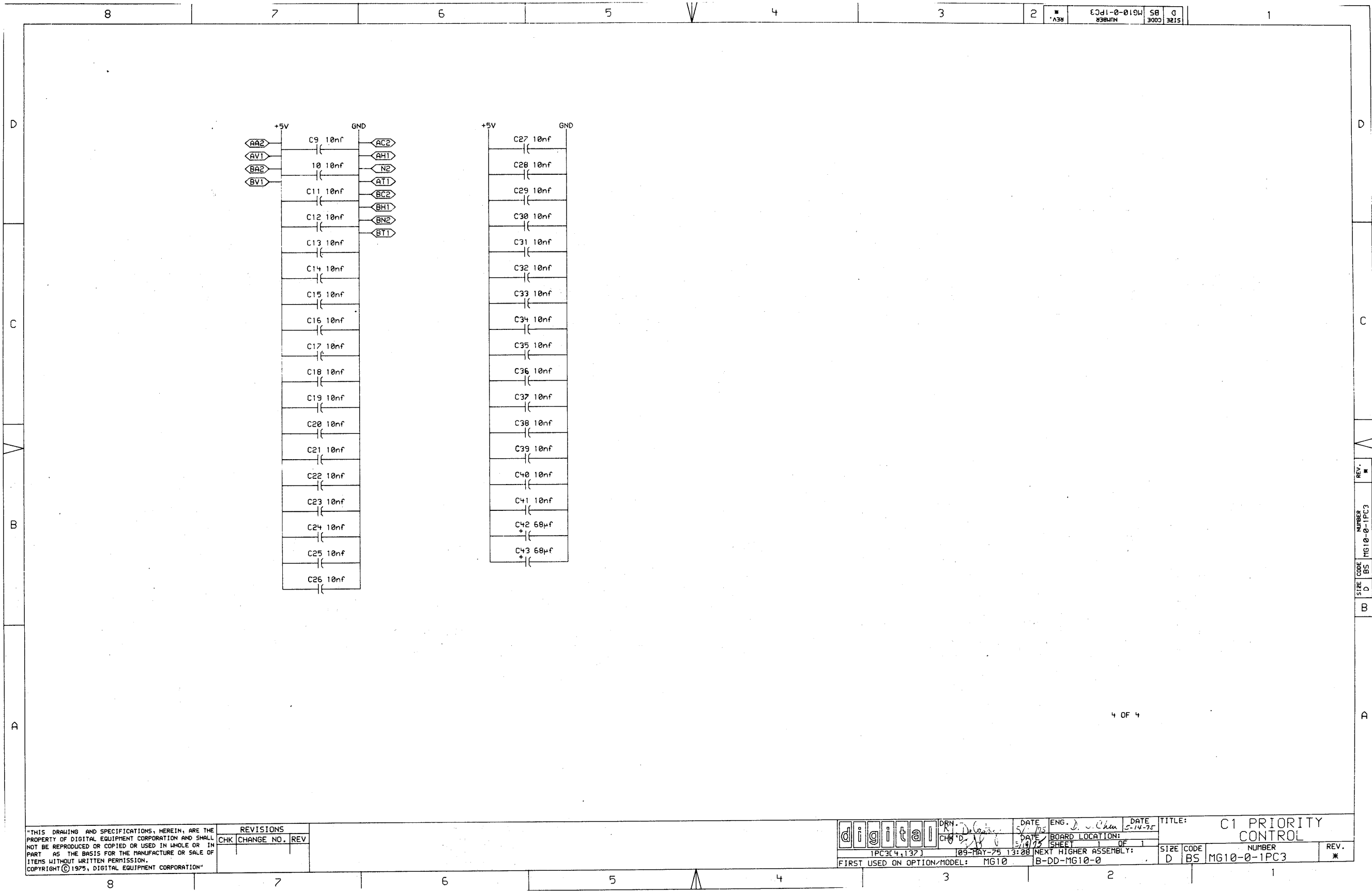
"THIS DRAWING AND SPECIFICATIONS, HEREIN, ARE THE PROPERTY OF DIGITAL EQUIPMENT CORPORATION AND SHALL NOT BE REPRODUCED OR COPIED OR USED IN WHOLE OR IN PART AS THE BASIS FOR THE MANUFACTURE OR SALE OF ITEMS WITHOUT WRITTEN PERMISSION. COPYRIGHT © 1975, DIGITAL EQUIPMENT CORPORATION"

REVISIONS		
CHK	CHANGE NO.	REV

1PC2(4,137)	123-APR-75 15:38	DATE	ENG. D. J. Chen	DATE	5-6-75	TITLE:	C1 PRIORITY CONTROL
FIRST USED ON OPTION/MODEL: MG10							

digital	PRN.	DATE	ENG. D. J. Chen	DATE	5-6-75	TITLE:	C1 PRIORITY CONTROL

SIZE CODE	NUMBER	REV.
D BS	MG10-0-1PC2	*

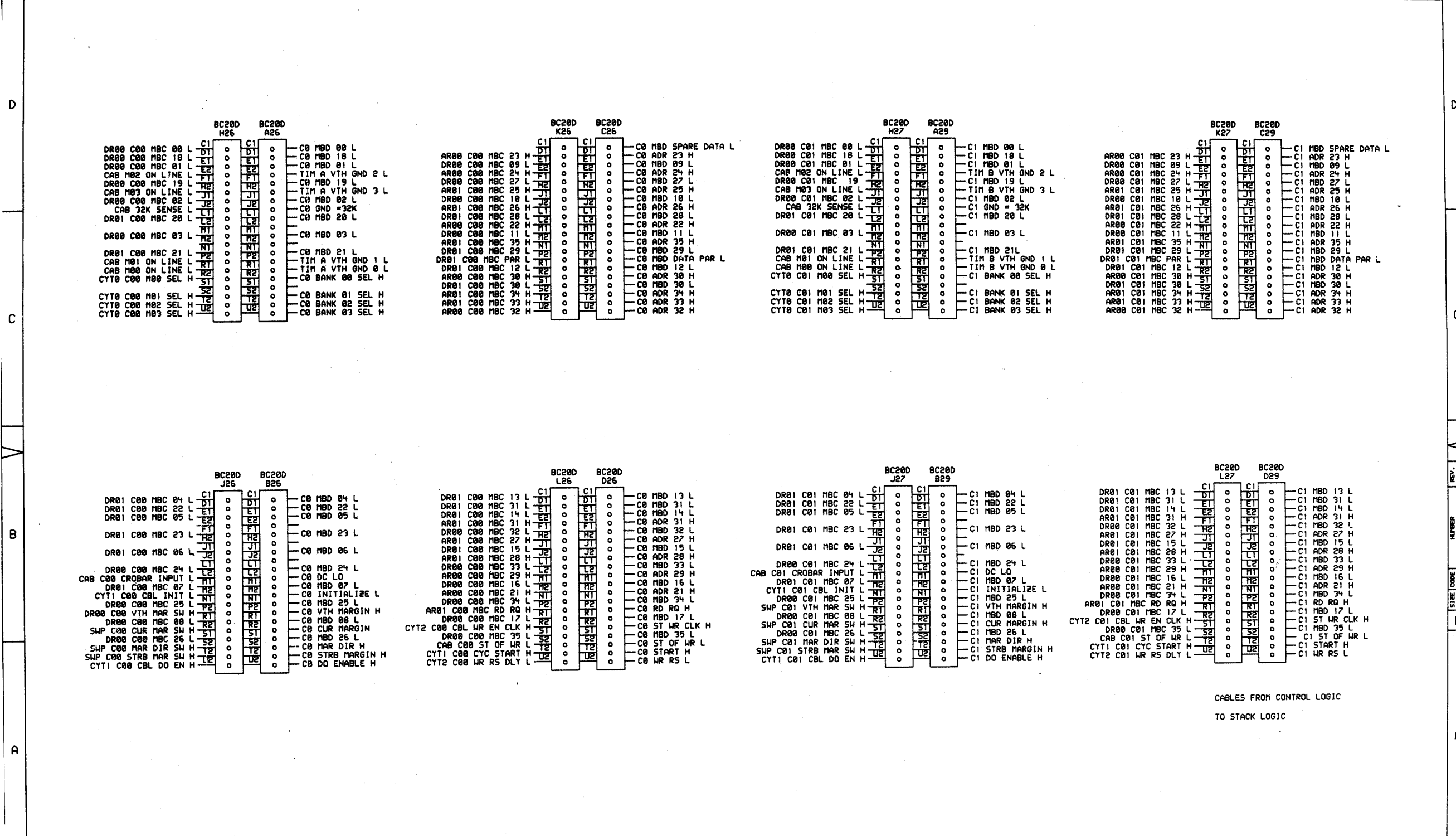


4 OF 4

"THIS DRAWING AND SPECIFICATIONS, HEREIN, ARE THE PROPERTY OF DIGITAL EQUIPMENT CORPORATION AND SHALL NOT BE REPRODUCED OR COPIED OR USED IN WHOLE OR IN PART AS THE BASIS FOR THE MANUFACTURE OR SALE OF ITEMS WITHOUT WRITTEN PERMISSION. COPYRIGHT © 1975, DIGITAL EQUIPMENT CORPORATION"

REVISIONS		
CHK	CHANGE NO.	REV

digital	DRN	DATE	ENG.	DATE	TITLE:	C1 PRIORITY CONTROL
	CHK	5/14/75	J. Chen	5-14-75		
1PC3(4,137)		109-MAY-75 13:08	NEXT HIGHER ASSEMBLY:		SIZE	CODE
FIRST USED ON OPTION/MODEL: MG10		B-DD-MG10-0	D	BS	NUMBER	REV.
					MG10-0-1PC3	*



CABLES FROM CONTROL LOGIC  
TO STACK LOGIC

THIS DRAWING AND SPECIFICATIONS, HEREIN, ARE THE PROPERTY OF DIGITAL EQUIPMENT CORPORATION AND SHALL NOT BE REPRODUCED OR COPIED OR USED IN WHOLE OR IN PART AS THE BASIS FOR THE MANUFACTURE OR SALE OF ITEMS WITHOUT WRITTEN PERMISSION. COPYRIGHT © 1979, DIGITAL EQUIPMENT CORPORATION

REVISIONS	
CHK	CHANGE NO. REV

digital	DRN. <i>R. DeGuzman</i>	DATE <i>5/19/75</i>	ENG. <i>D. J. Chen</i>	DATE <i>5-2-75</i>	TITLE: INTERNAL CABLES AND JUMPERS
CBL04,22	CHK. <i>W. J. ...</i>	DATE <i>6/19/75</i>	BOARD LOCATION: <i>1</i>	DE <i>1</i>	SIZE CODE NUMBER REV. <i>D BS MG10-0-CBL0 *</i>
FIRST USED ON OPTION/MODEL: <i>MG10</i>	DATE: <i>129-APR-75</i>	BY: <i>09126</i>	NEXT HIGHER ASSEMBLY: <i>B-DD-MG10-0</i>		

	M948 H04	M947 221
CHK ADR 35 IND H	K1	L2
CHK ADR 34 IND H	R1	V2
CHK ADR 33 IND H	S1	U2
CHK ADR 32 IND H	R1	U2
CHK ADR 31 IND H	L1	R1
CHK ADR 30 IND H	F2	P2
CHK ADR 29 IND H	L2	P1
CHK ADR 28 IND H	H2	L1
CHK ADR 27 IND H	J1	L1
CHK ADR 26 IND H	H2	K2
CHK ADR 25 IND H	A1	F1
CHK ADR 24 IND H	F1	H1
CHK ADR 23 IND H	H1	J1
CHK ADR 22 IND H	F2	E1
CHK ADR 21 IND H	C1	D1
CHK M03 SEL IND H	E1	A1
CHK M02 SEL IND H	D1	C1
CHK M01 SEL IND H	J2	B1
CHK M00 SEL IND H	K2	D2
	D2	J2
	U2	F2
LAMP TEST	V1	

	M948 H03	M947 222
CHK DATA 35 IND H	K1	L2
CHK DATA 34 IND H	R1	V2
CHK DATA 33 IND H	S1	U2
CHK DATA 32 IND H	R1	U2
CHK DATA 31 IND H	L1	R1
CHK DATA 30 IND H	F2	P2
CHK DATA 29 IND H	L2	P1
CHK DATA 28 IND H	H2	L1
CHK DATA 27 IND H	J1	L1
CHK DATA 26 IND H	H2	K2
CHK DATA 25 IND H	A1	F1
CHK DATA 24 IND H	F1	H1
CHK DATA 23 IND H	H1	J1
CHK DATA 22 IND H	F2	E1
CHK DATA 21 IND H	C1	D1
CHK DATA 20 IND H	E1	A1
CHK DATA 19 IND H	D1	C1
CHK DATA 18 IND H	J2	B1
CHK DATA 17 IND H	K2	D2
CHK DATA 16 IND H	D2	J2
CHK DATA 15 IND H	U2	F2
CHK DATA 14 IND H	U2	F2
LAMP TEST	V1	

	M948 H07	M947 212
CHK DATA 13 IND H	K1	L2
CHK DATA 12 IND H	R1	V2
CHK DATA 11 IND H	S1	U2
CHK DATA 10 IND H	R1	U2
CHK DATA 09 IND H	L1	R1
CHK DATA 08 IND H	F2	P2
CHK DATA 07 IND H	L2	P1
CHK DATA 06 IND H	H2	L1
CHK DATA 05 IND H	J1	L1
CHK DATA 04 IND H	H2	K2
CHK DATA 03 IND H	A1	F1
CHK DATA 02 IND H	F1	H1
CHK DATA 01 IND H	H1	J1
CHK DATA 00 IND H	F2	E1
	C1	D1
	E1	A1
	D1	C1
	J2	B1
	K2	D2
	D2	J2
	U2	F2
LAMP TEST	V1	

	M948 H02	M947 224
CHK C00 PAR ERROR H	K1	L2
CHK C00 WR RS IND H	S1	U2
CYT1 C00 STOP H	L1	R1
CYT1 C00 RUN H	F2	P2
CYT1 C00 INC RQ H	L2	P1
CYT1 C00 DATA OUT EN H	H2	L1
CYT1 C00 DATA IN EN H	J1	L1
CYT1 C00 MB SEL H	H2	K2
	A1	F1
	F1	H1
	H1	J1
	F2	E1
	C1	D1
	E1	A1
	D1	C1
	J2	B1
	K2	D2
	D2	J2
	U2	F2
CHK C00 P07 ACT H	U2	F2
LAMP TEST	V1	

CABLES FROM CONTROL LOGIC  
TO INDICATOR PANEL

	M948 H06	M947 214
CHK C00 P06 ACT H	K1	L2
CHK C00 P05 ACT H	R1	V2
CHK C00 P04 ACT H	S1	U2
CHK C00 P03 ACT H	R1	U2
CHK C00 P02 ACT H	L1	R1
CHK C00 P01 ACT H	F2	P2
CHK C00 P00 ACT H	L2	P1
PAD1 C00 P07 RQ H	P1	P1
PAD1 C00 P06 RQ H	H1	H1
PAD1 C00 P05 RQ H	J1	L1
PAD1 C00 P04 RQ H	H2	K2
PAD1 C00 P03 RQ H	A1	F1
PAD1 C00 P02 RQ H	F1	H1
PAD1 C00 P01 RQ H	H1	J1
PAD1 C00 P00 RQ H	F2	E1
	C1	D1
	E1	A1
	D1	C1
	J2	B1
	K2	D2
	D2	J2
	U2	F2
LAMP TEST	V1	

	M948 H01	M947 225
CHK C01 PAR ERROR H	K1	L2
CHK C01 WR RS IND H	S1	U2
CYT1 C01 STOP H	L1	R1
CYT1 C01 RUN H	F2	P2
CYT1 C01 INC RQ H	L2	P1
CYT1 C01 DATA OUT EN H	H2	L1
CYT1 C01 DATA IN EN H	J1	L1
CYT1 C01 MB SEL H	H2	K2
	A1	F1
	F1	H1
	H1	J1
	F2	E1
	C1	D1
	E1	A1
	D1	C1
	J2	B1
	K2	D2
	D2	J2
	U2	F2
CHK C01 P07 ACT H	U2	F2
LAMP TEST	V1	

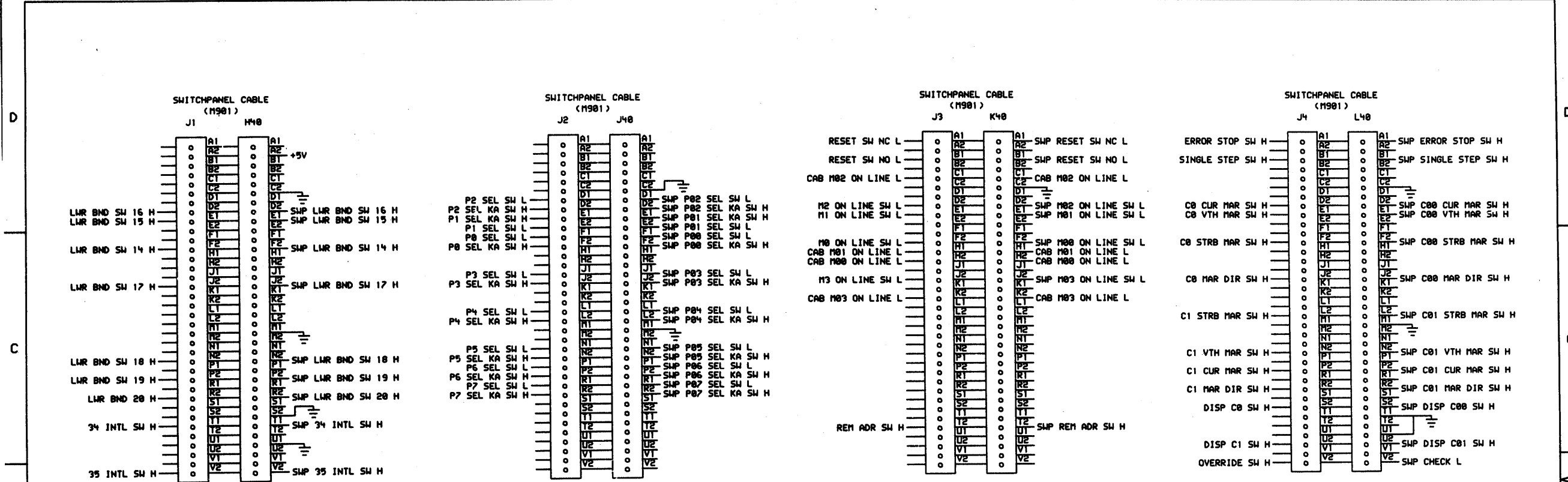
	M948 H05	M947 215
CHK C01 P06 ACT H	K1	L2
CHK C01 P05 ACT H	R1	V2
CHK C01 P04 ACT H	S1	U2
CHK C01 P03 ACT H	R1	U2
CHK C01 P02 ACT H	L1	R1
CHK C01 P01 ACT H	F2	P2
CHK C01 P00 ACT H	L2	P1
PAD1 C01 P07 RQ H	P1	P1
PAD1 C01 P06 RQ H	H1	H1
PAD1 C01 P05 RQ H	J1	L1
PAD1 C01 P04 RQ H	H2	K2
PAD1 C01 P03 RQ H	A1	F1
PAD1 C01 P02 RQ H	F1	H1
PAD1 C01 P01 RQ H	H1	J1
PAD1 C01 P00 RQ H	F2	E1
	C1	D1
	E1	A1
	D1	C1
	J2	B1
	K2	D2
	D2	J2
	U2	F2
LAMP TEST	V1	

\*THIS DRAWING AND SPECIFICATIONS, HEREIN, ARE THE PROPERTY OF DIGITAL EQUIPMENT CORPORATION AND SHALL NOT BE REPRODUCED OR COPIED OR USED IN WHOLE OR IN PART AS THE BASIS FOR THE MANUFACTURE OR SALE OF ITEMS WITHOUT WRITTEN PERMISSION. COPYRIGHT © 1975, DIGITAL EQUIPMENT CORPORATION\*

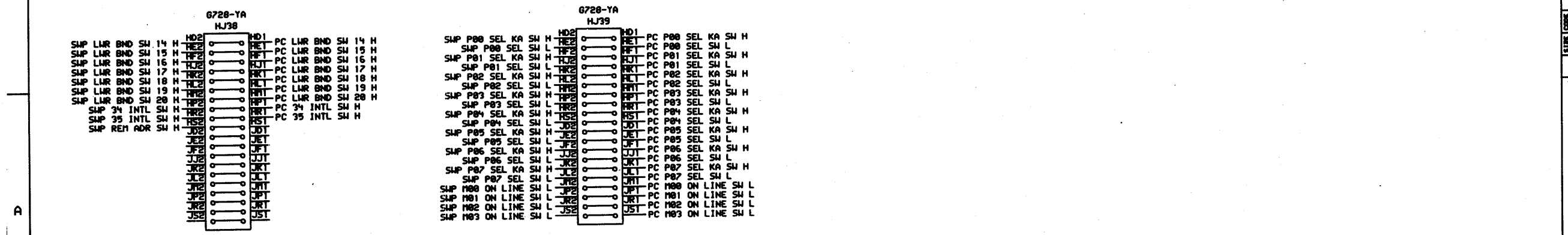
CHK	CHANGE NO.	REV.

digital	DRN.	DATE	ENG.	DATE	TITLE:
	CHK'D:	5/17/75	J. J. Miller	5-2-75	INTERNAL CABLES AND JUMPERS
CBL1(4,22)		124-APR-75 10:53	5/17/75	SHEET 1 OF 1	SIZE CODE NUMBER
FIRST USED ON OPTION/MODEL: MG10		NEXT HIGHER ASSEMBLY: B-DD-MG10-0		D BS	MG10-0-CBL1
					REV. *





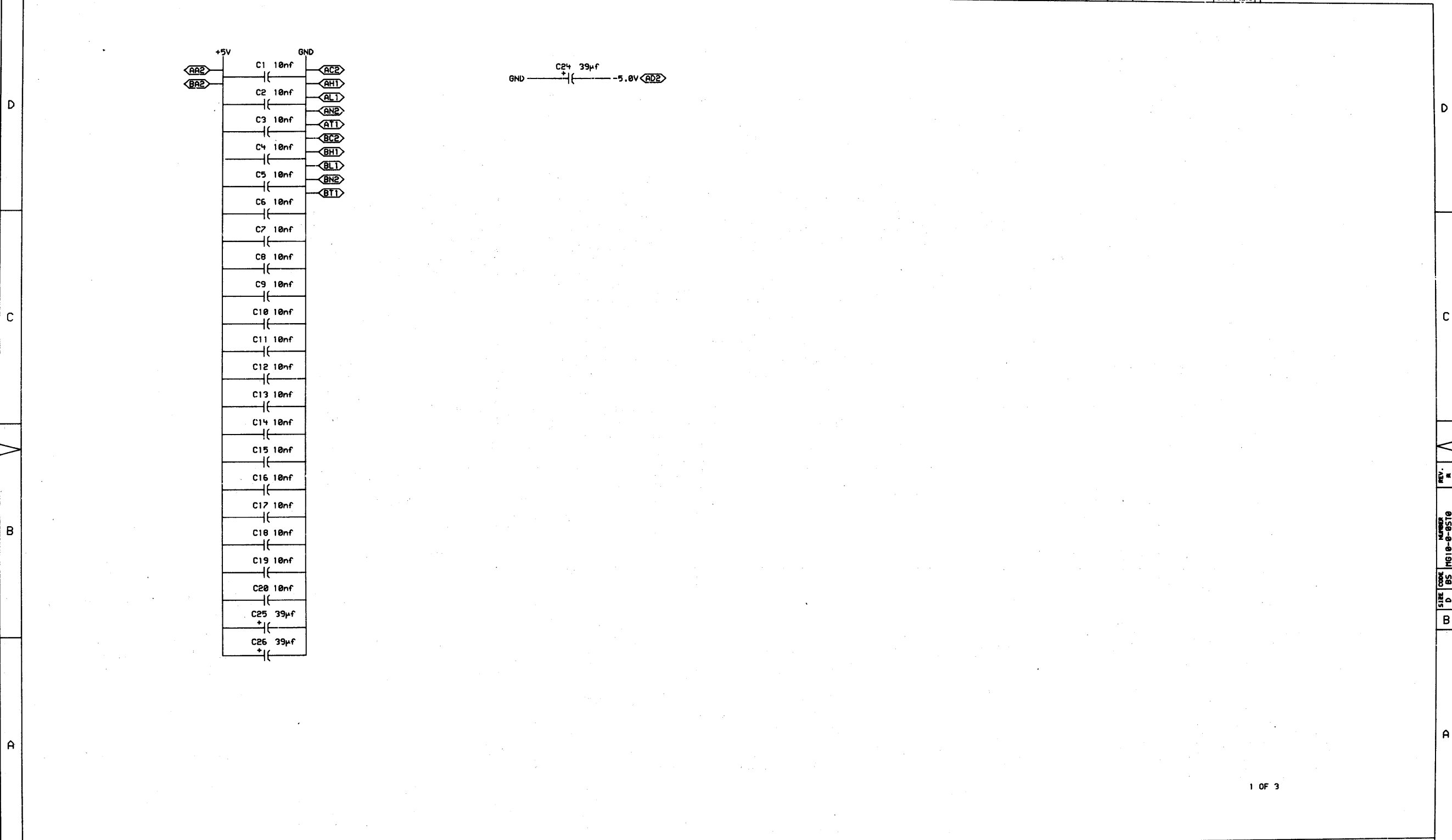
CABLES FROM SWITCH PANEL TO CONTROL LOGIC



<p>THIS DRAWING AND SPECIFICATIONS, HEREIN, ARE THE PROPERTY OF DIGITAL EQUIPMENT CORPORATION AND SHALL NOT BE REPRODUCED OR COPIED OR USED IN WHOLE OR IN PART AS THE BASIS FOR THE MANUFACTURE OR SALE OF ITEMS WITHOUT WRITTEN PERMISSION. COPYRIGHT © 1975, DIGITAL EQUIPMENT CORPORATION</p>		<p>REVISIONS</p> <table border="1"> <tr> <th>CHK</th> <th>CHANGE NO.</th> <th>REV</th> </tr> <tr> <td></td> <td></td> <td></td> </tr> </table>	CHK	CHANGE NO.	REV				<p>digital</p>	<p>DRN. <i>Ric. De... 5-11-75</i></p> <p>DATE <i>5/11/75</i></p> <p>ENG. <i>D. J. Chin</i></p> <p>DATE <i>5-2-75</i></p> <p>BUSS LOCATION</p> <p>DATE</p> <p>DATE</p>	<p>TITLE: INTERNAL CABLES AND JUMPERS</p>	<p>SIZE CODE: D BS</p> <p>NUMBER: MG10-0-CBL2</p> <p>REV.:</p>
CHK	CHANGE NO.	REV										
<p>FIRST USED ON OPTION/MODEL: MG10</p>		<p>NEXT HIGHER ASSEMBLY: B-DD-MG10-0</p>		<p>8 7 6 5 4 3 2 1</p>								

8 7 6 5 4 3 2 1

REV. # 2  
 FILE CODE D  
 NUMBER BS MG10-0-0ST0



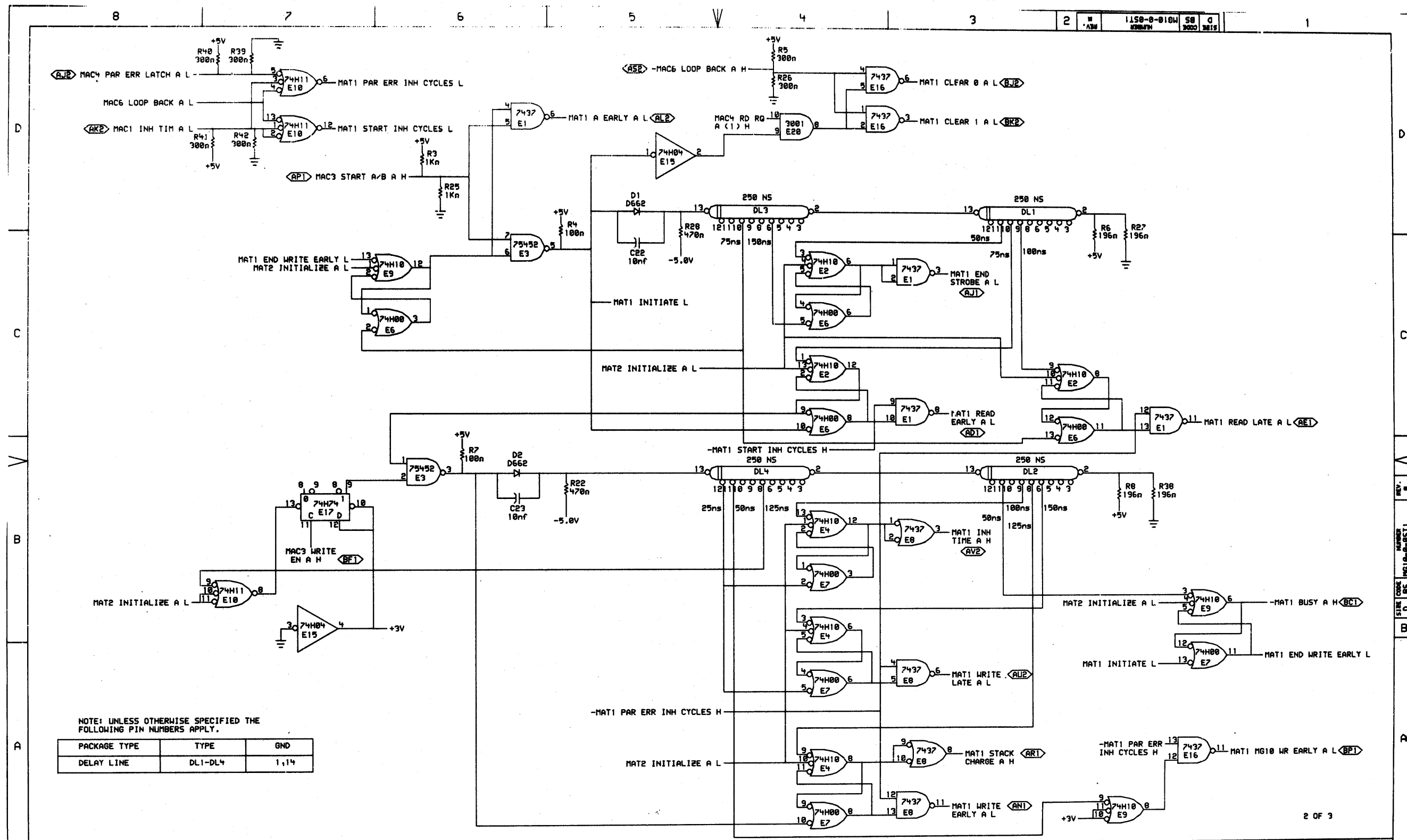
1 OF 3

"THIS DRAWING AND SPECIFICATIONS, HEREIN, ARE THE PROPERTY OF DIGITAL EQUIPMENT CORPORATION AND SHALL NOT BE REPRODUCED OR COPIED OR USED IN WHOLE OR IN PART AS THE BASIS FOR THE MANUFACTURE OR SALE OF ITEMS WITHOUT WRITTEN PERMISSION.  
 COPYRIGHT © 1975, DIGITAL EQUIPMENT CORPORATION"

REVISIONS		
CHK	CHANGE NO.	REV

digital	DRN.	DATE	ENG. D. J. Chen	DATE	TITLE: C0 STACK TIMING
	CHK'D	DATE	BOARD LOCATION:	SHEET	OF 1
0ST0(4,137)		121-APR-75 18:59	NEXT HIGHER ASSEMBLY:	SIZE CODE D BS	NUMBER MG10-0-0ST0
FIRST USED ON OPTION/MODEL: MG10		B-DD-MG10 -0		REV. #	*

8 7 6 5 4 3 2 1



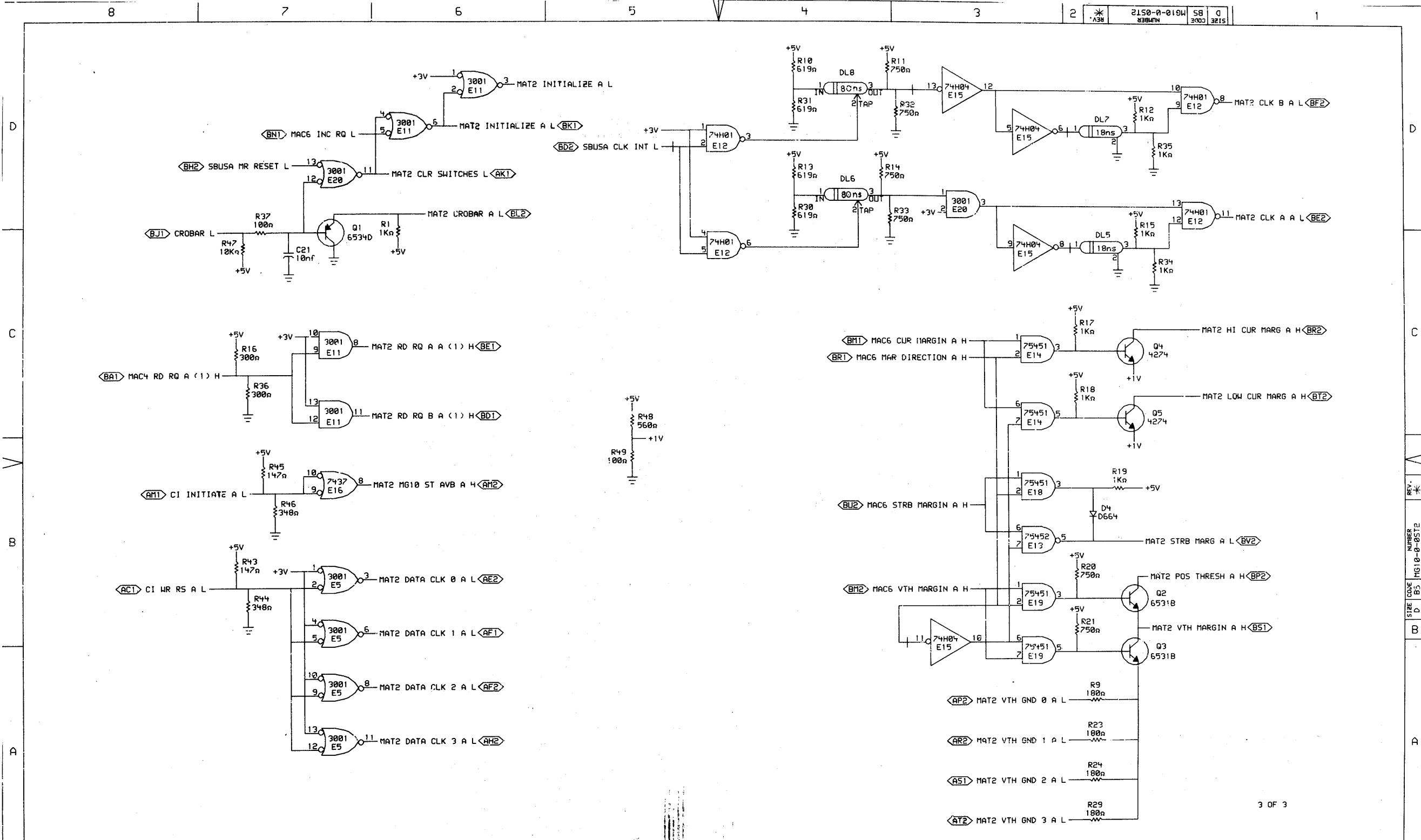
NOTE: UNLESS OTHERWISE SPECIFIED THE FOLLOWING PIN NUMBERS APPLY.

PACKAGE TYPE	TYPE	GND
DELAY LINE	DL1-DL4	1,14

"THIS DRAWING AND SPECIFICATIONS, HEREIN, ARE THE PROPERTY OF DIGITAL EQUIPMENT CORPORATION AND SHALL NOT BE REPRODUCED OR COPIED OR USED IN WHOLE OR IN PART AS THE BASIS FOR THE MANUFACTURE OR SALE OF ITEMS WITHOUT WRITTEN PERMISSION. COPYRIGHT © 1975, DIGITAL EQUIPMENT CORPORATION"

REVISIONS		
CHK	CHANGE NO.	REV.

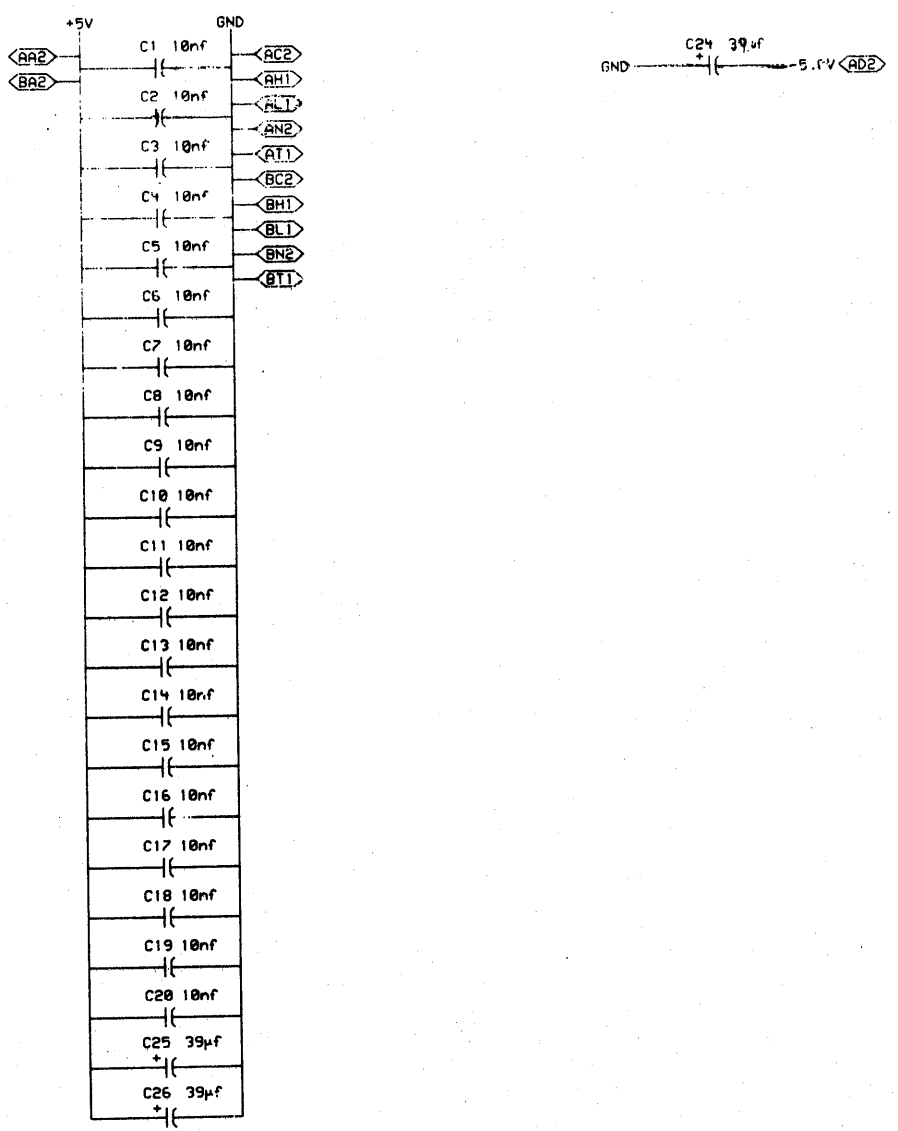
	DATE	ENG. D. J. Chan	DATE	TITLE:
	5/17/75		5-6-75	C0 STACK TIMING
8511(4,137)	DATE	5/17/75	BOARD LOCATION:	
FIRST USED ON OPTION/MODEL:	21-APR-75 18:59	NEXT HIGHER ASSEMBLY:	SIZE	CODE
MG10	B-DD-MG10-0		D	BS
			NUMBER	REV.
			MG10-0-0ST1	*



THIS DRAWING AND SPECIFICATIONS, HEREIN, ARE THE PROPERTY OF DIGITAL EQUIPMENT CORPORATION AND SHALL NOT BE REPRODUCED OR COPIED OR USED IN WHOLE OR IN PART AS THE BASIS FOR THE MANUFACTURE OR SALE OF ITEMS WITHOUT WRITTEN PERMISSION.  
 COPYRIGHT © 1975, DIGITAL EQUIPMENT CORPORATION

REVISIONS		
CHK	CHANGE NO.	REV

digital	DRN	DATE	ENG.	DATE	TITLE:
	CHK'D	DATE	BOARD LOCATION:		C0 STACK TIMING
FIRST USED ON OPTION/MODEL: MG10					SIZE CODE
NEXT HIGHER ASSEMBLY: B-DD-MG10-0					NUMBER
					REV.



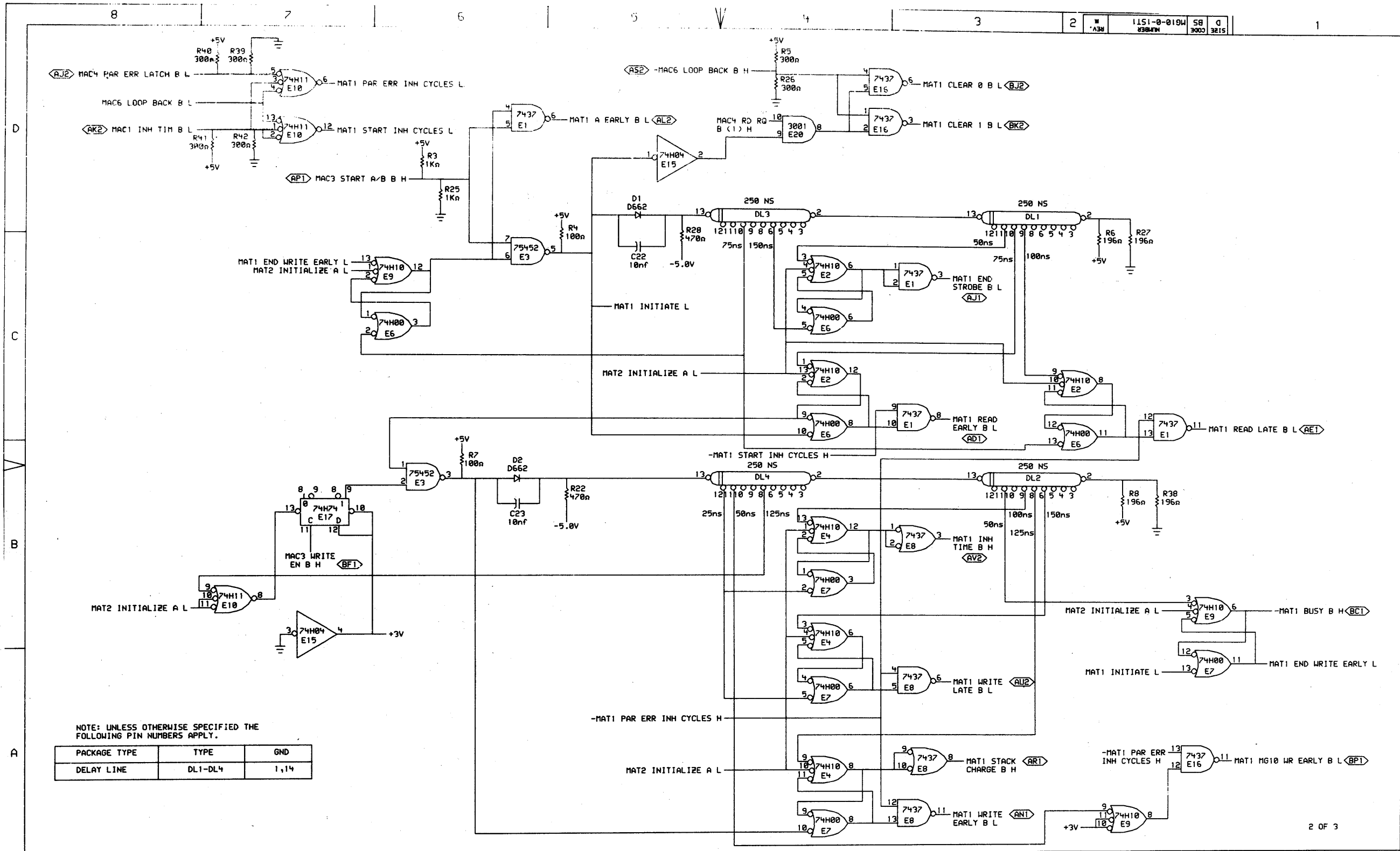
"THIS DRAWING AND SPECIFICATIONS, HEREIN, ARE THE PROPERTY OF DIGITAL EQUIPMENT CORPORATION AND SHALL NOT BE REPRODUCED OR COPIED OR USED IN WHOLE OR IN PART AS THE BASIS FOR THE MANUFACTURE OR SALE OF ITEMS WITHOUT WRITTEN PERMISSION.  
COPYRIGHT © 1975, DIGITAL EQUIPMENT CORPORATION"

REVISIONS		
CHK	CHANGE NO.	REV.

digital	DRN.	DATE	ENG.	DATE	TITLE:
	CHK	DATE	BOARD LOCATION:		C1 STACK TIMING
	1504.1373	21-APR-75 18:59	NEXT HIGHER ASSEMBLY:	SHEET 1 OF 1	
FIRST USED ON OPTION/MODEL: MG10		B-DD-MG10 --0		SIZE CODE	NUMBER
				D BS	MG10-0-1510
					REV.
					*

REV. #  
NUMBER  
MG10-0-1510  
SIZE CODE  
D BS  
D

D  
C  
B  
A



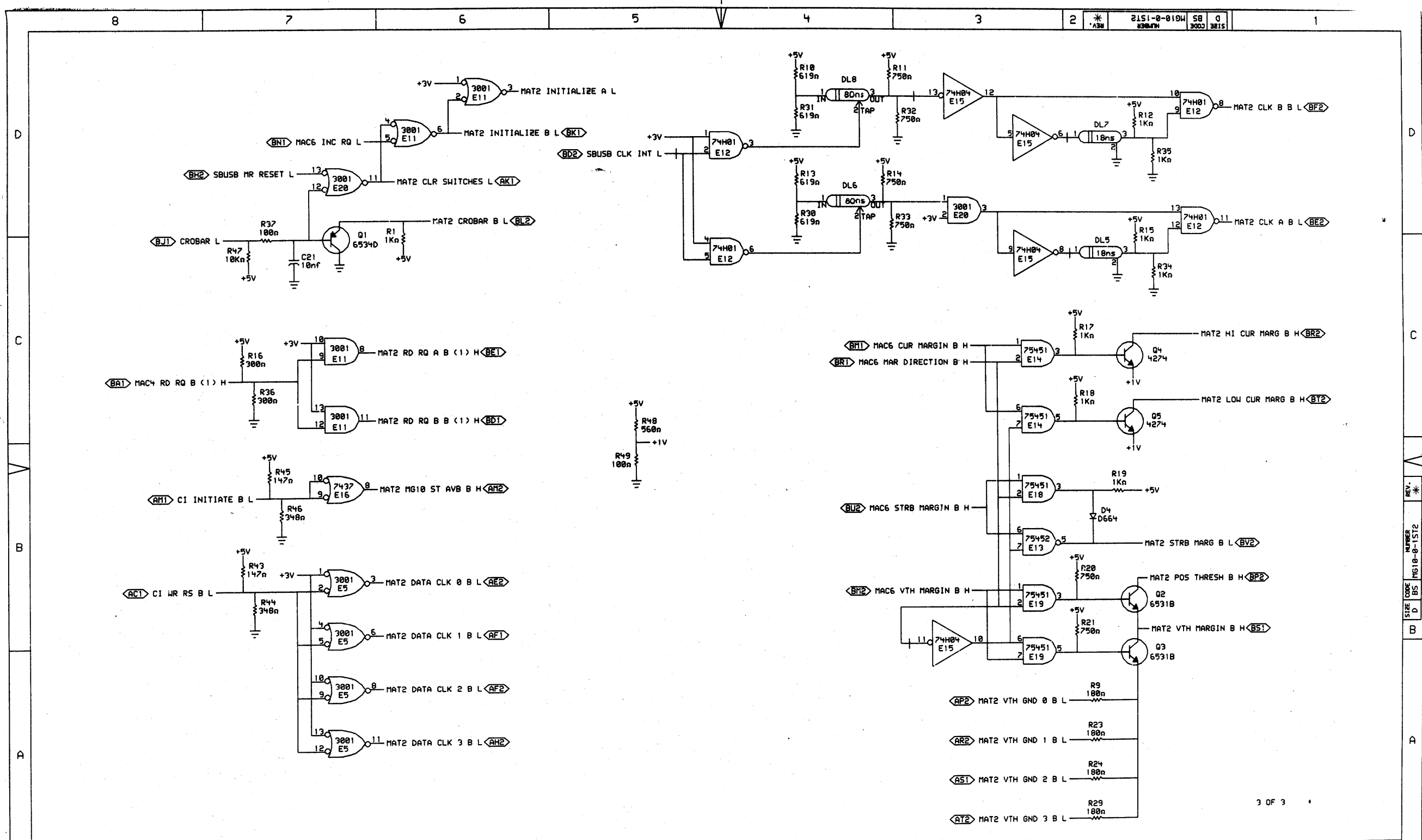
NOTE: UNLESS OTHERWISE SPECIFIED THE FOLLOWING PIN NUMBERS APPLY.

PACKAGE TYPE	TYPE	GND
DELAY LINE	DL1-DL4	1,14

"THIS DRAWING AND SPECIFICATIONS, HEREIN, ARE THE PROPERTY OF DIGITAL EQUIPMENT CORPORATION AND SHALL NOT BE REPRODUCED OR COPIED OR USED IN WHOLE OR IN PART AS THE BASIS FOR THE MANUFACTURE OR SALE OF ITEMS WITHOUT WRITTEN PERMISSION. COPYRIGHT © 1975, DIGITAL EQUIPMENT CORPORATION"

REVISIONS
CHK CHANGE NO. REV

digital ORN  
 DATE: 123-APR-75 1106  
 DATE: 5/19/75  
 DATE: 2-5-75  
 TITLE: C1 STACK TIMING  
 BOARD LOCATION: B-DD-MG10-0  
 NEXT HIGHER ASSEMBLY: B-DD-MG10-0  
 SIZE CODE: D B5  
 NUMBER: MG10-0-1ST1  
 REV.:



THIS DRAWING AND SPECIFICATIONS, HEREIN, ARE THE PROPERTY OF DIGITAL EQUIPMENT CORPORATION AND SHALL NOT BE REPRODUCED OR COPIED OR USED IN WHOLE OR IN PART AS THE BASIS FOR THE MANUFACTURE OR SALE OF ITEMS WITHOUT WRITTEN PERMISSION.  
 COPYRIGHT © 1975, DIGITAL EQUIPMENT CORPORATION\*

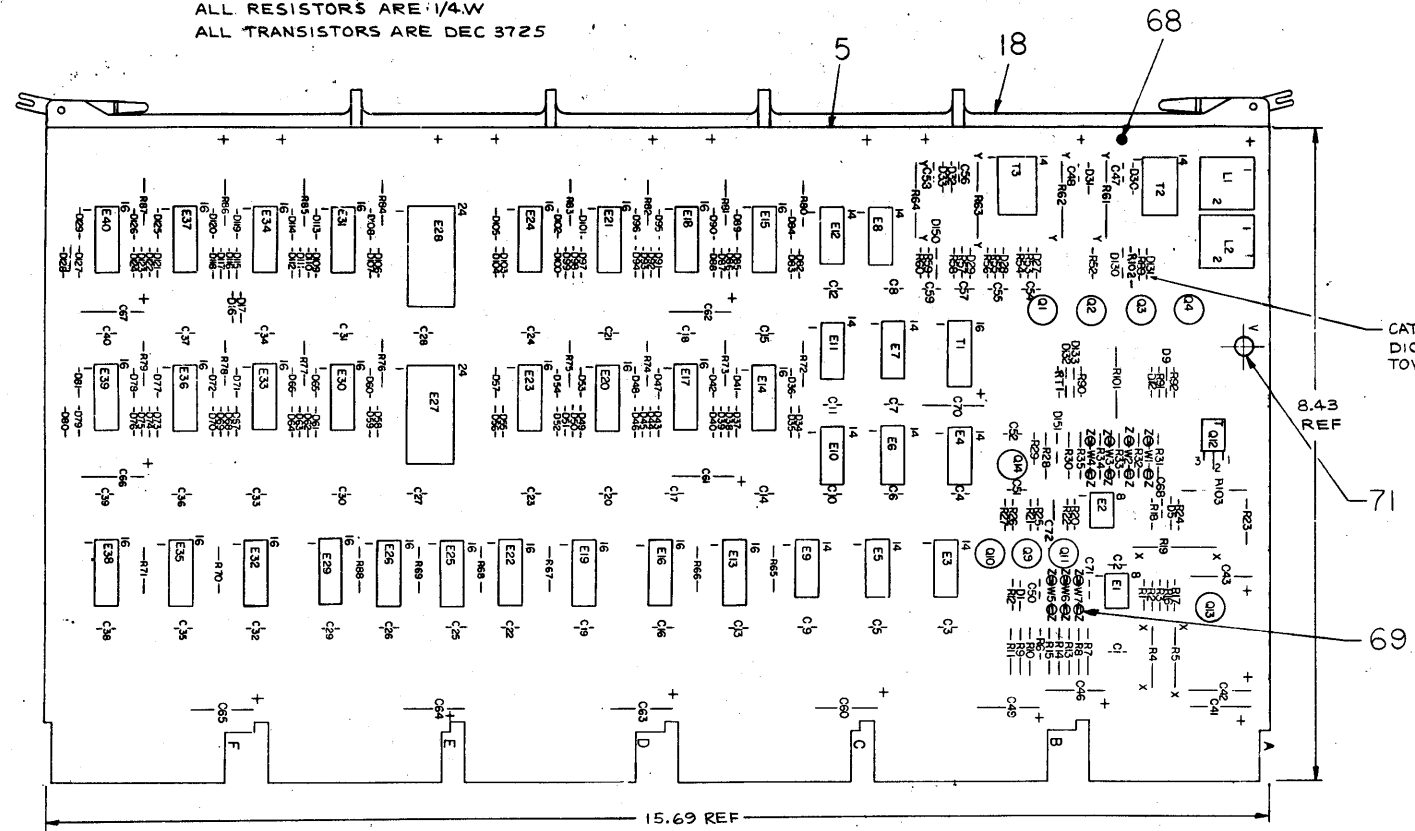
REVISIONS	
CHK	CHANGE NO. REV

	DRN: <i>J. Tomlin</i>	DATE: <i>3/9/75</i>	ENG: <i>D. J. Chen</i>	DATE: <i>6-4-75</i>	TITLE: <b>C1 STACK TIMING</b>
	CHK'D: <i>[Signature]</i>	DATE: <i>6/11/75</i>	BOARD LOCATION: <i>1</i>	SHEET: <i>1</i>	SIZE CODE: <b>D BS</b>
FIRST USED ON OPTION/MODEL: <b>MG10</b>		NEXT HIGHER ASSEMBLY: <b>B-DD-MG10-0</b>		NUMBER: <b>MG10-0-1ST2</b>	REV. * <b>1</b>

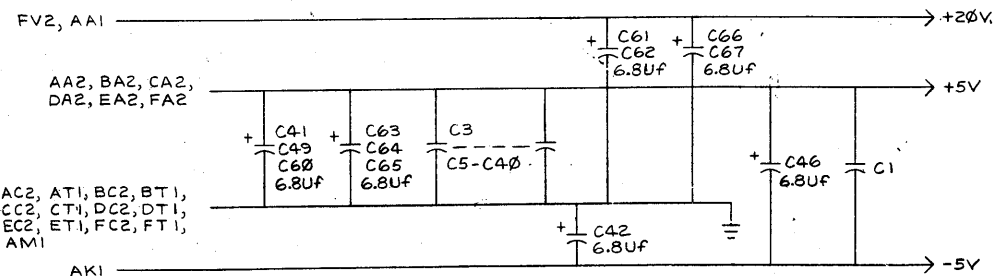
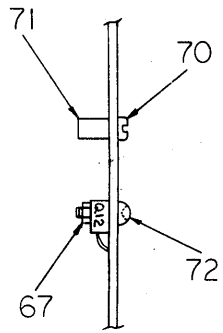
This drawing and specifications, herein, are the property of Digital Equipment Corporation and shall not be reproduced or copied or used in whole or in part as the basis for the manufacture or sale of items without written permission.

**NOTES:**

- \* INDICATES NOT USED ON MF11-U & MF11-UP (2 PLACES).
- \*\* INDICATES NOT USED ON MF11-U & MF11-UP, BUT ARE TIED TO UNUSED TERMINATORS ON THE G114 MODULE, WHICH FORCES THEM TO +3V (5 PLACES).
- 1 THERMISTOR LOCATED ON H217 STACK MODULE, 1 ON G235
- UNLESS OTHERWISE INDICATED;  
ALL DIODES ARE D672  
ALL CAPACITORS ARE .01UF  
ALL RESISTORS ARE 1/4.W  
ALL TRANSISTORS ARE DEC 3725



CATHODE END OF ALL DIODES SHALL BE TOWARD FINGERS



IC TYPE	GND	+5V	+20V
74121	7	-	-
741	-	-	-
75325	-	9	16
7442	8	16	-
74154	12	24	-

GND AND 5V ARE USUALLY PIN 7 AND 14 RESPECTIVELY EXCEPTS ARE STATED ABOVE

**IC PIN LOCATIONS**

QTY	REF DESIGNATION	DESCRIPTION	PART NO.	ITEM NO.
PARTS LIST				
1	D	ETCH BOARD REV		

CHK	CHANGE NO.	REV	DATE	BY

DRN	DATE	TITLE
<i>R. Bunker</i>	4-4-75	16K X-Y DRIVE
<i>W. Chisler</i>	4-11-75	
<i>W. Chisler</i>	7/1/75	
<i>W. Chisler</i>	7/1/75	
<i>R. Bunker</i>	8/1/75	

SIZE CODE	NUMBER	REV.
DCS	G235-0-1	D



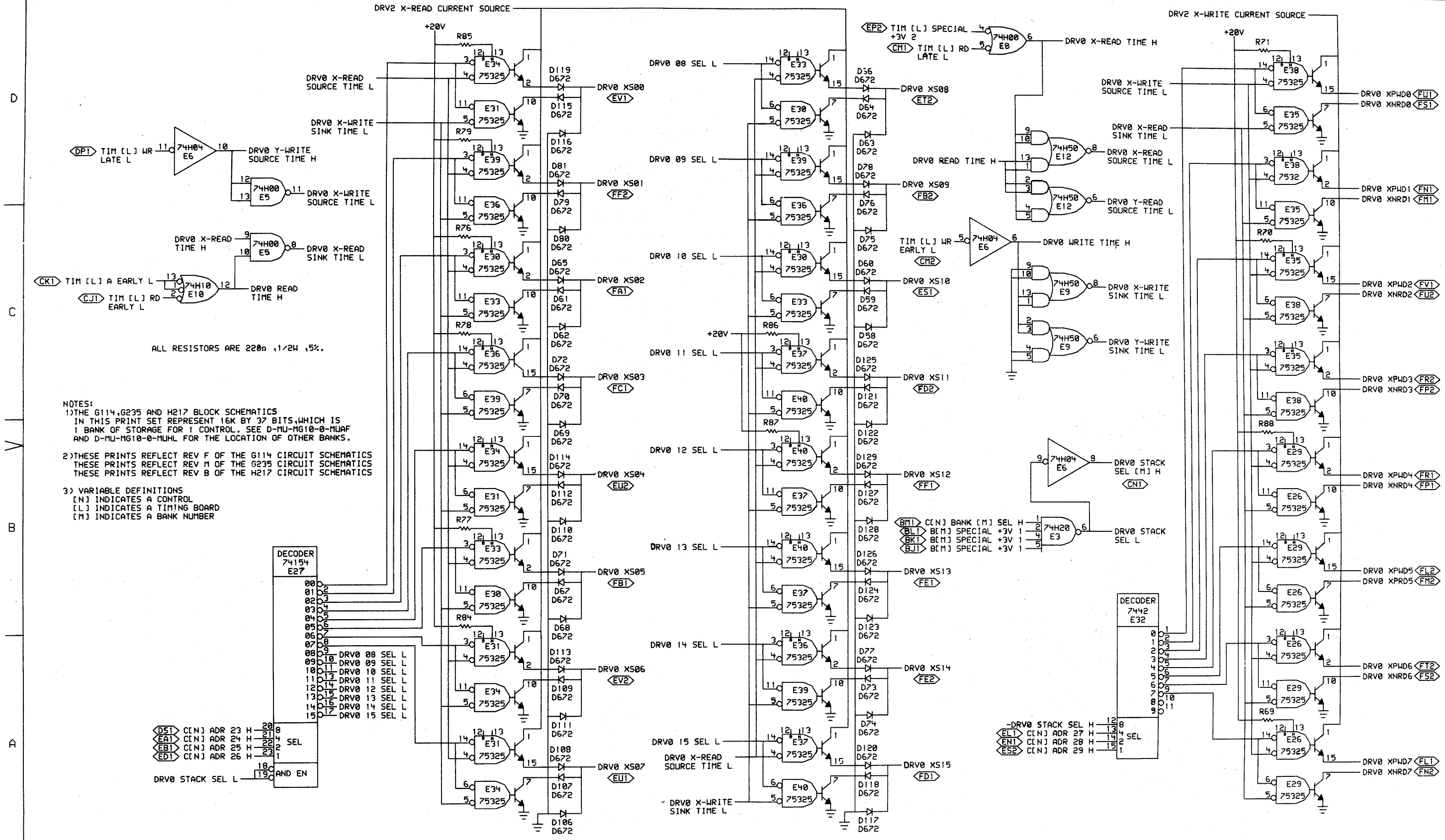
THIS DRAWING AND SPECIFICATIONS HEREIN ARE THE PROPERTY OF DIGITAL EQUIPMENT CORPORATION AND SHALL NOT BE REPRODUCED OR COPIED OR USED IN WHOLE OR IN PART AS THE BASIS FOR THE MANUFACTURE OR SALE OF ITEMS WITHOUT WRITTEN PERMISSION. COPYRIGHT © 1973, DIGITAL EQUIPMENT CORPORATION

QTY	REF	DESIGNATION	DESCRIPTION	PART NO.	ITEM NO.	QTY	REF	DESIGNATION	DESCRIPTION	PART NO.	ITEM NO.
1	E8	IC DEC 74H04		1909931	62						
1	E10	IC DEC 74H10		1909057	63	REF		X-Y COORDINATE HOLE LOCATION	K-CO-G235-0-4		2
2	E7, E11	IC DEC 74H40		1905586	64	REF		ASSY/DRILLING HOLE LAYOUT	D-AH-G235-0-5		3
24	E13-E18, E20-E26, E29-E31, E33-E40	IC DEC 75325		1910960	65	REF		ECO MODULE HISTORY	B-MH-G235-0-6		4
2	E9, E12	IC DEC 74H50		1909060	66	1	C71	ETCHED CIRCUIT BD.	5010145		5
1		KEPNUT 4-40		9006557	67	46	C1-CA0, C48, C50, C52, C59, C66, C72	CAP 47 PF 100V 5% D.M.	1000011		6
12		EYELET HANDLE		9006732	68	4	C59, C66, C72	CAP .01UF 50V 20%	1001610		7
14		SPLIT LUGS		9006735	69	1	C59, C66, C72	CAP .005 UF 100V 20% DISC	1001765		8
1		SCREW NYLON 6-32		9008212-1	70	1	C43	CAP 18 PF 100V 5% D.M.	1002608		9
1		STAND OFF 1/4 X 3/8		9008213	71	13	C41, C42, C46, C49, C60-C67, C70	CAP 47 UF 20V 10% S. TANT	1004814		10
1		SCREW (PHILLIPS PAN HEAD) 4-40 X 3/16		9006000-1	72	1	D1	CAP 6.8UF 35V 10% S. TANT	1005306		11
1	R31	RES 19.6K 1/8W 1%		1309419	73	109	D9, D12, D17, D27-D130, D132, D150	DIODE ZENER IN753A 6.2V ± 1%	1102421-1		12
AR	WI-W7	WIRE #22 AWG (SOLID)		9107560-1	74	1	D16	DIODE DS72	1105275		13
1	R91	RES 180Ω 1/4W 5%		1301322	75	1	D18	DIODE ZENER IN5248B 18V ± 10%	1110766		14
1	D133	DIODE ZENER IN752A 5.6V 1%		1102808-1	76	1	D5	DIODE ZENER IN749A 4.3V ± 5%	1109977		15
1	R92	RES 150Ω 1/4W 5%		1300250	77	1	D131	DIODE ZENER IN754A 6.8V ± 5%	1109991		16
2	C47, C56	CAP .022UF 50V		1011683	78	1	D151	DIODE ZENER IN750A 4.7V ± 5%	1100124		17
1	RT1	THERMISTOR 300Ω 2%		1309785	79	2		HANDLE ASSY	1210711-2		18
1	R102	RES 330Ω 1/4W 5%		1300295	80	12	R18, R24	RES 100 1/4W 5%	1300229		19
1	Q11	TRANS. DEC 4258		1506321	81	1	R69-R71, R76-R79, R84-R88	RES 220 1/2W 5%	1300274		20
1	E3	IC DEC 74H20		1905635	82	12	R101	RES 220 2W 10%	1300278		21
1	R7	RES. 9.09K 1/8W 1%		1304855	83	2	R65-R68, R72-R75, R80-R83	RES 270 1/2W 5%	1300285		22
1	R103	RES. 75Ω 1W 5%		1505281	84	2	R21, R27	RES 470 1/4W 5%	1300316		23
A/R		WIRE #30		9105740-55	85	1	R3, R16	RES 1K 1/4W 5%	1300385		24
						1	R23	RES 1K 1/2W 5%	1300364		25
						1	R2	RES 4.7K 1/4W 5%	1300447		26
						1	R17	RES 10 1/4W 5%	1301317		27
						1	R89	RES 8.2Ω 1/4W 5%	1301477		28
						4	R81-R84	RES 10-Ω 2W 10%	1300172		29
						1	R22	RES 22K 1/4W 5%	1301808		30
						1	R12	RES 270 1/4W 5%	1301972		31
						4	R54, R58, R59, R60	RES 18 1/4W 5%	1302124		32
						4	R53, R55, R57, R59	RES 75 1/4W 5%	1302379		33
						4	R25, R26, R52, R20	RES 2K 1/4W 5%	1302388		34
						2	R1, R6	RES 470K 1/4W 5%	1302398		35
						1	R29	RES 120K 1/4W 5%	1300539		36
						2	R32, R8	RES 10K 1/8W 1%	1302886		37
						2	R28, R30	RES 14.7K 1/8W 1%	1302941		38
						1	R9	RES 2071/8W 1%	1305124		39
						1	R10	RES 196 1/8W 1%	1302956		40
						1	R35	RES 3.16K 1/8W 1%	1303045		41
						1	R34	RES 34.8K 1/8W 1%	1303156		42
						1	R14	RES 243K 1/8W 1%	1304843		43
						1	R11	RES 2.61K 1/8W 1%	1303303		44
						2	R15, R33	RES 88.1K 1/8W 1%	1305252		45
						1	R13	RES 121K 1/8W 1%	1305255		46
						2	R4, R5	RES .25 3W 1%	1310219		47
						1	R19	RES .08 5W 3%	1310983		48
						1	R90	RES 56Ω 1/4W 5%	1302-02		49
						1	Q14	TRANS DEC 2904A	1501913		50
						1	Q13	TRANS DEC 6534B	1503409-1		51
						1	Q12	TRANS DEC 4920	1509605		52
						6	Q1-Q4, Q9, Q10	TRANS DEC 3725	1510959		53
						1	T1	PULSE TRANSFORMER (DIP)	1609651		54
						2	T2, T3	SATURATING TRANSFORMER-XY	1610582		55
						2	L1, L2	CHOKO 400 UH	1610963		56
						2	E27, E28	IC DEC 74154	1909701		57
						2	E19, E32	IC DEC 7442	1910046		58
						1	E4	IC DEC 74121	1910230		59
						2	E1, E2	IC DEC 741	1910298		60
						2	E5, E8	IC DEC 74H00	1909056		61

CHK	CHANGE NO	REV	QTY	REF	DESIGNATION	DESCRIPTION	PART NO.	ITEM NO.	QTY	REF	DESIGNATION	DESCRIPTION	PART NO.	ITEM NO.

TITLE: **16K X-Y DRIVE**      SIZE/TYPE: **D CS**      NUMBER: **G2350-1**  
 SCALE: **1/16"**      SHEET: **3** OF **6**      DIST.:

SIZE	D	BS	MG10-0-DR0
CODE			
NUMBER			



ALL RESISTORS ARE 220Ω, 1/2W, 5%.

NOTES:

- THE G114, G235 AND H217 BLOCK SCHEMATICS IN THIS PRINT SET REPRESENT 16K BY 37 BITS, WHICH IS 1 BANK OF STORAGE FOR 1 CONTROL. SEE D-MU-MG10-0-MUAF AND D-MU-MG10-0-MUHL FOR THE LOCATION OF OTHER BANKS.
- THESE PRINTS REFLECT REV F OF THE G114 CIRCUIT SCHEMATICS THESE PRINTS REFLECT REV M OF THE G235 CIRCUIT SCHEMATICS THESE PRINTS REFLECT REV B OF THE H217 CIRCUIT SCHEMATICS
- VARIABLE DEFINITIONS  
 [N] INDICATES A CONTROL  
 [L] INDICATES A TIMING BOARD  
 [M] INDICATES A BANK NUMBER

[DS]	CLN J	ADR	23	H	20	8
[EA]	CLN J	ADR	24	H	21	4
[EB]	CLN J	ADR	25	H	22	4
[ED]	CLN J	ADR	26	H	23	1

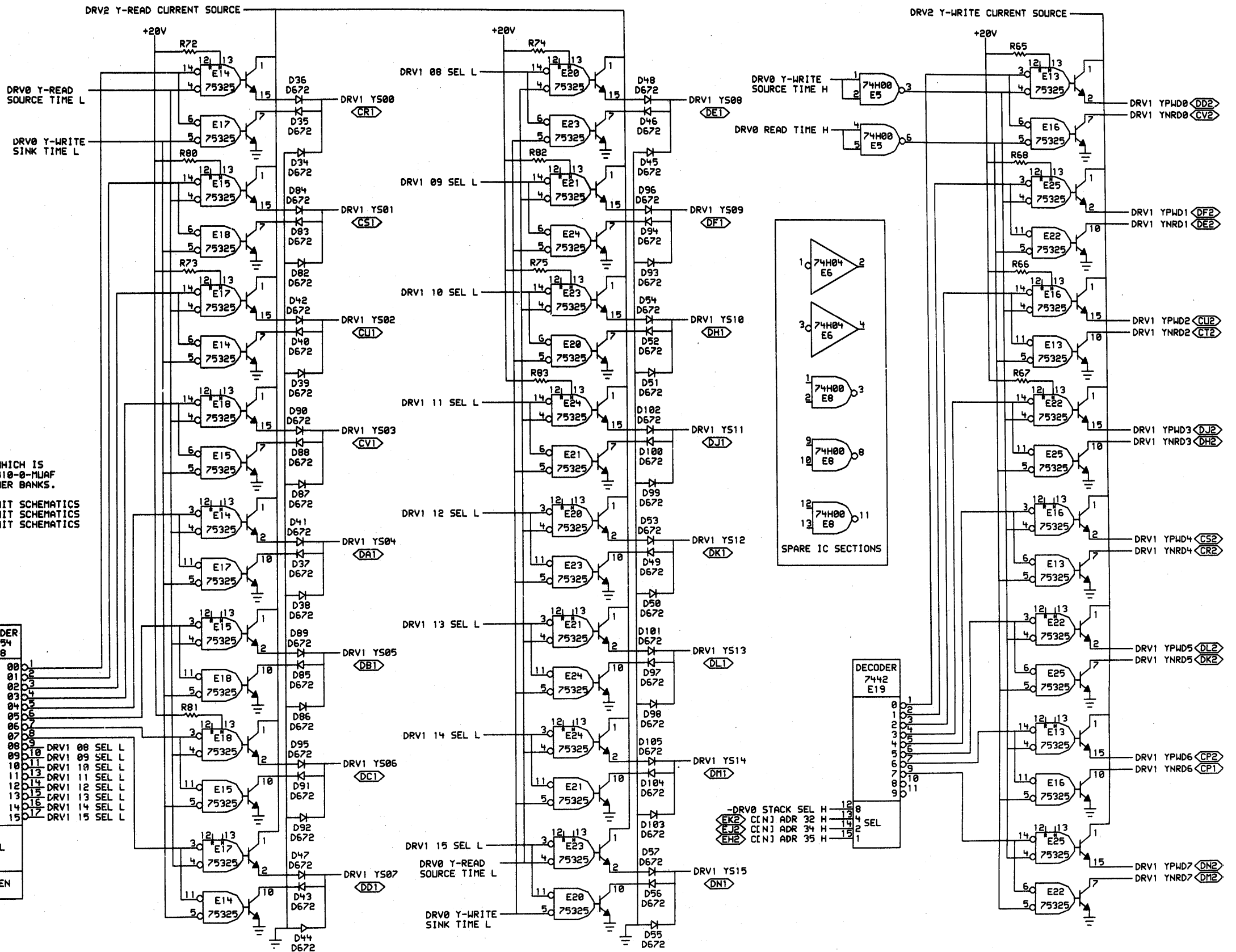
DRV0 STACK SEL L AND EN

00	DRV0 08 SEL L
01	DRV0 09 SEL L
02	DRV0 10 SEL L
03	DRV0 11 SEL L
04	DRV0 12 SEL L
05	DRV0 13 SEL L
06	DRV0 14 SEL L
07	DRV0 15 SEL L

"THIS DRAWING AND SPECIFICATIONS, HEREIN, ARE THE PROPERTY OF DIGITAL EQUIPMENT CORPORATION AND SHALL NOT BE REPRODUCED OR COPIED OR USED IN WHOLE OR IN PART AS THE BASIS FOR THE MANUFACTURE OR SALE OF ITEMS WITHOUT WRITTEN PERMISSION.  
 COPYRIGHT © 1975, DIGITAL EQUIPMENT CORPORATION"

REVISIONS		
CHK	CHANGE NO.	REV

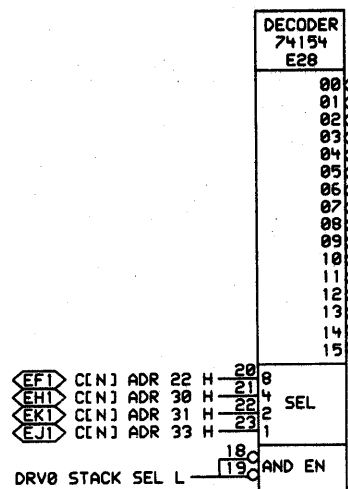
digital	DATE	6-3-75	ENG.	D J Chen	DATE	6-3-75	TITLE	16K X-Y DRIVE (G235)	
	CHK								
DRV0(4,250)		29-MAY-75 13:44	NEXT HIGHER ASSEMBLY:	SIZE	D	BS	MG10-0-DR0	NUMBER	
FIRST USED ON OPTION/MODEL:		MG10	B-DD-MG10-0	CODE				REV.	



ALL RESISTORS ARE 270Ω, 1/2W, 5%.

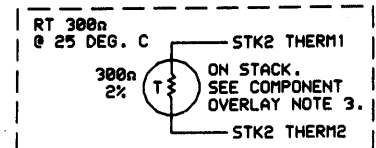
NOTES:

- THE G114, G235 AND H217 BLOCK SCHEMATICS IN THIS PRINT SET REPRESENT 16K BY 37 BITS WHICH IS 1 BANK OF STORAGE FOR 1 CONTROL. SEE D-MU-MG10-0-MUAF AND D-MU-MG10-0-MUHL FOR THE LOCATION OF OTHER BANKS.
- THESE PRINTS REFLECT REV F OF THE G114 CIRCUIT SCHEMATICS THESE PRINTS REFLECT REV M OF THE G235 CIRCUIT SCHEMATICS THESE PRINTS REFLECT REV B OF THE H217 CIRCUIT SCHEMATICS
- VARIABLE DEFINITIONS  
 [N] INDICATES A CONTROL  
 [L] INDICATES A TIMING BOARD  
 [M] INDICATES A BANK NUMBER



CHK	CHANGE NO.	REV

	DRN. DATE 6-2-75	ENG. J. J. Chin	DATE 6-2-75	TITLE: 16K X-Y DRIVE (G235)
	CHK'D	DATE 6/10/75	BOARD LOCATION: SHEET 1 OF 1	SIZE CODE NUMBER REV. D BS MG10-0-DR1 *
FIRST USED ON OPTION/MODEL: MG10		NEXT HIGHER ASSEMBLY: B-DD-MG10-0		



STK2 THERM1  
ON STACK.  
SEE COMPONENT  
OVERLAY NOTE 3.  
STK2 THERM2

TIM [L] CROWBAR A L

SINØ I BIAS RETURN

BIAS CURRENT GENERATOR

STK2 THERM1

STK2 THERM2

TIM [L] LOW CUR MARG H

TIM [L] HI CUR MARG H

TIM [L] STRB MARGIN H

TIM [L] RD RQ B <1>H

TIM [L] END STRB L

TIM [L] RD RQ A <1>H

SENSE STROBE CONTROL

PIN 14 OF THIS IC IS WIRED TO THE 4.7V ZENER SUPPLY SHOWN ABOVE.

PULSE WIDTH ~175ns

DRVØ READ TIME H

DRVØ STACK SEL H

DRV2 PWR OK L <DR1>

DRV2 STACK CHARGE TIME H <DU2>

DRVØ READ TIME H

DRVØ STACK SEL H

TP NOMINALLY .300V BELOW +5V @ 25 DEG. C

DRVØ READ TIME H

DRVØ STACK SEL H

DRVØ WRITE TIME H

DRVØ STACK SEL H

DRVØ WRITE TIME H

DRVØ STACK SEL H

X&Y CURRENT SOURCES

- NOTES:
- 1) THE G114, G235 AND H217 BLOCK SCHEMATICS IN THIS PRINT SET REPRESENT 16K BY 37 BITS, WHICH IS 1 BANK OF STORAGE FOR 1 CONTROL. SEE D-MU-MG10-0-MJAF AND D-MU-MG10-0-MUHL FOR THE LOCATION OF OTHER BANKS.
  - 2) THESE PRINTS REFLECT REV F OF THE G114 CIRCUIT SCHEMATICS THESE PRINTS REFLECT REV M OF THE G235 CIRCUIT SCHEMATICS THESE PRINTS REFLECT REV B OF THE H217 CIRCUIT SCHEMATICS
  - 3) VARIABLE DEFINITIONS  
[N] INDICATES A CONTROL  
[L] INDICATES A TIMING BOARD  
[M] INDICATES A BANK NUMBER

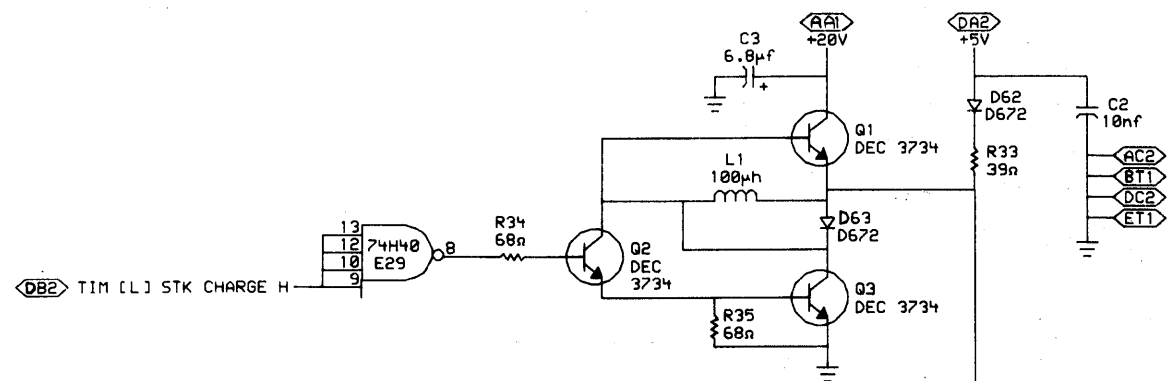
\*THIS DRAWING AND SPECIFICATIONS, HEREIN, ARE THE PROPERTY OF DIGITAL EQUIPMENT CORPORATION AND SHALL NOT BE REPRODUCED OR COPIED OR USED IN WHOLE OR IN PART AS THE BASIS FOR THE MANUFACTURE OR SALE OF ITEMS WITHOUT WRITTEN PERMISSION.  
COPYRIGHT © 1975, DIGITAL EQUIPMENT CORPORATION\*

REVISIONS		
CHK	CHANGE NO.	REV

DRIVE [4, 250]	DATE 6-3-75	ENG. D. J. Chin	DATE 6-2-75	TITLE: 16K X-Y DRIVE (G235)
FIRST USED ON OPTION/MODEL: MG10	DATE BOARD LOCATION: 6/10/75	CHK'D: [Signature]	DATE SHEET: 1	NUMBER: 1
				REV. *

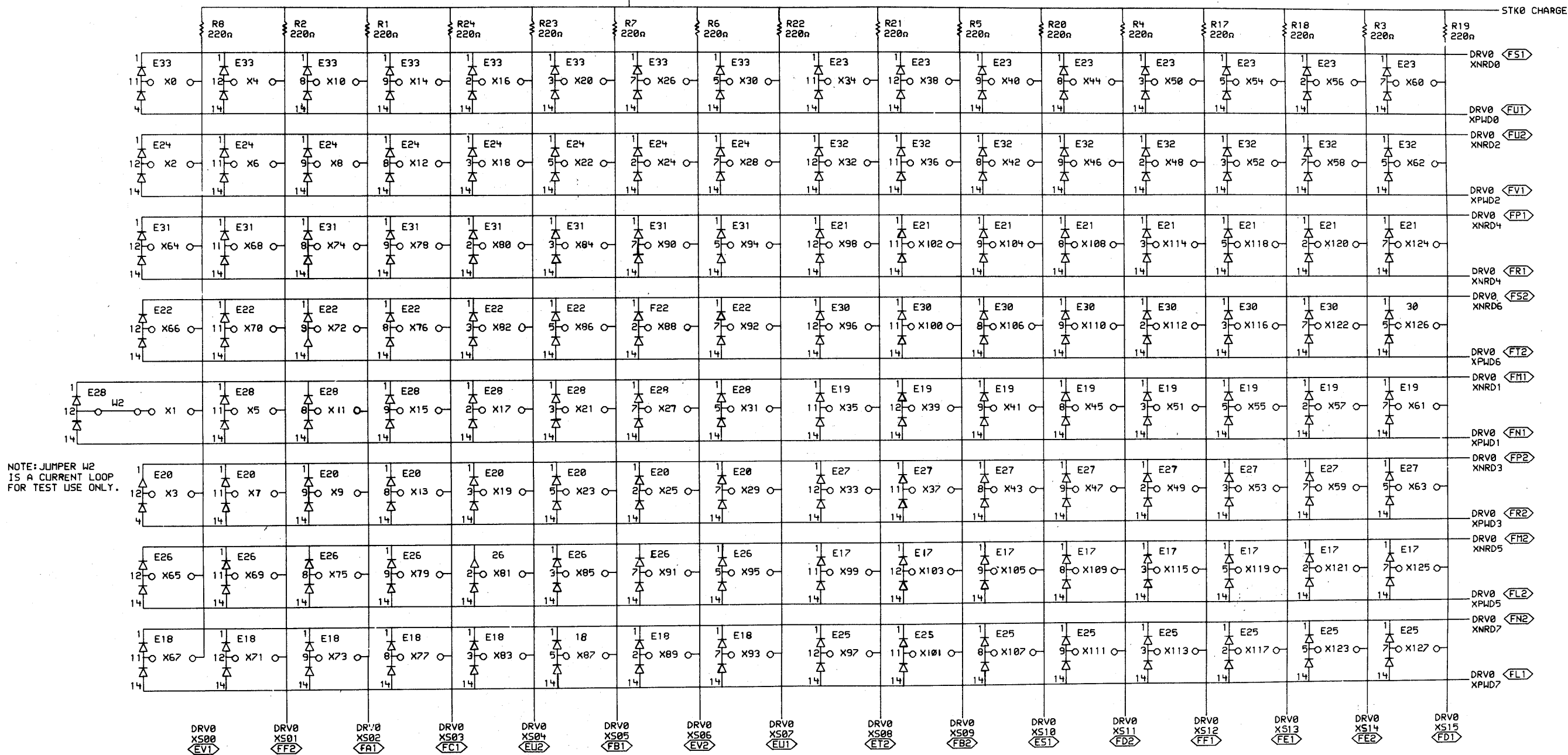
SIZE D BS	MG10-0-DR2	REV. *
-----------	------------	--------





NOTES:  
 1) THE G114, G235 AND H217 BLOCK SCHEMATICS IN THIS PRINT SET REPRESENT 16K BY 37 BITS, WHICH IS 1 BANK OF STORAGE FOR 1 CONTROL. SEE D-MU-MG10-0-MUAF AND D-MU-MG10-0-MUHL FOR THE LOCATION OF OTHER BANKS.  
 2) THESE PRINTS REFLECT REV F OF THE G114 CIRCUIT SCHEMATICS THESE PRINTS REFLECT REV M OF THE G235 CIRCUIT SCHEMATICS THESE PRINTS REFLECT REV B OF THE H217 CIRCUIT SCHEMATICS  
 3) VARIABLE DEFINITIONS  
 [N] INDICATES A CONTROL  
 [L] INDICATES A TIMING BOARD  
 [M] INDICATES A BANK NUMBER

X AXIS



NOTE: JUMPER W2 IS A CURRENT LOOP FOR TEST USE ONLY.

DRV0 XS00 (EV1)    DRV0 XS01 (FF2)    DRV0 XS02 (FA1)    DRV0 XS03 (FC1)    DRV0 XS04 (EU2)    DRV0 XS05 (FB1)    DRV0 XS06 (EV2)    DRV0 XS07 (EU1)    DRV0 XS08 (ET2)    DRV0 XS09 (FB2)    DRV0 XS10 (ES1)    DRV0 XS11 (FD2)    DRV0 XS12 (FF1)    DRV0 XS13 (FE1)    DRV0 XS14 (FE2)    DRV0 XS15 (FD1)

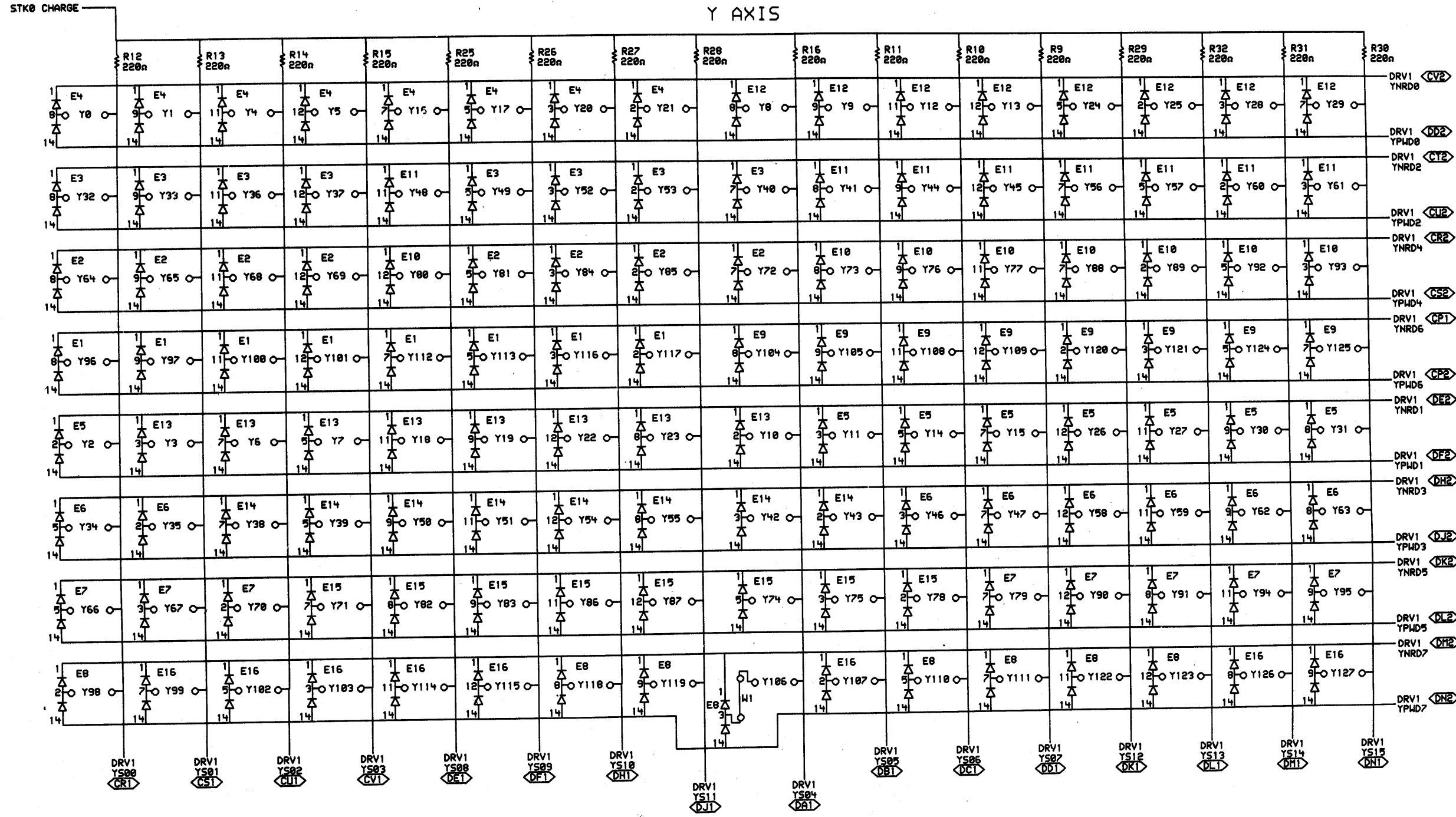
THIS DRAWING AND SPECIFICATIONS, HEREIN, ARE THE PROPERTY OF DIGITAL EQUIPMENT CORPORATION AND SHALL NOT BE REPRODUCED OR COPIED OR USED IN WHOLE OR IN PART AS THE BASIS FOR THE MANUFACTURE OR SALE OF ITEMS WITHOUT WRITTEN PERMISSION.  
 COPYRIGHT © 1975, DIGITAL EQUIPMENT CORPORATION

REVISIONS	CHK	CHANGE NO.	REV

digital	DRN. W. Harrison	DATE 6/3/75	ENG. D.J. Chin	DATE 6-3-75	TITLE: STACK MODULE (H217B)
	CHK. P. [initials]	DATE 6/10/75	BOARD LOCATION:	OF 1	
STK04,260		29-MAY-75 13:16	NEXT HIGHER ASSEMBLY:	SIZE CODE D BS	NUMBER MG10-0-ST0
FIRST USED ON OPTION/MODEL: MG10		B-DD-MG10-0		REV. *	

NOTES:  
 1) THE G114, G235 AND H217 BLOCK SCHEMATICS IN THIS PRINT SET REPRESENT 16K BY 37 BITS, WHICH IS 1 BANK OF STORAGE FOR 1 CONTROL. SEE D-MU-MG10-0-MUAF AND D-MU-MG10-0-MUHL FOR THE LOCATION OF OTHER BANKS.  
 2) THESE PRINTS REFLECT REV F OF THE G114 CIRCUIT SCHEMATICS THESE PRINTS REFLECT REV M OF THE G235 CIRCUIT SCHEMATICS THESE PRINTS REFLECT REV B OF THE H217 CIRCUIT SCHEMATICS  
 3) VARIABLE DEFINITIONS  
 [N] INDICATES A CONTROL  
 [L] INDICATES A TIMING BOARD  
 [M] INDICATES A BANK NUMBER

Y AXIS



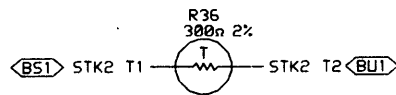
NOTE: JUMPER W1 IS A CURRENT LOOP FOR TEST USE ONLY.

THIS DRAWING AND SPECIFICATIONS, HEREIN, ARE THE PROPERTY OF DIGITAL EQUIPMENT CORPORATION AND SHALL NOT BE REPRODUCED OR COPIED OR USED IN WHOLE OR IN PART AS THE BASIS FOR THE MANUFACTURE OR SALE OF ITEMS WITHOUT WRITTEN PERMISSION.  
 COPYRIGHT © 1975, DIGITAL EQUIPMENT CORPORATION

REVISIONS	
CHK	CHANGE NO. REV

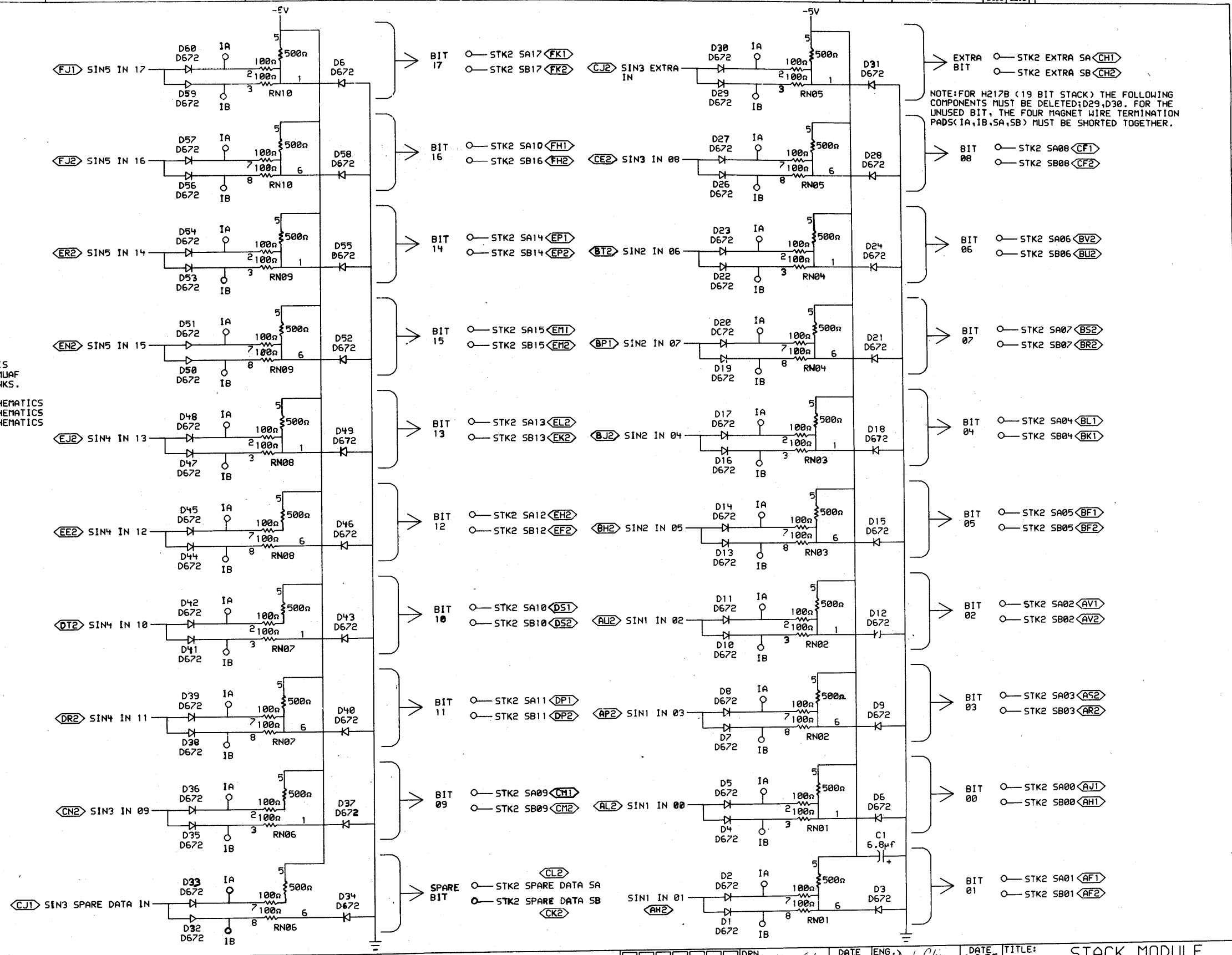
digital	DRN. <i>W. Hamlin</i>	DATE 6/3/75	ENG. <i>D. J. Chen</i>	DATE 6-3-75	TITLE: STACK MODULE (H217B)
	CHK. <i>[Signature]</i>	DATE 6/10/75	BOARD LOCATION: SHEET 1 OF 1	DATE 6-3-75	SIZE CODE NUMBER REV. D BS MG10-0-ST1 *
FIRST USED ON OPTION/MODEL: MG10		NEXT HIGHER ASSEMBLY: B-DD-IG10-0		8	





NOTE: THERMISTOR FOR TEMPERATURE COMPENSATION.

- NOTES:
- 1) THE G114, G235 AND H217 BLOCK SCHEMATICS IN THIS PRINT SET REPRESENT 16K BY 37 BITS, WHICH IS 1 BANK OF STORAGE FOR 1 CONTROL. SEE D-MU-MG10-0-MUAF AND D-MU-MG10-0-MUHL FOR THE LOCATION OF OTHER BANKS.
  - 2) THESE PRINTS REFLECT REV F OF THE G114 CIRCUIT SCHEMATICS THESE PRINTS REFLECT REV M OF THE G235 CIRCUIT SCHEMATICS THESE PRINTS REFLECT REV B OF THE H217 CIRCUIT SCHEMATICS
  - 3) VARIABLE DEFINITIONS  
 [N] INDICATES A CONTROL  
 [L] INDICATES A TIMING BOARD  
 [M] INDICATES A BANK NUMBER



NOTE: FOR H217B (19 BIT STACK) THE FOLLOWING COMPONENTS MUST BE DELETED: D29, D30. FOR THE UNUSED BIT, THE FOUR MAGNET WIRE TERMINATION PADS (IA, IB, SA, SB) MUST BE SHORTED TOGETHER.

"THIS DRAWING AND SPECIFICATIONS, HEREIN, ARE THE PROPERTY OF DIGITAL EQUIPMENT CORPORATION AND SHALL NOT BE REPRODUCED OR COPIED OR USED IN WHOLE OR IN PART AS THE BASIS FOR THE MANUFACTURE OR SALE OF ITEMS WITHOUT WRITTEN PERMISSION. COPYRIGHT © 1973, DIGITAL EQUIPMENT CORPORATION"

REVISIONS		
CHK	CHANGE NO.	REV

DATE	6/10/75	DATE	6-3-75
DRN	W. H. ...	ENG.	D. J. Chin
CHK'D		DATE	6/10/75
		BOARD LOCATION:	

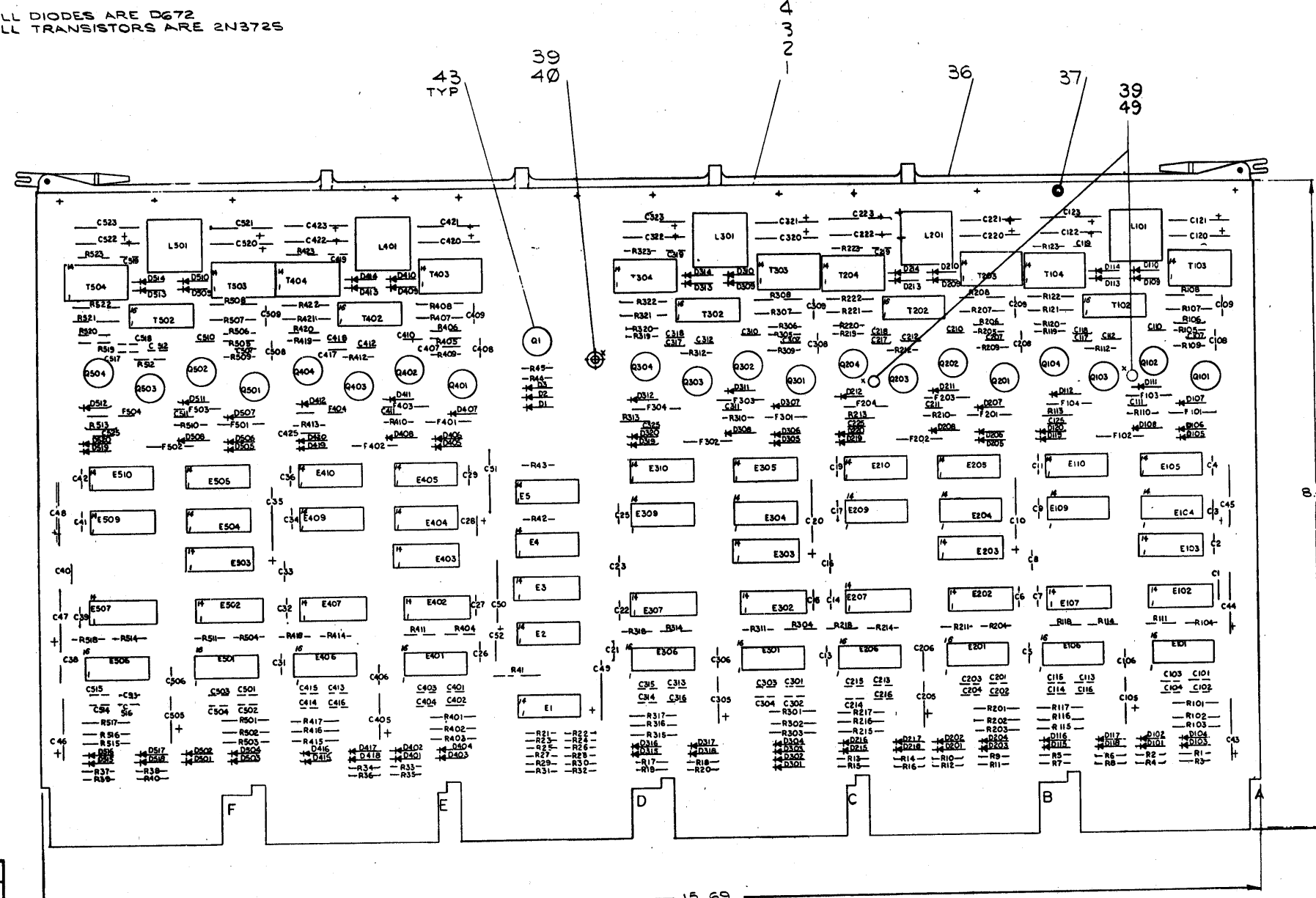
STK2(4,260)	29-MAY-75 14:12	NEXT HIGHER ASSEMBLY:	B-DD-MG10-0
FIRST USED ON OPTION/MODEL:	MG10		

TITLE:	STACK MODULE (H217B)
SIZE CODE	D BS
NUMBER	MG10-0-ST2
REV.	*



THIS DRAWING AND SPECIFICATIONS, HEREIN, ARE THE PROPERTY OF DIGITAL EQUIPMENT CORPORATION AND SHALL NOT BE REPRODUCED OR COPIED OR USED IN WHOLE OR IN PART AS THE BASIS FOR THE MANUFACTURE OR SALE OF ITEMS WITHOUT WRITTEN PERMISSION.  
 COPYRIGHT © 1975 DIGITAL EQUIPMENT CORPORATION

- NOTES: UNLESS OTHERWISE SPECIFIED**
1. ALL RESISTORS ARE IN OHMS 1/4W
  2. ALL CAPACITANCE IS IN MICROFARADS
  3. DATA BITS 17 & 18 ARE NOT USED IN 18 BIT SYSTEMS
  4. DATA BIT 18 IS NOT USED IN 19 BIT SYSTEMS
  5. DATA BITS 16, 17, 18 & 19 ARE NOT USED IN 16 BIT SYSTEMS
  6. ALL DIODES ARE D672
  7. ALL TRANSISTORS ARE 2N3725



B.43 REF

15.69 REF

IC DEC 7380	1	8	-
IC DEC 8640	1	8	-
IC DEC 7528	9	16	8
IC TYPE	GND	+5V	-5V

GND AND 5V ARE USUALLY PIN 7 AND 14 RESPECTIVELY. EXCEPTIONS ARE STATED ABOVE.

**IC PIN LOCATIONS**

DRAWING 40-322 16599

DEC FORM NO. 040-135A

QTY	REF DESIGNATION	DESCRIPTION	PART NO.	ITEM NO.
FIRST USED ON OPTION MODEL				
MF 11-U & MF 11-UP				
ETCH BOARD REV C				
PARTS LIST				
DRG: [Signature] DATE: 4-3-73 CHG: [Signature] DATE: 4-18-73 DES: [Signature] DATE: 4-18-73 APP: [Signature] DATE: 4-18-73 NEXT HIGHER ASSY:				
DEC NO.			EIA NO.	
DEC NO.			EIA NO.	
SEMICONDUCTOR CONVERSION CHART				
SCALE		DIST.		
SHEET 2 OF 9		DIST.		

**digital EQUIPMENT CORPORATION**  
 MATH 100, MASSACHUSETTS

TITLE: **16 K SENSE/INHIBIT**

SIZE CODE: **D CS** NUMBER: **GI14-0-1** REV: **F**

SIZE CODE NUMBER: **D CS** **GI14-0-1**

A

A

D

D

C

C

B

B

A

A

"THIS DRAWING AND SPECIFICATIONS HEREIN ARE THE PROPERTY OF DIGITAL EQUIPMENT CORPORATION AND SHALL NOT BE REPRODUCED OR COPIED OR USED IN WHOLE OR IN PART AS THE BASIS FOR THE MANUFACTURE OR SALE OF ITEMS WITHOUT WRITTEN PERMISSION. COPYRIGHT © 1973, DIGITAL EQUIPMENT CORPORATION"

D  
C  
B  
A

1	E1	IC DEC 74H00	1909056	30
14	E2 THRU E5, E105, E110, E205, E210, E305, E310, E405, E410, E505, E510	IC DEC 74H40	1905586	31
10	E101, E106, E201, E206, E301, E306, E401, E406, E501, E506	IC DEC 7528 SENSE AMP	1910687	32
5	E107, E207, E307, E407, E507	IC DEC 8881	1909705	33
10	E104, E109, E204, E209, E304, E309, E404, E409, E504, E509	IC DEC 74H74	1909667	34
5	L101, L201, L301, L401, L501	CHOKO 400 UH	1610963	35
1		HANDLE ASSY	1210711-2	36
12		EYELET GS-4-7	9006732	37
20	F101 THRU F104, F201 THRU F204, F301 THRU F304, F401 THRU F404, F501 THRU F504	FUSE PICO FUSE 3/4A	1210929-3	38
3		STAND OFF 1/4 x 3/8 #6-32 THRU	9008213	39
3		SCREW, NYLON 6/32 X 1/4 LG	9009041-1	40
5	E103, E203, E303, E403, E503	I.C. DEC 74H04	1909931	41
5	E102, E202, E302, E402, E502	IC DEC 8640	1911469	42
21		TRANSIPAD	9007201	43
A/R		24 AWG WIRE	9107470	45

1		ETCHED CIRCUIT BOARD	5010478	1
REF		X-Y COORDINATE HOLE LOCATION	K-50-G114-0-4	2
REF		ASSY/DRILLING HOLE LAYOUT	D-AH-G114-0-5	3
REF		MODULE ECO HISTORY	B-MH-G114-0-6	4
1	C1 THRU C9, C11, C13 THRU C17, C19, C21, C22, C23, C25 THRU C29, C31, C32, C33, C34, C36, C38 THRU C42, C52, C104, C108, C114, C204, C206, C208, C214, C304, C306, C308, C314, C404, C406, C408, C414, C504, C506, C508, C514			5
55	C10, C20, C35	CAP. 0.1UF 50V, 20% CER	1001610	5
29	C120 THRU C123, C220 THRU C223, C320 THRU C323, C420 THRU C423, C520 THRU C523, C44, C45, C47, C48, C50, C51	CAP 6.8UF 35V, 10% TANT	1005306	6
30	C101, C103, C113, C115, C201, C203, C213, C215, C301, C303, C313, C315, C401, C403, C413, C415, C501, C503, C513, C515, C102, C116, C202, C216, C302, C316, C402, C416, C502, C516	CAP 82 PF 100V, 5% D.M.	1000015	7
5	C105, C205, C305, C405, C505	CAP 3.9UF 10V, ±10% TANT	1000064	8
3	C43, C46, C49	CAP 39UF 10V ±10% TANT	1000076	9
20	C107, C111, C112, C125, C207, C211, C212, C225, C307, C311, C312, C325, C407, C411, C412, C425, C507, C511, C512, C525	CAP 560 PF 100V, 5% D.M.	1000025	10
20	C109, C110, C117, C118, C209, C210, C217, C218, C309, C310, C317, C318, C409, C410, C417, C418, C509, C510, C517, C518	CAP .005UF, 100V, 20%, DISC	1001765	11
5	C119, C219, C319, C419, C519	CAP .22 UF 50V ±20% CER	1010274-0	12
103	D1, D2, D3, D101 THRU D120, D201 THRU D220, D301 THRU D320, D401 THRU D420, D501 THRU D520	DIODE D672	1105275	13
20	R1, R3, R5, R7, R9, R11, R13, R15, R17, R19, R21, R23, R25, R27, R29, R31, R33, R35, R37, R39	RES. 180 1/4W, 5%	1301322	14
1	R41	RES. 190 1/8W, 1% MF	1302956	15
20	R2, R4, R6, R8, R10, R12, R14, R16, R18, R20, R22, R24, R26, R28, R30, R32, R34, R36, R38, R40	RES. 390, 1/4W, 5%	1300309	16
2	R42, R43	RES. 330 1/4W, 5%	1300295	17
1	R44	RES. 47K, 1/4W, 5%	1300447	18
20	R101, R102, R16, R117, R201, R202, R216, R217, R301, R302, R316, R317, R401, R402, R416, R417, R501, R502, R516, R517	RES. 19.6, 1/8W, 1% MF	1303110	19
10	R103, R115, R203, R215, R303, R315, R403, R415, R503, R515	RES. 1K 1/8W 1% MF	1303114	20
20	R104, R111, R114, R118, R204, R211, R214, R218, R304, R311, R314, R318, R404, R411, R414, R418, R504, R511, R514, R518	RES. 1K, 1/4W, 5%	1300365	21
20	R109, R110, R112, R113, R209, R210, R212, R213, R309, R310, R312, R313, R409, R410, R412, R413, R509, R510, R512, R513	RES 100 1/4W 5%	1300229	22
20	R105, R106, R113, R120, R205, R206, R219, R220, R305, R306, R319, R320, R405, R406, R419, R420, R505, R506, R519, R520	RES 5.1 1/4W 5%	1309422	23
1	R45	RES 470 1/4W 5%	1300316	24
5	R123, R223, R323, R423, R523	RES 150 1/4W 5%	1300250	25
20	R107, R108, R121, R122, R207, R208, R221, R222, R307, R308, R321, R322, R407, R408, R421, R422, R507, R508, R521, R522	RES 56 1/2W 5%	1309995	26
21	Q1, Q101 THRU Q104, Q201 THRU Q204, Q301 THRU Q304, Q401 THRU Q404, Q501 THRU Q504	TRANS 2N3725 (T05)	1510959	27
10	T103, T104, T203, T204, T303, T304, T403, T404, T503, T504	TRANSFORMER SATURATING INHIBIT	1610961	28
5	T102, T202, T302, T402, T502	TRANSFORMER, PULSE (DIP)	1609996	29

DRV2 I BIAS SOURCE  
 (FUT)

SIN5 I BIAS

SIN4 I BIAS

SIN3 I BIAS

SIN3 I BIAS

SIN3 I BIAS

SIN2 I BIAS

SIN0 I BIAS RETURN  
 (AB1)  
 (SIN1 I BIAS)

500 SERIES COMPONENTS  
 (SEE SHEET 6----SIN5)

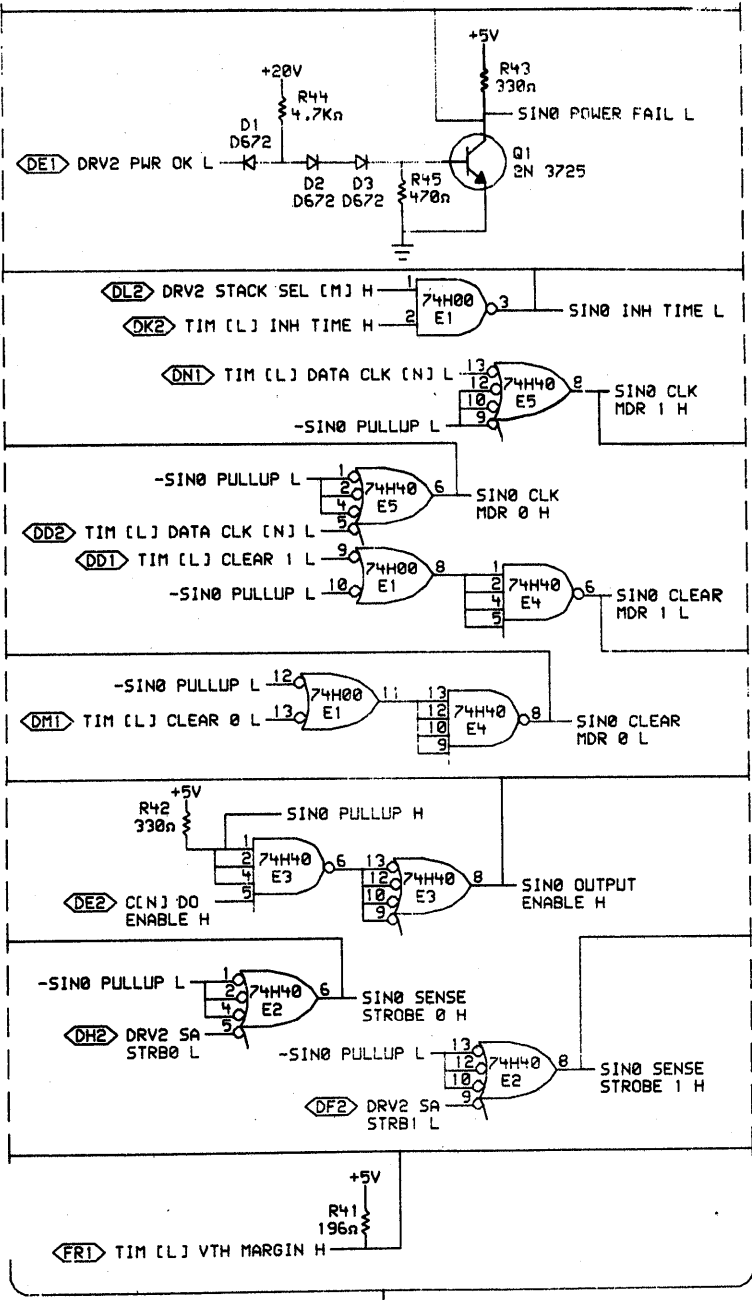
400 SERIES COMPONENTS  
 (SEE SHEET 5----SIN4)

300 SERIES COMPONENTS  
 (SEE SHEET 4----SIN3)

300 SERIES COMPONENTS  
 (SEE SHEET 4----SIN3)

200 SERIES COMPONENTS  
 (SEE SHEET 3---SIN2)

100 SERIES COMPONENTS  
 (SEE SHEET 2----SIN1)



NOTE: ALL COMPONENT SECTIONS USE -5V, +5V, +20V, GND THEREFORE THE CONNECTIONS SHOWN ON D-CS-6114-0-1 HAVE NOT BEEN SHOWN HERE.

TERMINATORS, CAPACITORS AND SPARE IC SECTIONS SHOWN ON D-CS-6114-0-1 AND OTHER SHEETS OF THE MODULE SCHEMATIC HAVE BEEN PUT ON SHEET 7 OF 7 OF THIS PRINT SET.

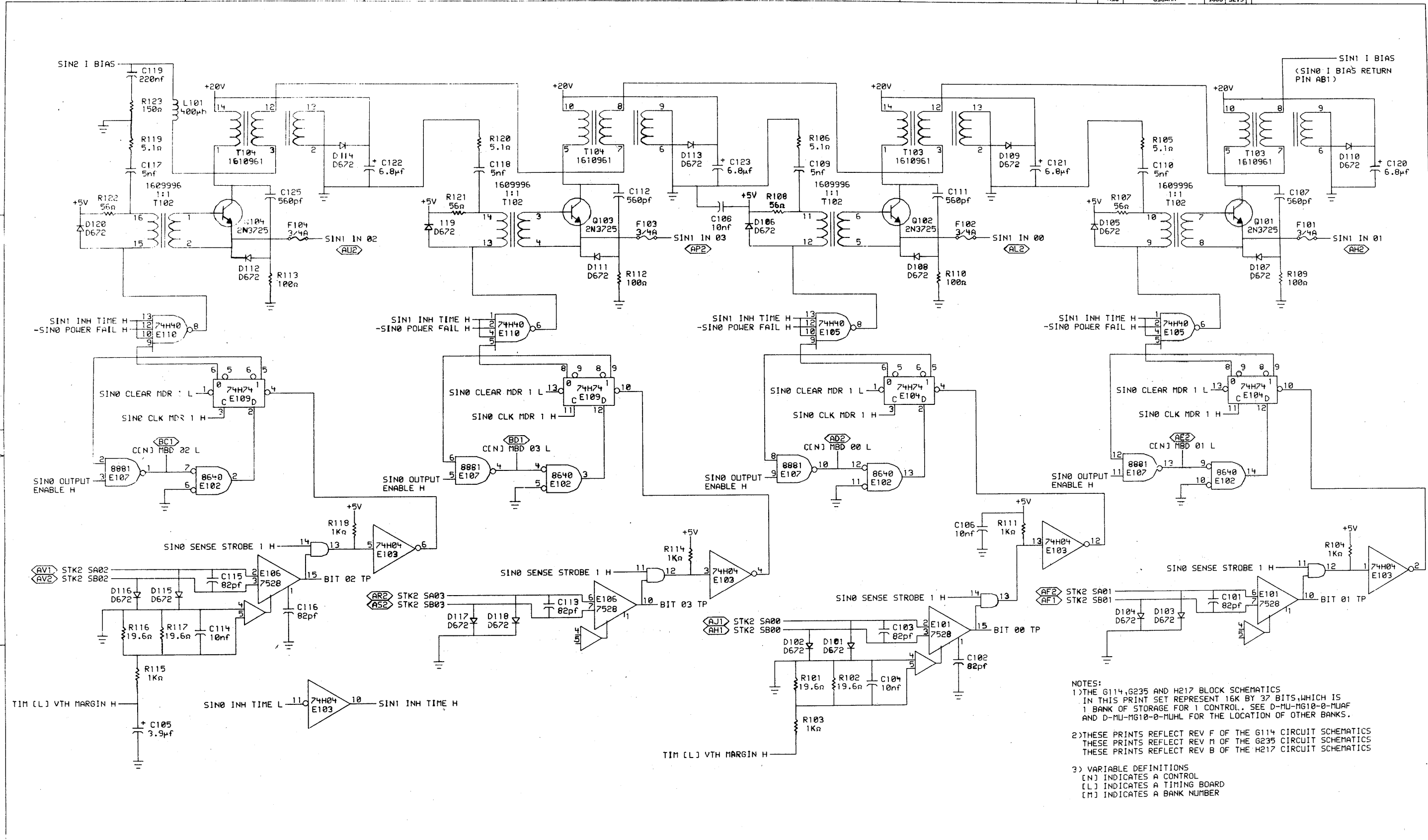
THIS IS THE SIN0 PRINT. THE REST OF THIS DRAWING IS A BLOCK DIAGRAM OF THE OTHER SHEETS.

- NOTES:
- 1) THE 6114, 6235 AND H217 BLOCK SCHEMATICS IN THIS PRINT SET REPRESENT 16K BY 37 BITS, WHICH IS 1 BANK OF STORAGE FOR I CONTROL. SEE D-MU-MG10-0-MUAF AND D-MU-MG10-0-MUHL FOR THE LOCATION OF OTHER BANKS.
  - 2) THESE PRINTS REFLECT REV F OF THE 6114 CIRCUIT SCHEMATICS THESE PRINTS REFLECT REV M OF THE 6235 CIRCUIT SCHEMATICS THESE PRINTS REFLECT REV B OF THE H217 CIRCUIT SCHEMATICS
  - 3) VARIABLE DEFINITIONS  
 (N) INDICATES A CONTROL  
 (L) INDICATES A TIMING BOARD  
 (M) INDICATES A BANK NUMBER

\*THIS DRAWING AND SPECIFICATIONS, HEREIN, ARE THE PROPERTY OF DIGITAL EQUIPMENT CORPORATION AND SHALL NOT BE REPRODUCED OR COPIED OR USED IN WHOLE OR IN PART AS THE BASIS FOR THE MANUFACTURE OR SALE OF ITEMS WITHOUT WRITTEN PERMISSION.  
 COPYRIGHT © 1975, DIGITAL EQUIPMENT CORPORATION\*

REVISIONS		
CHK	CHANGE NO.	REV

digital	DRN.	DATE	ENG. D. J. Chin	DATE	TITLE: 16K SENSE/INHIBIT (G114)
	CHK. [Signature]	DATE	BOARD LOCATION:	SHEET	NUMBER
SIN0(4,260)		29-MAY-75 13:54	NEXT HIGHER ASSEMBLY:		SIZE CODE
FIRST USED ON OPTION/MODEL: MG10		18-DD-MG10-0		D	BS MG10-0-S10

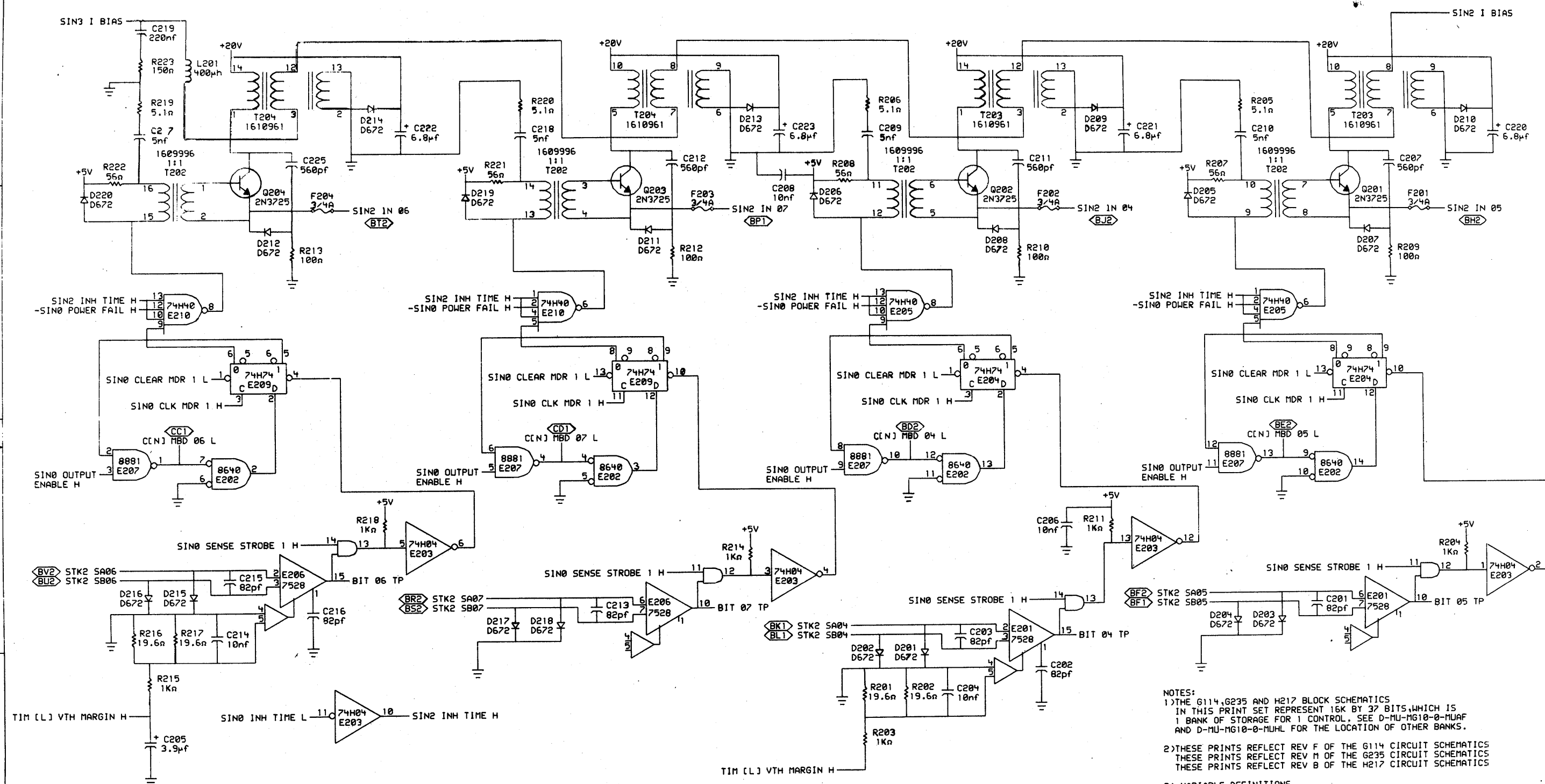


NOTES:  
 1) THE G114, G235 AND H217 BLOCK SCHEMATICS IN THIS PRINT SET REPRESENT 16K BY 37 BITS, WHICH IS 1 BANK OF STORAGE FOR 1 CONTROL. SEE D-MU-MG10-0-MUAF AND D-MU-MG10-0-MUHL FOR THE LOCATION OF OTHER BANKS.  
 2) THESE PRINTS REFLECT REV F OF THE G114 CIRCUIT SCHEMATICS THESE PRINTS REFLECT REV M OF THE G235 CIRCUIT SCHEMATICS THESE PRINTS REFLECT REV B OF THE H217 CIRCUIT SCHEMATICS  
 3) VARIABLE DEFINITIONS  
 [N] INDICATES A CONTROL  
 [L] INDICATES A TIMING BOARD  
 [M] INDICATES A BANK NUMBER

THIS DRAWING AND SPECIFICATIONS, HEREIN, ARE THE PROPERTY OF DIGITAL EQUIPMENT CORPORATION AND SHALL NOT BE REPRODUCED OR COPIED OR USED IN WHOLE OR IN PART AS THE BASIS FOR THE MANUFACTURE OR SALE OF ITEMS WITHOUT WRITTEN PERMISSION.  
 COPYRIGHT © 1975, DIGITAL EQUIPMENT CORPORATION

REVISIONS		
CHK	CHANGE NO.	REV

digital	DRN.	DATE	ENG. <i>S. Chiu</i>	DATE	TITLE: 16K SENSE/INHIBIT (G114)
	CHK'D	DATE	BOARD LOCATION:	SHEET	OF
SIN1[4,260]		22-MAY-75 15:11	NEXT HIGHER ASSEMBLY:	SIZE	CODE
FIRST USED ON OPTION/MODEL: MG10		B-DD-MG10-0	NUMBER	D	BS
				MG10-0-S11	REV. *

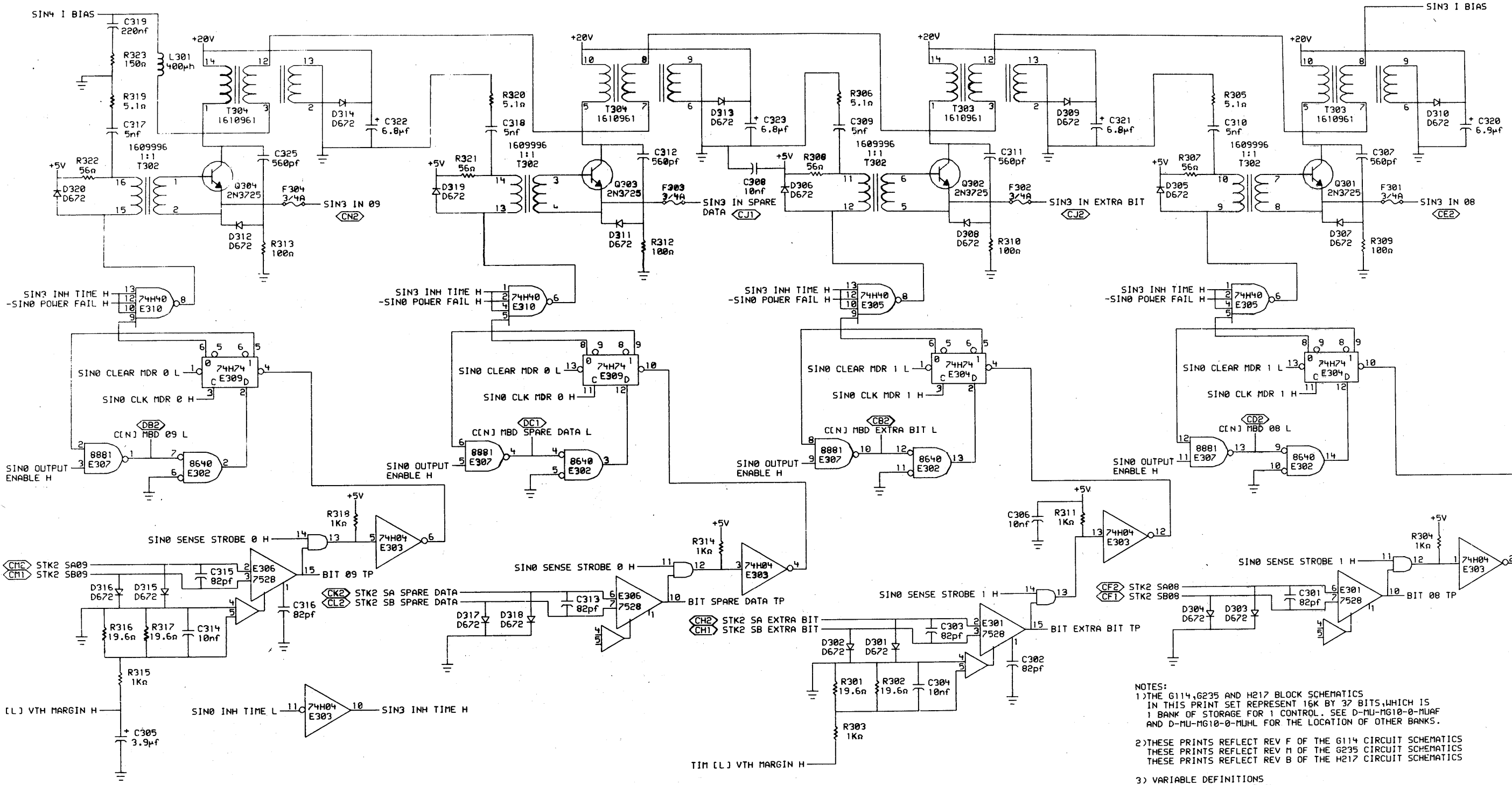


NOTES:  
 1) THE G114, G235 AND H217 BLOCK SCHEMATICS IN THIS PRINT SET REPRESENT 16K BY 37 BITS, WHICH IS 1 BANK OF STORAGE FOR 1 CONTROL. SEE D-MU-MG10-0-MUAF AND D-MU-MG10-0-MUHL FOR THE LOCATION OF OTHER BANKS.  
 2) THESE PRINTS REFLECT REV F OF THE G114 CIRCUIT SCHEMATICS THESE PRINTS REFLECT REV M OF THE G235 CIRCUIT SCHEMATICS THESE PRINTS REFLECT REV B OF THE H217 CIRCUIT SCHEMATICS  
 3) VARIABLE DEFINITIONS  
 [N] INDICATES A CONTROL  
 [L] INDICATES A TIMING BOARD  
 [M] INDICATES A BANK NUMBER

"THIS DRAWING AND SPECIFICATIONS, HEREIN, ARE THE PROPERTY OF DIGITAL EQUIPMENT CORPORATION AND SHALL NOT BE REPRODUCED OR COPIED OR USED IN WHOLE OR IN PART AS THE BASIS FOR THE MANUFACTURE OR SALE OF ITEMS WITHOUT WRITTEN PERMISSION.  
 COPYRIGHT © 1975, DIGITAL EQUIPMENT CORPORATION"

REVISIONS		
CHK	CHANGE NO.	REV

digital	DRN: [Signature]	DATE: 6-2-75	ENG: J. J. Chin	DATE: 6-2-75	TITLE: 16K SENSE/INHIBIT (G114)
	CHK: [Signature]	DATE: 11/25	BOARD LOCATION: 11/25	SHEET: 1 OF 1	SIZE: D
FIRST USED ON OPTION/MODEL: MG10		NEXT HIGHER ASSEMBLY: B-DD-MG10-0		CODE: BS	NUMBER: MG10-0-S12
					REV. *

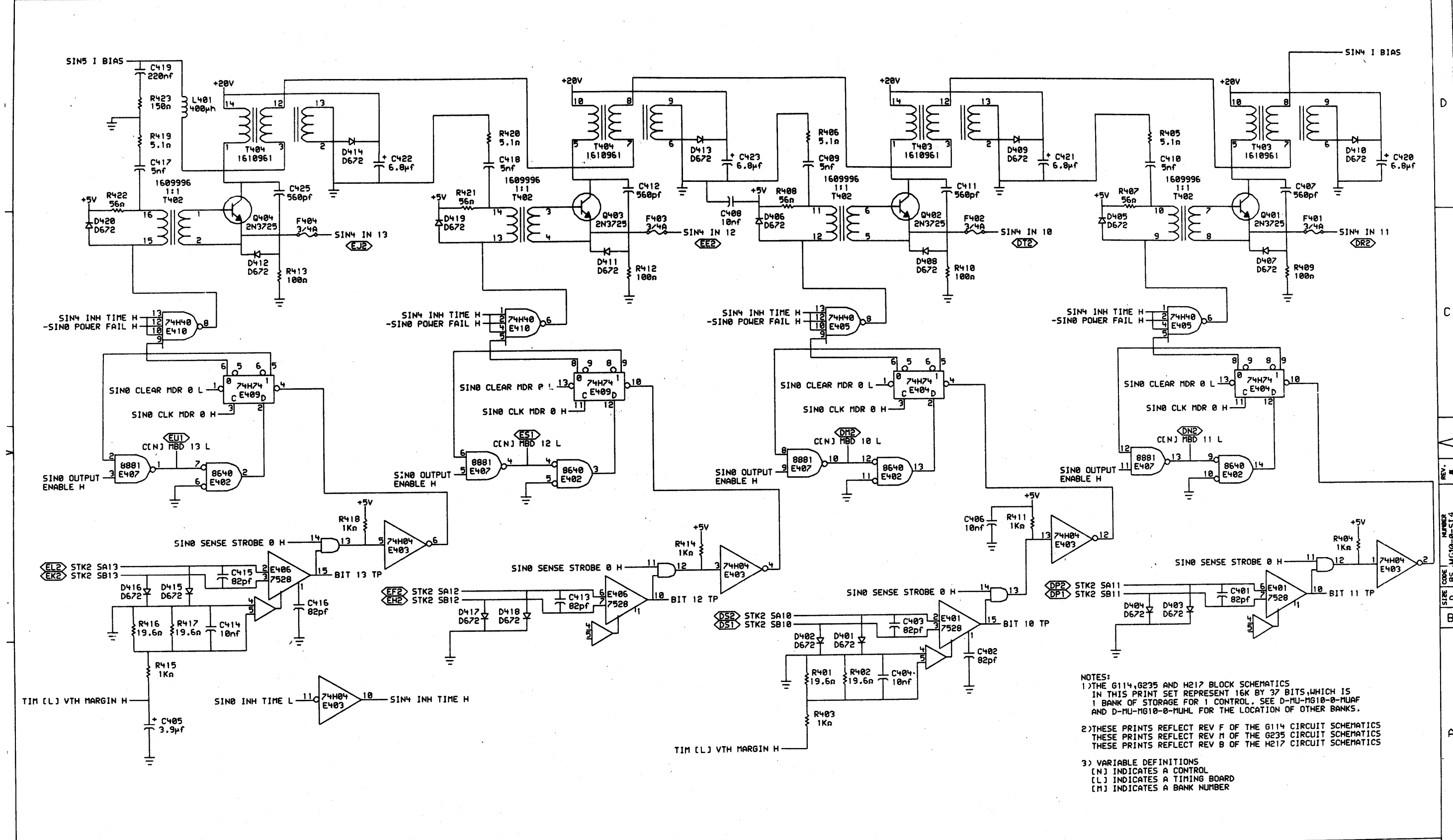


- NOTES:
- 1) THE G114, G235 AND H217 BLOCK SCHEMATICS IN THIS PRINT SET REPRESENT 16K BY 37 BITS, WHICH IS 1 BANK OF STORAGE FOR 1 CONTROL. SEE D-MU-MG10-0-MUAF AND D-MU-MG10-0-MUHL FOR THE LOCATION OF OTHER BANKS.
  - 2) THESE PRINTS REFLECT REV F OF THE G114 CIRCUIT SCHEMATICS THESE PRINTS REFLECT REV M OF THE G235 CIRCUIT SCHEMATICS THESE PRINTS REFLECT REV B OF THE H217 CIRCUIT SCHEMATICS
  - 3) VARIABLE DEFINITIONS  
 [N] INDICATES A CONTROL  
 [L] INDICATES A TIMING BOARD  
 [M] INDICATES A BANK NUMBER

"THIS DRAWING AND SPECIFICATIONS, HEREIN, ARE THE PROPERTY OF DIGITAL EQUIPMENT CORPORATION AND SHALL NOT BE REPRODUCED OR COPIED OR USED IN WHOLE OR IN PART AS THE BASIS FOR THE MANUFACTURE OR SALE OF ITEMS WITHOUT WRITTEN PERMISSION.  
 COPYRIGHT © 1975, DIGITAL EQUIPMENT CORPORATION"

REVISIONS		
CHK	CHANGE NO.	REV

	DRN: 1000	DATE: 6-3-75	ENG: J. Chen	DATE: 6-3-75	TITLE: 16K SENSE/INHIBIT (G114)
	CHK: D	DATE: 6/10/75	BOARD LOCATION: 1	OF: 1	SIZE CODE: D BS
SIN3(4,250)		22-MAY-75 15:14	NEXT HIGHER ASSEMBLY: B-DD-MG10-0		NUMBER: MG10-0-S13
FIRST USED ON OPTION/MODEL: MG10					REV. *

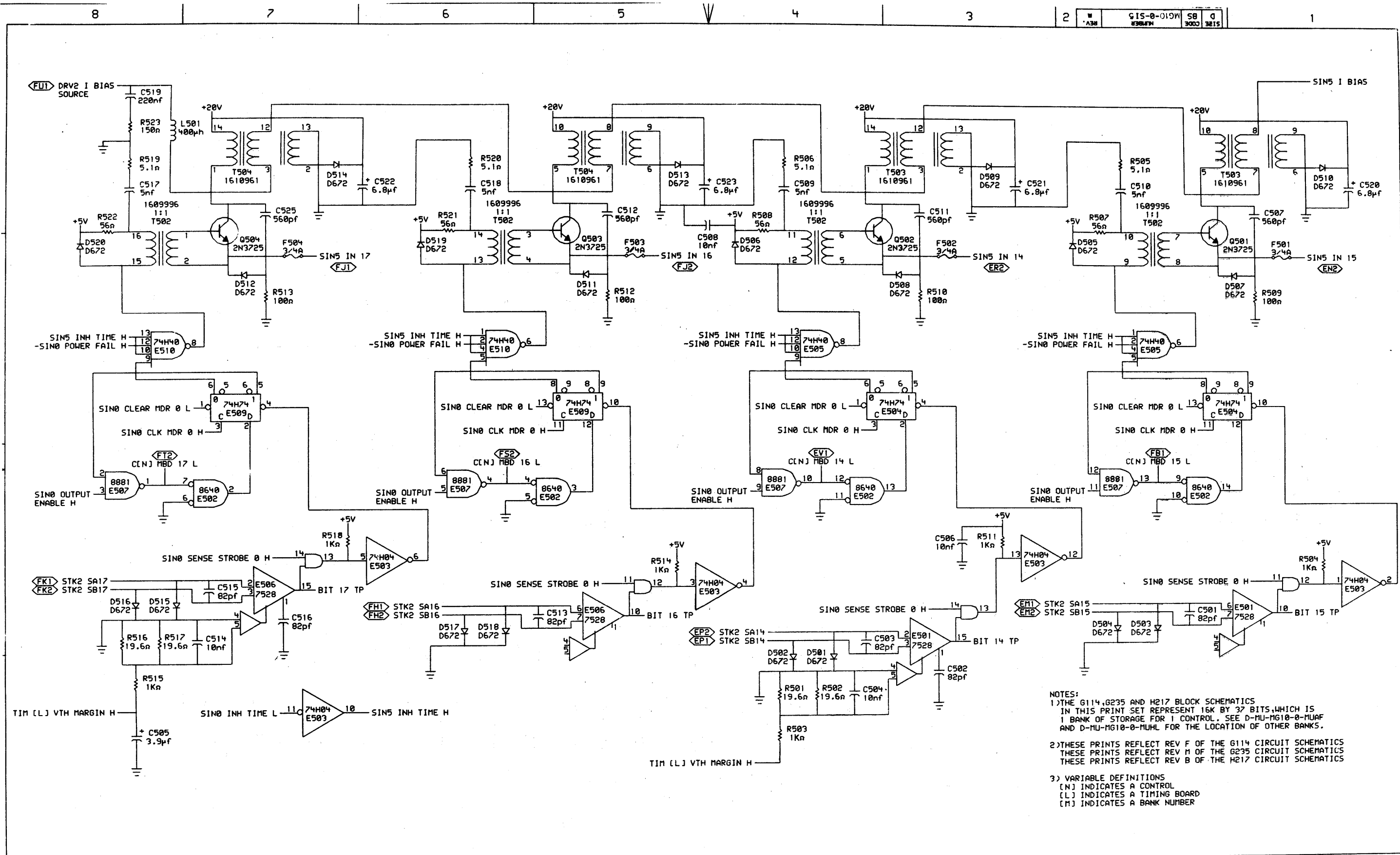


NOTES:  
 1) THE G114, G235 AND H217 BLOCK SCHEMATICS IN THIS PRINT SET REPRESENT 16K BY 37 BITS WHICH IS 1 BANK OF STORAGE FOR 1 CONTROL. SEE D-MU-MG10-0-MUAF AND D-MU-MG10-0-MUHL FOR THE LOCATION OF OTHER BANKS.  
 2) THESE PRINTS REFLECT REV F OF THE G114 CIRCUIT SCHEMATICS THESE PRINTS REFLECT REV M OF THE G235 CIRCUIT SCHEMATICS THESE PRINTS REFLECT REV B OF THE H217 CIRCUIT SCHEMATICS  
 3) VARIABLE DEFINITIONS  
 [N] INDICATES A CONTROL  
 [L] INDICATES A TIMING BOARD  
 [M] INDICATES A BANK NUMBER

"THIS DRAWING AND SPECIFICATIONS, HEREIN, ARE THE PROPERTY OF DIGITAL EQUIPMENT CORPORATION AND SHALL NOT BE REPRODUCED OR COPIED OR USED IN WHOLE OR IN PART AS THE BASIS FOR THE MANUFACTURE OR SALE OF ITEMS WITHOUT WRITTEN PERMISSION.  
 COPYRIGHT © 1975, DIGITAL EQUIPMENT CORPORATION"

REVISIONS		
CHK	CHANGE NO.	REV

digital	DRN	DATE	ENG. J. J. Chen	DATE	TITLE: 16K SENSE/INHIBIT (G114)
	CHK'D	DATE	BOARD LOCATION:	DATE	NUMBER
SIN4 4, 260		22-MAY-75 15:17	SHEET	OF	SIZE CODE D BS MG10-0-S14
FIRST USED ON OPTION/MODEL: MG10		B-DD-MG10-0		REV.	*



NOTES:  
 1) THE G114, G235 AND H217 BLOCK SCHEMATICS IN THIS PRINT SET REPRESENT 16K BY 37 BITS, WHICH IS 1 BANK OF STORAGE FOR 1 CONTROL. SEE D-MU-MG10-0-MUAF AND D-MU-MG10-0-MUHL FOR THE LOCATION OF OTHER BANKS.  
 2) THESE PRINTS REFLECT REV F OF THE G114 CIRCUIT SCHEMATICS THESE PRINTS REFLECT REV M OF THE G235 CIRCUIT SCHEMATICS THESE PRINTS REFLECT REV B OF THE H217 CIRCUIT SCHEMATICS  
 3) VARIABLE DEFINITIONS  
 (N) INDICATES A CONTROL  
 (L) INDICATES A TIMING BOARD  
 (M) INDICATES A BANK NUMBER

"THIS DRAWING AND SPECIFICATIONS, HEREIN, ARE THE PROPERTY OF DIGITAL EQUIPMENT CORPORATION AND SHALL NOT BE REPRODUCED OR COPIED OR USED IN WHOLE OR IN PART AS THE BASIS FOR THE MANUFACTURE OR SALE OF ITEMS WITHOUT WRITTEN PERMISSION.  
 COPYRIGHT © 1975, DIGITAL EQUIPMENT CORPORATION"

REVISIONS	
CHK	CHANGE NO. REV

digital	DRN. W. Hamlin	DATE 6/3/75	ENG. D. J. Chen	DATE 6-3-75	TITLE: 16K SENSE/INHIBIT (G114)
	CHK'D. [Signature]	DATE 6/10/75	BOARD LOCATION: [Blank]	SHEET 1 OF 1	SIZE CODE D BS
SIN5(4,260) 22-MAY-75 15:18 NEXT HIGHER ASSEMBLY: B-DD-MG10-0			FIRST USED ON OPTION/MODEL: MG10		NUMBER 1

REV. M  
 NUMBER MG10-0-S15  
 BS  
 D  
 A



8

7

6

5

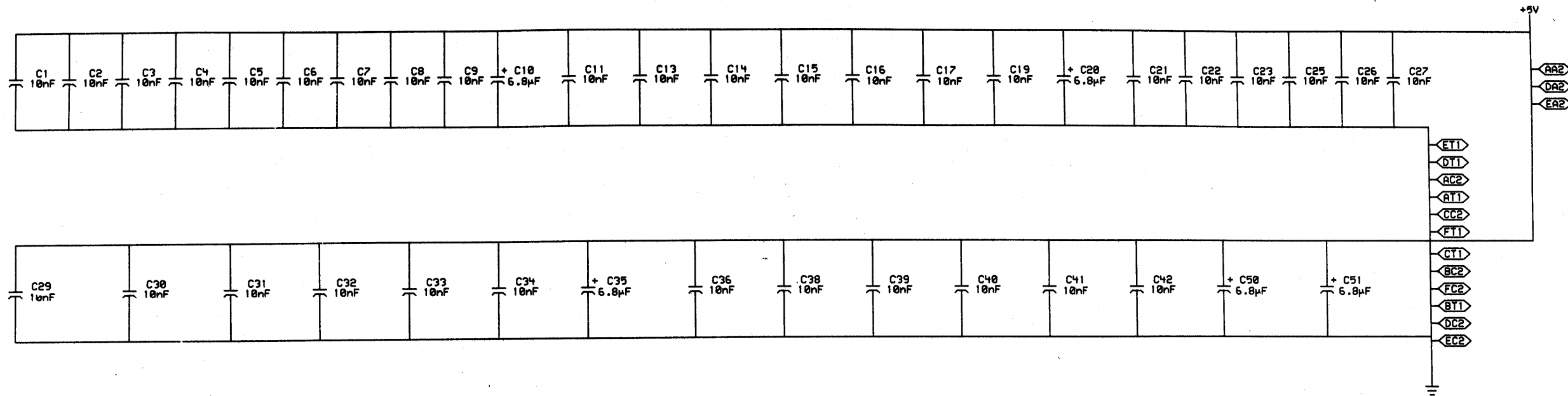
4

3

2

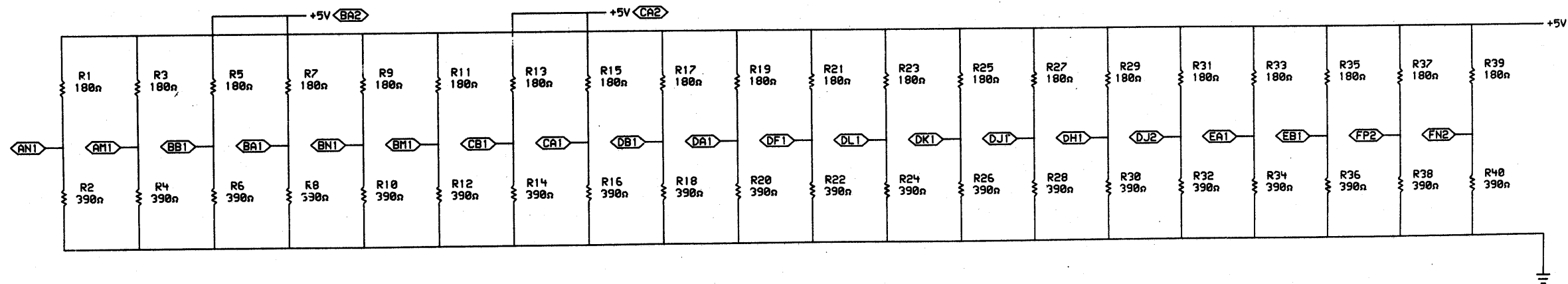
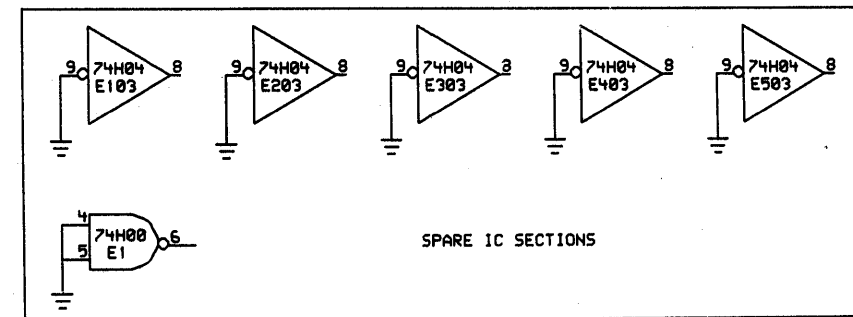
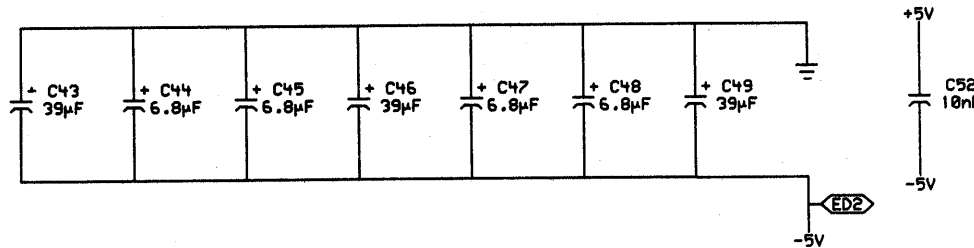
9 15-0-010W 58 0  
3000 3E15

1



NOTES:

- 1) THE G114, G235 AND H217 BLOCK SCHEMATICS IN THIS PRINT SET REPRESENT 16K BY 37 BITS, WHICH IS 1 BANK OF STORAGE FOR 1 CONTROL. SEE D-MU-MG10-0-MUAF AND D-MU-MG10-0-MUHL FOR THE LOCATION OF OTHER BANKS.
- 2) THESE PRINTS REFLECT REV F OF THE G114 CIRCUIT SCHEMATICS THESE PRINTS REFLECT REV M OF THE G235 CIRCUIT SCHEMATICS THESE PRINTS REFLECT REV B OF THE H217 CIRCUIT SCHEMATICS
- 3) VARIABLE DEFINITIONS  
 [N] INDICATES A CONTROL  
 [L] INDICATES A TIMING BOARD  
 [M] INDICATES A BANK NUMBER



"THIS DRAWING AND SPECIFICATIONS, HEREIN, ARE THE PROPERTY OF DIGITAL EQUIPMENT CORPORATION AND SHALL NOT BE REPRODUCED OR COPIED OR USED IN WHOLE OR IN PART AS THE BASIS FOR THE MANUFACTURE OR SALE OF ITEMS WITHOUT WRITTEN PERMISSION.  
 COPYRIGHT © 1975, DIGITAL EQUIPMENT CORPORATION"

REVISIONS		
CHK	CHANGE NO.	REV

digital	DRN. <i>W. Hamilton</i>	DATE <i>6/3/75</i>	ENG. <i>D. J. Chen</i>	DATE <i>6-3-75</i>	TITLE: 16K SENSE/INHIBIT (G114)
	CHK'D <i>DJ</i>	DATE <i>6/10/75</i>	BOARD LOCATION: <i> </i>	SHEET <i> </i> OF <i> </i>	
SINGL (4,250)			29-MAY-75 13:30 NEXT HIGHER ASSEMBLY:		SIZE CODE NUMBER REV.
FIRST USED ON OPTION/MODEL: MG10			B-DD-MG10-0		D BS MG10-0-SI6 * 1

8

7

6

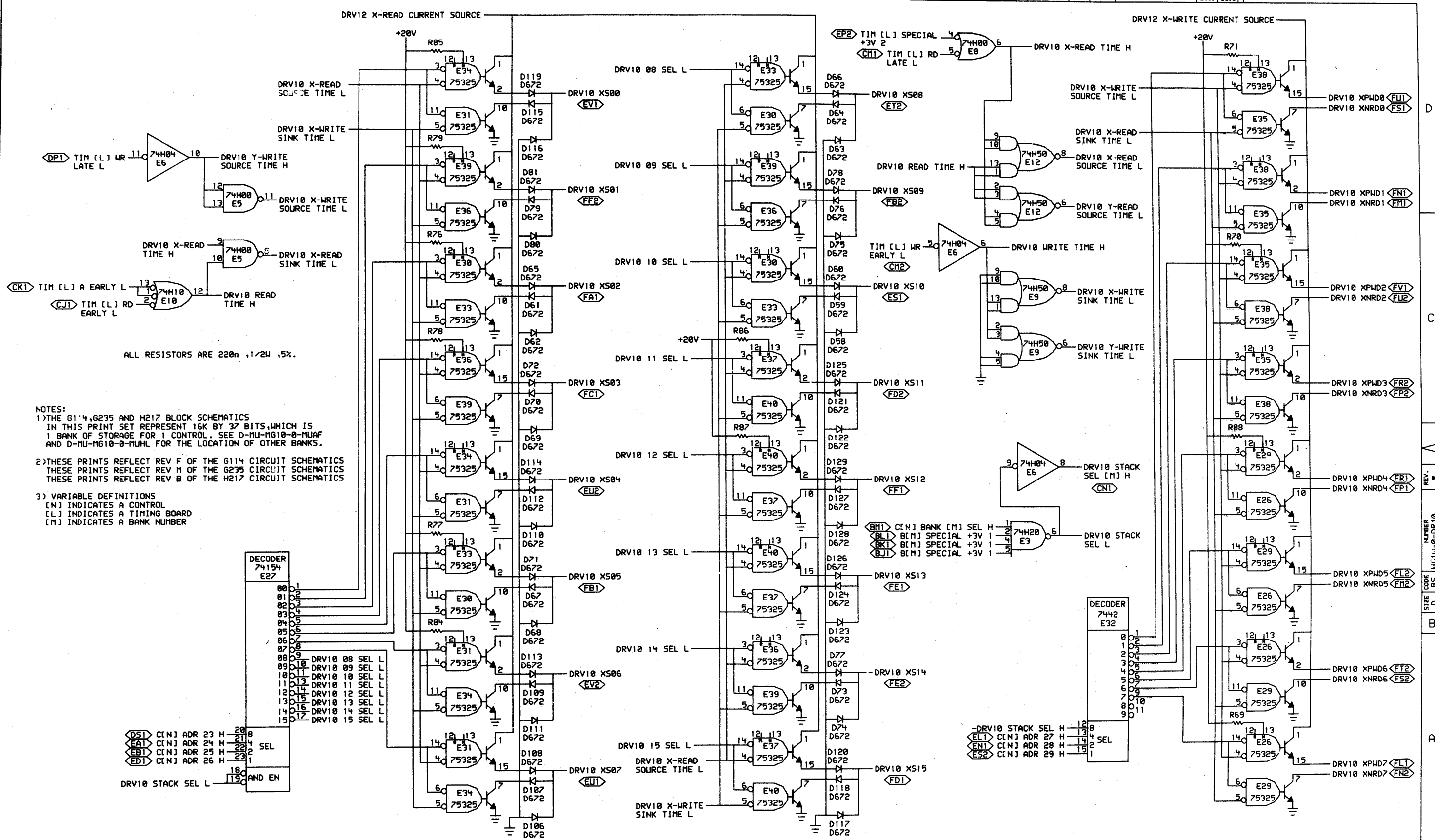
5

4

3

2

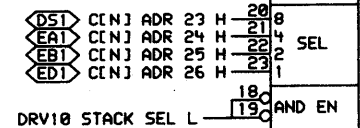
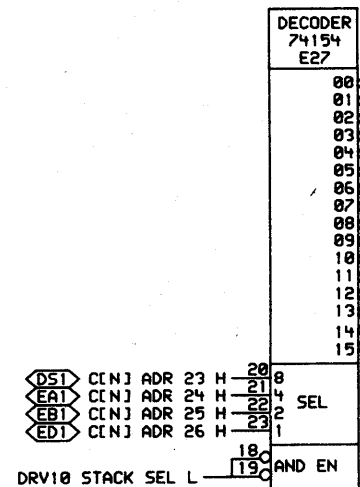
1



ALL RESISTORS ARE 220 $\Omega$  1/2W 5%.

NOTES:

- 1) THE G114, G235 AND H217 BLOCK SCHEMATICS IN THIS PRINT SET REPRESENT 16K BY 37 BITS, WHICH IS 1 BANK OF STORAGE FOR 1 CONTROL. SEE D-MU-MG10-0-MUAF AND D-MU-MG10-0-MUHL FOR THE LOCATION OF OTHER BANKS.
- 2) THESE PRINTS REFLECT REV F OF THE G114 CIRCUIT SCHEMATICS THESE PRINTS REFLECT REV M OF THE G235 CIRCUIT SCHEMATICS THESE PRINTS REFLECT REV B OF THE H217 CIRCUIT SCHEMATICS
- 3) VARIABLE DEFINITIONS  
 [N] INDICATES A CONTROL  
 [L] INDICATES A TIMING BOARD  
 [M] INDICATES A BANK NUMBER



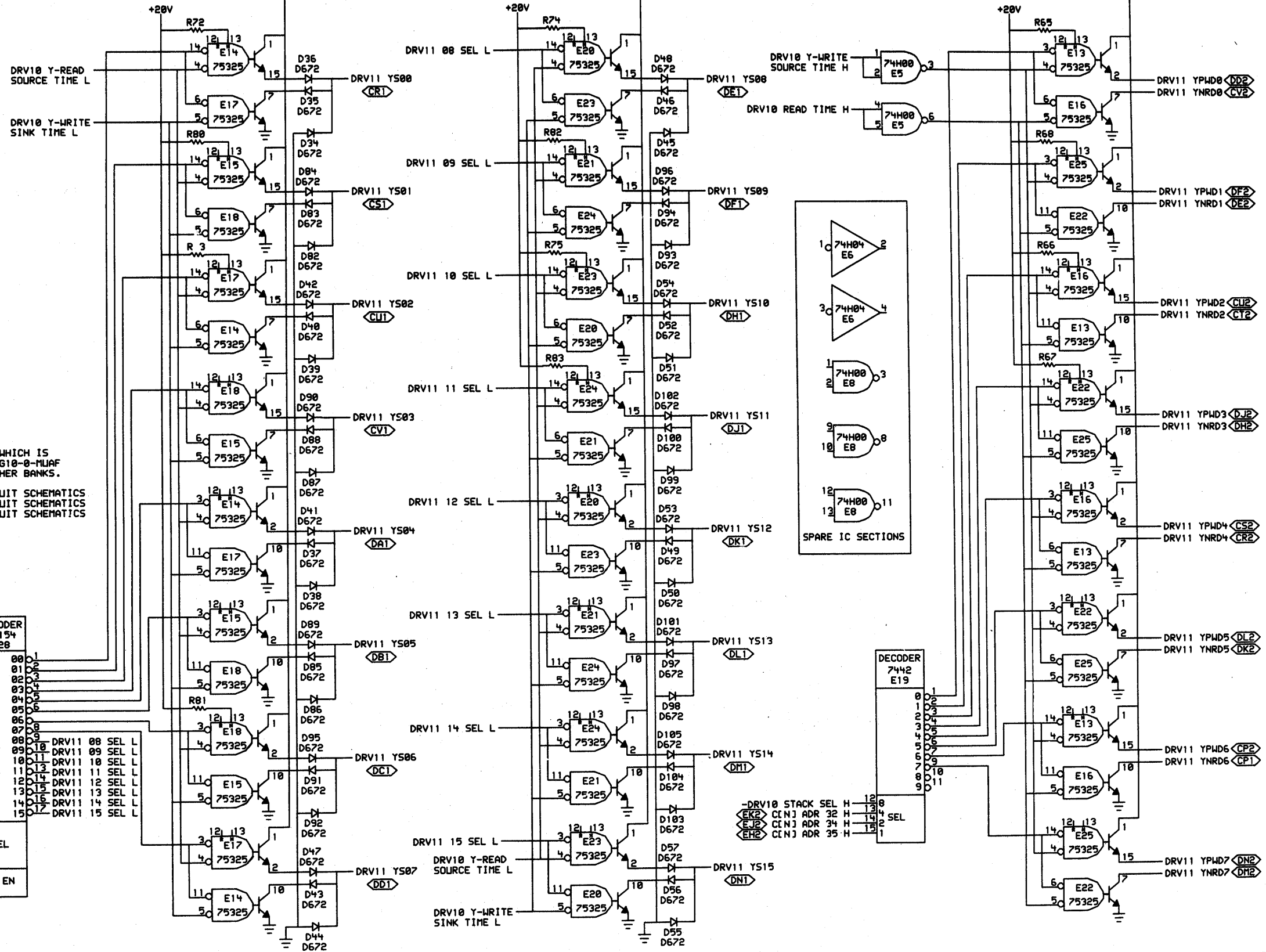
"THIS DRAWING AND SPECIFICATIONS, HEREIN, ARE THE PROPERTY OF DIGITAL EQUIPMENT CORPORATION AND SHALL NOT BE REPRODUCED OR COPIED OR USED IN WHOLE OR IN PART AS THE BASIS FOR THE MANUFACTURE OR SALE OF ITEMS WITHOUT WRITTEN PERMISSION. COPYRIGHT © 1975, DIGITAL EQUIPMENT CORPORATION"

REVISIONS		
CHK	CHANGE NO.	REV

	DRN.	DATE	ENG.	DATE	TITLE:
	CHK	6/10/75	J. J. Chu	6-2-75	16K X-Y DRIVE (G235)
DRV10(4,250)		29-MAY-75 13:47	BOARD LOCATION:		SIZE
FIRST USED ON OPTION/MODEL: MG10.		NEXT HIGHER ASSEMBLY:		CODE	
B-DD-MG10-0		B-DD-MG10-0		NUMBER	
1		2		REV.	
*		*		*	

DRV12 Y-READ CURRENT SOURCE

DRV12 Y-WRITE CURRENT SOURCE



ALL RESISTORS ARE 270Ω, 1/2W, 5%.

NOTES:

- 1) THE G114, G235 AND H217 BLOCK SCHEMATICS IN THIS PRINT SET REPRESENT 16K BY 37 BITS, WHICH IS 1 BANK OF STORAGE FOR 1 CONTROL. SEE D-MU-MG10-0-MJAF AND D-MU-MG10-0-MUHL FOR THE LOCATION OF OTHER BANKS.
- 2) THESE PRINTS REFLECT REV F OF THE G114 CIRCUIT SCHEMATICS THESE PRINTS REFLECT REV M OF THE G235 CIRCUIT SCHEMATICS THESE PRINTS REFLECT REV B OF THE H217 CIRCUIT SCHEMATICS
- 3) VARIABLE DEFINITIONS  
 [N] INDICATES A CONTROL  
 [L] INDICATES A TIMING BOARD  
 [M] INDICATES A BANK NUMBER

DECODER 74154 E28

- 00 01
- 01 02
- 02 03
- 03 04
- 04 05
- 05 06
- 06 07
- 07 08
- 08 09 DRV11 08 SEL L
- 09 10 DRV11 09 SEL L
- 10 11 DRV11 10 SEL L
- 11 12 DRV11 11 SEL L
- 12 13 DRV11 12 SEL L
- 13 14 DRV11 13 SEL L
- 14 15 DRV11 14 SEL L
- 15 16 DRV11 15 SEL L

- [E1] C[N] ADR 22 H 20
- [E2] C[N] ADR 30 H 21
- [E3] C[N] ADR 31 H 22
- [E4] C[N] ADR 33 H 23
- 18 AND EN
- 19

DECODER 7442 E19

- 0 1
- 1 02
- 2 03
- 3 04
- 4 05
- 5 06
- 6 07
- 7 08
- 8 09
- 9 10
- 10 11

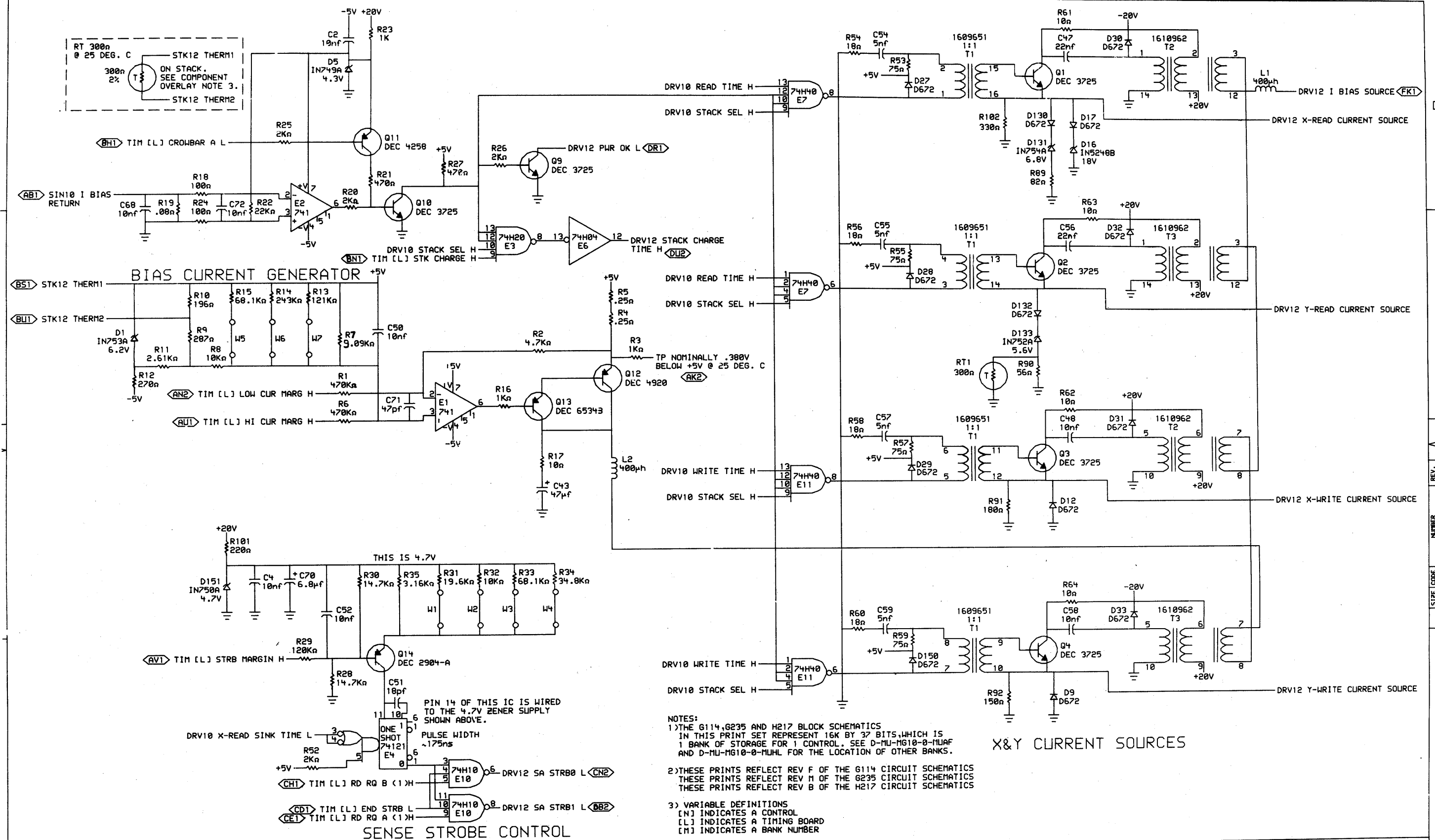
- [E12] C[N] ADR 32 H 14
- [E13] C[N] ADR 34 H 15
- [E14] C[N] ADR 35 H 16

THIS DRAWING AND SPECIFICATIONS, HEREIN, ARE THE PROPERTY OF DIGITAL EQUIPMENT CORPORATION AND SHALL NOT BE REPRODUCED OR COPIED OR USED IN WHOLE OR IN PART AS THE BASIS FOR THE MANUFACTURE OR SALE OF ITEMS WITHOUT WRITTEN PERMISSION. COPYRIGHT © 1975, DIGITAL EQUIPMENT CORPORATION

REVISIONS		
CHK	CHANGE NO.	REV

digital DRN. DATE ENG. DATE TITLE: 16K X-Y DRIVE (G235)

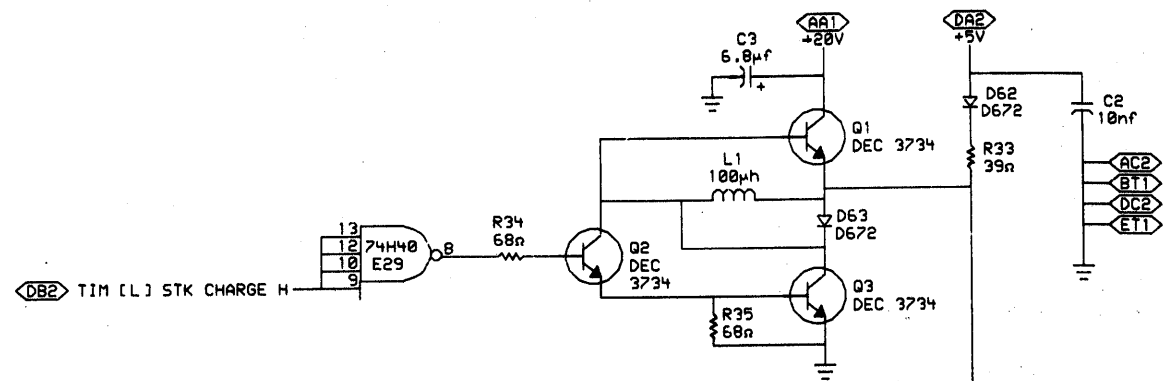
122-MAY-75 14:43 NEXT HIGHER ASSEMBLY: SIZE CODE NUMBER REV. \*  
 D B5 MG10-0-DR11



THIS DRAWING AND SPECIFICATIONS, HEREIN, ARE THE PROPERTY OF DIGITAL EQUIPMENT CORPORATION AND SHALL NOT BE REPRODUCED OR COPIED OR USED IN WHOLE OR IN PART AS THE BASIS FOR THE MANUFACTURE OR SALE OF ITEMS WITHOUT WRITTEN PERMISSION.  
COPYRIGHT © 1975, DIGITAL EQUIPMENT CORPORATION

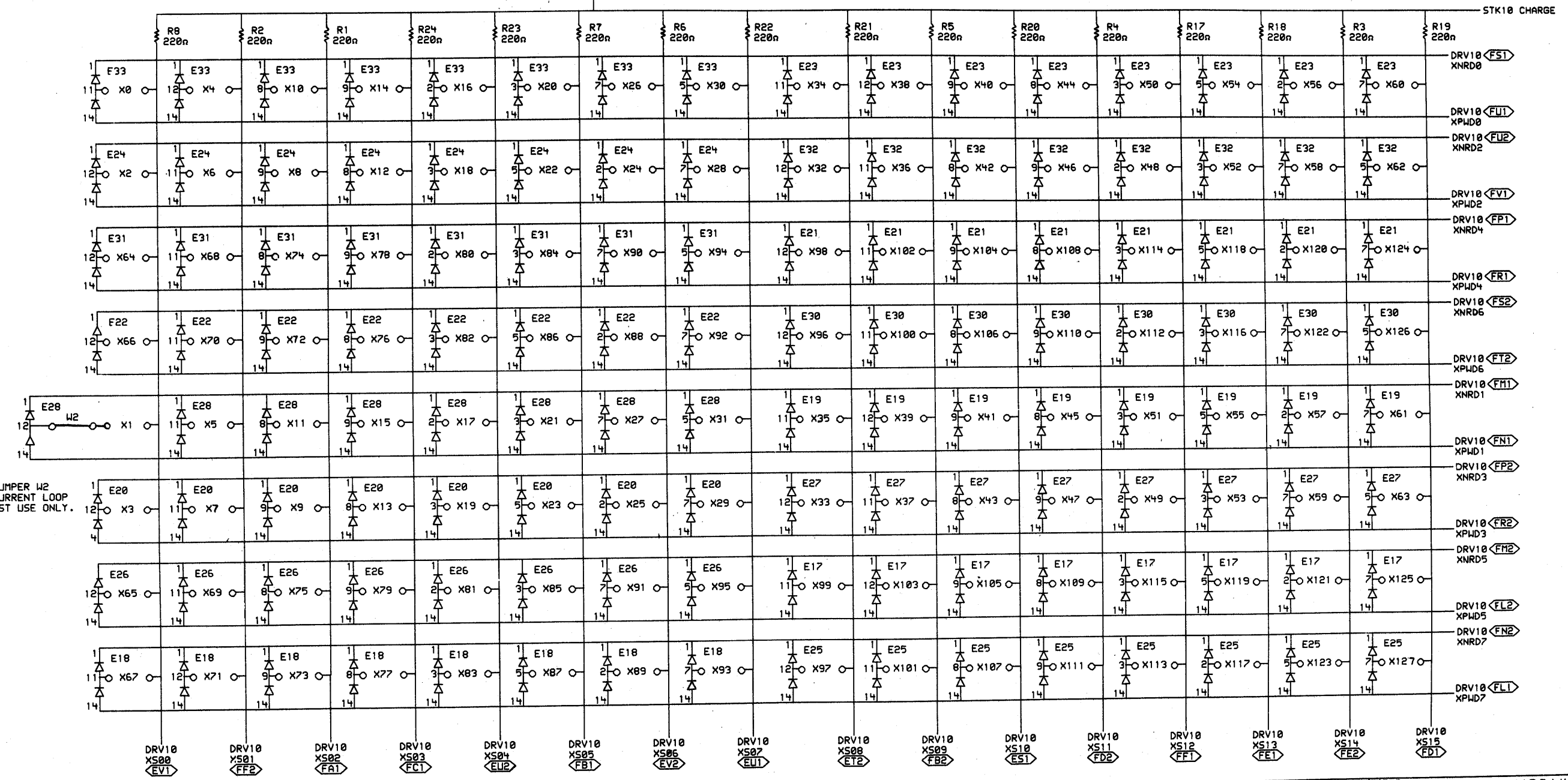
REVISIONS	
CHK	CHANGE NO. REV

digital	DRN. <i>[Signature]</i>	DATE <i>6-2-75</i>	ENG. <i>J. J. Chin</i>	DATE <i>6-2-75</i>	TITLE: <b>16K X-Y DRIVE (G235)</b>
	CHK. <i>[Signature]</i>	DATE <i>6/10/75</i>	BOARD LOCATION: <i>1 OF 1</i>	SIZE CODE <b>D BS</b>	NUMBER <b>MG10-0-DR12</b>
FIRST USED ON OPTION/MODEL: <b>MG10</b>			NEXT HIGHER ASSEMBLY: <b>B-DD-MG10-0</b>		REV. <b>*</b>



NOTES:  
 1) THE G114, G235 AND H217 BLOCK SCHEMATICS IN THIS PRINT SET REPRESENT 16K BY 37 BITS, WHICH IS 1 BANK OF STORAGE FOR 1 CONTROL. SEE D-MU-MG10-0-MUAF AND D-MU-MG10-0-MUHL FOR THE LOCATION OF OTHER BANKS.  
 2) THESE PRINTS REFLECT REV F OF THE G114 CIRCUIT SCHEMATICS THESE PRINTS REFLECT REV M OF THE G235 CIRCUIT SCHEMATICS THESE PRINTS REFLECT REV B OF THE H217 CIRCUIT SCHEMATICS  
 3) VARIABLE DEFINITIONS  
 [N] INDICATES A CONTROL  
 [L] INDICATES A TIMING BOARD  
 [M] INDICATES A BANK NUMBER

X AXIS



NOTE: JUMPER W2 IS A CURRENT LOOP FOR TEST USE ONLY.

REV. A  
 NUMBER  
 BS  
 SIZE CODE  
 D  
 BS  
 MG10-0-ST10

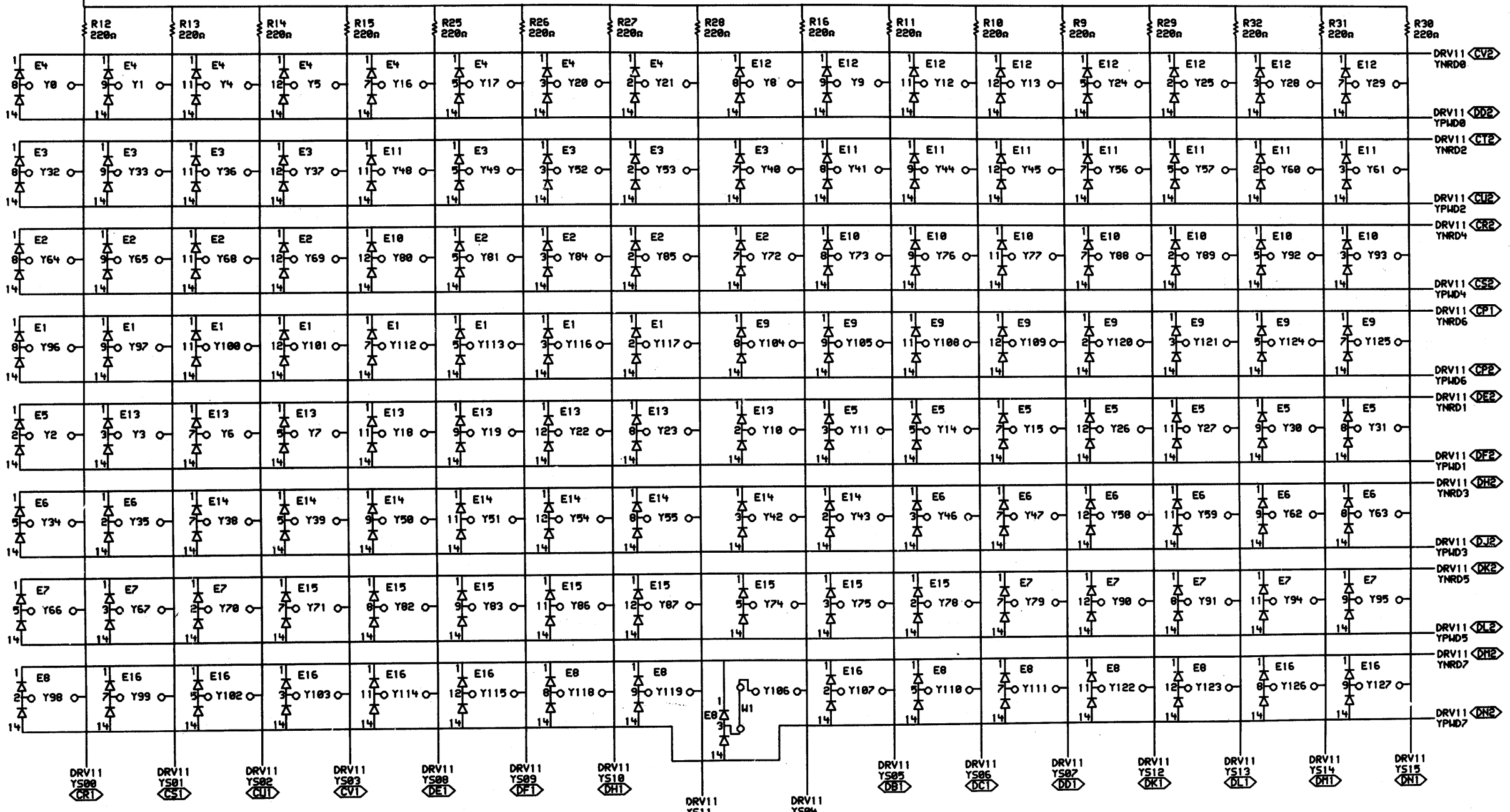
"THIS DRAWING AND SPECIFICATIONS, HEREIN, ARE THE PROPERTY OF DIGITAL EQUIPMENT CORPORATION AND SHALL NOT BE REPRODUCED OR COPIED OR USED IN WHOLE OR IN PART AS THE BASIS FOR THE MANUFACTURE OR SALE OF ITEMS WITHOUT WRITTEN PERMISSION.  
 COPYRIGHT © 1975, DIGITAL EQUIPMENT CORPORATION"

REVISIONS		
CHK	CHANGE NO.	REV

digital	DRN	DATE	ENG.	DATE	TITLE:
	CHK'D	6/3/75	D. J. Chen	6-3-75	STACK MODULE (H217B)
STK104,2601		DATE	BOARD LOCATION:	SIZE CODE	
FIRST USED ON OPTION/MODEL: MG10		29-MAY-75 13:17	DEPT	D BS	
NEXT HIGHER ASSEMBLY: B-DD-MG10-0		SHEET		NUMBER	
		OF 1		MG10-0-ST10	
				REV. *	

NOTES:  
 1) THE 0114, 0235 AND H217 BLOCK SCHEMATICS IN THIS PRINT SET REPRESENT 16K BY 37 BITS, WHICH IS 1 BANK OF STORAGE FOR 1 CONTROL. SEE D-MU-MG10-0-MUAF AND D-MU-MG10-0-MUHL FOR THE LOCATION OF OTHER BANKS.  
 2) THESE PRINTS REFLECT REV F OF THE 0114 CIRCUIT SCHEMATICS THESE PRINTS REFLECT REV H OF THE 0235 CIRCUIT SCHEMATICS THESE PRINTS REFLECT REV B OF THE H217 CIRCUIT SCHEMATICS  
 3) VARIABLE DEFINITIONS  
 [N] INDICATES A CONTROL  
 [L] INDICATES A TIMING BOARD  
 [M] INDICATES A BANK NUMBER  
 Y AXIS

STK10 CHARGE

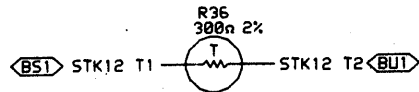


NOTE: JUMPER W1 IS A CURRENT LOOP FOR TEST USE ONLY.

"THIS DRAWING AND SPECIFICATIONS, HEREIN, ARE THE PROPERTY OF DIGITAL EQUIPMENT CORPORATION AND SHALL NOT BE REPRODUCED OR COPIED OR USED IN WHOLE OR IN PART AS THE BASIS FOR THE MANUFACTURE OR SALE OF ITEMS WITHOUT WRITTEN PERMISSION.  
 COPYRIGHT © 1975, DIGITAL EQUIPMENT CORPORATION"

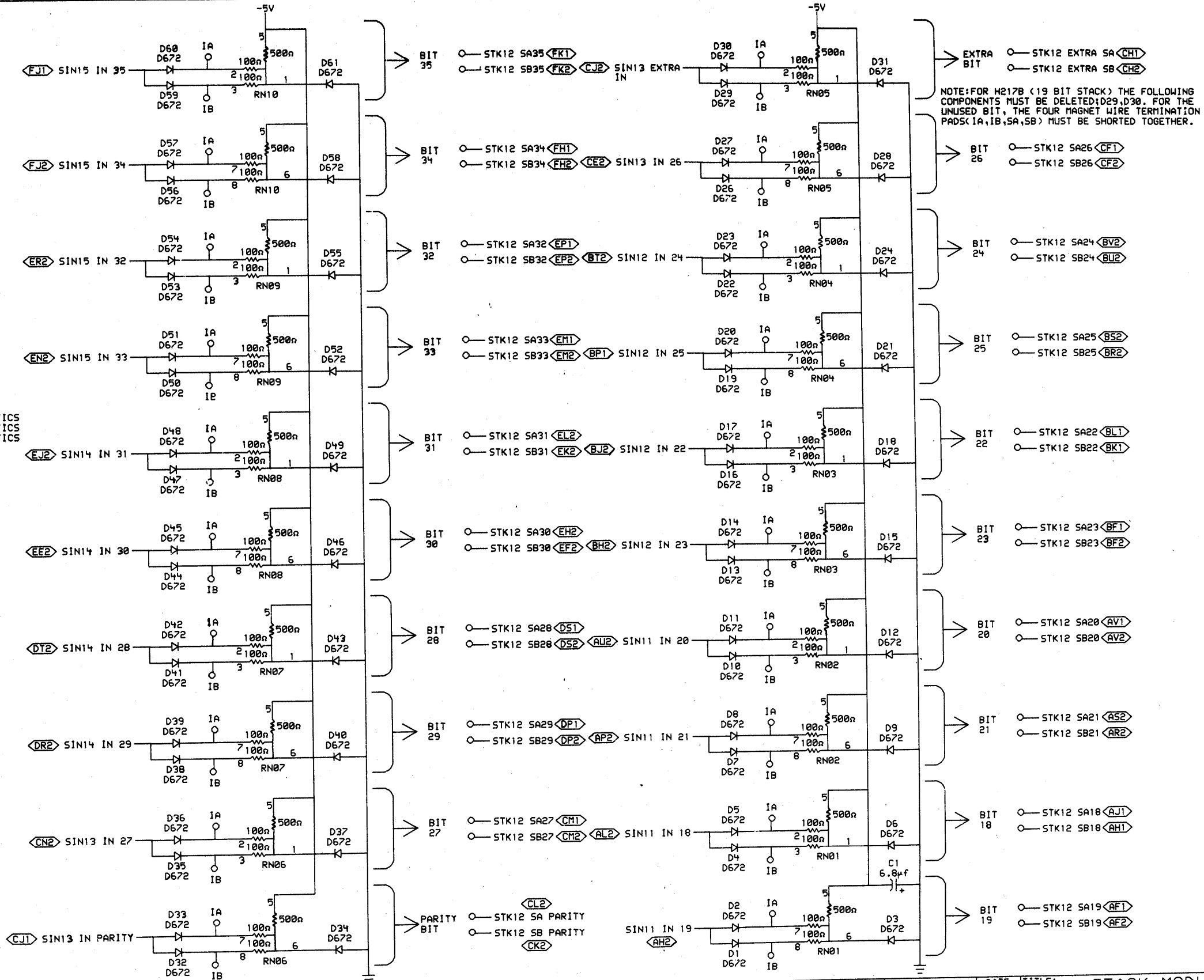
REVISIONS		
CHK	CHANGE NO.	REV

digital	DRN. W. Hamlin	DATE 6/3/75	ENG. D. J. Chin	DATE 6-3-75	TITLE: STACK MODULE (H217B)
	CHK'D [Signature]	DATE 6/10/75	BOARD LOCATION: DE	DE	SIZE CODE D BS
STK1114-2601		129-MAY-75 13:22		NEXT HIGHER ASSEMBLY: B-DD-MG10-0	
FIRST USED ON OPTION MODEL: MG10		B-DD-MG10-0		NUMBER D BS MG10-0-ST11	



NOTE: THERMISTOR FOR TEMPERATURE COMPENSATION.

- NOTES:
- 1) THE G114, G235 AND H217 BLOCK SCHEMATICS IN THIS PRINT SET REPRESENT 16K BY 37 BITS, WHICH IS 1 BANK OF STORAGE FOR 1 CONTROL. SEE D-MU-MG10-0-MUAF AND D-MU-MG10-0-MUHL FOR THE LOCATION OF OTHER BANKS.
  - 2) THESE PRINTS REFLECT REV F OF THE G114 CIRCUIT SCHEMATICS THESE PRINTS REFLECT REV M OF THE G235 CIRCUIT SCHEMATICS THESE PRINTS REFLECT REV B OF THE H217 CIRCUIT SCHEMATICS
  - 3) VARIABLE DEFINITIONS  
 [N] INDICATES A CONTROL  
 [L] INDICATES A TIMING BOARD  
 [M] INDICATES A BANK NUMBER



NOTE: FOR H217B (19 BIT STACK) THE FOLLOWING COMPONENTS MUST BE DELETED: D29, D30. FOR THE UNUSED BIT, THE FOUR MAGNET WIRE TERMINATION PADS (IA, IB, SA, SB) MUST BE SHORTED TOGETHER.

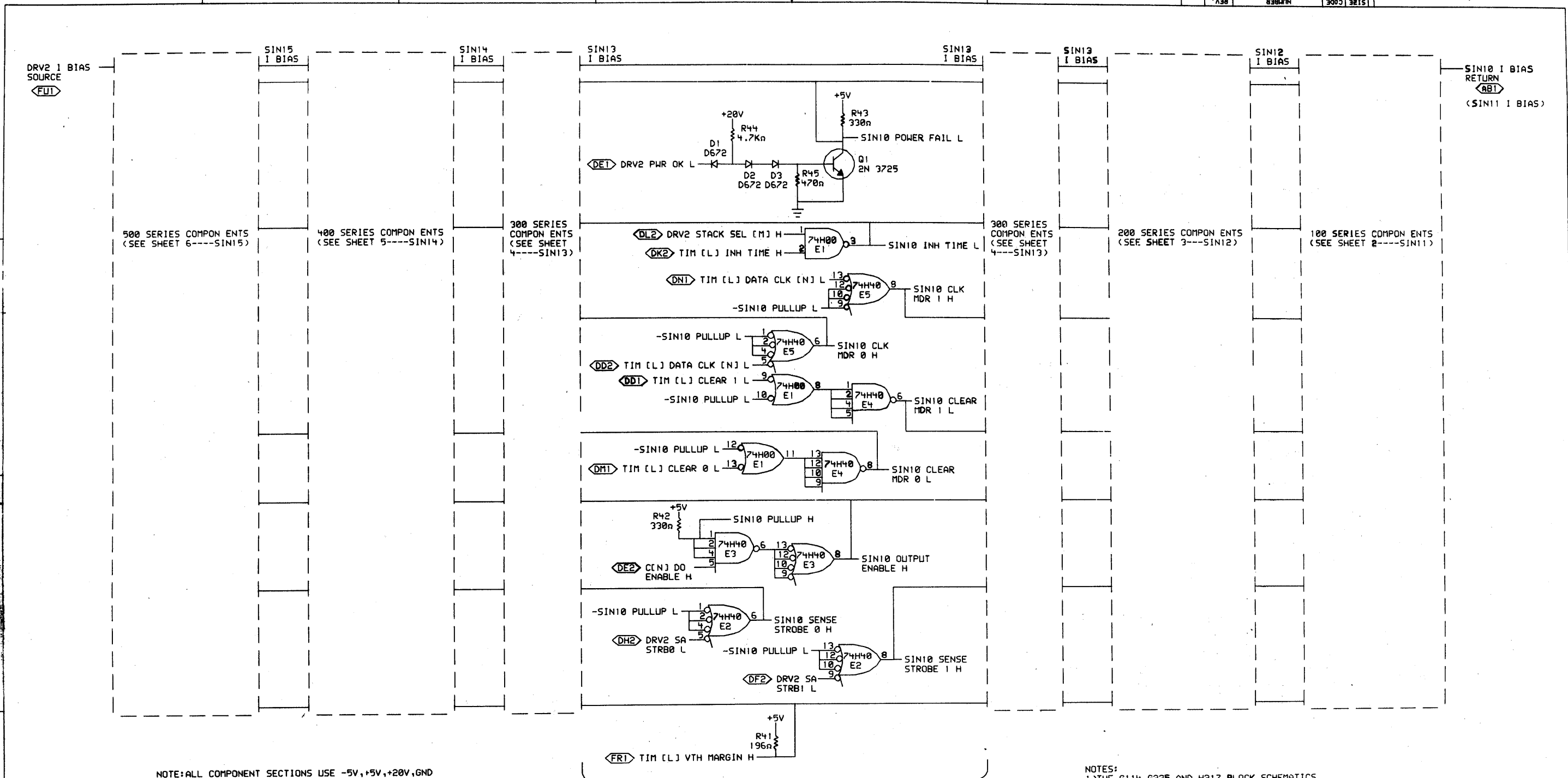
THIS DRAWING AND SPECIFICATIONS, HEREIN, ARE THE PROPERTY OF DIGITAL EQUIPMENT CORPORATION AND SHALL NOT BE REPRODUCED OR COPIED OR USED IN WHOLE OR IN PART AS THE BASIS FOR THE MANUFACTURE OR SALE OF ITEMS WITHOUT WRITTEN PERMISSION.  
 COPYRIGHT © 1975, DIGITAL EQUIPMENT CORPORATION

REVISIONS		
CHK	CHANGE NO.	REV

DRN. <i>W. Hunt</i>	DATE <i>6/3/75</i>	ENG. <i>D. J. Chiu</i>	DATE <i>6/3/75</i>	TITLE: <b>STACK MODULE (H217B)</b>
CHK'D. <i>[Signature]</i>	DATE <i>6/16/75</i>	BOARD LOCATION: <i>[Blank]</i>	SHEET <i>OF 1</i>	SIZE CODE <i>D BS</i>
STK12 4,260	29-MAY-75 14:08	NEXT HIGHER ASSEMBLY: <i>B-DD-MG10-0</i>	NUMBER <i>MG10-0-ST12</i>	REV. <i>*</i>
FIRST USED ON OPTION/MODEL: <i>MG10</i>				

--	--	--	--	--





NOTE: ALL COMPONENT SECTIONS USE -5V, +5V, +20V, GND THEREFORE THE CONNECTIONS SHOWN ON D-CS-6114-0-1 HAVE NOT BEEN SHOWN HERE.

TERMINATORS, CAPACITORS AND SPARE IC SECTIONS SHOWN ON D-CS-6114-0-1 AND OTHER SHEETS OF THE MODULE SCHEMATIC HAVE BEEN PUT ON SHEET 7 OF 7 OF THIS PRINT SET.

THIS IS THE SIN10 PRINT. THE REST OF THIS DRAWING IS A BLOCK DIAGRAM OF THE OTHER SHEETS.

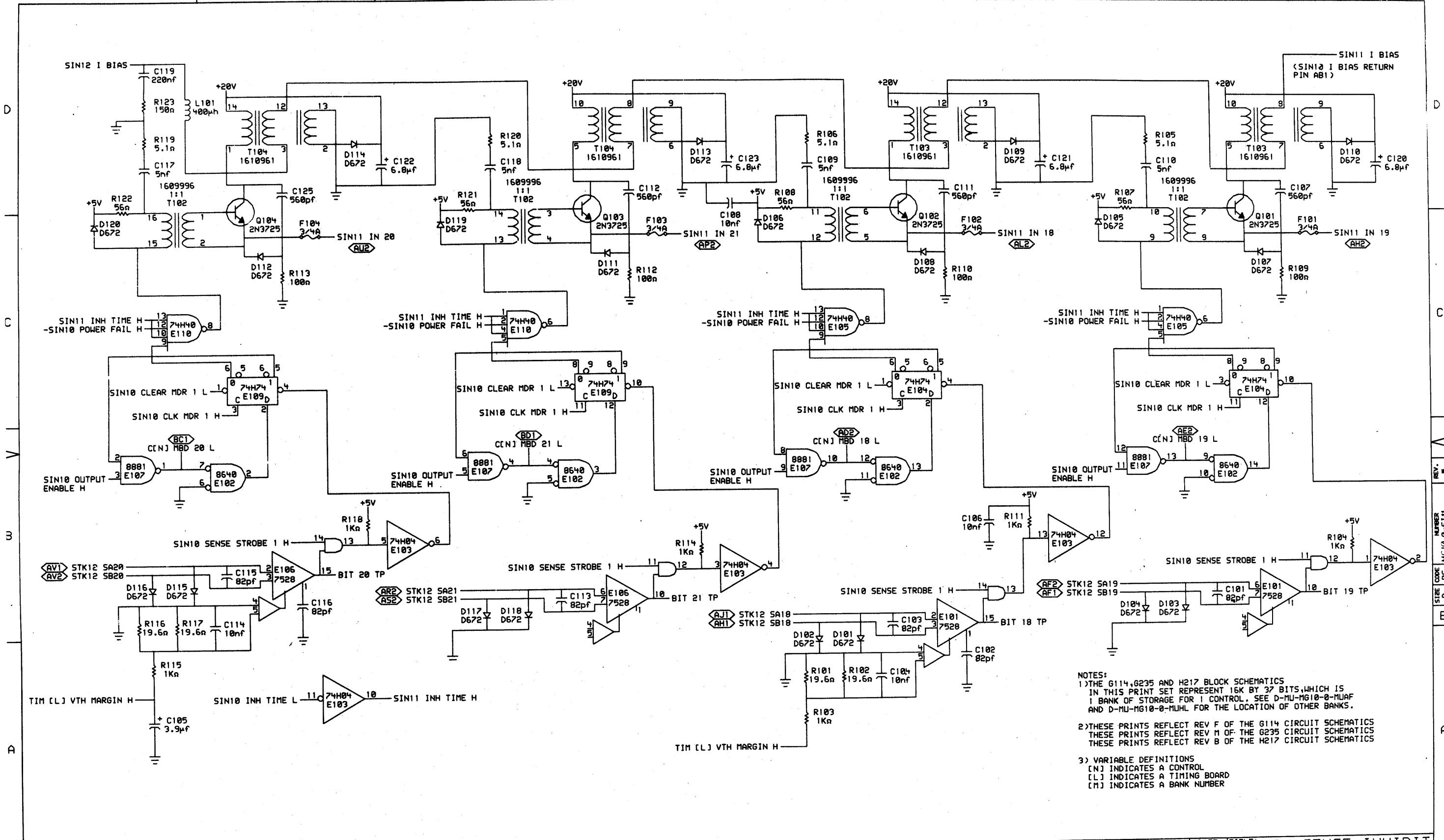
- NOTES:
- 1) THE G114, G235 AND H217 BLOCK SCHEMATICS IN THIS PRINT SET REPRESENT 16K BY 37 BITS, WHICH IS 1 BANK OF STORAGE FOR 1 CONTROL. SEE D-MU-MG10-0-MUAF AND D-MU-MG10-0-MUHL FOR THE LOCATION OF OTHER BANKS.
  - 2) THESE PRINTS REFLECT REV F OF THE G114 CIRCUIT SCHEMATICS THESE PRINTS REFLECT REV M OF THE G235 CIRCUIT SCHEMATICS THESE PRINTS REFLECT REV B OF THE H217 CIRCUIT SCHEMATICS
  - 3) VARIABLE DEFINITIONS  
 [N] INDICATES A CONTROL  
 [L] INDICATES A TIMING BOARD  
 [M] INDICATES A BANK NUMBER

\*THIS DRAWING AND SPECIFICATIONS, HEREIN, ARE THE PROPERTY OF DIGITAL EQUIPMENT CORPORATION AND SHALL NOT BE REPRODUCED OR COPIED OR USED IN WHOLE OR IN PART AS THE BASIS FOR THE MANUFACTURE OR SALE OF ITEMS WITHOUT WRITTEN PERMISSION.  
 COPYRIGHT © 1975, DIGITAL EQUIPMENT CORPORATION\*

REVISIONS		
CHK	CHANGE NO.	REV

digital	DRN	W. Hamilton	DATE	6/3/75	ENG.	J. J. Chen	DATE	6-3-75	TITLE:	16K SENSE/INHIBIT (G114)
	CHK'D	[Signature]	DATE	6/10/75	BOARD LOCATION:		SHEET	1 OF 1	SIZE	D
FIRST USED ON OPTION/MODEL:		MG10	NEXT HIGHER ASSEMBLY:		B-DD-MG10-0	NUMBER	D BS MG10-0-SI10		REV.	*



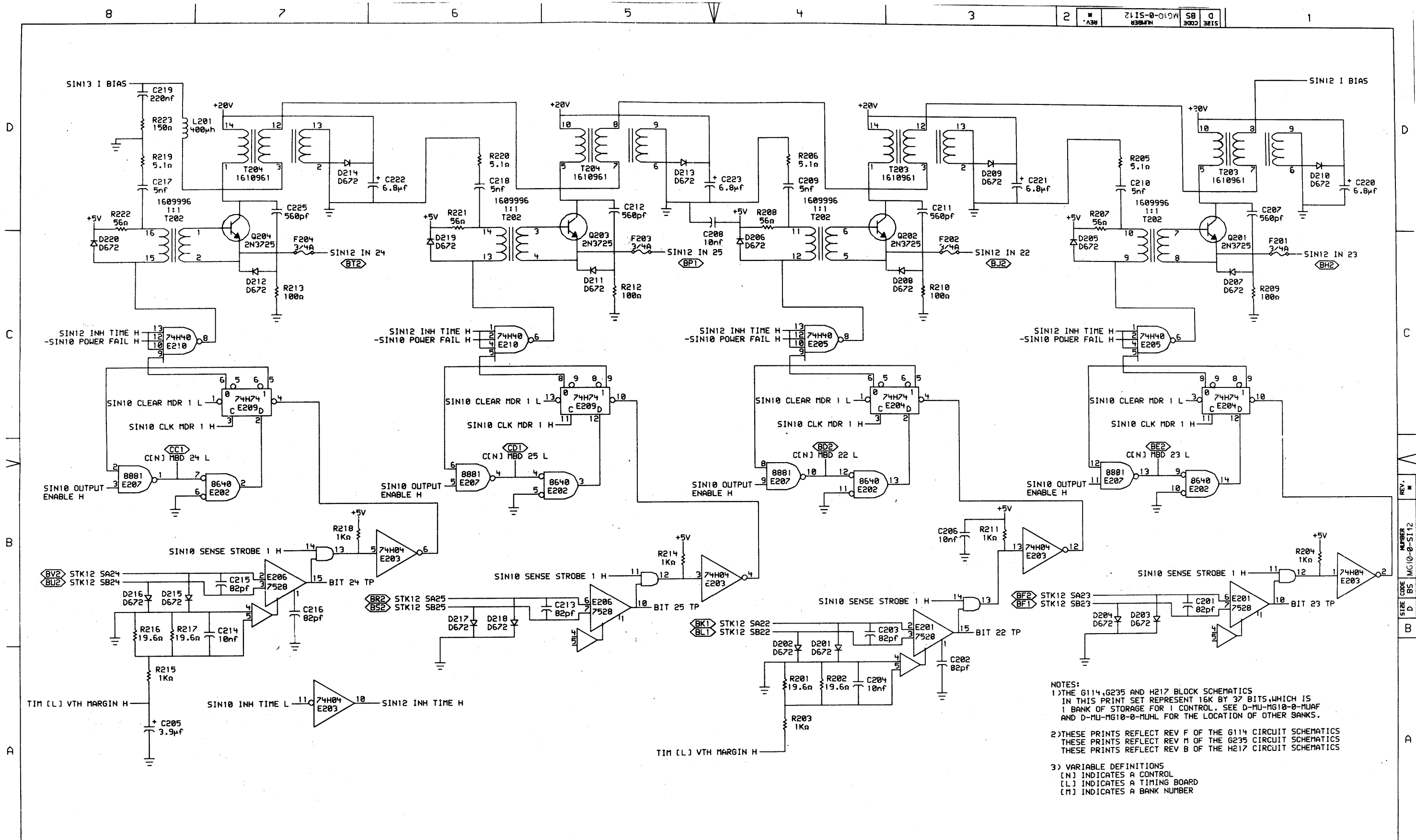


NOTES:  
 1) THE G114, G235 AND H217 BLOCK SCHEMATICS IN THIS PRINT SET REPRESENT 16K BY 37 BITS, WHICH IS 1 BANK OF STORAGE FOR 1 CONTROL. SEE D-MU-MG10-0-MUAF AND D-MU-MG10-0-MUHL FOR THE LOCATION OF OTHER BANKS.  
 2) THESE PRINTS REFLECT REV F OF THE G114 CIRCUIT SCHEMATICS THESE PRINTS REFLECT REV M OF THE G235 CIRCUIT SCHEMATICS THESE PRINTS REFLECT REV B OF THE H217 CIRCUIT SCHEMATICS  
 3) VARIABLE DEFINITIONS  
 [N] INDICATES A CONTROL  
 [L] INDICATES A TIMING BOARD  
 [M] INDICATES A BANK NUMBER

"THIS DRAWING AND SPECIFICATIONS, HEREIN, ARE THE PROPERTY OF DIGITAL EQUIPMENT CORPORATION AND SHALL NOT BE REPRODUCED OR COPIED OR USED IN WHOLE OR IN PART AS THE BASIS FOR THE MANUFACTURE OR SALE OF ITEMS WITHOUT WRITTEN PERMISSION."  
 COPYRIGHT © 1975, DIGITAL EQUIPMENT CORPORATION

REVISIONS	
CHK	CHANGE NO. REV

digital	DRN	DATE	ENG. D. J. Chen	DATE	TITLE: 16K SENSE/INHIBIT
	CHK'D	6/2/75		6-3-75	(G114)
SIN11[4,260]		DATE	BOARD LOCATION:	SIZE	CODE
FIRST USED ON OPTION/MODEL: MG10		122-MAY-75 15:22	DEPT OF	D	BS
		NEXT HIGHER ASSEMBLY:		NUMBER	REV.
		B-DD-MG10-0		D	BS
				MG10-0-S11	*

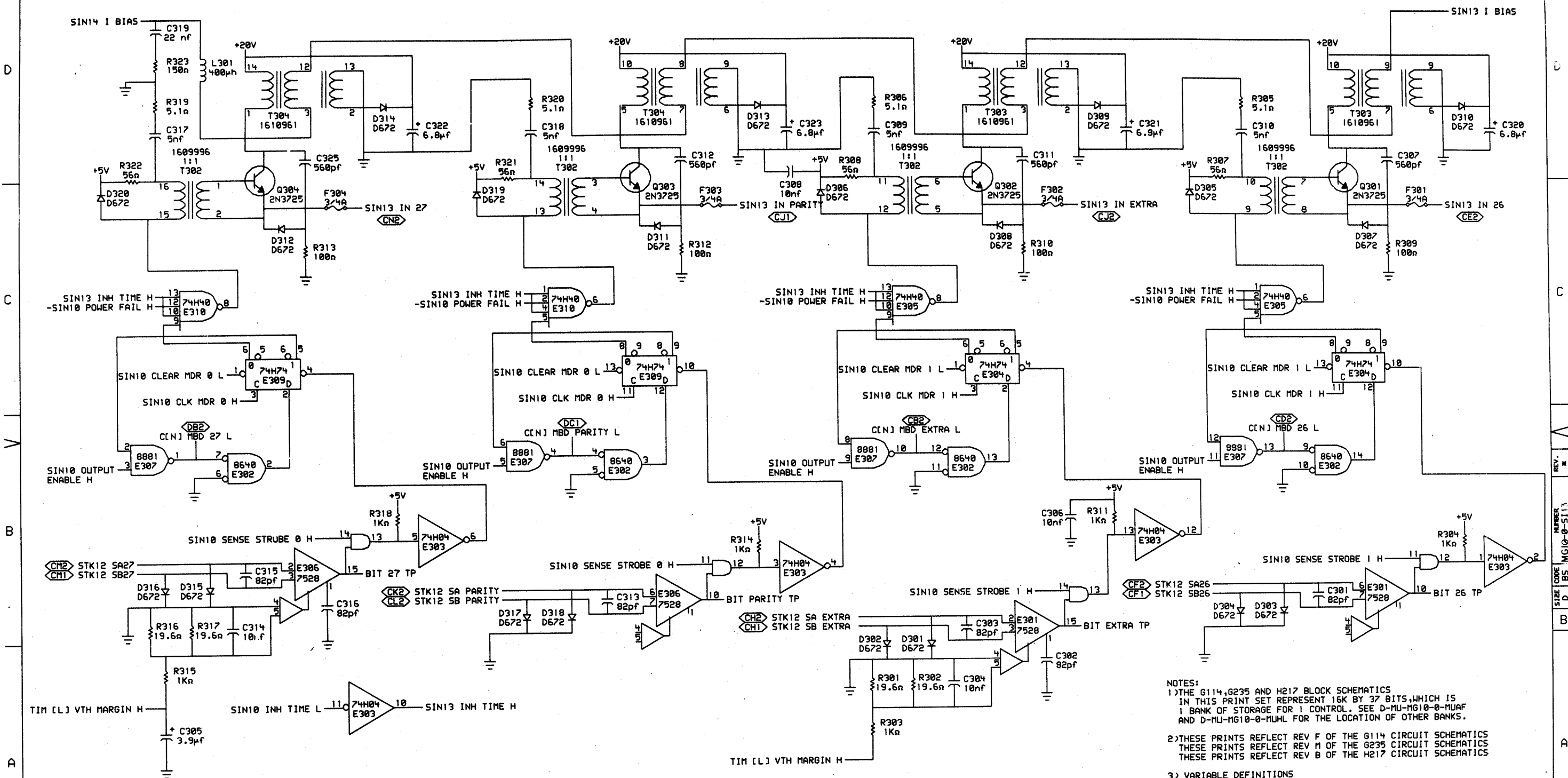


NOTES:  
 1) THE G114, G235 AND H217 BLOCK SCHEMATICS IN THIS PRINT SET REPRESENT 16K BY 37 BITS, WHICH IS 1 BANK OF STORAGE FOR 1 CONTROL. SEE D-MU-MG10-0-MUAF AND D-MU-MG10-0-MUHL FOR THE LOCATION OF OTHER BANKS.  
 2) THESE PRINTS REFLECT REV F OF THE G114 CIRCUIT SCHEMATICS THESE PRINTS REFLECT REV M OF THE G235 CIRCUIT SCHEMATICS THESE PRINTS REFLECT REV B OF THE H217 CIRCUIT SCHEMATICS  
 3) VARIABLE DEFINITIONS  
 [N] INDICATES A CONTROL  
 [L] INDICATES A TIMING BOARD  
 [M] INDICATES A BANK NUMBER

\*THIS DRAWING AND SPECIFICATIONS, HEREIN, ARE THE PROPERTY OF DIGITAL EQUIPMENT CORPORATION AND SHALL NOT BE REPRODUCED OR COPIED OR USED IN WHOLE OR IN PART AS THE BASIS FOR THE MANUFACTURE OR SALE OF ITEMS WITHOUT WRITTEN PERMISSION.  
 COPYRIGHT © 1975, DIGITAL EQUIPMENT CORPORATION\*

REVISIONS		
CHK	CHANGE NO.	REV

digital	DRN: <i>W. Hamilton</i>	DATE: <i>6/3/75</i>	ENG: <i>D. J. Chen</i>	DATE: <i>6-3-75</i>	TITLE: 16K SENSE/INHIBIT (G114)
	CHK: <i>D</i>	DATE: <i>6/10/75</i>	BOARD LOCATION: <i> </i>	OF: <i>1</i>	SIZE CODE: <i>D B5 MG10-0-S112</i>
FIRST USED ON OPTION/MODEL: <i>MG10</i>			NEXT HIGHER ASSEMBLY: <i>B-DD-MG10-0</i>		REV. <i>*</i>

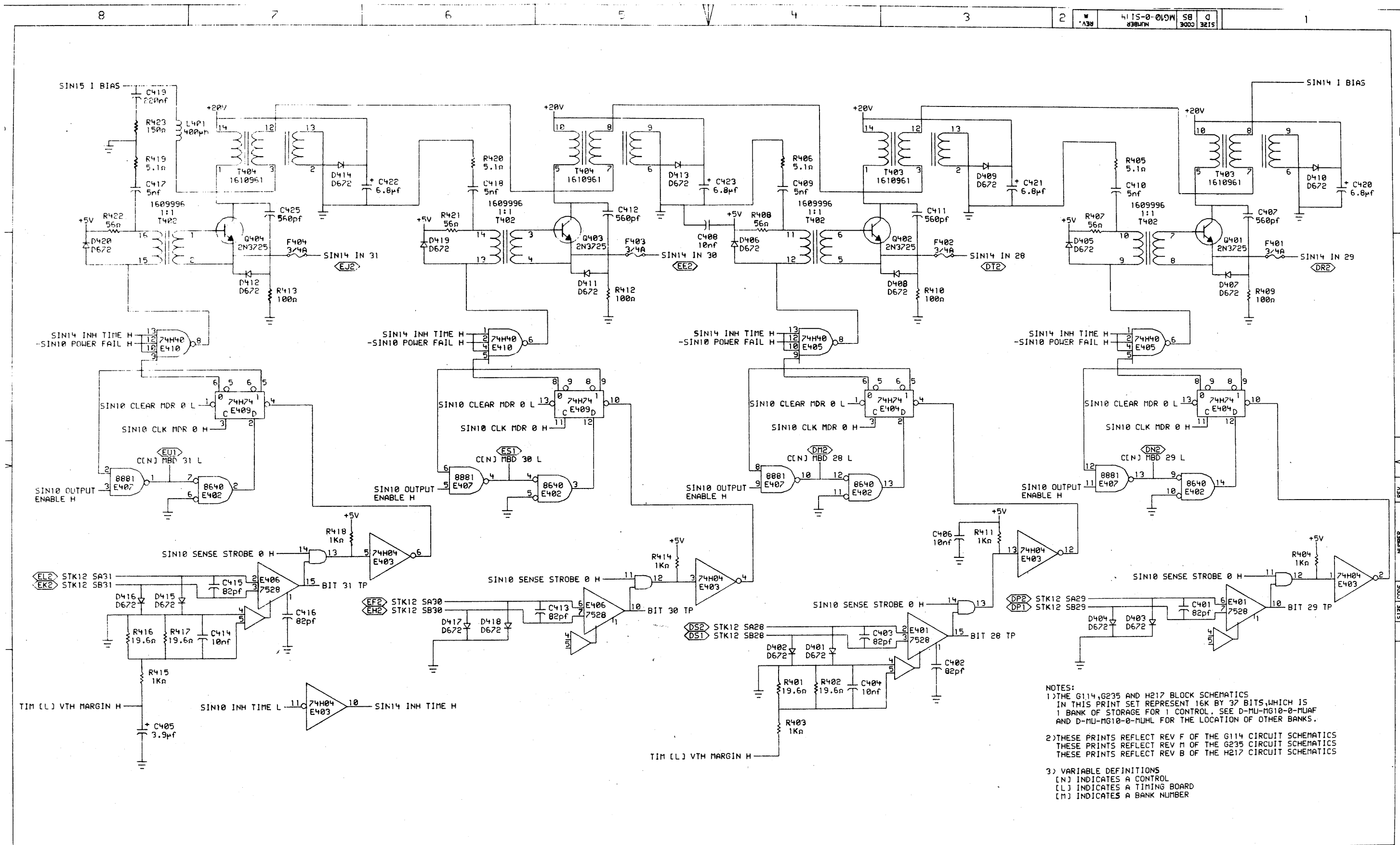


NOTES:  
 1) THE G114, G235 AND H217 BLOCK SCHEMATICS IN THIS PRINT SET REPRESENT 16K BY 37 BITS, WHICH IS 1 BANK OF STORAGE FOR I CONTROL. SEE D-MU-MG10-0-MUAF AND D-MU-MG10-0-MUHL FOR THE LOCATION OF OTHER BANKS.  
 2) THESE PRINTS REFLECT REV F OF THE G114 CIRCUIT SCHEMATICS THESE PRINTS REFLECT REV M OF THE G235 CIRCUIT SCHEMATICS THESE PRINTS REFLECT REV B OF THE H217 CIRCUIT SCHEMATICS  
 3) VARIABLE DEFINITIONS  
 [N] INDICATES A CONTROL  
 [L] INDICATES A TIMING BOARD  
 [M] INDICATES A BANK NUMBER

"THIS DRAWING AND SPECIFICATIONS, HEREIN, ARE THE PROPERTY OF DIGITAL EQUIPMENT CORPORATION AND SHALL NOT BE REPRODUCED OR COPIED OR USED, IN WHOLE OR IN PART AS THE BASIS FOR THE MANUFACTURE OR SALE OF ITEMS WITHOUT WRITTEN PERMISSION.  
 COPYRIGHT © 1975, DIGITAL EQUIPMENT CORPORATION"

REVISIONS		
CHK	CHANGE NO.	REV

digital	DRN. W. Hamlin	DATE 6/3/75	ENG. D. J. Chin	DATE 6-3-75	TITLE: 16K SENSE/INHIBIT (G114)
	CHK'D. [Signature]	DATE 6/10/75	BOARD LOCATION: DE 1	SHEET 1	SIZE CODE D BS MG10-0-S113
FIRST USED ON OPTION/MODEL: MG10		NEXT HIGHER ASSEMBLY: B-DD-MG10-0		NUMBER	REV. *



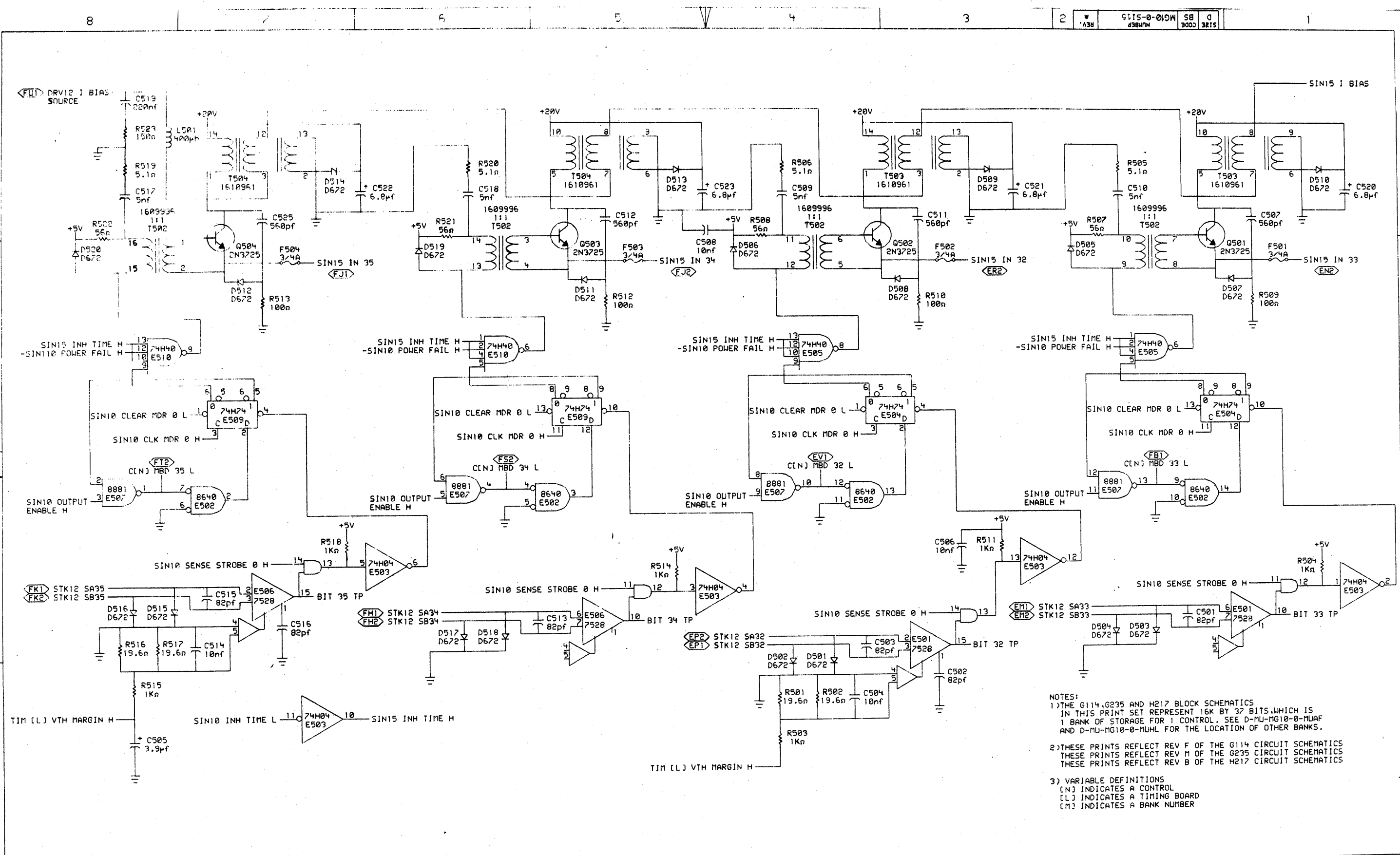
NOTES:  
 1) THE G114, G235 AND H217 BLOCK SCHEMATICS IN THIS PRINT SET REPRESENT 16K BY 32 BITS, WHICH IS 1 BANK OF STORAGE FOR 1 CONTROL. SEE D-MU-MG10-0-NUAF AND D-MU-MG10-0-NUHL FOR THE LOCATION OF OTHER BANKS.  
 2) THESE PRINTS REFLECT REV F OF THE G114 CIRCUIT SCHEMATICS THESE PRINTS REFLECT REV M OF THE G235 CIRCUIT SCHEMATICS THESE PRINTS REFLECT REV B OF THE H217 CIRCUIT SCHEMATICS  
 3) VARIABLE DEFINITIONS  
 [N] INDICATES A CONTROL  
 [L] INDICATES A TIMING BOARD  
 [M] INDICATES A BANK NUMBER

THIS DRAWING AND SPECIFICATIONS, HEREIN, ARE THE PROPERTY OF DIGITAL EQUIPMENT CORPORATION AND SHALL NOT BE REPRODUCED OR COPIED OR USED IN WHOLE OR IN PART AS THE BASIS FOR THE MANUFACTURE OR SALE OF ITEMS WITHOUT WRITTEN PERMISSION.  
 COPYRIGHT © 1975, DIGITAL EQUIPMENT CORPORATION

REVISIONS	
CHK	CHANGE NO. REV

digital	DRN. W. Hamlin	DATE 6/3/75	ENG. D. J. Chen	DATE 6-3-75	TITLE: 16K SENSE/INHIBIT (G114)
	CHK'D	DATE 6/10/75	BOARD LOCATION:	SHEET 1 OF 1	NUMBER
SIN14(4,260)		22-MAY-75 15:27	NEXT HIGHER ASSEMBLY:	SIZE CODE D BS	MG10-0-S114
FIRST USED ON OPTION/MODEL: MG10		B-DD-MG10-0	REV. *		

REV. \* NUMBER BS MG10-0-S114



NOTES:  
 1) THE G114, G235 AND H217 BLOCK SCHEMATICS IN THIS PRINT SET REPRESENT 16K BY 32 BITS, WHICH IS 1 BANK OF STORAGE FOR I CONTROL. SEE D-MU-MG10-0-MUAF AND D-MU-MG10-0-MUHL FOR THE LOCATION OF OTHER BANKS.  
 2) THESE PRINTS REFLECT REV F OF THE G114 CIRCUIT SCHEMATICS THESE PRINTS REFLECT REV M OF THE G235 CIRCUIT SCHEMATICS THESE PRINTS REFLECT REV B OF THE H217 CIRCUIT SCHEMATICS  
 3) VARIABLE DEFINITIONS  
 [N] INDICATES A CONTROL  
 [L] INDICATES A TIMING BOARD  
 [M] INDICATES A BANK NUMBER

"THIS DRAWING AND SPECIFICATIONS, HEREIN, ARE THE PROPERTY OF DIGITAL EQUIPMENT CORPORATION AND SHALL NOT BE REPRODUCED OR COPIED OR USED IN WHOLE OR IN PART AS THE BASIS FOR THE MANUFACTURE OR SALE OF ITEMS WITHOUT WRITTEN PERMISSION.  
 COPYRIGHT © 1975, DIGITAL EQUIPMENT CORPORATION"

REVISIONS		
CHK	CHANGE NO.	REV

DRN. <i>W. Hamber</i>	DATE <i>6/3/75</i>	ENG. <i>D.J. Chin</i>	DATE <i>6-3-75</i>	TITLE: <b>16K SENSE/INHIBIT (G114)</b>
CHK'D <i>[Signature]</i>	DATE <i>6/10/75</i>	BOARD LOCATION:	SIZE CODE	NUMBER
FIRST USED ON OPTION/MODEL: <i>MG10</i>		NEXT HIGHER ASSEMBLY: <i>B-DD-MG10-0</i>	D BS	MG10-0-S115

SIZE CODE	NUMBER	REV.
D BS	MG10-0-S115	*

8

7

6

5

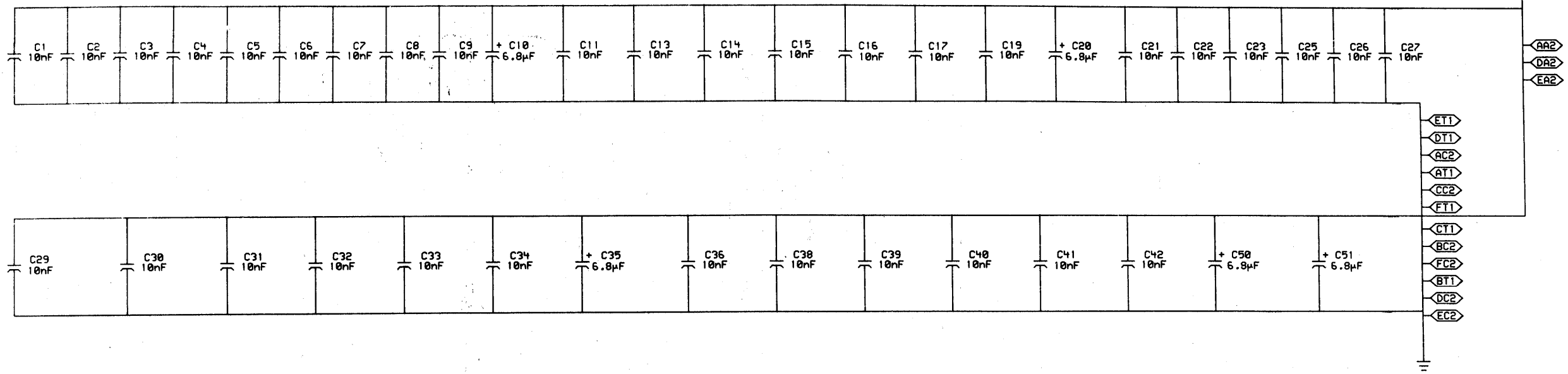
4

3

2

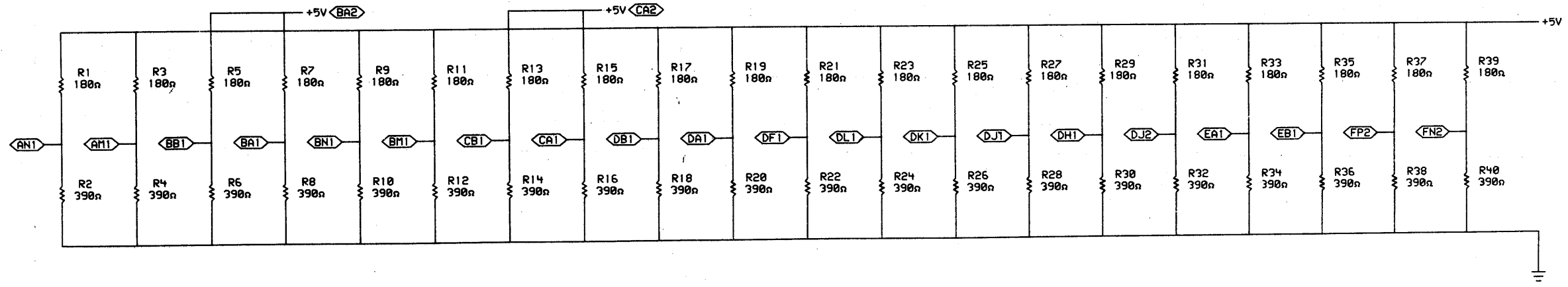
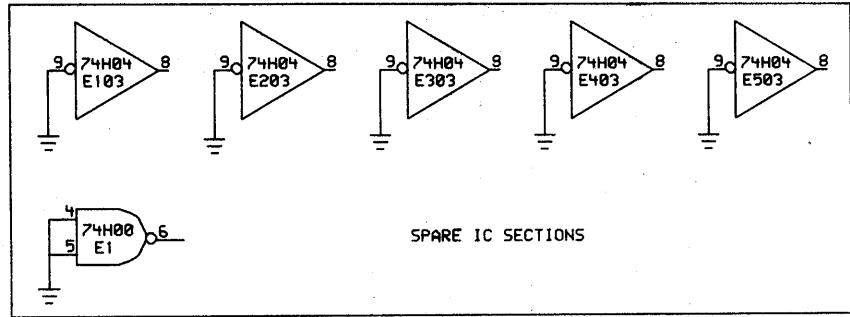
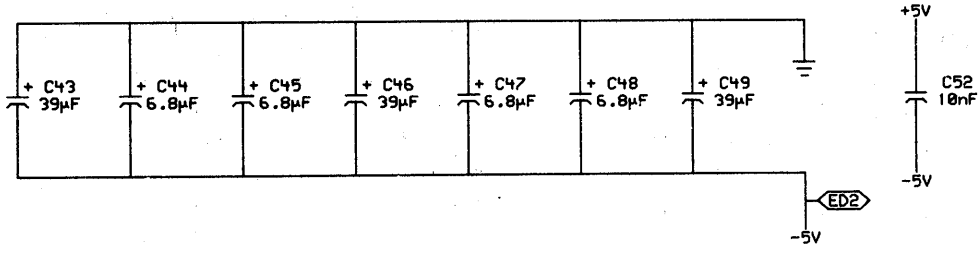
1

REV. #	9115-0-010M	58	0
DATE	8/30/75	3003	3215



NOTES:

- 1) THE G114, G235 AND H217 BLOCK SCHEMATICS IN THIS PRINT SET REPRESENT 16K BY 37 BITS, WHICH IS 1 BANK OF STORAGE FOR 1 CONTROL. SEE D-MU-MG10-0-MUAF AND D-MU-MG10-0-MUHL FOR THE LOCATION OF OTHER BANKS.
- 2) THESE PRINTS REFLECT REV F OF THE G114 CIRCUIT SCHEMATICS THESE PRINTS REFLECT REV M OF THE G235 CIRCUIT SCHEMATICS THESE PRINTS REFLECT REV B OF THE H217 CIRCUIT SCHEMATICS
- 3) VARIABLE DEFINITIONS  
 [N] INDICATES A CONTROL  
 [L] INDICATES A TIMING BOARD  
 [M] INDICATES A BANK NUMBER



"THIS DRAWING AND SPECIFICATIONS, HEREIN, ARE THE PROPERTY OF DIGITAL EQUIPMENT CORPORATION AND SHALL NOT BE REPRODUCED OR COPIED OR USED IN WHOLE OR IN PART AS THE BASIS FOR THE MANUFACTURE OR SALE OF ITEMS WITHOUT WRITTEN PERMISSION.  
 COPYRIGHT © 1975, DIGITAL EQUIPMENT CORPORATION"

REVISIONS		
CHK	CHANGE NO.	REV

digital	DRN. W. Hamilton	DATE 6/3/75	ENG. D. J. Chin	DATE 6-3-75	TITLE: 16K SENSE/INHIBIT (G114)
	CHK'D. [Signature]	DATE 6/10/75	BOARD LOCATION: [Blank]	SHEET 1 OF 1	
FIRST USED ON OPTION/MODEL: MG10		NEXT HIGHER ASSEMBLY: B-DD-MG10-0		SIZE CODE D B5	NUMBER MG10-0-S116

8

7

6

5

4

3

2

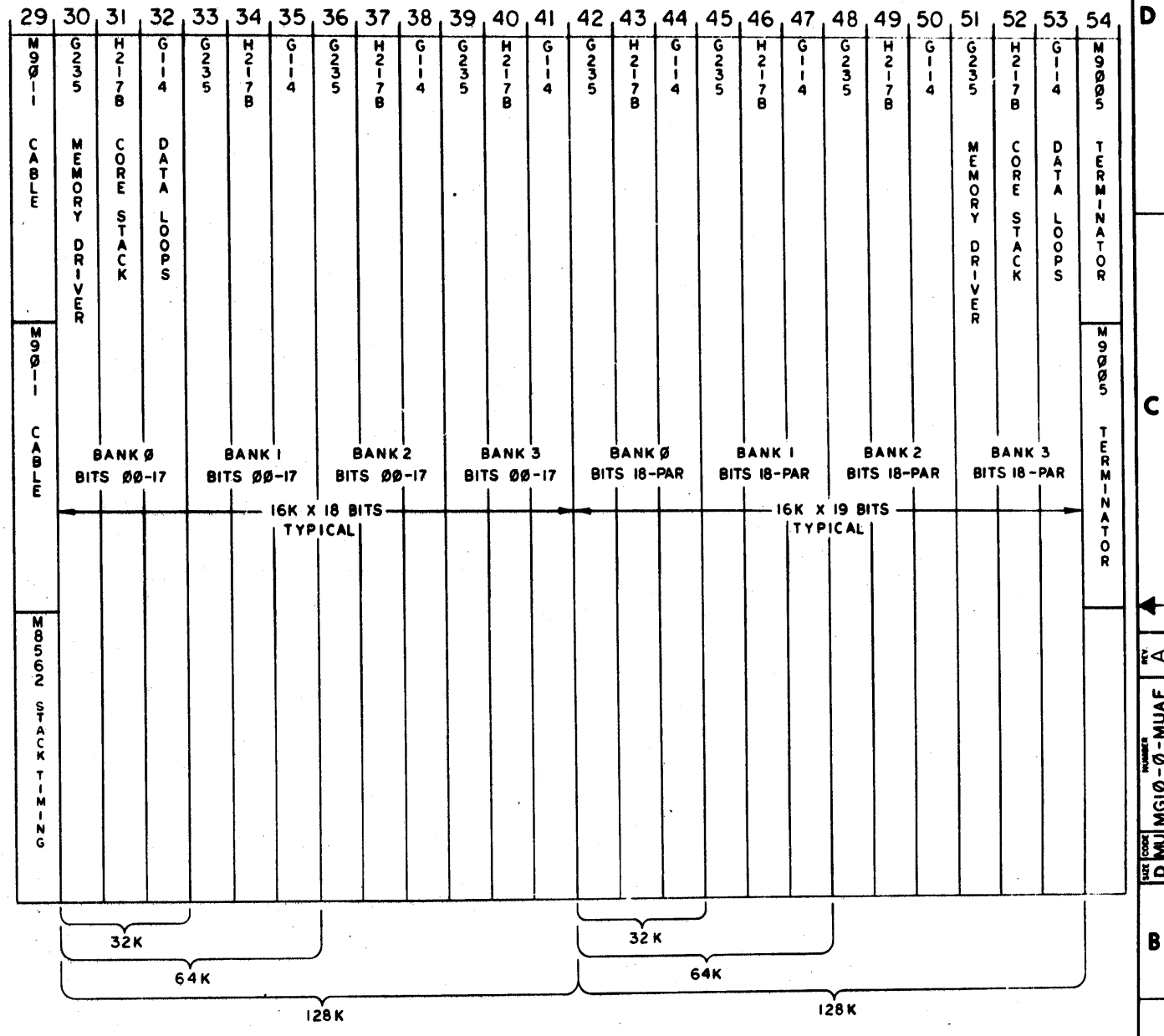
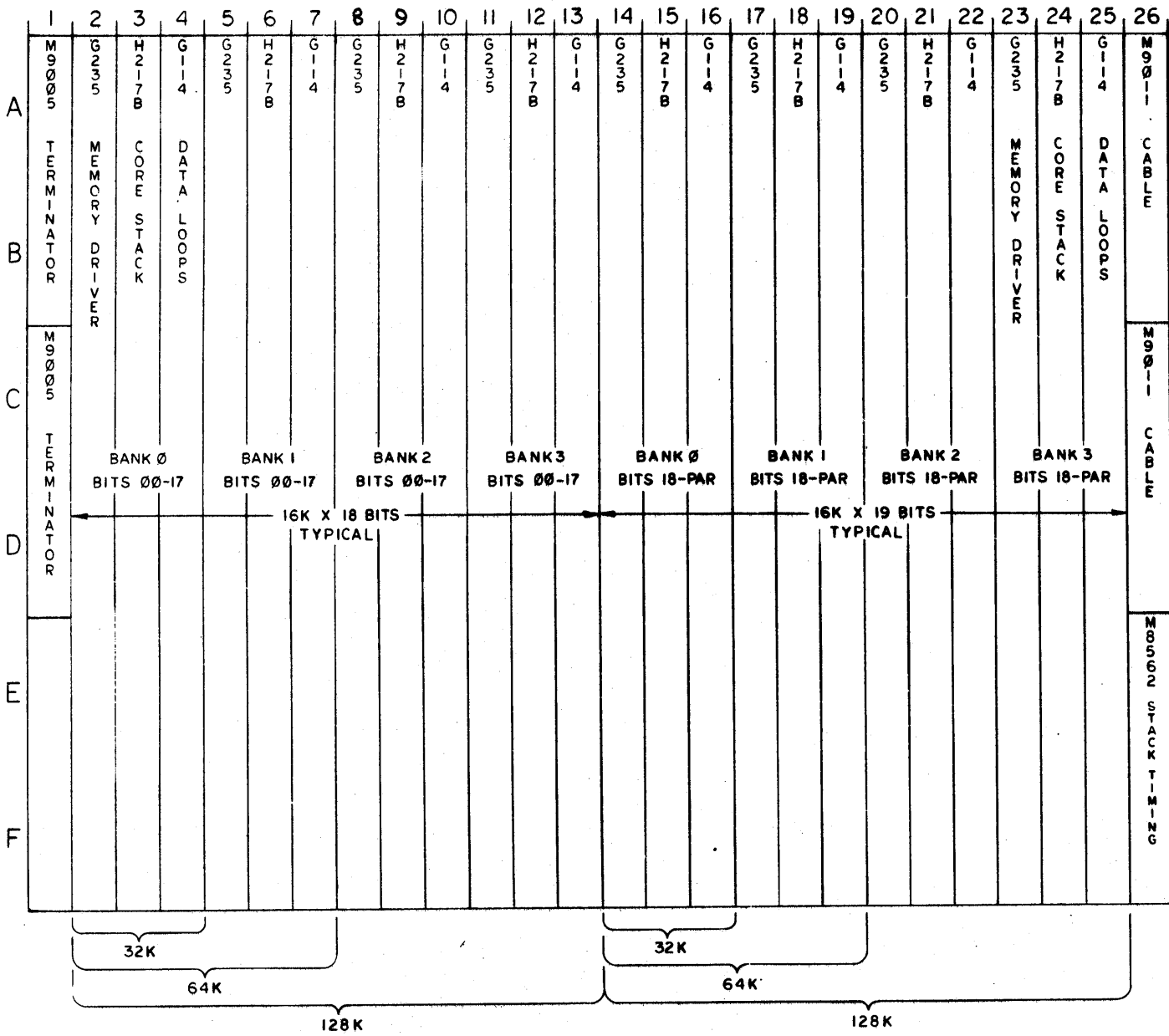
1

REV. # \*  
 NUMBER MG10-0-S116  
 SIZE CODE D B5

"THIS DRAWING AND SPECIFICATIONS, HEREIN, ARE THE PROPERTY OF DIGITAL EQUIPMENT CORPORATION AND SHALL NOT BE REPRODUCED OR COPIED OR USED IN WHOLE OR IN PART AS THE BASIS FOR THE MANUFACTURE OR SALE OF ITEMS WITHOUT WRITTEN PERMISSION. COPYRIGHT © 1975, DIGITAL EQUIPMENT CORPORATION"

CONTROL 0

CONTROL 1



REV.	CHANGE NO.	DATE
A	00005	10 NOV 76
B		
C		
D		
E		
F		

DRN of Assembly	2/13/78	FIRST USED ON	MG10
CHK'D	2/10/78	TITLE	MODULE UTILIZATION
ENG.	3-17-75	SIZE	D
PROJ. ENG.	3-17-75	CODE	MU MG10-0-MUAF
PROD.	3-21-75	NUMBER	
NEXT HIGHER ASSY.	B-DD-MG10-0	REV.	A
SCALE		DIST.	
SHEET	1	OF	1

	8	7	6	5	4	3	2	1																																									
	<p>THIS DRAWING IS THE PROPERTY OF THE COMPANY AND IS TO BE USED ONLY FOR THE PURPOSES SPECIFIED. IT IS TO BE KEPT IN CONFIDENCE AND IS NOT TO BE REPRODUCED OR TRANSMITTED IN ANY FORM OR BY ANY MEANS, ELECTRONIC OR MECHANICAL, INCLUDING PHOTOCOPYING, RECORDING, OR BY ANY INFORMATION STORAGE AND RETRIEVAL SYSTEM.</p>																																																
	1	2	3	4	5	6	7	8	9	10	11	12	13	14	15	16	17	18	19	20	21	22	23	24	25	26	27	28	29	30	31	32	33	34	35	36	37	38	39	40									
H	M 8498	M 8498	M 8498 IND CABLES	M 8498	M 8498	M 8498	M 8498		M 8594 DATA XCVR	M 8594 DATA XCVR	M 8594 DATA XCVR	M 8593 DATA XCVR	M 8598 DATA REG	M 8598 PARITY CHECK	M 8598 PARITY CHECK	M 8598 PARITY CHECK	M 8598 PARITY CHECK	M 8594 DATA XCVR	M 8594 DATA XCVR	M 8594 DATA XCVR	M 8594 DATA XCVR	M 8593 DATA REG	M 8595 TERMI- NATOR				M 8599 C0 CABLE BC200	M 8599 C1 CABLE BC200	M 8599 C0 CYCLE TIMING	M 8599 C1 CYCLE TIMING	M 8599 P7 ADDR INTER- FACE	M 8599 P6 ADDR INTER- FACE	M 8599 P5 ADDR INTER- FACE	M 8599 P4 ADDR INTER- FACE	M 8599 P3 ADDR INTER- FACE	M 8599 P2 ADDR INTER- FACE	M 8599 P1 ADDR INTER- FACE	M 8599 P0 ADDR INTER- FACE	G 728 -YA JUMP BOARD	G 728 -YA JUMP BOARD	M 8599 SW PANEL CABLE								
J									P0, P1 BITS 08-15	P2, P3 BITS 08-15	P4, P5 BITS 08-15	P6, P7 BITS 08-15	MB BITS 08-15	C1 DATA BITS 18- PAR	C0 DATA BITS 18- PAR	C1 DATA BITS 00-17	C0 DATA BITS 00-17	P0, P1 BITS 00-07	P2, P3 BITS 00-07	P4, P5 BITS 00-07	P6, P7 BITS 00-07	MB BITS 00-07																											
K							M 8594 DATA XCVR	M 8594 DATA XCVR	M 8594 DATA XCVR	M 8594 DATA XCVR	M 8594 DATA XCVR	M 8594 DATA XCVR	M 8594 DATA XCVR	M 8594 DATA XCVR	M 8594 DATA XCVR	M 8594 DATA XCVR	M 8593 DATA XCVR	M 8594 DATA XCVR	M 8594 DATA XCVR	M 8594 DATA XCVR	M 8594 DATA XCVR	M 8593 DATA XCVR	M 8598 PARITY CHECK	M 8598 PARITY CHECK	M 8598 PARITY CHECK	M 8598 PARITY CHECK	M 8599 C0 CABLE BC200	M 8599 C1 CABLE BC200	M 8599 C0 CYCLE TIMING	M 8599 C1 CYCLE TIMING	M 8599 P7 ADDR RCVR	M 8599 P6 ADDR RCVR	M 8599 P5 ADDR RCVR	M 8599 P4 ADDR RCVR	M 8599 P3 ADDR RCVR	M 8599 P2 ADDR RCVR	M 8599 P1 ADDR RCVR	M 8599 P0 ADDR RCVR	M 8599 P0, P1 BITS 21-28	M 8599 P2, P3 BITS 21-28	M 8599 P4, P5 BITS 21-28	M 8599 P6, P7 BITS 21-28	M 8599 P0, P1 BITS 21-28	M 8599 SW PANEL CABLE					
L							P0, P1 BITS 32- PAR, IGN PAR, RD RS WR RS	P2, P3 BITS 32- PAR, IGN PAR, RD RS WR RS	P4, P5 BITS 32- PAR, IGN PAR, RD RS WR RS	P6, P7 BITS 32- PAR, IGN PAR, RD RS WR RS	MB BITS 32- PAR, WR RS DISP	P0, P1 BITS 24-31	P2, P3 BITS 24-31	P4, P5 BITS 24-31	P6, P7 BITS 24-31	MB BITS 24-31	P0, P1 BITS 16-23	P2, P3 BITS 16-23	P4, P5 BITS 16-23	P6, P7 BITS 16-23	MB BITS 16-23	C1 M00- 03SEL ADDR BITS 21-35	C0 M00- 03SEL ADDR BITS 21-35	C1 P0-P7 ACT RD RQ WR RQ	C0 P0-P7 ACT RD RQ WR RQ					MA BITS 29-35, RD RQ	P6, P7 BITS 29-33, RD RQ WR RQ	P4, P5 BITS 29-33, RD RQ WR RQ	P2, P3 BITS 29-33, RD RQ WR RQ	P0, P1 BITS 29-33, RD RQ WR RQ															

REVISIONS  
 CHECK CHANGE NO. REV.

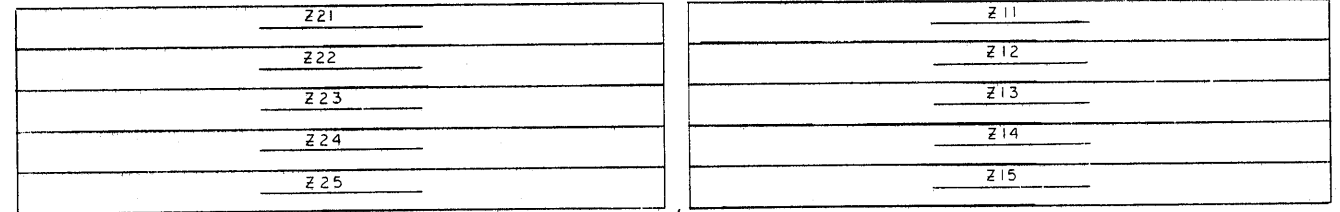
DRN. g. m... 2/19/75	FIRST USED ON MG10	<b>digital</b>
CHK'D	ENG. J. C...	TITLE MODULE UTILIZATION
PROJ. ENG. J. C...	PROD. J. C...	
NEXT HIGHER ASSY.		
B-DD-MG10-0	SIZE CODE D MU MG10-0-MUHL	NUMBER REV.
SHEET OF 1	DIST.	



0-0-965010Z  
 0101  
 2

8  
 THIS DRAWING AND SPECIFICATIONS HEREIN ARE THE PROPERTY OF DIGITAL EQUIPMENT CORPORATION AND SHALL NOT BE REPRODUCED OR COPIED OR USED IN WHOLE OR IN PART AS THE BASIS FOR THE MANUFACTURE OR SALE OF ITEMS WITHOUT WRITTEN PERMISSION. COPYRIGHT © 1975 DIGITAL EQUIPMENT CORPORATION.

ITEM NO.	MARK END	CONN. TYPE	TC	CONN. TYPE	MARK END	DWG/PART NO.
1	Z12	M947		M948	H07	7008405-05
2	Z11				H06	-04
2	Z15				H05	-04
3	Z21				H04	-5F
3	Z22				H03	-5F
3	Z24				H02	-5F
3	Z25	M947		M948	H01	7008405-5F
4	AB26	M9011		M9011	HJ26	BC20D
4	CD26				KL26	BC20D
4	AB29				HJ27	BC20D
4	CD29	M9011		M9011	KL27	BC20D
5	SWPNL J1	M901		M901	H40	7006111-1
5	SWPNL J2				J40	
5	SWPNL J3				K40	
5	SWPNL J4	M901		M901	L40	7006111-1



INDICATOR PANEL (REAR)

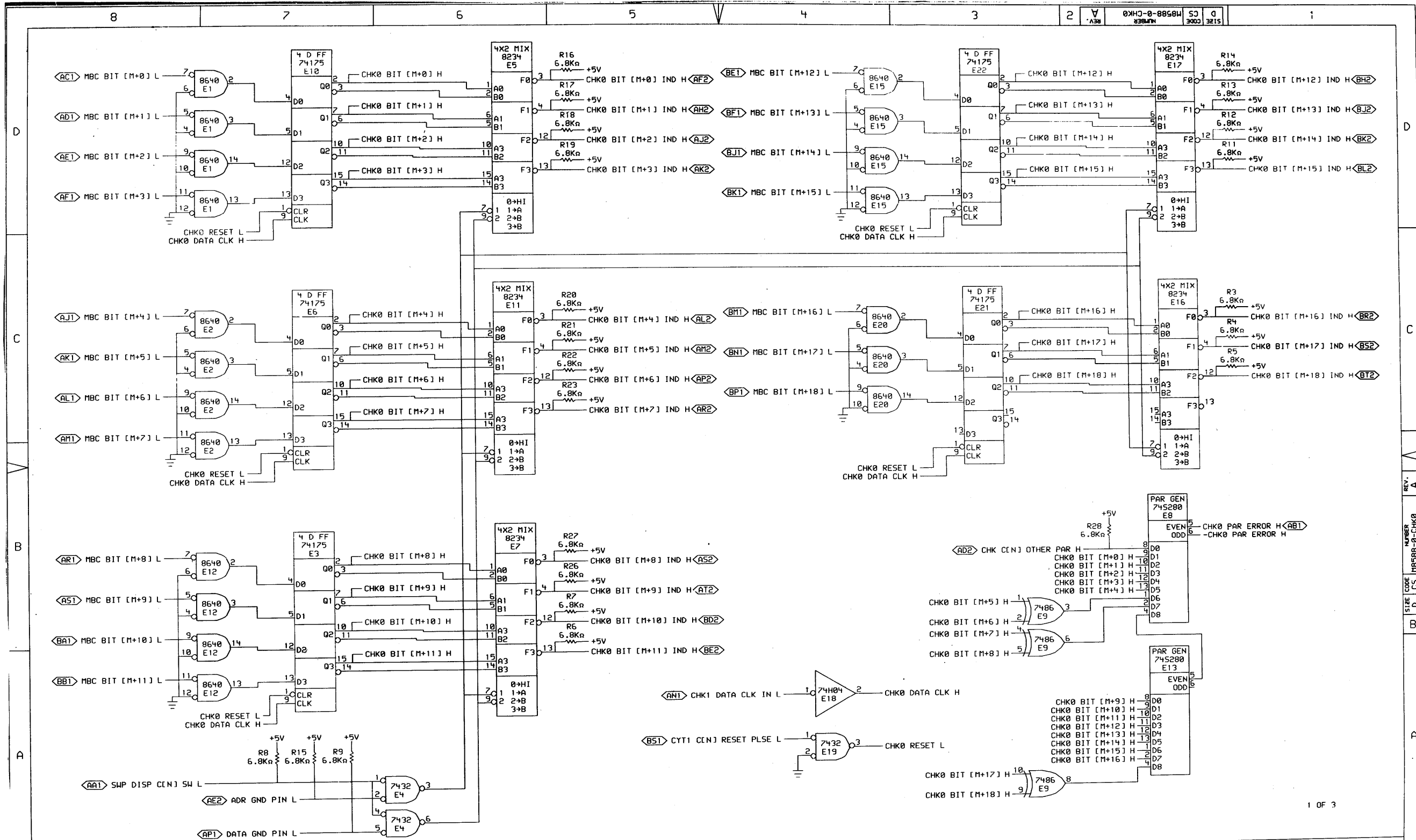
4	POP 12 LOGIC LABELS (M901-M902)	DIA-7006111-1-0	5
4	BC20D CABLE ASSY (M9011-M901)	DUA-BC20D-0-0	4
4	INDICATOR CABLE (M947-M948)	DIA-7008405-5F-0	3
2	INDICATOR CABLE (M947-M948)	DIA-7008405-04-0	2
1	INDICATOR CABLE (M947-M948)	DIA-7008405-05-0	1

QTY	DESCRIPTION	DWG/PART NO.	ITEM NO.
UNLESS OTHERWISE SPECIFIED DIMENSIONS ARE IN INCHES			
MG17	ANGLES 10° 30'	CLASS OF ACCURACY	NOMINAL DIMENSION RANGE INCHES
	SURFACE QUALITY IN	(CHECK ONE)	OVER 0 TO 0.2
QUANTITY & VARIATION	MICROINCHES	MEDIUM	0.2 TO 1.2
		PREFERRED	1.2 TO 4.0
			4.0 TO 12.0
			12.0 TO 40.0
			40.0 TO 80.0
			80.0 TO 400.0
			400.0 TO 1000.0

THIRD ANGLE PROJECTION	DRN. <i>[Signature]</i> 3-11-75	FIRST USED ON	MG10
REMOVE BURRS AND BREAK SHARP CORNERS	CHK'D <i>[Signature]</i> 3-11-75	TITLE	CABLE SET (MG10)
DO NOT SCALE DWG	ENG. <i>[Signature]</i> 2-11-75		
	PROJ. ENG. <i>[Signature]</i> 2-11-75		
	PROD. <i>[Signature]</i> 3-11-75		
MATERIAL SEE PARTS LIST	NEXT HIGHER ASSY.	SIZE CODE	D AD 7010995-0-0
FINISH	SCALE	SHEET	1 OF 1

REV. CHANGE NO.  
 CHK  
 DEC FORM NO. DRD 100-C

REV.  
 NUMBER  
 D AD 7010995-0-0



"THIS DRAWING AND SPECIFICATIONS, HEREIN, ARE THE PROPERTY OF DIGITAL EQUIPMENT CORPORATION AND SHALL NOT BE REPRODUCED OR COPIED OR USED IN WHOLE OR IN PART AS THE BASIS FOR THE MANUFACTURE OR SALE OF ITEMS WITHOUT WRITTEN PERMISSION.  
 COPYRIGHT © 1975, DIGITAL EQUIPMENT CORPORATION"

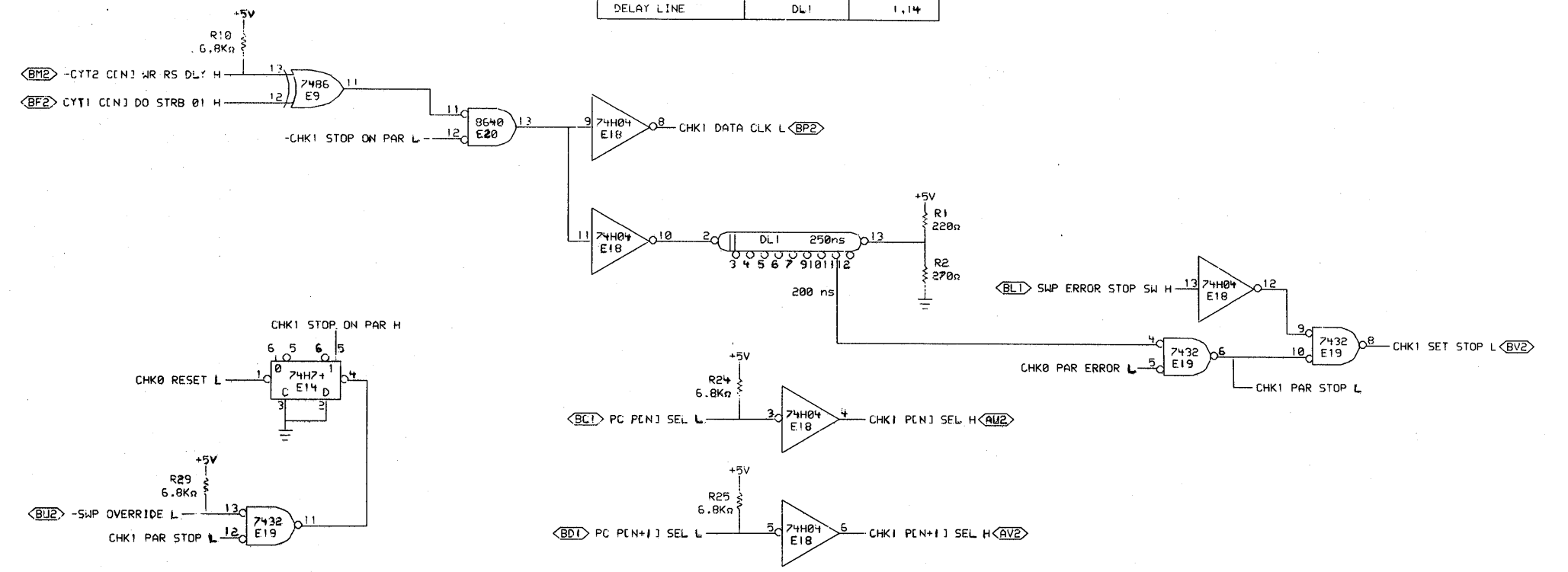
REVISIONS		
CHK	CHANGE NO.	REV
1	M8588-00001	A
2	5-2-75	
3	D.J. Chin 5-16-75	

digital	DRN.	DATE	ENG. J. J. Chin	DATE 5-16-75	TITLE: PARITY CHECK
	CHK'D.	DATE	BOARD LOCATION:	SHEET 1 OF 1	REV. A
FIRST USED ON OPTION/MODEL: M610		NEXT HIGHER ASSEMBLY: B-DD-M8588-0		SIZE CODE D CS	NUMBER M8588-0-CHK0

REV. A  
NUMBER M8588-0-CHK0  
SIZE CODE D CS

NOTE: UNLESS OTHERWISE SPECIFIED THE FOLLOWING PINS APPLY.

PACKAGE TYPE	LOC	GND
DELAY LINE	DL1	1,14

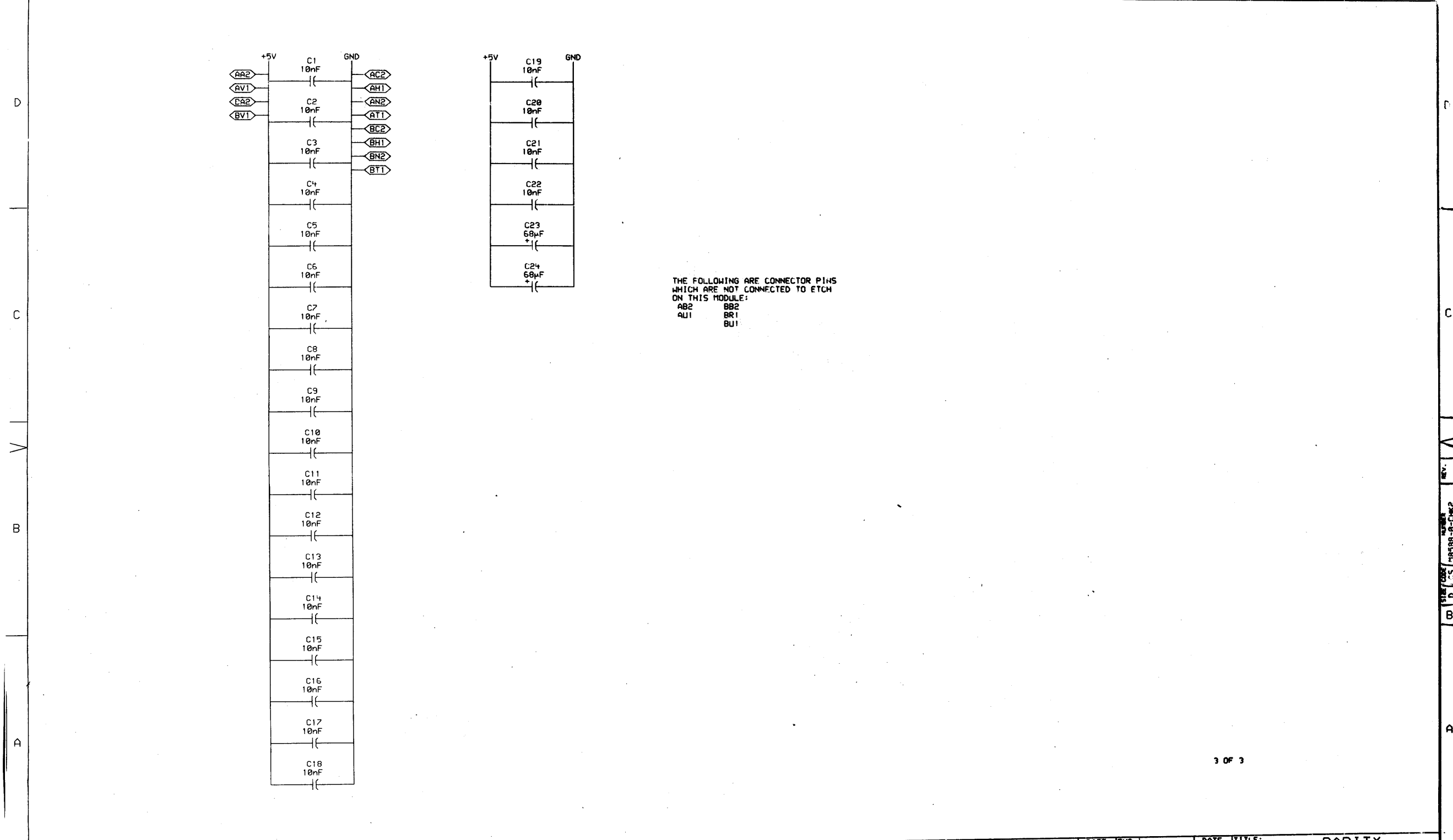


THIS DRAWING AND SPECIFICATIONS, HEREIN, ARE THE PROPERTY OF DIGITAL EQUIPMENT CORPORATION AND SHALL NOT BE REPRODUCED OR COPIED OR USED IN WHOLE OR IN PART AS THE BASIS FOR THE MANUFACTURE OR SALE OF ITEMS WITHOUT WRITTEN PERMISSION.  
COPYRIGHT © 1975, DIGITAL EQUIPMENT CORPORATION

REVISIONS		
CHK	CHANGE NO.	REV

digital DRN: *W. Franklin* DATE: *1/31/75* ENG: *D. Chin* DATE: *1/31/75* TIT: E3  
 CHK'D: *RS* DATE: *1/31/75* BOARD LOCATION:   
 SHEET *1* OF *1*  
 CHKT(4,260) 24-JAN-75 14:41 NEXT HIGHER ASSEMBLY:   
 FIRST USED ON OPTION/MODEL: MG10 B-DD-M8588-0 SIZE CODE NUMBER REV.  
 D CS M8588-0-CHK1

REV. 1  
M8588-0-CHK1



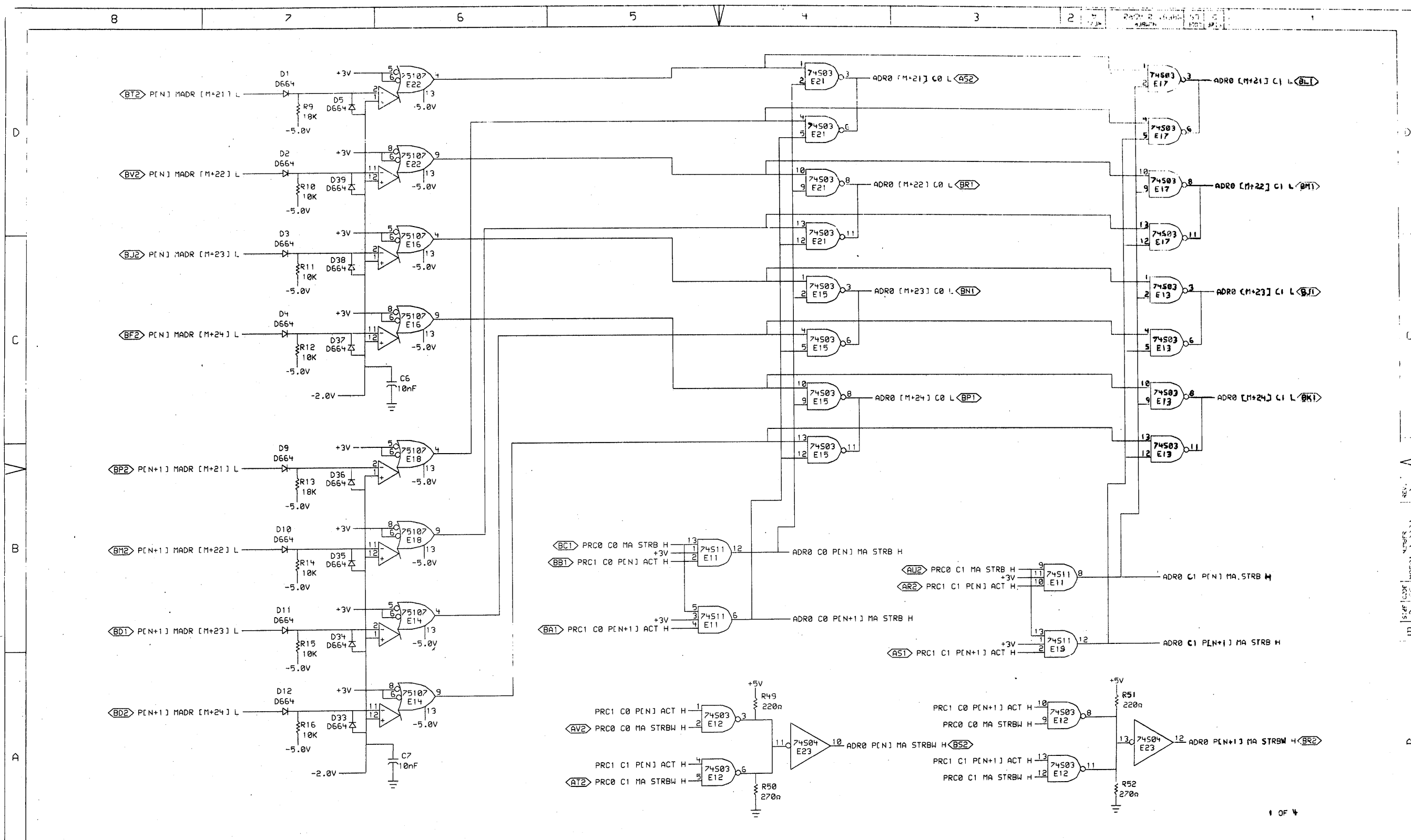
THE FOLLOWING ARE CONNECTOR PINS WHICH ARE NOT CONNECTED TO ETCH ON THIS MODULE:  
 AB2 BB2  
 AU1 BR1  
 BU1

3 OF 3

"THIS DRAWING AND SPECIFICATIONS, HEREIN, ARE THE PROPERTY OF DIGITAL EQUIPMENT CORPORATION AND SHALL NOT BE REPRODUCED OR COPIED OR USED IN WHOLE OR IN PART AS THE BASIS FOR THE MANUFACTURE OR SALE OF ITEMS WITHOUT WRITTEN PERMISSION.  
 COPYRIGHT © 1975, DIGITAL EQUIPMENT CORPORATION"

REVISIONS	
CHK	CHANGE NO. REV

<b>digital</b>	DRY	DATE	ENG.	DATE	TITLE:
	CHK'D	1/31/75	A. Chen	1-31-75	PARITY CHECK
CHK'G	24-JAN-75 14:53	DATE	BOARD LOCATION:	SIZE	CODE
FIRST USED ON OPTION/MODEL:	MG10	DATE	REV.	D	CS
				NUMBER	REV.
				M8588-0-CHK2	1

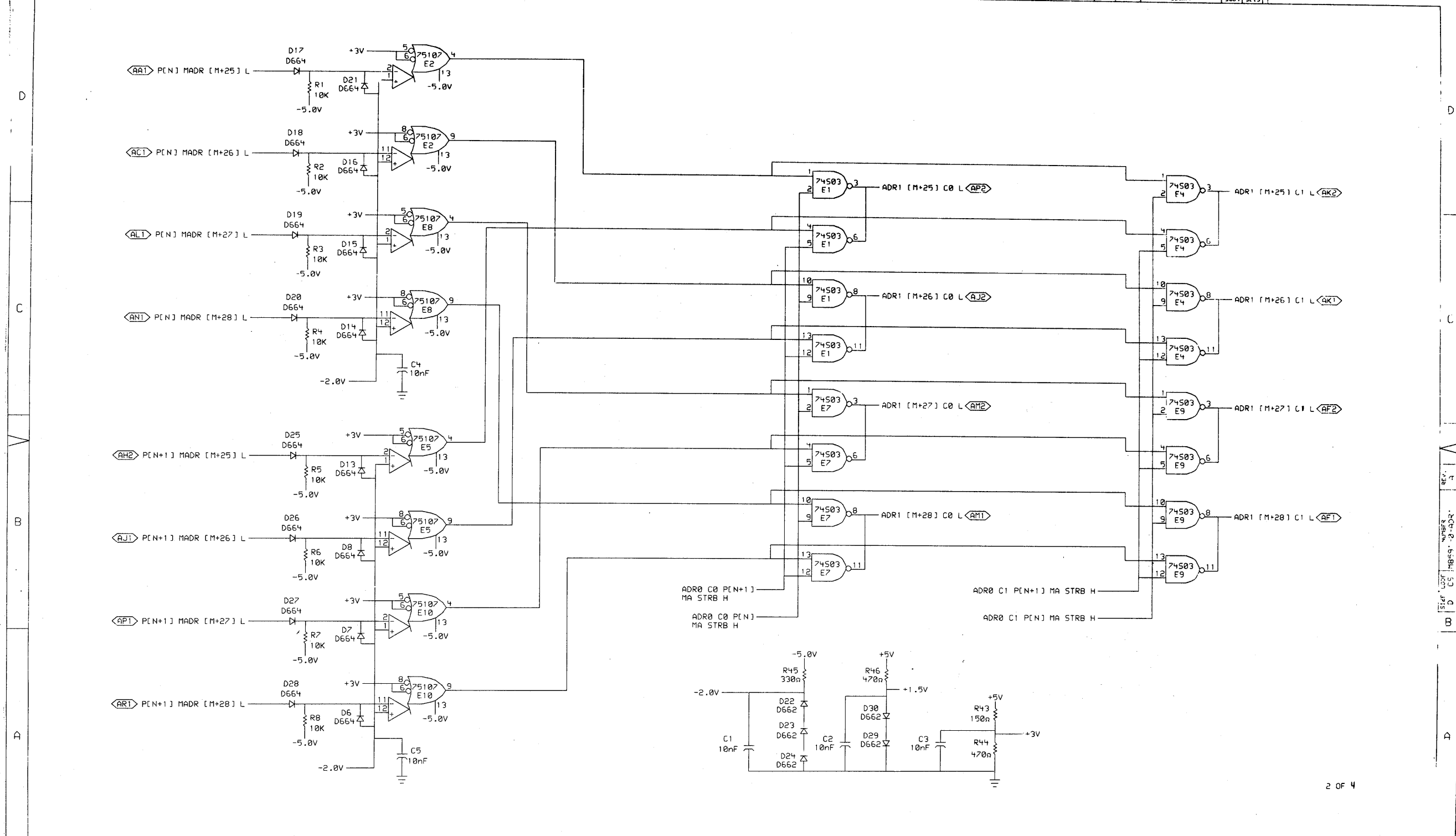


1 OF 4

THIS DRAWING AND SPECIFICATIONS, HEREIN, ARE THE PROPERTY OF DIGITAL EQUIPMENT CORPORATION AND SHALL NOT BE REPRODUCED OR COPIED OR USED IN WHOLE OR IN PART AS THE BASIS FOR THE MANUFACTURE OR SALE OF ITEMS WITHOUT WRITTEN PERMISSION.  
 COPYRIGHT © 1975, DIGITAL EQUIPMENT CORPORATION

REVISIONS		
CHK	CHANGE NO.	REV.
EL	M8591-00001	A
EL	5-16-75	
D	CHIN	
D.J.	5-16-75	

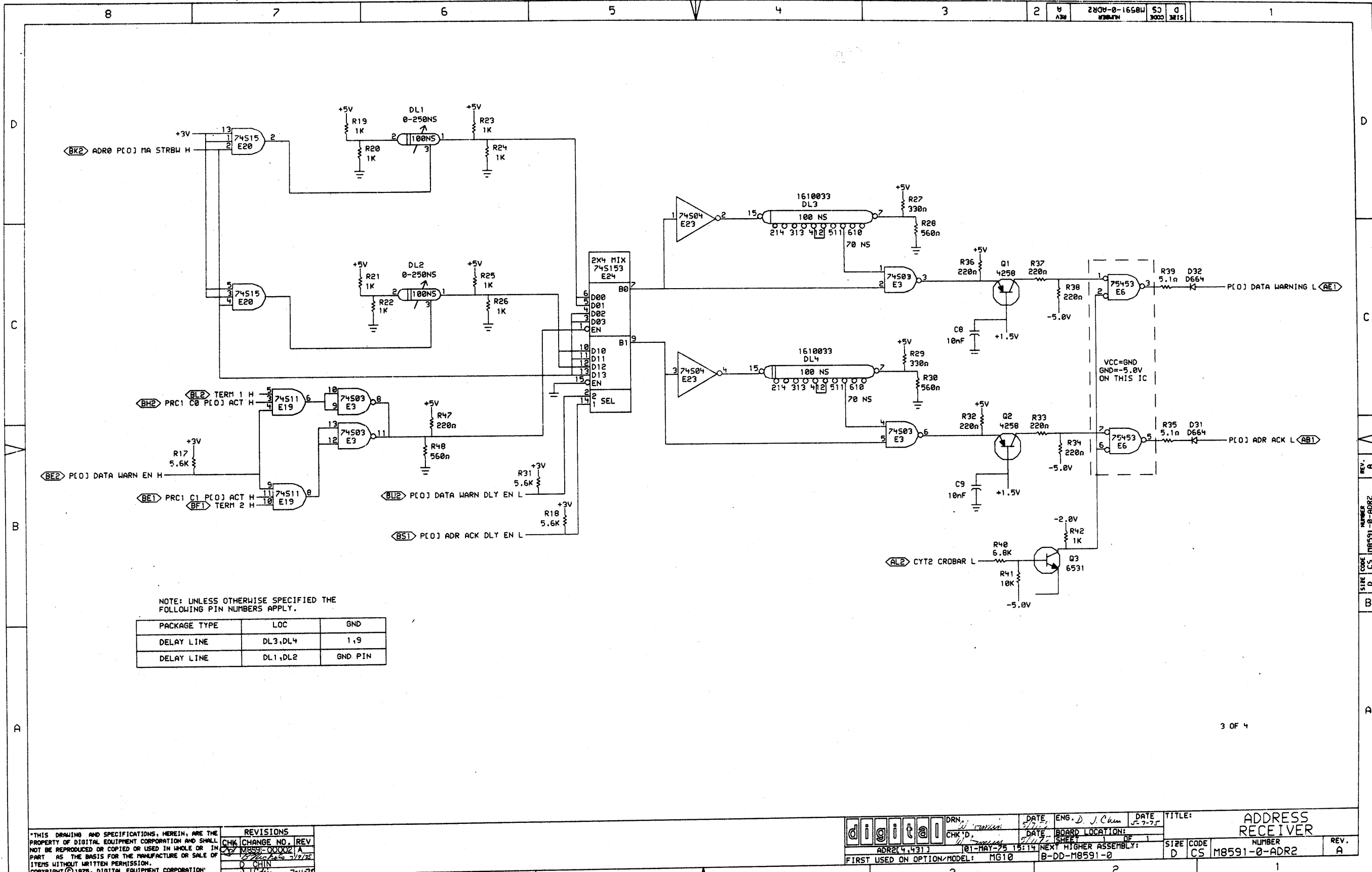
digital	DRN. <i>W. Hamlin</i>	DATE <i>3/11/75</i>	ENG. <i>L. J. ...</i>	DATE <i>3-12-75</i>	TITLE: ADDRESS RECEIVER
	CHK'D <i>W. Hamlin</i>	DATE <i>3/11/75</i>	BOARD LOCATION: <i>DE</i>	SHEET <i>1</i>	REV. <i>A</i>
FIRST USED ON OPTION/MODEL: <i>MG10</i>		NEXT HIGHER ASSEMBLY: <i>B-DD-M8591-0</i>		SIZE: <i>D</i>	CODE: <i>CS</i>
				NUMBER: <i>M8591-0</i>	REV. <i>A</i>



THIS DRAWING AND SPECIFICATIONS, HEREIN, ARE THE PROPERTY OF DIGITAL EQUIPMENT CORPORATION AND SHALL NOT BE REPRODUCED OR COPIED OR USED IN WHOLE OR IN PART AS THE BASIS FOR THE MANUFACTURE OR SALE OF ITEMS WITHOUT WRITTEN PERMISSION.  
 COPYRIGHT © 1975, DIGITAL EQUIPMENT CORPORATION

REVISIONS		
CHK	CHANGE NO.	REV
EL	M8591-00001	A
E. Remore	5-16-75	
J. Chin	5-16-75	

digital	DRN. W. Hamlin	DATE 3/11/75	ENG. J. Chen	DATE 2-2-75	TITLE: ADDRESS RECEIVER
	CHK'D W. Hamlin	DATE 3/11/75	SHEET 1 OF 1	BOARD LOCATION:	
ADRI [4,260]		19-MAR-75 11:51		NEXT HIGHER ASSEMBLY:	
FIRST USED ON OPTION/MODEL: MG10		B-DD-M8591-0		SIZE D	CODE CS
				NUMBER M8591-0-ADR1	REV. A



NOTE: UNLESS OTHERWISE SPECIFIED THE FOLLOWING PIN NUMBERS APPLY.

PACKAGE TYPE	LOC	GND
DELAY LINE	DL3,DL4	1,9
DELAY LINE	DL1,DL2	GND PIN

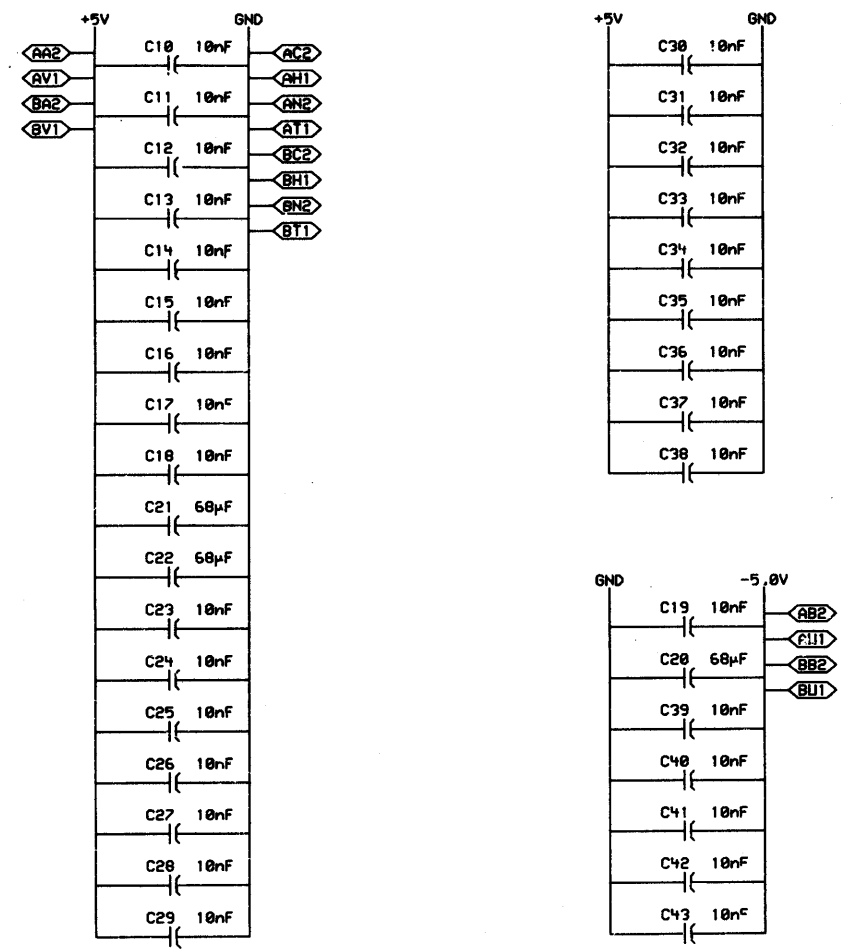
REV. A  
 NUMBER 1  
 CS M8591-B-ADR2  
 D CS M8591-B-ADR2  
 SHEET 1 OF 1  
 DATE 5-7-75  
 BOARD LOCATION: 1  
 SIZE CODE D CS M8591-B-ADR2  
 NUMBER 1  
 REV. A

THIS DRAWING AND SPECIFICATIONS, HEREIN, ARE THE PROPERTY OF DIGITAL EQUIPMENT CORPORATION AND SHALL NOT BE REPRODUCED OR COPIED IN WHOLE OR IN PART AS THE BASIS FOR THE MANUFACTURE OR SALE OF ITEMS WITHOUT WRITTEN PERMISSION.  
 COPYRIGHT © 1975, DIGITAL EQUIPMENT CORPORATION

REVISIONS		
CHK	CHANGE NO.	REV.
MS	00002	A
D	CHIN	7-11-75

digital	DRN	DATE	ENG. D. J. CHIN	DATE	TITLE: ADDRESS RECEIVER
	CHK'D	DATE	BOARD LOCATION: 1	OF 1	SIZE CODE D CS M8591-B-ADR2
FIRST USED ON OPTION/MODEL: MG10		NEXT HIGHER ASSEMBLY: B-DD-M8591-0		NUMBER 1	

D  
C  
B  
A



4 OF 4

D  
C  
B  
A

REV.  
NUMBER  
M8591-0-ADR3

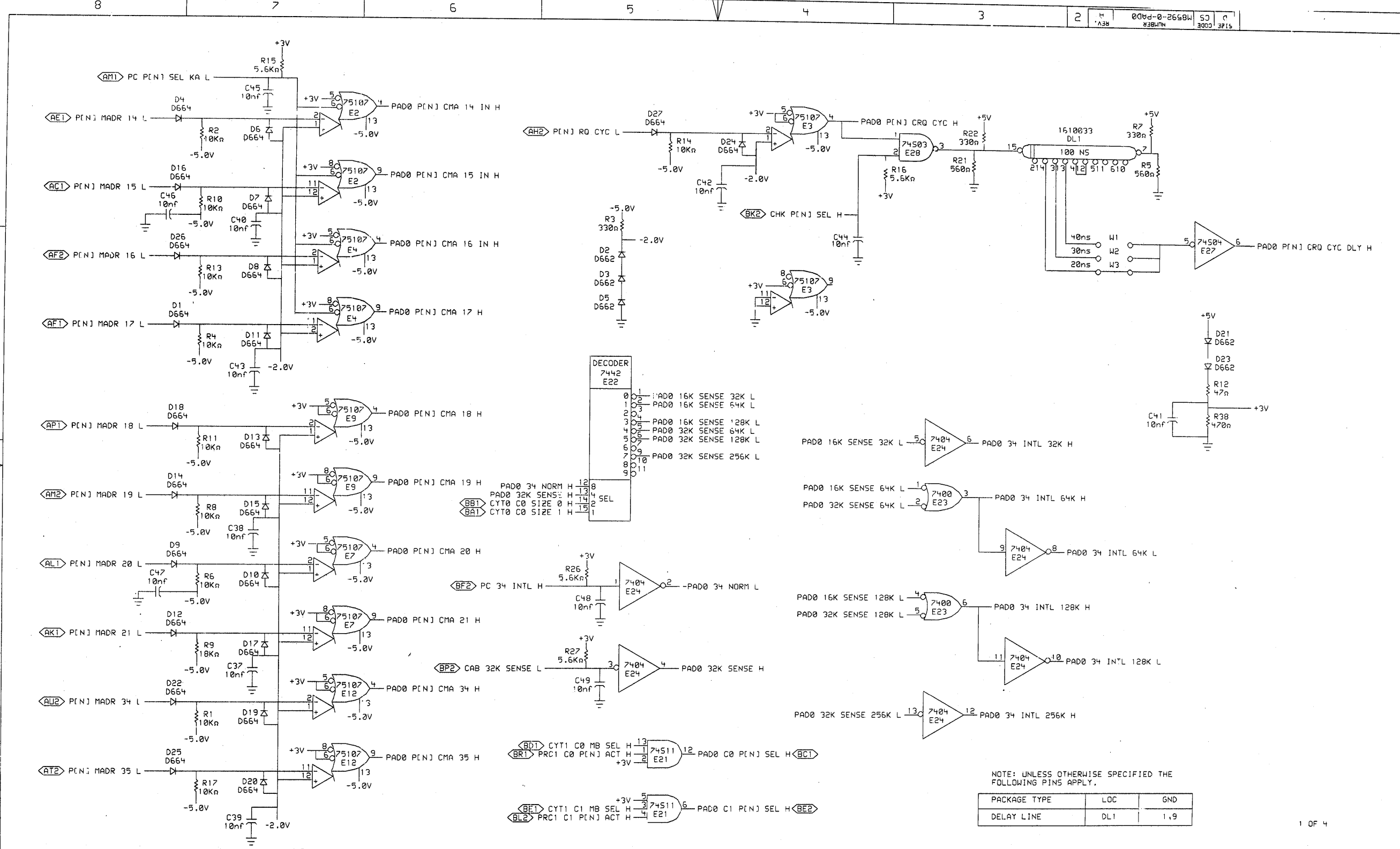
"THIS DRAWING AND SPECIFICATIONS, HEREIN, ARE THE PROPERTY OF DIGITAL EQUIPMENT CORPORATION AND SHALL NOT BE REPRODUCED OR COPIED OR USED IN WHOLE OR IN PART AS THE BASIS FOR THE MANUFACTURE OR SALE OF ITEMS WITHOUT WRITTEN PERMISSION.  
COPYRIGHT © 1974, DIGITAL EQUIPMENT CORPORATION"

REVISIONS	
CHK	CHANGE NO. REV

--	--	--	--	--	--	--	--	--	--

	DRN. <i>[Signature]</i>	DATE	ENG. <i>[Signature]</i>	DATE	TITLE: M8591 POWER AND GND
	CHK'D. <i>[Signature]</i>	DATE	BOARD LOCATION:		
	ADR3 (4.250)	121-NOV-74 09:37	NEXT HIGHER ASSEMBLY:		
FIRST USED ON OPTION/MODEL: MGT0	B-DD-M8591-0				





NOTE: UNLESS OTHERWISE SPECIFIED THE FOLLOWING PINS APPLY.

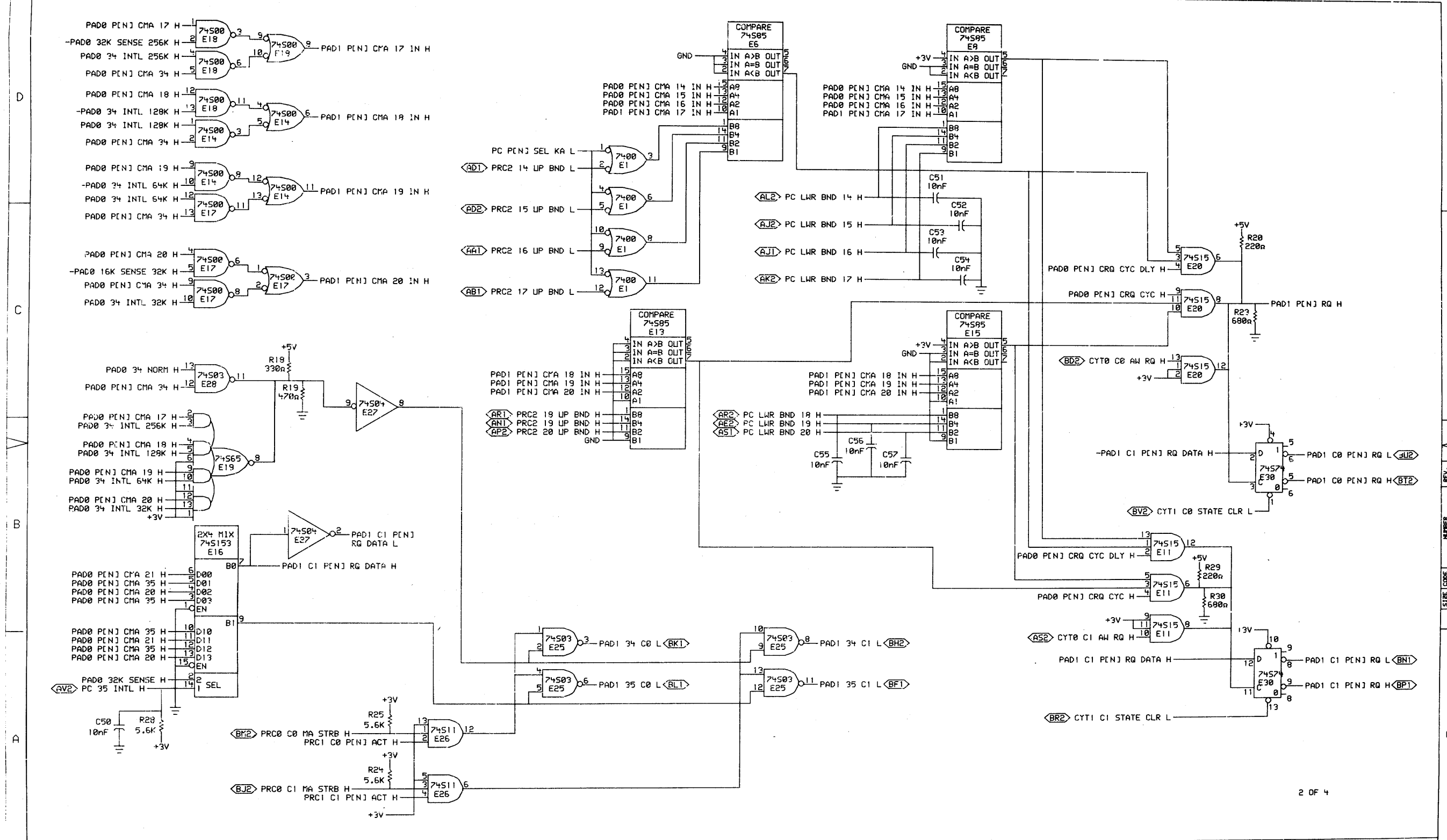
PACKAGE TYPE	LOC	GND
DELAY LINE	DL1	1,9

THIS DRAWING AND SPECIFICATIONS, HEREIN, ARE THE PROPERTY OF DIGITAL EQUIPMENT CORPORATION AND SHALL NOT BE REPRODUCED OR COPIED OR USED IN WHOLE OR IN PART AS THE BASIS FOR THE MANUFACTURE OR SALE OF ITEMS WITHOUT WRITTEN PERMISSION.  
 COPYRIGHT © 1975, DIGITAL EQUIPMENT CORPORATION

REV.	CHG	CHANGE NO.	REV
1			
2			
3			

digital	DRN.	DATE	ENG.	DATE	TITLE:
	CHK'D.	DATE	BOARD LOCATION:	SHEET	OF
PAGE 4, 260	19-MAR-75 11:45	NEXT HIGHER ASSEMBLY:	SIZE CODE	NUMBER	REV.
FIRST USED ON OPTION/MODEL:	MG10	B-DD-M8592-0	D	CS M8592-0-PAD0	A

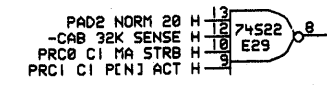
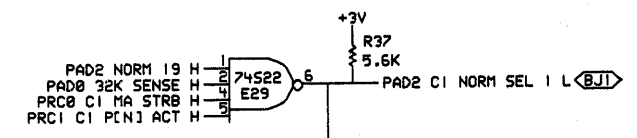
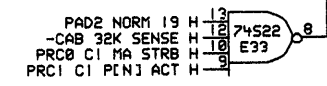
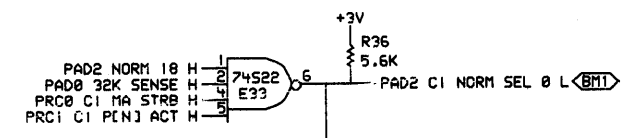
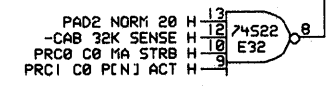
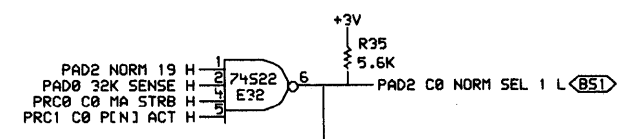
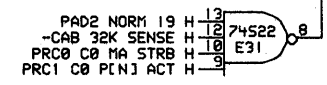
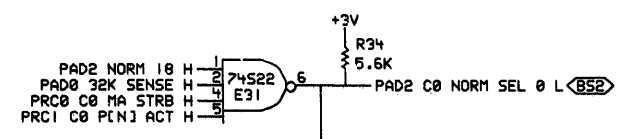
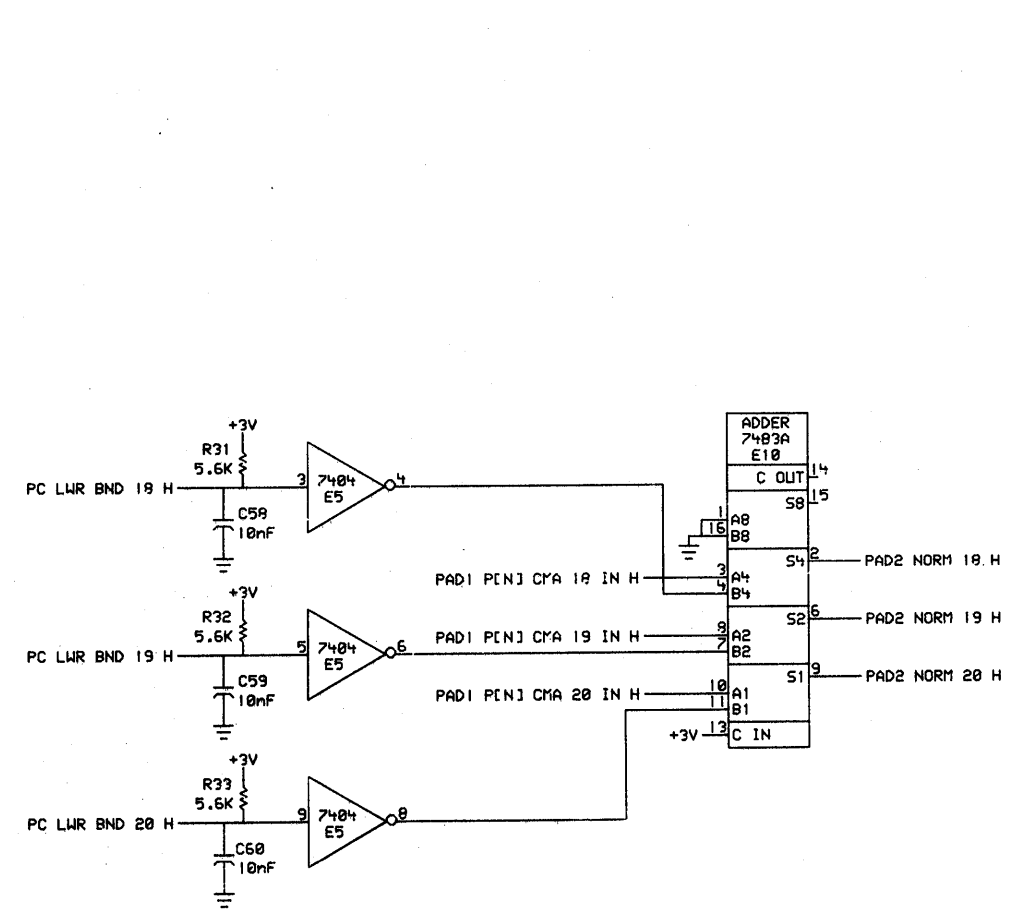
REV. A  
 SIZE CODE CS  
 M8592-0-PAD0



THIS DRAWING AND SPECIFICATIONS, HEREIN, ARE THE PROPERTY OF DIGITAL EQUIPMENT CORPORATION AND SHALL NOT BE REPRODUCED OR COPIED OR USED IN WHOLE OR IN PART AS THE BASIS FOR THE MANUFACTURE OR SALE OF ITEMS WITHOUT WRITTEN PERMISSION.  
 COPYRIGHT © 1974, DIGITAL EQUIPMENT CORPORATION

REVISIONS	
CHK	CHANGE NO. REV

digital	DRN.	DATE	ENG.	DATE	TITLE:
	CHK'D.	DATE	BOARD LOCATION:	SHEET	OF 1
PAD1[4,260]		02-DEC-74 14:02	NEXT HIGHER ASSEMBLY:	SIZE	CODE
FIRST USED ON OPTION/MODEL: MG10		B-DD-M8592-0	NUMBER	D	CS
					REV.
					MG10
					PORT ADDRESS
					M8592-0-PAD1

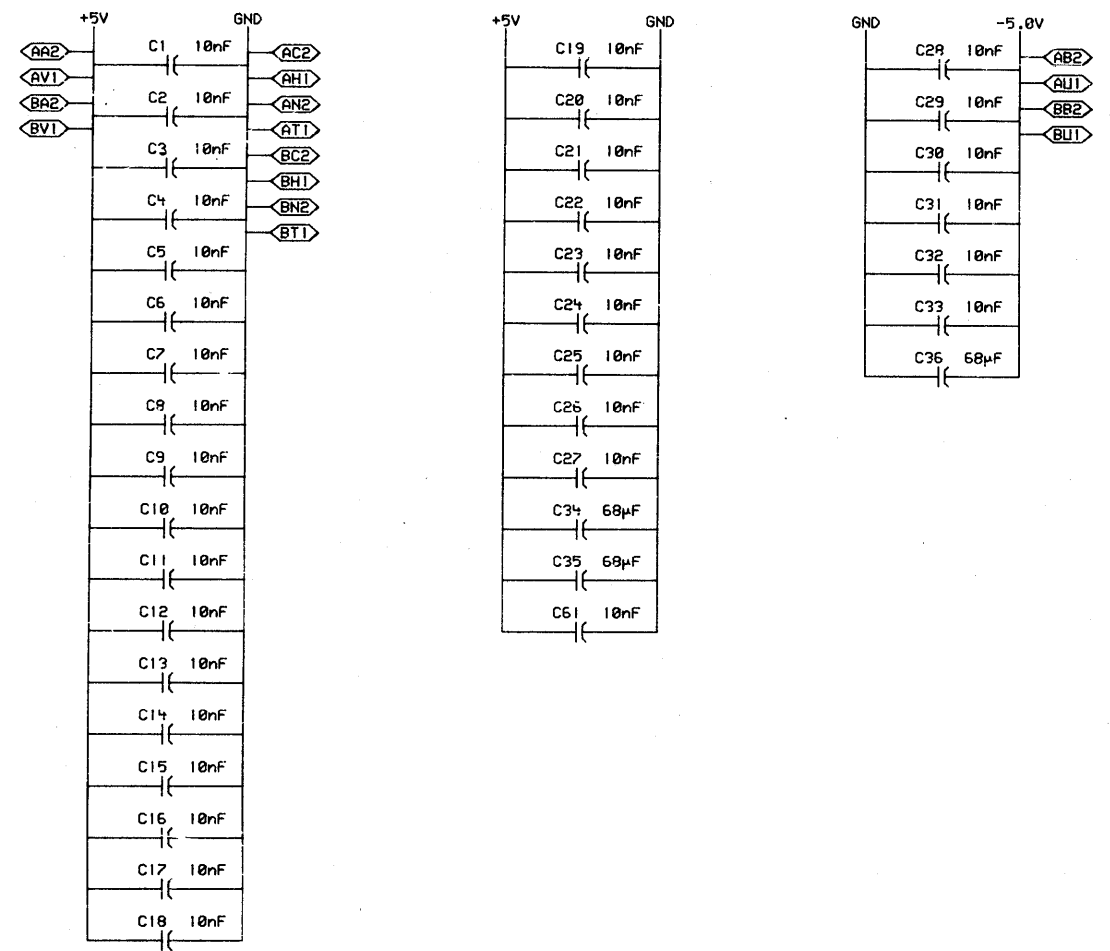


3 OF 4

\*THIS DRAWING AND SPECIFICATIONS, HEREIN, ARE THE PROPERTY OF DIGITAL EQUIPMENT CORPORATION AND SHALL NOT BE REPRODUCED OR COPIED OR USED IN WHOLE OR IN PART AS THE BASIS FOR THE MANUFACTURE OR SALE OF ITEMS WITHOUT WRITTEN PERMISSION. COPYRIGHT © 1974, DIGITAL EQUIPMENT CORPORATION\*

REVISIONS		
CHK	CHANGE NO.	REV

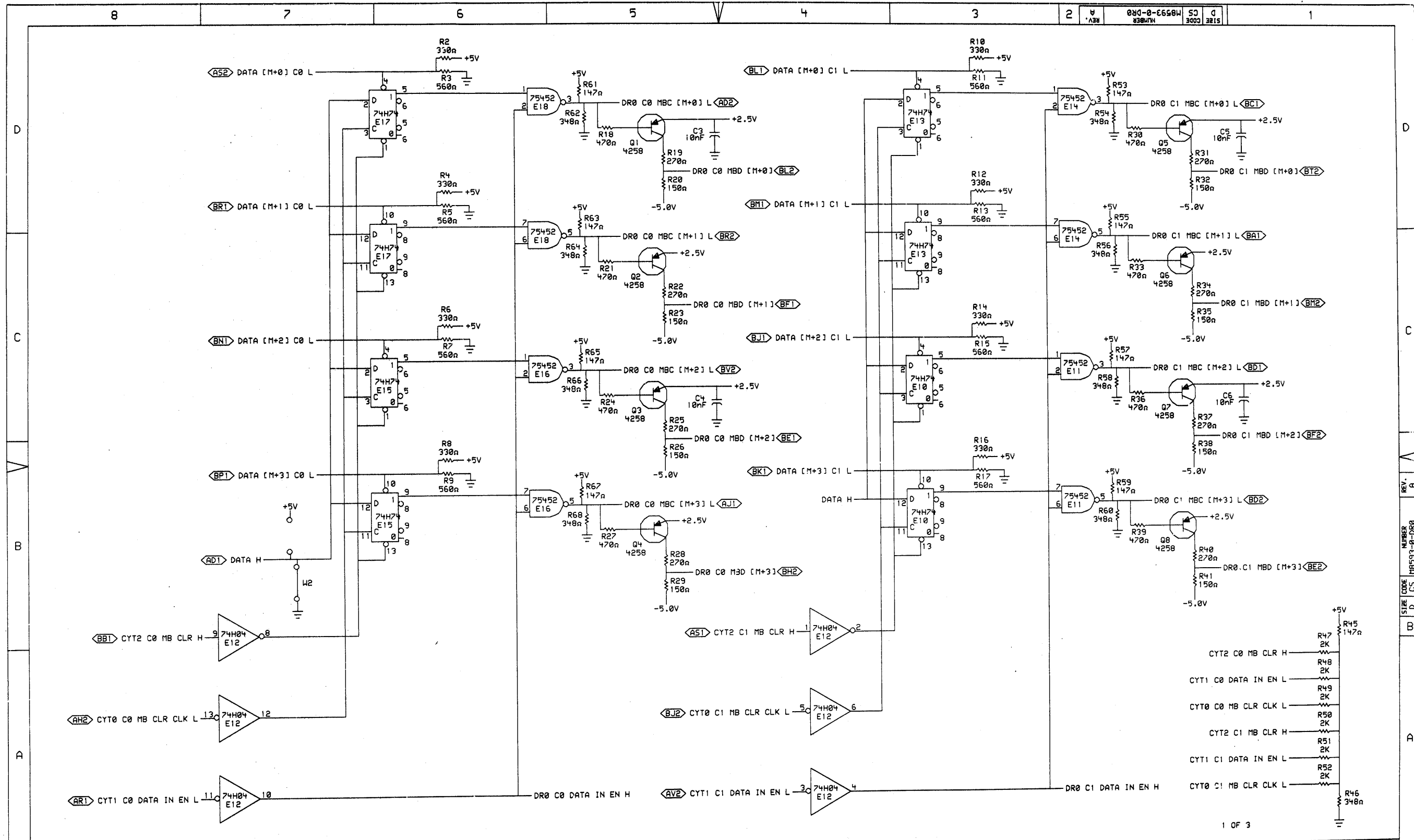
digital	DRN. <i>[Signature]</i>	DATE <i>12-07-74</i>	ENG. <i>[Signature]</i>	DATE <i>12-07-74</i>	TITLE: MG10 PORT ADDRESS
	CHK'D. <i>[Signature]</i>	DATE <i>12-07-74</i>	BOARD LOCATION: <i>[Blank]</i>	SHEET <i>2</i> OF <i>1</i>	SIZE CODE D CS M8592-0-PAD2
FIRST USED ON OPTION/MODEL: MG10		NEXT HIGHER ASSEMBLY: B-DD-M8592-0		NUMBER 1	REV. 1



"THIS DRAWING AND SPECIFICATIONS, HEREIN, ARE THE PROPERTY OF DIGITAL EQUIPMENT CORPORATION AND SHALL NOT BE REPRODUCED OR COPIED OR USED IN WHOLE OR IN PART AS THE BASIS FOR THE MANUFACTURE OR SALE OF ITEMS WITHOUT WRITTEN PERMISSION. COPYRIGHT © 1974, DIGITAL EQUIPMENT CORPORATION"

REVISIONS		
CHK	CHANGE NO.	REV

digital	DRN.	DATE	ENG.	DATE	TITLE:
	CHK'D.	DATE	BOARD LOCATION:	SHEET	MG10 PORT ADDRESS
PAD3 4,260	02-DEC-74	14:04	NEXT HIGHER ASSEMBLY:	1	SIZE CODE NUMBER REV.
FIRST USED ON OPTION/MODEL: MG10	B-DD-M8592-0				D CS M8592-0-PAD3

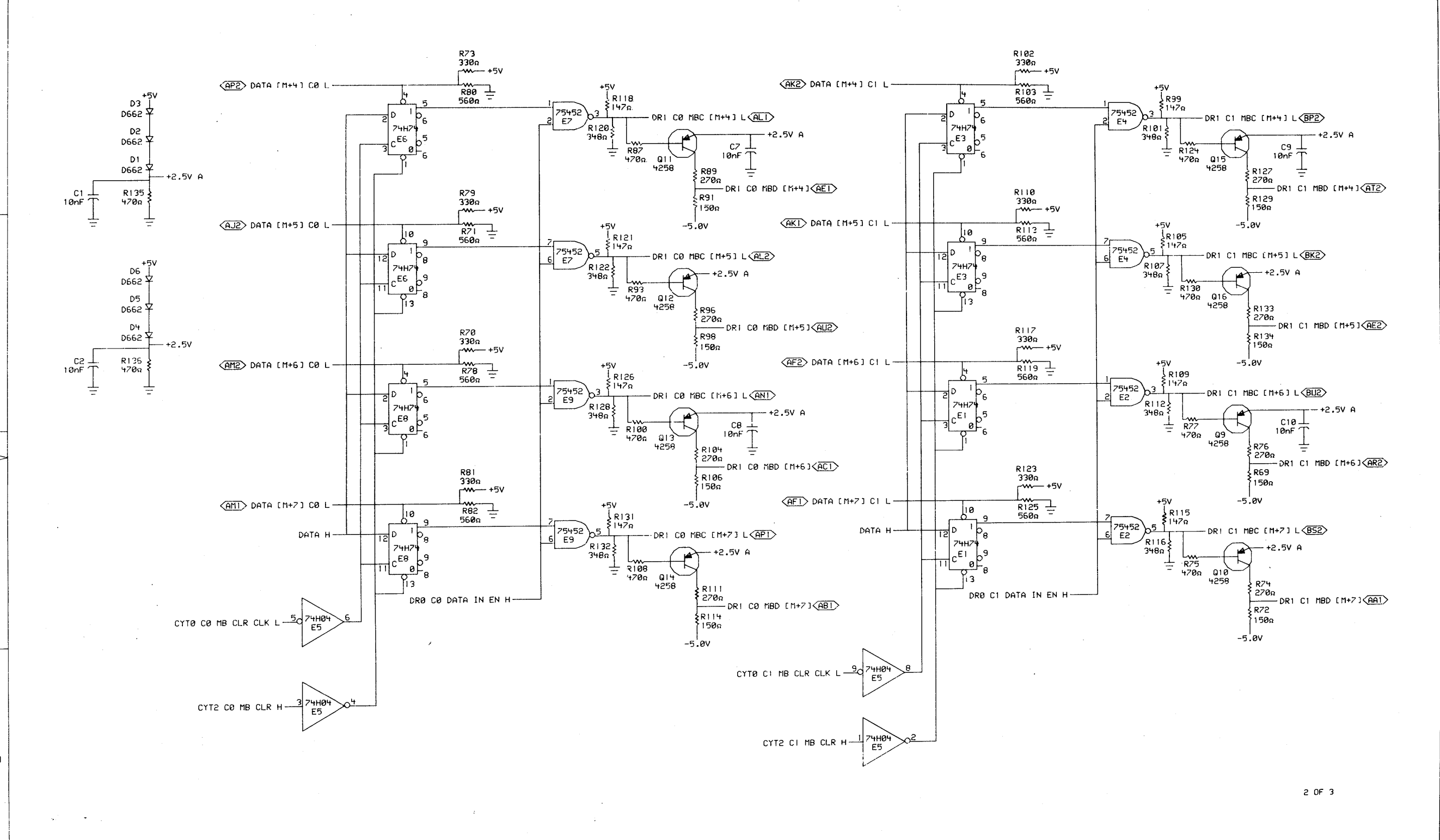


REV. A  
NUMBER MB593-0-DR0  
SIZE CS  
D  
A

"THIS DRAWING AND SPECIFICATIONS, HEREIN, ARE THE PROPERTY OF DIGITAL EQUIPMENT CORPORATION AND SHALL NOT BE REPRODUCED OR COPIED OR USED IN WHOLE OR IN PART AS THE BASIS FOR THE MANUFACTURE OR SALE OF ITEMS WITHOUT WRITTEN PERMISSION.  
COPYRIGHT © 1975, DIGITAL EQUIPMENT CORPORATION"

REVISIONS	
CHK	CHANGE NO. REV
MB593-0-001	A
D. CHIN	3/11/75
Servicio	4-23-75

digital	DRN	DATE	ENG	DATE	TITLE:
	CHKD.	11-2-75	3/11/75	3/11/75	MG10 DATA REGISTER
FIRST USED ON OPTION/MODEL:		MG10	B-DD-MB593-0		REV. A
SIZE	CODE	NUMBER	REV.		
D	CS	MB593-0-DR0	A		

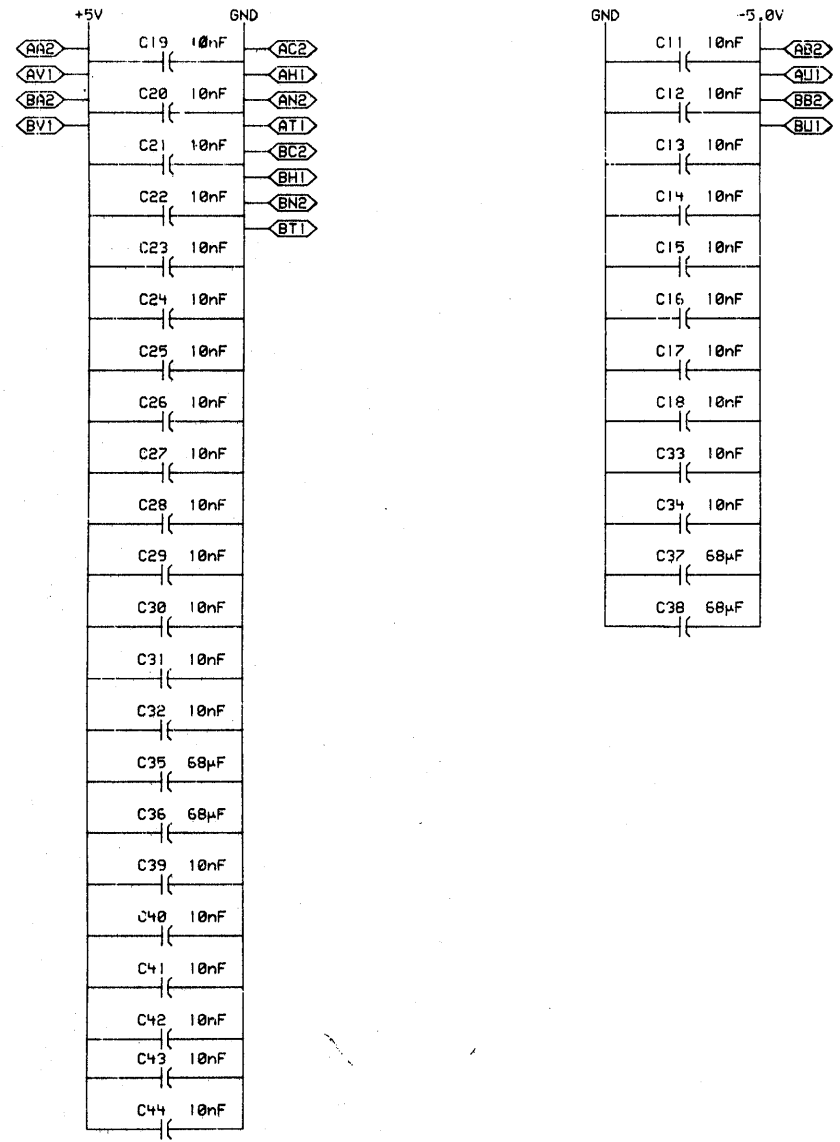


"THIS DRAWING AND SPECIFICATIONS, HEREIN, ARE THE PROPERTY OF DIGITAL EQUIPMENT CORPORATION AND SHALL NOT BE REPRODUCED OR COPIED OR USED IN WHOLE OR IN PART AS THE BASIS FOR THE MANUFACTURE OR SALE OF ITEMS WITHOUT WRITTEN PERMISSION. COPYRIGHT © 1974, DIGITAL EQUIPMENT CORPORATION"

REVISIONS		
CHK	CHANGE NO.	REV

	DRN. <i>W. Men</i>	DATE 12-7-74	ENG. <i>J. Liu</i>	DATE 12-7-74	TITLE: MG10
	CHK'D.	DATE 12-7-74	BOARD LOCATION:	SHEET 1 OF 1	DATA REGISTER
DR1 (4, 260)		102-DEC-74 10:58	NEXT HIGHER ASSEMBLY:	SIZE CODE D C5	NUMBER M8593-0-DR1
FIRST USED ON OPTION/MODEL: MG10		B-DD-M8593-0		REV. 1	1

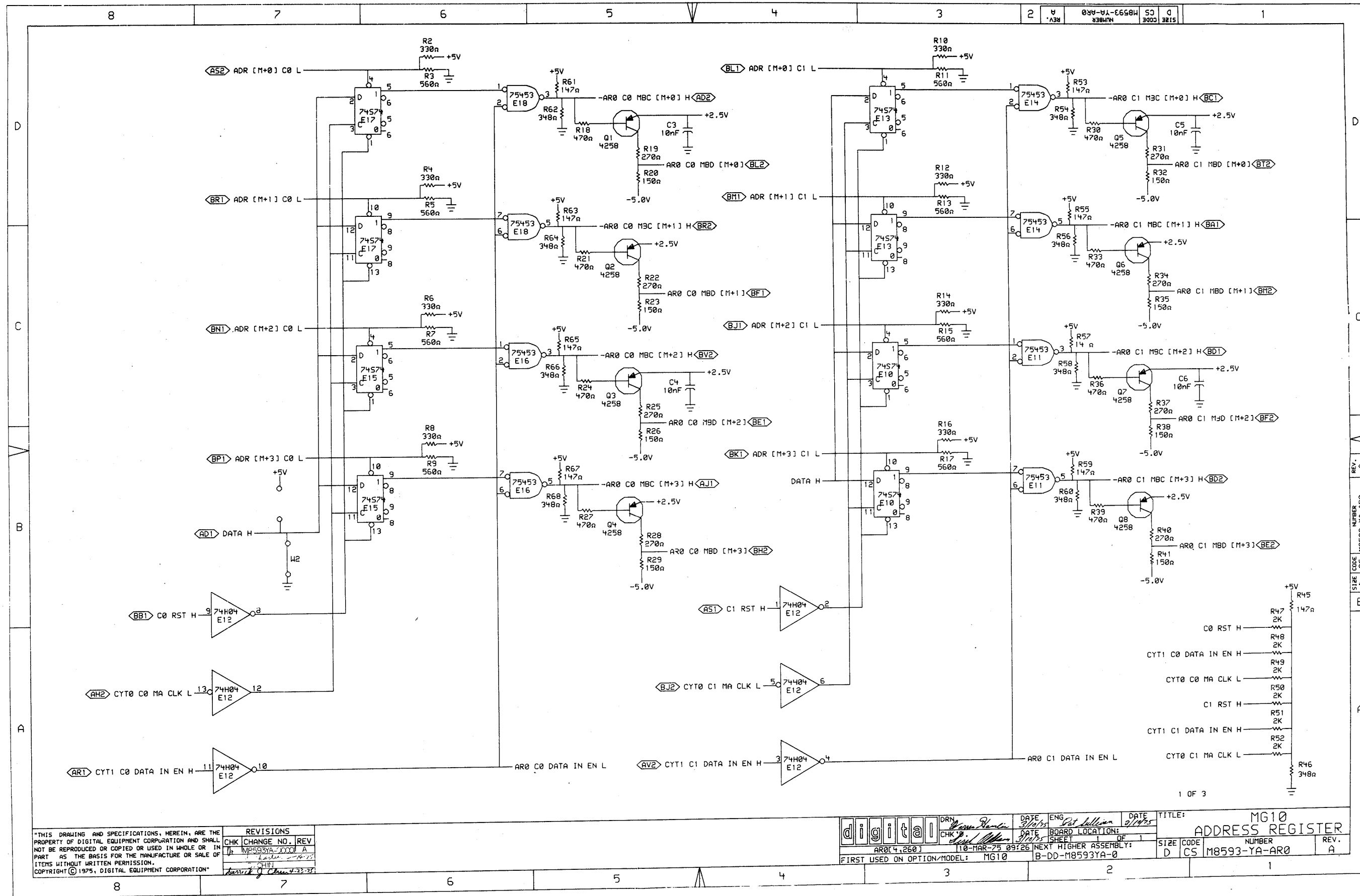
REV. 1  
M8593-0-DR1



\*THIS DRAWING AND SPECIFICATIONS, HEREIN, ARE THE PROPERTY OF DIGITAL EQUIPMENT CORPORATION AND SHALL NOT BE REPRODUCED OR COPIED OR USED IN WHOLE OR IN PART AS THE BASIS FOR THE MANUFACTURE OR SALE OF ITEMS WITHOUT WRITTEN PERMISSION.  
 COPYRIGHT © 1974, DIGITAL EQUIPMENT CORPORATION\*

REVISIONS	
CHK	CHANGE NO. REV

<b>digital</b>	DRN	DATE	ENG.	DATE	TITLE:
	CHK'D.	12/27/74	W. J. ...	12-27-74	MG10 DATA REGISTER
DR24,2601		02-DEC-74 11:03	NEXT HIGHER ASSEMBLY:	SIZE CODE	NUMBER
FIRST USED ON OPTION/MODEL: MG10		B-DD-M8593-0		D CS	M8593-0-DR2

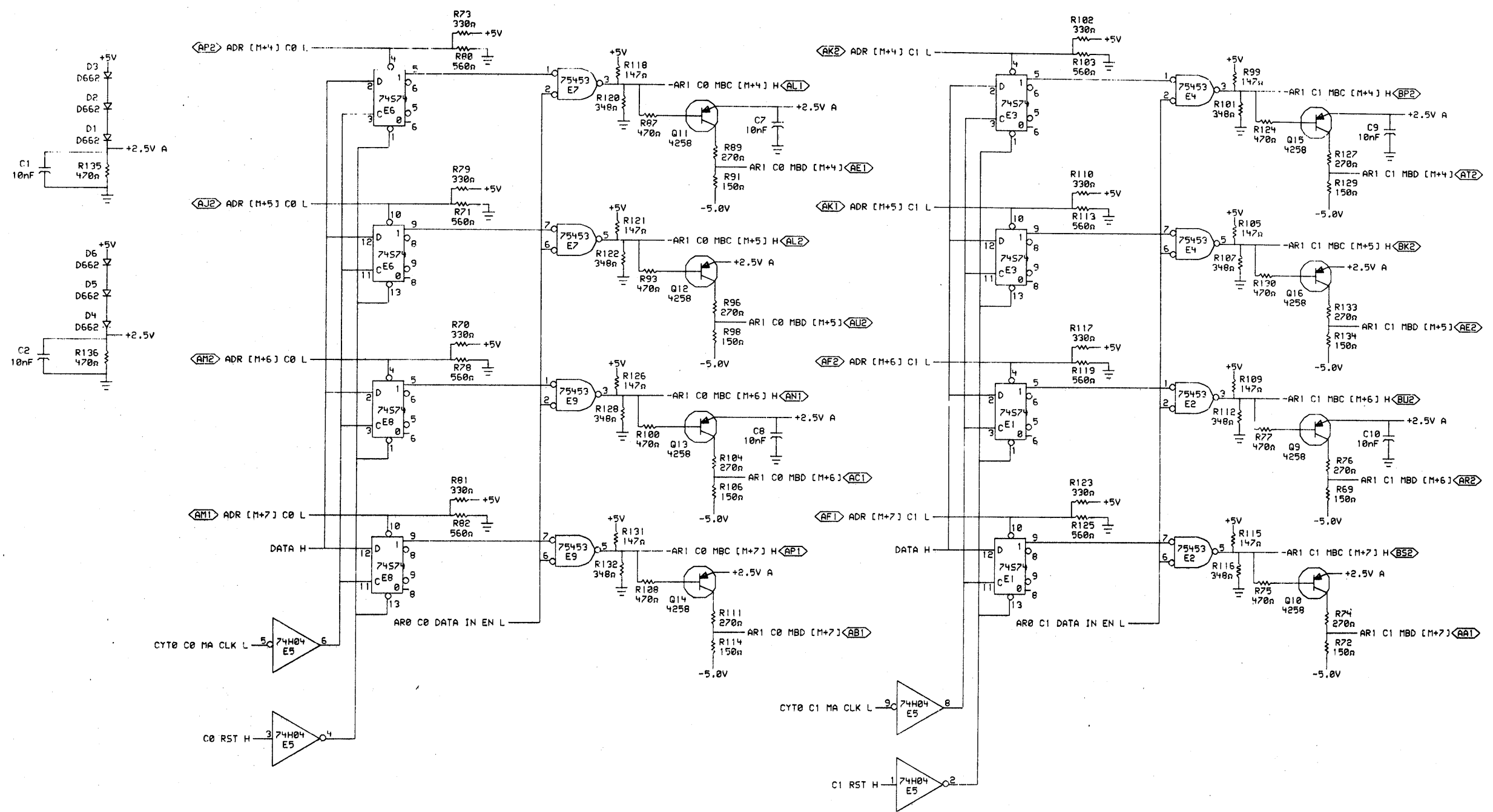


"THIS DRAWING AND SPECIFICATIONS, HEREIN, ARE THE PROPERTY OF DIGITAL EQUIPMENT CORPORATION AND SHALL NOT BE REPRODUCED OR COPIED OR USED IN WHOLE OR IN PART AS THE BASIS FOR THE MANUFACTURE OR SALE OF ITEMS WITHOUT WRITTEN PERMISSION. COPYRIGHT © 1975, DIGITAL EQUIPMENT CORPORATION"

REVISIONS	
CHK	CHANGE NO. REV
1	M8593A-0001 A
2	10-11-75
3	10-11-75

digital	DRN	DATE	ENG	DATE	TITLE:
	CHK	3/10/75	Pat Sullivan	3/10/75	MG10 ADDRESS REGISTER
AR0[4,260]		DATE	BOARD LOCATION:	SIZE CODE NUMBER REV.	
FIRST USED ON OPTION/MODEL: MG10		10-MAR-75 09:26	SHEET 1 OF 1	D CS M8593-YA-AR0 A	
NEXT HIGHER ASSEMBLY: B-DD-M8593A-0			1		



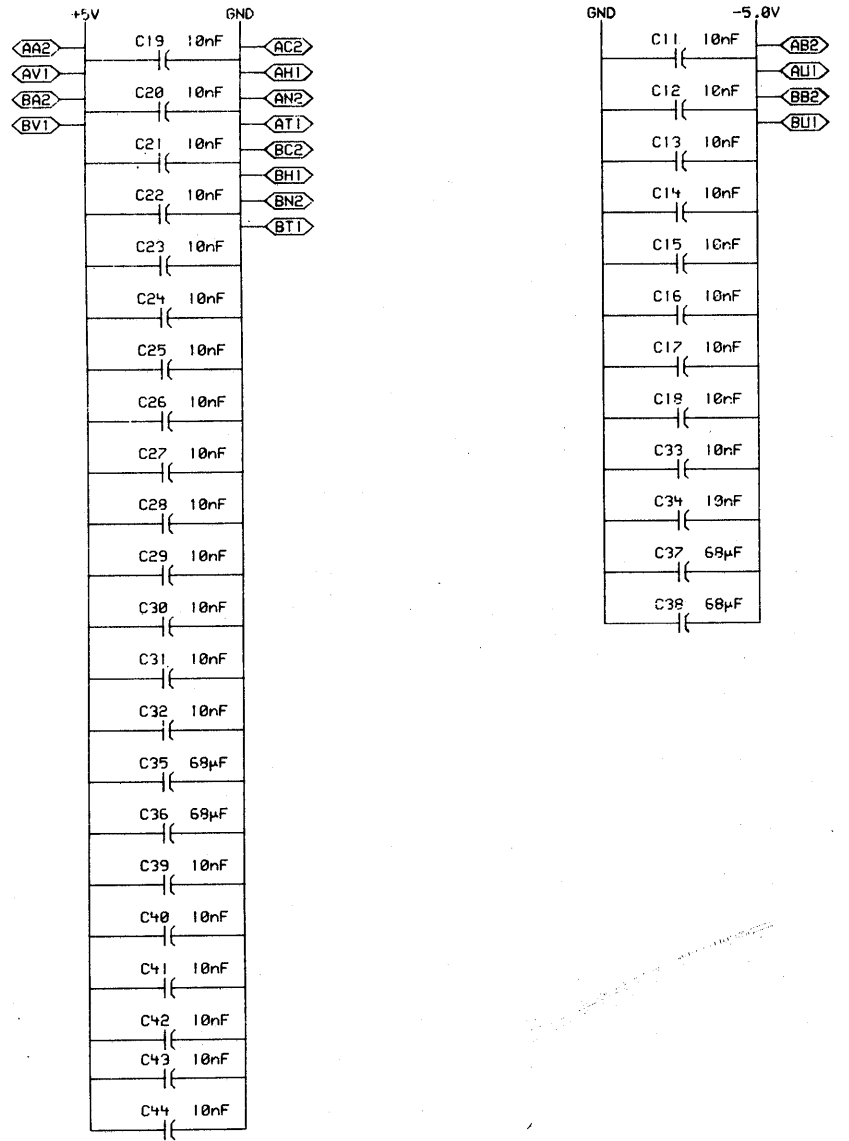


REV. NUMBER  
D CS M8593-YA-AR1

"THIS DRAWING AND SPECIFICATIONS, HEREIN, ARE THE PROPERTY OF DIGITAL EQUIPMENT CORPORATION AND SHALL NOT BE REPRODUCED OR COPIED OR USED IN WHOLE OR IN PART AS THE BASIS FOR THE MANUFACTURE OR SALE OF ITEMS WITHOUT WRITTEN PERMISSION.  
COPYRIGHT © 1974, DIGITAL EQUIPMENT CORPORATION"

REVISIONS	
CHK	CHANGE NO. REV.

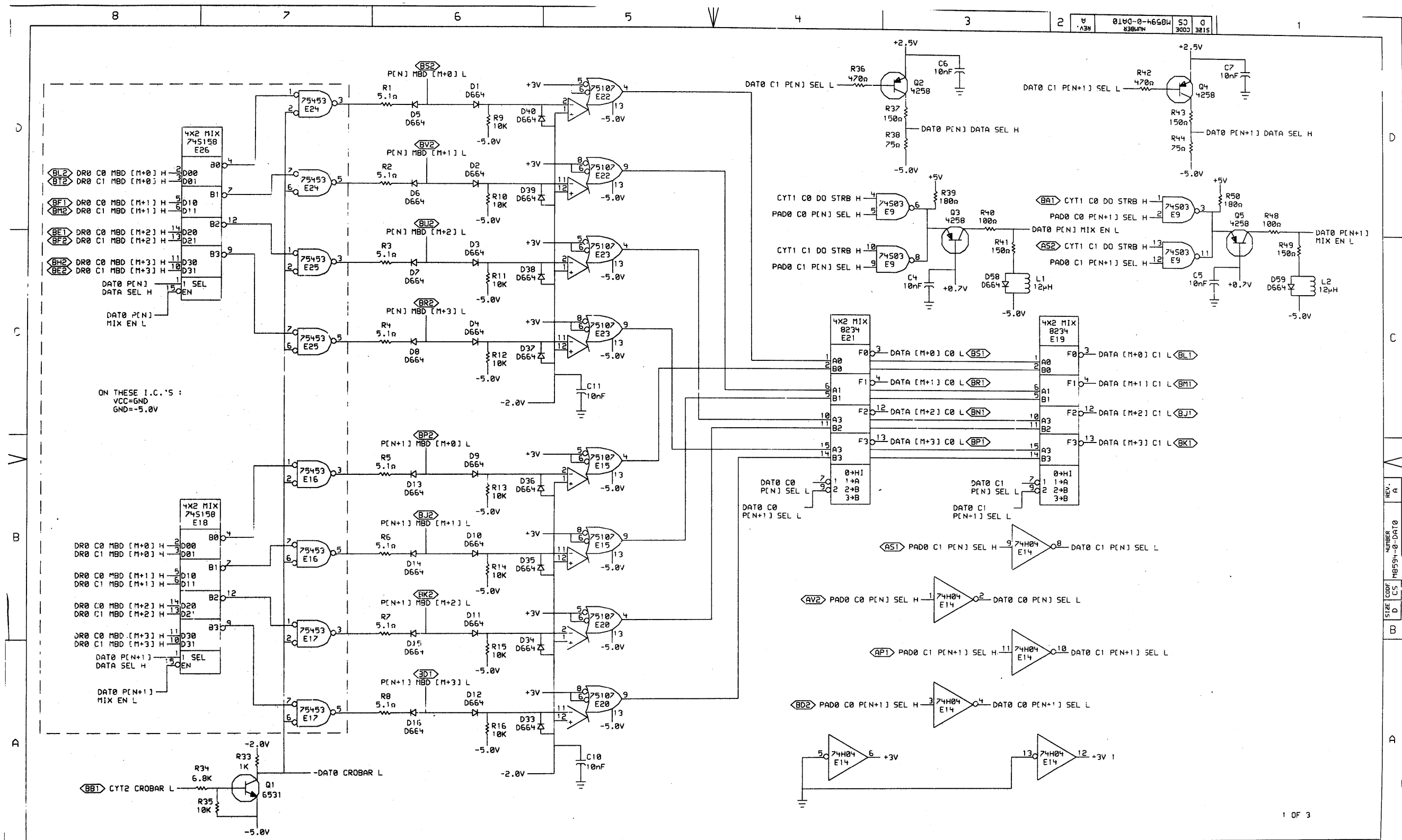
digital	DRN.	DATE	ENG. <i>J. Allen</i>	DATE	TITLE: MG10
	CHK'D	DATE	BOARD LOCATION:	SHEET	ADDRESS REGISTER
AR1[4,260]	03-DEC-74 10:34	NEXT HIGHER ASSEMBLY:	SIZE CODE	NUMBER	REV.
FIRST USED ON OPTION/MODEL: MG10	B-DD-M8593-YA		D CS	M8593-YA-AR1	



\*THIS DRAWING AND SPECIFICATIONS, HEREIN, ARE THE PROPERTY OF DIGITAL EQUIPMENT CORPORATION AND SHALL NOT BE REPRODUCED OR COPIED OR USED IN WHOLE OR IN PART AS THE BASIS FOR THE MANUFACTURE OR SALE OF ITEMS WITHOUT WRITTEN PERMISSION.  
COPYRIGHT © 1974, DIGITAL EQUIPMENT CORPORATION\*

REVISIONS		
CHK	CHANGE NO.	REV

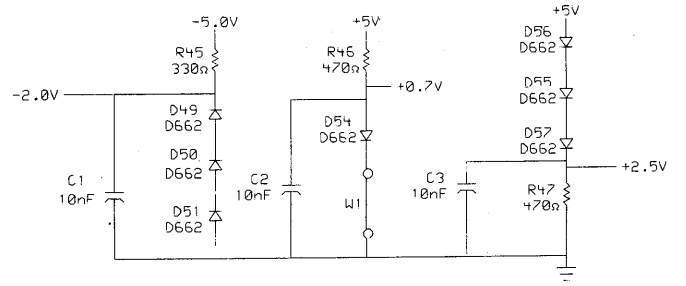
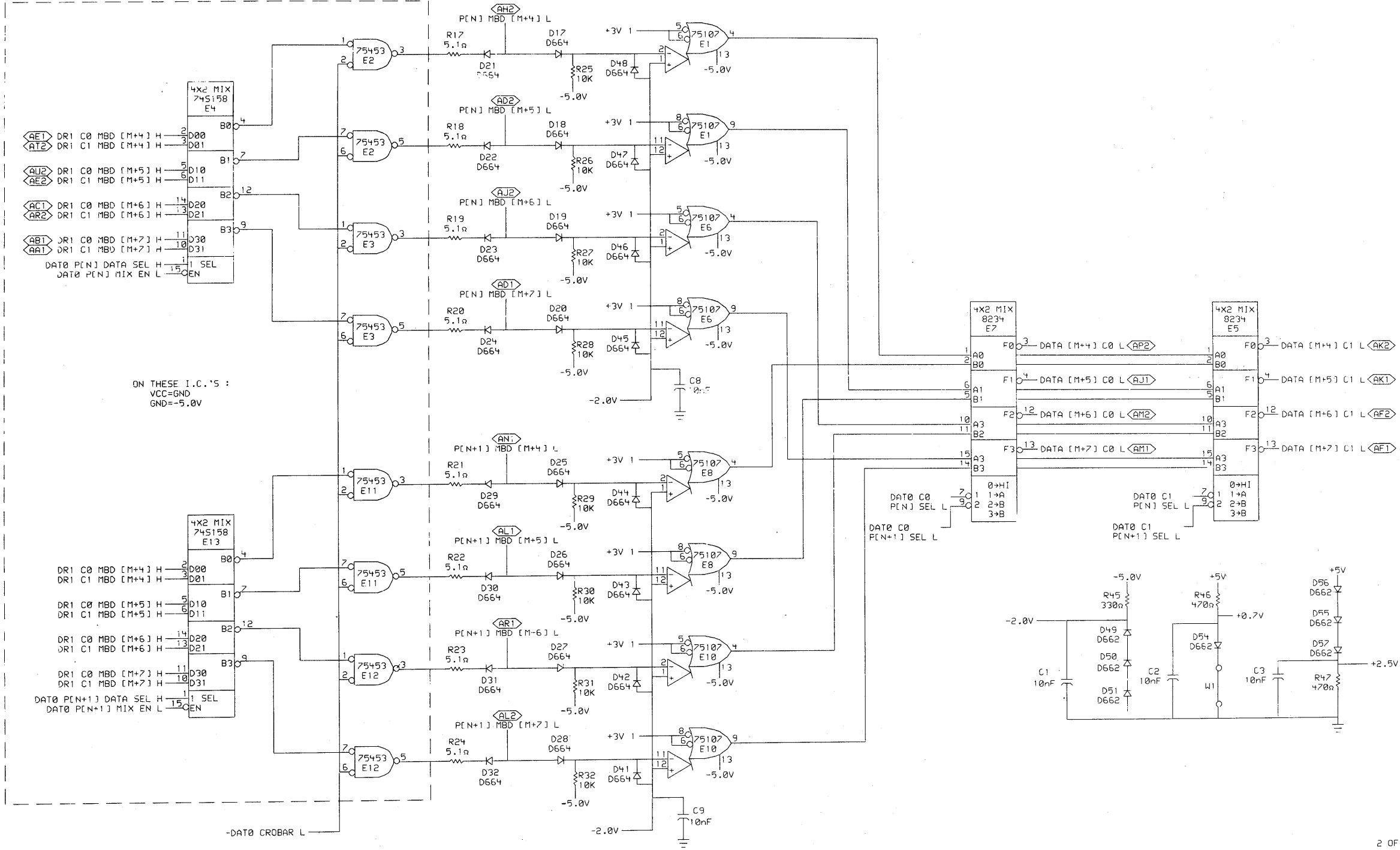
digital	DRN.	DATE	ENG.	DATE	TITLE:
	CHK'D	12-27-74	J. M.	12-19-74	MG10 ADDRESS REGISTER
AR2(4,260)	103-DEC-74 10:34	NEXT HIGHER ASSEMBLY:		SIZE CODE	NUMBER
FIRST USED ON OPTION/MODEL: MG10	B-DD-M8593-YA	D	CS	M8593-YA-AR2	REV.



ON THESE I.C.'S :  
VCC=GND  
GND=-5.0V

REVISIONS	
CHK	CHANGE NO. REV
23	M8594-0001 A
1	5-11-75

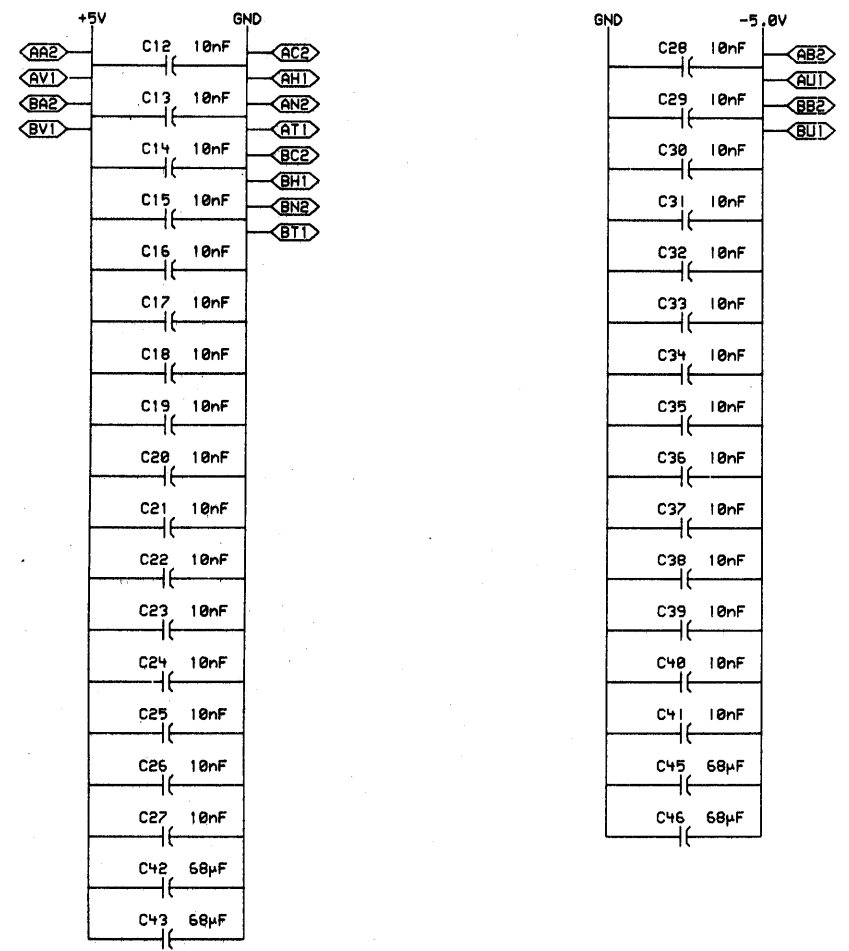
digital	DRN. W. Hamlin	DATE 3/17/75	ENG. D. Clun	DATE 2-19-75	TITLE: MG10
	CHK'D. W. Hamlin	DATE 3/17/75	BOARD LOCATION: 1	SHEET 1	DATA TRANSCEIVER
FIRST USED ON OPTION MODEL: MG10		NEXT HIGHER ASSEMBLY: B-DD-M8594-0		SIZE CODE D C5	NUMBER M8594-0-DAT0
				REV. A	



THIS DRAWING AND SPECIFICATIONS, HEREIN, ARE THE PROPERTY OF DIGITAL EQUIPMENT CORPORATION AND SHALL NOT BE REPRODUCED OR COPIED OR USED IN WHOLE OR IN PART AS THE BASIS FOR THE MANUFACTURE OR SALE OF ITEMS WITHOUT WRITTEN PERMISSION. COPYRIGHT © 1975, DIGITAL EQUIPMENT CORPORATION\*

REVISIONS		
CHK	CHANGE NO.	REV
27	M8554-00001	A
	5-13-75	
	5-16-75	

digital	DRN. W. Hamlin	DATE 3/2/75	ENG. J. J. De...	DATE 3-2-75	TITLE: MG10
	CHK'D. W. Hamlin	DATE 3/2/75	SHEET 1 OF 1	BOARD LOCATION:	DATA TRANSCEIVER
FIRST USED ON OPTION/MODEL: MG10		NEXT HIGHER ASSEMBLY: B-DD-M8594-0		SIZE CODE D C5	NUMBER M8594-0-DAT1
				REV. A	



"THIS DRAWING AND SPECIFICATIONS, HEREIN, ARE THE PROPERTY OF DIGITAL EQUIPMENT CORPORATION AND SHALL NOT BE REPRODUCED OR COPIED OR USED IN WHOLE OR IN PART AS THE BASIS FOR THE MANUFACTURE OR SALE OF ITEMS WITHOUT WRITTEN PERMISSION.  
 COPYRIGHT © 1974, DIGITAL EQUIPMENT CORPORATION"

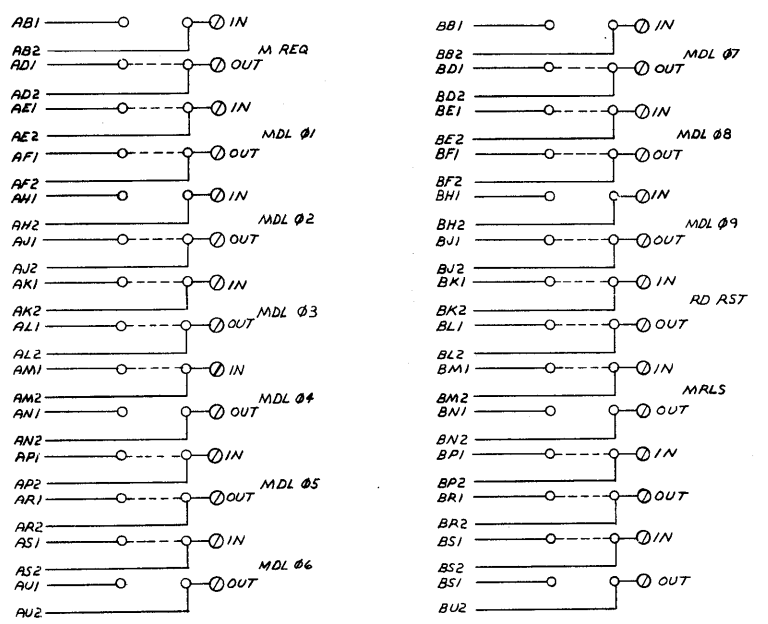
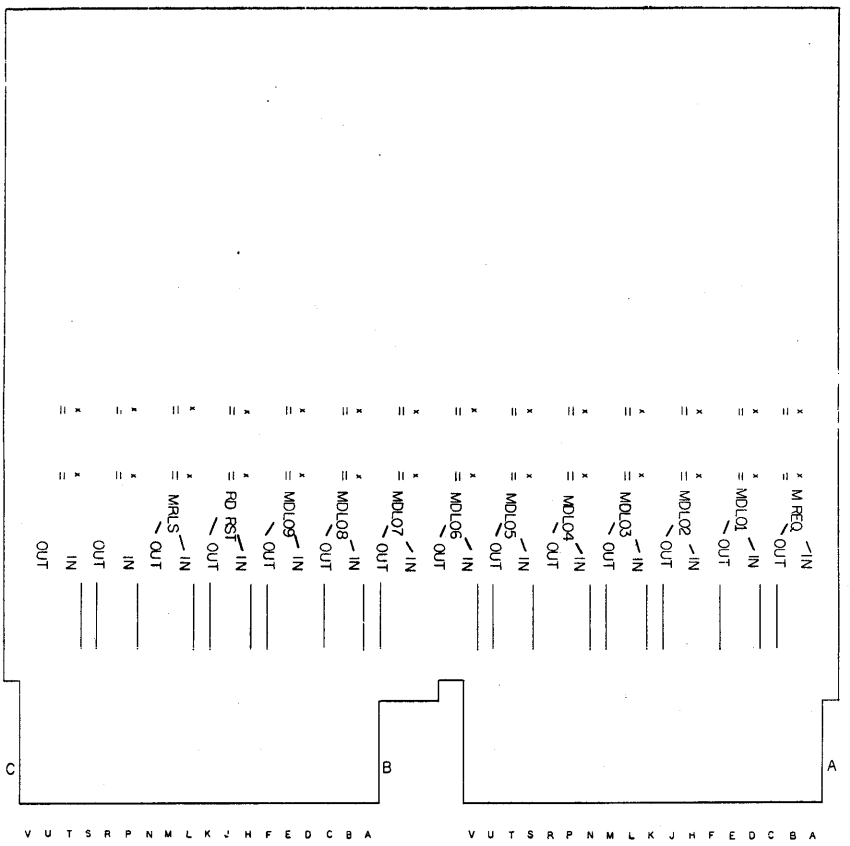
REVISIONS		
CHK	CHANGE NO.	REV

digital	DRN. <i>W. Hamlin</i>	DATE <i>12/3/74</i>	ENG. <i>E. Allen</i>	DATE <i>12/12/74</i>	TITLE: <b>MG10</b>
	CHK'D. <i>J. ...</i>	DATE	BOARD LOCATION:		<b>DATA TRANSCEIVER</b>
FIRST USED ON OPTION/MODEL: <b>MG10</b>		NEXT HIGHER ASSEMBLY: <b>B-DD-M8594-0</b>		SIZE CODE <b>D CS</b>	NUMBER <b>M8594-0-DAT2</b>

REV. NUMBER M8594-0-DAT2

"THIS DRAWING AND SPECIFICATIONS, HEREIN, ARE THE PROPERTY OF DIGITAL EQUIPMENT CORPORATION AND SHALL NOT BE REPRODUCED OR COPIED OR USED IN WHOLE OR IN PART AS THE BASIS FOR THE MANUFACTURE OR SALE OF ITEMS WITHOUT WRITTEN PERMISSION. COPYRIGHT © 1975 DIGITAL EQUIPMENT CORPORATION"

### NOTES:



UNLESS OTHERWISE INDICATED  
○--○ INDICATES JUMPERS  
⊙ INDICATES SPLIT LUGS

IC TYPE	GND	+5V
GND AND 5V ARE USUALLY PIN 7 AND 14 RESPECTIVELY EXCEPTIONS ARE STATED ABOVE		
IC PIN LOCATIONS		

QTY	REF. DESIGNATION	DESCRIPTION	PART NO.	ITEM NO.
2		HANDLE, FLIP CHIP - GREEN	1202258	8
20		JUMPERS	9107560-01	7
28		SPLIT LUGS	9006735	6
4		EYELETS *GSA-7 E. B. STIMPSON	9006732	5
1		ETCHED CKT. BD.	5008725	4
		ASSY/DRILLING HOLE LAYOUT	D-AH-G728-YA-3	3
		X-Y COORDINATE HOLE LOCATION	K-CO-G728-O-4	2
		MODULE HISTORY	B-MH-G728-YA-6	1

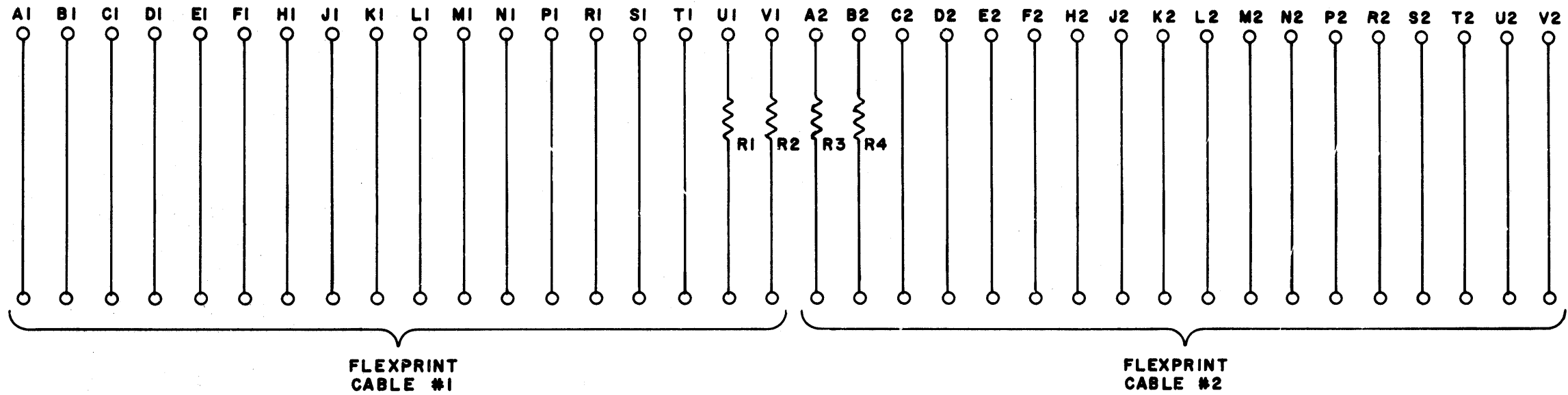
FIRST USED ON OPTION MODEL		PARTS LIST		
ETCH BOARD REV. A		DATE 2-28-75		
ORIGINATED 6728YA-00001		CHK'D [Signature] DATE 2-28-75		
CHANGE NO.		ENG. [Signature] DATE 3-6-75		
REV. 1		PROJ. ENG. [Signature] DATE 3-2-75		
REV. 2		PROD. DATE		
REV. 3		NEXT HIGHER ASSY		
REV. 4		SCALE		
REV. 5		SHEET OF 1		
REV. 6		DIST		
REV. 7		REV. *		
REV. 8		REV. *		
REV. 9		REV. *		
REV. 10		REV. *		

digital  
TITLE JUMPER CARD  
G728YA  
SIZE CODE DCS NUMBER G728-YA-1

↓

D	REV	M901-0-1	NUMBER	CS	B	SIZE
---	-----	----------	--------	----	---	------

THIS SCHEMATIC IS FURNISHED ONLY FOR TEST AND MAINTENANCE PURPOSES. THE CIRCUITS ARE PROPRIETARY IN NATURE AND SHOULD BE TREATED ACCORDINGLY. COPYRIGHT 1968 BY DIGITAL EQUIPMENT CORPORATION



REVISIONS	CHK	CHG NO.	REV.
		00001	C
		00002	D

DRN.	<i>M. Kaller</i>	DATE	8-17-68
CHK'D	<i>M. Kaller</i>	DATE	8-19-68
ENG.	<i>D. White</i>	DATE	11/5/68
PROD.		DATE	

TRANSISTOR & DIODE CONVERSION CHART			
DEC	EIA	DEC	EIA

**digital**  
EQUIPMENT CORPORATION  
MAYNARD, MASSACHUSETTS

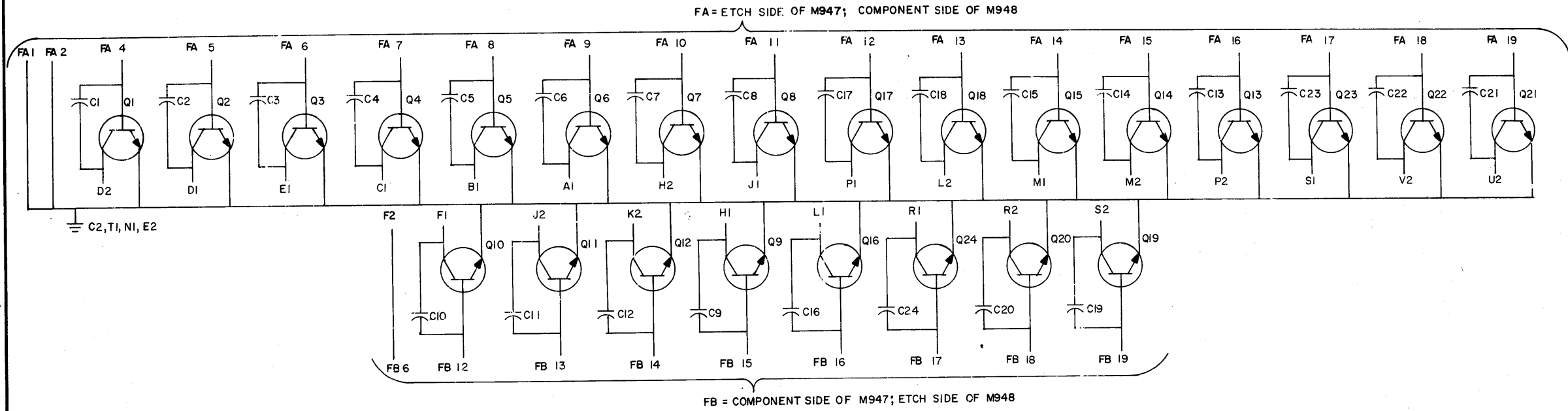
REFERENCE DESIGNATION	DESCRIPTION	PART NO.
PARTS LIST		
TITLE FLEXPRINT CABLE CONNECTOR M901		
SIZE	CODE	NUMBER
B	CS	M901-0-1
PRINTED CIRCUIT REV.		REV
BC		D

DEC FORM NO. DRB 102

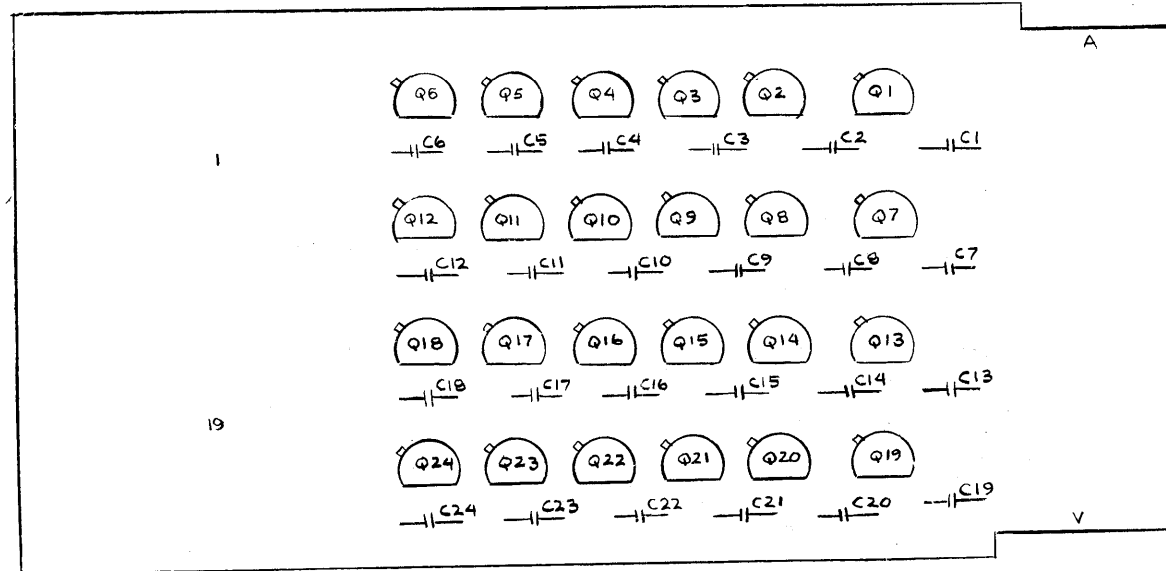
5 DIST. 324 434 435 PINK

↑

THIS SCHEMATIC IS FURNISHED ONLY FOR TEST AND MAINTENANCE PURPOSES. THE CIRCUITS ARE PROPRIETARY IN NATURE AND SHOULD BE TREATED ACCORDINGLY. COPYRIGHT 1970 BY DIGITAL EQUIPMENT CORPORATION



UNLESS OTHERWISE INDICATED:  
CAPACITORS ARE 470PF, 100V, ±5%  
TRANSISTORS ARE DEC6531B



ITEM NO.	DEC PART NO.	DESCRIPTION	QTY
6	150933B	TRANSISTOR DEC 6531B	24
5	1000024	CAP. 470 PF 100V 5%	24
4	5009370	ETCHED CKT. BOARD	1
3	B-MH-M947-0-6	MODULE ECC HISTORY	
2	C-AH-M947-0-5	ASSY/DRILLING HOLE LAYOUT	
1	X-CO-M947-0-4	X-Y COORDINATE HOLE LOCATION	

PARTS LIST			
SIZE	CODE	NUMBER	REV.
C	CS	M947-0-1	B

TRANSISTOR & DIODE CONVERSION CHART			
DEC	EIA	DEC	EIA
DEC6531B	MPS6531		



TITLE KI-10 INDICATOR DRIVER M947

REVISIONS  
CHK CHG NO. REV.

DRN. NANCY MOORE DATE 5/18/70  
CHK'D DATE 7-24-71  
ENG. P. Sullivan DATE 2-24-71  
PROD. DATE

Print Blue

REV. B  
NUMBER M947-0-1  
SIZE CODE C CS

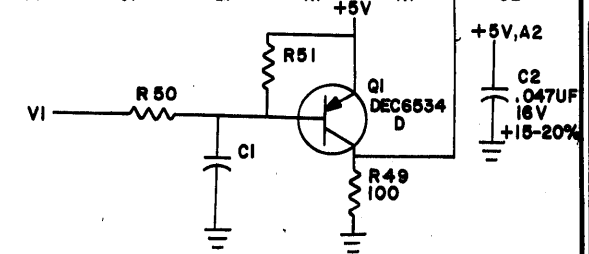
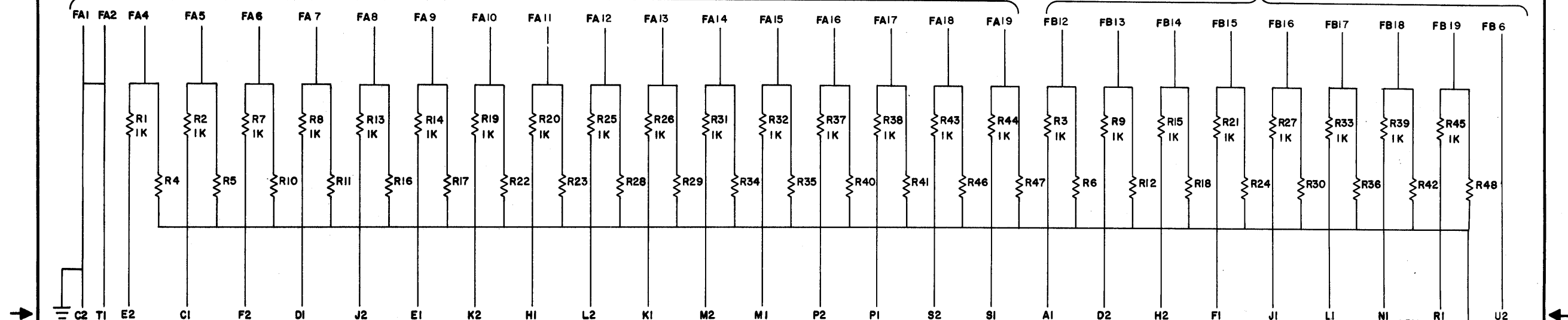


THIS SCHEMATIC IS FURNISHED ONLY FOR TEST AND MAINTENANCE PURPOSES. THE CIRCUITS ARE PROPRIETARY IN NATURE AND SHOULD BE TREATED ACCORDINGLY. COPYRIGHT 1970 BY DIGITAL EQUIPMENT CORPORATION

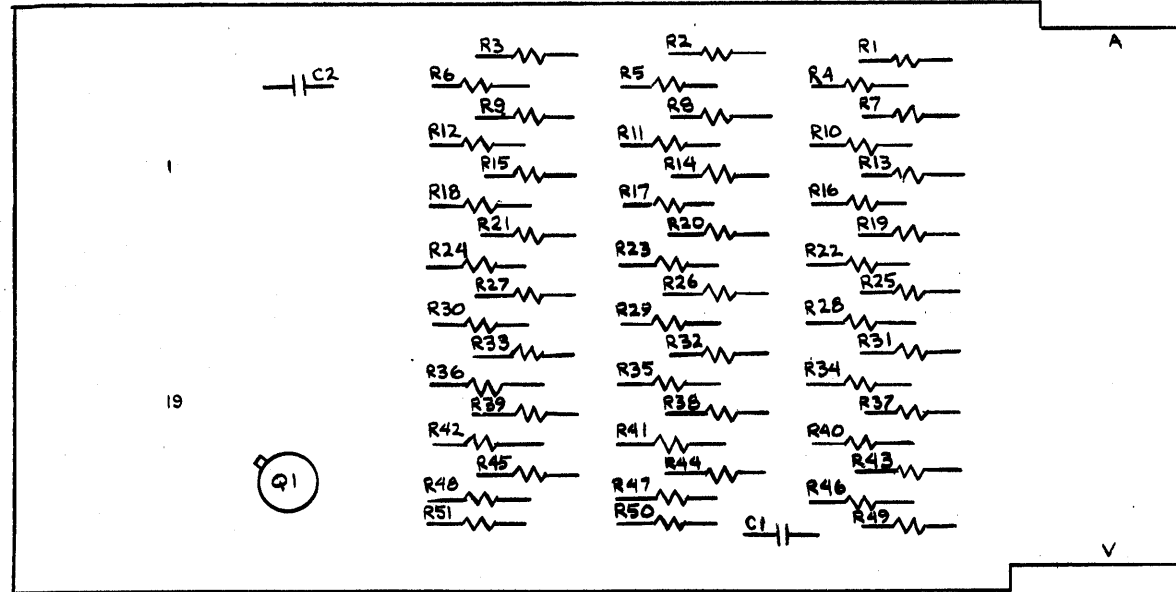
**LIMITED RELEASE**

FA=COMPONENT SIDE OF M948;  
ETCH SIDE OF M947

FB=ETCH SIDE OF M948;  
COMPONENT SIDE OF M947



UNLESS OTHERWISE INDICATED:  
RESISTORS ARE 3.3K, 1/4W, 5%  
CAPACITORS ARE .01UF, 100V, 20%



ITEM NO.	DEC PART NO.	DESCRIPTION	QTY
10	1503409-00	TRANSISTOR DEC 6534D	1
9	1300439	RES. 3.3K 1/4W 5%	26
8	1300365	RES. 1K 1/4W 5%	24
7	1300229	RES. 100 1/4W 5%	1
6	1009678	CAP. .047 UF 16V 50 -20%	1
5	1001610	CAP. .01 UF 100V 20% DISC	1
4	5009449	ETCHED CKT. BOARD	1
3	B-MH-M948-0-6	MODULE ECO HISTORY	
2	C-AH-M948-0-5	ASSY/DRILLING HOLE LAYOUT	
1	K-CO-M948-0-4	X-Y COORDINATE HOLE LOCATION	

REV. B  
NUMBER M948-0-1  
SIZE CODE C CS

REVISIONS  
CHK CHG NO. REV.  
1 1001 B

DRN. S. Cooper DATE 3/14/70  
ENGR. P. Sullivan DATE 3-14-71  
PROD. DATE

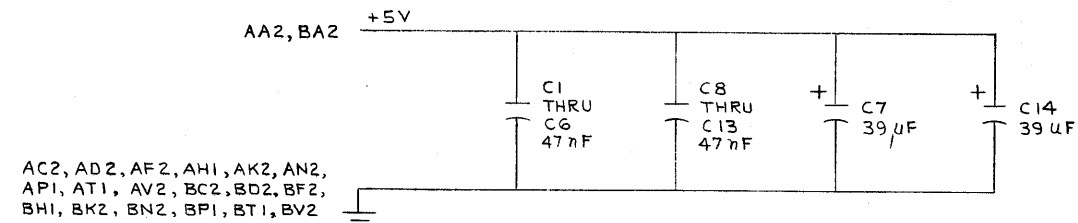
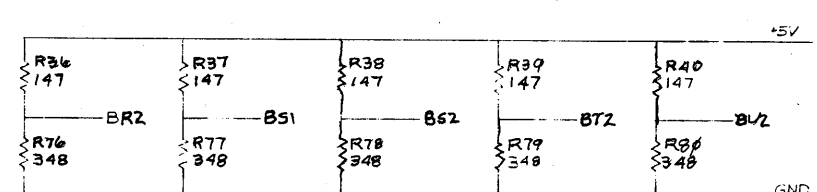
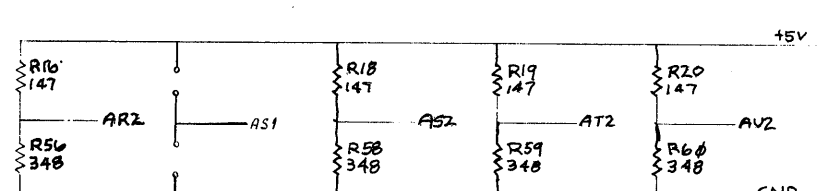
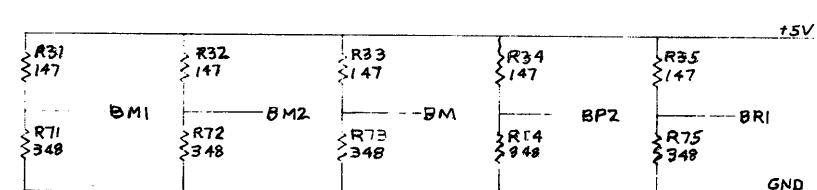
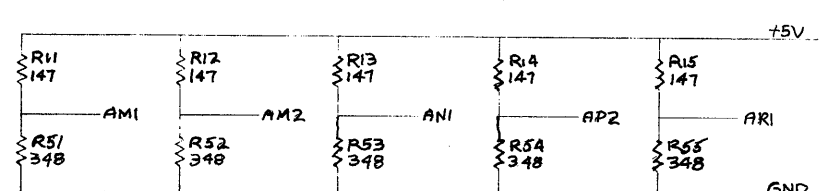
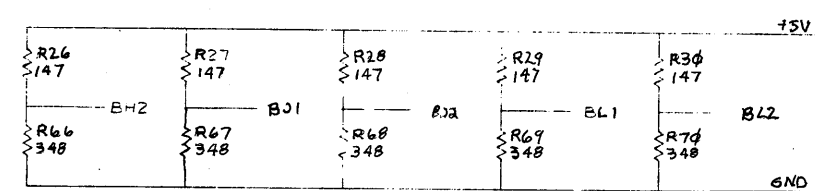
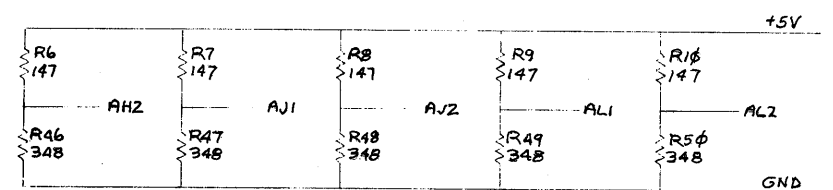
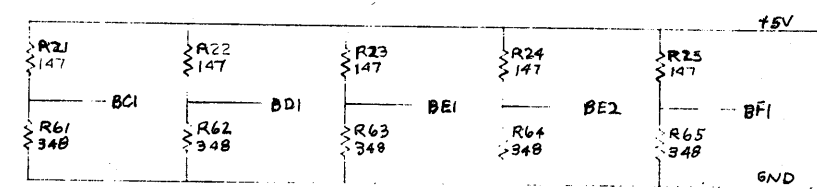
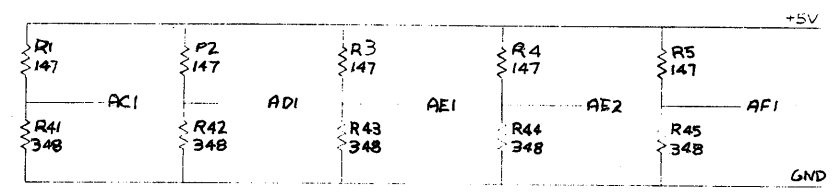
TRANSISTOR & DIODE CONVERSION CHART			
DEC	EIA	DEC	EIA
DEC6534D	MP86534		

**digital** EQUIPMENT CORPORATION  
MAYNARD, MASSACHUSETTS

TITLE: KI 10 INDICATOR BOARD  
SIZE: C CS NUMBER: M948-0-1 REV: B  
PRINTED CIRCUIT REV. B

THIS DRAWING AND SPECIFICATIONS HEREBY ARE THE PROPERTY OF DIGITAL EQUIPMENT CORPORATION AND SHALL REMAIN UNREMOVED FROM THIS DRAWING IN WHOLE OR IN PART AS LONG AS THE DRAWING IS IN USE. ALL RIGHTS RESERVED. © 1973 DIGITAL EQUIPMENT CORPORATION.

NOTE: ALL RESISTOR VALUES ARE IN OHMS, UNLESS OTHERWISE SPECIFIED

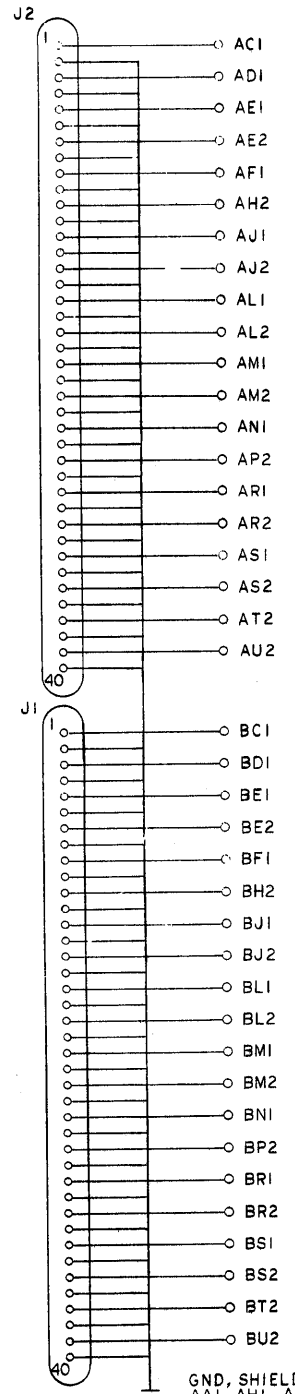


AC2, AD2, AF2, AH1, AK2, AN2, API, AT1, AV2, BC2, BD2, BF2, BH1, BK2, BN2, BPI, BT1, BV2

REVISIONS		
CHK	CHANGE NO	REV

FIRST USED ON OPTION/MODEL	QTY.	DESCRIPTION	PART NO.	ITEM NO.
MG10				
DIMENSIONAL TOLERANCE		PARTS LIST		
DIMENSIONS ARE MILLIMETERS UNLESS OTHERWISE SPECIFIED		DRN. <i>J. Am...</i>	DATE 11/7/74	<b>digital</b>
MILLIMETERS INCHES ANGLES		CHK'D. <i>J. Am...</i>	DATE 11/17/74	
XXX ±0.10 XX ±0.05 X ±0.2	XXX ±0.005 XX ±0.02 X ±0.1	ENG. <i>J. Am...</i>	DATE 11/17/74	TITLE
THIRD ANGLE PROJECTION	REMOVE BURRS AND BREAK SHARP CORNERS SURFACE QUALITY	PROJ. ENG. <i>J. Am...</i>	DATE 11/17/74	SBUS TERMINATOR
MATERIAL #	FINISH #	PROD. <i>J. Am...</i>	DATE 11/17/74	SIZE CODE
				NUMBER
				REV.
				DIST.

"THIS DRAWING AND SPECIFICATIONS HEREIN ARE THE PROPERTY OF DIGITAL EQUIPMENT CORPORATION AND SHALL NOT BE REPRODUCED OR COPIED OR USED IN WHOLE OR IN PART AS THE BASIS FOR THE MANUFACTURE OR SALE OF ITEMS WITHOUT WRITTEN PERMISSION. COPYRIGHT © 1975, DIGITAL EQUIPMENT CORPORATION"



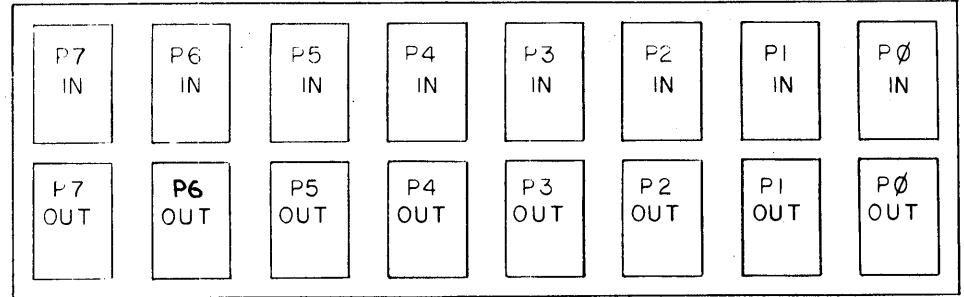
GND, SHIELD  
 AA1, AH1, AK1, AP1, AT1  
 AC2, AD2, AF2, AK2, AN2, AV2  
 BA1, BH1, BK1, BP1, BT1  
 BC2, BD2, BF2, BK2, BN2, BV2

REV.	
CHANGE NO.	
CHK	

DRN. & APPROV. <i>[Signature]</i> 1-31-75	FIRST USED ON	digital
CHK'D <i>[Signature]</i> 2-5-75	MG10	
ENG. <i>[Signature]</i> 2-5-75	TITLE	CABLE CONNECTOR
PROJ. ENG. <i>[Signature]</i> 2-5-75	SIZE	D
PROD. <i>[Signature]</i> 2-5-75	CODE	CS M9011-0-1
NEXT HIGHER ASSY.	NUMBER	1
B-DD-M9011-0	REV.	
SCALE	DIST.	
SHEET 1 OF 1		

"THIS DRAWING AND SPECIFICATIONS, HEREIN, ARE THE PROPERTY OF DIGITAL EQUIPMENT CORPORATION AND SHALL NOT BE REPRODUCED OR COPIED OR USED IN WHOLE OR IN PART AS THE BASIS FOR THE MANUFACTURE OR SALE OF ITEMS WITHOUT WRITTEN PERMISSION. COPYRIGHT © 1975, DIGITAL EQUIPMENT CORPORATION"

REV. 1 2 3 4 5 6 7 8  
 D I C M G I Ø - Ø - M B I  
 NUMBER 3000 3215



ROW M  
 FRONT VIEW  
 ROW N

WIRE LIST  
 SOCKET REFERENCE

PØØ	41	42	43	44
PØ1	36	37	38	39
PØ2	30	31	32	33
PØ3	25	26	27	28
PØ4	19	20	21	22
PØ5	14	15	16	17
PØ6	8	9	10	11
PØ7	3	4	5	6

ROWS  
 M,N

MEM BUS SIGNAL *	PRODUCTION CONN PIN +	MEM BUS SIGNAL *	PRODUCTION CONN PIN +
PN ADR ACK(NT) L	A1 (B1)	PN MBD ØØ L	K1 (L1)
PN RD RS L	A2 (B1)	PN MBD Ø1 L	K2 (L1)
PN WR RS L	B2 (A3)	PN MBD Ø2 L	L2 (K3)
PN MBD PAR L	B3 (A3)	PN MBD Ø3 L	L3 (K3)
PN RQ CYC IMM L	A4 (B4)	PN MBD Ø4 L	K4 (L4)
PN RQ CYC FAST L	A5 (B4)	PN MBD Ø5 L	K5 (L4)
PN RQ CYC SLOW L	B5 (A6)	PN MBD Ø6 L	L5 (K6)
PN MADR 18 (I) L	B6 (A6)	PN MBD Ø7 L	L6 (K6)
PN DATA WARNING L	A7 (B7)	PN MBD Ø8 L	K7 (L7)
PN MADR 19 (I) L	C1 (D1)	PN MBD Ø9 L	M1 (N1)
PN SPARE	C2 (D1)	PN MBD 10 L	M2 (N1)
PN MADR 20 (I) L	D2 (C3)	PN MBD 11 L	N2 (M3)
PN MBI SEQ REQ L	D3 (C3)	PN MBD 12 L	N3 (M3)
PN MADR 14 (I) L	C4 (D4)	PN MBD 13 L	M4 (N4)
PN MADR 15 (I) L	C5 (D4)	PN MBD 14 L	M5 (N4)
PN MADR 16 (I) L	D5 (C6)	PN MBD 15 L	N5 (M6)
PN MADR 17 (I) L	D6 (C6)	PN MBD 16 L	N6 (M6)
PN ADR ACK(T) L	C7 (B7)	PN MBD 17 L	M7 (L7)
PN MADR 22 (I) L	E1 (F1)	PN MBD 18 L	P1 (R1)
PN MADR 23 (I) L	E2 (F1)	PN MBD 19 L	P2 (R1)
PN MADR 24 (I) L	F2 (E3)	PN MBD 20 L	R2 (P3)
PN MADR 25 (I) L	F3 (E3)	PN MBD 21 L	R3 (P3)
PN MADR 26 (I) L	E4 (F4)	PN MBD 22 L	P4 (R4)
PN MADR 27 (I) L	E5 (F4)	PN MBD 23 L	P5 (R4)
PN MADR 28 (I) L	F5 (E6)	PN MBD 24 L	R5 (P6)
PN MADR 29 (I) L	F6 (E6)	PN MBD 25 L	R6 (P6)
PN MADR 30 (I) L	E7 (F7)	PN MBD 26 L	P7 (R7)
PN MADR 31 (I) L	H1 (J1)	PN MBD 27 L	S1 (T1)
PN MADR 32 (I) L	H2 (J1)	PN MBD 28 L	S2 (T1)
PN MADR 33 (I) L	J2 (H3)	PN MBD 29 L	T2 (S3)
PN MADR 34 (I) L	J3 (H3)	PN MBD 30 L	T3 (S3)
PN MADR 35 (I) L	H4 (J4)	PN MBD 31 L	S4 (T4)
PN MADR RD RQ (I) L	H5 (J4)	PN MBD 32 L	S5 (T4)
PN MADR WR RQ (I) L	J5 (H6)	PN MBD 33 L	T5 (S6)
PN IGN PAR PULSE L	J6 (H6)	PN MBD 34 L	T6 (S6)
PN MADR 21 (I) L	H7 (F7)	PN MBD 35 L	S7 (R7)

NOTE: +PINS IN PARENTHESES ARE THE ASSOCIATED QUICKLATCH COAX GROUND PINS.  
 \*THESE SIGNAL Ø AND -3 VOLTS.

1	2	3	4	5	6	7
+ A	+	+	+	+	+	+ A
B	+	+	+	+	+	B
+ C	+	+	+	+	+	+ C
D	+	+	+	+	+	D
+ E	+	+	+	+	+	+ E
F	+	+	+	+	+	F
+ H	+	+	+	+	+	+ H
J	+	+	+	+	+	J
+ K	+	+	+	+	+	+ K
L	+	+	+	+	+	L
+ M	+	+	+	+	+	+ M
N	+	+	+	+	+	N
+ P	+	+	+	+	+	+ P
R	+	+	+	+	+	R
+ S	+	+	+	+	+	+ S
T	+	+	+	+	+	T

IN

1	2	3	4	5	6	7
+ A	+	+	+	+	+	+ A
B	+	+	+	+	+	B
+ C	+	+	+	+	+	+ C
D	+	+	+	+	+	D
+ E	+	+	+	+	+	+ E
F	+	+	+	+	+	F
+ H	+	+	+	+	+	+ H
J	+	+	+	+	+	J
+ K	+	+	+	+	+	+ K
L	+	+	+	+	+	L
+ M	+	+	+	+	+	+ M
N	+	+	+	+	+	N
+ P	+	+	+	+	+	+ P
R	+	+	+	+	+	R
+ S	+	+	+	+	+	+ S
T	+	+	+	+	+	T

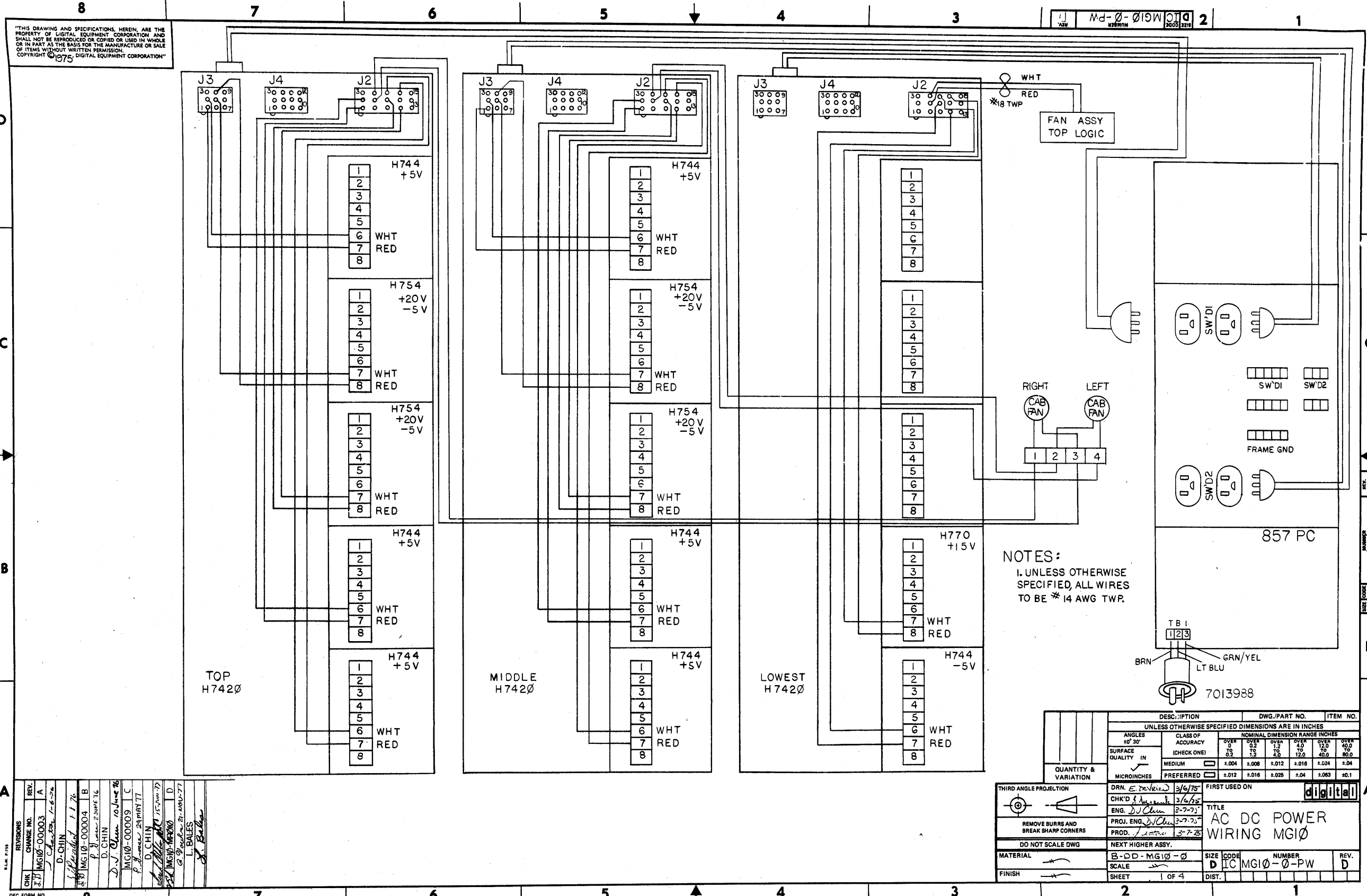
OUT

WIRING SIDE VIEW  
 QUICKLATCH CONNECTORS

REV.	
CHG	
CHK	
REVISIONS	
CHANGE NO.	

DEC FORM NO. DRD 100-C

QUANTITY & VARIATION	DESCRIPTION	DWG./PART NO.	ITEM NO.					
	UNLESS OTHERWISE SPECIFIED DIMENSIONS ARE IN INCHES							
	ANGLES 10° 30'	CLASS OF ACCURACY (CHECK ONE)	NOMINAL DIMENSION RANGE INCHES					
	SURFACE QUALITY IN	MEDIUM	OVER 0 TO 0.2	OVER 0.2 TO 1.2	OVER 1.2 TO 4.0	OVER 4.0 TO 12.0	OVER 12.0 TO 48.0	OVER 48.0 TO 80.0
	MICROINCHES	PREFERRED	±.004	±.008	±.012	±.016	±.024	±.04
			±.012	±.016	±.025	±.04	±.063	±.1
THIRD ANGLE PROJECTION	DRN. E. DeVito 3/3/75	FIRST USED ON	MG I Ø	digital				
REMOVE BURRS AND BREAK SHARP CORNERS	CHK'D. J. Chen 3/13/75	TITLE	MEM BUS INTERFACE					
DO NOT SCALE DWG.	PROJ. ENG. J. Chen 3-21-75	SIZE	B-DD-MG I Ø - Ø	CODE	D	NUMBER	IC MG I Ø - Ø - MBI	REV.
MATERIAL	SCALE	SHEET	1 OF 1	DIST.				



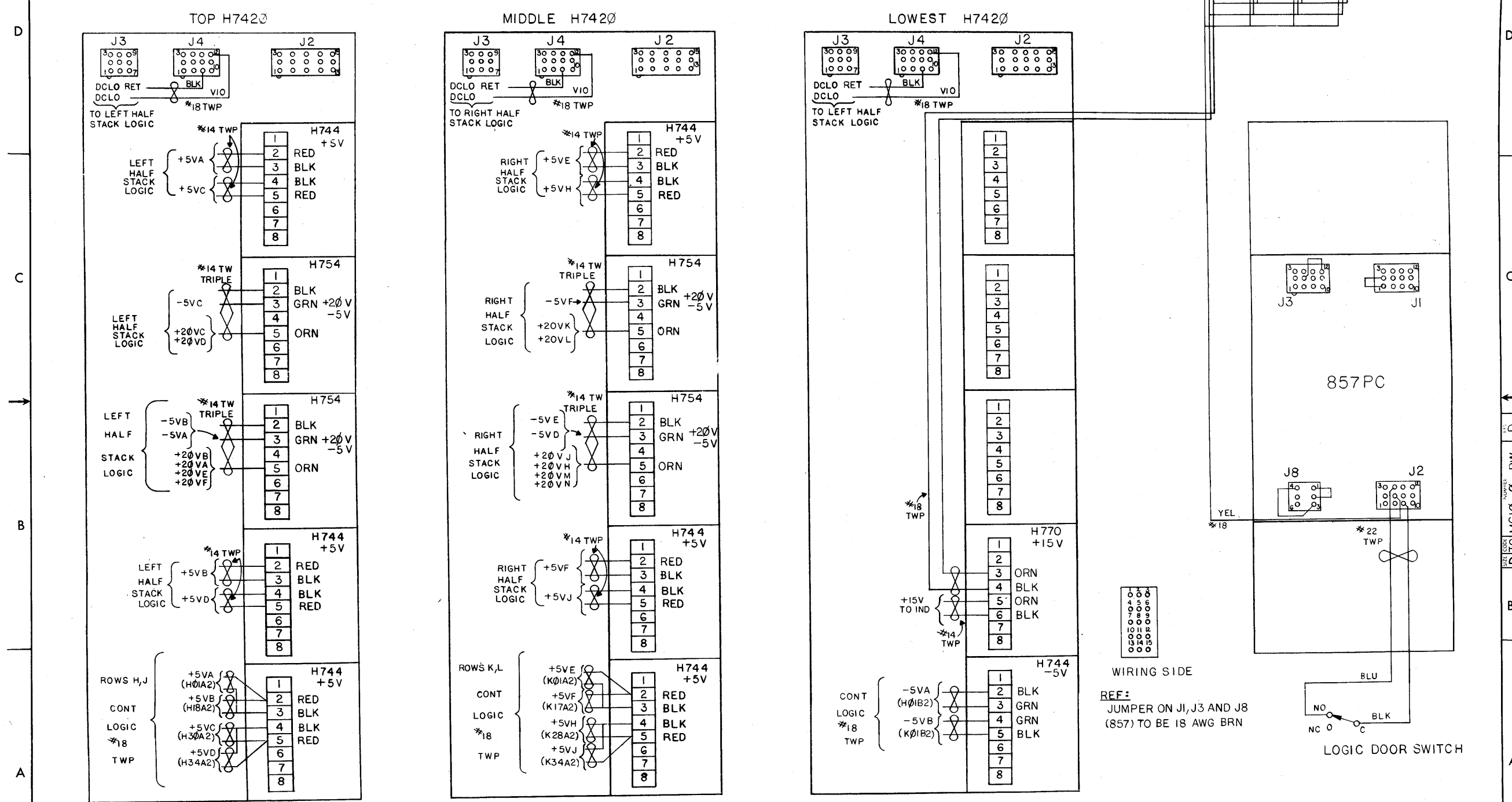
"THIS DRAWING AND SPECIFICATIONS, HEREIN, ARE THE PROPERTY OF DIGITAL EQUIPMENT CORPORATION AND SHALL NOT BE REPRODUCED OR COPIED OR USED IN WHOLE OR IN PART AS THE BASIS FOR THE MANUFACTURE OR SALE OF ITEMS WITHOUT WRITTEN PERMISSION. COPYRIGHT © 1975 DIGITAL EQUIPMENT CORPORATION"

NOTES:  
1. UNLESS OTHERWISE SPECIFIED, ALL WIRES TO BE #14 AWG TWP.

REV.	CHANGE NO.	DESCRIPTION
A	00003	MG10-0-PW 1-6-75
B	00004	MG10-0-PW 1-17-75
C	00009	MG10-0-PW 10 June 76
D	00010	MG10-0-PW 15 June 77

DESCRIPTION		DWG./PART NO.	ITEM NO.
UNLESS OTHERWISE SPECIFIED DIMENSIONS ARE IN INCHES			
ANGLES	CLASS OF ACCURACY	NOMINAL DIMENSION RANGE INCHES	
10° 30'	(CHECK ONE)	OVER 0 TO 0.25	OVER 0.25 TO 0.50
SURFACE QUALITY		OVER 0.50 TO 1.25	OVER 1.25 TO 2.50
IN		OVER 2.50 TO 4.00	OVER 4.00 TO 6.00
		OVER 6.00 TO 12.00	OVER 12.00 TO 24.00
QUANTITY & VARIATION		±0.004	±0.008
		±0.012	±0.016
		±0.025	±0.031
		±0.04	±0.051
		±0.063	±0.1
THIRD ANGLE PROJECTION	DRN. E. De Vries 3/6/75	FIRST USED ON	
REMOVE BURRS AND BREAK SHARP CORNERS	CHK'D J. De Vries 3/6/75	digital	
DO NOT SCALE DWG	ENG. D. J. Chen 3-7-75	TITLE	
	PROJ. ENG. D. J. Chen 3-7-75	AC DC POWER WIRING MG10	
	PROD. J. De Vries 3-7-75	NEXT HIGHER ASSY	
MATERIAL	B-DD-MG10-0	SIZE	CODE
FINISH		NUMBER	REV.
		D IC MG10-0-PW	D
		SHEET 1 OF 4	DIST.

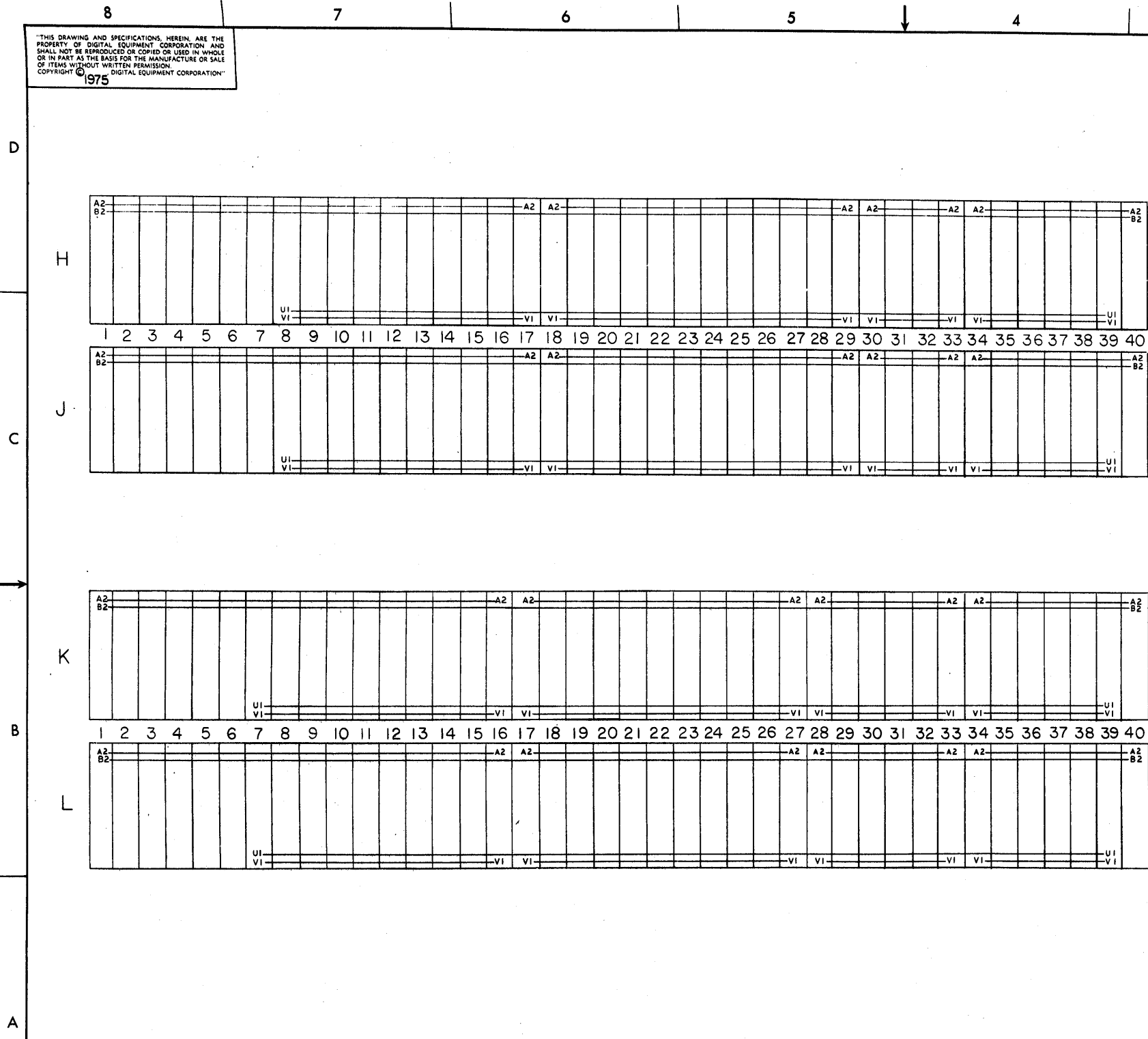
"THIS DRAWING AND SPECIFICATIONS, HEREIN, ARE THE PROPERTY OF DIGITAL EQUIPMENT CORPORATION AND SHALL NOT BE REPRODUCED OR COPIED OR USED IN WHOLE OR IN PART AS THE BASIS FOR THE MANUFACTURE OR SALE OF ITEMS WITHOUT WRITTEN PERMISSION. COPYRIGHT © 1975 DIGITAL EQUIPMENT CORPORATION"



REVISIONS		
CHK	CHANGE NO	REV.

DEC FORM NO 080 137

"THIS DRAWING AND SPECIFICATIONS HEREIN ARE THE PROPERTY OF DIGITAL EQUIPMENT CORPORATION AND SHALL NOT BE REPRODUCED OR COPIED OR USED IN WHOLE OR IN PART AS THE BASIS FOR THE MANUFACTURE OR SALE OF ITEMS WITHOUT WRITTEN PERMISSION. COPYRIGHT © 1975 DIGITAL EQUIPMENT CORPORATION"



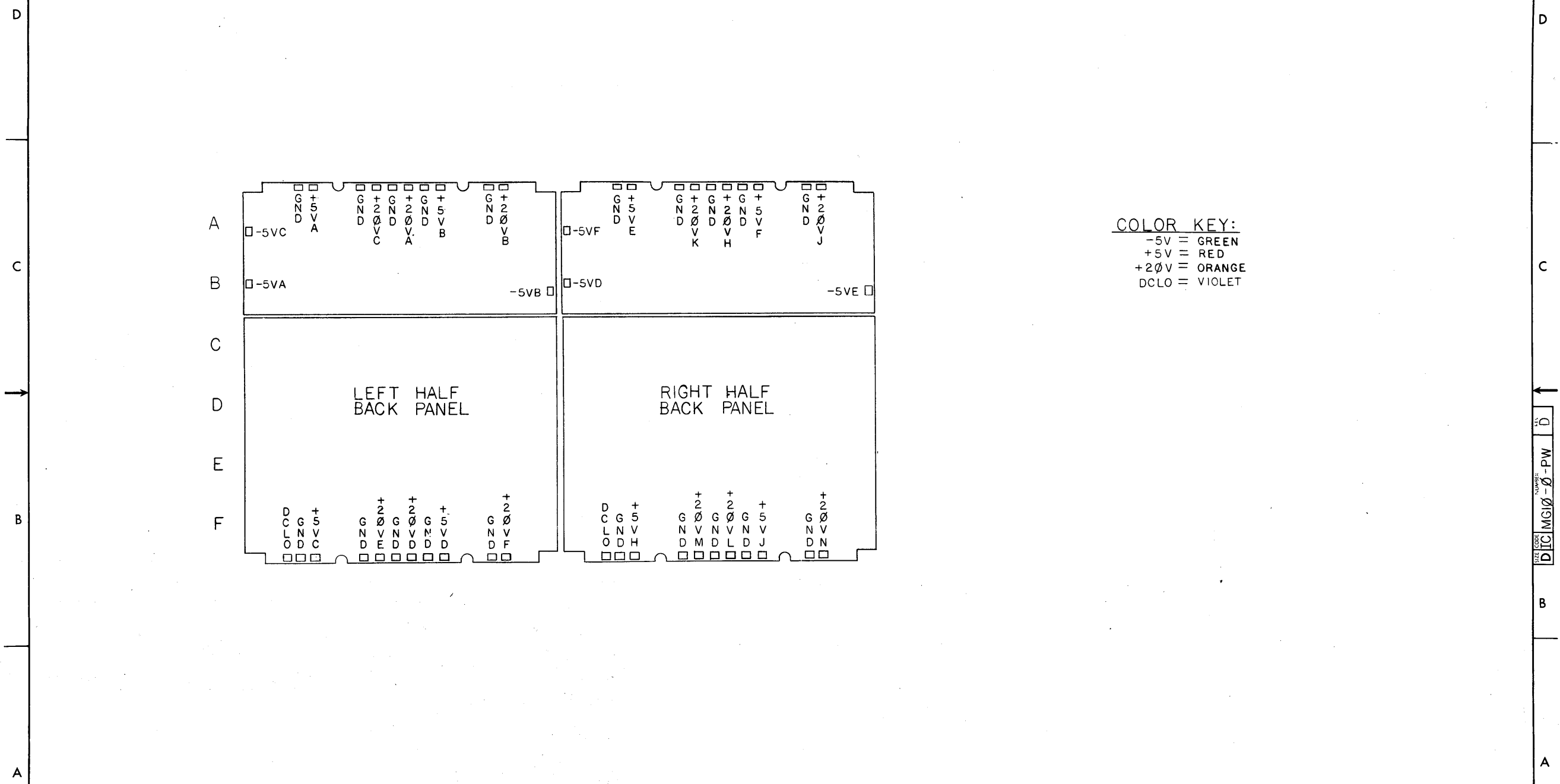
ITEM NO.	DESCRIPTION		FROM		TO		SIGNAL
	AWG	COLOR	CONN	WITH	CONN	WITH	
	24	RED	H08A2	---	H08VI	---	+5VA
			J08A2	---	J08VI	---	+5VA
			H09VI	---	J09A2	---	+5VA
			H20A2	---	H20VI	---	+5VB
			J20A2	---	J20VI	---	+5VB
			H21VI	---	J21A2	---	+5VB
			H31A2	---	H31VI	---	+5VC
			J31A2	---	J31VI	---	+5VC
			H32VI	---	J32A2	---	+5VC
			H36A2	---	H36VI	---	+5VD
			J36A2	---	J36VI	---	+5VD
			H37VI	---	J37A2	---	+5VD
			K07A2	---	K07VI	---	+5VE
			L07A2	---	L07VI	---	+5VE
			K08VI	---	L08A2	---	+5VE
			K19A2	---	K19VI	---	+5VF
			L19A2	---	L19VI	---	+5VF
			K20VI	---	L20A2	---	+5VF
			K30A2	---	K30VI	---	+5VH
			L30A2	---	L30VI	---	+5VH
			K31VI	---	L31A2	---	+5VH
			K36A2	---	K36VI	---	+5VJ
			L36A2	---	L36VI	---	+5VJ
		RED	K37VI	---	L37A2	---	+5VJ
		GRN	H08B2	---	H08UI	---	-5VA
			J08B2	---	J08UI	---	-5VA
			H09UI	---	J09B2	---	-5VA
			H20B2	---	H20UI	---	-5VA
			J20B2	---	J20UI	---	-5VA
			H21UI	---	J21B2	---	-5VA
			H31B2	---	H31UI	---	-5VA
			J31B2	---	J31UI	---	-5VA
			H32UI	---	J32B2	---	-5VA
			H36B2	---	H36UI	---	-5VA
			J36B2	---	J36UI	---	-5VA
			H37UI	---	J37B2	---	-5VA
			K07B2	---	K07UI	---	-5VB
			L07B2	---	L07UI	---	-5VB
			K08UI	---	L08B2	---	-5VB
			K19B2	---	K19UI	---	-5VB
			L19B2	---	L19UI	---	-5VB
			K20UI	---	L20B2	---	-5VB
			K30B2	---	K30UI	---	-5VB
			L30B2	---	L30UI	---	-5VB
			K31UI	---	L31B2	---	-5VB
			K36B2	---	K36UI	---	-5VB
			L36B2	---	L36UI	---	-5VB
	24	GRN	K37UI	---	L37B2	---	-5VB

REVISIONS		
CHK	CHANGE NO.	REV.

TITLE	AC DC POWER WIRING	SIZE CODE	D IC	NUMBER	MGI0-0-PW	REV.	D
SCALE		SHEET	3 OF 4	DIST.			

"THIS DRAWING AND SPECIFICATIONS, HEREIN, ARE THE PROPERTY OF DIGITAL EQUIPMENT CORPORATION AND SHALL NOT BE REPRODUCED OR COPIED OR USED IN WHOLE OR IN PART AS THE BASIS FOR THE MANUFACTURE OR SALE OF ITEMS WITHOUT WRITTEN PERMISSION.  
 COPYRIGHT © 1975 DIGITAL EQUIPMENT CORPORATION"

D I C M G I Ø - Ø - P W 2



**COLOR KEY:**  
 -5V = GREEN  
 +5V = RED  
 +2ØV = ORANGE  
 DCLO = VIOLET

REVISIONS		
CHK	CHANGE NO.	REV.

TITLE	AC DC POWER WIRING	SIZE CODE	D I C M G I Ø - Ø - P W	NUMBER	2	REV.	D
SCALE		SHEET	4 OF 4	DIST.			




This drawing and specifications, herein, are the property of Digital Equipment Corporation and shall not be reproduced or copied or used in whole or in part as the basis for the manufacture or sale of items without written permission. COPYRIGHT © 1975

DIGITAL EQUIPMENT CORPORATION

MG10PL-NCB  
 MG10NG-NCB  
 MGTHNC-B1  
 MGTHTP-B1  
 MGTHTP-B2  
 MGTHTP-B12

NOTE:

1. LIST OF PAPER TAPE FILES USED

FIRST USED ON OPTION MODEL	QTY.	DESCRIPTION	PART NO.	ITEM NO.
MG10				
PARTS LIST				
DRN. <i>Phil Reed</i>	DATE 1/15/75	 <b>digital</b> EQUIPMENT CORPORATION MAYNARD, MASSACHUSETTS  TITLE  WIRED ASSY (CONTROL)		
CHK'D. <i>J. Misick</i>	DATE 2/27/75			
ENG. <i>V. Walsh</i>	DATE 2/28/75			
PROJ. ENG. <i>D. Chin</i>	DATE 2-28-75			
PROD. <i>J. Arthur</i>	DATE 5/21/75			
NEXT HIGHER ASSEMBLY D-AD-7010225-0-0		SIZE CODE K WL	NUMBER MG10-0-CONT	REV. H
SCALE ---				
SHEET 1 OF 1	DIST.			

REVISIONS	CHANGE NO.	REV.
	MG10-00002	F
	MG10-00005	H
CHK		

This drawing and specifications, herein, are the property of Digital Equipment Corporation and shall not be reproduced or copied or used in whole or in part as the basis for the manufacture or sale of items without written permission. COPYRIGHT C 1975

DIGITAL EQUIPMENT CORPORATION


MGSTK-NCC

MGSTK-TPC

NOTE:

1. LIST OF PAPER TAPE FILES USED

REV. C	MG10-0-STK	SIZE CODE K WL	2	1
--------	------------	----------------	---	---

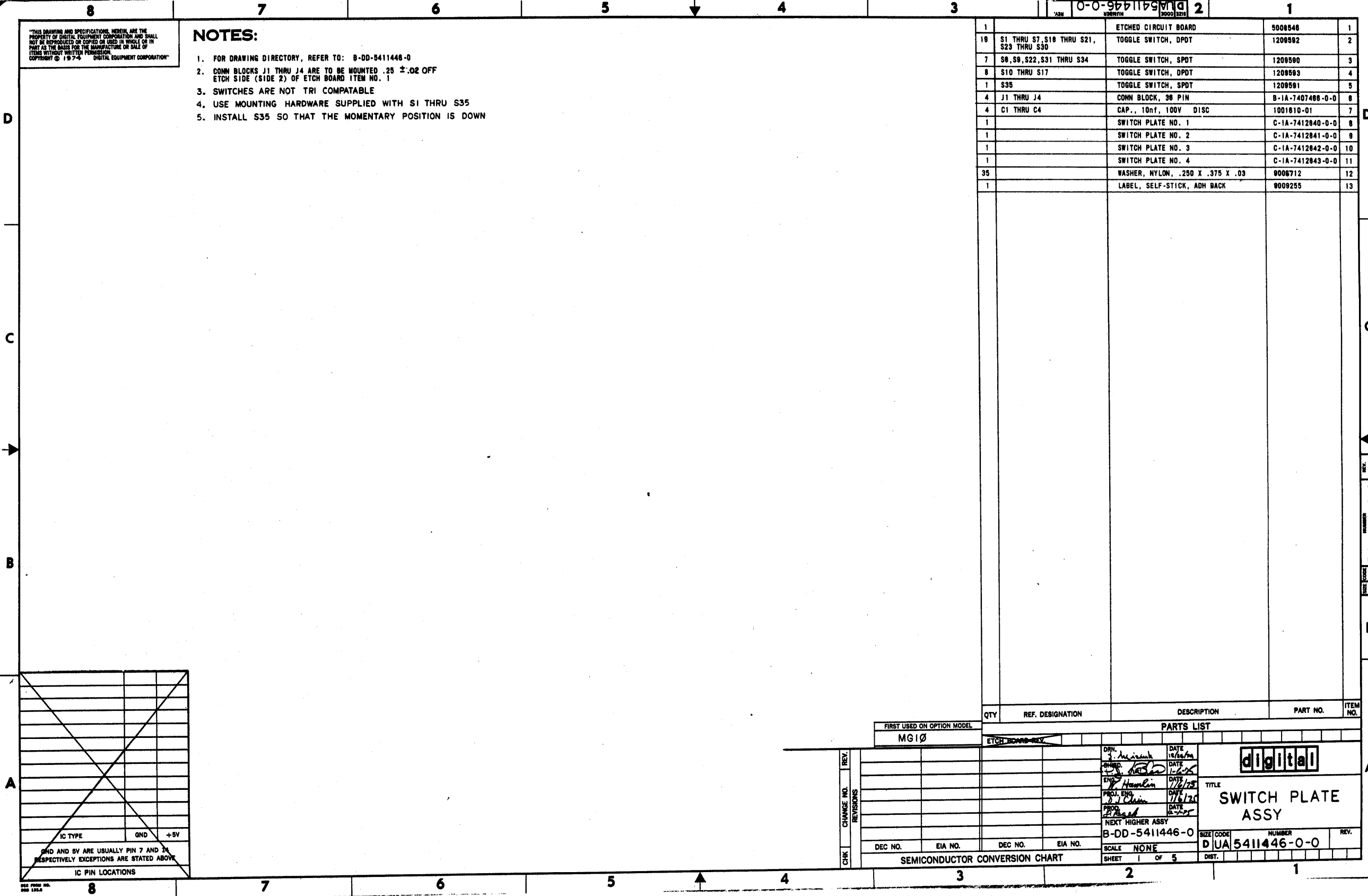
FIRST USED ON OPTION MODEL	QTY.	DESCRIPTION	PART NO.	ITEM NO.
MG10		PARTS LIST		
DRN. <i>PHIL REED</i>		DATE <i>1/15/75</i>	 <p><b>digital</b> EQUIPMENT CORPORATION MAYNARD, MASSACHUSETTS</p>	
CHK'D. <i>[Signature]</i>		DATE <i>2/27/75</i>		
ENG. <i>Kathy Walsh</i>		DATE <i>2/28/75</i>		
PRJ. ENG. <i>[Signature]</i>		DATE <i>2-28-75</i>		
PROD. <i>[Signature]</i>		DATE <i>5/21/75</i>		
NEXT HIGHER ASSEMBLY			TITLE	
E-AD-7010235-0-0			WIRED ASSY (STACK)	
SCALE <i>1/1</i>		SIZE CODE K WL	NUMBER MG10-0-STK	REV. C
SHEET 1 OF 1		DIST.		

REVISIONS	CHANGE NO.	REV.
	MG10-00005	C
CHK	<i>[Signature]</i>	

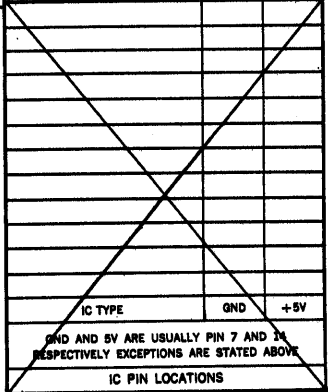
"THIS DRAWING AND SPECIFICATIONS HEREIN ARE THE PROPERTY OF DIGITAL EQUIPMENT CORPORATION AND SHALL NOT BE REPRODUCED OR COPIED OR USED IN WHOLE OR IN PART AS THE BASIS FOR THE MANUFACTURE OR SALE OF ITEMS WITHOUT WRITTEN PERMISSION.  
COPYRIGHT © 1974 DIGITAL EQUIPMENT CORPORATION"

**NOTES:**

1. FOR DRAWING DIRECTORY, REFER TO: 8-DD-5411446-0
2. CONN BLOCKS J1 THRU J4 ARE TO BE MOUNTED .25 ±.02 OFF ETCH SIDE (SIDE 2) OF ETCH BOARD ITEM NO. 1
3. SWITCHES ARE NOT TRI COMPATABLE
4. USE MOUNTING HARDWARE SUPPLIED WITH S1 THRU S35
5. INSTALL S35 SO THAT THE MOMENTARY POSITION IS DOWN



QTY	REF. DESIGNATION	DESCRIPTION	PART NO.	ITEM NO.
1		ETCHED CIRCUIT BOARD	5008548	1
18	S1 THRU S7, S18 THRU S21, S23 THRU S30	TOGGLE SWITCH, DPDT	1209592	2
7	S8, S9, S22, S31 THRU S34	TOGGLE SWITCH, SPDT	1209590	3
8	S10 THRU S17	TOGGLE SWITCH, DPDT	1209593	4
1	S35	TOGGLE SWITCH, SPDT	1209591	5
4	J1 THRU J4	CONN BLOCK, 36 PIN	B-1A-7407488-0-0	8
4	C1 THRU C4	CAP., 10nf, 100V DISC	1001810-01	7
1		SWITCH PLATE NO. 1	C-1A-7412840-0-0	8
1		SWITCH PLATE NO. 2	C-1A-7412841-0-0	8
1		SWITCH PLATE NO. 3	C-1A-7412842-0-0	10
1		SWITCH PLATE NO. 4	C-1A-7412843-0-0	11
35		WASHER, NYLON, .250 X .375 X .03	9006712	12
1		LABEL, SELF-STICK, ADH BACK	9009255	13



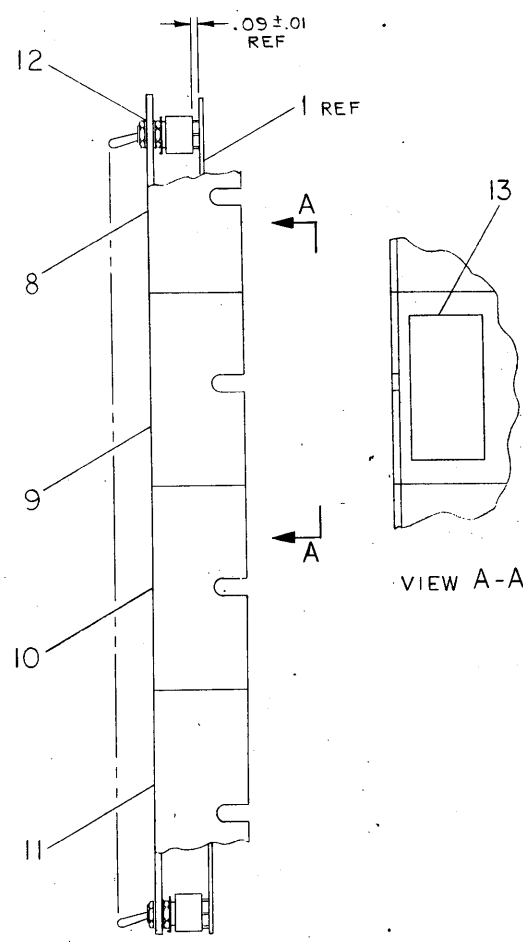
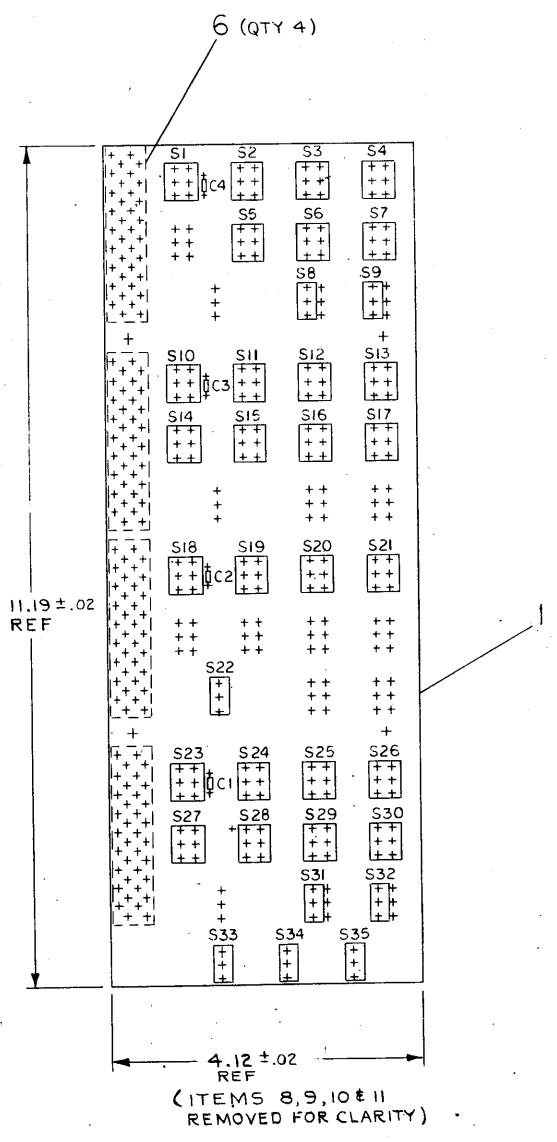
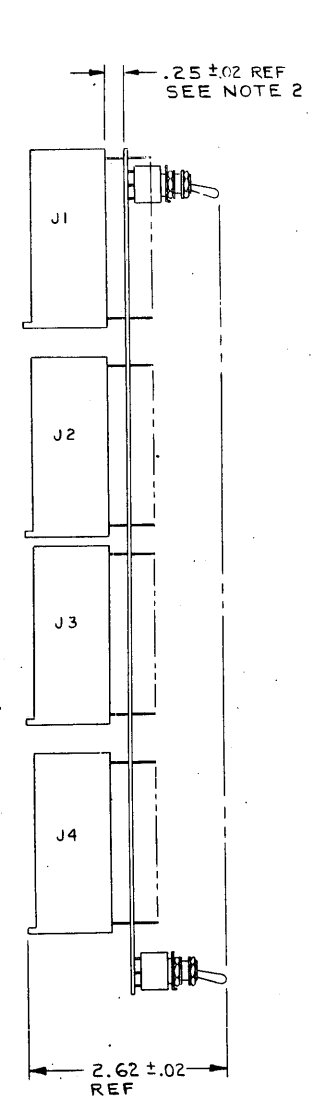
FIRST USED ON OPTION MODEL		PARTS LIST	
MG1Ø		ETCH BOARD-REV	
CHK CHANGE NO. REV.	ORIG.	DATE	18/06/74
	DESIGN	DATE	1-2-74
	ENG.	DATE	1/6/74
	PROJ. ENG.	DATE	1/6/74
	PROD.	DATE	2-2-74
NEXT HIGHER ASSY		B-DD-5411446-0	
DEC NO.	EIA NO.	DEC NO.	EIA NO.
SCALE NONE		SEMICONDUCTOR CONVERSION CHART	
SHEET 1 OF 5		DST.	

**digital**  
TITLE  
**SWITCH PLATE ASSY**

SIZE CODE NUMBER REV.  
DUA 5411446-0-0

THIS DRAWING AND SPECIFICATIONS HEREIN ARE THE PROPERTY OF DIGITAL EQUIPMENT CORPORATION AND SHALL NOT BE REPRODUCED OR COPIED OR USED IN WHOLE OR IN PART AS THE BASIS FOR THE MANUFACTURE OR SALE OF ITEMS WITHOUT WRITTEN PERMISSION. COPYRIGHT © 1974, DIGITAL EQUIPMENT CORPORATION.

DUA 5411446-0-0



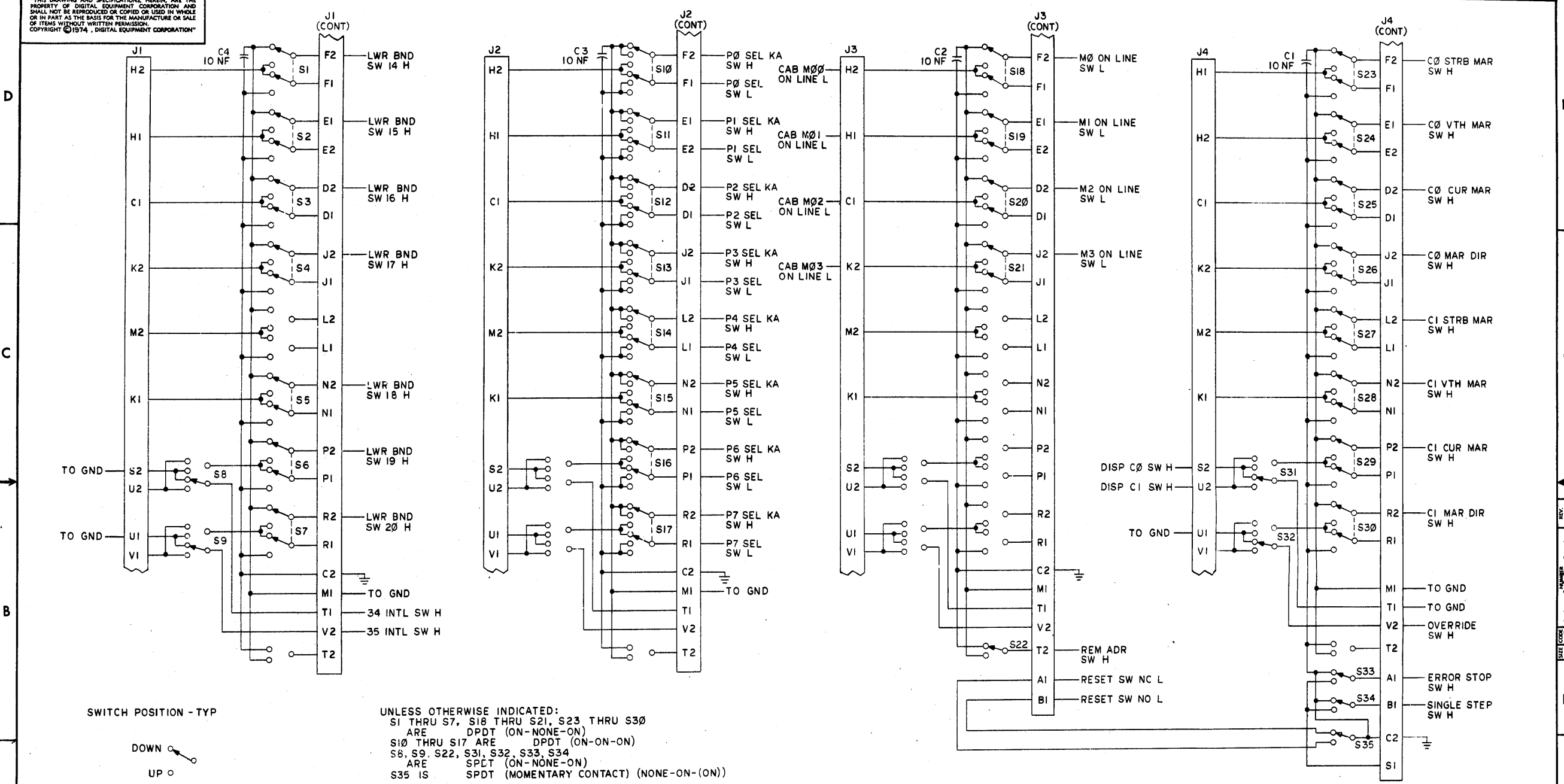
REVISIONS		
CHK	CHANGE NO.	REV.

TITLE	SIZE CODE	NUMBER	REV.
SWITCH PLATE ASSY	DUA	5411446-0-0	
SCALE 1 / 1	SHEET 2 OF 5	DIST.	

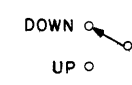
DUA 5411446-0-0

"THIS DRAWING AND SPECIFICATIONS, HEREIN, ARE THE PROPERTY OF DIGITAL EQUIPMENT CORPORATION AND SHALL NOT BE REPRODUCED OR COPIED OR USED IN WHOLE OR IN PART AS THE BASIS FOR THE MANUFACTURE OR SALE OF ITEMS WITHOUT WRITTEN PERMISSION. COPYRIGHT © 1974, DIGITAL EQUIPMENT CORPORATION"

1-0-947117CS DCS 5411446-0-1



SWITCH POSITION - TYP



UNLESS OTHERWISE INDICATED:  
 S1 THRU S7, S18 THRU S21, S23 THRU S30  
 ARE DPDT (ON-NONE-ON)  
 S10 THRU S17 ARE DPDT (ON-ON-ON)  
 S8, S9, S22, S31, S32, S33, S34  
 ARE SPDT (ON-NONE-ON)  
 S35 IS SPDT (MOMENTARY CONTACT) (NONE-ON-(ON))  
 CAPACITORS ARE 100V, 20 %  
 FOR PARTS LIST REFER TO D UA-5411446-0-0

REV	NO.
CHK	

FIRST USED ON OPTION/MODEL		QTY.	DESCRIPTION	PART NO.	ITEM NO.
MG10					
DIMENSIONAL TOLERANCE		PARTS LIST			
DIMENSIONS ARE MILLIMETERS UNLESS OTHERWISE SPECIFIED		DRN.	DATE	digital	
MILLIMETERS		CHKD.	DATE		
INCHES		ENG.	DATE		
ANGLES		PROJ. ENG.	DATE		
THIRD ANGLE PROJECTION		PROD.	DATE		
REMOVE BURRS AND BREAK SHARP CORNERS SURFACE QUALITY		TITLE MG10 SWITCH BOARD			
MATERIAL		NEXT HIGHER ASSY.		SIZE CODE	NUMBER
FINISH		D-UA-5411446-0-0		D CS	5411446-0-1
SCALE		SHEET 1 OF 1		DIST.	

DIGITAL EQUIPMENT CORPORATION MAYNARD, MASSACHUSETTS <b>PARTS LIST</b>				QUANTITY / VARIATION																	
MADE BY J. MISIUK		CHECKED <i>J. Chin</i>		SECTION																	
DATE 2/26/75		DATE 2-28-75																			
ENG <i>D.J. Chin</i>		PROD <i>J. Luther</i>		ISSUED SECT.																	
DATE 2-28-75		DATE 3/7/75																			
ITEM NO.	DWG NO. / PART NO.	DESCRIPTION	KAIØ MEM BUS	KIIØ MEM BUS	#PER MCIØ-G**																
1	EK-MG1Ø -MM-ØØ1	MG1Ø CORE MEMORY MAINTENANCE MANUAL	1	1																	
2	B-DD-MG1Ø-Ø	MG1Ø DRAWING SET	1	1																	
3	K-WL-MG1Ø-Ø-CONT	MG1Ø WIRE LIST NAM SORT (WRP)	1	1																	
4	K-WL-MG1Ø-Ø-CONT	MG1Ø WIRE LIST PIN SORT (PIN)	1	1																	
5	K-WL-MG1Ø-Ø-STK	MG1Ø WIRE LIST NAM SORT (WRP)	1	1																	
6	K-WL-MG1Ø-Ø-STK	MG1Ø WIRE LIST PIN SORT (PIN)	1	1																	
7	BC1ØJ-X *	AMP QUICK-LATCH TO CAJOLET	2		2																
8	BC1ØK-X *	AMP QUICK-LATCH EACH END		2	2																
9	7008288-X *	REMOTE TURN-ON	1	1																	
10	7010789	GROUND CABLE (#4 AWG WITH 90-8888 LUGS)	1	1																	
11	H95ØS	FILTER, FAN HOUSING	1	1																	
12	MAINDEC-1Ø-DCMMA-Ø-PH/D	SIMPLE MEMORY DATA TEST	1	1																	
13	MAINDEC-1Ø-DCMMB-Ø-PH/D	SIMPLE MEMORY ADDRESS TEST	1	1																	
14	MAINDEC-1Ø-DCMMC-Ø-PH/D	FAST AC DIAGNOSTIC	1	1																	
15	MAINDEC-1Ø-DCMMD-Ø-PH/D	MEMORY DIAGNOSTIC	1	1																	
16	MAINDEC-1Ø-DCMME-Ø-PH/D	BLT/MEMORY EXERCISER TEST	1	1																	
17	MAINDEC-1Ø-DCMMF-Ø-PH/D	FLOATING ZERO/ONE MEMORY DIAGNOSTIC	1	1																	
18	MAINDEC-1Ø-DAKFA-Ø-PH/D	INSTRUCTION TIMING TEST	1																		
19	MAINDEC-1Ø-DBKFB-Ø-PH/D	INSTRUCTION TIMING TEST		1																	
	*STANDARD LENGTHS WILL BE 10 FEET UNLESS OTHERWISE SPECIFIED																				
	**CABLE TYPE REQ'D DEPENDS ON SYSTEM CONFIGURATION																				
TITLE			ASSY NO.			SIZE		CODE		NUMBER								REV.		ECO NO.	
ACCESSORY LIST (MG1Ø)			B-DD-MG1Ø-Ø			A		PL		MG1Ø-Ø-ACL								A		MG1Ø-Ø-00001	
SHEET 1 OF 2			DIST.																		

DEC FORM DEC 16-(325)-1031-N870  
DRA 110

DIGITAL EQUIPMENT CORPORATION MAYNARD, MASSACHUSETTS <b>PARTS LIST</b>				QUANTITY / VARIATION																	
MADE BY J. MISIUK		CHECKED <i>D.J. CHIN</i>		SECTION																	
DATE 2-26-75		DATE 2-28-75																			
ENG <i>D.J. CHIN</i>		PROD <i>J. LUTHER</i>		ISSUED SECT.																	
DATE 2-28-75		DATE 3-7-75																			
ITEM NO.	DWG NO. / PART NO.	DESCRIPTION	KAIØ MEM BUS	KIIØ MEM BUS	#PER MCIØ-G																
20	H866	TERMINATORS	2	2	2																
21	915	3 INCH PATCHBOARDS	16	16	16																
22	915	8 INCH PATCHBOARDS	16	16	16																
TITLE			ASSY NO.			SIZE		CODE		NUMBER								REV.		ECO NO.	
ACCESSORY LIST (MG1Ø)			B-DD-MG1Ø-Ø			A		PL		MG1Ø-Ø-ACL								A		MG1Ø-Ø-00001	
SHEET 2 OF 2			DIST.																		

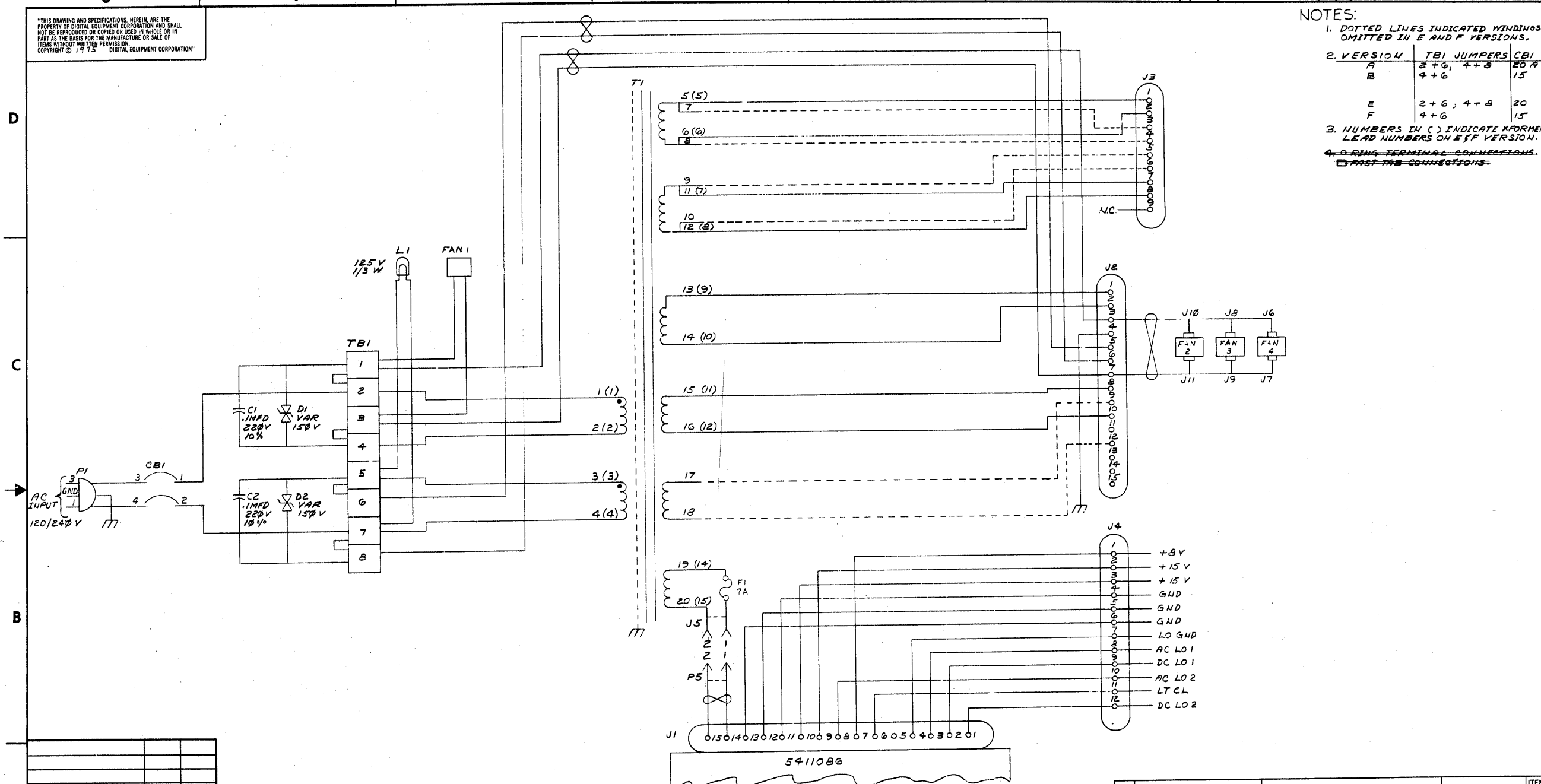
DEC FORM DEC 16-(325)-1031-N870  
DRA 110

"THIS DRAWING AND SPECIFICATIONS, HEREIN, ARE THE PROPERTY OF DIGITAL EQUIPMENT CORPORATION AND SHALL NOT BE REPRODUCED OR COPIED OR USED IN WHOLE OR IN PART AS THE BASIS FOR THE MANUFACTURE OR SALE OF ITEMS WITHOUT WRITTEN PERMISSION." COPYRIGHT © 1975 DIGITAL EQUIPMENT CORPORATION

**NOTES:**  
 1. DOTTED LINES INDICATED WINDINGS OMITTED IN E AND F VERSIONS.  
 2. VERSION TBI JUMPERS CBI  

A	2+G, 4+B	20 A
B	4+G	15
E	2+G, 4+B	20
F	4+G	15

 3. NUMBERS IN ( ) INDICATE XFORMER LEAD NUMBERS ON E F VERSION.  
~~◊ OPENING TERMINAL CONNECTIONS~~  
~~◻ PAST-THE-CONNECTOR~~



IC TYPE	GND	+5V
GND AND 5V ARE USUALLY PIN 7 AND 14 RESPECTIVELY EXCEPTIONS ARE STATED ABOVE		
IC PIN LOCATIONS		

**SEMICONDUCTOR CONVERSION CHART**

FIRST USED ON OPTION MODEL		PARTS LIST		QTY	REF. DESIGNATION	DESCRIPTION	PART NO.	ITEM NO.
H7420								

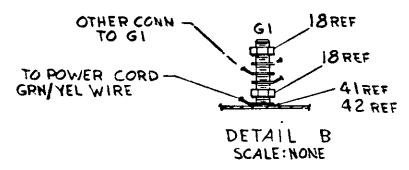
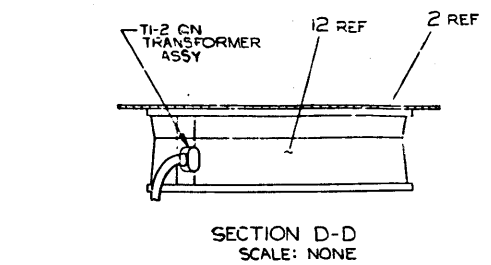
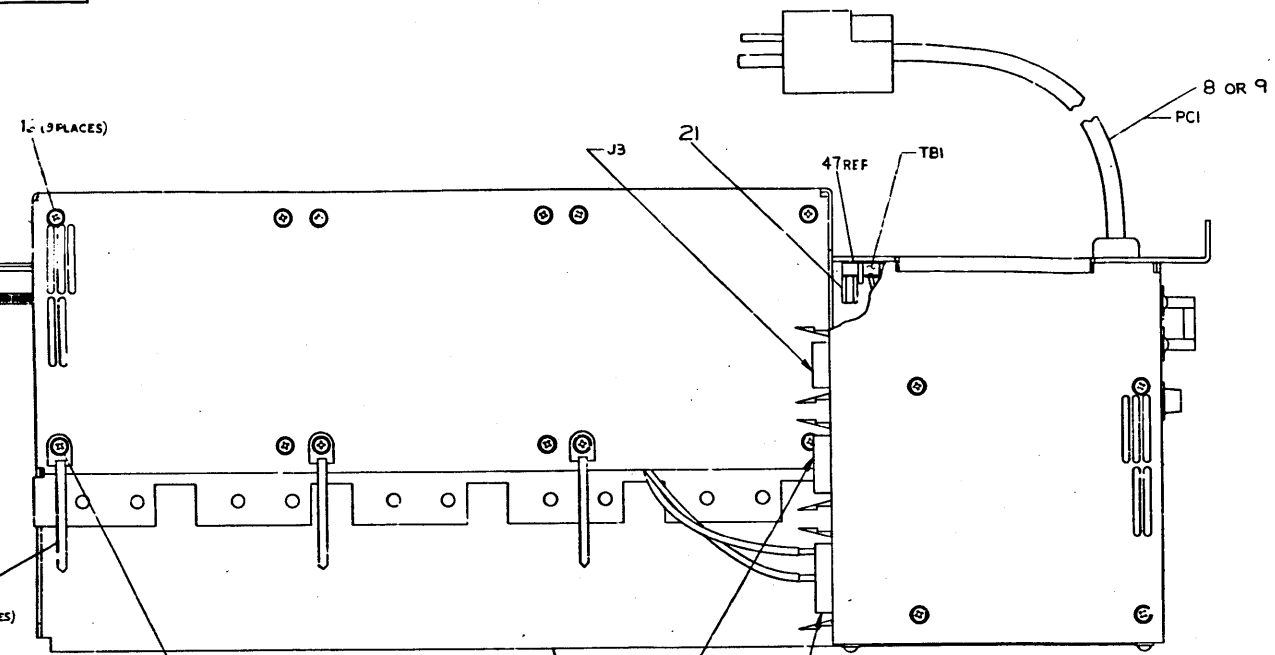
**REVISIONS**

CHK	CHANGE NO.	REV.	DATE	DESCRIPTION
1	1	A	1/17/75	DRN.
2	2	B	2/2/75	ENG.
3	3	C	2/12/75	PROJ. ENG.
4	4	D	2/12/75	PROJ. ENG.
5	5	E	2/12/75	PROJ. ENG.

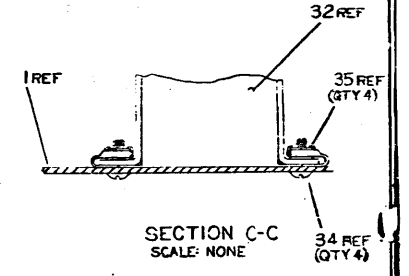
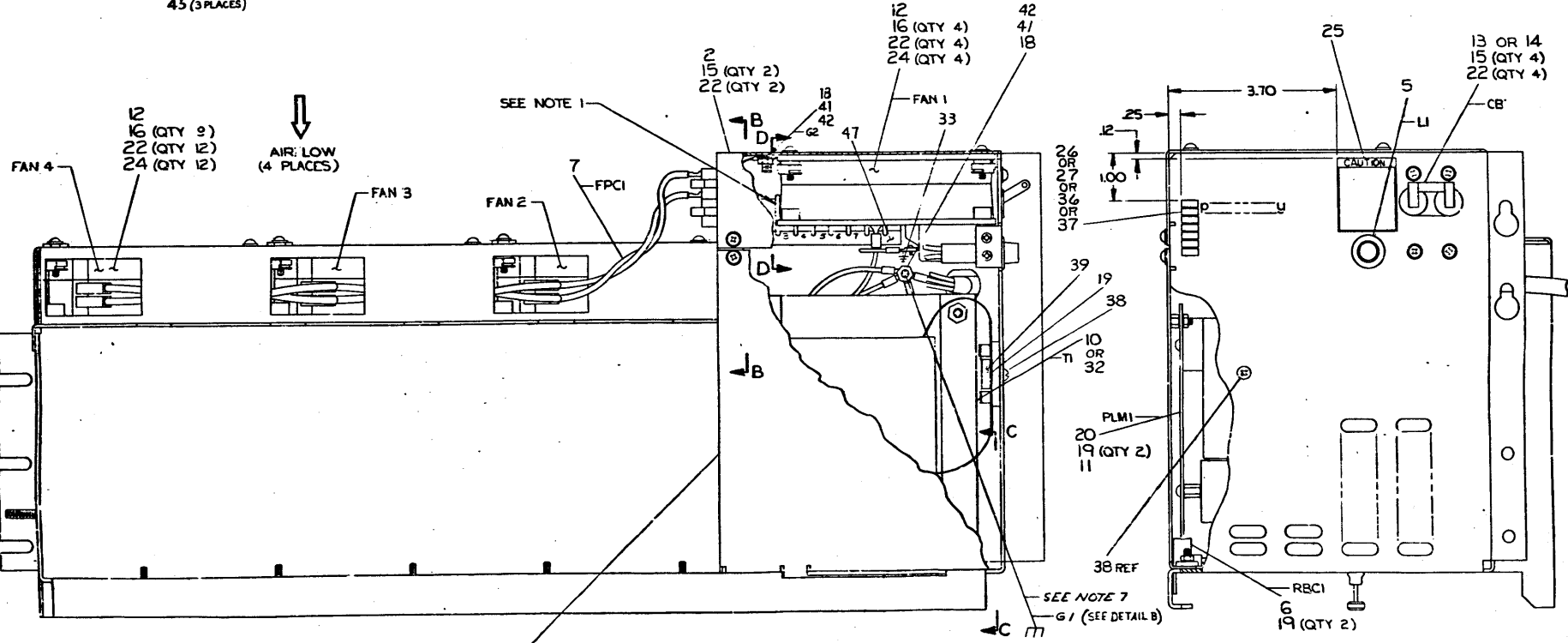
**digital**  
**WIRING DIAGRAM**

SIZE CODE: DCS H7420-0-1  
 NUMBER: 1  
 REV: A

THIS DRAWING IS THE PROPERTY OF THE AIR FORCE RESEARCH AND DEVELOPMENT COMMAND. IT IS TO BE KEPT IN CONFIDENCE AND IS NOT TO BE DISTRIBUTED OUTSIDE THE AIR FORCE WITHOUT THE AUTHORITY OF THE AIR FORCE SECURITY COMMISSION.



NOTES:  
 1. AFTER TERMINAL BLOCK (PART OF TRANSFORMER ASSEMBLY) IS MOUNTED TO CHASSIS, CAPACITOR AND VARISTOR SHOULD BE BENT FORWARD TO ALLOW CLEARANCE FOR COVER.  
 2. REV D AND EARLIER TRANSFORMERS DO NOT HAVE THIS WIRE. H7422 REF ONLY.  
 3. FILLER PANELS (D-1A-7413405-0-0) MAY BE USED IN UNFILLED REGULATOR SLOTS (REF).  
 4. CABLE TIE MOUNTS TO BE MOUNTED AFTER TRANSFORMER ASSEMBLY IS INSTALLED.  
 5. H7420-1A+12 ONLY  
 6. H7420 REF ONLY  
 7. REMOVE PRINT MASK, APPLY CONDUCTIVE GREASE ITEM 42, PLACE ITEM 41 8-32 EXT TOOTH WASHER NEXT TO CHASSIS BEFORE INSTALLING REMAINING HARDWARE. DO THIS AT G1 AND G2. MAKE SAFETY GROUND CONNECTIONS PER DETAIL B.



Handwritten notes and part numbers:

1	2	3	4	5	6	7	8
1	2	3	4	5	6	7	8

FIRST USED ON OPTION MODEL		DATE		PARTS LIST	
QTY.	DESCRIPTION	QTY.	DATE	PART NO.	REV.
H7420					
DIMENSIONAL TOLERANCES					
DIMENSIONS ARE IN INCHES		DRAWN	DATE		digital
UNLESS OTHERWISE SPECIFIED		CHECKED	DATE		
MATERIAL		ENG. TITLE	DATE		H7420
FINISH		PROJ. ENG.	DATE		
		PROD. DATE	DATE		POWER SUPPLY
		TEST	DATE		

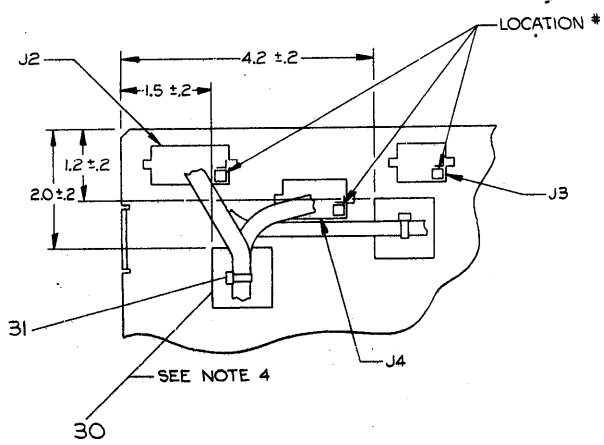


DO NOT SCALE DRAWING

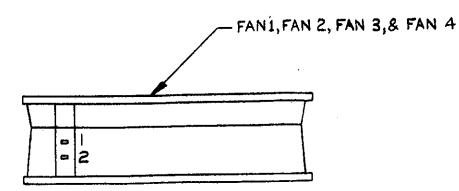
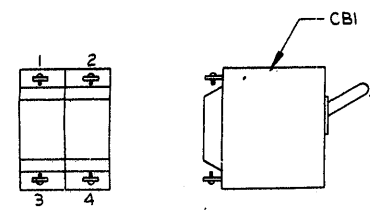
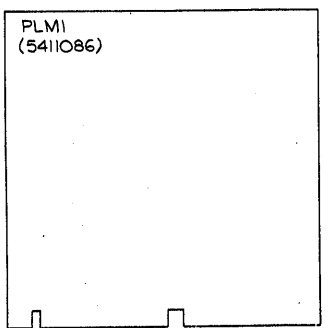
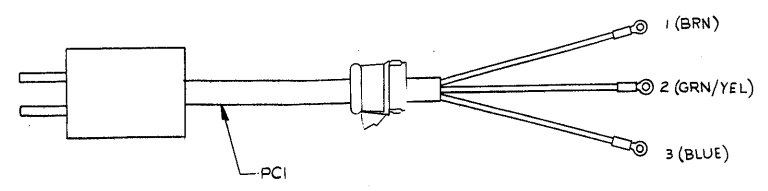
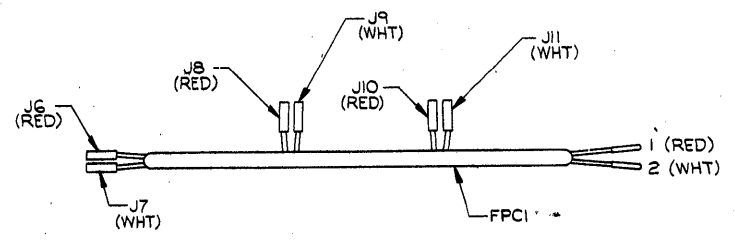
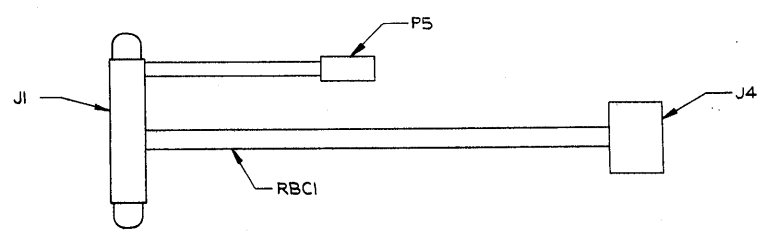
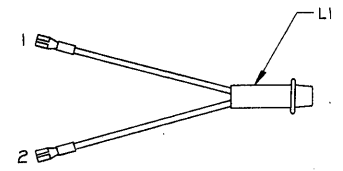
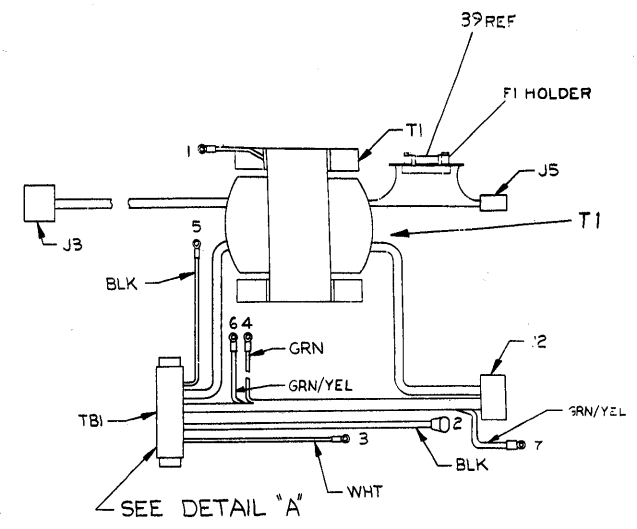
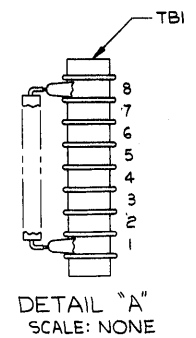
THIS DRAWING AND SPECIFICATIONS HEREIN ARE THE PROPERTY OF DIGITAL EQUIPMENT CORPORATION AND WILL NOT BE REPRODUCED OR COPIED IN WHOLE OR IN PART AS THE BASIS FOR THE MANUFACTURE OR SALE OF THIS EQUIPMENT WITHOUT PERMISSION. COPYRIGHT © 1974, DIGITAL EQUIPMENT CORPORATION

WIRE TABLE				
ITEM NO	DESCRIPTION	FROM	TO	REMARKS
10	14 GRN	T1-1	RBC1-P5	SEE NOTE 2 & 7
14	14 BLK	T1-2	FAN1-1 & 2	
14	14 WHT	T1-3	CBI-1	
14	14 GRN	T1-4	G1	SEE NOTE 7
10	14 BLK	T1-5	CBI-2	
5	22 BLK	L1-1	TBI-5	
5	22 BLK	L1-2	TBI-7	
7	18 RED	FPCI-J6	FAN 4-1	
	18 WHT	FPCI-J7	FAN 4-2	
	18 RED	FPCI-J8	FAN 3-1	
	18 WHT	FPCI-J9	FAN 3-2	
	18 RED	FPCI-J10	FAN 2-1	
	18 WHT	FPCI-J11	FAN 2-2	
	18 RED	FPCI-1	J2-3	
	18 WHT	FPCI-2	J2-7	
8/9	14 BRN	PCI-1	CBI-4	
8/9	14 GRN/YEL	PCI-2	G1	SEE NOTE 7
8/9	14 BLU	PCI-3	CBI-3	
11	14 PLMI	PLM1	RBC1-J1	
10	14 GRN/YEL	T1-6	G1	SEE NOTE 7
10	14 GRN/YEL	T1-7	G2	SEE NOTE 7

JUMPER TABLE						
ITEM NO	DESCRIPTION	FROM	TO	CONNECTION WITH	CONNECTION WITH	VARIATION
29	14 BLK	TBI-2	TBI-6			H7420E #A
29	14 BLK	TBI-4	TBI-6			H7420E #B



SECTION B-B  
SCALE: NONE



DIGITAL EQUIPMENT CORPORATION MAYNARD, MASSACHUSETTS <b>PARTS LIST</b>				QUANTITY / VARIATION																			
MADE BY R. THELLEN		CHECKED P. CAPPABIANCA		SECTION 1		H7420-A	H7420-B	H7420-C	H7420-D	H7420-E	H7420-F	H7420-G	H7420-H	H7420-I	H7420-J	H7420-K	H7420-L	H7420-M	H7420-N	H7420-O	H7420-P	H7420-Q	H7420-R
DATE 1/17/75		DATE 2/3/75		ISSUED SECT. 1																			
ENG R. WOLF		PROD J. BORENSTEIN		ISSUED SECT. 1																			
DATE 2/3/75		DATE 2/3/75		ISSUED SECT. 1																			
ITEM NO.	DWG NO. / PART NO.	DESCRIPTION																					
1	E-IA-7010501-0-0	CHASSIS (H7420)		1	1																		
2	D-MD-7412459-0-0	COVER, CONTROL BOX		1	1																		
3	D-IA-7412461-0-0	BRKT, P.C. BOARD MTG.		1	1																		
<del>4</del>	<del>C-IA-7413125-0-0</del>	<del>PLATE, ADAPTER (H7420)</del>		<del>1</del>	<del>1</del>																		
5	C-IA-7010730-0-0	POWER INDICATOR ASSEMBLY		1	1																		
6	D-IA-7010729-0-0	CABLE, REGULATOR BOARD		1	1																		
7	D-IA-7010728-0-0	CABLE, FAN POWER		1	1																		
8	C-IA-7010727-1-0	POWER CORD ASSY (120V)		1	-																		
9	C-IA-7010727-2-0	POWER CORD ASSY (240V)		-	1																		
10	C-IA-7010727-5-0	POWER CORD ASSY (120V)		-	-																		
11	D-CS-5411086-0-1	POWER LINE MONITOR		1	1																		
12	1209403-01	FAN		4	4																		
<del>13</del>	<del>1210191-06</del>	<del>CIRCUIT BREAKER (20A)</del>		<del>1</del>	<del>1</del>																		
<del>14</del>	<del>1210191-03</del>	<del>CIRCUIT BREAKER (15A)</del>		<del>1</del>	<del>1</del>																		
15	9006020-01	SCR, PHL PAN HAD #6-32 x .25		8	8																		
16	9006025-01	SCR, PHL PAN HD #6-32 x .62		13	13																		
<del>17</del>	<del>9006563-00</del>	<del>NUT, KEP #10-32</del>		<del>3</del>	<del>3</del>																		
18	9006563-00	NUT, KEP #8-32		3	3																		
19	9008185-00	NUT, KEP #6-32		5	5																		
20	9006840-00	SPACER, #6-32 x .19		2	2																		
21	9006851-00	SPACER, #6-32 x .50		2	2																		
22	9006633-00	WASHER, INT. TOOTH LOCK #6		24	24																		
TITLE POWER SUPPLY H7420				ASSY NO. E-UA-H7420-0-0		SIZE CODE A PL		NUMBER H7420-0-0				REV. H		ECO NO. H7420-00007									
				SHEET 1 OF 3		DIST.																	

DEC FORM DEC 16 (325) 1031-N870  
DRA 110

DIGITAL EQUIPMENT CORPORATION MAYNARD, MASSACHUSETTS <b>PARTS LIST</b>				QUANTITY / VARIATION																			
MADE BY R. THELLEN		CHECKED P. CAPPABIANCA		SECTION 1		H7420-A	H7420-B	H7420-C	H7420-D	H7420-E	H7420-F	H7420-G	H7420-H	H7420-I	H7420-J	H7420-K	H7420-L	H7420-M	H7420-N	H7420-O	H7420-P	H7420-Q	H7420-R
DATE 1/17/75		DATE 2/3/75		ISSUED SECT. 1																			
ENG R. WOLF		PROD J. BORENSTEIN		ISSUED SECT. 1																			
DATE 2/3/75		DATE 2/3/75		ISSUED SECT. 1																			
ITEM NO.	DWG NO. / PART NO.	DESCRIPTION																					
<del>23</del>	<del>9008509-00</del>	<del>RELIEF, STRAIN</del>		<del>1</del>	<del>1</del>																		
24	9009165-00	CLIP, FAN MOUNTING		16	16																		
25	A-DC-7413184-0-0	POWER SUPPLY DECAL (H7420)		1	1																		
26	7420763-0-0	POWER SUPPLY DECAL (H7420H)		-	-																		
<del>27</del>	<del>A-DC-7413185-0-0</del>	<del>POWER SUPPLY DECAL (H7420F)</del>		<del>1</del>	<del>1</del>																		
<del>28</del>	<del>9007969-00</del>	<del>TERMINAL, QUICK CONNECT</del>		<del>4</del>	<del>4</del>																		
29	7014353	JUMPER		2	1																		
30	9008264-00	MOUNT, CABLE TIE, ADHESIVE		2	2																		
31	9007880-00	TIE, CABLE		2	2																		
32	D-IA-7011211-0-0	TRANSFORMER ASSY		1	1																		
33	3612680-01	SAFETY GROUND DECAL		1	1																		
34	9006074-3	SCR, PH. HD. TRUSS 10x32x5/8		4	4																		
35	9006586	TINNERMAN SPEED NUT 10-32		4	4																		
36	A-DC-7413966-0-0	POWER SUPPLY DECAL (H7420A)		1	-																		
37	A-DC-7413967-0-0	POWER SUPPLY DECAL (H7420B)		-	1																		
38	9006021-1	SCR. PAN HD. 6-32x5/16		1	1																		
39	9007224	FUSE 7 AMP SLOW BLOW		1	1																		
<del>40</del>	<del>9009768-01</del>	<del>RELIEF, STRAIN</del>		<del>1</del>	<del>1</del>																		
41	9008072	8-32 WASHER EXT. TOOTH		1	1																		
42	4901173-01	CONDUCTIVE GREASE		A/R	A/R																		
43	1212124-01	CIRCUIT BREAKER (20A)SCREW TERM		1	-																		
44	1212124-02	CIRCUIT BREAKER (15A)SCREW TERM		-	1																		
TITLE POWER SUPPLY H7420				ASSY NO. E-UA-H7420-0-0		SIZE CODE A PL		NUMBER H7420-0-0				REV. H		ECO NO.									
				SHEET 2 OF 3		DIST.																	

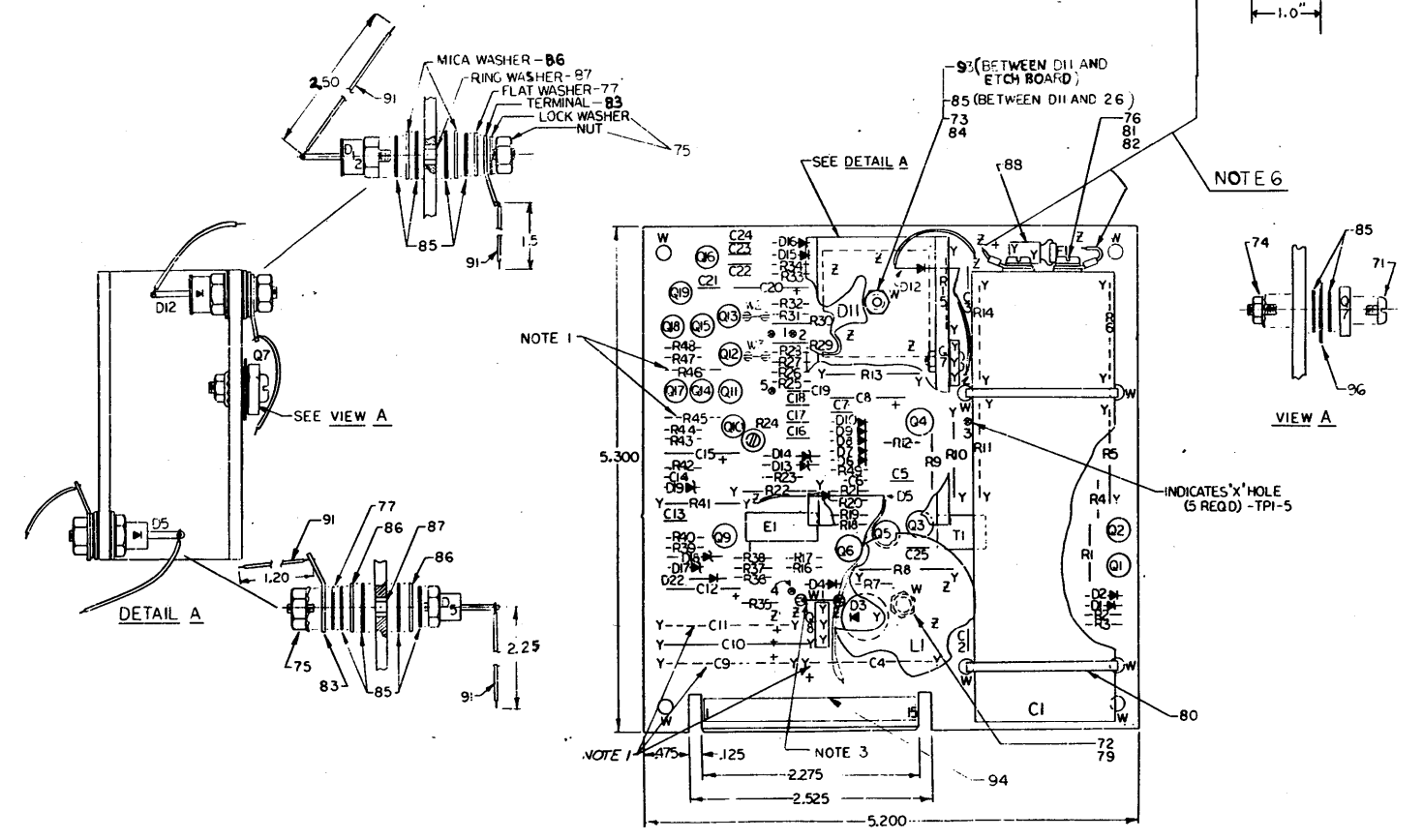
DEC FORM DEC 16 (325) 1031-N870  
DRA 110



"THIS DRAWING AND SPECIFICATIONS, HEREIN, ARE THE PROPERTY OF DIGITAL EQUIPMENT CORPORATION AND SHALL NOT BE REPRODUCED OR COPIED OR USED IN WHOLE OR IN PART AS THE BASIS FOR THE MANUFACTURE OR SALE OF ITEMS WITHOUT WRITTEN PERMISSION.  
 COPYRIGHT © 1974 DIGITAL EQUIPMENT CORPORATION"

**NOTES:**

1. R45, R46, C4, C9, & C11 ARE NOT USED ON BASIC 5411086 BUT ARE RESERVED FOR PLANNED FUTURE MODULE VARIATIONS.
2. \*\* TOTAL +15V AND +5V CURRENT NOT TO EXCEED 40 AMPERES.
3. W1 (TEST JUMPER) MAYBE TEMPORARILY REMOVED WHILE TROUBLE-SHOOTING TO DETERMINE IF LOSS OF 15V IS DUE TO CROW-BAR CIRCUITRY, BUT MUST BE IN THE BOARD FOR NORMAL OPERATION.
4. ~~NON-ITEMIZED PARTS SUPPLIED WITH D12.~~  
 4 YA VERSION DOES NOT CONTAIN +15VDC REG.
5. A) FOR STANDARD VERSION USE SHEETS 1, 2, 3, & 4 OF THIS DWG.  
 B) FOR YA VERSION USE SHEETS 1, 2, & 3 OF THIS DWG.
6. WIRES MUST NOT EXTEND BEYOND THE DIMENSIONS OF THE BOARD.
7. JUMPERS (W2, W3) ARE 1/2" EACH OF ITEM #7.



REF	REF	X-Y COORDINATE HOLE LOCATION	K-CO-5411086-B-A	1
REF	REF	ASSY/DRILLING HOLE LAYOUT	D-AH-5411086-B-5	2
REF	REF	MODULE ECO HISTORY	B-MH-5411086-B-E	3
1	1	ETCHED CIRCUIT BOARD	5011085	4
0	1	C2	CAPACITOR 56PF 100V 5%	5
4	4	C18, C17, C18, C21	CAPACITOR 330PF 100V 5%	6
3	5	C3, C13, C19, C22, C23	CAPACITOR .01uf 100V 20%	7
1	3	C8, C12, C15	CAPACITOR 2.2uf 35V 10%	8
2	2	C6, C25	CAPACITOR 18PF 100V 5%	9
1	1	C20	CAPACITOR 1.5uf 35V 10%	10
4	4	C5, C7, C14, C24	CAPACITOR .22uf 50V -20% +80%	11
0	1	C16	CAPACITOR 500uf 25V -10% +75%	12
1	1	C1	CAPACITOR 8400uf 50V -10% +75%	13
1	2	D2, D19	DIODE 1N748A	14
0	1	D5	DIODE 1N2970B	15
0	1	D3	DIODE MR1933B	16
7	8	D1, D6, D7, D8, D9, D15, D16, D22	DIODE 0672	17
1	2	D10, D17	DIODE 1N4744	18
0	1	D4	DIODE 1N4004	19
0	1	D12	DIODE 1N3980	20
0	1	D18	DIODE 1N967A	21
2	2	<del>D28, D21</del>	<del>DIODE MV3934-1 (LIGHT-EMITTING)</del>	<del>22</del>
1	1	D11	DIODE BRIDGE 200V 20A	23
2	2	D13, D14	DIODE 1T7429	24
0	1	F1	FUSE PICO 5A	25
0	1		HEAT SINK	26
0	1	R23	RESISTOR 47 1/4W 5%	27
0	2	R7, R40	RESISTOR 100 1/4W 5%	28
0	1	R41	RESISTOR 100 1W 5%	29
1	3	R4, R12, R49	RESISTOR 220 1/4W 5%	30
0	1	R14	RESISTOR 220 2W 10%	31
0	1	R11	RESISTOR 680 2W 5%	32
2	2	R18, R20	RESISTOR 1K 1/4W 5%	33
0	1	R1	RESISTOR 1.5K 1/2W 5%	34
0	1	R10	RESISTOR 2.2K 1W 10%	35
1	1	R15	RESISTOR 3.3K 1W 10%	36
0	1	R3	RESISTOR 3.3K 1/4W 5%	37
2	2	R43, R47	RESISTOR 10K 1/4W 5%	38
0	1	R37	RESISTOR 10 1/4W 5%	39
2	3	R2, R44, R48	RESISTOR 750 1/4W 5%	40
0	1	R38	RESISTOR 680 1/4W 5%	41
0	1	R16	RESISTOR 22K 1/4W 5%	42
1	1	R13	RESISTOR 1K 2W 5%	43
0	1	R9	RESISTOR 27 1 2W 5%	44
2	2	R19, R21	RESISTOR 30K 1/4W 5%	45
0	1	R36	RESISTOR 511 1 4W 1%	46
0	1	R39	RESISTOR 909 1 4W 1%	47
1	1	R25	RESISTOR 3.16K 1/4W 1%	48
1	1	R8	RESISTOR 470 2W 5%	49
1	2	R17, R28	RESISTOR 1K 1 4W 1%	50
1	1	R31	RESISTOR 2.61K 1/4W 1%	51
0	1	R42	RESISTOR 10K 1/4W 1%	52
2	2	R33, R34	RESISTOR 5.11K 1/4W 1%	53
1	1	R30	RESISTOR 9.09K 1/4W 1%	54

QTY	REF. DESIGNATION	ITEM
3	C19, C22, C23	7
1	C8	8
1	D19	14
7	D6, D7, D8, D9, D15, D16, D22	17
1	D10	18
1	R49	30
2	R44, R48	40
1	R28	50
4	Q3, Q5, Q10, Q19	63
4	Q11, Q12, Q13, Q16	66
QTY	REF. DESIGNATION	ITEM

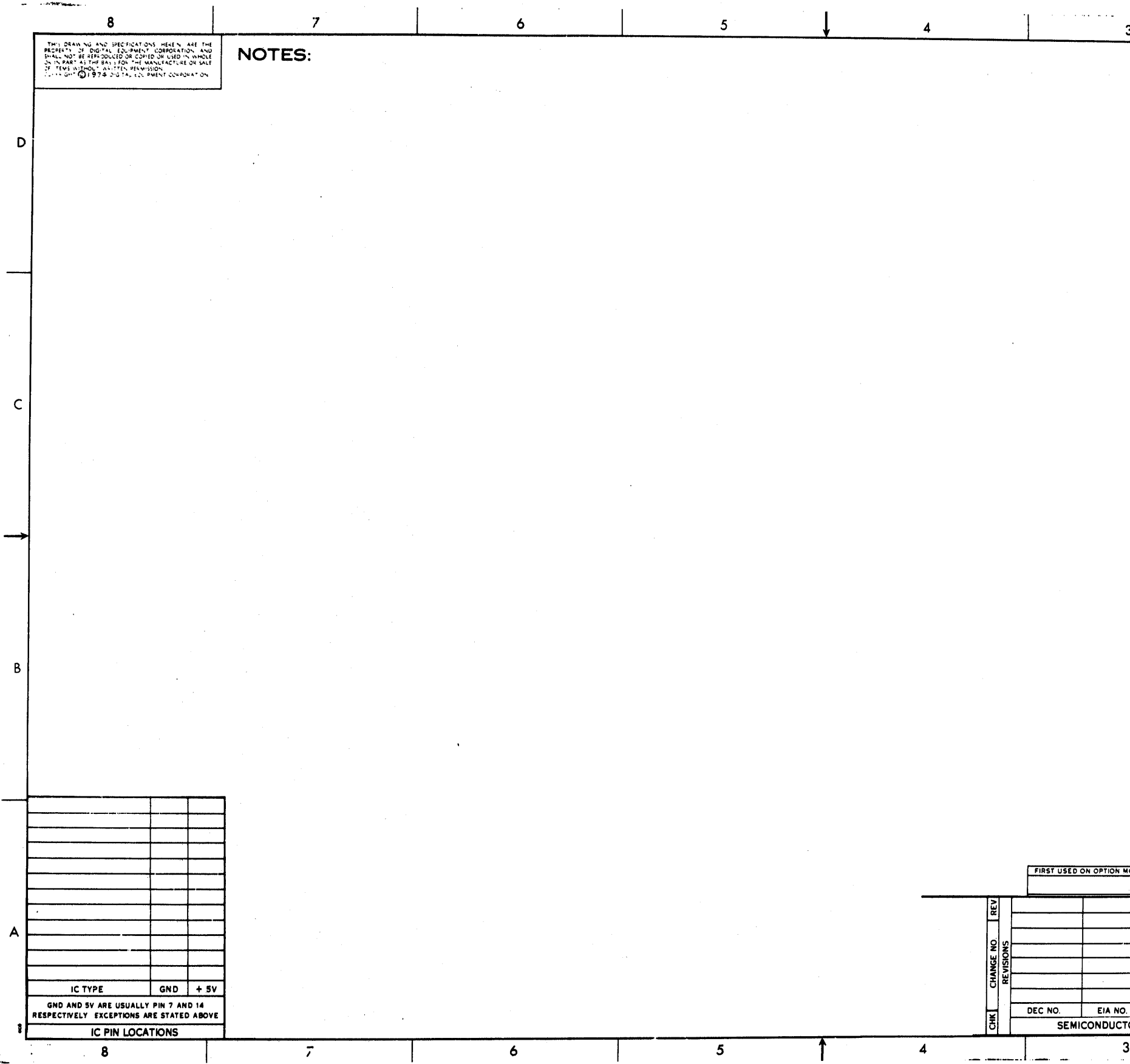
CHK	CHANGE NO.	REV.

FIRST USED ON OPTION MODEL		PARTS LIST	
ETCH BOARD REV.	D	DRN	DATE 10-7-74
		CHK'D	DATE 10-7-74
		ENG	DATE 10-7-74
		PRD	DATE 10-7-74
		PROD	DATE 10-7-74
		NEXT HIGHER ASSY	
DEC NO. EIA NO. DEC NO. EIA NO.		TITLE PWR. LINE MONITOR/15V REG.	
SEMICONDUCTOR CONVERSION CHART		SCALE 1 OF 4	
SHEET 1 OF 4		NUMBER D CS 5411086-0-1	
		REV. L	

IC TYPE GND +5V  
 GND AND 5V ARE USUALLY PIN 7 AND 14 RESPECTIVELY EXCEPTIIONS ARE STATED ABOVE  
 IC PIN LOCATIONS

THIS DRAWING AND SPECIFICATIONS HEREIN ARE THE PROPERTY OF DIGITAL EQUIPMENT CORPORATION AND SHALL NOT BE REPRODUCED OR COPIED OR USED IN WHOLE OR IN PART AS THE BASIS FOR THE MANUFACTURE OR SALE OF ITEMS WITHOUT WRITTEN PERMISSION.  
© 1974 DIGITAL EQUIPMENT CORPORATION

### NOTES:



IC TYPE	GND	+ 5V

GND AND 5V ARE USUALLY PIN 7 AND 14 RESPECTIVELY. EXCEPTIONS ARE STATED ABOVE.

IC PIN LOCATIONS

DCS 5411086-0-1

QTY	REF	DESIGNATION	DESCRIPTION	PART NO.	ITEM NO.
1	R29	RESISTOR 3.48K 1/4W 1%	RESISTOR 3.48K 1/4W 1%	1305114	55
1	R28	RESISTOR 5.82K 1/4W 1%	RESISTOR 5.82K 1/4W 1%	1305128	56
1	R27	RESISTOR 4.99K 1/4W 1%	RESISTOR 4.99K 1/4W 1%	1305324	57
0	R35	RESISTOR 24.9K 1/4W 1%	RESISTOR 24.9K 1/4W 1%	1305405	58
0	R24	RESISTOR 200 20% 62PR	RESISTOR 200 20% 62PR	1309150-10	59
1	R32	RESISTOR 18.2K 1/4W 1%	RESISTOR 18.2K 1/4W 1%	1309412	60
0	R5, R6	RESISTOR .2 5W 5% WW	RESISTOR .2 5W 5% WW	1309884	61
0	Q7	TRANSISTOR MJE3055	TRANSISTOR MJE3055	1510555	62
4	Q2, Q3, Q5, Q6, Q10, Q19	TRANSISTOR MPSA65	TRANSISTOR MPSA65	1510705	63
0	Q4, Q9	TRANSISTOR MPS A55	TRANSISTOR MPS A55	1510706	64
0	Q8	TRANSISTOR 2N 4441	TRANSISTOR 2N 4441	1505867	65
4	Q1, Q11, Q12, Q13, Q18	TRANSISTOR 2N 4250	TRANSISTOR 2N 4250	1509142	66
4	Q14, Q15, Q17, Q18	TRANSISTOR 2N 5433	TRANSISTOR 2N 5433	1511686	67
0	L1	INDUCTOR, 500 uH	INDUCTOR, 500 uH	1611868	68
1	T1	TRANSFORMER	TRANSFORMER	1612026	69
0	E1	I.C. DEC 723	I.C. DEC 723	1910415	70
0		SCREW, PHM #4-40 X 7/16 LG.	SCREW, PHM #4-40 X 7/16 LG.	9006012-1	71
0		SCREW, PHM #6-32 X 1/4 LG.	SCREW, PHM #6-32 X 1/4 LG.	9006020-1	72
0		SCREW, PHM #6-32 X 7/8 LG.	SCREW, PHM #6-32 X 7/8 LG.	9006027-1	73
0		KEP NUT #4-40	KEP NUT #4-40	9006557	74
0	2	KEP NUT #10-32	KEP NUT #10-32	9006565	75
2	2	WASHER, ITTLKWR #10	WASHER, ITTLKWR #10	9006635	76
0	2	WASHER, FLAT	WASHER, FLAT	9006666	77
0	2 (W)	SPLIT LUG	SPLIT LUG	9006735	78
0	1	SPACER, 1/4AF X 1/2	SPACER, 1/4AF X 1/2	9006861	79
4	4	CABLE TIE	CABLE TIE	9007880	80
2	2	TERMINAL	TERMINAL	9007930	81
2	2	SCREW, PHM #10-32 X 1/4 LG.	SCREW, PHM #10-32 X 1/4 LG.	9008007-1	82
0	2	TERMINAL	TERMINAL	9008150	83
0	1	KEP NUT #6-32	KEP NUT #6-32	9008185	84
0	A/R	COMPOUND, THERMAL JOINT	COMPOUND, THERMAL JOINT	9009258	85
0	4	WASHER, THERMA FILM	WASHER, THERMA FILM	9008424	86
0	2	WASHER, RING	WASHER, RING	9008440	87
0	1	FUSE HOLDER	FUSE HOLDER	9009141	88
1	R22	RESISTOR, 330, 2W 10%	RESISTOR, 330, 2W 10%	1301880	89
0	W1	JUMPER	JUMPER	9009185	90
2	W2	WIRE #18 STRANDED BLK	WIRE #18 STRANDED BLK	9107360-0-c	91
REF	REF	MODULE TEST PROCEDURE	MODULE TEST PROCEDURE	A-SP-1145-7A-2	92
1	1	WASHER, RING	WASHER, RING	9006713	93
1	1	.010 INCH SHIM	.010 INCH SHIM	7413721-0-0	94
REF	REF	ENG. SPEC AND TEST PROC.	ENG. SPEC AND TEST PROC.	A-SP-5411086-0-3	95
C	1	INSULATOR, THERMA FILM	INSULATOR, THERMA FILM	9009597	96
3/16	W3	WIRE #22 BUS	WIRE #22 BUS	9107560-0-1	97

FIRST USED ON OPTION MODEL

ETCH BOARD REV D

CHK	CHANGE NO.	REV	REVISIONS

DRN.	DATE	CHK'D.	DATE	ENG.	DATE	PROJ. ENG.	DATE	PROD.	DATE	NEXT HIGHER ASSY
J. Vincent	10-9-74		10-9-74		10-9-74		10-9-74		10-9-74	

digital EQUIPMENT CORPORATION

TITLE: PWR. LINE MONITOR/15V REG.

SIZE CODE: DCS 5411086-0-1

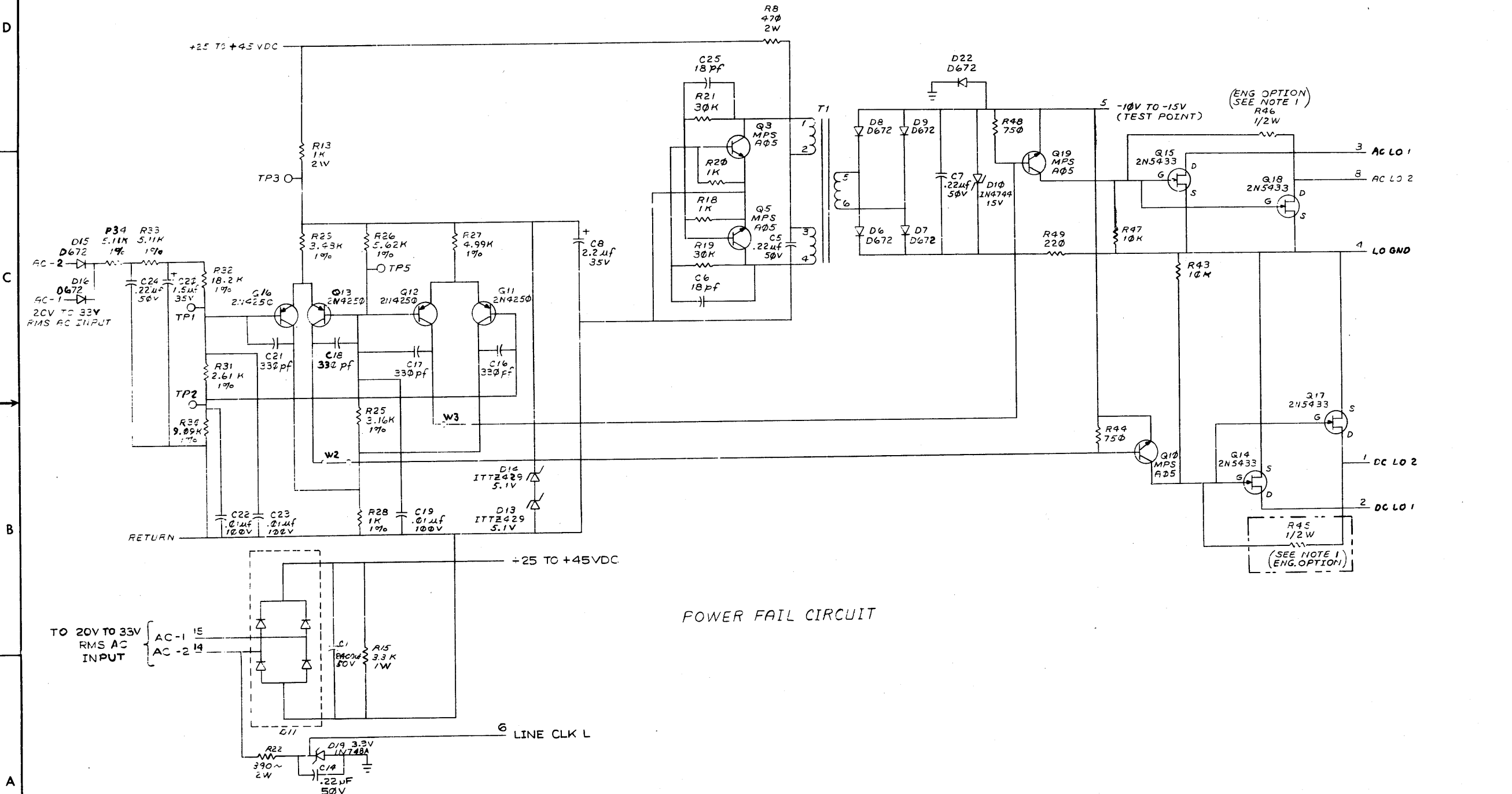
NUMBER: L

SCALE: 2 OF 4

SHEET: 2 OF 4

SEMICONDUCTOR CONVERSION CHART

"THIS DRAWING AND SPECIFICATIONS HEREIN ARE THE PROPERTY OF DIGITAL EQUIPMENT CORPORATION AND SHALL NOT BE REPRODUCED OR COPIED OR USED IN WHOLE OR IN PART AS THE BASIS FOR THE MANUFACTURE OR SALE OF ITEMS WITHOUT WRITTEN PERMISSION. COPYRIGHT © 1965 DIGITAL EQUIPMENT CORPORATION"

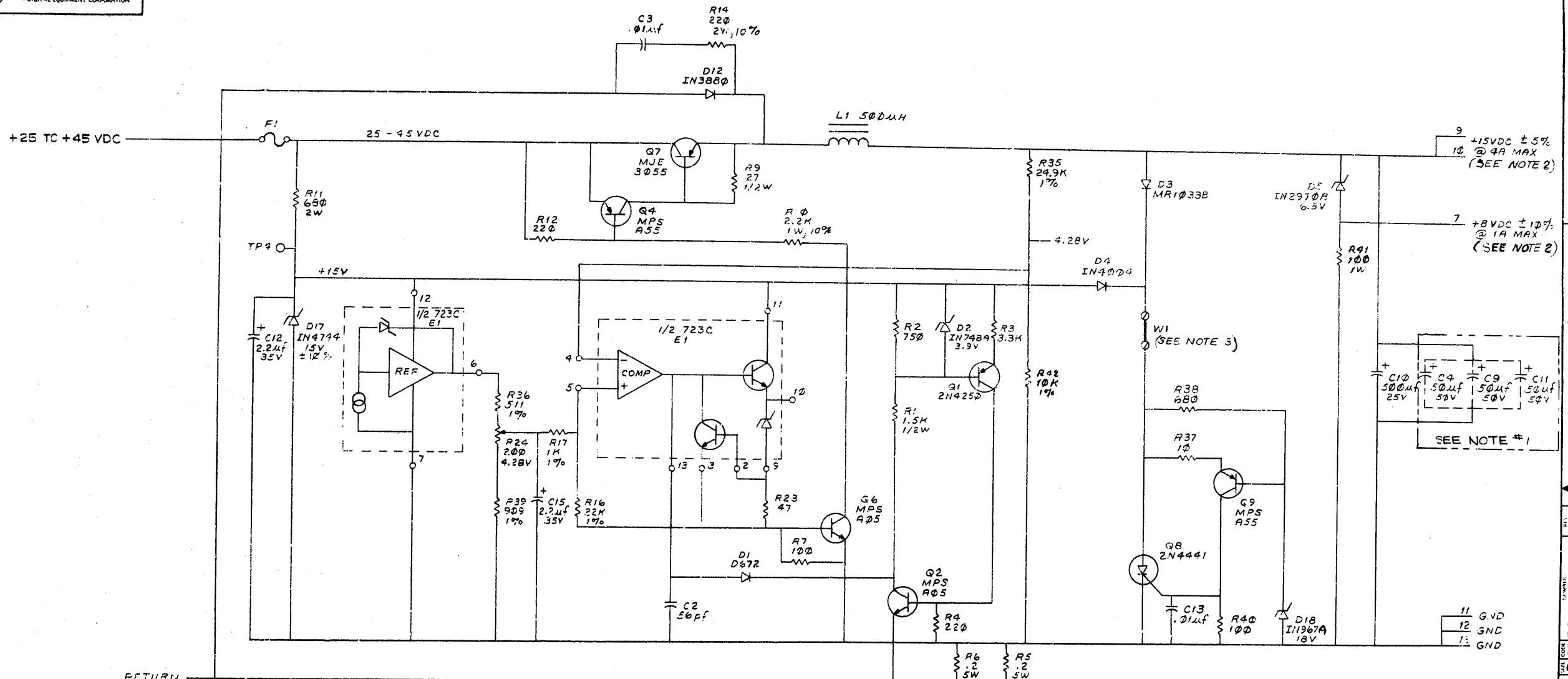


REVISIONS		
CHK	CHANGE NO.	REV.

TITLE	PWR. LINE MONITOR/15V REG.	SIZE CODE	D	NUMBER	DCS 5411086-0-1	REV.	L
SCALE		SHEET	3	OF 4	DIST.		

"THIS DRAWING AND SPECIFICATIONS HEREIN ARE THE PROPERTY OF DIGITAL EQUIPMENT CORPORATION AND SHALL NOT BE REPRODUCED OR COPIED OR USED IN WHOLE OR IN PART AS THE BASIS FOR THE MANUFACTURE OR SALE OF ITEMS WITHOUT WRITTEN PERMISSION.  
COPYRIGHT © 1968 DIGITAL EQUIPMENT CORPORATION"

1-0-9801149630

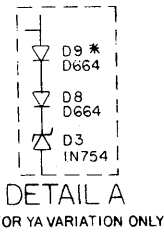
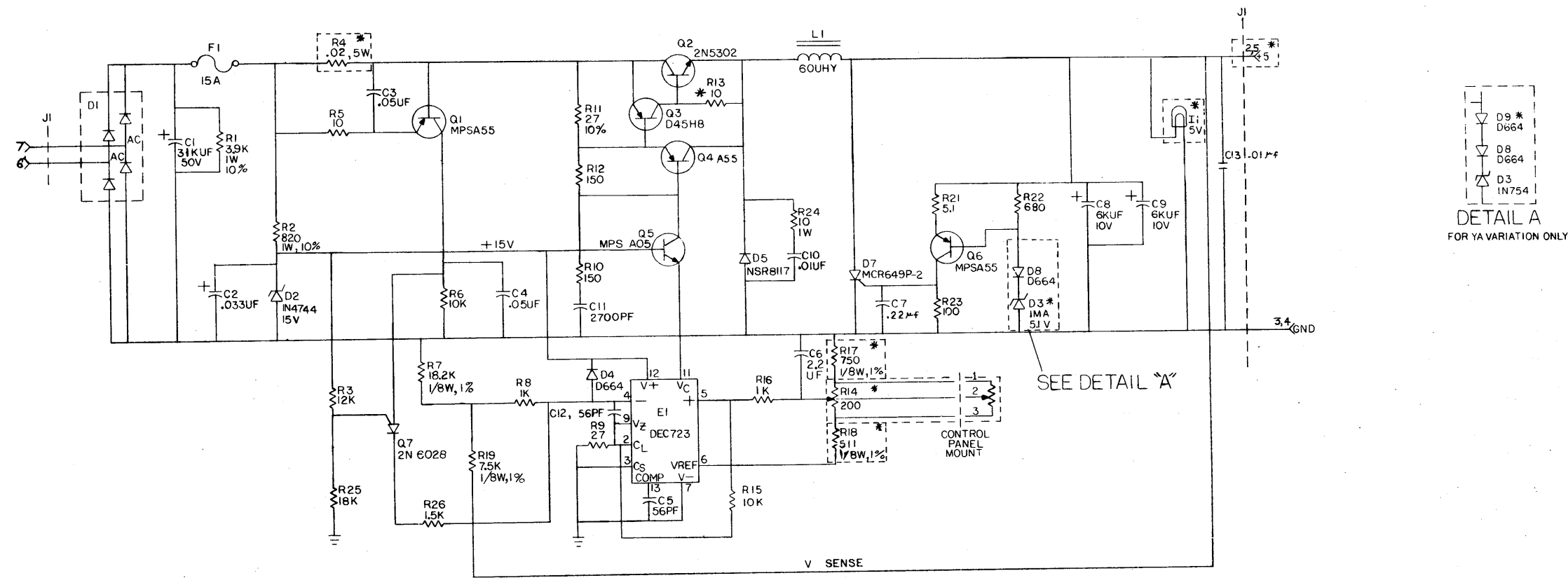


15V REGULATOR  
(SEE NOTE #4)

REVISION:		
CHK	CHANGE NO	REV

TITLE	PWR. LINE MONITOR/15V REG.	SIZE CODE	NUMBER	REV.
SCALE		SHEET	OF 4	DIST.

This drawing and specifications, herein, are the property of Digital Equipment Corporation and shall not be reproduced or copied or used in whole or in part as the basis for the manufacture or sale of items without written permission. © 1975 DIGITAL EQUIPMENT CORPORATION



\* FUSIBLE RESISTOR

FOR YA VARIATION COMPONENT VALUES ARE AS FOLLOWS:  
 R4 - .06 5W  
 R14 - 1K 10 TURN  
 R17 - 300 1/8W 1%  
 R19 - 150 1/4W 5%  
 D3 - 1N754  
 I1 - 15V  
 J1-2,5 - +2.0-8.0V  
 \* D9 - D664 ADDED FOR YA VARIATION ONLY

UNLESS OTHERWISE INDICATED:  
 RESISTORS ARE 1/4W, 5%

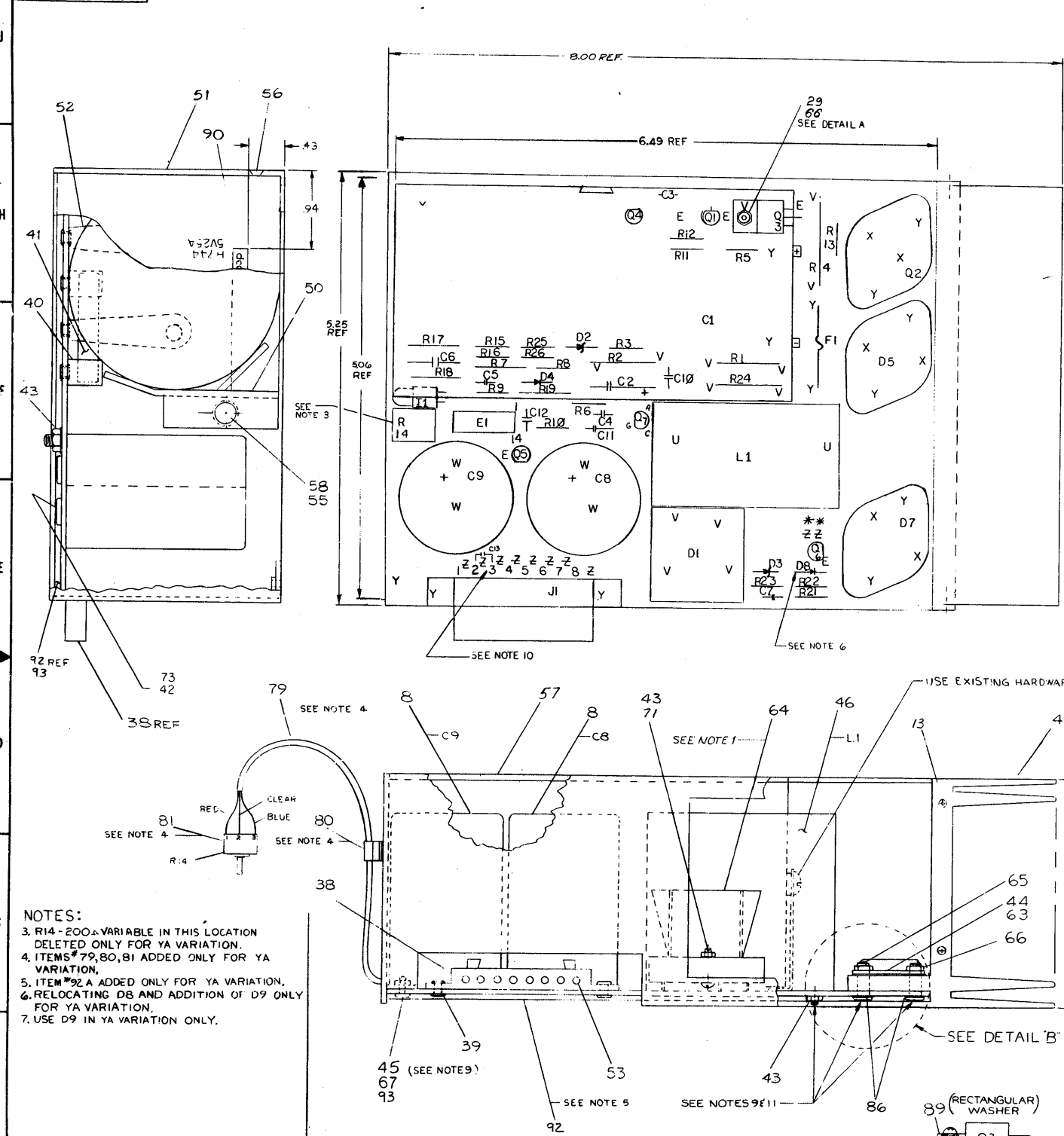
QTY	REF DESIGNATION	DESCRIPTION	PART NO.	ITEM NO.
PARTS LIST				
	ETCH BOARD REV	F	H	
	DRN	DATE	DIGITAL EQUIPMENT CORPORATION MAYNARD, MASSACHUSETTS	
	CHK'D	DATE	TITLE	
	ENGR	DATE	5V REGULATOR	
	PROL	DATE	SIZE CODE	
	PRON	DATE	DICS H744-0-1	
	NEXT HIGHER ASSY			REV
	SEMICONDUCTOR CONVERSION CHART			Y
	DEC NO.	EIA NO.	DEC NO.	EIA NO.
	SHEET / OF / DIST.			

REV	CHG	BY	DATE	DESCRIPTION
1		D. MARTEL	1-2-71	INITIAL DESIGN
2		A. BARON	1-2-71	REVISED
3		A. BARON	1-2-71	REVISED
4		A. BARON	1-2-71	REVISED
5		A. BARON	1-2-71	REVISED
6		A. BARON	1-2-71	REVISED
7		A. BARON	1-2-71	REVISED
8		A. BARON	1-2-71	REVISED
9		A. BARON	1-2-71	REVISED
10		A. BARON	1-2-71	REVISED
11		A. BARON	1-2-71	REVISED
12		A. BARON	1-2-71	REVISED
13		A. BARON	1-2-71	REVISED
14		A. BARON	1-2-71	REVISED
15		A. BARON	1-2-71	REVISED
16		A. BARON	1-2-71	REVISED
17		A. BARON	1-2-71	REVISED
18		A. BARON	1-2-71	REVISED
19		A. BARON	1-2-71	REVISED
20		A. BARON	1-2-71	REVISED
21		A. BARON	1-2-71	REVISED
22		A. BARON	1-2-71	REVISED
23		A. BARON	1-2-71	REVISED
24		A. BARON	1-2-71	REVISED
25		A. BARON	1-2-71	REVISED
26		A. BARON	1-2-71	REVISED
27		A. BARON	1-2-71	REVISED
28		A. BARON	1-2-71	REVISED
29		A. BARON	1-2-71	REVISED
30		A. BARON	1-2-71	REVISED
31		A. BARON	1-2-71	REVISED
32		A. BARON	1-2-71	REVISED
33		A. BARON	1-2-71	REVISED
34		A. BARON	1-2-71	REVISED
35		A. BARON	1-2-71	REVISED
36		A. BARON	1-2-71	REVISED
37		A. BARON	1-2-71	REVISED
38		A. BARON	1-2-71	REVISED
39		A. BARON	1-2-71	REVISED
40		A. BARON	1-2-71	REVISED
41		A. BARON	1-2-71	REVISED
42		A. BARON	1-2-71	REVISED
43		A. BARON	1-2-71	REVISED
44		A. BARON	1-2-71	REVISED
45		A. BARON	1-2-71	REVISED
46		A. BARON	1-2-71	REVISED
47		A. BARON	1-2-71	REVISED
48		A. BARON	1-2-71	REVISED
49		A. BARON	1-2-71	REVISED
50		A. BARON	1-2-71	REVISED

H744-0-1



This drawing and associated data are the property of Hughes Aircraft Company and are not to be reproduced, stored in a retrieval system, or transmitted in any form or by any means, electronic, mechanical, photocopying, recording, or by any information storage and retrieval system, without the written permission of Hughes Aircraft Company. © 1977 Hughes Aircraft Company



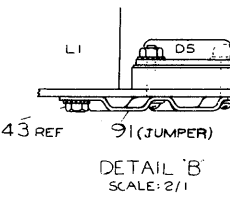
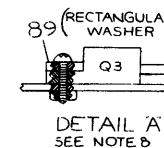
AA 723C	7	12

IC PIN LOCATIONS	JUMPER LIST

QTY	REF DESIGNATION	DESCRIPTION	PART NO.	QTY	REF DESIGNATION	DESCRIPTION	PART NO.
1	R22	RES 680 1/4W 5%	1301424	69	D 11	5 VOLT LAMP	12-03219-1
1	I 1	PACKING INSTRUCTIONS	API 3700074-0	2	2	L WASHER #4	9006632
1	I 1	SCR, PHL PAN HD 3/32x5/8 LG	9006025-1	71	7	NUT KEPS #4-40	9006657
1	Ø I1	15 VOLT LAMP	1209169	72	6	SCR PHL PAN HD 4-40x3/8 LG	9008033-165
4	4	LOCK WASHER #10 INT	9006635	73	1	HEAT SINK BRIDGE	1210907
1	Ø I1	TRANSISTOR 2N236	150353K	77	1	COMPUND THERMAL JOINT	800288B
1	Ø I1	WIRE, MICRODOT	1700014	79	1	RESISTOR 1.5K 1/4W 5%	1300391
1	Ø I1	CLAMP, CABLE	9007079	80	Ø	RESISTOR 7.5K 1/8W 1%	1305322
1	Ø I14	POT, 10 TURN, 1K $\Omega$	1309532-04	81	1	RESISTOR 12K 1/4W 5%	1306488
1	Ø R17	RES, 300 $\Omega$ 1/4W 5%	1301425	82	1	TRANSISTOR, UNFUNCTION ENG	1510877
1	Ø R18	RES, 150 $\Omega$ 1/4W 5%	1300250	83	Ø	SCR, PHL PAN HD 6-32x1/4 LG	9006020-1
1	Ø R4	RES, 0.6 $\Omega$ 5W 3%	1310876-02	84	B	COVER	C-MD-530720-1
1	Ø D3	DIODE ZENER IN754	1109991	85	2	SCR, PHL FLT HD 6-32x3/8 LG	9008020-2
6	6	WASHER, INT TOOTH #4	9006632	86	1	WASHER, LOCK #6	9006633
1	I C7	CAP .22 $\mu$ F 50V	1010274	87	1	SCR, PHL FLT HD 6-32x1/4 LG	9006020-1
1	I R13	RES 10 1/4W 5% FUSIBLE	1312496	88	1	CONTACT FEMALE	1209454
1	I -	WASHER, RECTANGULAR	9009769	89	2	STRAP, CAPACITOR	C-MD-5309759-04
1	I -	DECAL (H744)	ADG7416945-10	90	1	BRACKET, REGULATOR	D-IA-5509756-01
1	I -	JUMPER	1214074	91	1	HOLDER, CAPACITOR 2.5	C-IA-12388-00
1	Ø	COVER, BOTTOM	7419952	92	2	HEAT SINK REGULATOR	D-PS-1210737-00
2	Ø	WASHER, FIBER	1008848	93	3	CAP 56 PF	1000012
1	I					RESISTOR 10 1W	1300171
1	I					REACTOR 60 MHY MMC4347	1610850
1	I					SCR, PHL PAN HD 4-40 1/4 LG	9008301-1
1	I					WASHER, INSULATOR	9006721
1	I					NUT, KEPS #6-32	9008185
1	I					SCR 10-32x3/8 SLOTTED PAN HD	9003669-01
1	I					FUSE 15 AMP	1213237-01
2	2					FUSE CLIP	9007203
6	6					EYELET G-S-4-5	9009000
1	I					MATE-N-LOCK CONN, 8 PIN	1209340
1	I					INTEGRATED CIRCUIT DEC 723C	1910415
1	I					TRANSISTOR A05	1510705
1	I					TRANSISTOR D45HB	1510708-1
3	3					TRANSISTOR MPS455 MOT	1510706
1	I					TRANSISTOR 2N302	1510196
1	I					RES VARIABLE 200	1310862
1	I					RES 5.1 1/4W 5%	1309422
1	I					RES 100 1/4W 5%	1300229
1	I					SCR, PPH #4-40x 3/8	9006011-1
1	I					RES 27 1/4W 10%	1301420
1	I					RES 750 1/8W 1%	1302955
1	I					RES 27 1/4W 5%	1301522
1	I					RES 18.2K 1/8W 1%	1309412
2	2					RES 1K 1/4W 5%	1300365
1	I					RES 511 1/8W 1%	1302411
1	I					RES 18 K 1/4W 5%	1302465
2	2					RES 10 K 1/4W 5%	1300479
1	I					RES .02 5W 3%	1310876
1	I					RES 820 1W 10%	1300358
1	I					RES 3.9K 1W 10%	1302927
1	I					RES 10 1/4W 5%	1301317
2	2					RES 150 1/4W 5%	1300260
1	I					DIODE ZENER 1MA 5.1V	1110925
1	I					SCR MCR 6A9P-2	1109465
4	4					SCR, PHL #4.5/16 LG SLEF	9009112
1	I					DIODE PWP NSP B117	1110715
3	3					DIODE PWP D064	1100114
1	I					DIODE ZENER IN4744	1105648
1	I					DIODE BRIDGE	1110714
2	2					CAP 6K $\mu$ F 10V	100704
1	I					CAP 31K $\mu$ F 50V	1010858
2	2					CAP 0.5 $\mu$ F 25V	1001774
1	I					CAP .033 $\mu$ F 100V 10%	1000050
1	I					CAP 2700PF 100V 5% DM	1001637
2	2					CAP .01 $\mu$ F 100V 20% DISC	1001610
1	I					CAP 2.2 $\mu$ F 20V 10%	1002627
1	I					ETCHED CIRCUIT BOARD	5009725
1	I					ASSY, DRILLING HOLE LAYOUT	D-AH-H744-B-5
1	I					X-Y COORDINATE HOLE LOCATION	K-CD-H744-D-4
1	I					MODULE ECO HISTORY	D-MH-H744-Q-6
1	I					CIRCUIT SCHEMATIC	D-C-H744-Q-1

**NOTES:**  
 1. APPLY ITEM #63 (COMPOUND) BETWEEN TRANSISTOR (Q2), DIODES (D5, D7) AND ITEM #44 (WASHER) ALSO BETWEEN ITEM #44 (WASHER) AND HEAT SINK (ITEM #49) ALSO APPLY ITEM #63 (COMPOUND) BETWEEN ITEM #9 (DIODE BRIDGE) AND ITEM #64 (HEAT SINK BRIDGE).

- NOTES CONT:
- NOTE 8:  
(1) Ø3 SCREW HEAD SHOULD BE ON TOP OF FLAT RECTANGULAR WASHER AS SHOWN. APPLY 6 INCH LBS. OF TORQUE WHEN SECURING Q3 TO CKT. BOARD BEFORE SOLDERING.
  - NOTE 9: TORQUE APPLICATION  
 (1) APPLY 12 INCH LBS. OF TORQUE TO THE SCREWHEAD OF #4 HARDWARE EXCEPT Q3.  
 (2) APPLY 12 INCH LBS. OF TORQUE TO #6 HARDWARE ON L1.  
 (3) APPLY 16 INCH LBS. OF TORQUE TO ALL #6 AND #10 HARDWARE EXCEPT ON L1.  
 (4) ALL HARDWARE TO BE TORQUED BEFORE SOLDERING.
  - NOTE 10:  
INSERT C13 INTO E"CH PAD HOLES CONNECTED TO J1 TERMINALS, 2-3.
  - NOTE 11:  
MIN TORQUE REQUIRED FOR INSPECTION:  
8 INCH LBS FOR #4 HARDWARE;  
12 INCH LBS FOR #6 AND #10 HARDWARE  
\*SEE NOTE 7



EQUIPMENT CORPORATION

**5V REGULATOR**

D-AH-H744-B-5

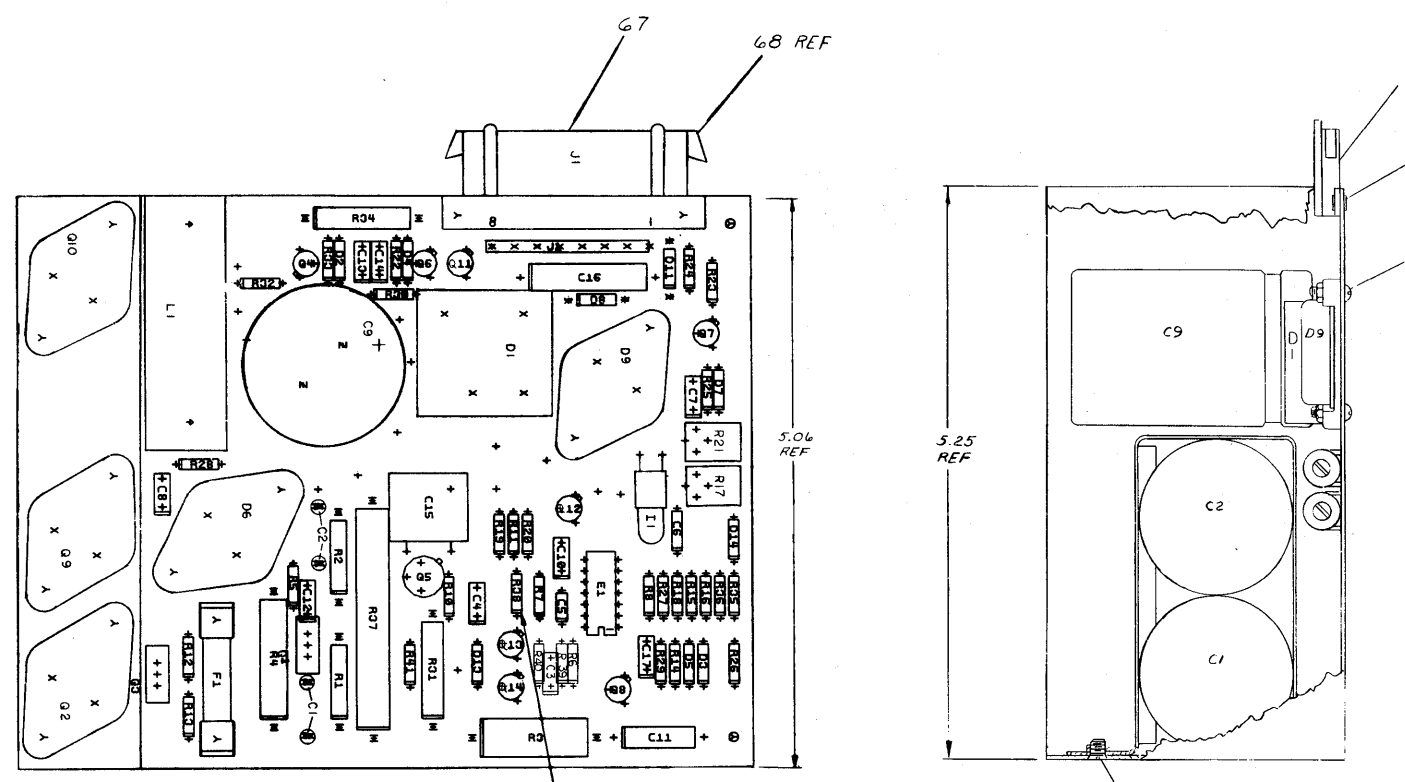
DEC. NO. EIA. NO. DEC. NO. EIA. NO.

SCALE: 2/1

SHEET 1 OF 1

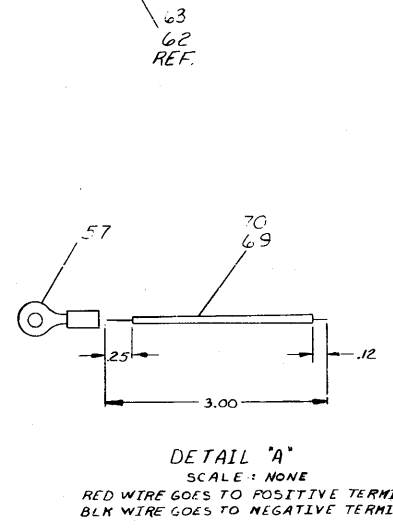
THIS DRAWING AND ASSOCIATED DRAWINGS ARE THE PROPERTY OF DIGITAL EQUIPMENT CORPORATION AND ARE NOT TO BE REPRODUCED OR TRANSMITTED IN ANY FORM OR BY ANY MEANS, ELECTRONIC OR MECHANICAL, INCLUDING PHOTOCOPYING, RECORDING, OR BY ANY INFORMATION STORAGE AND RETRIEVAL SYSTEM, WITHOUT PERMISSION IN WRITING FROM DIGITAL EQUIPMENT CORPORATION.

Copyright © 1972 Digital Equipment Corporation.



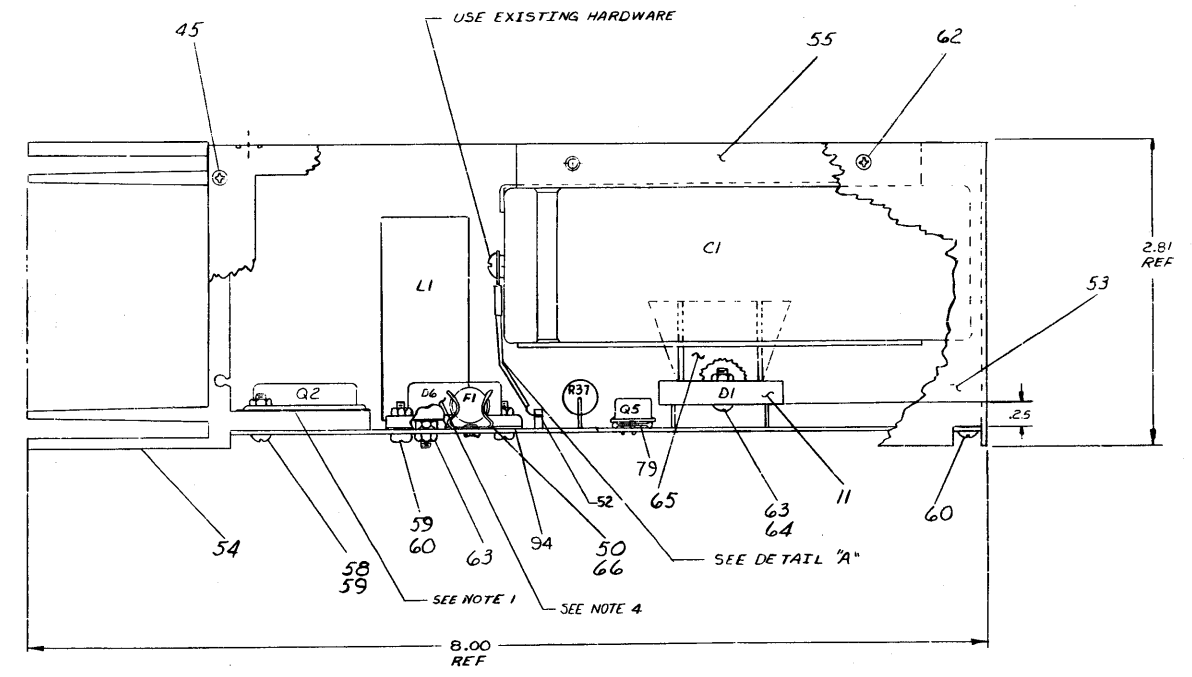
- NOTES:
1. APPLY ITEM # 71 (COMPOUND) ON BOTH SIDES OF ITEM # 72 (INSULATOR WASHER) FOR Q2, Q9. Q10. ALSO APPLY BETWEEN ITEM # 11 (DIODE BRIDGE DA) AND ITEM # 65 (HEAT SINK, BRIDGE RECT.)
  2. UNLESS OTHERWISE INDICATED: RESISTORS ARE 1/4W, 5%; CAPACITORS ARE 100V, 5%.
  3. ADD INSULATION (9107256-11) TO BOTH LEADS OF R38 TO AVOID SHORT TO ETCH.
  4. APPLY ITEM # 71 (COMPOUND) ON BOTH SIDES OF ITEM # 94 (MICA WASHER) FOR D6.

ITEM NO.	QTY	REF DESIGNATION	DESCRIPTION	PART NO.	ITEM NO.
			WASHER, MICA	9009663	94
			CAP .22 MFD 50V	1010274	93
			TRANSISTOR 2N4920-1	1509405-1	92
			RES .27K 1/4W 5% FUSIBLE	1312496-0	91
			INSULATION 9107256-11		90
			RES .220 1/4W 5%	1300271	89
			RES .10W 1%	1309087	88
			RES .1K 1% THERMISTOR	1310071	87
			CAP 100UF 25V	1002781	86
			TRANSISTOR MJ300	1510772	85
			TRANSISTOR NJ300W	1511349	84
			CAP .100 PF 100V ±3% DM	1000016	83
			TRANSISTOR MPS A05	1510705	82
			DIODE D003	1100100	80
			TRANSIPAD	9007200	79
			RES .15R 2W 10%	1310147	78
			CAP .001UF 50V 5% DM	1000042	77
			RES .33K 1/4W 1%	1305725	76
			RES .175K 1/4W 1%	1302612	75
			RES .15K 1/4W 1%	1300896	74
			RES .470K 1/4W 1%	1302316	73
			WASHER, INSULATOR	9006721	72
			COMPOUND, THERMAL	9002268	71
			WIRE #18AWG, STAINL. 1/4" INS. (BLK)	910188-55	70
			WIRE #18AWG, STAINL. 1/4" INS. (RED)	910188-22	69
			MATE-N-LOCK DOWN 8 PIN	120340	68
			PI-N-SOCKET, MATE-N-LOCK	120456	67
			HEAT SINK	900132	66
			HEAT SINK, BRIDGE RECTIFIER	121007	65
			SCR PHL PAN HD 8-32 X 1"	9000024-1	64
			SCREWS NUT 8-32 SS	9008185	63
			SCR PHL FLAT HD 8-32 X 5/16	9000021-2	62
			SCR PHL FLAT HD 4-40 X 1/2	9000021-1	61
			SCR PHL PAN HD 4-40 X 1"	9000057	60
			SCR PHL PAN HD 4-40 X 1"	9000013-1	59
			TERMINAL SOLDERLESS, #10	9007930	58
			COVER COMP	C-40-500000-0-6	57
			1.5 CAP BRKT	C-18-5000758-0-0	56
			HEAT SINK, REGULATOR	D-18-1210731-8-8	55
			BUCKET, REG	D-18-5000738-0-0	54
			SPLIT LUG	9000735	53
			TRANSISTOR 2N6028	15-10877	52
			FUSE CLIP	9007203	51
			FUSE 16 AMP	F-13-237-00	50
			REACTOR 17.0 AH	15-10849	49
			INTERLOCK CIRCUIT T33	15-10415	48
			TRANSISTOR MPS A55	15-10708	47
			SCR PHL FLAT HD 8-40 SELF TAPPING	9000167-0-2	46
			TRANSISTOR DEC3000	15-33209	45
			TRANSISTOR 2N6038	15-10863	44
			TRANSISTOR 2N6039	1513704	43
			RES VARIABLE 200% POT	13-10862	42
			RES .5 1/2W 5%	13-08422	41
			RES .2 1/2W 1%	1304857	40
			RES 1/8W 5%	13-01527	39
			RES 1/8W 5%	13-00260	38
			ASSY/DRAWING HOLE LAYOUT D-A4-N-1754-O-5		37
			RES .2K 1/4W 5%	1302308	36
			RES 1/2W 5%	13-09488	35
			RES 100W 5%	13-00228	34
			RES 68K 1/4W 5% FUSIBLE	1312496-02	33
			RES 10K 1/4W 1%	1305372	32
			RES 33K 1/4W 5%	13-00444	31
			RES .2 1/2W 1%	13-05184	30
			RES .18K 1/4W 5%	13-02465	29
			DIODE MCR 688 P-2	11-09465	28
			DIODE MCR 100B, 24V	11-10566	27
			DIODE .20 AMP FAST REC	11-10715	26
			DIODE INHIBIT ZENER, 15V	11-10648	25
			DIODE NKS 3514	11-10114	24
			DIODE D864	11-10014	23
			CAP .1UF 100V 20% DISC	1000030	22
			CAP 2.2UF 35V 10% S. FANT	10-10241	21
			CAP .01UF 50V 20% DISC.	10-01010-01	20
			CAP .01UF 100V 5% DM	10-00337	19
			CAP .001UF 100V 5% DM	10-00012	18
			LAMP, 28V, 40 MA	12-11239	17
			CAP .001UF 25V DISC	10-01174	16
			CAP .58KUF 50V 5% AL. EL.	10-11363	15
			ETCHED CIRCUIT BOARD	2010231	14
			WIRE HOLE HISTORY	8-MIL-H754-O-4	13
			X-Y COORDINATE HOLE LOCATION	8-00-H754-O-4	12



DELETED COMPONENTS

RESISTORS	R9
DIODES	D10, D12



IC TYPE	GROUND	+5V	ITEM NO.	AWG	FROM PT	TO PT

IC PIN LOCATIONS

IC TYPE	1	2	3	4	5	6	7	8

JUMPER LIST

NO.	FROM	TO

DESCRIPTION	REV	DATE	BY	CHK
ETCH BOARD REV	J	1N3G0G		

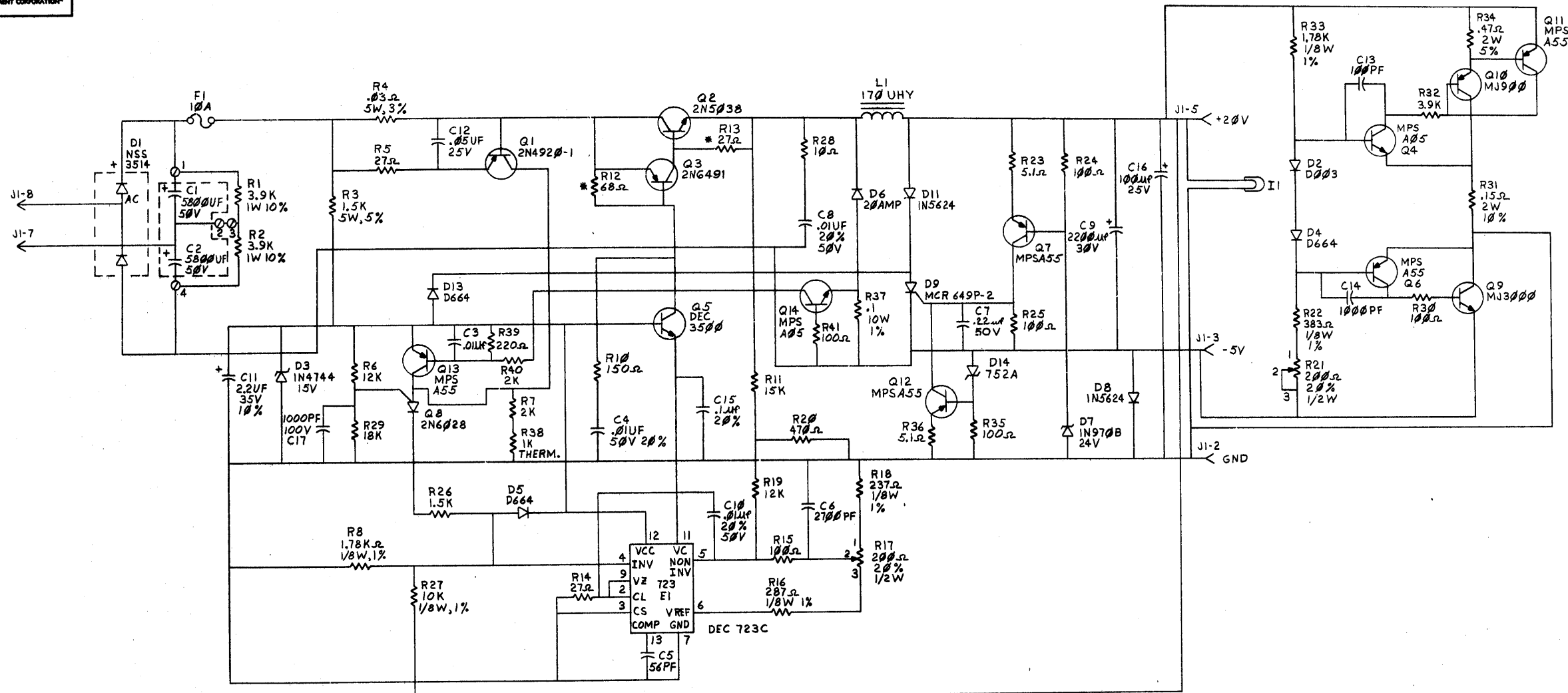
DATE	REV	TITLE	SCALE
		+ 20 VOLT REGULATOR	

SEMICONDUCTOR CONVERSION CHART

DEC NO.	ESA NO.	DEC NO.	EIA NO.

SHEET 1 OF 2

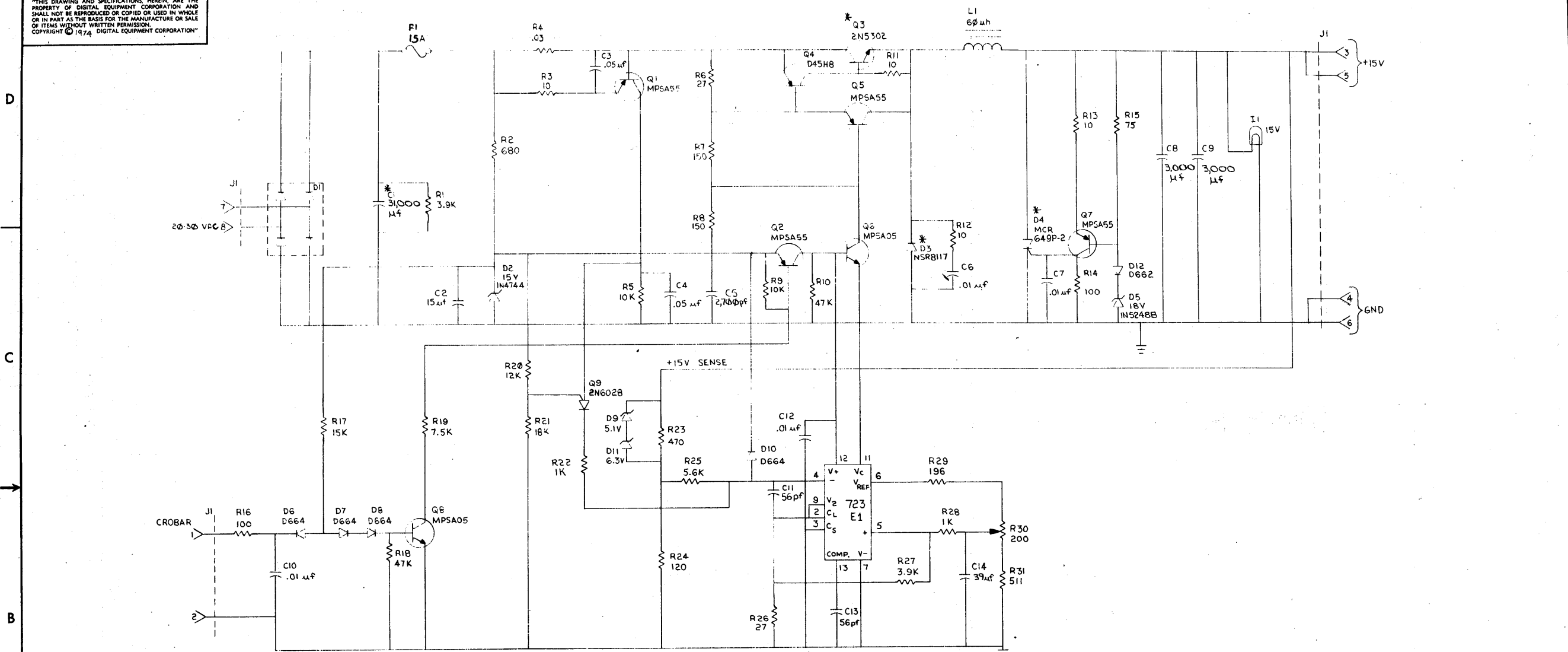
THIS DRAWING AND SPECIFICATIONS HEREIN ARE THE PROPERTY OF DIGITAL EQUIPMENT CORPORATION AND SHALL NOT BE REPRODUCED OR COPIED OR USED IN WHOLE OR IN PART AS THE BASIS FOR THE MANUFACTURE OR SALE OF ITEMS WITHOUT WRITTEN PERMISSION. COPYRIGHT © 1972, DIGITAL EQUIPMENT CORPORATION



\* FUSIBLE RESISTOR

DRN. BESSONNETTE 8-29-72	FIRST USED ON	digital
CHK'D R. VOWLES 2-17-72	H754	
ENG. R. BURTON 5-7-73	TITLE	
PROJ. ENG. R. BURTON 5-7-73	+20 VOLT	
PROD. L. BAPTISTE 5-9-73	REGULATOR	
NEXT HIGHER ASSY.	SIZE CODE	NUMBER
	D CS	H754-0-1
SCALE	DIST.	REV.
SHEET 2 OF 2		U

"THIS DRAWING AND SPECIFICATIONS HEREIN ARE THE PROPERTY OF DIGITAL EQUIPMENT CORPORATION AND SHALL NOT BE REPRODUCED OR COPIED OR USED IN WHOLE OR IN PART AS THE BASIS FOR THE MANUFACTURE OR SALE OF ITEMS WITHOUT WRITTEN PERMISSION. COPYRIGHT © 1974 DIGITAL EQUIPMENT CORPORATION"



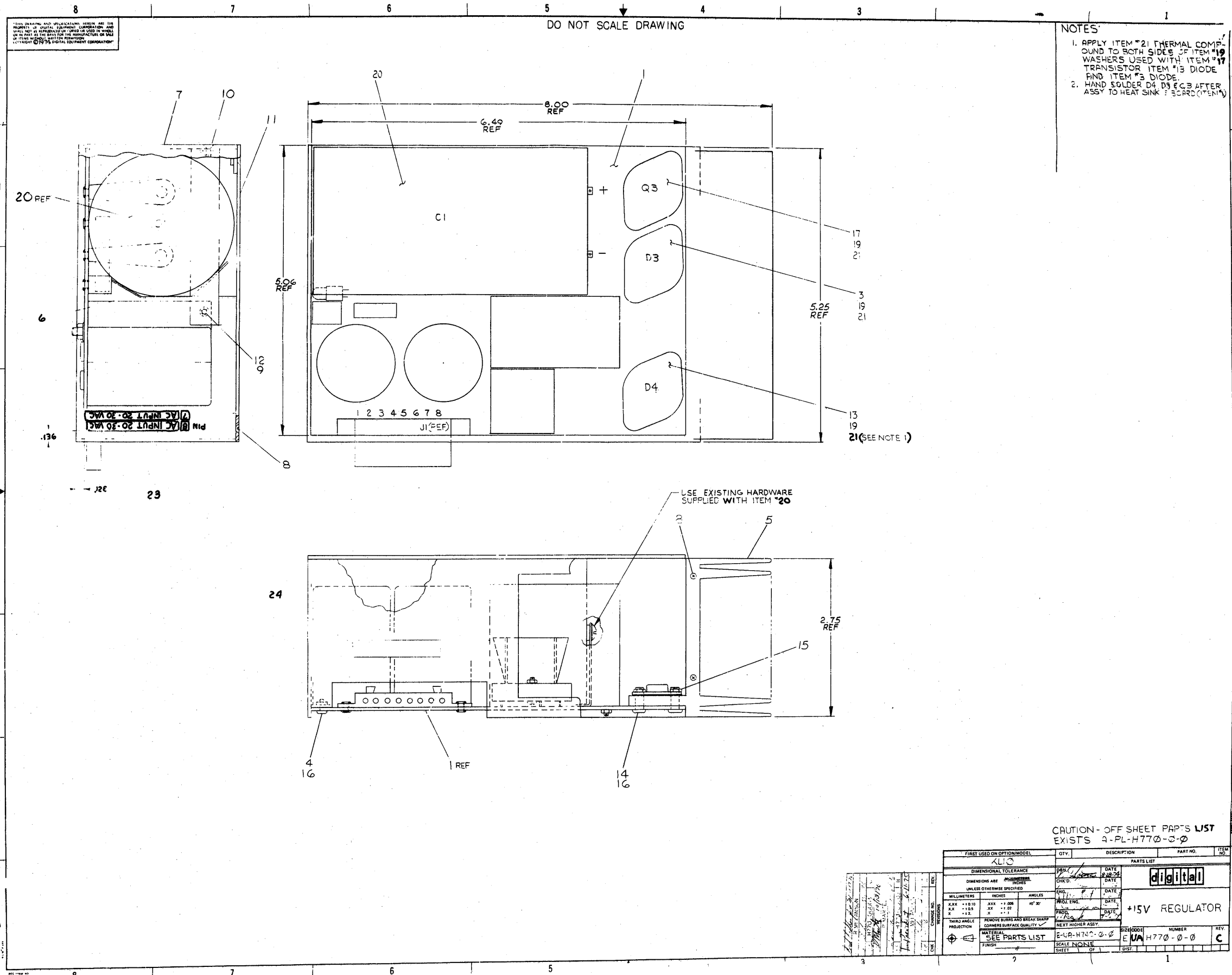
NOTE:  
 \* INDICATES COMPONENTS (C1, Q3, D3, D4)  
 INSTALLED AT NEXT LEVEL ASSY  
 (E:UA-H770-0-0).

REV.	
CHANGE NO.	
CHK	

FIRST USED ON OPTION/MODEL	QTY.	DESCRIPTION	PART NO.	ITEM NO.
KL10				
DIMENSIONAL TOLERANCE		PARTS LIST		
DIMENSIONS ARE MILLIMETERS		DRN.	DATE	
UNLESS OTHERWISE SPECIFIED		CHK'D.	DATE	
MILLIMETERS	INCHES	ENG.	DATE	
ANGLES		PROJ. ENG.	DATE	
XXX = ±0.10	XXX = ±0.05	XX = ±0.02	X = ±0.1	
THIRD ANGLE PROJECTION	REMOVE BURRS AND BREAK SHARP CORNERS SURFACE QUALITY	NEXT HIGHER ASSY.		
MATERIAL	FINISH	E-UA-H770-0-0	SCALE	
		SHEET 1 OF 1	DIST.	

REV. 2

DCS 5411207-0-1



**NOTES:**

1. APPLY ITEM \*21 THERMAL COMP-  
OUND TO BOTH SIDES OF ITEM \*19  
WASHERS USED WITH ITEM \*17  
TRANSISTOR ITEM \*13 DIODE  
AND ITEM \*3 DIODE
2. HAND SOLDER D4 D3 E C3 AFTER  
ASSY TO HEAT SINK BOARD (ITEM \*4)

CAUTION - OFF SHEET PARTS LIST  
EXISTS A-PL-H770-0-0

FIRST USED ON OPTION/MODEL		QTY	DESCRIPTION	PART NO.	ITEM NO.
ALIC					
DIMENSIONAL TOLERANCE					
DIMENSIONS ARE IN INCHES UNLESS OTHERWISE SPECIFIED					
MILLIMETERS	INCHES	ANGLES	DATE	PARTS LIST	
XXX +.010	XXX +.006	45° 30'	DATE		
XX +.008	XX +.005		DATE		
X +.005	X +.003		DATE		
FINISH	SEE PARTS LIST	REMOVE BURRS AND BREAK SHARP CORNERS SURFACE QUALITY	DATE		
NEXT HIGHER ASSY			DATE	REV	
SCALE NONE			DATE	EUA H770-0-0	
SHEET 01			DATE	C	

DIGITAL EQUIPMENT CORPORATION MAYNARD, MASSACHUSETTS <b>PARTS LIST</b>				QUANTITY / VARIATION												
MADE BY V. Souza		CHECKED V. Souza		SECTION												
DATE 8/28/74		DATE 8/30/74														
ENG <i>[Signature]</i>		PROD <i>J. Regep</i>		ISSUED SECT.												
DATE <i>8-16-74</i>		DATE <i>8-16-74</i>														
ITEM NO.	DWG NO. / PART NO.	DESCRIPTION				REF										
1	D-CS-5411207-0-1	+15V REGULATOR				REF										
<del>2</del>	<del>9009142-2</del>	<del>SCR, PHL FLT HD #4-40 x .31, SELF TAPPING</del>				<del>4</del>										
3	1110715	DIODE NFR8117				1										
4	9008301-1	SCR, PHL PAN HD #4-40 x .25				2										
5	D-PS-1210737-0-0	HEAT SINK REGULATOR				1										
6	C-IA 7412388 -0-0	HOLDER, CAPACITOR 2.5				1										
7	D-IA-5309756-09	BRACKET, REGULATOR				1										
8	9006010-2	SCR, PHL FLT HD #4-40 X .31				8										
9	9006633	WASHER, LOCK #6				1										
10	9006020-2	SCR, PHL FLT HD #6-32 x .25				1										
11	C-MD-5309760-0-0	COVER				1										
12	9006020-1	SCR, PHL PAN HD #6-32 x .25				1										
13	1109465	DIODE MCR649P-2				1										
14	9008033-1	SCR, PHL PAN HD #4-40 x .56				6										
15	9006557	NUT, KEPS #4-40				6										
16	9006632	WASHER, INT TOOTH #4				8										
17	1510196	TRANSISTOR 2N5302				1										
18	A-PI-3700074-0-0	PACKAGING INSTRUCTIONS				1										
19	9006721	INSULATOR, WASHER				3										
20	1010858	CAP 31,000 uf 50V				1										
21	9008268	H.S. COMPOUND				1oz										
22	D-UA-5411207-0-0	+15V REGULATOR				1										
TITLE +15V REGULATOR				ASSY NO. E-UA-H770-0-0		SIZE CODE <b>A PL</b>		NUMBER H770-0-0				REV. <b>C</b>		ECO NO. H770-0003		
				SHEET 1 OF 2		DIST.										

DEC FORM DEC 16 (325) 1031 N870  
DRA 110

DIGITAL EQUIPMENT CORPORATION MAYNARD, MASSACHUSETTS <b>PARTS LIST</b>				QUANTITY / VARIATION												
MADE BY V. SOUZA		CHECKED V. SOUZA		SECTION												
DATE 8-23-74		DATE 8-30-74														
ENG R. MELANSON		PROD D REGEK		ISSUED SECT.												
DATE 8-8-74		DATE 9-74														
ITEM NO.	DWG NO. / PART NO.	DESCRIPTION				REF										
23	A DC 7416945-0-7	DECAL (H770)				1										
24	9009254	MANUFACTURING I.D. LABEL				1										
TITLE +15V REGULATOR				ASSY NO. E UA H770-0-0		SIZE CODE <b>A PL</b>		NUMBER H770-0-0				REV. <b>C</b>		ECO NO.		
				SHEET 2 OF 2		DIST.										

DEC FORM DEC 16 (325) 1031 N870  
DRA 110

8      7      6      5      4      3      2      1

THIS DRAWING AND SPECIFICATIONS, HEREIN, ARE THE PROPERTY OF DIGITAL EQUIPMENT CORPORATION AND SHALL NOT BE REPRODUCED OR COPIED OR USED IN WHOLE OR IN PART AS THE BASIS FOR THE MANUFACTURE OF ANY OF THE ITEMS WITHOUT WRITTEN PERMISSION.  
COPYRIGHT © 1974 DIGITAL EQUIPMENT CORPORATION

**NOTES:**

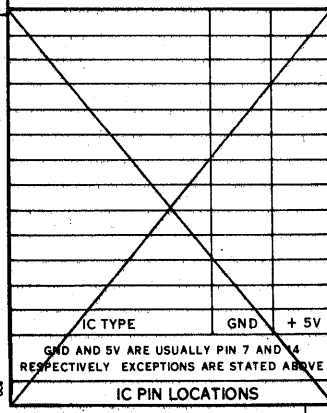
- 1 FOR DRAWING DIRECTORY REFER TO B DD 5411207 0
- 2 COMPONENTS (C1, Q3, D3, D4) INSTALLED AT NEXT LEVEL ASSY (E UA H770 0 0)

QTY	REF DESIGNATION	DESCRIPTION	PART NO	ITEM NO
1	E1	IC DEC 723	1910415	55
1	OZ	COMPOUND THERMAL JOINT	9006268	56
1		SCR PHL HD PAN#6-32 X .62	9006025-1	57
1		NUT KEP#6-32	9008185	58
1		SCR PHL HD PAN#4-40 X .31	9006010-1	59
1		NUT KEP#4-40	9006557	60
REF		CAP 31,000 $\mu$ F 50V	1010658	

QTY	REF DESIGNATION	DESCRIPTION	PART NO	ITEM NO
1	Q3	TRANSISTOR 2N5302	1510196	1
1	D3	DIODE NFRB117	1110715	2
1	D4	DIODE MCR649P-2	1109465	3
2	C11, C13	CAP 56pf 100V	1000012	4
1	C14	CAP 29 $\mu$ F 16V 10%	1000076	5
4	C8, C7, C10, C12	CAP 100pf 100V 20%	1001610-00	6
1	C5	CAP 2,700pf 100V 5%	1001637	7
2	C3, C4	CAP 05uf 25V	1001774	8
1	C2	CAP 15uf 20V 10%	1004812	9
2	C8, C9	CAP 3,000 $\mu$ f 25V	1010703	10
2		FUSE CLIP	9007203	11
1	D12	DIODE D682	1100113	12
4	D8, D7, D8, D10	DIODE D684	1100114	13
1	D2	DIODE 1N4744 15V ZENER	1105648	14
2		STRAP CAPACITOR	C-MD-5309759-0-0	15
1	D9	DIODE 5.1V 2% ZENER	1110713	16
1	D1	DIODE BRIDGE	1110714	17
1	F1	FUSE 15A, 32V	9007228	18
1	D5	DIODE 1N5248B 15V 5% ZENER	1110706	19
1	D11	DIODE D674 6.3V 2% ZENER	1110986	20
1	J1	CONN 9 PIN MATE N LOCK	1209340-00	21
1	I1	LAMP 15V	1209189	22
1		HEAT SINK BRIDGE	1210907	23
8		PIN, CONNECTOR	1209456	24
1	R12	RES 10, 1W, 5%	1300171	25
2	R14, R16	RES 100, $\frac{1}{4}$ W, 5%	1300229	26
1	R24	RES 120, $\frac{1}{4}$ W, 5%	1300247	27
2	R7, R8	RES 150, $\frac{1}{4}$ W, 5%	1300250	28
1	P23	RES 470, $\frac{1}{4}$ W, 5%	1300316	29
1	R2	RES 680, 1W, 10%	1300346	30
2	R22, R28	RES 1K, $\frac{1}{4}$ W, 5%	1300385	31
1	R27	RES 3.9K, $\frac{1}{4}$ W, 5%	1300444	32
1	R20	RES 12K, $\frac{1}{4}$ W, 5%	1300488	33
1	R17	RES 15K, $\frac{1}{4}$ W, 5%	1300496	34
2	R5, R9	RES 10K, $\frac{1}{4}$ W, 5%	1300479	35
3	R3, R11, R13	RES 10, $\frac{1}{4}$ W, 5%	1301317	36
1	R19	RES 7.5K, $\frac{1}{4}$ W, 5%	1301422	37
2	R6, R26	RES 27, $\frac{1}{4}$ W, 5%	1301522	38
2	R10, R18	RES 47K, $\frac{1}{4}$ W, 5%	1302177	39
1	R15	RES 75, $\frac{1}{4}$ W, 5%	1302379	40
1	R31	RES 511, $\frac{1}{4}$ W, 1%	1302411	41
1	R1	RES 3.9K, 1W, 10%	1302927	42
1	R29	RES 190, $\frac{1}{4}$ W, 1%	1302956	43
1	R21	RES 18K, $\frac{1}{4}$ W, 5%	1302485	44
1	R30	RES 200, POT, 20%	1310952	45
1	R4	RES 03.5W, 3%	1310876-1	46
1	R25	RES 5.6K, $\frac{1}{4}$ W, 5%	1301874	47
6		EYELET	9008732	48
2	Q6, Q8	TRANSISTOR MPSA05	1510705	49
4	Q1, Q2, Q5, Q7	TRANSISTOR MPSA55	1510706	50
1	Q4	TRANSISTOR D45H8	1510709-0	51
1	Q9	TRANSISTOR 2N6029	1510977	52
1	L1	INDUCTOR 60uh	1610850	53

D  
C  
B  
A

D  
C  
B  
A



FIRST USED ON OPTION MODEL: H770      PARTS LIST

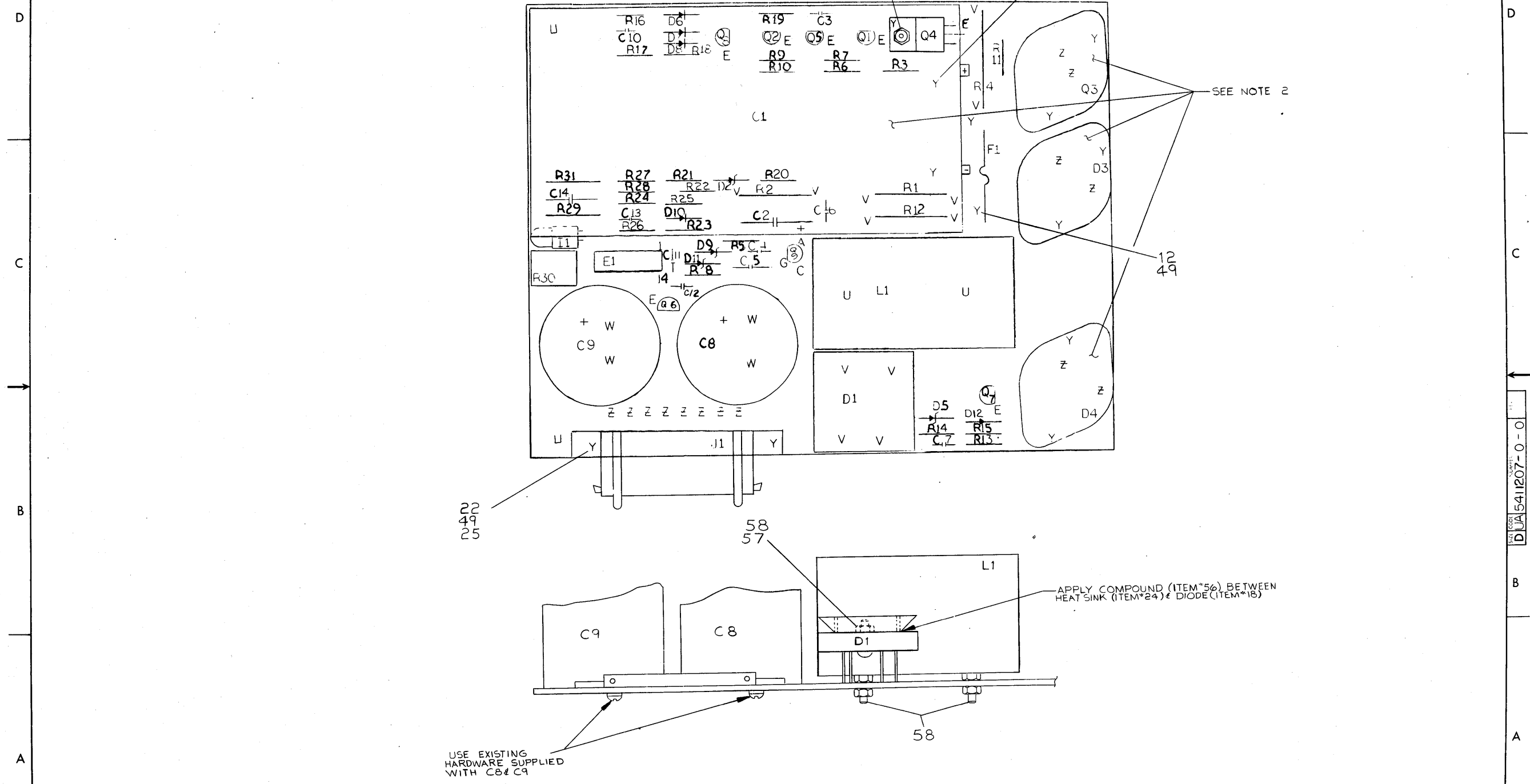
CHK	CHANGE NO	REV	REVISIONS	DATE	BY	DESCRIPTION

DRN	DATE	8-15-74
CHKD	DATE	9-12-74
ENG	DATE	7-16-74
PROJ. ENG.	DATE	7-16-74
PROD.	DATE	7-16-74
NEXT HIGHER ASSY		
E-UA-H770-0-0		
SCALE	NONE	
SHEET	1 OF 2	

<b>digital</b> EQUIPMENT CORPORATION	TITLE	+15V REGULATOR
SIZE CODE	NUMBER	DUA 5411207-0-0
DIST.	REV.	

8      7      6      5      4      3      2      1

THIS DRAWING AND SPECIFICATIONS HEREIN ARE THE PROPERTY OF DIGITAL EQUIPMENT CORPORATION AND SHALL NOT BE REPRODUCED OR COPIED OR USED IN WHOLE OR IN PART AS THE BASIS FOR THE MANUFACTURE OR SALE OF ITEMS WITHOUT WRITTEN PERMISSION. COPYRIGHT © 1974 DIGITAL EQUIPMENT CORPORATION.



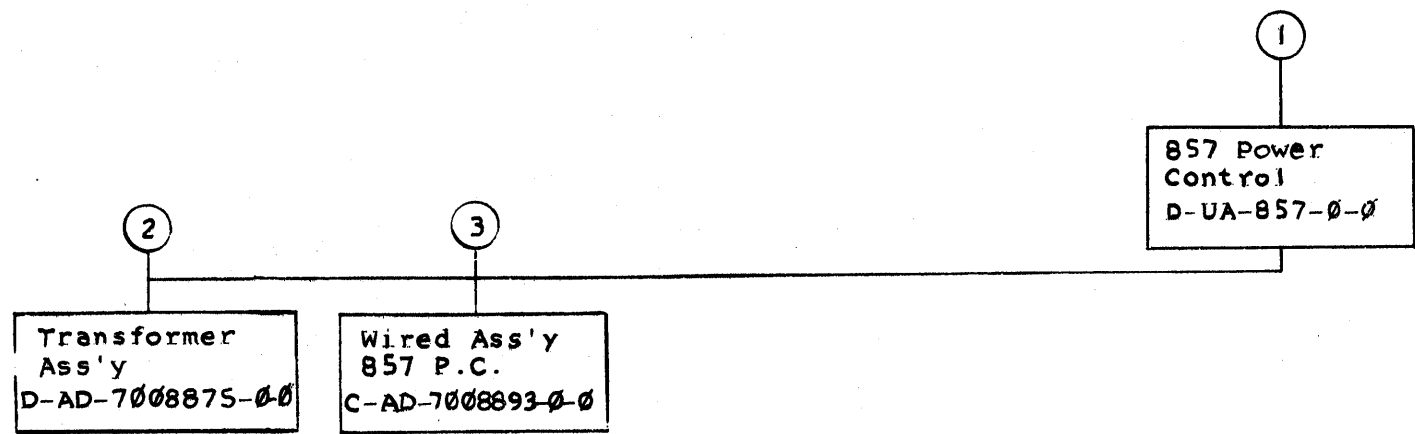
REVISIONS		
CHK	CHANGE NO	REV

TITLE	SIZE CODE	NUMBER	REV.
+15V REGULATOR	D	UA5411207-0-0	
SCALE 2/1	SHEET 2 OF 2	DIST.	









TITLE	SHEET 2 OF 3	SIZE	CODE	NUMBER	REV
857 POWER CONTROL		B	DD	857 - 0	L

MR

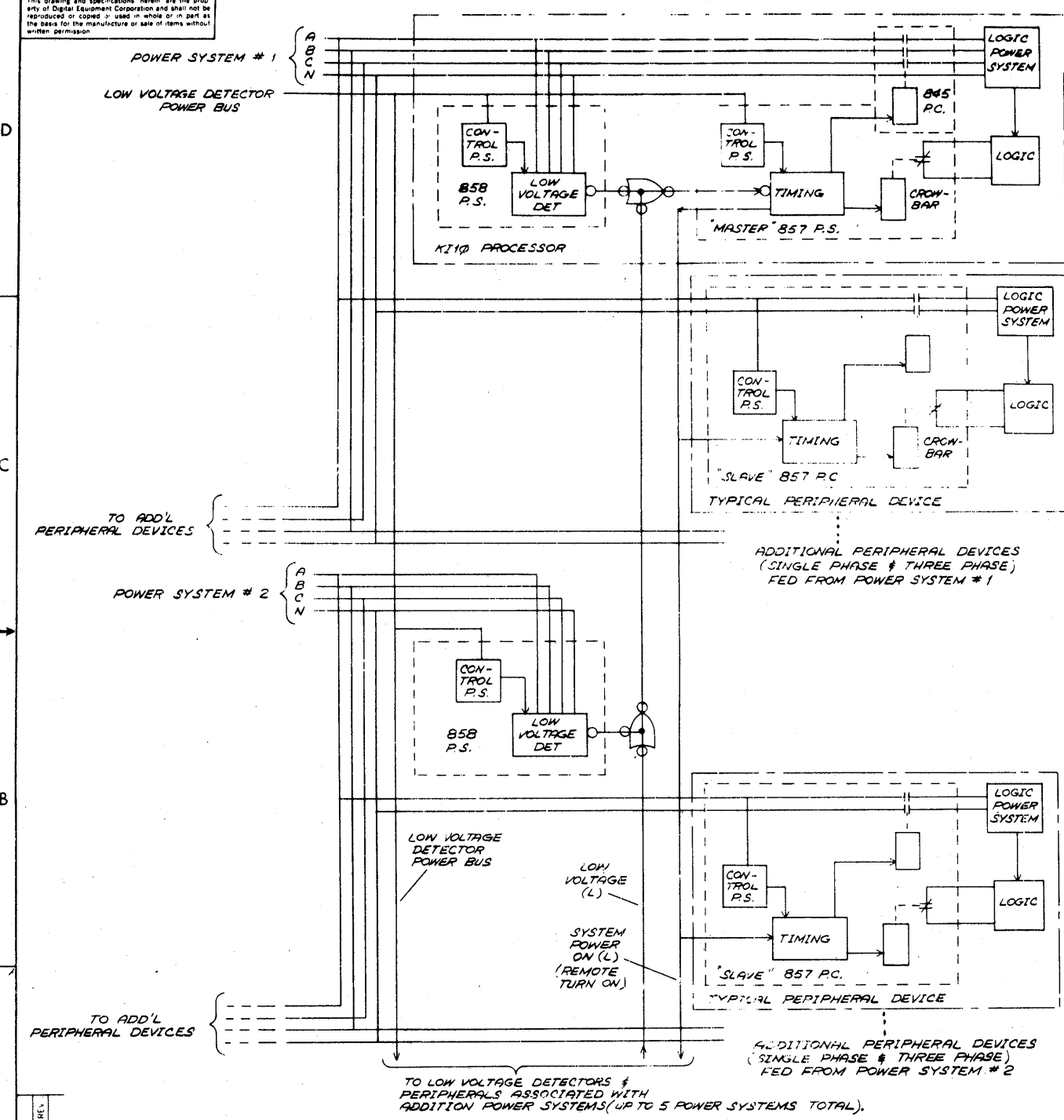
CUSTOMER PRINT SET											ELECTRICAL								CUSTOMER PRINT SET											MECHANICAL							
857-0	MFG. SET	FIND NO.	DRAWING NO.	REV	NO OF SHT	DESCRIPTION	OPTION NO.	857-0	MFG. SET	FIND NO.	DRAWING NO.	REV	NO OF SHT	DESCRIPTION	OPTION NO.																						
X		1	D-AR-858-0-SDN	#	1	System Diagram & Notes	858	X		1	D-UA-857-0-0	E	4	857 Power Control																							
X			D-FD-858-0-FL1	#	1	857/858 Power Control Flow #1		X			A-PL-857-0-0	E	4	857 Power Control PL																							
X			D-FD-858-0-FL2	#	1	" " " Flow #2					E-IA-7409611-0-0	B	1	Chassis																							
X			D-FD-858-0-FL3	#	1	" " " Flow #3					D-IA-7409619-0-0		1	Housing, Capacitor																							
X			D-CS-857-0-ACL	B	1	857 P.C. (AC Line)					C-IA-7409607-0-0		1	Cover, Power Cont.																							
X			D-CS-857-0-RC	*	1	" " (Remote Control)					D-IA-7409626-0-0		1	Brkt., Conn.																							
X			D-CS-857-0-TMP	A	1	" " (Temp Sensors)					C-MD-7409621-0-0		1	Hinge, Cover																							
X			D-CS-858-0-LTS	#	1	858 Aux. P.C. (Line & Temp Sens.)	858				C-MD-7409614-0-0		1	Outlet, Plate																							
X			D-CS-858-0-RES	#	1	" " (Restart)	858				D-MD-7409615-0-0		1	Cover																							
X			D-MU-857-0-MUAD	B	1	Module Utilization					C-MD-7409620-0-0		1	Plate, End																							
X			D-MU-858-0-MUAB	#	1	Module Utilization	858				E-AD-7008874-0-0		1	Switch Cable Ass'y																							
X			K-WL-857-0-WL	A	-	Wire List 857					E-IA-7008881-0-0		1	Wire Harness 857 P.C.																							
X			K-WL-858-0-WL	#	-	Wire List 858	858				A-DC-7409692-0-0	A	1	Decals, 857 Power Cont.																							
	X		C-SP-857-0-3	A	3	Test Procedure					D-IA-7411468-0-0		1	JUMPER PLUGS FOR 857 PWR. CONT.																							
	X		C-CS-857-0-2	*	2	857 Tester					D-IA-7418783-0-0	A	1	BRACKET CONTRACTOR																							
		X	2	D-AD-7008875-0-0	C	2	Transformer Ass'y																														
X		3	C-AD-7008893-0-0	A	1	Wired Ass'y 857 P.C.				2	D-AD-7008875-0-0	#	2	Transformer Ass'y																							
											C-IA-7409606-0-0		1	Switch Mtg. Plate																							
											B-MD-7409704-0-0		1	Sw. Rot. #PA1015 Rework																							
											3	C-AD-7008893-0-0	A	1	Wired Ass'y 857 Power Cont																						
													1	Conn Mtg. Bar																							

TITLE	857 POWER CONTROL	SHEET	3 OF 3	SIZE	CODE	NUMBER	857-0	REV	L
-------	-------------------	-------	--------	------	------	--------	-------	-----	---

MR

This drawing and specifications herein are the property of Digital Equipment Corporation and shall not be reproduced or copied in whole or in part as the basis for the manufacture or sale of items without written permission.

NCS-0-268 REV 2



- NOTES:
1. THE LOGIC POWER SUPPLY SYSTEM MUST BE UP AND ALL RESULTANT LOGIC TRANSIENTS WHICH AFFECT CRITICAL OPERATIONS MUST HAVE DIED OUT IN 3 SEC MAX (BEFORE CROWBAR RELEASE) AFTER AC POWER IS APPLIED (AT LOW OR HIGH LINE WHICHEVER IS WORSE; AND WITH MINIMUM OR MAXIMUM LOAD WHICHEVER IS WORSE).
  2. THE LOGIC POWER SUPPLY SYSTEM MUST BE DOWN (SUCH THAT CRITICAL CIRCUITS CANNOT AFFECT BUSES, ETC.) WITHIN 7 SEC MAX OF REMOVAL OF AC POWER AS A GLITCH IN CROWBAR MAY OCCUR AT THIS TIME DUE TO THE B57 POWER SUPPLY GOING OUT OF SPEC.
  3. WHEN MULTIPLE B55'S ARE USED FOR MULTIPLE (>3) PHASE MONITORING, THE AC LINE SUPPLY (FOR CONTROL POWER) OF ALL B55'S AND THE RELATED B57 MUST BE THE SAME PHASE OF ONE OF THE POWER MAINS SYSTEMS (I.E. ALL B55'S & B57 ARE WIRED IN PARALLEL). IF AN B55 MUST MONITOR A DIFFERENT VOLTAGE THAN THAT OF THE CONTROL POWER AC BUS, IT MUST BE MODIFIED BY REMOVING THE CONTROL POWER AC BUS FROM S2 DECK & COMMON & PERMANENTLY WIRING IT TO THE APPROPRIATE TAP OF T4.
  4. (WHEN MULTIPLE B55'S ARE USED) IN MULTIPROCESSOR SYSTEMS (WHERE A MASTER CONTROL PANEL IS USED), AN ADDITIONAL B57 IS REQUIRED IN THE MASTER CONTROL PANEL. THIS B57 RECEIVES THE OUTPUT OF ALL B55 LOW VOLTAGE DETECTORS.
  5. THE POWER CONTROL WHICH GENERATES SYSTEM POWER ON (REMOTE TURN ON) MUST HAVE SAME CONTROL POWER SUPPLY AC MAINS BUS AS LOW VOLTAGE DETECTORS. FURTHER WHEN THIS BUS FAILS, THE B57 POWER MUST GO DOWN (I.E. THE W519 10S DELAY MUST BE TRIGGERED NOT LATER THAN 1.5S MAX AFTER THE EARLIEST B55 POWER SUPPLY GOES DOWN. (WHEN THE B55 POWER SUPPLY GOES DOWN, LOW VOLTAGE GOES FALSE.) THE ALTERNATIVE IS TO FIX LOW VOLTAGE SIGNAL SO THAT POWER SUPPLY DOWN APPEARS AS LOW VOLTAGE TRUE.

REV	CHG	NO	DATE

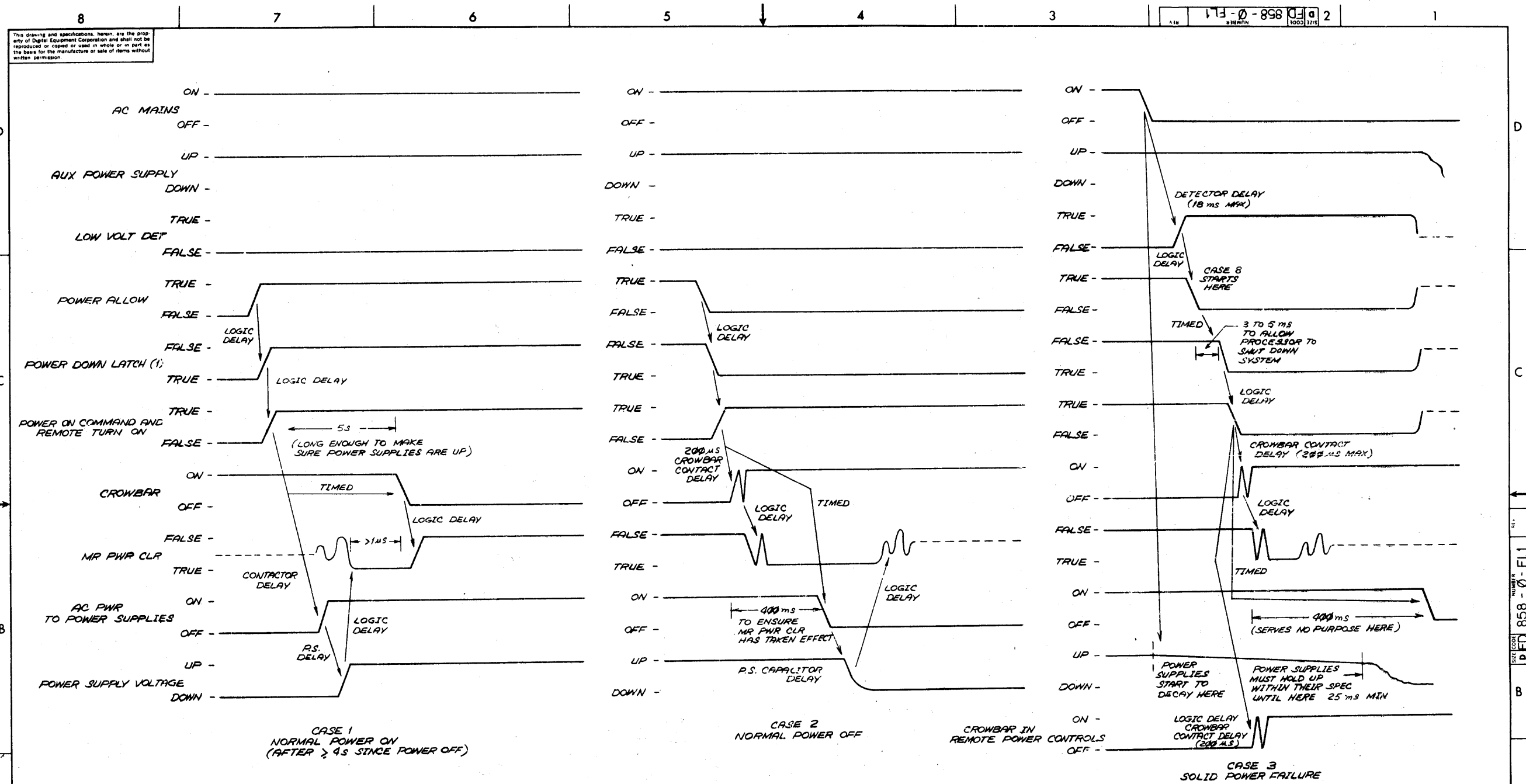
FIRST USED ON OPTION/MODEL	QTY.	DESCRIPTION	PART NO.	ITEM NO.
K110				
UNLESS OTHERWISE SPECIFIED DIMENSION IN INCHES TOLERANCES				
DECIMALS	ANGLES	PARTS LIST		
XXX - 005	10' 30'	DRN	DATE	 <b>digital</b> EQUIPMENT CORPORATION MAYNARD MASSACHUSETTS
X - 1		CHK'D	DATE	
		ENG	DATE	
		PROJ. ENG.	DATE	
		APP'D	DATE	
REMOVE BURRS AND BREAK SHARP CORNERS SURFACE QUALITY		NEXT HIGHER ASSY		
MATERIAL		B-DD-B57-0		SIZE CODE
FINISH		DAR		NUMBER
		1 OF 1		REV
		SHEET		DIST.

TITLE  
SYSTEM DIAGRAM & NOTES

DATE CODE  
DAR 857-0-SDN

B

A



This drawing and specifications, herein, are the property of Digital Equipment Corporation and shall not be reproduced or copied or used in whole or in part as the basis for the manufacture or sale of items without written permission.

FD 858-0-FL1 2

REV	
CHG	
CHK	
REVISIONS	
CHANGE NO	
DATE	

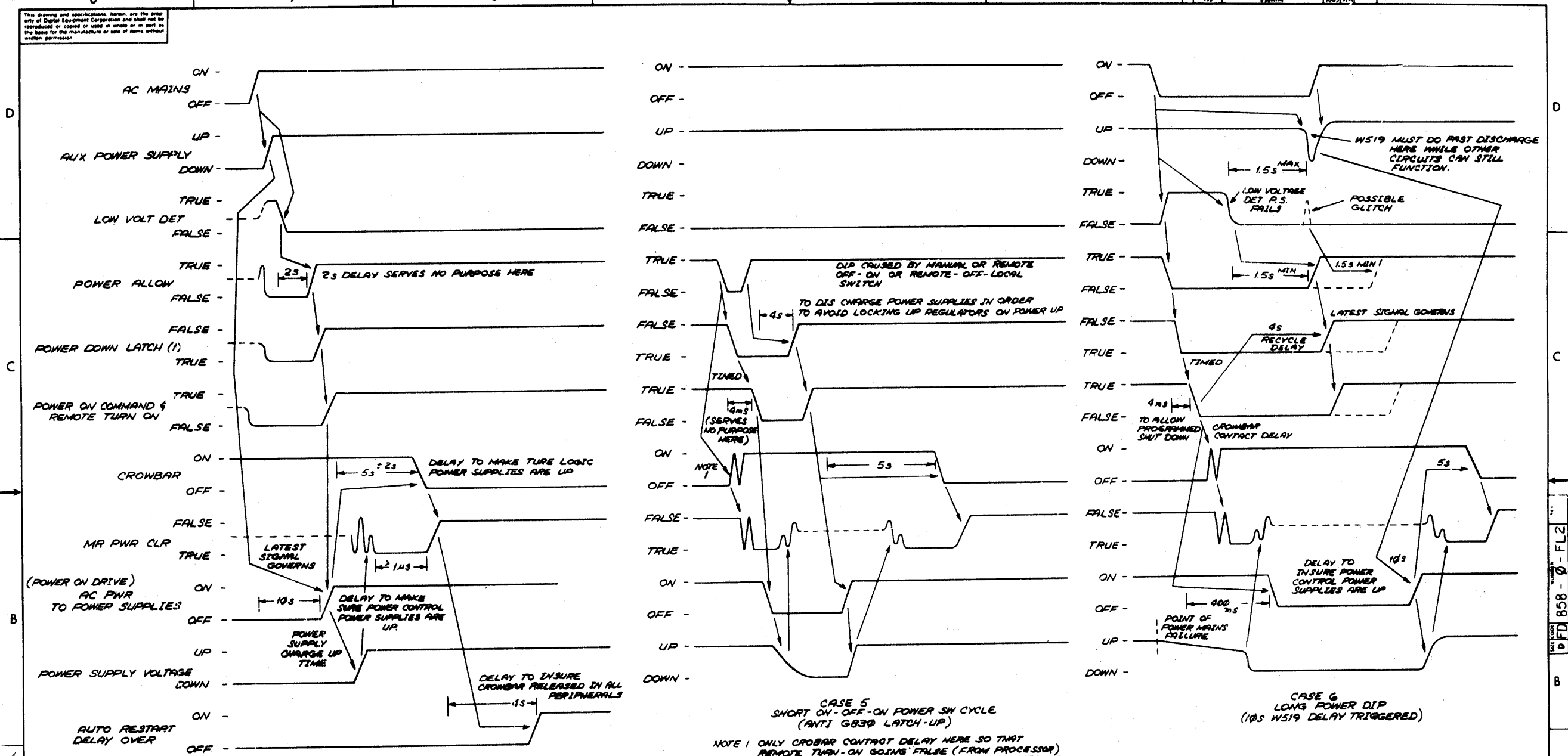
FIRST USED ON OPTION/MODEL	QTY	DESCRIPTION	PART NO	ITEM NO
KI10				
UNLESS OTHERWISE SPECIFIED DIMENSION IN INCHES TOLERANCES				
DECIMALS	ANGLES	digital EQUIPMENT CORPORATION		
xxx - 005	± 0' 30"	TITLE 857 / 858 POWER CONTROL FLOW 1		
REMOVE BURRS AND BREAK SHARP CORNERS SURFACE QUALITY				
MATERIAL				
NEXT HIGHER ASSY				
FINISH				
SCALE		SIZE CODE	NUMBER	REV
SHEET 1 OF 1		DFD	858 - 0 - FL1	

FD 858-0-FL1

DRWING 40-532 15840  
DIE FORM NO  
DRD 102-B

This drawing and specifications herein are the property of Digital Equipment Corporation and shall not be reproduced or copied in whole or in part as the basis for the manufacture or sale of items without written permission.

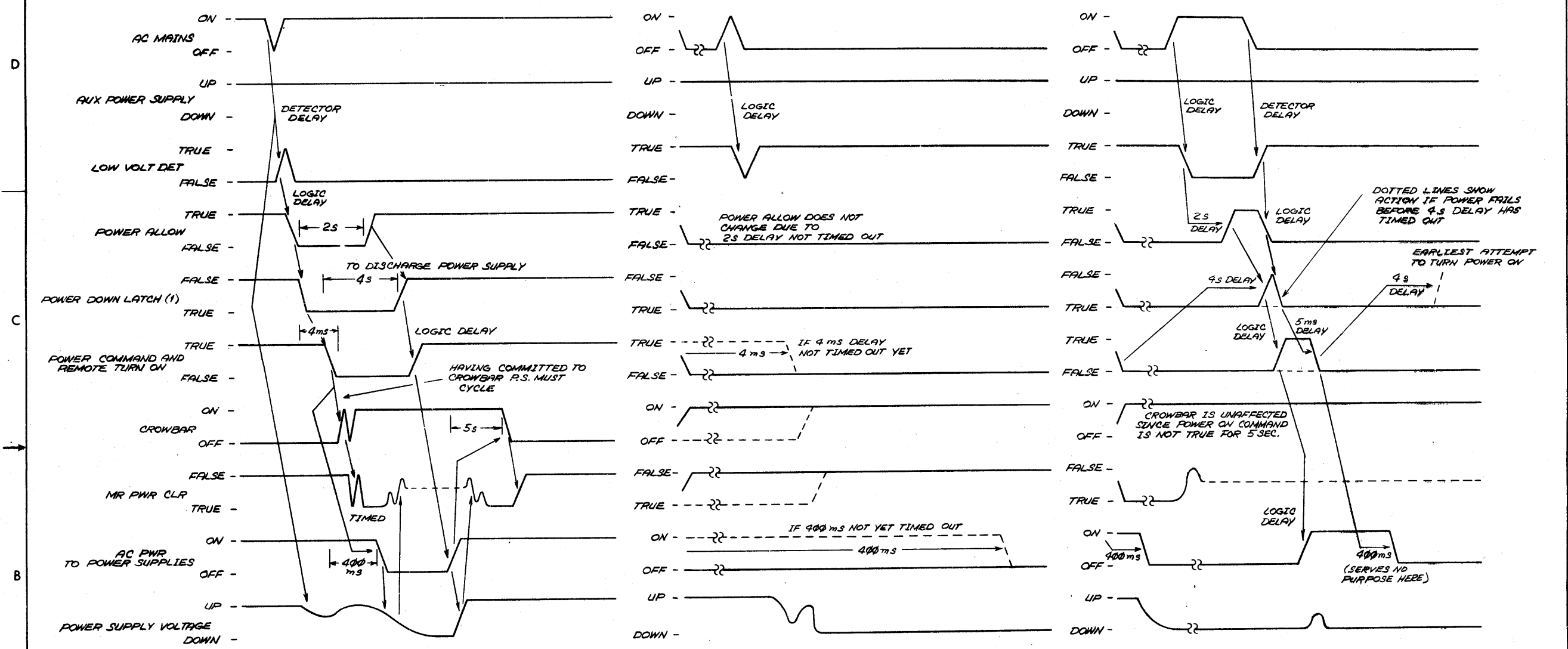
274-0-858 010 2



REV	NO	DATE
CHK	1	12/15/80

FIRST USED ON OPTION/MODEL	QTY	DESCRIPTION	PART NO	ITEM NO
KI10				
UNLESS OTHERWISE SPECIFIED DIMENSION IN INCHES TOLERANCES				
DECIMALS	ANGLES	PARTS LIST		
XXX - 006	10' 30"	DIGITAL EQUIPMENT CORPORATION		
XX - 02		TITLE 857/858		
REMOVE BURRS AND BREAK SHARP CORNERS SURFACE QUALITY				
MATERIAL	NEXT HIGHER ASSY	SIZE CODE	NUMBER	REV
	B-DD-857-0	DFD	858-0-FL2	
FINISH	SCALE	SHEET	OF	DIST
	1/1	1	1	

This drawing and specifications, herein, are the property of Digital Equipment Corporation and shall not be reproduced or copied or used in whole or in part as the basis for the manufacture or sale of items without written permission.



CASE 7  
SHORT POWER DIP (PWR FAIL - LOW VOLT ALARM V HI TEMP V INTERLOCK)  
(10s W/S 9 DELAY NOT TRIGGERED)

CASE 8  
SHORT PULSE IN POWER (OTHERWISE DEAD)  
PULSE  $\leq 2s$

CASE 9  
LONGER PULSE IN PWR  
PULSE  $> 2s$ ; BUT P.S. RECYCLE DELAY NOT OVER  
(ASSUMES AUX PWR SUPPLY HOLDS UP LONGER THAN P.S. RECYCLE DELAY)

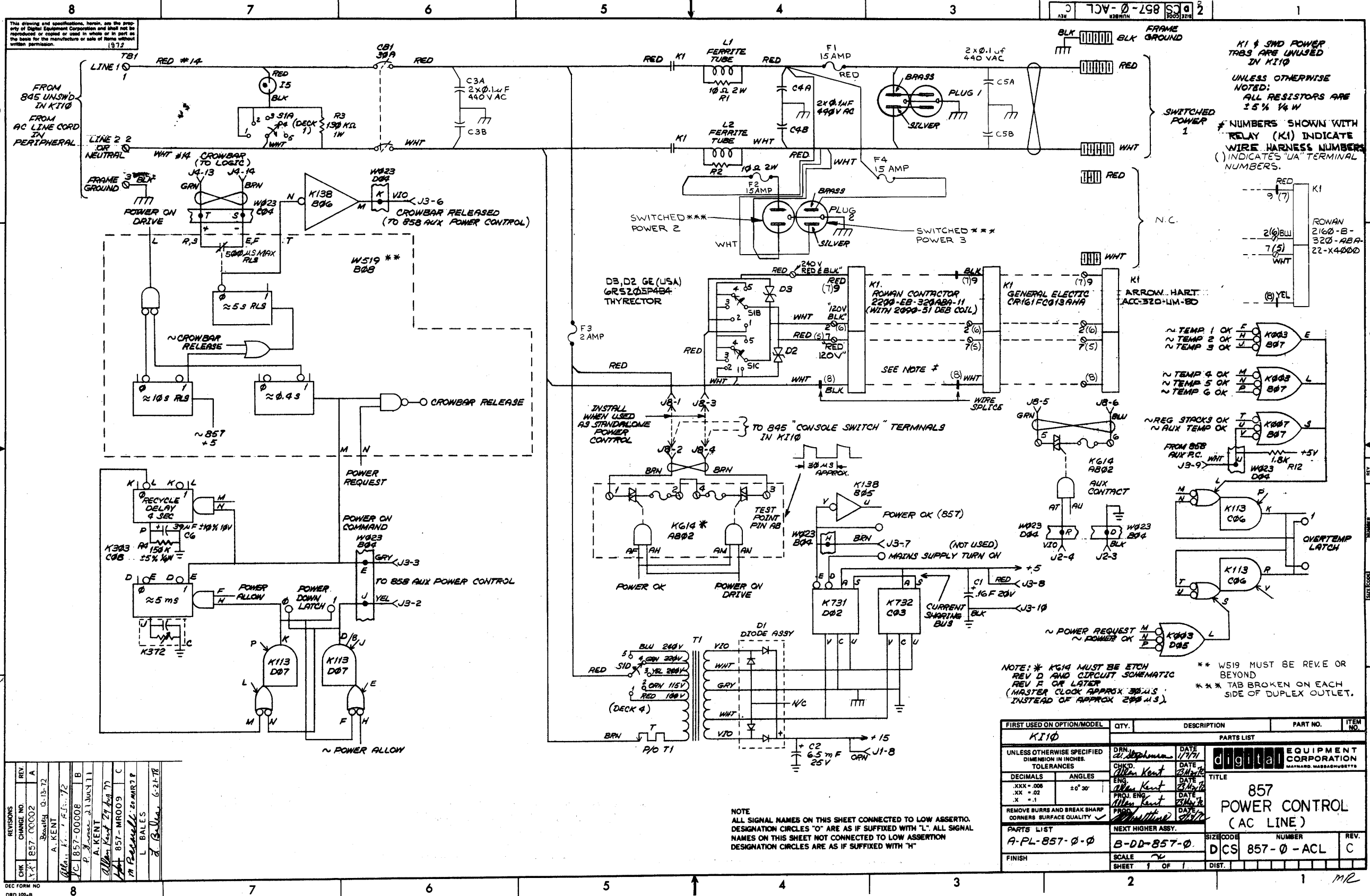
REV.	NO.

DEF. FORM NO. DND 102-B

FIRST USED ON OPTION/MODEL	QTY.	DESCRIPTION	PART NO.	ITEM NO.
KI10				
PARTS LIST				
UNLESS OTHERWISE SPECIFIED DIMENSION IN INCHES TOLERANCES	DRN <i>A. Stephenson</i>	DATE 8/22	digital EQUIPMENT CORPORATION MAYNARD, MASSACHUSETTS	
DECIMALS	CHK'D <i>Allen Kent</i>	DATE 8/22/72	TITLE 857/858 POWER CONTROL FLOW # 3	
ANGLES	ENG <i>Allen Kent</i>	DATE 8/22/72	SIZE CODE B-DD-857-0	
.XXX - .005	PROJ. ENG. <i>Allen Kent</i>	DATE 8/22/72	NUMBER 858-0-FL3	
.XX - .02	PROD. <i>Allen Kent</i>	DATE 8/22/72	REV.	
.X - .1				
REMOVE BURRS AND BREAK SHARP CORNERS SURFACE QUALITY				
MATERIAL	NEXT HIGHER ASSY.			
FINISH	SCALE			
	SHEET OF			

REV. NO. 858-0-FL3





This drawing and specifications, herein, are the property of Digital Equipment Corporation and shall not be reproduced or copied or used in whole or in part as the basis for the manufacture or sale of items without written permission.  
1972

K1 & SWD POWER TABS ARE UNLISHED IN K110  
UNLESS OTHERWISE NOTED: ALL RESISTORS ARE 1/4 W  
NUMBERS SHOWN WITH RELAY (K1) INDICATE WIRE HARNESS NUMBERS  
( ) INDICATES "UA" TERMINAL NUMBERS.

~ TEMP 1 OK  
~ TEMP 2 OK  
~ TEMP 3 OK  
~ TEMP 4 OK  
~ TEMP 5 OK  
~ TEMP 6 OK

~ REG STACKS OK  
~ AUX TEMP OK  
FROM 858 AUX P.C. J3-9

~ POWER REQUEST  
~ POWER OK

NOTE: \* K614 MUST BE ETCH REV D AND CIRCUIT SCHEMATIC REV F OR LATER (MASTER CLOCK APPROX 300 μS INSTEAD OF APPROX 200 μS).  
\*\* W519 MUST BE REVE OR BEYOND  
\*\*\* TAB BROKEN ON EACH SIDE OF DUPLEX OUTLET.

FIRST USED ON OPTION/MODEL	QTY.	DESCRIPTION	PART NO.	ITEM NO.
K110				

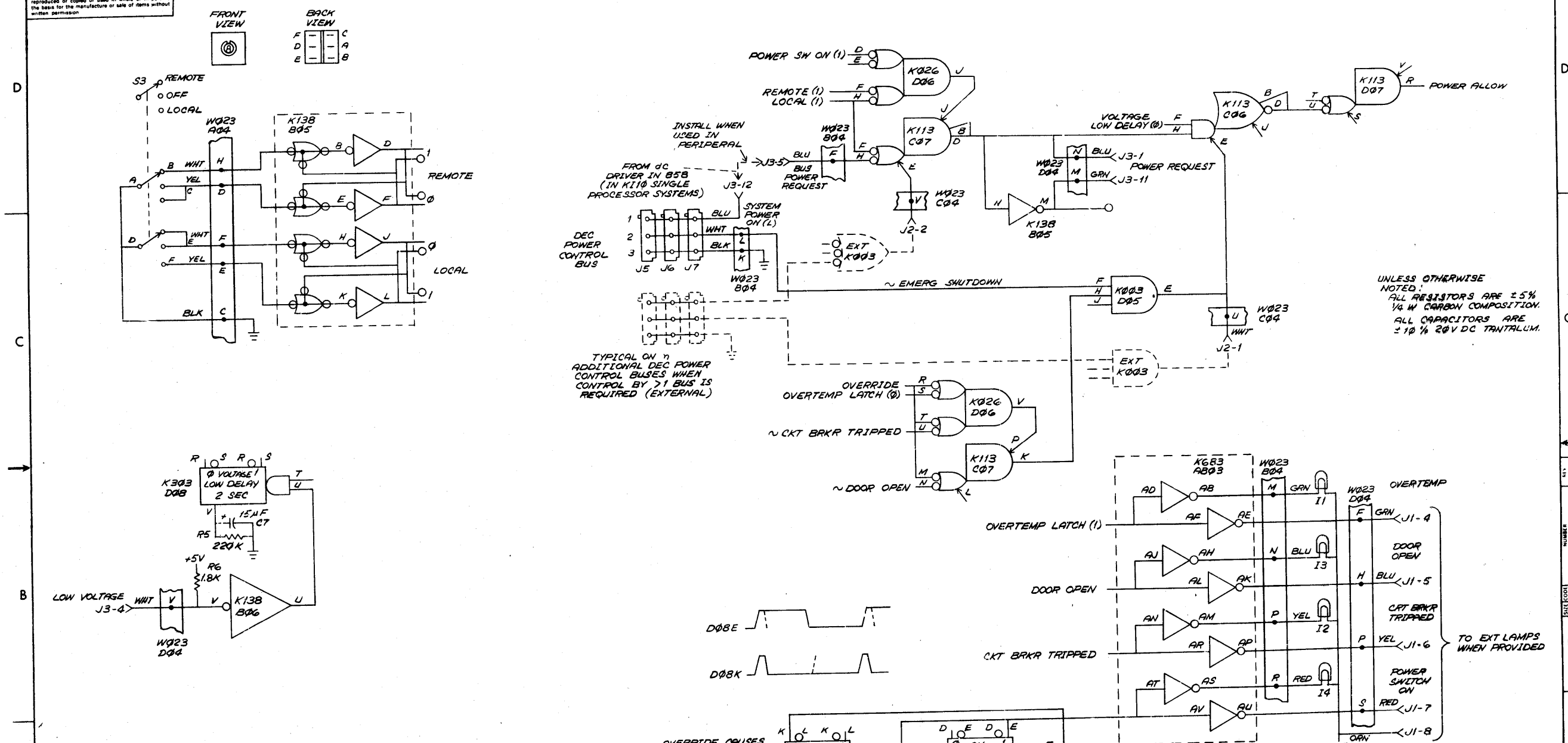
  

PARTS LIST		TITLE		
UNLESS OTHERWISE SPECIFIED DIMENSION IN INCHES. TOLERANCES	DRN: <i>Cl. Chapman</i> DATE: 1/7/71	digital EQUIPMENT CORPORATION MAYNARD, MASSACHUSETTS		
DECIMALS .XXX ± .000	CHKD: <i>Allen Kent</i> DATE: 2/10/71	857 POWER CONTROL (AC LINE)		
ANGLES ± 0° 30'	ENG: <i>Allen Kent</i> DATE: 2/10/71			
.XX ± .02	PROJ. ENG: <i>Allen Kent</i> DATE: 2/10/71			
.X ± .1	TRD: <i>Allen Kent</i> DATE: 2/10/71			
REMOVE BURRS AND BREAK SHARP CORNERS SURFACE QUALITY				
PARTS LIST	NEXT HIGHER ASSY.	SIZE CODE	NUMBER	REV.
A-PL-857-0-0	B-DD-857-0	D	CS 857-0-ACL	C
FINISH	SCALE	SHEET	OF	DIST.
	1	1	1	

REV.	CHANGE NO.	BY	DATE
A	1	A. KENT	10-13-72
B	2	A. KENT	11-11-72
C	3	A. KENT	12-14-72
D	4	A. KENT	1-11-73
E	5	A. KENT	2-11-73
F	6	A. KENT	3-11-73
G	7	A. KENT	4-11-73
H	8	A. KENT	5-11-73
I	9	A. KENT	6-11-73
J	10	A. KENT	7-11-73
K	11	A. KENT	8-11-73
L	12	A. KENT	9-11-73
M	13	A. KENT	10-11-73
N	14	A. KENT	11-11-73
O	15	A. KENT	12-11-73
P	16	A. KENT	1-11-74
Q	17	A. KENT	2-11-74
R	18	A. KENT	3-11-74
S	19	A. KENT	4-11-74
T	20	A. KENT	5-11-74
U	21	A. KENT	6-11-74
V	22	A. KENT	7-11-74
W	23	A. KENT	8-11-74
X	24	A. KENT	9-11-74
Y	25	A. KENT	10-11-74
Z	26	A. KENT	11-11-74
AA	27	A. KENT	12-11-74
AB	28	A. KENT	1-11-75
AC	29	A. KENT	2-11-75
AD	30	A. KENT	3-11-75
AE	31	A. KENT	4-11-75
AF	32	A. KENT	5-11-75
AG	33	A. KENT	6-11-75
AH	34	A. KENT	7-11-75
AI	35	A. KENT	8-11-75
AJ	36	A. KENT	9-11-75
AK	37	A. KENT	10-11-75
AL	38	A. KENT	11-11-75
AM	39	A. KENT	12-11-75
AN	40	A. KENT	1-11-76
AO	41	A. KENT	2-11-76
AP	42	A. KENT	3-11-76
AQ	43	A. KENT	4-11-76
AR	44	A. KENT	5-11-76
AS	45	A. KENT	6-11-76
AT	46	A. KENT	7-11-76
AU	47	A. KENT	8-11-76
AV	48	A. KENT	9-11-76
AW	49	A. KENT	10-11-76
AX	50	A. KENT	11-11-76
AY	51	A. KENT	12-11-76
AZ	52	A. KENT	1-11-77
BA	53	A. KENT	2-11-77
BB	54	A. KENT	3-11-77
BC	55	A. KENT	4-11-77
BD	56	A. KENT	5-11-77
BE	57	A. KENT	6-11-77
BF	58	A. KENT	7-11-77
BG	59	A. KENT	8-11-77
BH	60	A. KENT	9-11-77
BI	61	A. KENT	10-11-77
BJ	62	A. KENT	11-11-77
BK	63	A. KENT	12-11-77
BL	64	A. KENT	1-11-78
BM	65	A. KENT	2-11-78
BN	66	A. KENT	3-11-78
BO	67	A. KENT	4-11-78
BP	68	A. KENT	5-11-78
BQ	69	A. KENT	6-11-78
BR	70	A. KENT	7-11-78
BS	71	A. KENT	8-11-78
BT	72	A. KENT	9-11-78
BU	73	A. KENT	10-11-78
BV	74	A. KENT	11-11-78
BW	75	A. KENT	12-11-78
BX	76	A. KENT	1-11-79
BY	77	A. KENT	2-11-79
BZ	78	A. KENT	3-11-79
CA	79	A. KENT	4-11-79
CB	80	A. KENT	5-11-79
CC	81	A. KENT	6-11-79
CD	82	A. KENT	7-11-79
CE	83	A. KENT	8-11-79
CF	84	A. KENT	9-11-79
CG	85	A. KENT	10-11-79
CH	86	A. KENT	11-11-79
CI	87	A. KENT	12-11-79
CJ	88	A. KENT	1-11-80
CK	89	A. KENT	2-11-80
CL	90	A. KENT	3-11-80
CM	91	A. KENT	4-11-80
CN	92	A. KENT	5-11-80
CO	93	A. KENT	6-11-80
CP	94	A. KENT	7-11-80
CQ	95	A. KENT	8-11-80
CR	96	A. KENT	9-11-80
CS	97	A. KENT	10-11-80
CT	98	A. KENT	11-11-80
CU	99	A. KENT	12-11-80
CV	100	A. KENT	1-11-81
CW	101	A. KENT	2-11-81
CX	102	A. KENT	3-11-81
CY	103	A. KENT	4-11-81
CA	104	A. KENT	5-11-81
CB	105	A. KENT	6-11-81
CC	106	A. KENT	7-11-81
CD	107	A. KENT	8-11-81
CE	108	A. KENT	9-11-81
CF	109	A. KENT	10-11-81
CG	110	A. KENT	11-11-81
CH	111	A. KENT	12-11-81
CI	112	A. KENT	1-11-82
CJ	113	A. KENT	2-11-82
CK	114	A. KENT	3-11-82
CL	115	A. KENT	4-11-82
CM	116	A. KENT	5-11-82
CN	117	A. KENT	6-11-82
CO	118	A. KENT	7-11-82
CP	119	A. KENT	8-11-82
CQ	120	A. KENT	9-11-82
CR	121	A. KENT	10-11-82
CS	122	A. KENT	11-11-82
CT	123	A. KENT	12-11-82
CU	124	A. KENT	1-11-83
CV	125	A. KENT	2-11-83
CW	126	A. KENT	3-11-83
CX	127	A. KENT	4-11-83
CY	128	A. KENT	5-11-83
CA	129	A. KENT	6-11-83
CB	130	A. KENT	7-11-83
CC	131	A. KENT	8-11-83
CD	132	A. KENT	9-11-83
CE	133	A. KENT	10-11-83
CF	134	A. KENT	11-11-83
CG	135	A. KENT	12-11-83
CH	136	A. KENT	1-11-84
CI	137	A. KENT	2-11-84
CJ	138	A. KENT	3-11-84
CK	139	A. KENT	4-11-84
CL	140	A. KENT	5-11-84
CM	141	A. KENT	6-11-84
CN	142	A. KENT	7-11-84
CO	143	A. KENT	8-11-84
CP	144	A. KENT	9-11-84
CQ	145	A. KENT	10-11-84
CR	146	A. KENT	11-11-84
CS	147	A. KENT	12-11-84
CT	148	A. KENT	1-11-85
CU	149	A. KENT	2-11-85
CV	150	A. KENT	3-11-85

NOTE: ALL SIGNAL NAMES ON THIS SHEET CONNECTED TO LOW ASSERTION. DESIGNATION CIRCLES "O" ARE AS IF SUFFIXED WITH "L". ALL SIGNAL NAMES ON THIS SHEET NOT CONNECTED TO LOW ASSERTION DESIGNATION CIRCLES ARE AS IF SUFFIXED WITH "H"

This drawing and specifications, herein, are the property of Digital Equipment Corporation and shall not be reproduced or copied or used in whole or in part as the basis for the manufacture or sale of items without written permission.



UNLESS OTHERWISE NOTED:  
 ALL RESISTORS ARE ±5%  
 1/4 W CARBON COMPOSITION.  
 ALL CAPACITORS ARE  
 ±10% 20V DC TANTALUM.

REV	NO
CHANGE NO	
CHK	

DEC 1 1964  
 DRD 102-B

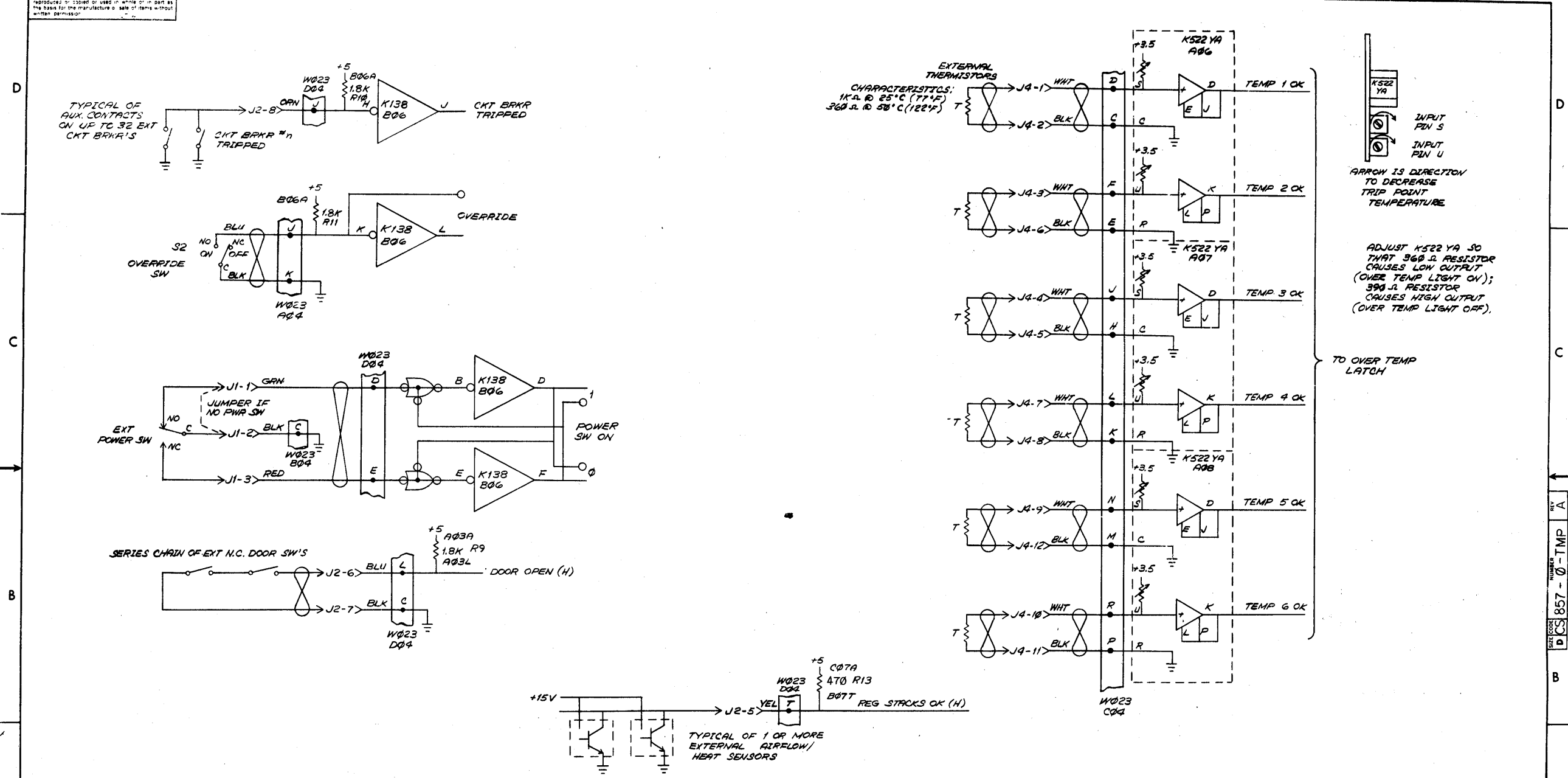
NOTE  
 ALL SIGNAL NAMES ON THIS SHEET CONNECTED TO LOW ASSERTION DESIGNATION CIRCLES "0" ARE AS IF SUFFIXED WITH "L". ALL SIGNAL NAMES ON THIS SHEET NOT CONNECTED TO LOW ASSERTION DESIGNATION CIRCLES ARE AS IF SUFFIXED WITH "H".

FIRST USED ON OPTION/MODEL	QTY.	DESCRIPTION	PART NO.	ITEM NO.
PARTS LIST				
UNLESS OTHERWISE SPECIFIED DIMENSION IN INCHES TOLERANCES	DRN 3/23/64	DATE	digital EQUIPMENT CORPORATION MAYFORD MASSACHUSETTS	
DECIMALS .xxx - .005	CHK Allen Kent	DATE	TITLE 857 POWER CONTROL (REMOTE CONTROL)	
ANGLES ±0° 30'	ENG Allen Kent	DATE	MATERIAL NEXT HIGHER ASSY.	
REMOVE BURRS AND BREAK SHARP CORNERS SURFACE QUALITY	PROJ ENG Allen Kent	DATE	FINISH	
	PROD Allen Kent	DATE	SCALE	
			SHEET 1 OF 1	
			DIST.	
			NUMBER DCS 857-0-RC	
			REV.	

SIZE CODE  
 NUMBER  
 DCS 857-0-RC

This drawing and specifications, herein are the property of Digital Equipment Corporation and shall not be reproduced, copied or used in whole or in part as the basis for the manufacture of items without written permission.

DCS 857-0-TMP 2



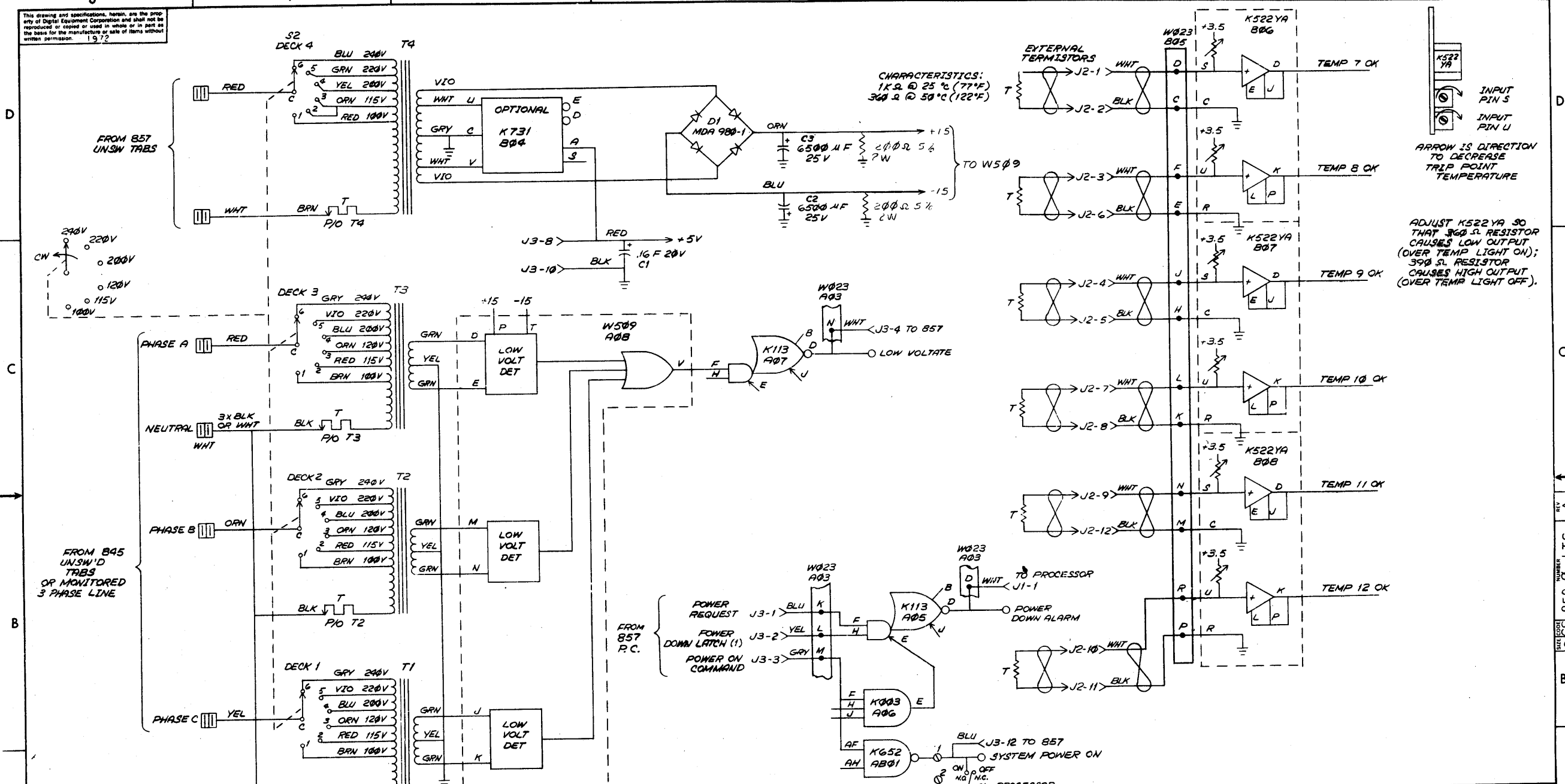
REV	1	2-13-72
CHANGE NO	00002	A
CHK	2	
DESIGNER	A. KENT	
DATE	6 Jan 73	

NOTE  
 ALL SIGNAL NAMES ON THIS SHEET CONNECTED TO LOW ASSERTION DESIGNATION CIRCLES "O" ARE AS IF SUFFIXED WITH "L". ALL SIGNAL NAMES ON THIS SHEET NOT CONNECTED TO LOW ASSERTION DESIGNATION CIRCLES ARE AS IF SUFFIXED WITH "H".

FIRST USED ON OPTION/MODEL	QTY.	DESCRIPTION	PART NO.	ITEM NO.
PARTS LIST				
UNLESS OTHERWISE SPECIFIED DIMENSION IN INCHES TOLERANCES	DRN C. Stephenson	DATE 2/2/72	DIGITAL EQUIPMENT CORPORATION MAYNARD, MASSACHUSETTS	
DECIMALS .XXX = .005 .XX = .02 .X = .1	ANGLES ±0° 30'	CHKD Allen Kent	DATE 2/10/72	TITLE 857 POWER CONTROL (TEMP SENSORS)
REMOVE BURRS AND BREAK SHARP CORNERS SURFACE QUALITY	PROJ ENG Allen Kent	DATE 2/10/72	PROF Allen Kent	DATE 2/10/72
MATERIAL	NEXT HIGHER ASSY.	SIZE CODE	NUMBER	REV.
FINISH	B-DD-857-0	DCS 857-0-TMP	A	
SCALE	SHEET 1 OF 1	DIST.		

This drawing and specifications, herein, are the property of Digital Equipment Corporation and shall not be reproduced or copied or used in whole or in part in the form of a drawing or otherwise without written permission. 1972

S17-0-898 2



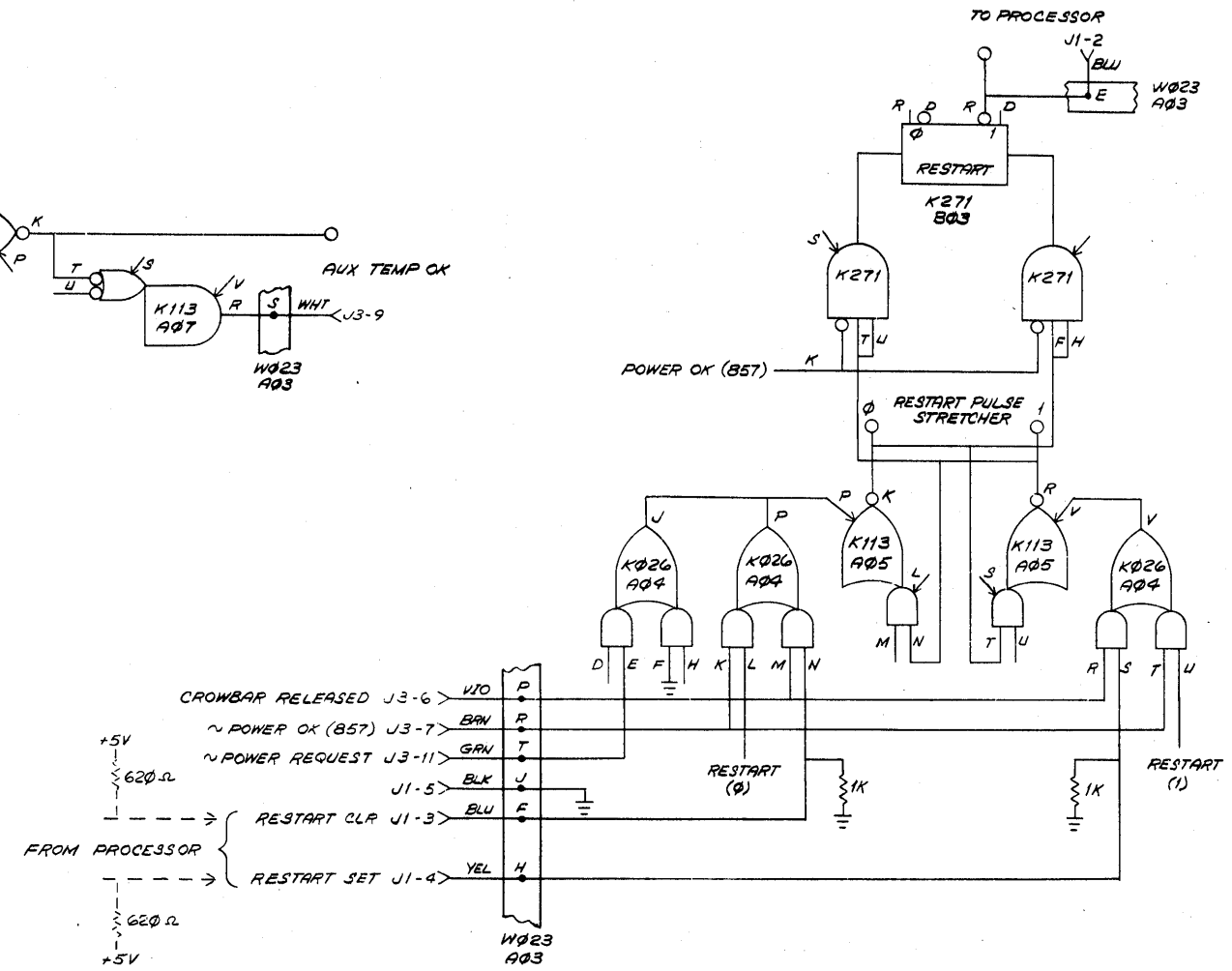
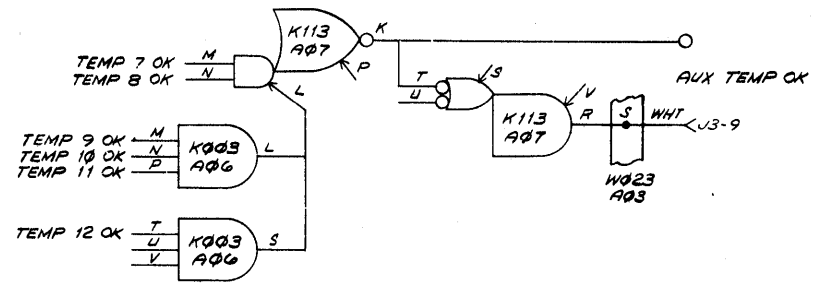
REV	CHANGE NO	DATE	BY
1	0001	1/19/72	AK
2	0002	2/28/72	AK
3	0003	2/28/72	AK
4	0004	2/28/72	AK

NOTE  
 ALL SIGNAL NAMES ON THIS SHEET CONNECTED TO LOW ASSERTION DESIGNATION CIRCLES "O" ARE AS IF SUFFIXED WITH "L". ALL SIGNAL NAMES ON THIS SHEET NOT CONNECTED TO LOW ASSERTION DESIGNATION CIRCLES ARE AS IF SUFFIXED WITH "H".

FIRST USED ON OPTION/MODEL	QTY.	DESCRIPTION	PART NO.	ITEM NO.
K110		PARTS LIST		
UNLESS OTHERWISE SPECIFIED DIMENSION IN INCHES.				
TOLERANCES		DRN	DATE	
DECIMALS	ANGLES	AK	1/19/72	
.XXX - .006	± 0° 30'	CHK'D	DATE	
.XX - .02		AK	2/28/72	
.X - .1		ENG	DATE	
		AK	2/28/72	
REMOVE BURRS AND BREAK SHARP CORNERS SURFACE QUALITY				
NEXT HIGHER ASSY.				
MATERIAL		PROJ. ENG.	DATE	
		AK	2/28/72	
FINISH		PROD.	DATE	
		AK	2/28/72	
		TITLE		
		858 AUX POWER CONTROL (LINE & TEMP SENSING)		
		SIZE CODE	NUMBER	REV.
		DCS	858-0-LTS	A
		SCALE		
		SHEET	1 OF 1	
		DIST		

This drawing and specifications, herein, are the property of Digital Equipment Corporation and shall not be reproduced or copied or used in whole or in part as the basis for the manufacture or sale of items without written permission.

RES - 0 - 898 DCS 2



UNLESS OTHERWISE NOTED:  
ALL RESISTORS ARE ± 5%  
1/4 W CARBON COMPOSITION

REV	NO
CHG	NO
CHK	NO

FIRST USED ON OPTION/MODEL	QTY.	DESCRIPTION	PART NO.	ITEM NO.
K110				
PARTS LIST				
UNLESS OTHERWISE SPECIFIED DIMENSION IN INCHES. TOLERANCES	DATE	DATE	digital EQUIPMENT CORPORATION MAYNARD MASSACHUSETTS	
DECIMALS ANGLES	DATE	DATE	TITLE	
.XXX - .005 ± 0° 30'	DATE	DATE	858 AUX POWER CONTROL (RESTART)	
REMOVE BURRS AND BREAK SHARP CORNERS SURFACE QUALITY	DATE	DATE	NUMBER	
MATERIAL	DATE	DATE	REV	
NEXT HIGHER ASSY.	DATE	DATE	B-DD-857-0	
FINISH	SCALE	SCALE	DCS 858-0-RES	
	SHEET	OF	DIST	

117MM NU  
117D 102-B

REV  
NUMBER  
DCS 858-0-RES

This drawing and specifications, herein, are the property of Digital Equipment Corporation and shall not be reproduced or copied or used in whole or in part as the basis for the manufacture or sale of items without written permission.

**CABLE TO EXTERNAL INDICATOR & CONTROL PANEL (WHEN USED)**

PIN	SIGNAL	INPUT/OUTPUT
J1-1	POWER SW N.O.	INPUT
2	POWER SW COM (GND)	—
3	POWER SW N.C.	INPUT
4	OVERTEMP LMP L	OUTPUT
5	DOOR OPEN LMP L	OUTPUT
6	CKT BRKR TRIPPED LMP L	OUTPUT
7	POWER SW ON LMP L	OUTPUT
8	+15V	OUTPUT
9	SPARE	—
10	SPARE	—
11	SPARE	—
12	SPARE	—

USE 741468-1 WHEN NO POWER SWITCH USED

**CABLE TO DC WIRING HARNESS**

PIN	SIGNAL	INPUT/OUTPUT
J2-1	EMERG SHUTDOWN EXP	INPUT
2	BUS POWER REQUEST EXP	INPUT
3	GROUND	—
4	AUX CONTACT IN H	INPUT
5	REG STACKS OK H	INPUT
6	DOOR OPEN H	INPUT
7	DOOR OPEN RET (GND)	—
8	CKT BRKR TRIPPED L	INPUT
9	SPARE	—
10	SPARE	—
11	SPARE	—
12	SPARE	—

\* THESE PINS ARE USED ONLY TO EXPAND CONTROL FROM MULTIPLE POWER CONTROL BUSES. (SPECIAL SYSTEMS)

**CABLE TO 858 (KI10) JUMPER PLUG (PERIPHERALS)**

PIN	SIGNAL	INPUT/OUTPUT
J3-1	POWER REQUEST H	OUTPUT
2	POWER DOWN LATCH (1) H	OUTPUT
3	POWER ON COMMAND H	OUTPUT
4	LOW VOLTAGE L	INPUT
5	BUS POWER REQUEST L	OUTPUT
6	CROWBAR RELEASED H	OUTPUT
7	POWER OK (857) H	OUTPUT
8	+5V	OUTPUT
9	AUX TEMP OK L	INPUT
10	GROUND	—
11	POWER REQUEST L	OUTPUT
12	SYSTEM POWER ON L	I/O

\* THESE PINS ARE JUMPED TOGETHER WHEN NO 858 IS USED OR WHEN THE KI10 IS NOT THE SYSTEM MASTER CONTROL. (741468-2)

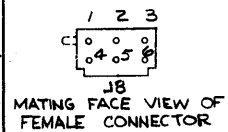
**THERMISTOR CABLE**

PIN	SIGNAL
JA-1	THERMISTOR 1
2	1 RET
3	2
4	3
5	3 RET
6	2 RET
7	4
8	4 RET
9	5
10	6
11	6 RET
12	THERMISTOR 5 RET
13	CROWBAR +
14	CROWBAR -
15	SPARE

**DC POWER CONTROL BUS**

PIN	SIGNAL
J5-1	SYSTEM POWER ON L
2	EMERG SHUTDOWN L
3	GROUND

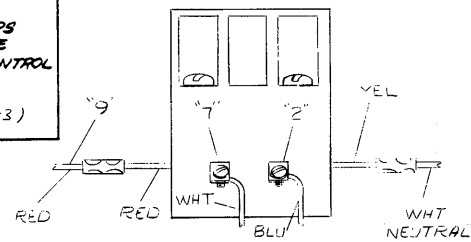
J5, J6, & J7 ARE WIRED IN PARALLEL



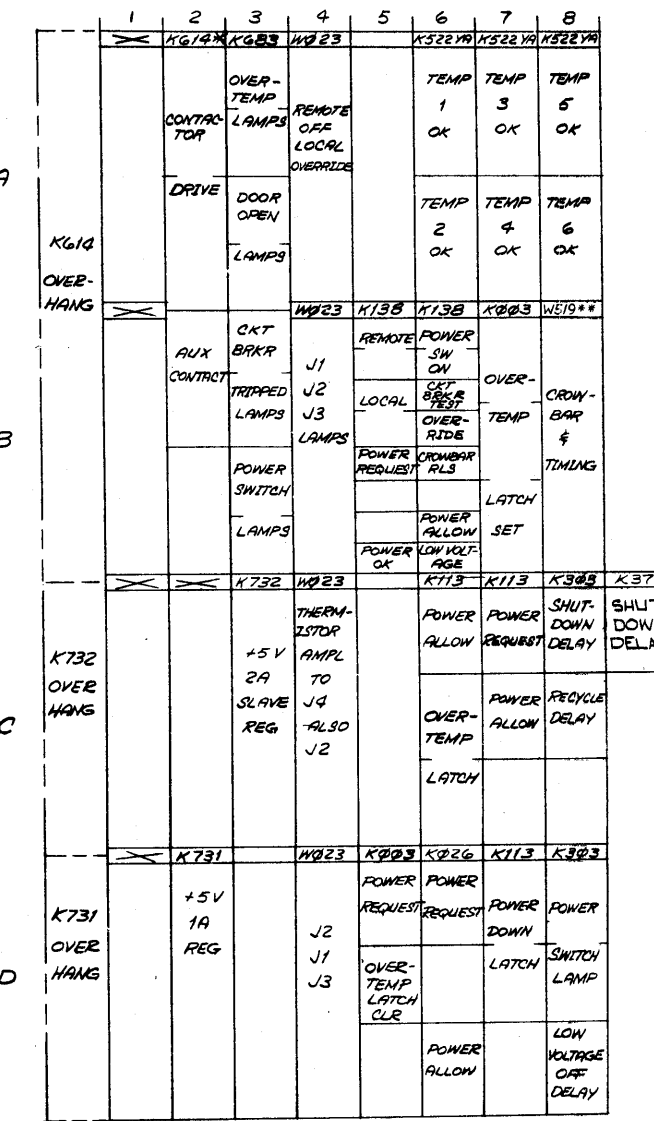
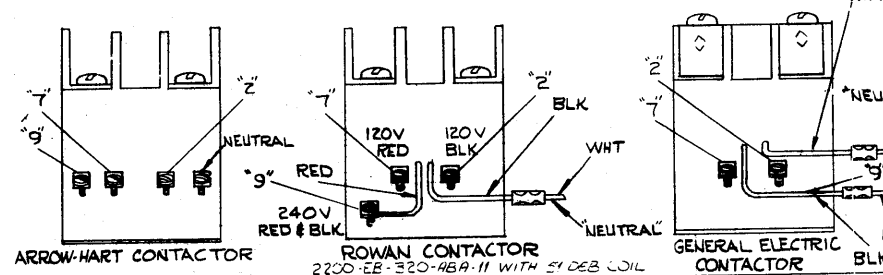
J5, J6, & J7 MATING FACE VIEW OF FEMALE CONNECTOR

**AC CONTACTOR CONTROL (CAUTION HIGH VOLTAGE)**

PIN	SIGNAL	KI10 USAGE	PERIPHERAL USAGE
J8-1	LINE 1 (AC) THRU CKT BRKR	—	—
2	POWER ON TRIAC (2N)	TO 845 "CONSOLE SW"	JUMPERS ENABLE
3	BST CONTACTOR COIL	—	857 CONTROL
4	POWER ON TRIAC (OUT)	TO 845 "CONSOLE SW"	—
5	AUX CONTACT TRIAC (2N)	—	—
6	AUX CONTACT TRIAC (OUT)	—	(741468-3)



REF DES	DESCRIPTION	PART NO.
S3	SWITCH, TOGGLE C+K 7211	1209593
S2	SWITCH, TOGGLE MICRO SWITCH 6ATI-72	1201168
S1	SWITCH PA1015 RENORKED	7409704-1
R3	RESISTOR 130K 1/2W, 1W	1305604
D2, D3	THYRECTOR GE 6RS20SPAB4	1100106
D1	RECTIFIER 12A *MDA980-1	1110168
T1	TRANSFORMER 12.6V, 15V	1610443
I1-I4	LAMP, IND 18V T-1-3/4	1210628
I1-I4	IND SOCKET MARCO OAK *59-52380-41-25	1210584
C3, C4, C5	CAPACITOR 2X 0.1UF 1000VDC	1202153
R1, R2	RESISTOR 10Ω, 2W, 10%	1300172
C2	CAPACITOR 6500UF 25V	1009493
C1	CAPACITOR 160000UF 20V	1004874
I5	LAMP 1020-C55, 125V RED LENS INDUS. DEV	1201280
CB1	CIRCUIT BREAKER 30A	1201219
L1, L2	FERITE TUBE *56-261-30-38	1605147
K1	CONTACTOR 30A 2P SER/PHR -OR 115E-01	1209406-3
TB1	END SECTION *330 BUCHANAN	1209158-2
TB1	TERM BLOCK *529 3SEC BUCHANAN	1209158-1
REF DES	DESCRIPTION	PART NO.



NOTE: \* K614 MUST BE ETCH REV D AND CIRCUIT SCHEMATIC REV F OF LATER. \*\* W619 MUST BE ETCH REV E OR ABOVE

UP LEFT HAND MTG (KI10)  
UP RIGHT HAND MTG (PERIPHERALS)

BUS PINS A & C IN EACH MODULE ROW

REVISIONS

REV	DATE	BY	DESCRIPTION
1	11/13/72	W. Stephenson	INITIAL DESIGN
2	11/13/72	W. Stephenson	REVISED FOR MANUFACTURE
3	11/13/72	W. Stephenson	REVISED FOR MANUFACTURE
4	11/13/72	W. Stephenson	REVISED FOR MANUFACTURE
5	11/13/72	W. Stephenson	REVISED FOR MANUFACTURE
6	11/13/72	W. Stephenson	REVISED FOR MANUFACTURE
7	11/13/72	W. Stephenson	REVISED FOR MANUFACTURE
8	11/13/72	W. Stephenson	REVISED FOR MANUFACTURE
9	11/13/72	W. Stephenson	REVISED FOR MANUFACTURE
10	11/13/72	W. Stephenson	REVISED FOR MANUFACTURE
11	11/13/72	W. Stephenson	REVISED FOR MANUFACTURE
12	11/13/72	W. Stephenson	REVISED FOR MANUFACTURE
13	11/13/72	W. Stephenson	REVISED FOR MANUFACTURE
14	11/13/72	W. Stephenson	REVISED FOR MANUFACTURE
15	11/13/72	W. Stephenson	REVISED FOR MANUFACTURE
16	11/13/72	W. Stephenson	REVISED FOR MANUFACTURE
17	11/13/72	W. Stephenson	REVISED FOR MANUFACTURE
18	11/13/72	W. Stephenson	REVISED FOR MANUFACTURE
19	11/13/72	W. Stephenson	REVISED FOR MANUFACTURE
20	11/13/72	W. Stephenson	REVISED FOR MANUFACTURE
21	11/13/72	W. Stephenson	REVISED FOR MANUFACTURE
22	11/13/72	W. Stephenson	REVISED FOR MANUFACTURE
23	11/13/72	W. Stephenson	REVISED FOR MANUFACTURE
24	11/13/72	W. Stephenson	REVISED FOR MANUFACTURE
25	11/13/72	W. Stephenson	REVISED FOR MANUFACTURE
26	11/13/72	W. Stephenson	REVISED FOR MANUFACTURE
27	11/13/72	W. Stephenson	REVISED FOR MANUFACTURE
28	11/13/72	W. Stephenson	REVISED FOR MANUFACTURE
29	11/13/72	W. Stephenson	REVISED FOR MANUFACTURE
30	11/13/72	W. Stephenson	REVISED FOR MANUFACTURE

FIRST USED ON OPTION/MODEL	QTY.	DESCRIPTION	PART NO.	ITEM NO.
KI10				
UNLESS OTHERWISE SPECIFIED DIMENSION IN INCHES TOLERANCES				
DECIMALS	ANGLES	DATE 11/13/72		
XXX - .005	XX - .02	DATE 11/13/72		
X - .1		DATE 11/13/72		
REMOVE BURRS AND BREAK SHARP CORNERS SURFACE QUALITY				
NEXT HIGHER ASSY.				
MATERIAL		SIZE CODE		REV.
B-DD-057-0		DMU 857-0-MUAD		b
FINISH				
SCALE		DIST		
SHEET 1 OF 1				

**MODULE UTILIZATION**

This drawing and specifications, herein, are the property of Digital Equipment Corporation and shall not be reproduced or copied or used in whole or in part as the basis for the manufacture or sale of items without written permission.

DMU 858-0-MUAB 2

CABLE TO PROCESSOR LOGIC

PIN	SIGNAL	INPUT OUTPUT
J1-1	POWER DOWN ALARM	OUTPUT
2	RESTART (1) L	OUTPUT
3	RESTART CLR H	INPUT
4	RESTART SET H	INPUT
5	GROUND	---
6	SPARE	---

THERMISTOR CABLE

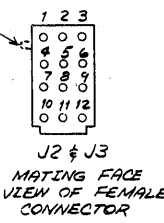
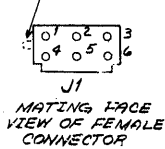
PIN	SIGNAL
J2-1	THERMISTOR 7
2	7 RET
3	8
4	9
5	9 RET
6	8 RET
7	10
8	10 RET
9	11
10	12
11	12 RET
12	THERMISTOR 11 RET

857  
858 JUMPER CABLE

PIN	SIGNAL	INPUT OUTPUT
J3-1	POWER REQUEST H	INPUT
2	POWER DOWN LATCH (1) H	INPUT
3	POWER ON COMMAND	INPUT
4	LOW VOLTAGE L	OUTPUT
5	(BUS POWER REQUEST L) (ONLY IN 857)	---
6	CROWBAR RELEASED H	INPUT
7	POWER OK (857) L	INPUT
8	+5V	INPUT
9	AUX TEMP OK H	OUTPUT
10	GROUND	---
11	POWER REQUEST H	INPUT
12	SYSTEM POWER ON L	OUTPUT

\* THIS PIN IS NOT USED IN MULTI-PROCESSOR SYSTEMS WITH A MASTER SYSTEM CONTROL PANEL.

LOCATING RIDGE ON WIRING SIDE



	1	2	3	4	5	6	7	8
A	K652		H023	K026	K113	K003	K113	W509
	SYSTEM POWER ON		J1 & J3 CONN. EXTIONS	RESTART PULSE	POWER DOWN ALARM	POWER DOWN ALARM	LOW VOLTAGE	LOW VOLT DET PHASE A
B	K271		K271	K731	H023	K522YA	K522YA	K522YA
	OVER-HANG		RESTART	+5V REG.	THERMISTORS TO J2	TEMP 7 OK	TEMP 9 OK	TEMP 11 OK
						TEMP 8 OK	TEMP 10 OK	TEMP 12 OK

BUS PIN ROWS A & C IN BOTH MODULE ROWS

NOTE \* K271 MUST BE REMOVED BEFORE INSTALLING K731 FOR USE WITHOUT AN ASSOCIATED 857 POWER CONTROL

REF. DES.	DESCRIPTION	PART NO
T4	TRANSF 12.6V, 15V	1610443
T1, T2, T3	TRANSF PRECISION 12V	1610618
S2	SWITCH ROTARY 3 PA 1015	7409704-1
S1	SWITCH TOMBLE 12ATT-72	1201168
D1	RECT. 12A # NDA 980-1	1110168
C2, C3	CAP 6.500 MF 25V	1009493
C1	CAP 160,000 MF 20V	1004874

FIRST USED ON OPTION/MODEL		PARTS LIST	
K110		digital EQUIPMENT CORPORATION	
UNLESS OTHERWISE SPECIFIED DIMENSION IN INCHES TOLERANCES		TITLE	
DECIMALS .XXX = .006 .XX = .02 .X = .1	ANGLES ±0° 30'	MODULE UTILIZATION	
REMOVE BURRS AND BREAK SHARP CORNERS SURFACE QUALITY		NEXT HIGHER ASSY.	
MATERIAL		B-DD-857-0	
FINISH		SCALE SHEET 1 OF 1	
		NUMBER DIST. DMU 858-0-MUAB	

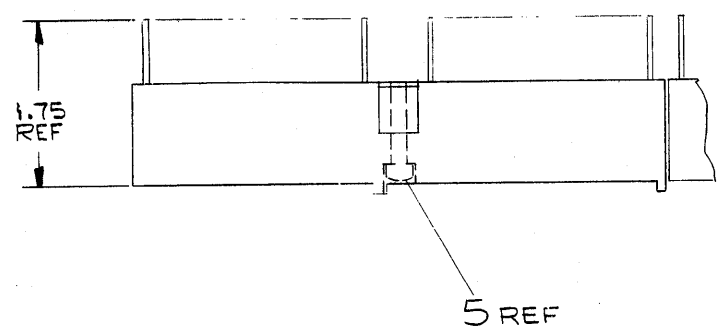
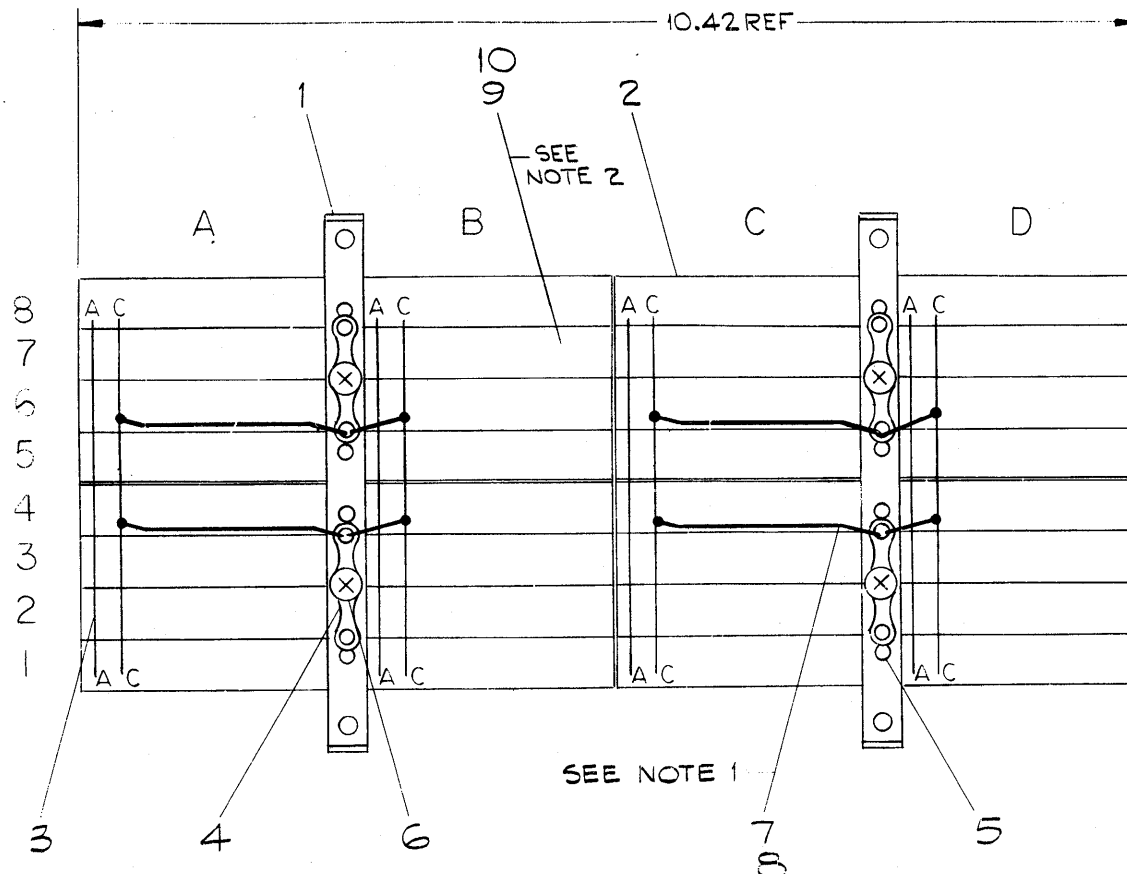
REVISIONS CHANGE NO. DATE

DMU 858-0-MUAB

This drawing and specifications, herein, are the property of Digital Equipment Corporation and shall not be reproduced or copied or used in whole or in part as the basis for the manufacture or sale of items without written permission. 812

**NOTES:**

- CONNECTIONS ON ITEMS 3 & 7 TO BE LOCATED AT MINIMUM PRACTICAL HEIGHT ABOVE BLOCKS.
- USE YEL WIRE ITEM #9 FOR NUMERICALLY CONTROLLED WRAPPING (GARDNER DENVER AND NC HAND WRAP) USE BLU WIRE ITEM #10 FOR UNAIDED HANDWRAP (GARDNER DENVER REWORK, AWT REWORK ETC).



R13	1	RES 470 1/4 W 10% CC	7404646	18
	REF	WIRE LIST		X
C8,C9	2	CAP 2.2UF, ±10% 20VDC	7405962	17
C7	1	CAP 15UF, ±10% 20VDC	7409712	16
C6	1	CAP 39UF, ±10% 10VDC	7405963	15
R5	1	RES 220K 1/4W 5% CC	7409711	14
R7	1	RES 150K 1/4 10% CC	7409710	13
R4,R8	2	RES 150K, 1/4W 5% CC	7406519	12
R6	5	RES 1.8K 1/4W 5% CC	7409709	11
R1-R12				
A/R	#24 AWG SOLID KYNAR INS BLU	9107586-66	10	
A/R	#24 AWG SOLID KYNAR INS YEL	9107586-44	9	
A/R	#22 TUBING WHT	9107265-09	8	
A/R	#22 AWG BUSS WIRE	9107560-01	7	
4	SCR, PHL HD, TAPITE #8-32 x 3/8 LG	9006418	6	
8	SCR, FIL HD POSI DRIVE #8-32 x 3/8 LG	9006120	5	
4	GRD LUG SHAKEPROOF 216-08-00	9007597	4	
A/R	CHAIN, VOLTAGE	1202188	3	
4	144 PIN CONN BLOCK #H800W	1202244	2	
DESG.	2	CONN MTG BAR	8-MD-7409609-00	1

FIRST USED ON OPTION/MODEL	QTY.	DESCRIPTION	PART NO.	ITEM NO.
857 P.C.				
PARTS LIST				
UNLESS OTHERWISE SPECIFIED DIMENSION IN INCHES. TOLERANCES	DRN.	DATE	digital EQUIPMENT CORPORATION MAYNARD MASSACHUSETTS	
DECIMALS .XXX = .005 .XX = .02 .X = .1	CHK'D.	DATE	TITLE	
ANGLES ±0° 30'	ENG.	DATE	WIRED ASSY	
REMOVE BURRS AND BREAK SHARP CORNERS SURFACE QUALITY ✓	PROJ. ENG.	DATE	857 POWER CONTROL	
MATERIAL	PROD.	DATE	NEXT HIGHER ASSY.	REV.
			D-UA-857-0-0	A
FINISH	SCALE	SHEET	SIZE CODE	NUMBER
	1/1	1 OF 2	CAD	7008893-0-0

REVISIONS	CHANGE NO.	REV.
CHK	857-03002	A
	4-15-72	
	A. KENT	
	Allen Kent 8/30/72	



This drawing and specifications, herein, are the property of Digital Equipment Corporation and shall not be reproduced or copied or used in whole or in part as the basis for the manufacture or sale of items without written permission. 1972

### EXTERNAL COMPONENTS

ITEM NO.	DESCRIPTION	FROM	TO	REMARKS
		CONNECTION	CONNECTION	
11	RESISTOR	AØ3A	AØ3L	1.8K±5% ¼W
11		BØ6A	BØ6H	
11		BØ6A	BØ6K	
11		BØ6V	CØ6A	
11		BØ7U	CØ6A	1.8K±5% ¼W
18	RESISTOR	BØ7T	CØ7A	470 ±10% ¼W
12	RESISTOR	CØ7C	CØ8P	150K±5% ¼W
12	RESISTOR	DØ8C	DØ8J	150K±5% ¼W
13	RESISTOR	DØ7C	DØ8P	180K±5% ¼W
14	RESISTOR	DØ7C	DØ8V	220K±5% ¼W
15	CAPACITOR	CØ7C	CØ8P +	39µF±10% 10V
16	CAPACITOR	DØ6C	DØ8V +	15µF±10% 20V
17	CAPACITOR	DØ6C	DØ8P +	2.2µF±10% 20V
17	CAPACITOR	DØ7C	DØ8J +	2.2µF±10% 20V

NOTE: LAST LETTER SHOWN IN CONN. CHART DESIGNATES PIN LTR ON 144 PIN BLOCK.

ALL RES. & CAP. ARE SUPPLIED WITH INSULATION & TERMIPOINTS.

REV.	
CHANGE NO.	
CHK	

FIRST USED ON OPTION/MODEL 8.57 P.C.	QTY.	DESCRIPTION	PART NO.	ITEM NO.
PARTS LIST				
UNLESS OTHERWISE SPECIFIED DIMENSION IN INCHES. TOLERANCES	DRN. <i>[Signature]</i>	DATE 23 MAR 72	digital EQUIPMENT CORPORATION MAYNARD MASSACHUSETTS	
DECIMALS .xxx = .005 .xx = .02 .x = .1	CHK'D <i>[Signature]</i>	DATE 5/19/72	TITLE WIRED ASSY	
ANGLES ±0° 30'	ENG. <i>[Signature]</i>	DATE 23 May 72	857 POWER CONTROL	
REMOVE BURRS AND BREAK SHARP CORNERS SURFACE QUALITY ✓	PROJ. ENG. <i>[Signature]</i>	DATE 5/23/72	NEXT HIGHER ASSY.	
MATERIAL + / +	PROD. <i>[Signature]</i>	DATE	D-UA-857-0-0	SIZE CODE C AD
FINISH + / +	SCALE	SHEET 2 OF 2	NUMBER 7008893-0-0	REV. -


SIZE CODE C AD NUMBER 7008893-0-0 REV. A

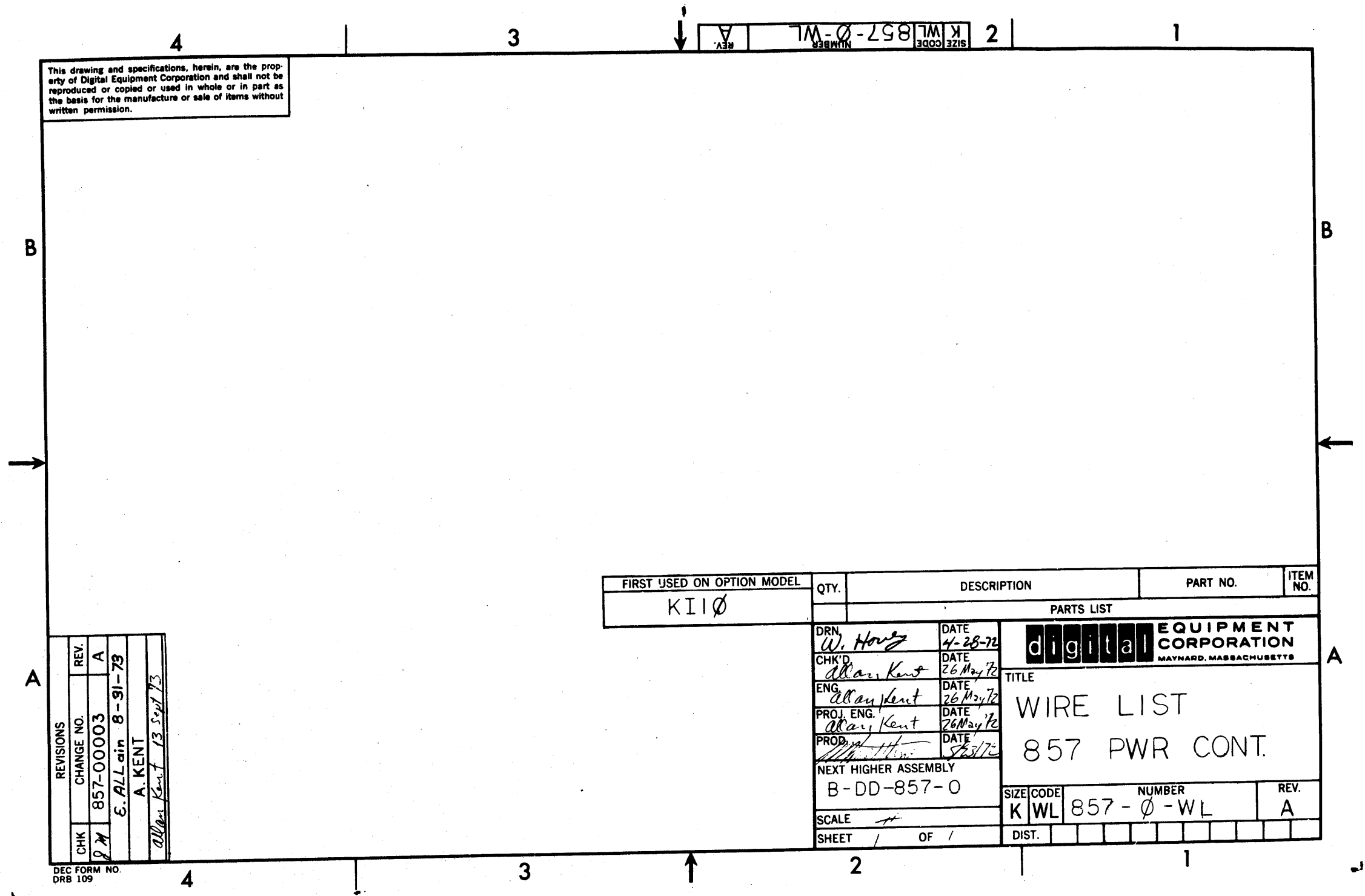
This drawing and specifications, herein, are the property of Digital Equipment Corporation and shall not be reproduced or copied or used in whole or in part as the basis for the manufacture or sale of items without written permission.

REV. A NUMBER 857-Ø-WL SIZE CODE KWL

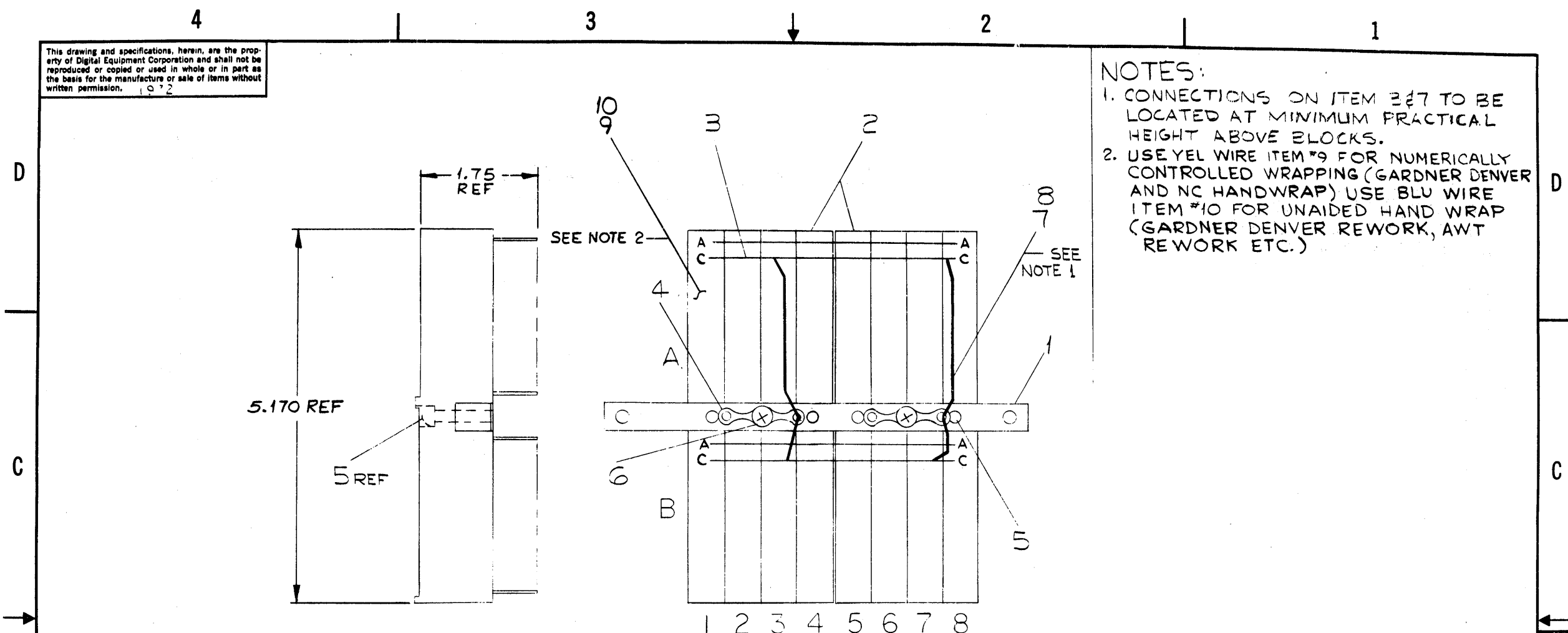
REVISIONS	
CHK	CHANGE NO.
PM	857-00003
	E. ALLAIN 8-31-73
	A. KENT
	Allen Kent 13 Sept 73

DEC FORM NO. DRB 109

FIRST USED ON OPTION MODEL	QTY.	DESCRIPTION	PART NO.	ITEM NO.
KI1Ø				
PARTS LIST				
DRN. <i>W. Hovig</i>	DATE 4-28-72	 <b>digital EQUIPMENT CORPORATION</b> <small>MAYNARD, MASSACHUSETTS</small>		
CHK'D <i>Allen Kent</i>	DATE 26 May 72			
ENG. <i>Allen Kent</i>	DATE 26 May 72			
PROJ. ENG. <i>Allen Kent</i>	DATE 26 May 72			
PROD. <i>Matthew</i>	DATE 8/3/72			
NEXT HIGHER ASSEMBLY		TITLE		
B-DD-857-0		WIRE LIST		
SCALE #		857 PWR CONT.		
SHEET 1 OF 1		SIZE CODE KWL	NUMBER 857-Ø-WL	REV. A
		DIST.		



This drawing and specifications, herein, are the property of Digital Equipment Corporation and shall not be reproduced or copied or used in whole or in part as the basis for the manufacture or sale of items without written permission.



NOTES:  
 1. CONNECTIONS ON ITEM #17 TO BE LOCATED AT MINIMUM PRACTICAL HEIGHT ABOVE BLOCKS.  
 2. USE YEL WIRE ITEM #9 FOR NUMERICALLY CONTROLLED WRAPPING (GARDNER DENVER AND NC HANDWRAP) USE BLU WIRE ITEM #10 FOR UNAIDED HAND WRAP (GARDNER DENVER REWORK, AWT REWORK ETC.)

EXTERNAL COMPONENTS				
ITEM NO	DESCRIPTION	FROM CONNECTION	TO CONNECTION	REMARKS
11	RESISTOR	A04C	A04N	WITH INS TERMI POINTS
11	RESISTOR	A04S	B04C	WITH INS TERMI POINTS
12	RESISTOR	A08P	A08C	WITH INS TERMI POINTS
12	RESISTOR	A08T	B08C	WITH INS TERMI POINTS


QTY.	DESCRIPTION	PART NO.	ITEM NO.
2	RES 200 2W 5%	7410679	12
REF	WIRE LIST		
2	RES 1K 1/4W 5%	7405969	11
A/R	#24 AWG SOLID KYNAR INS (BLU)	9107586-66	10
A/R	#24 AWG SOLID KYNAR INS (YEL)	9107586-44	9
A/R	#22 TUBING WHT	9107265-09	8
A/R	#22 AWG BUS WIRE	9107460-01	7
2	SCR, PHL HD TAPTITE #8-32 x 3/8 LG	9006418	6
4	SCR, FIL HD POSIDRIVE #8-32 x 3/8	9006120	5
2	GND LUG SHAKEPROOF 2116-08-00	9007597	4
A/R	CHAIN VOLTAGE	1202188	3
2	144 PIN CONN BLOCK H800-W	1202244	2
1	CONN MTG BAR	B-MD-74096320-0	1

FIRST USED ON OPTION/MODEL 858 P.C.	QTY.	DESCRIPTION	PART NO.	ITEM NO.
PARTS LIST				
UNLESS OTHERWISE SPECIFIED DIMENSION IN INCHES. TOLERANCES	DRN. <i>W. Howe</i>	DATE 3-27-72	digital EQUIPMENT CORPORATION MAYNARD MASSACHUSETTS	
DECIMALS .XXX = .005 .XX = .02 .X = .1	CHK'D. <i>[Signature]</i>	DATE 5/11/72	TITLE	
ANGLES ±0° 30'	ENG. <i>[Signature]</i>	DATE 5/21/72	WIRED ASSY	
REMOVE BURRS AND BREAK SHARP CORNERS SURFACE QUALITY ✓	PROJ. ENG. <i>Allan Kent</i>	DATE 23 May 72	858 POWER CONTROL	
MATERIAL #	PROD. <i>[Signature]</i>	DATE	NEXT HIGHER ASSY.	
FINISH #			SIZE CODE	NUMBER
			CAD	7008895-0-0
	SCALE 1/1		REV.	A
	SHEET 1 OF 1			

REVISIONS	CHANGE NO.	REV.
CHK	858-00001	A
	<i>[Signature]</i>	
	<i>[Signature]</i>	

This drawing and specifications, herein, are the property of Digital Equipment Corporation and shall not be reproduced or copied or used in whole or in part as the basis for the manufacture or sale of items without written permission.

REV. NUMBER SIZE CODE K WL 858-Ø-WL 2

FIRST USED ON OPTION MODEL		QTY.	DESCRIPTION	PART NO.	ITEM NO.
K11Ø					
PARTS LIST					
DRN.	W. Harg	DATE	4-28-72	 <b>DIGITAL EQUIPMENT CORPORATION</b> MAYNARD, MASSACHUSETTS	
CHK'D.	Alan Kent	DATE	26 Nov 72		
ENG.	Alan Kent	DATE	26 Nov 72		
PROJ. ENG.	Alan Kent	DATE	26 Nov 72		
PROD.	Alan Kent	DATE	26 Nov 72		
NEXT HIGHER ASSEMBLY				TITLE	
B-DD-858-Ø				WIRE LIST 858	
SCALE 1/4"				SIZE CODE	NUMBER
SHEET 1 OF 1				K WL	858-Ø-WL
				DIST.	REV.

REVISIONS	REV.
CHANGE NO.	
CHK	

DEC FORM NO. DRB 109

DIGITAL EQUIPMENT CORPORATION MAYNARD, MASSACHUSETTS <b>PARTS LIST</b>			QUANTITY / VARIATION													
MADE BY D. SIREEN		CHECKED D. HEALY		SECTION												
DATE 3/8/72		DATE 3/30/72		1												
ENG <i>D. Sireen</i>		PROD <i>M. Heath</i>		ISSUED SECT.												
DATE 5/22/72		DATE 5/23/72		1												
ITEM NO.	DWG NO. / PART NO.	DESCRIPTION														
1	E-IA-7409611-0-0	CHASSIS				1										
2	D-IA-7409619-0-0	HOUSING, CAPACITOR				1										
3	C-IA-7409607-0-0	COVER, PWR CONTROL				1										
4	D-IA-7409626-0-0	BRKT., CONN.				1										
5	C-MD-7409621-0-0	HINGE, COVER				1										
6	C-MD-7409614-0-0	OUTLET, PLATE				1										
7	D-MD-7409615-0-0	COVER				1										
8	C-MD-7409620-0-0	PLATE, END				1										
9	1209158-0	TERMINAL BLOCK 3 SEC #529 BUCHANAN				3										
10	1209158-1	END SECTION #530 BUCHANAN				1										
11	D-AD-7008875-0-0	TRANSFORMER ASSY				1										
12	E-AD-7008874-0-0	SWITCH CABLE ASSY				1										
13	E-IA-7008881-0-0	WIRE HARNESS 857 P.C.				1										
14	1209406-03	CONTACTOR 30A. 2P SER/PAR OR USE -Ø1				1										
15	1605147	FERRITE TUBE #56-261-30-3B				2										
16	1201219	CIRCUIT BREAKER 30A				1										
17	1201280	LAMP #1020-C55 125V RED LENS INDUS DEV				1										
18	1004874	CAPACITOR 160,000 20V				1										
19	1009493	CAPACITOR 6,500 25V				1										
20	1300172	RESISTOR 10Ω 2W 10%				2										
21	1002153	CAPACITOR 2X Ø.1 UF 1000 VDC				3										
22	1210584	IND SOCKET #59-52380-41-25 MARCO OAK				4										
TITLE 857 POWER CONTROL				ASSY NO. D-UA-857-0-0		SIZE CODE A PL		NUMBER 857-0-0				REV. F		ECO NO. 857 MPO09		
				SHEET 1 OF 5		DIST. G										

DEC FORM NO. DRA 110

MR

DIGITAL EQUIPMENT CORPORATION MAYNARD, MASSACHUSETTS <b>PARTS LIST</b>			QUANTITY / VARIATION													
MADE BY D. SIREEN		CHECKED D. HEALY		SECTION												
DATE 3/10/72		DATE 3/30/72		1												
ENG <i>D. Sireen</i>		PROD <i>M. Heath</i>		ISSUED SECT.												
DATE 5/22/72		DATE 5/23/72		1												
ITEM NO.	DWG NO. / PART NO.	DESCRIPTION														
23	9007231	BUSH. JUNC. TERM DC-202 (RED) HEYMAN				8										
24	9007235	BUSH. JUNC. TERM DC-202 (WHT) HEYMAN				8										
25	9007239	TERMINAL INSERT #T-202-D HEYMAN				21										
26	1205351	RECEPTICAL DEL #10103 115V 15A A.H.				2										
27	C-AD-7008893-0-0	WIRED ASSY 857 POWER CONTROL				1										
28	1210628-0-0	LAMP, INDICATOR 18V T-1-3/4 (CM370)				4										
29	9007013	GROMMET (GEN. CEMENT #1041)				1										
30	A-PS-3610267-0-0	STICKER, (DANGER HIGH VOLTAGE)				1										
31	9007917-0	CONN. ARK-LESS #50902 (RED)				11										
32	1209379-0-0	MATE-N-LOCK PIN 20-14 AWG				7										
33	9007237	BUSH JUNC TERM DC-202 BLK HEYMAN				5										
34	9006458	POP RIVET 1/8 DIA #AD4262 USMC				3										
35	9007928-0	CONN ARK-LESS #50364 (BLU)				3										
36	9107278-02	TUBING #18 AWG (RED)				A/R										
37	9007930-0	CONN ARK-LES #50360-1 (RED)				5										
38	9107440-29	#14 AWG WIRE RED/WHT TWP				A/R										
39	9107370-99	#14 AWG WIRE STRD INS (WHT)				A/R										
40	9107370-22	#14 AWG WIRE STRD INS (RED)				A/R										
41	9107360-33	#18 AWG WIRE STRD INS (ORN)				A/R										
42	9107360-00	#18 AWG WIRE STRD INS (BLK)				A/R										
43	9107360-22	#18 AWG WIRE STRD INS (RED)				A/R										
44	9107360-11	#18 AWG WIRE STRD INS (BRN)				A/R										
TITLE 857 POWER CONTROL				ASSY NO. D-UA-857-0-0		SIZE CODE A PL		NUMBER 857-0-0				REV. F		ECO NO.		
				SHEET 2 OF 5		DIST. G										

DEC FORM NO. DRA 110

MR

DIGITAL EQUIPMENT CORPORATION MAYNARD, MASSACHUSETTS <b>PARTS LIST</b>				QUANTITY / VARIATION												
MADE BY D. SIREEN		CHECKED D. HEALY		SECTION												
DATE 3/10/72		DATE 3/30/72		1												
ENG <i>R. Sireen</i>		PROD <i>M. Healy</i>		ISSUED SECT.												
DATE 5/22/72		DATE 5/23/72		1												
ITEM NO.	DWG NO. / PART NO.	DESCRIPTION														
45	9107430-56	#18 AWG WIRE GRN/BLU TWP				A/R										
46	9107430-11	#18 AWG WIRE BRN/BRN TWP				A/R										
47	9007776	FASTON TAB #61349-1 AMP				2										
48	9008892	TAB DBL FASTON W/#10 HOLE				2										
49	D-MU-857-0-MUAD	MODULE UTILIZATION				REF										
50	<del>9008104</del>	DOT FASTENER #48192 3/8HOLE				1										
51	1209351-6	CONN 6-PIN MATE-N-LOK				1										
52	9007880	TIE WRAP #SST-1.5M PANDUIT				A/R										
53	9107278-09	TUBING 18AWG (WHT)				A/R										
54	9006041-1	SCR. PHL HD PAN #8-32 X .75LG.				4										
55	9006037-1	SCR. PHL HD PAN #8-32 X .38 LG.				6										
56	9006021-1	SCR. PHL HD PAN #6-32 X .31 LG.				26										
57	9006023-1	SCR. PHL HD PAN #6-32 X .44 LG.				2										
58	E-DC-7409692-0-0	DECALS, 857 POWER CONTROL				1										
59	9006022-f	SCR. PHL PAN HD #6-32 X .38 LG.				4										
60	9006633	WASHER, LKG INT TOOTH #6				24										
61	9006634	WASHER, LKG INT TOOTH #8				6										
62	9006560	NUT KEPS #6-32				19										
63	9006563	NUT KEPS #8-32				4										
64	9006712	WASHER, NYLON 3/8 O.D. X 1/4 I.D. X 1/32 THK				2										
65	9008091	WIRE SPLICER #34203 ARK-LES				3										
66	9107360-99	#18 AWG WIRE STRD INS (WHT)				A/R										
TITLE 857 POWER CONTROL				ASSY NO. D-UA-857-0-0		SIZE A	CODE PL	NUMBER 857-0-0				REV. F	ECO NO.			
				SHEET 3 OF 5		DIST. G										

DEC FORM NO. DRA 110

MR

DIGITAL EQUIPMENT CORPORATION MAYNARD, MASSACHUSETTS <b>PARTS LIST</b>				QUANTITY / VARIATION												
MADE BY D. SIREEN		CHECKED D. HEALY		SECTION												
DATE 3/10/72		DATE 3/30/72		1												
ENG <i>R. Sireen</i>		PROD <i>M. Healy</i>		ISSUED SECT.												
DATE 5/22/72		DATE 5/23/72		1												
ITEM NO.	DWG NO. / PART NO.	DESCRIPTION														
<del>67</del>	<del>9107370-00</del>	<del>#14 AWG STRD INS (BLK)</del>				<del>A/R</del>										
68	K614	QUAD INSULATED AC SWITCH (NOTE 1)				1										
69	K683	8 LAMP DRIVERS				1										
70	K522YA	DUAL SENSOR CONVERTER				3										
71	K138	8 INVERTERS				2										
72	K003	TRIPLE EXPANDER				2										
73	W519	TIMING & CROWBAR				1										
74	K113	TRIPLE INVERTER GATE				3										
75	K303	TRIPLE TIMER (ONE SHOT)				2										
76	K731	+5V REGULATOR & CONTROL				1										
77	K732	+5V AUX REGULATOR				1										
78	K026	TRIPLE AND/OR EXPANDER				1										
79	K372	CLOCK CONTROL				1										
80	9007834	TAPE #4032 1/2 WIDE 3M CO.				A/R										
81	7411468-1	JUMPER PLUG FOR 857 POWER CONTROL (P1)				1										
82	7411468-2	JUMPER PLUG FOR 857 POWER CONTROL (P3)				1										
83	7411468-3	JUMPER PLUG FOR 857 POWER CONTROL (P8)				1										
84	9008442	CABLE CLAMP				1										
85	1211204	RECEPTICAL G.E. #40921 230V 15A.				*										
86	9007926-01	CONN RING TERM #10 AWG YEL				11										
87	9007920	CONN ARKLESS YELLOW				11										
88	9007969	CONN ARKLESS #14 AWG (BLUE)				16										
TITLE 857 POWER CONTROL				ASSY NO. D-UA-857-0-0		SIZE A	CODE PL	NUMBER 857-0-0				REV. F	ECO NO.			
				SHEET 4 OF 5		DIST. G										

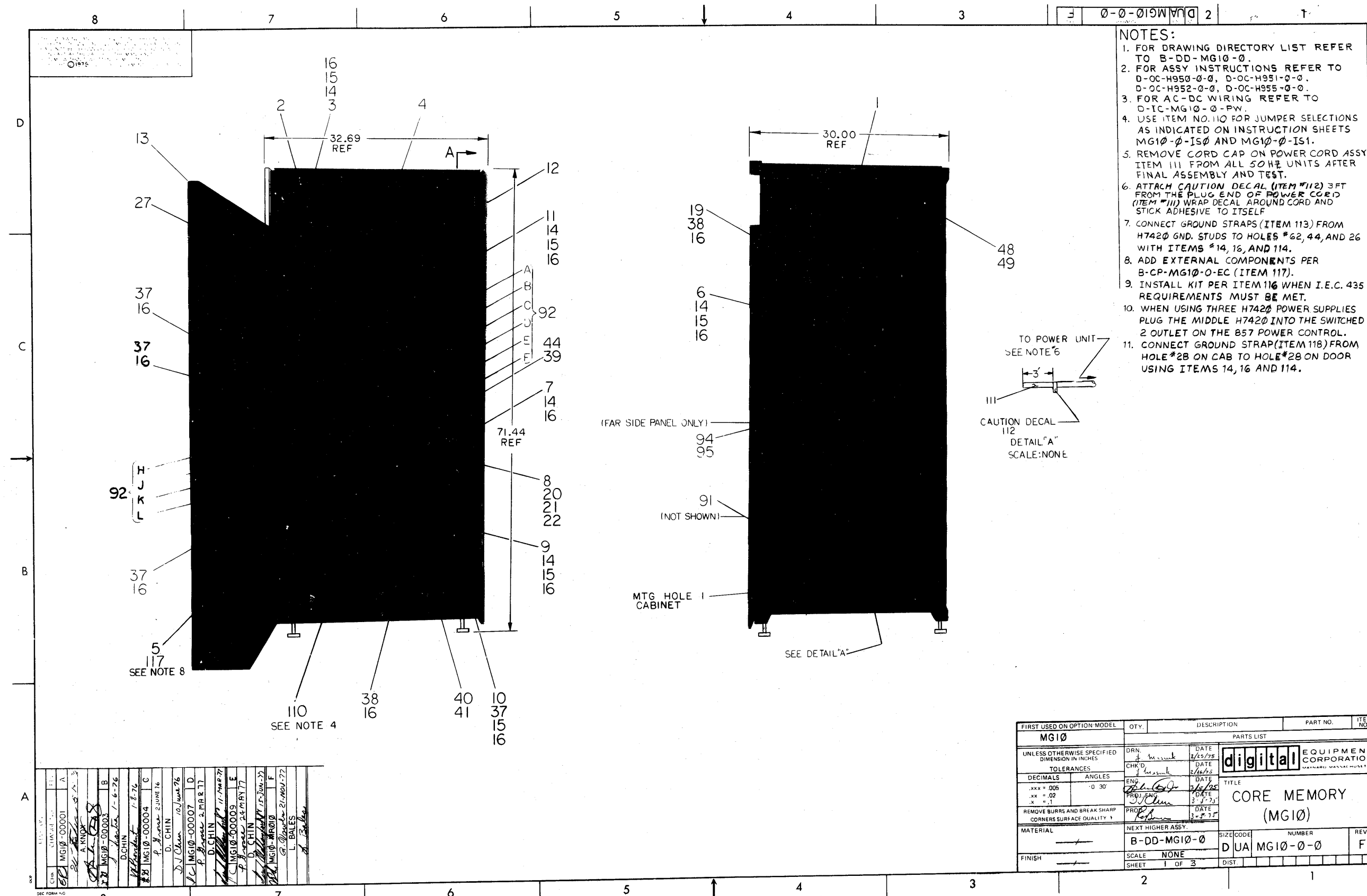
DEC FORM NO. 16-1031 DRA 110

MR

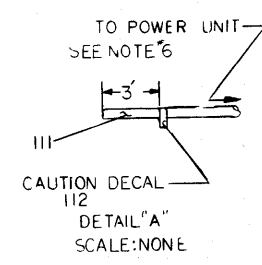
DIGITAL EQUIPMENT CORPORATION MAYNARD, MASSACHUSETTS					QUANTITY / VARIATION																
PARTS LIST																					
MADE BY D. SIREEN		CHECKED D. HEALY		SECTION																	
DATE 3/10/72		DATE 3/30/72		1																	
ENG D. NEVALA		PROD R. HESSELTINE		ISSUED SECT.																	
DATE 3/10/72		DATE 3/30/72		1																	
ITEM NO.	DWG NO. / PART NO.	DESCRIPTION																			
89	A-DC-7418808-0-0	DECAL WARNING				2															
90	A-DC-7417418-0-0	DECAL (NOT FOR EXTERNAL LOADS)				1															
91	A-DC-7418806-1	DECAL F1 15 AMP 250 VOLT				1															
92	A-DC-7418807-1	DECAL F2 15 AMP 250 VOLT				1															
93	1214185	FUSE 15 AMP 250 VOLT				3															
94	1214186	FUSE HOLDER				3															
95	9107390-99	#10 AWG WIRE INS STD (WHT)				A/R															
96	9107390-22	#10 AWG WIRE INS STD (RED)				A/R															
97	9006024-01	SCR PHL HD PAN 6-32 x 1/2				10															
98	<b>9006793</b>	<b>SPACER 3/16, #6-32</b>				4															
99	D-IA-7418783-0-0	CONTACTOR BRKT MTG				1															
100	<del>9006074-03</del>	SCR PHL TRUSS HD #10-32 X 5/8				2															
101	9007651	WASHER, LKG EXT TOOTH #10				2															
102	9007242	FUSE HOLDER 20 AMP HKP				1															
103	9008292	WASHER INTERNAL TOOTH				1															
104	9007216	FUSE 2 AMP SLO-BLOW				1															
105	A-DC-7418890-0-0	DECAL F3 2 AMP 250 VOLT				1															
106	A-DC-7420393-0-0	DECAL F4 15 AMP 250 VOLT				1															
107	<b>9007193</b>	<b>DOUBLE FAST-ON CONNECTOR</b>				2															
108	9107777-54	WIRE #14 AWG GRN/YEL				A/R															
109	9107779-54	WIRE #10 AWG GRN/YEL				A/R															
	NOTE 1: K614 MUST BE	ETCH REV D & CS REV F OR LATER																			
TITLE		ASSY NO.		SIZE	CODE	NUMBER				REV.	ECO NO.										
857 POWER CONTROL		D-UA-857-0-0		A	PL	857-0-0				F											
		SHEET 5 OF 5		DIST.																	

ME

ME



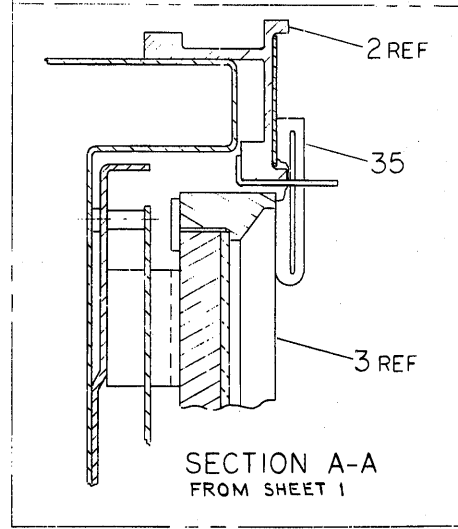
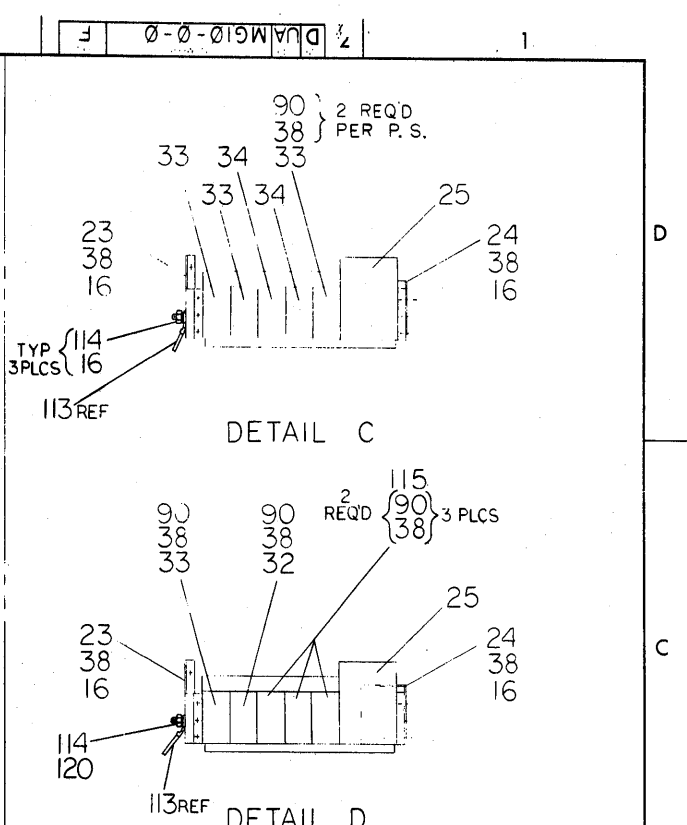
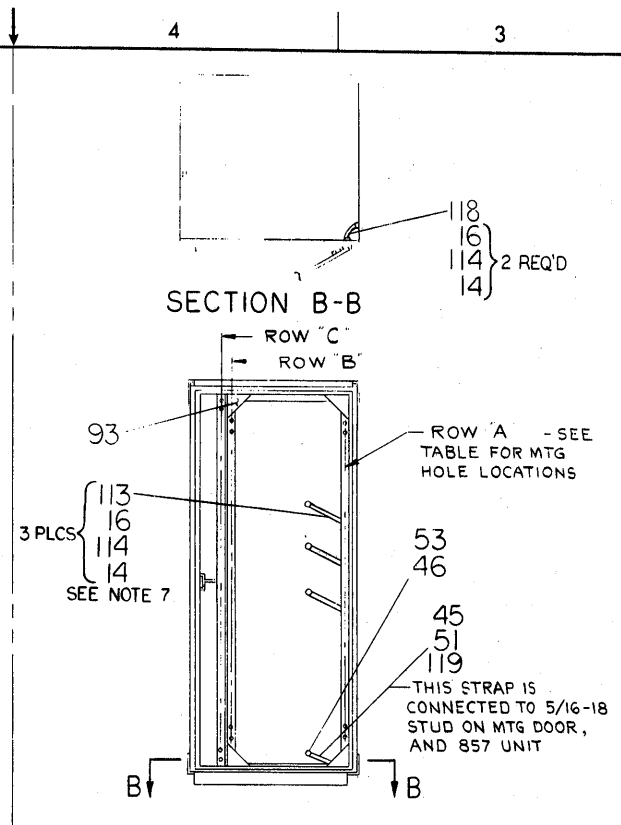
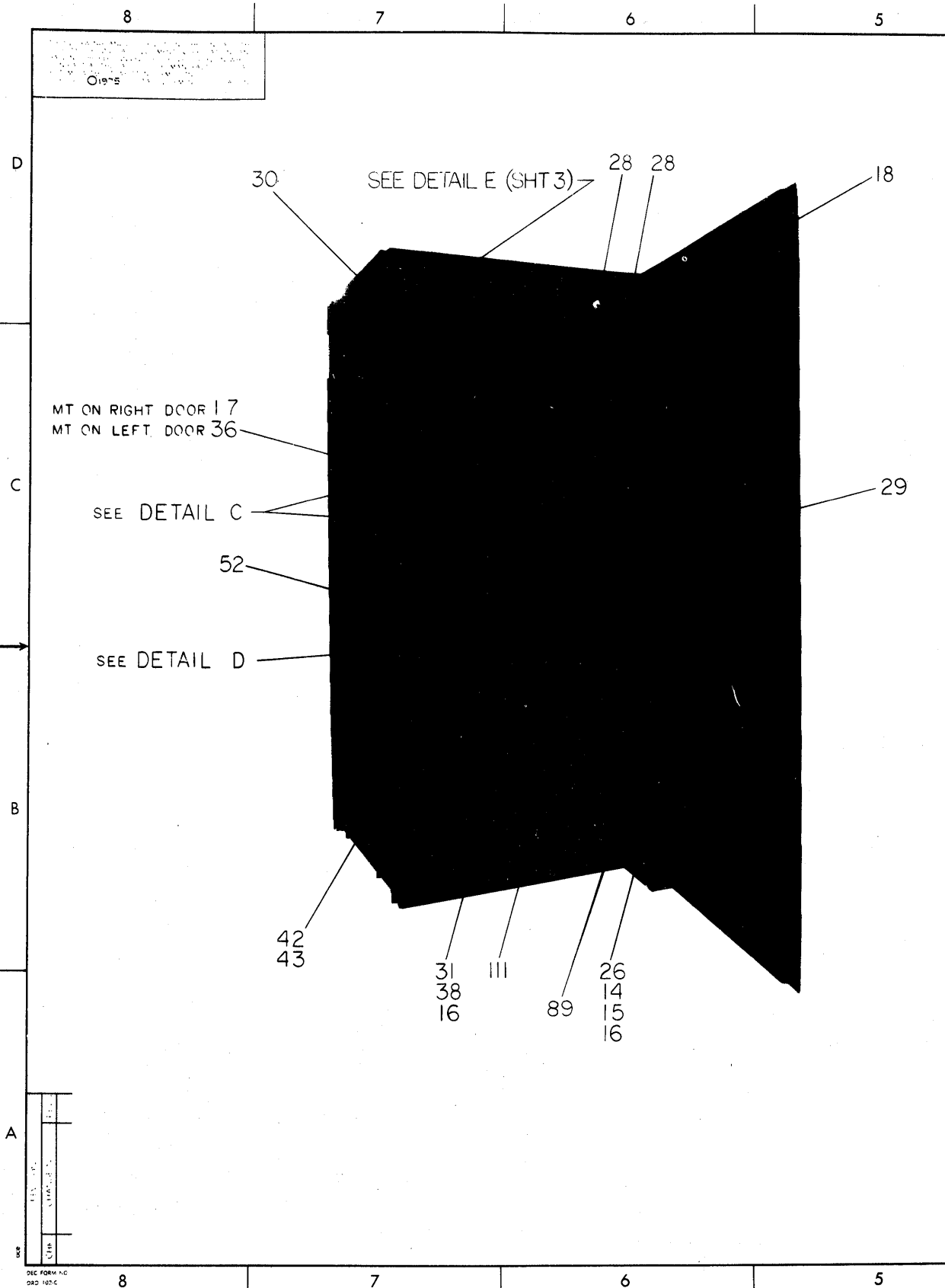
- NOTES:**
1. FOR DRAWING DIRECTORY LIST REFER TO B-DD-MG10-0.
  2. FOR ASSY INSTRUCTIONS REFER TO D-OC-H950-0-0, D-OC-H951-0-0, D-OC-H952-0-0, D-OC-H955-0-0.
  3. FOR AC-DC WIRING REFER TO D-IC-MG10-0-PW.
  4. USE ITEM NO. 110 FOR JUMPER SELECTIONS AS INDICATED ON INSTRUCTION SHEETS MG10-0-IS0 AND MG10-0-IS1.
  5. REMOVE CORD CAP ON POWER CORD ASSY ITEM 111 FROM ALL 50 HZ UNITS AFTER FINAL ASSEMBLY AND TEST.
  6. ATTACH CAUTION DECAL (ITEM #112) 3 FT FROM THE PLUG END OF POWER CORD (ITEM #111) WRAP DECAL AROUND CORD AND STICK ADHESIVE TO ITSELF.
  7. CONNECT GROUND STRAPS (ITEM 113) FROM H7420 GND. STUDS TO HOLES #62, 44, AND 26 WITH ITEMS #14, 16, AND 114.
  8. ADD EXTERNAL COMPONENTS PER B-CP-MG10-0-EC (ITEM 117).
  9. INSTALL KIT PER ITEM 116 WHEN I.E.C. 435 REQUIREMENTS MUST BE MET.
  10. WHEN USING THREE H7420 POWER SUPPLIES PLUG THE MIDDLE H7420 INTO THE SWITCHED 2 OUTLET ON THE B57 POWER CONTROL.
  11. CONNECT GROUND STRAP (ITEM 118) FROM HOLE #28 ON CAB TO HOLE #28 ON DOOR USING ITEMS 14, 16 AND 114.



REV.	DATE	BY	CHKD.	DESCRIPTION
A	1/29/75	[Signature]	[Signature]	MG10-00001
B	1-6-76	[Signature]	[Signature]	MG10-00003
C	1-8-76	[Signature]	[Signature]	MG10-00004
D	10 June 76	[Signature]	[Signature]	MG10-00007
E	24 MAY 77	[Signature]	[Signature]	MG10-00009
F	17 JUN 77	[Signature]	[Signature]	MG10-00010
G	21 NOV 77	[Signature]	[Signature]	MG10-00011
H		[Signature]	[Signature]	MG10-00012

FIRST USED ON OPTION MODEL	QTY.	DESCRIPTION	PART NO.	ITEM NO.
MG10				
PARTS LIST				
UNLESS OTHERWISE SPECIFIED DIMENSION IN INCHES	DRN. DATE 1/29/75	CHKD. DATE 2/16/75	digital EQUIPMENT CORPORATION	
TOLERANCES	ENG. DATE 2/16/75	PROJ. ENG. DATE 2/16/75	TITLE	
DECIMALS .xxx = .005	ANGLES '0 30'	PROJ. DATE 2-17-75	CORE MEMORY	
REMOVE BURRS AND BREAK SHARP CORNERS SURFACE QUALITY	PROJ. DATE 2-17-75		(MG10)	
MATERIAL	NEXT HIGHER ASSY.	SIZE CODE	NUMBER	REV.
	B-DD-MG10-0	DUA	MG10-0-0	F
FINISH	SCALE NONE	SHEET	1 OF 3	



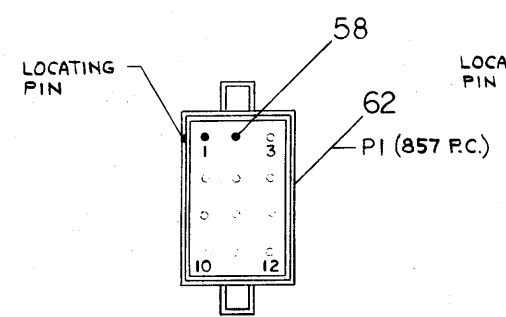


LOCATION OF SPEED NUTS ITEM 15		
FRONT OF CABINETS		
TYP RIGHT AND LEFT SIDES		
1, 3, 17, 30, 33, 42, 54, 63, 77, 86, 90, 95 (RT. ONLY), 100, 103, 107		
REAR MOUNTING DOOR HOLE LOCATIONS		
ROW "C"	ROW "B"	ROW "A"
44, 50, 55, 57, 62, 68, 73, 75, 80, 86, 91, 93	3*, 16*	3*, 16*, 44, 53*, 56, 62, 71*, 74, 80, 89*, 93
* DENOTES HOLES WITH SPEED NUTS		

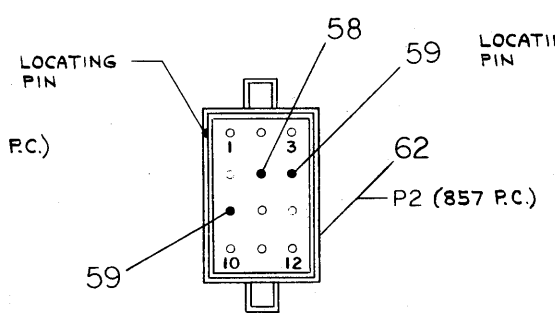
FIRST USED ON OPTION MODEL	QTY.	DESCRIPTION	PART NO.	ITEM NO.
MG10				
PARTS LIST				
UNLESS OTHERWISE SPECIFIED DIMENSION IN INCHES	DRN. 8/18/75	DATE 2/18/75	digital EQUIPMENT CORPORATION MAYNARD, MASSACHUSETTS	
TOLERANCES	CHK'D 8/18/75	DATE 2/18/75	TITLE	
DECIMALS ANGLES	ENG. 8/18/75	DATE 2/18/75	CORE MEMORY (MG10)	
.xxx = .005 .xx = .02 .x = .1	PROJ. ENG. 3/1/75	DATE 3-5-75	NUMBER	
REMOVE BURRS AND BREAK SHARP CORNERS SURFACE QUALITY 1	PROD. 3-5-75	DATE 3-5-75	REV.	
MATERIAL	NEXT HIGHER ASSY.	SIZE CODE	NUMBER	REV.
	B-DD-MG10-0	DUA	MG10-0-0	F
FINISH	SCALE NONE	SHEET 2 OF 3	DIST.	

THIS DRAWING AND SPECIFICATIONS, HEREIN, ARE THE PROPERTY OF DIGITAL EQUIPMENT CORPORATION AND SHALL NOT BE REPRODUCED OR COPIED OR USED IN WHOLE OR IN PART AS THE BASIS FOR THE MANUFACTURE OR SALE OF ITEMS WITHOUT WRITTEN PERMISSION. COPYRIGHT © 1975 DIGITAL EQUIPMENT CORPORATION

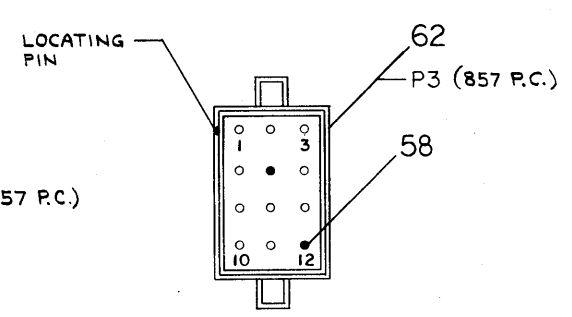
WIRE TABLE							
ITEM NO.	AWG	COLOR	FROM		TO		REMARKS
			CONNECTION	TERM	CONNECTION	TERM	
54	18	BRN	P1-1 (857 P.C.)	58	P1-2 (857 P.C.)	58	
54	18	BRN	P3-5 (857 P.C.)	58	P3-12 (857 P.C.)	58	
54	18	BRN	P8-1 (857 P.C.)	58	P8-2 (857 P.C.)	58	
54	18	BRN	P8-3 (857 P.C.)	58	P8-4 (857 P.C.)	58	
55	18	YEL	P2-5 (857 P.C.)	58	P1-3 (VANE SW)	58	
56	18	RED	P2-5 (H742 P.S.)	58	P1-2 (FAN CONN.)	58	LOWEST H742
56	TWP	WHT	P2-6 (H742 P.S.)	58	P1-1 (FAN CONN.)	58	(15 PIN CONN.)
57	22	BLU	P2-6 (857 P.C.)	59	J1-2	64	
57	TWP	BLK	P2-7 (857 P.C.)	59	J1-1	64	



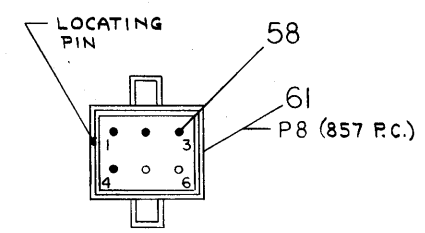
REAR VIEW  
PIN INSERTION SIDE  
SCALE: NONE



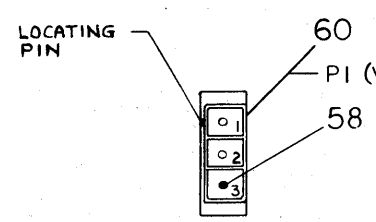
REAR VIEW  
PIN INSERTION SIDE  
SCALE: NONE



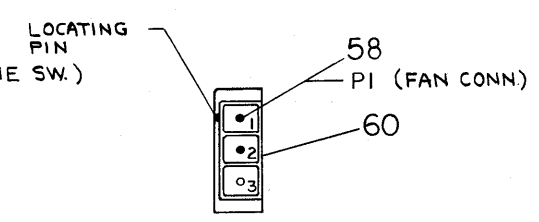
REAR VIEW  
PIN INSERTION SIDE  
SCALE: NONE



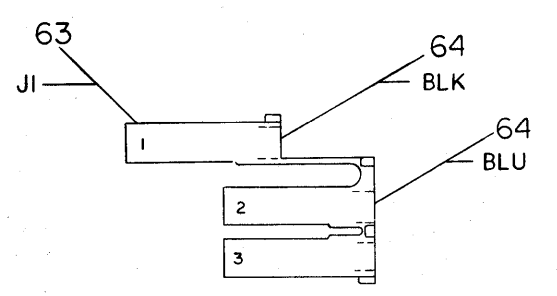
REAR VIEW  
PIN INSERTION SIDE  
SCALE: NONE



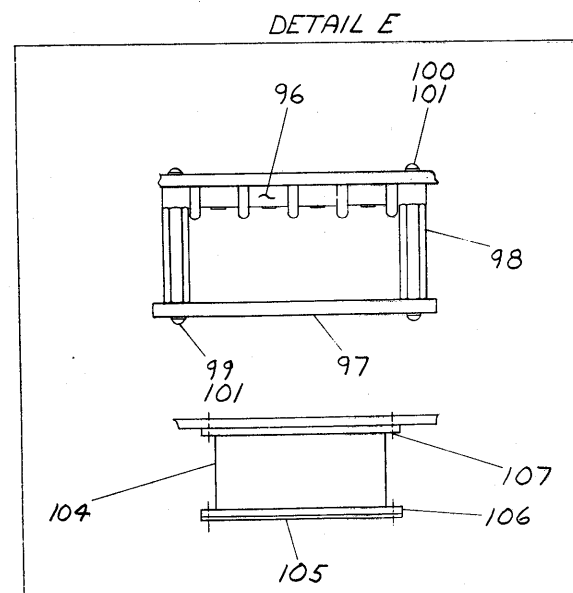
REAR VIEW  
PIN INSERTION SIDE  
SCALE: NONE



REAR VIEW  
PIN INSERTION SIDE  
SCALE: NONE



CONNECTOR  
(LOGIC DOOR MIN. SW.)  
SCALE: NONE



REVISIONS		
CHK	CHANGE NO	REV.

DIGITAL EQUIPMENT CORPORATION MAYNARD, MASSACHUSETTS			QUANTITY VARIATION																			
PARTS LIST																						
MADE BY	J. MISIUK	CHECKED	SECTION																			
DATE		DATE																				
ENG		PROD	ISSUED SECT.																			
DATE		DATE																				
ITEM NO.	DWG NO. / PART NO.	DESCRIPTION																				
1	E-AD-7008554-4-0	CABINET ASSY																				
2	D-UA-H955-LA-0	H955-L LOGO (BLANK BLUE)																				
3	E-AD-7006671-7-0	INDICATOR PNL ASSY 30 IN																				
4	E-AD-7010235-0-0	LOGIC ASSY STACK																				
5	D-AD-7010225-0-0	LOGIC ASSY CONTROL WITH I/O ASSY																				
6	E-IA-7010290-0-0	COOLING ASSY, MEMORY LOGIC																				
7	D-IA-7412844-0-0	SUPPORT, SWITCH PLATE																				
8	D-UA-5411446-0-0	SWITCH PLATE ASSY																				
9	C-MD-7412652-0-0	SPACER COVER																				
10	D-MD-7412816-0-0	BAR SUPPORT, I/O CONN PLATE																				
11	D-MD-7413001-0-0	FILLER PANEL																				
12	D-UA-H952-AC-0	END PANEL (H952-A)																				
13	D-UA-H951-1B-0	SHORT DOOR ASSY																				
14	9006074-3	SCREW PHL TRUSS HD #10-32 X .62 LG SST																				
15	9007786	SPEED NUT #C31758-1032-27 TINNERMAN																				
16	9007651	WASH, EXT TOOTH LOCK #10																				
17	E-DC-7413349-0-0	NAME PLATE DECAL (MGIØ)																				
18	D-UA-H955-BA-0	30 IN FULL DOOR R.H. (H955-B)																				
19	E-AD-7010359-0-0	FAN ASSY																				
20	9006023-1	SCREW PHL PAN HD #6-32 X .44 SST																				
21	9006633	WASH, INT TOOTH LOCK #6																				
22	9006653	WASH, FLAT #6																				
TITLE			ASSY NO.			SIZE		CODE		NUMBER					REV.		ECO NO.					
CORE MEMORY (MGIØ)			D-UA-MGIØ-Ø-Ø			A		PL		MGIØ-Ø-Ø					F		MGIØ-MROIO					
SHEET 1 OF 7			DIST.																			

DEC FORM DEC 16 (325) 1031-N870  
DRA 110

DIGITAL EQUIPMENT CORPORATION MAYNARD, MASSACHUSETTS			QUANTITY / VARIATION																			
PARTS LIST																						
MADE BY	J. MISIUK	CHECKED	SECTION																			
DATE		DATE																				
ENG		PROD	ISSUED SECT.																			
DATE		DATE																				
ITEM NO.	DWG NO. / PART NO.	DESCRIPTION																				
23	C-MD-7410940-0-0	SUPPORT POWER SUPPLY LEFT																				
24	C-IA-7415246-0-0	SUPPORT POWER SUPPLY RIGHT																				
25	E-UA-H742Ø-A-Ø	POWER SUPPLY H742Ø-A (115V AC 60 HZ)																				
26	D-UA-857-0-0	857 POWER CONTROL																				
27	J-IA-7010807-0-0	D.C. HARNESS																				
28	D-IA-7010805-0-0	A.C. WIRING HARNESS ASSY #1																				
29	D-IA-7010806-0-0	A.C. WIRING HARNESS ASSY #2																				
30	D-AD-7010995-0-0	CABLE SET																				
31	D-AD-7010358-0-0	VANE SWITCH ASSY																				
32	E-UA-H77Ø-Ø-Ø	REGULATOR H77Ø																				
33	E-UA-H744-Ø-Ø	POWER SUPPLY H744																				
34	E-UA-H754-Ø-Ø	POWER SUPPLY H754																				
35	C-IA-7409870-0-0	SHIPPING BRKT. (IND. PANEL)																				
36	A-DC-7412561-0-0	POWER INTERLOCK DECAL																				
37	9006075-1	SCREW, PHL HD PAN #10-32 X .75 SST																				
38	9006071-1	SCREW, PHL HD PAN #10-32 X .38 SST																				
39	9006120-6	SCREW, PHL HD FIL #8-32 X .62 POSI-DRIVE																				
40	9006037-1	SCREW, PHL HD PAN #8-32 X .38 SST																				
41	9006634	WASH, INT. TOOTH LOCK #8																				
42	1210755	SWITCH, LEVER ACTUATED																				
43	9006557	NUT, KEPS #4-40																				
44	9006795	SPACER, AL. .25 AF x .13 LG #10 HOLE																				
TITLE			ASSY NO.			SIZE		CODE		NUMBER					REV.		ECO NO.					
CORE MEMORY (MGIØ)			D-UA-MGIØ-Ø-Ø			A		PL		MGIØ-Ø-Ø					F							
SHEET 2 OF 7			DIST.																			

DEC FORM DEC 16 (325) 1031-N870  
DRA 110

DIGITAL EQUIPMENT CORPORATION MAYNARD, MASSACHUSETTS				QUANTITY / VARIATION															
PARTS LIST																			
MADE BY J. MISIUK		CHECKED <i>[Signature]</i>		SECTION															
DATE 2/25/75		DATE 3/3/75		ISSUED SECT.															
ENG <i>[Signature]</i>		PROD <i>[Signature]</i>																	
DATE 3/3/75		DATE <i>[Signature]</i>																	
ITEM NO.	DWG NO. / PART NO.	DESCRIPTION		MGL0-A	MGL0-G	MGL0-H	MCL0-G	MGL0-E *											
45	9006568	NUT KEPS 5/16-18 SST		1	1	1													
46	9006241-9	SCREW HEX HD CAP 1/4-20 X .50 SST		1	1	1													
47	7005128	<del>POWER CORD 25 FT (115V, 60HZ)</del>		<del>1</del>	<del>1</del>	<del>1</del>													
48	9008264	MOUNT, CABLE TIE, ADH. BACK		10	10	10													
49	9007880	TIE, CABLE, SST 1.5M		40	40	40													
50	1211126	<del>GROUND STRAP 20 IN. JANCO</del>		<del>1</del>	<del>1</del>	<del>1</del>													
51	9008887	GROUND STRAP 10 IN. JANCO		1	1	1													
52	A-DC-7413650-0-0	OPTION DECAL (MGL0)		1	1	1													
53	9006724	WASH, EXT TOOTH LOCK 1/4		1	1	1													
54	9107360-11	WIRE, #18 AWG BRN		AR	AR	AR													
55	9107360-44	WIRE, #18 AWG YEL		AR	AR	AR													
56	9107430-29	WIRE, #18 TWP WHT/RED		AR	AR	AR													
57	9107420-06	WIRE, #22 TWP BLU/BLK		AR	AR	AR													
58	1209378-00	PIN, TERMINAL CONTACT		14	14	14													
59	1209378-03	PIN, TERMINAL CONTACT		2	2	2													
60	1209351-03	CONN, HSG, 3 PIN		2	2	2													
61	1209351-06	CONN, HSG, 6 PIN		1	1	1													
62	1209351-12	CONN, HSG, 12 PIN		3	3	3													
63	1700022	CONN, MINIATURE SWITCH		1	1	1													
64	9007647	TERM, QUICK CONN, FEMALE		2	2	2													
65	9007867	MOUNT, CABLE TIE		36	36	36													
66	9107240	WRAP, CABLE, .25 O.D. VINYL		AR	AR	AR													
TITLE CORE MEMORY (MGL0)				ASSY NO. D-UA-MGL0-0-0		SIZE CODE A PL		NUMBER MGL0-0-0				REV. F		ECO NO.					
				SHEET 3 OF 7		DIST.													

DEC FORM DEC 16 (325) 1031 N870  
DRA 110

DIGITAL EQUIPMENT CORPORATION MAYNARD, MASSACHUSETTS				QUANTITY / VARIATION															
PARTS LIST																			
MADE BY J. MISIUK		CHECKED <i>[Signature]</i>		SECTION															
DATE 2/25/75		DATE 3/3/75		ISSUED SECT.															
ENG <i>[Signature]</i>		PROD <i>[Signature]</i>																	
DATE 3/3/75		DATE <i>[Signature]</i>																	
ITEM NO.	DWG NO. / PART NO.	DESCRIPTION		MGL0-A	MGL0-G	MGL0-H	MCL0-G	MGL0-E *											
67	9007079	CLAMP, CABLE, 1/8		1	1	1													
68	9007081	CLAMP, CABLE, 1/4		2	2	2													
69	9007083	CLAMP, CABLE, 3/8		2	2	2													
70	9007084	CLAMP, CABLE, 7/16		4	4	4													
71	9007085	CLAMP, CABLE, 1/2		2	2	2													
72	9007087	CLAMP, CABLE, 5/8		3	3	3													
73	9007088	CLAMP, CABLE, 11/16		4	4	4													
74	9007032	TIE, CABLE, SST-2M		50	50	50													
75	G114	DATA LOOPS		4	8	16		4											
76	G235	MEMORY DRIVER		4	8	16		4											
77	G728-YA	JUMPER BOARD		2	2	2													
78	H217B	CORE STACK		4	8	16		4											
79	M8562	TIMING		2	2	2													
80	M8588	PARITY CHECK		8	8	8													
81	M8589	CYCLE TIMING		2	2	2													
82	M8590	PRIORITY CONTROL		2	2	2													
83	M8591	ADDRESS RECEIVER					2												
84	M8592	ADDRESS INTERFACE					2												
85	M8593	DATA REGISTER		5	5	5													
86	M8593-YA	ADDRESS REGISTER		2	2	2													
87	M8594	DATA TRANSCIEVER					5												
88	M9005	TERMINATOR		5	5	5													
TITLE CORE MEMORY (MGL0)				ASSY NO. D-UA-MCL0-0-0		SIZE CODE A PL		NUMBER MGL0-0-0				REV. F		ECO NO.					
				SHEET 4 OF 7		DIST.													

DEC FORM DEC 16 (325) 1031 N870  
DRA 110

DIGITAL EQUIPMENT CORPORATION MAYNARD, MASSACHUSETTS <b>PARTS LIST</b>				QUANTITY VARIATION																		
MADE BY J. MISIUK		CHECKED		SECTION		MGIØ-A	MGIØ-G	MGIØ-H	MCIØ-G	MGIØ-E												
DATE 2/25/75		DATE		ISSUED SECT.																		
ENG		PROD																				
DATE 3/5/75		DATE																				
ITEM NO.	DWG NO. / PART NO.	DESCRIPTION																				
89	5310919	WARNING STICKER				1	1	1														
90	9006635	WASH, INT TOOTH LOCK # 10				24	24	24														
91	7413875	UL PANEL				1	1	1														
92	7406371	DECAL (WHITE ON CLEAR)				A	RA	RA	R													
93	3612450	IDENTIFICATION MARKER				1	1	1														
94	9007035	GROMMET				A	RA	RA	R													
95	9007594	ADHESIVE				A	RA	RA	R													
* MGIØ-E IS AN EXPANSION FOR MGIØ-G AND MGIØ-A																						
REF	D-IA-BC1ØJ-Ø-Ø	I/O BUS CABLE ASSY (BC1ØJ)				X	X	X														
REF	D-UA-BC1ØK-Ø-Ø	CABLE ASSY (BC1ØK)				X	X	X														
REF	D-UA-H866-Ø-Ø	MEM. BUS TERM. H866				X	X	X														
REF	A-AL-MGIØ-Ø-ACL	ACCESSORY LIST (MGIØ)				X	X	X														
REF	D-IC-MGIØ-Ø-PW	AC-DC POWER WIRING				X	X	X														
REF	D-MU-MGIØ-Ø-MUAF	MODULE UTILIZATION				X	X	X														
REF	D-MU-MGIØ-Ø-MUHL	MODULE UTILIZATION				X	X	X														
TITLE CORE MEMORY (MGIØ)				ASSY NO. D-UA-MGIØ-Ø-Ø		SIZE A	CODE PL		NUMBER MGIØ-Ø-Ø				REV F	ECO NO.								
				SHEET 5 OF 7		DIST.																

DEC FORM DEC 16 (325) 1031 N870  
DRA 110

DIGITAL EQUIPMENT CORPORATION MAYNARD, MASSACHUSETTS <b>PARTS LIST</b>				QUANTITY / VARIATION																		
MADE BY J. MISIUK		CHECKED J MISIUK		SECTION		MGIØ-A	MGIØ-G	MGIØ-H	MCIØ-G	MGIØ-E												
DATE 2/25/75		DATE 3/3/75		ISSUED SECT.																		
ENG D. J. Chin		PROD R. O'BRIAN																				
DATE 11/5/75		DATE 3/5/75																				
ITEM NO.	DWG NO. / PART NO.	DESCRIPTION																				
96	9Ø-Ø69Ø2	TERMINAL STRIP				1	1	1														
97	B-MD-74Ø4721-Ø-Ø	PROTECTION COVER, 541				1	1	1														
98	9Ø-Ø6851	SPACER, HEX THREADED #6-32 X ½ LG				4	4	4														
99	9Ø-Ø6Ø21-1	SCR PHL PAN HD #6-32 X .31 LG				4	4	4														
100	9Ø-Ø6Ø25-1	SCR PHL PAN HD #6-32 X .62 LG				4	4	4														
101	9Ø-Ø6633	WASH, INT TOOTH LOCK #6				8	8	8														
102	91-Ø737Ø-22	#14 STRANDED INSULATED WIRE, RED				A	R	A	RA	R												
103	91-Ø737Ø-99	#14 STRANDED INSULATED WIRE, WHITE				A	R	A	RA	R												
104	12-Ø4826	FAN, CLZL CARAVEL (115VAC)				2	2	2														
105	12-Ø9175	FINGER GUARD				2	2	2														
106	9Ø-Ø6Ø24-3	SCR PHL TRUSS HD 6-32 X ½ LG				16	16	16														
107	9Ø-Ø656Ø	NUT KEP 6-32				16	16	16														
108	9Ø-Ø7927-ØØ	TERMINAL RING				8	8	8														
109	12-Ø9378-ØØ	TERMINAL PIN CONTACT				4	4	4														
110	ØØ915-Ø3	JUMPER				24	24	24														
111	C-AD-7Ø13988	POWER CORD ASSEMBLY				1	1	1														
112	A-DC-3612675-O-O	CAUTION DECAL				1	1	1														
113	1213756-12	STRAP, GROUND				3	3	3														
114	9006565-00	NUT, KEP 10-32				8	8	8														
115	D-IA-7413405-O-O	PANEL, FILLER H742Ø				3	3	3														
116	D-SP-7Ø12997-O-O	I.E.C. 435 SAFETY REGULATIONS				REF	REF	REF														
117	B-CP-MGIØ-O-EC	EXTERNAL COMPONENTS LIST				1	1	1														
TITLE CORE MEMORY (MGIØ)				ASSY NO. D-UA-MGIØ-Ø-Ø		SIZE A	CODE PL		NUMBER MGIØ-Ø-Ø				REV F	ECO NO.								
				SHEET 6 OF 7		DIST.																

DEC FORM DEC 16 (325) 1031 N870  
DRA 110

**DIGITAL EQUIPMENT CORPORATION**  
MAYNARD, MASSACHUSETTS  
**PARTS LIST**

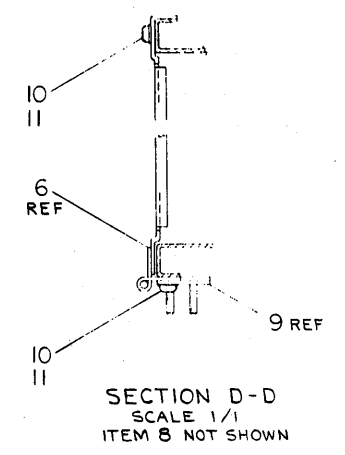
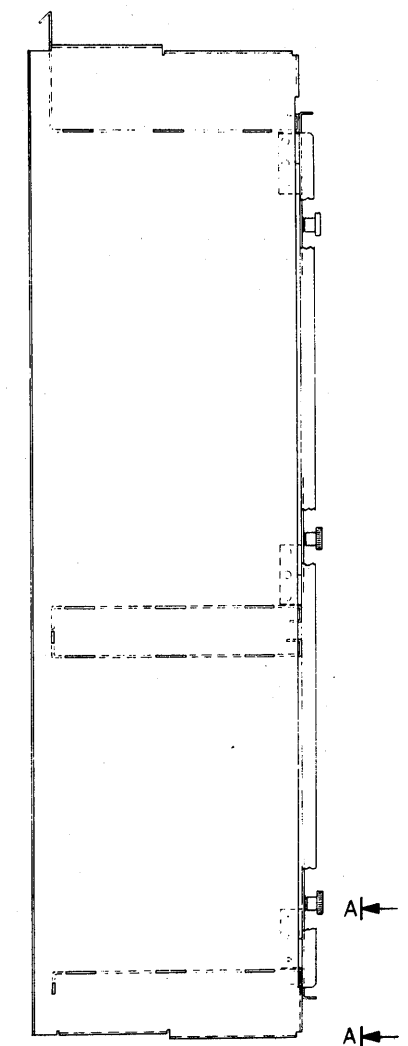
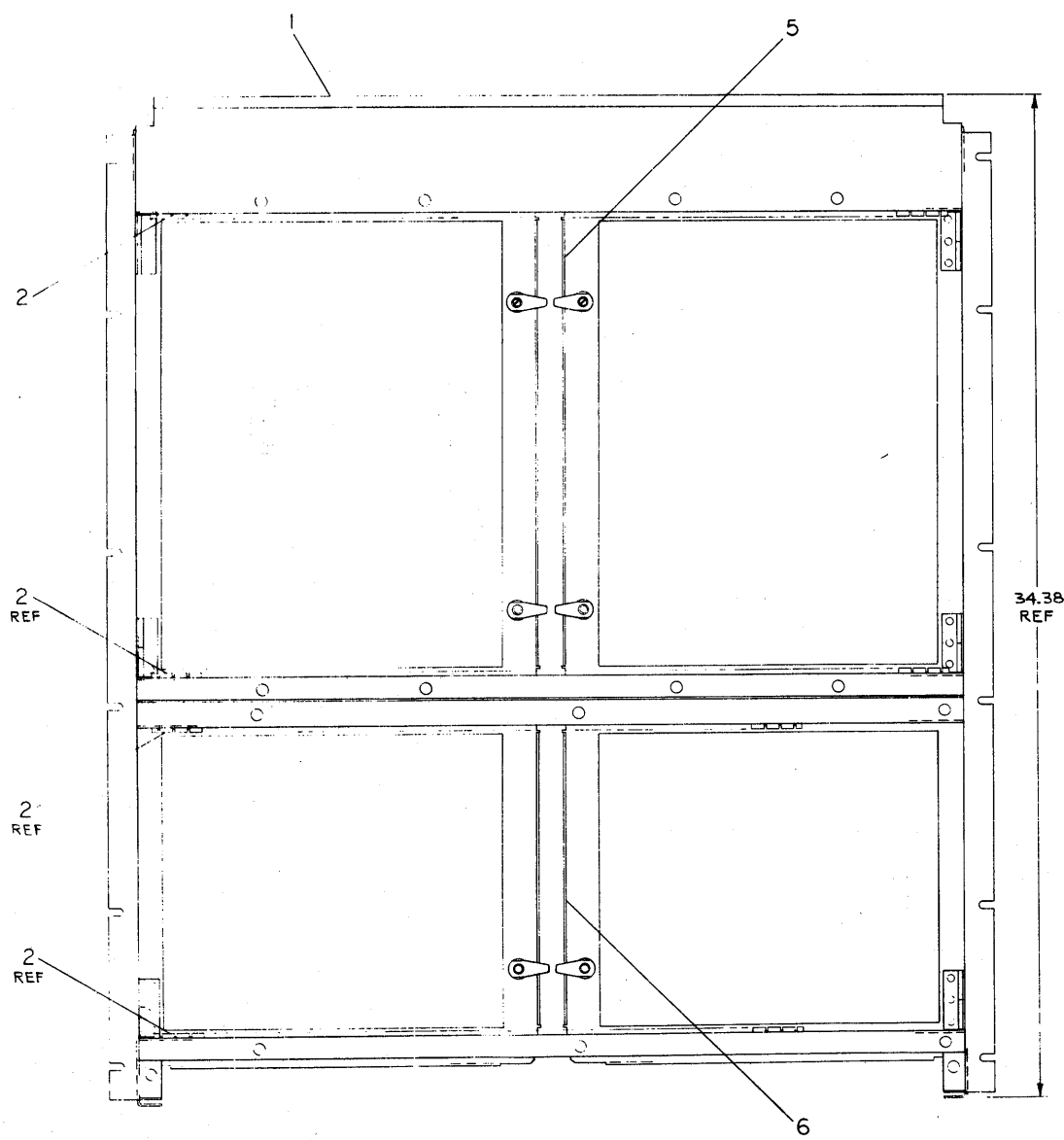
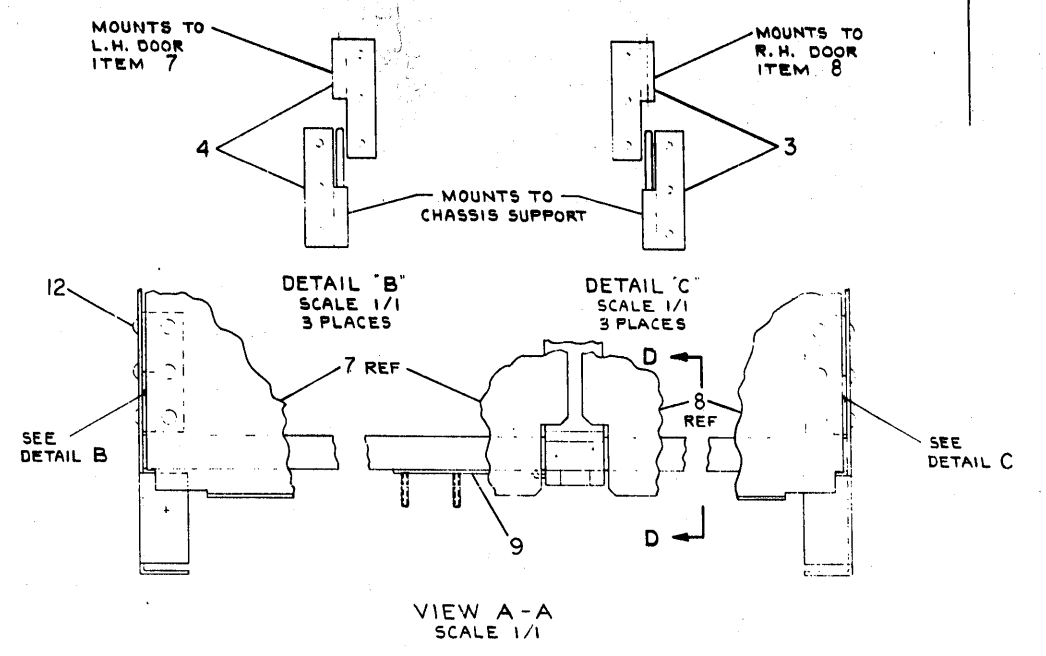
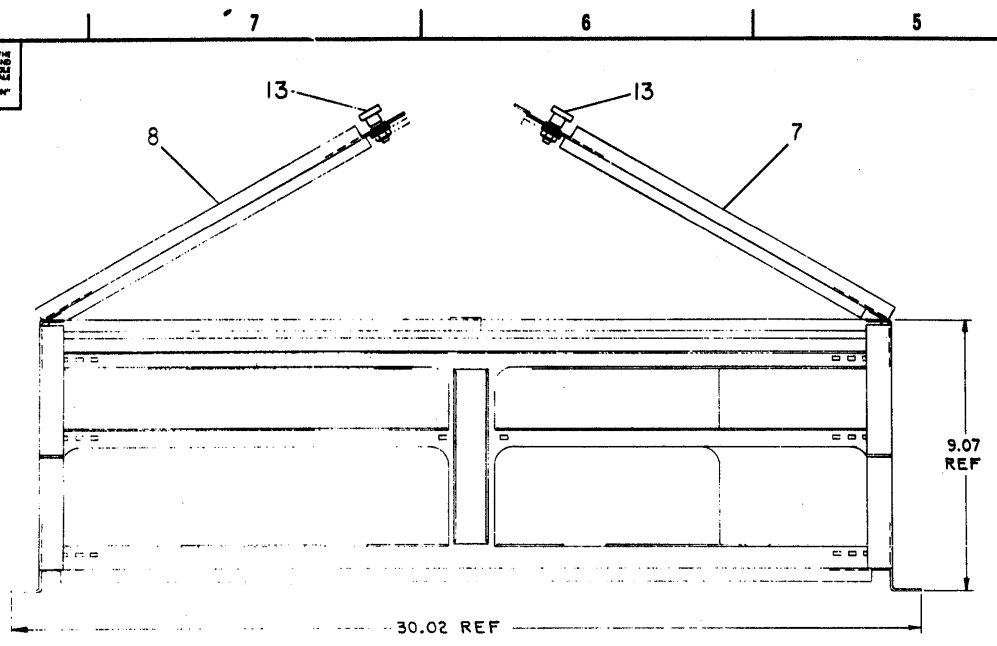
MADE BY J. MISIUK	CHECKED J. MISIUK	SECTION
DATE 2/25/75	DATE 3/3/75	
ENG D.J. CHIN	PROD R. OBRIAN	ISSUED SECT.
DATE 11/5/75	DATE 3/5/75	

**QUANTITY / VARIATION**

ITEM NO	DWG NO. / PART NO.	DESCRIPTION	QUANTITY / VARIATION																	
			MG1Ø-A	MG1Ø-G	MG1Ø-H	MG1Ø-G	MG1Ø-E*													
118	1213756-07	STRAP, GROUND 7IN	1	1	1															
119	9007959	WASHER, LOCK EXT TOOTH	1	1	1															
120	3613272	LABEL, GROUND SYMBOL	3	3	3															

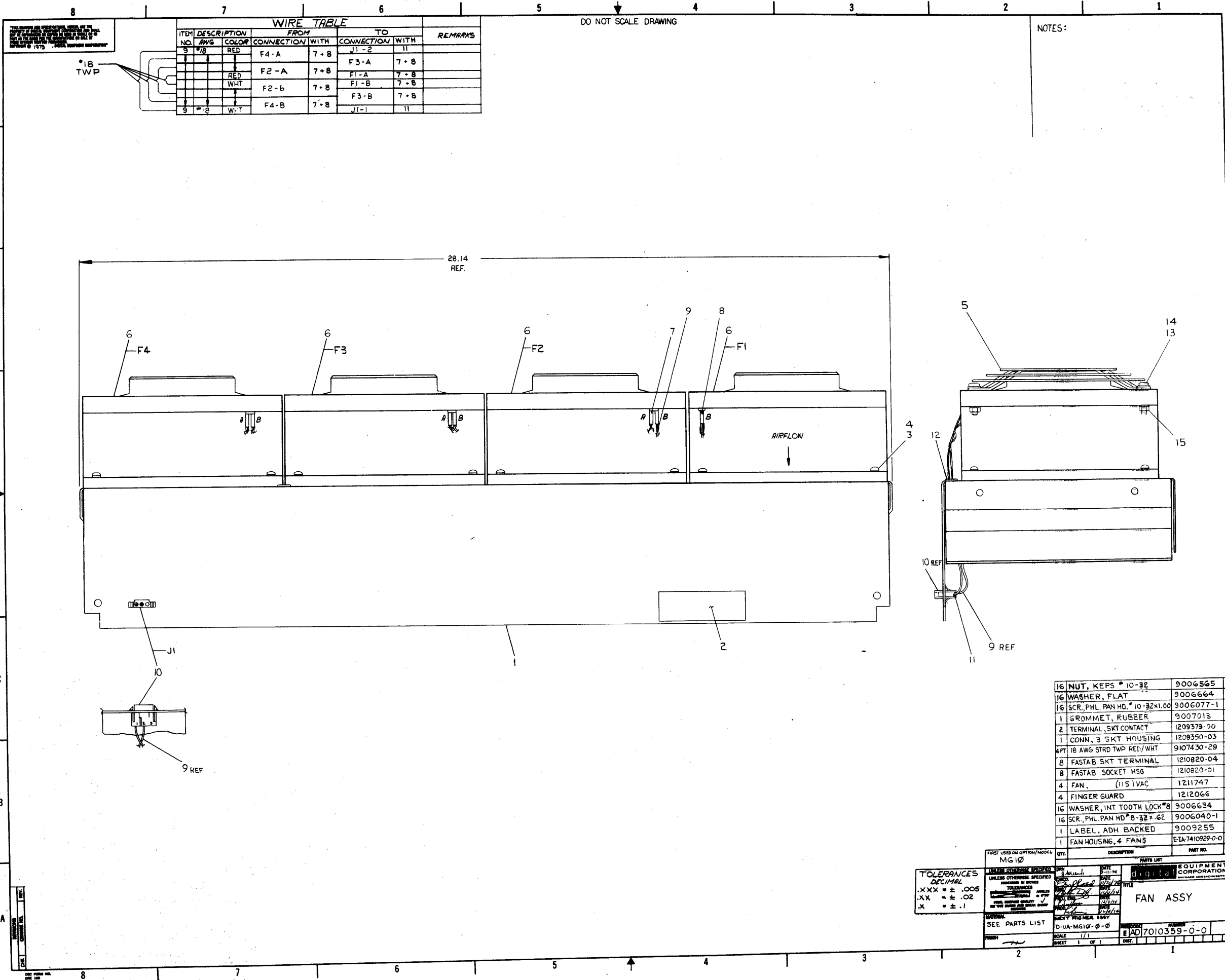
TITLE CORE MEMORY (MG1Ø)	ASSY NO. D-UA-MG1Ø-Ø-Ø	SIZE CODE <b>A PL</b>	NUMBER MG1Ø-Ø-Ø	REV. ECO NO. F
	SHEET 7 OF 7	DIST.		

THIS DRAWING AND SPECIFICATIONS, HEREIN, ARE THE PROPERTY OF DIGITAL EQUIPMENT CORPORATION AND ARE NOT TO BE REPRODUCED OR COPIED OR USED IN WHOLE OR IN PART AS THE BASIS FOR THE MANUFACTURE OR SALE OF ITEMS WITHOUT WRITTEN PERMISSION. COPYRIGHT © 1974, DIGITAL EQUIPMENT CORPORATION



QTY.	DESCRIPTION	PART NO.	REV.
6	LATCH	12 2067	13
36	POP RIVET .12 DIA	3006458	12
6	WASHER, LOCK INT TOOTH #6	3006633	11
6	SCR. PHL PAN HD #6-32x5/16	3006021-1	10
1	BRACKET, MICROSWITCH	3-1A-7411827-0-0	9
1	DOOR, RIGHT	D-MD-7412655-0-0	8
1	DOOR, LEFT	D-MD-7412654-0-0	7
1	CENTER SUPPORT ASSY	D-1A-7010360-2-0	6
1	CENTER SUPPORT ASSY	D-1A-7010360-1-0	5
3	HINGE, RIGHT	1212027-0-1	4
3	HINGE, LEFT	1212027-0-0	3
100	CARD GUIDE	D-PS-1211360-0-0	2
1	CHASSIS WELD COOL ASSY	E-AD-7010228-0-0	1

FIRST USED ON OPTION/MODEL		QTY.	DESCRIPTION	PART NO.	REV.
<b>MG 10</b>					
DIMENSIONAL TOLERANCE		DATE	PARTS LIST		
DIMENSIONS ARE UNLESS OTHERWISE SPECIFIED		1 AUG 74			
UNLESS OTHERWISE SPECIFIED		12/7/73			
TOLERANCES		DATE	TITLE		
FRACTIONS		12/7/73	COOLING ASSY		
DECIMALS		DATE	NUMBER		
ANGLES		12/7/73	EIA7010290-0-0		
TWO PLACE		DATE	SCALE		
THREE PLACE		12/7/73	1/2		
FOUR PLACE		DATE	SHEET		
FIVE PLACE		12/7/73	1 OF 1		
FINISH		DATE	REV.		
REMOVE BURRS AND BREAK SHARP CORNERS SURFACE QUALITY		12/7/73	1		
NEXT HIGHER ASSY.		DATE	DST.		
MATERIAL		12/7/73	1		
D-UA-MG10-B-B		DATE	1		



**WIRE TABLE**

ITEM NO.	DESCRIPTION	FROM		TO		REMARKS
		CONNECTION	WITH	CONNECTION	WITH	
9	#18 RED	F4-A	7-8	J1-2	11	
	RED	F2-A	7-8	F3-A	7-8	
	WHT	F2-b	7-8	F1-A	7-8	
		F4-B	7-8	F1-B	7-8	
9	#16 WHT	F4-B	7-8	F3-B	7-8	
				J1-1	11	

UNLESS OTHERWISE SPECIFIED, ALL DIMENSIONS ARE IN INCHES. DIMENSIONS IN PARENTHESES ARE FOR INFORMATION ONLY. THIS DRAWING IS THE PROPERTY OF THE U.S. AIR FORCE. IT IS TO BE KEPT IN THE ORIGINAL OFFICE OF ORIGIN AND IS NOT TO BE REPRODUCED OR TRANSMITTED IN ANY FORM OR BY ANY MEANS, ELECTRONIC OR MECHANICAL, INCLUDING PHOTOCOPYING, RECORDING, OR BY ANY INFORMATION STORAGE AND RETRIEVAL SYSTEM. DATE: 10/15/73. DRAWING NO. EAD7010359-00.

NOTES:

28.14 REF.

AIRFLOW

16	NUT, KEPS # 10-32	9006565	15
16	WASHER, FLAT	9006664	14
16	SCR, PHL PAN HD # 10-32x1.00	9006077-1	13
1	GROMMET, RUBBER	9007013	12
2	TERMINAL, SKT CONTACT	1209379-00	11
1	CONN, 3 SKT HOUSING	1209350-03	10
4	#18 AWG STRD TWP RED/WHT	9107430-29	9
8	FASTAB SKT TERMINAL	1210820-04	8
8	FASTAB SOCKET HSG	1210820-01	7
4	FAN, (115 VAC)	1211747	6
4	FINGER GUARD	1212066	5
16	WASHER, INT TOOTH LOCK #8	9006634	4
16	SCR, PHL PAN HD # 8-32 x .62	9006040-1	3
1	LABEL, ADH BACKED	9009255	2
1	FAN HOUSING, 4 FANS	EIA-7410529-0-0	1

**TOLERANCES DECIMAL**  
 .XXX ± .005  
 .XX ± .02  
 .X ± .1

FIRST USED ON OPTION/MODEL: MG10

UNLESS OTHERWISE SPECIFIED, DIMENSIONS IN INCHES. TOLERANCES: .XXX ± .005, .XX ± .02, .X ± .1. QUALITY ASSURANCE: FULL INSPECTION REQUIRED. DATE: 10/15/73. DRAWING NO. EAD7010359-00.

DATE: 10/15/73  
 BY: [Signature]  
 CHECKED: [Signature]

SCALE: 1/1

SHEET: 1 OF 1

**EQUIPMENT CORPORATION**

**FAN ASSY**

REVISION: EAD7010359-0-0

SEE PARTS LIST

D-VA-MG10-0-0

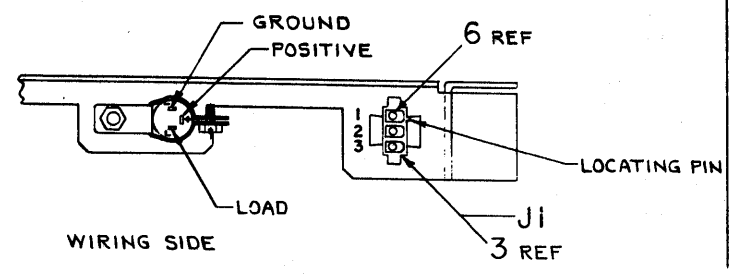
SCALE: 1/1

SHEET: 1 OF 1

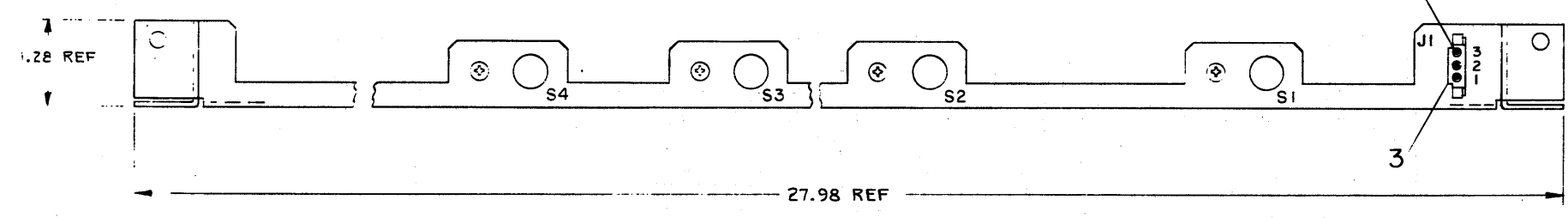
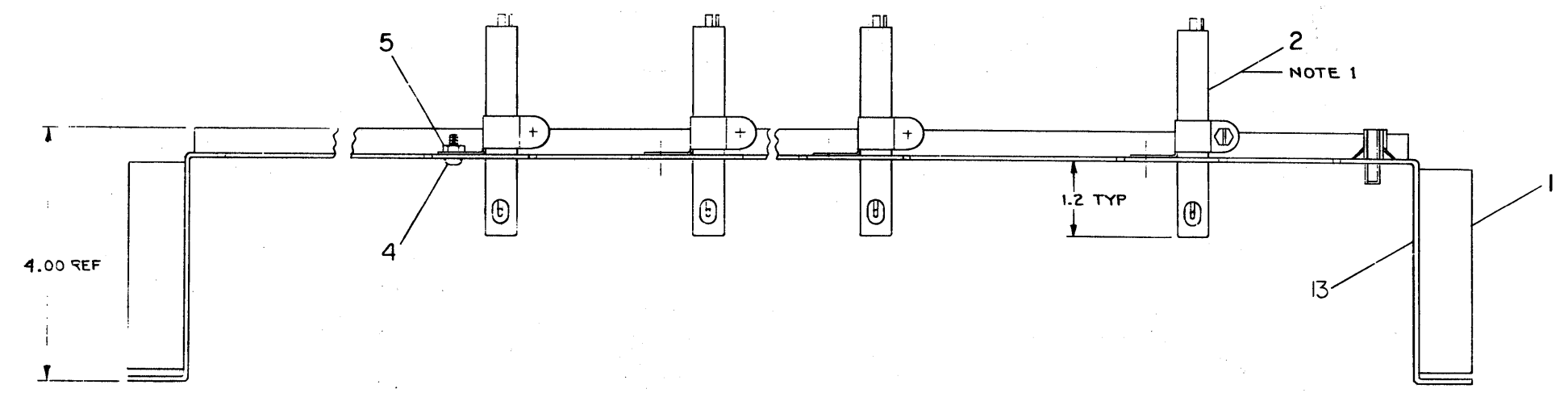


"THIS DRAWING AND SPECIFICATIONS, HEREIN, ARE THE PROPERTY OF DIGITAL EQUIPMENT CORPORATION AND SHALL NOT BE REPRODUCED OR COPIED OR USED IN WHOLE OR IN PART AS THE BASIS FOR THE MANUFACTURE OR SALE OF ITEMS WITHOUT WRITTEN PERMISSION. COPYRIGHT © 1974, DIGITAL EQUIPMENT CORPORATION"

WIRE TABLE						
ITEM NO.	DESCRIPTION	FROM		TO		
		AWG	COLOR	CONNECTION	TERM	CONNECTION
11	22	BLK	S4-G	7&8	S3-G	7&8
			S2-G	7&8	S1-G	
11		BLK	J1-1	6	S3-P	
10		CRN	S4-P	7&8	S1-P	
			S2-P	7&8	S3-L	
10		CRN	J1-2	6	S1-L	
9		YEL	S4-L	7&8	S3-L	
			S2-L	7&8	S1-L	
9	22	YEL	J1-3	6	S1-L	7&8



NOTES:  
 1. USE EXISTING HARDWARE SUPPLIED WITH ITEM 2.  
 2. LOCATE CABLE TIES (ITEM 12) TO SECURE WIRE RUNS TO BRACKET.



QTY.	DESCRIPTION	PART NO.	ITEM NO.
1	LABEL, ADHESIVE BACKING	9009255-00	13
6	CABLE TIES 3.75 x .094	9007031	12
4	FT WIRE, 22 AWG BLK	9107350-00	11
4	FT WIRE, 22 AWG ORN	9107350-33	10
4	FT WIRE, 22 AWG YEL	9107350-44	9
12	TERMINAL, QUICK CONNECT	9009137-00	8
12	SHRINKABLE TUBING RED	9107305-02	7
3	TERMINAL, PIN CONTACT	1209379-03	6
4	NUT, KEP 6-32	9006560	5
4	SCR, PH. PAN HD. 6-32 x .38	9006022-1	4
1	HOUSING, SOCKET 3 SKT	1209350-03	3
4	SW. SOLID STATE VANE	1210756	2
1	BRACKET, SWITCH	D-M3-7412817-0-0	1

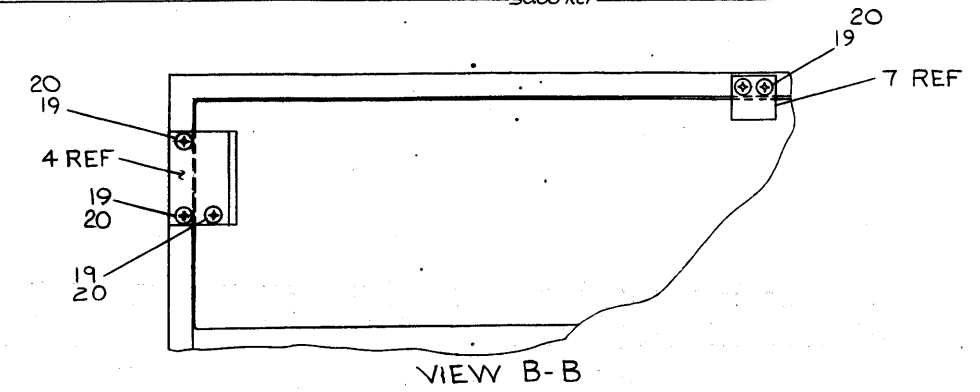
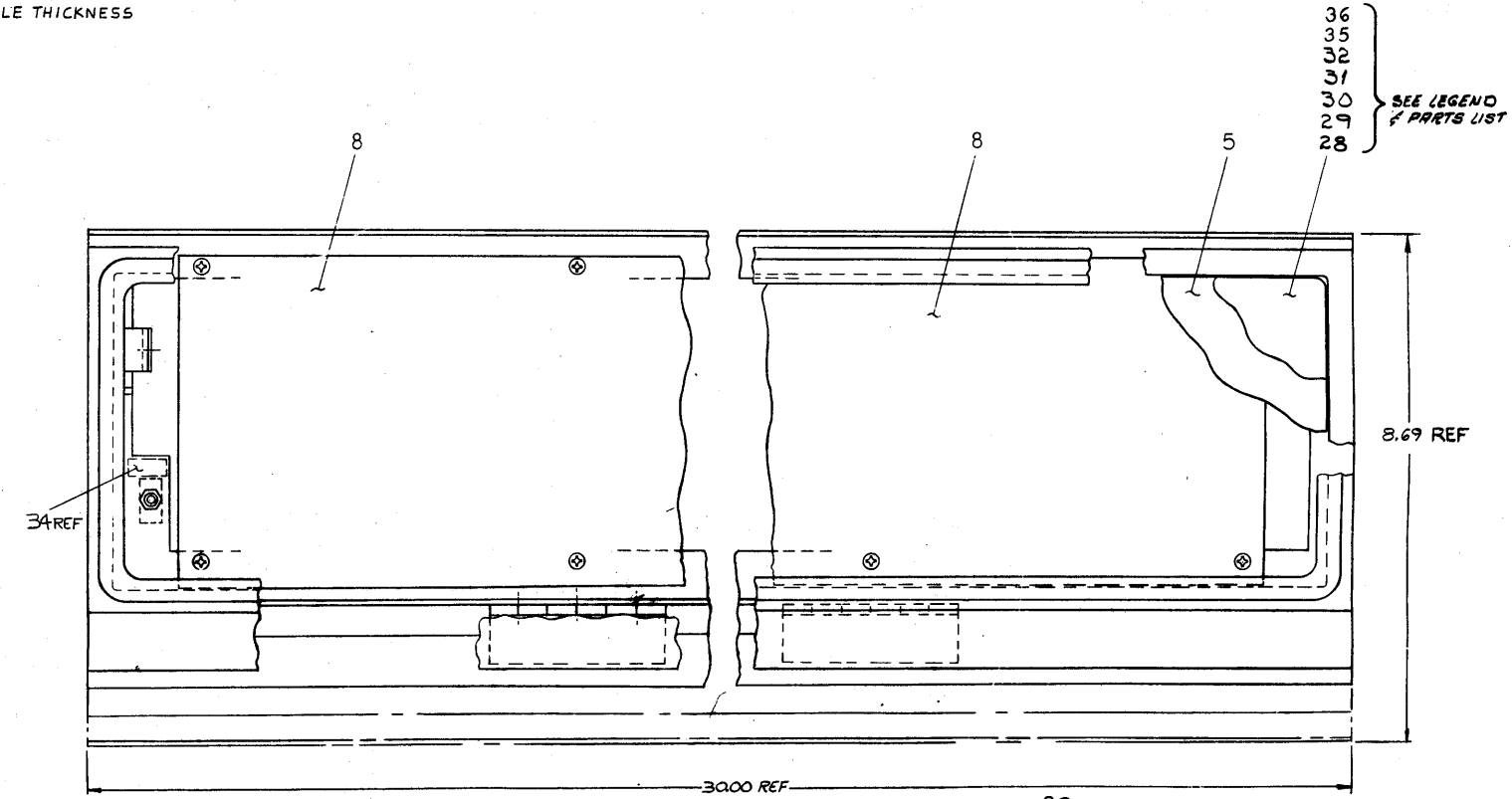
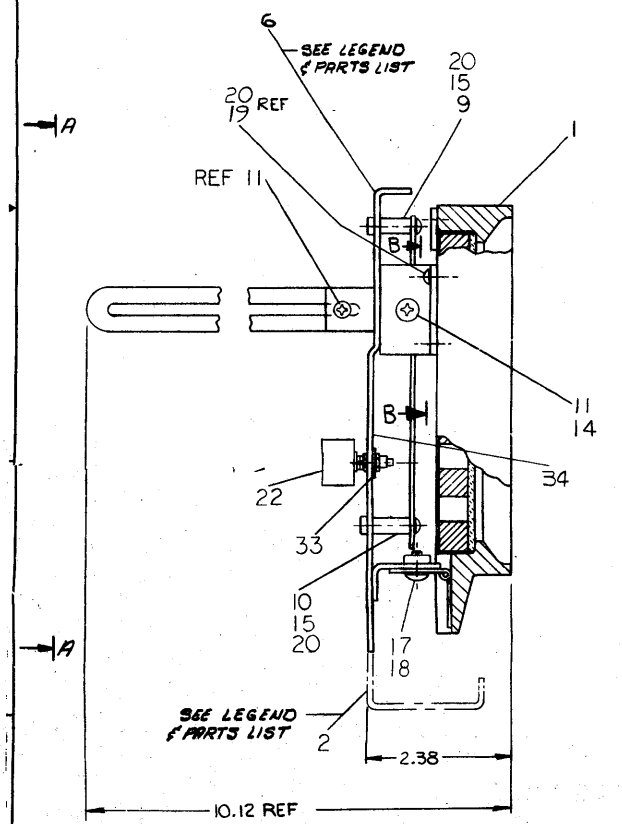
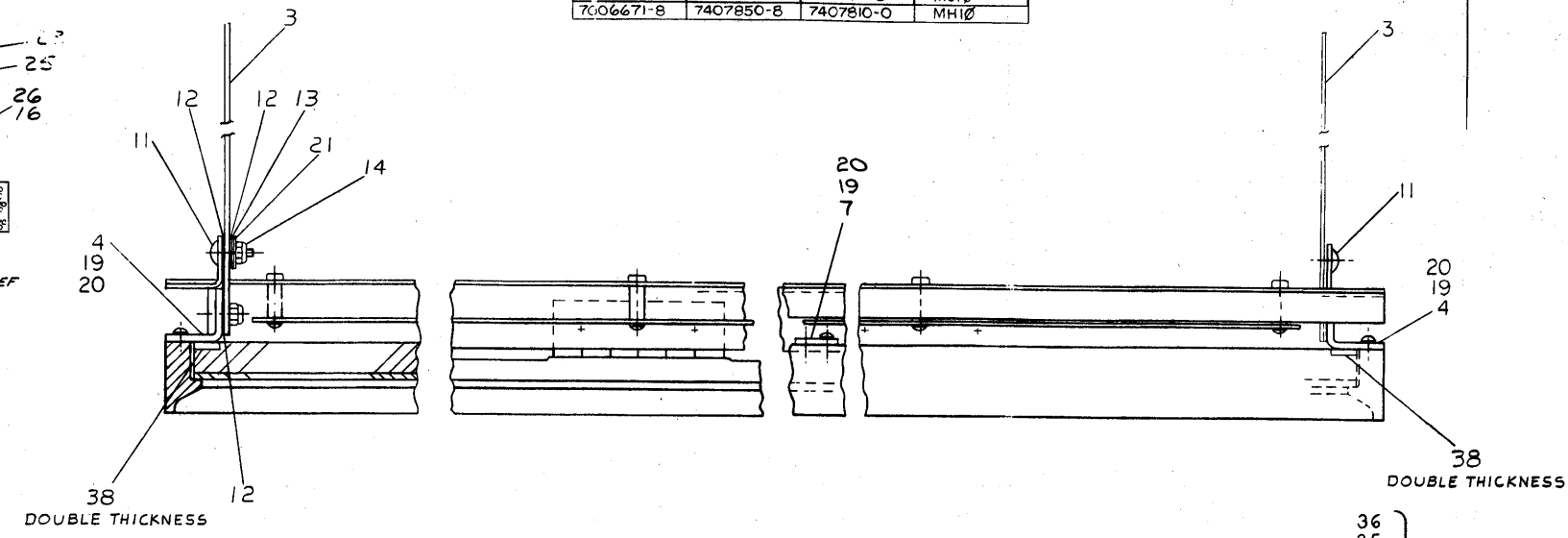
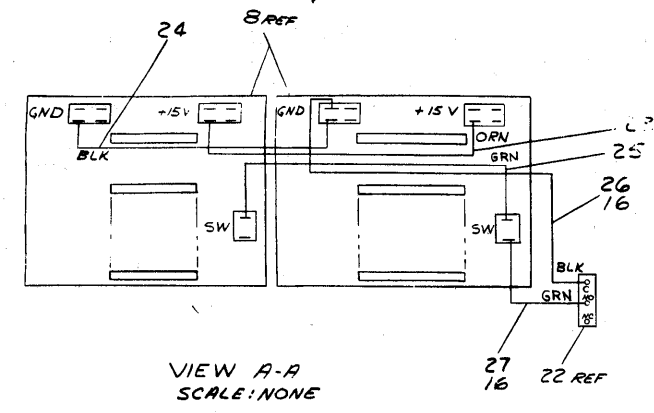
FIRST USED ON OPTION/MODEL		DATE	
MG10		11/18/74	
DIMENSIONAL TOLERANCE		DATE	
DIMENSIONS ARE IN MILLIMETERS UNLESS OTHERWISE SPECIFIED		11/18/74	
MILLIMETERS	INCHES	ANGLES	DATE
X.XX ±0.10	.XXX ±0.005	30° 30'	11/18/74
X.X ±0.5	.XX ±0.02		12/17/74
X ±0.2	.X ±0.1		1/1/75
THIRD ANGLE PROJECTION	REMOVE BURRS AND BREAK SHARP CORNERS SURFACE QUALITY	NEXT HIGHER ASSY.	
MATERIAL	FINISH	SCALE	REV.
		D-UA-MG10-0-0	A
SHEET 1 OF 1		DIST.	

REV.	CHANGE NO.	DATE	BY	CHKD.
1	1	11/18/74	J. J. [Signature]	[Signature]
2	2	12/17/74	[Signature]	[Signature]
3	3	1/1/75	[Signature]	[Signature]

The drawing and specifications herein are the property of Digital Equipment Corporation and shall not be reproduced or transmitted in any form or by any means, electronic, mechanical, photocopying, recording, or by any information storage and retrieval system, without the prior written permission of Digital Equipment Corporation.

LEGEND			
NUMBER	PANEL FRONT (GND SCREEN)	PARTS BEARING MTG	OPTION
7006671-1	7407850-1	7407810-0	K110 (BAY 1)
7006671-2	7407850-2	7407810-0	K110 (BAY 2)
7006671-3	7407850-3	7407810-0	K110 (BAY 3)
7006671-4	7407850-4	7407810-0	DL10
7006671-5	7407850-5	7407810-0	RB10
7006671-6	7407850-6	7407810-0	MF10
7006671-7	7407850-7	7407810-0	MG10
7006671-8	7407850-8	7407810-0	MH10

NOTES:  
1. INSPECT PER A.II-7006671-0-4.



REV	DESCRIPTION	DATE	BY	CHKD
1	INITIAL DESIGN	11/14/70	J. McLEROY	
2	REVISED TO ADD 10.12 REF DIMENSION	11/14/70	J. McLEROY	
3	REVISED TO ADD 2.38 DIMENSION	11/14/70	J. McLEROY	
4	REVISED TO ADD 8.69 REF DIMENSION	11/14/70	J. McLEROY	
5	REVISED TO ADD 30.00 REF DIMENSION	11/14/70	J. McLEROY	
6	REVISED TO ADD 34 REF DIMENSION	11/14/70	J. McLEROY	
7	REVISED TO ADD 11 REF DIMENSION	11/14/70	J. McLEROY	
8	REVISED TO ADD 19 REF DIMENSION	11/14/70	J. McLEROY	
9	REVISED TO ADD 20 REF DIMENSION	11/14/70	J. McLEROY	
10	REVISED TO ADD 22 REF DIMENSION	11/14/70	J. McLEROY	
11	REVISED TO ADD 26 REF DIMENSION	11/14/70	J. McLEROY	
12	REVISED TO ADD 27 REF DIMENSION	11/14/70	J. McLEROY	
13	REVISED TO ADD 33 REF DIMENSION	11/14/70	J. McLEROY	
14	REVISED TO ADD 34 REF DIMENSION	11/14/70	J. McLEROY	
15	REVISED TO ADD 35 REF DIMENSION	11/14/70	J. McLEROY	
16	REVISED TO ADD 36 REF DIMENSION	11/14/70	J. McLEROY	

TOLERANCES DECIMALS		FIRST USED ON OPT/400		QTY.	DESCRIPTION	PART NO.
.XXX = ±.005	.XX = ±.02	K110				
.X = ±.1		UNLESS OTHERWISE SPECIFIED				
		UNLESS OTHERWISE SPECIFIED				
		DIMENSIONS IN INCHES				
		MATERIAL				
		FINISH				
		SCALE 1/1				
		SHEET 1 OF 1				
DIGITAL EQUIPMENT CORPORATION		INDICATOR PANEL ASSY (30 IN)		PART NO. 7006671-0-0		REV. 1
J. McLEROY		EJAD 7006671-0-0		DATE 11/14/70		

This drawing and specifications, herein, are the property of Digital Equipment Corporation and shall not be reproduced or copied or used in whole or in part as the basis for the manufacture or sale of items without written permission.

DIGITAL EQUIPMENT CORPORATION MAYNARD, MASSACHUSETTS						
ENGINEERING SPECIFICATION					DATE 1/3/75	
TITLE MCI0-G ADDITIONAL ACCESS PORT OPTION						
REVISIONS						
REV	DESCRIPTION	CHG NO	ORIG	DATE	APPD BY	DATE
A	ECO CHANGE	00005	D.CHIN	11-76	<i>M. Chin</i>	11-76

ENG/ <i>[Signature]</i>	APPD <i>[Signature]</i>	DATE 4-17-75	SIZE A	CODE SP	NUMBER MCI0-G-AAP	REV A
-------------------------	-------------------------	--------------	-----------	------------	----------------------	----------

ENGINEERING SPECIFICATION	000000	CONTINUATION SHEET																																								
TITLE MCI0-G ADDITIONAL ACCESS PORT OPTION																																										
<p>I. <u>SCOPE</u></p> <p>The MCI0-G is an option that provides two (2) additional access ports to MG10 memories in which all available ports are not utilized.</p>																																										
<p>II. <u>REQUIREMENTS</u></p> <p>The MCI0-G option consists of the following:</p> <ul style="list-style-type: none"> <li>5 M8594 Data Transceiver</li> <li>2 M8592 Port Address Interface</li> <li>2 M8591 ADR Receiver</li> <li>2 BC10J-XX or BC10K-XX cables (dependent on system configuration, XX is specified at 10 Ft. unless otherwise specified).</li> </ul>																																										
<p>III. <u>DRAWINGS</u></p> <p>A MCI0-G drawing set consists of the following MG10 drawings.</p> <table style="width: 100%; border: none;"> <tr> <td style="width: 60%;">D-BS-MG10-0-DB0</td> <td>Data Bits 0-7</td> </tr> <tr> <td>D-BS-MG10-0-DB1</td> <td>Data Bits 8-15</td> </tr> <tr> <td>D-BS-MG10-0-DB2</td> <td>Data Bits 16-23</td> </tr> <tr> <td>D-BS-MG10-0-DB3</td> <td>Data Bits 24-31</td> </tr> <tr> <td>D-BS-MG10-0-DB4</td> <td>Data Bits 32-PAR</td> </tr> <tr> <td>D-BS-MG10-0-AB0</td> <td>Address Bits 21-28</td> </tr> <tr> <td>D-BS-MG10-0-AB1</td> <td>Address Bits 29-33 WR RQ, RD RQ</td> </tr> <tr> <td>D-BS-MG10-0-PR0</td> <td>Port Request Logic 0-3</td> </tr> <tr> <td>D-BS-MG10-0-PR1</td> <td>Port Request Logic 4-7</td> </tr> <tr> <td>D-MU-MG10-0-MUAF</td> <td>Module Utilization</td> </tr> <tr> <td>D-MU-MG10-0-MUHL</td> <td>Module Utilization</td> </tr> <tr> <td>D-IC-MG10-0-MBI</td> <td>Memory Bus Interface</td> </tr> <tr> <td>D-CS-M8594-0-DAT0</td> <td>MG10 Data Transceiver</td> </tr> <tr> <td>D-CS-M8594-0-DAT1</td> <td>MG10 Data Transceiver</td> </tr> <tr> <td>D-CS-M8592-0-PAD0</td> <td>MG10 Port Address</td> </tr> <tr> <td>D-CS-M8592-0-PAD1</td> <td>MG10 Port Address</td> </tr> <tr> <td>D-CS-M8592-0-PAD2</td> <td>MG10 Port Address</td> </tr> <tr> <td>D-CS-M8591-0-ADR0</td> <td>MG10 Address Receiver</td> </tr> <tr> <td>D-CS-M8591-0-ADR1</td> <td>MG10 Address Receiver</td> </tr> <tr> <td>D-CS-M8591-0-ADR2</td> <td>MG10 Address Receiver</td> </tr> </table>			D-BS-MG10-0-DB0	Data Bits 0-7	D-BS-MG10-0-DB1	Data Bits 8-15	D-BS-MG10-0-DB2	Data Bits 16-23	D-BS-MG10-0-DB3	Data Bits 24-31	D-BS-MG10-0-DB4	Data Bits 32-PAR	D-BS-MG10-0-AB0	Address Bits 21-28	D-BS-MG10-0-AB1	Address Bits 29-33 WR RQ, RD RQ	D-BS-MG10-0-PR0	Port Request Logic 0-3	D-BS-MG10-0-PR1	Port Request Logic 4-7	D-MU-MG10-0-MUAF	Module Utilization	D-MU-MG10-0-MUHL	Module Utilization	D-IC-MG10-0-MBI	Memory Bus Interface	D-CS-M8594-0-DAT0	MG10 Data Transceiver	D-CS-M8594-0-DAT1	MG10 Data Transceiver	D-CS-M8592-0-PAD0	MG10 Port Address	D-CS-M8592-0-PAD1	MG10 Port Address	D-CS-M8592-0-PAD2	MG10 Port Address	D-CS-M8591-0-ADR0	MG10 Address Receiver	D-CS-M8591-0-ADR1	MG10 Address Receiver	D-CS-M8591-0-ADR2	MG10 Address Receiver
D-BS-MG10-0-DB0	Data Bits 0-7																																									
D-BS-MG10-0-DB1	Data Bits 8-15																																									
D-BS-MG10-0-DB2	Data Bits 16-23																																									
D-BS-MG10-0-DB3	Data Bits 24-31																																									
D-BS-MG10-0-DB4	Data Bits 32-PAR																																									
D-BS-MG10-0-AB0	Address Bits 21-28																																									
D-BS-MG10-0-AB1	Address Bits 29-33 WR RQ, RD RQ																																									
D-BS-MG10-0-PR0	Port Request Logic 0-3																																									
D-BS-MG10-0-PR1	Port Request Logic 4-7																																									
D-MU-MG10-0-MUAF	Module Utilization																																									
D-MU-MG10-0-MUHL	Module Utilization																																									
D-IC-MG10-0-MBI	Memory Bus Interface																																									
D-CS-M8594-0-DAT0	MG10 Data Transceiver																																									
D-CS-M8594-0-DAT1	MG10 Data Transceiver																																									
D-CS-M8592-0-PAD0	MG10 Port Address																																									
D-CS-M8592-0-PAD1	MG10 Port Address																																									
D-CS-M8592-0-PAD2	MG10 Port Address																																									
D-CS-M8591-0-ADR0	MG10 Address Receiver																																									
D-CS-M8591-0-ADR1	MG10 Address Receiver																																									
D-CS-M8591-0-ADR2	MG10 Address Receiver																																									

# ENGINEERING SPECIFICATION



CONTINUATION SHEET

TITLE MC10-G ADDITIONAL ACCESS PORT OPTION

## IV. MODULE LOCATION

Module Type	Locations							Drawing	
	P0	P1	P2	P3	P4	P5	P6		P7
M8594	HJ18		HJ19		HJ20		HJ21		Data Bits 0-7, D-BS-MG10-0-DB0
M8594	HJ09		HJ10		HJ11		HJ12		Data Bits 8-15, D-BS-MG10-0-DB1
M8594	KL17		KL18		KL19		KL20		Data Bits 16-23, D-BS-MG10-0-DB2
M8594	KL12		KL13		KL14		KL15		Data Bits 24-31, D-BS-MG10-0-DB3
M8594	KL07		KL08		KL09		KL10		Data Bits 32-PAR, D-BS-MG10-0-DB4
M8592	HJ37		HJ35		HJ33		HJ31		Port Request Logic, D-BS-MG10-0-PR0
M8592		HJ36		HJ34		HJ32		HJ30	Port Request Logic, D-BS-MG10-0-PR1
M8591	KL39		KL38		KL37		KL36		Address Bits 21-28, D-BS-MG10-0-AB0
M8591	KL32		KL31		KL30		KL29		Address Bits 29-33, D-BS-MG10-0-AB1

## V. DIAGNOSTIC TEST

Run diagnostic MAINDEC-10-DDMMD with switches 8, 9, 18, 20, 22, 25, 26 on for two (2) passes. No errors are acceptable.

SIZE  
A

CODE  
SP

NUMBER  
MC10-G-AAP

REV  
A

SHEET 3 OF 3

This drawing and specifications, herein, are the property of Digital Equipment Corporation and shall not be reproduced or copied or used in whole or in part as the basis for the manufacture or sale of items without written permission.

<b>DIGITAL EQUIPMENT CORPORATION</b> MAYNARD, MASSACHUSETTS						
<b>ENGINEERING SPECIFICATION</b>				DATE 14 AUG 72		
TITLE THE ACCEPTANCE TEST MEMORY SYSTEMS						
REVISIONS						
REV	DESCRIPTION	CHG NO	ORIG	DATE	APPD BY	DATE
A	ECO CHANGE	00006	D.CHIN	5-5-75		
B	ECO CHANGE	00007	J.PROVIDENT	11 OCT 76	J. Provident	18 OCT 76
C	ECO CHANGE	00005	D.CHIN	11-76	P. Sullivan	11-76
ENG	APPD	SIZE	CODE	NUMBER	REV	
P. Sullivan	John Kent 14 Aug 72	A	SP	PDP10-0-MEMS	C	

<b>ENGINEERING SPECIFICATION</b>	<b>000000</b>	CONTINUATION SHEET
TITLE THE ACCEPTANCE TEST MEMORY SYSTEM		
<p>A. Applicability</p> <p>This test is applicable to the following memory units:</p> <p style="text-align: right;">MA10 MB10 MD10 ME10 MF10 MG10 MH10</p>		
<p>B. Hardware Test</p> <ol style="list-style-type: none"> <li>1. Run MAIN DEC-10-DDQCB. DDQCB is a memory port interaction test. It provides a way of checking for multiport interference problems. The program runs in EXECT MODE only and with EXECT DDT to provide operator/program communication. No errors are acceptable.</li> <li>2. Run the memory pattern exerciser MAINDEC-10-DIMMD with switches 8, 9, 18, 20, 22, 25, 26 on for 12 hours. This program exercises the worst case patterns throughout all of memory. No errors are acceptable.</li> <li>3. The appropriate processor tests provide memory/processor speed verification and are not repeated here.</li> </ol>		
<p>C. Software Integration</p> <p>The software acceptance tests thoroughly exercise all aspects of memory system operation and further tests are not required.</p>		
ENG	APPD	REV
		C
SIZE	CODE	NUMBER
A	SP	PDP10-0-MEMS

THIS DRAWING AND SPECIFICATIONS, HEREIN, ARE THE PROPERTY OF DIGITAL EQUIPMENT CORPORATION AND SHALL NOT BE REPRODUCED OR COPIED OR USED IN WHOLE OR IN PART AS THE BASIS FOR THE MANUFACTURE OR SALE OF ITEMS WITHOUT WRITTEN PERMISSION  
 COPYRIGHT © 1977 DIGITAL EQUIPMENT CORPORATION

ITEM	TERM. VALUE	FROM PIN	POL	TO PIN	POL	SIGNAL NAME
1	1K OHMS	H28P2		H28A2		CYT CØ CLR AW RQ L

REVISIONS	CHANGE NO.	REV.
CHK	MG10-MR010	-
	ORIGINATED	

1	TERMINATOR, 1K, 3ØAWG	7407749	1
DESCRIPTION		DWG./PART NO.	ITEM NO.
UNLESS OTHERWISE SPECIFIED DIMENSIONS ARE IN INCHES			
ANGLES ± 0° 30'	CLASS OF ACCURACY (CHECK ONE)	NOMINAL DIMENSION RANGE INCHES	
SURFACE QUALITY IN <input checked="" type="checkbox"/> MICROINCHES	MEDIUM <input type="checkbox"/>	OVER 0 TO 0.2 ±.004	OVER 0.2 TO 1.2 ±.008
	PREFERRED <input type="checkbox"/>	OVER 1.2 TO 4.0 ±.012	OVER 4.0 TO 12.0 ±.016
		OVER 12.0 TO 40.0 ±.024	OVER 40.0 TO 80.0 ±.04
		±.012	±.016 ±.025 ±.04 ±.063 ±.01
THIRD ANGLE PROJECTION 	DRN. <i>G. W. ...</i> 21-NOV-77	FIRST USED ON	
REMOVE BURRS AND BREAK SHARP CORNERS	CHK'D <i>J. ...</i> 25-NOV-77	MG10	
DO NOT SCALE DWG	ENG. <i>A. ...</i> 21-DEC-77	TITLE	
MATERIAL <i>+</i>	PROJ. ENG. <i>R. ...</i> 21-DEC-77	EXTERNAL COMPONENTS LIST	
FINISH <i>+</i>	PROD. <i>H. ...</i> 28-DEC-77	D-UA-MG10-0-0	
		SIZE	CODE
		B	CP
		NUMBER	REV.
		MG10-0-EC	
		DIST.	