

8

7

6

5

4

3

2

SIZE CODE NUMBER  
D TC RH20-0-1

1

# FIELD MAINTENANCE PRINT SET TABLE OF CONTENTS

UNIT VARIATIONS  
COVERED BY THIS  
PRINT SET

RH20

RH20  
FIELD MAINTENANCE  
PRINT SET

DIGITAL EQUIPMENT  
CORPORATION

PRINT SET ORDER NO.  
MP00056

"THE MATERIAL HEREIN IS FOR INFORMATION PURPOSES ONLY AND IS  
SUBJECT TO CHANGE WITHOUT NOTICE. DIGITAL EQUIPMENT CORPORATION  
ASSUMES NO RESPONSIBILITY FOR ANY ERRORS WHICH MAY APPEAR HEREIN."

THIS DRAWING AND SPECIFICATIONS  
HEREIN ARE THE PROPERTY OF  
DIGITAL EQUIPMENT CORPORATION AND  
SHALL NOT BE REPRODUCED OR COPIED  
OR USED IN WHOLE OR IN PART AS  
THE BASIS FOR THE MANUFACTURE OR  
SALE OF ITEMS WITHOUT WRITTEN  
PERMISSION. COPYRIGHT © 1981,  
DIGITAL EQUIPMENT CORPORATION

REVISIONS		
CHK	CHANGE NO.	REV
DR	000004	D

digital	DR: <i>J. J. J.</i>	DATE: 01-MAR-81	ENG: <i>J. J. J.</i>	DATE: (AS APPL)	TITLE: MASSBUS INTERFACE (RH20)
	CHK'D:	DATE:	BOARD LOCATION: N/A	SHEET: 1 OF 2	
DSK: RH20TC.T2P(4,37)		104-MAR-81 02:18	NEXT HIGHER ASSEMBLY: NONE	SIZE CODE: D TC	NUMBER: RH20-0-1
FIRST USED ON OPTION/MODEL: KL10					REV. D

8

7

6

5

4

3

2

1

MR

REV. D  
NUMBER  
RH20-0-1  
SIZE CODE  
D TC

DOCUMENT NUMBER REV DESCRIPTION

B-TC-RH20-0-1 D RH20 FIELD MAINTENANCE PRINT SET (TC)
D-MU-KL10-0-RHDT \* MODULE UTILIZATION RH20-DTE20

RH20 MODULE (CS)

D-DD-M8555-0 E MASSBUS CONTROL EBUS INTERFACE SH 1
D-UA-M8555-0-0 D1 MASSBUS CONTROL EBUS INTERFACE SH 2
D-CS-M8555-0-EBI1 B1 MASSBUS CONTROL EBUS INTERFACE
D-CS-M8555-0-EBI2 B1 MASSBUS CONTROL EBUS INTERFACE
D-CS-M8555-0-EBI3 B1 MASSBUS CONTROL EBUS INTERFACE
D-CS-M8555-0-EBI4 B1 MASSBUS CONTROL EBUS INTERFACE
D-CS-M8555-0-EBI5 B1 MASSBUS CONTROL EBUS INTERFACE
D-CS-M8555-0-EBI6 D1 MASSBUS CONTROL EBUS INTERFACE
D-CS-M8555-0-EBI7 B1 MASSBUS CONTROL EBUS INTERFACE
D-CS-M8555-0-EBI8 B1 POWER, GND. CAPS

D-DD-M8555-0 E MASSBUS CONTROL EBUS INTERFACE SH 2
D-UA-M8555-0-0 E MASSBUS CONTROL EBUS INTERFACE SH 1
D-CS-M8555-0-EBI1 C MASSBUS CONTROL EBUS INTERFACE
D-CS-M8555-0-EBI2 C MASSBUS CONTROL EBUS INTERFACE
D-CS-M8555-0-EBI3 C MASSBUS CONTROL EBUS INTERFACE
D-CS-M8555-0-EBI4 C MASSBUS CONTROL EBUS INTERFACE
D-CS-M8555-0-EBI5 C MASSBUS CONTROL EBUS INTERFACE
D-CS-M8555-0-EBI6 E MASSBUS CONTROL EBUS INTERFACE
D-CS-M8555-0-EBI7 C MASSBUS CONTROL EBUS INTERFACE
D-CS-M8555-0-EBI8 C POWER, GND. CAPS

D-DD-M8556-0 H MASSBUS CONTROL CBUS INTERFACE SH 1
D-UA-M8556-0-0 E1 MASSBUS CONTROL CBUS INTERFACE SH 2
D-CS-M8556-0-DP1 A1 MASSBUS CONTROL CBUS INTERFACE
D-CS-M8556-0-DP2 A1 MASSBUS CONTROL CBUS INTERFACE
D-CS-M8556-0-DP3 A1 MASSBUS CONTROL CBUS INTERFACE
D-CS-M8556-0-DP4 C1 MASSBUS CONTROL CBUS INTERFACE
D-CS-M8556-0-DP5 A1 MASSBUS CONTROL CBUS INTERFACE
D-CS-M8556-0-DP6 \*1 MASSBUS CONTROL CBUS INTERFACE
D-CS-M8556-0-DP7 A1 MASSBUS CONTROL CBUS INTERFACE
D-CS-M8556-0-DP8 A1 POWER, GND. CAPS

D-DD-M8556-0 H MASSBUS CONTROL CBUS INTERFACE SH 2
D-UA-M8556-0-0 H MASSBUS CONTROL CBUS INTERFACE SH 1
D-CS-M8556-0-DP1 B MASSBUS CONTROL CBUS INTERFACE
D-CS-M8556-0-DP2 B MASSBUS CONTROL CBUS INTERFACE
D-CS-M8556-0-DP3 B MASSBUS CONTROL CBUS INTERFACE
D-CS-M8556-0-DP4 E MASSBUS CONTROL CBUS INTERFACE
D-CS-M8556-0-DP5 C MASSBUS CONTROL CBUS INTERFACE
D-CS-M8556-0-DP6 A MASSBUS CONTROL CBUS INTERFACE
D-CS-M8556-0-DP7 B MASSBUS CONTROL CBUS INTERFACE
D-CS-M8556-0-DP8 C POWER, GND. CAPS

DOCUMENT NUMBER REV DESCRIPTION

RH20 MODULE (C. S.) CONTINUED

D-DD-M8557-0 H MASSBUS CONTROL MBUS INTERFACE SH 1
D-UA-M8557-0-0 D2 MASSBUS CONTROL MBUS INTERFACE SH 2
D-CS-M8557-0-MSS1 B1 MASSBUS CONTROL MBUS INTERFACE
D-CS-M8557-0-MSS2 C1 MASSBUS CONTROL MBUS INTERFACE
D-CS-M8557-0-MSS3 B2 MASSBUS CONTROL MBUS INTERFACE
D-CS-M8557-0-MSS4 B1 MASSBUS CONTROL MBUS INTERFACE
D-CS-M8557-0-MSS5 B1 MASSBUS CONTROL MBUS INTERFACE
D-CS-M8557-0-MSS6 A1 MASSBUS CONTROL MBUS INTERFACE
D-CS-M8557-0-MSS7 A1 MASSBUS CONTROL MBUS INTERFACE
D-CS-M8557-0-MSS8 A1 POWER, GND. CAPS

D-DD-M8557-0 H MASSBUS CONTROL MBUS INTERFACE SH 2
D-UA-M8557-0-0 F MASSBUS CONTROL MBUS INTERFACE SH 1
D-CS-M8557-0-MSS1 E MASSBUS CONTROL MBUS INTERFACE
D-CS-M8557-0-MSS2 E MASSBUS CONTROL MBUS INTERFACE
D-CS-M8557-0-MSS3 C MASSBUS CONTROL MBUS INTERFACE
D-CS-M8557-0-MSS4 C MASSBUS CONTROL MBUS INTERFACE
D-CS-M8557-0-MSS5 C MASSBUS CONTROL MBUS INTERFACE
D-CS-M8557-0-MSS6 B MASSBUS CONTROL MBUS INTERFACE
D-CS-M8557-0-MSS7 B MASSBUS CONTROL MBUS INTERFACE
D-CS-M8557-0-MSS8 B POWER, GND. CAPS

RH20 OPTION/ASSY.

D-IC-KL10-0-IOC1 \* EBUS CABLE I/O TO CPU
D-IC-KL10-0-IOC2 \* EBUS & CBUS CABLES I/O TO CPU
C-UA-BC06S-0-0 E MASSBUS CABLE
D-AD-7009938-0-0 C TERMINATOR PACK ASSY
A-SP-RH20-0-SP \* RH20 RTP04 ACCEPTANCE PROCEDURE
D-FD-RH20-0-INST \* RH20 INSTRUCTION FORMAT
D-FD-RH20-0-BD \* RH20 BLOCK DIAGRAM
A-PL-RH20-0-0 \* MASSBUS INTERFACE
A-PL-RH20-0-ACL \* RH20 ACCESSORY SHIP LIST
D-CS-5411070-0-1 A RH20 MASSBUS TRANSITION

NOTE: A REVISION DESIGNATED AS "\*" REPRESENTS THE INITIAL RELEASE REVISION OF A DOCUMENT IN THE CASE WHERE THE INITIAL RELEASE REVISION WAS "-", "\*" OR WAS LEFT BLANK.

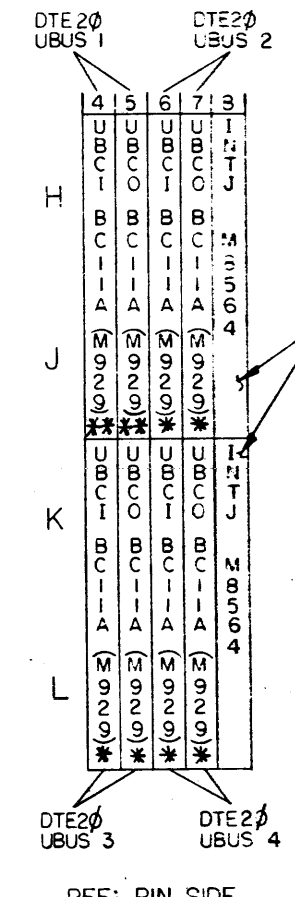
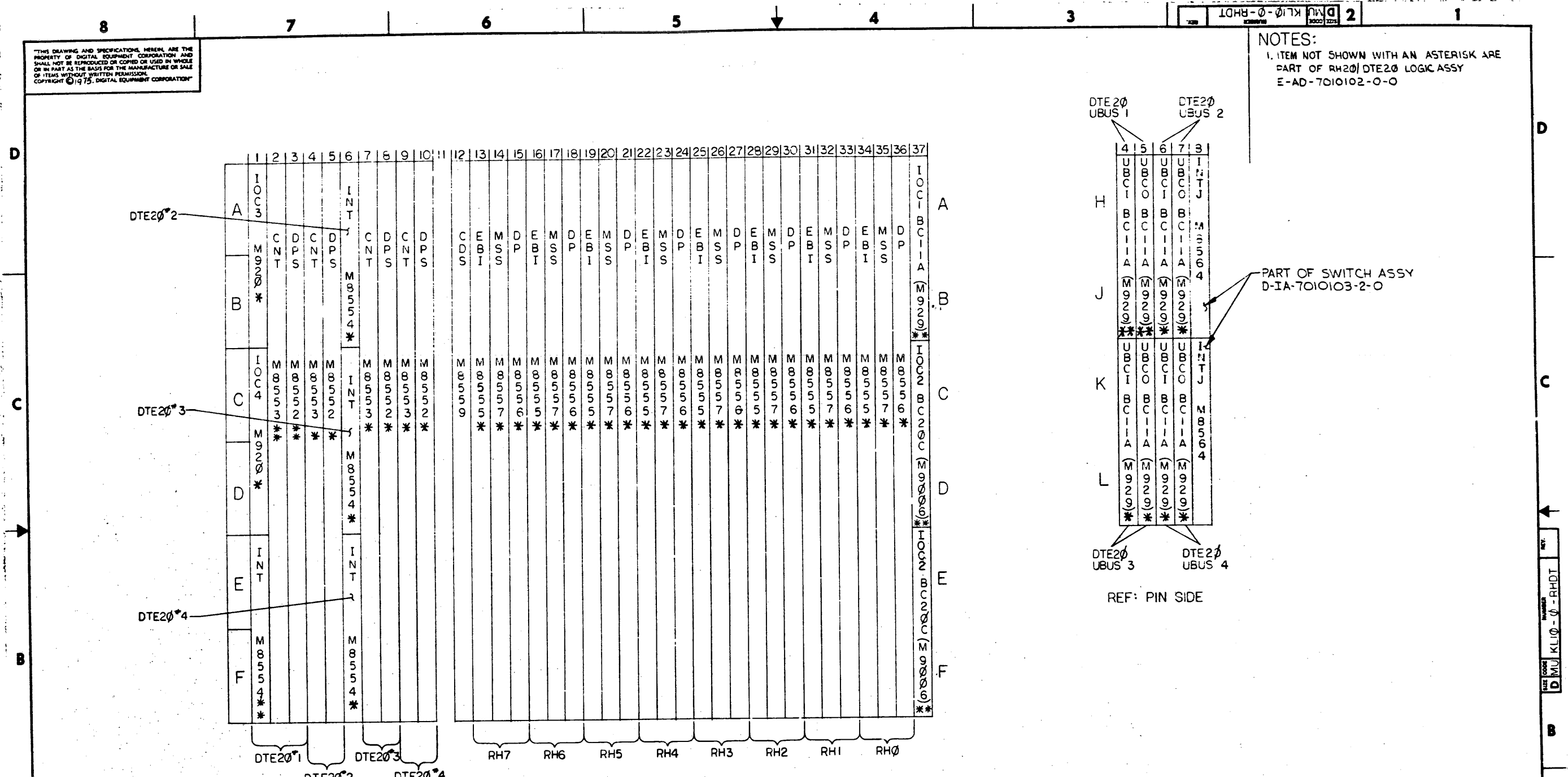
Table with columns: REVISIONS, CHK, CHANGE NO., REV. Includes a note about digital equipment corporation.

digital logo, DATE, ENG, TITLE: MASSBUS INTERFACE (RH20), SHEET 2 OF 2, NUMBER D TC RH20-0-1, REV. D

NR

THIS DRAWING AND SPECIFICATIONS HEREIN ARE THE PROPERTY OF DIGITAL EQUIPMENT CORPORATION AND SHALL NOT BE REPRODUCED OR COPIED OR USED IN WHOLE OR IN PART AS THE BASIS FOR THE MANUFACTURE OR SALE OF ITEMS WITHOUT THE WRITTEN PERMISSION OF DIGITAL EQUIPMENT CORPORATION

NOTES:  
 1. ITEM NOT SHOWN WITH AN ASTERISK ARE PART OF RH20/DTE20 LOGIC ASSY  
 E-AD-7010102-0-0



REF: PIN SIDE  
 \* INSTALLED AT SYSTEMS LEVEL  
 \*\* INSTALLED AT KLI0 UNIT ASSY LEVEL D-UA-KLI0-0-0

REV.	
CHG.	

DESCRIPTION		DWG./PART NO.	ITEM NO.
UNLESS OTHERWISE SPECIFIED DIMENSIONS ARE IN INCHES			
ANGLES	CLASS OF ACCURACY	NOMINAL DIMENSION RANGE INCHES	
30°	(CHECK DIMS)	OVER 0 TO 0.2	OVER 0.2 TO 0.5
SURFACE QUALITY	MEDIUM	OVER 0.5 TO 1.0	OVER 1.0 TO 40.0
IN MICRONS	PREFERRED	OVER 40.0 TO 80.0	OVER 80.0 TO 160.0
QUANTITY & VARIATION		1.004	1.008
		1.012	1.016
		1.025	1.030
		1.04	1.04
		1.05	1.05
		1.06	1.06
		1.07	1.07
		1.08	1.08
		1.09	1.09
		1.10	1.10
		1.11	1.11
		1.12	1.12
		1.13	1.13
		1.14	1.14
		1.15	1.15
		1.16	1.16
		1.17	1.17
		1.18	1.18
		1.19	1.19
		1.20	1.20
		1.21	1.21
		1.22	1.22
		1.23	1.23
		1.24	1.24
		1.25	1.25
		1.26	1.26
		1.27	1.27
		1.28	1.28
		1.29	1.29
		1.30	1.30
		1.31	1.31
		1.32	1.32
		1.33	1.33
		1.34	1.34
		1.35	1.35
		1.36	1.36
		1.37	1.37
		1.38	1.38
		1.39	1.39
		1.40	1.40
		1.41	1.41
		1.42	1.42
		1.43	1.43
		1.44	1.44
		1.45	1.45
		1.46	1.46
		1.47	1.47
		1.48	1.48
		1.49	1.49
		1.50	1.50
		1.51	1.51
		1.52	1.52
		1.53	1.53
		1.54	1.54
		1.55	1.55
		1.56	1.56
		1.57	1.57
		1.58	1.58
		1.59	1.59
		1.60	1.60
		1.61	1.61
		1.62	1.62
		1.63	1.63
		1.64	1.64
		1.65	1.65
		1.66	1.66
		1.67	1.67
		1.68	1.68
		1.69	1.69
		1.70	1.70
		1.71	1.71
		1.72	1.72
		1.73	1.73
		1.74	1.74
		1.75	1.75
		1.76	1.76
		1.77	1.77
		1.78	1.78
		1.79	1.79
		1.80	1.80
		1.81	1.81
		1.82	1.82
		1.83	1.83
		1.84	1.84
		1.85	1.85
		1.86	1.86
		1.87	1.87
		1.88	1.88
		1.89	1.89
		1.90	1.90
		1.91	1.91
		1.92	1.92
		1.93	1.93
		1.94	1.94
		1.95	1.95
		1.96	1.96
		1.97	1.97
		1.98	1.98
		1.99	1.99
		2.00	2.00
		2.01	2.01
		2.02	2.02
		2.03	2.03
		2.04	2.04
		2.05	2.05
		2.06	2.06
		2.07	2.07
		2.08	2.08
		2.09	2.09
		2.10	2.10
		2.11	2.11
		2.12	2.12
		2.13	2.13
		2.14	2.14
		2.15	2.15
		2.16	2.16
		2.17	2.17
		2.18	2.18
		2.19	2.19
		2.20	2.20
		2.21	2.21
		2.22	2.22
		2.23	2.23
		2.24	2.24
		2.25	2.25
		2.26	2.26
		2.27	2.27
		2.28	2.28
		2.29	2.29
		2.30	2.30
		2.31	2.31
		2.32	2.32
		2.33	2.33
		2.34	2.34
		2.35	2.35
		2.36	2.36
		2.37	2.37
		2.38	2.38
		2.39	2.39
		2.40	2.40
		2.41	2.41
		2.42	2.42
		2.43	2.43
		2.44	2.44
		2.45	2.45
		2.46	2.46
		2.47	2.47
		2.48	2.48
		2.49	2.49
		2.50	2.50
		2.51	2.51
		2.52	2.52
		2.53	2.53
		2.54	2.54
		2.55	2.55
		2.56	2.56
		2.57	2.57
		2.58	2.58
		2.59	2.59
		2.60	2.60
		2.61	2.61
		2.62	2.62
		2.63	2.63
		2.64	2.64
		2.65	2.65
		2.66	2.66
		2.67	2.67
		2.68	2.68
		2.69	2.69
		2.70	2.70
		2.71	2.71
		2.72	2.72
		2.73	2.73
		2.74	2.74
		2.75	2.75
		2.76	2.76
		2.77	2.77
		2.78	2.78
		2.79	2.79
		2.80	2.80
		2.81	2.81
		2.82	2.82
		2.83	2.83
		2.84	2.84
		2.85	2.85
		2.86	2.86
		2.87	2.87
		2.88	2.88
		2.89	2.89
		2.90	2.90
		2.91	2.91
		2.92	2.92
		2.93	2.93
		2.94	2.94
		2.95	2.95
		2.96	2.96
		2.97	2.97
		2.98	2.98
		2.99	2.99
		3.00	3.00
		3.01	3.01
		3.02	3.02
		3.03	3.03
		3.04	3.04
		3.05	3.05
		3.06	3.06
		3.07	3.07
		3.08	3.08
		3.09	3.09
		3.10	3.10
		3.11	3.11
		3.12	3.12
		3.13	3.13
		3.14	3.14
		3.15	3.15
		3.16	3.16
		3.17	3.17
		3.18	3.18
		3.19	3.19
		3.20	3.20
		3.21	3.21
		3.22	3.22
		3.23	3.23
		3.24	3.24
		3.25	3.25
		3.26	3.26
		3.27	3.27
		3.28	3.28
		3.29	3.29
		3.30	3.30
		3.31	3.31
		3.32	3.32
		3.33	3.33
		3.34	3.34
		3.35	3.35
		3.36	3.36
		3.37	3.37
		3.38	3.38
		3.39	3.39
		3.40	3.40
		3.41	3.41
		3.42	3.42
		3.43	3.43
		3.44	3.44
		3.45	3.45
		3.46	3.46
		3.47	3.47
		3.48	3.48
		3.49	3.49
		3.50	3.50
		3.51	3.51
		3.52	3.52
		3.53	3.53
		3.54	3.54
		3.55	3.55
		3.56	3.56
		3.57	3.57
		3.58	3.58
		3.59	3.59
		3.60	3.60
		3.61	3.61
		3.62	3.62
		3.63	3.63
		3.64	3.64
		3.65	3.65
		3.66	3.66
		3.67	3.67
		3.68	3.68
		3.69	3.69
		3.70	3.70
		3.71	3.71
		3.72	3.72
		3.73	3.73
		3.74	3.74
		3.75	3.75
		3.76	3.76
		3.77	3.77
		3.78	3.78
		3.79	3.79
		3.80	3.80
		3.81	3.81
		3.82	3.82
		3.83	3.83
		3.84	3.84
		3.85	3.85
		3.86	3.86
		3.87	3.87
		3.88	3.88
		3.89	3.89
		3.90	3.90
		3.91	3.91
		3.92	3.92
		3.93	3.93
		3.94	3.94
		3.95	3.95
		3.96	3.96
		3.97	3.97
		3.98	3.98
		3.99	3.99
		4.00	4.00

8 7 6 5 4 3 2 3 0-5555-0 CC D 2000 2E15 1

DRAWING NUMBER PAGE PART NO. DESCRIPTION REVISIONS

FILE: ORIGINAL LAYOUT

ECO NUMBER - 1 2 2A 3 4 6

MODULE REVISION A B C C C D D

D-UA-M8555-0-0	5		MASSBUS CONTROL EBUS INTERFACE	-	A	B	B	C	D	D1
D-CS-M8555-0-EBI1	1		MASSBUS CONTROL EBUS INTERFACE	-	-	A	A	A	B	B1
D-CS-M8555-0-EBI2	1		MASSBUS CONTROL EBUS INTERFACE	-	-	A	A	A	B	B1
D-CS-M8555-0-EBI3	1		MASSBUS CONTROL EBUS INTERFACE	-	-	A	A	A	B	B1
D-CS-M8555-0-EBI4	1		MASSBUS CONTROL EBUS INTERFACE	-	-	A	A	A	B	B1
D-CS-M8555-0-EBI5	1		MASSBUS CONTROL EBUS INTERFACE	-	-	A	A	A	B	B1
D-CS-M8555-0-EBI6	1		MASSBUS CONTROL EBUS INTERFACE	-	A	B	B	C	D	D1
D-CS-M8555-0-EBI7	1		MASSBUS CONTROL EBUS INTERFACE	-	-	A	A	A	B	B1
D-CS-M8555-0-EBI8	1		POWER, GND. CAPS.	-	-	A	A	A	B	B1
D-AH-M8555-0-5	4		DRILL & ETCH DRAWING	A	A	A	A	A	A	A1
K-CO-M8555-0-4	1	5010512	ETCH CIRCUIT BOARD	B	B	B	B	B	B	B
POO-M8555-00	1		CALDEC DATA BASE	B	B	B	B	B	B	B
			PROCESS SHEET (REF ONLY)							

NOTES: ECO #5 CANCELED

THIS DRAWING AND SPECIFICATIONS HEREIN ARE THE PROPERTY OF DIGITAL EQUIPMENT CORPORATION AND SHALL NOT BE REPRODUCED OR COPIED OR USED IN WHOLE OR IN PART AS THE BASIS FOR THE MANUFACTURE OR SALE OF ITEMS WITHOUT WRITTEN PERMISSION. COPYRIGHT © 1974, DIGITAL EQUIPMENT CORPORATION.

REVISIONS		
CHK	CHANGE NO.	REV
	1	1
	2	1
	3	1
	4	1
	5	1

**digital** DSK: B555DD.T2P(4,616) 12-OCT-78 16:47

DATE: 12-OCT-78 ENG: V.KU DATE: 30-OCT-74 TITLE: MASS CONTROL EBUS INTERFACE

CHK'D: P. PEBLANC DATE: 27-SEP-74 BOARD LOCATION: N/A SHEET: 1 OF 2

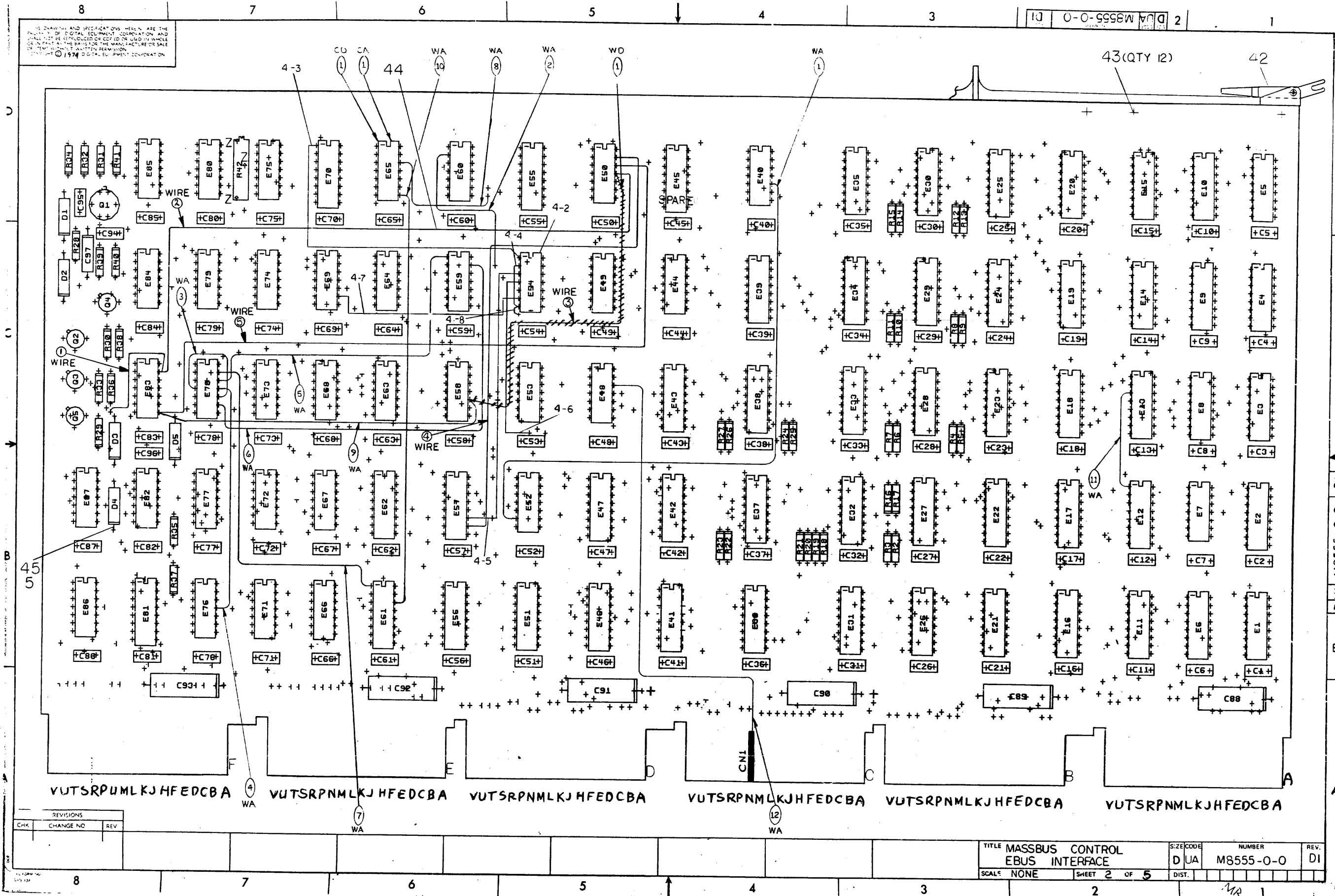
FIRST USED ON OPTION/MODEL: RH20 NEXT HIGHER ASSEMBLY: NONE

SIZE CODE: D DD NUMBER: M8555-0 REV: E

8 7 6 5 4 3 2 1

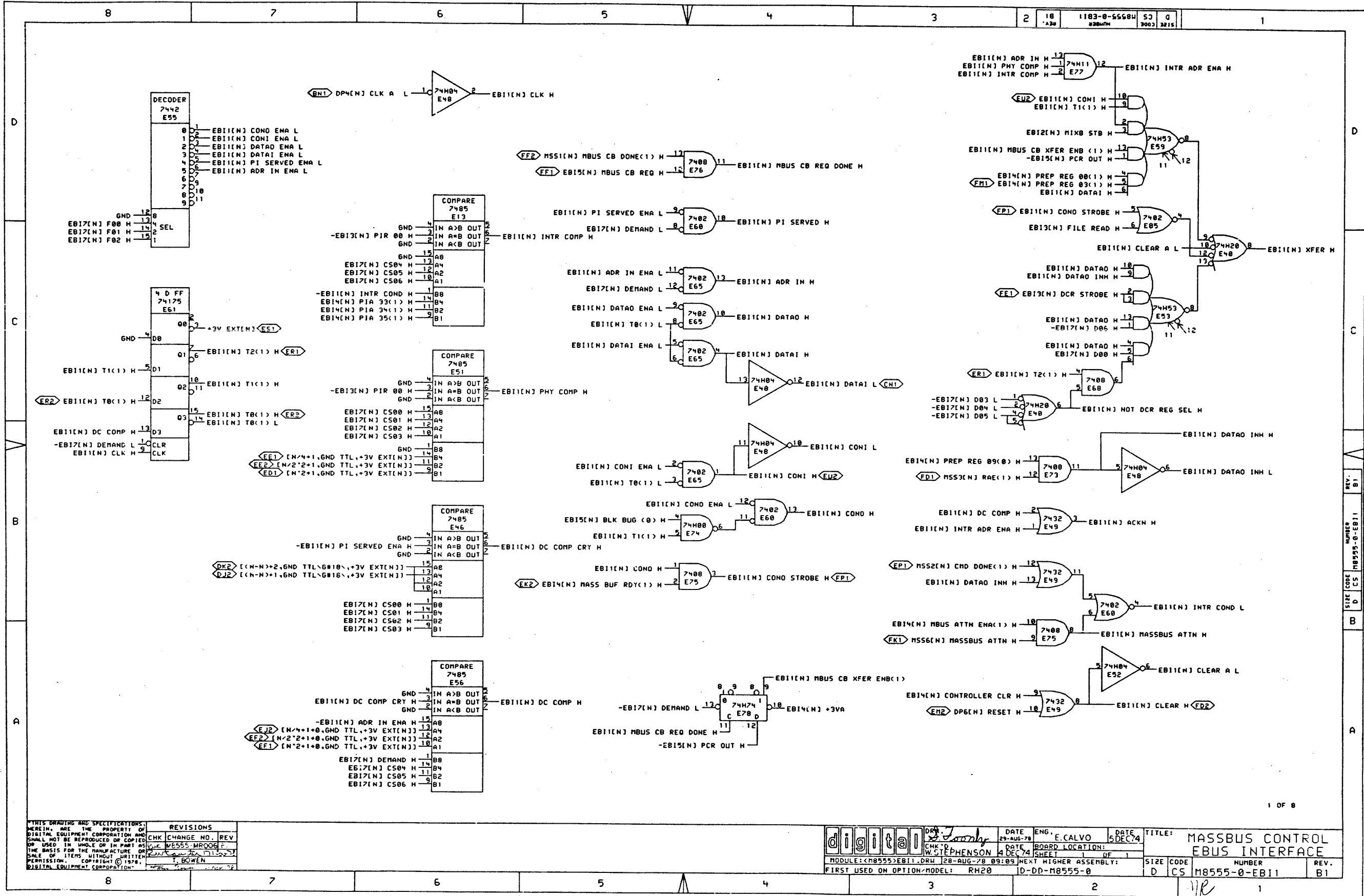
REV. E  
NUMBER M8555-0  
SIZE CODE DD

ALL DRAWINGS AND SPECIFICATIONS HEREIN ARE THE PROPERTY OF DIGITAL EQUIPMENT CORPORATION AND SHALL NOT BE REPRODUCED OR COPIED OR USED IN WHOLE OR IN PART AS THE BASIS FOR THE MANUFACTURE OR SALE OF ANY EQUIPMENT WITHOUT THE WRITTEN PERMISSION OF DIGITAL EQUIPMENT CORPORATION.



REVISIONS		
CHK	CHANGE NO	REV

TITLE	MASSBUS CONTROL EBUS INTERFACE	SIZE CODE	D U A	NUMBER	M8555-0-0	REV.	DI
SCALE	NONE	SHEET	2	OF	5	DIST.	



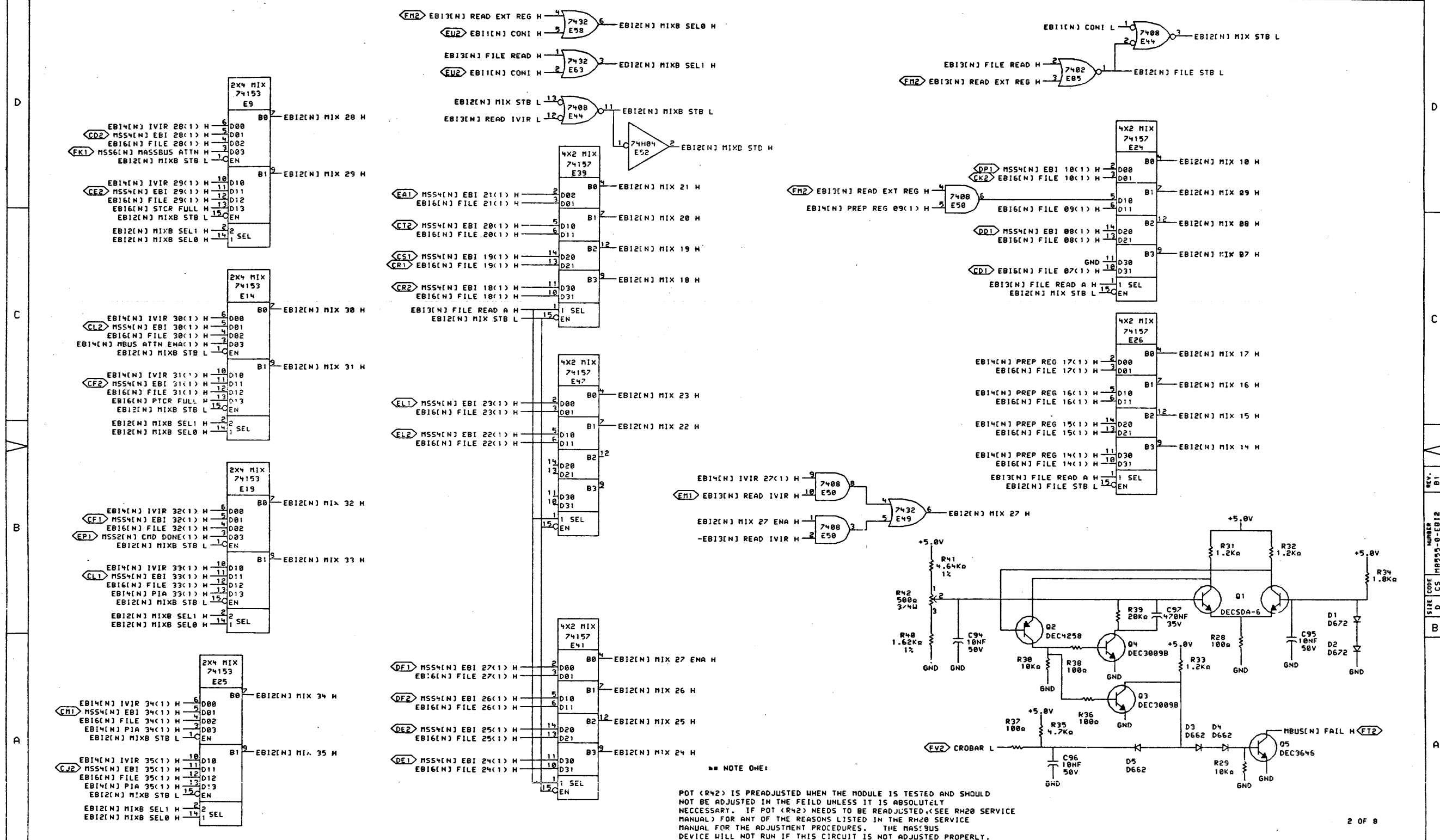
THIS DRAWING AND SPECIFICATIONS, HEREIN, ARE THE PROPERTY OF DIGITAL EQUIPMENT CORPORATION AND SHALL NOT BE REPRODUCED OR COPIED OR USED IN WHOLE OR IN PART AS THE BASIS FOR THE MANUFACTURE OR SALE OF ITEMS WITHOUT WRITTEN PERMISSION. COPYRIGHT © 1978, DIGITAL EQUIPMENT CORPORATION.

REV.	DESCRIPTION
B1	REVISED

REV.	DESCRIPTION
B1	REVISED

DATE	25-AUG-78	ENG.	E. CALVO	DATE	5 DEC 74	TITLE	MASSBUS CONTROL EBUS INTERFACE
CHECK'D	W. STEPHENSON	DATE	4 DEC 74	BOARD LOCATION		SIZE	D CS
MODULE	M8555-EB11.DRW	DATE	28-AUG-78 09:09	NEXT HIGHER ASSEMBLY		NUMBER	M8555-0-EB11
FIRST USED ON OPTION/MODEL	RH20	DATE	10-DD-M8555-0			REV.	B1

REV. B1  
 NUMBER M8555-0-EB11  
 CS  
 B  
 A



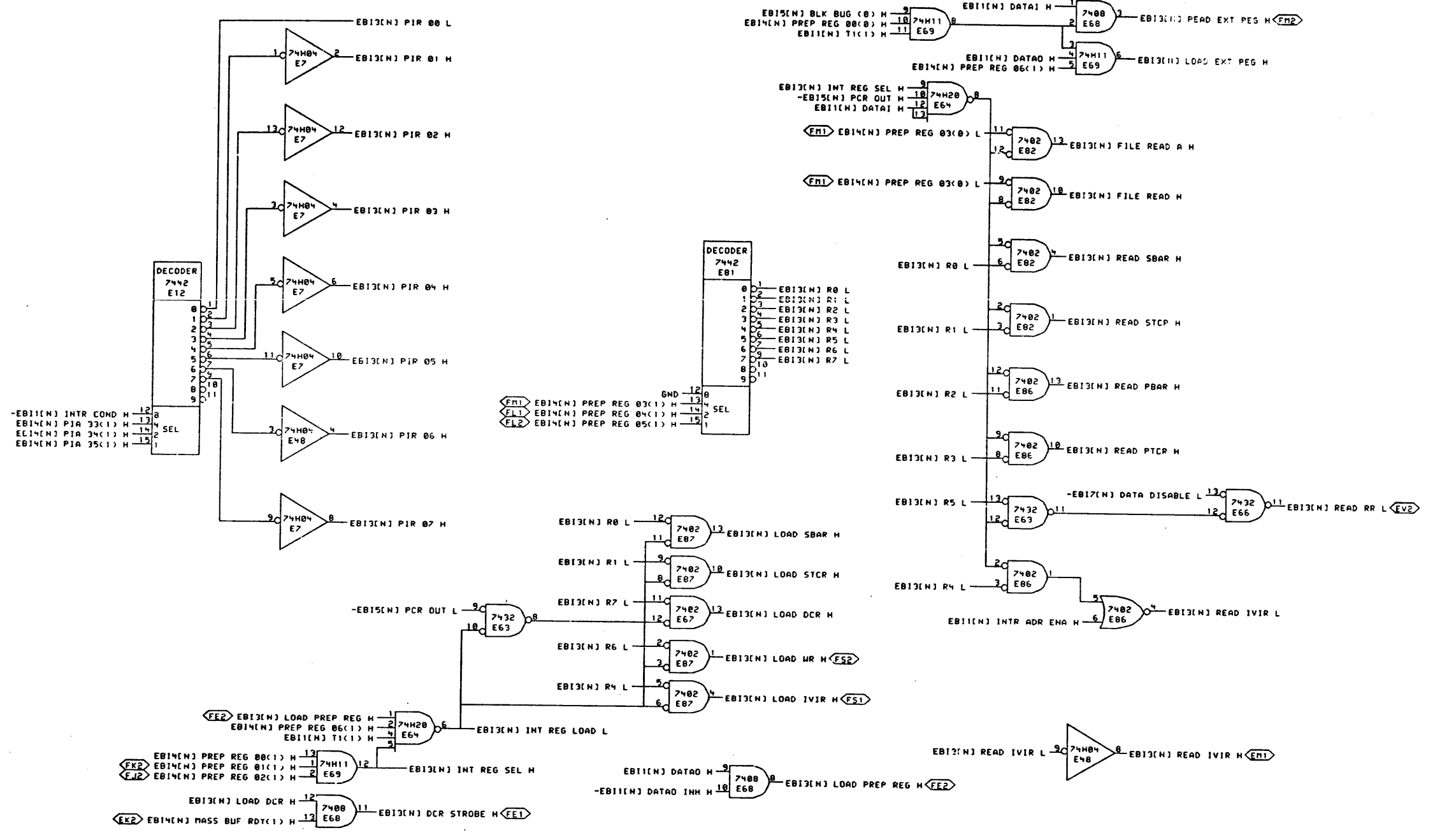
THIS DRAWING AND SPECIFICATIONS ARE THE PROPERTY OF DIGITAL EQUIPMENT CORPORATION AND SHALL NOT BE REPRODUCED OR COPIED OR USED IN WHOLE OR IN PART AS THE BASIS FOR THE MANUFACTURE OR SALE OF ITEMS WITHOUT WRITTEN PERMISSION. COPYRIGHT © 1978, DIGITAL EQUIPMENT CORPORATION

REV.	CHG.	NO.	REV.
1			
2			
3			
4			
5			
6			
7			
8			

DATE: 29-AUG-78	ENG: E.CALVO	DATE: 4DEC74	TITLE: MASSBUS CONTROL EBUS INTERFACE
DRY: J. J. J.	DATE: 4DEC74	SHEET: 1 OF 1	SIZE: D
CHK'D: W. STEPHENSON	DATE: 4DEC74	SHEET: 1 OF 1	CODE: CS
MODULE: M8555-EB12, DRW: 28-AUG-78, 89:53	NEXT HIGHER ASSEMBLY: D-DD-M8555-0	NUMBER: M8555-0-EB12	REV.: B1
FIRST USED ON OPTION/MODEL: RH20	D-DD-M8555-0	NUMBER: M8555-0-EB12	REV.: B1

8 7 6 5 4 3 2 1

D  
C  
B  
A



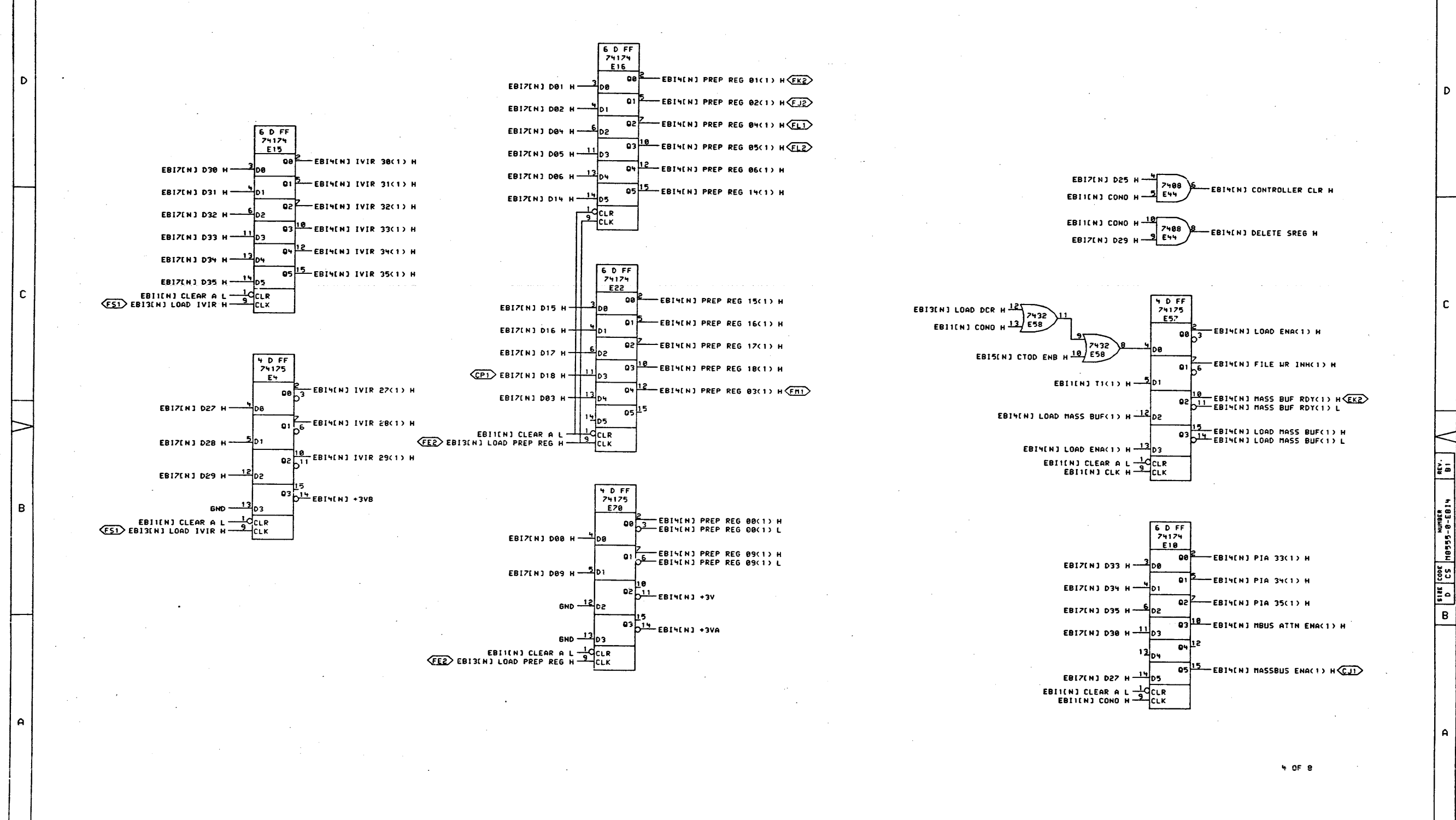
THIS DRAWING AND SPECIFICATIONS ARE THE PROPERTY OF DIGITAL EQUIPMENT CORPORATION AND SHALL NOT BE REPRODUCED OR COPIED OR USED IN WHOLE OR IN PART AS THE BASIS FOR THE MANUFACTURE OR SALE OF ITEMS WITHOUT WRITTEN PERMISSION. COPYRIGHT © 1974. DIGITAL EQUIPMENT CORPORATION

REVISIONS	
CHK	CHANGE NO. REV
WJC	M8555-MR008 E
WJC	1
WJC	2
WJC	3
WJC	4
WJC	5
WJC	6
WJC	7
WJC	8
WJC	9
WJC	10
WJC	11
WJC	12
WJC	13
WJC	14
WJC	15

digit	DATE	ENG.	DATE	TITLE:
	29-AUG-74	E. CALVO	5 DEC 74	MASSBUS CONTROL EBUS INTERFACE
DRW.	DATE	ROAD LOCATION:	OF	
W. STEPHENSON	4 DEC 74		1	
MODULE: M8555-EBUS.DRW	128-A	9:55	NEXT HIGHER ASSEMBLY:	SIZE CODE
FIRST USED ON OPTION/MODEL:	F		10-DD-M8555-0	NUMBER
				M8555-0-EBI3
				REV.
				B1

REV. B1  
 NUMBER M8555-0-EBI3  
 SIZE CODE CS  
 CD

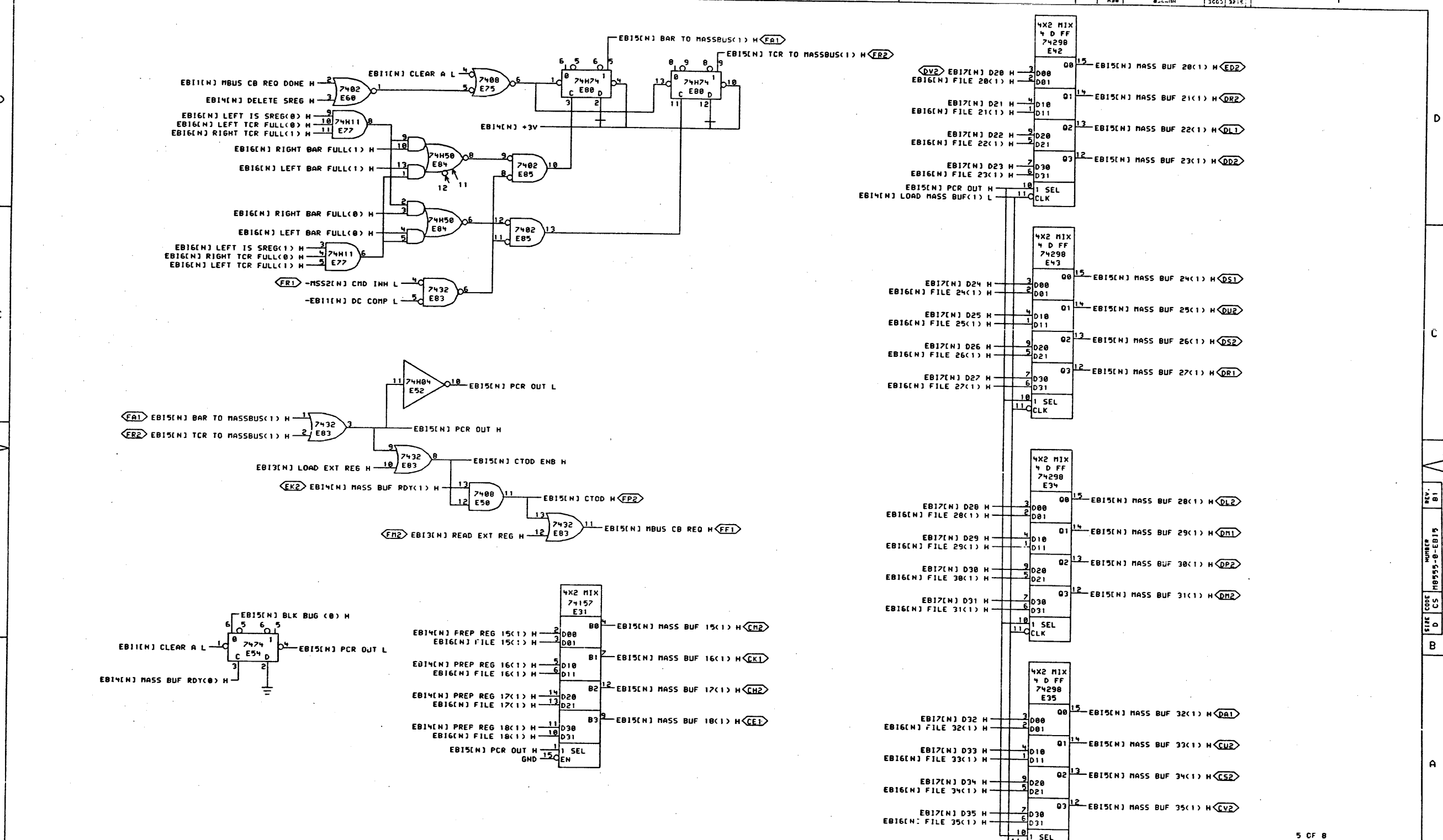




THIS DRAWING AND SPECIFICATIONS HERIN ARE THE PROPERTY OF DIGITAL EQUIPMENT CORPORATION AND SHALL NOT BE REPRODUCED OR COPIED OR USED IN WHOLE OR IN PART AS THE BASIS FOR THE MANUFACTURE OR SALE OF ITEMS WITHOUT WRITTEN PERMISSION. COPYRIGHT © 1974. DIGITAL EQUIPMENT CORPORATION.

REVISIONS		
CHK	CHANGE NO.	REV
	1	MESS-MPO08 B1
	2	T. BOWEN

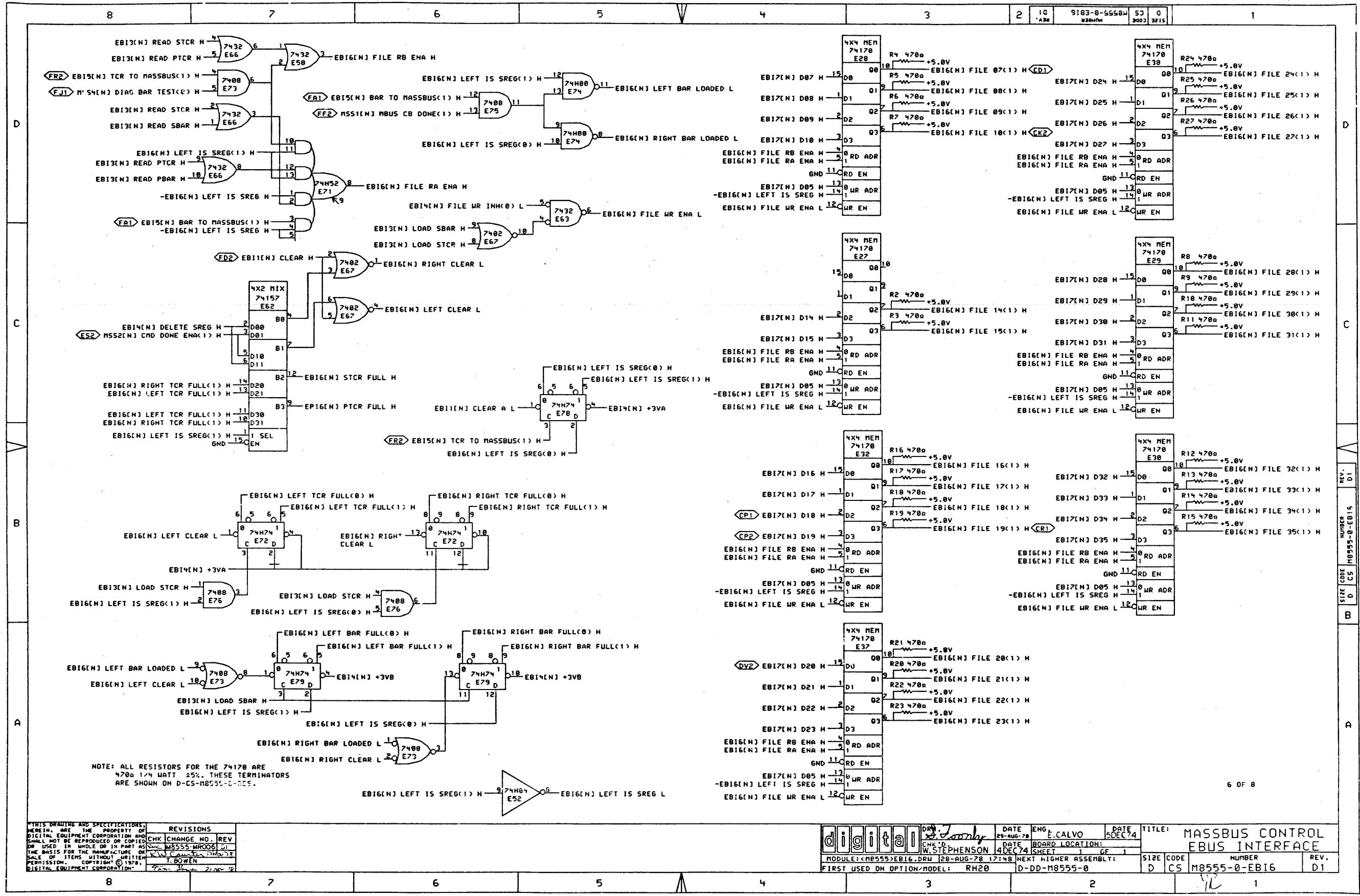
<b>digital</b>	DATE: 29-AUG-78	ENG: E. CALVO	DATE: 5 DEC 74	TITLE: MASSBUS CONTROL EBUS INTERFACE
	CHK'D: W. STEPHENSON	DATE: 4 DEC 74	BOARD LOCATION: DE 1	SIZE CODE: D CS
MODULE: M8555-0-E14.DRU		28-AUG-78 09:58	NEXT HIGHER ASSEMBLY: D-DD-M8555-0	NUMBER: M8555-0-EB14
FIRST USED ON OPTION/MODEL: RH20				REV. B1



THIS DRAWING AND SPECIFICATIONS, HEREIN, ARE THE PROPERTY OF DIGITAL EQUIPMENT CORPORATION AND SHALL NOT BE REPRODUCED OR COPIED OR USED IN WHOLE OR IN PART AS THE BASIS FOR THE MANUFACTURE OR SALE OF ITEMS WITHOUT WRITTEN PERMISSION. COPYRIGHT © 1978, DIGITAL EQUIPMENT CORPORATION.		REVISIONS CHK CHANGE NO. REV M8555-MROCK E1 K W C BOWEN		DATE 28-AUG-78 ENG. E. CALVO DATE 5 DEC 74 BOARD LOCATION: 1 OF 1 SHEET 1 OF 1 NEXT HIGHER ASSEMBLY: D-DD-M8555-0		TITLE: MASSBUS CONTROL EBUS INTERFACE SIZE CODE D CS NUMBER M8555-0-FB15 REV. B1	
---	--	--	--	--	--	---	--

REV. B1  
 NUMBER M8555-0-FB15  
 SIZE CODE D CS

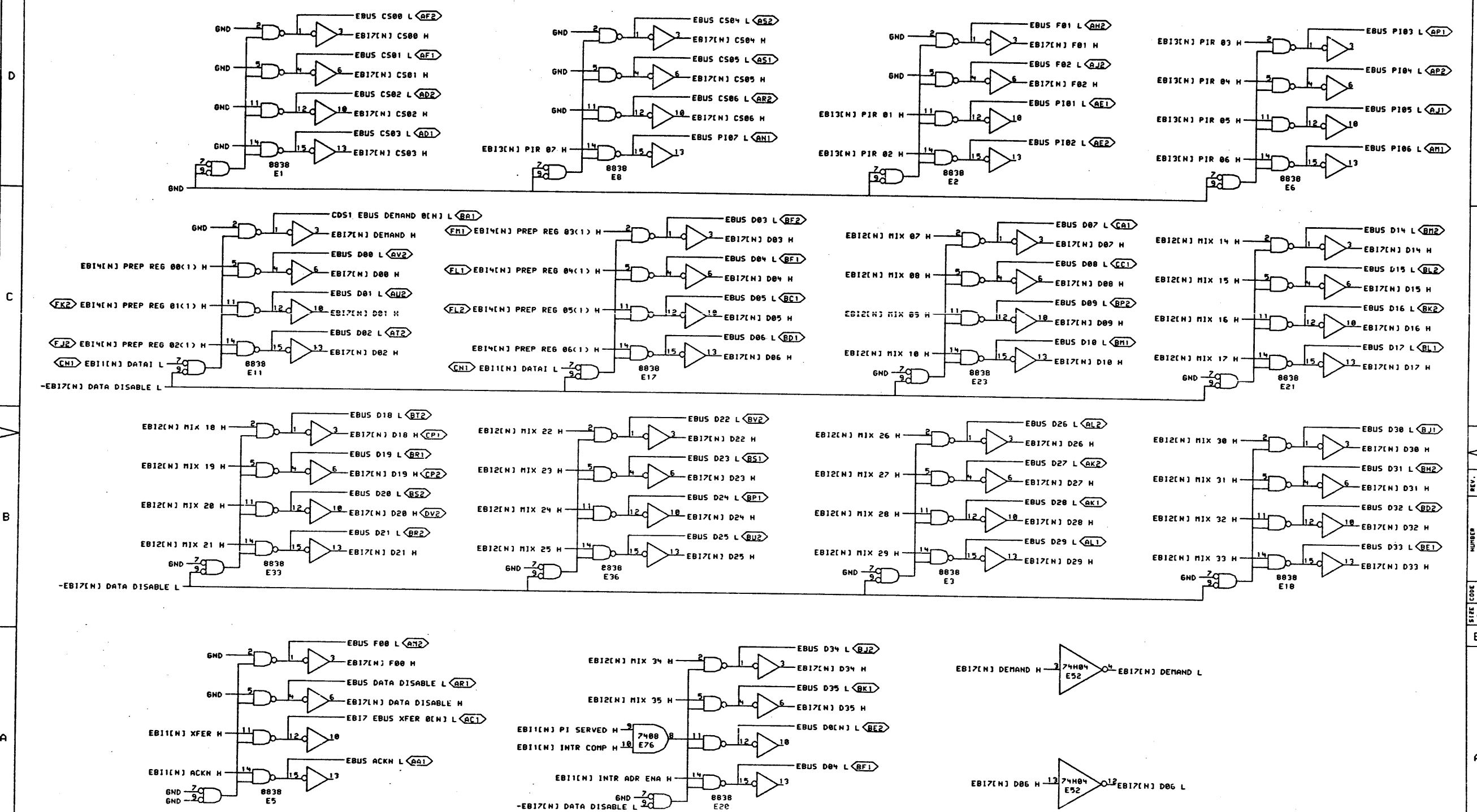
MR



NOTE: ALL RESISTORS FOR THE 74170 ARE 470Ω 1/4 WATT 25%. THESE TERMINATORS ARE SHOWN ON D-CS-M8555-C-RES.

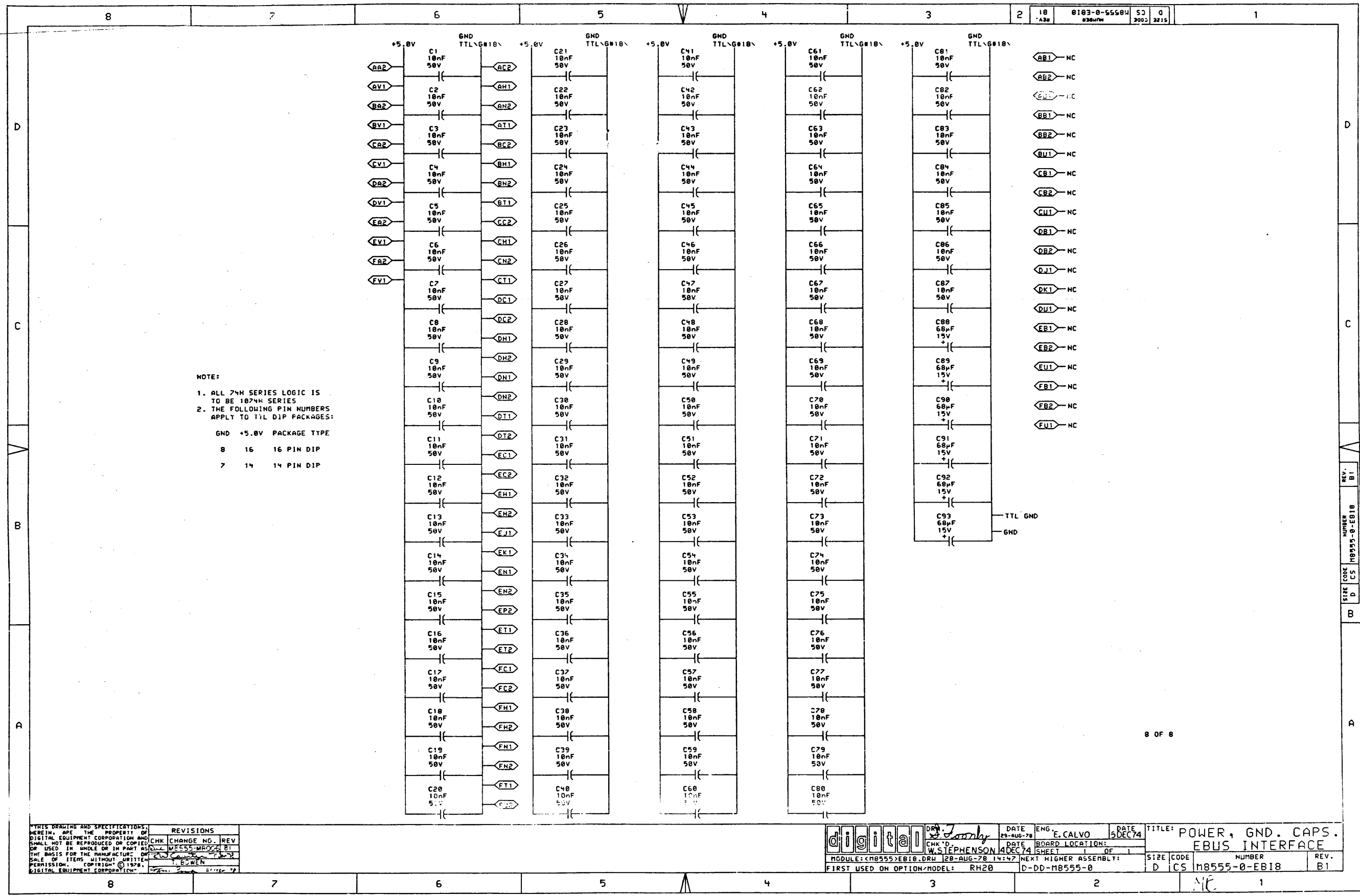
REVISIONS		
CHK	CHANGE NO.	REV
	M8555-MR003	1
		2
		3
		4
		5
		6
		7
		8

	DATE	ENG	DATE	TITLE
	29-AUG-78	E. CALVO	30-DEC-74	MASSBUS CONTROL EBUS INTERFACE
W. STEPHENSON DATE: 4DEC74 SHEET: 1 OF 1	BOARD LOCATION:	SIZE CODE: D CS	NUMBER: M8555-0-EB16	REV.: D1
MODULE: <M8555>EB16.DRW FIRST USED ON OPTION/MODEL: RH20	28-AUG-78 17:48 D-DD-M8555-0	NEXT HIGHER ASSEMBLY:	SIZE CODE: D CS	NUMBER: M8555-0-EB16



REVISIONS	
CHK	CHANGE NO. REV
W. STEPHENSON	1 1
W. STEPHENSON	2 1
W. STEPHENSON	3 1
W. STEPHENSON	4 1
W. STEPHENSON	5 1
W. STEPHENSON	6 1
W. STEPHENSON	7 1
W. STEPHENSON	8 1
W. STEPHENSON	9 1
W. STEPHENSON	10 1
W. STEPHENSON	11 1
W. STEPHENSON	12 1
W. STEPHENSON	13 1
W. STEPHENSON	14 1
W. STEPHENSON	15 1
W. STEPHENSON	16 1
W. STEPHENSON	17 1
W. STEPHENSON	18 1
W. STEPHENSON	19 1
W. STEPHENSON	20 1
W. STEPHENSON	21 1
W. STEPHENSON	22 1
W. STEPHENSON	23 1
W. STEPHENSON	24 1
W. STEPHENSON	25 1
W. STEPHENSON	26 1
W. STEPHENSON	27 1
W. STEPHENSON	28 1
W. STEPHENSON	29 1
W. STEPHENSON	30 1
W. STEPHENSON	31 1
W. STEPHENSON	32 1
W. STEPHENSON	33 1
W. STEPHENSON	34 1
W. STEPHENSON	35 1
W. STEPHENSON	36 1
W. STEPHENSON	37 1
W. STEPHENSON	38 1
W. STEPHENSON	39 1
W. STEPHENSON	40 1
W. STEPHENSON	41 1
W. STEPHENSON	42 1
W. STEPHENSON	43 1
W. STEPHENSON	44 1
W. STEPHENSON	45 1
W. STEPHENSON	46 1
W. STEPHENSON	47 1
W. STEPHENSON	48 1
W. STEPHENSON	49 1
W. STEPHENSON	50 1

digital	DRY	DATE	ENG.	DATE	TITLE:
	W. STEPHENSON	28-AUG-78	E. CALVO	5 DEC 74	MASSBUS CONTROL
					EBUS INTERFACE
MODULE: (M8555)EB17.DRW	28-AUG-78 14:39	NEXT HIGHER ASSEMBLY:	SIZE	CODE	NUMBER
FIRST USED ON OPTION/MODEL: RH20	D-DD-M8555-0		D	CS	M8555-0-EB17
					REV. B1



NOTE:

1. ALL 74H SERIES LOGIC IS TO BE 1074H SERIES
2. THE FOLLOWING PIN NUMBERS APPLY TO TTL DIP PACKAGES:

GND	+5.0V	PACKAGE TYPE
8	16	16 PIN DIP
7	14	14 PIN DIP

REVISIONS		
CHK	CHANGE NO.	REV
W.S. STEPHENSON	4	B
T. BOWEN		

digital	DRN	DATE	ENG.	DATE	TITLE
	W. STEPHENSON	29-AUG-78	E. CALVO	5DEC74	POWER, GND. CAPS. EBUS INTERFACE
MODULE: M8555-0-EB18.DRW		128-AUG-78 14147	NEXT HIGHER ASSEMBLY:		SIZE CODE NUMBER REV.
FIRST USED ON OPTION MODEL: RH20		D-DD-M8555-0	D	CS	M8555-0-EB18 B1

DRAWING NUMBER PAGE PART NO. DESCRIPTION REVISIONS

FILE: RELAYOUT

ECO NUMBER 6

MODULE REVISION E

D-UA-M8555-0-0	4		MASSBUS CONTROL EBUS INTERFACE	E
K-PL-M8555-0-DBP	2		PARTS LIST	E
D-CS-M8555-0-EBI1	1		MASSBUS CONTROL EBUS INTERFACE	C
D-CS-M8555-0-EBI2	1		MASSBUS CONTROL EBUS INTERFACE	C
D-CS-M8555-0-EBI3	1		MASSBUS CONTROL EBUS INTERFACE	C
D-CS-M8555-0-EBI4	1		MASSBUS CONTROL EBUS INTERFACE	C
D-CS-M8555-0-EBI5	1		MASSBUS CONTROL EBUS INTERFACE	C
D-CS-M8555-0-EBI6	1		MASSBUS CONTROL EBUS INTERFACE	E
D-CS-M8555-0-EBI7	1		MASSBUS CONTROL EBUS INTERFACE	C
D-CS-M8555-0-EBI8	1		POWER, GND. CAPS.	C
D-MD-5010512-0-0	5		DRILL & ETCH DRAWING	B
		5010512	ETCH CIRCUIT BOARD	C
K-PC-M8555-0-DBC	1		P.C. DESIGN DATA BASE	C
P00-M8555-00			PROCESS SHEET (REF ONLY)	C

NOTES: ECO #5 CANCELED

D  
C  
B  
A

D  
C  
B  
A

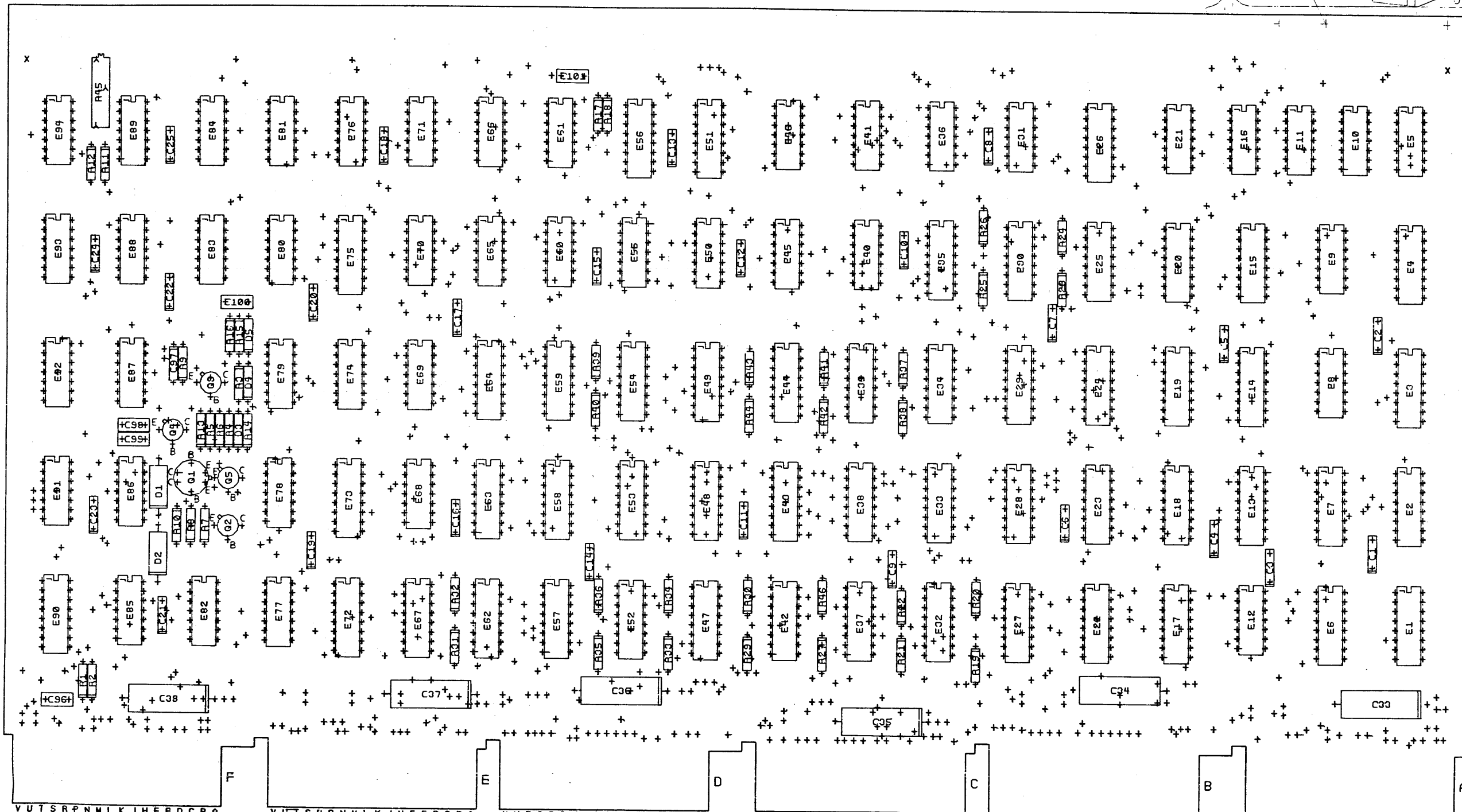
THIS DRAWING AND SPECIFICATIONS ARE THE PROPERTY OF DIGITAL EQUIPMENT CORPORATION AND SHALL NOT BE REPRODUCED OR COPIED OR USED IN WHOLE OR IN PART AS THE BASIS FOR THE MANUFACTURE OR SALE OF ITEMS WITHOUT WRITTEN PERMISSION. COPYRIGHT © 1978, DIGITAL EQUIPMENT CORPORATION.	
REVISIONS	
CHK	CHANGE NO. REV

<b>digital</b>	CHK'D	DATE	TITLE: MASS CONTROL EBUS INTERFACE
DSK:8555DD.T2P(4,616) 107-SEP-78 15:54	<i>M. Nelson</i>	21 NOV 78	
FIRST USED ON OPTION/MODEL: RH20	NONE	SHEET 2 OF 2	SIZE CODE NUMBER REV.
			D DD M8555-0 E

REV. E  
NUMBER DD M8555-0  
SIZE CODE D DD  
B  
A

THIS DRAWING AND SPECIFICATIONS HERETO, AND THE PROPERTY OF MICRAL EQUIPMENT CORPORATION AND SHALL NOT BE REPRODUCED OR COPIED IN WHOLE OR IN PART BY ANY OTHER PERSON OR ENTITY WITHOUT THE WRITTEN PERMISSION OF MICRAL EQUIPMENT CORPORATION.

43 (QTY 12)



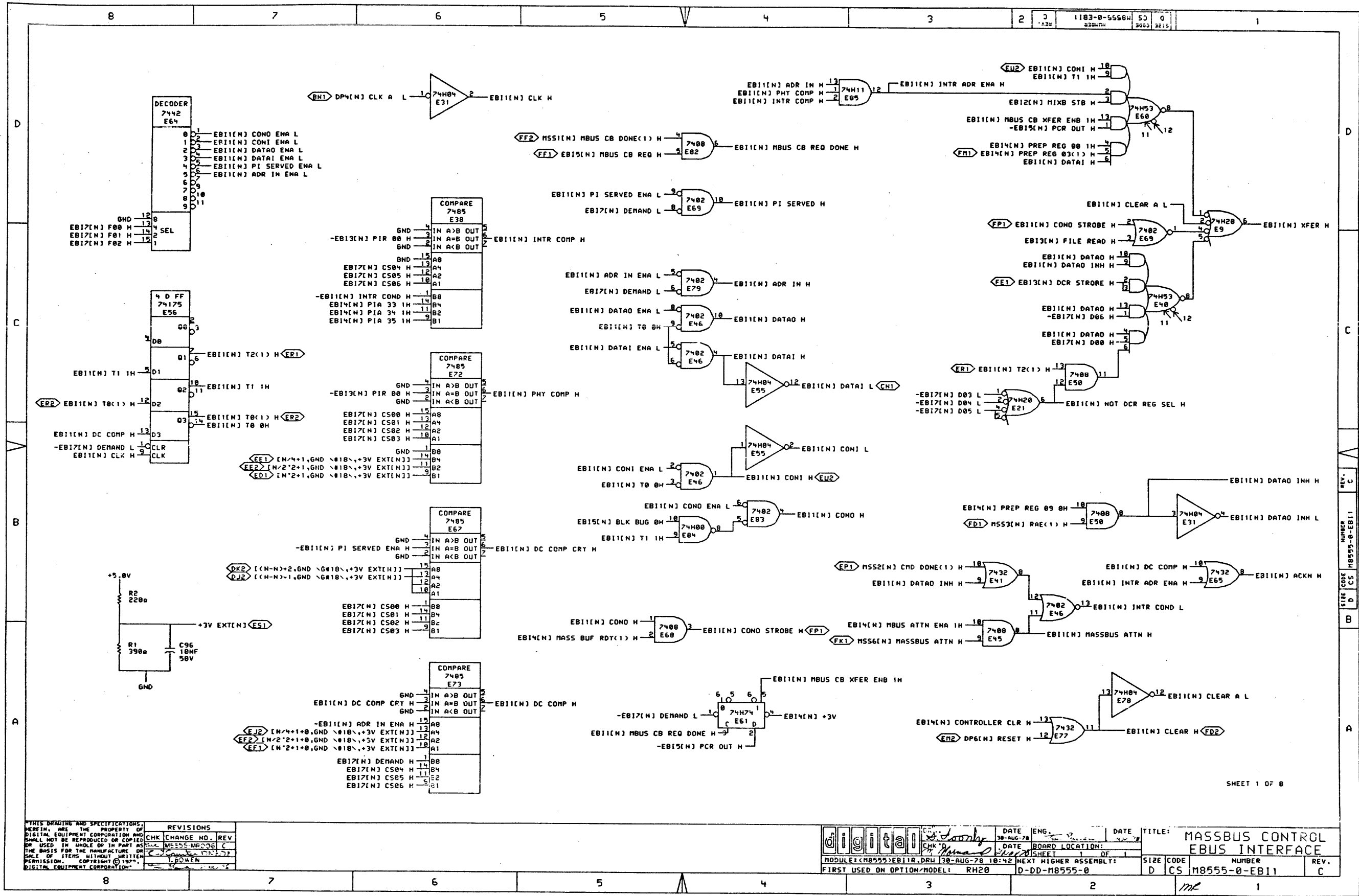
NOTES:  
 1. REFERENCE DESIGNATORS R32 C26 THRU C32 AND C33 THRU C35 ARE NOT USED.

CHG	NO	REV
1	1	E
2	1	F
3	1	G
4	1	H
5	1	I
6	1	J
7	1	K
8	1	L
9	1	M
10	1	N
11	1	O
12	1	P
13	1	Q
14	1	R
15	1	S
16	1	T
17	1	U
18	1	V
19	1	W
20	1	X
21	1	Y
22	1	Z

ETCH REV.	C-P2
P.C. DESIGN DATA BASE REV.	C

SIGNATURES		DATE	digital
DRN.	<i>[Signature]</i>	1/2/80	
CHK'D	<i>[Signature]</i>	1/2/80	
ENG.			
PROJ. ENG.			
PROD.			
SCALE	2/1		
SHT.	1 OF 4		
NEXT HIGHER ASSY.	D-DD-M8555-0		
TITLE	EBUS INTERFACE		
SIZE	CODE	NUMBER	
D	UA	M8555-0-0	
REV		E	

1 MS#



SHEET 1 OF 8

THIS DRAWING AND SPECIFICATIONS, HEREIN, ARE THE PROPERTY OF DIGITAL EQUIPMENT CORPORATION AND SHALL NOT BE REPRODUCED OR COPIED OR USED IN WHOLE OR IN PART AS THE BASIS FOR THE MANUFACTURE OR SALE OF ITEMS WITHOUT WRITTEN PERMISSION. COPYRIGHT © 1977, DIGITAL EQUIPMENT CORPORATION.

REV.	DATE	BY	CHK	CHANGE NO.
1	10-22-77	T. EDWARDS		

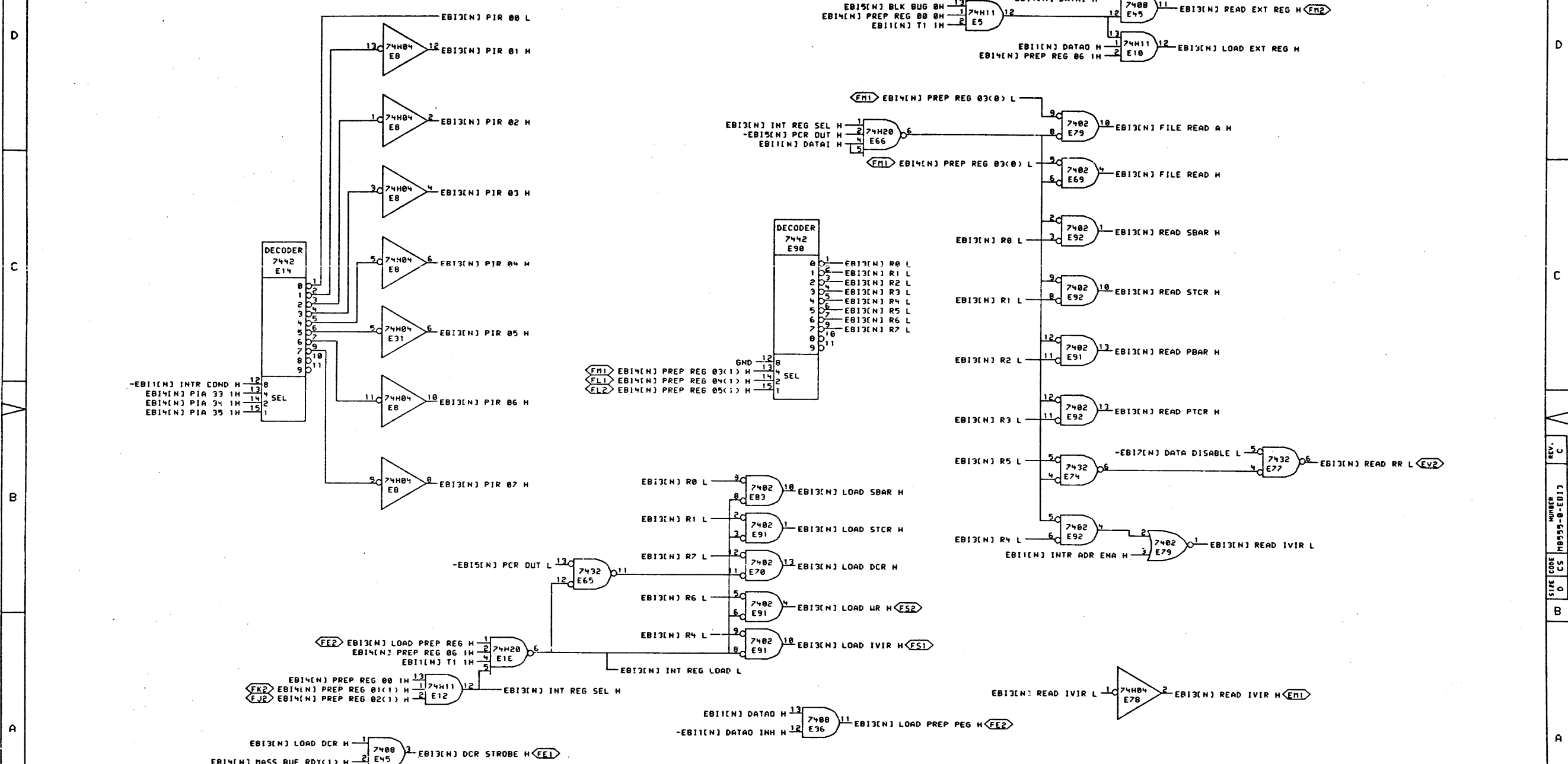
REV.	DATE	BY	CHK	CHANGE NO.
1	10-22-77	T. EDWARDS		

DATE	ENG.	DATE	TITLE:
30-AUG-78			MASSBUS CONTROL
DATE	BOARD LOCATION:	DATE	EBUS INTERFACE
30-AUG-78			
SHEET	OF	SHEET	OF
1	1	1	1
MODULE: (M8555) EB11R.DRW 130-AUG-78 10:42		NEXT HIGHER ASSEMBLY:	
FIRST USED ON OPTION/MODEL: RH20		D-DD-M8555-0	
SIZE	CODE	NUMBER	REV.
D	CS	M8555-0-EB11	C

REV. C  
NUMBER  
M8555-0-EB11  
SIZE CODE  
D CS







REV. C  
 NUMBER M8555-0-EB13  
 CS D CS  
 B

SHEET 3 OF 8

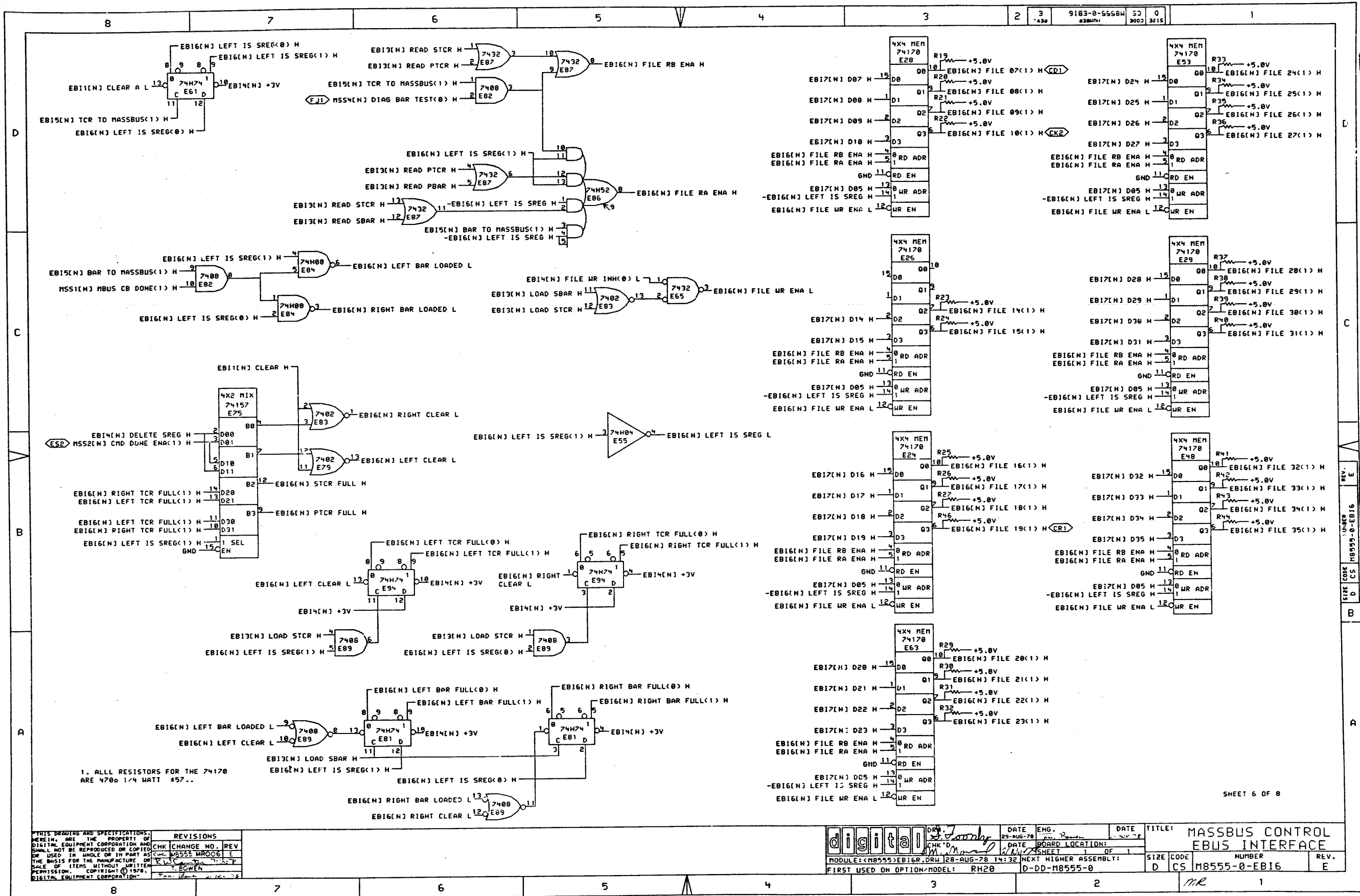
THIS DRAWING AND SPECIFICATIONS ARE THE PROPERTY OF DIGITAL EQUIPMENT CORPORATION AND SHALL NOT BE REPRODUCED OR COPIED OR USED IN WHOLE OR IN PART AS THE BASIS FOR THE MANUFACTURE OR SALE OF ITEMS WITHOUT WRITTEN PERMISSION. COPYRIGHT © 1978, DIGITAL EQUIPMENT CORPORATION.

REVISIONS
CHANGE NO. REV.
M8555-0-001 C
TOWEN

DIGITAL	DATE 18-SEP-78	ENG. [Signature]	DATE [Signature]	TITLE: MASSBUS CONTROL EBUS INTERFACE
	CHK'D. [Signature]	DATE 2/22/78	SHEET 1 OF 1	SIZE CODE NUMBER REV. D CS M8555-0-EB13 C
MODULE: M8555-0-EB13R.DRW 28-AUG-78 14:07		NEXT HIGHER ASSEMBLY: D-DD-M8555-0		
FIRST USED ON OPTION MODEL: RH20				





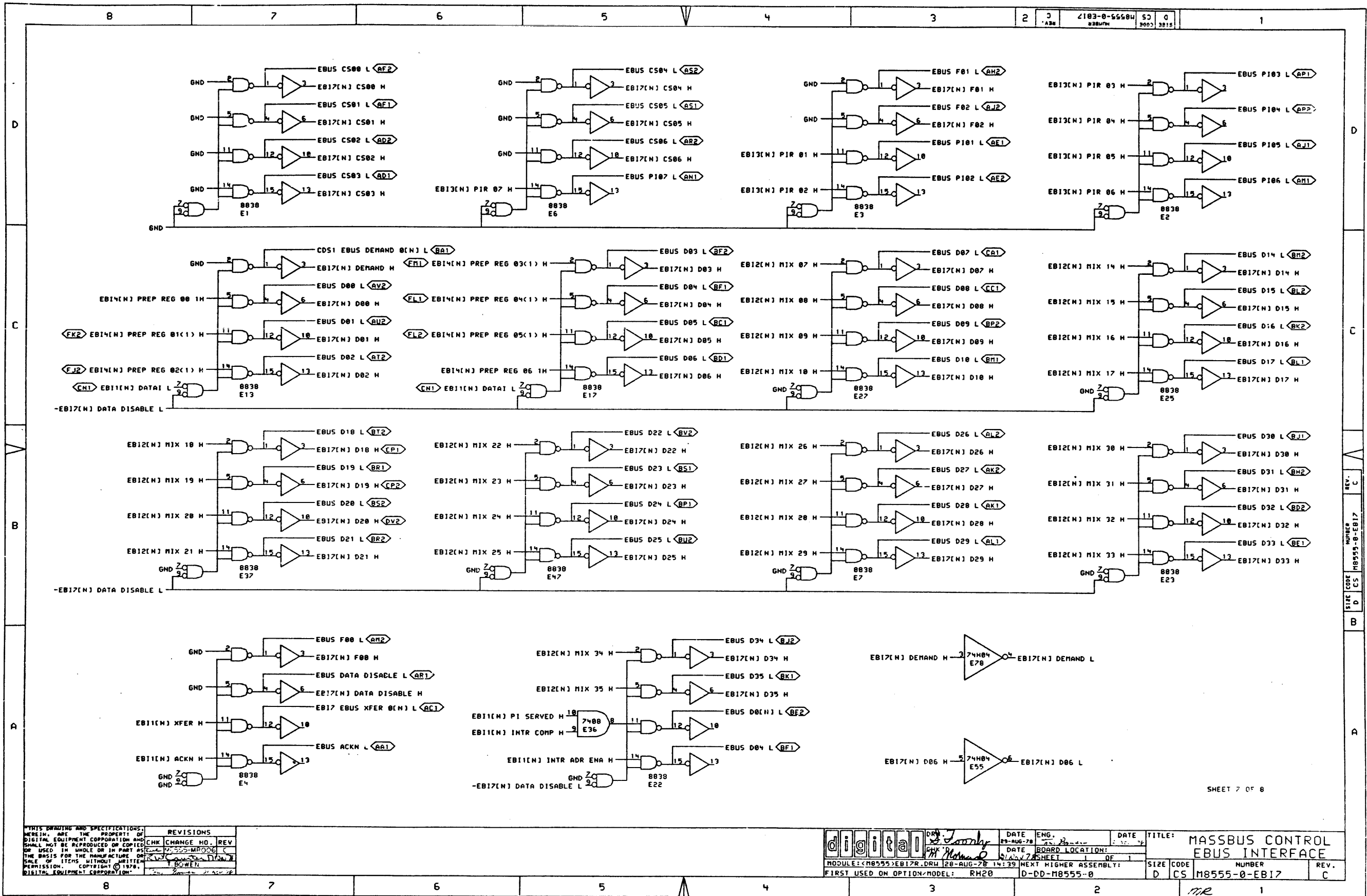


1. ALL RESISTORS FOR THE 74170 ARE 470Ω 1/4 WATT 5%..

REV.	NO.	DESCRIPTION
1	1	INITIAL DESIGN
2	1	REVISION

	DATE: 28-AUG-78	ENG.:	DATE:	TITLE: MASSBUS CONTROL EBUS INTERFACE
	DATE: 28-AUG-78	DATE: 28-AUG-78	DATE: 28-AUG-78	DATE: 28-AUG-78
MODULE: M8555-EB16.DRW	28-AUG-78 14:32	NEXT HIGHER ASSEMBLY:	SIZE: D	CODE: CS
FIRST USED ON OPTION/MODEL: RH20	D-DD-M8555-0		NUMBER: M8555-0-EB16	REV.: E

SHEET 6 OF 8



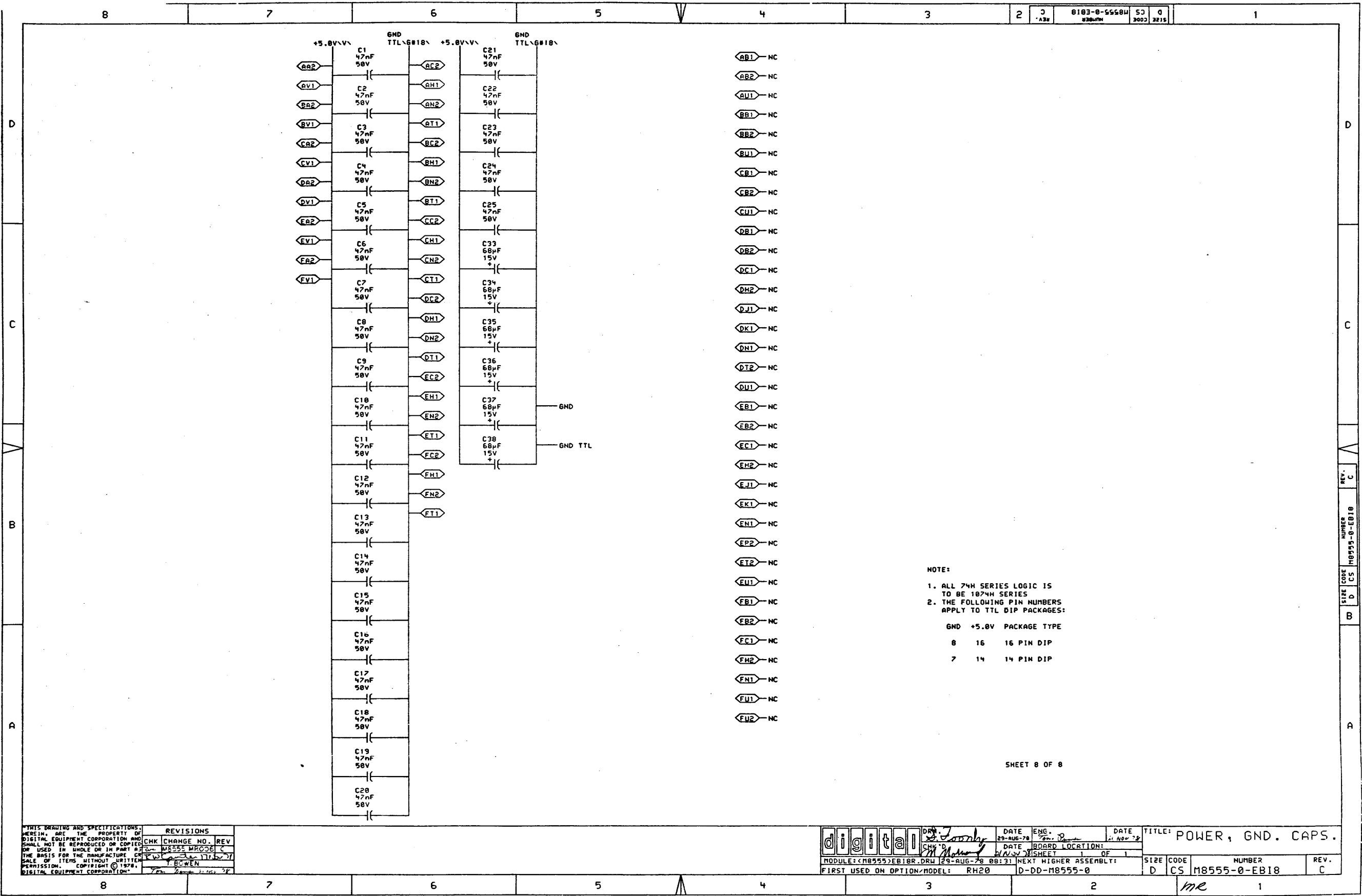
SHEET 7 OF 8

THIS DRAWING AND SPECIFICATIONS, HEREIN, ARE THE PROPERTY OF DIGITAL EQUIPMENT CORPORATION AND SHALL NOT BE REPRODUCED OR COPIED OR USED IN WHOLE OR IN PART AS THE BASIS FOR THE MANUFACTURE OR SALE OF ITEMS WITHOUT WRITTEN PERMISSION. COPYRIGHT © 1979, DIGITAL EQUIPMENT CORPORATION.

REVISIONS		
CHK	CHANGE NO.	REV

	DATE: 29-AUG-78	ENG.:	DATE:	TITLE: MASSBUS CONTROL EBUS INTERFACE
	DATE: 29-AUG-78	DATE: 29-AUG-78	DATE: 29-AUG-78	DATE: 29-AUG-78
MODULE: M8555-EB17R.DRW 28-AUG-78 14:39	NEXT HIGHER ASSEMBLY:	SIZE CODE: D CS	NUMBER: M8555-0-EB17	REV. C
FIRST USED ON OPTION/MODEL: RH20	D-DD-M8555-0			

REV. C  
 SIZE CODE CS  
 NUMBER M8555-0-EB17  
 SHEET 7 OF 8



NOTE:  
 1. ALL 74H SERIES LOGIC IS TO BE 1074H SERIES  
 2. THE FOLLOWING PIN NUMBERS APPLY TO TTL DIP PACKAGES:

GND	+5.0V	PACKAGE TYPE
	8	16 PIN DIP
	7	14 PIN DIP

SHEET 8 OF 8

THIS DRAWING AND SPECIFICATIONS HEREIN ARE THE PROPERTY OF DIGITAL EQUIPMENT CORPORATION AND SHALL NOT BE REPRODUCED OR COPIED OR USED IN WHOLE OR IN PART AS THE BASIS FOR THE MANUFACTURE OR SALE OF ITEMS WITHOUT WRITTEN PERMISSION. COPYRIGHT © 1978, DIGITAL EQUIPMENT CORPORATION.

REVISIONS		
CHK	CHANGE NO.	REV
	M8555 MRO06	C
	T. BOWEN	

<b>digital</b>	DRW: <i>J. J. J.</i>	DATE: 29-AUG-78	ENG: <i>J. J. J.</i>	DATE: 21-Nov-78	TITLE: POWER, GND. CAPS.
	CHK'D: <i>M. M.</i>	DATE: 29-AUG-78	BOARD LOCATION: <i>1</i>	SHEET: <i>1</i> OF <i>1</i>	
MODULE: M8555-EB18.DRW (29-AUG-78 08:31)			NEXT HIGHER ASSEMBLY: <i>D-DD-M8555-0</i>	SIZE: D	CODE: CS
FIRST USED ON OPTION/MODEL: RH20				NUMBER: M8555-0-EB18	REV: C

REV. C  
 NUMBER M8555-0-EB18  
 CS  
 D  
 B

DRAWING NUMBER	PAGE	PART NO.	DESCRIPTION	REVISIONS							
FILE: ORIGINAL LAYOUT											
ECO NUMBER				-	1	2	3	4	5	6	7
MODULE REVISION					B	C	C	D	E	E	E
D-UA-M8556-0-0	5		MASSBUS CONTROL CBUS INTERFACE	-	A	B	C	D	E	E1	E1
D-CS-M8556-0-DP1	1		MASSBUS CONTROL CBUS INTERFACE	-	-	A	A	A	A	A1	A1
D-CS-M8556-0-DP2	1		MASSBUS CONTROL CBUS INTERFACE	-	-	A	A	A	A	A1	A1
D-CS-M8556-0-DP3	1		MASSBUS CONTROL CBUS INTERFACE	-	-	A	A	A	A	A1	A1
D-CS-M8556-0-DP4	1		MASSBUS CONTROL CBUS INTERFACE	-	-	A	A	B	C	C1	C1
D-CS-M8556-0-DP5	1		MASSBUS CONTROL CBUS INTERFACE	-	-	A	A	A	A	A1	A1
D-CS-M8556-0-DP6	1		MASSBUS CONTROL CBUS INTERFACE	-	-	-	-	-	-	*1	*1
D-CS-M8556-0-DP7	1		MASSBUS CONTROL CBUS INTERFACE	-	-	A	A	A	A	A1	A1
D-CS-M8556-0-DP8	1		POWER, GND. CAPS.	-	-	A	A	A	A	A1	A1
D-AH-M8556-0-5	4		DRILL & ETCH DRAWING	A	A	A	A	A	A	A1	A1
		5010632	ETCH CIRCUIT BOARD	B	B	B	B	B	B	B	B
K-CO-M8556-0-4	1		CALDEC DATA BASE	B	B	B	B	B	B	B	B
P00-M8556-00			PROCESS SHEET (REF ONLY)								

NOTES: ECO 6 RELAYOUT BOARD

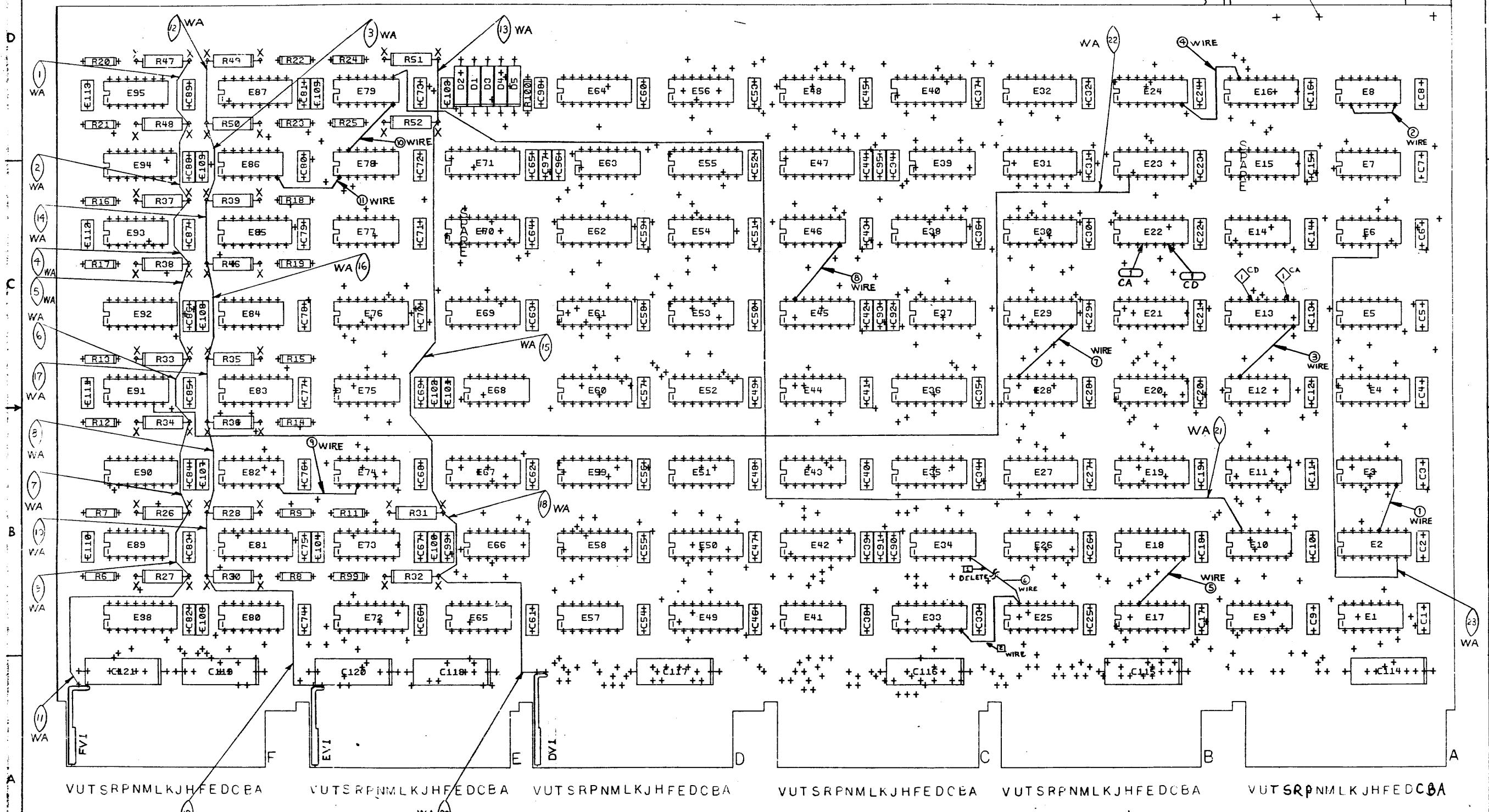
REVISIONS
CHK CHANGE NO. REV
8556 007 H
YOM BOWEN

<b>digital</b>	DRW. <i>J. J. J.</i>	DATE 24-MAY-79	ENG. V. KU	DATE 12-DEC-74	TITLE: MASS CONTROL CBUS INTERFACE
DSK18556DD.T2P14.5581	FILE BLANK	DATE 12-DEC-74	BOARD LOCATION: N/A	SHEET 1 OF 2	SIZE CODE D DD
FIRST USED ON OPTION/MODEL: RH20	NONE	NEXT HIGHER ASSEMBLY:		NUMBER	REV. H

REV. H  
NUMBER 8556-0  
CODE DD

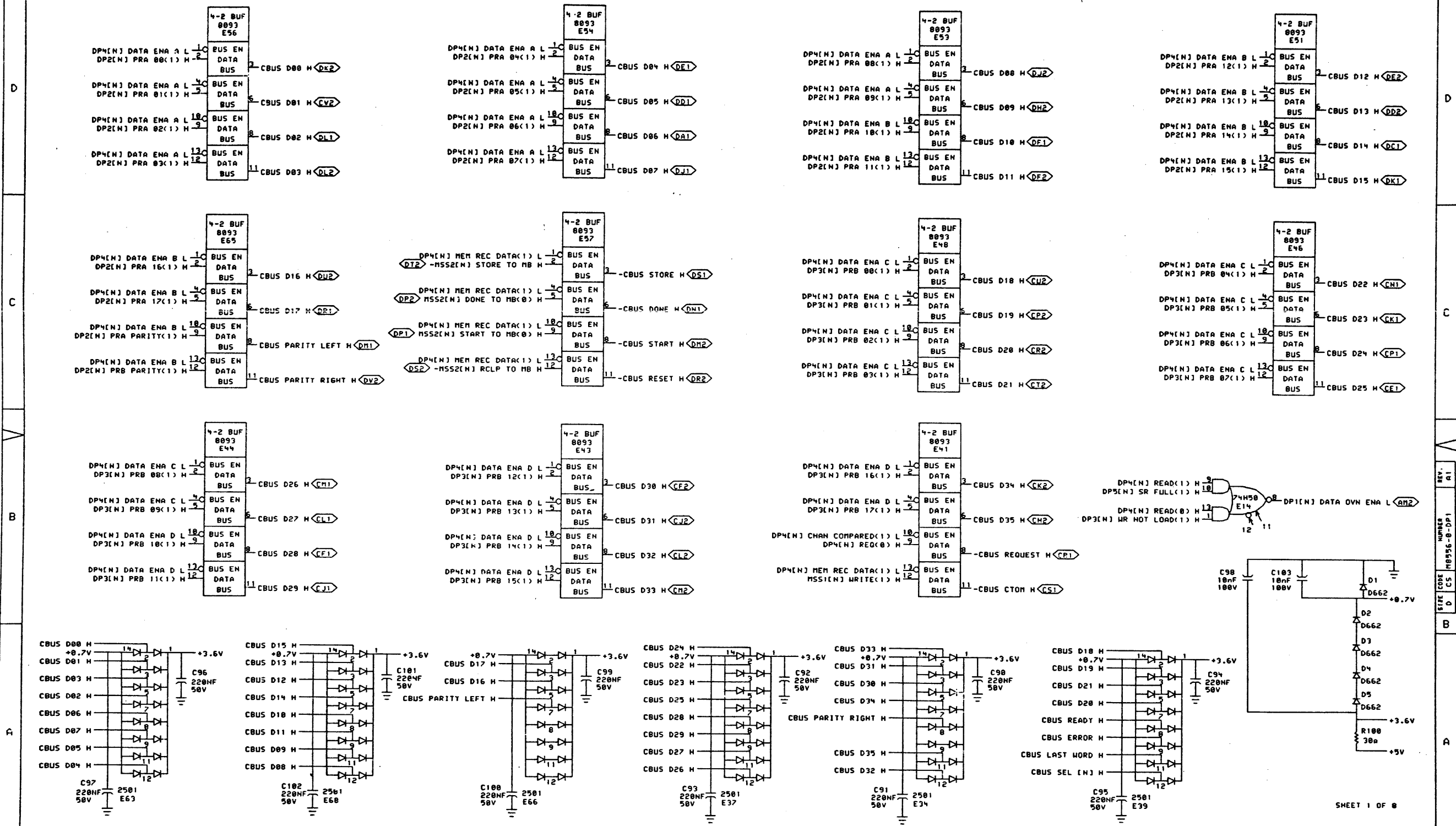


THIS DRAWING AND SPECIFICATIONS HEREIN ARE THE PROPERTY OF DIGITAL EQUIPMENT CORPORATION AND SHALL NOT BE REPRODUCED OR COPIED OR USED IN WHOLE OR IN PART AS THE BASIS FOR THE MANUFACTURE OR SALE OF ITEMS UNLESS WRITTEN PERMISION IS GRANTED BY DIGITAL EQUIPMENT CORPORATION.



REVISIONS		
CHK	CHANGE NO	REV
	N6556-MRC06	E1
	T. BOWEN	

TITLE	MASSBUS CONTROL CPU INTERFACE	SIZE CODE	DUA M8556-0-0	NUMBER	E1	REV.	
SCALE	2/1	SHEET	2 OF 5	DIST.			

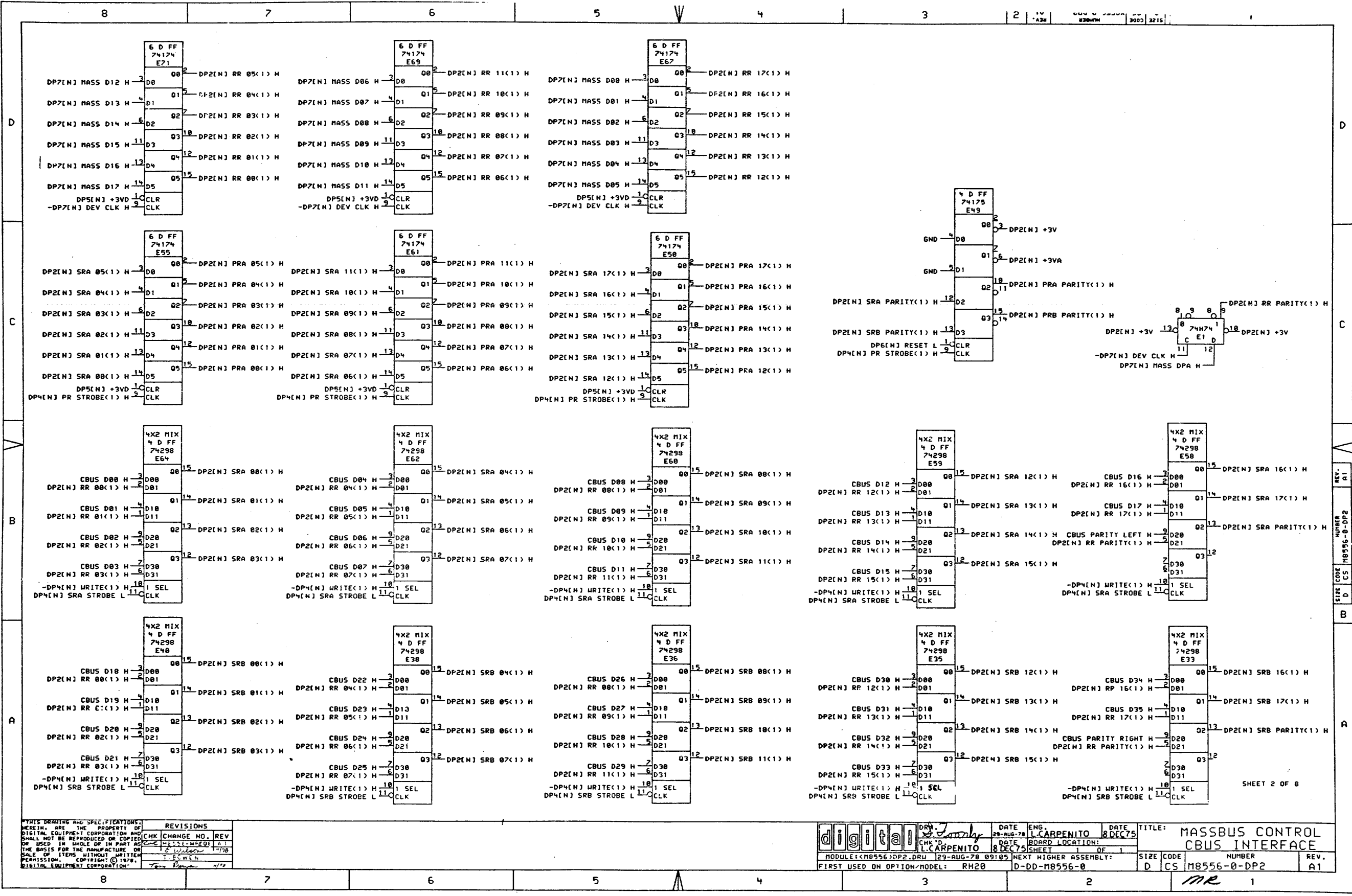


THIS DRAWING AND SPECIFICATIONS ARE THE PROPERTY OF DIGITAL EQUIPMENT CORPORATION AND SHALL NOT BE REPRODUCED OR COPIED OR USED IN WHOLE OR IN PART AS THE BASIS FOR THE MANUFACTURE OR SALE OF ITEMS WITHOUT WRITTEN PERMISSION. COPYRIGHT © 1978, DIGITAL EQUIPMENT CORPORATION.

REV.	CHG	NO.	REV.
1	1	1	1

REV.	CHG	NO.	REV.
1	1	1	1

**digital** DRW 7  
 DATE 11-DEC-78 ENG. L. CARPENITO  
 DATE 8 DEC 79  
 TITLE: MASSBUS CONTROL CBUS INTERFACE  
 MODULE: M8556-DP1.DRW 11-OCT-78 13:14 NEXT HIGHER ASSEMBLY: D-DD-M8556-0  
 FIRST USED ON OPTION/MODEL: RH20  
 SIZE CODE NUMBER REV. D CS M8556-0-DP1 A1



THIS DRAWING AND SPECIFICATIONS, HEREIN, ARE THE PROPERTY OF DIGITAL EQUIPMENT CORPORATION AND SHALL NOT BE REPRODUCED OR COPIED OR USED IN WHOLE OR IN PART AS THE BASIS FOR THE MANUFACTURE OR SALE OF ITEMS WITHOUT WRITTEN PERMISSION. COPYRIGHT © 1978, DIGITAL EQUIPMENT CORPORATION.

REV.	NO.	DESCRIPTION
1	1	INITIAL RELEASE
2	1	REVISED TO CORRECT ERRORS

REV.	NO.	DESCRIPTION	DATE	ENG.	DATE
1	1	INITIAL RELEASE	29-AUG-78	L. CARPENITO	8-DEC-75
2	1	REVISED TO CORRECT ERRORS	8-DEC-75	L. CARPENITO	8-DEC-75

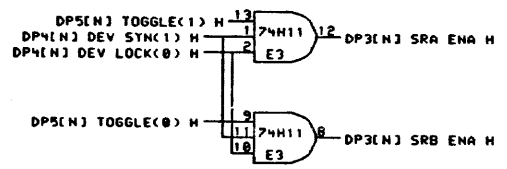
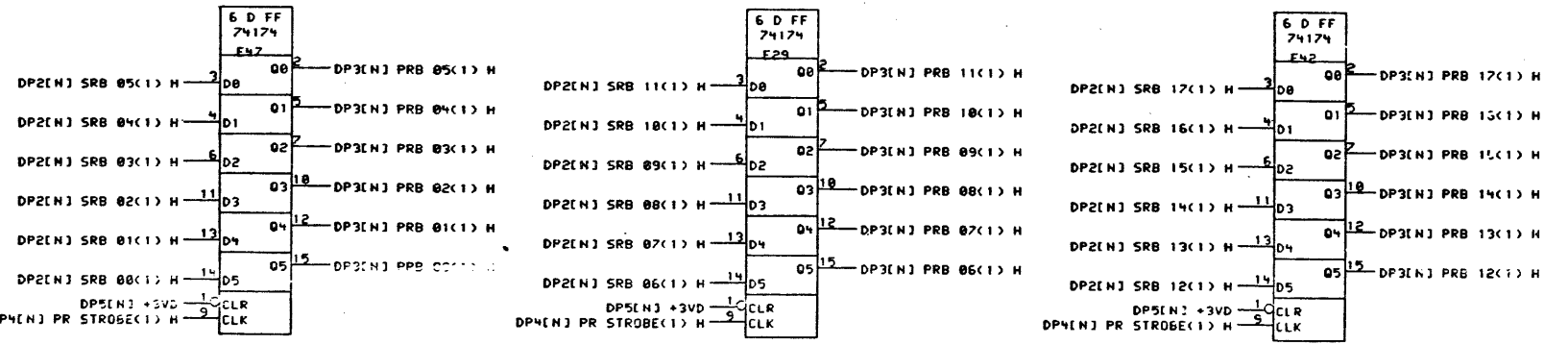
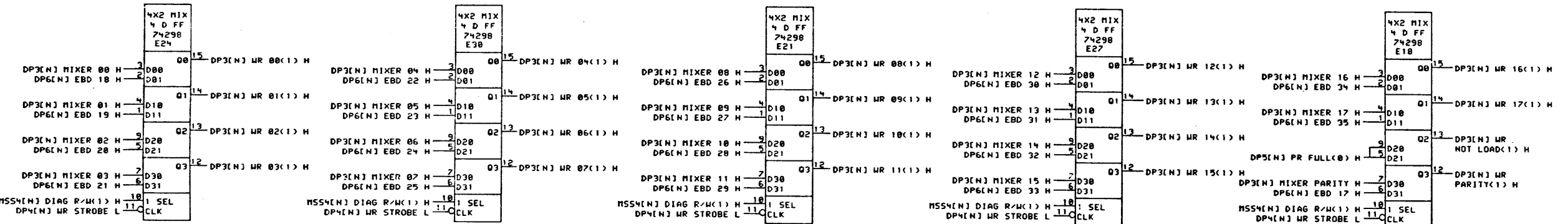
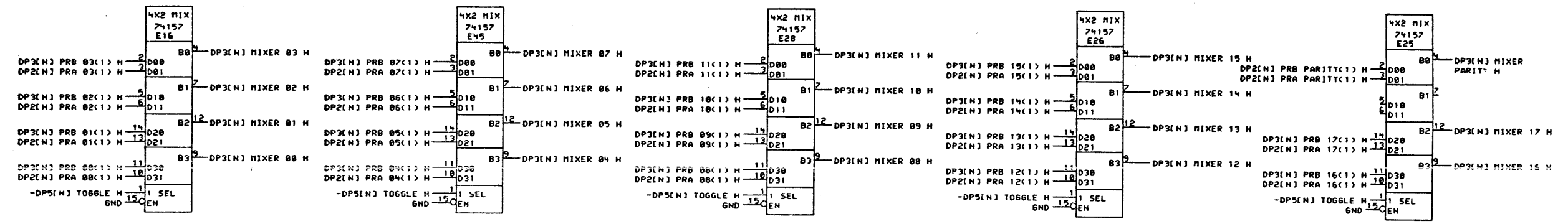
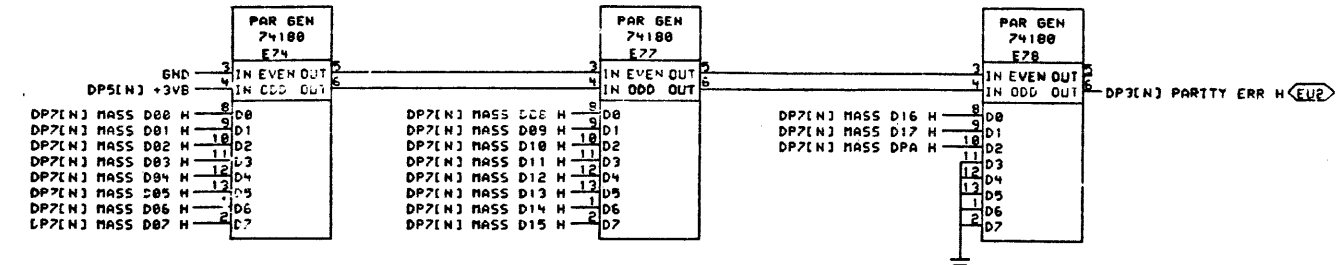
**digital** DRW: J. J. J. DATE: 29-AUG-78 ENG: L. CARPENITO DATE: 8-DEC-75 TITLE: MASSBUS CONTROL CBUS INTERFACE

MODULE: M8556-DP2.DRW 29-AUG-78 09:05 NEXT HIGHER ASSEMBLY: BOARD LOCATION: SHEET 1 OF 1

FIRST USED ON OPTION MODEL: RH20 D-DD-M8556-0

SIZE	CODE	NUMBER	REV.
D	CS	M8556-0-DP2	A1

SHEET 2 OF 8



SHEET 3 OF 8

THIS DRAWING AND SPECIFICATIONS, HEREIN, ARE THE PROPERTY OF DIGITAL EQUIPMENT CORPORATION AND SHALL NOT BE REPRODUCED OR COPIED OR USED IN WHOLE OR IN PART AS THE BASIS FOR THE MANUFACTURE OR SALE OF ITEMS WITHOUT WRITTEN PERMISSION. COPYRIGHT © 1978, DIGITAL EQUIPMENT CORPORATION.

REVISIONS	CHK	CHANGE NO.	REV

**digital** DR. J. Carpenito

DATE: 29-AUG-78 ENG: L. CARPENITO DATE: 8 DEC 75 TITLE: MASSBUS CONTROL CBUS INTERFACE

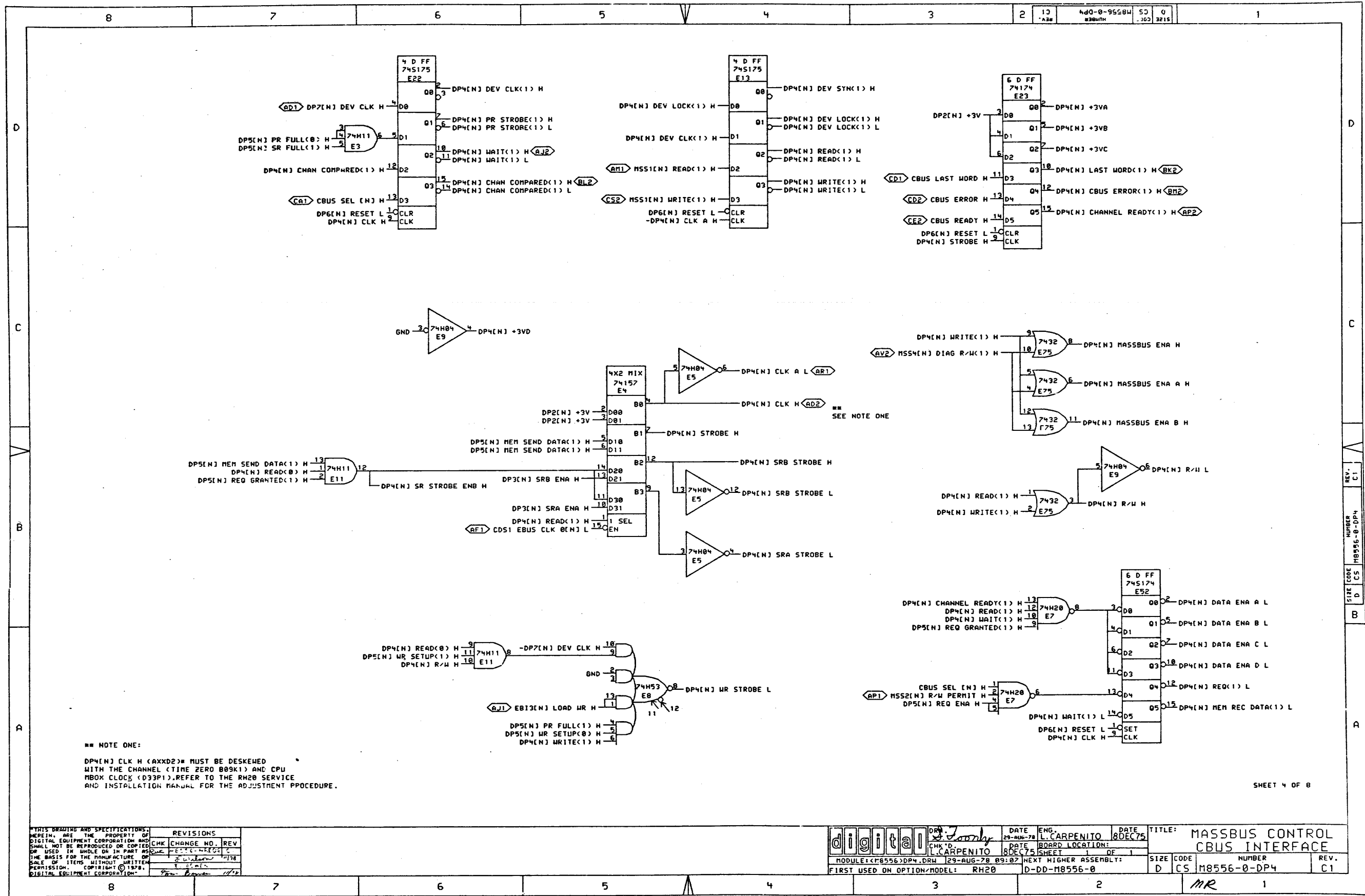
CHK'D: L. CARPENITO DATE: 8 DEC 75 BOARD LOCATION: SHEET 1 OF 1

MODULE: M8556-DP3.DRW 29-AUG-78 09:06 NEXT HIGHER ASSEMBLY: SIZE CODE NUMBER REV. D C5 M8556-0-DP3 A1

FIRST USED ON OPTION/MODEL: RH20 D-DD-M8556-0

SIZE CODE NUMBER REV. A1  
D C5 M8556-0-DP3

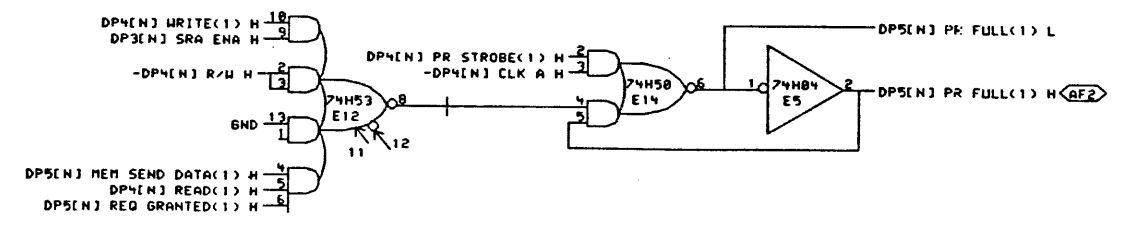
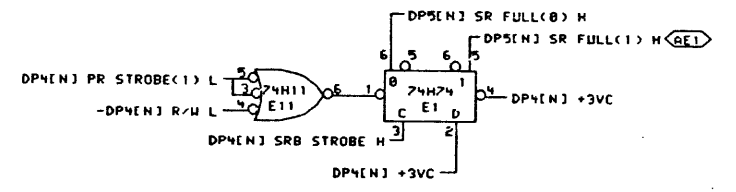
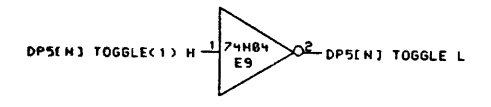
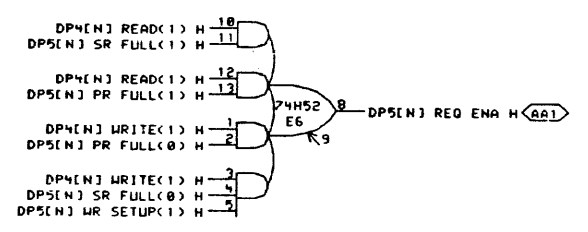
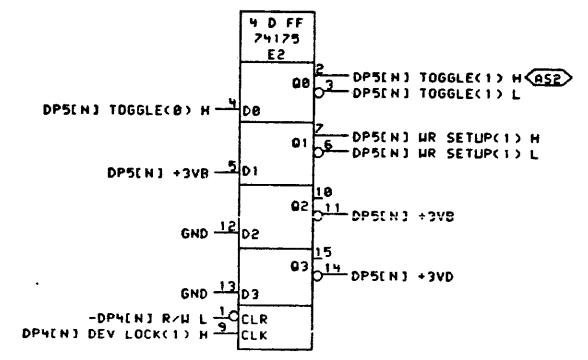
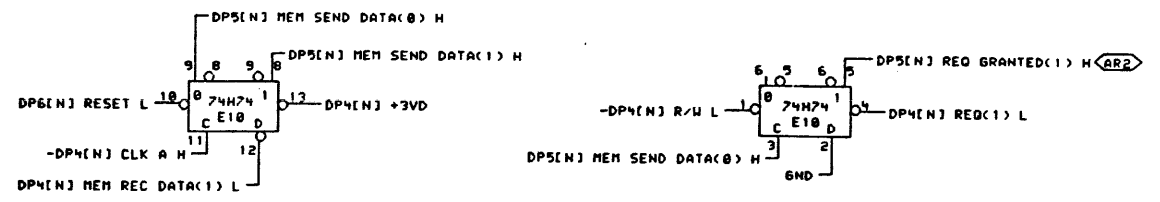
UNFILED, MODULE: M8556-DP3.OPL.1, SCALE 2, "D" RELEASE BOX



NOTE ONE:  
 DP4[N] CLK H (AXXD2)\* MUST BE DESKEWED WITH THE CHANNEL (TIME ZERO 009K1) AND CPU MBOX CLOCK (D39P1). REFER TO THE RM20 SERVICE AND INSTALLATION MANUAL FOR THE ADJUSTMENT PROCEDURE.

REVISIONS	
CHK	CHANGE NO. REV
2	1
1	1

<b>digital</b>	DATE: 29-AUG-78	ENG: L. CARPENITO	DATE: 8DEC75	TITLE: MASSBUS CONTROL CBUS INTERFACE
CHK'D: L. CARPENITO	DATE: 8DEC75	BOARD LOCATION: 1 OF 1	SIZE: D	CODE: CS
MODULE: M8556-DP4	DRW: 29-AUG-78 09:02	NEXT HIGHER ASSEMBLY: D-DD-M8556-0	NUMBER: M8556-0-DP4	REV: C1
FIRST USED ON OPTION/MODEL: RH20				



SHEET 5 OF 8

THIS DRAWING IS THE PROPERTY OF DIGITAL EQUIPMENT CORPORATION AND SHALL NOT BE REPRODUCED OR COPIED OR USED IN WHOLE OR IN PART AS THE BASIS FOR THE MANUFACTURE OR SALE OF ITEMS WITHOUT WRITTEN PERMISSION. COPYRIGHT © 1978, DIGITAL EQUIPMENT CORPORATION.	REVISED	CHK	CHANGE NO.	REV

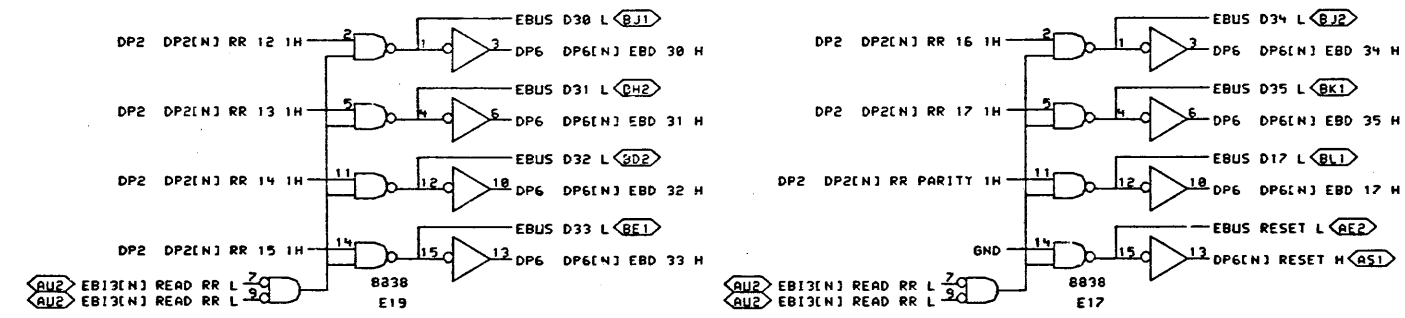
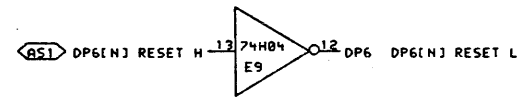
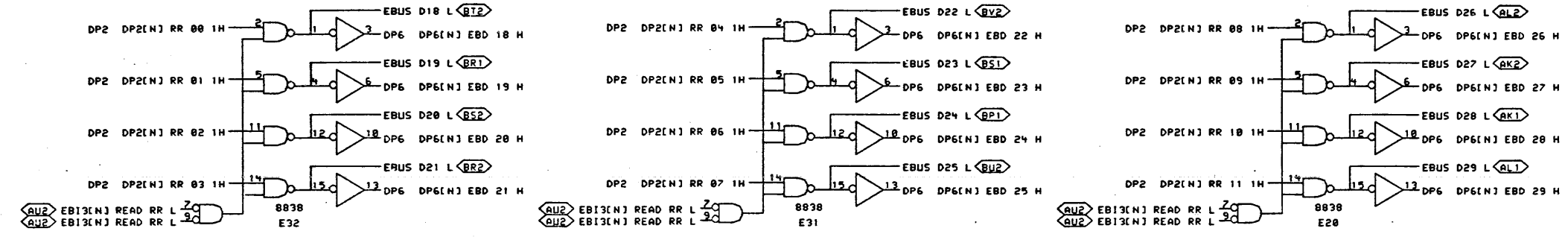
<b>digital</b>	DATE: 29-AUG-78	DATE: 18DEC75	TITLE: MASSBUS CONTROL CBUS INTERFACE
CHK'D: L. CARPENITO	DATE: 18DEC75	BOARD LOCATION: 1	REV. A1
MODULE: CM8556-DP5.DRW	29-AUG-78 09:08	NEXT HIGHER ASSEMBLY: D-DD-M8556-0	SIZE CODE D C5
FIRST USED ON OPTION/MODEL: RH20			NUMBER M8556-0-DP5

D

C

B

A

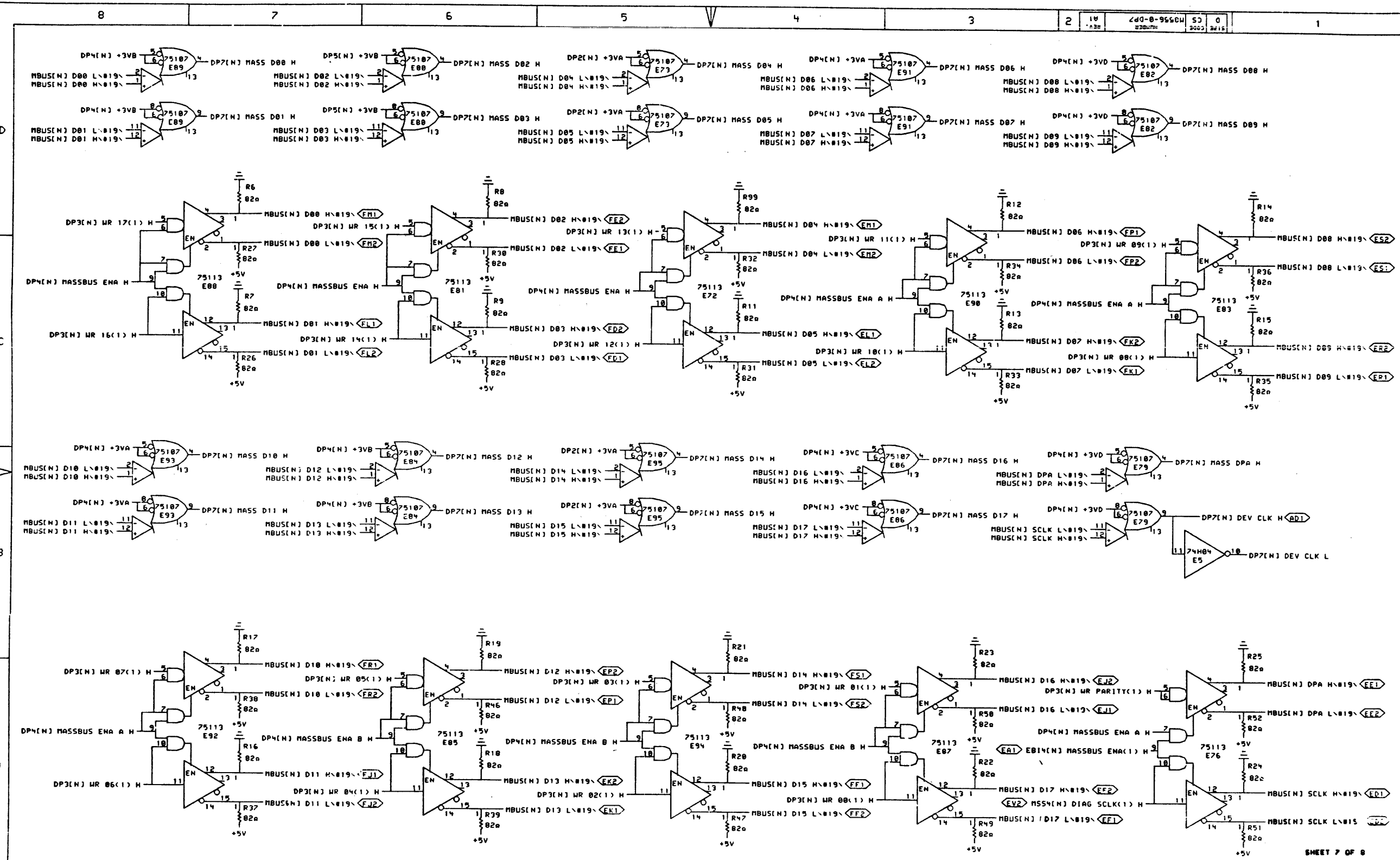


SHEET 6 OF 6

THIS DRAWING AND SPECIFICATIONS, HEREIN, ARE THE PROPERTY OF DIGITAL EQUIPMENT CORPORATION AND SHALL NOT BE REPRODUCED OR COPIED OR USED IN WHOLE OR IN PART AS THE BASIS FOR THE MANUFACTURE OR SALE OF ITEMS WITHOUT WRITTEN PERMISSION. COPYRIGHT © 1978 DIGITAL EQUIPMENT CORPORATION.

REVISIONS	
CHK	CHANGE NO. REV
1	1

digital	DATE	ENG.	DATE	TITLE:
	29-AUG-78	L. CARPENITO	8DEC78	MASSBUS CONTROL CBUS INTERFACE
	CHK'D	DATE	BOARD LOCATION:	
	L. CARPENITO	8DEC78	SHEET 1 OF 1	
MODULE: M8556-DP6.DRW		29-AUG-78 09:09	NEXT HIGHER ASSEMBLY:	SIZE CODE
FIRST USED ON OPTION/MODEL: RH20		D-DD-M8556-0	D	CS
			NUMBER	REV.
			M8556-0-DP6	*1



SHEET 7 OF 8

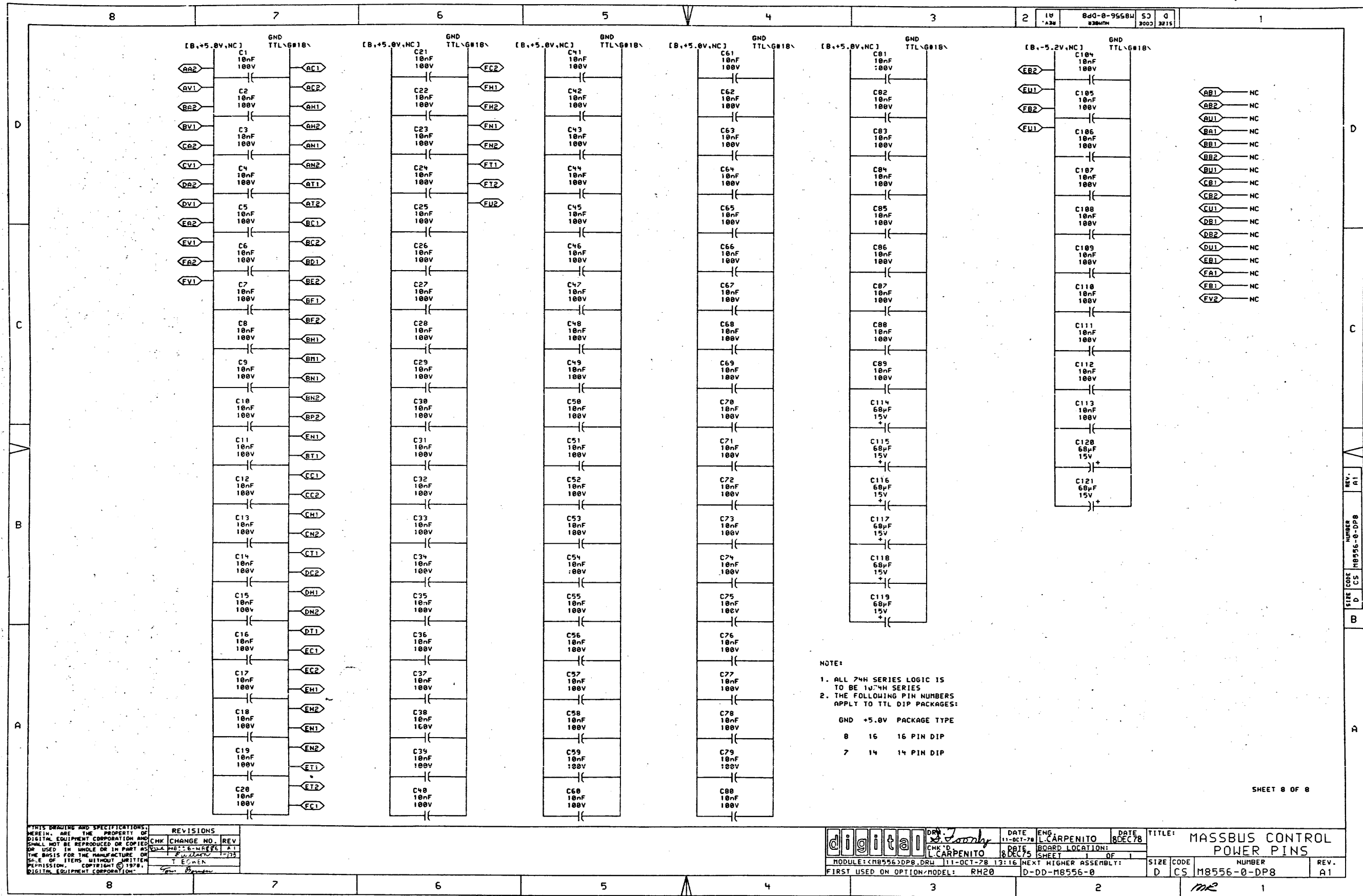
THIS DRAWING AND SPECIFICATIONS ARE THE PROPERTY OF DIGITAL EQUIPMENT CORPORATION AND SHALL NOT BE REPRODUCED OR COPIED OR USED IN WHOLE OR IN PART AS THE BASIS FOR THE MANUFACTURE OR SALE OF ITEMS WITHOUT WRITTEN PERMISSION. COPYRIGHT © 1978, DIGITAL EQUIPMENT CORPORATION.

REVISIONS			
CHK	CHANGE NO.	REV	

	DATE	29-AUG-78	ENG.	L. CARPENITO	DATE	8 DEC 75	TITLE:	MASSBUS CONTROL	
	CHK'D	L. CARPENITO	DATE	8 DEC 75	SHEET			CBUS INTERFACE	
MODULE: MB556-DP7.DRM		129-AUG-78 09:14		NEXT HIGHER ASSEMBLY:		SIZE CODE		D CS	
FIRST USED ON OPTION/MODEL:		RH20		D-DD-MB556-0		NUMBER		MB556-0-DP7	
								REV.	A1

REV. A1  
 SIZE CODE CS MB556-0-DP7  
 D D CS MB556-0-DP7  
 ME





NOTE:  
 1. ALL 74H SERIES LOGIC IS TO BE 1074H SERIES  
 2. THE FOLLOWING PIN NUMBERS APPLY TO TTL DIP PACKAGES:

GND	+5.0V	PACKAGE TYPE
8	16	16 PIN DIP
7	14	14 PIN DIP

SHEET 8 OF 8

THIS DRAWING AND SPECIFICATIONS, HEREIN, ARE THE PROPERTY OF DIGITAL EQUIPMENT CORPORATION AND SHALL NOT BE REPRODUCED OR COPIED OR USED IN WHOLE OR IN PART AS A BASIS FOR THE MANUFACTURE OR SALE OF ITEMS WITHOUT WRITTEN PERMISSION. COPYRIGHT © 1978, DIGITAL EQUIPMENT CORPORATION.

REVISIONS	CHK	CHANGE NO.	REV

	DATE	11-OCT-78	ENG	L. CARPENITO	DATE	8-DEC-78	TITLE	MASSBUS CONTROL POWER PINS	
	CHK'D	L. CARPENITO	DATE	8-DEC-78	BOARD LOCATION	SHEET	1 OF 1		
MODULE: M8556-DP8.DRW		11-OCT-78 13:16		NEXT HIGHER ASSEMBLY:		SIZE	CODE	NUMBER	REV.
FIRST USED ON OPTION/MODEL: RH20		D-DD-M8556-0				D	CS	M8556-0-DP8	A1

REV. A1  
 FILE CODE: D CS M8556-0-DP8

DRAWING NUMBER PAGE PART NO. DESCRIPTION REVISIONS

FILE: RELAYOUT

ECO NUMBER 6 7

MODULE REVISION F H

D-UA-M8556-0-0	4		MASSBUS CONTROL CBUS INTERFACE	F	H
K-PL-M8556-0-DBP	2		PARTS LIST	F	H
D-CS-M8556-0-DP1	1		MASSBUS CONTROL CBUS INTERFACE	B	B
D-CS-M8556-0-DP2	1		MASSBUS CONTROL CBUS INTERFACE	B	B
D-CS-M8556-0-DP3	1		MASSBUS CONTROL CBUS INTERFACE	B	B
D-CS-M8556-0-DP4	1		MASSBUS CONTROL CBUS INTERFACE	D	E
D-CS-M8556-0-DP5	1		MASSBUS CONTROL CBUS INTERFACE	B	C
D-CS-M8556-0-DP6	1		MASSBUS CONTROL CBUS INTERFACE	A	A
D-CS-M8556-0-DP7	1		MASSBUS CONTROL CBUS INTERFACE	B	B
D-CS-M8556-0-DP8	1		POWER, GND. CAPS.	B	C
D-MD-5010632-0-0	5		DRILL & ETCH DRAWING	B	B
		5010632	ETCH CIRCUIT BOARD	C	C
K-PC-M8556-0-DBC	-		P.C. DESIGN DATA BASE	C	C
P00-M8556-00			PROCESS SHEET (REF ONLY)		

NOTES: ECO 6 RELAYOUT BOARD  
 ECO 7 REMOVES SPEED UP FEATURE THAT DOES NOT WORK WITH  
 SOME EXTERNAL MEMORY CONFIGURATIONS.

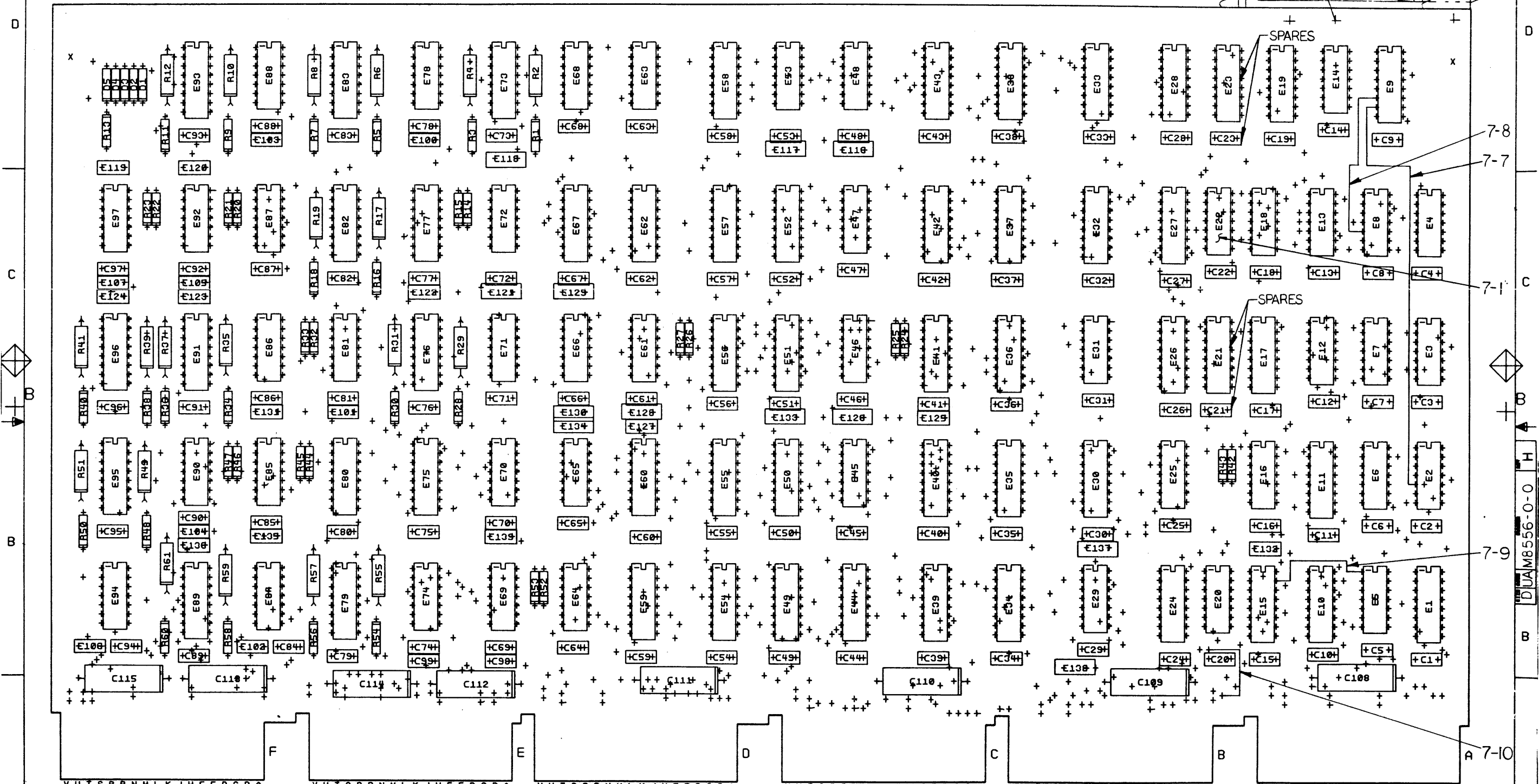
THIS DRAWING AND SPECIFICATIONS ARE THE PROPERTY OF DIGITAL EQUIPMENT CORPORATION AND SHALL NOT BE REPRODUCED OR COPIED OR USED IN WHOLE OR IN PART AS THE BASIS FOR THE MANUFACTURE OR SALE OF ITEMS WITHOUT WRITTEN PERMISSION. COPYRIGHT © 1979. DIGITAL EQUIPMENT CORPORATION

REVISIONS	
CHK	CHANGE NO. REV.

<b>digital</b>	DATE: 11-17-79	ENG: J. BOWEN	DATE: 12/07/78	TITLE: MASS CONTROL CBUS INTERFACE
CHK'D: W. NORMAND	DATE: 11/27/79	BOARD LOCATION: N/A	SHEET: 2 OF 2	SIZE: D DD
DSK: 8556DD.T2PL1.250	117-MAY-79 13:53	NEXT HIGHER ASSEMBLY:		NUMBER: H8556-0
FIRST USED ON OPTION/MODEL: RH20	NAME: NONE			REV.: H

ALL DIMENSIONS AND SPECIFICATIONS, NUMBER, AND THE PROPERTY OF DIGITAL EQUIPMENT CORPORATION AND SHALL NOT BE REPRODUCED OR COPIED IN WHOLE OR IN PART WITHOUT THE WRITTEN PERMISSION OF DIGITAL EQUIPMENT CORPORATION © 1978

28 (QTY 12)



NOTES:

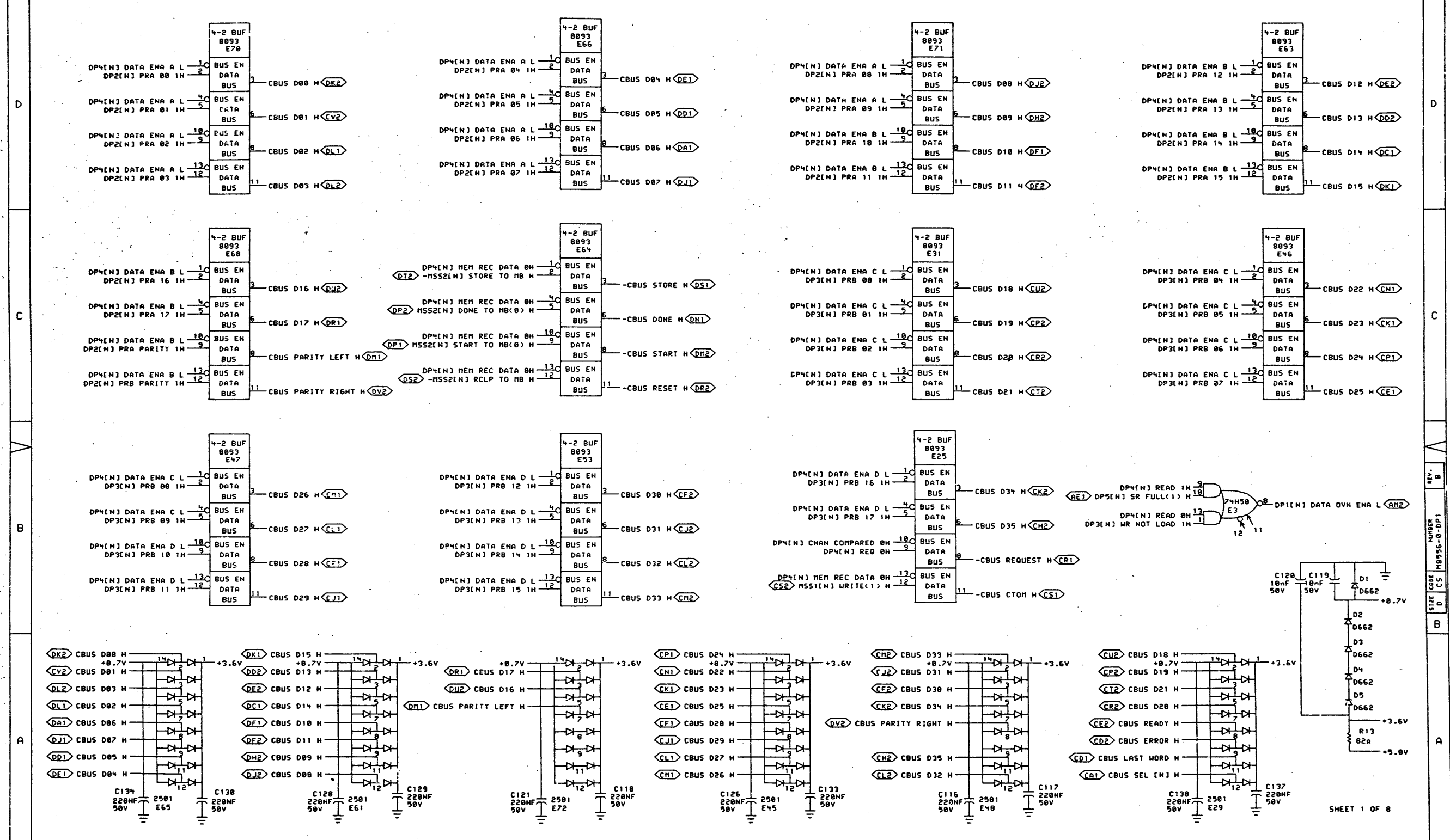
CHG	NO	REV
001	1	001
002	1	001
003	1	001
004	1	001

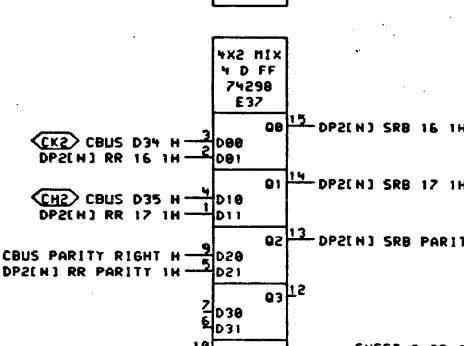
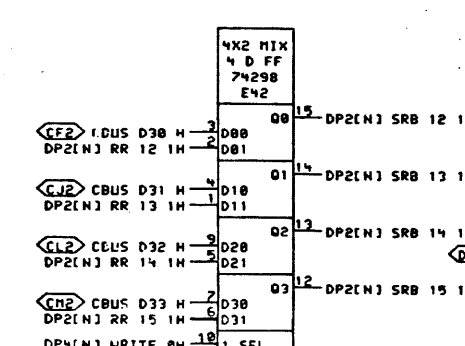
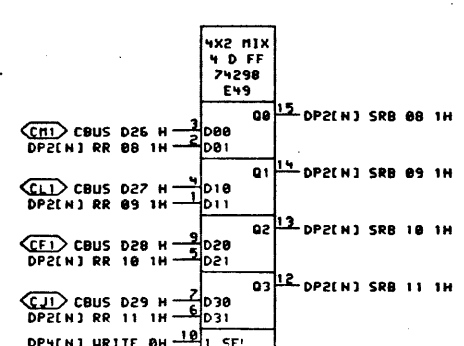
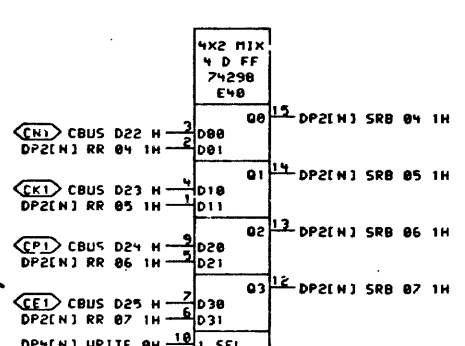
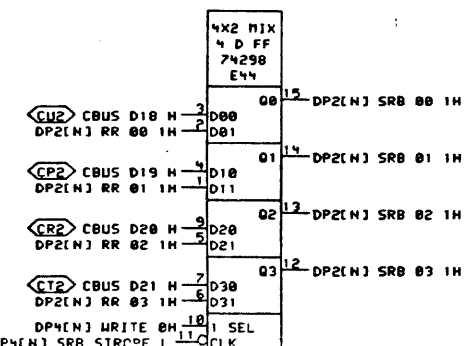
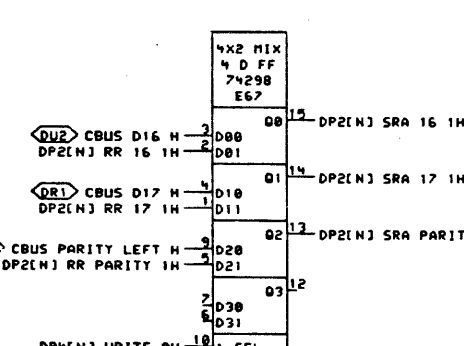
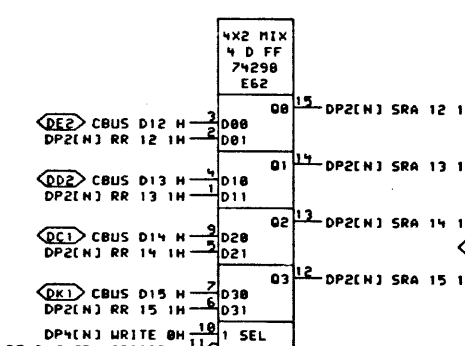
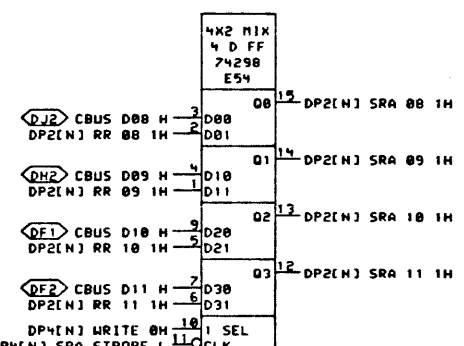
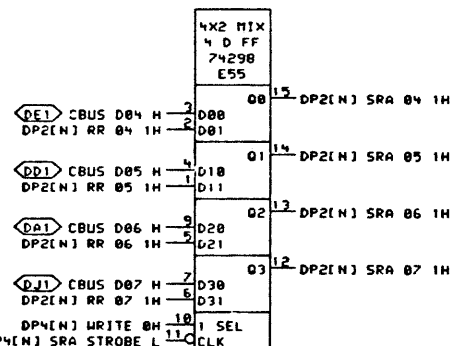
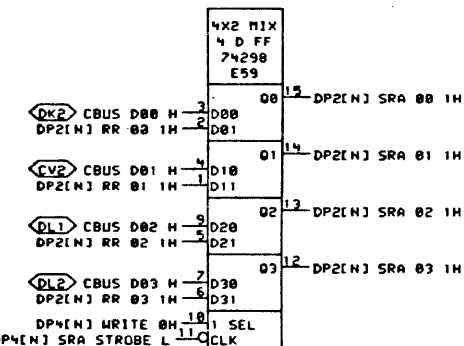
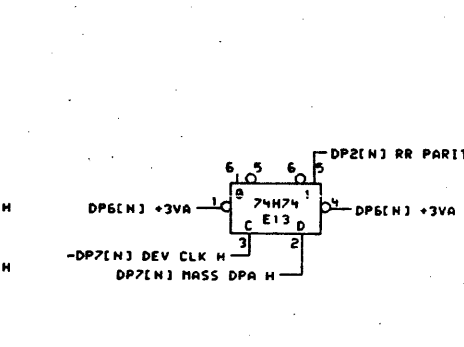
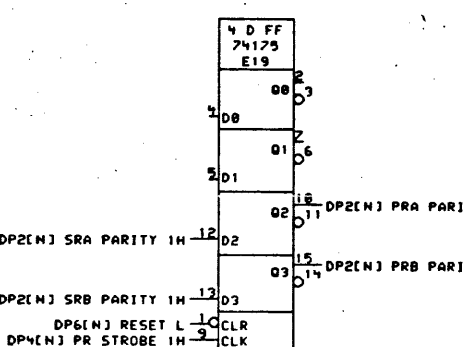
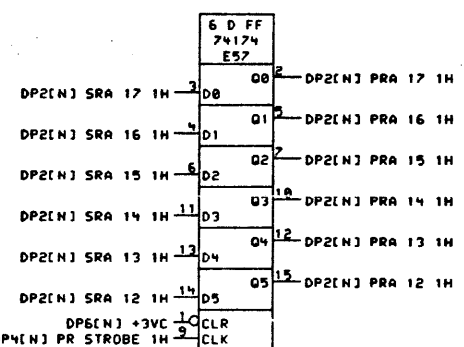
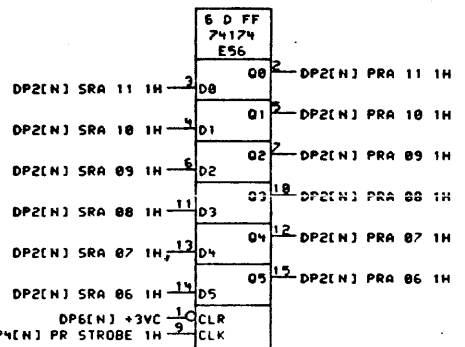
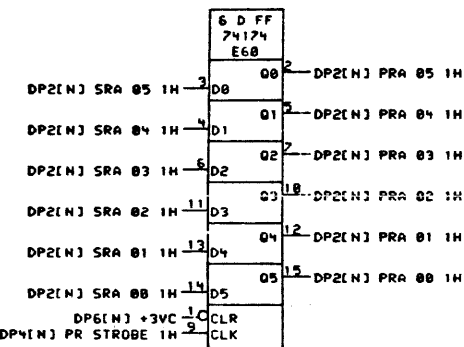
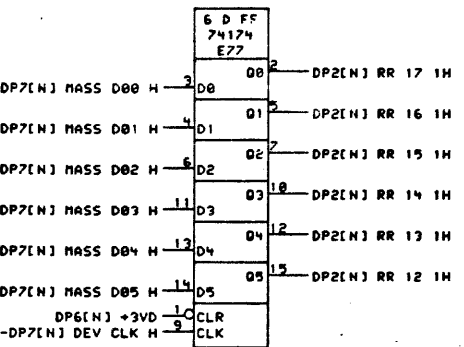
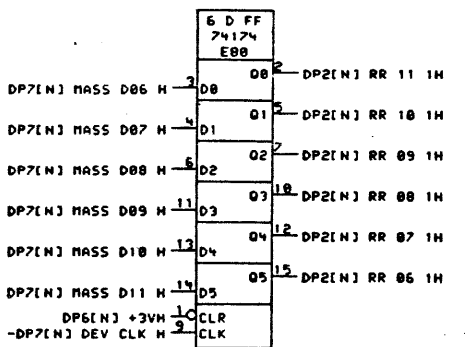
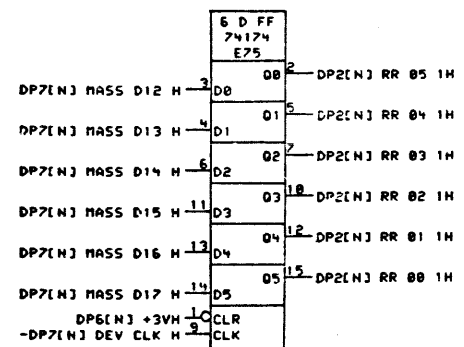
CHK	NO	REV
001	1	001
002	1	001
003	1	001
004	1	001

ETCH	REV.	C-P4
P.C. DESIGN	DATA	BASE REV.
		C

SIGNATURES	DATE
DRN: [Signature]	10/1/78
CHK: [Signature]	10/1/78
ENG: [Signature]	10/1/78
PROJ. ENG: [Signature]	10/1/78
PROD: [Signature]	10/1/78

digital	TITLE MASS BUS DATA PATH
SCALE 2/1	SIZE CODE NUMBER
SHT. 1 OF 5	d UA M8556-0-0 H
NEXT HIGHER ASSY: D-00-M8556-0	



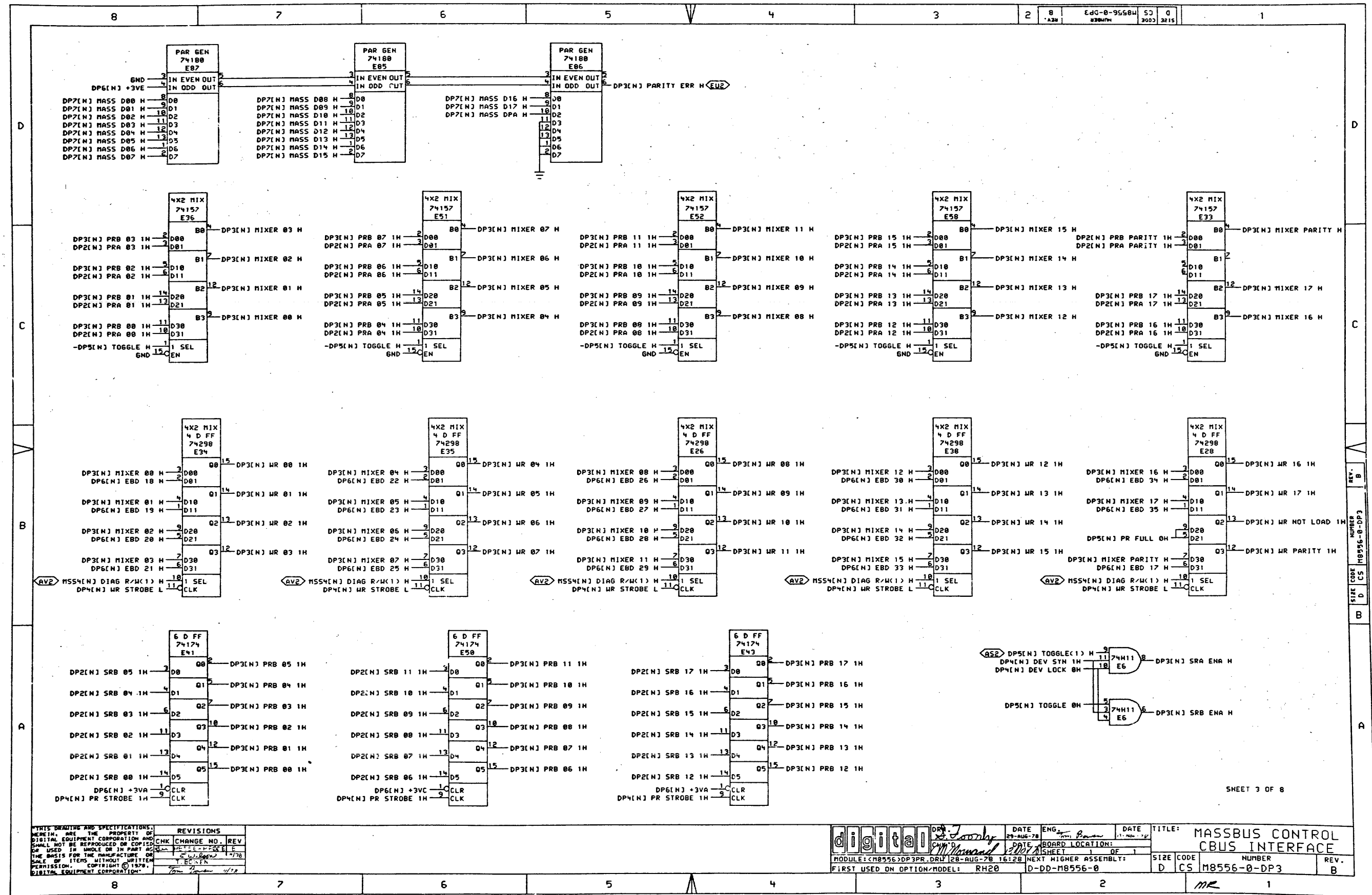


THIS DRAWING AND SPECIFICATIONS, HEREIN, ARE THE PROPERTY OF DIGITAL EQUIPMENT CORPORATION AND SHALL NOT BE REPRODUCED OR COPIED OR USED IN WHOLE OR IN PART AS THE BASIS FOR THE MANUFACTURE OR SALE OF ITEMS WITHOUT WRITTEN PERMISSION. COPYRIGHT © 1974, DIGITAL EQUIPMENT CORPORATION.

REVISIONS
CHK CHANGE NO. REV
DATE
BY
APPROVED

digital  
 DATE 28-AUG-78  
 ENGINEER  
 DATE  
 BOARD LOCATION  
 SHEET 1 OF 1  
 NEXT HIGHER ASSEMBLY:  
 FIRST USED ON OPTION/MODEL: RH20

TITLE: MASSBUS CONTROL CBUS INTERFACE
SIZE CODE NUMBER REV. D CS M8556-0-DP2 B

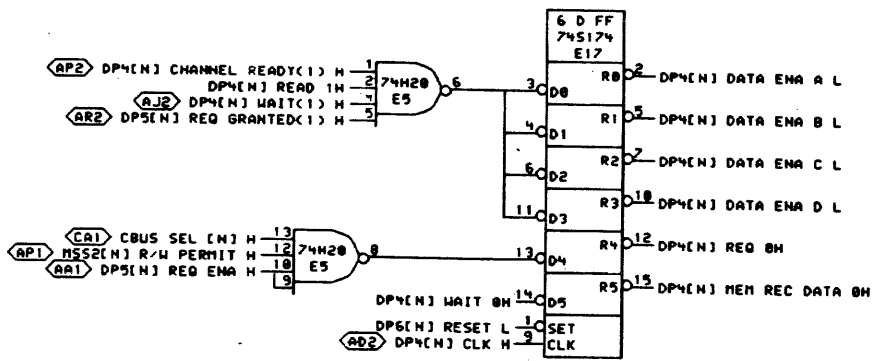
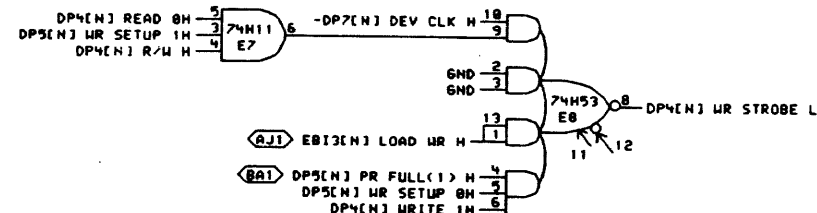
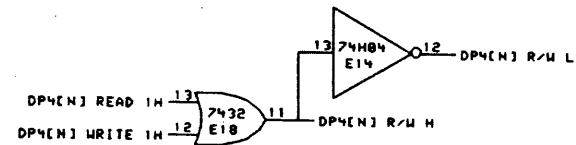
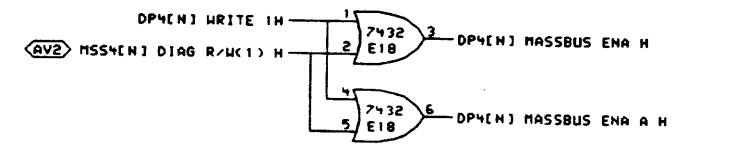
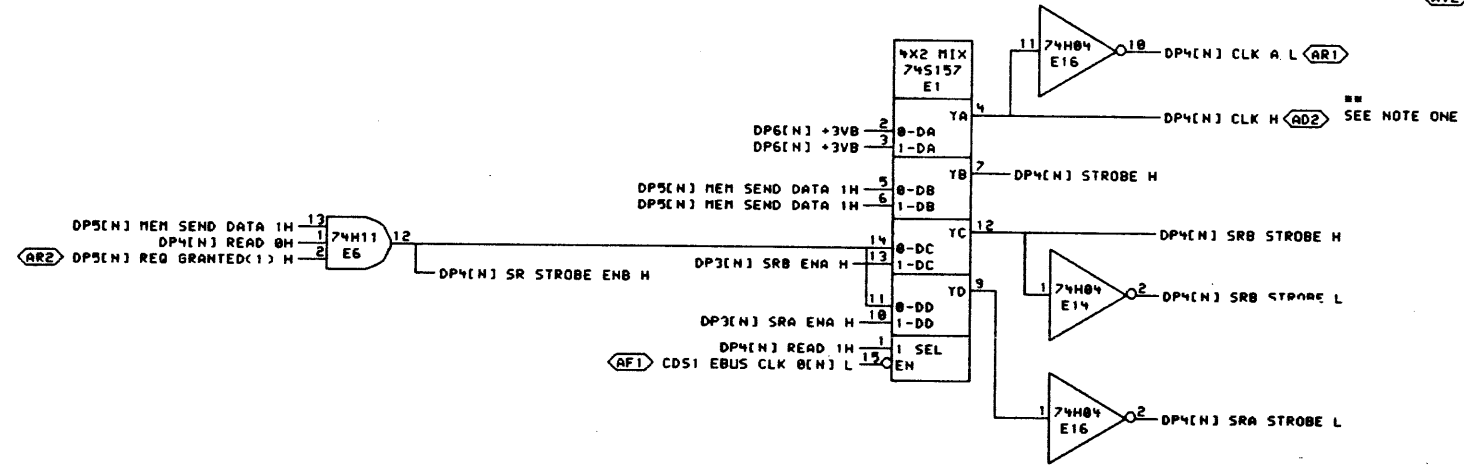
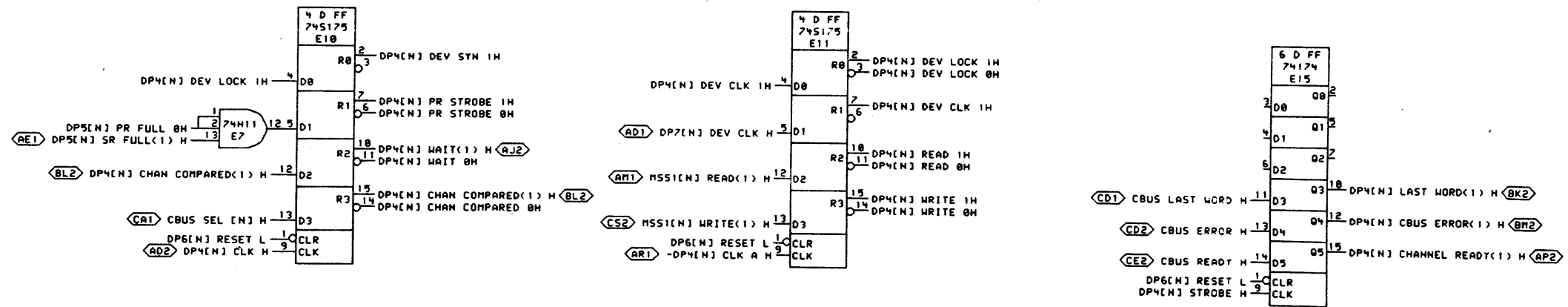


THIS DRAWING AND SPECIFICATIONS, HEREIN, ARE THE PROPERTY OF DIGITAL EQUIPMENT CORPORATION AND SHALL NOT BE REPRODUCED OR COPIED OR USED IN WHOLE OR IN PART AS THE BASIS FOR THE MANUFACTURE OR SALE OF ITEMS WITHOUT WRITTEN PERMISSION. COPYRIGHT © 1978, DIGITAL EQUIPMENT CORPORATION.

REVISIONS		
CHK	CHANGE NO.	REV

digital	DATE	ENG	DATE	TITLE:
	28-AUG-78	Born	11-NOV-78	MASSBUS CONTROL CBUS INTERFACE
	DATE	BOARD LOCATION:		
	13-01	1		
MODULE: <M8556>DP3PR.DRV		28-AUG-78 16:28	NEXT HIGHER ASSEMBLY:	SIZE
FIRST USED ON OPTION MODEL: RH20		D-DD-M8556-0		CODE
				NUMBER
				M8556-0-DP3
				REV.
				B

SHEET 3 OF 8

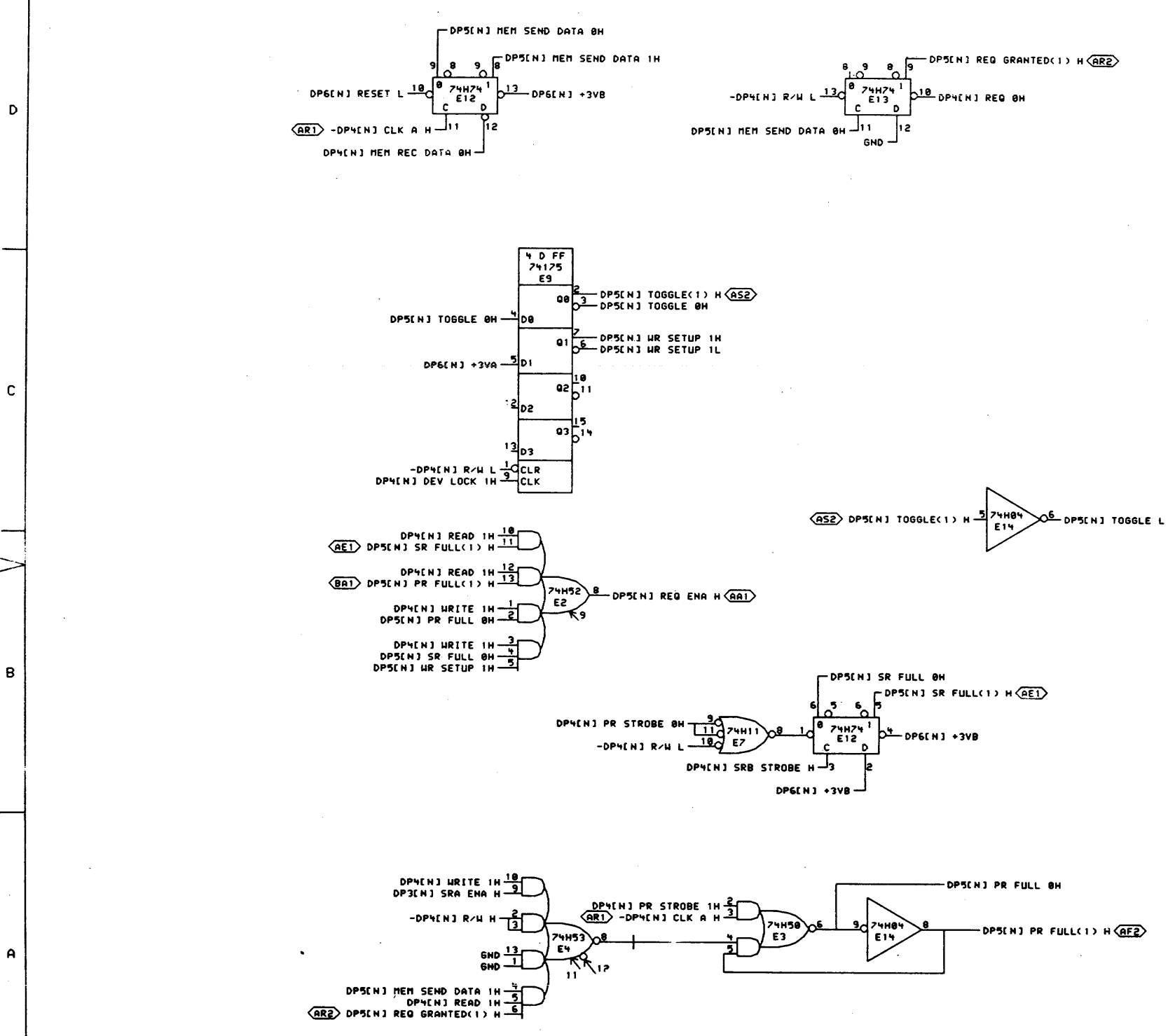


== NOTE ONE:  
 I  
 DP4[N] CLK H (AXXD2) MUST BE DESKEWED WITH THE CHANNEL (TIME ZERO 009K1) AND CPU MBOX CLOCK (D33P1). REFER TO THE RH20 SERVICE AND INSTALLATION MANUAL FOR THE ADJUSTMENT PROCEDURE.

THIS DRAWING AND SPECIFICATIONS ARE THE PROPERTY OF DIGITAL EQUIPMENT CORPORATION AND SHALL NOT BE REPRODUCED OR COPIED OR USED IN WHOLE OR IN PART AS THE BASIS FOR THE MANUFACTURE OR SALE OF ITEMS WITHOUT WRITTEN PERMISSION. COPYRIGHT © 1979 DIGITAL EQUIPMENT CORPORATION.

REVISIONS
CHK CHANGE NO. REV
BOVEN

digital	DATE	EMB.	DATE	TITLE
	17-MAY-79	TOM BOWEN	13-NOV-78	MASSBUS CONTROL
CHK'D	DATE	BOARD LOCATION	CBUS INTERFACE	
M. NORWAND	13-NOV-78	1	NUMBER	
P51(BOWEN)DP4PR.DRW	17-MAY-79	13-NOV-78	REV.	
FIRST USED ON OPTION/MODEL:	RH20	D-DD-M8556-0	E	



SHEET 5 OF 8

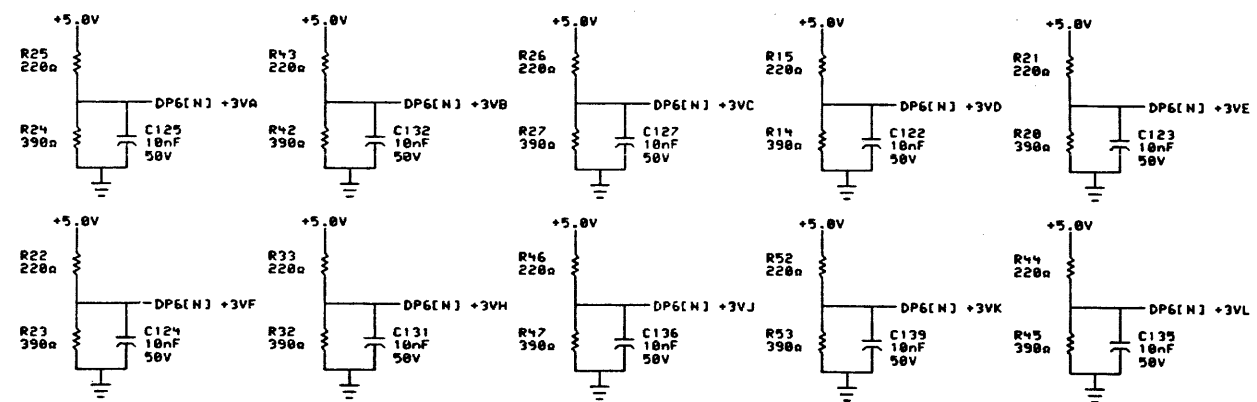
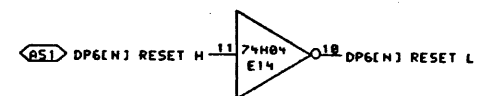
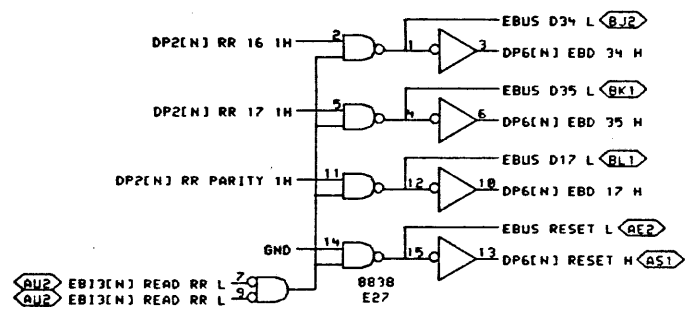
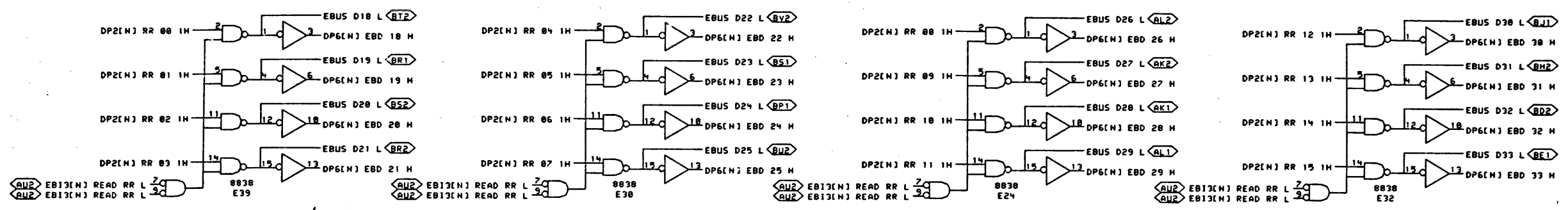
THIS DRAWING AND SPECIFICATIONS ARE THE PROPERTY OF DIGITAL EQUIPMENT CORPORATION AND SHALL NOT BE REPRODUCED OR COPIED OR USED IN WHOLE OR IN PART AS THE BASIS FOR THE MANUFACTURE OR SALE OF ITEMS WITHOUT WRITTEN PERMISSION. COPYRIGHT © 1979, DIGITAL EQUIPMENT CORPORATION.

REVISIONS	
CHK	CHANGE NO. REV
Y	1
T	2

<b>digital</b>	DRN. <i>[Signature]</i>	DATE ENG. T. BOWEN	DATE 13NOV78	TITLE: MASSBUS CONTROL CBUS INTERFACE
	CHK'D. M. NORMAND	DATE BOARD LOCATION: 13NOV78	SHEET 1 OF 1	
FIRST USED ON OPTION/MODEL: RH20			NEXT HIGHER ASSEMBLY: D-DD-M8556-0	SIZE CODE NUMBER REV. D CS M8556-0-DP5 C

REV. C  
NUMBER M8556-0-DP5  
CODE CS  
D





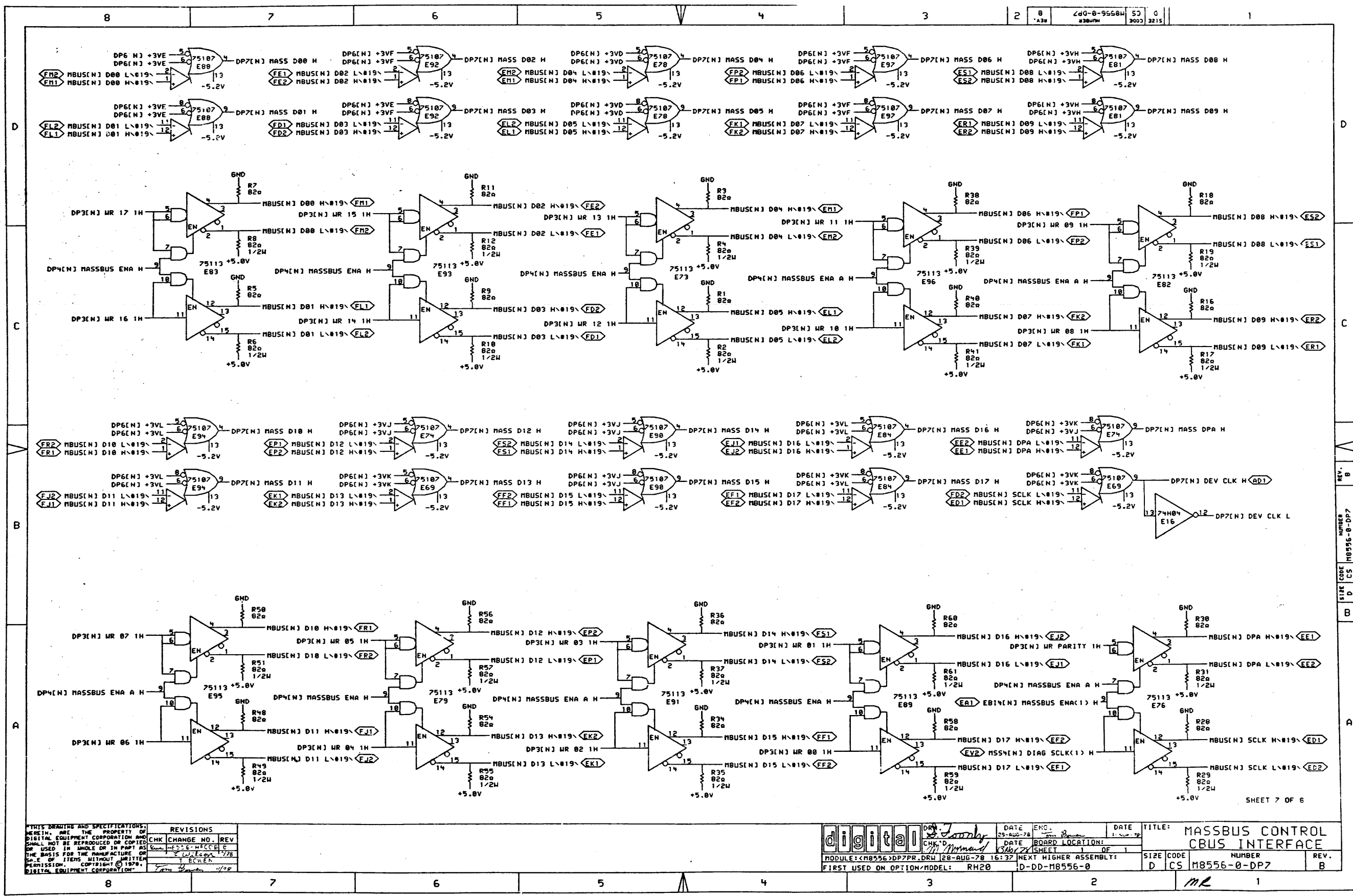
SHEET 6 OF 8

THIS DRAWING AND SPECIFICATIONS ARE THE PROPERTY OF DIGITAL EQUIPMENT CORPORATION AND SHALL NOT BE REPRODUCED OR COPIED OR USED IN WHOLE OR IN PART AS THE BASIS FOR THE MANUFACTURE OR SALE OF ITEMS WITHOUT WRITTEN PERMISSION. COPYRIGHT © 1978. DIGITAL EQUIPMENT CORPORATION.

REVISIONS		
CHK	CHANGE NO.	REV
EW	1	A
EW	2	B

DATE	ENG.	DATE	TITLE:
28-AUG-78	Bo	1-NOV-78	MASSBUS CONTROL
DATE	BOARD LOCATION:	DATE	CBUS INTERFACE
31-NOV-78	1	DATE	
DATE	SHEET	DATE	
28-AUG-78	1	DATE	
16:35	OF	DATE	
		DATE	
		DATE	

MODULE: M8556-DP6PR.DRW	28-AUG-78	16:35	NEXT HIGHER ASSEMBLY:	SIZE	CODE	NUMBER	REV.
FIRST USED ON OPTION/MODEL:	RH20	D-DD-M8556-0		D	CS	M8556-0-DP6	A



THIS DRAWING AND SPECIFICATIONS ARE THE PROPERTY OF DIGITAL EQUIPMENT CORPORATION AND SHALL NOT BE REPRODUCED OR COPIED OR USED IN WHOLE OR IN PART AS THE BASIS FOR THE MANUFACTURE OF ANY OF ITEMS WITHOUT WRITTEN PERMISSION. COPYRIGHT © 1978, DIGITAL EQUIPMENT CORPORATION.

REV.	DATE	BY	CHK'D	DATE
1	8-23-78	J. J. [unclear]	[unclear]	8-23-78
2	8-23-78	[unclear]	[unclear]	8-23-78

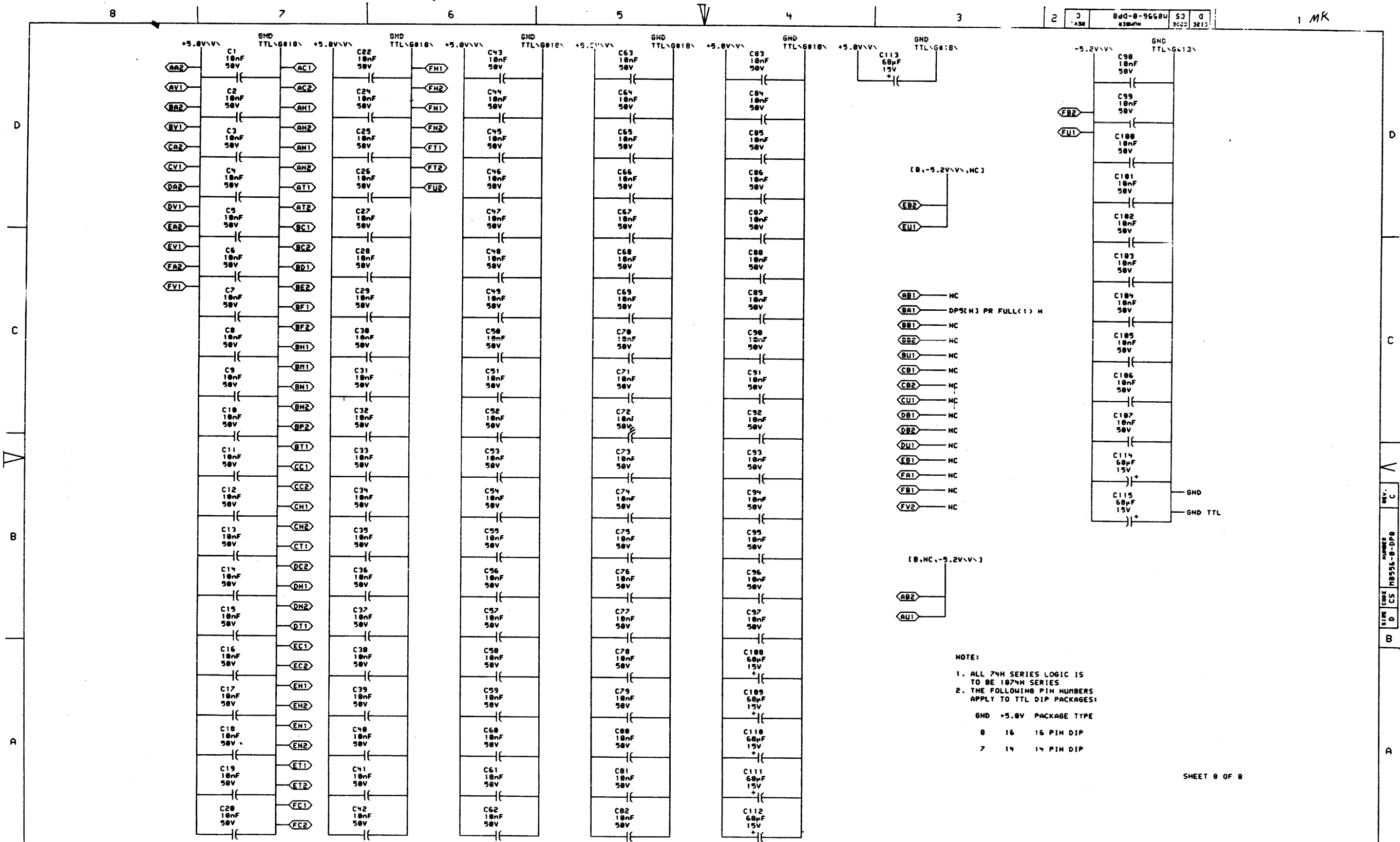
REV.	DATE	BY	CHK'D	DATE
1	8-23-78	[unclear]	[unclear]	8-23-78
2	8-23-78	[unclear]	[unclear]	8-23-78

REV.	DATE	BY	CHK'D	DATE
1	8-23-78	[unclear]	[unclear]	8-23-78
2	8-23-78	[unclear]	[unclear]	8-23-78

digital	DATE: 8-23-78	ENCL: [unclear]	DATE: [unclear]	TITLE: MASSBUS CONTROL CBUS INTERFACE
CHK'D: [unclear]	DATE: 8-23-78	BOARD LOCATION: [unclear]	DATE: [unclear]	REV. B
MODULE: M8556 DP7PR.DRW	28-AUG-78 16:37	NEXT HIGHER ASSEMBLY: [unclear]	SIZE: D	CODE: CS
FIRST USED ON OPTION/MODEL: RH20		D-DD-M8556-0	NUMBER: M8556-0-DP7	REV. B

SIZE: D	CODE: CS	NUMBER: M8556-0-DP7	REV. B
---------	----------	---------------------	--------

REV. B  
SIZE CODE CS M8556-0-DP7



THIS DRAWING AND SPECIFICATIONS ARE THE PROPERTY OF DIGITAL EQUIPMENT CORPORATION AND SHALL NOT BE REPRODUCED OR COPIED OR USED IN WHOLE OR IN PART AS THE BASIS FOR THE MANUFACTURE OR SALE OF ITEMS WITHOUT WRITTEN PERMISSION. COPYRIGHT © 1979, DIGITAL EQUIPMENT CORPORATION.

REVISIONS	CHK	CHANGE NO.	REV
1	BOYEN	1	1

digital	DATE	17-MAY-79	ENG.	T. BOWEN	DATE	13-NOV-78	TITLE	POWER, GND. CAPS.
	CHK'D	M. NORMAND	DATE	13-NOV-78	SHEET	1	OF	1
PS1(BOWEN)DPBPR.DRW		17-MAY-79 14:35	NEXT HIGHER ASSEMBLY:		SIZE	CODE	NUMBER	REV.
FIRST USED ON OPTION/MODEL:		RH20	D-DD-M8556-0		D	CS	M8556-0-DP8	C

NOTE:  
 1. ALL 74H SERIES LOGIC IS TO BE 1074H SERIES  
 2. THE FOLLOWING PIN NUMBERS APPLY TO TTL DIP PACKAGES:

GND	+5.0V	PACKAGE TYPE
8	16	16 PIN DIP
7	14	14 PIN DIP

SHEET 8 OF 8

REV. C  
 NUMBER M8556-0-DP8  
 SIZE CODE D CS

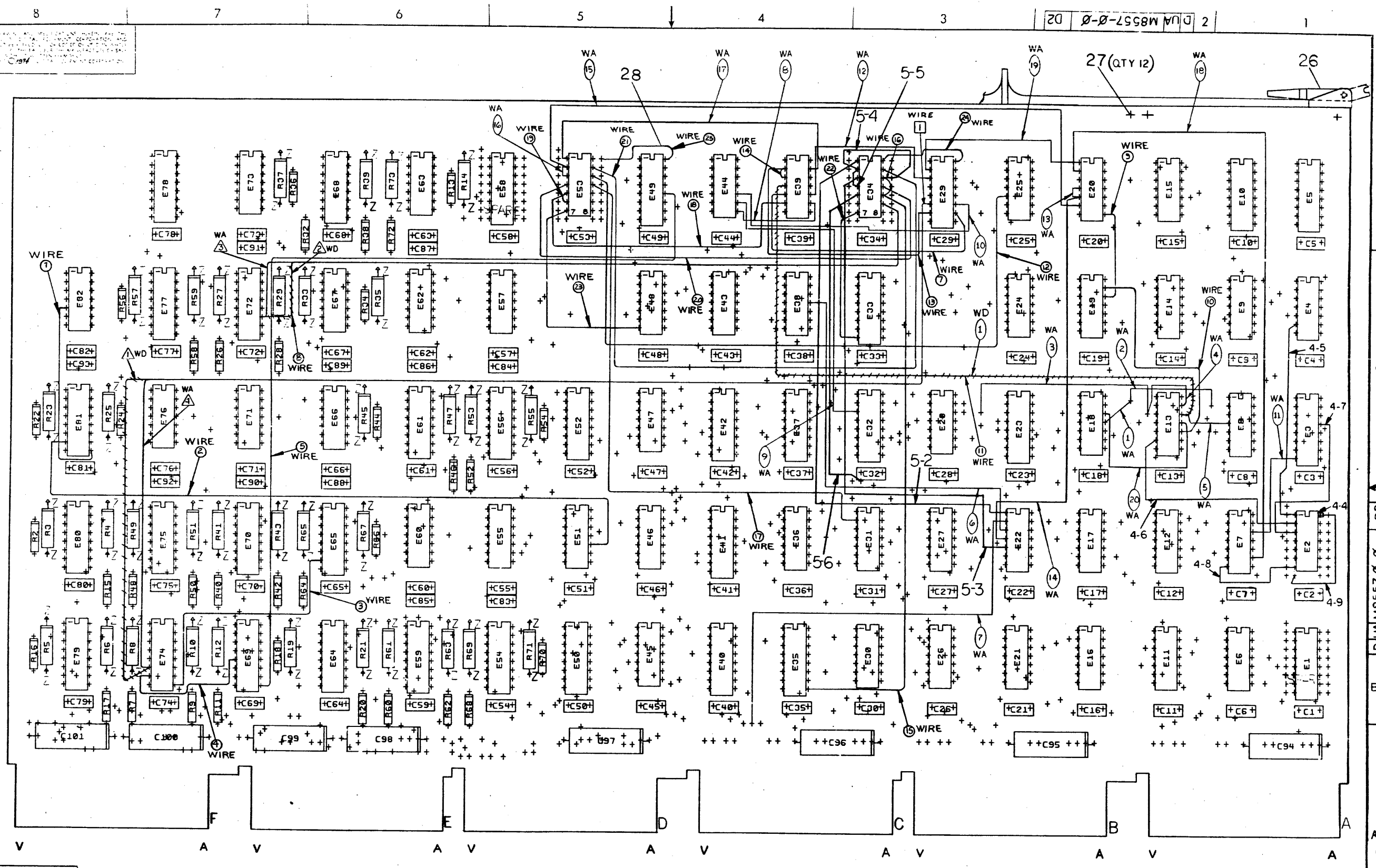
A

DRAWING NUMBER	PAGE	PART NO.	DESCRIPTION	REVISIONS							
FILE: ORIGINAL LAYOUT											
ECO NUMBER				-	1	2	3	4	5	6	7
M8557 MODULE REVISION				A	B	C	C	D	D1	D1	D1
D-UA-M8557-0-0	6		MASSBUS CONTROL MBUS INTERFACE	-	A	B	C	D	D2	D2	D2
D-CS-M8557-0-MSS1	1		MASSBUS CONTROL MBUS INTERFACE	-	A	B	B	B	B1	B1	B1
D-CS-M8557-0-MSS2	1		MASSBUS CONTROL MBUS INTERFACE	-	A	B	B	C	C1	C1	C1
D-CS-M8557-0-MSS3	1		MASSBUS CONTROL MBUS INTERFACE	-	A	B	B	B	B2	B2	B2
D-CS-M8557-0-MSS4	1		MASSBUS CONTROL MBUS INTERFACE	-	A	B	B	B	B1	B1	B1
D-CS-M8557-0-MSS5	1		MBSSBUS CONTROL MBUS INTERFACE	-	A	B	B	B	B1	B1	B1
D-CS-M8557-0-MSS6	1		MASSBUS CONTROL MBUS INTERFACE	-	-	A	A	A	A1	A1	A1
D-CS-M8557-0-MSS7	1		MASSBUS CONTROL MBUS INTERFACE	-	-	A	A	A	A1	A1	A1
D-CS-M8557-0-MSS8	1		POWER, GND. CAPS.	-	-	A	A	A	A1	A1	A1
D-AH-M8557-0-5	4		DRILL & ETCH DRAWING	A	A	A	A	A	A1	A1	A1
		5010633	ETCH CIRCUIT BOARD	B	B	B	B	B	B	B	B
K-CO-M8557-0-4	1		CALDEC DATA BASE	B	B	B	B	B	B	B	B
P00-M8557-00			PROCESS SHEET (REF ONLY)								
<p>NOTES: ECO #5 IS A REWORK OF THE ORIGINAL BOARD AND A RELAYOUT, THEREFORE THE MODULE REV WENT TO D1 AND THE SUPPORTING DOCUMENTATION FOR THE REWORK WENT TO D2</p>											

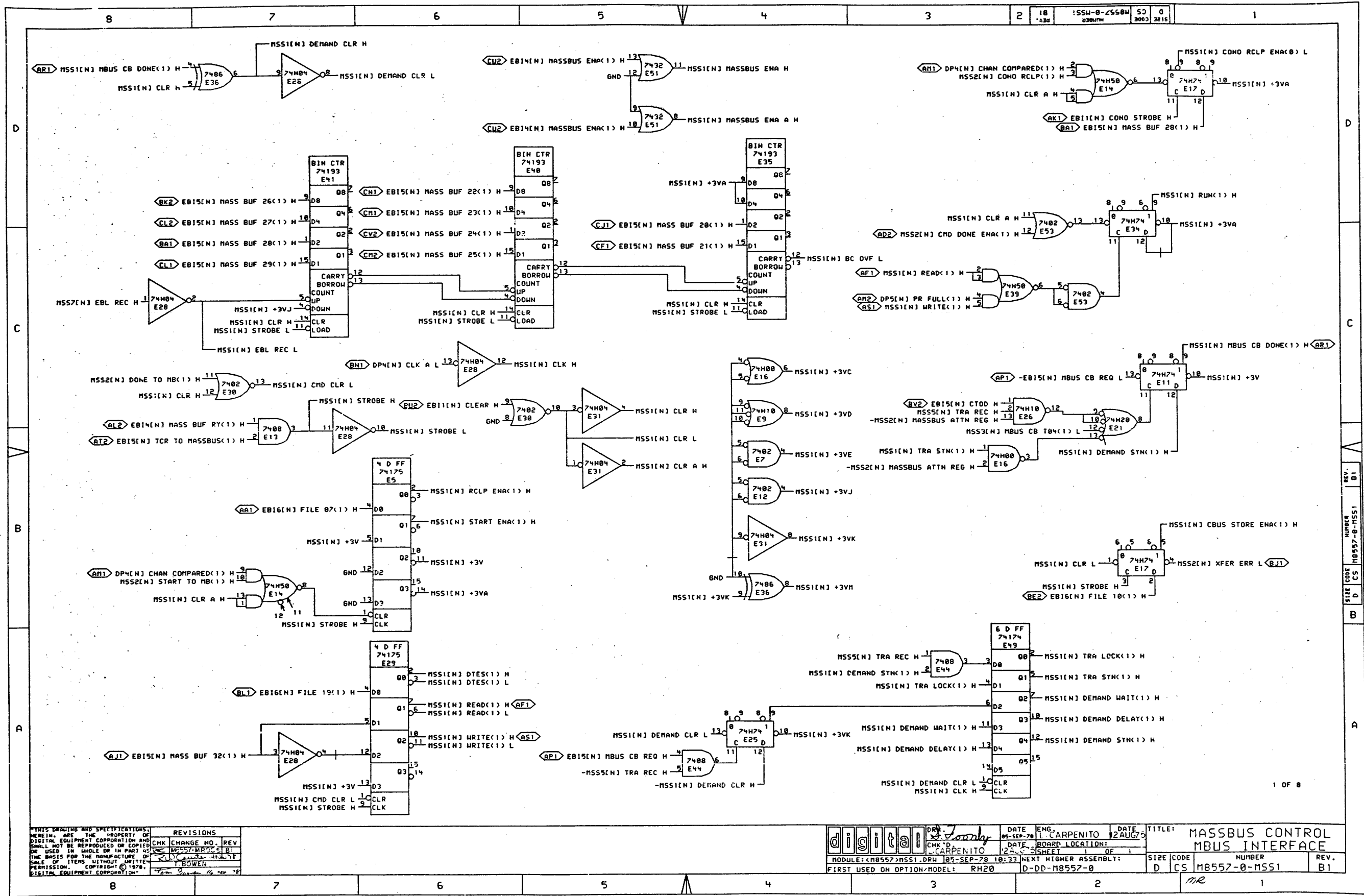
THIS DRAWING AND SPECIFICATIONS HEREIN ARE THE PROPERTY OF DIGITAL EQUIPMENT CORPORATION AND SHALL NOT BE REPRODUCED OR COPIED OR USED IN WHOLE OR IN PART AS THE BASIS FOR THE MANUFACTURE OR SALE OF ITEMS WITHOUT WRITTEN PERMISSION. COPYRIGHT © 1981. DIGITAL EQUIPMENT CORPORATION

REVISIONS		
CHK	CHANGE NO.	REV.

<b>digital</b>	DATE: 04-MAR-81	ENG: T. SCWEN	DATE: 12 MAR 81	TITLE: MASS CONTROL MBUS INTERFACE
CHK'D: M. NORMAND	DATE: 04-MAR-81	BOARD LOCATION: N/A	SHEET: 1 OF 2	
DSK: 8557DD.T2P14.37	04-MAR-81 07:17	NEXT HIGHER ASSEMBLY:	SIZE: D DD	CODE: M8557-0
FIRST USED ON OPTION/MODEL: RH20	NONE		NUMBER: M8557-0	REV: H



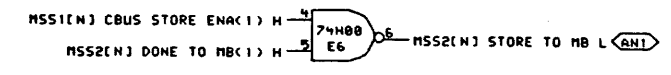
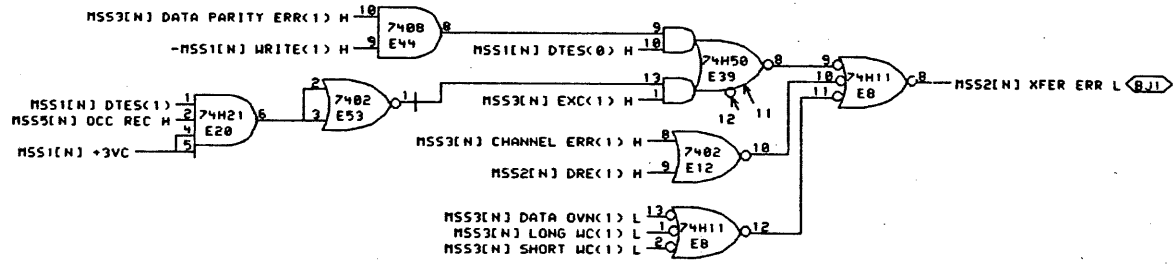
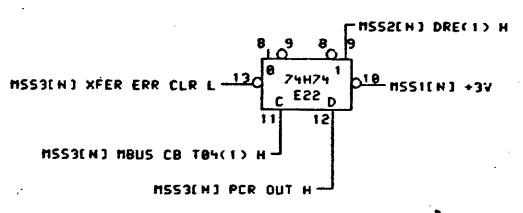
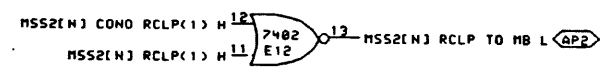
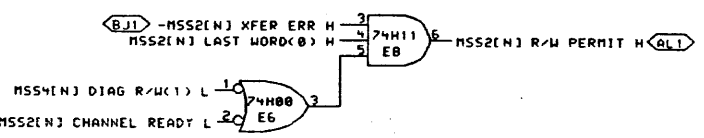
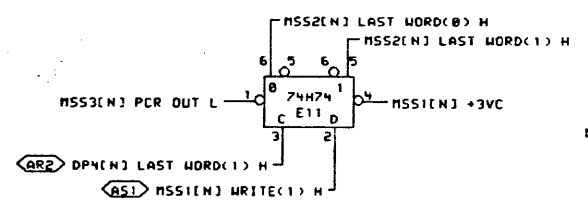
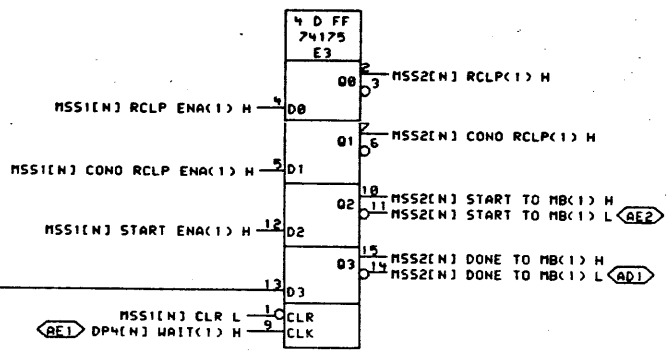
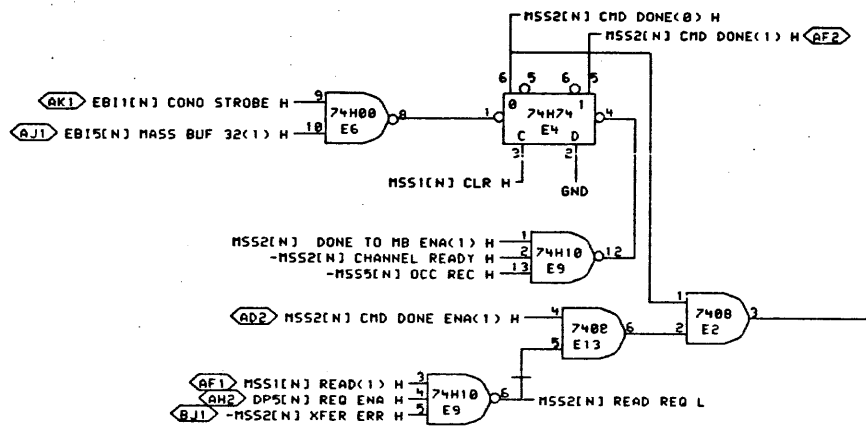
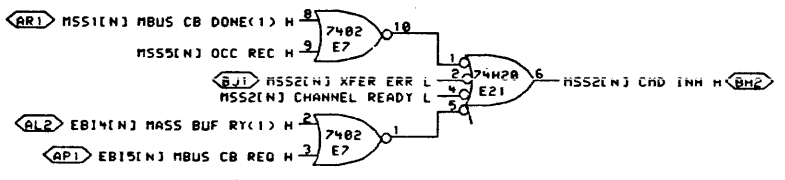
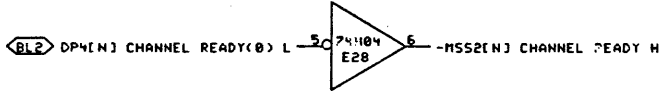
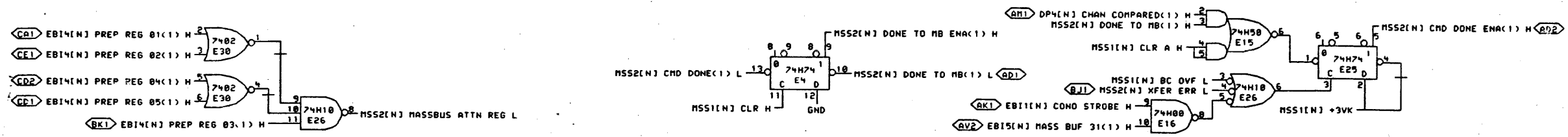
TITLE MASSBUS CONTROL MBUS INTERFACE		SIZE CODE D U A	NUMBER M8557-0-0	REV D2
SCALE NONE	SHEET 2 OF 6	DIST		

THIS DRAWING AND SPECIFICATIONS ARE THE PROPERTY OF DIGITAL EQUIPMENT CORPORATION AND SHALL NOT BE REPRODUCED OR COPIED OR USED IN WHOLE OR IN PART AS THE BASIS FOR THE MANUFACTURE OF SALE OF ITEMS WITHOUT WRITTEN PERMISSION. COPYRIGHT © 1978. DIGITAL EQUIPMENT CORPORATION.

REV.	DESCRIPTION	DATE
1	INITIAL DESIGN	10/20/78
2	REVISED FOR BOARD LOCATION	11/15/78
3	REVISED FOR BOARD LOCATION	12/15/78
4	REVISED FOR BOARD LOCATION	01/15/79
5	REVISED FOR BOARD LOCATION	02/15/79
6	REVISED FOR BOARD LOCATION	03/15/79
7	REVISED FOR BOARD LOCATION	04/15/79
8	REVISED FOR BOARD LOCATION	05/15/79

DATE: 05-SEP-78	ENG: L. CARPENITO	DATE: 12-AUG-79	TITLE: MASSBUS CONTROL MBUS INTERFACE
CHECKED: J. CARPENITO	DATE: 12-AUG-79	BOARD LOCATION: 1 OF 1	SIZE: D
MODULE: <M8557>MSS1.DRW	05-SEP-78 10:33	NEXT HIGHER ASSEMBLY: D-DD-M8557-0	NUMBER: M8557-0-MSS1
FIRST USED ON OPTION MODEL: RH20			REV. B1

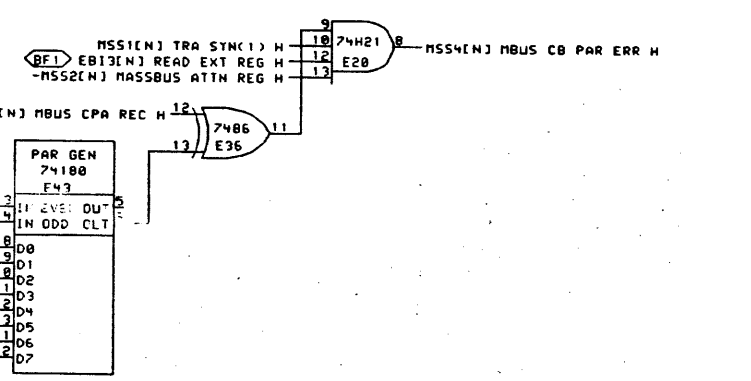
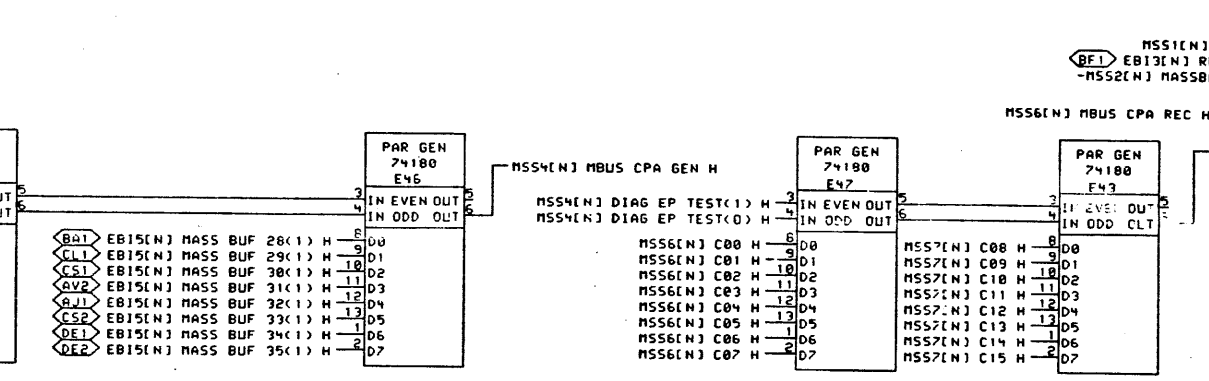
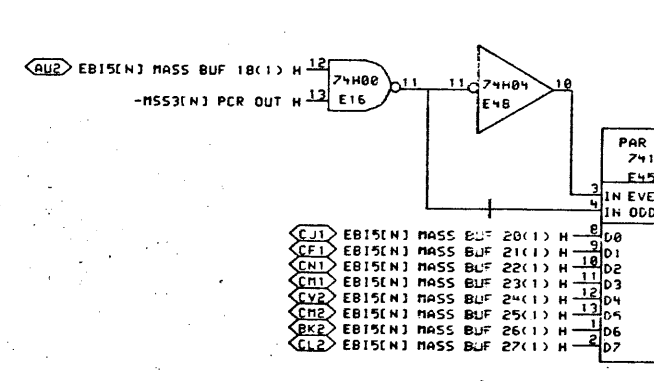
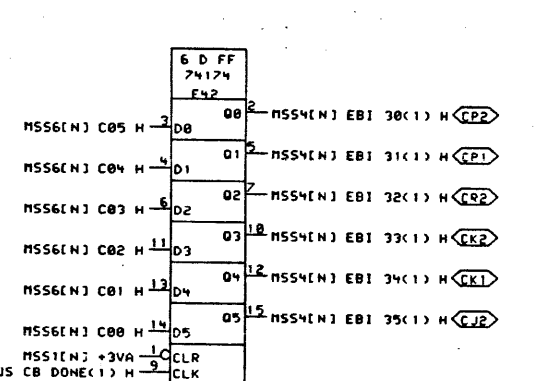
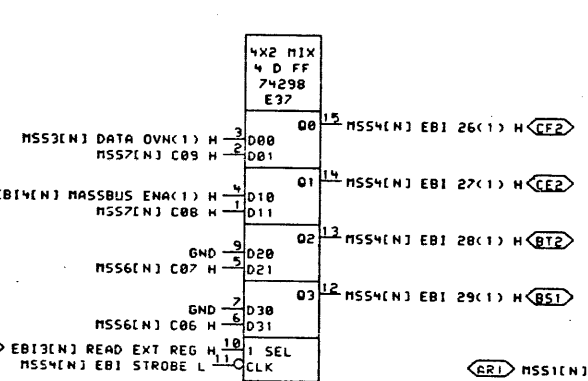
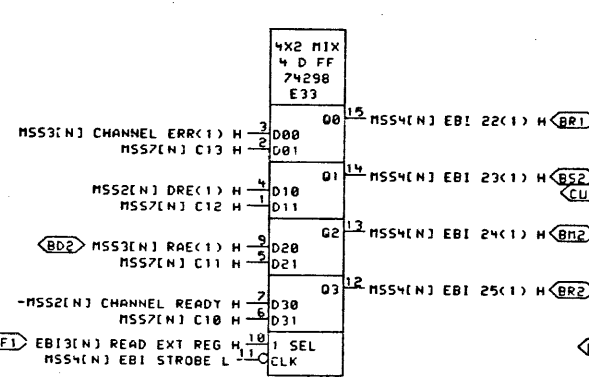
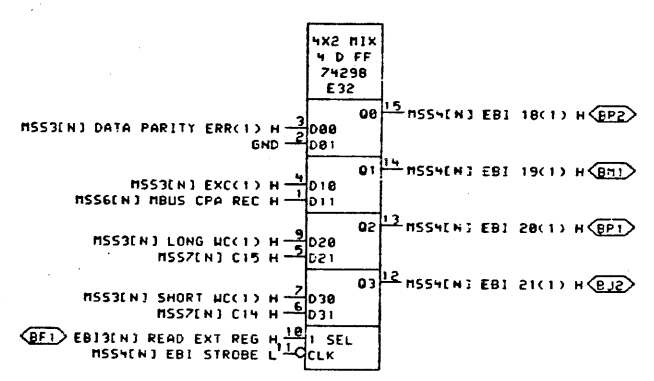
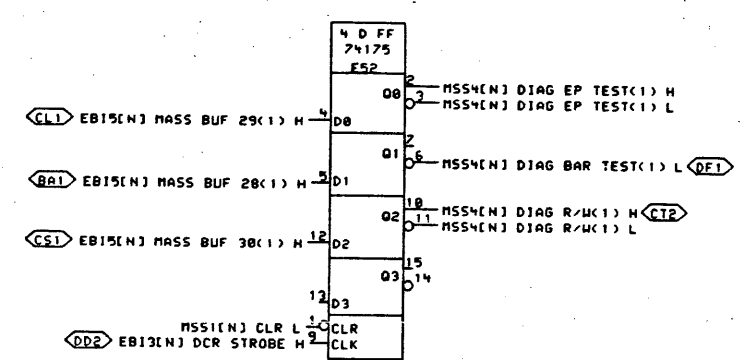
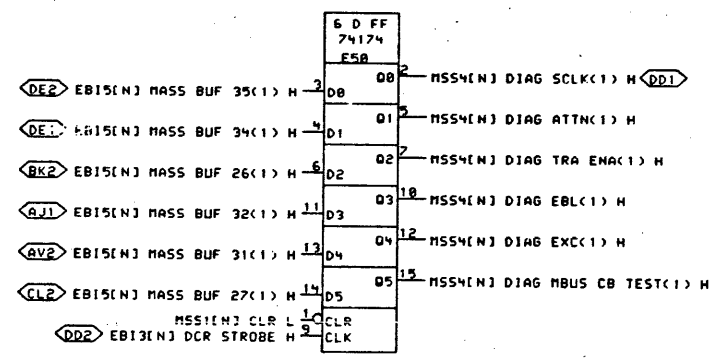
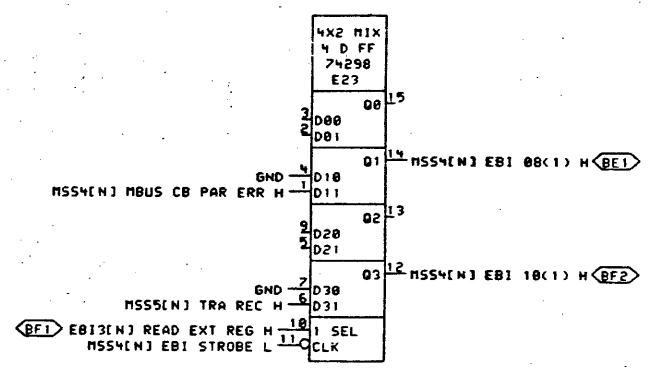
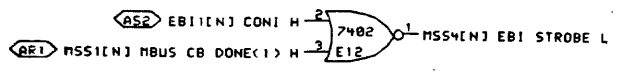


REVISIONS  
 CMK CHANGE NO. REV  
 M8557-MR00 C1

digital	DATE	ENG.	DATE	TITLE:
	05-SEP-78	L. CARPENITO	12AUG75	MASSBUS CONTROL MBUS INTERFACE
CHK'D	DATE	BOARD LOCATION:	SIZE CODE NUMBER REV.	
L. CARPENITO	12AUG75	SHEET 1 OF 1	D	C5
MODULE: M8557-MSS2.DRW		FIRST USED ON OPTION MODEL: RH20	NEXT HIGHER ASSEMBLY: D-DD-M8557-0	







- EB15(N) MASS BUF 20(1) H
- EB15(N) MASS BUF 21(1) H
- EB15(N) MASS BUF 22(1) H
- EB15(N) MASS BUF 23(1) H
- EB15(N) MASS BUF 24(1) H
- EB15(N) MASS BUF 25(1) H
- EB15(N) MASS BUF 26(1) H
- EB15(N) MASS BUF 27(1) H

- EB15(N) MASS BUF 28(1) H
- EB15(N) MASS BUF 29(1) H
- EB15(N) MASS BUF 30(1) H
- EB15(N) MASS BUF 31(1) H
- EB15(N) MASS BUF 32(1) H
- EB15(N) MASS BUF 33(1) H
- EB15(N) MASS BUF 34(1) H
- EB15(N) MASS BUF 35(1) H

- MSS6(N) C00 H
- MSS6(N) C01 H
- MSS6(N) C02 H
- MSS6(N) C03 H
- MSS6(N) C04 H
- MSS6(N) C05 H
- MSS6(N) C06 H
- MSS6(N) C07 H

- MSS7(N) C08 H
- MSS7(N) C09 H
- MSS7(N) C10 H
- MSS7(N) C11 H
- MSS7(N) C12 H
- MSS7(N) C13 H
- MSS7(N) C14 H
- MSS7(N) C15 H

THIS DRAWING AND SPECIFICATIONS ARE THE PROPERTY OF DIGITAL EQUIPMENT CORPORATION AND SHALL NOT BE REPRODUCED OR COPIED OR USED IN WHOLE OR IN PART AS A BASIS FOR THE MANUFACTURE OR SALE OF ITEMS WITHOUT WRITTEN PERMISSION. COPYRIGHT © 1974 DIGITAL EQUIPMENT CORPORATION.

CHK	CHANGE NO.	REV

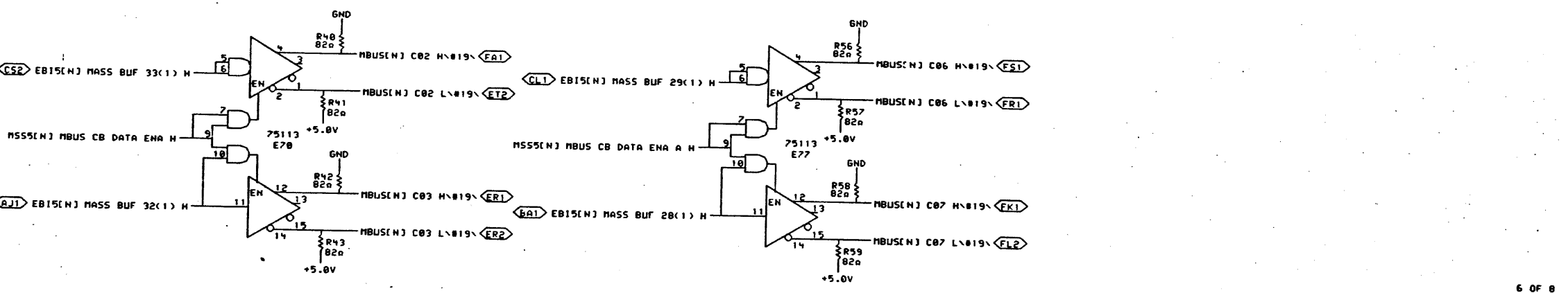
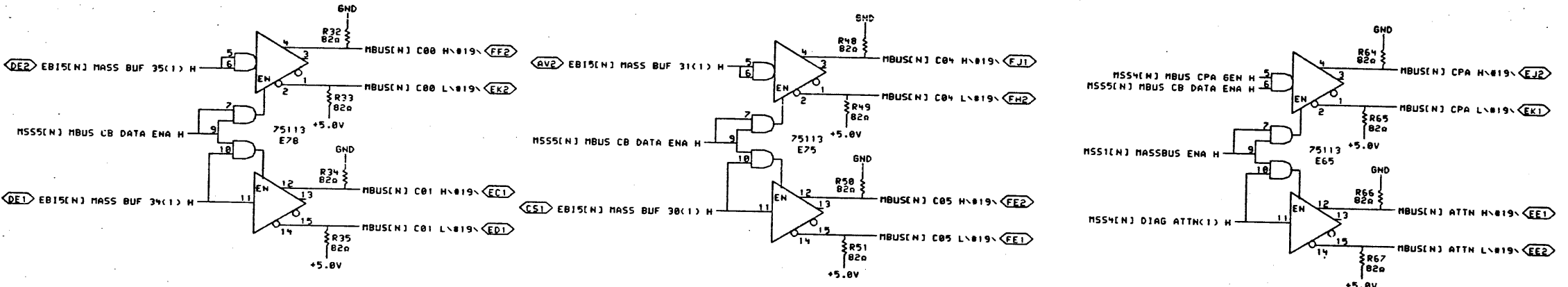
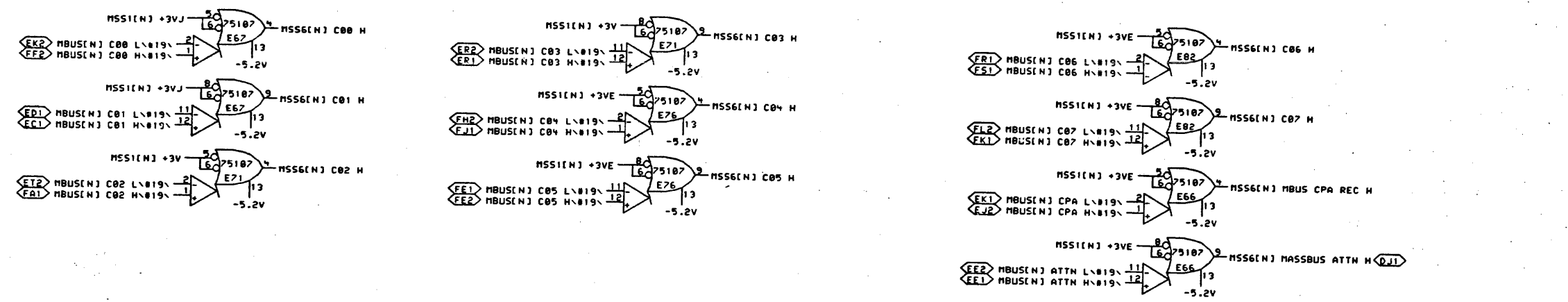


DATE: 05-SEP-78  
ENG: L. CARPENITO  
DATE: 12AUG75  
BOARD LOCATION:  
SHEET 1 OF 1

TITLE: MASSBUS CONTROL MBUS INTERFACE  
MODULE: <M8557>MSS4.DRW 05-SEP-78 10:37  
NEXT HIGHER ASSEMBLY: D-DD-M8557-0  
SIZE CODE: D CS  
NUMBER: M8557-0-MSS4  
REV: B1

REV. B1  
NUMBER M8557-0-MSS4  
SITE CODE D CS



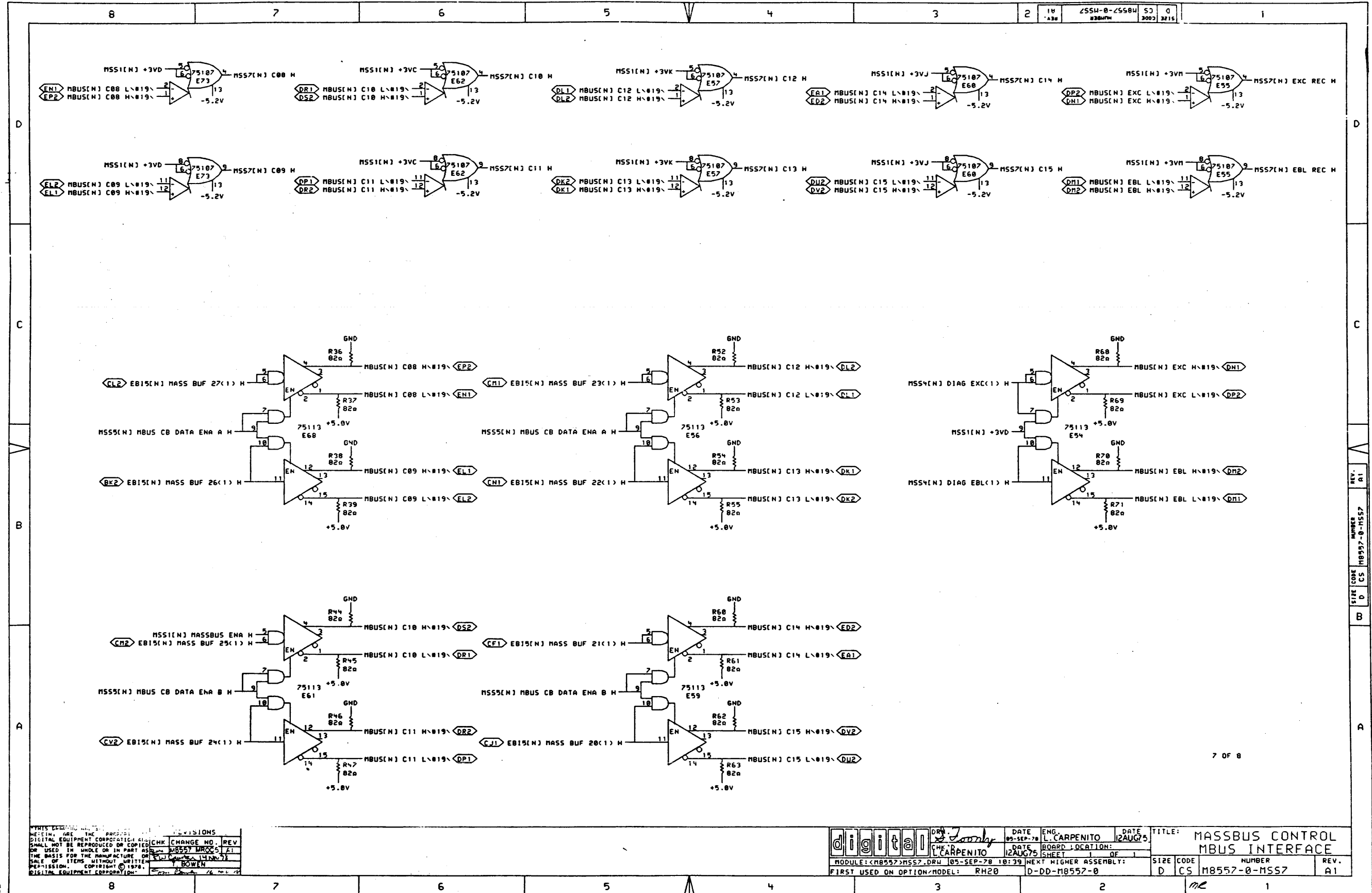


THIS DRAWING AND SPECIFICATIONS, HEREIN, ARE THE PROPERTY OF DIGITAL EQUIPMENT CORPORATION AND SHALL NOT BE REPRODUCED OR COPIED OR USED IN WHOLE OR IN PART AS THE BASIS FOR THE MANUFACTURE OR SALE OF ITEMS WITHOUT WRITTEN PERMISSION. COPYRIGHT © 1979, DIGITAL EQUIPMENT CORPORATION.

REVISIONS	
CHK	CHANGE NO. REV
MB557	NR005 A1
Y. BOWEN	

digital	DATE	05-SEP-78	ENG	CARPENITO	DATE	12AUG75	TITLE:	MSSBUS CONTROL	
	CHK'D	CARPENITO	DATE	12AUG75	SHEET	1 OF 1	BOARD LOCATION:	MBUS INTERFACE	
MODULE:		MB557>MSS6.DRW	05-SEP-78 10:48	NEXT HIGHER ASSEMBLY:		D-DD-M8557-0		SIZE CODE	D CS
FIRST USED ON OPTION/MODEL:		RH20		NUMBER		M8557-0-MSS6		REV.	A1

REV. A1  
 SIZE CODE D CS  
 NUMBER M8557-0-MSS6  
 REV. A1



THIS DRAWING AND ITS REVISIONS ARE THE PROPERTY OF DIGITAL EQUIPMENT CORPORATION AND SHALL NOT BE REPRODUCED OR COPIED OR USED IN WHOLE OR IN PART AS THE BASIS FOR THE MANUFACTURE OR SALE OF ITEMS WITHOUT WRITTEN PERMISSION. COPYRIGHT © 1978. DIGITAL EQUIPMENT CORPORATION.

REV.	DESCRIPTION	DATE
1	INITIAL DESIGN	10/20/78
2	REVISIONS	11/15/78

DATE: 09-SEP-78	ENG: L. CARPENITO	DATE: 12AUG75	TITLE: MASSBUS CONTROL MBUS INTERFACE
DATE: 12AUG75	BOARD LOCATION:	SHEET: 1 OF 1	SIZE CODE: D CS
MODULE: MB557-MSS7	DATE: 105-SEP-78 10:39	NEXT HIGHER ASSEMBLY: D-DD-MB557-0	NUMBER: M8557-0-MSS7
FIRST USED ON OPTION/MODEL: RH20			REV. A1

REV. A1  
 SIZE CODE D CS  
 NUMBER M8557-0-MSS7

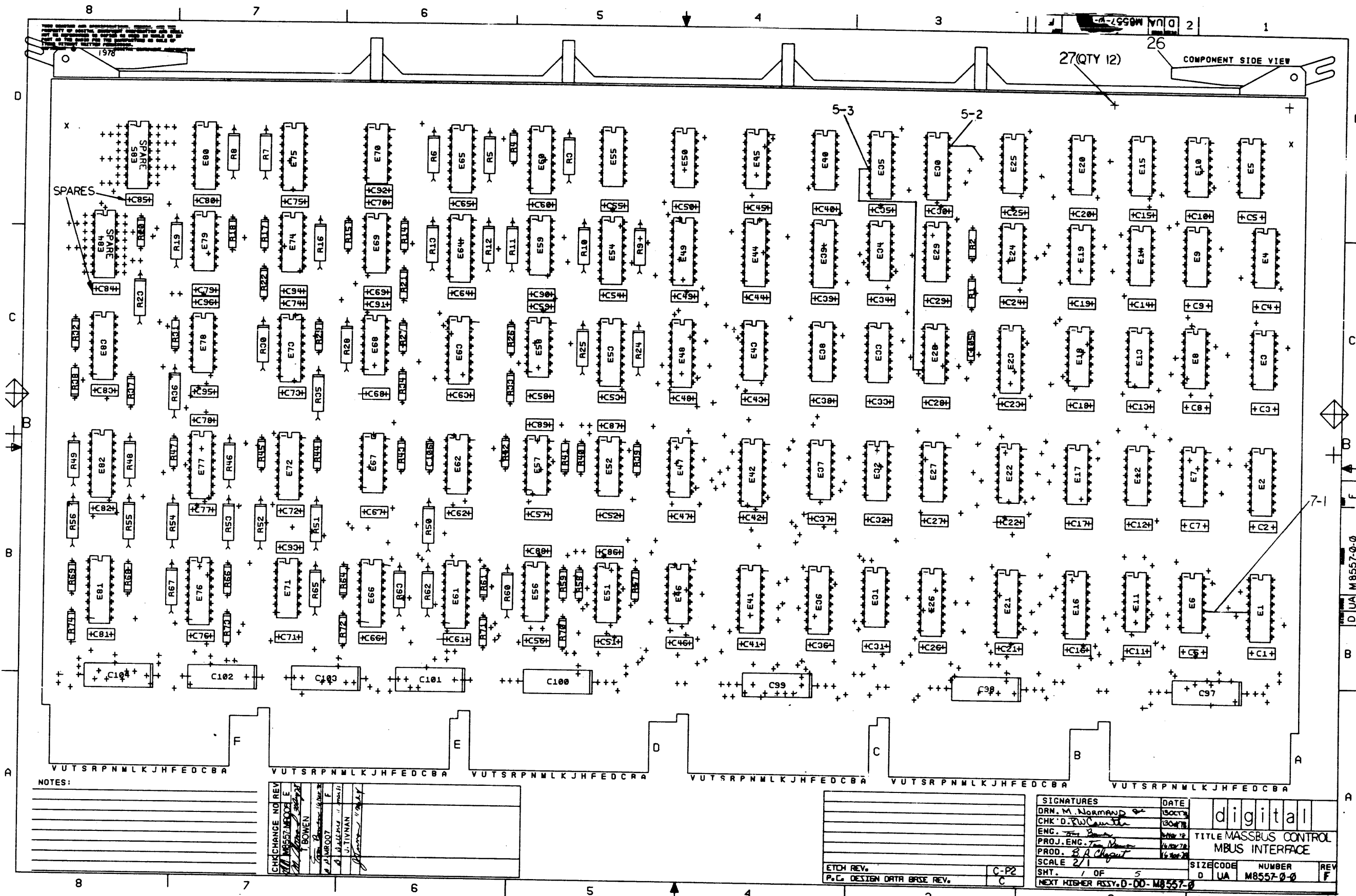


DRAWING NUMBER	PAGE	PART NO.	DESCRIPTION	REVISIONS	5	6	7
			FILE: RELAYOUT				
			ECO NUMBER		5	6	7
			M8557 MODULE REVISION		E	E	F
D-UA-M8557-0-0	5		MASSBUS CONTROL MBUS INTERFACE	E	E	F	
K-PL-M8557-0-DBP	2		PARTS LIST	E	E	F	
D-CS-M8557-0-MSS1	1		MASSBUS CONTROL MBUS INTERFACE	C	D	E	
D-CS-M8557-0-MSS2	1		MASSBUS CONTROL MBUS INTERFACE	D	D	E	
D-CS-M8557-0-MSS3	1		MASSBUS CONTROL MBUS INTERFACE	C	C	C	
D-CS-M8557-0-MSS4	1		MASSBUS CONTROL MBUS INTERFACE	C	C	C	
D-CS-M8557-0-MSS5	1		MASSBUS CONTROL MBUS INTERFACE	C	C	C	
D-CS-M8557-0-MSS6	1		MASSBUS CONTROL MBUS INTERFACE	B	B	B	
D-CS-M8557-0-MSS7	1		MASSBUS CONTROL MBUS INTERFACE	B	B	B	
D-CS-M8557-0-MSS8	1		POWER, GND. CAPS.	B	B	B	
D-MD-5010633-0-0	4		DRILL & ETCH DRAWING	B	B	B	
		5010633	ETCH CIRCUIT BOARD	C	C	C	
K-PC-M8557-0-DBC	-		P.C. DESIGN DATA BASE	C	C	C	
P00-M8557-00	-		PROCESS SHEET (REF ONLY)				
NOTES:							

THIS DRAWING AND SPECIFICATIONS  
HEREIN ARE THE PROPERTY OF  
DIGITAL EQUIPMENT CORPORATION AND  
SHALL NOT BE REPRODUCED OR COPIED  
OR USED IN WHOLE OR IN PART AS  
THE BASIS FOR THE MANUFACTURE OR  
SALE OF ITEMS WITHOUT WRITTEN  
PERMISSION. COPYRIGHT © 1981  
DIGITAL EQUIPMENT CORPORATION

REVISIONS		
CHK	CHANGE NO.	REV

<b>digital</b>	DRG. <i>W. Norvand</i>	DATE 01-1988-01	ENG. BOWEN	DATE 12 MAR 81	TITLE: MASS CONTROL MBUS INTERFACE
	CHK'D	DATE 12 MAR 81	BOARD LOCATION: N/A	SHEET 2 OF 2	
DSK: 8557DD.TEPL(4,37)		104-1148-81 02117	NEXT HIGHER ASSEMBLY:	SIZE CODE D DD	NUMBER M8557-0
FIRST USED ON OPTION/MODEL: RH20		NONE			REV. H



NOTES:

\_\_\_\_\_

\_\_\_\_\_

\_\_\_\_\_

\_\_\_\_\_

\_\_\_\_\_

CHG	NO	REV	DATE	BY	APP
1	1	1	10/27/78	M. NORMAND	
2	1	1	11/14/78	D. W. CANTRELL	
3	1	1	11/14/78	B. J. CLUGOT	
4	1	1	11/14/78	J. TIVANAN	
5	1	1	11/14/78		

ETCH REV.	C-P2
P.C. DESIGN DATA BRSE REV.	C

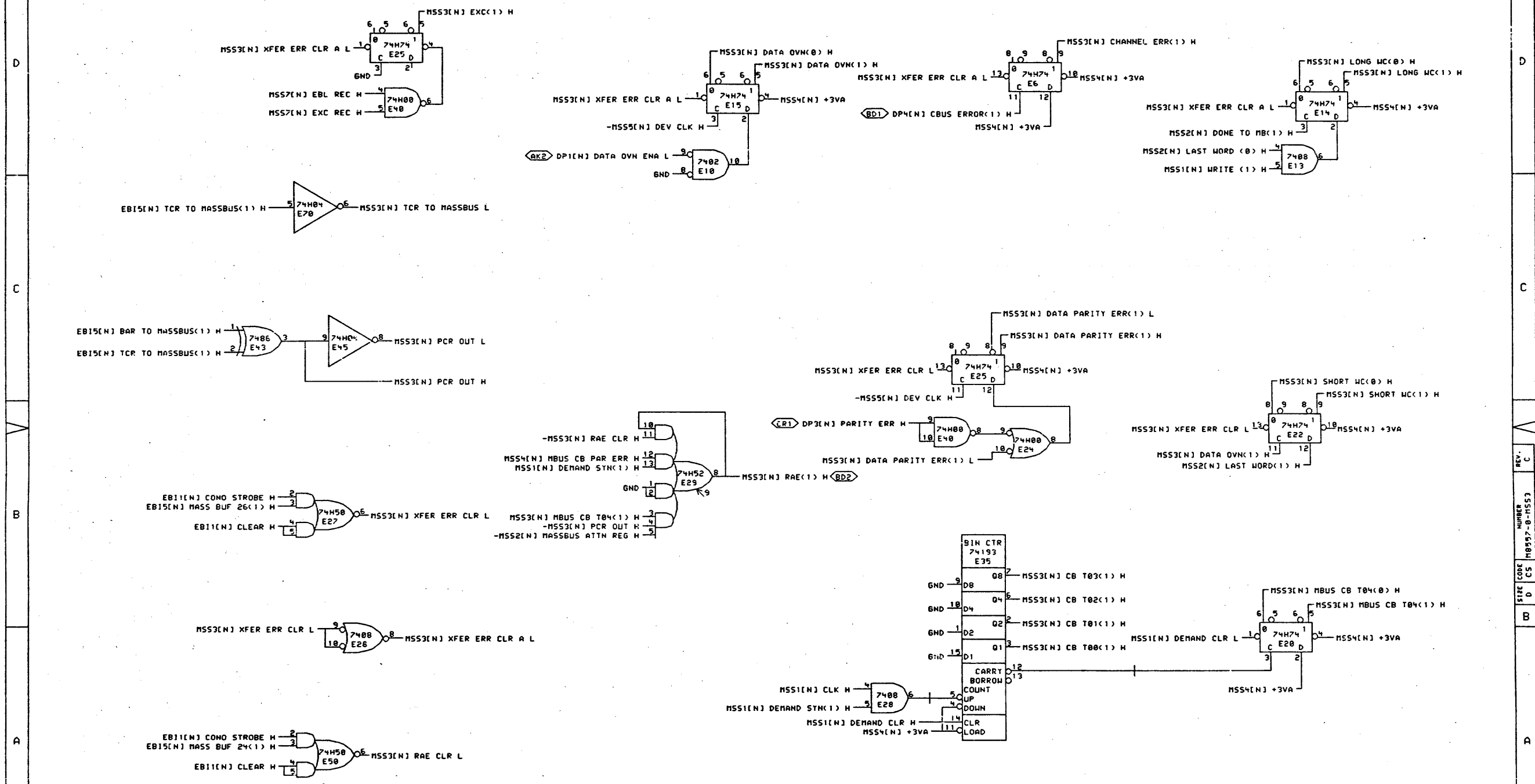
SIGNATURES		DATE
DRM. M. NORMAND		10/27/78
CHK'D. D. W. CANTRELL		11/04/78
ENC. B. J. CLUGOT		11/14/78
PROJ. ENG. J. TIVANAN		11/14/78
SCALE 2/1		11/14/78
SHT. 1 OF 5		
NEXT HIGHER ASSY. D-00-M8557-0		

digital	
TITLE MASSBUS CONTROL MBUS INTERFACE	
SIZE CODE	NUMBER
D U A	M8557-0-0
REV	F





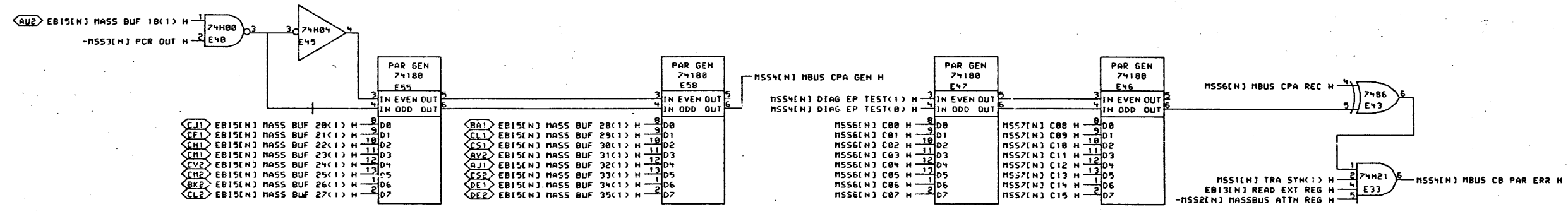
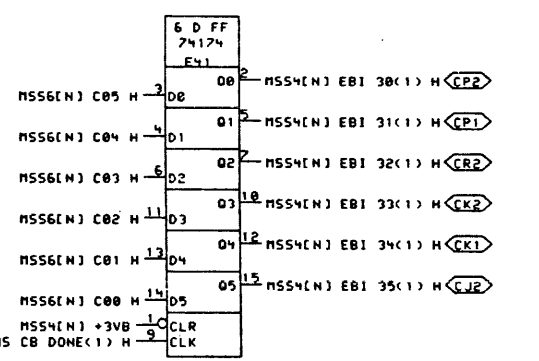
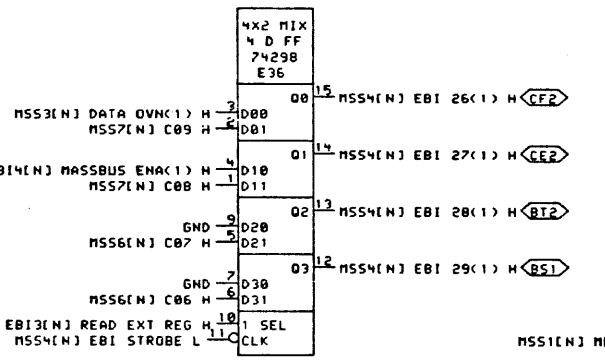
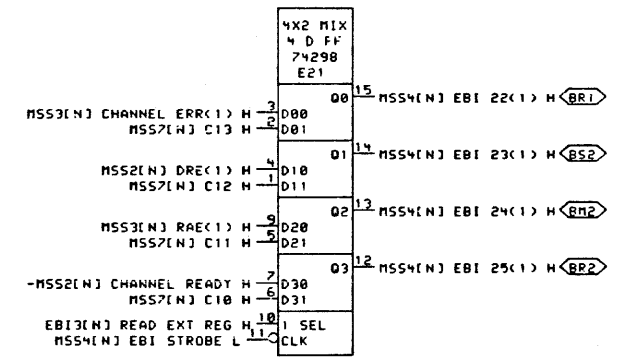
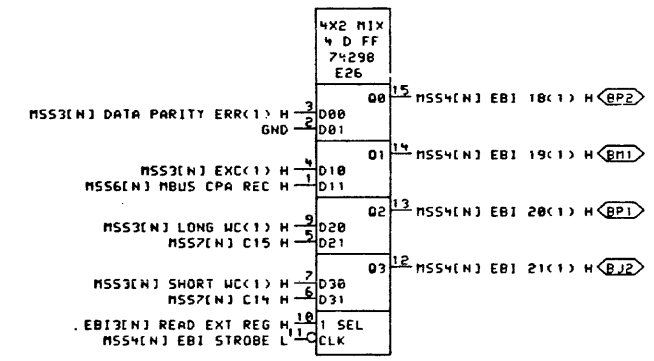
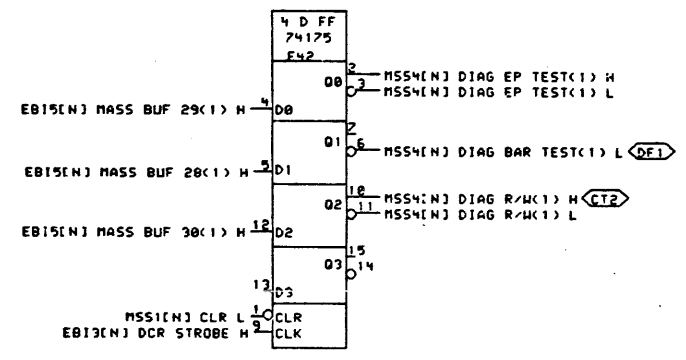
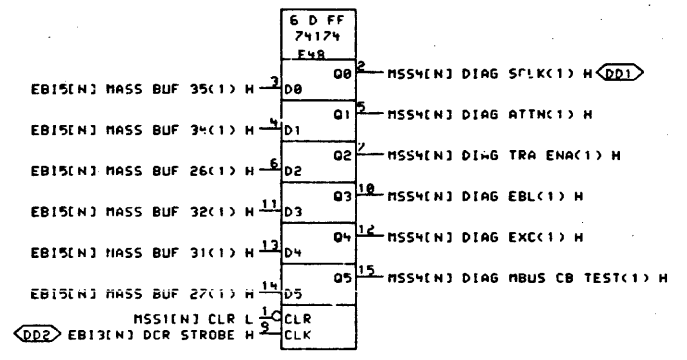
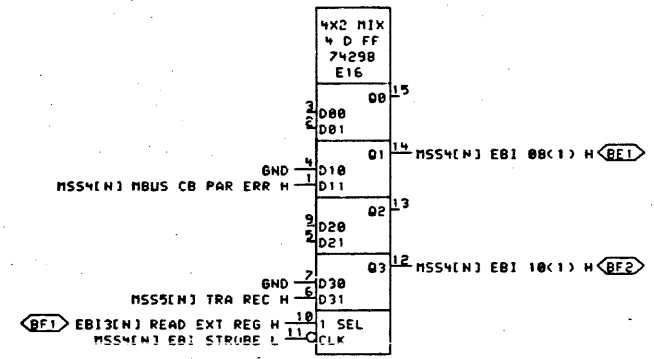
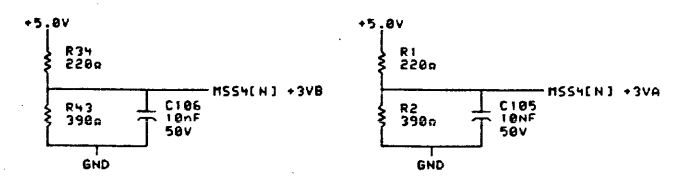
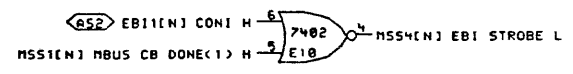




SHEET 3 OF 8

REVISIONS	
CHK	CHANGE NO. REV
MSS57	MROOS C
T BOWEN	

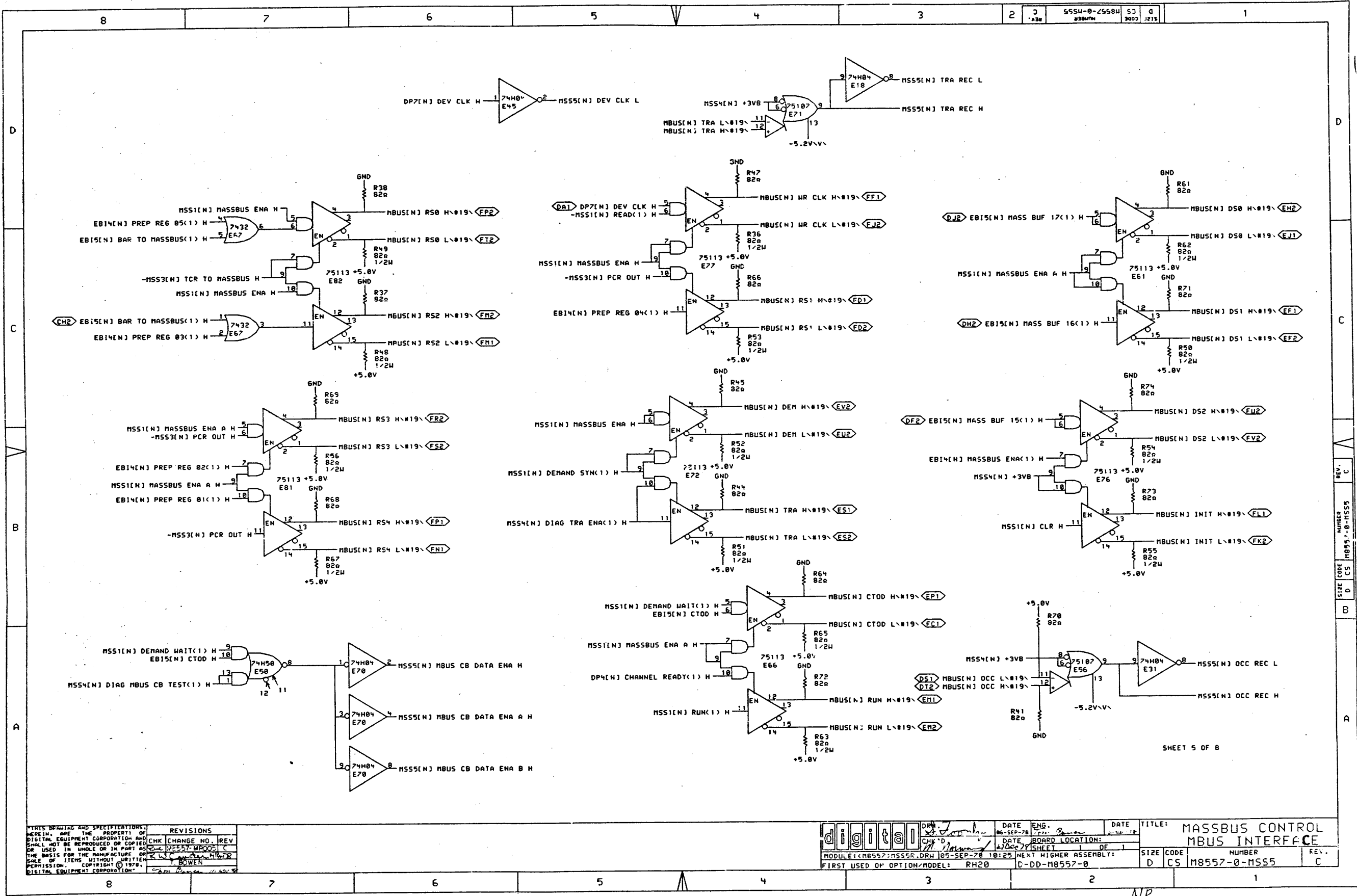
<b>digital</b>	DATE: 13-SEP-78	ENG.:	DATE:	TITLE: MASSBUS CONTROL MBUS INTERFACE
MODULE: (M8557)MSS3R.DRW	13-SEP-78 13:08	BOARD LOCATION:	SHEET 1 OF 1	SIZE CODE: D CS
FIRST USED ON OPTION/MODEL: RH20	NEXT HIGHER ASSEMBLY: D-DD-M8557-0	NUMBER:	M8557-0-MSS3	REV.:
				C



SHEET 4 OF 8

REV.	DATE	BY	CHK	CHANGE NO.	REV.
1	05-SEP-78	J. BOWEN			

<b>digital</b>	DATE: 06-SEP-78	ENG.:	DATE: 16-NOV-78	TITLE: MASSBUS CONTROL MBUS INTERFACE
MODULE: M8557-MSS4R.DRW	05-SEP-78 10:24	NEXT HIGHER ASSEMBLY:	SIZE CODE: D CS	NUMBER: M8557-0-MSS4
FIRST USED ON OPTION/MODEL: RH20	D-DD-M8557-0	REV.:	C	

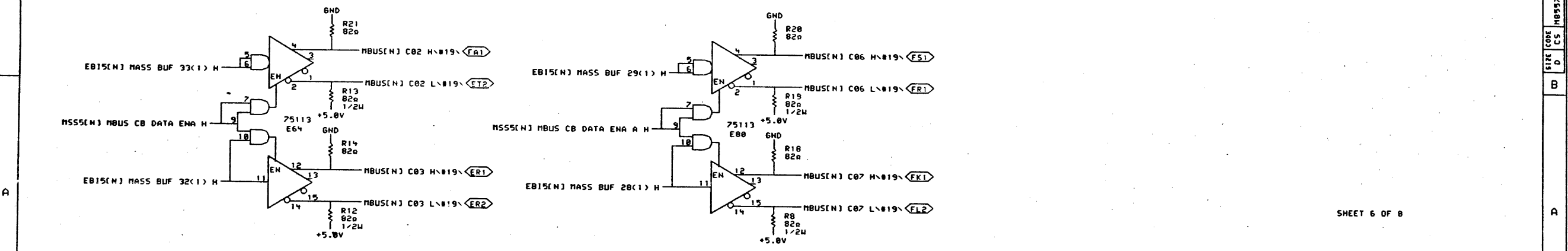
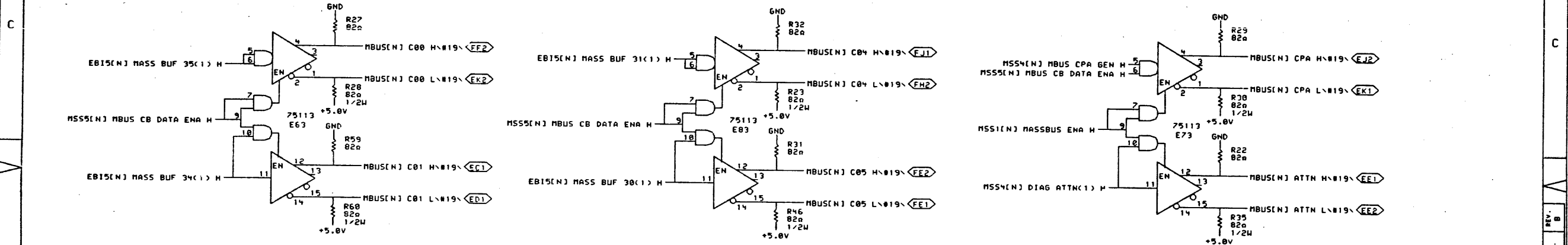
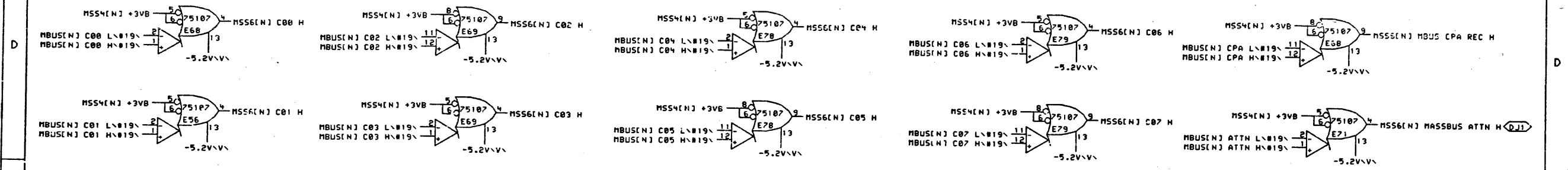


REVISIONS	
CHK	CHANGE NO. REV
CH	02557-MR003 C
CH	02557-MR003 C
CH	02557-MR003 C
CH	02557-MR003 C
CH	02557-MR003 C
CH	02557-MR003 C
CH	02557-MR003 C
CH	02557-MR003 C
CH	02557-MR003 C

DATE ENG. 06-SEP-78		DATE 10-SEP-78		TITLE: MASSBUS CONTROL MBUS INTERFACE	
DATE BOARD LOCATION: 10-SEP-78		DATE BOARD LOCATION: 10-SEP-78		SIZE CODE: D CS	
MODULE: M8557: MSS57.DRW		NEXT HIGHER ASSEMBLY: C-DD-M8557-0		NUMBER: M8557-0-MSS5	
FIRST USED OR OPTION/MODEL: RH20		C-DD-M8557-0		REV. C	

SHEET 5 OF 8

MR



THIS DRAWING AND SPECIFICATIONS ARE THE PROPERTY OF DIGITAL EQUIPMENT CORPORATION AND SHALL NOT BE REPRODUCED OR COPIED OR USED IN WHOLE OR IN PART AS A BASIS FOR THE MANUFACTURE OR SALE OF ITEMS WITHOUT WRITTEN PERMISSION. COPYRIGHT © 1978, DIGITAL EQUIPMENT CORPORATION.

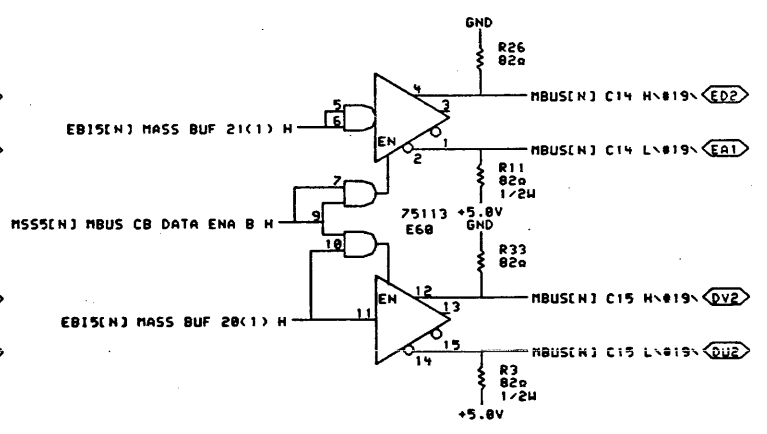
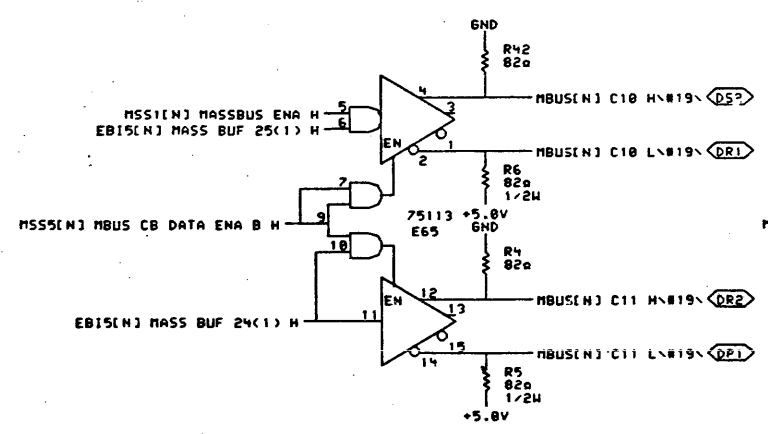
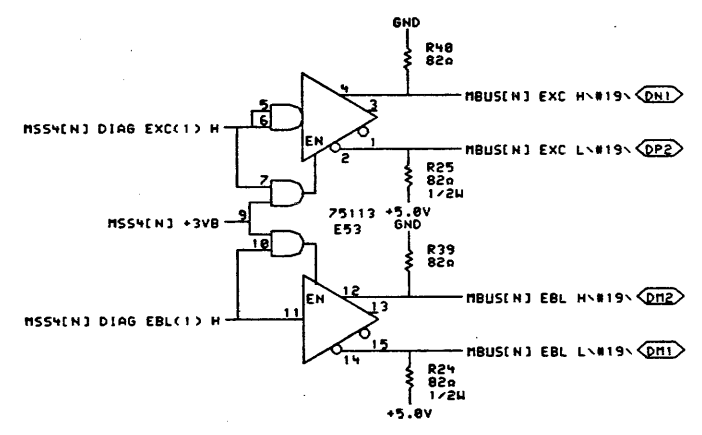
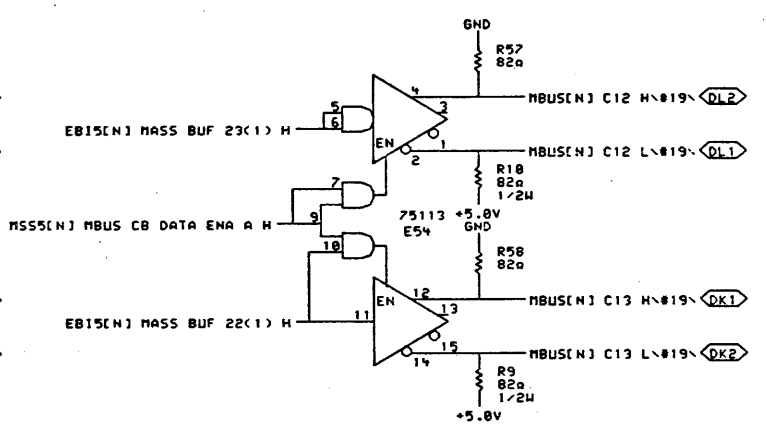
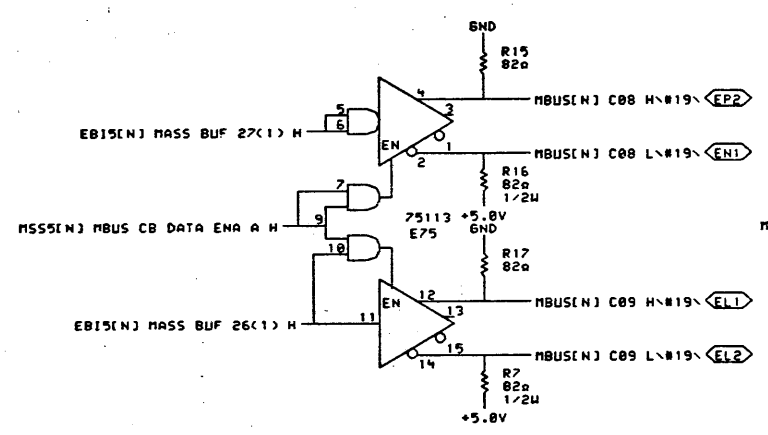
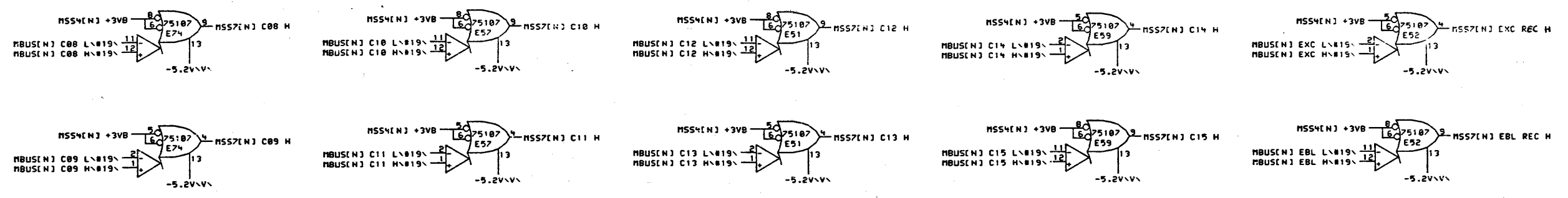
REVISIONS		
CHK	CHANGE NO.	REV
MS	1	6
MS	2	6
MS	3	6
MS	4	6
MS	5	6
MS	6	6

digit@l	DATE	06-SEP-78	ENG.	13	DATE		TITLE:	MASSBUS CONTROL
	DATE	05-SEP-78	DATE		DATE		BOARD LOCATION:	MBUS INTERFACE
MODULE:	M8557-MSS6.DRW 05-SEP-78 10:26		DATE	05-SEP-78	SHEET	1	OF	1
FIRST USED ON OPTION/MODEL:	RH20		DATE	D-DD-M8557-0	SIZE	CODE	NUMBER	REV.
					D	CS	M8557-0-MSS6	B

NR

REV. B  
NUMBER M8557-0-MSS6  
SIZE CODE D CS  
SHEET 1 OF 1

SHEET 6 OF 8



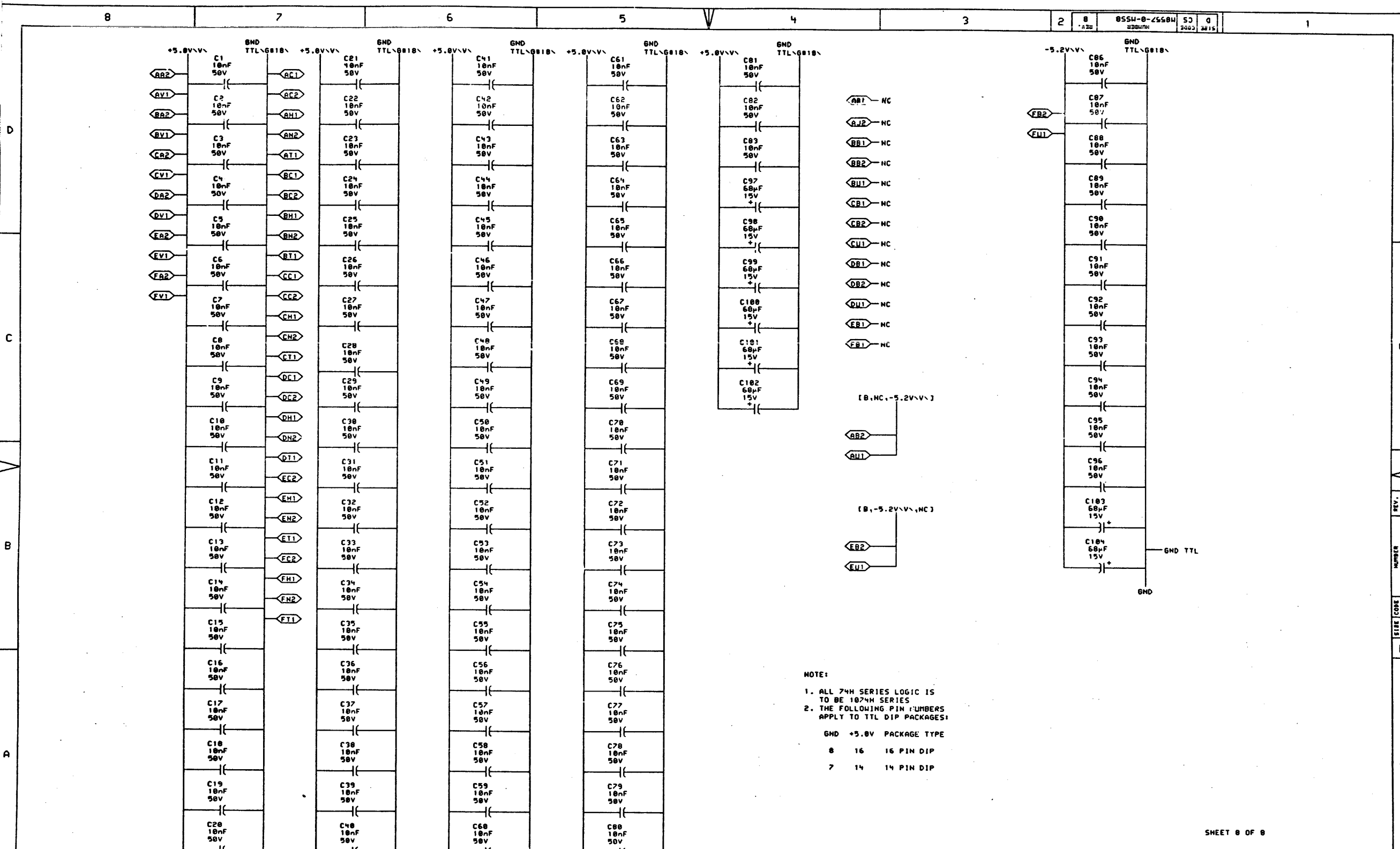
SHEET 7 OF 8

THIS DRAWING AND SPECIFICATIONS ARE THE PROPERTY OF DIGITAL EQUIPMENT CORPORATION AND SHALL NOT BE REPRODUCED OR COPIED OR USED IN WHOLE OR IN PART AS THE BASIS FOR THE MANUFACTURE OR SALE OF ITEMS WITHOUT WRITTEN PERMISSION. COPYRIGHT © 1978. DIGITAL EQUIPMENT CORPORATION.

REV.	DESCRIPTION
1	INITIAL RELEASE
2	CHANGE NO. REV
3	CHANGE NO. REV
4	CHANGE NO. REV
5	CHANGE NO. REV
6	CHANGE NO. REV
7	CHANGE NO. REV
8	CHANGE NO. REV

digital	DATE	ENG.	DATE	TITLE:
	06-SEP-78	J. J. J.	16-SEP-78	MASSBUS CONTROL MBUS INTERFACE
D	DATE	BOARD LOCATION:	SHEET	OF
	09-SEP-78 10:27			
MODULE: M8557-MSS7R.DRW			NEXT HIGHER ASSEMBLY:	SHEET CODE:
FIRST USED ON OPTION MODEL: RH20			D-DD-M8557-C	D CS M8557-0-MSS7 B

MR



NOTE:  
 1. ALL 74H SERIES LOGIC IS TO BE 1074H SERIES  
 2. THE FOLLOWING PIN NUMBERS APPLY TO TTL DIP PACKAGES:

GND	+5.0V	PACKAGE TYPE
8	16	16 PIN DIP
7	14	14 PIN DIP

THIS DRAWING AND SPECIFICATIONS HERETOIN ARE THE PROPERTY OF DIGITAL EQUIPMENT CORPORATION AND SHALL NOT BE REPRODUCED OR COPIED OR USED IN WHOLE OR IN PART AS THE BASIS FOR THE MANUFACTURE OR SALE OF ITEMS WITHOUT WRITTEN PERMISSION. COPYRIGHT © 1974. DIGITAL EQUIPMENT CORPORATION

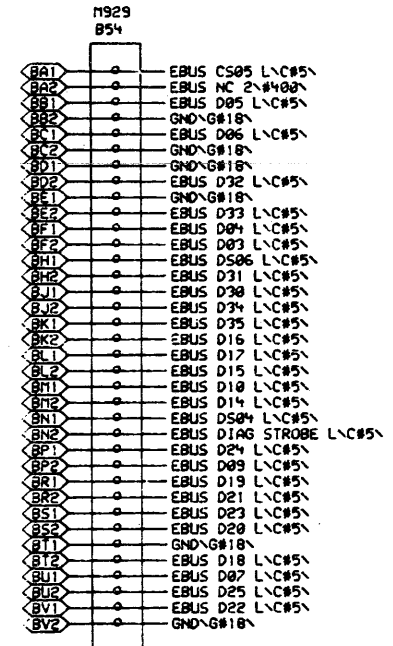
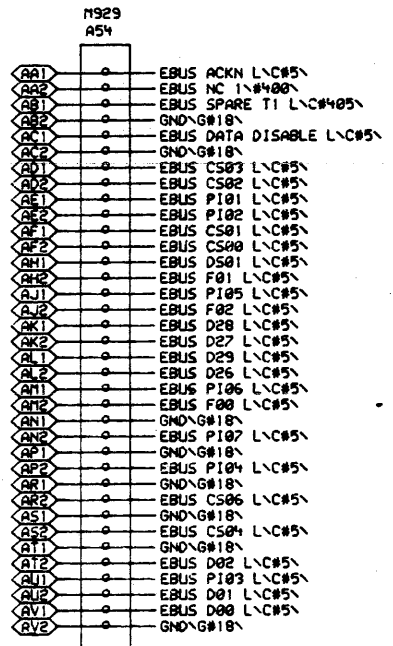
REV.	CHG	CHANGE NO.	REV
1	W	1	B
2	W	2	B
3	W	3	B

digit@	DATE	ENG.	DATE	TITLE: POWER, GND. CAPS.
	06-SEP-78	Tom Brown	06-SEP-78	
	DATE	BOARD LOCATION:		
	07-SEP-78	1 OF 1		
MODULE: (M8557) MSSBR.DRII 105-SEP-78 10:31 NEXT HIGHER ASSEMBLY:		SIZE	CODE	NUMBER
FIRST USED ON OPTION/MODEL: RH20		D	CS	M8557 0 MSSB
				REV. 8

1.10

D  
C  
B  
A

D  
C  
B  
A



OPTION	CABLE LOCATION
KL10	4A001
DTE20 & RH20	2A010
DTE20 & RH20	2A037

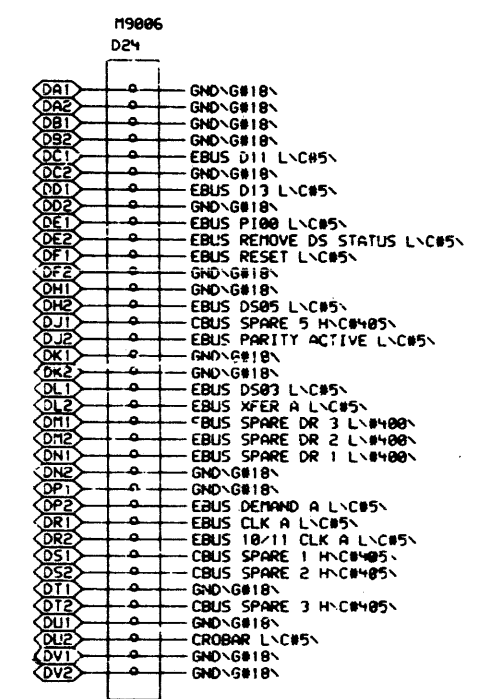
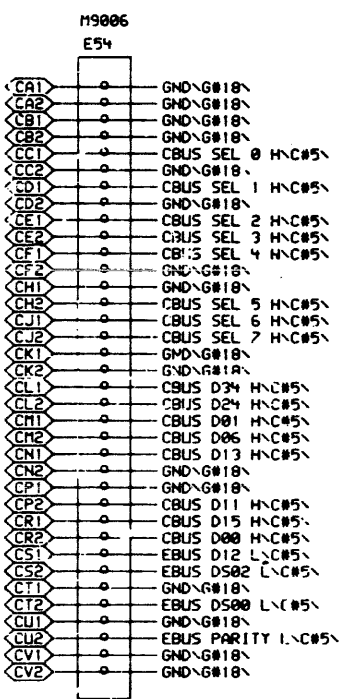
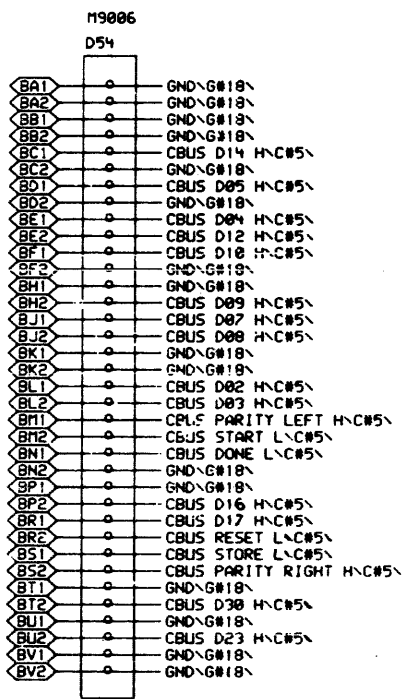
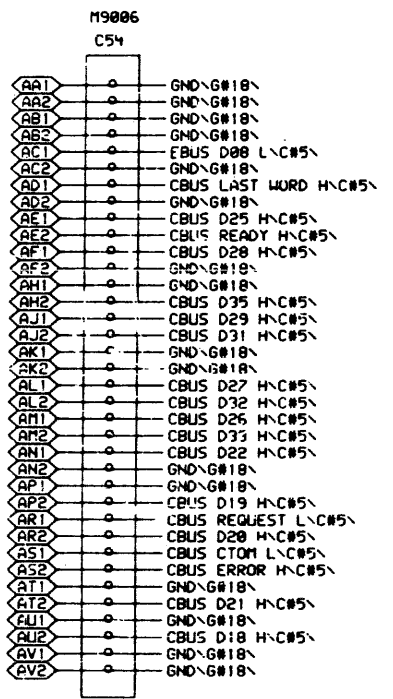
1 OF 2

"THIS DRAWING AND SPECIFICATIONS, HEREIN, ARE THE PROPERTY OF DIGITAL EQUIPMENT CORPORATION AND SHALL NOT BE REPRODUCED OR COPIED OR USED IN WHOLE OR IN PART AS THE BASIS FOR THE MANUFACTURE OR SALE OF ITEMS WITHOUT WRITTEN PERMISSION. COPYRIGHT © 1975, DIGITAL EQUIPMENT CORPORATION"

REVISIONS	
CHK	CHANGE NO. REV

	DATE: 21-OCT-75	ENG: [Signature]	DATE: 2/06/77	TITLE: EBUS CABLE I/O TO CPU
	DATE: 10/26/75	BOARD LOCATION: DE	DATE: 10/26/75	SIZE: D IC
FIRST USED ON OPTION MODEL: KL10	107-SEP-75 1349	NEXT HIGHER ASSEMBLY: 0-DD-KL10-0	NUMBER: KL10-0-10C1	REV.:





OPTION	CABLE LOCATION
KL10	4CF01
DTE20(ND RH20)	2CF16
DTE20 & RH20	2CF37

"THIS DRAWING AND SPECIFICATIONS, HEREIN, ARE THE PROPERTY OF DIGITAL EQUIPMENT CORPORATION AND SHALL NOT BE REPRODUCED OR COPIED OR USED IN WHOLE OR IN PART AS THE BASIS FOR THE MANUFACTURE OR SALE OF ITEMS WITHOUT WRITTEN PERMISSION. COPYRIGHT © 1975, DIGITAL EQUIPMENT CORPORATION"

REVISIONS		
CHK	CHANGE NO.	REV

**digital** DRW. *J. J. J.* DATE 14-OCT-75 ENG. *392* DATE 20-OCT-75  
 CHK'D. *J. J. J.* DATE 20-OCT-75 SHEET 1 OF 1  
 [022(4,426)] 107-SEP-75 15:52 NEXT HIGHER ASSEMBLY: B-DD-KL10-0  
 FIRST USED ON OPTION/MODEL: KL10

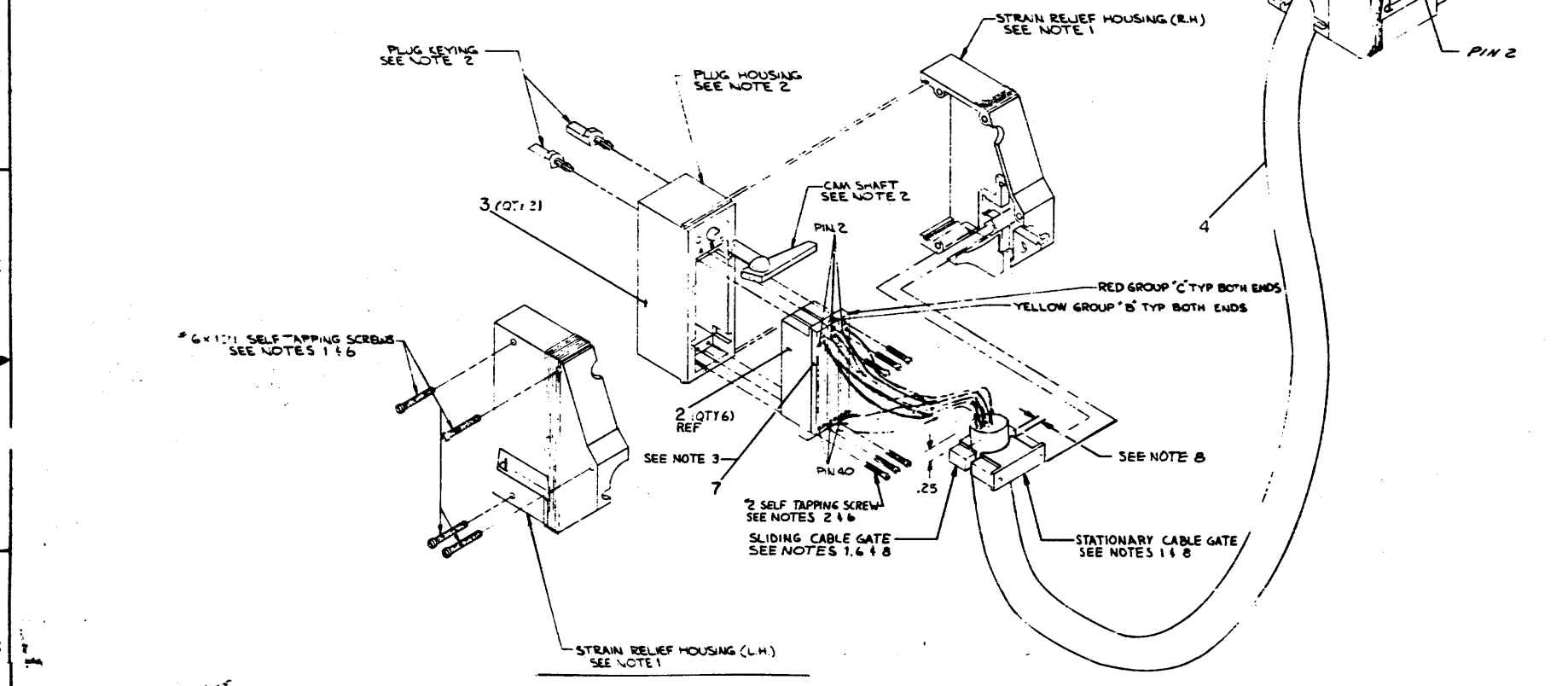
TITLE: EBUS+CBUS CABLES I/O TO CPU		SIZE CODE D I C	NUMBER KL10-0-10C2	REV.
------------------------------------	--	-----------------	--------------------	------

REV. 10/24/75  
 SIZE CODE D I C  
 NUMBER KL10-0-10C2

THIS DRAWING AND SPECIFICATIONS, WHEN USED IN CONNECTION WITH THE CONTRACT DOCUMENTS, SHALL BE CONSIDERED AS PART OF THE CONTRACT. THE CONTRACTOR SHALL BE RESPONSIBLE FOR OBTAINING ALL NECESSARY PERMITS AND APPROVALS FROM THE APPROPRIATE AGENCIES.

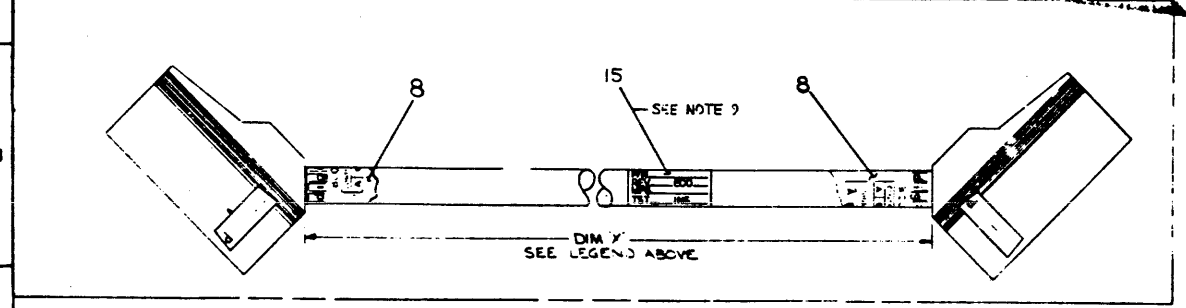
LEGEND				
NUMBER	DIM X	PRESUT LENGTH	STRIP LENGTH	REMARKS
BC065-01	1 FT	2 FT 10 IN ± 1 IN	SEE SMT 2 & NOTE 4	
BC065-02	2 FT	3 FT 10 IN ± 1 IN		
BC065-03	3 FT	4 FT 10 IN ± 1 IN		
BC065-04	4 FT	5 FT 10 IN ± 1 IN		
BC065-05	5 FT	6 FT 10 IN ± 1 IN		
BC065-06	6 FT	7 FT 10 IN ± 1 IN		
BC065-08	8 FT	9 FT 10 IN ± 1 IN		
BC065-10	10 FT	11 FT 10 IN ± 1 IN		
BC065-12	12 FT	13 FT 10 IN ± 1 IN		
BC065-15	15 FT	16 FT 10 IN ± 1 IN		
BC065-20	20 FT	21 FT 10 IN ± 1 IN		
BC065-25	25 FT	26 FT 10 IN ± 1 IN		
BC065-30	30 FT	31 FT 10 IN ± 1 IN		
BC065-40	40 FT	41 FT 10 IN ± 1 IN		
BC065-50	50 FT	51 FT 10 IN ± 1 IN		
BC065-60	60 FT	61 FT 10 IN ± 1 IN		
BC065-75	75 FT	76 FT 10 IN ± 1 IN	SEE SMT 2 & NOTE 4	

SEE NOTES 3 & 4



\*6x1/2" SELF-TAPPING SCREWS  
SEE NOTES 1 & 6

2 SELF TAPPING SCREWS  
SEE NOTES 2 & 6



NOTES:

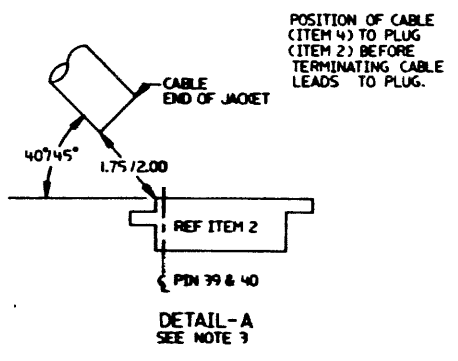
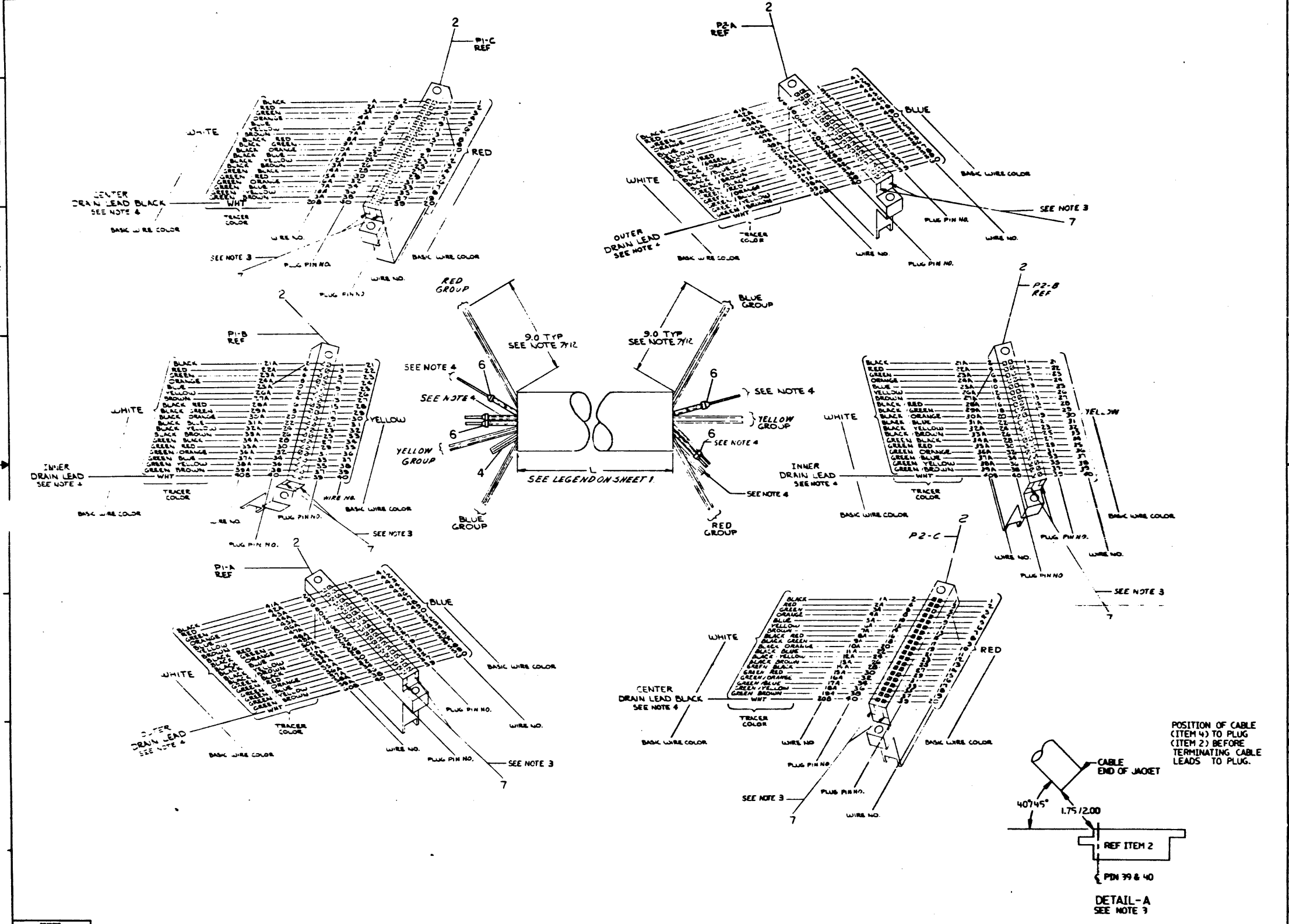
- STRAIN RELIEF HOUSING, LH & RH & CABLE GATES, STATIONARY & SLIDING, AND THEIR MOUNTING HARDWARE ARE PART OF ITEM 1 (STRAIN RELIEF KIT).
- KEYING PLUGS, PLUG HOUSING, CAM SHAFT, AND MOUNTING HARDWARE ARE PART OF ITEM 2 (PLUG HOUSING AND CAM SHAFT KIT). KEYING ARRANGEMENT IS TO BE DETERMINED AT USER'S FINAL ASSEMBLY. PLACE KEYING PLUGS IN BAG WITH KEYING PLUGS AND CABLE.
- APP SEMI-AUTOMATIC INSERTION MACHINES (COMPARATOR OR COMPACTOR) MUST BE USED TO TERMINATE THE LEADS TO THE PLUG ASSEMBLIES (STEP 2). THE STANDARD CABLE CLAMP SUPPLIED WITH THE APP MACHINES MAY REQUIRE REPLACEMENT WITH AN ADJUSTABLE TYPE CLAMP TO POSITION CABLE (ITEM 4) TO PLUG ASSEMBLY (ITEM 2) PER DETAIL A. AFTER ASSEMBLY OF WIRES TO PLUG, INSTALL COVER (ITEM 7) TO EACH SIDE OF PLUG.
- THE THINER DRAIN WIRES AND BLACK GND WIRE MUST BE PREPARED AS FOLLOWS BEFORE TERMINATING CABLE TO PLUG (ITEM 2). THESE PROCEDURES ARE DESCRIBED IN DEC ASSEMBLY PROCESS FOR THE ASST. A SIGNED DISCLOSURE STATEMENT IS REQUIRED TO OBTAIN COPIES OF ANY DEC PROCESS SPECIFICATION.
  - CUT AND REMOVE 3.0 ± .25 INCHES OF THE OUTER JACKET. REMOVE THE PLUG WIRE AND ALUMINUM SHIELD FLUSH WITH OUTER JACKET FROM BOTH ENDS OF CABLE. CAUTION: DO NOT CUT OR RECK ANY WIRES UNDER CABLE JACKET.
  - CUT THE UPPER DRAIN WIRE BACK TO THE JACKET (.75 ± .06) INCHES. SLICE A PRE-CUT LENGTH OF TUBING (.75 ± .06) INCHES OVER DRAIN WIRE UNTIL (.25 ± .06) INCHES OF DRAIN WIRE IS EXPOSED. FIRM AND SEPARATE THE SOLID BLUE/WHITE TWISTED PAIRED WIRES. CUT THE WHITE WIRE FLUSH WITH THE JACKET. STRIP ONE END OF THE LOOSE WHITE WIRE (.25 ± .06) SPLICE (SPITALS), SOLDER AND COVER SPLICE WITH (.05 ± .06) 24 GA TUBING (ITEM 4). TWIST THE TWO WIRES (PREVIOUSLY SEPARATED) BACK TOGETHER FOR APPROXIMATELY 3.0 INCHES.
  - REPEAT 4.2 EXCEPT FIRM THE SOLID WHITE AND YELLOW PAIRED WIRES IN THE YELLOW GROUP. TERMINATE THE LOOSE WHITE WIRE TO THE LOWER DRAIN WIRE. SPLICE, SOLDER, COVER AND TWIST PER 4.2.
  - REMOVE THE ALUMINUM SHIELD FROM THE RED GROUP OF WIRES FLUSH WITH JACKET. FIRM THE SOLID WHITE AND RED PAIRED WIRES. REPEAT 4.2 EXCEPT CUT THE CENTER BLACK GROUND WIRE BACK TO (.5 ± .06) AND STRIP (.25 ± .06). TERMINATE THE LOOSE WHITE WIRE TO GROUND WIRE (STRAIGHT WIRE) SOLDER, COVER AND TWIST PER 4.2.
- ACTIVE CONTACT (1211541-27) AND BLACK #20 AWG WIRE (1910770-00) FOR RFG REPAIR ONLY. REF: APP CONTACT (16255-3 L.P.) HAND CRIMP TOOL (92909-1) AND EXTRACTION TOOL (1111-1).
- ALL SCREWS TO BE TORQUED AS FOLLOWS:
  - #2 x .30 LG = 2.5 ± .5 IN/LBS
  - #4 x 1.00 LG = 3.5 ± .5 IN/LBS
  - #6 x 1.00 LG = 3.5 ± .5 IN/LBS
- ONE (ITEM 3A) TO BE INSTALLED OVER EACH END OF CABLE CONNECTOR AND SECURED AFTER COMPLETION OF ASSEMBLY.
- SLIDING AND STATIONARY CABLE GATE MUST BE CLIPPED IN POSITION BEFORE SECURING SCREWS. CABLE GATES SHALL BE EQUALLY SPACED (GAP) 1.06 AND WITHSTAND A 10/LB PULL ON THE CABLE WITHOUT SLIPPING IN CABLE GATE (TYP DIM .067, .100).
- LABEL (ITEM 15) TO CONTAIN:
  - PART NUMBER
  - REV (LEVEL)
  - DATE OF BUILD
  - RFG (PLACE OF BUILD)
  - TEST (STAMP)
  - TRSP (STAMP)
  - LABEL TO BE LOCATED APPROXIMATELY IN CENTER OF CABLE (ALL VARIATIONS).
- DEC STD 116 (OWNERSHIP) APPLIES TO THIS ASSEMBLY.
- SHIPPING CONTAINER TO BE MARKED:
  - PART NUMBER
  - REV (LEVEL)
  - PLACE OF BUILD
  - DATE SHIPPED
  - QTY.

CAUTION: OFF SHEET PARTS LIST EXISTS.  
SEE K-PL-BC065-0-DBP (Z1755).

REV	DATE	BY	CHKD	DESCRIPTION
1	10/10/80	J. DUNN	J. DUNN	ISSUED FOR PRODUCTION
2	11/10/80	J. DUNN	J. DUNN	REVISED TO ADD PART 15
3	12/10/80	J. DUNN	J. DUNN	REVISED TO ADD PART 8
4	01/10/81	J. DUNN	J. DUNN	REVISED TO ADD PART 15
5	02/10/81	J. DUNN	J. DUNN	REVISED TO ADD PART 8
6	03/10/81	J. DUNN	J. DUNN	REVISED TO ADD PART 15
7	04/10/81	J. DUNN	J. DUNN	REVISED TO ADD PART 8
8	05/10/81	J. DUNN	J. DUNN	REVISED TO ADD PART 15
9	06/10/81	J. DUNN	J. DUNN	REVISED TO ADD PART 8
10	07/10/81	J. DUNN	J. DUNN	REVISED TO ADD PART 15
11	08/10/81	J. DUNN	J. DUNN	REVISED TO ADD PART 8
12	09/10/81	J. DUNN	J. DUNN	REVISED TO ADD PART 15
13	10/10/81	J. DUNN	J. DUNN	REVISED TO ADD PART 8
14	11/10/81	J. DUNN	J. DUNN	REVISED TO ADD PART 15
15	12/10/81	J. DUNN	J. DUNN	REVISED TO ADD PART 8

REV	DATE	BY	CHKD	DESCRIPTION
1	10/10/80	J. DUNN	J. DUNN	ISSUED FOR PRODUCTION
2	11/10/80	J. DUNN	J. DUNN	REVISED TO ADD PART 15
3	12/10/80	J. DUNN	J. DUNN	REVISED TO ADD PART 8
4	01/10/81	J. DUNN	J. DUNN	REVISED TO ADD PART 15
5	02/10/81	J. DUNN	J. DUNN	REVISED TO ADD PART 8
6	03/10/81	J. DUNN	J. DUNN	REVISED TO ADD PART 15
7	04/10/81	J. DUNN	J. DUNN	REVISED TO ADD PART 8
8	05/10/81	J. DUNN	J. DUNN	REVISED TO ADD PART 15
9	06/10/81	J. DUNN	J. DUNN	REVISED TO ADD PART 8
10	07/10/81	J. DUNN	J. DUNN	REVISED TO ADD PART 15
11	08/10/81	J. DUNN	J. DUNN	REVISED TO ADD PART 8
12	09/10/81	J. DUNN	J. DUNN	REVISED TO ADD PART 15
13	10/10/81	J. DUNN	J. DUNN	REVISED TO ADD PART 8
14	11/10/81	J. DUNN	J. DUNN	REVISED TO ADD PART 15
15	12/10/81	J. DUNN	J. DUNN	REVISED TO ADD PART 8

THIS DRAWING IS THE PROPERTY OF THE U.S. GOVERNMENT AND IS LOANED TO YOU BY THE U.S. GOVERNMENT. IT AND ITS CONTENTS ARE NOT TO BE DISTRIBUTED OUTSIDE YOUR AGENCY.



THIS DRAWING IS THE PROPERTY OF THE U.S. AIR FORCE. IT IS TO BE KEPT IN CONFIDENCE AND IS NOT TO BE REPRODUCED OR TRANSMITTED IN ANY FORM OR BY ANY MEANS, ELECTRONIC OR MECHANICAL, INCLUDING PHOTOCOPYING, RECORDING, OR BY ANY INFORMATION STORAGE AND RETRIEVAL SYSTEM.

WIRE TABLE (RED GROUP)

WIRE NO.	FROM CONNECTOR PLUG	PLUG PIN NO.	BASIC WIRE COLOR	WITH TRACER COLOR	TO CONNECTOR PLUG	PLUG PIN NO.	REMARKS
1	P1-C	1	RED		P2-C	1	TWISTED PAIR
1A		2	WHT	BLK		2	
2		3	RED			3	
2A		4	WHT	RED		4	
3		5	RED			5	
3A		6	WHT	GRN		6	
4		7	RED			7	
4A		8	WHT	ORN		8	
5		9	RED			9	
5A		10	WHT	BLU		10	
6		11	RED			11	
6A		12	WHT	YEL		12	
7		13	RED			13	
7A		14	WHT	BRN		14	
8		15	RED			15	
8A		16	WHT	BLK RED		16	
9		17	RED			17	
9A		18	WHT	BLK GRN		18	
10		19	RED			19	
10A		20	WHT	BLK ORN		20	
11		21	RED			21	
11A		22	WHT	BLK BLU		22	
12		23	RED			23	
12A		24	WHT	BLK YEL		24	
13		25	RED			25	
13A		26	WHT	BLK BRN		26	
14		27	RED			27	
14A		28	WHT	GRN BLK		28	
15		29	RED			29	
15A		30	WHT	GRN RED		30	
16		31	RED			31	
16A		32	WHT	GRN ORN		32	
17		33	RED			33	
17A		34	WHT	GRN BLU		34	
18		35	RED			35	
18A		36	WHT	GRN YEL		36	
19		37	RED			37	
19A		38	WHT	GRN BRN		38	
20	P1-C	39	RED		P2-C	39	TWISTED PAIR
20A	SEE NOTE 4		WHT		SEE NOTE 4		PAIR
20B	SEE NOTE 4	40	WHT		P2-C	40	CENTER GND WIRE

WIRE TABLE (YEL GROUP)

WIRE NO.	FROM CONNECTOR PLUG	PLUG PIN NO.	BASIC WIRE COLOR	WITH TRACER COLOR	TO CONNECTOR PLUG	PLUG PIN NO.	REMARKS
21	P1-B	1	YEL		P2-B	1	TWISTED PAIR
21A		2	WHT	BLK		2	
22		3	YEL			3	
22A		4	WHT	RED		4	
23		5	YEL			5	
23A		6	WHT	GRN		6	
24		7	YEL			7	
24A		8	WHT	ORN		8	
25		9	YEL			9	
25A		10	WHT	BLU		10	
26		11	YEL			11	
26A		12	WHT	YEL		12	
27		13	YEL			13	
27A		14	WHT	BRN		14	
28		15	YEL			15	
28A		16	WHT	BLK RED		16	
29		17	YEL			17	
29A		18	WHT	BLK GRN		18	
30		19	YEL			19	
30A		20	WHT	BLK ORN		20	
31		21	YEL			21	
31A		22	WHT	BLK BLU		22	
32		23	YEL			23	
32A		24	WHT	BLK YEL		24	
33		25	YEL			25	
33A		26	WHT	BLK BRN		26	
34		27	YEL			27	
34A		28	WHT	GRN BLK		28	
35		29	YEL			29	
35A		30	WHT	GRN RED		30	
36		31	YEL			31	
36A		32	WHT	GRN ORN		32	
37		33	YEL			33	
37A		34	WHT	GRN BLU		34	
38		35	YEL			35	
38A		36	WHT	GRN YEL		36	
39		37	YEL			37	
39A		38	WHT	GRN BRN		38	
40	P1-B	39	YEL		P2-B	39	TWISTED PAIR
40A	SEE NOTE 4		WHT		SEE NOTE 4		PAIR
40B	P1-B	40	WHT		P2-B	40	INNER DRAIN WIRE

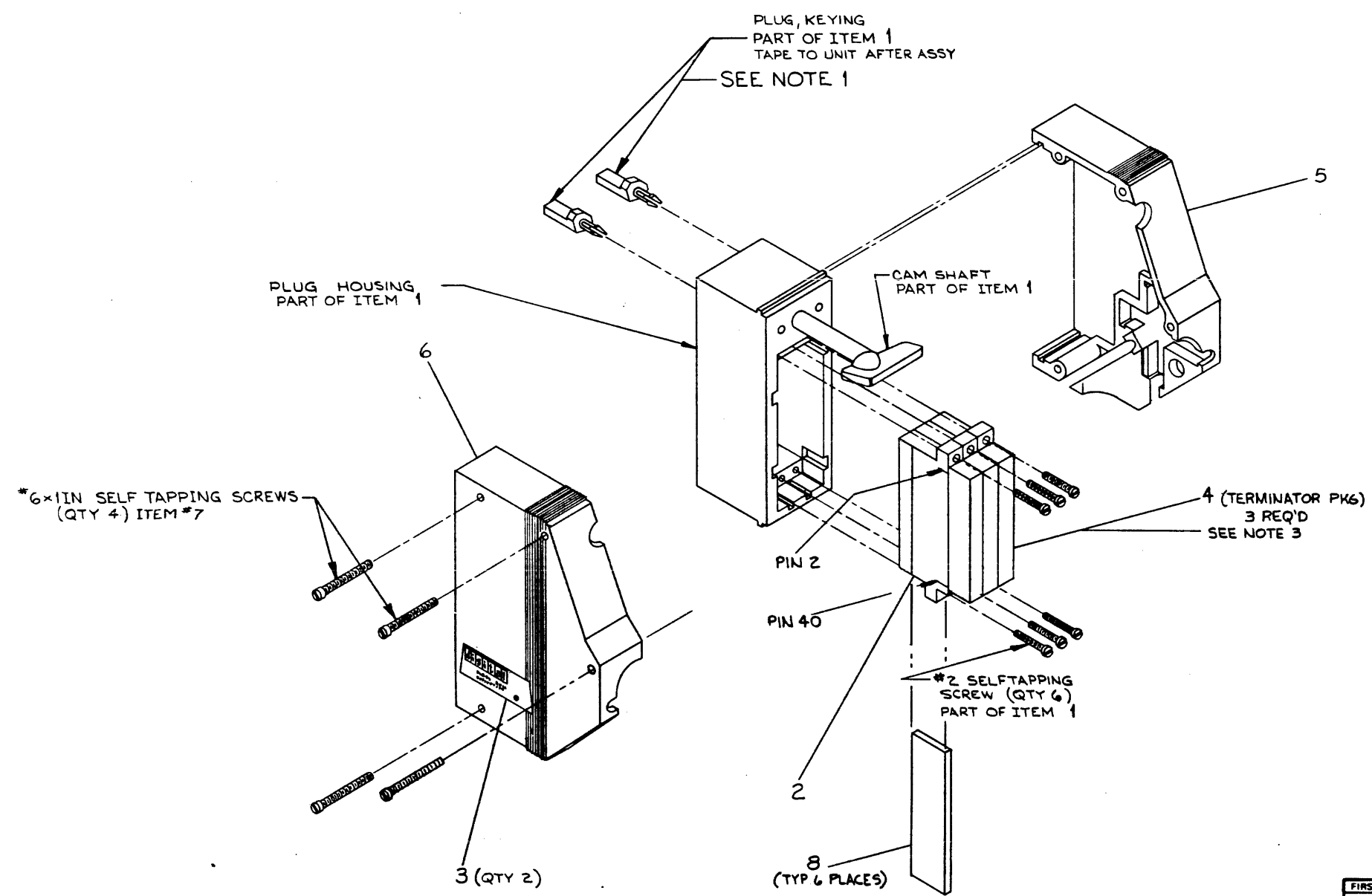
WIRE TABLE (BLU GROUP)

WIRE NO.	FROM CONNECTOR PLUG	PLUG PIN NO.	BASIC WIRE COLOR	WITH TRACER COLOR	TO CONNECTOR PLUG	PLUG PIN NO.	REMARKS
41	P1-A	1	BLU		P2-A	1	TWISTED PAIR
41A		2	WHT	BLK		2	
42		3	BLU			3	
42A		4	WHT	RED		4	
43		5	BLU			5	
43A		6	WHT	GRN		6	
44		7	BLU			7	
44A		8	WHT	ORN		8	
45		9	BLU			9	
45A		10	WHT	BLU		10	
46		11	BLU			11	
46A		12	WHT	YEL		12	
47		13	BLU			13	
47A		14	WHT	BRN		14	
48		15	BLU			15	
48A		16	WHT	BLK RED		16	
49		17	BLU			17	
49A		18	WHT	BLK GRN		18	
50		19	BLU			19	
50A		20	WHT	BLK ORN		20	
51		21	BLU			21	
51A		22	WHT	BLK BLU		22	
52		23	BLU			23	
52A		24	WHT	BLK YEL		24	
53		25	BLU			25	
53A		26	WHT	BLK BRN		26	
54		27	BLU			27	
54A		28	WHT	GRN BLK		28	
55		29	BLU			29	
55A		30	WHT	GRN RED		30	
56		31	BLU			31	
56A		32	WHT	GRN ORN		32	
57		33	BLU			33	
57A		34	WHT	GRN BLU		34	
58		35	BLU			35	
58A		36	WHT	GRN YEL		36	
59		37	BLU			37	
59A		38	WHT	GRN BRN		38	
60	P1-A	39	BLU		P2-A	39	TWISTED PAIR
60A	SEE NOTE 4		WHT		SEE NOTE 4		PAIR
60B	P1-A	40	WHT		P2-A	40	OUTER DRAIN WIRE

REV	DATE	BY

The drawing and specifications herein are the property of Digital Equipment Corporation and shall not be reproduced or copied or used in whole or in part as the basis for the manufacture or sale of items without written permission.  
 COPYRIGHT © 1974 DIGITAL EQUIPMENT CORP.

NOTES:  
 1. PLUG KEYING, PLUG HOUSING, CAM SHAFT & MOUNTING HARDWARE ARE PART OF ITEM 1 (PLUG HOUSING & CAMSHAFT KIT).  
 2. CUT JUMPER W2 ON H870 TERMINATOR MODULES.  
 3. PRIOR TO ASSY OF ITEM 4 TO ITEM 2, CUT OFF LEAD AT PIN 39. CUT FLUSH WITH TERMINATOR BODY.



QTY.	DESCRIPTION	PART NO.	ITEM NO.
6	COVER, CONTACT	1211591-11	6
4	SELF THREAD SCREW #6x1	1211591-18	7
1	STRAIN RELIEF HOUSING R. H.	1211591-13	6
1	STRAIN RELIEF HOUSING L. H.	1211591-14	5
3	MASS BUS TERMINATOR	1313242	4
2	DECAL	A-DC-7412208-00	3
3	PLUG ASSY	1211591-07	2
1	PLUG HOUSING & CAM SHAFT	1211591-01	1

FIRST USED ON OPTION/MODEL		PARTS LIST	
RP04		QTY.	DESCRIPTION
UNLESS OTHERWISE SPECIFIED DIMENSION IN INCHES. TOLERANCES		DRN: T. Quillin DATE: 5-24-77 CHK'D: T. Quillin DATE: 8/17/77 ENG: W. D. DATE: 1/26/77 PROJ. ENG: D. DATE: 8/26/77 PROOF: DATE: 8/26/77	
DECIMALS	ANGLES	TITLE: TERMINATOR PACK ASSY digital EQUIPMENT CORPORATION	
.XX - .005	20° 30'	MATERIAL: SEE PARTS LIST	
.X - .1		NEXT HIGHER ASSY: E-UA-RP04-φ-φ	
REMOVES BURRS AND BREAK SHARP CORNERS SURFACE QUALITY ✓		SIZE CODE	NUMBER
		DAD	7009938-0-0
		SCALE	REV. C
		SHEET	OF
		DIST.	

REV.	CHANGE NO.	REV.
A	7009938-00001	A
B	7009938-00002	B
C	7009938-00003	C

DEC FORM NO. 100-1

7009938-0-0  
 7009938-0-0

This document contains confidential proprietary information of DEC. This information shall not be disclosed in person or by any means in the design, production or manufacture of products for DEC, and may be used by such third parties as the design, production or manufacture of products for DEC. Copyright © Digital Equipment Corporation.

DIGITAL EQUIPMENT CORPORATION MAYNARD, MASSACHUSETTS				DATE 14 Jan 1976		
ENGINEERING SPECIFICATION						
TITLE RH20/RTP04 ACCEPTANCE PROCEDURE						
REVISIONS						
REV	DESCRIPTION	CHG NO	ORIG	DATE	APPD BY	DATE

ENG <i>Phyllis</i>	APPD <i>W. J. ...</i>	SIZE <i>A</i>	CODE <i>SP</i>	NUMBER <i>1</i>	REV <i>4</i>
DEC FORM NO EN-01022:16-N70-(381)				SHEET 1 OF 4	

ENGINEERING SPECIFICATION				CONTINUATION SHEET	
TITLE RH20/RTP04 ACCEPTANCE PROCEDURE					
1.0 Diagnostics Required					
1.1	DFRHB RH20 Fault Isolator				
1.2	DFSXA System Exerciser				
1.3	DFRPH RP04 Device Diagnostic				
1.4	DDRPI RH10/RH20 RP04 Reliability Diagnostic				
2.0 Test Sequence					
2.1	Perform the clock deskew adjustment (see 3.0)				
2.2	Run 100 passes of DFRHB with a non-existent drive selected. Run on each RH20. A massbus terminator must be used if no drives are on the massbus.				
2.3	Run DFSXA, selecting all RH20s, one pass.				
2.4	Run DFRPH one pass if an RP04 is part of the system. It requires an RP04 with a scratch pack. Run the dual port tests, if the drive is dual port. Also, DFRPH must be run on each port once.				
2.5	Run DDRPI ACCEPT, one pass.				
3.0 Adjustments					
3.1	Deskew the clock on the clock distribution board per the procedure in Appendix A.				
4.0 Margins					
4.1	Voltage Margins - none				
4.2	Speed Margins - all tests to be run at max clock rate.				
5.0 Error rates					
5.1	No errors are allowed in DFRHB and DFSXA. See Appendix B for DFRPH and DDRPI error rates.				
6.0 Failure Action					
6.1	Failure of RH20				
6.1.1	Repair of Module - repeat the entire test sequence. Section 3 may be eliminated if M8556 module was not at fault.				
6.1.2	Replacement of Module - same as 6.1.1				
6.2	Failure of RP04				
6.2.1	Repair of Module - Run DFRPH and DDRPI as specified.				
6.2.2	Replacement of Module - Same as 6.2.1				

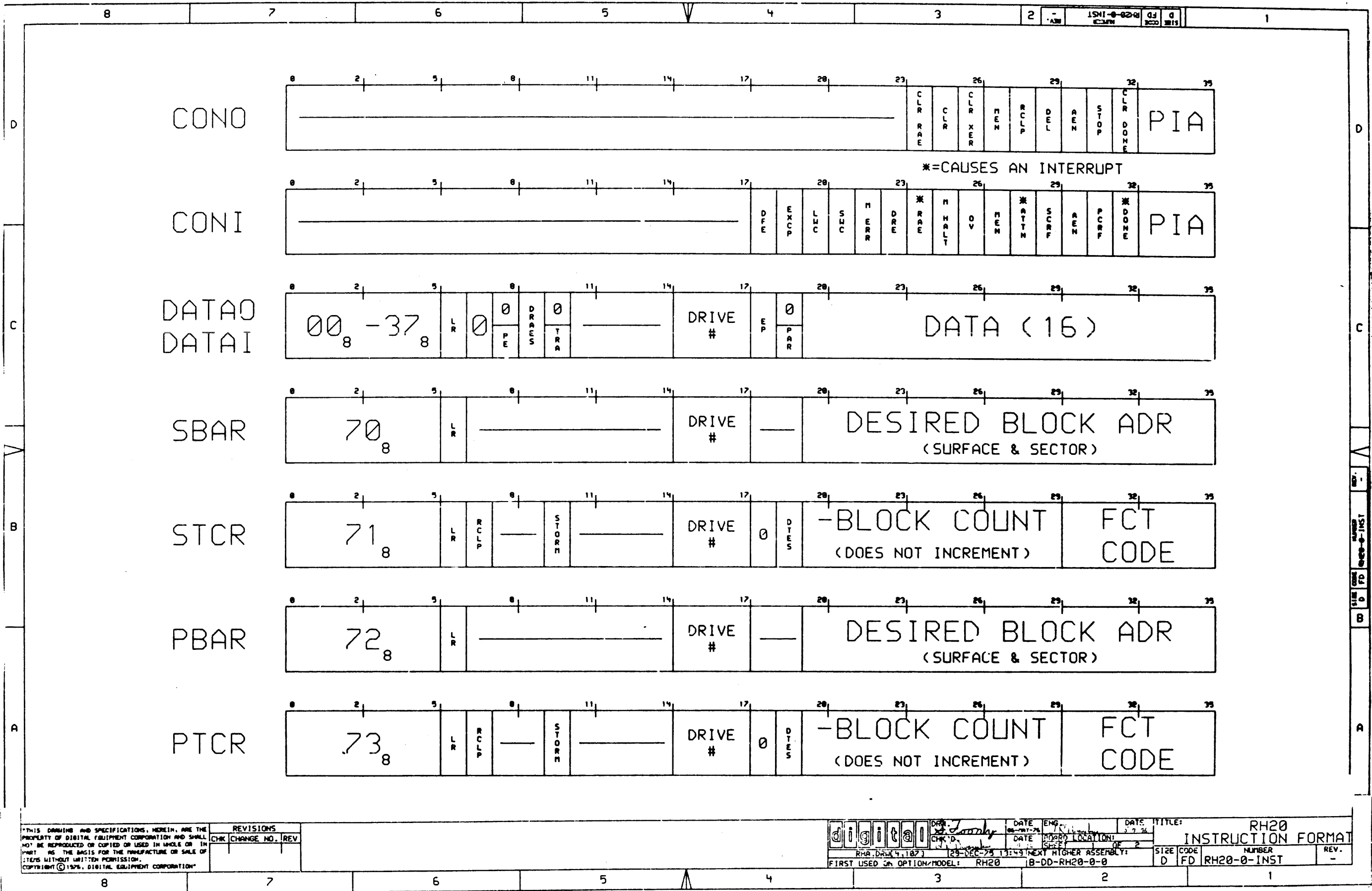
DEC FORM NO EN-01022:16-N70-(381)	SIZE <i>A</i>	CODE <i>SP</i>	NUMBER <i>2</i>	REV <i>4</i>
DRA 100		SHEET 2 OF 4		

ENGINEERING SPECIFICATION				CONTINUATION SHEET	
TITLE APPENDIX A. RH20 Clock Deskew Adjustment					
Each RH20 Data Path (DP) M8556 board must have it's clock deskewed with respect to channel time $\theta$ ( $T\theta$ ). The deskew is accomplished by adjusting the delay line on the Clock Distribution M8559 board in the I/O cabinet per the following procedure.					
1. Set up the scope as follows:					
a.	External Sync on B09K1	(CPU gate) at .5V/cm.			
b.	Trace 1 on D33F1	(CPU gate) at .5V/cm.			
c.	Trace 2 on AXXD2	(I/O gate) at 2V/cm.			
where xx is the location of the M8556 board for the RH20 to be deskewed.					
2. At a display rate of 20 ns/cm, adjust the appropriate pot on the clock distribution board such that the CPU M80X CLOCK (trace 1) which sets Channel T0 has the 50% point of it's rising edge occurring at the same time as the 50% point of rising edge of DP4 (N) CLK H (trace 2). Move trace 2 briefly to the external sync point (B09K1) to be sure that the clock pulse on trace 1 is the one whose leading edge sets channel T0 (B09K1).					

DEC FORM NO EN-01022:16-N70-(381)	SIZE <i>A</i>	CODE <i>SP</i>	NUMBER <i>3</i>	REV <i>4</i>
DRA 100		SHEET 3 OF 4		

ENGINEERING SPECIFICATION				CONTINUATION SHEET	
TITLE APPENDIX B. RP04 ERROR RATES					
1.0 DFRPH should run with no errors detected, if all ECOS are installed.					
2.0 DDRPI					
2.1	Error Definitions				
2.1.1	Soft error - any error recoverable by the retry sequence, including retry, offset and ECC.				
2.1.2	Hard error - any error not recoverable by the retry sequence.				
2.1.3	Seek error - SKI, OCYL, or HCE (header compare errors) where the printout shows that the drive is on the wrong cylinder. HCE logic faults and mismatches of sector and track are not seek errors.				
2.1.4	Pack attributable errors - any errors (DCK, ECH, OPI, DPE, etc.) which occur on the same cylinder and head (track) more than once, even though they may not occur every time. A record of the pack location of every error should be kept so that pack errors can be identified, since they may occur on a certain area as little as one time in ten, or less.				
2.2 Error Rate Criteria					
No hard errors allowed					
One seek error in $10^6$ seeks					
One read error in $10^9$ bits read, not counting pack errors					
Pack spec allows for 20 pack errors maximum with five or less hard pack errors in this 20.					

DEC FORM NO EN-01022:16-N70-(381)	SIZE <i>A</i>	CODE <i>SP</i>	NUMBER <i>4</i>	REV <i>4</i>
DRA 100		SHEET 4 OF 4		

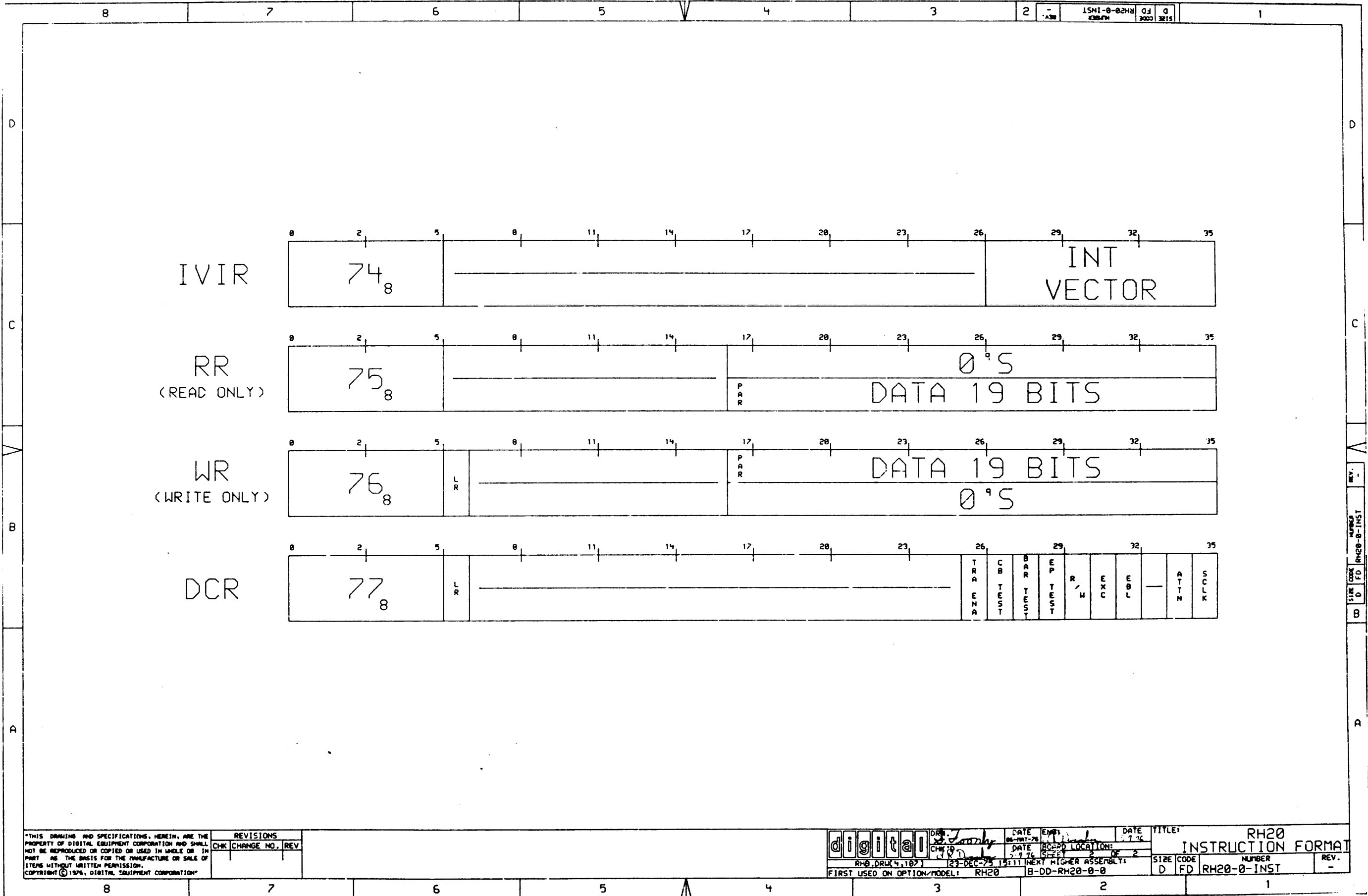


"THIS DRAWING AND SPECIFICATIONS, HEREIN, ARE THE PROPERTY OF DIGITAL EQUIPMENT CORPORATION AND SHALL NOT BE REPRODUCED OR COPIED OR USED IN WHOLE OR IN PART AS THE BASIS FOR THE MANUFACTURE OR SALE OF ITEMS WITHOUT WRITTEN PERMISSION. COPYRIGHT © 1975, DIGITAL EQUIPMENT CORPORATION"

REVISIONS		
CHK	CHANGE NO.	REV.

	DATE: 08-11-75	DATE: 7-7-76	TITLE: RH20 INSTRUCTION FORMAT
	DATE: 08-11-75	DATE: 7-7-76	
RHA, DRW 4, 1871	29-DEC-75 13:49 NEXT HIGHER ASSEMBLY:	SIZE: D	CODE: FD
FIRST USED IN OPTION/MODEL: RH20	B-DD-RH20-0-0	NUMBER:	REV.: -

1 2 3 4 5 6 7 8  
 D C B A  
 REV. 1  
 INST. NO. 0000-0-INST  
 CODE D FD  
 SIZE D

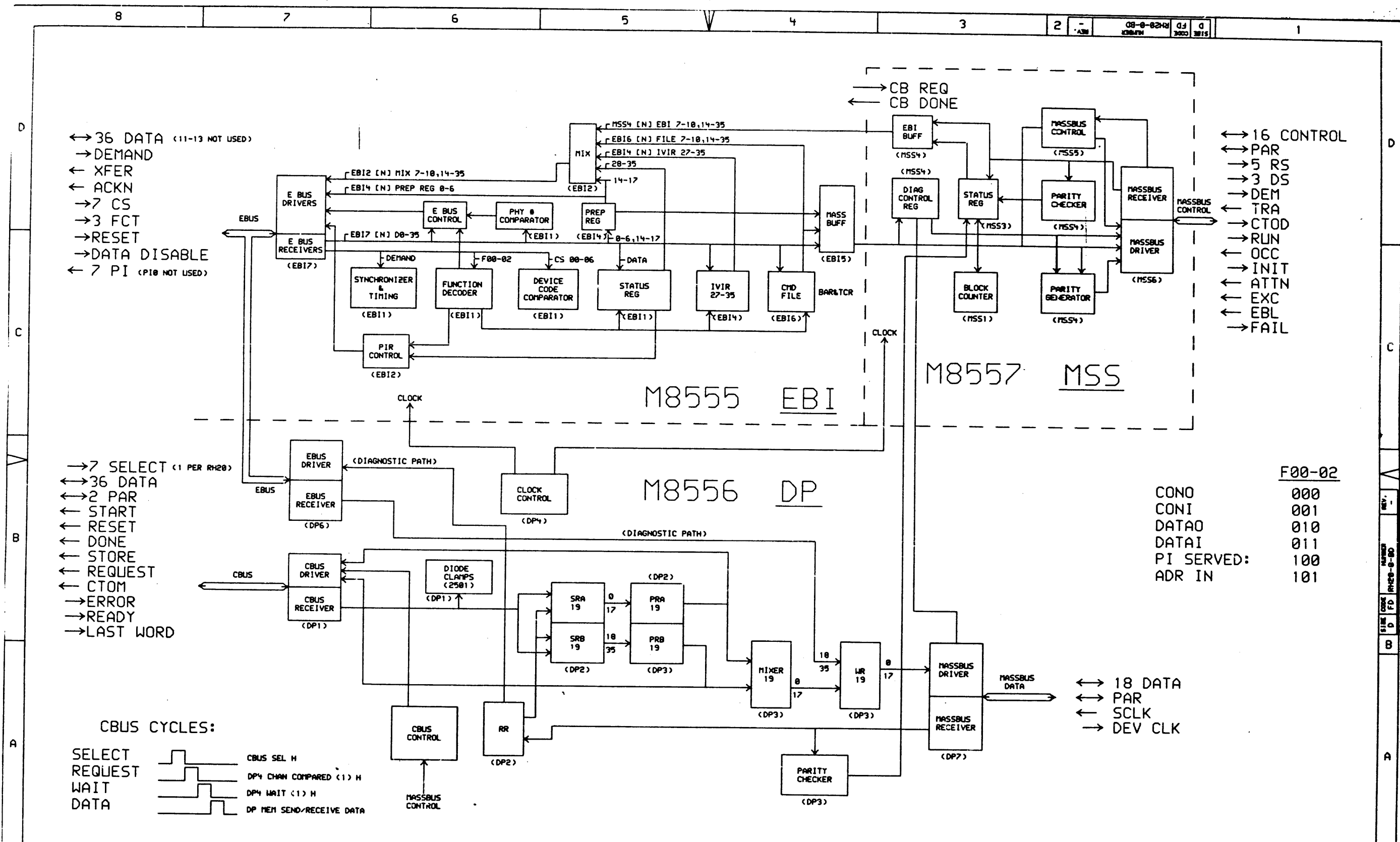


"THIS DRAWING AND SPECIFICATIONS, HEREIN, ARE THE PROPERTY OF DIGITAL EQUIPMENT CORPORATION AND SHALL NOT BE REPRODUCED OR COPIED OR USED IN WHOLE OR IN PART AS THE BASIS FOR THE MANUFACTURE OR SALE OF ITEMS WITHOUT WRITTEN PERMISSION. COPYRIGHT © 1976, DIGITAL EQUIPMENT CORPORATION"

REVISIONS	
CHK	CHANGE NO. REV.

	DATE (E) 08-1977-76	DATE (L) 7-76	TITLE: RH20 INSTRUCTION FORMAT
	DATE 2-7-76	LOCATION: 2 OF 2	SIZE CODE NUMBER REV. D FD RH20-0-INST -
FIRST USED ON OPTION/MODEL: RH20		NEXT HIGHER ASSEMBLY: B-DD-RH20-0-0	





F00-02

CONO	000
CONI	001
DATAO	010
DATAI	011
PI SERVED:	100
ADR IN	101

THIS DRAWING AND SPECIFICATIONS, HEREIN, ARE THE PROPERTY OF DIGITAL EQUIPMENT CORPORATION AND SHALL NOT BE REPRODUCED OR COPIED OR USED IN WHOLE OR IN PART AS THE BASIS FOR THE MANUFACTURE OR SALE OF ITEMS WITHOUT WRITTEN PERMISSION.  
 COPYRIGHT © 1976, DIGITAL EQUIPMENT CORPORATION

REVISIONS	
CHK	CHANGE NO. REV

**digital**

RHC.DRLK(4.107)

DATE ENG. 5-9-76  
 DATE 5-9-76  
 DATE 5-9-76

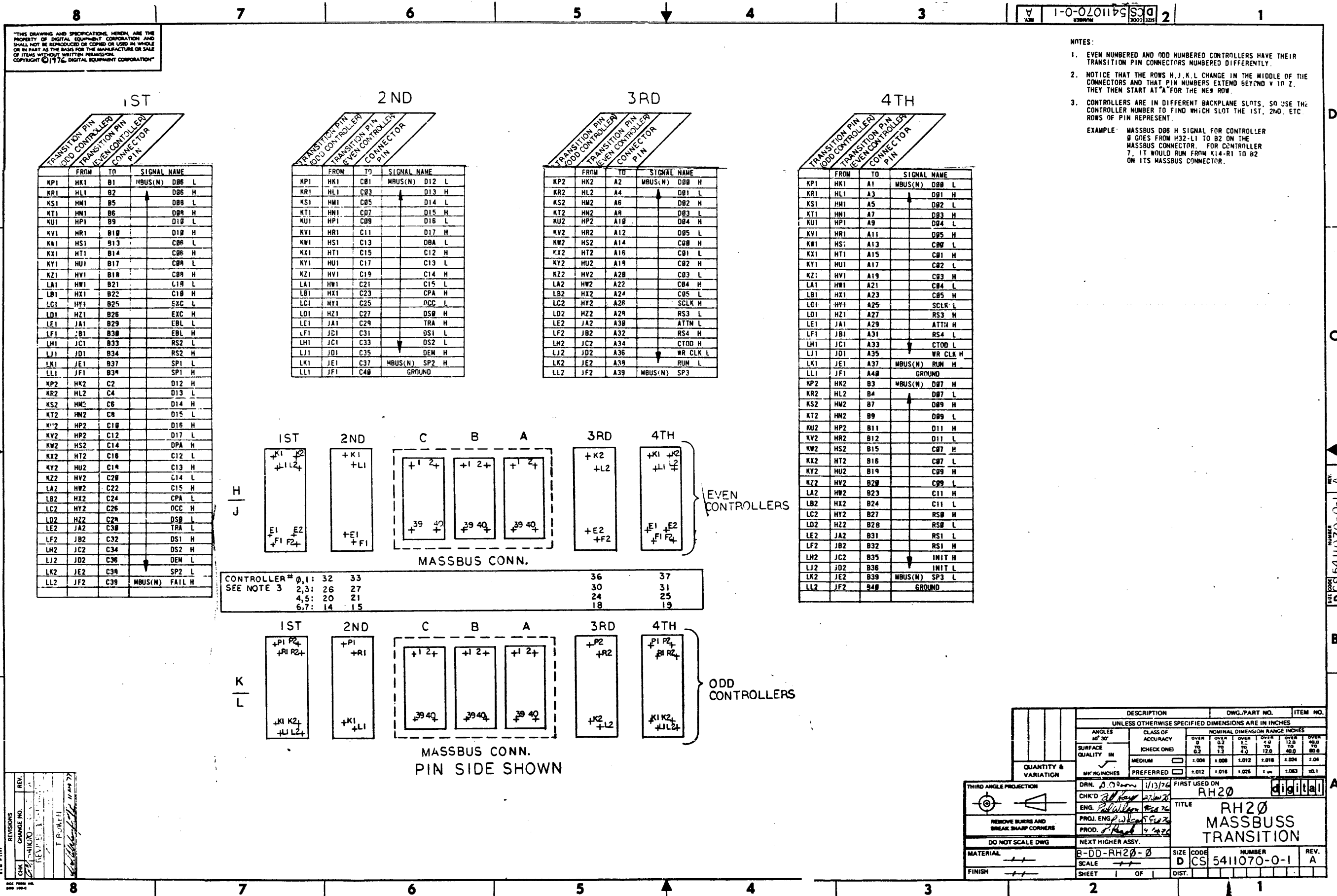
TITLE: MASSBUS CONTROLLER (BLOCK DIAGRAM)

SIZE CODE: D FD  
 NUMBER: RH20-0-BD  
 REV: -

FIRST USED ON OPTION/MODEL: RH20 B-00-RH20-0-0

DIGITAL EQUIPMENT CORPORATION MAYNARD, MASSACHUSETTS					QUANTITY / VARIATION															
PARTS LIST																				
MADE BY M. ARCHIE		CHECKED <i>W. D. ...</i>		SECTION 1																
DATE 4/16/75		DATE 4-22-75		ISSUED SECT. 1																
ENG <i>Louis J. Carpenito</i>		PROD <i>D. Regan</i>																		
DATE 5/1/75		DATE 5-7-75																		
ITEM NO.	DWG NO. / PART NO.	DESCRIPTION			RH2Ø															
1	M8555	MASSBUS CONTROL EBUS INTERFACE			1															
2	M8556	MASSBUS CONTROL CBUS INTERFACE			1															
3	M8557	MASSBUS CONTROL MBUS INTERFACE			1															
4	D-AD-7009938-0-0	MASSBUS TERMINATOR			1															
	NOTE 1:	DO NOT USE ANYTHING SHORTER THAN A																		
		BCØ6S-15 MASSBUS CABLE FROM RH.Ø																		
		CONTROLLER TO FIRST DEVICE.																		
TITLE		ASSY NO.		SIZE	CODE	NUMBER				REV.	ECO NO.									
MASSBUS CONTROLLER		— # —		A	PL	RH2Ø-Ø-Ø														
		SHEET 1 OF 1		DIST.																

DIGITAL EQUIPMENT CORPORATION MAYNARD, MASSACHUSETTS				QUANTITY / VARIATION															
PARTS LIST																			
MADE BY DON OLSEN		CHECKED <i>Bill Harvey</i>		SECTION															
DATE 30 JAN 76		DATE 2 FEB 76		1															
ENG <i>Phil Wilson</i>		PROD <i>J. Ketch</i>		ISSUED SECT.															
DATE 9 FEB 76		DATE 9 FEB 76		1															
ITEM NO.	DWG NO. / PART NO.	DESCRIPTION																	
1	EK-RH20-UD-001	RH20 UNIT DESCRIPTION		RH20															
2	MD-10-DFRHB-0	RH20 FAULT ISOLATOR DIAGNOSTICS																	
3	MP00056	FIELD SERVICE PRINT SET (RH20)																	
4	BC06S-XX	CABLE MASSBUS (SEE NOTE 1 & 2)																	
NOTE 1:		DO NOT USE ANYTHING SHORTER THAN A BC06S-15 CABLE FROM RH20 CONTROLLER TO FIRST DEVICE.																	
NOTE 2:		JUMPER W2 OF CARD C (THE BLOCK IS LABELED) SHOULD BE CUT																	
TITLE				ASSY NO.				SIZE CODE				NUMBER				REV. ECO NO.			
RH20 ACCESSORY SHIP LIST				<i>W</i>				A PL				RH20-0-ACL							
SHEET 1 OF 1				DIST.															



THIS DRAWING AND SPECIFICATIONS HEREIN ARE THE PROPERTY OF DIGITAL EQUIPMENT CORPORATION AND SHALL NOT BE REPRODUCED OR COPIED OR USED IN WHOLE OR IN PART AS THE BASIS FOR THE MANUFACTURE OR SALE OF ITEMS WITHOUT WRITTEN PERMISSION. COPYRIGHT © 1976, DIGITAL EQUIPMENT CORPORATION.

- NOTES:
- EVEN NUMBERED AND ODD NUMBERED CONTROLLERS HAVE THEIR TRANSITION PIN CONNECTORS NUMBERED DIFFERENTLY.
  - NOTICE THAT THE ROWS H, J, K, L CHANGE IN THE MIDDLE OF THE CONNECTORS AND THAT PIN NUMBERS EXTEND BEYOND V TO Z. THEY THEN START AT "A" FOR THE NEW ROW.
  - CONTROLLERS ARE IN DIFFERENT BACKPLANE SLOTS, SO USE THE CONTROLLER NUMBER TO FIND WHICH SLOT THE 1ST, 2ND, ETC. ROWS OF PIN REPRESENT.
- EXAMPLE: MASSBUS DB8 H SIGNAL FOR CONTROLLER # GOES FROM H32-L1 TO B2 ON THE MASSBUS CONNECTOR. FOR CONTROLLER 7, IT WOULD RUN FROM K14-R1 TO B2 ON ITS MASSBUS CONNECTOR.

1ST

FROM	TO	SIGNAL NAME
KP1	HK1	B1 MBUS(N) DB8 L
KR1	HL1	B2 DB8 H
KS1	HM1	B5 DB8 L
KT1	HN1	B6 DB8 H
KU1	HP1	B9 DB8 L
KV1	HR1	B10 DB8 H
KW1	HS1	B13 DB8 L
KX1	HT1	B14 DB8 H
KY1	HU1	B17 DB8 L
KZ1	HV1	B18 DB8 H
LA1	HW1	B21 DB8 L
LB1	HX1	B22 DB8 H
LC1	HY1	B25 DB8 L
LD1	HZ1	B26 DB8 H
LE1	JA1	B29 DB8 L
LF1	JB1	B30 DB8 H
LM1	JC1	B33 DB8 L
LJ1	JD1	B34 DB8 H
LK1	JE1	B37 DB8 L
LL1	JF1	B39 DB8 H
KP2	HK2	C2 DB8 L
KR2	HL2	C4 DB8 H
KS2	HM2	C6 DB8 L
KT2	HN2	C8 DB8 H
KU2	HP2	C10 DB8 L
KV2	HR2	C12 DB8 H
KW2	HS2	C14 DB8 L
KX2	HT2	C16 DB8 H
KY2	HU2	C18 DB8 L
KZ2	HV2	C19 DB8 H
LA2	HW2	C22 DB8 L
LB2	HX2	C24 DB8 H
LC2	HY2	C26 DB8 L
LD2	HZ2	C29 DB8 H
LE2	JA2	C30 DB8 L
LF2	JB2	C32 DB8 H
LM2	JC2	C34 DB8 L
LJ2	JD2	C36 DB8 H
LK2	JE2	C39 DB8 L
LL2	JF2	C39 MBUS(N) FAIL H

2ND

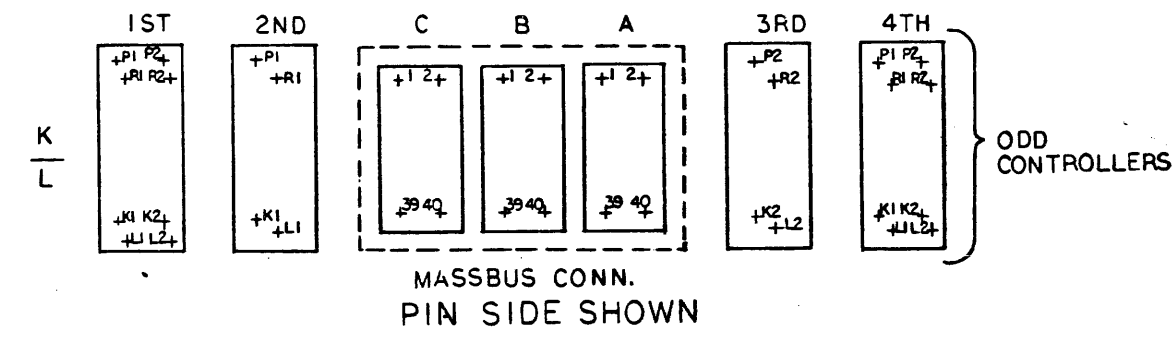
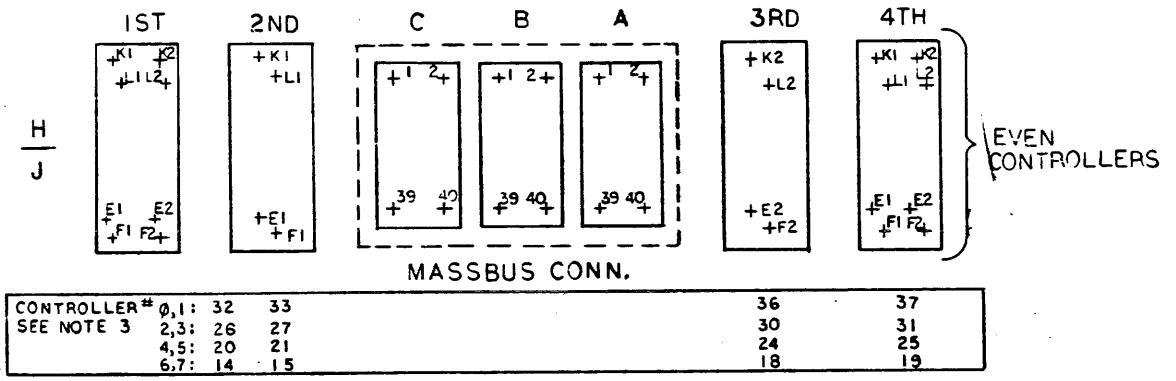
FROM	TO	SIGNAL NAME
KP1	HK1	C81 MBUS(N) D12 L
KR1	HL1	C83 D13 H
KS1	HM1	C85 D14 L
KT1	HN1	C87 D15 H
KU1	HP1	C89 D16 L
KV1	HR1	C11 D17 H
KW1	HS1	C13 D18 L
KX1	HT1	C15 D19 H
KY1	HU1	C17 D20 L
KZ1	HV1	C19 D21 H
LA1	HW1	C21 D22 L
LB1	HX1	C23 CPA H
LC1	HY1	C25 OCC L
LD1	HZ1	C27 DS8 H
LE1	JA1	C29 TRA H
LF1	JB1	C31 DS1 L
LM1	JC1	C33 DS2 L
LJ1	JD1	C35 DEM H
LK1	JE1	C37 MBUS(N) SP2 H
LL1	JF1	C40 GROUND

3RD

FROM	TO	SIGNAL NAME
KP2	HK2	A2 MBUS(N) DB8 H
KR2	HL2	A4 DB8 L
KS2	HM2	A6 DB8 H
KT2	HN2	A8 DB8 L
KU2	HP2	A10 DB8 H
KV2	HR2	A12 DB8 L
KW2	HS2	A14 DB8 H
KX2	HT2	A16 DB8 L
KY2	HU2	A18 DB8 H
KZ2	HV2	A20 DB8 L
LA2	HW2	A22 DB8 H
LB2	HX2	A24 DB8 L
LC2	HY2	A26 SCLK H
LD2	HZ2	A28 RS3 L
LE2	JA2	A30 ATTN L
LF2	JB2	A32 RS4 H
LM2	JC2	A34 CTOD H
LJ2	JD2	A36 WR CLK L
LK2	JE2	A38 RUN L
LL2	JF2	A39 MBUS(N) SP3

4TH

FROM	TO	SIGNAL NAME
KP1	HK1	A1 MBUS(N) DB8 L
KR1	HL1	A3 DB8 H
KS1	HM1	A5 DB8 L
KT1	HN1	A7 DB8 H
KU1	HP1	A9 DB8 L
KV1	HR1	A11 DB8 H
KW1	HS1	A13 DB8 L
KX1	HT1	A15 DB8 H
KY1	HU1	A17 DB8 L
KZ1	HV1	A19 DB8 H
LA1	HW1	A21 DB8 L
LB1	HX1	A23 DB8 H
LC1	HY1	A25 SCLK L
LD1	HZ1	A27 RS3 H
LE1	JA1	A29 ATTN H
LF1	JB1	A31 RS4 L
LM1	JC1	A33 CTOD L
LJ1	JD1	A35 WR CLK H
LK1	JE1	A37 MBUS(N) RUN H
LL1	JF1	A40 GROUND
KP2	HK2	B3 MBUS(N) DB7 H
KR2	HL2	B4 DB7 L
KS2	HM2	B7 DB7 H
KT2	HN2	B9 DB7 L
KU2	HP2	B11 DB7 H
KV2	HR2	B12 DB7 L
KW2	HS2	B15 DB7 H
KX2	HT2	B16 DB7 L
KY2	HU2	B19 DB7 H
KZ2	HV2	B20 DB7 L
LA2	HW2	B23 DB7 H
LB2	HX2	B24 DB7 L
LC2	HY2	B27 RS8 H
LD2	HZ2	B28 RS8 L
LE2	JA2	B31 RS1 L
LF2	JB2	B32 RS1 H
LM2	JC2	B35 INIT H
LJ2	JD2	B36 INIT L
LK2	JE2	B39 MBUS(N) SP3 L
LL2	JF2	B40 GROUND



REVISIONS

REV.	DATE	BY	CHK	CHANGE NO.
1	11/13/76	DRN	DRN	0
2	1/13/76	DRN	DRN	1
3	2/10/76	DRN	DRN	2
4	2/10/76	DRN	DRN	3
5	2/10/76	DRN	DRN	4
6	2/10/76	DRN	DRN	5
7	2/10/76	DRN	DRN	6
8	2/10/76	DRN	DRN	7

THIRD ANGLE PROJECTION

REMOVE BURRS AND BREAK SHARP CORNERS

DO NOT SCALE DWG

MATERIAL: R-DD-RH20-0

FINISH: ++

QUANTITY & VARIATION	DESCRIPTION	DWG. PART NO.	ITEM NO.
1	UNLESS OTHERWISE SPECIFIED DIMENSIONS ARE IN INCHES		
1	ANGLES 90° 30'		
1	SURFACE QUALITY IN		
1	CLASS OF ACCURACY (CHECK ONE)		
1	NOMINAL DIMENSION RANGE INCHES		
1	PREFERRED		
1	FIRST USED ON		
1	CHKD		
1	ENG.		
1	PROJ. ENG.		
1	PROD.		
1	NEXT HIGHER ASSY.		
1	SIZE CODE		
1	SCALE		
1	SHEET		
1	OF		
1	DIST.		

TITLE: RH20 MASSBUS TRANSITION

NUMBER: DCS 5411070-0-1

REV. A