

TITLE	SHEET 2 OF 4	SIZE CODE	NUMBER	REV
LP20 LINE PRINTER SYSTEM	SHEET 2 OF 4	B DD	LP20-0	D

ELECTRICAL					ELECTRICAL										
CUSTOMER PRINT SET	MFG. SET	FIND NO.	DRAWING NO.	REV	NO OF SHT	DESCRIPTION	OPTION NO./FILE DATE	CUSTOMER PRINT SET	MFG. SET	FIND NO.	DRAWING NO.	REV	NO OF SHT	DESCRIPTION	OPTION NO./FILE DATE
		1	C-PL-LP20-0-0	#	1	LP20 LINE PRINTER SYSTEM									
			C-MU-LP20-0-MU	#	1	MODULE UTILIZATION (LP20)									
			B-DD-M8585-0			LP20 TRANSLATION RAM									
			B-DD-M8586-0			LP20 LINE PRINTER CONTROL									
			B-DD-M8587-0			LP20 LINE PRINTER DATA PATHS									
			D-IA-7012475-0-0	#	1	POWER HARNESS									
			D-UA-BC06R-10	#	1	BC06R I/O CABLE									
			D-UA-BC11A-02	#	1	CABLE ASSY (BC11A)									
			B-TC-LP20-0-1	#	1	LP20 FIELD MAINT. PRINT SET (TC)									
			A-SP-LP20-0-4	#	2	LP20 ACCEPTANCE SPEC									
			MP00006			LP20 PRINT SET									
			A-SP-LP20-0-3	#	5	LP20 INSTALLATION & CHECKOUT SPEC									
			D-BD-LP20-0-6	#		LP20 CONTROLLER BLOCK DIAGRAM									
			B-DD-M8571-0			LP20 LINE PRINTER DATA PATHS									
		2	D-AD-7011427-0-0	#	1	WIRED ASSY (LP20)									
			K-WL-LP20-0-WL	#	1	WIRE LIST									
			A-WT-7011427-0	#	1	AWT REVISION STATUS									
		3	D-AD-7011590-0-0	#	1	BACKPLANE ASSY (LP20)									
		4	D-UA-5411704-0-0	#	3	LP20 BACKPLANE									
			B-DD-5411704-0	#	2	LP20 BACKPLANE (D.D.)									

CUSTOMER PRINT SET CODES
 X = PRINT OF DOCUMENT INCLUDED IN PRINT SET
 C = INCLUDES ALL PRINTS INDICATED ON DOCUMENT
 S = CONFIDENTIAL AUTHORIZED SIGNATURE REQUIRED

TITLE: LP20 LINE PRINTER SYSTEM
 SHEET 3 OF 4
 SIZE CODE: B DD
 NUMBER: LP20-0
 REV: D

CUSTOMER PRINT SET		MECHANICAL					CUSTOMER PRINT SET		MECHANICAL				
FIND NO.	DRAWING NO.	REV	NO OF SHT	DESCRIPTION	OPTION NO./FILE DATE	FIND NO.	DRAWING NO.	REV	NO OF SHT	DESCRIPTION	OPTION NO./FILE DATE		
												MFG. SET	MFG. SET
1	C-PL-LP20-0-0	#	1	LP20 LINE PRINTER SYSTEM		5	D-IA-7011960-0-0	#	1	SUPPORT HARNESS			
	D-IA-7011426-0-0	#	1	CABLE LP20			C-MD-7412443-0-0	#	1	CABLE HOLDER			
	D-UA-BC06R-10	#	1	BC06R I/O CABLE			C-MD-7415015-0-0	#	1	BRACKET CABLE RETAINING			
	D-UA-BC11A-02	#	1	CABLE ASSY (BC11A)			C-MD-7415015-1-0	#	1	BRACKET CABLE RETAINING			
	D-IA-7012475-0-0	#	1	POWER HARNESS									
	A-PL-LP20-0-SH	#	1	SHIPPING LIST									
2	D-IA-7011427-0-0	#	1	WIRED ASSY (LP20)									
3	D-IA-7011590-0-0	#	1	BACKPLANE ASSY (LP20)									
	C-PS-1209583-1-0	#	2	CASTING, THREE BLOCK									
4	D-UA-5411704-0-0	#	3	LP20 BACKPLANE									
	B-DD-5411704-0	#	2	LP20 BACKPLANE									

CUSTOMER PRINT SET CODES
X = PRINT OF DOCUMENT INCLUDED IN PRINT SET
C = INCLUDES ALL PRINTS INDICATED ON DOCUMENT
S = CONFIDENTIAL AUTHORIZED SIGNATURE REQUIRED

TITLE
LP20 LINE PRINTER SYSTEM

SHEET 4 OF 4

SIZE CODE
B DD

NUMBER
LP20-0

REV
D

THIS DRAWING AND SPECIFICATIONS, HEREIN ARE THE PROPERTY OF DIGITAL EQUIPMENT CORPORATION AND SHALL NOT BE REPRODUCED OR COPIED OR USED IN WHOLE OR IN PART AS THE BASIS FOR THE MANUFACTURE OR SALE OF ITEMS WITHOUT WRITTEN PERMISSION. COPYRIGHT © DIGITAL EQUIPMENT CORPORATION

ITEM NO.	DWG./PART NO.	DESCRIPTION	LP20-#																								
			LP20-#	LP20-AA	LP20-AB	LP20-AC	LP20-AD	LP20-AA	LP20-BB	LP20-BC	LP20-BD	LP20-CA	LP20-CB	LP20-CC	LP20-CD	LP20-DA	LP20-DB	LP20-DC	LP20-DD	LP20-EA	LP20-EB	LP20-FC	LP20-FD	LP20-GA	LP20-GB	LP20-HC	LP20-HD
1	D-AD-7011427-0-0	WIRED ASSY (LP20)	1	1	1	1	1	1	1	1	1	1	1	1	1	1	1	1	1	1	1	1	1	1	1	1	1
2	D-UA-BC66R-1#	BC66R I/O CABLE	1	1	1	1	1	1	1	1	1	1	1	1	1	1	1	1	1	1	1	1	1	1	1	1	1
3	D-UA-BC11A-#2	CABLE ASSY (BC11A)	1	1	1	1	1	1	1	1	1	1	1	1	1	1	1	1	1	1	1	1	1	1	1	1	1
4	D-IA-7012475	HARNESS, POWER	1	1	1	1	1	1	1	1	1	1	1	1	1	1	1	1	1	1	1	1	1	1	1	1	1
5	D-IA-7011960-0-0	SUPPORT, HARNESS	1	1	1	1	1	1	1	1	1	1	1	1	1	1	1	1	1	1	1	1	1	1	1	1	1
6	M8585	LP20 TRANSLATION RAM MODULE	1	1	1	1	1	1	1	1	1	1	1	1	1	1	1	1	1	1	1	1	1	1	1	1	1
7	M8566	LP20 LINE PRINTER CONTROL MODULE	1	1	1	1	1	1	1	1	1	1	1	1	1	1	1	1	1	1	1	1	1	1	1	1	1
8	M8587	LP20 LINE PRINTER DATA PATHS MODULE	*	1	1	1	1	1	1	1	1	1	1	1	1	1	1	1	1	1	1	1	1	1	1	1	1
9	LP20-#	CONTROLLER ONLY	-	1	1	1	1	1	1	1	1	1	1	1	1	1	1	1	1	1	1	1	1	1	1	1	1
10	3011631-03	LP05-VK LINE PRINTER EDP 60HZ	-	1	1	1	1	1	1	1	1	1	1	1	1	1	1	1	1	1	1	1	1	1	1	1	1
11	3011631-04	LP05-VT LINE PRINTER SCI 50HZ	-	1	1	1	1	1	1	1	1	1	1	1	1	1	1	1	1	1	1	1	1	1	1	1	1
12	3011631-07	LP05-WK LINE PRINTER EDP 60HZ	-	1	1	1	1	1	1	1	1	1	1	1	1	1	1	1	1	1	1	1	1	1	1	1	1
13	3011631-08	LP05-WT LINE PRINTER SCI 50HZ	-	1	1	1	1	1	1	1	1	1	1	1	1	1	1	1	1	1	1	1	1	1	1	1	1
14	3011091-09	LP16-JA LINE PRINTER EDP 60HZ	-	1	1	1	1	1	1	1	1	1	1	1	1	1	1	1	1	1	1	1	1	1	1	1	1
15	3011091-10	LP16-JB LINE PRINTER EDP 50HZ	-	1	1	1	1	1	1	1	1	1	1	1	1	1	1	1	1	1	1	1	1	1	1	1	1
16	3011091-11	LP16-JC LINE PRINTER SCI 60HZ	-	1	1	1	1	1	1	1	1	1	1	1	1	1	1	1	1	1	1	1	1	1	1	1	1
17	3011091-12	LP16-JD LINE PRINTER SCI 50HZ	-	1	1	1	1	1	1	1	1	1	1	1	1	1	1	1	1	1	1	1	1	1	1	1	1
18	3011091-13	LP16-KA LINE PRINTER EDP 60HZ	-	1	1	1	1	1	1	1	1	1	1	1	1	1	1	1	1	1	1	1	1	1	1	1	1
19	3011091-14	LP16-KB LINE PRINTER EDP 50HZ	-	1	1	1	1	1	1	1	1	1	1	1	1	1	1	1	1	1	1	1	1	1	1	1	1
20	3011091-15	LP16-KC LINE PRINTER SCI 60HZ	-	1	1	1	1	1	1	1	1	1	1	1	1	1	1	1	1	1	1	1	1	1	1	1	1
21	3011091-16	LP16-KD LINE PRINTER SCI 50HZ	-	1	1	1	1	1	1	1	1	1	1	1	1	1	1	1	1	1	1	1	1	1	1	1	1
22	M8571	LP20 LINE PRINTER DATA PATHS	1*	1	1	1	1	1	1	1	1	1	1	1	1	1	1	1	1	1	1	1	1	1	1	1	1
23	3014020-04	LP14-VK LINE PRINTER EDP 60HZ	-	1	1	1	1	1	1	1	1	1	1	1	1	1	1	1	1	1	1	1	1	1	1	1	1
24	3014020-04	LP14-VN LINE PRINTER EDP 50HZ	-	1	1	1	1	1	1	1	1	1	1	1	1	1	1	1	1	1	1	1	1	1	1	1	1
25	3014020-10	LP14-WK LINE PRINTER EDP 60HZ	-	1	1	1	1	1	1	1	1	1	1	1	1	1	1	1	1	1	1	1	1	1	1	1	1
26	3014020-10	LP14-WN LINE PRINTER EDP 50HZ	-	1	1	1	1	1	1	1	1	1	1	1	1	1	1	1	1	1	1	1	1	1	1	1	1
27	3011631-03	LP05-VN LINE PRINTER EDP 50HZ	-	1	1	1	1	1	1	1	1	1	1	1	1	1	1	1	1	1	1	1	1	1	1	1	1
28	3011631-04	LP05-VP LINE PRINTER SCI 60HZ	-	1	1	1	1	1	1	1	1	1	1	1	1	1	1	1	1	1	1	1	1	1	1	1	1
29	3011631-07	LP05-WN LINE PRINTER EDP 50HZ	-	1	1	1	1	1	1	1	1	1	1	1	1	1	1	1	1	1	1	1	1	1	1	1	1
30	3011631-08	LP05-WP LINE PRINTER SCI 60HZ	-	1	1	1	1	1	1	1	1	1	1	1	1	1	1	1	1	1	1	1	1	1	1	1	1
31	3014020-05	LP14-VP LINE PRINTER SCI 60HZ	-	1	1	1	1	1	1	1	1	1	1	1	1	1	1	1	1	1	1	1	1	1	1	1	1
32	3014020-05	LP14-VT LINE PRINTER SCI 50HZ	-	1	1	1	1	1	1	1	1	1	1	1	1	1	1	1	1	1	1	1	1	1	1	1	1
33	3014020-11	LP14-WP LINE PRINTER SCI 60HZ	-	1	1	1	1	1	1	1	1	1	1	1	1	1	1	1	1	1	1	1	1	1	1	1	1
34	3014020-11	LP14-WT LINE PRINTER SCI 50HZ	-	1	1	1	1	1	1	1	1	1	1	1	1	1	1	1	1	1	1	1	1	1	1	1	1

*: M8571 IS USED IN NEW BUILDS,
M8587 IS STILL USABLE AS A SPARE IN MOST APPLICATIONS

NOTE: FOR USE ON DEC SYSTEM 2# THE 7011426-XX CABLE IS USED TO CONNECT THE LINE PRINTER TO A RECEPTACLE HOUSING ASSY ON THE 7011418 FRONT END ASSY. THE BC66R-1# CABLE CONNECTS FROM THE RECEPTACLE HOUSING ASSY TO THE M8587 MODULE.

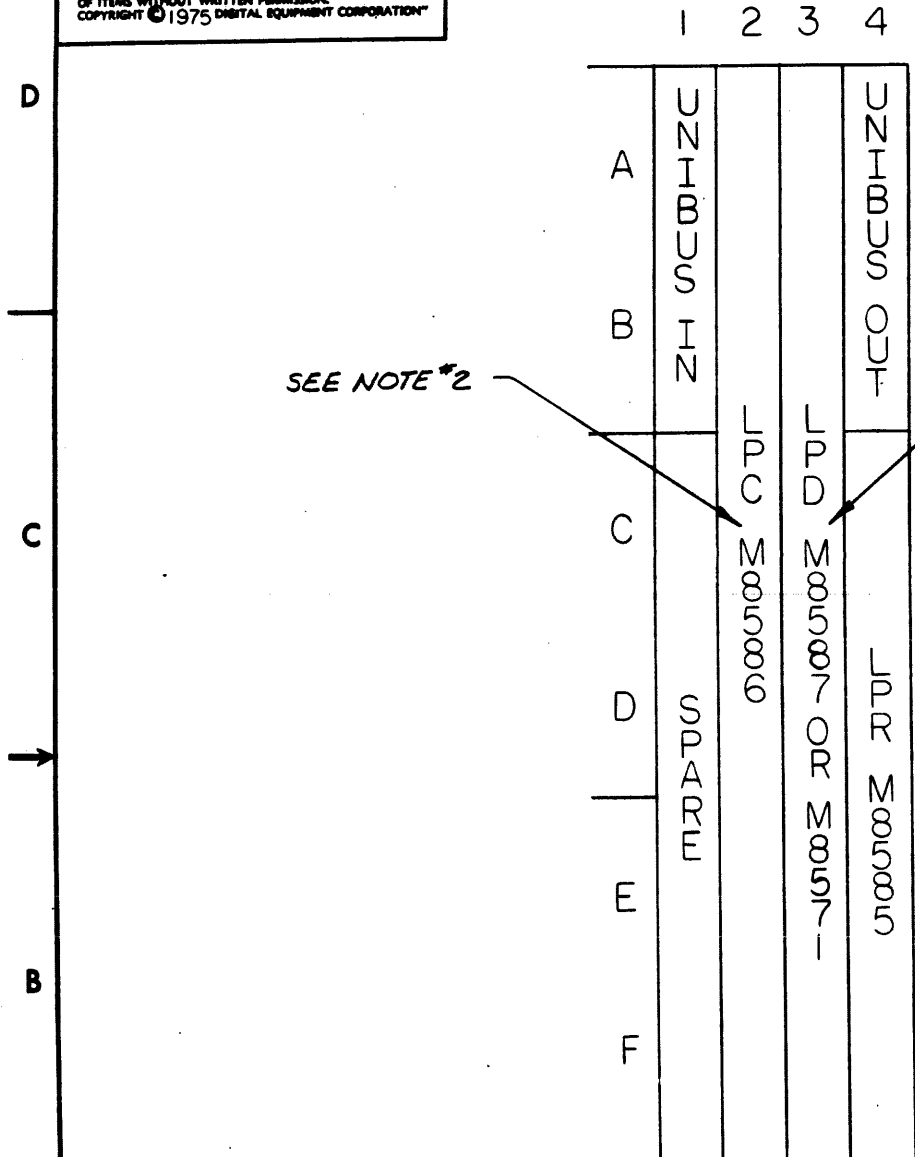
REV. D
M. Pascale 10 JAN 77
ELBERT BLOOM
E. H. I. Bloom 2/1/77

DRM. P.W. CAUNTER 19-75	FIRST USED ON	digital
CHK'D V. SOUZA 3 NOV 75	LP-20	
ENG. T. KNIGHT 3 NOV 75	TITLE	LP20 LINE PRINTER SYSTEM
PROJ. ENG. T. KNIGHT 3 NOV 75		
PROD. W. KEEFE 3 NOV 75		
NEXT HIGHER ASSY.	SIZE	NUMBER
B-DD-LP20-#	C	PL LP20-0-0
SCALE -#	REV.	D
SHEET 1 OF 1	DIST.	

"THIS DRAWING AND SPECIFICATIONS, HEREIN, ARE THE PROPERTY OF DIGITAL EQUIPMENT CORPORATION AND SHALL NOT BE REPRODUCED OR COPIED OR USED IN WHOLE OR IN PART AS THE BASIS FOR THE MANUFACTURE OR SALE OF ITEMS WITHOUT WRITTEN PERMISSION. COPYRIGHT © 1975 DIGITAL EQUIPMENT CORPORATION"

NOTES:

- SEE PRINTS D-CS-M8571-Ø-LPØØ AND D-CS-M 8587-Ø-LPØØ FOR M8571 AND M8587 MODULE INTERCHANGEABILITY INFORMATION AND JUMPER/DIPSWITCH CONFIGURATION INFORMATION.
- SEE PRINTS D-CS-M8586-Ø-LPØØ FOR JUMPER/DIPSWITCH CONFIGURATION INFORMATION FOR M8586.



REF: PIN SIDE

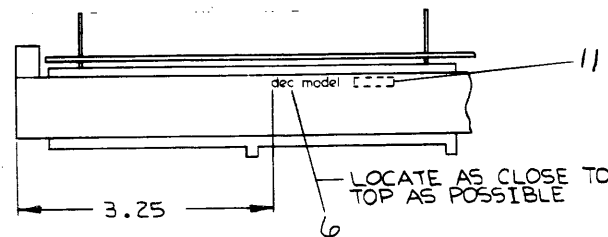
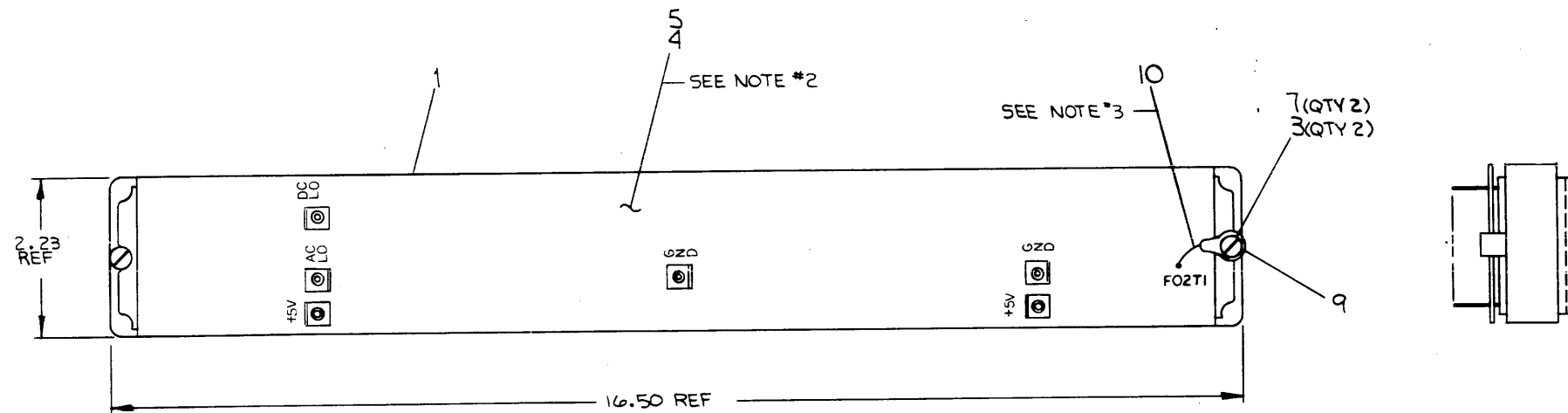
REV.	CHANGE NO.	CHK
A	0000 3	B.C.
		T. KNIGHT
		11-17-77

FIRST USED ON OPTION/MODEL		QTY.	DESCRIPTION	PART NO.	ITEM NO.
LP2Ø					
DIMENSIONAL TOLERANCE					
DIMENSIONS ARE MILLIMETERS UNLESS OTHERWISE SPECIFIED					
MILLIMETERS	INCHES	ANGLES	PARTS LIST		
X,XX ±0,10	J,XX ±0,005	30° 30'	DRN. R. W. Counter	DATE 7-24-75	digital
X,X ±0,5	J,X ±0,02		CHK'D	DATE 7-25-75	
X ±2	X ±0,1		ENG. E. E. IT	DATE 8-12-75	
			PRO. ENG. E. E. IT	DATE 8-22-75	
THIRD ANGLE PROJECTION			PROD. DATE 11-3-75	TITLE	
REMOVE BURRS AND BREAK SHARP CORNERS SURFACE QUALITY ✓			NEXT HIGHER ASSY.	MODULE UTILIZATION (LP2Ø)	
MATERIAL			B-DD-LP2Ø-Ø	SIZE CODE C MU	NUMBER LP2Ø-Ø-MU
FINISH			SCALE		REV. A
			SHEET OF	DIST.	

REV. A
PART NO. LP2Ø-Ø-MU
ITEM NO. CM

"THIS DRAWING AND SPECIFICATIONS HEREIN ARE THE PROPERTY OF DIGITAL EQUIPMENT CORPORATION AND SHALL NOT BE REPRODUCED OR COPIED OR USED IN WHOLE OR IN PART AS THE BASIS FOR THE MANUFACTURE OR SALE OF ITEMS WITHOUT WRITTEN PERMISSION. COPYRIGHT © 1975 DIGITAL EQUIPMENT CORPORATION"

- NOTES:**
1. ~~INSTALL WIRE SHIELDS (ITEM #8) PRIOR TO WRAPPING.~~
 2. USE YELLOW WIRE (ITEM #5) FOR NUMERICALLY CONTROLLED WRAPPING (GARDNER DENVER & NC HANDWRAP). USE (ITEM #4) FOR TWP (NC HANDWRAP).
 3. WRAP ONE END OF A 24 GA BLACK WIRE (ITEM #10) TO F02T1 & SOLDER THE OTHER END TO THE LOCKING TERMINAL (ITEM #9) MOUNTING UNDER THE BACKPLANE MOUNTING SCREW (ITEM #3).



AIR COMPRESS-O-CARTON	9105016-4	13
REF PACKAGING INSTRUCTIONS	3700040-0-0	12
1 DECAL LOGIC ASSY	A-DC-741188-01	11
AIR WIRE #24GA SOLID (BLK)	9107638-00	10
1 TERMINAL LOCKING SHAKEPROOF	9008150	9
REF AWT REVISION STATUS	A-WT-7011427-0	8
2 O-RING, RUBBER	9007835	7
1 DECAL LOGIC SERIAL NO	A-SS-7407846-0-0	6
AIR #30AWG SOLID COND (YEL)	9105740-44	5
AIR #30AWG SOLID COND TWY (BLK)	9107720-09	4
2 SCR CAPTIVE #8-32 x 1.38	9008157	3
REF WIRE LIST (LP20)	A-ML-LP20-Φ-ML	2
1 BACKPLANE ASSY (LP20)	D-IA-701,590-0-0	1

DESCRIPTION	DWG. PART NO.	ITEM NO.
UNLESS OTHERWISE SPECIFIED DIMENSIONS ARE IN INCHES		
ANGLES 10° 30'		
CLASS OF ACCURACY		
SURFACE QUALITY IN		
MICROMETRES		
PREFERRED		
FIRST USED ON LP20		
TITLE WIRED ASSY (LP20)		
MATERIAL SEE PARTS LIST		
SCALE		
SHEET 1 OF 1		
DIST.		

REV. 1	CHANGE NO. 00001	A
CHK	7011427-00001	A
DATE	11/20/75	
BY	T. KNIGHT	

DEC FORM NO. DRD 100-C

7011427-0-0

4

3

REV. C

NUMBER LP20-0-WL

SIZE CODE K WL

2

1

This drawing and specifications, herein, are the property of Digital Equipment Corporation and shall not be reproduced or copied or used in whole or in part as the basis for the manufacture or sale of items without written permission. COPYRIGHT © 1975

DIGITAL EQUIP. CORP.

NOTES:

- 1. LIST OF PAPER TAPE FILES USED.

LP20.NCC
LP20.TPC

FIRST USED ON OPTION MODEL	QTY.	DESCRIPTION	PART NO.	ITEM NO.
LP20				
PARTS LIST				
DRN.	R.W. Caunter	DATE	7-14-75	
CHK'D.	<i>[Signature]</i>	DATE	7-23-75	
ENG.	<i>J. Knight</i>	DATE	10-7-75	
PROJ. ENG.	<i>J. Knight</i>	DATE	10-7-75	
PROD.	<i>Mike Conway</i>	DATE	10/10/75	
NEXT HIGHER ASSEMBLY				
D IA-7011427-0-0				
SCALE	1:1		SIZE CODE	K WL
SHEET	1	OF	1	
TITLE			NUMBER	REV.
WIRE LIST			LP20-0-WL	C

digital EQUIPMENT CORPORATION
MAYNARD, MASSACHUSETTS

REVISIONS	CHANGE NO.	REV.
8	LP20-00001	C
CHK		

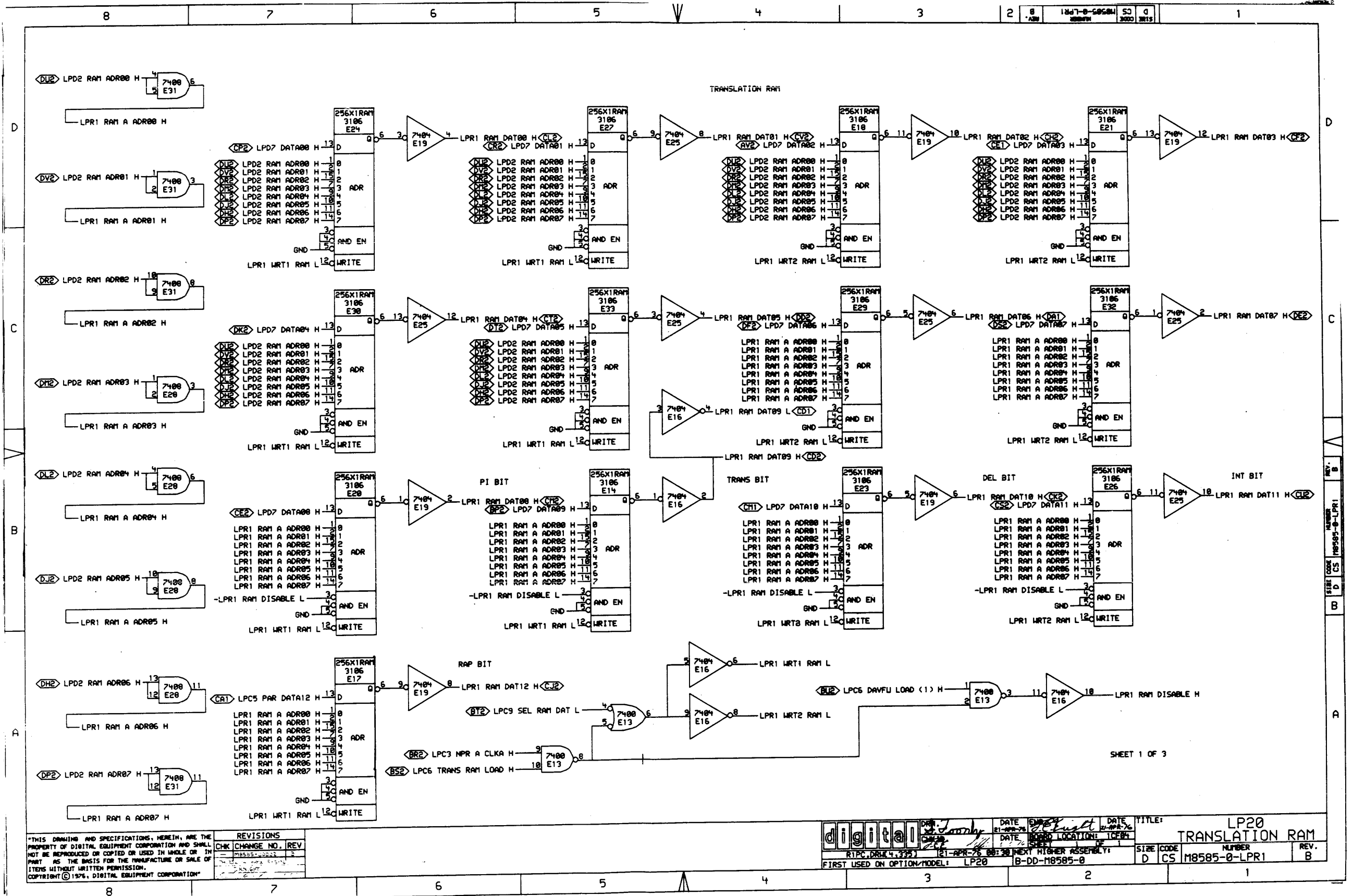
DEC FORM NO. DRB 109

4

3

2

1

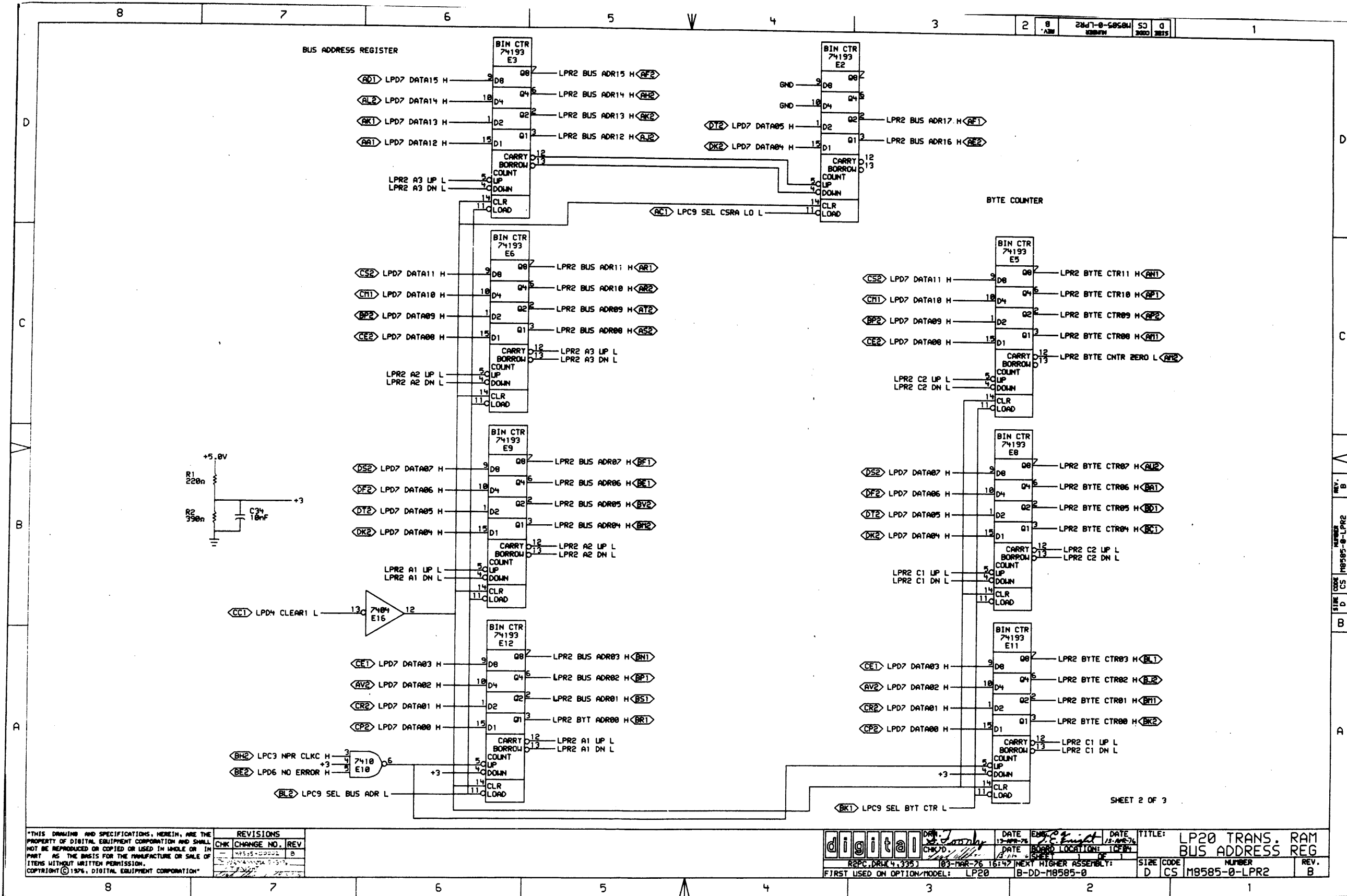


THIS DRAWING AND SPECIFICATIONS, HEREIN, ARE THE PROPERTY OF DIGITAL EQUIPMENT CORPORATION AND SHALL NOT BE REPRODUCED OR COPIED OR USED IN WHOLE OR IN PART AS THE BASIS FOR THE MANUFACTURE OR SALE OF ITEMS WITHOUT WRITTEN PERMISSION.
 COPYRIGHT © 1976, DIGITAL EQUIPMENT CORPORATION

REVISIONS		
CHK	CHANGE NO.	REV

digital	DATE	EMD	DATE	TITLE
	21-APR-76	10-APR-76	10-APR-76	LP20 TRANSLATION RAM
RTPC, DRLE 4, 3357	DATE	BOARD LOCATION	SIZE	CODE
FIRST USED ON OPTION MODEL: LP20	21-APR-76	10-APR-76	D	CS
		NEXT HIGHER ASSEMBLY:	NUMBER	REV.
		18-DD-18585-0	M8585-0-LPR1	B

SHEET 1 OF 3



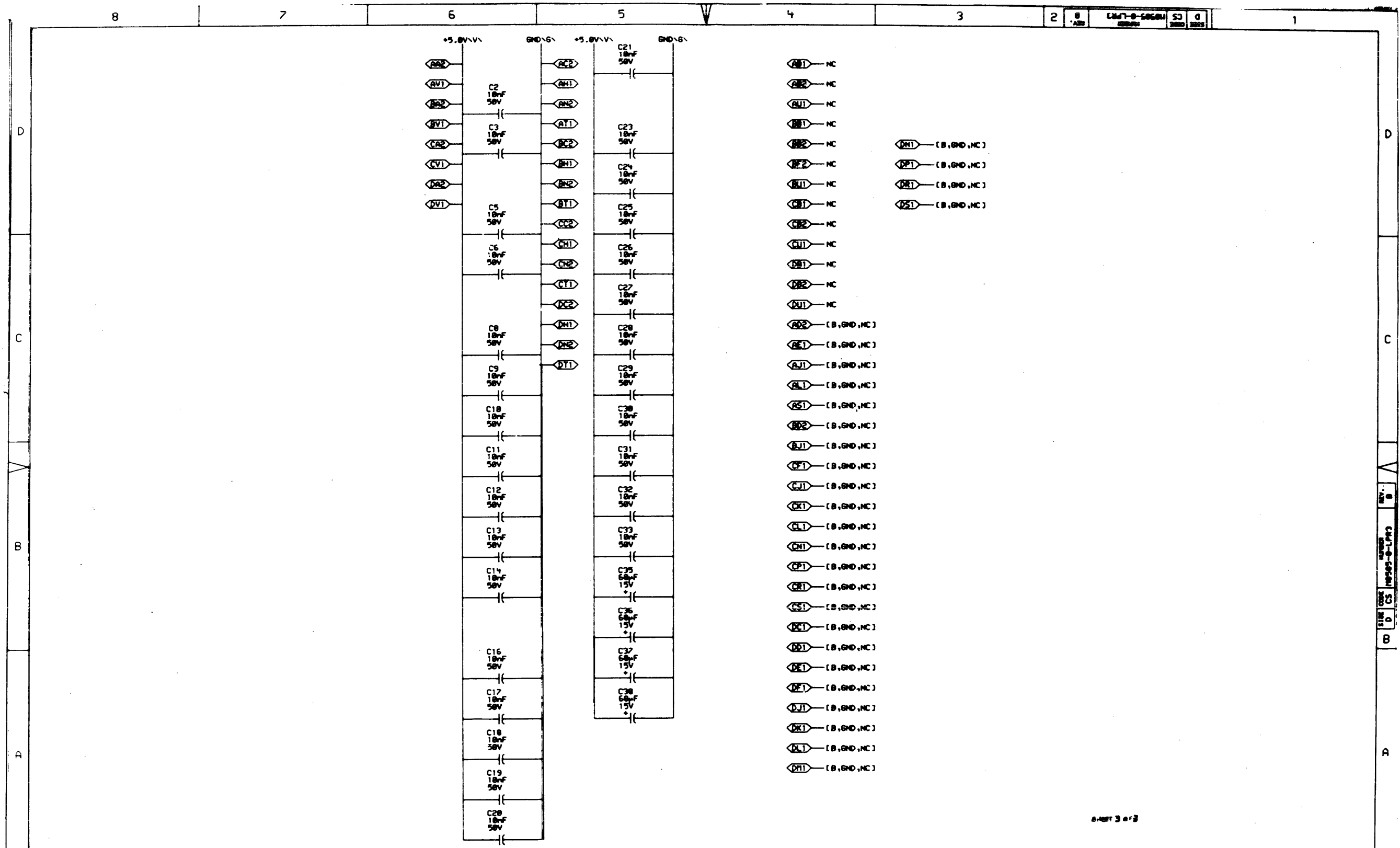
THIS DRAWING AND SPECIFICATIONS, HEREIN, ARE THE PROPERTY OF DIGITAL EQUIPMENT CORPORATION AND SHALL NOT BE REPRODUCED OR COPIED OR USED IN WHOLE OR IN PART AS THE BASIS FOR THE MANUFACTURE OR SALE OF ITEMS WITHOUT WRITTEN PERMISSION.
 COPYRIGHT © 1976, DIGITAL EQUIPMENT CORPORATION

CHK	CHANGE NO.	REV
		B

REV	DATE	BY	CHK'D	DATE	BY	CHK'D
1	12-19-76	J. Smith		12-19-76		
2	13-03-76	J. Smith		13-03-76		

TITLE: LP20 TRANS. RAM BUS ADDRESS REG
 SIZE CODE: D CS
 NUMBER: M8585-0-LPR2
 REV: B
 DATE: 13-MAR-76
 BOARD LOCATION: 10F01
 DATE: 13-MAR-76
 BOARD LOCATION: 10F01
 DATE: 13-MAR-76
 BOARD LOCATION: 10F01
 DATE: 13-MAR-76
 BOARD LOCATION: 10F01

SHEET 2 OF 3



*THIS DRAWING AND SPECIFICATIONS, HEREIN, ARE THE PROPERTY OF DIGITAL EQUIPMENT CORPORATION AND SHALL NOT BE REPRODUCED OR COPIED OR USED IN WHOLE OR IN PART AS THE BASIS FOR THE MANUFACTURE OR SALE OF ITEMS WITHOUT WRITTEN PERMISSION.
 © TRIGHT © 1976, DIGITAL EQUIPMENT CORPORATION

REVISIONS		
CHK	CHANGE NO.	REV.

	DATE: 12-20-76	DATE: 12-20-76	TITLE: LP20 TRANS. RAM POWER PINS
	DATE: 12-20-76	DATE: 12-20-76	DATE: 12-20-76
FIRST USED ON OPTION/MODEL: LP20	B-DD-M8585-0	SIZE CODE: D CS	NUMBER: M8585-0-LPR3
			REV.: B

THE COMPANY AND SPECIFICATIONS HEREIN ARE THE PROPERTY OF DIGITAL EQUIPMENT CORPORATION AND SHALL NOT BE REPRODUCED OR COPIED OR USED IN WHOLE OR IN PART AS THE BASIS FOR THE MANUFACTURE OR SALE OF ITEMS WITHOUT WRITTEN PERMISSION.
 COPYRIGHT © 1975 DIGITAL EQUIPMENT CORPORATION

NOTES: 1. FOR DRAWING DIRECTORY REFER TO: B-DD-M8585-Φ
 2. UNLESS OTHERWISE SPECIFIED THE FOLLOWING PIN NUMBERS APPLY. PACKAGE TYPE +5V GND
 14 PIN DIP 14 7
 16 PIN DIP 16 8

LIMITED RELEASE

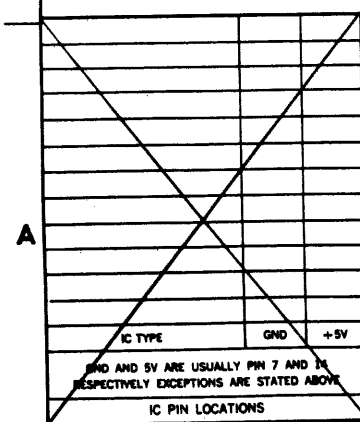
ECO*1=

ETCH CUTS SIDE 2 AS SHOWN:

1. E10(4).

WIRE ADDS SIDE 1 AS SHOWN (9105740-55)

1. FROM E10(4) TO PTH TO THE LEFT OF E11(1).



QTY	REF. DESIGNATION	DESCRIPTION	PART NO.	ITEM NO.
		ETCHED CIRCUIT BOARD	5011741	1
4	C35 THRU C38	CAP. 80uf 15V 10%	1000002	2
29	C2, C3, C5, C6, C8 THRU C14, C16 THRU C21, C23 THRU C24	CAP. 10nf 50V 20%	1001010-15	3
1	R1	RES. 220 5% 1/8	1300271	4
1	R2	RES. 300 5% 1/8	1300300	5
1	E13	I. C. DEC 7400	1905575	6
1	E10	I. C. DEC 7410	1905570	7
3	E16, E19, E25	I. C. DEC 7404	1900000	8
8	E2, E3, E5, E8, E9, E11, E12	I. C. DEC 74103	1910010	9
2	E20, E31	I. C. DEC 7400	1910155	10
13	E14, E17, E18, E20, E21, E23, E24, E26, E27, E29, E30, E32, E33	I. C. DEC 3100	1910010-02	11
8		EYELET	9000732	12
4		HANDLE, FLIP CHIP, MAGENTA	9000337-00	13
N/A		WIRE #30 AWG. GRN	9105740-55	14

FIRST USED ON OPTION MODEL: LP20

ETCH BOARD KEY

DRW. R. W. Compton	DATE 6-19-75
CHG'D. [Signature]	DATE 7/2/75
APP'D. [Signature]	DATE 7/2/75
PROD. [Signature]	DATE 7-7-75

digital

TITLE LP20 TRANSLATION RAM

SEMICONDUCTOR CONVERSION CHART

DEC NO. EIA NO. DEC NO. EIA NO.

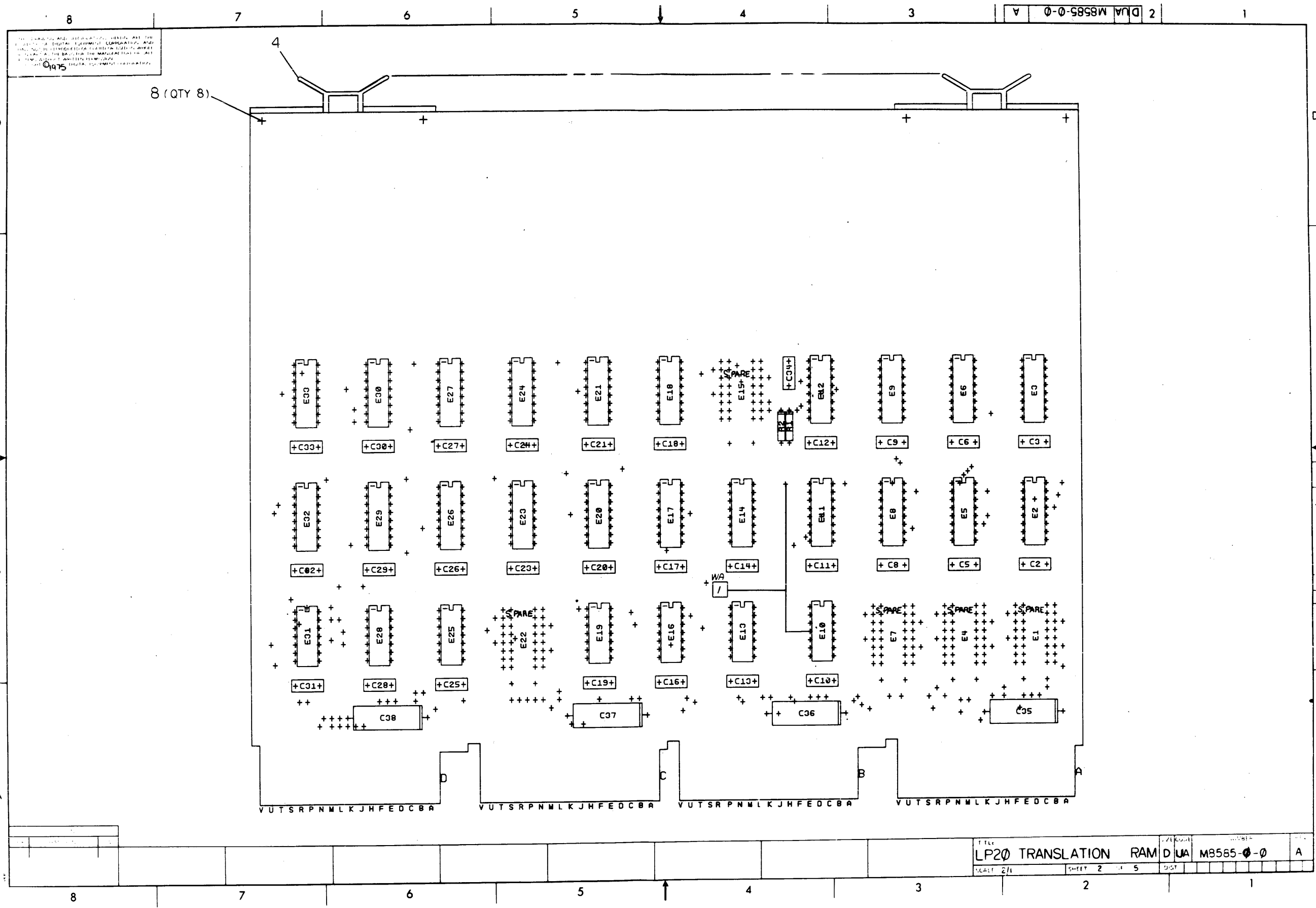
SCALE 2/1

SHEET 2 OF 5

SIZE CODE D UA

M8585-Φ-0

REV. A



THE DIMENSIONS AND IDENTIFICATION NUMBERS ARE FOR REFERENCE ONLY. THE DIMENSIONS OF THE COMPONENTS ARE SUBJECT TO CHANGE WITHOUT NOTICE. THE DIMENSIONS OF THE BOARD ARE SUBJECT TO CHANGE WITHOUT NOTICE.

2 DUA M8585-0-0 A

TITLE: LP20 TRANSLATION RAM DUA M8585-0-0 A
 SCALE: 2/1 SHEET 2 OF 5

8

7

6

5

4

3

DUA M8585-0-0 2

1

©1975

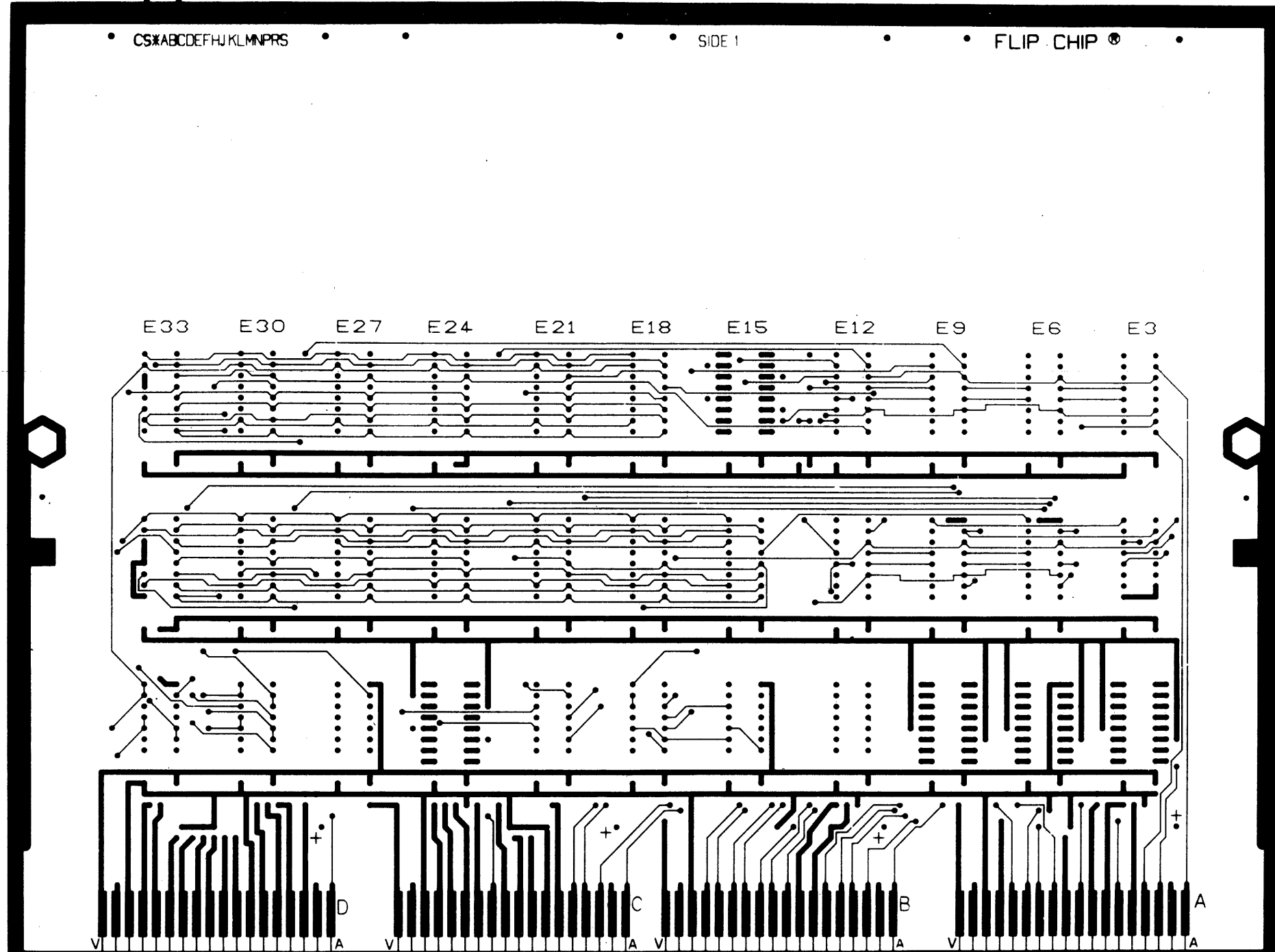
LI

CS*ABCDEFGHIJKLMNPRS

SIDE 1

FLIP CHIP

E33 E30 E27 E24 E21 E18 E15 E12 E9 E6 E3



D

C

A

B

A

DUA M8585-0-0

8

7

6

5

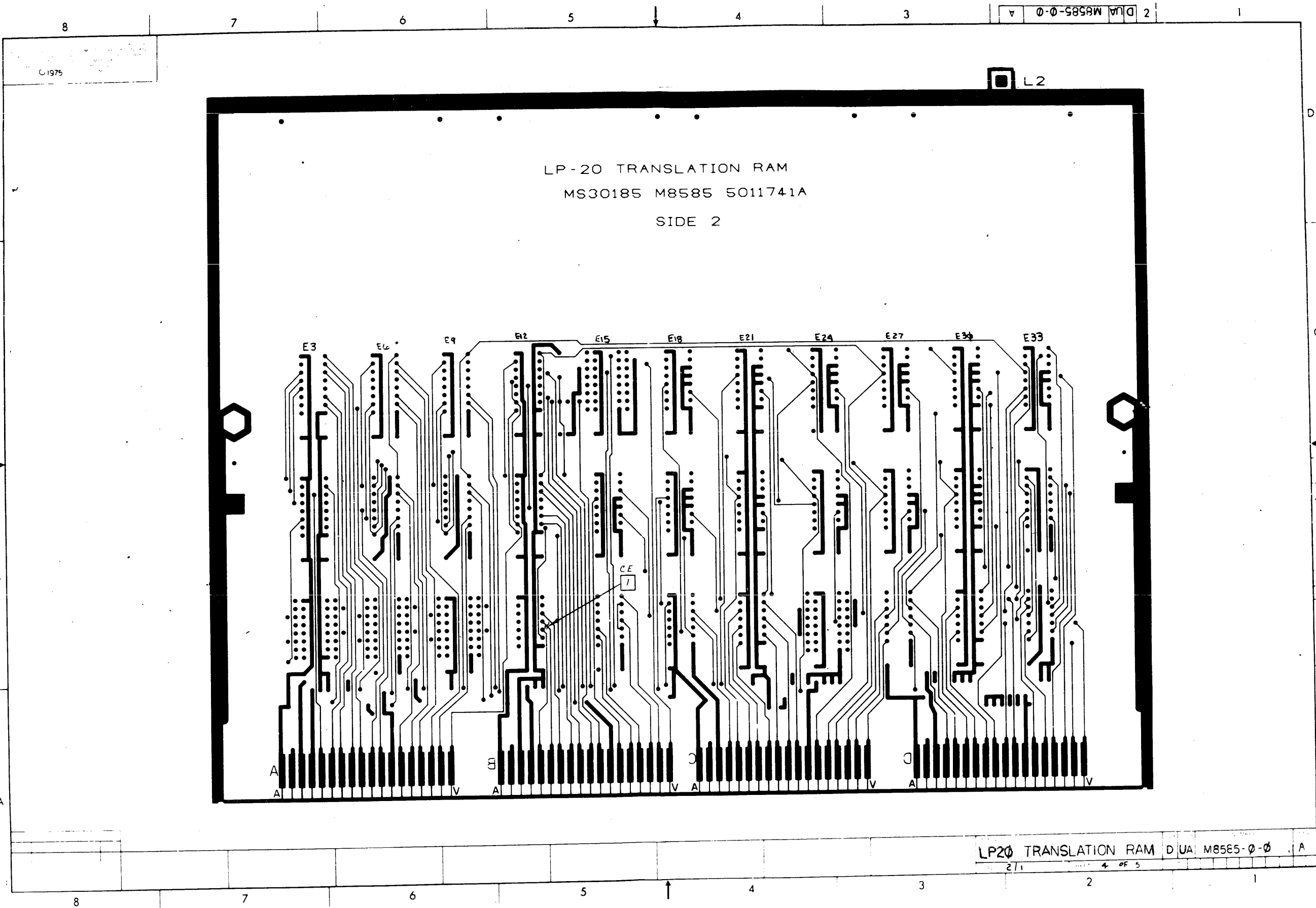
4

3

2

1

LP20 TRANSLATION RAM DUA M8585-0-0 A



©1975

LP-20 TRANSLATION RAM
 MS30185 M8585 5011741A
 SIDE 2

LP20 TRANSLATION RAM D UA M8585-0-0 A
 2/1 4 OF 5

D UA M8585-0-0 2

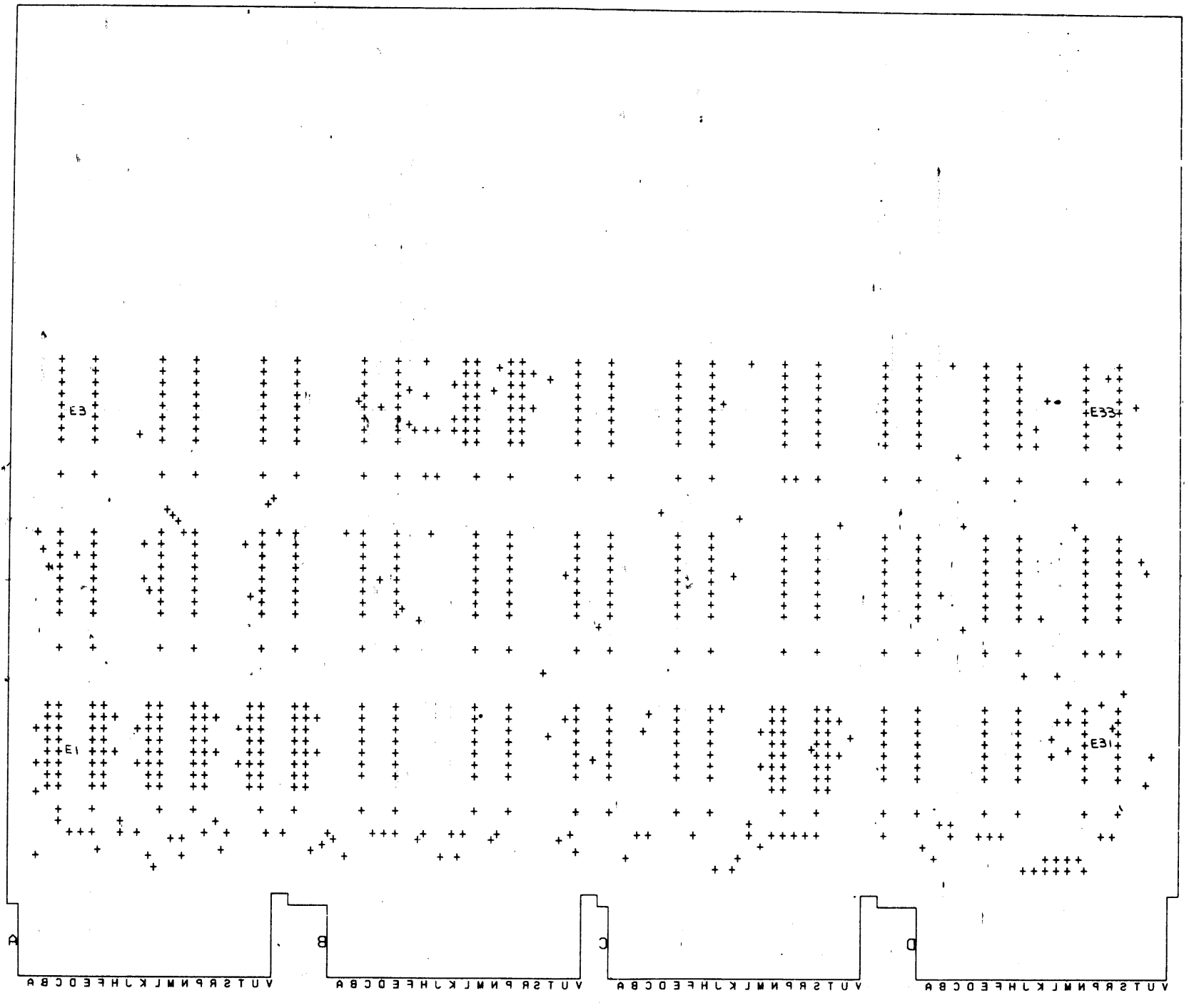
D UA M8585-0-0 A

THIS DRAWING AND SPECIFICATION ARE THE PROPERTY OF DIGITAL EQUIPMENT CORPORATION AND SHALL NOT BE REPRODUCED OR COPIED IN WHOLE OR IN PART IN ANY MANNER WITHOUT THE WRITTEN PERMISSION OF DIGITAL EQUIPMENT CORPORATION.
 © 1975 DIGITAL EQUIPMENT CORPORATION

DJA M8585-0-0 2

D
C
B
A

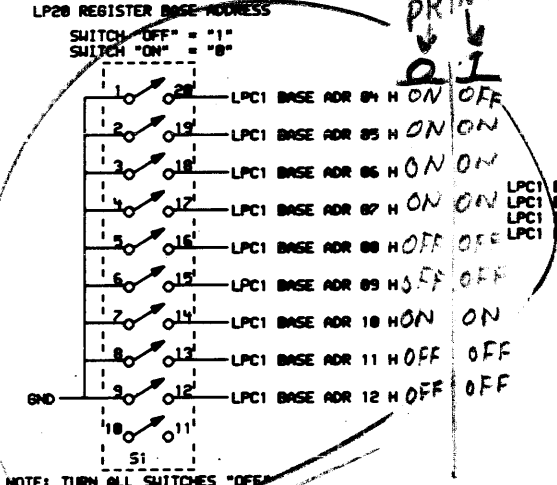
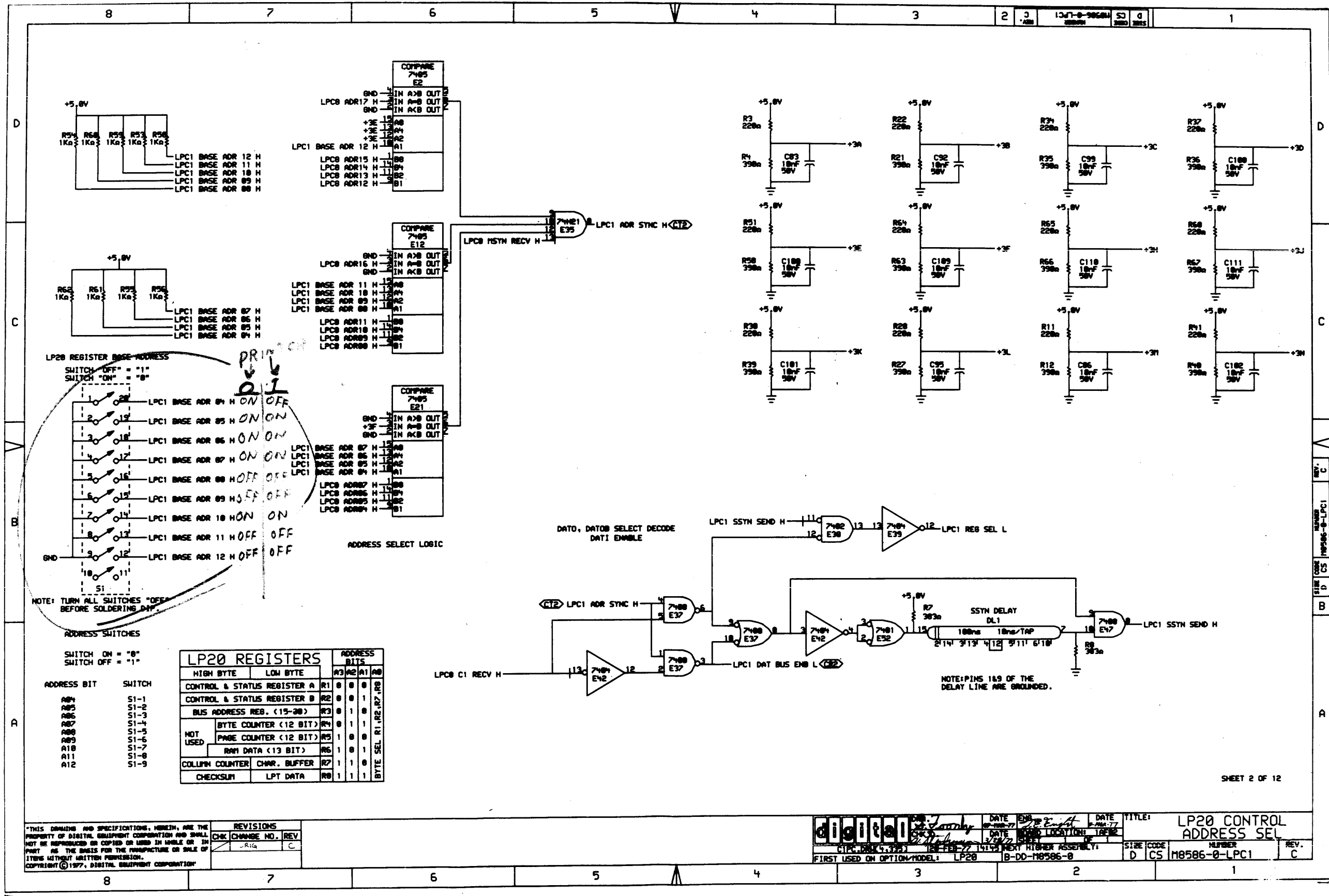
D
C
B
A



REV	DATE	BY

8	7	6	5	4	3	2	1	
TITLE LP20 TRANSLATION RAM						SIZE CODE DJA	NUMBER M8585-0-0	REV. A
SCALE 2:1						SHEET 5 OF 5	DIST	

DJA M8585-0-0 A



NOTE: TURN ALL SWITCHES "OFF" BEFORE SOLDERING.

LP20 REGISTERS		ADDRESS BITS			
HIGH BYTE	LOW BYTE	A3	A2	A1	A0
CONTROL & STATUS REGISTER A	R1	0	0	0	0
CONTROL & STATUS REGISTER B	R2	0	0	1	0
BUS ADDRESS REG. (15-20)	R3	0	1	0	0
BYTE COUNTER (12 BIT)	R4	0	1	1	0
PAGE COUNTER (12 BIT)	R5	1	0	0	0
RAM DATA (13 BIT)	R6	1	0	1	0
COLUMN COUNTER	CHAR. BUFFER	R7	1	1	0
CHECKSUM	LPT DATA	R8	1	1	1

ADDRESS BIT	SWITCH
A04	S1-1
A05	S1-2
A06	S1-3
A07	S1-4
A08	S1-5
A09	S1-6
A10	S1-7
A11	S1-8
A12	S1-9

THIS DRAWING AND SPECIFICATIONS, HEREIN, ARE THE PROPERTY OF DIGITAL EQUIPMENT CORPORATION AND SHALL NOT BE REPRODUCED OR COPIED OR USED IN WHOLE OR IN PART AS THE BASIS FOR THE MANUFACTURE OR SALE OF ITEMS WITHOUT WRITTEN PERMISSION. COPYRIGHT © 1977, DIGITAL EQUIPMENT CORPORATION

REVISIONS		
CHK	CHANGE NO.	REV
	1	C

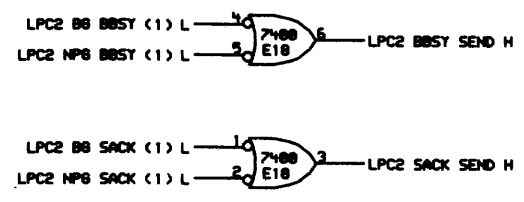
digital

DATE: 10-18-77
 DATE: 11-10-77
 DATE: 1-14-78

TITLE: LP20 CONTROL ADDRESS SEL

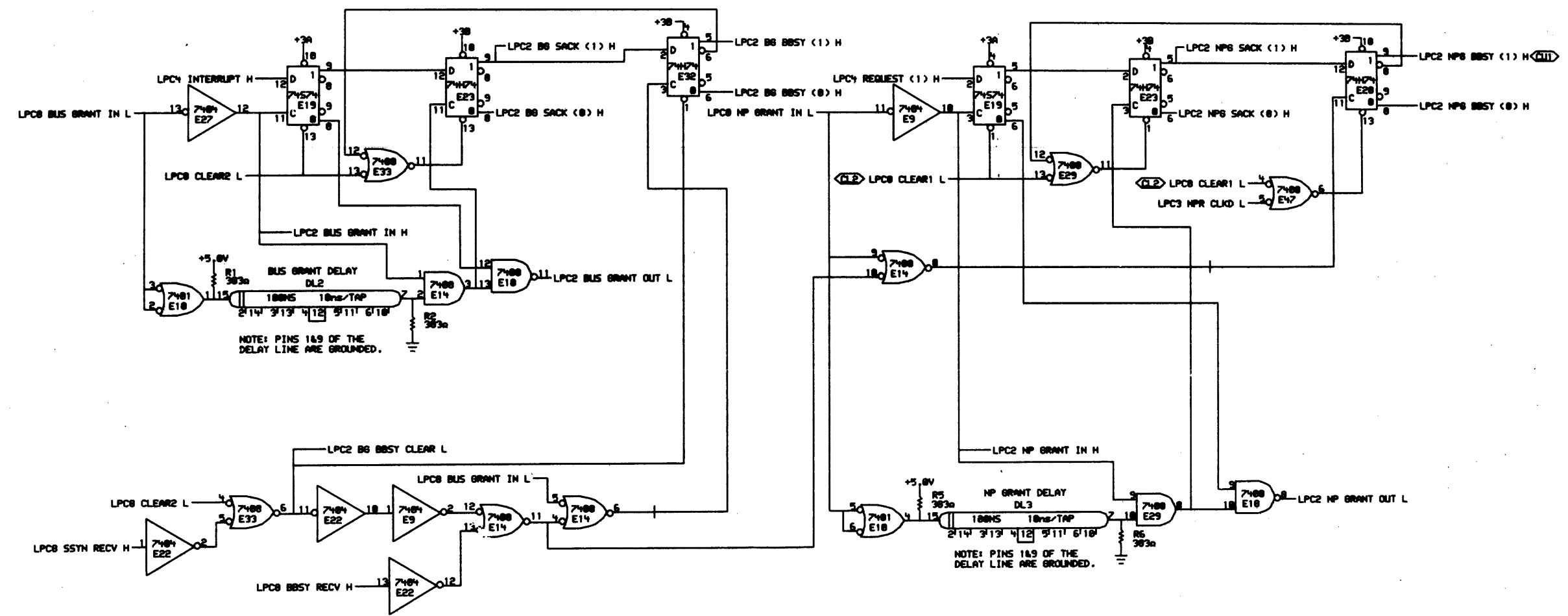
SIZE: D CS NUMBER: M8586-0-LPC1 REV: C

FIRST USED ON OPTION/MODEL: LP20 B-DD-M8586-0



BUS REQUEST LOGIC

NON PROCESSOR REQUEST LOGIC



NOTE: PINS 1&9 OF THE DELAY LINE ARE GROUNDED.

NOTE: PINS 1&9 OF THE DELAY LINE ARE GROUNDED.

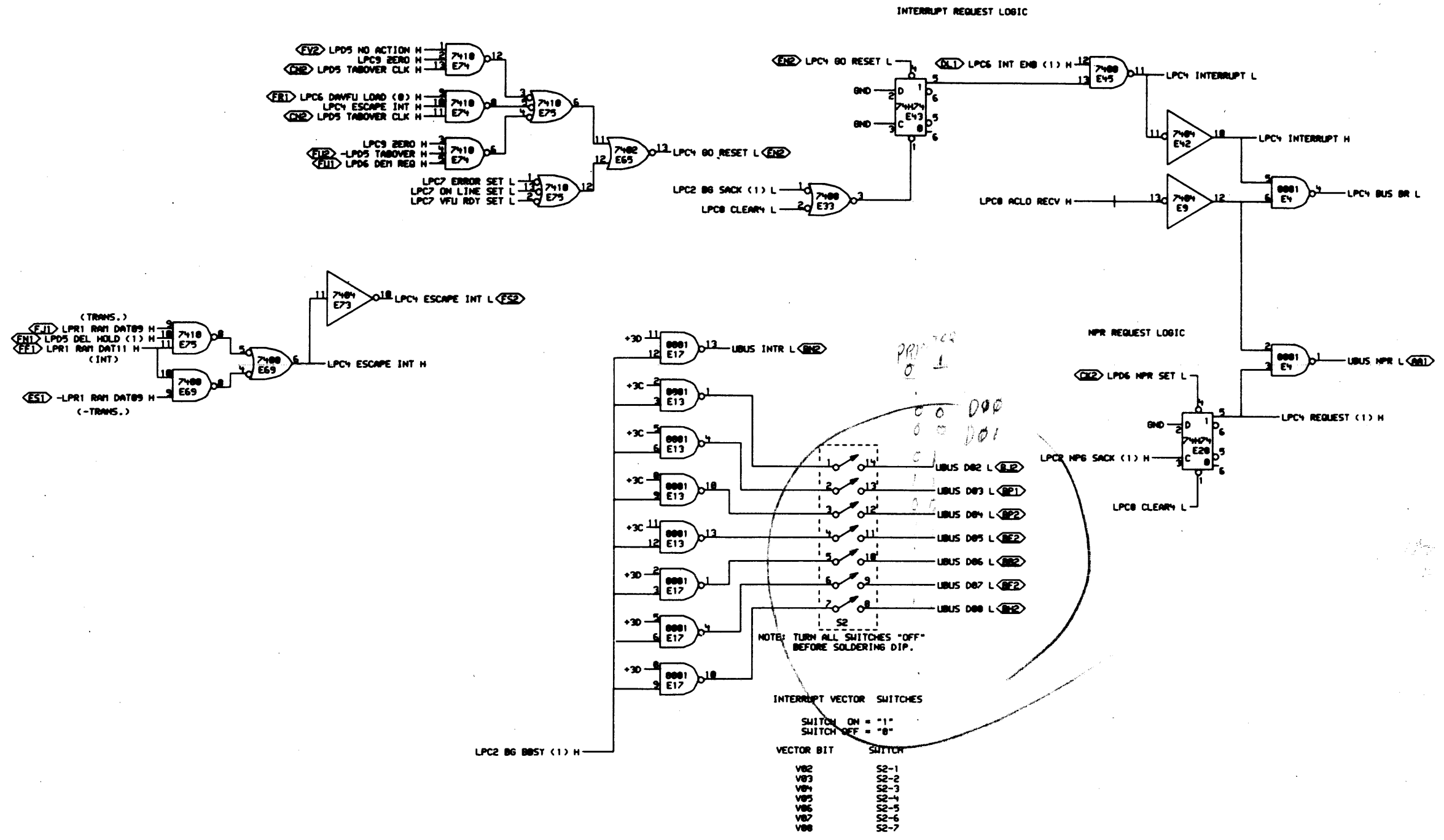
THIS DRAWING AND SPECIFICATIONS, HEREIN, ARE THE PROPERTY OF DIGITAL EQUIPMENT CORPORATION AND SHALL NOT BE REPRODUCED OR COPIED OR USED IN WHOLE OR IN PART AS THE BASIS FOR THE MANUFACTURE OR SALE OF ITEMS WITHOUT WRITTEN PERMISSION.
 COPYRIGHT © 1977, DIGITAL EQUIPMENT CORPORATION

REVISIONS	
CHK	CHANGE NO. REV
ORIG	C

	DATE: 10-28-77	DATE: 10-28-77	TITLE: LP20 CONTROL UNIBUS CNTR.
	BY: J. J. [Signature]	BY: [Signature]	SIZE CODE: D CS
FIRST USED ON OPTION/MODEL: LP20		NUMBER: M8586-0-LPC2	REV. C

D
C
B
A

D
C
B
A

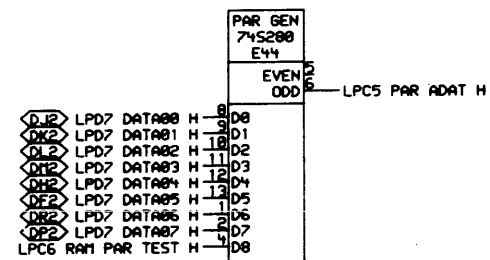


*THIS DRAWING AND SPECIFICATIONS, HEREIN, ARE THE PROPERTY OF DIGITAL EQUIPMENT CORPORATION AND SHALL NOT BE REPRODUCED OR COPIED OR USED IN WHOLE OR IN PART AS THE BASIS FOR THE MANUFACTURE OR SALE OF ITEMS WITHOUT WRITTEN PERMISSION. COPYRIGHT © 1977, DIGITAL EQUIPMENT CORPORATION

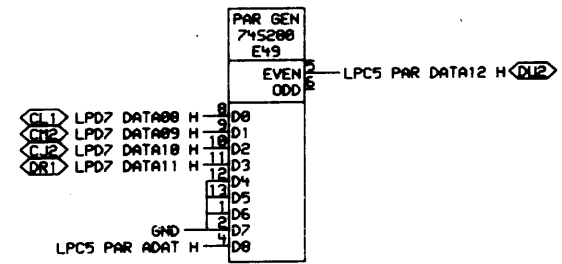
REVISIONS		
CHK	CHANGE NO.	REV
	ORIG	D

	DATE	ENG	DATE	TITLE
	07-10-77	W. J. [Signature]	07-10-77	LP20 CONTROL INTERRUPT
FIRST USED ON OPTION/MODEL: LP20 B-DD-M8586-0				SIZE CODE NUMBER REV.
				D CS M8586-0-LPC4 D

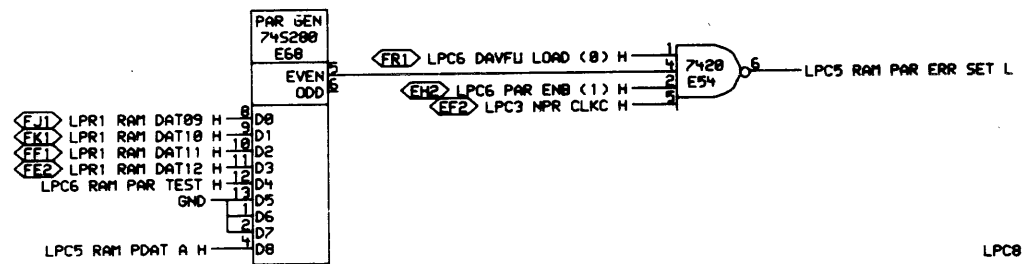
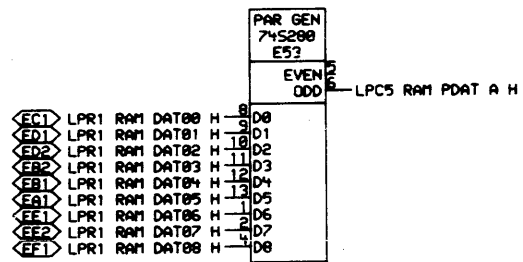
D
C
B
A



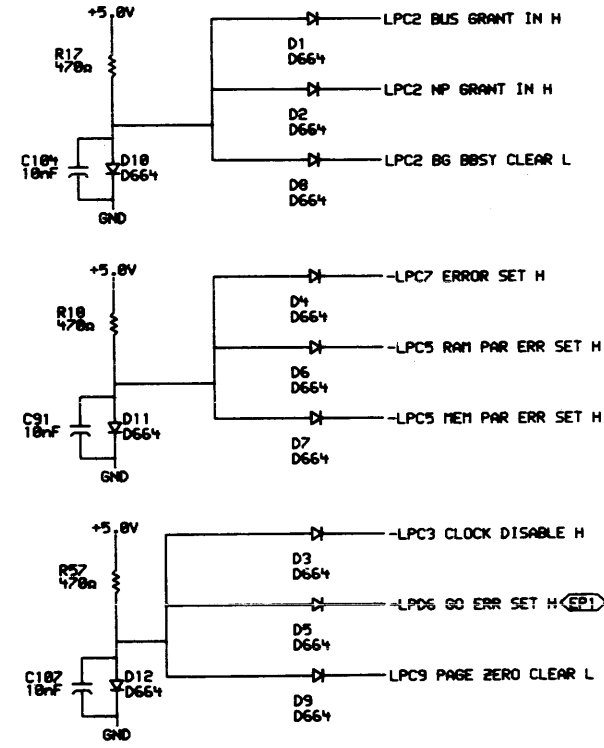
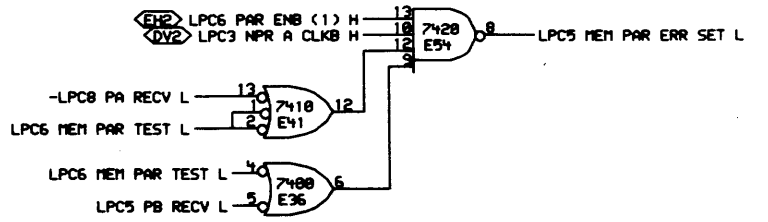
RAM PARITY GENERATING LOGIC
 ODD PARITY (RAM PARITY TEST = "0")
 EVEN NUMBER OF ONES GIVES DATA12 = "1"
 ODD NUMBER OF ONES GIVES DATA12 = "0"
 EVEN PARITY (RAM PARITY TEST = "1")
 EVEN NUMBER OF ONES GIVES DATA12 = "0"
 ODD NUMBER OF ONES GIVES DATA12 = "1"



RAM PARITY CHECKING LOGIC
 ODD PARITY (RAM PAR TEST = "0")
 EVEN NUMBER OF ONES GIVES ERROR = "1" (ERROR)
 ODD NUMBER OF ONES GIVES ERROR = "0" (NO ERROR)
 EVEN PARITY (RAM PAR TEST = "1")
 EVEN NUMBER OF ONES GIVES ERROR = "0" (NO ERROR)
 ODD NUMBER OF ONES GIVES ERROR = "1" (ERROR)



MEMORY PARITY CHECKING LOGIC



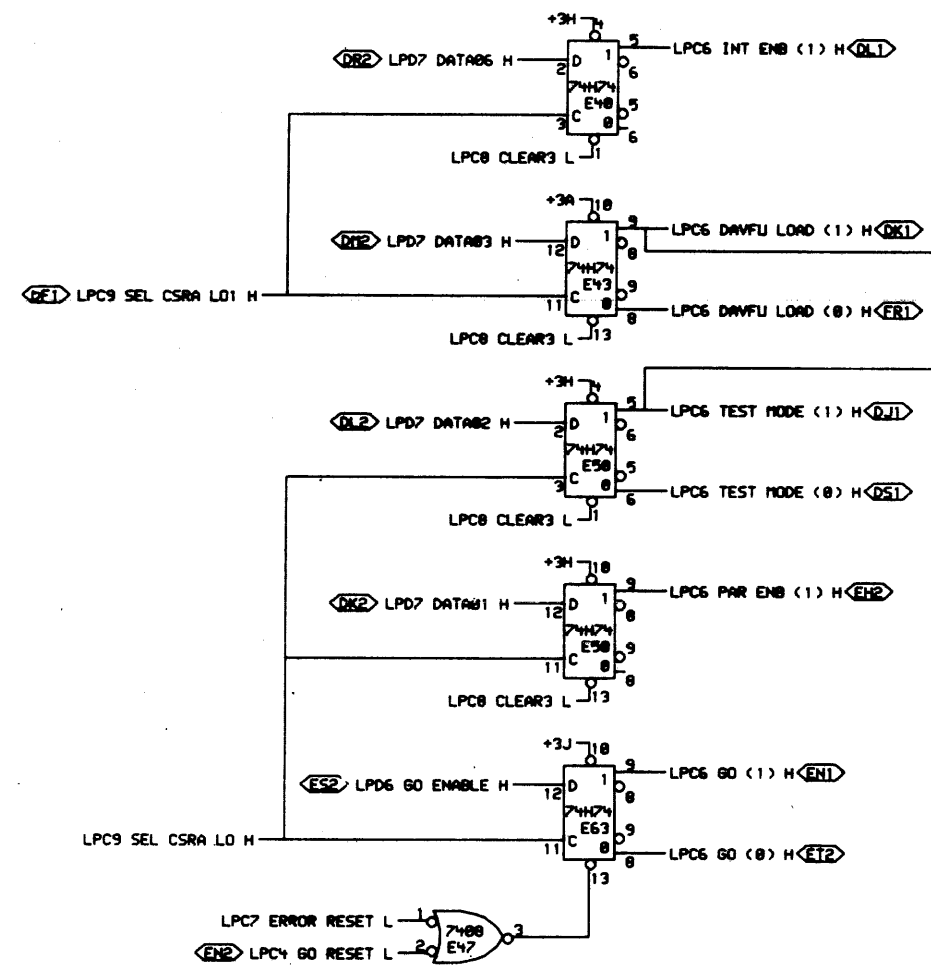
"THIS DRAWING AND SPECIFICATIONS, HEREIN, ARE THE PROPERTY OF DIGITAL EQUIPMENT CORPORATION AND SHALL NOT BE REPRODUCED OR COPIED OR USED IN WHOLE OR IN PART AS THE BASIS FOR THE MANUFACTURE OR SALE OF ITEMS WITHOUT WRITTEN PERMISSION. COPYRIGHT © 1977, DIGITAL EQUIPMENT CORPORATION"

REVISIONS		
CHK	CHANGE NO.	REV
	ORIG	C

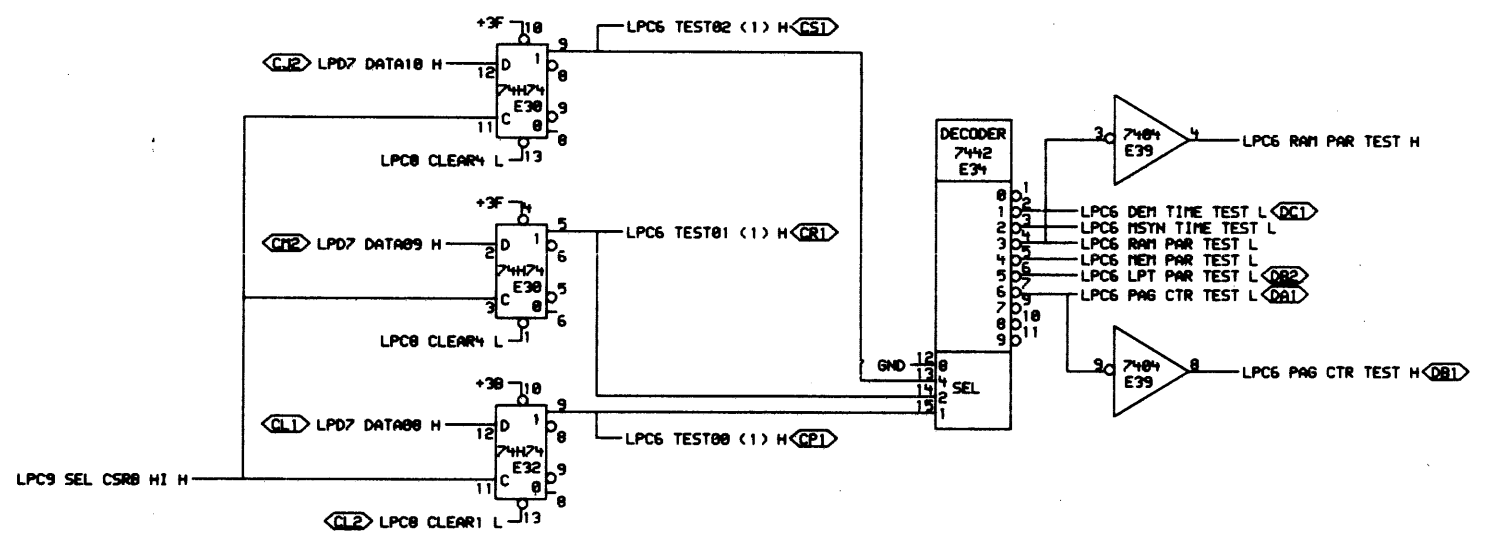
	DATE	ENG	DATE	TITLE
	02-19-77	J. J. [unclear]	0-10-77	LP20 CONTROL RAM PARITY
	DATE	ISSUED	LOCATION	TABLE
	02-19-77			
FIRST USED ON OPTION/MODEL: LP20				REV. C
NEXT HIGHER ASSEMBLY: B-DD-M8586-0				
SIZE	CODE	NUMBER		
D	CS	M8586-0-LPC5		

REV. C
 NUMBER M8586-0-LPC5
 CODE CS
 SIZE D
 B

CONTROL AND STATUS BITS



TEST TYPE BITS

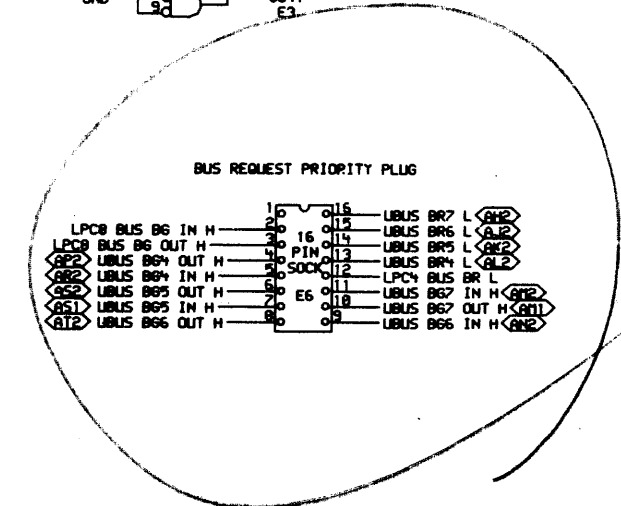
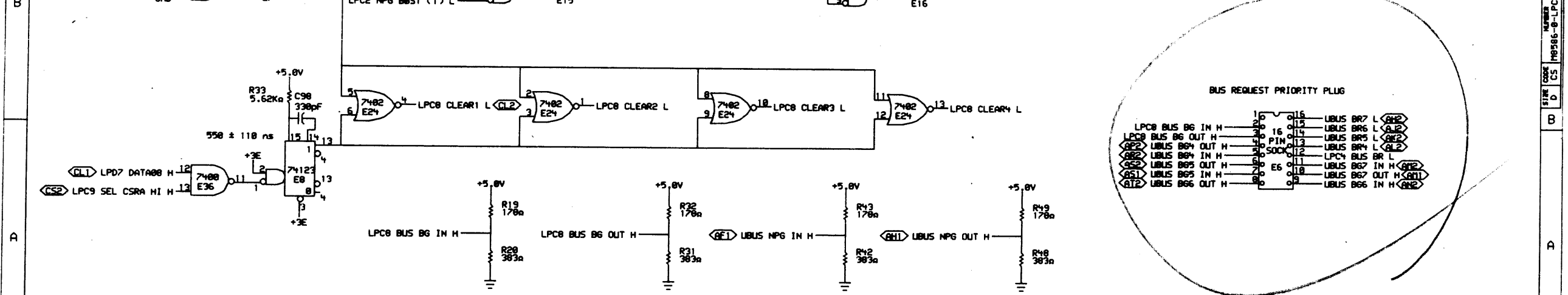
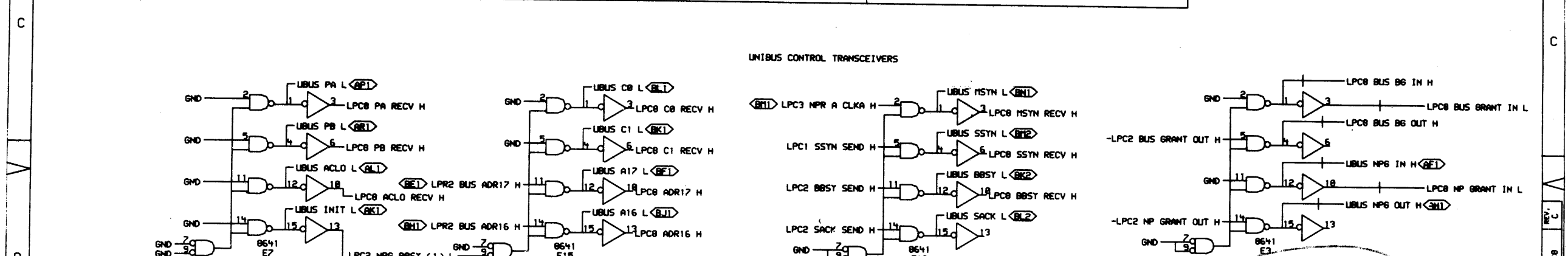
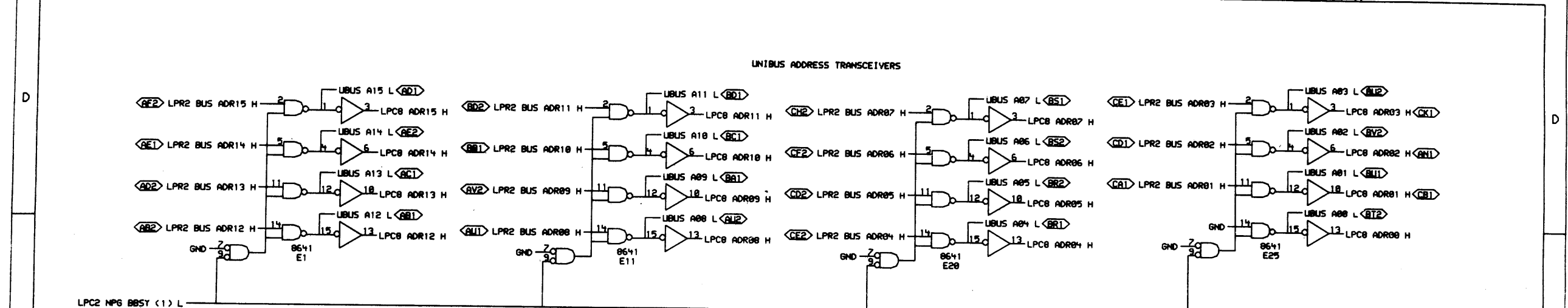


SHEET 7 OF 12

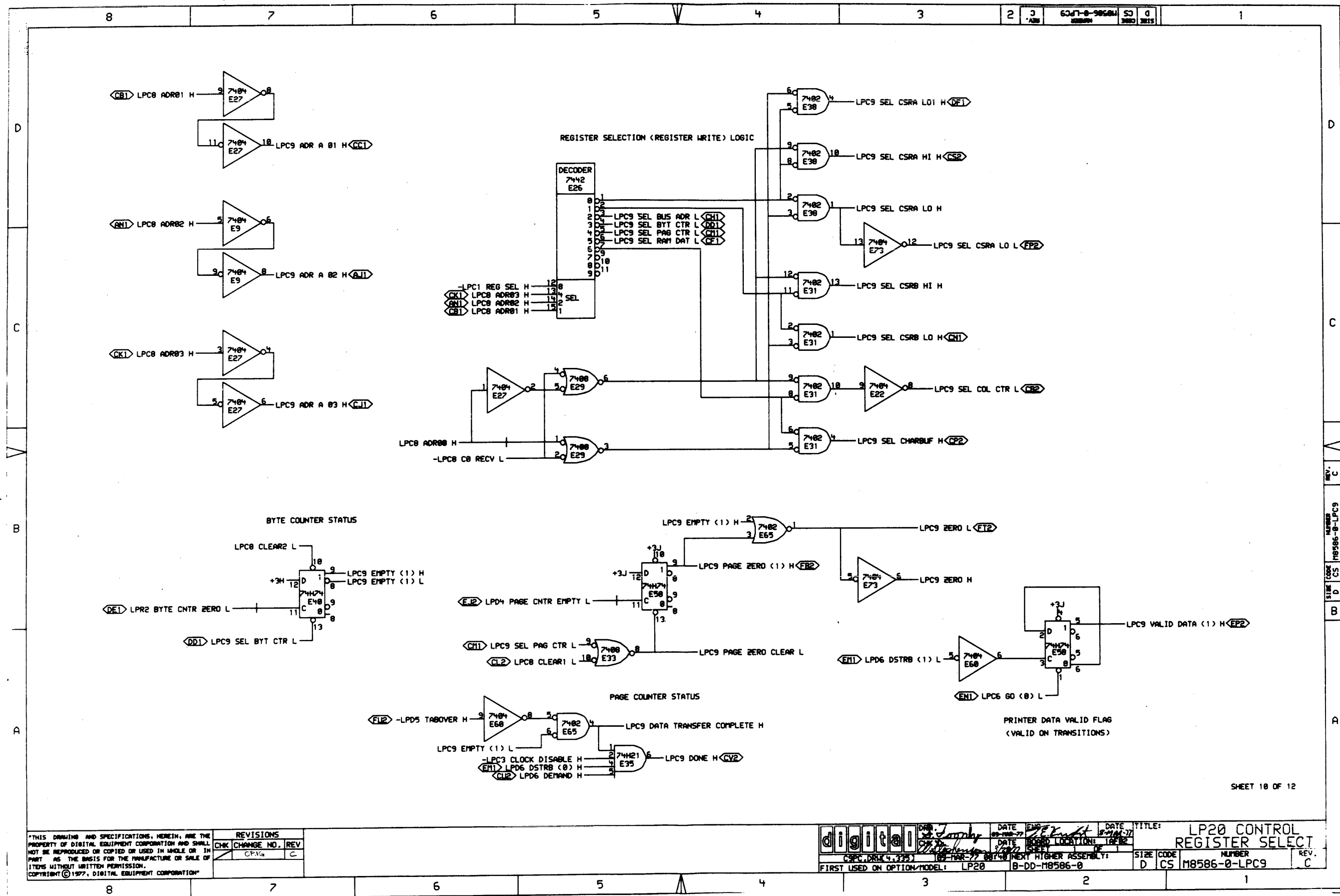
"THIS DRAWING AND SPECIFICATIONS, HEREIN, ARE THE PROPERTY OF DIGITAL EQUIPMENT CORPORATION AND SHALL NOT BE REPRODUCED OR COPIED OR USED IN WHOLE OR IN PART AS THE BASIS FOR THE MANUFACTURE OR SALE OF ITEMS WITHOUT WRITTEN PERMISSION. COPYRIGHT © 1977, DIGITAL EQUIPMENT CORPORATION"

REVISIONS		
CHK	CHANGE NO.	REV
	ORIG	C

digital	DATE	ENG	DATE	TITLE:
	DATE	DESIGN	DATE	LP20 CONTROL STATUS AND TEST
FIRST USED ON OPTION MODEL: LP20		NEXT HIGHER ASSEMBLY: B-DD-M8586-0		SIZE CODE
				NUMBER
				REV.
				C



<small>*THIS DRAWING AND SPECIFICATIONS, HEREIN, ARE THE PROPERTY OF DIGITAL EQUIPMENT CORPORATION AND SHALL NOT BE REPRODUCED OR COPIED OR USED IN WHOLE OR IN PART AS THE BASIS FOR THE MANUFACTURE OR SALE OF ITEMS WITHOUT WRITTEN PERMISSION. COPYRIGHT © 1977, DIGITAL EQUIPMENT CORPORATION*</small>		REVISIONS CHK CHANGE NO. REV OK14 C	digital <small>DATE: 07-1987 DATE: 12-1987 DATE: 02-1988</small>	<small>DATE: 07-1987 DATE: 12-1987 DATE: 02-1988</small>	TITLE: LP20 CONTROL LIBUS DRIVERS	SIZE CODE: D C5	NUMBER: M8586-0-LPC8	REV.: C
---	--	--	--	--	--	------------------------	-----------------------------	----------------



THIS DRAWING AND SPECIFICATIONS, HEREIN, ARE THE PROPERTY OF DIGITAL EQUIPMENT CORPORATION AND SHALL NOT BE REPRODUCED OR COPIED OR USED IN WHOLE OR IN PART AS THE BASIS FOR THE MANUFACTURE OR SALE OF ITEMS WITHOUT WRITTEN PERMISSION. COPYRIGHT © 1977, DIGITAL EQUIPMENT CORPORATION

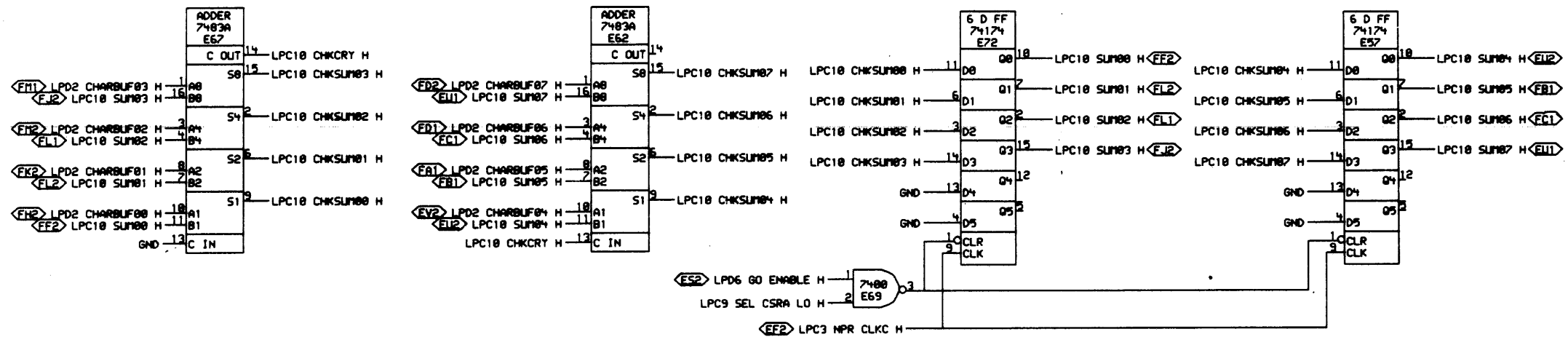
REVISIONS		
CHK	CHANGE NO.	REV
	CP1G	C

digital	DATE	ENG	DATE	TITLE
	8-11-77	J. J. [Signature]	8-11-77	LP20 CONTROL REGISTER SELECT
CSPC DRL 4, 333		DATE		BOARD LOCATION
FIRST USED ON OPTION/MODEL: LP20		NEXT HIGHER ASSEMBLY:		SIZE CODE
		B-DD-M8586-0		D CS
				NUMBER
				M8586-0-LPC9
				REV.
				C

SHEET 10 OF 12

CHECKSUM GENERATOR

CHECKSUM HOLD REGISTER



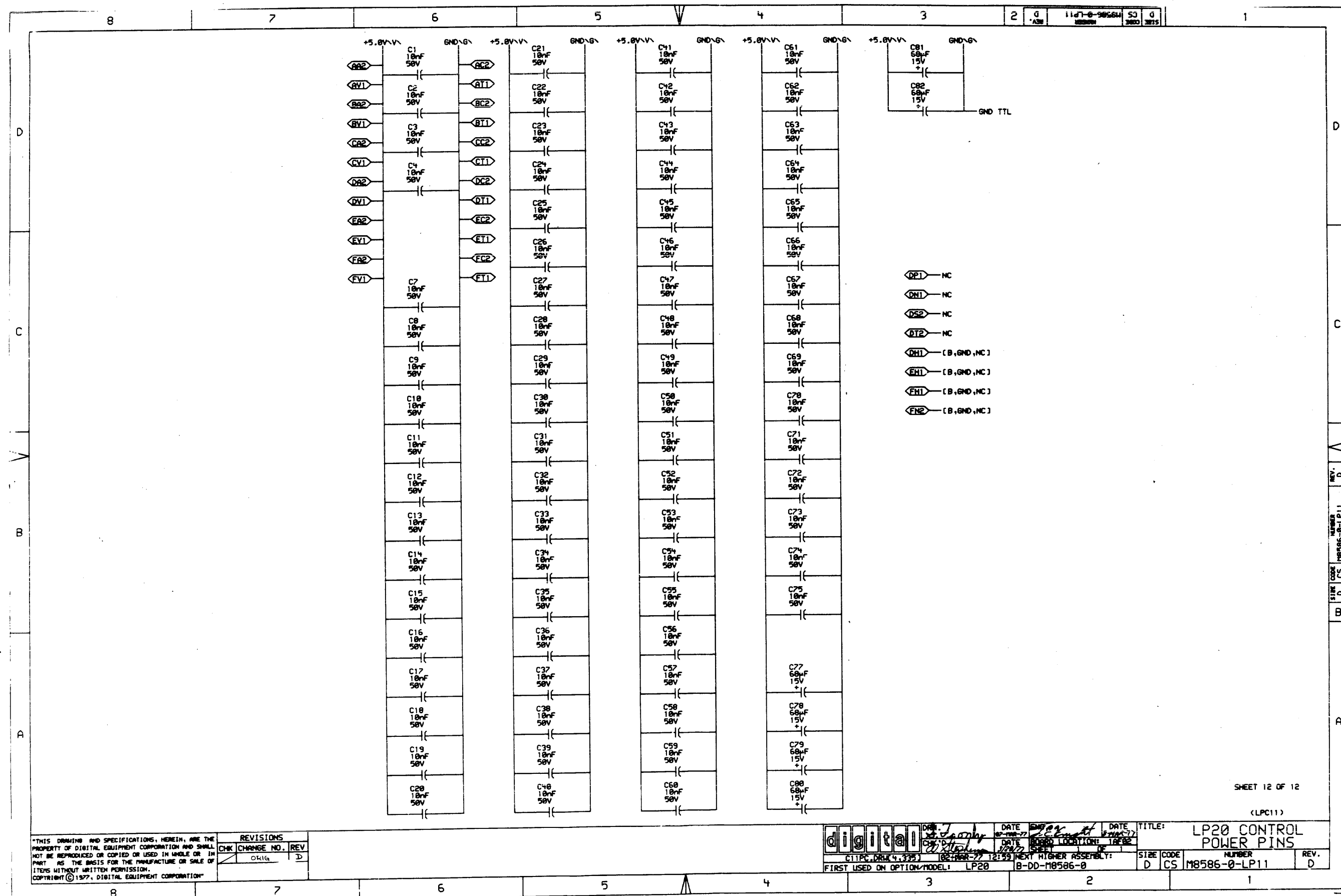
SHEET 11 OF 12

(LPC10)

"THIS DRAWING AND SPECIFICATIONS, HEREIN, ARE THE PROPERTY OF DIGITAL EQUIPMENT CORPORATION AND SHALL NOT BE REPRODUCED OR COPIED OR USED IN WHOLE OR IN PART AS THE BASIS FOR THE MANUFACTURE OR SALE OF ITEMS WITHOUT WRITTEN PERMISSION.
COPYRIGHT © 1977, DIGITAL EQUIPMENT CORPORATION"

REVISIONS	
CHK	CHANGE NO. REV
DRG	C

digital	DATE: 10-11-77	DATE: 11-11-77	TITLE: LP20 CONTROL CHECKSUM
	DATE: 12-11-77	DATE: 12-11-77	DATE: 12-11-77
FIRST USED ON OPTION/MODEL: LP20		SIZE CODE: D CS	NUMBER: M8586-0-LP10
		REV.:	C



SHEET 12 OF 12

(LPC11)

*THIS DRAWING AND SPECIFICATIONS, HEREIN, ARE THE PROPERTY OF DIGITAL EQUIPMENT CORPORATION AND SHALL NOT BE REPRODUCED OR COPIED OR USED IN WHOLE OR IN PART AS THE BASIS FOR THE MANUFACTURE OR SALE OF ITEMS WITHOUT WRITTEN PERMISSION.
COPYRIGHT © 1977, DIGITAL EQUIPMENT CORPORATION*

REVISIONS		
CHK	CHANGE NO.	REV
	ORIG	D

	DATE: 10-19-77	DATE: 10-19-77	TITLE: LP20 CONTROL POWER PINS
	DATE: 10-19-77	DATE: 10-19-77	DATE: 10-19-77
FIRST USED ON OPTION/MODEL: LP20 B-DD-M8586-0			SIZE CODE: D CS
NUMBER: M8586-0-LP11			REV: D

REV. D
 SIZE CODE CS
 NUMBER M8586-0-LP11

THIS DRAWING AND SPECIFICATIONS HEREIN ARE THE PROPERTY OF DIGITAL EQUIPMENT CORPORATION AND SHALL NOT BE REPRODUCED OR COPIED OR USED IN WHOLE OR IN PART AS THE BASIS FOR THE MANUFACTURE OR SALE OF ITEMS WITHOUT WRITTEN PERMISSION
 COPYRIGHT © 1977 DIGITAL EQUIPMENT CORPORATION

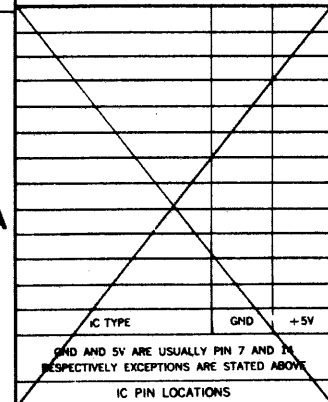
- NOTES:**
- FOR DRAWING DIRECTORY REFER TO: B-DD-M8586-0
 - UNLESS OTHERWISE SPECIFIED, THE FOLLOWING PIN NUMBERS APPLY:

PACKAGE TYPE	VCC	GND
16 PIN DIP	16	8
14 PIN DIP	14	7
1 C DEC 7483A	5	12
 - SPARE LOCATIONS ARE: E5, E76, C5, C6, C76, C103, R52.

0-0-98586-0 2 1

QTY	REF. DESIGNATION	DESCRIPTION	PART NO.	ITEM NO.
1		ETCHED CIRCUIT BOARD	501701	1
98	C1 THRU C4, C7 THRU C75, C83, C86, C91, C92, C95, C99 THRU C102, C104, C107 THRU C111	CAP 10NF 50V 20% AXIAL	1001610-00	2
6	C77 THRU C82	CAP 50UF 15V 10	1000092-00	3
7	C84, C87 THRU C90, C96, C97	CAP 15PF 100V 5	1002508-00	4
1	C95	CAP 1.5NF 100V 5	1002428-00	5
2	C93, C94	CAP 560PF 100V 5	1002025-00	6
1	C105	CAP 3.0NF 100V 5	1002594-00	7
12	D1 THRU D12	DIODE 6864	1100114-00	9
1	X E 6	SOCKET 16 PIN RECESSED	1209839-00	9
1	S1	SWITCH	1211164-00	10
1	S2	SWITCH	1211152-00	11
12	R1, R2, R5 THRU R8, R20, R31, R42, R46 THRU R48	RES 300 1 4W 1	1305125-00	12
12	R3, R11, R22, R28, R34, R37, R38, R41, R51, R64, R65, R68	RES 220 1 4W 5	1300271-00	13
12	R4, R12, R21, R27, R35, R36, R39, R40, R50, R63, R66, R67	RES 390 1 4W 5	1300309-00	14
9	R5, R13 THRU R16, R29, R30, R33, R45	RES 5.0K 1 4W 1	1305129-00	15
2	R10, R44	RES 24.3K 1 4W 1	1309419-00	16
3	R17, R18, R57	RES 470 1 4W 5	1300316-00	17
4	R19, R32, R43, R49	RES 178 1 4W 1/2	1311422-00	18
2	R23, R26	RES 51.1 1 4W 1/2	1305122-00	19
11	R24, R25, R53 THRU R56, R58 THRU R62	RES 1K 1 4W 5	1300365-00	20
4	DL1 THRU DL4	DELAY 100MS	1610033-00	21
8	E1, E3, E7, E11, E15, E16, E20, E25	DEC I. C. 9641	1911579-00	22
3	E2, E12, E21	DEC I. C. 7495	1910224-00	23
3	E4, E13, E17	DEC I. C. 9991	1909705-00	24
6	E8, E51, E56, E66, E70, E71	DEC I. C. 74123	1910436-00	25
7	E9, E22, E27, E39, E42, E60, E73	DEC I. C. 7404	1909686-00	26
2	E10, E52	DEC I. C. 7401	1905590-00	27
4	E14, E29, E33, E47	DEC I. C. 7409	1910155-00	28
5	E19, E36, E37, E45, E69	DEC I. C. 7400	1905875-00	29
1	E19	DEC I. C. 74574	1910544-00	30
12	E23, E28, E30, E32, E40, E43, E50, E55, E58, E59, E63, E64	DEC I. C. 74H74	1909667-00	31
4	E24, E31, E38, E65	DEC I. C. 7402	1909004-00	32
2	E26, E34	DEC I. C. 7442	1913046-00	33
1	E35	DEC I. C. 74H21	1909058-00	34
3	E41, E74, E75	DEC I. C. 7410	1905576-00	35
4	E44, E49, E53, E68	DEC I. C. 74S298	1911573-00	36
1	E48	DEC I. C. 74178	1910651-00	37
2	E48, E54	DEC I. C. 7420	1905577-00	38
2	E57, E72	DEC I. C. 74174	1910652-00	39
1	E61	DEC I. C. 7430	1905578-00	40
2	E62, E67	DEC I. C. 74Q3A	1909932-00	41
1	C98	CAP 330PF 100V 5	1000023-00	42
1		HANDLE ASSY	1210711-02	43
12		EYELET	900R732	44
1	C106	CAP 680PF 100V 5%	1000014-00	45
1	E6	PLUG, PRIORITY	5408776	46

D
C
B
A



FIRST USED ON OPTION MODEL LP20

ETCHED CIRCUIT BOARD

DATE 7/FEB/77
 DATE 4/MAR/77
 DATE 14/MAR/77
 DATE 14/MAR/77
 DATE 14/MAR/77

digital

TITLE LP20 LINE PRINTER CONTROL

SIZE CODE D UA M8586-0-0

NUMBER 0

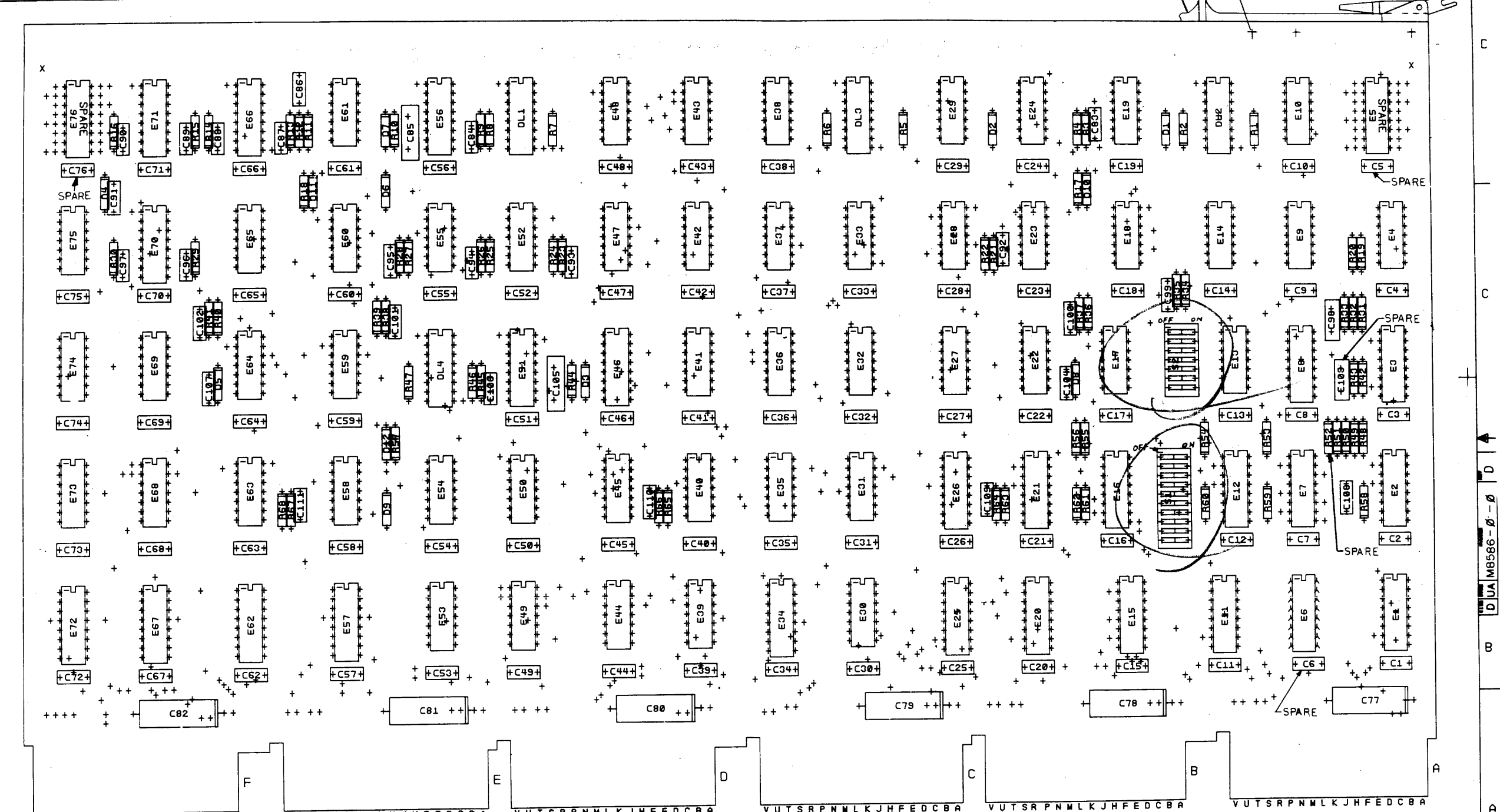
REV. D

SCALE 1 OF 5

SHEET 1 OF 5

SEMICONDUCTOR CONVERSION CHART

THIS DRAWING AND SPECIFICATIONS HEREBY ARE THE PROPERTY OF THE UNITED STATES GOVERNMENT AND ARE TO BE USED FOR THE PURPOSES SPECIFIED THEREIN. IT IS TO BE RETURNED TO THE OFFICE OF ORIGIN UPON COMPLETION OF THE WORK FOR WHICH IT WAS PREPARED. © 1977



NOTES:

VUTSRPNMLKJHFEDCBA

VUTSRPNMLKJHFEDCBA

VUTSRPNMLKJHFEDCBA

VUTSRPNMLKJHFEDCBA

VUTSRPNMLKJHFEDCBA

VUTSRPNMLKJHFEDCBA

VUTSRPNMLKJHFEDCBA

CHK	CHANGE NO	REV

ETCH REV.	B-P2
P.C. DESIGN DATA	B-P2

SIGNATURES	DATE	digital
DRN. <i>[Signature]</i>	7/1/77	TITLE LP20 LINE PRINTER CONTROL
CHK'D. <i>[Signature]</i>	18 Feb 77	
ENG. <i>[Signature]</i>	18 Feb 77	
PROJ. ENG. <i>[Signature]</i>	18 Feb 77	
PROD. <i>[Signature]</i>	15 Mar 77	
SCALE 2/1	SHT. 2 OF 5	SIZE CODE NUMBER
P.C. DESIGN DATA	B-P2	0 UA M8586-0-0

"THIS DRAWING AND SPECIFICATIONS HEREIN ARE THE PROPERTY OF DIGITAL EQUIPMENT CORPORATION AND SHALL NOT BE REPRODUCED OR COPIED OR USED IN WHOLE OR IN PART AS THE BASIS FOR THE MANUFACTURE OR SALE OF ITEMS WITHOUT WRITTEN PERMISSION FROM DIGITAL EQUIPMENT CORPORATION © 1977 DIGITAL EQUIPMENT CORPORATION"

LAYER 1

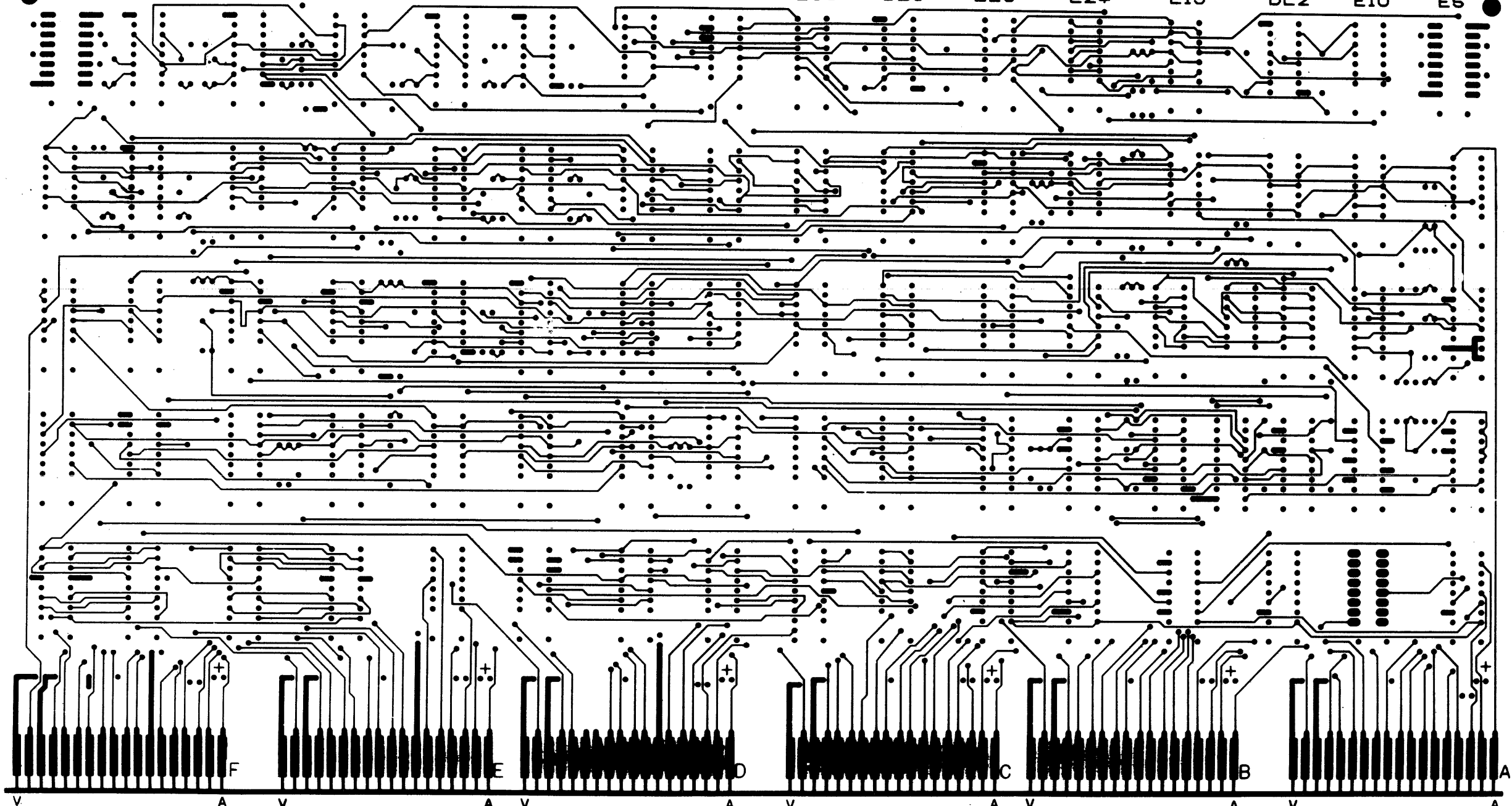
M8586 5011701BP2

CS:ABCDEFGHIJKLMNPRS

SIDE 1

digital

E76 E71 E66 E61 E56 DL1 E48 E43 E38 DL3 E29 E24 E19 DL2 E10 E5



REVISIONS		
CHK	CHANGE NO	REV.

TITLE LP20 LINE PRINTER CONTROL
 SCALE 2/1 SHEET 3 OF 5
 SIZE CODE D U A M8586 - 0 - 0
 NUMBER
 REV. D

D U A M8586 - 0 - 0

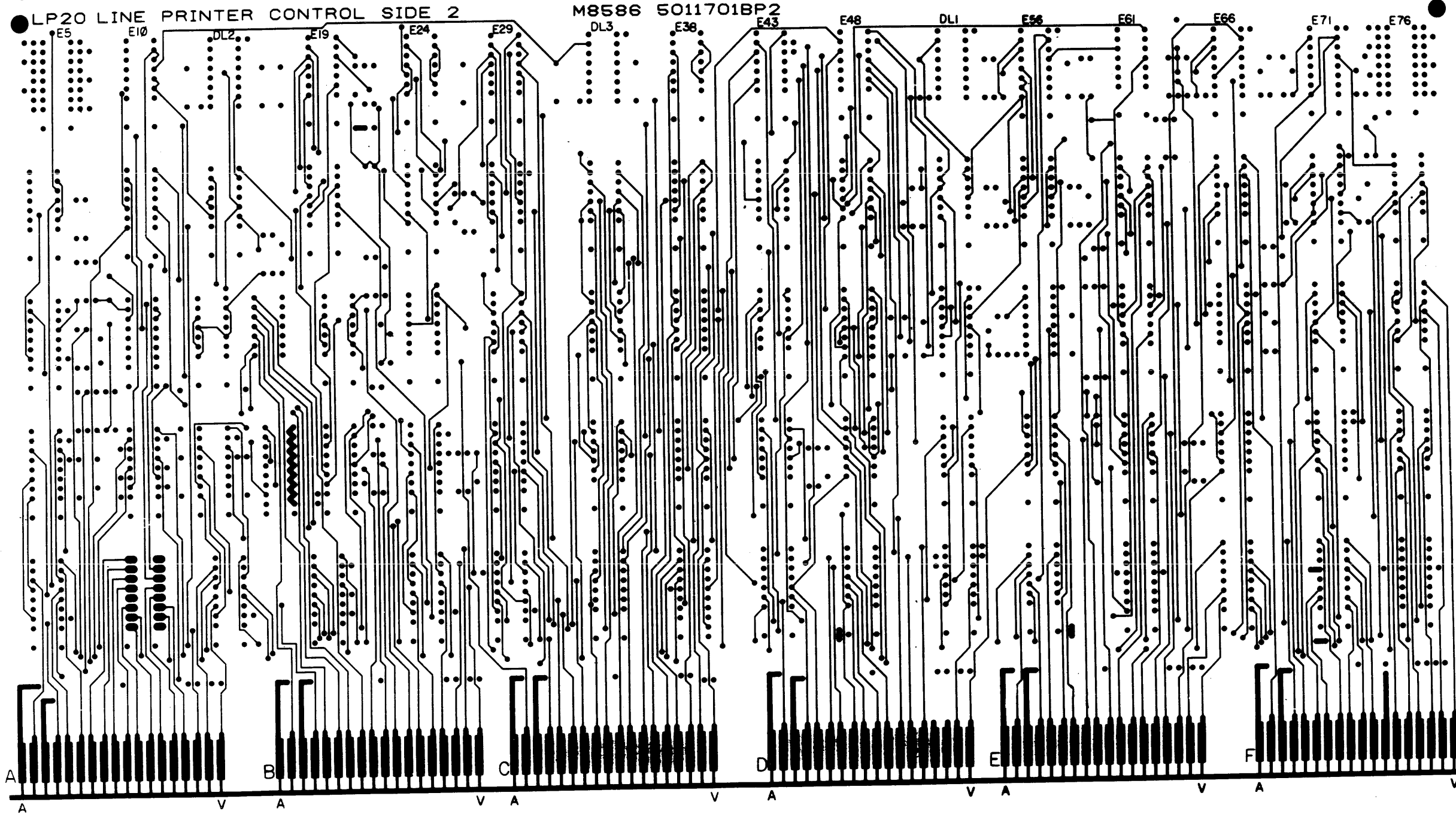
THIS DRAWING AND SPECIFICATIONS HEREIN ARE THE PROPERTY OF DIGITAL EQUIPMENT CORPORATION AND SHALL NOT BE REPRODUCED OR COPIED OR USED IN WHOLE OR IN PART AS THE BASIS FOR THE MANUFACTURE OR SALE OF ITEMS WITHOUT WRITTEN PERMISSION. COPYRIGHT © 1977 DIGITAL EQUIPMENT CORPORATION

†A3YAJ

D 0-0-9658M 2

D
C
B
A

D
C
B
A



REVISIONS		
CHK	CHANGE NO	REV.

TITLE	LP20 LINE PRINTER CONTROL	SIZE/CODE	D UA	NUMBER	M8586 - 0 - 0	REV.	D
SCALE	2/1	SHEET	4	OF	5	DIST.	

DEC 1 1977

8

7

6

5

4

3

2

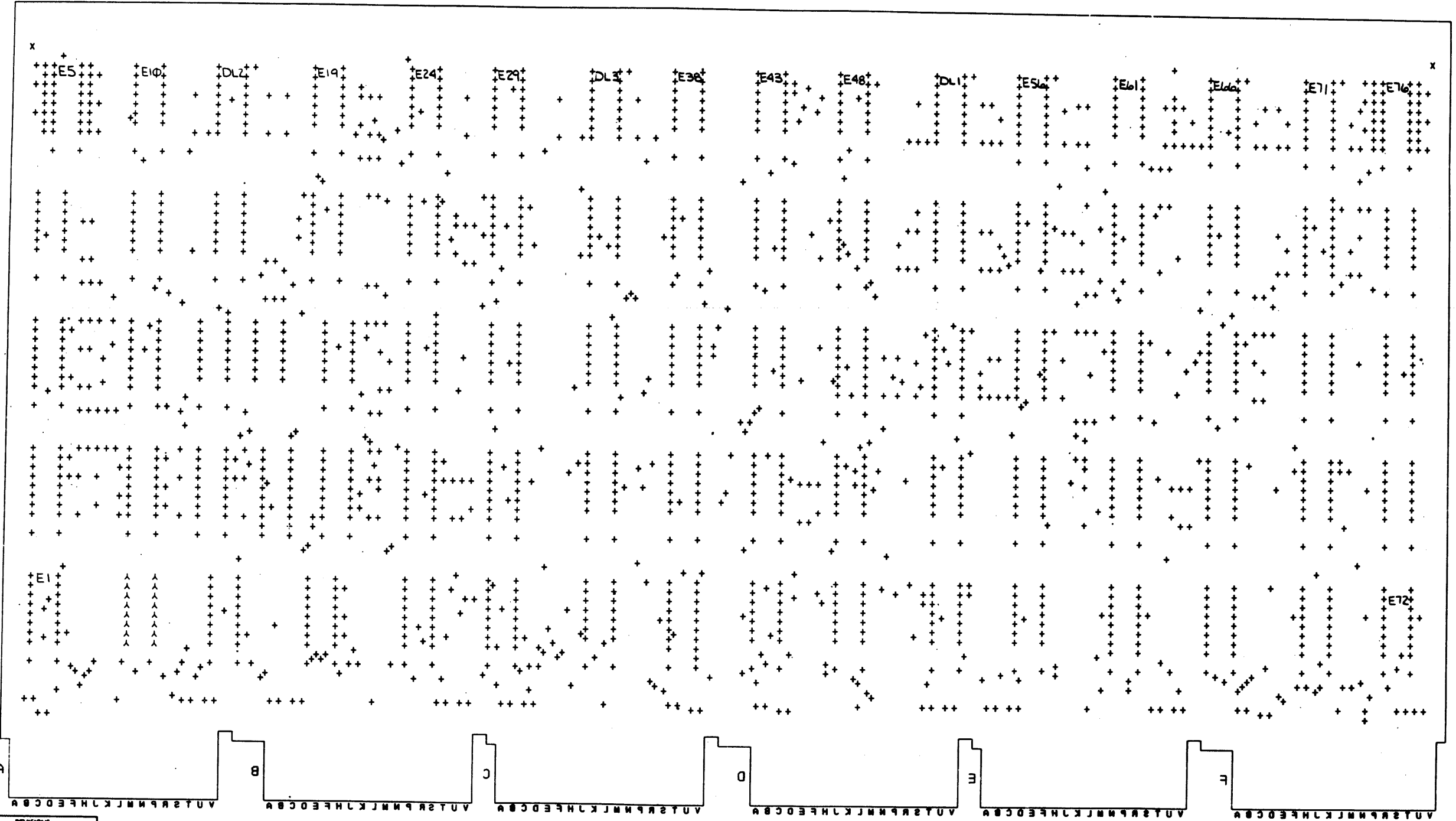
1

D UA M8586 - 0 - 0

THIS DRAWING AND SPECIFICATIONS HEREON ARE THE PROPERTY OF DIGITAL EQUIPMENT CORPORATION AND SHALL NOT BE REPRODUCED OR COPIED OR USED IN WHOLE OR IN PART AS THE BASIS FOR THE MANUFACTURE OR SALE OF ITEMS WITHOUT WRITTEN PERMISSION. COPYRIGHT © 1977 DIGITAL EQUIPMENT CORPORATION

COMPONENT SIDE VIEW

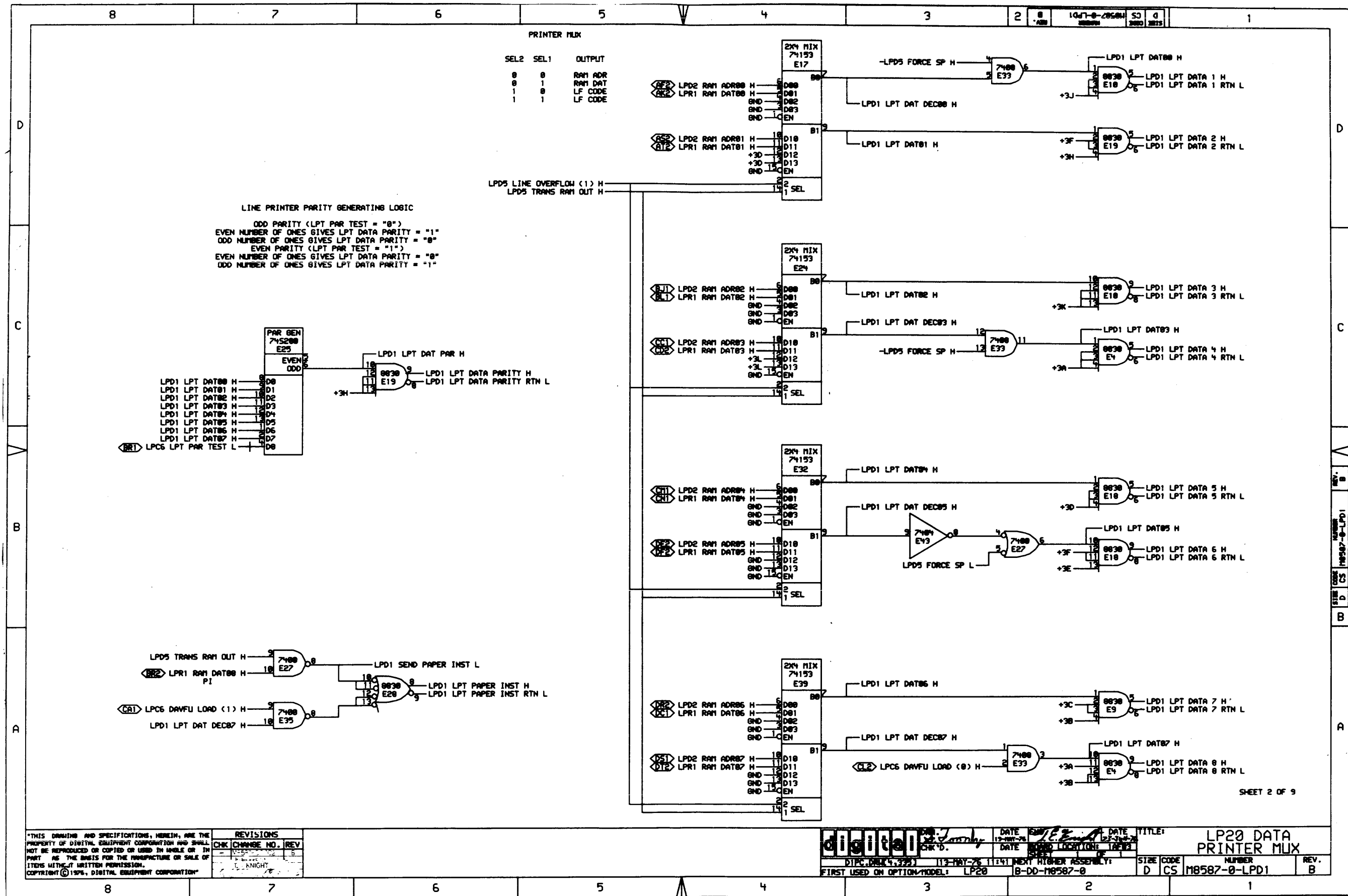
D JUA M8586 - 0 - 0 2



REVISIONS		
CHK	CHANGE NO	REV.

TITLE LP20 LINE PRINTER CONTROL
 SCALE 2/1
 SIZE CODE D JUA M8586 - 0 - 0
 NUMBER 5 OF 5
 REV. D

8 7 6 5 4 3 2 1



PRINTER MUX

SEL2	SEL1	OUTPUT
0	0	RAM ADR
0	1	RAM DAT
1	0	LF CODE
1	1	LF CODE

LINE PRINTER PARITY GENERATING LOGIC

ODD PARITY (LPT PAR TEST = "0")
 EVEN NUMBER OF ONES GIVES LPT DATA PARITY = "1"
 ODD NUMBER OF ONES GIVES LPT DATA PARITY = "0"
 EVEN PARITY (LPT PAR TEST = "1")
 EVEN NUMBER OF ONES GIVES LPT DATA PARITY = "0"
 ODD NUMBER OF ONES GIVES LPT DATA PARITY = "1"

REVISIONS

CHK	CHANGE NO.	REV
		5
		6

DATE: 12-10-76
 DATE: 12-10-76
 DATE: 12-10-76

digital

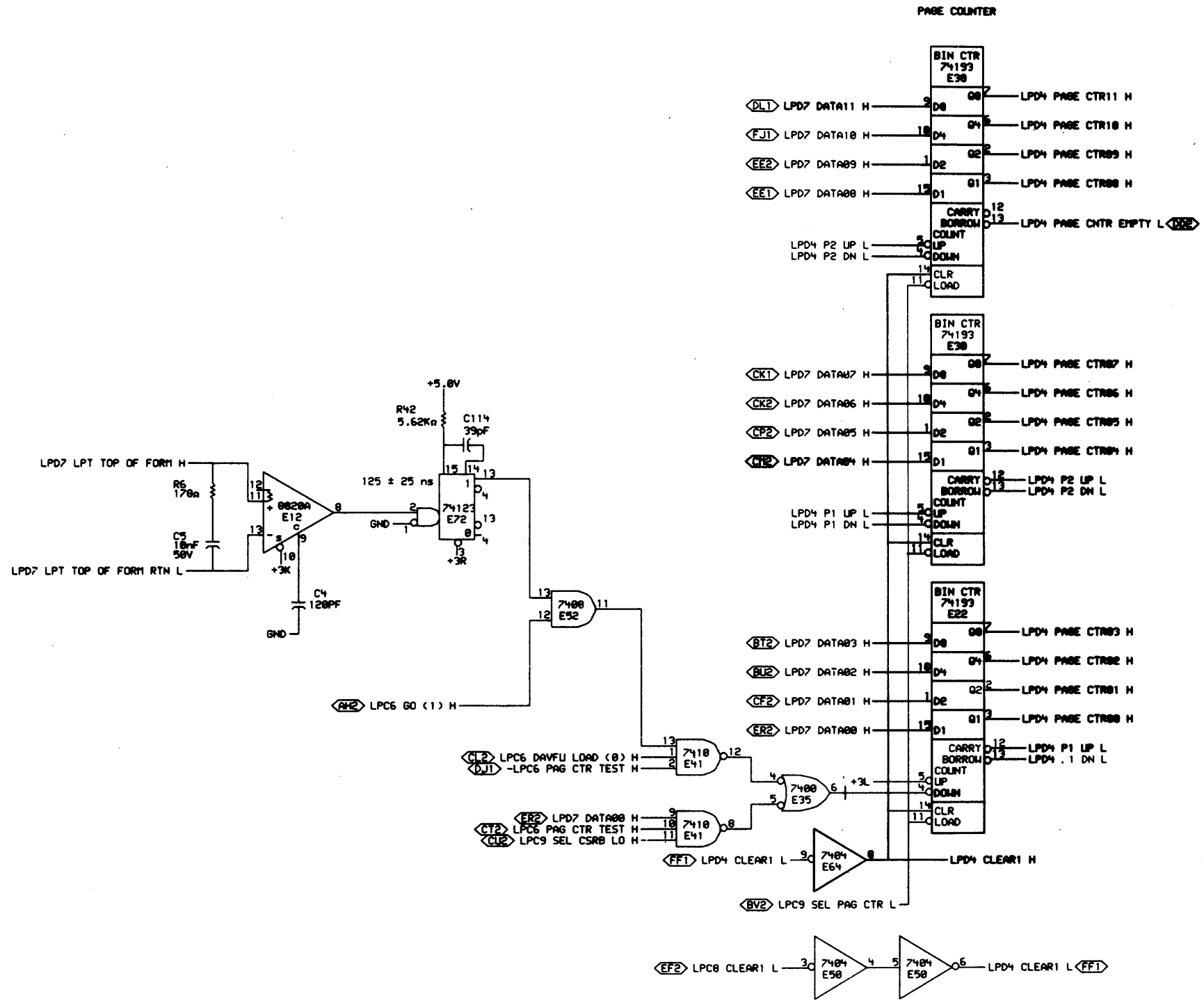
DATE: 12-10-76
 DATE: 12-10-76
 DATE: 12-10-76

TITLE: LP20 DATA PRINTER MUX

SIZE CODE: D CS
 NUMBER: M8587-0-LPD1
 REV: B

FIRST USED ON OPTION MODEL: LP20

D
C
B
A



SHEET 5 OF 9

"THIS DRAWING AND SPECIFICATIONS, HEREIN, ARE THE PROPERTY OF DIGITAL EQUIPMENT CORPORATION AND SHALL NOT BE REPRODUCED OR COPIED OR USED IN WHOLE OR IN PART AS THE BASIS FOR THE MANUFACTURE OR SALE OF ITEMS WITHOUT WRITTEN PERMISSION. COPYRIGHT © 1976, DIGITAL EQUIPMENT CORPORATION"

REVISIONS	
CHK	CHANGE NO. REV

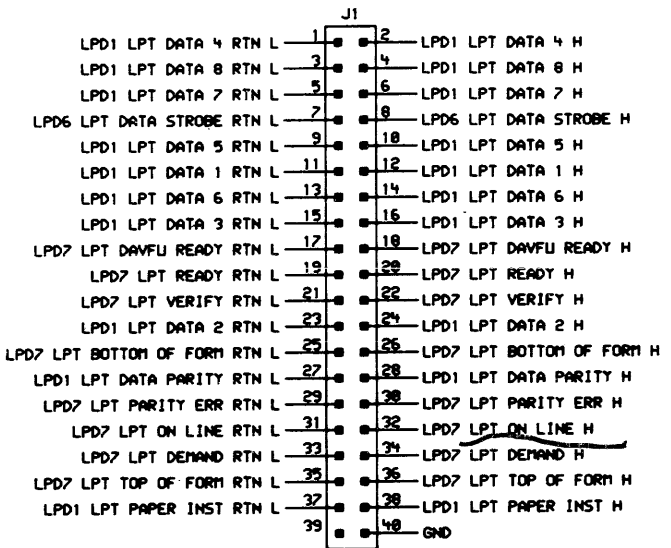
	DATE: 12-19-75	DATE: 12-19-75	TITLE: LP20 DATA PAGE COUNTER
	DATE: 12-19-75	DATE: 12-19-75	REV: B
FIRST USED ON OPTION/MODEL: LP20		SIZE CODE: D CS	NUMBER: M8597-0-LPD4

NOTE: BERG CABLE (MODULE END)

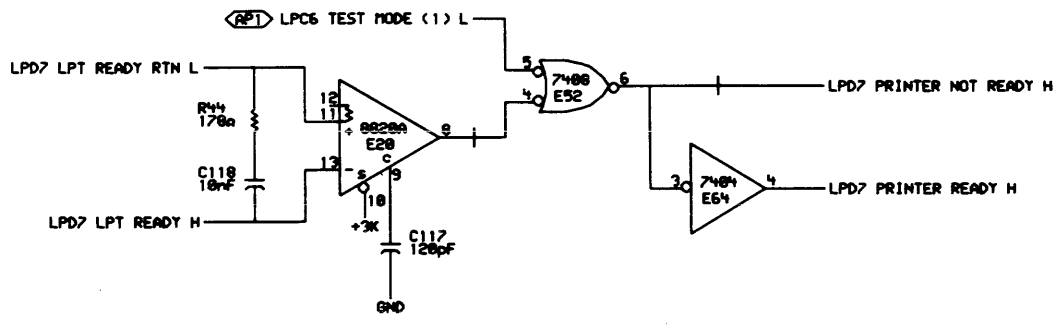
INSERT BC06R-XX
 CABLE INTO J1 WITH
 RIBBED SIDE OF CABLE
 TOWARD MODULE AND
 RED STRIPE AWAY FROM
 MODULE HANDLE (TOWARD
 MODULE FINGERS).

NOTE: BERG CABLE (RECEPTACLE
 HOUSING ASSEMBLY END)

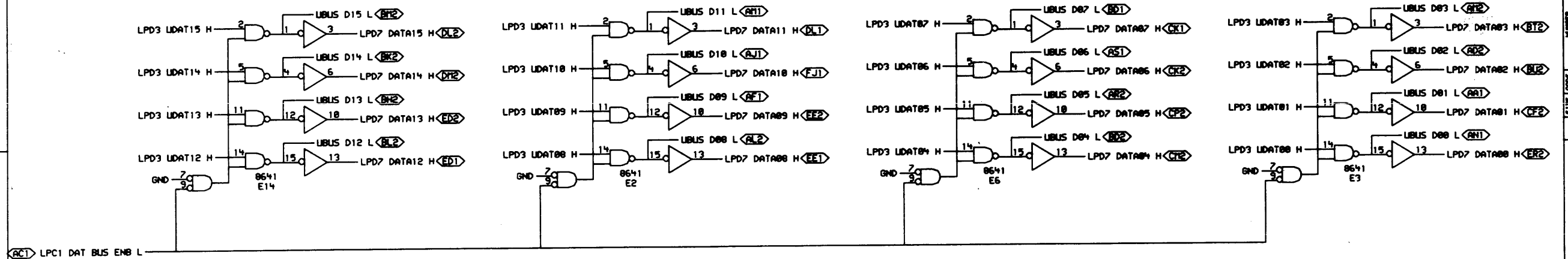
INSERT BC06R-XX
 CABLE INTO RECEPTACLE
 HOUSING ASSEMBLY
 IN THE CENTER CONTACT
 SET WITH THE RED STRIPE
 TOWARD THE LOCKING TAB
 OF THE HOUSING (AWAY FROM
 STRAIN RELIEF END AND TOWARD
 THE CAM SHAFT END OF THE
 MATING CONNECTOR).



LINE PRINTER READY LOGIC



UNIBUS DATA TRANSCIEVERS



(ACT) LPC1 DAT BUS ENB L

REVISIONS		
CHK	CHANGE NO.	REV

"THIS DRAWING AND SPECIFICATIONS, HEREIN, ARE THE PROPERTY OF DIGITAL EQUIPMENT CORPORATION AND SHALL NOT BE REPRODUCED OR COPIED OR USED IN WHOLE OR IN PART AS THE BASIS FOR THE MANUFACTURE OR SALE OF ITEMS WITHOUT WRITTEN PERMISSION. COPYRIGHT © 1976, DIGITAL EQUIPMENT CORPORATION"

	DATE: 14-MAY-76	DATE: 23-JUN-76	TITLE: LP20 DATA UNIBUS & LPT CABLE
	DATE: 14-MAY-76	DATE: 23-JUN-76	DATE: 23-JUN-76
D7PC, DRK 4, 335 FIRST USED ON OPTION/MODEL: LP20	113-MAY-76 14:55 NEXT HIGHER ASSEMBLY: B-DD-M8587-0	SIZE CODE: D CS NUMBER: M8587-0-LPD7	REV: B

THIS DRAWING AND SPECIFICATIONS HEREIN ARE THE PROPERTY OF DIGITAL EQUIPMENT CORPORATION AND SHALL NOT BE REPRODUCED OR COPIED OR USED IN WHOLE OR IN PART AS THE BASIS FOR THE MANUFACTURE OR SALE OF ITEMS WITHOUT WRITTEN PERMISSION
 DIGITAL EQUIPMENT CORPORATION
 COPYRIGHT © 1975

NOTES: 1. FOR DRAWING DIRECTORY REFER TO : B-DD-M8587-0
 2. UNLESS OTHERWISE SPECIFIED THE FOLLOWING PIN NUMBERS APPLY : PACKAGED TYPE +5V GND
 14 PIN TIP 14 8
 16 PIN TIP 16 8

LIMITED RELEASE

COMPONENT DELETES AS SHOWN:

- 1 C107 (10NF 10-01610-00)
- 2 E11 (IC DEC 8820-19-10788) ONLY IF SOLDERED IN BOARD.
- 3 C18 (39PF 10-00010-00)

ETCH CUTS SIDE 1 AS SHOWN:

- 1 BETWEEN C106 AND D1.
- 2 E6(4).
- 3 AT PTH BELOW E6(1).
- 4 AT ETCH RUNNING BETWEEN E6(1)(3)(4).
- 5 E9(2).
- 6 E11(4).
- 7 E11(10).
- 8 E7(3).
- 9 E5(9).
- 10 E6(3).
- 11 E11(1).
- 12 E11(3).
- 13 CUT ETCH RUNNING BETWEEN E54(1)(4).

ETCH CUTS SIDE 2 AS SHOWN:

- 1 AT PTH ABOVE E12(9).
- 2 E52(13).
- 3 E7(14).
- 4 AT PTH BELOW E50(5).
- 5 E65(3).
- 6 E11(6).
- 7 E11(8).
- 8-9 E50(1) BOTH SIDES OF PTH.
- 10-11 E67(5) BOTH SIDES OF PTH.
- 12 AT PTH ABOVE E44(2) & (3).
- 13 E56(3).
- 14 AT PTH NEAR E41(1).
- 15 AT PTH NEAR E50(8).

COMPONENT ADDS SIDE 1 AS SHOWN:

- 1 E72 (IC DEC 74123 19-10436) (SPARE SLOT)
- 2 R42 (5.62K 1% 13-05128) FROM E73(1) TO E73(16) (SPARE SLOT)
- 3 C114 (39PF 100V 10-00010) FROM E73(2) TO E73(5) (SPARE SLOT)
- 4 C115 (10NF 50V 10-01610-00) FROM PTH TO THE LEFT OF E72(1) TO PTH LEFT OF E72(16)
- 5 R43 (1K 5% 13-00365) FROM E73(7) TO E73(10) (SPARE SLOT)
- 6 W2 (JUMPER 90-09185) FROM E73(8) TO E73(9) (SPARE SLOT)
- 7 E74 (IC DEC 7408 19-10115) NOTE: THIS IC IS A 14 PIN IC AND IS BEING INSERTED IN A 16 PIN LOCATION. POSITION IC AS SHOWN.
- 8 C117 (10PF 100V 10-00010) FROM E75(5) TO E75(8) (SPARE SLOT)
- 9 R44 (178 1% 13-11422) FROM E75(9) TO E75(13) (SPARE SLOT)
- 10 C118 (10NF 50V 10-01610-00) FROM E75(4) TO E75(13) (SPARE SLOT)
- 11 C116 (10NF 50V 10-01610-00) FROM PTH TO THE LEFT OF E74(1) TO PTH TO THE LEFT OF E74(14) (SPARE SLOT)
- 12 R45 (5.62K 1% 13-05128) FROM E73(1) TO E73(15) (SPARE SLOT)

WIRE ADDS SIDE 1 AS SHOWN: (91-05740-55)

- 1 FROM C106 TO D1.
- 2 FROM E72(1) TO PTH BELOW E72(2).
- 3 FROM E72(2) TO PTH BELOW R6.
- 4 E72(3) TO R40.
- 5 E72(3) TO E52(3).
- 6 E72(4) TO E73(5) (SPARE SLOT)
- 7 E72(5) TO E73(2) (SPARE SLOT)
- 8 E73(1) TO E73(2) (SPARE SLOT)
- 9 E43(10) TO E62(2)
- 10 E43(1) TO E51(2)
- 11 E62(1) TO E52(2)
- 12 E62(3) TO E52(10)
- 13 E63(9) TO E61(4)
- 14 E63(10) TO E67(1)
- 15 E63(1) TO E49(4)
- 16 E63(2) TO E62(12)
- 17 E63(3) TO E65(1)
- 18 E66(3) TO E67(12)
- 19 E67(3) TO PTH TO THE RIGHT OF E31(8).
- 20 E71(14) TO SECOND PTH BELOW E60(1).
- 21 E66(1) TO E73(9)
- 22 E66(2) TO E36(1)
- 23 E66(3) TO E11(4)
- 24 E71(3) TO R43 (E73 SPARE (10))
- 25 R43 (E73 SPARE (7)) TO R42 (E73 SPARE (16))
- 26 R43 (E73 SPARE (10)) TO W2 (E73 SPARE (9))
- 27 E34(1) TO E11(10)
- 28 E34(1) TO PTH ABOVE E49(10)
- 29 E64(10) TO E65(3) (PAGE 4)
- 30 E20(8) TO E52(4)
- 31 E20(9) TO C117 (E75 SPARE (5))
- 32 E20(10) TO R29
- 33 E20(11) TO R44 (E75 SPARE (9))
- 34 E20(13) TO C118 (E75 SPARE (4))
- 35 E52(5) TO E27(12)
- 36 E52(6) TO E61(3)
- 37 E64(3) TO E61(3)
- 38 E64(4) TO E74(2)
- 39 E74(1) TO E11(8)
- 40 E71(4) TO E74(3)
- 41 E74(4) TO E11(6) (PAGE 5)
- 42 E11(1) TO R11
- 43 E11(3) TO C11
- 44 E23(8) TO E72(5)
- 45 E23(9) TO E44(13)
- 46 E23(10) TO E43(13)
- 47 E43(12) TO E67(5)
- 48 E44(13) TO E67(2)
- 49 E72(6) TO C119 (E73 SPARE (6))
- 50 E72(7) TO R45 (E73 SPARE (11))
- 51 E72(9) TO E74(1)
- 52 E72(10) TO E72(1)
- 53 E72(11) TO E72(13)
- 54 R45 (E73 SPARE (15)) TO R42 (E73 SPARE (16))
- 55 E74(12) TO PTH TO THE RIGHT OF E51(8)
- 56 E74(13) TO PTH BELOW AND BETWEEN E58(1)(2)
- 57 E74(5) TO (E66(13) PAGE 4)
- 58 E74(6) TO (E50(11) PAGE 4)
- 59 E50(1) TO PTH NEAR E50(8)
- 60 E50(10) TO E54(4)
- 61 E74(9) TO FB1
- 62 E74(8) TO E42(1)
- 63 E74(10) TO E56(3)
- 64 E74(7) TO PTH TO THE RIGHT OF E74(7)

WIRE ADDS SIDE 2 AS SHOWN: (STRAIGHT 91-05740-55)

- 1 E20(1) TO J1 PIN 19
- 2 E20(13) TO J1 PIN 20

ECO*2 =

COMPONENT ADDS SIDE 1 AS SHOWN:

- 1 W3 JUMPER (DEC P/N 90-09185-00)
- FROM E75(2) TO E75(15) (SPARE)

ETCH CUTS SIDE 1 AS SHOWN:

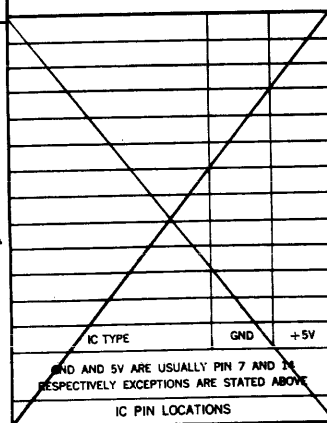
- 1 AT PTH ABOVE E57(9)
- 2 AT ETCH RUNNING BETWEEN E56(5) AND E58(6)

WIRE ADDS SIDE 1 AS SHOWN:

- (DEC P/N 91-05740-55)
- 1 FROM E75(15) TO E52(1)
- 2 FROM PTH ABOVE E57(9) TO E56(10)
- 3 FROM E57(9) TO E67(2)

WIRE ADDS SIDE 2 AS SHOWN:

- (DEC P/N 91-05740-55)
- 1 FROM E75(2) TO FB2 FINGER PIN



QTY	REF. DESIGNATION	DESCRIPTION	PART NO.	ITEM NO.
		ETCHED CIRCUIT BOARD	5011702	1
3	C7, C14, C19	CAP. 39pf 100V 5%	1000010	2
1	C8	CAP. 80pf 100V 5%	1000014	3
6	C4, C8, C12, C13, C15, C17	CAP. 120pf 100V 5%	1000016	4
6	C109 THRU C113	CAP. 80uf 15V 10%	1000082	5
6	C2, C3, C5, C10, C11, C14, C18, C19-C7, C76-C106, C115, C16, C118	CAP. 10nf 50V 20%	1001810-00	6
2	C8, C17	CAP. 1.5nf 100V 5%	1002428	7
1	C1	CAP. 10pf 100V 5%	1002808	8
3	D1 THRU D3	DIODE D084	1100114	9
14	R2, R4, R18, R20, R22, R24, R26, R28, R30, R32, R34, R36, R38, R40	RES. 220 5% 1/4W	1300271	10
14	R1, R3, R17, R19, R21, R23, R25, R27, R 28, R31, R33, R35, R37, R39	RES. 390 5% 1/4W	1300309	11
1	R41	RES. 470 5% 1/4W	1300316	12
2	R18, R43	RES. 1K 5% 1/4W	1300385	13
6	R5, R8, R13, R15, R42, R45	RES. 5.82K 1% 1/4W	1305128	14
2	R7, R14	RES. 24.3K 1% 1/4W	1309418	15
6	R8, R9 THRU R12, R44	RES. 178 1% 1/4W	1311422	16
5	E27, E35, E48, E57, E87	I.C. DEC 7400	1905575	17
2	E41, E82	I.C. DEC 7410	1905578	18
1	E31	I.C. DEC 7420	1905577	19
2	E23, E86	I.C. DEC 7402	1909004	20
2	E51, E58	I.C. DEC 74H55	1909063	21
3	E42, E83, E85	I.C. DEC 74H74	1909887	22
3	E43, E50, E84	I.C. DEC 7404	1909886	23
2	E28, E40	I.C. DEC 8015	1909713	24
18	E1, E5, E13, E21, E29, E37, E45, E46, E53, E54, E60, E81, E88 THRU E71	I.C. DEC 74151	1909936	25
4	E17, E24, E32, E39	I.C. DEC 74153	1909937	26
7	E8, E16, E22, E30, E38, E47, E48	I.C. DEC 74193	1910019	27
1	E34	I.C. DEC 7442	1910048	28
4	E33, E52, E56, E74	I.C. DEC 7408	1910155	29
4	E38, E44, E58, E72	I.C. DEC 74123	1910438	30
6	E4, E9, E10, E18, E19, E28	I.C. DEC 8830	1910787	31
3	E11, E12, E20	I.C. DEC 8820	1910788	32
1	E55	I.C. DEC 7427	1910870	33
4	E2, E3, E8, E14	I.C. DEC 8641	1911579	34
2	E7, E15	I.C. DEC 74288	1911271	35
1	E25	I.C. DEC 745280	1911573	36
1	J1	40 PIN CONNECTOR	1208941-02	37
3	W1, W2, W3	JUMPER (WHT)	9009185	38
12		HANDLE ASSY.	1210711-2	39
1		EYELET	9008732	40
1		LATCH, LEFT CONNECTOR	1209941-03	41
1		LATCH, RIGHT CONNECTOR	1209941-04	42
A/R		WIRE #30 AWG GRN	9105740-55	43
1	C18	CAP 10PF 100V 5%	1000006	44

FIRST USED ON OPTION MODEL: LP20

REVISIONS:

REV.	DATE	DESCRIPTION
A	12-24-75	DATE
B	1-20-76	DATE
C	2-20-76	DATE
D	2-20-76	DATE
E	2-20-76	DATE

digital

TITLE: LP20 LINE PRINTER DATA PATHS

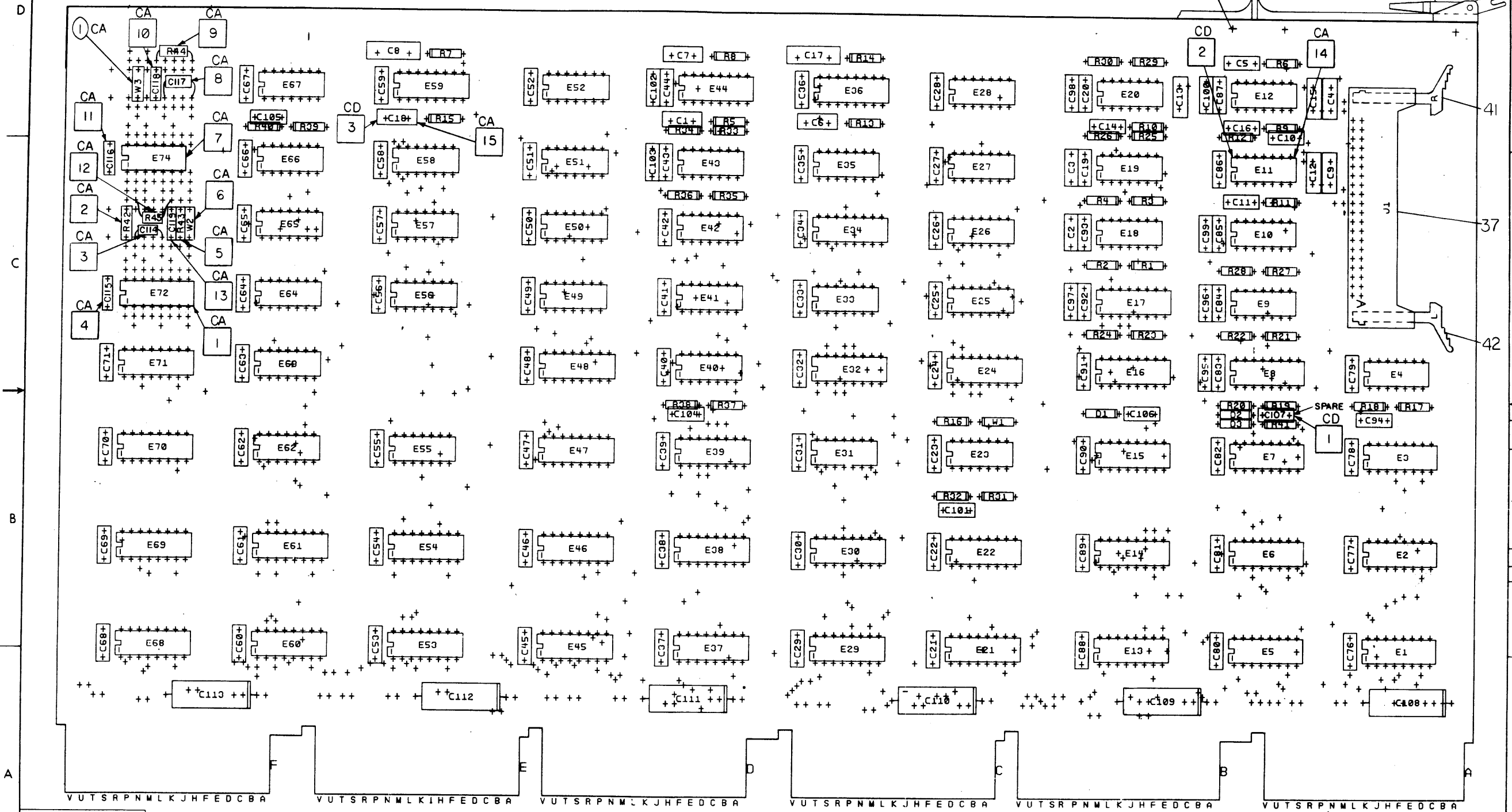
SCALE: NONE

SEMICONDUCTOR CONVERSION CHART

SHEET 1 OF 8

THIS DRAWING AND SPECIFICATIONS HEREIN ARE THE PROPERTY OF DIGITAL EQUIPMENT CORPORATION AND SHALL NOT BE REPRODUCED OR COPIED OR USED IN WHOLE OR IN PART AS THE BASIS FOR THE MANUFACTURE OF ANY PART OR ITEM WITHOUT WRITTEN PERMISSION OF DIGITAL EQUIPMENT CORPORATION.

8 0-0-28587-0 2

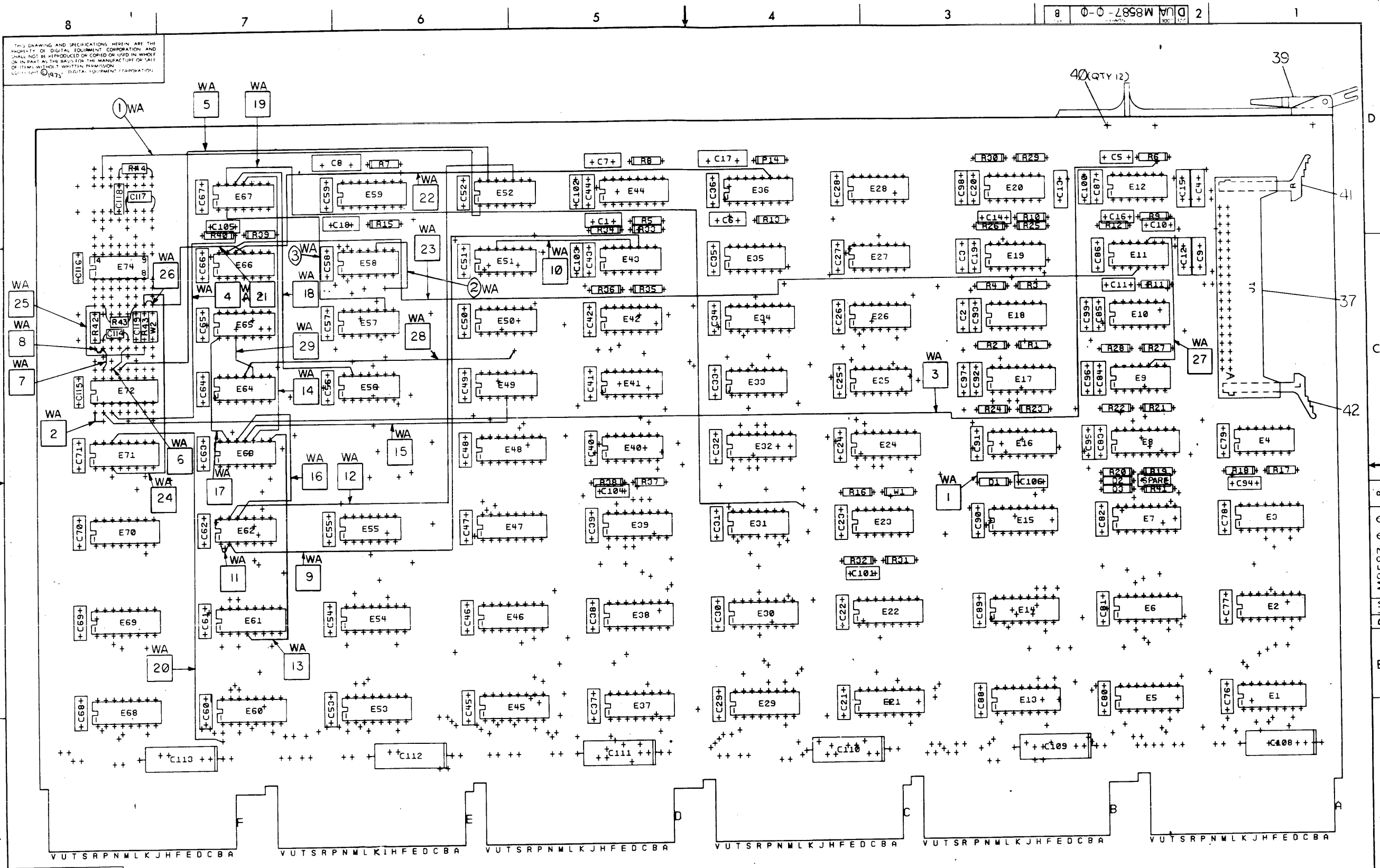


REV.	DATE	BY

TITLE LP20 LINE PRINTER DATA PATHS
 SCALE 2/1 SHEET 2 OF 8
 SIZE CODE D UA NUMBER M8587-0-0 REV. B

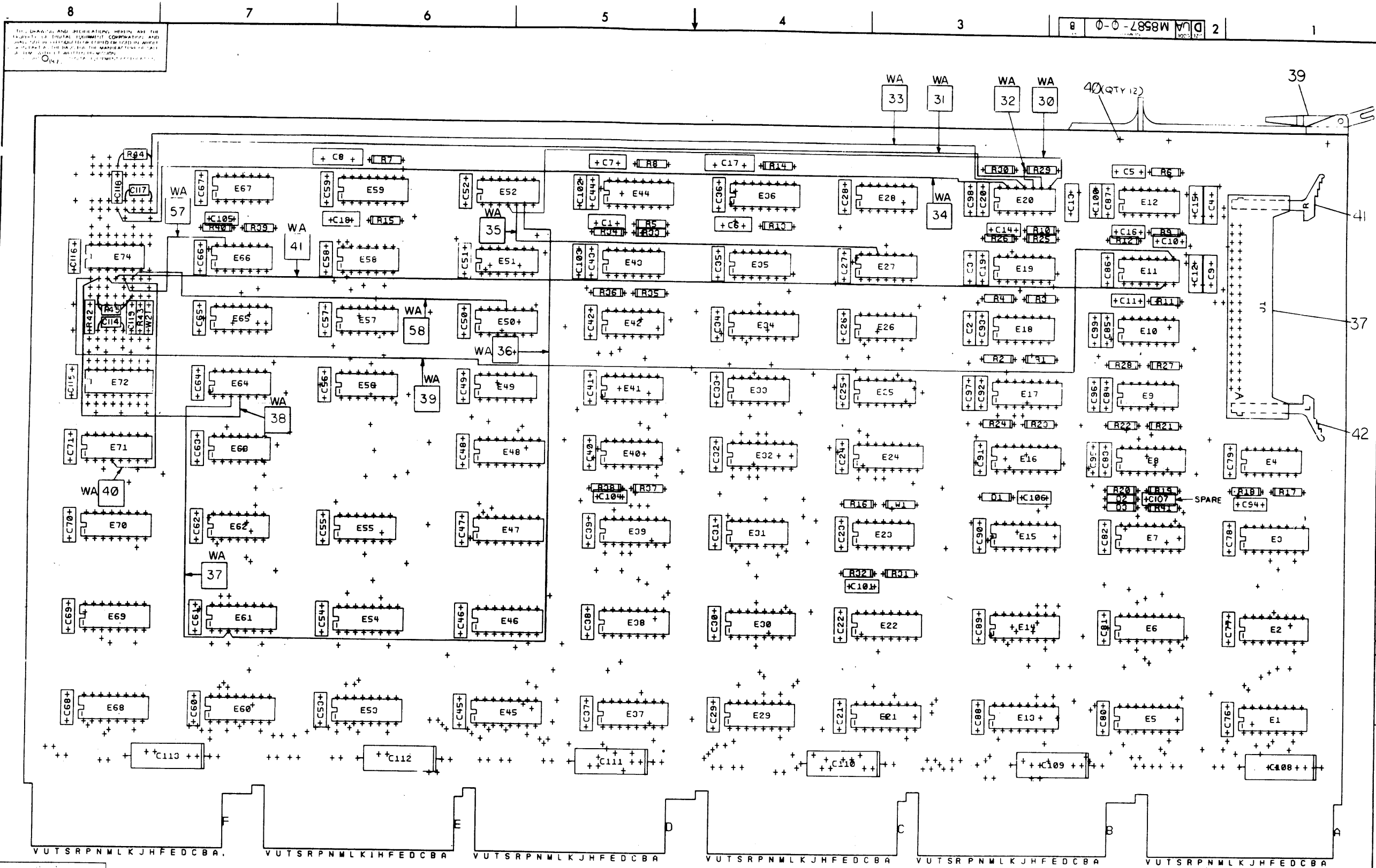
8 7 6 5 4 3 2 1

D UA M8587-0-0 B



THIS DRAWING AND SPECIFICATIONS HEREIN ARE THE PROPERTY OF DIGITAL EQUIPMENT CORPORATION AND SHALL NOT BE REPRODUCED OR COPIED OR USED IN WHOLE OR IN PART AS THE BASIS FOR THE MANUFACTURE OF ANY OF THE ITEMS WITHOUT WRITTEN PERMISSION. COPYRIGHT © 1973, DIGITAL EQUIPMENT CORPORATION.

TITLE LP20 LINE PRINTER DATA PATHS		SIZE CODE DUA	NUMBER M8587-0-0	REV. B
SCALE 2/1	SHEET 3 OF 8	DIST.		

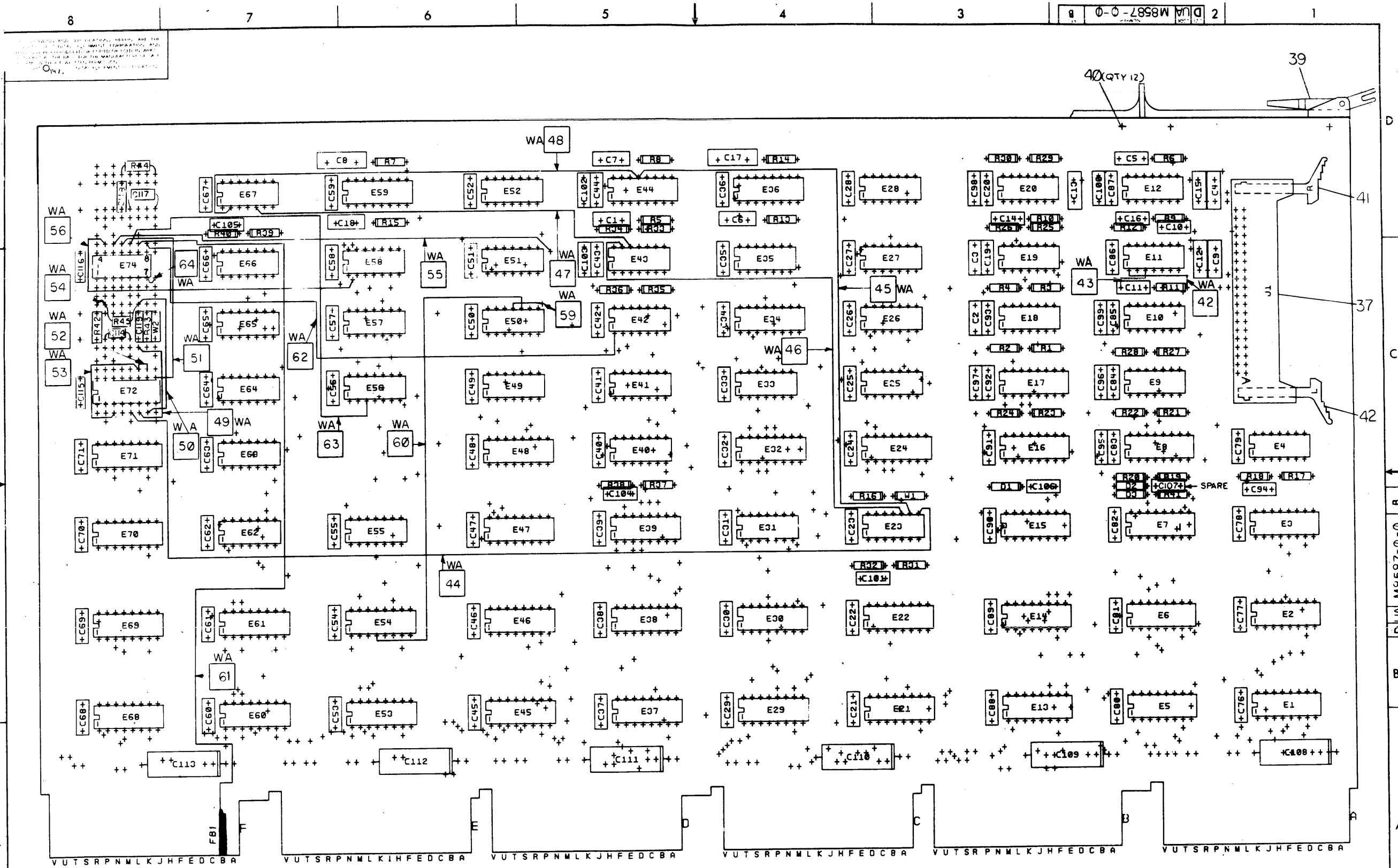


THE DIMENSIONS AND SPECIFICATIONS HEREIN ARE THE PROPERTY OF THE UNITED STATES GOVERNMENT AND ARE NOT TO BE REPRODUCED OR TRANSMITTED IN ANY FORM OR BY ANY MEANS, ELECTRONIC OR MECHANICAL, INCLUDING PHOTOCOPYING, RECORDING, OR BY ANY INFORMATION STORAGE AND RETRIEVAL SYSTEM, WITHOUT PERMISSION IN WRITING FROM THE NATIONAL BUREAU OF STANDARDS.

8 0-0-18587-0-0 2

TITLE LP20 LINE PRINTER DATA PATHS SIZE CODE NUMBER REV. D UA M8587-0-0 8
SCALE 2/1 SHEET 4 OF 8 DIST

D UA M8587-0-0 B



TITLE LP20 LINE PRINTER DATA PATHS		SIZE CODE DUA	NUMBER M8587-0-0	REV. B
SCALE 2/1	SHEET 5 OF 8	DIST		

THIS DRAWING AND SPECIFICATIONS, HEREIN, ARE THE PROPERTY OF DIGITAL EQUIPMENT CORPORATION AND SHALL NOT BE REPRODUCED OR COPIED OR USED IN WHOLE OR IN PART AS THE BASIS FOR THE MANUFACTURE OR SALE OF ITEMS WITHOUT WRITTEN PERMISSION. COPYRIGHT © 1975 DIGITAL EQUIPMENT CORPORATION.

DUA M8587-0-0 2

LAYER 1

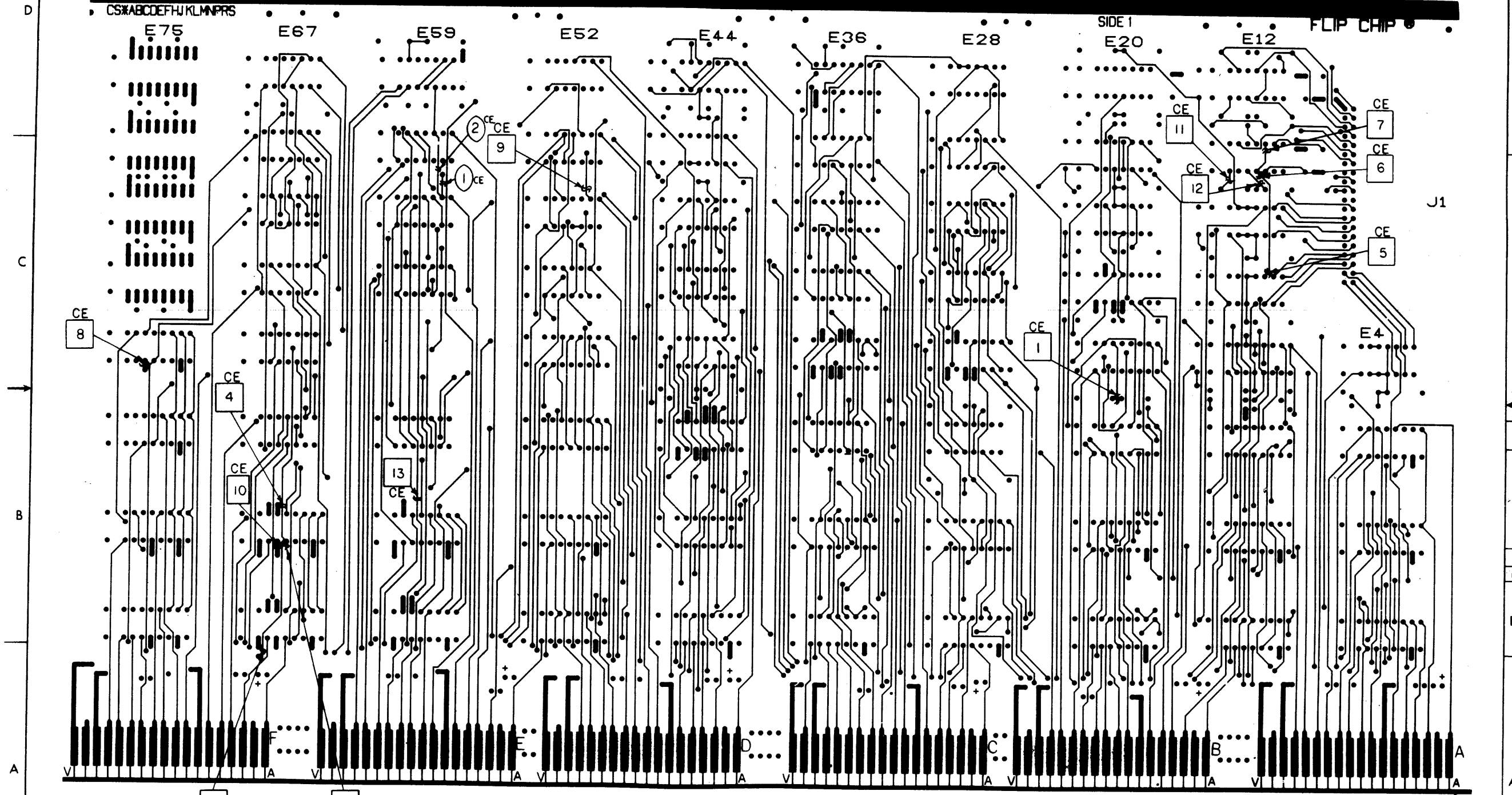
MS30170 M8587 5011702A

L1

CS:ABCDEFGHIJKLMNPRS

SIDE 1

FLIP CHIP



REVISIONS		
CHK	CHANGE NO	REV

3
CE

2
CE

TITLE LP20 LINE PRINTER
DATA PATHS

SCALE 2/1 SHEET 6 OF 8

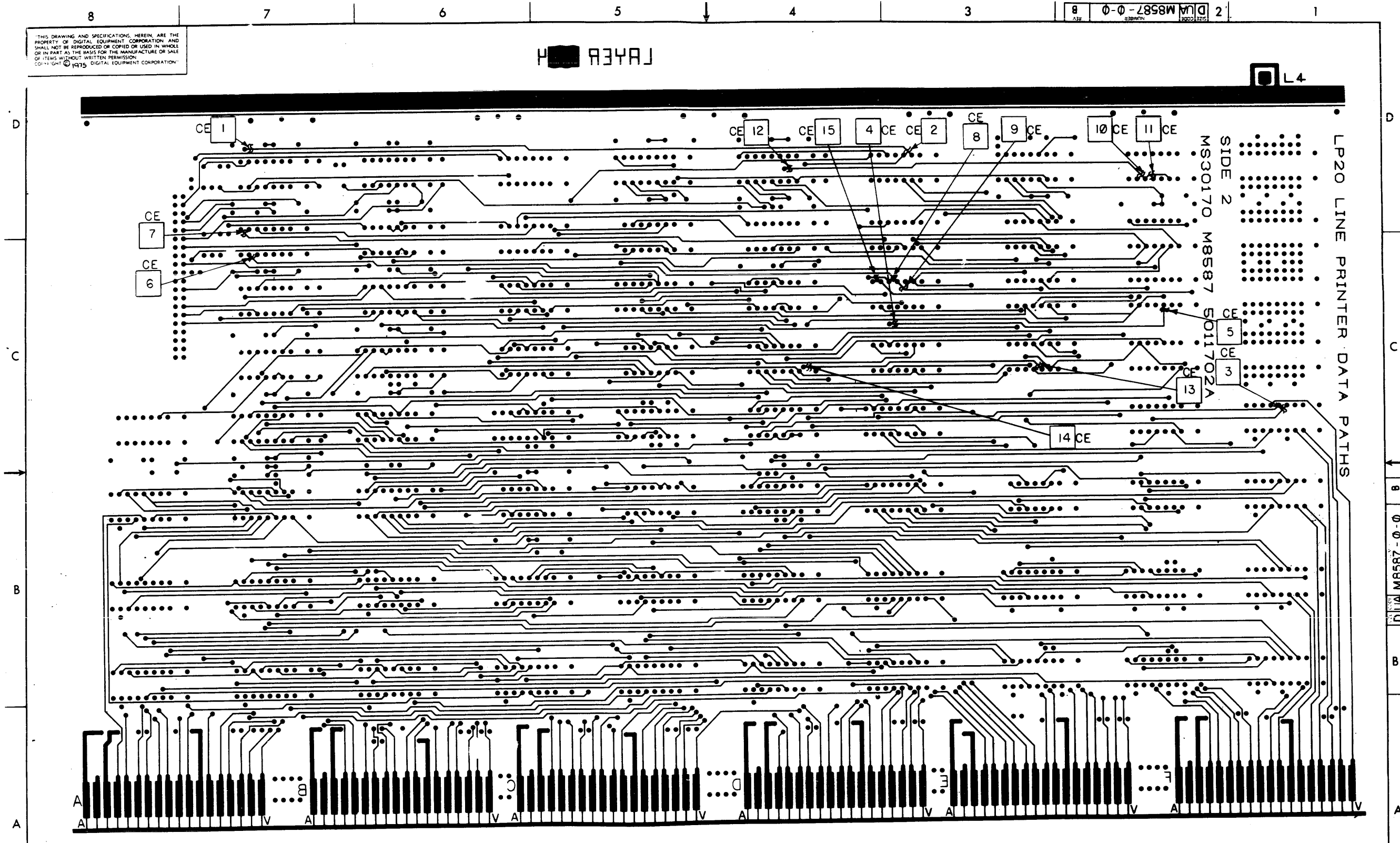
SIZE CODE D UA NUMBER M8587-0-0 REV. B

8 7 6 5 4 3 2 1

THIS DRAWING AND SPECIFICATIONS, HEREIN, ARE THE PROPERTY OF DIGITAL EQUIPMENT CORPORATION, AND SHALL NOT BE REPRODUCED OR COPIED OR USED IN WHOLE OR IN PART AS THE BASIS FOR THE MANUFACTURE OR SALE OF ITEMS WITHOUT WRITTEN PERMISSION.
 © 1975 DIGITAL EQUIPMENT CORPORATION

4 834AJ

8 0-0-2858W 2



REVISIONS		
CHR	CHANGE NO	REV

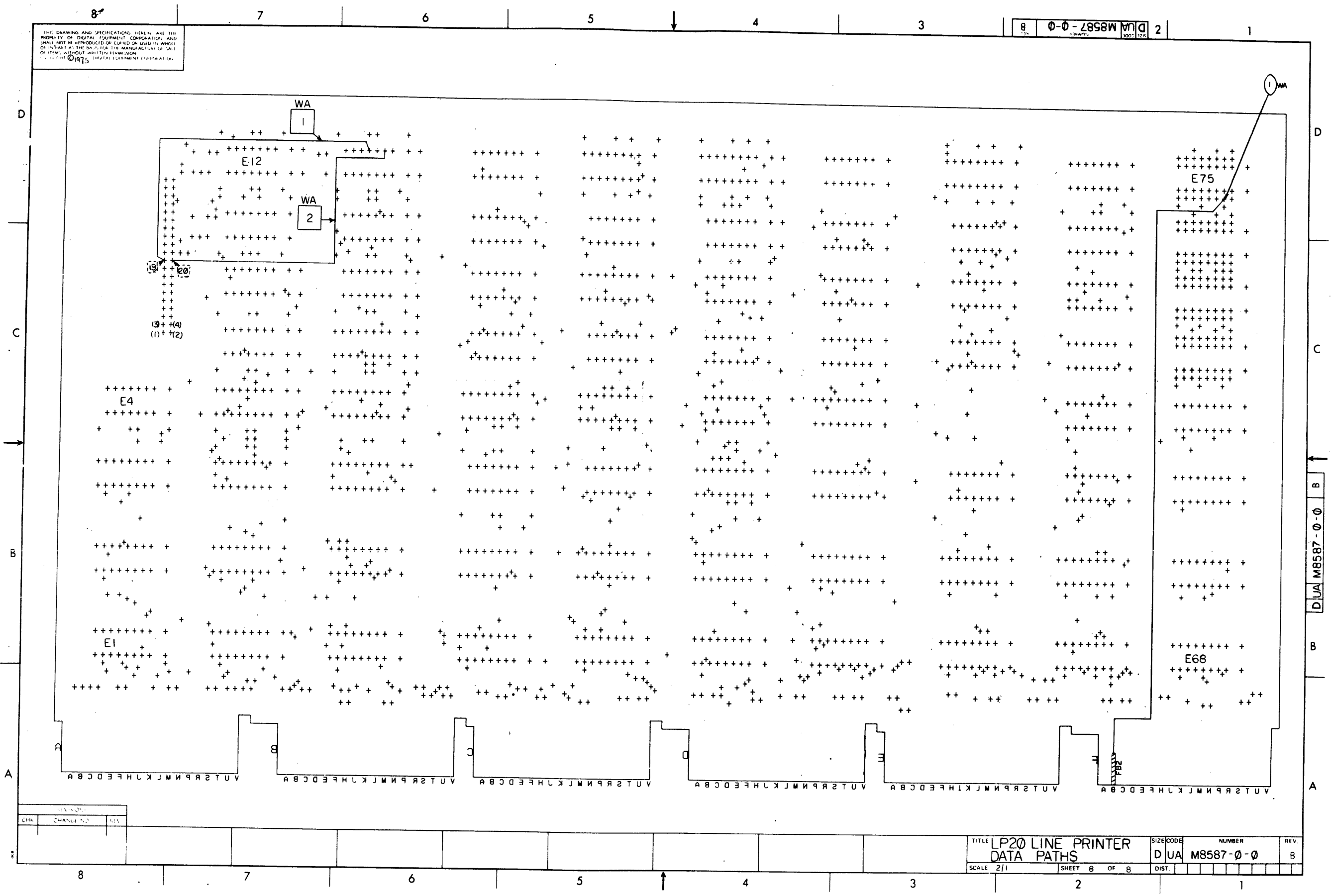
TITLE LP20 LINE PRINTER DATA PATHS
 SCALE 2/1 SHEET 7 OF 8
 SIZE CODE D U A NUMBER M8587-0-0 REV. B

8 7 6 5 4 3 2 1

D U A M8587-0-0

THIS DRAWING AND SPECIFICATIONS HEREIN ARE THE PROPERTY OF DIGITAL EQUIPMENT CORPORATION, AND SHALL NOT BE REPRODUCED OR COPIED OR USED IN WHOLE OR IN PART AS THE BASIS FOR THE MANUFACTURE OF ANY OF THEM, WITHOUT WRITTEN PERMISSION OF DIGITAL EQUIPMENT CORPORATION.

8 0-0-2858W MJD 2



CHK	CHANGE NO.	REV.

TITLE LP20 LINE PRINTER
DATA PATHS
SCALE 2/1 SHEET 8 OF 8
SIZE CODE DUA NUMBER M8587-0-0 REV. B

THIS DRAWING AND SPECIFICATIONS HEREAFTER ARE THE PROPERTY OF DIGITAL EQUIPMENT CORPORATION AND SHALL NOT BE REPRODUCED OR COPIED OR USED IN WHOLE OR IN PART AS THE BASIS FOR THE RECONSTRUCTION OR SALE OF THIS DRAWING WITHOUT PERMISSION OF DIGITAL EQUIPMENT CORPORATION © .975

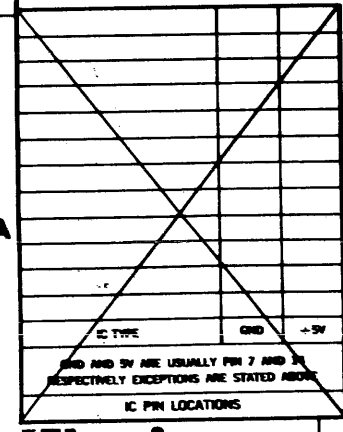
NOTES: 1. FOR DRAWING DIRECTORY REFER TO B-DD-5411704-0

0-0-5411704-0-0 2 1

1	ETCHED CIRCUIT BOARD	5011703	1
6	FASTON TAB	9008219	2
6	EYELET	9009000	3

D
C
B
A

D
C
B
A



QTY REF. DESIGNATION DESCRIPTION PART NO. ITEM NO.

LP20

ETCHED CIRCUIT BOARD

digital

LP20 BACKPLANE

B-DD-5411704-0

5411704-0-0

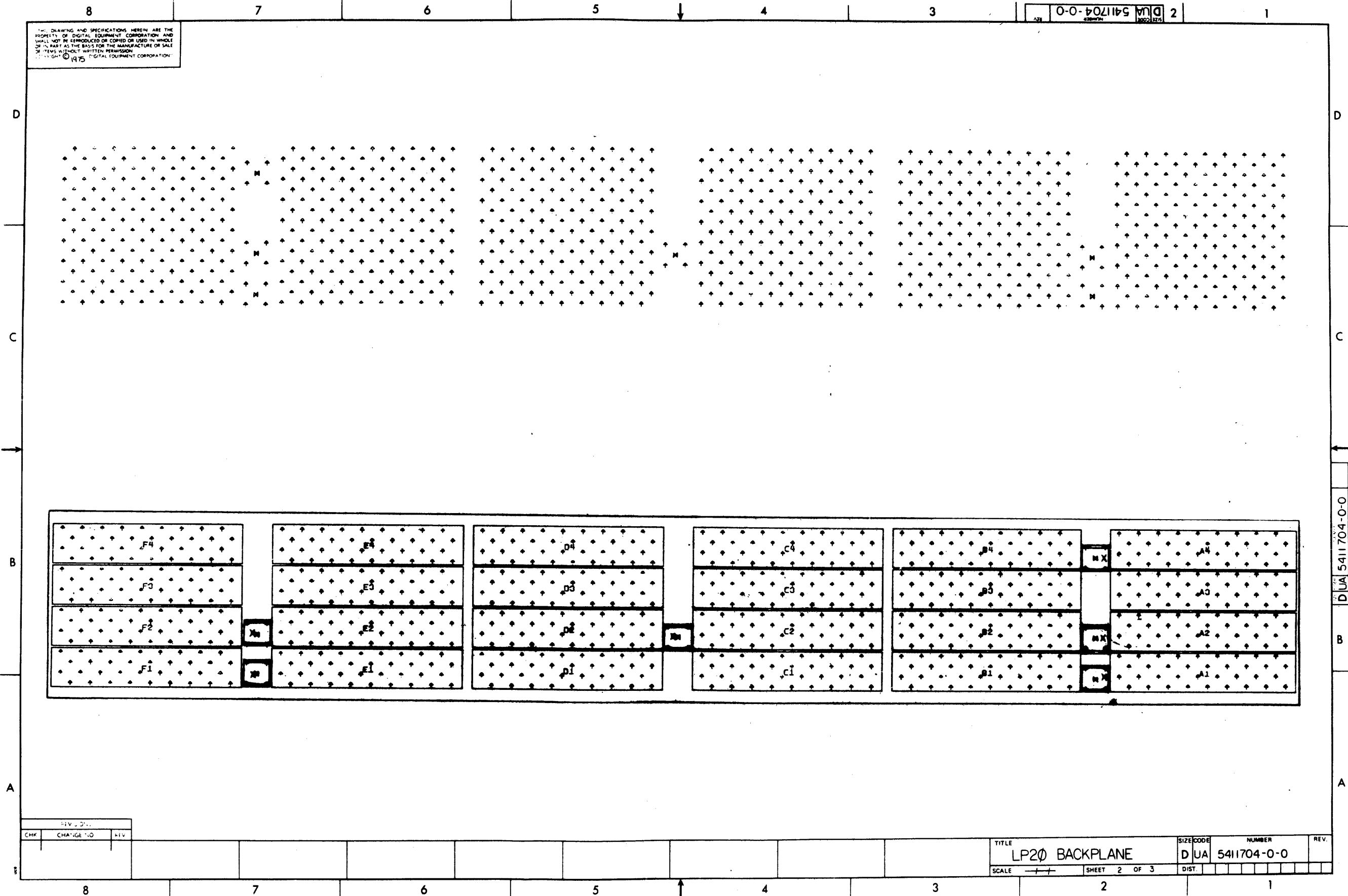
SEMICONDUCTOR CONVERSION CHART

SHEET 1 OF 3

8 7 6 5 4 3 2 1

THIS DRAWING AND SPECIFICATIONS HEREIN ARE THE PROPERTY OF DIGITAL EQUIPMENT CORPORATION AND SHALL NOT BE REPRODUCED OR COPIED OR USED IN WHOLE OR IN PART AS THE BASIS FOR THE MANUFACTURE OR SALE OF ITEMS WITHOUT WRITTEN PERMISSION.
 © 1975 DIGITAL EQUIPMENT CORPORATION

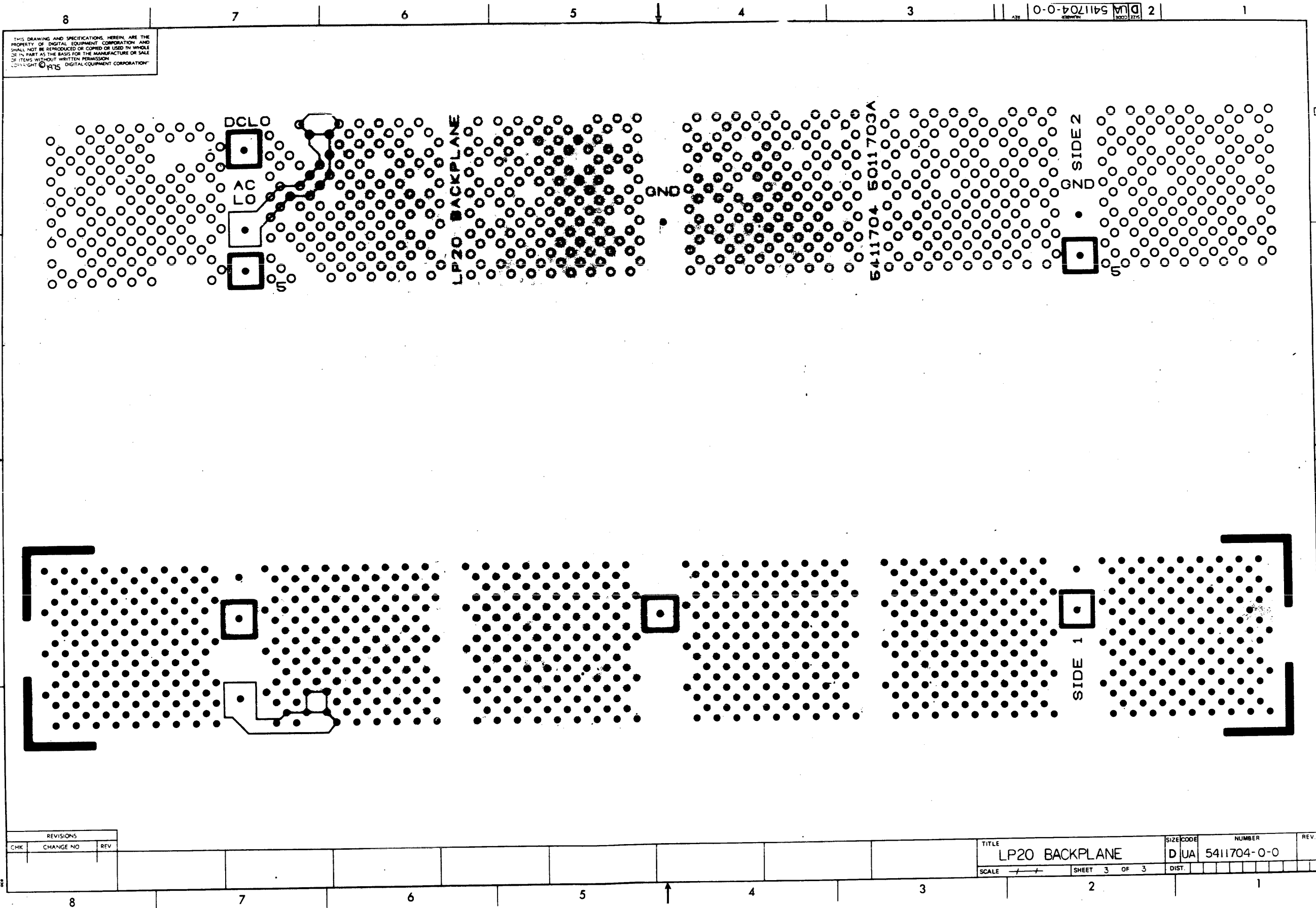
REV. 2 DUA 5411704-0-0



CHK	CHANGE NO	REV

TITLE: LP20 BACKPLANE
 SCALE: ---
 SHEET 2 OF 3
 SIZE CODE: DUA
 NUMBER: 5411704-0-0
 DIST.:

DUA 5411704-0-0



THIS DRAWING AND SPECIFICATIONS HEREIN ARE THE PROPERTY OF DIGITAL EQUIPMENT CORPORATION AND SHALL NOT BE REPRODUCED OR COPIED OR USED IN WHOLE OR IN PART AS THE BASIS FOR THE MANUFACTURE OR SALE OF ITEMS WITHOUT WRITTEN PERMISSION.
 © 1975 DIGITAL EQUIPMENT CORPORATION

REVISIONS		
CHK	CHANGE NO	REV

TITLE	5411704-0-0	SIZE CODE	NUMBER	REV
LP20 BACKPLANE	D U A	5411704-0-0		
SCALE	SHEET	OF	DIST	
	3	3		

D U A 5411704-0-0 2

D U A 5411704-0-0

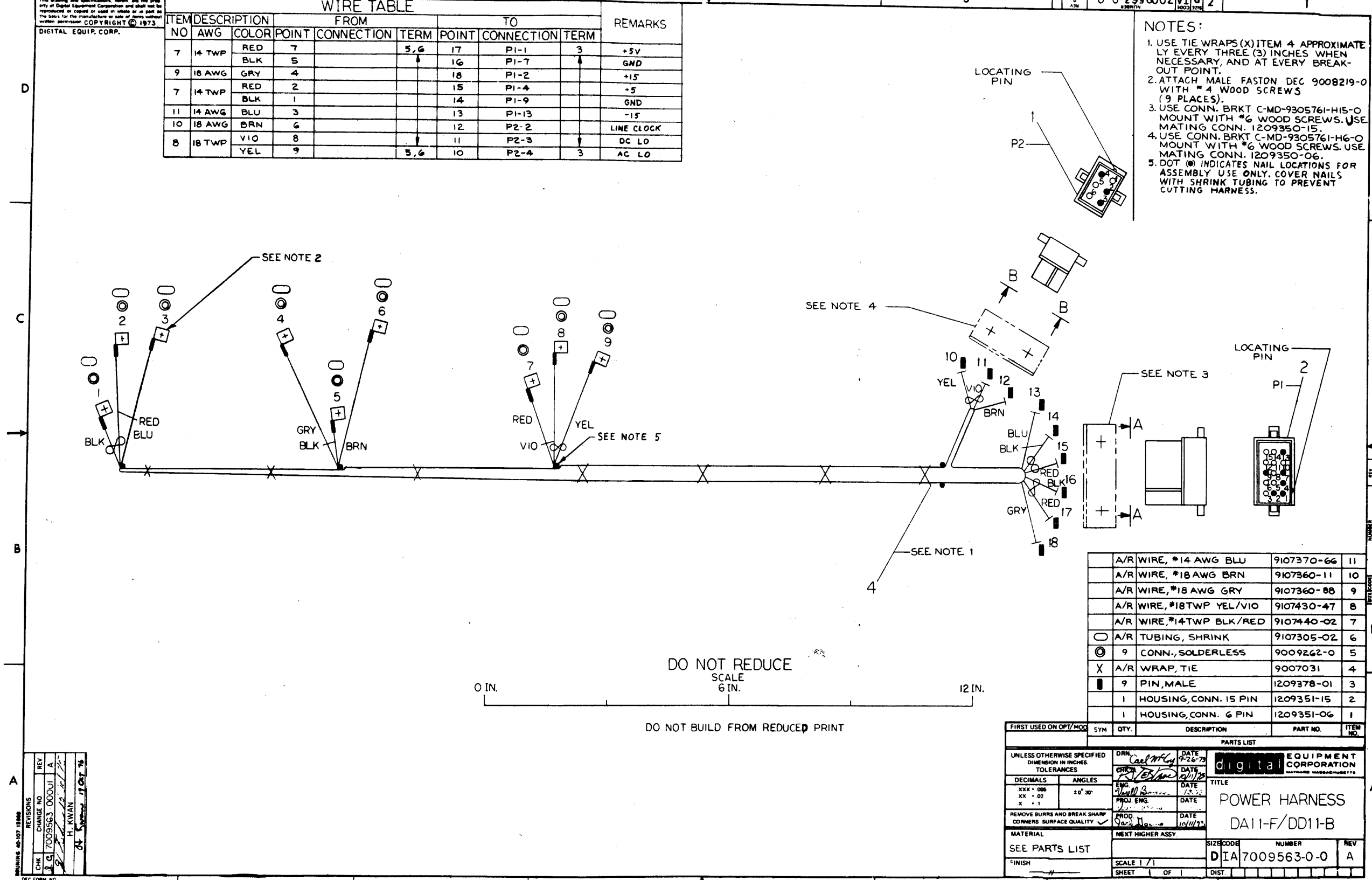
This drawing and specifications, herein, are the property of Digital Equipment Corporation and shall not be reproduced or copied or used in whole or in part as the basis for the manufacture or sale of items without written permission. COPYRIGHT © 1973 DIGITAL EQUIP. CORP.

WIRE TABLE										
ITEM NO	DESCRIPTION	FROM				TO				REMARKS
		AWG	COLOR	POINT	CONNECTION	POINT	CONNECTION	TERM		
7	14 TWP	RED	7		5,6	17	P1-1	3	+5V	
		BLK	5			16	P1-7		GND	
9	18 AWG	GRY	4			18	P1-2		+15	
7	14 TWP	RED	2			15	P1-4		+5	
		BLK	1			14	P1-9		GND	
11	14 AWG	BLU	3			13	P1-13		-15	
10	18 AWG	BRN	6			12	P2-2		LINE CLOCK	
8	18 TWP	VIO	8			11	P2-3		DC LO	
		YEL	9			10	P2-4	3	AC LO	

0-0-0-099600-2

NOTES:

- USE TIE WRAPS (X) ITEM 4 APPROXIMATELY EVERY THREE (3) INCHES WHEN NECESSARY, AND AT EVERY BREAK-OUT POINT.
- ATTACH MALE FASTON DEC 9008219-0 WITH #4 WOOD SCREWS (9 PLACES).
- USE CONN. BRKT C-MD-9305761-H15-0 MOUNT WITH #6 WOOD SCREWS. USE MATING CONN. 1209350-15.
- USE CONN. BRKT C-MD-9305761-H6-0 MOUNT WITH #6 WOOD SCREWS. USE MATING CONN. 1209350-06.
- DOT (•) INDICATES NAIL LOCATIONS FOR ASSEMBLY USE ONLY. COVER NAILS WITH SHRINK TUBING TO PREVENT CUTTING HARNESS.



DO NOT REDUCE SCALE 6 IN. 12 IN.

DO NOT BUILD FROM REDUCED PRINT

SYM	QTY.	DESCRIPTION	PART NO.	ITEM NO.
A/R		WIRE, #14 AWG BLU	9107370-66	11
A/R		WIRE, #18 AWG BRN	9107360-11	10
A/R		WIRE, #18 AWG GRY	9107360-88	9
A/R		WIRE, #18 TWP YEL/VIO	9107430-47	8
A/R		WIRE, #14 TWP BLK/RED	9107440-02	7
○		TUBING, SHRINK	9107305-02	6
•	9	CONN., SOLDERLESS	9009262-0	5
X		WRAP, TIE	9007031	4
■	9	PIN, MALE	1209378-01	3
	1	HOUSING, CONN. 15 PIN	1209351-15	2
	1	HOUSING, CONN. 6 PIN	1209351-06	1

FIRST USED ON OPT/MOD	SYN	QTY.	DESCRIPTION	PART NO.	ITEM NO.
PARTS LIST					
UNLESS OTHERWISE SPECIFIED DIMENSION IN INCHES TOLERANCES		DRN	DATE	digital EQUIPMENT CORPORATION	
DECIMALS	ANGLES	ENG.	DATE	TITLE	
XXX + .008	± 0° 30'	PROJ. ENG.	DATE	POWER HARNESS	
X - .1		PROG.	DATE	DA11-F/DD11-B	
REMOVE BURRS AND BREAK SHARP CORNERS SURFACE QUALITY		PROG.	DATE	SIZE CODE NUMBER REV	
MATERIAL		NEXT HIGHER ASSY		DA11-F	DD11-B
SEE PARTS LIST		SCALE 1/1		000	A
FINISH		SHEET 1 OF 1		DIST	

REV	CHANGE NO.	DATE	BY	CHKD.
1	7009563-00001	A		

REVISIONS

DIA17009563-0-0

THIS DRAWING AND SPECIFICATIONS HEREIN ARE THE PROPERTY OF DIGITAL EQUIPMENT CORPORATION AND SHALL NOT BE REPRODUCED OR COPIED OR USED IN WHOLE OR IN PART AS THE BASIS FOR THE MANUFACTURE OR SALE OF ITEMS WITHOUT WRITTEN PERMISSION. COPYRIGHT © 1975, DIGITAL EQUIPMENT CORPORATION

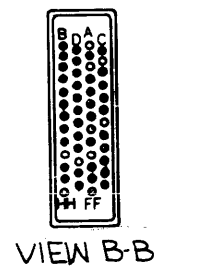
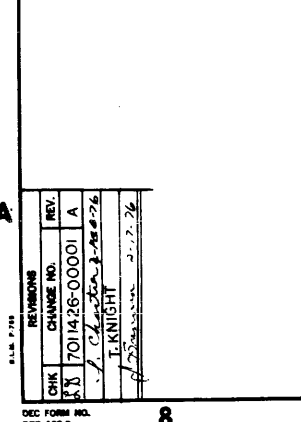
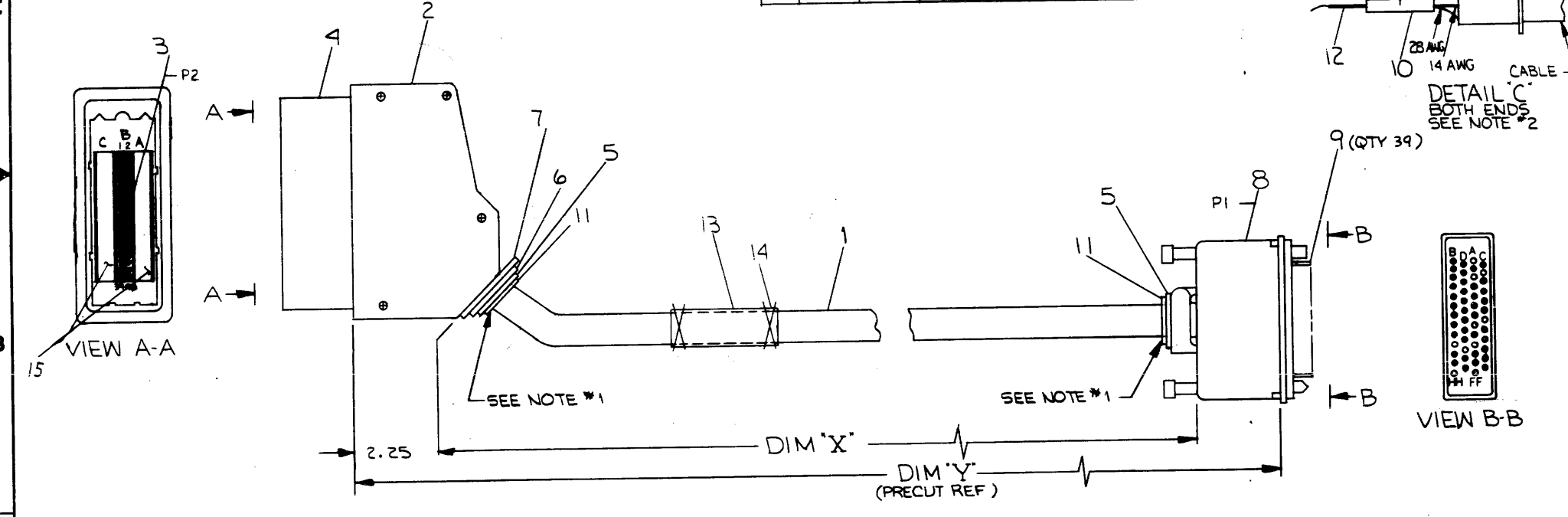
WIRE TABLE						
ITEM NO.	DESCRIPTION	FROM	TO	REMARK		
1	*28 SHIELD	PI-DD	ITEM*9	P2-B40	ITEM*3	SEE NOTE*2
	*28 RED	PI-D		P2-B11		DATA 1
	TWP WHT/BLK	PI-B		P2-B12		
	*28 RED	PI-J		P2-B23		DATA 2
	TWP WHT/RED	PI-F		P2-B24		
	*28 RED	PI-N		P2-B15		DATA 3
	TWP WHT/GRN	PI-L		P2-B16		
	*28 RED	PI-T		P2-B1		DATA 4
	TWP WHT/ORN	PI-R		P2-B2		
	*28 RED	PI-X		P2-B9		DATA 5
	TWP WHT/BLU	PI-V		P2-B10		
	28 RED	PI-b		P2-B13		DATA 6
	TWP WHT/YEL	PI-z		P2-B14		
	28 RED	PI-k		P2-B5		DATA 7
	TWP WHT/BRN	PI-n*		P2-B6		
	*28 RED	PI-AA		P2-B31		ON LINE
	TWP WHT/BLK	PI-y*		P2-B32		
	*28 RED	PI-Y		P2-B17		DAUFU RDU
1	*28 TWP WHT/BLK/GRN	PI-W	ITEM*9	P2-B18	ITEM*3	

ASTERISK (*) INDICATES LOWER CASE LETTERS

WIRE TABLE						
ITEM NO.	DESCRIPTION	FROM	TO	REMARK		
1	*28 RED	PI-C	ITEM*9	P2-B33	ITEM*3	DEMAND
	TWP WHT/BLK/YEL	PI-E		P2-B34		
	28 RED	PI-m		P2-B7		DATA
	TWP WHT/BLK/BLU	PI-j*		P2-B8		STROBE
	*28 RED	PI-U		P2-B35		TOP OF FORM
	TWP WHT/BLK/YEL	PI-S		P2-B36		
	28 RED	PI-v		P2-B21		VERIFY
	TWP WHT/BLK/BRN	PI-x*		P2-B22		
	28 RED	PI-f		P2-B27		LPT PARITY
	TWP WHT	PI-d*		P2-B28		
	28 RED	PI-s		P2-B37		PAPER INSTRUCTION
	TWP WHT/GRN/RED	PI-p*		P2-B38		
	*28 RED	PI-BB		P2-B3		DATA 8
	TWP WHT/GRN/ORN	PI-g*		P2-B4		
	28 RED	PI-c		P2-B29		PARITY ERR
	TWP WHT/BLK/BLU	PI-a*		P2-B30		
	*28 RED	PI-EE		P2-B19		READY
	TWP WHT/GRN/YEL	PI-CC		P2-B20		
	*28 RED	PI-P		P2-B25		BOTTOM OF FORM
1	*28 TWP WHT/GRN/BRN	PI-M	ITEM*9	P2-B26	ITEM*3	

LEGEND		
NUMBER	DIM 'X'	DIM 'Y' (PRECU)
101426-25	25 FT 0 IN	2 FT 4 IN ± 3 IN
101426-50	50 FT 0 IN	5 FT 4 IN ± 1 FT
101426-75	75 FT 0 IN	7 FT 4 IN ± 1 FT 6 IN
101426-100	100 FT 0 IN	10 FT 4 IN ± 2 FT

- NOTES:
- CUT ITEMS 5, 6, 7 & 11 (BUSHINGS) APPROX 1 INCH LONG.
 - CUT TUBING (ITEM*12) 1.75 LONG. CUT 14 AWG DRAIN WIRE TO APPROX 1.25 IN LONG & STRIP BACK .25 IN. CRIMP 14 AWG DRAIN WIRE TO THE *28 AWG SHIELD WIRE & RUN *28 AWG WIRE THRU AS IN DETAIL 'C'. SLIP TUBING (ITEM*12) OVER *28 AWG SHIELD WIRE & CRIMP ITEM*10 & SHRINK TUBING.
 - A MASSBUS RECEPTACLE ASSEMBLY (*1009861) IS REQUIRED TO MATE THE LP20 CABLE (*701426) WITH THE BC06R-10 FLAT CABLE. THE HOUSING IS REQUIRED BUT NOT SUPPLIED.



QTY	DESCRIPTION	DWG/PART NO.	ITEM NO.
2	PLUG, CRIMP TYPE	121159-26	15
2	TIE CABLE	9007880	14
1	LABEL, CABLE I.D.	9009532	13
	AIR TUBING, SHRINKABLE	9107305-00	12
2	BUSHING, RUBBER	1210776-4	11
2	TERMINAL SOLDERLESS	9006782-02	10
39	PIN, CONNECTOR	1209629	9
1	PLUG, CONNECTOR	1209726	8
1	BUSHING, RUBBER	1210776-7	7
1	BUSHING, RUBBER	1210776-6	6
2	BUSHING, RUBBER	1210776-5	5
1	CONN. STRAIN RELIEF KIT	1211591-12	4
7	CONN PLUG MODULE (40 CONTACT)	1211591-07	3
1	CONN PLUG HOUSING KIT	1211591-01	2
	CABLE 38 COND 28 AWG TWP	1700051-00	1

REV.	DATE	BY	CHKD
1	7-1-75	T. KNIGHT	
2	7-23-75		
3	7-23-75		
4	7-23-75		

SEE LEGEND

DESCRIPTION	DWG/PART NO.	ITEM NO.
UNLESS OTHERWISE SPECIFIED DIMENSIONS ARE IN INCHES		
ANGLES	CLASS OF ACCURACY	NOMINAL DIMENSION RANGE INCHES
SURFACE QUALITY	(CHECK ONE)	0.005 - 0.010
QUANTITY & VARIATION		0.010 - 0.020
		0.020 - 0.030
		0.030 - 0.040
		0.040 - 0.050
		0.050 - 0.060
		0.060 - 0.070
		0.070 - 0.080
		0.080 - 0.090
		0.090 - 0.100
		0.100 - 0.125
		0.125 - 0.150
		0.150 - 0.175
		0.175 - 0.200
		0.200 - 0.250
		0.250 - 0.300
		0.300 - 0.375
		0.375 - 0.500
		0.500 - 0.625
		0.625 - 0.750
		0.750 - 1.000
		1.000 - 1.250
		1.250 - 1.500
		1.500 - 2.000
		2.000 - 3.000
		3.000 - 4.000
		4.000 - 6.000
		6.000 - 10.000
		10.000 - 16.000
		16.000 - 25.000
		25.000 - 36.000
		36.000 - 50.000
		50.000 - 72.000
		72.000 - 100.000
		100.000 - 150.000
		150.000 - 200.000
		200.000 - 300.000
		300.000 - 400.000
		400.000 - 500.000
		500.000 - 750.000
		750.000 - 1000.000

THIRD ANGLE PROJECTION

REMOVE BURRS AND BREAK SHARP CORNERS

DO NOT SCALE DWG

NEXT HIGHER ASST.

MATERIAL SEE PARTS LIST

FINISH

DRN: R. J. C... 7-1-75

CHK'D: ... 7-23-75

ENGR: ... 7-23-75

PROJ. ENGR: ... 7-23-75

PROD. TH: ... 7-23-75

FIRST USED ON LP20

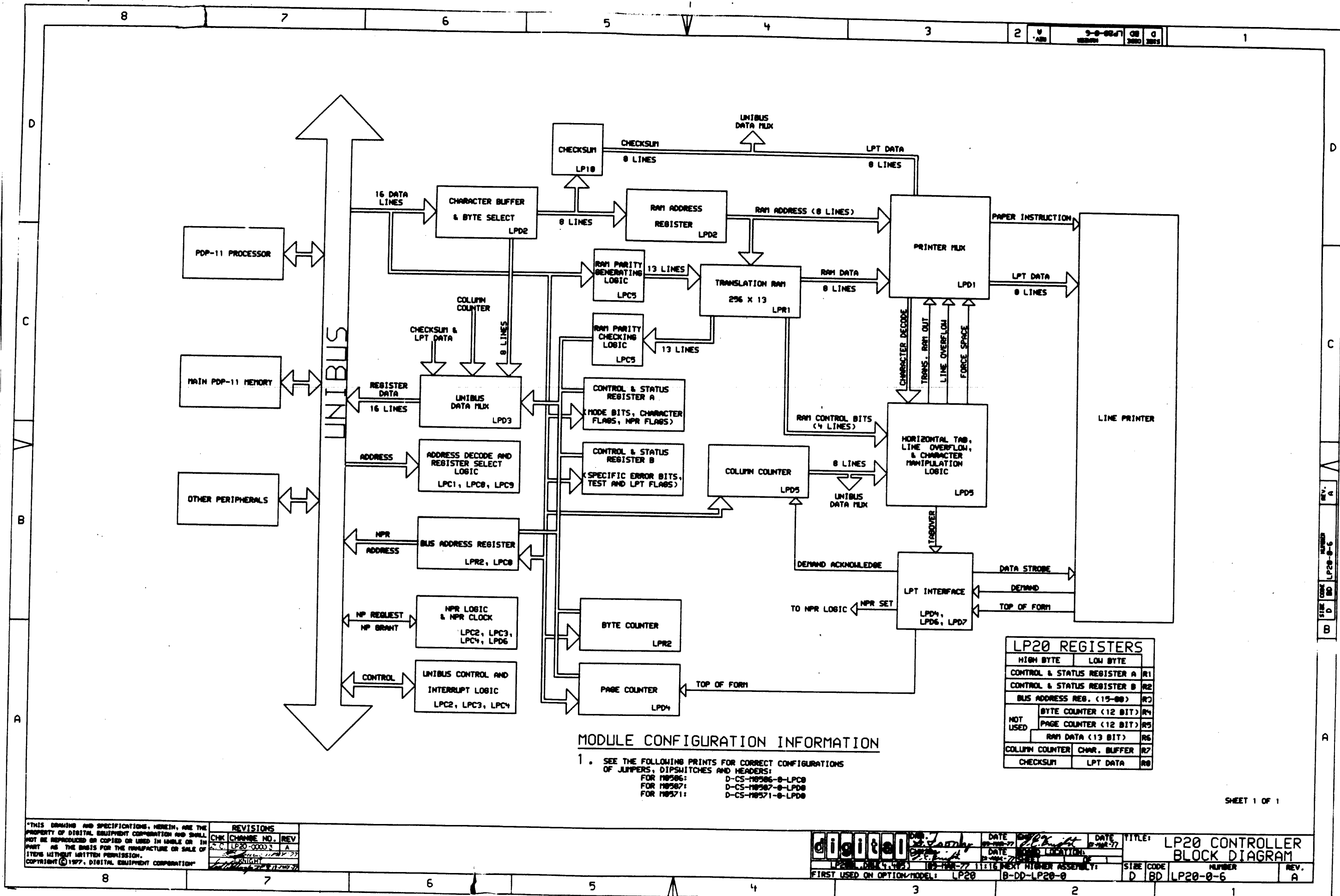
TITLE CABLE, LP20

SIZE CODE D IA

NUMBER 701426-0-0

REV. A

SHEET 1 OF 1



MODULE CONFIGURATION INFORMATION

- SEE THE FOLLOWING PRINTS FOR CORRECT CONFIGURATIONS OF JUMPERS, DIPSWITCHES AND HEADERS:
 FOR M9506: D-CS-M9506-0-LPC8
 FOR M9507: D-CS-M9507-0-LPC8
 FOR M9571: D-CS-M9571-0-LPC8

LP20 REGISTERS	
HIGH BYTE	LOW BYTE
CONTROL & STATUS REGISTER A	R1
CONTROL & STATUS REGISTER B	R2
BUS ADDRESS REG. (15-00)	R3
BYTE COUNTER (12 BIT)	R4
PAGE COUNTER (12 BIT)	R5
RAM DATA (13 BIT)	R6
COLUMN COUNTER	CHAR. BUFFER
CHECKSUM	LPT DATA

THIS DRAWING AND SPECIFICATIONS, HEREIN, ARE THE PROPERTY OF DIGITAL EQUIPMENT CORPORATION AND SHALL NOT BE REPRODUCED OR COPIED OR USED IN WHOLE OR IN PART AS THE BASIS FOR THE MANUFACTURE OR SALE OF ITEMS WITHOUT WRITTEN PERMISSION. COPYRIGHT © 1977, DIGITAL EQUIPMENT CORPORATION

REVISIONS		
CHK	CHANGE NO.	REV
	LP20-0003	A

digital	DATE: 12-11-77	DATE: 12-11-77	TITLE: LP20 CONTROLLER BLOCK DIAGRAM
	DATE: 12-11-77	DATE: 12-11-77	NUMBER: LP20-0-6
FIRST USED ON OPTION/MODEL: LP20		SIZE CODE: D BD	REV: A

NOTES:

- IF THE LP20 CONTROL BOARD, M8586 IN SLOT 1AF02 IS AT REVISION B, IT IS NECESSARY TO CUT OUT W3 TO REMOVE LPD5 TABOVER CLK H FROM THE M8586 MODULE AS IT IS NOT USED ON REVISION B OF THAT MODULE.

CAUTION!

IF W3 IS NOT REMOVED WHEN A REV B M8586 MODULE IS INSTALLED, DAMAGE TO THE M8587 LP20 DATA PATHS MODULE MAY RESULT AND THE CONTROLLER WILL NOT PERFORM DATA CORRECTLY.

- ALL PRINTERS EXCEPT THE LA180 USE DIFFERENTIALLY DRIVEN DATA AND CONTROL LINES. THE LA180 LINES ARE SINGLE-ENDED CIRCUITS. (LA180 SUPPORTED BY M8571 ONLY!!)

THE PRINTER CABLE IS CONFIGURED FOR A SPECIFIC PRINTER BY THE PROPER INSERTION OF THREE (3) JUMPER PLUGS INTO THREE (3) OF THE SIX (6) DIP SITES, E9-E12, E26, E27. ONLY THREE DIP SITES HAVE JUMPER PLUGS INSTALLED AT ANY TIME. (M8571 ONLY)

A JUMPER PLUG CONSISTS OF EIGHT (8) JUMPERS IN A PLASTIC DIP HEADER. (M8571 ONLY!!)

IF THE JUMPER PLUGS ARE INSTALLED INCORRECTLY, THE LED NEAR THE PRINTER CABLE WILL ILLUMINATE AND THE CONTROLLER ERROR FLAG (BIT JS OF LPCR0) WILL BE UNCLEARABLE. THE SOLUTION IS TO CONFIGURE THE JUMPER PLUGS CORRECTLY. (M8571 ONLY)

- THE M8571 AND M8587 REVISION C ARE INTERCHANGABLE SPARES FOR APPLICATIONS OTHER THAN THE LA180.

THE LA180 REQUIRES THE M8571 AS THE DATA PATHS MODULE.

- WHEN REPLACING THE M8587 REVISION C WITH THE M8571, CONFIGURE THE M8571 SWITCHES EQUIVALENTLY TO THE CURRENT CONFIGURATION OF THE M8587 JUMPERS PER THE TABLE BELOW:

JUMPER EQUIVALENTS

M8587 REV C OR LATER	M8571
W1 IN	S1-1 ON
W1 OUT	S1-1 OFF
W2 IN	S1-2 ON
W2 OUT	S1-2 OFF
W3 IN	S1-3 ON
W3 OUT	S1-3 OFF
NONE	S1-4 ON
NONE	S1-4 OFF

- TABLE ENTRY MEANINGS ARE:

X = DON'T CARE
 ON = DIPSWITCH SECTION "ON"
 OFF = DIPSWITCH SECTION "OFF"
 IN = JUMPER PLUG INSTALLED IN THIS DIPSITE
 OUT = NO JUMPER PLUG INSTALLED IN THIS DIPSITE
 ALL# = UNITS WITH DAVFU & LONG LINE LONG LINE INTERFACE ONLY
 ALL# = LP18-JA,JB,JC,JD,KA,KB,KC,KD ONLY

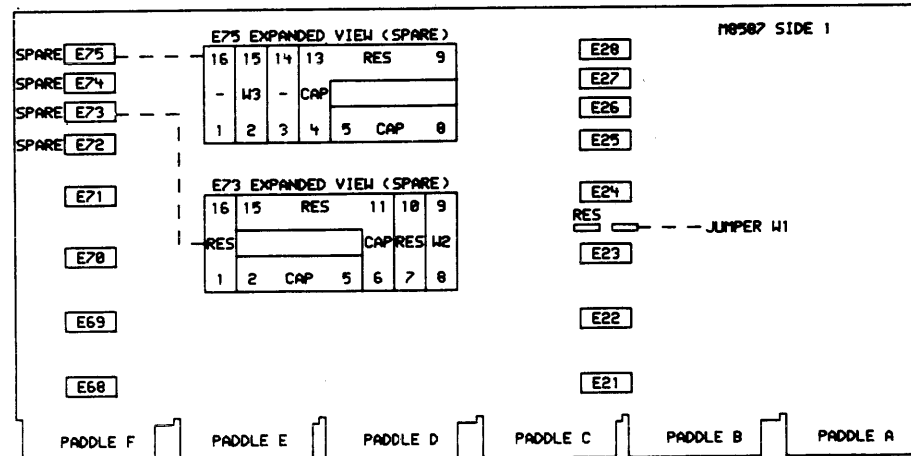
- USE OF THE M8571 DATA PATHS MODULE REQUIRES THAT THE M8586 CONTROL MODULE AND BACKPLANE (70-11427 ASSY) BOTH BE AT REVISION C OR LATER.

THE M8587 HAS BEEN REPLACED BY THE M8571

M8587
 JUMPER CONFIGURATION
 (LP20 DATA PATH)

M8587 JUMPER (NOTE 4) (FIGURE 1)	M8571 DIPSWITCH S1 EQUIVALENT	PRINT LOC/NAME	FUNCTIONAL CONFIGURATION	PRINTER IN USE (NOTE 5)			
				LP05 (ALL#)	LP06 (ALL#)	LP07 (ALL#)	LP18 (ALL#)
W1	S1-1	LPD6/LPT PARITY	SWITCH ON ALLOWS A PARITY ERROR FROM THE PRINTER IN USE TO GENERATE AN ERROR IN THE LP20. PARITY IS ALWAYS ENABLED WHEN THE PRINTER IN USE IS AN LA180.	OFF	OFF	ON	ON
W2	S1-2	LPD6/VERT FORMAT	SWITCH ON IMPLYS A DAVFU IS INSTALLED IN THE PRINTER IN USE. SWITCH OFF IMPLYS A PAPER TAPE VFU IS INSTALLED IN THE PRINTER IN USE.	ON	ON	ON	OFF
W3	S1-3	LPD5/M8586 REV B	SWITCH MUST BE OFF IF THE LP20 CONTROL BOARD, M8586 IS AT REV B. SWITCH MUST BE ON FOR M8586 REV. C OR LATER.	NOTE 1	NOTE 1	NOTE 1	NOTE 1
NONE	S1-4	LPD1/LA180 DAT PAR	SWITCH OFF CAUSES LPT DATA PARITY BIT TO BE SENT AS LPT DAT00. PARITY IS GENERATED ON THE LOW-ORDER SEVEN BITS ONLY. (LA180 ONLY) SWITCH ON SENDS PARITY BIT GENERATED AS LPT PARITY AND GENERATES PARITY ON ALL EIGHT BITS. (LA180 ONLY)	X	X	X	X
M8587 DIP LOC.	M8571 DIP LOC.	M8571 ONLY! PRINT LOC/NAME	FUNCTIONAL CONFIGURATION (NOTE 2)				
NONE	E9	LPD7/JUMPER SOCKET 1	A PRINTER CABLE CONFIGURATION JUMPER PLUG IS INSTALLED IN E9 FOR PRINTERS OTHER THAN THE LA180.	IN	IN	IN	IN
NONE	E10	LPD7/JUMPER SOCKET 2	A PRINTER CABLE CONFIGURATION JUMPER PLUG IS INSTALLED IN E10 FOR LA180 PRINTERS ONLY.	OUT	OUT	OUT	OUT
NONE	E11	LPD7/JUMPER SOCKET 3	A PRINTER CABLE CONFIGURATION JUMPER PLUG IS INSTALLED IN E11 FOR LA180 PRINTERS ONLY.	OUT	OUT	OUT	OUT
NONE	E12	LPD7/JUMPER SOCKET 4	A PRINTER CABLE CONFIGURATION JUMPER PLUG IS INSTALLED IN E12 FOR PRINTERS OTHER THAN THE LA180.	IN	IN	IN	IN
NONE	E26	LPD7/JUMPER SOCKET 5	A PRINTER CABLE CONFIGURATION JUMPER PLUG IS INSTALLED IN E26 FOR PRINTERS OTHER THAN THE LA180.	IN	IN	IN	IN
NONE	E27	LPD7/JUMPER SOCKET 6	A PRINTER CABLE CONFIGURATION JUMPER PLUG IS INSTALLED IN E27 FOR LA180 PRINTERS ONLY.	OUT	OUT	OUT	OUT
PERMISSIBLE SPARE DATA PATHS MODULES (NOTES 3,4,6)				M8587 OR M8571			

FIGURE 1



THIS DRAWING AND SPECIFICATIONS, HEREIN, ARE THE PROPERTY OF DIGITAL EQUIPMENT CORPORATION AND SHALL NOT BE REPRODUCED OR COPIED OR USED IN WHOLE OR IN PART AS THE BASIS FOR THE MANUFACTURE OR SALE OF ITEMS WITHOUT WRITTEN PERMISSION.
 COPYRIGHT © 1976, DIGITAL EQUIPMENT CORPORATION

REVISIONS		
CHK	CHANGE NO.	REV

digital
 DATE 10-MAY-76
 DATE 12-30-76
 CHECKED BY J. J. J. J.
 TITLE: LP20 DATA JUMPER NOTES
 SIZE CODE D CS
 NUMBER M8587-0-LPD0
 REV. *

NOTES:

1. IF THE LP20 CONTROL BOARD, M8586 IN SLOT 1A/B/C IS AT REVISION B, IT IS NECESSARY TO TURN OFF S1-3 TO REMOVE LP20 TABOVER CLK H FROM THE M8586 MODULE AS IT IS NOT USED ON REVISION B OF THAT MODULE.

CAUTION!

IF S1-3 IS TURNED ON WITH A REV B M8586 MODULE INSTALLED, DAMAGE TO THE M8571 LP20 DATA PATHS MODULE MAY RESULT!

2. ALL PRINTERS EXCEPT THE LA100 USE DIFFERENTIALLY DRIVEN DATA AND CONTROL LINES. THE LA100 LINES ARE SINGLE-ENDED CIRCUITS.

THE PRINTER CABLE IS CONFIGURED FOR A SPECIFIC PRINTER BY THE PROPER INSERTION OF THREE (3) JUMPER PLUGS INTO THREE (3) OF THE SIX (6) DIP SITES, E9-E12, E26, E27. ONLY THREE DIP SITES HAVE JUMPER PLUGS INSTALLED AT ANY TIME.

A JUMPER PLUG CONSISTS OF EIGHT (8) JUMPERS IN A PLASTIC DIP HEADER.

IF THE JUMPER PLUGS ARE INSTALLED INCORRECTLY, THE LED NEAR THE PRINTER CABLE WILL ILLUMINATE AND THE CONTROLLER ERROR FLAG (BIT 15 OF LPCSR) WILL BE UNCLEARABLE. THE SOLUTION IS TO CONFIGURE THE JUMPER PLUGS CORRECTLY.

3. THE M8571 AND M8587 REVISION C ARE INTERCHANGABLE SPARES FOR APPLICATIONS OTHER THAN THE LA100.

THE LA100 REQUIRES THE M8571 AS THE DATA PATHS MODULE.

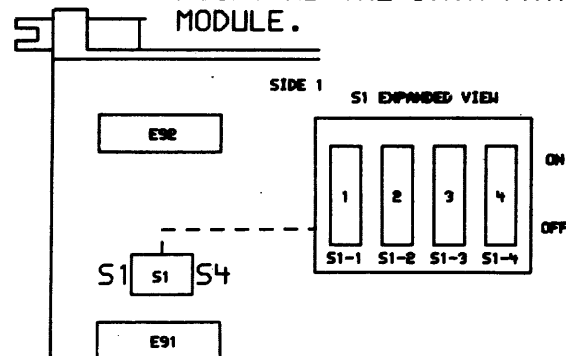


FIGURE 1

4. WHEN REPLACING THE M8587 REVISION C WITH THE M8571, CONFIGURE THE M8571 SWITCHES EQUIVALENTLY TO THE CURRENT CONFIGURATION OF THE M8587 JUMPERS PER THE TABLE BELOW:

JUMPER EQUIVALENTS	
M8587 REV C OR LATER	M8571
M1 IN	S1-1 ON
M1 OUT	S1-1 OFF
M2 IN	S1-2 ON
M2 OUT	S1-2 OFF
M3 IN	S1-3 ON
M3 OUT	S1-3 OFF
NONE	S1-4 ON
NONE	S1-4 OFF

5. TABLE ENTRY MEANINGS ARE:

- X = DON'T CARE
- ON = DIPSWITCH SECTION "ON"
- OFF = DIPSWITCH SECTION "OFF"
- IN = JUMPER PLUG INSTALLED IN THIS DIPSITE
- OUT = NO JUMPER PLUG INSTALLED IN THIS DIPSITE
- ALL = UNITS WITH DAWFU & LONG LINE INTERFACE ONLY
- ALL8 = LP10-JA, JB, JC, JD, KA, KB, KC, KD ONLY

6. USE OF THE M8571 DATA PATHS MODULE REQUIRES THAT THE M8586 CONTROL MODULE AND BACKPLANE (70-11427 ASSY) BOTH BE AT REVISION C OR LATER.

7. **CAUTION!!**

THE LA100 DRIVEN BY THE LP20 IS NOT CURRENTLY SUPPORTED AS A STANDARD PRODUCT.

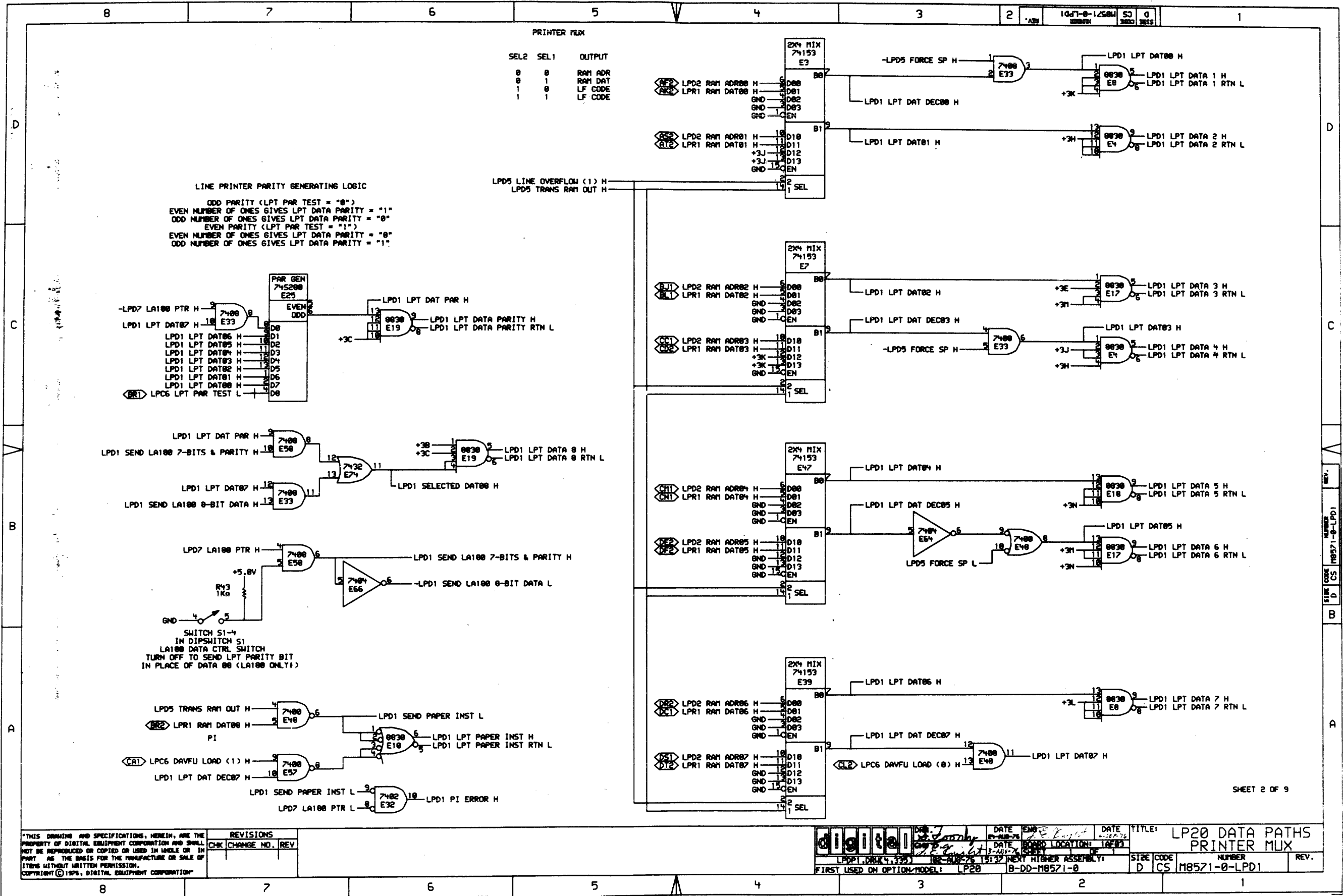
M8571
SWITCH AND JUMPER PLUG CONFIGURATION
(LP20 DATA PATH)

M8587 EQUIVALENT (NOTE 4)	M8571 DIPSWITCH S1 (FIGURE 1)	PRINT LOC/NAME	FUNCTIONAL CONFIGURATION	PRINTER IN USE (NOTE 5)					
				LP25 (ALL)	LP26 (ALL)	LP27 (ALL)	LP10 (ALL)	LA100 7-BIT	LA100 8-BIT
M1	S1-1	LP26/LPT PARITY	SWITCH ON ALLUAS A PARITY ERROR FROM THE PRINTER IN USE TO GENERATE AN ERROR IN THE LP20. PARITY IS ALWAYS ENABLED WHEN THE PRINTER IN USE IS AN LA100.	OFF	OFF	ON	ON	X	X
M2	S1-2	LP26/VERT FORMAT	SWITCH ON IMPLIES A DAWFU IS INSTALLED IN THE PRINTER IN USE. SWITCH OFF IMPLIES A PAPER TAPE VFU IS INSTALLED IN THE PRINTER IN USE.	ON	ON	ON	OFF	OFF	OFF
M3	S1-3	LP25/M8586 REV B	SWITCH MUST BE OFF IF THE LP20 CONTROL BOARD, M8586 IS AT REV B. SWITCH MUST BE ON FOR M8586 REV. C OR LATER.	NOTE 1	NOTE 1	NOTE 1	NOTE 1	NOTE 1	NOTE 1
NONE	S1-4	LP21/LA100 DAT PAR	SWITCH OFF CAUSES LPT DATA PARITY BIT TO BE SENT AS LPT DATA. PARITY IS GENERATED ON THE LOW-ORDER SEVEN BITS ONLY. (LA100 ONLY) SWITCH ON SENDS PARITY BIT GENERATED AS LPT PARITY AND GENERATES PARITY ON ALL EIGHT BITS.	X	X	X	X	ON	OFF
	DIP LOC.	PRINT LOC/NAME	FUNCTIONAL CONFIGURATION (NOTE 2)						
NONE	E9	LP27/JUMPER SOCKET 1	A PRINTER CABLE CONFIGURATION JUMPER PLUG IS INSTALLED IN E9 FOR PRINTERS OTHER THAN THE LA100.	IN	IN	IN	IN	OUT	OUT
NONE	E10	LP27/JUMPER SOCKET 2	A PRINTER CABLE CONFIGURATION JUMPER PLUG IS INSTALLED IN E10 FOR LA100 PRINTERS ONLY.	OUT	OUT	OUT	OUT	IN	IN
NONE	E11	LP27/JUMPER SOCKET 3	A PRINTER CABLE CONFIGURATION JUMPER PLUG IS INSTALLED IN E11 FOR LA100 PRINTERS ONLY.	OUT	OUT	OUT	OUT	IN	IN
NONE	E12	LP27/JUMPER SOCKET 4	A PRINTER CABLE CONFIGURATION JUMPER PLUG IS INSTALLED IN E12 FOR PRINTERS OTHER THAN THE LA100.	IN	IN	IN	IN	OUT	OUT
NONE	E26	LP27/JUMPER SOCKET 5	A PRINTER CABLE CONFIGURATION JUMPER PLUG IS INSTALLED IN E26 FOR PRINTERS OTHER THAN THE LA100.	IN	IN	IN	IN	OUT	OUT
NONE	E27	LP27/JUMPER SOCKET 6	A PRINTER CABLE CONFIGURATION JUMPER PLUG IS INSTALLED IN E27 FOR LA100 PRINTERS ONLY.	OUT	OUT	OUT	OUT	IN	IN
PERMISSIBLE SPARE DATA PATHS MODULES (NOTES 3,4,6)				M8587 OR M8571			M8571 ONLY!		

*THIS DRAWING AND SPECIFICATIONS, HEREIN, ARE THE PROPERTY OF DIGITAL EQUIPMENT CORPORATION AND SHALL NOT BE REPRODUCED OR COPIED OR USED IN WHOLE OR IN PART AS THE BASIS FOR THE MANUFACTURE OR SALE OF ITEMS WITHOUT WRITTEN PERMISSION. COPYRIGHT © 1977, DIGITAL EQUIPMENT CORPORATION

REVISIONS	
CHK CHANGE NO.	REV
22	M8571/M8587 B
11	LP20 2505-77
1	E-BLOOM
1	2507-77

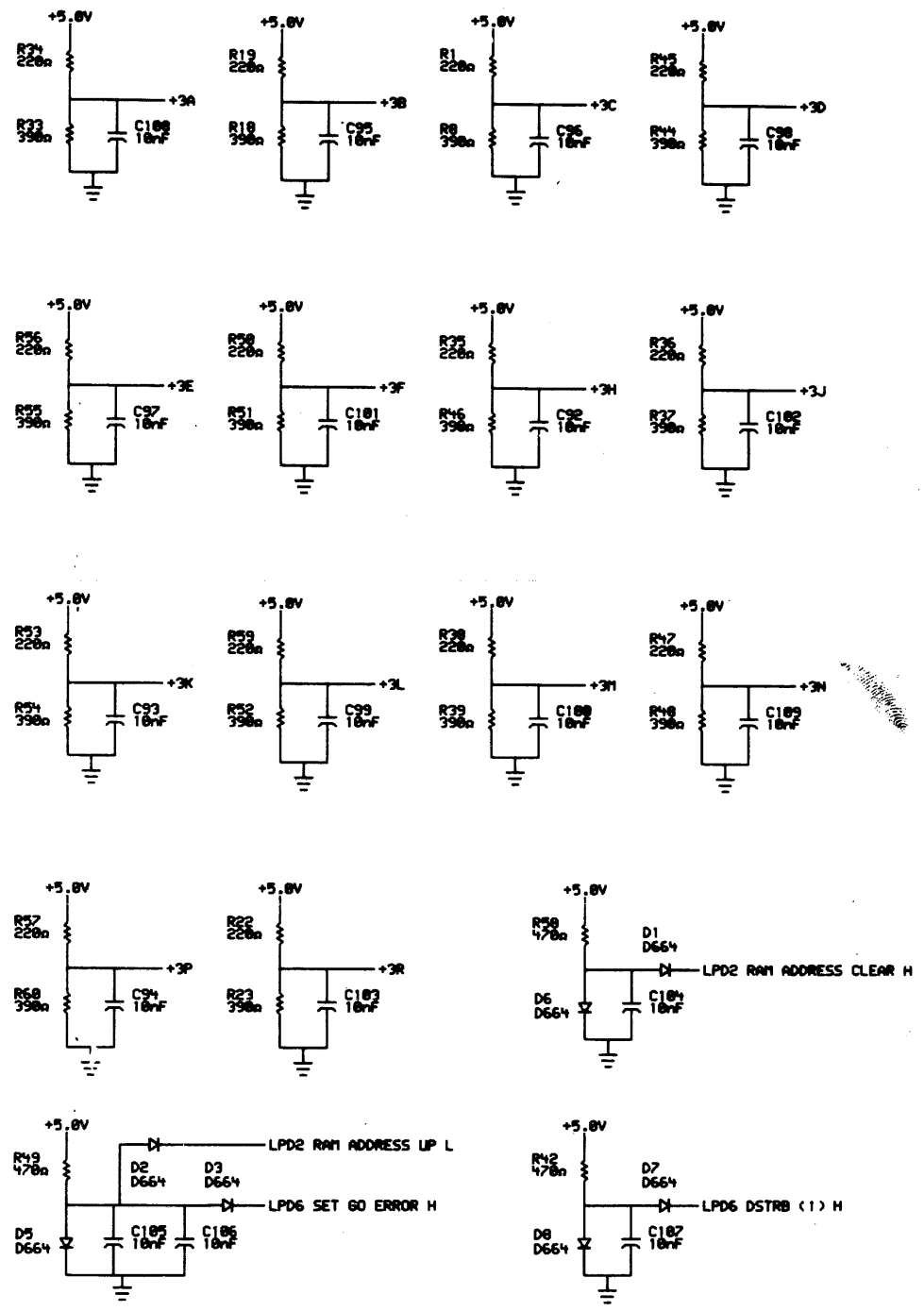
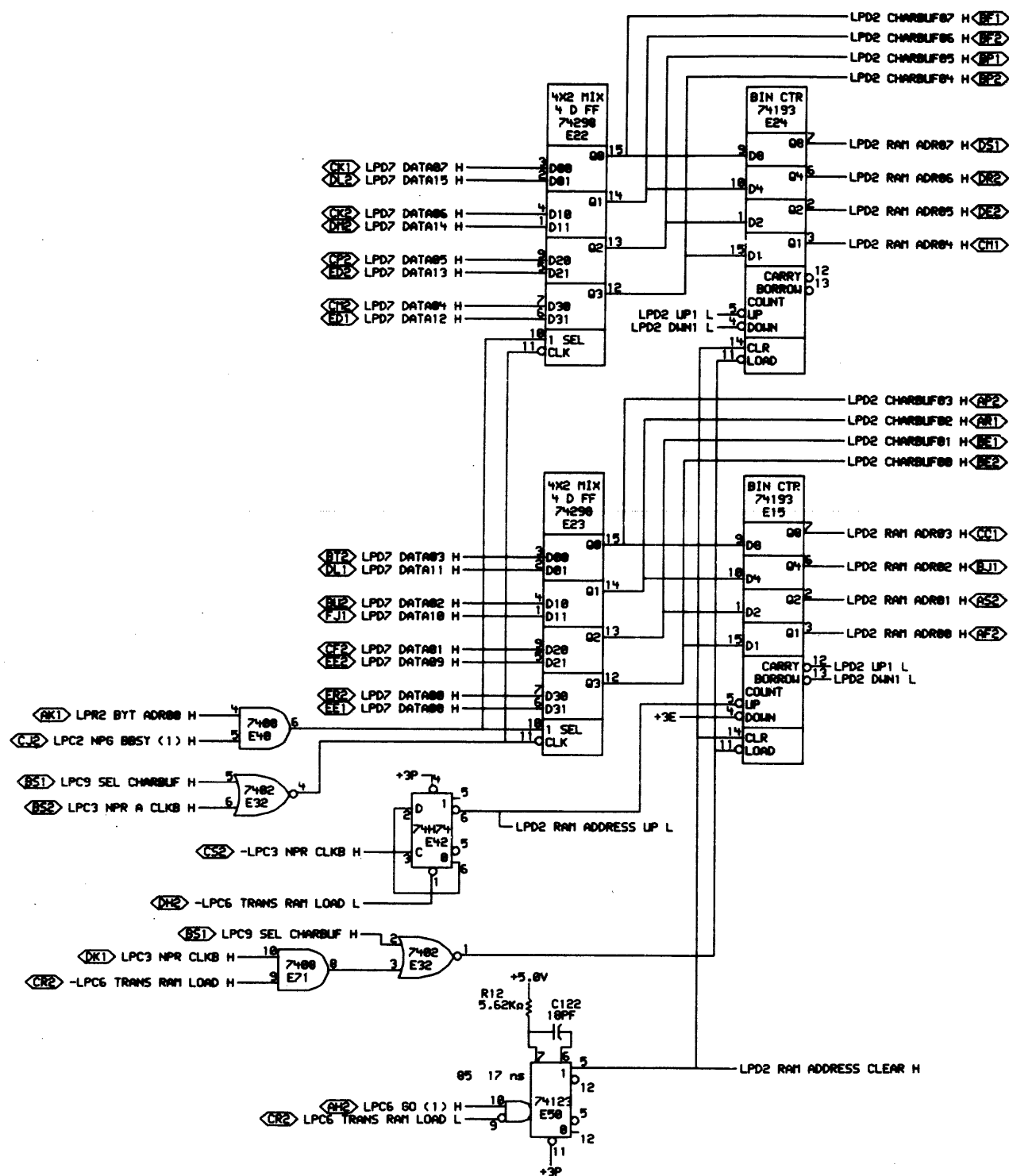
digital	DATE	ENG.	DATE	TITLE
	129-JUL-77	14246	129-JUL-77	LP20 DATA PATHS SWITCH NOTES
	DATE	CHK'D.	DATE	REV.
	129-JUL-77	14246	129-JUL-77	B
FIRST USED ON OPTION/MODEL: LP20		NEXT HIGHER ASSEMBLY: B-DD-M8571-0		SIZE CODE: D CS
				NUMBER: M8571-0-LPD0



"THIS DRAWING AND SPECIFICATIONS, HEREIN, ARE THE PROPERTY OF DIGITAL EQUIPMENT CORPORATION AND SHALL NOT BE REPRODUCED OR COPIED OR USED IN WHOLE OR IN PART AS THE BASIS FOR THE MANUFACTURE OR SALE OF ITEMS WITHOUT WRITTEN PERMISSION. COPYRIGHT © 1976, DIGITAL EQUIPMENT CORPORATION"

digital	DATE: 11-18-76	ENG: J.E. Blythe	DATE: 11-18-76	TITLE: LP20 DATA PATHS PRINTER MUX
	DATE: 11-18-76	BOARD LOCATION: 1A2B3		
FIRST USED ON OPTION/MODEL: LP20	11-18-76	11-18-76	INSTR. MFGER ASSEMBLY: B-DD-M8571-0	SIZE CODE: D CS
				NUMBER: M8571-0-LP1
				REV.:

UPPER/LOWER BYTE MUX RAM ADDRESS REGISTER



SHEET 3 OF 9

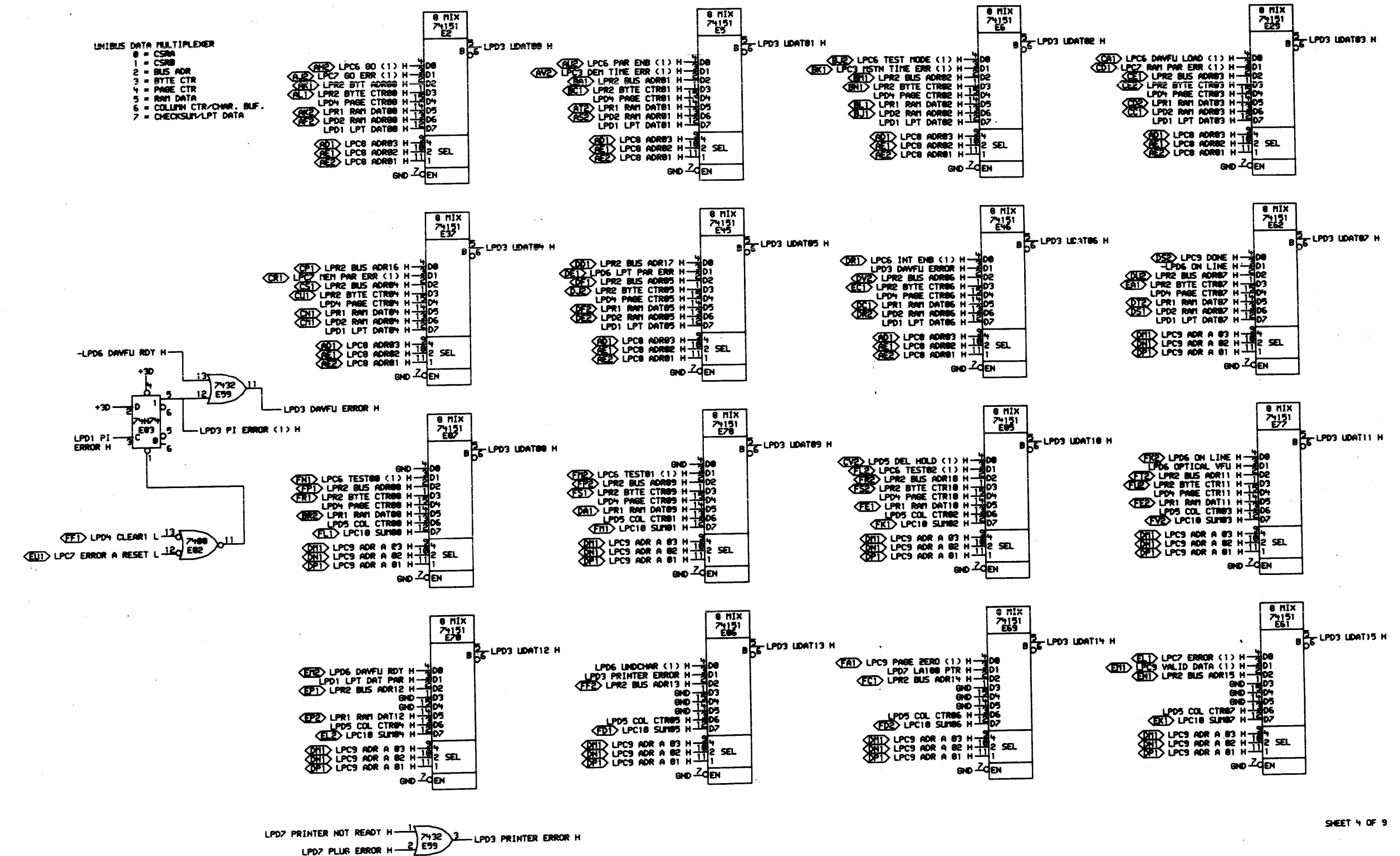
THIS DRAWING AND SPECIFICATIONS, HEREIN, ARE THE PROPERTY OF DIGITAL EQUIPMENT CORPORATION AND SHALL NOT BE REPRODUCED OR COPIED OR USED IN WHOLE OR IN PART AS THE BASIS FOR THE MANUFACTURE OR SALE OF ITEMS WITHOUT WRITTEN PERMISSION. COPYRIGHT © 1976, DIGITAL EQUIPMENT CORPORATION

REVISIONS	
CHK	CHANGE NO. REV

	DATE	ENG	DATE	TITLE
	12-22-76	J.P. Enright	12-22-76	LP20 DATA PATHS RAM ADDRESS
LP20 (REV 4.3.33)	DATE	LOC	REV.	
FIRST USED ON OPTION/MODEL: LP20	18-DD-M8571-0	D	CS	M8571-0-LPD2

UNIBUS DATA MULTIPLEXER
 0 = CSMA
 1 = BUS ADR
 2 = BYTE CTR
 3 = PAGE CTR
 4 = RAM DATA
 5 = COLUMN CTR/CHAR. BUF.
 6 = CHECKSUM/LPT DATA

D
C
B
A



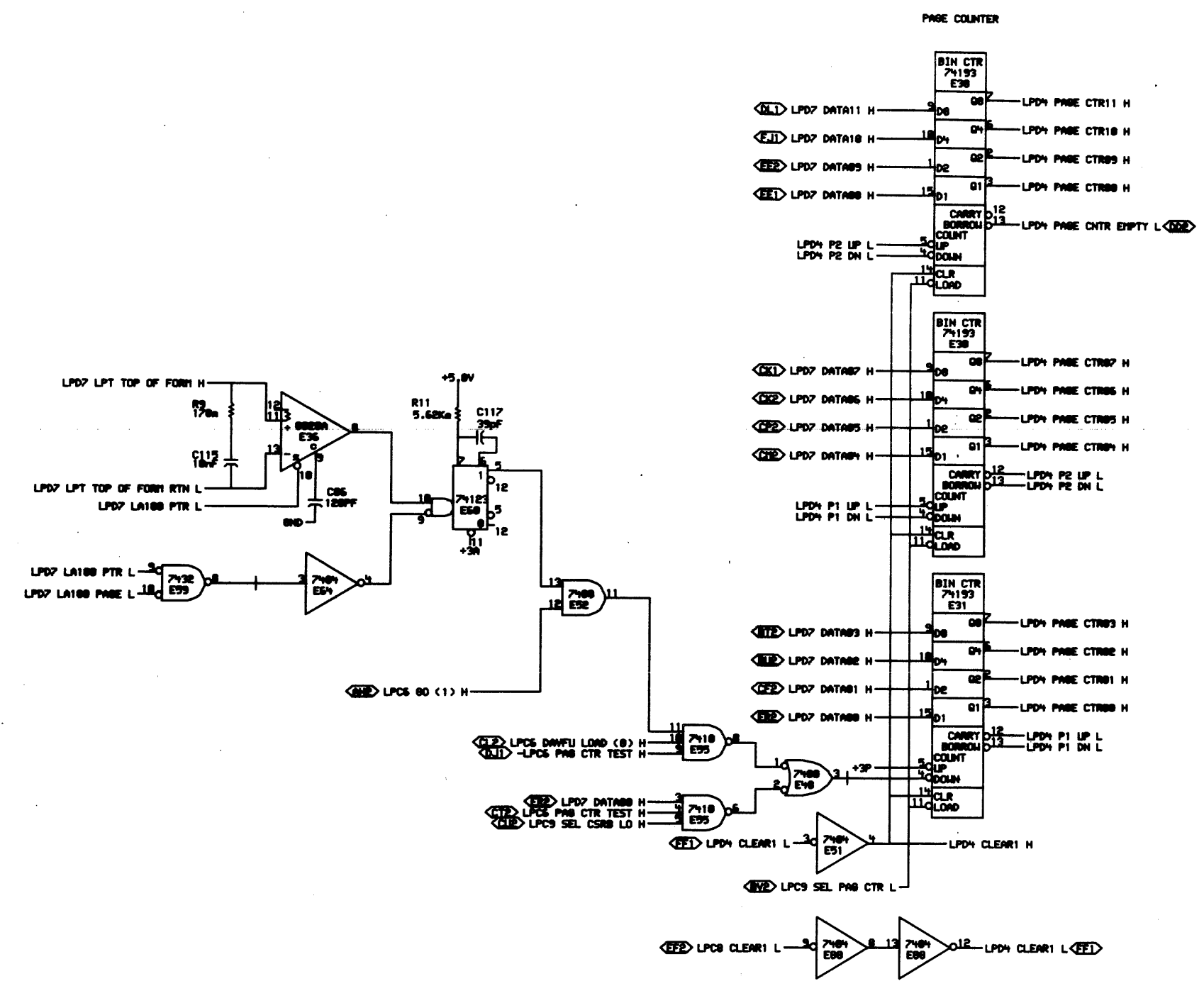
"THIS DRAWING AND SPECIFICATIONS, HEREIN, ARE THE PROPERTY OF DIGITAL EQUIPMENT CORPORATION AND SHALL NOT BE REPRODUCED OR COPIED OR USED IN WHOLE OR IN PART AS THE BASIS FOR THE MANUFACTURE OR SALE OF ITEMS WITHOUT WRITTEN PERMISSION. COPYRIGHT © 1976, DIGITAL EQUIPMENT CORPORATION"

REVISIONS	
CHK	CHANGE NO. REV.

	DATE: 11-17-76	ENG: E. E. H.	DATE: 11-17-76	TITLE: LP20 DATA PATHS DATA MUX
	DATE: 11-17-76	DATE: 11-17-76	DATE: 11-17-76	DATE: 11-17-76
FIRST USED ON OPTION/MODEL: LP20			NUMBER: D CS M8571-0-LP20	REV.: 1

REV. 1
 SHEET CODE CS M8571-0-LP20

D
C
B
A

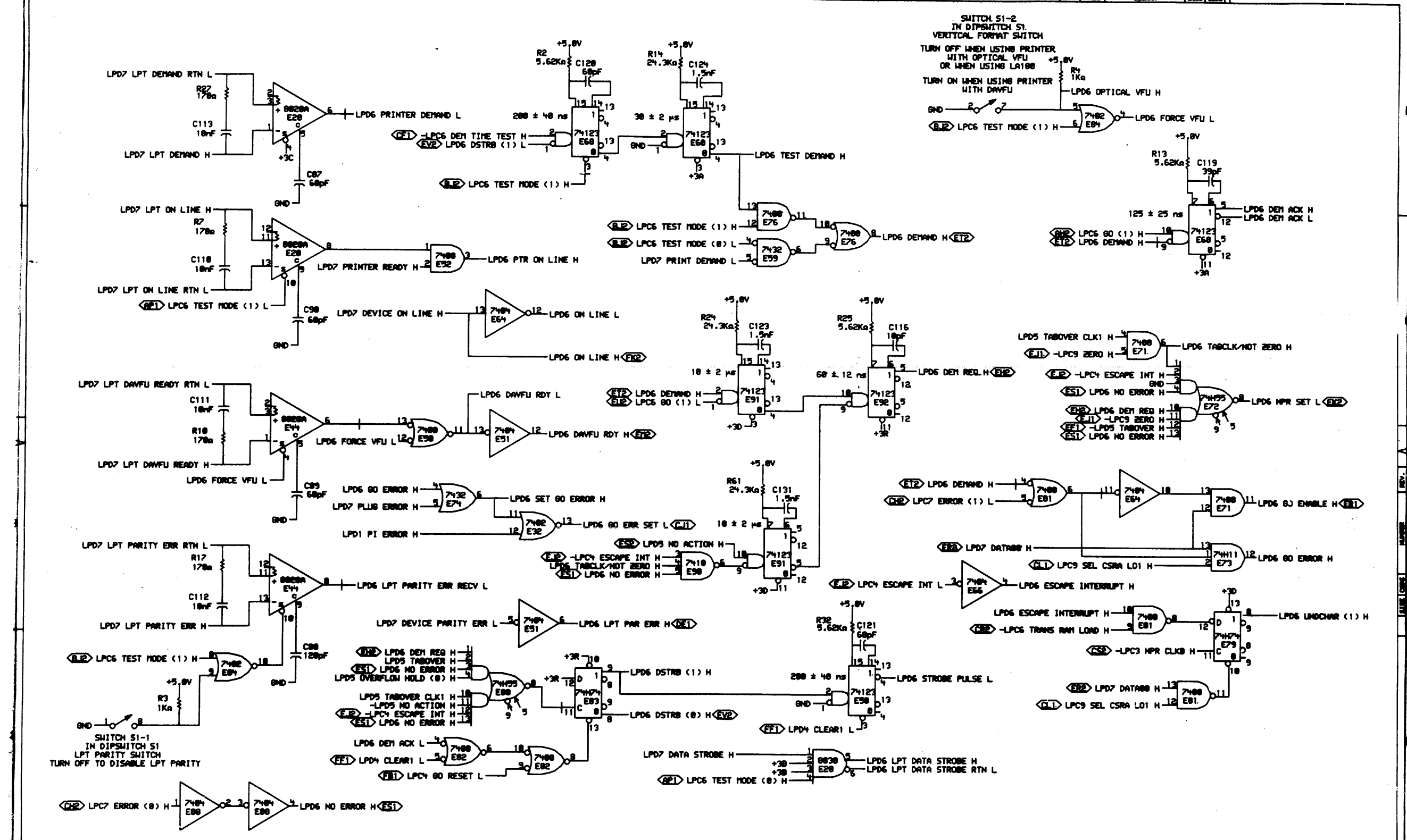


SHEET 5 OF 9

THIS DRAWING AND SPECIFICATIONS, HEREIN, ARE THE PROPERTY OF DIGITAL EQUIPMENT CORPORATION AND SHALL NOT BE REPRODUCED OR COPIED OR USED IN WHOLE OR IN PART AS THE BASIS FOR THE MANUFACTURE OR SALE OF ITEMS WITHOUT WRITTEN PERMISSION.
COPYRIGHT © 1977, DIGITAL EQUIPMENT CORPORATION

REVISIONS	
CHK	CHANGE NO. REV
	1
	2
	3
	4
	5

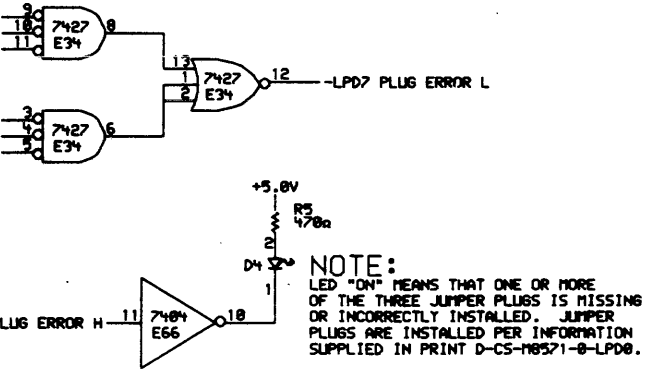
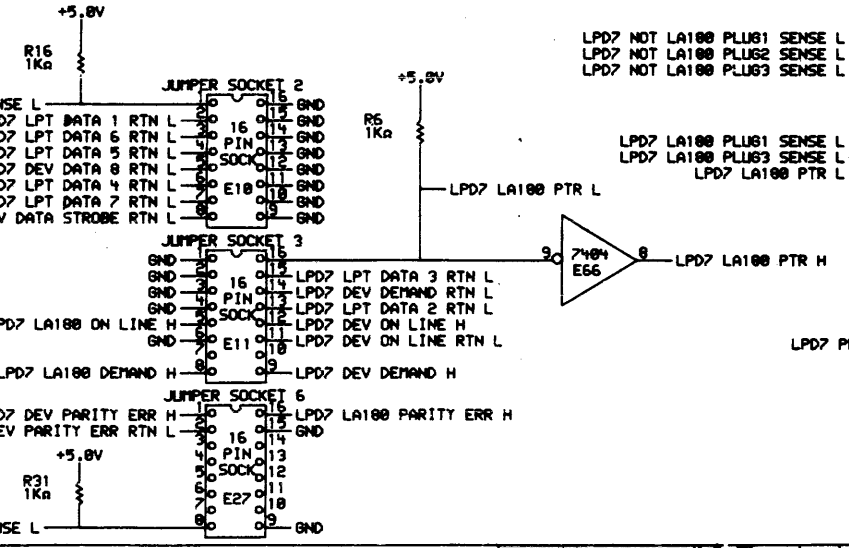
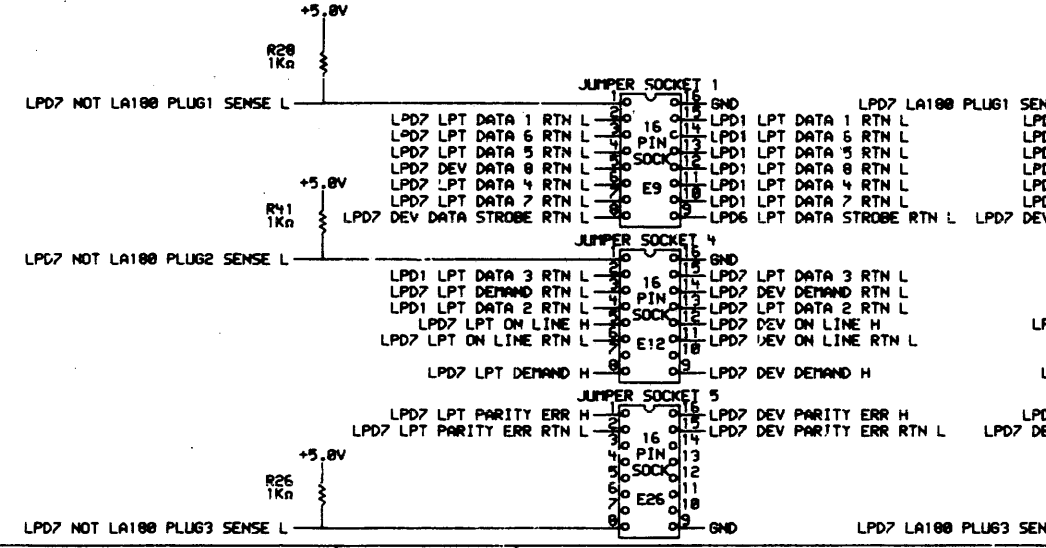
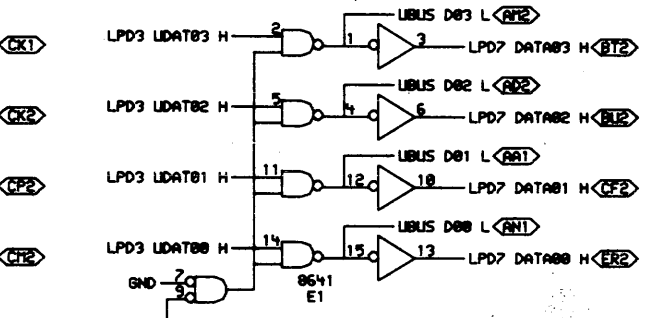
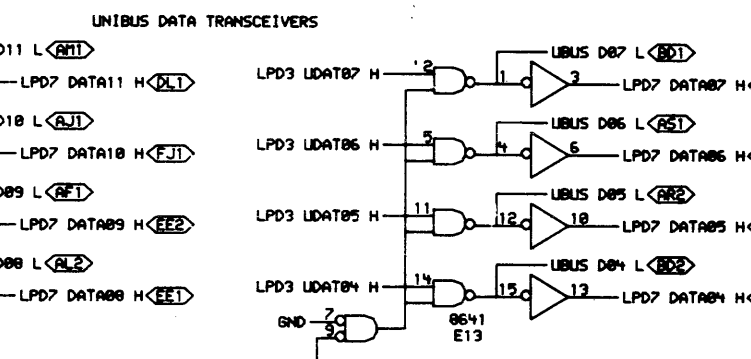
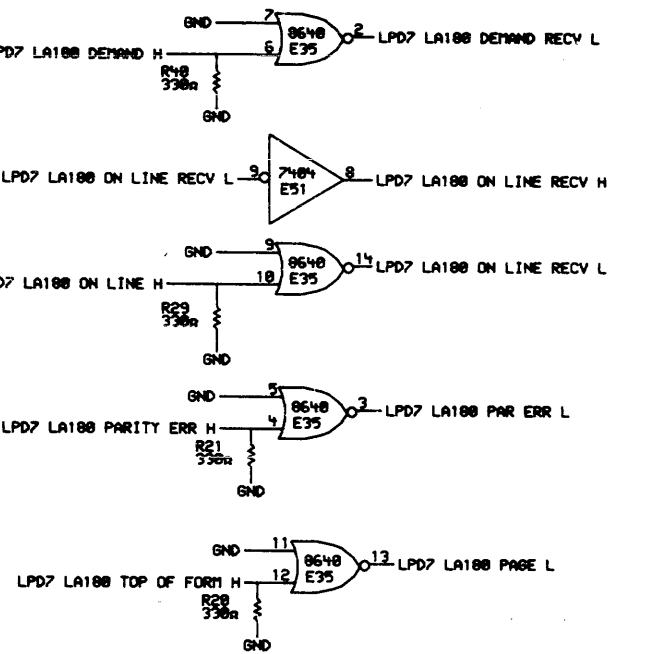
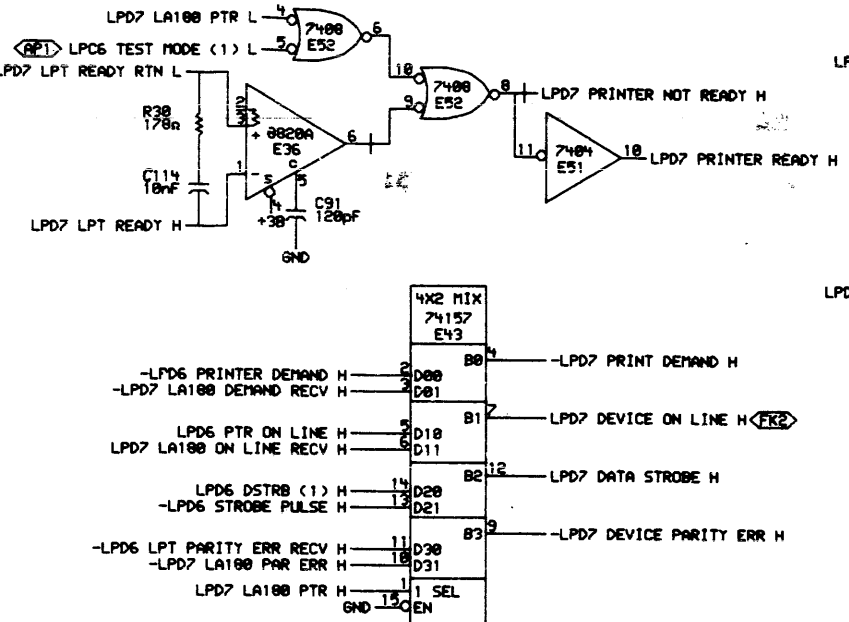
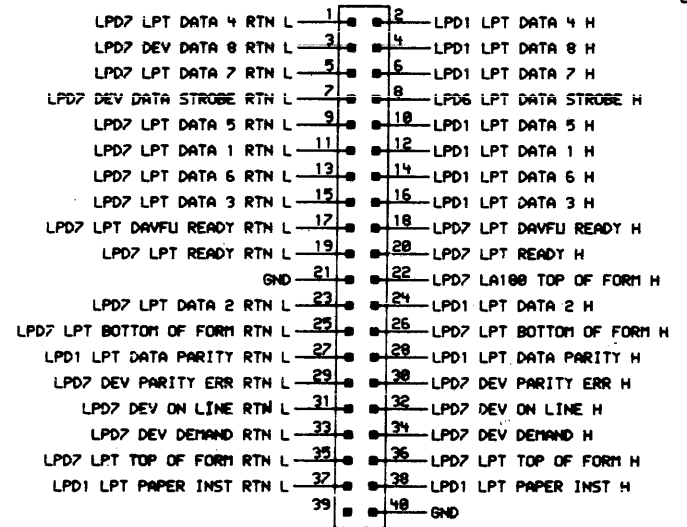
	DATE	DATE	DATE	DATE	TITLE
	12-11-77	12-11-77	12-11-77	12-11-77	LP20 DATA PATHS PAGE COUNTER
LP20, B-00-10571-0	12-11-77	12-11-77	12-11-77	12-11-77	SIZE CODE
FIRST USED ON OPTION/MODEL:	LP20	B-00-10571-0	D	CS	NUMBER
					REV.
					A



*THIS DRAWING AND SPECIFICATIONS, HEREIN, ARE THE PROPERTY OF DIGITAL EQUIPMENT CORPORATION AND SHALL NOT BE REPRODUCED OR COPIED OR USED IN WHOLE OR IN PART AS THE BASIS FOR THE MANUFACTURE OR SALE OF ITEMS WITHOUT WRITTEN PERMISSION. COPYRIGHT © 1978, DIGITAL EQUIPMENT CORPORATION		REVISIONS CHK CHANGE NO. REV J. BLOOM 12/27/78	digital DATE ENG. 12/27/78 DATE 12/27/78 LOCATION 1A212 NEXT HIGHER ASSEMBLY: LP20 FIRST USED ON OPTION MODEL: B-DD-M8571-0	DATE 12/27/78 TITLE: LP20 DATA PATHS LPT INTERFACE SIZE CODE D CS NUMBER M8571-0-LPD6 REV. A
--	--	--	---	--

NOTE: BERG CABLE (MODULE END)
 INSERT BC86R-XX CABLE INTO J1 WITH RIBBED SIDE OF CABLE TOWARD MODULE AND RED STRIPE AWAY FROM MODULE HANDLE (TOWARD MODULE FINGERS).

NOTE: BERG CABLE (RECEPTACLE HOUSING ASSEMBLY END)
 INSERT BC86R-XX CABLE INTO RECEPTACLE HOUSING ASSEMBLY IN THE CENTER CONTACT SET WITH THE RED STRIPE TOWARD THE LOCKING TAB OF THE HOUSING (AWAY FROM STRAIN RELIEF END AND TOWARD THE CAV SHAFT END OF THE MATING CONNECTOR).

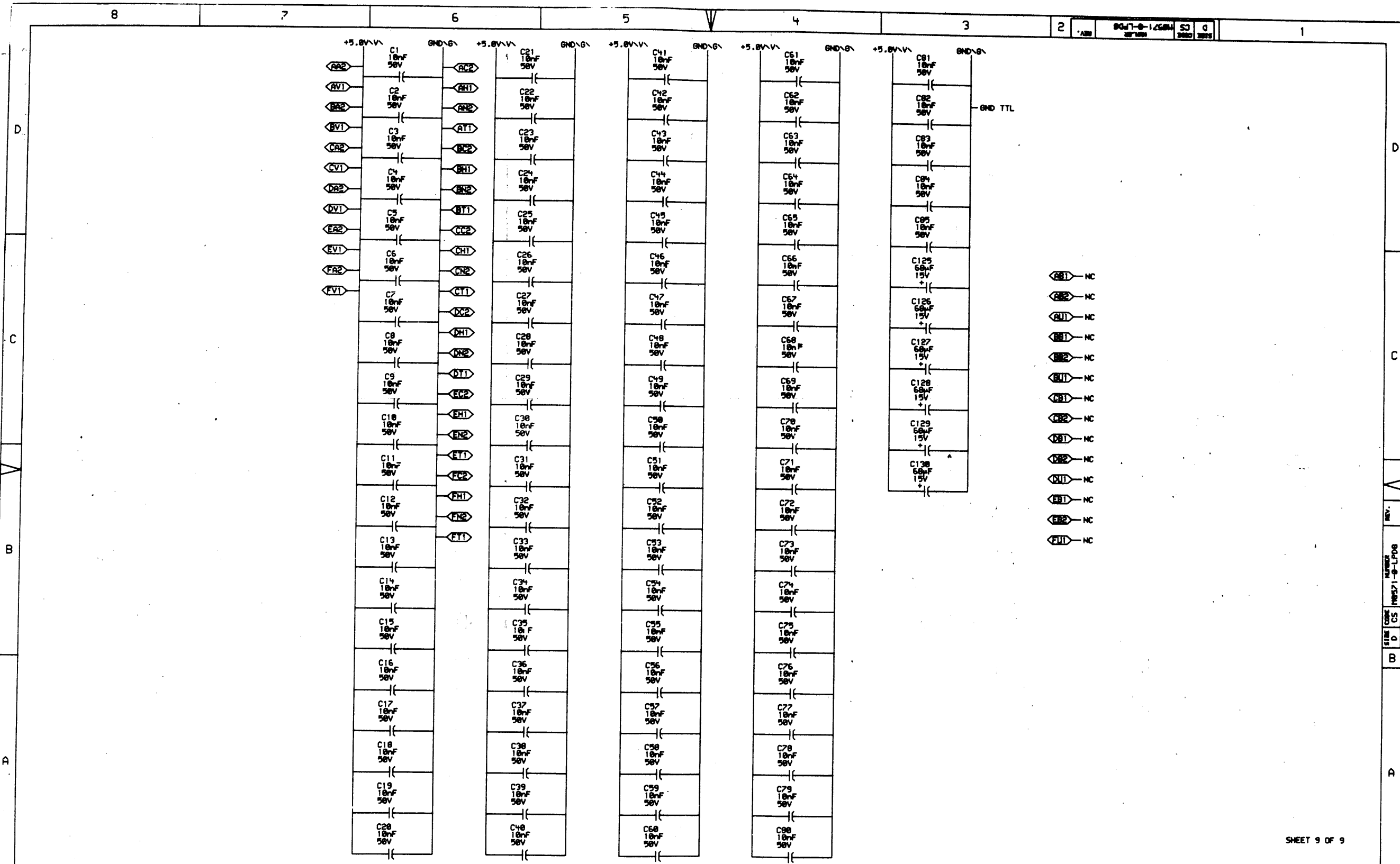


NOTE:
 LED "ON" MEANS THAT ONE OR MORE OF THE THREE JUMPER PLUGS IS MISSING OR INCORRECTLY INSTALLED. JUMPER PLUGS ARE INSTALLED PER INFORMATION SUPPLIED IN PRINT D-CS-18571-0-LPD0.

*THIS DRAWING AND SPECIFICATIONS, HEREIN, ARE THE PROPERTY OF DIGITAL EQUIPMENT CORPORATION AND SHALL NOT BE REPRODUCED OR COPIED OR USED IN WHOLE OR IN PART AS THE BASIS FOR THE MANUFACTURE OR SALE OF ITEMS WITHOUT WRITTEN PERMISSION.
 COPYRIGHT © 1974, DIGITAL EQUIPMENT CORPORATION

REVISIONS		
CHK	CHANGE NO.	REV
		7

	DATE: 12-11-74	DATE: 12-11-74	TITLE: LP20 DATA PATHS
	DATE: 12-11-74	DATE: 12-11-74	UBUS & LPT CABLE
LP20, DRU 4, 3357	18-SEP-76 11:03	NEXT HIGHER ASSEMBLY: 8-DD-18571-0	SIZE CODE: D CS
FIRST USED ON OPTION/MODEL: LP20			NUMBER: M8571-0-LPD7
			REV.:



SHEET 9 OF 9

THIS DRAWING AND SPECIFICATIONS, HEREIN, ARE THE PROPERTY OF DIGITAL EQUIPMENT CORPORATION AND SHALL NOT BE REPRODUCED OR COPIED OR USED IN WHOLE OR IN PART AS THE BASIS FOR THE MANUFACTURE OR SALE OF ITEMS WITHOUT WRITTEN PERMISSION.
 COPYRIGHT © 1976, DIGITAL EQUIPMENT CORPORATION

REVISIONS	
CHG	NO. REV

digital DATE: 11-20-76 ENG: J. J. [Signature] DATE: 10-28-76 TITLE: LP20 DATA PATHS POWER PINS

LP20 (REV. 4, 3-75) 100-10-76 89149 NEXT HIGHER ASSEMBLY: B-DD-M8571-0

SIZE	CODE	NUMBER	REV.
D	CS	M8571-0-LP20	

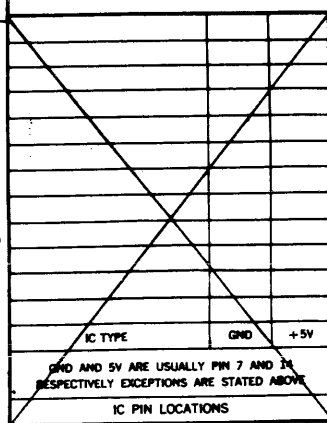
THIS DRAWING AND SPECIFICATIONS HEREON ARE THE PROPERTY OF DIGITAL EQUIPMENT CORPORATION AND SHALL NOT BE REPRODUCED OR COPIED OR USED IN WHOLE OR IN PART FOR THE MANUFACTURE OR SALE OF ITEMS WITHOUT WRITTEN PERMISSION.
 COPYRIGHT © 1976 DIGITAL EQUIPMENT CORPORATION

NOTES:

- FOR DRAWING DIRECTORY, REFER TO: 8-DD-M8571-9
- UNLESS OTHERWISE SPECIFIED, THE FOLLOWING PIN NUMBER APPLY:
 PACKAGE TYPE VCC GND
 16 PIN DIP 16 8
 14 PIN DIP 14 7
 I.C. DEC 8640 8 1
- SPARE LOCATIONS ARE: E89
- SOLDER DIPSWITCH S1 (P/N 1211164) WITH ALL SWITCHES IN OFF POSITION

REWORK INSTRUCTIONS
ECO #2
 ETCH CUTS SIDE 1 AS SHOWN:
 2-1 ETCH RUNNING BETWEEN E59-8 AND E60-9
WIRE ADDS SIDE 1 AS SHOWN (9105740-55).
 2-2 FROM E59-8 TO E64-3
 2-3 FROM E64-4 TO E60-9

ECO #3
 ETCH CUTS SIDE 1 AS SHOWN
 3-1 CUT ETCH AT E92-9
 3-2 CUT ETCH AT E72-3
ETCH CUT SIDE 2 AS SHOWN
 3-3 CUT 2ND ETCH ABOVE E66-2
COMPONENT ADDS SIDE 1 AS SHOWN
 3-4 ADD RESISTOR R61 FROM E89-12 (SPARE) TO E89-16 (SPARE) (PN1309418)
 3-5 ADD CAPACITOR C131 FROM E89-1 (SPARE) TO E89-5 (SPARE) (PN 1002428)
WIRE ADDS SIDES 1 AS SHOWN (PN 9105740-55)
 3-6 FROM E80-12 TO E90-3
 3-7 FROM E80-4 TO E90-5
 3-8 FROM E71-1 TO E66-12
 3-9 FROM E66-12 TO E91-10
 3-10 FROM E91-7 TO E89-12 (SPARE)
 3-11 FROM E89-12 (SPARE) TO E89-5 (SPARE)
 3-12 FROM E91-6 TO E89-1 (SPARE)
 3-13 FROM E90-6 TO E91-9
 3-14 FROM E91-5 TO E92-9
 3-15 FROM E72-3 TO E72-7
 3-16 FROM E72-1 TO E90-4
 3-17 FROM E91-3 TO E91-11



QTY	REF. DESIGNATION	DESCRIPTION	PART NO.	ITEM NO.	QTY	REF. DESIGNATION	DESCRIPTION	PART NO.	ITEM NO.
1	E73	IC DEC 74H11	1908287	49	1		ETCHED CIRCUIT BOARD	5012278	1
1		HANDLE ASSY	1210711-02	50	109	C1 THRU C85, C82 THRU C115	CAP. 10nf 50V 20%	1001610-00	2
12		EYELET	9008732	51	3	C86, C88, C91	CAP. 120pf 100V 5%	1000018	3
		JUMPER	9008483-00	52	5	C87, C89, C90, C120, C121	CAP. 80pf 100V 5%	1000014	4
A/R		WIRE, SOLID #30 AWG (GRN)	9105740-55	53	1	C116	CAP. 10pf 100V 5%	1000006	5
					3	C117 THRU C119	CAP. 35pf 100V 5%	1000010	6
					1	C122	CAP. 10pf 100V 5%	1002608	7
					3	C123, C124, C131	CAP. 1500nf 100V 5%	1002428	8
					8	C125 THRU C130	CAP. 80uf 15V 10%	1000082	9
					7	D1, D2, D3, D5 THRU D8	DIODE D884	1100114	10
					1	D4	DIODE LED	1110324	11
					1	J1	CONN. 40 PIN	1209941-02	12
					1		LATCH, LEFT	1209941-03	13
					1		LATCH, RIGHT	1209941-04	14
					1	S1	SWITCH DIP 4 POS	1211184	15
					3	(E9, E12, E26)	PLUG JUMPER	1213283	16
					14	R1, R19, R22, R34, R35, R38, R39, R45, R47, R50, R53, R56, R57, R59	RES. 220 5% 1/4W	1300271	17
					7	R2, R11, R12, R13, R15, R25, R32	RES. 5.62K 1% 1/4W	1305128	18
					9	R3, R4, R6, R18, R28, R31, R41, R43	RES. 1K 5% 1/4W	1300385	19
					4	R5, R42, R49, R58	RES. 470 5% 1/4W	1300316	20
					6	R7, R9, R10, R17, R27, R30	RES. 170 1% 1/4W	1311422	21
					14	R8, R16, R23, R33, R37, R39, R44, R46, R48, R51, R52, R54, R55, R60	RES. 300 5% 1/4W	1300309	22
					3	R14, R24, R61	RES. 24.3K 1% 1/4W	1308418	23
					4	R20, R21, R29, R40	RES. 330 5% 1/4W	1300295	24
					4	E1, E13, E14, E21	I.C. DEC 8641	1911579	25
					16	E2, E5, E6, E29, E37, E45, E48, E81, E82, E89, E70, E77, E78, E85, E86, E87	I.C. DEC 74151	1909936	26
					4	E3, E7, E38, E47	I.C. DEC 74153	1909937	27
					6	E4, E9, E17, E18, E19, E20	I.C. DEC 8930	1910797	28
					6	E8 THRU E12, E28, E27	I.C. SOCKET 16 PIN	1209639	29
					7	E15, E24, E30, E31, E36, E53, E54	I.C. DEC 74193	1910018	30
					2	E18, E83	I.C. DEC 8815	1909713	31
					3	E26, E36, E44	I.C. DEC 8928A	1910789	32
					2	E22, E23	I.C. DEC 74298	1911271	33
					1	E25	I.C. DEC 745200	1911573	34
					3	E32, E85, E84	I.C. DEC 7402	1909904	35
					6	E33, E40, E52, E58, E71, E82	I.C. DEC 7408	1910155	36
					2	E34, E56	I.C. DEC 7427	1910978	37
					1	E35	I.C. DEC 8640	1911469	38
					1	E41	I.C. DEC 7442	1910046	39
					4	E42, E87, E79, E83	I.C. DEC 74H74	1909987	40
					1	E43	I.C. DEC 74157	1910855	41
					5	E48, E57, E75, E76, E81	I.C. DEC 7400	1905575	42
					1	E49	I.C. DEC 7420	1905577	43
					5	E50, E80, E89, E91, E92	I.C. DEC 74123	1910436	44
					4	E51, E84, E86, E98	I.C. DEC 7484	1909898	45
					2	E55, E90	I.C. DEC 7410	1905578	46
					2	E58, E74	I.C. DEC 7432	1911521	47
					2	E72, E90	I.C. DEC 74H55	1909983	48

QTY. REF. DESIGNATION DESCRIPTION PART NO. ITEM NO.

FIRST USED ON OPTION MODEL: LP20

ETCH BOARD REV: []

DATE: []

DRW: []

CHK: []

REV: []

SCALE: 2/1

SHEET 1 OF 6

SEMICONDUCTOR CONVERSION CHART

DEC NO. EIA NO. DEC NO. EIA NO.

REV. []

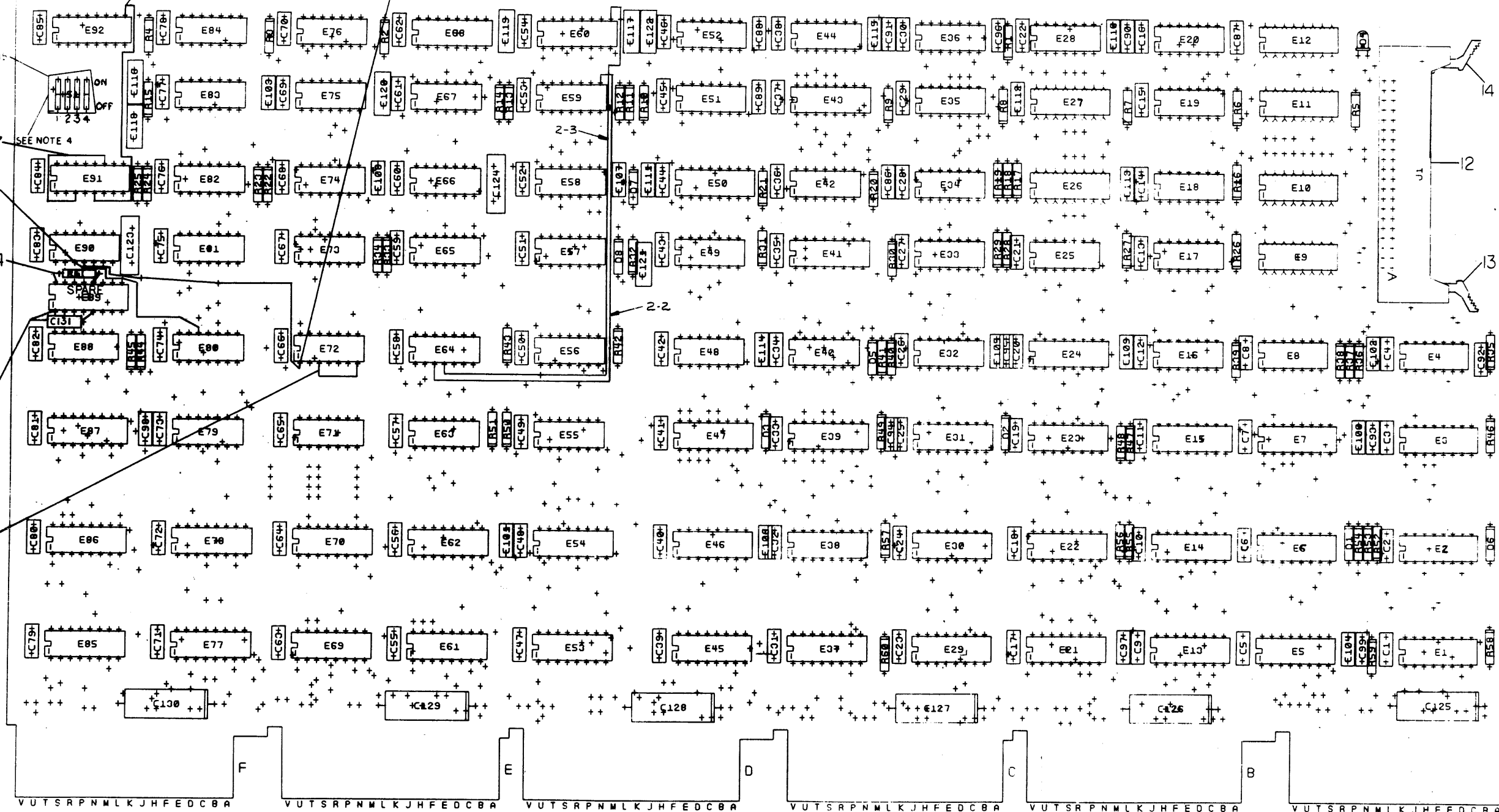
SIZE CODE: D U A M 8571 - 0 - 0

NUMBER: []

REV. []

digital

TITLE: LP20 LINE PRINTER DATA PATH



01976 3-14

3-16

51 (QTY 12)

50

3-17 SEE NOTE 4

3-6

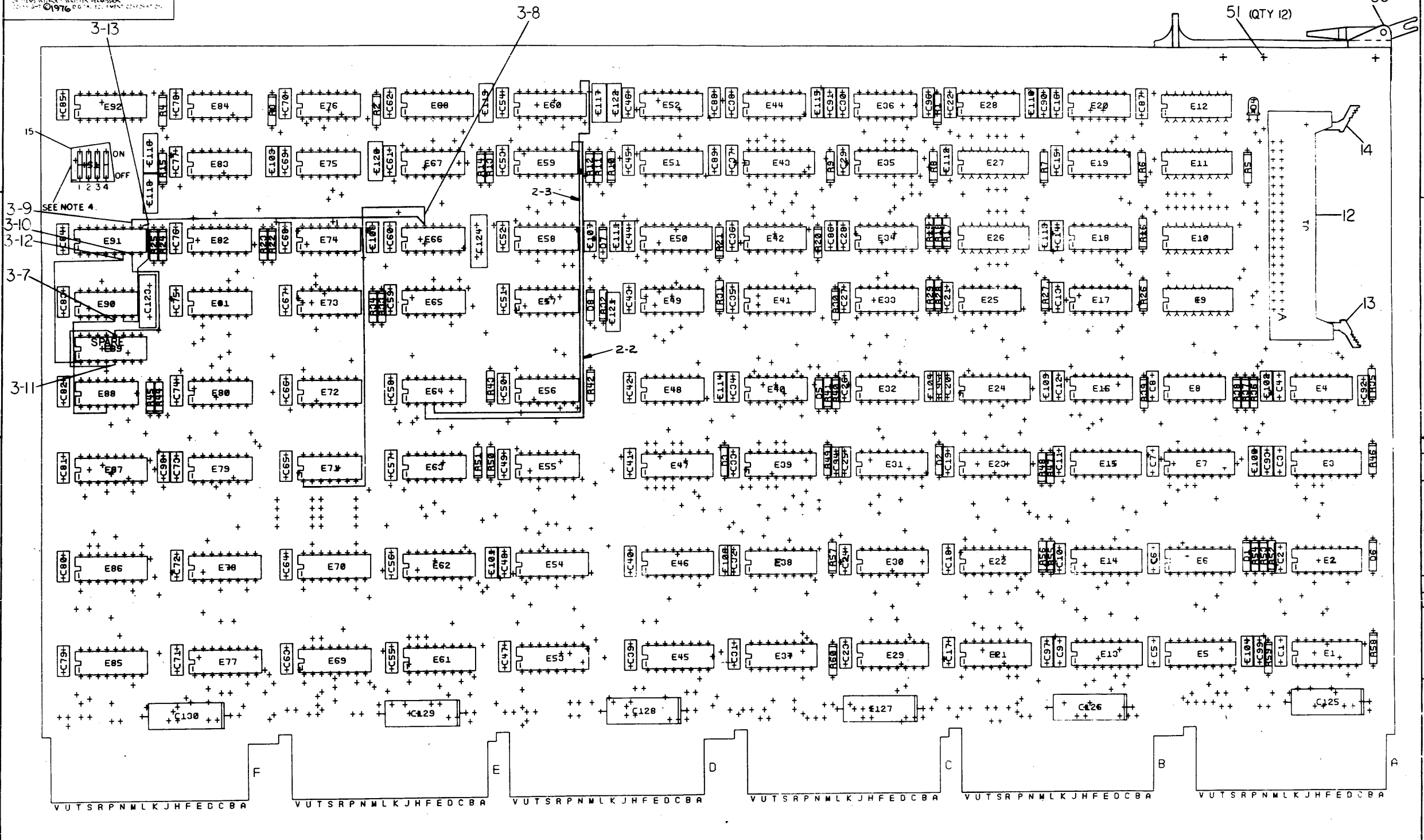
3-4

3-5

3-15

VUTSRPNMLKJHFEDCBA VUTSRPNMLKJHFEDCBA VUTSRPNMLKJHFEDCBA VUTSRPNMLKJHFEDCBA VUTSRPNMLKJHFEDCBA VUTSRPNMLKJHFEDCBA

THIS DRAWING AND SPECIFICATIONS HEREIN ARE THE PROPERTY OF DIGITAL EQUIPMENT CORPORATION AND SHALL NOT BE REPRODUCED OR COPIED OR USED IN WHOLE OR IN PART AS THE BASIS FOR THE MANUFACTURE OR SALE OF ITEMS WITHOUT WRITTEN PERMISSION.
© 1976 DIGITAL EQUIPMENT CORPORATION



REV. NO.			SHEET NO.			TITLE		SHEET CODE		NUMBER		REV.	
CHK	CHANGE TO	REV				LP20 LINE PRINTER DATA PATH		D	UA	M8571-0-0	C		
						SCALE 2/1		SHEET 3 OF 6	DIST				

8

7

6

5

4

3

DUA M8571-0-0 2

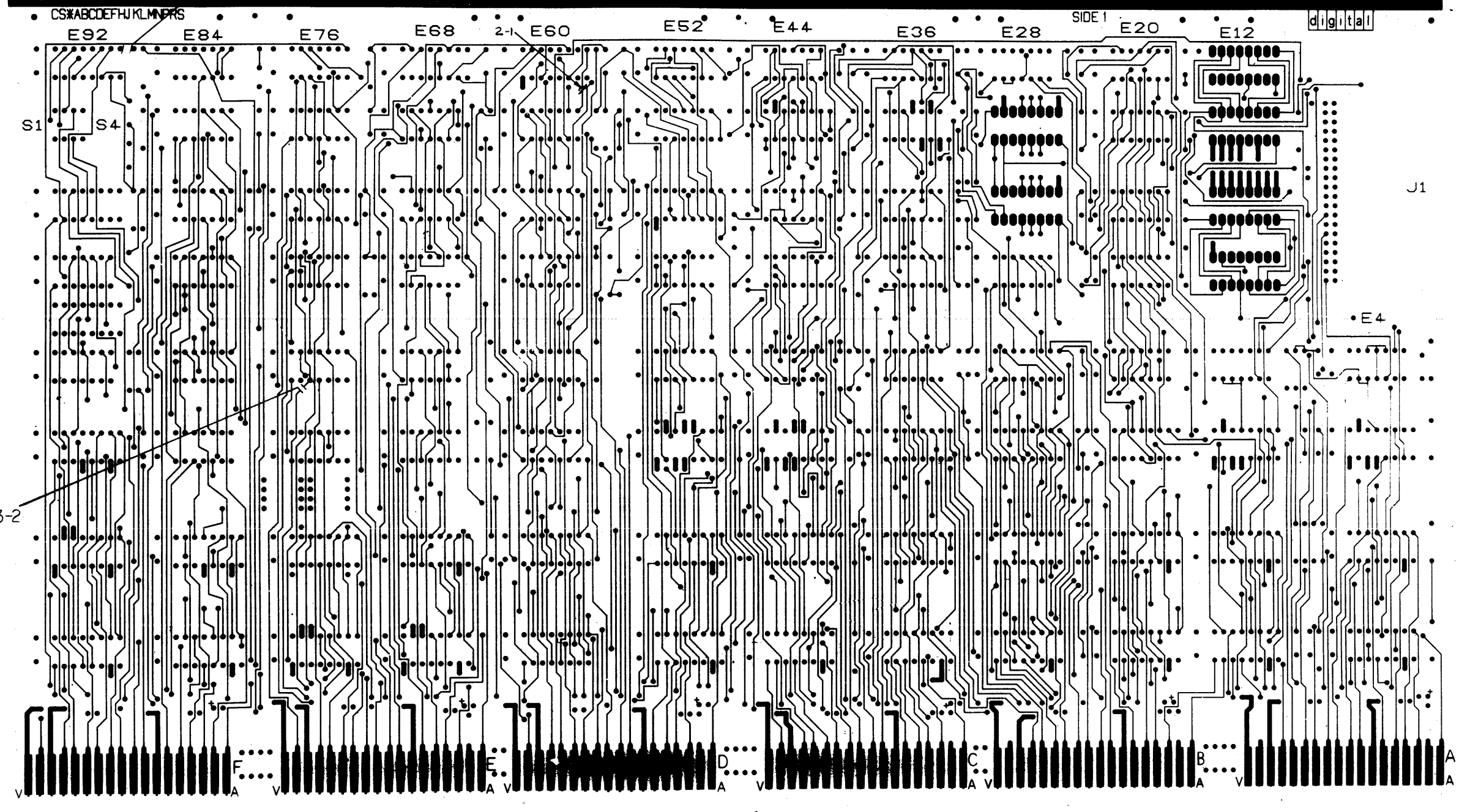
1

THIS DRAWING AND SPECIFICATIONS HEREIN ARE THE PROPERTY OF DIGITAL EQUIPMENT CORPORATION, AND SHALL NOT BE REPRODUCED OR COPIED OR USED IN WHOLE OR IN PART AS THE BASIS FOR THE MANUFACTURE OR SALE OF ANY INSTRUMENTS, APPARATUS, OR SYSTEMS WITHOUT THE WRITTEN PERMISSION OF DIGITAL EQUIPMENT CORPORATION.

3-1

LAYER 1

M8571 5012278B MS30374



3-2

CHK	CHANGE TO	REV

TITLE	SIZE CODE	NUMBER	REV.
LP20 LINE PRINTER DATA PATH	DUA	M8571-0-0	C
SCALE 2/1	SHEET 4 OF 6	DIST.	

8

7

6

5

4

3

2

1