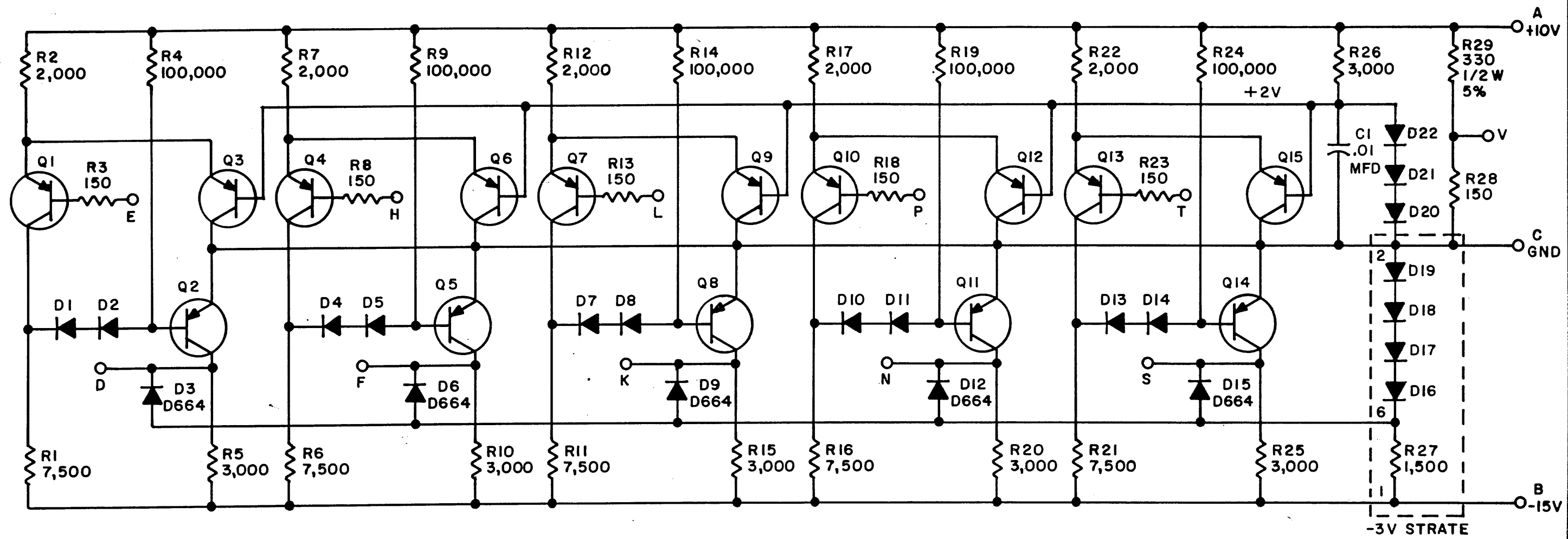
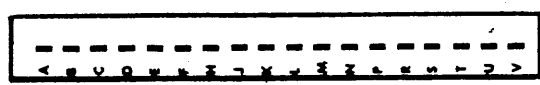


THIS SCHEMATIC IS FURNISHED ONLY FOR TEST AND MAINTENANCE PURPOSES. THE CIRCUITS ARE PROPRIETARY IN NATURE AND SHOULD BE TREATED ACCORDINGLY. COPYRIGHT 1967 BY DIGITAL EQUIPMENT CORPORATION



UNLESS OTHERWISE INDICATED:
 TRANSISTORS ARE DEC3639B
 DIODES ARE D662
 RESISTORS ARE 1/4W, 5%



REVISIONS CHK CHG NO. REV.	DRN. <i>m. Haller</i>	DATE 3-24-67	TRANSISTOR & DIODE CONVERSION CHART				 EQUIPMENT CORPORATION MAYNARD, MASSACHUSETTS	TITLE IBM 360 TO DEC BUS RECEIVER W592			
	CHK'D <i>A. Schuman</i>	DATE 3-24-67	DEC	EIA	DEC	EIA		SIZE B	CODE CS	NUMBER W592-0-1	REV.
	ENGS <i>V. Sogge</i>	DATE 3-24-66	DEC3639B	2N3639							
	PROD.	DATE	D662	IN645							
			D664	IN3606							
							PRINTED CIRCUIT REV.		A		