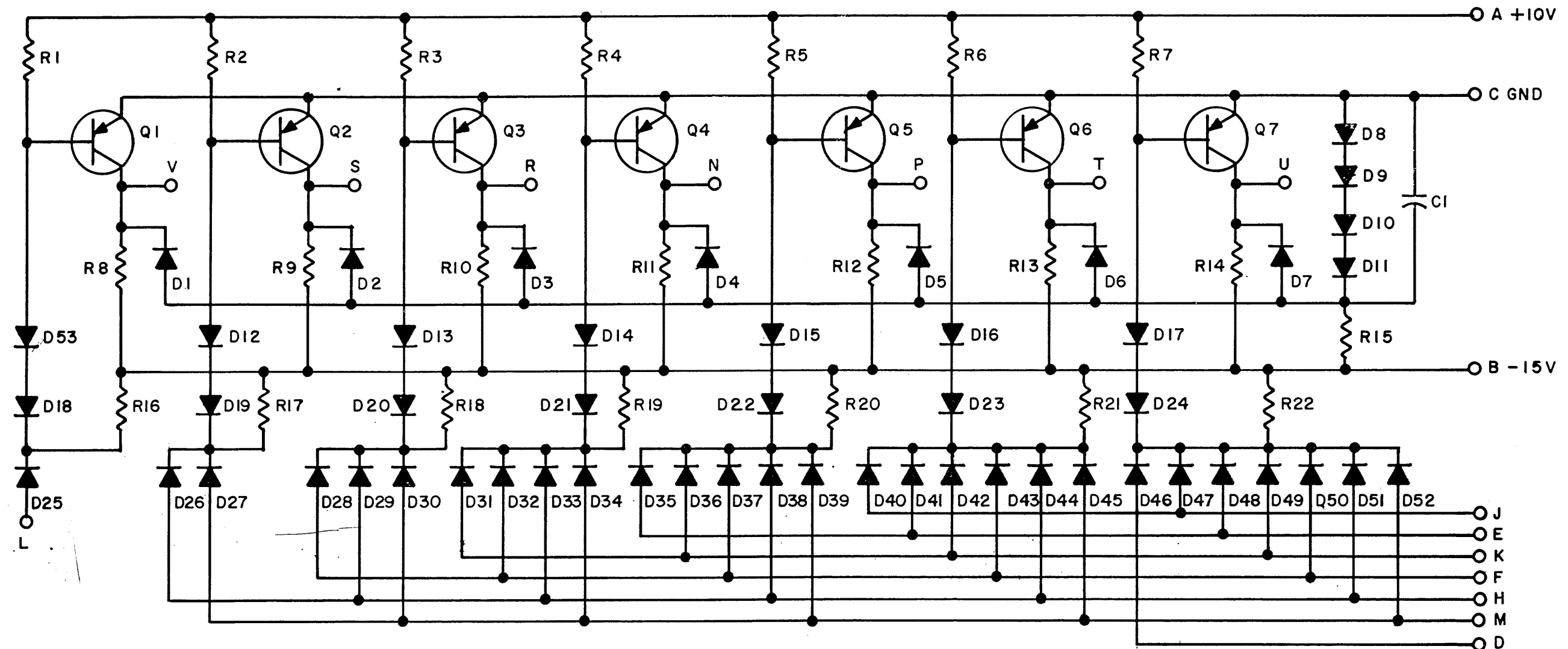


THIS SCHEMATIC IS FURNISHED ONLY FOR TEST AND MAINTENANCE PURPOSES. THE CIRCUITS ARE PROPRIETARY IN NATURE AND SHOULD BE TREATED ACCORDINGLY. COPYRIGHT 1965 BY DIGITAL EQUIPMENT CORPORATION



USE THE ETCH BOARD OF THE R181



Q1 THRU Q7	TRANSISTOR DEC3639B	1502762
R16 THRU R22	RES. 15K 1/4W 5%	1300496
R15	RES. 1.5K 1/4W 5% CC	1300391
R8 THRU R14	RES. 3K 1/4W 5% CC	1300432
R1 THRU R7	RES. 100K 1/4W 5% CC	1302466
D1 THRU D7, D25 THRU D52	DIODE D664	1100114
D8 THRU D24, D53	DIODE D662	1100113
C1	CAP. .01MFD 50V -0 +20% DISC	1000001
PARTS LIST		A-PL-S181-0-0
REFERENCE DESIGNATION	DESCRIPTION	PART NO.

REVISIONS CHK CHG NO. REV. REV. 6759 A	DRN. I. HAHN	DATE 6-11-65	TRANSISTOR & DIODE CONVERSION CHART		digital EQUIPMENT CORPORATION MAYNARD, MASSACHUSETTS	TITLE		
	CHK'D R. SILVERMAN	DATE 6-18-65	DEC	EIA		DC CARRY CHAIN S181		
	ENG. R. SOGGE	DATE 6-18-65	DEC	EIA		SIZE B	CODE CS	NUMBER S181-0-1
	PROD.	DATE				PRINTED CIRCUIT REV. C		