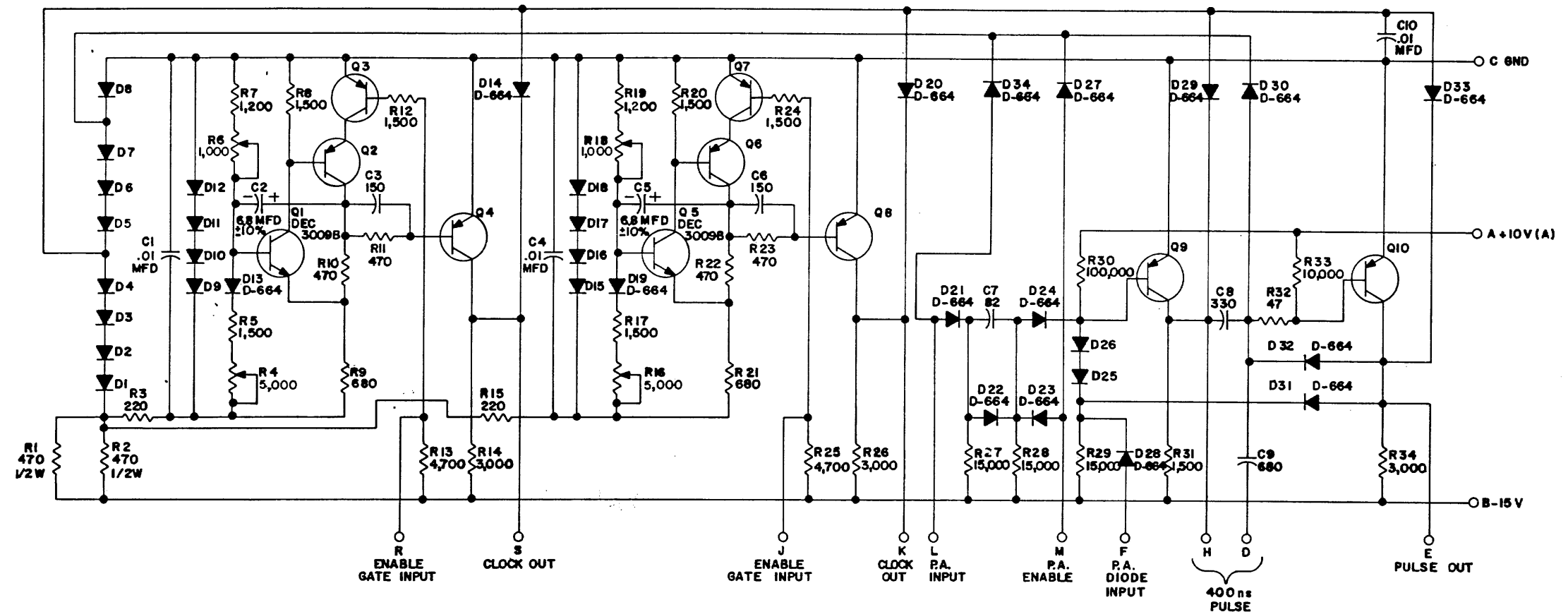


THIS SCHEMATIC IS FURNISHED ONLY FOR TEST AND MAINTENANCE PURPOSES. THE CIRCUITS ARE PROPRIETARY IN NATURE AND SHOULD BE TREATED ACCORDINGLY. COPYRIGHT 1968 BY DIGITAL EQUIPMENT CORPORATION



UNLESS OTHERWISE INDICATED:  
 TRANSISTORS ARE DEC 3639  
 CAPACITORS ARE MMFD.  
 RESISTORS ARE 1/4W, 5%  
 DIODES ARE D-662  
 R4 & R16 ARE DEC 13-09150-04  
 R6 & R18 ARE DEC 13-09150-03

PARTS LIST A-PL-R450-0-0

REV. H  
 NUMBER R450-0-1  
 SIZE CODE C CS

|                                                                                          |        |                                                                                                                                |     |                                                                                                                                                                                                                                                                                                                                                                                             |  |                  |  |     |     |     |     |         |        |  |  |          |        |  |  |      |       |  |  |      |        |  |  |                                                            |  |                                                                             |  |
|------------------------------------------------------------------------------------------|--------|--------------------------------------------------------------------------------------------------------------------------------|-----|---------------------------------------------------------------------------------------------------------------------------------------------------------------------------------------------------------------------------------------------------------------------------------------------------------------------------------------------------------------------------------------------|--|------------------|--|-----|-----|-----|-----|---------|--------|--|--|----------|--------|--|--|------|-------|--|--|------|--------|--|--|------------------------------------------------------------|--|-----------------------------------------------------------------------------|--|
| REVISIONS<br>CHK CHG NO. REV.<br>DAW 5288 3<br>REV'S REDR<br>6185 D<br>6435 F<br>00001 H |        | DRN.<br>I. MANN<br>DATE<br>8-19-68<br>CHK'D<br>R. SILVERMAN<br>DATE<br>8-13-68<br>ENG.<br>R. SOGGE<br>DATE<br>9-13-68<br>PROD. |     | TRANSISTOR & DIODE CONVERSION CHART<br><table border="1"> <tr> <td>DEC</td> <td>EIA</td> <td>DEC</td> <td>EIA</td> </tr> <tr> <td>DEC3639</td> <td>2N3639</td> <td></td> <td></td> </tr> <tr> <td>DEC3009B</td> <td>2N3009</td> <td></td> <td></td> </tr> <tr> <td>D662</td> <td>1N645</td> <td></td> <td></td> </tr> <tr> <td>D664</td> <td>1N3606</td> <td></td> <td></td> </tr> </table> |  |                  |  | DEC | EIA | DEC | EIA | DEC3639 | 2N3639 |  |  | DEC3009B | 2N3009 |  |  | D662 | 1N645 |  |  | D664 | 1N3606 |  |  | digital<br>EQUIPMENT CORPORATION<br>MAYNARD, MASSACHUSETTS |  | TITLE<br>VARIABLE CLOCK R450<br>SIZE CODE NUMBER<br>C CS R450-0-1<br>REV. H |  |
| DEC                                                                                      | EIA    | DEC                                                                                                                            | EIA |                                                                                                                                                                                                                                                                                                                                                                                             |  |                  |  |     |     |     |     |         |        |  |  |          |        |  |  |      |       |  |  |      |        |  |  |                                                            |  |                                                                             |  |
| DEC3639                                                                                  | 2N3639 |                                                                                                                                |     |                                                                                                                                                                                                                                                                                                                                                                                             |  |                  |  |     |     |     |     |         |        |  |  |          |        |  |  |      |       |  |  |      |        |  |  |                                                            |  |                                                                             |  |
| DEC3009B                                                                                 | 2N3009 |                                                                                                                                |     |                                                                                                                                                                                                                                                                                                                                                                                             |  |                  |  |     |     |     |     |         |        |  |  |          |        |  |  |      |       |  |  |      |        |  |  |                                                            |  |                                                                             |  |
| D662                                                                                     | 1N645  |                                                                                                                                |     |                                                                                                                                                                                                                                                                                                                                                                                             |  |                  |  |     |     |     |     |         |        |  |  |          |        |  |  |      |       |  |  |      |        |  |  |                                                            |  |                                                                             |  |
| D664                                                                                     | 1N3606 |                                                                                                                                |     |                                                                                                                                                                                                                                                                                                                                                                                             |  |                  |  |     |     |     |     |         |        |  |  |          |        |  |  |      |       |  |  |      |        |  |  |                                                            |  |                                                                             |  |
| PRINTED CIRCUIT REV. DE                                                                  |        |                                                                                                                                |     |                                                                                                                                                                                                                                                                                                                                                                                             |  | DIST 324 434 435 |  |     |     |     |     |         |        |  |  |          |        |  |  |      |       |  |  |      |        |  |  |                                                            |  |                                                                             |  |

Pink